

# RANGE HOOD

## USER'S MANUAL

**PHILCO**



*Famous for Quality the World Over*

**PEC 605**

**Dear customer,**

**Thank you for buying a PHILCO brand product. So that your appliance serves you well, please read all the instructions in this user's manual.**

# CONTENTS

<b>PART 1: IMPORTANT SAFETY INSTRUCTIONS</b> .....	<b>2</b>
<b>PART 2: DESCRIPTION OF THE APPLIANCE</b> .....	<b>4</b>
<b>PART 3: INSTALLATION</b> .....	<b>5</b>
Unpacking.....	5
Dimensions of the appliance .....	5
Placement .....	6
Installation .....	7
Exhaust connection.....	8
Carbon filter.....	9
Ventilation.....	10
<b>PART 4: OPERATION</b> .....	<b>11</b>
Operating tips.....	11
<b>PART 5: MAINTENANCE AND CLEANING</b> .....	<b>12</b>
Changing a light bulb.....	12
Cleaning.....	12
<b>PART 6: BEFORE YOU CALL THE SERVICE CENTRE</b> .....	<b>14</b>
<b>PART 7: TECHNICAL SPECIFICATIONS</b> .....	<b>15</b>

# PART 1: IMPORTANT SAFETY INSTRUCTIONS

## **Recommendation:**

Carefully read these instructions before installing and operating this range hood.

Write down the serial number found on the rating label of the range hood in the space below. It is essential that you store this user's manual in a safe place so that you can use it in the future. If you intend to sell the appliance, give it to another owner, or if you move, always make sure that the user's manual is attached to the appliance, so that the new owner can also learn about the operation of the appliance and the relevant warnings.

## **SERIAL NUMBER:**

## **Important safety instructions**

- This appliance is designed for household use only.
- Before connecting the power cord plug, make sure the voltage stated on the rating label of the appliance corresponds to the voltage in your wall socket. Connect the power cord plug to a power socket with a voltage of 220 – 240 V ~ 50 Hz.
- Only use a properly grounded power socket. The appliance may only be connected to a properly grounded power socket.
- All electrical connections must be performed by a qualified electrician.
- Installation performed by an unqualified person may cause incorrect operation, damage to the appliance, create a fire hazard or cause injury to persons.
- Neither the manufacturer nor the vendor take responsibility for damages caused by incorrect or unprofessional installation, connection or operation. Tampering with the appliance by an unqualified person will void the customer's right to a warranty repair.
- Do not expose the power cord to excessive pressure or loads, do not place heavy objects on it, it must not be tangled and it must not be stepped on. Do not locate the power cord in or on heat sources such as stoves, heating or other generators of heat. Otherwise this may damage the power cord or create a fire hazard.
- Only connect the power cord plug to a power socket after the entire installation is completed.
- The power plug serves as a disconnection device and for this reason the power socket must remain easily accessible for the event of a dangerous situation, unless it is connected into a terminal box.
- Do not touch the lights if the appliance has been running for some time. Lights heat up during operation and may cause burns.
- This appliance is designed for fume extraction during standard domestic use. Do not use the appliance for purposes other than those for which it was designed. Otherwise you expose yourself to the risk of a dangerous situation and voiding the warranty.
- Follow the instructions for installation and ventilation (with the exception of when a fire stove is used).
- Do not use the flambé cooking method under the range hood.
- Regularly replace the filters in the range hood. Otherwise this presents a fire hazard.
- Only use filters suitable for use with the range hood. The manufacturer or distributor will recommend the suitable filter type.
- Do not use the appliance without the aluminium filter inserted. Do not take out the filters while the appliance is on.
- Regularly clean the appliance to prevent a dangerous situation from occurring.
- Before cleaning, replacing filters, moving or any other maintenance, turn off the appliance and pull out the power plug from the power socket, or turn off the respective circuit breaker.
- If you are using another gas or natural gas appliance in the room at the same time, the fumes from this appliance must be spatially isolated.

- If a chimney is connected to the exhaust of the range hood, use pipes with a diameter of 150 or 120 mm. The pipe connection should be as short as possible.
- Keep packaging materials out of children's reach. They could suffer injury or suffocation.
- Children must be supervised to ensure that they do not play with the appliance. If the power cord is damaged stop using the appliance. Have the power cord replaced at an authorised service centre or by another qualified person. Under no circumstances should you replace the power cord yourself.

**To ensure safety, use a fuse with a maximum rating of 6 A.**



**WARNING!**

***This appliance must not be used by persons (including children) with physical or mental impairments or by inexperienced persons, unless properly trained or schooled in the safe use of the appliance, or unless they have been properly supervised by a qualified person who will be responsible for their safety.***

## **Attention when transporting or carrying**

The packaging materials are from recyclable materials, so dispose of them in an environmentally conscientious manner according to regulations in force.

During transport adhere to the symbols of the cardboard box.

When carrying the appliance, hold it by the respective handles.

**NOTE:**

***We recommend that you keep the original packaging at least for the duration of the warranty period for the event of repair or refund and transport to the authorised service centre. Adhere to the symbols on the cardboard box.***

***If you do not have the original cardboard box, adhere to the following instructions:***

- a) Do not place any items on the appliance that could damage the appliance during transport.***
- b) Protect the appliance against impacts, falls, etc.***
- c) Wrap the appliance, e.g. in bubble wrap which will protect the appliance from damage.***

**NOTE:**

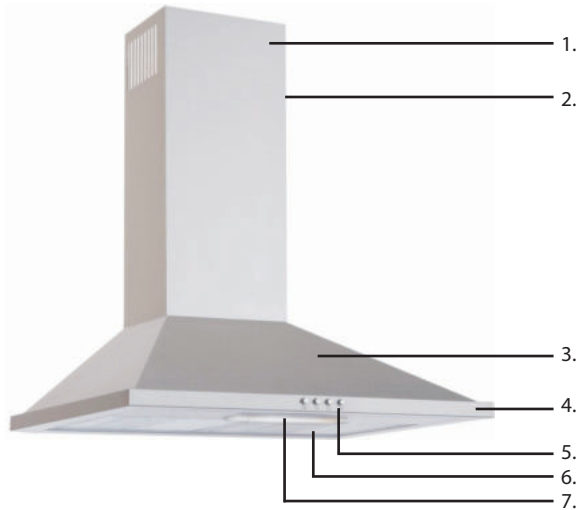
***The carbon filter is not included.***

**NOTE:**

***If the building is equipped with a heat recovery system system, it is necessary to setup the appliance for internal air circulation (without an exhaust). In that case, it is necessary to purchase the carbon filter.***

## PART 2: DESCRIPTION OF THE APPLIANCE

1. Internal chimney
2. Outer chimney
3. Frame
4. Front panel
5. Control panel
6. Aluminium filter
7. Lighting



## PART 3: INSTALLATION

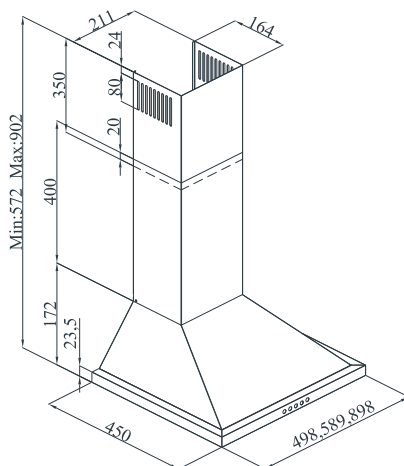
### Unpacking

- After unpacking remove all packaging and advertising labels from the appliance.
- Check that the appliance has not been damaged and that the package includes all the items described in this user's manual.
- If the appliance was damaged during transport, contact authorised service centre.
- Do not use a damaged appliance under any circumstances.

**IMPORTANT:**

**Ensure that children do not play with the packaging material.**

### Dimensions of the appliance



### Supplied accessories (depending on the model)

A non-return exhaust flap must be installed into the air outlet of the range hood (unless one is already factory installed). It is an extra accessory, not included in a standard packaging.

**IMPORTANT:**

**Before installing or using the appliance, please first read all instructions and check that the voltage and frequency values on the rating label correspond to the voltage and frequency in your electricity grid.**

We recommend that the appliance be connected by a service technician or another qualified person in compliance with local codes and regulations.

## Before starting the installation

- Check that the purchased appliance has the correct dimensions corresponding to the chosen installation location. Furthermore ensure that there is an electrical power socket available that will remain accessible even after the range hood is installed.
- Before installing the range hood, check that all necessary masonry work is complete.
- Have all electrical connections performed by a qualified person.
- We recommend that you remove the aluminium filters before installing the range hood.
- Check that there are no packaging materials or other materials, e.g. user's manual, warranty card or bags with screws, inside the appliance. These need to be taken out and kept for possible use in the future.
- We recommend that you disconnect and move to the side freely standing or built in stoves so that you have easier access to the rear wall or ceiling. If this is not possible place protective material on to the work area, cooktop or stove. This will prevent damaging these surfaces.
- Select an even surface for the necessary assembly of the range hood. Cover the surface with a protective material and place all parts of the range hood and fastening elements on to it.
- It is necessary that a qualified technician inspects the suitability of the supplied fastening material and other components for the specific wall / ceiling type. The wall / ceiling must be sufficiently strong to hold the weight of the range hood.
- Do not attach this range hood to a wall or cabinet furniture by tiling, plastering and do not glue it on using silicone glue. The appliance is designed to only be installed on a wall / ceiling.
- We recommend that always two people perform the installation of the appliance.

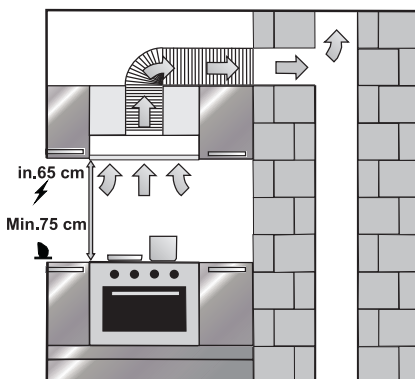
If your range hood is designed to be mounted to the ceiling, adhere to the following instructions.

- 1) The range hood must only be suspended on ceiling beams or on load bearing ceiling beam connections.
- 2) **Do not suspend** the range hood on false ceilings.
- 3) The ceiling **must** have a load bearing capacity of at least 40 kg.
- 4) The ceiling thickness **must** be at least 30 mm.

### **IMPORTANT:**

**THE RANGE HOOD MAY ONLY BE CONNECTED TO THE ELECTRICAL GRID AFTER THE ENTIRE INSTALLATION IS COMPLETE.**

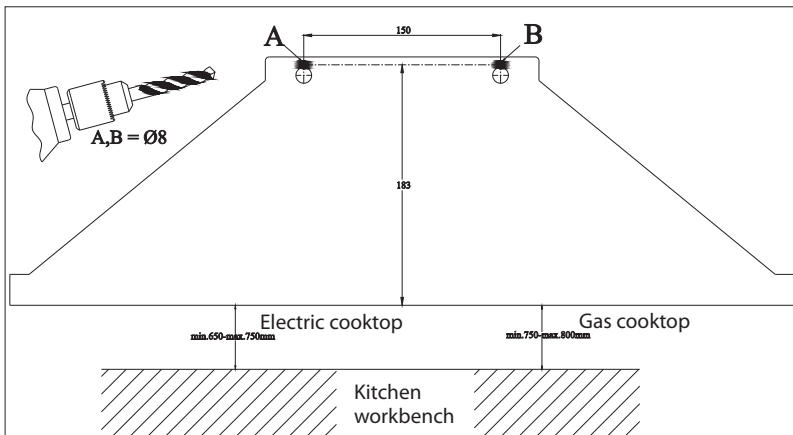
## Placement



Install the range hood at a height of at least 65 cm above an electric cooktop or at a height of 75 cm above a gas cooktop.



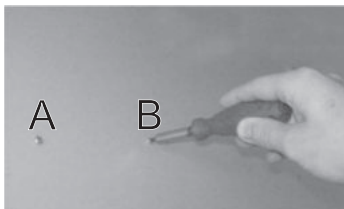
# Installation



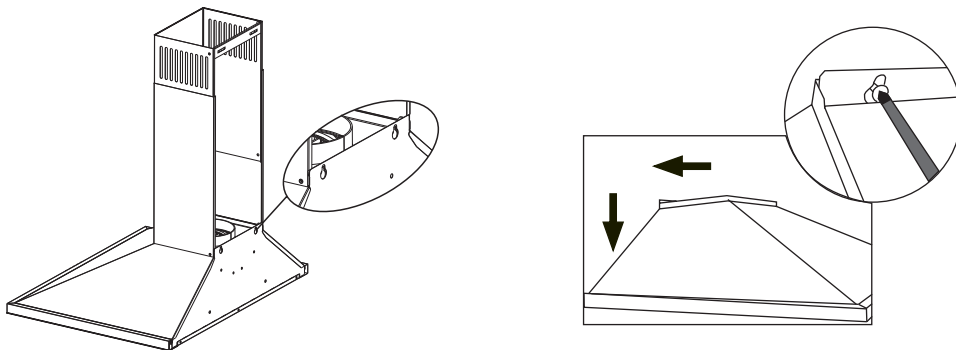
1. According to the model, mark out the drill hole points A, B, C, D in the location where you wish to install the range hood. Use 8mm drill bits to drill holes in points A, B, C, D. Use a drill with a 4mm drill bit to mount the bottom part of the duct respecting the maximum / minimum height dimensions.
2. Insert  $\varnothing 10$  mm dowels into the drilled holes A, B, C, D and secure firmly. You can also use a hammer. Check that the dowels are inserted correctly, that they are not moving in any way and that they cannot be pulled out.



Then insert 2 x 6mm  $\varnothing 4$  mm bolts into holes A, B with the installed dowels. Do not tighten fully.



3. Place the range hood frame on to bolts A and B and pull tight – see illustrations below.



## Exhaust connection

**NOTE:**

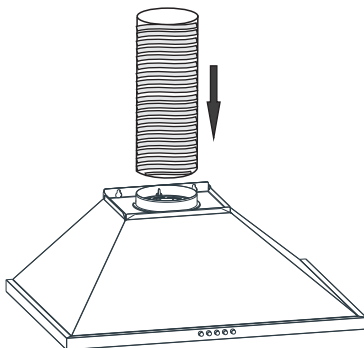
*This range hood may be used with or without an exhaust option. Nonetheless it is recommended to install it with the exhaust option. It is not included in a standard packaging, it is necessary to buy. The carbon filter is not included.*



**WARNING!**

*The air outlet must not be connected to the chimney of a fire stove or another similar outlet used for heating.*

1. Attach one end of the aluminium flue pipe to the range hood flange and the other end to the air outlet. Check that both ends are firmly attached and secured in place.



2. Bends and deviations in the aluminium flue pipe reduce the exhaust performance, so it is essential that the pipe is bent as little as possible.



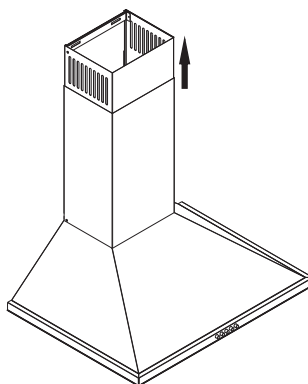
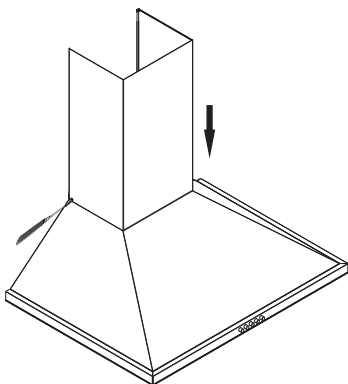
Right



Wrong

## Completing the installation

1. Insert 2 x 6mm Ø 4 mm bolts into holes C, D with the installed dowels. Do not tighten fully.
2. Place the internal and outer part of the chimney on the bolts in holes C, D according to the illustrations below and tighten these bolts. Then use the 3.9 x 9.5 bolts to secure the chimney to the frame of the range hood.



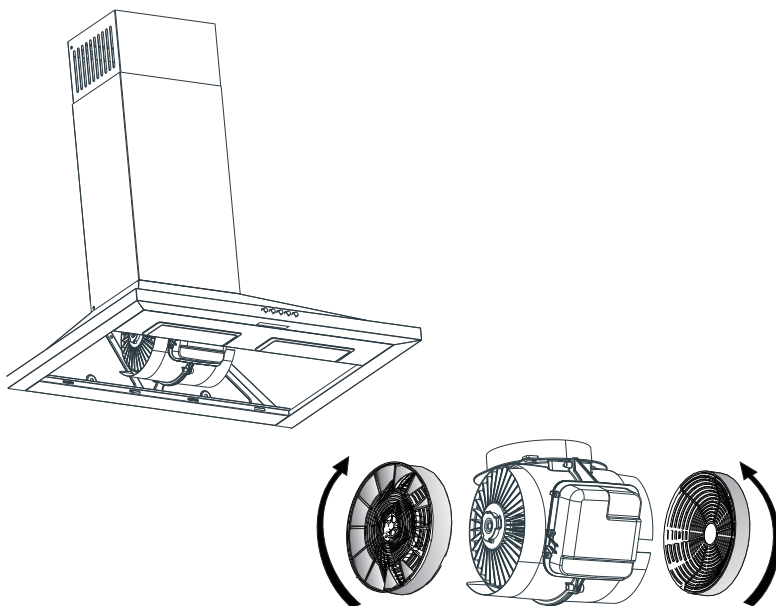
## Carbon filter

If you are using the range hood without an air exhaust, it is necessary to use a carbon filter. The carbon filter is not included. Contact your vendor or an authorised service centre to purchase this filter.

- Before installing or replacing the carbon filter, check that the appliance is turned off and disconnected from the power socket or that the respective circuit breaker is turned off.
- It is necessary to replace the carbon filter regularly every 3 – 5 months depending on how much the appliance is used.
- Never wash the carbon filter in water unless the manufacturer states otherwise.
- Aluminium filters must always be installed even when the carbon filter is not installed. Do not use the appliance without the aluminium filter installed.

## Replacing the carbon filter

1. For the correct operation of the appliance it is necessary to install a carbon filter. The number and type depends on the model.
2. Place the carbon filter on the motor outlets and turn it in the clockwise direction.
3. To remove the carbon filter turn it in the anticlockwise direction.



## Ventilation

To ensure proper ventilation, leave windows closed while the appliance is turned on.



### **WARNING!**

***Pay increased attention if you are using the appliance together with another appliance that uses air or fuel for its operation (e.g. heating fan, fan, etc.) or that uses gas, coal or wood, as its operation may negatively affect the performance of the range hood because it expels air out of the room. This warning does not apply if you installed the appliance without an exhaust out of the room.***

## PART 4: OPERATION

Remove the protective foil from the control panel.

### Exhaust power selection

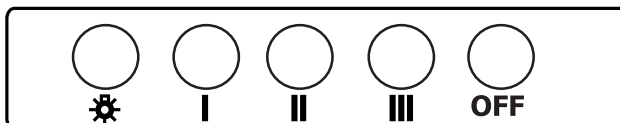
This range hood is equipped with 3 levels of exhaust power. Select the power level based on the use of the stove and the amount steam that the pots emit.

Press the respective button on the control panel.

I – lowest exhaust power

II – medium exhaust power

III – highest exhaust power



#### NOTE:

*Use the range hood together with the stove. This will ensure the correct air exhaust. We recommend to leave the range hood running a few minutes longer than the stove to ensure that all odours are extracted.*

### Lighting

The range hood is equipped with lighting. Press the button with the light symbol to turn on the lights. Press the button again to turn the lights off.

### Turning off the range hood

Press the OFF button to turn off the range hood.

## Operating tips

1. Regularly clean the aluminium filters and regularly replace the carbon and fat filters.
2. Use the medium exhaust power level. Only use the highest power level when necessary.
3. To ensure proper ventilation, leave windows closed while the appliance is turned on.

## PART 5: MAINTENANCE AND CLEANING

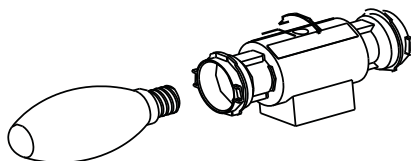


### **WARNING!**

*Before cleaning, regular or other maintenance, installation or removal, check that the appliance is turned off and disconnected from the power socket or that the respective circuit breaker is turned off.*

### Changing a light bulb

- Turn off the appliance.
- Take out the aluminium filter.
- If the light bulb broke during operation wait until it cools down.
- Unscrew the broken light bulb. Install a new one with the same parameters.

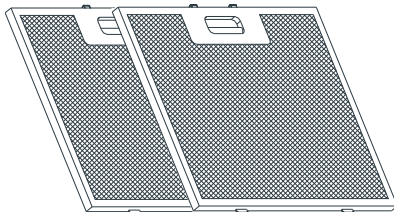


### Cleaning

- Aluminium filters capture dust and fat from the extracted air.
- It is necessary to regularly wash these filters, ideally once a month, depending on the level of use. Wash the filters in water with dishwashing detergent, or you may place the filters in a dishwasher and wash them using a gentle program (max. 60°C).
- Take out the aluminium filters by pressing the clip.
- After cleaning allow the aluminium filters to dry thoroughly before reinstalling them.
- Wipe the outer surface of the range hood with a clean damp wiping cloth lightly dipped in water with a small amount of dishwashing detergent. Then wipe dry.
- Avoid electrical parts coming into contact with water or another liquid.
- For cleaning you can also use special agents for the maintenance and cleaning of INOX surfaces (applies only for models with an INOX surface treatment).

### **Cleaning the aluminium filters**

The aluminium filters must be cleaned regularly. Clean the filters according to the instructions above.



**WARNING!**

*For cleaning do not use petrol, benzene, thinners or any other solvents, coarse cleaning agents, steel wool or any sponges with steel wool.*



**WARNING!**

*You may put the aluminium filters in a dishwasher. The colour of the aluminium filters may change after several washes. This is a normal event.*

## PART 6: BEFORE YOU CALL THE SERVICE CENTRE

If the appliance is not working as it should check the following recommendations for resolving the most common problems.

If the problem persists or it is not included in the table below, turn off the appliance and disconnect it from the power socket and contact an authorised service centre.

Problem	Solution
The range hood is not working.	Check that the power plug is properly inserted in a properly grounded power socket with the parameters 220 – 240 V ~ 50 Hz.
	Check that the motor power switch is in the "On" position.
The lights are not working.	Check that the power plug is properly inserted in a properly grounded power socket with the parameters 220 – 240 V ~ 50 Hz.
	Check that the motor power switch is in the "On" position.
	Check whether the light bulb or fluorescent tube is broken.
Exhaust power is weak.	Check whether the aluminium filters are dirty.
	Check the air outlet, it should be open.
	Check whether the carbon filter is not too dirty.
The range hood does not extract the air directly out (for models without an exhaust).	Check whether the aluminium filters are dirty.
	Check whether the carbon filter is not too dirty.

### Attention:

Use the range hood together with the stove. This will ensure the correct air exhaust. We recommend to leave the range hood running a few minutes longer than the stove to ensure that all odours are extracted.



# PART 7: TECHNICAL SPECIFICATIONS

Directive / Nařízení / Nariadenie EU 65/2014 – EN61591, EN60704-2-13, EN50554	
Brand / Značka / Značka	Philco
Model	PEC 605
Annual Energy Consumption / Roční spotřeba energie / Ročná spotreba energie (AEC)(kWh/a)	<b>80</b>
Energy Efficiency Class / Třída energetické účinnosti / Trieda energetickej účinnosti (EEI)	<b>D</b>
Fluid Dynamic Efficiency / Účinnost proudění tekutin / Účinnosť prúdenia tekutín (FDE)	<b>5,4</b>
Fluid Dynamic Efficiency class / Třída účinnosti proudění tekutin / Trieda účinnosti prúdenia tekutín (FDE) (Indice)	<b>F</b>
Light Efficiency / Účinnost osvětlení / Účinnosť osvetlenia (LE)	<b>1</b>
Lighting Efficiency Class / Třída účinnosti osvětlení / Trieda účinnosti osvetlenia (LE)(indice)	<b>G</b>
Grease Filtering Efficiency / Účinnost filtrace tuků / Účinnosť filtrácie tukov (GFE)	<b>70,0</b>
Grease Filtering Efficiency Class / Třída účinnosti filtrace tuků / Trieda účinnosti filtrácie tukov (GFE)(indice)	<b>D</b>
Minimum Air Flow in Normal Use / Min. průtok vzduchu při běžném používání / Min. prietok vzduchu pri bežnom používaní MIN (m³/h)	<b>206</b>
Maximum Air Flow in Normal Use (intensive / boost excluded) / Max. průtok vzduchu při běžném používání vč. intenzivního režimu / Max. prietok vzduchu pri bežnom používaní vr. intenzívneho režimu MAX (m³/h)	<b>300</b>
Air Flow at Intensive/Boost Setting / Průtok vzduchu v zesíleném/intenzivním režimu / Prietok vzduchu v zesílenom/intenzívnom režime (m³/h)	-
Sound Power Level at Minimum Speed Available in Normal Use / Min. vzduchem šířené akustické emise při běžném používání / Min. vzduchom šířené akustické emise pri bežnom používaní MIN (LWA)(dB)	<b>55</b>
Sound Power Level at Maximum Speed Available in Normal Use / Max. vzduchem šířené akustické emise při běžném používání / Max. vzduchom šířené akustické emise pri bežnom používaní MAX (LWA)(dB)	<b>62</b>
Sound Power Level at Intensive/Boost Setting /Vzduchem šířené emise v zesíleném/intenzivním režimu / Vzduchom šířené emise v zosílenom/intenzívnom režime (LWA)(dB)	-
Power Consumption Off Mode / Spotřeba ve vypnutém stavu / Spotreba vo vypnutom stave (Po)(W)	<b>0,00</b>
Power Consumption in Standby Mode / Spotřeba v pohotovostním stavu / Spotreba v pohotovostnom stave (Ps)(W)	-
Product Information compliant to commission regulation (EU) No / Informačný list podle nařízení (EU) číslo / Informačný list podľa nariadenia (EU) číslo 66/2014	
Time increase factor / Koeficient zvýšení času / Koeficient zvýšenia času (f)	<b>1,8</b>
Energy Efficiency / Energetická účinnost / Energetická účinnosť (EELhood)	<b>99,6</b>
Measured air flow rate at best efficiency point / Průtok v bodě nejvyšší účinnosti / Prietok v bode najvyššej účinnosti (QBEP)(m³/h)	<b>148,0</b>
Measured air pressure at best efficiency point / Tlak v bodě nejvyšší účinnosti / Tlak v bode najvyššej účinnosti (PBEP)(Pa)	<b>120</b>
Measured electric power input at best efficiency point / Elektrický příkon v bodě nejvyšší účinnosti / Elektrický příkon v bode najvyššej účinnosti (WBEP)(W)	<b>91,0</b>
Nominal power of the lighting system / Jmenovitý příkon světlovacího systému / Menovitý příkon osvetľovacieho systému (WL)(W)	<b>28,0</b>
Average illumination of the lighting system on the cooking surface / Průměrné osvětlení varného povrchu osvětlovacím systémem / Priemerné osvetlenie varného povrchu osvetľovacím systéмом (Emiddle)(lux)	<b>41</b>

**NOTE: All the here mentioned data is subject to change.**

## INSTRUCTIONS AND INFORMATION REGARDING THE DISPOSAL OF USED PACKAGING MATERIALS

Dispose of packaging material at a public waste disposal site.

### DISPOSAL OF USED ELECTRICAL AND ELECTRONIC APPLIANCES



The meaning of the symbol on the product, its accessory or packaging indicates that this product shall not be treated as household waste. Please, dispose of this product at your applicable collection point for the recycling of electrical & electronic equipment waste. Alternatively in some states of the European Union or other European states you may return your products to your local retailer when buying an equivalent new product. The correct disposal of this product will help save valuable natural resources and help in preventing the potential negative impact on the environment and human health, which could be caused as a result of improper liquidation of waste. Please ask your local authorities or the nearest waste collection centre for further details. The improper disposal of this type of waste may fall subject to national regulations for fines.

#### **For business entities in the European Union**

If you wish to dispose of an electrical or electronic device, request the necessary information from your seller or supplier.

#### **Disposal in other countries outside the European Union**

If you wish to dispose of this product, request the necessary information about the correct disposal method from local government departments or from your seller.



This product meets all the basic EU regulation requirements that relate to it.

Changes to the text, design and technical specifications may occur without prior notice and we reserve the right to make these changes.

# ODSAVAČ PAR

## NÁVOD K OBSLUZE

**PHILCO**



*Famous for Quality the World Over*

**PEC 605**

**Vážený zákazníku**

**Děkujeme, že jste zakoupil výrobek značky PHILCO. Aby váš spotřebič sloužil co nejlépe, přečtěte si všechny pokyny v tomto návodu.**

# OBSAH

<b>ČÁST 1: DŮLEŽITÁ BEZPEČNOSTNÍ OPATŘENÍ</b> .....	<b>2</b>
<b>ČÁST 2: POPIS PŘÍSTROJE</b> .....	<b>4</b>
<b>ČÁST 3: INSTALACE</b> .....	<b>5</b>
Rozbalení .....	5
Rozměry výrobků .....	5
Umístění.....	6
Instalace.....	7
Připojení odsávání .....	8
Uhlíkový filtr .....	9
Ventilace .....	10
<b>ČÁST 4: POUŽITÍ</b> .....	<b>11</b>
Tipy na použití .....	11
<b>ČÁST 5: ÚDRŽBA A ČIŠTĚNÍ</b> .....	<b>12</b>
Výměna světla .....	12
Čištění.....	12
<b>ČÁST 6: PŘETÍM NEŽ ZAVOLÁTE DO SERVISU</b> .....	<b>14</b>
<b>ČÁST 7: TECHNICKÉ SPECIFIKACE</b> .....	<b>15</b>

# ČÁST 1: DŮLEŽITÁ BEZPEČNOSTNÍ OPATŘENÍ

## Doporučení:

Před instalací a ovládáním tohoto odsavače par si pečlivě přečtěte tyto instrukce.

Níže si zapíšete sériové číslo, které naleznete na typovém štítku odsavače par. Je nezbytně nutné, abyste si tento návod k obsluze uchovali, abyste ho mohli použít v budoucnu. Chcete-li spotřebič prodat, předat dalšímu majiteli, nebo když se budete stěhovat, vždy se přesvědčte, že je ke spotřebiči přiložen tento návod k obsluze, aby se mohl i nový vlastník seznámit s používáním spotřebiče a příslušným varováním.

## SÉRIOVÉ ČÍSLO:

## Důležité bezpečnostní instrukce

- Tento spotřebič je určen pouze pro použití v domácnosti.
- Před zapojením vidlice přívodního kabelu se ujistěte, že napětí uvedené na typovém štítku přístroje odpovídá napětí ve vaší síťové zásuvce. Vidlici přívodního kabelu zapojte do síťové zásuvky s napětím 220 – 240 V ~ 50 Hz.
- Použijte pouze řádně uzemněnou zásuvku. Spotřebič může být zapojen pouze do řádně uzemněné zásuvky.
- Veškeré elektrické zapojení musí být provedeny kvalifikovaným elektrikářem.
- Instalace provedená nekvalifikovanou osobou může způsobit nesprávnou funkčnost, poškození spotřebiče, vznik požáru nebo zranění osob.
- Výrobce ani jeho distributor nejsou odpovědní za způsobené škody vzniklé nesprávnou nebo neodbornou instalací, zapojením nebo ovládáním. Zásahem nekvalifikované osoby do spotřebiče se spotřebitel zříká nároku na záruční opravu.
- Přívodní kabel nevystavujte nadměrnému tlaku nebo zátěži, nepokládejte na něj těžké předměty, nesmí být zamotan ani se po něm nesmí šlapat. Neumísťujte přívodní kabel do nebo na zdroje tepla, jako jsou sporáky, topení nebo jiné generátory tepla. V opačném případě může dojít k poškození přívodní kabelu nebo vzniku požáru.
- Vidlici přívodního kabelu zapojujte do síťové zásuvky, až pokud je instalace zcela dokončena.
- Zástrčka přívodního kabelu slouží jako odpojovací zařízení a z tohoto důvodu musí zůstat síťová zásuvka snadno přístupná v případě nebezpečí, pokud se nejedná o zapnutí do svorkovnice.
- Nedotýkejte se osvětlení, pokud je spotřebič dlouho v provozu. Osvětlení se používáním zahřívá a může dojít k popálení.
- Tento spotřebič je určen pro odsávání par v běžném domácím použití. Nepoužívejte spotřebič k jiným účelům, než ke kterým je určen. V opačném případě se vystavujete riziku vzniku nebezpečné situace i ztráty záručního plnění.
- Dodržujte instrukce o instalaci a odvětrávání (s výjimkou použití krbu).
- Neprovádějte flambování pod odsavačem par.
- Pravidelně vyměňujte filtry v odsavači par. V opačném případě hrozí riziko požáru.
- Používejte pouze filtry vhodné do odsavače par. Typ vám doporučí výrobce nebo jeho distributor.
- Nepoužívejte spotřebič bez vloženého hliníkového filtru. Nevyjímejte filtry, pokud je spotřebič zapnut.
- Pravidelně čistěte spotřebič, abyste zabránili vzniku nebezpečné situace.
- Před čištěním, výměnou filtru, přemístěním nebo jinou údržbou, vypněte spotřebič a vytáhněte vidlici přívodního kabelu ze síťové zásuvky, nebo vypněte příslušný jistič.
- Pokud ve stejné místnosti používáte současně jiný spotřebič na plyn nebo zemní plyn, výpary tohoto spotřebiče musí být prostorově izolovány.

- Pokud je komín spojen s odtahem odsavače par, použijte potrubí o průměru 150 nebo 120 mm. Spojení potrubí by mělo být co nejkratší.
- Udržujte obalové materiály mimo dosah dětí. Mohlo by dojít k jejich poranění nebo udušení.
- Děti by měly být pod dozorem, aby se zajistilo, že si se spotřebičem nebudou hrát. Pokud je přívodní kabel poškozen, přestaňte spotřebič používat. Nechte kabel vyměnit v autorizovaném servisu nebo jinou kvalifikovanou osobou. V žádném případě nevyměňujte přívodní kabel sami.

**Pro zajištění bezpečnosti používejte pojistku max. 6 A.**



**VAROVÁNÍ!**

*Tento spotřebič není určen pro osoby (včetně dětí) se sníženou fyzickou, smyslovou nebo mentální schopností nebo osoby s omezenými zkušenostmi a znalostmi, pokud nad nimi není veden odborný dohled nebo podány instrukce zahrnující použití tohoto přístroj osobou odpovědnou za jejich bezpečnost.*

## Upozornění při převozu a přenosu

Obalové materiály jsou použity z recyklovaných materiálů, proto je zlikvidujte s ohledem na životní prostředí podle platných předpisů.

Během převozu dodržujte symboly na přepravní krabici.

Při přenosu spotřebiče jej uchopte za příslušná madla.

**POZNÁMKA:**

*Doporučujeme uchovat originální obal alespoň po dobu záruční doby v případě nutnosti reklamace a převozu do autorizovaného servisního střediska. Dodržujte symboly na přepravní krabici.*

*Pokud nemáte originální přepravní krabici, dodržujte následující instrukce:*

- Nepokládejte na spotřebič žádné těžké předměty, které by mohl spotřebič během přepravy poškodit.*
- Chraňte spotřebič před nárazy, pády apod.*
- Zabalte spotřebič např. do bublinkové fólie, která zabrání poškození spotřebiče.*

**POZNÁMKA:**

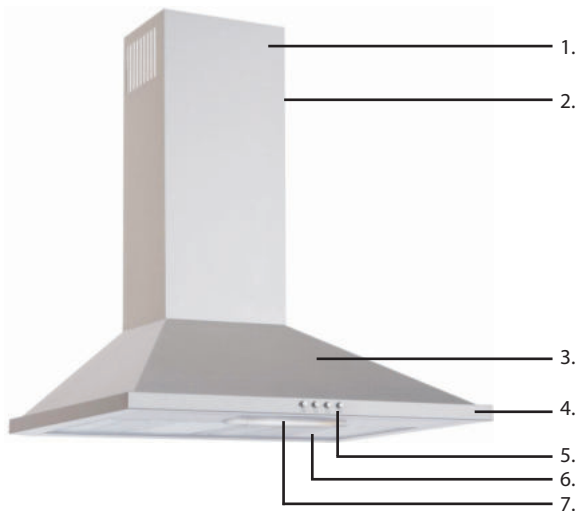
*Uhlíkový filtr není součástí balení.*

**POZNÁMKA:**

*Pokud je stavba vybavena systémem rekuperace, je třeba, aby byl spotřebič nastaven na vnitřní cirkulaci vzduchu (bez zajištění odsávání). V takovém případě je třeba dokoupit uhlíkový filtr.*

## ČÁST 2: POPIS PŘÍSTROJE

1. Vnitřní komín
2. Vnější komín
3. Rám
4. Přední panel
5. Ovládací panel
6. Hliníkový filtr
7. Osvětlení





## ČÁST 3: INSTALACE

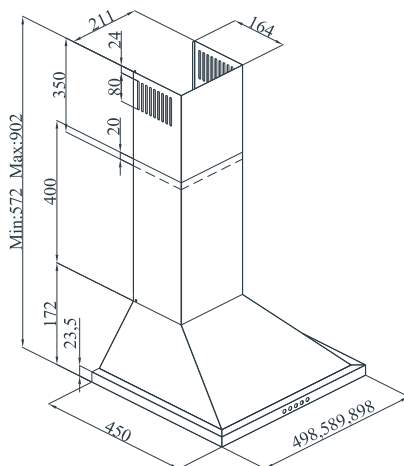
### Rozbalení

- Po rozbalení odstraňte ze spotřebiče všechny obalové a reklamní štítky.
- Zkontrolujte, zda není spotřebič poškozen a zda balení obsahuje všechny náležitosti uvedené v tomto návodu.
- Pokud byl spotřebič poškozen během přepravy, kontaktujte autorizované servisní středisko.
- V žádném případě nepoužívejte poškozený spotřebič.

#### **DŮLEŽITÉ:**

**Zajistěte, aby si děti nehrály s obalovým materiálem.**

### Rozměry výrobků



### Dodávané příslušenství (v závislosti na modelu)

Zpětnou klapku odsávání je třeba nainstalovat do vzduchového výstupu odsavače par (pokud není již instalován z výroby). Není součástí balení, nutno dokoupit.

#### **DŮLEŽITÉ:**

**Před instalací a používáním spotřebiče si nejprve přečtete všechna pokyny a ujistěte se, že hodnoty napětí a frekvence, uvedené na typovém štítku, jsou shodné s hodnotami napětí a frekvence vaší elektrické sítě.**

Doporučujeme, aby spotřebič připojil servisní technik nebo jiná kvalifikovaná osoba v souladu s místními předpisy a pokyny.

## Před zahájením instalace

- Zkontrolujte, zda zakoupený výrobek má správné rozměry pro zvolené místo instalace. Navíc si ověřte, zda je k dispozici elektrická zásuvka, která zůstane přístupná i po namontování odsavače.
- Před instalací odsavače par se ujistěte, že byly provedeny všechny potřebné zednické práce.
- Zajistěte, aby byla veškerá elektrická přípojka prováděna kvalifikovanou osobou.
- Před instalací odsavače par doporučujeme vyjmout hliníkové filtry.
- Zkontrolujte, zda se uvnitř výrobku nenachází žádné obalové materiály ani jakékoli jiné materiály, např. návod, záruční list nebo sáčky se šrouby. Tyto je třeba je vyjmout a uschovat pro případné další použití v budoucnu.
- Doporučujeme odpojit a přemístit stranou volně stojící nebo zabudovaný sporáky, abyste získali snadnější přístup k zadní stěně, popř. ke stropu. Pokud toto není možné, umístěte ochranný materiál na pracovní plochu, varnou desku nebo na sporák. Tímto zabráníte poškození těchto ploch.
- Pro potřebné smontování odsavače par si zvolte rovnou plochu. Zakryjte ji ochranným materiálem a položte na ni všechny části odsavače a upevňovací prvky.
- Je třeba, aby kvalifikovaný technik ověřil vhodnost dodávaného spojovacího materiálu a dalších součástek pro konkrétní typ stěny nebo stropu. Stěna a strop musejí být dostatečně pevné, aby udržely hmotnost odsavače.
- Nepřipevňujte tento odsavač par ke stěně nebo skříňkovému nábytku pomocí obkládání, omítání ani jej nepřilepujte silikonovým lepidlem. Spotřebič je navržen pouze pro instalaci na stěnu, popř. na strop.
- Doporučujeme, aby instalaci spotřebiče vždy prováděly dvě osoby.

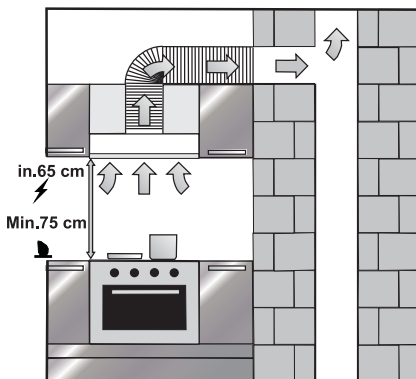
Pokud je váš odsavač par určen k instalaci ke stropu, dodržujte následující pokyn.

- 1) Odsavač par je třeba zavěsit pouze na stropnicích, nebo na zátěžových spojnicích stropnic.
- 2) **Nezavěšujte** odsavač par na stropní podhledy.
- 3) Strop **musí** mít nosnost minimálně 40 kg.
- 4) Tloušťka stropu **musí** být minimálně 30 mm.

### **DŮLEŽITÉ:**

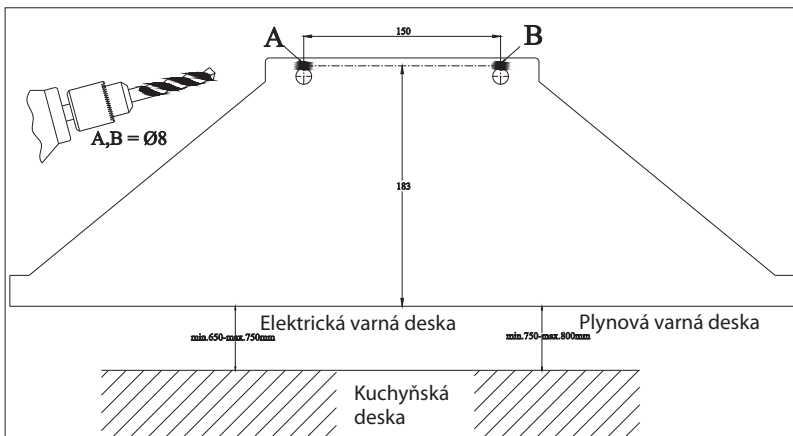
**ODSAVAČ PAR JE MOŽNO PŘIPOJIT K ELEKTRICKÉ SÍTI AŽ PO DOKONČENÍ CELÉ JEHO INSTALACE.**

## Umístění



Odsavač par instalujte do výšky alespoň 65 cm od elektrické varné desky nebo do výšky 75 cm od plynové varné desky.

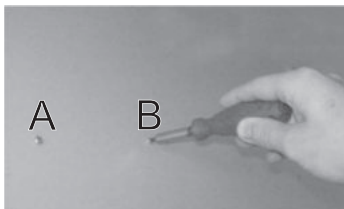
## Instalace



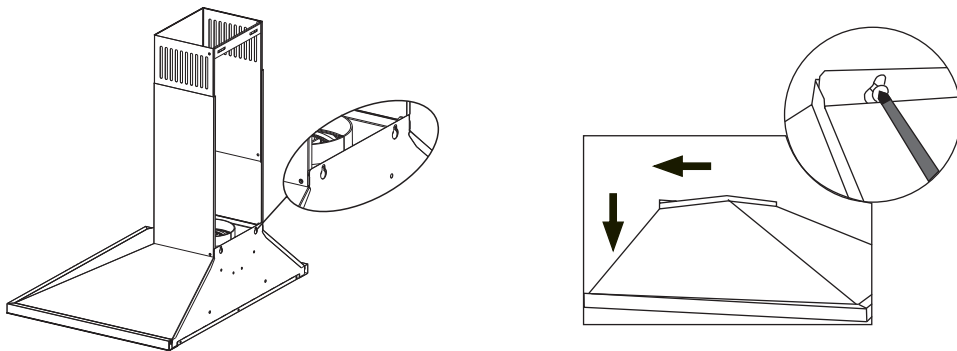
1. Podle předlohy vyznačte body pro vyvrtání děr A, B, C, D na místě, kde chcete odsavač par umístit. Pomocí 8mm vrtáku vyvrtejte díry v bodech A, B, C, D. Použijte vrtačku s 4mm vrtákem pro montáž dolní části komína s odkazem na rozměry maximální / minimální výšky.
2. Do vyvrtaných děr A, B, C, D vložte hmoždinky o  $\varnothing$  10 mm a řádně upevněte. Můžete použít i kladivo. Ujistěte se, že hmoždinky jsou vloženy správně, nijak se nehýbají a není možné je vyndat.



Následně vložte 2 x 6mm šrouby o  $\varnothing$  4 mm do otvorů A, B s instalovanými hmoždinkami. Nedotahujte.



3. Rám odsavače nasadíte na šrouby A a B a dotáhněte – viz obrázky níže.



## Připojení odsávání

### **POZNÁMKA:**

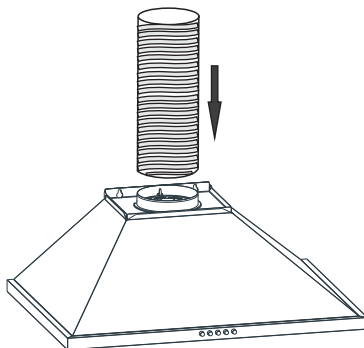
*Tento odsavač par můžete použít s nebo bez zajištění odsávání. Nicméně doporučená instalace je se zajištěním odsávání. Není součástí balení, nutno dokoupit. Uhlíkový filtr není součástí dodávky.*



### **VAROVÁNÍ!**

*Výstup vzduchu nesmí být připojen ke komínu krbu nebo jinému podobnému výstupu používaného k vytápění.*

1. Hliníkovou trubkou nasadíte jedním koncem na koncovku odsávání a druhý konec zapojte do vzduchového odtahu. Zkontrolujte, zda jsou oba konce řádně připevněny a zajištěny.



2. Ohyby a zahnutí hliníkové trubky snižují výkon odsávání, proto je třeba, aby byla hliníková trubka co nejméně ohnuta.



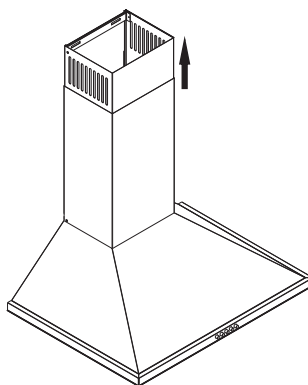
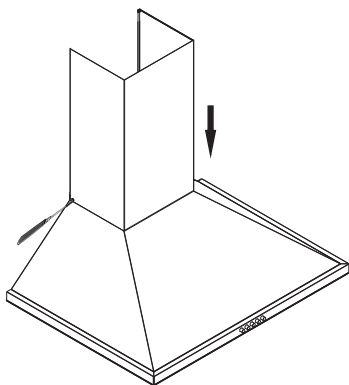
Správně



Špatně

## Dokončení instalace

1. Vložte 2 x 6mm šrouby o  $\varnothing$  4 mm do otvorů C, D s instalovanými hmoždinkami. Nedotahujte.
2. Nasadte vnitřní a vnější část komína na šrouby otvorů C, D podle obrázků níže a tyto šrouby dotáhněte. Dále použijte šrouby 3,9 x 9,5 připevněte komínu k rámu odsavače.



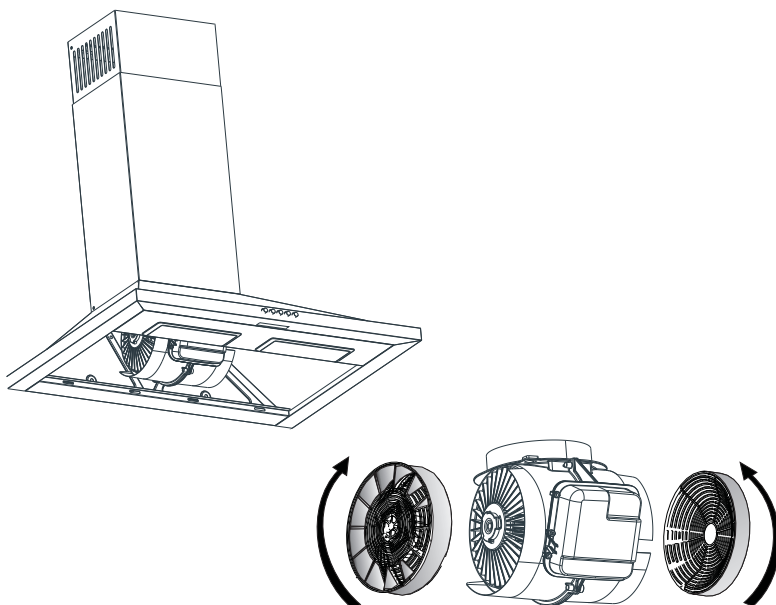
## Uhlíkový filtr

Pokud používáte odsavač par bez zajištěného odsávání, je třeba, abyste použili uhlíkový filtr. Uhlíkový filtr není součástí dodávky. Kontaktujte svého prodejce nebo autorizované servisní středisko k zakoupení takového filtru.

- Před instalací nebo výměnou uhlíkového filtru se ujistěte, že je spotřebič vypnutý a odpojený od síťové zásuvky, nebo vypněte příslušný jistič.
- Uhlíkový filtr je třeba vyměňovat pravidelně každé 3 – 5 měsíců v závislosti na použití spotřebiče.
- Nikdy uhlíkový filtr nemyjte ve vodě, pokud výrobce filtru neurčí jinak.
- Hliníkové filtry musí být vždy instalovány, i když není uhlíkový filtr instalován. Nepoužívejte spotřebič bez hliníkového filtru.

## Výměna uhlíkového filtru

1. Pro správný provoz spotřebiče je třeba instalovat uhlíkový filtr. Počet a typ se liší v závislosti na modelu.
2. Nasadte uhlíkový filtr na výstupy motoru a otočte ve směru hodinových ručiček.
3. Pro vyjmutí uhlíkových filtru jimi otočte proti směru hodinových ručiček.



## Ventilace

Abyste zajistili správnou ventilaci, nechte okna zavřená, pokud je spotřebič zapnutý.



### **VAROVÁNÍ!**

*Dbejte zvýšené opatrnosti, pokud používáte spotřebič současně s jiným spotřebičem, který funguje s použitím vzduchu nebo paliva (např. tepelný ventilátor, větrák apod.), nebo s použitím plynu, uhlí nebo dřeva, jelikož může odsavač par negativně ovlivnit jejich výkon, protože odsává vzduch ven.*

*Toto varování je neplatné, pokud jste instalovali spotřebič bez zajištění odsávání mimo místnost.*

## ČÁST 4: POUŽITÍ

Z ovládacího panelu odstraňte ochrannou fólii.

### Výběr účinnosti odsávání

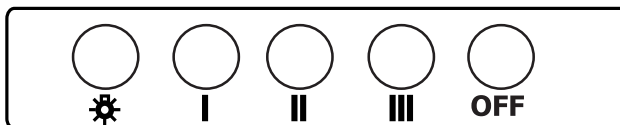
Tento odsavač par je vybaven 3 stupni účinnosti odsávání. Stupeň účinnosti vyberte na základě použití sporáku a úniku páry z hrnců.

Na ovládacím panelu stiskněte příslušné tlačítko.

**I** – nejnižší účinnost odsávání

**II** – střední účinnost odsávání

**III** – nejvyšší účinnost odsávání



### **POZNÁMKA:**

**Používejte odsavač par společně se sporákem. Zajistíte tak správné odsávání vzduchu. Doporučujeme nechat odsavač par o několik minut déle zapnutý než sporák, aby došlo k plnému odsátí všech pachů.**

### Osvětlení

Odsavač par je vybaven osvětlením. Stiskněte tlačítko se symbolem světla jednou, pro zapnutí světla. Pro vypnutí stiskněte toto tlačítko znovu.

### Vypnutí odsavače

Stiskněte tlačítko OFF pro vypnutí odsavače par.

## Tipy na použití

1. Pravidelně čistěte hliníkové filtry a pravidelně vyměňujte uhlíkové i tukové filtry.
2. Používejte prostřední účinnost odsávání. Nejvyšší účinnost používejte, pouze je-li to nutné.
3. Abyste zajistili správnou ventilaci, nechte okna zavřená, pokud je spotřebič zapnutý.

## ČÁST 5: ÚDRŽBA A ČIŠTĚNÍ

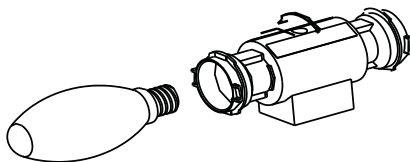


### **VAROVÁNÍ!**

*Před čištěním, pravidelnou a jinou údržbou, montáží a demontáží se ujistěte, že je spotřebič vypnutý a odpojený od síťové zásuvky, nebo vypněte příslušný jistič.*

### Výměna světla

- Vypněte spotřebič.
- Odejměte hliníkový filtr.
- Pokud se žárovka rozbila během provozu, vyčkejte, až zchladne.
- Vyšroubujte rozbítenou žárovku. Nainstalujte novou se stejnými parametry.



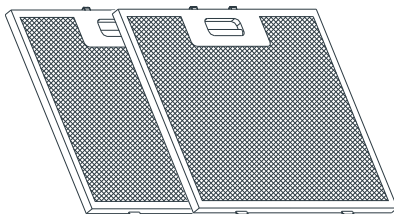
### Čištění

- Hliníkové filtry zachytávají prach a tuk z odsávaného vzduchu.
- Tyto filtry je třeba pravidelně mýt, nejlépe jednou za měsíc, v závislosti na použití. Filtry myjte v teplé vodě s kuchyňským prostředkem na mytí nádobí, popř. můžete vložit filtry do myčky na nádobí a mýt na šetrný program (max. 60°C).
- Hliníkové filtry vyjměte stisknutím západky.
- Po vyčištění nechte hliníkové filtry řádně vyschnout před zpětnou instalací.
- Vnější povrch odsavače otřete čistou a vlhkou utěrkou zlehka namočenou v teplé vodě s trochou kuchyňského prostředku na mytí nádobí. Následně otřete dosucha.
- Vyvarujte se kontaktu elektrických částí s vodou nebo jinou tekutinou.
- K čištění můžete použít i speciální přípravky k údržbě a čištění povrchu INOX (pouze modely s povrchovou úpravou INOX).



## Čištění hliníkových filtrů

Hliníkové filtry je třeba pravidelně čistit. Vyčistěte filtry podle výše uvedených instrukcí.



### **VAROVÁNÍ!**

*K čištění nepoužívejte benzín, benzen, ředidlo ani jiná rozpouštědla; hrubé čisticí prostředky; drátěnky ani houbičky s drátěnkami.*



### **VAROVÁNÍ!**

*Hliníkové filtry můžete vložit do myčky na nádobí. Zbarvení hliníkových filtrů se může po několika mytí změnit. Jedná se o normální jev.*

## ČÁST 6: PŘETÍM NEŽ ZAVOLÁTE DO SERVISU

Pokud spotřebič nefunguje, jak má, zkontrolujte níže uvedená doporučení k řešení nejběžnějších problémů. Pokud problém stále přetrvává nebo není uveden v níže uvedené tabulce, vypněte spotřebič a odpojte ho od síťové zásuvky a kontaktujte autorizované servisní středisko.

Problém	Řešení
Odsavač par nefunguje.	Zkontrolujte, zda je zástrčka řádně zasunuta v řádně uzemněné síťové zásuvce s parametry 220 – 240 V ~ 50 Hz.
	Zkontrolujte vypínač motoru, zda je v pozici „On“.
Osvětlení nefunguje.	Zkontrolujte, zda je zástrčka řádně zasunuta v řádně uzemněné síťové zásuvce s parametry 220 – 240 V ~ 50 Hz.
	Zkontrolujte vypínač motoru, zda je v pozici „On“.
	Zkontrolujte, zda není žárovka nebo zářivka rozbitá.
Odsávání je slabé.	Zkontrolujte, zda nejsou hliníkové filtry špinavé.
	Zkontrolujte výstup vzduchu, měl by být otevřen.
	Zkontrolujte uhlíkový filtr, zda není již příliš zašpiněn.
Odsavač par neodsává vzduch přímo ven (u modelů bez zajištěného odsávání).	Zkontrolujte, zda nejsou hliníkové filtry špinavé.
	Zkontrolujte uhlíkový filtr, zda není již příliš zašpiněn.

### Upozornění:

Používejte odsavač par společně se sporákem. Zajistíte tak správné odsávání vzduchu. Doporučujeme nechat odsavač par o několik minut déle zapnutý než sporák, aby došlo k plnému odsátí všech pachů.

# ČÁST 7: TECHNICKÉ SPECIFIKACE

Directive / Nařízení / Nariadenie EU 65/2014 – EN61591, EN60704-2-13, EN50554	
Brand / Značka / Značka	Philco
Model	PEC 605
Annual Energy Consumption / Roční spotřeba energie / Ročná spotreba energie (AEC)(kWh/a)	<b>80</b>
Energy Efficiency Class / Třída energetické účinnosti / Trieda energetickej účinnosti (EEI)	<b>D</b>
Fluid Dynamic Efficiency / Účinnost proudění tekutin / Účinnosť prúdenia tekutín (FDE)	<b>5,4</b>
Fluid Dynamic Efficiency class / Třída účinnosti proudění tekutin / Trieda účinnosti prúdenia tekutín (FDE) (Index)	<b>F</b>
Light Efficiency / Účinnost osvětlení / Účinnosť osvetlenia (LE)	<b>1</b>
Lighting Efficiency Class / Třída účinnosti osvětlení / Trieda účinnosti osvetlenia (LE)(index)	<b>G</b>
Grease Filtering Efficiency / Účinnost filtrace tuků / Účinnosť filtrácie tukov (GFE)	<b>70,0</b>
Grease Filtering Efficiency Class / Třída účinnosti filtrace tuků / Trieda účinnosti filtrácie tukov (GFE)(index)	<b>D</b>
Minimum Air Flow in Normal Use / Min. průtok vzduchu při běžném používání / Min. prietok vzduchu pri bežnom používaní MIN (m³/h)	<b>206</b>
Maximum Air Flow in Normal Use (intensive / boost excluded) / Max. průtok vzduchu při běžném používání vč. intenzivního režimu / Max. prietok vzduchu pri bežnom používaní vr. intenzívneho režimu MAX (m³/h)	<b>300</b>
Air Flow at Intensive/Boost Setting / Průtok vzduchu v zesíleném/intenzivním režimu / Prietok vzduchu v zesílenom/intenzívnom režime (m³/h)	-
Sound Power Level at Minimum Speed Available in Normal Use / Min. vzduchem šířené akustické emise při běžném používání / Min. vzduchom šířené akustické emise pri bežnom používaní MIN (LWA)(dB)	<b>55</b>
Sound Power Level at Maximum Speed Available in Normal Use / Max. vzduchem šířené akustické emise při běžném používání / Max. vzduchom šířené akustické emise pri bežnom používaní MAX (LWA)(dB)	<b>62</b>
Sound Power Level at Intensive/Boost Setting / Vzduchem šířené emise v zesíleném/intenzivním režimu / Vzduchom šířené emise v zosílenom/intenzívnom režime (LWA)(dB)	-
Power Consumption Off Mode / Spotřeba ve vypnutém stavu / Spotreba vo vypnutom stave (Po)(W)	<b>0,00</b>
Power Consumption in Standby Mode / Spotřeba v pohotovostním stavu / Spotreba v pohotovostnom stave (Ps)(W)	-
Product Information compliant to commission regulation (EU) No / Informační list podle nařízení (EU) číslo / Informačný list podľa nariadenia (EU) číslo 66/2014	
Time increase factor / Koeficient zvýšení času / Koeficient zvýšenia času (f)	<b>1,8</b>
Energy Efficiency / Energetická účinnost / Energetická účinnosť (EELhood)	<b>99,6</b>
Measured air flow rate at best efficiency point / Průtok v bodě nejvyšší účinnosti / Prietok v bode najvyššej účinnosti (QBEP)(m³/h)	<b>148,0</b>
Measured air pressure at best efficiency point / Tlak v bodě nejvyšší účinnosti / Tlak v bode najvyššej účinnosti (PBEP)(Pa)	<b>120</b>
Measured electric power input at best efficiency point / Elektrický příkon v bodě nejvyšší účinnosti / Elektrický príkon v bode najvyššej účinnosti (WBEP)(W)	<b>91,0</b>
Nominal power of the lighting system / Jmenovitý příkon světlovacího systému / Menovitý príkon osvetlovacieho systému (WL)(W)	<b>28,0</b>
Average illumination of the lighting system on the cooking surface / Průměrné osvětlení varného povrchu osvětlovacím systémem / Priemerné osvetlenie varného povrchu osvetlovacím systémom (Emiddle)(lux)	<b>41</b>

**POZNÁMKA: Výše uvedená data podléhají změnám.**

## POKYNY A INFORMACE O NAKLÁDÁNÍ S POUŽITÝM OBALEM

Použitý obalový materiál odložte na místo určené obcí k ukládání odpadu.

### LIKVIDACE POUŽITÝCH ELEKTRICKÝCH A ELEKTRONICKÝCH ZAŘÍZENÍ



Tento symbol na produktech anebo v průvodních dokumentech znamená, že použité elektrické a elektronické výrobky nesmí být přidány do běžného komunálního odpadu. Ke správné likvidaci, obnově a recyklaci předejte tyto výrobky na určená sběrná místa. Alternativně v některých zemích Evropské unie nebo jiných evropských zemích můžete vrátit své výrobky místnímu prodejci při koupi ekvivalentního nového produktu. Správnou likvidací tohoto produktu pomůžete zachovat cenné přírodní zdroje a napomáháte prevenci potenciálních negativních dopadů na životní prostředí a lidské zdraví, což by mohly být důsledky nesprávné likvidace odpadů. Další podrobnosti si vyžádejte od místního úřadu nebo nejbližšího sběrného místa. Při nesprávné likvidaci tohoto druhu odpadu mohou být v souladu s národními předpisy uděleny pokuty.

#### **Pro podnikové subjekty v zemích Evropské unie**

Chcete-li likvidovat elektrická a elektronická zařízení, vyžádejte si potřebné informace od svého prodejce nebo dodavatele.

#### **Likvidace v ostatních zemích mimo Evropskou unii**

Tento symbol je platný v Evropské unii. Chcete-li tento výrobek zlikvidovat, vyžádejte si potřebné informace o správném způsobu likvidace od místních úřadů nebo od svého prodejce.



Tento výrobek je v souladu s požadavky směrnic EU o elektromagnetické kompatibilitě a elektrické bezpečnosti.

Změny v textu, designu a technických specifikacích se mohou měnit bez předchozího upozornění a vyhrazujeme si právo na jejich změnu.

# ODSÁVAČ PÁR

## NÁVOD NA OBSLUHU

**PHILCO**



*Famous for Quality the World Over*

**PEC 605**

**Vážený zákazník**

**Ďakujeme, že ste si kúpili výrobok značky PHILCO. Aby váš spotrebič slúžil čo najlepšie, prečítajte si všetky pokyny v tomto návode.**

# OBSAH

<b>ČASŤ 1: DÔLEŽITÉ BEZPEČNOSTNÉ OPATRENIA .....</b>	<b>2</b>
<b>ČASŤ 2: POPIS PRÍSTROJA .....</b>	<b>4</b>
<b>ČASŤ 3: INŠTALÁCIA .....</b>	<b>5</b>
Rozbalenie .....	5
Rozmery výrobkov .....	5
Umiestnenie .....	6
Inštalácia .....	7
Pripojenie odsávania .....	8
Uhlíkový filter .....	9
Ventilácia .....	10
<b>ČASŤ 4: POUŽITIE .....</b>	<b>11</b>
Tipy na použitie .....	11
<b>ČASŤ 5: ÚDRŽBA A ČISTENIE .....</b>	<b>12</b>
Výmena svetla .....	12
Čistenie .....	12
<b>ČASŤ 6: PRED TÝM, NEŽ ZAVOLÁTE DO SERVISU .....</b>	<b>14</b>
<b>ČASŤ 7: TECHNICKÉ ŠPECIFIKÁCIE .....</b>	<b>15</b>

# ČASŤ 1: DÔLEŽITÉ BEZPEČNOSTNÉ OPATRENIA

## Odporúčania:

Pred inštaláciou a ovládaním tohto odsávača pár si pozorne prečítajte tieto inštrukcie.

Nižšie si zapíšte sériové číslo, ktoré nájdete na typovom štítku odsávača pár. Je nevyhnutné, aby ste si tento návod na obsluhu uchovali, aby ste ho mohli použiť v budúcnosti. Ak chcete spotrebič predať, odovzdať ďalšiemu majiteľovi alebo keď sa budete sťahovať, vždy sa presvedčte, že je k spotrebiču priložený tento návod na obsluhu, aby sa mohol aj nový vlastník oboznámiť s používaním spotrebiča a príslušným varovaním.

## SÉRIOVÉ ČÍSLO:

## Dôležité bezpečnostné inštrukcie

- Tento spotrebič je určený iba na použitie v domácnosti.
- Pred zapojením vidlice prírodného kábla sa uistite, že napätie uvedené na typovom štítku prístroja zodpovedá napätiu vo vašej sieťovej zásuvke. Vidlicu prírodného kábla zapojte do sieťovej zásuvky s napätím 220 – 240 V ~ 50 Hz.
- Použite iba riadne uzemnenú zásuvku. Spotrebič môže byť zapojený iba do riadne uzemnenej zásuvky.
- Všetky elektrické zapojenia musí zaistiť kvalifikovaný elektrikár.
- Inštalácia vykonaná nekvalifikovanou osobou môže spôsobiť nesprávnu funkčnosť, poškodenie spotrebiča, vznik požiaru alebo zranenie osôb.
- Výrobca ani jeho distribútor nie sú zodpovední za spôsobené škody vzniknuté nesprávnou alebo neodbornou inštaláciou, zapojením alebo ovládaním. Zášahom nekvalifikovanej osoby do spotrebiča sa spotrebič zrieka nároku na záručnú opravu.
- Prívodný kábel nevystavujte nadmernému tlaku alebo záťaži, nekladte naň ťažké predmety, nesmie byť zamotaný ani sa po ňom nesmie šliapať. Neumiestňujte prívodný kábel do alebo na zdroje tepla, ako sú sporáky, kúrenie alebo iné generátory tepla. V opačnom prípade môže dôjsť k poškodeniu prívodného kábla alebo vzniku požiaru.
- Vidlicu prírodného kábla zapájajte do sieťovej zásuvky, až keď je inštalácia celkom dokončená.
- Zástrčka prírodného kábla slúži ako odpájacie zariadenie a z tohto dôvodu musí zostať sieťová zásuvka ľahko prístupná v prípade nebezpečenstva, ak nejde o zapnutie do svorkovnice.
- Nedotýkajte sa osvetlenia, ak je spotrebič dlho v prevádzke. Osvetlenie sa používaním zahrieva a môže dôjsť k popáleniu.
- Tento spotrebič je určený na odsávanie pár v bežnom domácom použití. Nepoužívajte spotrebič na iné účely, než na ktoré je určený. V opačnom prípade sa vystavujete riziku vzniku nebezpečnej situácie aj straty záručného plnenia.
- Dodržujte inštrukcie o inštalácii a odvetrávaní (s výnimkou použitia krbu).
- Neflambujte pod odsávačom pár.
- Pravidelne vymieňajte filtre v odsávači pár. V opačnom prípade hrozí riziko požiaru.
- Používajte iba filtre vhodné do odsávača pár. Typ vám odporučí výrobca alebo jeho distribútor.
- Nepoužívajte spotrebič bez vloženého hliníkového filtra. Nevyberajte filtre, ak je spotrebič zapnutý.
- Pravidelne čistite spotrebič, aby ste zabránili vzniku nebezpečnej situácie.
- Pred čistením, výmenou filtra, premiestnením alebo inou údržbou, vypnite spotrebič a vytiahnite vidlicu prírodného kábla zo sieťovej zásuvky alebo vypnite príslušný istič.
- Ak v rovnakej miestnosti používate súčasne iný spotrebič na plyn alebo zemný plyn, výpary tohto spotrebiča musia byť priestorovo izolované.



- Ak je komín spojený s odťahom odsávača pár, použite potrubie s priemerom 150 alebo 120 mm. Spojenie potrubia by malo byť čo najkratšie.
- Udržujte obalové materiály mimo dosahu detí. Mohlo by dôjsť k ich poraneniu alebo uduseniu.
- Deti by mali byť pod dozorom, aby sa zaistilo, že sa so spotrebičom nebudú hrať. Ak je prívodný kábel poškodený, prestaňte spotrebič používať. Nechajte kábel vymeniť v autorizovanom servise alebo inou kvalifikovanou osobou. V žiadnom prípade nevymieňajte prívodný kábel sami.

**Na zaistenie bezpečnosti používajte poistku max. 6 A.**



**VAROVANIE!**

*Tento spotrebič nie je určený pre osoby (vrátane detí) so zníženou fyzickou, zmyslovou alebo mentálnou schopnosťou alebo osoby s obmedzenými skúsenosťami a znalosťami, ak nad nimi nie je vedený odborný dohľad alebo podané inštrukcie zahrňujúce použitie tohto prístroja osobou zodpovednou za ich bezpečnosť.*

## Upozornenie pri prevoze a prenose

Obalové materiály sú použité z recyklovaných materiálov, preto ich zlikvidujte s ohľadom na životné prostredie podľa platných predpisov.

Počas prevozu dodržujte symboly na prepravnej škatuli.

Pri prenose spotrebič uchopte za príslušné držadlá.

**POZNÁMKA:**

*Odporúčame uchovať originálny obal aspoň počas záručnej lehoty v prípade nutnosti reklamácie a prevozu do autorizovaného servisného strediska. Dodržujte symboly na prepravnej škatuli.*

*Ak nemáte originálnu prepravnú škatuľu, dodržujte nasledujúce inštrukcie:*

- a) Nekládte na spotrebič žiadne ťažké predmety, ktoré by mohol spotrebič počas prepravy poškodiť.*
- b) Chráňte spotrebič pred nárazmi, pádmi a pod.*
- c) Zabaľte spotrebič napr. do bublinkovej fólie, ktorá zabráni poškodeniu spotrebiča.*

**POZNÁMKA:**

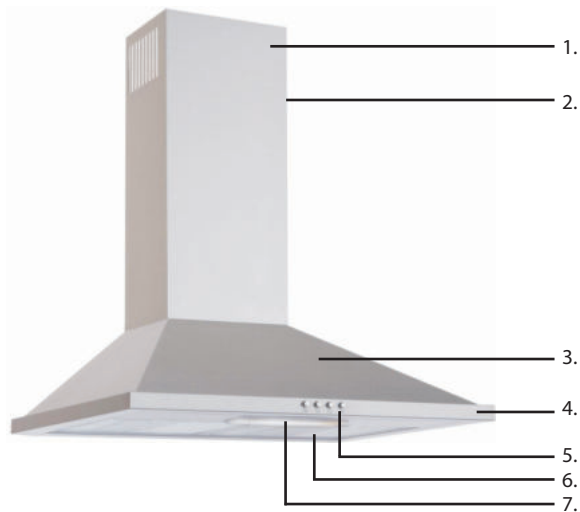
*Uhlíkový filter nie je súčasťou balenia.*

**POZNÁMKA:**

*Ak je stavba vybavená systémom rekuperácie, je potrebné, aby bol spotrebič nastavený na vnútornú cirkuláciu vzduchu (bez zaistenia odsávania). V takom prípade je potrebné dokúpiť uhlíkový filter.*

## ČASŤ 2: POPIS PRÍSTROJA

1. Vnútorý komín
2. Vonkajší komín
3. Rám
4. Predný panel
5. Ovládací panel
6. Hliníkový filter
7. Osvetlenie



## ČASŤ 3: INŠTALÁCIA

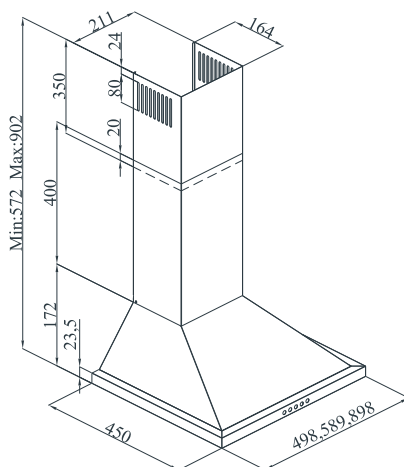
### Rozbalenie

- Po rozbalení odstráňte zo spotrebiča všetky obalové a reklamné štítky.
- Skontrolujte, či nie je spotrebič poškodený a či balenie obsahuje všetky náležitosti uvedené v tomto návode.
- Ak bol spotrebič poškodený počas prepravy, kontaktujte autorizované servisné stredisko.
- V žiadnom prípade nepoužívajte poškodený spotrebič.

#### **DÔLEŽITÉ:**

**Zaistite, aby sa deti nehrali s obalovým materiálom.**

### Rozmery výrobkov



### Dodávané príslušenstvo (v závislosti od modelu)

Spätnú klapku odsávania je potrebné nainštalovať do vzduchového výstupu odsávača pár (ak nie je už inštalovaný z výroby). Nie je súčasťou dodávky, nutno dokúpiť.

#### **DÔLEŽITÉ:**

**Pred inštaláciou a používaním spotrebiča si najprv prečítajte všetky pokyny a uistite sa, že hodnoty napätia a frekvencie uvedené na typovom štítku, sú zhodné s hodnotami napätia a frekvencie vašej elektrickej siete.**

Odporúčame, aby spotrebič pripojil servisný technik alebo iná kvalifikovaná osoba v súlade s miestnymi predpismi a pokynmi.

## Pred začatím inštalácie

- Skontrolujte, či kúpený výrobok má správne rozmery pre zvolené miesto inštalácie. Navyše si overte, či je k dispozícii elektrická zásuvka, ktorá zostane prístupná aj po namontovaní odsávača.
- Pred inštaláciou odsávača pár sa uistite, že boli vykonané všetky potrebné murárske práce.
- Zaistite, aby všetky elektrické pripojenia vykonávala kvalifikovaná osoba.
- Pred inštaláciou odsávača pár odporúčame vybrať hliníkové filtre.
- Skontrolujte, či sa vnútri výrobku nenachádzajú žiadne obalové materiály ani akékoľvek iné materiály, napr. návod, záručný list alebo vrecúška so skrútkami. Je potrebné ich vybrať a uschovať na prípadné ďalšie použitie v budúcnosti.
- Odporúčame odpojiť a premiestniť bokom voľne stojace alebo zabudované sporáky, aby ste získali jednoduchší prístup k zadnej stene, príp. k stropu. Ak to nie je možné, umiestnite ochranný materiál na pracovnú plochu, varnú dosku alebo na sporák. Týmto zabránite poškodeniu týchto plôch.
- Na potrebné zmontovanie odsávača pár si zvolte rovnú plochu. Zakryte ju ochranným materiálom a položte na ňu všetky časti odsávača a upevňovacie prvky.
- Je potrebné, aby kvalifikovaný technik overil vhodnosť dodávaného spojovacieho materiálu a ďalších súčiastok pre konkrétny typ steny alebo stropu. Stena a strop musia byť dostatočne pevné, aby udržali hmotnosť odsávača.
- Nepripevňujte tento odsávač pár k stene alebo skrinkovému nábytku pomocou obkladania, omietania ani ho neprilepujte silikónovým lepidlom. Spotrebič je navrhnutý iba pre inštaláciu na stenu, príp. na strop.
- Odporúčame, aby spotrebič vždy inštalovali dve osoby.

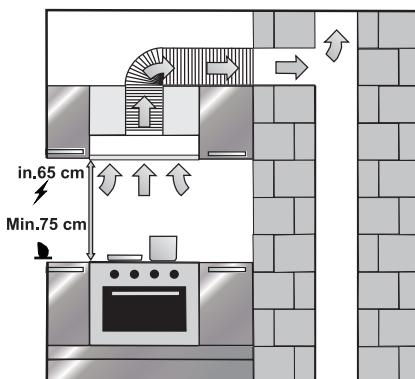
Ak je váš odsávač pár určený na inštaláciu k stropu, dodržujte nasledujúci pokyn.

- 1) Odsávač pár je potrebné zavesiť iba na stropných nosníkoch alebo na záťažových spojniciach stropných nosníkov.
- 2) **Nezavesujte** odsávač pár na stropné podhlady.
- 3) Strop **musí** mať nosnosť minimálne 40 kg.
- 4) Hrúbka stropu **musí** byť minimálne 30 mm.

### **DÔLEŽITÉ:**

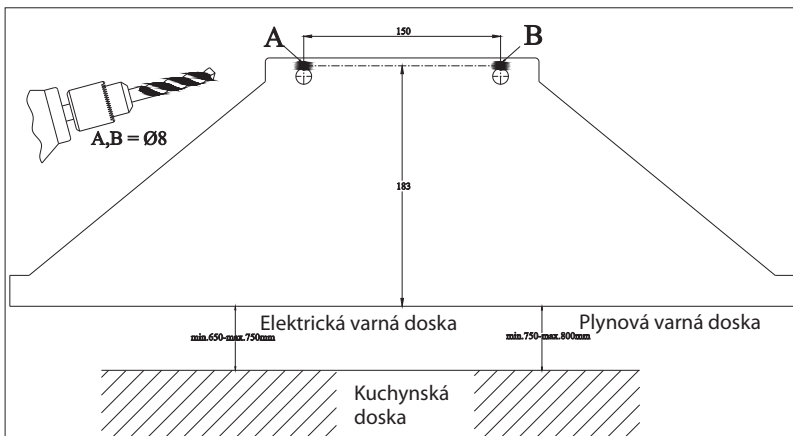
**ODSÁVAČ PÁR JE MOŽNÉ PRIPOJIŤ K ELEKTRICKEJ SIETI AŽ PO DOKONČENÍ CELEJ JEHO INŠTALÁCIE.**

## Umiestnenie



Odsávač pár inštalujte do výšky aspoň 65 cm od elektrickej varnej dosky alebo do výšky 75 cm od plynovej varnej dosky.

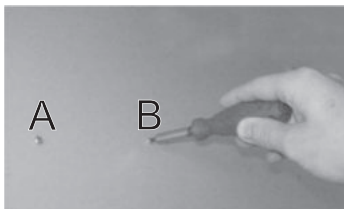
## Inštalácia



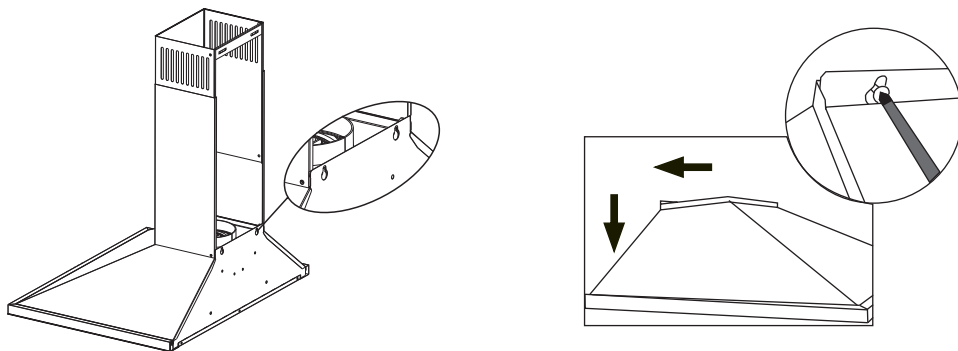
1. Podľa predlohy vyznačte body na vyvrtanie dier A, B, C, D na mieste, kde chcete odsávač pár umiestniť. Pomocou 8 mm vrtáka vyvrtajte diery v bodoch A, B, C, D. Použite vrtačku so 4 mm vrtákom na montáž dolnej časti komína s odkazom na rozmery maximálnej/minimálnej výšky.
2. Do vyvrtaných dier A, B, C, D vložte príchytky s  $\varnothing 10$  mm a riadne upevnite. Môžete použiť aj kladivo. Uistite sa, že príchytky sú vložené správne, nijako sa nehybu a nie je možné ich vybrať.



Následne vložte 2x 6 mm skrutky s  $\varnothing 4$  mm do otvorov A, B s inštalovanými príchytkami. Nedoťahujte.



3. Rám odsávača nasadíte na skrutky A a B a dotiahnite – pozrite obrázky nižšie.



## Pripojenie odsávania

### **POZNÁMKA:**

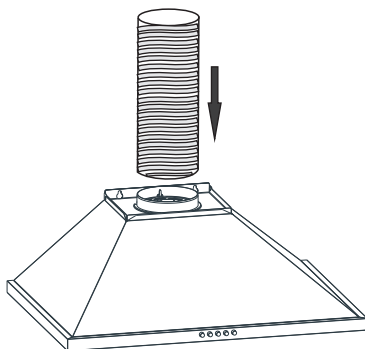
*Tento odsávač pár môžete použiť s alebo bez zaistenia odsávania. No odporúčaná inštalácia je so zaistením odsávania. Nie je súčasťou dodávky, nutno dokúpiť. Uhlíkový filter nie je súčasťou dodávky.*



### **VAROVANIE!**

*Výstup vzduchu nesmie byť pripojený ku komínu krbu alebo inému podobnému výstupu používaného na vykurovanie.*

1. Hliníkovú rúrkú nasadíte jedným koncom na koncovku odsávania a druhý koniec zapojte do vzduchového odtáhu. Skontrolujte, či sú oba konce riadne pripevnené a zaistené.



2. Ohyby a zahnutia hliníkovej rúrky znižujú výkon odsávania, preto je potrebné, aby bola hliníková rúrka čo najmenej ohnutá.



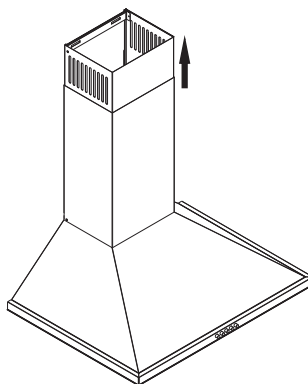
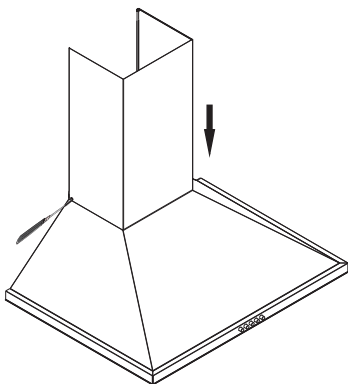
Správne



Nesprávne

## Dokončenie inštalácie

1. Vložte 2× 6 mm skrutky s  $\varnothing$  4 mm do otvorov C, D s inštalovanými príchytkami. Nedotahujte.
2. Nasadte vnútornú a vonkajšiu časť komína na skrutky otvorov C, D podľa obrázkov nižšie a tieto skrutky dotiahnite. Ďalej použite skrutky 3,9 × 9,5 na pripevnenie komína k rámu odsávača.



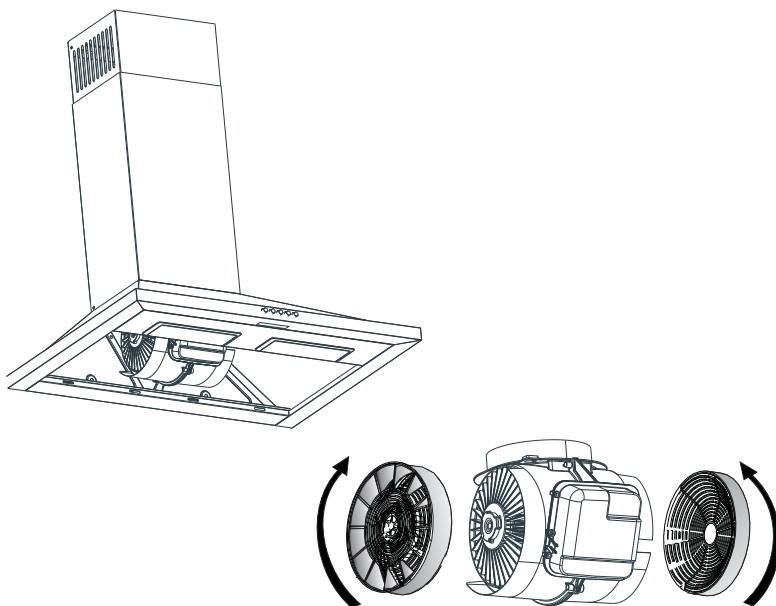
## Uhlíkový filter

Ak používate odsávač pár bez zaisteného odsávania, je potrebné, aby ste použili uhlíkový filter. Uhlíkový filter nie je súčasťou dodávky. Kontaktujte svojho predajcu alebo autorizované servisné stredisko pre možnosť kúpy takéhoto filtra.

- Pred inštaláciou alebo výmenou uhlíkového filtra sa uistite, že je spotrebič vypnutý a odpojený od sieťovej zásuvky alebo vypnite príslušný istič.
- Uhlíkový filter je potrebné vymieňať pravidelne každých 3 – 5 mesiacov v závislosti od použitia spotrebiča.
- Nikdy uhlíkový filter neumývajte vo vode, ak výrobca filtra neurčí inak.
- Hliníkové filtre musia byť vždy inštalované, aj keď nie je uhlíkový filter inštalovaný. Nepoužívajte spotrebič bez hliníkového filtra.

## Výmena uhlíkového filtra

1. Pre správnu prevádzku spotrebiča je potrebné inštalovať uhlíkový filter. Počet a typ sa líši v závislosti od modelu.
2. Nasadte uhlíkový filter na výstupy motora a otočte v smere hodinových ručičiek.
3. Na vybratie uhlíkového filtra otočte nimi proti smeru hodinových ručičiek.



## Ventilácia

Aby ste zaistili správnu ventiláciu, nechajte okná zatvorené, ak je spotrebič zapnutý.



### **VAROVANIE!**

*Dbajte na zvýšenú opatrnosť, ak používate spotrebič súčasne s iným spotrebičom, ktorý funguje s použitím vzduchu alebo paliva (napr. tepelný ventilátor, vetrák a pod.), alebo s použitím plynu, uhlia alebo dreva, keďže môže odsávač pár negatívne ovplyvniť ich výkon, pretože odsáva vzduch von.*

*Toto varovanie je neplatné, ak ste inštalovali spotrebič bez zaistenia odsávania mimo miestnosti.*



## ČASŤ 4: POUŽITIE

Z ovládacieho panelu odstráňte ochrannú fóliu.

### Výber účinnosti odsávania

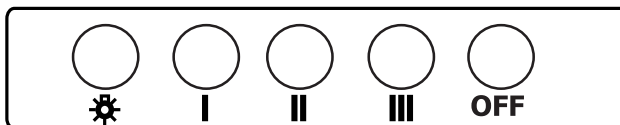
Tento odsávač pár je vybavený 3 stupňami účinnosti odsávania. Stupeň účinnosti vyberte na základe použitia sporáka a úniku pary z hrncov.

Na ovládacom paneli stlačte príslušné tlačidlo.

**I** – najnižšia účinnosť odsávania

**II** – stredná účinnosť odsávania

**III** – najvyššia účinnosť odsávania



### **POZNÁMKA:**

*Používajte odsávač pár spoločne so sporákom. Zaistíte tak správne odsávanie vzduchu. Odporúčame nechať odsávač pár o niekoľko minút dlhšie zapnutý než sporák, aby došlo k úplnému odsatiu všetkých pachov.*

### Osvetlenie

Odsávač pár je vybavený osvetlením. Stlačte tlačidlo so symbolom svetla raz na zapnutie svetla. Na vypnutie stlačte toto tlačidlo znovu.

### Vypnutie odsávača

Stlačte tlačidlo OFF na vypnutie odsávača pár.

## Tipy na použitie

1. Pravidelne čistite hliníkové filtre a pravidelne vymieňajte uhlíkové aj tukové filtre.
2. Používajte strednú účinnosť odsávania. Najvyššiu účinnosť používajte, iba ak je to nutné.
3. Aby ste zaistili správnu ventiláciu, nechajte okná zatvorené, ak je spotrebič zapnutý.

## ČASŤ 5: ÚDRŽBA A ČISTENIE

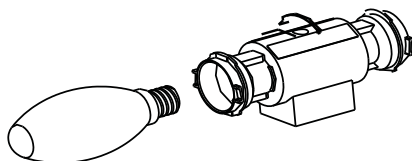


### **VAROVANIE!**

*Pred čistením, pravidelnou a inou údržbou, montážou a demontážou sa uistite, že je spotrebič vypnutý a odpojený od sieťovej zásuvky alebo vypnite príslušný istič.*

## Výmena svetla

- Vypnite spotrebič.
- Odoberte hliníkový filter.
- Ak sa žiarovka rozbila počas prevádzky, vyčkajte, až schladne.
- Vyskrutkujte rozbítu žiarovku. Nainštalujte novú s rovnakými parametrami.

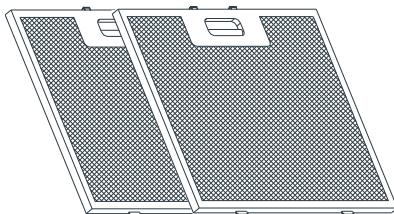


## Čistenie

- Hliníkové filtre zachytávajú prach a tuk z odsávaného vzduchu.
- Tieto filtre je potrebné pravidelne umývať, najlepšie raz za mesiac, v závislosti od použitia. Filtre umývajte v teplej vode s kuchynským prostriedkom na umývanie riadu, príp. môžete vložiť filtre do umývačky riadu a umývať so šetrným programom (max. 60 °C).
- Hliníkové filtre vyberte stlačením západky.
- Po vyčistení nechajte hliníkové filtre riadne vyschnúť pred spätnou inštaláciou.
- Vonkajší povrch odsávača utrite čistou a vlhkou utierkou mierne namočenou v teplej vode s trochu kuchynského prostriedku na umývanie riadu. Následne utrite dosucha.
- Vyvarujte sa kontaktu elektrických častí s vodou alebo inou tekutinou.
- Na čistenie môžete použiť aj špeciálne prípravky na údržbu a čistenie povrchu INOX (iba modely s povrchovou úpravou INOX).

## Čistenie hliníkových filtrov

Hliníkové filtre je potrebné pravidelne čistiť. Vyčistite filtre podľa vyššie uvedených inštrukcií.



### **VAROVANIE!**

*Na čistenie nepoužívajte benzín, benzén, riedidlo ani iné rozpúšťadlá; hrubé čistiace prostriedky; drôtenky ani hubky s drôtenkami.*



### **VAROVANIE!**

*Hliníkové filtre môžete vložiť do umývačky riadu. Sfarbenie hliníkových filtrov sa môže po niekoľkých umývaniach zmeniť. Ide o normálny jav.*

## ČASŤ 6: PRED TÝM, NEŽ ZAVOLÁTE DO SERVISU

Ak spotrebič nefunguje, ako má, skontrolujte nižšie uvedené odporúčania na riešenie najbežnejších problémov. Ak problém stále pretrváva alebo nie je uvedený v nižšie uvedenej tabuľke, vypnite spotrebič a odpojte ho od sieťovej zásuvky a kontaktujte autorizované servisné stredisko.

Problém	Riešenie
Odsávač pár nefunguje.	Skontrolujte, či je zástrčka riadne zasunutá v riadne uzemnenej sieťovej zásuvke s parametrami 220 – 240 V ~ 50 Hz.
	Skontrolujte vypínač motora, či je v pozícii „On“.
Osvetlenie nefunguje.	Skontrolujte, či je zástrčka riadne zasunutá v riadne uzemnenej sieťovej zásuvke s parametrami 220 – 240 V ~ 50 Hz.
	Skontrolujte vypínač motora, či je v pozícii „On“.
	Skontrolujte, či nie je žiarovka alebo žiarivka rozbitá.
Odsávanie je slabé.	Skontrolujte, či nie sú hliníkové filtre špinavé.
	Skontrolujte výstup vzduchu, mal by byť otvorený.
	Skontrolujte uhlíkový filter, či nie je už príliš zašpinený.
Odsávač pár neodsáva vzduch priamo von (pri modeloch bez zaisteného odsávania).	Skontrolujte, či nie sú hliníkové filtre špinavé.
	Skontrolujte uhlíkový filter, či nie je už príliš zašpinený.

### Upozornenie:

Používajte odsávač pár spoločne so sporákom. Zaistíte tak správne odsávanie vzduchu. Odporúčame nechať odsávač pár o niekoľko minút dlhšie zapnutý než sporák, aby došlo k úplnému odsatiu všetkých pachov.

# ČASŤ 7: TECHNICKÉ ŠPECIFIKÁCIE

Directive / Nařízení / Nariadenie EU 65/2014 – EN61591, EN60704-2-13, EN50554	
Brand / Značka / Značka	Philco
Model	PEC 605
Annual Energy Consumption / Roční spotřeba energie / Ročná spotreba energie (AEC)(kWh/a)	<b>80</b>
Energy Efficiency Class / Třída energetické účinnosti / Trieda energetickej účinnosti (EEI)	<b>D</b>
Fluid Dynamic Efficiency / Účinnost proudění tekutin / Účinnosť prúdenia tekutín (FDE)	<b>5,4</b>
Fluid Dynamic Efficiency class / Třída účinnosti proudění tekutin / Trieda účinnosti prúdenia tekutín (FDE) (Index)	<b>F</b>
Light Efficiency / Účinnost osvětlení / Účinnosť osvetlenia (LE)	<b>1</b>
Lighting Efficiency Class / Třída účinnosti osvětlení / Trieda účinnosti osvetlenia (LE)(index)	<b>G</b>
Grease Filtering Efficiency / Účinnost filtrace tuků / Účinnosť filtrácie tukov (GFE)	<b>70,0</b>
Grease Filtering Efficiency Class / Třída účinnosti filtrace tuků / Trieda účinnosti filtrácie tukov (GFE)(index)	<b>D</b>
Minimum Air Flow in Normal Use / Min. průtok vzduchu při běžném používání / Min. prietok vzduchu pri bežnom používaní MIN (m³/h)	<b>206</b>
Maximum Air Flow in Normal Use (intensive / boost excluded) / Max. průtok vzduchu při běžném používání vč. intenzivního režimu / Max. prietok vzduchu pri bežnom používaní vr. intenzívneho režimu MAX (m³/h)	<b>300</b>
Air Flow at Intensive/Boost Setting / Průtok vzduchu v zesíleném/intenzivním režimu / Prietok vzduchu v zesílenom/intenzívnom režime (m³/h)	-
Sound Power Level at Minimum Speed Available in Normal Use / Min. vzduchem šířené akustické emise při běžném používání / Min. vzduchom šířené akustické emise pri bežnom používaní MIN (LWA)(dB)	<b>55</b>
Sound Power Level at Maximum Speed Available in Normal Use / Max. vzduchem šířené akustické emise při běžném používání / Max. vzduchom šířené akustické emise pri bežnom používaní MAX (LWA)(dB)	<b>62</b>
Sound Power Level at Intensive/Boost Setting / Vzduchem šířené emise v zesíleném/intenzivním režimu / Vzduchom šířené emise v zosílenom/intenzívnom režime (LWA)(dB)	-
Power Consumption Off Mode / Spotřeba ve vypnutém stavu / Spotreba vo vypnutom stave (Po)(W)	<b>0,00</b>
Power Consumption in Standby Mode / Spotřeba v pohotovostním stavu / Spotreba v pohotovostnom stave (Ps)(W)	-
Product Information compliant to commission regulation (EU) No / Informační list podle nařízení (EU) číslo / Informačný list podľa nariadenia (EU) číslo 66/2014	
Time increase factor / Koeficient zvýšení času / Koeficient zvýšenia času (f)	<b>1,8</b>
Energy Efficiency / Energetická účinnost / Energetická účinnosť (EELhood)	<b>99,6</b>
Measured air flow rate at best efficiency point / Průtok v bodě nejvyšší účinnosti / Prietok v bode najvyššej účinnosti (QBEP)(m³/h)	<b>148,0</b>
Measured air pressure at best efficiency point / Tlak v bodě nejvyšší účinnosti / Tlak v bode najvyššej účinnosti (PBEP)(Pa)	<b>120</b>
Measured electric power input at best efficiency point / Elektrický příkon v bodě nejvyšší účinnosti / Elektrický príkon v bode najvyššej účinnosti (WBEP)(W)	<b>91,0</b>
Nominal power of the lighting system / Jmenovitý příkon světlovacího systému / Menovitý príkon osvetľovacieho systému (WL)(W)	<b>28,0</b>
Average illumination of the lighting system on the cooking surface / Průměrné osvětlení varného povrchu osvětlovacím systémem / Priemerné osvetlenie varného povrchu osvetľovacím systémom (Emiddle)(lux)	<b>41</b>

**POZNÁMKA: Vyššie uvedené dáta podliehajú zmenám.**

## POKYNY A INFORMÁCIE O ZAOBCHÁDZANÍ S POUŽITÝM OBALOM

Použitý obalový materiál odložte na miesto určené obcou na ukladanie odpadu.

## LIKVIDÁCIA POUŽITÝCH ELEKTRICKÝCH A ELEKTRONICKÝCH ZARIADENÍ



Tento symbol na produktoch alebo v sprievodných dokumentoch znamená, že použité elektrické a elektronické výrobky nesmú byť pridané do bežného komunálneho odpadu. Pre správnu likvidáciu, obnovu a recykláciu odovzdajte tieto výrobky na určené zberné miesta. Alternatívne v niektorých krajinách Európskej únie alebo v iných európskych krajinách môžete vrátiť svoje výrobky miestnemu predajcovi pri kúpe ekvivalentného nového produktu. Správnou likvidáciou tohto produktu pomôžete zachovať cenné prírodné zdroje a napomáhate prevencii potenciálnych negatívnych dopadov na životné prostredie a ľudské zdravie, čo by mohli byť dôsledky nesprávnej likvidácie odpadov. Ďalšie podrobnosti si vyžiadajte od miestneho úradu alebo najbližšieho zberného miesta. Pri nesprávnej likvidácii tohto druhu odpadu môžu byť v súlade s národnými predpismi udelené pokuty.

### Pre podnikové subjekty v krajinách Európskej únie

Ak chcete likvidovať elektrické a elektronické zariadenia, vyžiadajte si potrebné informácie od svojho predajcu alebo dodávateľa.

### Likvidácia v ostatných krajinách mimo Európskej únie

Tento symbol je platný v Európskej únii. Ak chcete tento výrobok zlikvidovať, vyžiadajte si potrebné informácie o správnom spôsobe likvidácie od miestnych úradov alebo od svojho predajcu.



Tento výrobok spĺňa všetky základné požiadavky smerníc EÚ, ktoré sa naň vzťahujú.

Zmeny v texte, dizajne a technických špecifikáciách sa môžu meniť bez predchádzajúceho upozornenia a vyhradzujeme si právo na ich zmenu.



Dovozce:  
FAST ČR, a.s.  
Černokostecká 1621  
CZ-25101 Říčany

Dovozca:  
FAST PLUS s.r.o.  
Na pántoch 18  
SK-831 06 Bratislava

**PHILCO**® 

**is a registered trademark used under license from  
Electrolux International Company, U.S.A.**