

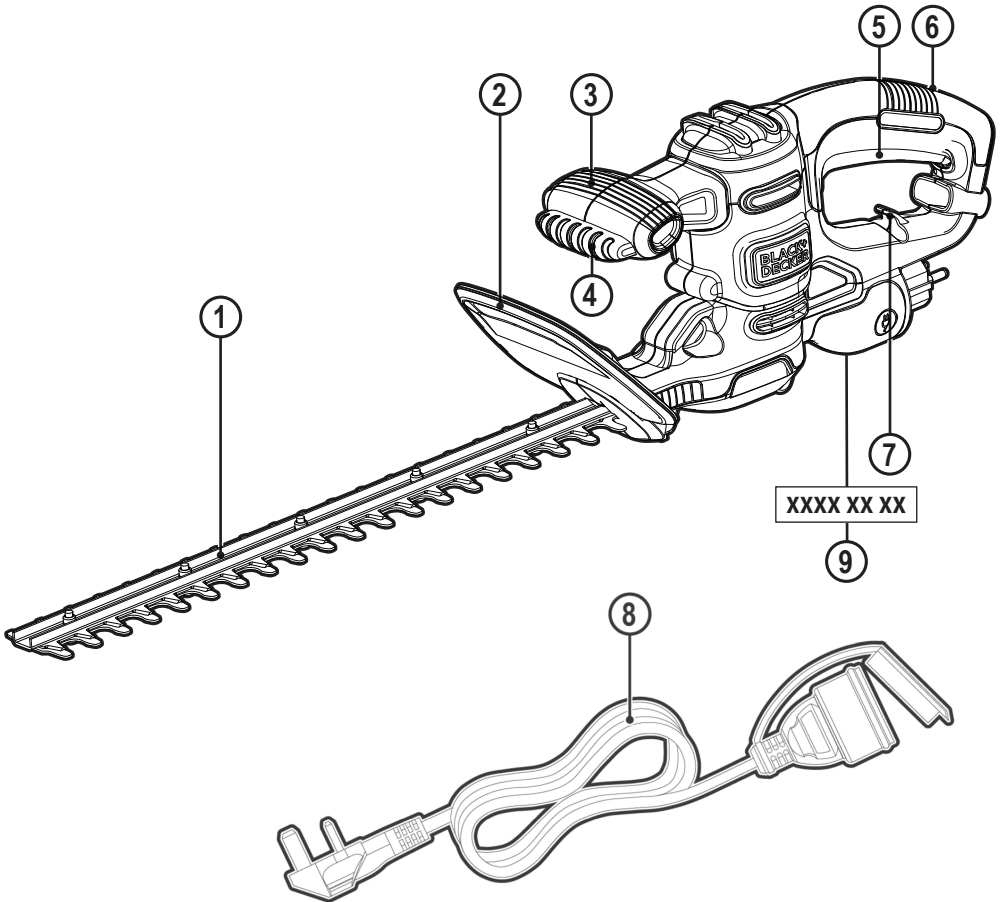


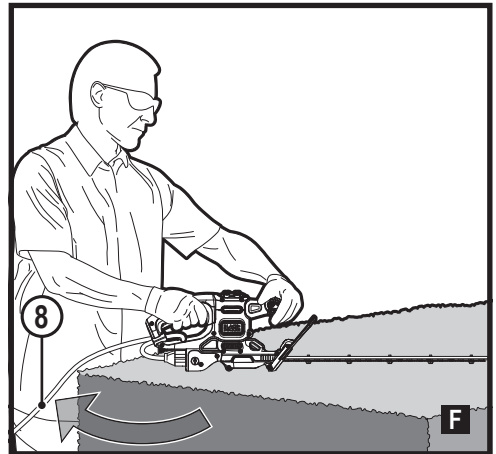
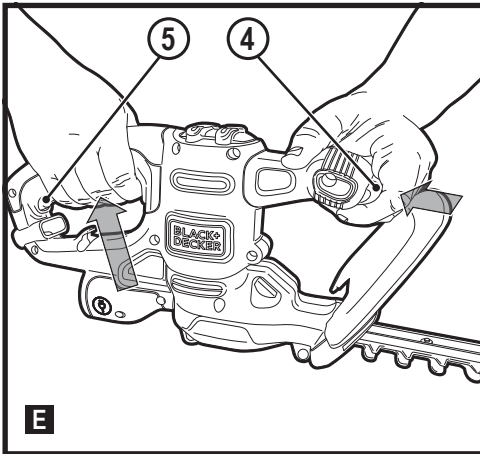
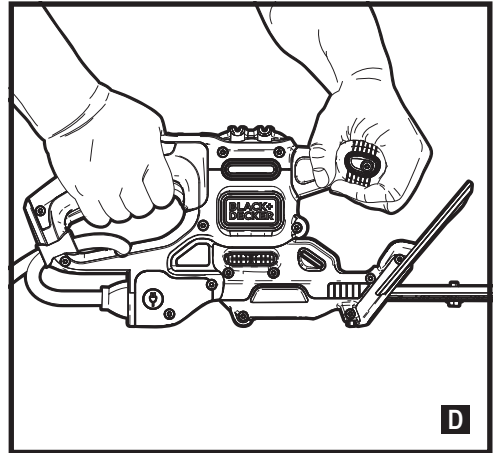
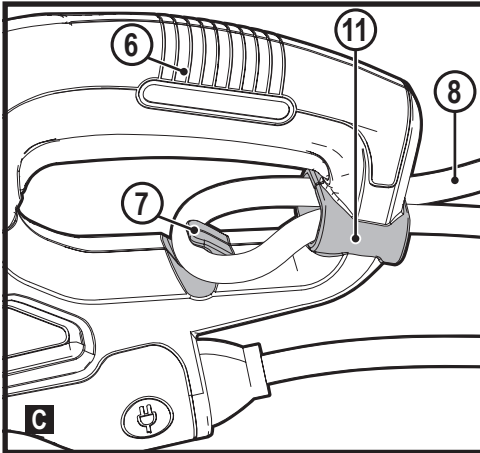
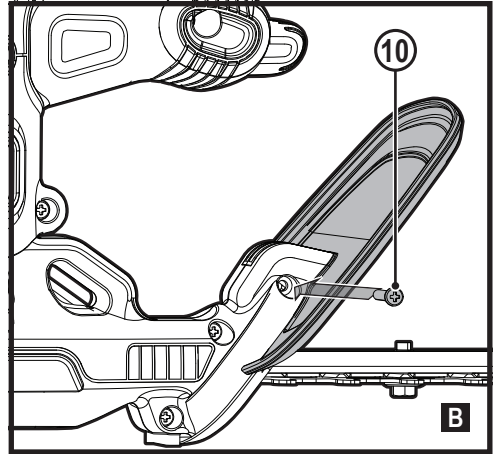
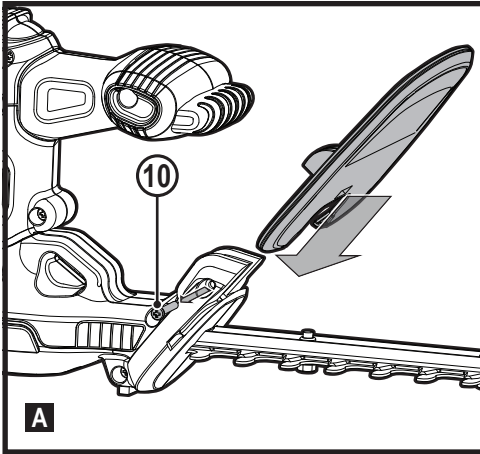
English (original instructions)	3
Deutsch (Übersetzung der Originalanweisung)	8
Français (traduction de la notice d'instructions originale)	14
Italiano (tradotto dalle istruzioni originali)	20
Nederlands (vertaald vanuit de originele instructies)	26
Español (traducido de las instrucciones originales)	32
Português (traduzido das instruções originais)	38
Svenska (översatt från de ursprungliga instruktionerna)	44
Norsk (oversatt fra de originale instruksjonene)	49
Dansk (oversat fra original brugsvejledning)	54
Suomi (käännetty alkuperäisestä käyttöohjeesta)	59
Ελληνικά (μετάφραση από τις πρωτότυπες οδηγίες)	64

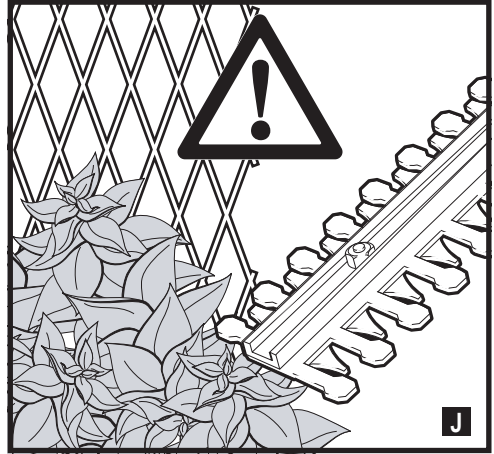
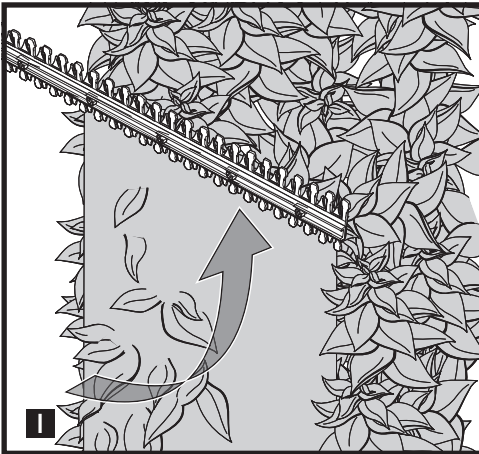
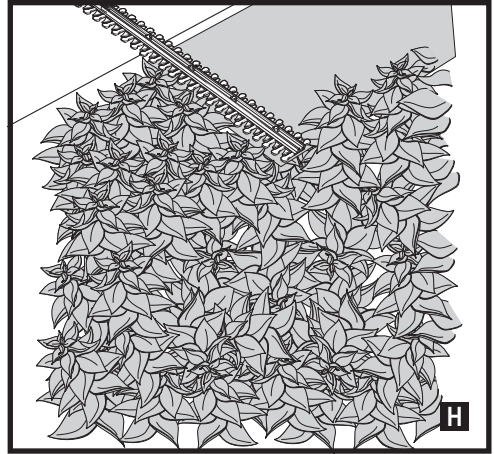
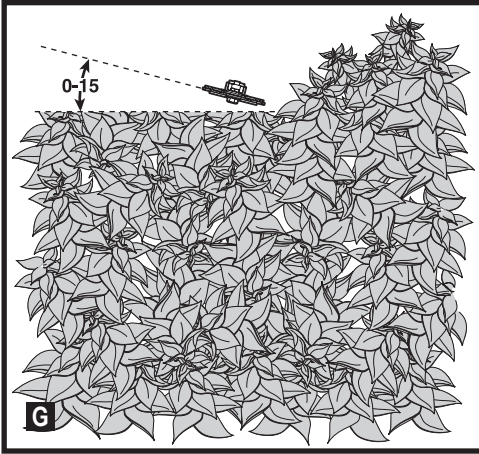


www.blackanddecker.eu

BEHT201
BEHT251







Documents Available Online

www.2helpU.com/DoC/ or
www.2helpU.com/DoC/index/xxx*

*For direct access, replace "xxx" with the product's model number given on the product rating label or packaging.

- Instruction Manual
- Declaration of Conformity (DoC)
- Product Emission Data (PED): Information about Noise, Vibration and Dust (not applicable for all products)



Technical Data

		BEHT201 Type 1	BEHT251 Type 1
Voltage	V _{AC}	230	230
Power input	W	420	450
Blade strokes (no load)	min ⁻¹	1960	1815
Blade length	cm	45	50
Blade gap	mm	16	18
Blade brake time	s	<1	<1
Weight	kg	1.91	2.16

Intended use

Your BLACK+DECKER® BEHT201, BEHT251 hedge trimmers have been designed for trimming hedges, shrubs and brambles. These tools are intended for consumer use only.

Safety instructions

General power tool safety warnings



WARNING! Read all safety warnings, instructions, illustrations and specifications provided with power tool. Failure to follow the warnings and instructions listed below may result in electric shock, fire and/or serious injury.

Save all warnings and instructions for future reference.

The term "power tool" in the warnings refers to your mains operated (corded) power tool or battery operated (cordless) power tool.

1. Work area safety

- Keep work area clean and well lit.** Cluttered or dark areas invite accidents.
- Do not operate power tools in explosive atmospheres, such as in the presence of flammable liquids, gases or dust.** Power tools create sparks which may ignite the dust or fumes.
- Keep children and bystanders away while operating a power tool.** Distractions can cause you to lose control.

2. Electrical safety

- Power tool plugs must match the outlet. Never modify the plug in any way. Do not use any adapter plugs with earthed (grounded) power tools.** Unmodified plugs and matching outlets will reduce risk of electric shock.
- Avoid body contact with earthed or grounded surfaces such as pipes, radiators, ranges and**

refrigerators. There is an increased risk of electric shock if your body is earthed or grounded.

- Do not expose power tools to rain or wet conditions.** Water entering a power tool will increase the risk of electric shock.
 - Do not abuse the cord. Never use the cord for carrying, pulling or unplugging the power tool. Keep cord away from heat, oil, sharp edges or moving parts.** Damaged or entangled cords increase the risk of electric shock.
 - When operating a power tool outdoors, use an extension cord suitable for outdoor use.** Use of a cord suitable for outdoor use reduces the risk of electric shock.
 - If operating a power tool in a damp location is unavoidable, use a residual current device (RCD) protected supply.** Use of an RCD reduces the risk of electric shock.
- Personal safety**
 - Stay alert, watch what you are doing and use common sense when operating a power tool. Do not use a power tool while you are tired or under the influence of drugs, alcohol or medication.** A moment of inattention while operating power tools may result in serious personal injury.
 - Use personal protective equipment. Always wear eye protection.** Protective equipment such as dust mask, non-skid safety shoes, hard hat, or hearing protection used for appropriate conditions will reduce personal injuries.
 - Prevent unintentional starting. Ensure the switch is in the off-position before connecting to power source and/or battery pack, picking up or carrying the tool.** Carrying power tools with your finger on the switch or energising power tools that have the switch on invites accidents.
 - Remove any adjusting key or wrench before turning the power tool on.** A wrench or a key left attached to a rotating part of the power tool may result in personal injury.
 - Do not overreach. Keep proper footing and balance at all times.** This enables better control of the power tool in unexpected situations.
 - Dress properly. Do not wear loose clothing or jewellery. Keep your hair and clothing away from moving parts.** Loose clothes, jewellery or long hair can be caught in moving parts.
 - If devices are provided for the connection of dust extraction and collection facilities, ensure these are connected and properly used.** Use of dust collection can reduce dust-related hazards.
 - Do not let familiarity gained from frequent use of tools allow you to become complacent and ignore tool safety principles.** A careless action can cause severe injury within a fraction of a second.
 - Power tool use and care**
 - Do not force the power tool. Use the correct power tool for your application.** The correct power tool will do the job better and safer at the rate for which it was designed.
 - Do not use the power tool if the switch does not turn it on and off.** Any power tool that cannot be controlled with the switch is dangerous and must be repaired.

- c. **Disconnect the plug from the power source and/or remove the battery pack, if detachable, from the power tool before making any adjustments, changing accessories, or storing power tools.** Such preventive safety measures reduce the risk of starting the power tool accidentally.
 - d. **Store idle power tools out of the reach of children and do not allow persons unfamiliar with the power tool or these instructions to operate the power tool.** Power tools are dangerous in the hands of untrained users.
 - e. **Maintain power tools and accessories. Check for misalignment or binding of moving parts, breakage of parts and any other condition that may affect the power tools operation. If damaged, have the power tool repaired before use.** Many accidents are caused by poorly maintained power tools.
 - f. **Keep cutting tools sharp and clean.** Properly maintained cutting tools with sharp cutting edges are less likely to bind and are easier to control.
 - g. **Use the power tool, accessories and tool bits etc. in accordance with these instructions, taking into account the working conditions and the work to be performed.** Use of the power tool for operations different from those intended could result in a hazardous situation.
 - h. **Keep handles and grasping surfaces dry, clean and free from oil and grease.** Slippery handles and grasping surfaces do not allow for safe handling and control of the tool in unexpected situations.
5. **Service**
- a. **Have your power tool serviced by a qualified repair person using only identical replacement parts.** This will ensure that the safety of the power tool is maintained.

Hedge trimmer safety warnings

- a. **Do not use the hedge trimmer in bad weather conditions, especially when there is a risk of lightning.** This decreases the risk of being struck by lightning.
- b. **Keep all power cords and cables away from cutting area.** Power cords or cables may be hidden in hedges or bushes and can be accidentally cut by the blade.
- c. **Wear ear protection.** Adequate protective equipment will reduce the risk of hearing loss.
- d. **Hold the hedge trimmer by insulated gripping surfaces only, because the blade may contact hidden wiring.** Blades contacting a "live" wire may make exposed metal parts of the hedge trimmer "live" and could give the operator an electric shock.
- e. **Keep all parts of the body away from the blade. Do not remove cut material or hold material to be cut when blades are moving.** Blades continue to move after the switch is turned off. A moment of inattention while operating the hedge trimmer may result in serious personal injury.
- f. **When clearing jammed material or servicing the hedge trimmer, make sure all power switches are off and the power cord is disconnected.** Unexpected actuation of the hedge trimmer while clearing jammed material or servicing may result in serious personal injury.

- g. **Carry the hedge trimmer by the handle with the blade stopped and taking care not to operate any power switch.** Proper carrying of the hedge trimmer will decrease the risk of inadvertent starting and resultant personal injury from the blades.
- h. **When transporting or storing the hedge trimmer, always use the blade cover.** Proper handling of the hedge trimmer will decrease the risk of personal injury from the blades.

Additional power tool safety warnings



WARNING! Additional safety warnings for hedge trimmers

- ◆ The intended use is described in this instruction manual. The use of any accessory or attachment or performance of any operation with this tool other than those recommended in this instruction manual can present a risk of personal injury and/or damage to property.
- ◆ If you have not used a hedge trimmer before, preferably seek practical instruction by an experienced user in addition to studying this manual.
- ◆ Never touch the blades while the tool is running.
- ◆ Never attempt to force the blades to come to a standstill.
- ◆ Do not put the tool down until the blades have come to a complete standstill.
- ◆ Regularly check the blades for damage and wear. Do not use the tool when the blades are damaged.
- ◆ Take care to avoid hard objects (e.g. metal wire, railings) when trimming. Should you accidentally hit any such object, immediately switch the tool off and check for any damage.
- ◆ Should the tool start to vibrate abnormally, immediately switch it off and disconnect it from the mains supply then check for any damage.
- ◆ If the tool stalls, immediately switch it off. Disconnect it from the mains supply before attempting to remove any obstructions.
- ◆ After use, place the blade sheath supplied over the blades. Store the tool, making sure that the blade is not exposed.
- ◆ Always ensure that all guards are fitted when using the tool. Never attempt to use an incomplete tool or a tool with unauthorised modifications.
- ◆ Never allow children to use the tool.
- ◆ Be aware of falling debris when cutting the higher sides of a hedge.
- ◆ Always hold the tool with both hands and by the handles provided.
- ◆ **Young children and the infirm. This appliance is not intended for use by young children or infirm persons without supervision.**
- ◆ **This product is not intended for use by persons (including children) suffering from diminished physical, sensory or mental abilities; lack of experience, knowledge or skills unless they are supervised by a person responsible for their safety. Children should never be left alone with this product.**

- ◆ The hedge trimmer is intended to be used by the operator at ground level and not on ladders or any other unstable support.

Residual risks

Additional residual risks may arise when using the tool which may not be included in the enclosed safety warnings. These risks can arise from misuse, prolonged use etc.

Even with the application of the relevant safety regulations and the implementation of safety devices, certain residual risks can not be avoided. These include:

- ◆ Injuries caused by touching any rotating/moving parts.
- ◆ Injuries caused when changing any parts, blades or accessories.
- ◆ Injuries caused by prolonged use of a tool. When using any tool for prolonged periods ensure you take regular breaks.
- ◆ Impairment of hearing.
- ◆ Health hazards caused by breathing dust developed when using your tool (example:- working with wood, especially oak, beech and MDF.)

Date Code Position

The production date code (9) consists of a 4-digit year followed by a 2-digit week and is extended by a 2-digit factory code.

Labels on tool

The following pictograms are shown on the tool along with the date code:



User must read and understand instruction manual before using this product.



User must wear sufficient eye, ear and head protection.



WARNING: Electric shock hazard. Remove plug from the mains immediately if the cable is damaged or cut.



DO NOT expose the product to rain.



DO NOT touch the blade. Keep hands away from blade.



Directive 2000/14/EC guaranteed sound power.

Electrical safety



This tool is double insulated; therefore no earth wire is required. Always check that the power supply corresponds to the voltage on the rating plate.

- ◆ If the supply cord is damaged, it must be replaced by the manufacturer or an authorised Black & Decker Service Centre in order to avoid a hazard.
- ◆ When using the tool outdoors, only use extension cables intended for outdoor use. A suitable rated Black & Decker extension cable of up to 30 m can be used without loss of power.
- ◆ Electric safety can be further improved by using a high-sensitivity 30 mA residual current device (RCD).

Features

This tool includes some or all of the following features.

1. Blade
2. Guard
3. Auxiliary handle
4. Lock off button
5. Trigger switch
6. Switch handle
7. Cord retainer
8. Extension cord (not included)

Assembly



WARNING! Before assembly, make sure that the tool is switched off and unplugged and that the blade sheath is fitted over the blades.

Attaching guard to trimmer (Fig. A, B)

The trimmer is shipped with the guard unattached to the trimmer. To attach the guard:

- ◆ Remove guard retaining screw (10) with a Phillips screwdriver (not supplied).
- ◆ Position the guard in place as shown in Fig. A. Ensuring the guard slots into the grooves on the unit.
- ◆ Insert the guard retaining screw (10) into the opening on the side of the guard and tighten securely as shown in Fig. B.



WARNING! Only use with handle and guard properly assembled to hedge trimmer. The use of the hedge trimmer without the proper guard or handle provided may result in serious personal injury.

Attaching extension cord to trimmer (Fig. C)

A cord retainer (7) is incorporated into the rear of the switch handle (6).

- ◆ Near the end of the extension cord (8), fold the extension cord to create a loop.
- ◆ Feed the loop into the cord retainer housing (11) as shown in Fig. C.
- ◆ Hook the loop onto the cord retainer (7) so it rests in the cord retainer.
- ◆ Plug the extension cord into the unit.

Correct hand position (Fig. D)

Always hold the trimmer, as shown in the illustrations in this manual, with one hand on the switch handle and one hand on the auxiliary handle (Fig. D). Never hold the unit by the blade guard.

Use



WARNING! Let the tool work at its own pace. Do not overload.



WARNING! Do not store or use the tool in locations where the temperature may fall below 4 °C (39.2 °F) (such as outside sheds or metal buildings in winter), or reach or exceed 40 °C (104 °F) (such as outside sheds or metal buildings in summer).

Switching on and off

Note: For your safety, this tool is equipped with a double switching system. This system prevents starting the tool inadvertently and will only allow operation while holding the tool with both hands.

Switching on (Fig. E)

- ◆ To turn the tool "ON", you must squeeze both the auxiliary handle switch (4) backward and squeeze the main handle trigger switch (5). To keep the unit running you must continue to squeeze both switches.
- ◆ To turn the unit off, release either the aux handle switch or trigger switch.



WARNING! Never attempt to lock a switch in the ON position.

- ◆ Regularly oil the blades.

Guidelines for trimming

Extension cord (Fig. F)

- ◆ Always keep extension cord (8) behind trimmer and away from the trimming operation as shown in Fig. F. Never drape it over a hedge being trimmed. If you cut or damage the cord, unplug it at the electrical outlet immediately, before inspecting or repairing cord.

Working position

- ◆ Maintain proper footing and balance and do not overreach.
- ◆ Wear safety goggles, non-skid footwear and rubber gloves when trimming.
- ◆ Hold the tool firmly in both hands and turn the tool ON. Always hold the trimmer, as shown in Fig. D, with one hand on the switch handle and one hand on the auxiliary handle. Never hold the tool by the blade guard.

Trimming new growth (Fig. G)

- ◆ A wide, sweeping motion, feeding the blade teeth through the twigs is most effective. A slight downward tilt of the blade, in the direction of motion gives the best cutting.



Warning! Do not use trimmer for cutting stems greater than 16 mm. Use the trimmer only for cutting normal shrubbery found around houses and buildings.

Level hedges (Fig. H)

- ◆ To obtain exceptionally level hedges, a piece of string can be stretched along the length of the hedge as a guide.

Side trimming hedges (Fig. I)

- ◆ Begin at the bottom and sweep up.

The cutting blades are made from high quality, hardened steel and with normal usage, they will not require sharpening. However, if you accidentally hit a wire fence (Fig. J), stones, glass or other hard objects, you may put a nick in the blade. There is no need to remove this nick as long as it does not interfere with the movement of the blade. If it does interfere, unplug the cord and use a fine toothed file or sharpening stone to remove the nick. If you drop the trimmer, carefully inspect it for damage. If the blade is bent, housing cracked, or handles broken or if you see any other condition that may affect the trimmer's operation contact your local Black & Decker Service Centre for repairs before putting it back into use. Fertilizers and other garden chemicals contain agents which greatly accelerate the corrosion of metals. Do not store the unit on or adjacent to fertilizers or chemicals.

Accessories

The performance of your tool depends on the accessory used. Black & Decker accessories are engineered to high quality standards and designed to enhance the performance of your tool. By using these accessories you will get the very best from your tool.

Maintenance

Your Black & Decker corded/cordless appliance/tool has been designed to operate over a long period of time with a minimum of maintenance. Continuous satisfactory operation depends upon proper tool care and regular cleaning. Lubrication oil is available from your Black & Decker dealer (cat. no. A6102-XJ). Please refer to the back page of this manual for service centre contact information, or visit www.2helpU.com.



Warning! Before performing any maintenance on corded/cordless power tools:

- ◆ Switch off and unplug the appliance/tool.
- ◆ Or switch off and remove the battery from the appliance/tool if the appliance/tool has a separate battery pack.
- ◆ Or run the battery down completely if it is integral and then switch off.
- ◆ Unplug the charger before cleaning it. Your charger does not require any maintenance apart from regular cleaning.
- ◆ Regularly clean the ventilation slots in your appliance/tool/charger using a soft brush or dry cloth.
- ◆ Regularly clean the motor housing using a damp cloth. Do not use any abrasive or solvent-based cleaner.
- ◆ After use, carefully clean the blades. After cleaning, apply a film of light machine oil to prevent the blades from rusting.

Mains plug replacement (U.K. & Ireland only)

If a new mains plug needs to be fitted:

- ◆ Safely dispose of the old plug.
- ◆ Connect the brown lead to the live terminal in the new plug.
- ◆ Connect the blue lead to the neutral terminal.



WARNING! No connection is to be made to the earth terminal. Follow the fitting instructions supplied with good quality plugs. Recommended fuse: 5 A.

Cleaning



WARNING! Blow dirt and dust out of the main housing with dry air as often as dirt is seen collecting in and around the air vents. Wear approved eye protection and approved dust mask when performing this procedure.



WARNING: Never use solvents or other harsh chemicals for cleaning the non-metallic parts of the tool. These chemicals may weaken the materials used in these parts. Use a cloth dampened only with water and mild soap. Never let any liquid get inside the tool; never immerse any part of the tool into a liquid.

Protecting the environment



Products/batteries are recyclable, but if marked with the crossed-out bin, they must not be disposed of with normal household waste.

Run the batteries down completely and separate them, and separate any light sources from the product if possible.

It is the user's responsibility to delete personal data from the product. Then take the waste to an official waste collection centre or a participating retailer who will often accept it free of charge. Packaging should be discarded based on the marked material code.

Operating and safety instructions should only be discarded once the applicable product is no longer in use.

Please check with your local community/municipality for waste management guidance. For further information, visit www.2helpU.com and scan the above QR code.

Guarantee

Black & Decker is confident of the quality of its products and offers consumers a 24 month guarantee from the date of purchase. This guarantee is in addition to and in no way prejudices your statutory rights. The guarantee is valid within the territories of the Member States of the European Union and the European Free Trade Area.

To claim on the guarantee, the claim must be in accordance with Black&Decker Terms and Conditions and you will need to submit proof of purchase to the seller or an authorised repair agent. Terms and conditions of the Black&Decker 2 year guarantee and the location of your nearest authorised repair agent can be obtained on the Internet at www.2helpU.com, or by contacting your local Black & Decker office at the address indicated in this manual.

Please visit our website www.blackanddecker.eu to register your new Black & Decker product and receive updates on new products and special offers.

Online verfügbare Dokumente

www.2helpU.com/DoC/ oder
www.2helpU.com/DoC/index/xxx*

*Ersetzen Sie für den direkten Zugriff „xxx“ durch die Modellnummer des Produkts, die auf dem Typenschild oder der Verpackung angegeben ist.



- Betriebsanleitung
- Konformitätserklärung (DoC)
- Emissionsdaten des Produkts (PED): Angaben zur Emission von Lärm, Vibrationen und Staub (nicht für alle Produkte anwendbar)

Technische Daten

		BEHT201 Typ 1	BEHT251 Typ 1
Spannung	V _{AC}	230	230
Leistungsaufnahme	W	420	450
Höhe der Klinge (ohne Last)	min ⁻¹	1960	1815
Klingenlänge	cm	45	50
Klingenabstand	mm	16	18
Messerbremszeit	s	<1	<1
Gewicht	kg	1,91	2,16

Verwendungszweck

Ihre BLACK+DECKER®-Heckenscheren BEHT201, BEHT251 wurden zum Beschneiden von Hecken, Büschen und Sträuchern entwickelt. Diese Werkzeuge sind nicht für den gewerblichen Einsatz vorgesehen.

Sicherheitshinweise

Allgemeine Sicherheitshinweise für Elektrowerkzeuge



Warnung! Beachten Sie alle Sicherheitshinweise, Anweisungen, Darstellungen und Daten, die Sie mit dem Gerät erhalten. Das Nichtbeachten der nachfolgenden Warnhinweise und Anweisungen kann zu elektrischem Schlag, Brand und/oder schweren Verletzungen führen.

Bewahren Sie alle Warnhinweise und Anweisungen zur späteren Verwendung auf. Der Begriff „Elektrowerkzeug“ bezieht sich auf netzbetriebene Geräte (mit Netzkabel) und auf akkubetriebene Geräte (ohne Netzkabel).

1. Sicherheit im Arbeitsbereich

- Halten Sie den Arbeitsbereich sauber und gut ausgeleuchtet.** Unaufgeräumte oder dunkle Bereiche begünstigen Unfälle.
- Betreiben Sie Elektrowerkzeuge nicht in explosionsgefährdeten Umgebungen, in denen sich z. B. brennbare Flüssigkeiten, Gase oder Staub befinden.** Elektrowerkzeuge erzeugen Funken, die den Staub oder Dämpfe entzünden können.

- Halten Sie Kinder und andere Personen während der Benutzung eines Elektrowerkzeugs fern.** Bei Ablenkung können Sie die Kontrolle über das Gerät verlieren.

2. Elektrische Sicherheit

- Der Stecker des Elektrowerkzeugs muss in die Steckdose passen. Ändern Sie niemals den Stecker in irgendeiner Form. Verwenden Sie keinerlei Adapterstecker an geerdeten Elektrowerkzeugen.** Unveränderte Stecker und passende Steckdosen mindern die Gefahr eines Stromschlags.
- Vermeiden Sie Körperkontakt mit geerdeten Oberflächen von Rohren, Heizungen, Herden und Kühlschränken.** Es besteht eine erhöhte Gefahr für einen Stromschlags, wenn Ihr Körper geerdet ist.
- Halten Sie Elektrowerkzeuge von Regen und Nässe fern.** Das Eindringen von Wasser in ein Elektrowerkzeug erhöht das Risiko eines Stromschlags.
- Verwenden Sie das Kabel ordnungsgemäß. Verwenden Sie das Kabel niemals, um das Elektrowerkzeug zu tragen oder durch Ziehen vom Netz zu trennen. Halten Sie das Kabel fern von Hitze, Öl, scharfen Kanten oder beweglichen Teilen.** Beschädigte oder verhedderte Kabel erhöhen die Gefahr eines Stromschlags.
- Wenn Sie ein Elektrowerkzeug im Freien betreiben, verwenden Sie ein für den Außeneinsatz geeignetes Verlängerungskabel.** Die Verwendung eines für den Außenbereich geeigneten Verlängerungskabels verringert das Risiko eines Stromschlags.
- Wenn der Betrieb eines Elektrowerkzeugs in feuchter Umgebung unumgänglich ist, verwenden Sie eine durch einen Fehlerstromschutzschalter (FI-Schalter oder RCD) geschützte Stromversorgung.** Ein Fehlerstromschutzschalter verringert das Risiko eines Stromschlags.

3. Persönliche Sicherheit

- Seien Sie aufmerksam, achten Sie darauf, was Sie tun, und gehen Sie sachgerecht mit einem Elektrowerkzeug um. Benutzen Sie kein Elektrowerkzeug, wenn Sie müde sind oder unter dem Einfluss von Drogen, Alkohol oder Medikamenten stehen.** Ein Moment der Unachtsamkeit beim Betrieb von Elektrowerkzeugen kann zu schweren Verletzungen führen.
- Tragen Sie persönliche Schutzausrüstung. Tragen Sie immer einen Augenschutz.** Das Tragen persönlicher Schutzausrüstung, wie Staubmaske, rutschfeste Sicherheitsschuhe, Schutzhelm oder Gehörschutz, je nach Art und Einsatz des Geräts, verringert das Risiko von Verletzungen.
- Vermeiden Sie unbeabsichtigtes Starten.** Vergewissern Sie sich, dass das Gerät ausgeschaltet ist, bevor Sie es an eine Steckdose oder einen Akku anschließen, es hochheben oder tragen. Wenn Sie beim Tragen des Elektrowerkzeugs den Finger am Schalter haben oder das Gerät eingeschaltet an die Stromversorgung anschließen, kann dies zu Unfällen führen.
- Entfernen Sie alle Einstell- oder Schraubenschlüssel, bevor Sie das Elektrowerkzeug einschalten.**

Schraubenschlüssel oder Einstellschlüssel, die an rotierenden Teilen des Elektrowerkzeugs angebracht sind, können zu Verletzungen führen.

- e. **Beugen Sie sich nicht zu weit nach vorne. Sorgen Sie für einen sicheren Stand und halten Sie jederzeit das Gleichgewicht.** Dadurch können Sie das Elektrowerkzeug in unerwarteten Situationen besser kontrollieren.
 - f. **Tragen Sie geeignete Kleidung. Tragen Sie keine weite Kleidung und keinen Schmuck. Halten Sie Ihre Haare und Kleidung von beweglichen Teilen fern.** Lose sitzende Kleidung, Schmuck oder lange Haare können sich in den beweglichen Teilen verfangen.
 - g. **Falls Vorrichtungen zum Absaugen oder Auffangen von Staub vorhanden sind, vergewissern Sie sich, dass diese angeschlossen sind und richtig verwendet werden.** Das Verwenden einer Staubauffangvorrichtung verringert Gefährdungen durch Staub.
 - h. **Werden Sie durch häufigen Gebrauch von Werkzeugen nicht nachlässig und ignorieren Sie keinesfalls die Prinzipien in Bezug auf den sicheren Umgang mit Werkzeugen.** Eine unachtsame Handlung kann innerhalb von Sekundenbruchteilen zu schweren Verletzungen führen.
4. **Gebrauch und Pflege von Elektrowerkzeugen**
 - a. **Überlasten Sie das Werkzeug nicht. Verwenden Sie das für Ihre Arbeit passende Elektrowerkzeug.** Das richtige Gerät wird die Aufgabe besser und sicherer erledigen, wenn es bestimmungsgemäß verwendet wird.
 - b. **Verwenden Sie das Elektrowerkzeug nicht, wenn der Ein-/Ausschalter nicht funktioniert.** Ein Elektrowerkzeug, das sich nicht mehr ein- oder ausschalten lässt, ist gefährlich und muss repariert werden.
 - c. **Trennen Sie den Stecker vom Netz und/oder entfernen Sie die Akkus, falls abnehmbar, vom Elektrogerät, bevor Sie Einstellungen am Gerät vornehmen, Zubehör wechseln oder es aufbewahren.** Diese Vorbeugemaßnahmen mindern die Gefahr, dass das Elektrogerät unbeabsichtigt startet.
 - d. **Bewahren Sie Elektrowerkzeuge bei Nichtgebrauch außerhalb der Reichweite von Kindern auf. Lassen Sie Elektrowerkzeuge nicht von Personen benutzen, die damit nicht vertraut sind oder diese Anweisungen nicht gelesen haben.** Elektrowerkzeuge sind in den Händen nicht geschulter Personen gefährlich.
 - e. **Halten Sie das Elektrowerkzeug und sein Zubehör in einem einwandfreien Zustand. Kontrollieren Sie, ob bewegliche Teile falsch ausgerichtet sind oder klemmen, und ob Teile gebrochen oder so beschädigt sind, dass die Funktion des Geräts beeinträchtigt ist. Bei Beschädigungen lassen Sie das Elektrowerkzeug reparieren, bevor Sie es verwenden.** Viele Unfälle entstehen wegen mangelnder Wartung der Geräte.
 - f. **Halten Sie Schneidwerkzeuge scharf und sauber.** Richtig gewartete Schneidwerkzeuge mit scharfen Klingen blockieren seltener und sind leichter unter Kontrolle zu halten.
 - g. **Verwenden Sie das Elektrowerkzeug, Zubehör, Einsatz-Bits usw. entsprechend diesen Anweisungen**

und berücksichtigen Sie dabei die Arbeitsbedingungen und die auszuführende Arbeit. Der Gebrauch dieses Elektrowerkzeugs für andere als die vorgesehenen Zwecke kann zu gefährlichen Situationen führen.

- h. **Halten Sie die Griffe und Greifflächen trocken, sauber und frei von Öl und Fett.** Rutschige Griffe und Greifflächen verhindern die sichere Handhabung und Kontrolle des Geräts in unerwarteten Situationen.
5. **Service**
 - a. **Lassen Sie Ihr Elektrowerkzeug nur von qualifiziertem Fachpersonal und nur mit Originalersatzteilen reparieren.** Damit wird sichergestellt, dass die Sicherheit des Geräts erhalten bleibt.

Sicherheitshinweise zur Heckenschere

- a. **Vermeiden Sie, die Heckenschere bei schlechtem Wetter zu verwenden, vor allem, wenn das Risiko von Gewitter besteht.** Dadurch verringert sich das Risiko, vom Blitz getroffen zu werden.
- b. **Halten Sie Strom- und Verlängerungskabel immer vom Schneidbereich fern.** Während des Betriebs werden Strom- und Verlängerungskabel möglicherweise von Hecken oder Sträuchern verdeckt und können unbeabsichtigt beschädigt werden.
- c. **Tragen Sie Gehörschutz.** Angemessene Schutzausrüstung reduziert das Risiko von Gehörschäden.
- d. **Halten Sie die Heckenschere nur an den isolierten Greifflächen, da die Klinge versteckte Kabel berühren könnte.** Der Kontakt der Klinge mit stromführenden Leitungen kann auch offenliegende Metallteile am Gerät unter Strom setzen und zu einem Stromschlag führen.
- e. **Halten Sie sämtliche Körperteile von der Klinge fern. Entfernen Sie kein geschnittenes Material und halten Sie das zu schneidende Material nicht fest, wenn sich die Klinge bewegt.** Die Klinge bewegt sich nach Abschalten einige Sekunden lang weiter. Unachtsamkeit beim Gebrauch der Heckenschere kann zu ernsthaften Verletzungen führen.
- f. **Wenn das zu schneidende Material feststeckt und entfernt oder die Heckenschere gewartet werden soll, stellen Sie sicher, dass sie nicht eingeschaltet werden kann und dass das Netzkabel abgezogen wurde.** Unerwartete Bewegungen der Heckenschere beim Entfernen von feststeckendem Material oder bei der Wartung können zu schweren Verletzungen führen.
- g. **Tragen Sie die Heckenschere mit angehaltener Klinge am Griff und achten Sie darauf, dass sie nicht eingeschaltet werden kann.** Das richtige Tragen der Heckenschere verringert das Risiko des unbeabsichtigten Startens und daraus resultierenden Verletzungen durch die Klinge.
- h. **Verwenden Sie zum Transportieren oder bei der Aufbewahrung der Heckenschere immer den Klingenschutz.** Der richtige Umgang mit der Heckenschere verringert das Risiko von Verletzungen durch die Klinge.

Zusätzliche Sicherheitshinweise für Elektrowerkzeuge



Warnung! Zusätzliche Sicherheitswarnungen für Heckenscheren

- ◆ Die bestimmungsgemäße Verwendung ist in dieser Betriebsanleitung beschrieben. Das Verwenden anderer als der in dieser Anleitung empfohlenen Vorsatzgeräte und Zubehörteile oder die Ausführung von Arbeiten mit diesem Elektrowerkzeug, die nicht der bestimmungsgemäßen Verwendung entsprechen, kann zu Unfallgefahren oder Sachschäden führen.
- ◆ Wenn Sie noch nie mit einer Heckenschere gearbeitet haben, lesen Sie dieses Handbuchs genau durch und bitten Sie zusätzlich einen erfahrenen Benutzer um eine praktische Einweisung.
- ◆ Berühren Sie niemals die Klingen, während das Werkzeug läuft.
- ◆ Versuchen Sie nie, die Klingen mit Gewalt zum Stillstand zu bringen.
- ◆ Setzen Sie das Gerät erst ab, nachdem die Klingen vollständig zum Stillstand gekommen sind.
- ◆ Überprüfen Sie die Klingen regelmäßig auf Beschädigung und Verschleiß. Verwenden Sie das Werkzeug nicht, wenn die Klingen Beschädigungen aufweisen.
- ◆ Achten Sie darauf, dass Sie beim Schneiden keine harten Gegenstände (z. B. Metalldraht, Geländer) berühren. Sollten Sie versehentlich ein solches Objekt getroffen haben, schalten Sie das Gerät sofort aus und überprüfen Sie es auf eventuelle Schäden.
- ◆ Schalten Sie das Gerät unverzüglich aus, wenn Sie ungewöhnliche Vibrationen bemerken, entfernen Sie es vom Netzanschluss und prüfen Sie das Gerät anschließend auf eventuelle Schäden.
- ◆ Wenn das Werkzeug steckenbleibt, schalten Sie es sofort aus. Trennen Sie es von der Stromquelle, bevor Sie versuchen, Fremdkörper zu entfernen.
- ◆ Ziehen Sie nach Gebrauch die mitgelieferte Hülle über die Klingen. Bewahren Sie das Werkzeug unbedingt so auf, dass die Klinge nicht freiliegt.
- ◆ Achten Sie immer darauf, dass beim Einsatz des Werkzeugs alle Schutzeinrichtungen angebracht sind. Verwenden Sie auf keinen Fall ein unvollständiges Gerät bzw. ein Gerät, an dem unsachgemäße Änderungen vorgenommen wurden.
- ◆ Lassen Sie das Werkzeug niemals von Kindern benutzen.
- ◆ Achten Sie auf herabfallendes Schnittgut, wenn Sie die höheren Seiten einer Hecke bearbeiten.
- ◆ Halten Sie das Werkzeug immer mit beiden Händen an den vorgesehenen Griffen fest.
- ◆ **Kleine Kinder und behinderte Personen. Dieses Gerät ist nicht zur Verwendung durch kleine Kinder oder behinderte Personen ohne Aufsicht gedacht.**
- ◆ **Dieses Gerät darf nicht von Personen (einschließlich Kindern) mit eingeschränkten physischen, sensorischen oder mentalen Fähigkeiten oder ohne ausreichende Erfahrung oder Kenntnisse verwendet**

werden, außer wenn diese Personen von einer Person, die für ihre Sicherheit verantwortlich ist, bei der Verwendung des Geräts beaufsichtigt werden. Lassen Sie nicht zu, dass Kinder mit diesem Produkt allein gelassen werden.

- ◆ **Diese Heckenschere ist dazu bestimmt, vom Bediener am Boden und nicht auf Leitern oder anderen instabilen Stützen verwendet zu werden.**

Restrisiken

Beim Gebrauch dieses Geräts verbleiben zusätzliche Restrisiken, die möglicherweise nicht in den Sicherheitswarnungen genannt werden. Diese Risiken bestehen beispielsweise bei Missbrauch oder längerem Gebrauch. Auch bei der Einhaltung der entsprechenden Sicherheitsvorschriften und der Verwendung aller Sicherheitsgeräte bestehen weiterhin bestimmte Restrisiken. Diese sind:

- ◆ Verletzungen, die durch das Berühren von sich drehenden/bewegenden Teilen verursacht werden.
- ◆ Verletzungen, die durch das Austauschen von Teilen, Messern oder Zubehör verursacht werden.
- ◆ Verletzungen, die durch längeren Gebrauch des Werkzeugs verursacht werden. Legen Sie bei längerem Gebrauch regelmäßige Pausen ein.
- ◆ Gehörschäden.
- ◆ Gesundheitsrisiken durch das Einatmen von Staub beim Gebrauch des Werkzeugs (z. B. bei Holzarbeiten, insbesondere Eiche, Buche und Pressspan.)

Datumcode-Position

Der Code für das Herstellungsdatum (9) besteht aus einer 4-stelligen Jahresangabe, gefolgt von einer 2-stelligen Wochenangabe und einem 2-stelligen Werkscode.

Etiketten am Werkzeug

An dem Werkzeug sind die folgenden Piktogramme inklusive Datumcode angebracht:



Der Benutzer muss vor Gebrauch dieses Produkts die Anleitung gelesen und verstanden haben.



Der Benutzer muss geeigneten Augen-, Gehör- und Kopfschutz tragen.



WARNUNG: Gefahren durch Stromschläge. Ziehen Sie den Netzstecker sofort aus der Steckdose, falls das Kabel beschädigt oder durchtrennt wurde.



Setzen Sie das Produkt **KEINEM** Regen aus.



Die Klinge **NICHT** berühren. Halten Sie Ihre Hände nicht in die Nähe der Klinge.



Garantierte Schalleistung laut Richtlinie
2000/14/EG.

Elektrische Sicherheit



Dieses Gerät ist schutzisoliert, daher ist keine Erdleitung erforderlich. Überprüfen Sie immer, dass die Stromversorgung der Spannung auf dem Typenschild entspricht.

- ◆ Bei einer Beschädigung des Netzkabels muss dieses durch den Hersteller oder eine Black & Decker Vertragswerkstatt ausgetauscht werden, um mögliche Gefahren zu vermeiden.
- ◆ Verwenden Sie geeignete Verlängerungskabel, wenn Sie mit dem Gerät im Freien arbeiten. Bei geeigneten Kabeln von Black & Decker treten bis 30 m Kabellänge keine Leistungsverluste auf.
- ◆ Die elektrische Sicherheit lässt sich durch Verwendung eines Fehlerstromschutzschalters (30 mA) erhöhen.

Merkmale

Dieses Werkzeug verfügt über einige oder alle der folgenden Merkmale.

1. Messer
2. Schutzvorrichtung
3. Zusatzgriff
4. Einschaltperre
5. Auslöseschalter
6. Schaltgriff
7. Kabelhalterung
8. Verlängerungskabel (nicht enthalten)

Montage



WARNUNG! Stellen Sie vor der Montage sicher, dass das Gerät ausgeschaltet, der Netzstecker gezogen und der Messerschutz angebracht ist.

Anbringen der Schutzvorrichtung an der Schere (Abb. A, B)

Für den Versand wird die Schutzvorrichtung von der Heckenschere abmontiert. Anbringen der Schutzvorrichtung:

- ◆ Entfernen Sie die Halteschraube (10) der Schutzvorrichtung mit einem Kreuzschlitzschraubendreher (nicht mitgeliefert).
- ◆ Richten Sie die Position Schutzvorrichtung wie in Abb. A gezeigt aus. Dazu müssen die Schlitze der Schutzvorrichtung am Gerät ausgerichtet werden.
- ◆ Stecken Sie die Halteschraube (10) der Schutzvorrichtung in die Öffnung an der Seite der Schutzvorrichtung und ziehen Sie sie wie in Abb. B gezeigt fest.



WARNUNG! Verwenden Sie den Trimmer nur, wenn Griff und Schutzvorrichtung richtig angebracht sind. Die Verwendung der Heckenschere ohne die richtige Schutzvorrichtung oder den Griff kann zu schweren Verletzungen führen.

Anbringen des Verlängerungskabels an der Schere (Abb. C)

An der Rückseite des Schaltgriffs (6) befindet sich eine Kabelhalterung (7).

- ◆ Bilden Sie aus dem Ende des Verlängerungskabels (8) eine Schlaufe.
- ◆ Führen Sie die Schlaufe wie in Abb. C gezeigt in das Gehäuse (11) der Kabelhalterung ein.
- ◆ Haken Sie die Schlaufe so in die Kabelhalterung (7) ein, dass sie darin hängen bleibt.
- ◆ Verbinden Sie das Verlängerungskabel mit dem Gerät.

Richtige Haltung der Hände (Abb. D)

Halten Sie die Heckenschere immer so fest, wie es in den Abbildungen in diesem Handbuch dargestellt ist, d. h. mit einer Hand auf dem Schaltgriff und mit einer Hand am Zusatzgriff (Abb. D). Tragen Sie die Maschine niemals an der Schutzvorrichtung der Klinge.

Verwendung



WARNUNG! Beschleunigen Sie den Arbeitsvorgang nicht mit Gewalt. Vermeiden Sie eine Überlastung.



WARNUNG! Lagern oder verwenden Sie das Werkzeug niemals in Bereichen, in denen die Temperatur unter 4 °C fällt (z. B. Scheunen oder Metallgebäude im Winter) oder 40 °C erreicht oder übersteigt (z. B. Scheunen oder Metallgebäude im Sommer).

Ein- und Ausschalten

HINWEIS: Das Gerät ist zu Ihrer Sicherheit mit einer Zweihandbetätigung ausgestattet. Durch dieses System wird das versehentliche Einschalten des Geräts verhindert. Das Gerät kann nur betrieben werden, wenn es mit beiden Händen gehalten wird.

Einschalten (Abb. E)

- ◆ Zum Einschalten des Werkzeugs müssen Sie gleichzeitig den Schalter des Zusatzgriffs (4) nach hinten drücken und den Auslöseschalter des Hauptgriffs (5) hereindrücken. Um das Gerät in Betrieb zu halten, müssen Sie beide Schalter gedrückt halten.
- ◆ Lassen Sie zum Ausschalten des Geräts entweder den Schalter des Zusatzgriffs oder den Auslöseschalter los.



WARNUNG! Arretieren Sie den Schalter nie in der Stellung ON (EIN).

- ◆ Ölen Sie die Klingen regelmäßig.

Tipps für den Beschnitt

Verlängerungskabel (Abb. F)

- ◆ Halten Sie das Verlängerungskabel (8) wie in Abb. F gezeigt immer hinter der Heckenschere und vom Arbeitsvorgang entfernt. Hängen Sie es niemals über eine Hecke, die beschnitten werden soll. Falls Sie das Kabel versehentlich durchschneiden oder beschädigen, ziehen Sie sofort den Stecker aus der Steckdose, bevor Sie das Kabel überprüfen oder reparieren.

Arbeitsposition

- ◆ Sorgen Sie für sicheren Stand und Gleichgewicht, und lehnen Sie sich nicht zu weit nach vorn.
- ◆ Tragen Sie beim Schneiden eine Schutzbrille, rutschfestes Schuhwerk und Gummihandschuhe.
- ◆ Halten Sie das Werkzeug mit beiden Händen fest und schalten Sie es ein. Halten Sie die Heckenschere immer wie in Abb. D dargestellt mit einer Hand am Schaltgriff und der anderen Hand am Zusatzhandgriff. Tragen Sie das Werkzeug niemals an der Schutzvorrichtung der Klinge.

Trimmen von nachgewachsenen Bereichen (Abb. G)

- ◆ Eine breite, geschwungene Bewegung, bei der die Klingenzähne durch die Zweige geführt werden, ist am effektivsten. Eine in Bewegungsrichtung leicht nach unten geneigte Klinge bietet das beste Schneidergebnis.



WARNUNG! Schneiden Sie mit der Heckenschere keine Äste, die dicker als 16 mm sind. Verwenden Sie die Heckenschere nur zum Stutzen normaler Sträucher bei Häusern und Gebäuden.

Hecken begradigen (Abb. H)

- ◆ Um besonders gerade Hecken zu erhalten, kann ein Bindfaden als Führung entlang der gesamten Hecke gespannt werden.

Trimmen von Heckenseiten (Abb. I)

- ◆ Beginnen Sie an der Unterseite und arbeiten Sie sich nach oben.

Die Schneidklinge ist aus hochwertigem, gehärtetem Stahl gefertigt und muss bei normalem Gebrauch nicht geschärft werden. Wenn Sie allerdings versehentlich einen Drahtzaun (Abb. J), Steine, Glas oder andere harte Gegenstände treffen, kann das zu einer Scharte in der Klinge führen. Es ist nicht erforderlich, diese Scharte zu beseitigen, solange sie die Bewegung der Klinge nicht beeinträchtigt. Wenn sie eine Beeinträchtigung darstellt, ziehen Sie das Kabel ab und beseitigen Sie die Scharte mit einer feinzahnigen Feile oder einem Schleifstein. Wenn die Heckenschere heruntergefallen ist, überprüfen Sie sie vor der weiteren Verwendung sorgfältig auf Beschädigungen. Wenn die Klinge verbogen oder das Gehäuse rissig ist oder wenn Griffe gebrochen sind oder Sie etwas anderes feststellen, das den Betrieb des Geräts beeinträchtigen könnte, wenden Sie sich an Ihre lokale Black & Decker-Vertragswerkstatt, um das Gerät reparieren zu lassen, bevor Sie es wieder in Betrieb nehmen. Düngemittel und andere Gartenchemikalien enthalten Mittel, welche die Korrosion von Metallen stark beschleunigen. Bewahren Sie das Gerät nicht auf oder in der Nähe von Düngemitteln oder Chemikalien auf.

Zubehör

Das verwendete Zubehör hat wesentlichen Einfluss auf die Leistung des Geräts. Zubehörteile von Black & Decker erfüllen höchste Qualitätsstandards und wurden speziell für die Verwendung mit Ihrem Gerät entwickelt. Bei Verwendung dieses Zubehörs erhalten Sie stets optimale Ergebnisse.

Wartung

Ihr Black & Decker Elektrowerkzeug mit Kabel/ohne Kabel wurde für langfristigen Betrieb mit minimalem Wartungsaufwand konstruiert. Ein dauerhafter, einwandfreier Betrieb setzt sorgfältige Pflege und regelmäßige Reinigung voraus.

Schmieröl erhalten Sie im Black & Decker-Fachhandel (Katalognr. A6102-XJ).

Die Kontaktdaten der Kundendienststelle finden Sie auf der Rückseite dieses Handbuchs oder auf www.2helpU.com.



WARNUNG! Tun Sie vor der Durchführung von Wartungsarbeiten an Elektrowerkzeugen mit/ohne Kabel Folgendes durch:

- ◆ Schalten Sie das Gerät/Werkzeug aus und ziehen Sie den Netzstecker.
- ◆ Wenn das Gerät über einen separaten Batteriepack oder Akku verfügt, schalten Sie das Gerät ab, und entnehmen Sie die Batterien aus dem Gerät.
- ◆ Wenn der Akku integriert ist, entladen Sie diesen vor dem Abschalten vollständig.
- ◆ Ziehen Sie vor dem Reinigen des Ladegeräts den Netzstecker. Abgesehen von der regelmäßigen Reinigung ist Ihr Ladegerät wartungsfrei.
- ◆ Reinigen Sie regelmäßig die Lüftungsschlitze des Geräts und des Ladegeräts mit einer weichen Bürste oder einem trockenen Tuch.
- ◆ Reinigen Sie das Motorgehäuse regelmäßig mit einem feuchten Tuch. Verwenden Sie keine scheuernden Reinigungsmittel oder Reinigungsmittel auf Lösungsmittelbasis.
- ◆ Reinigen Sie die Messer nach dem Gebrauch sorgfältig. Tragen Sie nach der Reinigung leichtes Maschinenöl auf die Messer auf, um Rostbildung vorzubeugen.

Austauschen des Netzsteckers (nur Großbritannien und Irland)

Wenn ein neuer Netzstecker angebracht werden muss:

- ◆ Entsorgen Sie den alten Stecker auf sachgerechte Weise.
- ◆ Verbinden Sie die braune Leitung mit dem spannungsführenden Anschluss des Steckers.
- ◆ Verbinden Sie die blaue Leitung mit dem neutralen Anschluss.



WARNUNG! Stellen Sie keine Verbindung mit dem Erdungsanschluss her. Befolgen Sie die Montageanweisungen, die mit hochwertigen Steckern geliefert werden. Empfohlene Sicherung: 5 A.

Reinigung



WARNUNG! Blasen Sie mit Trockenluft immer dann Schmutz und Staub aus dem Hauptgehäuse, wenn sich Schmutz sichtbar in und um die Lüftungsschlitze ansammelt. Tragen Sie bei diesen Arbeiten zugelassenen Augenschutz und eine zugelassene Staubmaske.



WARNUNG: Verwenden Sie niemals Lösungsmittel oder andere scharfe Chemikalien für die Reinigung der nichtmetallischen Teile des Geräts. Diese Chemikalien können das in diesen Teilen verwendete Material aufweichen. Verwenden Sie ein nur mit Wasser und einer milden Seife befeuchtetes Tuch. Achten Sie darauf, dass niemals Flüssigkeiten in das Gerät eindringen. Tauchen Sie niemals irgendein Teil des Gerätes in eine Flüssigkeit.

Umweltschutz



Die Produkte/Akkus können recycelt werden. Wenn sie jedoch mit einem durchgestrichenen Mülleimer gekennzeichnet sind, dürfen sie nicht als normaler Hausmüll entsorgt werden.

Entladen Sie die Batterien vollständig und trennen Sie sie. Trennen Sie zudem nach Möglichkeit alle Lichtquellen vom Produkt.

Es liegt in der Verantwortung des Benutzers, personenbezogene Daten vom Produkt zu entfernen. Bringen Sie den Abfall dann zu einer offiziellen Abfallsammelstelle oder zu einer Entsorgungsstelle, wo die Entsorgung häufig kostenfrei ist. Die Entsorgung der Verpackung muss entsprechend dem Materialcode erfolgen.

Betriebs- und Sicherheitshinweise sollten erst entsorgt werden, wenn das entsprechende Produkt endgültig nicht mehr verwendet wird.

Bitte informieren Sie sich bei Ihrer Gemeinde/Stadt über die Verfahren zur richtigen Abfallentsorgung. Besuchen Sie für weitere Informationen www.2helpU.com und scannen Sie den obigen QR-Code.

Garantie

Black & Decker ist von der Qualität seiner Produkte überzeugt und bietet Kunden eine 24-monatige Garantie ab dem Datum des Kaufs. Diese Garantie versteht sich unbeschadet der gesetzlichen Gewährleistungsansprüche und schränkt diese keinesfalls ein. Diese Garantie gilt innerhalb der Staatsgebiete der Mitgliedstaaten der Europäischen Union und der Europäischen Freihandelszone.

Zur Inanspruchnahme dieser Garantie muss sie den allgemeinen Geschäftsbedingungen von Black + Decker entsprechen und dem Verkäufer bzw. der Vertragswerkstatt ist ein Kaufnachweis vorzulegen. Die Bedingungen für die 2-jährige Garantie von Black & Decker und den Standort Ihrer nächstgelegenen Vertragswerkstatt finden Sie im Internet unter www.2helpU.com oder indem Sie sich an die lokale Black&Decker-Niederlassung wenden, deren Adresse Sie in dieser Anleitung finden.

Ihr neues Black & Decker-Produkt können Sie auf unserer Website unter www.blackanddecker.eu registrieren. Dort erhalten Sie auch Informationen über neue Produkte und Sonderangebote.

Documents disponibles en ligne

www.2helpU.com/DoC/ or
www.2helpU.com/DoC/index/xxx*

*Pour un accès direct, remplacez « xxx » par le numéro de modèle du produit figurant sur l'étiquette ou l'emballage.



- Notice d'utilisation
- Déclaration de conformité (DoC)
- Données d'émission du produit (PED) : Informations sur le bruit, les vibrations et la poussière (ne s'applique pas à tous les produits)

Caractéristiques techniques

		BEHT201 Type 1	BEHT251 Type 1
Tension	V _{CA}	230	230
Puissance absorbée	W	420	450
Coups de la lame (à vide)	min ⁻¹	1960	1815
Longueur de la lame	cm	45	50
Interstice de la lame	mm	16	18
Freinage de lame	s	< 1	< 1
Poids	kg	1,91	2,16

Utilisation prévue

Vos taille-haies BLACK+DECKER®, BEHT201, BEHT251, ont été conçus pour tailler les haies, les buissons et les ronces. Cet outil est destiné à un usage grand public uniquement.

Consignes de sécurité

Avertissements de sécurité générale propres aux outils électriques



AVERTISSEMENT ! veuillez lire tous les avertissements de sécurité, toutes les instructions, les illustrations et les spécifications fournies avec cet outil électrique. Le non-respect des avertissements et des instructions listés ci-dessous peut occasionner des décharges électriques, des incendies et/ou de graves blessures.

Conservez tous les avertissements et toutes les instructions afin de pouvoir vous y référer dans le futur. Le terme "outil électrique" mentionné dans les avertissements fait référence à vos outils électriques branchés sur secteur (avec fil) ou fonctionnant sur pile ou batterie (sans fil).

1. Sécurité de la zone de travail

- Maintenez la zone de travail propre et bien éclairée.** Les zones sombres ou encombrées sont propices aux accidents.
- N'utilisez pas d'outils électriques dans un environnement présentant des risques d'explosion ou en présence de liquides, gaz ou poussières inflammables.** Les outils électriques créent des étincelles qui peuvent enflammer les poussières et les fumées.

- Maintenez les enfants et les autres personnes à l'écart quand vous utilisez un outil électrique.** Toute distraction peut vous faire perdre le contrôle de l'outil.

2. Sécurité électrique

- Les prises des outils électriques doivent correspondre à la prise de courant murale. Ne modifiez jamais la prise d'aucune sorte. N'utilisez aucun adaptateur avec des outils électriques reliés à la terre.** L'utilisation de prises d'origine et de prises murales appropriées permet de réduire le risque de choc électrique.
- Évitez tout contact physique avec des surfaces reliées à la terre comme des tuyaux, des radiateurs, des fours et des réfrigérateurs par exemple.** Il y a sinon un risque accru de choc électrique si votre corps est lui-même relié à la terre.
- N'exposez pas les outils électriques à la pluie, ni à l'humidité.** Le risque de choc électrique augmente si de l'eau pénètre dans un outil électrique.
- Ne tirez pas sur le cordon d'alimentation. N'utilisez jamais le cordon pour transporter, tirer ou débrancher l'outil électrique. Maintenez le cordon à l'écart de la chaleur, des substances grasses, des bords tranchants ou des pièces mobiles.** Les cordons endommagés ou emmêlés augmentent les risques de chocs électriques.
- Si vous utilisez un outil électrique à l'extérieur, utilisez une rallonge homologuée pour les travaux en extérieur.** L'utilisation d'une rallonge électrique homologuée pour les travaux en extérieur réduit le risque de choc électrique.
- Si l'utilisation d'un outil électrique dans un endroit humide est inévitable, utilisez une alimentation électrique protégée par un disjoncteur différentiel à courant résiduel (DDR).** L'utilisation d'un DDR réduit le risque de choc électrique.

3. Sécurité des personnes

- Restez vigilant, surveillez ce que vous faites et faites preuve de bon sens lorsque vous utilisez un outil électrique. N'utilisez pas d'outils électriques si vous êtes fatigué ou sous l'influence de drogue, d'alcool ou de médicaments.** Tout moment d'inattention pendant l'utilisation d'un outil électrique peut engendrer de graves blessures.
- Portez des équipements de protection individuelle. Portez toujours une protection oculaire.** Les équipements de protection comme les masques à poussière, les chaussures de sécurité antidérapantes, les casques ou les protections auditives réduisent le risque de blessures s'ils sont utilisés à bon escient.
- Empêchez tout démarrage intempestif. Assurez-vous que l'interrupteur est sur la position Arrêt avant de raccorder l'outil à l'alimentation électrique et/ou au bloc-batterie ou avant de ramasser ou de transporter l'outil.** Le fait de transporter les outils électriques le doigt sur l'interrupteur ou d'alimenter les outils électriques dont l'interrupteur est déjà en position de marche augmente le risque d'accidents.

- d. **Retirez toutes les clés ou pinces de réglage avant de mettre l'outil en marche.** Une clé ou une pince restée fixée sur une pièce rotative de l'outil électrique peut engendrer des blessures.
- e. **Ne vous penchez pas. Gardez les pieds bien ancrés au sol et conservez votre équilibre en permanence.** Cela permet de mieux maîtriser l'outil électrique en cas de situations imprévues.
- f. **Portez des vêtements appropriés. Ne portez aucuns vêtements amples, ni bijoux. Gardez vos cheveux et vos vêtements à l'écart des pièces mobiles.** Les vêtements amples, les bijoux et les cheveux longs peuvent se trouver pris dans les pièces mobiles.
- g. **Si vous disposez de dispositifs pour le raccordement d'un extracteur de poussière ou d'installations pour la récupération, assurez-vous qu'ils sont correctement raccordés et utilisés.** L'utilisation de dispositifs récupérateurs de poussières réduit les risques liés aux poussières.
- h. **Ne pensez pas être familiarisé avec l'outil après l'avoir utilisé à de nombreuses reprises, au point de ne plus rester vigilant et d'en oublier les consignes de sécurité.** Toute action imprudente peut engendrer de graves blessures en une fraction de seconde.
4. **Utiliser et entretenir un outil électrique**
- a. **Respectez la capacité de l'outil. Utilisez l'outil approprié, adapté pour le travail à réaliser.** Un outil adapté fonctionne mieux, de façon plus sûre et à la cadence pour laquelle il a été conçu.
- b. **N'utilisez pas l'outil électrique si son interrupteur ne permet pas de l'allumer ou de l'éteindre.** Tout outil électrique qui ne peut plus être commandé par son interrupteur est dangereux et il doit être réparé.
- c. **Débranchez la prise de l'alimentation électrique et/ou retirez le bloc-batterie de l'outil s'il est amovible, avant d'effectuer tout réglage, de changer un accessoire ou de ranger l'outil électrique.** Ces mesures de précaution permettent de réduire le risque que l'outil électrique soit mis en marche accidentellement.
- d. **Rangez les outils électriques non utilisés hors de portée des enfants et ne laissez aucune personne ne connaissant pas ces outils ou leurs instructions d'utilisation les faire fonctionner.** Les outils électriques peuvent être dangereux entre des mains inexpérimentées.
- e. **Entretenez vos outils électriques et leurs accessoires. Vérifiez que les pièces mobiles sont alignées correctement et qu'elles ne sont pas coincées. Vérifiez qu'aucune pièce n'est cassée et contrôlez l'absence de toute autre condition qui pourrait nuire au bon fonctionnement de l'outil. En cas de dommage, faites réparer l'outil électrique avant de le réutiliser.** De nombreux accidents sont provoqués par des outils électriques mal entretenus.
- f. **Maintenez les organes de coupe affûtés et propres.** Des organes de coupe bien entretenus et dont le tranchant est affûté sont moins susceptibles de rester coincés et ils sont plus faciles à contrôler.
- g. **Utilisez l'outil électrique, les accessoires et les embouts d'outils conformément à ces instructions, en tenant compte des conditions de travail et de la tâche à effectuer.** L'utilisation d'un outil électrique à d'autres fins que celles pour lesquelles il a été prévu peut entraîner des situations dangereuses.
- h. **Veillez à ce que les poignées et les surfaces de préhension restent sèches et propres, sans trace d'huile ou de graisse.** Des poignées et des surfaces de préhension glissantes ne permettent pas de manipuler et de maîtriser l'outil correctement en cas de situations inattendues.
5. **Révision/Réparation**
- a. **Ne faites réviser/réparer votre outil électrique que par un réparateur qualifié qui n'utilise que des pièces de rechange d'origine.** Cela permet de garantir la sûreté de l'outil électrique.
- Avertissements de sécurité propres aux taille-haies**
- a. **N'utilisez pas la taille-haie si les conditions météorologiques sont mauvaises, tout particulièrement lorsqu'il y a un risque de foudre.** Vous réduirez ainsi le risque d'être frappé par la foudre.
- b. **Éloignez tous les cordons et câbles électriques de la zone de coupe.** Il est possible que les cordons et les câbles soient camouflés par les haies ou les buissons et ils risquent d'être sectionnés par la lame.
- c. **Portez une protection auditive.** Un équipement de protection adapté permet de réduire le risque de perte d'audition.
- d. **Tenez la taille-haie par ses surfaces de préhension isolées car il est possible que la lame entre en contact avec des fils cachés.** Tout contact de la lame avec un fil sous tension peut mettre les parties métalliques exposées du taille-haie sous tension et occasionner une décharge électrique à l'utilisateur.
- e. **Gardez toutes les parties de votre corps loin de la lame. Ne retirez pas les chutes et ne tenez pas les éléments à couper à la main lorsque les lames sont en mouvement.** Le mouvement des lames continue après l'extinction du moteur. Tout moment d'inattention pendant l'utilisation du taille-haie peut occasionner de graves blessures.
- f. **Pour supprimer un bourrage ou entretenir le taille-haie, veillez à ce que tous les interrupteurs soient sur la position Arrêt et que le câble électrique soit bien débranché.** La mise en marche accidentelle du taille-haie pendant la suppression d'un bourrage ou une opération d'entretien peut occasionner de graves blessures.
- g. **Portez la taille-haie par la poignée, lame immobilisée et en prenant soin de n'actionner aucun interrupteur.** En transportant le taille-haie de la bonne façon, vous diminuez le risque de démarrage accidentel et les blessures possibles avec les lames.
- h. **Veillez à toujours installer le cache-lame pour transporter ou ranger le taille-haie.** En manipulant le taille-haie correctement vous diminuez le risque de blessures possibles par les lames.

Avertissements de sécurité supplémentaires propres aux outils électriques



Avertissement ! consignes de sécurité supplémentaires pour les tailles-haies

- ◆ L'utilisation prévue est décrite dans cette présente notice d'utilisation. L'utilisation d'un accessoire ou d'un équipement non recommandés ou l'utilisation de cet outil à d'autres fins que celles recommandées dans la présente notice peuvent entraîner des blessures et/ou des dégâts matériels.
- ◆ Si vous n'avez jamais utilisé de taille-haie auparavant, il est préférable de demander les conseils d'un utilisateur expérimenté en complément de l'étude de cette notice.
- ◆ Ne touchez jamais les lames lorsque l'outil est en marche.
- ◆ N'arrêtez jamais les lames de force.
- ◆ Ne posez pas l'outil avant l'arrêt complet des lames.
- ◆ Contrôlez régulièrement l'absence de dommage et d'usure sur les lames. N'utilisez pas l'outil si ses lames sont endommagées.
- ◆ Prenez soin d'éviter tout contact avec des objets durs (câbles métalliques, garde-corps par exemple) pendant la taille. Si vous touchez ce type d'objets accidentellement, éteignez immédiatement l'outil et contrôlez l'absence de dommage.
- ◆ Si l'outil se met à vibrer de façon anormale, éteignez-le immédiatement et débranchez-le de l'alimentation électrique avant de contrôler l'absence d'un quelconque dommage.
- ◆ Si l'outil cale, éteignez-le immédiatement. Débranchez l'alimentation électrique avant de tenter de supprimer tout bourrage potentiel.
- ◆ Après utilisation, placez le fourreau fourni sur les lames. Rangez l'outil en vous assurant que les lames ne sont pas à nu.
- ◆ Assurez-vous toujours que tous les dispositifs de sécurité sont correctement installés avant d'utiliser l'outil. Ne tentez jamais d'utiliser un outil incomplet ou qui a été modifié de façon non autorisée.
- ◆ Ne laissez jamais les enfants utiliser l'appareil.
- ◆ Prenez garde aux débris qui peuvent chuter lorsque vous taillez les parties plus hautes d'une haie.
- ◆ Tenez toujours l'outil à deux mains et par les poignées existantes.
- ◆ **Jeunes enfants et personnes infirmes. Cet appareil n'est pas destiné à être utilisé par de jeunes enfants ou des personnes infirmes sans surveillance.**
- ◆ **Ce produit n'est pas destiné à être utilisé par des personnes (y compris les enfants) aux capacités physiques, sensorielles ou intellectuelles réduites ou qui manquent d'expérience, de connaissances ou d'aptitudes, à moins qu'elles ne soient surveillées par une personne responsable de leur sécurité. Ne laissez jamais les enfants seuls avec ce produit.**
- ◆ **Le taille-haie a été conçu pour être utilisé au sol et en aucun cas sur une échelle ou tout autre support instable.**

Risques résiduels

Certains risques résiduels autres que ceux mentionnés dans les avertissements sur la sécurité peuvent survenir en utilisant l'outil. Ces risques peuvent être dus à une utilisation incorrecte, une utilisation prolongée, etc.

Malgré le respect de toutes les réglementations pertinentes sur la sécurité et la mise en œuvre de dispositifs de sécurité, certains risques résiduels ne peuvent pas être évités.

Ils comprennent :

- ◆ Les blessures dues au contact avec des pièces mobiles/ en rotation.
- ◆ Les blessures dues au changement de pièces, de lames ou d'accessoires.
- ◆ Les blessures dues à l'utilisation prolongée d'un outil. Lorsque vous utilisez un outil quel qu'il soit pendant de longues périodes, veillez à faire des pauses régulières.
- ◆ Les troubles de l'ouïe.
- ◆ Les risques pour la santé dus à l'inhalation des poussières émises pendant l'utilisation de l'outil (exemple : travail avec du bois, surtout le chêne, le hêtre et les panneaux en MDF).

Emplacement du code date

Le code de la date de fabrication (9) est composé de l'année en 4 chiffres, suivie de la semaine en 2 chiffres, suivie de 2 chiffres représentant le code de l'usine.

Étiquettes apposées sur l'outil

Les pictogrammes qui suivent figurent sur l'outil avec le code date :



L'utilisateur doit lire et s'assurer de bien comprendre la notice d'utilisation avant d'utiliser le produit.



L'utilisateur doit porter des protections auditives et oculaires suffisantes ainsi qu'un casque.



AVERTISSEMENT : risque de choc électrique. Débranchez immédiatement la prise de courant si le câble est endommagé ou sectionné.



N'exposez **PAS** le produit à la pluie.



NE touchez **PAS** la lame. Gardez les mains loin de la lame.



Puissance sonore garantie selon la Directive 2000/14/CE.

Sécurité électrique



Cet outil est doublement isolé et il ne nécessite donc aucune liaison à la terre. Assurez-vous toujours que l'alimentation électrique correspond à la tension mentionnée sur la plaque signalétique.

- ◆ Si le câble d'alimentation est endommagé, il doit être remplacé par le fabricant ou par un centre d'assistance agréé afin d'éviter tout risque.
- ◆ Pour manipuler l'outil à l'extérieur, utilisez uniquement une rallonge homologuée pour ce genre d'utilisation. Une rallonge adaptée Black & Decker jusqu'à 30 m peut être utilisée sans perte de puissance.
- ◆ Utilisez un disjoncteur différentiel à courant résiduel (DDR) à grande sensibilité, 30 mA, pour améliorer la sécurité électrique.

Caractéristiques

Cet outil dispose de tout ou partie des éléments suivants.

1. Lame
2. Carter de protection
3. Poignée auxiliaire
4. Bouton de verrouillage
5. Interrupteur à gâchette
6. Poignée-interrupteur
7. Retenue de câble
8. Rallonge (non inclus)

Assemblage



AVERTISSEMENT ! avant l'assemblage, assurez-vous que l'outil est éteint, débranché et que la gaine est sur les lames.

Fixer le carter de protection sur la taille-haie (Fig. A, B)

Le taille-haie est livré avec le carter de protection démonté.

Pour installer le carter de protection :

- ◆ Retirez la vis de retenue du carter 10 à l'aide d'un tournevis Phillips (non fourni).
- ◆ Positionnez le carter en place, comme illustré par la Fig. A en veillant à ce que le carter s'emboîte dans les rainures de la machine.
- ◆ Insérez la vis de retenue du carter 10 dans l'ouverture sur le côté du carter et serrez fermement, comme illustré par la Fig. B.



AVERTISSEMENT ! n'utilisez l'outil que si la poignée et le dispositif de protection sont correctement assemblés sur le taille-haie. L'utilisation du taille-haie sans le carter de protection, ni la poignée fournis peut occasionner de graves blessures.

Utiliser une rallonge avec le taille-haie (Fig. C)

Une retenue de câble (7) est installée à l'arrière de la poignée-interrupteur (6).

- ◆ Enroulez la rallonge (8) à son extrémité pour créer une boucle.
- ◆ Insérez la boucle dans le support de la retenue de câble (11), comme illustré par la Fig. C.
- ◆ Accrochez la boucle dans la retenue de câble (7) pour qu'elle y reste maintenue.
- ◆ Branchez la rallonge dans la machine.

Position correcte des mains (Fig. D)

Veillez à toujours tenir le taille-haie comme le montre les illustrations de cette notice, avec une main sur la poignée-

interrupteur et l'autre main sur la poignée auxiliaire (Fig. D). Ne tenez jamais l'appareil par le carter de la lame.

Utilisation



AVERTISSEMENT ! laissez l'outil fonctionner à son propre rythme. Ne poussez pas l'outil au-delà de sa capacité.



AVERTISSEMENT ! ne rangez et n'utilisez pas l'outil dans des endroits où la température peut chuter sous 4 °C (39,2 °F) (comme des remises extérieures ou des bâtiments métalliques en hiver) ou atteindre ou dépasser 40 °C (104 °F) (comme des remises extérieures ou des bâtiments métalliques en été).

Mettre en marche et éteindre l'appareil

Remarque : pour votre sécurité, cet outil est équipé d'un système à double commande. Ce système évite le démarrage accidentel de l'outil et permet le fonctionnement de l'outil uniquement quand il est tenu avec les deux mains.

Mettre la machine en marche (Fig. E)

- ◆ Pour mettre l'outil en marche, vous devez enfoncer l'interrupteur de la poignée auxiliaire (4) vers l'arrière et enfoncer l'interrupteur à gâchette de la poignée principale (5). Afin de garder la machine en marche, vous devez continuer à enfoncer les deux interrupteurs.
- ◆ Pour éteindre la machine, relâchez l'interrupteur de la poignée auxiliaire ou l'interrupteur à gâchette.



AVERTISSEMENT ! n'essayez jamais de bloquer l'interrupteur en position marche.

- ◆ Graissez régulièrement les lames.

Consignes pour la taille

Rallonge (Fig. F)

- ◆ Veillez à toujours garder la rallonge (8) derrière de taille-haie et loin de la zone à tailler, comme illustré par la Fig. F. Ne la faites jamais courir par-dessus la haie que vous êtes en train de tailler. Si vous sectionnez ou si vous endommagez le cordon, débranchez-le immédiatement de la prise électrique, avant de l'inspecter ou de le réparer.

Position de travail

- ◆ Adoptez une posture stable, gardez votre équilibre et ne vous penchez pas.
- ◆ Portez des lunettes de protection, des chaussures antidérapantes et des gants en caoutchouc pour effectuer la taille.
- ◆ Tenez l'appareil fermement à deux mains et allumez-le. Veillez à toujours tenir le taille-haie comme illustré par la Fig. D, avec une main sur la poignée-interrupteur et l'autre main sur la poignée auxiliaire. Ne tenez jamais l'outil par le carter de protection.

Tailler les jeunes pousses (Fig. G)

- ◆ Balayer le taille-haie en un large mouvement, en passant les dents de la lame à travers les rameaux est

la méthode la plus efficace. Une légère inclinaison de la lame vers le bas, dans le sens du mouvement donne de meilleurs résultats.



AVERTISSEMENT ! n'utilisez pas le taille-haie pour couper des tiges de plus de 16 mm. N'utilisez le taille-haie que pour couper des arbustes ordinaires que l'on trouve autour des maisons et des bâtiments.

Égaliser le haut des haies (Fig. H)

- ◆ Pour obtenir des haies égalisées à la perfection, il est possible de tirer un fil sur toute la longueur de la haie pour qu'il serve de guide.

Taille les côtés des haies (Fig. I)

- ◆ Commencez par le bas et remontez.

Les lames sont des lames en acier trempé de grande qualité qui ne nécessitent aucun affûtage si elles sont utilisées normalement. Cependant, s'il vous arrive de heurter un grillage métallique (Fig. J), des pierres, du verre ou d'autres objets durs accidentellement, il se peut que vous ébréchiez la lame. Il n'est pas utile de rectifier la lame tant que cela ne gêne pas son mouvement. Dans le cas contraire, débranchez le câble électrique et utilisez une lime fine ou une pierre à affûter pour corriger l'ébréchure. Si le taille-haie chute, contrôlez l'absence de dommage avec soin. Si la lame est voilée, si son logement est fissuré, si les poignées sont cassées ou si vous détectez une autre condition qui pourrait nuire au bon fonctionnement du taille-haie, prenez contact avec votre centre d'assistance Black & Decker local pour effectuer les réparations avant de réutiliser l'équipement. Les engrais et autres produits chimiques pour jardin contiennent des éléments qui accélèrent grandement la corrosion des métaux. Ne rangez pas la machine à proximité d'engrais ou de produits chimiques.

Accessoires

Les performances de votre outil dépendent de l'accessoire utilisé. Les accessoires Black & Decker sont élaborés selon des normes de qualité supérieures et ils sont conçus pour améliorer les performances de votre outil. L'utilisation de ces accessoires vous permet de tirer pleinement profit de votre outil.

Maintenance

Votre appareil/outil sans fil/avec fil Black & Decker a été conçu pour fonctionner longtemps avec un minimum d'entretien. Le fonctionnement continu et satisfaisant dépend de son bon entretien et de son nettoyage régulier.

Vous trouverez de l'huile de graissage chez votre revendeur Black & Decker (cat. N° A6102-XJ).

Consultez la dernière page de cette notice pour obtenir les coordonnées des centres d'assistance ou visitez le site www.2helpU.com.



AVERTISSEMENT ! avant toute opération de maintenance sur des outils électriques avec ou sans fil :

- ◆ Éteignez et débranchez l'appareil/outil.

- ◆ Ou, arrêtez l'appareil/outil et retirez-en la batterie si celui-ci est muni d'un bloc-batterie séparé.
- ◆ Ou déchargez complètement la batterie si elle est intégrée, puis éteignez la machine.
- ◆ Débranchez le chargeur avant de le nettoyer. Votre chargeur ne nécessite aucun entretien particulier, à l'exception d'un nettoyage régulier.
- ◆ Nettoyez régulièrement les fentes d'aération de votre appareil/outil/chargeur à l'aide d'une brosse souple ou d'un chiffon sec.
- ◆ Nettoyez régulièrement le bloc-moteur à l'aide d'un chiffon humide. N'utilisez pas de détergents abrasifs ou à base de solvants.
- ◆ Une fois la taille terminée, nettoyez les lames avec précaution. Après le nettoyage, appliquez un film fin d'huile pour machine afin d'empêcher que les lames ne rouillent.

Remplacer la prise de courant (RU et Irlande uniquement)

Si une nouvelle prise électrique doit être installée :

- ◆ Jetez l'ancienne prise de façon appropriée.
- ◆ Raccordez le fil marron à la phase de la nouvelle prise.
- ◆ Raccordez le fil bleu au neutre.



AVERTISSEMENT ! aucun branchement ne doit être fait à la borne de terre. Respectez les instructions pour l'installation fournies avec les prises de bonne qualité. Fusible recommandé : 5 A.

Nettoyage



AVERTISSEMENT ! soufflez les saletés et la poussière hors du corps de la machine avec de l'air sec, dès que la poussière s'accumule dans et autour des orifices d'aération. Portez des lunettes de protection et un masque à poussière homologués pour réaliser cette opération.



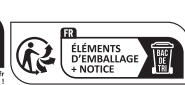
AVERTISSEMENT : n'utilisez jamais de solvants ou d'autres produits chimiques décapants pour nettoyer les pièces non métalliques de l'outil. Ces produits chimiques pourraient attaquer la matière de ces pièces. Utilisez un chiffon humidifié avec de l'eau et un savon doux. Ne laissez jamais aucun liquide pénétrer à l'intérieur de l'outil et n'immergez jamais aucune de ses pièces dans aucun liquide.

Protection de l'environnement



A DÉPOSER EN MÉTALLO
OU
A DÉPOSER EN DÉCHÈTRES

Points de collecte sur www.qualiteindemarchets.fr
Privilégiez la réparation ou le don de votre appareil !



Les produits et les piles/batteries sont recyclables mais s'ils sont marqués du symbole d'une poubelle barrée d'une croix, ils ne doivent pas être jetés avec les déchets ménagers.

Videz complètement les batteries et retirez-les et retirez, si possible, toute source d'éclairage du produit.

Il est de la responsabilité de l'utilisateur de supprimer ses données personnelles du produit. Apportez ensuite le produit à jeter dans un centre de récupération des déchets ou chez

un revendeur qui, le plus souvent, l'accepte gratuitement. Les emballages doivent être jetés en fonction du code matière qui figure dessus.

Les notices et les consignes de sécurité ne doivent être jetées que lorsque le produit qu'elles concernent n'est plus en service.

Veillez à vérifier auprès de votre collectivité/municipalité locale, les directives en matière de gestion des déchets.

Pour plus d'informations, visitez le site www.2helpU.com et scannez le code QR ci-dessous.

Garantie

Black & Decker est sûr de la qualité de ses produits et offre une garantie de 24 mois à ses clients, à partir de la date d'achat. Cette garantie s'ajoute à vos droits légaux auxquels elle ne porte aucunement préjudice. Cette garantie est valable au sein des territoires des états membres de l'Union européenne et au sein de la zone européenne de libre-échange.

Pour prétendre à la garantie, la réclamation doit être conforme aux conditions générales de Black & Decker et vous devez fournir une preuve d'achat au vendeur ou au réparateur agréé. Les conditions générales de la garantie Black&Decker de 2 ans ainsi que l'adresse du réparateur agréé le plus proche sont disponibles sur le site Internet www.2helpU.com ou en contactant votre agence Black & Decker locale à l'adresse indiquée dans la présente notice.

Visitez notre site Internet www.blackanddecker.eu pour enregistrer votre nouveau produit Black & Decker et recevoir des informations sur nos nouveaux produits et nos offres spéciales.

Documenti disponibili online

www.2helpU.com/DoC/ o

www.2helpU.com/DoC/index/xxx*

*Per un accesso diretto, sostituire "xxx" con il numero del modello del prodotto riportato sull'etichetta di classificazione del prodotto o sulla confezione.

- Manuale di istruzioni
- Dichiarazione di conformità (DoC)
- Dati sulle emissioni del prodotto (PED): Informazioni su rumore, vibrazioni e polvere (non applicabili a tutti i prodotti)



Dati tecnici

		BEHT201 Tipo 1	BEHT251 Tipo 1
Tensione	V _{ac}	230	230
Corrente in ingresso	W	420	450
Corse della lama (a vuoto)	min ⁻¹	1960	1815
Lunghezza della barra di taglio	cm	45	50
Gioco delle lame	mm	16	18
Tempo di frenatura delle lame	s	<1	<1
Peso	kg	1,91	2,16

Uso previsto

I taglia siepi BLACK+DECKER® BEHT201 e BEHT251 sono stati progettati per potare siepi, arbusti e rovi. Questi elettrodomestici sono destinati esclusivamente all'uso privato.

Istruzioni di sicurezza

Avvertenze di sicurezza generali per gli elettrodomestici



AVVERTENZA! leggere attentamente tutte le avvertenze, istruzioni, illustrazioni e specifiche fornite con l'elettrodomestico.

La mancata osservanza delle avvertenze e istruzioni elencate di seguito potrebbe dar luogo a scosse elettriche, incendi e/o lesioni gravi alle persone.

Conservare tutte le avvertenze e le istruzioni per riferimenti futuri. Il termine "elettrodomestico" che ricorre in tutte le avvertenze seguenti si riferisce a utensili elettrici alimentati a corrente (con filo) o a batteria (senza filo o cordless).

1. Sicurezza dell'area di lavoro

- Mantenere pulita e bene illuminata l'area di lavoro.** Il disordine o la scarsa illuminazione possono favorire il verificarsi di incidenti.
- Non utilizzare gli elettrodomestici in ambienti a rischio di esplosione, ad esempio in presenza di liquidi, gas o polveri infiammabili.** Gli elettrodomestici generano scintille che possono incendiare polveri o fumi.

- Durante l'uso di un elettrodomestico, tenere a debita distanza bambini e altre persone presenti.** Eventuali distrazioni possono provocare la perdita di controllo.

2. Sicurezza elettrica

- Le spine degli elettrodomestici devono essere adatte alla presa di corrente. Non modificare la spina in alcun modo. Non utilizzare spine con adattatore per elettrodomestici dotati di messa a terra.** Per ridurre il rischio di scosse elettriche, utilizzare spine non modificate e prese di corrente idonee.
- Evitare il contatto fisico con superfici collegate a terra, come tubi, radiatori, piani cottura con forno e frigoriferi.** Se il corpo dell'operatore è collegato a terra, il rischio di scosse elettriche è maggiore.
- Non esporre gli elettrodomestici alla pioggia o all'umidità.** Se penetra dell'acqua all'interno di un elettrodomestico, il rischio di scosse elettriche aumenta.
- Non utilizzare il cavo di alimentazione in modo improprio. Non spostare, tirare o scollegare mai l'elettrodomestico dalla presa di corrente tirandolo dal cavo di alimentazione. Tenere il cavo di alimentazione lontano da fonti di calore, olio, bordi taglienti o parti mobili.** Se il cavo di alimentazione è danneggiato o aggrovigliato, il rischio di scosse elettriche aumenta.
- Se un elettrodomestico viene utilizzato all'aperto, servirsi di prolunghie omologate per l'impiego all'esterno.** L'uso di un cavo di alimentazione idoneo per esterni riduce il rischio di scosse elettriche.
- Se non è possibile evitare l'utilizzo di un elettrodomestico in una zona umida, collegarsi a una rete elettrica protetta tramite un interruttore differenziale salvavita (RCD).** L'utilizzo di un RCD riduce il rischio di scosse elettriche.

3. Sicurezza personale

- Quando si utilizza un elettrodomestico è importante rimanere in guardia, concentrarsi su quello che si sta facendo e maneggiarlo con giudizio. Non utilizzare un elettrodomestico quando si è stanchi o sotto l'effetto di sostanze stupefacenti, alcol o farmaci.** Un solo attimo di distrazione durante l'uso di un elettrodomestico potrebbe provocare gravi lesioni personali.
- Utilizzare dispositivi di protezione personale. Indossare sempre un dispositivo di protezione per gli occhi.** L'uso di dispositivi di protezione, quali mascherine antipolvere, scarpe antinfortunistiche antiscivolo, elmetti di sicurezza o protezioni per l'udito, a seconda delle condizioni operative, ridurrà il rischio di lesioni personali.
- Prevenire l'avvio involontario. Accertarsi che l'interruttore sia nella posizione di spegnimento, prima di collegare un elettrodomestico alla rete elettrica e/o al pacco batteria, di raccoglierlo da terra o di trasportarlo.** Per non esporsi al rischio di incidenti, non trasportare gli elettrodomestici tenendo le dita sull'interruttore e non collegarlo a una fonte di alimentazione elettrica con l'interruttore in posizione di accensione.
- Prima di accendere un elettrodomestico, rimuovere eventuali chiavi di regolazione o chiavi inglesi**

attaccate. Una chiave di regolazione o una chiave inglese rimaste attaccate a una parte rotante dell'elettrotensile possono provocare lesioni personali.

- e. **Non sbilanciarsi. Mantenere sempre un appoggio e un equilibrio adeguati.** In tal modo è possibile mantenere un migliore controllo dell'elettrotensile nelle situazioni impreviste.
 - f. **Vestirsi in modo adeguato. Non indossare indumenti non aderenti al corpo o gioielli. Tenere capelli e vestiti lontano dalle parti mobili.** Abiti non aderenti al corpo, gioielli o capelli lunghi possono rimanervi impigliati.
 - g. **Se gli elettrotensili sono provvisti di attacchi per il collegamento a impianti di aspirazione o di raccolta delle polveri, assicurarsi che questi siano installati e utilizzati correttamente.** L'impiego di dispositivi per la raccolta delle polveri può ridurre i pericoli legati alle polveri stesse.
 - h. **Non lasciare che la dimestichezza acquisita dall'uso frequente degli elettrotensili induca a cedere alla tentazione di ignorare i principi di sicurezza che li riguardano.** Un'azione imprudente potrebbe provocare lesioni gravi in una frazione di secondo.
4. **Utilizzo e cura degli elettrotensili**
- a. **Non sovraccaricare l'elettrotensile. Utilizzare l'elettrotensile adatto per il lavoro da eseguire.**
L'elettrotensile funziona meglio e in modo più sicuro se viene utilizzato alla velocità per cui è stato progettato.
 - b. **Non usare l'elettrotensile se l'interruttore di accensione/spegnimento non funziona.** Qualsiasi elettrotensile che non possa essere controllato tramite il proprio interruttore di accensione/spegnimento è pericoloso e deve essere riparato.
 - c. **Scollegare la spina dalla presa di corrente e/o rimuovere dall'elettrotensile il pacco batteria, se estraibile, prima di effettuare qualsiasi tipo di regolazione, cambiare gli accessori o riporlo.** Queste misure di sicurezza preventive riducono il rischio di azionare accidentalmente l'elettrotensile.
 - d. **Quando non vengono usati, gli elettrotensili devono essere custoditi fuori dalla portata dei bambini. Non consentire l'uso dell'elettrotensile a persone inesperte o che non abbiano letto queste istruzioni.** Gli elettrotensili sono pericolosi in mano a persone inesperte.
 - e. **Sottoporre gli elettrotensili e gli accessori a regolare manutenzione.** Assicurarsi che le parti mobili siano ben allineate e non inceppate, che non vi siano componenti rotti e che non sussistano altre condizioni che possono compromettere il funzionamento degli elettrotensili. Se un elettrotensile è danneggiato, farlo riparare prima di utilizzarlo. Molti incidenti sono provocati da elettrotensili non sottoposti a una corretta manutenzione.
 - f. **Mantenere affilati e puliti gli utensili da taglio.** La manutenzione corretta degli utensili da taglio con bordi affilati riduce le probabilità che si inceppino e ne facilita il controllo.
 - g. **Utilizzare l'elettrotensile, gli accessori, le punte, ecc. in conformità con queste istruzioni, tenendo conto**

delle condizioni operative e del lavoro da eseguire.

L'uso dell'elettrotensile per svolgere operazioni diverse da quelle a cui esso è destinato può dare luogo a situazioni di pericolo.

- h. **Mantenere asciutte, pulite e libere da olio o grasso le impugnature e le superfici di presa.** Impugnature e superfici di presa scivolose non consentono di maneggiare e controllare in sicurezza l'utensile in situazioni impreviste.
5. **Assistenza**
- a. **Fare riparare l'elettrotensile esclusivamente da personale qualificato e solo utilizzando ricambi originali.** In questo modo è possibile garantirne la sicurezza.

Avvertenze di sicurezza per i tagliasiepi

- a. **Non utilizzare il tagliasiepi in caso di maltempo, soprattutto quando vi è il rischio di fulmini.** In tal modo si riduce il rischio di essere colpiti da un fulmine.
- b. **Mantenere tutti i fili elettrici e i cavi di alimentazione lontani dall'area di taglio.** Durante l'uso del tagliasiepi fili elettrici o cavi di alimentazione potrebbero essere nascosti in cespugli o siepi ed essere accidentalmente tagliati dalle lame.
- c. **Indossare dispositivi di protezione per l'udito.** L'uso di dispositivi di protezione adeguati diminuirà il rischio di perdita dell'udito.
- d. **Afferrare il tagliasiepi solo dalle impugnature dotate di superfici isolate, poiché la lama potrebbe toccare accidentalmente fili elettrici nascosti.** Il contatto tra le lame e un filo elettrico sotto tensione potrebbe mettere sotto tensione le parti metalliche esposte del tagliasiepi ed esporre l'operatore a scosse elettriche.
- e. **Tenere tutte le parti del corpo lontano dalla lama. Non rimuovere il materiale tagliato né tenere fermo il materiale da tagliare quando le lame sono in movimento.** Le lame continuano a muoversi dopo lo spegnimento della macchina. Un solo attimo di distrazione durante l'uso del tagliasiepi potrebbe provocare gravi lesioni personali.
- f. **Durante la rimozione di materiale inceppato o durante la manutenzione del tagliasiepi assicurarsi che tutti gli interruttori siano disattivati e che il cavo di alimentazione sia scollegato.** L'attivazione accidentale del tagliasiepi durante la rimozione di materiale inceppato o l'esecuzione di interventi di manutenzione su di esso può provocare lesioni personali gravi.
- g. **Trasportare il tagliasiepi afferrandolo dall'impugnatura con la lama ferma e facendo attenzione a non mettere in funzione alcun interruttore di accensione.** Il trasporto adeguato del tagliasiepi diminuisce il rischio di avvio accidentale con conseguenti possibili lesioni personali causate dalle lame.
- h. **Durante il trasporto o quando si ripone il tagliasiepi utilizzare sempre il copribarra.** Una manipolazione corretta del tagliasiepi riduce il rischio di lesioni personali causate dalle lame.

Ulteriori avvertenze di sicurezza riguardanti gli elettrotensili



AVVERTENZA! addizionali avvisi di sicurezza per i tagliasiepi

- ◆ L'uso previsto è descritto in questo manuale di istruzioni. L'uso di accessori o dotazioni diversi, o l'impiego di questo elettrotensile per scopi diversi da quelli raccomandati in questo manuale di istruzioni possono comportare il rischio di lesioni personali e/o danni materiali.
- ◆ Se non si è mai usato un tagliasiepi in precedenza, oltre a studiare questo manuale, è preferibile chiedere a un utilizzatore esperto una dimostrazione pratica.
- ◆ Non toccare mai le lame mentre l'elettrotensile è in funzione.
- ◆ Non tentare mai di arrestare le lame in modo forzato.
- ◆ Non appoggiare a terra l'elettrotensile fino a quando le lame non si sono completamente fermate.
- ◆ Controllare regolarmente che le lame non siano danneggiate e usurate. Non utilizzare l'elettrotensile se le lame sono danneggiate.
- ◆ Prestare attenzione ad evitare di colpire con le lame oggetti duri (come, ad esempio, fili metallici, ringhiere) durante il taglio. Se si dovesse accidentalmente colpire un oggetto di questo tipo, spegnere immediatamente l'elettrotensile e controllare se ha subito danni.
- ◆ Se l'elettrotensile dovesse cominciare a vibrare in modo anomalo, spegnerlo immediatamente, scollegarlo dalla presa di corrente e controllare se sia danneggiato.
- ◆ Se l'elettrotensile si blocca, spegnerlo immediatamente. Scollegarlo dalla presa di corrente prima di tentare di eliminare eventuali inceppamenti.
- ◆ Dopo l'uso, infilare sulle lame il copribarra in dotazione. Riporre l'elettrotensile, verificando che la barra non sia esposta.
- ◆ Assicurarsi sempre che tutte le protezioni siano montate durante l'utilizzo dell'elettrotensile. Non tentare mai di usare un elettrotensile incompleto o che abbia subito modifiche non autorizzate.
- ◆ Non permettere mai ai bambini di usare l'elettrotensile.
- ◆ Essere consapevoli della possibilità di caduta dei pezzi tagliati dai fianchi più alti di una siepe.
- ◆ Tenere sempre l'elettrotensile con entrambe le mani e mediante le impugnature di cui è provvisto.
- ◆ **Bambini e infermi. Questo elettrotensile non è destinato all'uso da parte di bambini piccoli o persone inferme non sorvegliati.**
- ◆ **Questo prodotto non è destinato all'uso da parte di persone di qualsiasi età con capacità fisiche, sensoriali o mentali ridotte o prive di esperienza, conoscenza o competenze, a meno che siano sorvegliate da una persona responsabile della loro sicurezza. I bambini non devono mai essere lasciati da soli con questo prodotto.**

- ◆ **Il tagliasiepi è destinato all'uso da parte di un operatore che lavori in piedi a livello del suolo, evitando di salire su scale o altri supporti instabili.**

Rischi residui

L'utilizzo dell'elettrotensile può comportare rischi residui non necessariamente riportati nelle avvertenze di sicurezza incluse. Tali rischi possono insorgere a seguito di un uso prolungato o improprio, ecc.

Malgrado il rispetto delle norme di sicurezza pertinenti e l'impiego di dispositivi di sicurezza, non è possibile evitare alcuni rischi residui. Tali rischi includono:

- ◆ lesioni personali causate dal contatto con parti rotanti/in movimento;
- ◆ lesioni personali verificatesi durante la sostituzione di parti, lame o accessori;
- ◆ lesioni personali causate dall'impiego prolungato di un elettrotensile (quando si utilizza qualsiasi elettrotensile per periodi prolungati, assicurarsi di fare regolarmente delle pause);
- ◆ danni all'udito;
- ◆ rischi per la salute causati dall'inalazione di polveri generate durante l'uso dell'elettrotensile (ad esempio quando si lavora con il legno, in modo particolare quello di quercia o faggio o l'MDF).

Posizione del codice data

Il codice della data di fabbricazione (9) è costituito da 8 cifre, di cui 4 corrispondenti all'indicazione dell'anno, 2 corrispondenti all'indicazione della settimana di fabbricazione e altre 2 corrispondenti al codice dello stabilimento.

Etichette sull'elettrotensile

Sull'elettrotensile sono riportati i seguenti pittogrammi insieme al codice data:



L'operatore deve leggere e comprendere il manuale di istruzioni prima di usare questo prodotto.



L'operatore deve indossare dispositivi di protezione efficaci per gli occhi, l'udito e il capo.



AVVERTENZA: rischio di scosse elettriche. Scollegare immediatamente il cavo dalla rete di alimentazione se è danneggiato o tagliato.



NON esporre il prodotto alla pioggia.



NON toccare la barra di taglio. Tenere le mani lontane dalle lame.



Potenza sonora garantita ai sensi della Direttiva 2000/14/CE.

Sicurezza elettrica



Il doppio isolamento di cui è provvisto l'elettrotensile rende superfluo il filo di terra. Verificare sempre che la tensione della rete di alimentazione corrisponda al valore indicato sulla targhetta dei valori nominali.

- ◆ Per prevenire pericoli, i cavi di alimentazione eventualmente danneggiati devono essere sostituiti dal fabbricante o da un centro di assistenza Black & Decker autorizzato.
- ◆ Quando si usa l'elettrotensile all'esterno, usare solo cavi di prolunga idonei a tale impiego. È possibile usare un cavo di prolunga Black & Decker di valore nominale corretto lungo fino a 30 metri, senza che si verifichi una perdita di potenza.
- ◆ La sicurezza elettrica può essere ulteriormente aumentata utilizzando un dispositivo a corrente residua (RCD) ad alta sensibilità (30 mA).

Caratteristiche

Questo elettrotensile presenta alcuni o tutti i seguenti componenti.

1. Barra di taglio
2. Protezione
3. Impugnatura ausiliaria
4. Pulsante di blocco accensione di sicurezza
5. Grilletto di azionamento
6. Impugnatura con interruttore
7. Fermacavo
8. Cavo di prolunga (non incluso)

Assemblaggio



AVVERTENZA! prima del montaggio, controllare che l'elettrotensile sia spento e scollegato dalla presa di corrente e che il copribarra sia infilato sulla barra di taglio.

Montaggio della protezione sul tagliasiepi (Fig. A, B)

Il tagliasiepi viene fornito con la protezione smontata. Per montare la protezione:

- ◆ Rimuovere le viti di fissaggio della protezione (10) con una cacciavite a stella (non fornito).
- ◆ Sistemare la protezione in posizione, come illustrato nella Fig. A, incastrando le fessure della protezione nelle scanalature presenti sull'unità.
- ◆ Inserire le viti di fissaggio della protezione (10) nel foro sul lato della protezione e serrarla saldamente, come illustrato nella Fig. B.



Avvertenza! utilizzare il tagliasiepi solo con l'impugnatura e la protezione correttamente montate. L'utilizzo del tagliasiepi senza la protezione o impugnatura in dotazione può provocare lesioni personali gravi.

Collegamento del cavo di prolunga al tagliasiepi (Fig. C)

Nel retro dell'impugnatura con l'interruttore (6) è incorporato un fermacavo (7).

- ◆ In prossimità dell'estremità del cavo di prolunga (8), piegare il cavo in modo da creare un cappio.
- ◆ Infilare il cappio nell'alloggiamento del fermacavo (11), come illustrato nella Fig. C.
- ◆ Agganciare il cappio al fermacavo (7) in modo che resti fissato allo stesso.
- ◆ Inserire il cavo di prolunga nell'unità.

Posizione corretta delle mani (Fig. D)

Tenere sempre il tagliasiepi come illustrato nelle figure di questo manuale, con una mano sull'impugnatura con l'interruttore e l'altra mano sull'impugnatura ausiliaria (Fig. D). Non afferrare mai l'unità dalla protezione.

Uso



AVVERTENZA! lasciare che l'elettrotensile funzioni al proprio ritmo. Non sovraccaricarlo.



AVVERTENZA! non conservare né utilizzare l'elettrotensile in luoghi dove la temperatura potrebbe scendere al di sotto di 4 °C, come all'esterno di capannoni o strutture metalliche d'inverno, o superare 40 °C, come all'esterno di capannoni o strutture metalliche d'estate.

Accensione e spegnimento

NOTA: questo elettrotensile è dotato di un sistema a doppio interruttore per la sicurezza dell'operatore. Tale sistema impedisce di accendere inavvertitamente l'elettrotensile e ne consente l'uso solo quando è tenuto con entrambe le mani.

Accensione (Fig. E)

- ◆ Per accendere il tagliasiepi, premere il pulsante di blocco accensione di sicurezza (4) sull'impugnatura ausiliaria e il grilletto di azionamento (5) sull'impugnatura principale. Per mantenere in funzione la macchina occorre tenere premuti entrambi i pulsanti.
- ◆ Per spegnerla rilasciare o il pulsante di blocco accensione di sicurezza sull'impugnatura ausiliaria o il grilletto di azionamento.



AVVERTENZA! non tentare mai di bloccare un interruttore nella posizione di accensione.

- ◆ Oliare regolarmente le lame.

Consigli per la potatura

Cavo di prolunga (Fig. F)

- ◆ Mantenere sempre il cavo di prolunga (8) dietro al tagliasiepi e lontano dall'area di esecuzione del taglio, come illustrato nella Fig. F. Non appoggiarlo mai su una siepe da tagliare. Nel caso in cui il cavo venga tagliato o danneggiato, scollegarlo immediatamente dalla presa elettrica, prima di ispezionarlo o ripararlo.

Posizione di lavoro

- ◆ Mantenere un appoggio stabile e l'equilibrio e non sbilanciarsi.
- ◆ Durante la potatura indossare occhiali di sicurezza, calzature antiscivolo e guanti in gomma.

- ◆ Tenere l'utensile saldamente con entrambe le mani e accenderlo. Tenere sempre il tagliasièpi, come illustrato nella Fig. D, con una mano sull'impugnatura con l'interruttore e l'altra mano sull'impugnatura ausiliaria. Non tenere mai l'elettrotensile dalla protezione della barra di taglio.

Taglio di nuova vegetazione (Fig. G)

- ◆ Un movimento ampio, facendo avanzare le lame mobili della barra di taglio attraverso i rami è più efficace. Una leggera inclinazione verso il basso della lama, nella direzione del movimento assicura il taglio migliore.



AVVERTENZA! non utilizzare il tagliasièpi per tagliare tronchi di diametro superiore a 16 mm, ma solo gli arbusti che si trovano normalmente nei giardini di abitazioni e altri edifici.

Taglio di siepi a un'altezza uniforme (Fig. H)

- ◆ Per ottenere siepi tagliate a un'altezza perfettamente uniforme è possibile tirare una corda per tutta la lunghezza della siepe come guida.

Taglio delle siepi laterale (Fig. I)

- ◆ Iniziare a tagliare dal basso e procedere verso l'alto.

Le lame mobili sono realizzate in acciaio temprato di alta qualità e con l'uso normale non richiedono di essere riaffilate. Tuttavia, se vengono colpite accidentalmente una recinzione metallica (Fig. J) oppure sassi, oggetti di vetro o altri oggetti duri, è possibile che si crei un'intaccatura nella lama. Non è necessario eliminare tale intaccatura, salvo che essa interferisca con il movimento delle lame. In tal caso, scollegare il cavo di alimentazione e rimuovere l'intaccatura con una lima a denti fini o una pietra per affilare. In caso di caduta del tagliasièpi, ispezionarlo per verificare se sia in qualche modo danneggiato. Se la lama è piegata, il corpo macchina è crepato, le impugnature sono rotte o si riscontra qualsiasi altra condizione che possa compromettere il funzionamento del tagliasièpi, contattare il centro di assistenza Black & Decker di zona per farlo riparare prima di rimetterlo in uso.

Fertilizzanti e altri prodotti chimici per il giardinaggio contengono sostanze che accelerano sensibilmente la corrosione dei metalli. Non conservare l'unità su o accanto a fertilizzanti o sostanze chimiche.

Accessori

Le prestazioni dell'elettrotensile dipendono dall'accessorio usato. Gli accessori Black & Decker sono stati fabbricati in base a standard qualitativi elevati e sono stati progettati per ottenere le migliori prestazioni dall'elettrotensile. L'impiego di questi accessori consentirà di ottenere dall'elettrotensile i migliori risultati in assoluto.

Manutenzione

Questo apparecchio/elettrotensile Black & Decker con cavo/a batteria è stato progettato per funzionare a lungo con una manutenzione minima. Per ottenere prestazioni sempre soddisfacenti occorre averne cura e pulirlo regolarmente. L'olio lubrificante è reperibile presso il rivenditore Black &

Decker (codice articolo a catalogo A6102-XJ).

Per informazioni sui contatti dei centri di assistenza, consultare la quarta di copertina di questo manuale o visitare la pagina web www.2helpU.com.



AVVERTENZA! prima di eseguire qualsiasi intervento di manutenzione sugli elettrotensili con/ senza cavo:

- ◆ spegnere e scollegare l'apparecchio/elettrotensile dalla presa elettrica
- ◆ oppure spegnerlo ed estrarre la batteria se l'apparecchio/elettrotensile è dotato di un pacco batteria a parte;
- ◆ o lasciare scaricare completamente la batteria, se è del tipo integrato, quindi spegnerlo.
- ◆ Scollegare il caricabatterie dalla presa di corrente prima di pulirlo. Il caricabatterie non richiede alcuna manutenzione, ad eccezione di una regolare pulizia.
- ◆ Pulire regolarmente le prese di ventilazione dell'apparecchio/utensile/caricabatterie con uno spazzolino morbido o con un panno asciutto.
- ◆ Pulire regolarmente il corpo dell'apparecchio con un panno umido. Non utilizzare detergenti abrasivi o a base di solventi.
- ◆ Dopo l'uso, pulire con attenzione le lame. Dopo la pulitura, stendere un velo di olio per macchinari leggero per impedire alle lame di arrugginirsi.

Sostituzione della spina (solo per Regno Unito e Irlanda)

Se dovesse essere necessario installare una nuova spina:

- ◆ smaltire la vecchia spina in sicurezza;
- ◆ collegare il filo marrone al terminale sotto tensione nella nuova spina;
- ◆ collegare il cavo blu al terminale neutro.



AVVERTENZA! Non deve essere effettuato alcun collegamento al terminale di messa a terra. Seguire le istruzioni di montaggio fornite con spine di buona qualità. Fusibile consigliato: 5 A.

Pulizia



AVVERTENZA! Soffiare via la polvere dal corpo dell'elettrotensile con aria compressa, appena si nota dello sporco visibile all'interno o attorno alle prese d'aria. Quando si esegue questa procedura, indossare un dispositivo di protezione per gli occhi e una maschera antipolvere omologati.



AVVERTENZA: non utilizzare mai solventi o altri prodotti chimici aggressivi per pulire le parti non metalliche dell'elettrotensile. Tali sostanze chimiche potrebbero indebolire i materiali con cui sono realizzate tali parti. Usare un panno inumidito solamente con acqua e sapone delicato. Fare in modo di evitare che penetri del liquido all'interno dell'elettrotensile e non immergere mai alcuno dei suoi componenti direttamente in un liquido.

Protezione dell'ambiente



I prodotti/Le batterie sono riciclabili, ma, se sono contrassegnati con il simbolo del cassonetto barrato, non devono essere smaltiti con i normali rifiuti domestici. Lasciare scaricare completamente le batterie e separarle dal prodotto; inoltre, se possibile, separare eventuali sorgenti luminose dal prodotto.

È responsabilità dell'utilizzatore provvedere all'eliminazione di tutti i dati personali dal prodotto da smaltire. A quel punto sarà possibile conferirlo presso un centro di raccolta dei rifiuti ufficiale o presso un rivenditore aderente all'iniziativa che, nella maggior parte dei casi, lo ritirerà a titolo gratuito. L'imballaggio deve essere smaltito in base al codice del materiale contrassegnato su di esso.

Le istruzioni per l'uso e la sicurezza devono essere smaltite solo quando il prodotto al quale si riferiscono non è più in uso. Per indicazioni sulla gestione dei rifiuti, rivolgersi alla propria comunità locale/al proprio comune di residenza. Per ulteriori informazioni, visitare il sito web www.2helpU.com e scansionare il codice QR sopra riportato.

Garanzia

Black & Decker, certa della qualità dei propri prodotti, offre ai consumatori una garanzia di 24 mesi dalla data di acquisto. Questa garanzia è complementare ai diritti legali del consumatore e non li pregiudica in alcun modo. La garanzia è valida nei territori degli Stati membri dell'Unione Europea e dell'EFTA (Associazione europea di libero scambio).

Per usufruire della garanzia, la richiesta di intervento o riparazione in garanzia deve essere effettuata in conformità con i Termini e condizioni di STANLEY FATMAX e sarà necessario presentare la prova di acquisto al venditore o a un centro di assistenza autorizzato. I Termini e condizioni della garanzia Black&Decker di 2 anni e la sede del centro di assistenza autorizzato più vicino sono consultabili su Internet, all'indirizzo www.2helpU.com, o contattando la sede Black&Decker di zona all'indirizzo postale indicato in questo manuale.

Visitare il nostro sito www.blackanddecker.eu per registrare il prodotto Black&Decker appena acquistato e ricevere gli aggiornamenti su nuovi prodotti e offerte speciali.

Documenten beschikbaar online

www.2helpU.com/DoC/ of
www.2helpU.com/DoC/index/xxx*

*Vervang, voor rechtstreekse toegang, "xxx" door het op het productclassificatielabel of de verpakking opgegeven modelnummer van het product.

- Instructiehandleiding
- Conformiteitsverklaring (DoC)
- Productemissiegegevens (PED): Informatie over geluid, trillingen en stof (niet van toepassing op alle producten)



Technische gegevens

		BEHT201 Type 1	BEHT251 Type 1
Spanning	V _{AC}	230	230
Opgenomen vermogen	W	420	450
Messlagen (onbelast)	min ⁻¹	1960	1815
Meslengte	cm	45	50
Messpeling	mm	16	18
Remtijd mes	s	< 1	< 1
Gewicht	kg	1,91	2,16

Bedoeld gebruik

Uw BLACK+DECKER® BEHT201, BEHT251 heggenscharen zijn ontworpen voor het snoeien van heggen, heesters en braamstruiken. Deze gereedschappen zijn uitsluitend bestemd voor gebruik door consumenten.

Veiligheidsinstructies

Algemene veiligheidswaarschuwingen voor elektrisch gereedschap



WAARSCHUWING! Lees alle veiligheidswaarschuwingen, instructies, illustraties en specificaties die bij dit gereedschap zijn meegeleverd. Het niet opvolgen van de hieronder vermelde waarschuwingen en instructies kan leiden tot een elektrische schok, brand en/of ernstig persoonlijk letsel.

Bewaar alle waarschuwingen en instructies voor latere raadpleging. De term "elektrisch gereedschap" in de waarschuwingen verwijst naar uw (met een snoer) op de netspanning aangesloten elektrisch gereedschap of naar uw (snoerloos) elektrisch gereedschap met een accu.

1. Veiligheid op de werkplek

- Houd de werkplek schoon en goed verlicht.** Op rommelige of donkere plekken zullen sneller ongelukken gebeuren.
- Gebruik elektrisch gereedschap niet in explosieve omgevingen, zoals in de nabijheid van brandbare vloeistoffen, gasen of stof.** Elektrisch gereedschap veroorzaakt vonken die het stof of de dampen kunnen doen ontbranden.

- Houd kinderen en omstaanders op afstand tijdens het gebruiken van elektrisch gereedschap.** Wanneer u wordt afgeleid kunt u de controle over het gereedschap verliezen.

2. Elektrische veiligheid

- Stekkers van elektrisch gereedschap moeten in het stopcontact passen. Pas de stekker nooit op enige manier aan. Gebruik geen verloopstekkers bij geaard elektrisch gereedschap.** Originele stekkers en bijpassende stopcontacten verminderen het risico op een elektrische schok.
- Vermijd aanraking van het lichaam met geaarde oppervlakken, bijvoorbeeld buizen, verwarmingen, fornuizen en koelkasten.** Er is een groter risico op elektrische schok als uw lichaam contact maakt met aarde.
- Stel elektrisch gereedschap niet bloot aan regen of natte omstandigheden.** Als er water binnendringt in elektrisch gereedschap, verhoogt dit het risico op een elektrische schok.
- Misbruik het snoer niet. Gebruik het snoer nooit om het elektrisch gereedschap te dragen of naar u toe te trekken of om de stekker uit het stopcontact te trekken. Houd het snoer uit de buurt van warmte, olie, scherpe randen of bewegende onderdelen.** Beschadigde of verwarde snoeren verhogen het risico op een elektrische schok.
- Gebruik, wanneer u buiten met elektrisch gereedschap werkt, een verlengsnoer dat geschikt is voor gebruik buitenshuis.** Het gebruik van een verlengsnoer dat geschikt is voor werken buitenshuis, vermindert het risico van een elektrische schok.
- Als u met elektrisch gereedschap werkt op een vochtige locatie, gebruik dan een aardlekschakelaar (RCD).** Met een RCD wordt het risico van een elektrische schok beperkt.

3. Persoonlijke veiligheid

- Blijf alert, kijk wat u doet en gebruik uw gezond verstand als u met elektrisch gereedschap werkt. Gebruik het gereedschap niet wanneer u vermoeid bent of onder invloed van drugs, alcohol of medicatie.** Een moment van onoplettendheid tijdens het bedienen van elektrische gereedschap kan leiden tot ernstig persoonlijk letsel.
- Draag persoonlijke beschermende uitrusting. Draag altijd oogbescherming.** Beschermende uitrusting, zoals een stofmasker, antislip veiligheidsschoenen, een helm, of gehoorbescherming, gebruikt in de juiste omstandigheden, zal het risico op persoonlijk letsel verminderen.
- Voorkom per ongeluk starten. Verzekert dat de schakelaar in de uit-stand staat voordat u de stekker in het stopcontact steekt en/of de accu plaatst, het gereedschap optilt of draagt.** Elektrisch gereedschap dragen met uw vinger op de schakelaar of de voeding inschakelen van elektrisch gereedschap dat is ingeschakeld, is vragen om ongelukken.
- Verwijder stelsleutels of steeksleutels voordat u het elektrisch gereedschap inschakelt.** Een steeksleutel of

stelsleutel die in een ronddraaiend onderdeel van het elektrische gereedschap is achtergebleven, kan persoonlijk letsel veroorzaken.

- e. **Reik niet buiten uw macht. Houd uw voeten altijd op de grond en bewaar te allen tijde uw evenwicht.** Hierdoor kunt u het elektrisch gereedschap beter controleren in onverwachte situaties.
 - f. **Draag de juiste kleding. Draag geen losse kleding of sieraden. Houd uw haar en kleding uit de buurt van bewegende onderdelen.** Losse kleding, sieraden en lang haar kunnen in bewegende onderdelen verstrikt raken.
 - g. **Als er uitrusting is geleverd voor het aansluiten van een stofafzuiging of een stofopvang, controleer dan dat deze zijn aangesloten en op de juiste manier worden gebruikt.** Het gebruik van stofafzuiging kan aan stof gerelateerde gevaren verminderen.
 - h. **Word niet gemakzuchtig doordat u door veelvuldig gebruik vertrouwd bent geraakt met het gereedschap en verlies de veiligheidsbeginselen niet uit het oog.** Een onvoorzichtige handeling kan in een fractie van een seconde ernstig letsel tot gevolg hebben.
- 4. Gebruik en onderhoud van elektrisch gereedschap**
- a. **Forceer het elektrisch gereedschap niet. Gebruik het juiste elektrisch gereedschap voor uw toepassing.** Het juiste elektrisch gereedschap voert de werkzaamheden waarvoor het is ontworpen, beter en veiliger uit.
 - b. **Gebruik het elektrisch gereedschap niet als het niet met de schakelaar in- en uitgeschakeld kan worden.** Elektrisch gereedschap dat niet kan worden bediend met de aan/uit-schakelaar is gevaarlijk en moet worden gerepareerd.
 - c. **Haal de stekker uit het stopcontact en/of neem de accu, als deze uitneembaar is, uit het gereedschap voordat u aanpassingen uitvoert, accessoires verwisselt, of het elektrisch gereedschap opbergt.** Dergelijke preventieve veiligheidsmaatregelen verminderen het risico dat het elektrisch gereedschap per ongeluk wordt gestart.
 - d. **Berg elektrisch gereedschap dat niet wordt gebruikt op buiten bereik van kinderen en sta niet toe dat personen die niet vertrouwd zijn met het gereedschap of deze instructies, met het elektrisch gereedschap werken.** Elektrisch gereedschap is gevaarlijk in de handen van onervaren gebruikers.
 - e. **Onderhoud elektrisch gereedschap en accessoires goed. Controleer op verkeerde uitlijning of het aanlopen van bewegende onderdelen, breuk van onderdelen en iedere andere toestand die van invloed kan zijn op de werking van het elektrisch gereedschap. Laat het gereedschap vóór gebruik repareren als het beschadigd is.** Veel ongelukken worden veroorzaakt door slecht onderhouden elektrisch gereedschap.
 - f. **Houd zaaggereedschap scherp en schoon.** Goed onderhouden gereedschap met scherpe snijranden loopt minder snel vast en is gemakkelijker onder controle te houden.

- g. **Gebruik elektrisch gereedschap, toebehoren en boren, enz., volgens deze aanwijzingen. Let daarbij op de arbeidsomstandigheden en de uit te voeren werkzaamheden.** Gebruik van het elektrische gereedschap voor andere werkzaamheden dan waarvoor het bedoeld is, kan leiden tot gevaarlijke situaties.
 - h. **Houd de handgrepen en oppervlakken die u beet pakt droog, schoon en vrij van olie en vet.** Gladde handgrepen en greepoppervlakken maken het onmogelijk het gereedschap veilig te hanteren en onder controle te houden in onverwachte situaties.
- 5. Onderhoud**
- a. **Laat uw elektrisch gereedschap nazien door een gekwalificeerde monteur die alleen identieke vervangonderdelen gebruikt.** Dit zal verzekeren dat de veiligheid van het elektrisch gereedschap behouden blijft.

Veiligheidswaarschuwingen voor heggenscharen

- a. **Gebruik de heggenschaar niet bij slechte weersomstandigheden, vooral niet als er onweer dreigt.** U loopt dan minder het risico door de bliksem te worden getroffen.
- b. **Houd alle netsnoeren en kabels uit de buurt van de plaats waar u snoeit.** Snoeren en kabels kunnen door de heggen en struiken aan het oog onttrokken worden en per ongeluk door het mes worden doorgesneden.
- c. **Draag gehoorbescherming.** Gepaste persoonlijke beschermingsmiddelen zullen het risico op gehoorverlies verkleinen.
- d. **Houd de heggenschaar uitsluitend vast met de geïsoleerde handgrepen, omdat het mes verborgen bedraaid kan raken.** Wanneer een draad onder spanning wordt geraakt door de messen, komen onbedekte metalen onderdelen van de heggenschaar onder spanning te staan en kunt u een elektrische schok krijgen.
- e. **Houd alle lichaamsdelen uit de buurt van het mes. Verwijder geen gesnoeid materiaal en houd geen te snoeien materiaal vast wanneer de messen in beweging zijn.** Nadat u de schakelaar hebt omgezet, blijven de messen bewegen. Een moment van onoplettendheid bij het gebruik van de heggenschaar kan leiden tot ernstig persoonlijk letsel.
- f. **Tijdens het verwijderen van vastgelopen materiaal of uitvoeren van onderhoud aan de heggenschaar, is het belangrijk dat alle schakelaars in de uit-stand staan en het netsnoer is losgekoppeld.** Wanneer u de heggenschaar onverwacht in werking stelt, terwijl u vastgelopen materiaal verwijdert of onderhoud verricht, kan ernstig letsel ontstaan.
- g. **Draag de heggenschaar aan de handgreep, als het mes niet meer draait en let er daarbij op dat u de aan/uit-schakelaar niet bedient.** Door de heggenschaar op de juiste manier te dragen vermindert u gevaar van onbedoeld starten en van persoonlijk letsel dat daarvan het gevolg kan zijn.
- h. **Plaats altijd de beschermkap over het mes als u de heggenschaar vervoert of opbergt.** Door de heggenschaar op de juiste manier te hanteren vermindert u het gevaar van persoonlijk letsel door de messen.

Aanvullende veiligheids waarschuwingen voor elektrisch gereedschap



WAARSCHUWING! Aanvullende veiligheids waarschuwingen voor heggenscharen

- ◆ Het bedoeld gebruik wordt beschreven in deze gebruikershandleiding. Het gebruik van een accessoire of hulpstuk of het uitvoeren van een handeling met dit gereedschap voor andere doeleinden dan wordt geadviseerd in deze gebruiksaanwijzing, kan leiden tot gevaar voor persoonlijk letsel en/of materiële schade.
- ◆ Als u nog niet eerder met een heggenschaar hebt gewerkt, vraag dan een ervaren gebruiker u praktische aanwijzingen te geven, en bestudeer ook deze handleiding.
- ◆ Raak de messen nooit aan als het gereedschap in werking is.
- ◆ Probeer nooit om de messen geforceerd tot stilstand te laten komen.
- ◆ Leg het apparaat niet neer tot de messen volledig tot stilstand zijn gekomen.
- ◆ Controleer de messen regelmatig op beschadigingen en slijtage. Gebruik het gereedschap niet als de messen beschadigd zijn.
- ◆ Ga voorzichtig te werk en vermijd harde voorwerpen (bijv. metalen draad, afrosteringen) tijdens het snoeien. Als u per ongeluk een dergelijk voorwerp raakt, schakel het gereedschap dan onmiddellijk uit en controleer het op beschadiging.
- ◆ Als het gereedschap abnormaal begint te trillen, schakel het dan onmiddellijk uit, koppel het los van de netspanning en controleer het op schade.
- ◆ Als het gereedschap hapert, schakel het dan onmiddellijk uit. Koppel het gereedschap los van de netspanning voordat u eventuele obstakels probeert te verwijderen.
- ◆ Plaats na gebruik de meegeleverde kap over de messen. Berg het gereedschap op en let er daarbij op dat het mes niet onbedekt is.
- ◆ Zorg er altijd voor dat alle beschermkappen zijn gemonteerd wanneer u het gereedschap gebruikt. Probeer nooit om onvolledig gereedschap te gebruiken of gereedschap waaraan niet goedgekeurde wijzigingen zijn aangebracht.
- ◆ Laat nooit kinderen het gereedschap gebruiken.
- ◆ Let goed op materiaal dat u snoeit en dat van boven van de heg valt.
- ◆ Houd het gereedschap altijd met beide handen vast en aan de handgrepen die zijn meegeleverd.
- ◆ **Jonge kinderen en personen met een zwakke gezondheid. Dit apparaat is niet bedoeld voor gebruik door jonge kinderen en personen met een zwakke gezondheid, zonder toezicht.**
- ◆ **Dit product is niet bedoeld voor gebruik door personen (waaronder kinderen) die verminderde fysieke, zintuiglijke of psychische mogelijkheden hebben; wanneer sprake is van gebrek aan ervaring, kennis of vaardigheden is gebruik alleen toegestaan onder toezicht van een persoon die verantwoordelijk**

is voor de veiligheid van gebruikers. Kinderen mogen nooit alleen gelaten worden met dit product.

- ◆ **De heggenschaar is bedoeld voor gebruik vanaf grondniveau en niet op ladders of een andere instabiele steun.**

Overige risico's

Er kunnen zich nog meer risicovolle situaties voordoen wanneer u het gereedschap gebruikt, die mogelijk niet in de bijgesloten veiligheids waarschuwingen worden vermeld. Deze risico's kunnen voortvloeien uit verkeerd gebruik, langdurig gebruik, enz.

- Zelfs bij het toepassen van de relevante veiligheidsvoorschriften en het gebruik van veiligheidsvoorzieningen zullen bepaalde risico's misschien niet kunnen worden vermeden. Dit zijn onder meer:
- ◆ Letsels veroorzaakt door het aanraken van draaiende/ bewegende onderdelen.
 - ◆ Letsels veroorzaakt tijdens het vervangen van onderdelen, zaagbladen of accessoires.
 - ◆ Letsels veroorzaakt door langdurig gebruik van gereedschap. Als u gereedschap gedurende langere periodes gebruikt, zorg er dan voor dat u regelmatig pauzes neemt.
 - ◆ Beschadiging van het gehoor.
 - ◆ Gezondheidsrisico's die worden veroorzaakt door het inademen van stof dat ontstaat bij het gebruik van het gereedschap (bijvoorbeeld: werken met hout, vooral eikenhout, beukenhout en MDF.)

Positie van de datumcode

De productiedatumcode (9) bestaat uit een code gevormd door een jaartal met 4 cijfers gevolgd door een weeknummer met 2 cijfers en daarna een fabriekscode met 2 cijfers.

Labels op het gereedschap

Naast de datumcode, staan de volgende pictogrammen op het gereedschap:



De gebruiker moet de gebruikershandleiding lezen en begrijpen vóór het gebruiken van dit product.



De gebruiker moet gepaste oog-, gehoor- en hoofdbescherming.



WAARSCHUWING: Gevaar op elektrische schok. Trek de stekker onmiddellijk uit het stopcontact als het netsnoer beschadigd of ingesneden is.



Het product **NIET** blootstellen aan regen.



Het mes **NIET** aanraken. Houd uw handen uit de buurt van het mes.



Richtlijn 2000/14/EC gegarandeerd geluidsvermogen.

Elektrische veiligheid



Dit gereedschap is dubbel geïsoleerd; daarom is een aardingsdraad niet vereist. Controleer altijd dat de voeding overeenstemt met de spanning op het typeplaatje.

- ◆ Als het netsnoer is beschadigd, moet dit worden vervangen door de fabrikant of een Black & Decker-servicecentrum om gevaar te voorkomen.
- ◆ Als u het gereedschap buitenshuis gebruikt, mag u alleen een verlengsnoer gebruiken dat geschikt is voor gebruik buiten. U kunt een geschikt Black & Decker-verlengsnoer van maximaal 30 m lang gebruiken zonder dat de prestaties afnemen.
- ◆ Verhoog de elektrische veiligheid eventueel verder met behulp van een hooggevoelige 30 mA reststroomschakelaar (RCD).

Functies

Dit gereedschap bevat enkele of alle van de volgende kenmerken.

1. Blad
2. Beschermkap
3. Hulphandgreep
4. Knop voor vergrendeling in de uit-stand
5. Aan/uit-schakelaar
6. Schakelaarhandgreep
7. Snoerhouder
8. Verlengsnoer (niet inbegrepen)

Montage



WAARSCHUWING! Zorg ervoor dat het apparaat is uitgeschakeld en van de netspanning verwijderd is en dat de bladschede over de messen is geplaatst voordat het apparaat in elkaar wordt gezet.

De beschermkap op de heggenschaar bevestigen (Afb. A, B)

De heggenschaar wordt geleverd met de beschermkap niet op de heggenschaar bevestigd. De beschermkap bevestigen:

- ◆ Verwijder borgschroef (10) van de beschermkap met een Phillips-schroevendraaier (niet meegeleverd).
- ◆ Plaats de beschermkap op zijn plaats zoals weergegeven op Afb. A. Verzeker dat de sleuven van de beschermkap in de groeven op de unit zitten.
- ◆ Steek de borgschroef (10) van de beschermkap in de opening in de zijkant van de beschermkap en draai deze stevig vast zoals weergegeven op Afb. B.



WAARSCHUWING! Gebruik de heggenschaar alleen met de handgreep en de beschermkap er goed op bevestigd. Wanneer u met de heggenschaar werkt zonder de juiste beschermkap of handgreep, kan dat leiden tot ernstig letsel.

Het verlengsnoer op de heggenschaar aansluiten (Afb. C)

Er bevindt zich een snoerhouder (7) aan de achterzijde van schakelaarhandgreep (6).

- ◆ Vouw, aan het einde van het verlengsnoer (8), het verlengsnoer op om een lus te maken.
- ◆ Steek de lus in de behuizing van de snoerhouder (11) zoals weergegeven op Afb. C.
- ◆ Haak de lus op de snoerhouder (7) zodat het in de snoerhouder rust.
- ◆ Steek het verlengsnoer in de unit.

Juiste handpositie (Afb. D)

Houd de heggenschaar altijd vast met één hand op de handgreep met de schakelaar, zoals in de afbeeldingen in de handleiding wordt getoond, en met één hand op de hulphandgreep (Afb. D). Houd het gereedschap nooit vast aan de beschermkap.

Gebruik



WAARSCHUWING! Laat het gereedschap op z'n eigen snelheid werken. Niet overbelasten.



WAARSCHUWING! Bewaar of gebruik het gereedschap niet op plaatsen waar de temperatuur kan dalen onder 4 °C (39,2 °F) (zoals in een schuur of een metalen loods in de winter) of hoger kan worden dan 40 °C (104 °F) (zoals in een schuur of een metalen loods in de zomer).

In- en uitschakelen

OPMERKING: Om veiligheidsredenen is dit gereedschap voorzien van een dubbel schakelaarsysteem. Dit systeem voorkomt dat het apparaat onbedoeld wordt gestart en het alleen werkt als het met beide handen wordt vastgehouden.

Inschakelen (Afb. E)

- ◆ Om het gereedschap "IN" te schakelen, moet u zowel de schakelaar van de hulphandgreep (4) achteruit trekken en de schakelaar van de hoofdhandgreep (5) inknijpen. Om het apparaat draaiende te houden, moet u beide schakelaars ingeknepen houden.
- ◆ Laat, om het apparaat uit te schakelen, ofwel de hulphandgreep of de trekkerschakelaar los.



WAARSCHUWING! Probeer nooit een schakelaar in de stand ON te vergrendelen.

- ◆ Smeer de messen regelmatig.

Richtlijnen voor het snoeien

Verlengsnoer (Afb. F)

- ◆ Houd het verlengsnoer (8) altijd achter de heggenschaar en uit de buurt van de snoeibeweging zoals weergegeven op Afb. F. Hang het nooit over een haag die gesnoeid wordt. Als het verlengsnoer wordt doorgesneden of wordt beschadigd, trek de stekker dan onmiddellijk uit het stopcontact voordat u het snoer inspecteert of vervangt.

Werkpositie

- ◆ Houd uw voeten stevig op de grond en blijf in evenwicht, reik niet te ver.
- ◆ Draag een veiligheidsbril, antislip-schoeisel en rubberen handschoenen tijdens het snoeien.
- ◆ Houd het gereedschap stevig met beide handen vast en schakel het IN. Houd de heggenschaar altijd vast zoals weergegeven op Afb. D, met één hand op de schakelaarhandgreep en één hand op de hulphandgreep. Houd het gereedschap nooit vast aan de beschermkap.

Nieuwe aangroei snoeien (Afb. G)

- ◆ Het meest effectief is maaien met een brede zwaaiende beweging, waarbij u de tanden van het mes door de aangroei haalt. Een lichte neerwaartse kanteling van het mes, in de richting van de maaibeweging geeft het beste resultaat.



WAARSCHUWING! Gebruik de heggenschaar niet om takken dikker dan 16 mm te snoeien. Gebruik de heggenschaar alleen voor het snoeien van normale struiken rond woningen en gebouwen.

Rechte heggen (Afb. J)

- ◆ Om uitzonderlijk rechte heggen te krijgen, kan een touw worden gespannen over de lengte van de heg, als hulpmiddel.

Het snoeien van de zijkant van heggen (Afb. I)

- ◆ Begin onderaan en zwaai naar boven.

De messen van de schaar zijn gemaakt van hoogwaardig, gehard staal en bij normaal gebruik zal slijpen niet nodig zijn. Maar als u per ongeluk een afrastering (Afb. J), stenen, glas of andere harde voorwerpen raakt, kan er een braam op het maaiblad komen. Het is niet nodig om deze braam te verwijderen zolang deze de beweging van het mes niet hindert. Als dat wel het geval is, trek dan de stekker uit het stopcontact en gebruik een fijne vijl met fijne tanden of een slijpsteen om de braam te verwijderen. Als u de heggenschaar hebt laten vallen, moet u het gereedschap zorgvuldig op beschadigingen inspecteren. Als het mes gebogen is, de behuizing gescheurd is, als er handgrepen stuk zijn of als u iets anders opmerkt dat van invloed kan zijn op de werking van de heggenschaar, neem dan contact op met het Black & Decker-servicecentrum voor reparatie, voordat u het gereedschap opnieuw in gebruik neemt. Kunstmest en andere chemicaliën voor de tuin bevatten actieve stoffen die de corrosie van metalen zeer versnellen. Berg het apparaat niet op bij of op kunstmest of chemicaliën.

Accessoires

De prestaties van het gereedschap zijn afhankelijk van de gebruikte accessoires. Accessoires van Black & Decker zijn ontworpen om aan hoge kwaliteitsnormen te voldoen en de prestaties van uw gereedschap te verhogen. Door deze accessoires te gebruiken, kunt u het beste uit uw gereedschap halen.

Onderhoud

Uw Black & Decker apparaat/gereedschap met snoer/ snoerloos apparaat/gereedschap is ontworpen om gedurende lange tijd te functioneren met een minimum aan onderhoud. Voortdurend gebruik naar tevredenheid van de gebruiker is afhankelijk van de juiste verzorging en regelmatige reiniging van het gereedschap. Smeerolie is verkrijgbaar bij uw Black & Decker-leverancier (cat. nr. A6102-XJ). Raadpleeg de achterkant van deze handleiding voor de contactgegevens van het servicecentrum of ga naar www.2helpU.com.



WAARSCHUWING! U moet, voordat u onderhoud verricht aan elektrisch gereedschap met snoer/ snoerloos elektrisch gereedschap:

- ◆ Schakel het apparaat/gereedschap uit en trek de stekker uit het stopcontact.
- ◆ Als het gereedschap/apparaat een afzonderlijke accu heeft, schakelt u het gereedschap/apparaat uit en haalt u de accu eruit.
- ◆ Of gebruik de accu tot deze volledig leeg is, als deze geïntegreerd is, en schakel het gereedschap daarna uit.
- ◆ Trek de stekker van de lader uit het stopcontact vóór reiniging. Behalve regelmatige reiniging vereist uw lader geen onderhoud.
- ◆ Reinig regelmatig de ventilatiesleuven van het gereedschap/apparaat/lader met een zachte borstel of droge doek.
- ◆ Reinig de motorbehuizing regelmatig met een vochtige doek. Gebruik geen schuurmiddel of schoonmaakmiddel op basis van een oplosmiddel.
- ◆ Maak de messen na gebruik zorgvuldig schoon. Breng na reiniging een dunne laag lichte machineolie aan zodat de bladen niet gaan roesten.

Vervanging van de stekker (alleen V.K. en Ierland)

Als er een nieuwe stekker op het netsnoer moet worden gemonteerd:

- ◆ Verwerk de oude stekker veilig bij het afval.
- ◆ Verbind de bruine draad met de spannings-/fasepool in de nieuwe stekker.
- ◆ Sluit de blauwe draad aan op de nul-aansluiting.



WAARSCHUWING! Er moet geen aansluiting worden gemaakt op de aarde-aansluiting. Volg de instructies voor de aansluitingen die bij stekkers van goede kwaliteit worden geleverd. Aanbevolen zekering: 5 A.

Reiniging



WAARSCHUWING! Blaas vuil en stof door middel van droge lucht uit de hoofdbehuizing, zo vaak u ziet dat vuil zich in en rond de ventilatieopeningen verzamelt. Draag goedgekeurde oogbescherming en een goedgekeurd stofmasker wanneer u deze procedure uitvoert.



WAARSCHUWING: Gebruik nooit oplosmiddelen of andere bijtende chemicaliën voor het reinigen van de niet-metalen onderdelen van het gereedschap. Deze chemicaliën kunnen de materialen die in deze onderdelen worden gebruikt, week maken. Gebruik een doek die uitsluitend met water en milde zeep is bevochtigd. Laat nooit vloeistof in het gereedschap komen; dompel nooit een onderdeel van het gereedschap onder in een vloeistof.

Het milieu beschermen



Producten/batterijen zijn recyclebaar, maar als ze gemarkeerd zijn met de doorgekruiste afvalcontainer, mogen ze niet samen met normaal huishoudafval weggegooid worden. Laat de batterijen volledig ontladen en scheid ze, indien mogelijk, van lichtbronnen van het product.

Het is de verantwoordelijkheid van de gebruiker om persoonsgegevens van dit product te verwijderen. Breng het afval daarna naar een officieel afvalinzamelcentrum of een deelnemende handelaar, die het vaak gratis zal aanvaarden. De verpakking moet weggegooid worden op basis van de aangebrachte materiaalcode.

De bedienings- of veiligheidsinstructies mogen alleen weggegooid worden als het betreffende product niet langer gebruikt wordt.

Vraag de richtlijnen inzake afvalbeheer bij uw plaatselijke community/gemeente. Ga voor meer informatie naar www.2helpU.com en scan de bovenstaande QR-code.

Garantie

Black & Decker vertrouwt op de kwaliteit van zijn producten en biedt consumenten een garantie van 24 maanden vanaf de aankoopdatum. Deze garantie is een aanvulling op uw wettelijke rechten en heeft op geen enkele manier voorrang daarop. De garantie is geldig op het grondgebied van de Lidstaten van de Europese Unie en de Europese Vrijhandelszone.

Wilt u aanspraak maken op de garantie, dan moet de aanspraak in overeenstemming zijn met de voorwaarden en condities van Black&Decker en moet u aan de verkoper of het geautoriseerd reparatiecentrum een bewijs van aankoop overleggen. De algemene voorwaarden van de 2-jarige garantie van Black&Decker en de locatie van de erkende reparatiemonteur bij u in de buurt, kunt u vinden op internet op www.2helpU.com of deze verkrijgen door contact op te nemen met uw plaatselijk Black & Decker-kantoor op het adres dat in deze handleiding wordt vermeld.

Ga naar onze website www.blackanddecker.eu om uw nieuw Black & Decker-product te registreren en ontvang updates over onze nieuwe producten en speciale aanbiedingen.

Documentos disponibles en internet

www.2helpU.com/DoC/ o

www.2helpU.com/DoC/index/xxx*

*Para el acceso directo, sustituya "xxx" con el número de modelo del producto que se encuentra en la etiqueta de clasificación del producto o en el embalaje.

- Manual de instrucciones
- Declaración de conformidad (DoC)
- Datos de emisión del producto (PED): Información sobre ruido, vibración y polvo (no aplicable a todos los productos)



Datos técnicos

		BEHT201 Tipo 1	BEHT251 Tipo 1
Voltaje	V _{CA}	230	230
Potencia de entrada	W	420	450
Impulsos de la cuchilla (sin carga)	min ⁻¹	1960	1815
Largo de la hoja	cm	45	50
Huelgo de la hoja	mm	16	18
Tiempo de frenado de la hoja	s	< 1	< 1
Peso	kg	1,91	2,16

Uso previsto

Los cortasetos BLACK+DECKER® BEHT201 y BEHT251 se han diseñado para cortar setos, arbustos y zarzas. Estas herramientas ha sido concebidas únicamente para uso doméstico.

Instrucciones de seguridad

Advertencias de seguridad generales para herramientas eléctricas



¡ADVERTENCIA! Lea todas las advertencias de seguridad, instrucciones, ilustraciones y especificaciones suministradas con esta herramienta eléctrica. El incumplimiento de las advertencias e instrucciones que aparecen a continuación podría provocar una descarga eléctrica, un incendio y/o lesiones graves.

Guarde todas las advertencias e instrucciones para poder consultarlas con posterioridad. El término "herramienta eléctrica" que aparece en las advertencias se refiere a la herramienta eléctrica que funciona a través de la red eléctrica (con cable) o a la herramienta eléctrica que funciona con batería (sin cable).

1. Seguridad en la zona de trabajo
 - a. Mantenga el área de trabajo limpia y bien iluminada. Las áreas en desorden u oscuras pueden provocar accidentes.
 - b. No utilice herramientas eléctricas en atmósferas explosivas como ambientes donde haya polvo, gases

o líquidos inflamables. Las herramientas eléctricas originan chispas que pueden inflamar el polvo o los gases.

- c. Mantenga alejados a los niños y otras personas del área de trabajo al emplear la herramienta eléctrica. Las distracciones pueden ocasionar que pierda el control.
2. Seguridad eléctrica
 - a. Los enchufes de las herramientas eléctricas deben corresponder a la toma de corriente. No modifique nunca el enchufe de ninguna forma. No utilice ningún enchufe adaptador con las herramientas eléctricas conectadas a tierra (puestas a masa). Los enchufes no modificados y las tomas de corriente correctas reducen el riesgo de descarga eléctrica.
 - b. Evite que su cuerpo toque partes conectadas a tierra como tuberías, radiadores, cocinas y refrigeradores. Existe un mayor riesgo de descarga eléctrica si su propio cuerpo está conectado a tierra.
 - c. No exponga las herramientas eléctricas a la lluvia ni la humedad. Si entra agua en una herramienta eléctrica, aumenta el riesgo de descarga eléctrica.
 - d. No haga un mal uso del cable de alimentación. No use nunca el cable para transportar, tirar de la herramienta eléctrica o desenchufarla. Mantenga el cable alejado del calor, el aceite, los bordes afilados o las piezas móviles. Los cables dañados o enredados aumentan el riesgo de descarga eléctrica.
 - e. Cuando utilice una herramienta eléctrica al aire libre, use un cable prolongador adecuado para uso en exteriores. La utilización de un cable adecuado para el uso en exteriores reduce el riesgo de descarga eléctrica.
 - f. Si no puede evitar utilizar una herramienta eléctrica en un lugar húmedo, use un suministro protegido con un dispositivo diferencial residual (DDR). El uso de un DDR reduce el riesgo de descarga eléctrica.
 3. Seguridad personal
 - a. Manténgase alerta, esté atento a lo que hace y use el sentido común cuando utilice una herramienta eléctrica. No maneje una herramienta eléctrica cuando esté cansado o bajo los efectos de drogas, medicamentos o alcohol. Un momento de falta de atención cuando se manejan las herramientas eléctricas puede ocasionar lesiones personales graves.
 - b. Use equipos de protección individual. Utilice siempre protección ocular. El uso del equipo protector, como mascarillas antipolvo, calzado antideslizante, casco o protección auditiva, usado en condiciones apropiadas, reduce las lesiones personales.
 - c. Impida que la herramienta se ponga en marcha accidentalmente. Asegúrese de que el interruptor esté en posición de apagado antes de conectar la fuente de alimentación y/o la batería o de levantar o transportar la herramienta. Transportar herramientas eléctricas con el dedo puesto en el interruptor o

herramientas eléctricas activadoras que tengan el interruptor encendido puede provocar accidentes.

- d. **Extraiga cualquier llave de ajuste u otra llave antes de encender la herramienta eléctrica.** Una llave inglesa o de otro tipo que se deje puesta en una pieza en movimiento de la herramienta eléctrica puede ocasionar lesiones corporales.
 - e. **No se estire demasiado. Mantenga un equilibrio adecuado y la estabilidad constantemente.** Esto permite un mejor control de la herramienta eléctrica en situaciones inesperadas.
 - f. **Vístase adecuadamente. No se ponga ropa suelta o joyas. Mantenga el cabello y la ropa alejados de las piezas móviles.** La ropa suelta, las joyas y el pelo largo pueden quedar atrapados en las piezas en movimiento.
 - g. **Si se suministran dispositivos para la conexión del equipo de extracción y recogida de polvo, asegúrese de que estén conectados y de que se usen adecuadamente.** El uso de equipo de recogida de polvo puede reducir los riesgos relacionados con el polvo.
 - h. **Evite que la familiaridad adquirida con el uso frecuente de las herramientas le haga fiarse demasiado e ignorar las normas de seguridad de las herramientas.** Los descuidos pueden causar lesiones graves en una fracción de segundo.
4. **Uso y cuidado de la herramienta eléctrica**
 - a. **No fuerce la herramienta eléctrica. Use la herramienta eléctrica correcta para su trabajo.** La herramienta eléctrica correcta funcionará mejor y con mayor seguridad si se utiliza de acuerdo con sus características técnicas.
 - b. **No utilice la herramienta eléctrica si no la puede encender y apagar con el interruptor.** Cualquier herramienta eléctrica que no pueda controlarse con el interruptor es peligrosa y debe ser reparada.
 - c. **Desconecte el enchufe de la fuente de alimentación y/o extraiga la batería de la herramienta eléctrica, si es desmontable, antes de realizar ajustes, cambiar accesorios o guardar las herramientas eléctricas.** Tales medias de seguridad preventivas reducen el riesgo de poner en marcha la herramienta eléctrica accidentalmente.
 - d. **Guarde las herramientas eléctricas fuera del alcance de los niños y no permita que la utilicen las personas no familiarizadas con su uso o con estas instrucciones.** Las herramientas eléctricas son peligrosas en manos de personas no capacitadas.
 - e. **Realice el mantenimiento de las herramientas eléctricas y sus accesorios. Compruebe si hay alguna desalineación o bloqueo en las piezas móviles, rotura de piezas u otras condiciones que puedan afectar el funcionamiento de la herramienta eléctrica. Si la herramienta eléctrica está dañada, llévela a reparar antes de utilizarla.** Muchos accidentes se ocasionan por el incorrecto mantenimiento de las herramientas eléctricas.
 - f. **Mantenga las herramientas de corte limpias y afiladas.** Hay menos probabilidad de que las herramientas de corte con bordes afilados se bloqueen, y son más fáciles de controlar.

- g. **Utilice la herramienta eléctrica, los accesorios, los útiles de la herramienta, etc. de acuerdo con estas instrucciones, y tenga en cuenta las condiciones de trabajo y la tarea que va a realizar.** El uso de la herramienta eléctrica para operaciones que no sean las previstas puede ocasionar una situación peligrosa.
 - h. **Mantenga las empuñaduras y superficies de agarre secas, limpias y libres de aceite y grasa.** Las empuñaduras y superficies de agarre resbaladizas impiden el agarre y el control seguro de la herramienta en situaciones imprevistas.
5. **Reparación**
 - a. **Haga reparar esta herramienta eléctrica por personal técnico autorizado que emplee exclusivamente piezas de repuesto originales.** Esto le asegurará el mantenimiento de la seguridad de la herramienta eléctrica.

Advertencias de seguridad para cortasetos

- a. **No utilice el cortasetos cuando hace mal tiempo, sobre todo si hay riesgo de rayos.** Esta medida reduce el riesgo de ser alcanzado por un rayo.
- b. **Mantenga todos los cables alejados de la zona de corte.** Los cables eléctricos podrían quedar ocultos entre los setos o arbustos y la hoja podría cortarlo accidentalmente.
- c. **Use protección auditiva.** El uso del equipo de protección individual adecuado reduce el riesgo de sufrir lesiones personales.
- d. **Sujete el cortasetos exclusivamente por las superficies de agarre aisladas, ya que la hoja puede entrar en contacto con cables ocultos.** Las hojas que están en contacto con un cable conectado a la red eléctrica pueden hacer que las partes metálicas del cortasetos transmitan esa electricidad y producir una descarga al usuario.
- e. **Mantenga todas las partes del cuerpo alejadas de la hoja. No retire el material cortado ni sostenga el material que va a cortar cuando las hojas están en movimiento.** Una vez apagado el interruptor, las hojas siguen moviéndose. Un momento de desatención durante el uso del cortasetos puede ocasionar lesiones graves.
- f. **Al limpiar el material atascado o al hacer el mantenimiento del cortasetos, asegúrese de que todos los interruptores estén apagados y de que el cable de alimentación esté desconectado.** La activación inesperada del cortasetos mientras se quita el material atascado o se realiza el mantenimiento puede provocar lesiones corporales graves.
- g. **Sujete el cortasetos por la empuñadura con la hoja detenida, y asegurándose de no encender ningún interruptor.** La sujeción adecuada del cortasetos reduce el riesgo de encendido involuntario y de las consecuentes lesiones corporales provocadas por las hojas de corte.
- h. **Cuando transporte o guarde el cortasetos, use siempre la cubierta de la hoja de corte.** El manejo adecuado del cortasetos reduce el riesgo de lesiones corporales provocadas por las hojas de corte.

Otras advertencias de seguridad para herramientas eléctricas



¡ADVERTENCIA! Advertencias de seguridad adicionales para cortasetos

- ◆ En este manual de instrucciones se describe el uso previsto. El uso de accesorios o acoplamientos o la realización de cualquier operación con esta herramienta distintos a los recomendados en este manual de instrucciones pueden dar lugar a lesiones personales y/o daños materiales.
- ◆ Si nunca antes ha usado un cortasetos, solicite instrucciones prácticas a un usuario experimentado, además de leer este manual.
- ◆ Nunca toque las hojas mientras la herramienta está en funcionamiento.
- ◆ Nunca intente forzar las hojas para que se detengan.
- ◆ No deje la herramienta hasta que las hojas se detengan por completo.
- ◆ Compruebe periódicamente si las hojas están dañadas o desgastadas. No use la herramienta si las hojas están dañadas.
- ◆ Tenga cuidado de evitar los objetos duros (p. ej. hilos metálicos, verjas) durante el corte. Si golpea accidentalmente un objeto duro, apague inmediatamente la herramienta y compruebe si esta ha sufrido algún daño.
- ◆ Si la herramienta comienza a vibrar de manera inusual, apáguela inmediatamente, desconéctela del suministro de corriente y, a continuación, compruebe que no haya sufrido ningún daño.
- ◆ Si la herramienta se para, apáguela inmediatamente. Desconéctela del suministro de corriente antes de intentar eliminar cualquier obstrucción.
- ◆ Después del uso, coloque la vaina protectora suministrada sobre la hoja. Guarde la herramienta teniendo cuidado de que la hoja no quede expuesta.
- ◆ Asegúrese siempre de haber colocado todos los protectores cuando use la herramienta. Nunca intente utilizar una herramienta que no esté completamente montada o una herramienta con modificaciones no autorizadas.
- ◆ Nunca permita que los niños usen la herramienta.
- ◆ Tenga cuidado con los restos que caen al cortar las partes más altas de un seto.
- ◆ Sostenga siempre la herramienta con ambas manos y por las empuñaduras suministradas.
- ◆ **Niños pequeños y personas con discapacidad. Este aparato no está previsto para ser usado, sin supervisión, por niños pequeños o personas con discapacidad.**
- ◆ **Este producto no ha sido diseñado para ser utilizado por personas (niños incluidos) con discapacidades físicas, sensoriales o mentales, o que carezcan de la experiencia, conocimiento o destrezas necesarias, a menos que estén supervisados por una persona que se haga responsable de su seguridad. No deje nunca a los niños solos con este producto.**

- ◆ **El cortasetos ha sido diseñado para ser utilizado por el operador a nivel del suelo y no en escaleras ni cualquier otro soporte inestable.**

Riesgos residuales

Al utilizar la herramienta, podrían surgir riesgos residuales adicionales que no se incluyan en las advertencias de seguridad incluidas. Estos riesgos pueden surgir por un mal uso, un uso prolongado, etc.

El cumplimiento de las normas de seguridad correspondientes y el uso de dispositivos de seguridad no evitan ciertos riesgos residuales. Dichos riesgos incluyen:

- ◆ Lesiones producidas por el contacto con piezas móviles o giratorias.
- ◆ Lesiones producidas al cambiar piezas, hojas o accesorios.
- ◆ Lesiones provocadas por el uso prolongado de una herramienta. Si utiliza una herramienta durante periodos de tiempo demasiado prolongados, realice pausas con frecuencia.
- ◆ Deterioro auditivo.
- ◆ Daños a la salud provocados por la respiración del polvo generado al utilizar la herramienta (por ejemplo, al trabajar con madera, especialmente haya, roble y MDF).

Posición del código de fecha

El código de fecha de fabricación (9) está compuesto por los 4 dígitos del año, seguidos por los 2 dígitos de la semana, más los 2 dígitos del código de la fábrica.

Etiquetas en la herramienta

En la herramienta aparecen los pictogramas siguientes, así como el código de fecha:



El usuario debe leer y comprender el manual de instrucciones antes de utilizar este producto.



Utilice siempre protección para la cabeza, ocular y auditiva suficientes.



ADVERTENCIA: Peligro de descarga eléctrica. Desconecte el enchufe de la red eléctrica inmediatamente si el cable presenta daños o está cortado.



NO exponga el producto a la lluvia.



NO toque la cuchilla. Mantenga las manos alejadas de la hoja.



Potencia acústica garantizada de conformidad con la Directiva 2000/14/CE.

Seguridad eléctrica



La herramienta lleva un doble aislamiento; por lo tanto, no requiere una toma a tierra. Compruebe siempre que el voltaje suministrado corresponda al indicado en la placa de características.

- ◆ Si se dañara el cable de alimentación, deberá ser sustituido por el fabricante o por un centro de asistencia técnica autorizado de Black & Decker para evitar cualquier situación de riesgo.
- ◆ Cuando utilice la herramienta en exteriores, utilice solamente cables prolongadores destinados al uso en exteriores. Se puede utilizar un cable prolongador de Black & Decker con la potencia adecuada de hasta 30 m sin sufrir pérdida de potencia.
- ◆ Se puede incrementar la seguridad eléctrica mediante la utilización de un dispositivo diferencial residual (DDR) de alta sensibilidad de 30 mA.

Características

Esta herramienta incluye alguna de las siguientes características o todas ellas.

1. Hoja
2. Protector
3. Empuñadura auxiliar
4. Botón de desbloqueo
5. Gatillo
6. Empuñadura con interruptor
7. Sujetacable
8. Cable prolongador (no incluido)

Montaje



¡ADVERTENCIA! Antes de montar la herramienta, asegúrese de que se encuentra apagada y desconectada, y de que la vaina de la hoja se encuentra sobre las hojas.

Cómo colocar el protector en la cortadora (Fig. A, B)

La cortadora se envía con el protector desmontado.

Colocación del protector:

- ◆ Retire el tornillo 10 de sujeción del protector con un destornillador Phillips (no suministrado).
- ◆ Coloque el protector en su posición como se muestra en la Fig. A. Asegúrese de que el protector encaje en las ranuras de la unidad.
- ◆ Inserte el tornillo de sujeción del protector 10 en la abertura del lateral del protector y apriételo firmemente como se muestra en la Fig. B.



¡ADVERTENCIA! Solo debe usar el cortasetos si tiene colocados correctamente el protector y la empuñadura. El uso del cortasetos sin el protector o la empuñadura adecuados puede provocar lesiones personales graves.

Conexión del cable prolongador a la cortadora (Fig. C)

Se ha incorporado un sujetacable (7) en la parte posterior del empuñadura con interruptor (6).

- ◆ Cerca del extremo, doble el cable prolongador (8) para crear un bucle.
- ◆ Introduzca el bucle en el alojamiento del sujetacable (11), como se muestra en la Fig. C.
- ◆ Enganche el bucle en el sujetacable (7) de modo para sujetarlo.
- ◆ Enchufe el cable prolongador en la unidad.

Posición correcta de las manos (Fig. D)

Sujete siempre la cortadora como se muestra en las ilustraciones de este manual, con una mano en la empuñadura del interruptor y la otra mano en la empuñadura auxiliar (Fig. D). Nunca debe sujetar el aparato por el protector de las hojas.

Uso



¡ADVERTENCIA! Deje que la herramienta funcione a su ritmo. No debe sobrecargarla.



¡ADVERTENCIA! No guarde ni utilice la herramienta en lugares en los que la temperatura pueda bajar de los 4 °C (39,2 °F) (como por ejemplo, cobertizos de exterior o instalaciones metálicas en invierno), o alcanzar o superar los 40 °C (104 °F) (como por ejemplo, cobertizos de exterior o instalaciones metálicas en verano).

Encendido y apagado

NOTA: Por razones de seguridad, esta herramienta está equipada con un sistema de dos interruptores. Este sistema impide que la herramienta se encienda de manera accidental y solamente permite accionarla cuando se sujeta con ambas manos.

Encendido (Fig. E)

- ◆ Para encender la herramienta, apriete el interruptor de la empuñadura auxiliar (4) hacia atrás y apriete el interruptor del gatillo de la empuñadura principal (5). Para mantener la unidad en funcionamiento, siga apretando ambos interruptores.
- ◆ Para apagarla, suelte el interruptor de la empuñadura auxiliar o el interruptor de gatillo.



¡ADVERTENCIA! Nunca intente bloquear un interruptor en la posición de encendido.

- ◆ Lubrique las hojas periódicamente.

Instrucciones de corte

Cable prolongador (Fig. F)

- ◆ Mantenga siempre el cable prolongador (8) detrás de la cortadora y alejado de la operación de corte, como se muestra en la Fig. F. Nunca lo tienda por encima de un seto que se esté cortando. Si se corta o se daña el cable, desenchúfelo en la toma de corriente inmediatamente, antes de inspeccionarlo o repararlo.

Posición de trabajo

- ◆ Mantenga la posición y el equilibrio adecuado y no se estire demasiado.

- ◆ Use gafas de seguridad y calzado antideslizante cuando corte.
- ◆ Sujete firmemente la herramienta con las dos manos y enciéndala. Sostenga siempre el cortasetos como se muestra en la Fig. D, con una mano en la empuñadura del interruptor y la otra en la empuñadura auxiliar. Nunca sujete la herramienta por el protector de la hoxja.

Corte de plantas nuevas (Fig. G)

- ◆ El movimiento más eficaz consiste en hacer un movimiento de barrido ancho, pasando los dientes de la cuchilla para cortar las ramas. El mejor corte se consigue inclinando un poco hacia abajo la cuchilla, siguiendo la dirección del movimiento.



¡ADVERTENCIA! No use la cortadora para cortar tallos de más de 16 mm. Úsela solo para cortar solo los arbustos normales que se encuentran alrededor de casas y edificios.

Nivelar los setos (Fig. H)

- ◆ Para obtener setos excepcionalmente nivelados, puede extender un trozo de cuerda a lo largo del borde como guía.

Recortar bordes (Fig. I)

- ◆ Empezar por abajo y barra hacia arriba.

Las hojas de corte están hechas de acero templado de alta calidad y, si se usan en modo normal, no requieren afilado. Sin embargo, si golpea accidentalmente una alambrada (Fig. J), piedras, vidrios u otros objetos rígidos, es posible que se haga una muesca en la hoja. No es necesario eliminar la hendidura si no interfiere con el movimiento de la hoja. En caso de que interfiera, desenchufe el cable y, con una lima de grano fino o una piedra de afilar, elimine la hendidura. En caso de caída de la cortadora, compruebe que no tenga daños. Si la cuchilla está doblada, la carcasa está agrietada o se han roto las empuñaduras, o si ve cualquier otro problema que pueda afectar al funcionamiento de la cortadora, póngase en contacto con el taller de reparación local de Black & Decker para reparar la cortadora antes de volver a utilizarla. Los fertilizantes y otros productos químicos de jardinería contienen agentes que aceleran mucho la corrosión de los metales. No guarde la unidad en lugares donde haya fertilizantes o productos químicos o cerca de ellos.

Accesorios

El funcionamiento adecuado de la herramienta depende de los accesorios que utilice. Los accesorios de Black & Decker se han fabricado siguiendo estándares de alta calidad y se han diseñado para mejorar el funcionamiento de la herramienta. Al utilizar estos accesorios, conseguirá el máximo rendimiento de la herramienta.

Mantenimiento

Su aparato/herramienta eléctrico/a con/sin cable Black & Decker se ha diseñado para funcionar durante mucho tiempo con un mantenimiento mínimo. El funcionamiento satisfactorio continuo depende del buen cuidado de la herramienta y de una limpieza frecuente.

Podrá encontrar el aceite lubricante en su distribuidor Black & Decker (número de catálogo A6102-XJ).

Consulte en la parte trasera de este manual la información de contacto del centro de servicio o visite el sitio www.2helpU.com.



¡ADVERTENCIA! Antes de realizar cualquier tarea de mantenimiento en herramientas eléctricas con cable/sin cable:

- ◆ Apague y desenchufe el aparato o herramienta.
- ◆ O bien, apague y extraiga las pilas o la batería del aparato o herramienta, en caso de que disponga de una batería separada.
- ◆ O agote totalmente la batería, si es integral, y después apáguela.
- ◆ Desenchufe el cargador antes de limpiarlo. El cargador no requiere ningún mantenimiento, salvo la limpieza periódica.
- ◆ Limpie periódicamente las ranuras de ventilación de la herramienta, aparato o cargador con un cepillo suave o un paño seco.
- ◆ Limpie periódicamente la carcasa del motor con un paño húmedo. No utilice ningún limpiador abrasivo o a base de disolventes.
- ◆ Después de utilizar la herramienta, limpie con cuidado las hojas. Después de limpiarlas, aplique una película de aceite ligero para máquinas para evitar que las hojas se oxiden.

Sustitución del enchufe de alimentación principal (solo Irlanda y Reino Unido)

Si debe colocar un nuevo enchufe de red:

- ◆ Deseche en modo seguro el antiguo enchufe.
- ◆ Conecte el cable marrón al terminal conductor del nuevo enchufe.
- ◆ Conecte el terminal azul al terminal neutro.



¡ADVERTENCIA! No deberá realizar ninguna conexión al terminal de tierra. Siga las instrucciones de colocación proporcionadas con las tomas de buena calidad. Fusible recomendado: 5 A.

Limpieza



¡ADVERTENCIA! Elimine con aire seco la suciedad y el polvo de la carcasa principal tan pronto como advierta que se acumulan en las rejillas de ventilación o alrededor de ellas. Cuando lleve a cabo este procedimiento, póngase una protección ocular y una mascarilla contra el polvo homologadas.



ADVERTENCIA: Nunca utilice disolventes ni otros productos químicos agresivos para limpiar las piezas no metálicas de la herramienta. Estos productos químicos pueden debilitar los materiales usados en estas piezas. Use únicamente un paño humedecido con agua y jabón suave. Nunca deje que entre ningún líquido en la herramienta ni sumerja ninguna parte de la misma en líquidos.

Protección del medio ambiente



Los productos y las baterías son reciclables, pero si están marcadas con el símbolo del cubo de basura tachado, no deben tirarse junto con los residuos domésticos normales. Haga agotar totalmente las baterías y sáquelas, y separe toda fuente de luz del producto si es posible.

Es responsabilidad del usuario eliminar los datos personales del producto. Después, lleve el residuo a un centro oficial de recogida de residuos o a un minorista que participe en el programa de recogida, que, por lo general, lo aceptará gratis. El embalaje debe desecharse según el código de material indicado.

Las instrucciones de uso y seguridad deberían eliminarse solo después de dejar de usar el producto al que se refieren.

Consulte a su comunidad/municipio local para obtener información sobre la gestión de residuos. Para más información, visite www.2helpU.com y escanee el código QR anterior.

Garantía

Black & Decker confía en la calidad de sus productos y ofrece a los consumidores una garantía de 24 meses a partir de la fecha de compra. Esta garantía es complementaria y en ningún caso afectará a sus derechos legales. La garantía es válida dentro de los territorios de los Estados Miembros de la Unión Europea y del Área de Libre Comercio Europea.

Para reclamar la garantía, deberá formular la reclamación de conformidad con las condiciones de Black & Decker, presentando el comprobante de compra al vendedor o al agente técnico autorizado. Las condiciones de la garantía de 2 años de Black & Decker y la ubicación de su agente técnico autorizado más cercano se pueden obtener en Internet en www.2helpU.com o poniéndose en contacto con su oficina local de Black & Decker en la dirección que se indica en este manual.

Visite nuestro sitio web www.blackanddecker.eu para registrar su nuevo producto Black & Decker y recibir noticias sobre nuevos productos y ofertas especiales.

Documentos disponíveis online

www.2helpU.com/DoC/ ou
www.2helpU.com/DoC/index/xxx*

*Para obter acesso directo, substitua "xxx" pelo número do modelo do produto indicado na etiqueta de classificação do produto ou na embalagem.



- Manual de instruções
- Declaração de conformidade (DoC)
- Dados de emissão do produto (PED): Informações sobre ruído, vibração e pó (não aplicável a todos os produtos)

Dados técnicos

		BEHT201, tipo 1	BEHT251, tipo 1
Tensão	V _{CA}	230	230
Potência de entrada	W	420	450
Cursos da lâmina (sem carga)	min ⁻¹	1960	1815
Comprimento da lâmina	cm	45	50
Folga da lâmina	mm	16	18
Tempo de paragem das lâminas	s	< 1	< 1
Peso	kg	1,91	2,16

Utilização prevista

Os aparadores de sebes BLACK+DECKER® BEHT201, BEHT251 foram concebidos para cortar sebes, arbustos e silvas. Estas ferramentas destinam-se apenas para utilização doméstica.

Instruções de segurança

Avisos de segurança gerais sobre ferramentas eléctricas



ATENÇÃO! leia todos os avisos de segurança, instruções, ilustrações e especificações fornecidos com esta ferramenta eléctrica. O não seguimento dos avisos e das instruções indicados abaixo poderá resultar em choque eléctrico, incêndio e/ou ferimentos graves.

Guarde todos os avisos e instruções para futura referência. O termo "ferramenta eléctrica" indicado nos avisos refere-se à sua ferramenta eléctrica com ligação à corrente eléctrica (com cabo) ou com bateria (sem cabo).

1. Segurança na área de trabalho

- Mantenha a área de trabalho limpa e bem iluminada.** As áreas desorganizadas ou escuras são propensas a acidentes.
- Não trabalhe com ferramentas eléctricas em locais com risco de explosão, nas quais se encontrem líquidos, gases ou pó inflamáveis.** As ferramentas eléctricas criam faíscas que podem inflamar o pó ou vapores.

- Mantenha as crianças e outras pessoas afastadas quando utilizar a ferramenta eléctrica.** As distrações podem causar perda de controlo.

2. Segurança eléctrica

- As fichas da ferramenta eléctrica devem encaixar na tomada. Nunca modifique a ficha de forma alguma. Não utilize fichas adaptadoras com ferramentas eléctricas ligadas à terra.** As fichas não modificadas e as tomadas compatíveis reduzem o risco de choque eléctrico.
- Evite o contacto corporal com superfícies e equipamentos ligados à terra, por exemplo, tubagens, radiadores, fogões e frigoríficos.** Se o seu corpo estiver "ligado" à terra, o risco de choque eléctrico é maior.
- As ferramentas eléctricas não podem ser expostas a chuva ou a humidade.** A entrada de água numa ferramenta eléctrica aumenta o risco de choque eléctrico.
- Manuseie o cabo com cuidado. Nunca o utilize para transportar, puxar ou desligar a ferramenta eléctrica. Mantenha o cabo afastado de fontes de calor, óleo, arestas afiadas ou peças móveis.** Os cabos danificados ou emaranhados aumentam o risco de choque eléctrico.
- Quando utilizar uma ferramenta eléctrica no exterior, utilize uma extensão adequada para utilização ao ar livre.** A utilização de um cabo adequado para utilização ao ar livre reduz o risco de choque eléctrico.
- Se não for possível evitar trabalhar com uma ferramenta eléctrica num local húmido, utilize uma fonte de alimentação protegida por um dispositivo diferencial residual (DDR).** A utilização de um DDR reduz o risco de choque eléctrico.

3. Segurança pessoal

- Mantenha-se alerta, tenha atenção ao que está a fazer e seja cuidadoso quando trabalhar com a ferramenta eléctrica. Não utilize a ferramenta eléctrica se estiver cansado ou sob o efeito de drogas, álcool ou medicamentos.** Um momento de distração durante a utilização de ferramentas eléctricas pode causar ferimentos graves.
- Utilize equipamento de protecção individual. Use sempre protecção ocular.** O equipamento de protecção, como, por exemplo, uma máscara anti-poeiras, sapatos de segurança antiderrapantes, um capacete de segurança ou uma protecção auditiva, utilizado nas condições adequadas, reduz o risco de ferimentos.
- Evite arranques não intencionais. Certifique-se de que o gatilho da ferramenta está na posição de desligado antes de ligá-la à tomada de electricidade e/ou inserir a bateria, ou antes de levantar ou transportar a ferramenta.** Se mantiver o dedo carregado no gatilho quando transportar ferramentas eléctricas ou ligá-las à fonte de alimentação com o gatilho ligado, isso pode dar origem a acidentes.
- Retire qualquer chave de ajuste ou chave de fendas antes de ligar a ferramenta eléctrica.** Uma chave de fendas ou de ajuste deixada numa peça móvel da ferramenta pode causar ferimentos.

- e. **Não tente chegar a pontos fora do alcance. Mantenha sempre os pés bem apoiados e um equilíbrio adequado.** Assim, é mais fácil controlar a ferramenta eléctrica em situações inesperadas.
 - f. **Use vestuário adequado. Não use roupa larga ou jóias. Mantenha o cabelo e a roupa afastados das peças móveis.** As roupas largas, as jóias ou o cabelo comprido podem ficar presos nestas peças.
 - g. **Se estiver prevista a montagem de dispositivos de extracção e recolha de pó, assegure-se de que estão ligados e que são utilizados de maneira correcta.** A utilização de dispositivos de extracção de pó pode reduzir os riscos relacionados com o pó.
 - h. **Não permita que o facto de estar familiarizado com a utilização frequente das ferramentas o torne complacente e ignore os princípios de segurança da ferramenta.** Uma acção irreflectida pode causar ferimentos graves numa fracção de segundo.
- 4. Utilização e manutenção da ferramenta eléctrica**
- a. **Não sobrecarregue a ferramenta eléctrica. Utilize a ferramenta eléctrica correcta para o seu trabalho.** A ferramenta eléctrica adequada efectua o trabalho de maneira mais eficiente e segura se for utilizada de acordo com a capacidade para a qual foi concebida.
 - b. **Não utilize a ferramenta eléctrica se o gatilho não a ligar e desligar.** Qualquer ferramenta eléctrica que não possa ser controlada através do gatilho é perigosa e tem de ser reparada.
 - c. **Retire a ficha da tomada de electricidade e/ou retire a bateria da ferramenta eléctrica, caso seja desmontável, antes de efectuar quaisquer ajustes, substituir acessórios ou guardar ferramentas eléctricas.** Estas medidas de segurança preventivas reduzem o risco de ligar a ferramenta eléctrica acidentalmente.
 - d. **Guarde as ferramentas eléctricas que não estiverem a ser utilizadas fora do alcance de crianças e não permita que sejam utilizadas por pessoas não familiarizadas com as mesmas ou com estas instruções.** As ferramentas eléctricas são perigosas se forem utilizadas por pessoas que não tenham as qualificações necessárias para manuseá-las.
 - e. **Efectue a manutenção das ferramentas eléctricas e acessórios. Verifique se as peças móveis estão desalinhadas ou bloqueadas, se existem peças partidas ou qualquer outra situação que possa afectar o funcionamento das ferramentas eléctricas. Se a ferramenta eléctrica estiver danificada, esta só deve ser utilizada depois de ser reparada.** Muitos acidentes são causados por ferramentas eléctricas com uma manutenção insuficiente.
 - f. **Mantenha as ferramentas de corte sempre afiadas e limpas.** As ferramentas de corte sujeitas a uma manutenção adequada, com arestas de corte afiadas, bloqueiam com menos frequência e são controladas mais facilmente.
 - g. **Utilize a ferramenta eléctrica, os acessórios e as brocas da ferramenta, etc., de acordo com estas instruções, considerando as condições de trabalho e a tarefa a ser executada.** A utilização da ferramenta eléctrica para fins diferentes dos previstos pode causar situações perigosas.
 - h. **Mantenha os punhos e as pegas secas, limpas e sem qualquer óleo ou gordura.** Se a pega estiver escorregadia e tiver gordura, isso não permite um manuseamento e controlo seguros da ferramenta em situações inesperadas.
- 5. Assistência**
- a. **A ferramenta eléctrica só deve ser reparada por um técnico qualificado e só devem ser utilizadas peças sobresselentes originais.** Assim, é garantida a segurança da ferramenta eléctrica.
- Avisos de segurança sobre o aparador de sebes**
- a. **Não utilize o aparador de sebes em condições meteorológicas adversas, especialmente se houver risco de relâmpagos.** Isto diminui o risco de ser atingido por relâmpagos.
 - b. **Mantenha todos os fios e cabos de alimentação afastados da área de corte.** Os fios e cabos de alimentação podem estar escondidos em sebes ou arbustos e podem ser cortados acidentalmente pela lâmina.
 - c. **Use protecção auditiva.** Um equipamento de protecção adequado diminui o risco de perda de audição.
 - d. **Segure o aparador de sebes apenas pelas superfícies isoladas, porque a lâmina pode tocar em cabos escondidos.** As lâminas em contacto com um cabo “sob tensão” podem expor peças metálicas do aparador de sebes “sob tensão” e causar um choque eléctrico no utilizador.
 - e. **Mantenha todas as partes do corpo afastadas da lâmina. Não retire o material cortado nem segure no material que pretende cortar quando as lâminas estiverem em movimento.** As lâminas continuam a mover-se após o interruptor ter sido desligado. Um momento de distração enquanto trabalha com o aparador de sebes pode causar ferimentos graves.
 - f. **Quando retirar material encravado ou reparar o aparador de sebes, certifique-se de que todos os interruptores de alimentação estão desligados e que o cabo de alimentação está desligado.** A utilização inesperada do aparador de sebes quando retirar material encravado ou proceder a reparações pode resultar em ferimentos graves.
 - g. **Transporte o aparador de sebes pelo punho com a lâmina parada e tenha cuidado para não pressionar qualquer interruptor de alimentação.** O transporte correcto do aparador de sebes diminui o risco de arranque inadvertido e resulta em ferimentos causados pelas lâminas.
 - h. **Quando transportar ou armazenar o aparador de sebes, coloque sempre a cobertura da lâmina.** O manuseamento correcto do aparador de sebes diminui o risco de ferimentos causados pelas lâminas.

Avisos de segurança adicionais sobre ferramentas eléctricas



Atenção! avisos de segurança adicionais para aparadores de sebes

- ◆ A utilização adequada é descrita neste manual de instruções. O uso de qualquer acessório ou o desempenho de qualquer operação com esta ferramenta, que não seja o recomendado neste manual de instruções pode constituir um risco em termos de ferimentos e/ou danos materiais.
- ◆ Se nunca utilizou um aparador de sebes, além de consultar este manual, peça instruções práticas a um utilizador experiente.
- ◆ Nunca toque nas lâminas enquanto a ferramenta estiver a funcionar.
- ◆ Nunca force a imobilização das lâminas.
- ◆ Não baixe a máquina até que as lâminas parem completamente.
- ◆ Verifique com regularidade se a lâmina apresenta danos e desgaste. Não utilize a ferramenta se as lâminas estiverem danificadas.
- ◆ Tenha cuidado para não cortar objectos duros (por exemplo, fios de metal, grades). Se tocar por acidente nesse tipo de objectos, desligue a ferramenta de imediato e verifique se apresenta danos.
- ◆ Se a ferramenta começar a vibrar anormalmente, desligue-a de imediato, retire a ficha da tomada eléctrica e verifique se ocorreram danos.
- ◆ Se a ferramenta bloquear, desligue-a de imediato. Retire a ficha da tomada eléctrica antes de tentar remover qualquer obstrução.
- ◆ Depois de utilizar a ferramenta, coloque o revestimento da lâmina sobre as lâminas. Guarde a ferramenta, certificando-se de que a lâmina não fica exposta.
- ◆ Certifique-se sempre de que todas as protecções estão colocadas quando utilizar a ferramenta. Nunca tente utilizar uma ferramenta não completa ou uma ferramenta sem modificações não autorizadas.
- ◆ Nunca permita que crianças utilizem a ferramenta.
- ◆ Tenha cuidado com a queda de resíduos quando cortar a parte mais alta de uma sebe.
- ◆ Segure sempre a ferramenta com ambas as mãos e pelas pegas fornecidas.
- ◆ **Crianças e pessoas inválidas. Este equipamento não é concebido para ser utilizado por crianças ou pessoas inválidas sem supervisão.**
- ◆ **Este equipamento não é concebido para ser utilizado por pessoas (incluindo crianças) que sofram de capacidades físicas, sensoriais ou mentais reduzidas, falta de experiência ou conhecimentos, a menos que estejam acompanhados de uma pessoa que se responsabilize pela sua segurança. As crianças nunca devem ficar sozinhas perto deste equipamento.**
- ◆ **O aparador de sebes foi concebido para ser utilizado pelo operador ao nível do chão e não em cima de escadotes ou outros suportes instáveis.**

Riscos residuais

Podem surgir riscos residuais adicionais durante a utilização da ferramenta, que podem não constar nos avisos de segurança incluídos. Estes riscos podem resultar de utilização indevida, utilização prolongada, etc.

Mesmo que os regulamentos de segurança relevantes sejam cumpridos e os dispositivos de segurança implementados, alguns riscos residuais não podem ser evitados.

Estes incluem:

- ◆ Ferimentos causados quando toca nas peças rotativas/móveis.
- ◆ Ferimentos causados durante a troca de peças, lâminas ou acessórios.
- ◆ Ferimentos causados pela utilização prolongada de uma ferramenta. Se utilizar uma ferramenta durante períodos prolongados, certifique-se de que faz pausas com frequência.
- ◆ Danos auditivos.
- ◆ Os problemas de saúde causados pela inalação de poeiras resultantes da utilização da ferramenta (exemplo: trabalhos em madeira, especialmente carvalho, faia e MDF).

Posição do código de data

O código da data de produção (9) consiste num ano de 4 dígitos seguido de uma semana de 2 dígitos e é alargado por um código de fábrica de 2 dígitos.

Etiquetas colocadas na ferramenta

A ferramenta apresenta os seguintes pictogramas de aviso em conjunto com o código de data:



O utilizador deve ler e compreender o manual de instruções antes de utilizar este produto.



O utilizador deve usar protecção adequada para os olhos, ouvidos e cabeça.



ATENÇÃO: risco de choque eléctrico. Remova a ficha da tomada de imediato se o cabo estiver cortado ou danificado.



NÃO exponha o produto à chuva.



NÃO toque na lâmina. Mantenha as mãos afastadas da lâmina.



Potência sonora garantida pela directiva 2000/14/CE.

Segurança eléctrica



Esta ferramenta tem um isolamento duplo e, por isso, não é necessário um fio de terra. Verifique sempre se a fonte de alimentação corresponde à tensão indicada na placa sinalética.

- ◆ Se o cabo de alimentação estiver danificado, terá de ser substituído pelo fabricante ou por um centro de assistência autorizado Black & Decker para evitar acidentes.
- ◆ Quando utilizar com a ferramenta ao ar livre, utilize cabos de extensão apropriados para esse fim. Pode utilizar uma extensão Black & Decker com a classificação adequada até 30 m sem perda de energia.
- ◆ A segurança eléctrica pode ser melhorada mediante a utilização de um dispositivo diferencial residual (RCD) de alta sensibilidade de 30 mA.

Acessórios

Esta ferramenta inclui alguns ou todos os seguintes acessórios.

1. Lâmina
2. Protecção
3. Punho auxiliar
4. Botão de travamento
5. Gatilho
6. Punho do interruptor
7. Retentor de cabo
8. Extensão (não incluído)

Montagem



ATENÇÃO! antes de tentar montar, certifique-se de que a ferramenta está desligada da corrente e a protecção da lâmina de serra está sobre as lâminas.

Fixar a protecção no aparador (Fig. A, B)

O aparador é fornecido com a protecção solta no aparador. Montar a protecção:

- ◆ Retire o parafuso de fixação da protecção 10 com uma chave de fendas Philips (não fornecida).
- ◆ Coloque a protecção no respectivo local, como indicado na Fig. A, assegurando-se que a protecção encaixa nas ranhuras da unidade.
- ◆ Introduza o parafuso de fixação da protecção 10 na abertura lateral da protecção e aperte com firmeza, como indicado na Fig. B.



ATENÇÃO! utilize apenas o punho e a protecção montados correctamente no aparador de sebes. A utilização do corta-sebes sem a protecção ou o punho adequados fornecidos pode resultar em ferimentos graves.

Ligar a extensão no aparador (Fig. C)

Um retentor de cabo (7) está integrado na parte de trás do punho do interruptor (6).

- ◆ Perto da extremidade da extensão (8), dobre a extensão para criar um laço.
- ◆ Introduza o laço na caixa de retenção do cabo (11), como indicado na Fig. C.
- ◆ Enganche o laço no retentor do cabo (7) para que fique assente no retentor do cabo.
- ◆ Ligue a extensão na unidade.

Posição correcta das mãos (Fig. D)

Segure sempre no aparador, como indicado nas ilustrações deste manual, com uma mão a segurar no punho do

interruptor e com a outra mão no punho auxiliar (Fig. H). Nunca segure a unidade pelo resguardo da lâmina.

Utilização



ATENÇÃO! não altere o ritmo de funcionamento da ferramenta. Não sobrecarregue a ferramenta.



ATENÇÃO! não armazene ou utilize a ferramenta em locais onde a temperatura possa ser inferior a 4 °C (por exemplo, barracões ao ar livre ou construções de metal durante o Inverno) ou se atingir ou exceder 40 °C (por exemplo, barracões ao ar livre ou construções de metal durante o Verão).

Ligar e desligar

NOTA: Para a sua segurança, esta ferramenta está equipada com um sistema de dois interruptores. Este sistema evita que a ferramenta arranque inadvertidamente e apenas irá funcionar quando segurar a ferramenta com ambas as mãos.

Ligar (Fig. E)

- ◆ Para ligar a ferramenta, é necessário premir o interruptor do punho auxiliar (4) para trás e premir o gatilho do punho principal (5). Para manter a unidade em funcionamento, é necessário continuar a premir ambos os interruptores.
- ◆ Para desligar a unidade, solte o interruptor do punho auxiliar ou o gatilho.



ATENÇÃO! nunca tente bloquear um interruptor na posição Ligado.

- ◆ Lubrifique regularmente as lâminas.

Linhas de orientação para aparar

Extensão (Fig. F)

- ◆ Mantenha sempre a extensão (8) atrás do aparador e afastado da operação de corte, tal como indicado na Fig. F. Nunca o coloque sobre uma sebe que esteja a ser aparada. Se cortar ou danificar o cabo, antes de inspecionar ou reparar o cabo, desligue-o de imediato da tomada eléctrica.

Posição de trabalho

- ◆ Mantenha-se sempre em posição firme e equilibrada e não se estique demasiado ao trabalhar com a ferramenta.
- ◆ Quando aparar, use óculos de protecção, calçado antiderrapante e luvas de borracha.
- ◆ Segure a ferramenta firmemente com ambas as mãos e ligue a ferramenta. Segure sempre o aparador, como indicado na Fig. D, com uma mão no punho do interruptor e a outra mão no punho auxiliar. Nunca segure a ferramenta pela protecção da lâmina.

Cortar relva recém-crescida (Fig. G)

- ◆ É mais eficaz fazer um movimento amplo e de varrimento dos dentes das lâminas pelos ramos. Uma ligeira inclinação para baixo da lâmina, na direcção do movimento, permite o corte mais adequado.



ATENÇÃO! não utilize o aparador para cortar caules com mais de 16 mm. Utilize o aparador apenas para

cortar arbustos normais que se encontram à volta de casas e edifícios.

Nivelar sebes (Fig. H)

- ◆ Para obter sebes excepcionalmente niveladas, pode esticar um fio ao longo do comprimento da sebe como orientação.

Corte lateral de sebes (Fig. I)

- ◆ Comece por baixo e varra para cima.

As lâminas de corte são feitas de aço endurecido de elevada qualidade e, se forem sujeitas a uma utilização normal, não têm de ser afiadas novamente. Contudo, se bater acidentalmente numa cerca de arame (Fig. J), pedras, vidro ou outros objectos duros, pode causar danos na lâmina. Não é necessário reparar este tipo de danos, desde que não interfiram com o movimento da lâmina. Se interferir, desligue o cabo e utilize uma lima de dentes finos ou uma pedra de afiar para remover a ranhura. Se deixar cair o aparador, inspecione-o com cuidado para verificar se ocorreram danos. Se a lâmina estiver dobrada, a estrutura tiver fendas ou os punhos ou se verificar a presença de qualquer outra situação que possa afectar o funcionamento do cortador, contacte um centro de assistência da Black & Decker local para proceder à reparação antes de voltar a utilizar a ferramenta. Os fertilizantes e outros produtos químicos para jardim contêm agentes que aceleram consideravelmente a corrosão dos metais. Não armazene a unidade sobre ou junto de fertilizantes ou produtos químicos.

Acessórios

O desempenho da ferramenta depende do acessório utilizado. Os acessórios da Black & Decker são concebidos segundo normas de elevada qualidade e desenvolvidos de modo a melhorar o desempenho da sua ferramenta. Ao utilizar estes acessórios, obterá o melhor desempenho da sua ferramenta.

Manutenção

A ferramenta/equipamento com/sem cabo da Black & Decker foi concebida para funcionar durante um longo período de tempo com uma manutenção mínima. Uma utilização continuamente satisfatória depende de uma manutenção adequada da ferramenta e de uma limpeza frequente. Está disponível óleo de lubrificação junto do seu revendedor Black & Decker (cat. n.º A6102-XJ). Consulte a última página deste manual para obter informações de contacto do centro de assistência ou visite www.2helpU.com.



ATENÇÃO! antes de proceder a qualquer acção de manutenção em ferramentas eléctricas com/sem cabo:

- ◆ Desligue o equipamento/ferramenta e retire a ficha da tomada.
- ◆ Ou desligue e retire a pilha do equipamento/ferramenta caso o equipamento/ferramenta tenha uma pilha individual.
- ◆ Ou deixe a bateria descarregar por completo se estiver incorporada e, em seguida, desligue-a.

- ◆ Desligue o carregador antes de limpá-lo. O carregador não requer manutenção, além da limpeza normal.
- ◆ Limpe regularmente as aberturas de ventilação do equipamento/ferramenta/carregador com uma escova suave ou um pano seco.
- ◆ Limpe com regularidade o compartimento do motor com um pano húmido. Não utilize produtos de limpeza abrasivos ou à base de solventes.
- ◆ Após a utilização, limpe as lâminas com cuidado. Após a limpeza, aplique uma película de óleo ligeiro para máquinas para evitar o aparecimento de ferrugem.

Substituir a ficha de alimentação (apenas no Reino Unido e na Irlanda)

Se for necessário instalar uma nova ficha de alimentação:

- ◆ Elimine a ficha antiga de maneira segura.
- ◆ Ligue o cabo castanho no terminal activo na nova ficha.
- ◆ Ligue o cabo azul ao terminal neutro.



ATENÇÃO! não deve ser efectuada qualquer ligação ao terminal de terra. Siga as instruções de instalação fornecidas com fichas de boa qualidade. Fusível recomendado: 5 A.

Limpeza



ATENÇÃO! retire os detritos e as partículas da caixa principal com ar comprimido seco sempre que houver acumulação de detritos dentro das aberturas de ventilação e à volta das mesmas. Use uma protecção ocular e uma máscara anti-poeiras aprovadas ao efectuar este procedimento.



ATENÇÃO! nunca utilize solventes ou outros produtos químicos abrasivos para limpar as peças não metálicas da ferramenta. Estes produtos químicos podem enfraquecer os materiais utilizados nestas peças. Utilize um pano humedecido apenas com água e sabão suave. Nunca deixe entrar qualquer líquido dentro da ferramenta. Da mesma forma, nunca mergulhe qualquer peça da ferramenta num líquido.

Proteger o ambiente



Os produtos/baterias são recicláveis, mas se estiverem marcados com o caixote do lixo riscado, não devem ser eliminados em conjunto com o lixo doméstico normal. Descarregue as baterias por completo, separe-as e, se possível, retire as fontes de luz do produto. É da responsabilidade do utilizador eliminar os dados pessoais do produto. Em seguida, leve os resíduos para um centro de recolha de resíduos oficial ou para um retalhista aderente que costuma aceitá-los gratuitamente. As embalagens devem ser eliminadas com base no código do material marcado.

As instruções de funcionamento e de segurança só devem ser eliminadas quando o produto em causa já não estiver a ser utilizado.

Contacte a sua comunidade/município para obter orientações sobre a gestão de resíduos. Para obter mais informações, visite www.2helpU.com e leia o código QR indicado acima.

Garantia

A Black & Decker confia na qualidade dos seus produtos e oferece aos consumidores uma garantia de 24 meses a partir da data de compra. Esta garantia é um complemento dos seus direitos estabelecidos por lei, não os prejudicando de forma alguma. A garantia é válida nos Estados-membros da União Europeia e nos países-membros da Zona Europeia de Comércio Livre.

Para accionar a garantia, esta deve estar em conformidade com os termos e condições da Black&Decker e terá de apresentar o comprovativo de compra ao vendedor ou a um técnico de reparação autorizado. Os termos e condições da garantia de 2 anos da Black & Decker e a localização do seu técnico de reparação podem ser obtidos na Internet no Website www.2helpU.com ou contactando o escritório local da Black & Decker na morada indicada neste manual.

Visite o nosso Website www.blackanddecker.eu para registar o novo produto Black & Decker e receber actualizações sobre novos produtos e ofertas especiais.

Dokument som finns tillgängliga online

www.2helpU.com/DoC/ or
www.2helpU.com/DoC/index/xxx*

*För direkt åtkomst, ersätt "xxx" med produktens modellnummer som anges på produktens märkskylt eller förpackning.



- Bruksanvisning
- Försäkrans om överensstämmelse (DoC)
- Produktens emissionsdata (PED): Information om buller, vibrationer och damm (gäller inte alla produkter)

Tekniska data

		BEHT201 typ 1	BEHT251 typ 1
Spänning	V_{ac}	230	230
Ineffekt	W	420	450
Bladslag (ingen belastning)	min^{-1}	1960	1815
Bladlängd	cm	45	50
Bladöppning	mm	16	18
Bladets stopptid	s	<1	<1
Vikt	kg	1,91	2,16

Avsedd användning

Din BLACK+DECKER® BEHT201, BEHT251 häcksax är konstruerad för klippning av häckar, buskar och snår. Dessa verktyg är endast avsedda för konsumentbruk.

Säkerhetsinstruktioner

Allmänna säkerhetsvarningar för elverktyg



WARNING! Läs alla säkerhetsvarningar, instruktioner, illustrationer och specifikationer som levereras med elverktyg. Om inte varningarna och instruktionerna som listas nedan följs kan det resultera i elektriska stötar, brand och/eller allvarliga skador.

Spara alla varningar och instruktioner för framtida referens. Termen "elverktyg" i varningarna syftar på ditt nätslutna (med kabel) elverktyg eller batteridrivna (sladdlösa) elverktyg.

1. Säkerhet på arbetsplatsen

- Håll arbetsområdet rent och väl upplyst. Belamrade eller mörka områden inbjuder till olyckor.
- Använd inte elverktyget i explosionsfarlig omgivning, t.ex. i närheten av brännbara vätskor, gaser eller damm. Verktyg skapar gnistor som kan antända damm eller ångor.
- Håll barn och åskådare på ett säkert avstånd medan ett elverktyg används. Distractioner kan göra att du förlorar kontrollen.

2. Elsäkerhet

- Elverktygens kontakter måste passa i eluttaget. Modifiera aldrig kontakten på något sätt. Använd inga adapterkontakter tillsammans med (jordade)

elverktyg. Omodifierade kontakter och matchade uttag kommer att reducera risken för elektriska stötar.

- Undvik kroppskontakt med jordade eller jordanslutna ytor såsom rör, radiatorer, spisar och kylskåp. Det finns en ökad risk för elektrisk stöt om din kropp är jordanslutnen eller jordad.
- Utsätt inte elverktyg för regn eller våta förhållanden. Vatten som kommer in i ett elverktyg ökar risken för elektrisk stöt.
- Hantera nätsladden varsamt. Använd aldrig sladden för att bära, dra eller koppla bort elverktyget från uttaget. Håll sladden på ett säkert avstånd från värme, olja, vassa kanter eller rörliga delar. Skadade eller trassliga sladdar ökar risken för elektriska stötar.
- Använd en förlängningssladd som lämpar sig för utomhusbruk när du arbetar med elverktyg utomhus. Användning av en sladd som passar för utomhusanvändning minskar risken för elektrisk stöt.
- Om användning av ett elverktyg i en fuktig miljö inte kan undvikas, använd en jordfelsbrytare (RCD) för att skydda strömanslutningen. Användning av en jordfelsbrytare minskar risken för elektriska stötar.

3. Personlig säkerhet

- Var uppmärksam, håll god uppsikt medan du utför arbetet och använd sunt förnuft när du arbetar med ett elverktyg. Använd inte ett elverktyg när du är trött eller påverkad av droger, alkohol eller mediciner. Ett ögonblicks ouppmärksamhet när du arbetar med elektriska verktyg kan leda till allvarliga personskador.
- Använd personlig skyddsutrustning. Använd alltid skyddsglasögon. Skyddsutrustning såsom dammskyddsmask, halksäkra säkerhetsskor, skyddshjälm eller hörselskydd som används när förhållandena kräver det minskar risken för personskador.
- Förhindra oavsiktligt start. Kontrollera att omkopplaren är i avstängt läge innan du ansluter verktyget till elnätet eller sätter i batteriet, samt innan du tar upp eller bär verktyget. Att bära elektriska verktyg med fingret på strömbrytaren eller att koppla strömmen till elektriska verktyg när strömbrytaren är en stor olycksrisk.
- Ta bort alla inställningsverktyg och skruvnycklar innan du startar elverktyget. En skiftnyckel eller hylsnyckel som lämnas kvar på en roterande del av det elektriska verktyget kan orsaka kroppsskador.
- Sträck dig inte för mycket. Ha ordentligt fötfäste och balans hela tiden. Detta ger bättre kontroll över elverktyget i oväntade situationer.
- Bär lämpliga kläder. Bär inte lösa kläder eller smycken. Håll hår och kläder borta från delar i rörelse. Lösa kläder, smycken eller långt hår kan fastna i rörliga delar.
- Om det finns anordningar för anslutning av dammsug och dammuppsamling ska du se till att dessa är anslutna och används på rätt sätt. Användning av dammuppsamling kan minska dammrelaterade faror.
- Bli inte vårdslös och ignorera inte säkerhetsprinciperna trots att du är van att använda verktyget. En oförsiktig handling kan orsaka allvarliga skador inom bråkdelen av en sekund.

4. **Användning och skötsel av elverktyg**
- Överbelasta inte elverktyget. Använd rätt elverktyg för ditt arbete.** Rätt elverktyg gör arbetet bättre och säkrare vid den hastighet som det har konstruerats för.
 - Använd inte elverktyget om det inte kan slås på eller stängas av med strömbrytaren.** Elverktyg som inte kan kontrolleras med strömbrytaren är farliga och måste repareras.
 - Dra ur kontakten från strömkällan och/eller ta bort batteriet från elverktyget innan du gör några justeringar, byter tillbehör eller lägger undan elverktygen för förvaring.** Sådana förebyggande säkerhetsåtgärder minskar risken att oavsiktligt starta elverktyget.
 - Förvara elverktyg utom räckhåll för barn och låt inte personer som är ovana vid elverktyget eller som inte läst denna bruksanvisning använda det.** Elverktyg är farliga i händerna på ovana användare.
 - Underhåll elverktyg och tillbehör. Kontrollera att rörliga komponenter fungerar felfritt och inte kärvar, att komponenter inte gått sönder eller skadats och inget annat föreligger som kan påverka elverktygets funktion. Om det är skadat, se till att elverktyget blir reparerat före användning.** Många olyckor orsakas av dåligt underhållna elektriska verktyg.
 - Håll kapverktyg vassa och rena.** Ordentligt underhållna skärverktyg med vassa sågeggar minskar risken för att fastna och är lättare att kontrollera.
 - Använd elverktyg, tillbehör och bits m.m. enligt dessa anvisningar, samtidigt som arbetsförhållandena och det arbete som ska utföras respekteras.** Användningen av elverktyget för andra verksamheter än de som det är avsett för skulle kunna resultera i en farlig situation.
 - Se till att handtagen och greppytorna är torra, rena och fria från olja och fett.** Hala handtag och greppytor möjliggör inte en säker hantering och kontroll av verktyget i oväntade situationer.
5. **Service**
- Låt en kvalificerad reparatör som använder identiska reservdelar utföra service på ditt elverktyg.** Detta säkerställer att elverktygets säkerhet behålls.

Säkerhetsanvisningar för häcksax

- Använd inte häcksaxen under dåliga väderförhållanden, särskilt när det är risk för åska.** Detta minskar risken för åsknedslag.
- Håll alla strömsladdar och kablar borta från klippområdet.** Strömsladdar eller kablar kan döljas i häckar eller buskar och kan oavsiktligt bli avklippta av bladet.
- Bär hörselskydd.** Lämplig skyddsutrustning minskar risken för hörselskador.
- Håll endast häcksaxen i isolerade greppytor eftersom kniven kan komma i kontakt med dolda elledningar.** Om bladet kommer i kontakt med en strömförande ledning kan häcksaxens metalldelar bli strömförande och ge dig en elektrisk stöt.
- Håll alla kroppsdelar undan från knivarna. Ta inte bort klippt material eller håll i materialet som skall klippas**

- när knivarna är i rörelse.** Knivarna rör sig en kort stund efter att strömbrytaren har stängt av verktyget. Under användning av häcksaxen kan även en kort uppmärksamhet leda till allvarliga personskador.
- När material som fastnat tas bort eller service görs på häcksaxen, se till att alla strömkällor är fränkopplade och att sladden är urdragen.** Övåntad aktivering av häcksaxen medan material som fastnat tas bort kan resultera i allvarliga personskador.
 - Bär häcksaxen i handtaget med stoppad kniv och se till att inte komma åt strömbrytaren.** Om häcksaxen bärs korrekt minskar risken för oavsiktlig start med personskador av bladen som följd.
 - När häcksaxen transporteras eller förvaras ska häcksaxens knivskydd alltid vara monterat.** Om häcksaxen bärs korrekt minskar risken för personskador av bladen.

Kompletterande säkerhetsvarningar för elverktyg



WARNING! Ytterligare säkerhetsanvisningar för häcksaxar

- ◆ Den avsedda användningen beskrivs i denna bruksanvisning. Användning av tillbehör, tillsatser eller utförande av arbete med detta verktyg annat än vad som rekommenderas i denna bruksanvisning kan utgöra en risk för personskador och/eller egendomsskador.
- ◆ Om du inte har använt en häcksax tidigare bör du be om praktiska instruktioner av en erfaren användare förutom att studera denna manual.
- ◆ Vidrör aldrig knivarna när verktyget körs.
- ◆ Försök aldrig tvinga knivarna att stanna.
- ◆ Lägg inte ned verktyget förrän knivarna har stannat helt.
- ◆ Kontrollera regelbundet knivarna om det finns skador eller slitage. Använd inte verktyget om knivarna är skadade.
- ◆ Se till att undvika hårda föremål (t.e.x metallnedningar, räckten) vid trimning. Skulle du oavsiktligt stöta emot ett sådan föremål, stäng omedelbart av verktyget och undersök om det finns några skador.
- ◆ Om verktyget skulle börja vibrera onormalt måste du omedelbart stänga av det, bryta nätnanslutningen och därefter kontrollera eventuella skador.
- ◆ Om verktyget kör fast, stäng omedelbart av det. Koppla bort det från nätuttaget innan du försöker ta bort eventuella föremål som kan ha fastnat.
- ◆ Efter användning, placera knivskyddet som medföljer över knivarna. Vid förvaring av verktyget se till att knivarna inte är synliga.
- ◆ Se alltid till att skydden är monterade när verktyget används. Försök aldrig att använda ett ofullständigt verktyg med oauktorerade ändringar.
- ◆ Låt aldrig barn använda verktyget.
- ◆ Se upp för fallande skräp när de högre sidorna på häcken klippas.
- ◆ Håll alltid verktyget med båda händerna och i de handtag som finns.

- ◆ Små barn och fysiskt svaga personer. Denna apparat är inte avsedd att användas av små barn eller fysiskt svaga personer utan övervakning.
- ◆ Denna produkt är inte avsedd att användas av personer (inklusive barn) med reducerad fysisk, sensorisk eller mental förmåga eller med begränsad erfarenhet eller kunskap såvida inte de är under uppsikt av en person som är ansvarig för deras säkerhet. Barn ska aldrig lämnas ensamma med denna produkt.
- ◆ Häcksaxen är avsedd att användas på marknivå och inte på stegar eller något annat instabilt stöd.

Kvarvarande risker

Ytterligare risker som inte finns med i de bifogade säkerhetsanvisningarna kan uppstå när maskinen används. Dessa risker kan uppstå på grund av felaktig användning, långvarig användning o.s.v.

Trots att de relevanta säkerhetsbestämmelserna tillämpas och säkerhetsanordningarna används kan vissa återstående risker inte undvikas. Dessa inkluderar:

- ◆ Skador orsakade av att roterande/rörliga delar vidrörs.
- ◆ Skador som uppstår vid byte av delar, blad eller tillbehör.
- ◆ Skador som orsakas av långvarig användning av ett verktyg. Se till att regelbundet ta vilopauser när du använder ett verktyg under en längre period.
- ◆ Hörselnedsättning.
- ◆ Hälsorisker orsakade av inandning av damm när redskapet används (exempel: arbete med trä, särskilt ek, bok och MDF)

Placering av datumkod

Produktionsdatumkoden (9) består av 4-siffrigt år följt av 2-siffrigt vecka och avslutas med en 2-siffrigt fabrikskod.

Etiketter på verktyget

Följande varningssymboler finns på verktyget, tillsammans med datumkoden:



Användaren måste läsa och förstå bruksanvisningen innan denna produkt används.



Användaren måste använda ögon-, öron- och huvudskydd.



VARNING! Fara för elektrisk stöt. Dra omedelbart ur sladden om den skadas eller klipps av.



Utsätt **INTE** produkten för regn.



Rör **INTE** bladet.
Håll alltid händerna på ett säkert avstånd från kniven.



Direktiv 2000/14/EG garanterad ljudeffekt.

Elsäkerhet



Eftersom verktyget är dubbelisolerat behövs ingen jordledare. Kontrollera alltid att spänningen på nätet motsvarar den spänning som finns angiven på märkplattan.

- ◆ Om nätsladden är skadad måste den bytas ut av tillverkaren eller en auktoriserad Black & Decker-verkstad för att undvika farliga situationer.
- ◆ Använd endast förlängningssladdar som är godkända för utomhusbruk när du använder verktyget utomhus. En förlängningssladd från Black & Decker på upp till 30 m med lämpliga märkspecifikationer kan användas utan spänningsförlust.
- ◆ Elsäkerheten kan förbättras ytterligare genom att man använder en jordfelsbrytare med hög känslighet (30 mA).

Funktioner

Det här verktyget har några eller samtliga av följande funktioner.

1. Blad
2. Skydd
3. Extrahandtag
4. Låsknapp
5. Avtryckare
6. Omkopplarhus
7. Sladdhållare
8. Förlängningssladd (ingår ej)

Montering



VARNING! Innan du monterar häcksaxen ska du kontrollera att verktyget är avstängt och att bladskyddet sitter på.

Montera skyddet på saxen (Bild A, B)

Häcksaxen levereras med skyddet löst. Montering av skyddet:

- ◆ Ta bort skyddets fästskruv (10) med en stjärnskruvmejsel (medföljer ej).
- ◆ Placera skyddet på plats som visas i Bild A. Säkerställ att skyddet går in i spåren på enheten.
- ◆ Sätt in skyddets fästskruv (10) i öppningen på sidan av skyddet och dra åt ordentligt som visas i Bild B.



VARNING! Använd endast med skyddet och handtaget ordentligt monterade på häcksaxen. Användning av häcksaxen utan det riktiga skyddet eller det medföljande handtaget kan leda till allvarliga kroppsskador.

Fästa förlängningssladden på häcksaxen (Bild C)

En sladdhållare (7) sitter på baksidan av omkopplarhuset (6).

- ◆ Nära änden av förlängningssladden (8), vik förlängningssladden för att skapa en slinga.

- ◆ Mata in öglan i sladdhållarhuset (11) som visas i Bild C.
- ◆ Haka fast öglan på sladdhållaren (7) så att den vilar i sladdhållaren.
- ◆ Anslut strömsladden till enheten.

Korrekt handplacering (Bild D)

Håll alltid i häcksaxen på det sätt som illustrationerna i denna bruksanvisning visar, med en hand på avtryckaren och en hand på extrahandtaget (Bild D). Håll aldrig enheten i bladskyddet.

Användning



VARNING! Låt verktyget arbeta i sin egen takt. Överbelasta inte verktyget.



VARNING! Förvara inte eller använd verktyget och batteriet på platser där temperaturen sjunker under 4 °C (såsom uthus eller plåtskjul på vintern) eller är högre än 40 °C (såsom skjul eller plåtbyggnader på sommaren).

Slå på och stänga av

OBS! Sägen är för din säkerhet utrustad med dubbelt strömbrytarsystem. Systemet motverkar oavsiktlig start av verktyget och medger drift endast om man håller i verktyget med bägge händerna.

Slå på (Bild E)

- ◆ För att slå på verktyget måste du trycka både hjälphanthandtags strömbrytare (4) bakåt och trycka på huvudhandtagets avtryckare (5). För att fortsätta att ha enheten igång måste du fortsätta att trycka in båda dessa.
- ◆ För att stänga av enheten, släpp antingen hjälphanthandtags strömbrytare eller avtryckaren.



VARNING! Försök aldrig att låsa omkopplaren i påslaget läge.

- ◆ Olja knivarna regelbundet.

Riktlinjer för klippning

Förlängningssladd (Bild F)

- ◆ Håll alltid förlängningssladden (8) bakom häcksaxen och borta från klippområdet som visas i Bild F. Lagg den aldrig över en häck som ska trimmas. Om du klipper av eller skadar sladden, dra ut kontakten ur vägguttaget omedelbart innan du inspekterar eller reparerar sladden.

Arbetsläge

- ◆ Bibehåll bra fotfäste och balans och sträck dig inte.
- ◆ Använd skyddsglasögon, halkfria skor och gummihandskar vid klippning.
- ◆ Håll enheten stadigt med båda händerna och slå PÅ enheten. Håll alltid häcksaxen såsom visas i Bild D, med ena handen på omkopplarhandtaget och en hand på hjälphanthandtaget. Håll aldrig verktyget i knivskyddet.

Klippa ny vegetation (Bild G)

- ◆ En vid, svepande rörelse som matar in bladets tänder genom kvistarna är effektivast. Att rikta bladet en aning nedåt i rörelseriktningen ger bäst klippningsresultat.



VARNING! Kapa inte grenar som är större än 16 mm. Använd häcksaxen endast vid klippning av normalt buskage runt hus och byggnader.

Jämna häckhöjden (Bild H)

- ◆ För att få exceptionellt jämna häckar kan ett snöre sträckas längs med häcken som vägledning.

Klippa häcksidor (Bild I)

- ◆ Börja längst ner och svep uppåt.

Klippknivarna är tillverkade av högkvalitativt härdat stål och vid normal användning kommer de inte att behöva slipas. Men om du av misstag klipper i ett trådstängsel (Bild J), stenar, glas eller andra hårda objekt, kan det uppstå ett hack i bladet. Detta hack behöver inte tas bort så länge som det inte stör knivarnas rörelse. Om det stör, dra ut sladden och använd en fintandad fil eller slipsten för att ta bort hacket. Om du tappar saxen, kontrollera noga att den inte skadats. Om bladet är böjt, höljet sprucket, handtagen trasiga eller om du lägger märke till något annat som kan påverka häcksaxens funktion, ta kontakt med ditt lokala Black & Decker Service Center för att få den reparerad innan du använder den igen. Konstgödning och andra trädgårdskemikalier innehåller ämnen som snabbar på rostningen av metaller. Förvara inte enheten på eller i närheten av konstgödning eller andra kemikalier.

Tillbehör

Verktygets prestanda beror på vilka tillbehör du använder. Tillbehör från Black & Decker håller hög kvalitet och är konstruerade för att fungera optimalt med verktyget. Med dessa tillbehör får du ut mesta möjliga av verktyget.

Underhåll

Ditt Black & Decker kabelanslutna/sladdlösa verktyg har konstruerats för att fungera länge med minimalt underhåll. Med rätt underhåll och regelbunden rengöring behåller verktyget sin prestanda.

Smörjolja finns att köpa hos din Black & Decker-återförsäljare (katalognr A6102-XJ).

Se baksidan av denna manual för kontaktinformation för servicecentret, eller besök www.2helpU.com.



VARNING! Innan några som helst serviceåtgärder genomförs på kabelanslutna/sladdlösa elverktyg:

- ◆ Stäng av och koppla ifrån apparaten/verktyget.
- ◆ Du kan också ta ut batteriet ur redskapet om redskapet har ett separat batteri.
- ◆ Eller kör ur batteriet helt om det är inbyggt och stäng sedan av.
- ◆ Koppla ifrån laddaren innan den rengörs. Din laddare kräver inget underhåll förutom regelbunden rengöring.
- ◆ Rengör regelbundet redskapets/verktygets/laddarens luftintag med en mjuk borste eller trosa.
- ◆ Rengör regelbundet motorhöljet med en fuktig trasa. Använd inte slipande eller lösningsmedelsbaserat rengöringsmedel.

- ◆ Rengör bladen noga efter användning. Lägg på en film lätt smörjolja efter rengöringen, så att bladen inte rostar.

Byte av elkontakt (endast Storbritannien och Irland)

Om en ny elkontakt måste installeras:

- ◆ Kasta den gamla kontakten på ett säkert sätt.
- ◆ Anslut den bruna ledningen till den strömförande anslutningen i den nya kontakten.
- ◆ Anslut den blå ledaren till nolluttaget.



WARNING! Ingen anslutning skall göras till jordterminalen. Följ monteringsinstruktionerna som medföljer med god kvalitet. Rekommenderad säkring: 5 A.

Rengöring



WARNING! Blås ut smuts och damm ur verktygshuset med torr luft när man kan se smuts samlas i och runt luftventilerna. Bär godkända ögonskydd och godkänt dammfilterskydd när du utför denna procedur.



WARNING! Använd aldrig lösningsmedel eller andra starka kemikalier för att rengöra de icke-metalliska delarna på verktyget. Kemikalierna kan försvaga materialet i de här delarna. Använd en trasa som bara är fuktad med vatten och mild tvål. Låt aldrig någon vätska komma in i verktyget; sänk aldrig ner någon del av verktyget i en vätska.

Skydda miljön



Produkter/batterier är återvinningsbara, men om de är märkta med den överkorsade soptunnan får de inte slängas tillsammans med vanligt hushållsavfall.

Ladda ur batterierna helt och ta bort dem från verktyget.

Separera sedan eventuella ljuskällor från produkten om möjligt.

Det är användarens ansvar att radera personuppgifter från produkten. Ta sedan med avfallet till en officiell

insamlingscentral eller till din återförsäljare som ofta tar emot produkten gratis. Förpackningar ska kasseras baserat på den

markerade materialkoden.

Drift- och säkerhetsinstruktioner ska endast kasseras när produkten som dessa refererar till inte längre ska användas.

Kontrollera med din kommun för vägledning om avfallshantering. För mer information, öppna

www.2helpU.com och skanna QR-koden ovan.

Garanti

Black & Decker är övertygad om sina produkters kvalitet och erbjuder konsumenterna 24 månaders garanti från och med inköpsdatumet. Denna garanti är ett tillägg och påverkar inte i något hänseende dina lagstadgade rättigheter. Garantin är

giltig i de områden som tillhör medlemsstaterna i Europeiska unionen och det europeiska frihandelsområdet.

För yrkande under garantin måste yrkandet vara i enlighet med Black&Deckers villkor och du kommer att behöva skicka in bevis på köpet till försäljaren eller en auktoriserad reparatör. Reglerna och villkoren för Black & Deckers 2 åriga garanti och

var din närmaste auktoriserade reparationsverkstad befinner sig kan du se på internetadressen www.2helpU.com, eller ta reda på genom att kontakta din lokala Black & Decker filial på den adress som finns angiven i denna handbok.

Besök vår webbplats www.blackanddecker.eu för att registrera din nya Black & Decker-produkt samt för att få information om nya produkter och specialerbjudanden.

Dokumenter tilgjengelig på nettet

www.2helpU.com/DoC/ eller
www.2helpU.com/DoC/index/xxx*

*For direkte tilgang, erstatt "xxx" med produktets modellnummer som oppgitt på produktets merkeetikett eller emballasje.

- Bruksanvisning
- Samsvarserklæring (DoC)
- Produktetslippsdata (PED): Informasjon om støy, vibrasjon og støv (gjelder ikke for alle produkter)



Tekniske data

		BEHT201 Type 1	BEHT251 Type 1
Spenning	V _{ac}	230	230
Inngangseffekt	W	420	450
Bladslag (uten belasting)	min ⁻¹	1960	1815
Bladlengde	cm	45	50
Bladåpning	mm	16	18
Bremsetid for bladet	s	<1	<1
Vekt	kg	1,91	2,16

Tiltenkt bruk

Dine BLACK+DECKER® BEHT201, BEHT251 heksaksler er designet for trimming av hekker, busker og kratt. Disse verktøyene er bare ment som forbrukerverktøy.

Sikkerhetsanvisninger

Generelle sikkerhetsadvarsler for elektroverktøy



Advarsel! Les alle sikkerhetsanvisninger, instruksjoner, illustrasjoner og spesifikasjoner som følger dette elektriske verktøyet. Manglende overholdelse av advarslene og instruksjonene kan resultere i elektrisk sjokk, brann og/eller alvorlig skade.

Ta vare på alle advarsler og instruksjoner for fremtidig bruk. Begrepet "elektroverktøy" i advarslene gjelder nettdrevet elektroverktøy (med ledning) eller batteridrevet elektroverktøy (uten ledning).

1. Sikkerhet i arbeidsområdet

- Hold arbeidsområdet ryddig og godt opplyst.** Rotete eller mørke områder er en invitasjon til ulykker.
- Du skal ikke bruke elektroverktøy i eksplosive atmosfærer slik som hvor det finnes antennebare væsker, gasser eller støv.** Elektroverktøy skaper gnister som kan antenne støv eller gasser.
- Hold barn og tilskuere unna når du bruker elektroverktøyet.** Forstyrrelser kan føre til at du mister kontrollen.

2. Elektrisk sikkerhet

- Verktøyets støpsel må passe til stikkkontakten. Du skal aldri modifisere støpset på noen måte. Ikke bruk adapterstøpsler til jordede elektroverktøy.** Umodifiserte

støpsler og stikkontakter som passer vil redusere risikoen for elektrisk støt.

- Unngå kroppskontakt med jordede overflater slik som rør, radiatorer, komfyrer og kjøleskap.** Det er fare for elektrisk støt hvis kroppen din er jordet.
- Ikke eksponer elektroverktøy for regn eller våte forhold.** Vann som kommer inn i et elektroverktøy vil øke faren for elektrisk støt.
- Unngå å overbelaste ledningen. Du skal aldri bruke ledningen til å bære, dra eller til å plugge ut elektroverktøyet. Hold ledningen unna varme, olje, skarpe kanter og bevegelige deler.** Skadede eller flokede ledninger øker risikoen for elektrisk støt.
- Ikke bruk elektroverktøyet utendørs skal du bruke en skjøteledning som er tiltenkt utendørs bruk.** Bruk av en skjøteledning som passer til utendørs bruk reduserer faren for elektrisk støt.
- Hvis det er uunngåelig å bruke verktøyet på et fuktig sted skal du bruke en jordfeilbryter (RCD).** Bruk av en jordfeilbryter (RCD) reduserer faren for elektrisk støt.

3. Personlig sikkerhet

- Vær oppmerksom, pass på hva du gjør og bruk sunn fornuft ved bruk av et elektroverktøy. Ikke bruk elektroverktøy når du er trett eller under påvirkning av rusmidler, alkohol eller medisiner.** Et øyeblikks uoppmerksomhet ved bruk av et elektroverktøy kan føre til alvorlig personskade.
- Bruk personlig verneutstyr. Bruk alltid vernebriller.** Verneutstyr slik som støvmaske, skliskure vernesko, hjelm, eller hørselsvern brukt under passende forhold vil redusere personskader.
- Forhindre utilsiktet start. Kontroller at bryteren står i posisjon «av» før du kobler til strømkilden og/eller batteripakken, og før du tar opp eller bærer verktøyet.** Ved å bære elektroverktøy med fingeren på utløseren eller ved å koble en energikilde til elektroverktøy som har bryteren på kan føre til ulykker.
- Fjern eventuelle justeringsnøkler eller skiftenøkler før du slår på elektroverktøyet.** En skiftenøkkel eller nøkkel som blir stående festet til en roterende del av elektroverktøyet kan føre til personskade.
- Strekk deg ikke for langt. Stå stødig på bena og ha god balanse hele tiden.** Dette gir bedre kontroll over elektroverktøyet i uventede situasjoner.
- Kle deg skikkelig. Ikke ha på løse klær eller smykker. Hold hår og klær borte fra bevegelige deler.** Løse klær, smykker eller langt hår kan sette seg fast i bevegelige deler.
- Hvis det finnes enheter for tilkobling av støvavsug og oppsamlingsanlegg, sørg for at disse er koblet til og brukes på riktig måte.** Bruk av støvsuger kan redusere støvrelaterte farer.
- Ikke la erfaring med hyppig bruk av verktøy la deg bli likegyldig og ignorere verktøyetts sikkerhetsregler.** En uforsiktig handling kan føre til alvorlig personskade innen brøkdelen av et sekund.

4. **Bruk og stell av elektroverktøy**
 - a. **Ikke bruk makt på elektroverktøyet. Bruk riktig elektroverktøy for ditt bruk.** Det riktige elektroverktøyet vil gjøre jobben bedre og sikrere i området det er konstruert for.
 - b. **Ikke bruk elektroverktøyet dersom det ikke kan slås på og av ved hjelp av bryteren.** Et elektroverktøy som ikke kan kontrolleres med bryteren er farlig og må repareres.
 - c. **Koble støpselet fra strømkilden og/eller ta av batteripakken fra det elektriske verktøyet, hvis det er avtagbart, før du foretar noen justeringer, endrer tilbehør eller lagrer elektriske verktøy.** Slike preventive sikkerhetsforanstaltninger reduserer risikoen for å starte det elektriske verktøyet ved et uhell.
 - d. **Elektroverktøy som ikke er i bruk, må oppbevares utilgjengelig for barn. Ikke la verktøyet bli brukt av personer som ikke er fortrolige med det, eller som ikke kjenner disse instruksjonene.** Elektroverktøy er farlige i hendene på brukere uten opplæring.
 - e. **Sørg for vedlikehold av elektroverktøy og tilbehør. Undersøk om bevegelige deler er feiljustert eller blokkert, om deler er skadet, og om det er andre forhold som kan påvirke elektroverktøyet funksjon. Hvis det er skadet må du få elektroverktøyet reparert før bruk.** Mange ulykker oppstår på grunn av dårlig vedlikehold av elektroverktøy.
 - f. **Hold skjæreverktøy skarpe og rene.** Godt vedlikeholdte skjæreverktøy med skarpe egger setter seg mindre sannsynlig fast og er lettere å kontrollere.
 - g. **Bruk elektroverktøyet, tilbehøret og verktøybits etc. i samsvar med disse instruksjonene og ta hensyn til arbeidsforhold og arbeidet som skal utføres.** Bruk av elektroverktøyet til annen bruk enn den tiltenkte kan føre til farlige situasjoner.
 - h. **Hold håndtakene og gripeflatene tørre, rene og frie for olje og fett.** Glatte håndtak og gripeflater forhindrer trygg håndtering og kontroll av verktøyet i uventede situasjoner.
5. **Service**
- a. **La elektroverktøyet få service av en kvalifisert reparatør, og bruk kun identiske reservedeler.** Dette sikrer at sikkerheten ved elektroverktøyet opprettholdes.

Sikkerhetsadvarsler for hekksakser

- a. **Unngå å bruke hekksaksen i dårlig vær, spesielt dersom det er fare for lyn og torden.** Dette minker risikoen for å bli truffet av lyn.
- b. **Hold unna alle strømførende ledninger og kabler fra kutteområdet.** Under bruk kan ledninger eller kabler være skjult i hekker eller busker og kan bli kuttet av bladet ved et uhell.
- c. **Bruk hørselvern.** Tilstrekkelig verneutstyr vil redusere faren for tap av hørsel.
- d. **Hold hekksaksen kun i de isolerte gripeflatene, da bladet kan komme i kontakt med skjulte ledninger.** Hvis skjæretilbehøret kommer i kontakt med en strømførende ledning, kan frittliggende metalldele på verktøyet bli strømførende, og brukeren kan få elektrisk støt.

- e. **Hold alle kroppsdeler unna bladet. Ikke fjern avkapp eller hold i noe som skal klippes når bladene er i bevegelse.** Bladene fortsetter å bevege seg etter at bryteren er slått av. Et øyeblikks uoppmerksomhet under bruk av hekksaksen kan føre til alvorlige personskader.
- f. **Når du rensker for blokkert materiale eller utfører service på enheten, skal du forsikre deg om at alle strømbytere er av og strømkabelen koblet fra.** Uventet oppstart av hekksaksen når du fjerner materiale som er blokkert eller når du utfører service, kan resultere i alvorlig personskade.
- h. **Bær hekksaksen i håndtaket med bladet stoppet, og forsikre deg om at du ikke kommer bort i noen strømbytere.** Ved å bære hekksaksen på riktig måte minker du risikoen for utilsiktet oppstart og påfølgende personskade fra bladene.
- i. **Bruk alltid sliren på bladet når du transporterer eller lagrer hekksaksen.** Ved å håndtere hekksaksen på riktig måte minker du risikoen for utilsiktet oppstart og påfølgende personskade fra bladene.

Ytterligere sikkerhetsadvarsler for elektroverktøy



ADVARSEL! Ytterligere sikkerhetsadvarsler for hekksakser

- ◆ Tiltenkt bruk er beskrevet i denne bruksanvisningen. Bruk av ethvert tilbehør eller ekstrautstyr, eller utføring av andre operasjoner med dette verktøy, enn det som er beskrevet i denne bruksanvisningen, kan gi risiko for personskader og/eller materielle skader.
- ◆ Dersom du ikke har brukt en hekksaks før, få helst praktisk instruksjon fra en erfaren bruker i tillegg til å lese denne manualen.
- ◆ Berør aldri bladene når verktøyet er i gang.
- ◆ Prøv aldri å stanse bladene med makt.
- ◆ Ikke sett verktøyet ned før bladene er stanset helt.
- ◆ Kontroller bladene for skader og slitasje regelmessig. Ikke bruk verktøyet dersom bladene er skadet.
- ◆ Pass på å unngå harde objekter (f.eks. ståltråd, gjerder) ved klipping. Dersom du utilsiktet skulle treffe et slikt objekt, slå straks av verktøyet og kontroller for skader.
- ◆ Hvis verktøyet begynner å vibrere unormalt, slår du det av straks, trekker ut støpselet til nettstrømmen og kontrollerer om det er skadet.
- ◆ Dersom verktøyet kjører seg fast, slå det straks av. Trekk ut støpselet til nettstrømmen før du prøver å fjerne en hindring.
- ◆ Etter bruk, sett på den medfølgende bladsliren over bladene. Lagre verktøyet slik at bladet ikke er eksponert.
- ◆ Pass på at alle beskyttelser er montert ved bruk av verktøyet. Forsøk aldri å bruke et verktøy som ikke er komplett, eller som det er foretatt ikke godkjente endringer på.
- ◆ La aldri barn bruke verktøyet.
- ◆ Vær oppmerksom på fallende avkapp ved klipping av en høy hekk.
- ◆ Hold alltid verktøyet godt i begge hender i de angitte håndtakene.

- ◆ Små barn og uføre. Dette apparatet er ikke tiltenkt bruk av små barn eller uføre uten oppsyn.
- ◆ Dette produktet er ikke ment for bruk av personer (inkludert barn) med reduserte fysiske, sensoriske eller mentale evner, eller mangel på erfaring og kunnskap, med mindre de får tilsyn av en person ansvarlig for deres sikkerhet. Barn skal aldri forlates alene med dette produktet.
- ◆ Heksaksen er ment å brukes av en bruker på bakken og ikke på stiger eller annet ustødig underlag.

Restrisikoer

Ytterligere risikoer kan oppstå dersom du bruker verktøyet på en måte som ikke er beskrevet i de angitte sikkerhetsadvarslene. Disse risikoene kan bli forårsaket av feil bruk, langvarig bruk osv.

Selv om de relevante sikkerhetsbestemmelsene blir fulgt, og sikkerhetstiltakene blir gjennomført, kan visse gjenværende risikoer ikke unngås. Disse inkluderer:

- ◆ Personskader forårsaket av roterende/bevegelige deler.
- ◆ Personskader som oppstår under skifte av deler, blader eller tilbehør.
- ◆ Personskader forårsaket av lang tids bruk av verktøyet. Når du bruker et verktøy i lange perioder, må du sørge for å ta regelmessige pauser.
- ◆ Hørselskader.
- ◆ Helsefare som skyldes innånding av støv som dannes når du bruker verktøyet (for eksempel under arbeid med tre, spesielt eik, bøk og MDF.)

Datakode posisjon

Produksjonsdatoen (9) består av et 4-sifret år etterfulgt av en 2-sifret uke, med tillegg av en 2-sifret fabrikkkode.

Merker på verktøy

Følgende symboler vises på verktøyet sammen med datakoden:



Brukeren må lese og forstå bruksanvisningen før bruk av dette produktet.



Brukeren må bruke tilstrekkelig øye-, øre- og hodebeskyttelse.



ADVARSEL: Fare for elektrisk støt. Ta umiddelbart støpselet ut av nettstikkkontakten hvis kabelen blir skadet eller kuttet av.



IKKE utsett produktet for regn.



IKKE berør bladet. Hold hendene unna bladet.



Direktiv 2000/14/EF garantert lydnivå.

Elektrisk sikkerhet



Dette verktøyet er dobbeltisolert. Jording er derfor ikke nødvendig. Kontroller alltid at strømforsyningen samsvarer med spenningen på merkeskiltet.

- ◆ Hvis strømledningen blir skadet, må den byttes av produsenten eller et autorisert Black & Decker-servicesenter for å unngå fare.
- ◆ Når du bruker verktøyet utendørs, må du kun bruke skjøteledninger som er godkjent til utendørs bruk. En BLACK+ DECKER-skjøteledning med passende egenskaper og lengde opptil 30 meter kan benyttes uten tap av effekt.
- ◆ Strømsikkerheten kan forbedres ytterligere ved bruk av jordfeilbryter på 30 mA med høy følsomhet (RCD).

Egenskaper

Dette verktøyet har noen eller alle av disse funksjonene.

1. Blad
2. Beskyttelse
3. Ekstrahåndtak
4. Låseknapp
5. Utløserbryter
6. Bryterhåndtak
7. Ledningsholder
8. Skjøteledning (ikke inkludert)

Montering



ADVARSEL! Før montering må du sørge for at verktøyet er slått av og koblet fra, og at bladbeskytteren er plassert over bladene.

Festing av beskyttelse til saksen (Fig. A, B)

Saksen leveres med beskyttelsen ikke festet til saksen. For å feste beskyttelsen:

- ◆ Fjern beskyttelsens festeskruer 10 med en Phillips-skrutrekker (ikke inkludert).
- ◆ Plasser beskyttelsen som vist i Fig. A, og sørg for at beskyttelsen passer inn i sporene på enheten.
- ◆ Sett inn festeskruen 10 i åpningen på siden av beskyttelsen og stram den godt til, som vist i Fig. B.



ADVARSEL! Skal kun brukes med håndtaket og beskyttelsen ordentlig festet til heksaksen. Bruk av heksaksen uten riktig montert beskyttelse og håndtak kan føre til alvorlige personskader.

Festing av skjøteledning til saksen (Fig. C)

En ledningsholder (7) er integrert i baksiden av bryterhåndtaket (6).

- ◆ Lag en løkke nær enden av skjøteledningen (8).
- ◆ Før løkken inn i ledningsholderens hus (11) som vist i Fig. C.
- ◆ Fest løkken på ledningsholderen (7) slik at den hviler i holderen.
- ◆ Koble skjøteledningen til enheten.

Korrekt håndposisjon (Fig. D)

Hold alltid saksen som vist i illustrasjonene i denne manualen, med én hånd på bryterhåndtaket og én hånd på hjelpehåndtaket (Fig. D). Hold aldri enheten i bladbeskyttelsen.

Bruk



ADVARSEL! La verktøyet arbeide i sin egen hastighet. Ikke overbelast det.



ADVARSEL! Ikke lagre eller bruk verktøyet på steder der temperaturen kan falle under 4 °C (39,2 °F) (som i et utendørs skur eller i metallbygninger om vinteren), eller nå eller oversteige 40 °C (104 °F) (som i et utendørs skur eller i metallbygninger om sommeren).

Slå på og av

MERK: Av hensyn til din sikkerhet er dette verktøyet utstyrt med et dobbelt brytersystem. Systemet hindrer at verktøyet blir startet ved et uhell og gjør det bare mulig å bruke det når du holder verktøyet med begge hender.

Slå på (Fig. E)

- ◆ For å slå verktøyet «PÅ» må du trekke bryteren på ekstrahåndtaket (4) bakover og trykke på hovedhåndtakets utløserbryter (5). For å holde enheten i gang må du fortsette å holde begge bryterne inne.
- ◆ For å slå enheten av, slipp enten ekstrahåndtakbryteren eller utløserbryteren.



ADVARSEL! Prøv aldri å låse bryteren i PÅ posisjonen.

- ◆ Smør bladene regelmessig.

Retningslinjer for trimming

Skjøteledning (Fig. F)

- ◆ Hold alltid skjøteledningen (8) bak saksen og unna klippeområdet, som vist i Fig. F. Legg aldri ledningen over en hekk som klippes. Dersom du klipper i ledningen, trekk straks ut støpselet fra stikkkontakten før du inspiserer eller reparerer ledningen.

Arbeidsstilling

- ◆ Hold godt fotfeste og balanse, ikke strekk deg for langt.
- ◆ Bruk vernebriller, sklisikkert fottøy og gummihandsker når du klipper.
- ◆ Hold verktøyet godt med begge hendene, og slå PÅ verktøyet. Hold alltid hekksaksen som vist i Fig. D, med en hånd på bryterhåndtaket og en hånd på ekstrahåndtaket. Hold aldri verktøyet i bladbeskyttelsen.

Klippe ny vekst (Fig. G)

- ◆ Det er mest effektivt med en bred, sveipende bevegelse for å mate bladets tenner gjennom kvistene. Best resultat får du med en liten ned-vinkel på bladet i bevegelsesretningen.



ADVARSEL! Ikke bruk hekksaksen til å klippe stammer tykkere enn 16 mm. Hekksaksen må bare brukes til å klippe normale busker rundt hus og bygninger.

Trimme hekker (Fig. H)

- ◆ For å få helt jevn topp på hekkene, kan du strekke en snor langs hekken som en veiledning.

Trimme hekker på siden (Fig. I)

- ◆ Begynn nederst og sving oppover.

Klippebladene er laget av høykvalitets, herdet stål og trenger ikke å slipes ved normal bruk. Men dersom du ved et uhell treffer et gjerde (Fig. J), steiner, glass eller andre harde objekter, kan du få et hakk i bladet. Det er ikke nødvendig å fjerne dette hakket, så fremt det ikke forhindrer bevegelsen av bladet. Dersom det påvirker bevegelsen av bladet, trekk ut ledningen og bruk en fintannet fil eller et bryne for å fjerne hakket. Dersom du mister ned hekksaksen, sjekk nøye for skader. Dersom bladet er bøyd, kapslingen sprukket eller du ser noen andre salder som kan påvirke saksens funksjon, kontakt ditt lokale Black & Decker servicesenter før du tar den i bruk igjen.

Kunstgjødsel og andre hagekjemikalier inneholder stoffer som kan gi rask korrosjon av metall. Ikke bruk enheten på eller i nærheten av kunstgjødsel eller kjemikalier.

Tilbehør

Verktøyet's ytelse avhenger av hva slags tilbehør som brukes. Tilbehør fra Black & Decker er produsert etter høye kvalitetsstandarder og er konstruert for å bedre verktøyet's ytelse. Hvis du bruker dette tilbehøret, yter verktøyet best mulig.

Vedlikehold

Ditt Black & Decker elektriske verktøy (med eller uten strømkabel) er designet for å virke over en lang tidsperiode med et minimum av vedlikehold. For at det skal fungere tilfredsstillende over tid, er det viktig å sørge for riktig stell av verktøyet og regelmessig renhold.

Du får smøreolje hos din Black & Decker-forhandler (katalognummer A6102-XJ).

Se bakside av denne manualen for kontaktinformasjon til service-senteret, eller besøk www.2helpU.com.



ADVARSEL! Før du foretar noe vedlikehold på elektriske verktøy med eller uten strømkabel:

- ◆ Slå av apparatet/verktøyet og trekk ut støpselet.
- ◆ Eller slå av apparatet/verktøyet og fjern batteriet fra dette hvis apparatet/verktøyet har separat batteripakke.
- ◆ Eller la batteriet lade ut fullstendig hvis det er integrert, og slå deretter av.
- ◆ Trekk ut laderen fra stikkkontakten før du rengjør den. Laderen trenger ikke vedlikehold bortsett fra regelmessig rengjøring.
- ◆ Rengjør ventilasjonsåpningene i apparatet/verktøyet/laderen jevnlig med en myk børste eller tørr klut.
- ◆ Du skal regelmessig rengjøre motorhuset ved bruk av en fuktig klut. Ikke bruk skure- eller løsemiddelbaserte vaskemidler.
- ◆ Rengjør bladene omhyggelig etter bruk. Etter rengjøring påføres en film av lett maskinolje for å hindre at bladene ruste.

Støpselskifte (kun for U.K. & Irland)

Dersom du trenger å sette på et nytt støpselet:

- ◆ Avhend deg med det gamle støpselet på en sikker måte.
- ◆ Koble den brune ledningen til det strømførende tilkoblingspunktet i det nye støpselet.
- ◆ Koble den blå ledningen til den nøytrale terminalen.



ADVARSEL! Ingen kobling skal gjøres til den jordede terminalen. Følg monteringsinstruksjonene som følger med og bruk støpsler av god kvalitet. Anbefalt sikring: 5 A.

Rengjøring



ADVARSEL! Blås skitt og støv ut av hovedhuset med tørr luft når du ser at skitt samles inne i og rundt luftåpningene. Bruk godkjente vernebriller og godkjent støvmaske når prosedyren utføres.



ADVARSEL: Bruk aldri løsemidler eller sterke kjemikalier for å rengjøre ikke-metalliske deler av verktøyet. Disse kjemikaliene kan svekke materialene som brukes i disse delene. Bruk en klut kun fuktet med vann og mild såpe. Aldri la noen væske trenge inn i verktøyet; aldri dypp noen del av verktøyet i en væske.

Miljøvern



Produkter/batterier er resirkulerbare, men hvis de er merket med en overkrysset søppelkasse, må de ikke kastes sammen med vanlig husholdningsavfall.

Kjør batteriene helt ned og skill dem fra produktet, og skill eventuelle lyskilder fra produktet hvis mulig.

Det er brukerens ansvar å slette personopplysninger fra produktet. Ta deretter avfallet til en offentlig avfallsstasjon eller en deltakende forhandler som ofte vil akseptere det gratis. Emballasje bør kastes i henhold til den merkede materialkoden.

Bruks- og sikkerhetsanvisninger skal først kastes når produktene de omhandler ikke lenger er i bruk.

Vennligst sjekk med din lokale kommune for veiledning om avfallshåndtering. For mer informasjon, besøk www.2helpU.com og skann QR-koden ovenfor.

Garanti

Black & Decker er sikker på kvaliteten på sine produkter og tilbyr sine kunder en 24 måneders garanti fra kjøpsdato. Denne garantierklæringen kommer i tillegg til dine lovbestemte rettigheter og er ikke i konflikt med disse. Garantien er gyldig innen områdene tilhørende medlemslandene i den Europeiske Union (EU) og det Europeiske Frihandelsområdet (EFTA).

For å ta garantien i bruk må kravet være i samsvar med kjøpsbetingelsene fra Black & Decker og du må vise kjøpskvittering til forhandleren eller til et autorisert serviceverksted. Black & Deckers betingelser for 2 års garanti samt adressen til det nærmeste autoriserte servicesenteret

kan du finne på internett **under www.2helpU.com**, eller ved å kontakte ditt lokale Black&Decker kontor som angitt i denne bruksanvisningen.

Besøk våre nettsider på www.blackanddecker.no for å registrere ditt nye Black & Decker-produkt og for å få informasjon om nye produkter og spesialtilbud.

Dokumenter tilgængelige online

www.2helpU.com/DoC/ eller
www.2helpU.com/DoC/index/xxx*

*For direkte adgang skal du erstatte "xxx" med produktets modelnummer, som er angivet på produktets typeskilt eller emballage.

- Betjeningsvejledning
- Overensstemmelseserklæring (DoC)
- Produktemissionsdata (PED): Information om støj, vibrationer og støv (gælder ikke for alle produkter)



Tekniske data

		BEHT201 Type 1	BEHT251 Type 1
Spænding	V _{AC}	230	230
Effektindgang	W	420	450
Klingslag (ingen belastning)	min ⁻¹	1960	1815
Klingelængde	cm	45	50
Klingemellemrum	mm	16	18
Skæreblydsbremsetid	s	<1	<1
Vægt	kg	1,91	2,16

Tilsigtet brug

Dine BLACK+DECKER® BEHT201, BEHT251 hækkeklippere er designet til klipning af hække, buske og brombærbuske. Dette værktøj er kun beregnet til privat brug.

Sikkerhedsinstruktioner

Generelle sikkerhedsadvarsler for elværktøj



ADVARSEL! Læs alle sikkerhedsadvarsler, instruktioner, illustrationer og specifikationer, der følger med elværktøjet. Hvis nedenstående advarsler og instruktioner ikke følges, er der risiko for elektrisk stød, brand og/eller alvorlige kvæstelser.

Gem alle advarsler og instruktioner til fremtidig reference. Begrebet "elværktøj", der benyttes i nedenstående advarsler, henviser til netdrevet elværktøj (med netledning) eller batteridrevet værktøj (uden netledning).

1. Sikkerhed i arb.område

- Hold arbejdsområdet rent og godt belyst. Rodede eller mørke områder giver anledning til ulykker.
- Brug ikke elværktøj i eksplosive omgivelser, f.eks. hvor der er brændbare væsker, gasser eller støv. Elværktøj danner gnister, der kan antænde støv eller dampe.
- Hold børn og andre personer i nærheden på afstand, når der arbejdes med elværktøj. Distractioner kan få dig til at miste kontrol.

2. Elektricitet og sikkerhed

- Elværktøjsstik skal passe til stikkontakten. Stikket må på ingen måde modificeres. Brug ikke adapterstik med jordforbundne (tilsluttede) elværktøjer. Ikke-

modificerede stik og tilsvarende stikkontakter reducerer risikoen for stød.

- Undgå kropskontakt med jordforbundne overflader såsom rør, radiatorer, komfurer og køleskabe. Der er øget risiko for elektrisk stød, hvis din krop får jordforbindelse.
- Elværktøjer må ikke udsættes for regn eller fugt. Hvis der trænger vand ind i et elektrisk værktøj, øges risikoen for elektrisk stød.
- Pas på ledningen. Ledningen må aldrig bruges til at bære, trække eller frakobles elværktøjet. Hold ledningen væk fra varme, olie, skarpe kanter eller dele i bevægelse. Beskadigede eller sammenfiltrede ledninger øger risikoen for stød.
- Hvis elværktøj benyttes i det fri, skal der benyttes en forlængerledning, som er godkendt til udendørs brug. Ved brug af en ledning, der er velegnet til udendørs brug, reduceres risikoen for elektrisk stød.
- Brug en strømkilde med fejlstrømsrelæ, hvis det er nødvendigt at anvende elværktøj på fugtige steder. Brug af fejlstrømsafbryder mindsker risikoen for elektrisk stød.

3. Personssikkerhed

- Vær opmærksom, hold øje med, hvad du laver, og brug elværktøjet fornuftigt. Betjen ikke værktøjet, hvis du er træt, påvirket af narkotika, alkohol eller medicin. Et øjeblik uopmærksomhed under betjening af elværktøj kan forårsage alvorlige personskader.
- Brug personligt beskyttelsesudstyr. Brug altid øjenbeskyttelse. Det er muligt at reducere risikoen for personskader ved alt efter omstændighederne at anvende passende sikkerhedsudstyr såsom støvmaske, skridsikre sikkerhedssko, sikkerhedshjelm eller høreværn.
- Undgå utilsigtet start. Sørg for, at der er slukket på kontakten, før du tilslutter strømkilden og/eller batteripakken, samler værktøjet op eller bærer det. Hvis du bærer elværktøj med en finger på kontakten eller strømfører elværktøj, der har kontakten tændt, kan der nemt ske ulykker.
- Fjern indstillingsnøgle eller skruenøgle, inden elværktøjet startes. En skruenøgle eller anden nøgle, der bliver siddende på en roterende del af elektrisk værktøj, kan give anledning til personskade.
- Ræk ikke for langt. Bevar altid et godt fodfæste og en god balance. Dette gør, at du har bedre kontrol over det elektriske værktøj, når uventede situationer opstår.
- Klæd dig ordentligt på. Bær ikke løst tøj eller smykker. Hold dit hår og tøj væk fra bevægelige dele. Løstsiddende tøj, smykker eller langt hår kan blive fanget i bevægelige dele.
- Hvis der kan monteres støvudsugnings- og opsamlingsudstyr, skal dette tilsluttes og benyttes korrekt. Brug af støvopsamling kan reducere støvrelaterede farer.
- Lad ikke erfaring, der er opnået gennem hyppig brug af værktøjer, lade dig blive for tilbagelænet og ignorere principper for værktøjsikkerhed. En skødesløs handling kan forårsage alvorlig personskade i en brøkdal af et sekund.

4. **Brug og pleje af elværktøj**
- a. **Overbelast ikke elværktøjet. Brug det korrekte elværktøj til dit arbejde.** Det korrekte elværktøj klarer opgaven bedre og mere sikkert med den effekt, som det er konstrueret til.
- b. **Brug ikke elværktøjet, hvis afbryderkontakten er defekt.** Ethvert elværktøj, der ikke kan kontrolleres med kontakten, er farligt og skal repareres.
- c. **Træk stikket ud af stikkontakten og/eller fjern batteripakken, hvis aftagelig fra det elektriske værktøj, før det elektriske værktøj justeres, dets tilbehør udskiftes, eller det stilles til opbevaring.** Sådanne forebyggende sikkerhedsforanstaltninger mindsker risikoen for, at værktøjet startes utilsigtet.
- d. **Opbevar ubenyttet elværktøj uden for børns rækkevidde. Lad aldrig personer, der ikke er fortrolige med elværktøjet, eller som ikke har læst denne vejledning, benytte maskinen.** El-værktøj er farligt i hænderne på personer, som ikke er instrueret i brugen deraf.
- e. **Elværktøj og tilbehør skal vedligeholdes. Efterprøv, om bevægelige dele er skæve og ikke sidder fast, og om delene er brækket eller beskadiget, så elværktøjets funktion påvirkes. Hvis elværktøjet er beskadiget, skal du få det repareret inden brug.** Mange ulykker skyldes dårligt vedligeholdte elværktøjer.
- f. **Hold skæreværktøjer skarpe og rene.** Ordentligt vedligeholdt skæreværktøj med skarpe skærekanter har mindre tilbøjelighed til at binde og er lettere at styre.
- g. **Brug elværktøjet, tilbehøret, værktøjsindsatser osv. i overensstemmelse med disse instruktioner under hensyntagen til arbejdsforholdene og det arbejde, der skal udføres med værktøjet.** Brug af elektrisk værktøj til andre opgaver end dem, det er beregnet til, kan resultere i en farlig situation.
- h. **Hold håndtag og gribeblader tørre, rene og fri for olie og fedt.** Glatte håndtag og gribeblader giver ikke en sikker håndtering og kontrol af værktøjet i uventede situationer.

5. Service

- a. **Lad kun fagkyndige personer reparere elværktøjet og benyt kun originale reservedele.** Dette sikrer, at elværktøjets sikkerhed bevares.

Sikkerhedsadvarsler for hækkeklipperen

- a. **Undgå at bruge hækkeklipperen under dårlige vejrforhold, især når der er risiko for lynnedslag.** Dette nedsætter risikoen for at blive ramt af lynet.
- b. **Hold alle netledninger og kabler væk fra skæreamrådet.** Netledninger eller kabler kan være skjult i buske og kan klippes over af klingens ved et uheld.
- c. **Bær høreværn.** Passende beskyttelsesudstyr vil nedsætte risikoen for høretab.
- d. **Hold udelukkende hækkeklipperen ved hjælp af gribeoverfladerne, fordi klingens kan komme i kontakt med sin skjulte ledning.** Hvis klinger rammer en strømførende ledning, bliver hækkeklipperens blottagte dele strømførende, så brugeren får stød.
- e. **Hold alle kroppsdele væk fra klingens. Undlad at fjerne afskåret materiale eller at holde materialet, der skal**

skæres, når klingerne bevæger sig. Klingens fortsætter med at bevæge sig, efter at kontakten er slået fra. Få sekundens uopmærksomhed ved brug af hækkeklipperen kan føre til alvorlige personskader.

- f. **Når du rengør enheden for fastsiddende materiale eller servicering af hækkeklipperen, skal du sørge for, at alle afbrydere er slukket, og at strømledningen er afbrudt.** Uventet aktivering af hækkeklipperen under rengøring af fastsiddende materiale eller servicering kan resultere i alvorlig personskade.
- g. **Hold på hækkeklipperens håndtag, når klingen er stoppet og pas på ikke at trykke på afbryderen.** Korrekt håndtering af hækkeklipperen reducerer risikoen for utilsigtet start og deraf følgende personskade fra klingerne.
- h. **Under transport eller opbevaring af hækkeklipperen skal du altid bruge klingedækslet.** Korrekt håndtering af hækkeklipperen reducerer risikoen for personskade fra klingerne.

Flere sikkerhedsadvarsler for elværktøj



ADVARSEL! Yderligere sikkerhedsadvarsler for hækkeklippere

- ◆ Den beregnede brug er beskrevet i denne brugsvejledning. Hvis der udføres andre opgaver end dem, der anbefales i denne betjeningsvejledning med dette værktøj eller tilbehør eller udstyr, kan det medføre risiko for personskade og/eller beskadigelse af ejendommen.
- ◆ Hvis du ikke har brugt en hækkeklipper før, bedes du søge praktisk vejledning af en erfaren bruger ud over at læse denne brugervejledning.
- ◆ Du må aldrig røre ved klingerne, mens værktøjet er tændt.
- ◆ Forsøg aldrig at tvinge skærebladene til at stoppe.
- ◆ Sæt ikke værktøjet fra dig, før skærebladene står helt stille.
- ◆ Se regelmæssigt klingerne efter for skader og slid. Undlad at bruge værktøjet, når klingerne er beskadigede.
- ◆ Sørg for at undgå hårde genstande (f.eks. metaltråd, rækværk) ved beskæring. Hvis du ved et uheld kommer til at ramme en sådan genstand, skal du straks slukke for værktøjet og se efter, om der er skader.
- ◆ Hvis værktøjet begynder at vibrere unormalt, skal du omgående slukke det, tage ledningen ud af stikkontakten og derefter kontrollere det for beskadigelse.
- ◆ Sluk øjeblikkeligt for værktøjet, hvis det går i stå. Tag ledningen ud af stikkontakten, før du forsøger at fjerne forhindringer.
- ◆ Efter brug skal du anbringe den medfølgende klingskede over klingerne. Opbevar værktøjet, mens du sørger for, at klingens ikke er blottet.
- ◆ Sørg altid for, at alle værnene er påmonteret, når du bruger værktøjet. Forsøg aldrig at bruge et værktøj, der ikke er komplet eller med uautoriserede ændringer.
- ◆ Lad aldrig børn bruge værktøjet.
- ◆ Vær opmærksom på faldende affald, når du klipper de øvre sider af en hæk.

- ◆ Hold altid værktøjet med begge hænder og i de medfølgende håndtag.
- ◆ **Små børn og svagelige personer.** Dette værktøj er ikke beregnet til at blive brugt af små børn eller svagelige personer uden opsyn.
- ◆ **Dette produkt er ikke beregnet til at blive brugt af personer (inklusive børn) med nedsatte fysiske, sensoriske eller mentale evner, eller som mangler erfaring, kendskab eller færdigheder, medmindre de er under opsyn af en person, der er ansvarlig for deres sikkerhed.** Børn må aldrig efterlades alene med dette produkt.
- ◆ **Hækkeklipperen er beregnet til at blive brugt af operatøren ved jordniveau og ikke på stiger eller anden ustabil støtte.**

Residualrisici

Yderligere residualrisici kan opstå, når værktøjet bruges, hvilket muligvis ikke er inkluderet i de medfølgende sikkerhedsadvarsler. Disse risici kan opstå i forbindelse med misbrug, langvarig brug osv.

Selv med anvendelsen af de relevante sikkerhedsbestemmelser og implementeringen af sikkerhedsanordninger kan visse resterende risici ikke undgås. Disse omfatter:

- ◆ Tilskadekomst forårsaget af berøring af roterende/bevægelige dele.
- ◆ Personskader opstået under skift af dele, klinger eller tilbehør.
- ◆ Personskader forårsaget af langvarig brug af et værktøj. Husk at holde pause jævnlige ved brug af et apparat i længere tid.
- ◆ Nedsat hørelse.
- ◆ Sundhedsfarer forårsaget af indånding af støv, der udvikles under brug af dit værktøj (f.eks.: arbejde med træ, især eg, bøg og MDF.)

Datakodeposition

Produktionsdatokoden (9) består af et 4-cifret årstal efterfulgt af en 2-cifret uge og forlænges af en 2-cifret fabrikskode.

Mærkatet på værktøjet

Værktøjet er forsynet med følgende piktogrammer sammen med en datokode:



Brugeren skal læse og forstå brugervejledningen før brug af dette produkt.



Brugeren skal anvende korrekt øje-, høre- og hovedværn.



ADVARSEL: Fare for elektrisk stød. Tag straks stikket ud af stikkontakten, hvis ledningen er beskadiget, eller der er skåret i den.



Udsæt **IKKE** produktet for regn.



Rør **IKKE** ved klingene.
Hold hænderne væk fra klingene.



Direktiv 2000/14/EC garanterer lydstyrke.

Elektricitet og sikkerhed



Dette værktøj er dobbeltisoleret. Derfor er en jordledning ikke nødvendig. Kontrollér altid, at strømforsyningen svarer til spændingen på mærkepladen.

- ◆ Hvis forsyningsledningen er beskadiget, skal den udskiftes af producenten eller et autoriseret Black & Decker-servicecenter for at undgå en fare.
- ◆ Hvis værktøjet bruges i det fri, skal der benyttes forlængerledninger, som er beregnet til udendørs brug. Der kan bruges en egnet Black & Decker-klassificeret forlængerledning på op til 30 m uden effekttab.
- ◆ Den elektriske sikkerhed kan forbedres yderligere ved brug af en højfølsom 30 mA fejlstrømsafbryder.

Funktioner

På dette værktøj findes nogle eller alle af følgende funktioner.

1. Klinge
2. Beskyttelsesskærm
3. Ekstrahåndtag
4. Låseknap
5. Udløserkontakt
6. Kontakthåndtag
7. Ledningsholder
8. Forlængerledning (ikke inkluderet)

Samling



ADVARSEL! Kontroller, at værktøjet er slukket, stikket taget ud og at skærebladskappen er monteret over skærebladene før samling.

Montering af skærm på klipper (Fig. A, B)

Klipperen sendes med skærmen umonteret på klipperen. Sådan fastgøres skærmen:

- ◆ Fjern skærmens fastholdelseskruer (10) med en stjerneskruetrækker (medfølger ikke).
- ◆ Placér skærmen som vist i Fig. A, og sørg for, at skærmen passer ind i rillerne på enheden.
- ◆ Indsæt skærmens fastholdelseskruer (10) i åbningen på siden af skærmen, og stram den forsvarligt som vist i Fig. B.



ADVARSEL! Brug kun hækkklipperen, når håndtaget og skærmen er korrekt monteret. Brug af hækkklipperen uden den korrekte skærm eller et korrekte håndtag kan medføre alvorlig personskade.

Fastgørelse af forlængerledning til klipper (Fig. C)

En ledningsholder (7) er indbygget i bagsiden af kontakthåndtaget (6).

- ◆ Fold forlængerledningen (8) nær dens ende for at lave en løkke.
- ◆ Før løkken ind i ledningsholderens hus (11) som vist i Fig. C.
- ◆ Hægt løkken på ledningsholderen (7), så den hviler i ledningsholderen.
- ◆ Sæt forlængerledningen i enheden.

Korrekt håndposition (Fig. D)

Hold altid fast i hækkeklipperen som vist i illustrationerne i denne vejledning, med den ene hånd på kontakthåndtaget og den anden på ekstrahåndtaget (Fig. D). Hold aldrig fast i enhedens klingskærm.

Anvendelse



Advarsel! Lad værktøjet arbejde i dets eget tempo. Overbelast det ikke.



Advarsel! Opbevar eller brug ikke værktøjet på steder, hvor temperaturen falder til under 4 °C (39,2 °F) (som f.eks. skure udenfor eller metalbygninger om vinteren) eller når eller overstiger 40 °C (104 °F) (som f.eks. skure udenfor eller metalbygninger om sommeren).

Sådan tændes og slukkes værktøjet

BEMÆRK: Af sikkerhedsmæssige hensyn er værktøjet udstyret med et dobbelt afbrydersystem. Dette system forhindrer utilsigtet start af værktøjet, og det fungerer kun, hvis det holdes med begge hænder.

Start (Fig. E)

- ◆ For at tænde værktøjet skal du trække både ekstrahåndtagets kontakt (4) bagud og trykke på hovedhåndtagets udløserkontakt (5). For at holde enheden i gang skal du blive ved med at trykke på begge kontakter.
- ◆ For at slukke enheden skal du slippe enten ekstrahåndtagets kontakt eller udløserkontakten.



ADVARSEL! Forsøg aldrig at låse en kontakt i positionen ON (Tænd).

- ◆ Smør jævnligt skærebladene.

Retningslinjer for klipning

Forlængerledning (Fig. F)

- ◆ Hold altid forlængerledningen (8) bag klipperen og væk fra klipningen, som vist i Fig. F. Lad den aldrig hænge over en hæk, der klippes. Hvis du klipper eller beskadiger ledningen, skal du øjeblikkeligt trække stikket ud af stikkontakten, før du inspicerer eller reparerer ledningen.

Arbejdsstilling

- ◆ Hold et passende fodfæste og en passende balance, og stræk dig ikke for langt frem.
- ◆ Hav beskyttelsesbriller og skridsikkert fodtøj og gummihandsker på under trimningen.
- ◆ Hold godt fast i værktøjet med begge hænder og tænd for værktøjet. Hold altid hækkeklipperen som vist på Fig. D med den ene hånd på kontakthåndtaget og den anden hånd på ekstrahåndtaget. Hold aldrig fast i værktøjets klingskærm.

Trimning af nye vækster (Fig. G)

- ◆ En bred, fejende bevægelse, indføring af klingetænderne gennem kviste er mest effektiv. En svag nedadgående hældning af klingene, i bevægelsesretningen giver den bedste klipning.



ADVARSEL! Brug ikke hækkeklipperen til at klippe stængler på over 16 mm. Brug kun hækkeklipperen til at klippe normale buskadser omkring huse og bygninger.

Vandrette hække (Fig. H)

- ◆ For at opnå utroligt lige hække kan et stykke tråd strækkes langs hækken som en rettesnor.

Sideklipping af hække (Fig. I)

- ◆ Start nederst og arbejd opad.

Skæreklingerne er lavet af hærdet stål i høj kvalitet, og med normal brug er det ikke nødvendigt at hvæsse dem igen. Men hvis du ved et uheld rammer et trådhegn (Fig. J), sten, glas eller andre hårde genstande, kan der komme et hak i klingene. Det er ikke nødvendigt at fjerne hakket, så længe det ikke forstyrrer klingens bevægelser. Hvis det virker forstyrrende, skal du trække ledningen ud og bruge en fin fil eller slibesten til at fjerne hakket. Hvis du taber hækkeklipperen, skal den ses grundigt efter for skader. Hvis klingene er bøjet, huset revnet eller håndtag er knækkede, eller hvis du ser nogen anden tilstand, der kan påvirke klipperens drift, kontakt dit lokale Black & Decker servicecenter for reparationer, før du tager den i brug igen.

Gødning og andre havekemikalier indeholder stoffer, der i høj grad accelerer korrosionen af metaller. Opbevar ikke enheden på eller i nærheden af gødning eller kemikalier.

Tilbehør

Værktøjets ydeevne afhænger af det anvendte tilbehør. Tilbehør fra Black & Decker er fremstillet efter høje kvalitetsstandarder og er designet til at forbedre dit værktøjs ydeevne. Når du bruger dette tilbehør, vil værktøjet yde optimalt.

Vedligeholdelse

Dit Black & Decker apparat/værktøj med eller uden ledninger er designet til at fungere i lang tid med minimal vedligeholdelse. Vedvarende tilfredsstillende funktion er afhængig af, om apparatet plejes korrekt og rengøres regelmæssigt. Smørelolie fås hos din Black & Decker forhandler (kat. nr. A6102-X.J).

Se bagsiden af denne vejledning for kontaktoplysninger til servicecentre, eller gå ind på www.2helpU.com.



ADVARSEL! Før udførelse af vedligeholdelse på elværktøjer med eller uden ledninger:

- ◆ Sluk og frakobl apparatet/værktøjet.
- ◆ Eller sluk og fjern batteriet fra apparatet/værktøjet, hvis det har en separat batteripakke.
- ◆ Du kan også køre batteriet helt ned, hvis det er indbygget, og derefter slukke.

- ◆ Træk opladeren ud af stikkontakten, før den rengøres. Din oplader kræver ingen vedligeholdelse ud over regelmæssig rengøring.
- ◆ Rengør jævnligt apparatets/værktøjets/laderens ventilationshuller med en blød børste eller en tør klud.
- ◆ Rengør motorhuset regelmæssigt med en fugtig klud. Brug ikke et slibende eller opløsningsbaseret rengøringsmiddel.
- ◆ Rengør skærebladene omhyggeligt efter brug. Påfør en tynd film maskinolie efter rengøring, så skærebladene ikke rustner.

Udskiftning af netstik (Kun UK og Irland)

Hvis der skal påmonteres et nyt netstik:

- ◆ Bortskaf det gamle stik på sikker vis.
- ◆ Slut den brune leder til den strømførende klemme i det nye stik.
- ◆ Slut den blå leder til den neutrale klemme.



ADVARSEL! Der må ikke foretages nogen forbindelse til jordklemmen. Følg monteringsanvisningerne, der følger med stik af god kvalitet. Anbefalet sikring: 5 A.

Rengøring



ADVARSEL! Blæs støv og snavs ud af hovedhuset med tør luft, lige så snart der samler sig snavs i og omkring luftaftrækket. Bær godkendte beskyttelsesbriller og godkendt støvmaske ved udførelse af denne procedure.



ADVARSEL: Brug aldrig opløsningsmidler eller andre kraftige kemikalier til at rengøre værktøjets ikke-metalliske dele. Disse kemikalier kan svække de materialer, der anvendes i disse dele. Brug en klud, der kun er fugtet med vand og mild sæbe. Lad aldrig væske trænge ind i værktøjet, og nedsænk aldrig nogen del af værktøjet i en væske.

Beskyttelse af miljøet



Produkter/batterier kan genbruges, men hvis de er markeret med den overstregede skraldespand, må de ikke bortskaffes sammen med almindeligt husholdningsaffald.

Lad batterierne aflade helt og adskil dem, og adskil eventuelle lyskilder fra produktet, hvis det er muligt.

Det er brugerens ansvar at slette personlige oplysninger fra produktet. Aflever derefter affaldet på et officielt affaldsindsamlingsanlæg eller hos en deltagende forhandler, som ofte tager imod det gratis. Emballagen skal bortskaffes baseret på den markerede materialekode.

Brugs- og sikkerhedsinstruktioner bør kun bortskaffes, når det relevante produkt ikke længere er i brug.

Kontakt din kommune for at få vejledning i affaldshåndtering.

Få yderligere oplysninger på www.2helpU.com og ved at scanne ovenstående QR-kode.

Garanti

Black & Decker er sikker på kvaliteten af sine produkter og giver forbrugerne en garanti på 24 måneder fra købsdatoen. Denne garanti er en tilføjelse til dine lovbefalede rettigheder. Garantien er gyldig inden for medlemsstaterne af Den Europæiske Union og Det Europæiske Frihandelsområde. Når du gør krav på garantien, skal kravet være i overensstemmelse med Black & Decker's vilkår og betingelser, og du skal indsende dokumentation for købet til sælgeren eller til en autoriseret reparatør. Vilkår og betingelser for Black & Decker 2 års garanti og det nærmeste autoriserede serviceværksted findes på internettet på www.2helpU.com, eller du kan kontakte dit lokale Black & Decker kontor på den adresse, der er angivet i denne vejledning.

Besøg venligst vores websted www.blackanddecker.eu for at registrere dit nye Black & Decker produkt og modtage opdateringer om nye produkter og specielle tilbud.

Asiakirjat ovat saatavilla verkossa

www.2helpU.com/DoC/ tai
www.2helpU.com/DoC/index/xxx*

*Päset suoraan asiakirjoihin korvaamalla merkinnän "xxx" tuotteen mallinumerolla, joka on merkitty tuotteen tyyppikilpeen tai pakkaukseen.

- Käyttöohje
- Vaatimustenmukaisuusvakuutus (DoC)
- Tuotteen päästötiedot (PED): Tietoa melusta, tärinästä ja pölystä (ei koske kaikkia tuotteita)



Tekniset tiedot

		BEHT201 tyyppi 1	BEHT251 tyyppi 1
Jännite	V _{AC}	230	230
Ottoteho	W	420	450
Terän sykäykset (ilman kuormitusta)	min ⁻¹	1960	1815
Terän pituus	cm	45	50
Teräväli	mm	16	18
Terän jarrutusaika	s	< 1	< 1
Paino	kg	1,91	2,16

Käyttötarkoitus

BLACK+DECKER®, BEHT201, BEHT251 -pensasleikkurit on tarkoitettu pensaiden ja pensaikkojen leikkaamiseen. Nämä työkalut on tarkoitettu vain yksityiskäyttöön.

Turvallisuusohjeet

Sähkötyökaluja koskevat yleiset turvaohjeet



VAROITUS! Lue kaikki sähkötyökalun mukana toimitetut varoitukset, käyttöohjeet ja tekniset tiedot. Mikäli alla annettuja varoituksia ja ohjeita ei noudateta, seurauksena voi olla sähköisku, tulipalo ja/tai vakava henkilövahinko.

Säilytä kaikki varoitukset ja ohjeet tulevia käyttökertoja varten. Varoituksissa käytetty käsite "sähkötyökalu" tarkoittaa verkkokäyttöisiä sähkötyökaluja (joissa on verkkojohto) ja akkukäyttöisiä sähkötyökaluja (joissa ei ole verkkojohtoa).

1. Työalueen turvallisuus

- Pidä työalue puhtaana ja hyvin valaistuna.**
Onnettomuuksia tapahtuu helpommin epäsiistissä tai huonosti valaistussa tilassa.
- Sähkötyökalua ei saa käyttää räjähdysalttiissa ympäristöissä, kuten syttyvien nesteiden, kaasun tai pölyn lähetyksillä.** Sähkötyökaluista syntyy kipinöitä, jotka voivat sytyttää pölyn tai höyryt.
- Lapsia tai sivullisia ei saa päästää työalueelle sähkötyökalua käytettäessä.** Keskeyttämiskyvyn herpaantuminen voi aiheuttaa hallinnan menettämisen.

2. Sähköturvallisuus

- Sähkötyökalujen pistokkeiden on sovittava pistorasiaan.** Pistoketta ei saa koskaan muuttaa

millään tavalla. Maadoitettujen sähkötyökalujen kanssa ei saa käyttää sovittipistokkeita. Sähköiskun vaara on pienempi, kun pistokkeita ei ole muutettu mitenkään ja ne liitetään sopivaan pistorasiaan.

- Vältä koskettamasta maadoitettuihin pintoihin, kuten putkiin, lämpöpattereihin, liesiin ja jäädyttimiin.** Sähköiskun vaara on suurempi, jos kehosi on maadoitettu.
- Sähkötyökaluja ei saa käyttää sateessa tai märissä olosuhteissa.** Sähkötyökaluun menevä vesi lisää sähköiskun vaaraa.
- Älä käsittele virtajohtoa kovakouraisesti. Älä kannata työkaluja sähköjohdosta tai vedä pistoketta pistorasiasta sähköjohdon avulla.** Suojaa johto lämmöltä, öljyltä, teräviltä reunoilta ja liikkuvilta osilta. Vaurioituneet tai kietoutuneet johdot lisäävät sähköiskun vaaraa.
- Jos sähkötyökalua käytetään ulkona, käytä ulkokäyttöön sopivaa jatkojohtoa.** Ulkokäyttöön tarkoitettujen sähköjohdon käyttäminen vähentää sähköiskun vaaraa.
- Jos sähkötyökalua on välttämättä käytettävä kosteassa paikassa, käytä vikavirtasuojalla (RCD) suojattua virtalähdettä.** Tämä vähentää sähköiskun vaaraa.

3. Henkilöturvallisuus

- Ole valpas, keskity työhön ja käytä sähkötyökalua terveellä arkijärjellä.** Älä käytä tätä sähkötyökalua ollessasi väsynyt tai alkoholin, huumeiden tai lääkkeiden vaikutuksen alaisena. Keskeyttämisen herpaantuminen heikentää sähkötyökalua käytettäessä voi aiheuttaa vakavan henkilövahingon.
- Käytä henkilökohtaisia suojavarusteita.** Käytä aina suojalaseja. Hengityssuojaimen, liukumattomien turvajalkineiden, kypärän ja kuulonsuojaimen käyttäminen vähentää henkilövahinkojen vaaraa.
- Vältä tahatonta käynnistämistä.** Varmista, että kytkin on OFF-asennossa, ennen kuin liität laitteen virtalähteeseen ja/tai akkuun, nostat laitetta tai kannat sitä. Sähkötyökalun kantaminen sormi virtakytkimellä lisää onnettomuusvaaraa.
- Irrota mahdollinen säätö- tai kiintoavain ennen kuin käynnistät sähkötyökalun.** Sähkötyökalun pyöriivään osaan jäänyt säätöavain tai väännin voi aiheuttaa henkilövahingon.
- Älä kurkota.** Varmista aina hyvä jalansija ja tasapaino. Täten varmistat sähkötyökalun paremman hallinnan odottamattomissa tilanteissa.
- Pukeudu asianmukaisesti.** Älä käytä löysiä vaatteita tai koruja. Pidä hiukset ja vaatteet loitolla liikkuvista osista. Löysät vaatteet, korut tai pitkät hiukset voivat jäädä kiinni liikkuviin osiin.
- Jos laitteessa on liitántä pölynpoisto- tai pölynkeräysjärjestelmiä varten, varmista niiden oikeaoppinen liitántä ja käyttö.** Pölyn ottaminen talteen voi vähentää pölyn aiheuttamia vaaroja.
- Vaikka käyttäisit usein työkaluja ja sinulla olisi niistä hyvä tuntemus, älä jätä lukematta työkalun turvallisuusohjeita.** Epähuomiossa suoritett

toimenpiteet voivat johtaa vakaviin henkilövahinkoihin sekunnin murto-osassa.

4. Sähkötyökalujen käyttö ja hoito

- Älä kohdistaa sähkötyökaluun voimaa. Käytä käyttötarkoitukseen sopivaa sähkötyökalua.** Oikea sähkötyökalu suorittaa toimenpiteen paremmin ja turvallisemmin sen suunnitellulla käyttönopeudella.
 - Älä käytä sähkötyökalua, jos sen kytkin ei kytkte virtaa päälle ja pois päältä.** Sähkötyökalut, joita ei voida hallita kytkimellä, ovat vaarallisia ja ne on korjattava.
 - Katkaise sähkötyökalusta virta ja/tai irrota sen pistoke pistorasiasta tai irrota akku (jos irrottavissa) siitä ennen säätämistä, varusteiden vaihtamista tai sähkötyökalun asettamista säilytykseen.** Näin voit vähentää vahingossa käynnistymisen aiheuttaman henkilövahingon vaaraa.
 - Säilytä sähkötyökalut poissa lasten ulottuvilta, kun niitä ei käytetä. Älä anna sähkötyökalua sellaisen henkilön käyttöön, joka ei tunne sitä tai joka ei ole tutustunut tähän käyttöohjeeseen.** Sähkötyökalut ovat vaarallisia kouluttamattomien henkilöiden käsissä.
 - Sähkötyökalut ja lisävarusteet vaativat ylläpitoa.** Tarkista liikkuvat osat virheellisen kohdistumisen tai kiinnijuuutumisen sekä osien vaurioiden varalta ja muut olosuhteet, jotka voivat vaikuttaa sähkötyökalun toimintaan. Jos havaitset vaurioita, korjauta sähkötyökalu ennen niiden käyttämistä. Huonosti kunnossapidetyt sähkötyökalut aiheuttavat onnettomuuksia.
 - Pidä lisäkausterät terävinä ja puhtaina.** Kunnossa pidettyjen leikkaavia teräviä reunoja sisältävien työkalut todennäköisyys jumiutua vähenee, ja niitä on helpompi hallita.
 - Käytä sähkötyökalua, lisävarusteita ja työkalun teriä jne. näiden ohjeiden mukaisesti työskentelyolosuhteet sekä suoritettavat työt huomioin ottaen.** Jos sähkötyökalua käytetään näiden ohjeiden vastaisesti, voi syntyä vaaratilanne.
 - Pidä kahvat ja kädensijat kuivina ja puhtaina öljystä ja rasvasta.** Liukkaat kahvat ja tartuntapinnat vaarantavat työkalun turvallisen käsittelyn ja hallinnan odottamattomissa tilanteissa.
5. Huolto
- Korjauta sähkötyökalu koulutetulla ja ammattitaitoisella henkilöllä ja hyväksy korjauksiin vain alkuperäisiä varaosia.** Täten taataan sähkötyökalun turvallisuus.

Pensasleikkurin turvavaroitukset

- Älä käytä pensasleikkuria epäsuotuisissa sääolosuhteissa, varsinkin silloin, kun on olemassa salamoinnin vaara.** Täten salamankulun vaara on pienempi.
- Pidä kaikki virtajohdot ja kaapelit poissa leikkaualueelta.** Virtajohtoja tai kaapeleita voi olla piilossa pensaikossa ja voit leikata niitä vahingossa.
- Käytä kuulosuojaimia.** Asianmukaiset suojarusteet vähentävät kuulonaleneman vaaraa.

- Pidä pensasleikkuria vain sen eristetyistä tarttumapinnoista, koska terä saattaa osua piilossa oleviin johtoihin.** Terän kosketus jännitteiseen johtimeen voi tehdä myös pensasleikkurin paljaista metalliosista jännitteisiä ja aiheuttaa sähköiskun käyttäjälle.
 - Pidä kaikki kehonosat poissa terästä. Älä poista leikattua materiaalia tai pidä leikattavasta materiaalista terien ollessa liikkeessä.** Terien liike jatkuu senkin jälkeen, kun virta on kytketty pois päältä. Hetken tarkkaamattomuus pensasleikkuria käytettäessä saattaa johtaa vakavaan loukkaantumiseen.
- Varmista kiinni juuttuneen materiaalin poistamisen ja pensasleikkurin huoltamisen yhteydessä, että kaikki virtakytkimet on kytketty pois päältä ja virtajohto irrotettu.** Jos pensasleikkuri käynnistyy yllättäen kiinni juuttuneen materiaalin poistamisen tai huollon aikana, seurauksena voi olla vakava henkilövahinko.
- Pensasleikkuria tulee kantaa sen kahvasta kiinni pitäen ja terän ollessa pysähdyksissä. Varo virtakytkimen käyttöä kantamisen aikana.** Pensasleikkurin oikeaoppinen kantotapa vähentää laitteen tahattoman käynnistymisen vaaraa ja täten terien aiheuttamaa henkilövahinkovaaraa.
 - Käytä aina teräsuojusta pensasleikkurin kuljettamisen ja säilytyksen aikana.** Pensasleikkurin oikeaoppinen käsittely vähentää terien aiheuttamaa henkilövahinkovaaraa.

Sähkötyökalun lisäturvaohteet



VAROITUS! Pensasleikkureiden lisäturvavaroitukset

- ◆ Käyttötarkoitus on kuvattu tässä ohjekirjassa. Laitteen tai lisävarusteen käyttö tai toiminnon suoritus muuhun kuin tässä käyttöohjeessa suositeltuun käyttöön tai toimintoon voi tämän työkalun kanssa aiheuttaa henkilövahingon ja/ tai omaisuusvahingon vaaran.
- ◆ Jos et ole käyttänyt pensasleikkuria aikaisemmin, lue nämä ohjeet ja pyydä käytännön ohjeita kokeneelta käyttäjältä.
- ◆ Älä koskaan kosketa teriin työkalun ollessa käynnissä.
- ◆ Älä jarruta terän pysähtymisliikettä.
- ◆ Älä laske työkalua alas, ennen kuin terät ovat pysähtyneet kokonaan.
- ◆ Tarkista terät säännöllisesti vaurioiden ja kulumisen varalta. Älä käytä työkalua, jos terät ovat vaurioituneet.
- ◆ Vältä osumista koviin kohteisiin (esim. metallivajerit, kiskot) leikkaamisen aikana. Jos terä osuu vahingossa koviin kohteisiin, sammuta työkalu välittömästi ja tarkista mahdolliset vauriot.
- ◆ Jos työkalu alkaa täristä epätavallisesti, katkaise työkalun virta heti, irrota sen virtajohto ja tarkista vauriot.
- ◆ Jos työkalu pysähtyy, sammuta se välittömästi. Irrota työkalu virtalähteestä, ennen kuin yrität poistaa esteet.
- ◆ Aseta laitteen mukana toimitettu teräsuojus teriin käytön jälkeen. Varmista, että terä on suojattu työkalun säilytyksen aikana.

- ◆ Varmista aina, että kaikki suojat on asennettu ennen työkalun käyttöä. Älä koskaan yritä käyttää puutteellista työkalua tai työkalua, johon on tehty luvattomia muutoksia.
- ◆ Älä koskaan anna lasten käyttää työkalua.
- ◆ Varo putoavia jäämiä pensaan korkeimpia sivuja leikatessa.
- ◆ Pitele työkalua aina kummallakin kädellä vastaavista kahvoista.
- ◆ **Pienet lapset ja liikuntarajoitteiset. Tätä laitetta ei ole tarkoitettu pienten lasten tai liikuntarajoitteisten henkilöiden käyttöön ilman valvontaa.**
- ◆ **Tämä tuote ei ole tarkoitettu henkilöiden (mukaan lukien lapset) käytettäväksi, joiden fyysiset, sensoriset tai henkiset kyvyt tai kokemus ja/ tai tietämys tai taidot ovat rajalliset. Heidän turvallisuudestaan tulee huolehtia heistä vastuussa oleva henkilö. Lapsia ei koskaan saa jättää yksin tämän tuotteen kanssa.**
- ◆ **Pensasleikkuri on tarkoitettu käytettäväksi maantasolla, sitä ei saa käyttää tikapuilla tai muilla epävakailta alustoilla.**



ÄLÄ altista tuotetta sateelle.



ÄLÄ kosketa terään.
Pidä kädet poissa terän olottuilta.



Direktiivin 2000/14/EY mukainen taattu ääniteho.

Sähköturvallisuus



Tämä laite on kaksoiseristetty, joten erillistä maadoitusta ei tarvita. Tarkista aina, että verkkovirran jännite vastaa tyyppikilpeen merkittyä jännitettä.

- ◆ Jos virtajohto on vaurioitunut, vaaratilanteiden välttämiseksi se on vietävä valmistajalle tai valtuutettuun Black & Decker-huoltopalveluun johdon vaihtoa varten.
- ◆ Käytettäessä työkalua ulkona käytä ainoastaan ulkokäyttöön soveltuvaa jatkojohtoa. Voit käyttää oikeanlaista enintään 30 metrin pituista Black & Decker-jatkojohtoa ilman virranmenetystä.
- ◆ Sähköturvallisuutta voi parantaa käyttämällä erittäin herkkää (30 mA) vikavirtasuojaa.

Ominaisuudet

Tämä työkalu sisältää kaikki seuraavat ominaisuudet tai vain osan niistä.

1. Terä
2. Suojus
3. Lisäkahva
4. Lukituspainike
5. Liipaisukytkin
6. Kytkinkahva
7. Johtopidike
8. Jatkojohto (ei sisälly)

Asennus



VAROITUS! Ennen kuin kokoat työkalun, varmista, että työkalun virta on katkaistu, sähköpistoke on irrotettu sähköverkosta ja teränsuojus on terien päällä.

Suojan liittäminen leikkuriin (Kuvat A, B)

Leikkuri toimitetaan suojus irti leikkurista. Suojan kiinnittäminen:

- ◆ Irrota suojan kiinnitysruuvi (10) ristipääruuvimeisselillä (ei sisälly toimitukseen).
- ◆ Aseta suoja paikoilleen Kuva A mukaisesti. Varmista, että suojan urat kohdistuvat laitteen uriin.
- ◆ Aseta suojan kiinnitysruuvi (10) suojan sivussa olevaan aukkoon ja kiristä tiukasti Kuva B mukaisesti.



VAROITUS! Käytä pensasleikkuria ainoastaan silloin, kun kahva ja suojus on asennettu oikein paikoilleen. Jos pensasleikkuria käytetään ilman asianmukaista suojusta tai pakkaukseen kuuluvaa kahvaa, seurauksena voi olla vakava henkilövahingon.

Jäännösriskit

Muita jäännösriskkejä voi olla olemassa käyttäessä työkalua, jota ei ole huomioitu annetuissa varoituksissa. Nämä riskit voivat liittyä muun muassa virheelliseen tai liian pitkäaikaiseen käyttöön.

Tiettyjä jäännösriskkejä ei voi välttää, vaikka noudatet kaikki turvamääräyksiä ja käytät turvalaitteita. Niihin kuuluvat seuraavat:

- ◆ Pyörivien tai liikkuvien osien koskettamisen aiheuttamat vahingot.
- ◆ Osia, teriä tai lisävarusteita vaihdettaessa aiheutuneet vahingot.
- ◆ Henkilövahingot, jotka johtuvat työkalun liian pitkäaikaisesta käytöstä. Varmista, että pidät säännöllisesti taukoja laitteen pitkäaikaisen käytön aikana.
- ◆ Kuulon heikentyminen.
- ◆ Työkalua käytettäessä (esimerkiksi puuta, erityisesti tammea, pyökkiä ja MDF-levyjä käsiteltäessä) syntyneen pölyn sisäinhengityksen aiheuttamat terveysriskit.

Päivämääräkoodin sijainti

Valmistuspäivämääräkoodi (9) koostuu 4-numeroisesta vuodesta, jota seuraa 2-numeroinen viikko ja 2-numeroinen tehdaskoodi.

Työkalun merkinnät

Työkaluun on merkitty päivämääräkoodi sekä seuraavat varoitusmerkinnät:



Käyttäjän tulee lukea ja ymmärtää käyttöohjeet ennen tämän tuotteen käyttöä.



Käyttäjän tulee käyttää asianmukaisia suojalaseja, kuulonsuojaimia ja suojakypärää.



VAROITUS: Sähköiskun vaara. Jos virtajohto vaurioituu tai katkeaa, irrota pistoke välittömästi sähköverkosta.

Jatkojohdon kiinnittäminen leikkuriin (Kuva C)

Kytinkahvan (6) takaosassa on johtopidike (7).

- ◆ Taita jatkojohto jatkojohdon (8) pään läheltä luodaksesi silmukan.
- ◆ Syötä silmukka johtopidikkeen koteloon (11) Kuva C mukaisesti.
- ◆ Kiinnitä silmukka johtopidikkeeseen (7) niin, että se pysyy johtopidikkeessä.
- ◆ Kytke jatkojohto laitteeseen.

Oikeaoppinen käsien asento (Kuva D)

Pidä leikkuria aina tämän ohjekirjan kuvien mukaisesti pitäen yhtä kättä kytinkahvassa ja toista kättä lisäkavassa (Kuva D). Älä koskaan pidä kiinni laitteen terän suojuksesta.

Käyttö



VAROITUS! Anna työkalun käydä omaan tahtiinsa. Vältä työkalun ylikuormittamista.



VAROITUS! Älä säilytä tai käytä työkalua paikassa, jossa lämpötila voi laskea alle 4 °C (39,2 °F) (kuten ulkovarastoissa tai metallirakennuksissa talvisin) tai ylittää 40 °C (104 °F) (kuten ulkovarastoissa tai metallirakennuksissa kesäisin).

Käynnistäminen ja sammuttaminen

HUOMAA: Käyttöturvallisuuden lisäämiseksi tämä työkalu on varustettu käynnistysvarmistimella. Tällöin työkalua ei voi käynnistää vahingossa ja sitä voi käyttää vain, kun työkalua pidetään molemmin käsin.

Käynnistäminen (Kuva E)

- ◆ Käynnistä työkalu painamalla sekä lisäkavakytkintä (4) taaksepäin että pääkahvan liipaisukytkintä (5). Pidä laite käynnissä pitämällä molempia kytkimiä alhaalla.
- ◆ Sammuta laite vapauttamalla joko lisäkavhan kytkin tai liipaisukytkin.



VAROITUS! Älä koskaan yritä lukita kytkintä ON-asentoon.

- ◆ Voitele terät säännöllisesti.

Trimmausohjeet

Jatkojohto (Kuva F)

- ◆ Pidä jatkojohto (8) aina leikkurin takana ja kaukana leikkauskohdasta Kuva F mukaisesti. Älä koskaan vedä sitä leikkattavan pensasaidan päälle. Jos katkaiset johdon tai vahingoitat sitä, irrota pistoke virtalähteestä välittömästi ennen johdon tarkastamista tai korjaamista.

Käyttöasento

- ◆ Varmista hyvä jalansija ja tasapaino, vältä kurkottelua.
- ◆ Käytä trimmauksen aikana suojalaseja, tukevia jalkineita ja kumisia suojakäsineitä.
- ◆ Pitele laitetta hyvin molemmilla käsillä ja käynnistä se. Pidä leikkurista aina kiinni Kuva D mukaisesti pitämällä yhtä kättä kytinkahvassa ja toista kättä lisäkavassa. Älä koskaan pidä kiinni laitteen terän suojuksesta.

Uuden kasvun leikkaaminen (Kuva G)

- ◆ Tehokkain tapa leikata on laaja pyyhkäisyliike, jolloin terän hampaat syötetään oksien läpi. Paras leikkaustulos saavutetaan kallistamalla terää kevyesti alaspäin liikkeen suuntaan.



VAROITUS! Älä leikkaa leikkurilla yli 16 mm kokoisia varsia. Pensasleikkurilla voidaan ainoastaan leikata normaaleja rakennusten ympärillä olevia pensaita.

Pensaiden tasoitus (Kuva H)

- ◆ Erittäin tasaisten lopputuloksien saavuttamiseksi suuntaa antava lanka voidaan asettaa koko pensaan pituudelta.

Pensaiden sivujen leikkaus (Kuva I)

- ◆ Aloita alhaalta ja etene ylöspäin.

Leikkuuterät on valmistettu laadukkaasta nuorrutusteräksestä, niiden teroitus ei ole tarpeen normaalissa käytössä.

Jos kuitenkin osut terällä vahingossa aitaan (Kuva J), kivimateriaaleihin, lasiin tai muihin koviin kohteisiin, terään voi tulla särö. Lommon poistaminen ei ole tarpeen, jos se ei häiritse terän liikettä. Jos se häiritsee terän liikettä, irrota johto ja poista lommo hienohampaisella viilalla tai teroituskivellä. Jos pudotat leikkurin, tarkista se huolellisesti vaurioiden varalta. Jos terä on taipunut, kotelo haljennut tai kahvat vaurioituneet tai jos jokin muu ongelma vaikuttaa leikkurin toimintaan, ota yhteyttä paikalliseen Black & Decker-huoltopalveluun laitteen korjaamiseksi ennen sen uudelleen käyttöä.

Lannoitteet ja muut puutarhojen kemikaalit sisältävät aineita, jotka voivat edistää metallien korroosiota. Älä säilytä laitetta lannoitteiden tai kemikaalien päällä tai niiden lähellä.

Lisävarusteet

Työkalun suorituskyky riippuu käytetystä lisävarusteesta. Korkealaatuiset Black & Decker-lisävarusteet on suunniteltu parantamaan työkalun suorituskykyä. Käyttämällä näitä lisävarusteita saat sahalasi parhaan hyödyn.

Huolto

Langallinen/langaton Black & Decker-työkalusi/koneesi on suunniteltu käytettäväksi pitkään ja edellyttämään vain vähän kunnossapitoa. Hyvä suorituskyky jatkuvassa käytössä riippuu työkalun ylläpidosta ja säännöllisestä puhdistamisesta.

Voiteluöljyä voi ostaa Black & Decker-tuotteiden jälleenmyyjiltä (tuotenro A6102-XJ).

Katso huoltokeskuksen yhteystiedot tämän oppaan takasivulta tai osoitteesta www.2helpU.com.



VAROITUS! Ennen langallisen/langattoman sähkötyökalun huoltamista:

- ◆ Sammuta laite/työkalu ja irrota verkkojohto pistorasiasta.
- ◆ Jos laitteessa/työkalussa on erillinen akku, sammuta laite/työkalu ja irrota sen akku.
- ◆ Tai käytä akkuvirta kokonaan loppuun, jos se on integroitu laitteeseen ja sammuta sen jälkeen.
- ◆ Irrota laturi virtalähteestä ennen sen puhdistamista. Laturi ei vaadi ylläpitotoimia, ainoastaan säännöllistä puhdistusta.

- ◆ Puhdista laitteen/työkalun/laturin ilma-aukot säännöllisesti pehmeällä harjalla tai kuivalla kangasliinalla.
- ◆ Puhdista moottorin kotelo säännöllisesti kostealla liinalla. Älä käytä hankaavia tai liuotinpohjaisia puhdistusaineita.
- ◆ Puhdista terät huolellisesti käytön jälkeen. Voitele terät ohuesti öljyllä puhdistuksen jälkeen. Näin ne eivät ruostu.

Verkkovirtapistokkeen vaihtaminen (vain Iso-Britannia ja Irlanti)

Jos uusi verkkopistoke täytyy asentaa:

- ◆ Hävitä vanha pistoke turvallisesti.
- ◆ Liitä ruskea johto uuden pistokkeen jännitteeseen napaan.
- ◆ Liitä sininen johdin nollaliittimeen.



VAROITUS! Maadoitusliitäntään ei tule tehdä liitäntöjä. Noudata korkealaatuisten pistokkeiden mukana toimitettuja asennusohjeita. Suositeltu sulake: 5 A.

Puhdistaminen



VAROITUS! Puhalla lika ja pöly kotelosta kuivalla ilmalla, kun sitä kertyy ilmanvaihtoaukkoihin tai niiden ympärille. Käytä tällöin hyväksytyjä silmäsuojuksia ja hengityssuojainta.



VAROITUS: Älä koskaan puhdista muita kuin metallipintoja liuottimien tai muiden voimakkaiden kemikaalien avulla. Nämä kemikaalit voivat heikentää näissä osissa käytettyjä materiaaleja. Käytä vain vedellä ja miedolla pesuaineella kostutettua kangasta. Älä päästä mitään nestettä työkalun sisään. Älä upota mitään työkalun osaa nesteeseen.

Ympäristönsuojelu



Tuotteet/akut ovat kierrätettäviä, mutta jos niissä on rastitetun roskakorin merkki, niitä ei saa hävittää tavallisen kotitalousjätteen mukana.

Anna paristojen tyhjäntä kokonaan ja lajittele ne. Irrota mahdolliset valonlähteet tuotteesta, jos mahdollista. Käyttäjän vastuulla on poistaa henkilötiedot tuotteesta. Vie jätteet sitten viralliseen keräyspisteeseen tai vastaavalle jälleenmyyjälle, joka ottaa ne usein vastaan ilmaiseksi. Pakkaukset tulee hävittää merkityn materiaalikoodin perusteella. Käyttö- ja turvallisuusohjeet tulee hävittää vasta sitten, kun kyseessä oleva tuote on poistettu käytöstä. Pyydä paikalliselta viranomaiselta lisätietoa jätehuollosta. Lisätietoa on saatavilla osoitteessa www.2helpU.com ja skannaamalla yllä oleva QR-koodi.

Takuu

Black & Decker luottaa tuotteidensa laatuun ja tarjoaa kuluttajatuotteille 24 kuukauden takuun, joka astuu voimaan ostopäivänä. Takuu on lisäys kuluttajan laillisiin oikeuksiin eikä vaikuta niihin. Tämä takuu on voimassa kaikissa EU- ja ETA-maissa.

Takuuvaateet tulee tehdä Black & Decker -ehtojen mukaisesti ja ostosite tulee tällöin toimittaa jälleenmyyjälle tai valtuutettuun huoltopalveluun. Black&Decker -yhtiön kahden vuoden takuun ehdot ja lähimmän valtuutetun korjauspalvelun tiedot ovat saatavilla osoitteessa www.2helpU.com tai ottamalla yhteyttä paikalliseen Black & Decker -toimipisteeseen tämän ohjekirjan osoitteeseen. Käy verkkosivuillemme osoitteessa www.blackanddecker.eu ja rekisteröi uusi Black & Decker -tuotteesi saadaksesi tietoa uusista tuotteista ja erikoistarjouksista.

Έγγραφο διαθέσιμο στο Διαδίκτυο

www.2helpU.com/DoC/ ή

www.2helpU.com/DoC/index/xxx*

*Για απευθείας πρόσβαση, αντικαταστήστε το "xxx" με τον αριθμό μοντέλου του προϊόντος ο οποίος αναφέρεται στην πινακίδα στοιχείων ή στη συσκευασία του προϊόντος.



- Εγχειρίδιο οδηγιών
- Δήλωση Συμμόρφωσης (DoC)
- Δεδομένα Εκπομπών Προϊόντος (PED): Πληροφορίες σχετικά με Θόρυβο, Κραδασμούς και Σκόνη (δεν έχει εφαρμογή σε όλα τα προϊόντα)

Τεχνικά χαρακτηριστικά

		BEHT201 Τύπος 1	BEHT251 Τύπος 1
Τάση	V _{AC}	230	230
Κατανάλωση ισχύος	W	420	450
Αριθμός διαδρομών λεπίδας (χωρίς φορτίο)	min ⁻¹	1960	1815
Μήκος λεπίδας	cm	45	50
Διάκενο λεπίδων	mm	16	18
Χρόνος φρεναρίσματος λεπίδας	s	<1	<1
Βάρος	kg	1,91	2,16

Προβλεπόμενη χρήση

Τα μπортνοуρωμάλιδα BLACK+DECKER® BEHT201, BEHT251 έχουν σχεδιαστεί για κοπή και περιποίηση φυτικών φραχτών, χαμφδεντρων και βάτων. Αυτά τα εργαλεία προορίζονται μόνο για καταναλωτική χρήση.

Οδηγίες ασφαλείας**Γενικές προειδοποιήσεις ασφαλείας για ηλεκτρικά εργαλεία**

ΠΡΟΕΙΔΟΠΟΙΗΣΗ! Διαβάστε όλες τις προειδοποιήσεις ασφαλείας, τις οδηγίες, τις απεικονίσεις και τις προδιαγραφές που συνοδεύουν το ηλεκτρικό εργαλείο. Η μη τήρηση των προειδοποιήσεων και των οδηγιών που αναφέρονται παρακάτω μπορεί να έχει ως αποτέλεσμα ηλεκτροπληξία, πυρκαγιά και/ή σοβαρό τραυματισμό ή σωματική βλάβη.

Φυλάξτε όλες τις προειδοποιήσεις και τις οδηγίες για μελλοντική αναφορά. Ο όρος "ηλεκτρικό εργαλείο" στις προειδοποιήσεις, αναφέρεται είτε σε εργαλείο που λειτουργεί με ρεύμα δικτύου (ρεύματος - με καλώδιο) είτε σε εργαλείο που λειτουργεί με μπαταρία (μπαταρίας - χωρίς καλώδιο).

1. Ασφάλεια στον χώρο εργασίας

- Διατηρείτε τον χώρο εργασίας καθαρό και καλά φωτισμένο.** Οι ατακτοποιητοί ή σκοτεινοί χώροι γίνονται αιτίες ατυχημάτων.

- Μη χρησιμοποιείτε ηλεκτρικά εργαλεία σε περιβάλλοντα εκρήξιμα, όπως αυτά όπου υπάρχουν εύφλεκτα υγρά, αέρια ή σκόνη.** Τα ηλεκτρικά εργαλεία παράγουν σπινθηρές που μπορεί να προκαλέσουν ανάφλεξη της σκόνης ή των αναθυμιάσεων.
- Υ. Κρατάτε μακριά τα παιδιά και τους παρευρισκόμενους ενώ χειρίζεστε ένα ηλεκτρικό εργαλείο.** Παράγοντες που αποσπούν την προσοχή μπορεί να σας κάνουν να χάσετε τον έλεγχο.

2. Ασφάλεια χρήσης ηλεκτρικού ρεύματος

- Τα φως των ηλεκτρικών εργαλείων πρέπει να ταυρίζουν στην πρίζα. Ποτέ μην τροποποιήσετε το φως με κανέναν τρόπο. Μη χρησιμοποιείτε φως προσαρμογής με γειωμένα ηλεκτρικά εργαλεία.** Τα φως που δεν έχουν υποστεί τροποποιήσεις και οι κατάλληλες πρίζες μειώνουν τον κίνδυνο ηλεκτροπληξίας.
- Αποφεύγετε την επαφή του σώματος με γειωμένες επιφάνειες όπως σωλήνες, σώματα καλοριφέρ, κουζίνες και ψυγεία.** Υπάρχει αυξημένος κίνδυνος ηλεκτροπληξίας αν το σώμα σας είναι γειωμένο.
- Μην εκθέτετε τα ηλεκτρικά εργαλεία σε βροχή ή υγρασία.** Η διείσδυση νερού σε ένα ηλεκτρικό εργαλείο αυξάνει τον κίνδυνο ηλεκτροπληξίας.
- Μην κακομεταχειρίζεστε το καλώδιο. Μη χρησιμοποιείτε ποτέ το καλώδιο για να μεταφέρετε το ηλεκτρικό εργαλείο, να το τραβήξετε ή να το αποσυνδέσετε από την πρίζα. Κρατάτε το καλώδιο μακριά από θερμότητα, λάδια, αιχμηρά άκρα ή κινούμενα μέρη.** Τα καλώδια που έχουν υποστεί ζημιά ή είναι μπερδεμένα αυξάνουν τον κίνδυνο ηλεκτροπληξίας.
- Όταν εργάζεστε με ηλεκτρικό εργαλείο σε εξωτερικό χώρο, χρησιμοποιείτε καλώδιο προέκτασης κατάλληλο για εργασία σε εξωτερικούς χώρους.** Η χρήση καλωδίου κατάλληλου για εργασία σε εξωτερικούς χώρους μειώνει τον κίνδυνο ηλεκτροπληξίας.
- Εάν είναι αναπόφευκτη η χρήση ηλεκτρικού εργαλείου σε μέρος με υγρασία, χρησιμοποιήστε παροχή ρεύματος που προστατεύεται με διάταξη προστασίας από ρεύμα διαρροής (ρελέ διαρροής - RCD). Η χρήση διάταξης RCD μειώνει τον κίνδυνο ηλεκτροπληξίας.**

3. Ατομική ασφάλεια

- Παραμένετε σε εγρήγορση, προσέχετε τι κάνετε και χρησιμοποιείτε την κοινή λογική, όταν εργάζεστε με ηλεκτρικό εργαλείο. Μη χρησιμοποιείτε ηλεκτρικό εργαλείο όταν είστε κουρασμένος/-η ή υπό την επήρεια ναρκωτικών ουσιών, οιονοπέυματος ή φαρμακευτικής αγωγής.** Μια μόνο στιγμή απροσεξίας κατά τη χρήση ηλεκτρικών εργαλείων μπορεί να οδηγήσει σε σοβαρό τραυματισμό ατόμων.
- Χρησιμοποιείτε ατομικό εξοπλισμό προστασίας. Φοράτε πάντα μέσα προστασίας ματιών.** Ο εξοπλισμός προστασίας, όπως μάσκα κατά της σκόνης, αντιολισθητικά υποδήματα ασφαλείας, κράνος ή προστασία ακοής, όταν χρησιμοποιείται για τις κατάλληλες συνθήκες, θα μειώσει τους τραυματισμούς και τις σωματικές βλάβες.

- γ. Αποτρέπεται αθέλητη έναρξη λειτουργίας. Βεβαιώνετε ότι ο διακόπτης βρίσκεται στη θέση απενεργοποίησης πριν συνδέσετε το εργαλείο σε πηγή ρεύματος και/ή τοποθετήσετε το πακέτο μπαταριών, καθώς και προτού πάρετε στα χέρια σας ή μεταφέρετε το εργαλείο. Η μεταφορά ηλεκτρικών εργαλείων με το δάχτυλο στον διακόπτη ή η σύνδεση εργαλείων στην πηγή ρεύματος με τον διακόπτη στη θέση ενεργοποίησης ενέχουν κίνδυνο ατυχήματος.
- δ. Αφαιρέστε οποιοδήποτε κλειδί ρύθμισης ή κλειδί βιδώματος πριν ενεργοποιήσετε το ηλεκτρικό εργαλείο. Εάν αφήσετε ένα εργαλείο ή κλειδί βιδώματος πάνω σε κάποιο περιστρεφόμενο εξάρτημα του ηλεκτρικού εργαλείου, μπορεί να προκληθεί τραυματισμός.
- ε. Μην τεντώνετε υπερβολικά. Διατηρείτε πάντα σωστή στήριξη στα πόδια σας και καλή ισορροπία. Έτσι μπορείτε να έχετε καλύτερο έλεγχο του ηλεκτρικού εργαλείου σε μη αναμενόμενες καταστάσεις.
- στ. Φοράτε κατάλληλο ρουχισμό. Μη φοράτε φαρδιά ρούχα ούτε κοσμήματα. Κρατάτε τα μαλλιά και τα ρούχα σας μακριά από κινούμενα μέρη. Τα ρούχα φαρδιάς εφαρμογής, τα κοσμήματα και τα μακριά μαλλιά μπορούν να πιαστούν σε κινούμενα μέρη.
- ζ. Εάν παρέχονται συσκευές για τη σύνδεση εγκαταστάσεων εξαγωγής και συλλογής σκόνης, βεβαιωθείτε ότι είναι συνδεδεμένες και χρησιμοποιούνται σωστά. Η χρήση διατάξεων συλλογής της σκόνης μπορεί να μειώσει τους κινδύνους που προέρχονται από τη σκόνη.
- η. Μην αφήνετε την εξοικείωση που έχετε αποκτήσει από τη συχνή χρήση εργαλείων να σας επιτρέπει να εφησυχάσετε και να αγνοείτε τις αρχές ασφαλούς χρήσης των εργαλείων. Μια απρόσεκτη ενέργεια μπορεί να προκαλέσει βαρύ τραυματισμό μέσα σε κλάσματα του δευτερολέπτου.
4. Χρήση και φροντίδα του ηλεκτρικού εργαλείου
- α. Μην υπερφορτώνετε το ηλεκτρικό εργαλείο. Χρησιμοποιείτε το σωστό ηλεκτρικό εργαλείο για την εκάστοτε εφαρμογή σας. Το σωστό ηλεκτρικό εργαλείο εκτελεί την εργασία καλύτερα και ασφαλέστερα με την ένταση χρήσης για την οποία σχεδιάστηκε.
- β. Μη χρησιμοποιείτε το ηλεκτρικό εργαλείο αν ο διακόπτης του δεν το ενεργοποιεί και απενεργοποιεί. Οποιοδήποτε ηλεκτρικό εργαλείο δεν μπορεί να ελεγχθεί μέσω του διακόπτη του, είναι επικίνδυνο και πρέπει να επισκευαστεί.
- γ. Αποσυνδέστε το φως από την πηγή ρεύματος και/ή αφαιρέστε από το ηλεκτρικό εργαλείο το πακέτο μπαταριών, αν είναι αποσπώμενο, πριν διεξάγετε οποιαδήποτε ρύθμιση, αλλαγή αξεσουάρ ή όταν πρόκειται να αποθηκεύσετε οποιοδήποτε ηλεκτρικό εργαλείο. Τέτοια προληπτικά μέτρα ασφαλείας μειώνουν το κίνδυνο αθέλητης εκκίνησης του ηλεκτρικού εργαλείου.
- δ. Φυλάσσετε μακριά από παιδιά τα ηλεκτρικά εργαλεία που δεν χρησιμοποιείτε και μην αφήνετε να χρησιμοποιήσουν το ηλεκτρικό εργαλείο άτομα που δεν είναι εξοικειωμένα με αυτό ή άτομα που δεν έχουν διαβάσει αυτές τις οδηγίες χρήσης. Τα ηλεκτρικά

- εργαλεία είναι επικίνδυνα στα χέρια μη εκπαιδευμένων χρηστών.
- ε. Συντηρείτε τα ηλεκτρικά εργαλεία και τα αξεσουάρ. Ελέγχετε για προβλήματα ευθυγράμμισης ή για μάγκωμα των κινούμενων εξαρτημάτων, θραύση εξαρτημάτων, καθώς και για οποιοδήποτε άλλο πρόβλημα μπορεί να επηρεάσει τη λειτουργία του ηλεκτρικού εργαλείου. Αν το ηλεκτρικό εργαλείο έχει υποστεί ζημιά, παραδώστε το για επίσκεψη πριν το χρησιμοποιήσετε. Η ανεπαρκής συντήρηση των ηλεκτρικών εργαλείων αποτελεί αιτία πολλών ατυχημάτων.
- στ. Διατηρείτε τα εργαλεία κοπής αιχμηρά και καθαρά. Τα κατάλληλα συντηρημένα εργαλεία κοπής με αιχμηρές κοπτικές ακμές έχουν μικρότερες πιθανότητες να μαγκώσουν και ελέγχονται ευκολότερα.
- ζ. Χρησιμοποιείτε το ηλεκτρικό εργαλείο, τα εξαρτήματα και τις μύτες εργαλείων κλπ. σύμφωνα με αυτές τις οδηγίες, λαμβάνοντας υπόψη τις συνθήκες εργασίας και την εργασία που πρέπει να εκτελεστεί. Η χρήση του ηλεκτρικού εργαλείου για εργασίες διαφορετικές από τις προβλεπόμενες θα μπορούσε να έχει ως συνέπεια επικίνδυνη κατάσταση.
- η. Διατηρείτε τις λαβές και τις επιφάνειες κρατήματος στεγνές, καθαρές και απαλλαγμένες από λάδι και γράσο. Οι ολισθηρές λαβές και επιφάνειες κρατήματος δεν επιτρέπουν τον ασφαλή χειρισμό και έλεγχο του εργαλείου σε μη αναμενόμενες καταστάσεις.
5. Σέρβις
- α. Αναθέτετε το σέρβις του ηλεκτρικού εργαλείου σε εξειδικευμένο επισκευαστή που χρησιμοποιεί μόνο γνήσια ανταλλακτικά. Έτσι θα εξασφαλίσετε τη διατήρηση της ασφάλειας του ηλεκτρικού εργαλείου.

Προειδοποιήσεις ασφαλείας για το μορντουροψάλιδο

- α. Μη χρησιμοποιείτε το μορντουροψάλιδο σε άσχημες καιρικές συνθήκες, ειδικά όταν υπάρχει κίνδυνος ηλεκτρικών φαινομένων. Έτσι μειώνεται ο κίνδυνος να σας χτυπήσει κεραυνός.
- β. Διατηρείτε όλα τα καλώδια ρεύματος και άλλα καλώδια μακριά από την περιοχή κοπής. Καλώδια ρεύματος ή άλλα καλώδια μπορεί να είναι κρυμμένα μέσα στους φυτικούς φράχτες ή στους θάμνους και μπορεί να κοπούν κατά λάθος από τη λεπίδα.
- γ. Φοράτε μέσα προστασίας ακοής. Ο επαρκής προστατευτικός εξοπλισμός θα μειώσει τον κίνδυνο απώλειας ακοής.
- δ. Κρατάτε το μορντουροψάλιδο μόνο από μονωμένες επιφάνειες κρατήματος, επειδή η λεπίδα μπορεί να έρθει σε επαφή με αθάνατα καλώδια. Αν οι λεπίδες έρθουν σε επαφή με καλώδιο υπό τάση, μπορεί να θεθούν υπό ηλεκτρική τάση και τα εκτεθειμένα μεταλλικά μέρη του μορντουροψάλιδου και να προκληθεί ηλεκτροπληξία στο χειριστή.
- ε. Κρατάτε όλα τα μέλη του σώματός σας μακριά από τη λεπίδα. Όταν οι λεπίδες βρίσκονται σε κίνηση, μην αφαιρείτε το κομμένο υλικό και μην κρατάτε το υλικό που θέλετε να κόψετε. Οι λεπίδες συνεχίζουν να

κινούνται και μετά την απενεργοποίηση με το διακόπτη. Μια στιγμήαία απροσεξία κατά το χειρισμό του μπορντουρωψάλιδου μπορεί να οδηγήσει σε σοβαρό τραυματισμό.

- στ. Όταν καθαρίζετε υλικό που έχει σφηνώσει ή όταν πραγματοποιείτε σέρβις στο μπορντουρωψάλιδο, διασφαλίζετε ότι όλοι οι διακόπτες τροφοδοσίας είναι απενεργοποιημένοι και το καλώδιο ρεύματος είναι αποσυνδεδεμένο.** Η μη αναμενόμενη ενεργοποίηση του μπορντουρωψάλιδου κατά την απομάκρυνση σφηνωμένου υλικού ή τις εργασίες σέρβις, μπορεί να προκαλέσει σοβαρό τραυματισμό.
- ζ. Μεταφέρετε το μπορντουρωψάλιδο από τη λαβή, με τη λεπίδα σταματημένη και προσέχοντας να μην πατήσετε κανένα διακόπτη τροφοδοσίας.** Η σωστή μεταφορά του μπορντουρωψάλιδου θα μειώσει τον κίνδυνο αθλήτης εκκίνησης του εργαλείου και επακόλουθου τραυματισμού από τις λεπίδες.
- η. Κατά τη μεταφορά ή αποθήκευση του μπορντουρωψάλιδου, χρησιμοποιείτε πάντα το κάλυμμα λεπίδων.** Ο σωστός χειρισμός του μπορντουρωψάλιδου θα μειώσει τον κίνδυνο τραυματισμού από τις λεπίδες.

Πρόσθετες προειδοποιήσεις ασφαλείας για ηλεκτρικά εργαλεία



ΠΡΟΕΙΔΟΠΟΙΗΣΗ! Πρόσθετες προειδοποιήσεις ασφαλείας για μπορντουρωψάλιδα

- ◆ Η προβλεπόμενη χρήση περιγράφεται στο παρόν εγχειρίδιο οδηγιών. Η χρήση οποιοδήποτε αξεσουάρ ή προσαρτήματος ή η εκτέλεση με αυτό το εργαλείο οποιασδήποτε εργασίας διαφορετικής από αυτές που συνιστώνται στο παρόν εγχειρίδιο οδηγιών, μπορεί να εγκυμονεί κίνδυνο σωματικών βλαβών και/ή υλικών ζημιών.
- ◆ Εάν δεν έχετε χρησιμοποιήσει ξανά μπορντουρωψάλιδο, καλό θα είναι να ζητήσετε πρακτικές οδηγίες από έναν έμπειρο χρήστη, πέραν από τη μελέτη του παρόντος εγχειριδίου.
- ◆ Μην αγγίζετε ποτέ τις λεπίδες ενώ το εργαλείο βρίσκεται σε λειτουργία.
- ◆ Μην επιχειρήσετε ποτέ να ακινητοποιήσετε τις λεπίδες εξαναγκαστικά.
- ◆ Μην τοποθετείτε κάτω το εργαλείο πριν να ακινητοποιηθούν εντελώς οι λεπίδες.
- ◆ Ελέγχετε τακτικά τις λεπίδες για ζημιές και φθορά. Μη χρησιμοποιείτε το εργαλείο εάν οι λεπίδες έχουν υποστεί ζημιά.
- ◆ Προσέξτε να αποφεύγετε σκληρά αντικείμενα (π.χ. μεταλλικά σύρματα, κιγκλιδώματα) κατά τις εργασίες κοπής. Εάν χτυπήσετε κατά λάθος ένα τέτοιο αντικείμενο, απενεργοποιήστε αμέσως το εργαλείο και ελέγξτε το για τυχόν ζημιά.
- ◆ Εάν τυχόν το εργαλείο αρχίσει να δονείται με μη φυσιολογικό τρόπο, απενεργοποιήστε το αμέσως,

αποσυνδέστε το από την παροχή ρεύματος δικτύου και στη συνέχεια ελέγξτε το για τυχόν ζημιά.

- ◆ Αν το εργαλείο σταματήσει να λειτουργεί λόγω μεγάλης αντίστασης, αμέσως απενεργοποιήστε το. Αποσυνδέστε το από την παροχή ρεύματος δικτύου πριν επιχειρήσετε να αφαιρέσετε οποιοδήποτε εμπόδιο.
- ◆ Μετά από τη χρήση, τοποθετήστε στις λεπίδες την παρεχόμενη θήκη λεπίδων. Αποθηκεύστε το εργαλείο, αφού βεβαιωθείτε ότι η λεπίδα δεν είναι εκτεθειμένη.
- ◆ Πάντα βεβαιώνετε ότι όλα τα προστατευτικά είναι τοποθετημένα στο εργαλείο όταν το χρησιμοποιείτε. Ποτέ μην επιχειρήσετε να χρησιμοποιήσετε ένα μη πλήρες εργαλείο ή ένα εργαλείο που έχει υποβληθεί σε μη εξουσιοδοτημένες τροποποιήσεις.
- ◆ Μην αφήσετε ποτέ παιδιά να χρησιμοποιήσουν το εργαλείο.
- ◆ Προσέχετε το ενδεχόμενο πτώσης υπολειμμάτων κοπής κατά την κοπή στις ψηλότερες πλευρές ενός φυτικού φράχτη.
- ◆ Πάντα να κρατάτε το εργαλείο και με τα δύο χέρια και από τις παρεχόμενες λαβές.
- ◆ **Μικρά παιδιά και εξασθενημένα άτομα. Αυτή η συσκευή δεν προορίζεται για χρήση χωρίς επίβλεψη από μικρά παιδιά ή εξασθενημένα άτομα.**
- ◆ **Το προϊόν αυτό δεν προορίζεται για χρήση από άτομα (περιλαμβανομένων παιδιών) που έχουν μειωμένες σωματικές, αισθητηριακές ή διανοητικές ικανότητες, έλλειψη εμπειρίας, γνώσης ή δεξιοτήτων, εκτός αν τα άτομα αυτά βρίσκονται υπό την επίβλεψη ατόμου υπεύθυνου για την ασφάλειά τους. Τα παιδιά δεν πρέπει να μένουν ποτέ μόνα τους με αυτό το προϊόν.**
- ◆ **Το μπορντουρωψάλιδο προορίζεται για χρήση από τον χειριστή στο επίπεδο του εδάφους και όχι πάνω σε κινητές σκάλες ή οποιοδήποτε άλλο υποστήριγμα που δεν είναι σταθερό.**

Υπολειπόμενοι κίνδυνοι

Ενδέχεται να προκύψουν πρόσθετοι υπολειπόμενοι κίνδυνοι κατά τη χρήση του εργαλείου, οι οποίοι ενδέχεται να μη συμπεριλαμβάνονται στις συνινημένες προειδοποιήσεις ασφαλείας. Αυτοί οι κίνδυνοι μπορεί να προκύψουν από κακή χρήση, παρατεταμένη χρήση κλπ. Ακόμη και με την εφαρμογή των σχετικών κανονισμών ασφαλείας και την εφαρμογή διατάξεων ασφαλείας, ορισμένοι υπολειπόμενοι κίνδυνοι δεν μπορούν να αποφευχθούν. Σ' αυτούς περιλαμβάνονται:

- ◆ Τραυματισμοί λόγω επαφής με οποιαδήποτε περιστρεφόμενα/κινούμενα μέρη.
- ◆ Τραυματισμοί κατά την αλλαγή οποιωνδήποτε εξαρτημάτων, λεπίδων ή αξεσουάρ.
- ◆ Σωματικές βλάβες προκαλούμενες από παρατεταμένη χρήση ενός εργαλείου. Όταν χρησιμοποιείτε οποιοδήποτε εργαλείο για παρατεταμένα διαστήματα, φροντίστε να κάνετε τακτικά διαλείμματα.
- ◆ Βλάβη της ακοής.

- ◆ Κίνδυνοι για την υγεία λόγω εισπνοής σκόνης που αναπτύσσεται κατά τη χρήση του εργαλείου (παράδειγμα: εργασία με ξύλο, ειδικά με ξύλο βελανιδιάς, οξιάς και MDF).

Θέση κωδικού ημερομηνίας

Ο κωδικός ημερομηνίας παραγωγής (9) αποτελείται από έναν 4ψήφιο αριθμό έτους ακολουθούμενο από έναν 2ψήφιο αριθμό εβδομάδας και έχει ως τελική επέκταση έναν 2ψήφιο κωδικό εργοστασίου.

Ετικέτες πάνω στο εργαλείο

Το εργαλείο φέρει τα παρακάτω εικονογράμματα μαζί με τον κωδικό ημερομηνίας:



Ο χρήστης πρέπει να διαβάσει και να κατανοήσει το εγχειρίδιο οδηγιών πριν χρησιμοποιήσει αυτό το προϊόν.



Ο χρήστης πρέπει να φοράει επαρκή εξοπλισμό προστασίας ματιών, ακοής και κεφαλής.



ΠΡΟΕΙΔΟΠΟΙΗΣΗ: Κίνδυνος ηλεκτροπληξίας. Αποσυνδέστε αμέσως το φις από το ρεύμα δικτύου αν το καλώδιο υποστεί ζημιά ή κοπεί.



MHN εκθέτετε το προϊόν σε βροχή.



MHN αγγίζετε τη λεπίδα. Κρατάτε τα χέρια μακριά από τη λεπίδα.



Εγγυημένη ηχητική ισχύς σύμφωνα με την Οδηγία 2000/14/EK.

Ασφάλεια χρήσης ηλεκτρικού ρεύματος



Αυτό το εργαλείο φέρει διπλή μόνωση. Επομένως, δεν απαιτείται αγωγός γείωσης. Ελέγχετε πάντα ότι η παροχή ρεύματος αντιστοιχεί στην τάση που αναφέρεται στην πινακίδα στοιχείων.

- ◆ Αν το καλώδιο τροφοδοσίας έχει υποστεί ζημιά, πρέπει να αντικατασταθεί από τον κατασκευαστή ή εξουσιοδοτημένο κέντρο σέρβις Black & Decker, για την αποφυγή κινδύνου.
- ◆ Όταν χρησιμοποιείτε το ηλεκτρικό εργαλείο σε εξωτερικούς χώρους, να χρησιμοποιείτε μόνο καλώδια προέκτασης που προορίζονται για χρήση σε εξωτερικούς χώρους. Μπορείτε να χρησιμοποιήσετε ένα καλώδιο προέκτασης Black & Decker με τα κατάλληλα ονομαστικά χαρακτηριστικά, μήκους έως 30 m, χωρίς απώλειες ισχύος.
- ◆ Η ασφάλεια έναντι ηλεκτροπληξίας μπορεί να βελτιωθεί ακόμα περισσότερο με τη χρήση μιας διάταξης παραμένοντος ρεύματος (RCD) 30 mA υψηλής ευαισθησίας.

Χαρακτηριστικά

Στο εργαλείο αυτό διατίθενται ορισμένα ή όλα τα παρακάτω χαρακτηριστικά.

1. Λεπίδα
2. Προφυλακτήρας
3. Βοηθητική λαβή
4. Κουμπί ασφάλισης
5. Σκανδάλη
6. Λαβή διακόπτη
7. Εξάρτημα συγκράτησης καλωδίου
8. Καλώδιο προέκτασης (δεν περιλαμβάνεται)

Συναρμολόγηση



ΠΡΟΕΙΔΟΠΟΙΗΣΗ! Πριν από τη συναρμολόγηση, βεβαιωθείτε ότι εργαλείο είναι απενεργοποιημένο και αποσυνδεδεμένο από την πρίζα και ότι η θήκη λεπίδων είναι τοποθετημένη στις λεπίδες.

Σύνδεση του προφυλακτήρα στο μπουρντουρωφάλιδο (Εικ. Α, Β)

Το μπουρντουρωφάλιδο αποστέλλεται χωρίς να έχει συνδεθεί ο προφυλακτήρας. Για την τοποθέτηση του προφυλακτήρα:

- ◆ Αφαιρέστε τη βίδα συγκράτησης 10 του προφυλακτήρα χρησιμοποιώντας κασαβίδι τύπου Phillips (δεν παρέχεται).
- ◆ Τοποθετήστε τον προφυλακτήρα στη θέση του όπως δείχνει η Εικ. Α. Βεβαιωθείτε ότι ο προφυλακτήρας εισέρχεται στις αυλακώσεις στη μονάδα.
- ◆ Εισάγετε τη βίδα συγκράτησης 10 του προφυλακτήρα στο άνοιγμα στο πλαίσιο του προφυλακτήρα και σφίξτε καλά όπως δείχνει η Εικ. Β.



ΠΡΟΕΙΔΟΠΟΙΗΣΗ! Χρησιμοποιείτε το μπουρντουρωφάλιδο μόνο με τη λαβή και τον προφυλακτήρα κατάλληλα τοποθετημένα. Η χρήση του μπουρντουρωφάλιδου χωρίς τον κατάλληλο προφυλακτήρα ή την παρεχόμενη λαβή μπορεί να προκαλέσει σοβαρό τραυματισμό.

Σύνδεση καλωδίου προέκτασης στο μπουρντουρωφάλιδο (Εικ. C)

Ένα εξάρτημα συγκράτησης καλωδίου (7) είναι ενσωματωμένο στο πίσω μέρος της λαβής διακόπτη (6).

- ◆ Κοντά στο άκρο του καλωδίου προέκτασης (8), διπλώστε το καλώδιο προέκτασης για να δημιουργήσετε μια θηλιά.
- ◆ Περάστε τη θηλιά μέσα στο περίβλημα (11) του εξαρτήματος συγκράτησης καλωδίου όπως δείχνει η Εικ. C.
- ◆ Αγκιστρώστε τη θηλιά στο εξάρτημα συγκράτησης καλωδίου (7) ώστε να στηρίζεται μέσα στο εξάρτημα συγκράτησης καλωδίου.
- ◆ Συνδέστε το καλώδιο προέκτασης στη μονάδα.

Σωστή τοποθέτηση των χεριών (Εικ. D)

Πάντα κρατάτε το μπουρντουρωφάλιδο όπως φαίνεται στις εικόνες στο εγχειρίδιο αυτό, με ένα χέρι στη λαβή διακόπτη και ένα χέρι στη βοηθητική λαβή (Εικ. D). Ποτέ μην κρατάτε τη μονάδα από τον προφυλακτήρα λεπίδας.

Χρήση

ΠΡΟΕΙΔΟΠΟΙΗΣΗ! Αφήνετε το εργαλείο να λειτουργεί με τον δικό του ρυθμό. Μην υπερφορτώνετε το εργαλείο.



ΠΡΟΕΙΔΟΠΟΙΗΣΗ! Μην αποθηκεύετε ή χρησιμοποιείτε το εργαλείο σε θέσεις όπου η θερμοκρασία μπορεί να πέσει κάτω από τους 4 °C (39,2 °F) (όπως σε εξωτερικά υπόστεγα ή μεταλλικά κτίρια το χειμώνα) ή να υπερβεί τους 40 °C (104 °F) (όπως σε εξωτερικά υπόστεγα ή μεταλλικά κτίρια το καλοκαίρι).

Ενεργοποίηση και απενεργοποίηση

ΣΗΜΕΙΩΣΗ: Για την ασφάλειά σας, αυτό το εργαλείο είναι εξοπλισμένο με διπλό σύστημα ενεργοποίησης. Αυτό το σύστημα εμποδίζει τη μη ηθελημένη ενεργοποίηση του εργαλείου και επιτρέπει τη λειτουργία του εργαλείου μόνο εφόσον το κρατάτε και με τα δύο χέρια.

Ενεργοποίηση (Εικ. Ε)

- ♦ Για να ενεργοποιήσετε το εργαλείο, πρέπει και να πατήσετε τον διακόπτη βοηθητικής λαβής (4) και να πατήσετε τη σκανδάλη (5) της κύριας λαβής. Για να συνεχίσει να λειτουργεί η μονάδα, πρέπει να διατηρήσετε πατημένους και τους δύο διακόπτες.
- ♦ Για να απενεργοποιήσετε τη μονάδα, ελευθερώστε είτε τον διακόπτη βοηθητικής λαβής είτε τη σκανδάλη.



ΠΡΟΕΙΔΟΠΟΙΗΣΗ! Ποτέ μην προσπαθήσετε να κλειδώσετε έναν διακόπτη στη θέση ON (ενεργοποιημένο).

- ♦ Λιπαίνετε τακτικά τις λεπίδες.

Γενικές οδηγίες κοπής και περιποίησης**Καλώδιο προέκτασης (Εικ. F)**

- ♦ Πάντα διατηρείτε το καλώδιο προέκτασης (8) πίσω από το μπортουρωφάλιδο και μακριά από τη λειτουργία κοπής, όπως δείχνει η Εικ. F. Ποτέ μην το απλώσετε πάνω στον φυτικό φράχτη που κόβετε. Αν κόψετε το καλώδιο ή του προξενήσετε ζημιά, απασυνδέστε το αμέσως από την πρίζα, πριν το επιθεωρήσετε ή το επισκευάσετε.

Θέση εργασίας

- ♦ Διατηρείτε σωστή στήριξη στα πόδια και καλή ισορροπία και μην τεντώνετε υπερβολικά.
- ♦ Κατά την κοπή φοράτε προστατευτικά γυαλιά ασφαλείας, αντλιοθητικά υποδημάτια, καθώς και λαστιχένια γάντια.
- ♦ Κρατήστε το εργαλείο σταθερά και με τα δύο χέρια και ενεργοποιήστε το. Πάντα κρατάτε το μπортουρωφάλιδο όπως δείχνει η Εικ. D, με το ένα χέρι στη λαβή διακόπτη και το άλλο χέρι στη βοηθητική λαβή. Ποτέ μην κρατάτε το εργαλείο από τον προφυλακτήρα λεπίδας.

Κοπή νέας βλάστησης (Εικ. G)

- ♦ Αποτελεσματική είναι μια ευρεία κίνηση σάρωσης περνώντας τα δόντια της λεπίδας μέσα από τα κλαδάκια. Μια ελαφρά προς τα κάτω κλίση της λεπίδας στην κατεύθυνση της κίνησης δίνει την καλύτερη κοπή.



ΠΡΟΕΙΔΟΠΟΙΗΣΗ! Μη χρησιμοποιείτε το μπортουρωφάλιδο για να κόβετε στελέχη μεγαλύτερα από 16 mm. Χρησιμοποιείτε το μπортουρωφάλιδο μόνο για να κόβετε κανονικούς θάμνους γύρω από σπίατα και κτίρια.

Επίπεδοι φυτικοί φράχτες (Εικ. H)

- ♦ Για να δημιουργήσετε εξαιρετικά επίπεδους φυτικούς φράχτες, μπορείτε να τεντώσετε ένα κομμάτι νήματος ως οδηγό κατά το μήκος του φυτικού φράχτη.

Πλευρικό κόψεμα φυτικών φραχτών (Εικ. I)

- ♦ Ξεκινήστε από το κάτω μέρος εκτελώντας κινήσεις σάρωσης προς τα πάνω.

Οι λεπίδες κοπής είναι κατασκευασμένες από υψηλής ποιότητας σκληρυμένο χάλυβα και με κανονική χρήση δεν θα χρειαστούν νέο ακόνισμα. Ωστόσο, αν χτυπήσετε κατά λάθος ένα φράκτη από σιμπατόπλεγμα (Εικ. J), ή πέτρες, γυαλί ή άλλα σκληρά αντικείμενα, μπορεί να δημιουργηθεί μια εγκοπή στη λεπίδα. Δεν χρειάζεται να αφαιρέσετε αυτή την εγκοπή εφόσον δεν επηρεάζει την κίνηση της λεπίδας. Αν όμως την επηρεάζει, απασυνδέστε το καλώδιο και χρησιμοποιήστε μια λίμα με φιλά δόντια ή μια πέτρα ακονίσματος για να αφαιρέσετε την εγκοπή. Αν σας πέσει το μπортουρωφάλιδο, επιθεωρήστε το προσεκτικά για ζημιές. Αν έχει λυγίσει η λεπίδα, ραγίσει το περίβλημα ή σπάσει οι λαβές ή αν δείτε οποιοδήποτε άλλο πρόβλημα που μπορεί να επηρεάσει τη λειτουργία του μπортουρωφάλιδου, επικοινωνήστε με το τοπικό σας Κέντρο σέρβις Black & Decker για επισκευές πριν το θέσετε πάλι σε χρήση.

Λιπάσματα και άλλα χημικά κήπου περιέχουν παράγοντες που επιταχύνουν σε μεγάλο βαθμό τη διάβρωση των μετάλλων. Μην αποθηκεύετε τη μονάδα πάνω ή κοντά σε λιπάσματα ή χημικά.

Αξεσουάρ

Η απόδοση του εργαλείου σας εξαρτάται από το αξεσουάρ που χρησιμοποιείτε. Τα αξεσουάρ της Black & Decker έχουν κατασκευαστεί με βάση πρότυπα υψηλής ποιότητας και είναι σχεδιασμένα να ενισχύουν την απόδοση του εργαλείου σας. Χρησιμοποιώντας αυτά τα αξεσουάρ θα λάβετε τη μέγιστη απόδοση από το εργαλείο σας.

Συντήρηση

Αυτή η συσκευή/αυτό το εργαλείο ρεύματος/μπαταρίας της Black & Decker έχει σχεδιαστεί έτσι ώστε να λειτουργεί για μεγάλο χρονικό διάστημα με την ελάχιστη δυνατή συντήρηση. Η συνεχής ικανοποιητική λειτουργία του εργαλείου εξαρτάται από τη σωστή φροντίδα και τον τακτικό καθαρισμό του. Λάδι λίπανσης διατίθεται από τα εμπορικά σημεία πώλησης προϊόντων Black & Decker (αρ. κατ. A6102-XJ). Ανατρέξτε στο οπισθόφυλλο αυτού του εγχειριδίου για πληροφορίες επικοινωνίας με κέντρο σέρβις, ή επισκεφθείτε τον ιστότοπο www.2helpu.com.



ΠΡΟΕΙΔΟΠΟΙΗΣΗ! Πριν πραγματοποιήσετε οποιαδήποτε συντήρηση σε ηλεκτρικά εργαλεία ρεύματος/μπαταρίας:

- ◆ Απενεργοποιήστε και αποσυνδέστε τη συσκευή/το εργαλείο από την πρίζα.
- ◆ Ή απενεργοποιήστε τη συσκευή/το εργαλείο και αφαιρέστε την μπαταρία από τη συσκευή/το εργαλείο εάν η συσκευή/το εργαλείο διαθέτει αφαιρούμενο πακέτο μπαταριών.
- ◆ Ή χρησιμοποιήστε το εργαλείο μέχρι να εξαντληθεί πλήρως η μπαταρία, αν η μπαταρία είναι ενσωματωμένη, και στη συνέχεια απενεργοποιήστε το εργαλείο.
- ◆ Αποσυνδέστε τον φορτιστή από την πρίζα πριν τον καθαρίσετε. Ο φορτιστής αυτός δεν χρειάζεται καμία συντήρηση εκτός από τον τακτικό καθαρισμό.
- ◆ Καθαρίζετε τακτικά τα ανοίγματα αερισμού της συσκευής/του εργαλείου/του φορτιστή χρησιμοποιώντας μια μαλακή βούρτσα ή ένα στεγνό πανί.
- ◆ Καθαρίζετε τακτικά το περίβλημα κινητήρα χρησιμοποιώντας ένα ελαφρά υγρό πανί. Μη χρησιμοποιείτε καθαριστικά που χαράζουν ή περιέχουν διαλύτες.
- ◆ Μετά τη χρήση, καθαρίζετε τις λεπίδες. Μετά τον καθαρισμό, περάστε τις λεπίδες με ένα λεπτό στρώμα λαδιού μηχανής για την προστασία τους από τη σκουριά.

Αντικατάσταση φης ρεύματος δικτύου (Hv. Βασ. & Ιρλανδία μόνο)

Αν χρειάζεται να τοποθετηθεί νέο φως ρεύματος δικτύου:

- ◆ Απορρίψτε το παλιό φως με ασφαλή τρόπο.
- ◆ Συνδέστε τον καφέ αγωγό στον ακροδέκτη φάσης του καινούργιου φως.
- ◆ Συνδέστε τον μπλε αγωγό στον ουδέτερο ακροδέκτη.



ΠΡΟΕΙΔΟΠΟΙΗΣΗ! Δεν πρέπει να γίνει σύνδεση στον ακροδέκτη γείωσης. Ακολουθήστε τις οδηγίες σύνδεσης που συνοδεύουν τα φως καλής ποιότητας. Συνιστώμενη ασφάλεια: 5 A.

Καθαρισμός



ΠΡΟΕΙΔΟΠΟΙΗΣΗ! Φυσιώγη βρομιάς και σκόνη από το κύριο περίβλημα με ξηρό αέρα όταν βλέπτε να συλλέγονται ακαθαρσίες μέσα και γύρω από τα ανοίγματα αερισμού. Φοράτε εγκεκριμένη προστασία ματιών και εγκεκριμένη μάσκα προστασίας από τη σκόνη όταν εκτελείτε αυτή τη διαδικασία.



ΠΡΟΕΙΔΟΠΟΙΗΣΗ: Ποτέ μη χρησιμοποιήσετε διαλύτες ή άλλα σκληρά χημικά για τον καθαρισμό των μη μεταλλικών εξαρτημάτων του εργαλείου. Τα χημικά αυτά μπορεί να εξασθενήσουν τα υλικά που χρησιμοποιούνται σ' αυτά τα εξαρτήματα. Χρησιμοποιείτε ένα πανί που έχει υγράνει ελαφρά μόνο με νερό και ήπιο απορρυπαντικό. Ποτέ μην αφήσετε οποιοδήποτε υγρό να εισέλθει στο εργαλείο. Ποτέ μη βυθίσετε οποιοδήποτε μέρος του εργαλείου σε υγρό.

Προστασία του περιβάλλοντος



Τα προϊόντα/οι μπαταρίες μπορούν να ανακυκλωθούν, αλλά αν φέρουν τη σήμανση διαγραμμένου κάδου απορριμμάτων, δεν πρέπει να απορριφθούν στα κανονικά οικιακά απορρίμματα. Χρησιμοποιήστε τις μπαταρίες μέχρι να εξαντληθούν πλήρως και διαχωρίστε τις από το προϊόν. Επίσης διαχωρίστε τυχόν φωτεινές πηγές από το προϊόν, αν αυτό είναι εφικτό. Αποτελεί ευθύνη σας ως χρήστη να διαγράψετε τυχόν προσωπικά δεδομένα από το προϊόν. Κατόπιν παραδώστε τα απόβλητα σε επίσημο κέντρο συλλογής αποβλήτων ή σε συμμετέχοντα έμπορο, που συχνά θα τα δεχθεί χωρίς χρέωση. Η συσκευασία θα πρέπει να απορριφθεί με βάση τη σήμανση κωδικού υλικού που φέρει. Οι οδηγίες χρήσης και ασφάλειας θα πρέπει να απορριφθούν μόνον όταν δεν χρησιμοποιείται πλέον το αντίστοιχο προϊόν το οποίο αφορούν. Ζητήστε την καθοδήγηση της τοπικής σας κοινοτικής/δημοτικής αρχής στο θέμα της διαχείρισης αποβλήτων. Για περισσότερες πληροφορίες, επισκεφθείτε το www.2helpU.com και σαρώστε τον παραπάνω κωδικό QR.

Εγγύηση

Η Black & Decker είναι σίγουρη για την ποιότητα των προϊόντων της και προσφέρει στους καταναλωτές εγγύηση 24 μηνών από την ημερομηνία αγοράς. Η παρούσα εγγύηση αποτελεί προσθήκη στα νόμιμα δικαιώματά σας και σε καμία περίπτωση δεν τα παραβάλλει. Η εγγύηση ισχύει εντός της επικράτειας των χωρών μελών της Ευρωπαϊκής Ένωσης και της Ευρωπαϊκής Ζώνης Ελεύθερων Συναλλαγών. Για να υποβάλετε αξίωση βάσει της εγγύησης, η αξίωση πρέπει να είναι σύμφωνη με τους Όρους και προϋποθέσεις της Black&Decker και θα χρειαστεί να υποβάλετε απόδειξη αγοράς στον πωλητή ή ένα εξουσιοδοτημένο αντιπρόσωπο σέρβις. Μπορείτε να δείτε τους Όρους και προϋποθέσεις της εγγύησης 2 ετών της Black&Decker και την τοποθεσία του πλησιέστερου εξουσιοδοτημένου αντιπροσώπου σέρβις, στο Internet στη διεύθυνση www.2helpU.com, ή επικοινωνώντας με το τοπικό σας γραφείο Black & Decker στη διεύθυνση που υποδεικνύεται στο παρόν εγχειρίδιο. Παρακαλούμε επισκεφθείτε την ιστοσελίδα μας www.blackanddecker.eu για να καταχωρίσετε το νέο σας προϊόν Black & Decker και για να ενημερώνετε για τα νέα προϊόντα και τις ειδικές προσφορές.

Australia & New Zealand www.blackanddecker.com.au www.blackanddecker.co.nz	Australia & New Zealand Stanley Black & Decker 810 Whitehorse Road Box Hill VIC 3128, Australia	Tel. 1800 338 002 (Aust) Tel. 0800 339 258 (NZ)
België/Belgique/Luxembourg www.blackanddecker.be enduser.be@sbdinc.com	Stanley Black & Decker Belgium BVBA Egide Walschaertsstraat 16 2800 Mechelen	Tel. NL +32 15 47 37 65 Tel. FR +32 15 47 37 66 Fax +32 15 47 37 99
Danmark	Black & Decker Roskildevej 22 2620 Albertslund	kundeservice.dk@sbdinc.com www.blackanddecker.dk
Deutschland www.blackanddecker.de infobfge@sbdinc.com	Stanley Black & Decker Deutschland GmbH Richard-Klinger-Strasse 11 65510 Idstein, Deutschland	Tel. 06126 21-0 Fax 06126 21-2980
Ελλάδα www.blackanddecker.gr greece.service@sbdinc.com SERVICE:	Stanley Black & Decker (ΕΛΛΑΣ) Ε.Π.Ε. ΓΡΑΦΕΙΑ ΣΤΡΩΒΩΝΟΣ 7 & ΒΟΥΛΙΑΜΙΝΗΣ 166 74 Γλυφάδα - Αθήνα Ημερος Τόπος 2 - Χάνι Αδάμ 193 00 Ασπρόπυργος - Αθήνα	Τηλ. 210-8981616 Φαξ 210-8983570 Τηλ. Service 210-8985208 Φαξ 210-5597598
España www.blackanddecker.es respuesta.posventa@sbdinc.com	Stanley Black & Decker Ibérica, S.C.A. Parc de Negocis "Mas Blau" Edificio Muntadas, c/Bergadà, 1, Of. A6 08820 El Prat de Llobregat (Barcelona)	Tel. 934 797 400 Fax 934 797 419
France www.blackanddecker.fr	Black & Decker (France) S.A.S. 5 allée des Hêtres B.P. 30084 69579 Limonest Cédex	Tel. 04 72 20 39 20 Fax 04 72 20 39 00
Helvetia www.blackanddecker.ch service@rofoag.ch	ROFO AG Gewerbezone Seeblick 3213 Kleinbösingen	Tel. 026-6749393 Fax 026-6749394
Italia www.blackanddecker.it service.italia@sbdinc.com	Stanley Black & Decker Italia Via Energypark 6 20871 Vimercate (MB)	Tel. 039-9590200 Fax 039-9590313 Numero verde 800-213935
Nederland www.blackanddecker.nl enduser.nl@sbdinc.com	Stanley Black & Decker Netherlands BV Holtum Noordweg 35, 6121 RE BORN Postbus 83, 6120 AB BORN	Tel. +31 164 283 065 Fax +31 164 283 200
Norge	Black & Decker Postboks 4613, Nydalen 0405 Oslo	kundeservice.no@sbdinc.com www.blackanddecker.no
Österreich www.blackanddecker.at service.austria@sbdinc.com	Stanley Black & Decker Austria GmbH Oberlaaerstraße 248, A-1230 Wien	Tel. 01 66116-0 Fax 01 66116-614
Portugal www.blackanddecker.pt resposta.posvenda@sbdinc.com	Black & Decker Limited SARL Quinta da Fonte - Edifício Q55 D. Diniz Rua dos Malhões, 2 e 2A - Piso 2 Esquerdo 2770 - 071 Paço de Arcos	Tel. 214667500 Fax 214667580
Suomi	Black & Decker PL47 00521, Helsinki	asiakaspalvelu.fi@sbdinc.com www.blackanddecker.fi
Sverige	Black & Decker AB Box 94, 431 22 Mölndal	kundeservice.se@sbdinc.com www.blackanddecker.se
Türkiye https://tr.blackanddecker.global info-tr@sbdinc.com	Stanley Black & Decker Turkey Alet Üretim Tic. Ltd.Şti. İçerenköy Mahallesi Umut Sokak No: 10-12 / 82-83-84 Kat: 19 Ataşehir-İstanbul, Türkiye	Tel. +90 216 665 2900 Faks: +90 216 665 2901 Servis Bilgi Tel. +90 216 912 2133
United Kingdom & Republic Of Ireland www.blackanddecker.co.uk emeaservice@sbdinc.com	Black & Decker Meadowfield Avenue, Spennymoor DL16 6YJ, England	Tel. +44 (0) 1753 511234 Fax +44 (0) 1753 512365
Middle East & Africa www.blackanddecker.ae service.me@sbdinc.com	Black & Decker P.O. Box - 17164 Jebel Ali Free Zone (South), Dubai, UAE	Tel. +971 4 8863030 Fax +971 4 8863333