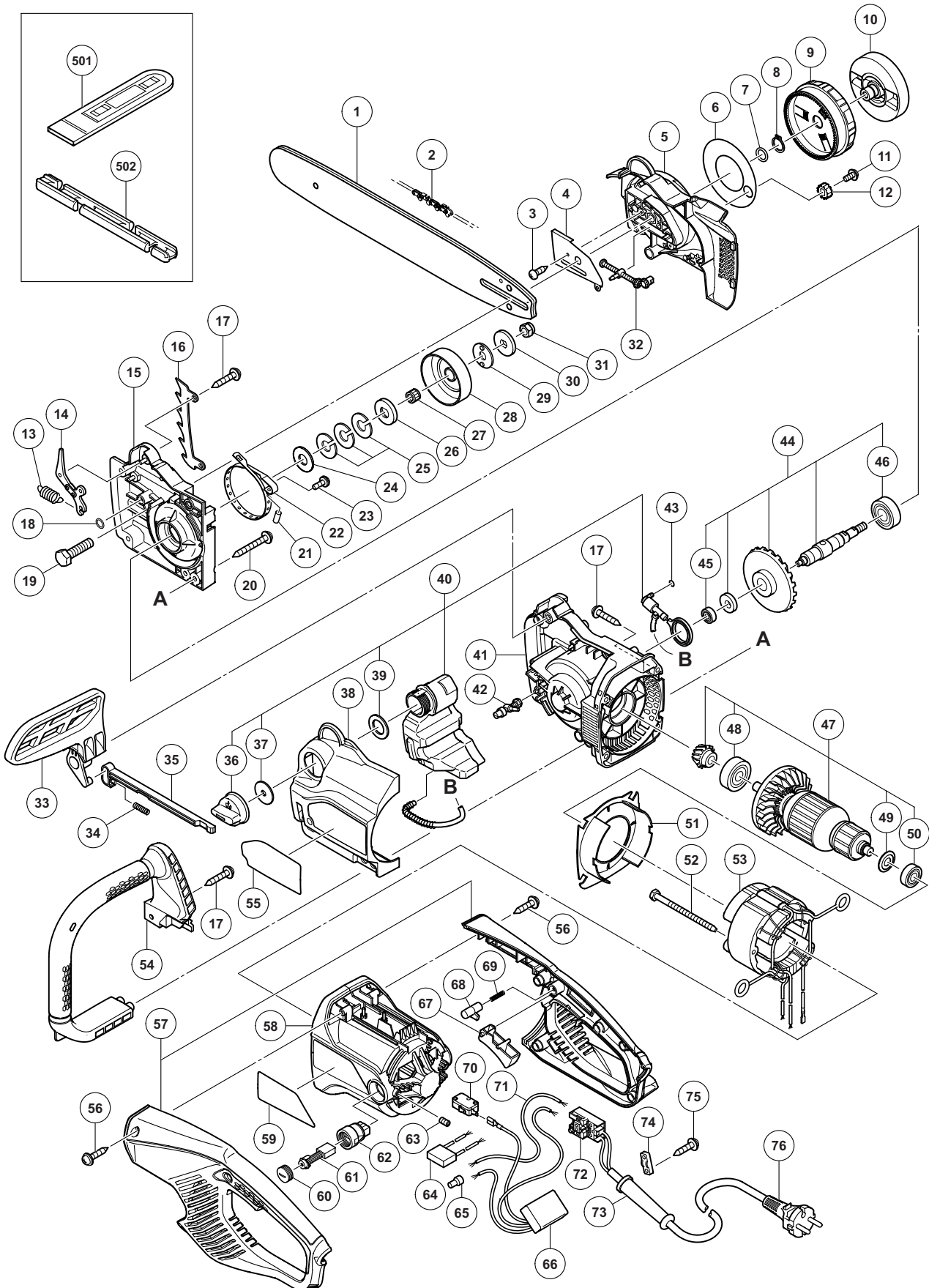


## ELECTRIC TOOL PARTS LIST

### CHAIN SAW Model CS 35Y

2013·4·17  
(E1)



**PARTS**

CS 35Y

ITEM NO.	CODE NO.	DESCRIPTION	NO. USED	REMARKS
1	669-6991	CHAIN BAR 14 INCH 3/8 SPROCKET PRC	1	
2	669-7854	SAW CHAIN (3/8 X 14") 91PX-52XJ	1	
3	696-352	TAPPING SCREW D3	2	
4	335-471	GUIDE PLATE	1	
5	335-470	SIDE COVER (R)	1	
6	335-688	DUST SHEET	1	
7	996-407	O-RING (1AP-12)	1	
8	939-543	RETAINING RING FOR D14 SHAFT (10 PCS.)	1	
9	335-150	TENSION DIAL	1	
10	335-151	KNOB	1	
11	315-500	MACHINE SCREW (W/WASHER) M4 X 8 (BLACK)	1	
12	335-152	TENSION GEAR	1	
13	668-5389	BRAKE SPRING	1	
14	669-8587	BRAKE LINK	1	
15	335-472	INNER COVER	1	
16	335-482	SPIKE BAR	1	
17	305-558	TAPPING SCREW (W/FLANGE) D5 X 25 (BLACK)	8	
18	997-218	O-RING (S-6)	1	
19	949-678	BOLT M8 X 35 (10 PCS.)	1	
20	325-336	TAPPING SCREW D5 X 55	2	
21	668-5391	NEEDLE ROLLER D3	1	
22	668-5390	BRAKE BAND	1	
23	935-196	MACHINE SCREW (W/WASHERS) M4 X 12 (BLACK)	1	
24	335-484	WASHER (E)	1	
25	335-485	SPRING WASHER	3	
26	335-486	COLLAR (B)	1	
27	668-5361	NEEDLE BEARING (D)	1	
28	668-5403	CLUTCH HOUSING	1	
29	335-487	WASHER (C)	1	
30	335-488	WASHER (D)	1	
31	975-348	NYLON NUT M8	1	
32	335-966	CHAIN PULLEY	1	
33	335-479	BRAKE HANDLE	1	
34	335-483	SPRING (C)	1	
35	335-480	SWITCH ROD	1	
36	335-144	TANK CAP	1	
37	335-691	TANK CAP PACKING	1	
38	335-477	SIDE COVER (L)	1	
39	335-490	GASKET	1	
40	335-474	OIL PUMP ASS'Y	1	INCLUD. 36, 37, 39
41	335-476	GEAR CASE	1	
42	335-967	ADJUSTING BOLT	1	
43	981-317	O-RING (S-4)	1	
44	335-473	SPINDLE GEAR ASS'Y	1	INCLUD. 45, 46
45	606-ZZM	BALL BEARING 606VVC2	1	
46	620-2VV	BALL BEARING 6202VVCMP2L	1	
* 47	360-957U	ARMATURE AND PINION SET 110 V-120 V	1	INCLUD. 48-50
* 47	360-957E	ARMATURE AND PINION SET 220 V-230 V	1	INCLUD. 48-50
* 47	360-957F	ARMATURE AND PINION SET 240 V	1	INCLUD. 48-50
48	630-1VV	BALL BEARING 6301VVCMP2L	1	

**PARTS**

ITEM NO.	CODE NO.	DESCRIPTION	NO. USED	REMARKS
49	302-428	WASHER (A)	1	
50	600-0VV	BALL BEARING 6000VVCMP2L	1	
51	335-481	FAN GUIDE	1	
52	953-121	HEX. HD. TAPPING SCREW D5 X 50	2	
*	53	340-864C	1	STATOR ASS'Y 110 V
*	53	340-863C	1	STATOR ASS'Y 110 V-120 V FOR UAE
*	53	340-864E	1	STATOR ASS'Y 220 V-230 V
*	53	340-863E	1	STATOR ASS'Y 220 V-230 V FOR UAE
*	53	340-863F	1	STATOR ASS'Y 240 V FOR UAE
	54	335-478	1	FRONT HANDLE
	55	335-466	1	CAUTION LABEL
	56	307-811	7	TAPPING SCREW (W/FLANGE) D4 X 16 (BLACK)
	57	335-475	1	HANDLE SET
	58	335-469	1	HOUSING ASS'Y INCLUD. 62, 63
	59		1	NAME PLATE
	60	945-161	2	BRUSH CAP
*	61	999-065	2	CARBON BRUSH (1 PAIR)
*	61	999-038	2	CARBON BRUSH (1 PAIR) FOR UAE (110 V), GBR (110 V)
	62	938-241	1	BRUSH HOLDER
	63	938-477	1	HEX. SOCKET SET SCREW M5 X 8
*	64	335-462	1	NOISE SUPPRESSOR EXCEPT FOR UAE
	65	959-141	1	CONNECTOR 50092 (10 PCS.)
*	66	335-454	1	CONTROLLER 100 V-127 V
*	66	335-455	1	CONTROLLER 200 V-240 V
	67	335-463	1	TRIGGER
	68	335-464	1	OFF LOCK BUTTON
	69	335-465	1	SPRING (A)
	70	335-460	1	MICRO SWITCH
	71	335-461	1	INTERNAL WIRE
	72	335-453	1	SWITCH
*	73	953-327	1	CORD ARMOR D8.8
*	73	938-051	1	CORD ARMOR D10.1
	74	937-631	1	CORD CLIP
	75	984-750	2	TAPPING SCREW (W/FLANGE) D4 X 16
*	76	335-458	1	CORD (HOL) (CORD ARMOR D8.8)
*	76	335-491	1	CORD (TPE) (CORD ARMOR D10.1) FOR UAE (110 V)
*	76	335-495	1	CORD (SIN) (CORD ARMOR D8.8) FOR UAE (230 V, 240 V)
*	76	335-493	1	CORD (UK) (CORD ARMOR D10.1) FOR GBR (110 V)
*	76	335-492	1	CORD (UK) (CORD ARMOR D8.8) FOR GBR (230 V)
*	76	335-494	1	CORD (SUI) (CORD ARMOR D8.8) FOR SUI
*	76	335-459	1	CORD (HOL) (CORD ARMOR D8.8) FOR RUS

