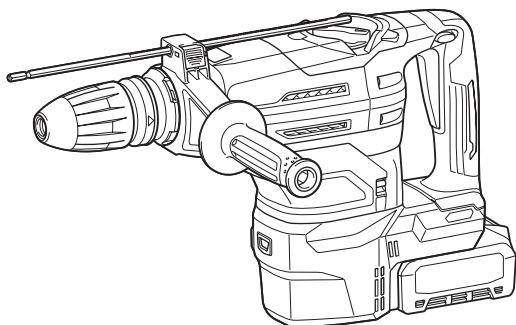




| | | | |
|----|---------------------------------------|---------------------------|----|
| EN | Cordless Rotary Hammer | INSTRUCTION MANUAL | 9 |
| PL | Akumulatorowy Młot Udarowo-Obrotowy | INSTRUKCJA OBSŁUGI | 20 |
| HU | Akkumulátoros fúrókalapács | HASZNÁLATI KÉZIKÖNYV | 33 |
| SK | Akumulátorové vŕtacie kladivo | NÁVOD NA OBSLUHU | 45 |
| CS | Akumulátorové vrtací a sekací kladivo | NÁVOD K OBSLUZE | 57 |
| UK | Бездротовий перфоратор | ІНСТРУКЦІЯ З ЕКСПЛУАТАЦІЇ | 68 |
| RO | Ciocan rotopercutor cu acumulator | MANUAL DE INSTRUCȚIUNI | 81 |
| DE | Akku-Bohrhammer | BETRIEBSANLEITUNG | 93 |

HR005G



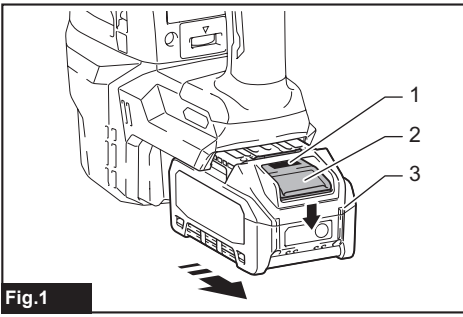


Fig.1

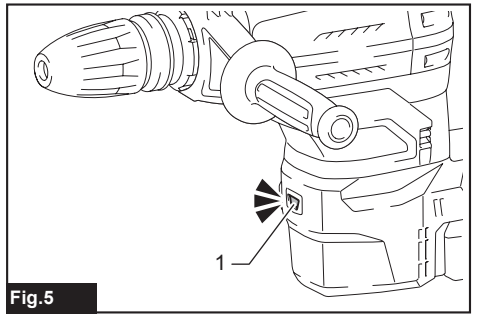


Fig.5

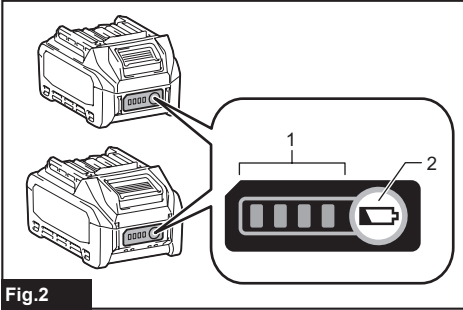


Fig.2

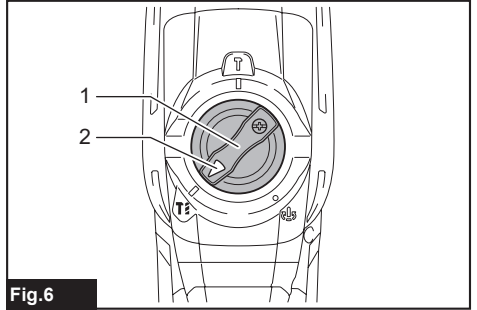


Fig.6

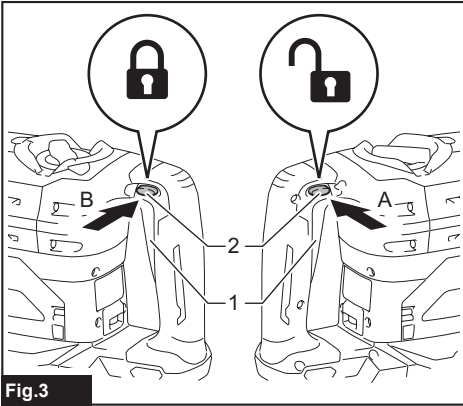


Fig.3

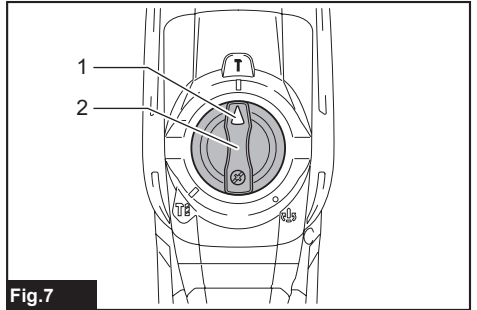


Fig.7

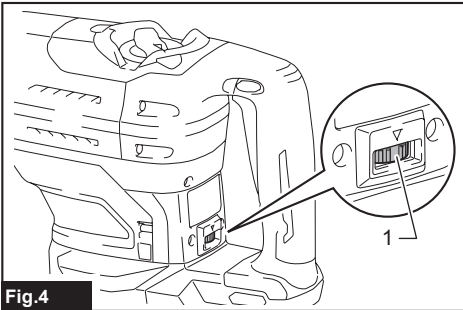


Fig.4

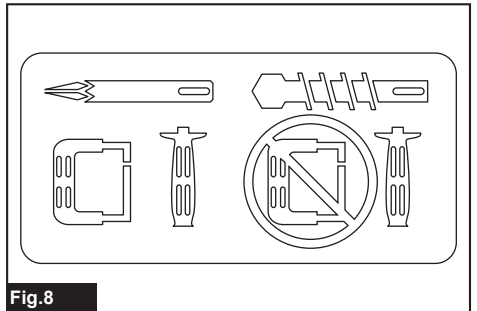


Fig.8

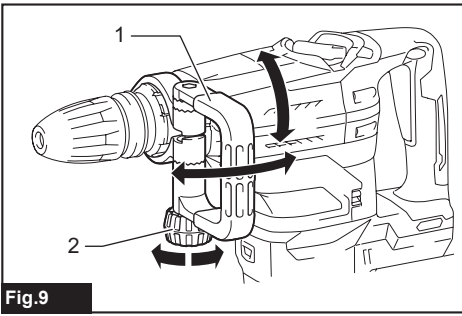


Fig.9

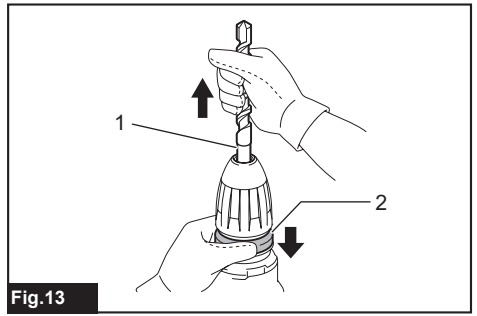


Fig.13

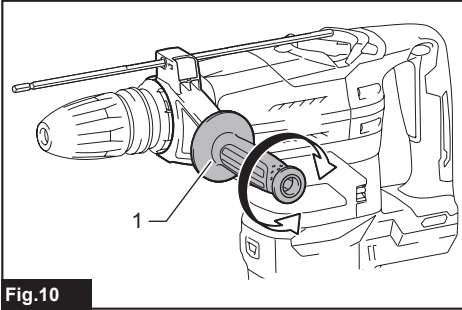


Fig.10

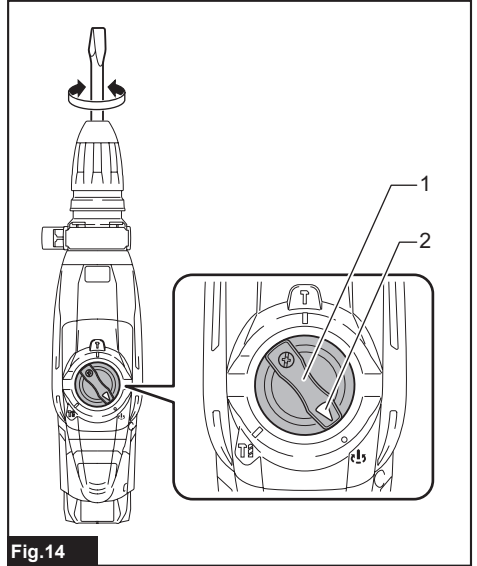


Fig.14

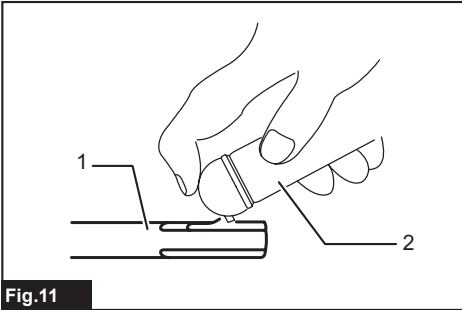


Fig.11

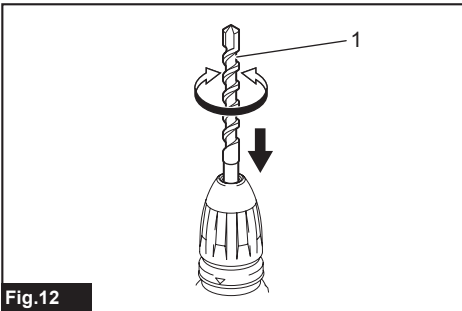


Fig.12

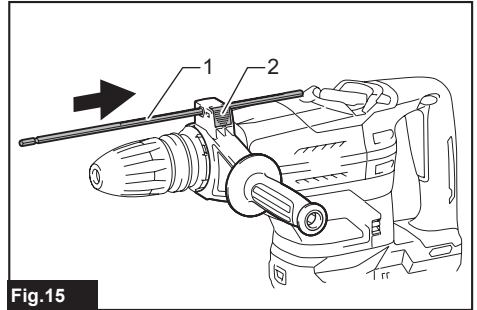
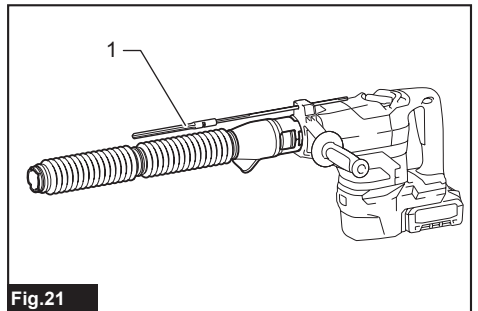
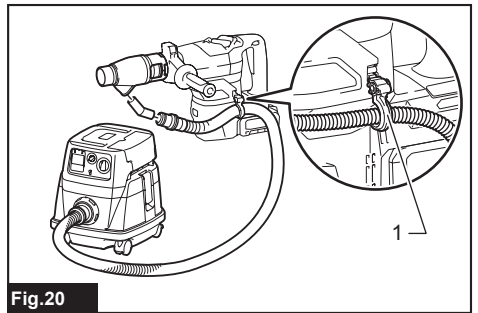
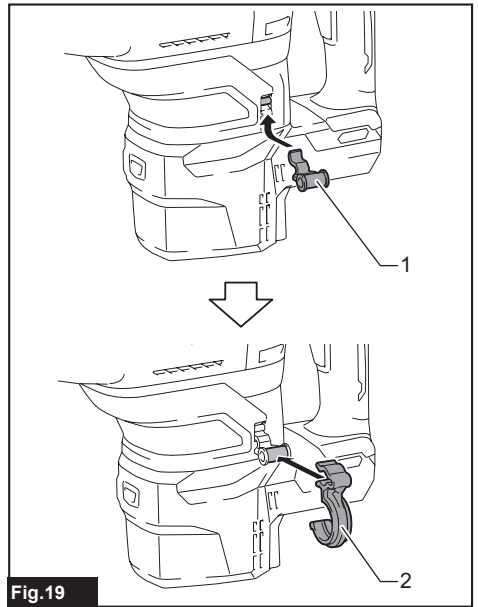
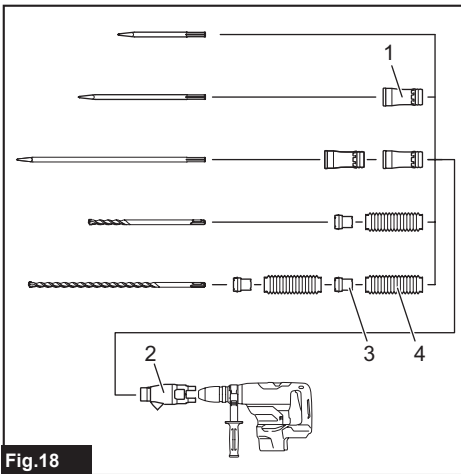
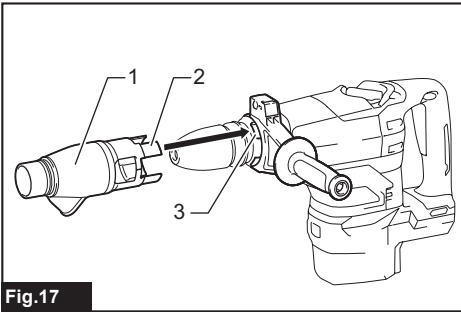
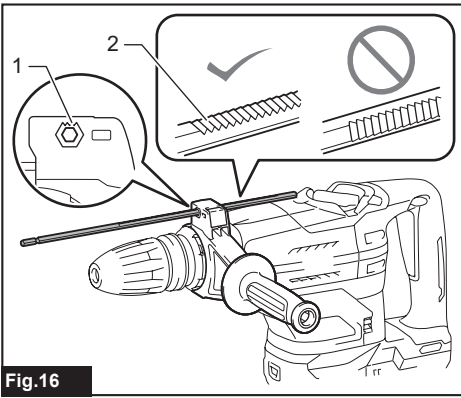


Fig.15



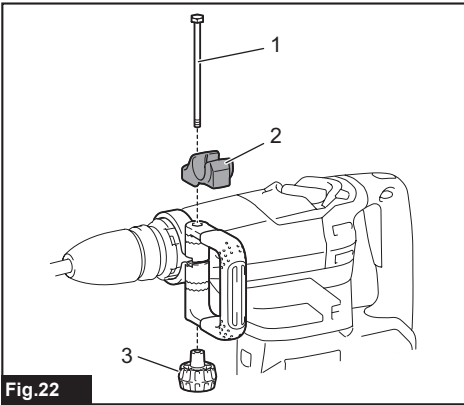


Fig.22

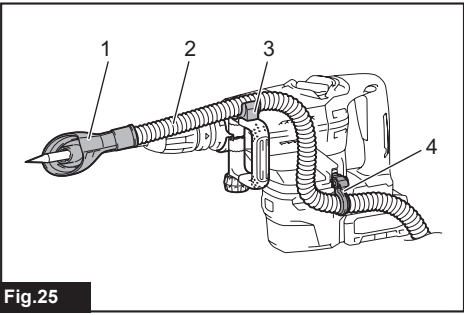


Fig.25

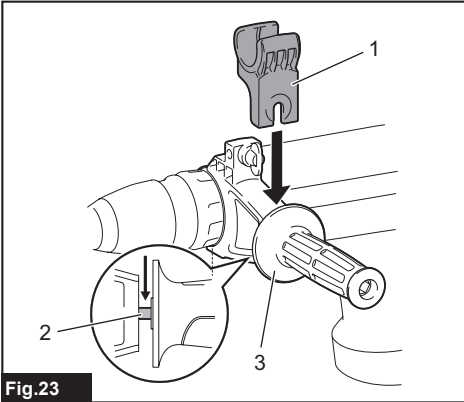


Fig.23

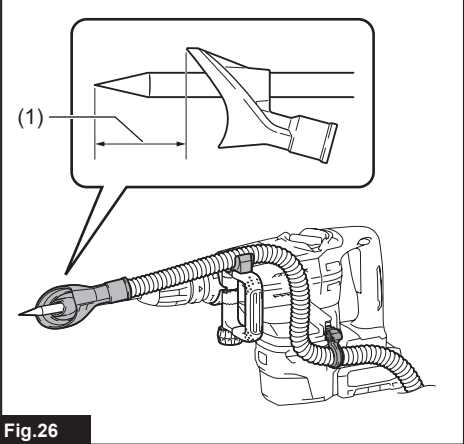


Fig.26

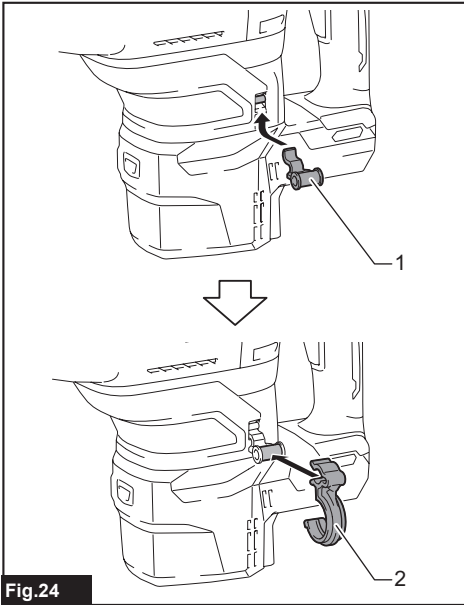


Fig.24

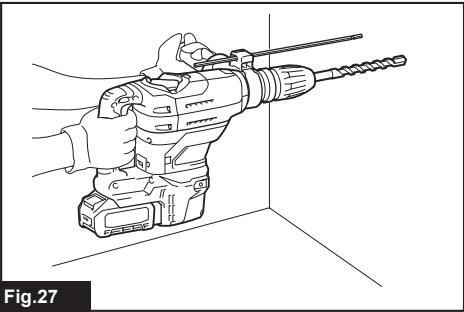


Fig.27

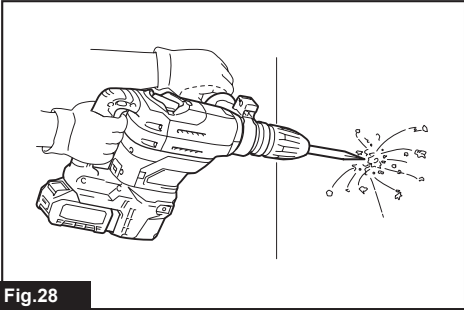


Fig.28

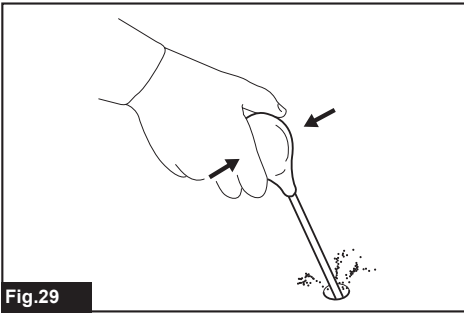


Fig.29

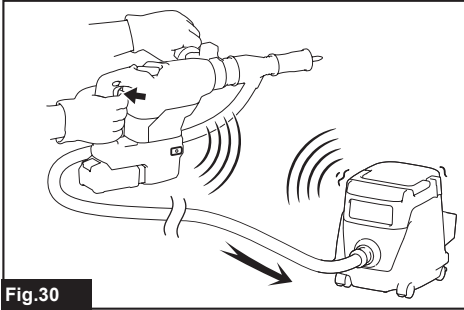


Fig.30

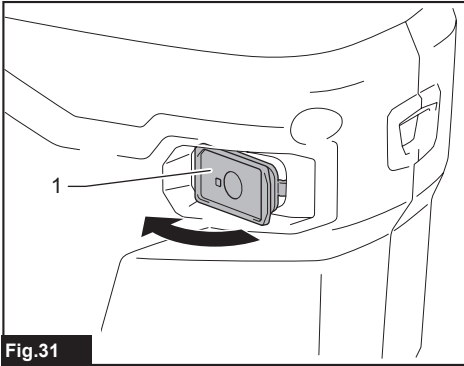


Fig.31

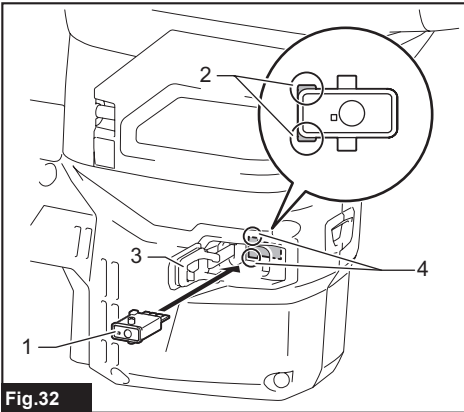


Fig.32

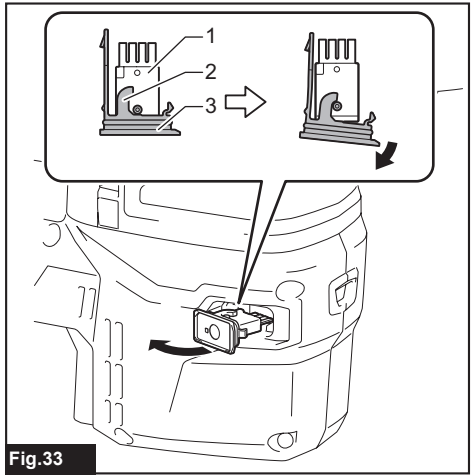


Fig.33

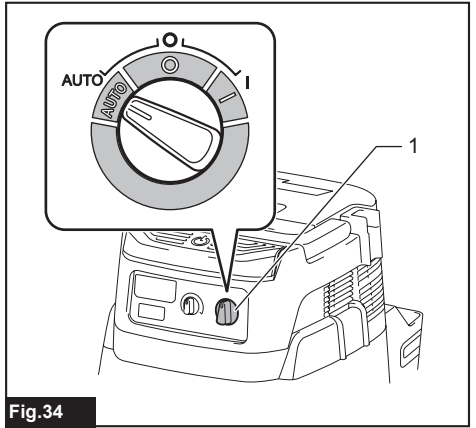


Fig.34

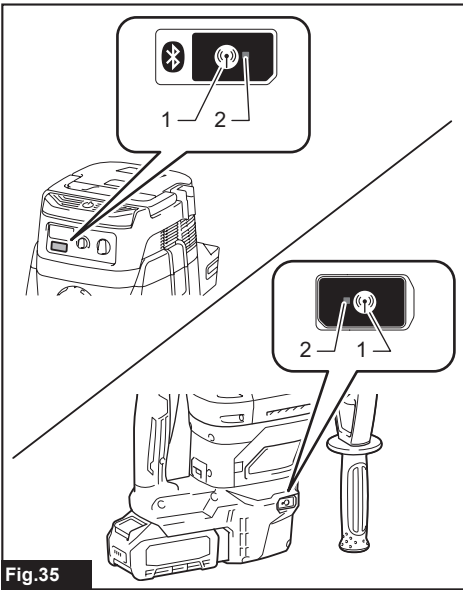


Fig.35

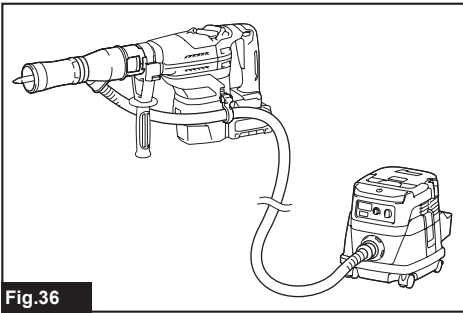


Fig.36

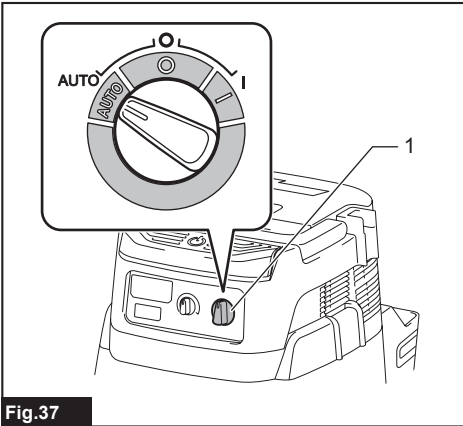


Fig.37

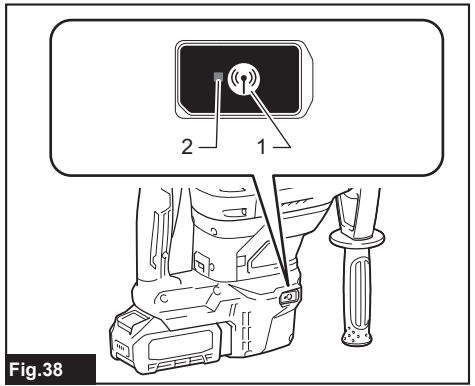


Fig.38

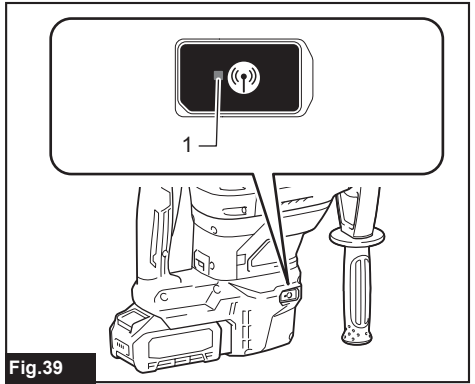


Fig.39

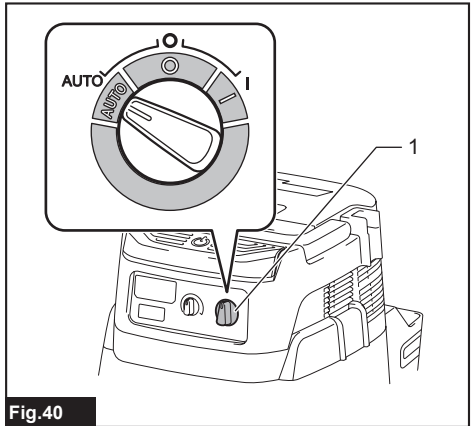


Fig.40

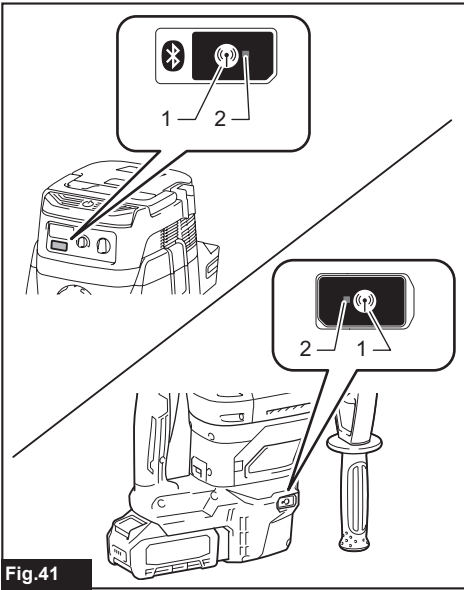


Fig.41

SPECIFICATIONS

| | | |
|---------------------|--------------------|---------------------------------|
| Model: | | HR005G |
| Capacities | Carbide-tipped bit | 40 mm |
| | Core bit | 105 mm |
| No load speed (RPM) | | 250 - 500 min ⁻¹ |
| Blows per minute | | 1,450 - 2,900 min ⁻¹ |
| Overall length | with BL4025 | 484 mm |
| | with BL4040 | 500 mm |
| Rated voltage | | D.C. 36 V - 40 V max |
| Net weight | | 7.4 - 8.2 kg |

- Due to our continuing program of research and development, the specifications herein are subject to change without notice.
- Specifications and battery cartridge may differ from country to country.
- The weight may differ depending on the attachment(s), including the battery cartridge. The lightest and heaviest combinations, according to EPTA-Procedure 01/2014, are shown in the table.

Applicable battery cartridge and charger

| | |
|-------------------|---|
| Battery cartridge | BL4020 / BL4025 / BL4040* / BL4050F* * : Recommended battery |
| Charger | DC40RA / DC40RB / DC40RC |

- Some of the battery cartridges and chargers listed above may not be available depending on your region of residence.

⚠ WARNING: Only use the battery cartridges and chargers listed above. Use of any other battery cartridges and chargers may cause injury and/or fire.

Intended use

The tool is intended for hammer drilling and drilling in brick, concrete and stone as well as for chiselling work.

Noise

The typical A-weighted noise level determined according to EN60745-2-6:

Sound pressure level (L_{pA}) : 91 dB(A)

Sound power level (L_{WA}) : 102 dB (A)

Uncertainty (K) : 3 dB(A)

NOTE: The declared noise emission value(s) has been measured in accordance with a standard test method and may be used for comparing one tool with another.

NOTE: The declared noise emission value(s) may also be used in a preliminary assessment of exposure.

⚠ WARNING: Wear ear protection.

⚠ WARNING: The noise emission during actual use of the power tool can differ from the declared value(s) depending on the ways in which the tool is used especially what kind of workpiece is processed.

⚠ WARNING: Be sure to identify safety measures to protect the operator that are based on an estimation of exposure in the actual conditions of use (taking account of all parts of the operating cycle such as the times when the tool is switched off and when it is running idle in addition to the trigger time).

Vibration

The vibration total value (tri-axial vector sum) determined according to EN60745-2-6:

Work mode: hammer drilling into concrete

Vibration emission ($a_{h,HD}$): 5.0 m/s²

Uncertainty (K) : 1.5 m/s²

Work mode: chiselling function with side grip

Vibration emission ($a_{h,Chg}$): 4.0 m/s²

Uncertainty (K) : 1.5 m/s²

Work mode: chiselling function with side handle

Vibration emission ($a_{h,Chg}$): 4.0 m/s²

Uncertainty (K) : 1.5 m/s²

NOTE: The declared vibration total value(s) has been measured in accordance with a standard test method and may be used for comparing one tool with another.

NOTE: The declared vibration total value(s) may also be used in a preliminary assessment of exposure.

⚠ WARNING: The vibration emission during actual use of the power tool can differ from the declared value(s) depending on the ways in which the tool is used especially what kind of workpiece is processed.

⚠ WARNING: Be sure to identify safety measures to protect the operator that are based on an estimation of exposure in the actual conditions of use (taking account of all parts of the operating cycle such as the times when the tool is switched off and when it is running idle in addition to the trigger time).

EC Declaration of Conformity

For European countries only

The EC declaration of conformity is included as Annex A to this instruction manual.

SAFETY WARNINGS

General power tool safety warnings

⚠ WARNING: Read all safety warnings, instructions, illustrations and specifications provided with this power tool. Failure to follow all instructions listed below may result in electric shock, fire and/or serious injury.

Save all warnings and instructions for future reference.

The term "power tool" in the warnings refers to your mains-operated (corded) power tool or battery-operated (cordless) power tool.

CORDLESS ROTARY HAMMER SAFETY WARNINGS

1. **Wear ear protectors.** Exposure to noise can cause hearing loss.
2. **Use auxiliary handle(s), if supplied with the tool.** Loss of control can cause personal injury.
3. **Hold power tool by insulated gripping surfaces, when performing an operation where the cutting accessory may contact hidden wiring.** Cutting accessory contacting a "live" wire may make exposed metal parts of the power tool "live" and could give the operator an electric shock.
4. **Wear a hard hat (safety helmet), safety glasses and/or face shield. Ordinary eye or sun glasses are NOT safety glasses. It is also highly recommended that you wear a dust mask and thickly padded gloves.**
5. **Be sure the bit is secured in place before operation.**
6. **Under normal operation, the tool is designed to produce vibration. The screws can come loose easily, causing a breakdown or accident. Check tightness of screws carefully before operation.**
7. **In cold weather or when the tool has not been used for a long time, let the tool warm up for a while by operating it under no load. This will loosen up the lubrication. Without proper warm-up, hammering operation is difficult.**
8. **Always be sure you have a firm footing. Be sure no one is below when using the tool in high locations.**
9. **Hold the tool firmly with both hands.**
10. **Keep hands away from moving parts.**
11. **Do not leave the tool running. Operate the tool only when hand-held.**
12. **Do not point the tool at any one in the area when operating. The bit could fly out and injure someone seriously.**
13. **Do not touch the bit, parts close to the bit, or workpiece immediately after operation; they may be extremely hot and could burn your skin.**
14. **Some material contains chemicals which may be toxic. Take caution to prevent dust inhalation and skin contact. Follow material supplier safety data.**
15. **Always be sure that the tool is switched off and the battery cartridge and the bit are removed before handing the tool to other person.**
16. **Before operation, make sure that there is no buried object such as electric pipe, water pipe or gas pipe in the working area. Otherwise, the drill bit/chisel may touch them, resulting an electric shock, electrical leakage or gas leak.**
17. **Do not operate the tool at no-load unnecessarily.**

SAVE THESE INSTRUCTIONS.

⚠ WARNING: DO NOT let comfort or familiarity with product (gained from repeated use) replace strict adherence to safety rules for the subject product. MISUSE or failure to follow the safety rules stated in this instruction manual may cause serious personal injury.

Important safety instructions for battery cartridge

1. **Before using battery cartridge, read all instructions and cautionary markings on (1) battery charger, (2) battery, and (3) product using battery.**
2. **Do not disassemble or tamper the battery cartridge.** It may result in a fire, excessive heat, or explosion.
3. **If operating time has become excessively shorter, stop operating immediately. It may result in a risk of overheating, possible burns and even an explosion.**
4. **If electrolyte gets into your eyes, rinse them out with clear water and seek medical attention right away. It may result in loss of your eyesight.**
5. **Do not short the battery cartridge:**
 - (1) **Do not touch the terminals with any conductive material.**
 - (2) **Avoid storing battery cartridge in a container with other metal objects such as nails, coins, etc.**
 - (3) **Do not expose battery cartridge to water or rain.**

A battery short can cause a large current flow, overheating, possible burns and even a breakdown.
6. **Do not store and use the tool and battery cartridge in locations where the temperature may reach or exceed 50 °C (122 °F).**
7. **Do not incinerate the battery cartridge even if it is severely damaged or is completely worn out. The battery cartridge can explode in a fire.**
8. **Do not nail, cut, crush, throw, drop the battery cartridge, or hit against a hard object to the battery cartridge.** Such conduct may result in a fire, excessive heat, or explosion.
9. **Do not use a damaged battery.**

10. **The contained lithium-ion batteries are subject to the Dangerous Goods Legislation requirements.**

For commercial transports e.g. by third parties, forwarding agents, special requirement on packaging and labeling must be observed. For preparation of the item being shipped, consulting an expert for hazardous material is required. Please also observe possibly more detailed national regulations.

Tape or mask off open contacts and pack up the battery in such a manner that it cannot move around in the packaging.

11. **When disposing the battery cartridge, remove it from the tool and dispose of it in a safe place. Follow your local regulations relating to disposal of battery.**
12. **Use the batteries only with the products specified by Makita.** Installing the batteries to non-compliant products may result in a fire, excessive heat, explosion, or leak of electrolyte.
13. **If the tool is not used for a long period of time, the battery must be removed from the tool.**
14. **During and after use, the battery cartridge may take on heat which can cause burns or low temperature burns. Pay attention to the handling of hot battery cartridges.**
15. **Do not touch the terminal of the tool immediately after use as it may get hot enough to cause burns.**
16. **Do not allow chips, dust, or soil stuck into the terminals, holes, and grooves of the battery cartridge.** It may result in poor performance or breakdown of the tool or battery cartridge.
17. **Unless the tool supports the use near high-voltage electrical power lines, do not use the battery cartridge near a high-voltage electrical power lines.** It may result in a malfunction or breakdown of the tool or battery cartridge.
18. **Keep the battery away from children.**

SAVE THESE INSTRUCTIONS.

⚠ CAUTION: Only use genuine Makita batteries. Use of non-genuine Makita batteries, or batteries that have been altered, may result in the battery bursting causing fires, personal injury and damage. It will also void the Makita warranty for the Makita tool and charger.

Tips for maintaining maximum battery life

1. **Charge the battery cartridge before completely discharged. Always stop tool operation and charge the battery cartridge when you notice less tool power.**
2. **Never recharge a fully charged battery cartridge. Overcharging shortens the battery service life.**
3. **Charge the battery cartridge with room temperature at 10 °C - 40 °C (50 °F - 104 °F). Let a hot battery cartridge cool down before charging it.**
4. **When not using the battery cartridge, remove it from the tool or the charger.**
5. **Charge the battery cartridge if you do not use it for a long period (more than six months).**

Important safety instructions for wireless unit

1. **Do not disassemble or tamper with the wireless unit.**
2. **Keep the wireless unit away from young children. If accidentally swallowed, seek medical attention immediately.**
3. **Use the wireless unit only with Makita tools.**
4. **Do not expose the wireless unit to rain or wet conditions.**
5. **Do not use the wireless unit in places where the temperature exceeds 50°C (122°F).**
6. **Do not operate the wireless unit in places where medical instruments, such as heart pace makers are nearby.**
7. **Do not operate the wireless unit in places where automated devices are nearby.** If operated, automated devices may develop malfunction or error.
8. **Do not operate the wireless unit in places under high temperature or places where static electricity or electrical noise could be generated.**
9. **The wireless unit can produce electromagnetic fields (EMF) but they are not harmful to the user.**
10. **The wireless unit is an accurate instrument. Be careful not to drop or strike the wireless unit.**
11. **Avoid touching the terminal of the wireless unit with bare hands or metallic materials.**
12. **Always remove the battery on the product when installing the wireless unit into it.**
13. **When opening the lid of the slot, avoid the place where dust and water may come into the slot. Always keep the inlet of the slot clean.**
14. **Always insert the wireless unit in the correct direction.**
15. **Do not press the wireless activation button on the wireless unit too hard and/or press the button with an object with a sharp edge.**
16. **Always close the lid of the slot when operating.**
17. **Do not remove the wireless unit from the slot while the power is being supplied to the tool.** Doing so may cause a malfunction of the wireless unit.
18. **Do not remove the sticker on the wireless unit.**
19. **Do not put any sticker on the wireless unit.**
20. **Do not leave the wireless unit in a place where static electricity or electrical noise could be generated.**
21. **Do not leave the wireless unit in a place subject to high heat, such as a car sitting in the sun.**
22. **Do not leave the wireless unit in a dusty or powdery place or in a place corrosive gas could be generated.**
23. **Sudden change of the temperature may bedew the wireless unit. Do not use the wireless unit until the dew is completely dried.**
24. **When cleaning the wireless unit, gently wipe with a dry soft cloth. Do not use benzine, thinner, conductive grease or the like.**
25. **When storing the wireless unit, keep it in the supplied case or a static-free container.**
26. **Do not insert any devices other than Makita wireless unit into the slot on the tool.**
27. **Do not use the tool with the lid of the slot damaged.** Water, dust, and dirt come into the slot may cause malfunction.
28. **Do not pull and/or twist the lid of the slot more than necessary.** Restore the lid if it comes off from the tool.
29. **Replace the lid of the slot if it is lost or damaged.**

SAVE THESE INSTRUCTIONS.

FUNCTIONAL DESCRIPTION

⚠ CAUTION: Always be sure that the tool is switched off and the battery cartridge is removed before adjusting or checking function on the tool.

Installing or removing battery cartridge

⚠ CAUTION: Always switch off the tool before installing or removing of the battery cartridge.

⚠ CAUTION: Hold the tool and the battery cartridge firmly when installing or removing battery cartridge. Failure to hold the tool and the battery cartridge firmly may cause them to slip off your hands and result in damage to the tool and battery cartridge and a personal injury.

► **Fig.1:** 1. Red indicator 2. Button 3. Battery cartridge

To remove the battery cartridge, slide it from the tool while sliding the button on the front of the cartridge.

To install the battery cartridge, align the tongue on the battery cartridge with the groove in the housing and slip it into place. Insert it all the way until it locks in place with a little click. If you can see the red indicator on the upper side of the button, it is not locked completely.

⚠ CAUTION: Always install the battery cartridge fully until the red indicator cannot be seen. If not, it may accidentally fall out of the tool, causing injury to you or someone around you.

⚠ CAUTION: Do not install the battery cartridge forcibly. If the cartridge does not slide in easily, it is not being inserted correctly.

Indicating the remaining battery capacity

Press the check button on the battery cartridge to indicate the remaining battery capacity. The indicator lamps light up for a few seconds.

► **Fig.2:** 1. Indicator lamps 2. Check button

| Indicator lamps | | | Remaining capacity |
|-----------------|---------|----------|-------------------------------------|
| Lighted | Off | Blinking | |
| ■ | □ | ◐ | 75% to 100% |
| ■ ■ ■ ■ | | | |
| ■ ■ ■ ■ | □ | | 50% to 75% |
| ■ ■ | □ □ | | 25% to 50% |
| ■ | □ □ □ □ | | 0% to 25% |
| ◐ | □ □ □ □ | | Charge the battery. |
| ■ ■ □ □ | □ □ | ■ ■ | The battery may have malfunctioned. |
| □ □ | □ □ | ■ ■ | |

NOTE: Depending on the conditions of use and the ambient temperature, the indication may differ slightly from the actual capacity.

NOTE: The first (far left) indicator lamp will blink when the battery protection system works.

Tool / battery protection system

The tool is equipped with a tool/battery protection system. This system automatically cuts off power to the motor to extend tool and battery life. The tool will automatically stop during operation if the tool or battery is placed under one of the following conditions:

Overload protection

When the tool or battery is operated in a manner that causes it to draw an abnormally high current, the tool automatically stops without any indication. In this situation, turn the tool off and stop the application that caused the tool to become overloaded. Then turn the tool on to restart.

Overheat protection

When the tool or battery is overheated, the tool stops automatically and the lamp blinks. In this case, let the tool and battery cool before turning the tool on again.

Overdischarge protection

When the battery capacity is not enough, the tool stops automatically. In this case, remove the battery from the tool and charge the battery.

Switch action

⚠ WARNING: Before installing the battery cartridge into the tool, always check to see that the switch trigger actuates properly and returns to the "OFF" position when released.

⚠ CAUTION: When not operating the tool, depress the trigger-lock button from A side to lock the switch trigger in the OFF position.

► **Fig.3:** 1. Switch trigger 2. Trigger-lock button

To prevent the switch trigger from accidentally pulled, the trigger-lock button is provided. To start the tool, depress the trigger-lock button from A side and pull the switch trigger. Release the switch trigger to stop. After use, press in the trigger-lock button from B side.

Speed change

The revolutions and blows per minute can be adjusted by turning the adjusting dial. The dial is marked 1 (lowest speed) to 5 (full speed).

► **Fig.4:** 1. Adjusting dial

Refer to the table below for the relationship between the number on the adjusting dial and the revolutions and blows per minute.

| Number | Revolutions per minute | Blows per minute |
|--------|------------------------|------------------|
| 5 | 500 | 2900 |
| 4 | 470 | 2700 |
| 3 | 380 | 2150 |
| 2 | 290 | 1650 |
| 1 | 250 | 1450 |

CAUTION: Do not turn the adjusting dial when the tool is running. Failure to do so may result in the loss of control of the tool and cause an injury.

NOTICE: If the tool is operated continuously at low speed for a long time, the motor will get overloaded, resulting in tool malfunction.

NOTICE: The speed adjusting dial can be turned only as far as 5 and back to 1. Do not force it past 5 or 1, or the speed adjusting function may no longer work.

NOTE: Soft no-load rotation function

When the speed adjusting dial is set to "3" or higher, the tool automatically reduces the speed at no-load to reduce the vibration under no-load.

Once operation starts with a bit against concrete, blows per minute increase and reach the numbers as shown in the table.

When temperature is low, the tool may not have this function even with the motor rotating.

Lighting up the front lamp

► Fig.5: 1. Lamp

CAUTION: Do not look in the light or see the source of light directly.

Pull the switch trigger to light up the lamp. The lamp keeps on lighting while the switch trigger is being pulled. The lamp goes out approximately 10 seconds after releasing the switch trigger.

NOTICE: If the lamp goes off after blinking for a few seconds, the active feedback sensing technology is not working properly. Ask your local Makita Service Center for repair.


NOTE: Use a dry cloth to wipe the dirt off the lens of the lamp. Be careful not to scratch the lens of lamp, or it may lower the illumination.

Selecting the action mode

NOTICE: Do not rotate the action mode changing knob when the tool is running. The tool will be damaged.


NOTICE: To avoid rapid wear on the mode change mechanism, be sure that the action mode changing knob is always positively located in one of the three action mode positions.

Rotation with hammering

For drilling in concrete, masonry, etc., rotate the action mode changing knob to the  symbol. Use a carbide-tipped drill bit.

► Fig.6: 1. Action mode changing knob 2. Pointer

Hammering only

For chipping, scaling or demolition operations, rotate the action mode changing knob to the  symbol. Use a bull point, cold chisel, scaling chisel, etc.

► Fig.7: 1. Pointer 2. Action mode changing knob

Torque limiter

NOTICE: As soon as the torque limiter actuates, switch off the tool immediately. This will help prevent premature wear of the tool.

NOTICE: Drill bits such as hole saw, which tend to pinch or catch easily in the hole, are not appropriate for this tool. This is because they will cause the torque limiter to actuate too frequently.

The torque limiter will actuate when a certain torque level is reached. The motor will disengage from the output shaft. When this happens, the drill bit will stop turning.

Electronic function

The tool is equipped with the electronic functions for easy operation.

Constant speed control

The speed control function provides the constant rotation speed regardless of load conditions.

Soft start

The soft-start function minimizes start-up shock, and makes the machine start smoothly.

Active Feedback sensing Technology

If the tool body suddenly rotates at the specified acceleration due to the drill bit locking, etc., the motor is forcibly stopped to reduce the burden on the wrist.

NOTE: The active feedback sensing technology function does not work if the acceleration does not reach the specified one.

NOTE: The active feedback sensing technology function also actuates just when the bit simply swung at the specified acceleration in any operation.

In this case, release the switch trigger, and then pull the switch trigger to restart the tool.

Electric brake

This tool is equipped with an electric brake. If the tool consistently fails to quickly stop after the switch trigger is released, have the tool serviced at a Makita service center.

ASSEMBLY

CAUTION: Always be sure that the tool is switched off and the battery cartridge is removed before carrying out any work on the tool.

Side handle

► Fig.8

CAUTION: Use the side handle only when chipping, scaling or demolishing. Do not use it when drilling in concrete, masonry, etc. The tool cannot be held properly with this side handle when drilling.

► Fig.9: 1. Side handle 2. Clamp nut

The side handle can be swung in a vertical direction and secured at any desired position. It can also be adjusted at eight steps back and forth in a horizontal direction. Loosen the clamp nut to swing the side handle to a desired position, and then tighten the clamp nut securely.

Side grip (auxiliary handle)

CAUTION: Always use the side grip to ensure safe operation.

CAUTION: After installing or adjusting the side grip, make sure that the side grip is firmly secured.

The side grip can be swung, allowing easy handling of the tool in any position. Loosen the side grip by turning it counterclockwise, swing it to the desired position and then tighten it by turning clockwise.

► Fig.10: 1. Side grip

Installing or removing drill bit

Grease

Clean the shank end of the bit and apply grease before installing the bit.

Coat the shank end of the bit beforehand with a small amount of grease (about 0.5 - 1 g). This chuck lubrication assures smooth action and longer service life.

► Fig.11: 1. Shank end 2. Grease

Insert the drill bit into the tool. Turn the drill bit and push it in until it engages.


After installing the drill bit, always make sure that the drill bit is securely held in place by trying to pull it out.

► Fig.12: 1. Drill bit


To remove the drill bit, pull the chuck cover down all the way and pull the drill bit out.

► Fig.13: 1. Drill bit 2. Chuck cover

Chisel angle (when chipping, scaling or demolishing)

The chisel can be secured at the desired angle. To change the chisel angle, rotate the action mode changing knob to the  symbol. Turn the chisel to the desired angle.

► Fig.14: 1. Action mode changing knob 2. Pointer

Rotate the action mode changing knob to the  symbol. Then make sure that the chisel is securely held in place by turning it slightly.

Depth gauge

The depth gauge is convenient for drilling holes of uniform depth.

Press and hold the lock button, and then insert the depth gauge into the hex hole.

► Fig.15: 1. Depth gauge 2. Lock button

Make sure that the toothed side of the depth gauge faces the marking.

► Fig.16: 1. Marking 2. Toothed side

Adjust the depth gauge by moving it back and forth while pressing the lock button. After the adjustment, release the lock button to lock the depth gauge.

NOTE: Make sure that the depth gauge does not touch the main body of the tool when attaching it.

Dust extractor attachment

Optional accessory

Installing the dust extractor attachment

1. Loosen the side grip on the tool.
2. Install the dust cover so that the claws of the dust cover fit in the grooves between the tool and the side grip.

► Fig.17: 1. Dust cover 2. Claw 3. Groove

3. Tighten the side grip securely.
4. Set the suitable bellows or dust cover extension for your work. When you use bellows, attach the joint to its top. When you stack two bellows, connect them with the joint.

► Fig.18: 1. Dust cover extension 2. Dust cover
3. Joint 4. Bellows

Connecting the tool to the vacuum cleaner

1. Attach the holder joint to the tool, and then attach the hose holder to the holder joint.

► Fig.19: 1. Holder joint 2. Hose holder

NOTE: The hose joint can be attached to either side of the tool.

WARNING: Use the mounting part of the tool only for attaching the holder joint.

Using the mounting part for any other purpose may cause an unexpected accident.

2. Fix the hose to the hose holder.

► **Fig.20:** 1. Hose holder

NOTE: Use joint 25 to connect the hose and the dust cover if necessary.

Using depth gauge for drilling operation

When you stack two bellows, attach the depth gauge extension to the depth gauge.

► **Fig.21:** 1. Depth gauge extension

Dust extractor attachment (for hammering only)

Optional accessory

1. Install the hose holder (A/B).

When the side handle is installed to tool, loosen the clamp nut, and then remove the hex bolt. Install the hose holder (A) between the hex bolt and the clamp nut by tightening the clamp nut firmly.

► **Fig.22:** 1. Hex bolt 2. Hose holder (A) 3. Clamp nut

When the side grip is installed to the tool, loosen the side grip, mount the hose holder (B) to the shaft, and then tighten the side grip firmly.

► **Fig.23:** 1. Hose holder (B) 2. Shaft 3. Side grip

2. Attach the holder joint to the tool, and then attach the hose holder (C) to the holder joint.

► **Fig.24:** 1. Holder joint 2. Hose holder (C)

NOTE: The hose joint can be attached to either side of the tool.

⚠ WARNING: Use the mounting part of the tool only for attaching the holder joint.

Using the mounting part for any other purpose may cause an unexpected accident.

3. Attach the dust cover and the hose to the tool, and then fix the hose to the hose holders.

► **Fig.25:** 1. Dust cover 2. Hose 3. Hose holder (A/B)
4. Hose holder (C)

4. Connect the hose to the hose of the vacuum cleaner with the hose joint.

NOTE: If the hose is not included, attach the dust cover to the cleaner's hose or attach it to Makita's hose ø28.

5. Adjust the distance between the dust cover and the tip of the chisel or bull point. The recommended distance is 30 mm to 100 mm.

► **Fig.26:** (1) 30 mm to 100 mm

OPERATION

⚠ CAUTION: Always use the side handle / side grip (auxiliary handle) and firmly hold the tool by both side handle / side grip and switch handle during operations.

⚠ CAUTION: Always make sure that the workpiece is secured before operation. Failure to properly secure the workpiece may cause the workpiece to move resulting in injury.

⚠ CAUTION: Do not pull the tool out forcibly even the bit gets stuck. Loss of control may cause injury.


⚠ CAUTION: Do not leave the tool stabbed in the workpiece. Otherwise the tool may start unintentionally and cause an injury.

NOTE: If the battery cartridge is in low temperature, the tool's capability may not be fully obtained. In this case, warm up the battery cartridge by using the tool with no load for a while to fully obtain the tool's capability.

► **Fig.27**

Hammer drilling operation


⚠ CAUTION: There is tremendous and sudden twisting force exerted on the tool/drill bit at the time of hole break-through, when the hole becomes clogged with chips and particles, or when striking reinforcing rods embedded in the concrete. **Always use the side grip (auxiliary handle) and firmly hold the tool by both side grip and switch handle during operations.** Failure to do so may result in the loss of control of the tool and potentially severe injury.

Set the action mode changing knob to the  symbol. Position the drill bit at the desired location for the hole, then pull the switch trigger. Do not force the tool. Light pressure gives best results. Keep the tool in position and prevent it from slipping away from the hole.

Do not apply more pressure when the hole becomes clogged with chips or particles. Instead, run the tool at an idle, then remove the drill bit partially from the hole. By repeating this several times, the hole will be cleaned out and normal drilling may be resumed.

NOTE: Eccentricity in the drill bit rotation may occur while operating the tool with no load. The tool automatically centers itself during operation. This does not affect the drilling precision.

Chipping/Scaling/Demolition

Set the action mode changing knob to the  symbol. Hold the tool firmly with both hands. Turn the tool on and apply slight pressure on the tool so that the tool will not bounce around, uncontrolled.

Pressing very hard on the tool will not increase the efficiency.

► **Fig.28**

Blow-out bulb

Optional accessory

After drilling the hole, use the blow-out bulb to clean the dust out of the hole.

► **Fig.29**

WIRELESS ACTIVATION FUNCTION

Optional accessory

What you can do with the wireless activation function

The wireless activation function enables clean and comfortable operation. By connecting a supported vacuum cleaner to the tool, you can run the vacuum cleaner automatically along with the switch operation of the tool.

► Fig.30

To use the wireless activation function, prepare following items:

- A wireless unit (optional accessory)
- A vacuum cleaner which supports the wireless activation function

The overview of the wireless activation function setting is as follows. Refer to each section for detail procedures.

1. Installing the wireless unit
2. Tool registration for the vacuum cleaner
3. Starting the wireless activation function

Installing the wireless unit

Optional accessory

CAUTION: Place the tool on a flat and stable surface when installing the wireless unit.

NOTICE: Clean the dust and dirt on the tool before installing the wireless unit. Dust or dirt may cause malfunction if it comes into the slot of the wireless unit.

NOTICE: To prevent the malfunction caused by static, touch a static discharging material, such as a metal part of the tool, before picking up the wireless unit.

NOTICE: When installing the wireless unit, always be sure that the wireless unit is inserted in the correct direction and the lid is completely closed.

1. Open the lid on the tool as shown in the figure.
► Fig.31: 1. Lid
2. Insert the wireless unit to the slot and then close the lid.

When inserting the wireless unit, align the projections with the recessed portions on the slot.

- Fig.32: 1. Wireless unit 2. Projection 3. Lid
4. Recessed portion

When removing the wireless unit, open the lid slowly. The hooks on the back of the lid will lift the wireless unit as you pull up the lid.

- Fig.33: 1. Wireless unit 2. Hook 3. Lid

After removing the wireless unit, keep it in the supplied case or a static-free container.

NOTICE: Always use the hooks on the back of the lid when removing the wireless unit. If the hooks do not catch the wireless unit, close the lid completely and open it slowly again.

Tool registration for the vacuum cleaner

NOTE: A Makita vacuum cleaner supporting the wireless activation function is required for the tool registration.

NOTE: Finish installing the wireless unit to the tool before starting the tool registration.

NOTE: During the tool registration, do not pull the switch trigger or turn on the power switch on the vacuum cleaner.

NOTE: Refer to the instruction manual of the vacuum cleaner, too.

If you wish to activate the vacuum cleaner along with the switch operation of the tool, finish the tool registration beforehand.

1. Install the batteries to the vacuum cleaner and the tool.

2. Set the stand-by switch on the vacuum cleaner to "AUTO".

► Fig.34: 1. Stand-by switch

3. Press the wireless activation button on the vacuum cleaner for 3 seconds until the wireless activation lamp blinks in green. And then press the wireless activation button on the tool in the same way.

► Fig.35: 1. Wireless activation button 2. Wireless activation lamp

If the vacuum cleaner and the tool are linked successfully, the wireless activation lamps will light up in green for 2 seconds and start blinking in blue.

NOTE: The wireless activation lamps finish blinking in green after 20 seconds elapsed. Press the wireless activation button on the tool while the wireless activation lamp on the cleaner is blinking. If the wireless activation lamp does not blink in green, push the wireless activation button briefly and hold it down again.

NOTE: When performing two or more tool registrations for one vacuum cleaner, finish the tool registration one by one.

Starting the wireless activation function

NOTE: Finish the tool registration for the vacuum cleaner prior to the wireless activation.

NOTE: Refer to the instruction manual of the vacuum cleaner, too.

After registering a tool to the vacuum cleaner, the vacuum cleaner will automatically runs along with the switch operation of the tool.

1. Install the wireless unit to the tool.
2. Connect the hose of the vacuum cleaner with the tool.

► Fig.36

3. Set the stand-by switch on the vacuum cleaner to "AUTO".

► Fig.37: 1. Stand-by switch

4. Push the wireless activation button on the tool briefly. The wireless activation lamp will blink in blue.

► **Fig.38:** 1. Wireless activation button 2. Wireless activation lamp

5. Pull the switch trigger of the tool. Check if the vacuum cleaner runs while the switch trigger is being pulled.

To stop the wireless activation of the vacuum cleaner, push the wireless activation button on the tool.

NOTE: The wireless activation lamp on the tool will stop blinking in blue when there is no operation for 2 hours. In this case, set the stand-by switch on the vacuum cleaner to "AUTO" and push the wireless activation button on the tool again.

NOTE: The vacuum cleaner starts/stops with a delay. There is a time lag when the vacuum cleaner detects a switch operation of the tool.

NOTE: The transmission distance of the wireless unit may vary depending on the location and surrounding circumstances.

NOTE: When two or more tools are registered to one vacuum cleaner, the vacuum cleaner may start running even if you do not pull the switch trigger because another user is using the wireless activation function.

Description of the wireless activation lamp status

► **Fig.39:** 1. Wireless activation lamp

The wireless activation lamp shows the status of the wireless activation function. Refer to the table below for the meaning of the lamp status.

| Status | Wireless activation lamp | | | Duration | Description |
|------------------------------|--------------------------|-------------------------------------|-------------------------------------|---------------------------|--|
| | Color | <input type="checkbox"/> On | <input type="checkbox"/> Blinking | | |
| Standby | Blue | <input type="checkbox"/> | <input checked="" type="checkbox"/> | 2 hours | The wireless activation of the vacuum cleaner is available. The lamp will automatically turn off when no operation is performed for 2 hours. |
| | | <input checked="" type="checkbox"/> | <input type="checkbox"/> | When the tool is running. | The wireless activation of the vacuum cleaner is available and the tool is running. |
| Tool registration | Green | <input type="checkbox"/> | <input checked="" type="checkbox"/> | 20 seconds | Ready for the tool registration. Waiting for the registration by the vacuum cleaner. |
| | | <input checked="" type="checkbox"/> | <input type="checkbox"/> | 2 seconds | The tool registration has been finished. The wireless activation lamp will start blinking in blue. |
| Cancelling tool registration | Red | <input type="checkbox"/> | <input checked="" type="checkbox"/> | 20 seconds | Ready for the cancellation of the tool registration. Waiting for the cancellation by the vacuum cleaner. |
| | | <input checked="" type="checkbox"/> | <input type="checkbox"/> | 2 seconds | The cancellation of the tool registration has been finished. The wireless activation lamp will start blinking in blue. |
| Others | Red | <input checked="" type="checkbox"/> | <input type="checkbox"/> | 3 seconds | The power is supplied to the wireless unit and the wireless activation function is starting up. |
| | Off | - | - | - | The wireless activation of the vacuum cleaner is stopped. |

Cancelling tool registration for the vacuum cleaner

Perform the following procedure when cancelling the tool registration for the vacuum cleaner.

1. Install the batteries to the vacuum cleaner and the tool.
2. Set the stand-by switch on the vacuum cleaner to "AUTO".

► **Fig.40:** 1. Stand-by switch

3. Press the wireless activation button on the vacuum cleaner for 6 seconds. The wireless activation lamp blinks in green and then become red. After that, press the wireless activation button on the tool in the same way.

► **Fig.41:** 1. Wireless activation button 2. Wireless activation lamp

If the cancellation is performed successfully, the wireless activation lamps will light up in red for 2 seconds and start blinking in blue.

NOTE: The wireless activation lamps finish blinking in red after 20 seconds elapsed. Press the wireless activation button on the tool while the wireless activation lamp on the cleaner is blinking. If the wireless activation lamp does not blink in red, push the wireless activation button briefly and hold it down again.

Troubleshooting for wireless activation function

Before asking for repairs, conduct your own inspection first. If you find a problem that is not explained in the manual, do not attempt to dismantle the tool. Instead, ask Makita Authorized Service Centers, always using Makita replacement parts for repairs.

| State of abnormality | Probable cause (malfunction) | Remedy |
|--|--|---|
| The wireless activation lamp does not light/blink. | The wireless unit is not installed into the tool. The wireless unit is improperly installed into the tool. | Install the wireless unit correctly. |
| | The terminal of the wireless unit and/or the slot is dirty. | Gently wipe off dust and dirt on the terminal of the wireless unit and clean the slot. |
| | The wireless activation button on the tool has not been pushed. | Push the wireless activation button on the tool briefly. |
| | The stand-by switch on the vacuum cleaner is not set to "AUTO". | Set the stand-by switch on the vacuum cleaner to "AUTO". |
| | No power supply | Supply the power to the tool and the vacuum cleaner. |
| Cannot finish tool registration / cancelling tool registration successfully. | The wireless unit is not installed into the tool. The wireless unit is improperly installed into the tool. | Install the wireless unit correctly. |
| | The terminal of the wireless unit and/or the slot is dirty. | Gently wipe off dust and dirt on the terminal of the wireless unit and clean the slot. |
| | The stand-by switch on the vacuum cleaner is not set to "AUTO". | Set the stand-by switch on the vacuum cleaner to "AUTO". |
| | No power supply | Supply the power to the tool and the vacuum cleaner. |
| | Incorrect operation | Push the wireless activation button briefly and perform the tool registration/cancellation procedures again. |
| | The tool and vacuum cleaner are away from each other (out of the transmission range). | Get the tool and vacuum cleaner closer to each other. The maximum transmission distance is approximately 10 m however it may vary according to the circumstances. |
| | Before finishing the tool registration/cancellation; - the switch trigger on the tool is pulled or; - the power button on the vacuum cleaner is turned on. | Push the wireless activation button briefly and perform the tool registration/cancellation procedures again. |
| | The tool registration procedures for the tool or vacuum cleaner have not finished. | Perform the tool registration procedures for both the tool and the vacuum cleaner at the same timing. |
| The vacuum cleaner does not run along with the switch operation of the tool. | The wireless unit is not installed into the tool. The wireless unit is improperly installed into the tool. | Install the wireless unit correctly. |
| | The terminal of the wireless unit and/or the slot is dirty. | Gently wipe off dust and dirt on the terminal of the wireless unit and clean the slot. |
| | The wireless activation button on the tool has not been pushed. | Push the wireless activation button briefly and make sure that the wireless activation lamp is blinking in blue. |
| | The stand-by switch on the vacuum cleaner is not set to "AUTO". | Set the stand-by switch on the vacuum cleaner to "AUTO". |
| | More than 10 tools are registered to the vacuum cleaner. | Perform the tool registration again. If more than 10 tools are registered to the vacuum cleaner, the tool registered earliest will be cancelled automatically. |
| | The vacuum cleaner erased all tool registrations. | Perform the tool registration again. |
| | No power supply | Supply the power to the tool and the vacuum cleaner. |
| | The tool and vacuum cleaner are away from each other (out of the transmission range). | Get the tool and vacuum cleaner closer each other. The maximum transmission distance is approximately 10 m however it may vary according to the circumstances. |
| | Radio disturbance by other appliances which generate high-intensity radio waves. | Keep the tool and vacuum cleaner away from the appliances such as Wi-Fi devices and microwave ovens. |
| | The vacuum cleaner runs while the tool's switch trigger is not pulled. | Other users are using the wireless activation of the vacuum cleaner with their tools. Turn off the wireless activation button of the other tools or cancel the tool registration of the other tools. |

MAINTENANCE

⚠ CAUTION: Always be sure that the tool is switched off and the battery cartridge is removed before attempting to perform inspection or maintenance.

NOTICE: Never use gasoline, benzine, thinner, alcohol or the like. Discoloration, deformation or cracks may result.

To maintain product SAFETY and RELIABILITY, repairs, any other maintenance or adjustment should be performed by Makita Authorized or Factory Service Centers, always using Makita replacement parts.

OPTIONAL ACCESSORIES

⚠ CAUTION: These accessories or attachments are recommended for use with your Makita tool specified in this manual. The use of any other accessories or attachments might present a risk of injury to persons. Only use accessory or attachment for its stated purpose.

If you need any assistance for more details regarding these accessories, ask your local Makita Service Center.

- SDS-MAX Carbide-tipped drill bits
- SDS-MAX bull point
- SDS-MAX cold chisel
- SDS-MAX scaling chisel
- SDS-MAX clay spade
- Bit grease
- Side handle
- Side grip
- Depth gauge
- Blow-out bulb
- Dust extractor attachment
- Safety goggles
- Wireless unit
- Makita genuine battery and charger
- Plastic carrying case

NOTE: Some items in the list may be included in the tool package as standard accessories. They may differ from country to country.

DANE TECHNICZNE

| | | |
|------------------------------------|----------------------------|-------------------------------|
| Model: | | HR005G |
| Zakresy wiercenia | Wiertło z końcówką widiową | 40 mm |
| | Wiertło koronowe | 105 mm |
| Prędkość bez obciążenia (obr./min) | | 250–500 min ⁻¹ |
| Liczba uderzeń na minutę | | 1 450–2 900 min ⁻¹ |
| Długość całkowita | z BL4025 | 484 mm |
| | z BL4040 | 500 mm |
| Napięcie znamionowe | | Prąd stały 36 V–40 V maks. |
| Masa netto | | 7,4–8,2 kg |

- W związku ze stałe prowadzonym przez naszą firmę programem badawczo-rozwojowym niniejsze dane mogą ulec zmianom bez wcześniejszego powiadomienia.
- W innych krajach urządzenie może mieć odmienne parametry techniczne i może być wyposażone w inny akumulator.
- Masa może być różna w zależności od osprzętu, w tym akumulatora. W tabeli przedstawiona jest najlżejsza i najcięższa konfiguracja, zgodnie z procedurą EPTA 01/2014.

Kompatybilne akumulatory i ładowarki

| | |
|------------|--|
| Akumulator | BL4020 / BL4025 / BL4040* / BL4050F* *: Zalecany akumulator |
| Ładowarka | DC40RA / DC40RB / DC40RC |

- Pewne z wymienionych powyżej akumulatorów i ładowarek mogą być niedostępne w regionie zamieszkania użytkownika.

⚠ OSTRZEŻENIE: Należy używać wyłącznie akumulatorów i ładowarek wymienionych powyżej. Używanie innych akumulatorów i ładowarek może stwarzać ryzyko wystąpienia obrażeń ciała lub pożaru.

Przeznaczenie

Narzędzie jest przeznaczone do wiercenia uderowego oraz wiercenia w cegle, betonie i kamieniu, a także do podkuwania.

Hałas

Typowy równoważny poziom dźwięku A określony w oparciu o normę EN60745-2-6:
Poziom ciśnienia akustycznego (L_{pA}): 91 dB(A)
Poziom mocy akustycznej (L_{WA}): 102 dB (A)
Niepewność (K): 3 dB(A)

WSKAZÓWKA: Deklarowana wartość emisji hałasu została zmierzona zgodnie ze standardową metodą testową i można ją wykorzystać do porównywania narzędzi.

WSKAZÓWKA: Deklarowaną wartość emisji hałasu można także wykorzystać we wstępnej ocenie narażenia.

⚠ OSTRZEŻENIE: Nosić ochronniki słuchu.

⚠ OSTRZEŻENIE: Poziom hałasu wytwarzanego podczas rzeczywistego użytkowania elektronarzędzia może się różnić od wartości deklarowanej w zależności od sposobu użytkowania narzędzia, a w szczególności od rodzaju obrabianego elementu.

⚠ OSTRZEŻENIE: W oparciu o szacowane narażenie w rzeczywistych warunkach użytkowania należy określić środki bezpieczeństwa w celu zapewnienia ochrony operatora (uwzględniając wszystkie elementy cyklu działania, tj. czas, kiedy narzędzie jest wyłączone i kiedy pracuje na biegu jałowym, a także czas, kiedy jest włączone).

Drgania

Całkowita wartość poziomu drgań (suma wektorów w 3 osiach) określona zgodnie z normą EN60745-2-6:
Tryb pracy: wiercenie uderowe w betonie
Emisja drgań ($a_{h,HD}$): 5,0 m/s²
Niepewność (K): 1,5 m/s²
Tryb pracy: podkuwanie z uchwytem bocznym
Emisja drgań ($a_{h,ChEq}$): 4,0 m/s²
Niepewność (K): 1,5 m/s²
Tryb pracy: podkuwanie z rękojeścią boczną
Emisja drgań ($a_{h,ChEq}$): 4,0 m/s²
Niepewność (K): 1,5 m/s²

WSKAZÓWKA: Deklarowana wartość poziomu drgań została zmierzona zgodnie ze standardową metodą testową i można ją wykorzystać do porównywania narzędzi.

WSKAZÓWKA: Deklarowaną wartość poziomu drgań można także wykorzystać we wstępnej ocenie narażenia.

⚠️ OSTRZEŻENIE: Drgania wytwarzane podczas rzeczywistego użytkowania elektronarzędzia mogą się różnić od wartości deklarowanej w zależności od sposobu użytkowania narzędzia, a w szczególności od rodzaju obrabianego elementu.

⚠️ OSTRZEŻENIE: W oparciu o szacowane narażenie w rzeczywistych warunkach użytkowania należy określić środek bezpieczeństwa w celu zapewnienia ochrony operatora (uwzględniając wszystkie elementy cyklu działania, tj. czas, kiedy narzędzie jest wyłączone i kiedy pracuje na biegu jałowym, a także czas, kiedy jest włączone).

Deklaracja zgodności WE

Dotyczy tylko krajów europejskich

Deklaracja zgodności WE jest dołączona jako załącznik A do niniejszej instrukcji obsługi.

OSTRZEŻENIA DOTYCZĄCE BEZPIECZEŃSTWA

Ogólne zasady bezpiecznej eksploatacji elektronarzędzi

⚠️ OSTRZEŻENIE: Należy zapoznać się z ostrzeżeniami dotyczącymi bezpieczeństwa, instrukcjami, ilustracjami i danymi technicznymi dołączoneymi do tego elektronarzędzia. Niezastosowanie się do podanych poniżej instrukcji może prowadzić do porażenia prądem, pożaru i/lub poważnych obrażeń ciała.

Wszystkie ostrzeżenia i instrukcje należy zachować do wykorzystania w przyszłości.

Pojęcie „elektronarzędzie”, występujące w wymienionych tu ostrzeżeniach, odnosi się do elektronarzędzia zasilanego z sieci elektrycznej (z przewodem zasilającym) lub do elektronarzędzia akumulatorowego (bez przewodu zasilającego).

OSTRZEŻENIE DOTYCZĄCE BEZPIECZEŃSTWA DLA MŁOTOWIERTARKI AKUMULATOROWEJ

1. **Nosić ochronniki słuchu.** Hałas może spowodować utratę słuchu.
2. **Używać narzędzia z uchwytyami pomocniczymi, jeśli zostały dostarczone wraz z nim.** Utrata kontroli może spowodować obrażenia ciała.
3. **Trzymać elektronarzędzie za izolowane powierzchnie rękawicy podczas wykonywania prac, przy których osprzęt tnący mógłby dotknąć niewidocznej instalacji elektrycznej.** Zetknięcie osprzętu z przewodem elektrycznym znajdującym się pod napięciem może spowodować, że odsłonięte elementy metalowe elektronarzędzia również znajdą się pod napięciem, grożąc porażeniem operatora prądem elektrycznym.
4. **Nosić kask (hełm ochronny), okulary ochronne oraz/lub osłonę twarzy.** Zwykle okulary bądź okulary przeciwśloneczne NIE są okularami ochronnymi. Stanowczo zaleca się również noszenie maski przeciwpyłowej oraz grubych rękawic.
5. **Przed uruchomieniem narzędzia należy się upewnić, czy wiertło jest dobrze zamocowane.**
6. **W normalnych warunkach pracy narzędzie wytwarza drgania.** W związku z tym śruby mogą łatwo ulec poluzowaniu, doprowadzając do awarii lub wypadku. Przed uruchomieniem narzędzia należy skontrolować, czy śruby są dobrze dokręcone.
7. **W przypadku niskiej temperatury lub gdy narzędzie nie było używane przez dłuższy czas, należy najpierw je rozgrzać, uruchamiając na chwilę bez obciążenia.** W ten sposób gęstość smaru ulegnie zmniejszeniu. Bez właściwego rozgrzania narzędzia działanie funkcji udaru jest utrudnione.
8. **Podczas pracy należy zadbać o dobre oparcie dla nóg.** W przypadku pracy na pewnej wysokości upewnić się, że na dole nie przebywają żadne osoby.
9. **Narzędzie należy trzymać mocno oburącz.**
10. **Trzymać ręce z dala od części ruchomych.**
11. **Nie pozostawiać włączonego narzędzia.** Narzędzie można uruchomić tylko, gdy jest trzymane w rękach.
12. **Podczas pracy nie wolno kierować narzędzia w stronę osób znajdujących się w pobliżu.** Wiertło może wylecieć z uchwytu i poważnie kogoś zranić.
13. **Nie dotykać wiertła, części w pobliżu wiertła ani elementu obrabianego od razu po zakończeniu danej operacji; mogą one być bardzo gorące i spowodować oparzenie skóry.**
14. **Niektóre materiały zawierają substancje chemiczne, które mogą być toksyczne.** Unikać wdychania pyłu i kontaktu ze skórą. Przestrzegać przepisów bezpieczeństwa podanych przez dostawcę materiałów.

15. **Przed przekazaniem narzędzia innej osobie należy upewnić się, że jest ono wyłączone, a akumulator i wiertło zostały z niego wyjęte.**
16. **Przed rozpoczęciem pracy należy się upewnić, czy w obszarze pracy nie ma ukrytych obiektów, takich jak na przykład przewody elektryczne, instalacja wodna lub gazowa. W przeciwnym razie może dojść do kontaktu wiertła/dłuta z takimi obiektami, skutkującego porażeniem elektrycznym, wpływem prądu lub wyciekami gazu.**
17. **Nie należy bez potrzeby uruchamiać narzędzia bez obciążenia.**
8. **Nie należy przecinać ani zginać akumulatora, wbijać w niego gwoździ, rzucać nim, upuszczać, ani uderzać akumulatorem o twarde obiekty. Takie działanie może spowodować pożar, przegrzanie lub wybuch.**
9. **Nie wolno używać uszkodzonego akumulatora.**
10. **Stanowiące wyposażenie akumulatory lito-wonowe podlegają przepisom dotyczącym produktów niebezpiecznych.**
Na potrzeby transportu komercyjnego, np. świadczącego przez firmy trzecie czy spedycyjne, należy przestrzegać specjalnych wymagań w zakresie pakowania i oznaczania etykietami. Przygotowanie produktu do wysyłki wymaga skonsultowania się ze specjalistą ds. materiałów niebezpiecznych. Należy także przestrzegać przepisów krajowych, które mogą być bardziej szczegółowe. Zakleić taśmą lub zaślepić otwarte styki akumulatora oraz zabezpieczyć go, aby nie mógł się przesuwać w opakowaniu.

ZACHOWAĆ NINIEJSZE INSTRUKCJE.

⚠️ OSTRZEŻENIE: NIE WOLNO pozwolić, aby wygoda lub rutyna (nabyta w wyniku wielokrotnego używania urządzenia) zastąpiły ściśle przestrzeganie zasad bezpieczeństwa obsługi. **NIEWŁAŚCIWE UŻYTKOWANIE** narzędzia lub niestosowanie się do zasad bezpieczeństwa podanych w niniejszej instrukcji obsługi może prowadzić do poważnych obrażeń ciała.

Ważne zasady bezpieczeństwa dotyczące akumulatora

1. **Przed użyciem akumulatora zapoznać się ze wszystkimi instrukcjami i znakami ostrzegawczymi na (1) ładowarce, (2) akumulatorze i (3) produkcie, w którym będzie używany akumulator.**
2. **Nie remontować ani modyfikować akumulatora. Może to spowodować pożar, przegrzanie lub wybuch.**
3. **Jeśli czas działania uległ znacznemu skróceniu, należy natychmiast przerwać pracę. Może bowiem dojść do przegrzania, ewentualnych poparzeń, a nawet eksplozji.**
4. **W przypadku przedostania się elektrolitu do oczu, przemyć je czystą wodą i niezwłocznie uzyskać pomoc lekarską. Może on bowiem spowodować utratę wzroku.**
5. **Nie doprowadzać do zwarcia akumulatora:**
 - (1) **Nie dotykać styków materiałami przewodzącymi prąd.**
 - (2) **Unikać przechowywania akumulatora w pojemniku z metalowymi przedmiotami, takimi jak gwoździe, monety itp.**
 - (3) **Chronić akumulator przed deszczem lub wodą.**

Zwarcie prowadzi do przepływu prądu elektrycznego o dużym natężeniu i przegrzania akumulatora, co w konsekwencji może grozić poparzeniami a nawet awarią urządzenia.
6. **Narzędzia i akumulatora nie wolno przechowywać ani używać w miejscach, w których temperatura osiąga bądź przekracza 50°C (122°F).**
7. **Akumulatorów nie wolno spalać, również tych poważnie uszkodzonych lub całkowicie zużytych. Akumulator może eksplodować w ogniu.**
11. **Jeśli zajdzie konieczność utylizacji akumulatora, należy wyjąć go z narzędzia i przekazać w bezpieczne miejsce. Postępować zgodnie z przepisami lokalnymi dotyczącymi utylizacji akumulatorów.**
12. **Używać akumulatorów tylko z produktami określonymi przez firmę Makita. Zastosowanie akumulatorów w niezgodnych produktach może spowodować pożar, przegrzanie, wybuch lub wyciek elektrolitu.**
13. **Jeśli narzędzie nie będzie używane przez dłuższy czas, należy wyjąć z niego akumulator.**
14. **Przed użyciem akumulatora i po jego użyciu akumulator może pozostawać nagrany, co może spowodować poparzenia lub poparzenia w niskiej temperaturze. Z gorącym akumulatorem należy obchodzić się ostrożnie.**
15. **Nie należy dotykać styku narzędzia bezpośrednio po jego użyciu, ponieważ może on być na tyle gorący, że spowoduje oparzenia.**
16. **Nie należy dopuszczać, aby wióry, kurz lub błoto gromadziły się na stykach, w otworach i rowkach akumulatora. Może to spowodować obniżenie wydajności lub uszkodzenie narzędzia lub akumulatora.**
17. **Jeśli narzędzie nie jest przeznaczone do użytku w pobliżu linii wysokiego napięcia, nie należy korzystać z akumulatora w ich sąsiedztwie. Może to spowodować nieprawidłowości w działaniu lub uszkodzenie narzędzia lub akumulatora.**
18. **Przechowywać akumulator w miejscu niedostępnym dla dzieci.**

ZACHOWAĆ NINIEJSZE INSTRUKCJE.

⚠️ PRZESTROGA: Używać wyłącznie oryginalnych akumulatorów firmy Makita. Używanie nieoryginalnych akumulatorów firm innych niż Makita lub akumulatorów, które zostały zmodyfikowane, może spowodować wybuch akumulatora i pożar, obrażenia ciała oraz zniszczenie mienia. Stanowi to również naruszenie warunków gwarancji firmy Makita dotyczących narzędzia i ładowarki.

Wskazówki dotyczące zachowania maksymalnej trwałości akumulatora

1. Akumulator należy naładować zanim zostanie do końca rozładowany. Po zauważeniu spadku mocy narzędzia należy przerwać pracę i naładować akumulator.
2. Nie wolno ładować powtórnie w pełni naładowanego akumulatora. Przeładowanie akumulatora skraca jego trwałość.
3. Akumulator należy ładować w temperaturze pokojowej w przedziale 10–40°C (50–104°F). W przypadku gorącego akumulatora przed przystąpieniem do ładowania należy poczekać, aż ostygnie.
4. Jeśli akumulator nie jest używany, należy go wyjąć z narzędzia lub ładowarki.
5. Akumulatory niklowo-wodorkowe należy naładować po okresie długiego nieużytkowania (dłuższego niż sześć miesięcy).

Ważne zasady bezpieczeństwa dotyczące złącza bezprzewodowego

1. Nie rozmontowywać ani modyfikować złącza bezprzewodowego.
2. Trzymać złącze bezprzewodowe z dala od małych dzieci. W przypadku przypadkowego połknięcia natychmiast skorzystać z pomocy medycznej.
3. Używać złącza bezprzewodowego wyłącznie z narzędziami firmy Makita.
4. Nie narażać złącza bezprzewodowego na działanie deszczu lub niesprzyjających warunków atmosferycznych.
5. Nie używać złącza bezprzewodowego w miejscach, w których temperatura przekracza 50°C.
6. Nie obsługiwać złącza bezprzewodowego w miejscach, w których w pobliżu znajdują się przyrządy medyczne, takie jak rozruszniki serca.
7. Nie obsługiwać złącza bezprzewodowego w miejscach, w których w pobliżu znajdują się zautomatyzowane urządzenia. W przypadku obsługi złącza bezprzewodowego w zautomatyzowanym urządzeniu może wystąpić usterka lub błąd.
8. Nie używać złącza bezprzewodowego w miejscach, w których panuje wysoka temperatura lub takich, w których możliwe jest wygenerowanie ładunków elektrostatycznych lub zakłóceń elektrycznych.
9. Złącze bezprzewodowe może wytwarzać pole elektromagnetyczne, które nie jest szkodliwe dla użytkownika.
10. Złącze bezprzewodowe to czuły przyrząd. Należy chronić złącze bezprzewodowe przed upadkiem i uderzeniami.
11. Unikać dotknięcia zacisku złącza bezprzewodowego gołymi rękoma lub metalowymi materiałami.
12. W przypadku montażu złącza bezprzewodowego należy zawsze wyciągać akumulator z produktu.
13. Podczas otwierania pokrywy gniazda unikać miejsc, w których pył i woda mogą przedostać się do gniazda. Zawsze utrzymywać wlot gniazda w czystości.
14. Zawsze wkładać złącze bezprzewodowe skierowane w odpowiednią stronę.
15. Nie naciskać zbyt mocno przycisku aktywacji bezprzewodowej na złączu bezprzewodowym i/lub nie naciskać przycisku za pomocą przedmiotu z ostrą krawędzią.
16. Zawsze zamykać pokrywę gniazda podczas pracy.
17. Nie usuwać złącza bezprzewodowego z gniazda, gdy zasilanie narzędzia jest włączone. Wykonanie tej czynności może spowodować usterkę złącza bezprzewodowego.
18. Nie usuwać naklejki ze złącza bezprzewodowego.
19. Nie umieszczać żadnej naklejki na złączu bezprzewodowym.
20. Nie pozostawiać złącza bezprzewodowego w miejscach, w których możliwe jest wygenerowanie ładunków elektrostatycznych lub szumów elektrycznych.
21. Nie pozostawiać złącza bezprzewodowego w miejscach narażonych na działanie wysokich temperatur, na przykład w samochodzie zaparkowanym w słońcu.
22. Nie pozostawiać złącza bezprzewodowego w miejscach, w których występuje kurz, pył lub gazy wykazujące właściwości korozyjne.
23. Nagła zmiana temperatury może spowodować pojawienie się rosy na złączu bezprzewodowym. Nie używać urządzenia, aż do momentu całkowitego osuszenia rosy.
24. W przypadku czyszczenia złącza bezprzewodowego delikatnie wytrzeć je przy użyciu miękkiej, suchej szmatki. Nie stosować benzyny, rozpuszczalnika, smaru przewodzącego prąd i innych podobnych substancji.
25. W przypadku przechowywania złącza bezprzewodowego umieścić je w dołączonej obudowie lub antystatycznym pojemniku.
26. Nie wkładać żadnych urządzeń innych niż złącze bezprzewodowe firmy Makita do gniazda w narzędziu.
27. Nie wolno używać narzędzia, gdy pokrywa gniazda jest uszkodzona. Woda, pył i zabrudzenia, które przedostaną się do gniazda, mogą spowodować usterkę.
28. Nie ciągnąć i/lub nie obracać nadmiernie pokrywy gniazda. Umieścić pokrywę w odpowiednim miejscu w przypadku zsunienia się jej z narzędzia.
29. Wymienić pokrywę gniazda w przypadku jej zgięcia lub uszkodzenia.

**ZACHOWAĆ NINIEJSZĄ
INSTRUKCJĘ.**

OPIS DZIAŁANIA

⚠ PRZESTROGA: Przed przystąpieniem do regulacji lub przeglądu narzędzia upewnić się, że jest ono wyłączone, a akumulator został wyjęty.

Wkładanie i wyjmowanie akumulatora

⚠ PRZESTROGA: Przed włożeniem lub wyjęciem akumulatora należy zawsze wyłączyć narzędzie.

⚠ PRZESTROGA: Podczas wkładania lub wyjmowania akumulatora należy mocno trzymać narzędzie i akumulator. W przeciwnym razie mogą się one wyslizgnąć z rąk, powodując uszkodzenie narzędzia lub akumulatora i obrażenia ciała.

► **Rys.1:** 1. Czerwony wskaźnik 2. Przycisk 3. Akumulator

Aby wyjąć akumulator, przesunąć przycisk znajdujący się w przedniej jego części i wysunąć akumulator.

Aby włożyć akumulator, wyrównaj występ na akumulatorze z rowkiem w obudowie i wsunąć go na swoje miejsce. Akumulator należy wsunąć do oporu, aż się zatrzaśnie na miejscu, co jest sygnalizowane delikatnym kliknięciem. Jeśli w górnej części przycisku jest widoczny czerwony wskaźnik, akumulator nie został całkowicie zatrzaśnięty.

⚠ PRZESTROGA: Akumulator należy włożyć do końca, tak aby czerwony wskaźnik nie był widoczny. W przeciwnym razie może przypadkowo wypaść z narzędzia, powodując obrażenia operatora lub osób postronnych.

⚠ PRZESTROGA: Nie wkładać akumulatora na siłę. Jeśli akumulator nie daje się swobodnie wsunąć, oznacza to, że został włożony nieprawidłowo.

Wskazanie stanu naładowania akumulatora

Nacisnąć przycisk kontrolny na akumulatorze w celu wyświetlenia stanu naładowania akumulatora. Lampki wskaźnika zaświecą się przez kilka sekund.

► **Rys.2:** 1. Lampki wskaźnika 2. Przycisk kontrolny

| Lampki wskaźnika | | | Pozostała energia akumulatora |
|------------------|-----------|------|--|
| Świeci się | Wyłączony | Miga | |
| | | | 75–100% |
| | | | 50–75% |
| | | | 25–50% |
| | | | 0–25% |
| | | | Naładować akumulator. |
| | | | Akumulator może nie działać poprawnie. |

WSKAZÓWKA: Zależnie od warunków użytkowania i temperatury otoczenia, wskazujący poziom może nieznacznie się różnić od rzeczywistego stanu naładowania akumulatora.

WSKAZÓWKA: Pierwsza (skrajnie po lewej stronie) lampka wskaźnika miga, gdy układ zabezpieczenia akumulatora jest aktywny.

Układ zabezpieczenia narzędzia/akumulatora

Narzędzie jest wyposażone w układ zabezpieczenia narzędzia/akumulatora. Układ automatycznie odcina zasilanie silnika w celu wyłączenia trwałości narzędzia i akumulatora. Narzędzie zostanie automatycznie zatrzymane podczas pracy w następujących sytuacjach związanych z narzędziem lub akumulatorem:

Zabezpieczenie przed przecięciem

W przypadku obsługi narzędzia lub akumulatora w sposób powodujący nadmiernie wysoki pobór prądu narzędzie zostanie automatycznie zatrzymane bez żadnego ostrzeżenia. W takiej sytuacji należy wyłączyć narzędzie i zaprzestać wykonywania czynności powodującej jego przeciężenie. Następnie należy włączyć narzędzie w celu ponownego uruchomienia.

Zabezpieczenie przed przegrzaniem

W przypadku przegrzania narzędzia lub akumulatora narzędzie automatycznie się wyłączy i zacznie migać lampka. W takiej sytuacji należy odczekać, aż narzędzie ostygnie przed ponownym włączeniem narzędzia.

Zabezpieczenie przed nadmiernym rozładowaniem

Gdy stan naładowania akumulatora stanie się zbyt niski, narzędzie zostanie automatycznie zatrzymane. W takiej sytuacji należy wyjąć akumulator z narzędzia i naładować go.

Działanie przełącznika

⚠ OSTRZEŻENIE: Przed włożeniem akumulatora do narzędzia należy zawsze sprawdzić, czy spust przełącznika działa prawidłowo i czy powraca do położenia wyłączenia po jego zwolnieniu.

⚠ PRZESTROGA: Jeżeli narzędzie nie będzie używane, należy wcisnąć przycisk blokady spustu od strony A, aby zablokować spust przełącznika w pozycji wyłączenia.

► **Rys.3:** 1. Spust przełącznika 2. Przycisk blokady spustu

Narzędzie zostało wyposażone w przycisk blokady spustu, który zapobiega przypadkowemu pociągnięciu za spust przełącznika. Aby uruchomić narzędzie, należy wcisnąć przycisk blokady spustu od strony A i pociągnąć spust przełącznika. W celu zatrzymania urządzenia wystarczy zwolnić spust przełącznika. Po pracy należy wcisnąć przycisk blokady spustu od strony B.

Zmiana prędkości

Liczbę obrotów i uderów na minutę można regulować poprzez obracanie pokrętła regulacyjnego. Na pokrętłe oznaczone są pozycje od 1 (minimalna prędkość) do 5 (pełna prędkość).

► **Rys.4:** 1. Pokrętło regulacyjne

Zależność liczby obrotów i uderów na minutę od pozycji ustawionej na pokrętłe regulacyjnym podano w poniższej tabeli.

| Numer pozycji | Liczba obrotów na minutę | Liczba uderów na minutę |
|---------------|--------------------------|-------------------------|
| 5 | 500 | 2900 |
| 4 | 470 | 2700 |
| 3 | 380 | 2150 |
| 2 | 290 | 1650 |
| 1 | 250 | 1450 |

▲PRZESTROGA: Nie obracać pokrętła regulacyjnego podczas pracy narzędzia. Niestosowanie się do tej zasady może spowodować utratę kontroli nad narzędziem i obrażenia ciała.

UWAGA: Jeśli narzędzie będzie używane nieprzerwanie przez dłuższy czas przy małych prędkościach, nastąpi przeciążenie silnika skutkujące awarią narzędzia.

UWAGA: Pokrętło regulacji prędkości można obrócić maksymalnie do pozycji 5 i z powrotem do pozycji 1. Nie próbować obrócić go na siłę poza pozycję 5 lub 1, ponieważ funkcja regulacji prędkości mogłaby przestać działać.

WSKAZÓWKA: Funkcja łagodnych obrotów na biegu jałowym

Kiedy pokrętło regulacji prędkości jest ustawione na pozycję „3” lub wyższą, narzędzie automatycznie zmniejsza prędkość bez obciążenia, aby zmniejszyć wibracje w warunkach braku obciążenia.

Gdy wiertło oprze się o beton i rozpocznie się właściwa praca, liczba obrotów na minutę wzrośnie i osiągnie wartość przedstawioną w tabeli.

Gdy temperatura jest niska, narzędzie może nie funkcjonować w ten sposób, nawet jeżeli silnik będzie się obracał.

Włączenie lampki czołowej

► **Rys.5:** 1. Lampka

▲PRZESTROGA: Nie patrzeć na światło ani bezpośrednio na źródło światła.

W celu włączenia lampki należy pociągnąć za spust przelącznika. Lampka świeci, dopóki spust przelącznika jest naciskany. Lampka wyłącza się po około 10 s od zwolnienia spustu przelącznika.

UWAGA: Jeśli lampka zgaśnie po kilku sekundach migania, oznacza to, że system aktywnego wyczuwania odrzutu nie działa prawidłowo. Zlecić naprawę w lokalnym autoryzowanym punkcie serwisowym Makita.


WSKAZÓWKA: Aby usunąć zabrudzenia z klosza lampki, należy użyć suchej szmatki. Uważać, aby nie zarysować klosza lampki, gdyż może to zmniejszyć natężenie oświetlenia.

Wybór trybu pracy

UWAGA: Nie wolno przekreślać pokrętła zmiany trybu pracy, gdy narzędzie pracuje. Spowoduje to uszkodzenie narzędzia.


UWAGA: Aby uniknąć szybkiego zużywania się mechanizmu zmiany trybu pracy, pokrętło zmiany trybu pracy musi być zawsze ustawione dokładnie w jednym z trzech położen trybu pracy.

Wiercenie udarowe

Aby wiercić w betonie, cegle itp., należy ustawić pokrętło zmiany trybu pracy w położeniu . Należy używać wiertła z końcówką widiową.

► **Rys.6:** 1. Pokrętło zmiany trybu pracy 2. Wskaźnik

Tylko kucie

W przypadku kucia, podkuwania lub prac wyburzeniowych należy ustawić pokrętło zmiany trybu pracy w położeniu . Używać punktaków, przecinaków, dłut itp.

► **Rys.7:** 1. Wskaźnik 2. Pokrętło zmiany trybu pracy

Ogranicznik momentu obrotowego

UWAGA: Kiedy zadziała ogranicznik momentu obrotowego, należy natychmiast wyłączyć narzędzie. Dzięki temu uniknie się przedwczesnego zużycia narzędzia.

UWAGA: Do opisywanego narzędzia nie nadają się takie wiertła, jak piły walcowe, które mają tendencję do zakleszczania lub blokowania się w otworze. Powodują one zbyt częste włączanie ogranicznika momentu obrotowego.

Ogranicznik momentu obrotowego zaczyna działać, gdy zostanie osiągnięta określona wartość momentu. W takiej sytuacji silnik zostaje odłączony od wałka napędu. To powoduje zatrzymanie obrotów wiertła.

Funkcja regulacji elektronicznej

Narzędzie jest wyposażone w funkcje regulacji elektronicznej ułatwiającej jego obsługę.

Kontrola stałej prędkości

Funkcja regulacji prędkości zapewnia stałą prędkość obrotową niezależnie od warunków obciążenia.

Funkcja łagodnego uruchamiania

Funkcja łagodnego uruchamiania minimalizuje wstrząs powstający podczas normalnego uruchamiania, dzięki czemu rozruch maszyny jest płynny.

System aktywnego wyczuwania odrzutu

Jeśli korpus narzędzia gwałtownie się obróci przy określonym przyspieszeniu z powodu zablokowania wiertła itp., zostanie wymuszone zatrzymanie silnika, aby ograniczyć siły działające na nadgarstek.

WSKAZÓWKA: System aktywnego wyczuwania odrzutu nie działa, jeśli przyspieszenie nie osiągnie określonej wartości.

WSKAZÓWKA: System aktywnego wyczuwania odrzutu zostanie również aktywowany, gdy wiertło zostanie przekroczone podczas pracy z określonym przyspieszeniem.

W takiej sytuacji należy zwolnić spust przełącznika, a następnie pociągnąć spust przełącznika, aby ponownie uruchomić narzędzie.

Hamulec elektryczny

Narzędzie jest wyposażone w hamulec elektryczny. Jeśli narzędzie często nie zatrzymuje się od razu po zwolnieniu spustu przełącznika, należy zlecić naprawę narzędzia serwisowi firmy Makita.

MONTAŻ

▲PRZESTROGA: Przed przystąpieniem do prac konserwacyjnych przy narzędziu upewnić się, że jest ono wyłączone, a akumulator został wyjęty.

Rękojeść boczna

► Rys.8

▲PRZESTROGA: Należy używać rękojeści bocznej tylko podczas kucia, skuwania lub wyburzania. Nie należy go używać do wiercenia w betonie, cegle itp. Wtedy podczas wiercenia nie można trzymać narzędzia z rękojeścią boczną we właściwy sposób.

► Rys.9: 1. Rękojeść boczna 2. Nakrętka zaciskowa
Rękojeść boczną można przekręcić w kierunku pionowym i zablokować w żądanej pozycji. Można ją również wyregulować w kierunku poziomym do przodu i do tyłu w ośmiu położeniach. Aby przesunąć rękojeść boczną do żądanej pozycji, poluzować nakrętkę zaciskową, a następnie dobrze ją dokręcić.

Uchwyt boczny (rękojeść pomocnicza)

▲PRZESTROGA: Aby zapewnić bezpieczeństwo podczas pracy, należy zawsze korzystać z uchwytu bocznego.

▲PRZESTROGA: Po założeniu lub zmianie położenia uchwytu bocznego należy upewnić się, że uchwyt jest dobrze zamocowany.

Uchwyt boczny można przekręcić, co umożliwia łatwe trzymanie go w dowolnej pozycji. Poluzować uchwyt boczny, obracając go w kierunku przeciwnym do ruchu wskazówek zegara, przesunąć go do żądanej pozycji, a następnie dokręcić, obracając go w kierunku zgodnym z ruchem wskazówek zegara.

► Rys.10: 1. Uchwyt boczny

Wkładanie i wyjmowanie wiertła

Smarowanie

Wyczyścić koniec chwytu dłuta i posmarować smarem przed założeniem. Posmarować najpierw koniec chwytu dłuta niewielką ilością smaru (ok. 0,5–1 g). Takie smarowanie uchwytu zapewni prawidłowe i długotrwałe działanie.

► Rys.11: 1. Koniec chwytu 2. Smar


Włożyć wiertło do narzędzia. Obrócić wiertło i wcisnąć je do momentu zamocowania. Po włożeniu wiertła należy koniecznie upewnić się, że wiertło jest prawidłowo zamocowane, próbując je wyciągnąć.

► Rys.12: 1. Wiertło


Aby wyjąć wiertło, należy pociągnąć osłonę uchwytu w dół do oporu i wyciągnąć wiertło.

► Rys.13: 1. Wiertło 2. Osłona uchwytu

Kąt ustawienia dłuta (podczas kucia, podkuwania, wyburzania itp.)

Dłuto można unieruchomić pod wymaganym kątem. Aby zmienić kąt ustawienia dłuta, należy obrócić pokrętło zmiany trybu pracy do położenia oznaczonego symbolem . Następnie należy ustawić dłuto pod wymaganym kątem.

► Rys.14: 1. Pokrętło zmiany trybu pracy 2. Wskaźnik

Ustawić pokrętło zmiany trybu pracy w położeniu . Następnie należy sprawdzić, czy dłuto jest dobrze zamocowane, próbując je lekko obrócić.

Ogranicznik głębokości

Ogranicznik głębokości służy do wiercenia otworów o jednakowej głębokości.

Nacisnąć i przytrzymać przycisk blokady, a następnie włożyć ogranicznik głębokości do otworu sześciokątnego.

► Rys.15: 1. Ogranicznik głębokości 2. Przycisk blokady

Upewnić się, że ząbkowana strona ogranicznika głębokości jest skierowana do oznakowania.

► Rys.16: 1. Oznakowanie 2. Ząbkowana strona
Naciskając przycisk blokady, wyregulować ogranicznik głębokości, poruszając nim do przodu i do tyłu. Po wyregulowaniu zwolnić przycisk blokady, aby zablokować ogranicznik głębokości.

WSKAZÓWKA: Upewnić się, że ogranicznik głębokości nie dotyka korpusu narzędzia po zamocowaniu.

Przystawka do odsysania pyłu

Opiszę dodatkowy

Montaż przystawki do odsysania pyłu

1. Poluzować uchwyt boczny narzędzia.
2. Założyć osłonę przeciwpylową w taki sposób, aby zaczepy osłony przeciwpylowej weszły w rowki pomiędzy narzędziem a uchwytem bocznym.
► **Rys.17:** 1. Osłona przeciwpylowa 2. Kiel 3. Wgłębienie
3. Dobrze dokręcić uchwyt boczny.
4. Ustawić mieszki lub przedłużkę osłony przeciwpylowej odpowiednio do wykonywanej pracy. W przypadku używania mieszków na ich końcu przymocować łącznik. W przypadku zestawienia dwóch mieszków połączyć je łącznikiem.
► **Rys.18:** 1. Przedłużka osłony przeciwpylowej 2. Osłona przeciwpylowa 3. Łącznik 4. Mieszki

Podłączanie narzędzia do odkurzacza

1. Przymocować łącznik uchwytu do narzędzia, a następnie przymocować uchwyt węża do łącznika uchwytu.
► **Rys.19:** 1. Łącznik uchwytu 2. Uchwyt węża

WSKAZÓWKA: Łącznik węża można przymocować z dowolnej strony narzędzia.

▲OSTRZEŻENIE: Części mocowania narzędzia należy używać wyłącznie do mocowania łącznika uchwytu.

Użycie części mocowania do innych celów może doprowadzić do nieoczekiwanego wypadku.

2. Przymocować wąż do uchwytu węża.
► **Rys.20:** 1. Uchwyt węża

WSKAZÓWKA: W razie potrzeby połączyć wąż i osłonę przeciwpylową, używając łącznika 25.

Używanie ogranicznika głębokości do wiercenia

W przypadku zestawienia dwóch mieszków przymocować przedłużkę ogranicznika głębokości do ogranicznika głębokości.

- **Rys.21:** 1. Przedłużka ogranicznika głębokości

Przystawka do odsysania pyłu (tylko do kucia udarowego)

Opiszę dodatkowy

1. Zamontować uchwyt węża (A/B).

Po zamontowaniu rękojeści bocznej do narzędzia poluzować nakrętkę zaciskową, a następnie wykręcić śrubę imbusową. Zamontować uchwyt węża (A) pomiędzy śrubą imbusową i nakrętką zaciskową, mocno dokręcając nakrętkę zaciskową.

- **Rys.22:** 1. Śruba imbusowa 2. Uchwyt węża (A) 3. Nakrętka zaciskowa

Po zamontowaniu uchwytu bocznego do narzędzia poluzować go, zamocować uchwyt węża (B) do drążka, a następnie mocno dokręcić uchwyt boczny.

- **Rys.23:** 1. Uchwyt węża (B) 2. Drążek 3. Uchwyt boczny

2. Przymocować łącznik uchwytu do narzędzia, a następnie przymocować uchwyt węża (C) do łącznika uchwytu.

- **Rys.24:** 1. Łącznik uchwytu 2. Uchwyt węża (C)

WSKAZÓWKA: Łącznik węża można przymocować z dowolnej strony narzędzia.

▲OSTRZEŻENIE: Części mocowania narzędzia należy używać wyłącznie do mocowania łącznika uchwytu.

Użycie części mocowania do innych celów może doprowadzić do nieoczekiwanego wypadku.

3. Przymocować osłonę przeciwpylową i wąż do narzędzia, a następnie zamocować wąż do uchwytów węża.

- **Rys.25:** 1. Osłona przeciwpylowa 2. Wąż 3. Uchwyt węża (A/B) 4. Uchwyt węża (C)

4. Podłączyć wąż do węża odkurzacza, używając łącznika węża.

WSKAZÓWKA: Jeżeli wąż nie jest dołączony do wyposażenia, należy przymocować osłonę przeciwpylową do węża odkurzacza lub do węża firmy Makita o średnicy $\varnothing 28$.

5. Dostosować odległość pomiędzy osłoną przeciwpylową a końcówką dłuta lub punktakiem. Zalecana odległość wynosi od 30 mm do 100 mm.

- **Rys.26:** (1) 30 mm do 100 mm

OBSŁUGA

▲PRZESTROGA: Zawsze używać rękojeści bocznej/uchwytu bocznego (pomocniczego) i podczas pracy trzymać narzędzie mocno za rękojeść boczna/uchwyt boczny i uchwyt z przełącznikiem.

▲PRZESTROGA: Przed rozpoczęciem pracy zawsze należy upewnić się, że materiał obrabiany jest dobrze zamocowany. Jeśli materiał obrabiany nie będzie dobrze zamocowany, może się poruszyć, powodując obrażenia.

▲PRZESTROGA: Nie wyciągać narzędzia na siłę, nawet jeżeli wiertło się zablokuje. Utrata kontroli może spowodować obrażenia ciała.


▲PRZESTROGA: Nie pozostawiać narzędzia bez nadzoru w obrabianym materiale. W przeciwnym razie narzędzie może zostać przypadkowo uruchomione i spowodować obrażenia ciała.

WSKAZÓWKA: Jeśli akumulator ma niską temperaturę, narzędzie może nie osiągnąć pełni swoich możliwości. W takim przypadku należy rozgrzać akumulator, uruchamiając na pewien czas narzędzie bez obciążenia, aby osiągnąć pełne możliwości narzędzia.

- **Rys.27**

Wiercenie udarowe

⚠ PRZESTROGA: W momencie przewiercania otworu na wylot, gdy otwór jest zapchany wiórami lub opiłkami bądź w przypadku uderzenia w pręty zbrojeniowe znajdujące się w betonie, na narzędzie/wiertło jest wywierana nagle olbrzymia siła skręcająca. **Zawsze używać uchwytu bocznego (rękojeści pomocniczej) i podczas pracy trzymać narzędzie mocno za uchwyt boczny i uchwyt z przełącznikiem.** Niestosowanie się do powyższych zasad może spowodować utratę kontroli nad narzędziem i poważne obrażenia.


Pokrętko zmiany trybu pracy należy ustawić w położeniu .

Ustawić wiertło w wybranym miejscu, gdzie ma być wywierony otwór, a następnie pociągnąć za spust przełącznika. Nie przeciążać narzędzia. Lekki nacisk daje najlepsze wyniki. Trzymać narzędzie w ustalonej pozycji, uważając, aby wiertło nie wypadło z otworu.

Nie zwiększać nacisku, gdy otwór zapcha się wiórami, opiłkami lub gruzem. Zamiast tego należy pozwolić, aby narzędzie pracowało przez chwilę bez obciążenia, a następnie wyciągnąć wiertło częściowo z otworu. Po kilkukrotnym powtórzeniu tej procedury otwór zostanie oczyszczony i będzie można wznowić wiercenie w normalny sposób.

WSKAZÓWKA: Podczas pracy narzędzia bez obciążenia może wystąpić bicie wiertła. Narzędzie automatycznie eliminuje bicie podczas pracy. Nie ma to wpływu na dokładność wiercenia.

Kucie/podkuwanie/wyburzanie

Pokrętko zmiany trybu pracy należy ustawić w położeniu .

Narzędzie należy trzymać mocno oburącz. Włączyć narzędzie i lekko je dociskać, aby nie odskakiwało w sposób niekontrolowany.

Zbyt silny docisk narzędzia nie zwiększa jego skuteczności.

► Rys.28

Gruszka do przedmuchiwania

Osprzęt dodatkowy

Po wywierceniu otworu można użyć gruszki do przedmuchiwania, aby oczyścić otwór z pyłu.

► Rys.29

FUNKCJA AKTYWACJI BEZPRZEWODOWEJ

Osprzęt dodatkowy

Co umożliwiła funkcja aktywacji bezprzewodowej

Funkcja aktywacji bezprzewodowej pozwala na czystą i komfortową pracę. Poprzez podłączenie do narzędzia obsługiwane odkurzacza można automatycznie uruchomić odkurzacz, który będzie włączał się wraz z przełącznikiem z narzędzia.

► Rys.30

Aby użyć funkcji aktywacji bezprzewodowej, należy przygotować następujące elementy:

- Złącze bezprzewodowe (Akcesoria opcjonalne)
- Odkurzacz, który obsługuje funkcję aktywacji bezprzewodowej

Następujące informacje dotyczą ustawienia funkcji aktywacji bezprzewodowej. Aby dowiedzieć się więcej na temat szczegółowych procedur, należy zapoznać się z każdą sekcją.

1. Instalacja złącza bezprzewodowego
2. Rejestracja narzędzia w celu używania odkurzacza
3. Uruchamianie funkcji aktywacji bezprzewodowej

Instalacja złącza bezprzewodowego

Akcesoria opcjonalne

⚠ PRZESTROGA: Podczas montażu złącza bezprzewodowego umieścić narzędzie na płaskiej i stabilnej powierzchni.

UWAGA: Przed rozpoczęciem montażu złącza bezprzewodowego oczyścić narzędzie z pyłu i zabrudzeń. Pył lub zabrudzenia mogą spowodować usterkę w przypadku przedostania się do gniazda złącza bezprzewodowego.

UWAGA: Aby zapobiec usterce spowodowanej przez ładunek elektrostatyczny, dotknąć materiału odprowadzającego wyładowania elektrostatyczne, takiego jak metalowa część narzędzia, przed podniesieniem złącza bezprzewodowego.

UWAGA: Podczas montażu złącza bezprzewodowego należy zawsze upewnić się, że złącze bezprzewodowe zostanie włożone w odpowiednim kierunku, a pokrywa całkowicie zamknięta.

1. Otworzyć pokrywę na narzędziu tak, jak pokazano na ilustracji.

► Rys.31: 1. Pokrywa

2. Włożyć złącze bezprzewodowe do gniazda, a następnie zamknąć pokrywę.

Podczas wkładania złącza bezprzewodowego wyrównać wypusty z wgłębieniami w gnieździe.

► Rys.32: 1. Złącze bezprzewodowe 2. Występ 3. Pokrywa 4. Wgłębienie

Podczas wyjmowania złącza bezprzewodowego powoli otworzyć pokrywę. Zaczepy na tylnej części pokrywy podniosą złącze bezprzewodowe podczas zdejmowania pokrywy.

- **Rys.33:** 1. Złącze bezprzewodowe 2. Zaczep 3. Pokrywa

Po demontażu złącza bezprzewodowego umieścić je w dołączonej obudowie lub antystatycznym pojemniku.

UWAGA: Należy zawsze korzystać z zaczepów na tylnej części pokrywy podczas demontażu złącza bezprzewodowego. Jeśli zaczepy nie chwycą złącza bezprzewodowego, należy całkowicie zamknąć pokrywę i powoli otworzyć ją ponownie.

Rejestracja narzędzia w celu używania odkurzacza

WSKAZÓWKA: Odkurzacze firmy Makita obsługujące funkcję aktywacji bezprzewodowej jest wymagany do rejestracji narzędzia.

WSKAZÓWKA: Zakończyć montaż złącza bezprzewodowego w narzędziu przed rozpoczęciem rejestracji narzędzia.

WSKAZÓWKA: Podczas rejestracji narzędzia nie naciskać spustu przełącznika ani przycisku zasilania na odkurzaczu.

WSKAZÓWKA: Należy również zapoznać się z instrukcją obsługi odkurzacza.

Jeśli odkurzacze ma zostać aktywowany wraz z przełącznikiem narzędzia, należy najpierw zakończyć rejestrację narzędzia.

1. Zamontować akumulatory w odkurzaczu i narzędziu.
2. Ustawić przełącznik gotowości na odkurzaczu w położeniu „AUTO”.
► **Rys.34:** 1. Przełącznik gotowości
3. Nacisnąć i przytrzymać przez 3 sekundy przycisk aktywacji bezprzewodowej na odkurzaczu, aż do momentu, w którym kontrolka aktywacji bezprzewodowej zacznie migać na zielono. Następnie nacisnąć przycisk aktywacji bezprzewodowej na narzędziu w taki sam sposób.
► **Rys.35:** 1. Przycisk aktywacji bezprzewodowej 2. Kontrolka aktywacji bezprzewodowej

Jeśli odkurzacze i narzędzie zostały pomyślnie sparowane, kontrolki aktywacji bezprzewodowej będą migać na zielono przez 2 sekundy, a następnie zaczną migać na niebiesko.

WSKAZÓWKA: Kontrolki aktywacji bezprzewodowej przestaną migać na zielono po 20 sekundach. Nacisnąć przycisk aktywacji bezprzewodowej na narzędziu, gdy funkcja aktywacji bezprzewodowej na odkurzaczu miga. Jeśli kontrolka aktywacji bezprzewodowej nie miga na zielono, nacisnąć na krótko przycisk aktywacji bezprzewodowej i przytrzymać go ponownie.

WSKAZÓWKA: Podczas przeprowadzania rejestracji dwóch lub więcej narzędzi do jednego odkurzacza należy zakończyć rejestrację danego narzędzia w odpowiedniej kolejności.

Uruchamianie funkcji aktywacji bezprzewodowej

WSKAZÓWKA: Zakończyć rejestrację narzędzia do odkurzacza przed aktywacją bezprzewodową.

WSKAZÓWKA: Należy również zapoznać się z instrukcją obsługi odkurzacza.

Po zarejestrowaniu narzędzia do odkurzacza, urządzenie to będzie automatycznie działać wraz z przełącznikiem narzędzia.

1. Zamontować złącze bezprzewodowe w narzędziu.
2. Podłączyć wąż odkurzacza do narzędzia.
► **Rys.36**

3. Ustawić przełącznik gotowości na odkurzaczu w położeniu „AUTO”.

► **Rys.37:** 1. Przełącznik gotowości

4. Krótko nacisnąć przycisk aktywacji bezprzewodowej na narzędziu. Kontrolka aktywacji bezprzewodowej będzie migać na niebiesko.

► **Rys.38:** 1. Przycisk aktywacji bezprzewodowej 2. Kontrolka aktywacji bezprzewodowej

5. Nacisnąć spust przełącznika narzędzia. Sprawdzić, czy odkurzacze pracuje, gdy spust przełącznika jest naciśnięty.

Aby wstrzymać funkcję aktywacji bezprzewodowej odkurzacza, nacisnąć przycisk aktywacji bezprzewodowej na narzędziu.

WSKAZÓWKA: Kontrolka aktywacji bezprzewodowej na narzędziu przestanie migać na niebiesko w przypadku bezczynności przez 2 godziny. W takim przypadku należy ustawić przełącznik gotowości na odkurzaczu w położeniu „AUTO” i ponownie nacisnąć przycisk aktywacji bezprzewodowej na narzędziu.

WSKAZÓWKA: Odkurzacze uruchomi/wyłączy się z opóźnieniem. W przypadku wykrycia działania przełącznika narzędzia przez odkurzacze występuje opóźnienie.

WSKAZÓWKA: Zasięg łączności złącza bezprzewodowego może się różnić w zależności od lokalizacji i warunków otoczenia.

WSKAZÓWKA: W przypadku rejestrowania dwóch lub więcej narzędzi do jednego odkurzacza, urządzenie może uruchomić się, nawet jeśli spust przełącznika nie zostanie naciśnięty, ponieważ inny użytkownik korzysta z funkcji aktywacji bezprzewodowej.

Opis stanu kontrolki aktywacji bezprzewodowej

► Rys.39: 1. Kontrolka aktywacji bezprzewodowej

Kontrolka aktywacji bezprzewodowej przedstawia stan funkcji aktywacji bezprzewodowej. Aby dowiedzieć się więcej na temat znaczenia stanu kontrolki, należy zapoznać się z poniższą tabelą.

| Stan | Kontrolka aktywacji bezprzewodowej | | | | Opis |
|----------------------------------|------------------------------------|--|--|---------------------------------|---|
| | Kolor |  Wył. |  Miga | Czas trwania | |
| Czuwanie | Niebieska |  | | 2 godziny | Aktywacja bezprzewodowa odkurzacza jest dostępna. Kontrolka wyłączy się automatycznie w przypadku bezczynności przez 2 godziny. |
| | |  | | Gdy narzędzie jest uruchomione. | Aktywacja bezprzewodowa odkurzacza jest dostępna, a narzędzie uruchomione. |
| Rejestracja narzędzia | Zielona |  | | 20 sekund | Gotowość do rejestracji narzędzia. Oczekiwanie na zarejestrowanie przez odkurzacza. |
| | |  | | 2 sekund | Rejestracja narzędzia została zakończona. Kontrolka aktywacji bezprzewodowej zacznie migać na niebiesko. |
| Anulowanie rejestracji narzędzia | Czerwona |  | | 20 sekund | Gotowość do anulowania rejestracji narzędzia. Oczekiwanie na anulowanie przez odkurzacza. |
| | |  | | 2 sekund | Anulowanie rejestracji narzędzia zostało zakończone. Kontrolka aktywacji bezprzewodowej zacznie migać na niebiesko. |
| Inne | Czerwona |  | | 3 sekund | Zasilanie jest dostarczane do złącza bezprzewodowego, a funkcja aktywacji bezprzewodowej uruchamiana. |
| | Wył. | - | | - | Aktywacja bezprzewodowa odkurzacza została zatrzymana. |

Anulowanie rejestracji narzędzia do odkurzacza

Podczas anulowania rejestracji narzędzia do odkurzacza należy wykonać następującą procedurę.

1. Zamontować akumulatory w odkurzaczu i narzędziu.
2. Ustawić przełącznik gotowości na odkurzaczu w położeniu „AUTO”.

► Rys.40: 1. Przełącznik gotowości

3. Nacisnąć i przytrzymać przez 6 sekund przycisk aktywacji bezprzewodowej na odkurzaczu. Kontrolka aktywacji bezprzewodowej miga na zielono, a później na czerwono. Następnie nacisnąć przycisk aktywacji bezprzewodowej na narzędziu w taki sam sposób.

- ### ► Rys.41: 1. Przycisk aktywacji bezprzewodowej
2. Kontrolka aktywacji bezprzewodowej

Jeśli anulowanie zostanie zakończone pomyślnie, kontrolki aktywacji bezprzewodowej będą migać na zielono przez 2 sekundy, a następnie zaczną migać na niebiesko.

WSKAZÓWKA: Kontrolki aktywacji bezprzewodowej przestaną migać na czerwono po 20 sekundach. Nacisnąć przycisk aktywacji bezprzewodowej na narzędziu, gdy funkcja aktywacji bezprzewodowej na odkurzaczu miga. Jeśli kontrolka aktywacji bezprzewodowej nie miga na czerwono, nacisnąć na krótko przycisk aktywacji bezprzewodowej i przytrzymać go ponownie.

Rozwiązywanie problemów związanych z funkcją aktywacji bezprzewodowej

Przed oddaniem urządzenia do naprawy należy najpierw przeprowadzić samodzielną kontrolę. W razie napotkania problemu, który nie został wyjaśniony w instrukcji, nie należy próbować demontować urządzenia we własnym zakresie. Należy natomiast zlecić naprawę w autoryzowanym punkcie serwisowym firmy Makita; zawsze z użyciem oryginalnych części zamiennych Makita.

| Nieprawidłowe działanie | Prawdopodobna przyczyna (usterka) | Rozwiązanie |
|--|---|--|
| Kontrolka aktywacji bezprzewodowej nie świeci/miga. | Złącze bezprzewodowe nie zostało zamontowane w narzędziu. Złącze bezprzewodowe zostało niepoprawnie zamontowane w narzędziu. | Należy poprawnie zamontować złącze bezprzewodowe. |
| | Zacisk złącza bezprzewodowego i/lub gniazdo jest zabrudzone. | Delikatnie zetrzeć pył i zabrudzenia z zacisku złącza bezprzewodowego i oczyścić gniazdo. |
| | Przycisk aktywacji bezprzewodowej na narzędziu nie został naciśnięty. | Krótko nacisnąć przycisk aktywacji bezprzewodowej na narzędziu. |
| | Przełącznik gotowości na odkurzaczu nie znajduje się w położeniu „AUTO”. | Ustawić przełącznik gotowości na odkurzaczu w położeniu „AUTO”. |
| | Brak zasilania | Podłączyć narzędzia i odkurzacza do zasilania. |
| Nie można pomyślnie zakończyć rejestracji narzędzia/anulowania rejestracji narzędzia. | Złącze bezprzewodowe nie zostało zamontowane w narzędziu. Złącze bezprzewodowe zostało niepoprawnie zamontowane w narzędziu. | Należy poprawnie zamontować złącze bezprzewodowe. |
| | Zacisk złącza bezprzewodowego i/lub gniazdo jest zabrudzone. | Delikatnie zetrzeć pył i zabrudzenia z zacisku złącza bezprzewodowego i oczyścić gniazdo. |
| | Przełącznik gotowości na odkurzaczu nie znajduje się w położeniu „AUTO”. | Ustawić przełącznik gotowości na odkurzaczu w położeniu „AUTO”. |
| | Brak zasilania | Podłączyć narzędzia i odkurzacza do zasilania. |
| | Nieprawidłowe działanie | Krótko nacisnąć przycisk aktywacji bezprzewodowej i ponownie wykonać procedurę rejestracji narzędzia/anulowania rejestracji narzędzia. |
| | Narzędzie i odkurzacza znajdują się w zbyt dużej odległości od siebie (poza zasięgiem łączności). | Zbliżyć narzędzie i odkurzacza do siebie. Maksymalny zasięg łączności wynosi około 10 m, lecz może się różnić w zależności od panujących warunków. |
| | Przed zakończeniem rejestracji narzędzia/anulowania; – spust przełącznika jest naciśnięty lub; – przycisk zasilania na odkurzaczu znajduje się w położeniu włączenia. | Krótko nacisnąć przycisk aktywacji bezprzewodowej i ponownie wykonać procedurę rejestracji narzędzia/anulowania rejestracji narzędzia. |
| | Procedury rejestracji narzędzia dotyczące narzędzia lub odkurzacza nie zostały zakończone. | Wykonać jednocześnie procedury związane z rejestracją narzędzia dotyczące narzędzia i odkurzacza. |
| Zakłócenia radiowe spowodowane przez inne urządzenia, które generują fale radiowe o wysokiej częstotliwości. | Trzymać narzędzie i odkurzacza z dala od urządzeń, takich jak urządzenia Wi-Fi i kuchenki mikrofalowe. | |

| Nieprawidłowe działanie | Prawdopodobna przyczyna (usterka) | Rozwiązanie |
|--|--|---|
| Odkurzacz nie działa wraz z przełącznikiem narzędzia. | Złącze bezprzewodowe nie zostało zamontowane w narzędziu. Złącze bezprzewodowe zostało niepoprawnie zamontowane w narzędziu. | Należy poprawnie zamontować złącze bezprzewodowe. |
| | Zacisk złącza bezprzewodowego i/lub gniazdo jest zabrudzone. | Delikatnie zetrzeć pył i zabrudzenia z zacisku złącza bezprzewodowego i oczyścić gniazdo. |
| | Przycisk aktywacji bezprzewodowej na narzędziu nie został naciśnięty. | Krótko nacisnąć przycisk aktywacji bezprzewodowej i upewnić się, że kontrolka aktywacji bezprzewodowej miga na niebiesko. |
| | Przełącznik gotowości na odkurzacz nie znajduje się w położeniu „AUTO”. | Ustawić przełącznik gotowości na odkurzacz w położeniu „AUTO”. |
| | Zarejestrowano ponad 10 narzędzi do odkurzacza. | Ponownie wykonać rejestrację narzędzia. W przypadku zarejestrowania ponad 10 narzędzi do odkurzacza narzędzie zarejestrowane najwcześniej zostanie automatycznie anulowane. |
| | Odkurzacz usunął wszystkie rejestracje narzędzi. | Ponownie wykonać rejestrację narzędzia. |
| | Brak zasilania | Podłączyć narzędzia i odkurzacz do zasilania. |
| | Narzędzie i odkurzacz znajdują się w zbyt dużej odległości od siebie (poza zasięgiem łączności). | Zbliżyć narzędzie i odkurzacz do siebie. Maksymalny zasięg łączności wynosi około 10 m, lecz może się różnić w zależności od panujących warunków. |
| | Zakłócenia radiowe spowodowane przez inne urządzenia, które generują fale radiowe o wysokiej częstotliwości. | Trzymać narzędzie i odkurzacz z dala od urządzeń, takich jak urządzenia Wi-Fi i kuchenki mikrofalowe. |
| Odkurzacz pracuje, gdy spust przełącznika narzędzia nie jest naciśnięty. | Inni użytkownicy korzystają z funkcji aktywacji bezprzewodowej przy użyciu narzędzi. | Ustawić przycisk aktywacji bezprzewodowej innych narzędzi w położeniu wyłączenia lub anulować rejestrację innych narzędzi. |

KONSERWACJA

⚠ PRZESTROGA: Przed przystąpieniem do przeglądu narzędzia lub jego konserwacji upewnij się, że jest ono wyłączone, a akumulator wyjęty.

UWAGA: Nie stosować benzyny, rozpuszczalników, alkoholu itp. środków. Mogą one powodować odbarwienia, odkształcenia lub pęknięcia.

W celu zachowania odpowiedniego poziomu BEZPIECZEŃSTWA i NIEZAWODNOŚCI produktu wszelkie naprawy i różnego rodzaju prace konserwacyjne lub regulacje powinny być przeprowadzane przez autoryzowany lub fabryczny punkt serwisowy narzędzi Makita, zawsze z użyciem oryginalnych części zamiennych Makita.

AKCESORIA OPCJONALNE

⚠ PRZESTROGA: Zaleca się stosowanie wymienionych akcesoriów i przystawek razem z narzędziem Makita opisanym w niniejszej instrukcji. Stosowanie innych akcesoriów lub przystawek może być przyczyną obrażeń ciała. Akcesoria lub przystawki należy wykorzystywać tylko zgodnie z ich przeznaczeniem.

W razie potrzeby wszelkiej pomocy i szczegółowych informacji na temat niniejszych akcesoriów udzieli Państwu lokalne punkty serwisowe Makita.

- Wiertła SDS-MAX z końcówką widiową
- Punktak SDS-MAX
- Przecinak do pracy na zimno SDS-MAX
- Dłuto do skuwania SDS-MAX
- Szpadel SDS-MAX
- Smar do wiertel
- Rękojeść boczna
- Uchwyt boczny
- Ogranicznik głębokości
- Gruszka do przedmuchiwania
- Przystawka do odsysania pyłu
- Gogle ochronne
- Złącze bezprzewodowe
- Oryginalny akumulator i ładowarka firmy Makita
- Walizka z tworzywa sztucznego

WSKAZÓWKĄ: Niektóre pozycje znajdujące się na liście mogą być dołączone do pakietu narzędziowego jako akcesoria standardowe. Mogą to być różne pozycje, w zależności od kraju.

RÉSZLETES LEÍRÁS

| | | |
|------------------------------|---------------------|---------------------------------|
| Típus: | | HR005G |
| Teljesítmény | Karbidvégű fűrőhegy | 40 mm |
| | Magfűrő | 105 mm |
| Üresjárat fordulatszám (f/p) | | 250 - 500 min ⁻¹ |
| Lökésszám percenként | | 1 450 - 2 900 min ⁻¹ |
| Teljes hossz | BL4025-el | 484 mm |
| | BL4040-el | 500 mm |
| Névleges feszültség | | Max. 36 - 40 V egyenáram |
| Nettó tömeg | | 7,4 - 8,2 kg |

- Folyamatos kutató- és fejlesztőprogramunk eredményeként az itt felsorolt tulajdonságok figyelmeztetés nélkül megváltozhatnak.
- A műszaki adatok és az akkumulátor országokként változhatnak.
- A súly a felszerelt tartozékoktól függően változhat, az akkumulátort is beleértve. Az EPTA 01/2014 eljárás szerint meghatározott legnehezebb, illetve legkönnyebb kombináció a táblázatban látható.

Alkalmazható akkumulátorok és töltők

| | |
|-------------|--|
| Akkumulátor | BL4020 / BL4025 / BL4040* / BL4050F* * : Javasolt akkumulátor |
| Töltő | DC40RA / DC40RB / DC40RC |

- Lakóhelyétől függően előfordulhat, hogy a fent felsorolt akkumulátorok és töltők nem érhetőek el.

▲ FIGYELMEZTETÉS: Csak a fentiekben felsorolt akkumulátorokat és töltőket használja. Bármilyen más akkumulátor vagy töltő használata sérüléseket és/vagy tüzet okozhat.

Rendeltetés

A szerszám téglá, beton és kő ütvefűrésze és fűrésze, valamint vésési munkák végzésére használható.

Jaj

A tipikus A-súlyozású zajszint, az EN60745-2-6 szerint meghatározva:
 Hangnyomásszint (L_{pA}): 91 dB(A)
 Hangteljesítményszint (L_{WA}): 102 dB (A)
 Bizonytalanság (K): 3 dB(A)

MEGJEGYZÉS: A zajkibocsátás értéke a szabványos vizsgálati eljárásnak megfelelően lett mérve, és segítségével az elektromos kéziszerszámok összehasonlíthatók egymással.

MEGJEGYZÉS: A zajkibocsátás értékének segítségével előzetesen megbecsülhető a rezgésnek való kitettség mértéke.

▲ FIGYELMEZTETÉS: Viseljen fülvédőt!

▲ FIGYELMEZTETÉS: A szerszám zajkibocsátása egy adott alkalmazásnál eltérhet a megadott értéktől a használat módjától, különösen a feldolgozott munkadarab fajtájától függően.

▲ FIGYELMEZTETÉS: Határozza meg a kezelő védelmét szolgáló munkavédelmi lépéseket, melyek az adott munkafeltételek melletti vibrációs hatás becslült mértékén alapulnak (figyelembe véve a munkaciklus elemeit, mint például a gép leállításának és üresjáratának mennyiségét az elindítások száma mellett).

Vibráció

A vibráció teljes értéke (háromtengelyű vektorösszeg) az EN60745-2-6 szerint meghatározva:

Üzem mód: ütvefűrés betonba
 Rezgés kibocsátás ($a_{h,HD}$): 5,0 m/s²
 Bizonytalanság (K): 1,5 m/s²
 Üzem mód: vésés funkció oldalsó markolattal
 Rezgés kibocsátás ($a_{h,Cheq}$): 4,0 m/s²
 Bizonytalanság (K): 1,5 m/s²
 Üzem mód: vésés funkció oldalfogantyúval
 Rezgés kibocsátás ($a_{h,Cheq}$): 4,0 m/s²
 Bizonytalanság (K): 1,5 m/s²

MEGJEGYZÉS: A rezgés teljes értéke a szabványos vizsgálati eljárásnak megfelelően lett mérve, és segítségével az elektromos kéziszerszámok összehasonlíthatók egymással.

MEGJEGYZÉS: A rezgés teljes értékének segítségével előzetesen megbecsülhető a rezgésnek való kitettség mértéke.

▲ FIGYELMEZTETÉS: A szerszám rezgés kibocsátása egy adott alkalmazásnál eltérhet a megadott értéktől a használat módjától, különösen a feldolgozott munkadarab fajtájától függően.

▲ FIGYELMEZTETÉS: Határozza meg a kezelő védelmét szolgáló munkavédelmi lépéseket, melyek az adott munkafeltételek melletti vibrációs hatás becslült mértékén alapulnak (figyelembe véve a munkaciklus elemeit, mint például a gép leállításának és üresjáratának mennyiségét az elindítások száma mellett).

EK Megfelelőségi nyilatkozat

Csak európai országokra vonatkozóan

Az EK-megfelelőségi nyilatkozat az útmutató „A” mellékletében található.

BIZTONSÁGI FIGYELMEZTETÉS

A szerszámgépekre vonatkozó általános biztonsági figyelmeztetések

▲ FIGYELMEZTETÉS: Olvassa el a szerszámgéphez mellékelt összes biztonsági figyelmeztetést, utasítást, illusztrációt és a műszaki adatokat. A következőkben leírt utasítások figyelmen kívül hagyása elektromos áramütést, tüzet és/vagy súlyos sérülést eredményezhet.

Őrizzen meg minden figyelmeztetést és utasítást a későbbi tájékozódás érdekében.

A figyelmeztetéseken szereplő "szerszámgép" kifejezés az Ön hálózatról (vezetékes) vagy akkumulátorról (vezeték nélküli) működtetett szerszámgépére vonatkozik.

AZ AKKUMULÁTOROS FÚRÓKALAPÁCSRA VONATKOZÓ BIZTONSÁGI FIGYELMEZTETÉSEK

1. Viseljen fülvédőt. A zajterhelés halláskárosodást okozhat.
2. Használja a szerszámhoz mellékelt kiegészítő fogantyúkat. Az irányítás elvesztése személyi sérülést okozhat.
3. A szerszámgépet a szigetelt markolófelületénél fogja, ha olyan műveletet végez, amikor a vágóeszköz rejtett vezetékkel érintkezhet. Áram alatt lévő vezetékkel való érintkezéskor a szerszám fém alkatrészei is áram alá kerülhetnek, és megrázhathatják a kezelőt.
4. Viseljen védősisakot, védőszemüveget és/vagy arcvédőt. A normál szemüvegek és a napszemüvegek NEM védőszemüvegek. Emellett különösen javasolt porvédő maszk és vastag kesztyű használata is.
5. A használat megkezdése előtt ellenőrizze, hogy a vésőszerszám rögzítve van-e.
6. A szerszám úgy lett tervezve, hogy normál működés során rezegésbe jöjjön. A csavarok könnyen meglazulhatnak, meghibásodást vagy balesetet okozva. A használat előtt gondosan ellenőrizze a csavarok szorosságát.
7. Hideg időben, vagy ha hosszabb ideig nem használta, terhelés nélkül működtetve hagyja, hogy a szerszám bemelegedjen. Ezáltal felenged a kenőanyag. Megfelelő bemelegítés nélkül a vésési művelet nehézkes.

8. Mindig stabil helyzetben dolgozzon. A szerszám magasban történő használatkor győződjön meg arról, hogy nem tartózkodik-e valaki odalent.
9. Szilárdan tartsa a szerszámot mindkét kezével.
10. Tartsa távol a kezét a mozgó alkatrészekről.
11. Ne hagyja a működő szerszámot felügyelet nélkül. Csak közben tartva használja a szerszámot.
12. Ne fordítsa a szerszámot a munkaterületen tartózkodó személyek felé működés közben. A fűróhegy kirepülhet, és valakit súlyosan megsebesíthet.
13. Ne érjen a fűróhegyhez, az ahhoz közeli alkatrészekhez vagy a munkadarabhoz közvetlenül a munkavégzést követően; azok rendkívül forrók lehetnek és megégethetik a bőrt.
14. Egyes anyagok mérgező vegyületet tartalmazhatnak. Gondoskodjon a por belélegzése elleni és érintés elleni védelemlről. Tartsa be az anyag szállítójának biztonsági utasításait.
15. Mielőtt más kezébe adná a szerszámot minden esetben ellenőrizze, hogy a szerszám ki van kapcsolva, és az akkumulátor és a fűróhegy eltávolításra került.
16. Működtetés előtt győződjön meg arról, hogy a munkaterületen nincs rejtett tárgy, például elektromos cső, vízcső vagy gázcső. Ellenkező esetben a fűróhegy/véső hozzájuk érhet, ami áramütést, elektromos szivárgást vagy gázszivárgást okozhat.
17. Ne működtesse a szerszámot terhelés nélkül főlegesen.

ŐRIZZE MEG EZEKET AZ UTASÍTÁSOKAT.

▲ FIGYELMEZTETÉS: NE HAGYJA, hogy (a termék többszöri használatából eredő) kényelem és megszokás váltsa fel a termék biztonsági előírásainak szigorú betartását. A **HELYTELEN HASZNÁLAT** és a használati útmutatóban szereplő biztonsági előírások megszegése súlyos személyi sérülésekhez vezethet.

Fontos biztonsági utasítások az akkumulátorra vonatkozóan

1. Az akkumulátor használata előtt tanulmányozza át az akkumulátortöltőn (1), az akkumulátoron (2) és az akkumulátorral működtetett terméken (3) olvasható összes utasítást és figyelmeztető jelzést.
2. Ne szerelje szét, és ne módosítsa az akkumulátort. Tüzet, túlzott hőt vagy robbanást okozhat.
3. Ha a működési idő nagyon lerövidült, azonnal hagyja abba a használatot. Ez a túlmelegedés, esetlegesen égések és akár robbanás veszélyével is járhat.
4. Ha elektrolit kerül a szemébe, mossa ki azt tiszta vízzel és azonnal kérjen orvosi segítséget. Ez a látásának elvesztését okozhatja.

5. **Ne zárja rövidre az akkumulátort:**
 - (1) **Ne érjen az érintkezőkhöz elektromosan vezető anyagokkal.**
 - (2) **Ne tárolja az akkumulátort más fémtárgyakkal, mint pl. szegekkel, érmékkel, stb. egy helyen.**
 - (3) **Ne tegye ki az akkumulátort víznek vagy esőnek.**

Az akkumulátor rövidzárlata nagy áramerősséget, túlmelegedést, égéseket, sőt akár meghibásodást is okozhat.

6. **Ne tárolja és használja a szerszámot vagy az akkumulátort olyan helyen, ahol a hőmérséklet elérheti vagy meghaladhatja az 50 °C-t (122 °F).**
7. **Ne égesse el az akkumulátort még akkor sem, ha az komolyan megsérült vagy teljesen elhasználódott. Az akkumulátor a tűzben felrobbanhat.**
8. **Ne szűrje meg, ne vágja meg, ne törje össze, ne dobja el és ne ejtse le az akkumulátort, illetve ne üsse hozzá kemény tárgyhoz. Az ilyen magatartás tüzet, túlzott hőt vagy robbanást okozhat.**
9. **Ne használjon sérült akkumulátort.**
10. **A készülékben található lítium-ion akkumulátorokra a veszélyes árukkal kapcsolatos előírások vonatkoznak.**
A termék pl. harmadik felek, fuvarozó cégek stb. által történő szállítása esetén minden esetben tartsa szem előtt a csomagoláson és a címkén található speciális követelményeket.
A termék szállításra történő felkészítése esetén vegye fel a kapcsolatot egy veszélyes anyagokkal foglalkozó szakemberrel. Kérjük, hogy az esetlegesen szigorúbb nemzeti előírásokat is vegye figyelembe.
Ragassza le a kiálló érintkezőket, illetve oly módon csomagolja be az akkumulátort, hogy az ne tudjon elmozdulni a csomagolásban.

11. **Az akkumulátor ártalmatlanításakor vegye ki azt a szerszámból, és ártalmatlanítsa egy biztonságos helyen. Az akkumulátor ártalmatlanításakor tartsa be a helyi előírásokat.**
12. **Az akkumulátorokat csak a Makita által megjelölt termékekhez használja. Ha az akkumulátorokat azokkal nem kompatibilis termékekbe helyezi, az tűzhöz, túlmelegedéshez, robbanáshoz vagy elektrolitszivárgáshoz vezethet.**
13. **Ha a szerszám hosszabb ideig nincs használatban, az akkumulátort ki kell venni a szerszámból.**
14. **Használat közben és után az akkumulátor felforrósodhat, ami égési sérülést vagy alacsony hőmérsékletű égési sérülést okozhat. Figyeljen oda a forró akkumulátor kezelésére.**
15. **Ne érintse meg közvetlenül a szerszám érintkezőjét, mert elég forró lehet ahhoz, hogy égési sérüléseket okozzon.**
16. **Ne engedje, hogy forgács, por vagy sár tapadjon az akkumulátor érintkezőire, lyukaiba és hornyaiba. Az a szerszám vagy az akkumulátor gyenge teljesítményét vagy meghibásodását okozhatja.**

17. **Hacsak a szerszám nem támogatja a nagyfeszültségű elektromos vezetékek közelében történő használatot, ne használja az akkumulátort nagyfeszültségű elektromos vezetékek közelében. Az a szerszám vagy az akkumulátor hibás működését vagy meghibásodását okozhatja.**
18. **Tartsa távol a gyermekektől az akkumulátort.**

ŐRIZZE MEG EZEKET AZ UTASÍTÁSOKAT.

▲VIGYÁZAT: Csak eredeti Makita akkumulátorokat használjon. A nem eredeti Makita akkumulátorok vagy módosított akkumulátorok használata esetén az akkumulátor felrobbanhat, ami tüzet, személyi sérülést és anyagi kárt okozhat. A Makita szerszáma és töltőre vonatkozó Makita garanciát is érvénytelenítheti.

Tippek az akkumulátor maximális élettartamának eléréséhez

1. **Töltse fel az akkumulátort, mielőtt teljesen lemerülne. Állítsa le a gépet, és töltsse fel az akkumulátort, ha a gép erejének csökkenését észleli.**
2. **Soha ne töltsse újra a teljesen feltöltött akkumulátort. A túltöltés csökkenti az akkumulátor élettartamát.**
3. **Töltse az akkumulátort szobahőmérsékleten, 10 °C - 40 °C (50 °F - 104 °F) között. Töltés előtt hagyja lehűlni a felforrósodott akkumulátort.**
4. **Ha nem használja az akkumulátort, vegye ki a szerszámból vagy a töltőből.**
5. **Töltse fel az akkumulátort, ha hosszabb ideje (több mint hat hónapja) nem használta azt.**

Fontos biztonsági utasítások a vezeték nélküli egységhez

1. **Ne szerelje szét és ne módosítsa a vezeték nélküli egységet.**
2. **Tartsa távol a gyermekektől a vezeték nélküli egységet. Véletlen lenyelés esetén azonnal kérjen orvosi segítséget.**
3. **A vezeték nélküli egységet csak Makita szerszámgépekkel használja.**
4. **Ne tegye ki a vezeték nélküli egységet esőnek vagy nedves körülményeknek.**
5. **Ne használja a vezeték nélküli egységet olyan helyen, ahol a hőmérséklet meghaladja a 50 °C.**
6. **Ne használja a vezeték nélküli egységet orvosi berendezések, például pacemaker közelében.**
7. **Ne használja a vezeték nélküli egységet automatizált berendezések közelében. A működése közben az automatizált berendezések rendellenesen működhetnek vagy meghibásodhatnak.**
8. **Ne működtesse a vezeték nélküli egységet magas hőmérsékletű helyen olyan helyen, ahol statikus elektromosság vagy elektromos zaj keletkezhet.**
9. **A vezeték nélküli egység a felhasználóra veszélyt nem jelentő elektromágneses mezőket (EMF) hozhat létre.**

10. A vezeték nélküli egység finom műszer. Vigyázzon, nehogy leejtse, vagy ütés érje a vezeték nélküli egységet.
11. Ne érintse meg a vezeték nélküli egység érintkezőit puszta kézzel vagy fémes anyaggal.
12. A vezeték nélküli egység beszerelésekor mindig távolítsa el a termék akkumulátorát.
13. A nyílás fedelének nyitásakor kerülje az olyan helyeket, ahol por vagy víz juthat a nyílásba. Mindig tartsa tisztán a bemeneti nyílást.
14. A vezeték nélküli egységet csak a helyes irányban illessze be.
15. Ne nyomja meg túl erősen és/vagy éles szélével rendelkező tárggyal a vezeték nélküli egységen található vezeték nélküli aktiválás gombot.
16. A nyílás fedelét a használatot követően mindig zárja be.
17. Ne távolítsa el a vezeték nélküli egységet a nyílásból, amíg a szerszámgép áram alatt van. Ha így tesz, az a vezeték nélküli egység meghibásodásához vezethet.
18. Ne távolítsa el a vezeték nélküli egységen található matricát.
19. Ne ragasszon matricát a vezeték nélküli egységre.
20. Ne hagyja olyan helyen a vezeték nélküli egységet, ahol statikus elektromosság vagy elektromos zaj keletkezhet.
21. Ne hagyja a vezeték nélküli egységet olyan helyen, ahol az magas hőmérsékletnek lehet kitéve, például egy autóban a napon.
22. Ne hagyja a vezeték nélküli egységet poros helyen, vagy olyan helyen, ahol korrozív gáz képződhet.
23. A hirtelen hőmérsékletváltozás következtében pára csapódhat le a vezeték nélküli egységen. Ne használja a vezeték nélküli egységet, amíg teljesen meg nem száradt.
24. A vezeték nélküli egység tisztításakor törölje át puha ronggyal. Ne használjon benzint, higítót, vezető kenőanyagot vagy más hasonló anyagot.
25. A vezeték nélküli egységet a vele szállított tokban vagy antisztatikus tárolóban tárolja.
26. A szerszámgépen található nyílásba csak a Makita vezeték nélküli egységet csatlakoztassa.
27. Ne használja a szerszámgépet, ha a nyílás fedele sérült. A nyílásba bejutó víz, por és szennyeződések hibát okozhatnak.
28. Ne húzza és/vagy fordítsa el a fedelet a szükségesnél nagyobb mértékben. Szerelje vissza a fedelet, ha leválik a szerszámgépről.
29. Ha a nyílás fedele elveszik vagy megsérül, cserélje ki.

ŐRIZZE MEG EZEKET AZ UTASÍTÁSOKAT.

A MŰKÖDÉS LEÍRÁSA

⚠ VIGYÁZAT: Minden esetben ellenőrizze, hogy a szerszám ki van kapcsolva és az akkumulátor eltávolításra került mielőtt beállít vagy ellenőriz valamilyen funkciót a szerszámon.

Az akkumulátor behelyezése és eltávolítása

⚠ VIGYÁZAT: Mindig kapcsolja ki az eszközt, mielőtt behelyezi vagy eltávolítja az akkumulátort.

⚠ VIGYÁZAT: Az akkumulátor behelyezésekor vagy eltávolításakor erősen fogja meg a szerszámot és az akkumulátort. Ha nem fogja erősen a szerszámot és az akkumulátort, azok kicsúszhatnak a kezei közül, ami a szerszám és az akkumulátor károsodásához, de akár személyi sérüléshez is vezethet.

► **Ábra1:** 1. Piros jel 2. Gomb 3. Akkumulátor

Az akkumulátoregység kivételéhez nyomja be az akkumulátoregység elején található gombot, és húzza le a gépről.

Az akkumulátor beszereléséhez illessze az akkumulátor nyelvét a burkolaton található vajatba és csúsztassa a helyére. Egészen addig tolja be, amíg az akkumulátor egy kis kattánással a helyére nem ugrik. Ha látható a piros jel a gomb felső oldalán, akkor a gomb nem kattant be teljesen.

⚠ VIGYÁZAT: Mindig tolja be teljesen az akkumulátort, amíg a piros jel el nem tűnik. Ha ez nem történik meg, akkor az akkumulátor kieshet a szerszámból, és Önnek vagy a környezetében másnak sérülést okozhat.

⚠ VIGYÁZAT: Ne erőltesse az akkumulátort behelyezésékor. Ha az akkumulátor nem csúszik be könnyedén, akkor nem megfelelően lett behelyezve.

Az akkumulátor töltöttségének jelzése

Nyomja meg az ellenőrzőgombot, hogy az akkumulátortöltöttség-jelző megmutassa a hátralévő akkumulátor-kapacitást. Ekkor a töltöttségiszint-jelző lámpák néhány másodpercre kigyulladnak.

► **Ábra2:** 1. Jelzőlámpák 2. Check (ellenőrzés) gomb

| Jelzőlámpák | | | Töltöttségi szint |
|----------------|----|---------------|--|
| Világító lámpa | KI | Villogó lámpa | |
| ■ | □ | ◐ | 75%-tól 100%-ig |
| ■ | ■ | □ | 50%-tól 75%-ig |
| ■ | □ | □ | 25%-tól 50%-ig |
| ■ | □ | □ | 0%-tól 25%-ig |
| ◐ | □ | □ | Töltse fel az akkumulátort. |
| ■ | □ | □ | Lehetséges, hogy az akkumulátor meghibásodott. |
| □ | ■ | ■ | |

MEGJEGYZÉS: Az adott munkafeltételektől és a környezet hőmérsékletétől függően a jelzett töltöttségi szint némileg eltérhet a tényleges töltöttségi szinttől.

MEGJEGYZÉS: Az első (bal oldali szélső) jelzőlámpa villog, ha az akkumulátorvédelem rendszer működik.

Szerszám-/akkumulátorvédelem rendszer

A gép szerszám-/akkumulátorvédelem rendszerrel van felszerelve. A rendszer automatikusan kikapcsolja a motor áramellátását, így megnöveli a szerszám és az akkumulátor élettartamát. A gép használat közben automatikusan leáll, ha a szerszám vagy az akkumulátor a következő állapotok valamelyikébe kerül:

Túlterhelésvédelem

Ha a szerszámot vagy akkumulátort úgy használják, hogy az rendellenesen nagy áramot vesz fel, akkor a szerszám mindenfajta jelzés nélkül leáll. Ilyenkor kapcsolja ki a gépet, és fejezze be azt a műveletet, amelyik a túlterhelést okozza. A munka újraindításához kapcsolja be a gépet.

Túlmelegedés elleni védelem

Ha a szerszám vagy az akkumulátor túlmelegszik, akkor automatikusan leáll, és a lámpa villogni kezd. Ilyenkor hagyja lehűlni a szerszámot és az akkumulátort, mielőtt ismét munkához látna.

Mélykisütés elleni védelem

Amikor az akkumulátor kapacitása már alacsony, a gép automatikusan leáll. Ebben az esetben távolítsa el az akkumulátort a szerszámból és töltsse fel.

A kapcsoló használata

FIGYELMEZTETÉS: Mielőtt behelyezi az akkumulátort a szerszámba, mindig ellenőrizze, hogy a kapcsológomb hibátlanul működik és felengedéskor „OFF” állásba áll-e.

VIGYÁZAT: Ha nem működteti a gépet, tolja át a kapcsolózárgombot a bal oldalról, hogy a kapcsológomb KI állásba kerüljön.

► **Ábra3:** 1. Kapcsológomb 2. Kapcsolózárgomb

A kapcsológomb véletlen benyomásának elkerülésére kapcsolózárgomb szolgál. A szerszám bekapcsolásához nyomja meg a kapcsolózárgombot az A oldalról, majd húzza meg a kapcsológombot. A megállításához engedje el a kapcsológombot. Használat után tolja át a kapcsolózárgombot a B oldalról.

Sebességváltás

A gép percnkénti fordulatszáma és lökesszáma a szabályozótárcsa elfordításával állítható be. A tárcsa jelölése 1-től (legalacsonyabb sebesség) 5-ig (maximális sebesség) terjed.

► **Ábra4:** 1. Szabályozótárcsa

A tárcsán lévő érték és a percnkénti fordulatszám és lökesszám kapcsolatáról az alábbi táblázat nyújt tájékoztatást.

| Szám | Percnkénti fordulatszám | Lökésszám percnként |
|------|-------------------------|---------------------|
| 5 | 500 | 2900 |
| 4 | 470 | 2700 |
| 3 | 380 | 2150 |
| 2 | 290 | 1650 |
| 1 | 250 | 1450 |

VIGYÁZAT: Ne fordítsa el a szabályozótárcsát, ha a szerszám éppen működés alatt áll. Ennek elmulasztása a szerszám feletti uralom elvesztését, és személyi sérülést okozhat.

MEGJEGYZÉS: Ha a szerszámot hosszú ideig folyamatosan kis fordulatszámra működteti, akkor a motor túlterhelődik, ami a szerszám hibás működését okozza.

MEGJEGYZÉS: A fordulatszám-szabályozó tárcsa csak az 5-ös számig fordítható el, visszafelé pedig az 1-ig. Ne erőltesse a tárcsát az 5-ös vagy 1-es jelzésen túl, mert a fordulatszám-szabályozó funkció elromolhat.

MEGJEGYZÉS: Csökkentett terhelés nélküli fordulatszám funkció

Ha a sebességszabályozó-tárcsa „3”-as vagy annál magasabb fokozatba van állítva, a szerszám automatikusan csökkenti a terhelés nélküli sebességet, hogy ezzel csökkentse a terhelés nélküli vibrációt.

Ha a fúróheggyel végzett művelet megkezdődik a betonon, a percnkénti lökésszám nő, amíg eléri a táblázatban mutatott értékeket.

Ha a hőmérséklet alacsony, a szerszám lehetséges, hogy nem produkálja ezt a funkciót forgó motorral sem.

Az előlő lámpa bekapcsolása

► **Ábra5:** 1. Lámpa

VIGYÁZAT: Ne tekintsen a fénybe vagy ne nézze egyenesen a fényforrást.

Húzza meg a kapcsológombot a lámpa bekapcsolásához. A lámpa addig világít, amíg a kapcsológomb meg van húzva. A lámpa a kapcsológomb elengedése után 10 másodperccel alszik ki.

MEGJEGYZÉS: Ha a lámpa néhány másodpercnyi villogás után kialszik, akkor az aktív visszacsatolás-érzékelő technológia nem működik megfelelően. Javításért forduljon a helyi Makita szervizközpontozhoz.


MEGJEGYZÉS: Száraz ruhadarabbal törölje le a szennyeződést a lámpa lencséről. Ügyeljen arra, hogy ne karcolja meg a lámpa lencsét, ez csökkentheti a megvilágítás erősségét.

A működési mód kiválasztása

MEGJEGYZÉS: Ne fordítsa el a működési mód váltó gombot, ha a szerszám működik. A szerszám károsodna.


MEGJEGYZÉS: A működési mód váltó mechanizmus gyors kopásának elkerülése érdekében ügyeljen arra, hogy a működési mód váltó gomb mindig teljesen a három működési módnak megfelelő pozíció egyikében legyen.

Ütvefűrés

Beton, fal stb. fűrészkor forgassa a működési mód váltó gombot a  jelöléshez. Használjon karbidvégű fűróhegyet.

► **Ábra6:** 1. Működési mód váltó gomb 2. Mutató

Csak vésés

Vésési, kaparási vagy bontási műveletekhez forgassa a működési mód váltó gombot a  jelöléshez. Használjon fűrórudat, bontóvésőt, kaparóvésőt stb.

► **Ábra7:** 1. Mutató 2. Működési mód váltó gomb

Nyomatékhatároló

MEGJEGYZÉS: Amint a nyomatékhatároló bekapcsol, azonnal kapcsolja ki a szerszámot. Ez segít a szerszám idő előtti elhasználódásának megelőzésében.

MEGJEGYZÉS: Az olyan fűróhegyek, mint például a lyukfűrés, amely hajlamos megszorulni, nem használhatók ehhez a szerszámmal. Ennek oka az, hogy az ilyen szarak a nyomatékhatárolót túl gyakran hozzák működésbe.

A nyomatékhatároló akkor lép működésbe, amikor a szerszám elér egy bizonyos nyomatékszintet. A motor lekapcsolódik a kimenőtengelyről. Ha ez megtörténik, a fűróhegy forgása megáll.

Elektronikus funkció

A szerszámot a könnyebb használat érdekében elektronikus funkciókkal szerelték fel.

Állandó fordulatszám-szabályozás

A fordulatszám-szabályozó funkció a terhelési körülményektől függetlenül állandó fordulatszámot biztosít.

Lágyindítás

A lágyindítási funkció minimalizálja az indítási löketet, és simává teszi a gép indulását.

Aktív visszacsatolás-érzékelő technológia

Ha a szerszám teste hirtelen a megadott gyorsulással forog a fűróhegy beakadása, stb. miatt, akkor a motort erőszakkal leállítja, hogy csökkentse a csuklóra eső terhelést.

MEGJEGYZÉS: Az aktív visszacsatolás-érzékelő technológia funkció nem működik, ha a gyorsulás nem éri el a megadott értéket.

MEGJEGYZÉS: Az aktív visszacsatolás-érzékelő technológia akkor is bekapcsol, ha a hegy egyszer a megadott gyorsulásig lendül bármely művelet során.

Ebben az esetben eressze ki a kapcsológombot, majd húzza meg a kapcsológombot az eszköz újraindításához.

Elektromos fék

A szerszám elektromos fékkel rendelkezik. Ha a szerszámnak rendszeresen nem sikerül gyorsan leállnia a kapcsológomb felengedése után, szervizeltesse a szerszámot a Makita szervizközpontban.

ÖSSZESZERELÉS

⚠ VIGYÁZAT: Minden esetben ellenőrizze, hogy a szerszám ki van kapcsolva és az akkumulátort levette, mielőtt bármilyen műveletet végez a szerszámmal.

Oldalfogantyú

► **Ábra8**

⚠ VIGYÁZAT: Az oldalfogantyút csak véséshez, kaparáshoz vagy bontáshoz használja. Ne használja beton, fal, stb. fűrészkor. A szerszámot fűrés közben nem lehet helyesen tartani ezzel az oldalfogantyúval.

► **Ábra9:** 1. Oldalfogantyú 2. Szorítóanya

Az oldalfogantyú függőleges irányban elforgatható, és bármilyen kívánt helyzetben rögzíthető. Vízszintes irányban is nyolc lépésben előre-hátra állítható. Lazítsa meg a szorítóanyát, hogy az oldalfogantyút a kívánt helyzetbe állítsa, majd húzza meg erősen a szorítóanyát.

Oldalmarkolat (kisegítő fogantyú)

⚠ VIGYÁZAT: Mindig használja az oldalmarkolatot a biztonságos használat érdekében.

⚠ VIGYÁZAT: Az oldalmarkolat felszerelése vagy igazítása után mindig ellenőrizze, hogy az elem megfelelően rögzült-e.

Az oldalmarkolat elforgatható, lehetővé téve a szerszám könnyű kezelését bármely pozícióban. Lazítsa meg az oldalmarkolatot úgy, hogy az óramutató járásával ellentétesen húzza, állítsa a kívánt helyzetbe majd szorítsa meg úgy, hogy az óramutató járásával meg egyezően húzza.

► **Ábra10:** 1. Oldalmarkolat

A fúróhegy behelyezése és eltávolítása

Kenőzsír

Behelyezés előtt tisztítsa meg a vésőbetét tokmány felőli oldalát, majd vigyen fel rá zsírt. Használat előtt kenjen kis mennyiségű zsírt a vésőbetét tokmány felőli végére (kb. 0,5–1 g-ot). A tokmány ilyen kenése akadálymentes működést és hosszabb élettartamot biztosít.

▶ **Ábra11:** 1. Tokmány felőli oldal 2. Kenőzsír


Helyezze a fúróhegyet a tokmányba. Forgassa el a fúróhegyet, majd rögzülésig nyomja be. A behelyezés után próbálja kihúzni a fúróhegyet annak ellenőrzésére, hogy biztosan rögzítve van-e.

▶ **Ábra12:** 1. Fúróhegy


A fúróhegy eltávolításához húzza le teljesen a tokmány fedelét, és húzza ki a fúróhegyet.

▶ **Ábra13:** 1. Fúróhegy 2. Tokmányfedél

A véső szöge (véséshez, kaparáshoz vagy bontáshoz)

A véső a kívánt szögben rögzíthető. A véső szögbeállításának módosításához fordítsa a működési mód váltó gombot a  jelhez. Fordítsa a vésőt a kívánt szögbe.

▶ **Ábra14:** 1. Működési mód váltó gomb 2. Mutató

Fordítsa a működési mód váltó gombot a  jelöléshez. Ezután a vésőt kissé elfordítva ellenőrizze, hogy megfelelően rögzítve van-e.

Mélységmérce

A mélységmérőt pálcá segítségével egyforma mélységű furatok készíthetők.

Nyomja be és tartsa lenyomva a reteszelőgombot, majd illessze a mélységmérőt pálcát a hatszögletű lyukba.

▶ **Ábra15:** 1. Mélységmérő 2. Reteszelőgomb

Győződjön meg róla, hogy a mélységmérőt pálcá fogazott oldala a jelölés felé fordul.

▶ **Ábra16:** 1. Jelölés 2. Fogazott oldal

Állítsa be a mélységmérőt úgy, hogy előre és hátrafelé mozgatja azt, miközben megnyomja a reteszelőgombot. A beállítás után engedje fel a reteszelőgombot hogy a mélységmérőt rögzítse.

MEGJEGYZÉS: A mélységmérő rögzítésekor győződjön meg róla, hogy a mélységmérő nem ér hozzá a géptesthez.

Porelszívó adapter

Opcionális kiegészítők

A porelszívó adapter felszerelése

1. Lazítsa meg az oldalmarkolatot a szerszám oldalán.

2. Szerelje fel a porfogót úgy, hogy a porfogó karmai belepasszoljanak a vájatba a szerszám és az oldalmarkolat között.

▶ **Ábra17:** 1. Porfogó 2. Karom 3. Vájat

3. Szorítsa meg erősen az oldalmarkolatot.

4. Helyezze fel a munkájához illő fémtömlőket vagy porfogó hosszabbítást. Ha fémtömlőket használ csatlakoztasson összekötőt a tetejükre. Ha két fémtömlőt használ összekötővel kösse össze őket.

▶ **Ábra18:** 1. Porfogó hosszabbítás 2. Porfogó 3. Összekötő 4. Fémtömlők

A szerszám csatlakoztatása a porszívóhoz

1. Csatlakoztassa a tartó csatlakozót a szerszámhoz, majd csatlakoztassa a csőtartót az összekötőhöz.

▶ **Ábra19:** 1. Tartó csatlakozó 2. Csőtartó

MEGJEGYZÉS: A gégecső csatlakozó a szerszám bármelyik oldalára felszerelhető.

FIGYELMEZTETÉS: A szerszám szerelési részét kizárólag a tartó csatlakozó csatlakoztatására használja.

Ha a szerelési részt bármilyen más célra használja, az váratlan balesetet okozhat.

2. Rögzítse a csövet a csőtartóba.

▶ **Ábra20:** 1. Csőtartó

MEGJEGYZÉS: Használja a 25-ös összekötőt, hogy összekösse a csövet és a porfogót ha szükséges.

Fúrési művelethez használjon mélységmérőt

Ha két fémtömlőt használ, csatlakoztassa a mélységmérő hosszabbítót a mélységmérőhöz.

▶ **Ábra21:** 1. Mélységmérő hosszabbító

Porelszívó adapter (csak véséshez)

Opcionális kiegészítők

1. Szerelje fel az (A/B) csőtartót.

Ha az oldalfogantyú rá van szerelve a szerszámmra lazítsa meg a szorítóanyát, majd távolítsa el a hatlapfejű csavart. Szerelje fel a csőtartót (A) a hatlapfejű csavar és a szorítóanya közé úgy, hogy a szorítóanyát szorosan meghúzza.

▶ **Ábra22:** 1. Hatlapfejű csavar 2. Csőtartó (A) 3. Szorítóanya

Ha az oldalmarkolat fel van szerelve a szerszámmra, lazítsa meg az oldalmarkolatot, szerelje fel a (B) csőtartót a tengelyre, majd húzza meg szorosan az oldalmarkolatot.

▶ **Ábra23:** 1. Csőtartó (B) 2. Tengely 3. Oldalmarkolat

2. Csatlakoztassa a tartó csatlakozót a szerszámhoz, majd csatlakoztassa a (C) csőtartót a tartó csatlakozóhoz.

▶ **Ábra24:** 1. Tartó csatlakozó 2. Csőtartó (C)

MEGJEGYZÉS: A gégecső csatlakozó a szerszám bármelyik oldalára felszerelhető.

FIGYELMEZTETÉS: A szerszám szerelési részét kizárólag a tartó csatlakozó csatlakoztatására használja.

Ha a szerelési részt bármilyen más célra használja, az váratlan balesetet okozhat.

3. Csatlakoztassa a porfogót és a csövet a szer-
számhoz, majd rögzítse a csövet a csőtartókhöz.

▶ **Ábra25:** 1. Porfogó 2. Gégecső 3. Csőtartó (A/B)
4. Csőtartó (C)

4. Csatlakoztassa a gégecsövet a porszívó csöv-
hez gégecső csatlakozóval.

MEGJEGYZÉS: Ha a csomag nem tartalmaz csövet,
csatlakoztassa a porfogót a porszívó gégecsővéhez
vagy csatlakoztassa egy Makita Ø28-as csőhöz.

5. Állítsa be a távolságot a porfogó és a véső hegye vagy
a fúróúdj között. Az ajánlott távolság 30 mm - 100 mm.

▶ **Ábra26:** (1) 30 mm - 100 mm

MŰKÖDTETÉS

⚠ VIGYÁZAT: Mindig használja az oldalfogantyút /
oldalmarkolatot (kisegítő fogantyút), és tartsa erősen
a szerszámot mind az oldalfogantyúval / oldalmarko-
lattal, mind a kapcsolós fogantyúval a munka során.

⚠ VIGYÁZAT: A szerszám működtetése előtt min-
dig győződjön meg a munkaterület biztonságáról.
A munkadarab nem megfelelő rögzítése a munkadarab
mozgását okozhatja, ami sérülést eredményezhet.

⚠ VIGYÁZAT: Akkor se próbálja erővel kifeszíteni
a szerszámot ha a fúróhegy beszorul. Az irányítás
elvesztése sérülést okozhat.

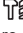
⚠ VIGYÁZAT: Ne hagyja a szerszámot a mun-
kadarabra szúrva. Másiklőnben a szerszám vélet-
lenül elindulhat, és sérülést okozhat.

MEGJEGYZÉS: Ha az akkumulátor alacsony hőmérsék-
leten működik, előfordulhat, hogy a szerszám teljesítménye
nem lesz megfelelő. Ebben az esetben úgy melegítheti fel
az akkumulátort, hogy a szerszámot rövid ideig terhelés
nélkül működteti, hogy megfelelő teljesítményt érjen el.

▶ **Ábra27**

Ütvefúrás mód


⚠ VIGYÁZAT: Hatalmas és hirtelen érkező csava-
róerő hat a szerszámmra/fúróhegyre a furat áttörésé-
nek pillanatában, amikor a furat eltömődik forgáccsal
és szemcsékkel, vagy amikor eltalálja a betonba
ágyazott merevítőrudakat. **Mindig használja az
oldalmarkolatot (kisegítő markolat), és tartsa erő-
sen a szerszámot mind az oldalmarkolattal, mind
a kapcsolós fogantyúval a munka során.** Ennek
elmulasztása a szerszám feletti uralom elvesztését,
és komoly személyi sérüléseket okozhat.

Állítsa a működési mód váltó gombot a  jelöléshez.
Állítsa a fúróhegyet a furat tervezett helyére, és húzza meg
a kapcsológombot. Ne erőltesse a szerszámot. Az enyhe
nyomás adja a legjobb eredményt. Tartsa a szerszámot a
helyén, és akadályozza meg, hogy elcsússzon a furattól.

Ne fejtse ki nagyobb nyomást, ha a furat eltömődik forgáccsal
és más részecskével. Ehelyett működtesse a szerszámot terhe-
lés nélkül, és húzza ki kissé a fúróhegyet a furatból. Ezt többször
megismételve kitisztítja a furatot, és folytathatja a fúrás.

MEGJEGYZÉS: A fúróhegy forgása szokatlan lehet,
ha a szerszámot terhelés nélkül működteti. A szer-
szám automatikusan középpontozza magát működés
közben. Ez nem befolyásolja a fúrás pontosságát.

Vésés/kaparás/bontás

Állítsa a működési mód váltó gombot a  jelöléshez.
Szilárdan tartsa a szerszámot mindkét kezével.
Kapcsolja be a szerszámot, és fejtse ki enyhe nyomást
a szerszámmra, hogy az ne pattoghasson szabadon.
Erős nyomással nem növeli a szerszám hatásfokát.

▶ **Ábra28**

Porkifújó pumpa

Opcionális kiegészítők

A furat kifúrása után a furatból egy olvadóbiztosítókkal
fújja ki a port.

▶ **Ábra29**

VEZETÉK NÉLKÜLI AKTIVÁLÁS FUNKCIÓ

Opcionális kiegészítők

Mire használható a vezeték nélküli aktiválás funkció?

A vezeték nélküli aktiválás funkció tiszta és kényelmes
munkavégzést tesz lehetővé. Ha egy támogatott porszívó-
t csatlakoztat a szerszámgéphez, a porszívót auto-
matikusan működtetheti a szerszámgép kapcsolójával.

▶ **Ábra30**

A vezeték nélküli aktiválás funkció használatához a
követezőkre van szüksége:

- A vezeték nélküli egység (opcionális tartozék)
- A vezeték nélküli aktiválás funkciót támogató porszívó

A vezeték nélküli aktiválás funkció beállításának átte-
kintését az alábbiakban találja. A részletes eljárásokkal
kapcsolatos információkért tekintse meg az egyes
szakaszokat.

1. A vezeték nélküli egység felszerelése
2. A szerszámgép regisztrációja a porszívóval
3. A vezeték nélküli aktiválás funkció elindítása

A vezeték nélküli egység felszerelése

Opcionális kiegészítők

⚠ VIGYÁZAT: Helyezze a szerszámgépet sík és stabil felületre a vezeték nélküli egység felszereléséhez.

MEGJEGYZÉS: A vezeték nélküli egység felszerelése előtt tisztítsa meg a szerszámgépet a portól és a szennyeződéstől. A por és a szennyeződés meghibásodást okozhat a vezeték nélküli egység nyílásába kerülve.

MEGJEGYZÉS: A statikus elektromosság által okozott meghibásodás elkerülése érdekében érintse meg a szerszámgép statikus kisütésre alkalmas anyagból, például fémből készült alkatrészét, mielőtt a vezeték nélküli egységhez érne.

MEGJEGYZÉS: A vezeték nélküli egység felszerelésekor ügyeljen rá, hogy a vezeték nélküli egységet a megfelelő irányban illessze be, és a fedél teljesen zárva legyen.

1. Az ábrának megfelelően nyissa ki a szerszámgépet található fedelet.

▶ **Ábra31:** 1. Fedél

2. Illessze be a vezeték nélküli egységet a nyílásba, és zárja be a fedelet.

A vezeték nélküli egység beillesztésekor igazítsa a nyúlványokat a nyílás sülyesztett részeihez.

▶ **Ábra32:** 1. Vezeték nélküli egység 2. Nyúlvány 3. Fedél 4. Sülyesztett rész

A vezeték nélküli egység eltávolításakor lassan nyissa ki a fedelet. Amikor felhúzza a fedelet, a fedél hátoldalán található horgok lassan kiemelik a vezeték nélküli egységet.

▶ **Ábra33:** 1. Vezeték nélküli egység 2. Horog 3. Fedél

A vezeték nélküli egységet az eltávolítását követően tartsa a vele szállított tokban vagy antisztatikus tárolóban.

MEGJEGYZÉS: A vezeték nélküli egység eltávolításához mindig a fedél hátoldalán található horgokat használja. Ha a horgok nem akadnak bele a vezeték nélküli egységbe, ismét zárja vissza a fedelet, és nyissa ki ismét lassan.

A szerszámgép regisztrációja a porszívóval

MEGJEGYZÉS: A szerszámgép regisztrálásához a vezeték nélküli aktiválás funkciót támogató porszívóra van szükség.

MEGJEGYZÉS: A szerszámgép regisztrációjának megkezdése előtt szerelje be a vezeték nélküli egységet a szerszámgépbe.

MEGJEGYZÉS: A szerszámgép regisztrálása közben ne nyomja meg a kapcsológombot, és ne fordítsa el a tápkapcsolót a porszívón.

MEGJEGYZÉS: Tekintse át a porszívó használati útmutatóját is.

Ha a szerszámgép kapcsolójának működtetésével egyidejűleg kívánja aktiválni a porszívót, akkor először végezze el a szerszámgép regisztrációját.

1. Illessze be az akkumulátorokat a porszívóba és a szerszámgépbe.

2. Állítsa a porszívó készenléti kapcsolóját „AUTO” helyzetbe.

▶ **Ábra34:** 1. Készenléti kapcsoló

3. Nyomja le a porszívó vezeték nélküli aktiválás gombját 3 másodpercig, amíg a vezeték nélküli aktiválás lámpája zölden nem villog. Ezután nyomja le ugyanígy a szerszámgép vezeték nélküli aktiválás gombját.

▶ **Ábra35:** 1. Vezeték nélküli aktiválás gomb 2. Vezeték nélküli aktiválás lámpája

A porszívó és a szerszámgép sikeres összekapcsolása esetén a vezeték nélküli aktiválás lámpája 2 másodpercig zölden világít, majd kékén kezd villogni.

MEGJEGYZÉS: A vezeték nélküli aktiválás lámpája a zölden villogást 20 másodperc elteltével fejezi be. Addig nyomja meg a szerszámgép vezeték nélküli aktiválás gombját, amíg a porszívón villog a vezeték nélküli aktiválás lámpája. Ha a vezeték nélküli aktiválás lámpája nem villog zölden, akkor nyomja le röviden a vezeték nélküli aktiválás gombot, és tartsa ismét lenyomva.

MEGJEGYZÉS: Ha kettő vagy több szerszámgépet regisztrál egy porszívóhoz, akkor a szerszámgépek regisztrálását egymás után végezze el.

A vezeték nélküli aktiválás funkció elindítása

MEGJEGYZÉS: A vezeték nélküli aktiválás előtt végezze el a szerszámgép regisztrálását.

MEGJEGYZÉS: Tekintse át a porszívó használati útmutatóját is.

Miután regisztrált egy szerszámgépet a porszívóhoz, a porszívó automatikusan a szerszámgép kapcsolójának működtetésével egyszerre üzemel.

1. Szerelje fel a vezeték nélküli egységet a szerszámgépre.

2. Csatlakoztassa a porszívó csövét a szerszámgéphez.

▶ **Ábra36**

3. Állítsa a porszívó készenléti kapcsolóját „AUTO” helyzetbe.

▶ **Ábra37:** 1. Készenléti kapcsoló

4. Nyomja meg röviden a szerszámgép vezeték nélküli aktiválás gombját. A vezeték nélküli aktiválás gomb kékén villog.

▶ **Ábra38:** 1. Vezeték nélküli aktiválás gomb 2. Vezeték nélküli aktiválás lámpája

5. Nyomja meg a szerszámgép kapcsológombját. Ellenőrizze, hogy működik-e a porszívó a kapcsológomb nyomva tartásakor.

A porszívó vezeték nélküli aktiválásának leállításához nyomja meg a szerszámgép vezeték nélküli aktiválás gombját.

MEGJEGYZÉS: Ha 2 órán keresztül nem működtetik, akkor a szerszámgép vezeték nélküli aktiválás lámpájának kék villogása leáll. Ebben az esetben állítsa az „AUTO” helyzetbe a porszívó készenléti kapcsolóját, és nyomja meg ismét a szerszámgépen a vezeték nélküli aktiválás gombját.

MEGJEGYZÉS: A porszívó késleltetéssel indul/áll le. A porszívó időben eltolva érzékeli a szerszámgép kapcsológombos működtetését.



MEGJEGYZÉS: A vezeték nélküli egység átviteli távolsága a helyszíntől és a környezeti feltételektől függően eltérhet.

MEGJEGYZÉS: Ha egy porszívóhoz két vagy több szerszámgép van regisztrálva, akkor a porszívó a kapcsológomb megnyomása nélkül is működhet, mert egy másik felhasználó is használja a vezeték nélküli aktiválás funkciót.

A vezeték nélküli aktiválás lámpa állapotának leírása

► Ábra39: 1. Vezeték nélküli aktiválás lámpája

A vezeték nélküli aktiválás lámpa a vezeték nélküli aktiválás funkció állapotáról tájékoztat. A lámpa állapotának jelentésével kapcsolatban az alábbi táblázatban talál információkat.

| Állapot | Vezeték nélküli aktiválás lámpája | | | | Leírás |
|---|-----------------------------------|--|---|-------------------------------|---|
| | Szín |  Be |  Villogó lámpa | Időtartam | |
| Készenléti | Kék | <input checked="" type="checkbox"/> | | 2 óra | A porszívó vezeték nélküli aktiválás funkciója rendelkezésre áll. A lámpa automatikusan kikapcsol, ha a szerszámgépet 2 órán át nem működtetik. |
| | | <input type="checkbox"/> | | Amikor a szerszámgép működik. | A porszívó vezeték nélküli aktiválás funkciója rendelkezésre áll, és a szerszámgép üzemel. |
| Szerszámgép regisztrálása | Zöld | <input checked="" type="checkbox"/> | | 20 másodperc | A szerszámgép készen áll a regisztrálására. Várakozás a porszívón történő regisztrálásra. |
| | | <input type="checkbox"/> | | 2 másodperc | A szerszámgép regisztrálása befejeződött. A vezeték nélküli aktiválás lámpája kéken kezd villogni. |
| A szerszámgép regisztrálásának visszavonása | Piros | <input checked="" type="checkbox"/> | | 20 másodperc | Készen áll a szerszámgép regisztrációjára. Várakozás a porszívón történő regisztrálás visszavonására. |
| | | <input type="checkbox"/> | | 2 másodperc | A szerszámgép regisztrációjának visszavonása befejeződött. A vezeték nélküli aktiválás lámpája kéken kezd villogni. |
| Egyebek | Piros | <input type="checkbox"/> | | 3 másodperc | A vezeték nélküli egység tápellátást kap, és a vezeték nélküli aktiválás funkció elindul. |
| | Ki | - | | - | A porszívó vezeték nélküli aktiválása leállt. |

A szerszámgép porszívón történő regisztrációjának visszavonása

A szerszámgép porszívón történő regisztrálásakor tegye a következőket.

1. Illessze be az akkumulátorokat a porszívóba és a szerszámgépbe.

2. Állítsa a porszívó készenléti kapcsolóját „AUTO” helyzetbe.

► **Ábra40:** 1. Készenléti kapcsolat

3. Nyomja le 6 másodpercre a porszívó vezeték nélküli aktiválás gombját. A vezeték nélküli aktiválás gombja zölden villog, majd pirosra vált. Ezután nyomja le ugyanígy a szerszámgép vezeték nélküli aktiválás gombját.

► **Ábra41:** 1. Vezeték nélküli aktiválás gomb
2. Vezeték nélküli aktiválás lámpája

Ha a visszavonás sikeres volt, a vezeték nélküli aktiválás lámpája 2 másodpercig pirosan világít, majd kéken kezd villogni.

MEGJEGYZÉS: A vezeték nélküli aktiválás lámpája a pirosan villogást 20 másodperc elteltével fejezi be. Addig nyomja meg a szerszámgép vezeték nélküli aktiválás gombját, amíg a porszívón villog a vezeték nélküli aktiválás lámpája. Ha a vezeték nélküli aktiválás lámpája nem villog pirosan, akkor nyomja le röviden a vezeték nélküli aktiválás gombot, és tartsa ismét lenyomva.

A vezeték nélküli aktiválás funkció hibaelhárítása

Mielőtt a szervizhez fordulna, először végezzen saját maga is átvizsgálást. Ha olyan problémát talál, amire a kézikönyv nem tartalmaz magyarázatot, ne próbálja meg szétszedni az eszközt. Ehelyett kérjen tanácsot a Makita hivatalos szervizközpontjától, és javításhoz mindig Makita cserealkatrészeket használjon.

| Rendellenesség | Lehetséges ok (meghibásodás) | Megoldás |
|---|--|--|
| A vezeték nélküli aktiválás lámpája nem világít/villog. | A vezeték nélküli egység nincs felszerelve a szerszámgépre. A vezeték nélküli egység nincs megfelelően felszerelve a szerszámgépre. | Szerelje fel helyesen a vezeték nélküli egységet. |
| | A vezeték nélküli egység és/vagy a nyílás érintkezője szennyezett. | Óvatosan törölje le a port és a szennyeződést a vezeték nélküli egység érintkezőjéről, és tisztítsa meg a nyílást. |
| | Nem lett lenyomva a szerszámgép vezeték nélküli aktiválás gombja. | Nyomja meg röviden a szerszámgép vezeték nélküli aktiválás gombját. |
| | A porszívó készenléti kapcsolója nincs „AUTO” helyzetbe állítva. | Állítsa a porszívó készenléti kapcsolóját „AUTO” helyzetbe. |
| | Nincs tápellátás | Biztosítsa a szerszámgép és a porszívó tápellátását. |
| Nem lehet sikeresen befejezni a szerszámgép regisztrációját/ szerszámgép regisztrációjának visszavonását. | A vezeték nélküli egység nincs felszerelve a szerszámgépre. A vezeték nélküli egység nincs megfelelően felszerelve a szerszámgépre. | Szerelje fel helyesen a vezeték nélküli egységet. |
| | A vezeték nélküli egység és/vagy a nyílás érintkezője szennyezett. | Óvatosan törölje le a port és a szennyeződést a vezeték nélküli egység érintkezőjéről, és tisztítsa meg a nyílást. |
| | A porszívó készenléti kapcsolója nincs „AUTO” helyzetbe állítva. | Állítsa a porszívó készenléti kapcsolóját „AUTO” helyzetbe. |
| | Nincs tápellátás | Biztosítsa a szerszámgép és a porszívó tápellátását. |
| | Nem megfelelő működés | Nyomja meg röviden a vezeték nélküli aktiválás gombját, és hajtsa végre ismét a szerszámgép regisztrációját/szerszámgép regisztrációjának visszavonását. |
| | A szerszámgép és a porszívó túl messze vannak egymástól (az átviteli hatótávolságon túl). | Vigye közelebb egymáshoz a porszívót és a szerszámgépet. A maximális átviteli távolság kb. 10 méter, azonban ez a feltételektől függően eltérő lehet. |
| | Mielőtt befejezte a szerszámgép regisztrációját/szerszámgép regisztrációjának visszavonását; - megnyomták a szerszámgép kapcsológombját, vagy; - elfordították a porszívó bekapcsológombját. | Nyomja meg röviden a vezeték nélküli aktiválás gombját, és hajtsa végre ismét a szerszámgép regisztrációját/szerszámgép regisztrációjának visszavonását. |
| | A szerszámgép vagy a porszívó szerszámgép-regisztrálási eljárása még nem fejeződött be. | Hajtsa végre egyszerre a szerszámgép és a porszívó szerszámgép-regisztrálási eljárását. |
| | Nagy intenzitású rádióhullámokat generáló egyéb berendezések által okozott rádiójel-zavarás. | Tartsa távol a szerszámgépet és a porszívót a Wi-Fi-eszközöktől, mikrohullámú sütőktől és hasonlóktól. |

| Rendellenesség | Lehetséges ok (meghibásodás) | Megoldás |
|---|--|--|
| A porszívó nem a szerszámgép működtetésével összehangolva üzemel. | A vezeték nélküli egység nincs felszerelve a szerszámgépre. A vezeték nélküli egység nincs megfelelően felszerelve a szerszámgépre. | Szerelje fel helyesen a vezeték nélküli egységet. |
| | A vezeték nélküli egység és/vagy a nyílás érintkezője szennyezett. | Óvatosan törölje le a port és a szennyeződést a vezeték nélküli egység érintkezőjéről, és tisztítsa meg a nyílást. |
| | Nem lett lenyomva a szerszámgép vezeték nélküli aktiválás gombja. | Nyomja le röviden a vezeték nélküli aktiválás gombját, és győződjön meg róla, hogy a vezeték nélküli aktiválás lámpája kéken villog. |
| | A porszívó készenléti kapcsolója nincs „AUTO” helyzetbe állítva. | Állítsa a porszívó készenléti kapcsolóját „AUTO” helyzetbe. |
| | Több mint 10 szerszámgép van a porszívón regisztrálva. | Hajtsa végre ismét a szerszámgép regisztrációját. Ha több mint 10 szerszámgép van regisztrálva a porszívóhoz, akkor az először regisztrált szerszámgép automatikusan törlődni fog. |
| | A porszívó minden szerszámgép-regisztrációt törölt. | Hajtsa végre ismét a szerszámgép regisztrációját. |
| | Nincs tápellátás | Biztosítsa a szerszámgép és a porszívó tápellátását. |
| | A szerszámgép és a porszívó túl messze vannak egymástól (az átviteli hatótávolságon túl). | Vigye közelebb egymáshoz a porszívót és a szerszámgépet. A maximális átviteli távolság kb. 10 méter, azonban ez a feltételektől függően eltérő lehet. |
| | Nagy intenzitású rádióhullámokat generáló egyéb berendezések által okozott rádiójel-zavarás. | Tartsa távol a szerszámgépet és a porszívót a Wi-Fi-eszközöktől, mikrohullámú sütőktől és hasonlóktól. |
| A porszívó a szerszámgép kapcsológombjának lenyomása nélkül is működik. | Más felhasználók használják a porszívó vezeték nélküli aktiválás funkcióját a saját szerszámgépeikkel. | Kapcsolja ki a többi szerszámgép vezeték nélküli aktiválás gombját, vagy vonja vissza a többi szerszámgép regisztrációját. |

KARBANTARTÁS

⚠ VIGYÁZAT: Minden esetben ellenőrizze, hogy a szerszám ki van kapcsolva és az akkumulátor eltávolításra került mielőtt átvizsgálja a szerszámot vagy annak karbantartását végzi.

MEGJEGYZÉS: Soha ne használjon gázolajt, benzint, hígítót, alkoholt vagy hasonló anyagokat. Ezek elszíneződést, alakvesztést vagy repedést okozhatnak.

A termék BIZTONSÁGÁNAK és MEGBÍZHATÓSÁGÁNAK fenntartása érdekében a javításokat és más karbantartásokat vagy beállításokat a Makita hivatalos vagy gyári szervizközpontjában kell elvégezni, mindig csak Makita cserealkatrészeket használva.

OPCIONÁLIS KIEGÉSZÍTŐK

⚠ VIGYÁZAT: Ezen kiegészítőket és tartozékokat javasoljuk a kézikönyvben ismertetett Makita szerszámhoz. Bármilyen más kiegészítő vagy tartozék használata a személyi sérülés kockázatával jár. A kiegészítőt vagy tartozékokat csak rendeltetésszerűen használja.

Ha bármilyen segítségre vagy további információkra van szüksége ezekkel a tartozékokkal kapcsolatban, keresse fel a helyi Makita Szervizközpontot.

- SDS-MAX karbidvégű fúróhegyek
- SDS-MAX fúrórúd
- SDS-MAX bontóvéső
- SDS-MAX kaparóvéső
- SDS-MAX lapátvéső
- Szerszámzsír
- Oldalfogantyú
- Oldalmarkolat
- Mélységmérő
- Olvadóbiztosíték
- Porelszívó adapter
- Védőszemüveg
- Vezeték nélküli egység
- Eredeti Makita akkumulátor és töltő
- Műanyag hordtáska

MEGJEGYZÉS: A listán felsorolt néhány kiegészítő megtalálható az eszköz csomagolásában standard kiegészítőként. Ezek országonként eltérőek lehetnek.

TECHNICKÉ ŠPECIFIKÁCIE

| | | |
|----------------------------|----------------------------|-----------------------------------|
| Model: | | HR005G |
| Výkony | Vrták s karbidovou špičkou | 40 mm |
| | Jadrová korunka | 105 mm |
| Otáčky naprázdno (ot./min) | | 250 – 500 min ⁻¹ |
| Údery za minútu | | 1 450 – 2 900 min ⁻¹ |
| Celková dĺžka | model BL4025 | 484 mm |
| | model BL4040 | 500 mm |
| Menovité napätie | | Jednosmerný prúd 36 V – 40 V max. |
| Čistá hmotnosť | | 7,4 – 8,2 kg |

- Vzhľadom k neustálemu výskumu a vývoju podliehajú technické údaje uvedené v tomto dokumente zmenám bez upozornenia.
- Technické špecifikácie a typ akumulátora sa môžu v rámci jednotlivých krajín líšiť.
- Hmotnosť sa môže líšiť v závislosti od nastavcov vrátane akumulátora. Najľahšia a najťažšia kombinácia v súlade s postupom EPTA 01/2014 je uvedená v tabuľke.

Použiteľné akumulátory a nabíjačky

| | |
|------------|---|
| Akumulátor | BL4020 / BL4025 / BL4040* / BL4050F* * : Odporúčaný akumulátor |
| Nabíjačka | DC40RA / DC40RB / DC40RC |

- Niektoré vyššie uvedené akumulátory a nabíjačky môžu byť nedostupné v závislosti od miesta vášho bydliska.

VAROVANIE: Používajte iba akumulátory a nabíjačky zo zoznamu uvedeného vyššie. Používanie akýchkoľvek iných akumulátorov a nabíjačiek môže spôsobiť zranenie a/alebo požiar.

Určené použitie

Tento nástroj je určený na príklepové vrtanie a vrtanie do tehly, betónu a kameňa, ako aj na sekacie práce.

Hluk

Typická hladina akustického tlaku záťaže A určená podľa štandardu EN60745-2-6:

Úroveň akustického tlaku (L_{PA}) : 91 dB (A)

Úroveň akustického tlaku (L_{WA}) : 102 dB (A)

Odchýlka (K): 3 dB (A)

POZNÁMKA: Deklarovaná hodnota emisií hluku bola meraná podľa štandardnej skúšobnej metódy a môže sa použiť na porovnanie jedného nástroja s druhým.

POZNÁMKA: Deklarovaná hodnota emisií hluku sa môže použiť aj na predbežné posúdenie vystavenia ich účinkom.

VAROVANIE: Používajte ochranu sluchu.

VAROVANIE: Emisie hluku sa môžu počas skutočného používania elektrického nástroja odlišovať od deklarovanej hodnoty, a to v závislosti od spôsobov používania náradia a najmä typu spracúvaného obrobku.

VAROVANIE: Nezabudnite označiť bezpečnostné opatrenia s cieľom chrániť obsluhu, a to tie, ktoré sa zakladajú na odhade vystavenia účinkom v rámci reálnych podmienok používania (berúc do úvahy všetky súčasti prevádzkového cyklu, ako sú doby, kedy je nástroj vypnutý a kedy beží bez zaťaženia, ako dodatok k dobe zapnutia).

Vibrácie

Celková hodnota vibrácií (trojosový vektorový súčet) určená podľa štandardu EN60745-2-6:

Režim činnosti: príklepové vrtanie do betónu

Emisie vibrácií ($a_{h,HD}$): 5,0 m/s²

Odchýlka (K): 1,5 m/s²

Režim činnosti: funkcia sekania s bočnou rukoväťou

Emisie vibrácií ($a_{h,ChexQ}$): 4,0 m/s²

Odchýlka (K): 1,5 m/s²

Režim činnosti: funkcia sekania s bočným držadlom

Emisie vibrácií ($a_{h,ChexQ}$): 4,0 m/s²

Odchýlka (K): 1,5 m/s²

POZNÁMKA: Deklarovaná celková hodnota vibrácií bola meraná podľa štandardnej skúšobnej metódy a môže sa použiť na porovnanie jedného nástroja s druhým.

POZNÁMKA: Deklarovaná celková hodnota vibrácií sa môže použiť aj na predbežné posúdenie vystavenia ich účinkom.

VAROVANIE: Emisie vibrácií sa môžu počas skutočného používania elektrického nástroja odlišovať od deklarovanej hodnoty, a to v závislosti od spôsobov používania náradia a najmä typu spracúvaného obrobku.

VAROVANIE: Nezabudnite označiť bezpečnostné opatrenia s cieľom chrániť obsluhu, a to tie, ktoré sa zakladajú na odhade vystavenia účinkom v rámci reálnych podmienok používania (berúc do úvahy všetky súčasti prevádzkového cyklu, ako sú doby, kedy je nástroj vypnutý a kedy beží bez zaťaženia, ako dodatok k dobe zapnutia).

Vyhlasenie o zhode ES

Len pre krajiny Európy

Vyhlasenie o zhode ES sa nachádza v prílohe A tohto návodu na obsluhu.

BEZPEČNOSTNÉ VAROVANIA

Všeobecné bezpečnostné predpisy pre elektrické nástroje

VAROVANIE: Preštudujte si všetky bezpečnostné varovania, pokyny, vyobrazenia a technické špecifikácie určené pre tento elektrický nástroj. Pri nedodržaní všetkých nižšie uvedených pokynov môže dôjsť k úrazu elektrickým prúdom, požiaru alebo vážnemu zraneniu.

Všetky výstrahy a pokyny si odložte pre prípad potreby v budúcnosti.

Pojem „elektrický nástroj“ sa vo výstrahách vzťahuje na elektricky napájané elektrické nástroje (s káblom) alebo batériu napájané elektrické nástroje (bez kábla).

BEZPEČNOSTNÉ VAROVANIA PRE AKUMULÁTOROVÉ VRTACIE KLADIVO

1. **Používajte chrániče sluchu.** Vystavenie účinkom hluku môže mať za následok stratu sluchu.
2. **Pokiaľ sa s náradím dodávajú prídavné rukoväte používajte ich.** Strata ovládania môže mať za následok poranenie.
3. **Pri rezaní držte elektrické náradie pri práci držte len za izolované úchopné povrchy, pretože rezné príslušenstvo sa môže dostať do kontaktu so skrytými vodičmi.** Rezné príslušenstvo, ktoré sa dostane do kontaktu s vodičom pod napätím, môže spôsobiť prechod elektrického prúdu kovovými časťami elektrického nástroja a spôsobiť tak obsluhu zasiahnutie elektrickým prúdom.
4. **Používajte pevnú pokrývku hlavy (ochrannú prilbu), ochranné okuliare a/alebo ochranný štít na tvár.** Obyčajné dioptrické alebo slnečné okuliare NIE sú ochranné okuliare. Rovnako sa dôrazne odporúča používať protiprachovú masku a hrubé vystlané rukavice.
5. **Pred prácou overte, či je vrták zaistený na mieste.**
6. **Pri bežnej prevádzke nástroja dochádza k vibráciám.** Lahko môže dôjsť k uvoľneniu skrutiek a následnej poruche alebo nehode. Pred prácou dôkladne skontrolujte dotiahnutie skrutiek.

7. **V chladnom počasí alebo keď sa náradie dlhšiu dobu nepoužívalo, nechajte náradie chvíľu zahriať pri prevádzke bez záťaže.** Tým sa uvoľní mazivo. Bez správneho predhriatia bude práca s príklepom prebiehať ťažko.
8. **Vždy dbajte na pevný postoj.** Ak pracujete vo výškach, dbajte, aby pod vami nikto nebol.
9. **Držte náradie pevne oboma rukami.**
10. **Ruky držte mimo dosahu pohyblivých častí.**
11. **Nenechávajte nástroj v prevádzke bez dozoru.** Pracujte s ním, len keď ho držíte v rukách.
12. **Počas práce nemierte náradím na žiadnu osobu v blízkosti.** Vrták by sa mohol uvoľniť a niekoho vážne poraniť.
13. **Nedotýkajte sa vrtáka, častí v blízkosti vrtáka alebo obrobku bezprostredne po práci.** Môžu byť extrémne horúce a popáliť vás.
14. **Niektoré materiály obsahujú chemikálie, ktoré môžu byť jedovaté.** Dávajte pozor, aby ste ich nedychovali ani sa ich nedotýkali. Prečítajte si bezpečnostné informácie dodávateľa materiálu.
15. **Pred odovzdaním nástroja inej osobe sa vždy uistite, že nástroj je vypnutý a akumulátor a vrták je vybrať.**
16. **Pred začatím práce sa uistite, že sa v pracovnej oblasti nenachádza žiadny zakopaný objekt ako elektrické káble, vodovodné alebo plynové potrubie.** V opačnom prípade sa ich môže vrták/dláto dotknúť a spôsobiť zásah elektrickým prúdom, prerušenie vedenia elektrickej energie alebo únik plynu.
17. **Nepoužívajte nástroj zbytočne bez záťaže.**

TIETO POKYNY USCHOVAJTE.

VAROVANIE: NIKDY nepripustíte, aby sebavedomie a dobrá znalosť výrobku (získané opakovaným používaním) nahradili presné dodržiavanie bezpečnostných pravidiel pre náradie. **NESPRÁVNE POUŽÍVANIE** alebo nedodržiavanie bezpečnostných zásad uvedených v tomto návode môže viesť k vážnemu zraneniu.

Dôležité bezpečnostné a prevádzkové pokyny pre akumulátor

1. **Pred použitím akumulátora si prečítajte všetky pokyny a výstavné označenia na (1) nabíjačke akumulátorov, (2) akumulátore a (3) produkte používajúcom akumulátor.**
2. **Akumulátor nerozoberajte ani neupravujte.** Môže to viesť k požiaru, nadmernému teplu alebo výbuchu.
3. **Ak sa doba prevádzky príliš skráti, ihneď prerušte prácu.** Môže nastať riziko prehriatia, možných popálením či dokonca explózie.
4. **V prípade zasiahnutia očí elektrolytom ich vypláchnite čistou vodou a okamžite vyhľadajte lekársku pomoc.** Môže dôjsť k strate zraku.
5. **Akumulátor neskratujte:**
 - (1) **Nedotýkajte sa konektorov žiadnym vodivým materiálom.**

(2) Neskladujte akumulátor v obale s inými kovovými predmetmi, napríklad klincami, mincami a pod.

(3) Akumulátor nevystavujte vode ani dažďu. Skrat akumulátora môže spôsobiť veľký tok prúdu, prehriate, možné popáleniny či dokonca poruchu.

6. Nástroj ani akumulátor neskladujte a nepoužívajte na miestach s teplotou presahujúcou 50 °C (122 °F).
7. Akumulátor nespájajte, ani keď je vážne poškodený alebo úplne opotrebovaný. Akumulátor môže v ohni explodovať.
8. Akumulátor neprepichujte, neprerezávajte, nedrvte, nehádzte ani ho nenarúšajte údermi o tvrdé predmety. Môže to viesť k požiaru, nadmernému teplu alebo výbuchu.
9. Nepoužívajte poškodený akumulátor.
10. Litium-iónové akumulátory, ktoré sú súčasťou náradia, podliehajú požiadavkám legislatívy o nebezpečnom tovare.
V prípade obchodnej prepravy, napr. dodanie tretími stranami či špeditéri, sa musia dodržiavať špeciálne požiadavky na zabalenie a označenie. Pred prípravou položky na odoslanie sa vyžaduje konzultácia s odborníkom na nebezpečný materiál. Taktiež treba dodržiavať potenciálne podrobnejšie predpisy príslušnej krajiny.
Prelepte alebo zakryte otvorené kontakty a zabaľte akumulátor tak, aby sa v balíku nemohol voľne pohybovať.
11. Akumulátor pri likvidácii odstráňte z nástroja a zlikvidujte ho na bezpečnom mieste. Akumulátor zlikvidujte v súlade s miestnymi nariadeniami.
12. Akumulátory používajte iba s výrobkami uvedenými spoločnosťou Makita. Inštalácia akumulátorov do nevyhovujúcich výrobkov môže spôsobiť požiar, nadmerné teplo, výbuch alebo únik elektrolytov.
13. Ak sa nástroj dlhší čas nepoužíva, odstráňte z neho akumulátor.
14. Akumulátor sa môže počas používania a po použití zohriať, čo môže spôsobiť popáleniny alebo popáleniny aj pri relatívne nízkej teplote. Pri manipulácii s horúcimi akumulátormi dávajte pozor.
15. Nedotýkajte sa svorky nástroja ihneď po použití, keďže sa mohla zohriať dostatočne na to, aby spôsobila popáleniny.
16. Zabráňte zachytávaniu triesok, prachu alebo zeminy na svorkách, otvoroch a drážkach akumulátora. Môže to viesť k slabému výkonu alebo poškodeniu nástroja alebo akumulátora.
17. Pokiaľ nástroj nepodporuje používanie v blízkosti vysokonapäťových elektrických vedení, nepoužívajte akumulátor blízko vysokonapäťových elektrických vedení. Môže to viesť k nesprávnemu fungovaniu alebo poškodeniu nástroja alebo akumulátora.
18. Akumulátor držte mimo dosahu detí.

TIETO POKYNY USCHOVAJTE.

▲POZOR: Používajte len originálne akumulátory od spoločnosti Makita. Používanie batérií, ktoré nie sú od spoločnosti Makita, alebo upravených batérií môže spôsobiť výbuch batérie a následný požiar, zranenie osôb alebo poškodeniu majetku. Následkom bude aj zrušenie záruky od spoločnosti Makita na nástroj a nabíjačku od spoločnosti Makita.

Rady na udržanie maximálnej životnosti akumulátora

1. Akumulátor nabíjate ešte predtým, ako sa úplne vybije. Vždy prerušte prácu s nástrojom a nabíjate akumulátor, keď spozorujete nižší výkon nástroja.
2. Nikdy nenabíjate plne nabitý akumulátor. Prebíjanie skracuje životnosť akumulátora.
3. Akumulátor nabíjajte pri izbovej teplote 10 °C – 40 °C (50 °F – 104 °F). Pred nabíjaním nechajte horúci akumulátor vychladnúť.
4. Keď akumulátor nepoužívate, vyberte ho z nástroja alebo nabíjačky.
5. Litium-iónový akumulátor nabíjate, ak ste ho nepoužívali dlhšie ako šesť mesiacov.

Dôležité bezpečnostné pokyny pre bezdrôtovú jednotku

1. Bezdrôtovú jednotku nerozoberajte ani s ňou neodborne nemanipulujte.
2. Bezdrôtovú jednotku držte mimo dosahu malých detí. V prípade jej náhodného prehltnutia okamžite vyhľadajte lekársku pomoc.
3. Bezdrôtovú jednotku používajte len spolu s náradím Matika.
4. Bezdrôtovú jednotku nevystavujte účinkom dažďa ani iného vlhkého prostredia.
5. Bezdrôtovú jednotku nepoužívajte na miestach, kde teplota prekračuje 50 °C.
6. Bezdrôtovú jednotku nepoužívajte na miestach, kde sa nachádzajú zdravotnícke prístroje, akými sú napríklad kardiostimulátory.
7. Bezdrôtovú jednotku nepoužívajte na miestach, kde sa nachádzajú automatizované zariadenia. V opačnom prípade sa v automatizovaných zariadeniach môže vyskytnúť porucha alebo chyba.
8. Bezdrôtovú jednotku nepoužívajte na miestach s vysokou teplotou alebo na miestach, kde dochádza k vytváraniu statickej elektriny alebo elektrického šumu.
9. Bezdrôtová jednotka môže vytvárať elektromagnetické polia (EMF), ktoré však nie sú pre používateľa škodlivé.
10. Bezdrôtová jednotka je presné zariadenie. Bezdrôtovú jednotku chráňte pred pádom a nevystavuje ju nárazom.
11. Koncovky bezdrôtovej jednotky sa nedotýkajte holými rukami ani kovovými materiálmi.
12. Pred inštaláciou bezdrôtovej jednotky do výrobku vždy vyberte akumulátor.

13. Pri otváraí krytu zásuvky sa vyhýbajte miestam, kde by do zásuvky mohol preniknúť prach alebo voda. Vstupný otvor zásuvky musí byť vždy čistý.
14. Bezdrôtovú jednotku vždy vkladajte v správnom smere.
15. Spúšťacie tlačidlo bezdrôtovej prevádzky na bezdrôtovej jednotke nestláčajte príliš silno, ani ho nestláčajte žiadnym predmetom s ostrou hranou.
16. Pred prevádzkou vždy uzavrite kryt zásuvky.
17. Bezdrôtovú jednotku nevyberajte zo zásuvky, kým prebieha napájanie nástroja. Ignorovanie tohto pokynu môže zapríčiniť poruchu bezdrôtovej jednotky.
18. Z bezdrôtovej jednotky neodstraňujte nálepku.
19. Na bezdrôtovú jednotku nelepte žiadne nálepky.
20. Bezdrôtovú jednotku nenechávajte na mieste, kde dochádza k vytváraniu statickej elektriny alebo elektrického šumu.
21. Bezdrôtovú jednotku nevystavujte vysokým teplotám, nenechávajte ju napríklad v aute stojacom na slnku.
22. Bezdrôtovú jednotku nenechávajte na prašnom mieste ani na mieste, kde by mohlo dôjsť k vytváraniu korozívneho plynu.
23. V dôsledku náhlej zmeny teploty sa bezdrôtová jednotka môže zarsošiť. Bezdrôtovú jednotku nepoužívajte, kým nedôjde k úplnému vyschnutiu takéhoto zarosenia.
24. Pri čistení bezdrôtovú jednotku jemne utrite suchou mäkkou handričkou. Nepoužívajte benzín, riedidlo, vodivé mazivo ani iné podobné prípravky.
25. Bezdrôtovú jednotku uložte v dodávanom puzdre alebo nádobe, v ktorej nedochádza k vytváraniu statického elektrického náboja.
26. Do zásuvky nástroja nevkładajte žiadne iné zariadenia okrem bezdrôtovej jednotky Matika.
27. Nástroj nepoužívajte, ak je kryt bezdrôtovej jednotky poškodený. V prípade, že do zásuvky prenikne voda, prach alebo nečistoty, môže dôjsť k poruche.
28. Kryt zásuvky neťahajte ani neskrúčajte viac, než je nutné. V prípade, že sa kryt oddelí od nástroja, vráťte ho na miesto.
29. V prípade straty alebo poškodenia kryt vymeňte.

TIETO POKYNY USCHOVAJTE.

OPIS FUNKCIÍ

⚠ POZOR: Pred úpravou alebo kontrolou funkčnosti nástroja vždy skontrolujte, či je nástroj vypnutý a akumulátor je vybratý.

Inštalácia alebo demontáž akumulátora

⚠ POZOR: Pred inštaláciou alebo vybratím akumulátora nástroj vždy vypnite.

⚠ POZOR: Pri inštalovaní a vyberaní akumulátora pevne uchopíte nástroj a akumulátor. Ak nástroj a akumulátor pevne neuchopíte, môže to mať za následok vyšmyknutie z vašich rúk s dôsledkom poškodenia nástroja a akumulátora, ako aj osobných poranení.

► **Obr.1:** 1. Červený indikátor 2. Tlačidlo 3. Akumulátor

Ak chcete vybrať akumulátor, vysuňte ho z nástroja, pričom posuňte tlačidlo na prednej strane akumulátora.

Akumulátor vložte tak, že jazýček akumulátora zarovnáte s drážkou v kryte a zasuniete ho na miesto. Zatlačte ho úplne, kým zakliknutím nezapadne na miesto. Ak vidíte červený indikátor na hornej strane tlačidla, nie je správne zapadnutý.




















⚠ POZOR: Akumulátor vždy nainštalujte úplne, až kým nie je vidieť červený indikátor. V opačnom prípade môže náhodne vypadnúť z nástroja a ublížiť vám alebo osobám v okolí.

⚠ POZOR: Pri inštalovaní akumulátora nepoužívajte silu. Ak sa akumulátor nedá zasunúť ľahko, nevkladáte ho správne.

Indikácia zvyšnej kapacity akumulátora

Stlačením tlačidla kontroly na akumulátore zobrazíte zostávajúcu kapacitu akumulátora. Indikátory sa na niekoľko sekúnd rozsvietia.

► **Obr.2:** 1. Indikátory 2. Tlačidlo kontroly

| Indikátory | | | Zostávajúca kapacita |
|---|--|---|-----------------------------|
|  Svieti |  Nesvieti |  Bliká | |
|  | | | 75 % až 100 % |
|  |  | | 50 % až 75 % |
|  |  | | 25 % až 50 % |
|  |  | | 0 % až 25 % |
|  |  | | Akumulátor nabite. |
|     | | | Akumulátor je možno chybný. |
|    | | | |

POZNÁMKA: V závislosti od podmienok používania a v závislosti od okolitej teploty sa môže zobrazenie mierne odlišovať od skutočnej kapacity.

POZNÁMKA: Prvý (úplne vľavo) svetelný indikátor bude blikať, keď systém ochrany akumulátora funguje.

Systém na ochranu nástroja/akumulátora

Nástroj je vybavený systémom ochrany nástroja/akumulátora. Tento systém automaticky vypne napájanie motora s cieľom predĺžiť životnosť nástroja a akumulátora. Nástroj sa počas prevádzky automaticky zastaví v prípade, ak sa nástroj alebo akumulátor dostanú do jedného z nasledujúcich stavov:

Ochrana proti preťaženiu

Keď sa nástroj alebo akumulátor používa spôsobom, ktorý spôsobuje odber neštandardne vysokého prúdu, nástroj sa bez upozornenia automaticky vypne. V tejto situácii vypnite nástroj a ukončíte prácu, ktorá spôsobuje jeho preťažovanie. Potom nástroj zapnutím znova spustíte.

Ochrana pred prehrievaním

Ak je nástroj prehriaty, automaticky sa zastaví a začne blikať svetlo. V takomto prípade nechajte nástroj/akumulátor pred opätovným spustením vychladnúť.

Ochrana pred nadmerným vybitím

Keď je kapacita akumulátora nedostatočná, nástroj sa automaticky vypne. V takomto prípade vyberte akumulátor z nástroja a nabite ho.

Zapínanie

VAROVANIE: Pred vložením akumulátora do nástroja sa vždy presvedčíte, či spúšťací spínač funguje správne a po uvoľnení sa vráti do pozície „OFF“.

POZOR: Keď s nástrojom nepracujete, stlačte zaistovacie tlačidlo spínača na strane , čím uzamknete spúšťací spínač v polohe OFF (VYP.).

► **Obr.3:** 1. Spúšťací spínač 2. Zaistovacie tlačidlo spínača

Spúšťací spínač je pred náhodným stlačením chránený zaistovacím tlačidlom spínača. Ak chcete nástroj spustiť, stlačte zaistovacie tlačidlo spínača na strane A a potiahnite spúšťací spínač. Nástroj zastavíte uvoľnením spúšťacieho spínača. Po použití zatlačte zaistovacie tlačidlo spínača zo strany B.

Zmena otáčok

Počet otáčok a úderov nástroja za minútu môžete nastaviť otáčaním otočného ovládača. Ovládač je označený od 1 (najnižšia rýchlosť) do 5 (plná rýchlosť).

► **Obr.4:** 1. Nastavovací číselník

V nasledujúcej tabuľke sú uvedené vzťahy medzi číselným nastavením na regulátore a počtom otáčok a úderov za minútu.

| Číslo | Otáčky za minútu | Údery za minútu |
|-------|------------------|-----------------|
| 5 | 500 | 2900 |
| 4 | 470 | 2700 |
| 3 | 380 | 2150 |
| 2 | 290 | 1650 |
| 1 | 250 | 1450 |

POZOR: Neotáčajte ovládačom za chodu nástroja. V opačnom prípade by ste mohli stratiť kontrolu nad nástrojom a spôsobiť vážne poranenie.

UPOZORNENIE: Ak je nástroj v nepretržitej prevádzke pri nízkych otáčkach po dlhý čas, motor sa môže preťažiť, následkom čoho bude porucha nástroja.

UPOZORNENIE: Nastavovací regulátor rýchlosti je možné otočiť len do polohy 5 a potom naspäť do polohy 1. Nepokúšajte sa prejsť za polohu 5 alebo za polohu 1, pretože funkcia nastavenia otáčok by mohla prestať fungovať.

POZNÁMKA: Funkcia pozvoľného otáčania bez zaťaženia

Keď je regulátor rýchlosti v polohe 3 alebo vyššej, nástroj automaticky znižuje otáčky, keď je bez zaťaženia, aby sa znížili vibrácie, keď je nástroj bez zaťaženia. Po spustení činnosti s vrtákom do betónu sa počet úderov za minútu zvýši a dosiahne číslo uvedené v tabuľke. Pri nízkej teplote táto funkcia nástroja nemusí fungovať, ani keď motor beží.

Zapnutie prednej lampy

► **Obr.5:** 1. Lampa

POZOR: Nedívejte sa priamo do svetla ani jeho zdroja.

Lampu rozsvietite stlačením spúšťacieho tlačidla. Lampa svieti, kým ťaháte spúšťací spínač. Lampa zhasne asi 10 sekúnd po uvoľnení spúšťacieho spínača.

UPOZORNENIE: Ak indikátor po niekoľkosekundovom zablikaní zhasne, technológia aktívneho snímania spätnej väzby nefunguje správne. Požiadajte o opravu miestne servisné stredisko spoločnosti Makita.


POZNÁMKA: Suchou tkaninou utrite znečistené šošovky lampy. Dávajte pozor, aby sa šošovky lampy nepoškriabali. Mohla by sa znížiť intenzita osvetlenia.

Výber funkcie nástroja

UPOZORNENIE: Neotáčajte prepínačom na zmenu funkcie za chodu náradia pri zaťažení. Môže to spôsobiť poškodenie náradia.

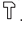
UPOZORNENIE: Nadmernému opotrebovaniu mechanizmu na zmenu funkcie predídete tým, že vždy nastavíte prepínač presne na jednu z troch polôh pracovných režimov.

Vrtanie s príklepom

Pri vrtaní do betónu, muriva a pod. otočte prepínačom na zmenu funkcie na symbol . Použite vrták so spekaným karbidom.

► **Obr.6:** 1. Prepínač na zmenu funkcie 2. Ukazovateľ

Len príklep

Pri sekani, osekávaní alebo zbíjaní otočte prepínačom na zmenu funkcie na symbol . Použite tyč s hrotom, plochý sekáč, sekacie dláto, a pod.

► **Obr.7:** 1. Ukazovateľ 2. Prepínač na zmenu funkcie

Obmedzovač krútiaceho momentu

UPOZORNENIE: Len čo sa obmedzovač spustí, náradie ihneď vypnite. Zabráňte tým predčasnému opotrebovaniu náradia.

UPOZORNENIE: Vrtáky, ako napríklad korunka, ktoré často zvyknú uviaznuť alebo sa zachytiť v otvore, nie sú vhodné pre toto náradie. Pri ich používaní by sa obmedzovač aktivoval až príliš často.

Obmedzovač krútiaceho momentu preruší otáčanie vrtáka po dosiahnutí určitej hodnoty krútiaceho momentu. Preruší sa spojenie medzi motorom a vývodovým hriadeľom. Keď sa tak stane, vrták sa prestane otáčať.

Elektronické funkcie

Nástroj je kvôli jednoduchšej obsluhu vybavený elektronickými funkciami.

Regulácia konštantných otáčok

Funkcia ovládania otáčok zaisťuje stále otáčky bez ohľadu na záťaž.

Pozvoľný rozbeh

Funkcia pozvoľného rozbehu minimalizuje štartovací otras a umožňuje hladké spustenie zariadenia.

Technológia aktívneho snímania spätnej väzby

Ak sa teleso nástroja náhle začne otáčať pri špecifikovanom zrýchlení v dôsledku zaseknutia vrtáka atď., motor sa nútene zastaví, aby sa znížilo namáhanie zápästia.

POZNÁMKA: Technológia aktívneho snímania spätnej väzby nefunguje, ak zrýchlenie nedosiahne špecifikovanú hodnotu.

POZNÁMKA: Technológia aktívneho snímania spätnej väzby sa tiež aktivuje práve vtedy, keď jednoducho dôjde k výkyvu vrtáka pri špecifikovanom zrýchlení pri akejkoľvek činnosti.

V tomto prípade uvoľnite spúšťač spínača a následne ho znova potiahnite, aby ste znova spustili nástroj.

Elektrická brzda

Tento nástroj je vybavený elektrickou brzdou. Ak sa nástroj nepretržite nedarí rýchlo zastaviť po uvoľnení spúšťačieho spínača, nechajte si nástroj opraviť v servisnom stredisku spoločnosti Makita.

ZOSTAVENIE

▲POZOR: Pred vykonaním akejkoľvek práce na nástroji vždy skontrolujte, či je nástroj vypnutý a akumulátor je vybrať.

Bočné držadlo

► **Obr.8**

▲POZOR: Bočné držadlo používajte len pri sekani, osekávaní alebo búraní. Nepoužívajte ho pri vrtaní do betónu, muriva a pod. Nástroj sa počas vrtania nedá s týmto bočným držadlom poriadne držať.

► **Obr.9:** 1. Bočné držadlo 2. Upínacia matica

Bočné držadlo sa dá otočiť do zvislej polohy a dá sa zaisťiť v akejkoľvek požadovanej polohe. Dá sa tiež nastaviť v ôsmich krokoch dopredu a dozadu v horizontálnom smere. Povoľte upínaciu maticu a otočte bočné držadlo do požadovanej polohy, potom pevne utiahnite upínaciu maticu.

Bočná rukoväť (pomocná rukoväť)

▲POZOR: Na zaistenie bezpečnej prevádzky vždy používajte bočnú rukoväť.

▲POZOR: Po nasadení alebo úprave bočnej rukoväte skontrolujte, či je bočná rukoväť pevne zaistená.

Bočná rukoväť sa dá otočiť, čo umožňuje jednoduchú manipuláciu s nástrojom v ľubovoľnej polohe. Povoľte bočnú rukoväť jej otočením proti smeru hodinových ručičiek, otočte ju do požadovanej polohy a potom ju utiahnite otočením v smere hodinových ručičiek.

► **Obr.10:** 1. Bočná rukoväť

Montáž alebo demontáž vrtáka

Mazivo

Koniec stopky sekáča očistíte a pred nasadením sekáča naň naneste mazivo.

Na koniec stopky sekáča naneste najprv malé množstvo maziva (približne 0,5 – 1 g). Mazaním sa zabezpečí plynulý priebeh práce a dlhšia životnosť nástroja.

► **Obr.11:** 1. Koncovka držliaka 2. Mazivo

Zasuňte vrták do nástroja. Otočte vrtákom a zatlačte ho dovnútra, kým nezapadne.


Po zasunutí vrtáka sa vždy uistite, že je vrták správne zaisťovaný potiahnutím za vrták.

► **Obr.12:** 1. Vvrták


Pri vyberaní vrtáka kryt skľučovadla posuňte až na doraz smerom nadol a vrták vyberte.

► **Obr.13:** 1. Vvrták 2. Kryt skľučovadla

Uhol dláta (pri sekaní, osekávaní alebo zbíjaní)

Dláto možno zaistiť do požadovaného uhla. Pri zmene uhla dláta otočte prepínač na zmenu funkcie na symbol . Obr.14: Otočte dláto do požadovaného uhla.

- **Obr.14:** 1. Prepínač na zmenu funkcie
2. Ukazovateľ

Otočte prepínač na zmenu funkcie na symbol . Trocha dlátom pootočte, aby ste sa presvedčili, že je pevne zaistené.

Hĺbkomer

Hĺbkomer je užitočný pri vŕtaní otvorov rovnakej hĺbky. Stlačte a podržte poistné tlačidlo a vložte hĺbkomer do šesťhranného otvoru.

- **Obr.15:** 1. Hĺbkomer 2. Poistné tlačidlo

Uistite sa, že strana hĺbkomera so zubami smeruje k značke.

- **Obr.16:** 1. Značka 2. Strana so zubami

Nastavte hĺbkomer posúvaním dopredu a dozadu, pričom držte stlačené poistné tlačidlo. Po nastavení uvoľnite poistné tlačidlo, aby sa hĺbkomer zaistil.

POZNÁMKA: Dbajte na to, aby sa hĺbkomer pri pripájaní nedotýkal tela nástroja.

Adaptér na odsávanie prachu

Voliteľné príslušenstvo

Inštalácia adaptér na odsávanie prachu

1. Povoľte bočnú rukoväť na nástroji.
2. Nainštalujte prachový kryt tak, aby zárezy na prachovom kryte zapadli do drážok medzi nástrojom a bočnou rukoväťou.
► **Obr.17:** 1. Protiprachový kryt 2. Zárez 3. Drážka
3. Bočnú rukoväť pevne utiahnite.
4. Pripravte si vhodnú vlnovcovú hadicu alebo nadstavec protiprachového krytu pre svoju prácu. Ak použijete vlnovcovú hadicu, upevnite spojku k jeho hornej časti. Keď pripojíte dve hadice, spojte ich spojkou.
► **Obr.18:** 1. Nadstavec protiprachového krytu
2. Protiprachový kryt 3. Spojka
4. Vlnovcová hadica

Pripojenie nástroja k vysávaču

1. Upevnite spojku držiaka k nástroju a potom upevnite držiak hadice k spojke držiaka.
► **Obr.19:** 1. Spojka držiaka 2. Držiak hadice

POZNÁMKA: Spoj hadice je možné upevniť na ktorúkoľvek stranu nástroja.

VAROVANIE: Používajte montážnu časť nástroja len na pripevnenie spojky držiaka.

Použitie montážnej časti na iné účely môže viesť k neočakávanej nehode.

2. Upevnite hadicu k držiaku hadice.

- **Obr.20:** 1. Držiak hadice

POZNÁMKA: Pomocou spojky 25 pripojte hadicu a protiprachový kryt v prípade potreby.

Používanie hĺbkomera pri vŕtaní

Keď nadpójte dve hadice, pripojte k hĺbkomeru nadstavec hĺbkomera.

- **Obr.21:** 1. Nadstavec hĺbkomera

Adaptér na odsávanie prachu (len na príklep)

Voliteľné príslušenstvo

1. Nainštalujte držiak hadice (A/B).

Keď je k nástroju upevnené bočné držadlo, povoľte upínaciu maticu a vyberte skrutku so šesťhrannou hlavou. Nainštalujte držiak hadice (A) medzi skrutku so šesťhrannou hlavou a upínaciu maticu pevným utiahnutím upínacej matice.

- **Obr.22:** 1. Skrutka so šesťhrannou hlavou 2. Držiak hadice (A) 3. Upínacia matica

Keď je k nástroju upevnená bočná rukoväť, povoľte bočnú rukoväť, upevnite držiak hadice (B) k hriadetu a potom bočnú rukoväť pevne utiahnite.

- **Obr.23:** 1. Držiak hadice (B) 2. Tyč 3. Bočná rukoväť

2. Upevnite spojku držiaka k nástroju a potom upevnite držiak hadice (C) k spojke držiaka.

- **Obr.24:** 1. Spojka držiaka 2. Držiak hadice (C)

POZNÁMKA: Spoj hadice je možné upevniť na ktorúkoľvek stranu nástroja.

VAROVANIE: Používajte montážnu časť nástroja len na pripevnenie spojky držiaka.

Použitie montážnej časti na iné účely môže viesť k neočakávanej nehode.

3. Pripevnite protiprachový kryt a hadicu k nástroju a potom upevnite hadicu k držiakom hadice.

- **Obr.25:** 1. Protiprachový kryt 2. Hadica 3. Držiak hadice (A/B) 4. Držiak hadice (C)

4. Pripojte hadicu k hadici vysávača pomocou hadicovej spojky.

POZNÁMKA: Ak hadica nie je súčasťou, upevnite protiprachový kryt k hadici vysávača alebo ho pripojte k hadici Makita s $\varnothing 28$.

5. Nastavte vzdialenosť medzi protiprachovým krytom a špičkou sekáča alebo vŕtacím hrotom. Odporúčaná vzdialenosť je 30 mm až 100 mm.

- **Obr.26:** (1) 30 mm až 100 mm

PREVÁDZKA

▲POZOR: Vždy používajte bočné držadlo/bočnú rukoväť (pomocnú rukoväť) a nástroj pri práci držte pevne za bočné držadlo/bočnú rukoväť aj spiniacu rúčku.

▲POZOR: Pred prácou si obrobok vždy pevne zaistíte. Ak obrobok nie je správne zaistený, môžete to viesť k posunutiu obrobku a následnému zraneniu.

▲POZOR: Nevytáhujte nástroj nasilu, ani keď sa zasekne vrták. Strata ovládania môže mať za následok poranenie.


▲POZOR: Nenechávajte nástroj zasunutý do obrobku. Inak sa nástroj môže neúmyselne spustiť a spôsobiť zranenie.

POZNÁMKA: Ak sa akumulátor nachádza v prostredí s nízkou teplotou, nemusí sa dosiahnuť maximálny výkon nástroja. V takom prípade zohrejte akumulátor krátkodobým použitím nástroja bez záťaže, aby sa obnovil maximálny výkon nástroja.

► Obr.27

Vrtanie s príklepom


▲POZOR: Pri dokončovaní priechodného otvoru môže dôjsť k náhlej reakcii náradia/vrtáku, keď sa otvor zanesie trieskami a úlomkami materiálu, alebo pri náraze na výstuž v betóne. **Vždy používajte bočnú rukoväť (pomocnú rukoväť) a nástroj pri práci držte pevne za bočnú rukoväť aj spiniacu rúčku.** V opačnom prípade by ste mohli stratiť nad náradím kontrolu a spôsobiť vážne poranenie.

Prepínač na zmenu funkcie nastavte na symbol . Vrták nastavte do požadovanej polohy pre hĺbku otvoru a stlačte spúšťač spínača. Nevývíjajte na nástroj veľký tlak. Menším tlakom dosiahnete vyššiu efektívnosť práce. Držte nástroj presne v potrebnej polohe, aby vrták nesklzol mimo vrtaný otvor.

Nevývíjate väčší tlak, keď sa otvor zanesie úlomkami materiálu. Namiesto toho nechajte nástroj pracovať voľne a trochu povytiahnite vrták z otvoru. Po niekoľkonásobnom zopakovaní tohto úkonu sa otvor vyčistí a môžete pokračovať vo vrtaní.

POZNÁMKA: Na voľnobežných otáčkach môže dôjsť k vyoseniu vrtáka. Počas prevádzky sa nástroj automaticky vycentruje. Toto vyosenie nemá vplyv na presnosť vrtania.

Sekanie/osekávanie/zbijanie

Prepínač na zmenu funkcie nastavte na symbol . Držte náradie pevne oboma rukami. Zapnite náradie a trochu naň tlačte, aby nekontrolovane neposkakovalo. Príliš veľký tlak nezaručuje najlepšie výsledky.

► Obr.28

Ofukovací balónik

Voliteľné príslušenstvo

Ofukovací balónik slúži na vyčistenie vyvrtaného otvoru od prachu.

► Obr.29

FUNKCIA BEZDRÔTOVÉHO SPÚŠŤANIA

Voliteľné príslušenstvo

Využitie funkcie bezdrôtového spúšťania

Funkcia bezdrôtového spúšťania umožňuje vykonávať čistú a pohodlnú prevádzku. Pripojením podporovaného vysávača k nástroju môžete vysávač prevádzkovať automaticky spolu s aktiváciou spínača nástroja.

► Obr.30

Na používanie funkcie bezdrôtového spúšťania si pripravte nasledujúce položky:

- bezdrôtovú jednotku (voliteľné príslušenstvo),
- vysávač s podporou funkcie bezdrôtového spúšťania.

Nasleduje prehľad nastavení funkcie bezdrôtového spúšťania. V každej kapitole nájdete podrobný postup.

1. Inštalácia bezdrôtovej jednotky
2. Registrácia nástroja v systéme vysávača
3. Spustenie funkcie bezdrôtového spúšťania

Inštalácia bezdrôtovej jednotky

Voliteľné príslušenstvo

▲POZOR: Pri inštalácii bezdrôtovej jednotky umiestnite nástroj na rovný a pevný podklad.

UPOZORNENIE: Pred inštaláciou bezdrôtovej jednotky očistite prach a nečistoty z nástroja.

Prach a nečistoty môžu spôsobiť poruchu, keď preniknú do zásuvky bezdrôtovej jednotky.

UPOZORNENIE: Pred uchopením bezdrôtovej jednotky sa dotknite materiálu spôsobujúceho uvoľnenie statického náboja, napríklad kovovej časti nástroja, aby ste zabránili poruche v dôsledku statickej elektriny.

UPOZORNENIE: Pri inštalácii bezdrôtovej jednotky sa vždy presvedčte, či je bezdrôtová jednotka vložená v správnom smere a kryt sa úplne zavrel.

1. Kryt na nástroji otvorte podľa znázornenia na obrázku.
- Obr.31: 1. Kryt

2. Do zásuvky vložte bezdrôtovú jednotku a potom kryt zatvorte.

Pri vkladaní bezdrôtovej jednotky zarovnajete výčnelky s lôžkami zásuvky.

- Obr.32: 1. Bezdrôtová jednotka 2. Výčnelok 3. Kryt 4. Lôžko

Pri vyberaní bezdrôtovej jednotky pomaly otvorte kryt. Háčiky na zadnej strane krytu nadvihnú bezdrôtovú jednotku pri ťahaní za kryt.

- Obr.33: 1. Bezdrôtová jednotka 2. Háčik 3. Kryt

Po vybratí bezdrôtovú jednotku uložte do dodávaného puzdra alebo do nádoby, v ktorej nedochádza k vytváraniu statického elektrického náboja.

UPOZORNENIE: Pri vyberaní bezdrôtovej jednotky vždy využívajte háčiky na zadnej strane krytu. Ak háčiky bezdrôtovej jednotky nezachytia, kryt úplne zatvorte a znova ho pomaly otvorte.

Registrácia nástroja v systéme vysávača

POZNÁMKA: Registrácia nástroja vyžaduje použitie vysávača značky Makita s podporou funkcie bezdrôtového spúšťania.

POZNÁMKA: Pre začiatkom registrácie nástroja ukončíte inštaláciu bezdrôtovej jednotky do nástroja.

POZNÁMKA: V priebehu registrácie nástroja nepoužívajte spúšťací spínač ani vypínač vysávača.

POZNÁMKA: Postupujte aj podľa pokynov v návode na používanie vysávača.

Ak chcete vysávač spúšťať súčasne s aktiváciou spínača, najprv dokončíte registráciu nástroja.

1. Vložte akumulátory do vysávača a nástroja.

2. Prepínač pohotovostného režimu vysávača nastavte do polohy „AUTO“.

► **Obr.34:** 1. Prepínač pohotovostného režimu

3. Na 3 sekundy stlačte spínač bezdrôtového spúšťania vysávača a počkajte, kým indikátor bezdrôtového spúšťania nebude blikať nazeleno. Potom rovnakým spôsobom stlačte tlačidlo bezdrôtového spúšťania nástroja.

► **Obr.35:** 1. Tlačidlo bezdrôtového spúšťania
2. Indikátor bezdrôtového spúšťania

V prípade úspešného prepojenia vysávača a nástroja sa indikátory bezdrôtového spúšťania na 2 sekundy rozsvietia nazeleno a potom začnú blikať modrou farbou.

POZNÁMKA: Indikátory bezdrôtového spúšťania prestanú blikať nazeleno po uplynutí 20 sekúnd. Tlačidlo bezdrôtového spúšťania na nástroji držte, kým indikátor bezdrôtového spúšťania vysávača bliká. Ak indikátor bezdrôtového spúšťania nebliká nazeleno, znova krátko podržte stlačené tlačidlo bezdrôtového spúšťania.

POZNÁMKA: Pri vykonávaní dvoch alebo viacerých registrácií nástrojov v rámci jedného vysávača, vykonávajte registrácie nástrojov postupne.

Spustenie funkcie bezdrôtového spúšťania

POZNÁMKA: Pred bezdrôtovým spustením dokončíte registráciu nástroja v rámci vysávača.

POZNÁMKA: Postupujte aj podľa pokynov v návode na používanie vysávača.

Po registrácii nástroja v rámci vysávača sa vysávač automaticky spustí pri použití spínača nástroja.

1. Nainštalujte bezdrôtovej jednotky do nástroja.

2. K nástroju pripojte hadicu vysávača.

► **Obr.36**

3. Prepínač pohotovostného režimu vysávača nastavte do polohy „AUTO“.

► **Obr.37:** 1. Prepínač pohotovostného režimu

4. Krátko stlačte tlačidlo bezdrôtového spúšťania nástroja. Indikátor bezdrôtového spúšťania sa rozblika modrou farbou.

► **Obr.38:** 1. Tlačidlo bezdrôtového spúšťania
2. Indikátor bezdrôtového spúšťania

5. Potiahnite spúšťací spínač nástroja. Skontrolujte, či sa vysávač spustí po potiahnutí spúšťacieho spínača.

Ak chcete zastaviť bezdrôtové spúšťanie vysávača, stlačte tlačidlo bezdrôtového spúšťania na nástroji.

POZNÁMKA: Indikátor bezdrôtového spúšťania na nástroji prestane blikať namodro pri nečinnosti nástroja trvajúcej 2 hodiny. V takomto prípade nastavte prepínač pohotovostného režimu vysávača do polohy „AUTO“ a znova stlačte tlačidlo bezdrôtového spúšťania na nástroji.

POZNÁMKA: Vysávač sa spúšťa/zastavuje s oneskorením. Pri zisťovaní stlačenia spínača nástroja v rámci vysávača dochádza k oneskoreniu.










POZNÁMKA: Dosah vysielania bezdrôtovej jednotky sa môže líšiť v závislosti od umiestnenia a okolitých podmienok.

POZNÁMKA: V prípade, že je v rámci vysávača zaregistrovaných viacero nástrojov, vysávač sa môže spustiť, hoci nepotiahnete spúšťací spínač, pretože iný používateľ používa funkciu bezdrôtového spúšťania.

Popis stavov indikátora bezdrôtového spúšťania

► Obr.39: 1. Indikátor bezdrôtového spúšťania

Indikátor bezdrôtového spúšťania vyjadruje stav funkcie bezdrôtového spúšťania. Nasledujúca tabuľka obsahuje informácie o význame stavu indikátora.

| Stav | Indikátor bezdrôtového spúšťania | | | | Popis |
|-------------------------------|----------------------------------|--|---|-----------------------------|---|
| | Farba |  Svieti |  Bliká | Trvanie | |
| Pohotovostný režim | Modrá |  | | 2 hodiny | Bezdrôtové spúšťanie vysávača je k dispozícii. Indikátor sa automaticky vypne, keď stav nečinnosti trvá 2 hodiny. |
| | |  | | Keď je nástroj v prevádzke. | Bezdrôtové spúšťanie vysávača je k dispozícii a nástroj je v prevádzke. |
| Registrácia nástroja | Zelená |  | | 20 sekúnd | Pripravené na registráciu nástroja. Čaká sa na registráciu v rámci vysávača. |
| | |  | | 2 sekundy | Registrácia nástroja sa ukončila. Indikátor bezdrôtového spúšťania začne blikáť modrou farbou. |
| Zrušenie registrácie nástroja | Červená |  | | 20 sekúnd | Pripravené na zrušenie registrácie nástroja. Čaká sa na zrušenie v rámci vysávača. |
| | |  | | 2 sekundy | Zrušenie registrácie nástroja sa ukončilo. Indikátor bezdrôtového spúšťania začne blikáť modrou farbou. |
| Iné | Červená |  | | 3 sekundy | Bezdrôtová jednotka sa napája a aktivuje sa funkcia bezdrôtového spúšťania. |
| | Nesvieti | - | | - | Bezdrôtové spúšťanie vysávača sa zastavilo. |

Zrušenie registrácie nástroja v systéme vysávača

Pri rušení registrácie nástroja v rámci vysávača vykonajte nasledujúci postup.

1. Vložte akumulátory do vysávača a nástroja.
 2. Prepínač pohotovostného režimu vysávača nastavte do polohy „AUTO“.
- **Obr.40:** 1. Prepínač pohotovostného režimu

3. Na 6 sekúnd stlačte tlačidlo bezdrôtového spúšťania na vysávači. Indikátor bezdrôtového spúšťania bliká zelenou farbou a potom sa farba zmení na červenú. Neskôr rovnakým spôsobom stlačte tlačidlo bezdrôtového spúšťania nástroja.

- **Obr.41:** 1. Tlačidlo bezdrôtového spúšťania
2. Indikátor bezdrôtového spúšťania

Po úspešnom vykonaní zrušenia sa indikátory bezdrôtového spúšťania na 2 sekundy rozsvietia načerveno a potom začnú blikáť modrou farbou.

POZNÁMKA: Indikátory bezdrôtového spúšťania prestanú blikáť načerveno po uplynutí 20 sekúnd. Tlačidlo bezdrôtového spúšťania na nástroji držte, kým indikátor bezdrôtového spúšťania vysávača bliká. Ak indikátor bezdrôtového spúšťania neblinká načerveno, znova krátko podržte stlačené tlačidlo bezdrôtového spúšťania.

Riešenie problémov funkcie bezdrôtového spúšťania

Pred požiadanim o vykonanie opravy najprv vykonajte vlastnú kontrolu. Ak zistíte problém, ktorý nie je vysvetlený v návode, nepokúšajte sa nástroj rozoberať. Namiesto toho požiadajte o opravu autorizované servisné strediská spoločnosti Makita, ktoré používajú len náhradné diely značky Makita.

| Chybný stav | Predpokladaná príčina (porucha) | Náprava |
|--|--|--|
| Indikátor bezdrôtového spúšťania nesvieti/neblíka. | V nástroji nie je nainštalovaná bezdrôtová jednotka. Bezdrôtová jednotka v nástroji je nesprávne nainštalovaná. | Bezdrôtovú jednotku nainštalujte správne. |
| | Konektor bezdrôtovej jednotky a/alebo zásuvka je špinavá. | Jemne zotrite prach z konektora bezdrôtovej jednotky a očistite zásuvku. |
| | Tlačidlo bezdrôtového spúšťania na nástroji nebolo stlačené. | Krátko stlačte tlačidlo bezdrôtového spúšťania nástroja. |
| | Prepínač pohotovostného režimu vysávača nie je nastavený do polohy „AUTO“. | Prepínač pohotovostného režimu vysávača nastavte do polohy „AUTO“. |
| | Bez prívodu elektrickej energie | Obnovte napájanie nástroja a vysávača. |
| Nemožno úspešne dokončiť registráciu nástroja/zrušenie registrácie nástroja. | V nástroji nie je nainštalovaná bezdrôtová jednotka. Bezdrôtová jednotka v nástroji je nesprávne nainštalovaná. | Bezdrôtovú jednotku nainštalujte správne. |
| | Konektor bezdrôtovej jednotky a/alebo zásuvka je špinavá. | Jemne zotrite prach z konektora bezdrôtovej jednotky a očistite zásuvku. |
| | Prepínač pohotovostného režimu vysávača nie je nastavený do polohy „AUTO“. | Prepínač pohotovostného režimu vysávača nastavte do polohy „AUTO“. |
| | Bez prívodu elektrickej energie | Obnovte napájanie nástroja a vysávača. |
| | Nesprávna funkcia | Krátko stlačte tlačidlo bezdrôtového spúšťania a znova vykonajte postup registrácie/zrušenia registrácie. |
| | Nástroj a vysávač sú vzdialené od seba (mimo dosahu vysielania). | Nástroj a vysávač priblížte k sebe. Maximálny dosah vysielania je približne 10 m, za určitých okolností sa však môže meniť. |
| | Pred dokončením registrácie nástroja/zrušenia registrácie nástroja: – spúšťač spínača nástroja bol poľahnutý alebo – vysávač bol zapnutý vypínačom. | Krátko stlačte tlačidlo bezdrôtového spúšťania a znova vykonajte postup registrácie/zrušenia registrácie. |
| | Proces registrácie nástrojov v rámci nástroja alebo vysávača sa neukončil. | Procesy registrácie v rámci nástroja aj vysávača vykonajte súčasne. |
| | Rušenie rádiového signálu inými spotrebičmi vytvára rádiové vlny vysokej intenzity. | Nástroj a vysávač udržuje v dostatočnej vzdialenosti od zariadení Wi-Fi a mikrovlnných rúr. |
| | | |
| Po stlačení spínača nástroja sa vysávač nespustí. | V nástroji nie je nainštalovaná bezdrôtová jednotka. Bezdrôtová jednotka v nástroji je nesprávne nainštalovaná. | Bezdrôtovú jednotku nainštalujte správne. |
| | Konektor bezdrôtovej jednotky a/alebo zásuvka je špinavá. | Jemne zotrite prach z konektora bezdrôtovej jednotky a očistite zásuvku. |
| | Tlačidlo bezdrôtového spúšťania na nástroji nebolo stlačené. | Krátko stlačte tlačidlo bezdrôtového spúšťania a ubezpečte sa, že indikátor bezdrôtového spúšťania blíka modrou farbou. |
| | Prepínač pohotovostného režimu vysávača nie je nastavený do polohy „AUTO“. | Prepínač pohotovostného režimu vysávača nastavte do polohy „AUTO“. |
| | V rámci vysávača je zaregistrovaných viac než 10 nástrojov. | Znova vykonajte registráciu nástroja. V prípade registrácie viac než 10 nástrojov v rámci vysávača sa najskôr zaregistrovaný nástroj automaticky zruší. |
| | Vysávač vymazal registrácie všetkých nástrojov. | Znova vykonajte registráciu nástroja. |
| | Bez prívodu elektrickej energie | Obnovte napájanie nástroja a vysávača. |
| | Nástroj a vysávač sú vzdialené od seba (mimo dosahu vysielania). | Nástroj a vysávač priblížte k sebe. Maximálny dosah vysielania je približne 10 m, za určitých okolností sa však môže meniť. |
| | Rušenie rádiového signálu inými spotrebičmi vytvára rádiové vlny vysokej intenzity. | Nástroj a vysávač udržuje v dostatočnej vzdialenosti od zariadení Wi-Fi a mikrovlnných rúr. |
| | | |
| Vysávač je spustený, hoci nedošlo k potiahnutiu spúšťacieho spínača. | Bezdrôtové spúšťanie vysávača využívajú iní používatelia prostredníctvom svojich nástrojov. | Vypnite tlačidlo bezdrôtového spúšťania na iných nástrojoch alebo zrušte registráciu iných nástrojov. |

ÚDRŽBA

⚠ POZOR: Pred vykonaním kontroly alebo údržby vždy skontrolujte, či je nástroj vypnutý a akumulátor je vybratý.

UPOZORNENIE: Nepoužívajte benzín, riedidlo, alkohol ani podobné látky. Mohlo by to spôsobiť zmenu farby, deformácie alebo praskliny.

Ak chcete udržať BEZPEČNOSŤ a BEZPORUCHOVOSŤ výrobku, prenechajte opravy, údržbu a nastavenie na autorizované alebo továrenské servisné centrá Makita, ktoré používajú len náhradné diely značky Makita.

VOLITEĽNÉ PRÍSLUŠENSTVO

⚠ POZOR: Pre váš nástroj Makita, opísaný v tomto návode, doporučujeme používať toto príslušenstvo a nástavce. Pri použití iného príslušenstva či nástavcov môže hroziť nebezpečenstvo zranenia osôb. Príslušenstvo a nástavce sa môžu používať len na účely pre ne stanovené.

Ak potrebujete bližšie informácie týkajúce sa tohoto príslušenstva, obráťte sa na vaše miestne servisné stredisko firmy Makita.

- Vrták so spekaným karbidom SDS-MAX
- Vŕtací hrot SDS-MAX
- Plochý sekáč SDS-MAX
- Široký sekáč SDS-MAX
- Rýľ SDS-MAX
- Vazelína na upínacie stopky vrtákov
- Bočné držadlo
- Bočná rukoväť
- Hĺbkomer
- Ofukovací balónik
- Adaptér na odsávanie prachu
- Ochranné okuliare
- Bezdrôtová jednotka
- Originálna batéria a nabíjačka Makita
- Plastový kufrík

POZNÁMKA: Niektoré položky zo zoznamu môžu byť súčasťou balenia nástrojov vo forme štandardného príslušenstva. Rozsah týchto položiek môže byť v každej krajine odlišný.

SPECIFIKACE

| | | |
|-------------------------------|-------------------------|---------------------------------|
| Model: | | HR005G |
| Výkony | Bit s karbidovým hrotem | 40 mm |
| | Vrtná korunka | 105 mm |
| Otáčky bez zatížení (ot./min) | | 250 – 500 min ⁻¹ |
| Přiklepů za minutu | | 1 450 – 2 900 min ⁻¹ |
| Celková délka | s BL4025 | 484 mm |
| | s BL4040 | 500 mm |
| Jmenovité napětí | | 36 V – 40 V DC max |
| Čistá hmotnost | | 7,4 – 8,2 kg |

- Vzhledem k neustálému výzkumu a vývoji zde uvedené technické údaje podléhají změnám bez upozornění.
- Technické údaje a akumulátor se mohou v různých zemích lišit.
- Hmotnost se může lišit v závislosti na nástavcích a přídatných zařízeních, včetně akumulátoru. Nejlehčí a nejtěžší kombinace, dle EPTA-Procedure 01/2014, jsou uvedeny v tabulce níže.

Použitelný akumulátor a nabíječka

| | |
|------------|---|
| Akumulátor | BL4020 / BL4025 / BL4040* / BL4050F* * : Doporučený akumulátor |
| Nabíječka | DC40RA / DC40RB / DC40RC |

- V závislosti na regionu vašeho bydliště nemusí být některé akumulátory a nabíječky k dispozici.

VAROVÁNÍ: Používejte pouze výše uvedené akumulátory a nabíječky. Použití jiných akumulátorů a nabíječek může způsobit zranění a/nebo požár.

Účel použití

Nářadí je určeno k přiklepovému vrtnání a běžnému vrtnání do cihel, betonu a kamene a k sekání.

Hlučnost

Typická vážená hladina hluku (A) určená podle normy EN60745-2-6:

Hladina akustického tlaku (L_{pA}): 91 dB(A)

Hladina akustického výkonu (L_{WA}): 102 dB (A)

Nejistota (K): 3 dB(A)

POZNÁMKA: Celková(é) hodnota(y) emisí hluku byla(y) změřena(y) v souladu se standardní zkušební metodou a dá se použít k porovnání nářadí mezi sebou.

POZNÁMKA: Hodnotu(y) deklarovaných emisí hluku lze také použít k předběžnému posouzení míry expozice vibracím.

VAROVÁNÍ: Používejte ochranu sluchu.

VAROVÁNÍ: Emise hluku se při používání elektrického nářadí ve skutečnosti mohou od deklarované(ých) hodnot(y) lišit v závislosti na způsobech použití nářadí.

VAROVÁNÍ: Nezapomeňte stanovit bezpečnostní opatření na ochranu obsluhy podle odhadu expozice ve skutečných podmínkách použití. (Vezměte přitom v úvahu všechny části provozního cyklu, tj. kromě doby zátěže například doby, kdy je nářadí vypnuté a kdy běží naprázdno.)

Vibrace

Celková hodnota vibrací (vektorový součet tří os) určená podle normy EN60745-2-6:

Pracovní režim: přiklepové vrtnání do betonu

Emise vibrací ($a_{h, HD}$): 5,0 m/s²

Nejistota (K): 1,5 m/s²

Pracovní režim: funkce drážkování s boční rukojetí

Emise vibrací ($a_{h, Cheq}$): 4,0 m/s²

Nejistota (K): 1,5 m/s²

Pracovní režim: funkce drážkování s bočním držadlem

Emise vibrací ($a_{h, Cheq}$): 4,0 m/s²

Nejistota (K): 1,5 m/s²

POZNÁMKA: Celková(é) hodnota(y) deklarovaných vibrací byla(y) změřena(y) v souladu se standardní zkušební metodou a dá se použít k porovnání nářadí mezi sebou.

POZNÁMKA: Celkovou(é) hodnotu(y) deklarovaných vibrací lze také použít k předběžnému posouzení míry expozice vibracím.

VAROVÁNÍ: Emise vibrací se při používání elektrického nářadí ve skutečnosti mohou od deklarované(ých) hodnot(y) lišit v závislosti na způsobech použití nářadí.

VAROVÁNÍ: Nezapomeňte stanovit bezpečnostní opatření na ochranu obsluhy podle odhadu expozice ve skutečných podmínkách použití. (Vezměte přitom v úvahu všechny části provozního cyklu, tj. kromě doby zátěže například doby, kdy je nářadí vypnuté a kdy běží naprázdno.)

Prohlášení ES o shodě

Pouze pro evropské země

Prohlášení ES o shodě je obsaženo v Příloze A tohoto návodu k obsluze.

BEZPEČNOSTNÍ VÝSTRAHY

Obecná bezpečnostní upozornění k elektrickému nářadí

VAROVÁNÍ: Přečtěte si všechny bezpečnostní výstrahy i pokyny a prohlédněte si ilustrace a specifikace dodané k tomuto elektrickému nářadí. Nedodržení všech níže uvedených pokynů může vést k úrazu elektrickým proudem, požáru či vážnému zranění.

Všechna upozornění a pokyny si uschovejte pro budoucí potřebu.

Pojem „elektrické nářadí“ v upozorněních označuje elektrické nářadí, které se zapojuje do elektrické sítě, nebo elektrické nářadí využívající akumulátory.

BEZPEČNOSTNÍ VAROVÁNÍ K AKUMULÁTOROVÉMU VRTACÍMU A SEKACÍMU KLADIVU

1. **Používejte ochranu sluchu.** Nadměrný hluk může způsobit ztrátu sluchu.
2. **Použijte pomocné držadlo (držadla), pokud je k nářadí dodáno.** Při ztrátě kontroly nad nářadím může dojít ke zranění.
3. **Při práci v místech, kde může dojít ke kontaktu nástrojů z příslušenství se skrytým elektrickým vedením, držte elektrické nářadí za izolované části držadel.** Nástroje z příslušenství mohou při kontaktu s vodičem pod napětím přenést proud do nechráněných částí nářadí a obsluha může utrpět úraz elektrickým proudem.
4. **Používejte tvrdou ochranu hlavy (bezpečnostní přilbu), ochranné brýle a/nebo obličejový štít.** Běžné dioptrické nebo sluneční brýle **NEJSOU** ochranné brýle. Velice se také doporučuje používat protiprachovou masku a silné polstrované rukavice.
5. **Před zahájením provozu se přesvědčte, zda je uchycen pracovní nástroj.**
6. **Při běžném provozu nástroj vytváří vibrace.** Šrouby se mohou snadno uvolnit a způsobit poruchu nebo nehodu. Před použitím pečlivě zkontrolujte utažení šroubů.
7. **Za studeného počasí nebo pokud nebyl nástroj delší dobu používán nechejte nástroj na chvíli zahřívát provozováním bez zatížení.** Tímto dojde k zahřátí maziva. Bez řádného zahřátí je použití funkce kladiva obtížné.
8. **Vždy zaujměte stabilní postoj.** Při práci s nářadím ve výškách dbejte, aby se pod vámi nepohybovaly žádné osoby.
9. **Držte nářadí pevně oběma rukama.**
10. **Udržujte ruce mimo pohyblivé díly.**

11. **Nenechávejte nářadí běžet bez dozoru.** S nářadím pracujte, jen když je držíte v rukou.
12. **Nemiňte nástrojem na žádnou osobu v místě provádění práce.** Pracovní nástroj se může uvolnit a způsobit vážné zranění.
13. **Bezprostředně po ukončení práce se nedotýkejte nástroje, dílů blízko nástroje ani obrobku;** mohou dosahovat velmi vysokých teplot a popálit pokožku.
14. **Některé materiály obsahují chemikálie, které mohou být jedovaté.** Dávejte pozor, abyste nevedchovali prach nebo nedocházelo ke kontaktu s kůží. Dodržujte bezpečnostní pokyny dodavatele materiálu.
15. **Před předáním nářadí jiné osobě se vždy přesvědčte, zda je nářadí vypnuté a je vyjmutý akumulátor a bit/vrták.**
16. **Před použitím se ujistěte, že v pracovní oblasti nejsou žádné zakopaně předměty jako potrubí na elektrické vedení, vodu či plyn.** Jinak se jich může úraz elektrickým proudem, únik vody či plynu.
17. **Nářadí zbytečně nespouštějte naprázdno.**

TYTO POKYNY USCHOVEJTE.

VAROVÁNÍ: **NEDOVOLTE**, aby pohodnost nebo pocit znalosti výrobku (získaný na základě předchozího použití) vedl k zanedbání dodržování bezpečnostních pravidel platných pro tento výrobek. **NESPRÁVNÉ POUŽÍVÁNÍ** či nedodržení bezpečnostních pravidel uvedených v tomto návodu k obsluze může způsobit vážné zranění.

Důležitá bezpečnostní upozornění pro akumulátor

1. **Před použitím akumulátoru si přečtěte všechny pokyny a varovné symboly na (1) nabíječce, (2) akumulátoru a (3) výrobku využívaným akumulátor.**
2. **Nerozebírejte akumulátor ani do něj nijak nezasahujte.** Může dojít k požáru, nadměrnému zahřátí nebo výbuchu.
3. **Pokud se příliš zkrátí provozní doba akumulátoru, přerušte okamžitě práci.** V opačném případě existuje riziko přehřívání, popálení nebo dokonce výbuchu.
4. **Budou-li vaše oči zasázeny elektrolytem, vypláchněte je čistou vodou a okamžitě vyhledejte lékařskou pomoc.** Může dojít ke ztrátě zraku.
5. **Akumulátor nezkratujte:**
 - (1) **Nedotýkejte se svorek žádným vodivým materiálem.**
 - (2) **Neskladujte akumulátor v nádobě s jinými kovovými předměty, jako jsou hřebíky, mince, apod.**
 - (3) **Nevystavuje akumulátor vodě a dešti.** Zkrat akumulátoru může způsobit velký průtok proudu, přehřátí, možné popálení a dokonce i poruchu.
6. **Neskladujte a nepoužívejte nářadí a akumulátor na místech, kde může teplota překročit 50 °C (122 °F).**
7. **Nespalujte akumulátor, ani když je vážně poškozen nebo úplně opotřeben.** Akumulátor může v ohni vybuchnout.

8. Akumulátor nesmí být proražen hřebíkem, řezán, drcen, házen či upuštěn na zem, ani nesmí dojít k nárazu tvrdého předmětu do něj. Taková situace může způsobit požár, nadměrné zahřátí či výbuch.
9. **Nepoužívejte poškozené akumulátory.**
10. **Obsažené lithium-iontové akumulátory podléhají právním požadavkům na nebezpečné zboží.** V případě komerční přepravy například externími dopravci je třeba dodržet zvláštní požadavky na balení a značení. Pro přípravu zboží k přepravě je nutná konzultace s odborníkem na nebezpečný materiál. Dodržujte také případné podrobnější národní předpisy. Odkryté kontakty přelepte izolační páskou či jinak zakryjte a akumulátory zabalte tak, aby se v balení nemohly pohybovat.
11. Při likvidaci akumulátoru jej vyjměte z nářadí a zlikvidujte jej na bezpečném místě. Při likvidaci akumulátoru postupujte podle místních předpisů.
12. Akumulátor používejte pouze s výrobky specifikovanými společností Makita. Instalace akumulátoru do nevyhovujících výrobků může způsobit požár, nadměrné zahřívání, explozi nebo únik elektrolytu.
13. Pokud nářadí delší dobu nepoužíváte, je nutné z něj akumulátor vyjmout.
14. Během a po použití se může akumulátor zahřát, což může způsobit popáleniny nebo podráždění. Při manipulaci s horkými akumulátory dávejte pozor.
15. Nedotýkejte se koncovky na nářadí ihned po použití, protože ta může být horká a způsobit popáleniny.
16. Do koncovek, otvorů a zdířek na akumulátoru se nesmí dostat piliny, prach nebo jiné nečistoty. Mohlo by tím dojít ke zhoršení výkonu nebo poruše nářadí či akumulátoru.
17. Jestliže nářadí není zkonstruováno tak, že jej lze používat v blízkosti vysokého elektrického napětí, nepoužívejte akumulátor poblíž vedení s vysokým elektrickým napětím. Mohlo by tím dojít k poruše či selhání nářadí či akumulátoru.
18. Akumulátor uchovávejte mimo dosah dětí.

TYTO POKYNY USCHOVEJTE.

⚠ UPOZORNĚNÍ: Používejte pouze originální akumulátory Makita. Používání neoriginálních nebo upravených akumulátorů může způsobit explozi akumulátoru a následný požár, zranění a jiné poškození. Zaniká tím také záruka společnosti Makita na nářadí a nabíječku Makita.

Tipy k zajištění maximální životnosti akumulátoru

1. Akumulátor nabíjete dříve, než dojde k jeho úplnému vybití. Pokud si povšimnete sníženého výkonu nářadí, vždy jej zastavte a dobijte akumulátor.
2. Nikdy nenabíjete úplně nabitý akumulátor. Přebíjení zkracuje životnost akumulátoru.
3. Akumulátor dobíjete při pokojové teplotě od 10 °C do 40 °C (50 °F až 104 °F). Před nabíjením nechejte horký akumulátor zchladnout.
4. Když není akumulátor používán, vyjměte ho z nářadí či nabíječky.
5. Pokud se akumulátor delší dobu nepoužívá (déle než šest měsíců), je nutno jej dobít.

Důležité bezpečnostní pokyny pro bezdrátovou jednotku

1. Bezdrátovou jednotku nerozebírejte ani do ní nezasahujte.
2. Bezdrátovou jednotku uchovávejte mimo dosah malých dětí. Pokud by nedopatřením došlo ke spolknutí, okamžitě vyhledejte lékařskou pomoc.
3. Bezdrátovou jednotku používejte pouze s nástroji Makita.
4. Bezdrátovou jednotku nevystavujte dešti a vlhku.
5. Bezdrátovou jednotku nepoužívejte na místech, kde teplota překračuje 50 °C.
6. Bezdrátovou jednotku neprovozujte na místech, kde se nachází lékařské přístroje, jako je kardiostimulátor, nebo v jejich blízkosti.
7. Neprovozujte bezdrátovou jednotku na místech, kde se nachází automatizovaná zařízení, nebo v jejich blízkosti. V případě provozu může u automatizovaných zařízení docházet k poruchám nebo chybám.
8. Nepoužívejte bezdrátovou jednotku v místech se zvýšenou teplotou nebo na místech, kde se může generovat statická elektřina nebo elektromagnetický šum.
9. Bezdrátová jednotka může vytvářet elektromagnetická pole (EMP), která ale nejsou pro uživatele škodlivá.
10. Bezdrátová jednotka je přesný přístroj. Dávejte pozor, abyste bezdrátovou jednotku neupustili ani s ní nenaráželi.
11. Nedotýkejte se svorek bezdrátové jednotky holými rukama nebo kovovými materiály.
12. Při instalaci bezdrátové jednotky vždy vyjměte akumulátor výrobku.
13. Při otevření krytu drážky dejte pozor na místo, do kterého se může dostat prach a voda do drážky. Udržujte vstupní část drážky stále čistou.
14. Bezdrátovou jednotku vždy vkládejte ve správném směru.
15. Netlačte na tlačítko bezdrátové aktivace na bezdrátové jednotce příliš silně a netlačte na něj předměty s ostrými hranami.
16. Při používání vždy zavřete kryt drážky.
17. Neodpojujte bezdrátovou jednotku z drážky, zatímco je nástroj napájen. V opačném případě hrozí poškození bezdrátové jednotky.
18. Neodstraňujte nálepkou na bezdrátové jednotce.
19. Nelepte na bezdrátovou jednotku žádné nálepky.
20. Neponechávejte bezdrátovou jednotku na místech, kde se může generovat statická elektřina nebo elektronický šum.
21. Nenechávejte bezdrátovou jednotku na místech, kde by mohla být vystavena velkému teplu, například v autě na slunci.
22. Neponechávejte bezdrátovou jednotku v prašném prostředí nebo na místech, kde se může působit korozivní plyn.

23. **Náhlé změny teploty mohou způsobit navlhnutí bezdrátové jednotky. Bezdrátovou jednotku nepoužívejte, dokud nebude vlhkost kompletně vysušena.**
24. **Při čištění bezdrátové jednotky ji opatrně oťete suchým jemným hadříkem. Nepoužívejte benzín, ředidlo, vodivé mazivo a podobně.**
25. **Při uskladnění bezdrátové jednotky ji uchovávejte v dodávaném pouzdru nebo antistatickém obalu.**
26. **Nevkládejte do drážky nástroje jiná zařízení, než je bezdrátová jednotka Makita.**
27. **Nepoužívejte nástroj, pokud je kryt drážky poškozen. Do drážky se může dostat voda, prach a nečistoty a způsobit poruchu.**
28. **Za kryt drážky netahejte ani se ho nesnažte zkrotit více, než je potřeba. Uvolněný kryt znovu připevňte.**
29. **Pokud se kryt drážky ztratí nebo poškodí, nahraďte ho.**

TYTO POKYNY USCHOVEJTE.

POPIS FUNKCÍ

⚠ UPOZORNĚNÍ: Před nastavováním nářadí nebo kontrolou jeho funkce se vždy přesvědčte, zda je vypnuté a je vyjmutý akumulátor.

Nasazení a sejmutí akumulátoru

⚠ UPOZORNĚNÍ: Před nasazením či sejmutím akumulátoru nářadí vždy vypněte.

⚠ UPOZORNĚNÍ: Při nasazování či snímání akumulátoru pevně držte nářadí i akumulátor. V opačném případě vám může nářadí nebo akumulátor vyklouznout z rukou a mohlo by dojít k jejich poškození či ke zranění.

► **Obr.1:** 1. Červený indikátor 2. Tlačítko 3. Akumulátor

Chcete-li akumulátor sejmout, vysuňte jej se současným přesunutím tlačítka na přední straně akumulátoru.

Při nasazování akumulátoru vyrovnajte jazýček k akumulátoru s drážkou v krytu a zasuňte akumulátor na místo. Akumulátor zasuňte na doraz, až zacvakne na své místo. Není-li tlačítko zcela zajištěno, uvidíte na jeho horní straně červený indikátor.











⚠ UPOZORNĚNÍ: Akumulátor zasunujte vždy zcela tak, aby nebyl červený indikátor vidět. Jinak by mohl akumulátor ze zařízení vypadnout a způsobit zranění obsluze či přihlížejícím osobám.

⚠ UPOZORNĚNÍ: Akumulátor nenasazujte násilím. Nelze-li akumulátor zasunout snadno, nevkládejte jej správně.

Indikace zbývajících kapacity akumulátoru

Stisknutím tlačítka kontroly na akumulátoru zjistíte zbývajících kapacitu akumulátoru. Kontrolky indikátoru se na několik sekund rozsvítí.

► **Obr.2:** 1. Kontrolky 2. Tlačítko kontroly

| Kontrolky | | | Zbývajících kapacita |
|---|---|---|---|
|  Svítí |  Nesvítí |  Bliká | |
|  | | | 75 % až 100 % |
|  | | | 50 % až 75 % |
|  | | | 25 % až 50 % |
|  | | | 0 % až 25 % |
|  | | | Nabíjíte akumulátor. |
|  | | | Došlo pravděpodobně k poruše akumulátoru. |
|  | | | |

POZNÁMKA: Kapacita udávaná indikátorem se může mírně lišit od skutečné kapacity v závislosti na podmínkách používání a teplotě prostředí.

POZNÁMKA: První kontrolka (zcela vlevo) bude blikat, když je systém ochrany akumulátoru v provozu.

Systém ochrany nářadí a akumulátoru

Nářadí je vybaveno systémem ochrany nářadí a akumulátoru. Tento systém automaticky přeruší napájení motoru, aby se prodloužila životnost nářadí a akumulátoru. Budou-li nářadí nebo akumulátor vystaveny některé z níže uvedených podmínek, nářadí se během provozu automaticky vypne:

Ochrana proti přetížení

Pokud se s nářadím či akumulátorem pracuje způsobem vyvolávajícím mimořádně vysoký odběr proudu, nářadí se automaticky a bez jakékoli signalizace vypne. V takové situaci nářadí vypněte a ukončete činnost, při níž došlo k přetížení nářadí. Potom nářadí zapněte a obnovte činnost.

Ochrana proti přehřátí


Při přehřátí nářadí či akumulátoru se nářadí automaticky vypne a světlo začne blikat. V takovém případě nechte nářadí a akumulátor před opětovným zapnutím vychladnout.

Ochrana proti přílišnému vybití

V případě nedostačující kapacity akumulátoru se nářadí automaticky vypne. V takovém případě vyjměte akumulátor z nářadí a nabíjete jej.

Používání spouště

VAROVÁNÍ: Před vložením akumulátoru do nářadí vždy zkontrolujte správnou funkci spouště, a zda se po uvolnění vrací do vypnuté polohy.

UPOZORNĚNÍ: Pokud nářadí nepoužíváte, zablokujte spoušť ve vypnuté poloze stisknutím zajišťovacího tlačítka ze strany .

► **Obr.3:** 1. Spoušť 2. Zajišťovací tlačítko

K zamezení náhodného stisknutí spouště je zařízení vybaveno zajišťovacím tlačítkem spouště. Nářadí spustíte stlačením zajišťovacího tlačítka spouště ze strany A a stisknutím spouště. Chcete-li nářadí vypnout, uvolníte spoušť. Po použití vždy zamáčkněte zajišťovací tlačítko ze strany B.

Změna otáček

Počet otáček a příklepů za minutu lze nastavit regulačním knoflíkem. Regulační knoflík je označen 1 (nejnižší rychlost) až 5 (nejvyšší rychlost).

► **Obr.4:** 1. Regulační knoflík

Vztah mezi hodnotou nastavenou na regulačním kolíku a počtem otáček nebo příklepů za minutu naleznete v tabulce níže.

| Počet | Otáček za minutu | Příklepů za minutu |
|-------|------------------|--------------------|
| 5 | 500 | 2900 |
| 4 | 470 | 2700 |
| 3 | 380 | 2150 |
| 2 | 290 | 1650 |
| 1 | 250 | 1450 |

UPOZORNĚNÍ: Když nářadí běží, neotáčejte regulačním knoflíkem. V opačném případě můžete nad nářadím ztratit kontrolu a mohlo by dojít k těžkému zranění.

POZOR: Je-li nářadí provozováno dlouhou dobu nepřetržitě při nízké rychlosti, dojde k přetížení motoru a následně k selhání nářadí.

POZOR: Otočným voličem otáček lze otáčet pouze do polohy 5 a zpět do polohy 1. Voličem neotáčejte silou za polohu 5 nebo 1. Mohlo by dojít k poruše funkce regulace otáček.

POZNÁMKA: Funkce slabé rotace bez zatížení

Když je rychlost na regulačním knoflíku nastavena na „3“ nebo více, nářadí v případě nulové zátěže automaticky sníží rychlost, aby se snížily vibrace.

Jakmile začne nářadí pracovat s bitem/vrtákem proti betonu, počet příklepů za minutu se zvýší a dosáhne počtu, který je uveden v tabulce.

Když je okolní teplota nízká, nářadí tuto funkci nemusí mít, i když se motor točí.

Rozsvícení předního světla

► **Obr.5:** 1. Světlo

UPOZORNĚNÍ: Nedívejte přímo do světla nebo jeho zdroje.

Při stisknutí spouště se rozsvítí světlo. Světlo svítí po celou dobu stisknutí spouště. Světlo zhasne přibližně 10 sekund po uvolnění spouště.

POZOR: Jestliže světlo zhasne poté, co několik sekund blikalo, technologie aktivního snímání zpětné vazby nefunguje správně. Požádejte o opravu v místním servisním středisku firmy Makita.


POZNÁMKA: K očištění nečistot ze skla světla použijte suchý hadřík. Dbejte, abyste sklo světla nepoškrábali. Mohlo by dojít ke snížení svítivosti.

Výběr provozního režimu

POZOR: Neotáčejte voličem provozního režimu, je-li nářadí spuštěné. Dojde k poškození nástroje.


POZOR: Má-li být zamezeno rychlému opotřebení mechanismu přepínání režimu, dbejte, aby byl knoflík přepínání provozního režimu vždy řádně umístěn do jedné ze tří poloh provozního režimu.

Otáčení s příklepem

Při vrtání do betonu, zdva a podobných materiálů otočte volič provozního režimu na symbol . Používejte vrták s karbidovým hrotem.

► **Obr.6:** 1. Volič provozního režimu 2. Ukazatel

Pouze příklep

Při sekání, otloukání nebo bourání otočte volič provozního režimu na symbol . Použijte špičatý sekáč, plochý sekáč, široký sekáč apod.

► **Obr.7:** 1. Ukazatel 2. Volič provozního režimu

Omezovač točivého momentu

POZOR: Jakmile se aktivuje omezovač točivého momentu, vypněte okamžitě nástroj. Zamezíte tak předčasnému opotřebení nástroje.

POZOR: Pracovní nástroje jako vrtací korunky, jež se v otvorech snadno zaseknou či vzpříčí, jsou pro toto nářadí nevhodné. Důvodem je, že způsobují příliš časté aktivování omezovače točivého momentu.

Omezovač točivého momentu se aktivuje při dosažení určité úrovně točivého momentu. Motor se odpojí od výstupního hřídele. Dojde-li k této situaci, vrták se zastaví.

Elektronické funkce

Nářadí je vybaveno elektronickými funkcemi usnadňujícími provozování.

Regulátor konstantních otáček

Regulátor konstantních otáček zajišťuje stálou rychlost otáčení bez ohledu na úroveň zatížení.

Měkké spuštění

Funkce měkkého spuštění omezuje na minimum ráz při spuštění a umožňuje hladké spuštění stroje.

Technologie aktivního snímání zpětné vazby

Pokud se tělo nářadí při specifikovaném zrychlení začne najednou točit kvůli zablokovanému vrtáku, motor je nuceně zastaven, aby se snížila zátěž kladená na zápěstí.

POZNÁMKA: Technologie aktivního snímání zpětné vazby nefunguje, jestliže není dosaženo nastaveného zrychlení.

POZNÁMKA: Technologie aktivního snímání zpětné vazby je funkční jen tehdy, když vrták začne kmitat při nastaveném zrychlení.

V takovém případě pusťte spoušť a poté opětovným stiskem spouště znovu nastartujte nářadí.

Elektrická brzda

Toťo nářadí je vybaveno elektrickou brzdou. Jestliže se opakovaně stane, že se nářadí zastavuje po uvolnění spouště pomalu, nechejte provést servis nářadí v servisním středisku Makita.

SESTAVENÍ

⚠ UPOZORNĚNÍ: Před prováděním jakýchkoli prací na nářadí se vždy přesvědčte, zda je vypnuté a je vyjmutý akumulátor.

Boční držadlo

► Obr.8

⚠ UPOZORNĚNÍ: Boční držadlo používejte jen při sekání, otloukání nebo bourání. Nepoužívejte ho při vrtání do betonu, zdíva atd. Nářadí nelze při vrtání držet za toto boční držadlo správně.

► Obr.9: 1. Boční držadlo 2. Upínací matice

Boční držadlo můžete natáčet ve svislém směru a zajistit v libovolné poloze. Lze jej také nastavit v osmi krocích dopředu a dozadu ve vodorovném směru. Chcete-li boční držadlo přesunout do požadované polohy, povolte upínací matici, přesuňte boční držadlo a poté znovu upínací matici utáhněte.

Boční rukojeť (pomocné držadlo)

⚠ UPOZORNĚNÍ: Z důvodu bezpečnosti práce vždy používejte boční rukojeť.

⚠ UPOZORNĚNÍ: Po instalaci či nastavování boční rukojeti se ujistěte, že je boční rukojeť rádně upevněna.

Boční rukojeť lze natáčet do strany, takže lze nářadí snadno používat v jakékoliv poloze. Povolte boční rukojeť otočením proti směru hodinových ručiček, přehodte ji do požadované polohy a poté ji znovu utáhněte otočením po směru hodinových ručiček.

► Obr.10: 1. Boční rukojeť

Nasazení nebo vyjmutí vrtáku

Vazelína

Před nasazením nástavce očistěte dřík nástavce a naneste na něj vazelínu.

Před použitím naneste na dřík nástavce malé množství vazelíny (přibližně 0,5–1 g). Toto promazání sklíčidla zajišťuje hladký provoz a delší provozní životnost.

► Obr.11: 1. Dřík 2. Vazelína

Zasuňte vrták do nástroje. Otáčejte vrtákem a tlačte na něj, dokud se nezajistí na místě.


Po nasazení vrtáku se pokusem o vytažení vždy přesvědčte, zda je vrták bezpečně uchycen na svém místě.

► Obr.12: 1. Vrták


Chcete-li vrták vyjmout, stáhněte kryt sklíčidla úplně dolů a vrták vytáhněte.

► Obr.13: 1. Vrták 2. Kryt sklíčidla

Úhel sekáče (při sekání, otloukání nebo bourání)

Sekáč lze zajistit v požadovaném úhlu. Chcete-li změnit úhel sekáče, otočte volič provozního režimu na symbol . Natočte sekáč na požadovaný úhel.

► Obr.14: 1. Volič provozního režimu 2. Ukazatel

Otočte volič provozního režimu na symbol . Poté se mírným otočením přesvědčte, zda je sekáč bezpečně uchycen na svém místě.

Hlubkový doraz

Hlubkoměr využijete při vrtání otvorů stejné hloubky. Stiskněte a podržte zajišťovací tlačítko a poté vložte do šestihranného otvoru hlubkoměr.

► Obr.15: 1. Hlubkoměr 2. Blokovací tlačítko

Ujistěte se, že ozubená strana hlubkoměru směřuje ke značce.

► Obr.16: 1. Značka 2. Ozubená strana

Seřídte hlubkoměr pohybem tam a zpět, přitom držte zajišťovací tlačítko. Po seřízení uvolněte zajišťovací tlačítko a zajistěte tím hlubkoměr.

POZNÁMKA: Ujistěte se, že se při nasazování hlubkoměr nedotýká těla nástroje.

Nástavec k odsávání prachu

Volitelné příslušenství

Montáž nástavce k odsávání prachu

1. Povolte boční rukojeť na nářadí.

2. Namontujte protiprachový kryt tak, aby zuby tohoto krytu zapadly do drážek mezi nářadím a boční rukojetí.

► Obr.17: 1. Protiprachový kryt 2. Zub 3. Drážka

3. Pevně utáhněte boční rukojeť.

4. Připojte vhodnou vzduchovou manžetu nebo prodloužení protiprachového krytu. Když používáte vzduchovou manžetu, připojte k ní spojku. Jestliže kombinujete dvě vzduchové manžety, spojte je právě touto spojkou.

► Obr.18: 1. Prodloužení protiprachového krytu 2. Protiprachový kryt 3. Spojka 4. Vzduchová manžeta

Připojení nářadí k vysavači

1. Připojte spoj držáku k nářadí a poté připojte držák hadice.

► **Obr.19:** 1. Spoj držáku 2. Držák hadice

POZNÁMKA: Spoj hadice lze připevnit na kteroukoli stranu nářadí.

VAROVÁNÍ: Montážní díl nářadí používejte pouze k připevnění spoje držáku.

Použití montážního dílu k jakémukoli jinému účelu může způsobit neočekávanou nehodu.

2. Připevněte hadici k držáku hadice.

► **Obr.20:** 1. Držák hadice

POZNÁMKA: V případě potřeby použijte ke spojení hadice a protiprachového krytu spoj 25.

Používání hloubkoměru při vrtání

Když používáte dvě vzduchové manžety, připevněte k hloubkoměru jeho prodlužovák.

► **Obr.21:** 1. Prodlužovák hloubkoměru

Nástavec k odsávání prachu (pouze pro přiklep)

Volitelné příslušenství

1. Namontujte držák hadice (A/B).

Když je k nářadí připojeno boční držadlo, povolte upínací matici a poté odmontujte šroub s šestihlannou hlavou.

Namontujte držák hadice (A) mezi šroub s šestihlannou hlavou a upínací matici a upínací matici pevně dotáhněte.

► **Obr.22:** 1. Šroub s šestihlannou hlavou 2. Držák hadice (A) 3. Upínací matice

Když je boční rukojeť namontována k nářadí, povolte ji, namontujte držák hadice (B) na hřídel a poté boční rukojeť pevně utáhněte.

► **Obr.23:** 1. Držák hadice (B) 2. Hřídel 3. Boční rukojeť

2. Připojte spoj držáku k nářadí a poté připojte držák hadice (C) ke spoji držáku.

► **Obr.24:** 1. Spoj držáku 2. Držák hadice (C)

POZNÁMKA: Spoj hadice lze připevnit na kteroukoli stranu nářadí.

VAROVÁNÍ: Montážní díl nářadí používejte pouze k připevnění spoje držáku.

Použití montážního dílu k jakémukoli jinému účelu může způsobit neočekávanou nehodu.

3. Připevněte protiprachový kryt a hadici k nářadí, poté hadici pevně připevněte k držákům hadice.

► **Obr.25:** 1. Protiprachový kryt 2. Hadice 3. Držák hadice (A/B) 4. Držák hadice (C)

4. Připojte hadici k hadici vysavače za pomoci hadicové spojky.

POZNÁMKA: Není-li hadice dodána, připojte protiprachový kryt k hadici vysavače nebo připojte hadici Makita s \varnothing 28.

5. Seřídte vzdálenost mezi protiprachovým krytem a špičkou dřáta či hrotu sekáče. Doporučená vzdálenost je 30 mm až 100 mm.

► **Obr.26:** (1) 30 mm až 100 mm

PRÁCE S NÁŘADÍM

⚠️ UPOZORNĚNÍ: Při provádění práce vždy použijte boční držadlo/boční rukojeť (pomocné držadlo) a nářadí pevně držte za boční držadlo/boční rukojeť a držadlo se spínačem.

⚠️ UPOZORNĚNÍ: Před zahájením práce se vždy ujistěte, že je obrobek uchycen. Nesprávné uchycení obrobku může způsobit jeho pohyb a zranění.

⚠️ UPOZORNĚNÍ: Jestliže se bit/vrták zasekne, netahujte za nářadí silou. Při ztrátě kontroly nad nářadím může dojít ke zranění.


⚠️ UPOZORNĚNÍ: Nenechávejte nářadí zavrtané v obrobku. Jinak se může nářadí nechtěně spustit a způsobit zranění.

POZNÁMKA: Při nízké teplotě akumulátoru nemusí nářadí pracovat na plný výkon. Aby nářadí opět začalo pracovat na plný výkon, je nutné akumulátor zahřát tím, že nářadí na chvíli pustíte naprázdno.

► **Obr.27**

Režim přiklepového vrtání


⚠️ UPOZORNĚNÍ: V okamžiku, kdy vrták vniká do materiálu, působí na nářadí a na vrták obrovské a náhlé kroutivé síly, pokud dojde k ucpání otvoru třískami a částicemi nebo při nárazu do vyztužovacích tyčí umístěných v betonu. **Při provádění práce vždy použijte boční rukojeť (pomocné držadlo) a nářadí pevně držte za boční rukojeť a rukojeť se spínačem.** V opačném případě můžete nad nářadím ztratit kontrolu a mohlo by dojít k těžkému zranění.

Nastavte volič provozního režimu na symbol . Umístěte vrták na požadované místo vytvoření otvoru a stiskněte spoušť. Nepoužívejte při práci s nářadím nadměrnou sílu. Nejlepších výsledků dosáhnete mírným tlakem. Nářadí udržujte v dané poloze a zamezte jeho vyklouznutí z otvoru.

Dojde-li k ucpání otvoru třískami nebo částicemi, nevyvíjejte na nářadí větší tlak. Namísto toho nechte nářadí běžet v pomalých otáčkách a částečně povytáhněte vrták z otvoru. Budete-li tento postup několikrát opakovat, otvor se vyčistí a budete moci pokračovat v dalším vrtání.

POZNÁMKA: Při spuštění nástroje bez zatížení může při otáčení vrtáku vzniknout výstřednost. Nástroj se při práci automaticky vystředí. Tento stav neovlivňuje přesnost vrtání.

Sekání / otloukání / bourání

Nastavte volič provozního režimu na symbol . Držte nářadí pevně oběma rukama. Uvedte nástroj do chodu a vyvíjte na něj mírný tlak, aby nedošlo k nekontrolovanému odskočení nástroje.

Příliš velký tlak vyvíjený na nástroj nezvyšuje jeho účinnost.

► **Obr.28**

Vyfukovací nástroj

Volitelné příslušenství

Po vyvrtání otvoru použijte k odstranění prachu z otvoru vyfukovací nástroj.

► Obr.29

FUNKCE BEZDRÁTOVÉ AKTIVACE

Volitelné příslušenství

Co lze provádět s funkcí bezdrátové aktivace

Funkce bezdrátové aktivace umožňuje čistý a pohodlný provoz. Pomocí připojení podporovaného vysavače k nástroji můžete automaticky používat vysavač při aktivaci spouště nástroje.

► Obr.30

K použití funkce bezdrátové aktivace si připravte následující položky:

- Bezdrátová jednotka (volitelné příslušenství)
- Vysavač s podporou funkce bezdrátové aktivace

Přehled nastavení funkce bezdrátové aktivace je následující. Podrobné postupy najdete v příslušné části.

1. Instalace bezdrátové jednotky
2. Registrace nástroje pro vysavač
3. Spuštění funkce bezdrátové aktivace

Instalace bezdrátové jednotky

Volitelné příslušenství

▲ UPOZORNĚNÍ: Při instalaci bezdrátové jednotky umístěte nástroj na plochý a stabilní povrch.

POZOR: Před instalací bezdrátové jednotky očistěte nástroj od prachu a nečistot. Pokud se prach a nečistoty dostanou do drážky bezdrátové jednotky, mohou způsobit poruchu.

POZOR: Aby se zabránilo poruchám způsobeným statickou elektřinou, před uchopením bezdrátové jednotky se dotkněte materiálu pro vybití statické elektřiny, jako je třeba kovový díl nástroje.

POZOR: Při instalaci bezdrátové jednotky se vždy ujistěte, že je bezdrátová jednotka vložena ve správné poloze a kryt je kompletně uzavřen.

1. Otevřete kryt nástroje podle znázornění na obrázku.
- Obr.31: 1. Kryt

2. Vložte bezdrátovou jednotku do drážky a zavřete kryt. Při vložení bezdrátové jednotky zarovnejte výčnělky s prohlubněmi na drážce.

► Obr.32: 1. Bezdrátová jednotka 2. Výčnělek 3. Kryt 4. Prohlubeň

Při demontáži bezdrátové jednotky pomalu otevřete kryt. Háčky na zadní straně krytu vytáhnou bezdrátovou jednotku, jakmile kryt odklopíte.

► Obr.33: 1. Bezdrátová jednotka 2. Háček 3. Kryt

Po vyjmutí uchovávejte bezdrátovou jednotku v dodávaném pouzdru nebo antistatickém obalu.

POZOR: Při vyjímání bezdrátové jednotky vždy použijte háčky na zadní straně krytu. Pokud háčky nezachytí bezdrátovou jednotku, kryt zcela zavřete a znovu ho pomalu otevřete.

Registrace nástroje pro vysavač

POZNÁMKA: Pro registraci nástroje je vyžadován vysavač Makita s podporou funkce bezdrátové aktivace.

POZNÁMKA: Před zahájením registrace nástroje dokončete instalaci bezdrátové jednotky.

POZNÁMKA: Během registrace nástroje nestlačujte spoušť ani nezapínajte vypínač vysavače.

POZNÁMKA: Viz také návod k obsluze vysavače.

Pokud chcete aktivovat vysavač při stisknutí spouště nástroje, dokončete předtím registraci nástroje.

1. Instalujte baterie do vysavače a nástroje.
2. Nastavte přepínač pohotovostního režimu na vysavači do polohy AUTO.

► Obr.34: 1. Přepínač pohotovostního režimu

3. Stiskněte tlačítko aktivace bezdrátové funkce na vysavači po dobu 3 sekund, dokud se indikátor bezdrátové aktivace nerozsvítí zeleně. Potom stejným postupem u tlačítka bezdrátové aktivace na nástroji.

► Obr.35: 1. Tlačítko bezdrátové aktivace 2. Indikátor bezdrátové aktivace

Po úspěšném propojení vysavače a nástroje se na 2 sekundy zeleně rozsvítí indikatory bezdrátové aktivace a pak začnou modře blikat.

POZNÁMKA: Indikatory bezdrátové aktivace přestanou zeleně blikat po uplynutí 20 sekund. Stiskněte tlačítko bezdrátové aktivace na nástroji, dokud indikátor bezdrátové aktivace na vysavači bliká. Pokud indikátor bezdrátové aktivace neblíká zeleně, krátce stiskněte tlačítko bezdrátové aktivace a znovu ho přidržte stisknuté.

POZNÁMKA: Když provádíte dvě a více registrací nástroje pro jeden vysavač, proveďte registraci nástroje jednotlivě.

Spuštění funkce bezdrátové aktivace

POZNÁMKA: Registraci nástroje pro vysavač dokončete před bezdrátovou aktivací.

POZNÁMKA: Viz také návod k obsluze vysavače.

Po registraci nástroje k vysavači se vysavač automaticky spustí při sepnutí spouště nástroje.

1. Instalujte bezdrátovou jednotku do nástroje.
 2. Propojte hadici vysavače s nástrojem.
- Obr.36

3. Nastavte přepínač pohotovostního režimu na vysavači do polohy AUTO.

► **Obr.37:** 1. Přepínač pohotovostního režimu

4. Krátce stiskněte tlačítko bezdrátové aktivace na nástroji. Indikátor bezdrátové aktivace bude blikat modře.

► **Obr.38:** 1. Tlačítko bezdrátové aktivace 2. Indikátor bezdrátové aktivace

5. Stiskněte spoušť nástroje. Zkontrolujte, zda je vysavač při stisknutí spouště nástroje spuštěn.

Pokud chcete zastavit bezdrátovou aktivaci vysavače, stiskněte tlačítko bezdrátové aktivace nástroje.

POZNÁMKA: Indikátor bezdrátové aktivace na nástroji přestane blikat modře po 2 hodinách nečinnosti nástroje. V takovém případě nastavte přepínač pohotovostního režimu na vysavači do polohy AUTO a znovu stiskněte tlačítko pro aktivaci na nástroji.

POZNÁMKA: Vysavač se spustí/zastaví se zpožděním. Je tu určitá časová prodleva, než vysavač detekuje stisknutí spouště nástroje.

















POZNÁMKA: Přenosová vzdálenost bezdrátové jednotky se může lišit v závislosti na umístění a podmínkách prostředí.

POZNÁMKA: Když je k jednomu vysavači registrováno více nástrojů, může se vysavač spustit, i když nestisknete spoušť, když jiný uživatel použije funkci bezdrátové aktivace.

Popis stavu indikátoru bezdrátové aktivace

► **Obr.39:** 1. Indikátor bezdrátové aktivace

Indikátor bezdrátové aktivace zobrazuje stav funkce bezdrátové aktivace. Vysvětlení stavu indikátorů najdete v následující tabulce.

| Stav | Indikátor bezdrátové aktivace | | | Trvání | Popis |
|----------------------------|-------------------------------|---|---|------------------------|--|
| | Barva |  Svítí |  Bliká | | |
| Pohotovostní režim | Modrá |  |  | 2 hodiny | Je dostupná bezdrátová aktivace vysavače. Indikátor automaticky zhasne po 2 hodinách nečinnosti. |
| | |  |  | Při spuštění nástroje. | Bezdrátová aktivace vysavače je dostupná a nástroj je spuštěn. |
| Registrace nástroje | Zelená |  |  | 20 sekund | Připraveno k registraci nástroje. Čeká se na registraci vysavačem. |
| | |  |  | 2 sekundy | Registrace nástroje byla dokončena. Indikátor bezdrátové aktivace začne blikat modře. |
| Rušení registrace nástroje | Červená |  |  | 20 sekund | Připraveno zrušení registrace nástroje. Čeká se na zrušení od vysavače. |
| | |  |  | 2 sekundy | Zrušení registrace nástroje bylo dokončeno. Indikátor bezdrátové aktivace začne blikat modře. |
| Jiné | Červená |  |  | 3 sekundy | Bezdrátová jednotka je napájena a funkce bezdrátové aktivace se spouští. |
| | | Nesvítí | - | - | Bezdrátová aktivace vysavače byla zastavena. |

Rušení registrace nástroje pro vysavač

Při rušení registrace nástroje pro vysavač postupujte takto.

1. Instalujte baterie do vysavače a nástroje.

2. Nastavte přepínač pohotovostního režimu na vysavači do polohy AUTO.

► **Obr.40:** 1. Přepínač pohotovostního režimu

3. Stiskněte tlačítko bezdrátové aktivace na vysavači na dobu 6 sekund. Indikátor bezdrátové aktivace bliká zeleně a pak svítí červeně. Potom stejným způsobem stiskněte tlačítko bezdrátové aktivace na nástroji.

► **Obr.41:** 1. Tlačítko bezdrátové aktivace 2. Indikátor bezdrátové aktivace

Po úspěšném zrušení se na 2 sekundy červeně rozsvítí indikátory bezdrátové aktivace a pak začnou modře blikat.

POZNÁMKA: Indikátory bezdrátové aktivace přestanou červeně blikat po uplynutí 20 sekund. Stiskněte tlačítko bezdrátové aktivace na nástroji, dokud indikátor bezdrátové aktivace na vysavači bliká. Pokud indikátor bezdrátové aktivace neblíká červeně, krátce stiskněte tlačítko bezdrátové aktivace a znovu ho přidržte stisknuté.

Odstraňování problémů funkce bezdrátové aktivity

Před žádostí o opravu proveďte nejprve prohlídku sami. Narazíte-li na problém, jenž v této příručce není vysvětlen, nepouštějte se do demontáže zařízení. Požádejte o pomoc některé z autorizovaných servisních středisek Makita, kde k opravám vždy používají náhradní díly Makita.

| Problém | Pravděpodobná příčina (porucha) | Náprava |
|---|--|---|
| Indikátor bezdrátové aktivity nesvítilí/nebliká. | Bezdrátová jednotka není instalována v nástroji. Bezdrátová jednotka není správně instalována v nástroji. | Proveďte správnou instalaci bezdrátové jednotky. |
| | Svorka na bezdrátové jednotce nebo drážka jsou znečištěné. | Opatrně otřete prach na svorce bezdrátové jednotky a vyčistěte drážku. |
| | Tlačítko bezdrátové aktivity na nástroji nebylo stlačeno. | Krátce stiskněte tlačítko bezdrátové aktivity na nástroji. |
| | Přepínač pohotovostního režimu vysavače není nastaven do polohy AUTO. | Nastavte přepínač pohotovostního režimu na vysavači do polohy AUTO. |
| | Chybí zdroj napájení | Připojte napájení k nástroji a vysavači. |
| Nelze dokončit registraci nástroje / zrušit registraci nástroje. | Bezdrátová jednotka není instalována v nástroji. Bezdrátová jednotka není správně instalována v nástroji. | Proveďte správnou instalaci bezdrátové jednotky. |
| | Svorka na bezdrátové jednotce nebo drážka jsou znečištěné. | Opatrně otřete prach na svorce bezdrátové jednotky a vyčistěte drážku. |
| | Přepínač pohotovostního režimu vysavače není nastaven do polohy AUTO. | Nastavte přepínač pohotovostního režimu na vysavači do polohy AUTO. |
| | Chybí zdroj napájení | Připojte napájení k nástroji a vysavači. |
| | Nesprávná operace | Krátce stiskněte tlačítko bezdrátové aktivity a opakujte postupy registrace/zrušení. |
| | Nástroj a vysavač jsou daleko od sebe (mimo dosah vysílání). | Přesuňte nástroj a vysavač blíž k sobě. Maximální přenosová vzdálenost je přibližně 10 m. To se ale může lišit v závislosti na podmínkách. |
| | Před dokončením registrace/zrušení: – spoušť nástroje je stisknuta nebo – vypínač vysavače je zapnutý. | Krátce stiskněte tlačítko bezdrátové aktivity a opakujte postupy registrace/zrušení. |
| | Registrace nástroje pro vysavač nebo nástroj nebyly dokončeny. | Proveďte registraci nástroje a vysavače se stejným načasováním. |
| | Rušení bezdrátového přenosu ze strany jiných zařízení, která generují silné rádiové vlny. | Nástroj a vysavač je potřeba uchovávat dál od zařízení, jako jsou zařízení Wi-Fi a mikrovlnné trouby. |
| | Vysavač se nespustí při stisknutí spouště nástroje. | Bezdrátová jednotka není instalována v nástroji. Bezdrátová jednotka není správně instalována v nástroji. |
| Svorka na bezdrátové jednotce nebo drážka jsou znečištěné. | | Opatrně otřete prach na svorce bezdrátové jednotky a vyčistěte drážku. |
| Tlačítko bezdrátové aktivity na nástroji nebylo stlačeno. | | Krátce stiskněte tlačítko pro bezdrátovou aktivaci a ujistěte se, že indikátor bezdrátové aktivity bliká modře. |
| Přepínač pohotovostního režimu vysavače není nastaven do polohy AUTO. | | Nastavte přepínač pohotovostního režimu na vysavači do polohy AUTO. |
| K vysavači je registrováno více než 10 nástrojů. | | Opakujte registraci nástroje. Pokud je k vysavači registrováno více než 10 nástrojů, dojde k automatickému zrušení nejstarší registrace. |
| Vysavač vymazal všechny registrace nástrojů. | | Opakujte registraci nástroje. |
| Chybí zdroj napájení | | Připojte napájení k nástroji a vysavači. |
| Nástroj a vysavač jsou daleko od sebe (mimo dosah vysílání). | | Přesuňte nástroj a vysavač blíž k sobě. Maximální přenosová vzdálenost je přibližně 10 m. To se ale může lišit v závislosti na podmínkách. |
| Rušení bezdrátového přenosu ze strany jiných zařízení, která generují silné rádiové vlny. | | Nástroj a vysavač je potřeba uchovávat dál od zařízení, jako jsou zařízení Wi-Fi a mikrovlnné trouby. |
| Vysavač se spustí, ačkoli nebyla stisknuta spoušť nástroje. | | Jiní uživatelé bezdrátové aktivují vysavač pomocí svých nástrojů. |

ÚDRŽBA

⚠ UPOZORNĚNÍ: Před zahájením kontroly nebo údržby nářadí se vždy ujistěte, zda je vypnuté a je vyjmut akumulátor.

POZOR: Nikdy nepoužívejte benzín, benzen, ředidlo, alkohol či podobné prostředky. Mohlo by tak dojít ke změnám barvy, deformacím či vzniku prasklin.

K zachování BEZPEČNOSTI a SPOLEHLIVOSTI výrobku musí být opravy a veškerá další údržba či seřizování prováděny autorizovanými nebo továrními servisními středisky společnosti Makita s využitím náhradních dílů Makita.

VOLITELNÉ PŘÍSLUŠENSTVÍ

⚠ UPOZORNĚNÍ: Pro nářadí Makita popsané v tomto návodu doporučujeme používat následující příslušenství a nástavce. Při použití jiného příslušenství či nástavců může hrozit nebezpečí zranění osob. Příslušenství lze používat pouze pro stanovené účely.

Potřebujete-li bližší informace ohledně tohoto příslušenství, obraťte se na místní servisní středisko společnosti Makita.

- Vrtáky s karbidovým hrotem SDS-MAX
- Špičatý sekáč SDS-MAX
- Plochý sekáč SDS-MAX
- Oškrť SDS-MAX
- Rýč SDS-MAX
- Vazelína na nástroj
- Boční držadlo
- Boční rukojeť
- Hloubkoměr
- Vyfukovací nástroj
- Nástavec k odsávání prachu
- Ochranné brýle
- Bezdrátová jednotka
- Originální akumulátor a nabíječka Makita
- Plastový kufřík

POZNÁMKA: Některé položky seznamu mohou být k nářadí přibaleny jako standardní příslušenství. Přibalené příslušenství se může v různých zemích lišit.

ТЕХНІЧНІ ХАРАКТЕРИСТИКИ

| | | |
|--|---------------------------|--------------------------------|
| Модель: | | HR005G |
| Функціональні можливості | Твердосплавний наконечник | 40 мм |
| | Колонкове свердло | 105 мм |
| Частота обертання в режимі холостого ходу (в обертах за хвилину) | | 250–500 хв ⁻¹ |
| Кількість ударів за хвилину | | 1 450–2 900 хв ⁻¹ |
| Загальна довжина | з BL4025 | 484 мм |
| | з BL4040 | 500 мм |
| Номінальна напруга | | 36 В – 40 В пост. струму макс. |
| Маса нетто | | 7,4–8,2 кг |

- Оскільки наша програма наукових досліджень і розробок триває безперервно, наведені тут технічні характеристики можуть бути змінені без попередження.
- Технічні характеристики приладу та касета з акумулятором можуть відрізнитися в різних країнах.
- Вага може відрізнитися залежно від допоміжного обладнання, наприклад касети з акумулятором. Найлегші та найважчі комплекти, відповідно до стандарту ЕРТА (Європейська асоціація виробників електроінструменту) від січня 01/2014 року, представлено в таблиці.

Застосовна касета з акумулятором і зарядний пристрій

| | |
|-----------------------|--|
| Касета з акумулятором | BL4020 / BL4025 / BL4040* / BL4050F* *: рекомендований акумулятор |
| Зарядний пристрій | DC40RA / DC40RB / DC40RC |

- Деякі касети з акумулятором і зарядні пристрої, які вказано вище, можуть бути недоступними залежно від вашого регіону або місця перебування.

▲ ПОПЕРЕДЖЕННЯ: Використовуйте лише касети з акумулятором і зарядні пристрої, зазначені вище. Використання будь-яких інших касет з акумулятором і зарядних пристроїв може призвести до травмування й/або пожежі.

Призначення

Інструмент призначено для ударного свердління й свердління цегли, бетону й камення, а також виводування.

Шум

Рівень шуму за шкалою А в типовому виконанні, визначений відповідно до стандарту EN60745-2-6: Рівень звукового тиску (L_{pA}): 91 дБ (А)
Рівень звукової потужності (L_{WA}): 102 дБ (А)
Похибка (К): 3 дБ (А)

ПРИМІТКА: Заявлене значення шуму було виміряно відповідно до стандартних методів тестування й може використовуватися для порівняння одного інструмента з іншим.

ПРИМІТКА: Заявлене значення шуму може також використовуватися для попереднього оцінювання впливу.

▲ ПОПЕРЕДЖЕННЯ: Користуйтеся засобами захисту органів слуху.

▲ ПОПЕРЕДЖЕННЯ: Залежно від умов використання рівень шуму під час фактичної роботи електроінструмента може відрізнитися від заявленого значення вібрації; особливо сильно на це впливає тип деталі, що оброблюється.

▲ ПОПЕРЕДЖЕННЯ: Забезпечте належні запобіжні заходи для захисту оператора, що відповідатимуть умовам використання інструмента (слід брати до уваги всі складові робочого циклу, як-от час, коли інструмент вимкнено та коли він починає працювати на холостому ході під час запуску).

Вібрація

Загальна величина вібрації (векторна сума трьох напрямків) визначена згідно з EN60745-2-6:

Режим роботи: ударне свердління бетону

Розповсюдження вібрації ($a_{h, HD}$): 5,0 м/с²

Похибка (К): 1,5 м/с²

Режим роботи: довбання з використанням бокової рукоятки

Розповсюдження вібрації ($a_{h, Cheq}$): 4,0 м/с²

Похибка (К): 1,5 м/с²

Режим роботи: виводування з використанням бокової ручки

Розповсюдження вібрації ($a_{h, Cheq}$): 4,0 м/с²

Похибка (К): 1,5 м/с²

ПРИМІТКА: Заявлене загальне значення вібрації було виміряно відповідно до стандартних методів тестування й може використовуватися для порівняння одного інструмента з іншим.

ПРИМІТКА: Заявлене загальне значення вібрації може також використовуватися для попереднього оцінювання впливу.

⚠ ПОПЕРЕДЖЕННЯ: Залежно від умов використання вібрація під час фактичної роботи електроінструмента може відрізнятися від заявленого значення вібрації; особливо сильно на це впливає тип деталі, що оброблюється.

⚠ ПОПЕРЕДЖЕННЯ: Забезпечте належні запобіжні заходи для захисту оператора, що відповідатимуть умовам використання інструмента (слід брати до уваги всі складові робочого циклу, як-от час, коли інструмент вимкнено та коли він починає працювати на холостому ході під час запуску).

Декларація про відповідність стандартам ЄС

Тільки для країн Європи

Декларацію про відповідність стандартам ЄС наведено в Додатку А до цієї інструкції з експлуатації.

ПОПЕРЕДЖЕННЯ ПРО ДОТРИМАННЯ ТЕХНІКИ БЕЗПЕКИ

Загальні застереження щодо техніки безпеки при роботі з електроінструментами

⚠ ПОПЕРЕДЖЕННЯ: Уважно ознайомтеся з усіма попередженнями про дотримання правил техніки безпеки, інструкціями, ілюстраціями та технічними характеристиками, що стосуються цього електроінструмента. Невиконання будь-яких інструкцій, перелічених нижче, може призвести до ураження електричним струмом, пожежі та/або тяжких травм.

Збережіть усі інструкції з техніки безпеки та експлуатації на майбутнє.

Термін «електроінструмент», зазначений у інструкції з техніки безпеки, стосується електроінструмента, який функціонує від електромережі (електроінструмент з кабелем живлення), або електроінструмента з живленням від батареї (безпроводний електроінструмент).

ПОПЕРЕДЖЕННЯ ПРО НЕОБХІДНУ ОБЕРЕЖНІСТЬ ПІД ЧАС РОБОТИ З БЕЗДРОТОВИМ ПЕРФОРАТОРОМ

1. Користуйтеся засобами захисту органів слуху. Вплив шуму може призвести до втрати слуху.
2. Використовуйте допоміжну(і) ручку(и), якщо вона(и) поставляються разом з інструментом. Втрата контролю над інструментом може призвести до травмування.
3. Тримайте електроінструмент за ізольовані поверхні держака під час роботи в місцях, де різальне приладдя може зачепити приховану електропроводку. Торкання різальним приладдям дроту під напругою може призвести до передавання напруги до оголених металевих частин інструмента та до ураження оператора електричним струмом.
4. Слід одягати каску (захисний шолом), захисні окуляри та (або) щиток-маску. Звичайні або сонцезахисні окуляри НЕ Є захисними. Настійно рекомендовано одягати пілозахисну маску та рукавиці з товстими підкладками.
5. Перед початком роботи обов'язково перевірте, щоб полотно було надійно закріплене в робочому положенні.
6. При нормальній роботі інструмент вібрує. Гвинти можуть швидко розбовтатися, що призведе до поломки або поранення. Перед початком роботи слід перевірити міцність затягування гвинтів.
7. Під час холодної погоди або якщо інструмент довго не використовувався, його слід розігріти, давши попрацювати якийсь час на холостому ході. Це розм'якшить мастило. Якщо не провести розігрів, працювати з інструментом буде важко.
8. Обов'язково забезпечте надійну опору. При виконанні робіт з інструментом на висоті переконайтеся, що внизу нікого немає.
9. Міцно тримайте інструмент обома руками.
10. Не наближайте руки до деталей, що рухаються.
11. Не залишайте без нагляду інструмент, який працює. Працюйте з інструментом, тільки тримаючи його в руках.
12. Під час роботи ніколи не спрямовуйте інструмент на людину, що перебуває поруч із місцем роботи. Свердло може вискочити та завдати серйозної травми.
13. Не слід торкатися свердла, частин, що примикають до нього, або робочої деталі одразу після використання інструмента: вони можуть бути дуже гарячими та призвести до опіку шкіри.
14. Деякі матеріали мають у своєму складі токсичні хімічні речовини. Будьте обережні, щоб не допустити вдихання пилу та його контакту зі шкірою. Дотримуйтеся правил техніки безпеки виробника матеріалу.

15. Перш ніж передати інструмент іншій особі, обов'язково перевірте, чи вимкнений прилад і чи знята касета з акумулятором та наконечник.
16. Перед початком роботи переконайтеся в тому, що під поверхню робочої зони не проходять лінії електропостачання, водопроводи або газопроводи. В іншому випадку головка свердла / зубило можуть торкнутися цих предметів, що призведе до ураження електричним струмом, витоку струму або газу.
17. Без потреби не допускайте, щоб інструмент працював без навантаження.
7. Не слід спалювати касету з акумулятором, навіть якщо вона була неодноразово пошкоджена або повністю спрацьована. Касета з акумулятором може вибухнути у вогні.
8. Заборонено забивати цвяхи в касету з акумулятором, різати, ламати, кидати, впускати касету з акумулятором або вдаряти її твердим предметом. Це може призвести до пожежі, перегріву або вибуху.
9. Не слід використовувати пошкоджений акумулятор.
10. Літій-іонні акумулятори, що містяться в інструменті, мають відповідати вимогам законів про небезпечні товари.

ЗБЕРІГАЙТЕ ЦІ ВКАЗІВКИ.

▲ ПОПЕРЕДЖЕННЯ: НИКОЛИ НЕ втрачайте пильності та не розслабляйтеся під час користування виробом (що можливо при частому користуванні); обов'язково строго дотримуйтеся відповідних правил безпеки. **НЕНАЛЕЖНЕ ВИКОРИСТАННЯ** або недотримання правил техніки безпеки, викладених у цій інструкції з експлуатації, може призвести до серйозних травм.

Важливі інструкції з безпеки для касети з акумулятором

1. Перед тим як користуватися касетою з акумулятором, слід прочитати всі інструкції та застережні знаки щодо (1) зарядного пристрою акумулятора, (2) акумулятора та (3) виробів, що працюють від акумулятора.
2. Не розбирайте касету з акумулятором і не змінюйте її конструкцію. Це може призвести до пожежі, перегріву або вибуху.
3. Якщо період роботи дуже покоротшав, слід негайно припинити користування. Це може призвести до виникнення ризику перегріву, опіку та навіть вибуху.
4. У разі потрапляння електроліту в очі слід промити їх чистою водою та негайно звернутися до лікаря. Це може призвести до втрати зору.
5. Не закоротіть касету з акумулятором.
 - (1) Не слід торкатися клем будь-яким струмопровідним матеріалом.
 - (2) Не слід зберігати касету з акумулятором у ємності з іншими металевими предметами, такими як цвяхи, монети тощо.
 - (3) Не залишайте касету з акумулятором під дощем, запобігайте контакту з водою.

Коротке замикання може призвести до появи значного струму, перегріву, можливих опіків та навіть виходу з ладу.
6. Не слід зберігати й використовувати інструмент і касету з акумулятором у місцях, де температура може сягнути чи перевищити 50 °C (122 °F).
11. Для утилізації касети з акумулятором витягніть її з інструмента та утилізуйте безпечною способом. Дотримуйтеся норм місцевого законодавства щодо утилізації акумуляторів.
12. Використовуйте акумулятори лише з виробами, указаними компанією Makita. Установлення акумуляторів у невідповідні вироби може призвести до пожежі, надмірного нагрівання, вибуху чи витоку електроліту.
13. Якщо інструментом не користуватимуться протягом тривалого періоду часу, вийміть акумулятор з інструмента.
14. Під час і після використання касета з акумулятором може нагріватися, що може стати причиною опіків або низькотемпературних опіків. Будьте обережні під час поводження з гарячою касетою з акумулятором.
15. Не торкайтеся контактів інструмента відразу після використання, оскільки він може бути досить гарячим, щоб викликати опіки.
16. Не допускайте, щоб уламки, пил або земля прилипали до контактів, отворів і пазів на касеті з акумулятором. Це може привести до зниження експлуатаційних параметрів, поломки інструмента або касети з акумулятором.
17. Якщо інструмент не розраховано на використання поблизу високовольтних ліній електропередач, не використовуйте касету з акумулятором поблизу високовольтних ліній електропередач. Це може призвести до несправності, поломки інструмента або касети з акумулятором.
18. Тримайте акумулятор у недоступному для дітей місці.

ЗБЕРІГАЙТЕ ЦІ ВКАЗІВКИ.

⚠ОБЕРЕЖНО: Використовуйте тільки акумулятори Makita. Використання акумуляторів, інших ніж оригінальні акумулятори Makita, або акумуляторів, конструкцію яких було змінено, може призвести до вибуху акумулятора і спричинити пожежу, травму або пошкодження. У зв'язку з цим також буде анульовано гарантію Makita на інструмент Makita і на зарядний пристрій.

Поради з забезпечення максимального строку експлуатації акумулятора

1. Касету з акумулятором слід заряджати до того, як він розрядиться повністю. Завжди слід зупинити роботу інструмента та зарядити акумулятор, якщо ви помітили зменшення потужності інструмента.
2. Ніколи не слід заряджати повторно повністю заряджену касету з акумулятором. Перезарядження скорочує строк експлуатації акумулятора.
3. Заряджайте касету з акумулятором при кімнатній температурі 10°C - 40°C (50°F - 104°F). Перед тим як заряджати касету з акумулятором, слід зачекати, доки вона охолоне.
4. Коли касета з акумулятором не використовується, виймайте її з інструмента або зарядного пристрою.
5. Якщо касета з акумулятором не використовувалася тривалий час (понад шість місяців), її слід зарядити.

Важливі інструкції з безпеки для бездротового модуля

1. Не розбирайте бездротовий модуль і не намагайтеся втручатися в його роботу.
2. Зберігайте бездротовий модуль у недоступному для дітей місці. При випадковому проковтуванні негайно зверніться до лікаря.
3. Використовуйте бездротовий модуль лише з інструментами Makita.
4. Не тримайте бездротовий модуль під дощем або в умовах підвищеної вологості.
5. Не використовуйте бездротовий модуль у місцях, де температура перевищує 50°C.
6. Не використовуйте бездротовий модуль неподалік від медичних приборів, таких як кардіостимулятори.
7. Не використовуйте бездротовий модуль поруч з автоматизованими пристроями. Таке використання може спричинити збої або помилки в роботі автоматизованих пристроїв.
8. Не використовуйте бездротовий модуль у місцях, де він може піддаватися впливу високої температури, статичної електрики або електричних перешкод.
9. Бездротовий модуль може генерувати електромагнітні поля (ЕМП), нешкідливі для користувача.

10. Бездротовий модуль є точним інструментом. Будьте уважні, щоб не впустити або не вдарити бездротовий модуль.
11. Не торкайтеся контактів бездротового модуля голими руками або металевими предметами.
12. Перш ніж установлювати бездротовий модуль, обов'язково вийміть акумулятор.
13. Не відкривайте кришку відсіку в місцях, де в нього може потрапити пил або вода. Завжди тримайте вхідний отвір відсіку в чистоті.
14. Завжди вставляйте бездротовий модуль правильною стороною.
15. Не натискайте занадто сильно кнопку активації на бездротовому модулі та не робіть це гострим предметом.
16. Під час роботи завжди закривайте кришку відсіку.
17. Не виймайте бездротовий модуль із відсіку, поки на інструмент подається живлення. Це може призвести до несправності бездротового модуля.
18. Не видаляйте наклейку на бездротовому модулі.
19. Не розміщуйте будь-які наклейки на бездротовому модулі.
20. Не залишайте бездротовий модуль під впливом статичної електрики або електричних перешкод.
21. Не залишайте бездротовий модуль під впливом високої температури, наприклад на сидінні автомобіля на сонці.
22. Не залишайте бездротовий модуль у запаленому або запорошеному місці або в місці, де може утворитися корозійний газ.
23. Раптова зміна температури може призвести до конденсації вологи на бездротовому модулі. Не використовуйте бездротовий модуль, поки волога не висохне повністю.
24. Під час чищення бездротового модуля обережно протирайте його сухою м'якою тканиною. Не використовуйте бензин, розчинник, електропровідне мастило тощо.
25. Зберігайте бездротовий модуль в упаковці з комплекту постачання або в контейнері, захищеному від дії статичної електрики.
26. Не вставляйте у відсік інструмента будь-які інші пристрої, крім бездротового модуля Makita.
27. Не використовуйте інструмент із пошкодженою кришкою відсіку. Потраплення у відсік води, пилу та бруду може привести до несправності.
28. Не тягніть і не скручуйте кришку відсіку більше, ніж необхідно. Установіть кришку на місце, якщо вона від'єдналася від інструмента.
29. Замініть кришку відсіку, якщо її було загулено або пошкоджено.

ЗБЕРІГАЙТЕ ЦІ ВКАЗІВКИ.

ОПИС РОБОТИ

⚠ ОБЕРЕЖНО: обов'язково переконайтеся, що прилад вимкнено, а касету з акумулятором знято, перед регулюванням або перевіркою функціонування інструмента.

Встановлення та зняття касети з акумулятором

⚠ ОБЕРЕЖНО: Завжди вимикайте інструмент перед встановленням або зняттям касети з акумулятором.

⚠ ОБЕРЕЖНО: Під час встановлення або зняття касети з акумулятором слід міцно тримати інструмент та касету з акумулятором. Якщо ви утримуватимете інструмент та касету з акумулятором недостатньо міцно, вони можуть вислизнути з рук, що може призвести до пошкодження інструмента та касети з акумулятором або може спричинити травми.

► **Рис.1:** 1. Червоний індикатор 2. Кнопка 3. Касета з акумулятором

Щоб зняти касету з акумулятором, слід витягнути її з інструмента, натиснувши на кнопку в передній частині касети.

Щоб установити касету з акумулятором, слід сумістити виступ на касеті з акумулятором із пазом у корпусі та вставити касету на місце. Її необхідно вставити повністю, аж доки не почуєте клацання. Якщо на верхній частині кнопки помітний червоний індикатор, це означає, що касета з акумулятором установлена не до кінця.

⚠ ОБЕРЕЖНО: Завжди вставляйте касету з акумулятором повністю, щоб червоного індикатора не було видно. Якщо цього не зробити, касета може випадково випасти з інструмента та завдати травми вам або людям, що знаходяться поряд.

⚠ ОБЕРЕЖНО: Не встановлюйте касету з акумулятором із зусиллям. Якщо касета не вставляється легко, то це означає, що ви її неправильно вставляєте.

Відображення залишкового заряду акумулятора

Натисніть кнопку перевірки на касеті з акумулятором для відображення залишкового ресурсу акумулятора. Індикаторні лампи загоряться на кілька секунд.

► **Рис.2:** 1. Індикаторні лампи 2. Кнопка перевірки

| Індикаторні лампи | | | Залишковий ресурс |
|-------------------|---------|--------|------------------------------------|
| Горить | Вимк. | Блимає | |
| ■ | □ | ▧ | Можливо, акумулятор вийшов з ладу. |
| ■ ■ ■ ■ | □ □ □ □ | | |
| ■ ■ ■ ■ | □ □ □ □ | | |
| ■ ■ □ □ | □ □ □ □ | | |
| ■ □ □ □ | □ □ □ □ | | |
| ▧ □ □ □ | □ □ □ □ | | Зарядіть акумулятор. |

| Індикаторні лампи | | | Залишковий ресурс |
|-------------------|---------|--------|------------------------------------|
| Горить | Вимк. | Блимає | |
| ■ | □ | ▧ | Можливо, акумулятор вийшов з ладу. |
| ■ ■ ■ ■ | □ □ □ □ | | |
| ■ ■ □ □ | □ □ □ □ | | |
| ■ □ □ □ | □ □ □ □ | | |
| ▧ □ □ □ | □ □ □ □ | | |

ПРИМІТКА: Залежно від умов використання та температури оточуючого середовища показання можуть незначним чином відрізнятися від дійсного ресурсу.

ПРИМІТКА: Перша (дальня лівя) індикаторна лампа блимає під час роботи захисної системи акумулятора.

Система захисту інструмента/акумулятора

Інструмент оснащено системою захисту інструмента/акумулятора. Ця система автоматично вимикає живлення двигуна з метою збільшення терміну служби інструмента та акумулятора. Інструмент автоматично зупиняється під час роботи, якщо інструмент або акумулятор перебувають у зазначених нижче умовах.

Захист від перевантаження

Якщо інструмент або акумулятор використовується в умовах надмірного споживання струму, інструмент автоматично вимикається без будь-якого попередження. У такому разі вимкніть інструмент і припиніть роботу, під час виконання якої інструмент зазнав перевантаження. Щоб перезапустити інструмент, увімкніть його знову.

Захист від перегрівання


Якщо інструмент або акумулятор перегрівся, інструмент автоматично вимикається, а лампа підсвічування починає блимати. У такому випадку дозвольте інструменту й акумулятору охолонути, перш ніж знову увімкнути інструмент.

Захист від надмірного розрядження

Коли заряд акумулятора стає недостатнім для подальшої роботи, інструмент автоматично зупиняється. У такому випадку вийміть акумулятор з інструмента та зарядіть його.

Дія вимикача

⚠ ПОПЕРЕДЖЕННЯ: Перед тим як вставляти касету з акумулятором в інструмент, обов'язково перевірте, чи курок вмикача спрацьовує належним чином та повертається у положення «ВИМК.», коли його відпускають.

⚠ОБЕРЕЖНО: Коли інструмент не використовується, натисніть кнопку блокування курка вмикача з боку , щоб зафіксувати курок вмикача в положенні OFF (ВИМК).

► **Рис.3:** 1. Курок вмикача 2. Кнопка блокування курка вмикача

Для запобігання раптовому натисканню курка вмикача передбачено кнопку блокування курка вмикача. Щоб запустити інструмент, натисніть кнопку блокування курка вмикача з боку А й натисніть курок вмикача. Щоб зупинити роботу, відпустіть курок вмикача. Після завершення роботи натисніть на кнопку блокування курка вмикача з боку В.

Зміна швидкості

Частоту обертання й кількість ударів за хвилину можна відрегулювати, повернувши диск регулювання. На кільці нанесені відмітки від 1 (найнижча швидкість) до 5 (максимальна швидкість).

► **Рис.4:** 1. Диск регулювання

Співвідношення між цифрою на кільці регулювання й частотою обертання й кількістю ударів за хвилину див. у наведеній нижче таблиці.

| Значення | Частота обертання, обертів за хвилину | Кількість ударів за хвилину |
|----------|---------------------------------------|-----------------------------|
| 5 | 500 | 2900 |
| 4 | 470 | 2700 |
| 3 | 380 | 2150 |
| 2 | 290 | 1650 |
| 1 | 250 | 1450 |

⚠ОБЕРЕЖНО: Не повертайте диск регулювання під час роботи приладу. Недотримання цієї вимоги може призвести до втрати контролю над інструментом і травмування.

УВАГА: Якщо інструмент протягом тривалого часу працює на низькій швидкості, двигун перевантажується, що призводить до порушень у роботі інструмента.

УВАГА: Диск регулювання швидкості можна повертати тільки в межах від 1 до 5, а також у зворотному напрямку. Не намагайтеся повернути його силою за межу відмітки 5 або 1, тому що це може призвести до виходу з ладу функції регулювання.

ПРИМІТКА: Функція плавного обертання без навантаження

Якщо кільце регулювання встановлено на «3» або вище значення, інструмент автоматично знижує частоту обертання за відсутності навантаження, щоб зменшити вібрацію в такі моменти.

Щойно наконечник починає працювати по бетону, кількість ударів на хвилину збільшується й досягає значень, що вказані в таблиці.

За низької температури ця функція інструмента може бути недоступною навіть під час роботи двигуна.

Увімкнення переднього підсвічування

► **Рис.5:** 1. Лампа

⚠ОБЕРЕЖНО: Не дивіться на світло або безпосередньо на джерело світла.

Натисніть на курок вмикача, щоб увімкнути підсвічування. Лампа світиться, поки курок вмикача натиснуто. Підсвічування згасне приблизно за 10 секунд після відпускання курка вмикача.

УВАГА: Якщо лампа блимає й гасне через кілька секунд, це означає, що функція розпізнавання активного зворотного зв'язку не працює належним чином. Зверніться до місцевого сервісного центру компанії Makita для проведення ремонту.


ПРИМІТКА: Для очищення скла лампи підсвічування протріть її сухою тканиною. Будьте обережні, щоб не подряпати скло лампи підсвічування, тому що це погіршить освітлювання.

Вибір режиму роботи

УВАГА: Забороняється повертати ручку зміни режиму роботи, коли інструмент працює. Інструмент може пошкодитись.


УВАГА: Для запобігання швидкому зносові механізму зміни режиму слід перевіряти, щоб ручка зміни режиму завжди була переключена в один із трьох режимів роботи.

Обертання з відбиванням

Для свердління в бетоні, кладці тощо поверніть ручку зміни режиму роботи, встановивши її на символ . Скористайтеся свердлом із твердосплавним наконечником.

► **Рис.6:** 1. Ручка зміни режиму роботи 2. Вказівник

Тільки відбивання

Під час виконання операцій із додання, шкребіння або демонтажу слід повернути ручку зміни режиму таким чином, щоб покажчик вказував на символ . Використовуйте пірамідальне долото, слюсарне зубило, зубило для додання тощо.

► **Рис.7:** 1. Вказівник 2. Ручка зміни режиму роботи

Обмежувач моменту

УВАГА: Відразу після спрацювання обмежувача моменту інструмент слід негайно вимикати. Це допоможе запобігти передчасному зносу інструмента.

УВАГА: Свердла, які легко защемляються або застрягають в отворі (наприклад, кільцева пилка), не підходять для використання з цим інструментом. Це призведе до занадто частого спрацювання обмежувача моменту.

Обмежувач моменту спрацює, коли досягнуто момент певної величини. Двигун відключає зчеплення з вихідним валом. Коли це трапляється, свердло перестає обертатись.

Електронні функції

Для полегшення роботи інструмент обладнано електронними функціями.

Контроль постійної швидкості

Функція контролю швидкості забезпечує постійну швидкість обертання, незалежно від умов навантаження.

Плавний запуск

Функція плавного запуску мінімізує ривок під час запуску й забезпечує плавний запуск інструмента.

Функція розпізнавання активного зворотного зв'язку

Якщо під час роботи корпус інструмента починає обертатися за заданого прискорення, наприклад через блокування свердла, двигун примусово зупиняється для зменшення навантаження на зап'ясток.

ПРИМІТКА: Функція розпізнавання активного зворотного зв'язку не спрацює, якщо не було досягнуто заданого прискорення.

ПРИМІТКА: Функція розпізнавання активного зворотного зв'язку також спрацює, якщо свердло починає коливатися за заданого прискорення під час будь-якої роботи.

У такому разі відпустіть курок вмикача, а потім знову натисніть на нього, щоб перезапустити інструмент.

Електричне гальмо

Цей інструмент обладнано електричним гальмом. Якщо після відпускання курка вмикача не відбувається швидкої зупинки інструмента, зверніться до сервісного центру Makita для обслуговування інструмента.

ЗБОРКА

⚠ОБЕРЕЖНО: Обов'язково переконайтеся, що прилад вимкнено, а касету з акумулятором знято, перш ніж проводити будь-які роботи з інструментом.

Бокова ручка

► Рис.8

⚠ОБЕРЕЖНО: Використовуйте бокову ручку лише для виконання таких операцій, як обколювання, шкребіння або демонтаж. Не використовуйте її під час свердління бетону, кам'яної кладки тощо. Правильно утримувати інструмент під час свердління, тримаючись за бокову ручку, неможливо.

► Рис.9: 1. Бокова ручка 2. Затискна гайка

Бокову ручку можна повертати у вертикальній площині й закріплювати в будь-якому положенні. Її також можна відсувати вперед та назад і фіксувати у восьми різних положеннях у горизонтальній площині. Послабте затискну гайку, щоб перемістити бокову ручку в потрібне положення, а потім міцно затягніть затискну гайку.

Бокова рукоятка (допоміжна ручка)

⚠ОБЕРЕЖНО: Для забезпечення безпечної експлуатації обов'язково використовуйте бокову рукоятку.

⚠ОБЕРЕЖНО: Після встановлення або регулювання бокової рукоятки слід переконавшись, що вона надійно зафіксована.

Бокову рукоятку можна повертати, завдяки чому інструмент зручно тримати в будь-якому положенні. Відкрутіть бокову рукоятку, повернувши її проти годинникової стрілки, установіть її в потрібне положення, а потім затягніть, повернувши за годинниковою стрілкою.

► Рис.10: 1. Бокова рукоятка

Установлення та зняття свердла

Мастило

Очистіть хвостовик долота та змастіть його, перш ніж встановлювати долото. Заздалегідь змастіть хвостовик долота невеликою кількістю мастила (приблизно 0,5–1 г). Таке змащення патрона забезпечує плавну роботу та довший термін служби.

► Рис.11: 1. Хвостовик 2. Мастило


Вставте свердло в інструмент. Проверніть свердло та просуньте його, доки воно не стане на місце. Після встановлення слід переконавшись, що свердло вставлено надійно. Для цього спробуйте витягнути його.

► Рис.12: 1. Свердло


Щоб зняти свердло, потягніть униз кришку патрона та витягніть свердло.

► Рис.13: 1. Свердло 2. Кришка патрона

Кут долота (під час додання, шкребіння або демонтажу)

Долото можна закріпити під необхідним кутом. Для зміни кута долота поверніть ручку зміни режиму роботи таким чином, щоб покажчик указував на символ . Встановіть долото під необхідним кутом.

► Рис.14: 1. Ручка зміни режиму роботи 2. Вказівник

Поверніть ручку зміни режиму роботи на символ . Потім, злегка повернувши долото, переконайтеся, що воно надійно встановлене.

Обмежувач глибини

Обмежувач глибини зручно використовувати для свердління отворів однакової глибини. Натисніть кнопку блокування і, утримуючи її, вставте обмежувач глибини в шестигранний отвір.

► Рис.15: 1. Обмежувач глибини 2. Кнопка блокування

Переконайтеся, що зазубрена сторона обмежувача глибини збігається з відміткою.

► **Рис.16:** 1. Відмітка 2. Зазубрена сторона

Відрегулюйте положення обмежувача глибини, поворушивши його назад і вперед, натискаючи в цей момент кнопку блокування. Відрегулювавши обмежувач, відпустіть кнопку блокування, щоб зафіксувати його.

ПРИМІТКА: Переконайтеся, що під час установлення обмежувача глибини не торкається корпусу інструмента.

Насадка для пиловидалення

Додаткове обладнання

Установлення насадки для пиловидалення

1. Відкрутіть бокову рукоятку на інструменті.
2. Установіть пилозахисну кришку, так щоб її затискачі потрапили до пазів між інструментом і боковою рукояткою.
► **Рис.17:** 1. Пилозахисна кришка 2. Затискач 3. Паз
3. Міцно затягніть бокову рукоятку.
4. Встановіть відповідні гофровані трубки або подовжувач пилозахисної кришки для виконання роботи. Якщо використовуються гофровані трубки, під'єднайте з'єднувальну муфту до їхньої верхньої частини. Якщо ви встановлюєте дві гофровані трубки підряд, з'єднайте їх за допомогою з'єднувальної муфти.
► **Рис.18:** 1. Подовжувач пилозахисної кришки 2. Пилозахисна кришка 3. Муфта 4. Гофровані трубки

Під'єднання інструмента до пилососа

1. Під'єднайте з'єднувальну муфту тримача до інструмента, а потім під'єднайте тримач шланга до з'єднувальної муфти тримача.
► **Рис.19:** 1. З'єднувальна муфта тримача 2. Тримач шланга

ПРИМІТКА: З'єднувальну муфту шланга можна прикріпити до будь-якого боку інструмента.

▲ПОПЕРЕДЖЕННЯ: Використовуйте монтажну деталь інструмента тільки для встановлення з'єднувальної муфти тримача.

Використання монтажної деталі з іншою метою може призвести до нещасного випадку.

2. Зафіксуйте шланг у тримачі.

► **Рис.20:** 1. Тримач шланга

ПРИМІТКА: За допомогою з'єднувальної муфти 25 з'єднайте шланг і пилозахисну кришку в разі необхідності.

Використання обмежувача глибини під час свердління

Якщо ви встановлюєте дві гофровані трубки підряд, під'єднайте подовжувач обмежувача глибини до обмежувача.

► **Рис.21:** 1. Подовжувач обмежувача глибини

Установлення насадки для пиловидалення (лише для відбивання)

Додаткове обладнання

1. Установіть тримач шланга (A / B).

Якщо на інструменті встановлено бокову ручку, відкрутіть затискну гайку й зніміть болт із шестигранною головкою. Установіть тримач шланга (A), зафіксувавши його між болтом із шестигранною головкою й затискною гайкою, яку необхідно міцно затягнути.

► **Рис.22:** 1. Болт із шестигранною головкою 2. Тримач шланга (A) 3. Затискна гайка

Якщо на інструменті встановлено бокову рукоятку, відкрутіть бокову рукоятку, установіть тримач шланга (B) на вал, а потім міцно затягніть бокову рукоятку.

► **Рис.23:** 1. Тримач шланга (B) 2. Вал 3. Бокова рукоятка

2. Під'єднайте з'єднувальну муфту тримача до інструмента, а потім під'єднайте тримач шланга (C) до з'єднувальної муфти тримача.

► **Рис.24:** 1. З'єднувальна муфта тримача 2. Тримач шланга (C)

ПРИМІТКА: З'єднувальну муфту шланга можна прикріпити до будь-якого боку інструмента.

▲ПОПЕРЕДЖЕННЯ: Використовуйте монтажну деталь інструмента тільки для встановлення з'єднувальної муфти тримача.

Використання монтажної деталі з іншою метою може призвести до нещасного випадку.

3. Прикріпіть до інструмента пилозахисну кришку й шланг, а потім зафіксуйте шланг у тримачах шланга.

► **Рис.25:** 1. Пилозахисна кришка 2. Шланг 3. Тримач шланга (A / B) 4. Тримач шланга (C)

4. Під'єднайте шланг до шланга пилососа за допомогою з'єднувальної муфти шланга.

ПРИМІТКА: Якщо шланга немає в комплекті, прикріпіть пилозахисну кришку до шланга пилососа або до шланга Makita ø28.

5. Відрегулюйте відстань між пилозахисною кришкою й кінчиком зубила або пірамідального долота. Рекомендована відстань становить 30–100 мм.

► **Рис.26:** (1) 30–100 мм

РОБОТА

⚠ОБЕРЕЖНО: Обов'язково використовуйте бокову ручку / бокову рукоятку (допоміжна ручка) і міцно тримайте інструмент за бокову ручку / бокову рукоятку та ручку з вимикачем під час роботи.

⚠ОБЕРЕЖНО: Перед початком роботи переконайтеся, що оброблювана деталь надійно зафіксована. Якщо деталь не зафіксована, вона може зсунутися, і це може призвести до травми.

⚠ОБЕРЕЖНО: Не витягайте інструмент силоміць, навіть якщо наконечник застряг. Втрата контролю над інструментом може призвести до травмування.


⚠ОБЕРЕЖНО: Не залишайте інструмент затиснутим в оброблюваній деталі. Інструмент може випадково ввімкнутися, що може призвести до травми.

ПРИМІТКА: За низької температури касети з акумулятором продуктивність інструмента може зменшитися. У такому випадку підігрійте касету з акумулятором, на деякий час ввімкнувши інструмент без навантаження, доки продуктивність не зросте до потрібного значення.

► Рис.27

Робота в режимі ударного свердління


⚠ОБЕРЕЖНО: Під час пробивання отвору до інструмента/свердла прикладається величезне зусилля, коли отвір забивається уламками та частинками або у разі удару свердла об арматуру в бетоні. **Обов'язково використовуйте бокову рукоятку (допоміжна ручка) та міцно тримайте інструмент за бокову рукоятку та ручку з вимикачем під час роботи.** Недотримання цієї вимоги може призвести до втрати контролю над інструментом та важкого травмування.

Встановіть режим роботи, повернувши ручку, щоб вона вказувала на символ . Приставте свердло до місця, у якому необхідно зробити отвір, а потім натисніть на курок вмикача. Не прикладайте силу до інструмента. Невеликий тиск забезпечує найліпші результати. Тримайте інструмент у належному положенні та не давайте йому вискочити з отвору.

Не збільшуйте тиск, коли отвір забивається уламками та частинками. Натомість прокрутіть інструмент на холостому ходу, а потім частково вийміть свердло з отвору. Якщо це зробити декілька разів, отвір очиститься, і можна буде продовжити нормальне свердління.

ПРИМІТКА: Якщо інструмент працює без навантаження, під час роботи може спостерігатись ексцентричність в обертанні свердла. Під час роботи інструмент автоматично центрується. На точність свердління це не впливає.

Довбання/Шкребіння/Демонтаж

Встановіть режим роботи, повернувши ручку, щоб вона вказувала на символ . Міцно тримайте інструмент обома руками. Увімкнувши інструмент, злегка натисніть на нього, щоб він безконтрольно не хитався. Сильне натискання на інструмент не підвищує ефективності.

► Рис.28

Повітродувка

Додаткове обладнання

Коли отвір буде просвердлено, можна очистити його від пилу повітродувкою.

► Рис.29

ФУНКЦІЯ БЕЗДРОТОВОЇ АКТИВАЦІЇ

Додаткове обладнання

Для чого призначена функція бездротової активації

Використання функції бездротової активації забезпечує чистоту та комфортну роботу. Після під'єднання до інструмента сумісного пилососа його можна буде автоматично запускати разом з інструментом.

► Рис.30

Щоб скористатися функцією бездротової активації, підготуйте наступні компоненти:

- бездротовий модуль (додаткове обладнання);
- пилосос, який підтримує функцію бездротової активації.

Налаштування функції бездротової активації наведено далі. Щоб отримати докладні інструкції, зверніться до відповідного розділу.

1. Установлення бездротового модуля
2. Реєстрація інструмента для пилососа
3. Увімкнення функції бездротової активації

Установлення бездротового модуля

Додаткове приладдя

⚠ОБЕРЕЖНО: Під час установлення бездротового модуля розташуйте інструмент на рівній і стійкій поверхні.

УВАГА: Перед установленням бездротового модуля очистіть інструмент від пилу та бруду. Пил або бруд можуть стати причиною несправності, якщо вони потраплять у відсік бездротового пристрою.

УВАГА: Щоб уникнути несправностей, викликаних статичною електрикою, перш ніж торкатися бездротового модуля, доторкніться до деталі, яка допоможе зняти електростатичний заряд, наприклад до металевої частини інструменту.

УВАГА: Під час установлення бездротового модуля завжди стежте за тим, щоб уставляти його правильною стороною та щоб кришка відсіку була повністю закрита.

1. Відкрийте кришку на інструменті, як показано на малюнку.

► **Рис.31:** 1. Кришка

2. Вставте бездротовий модуль у відсік і закрийте кришку.

Під час установлення бездротового модуля сумістіть виступи із заглибленнями у відсіку.

► **Рис.32:** 1. Бездротовий модуль 2. Виступ
3. Кришка 4. Заглиблення

Під час вивільнення бездротового модуля відкрийте кришку повільно. Гачки на зворотному боці кришки зачеплять бездротовий модуль, якщо потягнути за кришку.

► **Рис.33:** 1. Бездротовий модуль 2. Гачок
3. Кришка

Після зняття бездротового модуля зберігайте його в упаковці з комплекту постачання або в контейнері, захищеному від дії статичної електрики.

УВАГА: Під час вивільнення бездротового модуля завжди використовуйте гачки на зворотному боці кришки. Якщо гачки не захопили бездротовий модуль, повністю закрийте кришку та знову повільно відкрийте її.

Реєстрація інструмента для пирососа

ПРИМІТКА: Для реєстрації інструмента потрібно мати пиросос Makita, який підтримує функцію бездротової активації.

ПРИМІТКА: Установіть бездротовий модуль в інструмент перед початком реєстрації.

ПРИМІТКА: Під час реєстрації інструмента не натискайте курок вмикача або кнопку живлення пирососа.

ПРИМІТКА: Див. також посібник з експлуатації пирососа.

Для ввімкнення пирососа одночасно з інструментом спочатку виконайте реєстрацію інструмента.

1. Уставте акумулятори в пиросос та інструмент.

2. Установіть перемикач режиму очікування на пирососі в положення «АУТО».

► **Рис.34:** 1. Перемикач режиму очікування

3. Натисніть кнопку бездротової активації на пирососі та втримуйте її протягом 3 секунд, поки індикатор бездротової активації не почне блимати зеленим кольором. Потім так само натисніть кнопку бездротової активації на інструменті.

► **Рис.35:** 1. Кнопка бездротової активації
2. Індикатор бездротової активації

Якщо пиросос та інструмент з'єднані успішно, індикатори бездротової активації світитимуться зеленим світлом протягом 2 секунд, а потім почнуть блимати синім кольором.

ПРИМІТКА: Індикатори бездротової активації припинять блимати зеленим кольором за 20 секунд. Натисніть кнопку бездротової активації на інструменті, поки блимає індикатор бездротової активації на пирососі. Якщо індикатор бездротової активації не блимає зеленим, короткочасно натисніть кнопку бездротової активації, а потім знову натисніть і втримуйте її.

ПРИМІТКА: Якщо потрібно зареєструвати два або більше інструментів для одного пирососа, виконайте реєстрацію інструментів послідовно, один за одним.

Увімкнення функції бездротової активації

ПРИМІТКА: Завершіть реєстрацію інструмента для пирососа до використання бездротової активації.

ПРИМІТКА: Див. також посібник з експлуатації пирососа.

Після реєстрації інструмента пиросос вмикатиметься автоматично, коли починає працювати інструмент.

1. Установіть бездротовий модуль в інструмент.

2. З'єднайте шланг пирососа з інструментом.

► **Рис.36**

3. Установіть перемикач режиму очікування на пирососі в положення «АУТО».

► **Рис.37:** 1. Перемикач режиму очікування

4. Натисніть і втримуйте кнопку бездротової активації на інструменті. Індикатор бездротової активації почне блимати синім кольором.

► **Рис.38:** 1. Кнопка бездротової активації
2. Індикатор бездротової активації

5. Натисніть на курок вмикача інструмента. Перевірте, чи працює пиросос, коли натиснуто курок вмикача.

Щоб вимкнути бездротову активацію пирососа, натисніть кнопку бездротової активації на інструменті.

ПРИМІТКА: Індикатор бездротової активації на інструменті припинить блимати синім, якщо він не використовується протягом 2 годин. У цьому випадку встановить перемикач режиму очікування на пилососі в положення «АУТО» та знову натисніть кнопку бездротової активації на інструменті.

ПРИМІТКА: Пилосос вмикається та зупиняється із затримкою. Існує затримка, коли пилосос визначає перемикання інструмента в робочий режим.

ПРИМІТКА: Дальність передачі бездротового модуля змінюється в залежності від місця розташування й навколишніх умов.

ПРИМІТКА: Якщо для одного пилососа зареєстровано два або більше інструментів, пилосос може почати працювати, навіть якщо не натиснуто курок вмикача, коли інший користувач застосує функцію бездротової активації.

Опис стану індикатора бездротової активації

► **Рис.39:** 1. Індикатор бездротової активації

Індикатор бездротової активації відображає стан функції бездротової активації. Значення стану індикатора див. у таблиці нижче.

| Стан | Індикатор бездротової активації | | | Тривалість | Опис |
|-----------------------------------|---------------------------------|-------------------------------------|---------------------------------|-------------------------|--|
| | Колір | <input type="checkbox"/> Увімк. | <input type="checkbox"/> Блимає | | |
| Режим очікування | Синій | <input checked="" type="checkbox"/> | | 2 години | Доступна бездротова активація пилососа. Індикатор автоматично вимкнеться, якщо протягом 2 годин не буде виконуватися ніяка операція. |
| | | <input type="checkbox"/> | | Коли інструмент працює. | Доступна бездротова активація пилососа, інструмент працює. |
| Реєстрація інструмента | Зелений | <input checked="" type="checkbox"/> | | 20 секунд | Готовність до реєстрації інструмента. Очікування реєстрації пилососом. |
| | | <input type="checkbox"/> | | 2 секунди | Реєстрація інструмента завершена. Індикатор бездротової активації починає блимати синім кольором. |
| Скасування реєстрації інструмента | Червоний | <input checked="" type="checkbox"/> | | 20 секунд | Готовність до скасування реєстрації інструмента. Очікування скасування пилососом. |
| | | <input type="checkbox"/> | | 2 секунди | Скасування реєстрації інструмента завершено. Індикатор бездротової активації починає блимати синім кольором. |
| Інше | Червоний | <input type="checkbox"/> | | 3 секунди | На бездротовий модуль подається живлення, функція бездротової активації вмикається. |
| | Вимк. | — | | — | Бездротова активація пилососа вимкнена. |

Скасування реєстрації інструмента для пилососа

Виконайте наступні дії, щоб скасувати реєстрацію інструмента для пилососа.

1. Уставте акумулятори в пилосос та інструмент.
2. Установіть перемикач режиму очікування на пилососі в положення «АУТО».

► **Рис.40:** 1. Перемикач режиму очікування

3. Натискайте кнопку бездротової активації на пилососі протягом 6 секунд. Індикатор бездротової активації почне блимати зеленим, а потім загориться червоним кольором. Після цього так само натисніть кнопку бездротової активації на інструменті.

► **Рис.41:** 1. Кнопка бездротової активації
2. Індикатор бездротової активації

Якщо скасування виконано успішно, індикатори бездротової активації світитимуться червоним світлом протягом 2 секунд, а потім почнуть блимати синім кольором.

ПРИМІТКА: Індикатори бездротової активації припинять блимати червоним кольором за 20 секунд. Натисніть кнопку бездротової активації на інструменті, поки блимає індикатор бездротової активації на пилососі. Якщо індикатор бездротової активації не блимає червоним, короткочасно натисніть кнопку бездротової активації, а потім знову натисніть і втримуйте її.

Усунення несправностей функції бездротової активації

Перш ніж звертатися з приводу ремонту інструмента, проведіть його перевірку самостійно. У разі виявлення несправності, яку не описано в цьому посібнику, не намагайтеся розібрати інструмент. Натомість зверніться до авторизованих сервісних центрів Makita та використовуйте для ремонту тільки запасні частини виробництва компанії Makita.

| Стан відхилення від норми | Можлива причина (несправність) | Спосіб виправлення |
|--|---|--|
| Індикатор бездротової активації не світиться або не блимає. | Бездротовий модуль не встановлено в інструмент. Бездротовий модуль встановлено в інструмент неправильно. | Установіть бездротовий модуль. |
| | Контакти бездротового модуля або роз'єм забруднені. | Акуратно витріть пил і бруд на контактах бездротового модуля та очистіть роз'єм. |
| | Кнопку бездротової активації на інструменті не натиснуто. | Натисніть і відпустіть кнопку бездротової активації на інструменті. |
| | Перемикач режиму очікування на пилососі не встановлено в положення «АВТО». | Установіть перемикач режиму очікування на пилососі в положення «АВТО». |
| | Відсутнє живлення | Підключіть інструмент і пилосос до джерела живлення. |
| Неможливо успішно закінчити реєстрацію інструмента або скасувати реєстрацію інструмента. | Бездротовий модуль не встановлено в інструмент. Бездротовий модуль встановлено в інструмент неправильно. | Установіть бездротовий модуль. |
| | Контакти бездротового модуля або роз'єм забруднені. | Акуратно витріть пил і бруд на контактах бездротового модуля та очистіть роз'єм. |
| | Перемикач режиму очікування на пилососі не встановлено в положення «АВТО». | Установіть перемикач режиму очікування на пилососі в положення «АВТО». |
| | Відсутнє живлення | Підключіть інструмент і пилосос до джерела живлення. |
| | Неправильна операція | Натисніть і відпустіть кнопку бездротової активації, а потім знову виконайте процедуру реєстрації або скасування реєстрації. |
| | Інструмент і пилосос знаходяться далеко один від одного (за межами радіуса дії передавача). | Розташуйте інструмент і пилосос ближче один до одного. Максимальна відстань передачі складає близько 10 м, проте вона залежить від конкретних умов експлуатації. |
| | Перед закінченням реєстрації або скасування реєстрації інструмента: - натиснуто курок вмикача на інструменті або - натиснуто кнопку живлення на пилососі. | Натисніть і відпустіть кнопку бездротової активації, а потім знову виконайте процедуру реєстрації або скасування реєстрації. |
| | Процедура реєстрації для інструмента або пилососа не завершена. | Виконайте дії з реєстрації, які стосуються інструмента й пилососа, в один часовий проміжок. |
| | Радіоперешкоди від інших приладів, які генерують радіохвилі високої потужності. | Тримайте інструмент і пилосос подаль від приладів, як-от пристрої Wi-Fi і мікрохвильові печі. |
| Пилосос не вмикається під час роботи інструмента. | Бездротовий модуль не встановлено в інструмент. Бездротовий модуль встановлено в інструмент неправильно. | Установіть бездротовий модуль. |
| | Контакти бездротового модуля або роз'єм забруднені. | Акуратно витріть пил і бруд на контактах бездротового модуля та очистіть роз'єм. |
| | Кнопку бездротової активації на інструменті не натиснуто. | Натисніть і відпустіть кнопку бездротової активації та переконайтеся, що індикатор бездротової активації блимає синім кольором. |
| | Перемикач режиму очікування на пилососі не встановлено в положення «АВТО». | Установіть перемикач режиму очікування на пилососі в положення «АВТО». |
| | У пилососі зареєстровано понад 10 інструментів. | Виконайте реєстрацію інструмента ще раз. Якщо в пилососі зареєстровано понад 10 інструментів, дані про інструмент, який було зареєстровано найпершим, будуть автоматично вилучені. |
| | Пилосос вилучив дані про реєстрацію всіх інструментів. | Виконайте реєстрацію інструмента ще раз. |
| | Відсутнє живлення | Підключіть інструмент і пилосос до джерела живлення. |
| | Інструмент і пилосос знаходяться далеко один від одного (за межами радіуса дії передавача). | Розташуйте інструмент і пилосос ближче один до одного. Максимальна відстань передачі складає близько 10 м, проте вона залежить від конкретних умов експлуатації. |
| | Радіоперешкоди від інших приладів, які генерують радіохвилі високої потужності. | Тримайте інструмент і пилосос подаль від приладів, як-от пристрої Wi-Fi і мікрохвильові печі. |

| Стан відхилення від норми | Можлива причина (несправність) | Спосіб виправлення |
|--|--|---|
| Пилосос працює, коли не натиснуто курок вмикача. | Інші користувачі застосовують функцію бездротової активації пилососа з їхніми інструментами. | Вимкніть за допомогою кнопки бездротову активацію інших інструментів або скауйте їх реєстрацію. |

ТЕХНІЧНЕ ОБСЛУГОВУВАННЯ

⚠ ОБЕРЕЖНО: Перед здійсненням перевірки або обслуговування завжди перевіряйте, щоб інструмент був вимкнений, а касета з акумулятором була знята.

УВАГА: Ніколи не використовуйте газолін, бензин, розріджувач, спирт та подібні речовини. Їх використання може призвести до зміни кольору, деформації або появи тріщин.

Для забезпечення БЕЗПЕКИ та НАДІЙНОСТІ продукції, її ремонт, а також роботи з обслуговування або регулювання повинні виконуватись уповноваженими або заводськими сервісними центрами Makita із використанням запчастин виробництва компанії Makita.

ДОДАТКОВЕ ПРИЛАДДЯ

⚠ ОБЕРЕЖНО: Це додаткове та допоміжне обладнання рекомендовано використовувати з інструментом Makita, зазначеним у цій інструкції з експлуатації. Використання будь-якого іншого додаткового та допоміжного обладнання може становити небезпеку травмування. Використовуйте додаткове та допоміжне обладнання лише за призначенням.

У разі необхідності отримати допомогу в більш детальному ознайомленні з оснащенням звертайтеся до місцевого сервісного центру Makita.

- Свердла з твердосплавними наконечниками SDS-MAX
- Пірамідальне долото SDS-MAX
- Слюсарне зубило SDS-MAX
- Зубило для видовбування SDS-MAX
- Лопата SDS-MAX
- Мастило для свердла
- Бокова ручка
- Бокова рукоятка
- Обмежувач глибини
- Повітродувка
- Насадка для пиловидалення
- Захисні окуляри
- Бездротовий модуль
- Оригінальний акумулятор та зарядний пристрій Makita
- Пластмасова валіза для транспортування

ПРИМІТКА: Деякі елементи списку можуть входити до комплекту інструмента як стандартне приладдя. Вони можуть відрізнятися залежно від країни.

SPECIFICAȚII

| | | |
|----------------------|------------------------------------|---------------------------------|
| Model: | | HR005G |
| Capacități | Cap cu plăcuțe de carburi metalice | 40 mm |
| | Burghiu de centrare | 105 mm |
| Turație în gol (RPM) | | 250 - 500 min ⁻¹ |
| Lovituri pe minut | | 1.450 - 2.900 min ⁻¹ |
| Lungime totală | cu BL4025 | 484 mm |
| | cu BL4040 | 500 mm |
| Tensiune nominală | | 36 V - 40 V cc. max |
| Greutate netă | | 7,4 - 8,2 kg |

- Datorită programului nostru continuu de cercetare și dezvoltare, specificațiile pot fi modificate fără o notificare prealabilă.
- Specificațiile și cartușul acumulatorului pot diferi de la țară la țară.
- Greutatea poate diferi în funcție de accesoriu(ii), inclusiv cartușul acumulatorului. În tabel se prezintă combinația cea mai ușoară și cea mai grea, conform Procedurii EPTA 01/2014.

Cartușul acumulatorului și încărcătorul aplicabile

| | |
|-------------------------|---|
| Cartușul acumulatorului | BL4020 / BL4025 / BL4040* / BL4050F* * : Acumulator recomandat |
| Încărcător | DC40RA / DC40RB / DC40RC |

- Este posibil ca unele cartușe ale acumulatorilor și încărcătoare menționate mai sus să nu fie disponibile în funcție de regiunea dvs. de reședință.

⚠️ AVERTIZARE: Utilizați numai cartușele de acumulator și încărcătoarele enumerate mai sus. Utilizarea oricăror altor cartușe de acumulator și încărcătoare poate duce la rănire și/sau incendiu.

Destinația de utilizare

Mașina este destinată găuririi cu percuție și găuririi simple în cărămidă, beton și piatră, precum și lucrărilor de dăltuire.

Zgomot

Nivelul de zgomot normal ponderat A determinat în conformitate cu EN60745-2-6:

Nivel de presiune acustică (L_{pA}): 91 dB(A)

Nivel de putere acustică (L_{WA}): 102 dB (A)

Marjă de eroare (K): 3 dB(A)

NOTĂ: Valoarea (valorile) totală(e) a (ale) emisiilor de zgomot declarate a(u) fost măsurată(e) în conformitate cu o metodă de test standard și poate (pot) fi utilizată(e) pentru compararea unei uneelte cu alta.

NOTĂ: Valoarea (valorile) totală(e) a (ale) emisiilor de zgomot declarate poate (pot) fi, de asemenea, utilizată(e) într-o evaluare preliminară a expunerii.

⚠️ AVERTIZARE: Purtați echipament de protecție pentru urechi.

⚠️ AVERTIZARE: Emisiile de zgomot în timpul utilizării efective a unelei electrice poate diferi de valoarea (valorile) nivelului declarat, în funcție de modul în care unealta este utilizată, în special ce fel de piesă este prelucrată.

⚠️ AVERTIZARE: Asigurați-vă că identificați măsurile de siguranță pentru a proteja operatorul, acestea fiind bazate pe o estimare a expunerii în condiții reale de utilizare (luând în considerare toate părțile ciclului de operare, precum timpii în care unealta a fost oprită, sau a funcționat în gol, pe lângă timpul de declanșare).

Vibrații

Valoarea totală a vibrațiilor (suma vectorilor tri-axiali) determinată conform EN60745-2-6:

Mod de lucru: găurire cu percuție în beton

Emisie de vibrații ($a_{h,HD}$): 5,0 m/s²

Marjă de eroare (K): 1,5 m/s²

Mod de lucru: funcție de dăltuire cu mâner lateral

Emisie de vibrații ($a_{h,Cheq}$): 4,0 m/s²

Marjă de eroare (K): 1,5 m/s²

Mod de lucru: funcție de dăltuire cu manetă laterală

Emisie de vibrații ($a_{h,Cheq}$): 4,0 m/s²

Marjă de eroare (K): 1,5 m/s²

NOTĂ: Valoarea (valorile) totală(e) a (ale) nivelului de vibrații declarat a (au) fost măsurată(e) în conformitate cu o metodă de test standard și poate (pot) fi utilizată(e) pentru compararea unei unele cu alta.

NOTĂ: Valoarea (valorile) totală(e) a (ale) nivelului de vibrații declarat poate (pot) fi, de asemenea, utilizată(e) într-o evaluare preliminară a expunerii.

⚠️ AVERTIZARE: Nivelul de vibrații în timpul utilizării efective a unelei electrice poate diferi de valoarea (valorile) nivelului declarat, în funcție de modul în care unealta este utilizată, în special ce fel de piesă este prelucrată.

⚠️ AVERTIZARE: Asigurați-vă că identificați măsurile de siguranță pentru a proteja operatorul, acestea fiind bazate pe o estimare a expunerii în condiții reale de utilizare (luând în considerare toate părțile ciclului de operare, precum timpii în care unealta a fost oprită, sau a funcționat în gol, pe lângă timpul de declanșare).

Declarație de conformitate CE

Numai pentru țările europene

Declarația de conformitate CE este inclusă ca Anexa A în acest manual de instrucțiuni.

AVERTIZĂRI DE SIGURANȚĂ

Avertismente generale de siguranță pentru mașinile electrice

⚠️ AVERTIZARE: Citiți toate avertismentele privind siguranța, instrucțiunile, ilustrațiile și specificațiile furnizate cu această sculă electrică. Nerespectarea integrală a instrucțiunilor de mai jos poate cauza electrocutări, incendii și/sau vătămări corporale grave.

Păstrați toate avertismentele și instrucțiunile pentru consultări ulterioare.

Termenul „mașină electrică” din avertisări se referă la mașinile dumneavoastră electrice acționate de la rețea (prin cablu) sau cu acumulator (fără cablu).

AVERTISMENTE PRIVIND SIGURANȚA PENTRU CIOCANUL ARTICULAT FĂRĂ CABLU

1. **Purtați echipamente de protecție pentru urechi.** Expunerea la zgomot poate cauza pierderea auzului.
2. **Utilizați mânerul auxiliar, dacă sunt livrate cu mașina.** Pierderea controlului poate produce vătămări corporale.
3. **Țineți mașina electrică de suprafețele de prindere izolate atunci când efectuați o operațiune în care accesoriul de tăiere poate intra în contact cu fire ascunse.** Accesoriul de tăiere care intră în contact cu un fir aflat sub tensiune poate pune sub tensiune componentele metalice neizolate ale mașinii electrice și poate supune operatorul la șoc electric.

4. **Purtați o cască dură (cască de protecție), ochelari de protecție și/sau o mască de protecție.** Ochelarii obișnuiți sau ochelarii de soare NU sunt ochelari de protecție. De asemenea, se recomandă insistent să purtați o mască de protecție contra prafului și mănuși de protecție groase.
5. **Asigurați-vă că scula este fixată înainte de utilizare.**
6. **În condiții de utilizare normală, mașina este concepută să producă vibrații.** Șuruburile se pot slăbi ușor, cauzând o defecțiune sau un accident. Verificați cu atenție strângerea șuruburilor înainte de utilizare.
7. **În condiții de temperatură scăzută sau dacă mașina nu a fost utilizată o perioadă mai îndelungată, lăsați-o să se încălzească un timp prin acționarea ei în gol.** Această acțiune va facilita lubrifierea. Operația de percuție este dificilă fără o încălzire prealabilă corespunzătoare.
8. **Păstrați-vă echilibrul.** Asigurați-vă că nu se află nicio persoană dedesubt atunci când folosiți mașina la înălțime.
9. **Țineți mașina ferm cu ambele mâini.**
10. **Țineți mâinile la distanță de piesele în mișcare.**
11. **Nu lăsați mașina în funcțiune.** Folosiți mașina numai când o țineți cu mâinile.
12. **Nu îndreptați mașina către nicio persoană din jur în timpul utilizării.** Scula poate fi aruncată din mașină și poate provoca vătămări corporale grave.
13. **Nu atingeți capul, piesele din apropierea capului sau piesa de prelucrat imediat după executarea lucrării;** acestea pot fi extrem de fierbinți și pot provoca arsuri ale pielii.
14. **Unele materiale conțin substanțe chimice care pot fi toxice.** Aveți grijă să nu inhalați praful și evitați contactul cu pielea. Respectați instrucțiunile de siguranță ale furnizorului.
15. **Asigurați-vă întotdeauna că mașina este oprită, iar cartușul acumulatorului și capul sunt scoase înainte de a preda mașina unei alte persoane.**
16. **Înainte de punerea în funcțiune, asigurați-vă că nu există obiecte îngropate în zona de lucru, precum tuburi pentru instalația electrică, conducte de apă sau de gaz.** În caz contrar, capul de burghiu/dalta poate să le atingă, cauzând un șoc electric, pierderi de energie electrică sau scurgeri de gaz.
17. **Nu acționați unealta în gol în mod inutil.**

PĂSTRAȚI ACESTE INSTRUCȚIUNI.

⚠️ AVERTIZARE: NU permiteți comodității și familiarizării cu produsul (obținute prin utilizare repetată) să înlocuiască respectarea strictă a normelor de securitate pentru acest produs. FOLOSIREA INCORECTĂ sau nerespectarea normelor de securitate din acest manual de instrucțiuni poate provoca vătămări corporale grave.

Instrucțiuni importante privind siguranța pentru cartușul acumulatorului

1. Înainte de a folosi cartușul acumulatorului, citiți toate instrucțiunile și atenționările de pe (1) încărcătorul acumulatorului, (2) acumulator și (3) produsul care folosește acumulatorul.
2. Nu dezamblați și nu interveniți asupra cartușului acumulatorului. Acest lucru poate cauza incendii, căldură excesivă sau explozii.
3. Dacă timpul de funcționare s-a redus excesiv, întrerupeți imediat funcționarea. Aceasta poate prezenta risc de supraîncălzire, posibile arsuri și chiar explozie.
4. Dacă electrolitul pătrunde în ochi, clătiți bine ochii cu apă curată și consultați imediat un medic. Există risc de orbire.
5. Nu scurtcircuitați cartușul acumulatorului:
 - (1) Nu atingeți bornele cu niciun material conductor.
 - (2) Evitați depozitarea cartușului acumulatorului la un loc cu alte obiecte metalice cum ar fi cuie, monede etc.
 - (3) Nu expuneți cartușul acumulatorului la apă sau ploaie.

Un scurtcircuit al acumulatorului poate provoca un flux puternic de curent electric, supraîncălzire, posibile arsuri și chiar defectarea mașinii.

6. Nu depozitați și nu utilizați mașina și cartușul acumulatorului în locuri în care temperatura poate atinge sau depăși 50 °C (122 °F).
7. Nu incinerati cartușul acumulatorului chiar dacă acesta este grav deteriorat sau complet uzat. Cartușul acumulatorului poate exploda în foc.
8. Nu introduceți cuie în cartușul acumulatorului, nu îl tăiați, striviți, aruncați sau scăpați și nu îl loviți cu un obiect dur. Astfel de acțiuni pot provoca incendii, căldură excesivă sau explozii.
9. Nu utilizați un acumulator deteriorat.
10. Acumulatorii Li-Ion încorporați se supun cerințelor Legislației privind substanțele periculoase.

Pentru transporturi comerciale, efectuate de exemplu de către părți terțe, expeditori, trebuie respectate cerințele speciale de ambalare și etichetare.

Pentru pregătirea articolului care urmează să fie expediat, este necesară consultarea unui expert în materiale periculoase. Vă rugăm să respectați, de asemenea, reglementările naționale, care pot fi mai detaliate.

Izolați sau acoperiți contactele deschise și împachetați acumulatorul în așa fel încât să nu se poată mișca în ambalaj.
11. Atunci când eliminați la deșeuri cartușul acumulatorului, scoateți-l din mașină și eliminați-l într-un loc sigur. Respectați normele naționale privind eliminarea la deșeuri a acumulatorului.

12. Utilizați acumuloarele numai cu produsele specificate de Makita. Instalarea acumulatorilor în produse neconforme poate cauza incendii, căldură excesivă, explozii sau scurgeri de electrolit.
13. Dacă mașina nu este utilizată o perioadă lungă de timp, acumulatorul trebuie scos din acesta.
14. În timpul utilizării și după aceea, cartușul acumulatorului se poate încălzi, ceea ce poate cauza arsuri sau arsuri la temperaturi scăzute. Fiți atenți la manipularea cartușelor de acumulator atunci când sunt fierbinți.
15. Nu atingeți borna mașinii imediat după utilizare, întrucât se poate încălzi foarte tare și poate provoca arsuri.
16. Nu lăsați să pătrundă așchii, praf sau pământ în borne, în orificii și în canalurile cartușului acumulatorului. Acest lucru poate duce la o performanță slabă sau poate cauza defectarea mașinii sau a cartușului acumulatorului.
17. Nu utilizați cartușul acumulatorului în apropierea liniilor electrice de înaltă tensiune, cu excepția cazului în care mașina suportă utilizarea în apropierea liniilor electrice de înaltă tensiune. Acest lucru poate duce la funcționarea necorespunzătoare sau la defectarea mașinii sau a cartușului acumulatorului.
18. Țineți acumulatorul la distanță de copii.

PĂSTRAȚI ACESTE INSTRUCȚIUNI.

⚠ATENȚIE: Folosiți numai acumulatori Makita originali. Acumulatorii Makita care nu sunt originali și acumulatorii care au suferit modificări se pot aprinde, provocând incendii, leziuni corporale și daune. De asemenea, anulează garanția oferită de Makita pentru unealta și încărcătorul Makita.

Sfaturi pentru obținerea unei durate maxime de exploatare a acumulatorului

1. Încărcați cartușul acumulatorului înainte de a se descărca complet. Întrerupeți întotdeauna funcționarea mașinii și încărcați cartușul acumulatorului când observați o scădere a puterii mașinii.
2. Nu reîncărcați niciodată un acumulator complet încărcat. Supraîncărcarea va scurta durata de exploatare a acumulatorului.
3. Încărcați cartușul acumulatorului la temperatura camerei, între 10 °C - 40 °C (50 °F - 104 °F). Lăsați un acumulator fierbinte să se răcească înainte de a-l încărca.
4. Atunci când nu utilizați cartușul acumulatorului, scoateți-l din mașină sau din încărcător.
5. Încărcați cartușul acumulatorului în cazul în care nu a fost utilizat pe o perioadă mai lungă (mai mult de șase luni).

Instrucțiuni importante privind siguranța pentru unitatea wireless

1. Nu dezasamblați sau interveniți asupra unității wireless.
2. Țineți unitatea wireless la distanță de copii mici. Dacă este înghițită accidental, consultați imediat un medic.
3. Utilizați unitatea wireless numai cu mașini Makita.
4. Nu expuneți unitatea wireless la ploaie sau la condiții de umiditate.
5. Nu utilizați unitatea wireless în locuri unde temperatura depășește 50 °C.
6. Nu operați unitatea wireless în apropierea unor instrumente medicale, precum stimulatorul cardiac.
7. Nu operați unitatea wireless în apropierea unor dispozitive automate. Dacă sunt operate, dispozitivele automate pot dezvolta funcționări defectuoase sau erori.
8. Nu operați unitatea wireless în locuri cu temperaturi ridicate sau în locuri în care s-ar putea genera electricitate statică sau zgomot electric.
9. Unitatea wireless poate produce câmpuri electromagnetice (CEM), însă acestea nu sunt dăunătoare pentru utilizator.
10. Unitatea wireless este un instrument de precizie. Aveți grijă să nu scăpați sau să loviți unitatea wireless.
11. Evitați să atingeți borna unității wireless cu mâinile neacoperite sau cu materiale metalice.
12. Scoateți întotdeauna acumulatorul din produs atunci când instalați unitatea wireless în acesta.
13. Atunci când deschideți clapeta de închidere a fantei, evitați locurile unde praful sau apa poate pătrunde în fantă. Mențineți întotdeauna curat orificiul de admisie al fantei.
14. Introduceți întotdeauna unitatea wireless în direcția corectă.
15. Nu apăsați cu forță excesivă butonul de activare wireless de pe unitatea wireless și/sau nu apăsați butonul cu un obiect cu o margine ascuțită.
16. Închideți întotdeauna clapeta de închidere a fantei atunci când lucrați.
17. Nu scoateți unitatea wireless din fantă în timp ce mașina este alimentată cu energie. În caz contrar, unitatea wireless poate funcționa defectuos.
18. Nu îndepărtați autocolantul de pe unitatea wireless.
19. Nu aplicați niciun autocolant pe unitatea wireless.
20. Nu lăsați unitatea wireless într-un loc unde s-ar putea genera electricitate statică sau zgomot electric.
21. Nu lăsați unitatea wireless într-un loc supus temperaturilor ridicate, cum ar fi o mașină parcată în soare.
22. Nu lăsați unitatea wireless într-un loc în care se produce praf sau pulbere sau într-un loc unde s-ar putea genera gaze corozive.
23. Schimbarea bruscă de temperatură poate duce la înrouarea unității wireless. Nu utilizați unitatea wireless înainte ca picăturile de rouă să se fi uscat complet.
24. Atunci când curățați unitatea wireless, ștergeți delicat cu o lavetă moale și uscată. Nu utilizați benzină, diluant, vaselină conductivă sau alt produs similar.

25. Atunci când depozitați unitatea wireless, păstrați-o în cutia furnizată sau într-un recipient fără electricitate statică.
26. Nu introduceți în fantă de pe mașină alte dispozitive în afară de unitatea wireless Makita.
27. Nu utilizați mașina dacă clapeta de închidere a fantei este deteriorată. Apa, praful și murdăria care pătrund în fantă pot provoca defectarea.
28. Nu trageți și/sau răsuciți clapeta de închidere mai mult decât este necesar. Puneți la loc clapeta de închidere dacă se desprinde de pe mașină.
29. Înlocuiți clapeta de închidere a fantei dacă se pierde sau dacă este deteriorată.

PĂSTRAȚI ACESTE INSTRUCȚIUNI.

DESCRIEREA FUNCȚIILOR

⚠ATENȚIE: Asigurați-vă întotdeauna că mașina este oprită și cartușul acumulatorului este scos înainte de a ajusta sau verifica funcționarea mașinii.

Instalarea sau scoaterea cartușului acumulatorului

⚠ATENȚIE: Opriti întotdeauna mașina înainte de montarea sau demontarea cartușului de acumulator.

⚠ATENȚIE: Țineți ferm mașina și cartușul acumulatorului la montarea sau demontarea cartușului. În cazul în care nu țineți ferm mașina și cartușul de acumulator, acestea vă pot aluneca din mâini, rezultând defectarea mașinii și cartușului de acumulator, precum și în accidente personale.

► Fig.1: 1. Indicator roșu 2. Buton 3. Cartușul acumulatorului

Pentru a scoate cartușul acumulatorului, glisați-l din mașină în timp ce glisați butonul de pe partea frontală a cartușului.

Pentru a instala cartușul acumulatorului, aliniați limba de pe cartușul acumulatorului cu canelura din carcasă și introduceți-l în locaș. Introduceți-l complet, până când se înclichetează în locaș. Dacă puteți vedea indicatorul roșu din partea superioară a butonului, acesta nu este blocat complet.

⚠ATENȚIE: Instalați întotdeauna cartușul acumulatorului complet, până când indicatorul roșu nu mai este vizibil. În caz contrar, acesta poate cădea accidental din mașină provocând rănirea dumneavoastră sau a persoanelor din jur.

⚠ATENȚIE: Nu forțați cartușul acumulatorului la montare. Dacă acesta nu glisează ușor, înseamnă că a fost introdus încorect.

Indicarea capacității rămase a acumulatorului

Apăsați butonul de verificare de pe cartușul acumulatorului, astfel încât să se indice capacitățile rămase ale acumulatorului. Lămpile indicatorului vor lumina timp de câteva secunde.

► Fig.2: 1. Lămpi indicatoare 2. Buton de verificare

| Lămpi indicatoare | | | Capacitate rămasă |
|-------------------|-------|------------------------|---|
| Iluminat | Oprit | Iluminare intermitentă | |
| ■ | □ | ■ | între 75% și 100% |
| ■ | ■ | ■ | între 50% și 75% |
| ■ | □ | □ | între 25% și 50% |
| ■ | □ | □ | între 0% și 25% |
| ■ | □ | □ | Încărcați acumulatorul. |
| ■ | □ | □ | Este posibil ca acumulatorul să fie defect. |

NOTĂ: În funcție de condițiile de utilizare și temperatura ambientală, indicația poate fi ușor diferită de capacitatea reală.

NOTĂ: Prima lampă indicatoare (extremitatea stângă) va lumina intermitent când sistemul de protecție a acumulatorului funcționează.

Sistem de protecție mașină/acumulator

Mașina este prevăzută cu un sistem de protecție mașină/acumulator. Acest sistem întrerupe automat alimentarea motorului pentru a extinde durata de funcționare a mașinii și acumulatorului. Mașina se va opri automat în timpul funcționării dacă mașina sau acumulatorul se află într-una din situațiile următoare:

Protecție la suprasarcină

Când mașina sau acumulatorul este utilizată/utilizat într-un mod care duce la un consum exagerat de curent, mașina se va opri automat, fără nicio indicație. În această situație, opriți mașina și întrerupeți aplicația care a dus la suprasolicitarea mașinii. Apoi, reporniți mașina.

Protecție la supraîncălzire

În momentul în care mașina sau bateria se supraîncălzeste, mașina se oprește automat și lampa luminează intermitent. În acest caz, lăsați mașina și acumulatorul să se răcească înainte de a reporni mașina.

Protecție la supradescărcare

Când capacitatea acumulatorului scade, unealta se oprește automat. În acest caz, scoateți acumulatorul din mașină și încărcați-l.

Aționarea întrerupătorului

AVERTIZARE: Înainte de a introduce cartușul acumulatorului în mașină, verificați întotdeauna dacă butonul declanșator funcționează corect și revine în poziția „OFF” (oprit) când este eliberat.

ATENȚIE: Când nu utilizați mașina, apăsați butonul de blocare a butonului declanșator de pe partea B pentru a bloca butonul declanșator în poziția OPRIT.

► Fig.3: 1. Buton declanșator 2. Buton de blocare a butonului declanșator

Pentru a preveni tragerea accidentală a butonului declanșator, este prevăzută butonul de blocare a butonului declanșator. Pentru a porni mașina, apăsați butonul de blocare a butonului declanșator de pe partea A și trageți de butonul declanșator. Eliberați butonul declanșator pentru a opri mașina. După utilizare, apăsați butonul de blocare a butonului declanșator de pe partea B.

Schimbarea vitezei

Rotațiile și loviturile pe minut ale mașinii pot fi reglate prin rotirea rondelii de reglare. Discul rotativ este marcat de la 1 (cea mai mică viteză) până la 5 (viteză maximă).

► Fig.4: 1. Rondelă de reglare

Consultați tabelul de mai jos pentru relația dintre numărul de pe rondela de reglare și rotațiile și loviturile pe minut ale mașinii.

| Număr | Rotații pe minut | Lovituri pe minut |
|-------|------------------|-------------------|
| 5 | 500 | 2900 |
| 4 | 470 | 2700 |
| 3 | 380 | 2150 |
| 2 | 290 | 1650 |
| 1 | 250 | 1450 |

ATENȚIE: Nu rotiți rondela de reglare atunci când mașina este în funcțiune. În caz contrar, există riscul de a pierde controlul mașinii și de a suferi vătămări corporale grave.

NOTĂ: Dacă mașina este operată continuu la viteză mică timp îndelungat, motorul va fi supra-solicitat și mașina se va defecta.

NOTĂ: Rondela de reglare a vitezei poate fi rotită numai până la poziția 5 și înapoi la poziția 1. Nu o forțați peste pozițiile 5 sau 1, deoarece funcția de reglare a vitezei se poate defecta.

NOTĂ: Funcție de rotație lină fără sarcină

Când rondela de reglare a vitezei este fixată la „3” sau mai mult, mașina reduce automat viteza de funcționare în gol, pentru a reduce vibrațiile la funcționarea în gol.

În momentul în care operațiunea începe cu capul de înșurubat pe beton, loviturile pe minut se înmulțesc și ajutor la numerele indicate în tabel.

Când temperatura este scăzută, este posibil ca mașina să nu aibă această funcție chiar și atunci când motorul se rotește.

Aprinderea lămpii frontale

► Fig.5: 1. Lampă

ATENȚIE: Nu priviți direct în raza sau în sursa de lumină.

Apăsăți butonul declanșator pentru a aprinde lampa. Lampa continuă să lumineze atât timp cât butonul declanșator este apăsat. Lampa se stinge după aproximativ 10 secunde de la eliberarea butonului declanșator.

NOTĂ: Dacă lampa se stinge după ce a luminat intermitent timp de câteva secunde, tehnologia de detectare a reculului activ nu funcționează corect. Adresați-vă centrului local de service Makita pentru efectuarea reparațiilor.


NOTĂ: Folosiți o lavetă uscată pentru a șterge murdăria de pe lentila lămpii. Aveți grijă să nu zgâriați lentila lămpii deoarece, în caz contrar, iluminarea va fi redusă.

Selectarea modului de acționare

NOTĂ: Nu acționați butonul rotativ de schimbare a modului de acționare când mașina este în funcțiune. Mașina va fi avariata.


NOTĂ: Pentru a evita uzura rapidă a mecanismului de schimbare a modului de acționare, aveți grijă întotdeauna ca butonul rotativ de schimbare a modului de acționare să fie poziționat corect într-una dintre cele trei poziții corespunzătoare modurilor de acționare.

Rotire cu percuție

Pentru găurirea betonului, zidăriei etc., rotiți butonul rotativ de schimbare a modului de acționare la simbolul . Utilizați un cap de burghiu cu plăcuțe de carburi metalice.

► Fig.6: 1. Buton rotativ de schimbare a modului de acționare 2. Indicator

Percuție simplă

Pentru operații de spargere, curățare sau demolare, rotiți butonul rotativ de schimbare a modului de acționare la simbolul . Folosiți o dală șpiț, o dală îngustă, o dală lată etc.

► Fig.7: 1. Indicator 2. Buton rotativ de schimbare a modului de acționare

Limitator de cuplu

NOTĂ: Opriti mașina de îndată ce limitatorul de cuplu începe să funcționeze. Astfel, veți evita uzura prematură a mașinii.

NOTĂ: Capetele de burghiu, cum ar fi coroana de găurit, care tind să se blocheze sau să se agațe ușor în gaură, nu sunt adecvate pentru această mașină. Acestea vor cauza acționarea prea frecventă a limitatorului de cuplu.

Limitatorul de cuplu va acționa atunci când se atinge o anumită valoare a cuplului. Motorul va fi decuplat de la arborele de ieșire. În acest caz, capul de burghiu nu se va mai roti.

Funcție electronică

Mașina este echipată cu funcții electronice pentru operare facilă.

Control constant al vitezei

Funcția de control al vitezei furnizează viteza de rotație constantă indiferent de condițiile de sarcină.

Pornire lină

Funcția de pornire lină minimizează șocul de pornire și permite o pornire lină a mașinii.

Tehnologie de detectare a reculului activ

Dacă mașina se rotește brusc la accelerația prestabilită din cauza blocării capului de burghiu etc., motorul se oprește forțat pentru a reduce presiunea asupra încheieturii.

NOTĂ: Tehnologia de detectare a reculului activ nu funcționează dacă accelerația nu atinge nivelul prestabilit.

NOTĂ: De asemenea, tehnologia de detectare a reculului activ se declanșează în timpul oricărei operații doar la simpla pivotare a capului de acționare la accelerația prestabilită.

În acest caz, eliberați butonul declanșator și apoi trageți de butonul declanșator pentru a reporni mașina.

Frână electrică

Această mașină este echipată cu frână electrică. Dacă, în repetate rânduri, mașina nu se oprește rapid după ce butonul declanșator este eliberat, solicitați repararea acesteia la un centru de service Makita.

ASAMBLARE

ATENȚIE: Asigurați-vă întotdeauna că mașina este oprită și cartușul acumulatorului este scos înainte de a executa orice lucrări la mașină.

Manetă laterală

► Fig.8

ATENȚIE: Utilizați maneta laterală numai pentru spargere, curățare sau demolare. Nu îl folosiți la găurirea în beton, zidărie etc. Mașina nu poate fi ținută corect cu această manetă laterală atunci când se execută găuri.

► Fig.9: 1. Manetă laterală 2. Piuliță de strângere
Maneta laterală poate fi pivotată pe verticală și fixată în orice poziție. De asemenea, aceasta poate fi reglată la opt pași în spate și în față, pe orizontală. Slăbiți piulița de prindere pentru a roti maneta laterală în poziția dorită și apoi strângeți bine piulița de prindere.

Mâner lateral (mâner auxiliar)

⚠️ATENȚIE: Folosiți întotdeauna mânerul lateral pentru a garanta siguranța utilizării.

⚠️ATENȚIE: După montarea sau reglarea mânerului lateral, asigurați-vă că acesta este fixat bine.

Mânerul lateral poate fi pivotat, permițând o manipulare ușoară a mașinii în orice poziție. Slăbiți mânerul lateral rotindu-l în sens invers acelor de ceasornic, înclinați-l în poziția dorită și apoi strângeți-l, rotindu-l în sensul acelor de ceasornic.

► **Fig.10:** 1. Mâner lateral

Instalarea sau demontarea capului de burghiu

Unsoare

Curățați capătul cozii capului de înșurubat și aplicați unsoare înainte de instalarea capului de înșurubat. Acoperiți capătul cozii capului de înșurubat în prealabil cu o cantitate mică de unsoare (circa 0,5 - 1 g). Această lubrifiere a mandrinei asigură o funcționare lină și o durată de exploatare prelungită.

► **Fig.11:** 1. Capătul cozii 2. Unsoare

Introduceți capul de burghiu în mașină. Rotiți capul de burghiu și împingeți până când se cuplează.


După instalarea capului de burghiu, asigurați-vă întotdeauna că ați fixat ferm capul de burghiu, încercând să îl trageți afară.

► **Fig.12:** 1. Cap de burghiu

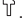
Pentru a demonta capul de burghiu, trageți manșonul mandrinei complet în jos și extrageți capul de burghiu.

► **Fig.13:** 1. Cap de burghiu 2. Manșonul mandrinei

Unghiul de atac al dălții (la operații de spargere, curățare sau demolare)

Dalta poate fi fixată la unghiul de atac dorit. Pentru a schimba unghiul de atac al dălții, rotiți butonul rotativ de schimbare a modului de acționare la simbolul . Rotiți dalta la unghiul dorit.

► **Fig.14:** 1. Buton rotativ de schimbare a modului de acționare 2. Indicator

Rotiți butonul rotativ de schimbare a modului de acționare la simbolul . Apoi, asigurați-vă, printr-o rotire ușoară, că dalta este fixată ferm în poziție.

Profundor

Profundorul este util pentru efectuarea orificiilor cu o adâncime uniformă.

Apăsăți și țineți apăsat butonul de blocare, apoi introduceți profundorul în orificiul hexagonal.

► **Fig.15:** 1. Profundor 2. Buton de blocare

Asigurați-vă că partea dințată a profundorului se află către marcaj.

► **Fig.16:** 1. Marcaj 2. Partea dințată

Reglați profundorul deplasându-l înapoi și înainte în timp ce apăsați butonul de blocare. După reglare, eliberați butonul de blocare pentru a bloca profundorul.

NOTĂ: Asigurați-vă că între calibrul de reglare și corpul principal al mașinii nu există niciun contact în momentul în care îl atașați.

Accesorii de extragere a prafului

Accesorii opționale

Instalarea accesoriului de extragere a prafului

1. Slăbiți mânerul lateral de pe mașină.
2. Instalați capacul de protecție contra prafului astfel încât clichetele capacului de protecție contra prafului să se potrivească în canelurile dintre mașină și mânerul lateral.

► **Fig.17:** 1. Capac de protecție contra prafului 2. Clichet 3. Canelură

3. Strângeți bine mânerul lateral.
4. Fixați burdufurile sau extensia capacului de protecție contra prafului corespunzătoare activității dvs. Când utilizați burdufuri, atașați articulația la partea superioară. Când suprapuneți două burdufuri, conectați-le cu ajutorul articulației.

► **Fig.18:** 1. Extensia capacului de protecție contra prafului 2. Capac de protecție contra prafului 3. Articulație 4. Burdufuri

Conectarea mașinii la aspirator

1. Atașați articulația suportului la mașină, apoi atașați suportul furtunului la articulația suportului.

► **Fig.19:** 1. Articulația furtunului 2. Suportul furtunului

NOTĂ: Articulația furtunului poate fi atașată pe oricare dintre părțile mașinii.

⚠️AVERTIZARE: Folosiți piesa de montare a mașinii doar pentru atașarea articulației suportului.

Utilizarea piesei de montare în orice alt scop poate provoca un accident neașteptat.

2. Fixați furtunul la suportul furtunului.

► **Fig.20:** 1. Suportul furtunului

NOTĂ: Utilizați articulația 25 pentru a conecta furtunul și capacul de protecție contra prafului, dacă este necesar.

Utilizarea profundorului pentru operațiunile de găurire

Când suprapuneți două burdufuri, atașați extensia profundorului la profundor.

► **Fig.21:** 1. Extensia profundorului

Accesorii de extragere a prafului (numai pentru percuție)

Accesorii opționale

1. Instalați suportul furtunului (A/B).

Când maneta laterală este instalată pe mașină, slăbiți piulița de prindere și apoi scoateți bolțul cu cap hexagonal. Instalați suportul furtunului (A) între bolțul cu cap hexagonal și piulița de prindere, strângând bine piulița de prindere.

► **Fig.22:** 1. Bolț cu cap hexagonal 2. Suportul furtunului (A) 3. Piuliță de strângere

Când mânerul lateral este instalat pe mașină, slăbiți mânerul lateral, montați suportul furtunului (B) pe ax, apoi strângeți bine mânerul lateral.

► **Fig.23:** 1. Suportul furtunului (B) 2. Ax 3. Mâner lateral

2. Atașați articulația suportului la mașină, apoi atașați suportul furtunului (C) la articulația suportului.

► **Fig.24:** 1. Articulația furtunului 2. Suportul furtunului (C)

NOTĂ: Articulația furtunului poate fi atașată pe oricare dintre părțile mașinii.

⚠️ AVERTIZARE: Folosiți piesa de montare a mașinii doar pentru atașarea articulației suportului.

Utilizarea piesei de montare în orice alt scop poate provoca un accident neașteptat.

3. Atașați capacul de protecție contra prafului și furtunul la mașină, apoi fixați furtunul la suporturile pentru furtunuri.

► **Fig.25:** 1. Capac de protecție contra prafului
2. Furtun 3. Suportul furtunului (A/B)
4. Suportul furtunului (C)

4. Conectați furtunul la furtunul aspiratorului cu articulația furtunului.

NOTĂ: Dacă furtunul nu este inclus, atașați capacul de protecție contra prafului la furtunul aspiratorului sau atașați-l la furtunul Makita ø28.

5. Reglați distanța dintre capacul de protecție împotriva prafului și vârful dălții sau dalta șpiț. Distanța recomandată este cuprinsă între 30 mm și 100 mm.

► **Fig.26:** (1) 30 mm - 100 mm

OPERAREA

⚠️ ATENȚIE: Folosiți întotdeauna maneta laterală / mânerul lateral (mâner auxiliar) și țineți mașina ferm de maneta laterală / mânerul lateral și de mânerul cu comutator în timpul lucrului.

⚠️ ATENȚIE: Asigurați-vă întotdeauna că piesa de prelucrat este fixată înainte de utilizare. Fixarea necorespunzătoare a piesei de prelucrat poate conduce la mișcarea piesei de prelucrat, ceea ce poate provoca vătămări.

⚠️ ATENȚIE: Nu trageți mașina cu forța, nici chiar în cazul în care capul rămâne blocat. Pierderea controlului poate produce vătămări.


⚠️ ATENȚIE: Nu lăsați mașina introdusă în piesa de prelucrat. În caz contrar, mașina poate porni accidental și poate provoca vătămări corporale.

NOTĂ: În cazul în care cartușul acumulatorului este la temperatură scăzută, capacitatea mașinii nu poate fi obținută integral. În acest caz, încălziți cartușul acumulatorului cu ajutorul mașinii, fără sarcină pentru o anumită perioadă de timp, pentru a obține capacitatea integrală a mașinii.

► **Fig.27**

Operația de găurire cu percuție

⚠️ ATENȚIE: Asupra mașinii/capului burghiului este exercitată o forță de răsucire enormă și bruscă în momentul în care orificiul este străpuns, dacă orificiul se înfundă cu așchii și particule sau dacă întâlniți barele de armătură încastrate în beton. **Folosiți întotdeauna mânerul lateral (mânerul auxiliar) și țineți mașina ferm de mânerul lateral și mânerul cu comutator în timpul lucrului.** În caz contrar, există riscul de a pierde controlul mașinii și de a suferi vătămări corporale grave.

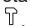
Reglați butonul rotativ de schimbare a modului de acționare la simbolul .

Poziționați capul de burghiu în punctul de găurire dorit, apoi trageți de butonul declanșator. Nu forțați mașina. O presiune mai ușoară oferă cele mai bune rezultate. Mențineți mașina în poziție și împiedicați-o să alunece din gaură.

Nu aplicați o presiune mai mare dacă gaura se înfundă cu așchii sau particule. În schimb, lăsați mașina să funcționeze în gol și scoateți parțial capul de burghiu din gaură. Repetând această operație de mai multe ori, gaura va fi curățată și veți putea continua găurirea normală.

NOTĂ: Când acționați mașina fără sarcină poate apărea o rotație excentrică a capului de burghiu. Mașina se autocentrează în timpul funcționării. Aceasta nu afectează precizia de găurire.

Spargere/curățare/demolare

Reglați butonul rotativ de schimbare a modului de acționare la simbolul .

Țineți mașina ferm cu ambele mâini. Porniți mașina și aplicați o ușoară presiune asupra acesteia astfel încât mașina să nu salte necontrolată.

Apăsarea cu putere a mașinii nu va spori eficiența acesteia.

► **Fig.28**

Pară de suflare

Accesoriu opțional

După găurire, folosiți para de suflare pentru a curăța praful din gaură.

► **Fig.29**

FUNCȚIA DE ACTIVARE WIRELESS

Accesoriu opțional

Ce puteți face cu funcția de activare wireless

Funcția de activare wireless face posibilă o utilizare curată și confortabilă. Conectând un aspirator acceptat la mașină, puteți rula automat aspiratorul, împreună cu operația de comutare a mașinii.

► **Fig.30**

Pentru a utiliza funcția de activare wireless, pregătiți următoarele elemente:

- O unitate wireless (accesoriu opțional)
- Un aspirator care acceptă funcția de activare wireless

Prezentarea generală a setării funcției de activare wireless este după cum urmează. Consultați fiecare secțiune pentru proceduri detaliate.

1. Instalarea unității wireless
2. Înregistrarea mașinii pentru aspirator
3. Pornirea funcției de activare wireless

Instalarea unității wireless

Accesorii opționale

⚠️ ATENȚIE: Așezați mașina pe o suprafață plană și stabilă atunci când instalați unitatea wireless.

NOTĂ: Curățați praful și murdăria de pe mașină înainte de a instala unitatea wireless. Praful sau murdăria poate cauza funcționarea defectuoasă dacă pătrunde în fanta unității wireless.

NOTĂ: Pentru a preveni funcționarea defectuoasă cauzată de energia statică, atingeți un material de descărcare statică, precum o parte din metal a mașinii, înainte de a ridica unitatea wireless.

NOTĂ: Atunci când instalați unitatea wireless, asigurați-vă întotdeauna de introducerea unității wireless în direcția corectă și de închiderea completă a clapetei de închidere.

1. Deschideți clapeta de închidere de pe mașină după cum se vede în figură.

► **Fig.31:** 1. Clapetă de închidere

2. Introduceți unitatea wireless în fantă și apoi închideți clapeta de închidere.

Atunci când introduceți unitatea wireless, aliniați proeminențele cu porțiunile înfundate de pe fantă.

► **Fig.32:** 1. Unitate wireless 2. Proeminență 3. Clapetă de închidere 4. Porțiune înfundată

Atunci când scoateți unitatea wireless, deschideți lent clapeta de închidere. Cârligele de pe partea din spate a clapetei de închidere ridică unitatea wireless pe măsură ce trageți în sus clapeta de închidere.

► **Fig.33:** 1. Unitate wireless 2. Cârlig 3. Clapetă de închidere

După ce scoateți unitatea wireless, păstrați-o în cutia furnizată sau într-un recipient fără electricitate statică.

NOTĂ: Utilizați întotdeauna cârligele de pe partea din spate a clapetei de închidere atunci când scoateți unitatea wireless. În cazul în care cârligele nu prind unitatea wireless, închideți complet clapeta de închidere și deschideți-o din nou lent.

Înregistrarea mașinii pentru aspirator

NOTĂ: Pentru înregistrarea mașinii este necesar un aspirator Makita care acceptă funcția de activare wireless.

NOTĂ: Finalizați instalarea unității wireless la mașină înainte de a începe înregistrarea mașinii.

NOTĂ: În timpul înregistrării mașinii, nu trageți butonul declanșator și nu porniți întrerupătorul de pornire/oprire de pe aspirator.

NOTĂ: Consultați de asemenea manualul de instrucțiuni al aspiratorului.

Dacă doriți să activați aspiratorul odată cu operația de comutare a mașinii, finalizați mai întâi înregistrarea mașinii.

1. Instalați acumulatorii la aspirator și la mașină.

2. Setati comutatorul de stare de așteptare de pe aspirator pe „AUTO”.

► **Fig.34:** 1. Comutator de stare de așteptare

3. Apăsăți butonul de activare wireless de pe aspirator timp de 3 secunde până când lampa de activare wireless luminează intermitent cu verde. Apoi, apăsați butonul de activare wireless de pe mașină în același mod.

► **Fig.35:** 1. Buton de activare wireless 2. Lampă de activare wireless

Dacă aspiratorul și mașina sunt conectate cu succes, lămpile de activare wireless se vor aprinde cu verde timp de 2 secunde și vor începe să lumineze intermitent cu albastru.

NOTĂ: Lămpile de activare wireless încetează să lumineze intermitent cu verde după scurgerea a 20 de secunde. Apăsăți butonul de activare wireless de pe mașină în timp ce lampa de activare wireless de pe aparatul de curățat luminează intermitent. Dacă lampa de activare wireless nu luminează intermitent cu verde, apăsați scurt butonul de activare wireless și țineți-l din nou apăsat.

NOTĂ: Atunci când efectuați două sau mai multe înregistrări ale mașinii pentru un aspirator, finalizați pe rând fiecare înregistrare.

Pornirea funcției de activare wireless

NOTĂ: Finalizați înregistrarea mașinii pentru aspirator înainte de activarea wireless.

NOTĂ: Consultați de asemenea manualul de instrucțiuni al aspiratorului.

După înregistrarea unei mașini la aspirator, aspiratorul va rula automat, împreună cu operația de comutare a mașinii.

1. Instalați unitatea wireless la mașină.

2. Conectați furtunul aspiratorului cu mașina.

► **Fig.36**

3. Setează comutatorul de stare de așteptare de pe aspirator pe „AUTO”.

► **Fig.37:** 1. Comutator de stare de așteptare

4. Apăsăți scurt butonul de activare wireless de pe mașină. Lampa de activare wireless va lumina intermitent cu albastru.

► **Fig.38:** 1. Buton de activare wireless 2. Lampă de activare wireless

5. Trageți butonul declanșator al mașinii. Verificați dacă aspiratorul funcționează în timp ce se trage butonul declanșator.

Pentru a opri activarea wireless a aspiratorului, apăsați butonul de activare wireless de pe mașină.

NOTĂ: Lampa de activare wireless de pe mașină va înceta să lumineze intermitent cu albastru atunci când nu există funcționare timp de 2 ore. În acest caz, setați comutatorul de stare de așteptare de pe aspirator pe „AUTO” și apăsați din nou buton de activare wireless.

NOTĂ: Aspiratorul pornește/se oprește cu o amănare. Există o întârziere atunci când aspiratorul detectează o operație de comutare a mașinii.










NOTĂ: Distanța de transmisie a unității wireless poate varia în funcție de locație și circumstanțele aferente.

NOTĂ: Atunci când două sau mai multe mașini sunt înregistrate la un aspirator, aspiratorul poate începe să ruleze chiar dacă nu trageți butonul declanșator, deoarece un alt utilizator folosește funcția de activare wireless.

Descrierea stării lămpii de activare wireless

► **Fig.39:** 1. Lampă de activare wireless

Lampa de activare wireless indică starea funcției de activare wireless. Consultați tabelul de mai jos pentru semnificația stării lămpii.

| Stare | Lampă de activare wireless | | | | Descriere |
|--------------------------------|----------------------------|--|--|---------------------------------------|--|
| | Culoare |  Pornit |  Iluminare intermitentă | Durată | |
| Standby | Albastru |  | | 2 ore | Activarea wireless a aspiratorului este disponibilă. Lampa se va stinge automat atunci când nu are loc nicio operație timp de 2 ore. |
| | |  | | Atunci când mașina este în funcțiune. | Activarea wireless a aspiratorului este disponibilă și mașina este în funcțiune. |
| Înregistrarea mașinii | Verde |  | | 20 secunde | Gata pentru înregistrarea mașinii. Se așteaptă înregistrarea de către aspirator. |
| | |  | | 2 secunde | Înregistrarea mașinii a fost finalizată. Lampa de activare wireless va începe să lumineze intermitent cu albastru. |
| Anularea înregistrării mașinii | Roșu |  | | 20 secunde | Gata pentru anularea înregistrării mașinii. Se așteaptă anularea de către aspirator. |
| | |  | | 2 secunde | Anularea înregistrării mașinii a fost finalizată. Lampa de activare wireless va începe să lumineze intermitent cu albastru. |
| Altele | Roșu |  | | 3 secunde | Unitatea wireless este alimentată cu energie și se lansează funcția de activare wireless. |
| | Oprit | - | - | - | Activarea wireless a aspiratorului este oprită. |

Anularea înregistrării mașinii pentru aspirator

Efectuați următoarea procedură atunci când anulați înregistrarea mașinii pentru aspirator.

1. Instalați acumulatorii la aspirator și la mașină.

2. Setați comutatorul de stare de așteptare de pe aspirator pe „AUTO”.

► **Fig.40:** 1. Comutator de stare de așteptare

3. Apăsăți butonul de activare wireless de pe aspirator timp de 6 secunde. Lampă de activare wireless luminează intermitent cu verde și apoi devine roșie. După aceasta, apăsați butonul de activare wireless de pe mașină în același mod.

► **Fig.41:** 1. Buton de activare wireless 2. Lampă de activare wireless

Dacă anularea este efectuată cu succes, lămpile de activare wireless se vor aprinde cu roșu timp de 2 secunde și vor începe să lumineze intermitent cu albastru.

NOTĂ: Lămpile de activare wireless încetează să lumineze intermitent cu roșu după scurgerea a 20 de secunde. Apăsăți butonul de activare wireless de pe mașină în timp ce lampa de activare wireless de pe aparatul de curățat luminează intermitent. Dacă lampa de activare wireless nu luminează intermitent cu roșu, apăsați scurt butonul de activare wireless și țineți-l din nou apăsat.

Depanarea funcției de activare wireless

Înainte de a solicita reparații, efectuați mai întâi propria inspecție. În cazul în care găsiți o problemă care nu este explicată în manual, nu încercați să demontați echipamentul. În schimb, adresați-vă Centrelor de service autorizate Makita, utilizând întotdeauna piese de schimb Makita pentru reparații.

| Stare de anormalitate | Cauză probabilă (defecțiune) | Remediu |
|--|--|--|
| Lampa de activare wireless nu se aprinde/nu luminează intermitent. | Unitatea wireless nu este instalată în mașină. Unitatea wireless este instalată necorespunzător în mașină. | Instalați corect unitatea wireless. |
| | Borna unității wireless și/sau fanta este murdară. | Ștergeți delicat praful și murdăria de pe borna unității wireless și curățați fanta. |
| | Butonul de activare wireless de pe mașină nu a fost apăsat. | Apăsați scurt butonul de activare wireless de pe mașină. |
| | Comutatorul de stare de așteptare de pe aspirator nu este setat pe „AUTO”. | Setați comutatorul de stare de așteptare de pe aspirator pe „AUTO”. |
| | Nicio sursă de alimentare | Alimentați cu energie mașina și aspiratorul. |
| Înregistrarea mașinii/anularea înregistrării mașinii nu poate fi finalizată cu succes. | Unitatea wireless nu este instalată în mașină. Unitatea wireless este instalată necorespunzător în mașină. | Instalați corect unitatea wireless. |
| | Borna unității wireless și/sau fanta este murdară. | Ștergeți delicat praful și murdăria de pe borna unității wireless și curățați fanta. |
| | Comutatorul de stare de așteptare de pe aspirator nu este setat pe „AUTO”. | Setați comutatorul de stare de așteptare de pe aspirator pe „AUTO”. |
| | Nicio sursă de alimentare | Alimentați cu energie mașina și aspiratorul. |
| | Funcționare incorectă | Apăsați scurt butonul de activare wireless și efectuați din nou procedurile de înregistrare/anulare. |
| | Mașina și aspiratorul se află la distanță unul de celălalt (în afara ariei de transmisie). | Aduceți mașina și aspiratorul mai aproape unul de celălalt. Distanța maximă de transmisie este de aproximativ 10 m, însă aceasta poate varia în funcție de circumstanțe. |
| | Înainte de a finaliza înregistrarea mașinii/anularea - butonul declanșator de pe mașină este tras sau - butonul de pornire de pe aspirator este activat. | Apăsați scurt butonul de activare wireless și efectuați din nou procedurile de înregistrare/anulare. |
| | Procedurile de înregistrare a mașinii pentru mașină sau aspirator nu au fost finalizate. | Efectuați procedurile de înregistrare a mașinii atât pentru mașină, cât și aspirator, în același timp. |
| | Perturbații radioelectrice de la alte aparate care generează unde radio de mare intensitate. | Țineți mașina și aspiratorul la distanță de aparate precum dispozitive Wi-Fi și cuptoare cu microunde. |
| | Aspiratorul nu funcționează odată cu operația de comutare a mașinii. | Unitatea wireless nu este instalată în mașină. Unitatea wireless este instalată necorespunzător în mașină. |
| Borna unității wireless și/sau fanta este murdară. | | Ștergeți delicat praful și murdăria de pe borna unității wireless și curățați fanta. |
| Butonul de activare wireless de pe mașină nu a fost apăsat. | | Apăsați scurt butonul de activare wireless și asigurați-vă că lampa de activare wireless luminează intermitent cu albastru. |
| Comutatorul de stare de așteptare de pe aspirator nu este setat pe „AUTO”. | | Setați comutatorul de stare de așteptare de pe aspirator pe „AUTO”. |
| La aspirator sunt înregistrate mai mult de 10 mașini. | | Efectuați din nou înregistrarea mașinii. Dacă la aspirator sunt înregistrate mai mult de 10 mașini, mașina înregistrată prima va fi anulată automat. |
| Aspiratorul a șters toate înregistrările mașinii. | | Efectuați din nou înregistrarea mașinii. |
| Nicio sursă de alimentare | | Alimentați cu energie mașina și aspiratorul. |
| Mașina și aspiratorul se află la distanță unul de celălalt (în afara ariei de transmisie). | | Aduceți mașina și aspiratorul mai aproape unul de celălalt. Distanța maximă de transmisie este de aproximativ 10 m, însă aceasta poate varia în funcție de circumstanțe. |
| Perturbații radioelectrice de la alte aparate care generează unde radio de mare intensitate. | | Țineți mașina și aspiratorul la distanță de aparate precum dispozitive Wi-Fi și cuptoare cu microunde. |
| Aspiratorul funcționează în timp ce butonul declanșator al mașinii nu este tras. | Alți utilizatori folosesc activarea wireless a aspiratorului cu mașinile acestora. | Oprți butonul de activare wireless al celorlalte mașini sau anulați înregistrarea celorlalte mașini. |

ÎNȚREȚINERE

⚠️ ATENȚIE: Asigurați-vă întotdeauna că mașina este oprită și cartușul acumulatorului scos înainte de a executa lucrările de inspecție și întreținere.

NOTĂ: Nu utilizați niciodată gazolină, benzină, diluant, alcool sau alte substanțe asemănătoare. În caz contrar, pot rezulta decolorări, deformări sau fisuri.

Pentru a menține SIGURANȚA și FIABILITATEA produsului, reparațiile și orice alte lucrări de întreținere sau reglare trebuie executate de centre de service Makita autorizate sau proprii, folosind întotdeauna piese de schimb Makita.

ACCESORII OPȚIONALE

⚠️ ATENȚIE: Folosiți accesoriile sau piesele auxiliare recomandate pentru mașina dumneavoastră Makita în acest manual. Utilizarea oricăror alte accesorii sau piese auxiliare poate prezenta risc de vătămare corporală. Utilizați accesoriile și piesele auxiliare numai în scopul destinat.

Dacă aveți nevoie de asistență sau de mai multe detalii referitoare la aceste accesorii, adresați-vă centrului local de service Makita.

- Capete de burghiu cu plăcuțe de carburi metalice SDS-MAX
- Daltă șpiț SDS-MAX
- Daltă îngustă SDS-MAX
- Daltă lată SDS-MAX
- Lopată lut SDS-MAX
- Unsoare pentru burghie
- Manetă laterală
- Mâner lateral
- Profundor
- Pară de suflare
- Accesoriu de extragere a prafului
- Ochelari de protecție
- Unitate wireless
- Acumulator și încărcător original Makita
- Cutie de plastic pentru transport

NOTĂ: Unele articole din listă pot fi incluse ca accesorii standard în ambalajul de scule. Acestea pot diferi în funcție de țară.

TECHNISCHE DATEN

| | | |
|--------------------------|------------------------------|---------------------------------|
| Modell: | | HR005G |
| Kapazitäten | Einsatz mit Hartmetallspitze | 40 mm |
| | Bohrkrone | 105 mm |
| Leerlaufdrehzahl (U/min) | | 250 - 500 min ⁻¹ |
| Schlagzahl pro Minute | | 1.450 - 2.900 min ⁻¹ |
| Gesamtlänge | mit BL4025 | 484 mm |
| | mit BL4040 | 500 mm |
| Nennspannung | | 36 V - 40 V Gleichstrom |
| Nettogewicht | | 7,4 - 8,2 kg |

- Wir behalten uns vor, Änderungen der technischen Daten im Zuge der Entwicklung und des technischen Fortschritts ohne vorherige Ankündigung vorzunehmen.
- Die technischen Daten und der Akku können von Land zu Land unterschiedlich sein.
- Das Gewicht kann abhängig von dem Aufsatz (den Aufsätzen), einschließlich des Akkus, unterschiedlich sein. Die leichteste und die schwerste Kombination, gemäß dem EPTA-Verfahren 01/2014, sind in der Tabelle angegeben.

Zutreffende Akkus und Ladegeräte

| | |
|-----------|--|
| Akku | BL4020 / BL4025 / BL4040* / BL4050F* * : Empfohlener Akku |
| Ladegerät | DC40RA / DC40RB / DC40RC |

- Einige der oben aufgelisteten Akkus und Ladegeräte sind je nach Ihrem Wohngebiet eventuell nicht erhältlich.

⚠️ WARNUNG: Verwenden Sie nur die oben aufgeführten Akkus und Ladegeräte. Bei Verwendung irgendwelcher anderer Akkus und Ladegeräte besteht Verletzungs- und/oder Brandgefahr.

Vorgesehene Verwendung

Das Werkzeug ist für Schlagbohren und Bohren in Ziegel, Beton und Stein sowie für Stemmarbeiten vorgesehen.

Geräusch

Typischer A-bewerteter Geräuschpegel ermittelt gemäß EN60745-2-6:

Schalldruckpegel (L_{pA}): 91 dB (A)
Schalleistungspegel (L_{WA}): 102 dB (A)
Messunsicherheit (K): 3 dB (A)

HINWEIS: Der (Die) angegebene(n) Schallemissionswert(e) wurde(n) im Einklang mit der Standardprüfmethode gemessen und kann (können) für den Vergleich zwischen Werkzeugen herangezogen werden.

HINWEIS: Der (Die) angegebene(n) Schallemissionswert(e) kann (können) auch für eine Vorbewertung des Gefährdungsgrads verwendet werden.

⚠️ WARNUNG: Einen Gehörschutz tragen.

⚠️ WARNUNG: Die Schallemission während der tatsächlichen Benutzung des Elektrowerkzeugs kann je nach der Benutzungsweise des Werkzeugs, und speziell je nach der Art des bearbeiteten Werkstücks, von dem (den) angegebenen Wert(en) abweichen.

⚠️ WARNUNG: Identifizieren Sie Sicherheitsmaßnahmen zum Schutz des Benutzers anhand einer Schätzung des Gefährdungsgrads unter den tatsächlichen Benutzungsbedingungen (unter Berücksichtigung aller Phasen des Arbeitszyklus, wie z. B. Ausschalt- und Leerlaufzeiten des Werkzeugs zusätzlich zur Betriebszeit).

Schwingungen

Schwingungsgesamtwert (Drei-Achsen-Vektorsumme) ermittelt gemäß EN60745-2-6:

Arbeitsmodus: Hammerbohren in Beton

Schwingungsemission ($a_{h, HD}$): 5,0 m/s²

Messunsicherheit (K): 1,5 m/s²

Arbeitsmodus: Meißelfunktion mit Seitengriff

Schwingungsemission ($a_{h, Cheq}$): 4,0 m/s²

Messunsicherheit (K): 1,5 m/s²

Arbeitsmodus: Meißelfunktion mit Seitenhandgriff

Schwingungsemission ($a_{h, Cheq}$): 4,0 m/s²

Messunsicherheit (K): 1,5 m/s²

HINWEIS: Der (Die) angegebene(n) Vibrationsgesamtwert(e) wurde(n) im Einklang mit der Standardprüfmethode gemessen und kann (können) für den Vergleich zwischen Werkzeugen herangezogen werden.

HINWEIS: Der (Die) angegebene(n) Vibrationsgesamtwert(e) kann (können) auch für eine Vorbewertung des Gefährdungsgrads verwendet werden.

⚠️ WARNUNG: Die Vibrationsemission während der tatsächlichen Benutzung des Elektrowerkzeugs kann je nach der Benutzungsweise des Werkzeugs, und speziell je nach der Art des bearbeiteten Werkstücks, von dem (den) angegebenen Emissionswert(en) abweichen.

⚠️ WARNUNG: Identifizieren Sie Sicherheitsmaßnahmen zum Schutz des Benutzers anhand einer Schätzung des Gefährdungsgrads unter den tatsächlichen Benutzungsbedingungen (unter Berücksichtigung aller Phasen des Arbeitszyklus, wie z. B. Ausschalt- und Leerlaufzeiten des Werkzeugs zusätzlich zur Betriebszeit).

EG-Konformitätserklärung

Nur für europäische Länder

Die EG-Konformitätserklärung ist als Anhang A in dieser Bedienungsanleitung enthalten.

SICHERHEITSWARNUNGEN

Allgemeine Sicherheitswarnungen für Elektrowerkzeuge

⚠️ WARNUNG: Lesen Sie alle mit diesem Elektrowerkzeug gelieferten Sicherheitswarnungen, Anweisungen, Abbildungen und technischen Daten durch. Eine Missachtung der unten aufgeführten Anweisungen kann zu einem elektrischen Schlag, Brand und/oder schweren Verletzungen führen.

Bewahren Sie alle Warnungen und Anweisungen für spätere Bezugnahme auf.

Der Ausdruck „Elektrowerkzeug“ in den Warnhinweisen bezieht sich auf Ihr mit Netzstrom (mit Kabel) oder Akku (ohne Kabel) betriebenes Elektrowerkzeug.

SICHERHEITSWARNUNGEN FÜR AKKU-BOHRHAMMER

1. **Tragen Sie Gehörschützer.** Lärmeinwirkung kann Gehörschädigung verursachen.
2. **Benutzen Sie (einen) Zusatzgriff(e), sofern er (sie) mit dem Werkzeug geliefert wurde(n).** Verlust der Kontrolle kann Personenschäden verursachen.
3. **Halten Sie das Elektrowerkzeug an den isolierten Griffflächen, wenn Sie Arbeiten ausführen, bei denen die Gefahr besteht, dass das Schneidwerkzeug verborgene Kabel kontaktiert.** Bei Kontakt mit einem Strom führenden Kabel können die freiliegenden Metallteile des Elektrowerkzeugs ebenfalls Strom führend werden, so dass der Benutzer einen elektrischen Schlag erleiden kann.
4. **Tragen Sie Schutzhelm, Schutzbrille und/oder Gesichtsschutz. Eine gewöhnliche Brille oder Sonnenbrille ist KEIN Ersatz für eine Schutzbrille. Das Tragen einer Staubmaske und dick gepolsterter Handschuhe ist ebenfalls zu empfehlen.**
5. **Vergewissern Sie sich vor der Arbeit, dass der Einsatz sicher montiert ist.**
6. **Das Werkzeug erzeugt konstruktionsbedingt Vibrationen bei normalem Betrieb. Durch Lockerung von Schrauben kann es zu einem Ausfall oder Unfall kommen. Unterziehen Sie die Schrauben vor der Arbeit einer sorgfältigen Festigkeitsprüfung.**
7. **Lassen Sie das Werkzeug bei niedrigen Temperaturen oder nach längerer Nichtbenutzung eine Zeit lang im Leerlauf warm laufen. Dadurch wird die Schmierung verbessert. Betrieb im kalten Zustand erschwert die Schlagbohrarbeit.**
8. **Achten Sie stets auf sicheren Stand. Vergewissern Sie sich bei Einsatz des Werkzeugs an hochgelegenen Arbeitsplätzen, dass sich keine Personen darunter aufhalten.**
9. **Halten Sie das Werkzeug mit beiden Händen fest.**
10. **Halten Sie Ihre Hände von beweglichen Teilen fern.**
11. **Lassen Sie das Werkzeug nicht unbeaufsichtigt laufen. Benutzen Sie das Werkzeug nur mit Handhaltung.**
12. **Richten Sie das Werkzeug während des Betriebs nicht auf umstehende Personen. Der Einsatz könnte herauschnellen und schwere Verletzungen verursachen.**
13. **Vermeiden Sie eine Berührung des Einsatzes, der umliegenden Teile oder des Werkstücks unmittelbar nach der Bearbeitung, weil die Teile noch sehr heiß sind und Hautverbrennungen verursachen können.**
14. **Manche Materialien können giftige Chemikalien enthalten. Treffen Sie Vorsichtsmaßnahmen, um das Einatmen von Arbeitsstaub und Hautkontakt zu verhindern. Befolgen Sie die Sicherheitsdaten des Materiallieferanten.**

15. Vergewissern Sie sich stets, das Werkzeug ausgeschaltet ist und der Akku und der Einsatz abgenommen sind, bevor Sie das Werkzeug einer anderen Person aushändigen.
16. Vergewissern Sie sich vor der Arbeit, dass sich keine verborgenen Objekte, wie etwa eine elektrische Leitung, ein Wasserrohr oder ein Gasrohr, im Arbeitsbereich befinden. Anderenfalls kann der Bohrereinsatz/Meißel damit in Berührung kommen und einen elektrischen Schlag, einen Leckstrom oder ein Gasleck verursachen.
17. Lassen Sie das Werkzeug nicht unnötig im Leerlauf laufen.
7. Versuchen Sie niemals, den Akku zu verbrennen, selbst wenn er stark beschädigt oder vollkommen verbraucht ist. Der Akku kann im Feuer explodieren.
8. Unterlassen Sie Nageln, Schneiden, Zerquetschen, Werfen, Fallenlassen des Akkus oder Schlagen des Akkus mit einem harten Gegenstand. Eine solche Handlung kann zu einem Brand, übermäßiger Hitzeentwicklung oder einer Explosion führen.
9. Benutzen Sie keine beschädigten Akkus.
10. Die enthaltenen Lithium-Ionen-Akkus unterliegen den Anforderungen der Gefahrgut-Gesetzgebung.

DIESE ANWEISUNGEN AUFBEWAHREN.

⚠️ WARNUNG: Lassen Sie sich NICHT durch Bequemlichkeit oder Vertrautheit mit dem Produkt (durch wiederholten Gebrauch erworben) von der strikten Einhaltung der Sicherheitsregeln für das vorliegende Produkt abhalten. MISSBRAUCH oder Missachtung der Sicherheitsvorschriften in dieser Anleitung können schwere Verletzungen verursachen.

Wichtige Sicherheitsanweisungen für Akku

1. Lesen Sie vor der Benutzung des Akkus alle Anweisungen und Warnhinweise, die an (1) Ladegerät, (2) Akku und (3) Akkuwerkzeug angebracht sind.
2. Unterlassen Sie Zerlegen oder Manipulieren des Akkus. Es kann sonst zu einem Brand, übermäßiger Hitzeentwicklung oder einer Explosion kommen.
3. Falls die Betriebszeit beträchtlich kürzer geworden ist, stellen Sie den Betrieb sofort ein. Anderenfalls besteht die Gefahr von Überhitzung, möglichen Verbrennungen und sogar einer Explosion.
4. Falls Elektrolyt in Ihre Augen gelangt, waschen Sie sie mit sauberem Wasser aus, und begeben Sie sich unverzüglich in ärztliche Behandlung. Anderenfalls können Sie Ihre Sehkraft verlieren.
5. Der Akku darf nicht kurzgeschlossen werden:
 - (1) Die Kontakte dürfen nicht mit leitfähigem Material berührt werden.
 - (2) Lagern Sie den Akku nicht in einem Behälter zusammen mit anderen Metallgegenständen, wie z. B. Nägel, Münzen usw.
 - (3) Setzen Sie den Akku weder Wasser noch Regen aus.

Ein Kurzschluss des Akkus verursacht starken Stromfluss, der Überhitzung, mögliche Verbrennungen und einen Defekt zur Folge haben kann.
6. Lagern und benutzen Sie das Werkzeug und den Akku nicht an Orten, an denen die Temperatur 50 °C erreichen oder überschreiten kann.
11. Entfernen Sie den Akku zum Entsorgen vom Werkzeug, und entsorgen Sie ihn an einem sicheren Ort. Befolgen Sie die örtlichen Vorschriften bezüglich der Entsorgung von Akkus.
12. Verwenden Sie die Akkus nur mit den von Makita angegebenen Produkten. Das Einsetzen der Akkus in nicht konforme Produkte kann zu einem Brand, übermäßiger Hitzebildung, einer Explosion oder Auslaufen von Elektrolyt führen.
13. Soll das Werkzeug längere Zeit nicht benutzt werden, muss der Akku vom Werkzeug entfernt werden.
14. Bei und nach dem Gebrauch kann der Akku heiß werden, was Verbrennungen oder Niedertemperaturverbrennungen verursachen kann. Beachten Sie die Handhabung von heißen Akkus.
15. Berühren Sie nicht den Anschlusskontakt des Werkzeugs unmittelbar nach dem Gebrauch, da er heiß genug werden kann, um Verbrennungen zu verursachen.
16. Achten Sie darauf, dass sich keine Späne, Staub oder Schmutz in den Anschlusskontakten, Löchern und Nuten des Akkus absetzen. Dies kann zu einer Leistungseinbuße oder Betriebsstörung des Werkzeugs oder des Akkus führen.
17. Wenn das Werkzeug den Einsatz in der Nähe einer Hochspannungs-Stromleitung nicht unterstützt, benutzen Sie den Akku nicht in der Nähe einer Hochspannungs-Stromleitung. Dies kann zu einer Funktionsstörung oder Betriebsstörung des Werkzeugs oder des Akkus führen.
18. Halten Sie die Batterie von Kindern fern.

DIESE ANWEISUNGEN AUFBEWAHREN.

⚠ VORSICHT: Verwenden Sie nur Original-Makita-Akkus. Die Verwendung von Nicht-Original-Makita-Akkus oder von Akkus, die abgeändert worden sind, kann zum Bersten des Akkus und daraus resultierenden Bränden, Personenschäden und Beschädigung führen. Außerdem wird dadurch die Makita-Garantie für das Makita-Werkzeug und -Ladegerät ungültig.

Hinweise zur Aufrechterhaltung der maximalen Akku-Nutzungsdauer

1. Laden Sie den Akku, bevor er vollkommen erschöpft ist. Schalten Sie das Werkzeug stets aus, und laden Sie den Akku, wenn Sie ein Nachlassen der Werkzeulleistung feststellen.
2. Unterlassen Sie erneutes Laden eines voll aufgeladenen Akkus. Überladen führt zu einer Verkürzung der Nutzungsdauer des Akkus.
3. Laden Sie den Akku bei Raumtemperatur zwischen 10 – 40 °C. Lassen Sie einen heißen Akku abkühlen, bevor Sie ihn laden.
4. Wenn Sie den Akku nicht benutzen, nehmen Sie ihn vom Werkzeug oder Ladegerät ab.
5. Der Akku muss geladen werden, wenn er lange Zeit (länger als sechs Monate) nicht benutzt wird.

Wichtige Sicherheitsanweisungen für Funk-Adapter

1. Unterlassen Sie Zerlegen oder Manipulieren des Funk-Adapters.
2. Halten Sie den Funk-Adapter von kleinen Kindern fern. Suchen Sie bei versehentlichem Verschlucken sofort ärztliche Behandlung auf.
3. Benutzen Sie den Funk-Adapter nur mit Makita-Werkzeugen.
4. Setzen Sie den Funk-Adapter keinem Regen oder Nässe aus.
5. Benutzen Sie den Funk-Adapter nicht an Orten, wo die Temperatur 50 °C überschreitet.
6. Betreiben Sie den Funk-Adapter nicht an Orten, in deren Nähe sich medizinische Geräte, wie z. B. Herzschrittmacher, befinden.
7. Betreiben Sie den Funk-Adapter nicht an Orten, in deren Nähe sich automatisierte Geräte befinden. Bei Betrieb kann in den automatisierten Geräten eine Funktionsstörung oder ein Fehler entstehen.
8. Betreiben Sie den Funk-Adapter nicht an Orten unter hohen Temperaturen oder an Orten, wo statische Elektrizität oder elektrisches Rauschen erzeugt werden könnte.
9. Der Funk-Adapter kann elektromagnetische Felder (EMF) erzeugen, die aber für den Benutzer nicht gesundheitsschädlich sind.
10. Der Funk-Adapter ist ein Präzisionsinstrument. Achten Sie darauf, dass der Funk-Adapter nicht fallen gelassen oder Stößen ausgesetzt wird.
11. Vermeiden Sie Berühren der Kontakte des Funk-Adapters mit bloßen Händen oder Metallgegenständen.
12. Entfernen Sie stets den Akku vom Produkt, bevor Sie den Funk-Adapter installieren.
13. Öffnen Sie den Deckel des Steckplatzes nicht an Orten, wo Staub und Wasser in den Steckplatz eindringen können. Halten Sie den Einlass des Steckplatzes stets sauber.
14. Führen Sie den Funk-Adapter stets in der korrekten Richtung ein.
15. Drücken Sie nicht zu fest und/oder mit einem scharfkantigen Gegenstand auf die Funk-Aktivierungstaste des Funk-Adapters.
16. Halten Sie den Deckel des Steckplatzes beim Betrieb immer geschlossen.
17. Entfernen Sie den Funk-Adapter nicht aus dem Steckplatz, während das Werkzeug mit Strom versorgt wird. Anderenfalls kann eine Funktionsstörung des Funk-Adapters verursacht werden.
18. Entfernen Sie nicht den Aufkleber vom Funk-Adapter.
19. Kleben Sie keinen anderen Aufkleber auf den Funk-Adapter.
20. Lassen Sie den Funk-Adapter nicht an einem Ort liegen, wo statische Elektrizität oder elektrisches Rauschen erzeugt werden könnte.
21. Lassen Sie den Funk-Adapter nicht an einem Ort liegen, der starker Hitze ausgesetzt ist, wie z. B. in einem in praller Sonne geparkten Auto.
22. Lassen Sie den Funk-Adapter nicht an einem Ort liegen, der Staub oder Puder aufweist, oder an dem ein korrosives Gas erzeugt werden könnte.
23. Plötzliche Temperaturschwankungen können den Funk-Adapter betauen. Benutzen Sie den Funk-Adapter nicht eher, bis der Tau vollständig getrocknet ist.
24. Wischen Sie den Funk-Adapter zum Reinigen sachte mit einem trockenen, weichen Tuch ab. Verwenden Sie kein Waschbenzin, kein leitfähiges Fett, keinen Verdünnern oder dergleichen.
25. Bewahren Sie den Funk-Adapter zur Lagerung in der mitgelieferten Schachtel oder einem statikfreien Behälter auf.
26. Führen Sie keine anderen Geräte außer dem Makita-Funk-Adapter in den Steckplatz des Werkzeugs ein.
27. Benutzen Sie das Werkzeug nicht, wenn der Deckel des Steckplatzes beschädigt ist. Wasser, Staub und Schmutz, die in den Steckplatz eindringen, können eine Funktionsstörung verursachen.
28. Ziehen und/oder verdrehen Sie den Deckel des Steckplatzes nicht mehr als nötig. Bringen Sie den Deckel wieder an, falls er sich vom Werkzeug löst.
29. Ersetzen Sie den Deckel des Steckplatzes, falls er verloren geht oder beschädigt wird.

BEWAHREN SIE DIESE ANLEITUNG AUF.

FUNKTIONSBESCHREIBUNG

⚠ VORSICHT: Vergewissern Sie sich vor der Durchführung von Einstellungen oder Funktionsprüfungen des Werkzeugs stets, dass das Werkzeug ausgeschaltet und der Akku abgenommen ist.

Anbringen und Abnehmen des Akkus

⚠ VORSICHT: Schalten Sie das Werkzeug stets aus, bevor Sie den Akku anbringen oder abnehmen.

⚠ VORSICHT: Halten Sie das Werkzeug und den Akku beim Anbringen oder Abnehmen des Akkus sicher fest. Wenn Sie das Werkzeug und den Akku nicht sicher festhalten, können sie Ihnen aus der Hand rutschen, was zu einer Beschädigung des Werkzeugs und des Akkus und zu Körperverletzungen führen kann.

► **Abb.1:** 1. Rote Anzeige 2. Knopf 3. Akku

Ziehen Sie den Akku zum Abnehmen vom Werkzeug ab, während Sie den Knopf an der Vorderseite des Akkus verschieben.

Richten Sie zum Anbringen des Akkus dessen Führungsfeder auf die Nut im Gehäuse aus, und schieben Sie den Akku hinein. Schieben Sie ihn vollständig ein, bis er mit einem hörbaren Klicken einrastet. Falls die rote Anzeige an der Oberseite des Knopfes sichtbar ist, ist der Akku nicht vollständig verriegelt.

⚠ VORSICHT: Schieben Sie den Akku stets bis zum Anschlag ein, bis die rote Anzeige nicht mehr sichtbar ist. Andernfalls kann er aus dem Werkzeug herausfallen und Sie oder umstehende Personen verletzen.

⚠ VORSICHT: Unterlassen Sie Gewaltanwendung beim Anbringen des Akkus. Falls der Akku nicht reibungslos hineingleitet, ist er nicht richtig ausgerichtet.

Anzeigen der Akku-Restkapazität

Drücken Sie die Prüftaste am Akku, um die Akku-Restkapazität anzuzeigen. Die Anzeigelampen leuchten wenige Sekunden lang auf.

► **Abb.2:** 1. Anzeigelampen 2. Prüftaste

| Anzeigelampen | | | Restkapazität |
|---------------|-----|----------|---|
| Erleuchtet | Aus | Blinkend | |
| ■ | □ | ◐ | 75% bis 100% |
| ■ | ■ | ■ | |
| ■ | ■ | □ | 50% bis 75% |
| ■ | ■ | □ | 25% bis 50% |
| ■ | □ | □ | 0% bis 25% |
| ◐ | □ | □ | Den Akku aufladen. |
| ■ | ■ | □ | Möglicherweise liegt eine Funktionsstörung im Akku vor. |
| □ | □ | ■ | |

HINWEIS: Abhängig von den Benutzungsbedingungen und der Umgebungstemperatur kann die Anzeige geringfügig von der tatsächlichen Kapazität abweichen.

HINWEIS: Die erste (äußerste linke) Anzeigelampe blinkt, wenn das Akku-Schutzsystem aktiv ist.

Werkzeug/Akku-Schutzsystem

Das Werkzeug ist mit einem Werkzeug/Akku-Schutzsystem ausgestattet. Dieses System schaltet die Stromversorgung des Motors automatisch ab, um die Lebensdauer von Werkzeug und Akku zu verlängern. Das Werkzeug bleibt während des Betriebs automatisch stehen, wenn das Werkzeug oder der Akku einer der folgenden Bedingungen unterliegt:

Überlastschutz

Wird das Werkzeug oder der Akku auf eine Weise benutzt, die eine ungewöhnlich hohe Stromaufnahme bewirkt, bleibt das Werkzeug ohne jegliche Anzeige automatisch stehen. Schalten Sie in dieser Situation das Werkzeug aus, und brechen Sie die Arbeit ab, die eine Überlastung des Werkzeugs verursacht hat. Schalten Sie dann das Werkzeug wieder ein, um es neu zu starten.

Überhitzungsschutz


Wenn das Werkzeug oder der Akku überhitzt wird, bleibt das Werkzeug automatisch stehen, und die Lampe beginnt zu blinken. Lassen Sie das Werkzeug und den Akku in diesem Fall abkühlen, bevor Sie das Werkzeug wieder einschalten.

Überentladungsschutz

Wenn die Akkukapazität unzureichend wird, bleibt das Werkzeug automatisch stehen. Nehmen Sie in diesem Fall den Akku vom Werkzeug ab, und laden Sie ihn auf.

Schalterfunktion

⚠ WARNUNG: Vergewissern Sie sich vor dem Einsetzen des Akkus in das Werkzeug stets, dass der Ein-Aus-Schalter ordnungsgemäß funktioniert und beim Loslassen in die AUS-Stellung zurückkehrt.

⚠ VORSICHT: Wenn Sie das Werkzeug nicht benutzen, drücken Sie den Auslösersperreknopf auf der Seite  hinein, um den Auslöserschalter in der Stellung AUS zu verriegeln.

► **Abb.3:** 1. Auslöserschalter 2. Auslösersperreknopf

Um versehentliche Betätigung des Auslöserschalters zu verhüten, ist das Werkzeug mit einem Auslösersperreknopf ausgestattet. Um das Werkzeug zu starten, drücken Sie den Auslösersperreknopf auf der Seite A hinein, und betätigen Sie den Auslöserschalter. Zum Anhalten lassen Sie den Auslöserschalter los. Drücken Sie den Auslösersperreknopf nach der Benutzung auf der Seite B hinein.

Drehzahl-Umschaltung

Die Drehzahl und die Schlagzahl pro Minute können durch Drehen des Stellrads eingestellt werden. Auf dem Stellrad sind die Positionen 1 (niedrigste Drehzahl) bis 5 (höchste Drehzahl) markiert.

► **Abb.4:** 1. Stellrad

Die Beziehung zwischen der Nummer auf dem Stellrad und der Drehzahl bzw. der Schlagzahl pro Minute ist aus der nachstehenden Tabelle ersichtlich.

| Nummer | Drehzahl pro Minute | Schlagzahl pro Minute |
|--------|---------------------|-----------------------|
| 5 | 500 | 2900 |
| 4 | 470 | 2700 |
| 3 | 380 | 2150 |
| 2 | 290 | 1650 |
| 1 | 250 | 1450 |

⚠ VORSICHT: Drehen Sie das Stellrad nicht bei laufendem Werkzeug. Eine Missachtung dieser Vorsichtsmaßnahme kann den Verlust der Kontrolle über das Werkzeug und Verletzungen zur Folge haben.

ANMERKUNG: Wird das Werkzeug über längere Zeitspannen im Dauerbetrieb mit niedriger Drehzahl betrieben, führt das zu einer Überlastung des Motors, die eine Funktionsstörung des Werkzeugs zur Folge haben kann.

ANMERKUNG: Das Drehzahl-Stellrad lässt sich nur bis 5 und zurück auf 1 drehen. Wird es gewaltsam über 5 oder 1 hinaus gedreht, kann die Drehzahleinstellfunktion unbrauchbar werden.

HINWEIS: Nulllast-Sanftthubfunktion

Wenn das Drehzahl-Stellrad auf „3“ oder höher eingestellt wird, reduziert das Werkzeug die Drehzahl bei Nulllast automatisch, um die Vibrationen unter Nulllast zu reduzieren.

Sobald der Betrieb mit einem Einsatz gegen Beton beginnt, nimmt die Schlagzahl pro Minute zu und erreicht die in der Tabelle angegebenen Werte.

Bei niedriger Temperatur hat das Werkzeug diese Funktion eventuell selbst bei laufendem Motor nicht.

Einschalten der Frontlampe

► **Abb.5:** 1. Lampe

⚠ VORSICHT: Blicken Sie nicht direkt in die Lampe oder die Lichtquelle.

Betätigen Sie den Ein-Aus-Schalter, um die Lampe einzuschalten. Die Lampe bleibt erleuchtet, solange der Ein-Aus-Schalter gedrückt gehalten wird. Die Lampe erlischt ungefähr 10 Sekunden nach dem Loslassen des Ein-Aus-Schalters.

ANMERKUNG: Falls die Lampe erlischt, nachdem sie wenige Sekunden lang geblinkt hat, funktioniert die aktive Rückkopplungs-Erkennungstechnologie nicht ordnungsgemäß. Wenden Sie sich bezüglich einer Reparatur an Ihre örtliche Makita-Kundendienststelle.


HINWEIS: Wischen Sie Schmutz auf der Lampenlinse mit einem trockenen Tuch ab. Achten Sie sorgfältig darauf, dass Sie die Lampenlinse nicht verkratzen, weil sich sonst die Lichtstärke verringert.

Wahl der Betriebsart

ANMERKUNG: Betätigen Sie den Betriebsart-Umschaltknopf nicht bei laufendem Werkzeug. Das Werkzeug kann sonst beschädigt werden.


ANMERKUNG: Um schnellen Verschleiß des Betriebsart-Umschaltmechanismus zu vermeiden, achten Sie stets darauf, dass der Betriebsart-Umschaltknopf einwandfrei in einer der drei Betriebsartpositionen eingerastet ist.

Schlagbohren

Für Bohren in Beton, Mauerwerk usw. drehen Sie den Betriebsart-Umschaltknopf auf das Symbol . Verwenden Sie einen Bohrereinsatz mit Hartmetallschneide.

► **Abb.6:** 1. Betriebsart-Umschaltknopf 2. Zeiger

Schlagen

Für Meißeln, Abklopfen oder Demolieren drehen Sie den Betriebsart-Umschaltknopf auf das Symbol . Verwenden Sie einen Spitzmeißel, Flachmeißel, Putzmeißel usw.

► **Abb.7:** 1. Zeiger 2. Betriebsart-Umschaltknopf

Drehmomentbegrenzer

ANMERKUNG: Schalten Sie das Werkzeug bei Aktivierung des Drehmomentbegrenzers sofort aus. Dies verhindert vorzeitigen Verschleiß des Werkzeugs.

ANMERKUNG: Bohrereinsätze, wie z. B. eine Lochsäge, die zum Klemmen oder Hängenbleiben in der Bohrung neigen, sind für dieses Werkzeug nicht geeignet. Dies liegt daran, dass sie eine zu häufige Aktivierung des Drehmomentbegrenzers verursachen.

Der Drehmomentbegrenzer wird bei Erreichen eines bestimmten Drehmoments ausgelöst. Der Motor wird von der Ausgangswelle abgekuppelt. Wenn dies eintritt, bleibt der Bohrereinsatz stehen.

Elektronikfunktionen

Das Werkzeug ist für komfortablen Betrieb mit Elektronikfunktionen ausgestattet.

Konstantdrehzahlregelung

Die Drehzahlregelungsfunktion liefert eine konstante Drehzahl ungeachtet der Lastbedingungen.

Sanftanlauf

Die Sanftanlauf-Funktion reduziert Anlaufstöße auf ein Minimum und bewirkt ruckfreies Anlaufen der Maschine.

Aktive Rückkopplungs-Erkennungstechnologie

Falls sich der Werkzeugkörper bei der angegebenen Beschleunigung aufgrund einer Blockierung des Bohrereinsatzes usw. plötzlich dreht, wird der Motor zwangsweise angehalten, um die Belastung des Handgelenks zu verringern.

HINWEIS: Die aktive Rückkopplungs-Erkennungstechnologiefunktion funktioniert nicht, falls die Beschleunigung nicht den vorgeschriebenen Wert erreicht.

HINWEIS: Die aktive Rückkopplungs-Erkennungstechnologiefunktion wird auch dann aktiviert, wenn der Einsatz bei der vorgeschriebenen Beschleunigung bei einem beliebigen Vorgang einfach geschwenkt wird.

Lassen Sie in diesem Fall den Auslöseschalter los, und betätigen Sie dann den Auslöseschalter, um das Werkzeug erneut zu starten.

Elektrische Bremse

Dieses Werkzeug ist mit einer elektrischen Bremse ausgestattet. Falls das Werkzeug nach dem Loslassen des Auslöseschalters ständig nicht sofort anhält, lassen Sie es von einer Makita-Kundendienststelle warten.

MONTAGE

⚠ VORSICHT: Vergewissern Sie sich vor der Ausführung von Arbeiten am Werkzeug stets, dass das Werkzeug ausgeschaltet und der Akku abgenommen ist.

Seitenhandgriff

► **Abb.8**

⚠ VORSICHT: Benutzen Sie den Seitenhandgriff nur zum Meißeln, Abklopfen oder Demolieren. Benutzen Sie ihn nicht zum Bohren in Beton, Mauerwerk usw. Beim Bohren kann das Werkzeug mit diesem Seitenhandgriff nicht richtig gehalten werden.

► **Abb.9:** 1. Seitenhandgriff 2. Knebelmutter

Der Seitenhandgriff kann in vertikaler Richtung geschwenkt und in jeder gewünschten Position gesichert werden. Er kann auch in horizontaler Richtung in acht Schritten vor und zurück geschwenkt werden. Lösen Sie die Knebelmutter, um den Seitenhandgriff auf die gewünschte Position zu schwenken, und ziehen Sie dann die Knebelmutter sicher fest.

Seitengriff (Zusatzgriff)

⚠ VORSICHT: Verwenden Sie stets den Seitengriff, um sicheren Betrieb zu gewährleisten.
⚠ VORSICHT: Vergewissern Sie sich nach dem Montieren oder Einstellen des Seitengriffs, dass er einwandfrei gesichert ist.

Der Seitengriff kann geschwenkt werden, um leichte Handhabung des Werkzeugs in jeder Position zu ermöglichen. Lösen Sie den Seitengriff durch Linksdrehen, schwenken Sie ihn auf die gewünschte Position, und ziehen Sie ihn dann durch Rechtsdrehen wieder fest.

► **Abb.10:** 1. Seitengriff

Montage und Demontage des Bohrereinsatzes

Schmierfett

Reinigen Sie das Schaftende des Einsatzes, und tragen Sie Schmierfett auf, bevor Sie den Einsatz montieren. Tragen Sie vor der Arbeit eine kleine Menge Schmierfett (etwa 0,5 - 1 g) auf das Schaftende des Einsatzes auf. Diese Fetterschmierung gewährleistet reibungslosen Betrieb und längere Lebensdauer.

► **Abb.11:** 1. Schaftende 2. Schmierfett

Führen Sie den Bohrereinsatz in das Werkzeug ein. Drehen Sie den Bohrereinsatz, und drücken Sie ihn hinein, bis er einrastet.


Vergewissern Sie sich nach dem Montieren des Bohrereinsatzes immer, dass der Bohrereinsatz sicher sitzt, indem Sie versuchen, ihn herauszuziehen.

► **Abb.12:** 1. Bohrereinsatz

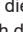
Um den Bohrereinsatz zu entfernen, ziehen Sie die Futterabdeckung vollständig nach unten, und ziehen Sie den Bohrereinsatz heraus.

► **Abb.13:** 1. Bohrereinsatz 2. Futterabdeckung

Meißelwinkel (beim Meißeln, Abklopfen oder Demolieren)

Der Meißel kann im gewünschten Winkel eingespannt werden. Um den Meißelwinkel zu ändern, drehen Sie den Betriebsart-Umschaltknopf auf das Symbol . Drehen Sie den Meißel auf den gewünschten Winkel.

► **Abb.14:** 1. Betriebsart-Umschaltknopf 2. Zeiger

Drehen Sie den Betriebsart-Umschaltknopf auf die Position des Symbols . Vergewissern Sie sich dann durch leichtes Drehen, dass der Meißel einwandfrei gesichert ist.

Tiefenanschlag

Der Tiefenanschlag ist praktisch, um Löcher von gleicher Tiefe zu bohren.

Halten Sie den Sperrknopf gedrückt, und führen Sie dann den Tiefenanschlag in das Sechskantloch ein.

► **Abb.15:** 1. Tiefenanschlag 2. Sperrknopf

Vergewissern Sie sich, dass die gezahnte Seite des Tiefenanschlags auf die Markierung gerichtet ist.

► **Abb.16:** 1. Markierung 2. Gezahnte Seite

Stellen Sie den Tiefenanschlag ein, indem Sie ihn bei gedrücktem Sperrknopf vor und zurück schieben. Lassen Sie den Sperrknopf nach der Einstellung los, um den Tiefenanschlag zu verriegeln.

HINWEIS: Vergewissern Sie sich beim Anbringen, dass der Tiefenanschlag nicht den Hauptteil des Werkzeugs berührt.

Staubabsaugvorrichtung

Sonderzubehör

Installieren der Staubabsaugvorrichtung

1. Lösen Sie den Seitengriff am Werkzeug.
2. Installieren Sie den Staubfänger so, dass die Klauen des Staubfängers in den Nuten zwischen dem Werkzeug und dem Seitengriff sitzen.
► **Abb.17:** 1. Staubfänger 2. Klaue 3. Nut
3. Ziehen Sie den Seitengriff sicher fest.
4. Bringen Sie einen für Ihre Arbeit geeigneten Faltenbalg oder eine Staubfängerverlängerung an. Wenn Sie einen Faltenbalg benutzen, montieren Sie die Verbindungsmuffe an seiner Oberseite an. Wenn Sie zwei Faltenbälge stapeln, verbinden Sie sie mit der Verbindungsmuffe.
► **Abb.18:** 1. Staubfängerverlängerung
2. Staubfänger 3. Verbindungsmuffe
4. Faltenbalg

Anschließen des Werkzeugs an das Saugergerät

1. Bringen Sie die Halterverbindung am Werkzeug an, und bringen Sie dann den Schlauchhalter an der Halterverbindung an.
► **Abb.19:** 1. Halterverbindung 2. Schlauchhalter

HINWEIS: Der Schlauchverbinder kann auf beiden Seiten des Werkzeugs angebracht werden.

⚠ WARNUNG: Verwenden Sie den Montageteil des Werkzeugs nur zum Befestigen der Halterverbindung.

Wird der Montageteil für einen anderen Zweck verwendet, kann ein unerwarteter Unfall verursacht werden.

2. Befestigen Sie den Schlauch am Schlauchhalter.
► **Abb.20:** 1. Schlauchhalter

HINWEIS: Benutzen Sie gegebenenfalls das Verbindungsstück 25, um Schlauch und Staubfänger zu verbinden.

Verwendung des Tiefenanschlags für Bohrarbeiten

Wenn Sie zwei Faltenbälge stapeln, bringen Sie die Tiefenanschlagverlängerung am Tiefenanschlag an.

► **Abb.21:** 1. Tiefenanschlagverlängerung

Staubabsaugvorrichtung (nur für Schlagbohren)

Sonderzubehör

1. Installieren Sie den Schlauchhalter (A/B).

Wenn der Seitenhandgriff am Werkzeug installiert ist, lösen Sie die Knebelmutter, und entfernen Sie dann die Sechskantschraube. Installieren Sie den Schlauchhalter (A) zwischen der Sechskantschraube und der Knebelmutter, indem Sie die Knebelmutter fest anziehen.

► **Abb.22:** 1. Sechskantschraube 2. Schlauchhalter (A) 3. Knebelmutter

Wenn der Seitengriff am Werkzeug installiert ist, lösen Sie den Seitengriff, montieren Sie den Schlauchhalter (B) an der Welle, und ziehen Sie dann den Seitengriff fest an.

► **Abb.23:** 1. Schlauchhalter (B) 2. Welle 3. Seitengriff

2. Bringen Sie die Halterverbindung am Werkzeug an, und bringen Sie dann den Schlauchhalter (C) an der Halterverbindung an.

► **Abb.24:** 1. Halterverbindung 2. Schlauchhalter (C)

HINWEIS: Der Schlauchverbinder kann auf beiden Seiten des Werkzeugs angebracht werden.

⚠ WARNUNG: Verwenden Sie den Montageteil des Werkzeugs nur zum Befestigen der Halterverbindung.

Wird der Montageteil für einen anderen Zweck verwendet, kann ein unerwarteter Unfall verursacht werden.

3. Bringen Sie den Staubfänger und den Schlauch am Werkzeug an, und befestigen Sie dann den Schlauch an den Schlauchhaltern.
► **Abb.25:** 1. Staubfänger 2. Schlauch
3. Schlauchhalter (A/B) 4. Schlauchhalter (C)
4. Verbinden Sie den Schlauch über die Verbindungsmuffe mit dem Schlauch des Saugergeräts.

HINWEIS: Falls der Schlauch nicht mitgeliefert ist, bringen Sie den Staubfänger am Schlauch des Saugergeräts oder am Makita-Schlauch $\varnothing 28$ an.

5. Stellen Sie den Abstand zwischen dem Staubfänger und der Spitze des Meißels oder Spitzmeißels ein. Der empfohlene Abstand ist 30 mm bis 100 mm.

► **Abb.26:** (1) 30 mm bis 100 mm

BETRIEB

⚠ VORSICHT: Verwenden Sie stets den Seitenhandgriff/Seitengriff (Zusatzgriff), und halten Sie das Werkzeug während der Arbeit mit beiden Händen am Seitenhandgriff/Seitengriff und Schaltergriff fest.

⚠ VORSICHT: Vergewissern Sie sich vor der Arbeit immer, dass das Werkstück gesichert ist. Wird das Werkstück nicht ordnungsgemäß gesichert, kann sich das Werkstück bewegen, was zu einer Verletzung führen kann.

⚠ VORSICHT: Ziehen Sie das Werkzeug selbst bei klemmendem Einsatz nicht gewaltsam heraus. Verlust der Kontrolle kann Verletzungen verursachen.


⚠ VORSICHT: Lassen Sie das Werkzeug nicht im Werkstück stecken. Anderenfalls kann das Werkzeug durch unbeabsichtigtes Anlaufen eine Verletzung verursachen.

HINWEIS: Wenn der Akku kalt ist, kann nicht die volle Leistungsfähigkeit des Werkzeugs erhalten werden. Erwärmen Sie in diesem Fall den Akku, indem Sie das Werkzeug eine Weile bei Nulllast laufen lassen, um die volle Leistungsfähigkeit des Werkzeugs zu erhalten.

► Abb.27

Hammerbohren

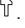
⚠ VORSICHT: Beim Durchbruch der Bohrung, bei Verstopfung der Bohrung mit Spänen und Partikeln, oder beim Auftreffen auf Betonstahl wirkt eine starke, plötzliche Drehkraft auf Werkzeug und Bohrereinsatz. **Montieren Sie stets den Seitengriff (Zusatzgriff), und halten Sie das Werkzeug während der Arbeit mit beiden Händen am Seitengriff und Schaltergriff fest.** Eine Missachtung dieser Vorsichtsmaßnahme kann den Verlust der Kontrolle über das Werkzeug und mögliche schwere Verletzungen zur Folge haben.

Stellen Sie den Betriebsart-Umschaltknopf auf die Position des Symbols . Setzen Sie den Bohrereinsatz auf die gewünschte Bohrstelle, und drücken Sie dann den Auslöseschalter. Üben Sie keinen übermäßigen Druck auf das Werkzeug aus. Leichter Druck liefert die besten Ergebnisse. Halten Sie das Werkzeug in Position, und vermeiden Sie Abrutschen vom Loch.

Üben Sie keinen stärkeren Druck aus, wenn das Bohrloch mit Spänen oder Bohrmehl zugesetzt wird. Lassen Sie statt dessen das Werkzeug leer laufen, und ziehen Sie dann den Bohrereinsatz teilweise aus dem Bohrloch heraus. Durch mehrmaliges Wiederholen dieses Vorgangs wird das Bohrloch ausgeräumt, so dass der normale Bohrbetrieb fortgesetzt werden kann.

HINWEIS: Es kann zu einer Rundlaufabweichung in der Bohrereinsatzdrehung kommen, wenn das Werkzeug mit Nulllast betrieben wird. Während des Betriebs zentriert sich das Werkzeug automatisch. Dies hat keinen Einfluss auf die Bohrgenauigkeit.

Meißeln/Abklopfen/Demolieren

Stellen Sie den Betriebsart-Umschaltknopf auf die Position des Symbols . Halten Sie das Werkzeug mit beiden Händen fest. Schalten Sie das Werkzeug ein, und führen Sie es mit leichtem Druck, damit es nicht unkontrolliert springt. Übermäßige Druckausübung auf das Werkzeug bewirkt keine Erhöhung der Arbeitsleistung.

► Abb.28

Ausblaspipette

Sonderzubehör

Blasen Sie den Staub nach dem Bohren des Lochs mit einer Ausblaspipette aus dem Loch.

► Abb.29

FUNK-AKTIVIERUNGSFUNKTION

Sonderzubehör

Mit der Funk-Aktivierungsfunktion verfügbare Möglichkeiten

Die Funk-Aktivierungsfunktion ermöglicht sauberen und komfortablen Betrieb. Wenn Sie ein unterstütztes Sauggerät an das Werkzeug anschließen, können Sie das Sauggerät automatisch mit der Schalterbetätigung des Werkzeugs betreiben.

► Abb.30

Um die Funk-Aktivierungsfunktion zu benutzen, benötigen Sie die folgenden Gegenstände:

- Einen Funk-Adapter (Sonderzubehör)
- Ein Sauggerät, das die Funk-Aktivierungsfunktion unterstützt

Die Übersicht über die Einstellung der Funk-Aktivierungsfunktion ist wie folgt. Ausführliche Verfahren entnehmen Sie bitte dem jeweiligen Abschnitt.

1. Installieren des Funk-Adapters
2. Werkzeugregistrierung für das Sauggerät
3. Starten der Funk-Aktivierungsfunktion

Installieren des Funk-Adapters

Sonderzubehör

⚠ VORSICHT: Legen Sie das Werkzeug zum Installieren des Funk-Adapters auf eine ebene und stabile Oberfläche.

ANMERKUNG: Entfernen Sie Staub und Schmutz vom Werkzeug, bevor Sie den Funk-Adapter installieren. Staub oder Schmutz können eine Funktionsstörung verursachen, falls sie in den Steckplatz des Funk-Adapters gelangen.

ANMERKUNG: Um eine durch statische Entladung verursachte Funktionsstörung zu verhindern, berühren Sie ein Statikentladungsmaterial, wie z. B. ein Metallteil des Werkzeugs, bevor Sie den Funk-Adapter anfassen.

ANMERKUNG: Achten Sie beim Installieren des Funk-Adapters immer darauf, dass der Funk-Adapter in der korrekten Richtung eingeführt wird und der Deckel vollständig geschlossen ist.

1. Öffnen Sie den Deckel am Werkzeug, wie in der Abbildung gezeigt.
▶ **Abb.31:** 1. Deckel

2. Führen Sie den Funk-Adapter in den Steckplatz ein, und schließen Sie dann den Deckel.

Wenn Sie den Funk-Adapter einführen, richten Sie die Vorsprünge auf die Vertiefungen des Steckplatzes aus.

▶ **Abb.32:** 1. Funk-Adapter 2. Vorsprung 3. Deckel 4. Vertiefung

Zum Entfernen des Funk-Adapters öffnen Sie den Deckel langsam. Die Haken an der Rückseite des Deckels heben den Funk-Adapter an, wenn Sie den Deckel hochziehen.

▶ **Abb.33:** 1. Funk-Adapter 2. Haken 3. Deckel

Bewahren Sie den Funk-Adapter nach der Entnahme in der mitgelieferten Schachtel oder einem statikfreien Behälter auf.

ANMERKUNG: Verwenden Sie immer die Haken an der Rückseite des Deckels zum Entfernen des Funk-Adapters. Falls die Haken den Funk-Adapter nicht greifen, schließen Sie den Deckel vollständig, und öffnen Sie ihn dann wieder langsam.

Werkzeugregistrierung für das Sauggerät

HINWEIS: Ein Makita-Sauggerät, das die Funk-Aktivierungsfunktion unterstützt, für die Werkzeugregistrierung erforderlich.

HINWEIS: Die Installation des Funk-Adapters im Werkzeug muss vollendet sein, bevor mit der Werkzeugregistrierung begonnen wird.

HINWEIS: Unterlassen Sie während der Werkzeugregistrierung die Betätigung des Auslöseschalters oder das Einschalten des Ein-Aus-Schalters am Sauggerät.

HINWEIS: Nehmen Sie auch auf die Betriebsanleitung des Sauggerätes Bezug.

Wenn Sie das Sauggerät zusammen mit der Schalterbetätigung des Werkzeugs aktivieren möchten, müssen Sie zuvor die Werkzeugregistrierung beenden.

1. Setzen Sie die Akkus in das Sauggerät und das Werkzeug ein.
2. Stellen Sie den Bereitschaftsschalter am Sauggerät auf „AUTO“.
▶ **Abb.34:** 1. Bereitschaftsschalter
3. Drücken Sie die Funk-Aktivierungstaste am Sauggerät für 3 Sekunden, bis die Funk-Aktivierungslampe in Grün blinkt. Drücken Sie dann die Funk-Aktivierungstaste am Werkzeug in der gleichen Weise.
▶ **Abb.35:** 1. Funk-Aktivierungstaste
2. Funk-Aktivierungslampe

Wenn Sauggerät und Werkzeug erfolgreich verbunden werden, leuchten die Funk-Aktivierungslampen 2 Sekunden lang in Grün auf und beginnen dann in Blau zu blinken.

HINWEIS: Nach Ablauf von 20 Sekunden hören die Funk-Aktivierungslampen auf, in Grün zu blinken. Drücken Sie die Funk-Aktivierungstaste am Werkzeug, während die Funk-Aktivierungslampe am Staubsauger blinkt. Falls die Funk-Aktivierungslampe nicht in Grün blinkt, drücken Sie die Funk-Aktivierungstaste kurz, und halten Sie sie erneut gedrückt.

HINWEIS: Wenn Sie zwei oder mehr Werkzeugregistrierungen für ein Sauggerät durchführen, beenden Sie die Werkzeugregistrierungen nacheinander.

Starten der Funk-Aktivierungsfunktion

HINWEIS: Beenden Sie die Werkzeugregistrierung für das Sauggerät vor der Funk-Aktivierung.

HINWEIS: Nehmen Sie auch auf die Betriebsanleitung des Sauggerätes Bezug.

Nachdem Sie ein Werkzeug im Sauggerät registriert haben, läuft das Sauggerät automatisch mit der Schalterbetätigung am Werkzeug an.

1. Installieren Sie den Funk-Adapter im Werkzeug.
2. Schließen Sie den Schlauch des Sauggerätes am Werkzeug an.
▶ **Abb.36**

3. Stellen Sie den Bereitschaftsschalter am Sauggerät auf „AUTO“.

▶ **Abb.37:** 1. Bereitschaftsschalter

4. Drücken Sie die Funk-Aktivierungstaste am Werkzeug kurz. Die Funk-Aktivierungslampe blinkt in Blau.

▶ **Abb.38:** 1. Funk-Aktivierungstaste
2. Funk-Aktivierungslampe

5. Betätigen Sie den Auslöseschalter des Werkzeugs. Prüfen Sie, ob das Sauggerät läuft, während der Auslöseschalter betätigt wird.

Um die Funk-Aktivierung des Sauggerätes zu stoppen, drücken Sie die Funk-Aktivierungstaste am Werkzeug.

HINWEIS: Die Funk-Aktivierungslampe am Werkzeug hört auf, in Blau zu blinken, wenn 2 Stunden lang kein Betrieb erfolgt. Stellen Sie in diesem Fall den Bereitschaftsschalter am Sauggerät auf „AUTO“, und drücken Sie die Funk-Aktivierungstaste am Werkzeug erneut.

HINWEIS: Das Sauggerät startet/stoppt mit einer Verzögerung. Es tritt eine Zeitverzögerung auf, wenn das Sauggerät eine Schalterbetätigung des Werkzeugs erkennt.

HINWEIS: Die Übertragungsreichweite des Funk-Adapters kann abhängig vom Ort und den Umgebungsbedingungen schwanken.

HINWEIS: Wenn zwei oder mehr Werkzeuge in einem Sauggerät registriert sind, kann das Sauggerät anlaufen, selbst wenn Sie den Auslöseschalter nicht betätigen, weil ein anderer Benutzer die Funk-Aktivierungsfunktion benutzt.

Beschreibung des Zustands der Funk-Aktivierungslampe

► Abb.39: 1. Funk-Aktivierungslampe

Die Funk-Aktivierungslampe zeigt den Zustand der Funk-Aktivierungsfunktion an. Die Bedeutung des Lampenzustands ist aus der nachstehenden Tabelle ersichtlich.

| Zustand | Funk-Aktivierungslampe | | | | Beschreibung |
|------------------------------------|------------------------|-------------------------------------|-----------------------------------|--------------------------|---|
| | Farbe | <input type="checkbox"/> Ein | <input type="checkbox"/> Blinkend | Dauer | |
| Bereitschaft | Blau | <input checked="" type="checkbox"/> | | 2 Stunden | Die Funk-Aktivierung des Sauggerätes ist verfügbar. Die Lampe erlischt automatisch, wenn 2 Stunden lang kein Betrieb erfolgt. |
| | | <input type="checkbox"/> | | Wenn das Werkzeug läuft. | Die Funk-Aktivierung des Sauggerätes ist verfügbar, und das Werkzeug läuft. |
| Werkzeugregistrierung | Grün | <input checked="" type="checkbox"/> | | 20 Sekunden | Bereit für die Werkzeugregistrierung. Warten auf die Registrierung durch das Sauggerät. |
| | | <input type="checkbox"/> | | 2 Sekunden | Die Werkzeugregistrierung ist beendet worden. Die Funk-Aktivierungslampe beginnt, in Blau zu blinken. |
| Aufheben der Werkzeugregistrierung | Rot | <input checked="" type="checkbox"/> | | 20 Sekunden | Bereit für die Aufhebung der Werkzeugregistrierung. Warten auf die Aufhebung durch das Sauggerät. |
| | | <input type="checkbox"/> | | 2 Sekunden | Die Aufhebung der Werkzeugregistrierung ist beendet worden. Die Funk-Aktivierungslampe beginnt, in Blau zu blinken. |
| Sonstiges | Rot | <input type="checkbox"/> | | 3 Sekunden | Der Funk-Adapter wird mit Strom versorgt, und die Funk-Aktivierungsfunktion wird gestartet. |
| | Aus | - | | - | Die Funk-Aktivierung des Sauggerätes ist gestoppt. |

Aufheben der Werkzeugregistrierung für das Sauggerät

Führen Sie das folgende Verfahren durch, um die Werkzeugregistrierung für das Sauggerät aufzuheben.

1. Setzen Sie die Akkus in das Sauggerät und das Werkzeug ein.

2. Stellen Sie den Bereitschaftsschalter am Sauggerät auf „AUTO“.

► **Abb.40:** 1. Bereitschaftsschalter

3. Drücken Sie die Funk-Aktivierungstaste am Sauggerät für 6 Sekunden. Die Funk-Aktivierungslampe blinkt in Grün und wird dann rot. Drücken Sie danach die Funk-Aktivierungstaste am Werkzeug in der gleichen Weise.

► **Abb.41:** 1. Funk-Aktivierungstaste
2. Funk-Aktivierungslampe

Wenn die Aufhebung erfolgreich war, leuchten die Funk-Aktivierungslampen 2 Sekunden lang in Rot auf und beginnen dann in Blau zu blinken.

HINWEIS: Nach Ablauf von 20 Sekunden hören die Funk-Aktivierungslampen auf, in Rot zu blinken. Drücken Sie die Funk-Aktivierungstaste am Werkzeug, während die Funk-Aktivierungslampe am Staubsauger blinkt. Falls die Funk-Aktivierungslampe nicht in Rot blinkt, drücken Sie die Funk-Aktivierungstaste kurz, und halten Sie sie erneut gedrückt.

Fehlersuche für Funk-Aktivierungsfunktion

Bevor Sie den Reparaturdienst anrufen, führen Sie zunächst Ihre eigene Inspektion durch. Falls Sie ein Problem finden, das nicht in der Anleitung erläutert wird, versuchen Sie nicht, das Werkzeug zu zerlegen. Wenden Sie sich stattdessen an autorisierte Makita-Kundendienstzentren, und achten Sie darauf, dass stets Makita-Ersatzteile für Reparaturen verwendet werden.

| Zustand der Unregelmäßigkeit | Wahrscheinliche Ursache (Funktionsstörung) | Abhilfemaßnahme |
|--|--|--|
| Die Funk-Aktivierungslampe leuchtet/blinkt nicht. | Es ist kein Funk-Adapter im Werkzeug installiert. Der Funk-Adapter ist falsch im Werkzeug installiert. | Installieren Sie den Funk-Adapter korrekt. |
| | Die Kontakte des Funk-Adapters und/oder des Steckplatzes sind verschmutzt. | Wischen Sie Staub und Schmutz an den Kontakten des Funk-Adapters saftig ab, und reinigen Sie den Steckplatz. |
| | Die Funk-Aktivierungstaste am Werkzeug ist nicht gedrückt worden. | Drücken Sie die Funk-Aktivierungstaste am Werkzeug kurz. |
| | Der Bereitschaftsschalter am Sauggerät ist nicht auf „AUTO“ eingestellt. | Stellen Sie den Bereitschaftsschalter am Sauggerät auf „AUTO“. |
| | Keine Stromversorgung | Versorgen Sie Werkzeug und Sauggerät mit Strom. |
| Die Werkzeugregistrierung/Aufhebung der Werkzeugregistrierung kann nicht erfolgreich beendet werden. | Es ist kein Funk-Adapter im Werkzeug installiert. Der Funk-Adapter ist falsch im Werkzeug installiert. | Installieren Sie den Funk-Adapter korrekt. |
| | Die Kontakte des Funk-Adapters und/oder des Steckplatzes sind verschmutzt. | Wischen Sie Staub und Schmutz an den Kontakten des Funk-Adapters saftig ab, und reinigen Sie den Steckplatz. |
| | Der Bereitschaftsschalter am Sauggerät ist nicht auf „AUTO“ eingestellt. | Stellen Sie den Bereitschaftsschalter am Sauggerät auf „AUTO“. |
| | Keine Stromversorgung | Versorgen Sie Werkzeug und Sauggerät mit Strom. |
| | Falsche Bedienung | Drücken Sie die Funk-Aktivierungstaste kurz, und führen Sie das Verfahren der Werkzeugregistrierung/Aufhebung der Werkzeugregistrierung erneut durch. |
| | Der Abstand zwischen Werkzeug und Sauggerät ist zu groß (außerhalb der Übertragungreichweite). | Verkleinern Sie den Abstand zwischen Werkzeug und Sauggerät. Die maximale Übertragungreichweite beträgt ungefähr 10 m, sie kann aber je nach den Umständen schwanken. |
| | Vor Beendigung der Werkzeugregistrierung/Aufhebung der Werkzeugregistrierung: - der Auslöseschalter am Werkzeug wird betätigt, oder - die Ein-Aus-Taste am Sauggerät wird eingeschaltet. | Drücken Sie die Funk-Aktivierungstaste kurz, und führen Sie das Verfahren der Werkzeugregistrierung/Aufhebung der Werkzeugregistrierung erneut durch. |
| | Die Verfahren der Werkzeugregistrierung für das Werkzeug oder das Sauggerät sind nicht beendet. | Führen Sie die Verfahren der Werkzeugregistrierung sowohl für das Werkzeug als auch das Sauggerät zum selben Zeitpunkt durch. |
| Das Sauggerät läuft bei der Schalterbetätigung des Werkzeugs nicht an. | Es ist kein Funk-Adapter im Werkzeug installiert. Der Funk-Adapter ist falsch im Werkzeug installiert. | Installieren Sie den Funk-Adapter korrekt. |
| | Die Kontakte des Funk-Adapters und/oder des Steckplatzes sind verschmutzt. | Wischen Sie Staub und Schmutz an den Kontakten des Funk-Adapters saftig ab, und reinigen Sie den Steckplatz. |
| | Die Funk-Aktivierungstaste am Werkzeug ist nicht gedrückt worden. | Drücken Sie die Funk-Aktivierungstaste kurz, und vergewissern Sie sich, dass die Funk-Aktivierungslampe in Blau blinkt. |
| | Der Bereitschaftsschalter am Sauggerät ist nicht auf „AUTO“ eingestellt. | Stellen Sie den Bereitschaftsschalter am Sauggerät auf „AUTO“. |
| | Es sind mehr als 10 Werkzeuge im Sauggerät registriert. | Führen Sie die Werkzeugregistrierung erneut durch. Wenn mehr als 10 Werkzeuge im Sauggerät registriert werden, wird die Registrierung des ersten Werkzeugs automatisch gelöscht. |
| | Das Sauggerät hat alle Werkzeugregistrierungen gelöscht. | Führen Sie die Werkzeugregistrierung erneut durch. |
| | Keine Stromversorgung | Versorgen Sie Werkzeug und Sauggerät mit Strom. |
| | Der Abstand zwischen Werkzeug und Sauggerät ist zu groß (außerhalb der Übertragungreichweite). | Verkleinern Sie den Abstand zwischen Werkzeug und Sauggerät. Die maximale Übertragungreichweite beträgt ungefähr 10 m, sie kann aber je nach den Umständen schwanken. |
| | Funkstörungen durch andere Geräte, die starke Funkwellen erzeugen. | Halten Sie das Werkzeug und das Sauggerät von solchen Geräten wie WLAN-Geräten und Mikrowellenöfen fern. |

| Zustand der Unregelmäßigkeit | Wahrscheinliche Ursache (Funktionsstörung) | Abhilfemaßnahme |
|--|---|--|
| Das Sauggerät läuft an, obwohl der Auslöseschalter des Werkzeugs nicht betätigt wurde. | Andere Benutzer nutzen die Funk-Aktivierung des Sauggerätes mit ihren Werkzeugen. | Schalten Sie die Funk-Aktivierungstaste der anderen Werkzeuge aus, oder heben Sie die Werkzeugregistrierung der anderen Werkzeuge auf. |

WARTUNG

⚠ VORSICHT: Vergewissern Sie sich vor der Durchführung von Inspektions- oder Wartungsarbeiten stets, dass das Werkzeug ausgeschaltet und der Akku abgenommen ist.

ANMERKUNG: Verwenden Sie auf keinen Fall Benzin, Waschbenzin, Verdünner, Alkohol oder dergleichen. Solche Mittel können Verfärbung, Verformung oder Rissbildung verursachen.

Um die SICHERHEIT und ZUVERLÄSSIGKEIT dieses Produkts zu gewährleisten, sollten Reparaturen und andere Wartungs- oder Einstellarbeiten nur von Makita-Vertragswerkstätten oder Makita-Kundendienstzentren unter ausschließlicher Verwendung von Makita-Originalersatzteilen ausgeführt werden.

SONDERZUBEHÖR

⚠ VORSICHT: Die folgenden Zubehörteile oder Vorrichtungen werden für den Einsatz mit dem in dieser Anleitung beschriebenen Makita-Werkzeug empfohlen. Die Verwendung anderer Zubehörteile oder Vorrichtungen kann eine Verletzungsgefahr darstellen. Verwenden Sie Zubehörteile oder Vorrichtungen nur für ihren vorgesehenen Zweck.

Wenn Sie weitere Einzelheiten bezüglich dieser Zubehörteile benötigen, wenden Sie sich bitte an Ihre Makita-Kundendienststelle.

- SDS-MAX Bohrereinsätze mit Hartmetallschneide
- SDS-MAX Spitzmeißel
- SDS-MAX Flachmeißel
- SDS-MAX Putzmeißel
- SDS-MAX Spatenmeißel
- Bohrerfett
- Seitenhandgriff
- Seitengriff
- Tiefenanschlag
- Ausblaspipette
- Staubabsaugvorrichtung
- Schutzbrille
- Funk-Adapter
- Original-Makita-Akku und -Ladegerät
- Plastikkoffer

HINWEIS: Manche Teile in der Liste können als Standardzubehör im Werkzeugsatz enthalten sein. Sie können von Land zu Land unterschiedlich sein.

Makita Europe N.V. Jan-Baptist Vinkstraat 2,
3070 Kortenberg, Belgium

Makita Corporation 3-11-8, Sumiyoshi-cho,
Anjo, Aichi 446-8502 Japan

www.makita.com

885831-979
EN, PL, HU, SK,
CS, UK, RO, DE
20201009