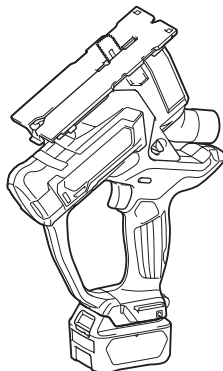




EN	Cordless Drywall Saw	INSTRUCTION MANUAL	5
PL	Akumulatorowa pilarka do płyt K-G	INSTRUKCJA OBSŁUGI	10
HU	Akkumulátoros szárazfal fűrész	HASZNÁLATI KÉZIKÖNYV	16
SK	Akumulátorová píla na sadrokartón	NÁVOD NA OBSLUHU	21
CS	Akumulátorová píla na sádrokarton	NÁVOD K OBSLUZE	26
UK	Бездротова пила для гіпсокартону	ІНСТРУКЦІЯ З ЕКСПЛУАТАЦІЇ	31
RO	Ferăstrău cu acumulator pentru perete de rigips	MANUAL DE INSTRUCȚIUNI	37
DE	Akku-Gipskartonsäge	BETRIEBSANLEITUNG	42

SD100D



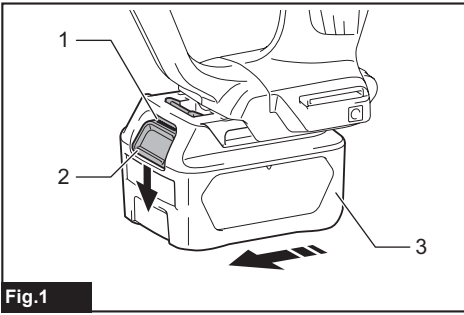


Fig.1

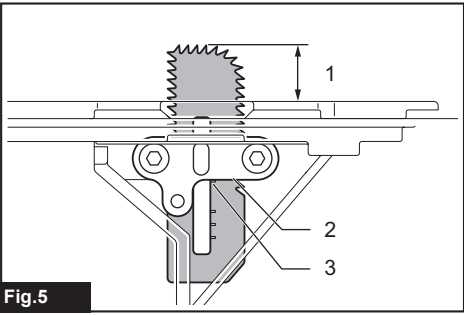


Fig.5

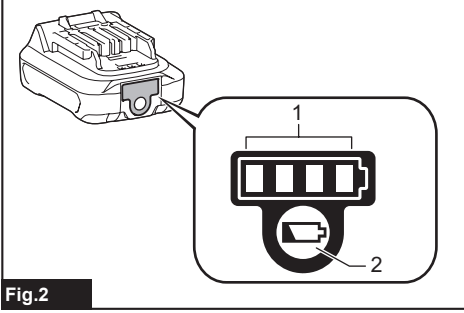


Fig.2

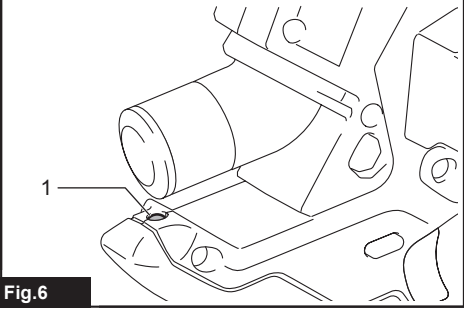


Fig.6

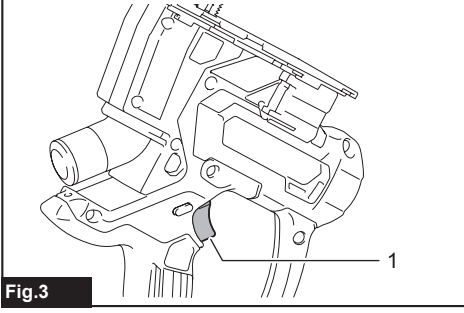


Fig.3

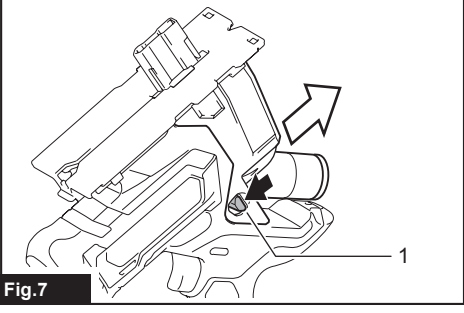


Fig.7

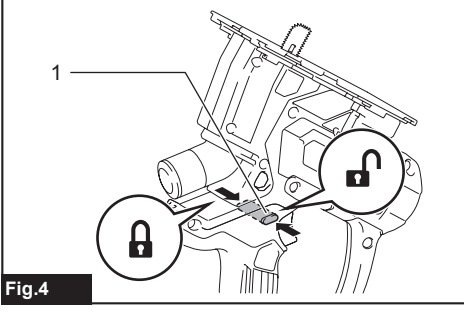


Fig.4

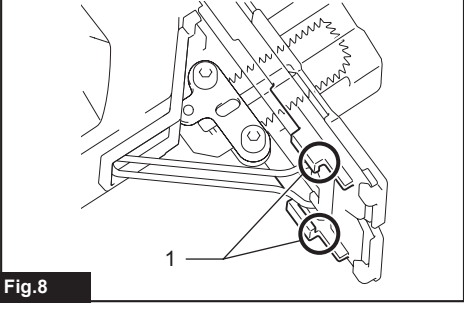


Fig.8

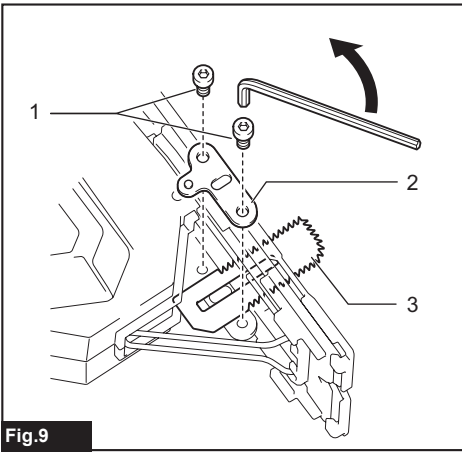


Fig.9

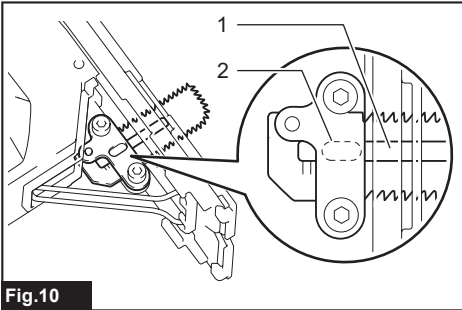


Fig.10

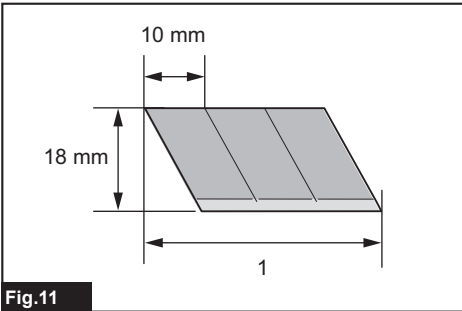


Fig.11

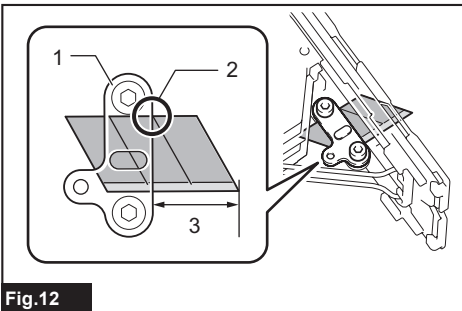


Fig.12

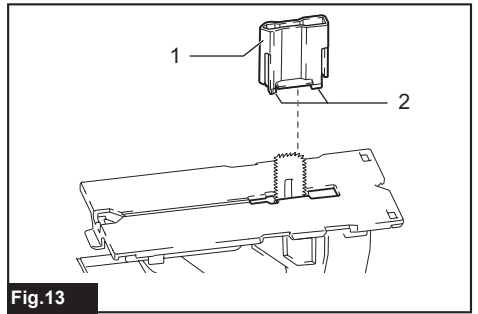


Fig.13

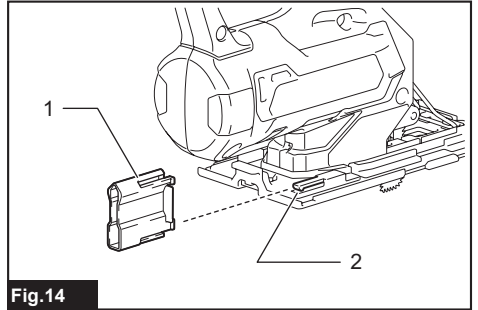


Fig.14

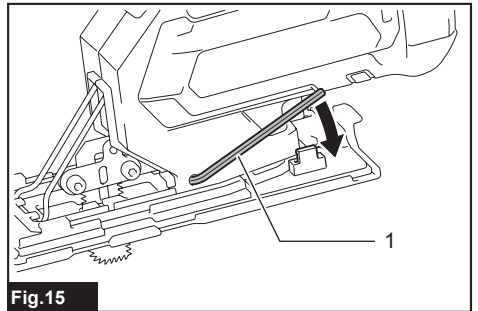


Fig.15

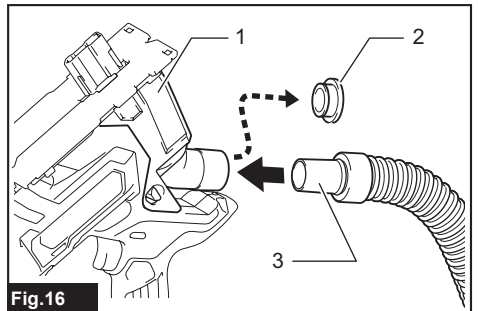


Fig.16

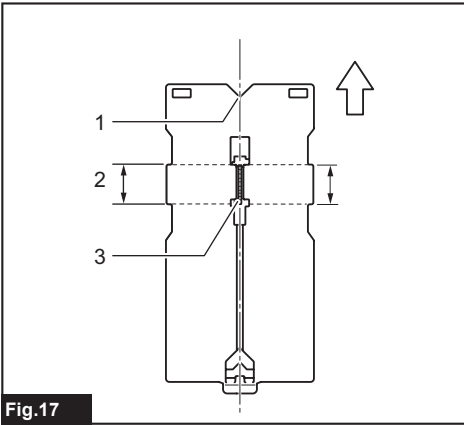


Fig.17

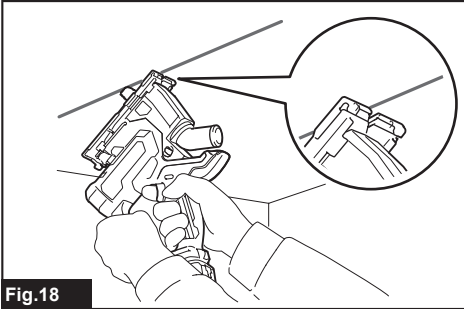


Fig.18

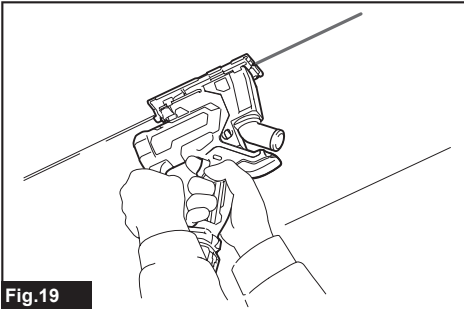


Fig.19

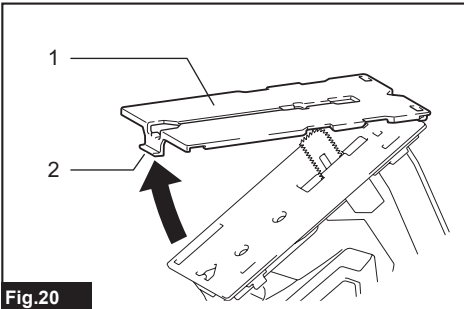


Fig.20

SPECIFICATIONS

Model:		SD100D	
Length of stroke		6 mm	
Strokes per minute		0 - 6,000 min ⁻¹	
Maximum cutting capacities	Drywall	30 mm	
	Wood	15 mm	
Rated voltage		D.C. 10.8 V	
Standard battery cartridges		BL1015, BL1020B	BL1040B
Overall length		239 mm	248 mm
Net weight		1.5 kg	1.6 kg

- Due to our continuing program of research and development, the specifications herein are subject to change without notice.
- Specifications and battery cartridge may differ from country to country.
- Weight, with battery cartridge, according to EPTA-Procedure 01/2003

Intended use

This tool is intended for plunge-cutting of a drywall. Wood can also be cut by installing a suitable saw blade.

Noise

The typical A-weighted noise level determined according to 60745-2-11:

Sound pressure level (L_{pA}) : 77 dB(A)

Uncertainty (K) : 3 dB(A)

The noise level under working may exceed 80 dB (A).

⚠ WARNING: Wear ear protection.

Vibration

The vibration total value (tri-axial vector sum) determined according to 60745-2-11:

Work mode: cutting drywall (thickness 30 mm)

Vibration emission (a_w) : 3.0 m/s²

Uncertainty (K) : 1.5 m/s²

Work mode: cutting chip board (thickness 15 mm)

Vibration emission (a_w) : 5.5 m/s²

Uncertainty (K) : 1.5 m/s²

NOTE: The declared vibration emission value has been measured in accordance with the standard test method and may be used for comparing one tool with another.

NOTE: The declared vibration emission value may also be used in a preliminary assessment of exposure.

⚠ WARNING: The vibration emission during actual use of the power tool can differ from the declared emission value depending on the ways in which the tool is used.

⚠ WARNING: Be sure to identify safety measures to protect the operator that are based on an estimation of exposure in the actual conditions of use (taking account of all parts of the operating cycle such as the times when the tool is switched off and when it is running idle in addition to the trigger time).

EC Declaration of Conformity

For European countries only

The EC declaration of conformity is included as Annex A to this instruction manual.

SAFETY WARNINGS

General power tool safety warnings

⚠ WARNING: Read all safety warnings, instructions, illustrations and specifications provided with this power tool. Failure to follow all instructions listed below may result in electric shock, fire and/or serious injury.

Save all warnings and instructions for future reference.

The term "power tool" in the warnings refers to your mains-operated (corded) power tool or battery-operated (cordless) power tool.

Cordless drywall saw safety warnings

1. Hold power tool by insulated gripping surfaces, when performing an operation where the cutting accessory may contact hidden wiring. Cutting accessory contacting a "live" wire may make exposed metal parts of the power tool "live" and could give the operator an electric shock.
2. Use clamps or another practical way to secure and support the workpiece to a stable platform. Holding the work by hand or against your body leaves it unstable and may lead to loss of control.
3. Always use safety glasses or goggles. Ordinary eye or sun glasses are NOT safety glasses.
4. Avoid cutting nails. Inspect workpiece for any nails and remove them before operation.
5. Do not cut oversize workpiece.
6. Check for the proper clearance beyond the workpiece before cutting so that the blade will not strike the floor, workbench, etc.
7. Hold the tool firmly.
8. Make sure the blade is not contacting the workpiece before the switch is turned on.
9. Keep hands away from moving parts.
10. Do not leave the tool running. Operate the tool only when hand-held.
11. Always switch off and wait for the blade to come to a complete stop before removing the blade from the workpiece.
12. Do not touch the blade or the workpiece immediately after operation; they may be extremely hot and could burn your skin.
13. Do not operate the tool at no-load unnecessarily.
14. Some material contains chemicals which may be toxic. Take caution to prevent dust inhalation and skin contact. Follow material supplier safety data.
15. Always use the correct dust mask/respirator for the material and application you are working with.

SAVE THESE INSTRUCTIONS.

⚠WARNING: DO NOT let comfort or familiarity with product (gained from repeated use) replace strict adherence to safety rules for the subject product. MISUSE or failure to follow the safety rules stated in this instruction manual may cause serious personal injury.

Important safety instructions for battery cartridge

1. Before using battery cartridge, read all instructions and cautionary markings on (1) battery charger, (2) battery, and (3) product using battery.
2. Do not disassemble battery cartridge.

3. If operating time has become excessively shorter, stop operating immediately. It may result in a risk of overheating, possible burns and even an explosion.
4. If electrolyte gets into your eyes, rinse them out with clear water and seek medical attention right away. It may result in loss of your eyesight.
5. Do not short the battery cartridge:
 - (1) Do not touch the terminals with any conductive material.
 - (2) Avoid storing battery cartridge in a container with other metal objects such as nails, coins, etc.
 - (3) Do not expose battery cartridge to water or rain.
6. Do not store the tool and battery cartridge in locations where the temperature may reach or exceed 50 °C (122 °F).
7. Do not incinerate the battery cartridge even if it is severely damaged or is completely worn out. The battery cartridge can explode in a fire.
8. Be careful not to drop or strike battery.
9. Do not use a damaged battery.
10. The contained lithium-ion batteries are subject to the Dangerous Goods Legislation requirements.

For commercial transports e.g. by third parties, forwarding agents, special requirement on packaging and labeling must be observed. For preparation of the item being shipped, consulting an expert for hazardous material is required. Please also observe possibly more detailed national regulations. Tape or mask off open contacts and pack up the battery in such a manner that it cannot move around in the packaging.

11. Follow your local regulations relating to disposal of battery.

SAVE THESE INSTRUCTIONS.

⚠CAUTION: Only use genuine Makita batteries. Use of non-genuine Makita batteries, or batteries that have been altered, may result in the battery bursting causing fires, personal injury and damage. It will also void the Makita warranty for the Makita tool and charger.

Tips for maintaining maximum battery life

1. Charge the battery cartridge before completely discharged. Always stop tool operation and charge the battery cartridge when you notice less tool power.
2. Never recharge a fully charged battery cartridge. Overcharging shortens the battery service life.
3. Charge the battery cartridge with room temperature at 10 °C - 40 °C (50 °F - 104 °F). Let a hot battery cartridge cool down before charging it.

FUNCTIONAL DESCRIPTION

CAUTION: Always be sure that the tool is switched off and the battery cartridge is removed before adjusting or checking function on the tool.

Installing or removing battery cartridge

CAUTION: Always switch off the tool before installing or removing of the battery cartridge.

CAUTION: Hold the tool and the battery cartridge firmly when installing or removing battery cartridge. Failure to hold the tool and the battery cartridge firmly may cause them to slip off your hands and result in damage to the tool and battery cartridge and a personal injury.

► Fig.1: 1. Red indicator 2. Button 3. Battery cartridge

To remove the battery cartridge, slide it from the tool while sliding the button on the front of the cartridge.

To install the battery cartridge, align the tongue on the battery cartridge with the groove in the housing and slip it into place. Insert it all the way until it locks in place with a little click. If you can see the red indicator on the upper side of the button, it is not locked completely.

CAUTION: Always install the battery cartridge fully until the red indicator cannot be seen. If not, it may accidentally fall out of the tool, causing injury to you or someone around you.

CAUTION: Do not install the battery cartridge forcibly. If the cartridge does not slide in easily, it is not being inserted correctly.

Battery protection system

The tool is equipped with a battery protection system. This system automatically cuts off power to the motor to extend battery life.

The tool will automatically stop during operation if the tool and/or battery are placed under one of the following conditions:

Overloaded:

The tool is operated in a manner that causes it to draw an abnormally high current. In this situation, turn the tool off and stop the application that caused the tool to become overloaded. Then turn the tool on to restart.

If the tool does not start, the battery is overheated. In this situation, let the battery cool before turning the tool on again.

Low battery voltage:

The remaining battery capacity is too low and the tool will not operate. If you turn the tool on, the motor runs again but stops soon. In this situation, remove and recharge the battery.

Indicating the remaining battery capacity

Only for battery cartridges with the indicator

► Fig.2: 1. Indicator lamps 2. Check button

Press the check button on the battery cartridge to indicate the remaining battery capacity. The indicator lamps light up for few seconds.

Indicator lamps		Remaining capacity
Lighted	Off	
■ ■ ■ ■	□	75% to 100%
■ ■ ■ □	□	50% to 75%
■ ■ □ □	□ □	25% to 50%
■ □ □ □	□ □ □ □	0% to 25%



NOTE: Depending on the conditions of use and the ambient temperature, the indication may differ slightly from the actual capacity.

Switch action

► Fig.3: 1. Switch trigger

CAUTION: Before installing the battery cartridge into the tool, always check to see that the switch trigger actuates properly and returns to the "OFF" position when released.

To start the tool, simply pull the switch trigger. Tool speed is increased by increasing pressure on the switch trigger. Release the switch trigger to stop.

To prevent the switch trigger from being pulled accidentally, the trigger-lock button is provided. To start the tool, depress the trigger-lock button from the  side and pull the switch trigger. After use, always press in the trigger-lock button from the  side.

► Fig.4: 1. Trigger-lock button

CAUTION: When not operating the tool, depress the trigger-lock button from the  side to lock the switch trigger in the OFF position.

Adjusting depth of cut

The cutting depth corresponds with the scale on the blade. Loosen the screw on the blade holder until the blade can move freely. Align the scale on the blade with the bottom line of the blade holder. Then tighten the screws.

► Fig.5: 1. Cutting depth 2. Bottom line of the blade holder 3. Scale on the blade

The maximum cutting depth depends on the type of the saw blade. Always use the saw blade designed for cutting the working material.

Type of saw blade	Max. cutting depth
For drywall	30 mm
For wood	15 mm

LED light

CAUTION: Do not look in the light or see the source of light directly.

Pull the switch trigger to light up the lamp. The lamp keeps on lighting while the switch trigger is being pulled. The lamp goes out approximately 10 seconds after releasing the trigger.

► **Fig.6:** 1. Lamp

NOTE: Use a dry cloth to wipe the dirt off the lens of the lamp. Be careful not to scratch the lens of lamp, or it may lower the illumination.

ASSEMBLY

CAUTION: Always be sure that the tool is switched off and the battery cartridge is removed before carrying out any work on the tool.

Removing the dust collector

CAUTION: Never operate the tool without the dust collector. Dust may come into your eyes and cause eye injury.

To remove the dust collector, hold the tool handle and pull back the tabs on the tool. Be sure to pull the tabs on the both sides at the same time.

► **Fig.7:** 1. Tab

When installing, align the dust collector's edge with the groove on the base.

► **Fig.8:** 1. Groove

Replacing drywall saw blade

CAUTION: Always clean out all chips or foreign matter adhering to the blade and/or blade holder. Failure to do so may cause insufficient tightening of the blade, resulting in a serious personal injury.

CAUTION: Do not touch the blade or the workpiece immediately after operation. They may be extremely hot and could burn your skin.

CAUTION: Make sure that the blade is properly secured. Insufficient tightening of the blade may cause blade breakage or serious personal injury.

1. Remove the dust collector.
2. Remove the bolts on the blade holder with the hex wrench.

► **Fig.9:** 1. Bolts 2. Blade holder 3. Blade

3. Set a new blade as shown in the figure. Make sure that the curved edge of the blade points forward. Fit the protrusion of the blade holder into the slot on the blade.

► **Fig.10:** 1. Slot 2. Protruded portion (opposite side)

4. Adjust the cutting depth then tighten the bolts.

5. Attach the dust collector.

Installing snap-off blade

CAUTION: Always use the snap-off blade with designated length, width, and thickness. An inappropriately installed snap-off blade can be broken. A broken blade can fly off and cause a personal injury.

A snap-off blade can also be used with this tool. Use 3 segments of 18 mm wide snap-off blade with 0.5 mm thickness. The maximum cutting depth is 12.5 mm when cutting a drywall.

► **Fig.11:** 1. Three segments of snap-off blade

1. Loosen the bolts on the blade holder. Turn the blade holder so that its protrusion faces outward.

2. Insert the snap-off blade so that the sharp edge faces forward.

3. Secure the snap-off blade at the position where the end of the first segment comes to the edge of blade holder as illustrated.

► **Fig.12:** 1. Blade holder 2. End of the first segment of snap-off blade 3. Allowable cutting length

Attaching blade cap

CAUTION: Always attach the blade cap when tool is not used. A bare blade may cause personal injury or damage to the blade itself.

Pass the blade cap through the blade until the hook catches the base cover. Note the direction of the blade cap when attaching; the wider hook comes front side. When removing the blade cap, lift it while pinching the both sides.

► **Fig.13:** 1. Blade cap 2. Hook

During operation, insert the blade cap to the hook on the base as illustrated until it clicks.

► **Fig.14:** 1. Blade cap 2. Hook

Hex wrench storage

When not in use, store the hex wrench as shown in the figure to keep it from being lost.

► **Fig.15:** 1. Hex wrench

Connecting a vacuum cleaner

CAUTION: Attach the blade cap before connecting vacuum cleaner.

Connect a Makita vacuum cleaner for clean operation. Remove the rubber cap on the dust collector and connect the vacuum cleaner's hose to the nozzle of the dust collector.

► **Fig.16:** 1. Dust collector 2. Rubber cap 3. Vacuum cleaner hose

OPERATION

⚠ CAUTION: Hold the tool firmly.

⚠ CAUTION: Always hold the base flush with the workpiece during cutting. Never perform a curved cut. Failure to do so may cause blade breakage, resulting in a serious injury.

The V-notch and convex portion in the base cover of the tool indicate the position of the blade. Always check the blade position when cutting.

The base cover of the tool

► **Fig.17:** 1. V-notch 2. Convex portion 3. Blade

NOTE: For accurate cutting, it is recommended to draw cutting lines on the workpiece beforehand.

1. Place the tip of the blade on the start line. Tilt the tool so that the front edge of the base touches the workpiece. Align the bottom of the V-notch in the front edge with the cutting line.

► **Fig.18**

2. Slowly pull the trigger without the blade making any contact with the workpiece. When the blade attains full speed, push the tool toward the workpiece. As the blade pierces the workpiece, make the whole surface of the base cover contact with the workpiece.

► **Fig.19**

3. Move the tool straight forward until the cutting finishes.

MAINTENANCE

⚠ CAUTION: Always be sure that the tool is switched off and the battery cartridge is removed before attempting to perform inspection or maintenance.

NOTICE: Never use gasoline, benzine, thinner, alcohol or the like. Discoloration, deformation or cracks may result.

Cleaning the base cover

Clean off the cutting chips and dust accumulated on the base cover. Lift the base cover while pulling the hook on the back end to remove. Follow the removal procedure in reverse when installing.

► **Fig.20:** 1. Base cover 2. Hook

⚠ CAUTION: Pay attention to the tip of the blade and cutting chips when removing the base cover.

NOTICE: Perform the cleaning periodically. Dirty base cover may damage or deface the working surface.

To maintain product SAFETY and RELIABILITY, repairs, any other maintenance or adjustment should be performed by Makita Authorized or Factory Service Centers, always using Makita replacement parts.

OPTIONAL ACCESSORIES

⚠ CAUTION: These accessories or attachments are recommended for use with your Makita tool specified in this manual. The use of any other accessories or attachments might present a risk of injury to persons. Only use accessory or attachment for its stated purpose.

If you need any assistance for more details regarding these accessories, ask your local Makita Service Center.

- Drywall saw blade
- Wood saw blade
- Dust box
- Dust collector
- Hex wrench
- Hook
- Makita genuine battery and charger

NOTE: Some items in the list may be included in the tool package as standard accessories. They may differ from country to country.

DANE TECHNICZNE

Model:		SD100D	
Długość skoku		6 mm	
Liczba oscylacji na minutę		0–6 000 min ⁻¹	
Maks. zakres cięcia	Płyta kartonowo-gipsowa	30 mm	
	Drewno	15 mm	
Napięcie znamionowe		Prąd stały 10,8 V	
Standardowe akumulatory		BL1015, BL1020B	BL1040B
Długość całkowita		239 mm	248 mm
Ciężar netto		1,5 kg	1,6 kg

- W związku ze stale prowadzonym przez naszą firmę programem badawczo-rozwojowym niniejsze dane mogą ulec zmianom bez wcześniejszego powiadomienia.
- W innych krajach urządzenie może mieć odmienne parametry techniczne i może być wyposażone w inny akumulator.
- Masa urządzenia wraz z akumulatorem obliczona zgodnie z procedurą EPTA 01/2003

Przeznaczenie

To narzędzie jest przeznaczone do cięcia wglębnego (wycinania) płyt gipsowo-kartonowych. Po założeniu odpowiedniego brzeszczotu można ciąć również drewno.

Hałas

Typowy równoważny poziom dźwięku A określony w oparciu o normę 60745-2-11:

Poziom ciśnienia akustycznego (L_{pA}): 77 dB(A)

Niepewność (K): 3 dB(A)

Poziom hałasu podczas pracy może przekraczać 80 dB (A).

OSTRZEŻENIE: Nosić ochronniki słuchu.

Drgania

Całkowita wartość poziomu drgań (suma wektorów w 3 osiach) określona zgodnie z normą 60745-2-11:

Tryb pracy: cięcie płyt gipsowo-kartonowych (grubość 30 mm)

Emisja drgań (a_{h1}): 3,0 m/s²

Niepewność (K): 1,5 m/s²

Tryb pracy: cięcie płyt wiórowych (grubość 15 mm)

Emisja drgań (a_{h1}): 5,5 m/s²

Niepewność (K): 1,5 m/s²

WSKAZÓWKA: Deklarowana wartość wytwarzanych drgań została zmierzona zgodnie ze standardową metodą testową i można ją wykorzystać do porównywania narzędzi.

WSKAZÓWKA: Deklarowaną wartość wytwarzanych drgań można także wykorzystać we wstępnej ocenie narażenia.

OSTRZEŻENIE: Drgania wytwarzane podczas rzeczywistego użytkowania elektronarzędzia mogą się różnić od wartości deklarowanej, w zależności od sposobu jego użytkowania.

OSTRZEŻENIE: W oparciu o szacowane narażenie w rzeczywistych warunkach użytkowania należy określić środki bezpieczeństwa w celu ochrony operatora (uwzględniając wszystkie elementy cyklu działania, tj. czas, kiedy narzędzie jest wyłączone i kiedy pracuje na biegu jałowym, a także czas, kiedy jest włączone).

Deklaracja zgodności WE

Dotyczy tylko krajów europejskich

Deklaracja zgodności WE jest dołączona jako załącznik A do niniejszej instrukcji obsługi.

OSTRZEŻENIA DOTYCZĄCE BEZPIECZEŃSTWA

Ogólne zasady bezpiecznej eksploatacji elektronarzędzi

OSTRZEŻENIE: Należy zapoznać się z ostrzeżeniami dotyczącymi bezpieczeństwa, instrukcjami, ilustracjami i danymi technicznymi dołączonymi do tego elektronarzędzia. Niezastosowanie się do podanych poniżej instrukcji może prowadzić do porażenia prądem, pożaru i/lub poważnych obrażeń ciała.

Wszystkie ostrzeżenia i instrukcje należy zachować do wykorzystania w przyszłości.

Pojęcie „elektronarzędzie”, występujące w wymienionych tu ostrzeżeniach, odnosi się do elektronarzędzia zasilanego z sieci elektrycznej (z przewodem zasilającym) lub do elektronarzędzia akumulatorowego (bez przewodu zasilającego).

Ostrzeżenia dotyczące bezpieczeństwa dla akumulatorowej pilarki do płyt K-G

1. Trzymać elektronarzędzie za izolowane powierzchnie rękocyfki podczas wykonywania prac, przy których osprzęt tnący mógłby dotknąć niewidocznej instalacji elektrycznej. Zetknięcie osprzętu z przewodem elektrycznym znajdującym się pod napięciem może spowodować, że odsonięte elementy metalowe elektronarzędzia również znajdują się pod napięciem, groząc porażeniem operatora prądem elektrycznym.
2. Należy używać zacisków lub innych praktycznych sposobów mocowania obrabianego elementu do stabilnej podstawy i jego podparcia. Przytrzymywanie obrabianego elementu ręką lub opieranie go o ciało nie gwarantuje stabilności i może doprowadzić do utraty kontroli nad narzędziem.
3. Należy zawsze używać okularów ochronnych lub gogli. Zwykłe okulary bądź okulary przeciwsłoneczne NIE są okularami ochronnymi.
4. Należy unikać cięcia gwoździ. Przed przystąpieniem do pracy należy sprawdzić, czy obrabiany element nie zawiera gwoździ i ewentualnie je usunąć.
5. Nie wolno ciąć zbyt dużych elementów.
6. Przed przystąpieniem do cięcia należy sprawdzić, czy za obrabianym elementem jest wystarczająco dużo wolnego miejsca, aby brzościot nie uderzył w podłogę, stół warsztatowy itp.
7. Narzędzie należy trzymać mocno i pewnie.
8. Przed włączeniem przełącznika upewnić się, że brzościot nie dotyka obrabianego elementu.
9. Trzymać ręce z dala od części ruchomych.
10. Nie pozostawiać narzędzia włączonego. Narzędzie można uruchomić tylko, gdy jest trzymane w rękach.
11. Przed wyjęciem brzościotu należy wyłączyć narzędzie i zaczekać, aż brzościot całkowicie się zatrzyma.
12. Nie dotykać brzościotu ani elementu obrabianego od razu po zakończeniu danej operacji; mogą one być bardzo gorące i spowodować oparzenie skóry.
13. Nie należy bez potrzeby uruchamiać narzędzia bez obciążenia.
14. Niektóre materiały zawierają substancje chemiczne, które mogą być toksyczne. Unikać wdychania pyłu i jego kontaktu ze skórą. Przestrzegać przepisów bezpieczeństwa podanych przez dostawcę materiałów.

15. Zawsze należy zakładać maskę przeciwpyłową/ oddechową odpowiednią dla danego materiału bądź zastosowania.

ZACHOWAĆ NINIEJSZĄ INSTRUKCJĘ.

⚠ OSTRZEŻENIE: NIE WOLNO pozwolić, aby wygoda lub rutyna (nabyta w wyniku wielokrotnego używania urządzenia) zastąpiły ścisłe przestrzeganie zasad bezpieczeństwa obsługi. NIEWŁAŚCIWE UŻYTKOWANIE narzędzia lub niestosowanie się do zasad bezpieczeństwa podanych w niniejszej instrukcji obsługi może prowadzić do poważnych obrażeń ciała.

Ważne zasady bezpieczeństwa dotyczące akumulatora

1. Przed użyciem akumulatora zapoznać się ze wszystkimi instrukcjami i znakami ostrzegawczymi na (1) ładowarce, (2) akumulatorze i (3) produkcie, w którym będzie używany akumulator.
2. Akumulatora nie wolno rozbierać.
3. Jeśli czas działania uległ znacznemu skróceniu, należy natychmiast przerwać pracę. Może bowiem dojść do przegrzania, ewentualnych poparzeń, a nawet eksplozji.
4. W przypadku przedostania się elektrolitu do oczu, przemyć je czystą wodą i niezwłocznie uzyskać pomoc lekarską. Może on bowiem spowodować utratę wzroku.
5. Nie doprowadzać do zwarcia akumulatora:
 - (1) Nie dotykać styków materiałami przewodzącymi prąd.
 - (2) Unikać przechowywania akumulatora w pojemniku z metalowymi przedmiotami, takimi jak gwoździe, monety itp.
 - (3) Chronić akumulator przed deszczem lub wodą. Zwarcie prowadzi do przepływu prądu elektrycznego o dużym natężeniu i przegrzania akumulatora, co w konsekwencji może grozić poparzeniami a nawet awarią urządzenia.
6. Narzędzia i akumulatora nie wolno przechowywać w miejscach, w których temperatura osiąga bądź przekracza 50°C (122°F).
7. Akumulatorów nie wolno spalać, również tych poważnie uszkodzonych lub całkowicie zużytych. Akumulator może eksplodować w ogniu.
8. Chronić akumulator przed upadkiem i uderzeniami.
9. Nie wolno używać uszkodzonego akumulatora.
10. Stanowiące wyposażenie akumulatory litowo-jonowe podlegają przepisom dotyczącym produktów niebezpiecznych. Na potrzeby transportu komercyjnego, np. świadczony przez firmy trzecie czy spedycyjne, należy przestrzegać specjalnych wymagań w zakresie pakowania i oznaczania etykietami. Przygotowanie produktu do wysyłki wymaga skonsultowania się ze specjalistą ds. materiałów niebezpiecznych. Należy także przestrzegać przepisów krajowych, które mogą być bardziej szczegółowe. Zakleić taśmą lub zaślepić otwarte styki akumulatora oraz zabezpieczyć go, aby nie mógł się przesuwać w opakowaniu.

11. Postępować zgodnie z przepisami lokalnymi dotyczącymi usuwania akumulatorów.

ZACHOWAĆ NINIEJSZE INSTRUKCJE.

⚠ PRZESTROGA: Używać wyłącznie oryginalnych akumulatorów firmy Makita. Używanie nieoryginalnych akumulatorów firm innych niż Makita lub akumulatorów, które zostały zmodyfikowane, może spowodować wybuch akumulatora i pożar, obrażenia ciała oraz zniszczenie mienia. Stanowi to również naruszenie warunków gwarancji firmy Makita dotyczących narzędzia i ładowarki.

Wskazówki dotyczące zachowania maksymalnej trwałości akumulatora

1. Akumulator należy naładować zanim zostanie do końca rozładowany. Po zauważeniu spadku mocy narzędzia należy przerwać pracę i naładować akumulator.
2. Nie wolno ładować powtórnie w pełni naładowanego akumulatora. Przeladowanie akumulatora skraca jego trwałość.
3. Akumulator należy ładować w temperaturze pokojowej w przedziale 10–40°C (50–104°F). W przypadku gorącego akumulatora przed przystąpieniem do ładowania należy poczekać, aż ostygnie.

OPIS DZIAŁANIA

⚠ PRZESTROGA: Przed przystąpieniem do regulacji lub przeglądu narzędzia upewnić się, że jest ono wyłączone, a akumulator został wyjęty.

Wkładanie i wyjmowanie akumulatora

⚠ PRZESTROGA: Przed włożeniem lub wyjęciem akumulatora należy zawsze wyłączyć narzędzie.

⚠ PRZESTROGA: Podczas wkładania lub wyjmowania akumulatora należy mocno trzymać narzędzie i akumulator. W przeciwnym razie mogą się one wyslizgnąć z rąk, powodując uszkodzenie narzędzia lub akumulatora i obrażenia ciała.

- **Rys.1:** 1. Czerwony wskaźnik 2. Przycisk 3. Akumulator

Aby wyjąć akumulator, przesunąć przycisk znajdujący się w przedniej jego części i wysunąć akumulator.

Aby włożyć akumulator, wyrównaj występ na akumulatorze z rowkiem w obudowie i wsuń go na swoje miejsce. Akumulator należy wsunąć do oporu, aż się zatrzaśnie na miejscu, co jest sygnalizowane delikatnym kliknięciem. Jeśli w górnej części przycisku jest widoczny czerwony wskaźnik, akumulator nie został całkowicie zatrzaśnięty.

⚠ PRZESTROGA: Akumulator należy włożyć do końca, tak aby czerwony wskaźnik nie był widoczny. W przeciwnym razie może przypadkowo wypaść z narzędzia, powodując obrażenia operatora lub osób postronnych.

⚠ PRZESTROGA: Nie wkładać akumulatora na siłę. Jeśli akumulator nie daje się swobodnie wsunąć, oznacza to, że został włożony nieprawidłowo.

Układ zabezpieczenia akumulatora

Narzędzie jest wyposażone w układ zabezpieczenia akumulatora. Układ automatycznie odcina zasilanie silnika w celu wydłużenia trwałości akumulatora. Narzędzie zostanie automatycznie zatrzymane podczas pracy w następujących sytuacjach związanych z narzędziem/akumulatorem:

Przeciążenie:

Narzędzie pracuje w sposób, który powoduje pobór nadmiernie wysokiego prądu.

W takiej sytuacji należy wyłączyć narzędzie i zaprzestać wykonywania czynności powodującej przeciążenie narzędzia. Następnie należy wyłączyć narzędzie w celu jego ponownego uruchomienia.

Jeśli narzędzie nie uruchomi się, oznacza to, że akumulator jest przegrzany. W takiej sytuacji, przed ponownym uruchomieniem narzędzia należy odczekać, aż akumulator ostygnie.

Niskie napięcie akumulatora:

Stan naładowania akumulatora jest zbyt niski, aby narzędzie mogło pracować. W przypadku włączenia narzędzia silnik uruchomi się ponownie i po chwili się zatrzyma. W takiej sytuacji należy wyjąć akumulator i go naładować.

Wskazanie stanu naładowania akumulatora

Tylko w przypadku akumulatorów ze wskaźnikiem

► **Rys.2:** 1. Lampki wskaźnika 2. Przycisk kontrolny
Nacisnąć przycisk kontrolny na akumulatorze w celu wyświetlenia stanu naładowania akumulatora. Lampki wskaźnika zaświecą się przez kilka sekund.

Lampki wskaźnika		Poziom naładowania akumulatora
Świeci się	Wył.	
■ ■ ■ ■	□	75–100%
■ ■ ■ □	□	50–75%
■ ■ □ □	□ □	25–50%
■ □ □ □	□ □ □ □	0–25%



WSKAZÓWKA: Zależnie od warunków użytkowania i temperatury otoczenia, wskazany poziom może nieznacznie się różnić od rzeczywistego stanu naładowania akumulatora.

Działanie przełącznika


► **Rys.3:** 1. Spust przełącznika

⚠ PRZESTROGA: Przed włożeniem akumulatora do narzędzia należy zawsze sprawdzić, czy spust przełącznika działa prawidłowo i czy powraca do położenia wyłączenia po jego zwolnieniu.

W celu uruchomienia narzędzia wystarczy pociągnąć spust przełącznika. Prędkość narzędzia zwiększa się wraz ze zwiększaniem nacisku na spust przełącznika. W celu zatrzymania urządzenia należy zwolnić spust przełącznika.

Narzędzie zostało wyposażone w przycisk blokady spustu, który zapobiega przypadkowemu pociągnięciu za spust przełącznika. Aby uruchomić narzędzie, należy wcisnąć przycisk blokady spustu od strony  i pociągnąć spust przełącznika. Po pracy należy zawsze wcisnąć przycisk blokady spustu od strony .

► **Rys.4:** 1. Przycisk blokady spustu

⚠ PRZESTROGA: Jeżeli narzędzie nie będzie używane, należy wcisnąć przycisk blokady spustu od strony , aby zablokować spust przełącznika w pozycji wyłączenia.

Regulacja głębokości cięcia

Głębokość cięcia odpowiada skali na brzeszczocie. Poluzować śrubę na uchwycie brzeszczotu, aż będzie można go swobodnie przesuwac. Wyrównać skalę na brzeszczocie z dolną linią na uchwycie brzeszczotu. Następnie dokręcić śruby.

► **Rys.5:** 1. Głębokość cięcia 2. Dolna linia na uchwycie brzeszczotu 3. Skala na brzeszczocie

Maksymalna głębokość cięcia zależy od typu brzeszczotu. Zawsze używać brzeszczotu przeznaczonego do cięcia obrabianego materiału.

Typ brzeszczotu	Maks. głębokość cięcia
Płyta gipsowo-kartonowa	30 mm
Drewno	15 mm

Lampka LED

⚠ PRZESTROGA: Nie patrzeć na światło ani bezpośrednio na źródło światła.

W celu włączenia lampki należy pociągnąć za spust przełącznika. Lampka świeci, dopóki spust przełącznika jest naciskany. Lampka gaśnie po około 10 s od zwolnienia spustu przełącznika.

► **Rys.6:** 1. Lampka

WSKAZÓWKA: Aby usunąć zabrudzenia z klosza lampki, należy użyć suchej szmatki. Uważać, aby nie zarysować klosza lampki, gdyż może to zmniejszyć natężenie oświetlenia.

MONTAŻ

⚠ PRZESTROGA: Przed przystąpieniem do prac konserwacyjnych przy narzędziu upewnić się, że jest ono wyłączone, a akumulator został wyjęty.

Zdejmowanie pochłaniacza pyłu

⚠ PRZESTROGA: Nie wolno używać narzędzia bez założonego pochłaniacza pyłu. Pył może dostać się do oczu i spowodować obrażenia oczu.

Aby zdjąć pochłaniacz pyłu, należy przytrzymać uchwyt narzędzia i pociągnąć do tyłu zaczepy na narzędziu. Należy ciągnąć zaczepy po obu stronach jednocześnie.

► **Rys.7:** 1. Zaczep

Podczas zakładania należy wyrównać krawędź pochłaniacza pyłu z rowkiem w stopie.

► **Rys.8:** 1. Rowek

Wymiana brzeszczotu do płyt gipsowo-kartonowych

⚠ PRZESTROGA: Brzeszczot i/lub uchwyt brzeszczotu należy zawsze oczyścić z wiórów i innych przylegających zanieczyszczeń. Niezastosowanie się do tej zasady może prowadzić do zbyt słabego dokręcenia brzeszczotu, a w rezultacie do poważnych obrażeń ciała.

⚠ PRZESTROGA: Nie dotykać brzeszczotu ani elementu obrabianego od razu po zakończeniu danej operacji. Mogą być one bardzo gorące i spowodować oparzenie skóry.

⚠ PRZESTROGA: Upewnić się, że brzeszczot jest prawidłowo zamocowany. Zbyt słabe zamocowanie brzeszczotu może spowodować jego pęknięcie bądź poważne obrażenia ciała.

1. Zdjąć pochłaniacz pyłu.
2. Przy użyciu klucza imbusowego wykręć śruby z uchwytu brzeszczotu.
► **Rys.9:** 1. Śruby 2. Uchwyt brzeszczotu 3. Brzeszczot
3. Ustawić nowy brzeszczot, jak pokazano na rysunku. Upewnić się, że zaokrąglona krawędź brzeszczotu jest zwrócona do przodu. Umieścić występ uchwytu brzeszczotu w otworze brzeszczotu.
► **Rys.10:** 1. Otwór 2. Wystająca część (po przeciwnej stronie)
4. Dostosować głębokość cięcia, a następnie wkręcić śruby.
5. Założyć pochłaniacz pyłu.

Zakładanie ostrza segmentowego

⚠ PRZESTROGA: Zawsze używać ostrza segmentowego o wymaganej długości, szerokości i grubości. Nieodpowiednio założone ostrze segmentowe może się złamać. Złamane ostrze może odpaść i spowodować obrażenia ciała.

W tym narzędziu można używać również ostrza segmentowego. Stosować 3 segmentowe ostrza o szerokości 18 mm i grubości 0,5 mm. Maksymalna głębokość cięcia wynosi 12,5 mm w przypadku płyt gipsowo-kartonowych.

► **Rys.11:** 1. Trzysegmentowe ostrze

1. Wykręcić śruby z uchwytu brzeszczotu. Obrócić uchwyt brzeszczotu tak, aby jego występ był skierowany na zewnątrz.
 2. Włożyć ostrze segmentowe, tak aby ostra krawędź była skierowana do przodu.
 3. Zamocować ostrze segmentowe w położeniu, w którym koniec pierwszego segmentu styka się z krawędzią uchwytu brzeszczotu, jak pokazano na rysunku.
- **Rys.12:** 1. Uchwyt brzeszczotu 2. Koniec pierwszego segmentu ostrza 3. Dopuszczalna długość cięcia

Mocowanie osłony brzeszczotu

⚠ PRZESTROGA: Zawsze zakładać osłonę brzeszczotu, gdy narzędzie nie jest używane. Nieosłonięty brzeszczot może ulec uszkodzeniu lub spowodować obrażenia ciała.

Należy osłonić na brzeszczot, aż zaczep zatrzaśnie się w nasadce stopy. Zwrócić uwagę na orientację osłony brzeszczotu; szerszy zaczep musi znaleźć się z przodu. Aby zdjąć osłonę brzeszczotu, należy ją podnieść, ściskając jednocześnie osłonę z obu stron.

► **Rys.13:** 1. Osłona brzeszczotu 2. Zaczep

Podczas pracy wsunąć osłonę brzeszczotu w zaczep znajdujący się w stopie, jak pokazano na rysunku.

► **Rys.14:** 1. Osłona brzeszczotu 2. Zaczep

Miejsce na klucz imbusowy

Klucz imbusowy, gdy nie jest używany, należy przechowywać w sposób pokazany na rysunku, aby się nie zgubił.

► **Rys.15:** 1. Klucz imbusowy

Podłączenie odkurzacza

⚠ PRZESTROGA: Założyć osłonę brzeszczotu przed podłączeniem odkurzacza.

Przyłączyć odkurzacz Makita w celu zachowania czystości podczas pracy. Zdjąć gumową nasadkę z pochłaniacza pyłu i przyłączyć wąż odkurzacza do króćca pochłaniacza pyłu.

► **Rys.16:** 1. Pochłaniacz pyłu 2. Nasadka gumowa 3. Wąż odkurzacza

OBSŁUGA

⚠ PRZESTROGA: Narzędzie należy trzymać mocno i pewnie.

⚠ PRZESTROGA: Podczas cięcia stopę należy zawsze trzymać płasko na obrabianym elemencie. Nie wolno wykonywać cięć krzywoliniowych. Niezastosowanie się do tej zasady może prowadzić do pęknięcia brzeszczotu, a w rezultacie do poważnych obrażeń ciała.

Wycięcie w kształcie litery V oraz wysunięte części w nasadce stopy narzędzia wskazują położenie brzeszczotu. Zawsze należy kontrolować położenie brzeszczotu podczas cięcia.

Nasadka stopy narzędzia

► **Rys.17:** 1. Wycięcie w kształcie litery V
2. Wysunięta część 3. Brzeszczot

WSKAZÓWKA: W celu wykonania dokładnego cięcia zaleca się narysowanie linii cięcia na obrabianym elemencie.

1. Umieścić końcówkę brzeszczotu na początku linii. Pochylić narzędzie, tak aby przednia krawędź stopy dotykała obrabianego elementu. Wyrównać wierzchołek wycięcia w kształcie litery V na przedniej krawędzi z linią cięcia.

► **Rys.18**

2. Powoli pociągnąć za spust, gdy brzeszczot nie dotyka elementu obrabianego. Gdy brzeszczot osiągnie pełną prędkość, popchnąć narzędzie w kierunku obrabianego elementu. Gdy brzeszczot przebieje element obrabiany, opuścić narzędzie, aby cała powierzchnia nasadki stopy stykała się z elementem obrabianym.

► **Rys.19**

3. Przesuwać narzędzie w linii prostej do przodu, aż do zakończenia cięcia.

KONSERWACJA

⚠ PRZESTROGA: Przed przystąpieniem do przeglądu narzędzia lub jego konserwacji upewnić się, że jest ono wyłączone, a akumulator wyjęty.

UWAGA: Nie stosować benzyny, rozpuszczalników, alkoholu itp. środków. Mogą one powodować odbarwienia, odkształcenia lub pęknięcia.

Czyszczenie nasadki stopy

Usunąć wióry i pył nagromadzony na nasadce stopy. Aby zdjąć nasadkę stopy, podnieść ją, ciągnąc jednocześnie za znajdujący się z tyłu zaczep. Podczas zakładania należy wykonać czynności procedury zakładania w odwrotnej kolejności.

► **Rys.20:** 1. Nasadka stopy 2. Zaczep

⚠ PRZESTROGA: Uważać na końcówkę brzeszczotu oraz wióry podczas zdejmowania nasadki stopy.

UWAGA: Wykonywać czyszczenie okresowo. Zabrudzona nasadka stopy może uszkodzić lub zniszczyć powierzchnię roboczą.

W celu zachowania odpowiedniego poziomu BEZPIECZEŃSTWA i NIEZAWODNOŚCI produktu wszelkie naprawy i różnego rodzaju prace konserwacyjne lub regulacje powinny być przeprowadzane przez autoryzowany lub fabryczny punkt serwisowy narzędzi Makita, zawsze z użyciem oryginalnych części zamiennych Makita.

AKCESORIA OPCJONALNE

⚠ PRZESTROGA: Zaleca się stosowanie wymienionych akcesoriów i przystawek razem z narzędziem Makita opisanym w niniejszej instrukcji. Stosowanie innych akcesoriów lub przystawek może być przyczyną obrażeń ciała. Akcesoria lub przystawki należy wykorzystywać tylko zgodnie z ich przeznaczeniem.

W razie potrzeby wszelkiej pomocy i szczegółowych informacji na temat niniejszych akcesoriów udziela Państwu lokalne punkty serwisowe Makita.

- Brzeszczot do płyt gipsowo-kartonowych
- Brzeszczot do drewna
- Pojemnik na pył
- Pochłaniacz pyłu
- Klucz imbusowy
- Zaczep
- Oryginalny akumulator i ładowarka firmy Makita

WSKAZÓWKA: Niektóre pozycje znajdujące się na liście mogą być dołączone do pakietu narzędziowego jako akcesoria standardowe. Mogą to być różne pozycje, w zależności od kraju.

RÉSZLETES LEÍRÁS

Típus:		SD100D	
Lökethossz		6 mm	
Löketszám percenként		0 - 6 000 min ⁻¹	
Maximális vágóteljesítmény	Szárzafal	30 mm	
	Fa	15 mm	
Névleges feszültség		10,8 V, egyenáram	
Szabvány akkumulátorok		BL1015, BL1020B	BL1040B
Teljes hossz		239 mm	248 mm
Tiszta tömeg		1,5 kg	1,6 kg

- Folyamatos kutató- és fejlesztőprogramunk eredményeként az itt felsorolt tulajdonságok figyelmeztetés nélkül megváltozhatnak.
- A műszaki adatok és az akkumulátor országoként változhatnak.
- Súly az akkumulátorral, a 01/2003 EPTA eljárás szerint meghatározva

Rendeltetés

Ezt a szerszámot szárzafalak vágásához tervezték. A megfelelő fűrészlappal fa vágásához is használható.

Zaj

A tipikus A-súlyozású zajszint, a 60745-2-11 szerint meghatározva:

Hangnyomásszint (L_{pA}): 77 dB(A)
Bizonytalanság (K): 3 dB(A)

A zajszint a munkavégzés során meghaladhatja a 80 dB (A) értéket.

FIGYELMEZTETÉS: Viseljen fülvédőt!

Vibráció

A vibráció teljes értéke (háromtengelyű vektorösszeg) az 60745-2-11 szerint meghatározva:

Üzem mód: szárzafal vágása (vastagság: 30 mm)

Rezgéskibocsátás (a_{h1}): 3,0 m/s²

Bizonytalanság (K): 1,5 m/s²

Üzem mód: faforgácslap vágása (vastagság: 15 mm)

Rezgéskibocsátás (a_{h1}): 5,5 m/s²

Bizonytalanság (K): 1,5 m/s²

MEGJEGYZÉS: A rezgéskibocsátás értéke a szabványos vizsgálati eljárásnak megfelelően lett mérve, és segítségével az elektromos kéziszerszámok összehasonlíthatók egymással.

MEGJEGYZÉS: A rezgéskibocsátás értékének segítségével előzetesen megbecsülhető a rezgésnek való kitettség mértéke.

FIGYELMEZTETÉS: A szerszám rezgés kibocsátása egy adott alkalmazásnál eltérhet a megadott értéktől a használat módjától függően.

FIGYELMEZTETÉS: Határozza meg a kezelő védelmét szolgáló munkavédelmi lépéseket, melyek az adott munkafeltételek melletti vibrációs hatás becslött mértékén alapulnak (figyelembe véve a munkaciklus elemeit, mint például a gép leállításának és úresjáratainak mennyiségét az elindítások száma mellett).

EK Megfelelőségi nyilatkozat

Csak európai országokra vonatkozóan

Az EK-megfelelőségi nyilatkozat az útmutató „A” mellékletében található.

BIZTONSÁGI FIGYELMEZTETÉS

A szerszámgépekre vonatkozó általános biztonsági figyelmeztetések

FIGYELMEZTETÉS: Olvassa el a szerszám-géphez mellékelt összes biztonsági figyelmeztetést, utasítást, illusztrációt és a műszaki adatokat. A következőkben leírt utasítások figyelmen kívül hagyása elektromos áramütést, tüzet és/vagy súlyos sérülést eredményezhet.

Őrizzen meg minden figyelmeztetést és utasítást a későbbi tájékozódás érdekében.

A figyelmeztetésekben szereplő "szerszám-gép" kifejezés az Ön hálózatról (vezetékes) vagy akkumulátorról (vezeték nélküli) működtetett szerszámgépére vonatkozik.

Az akkumulátoros szárazfal fűrészeire vonatkozó biztonsági figyelmeztetések

1. A szerszámgépet a szigetelt markolófelületénél fogja, ha olyan műveletet végez, amikor a vágóeszköz rejtett vezetékkel érintkezhet. Áram alatt lévő vezetékekkel való érintkezéskor a szerszám fém alkatrészei is áram alá kerülhetnek, és megrázhathják a kezelőt.
2. Szorítókkal vagy más praktikus módon rögzítse és támassza meg a munkadarabot egy szilárd padozaton. Ha a munkadarabot a kezével vagy a testével tartja meg, instabil lehet, és az uralom elvesztéséhez vezethet.
3. Mindig viseljen védőszemüveget vagy szemvédőt. A normál szemüvegek és a napszemüvegek NEM védőszemüvegek.
4. Kerülje a szegek átvágását. A művelet megkezdése előtt ellenőrizze a munkadarabot, és húzza ki belőle a szegeket.
5. Ne vágjon túl nagy munkadarabokat.
6. Ellenőrizze a megfelelő hézagot a munkadarab mögött a vágás előtt, nehogy a fűrészlap a padlóba, munkapadba, stb. ütközzön.
7. Tartsa stabilan a szerszámot.
8. Ellenőrizze, hogy a fűrészlap nem ér-e a munkadarabhoz, mielőtt bekapcsolja a kapcsolót.
9. Tartsa távol a kezét a mozgó alkatrészekről.
10. Ne hagyja a működő szerszámot felügyelet nélkül. Csak kézbent tartva használja a szerszámot.
11. Mielőtt eltávolítja a fűrészlapot a munkadaraból, mindig kapcsolja ki a szerszámot és várja meg, amíg a fűrészlap teljesen megáll.
12. Ne érjen fűrészlaphoz vagy a munkadarabhoz közvetlenül a munkavégzést követően; azok rendkívül forrók lehetnek és megégethetik a bőrt.
13. Ne működtesse a szerszámot terhelés nélkül fölöslegesen.
14. Egyes anyagok mérgező vegyületet tartalmazhatnak. Gondoskodjon a por belélegzése elleni és érintés elleni védelemről. Tartsa be az anyag szállítójának biztonsági utasításait.
15. Mindig használja a megmunkált anyagnak és az alkalmazásnak megfelelő pormaszkot/gázálcot.

ŐRIZZE MEG EZEKET AZ UTASÍTÁSOKAT.

▲FIGYELMEZTETÉS: NE HAGYJA, hogy (a termék többszöri használatából eredő) kényelem és megszokás váltsa fel a termék biztonsági előírásainak szigorú betartását. A **HELYTELEN HASZNÁLAT** és a használati útmutatóban szereplő biztonsági előírások megszegése súlyos személyi sérülésekhez vezethet.

Fontos biztonsági utasítások az akkumulátorra vonatkozóan

1. Az akkumulátor használata előtt tanulmányozza át az akkumulátortöltőt (1), az akkumulátoron (2) és az akkumulátorral működtetett terméken (3) olvasható összes utasítást és figyelmeztető jelzést.
2. Ne szerelje szét az akkumulátort.
3. Ha a működési idő nagyon lerövidült, azonnal hagyja abba a használatot. Ez a túlmelegedés, esetleges égések és akár robbanás veszélyével is járhat.
4. Ha elektrolit kerül a szemébe, mossa ki azt tiszta vízzel és azonnal kérjen orvosi segítséget. Ez a látásának elvesztését okozhatja.
5. Ne zárja rövide az akkumulátort:
 - (1) Ne érjen az érintkezőkhöz elektromosan vezető anyagokkal.
 - (2) Ne tárolja az akkumulátort más fémtárgyakkal, mint pl. szegekkel, érmekkel, stb. egy helyen.
 - (3) Ne tegye ki az akkumulátort víznek vagy esőnek.

Az akkumulátor rövidzárlata nagy áramerősséget, túlmelegedést, égéseket, sőt akár meghibásodást is okozhat.
6. Ne tárolja a szerszámot vagy az akkumulátort olyan helyen, ahol a hőmérséklet elérheti vagy meghaladhatja az 50 °C-ot (122 °F).
7. Ne égesse el az akkumulátort még akkor sem, ha az komolyan megsérült vagy teljesen elhasználódott. Az akkumulátor a tűzben felrobbanhat.
8. Vigyázzon, nehogy leejtse vagy megüsse az akkumulátort.
9. Ne használjon sérült akkumulátort.
10. A készülékben található lítium-ion akkumulátorokra a veszélyes árukkal kapcsolatos előírások vonatkoznak.

A termék pl. harmadik felek, fuvarozó cégek stb. által történő szállítása esetén minden esetben tartsa szem előtt a csomagoláson és a címkén található speciális követelményeket.

A termék szállításra történő felkészítése esetén vegye fel a kapcsolatot egy veszélyes anyagokkal foglalkozó szakemberrel. Kérjük, hogy az esetlegesen szigorúbb nemzeti előírásokat is vegye figyelembe.

Ragassza le a kiálló érintkezőket, illetve oly módon csomagolja be az akkumulátort, hogy az ne tudjon elmozdulni a csomagolásban.
11. Az akkumulátor ártalmatlanításakor tartsa be a helyi előírásokat.

ŐRIZZE MEG EZEKET AZ UTASÍTÁSOKAT.

▲VIGYÁZAT: Csak eredeti Makita akkumulátorokat használjon. A nem eredeti Makita akkumulátorok vagy módosított akkumulátorok használata esetén az akkumulátor felrobbanhat, ami tüzet, személyi sérülést és anyagi kárt okozhat. A Makita szerszámszámra és töltőre vonatkozó Makita garanciát is érvénytelenítheti.

Tippek az akkumulátor maximális élettartamának eléréséhez

1. Töltse fel az akkumulátort, mielőtt teljesen lemerülne. Állítsa le a gépet, és töltse fel az akkumulátort, ha a gép erejének csökkenését észleli.
2. Soha ne töltse újra a teljesen feltöltött akkumulátort. A túltöltés csökkenti az akkumulátor élettartamát.
3. Töltse az akkumulátort szobahőmérsékleten, 10 °C - 40 °C (50 °F - 104 °F) között. Töltés előtt hagyja lehűlni a főforrósdott akkumulátort.

A MŰKÖDÉS LEÍRÁSA

⚠ VIGYÁZAT: Minden esetben ellenőrizze, hogy a szerszám ki van kapcsolva és az akkumulátor eltávolításra került mielőtt beállít vagy ellenőriz valamilyen funkciót a szerszámon.

Az akkumulátor behelyezése és eltávolítása

⚠ VIGYÁZAT: Mindig kapcsolja ki az eszközt, mielőtt behelyezi vagy eltávolítja az akkumulátort.

⚠ VIGYÁZAT: Az akkumulátor behelyezésekor vagy eltávolításakor erősen fogja meg a szerszámot és az akkumulátort. Ha nem fogja erősen a szerszámot és az akkumulátort, azok kicsúszhatnak a kezei közül, ami a szerszám és az akkumulátor károsodásához, de akár személyi sérüléshez is vezethet.

▶ **Ábra1:** 1. Piros jel 2. Gomb 3. Akkumulátor

Az akkumulátoregység kivételéhez nyomja be az akkumulátoregység elején található gombot, és húzza le a gépről.

Az akkumulátor beszereléséhez illessze az akkumulátor nyelvét a burkolaton található vajatba és csúsztassa a helyére. Egészen addig tolja be, amíg az akkumulátor egy kis kattánással a helyére nem ugrik. Ha látható a piros jel a gomb felső oldalán, akkor a gomb nem kattan be teljesen.

⚠ VIGYÁZAT: Mindig tolja be teljesen az akkumulátort, amíg a piros jel el nem tűnik. Ha ez nem történik meg, akkor az akkumulátor kieshet a szerszámból, és Önnek vagy a környezetében másnak sérülést okozhat.

⚠ VIGYÁZAT: Ne erőltesse az akkumulátort behelyezésre. Ha az akkumulátor nem csúszik be könnyedén, akkor nem megfelelően lett behelyezve.

Akkumulátorvédő rendszer

A szerszám akkumulátorvédő rendszerrel van felszerelve. A rendszer automatikusan lekapcsolja a motor áramellátását, így megnöveli az akkumulátor élettartamát.

A szerszám használat közben automatikusan leáll, ha a szerszám és/vagy az akkumulátor a következő helyzetbe kerül:

Túterhelés:

A szerszámot úgy működteti, hogy áramfelvétele rendellenesen magas.

Ilyenkor kapcsolja ki a gépet, és állítsa le azt az alkalmazást, amelyik a túlerhelést okozza. Újraindításhoz kapcsolja be a gépet.

Ha a szerszám nem indul el, az akkumulátor túlmelegedett. Ilyenkor hagyja kihűlni az akkumulátort, mielőtt ismét bekapcsolná a gépet.

Az akkumulátor feszültsége alacsony:










Az akkumulátor fennmaradó kapacitása túl alacsony, a szerszámot nem tudja működtetni. A szerszám ismételt bekapcsolásakor a motor elindul, de hamarosan le is áll. Ilyenkor vegye le és töltse fel az akkumulátort.

Az akkumulátor töltöttségének jelzése

Csak állapotjelzős akkumulátorok esetén

▶ **Ábra2:** 1. Jelzőlámpák 2. Check (ellenőrzés) gomb

Nyomja meg az ellenőrzőgombot, hogy az akkumulátortöltöttség-jelző megmutassa a hátralévő akkumulátor-kapacitást. Ekkor a töltöttség-szint-jelző lámpák néhány másodpercre kigyulladnak.

Jelzőlámpák		Töltöttségi szint
		
		75%-tól 100%-ig
		50%-tól 75%-ig
		25%-tól 50%-ig
		0%-tól 25%-ig



MEGJEGYZÉS: Az adott munkafeltételektől és a környezetet hőmérsékletétől függően a jelzett töltöttségi szint némileg eltérhet a tényleges töltöttségi szinttől.

A kapcsoló használata


▶ **Ábra3:** 1. Kapcsológomb

⚠ VIGYÁZAT: Mielőtt behelyezi az akkumulátort a szerszámba, mindig ellenőrizze, hogy a kapcsológomb hibátlanul működik és felengedéskor „OFF” állásba áll-e.

A szerszám bekapcsolásához egyszerűen húzza meg a kapcsológombot. Ha erősebben nyomja a kapcsolót, a szerszám fordulatszámja növekszik. A megállításhoz engedje el a kapcsolót.

A kapcsológomb véletlen benyomásának elkerülésére egy kapcsolózárógomb szolgál. A szerszám bekapcsolásához nyomja meg a kioldókapcsoló reteszelőgombját az  oldalról, majd húzza meg a kapcsológombot. Használat után mindig tolja át a kapcsolózárógombot az  oldalról.

▶ **Ábra4:** 1. Kapcsolózárógomb

⚠ VIGYÁZAT: Ha nem működteti a gépet, tolja át a kapcsolózárgombot a  oldalról, hogy a kapcsológomb KI állásba kerüljön.

A vágási mélység beállítása

A vágási mélység megegyezik a fűrészlapon látható skálával. Lazítsa meg a fűrészlaptartó csavarját annyira, hogy a fűrészlapot szabadon tudja mozgatni. A fűrészlapon lévő skálát a fűrészlaptartó alsó vonalához igazítsa. Ezt követően húzza meg a csavarokat.

► **Ábra5:** 1. Vágási mélység 2. Fűrészlaptartó alsó vonala 3. A fűrészlapon látható skála

A maximális vágási mélység a fűrészlap típusától függ. Mindig a vágandó anyagnak megfelelő fűrészlapot használjon.

Fűrészlap típusa	Max. vágási mélység
Szárzafalhoz	30 mm
Fához	15 mm

LED lámpa

⚠ VIGYÁZAT: Ne tekintsen a fénybe vagy ne nézze egyenesen a fényforrást.

Húzza meg a kapcsológombot a lámpa bekapcsolásához. A lámpa addig világít, amíg a kapcsológomb meg van húzva. A lámpa a kapcsológomb elengedése után 10 másodperccel alszik ki.

► **Ábra6:** 1. Lámpa

MEGJEGYZÉS: Száraz ruhadarabbal törölje le a szennyeződést a lámpa lencséről. Ügyeljen arra hogy ne karcolja meg a lámpa lencsét, ez csökkentheti a megvilágítás erősségét.

ÖSSZESZERELÉS

⚠ VIGYÁZAT: Minden esetben ellenőrizze, hogy a szerszám ki van kapcsolva és az akkumulátort levette, mielőtt bármilyen műveletet végez a szerszámon.

A porgyűjtő eltávolítása

⚠ VIGYÁZAT: Soha ne használja a szerszámot porgyűjtő nélkül. A por a szemébe kerülhet és sérülést okozhat.

A porgyűjtő eltávolításához fogja meg a szerszám fogantyúját, majd húzza hátra a füleket. A két oldalon lévő füleket egyszerre húzza hátra.

► **Ábra7:** 1. Fül

A porgyűjtő visszahelyezésekor a porgyűjtő széleit igazítsa a szerszám alján lévő hornyokhoz.

► **Ábra8:** 1. Hornyok

Szárzafal fűrészlap cseréje

⚠ VIGYÁZAT: Mindig távolítsa el a fűrészlaphoz és/vagy a fűrészlaptartóhoz tapadt forgácsot vagy más idegen anyagot. Ennek elmulasztása a fűrészlap nem megfelelő rögzítését okozhatja, ami komoly személyi sérüléshez vezethet.

⚠ VIGYÁZAT: Közvetlenül a művelet befejezése után ne érintse meg a fűrészlapot vagy a munkadarabot. Azok rendkívül forrók lehetnek és megégethetik a bőrt.

⚠ VIGYÁZAT: Ellenőrizze, hogy a fűrészlap biztonságosan rögzítve van-e. A fűrészlap nem megfelelő rögzítése a fűrészlap törését vagy komoly sérülést okozhat.

1. Távolítsa el a porgyűjtőt.
2. Egy imbuszkulccsal távolítsa el a fűrészlaptartón lévő csavarokat.
► **Ábra9:** 1. Csavarok 2. Fűrészlaptartó 3. Fűrészlap
3. Az ábrán látható módon helyezze be az új fűrészlapot. Ügyeljen rá, hogy a fűrészlap ívelt vége nézzen előrefelé. A fűrészlaptartó kiálló részét illessze a fűrészlapon található részbe.
► **Ábra10:** 1. Nyílás 2. Kiálló rész (ellenkező oldal)
4. Állítsa be a vágási mélységet, majd húzza meg a csavarokat.
5. Helyezze vissza a porgyűjtőt.

Tördelhető fűrészlap felszerelése

⚠ VIGYÁZAT: Mindig az előírt hosszúságú, szélességű és vastagságú tördelhető fűrészlapot használjon. A nem megfelelően felszerelt tördelhető fűrészlap eltörhet. A letört fűrészlap elrepülhet és személyi sérülést okozhat.

- Ezzel a szerszámmal tördelhető fűrészlap is használható. 3 szegmensből álló 18 mm szélességű, 0,5 mm vastagságú tördelhető fűrészlapot használjon. Szárzafal esetén a maximális vágási mélység 12,5 mm.
- **Ábra11:** 1. A tördelhető fűrészlap három szegmense
1. Lazítsa meg a fűrészlaptartón lévő csavarokat. Fordítsa meg a fűrészlaptartót, hogy a kiálló része kifelé nézzen.
 2. Helyezze be a tördelhető fűrészlapot úgy, hogy az éles széle nézzen előrefelé.
 3. Úgy rögzítse a tördelhető fűrészlapot, hogy az első szegmens vége a fűrészlaptartó szélénél legyen, ahogy az az ábrán is látható.
► **Ábra12:** 1. Fűrészlaptartó 2. A tördelhető fűrészlap első szegmensének vége 3. Megengedett vágási mélység

A fűrészlappacka felszerelése

⚠ VIGYÁZAT: Mikor nem használja a szerszámot, mindig helyezze fel a fűrészlappackát. A fedetlen fűrészlap személyi sérülést okozhat, de a fűrészlap is megsérülhet.

Húzza rá a fűrészslapsapkát a fűrészslapra, hogy a kampó a szerszám aljához rögzüljön. Felhelyezéskor ügyeljen a fűrészslapsapka irányára. A szélesebb kampó nézzen a szerszám eleje felé. A fűrészslapsapka levételkor nyomja össze annak két oldalát.

► **Ábra13:** 1. Fűrészslapsapka 2. Kampó

A szerszám használatakor az ábrán látható módon patintsa a fűrészslapsapkát a szerszám alján lévő kampóra.

► **Ábra14:** 1. Fűrészslapsapka 2. Kampó

Az imbuszkulcs tárolása

Amikor nem használja, tárolja az imbuszkulcsot az ábrán látható módon, nehogy elveszzen.

► **Ábra15:** 1. Imbuszkulcs

Porszívó csatlakoztatása

▲ VIGYÁZAT: Helyezze fel a pengesapkát, mielőtt porszívót csatlakoztat.

A tiszta munka érdekében csatlakoztasson egy Makita porszívót a szerszámmal. Távolítsa el a gumidugót a porgyűjtőről és csatlakoztassa a porszívó csövét a porgyűjtőhöz.

► **Ábra16:** 1. Porgyűjtő 2. Gumidugó 3. Porszívó csöve

MŰKÖDTETÉS

▲ VIGYÁZAT: Tartsa stabilan a szerszámot.

▲ VIGYÁZAT: A vezetőlemez mindig legyen egy szintben a munkadarabbal. Soha ne vágjon ívesen. Ellenkező esetben a fűrészlap eltörhet, ami veszélyes sérüléseket okozhat.

A takarólemezben lévő V-alakú bevágás és a domború rész a fűrészlap helyzetét jelzi. Vágáskor mindig ellenőrizze a fűrészlap helyzetét.

A szerszám takarólemeze

► **Ábra17:** 1. V-alakú bevágás 2. Domború rész 3. Fűrészlap

MEGJEGYZÉS: A pontos vágás érdekében érdemes a vágás megkezdése előtt a munkadarabra felrajzolni a vágási vonalakat.

1. Helyezze a fűrészlap végét a kezdővonalhoz. Döntse meg a szerszámot oly módon, hogy a szerszám aljának eleje érintse a munkadarabot. Igazítsa a V-alakú bevágást a vágási vonalhoz.

► **Ábra18**

2. Óvatosan húzza meg a kapcsológombot, de ügyeljen rá, hogy a fűrészlap ne érjen a munkadarabhoz. Mikor a fűrészlap elérte a maximális sebességet, nyomja a szerszámot a munkadarabba. Ahogy a fűrészlap áthatol a munkadarabon, a takarólemez teljes felületével érintkezzen a munkadarabbal.

► **Ábra19**

3. Tolja egyenesen előre a szerszámot, amíg a vágást be nem fejezi.

KARBANTARTÁS

▲ VIGYÁZAT: Minden esetben ellenőrizze, hogy a szerszám ki van kapcsolva és az akkumulátor eltávolításra került mielőtt átvizsgálja a szerszámot vagy annak karbantartását végzi.

MEGJEGYZÉS: Soha ne használjon gázolajt, benzint, hígítót, alkoholt vagy hasonló anyagokat. Ezek elszineződést, alakvesztést vagy repedést okozhatnak.

A takarólemez tisztítása

Távolítsa el a takarólemezben összegyűlt forgácsot és port. A takarólemez hátulján lévő kampót meghúzva emelje le a takarólemezt. Felszereléshez a fenti lépéseket fordított sorrendben hajtsa végre.

► **Ábra20:** 1. Takarólemez 2. Kampó

▲ VIGYÁZAT: A takarólemez eltávolításakor ügyeljen a fűrészlap végére és a forgácsdarabokra.

MEGJEGYZÉS: A tisztítást rendszeres időközönként végezze el. A koszos takarólemez megrongálhatja a munkafelületet.

A termék BIZTONSÁGÁNAK és MEGBÍZHATÓSÁGÁNAK fenntartása érdekében a javításokat és más karbantartásokat vagy beállításokat a Makita hivatalos vagy gyári szervizközpontjában kell elvégezni, mindig csak Makita cserealkatrészeket használnva.

OPCIONÁLIS KIEGÉSZÍTŐK

▲ VIGYÁZAT: Ezen kiegészítőket és tartozékokat javasoljuk a kézikönyvben ismertetett Makita szerszámmal. Bármilyen más kiegészítő vagy tartozék használata a személyi sérülés kockázatával jár. A kiegészítőt vagy tartozékot csak rendeltetésszerűen használja.

Ha bármilyen segítségre vagy további információkra van szüksége ezekkel a tartozékokkal kapcsolatban, keresse fel a helyi Makita Szervizközpontot.

- Szárazfal fűrészlap
- Fafűrészlap
- Portartály
- Porgyűjtő
- Imbuszkulcs
- Akasztó
- Eredeti Makita akkumulátor és töltő

MEGJEGYZÉS: A listán felsorolt néhány kiegészítő megtalálható az eszköz csomagolásában standard kiegészítőként. Ezek országonként eltérőek lehetnek.

TECHNICKÉ ŠPECIFIKÁCIE

Model:		SD100D	
Dĺžka pohybu		6 mm	
Pohyby za minútu		0 - 6 000 min ⁻¹	
Max. kapacita rezania	Sadrokartón	30 mm	
	Drevo	15 mm	
Menovité napätie		Jednosmerný prúd 10,8 V	
Štandardné akumulátory		BL1015, BL1020B	BL1040B
Celková dĺžka		239 mm	248 mm
Hmotnosť netto		1,5 kg	1,6 kg

- Vzhľadom k neustálemu výskumu a vývoju podliehajú technické údaje uvedené v tomto dokumente zmenám bez upozornenia.
- Technické špecifikácie a typ akumulátora sa môžu v rámci jednotlivých krajín líšiť.
- Hmotnosť s akumulátorom podľa postupu EPTA 01/2003

Určené použitie

Tento nástroj je určený na ponorné rezanie sadrokartónu. Po nasadení vhodnej čepele píly ním možno rezať aj drevo.

Hluk

Typická hladina akustického tlaku zátáže A určená podľa štandardu 60745-2-11:

Úroveň akustického tlaku (L_{pA}): 77 dB (A)

Odchýlka (K): 3 dB (A)

Úroveň hluku pri práci môže prekročiť 80 dB (A).

VAROVANIE: Používajte ochranu sluchu.

Vibrácie

Celková hodnota vibrácií (trojosový vektorový súčet) určená podľa štandardu 60745-2-11:

Režim činnosti: rezanie sadrokartónu (hrúbka 30 mm)

Emisie vibrácií (a_n): 3,0 m/s²

Odchýlka (K): 1,5 m/s²

Režim činnosti: rezanie drevovláknitej dosky (hrúbka 15 mm)

Emisie vibrácií (a_n): 5,5 m/s²

Odchýlka (K): 1,5 m/s²

POZNÁMKA: Deklarovaná hodnota emisií vibrácií bola meraná podľa štandardnej skúšobnej metódy a môže sa použiť na porovnanie jedného nástroja s druhým.

POZNÁMKA: Deklarovaná hodnota emisií vibrácií sa môže použiť aj na predbežné posúdenie vystavenia účinkom.

VAROVANIE: Emisie vibrácií počas skutočného používania elektrického nástroja sa môžu odlišovať od deklarovanej hodnoty emisií vibrácií, a to v závislosti od spôsobov používania náradia.

VAROVANIE: Nezabudnite označiť bezpečnostné opatrenia s cieľom chrániť obsluhu, a to tie, ktoré sa zakladajú na odhade vystavenia účinkom v rámci reálnych podmienok používania (berúc do úvahy všetky súčasti prevádzkového cyklu, ako sú doby, kedy je nástroj vypnutý a kedy beží bez zaťaženia, ako dodatok k dobe zapnutia).

Vyhlasenie o zhode ES

Len pre krajiny Európy

Vyhlasenie o zhode ES sa nachádza v prílohe A tohto návodu na obsluhu.

BEZPEČNOSTNÉ VAROVANIA

Všeobecné bezpečnostné predpisy pre elektrické nástroje

VAROVANIE: Preštudujte si všetky bezpečnostné varovania, pokyny, vyobrazenia a technické špecifikácie určené pre tento elektrický nástroj. Pri nedodržaní všetkých nižšie uvedených pokynov môže dôjsť k úrazu elektrickým prúdom, požiaru alebo vážnemu zraneniu.

Všetky výstrahy a pokyny si odložte pre prípad potreby v budúcnosti.

Pojem „elektrický nástroj“ sa vo výstrahách vzťahuje na elektricky napájané elektrické nástroje (s káblom) alebo batériou napájané elektrické nástroje (bez kábla).

Bezpečnostné varovania pre akumulátorovú pílu na sadrokartón

1. Pri rezaní držte elektrické náradie pri práci držte len za izolované úchopné povrchy, pretože rezné príslušenstvo sa môže dostať do kontaktu so skrytými vodičmi. Rezné príslušenstvo, ktoré sa dostane do kontaktu s vodičom pod napätím, môže spôsobiť prechod elektrického prúdu kovovými časťami elektrického nástroja a spôsobiť tak obsluhu zasiahnutie elektrickým prúdom.
2. Pomocou soviek alebo iným praktickým spôsobom zaistíte a pripevníte obrobok k stabilnému povrchu. Pri držaní rukou alebo pri tele nebude obrobok stabilný a môžete nad ním stratiť kontrolu.
3. Vždy používajte ochranné okuliare alebo bezpečnostné okuliare. Obyčajné dioptrické alebo slnečné okuliare NIE sú ochranné okuliare.
4. Nerežte klince. Pred prácou skontrolujte, či na obrobku nie sú klince, a prípadne ich odstráňte.
5. Nerežte obrobky nadmernej veľkosti.
6. Pred rezaním skontrolujte správnu medzeru za obrobkom, aby ostrie nenarazilo na dlážku, pracovný stôl a pod.
7. Náradie držte pevne.
8. Skôr než zapnete spínač, skontrolujte, či sa čepeľ nedotýka obrobku.
9. Ruky držte mimo dosahu pohyblivých častí.
10. Nenechávajte nástroj v prevádzke bez dozoru. Pracujte ním, len keď ho držíte v rukách.
11. Skôr než odťiahnete ostrie z obrobku, vypnite náradie a vždy počkajte, kým sa ostrie úplne nezastaví.
12. Nedotýkajte sa čepele ani obrobku hneď po práci; môžu byť extrémne horúce a môžu vám spôsobiť popáleniny.
13. Nepoužívajte náradie zbytočne bez záťaž.
14. Niektoré materiály obsahujú chemikálie, ktoré môžu byť toxické. Dávajte pozor, aby ste ich nevdychovali ani sa ich nedotýkali. Prečítajte si bezpečnostné informácie dodávateľa materiálu.
15. Vždy používajte správnu protiprachovú masku/respirátor pre konkrétny materiál a použitie.

TIETO POKYNY USCHOVAJTE.

VAROVANIE: NIKDY nepripustíte, aby sebedovomie a dobrá znalosť výrobku (získané opakovaným používaním) nahradili presné dodržiavanie bezpečnostných pravidiel pre náradie. **NESPRÁVNE POUŽÍVANIE** alebo nedodržiavanie bezpečnostných zásad uvedených v tomto návode môže viesť k vážnemu zraneniu.

Dôležité bezpečnostné a prevádzkové pokyny pre akumulátor

1. Pred použitím akumulátora si prečítajte všetky pokyny a výstavné označenia na (1) nabíjačke akumulátorov, (2) akumulátore a (3) produkte používajúcom akumulátor.

2. Akumulátor nerozoberajte.
3. Ak sa doba prevádzky príliš skráti, ihneď prerušte prácu. Môže nastať riziko prehriatia, možných popálením či dokonca explózie.
4. V prípade zasiahnutia očí elektrolytom ich vypláchnite čistou vodou a okamžite vyhľadajte lekársku pomoc. Môže dôjsť k strate zraku.
5. Akumulátor neskratujte:
 - (1) Nedotýkajte sa konektorov žiadnym vodičným materiálom.
 - (2) Neskladujte akumulátor v obale s inými kovovými predmetmi, napríklad klincami, mincami a pod.
 - (3) Akumulátor nevystavujte vode ani dažďu. Skrat akumulátora môže spôsobiť veľký tok prúdu, prehriatie, možné popáleniny či dokonca poruchu.
6. Neskladujte nástroj ani akumulátor na miestach s teplotou presahujúcou 50 °C (122 °F).
7. Akumulátor nespálujte, ani keď je vážne poškodený alebo úplne opotrebovaný. Akumulátor môže v ohni explodovať.
8. Dávajte pozor, aby akumulátor nespadol, a nevystavujte ho nárazom.
9. Nepoužívajte poškodený akumulátor.
10. Litium-iónové akumulátory, ktoré sú súčasťou náradia, podliehajú požiadavkám legislatívy o nebezpečnom tovare.

V prípade obchodnej prepravy, napr. dodanie tretími stranami či špeditériami, sa musia dodržiavať špeciálne požiadavky na zabalenie a označenie. Pred prípravou položky na odoslanie sa vyžaduje konzultácia s odborníkom na nebezpečný materiál. Taktiež treba dodržiavať potenciálne podrobnejšie predpisy príslušnej krajiny. Prelepte alebo zakryte otvorené kontakty a zabaľte akumulátor tak, aby sa v balíku nemohol voľne pohybovať.
11. Akumulátor zlikvidujte v súlade s miestnymi nariadeniami.

TIETO POKYNY USCHOVAJTE.

POZOR: Používajte len originálne akumulátory od spoločnosti Makita. Používanie batérií, ktoré nie sú od spoločnosti Makita, alebo upravených batérií môže spôsobiť výbuch batérie a následný požiar, zranenie osôb alebo poškodeniu majetku. Následkom bude aj zrušenie záruky od spoločnosti Makita na nástroj a nabíjačku od spoločnosti Makita.

Rady na udržanie maximálnej životnosti akumulátora

1. Akumulátor nabíjate ešte predtým, ako sa úplne vybije. Vždy prerušte prácu s nástrojom a nabíjate akumulátor, keď spozorujete nižší výkon nástroja.
2. Nikdy nenabíjate plne nabitý akumulátor. Prebijanie skrakuje životnosť akumulátora.
3. Akumulátor nabíjajte pri izbovej teplote 10 °C – 40 °C (50 °F – 104 °F). Pred nabíjaním nechajte horúci akumulátor vychladnúť.

OPIS FUNKCIÍ

⚠️ POZOR: Pred úpravou alebo kontrolou funkčnosti nástroja vždy skontrolujte, či je nástroj vypnutý a akumulátor je vybratý.

Inštalácia alebo demontáž akumulátora

⚠️ POZOR: Pred inštaláciou alebo vybratím akumulátora nástroj vždy vypnite.

⚠️ POZOR: Pri inštalovaní a vyberaní akumulátora pevne uchopíte nástroj a akumulátor. Ak nástroj a akumulátor pevne neuchopíte, môže to mať za následok vyšmyknutie z vašich rúk s dôsledkom poškodenia nástroja a akumulátora, ako aj osobných poranení.

- **Obr.1:** 1. Červený indikátor 2. Tlačidlo
3. Akumulátor

Ak chcete vybrať akumulátor, vysuňte ho z nástroja, pričom posuňte tlačidlo na prednej strane akumulátora.

Akumulátor vložíte tak, že jazýček akumulátora zarovnáte s drážkou v kryte a zasuniete ho na miesto. Zatláčte ho úplne, kým zakliknutím nezapadne na miesto. Ak vidíte červený indikátor na hornej strane tlačidla, nie je správne zapadnutý.

⚠️ POZOR: Akumulátor vždy nainštalujte úplne, až kým nie je vidieť červený indikátor. V opačnom prípade môže náhodne vypadnúť z nástroja a ublížiť vám alebo osobám v okolí.

⚠️ POZOR: Pri inštalovaní akumulátora nepoužívajte silu. Ak sa akumulátor nedá zasunúť ľahko, nevkladáte ho správne.

Systém ochrany akumulátora

Nástroj je vybavený systémom ochrany akumulátora. Tento systém automaticky vypne napájanie motora s cieľom predĺžiť životnosť akumulátora.

Nástroj sa môže počas prevádzky automaticky zastaviť v prípade, ak sa nástroj alebo akumulátor nachádzajú v jednom z nasledujúcich stavov:

Preťaženie:

Nástroj je prevádzkovaný spôsobom, ktorý spôsobuje odber nadmerne vysokého prúdu. V tejto situácii vypnite nástroj a ukončíte prácu, ktorá spôsobuje preťažovanie nástroja. Potom nástroj zapnutím znova spustíte.

Ak sa nástroj nespustí, akumulátor je prehriaty. V tejto situácii nechajte akumulátor pred opätovným zapnutím náradia vychladnúť.

Nízke napätie akumulátora:

Zostávajúca kapacita akumulátora je veľmi nízka a nástroj nebude fungovať. Ak zapnete nástroj, motor sa rozbehne, ale čoskoro sa zastaví. V tejto situácii akumulátor vyberte a nabíte ho.

Indikácia zvyšnej kapacity akumulátora

Len na akumulátory s indikátorom

- **Obr.2:** 1. Indikátory 2. Tlačidlo kontroly

Stlačením tlačidla kontroly na akumulátore zobrazíte zostávajúcu kapacitu akumulátora. Indikátory sa na niekoľko sekúnd rozsvietia.

Indikátory		Zostávajúca kapacita
Svieti	Nesvieti	
■ ■ ■ ■	□	75 % až 100 %
■ ■ ■ □	□	50% až 75%
■ ■ □ □	□ □	25% až 50%
■ □ □ □	□ □ □	0% až 25%



POZNÁMKA: V závislosti od podmienok používania a v závislosti od okolitej teploty sa môže zobrazenie mierne odlišovať od skutočnej kapacity.

Zapínanie


- **Obr.3:** 1. Spúšťací spínač

⚠️ POZOR: Pred vložením akumulátora do nástroja sa vždy presvedčíte, či spúšťací spínač funguje správne a po uvoľnení sa vráti do pozície „OFF“.

Ak chcete nástroj spustiť, stačí stlačiť jeho spúšťací spínač. Rýchlosť nástroja sa zvyšuje zvyšovaním prítlaku na spúšťací spínač. Nástroj zastavíte uvoľnením spúšťacieho spínača.

Aby nedochádzalo k náhodnému stlačeniu spúšťacieho spínača, nachádza sa tu zaist'ovacie tlačidlo spínača. Ak chcete nástroj spustiť, stlačte zaist'ovacie tlačidlo spínača na strane  a potiahnite spúšťací spínač. Po použití vždy zatláčte zaist'ovacie tlačidlo spínača zo strany .

- **Obr.4:** 1. Zaist'ovacie tlačidlo spínača

⚠️ POZOR: Keď s nástrojom nepracujete, stlačte zaist'ovacie tlačidlo spínača na strane , čím uzamknete spúšťací spínač do polohy OFF (VYP.).

Nastavenie hĺbky rezu

Hĺbka rezu sa zhoduje so stupnicou na čepeľi. Uvoľnite skrutku na držiaku čepele, aby sa čepeľou dalo voľne pohybovať. Zarovnajete stupnicu na čepeľi so spodnou čiarou na držiaku čepele. Potom utiahnite skrutky.

- **Obr.5:** 1. Hĺbka rezu 2. Spodná čiara na držiaku čepele 3. Stupnica na čepeľi

Maximálna hĺbka rezu závisí od typu čepele píly. Vždy používajte čepeľ píly určenú na opracovávaný materiál.

Typ čepele píly	Maximálna hĺbka rezu
Na sadrokartón	30 mm
Na drevo	15 mm

Svetlo LED

⚠ POZOR: Neďívajte sa priamo do svetla ani jeho zdroja.

Lampu rozsvietite stlačením spúšťacieho spínača. Lampa svieti, kým stlačíte spúšťací spínač. Lampa zhasne asi 10 sekúnd po uvoľnení spúšťacieho spínača.

► **Obr.6:** 1. Lampa

POZNÁMKA: Suchou tkaninou utrite znečistené šošovky lampy. Dávajte pozor, aby sa šošovky lampy nepoškriabali. Mohla by sa znížiť intenzita osvetlenia.

ZOSTAVENIE

⚠ POZOR: Pred vykonaním akejkoľvek práce na nástroji vždy skontrolujte, či je nástroj vypnutý a akumulátor je vybitý.

Demontáž zberača prachu

⚠ POZOR: Nástadie nikdy nepoužívajte bez zberača prachu. Do očí by vám mohol vniknúť prach a spôsobiť zranenie očí.

Pri demontáži zberača prachu držte rukoväť nástroja a úchytne plošky na nástroji potiahnite dozadu. Úchytne plošky na oboch stranách potiahnite súčasne.

► **Obr.7:** 1. Úchytne plošky

Pri montáži zarovnajete okraj zberača prachu s drážkou stola.

► **Obr.8:** 1. Drážka

Výmena čepele píly na sadrokartón

⚠ POZOR: Vždy odstráňte všetky piliny a cudzoročné látky, ktoré sa prichytili na čepeľ a/alebo držiak čepele. Ak to nevykonáte, môže to spôsobiť nedostatočné utiahnutie čepele, čoho dôsledkom môže byť vážne zranenie.

⚠ POZOR: Bezprostredne po práci sa nedotýkajte čepele ani opracovávaného materiálu. Môžu byť veľmi horúce a môžete sa popáliť.

⚠ POZOR: Čepeľ riadne zaistíte. Nedostatočné utiahnutie čepele môže zapríčiniť zlomenie čepele alebo vážne zranenie.

1. Demontujte zberač prachu.
2. Pomocou šesťhranného kľúča odkrutkujte skrutky na držiaku čepele.
► **Obr.9:** 1. Skrutky 2. Držiak čepele 3. Čepeľ
3. Založte novú čepeľ podľa zobrazenia na obrázku. Skontrolujte, či zakrivená hrana čepele smeruje dopredu. Výčnelok držiaka čepele založte do výrezu čepele.

► **Obr.10:** 1. Výrez 2. Vyčnievajúca časť (opačná strana)

4. Nastavte hĺbku rezu a dotiahnite skrutky.

5. Pripojte zberač prachu.

Montáž odlamovacej čepele

⚠ POZOR: Vždy používajte odlamovaciu čepeľ určenej dĺžky, šírky a hrúbky. Nesprávne namontovaná odlamovacia čepeľ sa môže zlomiť. Úlomok čepele môže odletieť a spôsobiť zranenie osôb.

Odlamovaciu čepeľ možno použiť aj v tomto náradí. Používajte 3-články odlamovacej čepele širokej 18 mm a hrubej 0,5 mm. Maximálna hĺbka rezu pri rezaní sadrokartónu je 12,5 mm.

► **Obr.11:** 1. Tri články odlamovacej čepele

1. Uvoľnite skrutky na držiaku nástroja. Držiak čepele natočte výčnelkom smerom von.
2. Vložte odlamovaciu čepeľ ostrou hranou smerujúcou dopredu.

3. Odlamovaciu čepeľ zaistíte v polohe, v ktorej je koniec prvého článku čepele zarovnaný s hranou držiaka čepele podľa zobrazenia na obrázku.

► **Obr.12:** 1. Držiak čepele 2. Koniec prvého článku odlamovacej čepele 3. Pripustná dĺžka rezu

Nasadenie krytky čepele

⚠ POZOR: Krytku čepele nasadzujte vždy len vtedy, keď sa nástadie nepoužíva. Nechránená čepeľ môže spôsobiť zranenie osôb alebo sa môže sama poškodiť.

Krytku čepele nasuňte na čepeľ, aby sa háčik zachytil o kryt stola. Všimnite si smer krytky čepele pri nasadzovaní. Širší háčik je na prednej strane. Pri demontáži krytky čepele, krytku nadvihnite, pričom ju stlačte z oboch strán.

► **Obr.13:** 1. Krytka čepele 2. Háčik

Pri práci vložte krytku čepele do háčika na stole podľa zobrazenia na obrázku tak, aby v ňom zacvakla.

► **Obr.14:** 1. Krytka čepele 2. Háčik

Uskladnenie šesťhranného kľúča

Keď šesťhranný kľúč nepoužívate, odložte ho podľa zobrazenia na obrázku, aby sa neustratil.

► **Obr.15:** 1. Šesťhranný kľúč

Pripojenie vysávača

⚠ POZOR: Pred pripojením vysávača nasadte krytku čepele.

Čistotu prevádzky zaistíte pripojením vysávača Makita. Zo zberača prachu vyberte gumový uzáver a pripojte hadicu vysávača k zberaču prachu.

► **Obr.16:** 1. Zberač prachu 2. Gumový uzáver 3. Hadica vysávača

PREVÁDZKA

⚠ POZOR: Náradie držte pevne.

⚠ POZOR: Rezanie vždy vykonávajte so stolom presne zarovnaným s opracovávaným materiálom. Nikdy nevykonávajte zakrivený rez. V opačnom prípade to môže spôsobiť zlomenie čepele, ktorého dôsledkom môže byť vážne zranenie.

Zárez v tvare písmena V a vypuklá časť krytu stola na nástroji označujú polohu čepele. Pri rezaní vždy skontrolujte polohu čepele.

Kryt stola na nástroji

- **Obr.17:** 1. Zárez v tvare písmena V 2. Vypuklá časť 3. Čepeľ

POZNÁMKA: Na zaistenie presnosti rezu sa odporúča na opracovávaný materiál dopredu vyznačiť čiaru rezu.

1. Špičku ostria nastavte na začiatok čiary. Nakloňte náradie tak, aby sa predná hrana stola dotýkala opracovávaného materiálu. Spodnú časť zárezu v tvare písmena V na prednej hrane zarovnajete s čiarou rezu.

► **Obr.18**

2. Pomaly stlačte spúšťač spínač, pričom sa čepeľou nedotýkajte opracovávaného materiálu. Keď čepeľ dosiahne plnú rýchlosť, náradím zatlačte na opracovávaný materiál. Keď čepeľ prenikne opracovávaným materiálom, zaistíte, aby sa kryt stola celou plochou dotýkal opracovávaného materiálu.

► **Obr.19**

3. Náradím pohybujte rovno dopredu až do ukončenia rezu.

ÚDRŽBA

⚠ POZOR: Pred vykonaním kontroly alebo údržby vždy skontrolujte, či je nástroj vypnutý a akumulátor je vybratý.

UPOZORNENIE: Nepoužívajte benzín, riedidlo, alkohol ani podobné látky. Mohlo by to spôsobiť zmenu farby, deformácie alebo praskliny.

Čistenie krytu stola

Odstráňte piliny a prach, ktoré sa nahromadili na kryte stola. Kryt stola odoberte jeho nadvihnutím a súčasným zatiahnutím za háčik. Pri inštalácii postupujte rovnakým spôsobom v opačnom poradí krokov.

► **Obr.20:** 1. Kryt stola 2. Háčik

⚠ POZOR: Pri demontáži krytu stola dávajte pozor na špičku čepele a piliny.

UPOZORNENIE: Čistenie vykonávajte pravidelne. Znečistený kryt stola môže poškodiť alebo poškríbať povrch opracovávaného materiálu.

Ak chcete udržať BEZPEČNOSŤ a BEZPORUCHOVOSŤ výrobku, prenehajte opravy, údržbu a nastavenie na autorizované alebo továrenské servisné centrá Makita, ktoré používajú len náhradné diely značky Makita.

VOLITEĽNÉ PRÍSLUŠENSTVO

⚠ POZOR: Pre váš nástroj Makita, opísaný v tomto návode, doporučujeme používať toto príslušenstvo a nástavce. Pri použití iného príslušenstva či nástavcov môže hroziť nebezpečenstvo zranenia osôb. Príslušenstvo a nástavce sa môžu používať len na účely pre ne stanovené.

Ak potrebujete bližšie informácie týkajúce sa tohoto príslušenstva, obráťte sa na vaše miestne servisné stredisko firmy Makita.

- Čepeľ píly na sadrokartón
- Čepeľ píly na drevo
- Schránka na prach
- Zberač prachu
- Šest'hranný kľúč
- Háč
- Originálna batéria a nabíjačka Makita

POZNÁMKA: Niektoré položky zo zoznamu môžu byť súčasťou balenia nástrojov vo forme štandardného príslušenstva. Rozsah týchto položiek môže byť v každej krajine odlišný.

SPECIFIKACE

Model:		SD100D	
Délka zdvihu		6 mm	
Počet zdvihů za minutu		0–6 000 min ⁻¹	
Maximální kapacita řezání	Sádrokarton	30 mm	
	Dřevo	15 mm	
Jmenovité napětí		10,8 V DC	
Standardní akumulátory		BL1015, BL1020B	BL1040B
Celková délka		239 mm	248 mm
Hmotnost netto		1,5 kg	1,6 kg

- Vzhledem k neustálému výzkumu a vývoji zde uvedené technické údaje podléhají změnám bez upozornění.
- Technické údaje a akumulátor se mohou v různých zemích lišit.
- Hmotnost s akumulátorem dle EPTA – Procedure 01/2003

Účel použití

Tento nástroj je určen k zapichovacímu řezání sádrokartonu. Při použití vhodného pilového listu je také možné řezat dřevo.

Hlučnost

Typická vážená hladina hluku (A) určená podle normy 60745-2-11:

Hladina akustického tlaku (L_{pA}): 77 dB(A)

Nejistota (K): 3 dB(A)

Hladina hluku při práci může překročit hodnotu 80 dB (A).

VAROVÁNÍ: Používejte ochranu sluchu.

Vibrace

Celková hodnota vibrací (vektorový součet tří os)

určená podle normy 60745-2-11:

Pracovní režim: řezání sádrokartonu (tloušťka 30 mm)

Emise vibrací (a_h): 3,0 m/s²

Nejistota (K): 1,5 m/s²

Pracovní režim: řezání dřevotřískové desky (tloušťka 15 mm)

Emise vibrací (a_h): 5,5 m/s²

Nejistota (K): 1,5 m/s²

POZNÁMKA: Hodnota deklarovaných emisí vibrací byla změřena standardní zkušební metodou a dá se použít k porovnání nářadí mezi sebou.

POZNÁMKA: Hodnotu deklarovaných emisí vibrací lze také použít k předběžnému posouzení míry expozice vibracím.

VAROVÁNÍ: Emise vibrací při používání elektrického nářadí ve skutečnosti se mohou od hodnoty deklarovaných emisí vibrací lišit v závislosti na způsobech použití nářadí.

VAROVÁNÍ: Nezapomeňte stanovit bezpečnostní opatření na ochranu obsluhy podle odhadu expozice ve skutečných podmínkách použití. (Vezměte přitom v úvahu všechny části provozního cyklu, tj. kromě doby zátěže například doby, kdy je nářadí vypnuté a kdy běží naprázdno.)

Prohlášení ES o shodě

Pouze pro evropské země

Prohlášení ES o shodě je obsaženo v Příloze A tohoto návodu k obsluze.

BEZPEČNOSTNÍ VÝSTRAHY

Obecná bezpečnostní upozornění k elektrickému nářadí

VAROVÁNÍ: Přečtěte si všechny bezpečnostní výstrahy i pokyny a prohlédněte si ilustrace a specifikace dodané k tomuto elektrickému nářadí. Nedodržení všech níže uvedených pokynů může vést k úrazu elektrickým proudem, požáru či vážnému zranění.

Všechna upozornění a pokyny si uschovejte pro budoucí potřebu.

Pojem „elektrické nářadí“ v upozorněních označuje elektrické nářadí, které se zapojuje do elektrické sítě, nebo elektrické nářadí využívající akumulátory.

Výstraha k akumulátorové pile na sádkarton

1. Při práci v místech, kde může dojít ke kontaktu nástrojů z příslušenství se skrytým elektrickým vedením, držte elektrické nářadí za izolované části držadel. Nástroje z příslušenství mohou při kontaktu s vodičem pod napětím přenést proud do nechráněných částí nářadí a obsluha může utrpět úraz elektrickým proudem.
2. Uchytíte a podepřete obrobek na stabilní podložce pomocí svorek nebo jiným praktickým způsobem. Budete-li obrobek držet rukama nebo opřený o vlastní tělo, bude nestabilní a může dojít ke ztrátě kontroly.
3. Vždy používejte ochranné brýle. Běžné dioptrické nebo sluneční brýle NEJSOU ochranné brýle.
4. Neřežte hřebíky. Před zahájením provozu zkontrolujte, zda se v obrobku nenacházejí hřebíky a případně je odstraňte.
5. Neřežte příliš velké obrobky.
6. Před řezáním zkontrolujte, zda se za obrobkem nachází dostatečný volný prostor, aby pilový list nenarazil na podlahu, pracovní stůl apod.
7. Držte nářadí pevně.
8. Před zapnutím spínače se ujistěte, zda kotouč není v kontaktu s obrobkem.
9. Udržujte ruce mimo pohyblivé díly.
10. Nenechávejte nářadí běžet bez dozoru. S nářadím pracujte, jen když je držíte v rukou.
11. Před vytažením pilového listu z obrobku vždy nářadí vypněte a počkejte, dokud se pilový list zcela nezastaví.
12. Po ukončení práce se nedotýkejte pilového listu ani obrobku, neboť mohou dosahovat velmi vysokých teplot a způsobit popáleniny.
13. Nástroj zbytečně nespouštějte naprázdno.
14. Některé materiály obsahují chemikálie, které mohou být jedovaté. Dávejte pozor, abyste nevdechovali prach nebo nedocházelo ke kontaktu s kůží. Dodržujte bezpečnostní pokyny dodavatele materiálu.
15. Vždy používejte protiprachovou masku / respirátor odpovídající použití a materiálu, se kterým pracujete.

TYTO POKYNY USCHOVEJTE.

VAROVÁNÍ: NEDOVOLTE, aby pohodlnost nebo pocit znalosti výrobku (získaný na základě předchozího použití) vedl k zanedbání dodržování bezpečnostních pravidel platných pro tento výrobek. NESPRÁVNÉ POUŽÍVÁNÍ či nedodržení bezpečnostních pravidel uvedených v tomto návodu k obsluze může způsobit vážné zranění.

Důležitá bezpečnostní upozornění pro akumulátor

1. Před použitím akumulátoru si přečtěte všechny pokyny a varovné symboly na (1) nabíječe, (2) akumulátoru a (3) výrobku využitým akumulátor.

2. Akumulátor nerozebírejte.
3. Pokud se příliš zkrátí provozní doba akumulátoru, přerušte okamžitě práci. V opačném případě existuje riziko přehřívání, popálení nebo dokonce výbuchu.
4. Budou-li vaše oči zasaženy elektrolytem, vypláchněte je čistou vodou a okamžitě vyhledejte lékařskou pomoc. Může dojít ke ztrátě zraku.
5. Akumulátor nezkratujte:
 - (1) Nedotýkejte se svorek žádným vodivým materiálem.
 - (2) Neskladujte akumulátor v nádobě s jinými kovovými předměty, jako jsou hřebíky, mince, apod.
 - (3) Nevystavuje akumulátor vodě a dešti. Zkrat akumulátoru může způsobit velký průtok proudu, přehřátí, možné popálení a dokonce i poruchu.
6. Neskladujte nářadí a akumulátor na místech, kde může teplota překročit 50 °C (122 °F).
7. Nespalujte akumulátor, ani když je vážně poškozen nebo úplně opotřeben. Akumulátor může v ohni vybuchnout.
8. Dávejte pozor, abyste akumulátor neupustili ani s ním nenaráželi.
9. Nepoužívejte poškozené akumulátory.
10. Obsažené lithium-iontové akumulátory podléhají právním požadavkům na nebezpečné zboží.

V případě komerční přepravy například externími dopravci je třeba dodržet zvláštní požadavky na balení a značení.

Pro přípravu zboží k přepravě je nutná konzultace s odborníkem na nebezpečný materiál. Dodržujte také případné podrobnější národní předpisy. Odkryté kontakty přelepte izolační páskou či jinak zakryjte a akumulátory zabalte tak, aby se v balení nemohly pohybovat.
11. Při likvidaci akumulátoru postupujte podle místních předpisů.

TYTO POKYNY USCHOVEJTE.

UPOZORNĚNÍ: Používejte pouze originální akumulátory Makita. Používání neoriginálních nebo upravených akumulátorů může způsobit explozi akumulátoru a následný požár, zranění a jiné poškození. Zaniká tím také záruka společnosti Makita na nářadí a nabíječku Makita.

Tipy k zajištění maximální životnosti akumulátoru

1. Akumulátor nabíjte dříve, než dojde k jeho úplnému vybití. Pokud si povšimnete sníženého výkonu nářadí, vždy jej zastavte a dobijte akumulátor.
2. Nikdy nenabíjete úplně nabitý akumulátor. Přebíjení zkracuje životnost akumulátoru.
3. Akumulátor dobíjete při pokojové teplotě od 10 °C do 40 °C (50 °F až 104 °F). Před nabíjením nechte horký akumulátor zchladnout.

POPIS FUNKCÍ

⚠ UPOZORNĚNÍ: Před nastavováním nářadí nebo kontrolou jeho funkce se vždy přesvědčte, zda je vypnuté a je vyjmutý akumulátor.

Nasazení a sejmutí akumulátoru

⚠ UPOZORNĚNÍ: Před nasazením či sejmutím akumulátoru nářadí vždy vypněte.

⚠ UPOZORNĚNÍ: Při nasazování či snímání akumulátoru pevně držte nářadí i akumulátor. V opačném případě vám může nářadí nebo akumulátor vyklouznout z rukou a mohlo by dojít k jejich poškození či ke zranění.

► **Obr.1:** 1. Červený indikátor 2. Tlačítko 3. Akumulátor

Chcete-li akumulátor sejmut, vysuňte jej se současným přesunutím tlačítka na přední straně akumulátoru.

Při nasazování akumulátoru vyrovnajte jazyček na bloku akumulátoru s drážkou v krytu a zasuňte akumulátor na místo. Akumulátor zasuňte na doraz, až zacvakne na své místo. Není-li tlačítko zcela zajištěno, uvidíte na jeho horní straně červený indikátor.

⚠ UPOZORNĚNÍ: Akumulátor zasunujte vždy zcela tak, aby nebyl červený indikátor vidět. Jinak by mohl akumulátor ze zařízení vypadnout a způsobit zranění obsluze či přihlížejícím osobám.

⚠ UPOZORNĚNÍ: Akumulátor nenasazujte násilím. Nelze-li akumulátor zasunout snadno, nevkládáte jej správně.

Systém ochrany akumulátoru

Nářadí je vybaveno systémem ochrany akumulátoru. Tento systém automaticky přeruší napájení motoru, což prodlužuje životnost akumulátoru.

Budou-li nářadí nebo akumulátor vystaveny některé z níže uvedených podmínek, nářadí se během provozu automaticky vypne:

Přetížení:

S nářadím se pracuje takovým způsobem, že dochází k odběru mimořádně vysokého proudu.

V takové situaci nářadí vypne a ukončete činnost, při níž došlo k přetížení nářadí. Potom nářadí zapnete a obnovte činnost.

Jestliže se nářadí nespustí, došlo k přehřátí akumulátoru. V takovém případě nechte akumulátor před opětovným zapnutím nářadí vychladnout.

Nízké napětí akumulátoru:









Zbývající kapacita akumulátoru je příliš nízká a nářadí nebude fungovat. Po spuštění nářadí se motor znovu rozeběhne, avšak brzy se zastaví. V takovém případě vyjměte akumulátor a dobijte jej.

Indikace zbývající kapacity akumulátoru

Pouze pro akumulátory s diodovým ukazatelem

► **Obr.2:** 1. Kontrolky 2. Tlačítko kontroly

Stisknutím tlačítka kontroly na akumulátoru zjistíte zbývající kapacitu akumulátoru. Kontrolky indikátoru se na několik sekund rozsvítí.

Kontrolky		Zbývající kapacita
Svítil	Nesvítil	
		75 % až 100 %
		50 % až 75 %
		25 % až 50 %
		0 % až 25 %



POZNÁMKA: Kapacita udávaná indikátorem se může mírně lišit od skutečné kapacity v závislosti na podmínkách používání a teplotě prostředí.

Používání spouště


► **Obr.3:** 1. Spoušť

⚠ UPOZORNĚNÍ: Před vložením akumulátoru do nářadí vždy zkontrolujte správnou funkci spouště, a zda se po uvolnění vrací do vypnuté polohy.

Chcete-li nářadí uvést do chodu, stačí stisknout spoušť. Otáčky nářadí se zvyšují zvyšováním tlaku na spoušť. Chcete-li nářadí vypnout, uvolněte spoušť.

K zamezení náhodného stisknutí spouště je zařízení vybaveno zajišťovacím tlačítkem spouště. Nářadí spustíte stlačením zajišťovacího tlačítka spouště ze strany  a stisknutím spouště. Po použití vždy zamáčkněte zajišťovací tlačítko ze strany .

► **Obr.4:** 1. Zajišťovací tlačítko

⚠ UPOZORNĚNÍ: Pokud nářadí nepoužíváte, zablokujte spoušť ve vypnuté poloze stisknutím zajišťovacího tlačítka ze strany .

Nastavení hloubky řezu

Hloubka řezu odpovídá měřítku na pilovém listu. Povolte šroub na držáku pilového listu, aby se pilový list mohl volně pohybovat. Vyrovnajte příslušnou značku měřítka na pilovém listu se spodní hranou držáku pilového listu. Potom dotáhněte šrouby.

► **Obr.5:** 1. Hloubka řezu 2. Spodní hrana držáku pilového listu 3. Měřítka na pilovém listu

Maximální hloubka řezu závisí na typu pilového listu. Vždy používejte pilový list určený k řezání příslušného materiálu.

Typ pilového listu	Max. hloubka řezu
Pro sádkarton	30 mm
Pro dřevo	15 mm

Světlo LED

⚠ UPOZORNĚNÍ: Nedívejte přímo do světla nebo jeho zdroje.

Při stisknutí spouště se rozsvítí světlo. Světlo svítí po celou dobu stisknutí spouště. Světlo zhasne přibližně za 10 sekund po uvolnění spouště.

► **Obr.6:** 1. Světlo

POZNÁMKA: K otření nečistot ze skla světla použijte suchý hadřík. Dbejte, abyste sklo světla nepoškrábali. Mohlo by dojít ke snížení svítivosti.

SESTAVENÍ

⚠ UPOZORNĚNÍ: Před prováděním jakýchkoli prací na nářadí se vždy přesvědčte, zda je vypnuté a je vyjmutý akumulátor.

Sejmutí sběrače prachu

⚠ UPOZORNĚNÍ: Nástroj nikdy nepoužívejte bez sběrače prachu. Prach může vniknout do očí a poškodit zrak.

Chcete-li sejmutí sběrač prachu, podržte nástroj za rukojeť a zatáhněte zpět jazýčky na nástroji. Jazýčky zatáhněte na obou stranách nástroje současně.

► **Obr.7:** 1. Jazýček

Při instalaci sběrač prachu vyrovnejte s okrajem drážky na základně.

► **Obr.8:** 1. Drážka

Výměna pilového listu na sádkarton

⚠ UPOZORNĚNÍ: Vždy očistěte všechny třísky a cizí materiál přilnutý na pilovém listu nebo držáku pilového listu. V opačném případě může dojít k nedostatečnému upnutí listu a následnému vážnému zranění.

⚠ UPOZORNĚNÍ: Bezprostředně po skončení práce se nedotýkejte pilového listu ani obrobku. Mohou být velmi horké a mohly by způsobit popáleniny kůže.

⚠ UPOZORNĚNÍ: Ujistěte se, zda je pilový list pevně nasazen. Nedostatečné upnutí listu může vést k jeho zlomení nebo vážnému zranění.

1. Sejměte sběrač prachu.
 2. Šestihranným klíčem vyšroubujte šrouby na držáku pilového listu.
- **Obr.9:** 1. Šrouby 2. Držák pilového listu 3. Pilový list

3. Nasaďte nový pilový list podle obrázku. Dbejte, aby zaoblený okraj pilového listu směřoval dopředu. Usadte výstupek na držáku pilového listu do šterbiny v pilovém listu.

► **Obr.10:** 1. Šterbina 2. Výstupek (na opačné straně držáku)

4. Nastavte hloubku řezu a poté utáhněte šrouby.
5. Nasaďte sběrač prachu.

Montáž odlamovacího pilového listu

⚠ UPOZORNĚNÍ: Vždy používejte odlamovací pilový list s určenou délkou, šířkou a tloušťkou. Nesprávně namontovaný odlamovací pilový list může prasknout. Prasklý pilový list může odlétnout a způsobit úraz.

S tímto nástrojem je možné používat také odlamovací pilové listy. Použijte 3 segmentový odlamovací pilový list se šířkou 18 mm a tloušťkou 0,5 mm. Maximální hloubka řezu při řezání sádkartonu je 12,5 mm.

► **Obr.11:** 1. Tři segmenty odlamovacího pilového listu

1. Povolte šrouby na držáku pilového listu. Otočte držák pilového listu tak, aby výstupek směřoval ven.
 2. Vložte odlamovací pilový list s ostrým okrajem směřujícím dopředu.
 3. Zajistěte odlamovací pilový list v poloze, ve které se konec prvního segmentu dotýká okraje držáku pilového listu, jak ukazuje obrázek.
- **Obr.12:** 1. Držák pilového listu 2. Konec prvního segmentu odlamovacího pilového listu 3. Přípustná řezná délka

Nasazení krytu pilového listu

⚠ UPOZORNĚNÍ: Pokud není nástroj používán, vždy nasaďte kryt pilového listu. Nechráněný pilový list může způsobit úraz nebo může dojít k poškození pilového listu.

Nasaďte kryt pilového listu na pilový list tak, aby se háčky zachytily v krytu základny. Při nasazování krytu pilového listu dodržujte jeho správný směr; širší háček směřuje k přední straně nástroje. Při snímání krytu pilového listu jej stiskněte z obou stran a zdvihněte.

► **Obr.13:** 1. Kryt pilového listu 2. Háček

Při používání nástroje nasuňte kryt pilového listu do háčku na základně, jak ukazuje obrázek, dokud nezaklapne.

► **Obr.14:** 1. Kryt pilového listu 2. Háček

Uložení šestihranného klíče

Není-li používán, uložte šestihranný klíč, jak je ilustrováno na obrázku. Předědte tak jeho ztrátě.

► **Obr.15:** 1. Šestihranný klíč

Připojení odsavače prachu

⚠ UPOZORNĚNÍ: Před připojením vysavače nasadte kryt pilového listu.

Připojení odsavače prachu Makita pro zajištění bezprašného provozu. Odstraňte ze sběrače prachu pryžové víčko a připojte ke sběrači prachu hadici odsavače prachu.

- **Obr.16:** 1. Sběrač prachu 2. Pryžová krytka
3. Hadice odsavače prachu

PRÁCE S NÁŘADÍM

⚠ UPOZORNĚNÍ: Držte nářadí pevně.

⚠ UPOZORNĚNÍ: Při řezání vždy udržujte základnu zarovnanou s obrobkem. Nikdy neprovádějte zakřivený řez. V opačném případě může dojít ke zlomení listu a následně k vážnému zranění.

Výřez ve tvaru písmene V a konvexní část krytu základny nástroje ukazují polohu pilového listu. Při řezání vždy sledujte polohu pilového listu.

Kryt základny nástroje

- **Obr.17:** 1. Zářez V 2. Konvexní část 3. Pilový list

POZNÁMKA: Pro zajištění přesného řezání je doporučeno napřed na obrobek nakreslit řezné čáry.

1. Umístěte špičku pilového listu na začátek řezné čáry. Nakloňte nástroj tak, aby se přední okraj základny dotýkal obrobku. Vyrovnajte zářez ve tvaru V na předním okraji s řeznou čarou.
► **Obr.18**
2. Pomalu stiskněte spoušť, aniž by se pilový list dotýkal obrobku. Jakmile bude dosaženo plné rychlosti pilového listu, zatlačte nástroj proti obrobku. Když pilový list pronikne do obrobku, nechte kryt základny plně dosednout na obrobek.
► **Obr.19**
3. Tlačte nástroj rovně dopředu, dokud nebude řez dokončen.

ÚDRŽBA

⚠ UPOZORNĚNÍ: Před zahájením kontroly nebo údržby nářadí se vždy ujistěte, zda je vypnuté a je vyjmut akumulátor.

POZOR: Nikdy nepoužívejte benzín, benzen, ředidlo, alkohol či podobné prostředky. Mohlo by tak dojít ke změnám barvy, deformacím či vzniku prasklin.

Čištění krytu základny

Vyčistěte odřezky a prach nahromaděný v krytu základny. Kryt základny sejměte jeho zdvižením při současném zatažení háčku na jeho zadním konci. Instalaci krytu základny provedete opačným postupem.

- **Obr.20:** 1. Kryt základny 2. Háček

⚠ UPOZORNĚNÍ: Při snímání krytu základny dávejte pozor na špičku pilového listu a na odřezky.

POZOR: Čištění provádějte pravidelně. Znečištěný kryt základny může poškodit nebo zašpinit povrch obrobku.

K zachování BEZPEČNOSTI a SPOLEHLIVOSTI výrobku musí být opravy a veškerá další údržba či seřizování prováděny autorizovanými nebo továrními servisními středisky společnosti Makita s využitím náhradních dílů Makita.

VOLITELNÉ PŘÍSLUŠENSTVÍ

⚠ UPOZORNĚNÍ: Pro nářadí Makita popsané v tomto návodu doporučujeme používat následující příslušenství a nástavce. Při použití jiného příslušenství či nástavců může hrozit nebezpečí zranění osob. Příslušenství lze používat pouze pro stanovené účely.

Potřebujete-li bližší informace ohledně tohoto příslušenství, obraťte se na místní servisní středisko společnosti Makita.

- Pilový list na sádrokarton
- Pilový list na dřevo
- Prachová nádoba
- Sběrač prachu
- Šestihranný klíč
- Háček
- Originální akumulátor a nabíječka Makita

POZNÁMKA: Některé položky seznamu mohou být k nářadí přibaleny jako standardní příslušenství. Přibalené příslušenství se může v různých zemích lišit.

ТЕХНІЧНІ ХАРАКТЕРИСТИКИ

Модель:		SD100D	
Довжина ходу		6 мм	
Ходів за хвилину		0—6 000 хв ⁻¹	
Максимальна ріжуча спроможність	Гіпсокартон	30 мм	
	Деревина	15 мм	
Номинальна напруга		10,8 В пост. струму	
Стандартні касети з акумулятором		BL1015, BL1020B	BL1040B
Загальна довжина		239 мм	248 мм
Маса нетто		1,5 кг	1,6 кг

- Оскільки наша програма наукових досліджень і розробок триває безперервно, наведені тут технічні характеристики можуть бути змінені без попередження.
- Технічні характеристики приладу та касета з акумулятором можуть відрізнятись в різних країнах.
- Вага разом з касетою з акумулятором відповідно до EPTA-Procedure 01/2003

Призначення

Цей інструмент призначений для заглибного різання гіпсокартону. Ним можна також різати дерево, вставивши відповідний диск пили.

Шум

Рівень шуму за шкалою А в типовому виконанні, визначений відповідно до стандарту 60745-2-11:
Рівень звукового тиску (L_{pA}): 77 дБ (А)
Похибка (К): 3 дБ (А)

Рівень шуму під час роботи може перевищувати 80 дБ (А).

⚠ ПОПЕРЕДЖЕННЯ: Користуйтеся засобами захисту органів слуху.

Вібрація

Загальна величина вібрації (векторна сума трьох напрямків) визначена згідно з 60745-2-11:
Режим роботи: різання гіпсокартону (товщина 30 мм)
Вібрація (a_n): 3,0 м/с²
Похибка (К): 1,5 м/с²
Режим роботи: різання деревостружкової плити (товщина 15 мм)
Вібрація (a_n): 5,5 м/с²
Похибка (К): 1,5 м/с²

ПРИМІТКА: Заявлене значення вібрації було виміряно відповідно до стандартних методів тестування та може використовуватися для порівняння одного інструмента з іншим.

ПРИМІТКА: Заявлене значення вібрації може також використовуватися для попередньої оцінки впливу.

⚠ ПОПЕРЕДЖЕННЯ: Залежно від умов використання вібрація під час фактичної роботи електроінструмента може відрізнятись від заявленого значення вібрації.

⚠ ПОПЕРЕДЖЕННЯ: Забезпечте належні запобіжні заходи для захисту оператора, що відповідають умовам використання інструмента (слід брати до уваги всі складові робочого циклу, такі як час, коли інструмент вимкнено та коли він починає працювати на холостому ході під час запуску).

Декларація про відповідність стандартам ЄС

Тільки для країн Європи

Декларацію про відповідність стандартам ЄС наведено в Додатку А до цієї інструкції з експлуатації.

ПОПЕРЕДЖЕННЯ ПРО ДОТРИМАННЯ ТЕХНІКИ БЕЗПЕКИ

Загальні застереження щодо техніки безпеки при роботі з електроінструментами

⚠ ПОПЕРЕДЖЕННЯ: Уважно ознайомтеся з усіма попередженнями про дотримання правил техніки безпеки, інструкціями, ілюстраціями та технічними характеристиками, що стосуються цього електроінструмента. Невиконання будь-яких інструкцій, перелічених нижче, може призвести до ураження електричним струмом, пожежі та/або тяжких травм.

Збережіть усі інструкції з техніки безпеки та експлуатації на майбутнє.

Термін «електроінструмент», зазначений у інструкції з техніки безпеки, стосується електроінструмента, який функціонує від електромережі (електроінструмент з кабелем живлення), або електроінструмента з живленням від батареї (безпроводний електроінструмент).

Попередження про необхідну обережність під час роботи з бездротовою пилою для гіпсокартону

1. Тримайте електроінструмент за ізольовані поверхні держака під час роботи в місцях, де різальне приладдя може зачепити приховану електропроводку. Торкання різальним приладдям дроту під напругою може призвести до передавання напруги до оголених металевих частин інструмента та до ураження оператора електричним струмом.
2. Використовуйте затискні пристрої або інші засоби, щоб забезпечити опору оброблюваної деталі та закріпити її на стійкій поверхні. Утримання деталі руками або тілом не забезпечує її стійкість і може призвести до втрати контролю.
3. **Обов'язково використовуйте захисні окуляри НЕ Є захисними.**
4. Уникайте різання цвяхів. Перед початком роботи огляньте деталь та видаліть із неї всі цвяхи.
5. Не слід різати занадто великі деталі.
6. Перед початком різання перевірте, чи є нижче деталі достатній зазор для того, щоб поволотно не вдарилося о підлогу, верстат тощо.
7. Тримайте інструмент міцно.
8. Не допускайте контакту леза з робочою деталлю до ввімкнення інструмента.
9. Не наближайте руки до деталей, що рухаються.
10. Не залишайте без нагляду інструмент, який працює. Працюйте з інструментом, тільки тримаючи його в руках.
11. **Обов'язково вимкніть інструмент і зачекайте до повної зупинки диска, перш ніж знімати його з деталі.**
12. Не торкайтеся полотна або деталі одразу після різання — вони можуть бути дуже гарячими та спричинити опіки.
13. **Без необхідності не допускайте, щоб інструмент працював на холостому ходу.**
14. Деякі матеріали містять токсичні хімічні речовини. Будьте обережні, щоб уникнути вдихання пилу та його контакту зі шкірою. Дотримуйтеся правил техніки безпеки, передбачених виробником матеріалу.
15. **Обов'язково використовуйте пилозахисну маску або респіратор відповідно до сфери застосування та оброблюваного матеріалу.**

ЗБЕРІГАЙТЕ ЦІ ВКАЗІВКИ.

▲ПОПЕРЕДЖЕННЯ: НИКОЛИ НЕ втрачайте пильності та не розслабляйтеся під час користування виробом (що можливо при частому використанні); обов'язково строго дотримуйтеся відповідних правил безпеки. **НЕНАЛЕЖНЕ ВИКОРИСТАННЯ** або недотримання правил техніки безпеки, викладених у цій інструкції з експлуатації, може призвести до серйозних травм.

Важливі інструкції з безпеки для касети з акумулятором

1. Перед тим як користуватися касетою з акумулятором, слід прочитати всі інструкції та застережні знаки щодо (1) зарядного пристрою акумулятора, (2) акумулятора та (3) виробів, що працюють від акумулятора.
2. Не слід розбирати касету з акумулятором.
3. Якщо період роботи дуже покоротшав, слід негайно припинити користування. Це може призвести до виникнення ризику перегріву, опіку та навіть вибуху.
4. У разі потрапляння електроліту в очі слід промити їх чистою водою та негайно звернутися до лікаря. Це може призвести до втрати зору.
5. Не закоротіть касету з акумулятором.
 - (1) Не слід торкатися клем будь-яким струмопровідним матеріалом.
 - (2) Не слід зберігати касету з акумулятором у смонстві з іншими металевими предметами, такими як цвяхи, монети тощо.
 - (3) Не залишайте касету з акумулятором під дощем, запобігайте контакту з водою.Коротке замикання може призвести до появи значного струму, перегріву, можливих опіків та навіть виходу з ладу.
6. Не слід зберігати інструмент та касету з акумулятором в місцях, де температура може сягнути чи перевищити 50°C (122°F).
7. Не слід спалювати касету з акумулятором, навіть якщо вона була неодноразово пошкоджена або повністю спрацьована. Касета з акумулятором може вибухнути у вогні.
8. Не слід кидати або ударяти акумулятор.
9. Не слід використовувати пошкоджений акумулятор.
10. Літій-іонні акумулятори, що містяться в інструменті, мають відповідати вимогам законів про небезпечні товари. Під час транспортування за допомогою комерційних перевезень, наприклад із залученням третьої сторони та експедиторів, необхідно дотримуватись особливих вимог, вказаних на пакуванні й у маркуванні. Під час підготування позиції до відправлення необхідно проконсультуватись зі спеціалістом з небезпечних матеріалів. Крім того, слід виконувати більш докладні національні настанови, якщо такі є. Заклейте відкриті контакти стрічкою або заховайте їх і запакуйте акумулятор таким чином, щоб він не міг рухатися в пакуванні.

11. Дотримуйтеся норм місцевого законодавства щодо утилізації акумуляторів.

ЗБЕРІГАЙТЕ ЦІ ВКАЗІВКИ.

⚠ОБЕРЕЖНО: Використовуйте тільки акумулятори Makita. Використання акумуляторів, інших ніж оригінальні акумулятори Makita, або акумуляторів, конструкцію яких було змінено, може призвести до вибуху акумулятора і спричинити пожежу, травму або пошкодження. У зв'язку з цим також буде анульовано гарантію Makita на інструмент Makita і на зарядний пристрій.

Поради з забезпечення максимального строку експлуатації акумулятора

1. Касету з акумулятором слід заряджати до того, як він розрядиться повністю. Завжди слід зупиняти роботу інструмента та зарядити акумулятор, якщо ви помітили зменшення потужності інструмента.
2. Ніколи не слід заряджати повторно повністю заряджену касету з акумулятором. Перезарядження скорочує строк експлуатації акумулятора.
3. Заряджайте касету з акумулятором при кімнатній температурі 10°C—40°C (50°F—104°F). Перед тим як заряджати касету з акумулятором, слід зачекати, доки вона охолоне.

ОПИС РОБОТИ

⚠ОБЕРЕЖНО: Обов'язково переконайтеся, що прилад вимкнено, а касету з акумулятором знято, перед регулюванням або перевіркою функціонування інструмента.

Встановлення та зняття касети з акумулятором

⚠ОБЕРЕЖНО: Завжди вимикайте інструмент перед встановленням або зняттям касети з акумулятором.

⚠ОБЕРЕЖНО: Під час встановлення або зняття касети з акумулятором слід міцно тримати інструмент та касету з акумулятором. Якщо ви утримуватимете інструмент та касету з акумулятором недостатньо міцно, вони можуть вислизнути з рук, що може призвести до пошкодження інструмента та касети з акумулятором або може спричинити травми.

- **Рис. 1:** 1. Червоний індикатор 2. Кнопка 3. Касета з акумулятором

Щоб зняти касету з акумулятором, слід витягнути її з інструмента, натиснувши на кнопку в передній частині касети.

Щоб установити касету з акумулятором, слід сумістити виступ на касеті з акумулятором із пазом у корпусі та вставити касету на місце. Її необхідно вставити повністю, аж доки не почуєте клацання. Якщо на верхній частині кнопки помітний червоний індикатор, це означає, що касета з акумулятором установлена не до кінця.

⚠ОБЕРЕЖНО: Завжди вставляйте касету з акумулятором повністю, аж поки червоний індикатор стане невидимим. Якщо цього не зробити, касета може випадково випасти з інструмента та завдати травми вам або людям, що знаходяться поряд.

⚠ОБЕРЕЖНО: Не встановлюйте касету з акумулятором із зусиллям. Якщо касета не вставляється легко, то це означає, що ви її неправильно вставляєте.

Система захисту акумулятора

Інструмент оснащено системою захисту акумулятора. Ця система автоматично вимикає живлення двигуна з метою збільшення робочого часу акумулятора.

Інструмент буде автоматично вимкнено під час роботи, якщо він та/або акумулятор знаходиться в наступних умовах.

Перевантаження

Інструмент споживає струм занадто високої потужності під час роботи.

У такому разі вимкніть інструмент і припиніть роботу, під час виконання якої інструмент зазнав перевантаження. Щоб перезапустити інструмент, увімкніть його знову.

Якщо інструмент не запускається, це означає, що акумулятор перегрівся. У такому випадку дозвольте акумулятору охолонути, перш ніж знову увімкнути інструмент.

Низька напруга акумулятора

Залишкова ємність акумулятора занадто низька, тому інструмент не буде працювати. Якщо увімкнути інструмент, двигун запуситься, проте незабаром зупиниться. У такому разі вийміть і зарядьте акумулятор.

Відображення залишкового заряду акумулятора

Тільки для касет з акумулятором, які мають індикатори

► **Рис. 2:** 1. Індикаторні лампи 2. Кнопка перевірки

Натисніть кнопку перевірки на касеті з акумулятором для відображення залишкового ресурсу акумулятора. Індикаторні лампи загоряться на кілька секунд.

Індикаторні лампи		Залишковий ресурс
Горить	Вимкнено	
■ ■ ■ ■	□	від 75 до 100%
■ ■ ■ □	□	від 50 до 75%
■ ■ □ □	□ □	від 25 до 50%
■ □ □ □	□ □ □ □	від 0 до 25%



ПРИМІТКА: Залежно від умов використання та температури оточуючого середовища показання можуть незначним чином відрізнятися від дійсного ресурсу.

Дія вмикача


► **Рис.3:** 1. Курок вмикача

⚠ОБЕРЕЖНО: Перед тим як вставляти касету з акумулятором в інструмент, обов'язково перевірте, чи курок вмикача спрацьовує належним чином та повертається у положення «ВИМК.», коли його відпускають.

Щоб увімкнути інструмент, просто натисніть на курок вмикача. Швидкість інструмента зростає, якщо збільшити тиск на курок вмикача. Щоб зупинити роботу, відпустіть курок вмикача.

Для запобігання випадковому натисканню курка вмикача передбачено кнопку блокування курка вмикача. Щоб запустити інструмент, натисніть кнопку блокування курка вмикача з боку  та натисніть курок вмикача. Після роботи слід завжди натискати на кнопку блокування курка вмикача з боку .

► **Рис.4:** 1. Кнопка блокування курка вмикача

⚠ОБЕРЕЖНО: Коли інструмент не використовується, натисніть кнопку блокування курка вмикача з боку , щоб зафіксувати курок вмикача в положенні ВИМК.

Регулювання глибини різання

Глибина різання відповідає шкалі на полотні пили. Відпустіть гвинт на тримачі полотна, поки воно не зможе рухатися вільно. Вирівняйте шкалу на полотні з нижньою лінією тримача полотна. Потім затягніть гвинти.

► **Рис.5:** 1. Глибина різання 2. Нижня лінія тримача полотна 3. Шкала на полотні

Максимальна глибина різання залежить від типу диска пили. Завжди використовуйте диск пили, придатне для різання робочого матеріалу.

Тип диска пили	Макс. глибина різання
Для гіпсокартону	30 мм
Для деревини	15 мм

Світлодіодна лампа

⚠ОБЕРЕЖНО: Не дивіться на світло або безпосередньо на джерело світла.

Потягніть за курок вмикача, щоб увімкнути лампу. Лампа світиться, поки тягнуть за курок вмикача. Підсвічування згасне приблизно через 10 секунд після того, як курок вмикача буде відпущений.

► **Рис.6:** 1. Лампа

ПРИМІТКА: Для очищення скла лампи підсвічування протріть її сухою тканиною. Будьте обережні, щоб не подряпати скло лампи підсвічування, тому що це погіршить освітлювання.

ЗБОРКА

⚠ОБЕРЕЖНО: Обов'язково переконайтеся, що прилад вимкнено, а касету з акумулятором знято, перш ніж проводити будь-які роботи з інструментом.

Зняття пилосбірника

⚠ОБЕРЕЖНО: Забороняється використовувати інструмент без пилосбірника. Пил може потрапити в очі та спричинити травму очей.

Щоб зняти пилосбірник, тримайте інструмент за ручку і відтягніть язички на інструменті. Натискайте на язички з обох боків одночасно.

► **Рис.7:** 1. Язичок

Під час установлення сумістіть край пилосбірника з пазом на основі.

► **Рис.8:** 1. Паз

Заміна диска пили для гіпсокартону

⚠ОБЕРЕЖНО: Завжди здійснюйте чистку полотна та/або тримача полотна від стружки або сторонніх речовин. Невиконання цієї умови може призвести до недостатнього затягування полотна, що може спричинити серйозні травми.

⚠ОБЕРЕЖНО: Не торкайтеся полотна або оброблюваної деталі одразу після закінчення роботи. Вони можуть бути надзвичайно гарячими, і це може призвести до отримання опіків шкіри.

⚠ОБЕРЕЖНО: Переконайтеся, що різуче полотно закріплене належним чином. Недостатнє затягування полотна може призвести до поломки полотна або серйозного нещасного випадку.

1. Зніміть пилосбірник.
2. За допомогою шестигранного ключа видаліть болти на тримачі полотна.
► **Рис.9:** 1. Болти 2. Тримач полотна 3. Полотно
3. Установіть нове полотно, як показано на рисунку. Переконайтеся, що криволінійна сторона полотна вказує вперед. Вставте виступ на тримачі полотна до прорізу на полотні.
► **Рис.10:** 1. Проріз 2. Частина, що виступає (протилегний бік)
4. Відрегулюйте глибину різання і затягніть болти.
5. Установіть пилосбірник.

Установлення полотна, що відламується

⚠ОБЕРЕЖНО: Завжди використовуйте полотно, що відламується, з указаною довжиною, шириною й товщиною. Неналежним чином встановлене полотно, що відламується, може зламатися. Зламане полотно може відскочити і спричинити травму.

На цьому інструменті можна також використовувати полотно, що відламується. Використовуйте 3 сегменти полотна, що відламується, 18 мм завширшки і 0,5 мм завтовшки. Максимальна глибина різання гіпсокартону складає 12,5 мм.

► **Рис.11:** 1. Три сегменти полотна, що відламується

1. Відпустіть болти на тримачі полотна. Поверніть тримач полотна таким чином, щоб його виступ був направлений назовні.

2. Вставте полотно, що відламується, гострим краєм уперед.

3. Закріпіть полотно, що відламується, у такому положенні, щоб кінець першого сегмента був у такому положенні відносно краю тримача полотна, як показано на рисунку.

► **Рис.12:** 1. Тримач полотна 2. Кінець першого сегмента полотна, що відламується 3. Допустима довжина різання

Установлення ковпачка для полотна

⚠ОБЕРЕЖНО: Завжди встановлюйте ковпачок для полотна, коли інструмент не використовується. Відкрите ріжуче полотно може призвести до травми або пошкодження самого полотна.

Надягніть ковпачок на полотно, поки гачок не зачепиться за кришку основи. Зверніть увагу на положення ковпачка під час надягання — ширший гачок має бути попереду. Для зняття ковпачка для полотна підніміть його, стиснувши пальцями з обох боків.

► **Рис.13:** 1. Ковпачок для полотна 2. Гачок

Під час роботи надягніть ковпачок для полотна на гачок на основі до клацання, як показано на рисунку.

► **Рис.14:** 1. Ковпачок для полотна 2. Гачок

Зберігання шестигранного ключа

Коли шестигранний ключ не використовується, зберігайте його, як показано на рисунку, щоб він не загубився.

► **Рис.15:** 1. Шестигранний ключ

Під'єднання пілососа

⚠ОБЕРЕЖНО: Приєднайте ковпачок для полотна, перш ніж підключати пілосос.

Підключіть пілосос Makita для роботи в чистоті. Зніміть гумовий ковпачок з пілозбірника та підключіть шланг пілососа до штуцера пілозбірника.

► **Рис.16:** 1. Пілозбірник 2. Гумовий ковпачок 3. Шланг пілососа

РОБОТА

⚠ОБЕРЕЖНО: Тримайте інструмент міцно.

⚠ОБЕРЕЖНО: Під час різання основа повинна бути завжди на одному рівні з деталлю. Забороняється виконувати криволінійні прорізи. Невиконання цієї умови може призвести до поломки полотна та серйозної травми.

V-подібний надріз та опукла частина на кришці основи інструмента вказують положення полотна. Завжди перевіряйте положення полотна під час різання.

Кришка основи інструмента

► **Рис.17:** 1. V-подібний надріз 2. Опукла частина 3. Полотно

ПРИМІТКА: Для точного різання рекомендується заздалегідь накреслити лінії різання на поверхні оброблюваної деталі.

1. Розташуйте кінчик полотна на лінії початку. Нахиліть інструмент таким чином, щоб передній край основи торкався оброблюваної деталі. Вирівняйте нижню частину V-подібного надрізу на передньому краї з лінією різання.

► **Рис.18**

2. Повільно натисніть на курок, не торкаючись полотном оброблюваної деталі. Коли полотно набере повну швидкість, притисніть інструмент до оброблюваної деталі. Коли полотно загубиться в деталь, опустіть інструмент так, щоб уся поверхня кришки основи торкалася оброблюваної деталі.

► **Рис.19**

3. Рухайте інструмент уперед по прямій, поки не закінчите різання.

ТЕХНІЧНЕ ОБСЛУГОВУВАННЯ

⚠ОБЕРЕЖНО: Перед здійсненням перевірки або обслуговування завжди перевіряйте, щоб інструмент був вимкнений, а касета з акумулятором була знята.

УВАГА: Ніколи не використовуйте газолін, бензин, розріджувач, спирт та подібні речовини. Їх використання може призвести до зміни кольору, деформації або появи тріщин.

Чищення кришки основи

Очистіть стружку та пил, що накопилися на кришці основи. Підніміть кришку основи, водночас тягнувши за гак на задньому кінці, щоб зняти її. Щоб її встановити, виконайте дії з її знімання у зворотному порядку.

► **Рис.20:** 1. Кришка основи 2. Гак

⚠ ОБЕРЕЖНО: Під час знімання кришки будьте обережні, щоб не поранитися кінчиком полотна або стружкою.

УВАГА: Виконуйте чищення регулярно. Забруднена кришка основи може пошкодити робочу поверхню.

Для забезпечення БЕЗПЕКИ та НАДІЙНОСТІ продукції, її ремонт, а також роботи з обслуговування або регулювання повинні виконуватись уповноваженими або заводськими сервісними центрами Makita із використанням запчастин виробництва компанії Makita.

ДОДАТКОВЕ ПРИЛАДДЯ

⚠ ОБЕРЕЖНО: Це додаткове та допоміжне обладнання рекомендовано використовувати з інструментом Makita, зазначеним у цій інструкції з експлуатації. Використання будь-якого іншого додаткового та допоміжного обладнання може становити небезпеку травмування. Використовуйте додаткове та допоміжне обладнання лише за призначенням.

У разі необхідності отримати допомогу в більш детальному ознайомленні з оснащенням звертайтеся до місцевого сервісного центру Makita.

- Диск пили для гіпсокартону
- Диск пили для деревини
- Контейнер для пилу
- Пилосбірник
- Шестигранний ключ
- Гак
- Оригінальний акумулятор та зарядний пристрій Makita

ПРИМІТКА: Деякі елементи списку можуть входити до комплекту інструмента як стандартне приладдя. Вони можуть відрізнятися залежно від країни.

SPECIFICAȚII

Model:		SD100D	
Lungimea cursei		6 mm	
Curse pe minut		0 - 6.000 min ⁻¹	
Capacități maxime de tăiere	Perete de gips	30 mm	
	Lemn	15 mm	
Tensiune nominală		10,8 V c.c.	
Cartușe acumulator standard		BL1015, BL1020B	BL1040B
Lungime totală		239 mm	248 mm
Greutate netă		1,5 kg	1,6 kg

- Datorită programului nostru continuu de cercetare și dezvoltare, specificațiile pot fi modificate fără o notificare prealabilă.
- Specificațiile și cartușul acumulatorului pot diferi de la țară la țară.
- Greutatea, cu cartușul acumulatorului, conform procedurii EPTA 01/2003

Destinația de utilizare

Acest instrument este destinat pentru tăierea prin pătrundere a unui perete de gips. Totodată, poate fi tăiat și lemnul, prin instalarea unei pânze de ferăstrău adecvate.

Zgomot

Nivelul de zgomot normal ponderat A determinat în conformitate cu 60745-2-11:

Nivel de presiune acustică (L_{pA}): 77 dB(A)

Marjă de eroare (K): 3 dB(A)

Nivelul de zgomot în timpul funcționării poate depăși 80 dB (A).

AVERTIZARE: Purați echipament de protecție pentru urechi.

Vibrații

Valoarea totală a vibrațiilor (suma vectorilor tri-axiali) determinată conform 60745-2-11:

Mod de lucru: tăierea unui perete de gips (cu grosimea de 30 mm)

Emisie de vibrații (a_h): 3,0 m/s²

Marjă de eroare (K): 1,5 m/s²

Mod de lucru: tăierea unei plăci aglomerate (cu grosimea de 15 mm)

Emisie de vibrații (a_h): 5,5 m/s²

Marjă de eroare (K): 1,5 m/s²

NOTĂ: Nivelul de vibrații declarat a fost măsurat în conformitate cu metoda de test standard și poate fi utilizat pentru compararea unei unelte cu alta.

NOTĂ: Nivelul de vibrații declarat poate fi, de asemenea, utilizat într-o evaluare preliminară a expunerii.

AVERTIZARE: Nivelul de vibrații în timpul utilizării efective a unelei electrice poate diferi de valoarea nivelului declarat, în funcție de modul în care unealta este utilizată.

AVERTIZARE: Asigurați-vă că identificați măsurile de siguranță pentru a proteja operatorul, acestea fiind bazate pe o estimare a expunerii în condiții reale de utilizare (luând în considerare toate părțile ciclului de operare, precum timpul în care unealta a fost oprită, sau a funcționat în gol, pe lângă timpul de declanșare).

Declarație de conformitate CE

Numai pentru țările europene

Declarația de conformitate CE este inclusă ca Anexa A în acest manual de instrucțiuni.

AVERTIZĂRI DE SIGURANȚĂ

Avertismente generale de siguranță pentru mașinile electrice

AVERTIZARE: Citiți toate avertismentele privind siguranța, instrucțiunile, ilustrațiile și specificațiile furnizate cu această sculă electrică. Nerespectarea integrală a instrucțiunilor de mai jos poate cauza electrocutări, incendii și/sau vătămări corporale grave.

Păstrați toate avertismentele și instrucțiunile pentru consultări ulterioare.

Termenul „mașină electrică” din avertizări se referă la mașinile dumneavoastră electrice acționate de la rețea (prin cablu) sau cu acumulator (fără cablu).

Avertismente privind siguranța pentru ferăstrăul cu acumulator pentru perete de gips

1. **Țineți mașina electrică de suprafețele de prindere izolate atunci când efectuați o operațiune în care accesoriul de tăiere poate intra în contact cu fire ascunse.** Accesoriul de tăiere care intră în contact cu un fir aflat sub tensiune poate pune sub tensiune componentele metalice neizolate ale mașinii electrice și poate supune operatorul la șoc electric.
2. **Folosiți bride sau altă metodă practică de a fixa și sprijini piesa de prelucrat pe o platformă stabilă.** Fixarea piesei cu mâna sau strângerea acesteia la corp nu prezintă stabilitate și poate conduce la pierderea controlului.
3. **Folosiți întotdeauna viziere sau ochelari de protecție. Ochelarii obișnuiți sau ochelarii de soare NU sunt ochelari de protecție.**
4. **Evitați tăierea cuielelor. Inspectați piesa de prelucrat și eliminați cuiele din aceasta înainte de începerea lucrării.**
5. **Nu tăiați piese supradimensionate.**
6. **Verificați distanța corectă sub piesa de prelucrat înainte de tăiere, astfel încât pânza să nu lovească podeaua, bancul de lucru etc.**
7. **Țineți bine mașina.**
8. **Asigurați-vă că pânza nu intră în contact cu piesa de prelucrat înainte de a conecta comutatorul.**
9. **Țineți mâinile la distanță de piesele în mișcare.**
10. **Nu lăsați mașina în funcțiune. Folosiți mașina numai când o țineți cu mâinile.**
11. **Opriti întotdeauna mașina și așteptați ca pânza să se oprească complet înainte de a scoate pânza din piesa prelucrată.**
12. **Nu atingeți pânza sau piesa prelucrată imediat după executarea lucrării; acestea pot fi extrem de fierbinți și pot provoca arsuri ale pielii.**
13. **Nu acționați mașina în gol în mod inutil.**
14. **Unele materiale conțin substanțe chimice care pot fi toxice. Aveți grijă să nu inhalați praful și evitați contactul cu pielea. Respectați instrucțiunile de siguranță ale furnizorului.**
15. **Folosiți întotdeauna masca de protecție contra prafului adecvată pentru materialul și aplicația la care lucrați.**

PĂSTRAȚI ACESTE INSTRUCȚIUNI.

▲AVERTIZARE: NU permiteți comodității și familiarizării cu produsul (obținute prin utilizare repetată) să înlocuiască respectarea strictă a normelor de securitate pentru acest produs. **FOLOSIREA INCORECTĂ** sau nerespectarea normelor de securitate din acest manual de instrucțiuni poate provoca vătămări corporale grave.

Instrucțiuni importante privind siguranța pentru cartușul acumulatorului

1. **Înainte de a folosi cartușul acumulatorului, citiți toate instrucțiunile și atenționările de pe (1) încărcătorul acumulatorului, (2) acumulator și (3) produsul care folosește acumulatorul.**
2. **Nu dezmembrați cartușul acumulatorului.**
3. **Dacă timpul de funcționare s-a redus excesiv, întrerupeți imediat funcționarea. Aceasta poate prezenta risc de supraîncălzire, posibile arsuri și chiar explozie.**
4. **Dacă electrolitul pătrunde în ochi, clătiți bine ochii cu apă curată și consultați imediat un medic. Există risc de orbire.**
5. **Nu scurtcircuitați cartușul acumulatorului:**
 - (1) **Nu atingeți bornele cu niciun material conductor.**
 - (2) **Evitați depozitarea cartușului acumulatorului la un loc cu alte obiecte metalice cum ar fi cuie, monede etc.**
 - (3) **Nu expuneți cartușul acumulatorului la apă sau ploaie.**

Un scurtcircuit al acumulatorului poate provoca un flux puternic de curent electric, supraîncălzire, posibile arsuri și chiar defectarea mașinii.

6. **Nu depozitați mașina și cartușul acumulatorului în spații în care temperatura poate atinge sau depăși 50 °C (122 °F).**
7. **Nu incinerati cartușul acumulatorului chiar dacă acesta este grav deteriorat sau complet uzat. Cartușul acumulatorului poate exploda în foc.**
8. **Aveți grijă să nu scăpați sau să loviți acumulatorul.**
9. **Nu utilizați un acumulator deteriorat.**
10. **Acumulatorii Li-Ion încorporați se supun cerințelor Legișlației privind substanțele periculoase.** Pentru transporturi comerciale, efectuate de exemplu de către părți terțe, expeditori, trebuie respectate cerințele speciale de ambalare și etichetare. Pentru pregătirea articolului care urmează să fie expedit, este necesară consultarea unui expert în materiale periculoase. Vă rugăm să respectați, de asemenea, reglementările naționale, care pot fi mai detaliate. Izolați sau acoperiți contactele deschise și împachetați acumulatorul în așa fel încât să nu se poată mișca în ambalaj.
11. **Respectați normele naționale privind eliminarea la deșeurii a acumulatorului.**

PĂSTRAȚI ACESTE INSTRUCȚIUNI.

▲ATENȚIE: Folosiți numai acumulatorii Makita originali. Acumulatorii Makita care nu sunt originali și acumulatorii care au suferit modificări se pot aprinde, provocând incendii, leziuni corporale și daune. De asemenea, anulează garanția oferită de Makita pentru unele și încărcătorul Makita.

Sfaturi pentru obținerea unei durate maxime de exploatare a acumulatorului

1. **Încărcați cartușul acumulatorului înainte de a se descărca complet.** Întrerupeți întotdeauna funcționarea mașinii și încărcați cartușul acumulatorului când observați o scădere a puterii mașinii.
2. **Nu reîncărcați niciodată un acumulator complet încărcat.** Suprîncărcarea va scurta durata de exploatare a acumulatorului.
3. **Încărcați cartușul acumulatorului la temperatura camerei, între 10 °C - 40 °C (50 °F - 104 °F).** Lăsați un acumulator fierbinte să se răcească înainte de a-l încărca.

DESCRIEREA FUNCȚIILOR

⚠ATENȚIE: Asigurați-vă întotdeauna că mașina este oprită și cartușul acumulatorului este scos înainte de a ajusta sau verifica funcționarea mașinii.

Instalarea sau scoaterea cartușului acumulatorului

⚠ATENȚIE: Opriti întotdeauna mașina înainte de montarea sau demontarea cartușului de acumulator.

⚠ATENȚIE: Țineți ferm mașina și cartușul acumulatorului la montarea sau demontarea cartușului. În cazul în care nu țineți ferm mașina și cartușul de acumulator, acestea vă pot aluneca din mâini, rezultând defectarea mașinii și cartușului de acumulator, precum și în accidentări personale.

► **Fig. 1:** 1. Indicator roșu 2. Buton 3. Cartușul acumulatorului

Pentru a scoate cartușul acumulatorului, glisați-l din mașină în timp ce glisați butonul de pe partea frontală a cartușului.

Pentru a instala cartușul acumulatorului, aliniați limba de pe cartușul acumulatorului cu canelura din carcasă și introduceți-l în locaș. Introduceți-l complet, până când se înclichetează în locaș. Dacă puteți vedea indicatorul roșu din partea superioară a butonului, acesta nu este blocat complet.

⚠ATENȚIE: Instalați întotdeauna cartușul acumulatorului complet, până când indicatorul roșu nu mai este vizibil. În caz contrar, acesta poate cădea accidental din mașină provocând rănirea dumneavoastră sau a persoanelor din jur.

⚠ATENȚIE: Nu forțați cartușul acumulatorului la montare. Dacă acesta nu glisează ușor, înseamnă că a fost introdus incorect.

Sistemul de protecție a acumulatorului

Mașina este prevăzută cu un sistem de protecție a acumulatorului. Sistemul întrerupe automat alimentarea motorului pentru a extinde durata de viață a acumulatorului.

Mașina se va opri automat în timpul funcționării când mașina și/sau acumulatorul se află într-una din situațiile următoare:

Suprasarcină:

Mașina este operată într-o manieră care determină atragerea unui curent de o intensitate anormal de ridicată. În această situație, opriți mașina și aplicația care a dus la suprasolicitarea mașinii. Apoi reporniți mașina. Dacă mașina nu pornește, acumulatorul este suprîncălzit. În această situație, lăsați acumulatorul să se răcească înainte de a reporni mașina.

Tensiune scăzută acumulator:







Capacitatea rămasă a acumulatorului este prea scăzută, iar mașina nu va funcționa. Dacă porniți mașina, motorul funcționează din nou, dar se oprește imediat. În această situație, scoateți și reîncărcați acumulatorul.

Indicarea capacității rămase a acumulatorului

Numai pentru cartușe de acumulator cu indicator

► **Fig.2:** 1. Lămpi indicatoare 2. Buton de verificare

Apăsăți butonul de verificare de pe cartușul acumulatorului, astfel încât să se indice capacitățile rămase ale acumulatorului. Lămpile indicatorului vor lumina timp de câteva secunde.

Lămpi indicatoare		Capacitate rămasă
 Iluminat	 Oprit	
		între 75% și 100%
		între 50% și 75%
		între 25% și 50%
		între 0% și 25%



NOTĂ: În funcție de condițiile de utilizare și temperatura ambientală, indicația poate fi ușor diferită de capacitatea reală.

Aționarea întrerupătorului


► **Fig.3:** 1. Buton declanșator

⚠ATENȚIE: Înainte de a introduce cartușul acumulatorului în mașină, verificați întotdeauna dacă butonul declanșator funcționează corect și revine în poziția „OFF” (oprit) când este eliberat.

Pentru a porni mașina, trageți de butonul declanșator. Viteza mașinii poate fi crescută prin creșterea forței de apăsare pe butonul declanșator. Eliberați butonul declanșator pentru a opri mașina.

Butonul de blocare a butonului declanșator este prevăzut pentru a preveni tragerea accidentală a butonului declanșator. Pentru a porni mașina, apăsați butonul de blocare a butonului declanșator de pe partea  și trageți de butonul declanșator. După utilizare, apăsați întotdeauna butonul de blocare a butonului declanșator de pe partea .

► **Fig.4:** 1. Buton de blocare a butonului declanșator

⚠ATENȚIE: Când nu utilizați mașina, apăsați butonul de blocare a butonului declanșator de pe partea  pentru a bloca butonul declanșator în poziția OPRIT.

Reglarea adâncimii de tăiere

Adâncimea de tăiere corespunde scalei de pe pânză. Slăbiți șurubul de pe suportul pânzei până când pânza se poate mișca liber. Aliniați scala de pe pânză cu linia inferioară a suportului pânzei. Apoi strângeți șuruburile.

► **Fig.5:** 1. Adâncime de tăiere 2. Linia inferioară a suportului pânzei 3. Scala de pe pânză

Adâncimea maximă de tăiere depinde de tipul pânzei de ferăstrău. Utilizați întotdeauna pânza de ferăstrău concepută pentru tăierea materialului de lucru.

Tipul pânzei	Adâncime maximă de tăiere
Pentru perete de rigips	30 mm
Pentru lemn	15 mm

Lămpi cu LED-uri

⚠ATENȚIE: Nu priviți direct în raza sau în sursa de lumină.

Trageți butonul declanșator pentru a aprinde lampa. Lampa continuă să lumineze atât timp cât butonul declanșator este tras. Lampa se stinge după aproximativ 10 secunde după eliberarea butonului declanșator.

► **Fig.6:** 1. Lampă

NOTĂ: Folosiți o lavetă uscată pentru a șterge murdăria de pe lentila lămpii. Aveți grijă să nu zgâriați lentila lămpii deoarece, în caz contrar, iluminarea va fi redusă.

ASAMBLARE

⚠ATENȚIE: Asigurați-vă întotdeauna că mașina este oprită și cartușul acumulatorului este scos înainte de a executa orice lucrări la mașină.

Îndepărtarea colectorului de praf

⚠ATENȚIE: Nu utilizați niciodată instrumentul fără colectorul de praf. Praful v-ar putea intra în ochi și ar putea provoca leziuni oculare.

Pentru a scoate colectorul de praf, țineți mânerul instrumentului și trageți înapoi aripioarele de pe instrument. Asigurați-vă că ați tras aripioarele de pe ambele părți în același timp.

► **Fig.7:** 1. Aripioară

La instalare, aliniați marginea colectorului de praf cu canelura de pe bază.

► **Fig.8:** 1. Canelură

Înlocuirea pânzei de ferăstrău pentru peretele de rigips

⚠ATENȚIE: Curățați întotdeauna toate așchile sau materiile străine depuse pe pânză și/sau pe suportul pânzei. În caz contrar, pânza ar putea fi strânsă insuficient, existând pericol de rănire gravă.

⚠ATENȚIE: Nu atingeți pânza sau piesa de prelucrat imediat după utilizare. Acestea pot fi extrem de fierbinți și vă pot arde pielea.

⚠ATENȚIE: Aveți grijă ca pânza să fie fixată corespunzător. Strângerea insuficientă a pânzei poate provoca ruperea acesteia sau vătămări corporale grave.

1. Îndepărtați colectorul de praf.

2. Scoateți șuruburile de lângă suportul pânzei cu cheia hexagonală.

► **Fig.9:** 1. Șuruburi 2. Suportul pânzei 3. Pânză de ferăstrău

3. Fixați o pânză nouă așa cum se arată în figură. Asigurați-vă că marginea curbată a pânzei este orientată către înainte. Montați proeminența suportului pânzei în fanta de pe pânză.

► **Fig.10:** 1. Fantă 2. Porțiune proeminentă (partea opusă)

4. Reglați adâncimea de tăiere, apoi strângeți șuruburile.

5. Atașați colectorul de praf.

Instalarea pânzei cu eliberare rapidă

⚠ATENȚIE: Utilizați întotdeauna pânza cu eliberare rapidă la o lungime, lățime și grosime desemnate. O pânză cu eliberare rapidă instalată necorespunzător se poate rupe. O pânză ruptă poate sări și provoca o vătămare corporală.

De asemenea, cu acest instrument poate fi utilizată o pânză cu eliberare rapidă. Utilizați 3 segmente de pânză cu eliberare rapidă de 18 mm lățime cu 0,5 mm grosime. Adâncimea maximă de tăiere este de 12,5 mm la tăierea unui perete de rigips.

► **Fig.11:** 1. Trei segmente de pânză cu eliberare rapidă

1. Slăbiți șuruburile de pe suportul pânzei. Rotiți suportul pânzei, astfel încât proeminența acesteia să fie orientată spre exterior.

2. Introduceți pânza cu eliberare rapidă astfel încât marginea ascuțită să fie orientată spre exterior.

3. Fixați pânza cu eliberare rapidă în poziția în care capătul primului segment ajunge pe marginea suportului pânzei, conform ilustrației.

► **Fig.12:** 1. Suportul pânzei 2. Capătul primului segment al pânzei cu eliberare rapidă 3. Lungime de tăiere admisibilă

Atașarea capacului pânzei

⚠ATENȚIE: Atașați întotdeauna capacul pânzei atunci când instrumentul nu este utilizat. O pânză descoperită poate provoca vătămări corporale sau deteriorarea pânzei în sine.

Treceți capacul pânzei prin pânză până când cârligul prinde capacul bazei. Rețineți direcția capacului pânzei atunci când atașați; cârligul mai larg ajunge pe partea din față. Atunci când scoateți capacul pânzei, ridicați-l în timp ce înțepeniți ambele părți.

► **Fig.13:** 1. Capacul pânzei 2. Agățătoare

În timpul utilizării, introduceți capacul pânzei pe cârligul de pe bază, conform ilustrației, până când se fixează.

► **Fig.14:** 1. Capacul pânzei 2. Agățătoare

Depozitarea cheii imbus

Atunci când nu este utilizată, depozitați cheia imbus după cum se vede în figură pentru a nu se pierde.

► **Fig.15:** 1. Cheie imbus

Conectarea unui aspirator

⚠ATENȚIE: Atașați capacul lamei înainte de conectarea aspiratorului.

Conectați un aspirator Makita pentru operare curată. Scoateți capacul de cauciuc de pe colectorul de praf și conectați furtunul aspiratorului la duza colectorului de praf.

► **Fig.16:** 1. Colector de praf 2. Capac de cauciuc 3. Furtun aspirator

OPERAREA

⚠ATENȚIE: Țineți bine mașina.

⚠ATENȚIE: Țineți întotdeauna talpa la același nivel cu piesa de prelucrat în timpul tăierii. Nu efectuați niciodată o tăiere curbată. În caz contrar, pânza se poate rupe provocând vătămări corporale grave.

Canelura în V și porțiunea convexă din capacul bazei a instrumentului indică poziția pânzei. Verificați întotdeauna poziția pânzei atunci când tăiați.

Capacul bazei instrumentului

► **Fig.17:** 1. Canelură în V 2. Porțiune convexă 3. Pânză de ferăstrău

NOTĂ: Pentru tăierea exactă, se recomandă să schițați în prealabil linia de tăiere pe piesa de prelucrat.

1. Plasați vârful pânzei pe linia de start. Înclinați instrumentul în așa fel încât marginea din față a bazei să atingă piesa de prelucrat. Aliniați partea inferioară a canelurii în V în marginea frontală cu linia de tăiere.

► **Fig.18**

2. Trageți ușor butonul declanșator fără ca pânza să intre în contact cu piesa de prelucrat. În cazul în care pânza atinge viteza maximă, împingeți instrumentul spre piesa de prelucrat. Pe măsură ce pânza străpunge piesa de prelucrat, faceți în așa fel încât întreaga suprafață a capacului bazei să intre în contact cu piesa de prelucrat.

► **Fig.19**

3. Deplasați instrumentul drept înainte până când terminați tăierea.

ÎNȚEȚINERE

⚠ATENȚIE: Asigurați-vă întotdeauna că mașina este oprită și cartușul acumulatorului scos înainte de a executa lucrările de inspecție și întreținere.

NOTĂ: Nu utilizați niciodată gazolină, benzină, diluant, alcool sau alte substanțe asemănătoare. În caz contrar, pot rezulta decolorări, deformări sau fisuri.

Curățarea capacului bazei

Curățați așchile de după tăiere și praful acumulat pe capacul bazei. Ridicați capacul bazei în timp ce trageți cârligul pe partea din spate pentru demontare. Efectuați procedura de demontare în sens invers în timpul instalării.

► **Fig.20:** 1. Capacul bazei 2. Agățătoare

⚠ATENȚIE: Acordați atenție vârfului pânzei și așchiiilor de după tăiere atunci când demontați capacul bazei.

NOTĂ: Efectuați curățarea în mod periodic. Capacul murdar al bazei poate deteriora sau deforma suprafața de lucru.

Pentru a menține SIGURANȚA și FIABILITATEA produsului, reparațiile și orice alte lucrări de întreținere sau reglare trebuie executate de centre de service Makita autorizate sau proprii, folosind întotdeauna piese de schimb Makita.

ACCESORII OPȚIONALE

⚠ATENȚIE: Folosiți accesoriile sau piesele auxiliare recomandate pentru mașina dumneavoastră Makita în acest manual. Utilizarea oricăror alte accesorii sau piese auxiliare poate prezenta risc de vătămare corporală. Utilizați accesorii și piesele auxiliare numai în scopul destinat.

Dacă aveți nevoie de asistență sau de mai multe detalii referitoare la aceste accesorii, adresați-vă centrului local de service Makita.

- Pânză pentru ferăstrău pentru perete de gips
- Pânză pentru ferăstrău pentru lemn
- Cutie de praf
- Colector de praf
- Cheie imbus
- Cârlig
- Acumulator și încărcător original Makita

NOTĂ: Unele articole din listă pot fi incluse ca accesorii standard în ambalajul de scule. Acestea pot diferi în funcție de țară.

TECHNISCHE DATEN

Modell:		SD100D	
Hublänge		6 mm	
Hubzahl pro Minute		0 - 6.000 min ⁻¹	
Maximale Schnittleistung	Gipskartonplatte	30 mm	
	Holz	15 mm	
Nennspannung		10,8 V Gleichstrom	
Standard-Akkus		BL1015, BL1020B	BL1040B
Gesamtlänge		239 mm	248 mm
Nettogewicht		1,5 kg	1,6 kg

- Wir behalten uns vor, Änderungen der technischen Daten im Zuge der Entwicklung und des technischen Fortschritts ohne vorherige Ankündigung vorzunehmen.
- Die technischen Daten und der Akku können von Land zu Land unterschiedlich sein.
- Gewicht mit Akku nach EPTA-Verfahren 01/2003

Vorgesehene Verwendung

Dieses Werkzeug ist nur für Tauchschneiden von Gipskartonplatten vorgesehen. Durch Montieren eines geeigneten Sägeblatts kann auch Holz geschnitten werden.

Geräusch

Typischer A-bewerteter Geräuschpegel ermittelt gemäß 60745-2-11:

Schalldruckpegel (L_{pA}): 77 dB (A)

Messunsicherheit (K): 3 dB (A)

Der Geräuschpegel kann während des Betriebs 80 dB (A) überschreiten.

⚠️ WARNUNG: Einen Gehörschutz tragen.

Schwingungen

Schwingungsgesamtwert (Drei-Achsen-Vektorsumme) ermittelt gemäß 60745-2-11:

Arbeitsmodus: Schneiden von Gipskartonplatten (Dicke 30 mm)

Schwingungsemission (a_w): 3,0 m/s²

Messunsicherheit (K): 1,5 m/s²

Arbeitsmodus: Schneiden von Pressspanplatten (Dicke 15 mm)

Schwingungsemission (a_w): 5,5 m/s²

Messunsicherheit (K): 1,5 m/s²

HINWEIS: Der angegebene

Schwingungsemissionswert wurde im Einklang mit der Standardprüfmethode gemessen und kann für den Vergleich zwischen Werkzeugen herangezogen werden.

HINWEIS: Der angegebene

Schwingungsemissionswert kann auch für eine Vorbewertung des Gefährdungsgrads verwendet werden.

⚠️ WARNUNG: Die Schwingungsemission während der tatsächlichen Benutzung des Elektrowerkzeugs kann je nach der Benutzungsweise des Werkzeugs vom angegebenen Emissionswert abweichen.

⚠️ WARNUNG: Identifizieren Sie Sicherheitsmaßnahmen zum Schutz des Benutzers anhand einer Schätzung des Gefährdungsgrads unter den tatsächlichen Benutzungsbedingungen (unter Berücksichtigung aller Phasen des Arbeitszyklus, wie z. B. Ausschalt- und Leerlaufzeiten des Werkzeugs zusätzlich zur Betriebszeit).

EG-Konformitätserklärung

Nur für europäische Länder

Die EG-Konformitätserklärung ist als Anhang A in dieser Bedienungsanleitung enthalten.

SICHERHEITSWARNUNGEN

Allgemeine Sicherheitswarnungen für Elektrowerkzeuge

⚠️ WARNUNG: Lesen Sie alle mit diesem Elektrowerkzeug gelieferten Sicherheitswarnungen, Anweisungen, Abbildungen und technischen Daten durch. Eine Missachtung der unten aufgeführten Anweisungen kann zu einem elektrischen Schlag, Brand und/oder schweren Verletzungen führen.

Bewahren Sie alle Warnungen und Anweisungen für spätere Bezugnahme auf.

Der Ausdruck „Elektrowerkzeug“ in den Warnhinweisen bezieht sich auf Ihr mit Netzstrom (mit Kabel) oder Akku (ohne Kabel) betriebenes Elektrowerkzeug.

Sicherheitswarnungen für Akku-Gipskartonsäge

1. Halten Sie das Elektrowerkzeug an den isolierten Griffflächen, wenn Sie Arbeiten ausführen, bei denen die Gefahr besteht, dass das Schneidwerkzeug verborgene Kabel kontaktiert. Bei Kontakt mit einem Strom führenden Kabel können die freiliegenden Metallteile des Elektrowerkzeugs ebenfalls Strom führend werden, so dass der Benutzer einen elektrischen Schlag erleiden kann.
2. Verwenden Sie Klemmen oder eine andere praktische Methode, um das Werkstück auf einer stabilen Unterlage zu sichern und abzustützen. Wenn Sie das Werkstück nur von Hand oder gegen Ihren Körper halten, befindet es sich in einer instabilen Lage, die zum Verlust der Kontrolle führen kann.
3. Tragen Sie stets eine Sicherheits- oder Schutzbrille. Eine gewöhnliche Brille oder Sonnenbrille ist KEIN Ersatz für eine Schutzbrille.
4. Vermeiden Sie das Schneiden von Nägeln. Untersuchen Sie das Werkstück auf Nägel, und entfernen Sie diese vor der Bearbeitung.
5. Schneiden Sie keine übergroßen Werkstücke.
6. Vergewissern Sie sich vor dem Schneiden, dass genügend Platz hinter dem Werkstück vorhanden ist, damit das Sägeblatt nicht auf den Boden, die Werkbank usw. trifft.
7. Halten Sie das Werkzeug mit festem Griff.
8. Vergewissern Sie sich vor dem Einschalten des Werkzeugs, dass das Sägeblatt nicht das Werkstück berührt.
9. Halten Sie die Hände von beweglichen Teilen fern.
10. Lassen Sie das Werkzeug nicht unbeaufsichtigt laufen. Benutzen Sie das Werkzeug nur im handgeführten Einsatz.
11. Schalten Sie das Werkzeug stets aus, und warten Sie, bis das Sägeblatt zum vollständigen Stillstand kommt, bevor Sie das Sägeblatt aus dem Werkstück entfernen.
12. Vermeiden Sie eine Berührung des Sägeblatts oder des Werkstücks unmittelbar nach der Bearbeitung, weil die Teile dann möglicherweise noch sehr heiß sind und Hautverbrennungen verursachen können.
13. Lassen Sie das Werkzeug nicht unnötig im Leerlauf laufen.
14. Manche Materialien können giftige Chemikalien enthalten. Treffen Sie Vorsichtsmaßnahmen, um das Einatmen von Arbeitsstaub und Hautkontakt zu verhindern. Befolgen Sie die Sicherheitsdaten des Materiallieferanten.
15. Verwenden Sie stets die korrekte Staubschutz-/Atemmaske für das jeweilige Material und die Anwendung.

DIESE ANWEISUNGEN AUFBEWAHREN.

⚠️ WARNUNG: Lassen Sie sich NICHT durch Bequemlichkeit oder Vertrautheit mit dem Produkt (durch wiederholten Gebrauch erworben) von der strikten Einhaltung der Sicherheitsregeln für das vorliegende Produkt abhalten. MISSBRAUCH oder Missachtung der Sicherheitsvorschriften in dieser Anleitung können schwere Verletzungen verursachen.

Wichtige Sicherheitsanweisungen für Akku

1. Lesen Sie vor der Benutzung des Akkus alle Anweisungen und Warnhinweise, die an (1) Ladegerät, (2) Akku und (3) Akkuwerkzeug angebracht sind.
2. Unterlassen Sie ein Zerlegen des Akkus.
3. Falls die Betriebszeit beträchtlich kürzer geworden ist, stellen Sie den Betrieb sofort ein. Anderenfalls besteht die Gefahr von Überhitzung, möglichen Verbrennungen und sogar einer Explosion.
4. Falls Elektrolyt in Ihre Augen gelangt, waschen Sie sie mit sauberem Wasser aus, und begeben Sie sich unverzüglich in ärztliche Behandlung. Anderenfalls können Sie Ihre Sehkraft verlieren.
5. Der Akku darf nicht kurzgeschlossen werden:
 - (1) Die Kontakte dürfen nicht mit leitfähigem Material berührt werden.
 - (2) Lagern Sie den Akku nicht in einem Behälter zusammen mit anderen Metallgegenständen, wie z. B. Nägel, Münzen usw.
 - (3) Setzen Sie den Akku weder Wasser noch Regen aus.Ein Kurzschluss des Akkus verursacht starken Stromfluss, der Überhitzung, mögliche Verbrennungen und einen Defekt zur Folge haben kann.
6. Lagern Sie das Werkzeug und den Akku nicht an Orten, an denen die Temperatur 50 °C erreichen oder überschreiten kann.
7. Versuchen Sie niemals, den Akku zu verbrennen, selbst wenn er stark beschädigt oder vollkommen verbraucht ist. Der Akku kann im Feuer explodieren.
8. Achten Sie darauf, dass der Akku nicht fallen gelassen oder Stößen ausgesetzt wird.
9. Benutzen Sie keine beschädigten Akkus.
10. Die enthaltenen Lithium-Ionen-Akkus unterliegen den Anforderungen der Gefahrgut-Gesetzgebung.

Für kommerzielle Transporte, z. B. durch Dritte oder Spediteure, müssen besondere Anforderungen zu Verpackung und Etikettierung beachtet werden.

Zur Vorbereitung des zu transportierenden Artikels ist eine Beratung durch einen Experten für Gefahrgut erforderlich. Bitte beachten Sie möglicherweise ausführlichere nationale Vorschriften. Überkleben oder verdecken Sie offene Kontakte, und verpacken Sie den Akku so, dass er sich in der Verpackung nicht umher bewegen kann.

11. Befolgen Sie die örtlichen Bestimmungen bezüglich der Entsorgung von Akkus.

DIESE ANWEISUNGEN AUFBEWAHREN.

⚠ VORSICHT: Verwenden Sie nur Original-Makita-Akkus. Die Verwendung von Nicht-Original-Makita-Akkus oder von Akkus, die abgeändert worden sind, kann zum Bersten des Akkus und daraus resultierenden Bränden, Personenschäden und Beschädigung führen. Außerdem wird dadurch die Makita-Garantie für das Makita-Werkzeug und -Ladegerät ungültig.

Hinweise zur Aufrechterhaltung der maximalen Akku-Nutzungsdauer

1. Laden Sie den Akku, bevor er vollkommen erschöpft ist. Schalten Sie das Werkzeug stets aus, und laden Sie den Akku, wenn Sie ein Nachlassen der Werkzeugleistung feststellen.
2. Unterlassen Sie erneutes Laden eines voll aufgeladenen Akkus. Überladen führt zu einer Verkürzung der Nutzungsdauer des Akkus.
3. Laden Sie den Akku bei Raumtemperatur zwischen 10 – 40 °C. Lassen Sie einen heißen Akku abkühlen, bevor Sie ihn laden.

FUNKTIONSBESCHREIBUNG

⚠ VORSICHT: Vergewissern Sie sich vor der Durchführung von Einstellungen oder Funktionsprüfungen des Werkzeugs stets, dass das Werkzeug ausgeschaltet und der Akku abgenommen ist.

Anbringen und Abnehmen des Akkus

⚠ VORSICHT: Schalten Sie das Werkzeug stets aus, bevor Sie den Akku anbringen oder abnehmen.

⚠ VORSICHT: Halten Sie das Werkzeug und den Akku beim Anbringen oder Abnehmen des Akkus sicher fest. Wenn Sie das Werkzeug und den Akku nicht sicher festhalten, können sie Ihnen aus der Hand rutschen, was zu einer Beschädigung des Werkzeugs und des Akkus und zu Körperverletzungen führen kann.

► **Abb.1:** 1. Rote Anzeige 2. Knopf 3. Akku

Ziehen Sie den Akku zum Abnehmen vom Werkzeug ab, während Sie den Knopf an der Vorderseite des Akkus verschieben.

Richten Sie zum Anbringen des Akkus dessen Führungsfeder auf die Nut im Gehäuse aus, und schieben Sie den Akku hinein. Schieben Sie ihn vollständig ein, bis er mit einem hörbaren Klicken einrastet. Falls die rote Anzeige an der Oberseite des Knopfes sichtbar ist, ist der Akku nicht vollständig verriegelt.

⚠ VORSICHT: Schieben Sie den Akku stets bis zum Anschlag ein, bis die rote Anzeige nicht mehr sichtbar ist. Anderenfalls kann er aus dem Werkzeug herausfallen und Sie oder umstehende Personen verletzen.

⚠ VORSICHT: Unterlassen Sie Gewaltanwendung beim Anbringen des Akkus. Falls der Akku nicht reibungslos hineingleitet, ist er nicht richtig ausgerichtet.

Akku-Schutzsystem

Das Werkzeug ist mit einem Akku-Schutzsystem ausgestattet. Dieses System schaltet die Stromversorgung des Motors automatisch ab, um die Akku-Lebensdauer zu verlängern.

Das Werkzeug schaltet sich während des Betriebs automatisch ab, wenn Werkzeug und/oder Akku einer der folgenden Bedingungen unterliegen:

Überlastung:

Das Werkzeug wird auf eine Weise benutzt, die eine ungewöhnlich hohe Stromaufnahme bewirkt. Schalten Sie in dieser Situation das Werkzeug aus, und brechen Sie die Arbeit ab, die eine Überlastung des Werkzeugs verursacht hat. Schalten Sie dann das Werkzeug wieder ein, um neu zu starten. Falls das Werkzeug nicht startet, ist der Akku überhitzt. Lassen Sie den Akku in dieser Situation abkühlen, bevor Sie das Werkzeug wieder einschalten.

Niedrige Akkuspannung:

Die Akku-Restkapazität ist zu niedrig, und das Werkzeug funktioniert nicht. Wenn Sie das Werkzeug einschalten, läuft der Motor wieder an, bleibt aber bald darauf stehen. Nehmen Sie in dieser Situation den Akku ab, und laden Sie ihn auf.

Anzeigen der Akku-Restkapazität

Nur für Akkus mit Anzeige

► **Abb.2:** 1. Anzeigelampen 2. Prüftaste

Drücken Sie die Prüftaste am Akku, um die Akku-Restkapazität anzuzeigen. Die Anzeigelampen leuchten wenige Sekunden lang auf.

Anzeigelampen		Restkapazität
Erleuchtet	Aus	
■ ■ ■ ■	□	75% bis 100%
■ ■ ■ □	□	50% bis 75%
■ ■ □ □	□ □	25% bis 50%
■ □ □ □	□ □ □	0% bis 25%



HINWEIS: Abhängig von den Benutzungsbedingungen und der Umgebungstemperatur kann die Anzeige geringfügig von der tatsächlichen Kapazität abweichen.

Schalterfunktion


► **Abb.3:** 1. Ein-Aus-Schalter

⚠ VORSICHT: Vergewissern Sie sich vor dem Einsetzen des Akkus in das Werkzeug stets, dass der Ein-Aus-Schalter ordnungsgemäß funktioniert und beim Loslassen in die AUS-Stellung zurückkehrt.

Drücken Sie zum Einschalten des Werkzeugs einfach den Ein-Aus-Schalter. Die Drehzahl erhöht sich durch verstärkte Druckausübung auf den Ein-Aus-Schalter. Lassen Sie den Ein-Aus-Schalter zum Anhalten los.

Um versehentliche Betätigung des Auslöseschalters zu verhüten, ist das Werkzeug mit einem Auslösersperriknopf ausgestattet. Um das Werkzeug zu starten, drücken Sie den Auslösersperriknopf auf der Seite  hinein, und betätigen Sie den Auslöseschalter. Drücken Sie den Auslösersperriknopf nach der Benutzung stets auf der Seite  hinein.

► **Abb.4:** 1. Auslösersperriknopf

⚠ VORSICHT: Wenn Sie das Werkzeug nicht benutzen, drücken Sie den Auslösersperriknopf auf der Seite  hinein, um den Auslöseschalter in der Stellung AUS zu verriegeln.

Einstellen der Schnitttiefe

Die Schnitttiefe entspricht der Skala am Sägeblatt. Lösen Sie die Schraube am Sägeblatthalter, bis das Sägeblatt frei bewegt werden kann. Richten Sie die Skala am Sägeblatt auf die Unterkante des Sägeblatthalters aus. Ziehen Sie dann die Schrauben an.

► **Abb.5:** 1. Schnitttiefe 2. Unterkante des Sägeblatthalters 3. Skala am Sägeblatt

Die maximale Schnitttiefe hängt vom Sägeblatttyp ab. Verwenden Sie immer das zum Schneiden des jeweiligen Arbeitsmaterials vorgesehene Sägeblatt.

Sägeblatttyp	Max. Schnitttiefe
Für Gipskartonplatte	30 mm
Für Holz	15 mm

LED-Leuchte

⚠ VORSICHT: Blicken Sie nicht direkt in die Lampe oder die Lichtquelle.

Betätigen Sie den Ein-Aus-Schalter, um die Lampe einzuschalten. Die Lampe bleibt erleuchtet, solange der Ein-Aus-Schalter gedrückt gehalten wird. Die Lampe erlischt ca. 10 Sekunden nach dem Loslassen des Ein-Aus-Schalters.

► **Abb.6:** 1. Lampe

HINWEIS: Wischen Sie Schmutz auf der Lampenlinse mit einem trockenen Tuch ab. Achten Sie sorgfältig darauf, dass Sie die Lampenlinse nicht verkratzen, weil sich sonst die Lichtstärke verringert.

MONTAGE

⚠ VORSICHT: Vergewissern Sie sich vor der Ausführung von Arbeiten am Werkzeug stets, dass das Werkzeug ausgeschaltet und der Akku abgenommen ist.

Abnehmen des Staubsammlers

⚠ VORSICHT: Betreiben Sie das Werkzeug niemals ohne den Staubsammler. Anderenfalls kann Staub in Ihre Augen gelangen und Augenverletzungen verursachen.

Um den Staubsammler abzunehmen, halten Sie den Werkzeuggriff, und ziehen Sie die Laschen am Werkzeug zurück. Ziehen Sie unbedingt die Laschen auf beiden Seiten gleichzeitig.

► **Abb.7:** 1. Lasche

Richten Sie beim Montieren die Kante des Staubsammlers auf die Nut in der Grundplatte aus.

► **Abb.8:** 1. Nut

Auswechseln des Gipskartonplatten-Sägeblatts

⚠ VORSICHT: Säubern Sie das Sägeblatt und/oder den Sägeblatthalter stets vor anhaftenden Spänen oder Fremdkörpern. Anderenfalls lässt sich das Sägeblatt möglicherweise nicht fest genug einspannen, was schwere Personenschäden zur Folge haben kann.

⚠ VORSICHT: Berühren Sie das Sägeblatt oder das Werkstück nicht unmittelbar nach dem Arbeitsvorgang. Die Teile können sehr heiß sein und Hautverbrennungen verursachen.

⚠ VORSICHT: Vergewissern Sie sich, dass das Sägeblatt ordnungsgemäß gesichert ist. Unzureichendes Anziehen des Sägeblatts kann zu Sägeblattbruch oder schweren Personenschäden führen.

1. Entfernen Sie den Staubsammler.
2. Entfernen Sie die Schrauben am Sägeblatthalter mit dem Inbusschlüssel.
► **Abb.9:** 1. Schrauben 2. Sägeblatthalter 3. Sägeblatt
3. Setzen Sie ein neues Sägeblatt ein, wie in der Abbildung gezeigt. Vergewissern Sie sich, dass die gekrümmte Kante des Sägeblatts nach vorn zeigt. Führen Sie den Vorsprung des Sägeblatthalters in den Schlitz des Sägeblatts ein.
► **Abb.10:** 1. Schlitz 2. Vorsprung (gegenüberliegende Seite)
4. Stellen Sie die Schnitttiefe ein, und ziehen Sie dann die Schrauben an.
5. Bringen Sie den Staubsammler an.

Montieren einer Abbrechklinge

⚠ VORSICHT: Verwenden Sie stets eine **Abbrechklinge der vorgeschriebenen Länge, Breite und Dicke**. Eine unsachgemäß montierte Abbrechklinge kann abgebrochen werden. Eine beschädigte Klinge kann herausgeschleudert werden und Personenschäden verursachen.

Eine Abbrechklinge kann ebenfalls mit diesem Werkzeug verwendet werden. Verwenden Sie 3 Segmente einer 18 mm breiten Abbrechklinge mit 0,5 mm Dicke. Die maximale Schnitttiefe beträgt 12,5 mm beim Schneiden einer Gipskartonplatte.

► **Abb.11:** 1. Drei Segmente einer Abbrechklinge

1. Lösen Sie die Schrauben am Sägeblatthalter. Drehen Sie den Sägeblatthalter so, dass sein Vorsprung nach außen weist.
2. Führen Sie die Abbrechklinge so ein, dass die Schneide nach vorn weist.
3. Sichern Sie die Abbrechklinge an der Position, wo das Ende des ersten Segments die Kante des Sägeblatthalters erreicht, wie in der Abbildung dargestellt.

► **Abb.12:** 1. Sägeblatthalter 2. Ende des ersten Segments der Abbrechklinge 3. Zulässige Schnittlänge

Anbringen der Sägeblattkappe

⚠ VORSICHT: Bringen Sie immer die **Sägeblattkappe an, wenn das Werkzeug nicht benutzt wird**. Ein ungeschütztes Sägeblatt kann Personenschäden oder Beschädigung des Sägeblatts selbst verursachen.

Schieben Sie die Sägeblattkappe auf das Sägeblatt, bis der Haken in die Grundplattenabdeckung einrastet. Beachten Sie die Richtung der Sägeblattkappe beim Anbringen; der breitere Haken muss vorn liegen. Ziehen Sie die Sägeblattkappe zum Entfernen ab, während Sie beide Seiten zusammendrücken.

► **Abb.13:** 1. Sägeblattkappe 2. Haken

Zur Aufbewahrung während der Arbeit schieben Sie die Sägeblattkappe auf den Haken an der Grundplatte, bis sie mit einem Klicken einrastet.

► **Abb.14:** 1. Sägeblattkappe 2. Haken

Aufbewahrung des Inbusschlüssels

Wenn der Inbusschlüssel nicht benutzt wird, kann er an der in der Abbildung gezeigten Stelle aufbewahrt werden, damit er nicht verloren geht.

► **Abb.15:** 1. Inbusschlüssel

Anschließen eines Sauggeräts

⚠ VORSICHT: Bringen Sie die Sägeblattkappe an, bevor Sie das Sauggerät anschließen.

Schließen Sie ein Makita-Sauggerät für sauberes Arbeiten an. Nehmen Sie die Gummikappe vom Staubsammler ab, und schließen Sie den Schlauch des Sauggeräts an die Düse des Staubsammlers an.

► **Abb.16:** 1. Staubsammler 2. Gummikappe 3. Sauggerätschlauch

BETRIEB

⚠ VORSICHT: Halten Sie das Werkzeug mit festem Griff.

⚠ VORSICHT: Halten Sie die Grundplatte während des Schneidvorgangs stets bündig mit dem Werkstück. Führen Sie keinesfalls gebogene Schnitte aus. Anderenfalls kann es zu einem Bruch des Sägeblatts kommen, was eine schwere Verletzung zur Folge haben kann.

Die Spitzkerbe und der gewölbte Teil der Grundplattenabdeckung des Werkzeugs kennzeichnen die Position des Sägeblatts. Überprüfen Sie stets die Sägeblattposition beim Schneiden.

Grundplattenabdeckung des Werkzeugs

► **Abb.17:** 1. Spitzkerbe 2. Gewölbter Teil 3. Sägeblatt

HINWEIS: Um akkurates Schneiden zu gewährleisten, wird empfohlen, zuvor Schnittlinien auf dem Werkstück anzuzeichnen.

1. Setzen Sie die Spitze des Sägeblatts auf die Startlinie. Neigen Sie das Werkzeug, so dass die Vorderkante der Grundplatte das Werkstück berührt. Richten Sie den Winkel der Spitzkerbe in der Vorderkante auf die Schnittlinie aus.

► **Abb.18**

2. Betätigen Sie den Ein-Aus-Schalter sanft, ohne dass das Sägeblatt irgend einen Kontakt mit dem Werkstück hat. Wenn das Sägeblatt die volle Hubzahl erreicht, drücken Sie das Werkzeug auf das Werkstück zu. Sobald das Sägeblatt in das Werkstück eindringt, bringen Sie die ganze Oberfläche der Grundplattenabdeckung mit dem Werkstück in Kontakt.

► **Abb.19**

3. Schieben Sie das Werkzeug gerade vorwärts, bis der Schnitt beendet ist.

WARTUNG

⚠ VORSICHT: Vergewissern Sie sich vor der Durchführung von Inspektions- oder Wartungsarbeiten stets, dass das Werkzeug ausgeschaltet und der Akku abgenommen ist.

ANMERKUNG: Verwenden Sie auf keinen Fall Benzin, Waschbenzin, Verdünnern, Alkohol oder dergleichen. Solche Mittel können Verfärbung, Verformung oder Rissbildung verursachen.

Reinigen der Grundplattenabdeckung

Beseitigen Sie die auf der Grundplattenabdeckung angesammelten Späne und Staubpartikel. Heben Sie die Grundplattenabdeckung an, während Sie den Haken am hinteren Ende zum Entfernen ziehen. Wenden Sie das Demontageverfahren zum Montieren umgekehrt an.

► **Abb.20:** 1. Grundplattenabdeckung 2. Haken

⚠ VORSICHT: Achten Sie beim Abnehmen der Grundplattenabdeckung auf die Spitze des Sägeblatts und Späne.

ANMERKUNG: Führen Sie die Reinigung regelmäßig durch. Eine schmutzige Grundplattenabdeckung kann die Arbeitsoberfläche beschädigen oder entstellen.

Um die SICHERHEIT und ZUVERLÄSSIGKEIT dieses Produkts zu gewährleisten, sollten Reparaturen und andere Wartungs- oder Einstellarbeiten nur von Makita-Vertragswerkstätten oder Makita-Kundendienstzentren unter ausschließlicher Verwendung von Makita-Originalersatzteilen ausgeführt werden.

SONDERZUBEHÖR

⚠ VORSICHT: Die folgenden Zubehörteile oder Vorrichtungen werden für den Einsatz mit dem in dieser Anleitung beschriebenen Makita-Werkzeug empfohlen. Die Verwendung anderer Zubehörteile oder Vorrichtungen kann eine Verletzungsgefahr darstellen. Verwenden Sie Zubehörteile oder Vorrichtungen nur für ihren vorgesehenen Zweck.

Wenn Sie weitere Einzelheiten bezüglich dieser Zubehörteile benötigen, wenden Sie sich bitte an Ihre Makita-Kundendienststelle.

- Gipskartonplatten-Sägeblatt
- Holzsägeblatt
- Staubsammelbehälter
- Staubsammler
- Inbusschlüssel
- Aufhänger
- Original-Makita-Akku und -Ladegerät

HINWEIS: Manche Teile in der Liste können als Standardzubehör im Werkzeugsatz enthalten sein. Sie können von Land zu Land unterschiedlich sein.

Makita Europe N.V. Jan-Baptist Vinkstraat 2,
3070 Kortenberg, Belgium

Makita Corporation 3-11-8, Sumiyoshi-cho,
Anjo, Aichi 446-8502 Japan

www.makita.com

885530-973 EN, PL, HU, SK, CS, UK, RO, DE 20160803
