

Bestway[®]

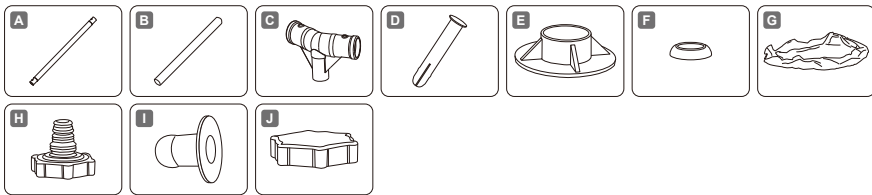
EN
PT
ES
DE
FI
NL
IT
FR
EL
RU
PL
HU
SV

STEEL PRO[™]
STEEL PRO MAX[™]
POWER STEEL[™]

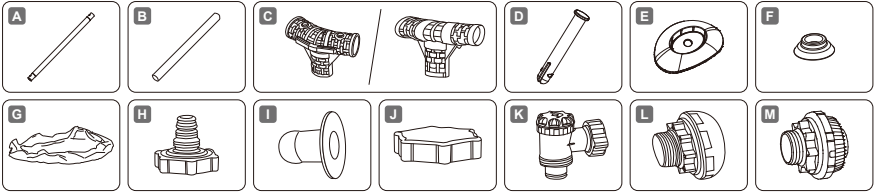


bestwaycorp.com/support



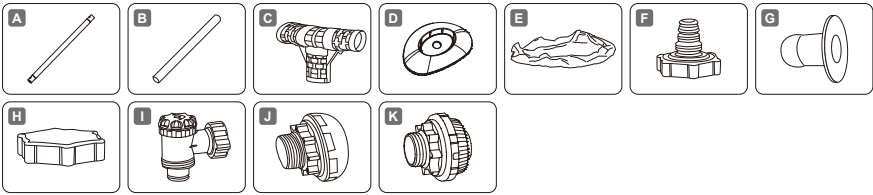


STEEL PRO™	2.74 m x 66 cm (9' x 26")	3.05 m x 66 cm (10' x 26")	3.05 m x 76 cm (10' x 30")	3.66 m x 76 cm (12' x 30")	3.96 m x 84 cm (13' x 33")
	5612F	56985	56677 / 56678 / 56679	56681 / 56680 / 56706	5612D / 5612E
A	x9	x10	x10	x12	x13
B	x9	x10	x10	x12	x13
C	x9	x10	x10	x12	x13
D	x20	x22	x22	x26	x28
E	x9	x10	x10	x12	x13
F	x20	x22	x22	x26	x28
G	x1	x1	x1	x1	x1
H	x1	x1	x1	x1	x1
I	x2	x2	x2	x2	x2
J	x1	x1	x1	x1	x1

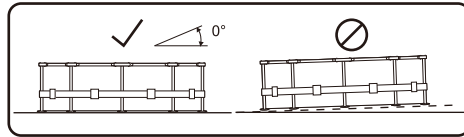


STEEL PRO MAX™	3.05 m x 76 cm (10' x 30")	3.66 m x 76 cm (12' x 30")	3.66 m x 1.00 m (12' x 39.5")	3.66 m x 1.22 m (12' x 48")	3.96 m x 1.22 m (13' x 48")	4.27 m x 84 cm (14' x 33")
	56406 / 56407 56408	56416 / 56417	56260 / 56418 56419 / 5614X 56709 / 56731	56420 / 56421	5618V / 5618W	56595 / 56597
A	x10	x12	x12	x12	x13	x14
B	x10	x12	x12	x12	x13	x14
C	x10	x12	x12	x12	x13	x14
D	x22	x26	x26	x26	/	/
E	x10	x12	x12	x12	x13	x14
F	x22	x26	x26	x26	/	/
G	x1	x1	x1	x1	x1	x1
H	x1	x1	x1	x1	x1	x1
I	x2	x2	x2	x2	x2	x2
J	x1	x1	x1	x1	x1	x1
K	x0	x0	x0	x0	x0	x0
L	x0	x0	x0	x0	x0	x0
M	x0	x0	x0	x0	x0	x0

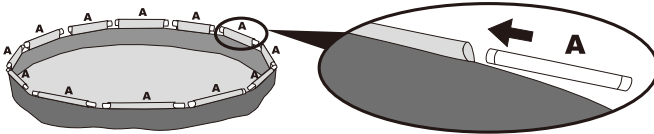
STEEL PRO MAX™	4.27 m x 1.07 m (14' x 42")	4.27 m x 1.22 m (14' x 48")	4.57 m x 1.07 m (15' x 42")	4.57 m x 1.22 m (15' x 48")	4.88 m x 1.22 m (16' x 48")	5.49 m x 1.22 m (18' x 48")
	56949 / 56950 5614Z	5612X / 5612Y 5619D / 5619G	56488 / 56686	56438 / 56439	5612Z / 5613A 5619E / 5619H	56462 / 56463 5618X / 5618Y
A	x14	x14	x15	x15	x16	x18
B	x14	x14	x15	x15	x16	x18
C	x14	x14	x15	x15	x16	x18
D	/	/	/	/	/	/
E	x14	x14	x15	x15	x16	x18
F	/	/	/	/	/	/
G	x1	x1	x1	x1	x1	x1
H	x1	x1	x1	x1	x1	x1
I	x2	x2	x2	x2	x0	x0
J	x1	x1	x1	x1	x1	x1
K	x0	x0	x0	x0	x2	x2
L	x0	x0	x0	x0	x1	x1
M	x0	x0	x0	x0	x1	x1



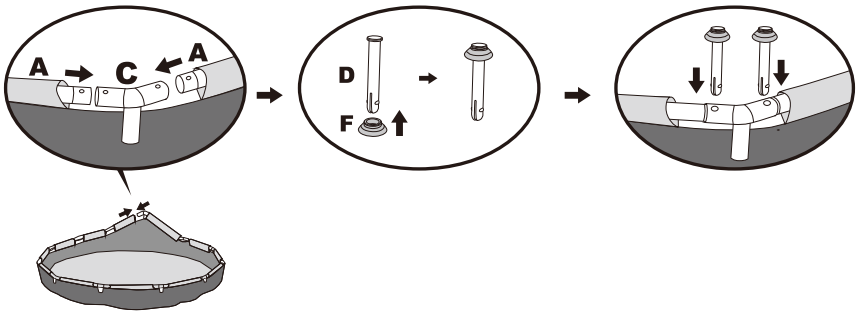
POWER STEEL™	3.96 m x 1.07 m (13' x 42")	4.88 m x 1.22 m (16' x 48")	5.49 m x 1.22 m (18' x 48")
	5614U / 5614V	56725 / 56726	56976 / 56977
A	x13	x16	x18
B	x13	x16	x18
C	x13	x16	x18
D	x13	x16	x18
E	x1	x1	x1
F	x1	x1	x1
G	x2	x0	x0
H	x1	x1	x1
I	x0	x2	x2
J	x0	x1	x1
K	x0	x1	x1



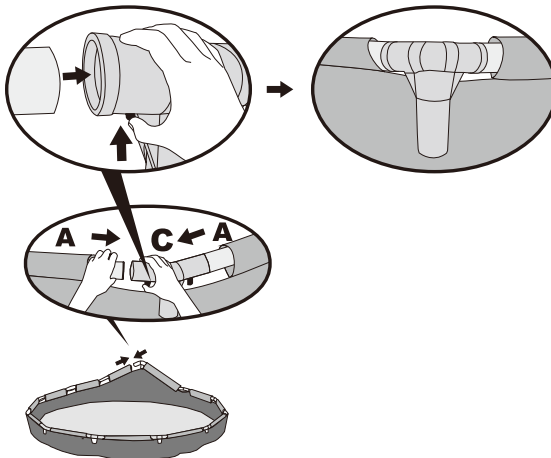
1



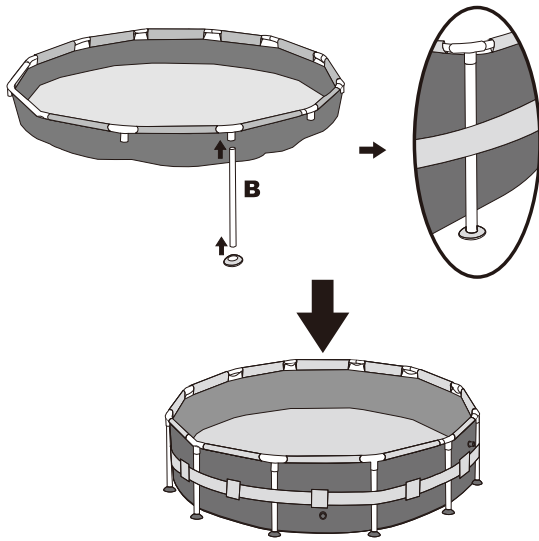
2-a



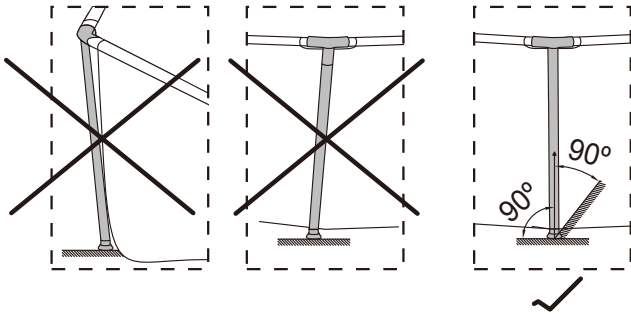
2-b



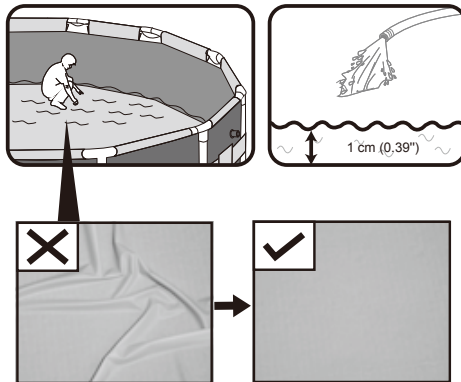
3



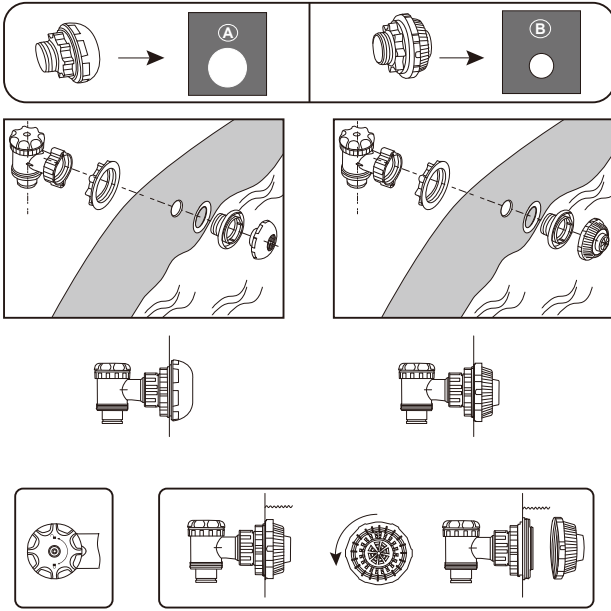
4



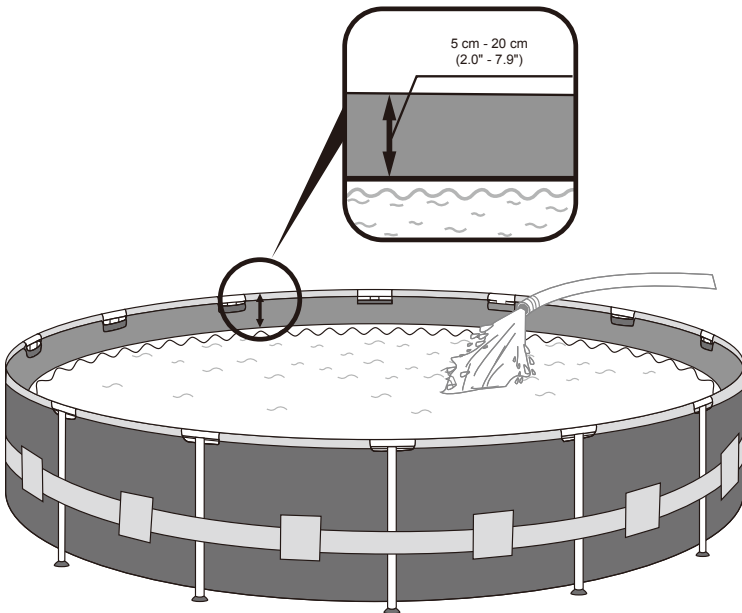
5

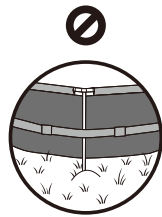
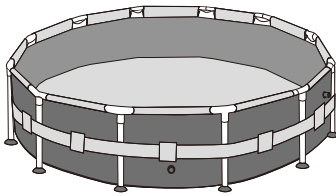


6

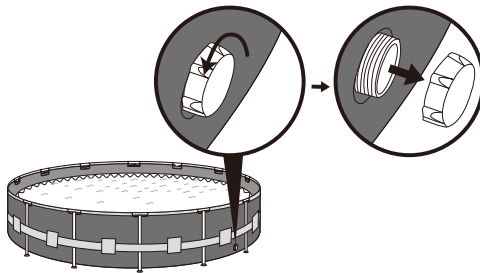


7

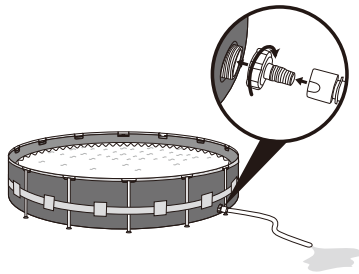




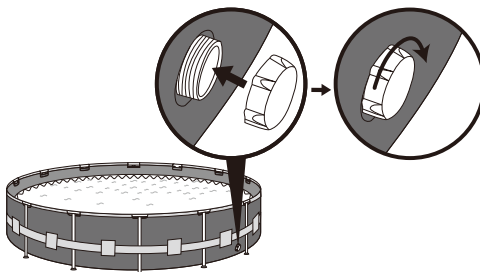
1



2



3





OWNER'S MANUAL



Visit the Bestway YouTube channel

IMPORTANT SAFETY INSTRUCTIONS

WARNING

READ AND FOLLOW ALL INSTRUCTIONS.

- Carefully read, understand, and follow all information in this user manual before installing and using the swimming pool. These warnings, instructions, and safety guidelines address some common risks of water recreation, but they cannot cover all risks and dangers in all cases. Always use caution, common sense, and good judgment when enjoying any water activity. Retain this information for future use. In addition, the following information can be supplied depending on the pool type.
- Keep these instructions in a safe place. If instructions are missing, please contact the manufacturer or search it on the website www.bestwaycorp.com.
- Designate a competent adult to supervise the pool each time it is being used.
- Barriers, pool covers, pool alarms, or similar safety devices are helpful aids, but they are not substitutes for continuous and competent adult supervision.

Safe use of the pool

- Encourage all users especially children to learn how to swim.
- Learn Basic Life Support (Cardiopulmonary Resuscitation CPR) and refresh this knowledge regularly. This can make a life-saving difference in the event of an emergency.
- Instruct all pool users, including children, what to do in case of an emergency.
- Never dive into any shallow body of water. This can lead to serious injury or death.
- Do not use the swimming pool when using alcohol or medication that may impair your ability to safely use the pool.

Safety devices

- In order to prevent children from drowning, it is recommended to secure the access to the pool with a protection device. In order to prevent children climbing from the inlet and outlet valve, it is recommended to install a barrier (and secure all doors and windows, where applicable) to prevent unauthorized access to the swimming pool.

Safety equipment

- It is recommended to keep rescue equipment (e.g. a ring buoy) by the pool.
- Keep a working phone and a list of emergency phone numbers near the pool.
- When pool covers are used, remove them completely from the water surface before entering the pool.
- Protect pool occupants from water related illnesses, by keeping the pool water treated and practicing good hygiene. Consult the water treatment guidelines in the user's manual.
- Store chemicals (e.g. water treatment, cleaning or disinfection products) out of the reach of children.
- Use the signage as outlined below. Signage is to be displayed in a prominent position within 2m of the pool.



Keep children under supervision in the aquatic environment. No diving.

- Removable ladders shall be placed on a horizontal surface.
- Irrespective of materials used for swimming pool construction, accessible surfaces have to be checked regularly to avoid injuries.
- Regularly monitor bolts and screws. Remove splinters or any sharp edges to avoid injuries.
- Do not leave the drained pool outside. The empty pool is liable to become deformed and/or displaced due to wind.
- If you have a filter pump, refer to the pump's manual for instructions.
- The pump cannot be used while people are inside the pool!
- If you have a ladder, refer to the ladder's manual for instructions.
- **WARNING!** The use of a swimming pool implies compliance with the safety instructions described in the operating and maintenance guide. In order to prevent drowning or other serious injuries, pay particular attention to the possibility of unexpected access to the swimming pool by children under 5 years by securing the access to it, and, during the bathing period, keep them under constant adult supervision.

Non Swimmers safety

- Continuous, active, and vigilant supervision of weak swimmers and non-swimmers by a competent adult is required at all times (remembering that children under five are at the highest risk of drowning).
- Weak swimmers or non-swimmers should wear personal protection equipment when using the pool.
- When the pool is not in use, or unsupervised, remove all toys from the swimming pool and its surrounding to avoid attracting children to the pool.

PLEASE READ CAREFULLY AND KEEP FOR FUTURE REFERENCE.

PRE-SETUP

CHECK LIST

Check the parts inside the manual. Verify that the equipment components represent the model that you had intended to purchase. In case of any damaged or missing parts at the time of purchase, visit our website bestwaycorp.com/support.

CHOOSE THE CORRECT LOCATION

The surface chosen to install the pool on must respect the following conditions:

- Because of the combined weight of the water inside the pool and the pool users, it is extremely important that the surface chosen to install the pool on is capable of uniformly supporting the total weight for the entire time the pool is installed. When choosing the surface, take into consideration that water may come out of the pool when in use or when it rains. If the water softens the surface, it may lose its capability to support the pool weight.
- Check the position of the vertical legs and/or the U-supports regularly. They must be on the same level as the bottom of the pool at all times. If the vertical leg or the U-support starts to sink into the ground, drain the pool water immediately to avoid the pool collapsing due to the uneven loading on the frame structure. Change the location of the pool or modify the surface material.
- The surface must be flat and smooth. If the surface is inclined or uneven, it can create an unbalanced loading on the structure of the pool. This can damage the welding points of the liner and bend the frame. In the worst cases, the pool can collapse, causing serious personal injury and/or damage to personal property.
- We recommend positioning the pool away from any objects children could use to climb into the pool.
- Position the pool near an adequate drainage system to deal with overflow or to empty the pool. Ensure the pool side with the water inlet A and outlet B is located in the same direction of the power source, where the filtration system has to be connected.
- The selected surface must be clear of any type of object. Due to the weight of the water, any object under the pool could damage or perforate the bottom of the pool.
- The selected surface must be clear of aggressive plants and weed species. Those types of strong vegetation could grow through the liner and create water leakage. Grass or other vegetation that may cause odor or slime to develop have to be eliminated from the set-up location.
- The selected location must not have overhead power lines or trees. Be sure the location does not contain underground utility pipes, lines or cables of any kind.
- The selected position must be far from house entrance. Do not position any equipment or other furniture around the pool. The water that comes out of the pool during use or due to product faults can damage furniture inside the house or surrounding the pool.
- The selected surface must be flat and without holes that can damage the material of the liner.

Supported set-up surfaces: grass, ground, concrete, and all other surfaces that respect the above set-up conditions.

- Surfaces to avoid:** mud, sand, gravel, deck, balcony, driveway, platform, soft/loose soil or other surface that does not meet the above set-up conditions.
- Check with your local city council for by-laws relating to fencing, barriers, lighting and safety requirements and ensure you comply with all laws.
 - If a pump and/or ladder is included in the set, refer to the pump's and/or ladder's manual for safety instructions and installation. The ladder must match the pool size.
 - If during set up it is necessary to change the position of the pool, lift up the liner and do not drag it on the ground; the friction between the PVC material and the ground can damage the pool liner.
 - **Follow the important instructions above to choose the correct surface and location to set up your pool. Damaged parts of the pool, due to the fact that the set-up surface and location does not match the instructions, will not be considered as manufacture defect and will avoid the warranty and any service claims.**

INSTALLATION

ASSEMBLING

- For installation instructions, follow the drawings inside the manual. Drawings are for illustration purposes only. May not reflect actual product. Not to scale.
- Assembly of the Frame Pool can be completed without tools.
- Installation usually takes approximately 20-30 minutes with 2-3 people excluding filling.
- To lengthen the life of your pool, it is important to sprinkle the top rails with the Talcum Powder before assembly. Talcum Powder is not included in the package.
- Bestway will not be responsible for damage caused to the pool due to mishandling or failure to follow these instructions.
- We strongly suggest opening the package and assembling the pool when the environment temperature is above 15°C / 59°F; the PVC material of the liner will become more flexible and easier to assemble.

FILLING POOL WITH WATER

- Do not leave pool unattended while filling with water.
- Fill the pool with water after all assembly steps are completed and until the water reaches the welding line, which corresponds to 90% of the full capacity.
- Do not overfill as this could cause the pool to collapse. In case of heavy rainfall, we strongly recommend to reduce the water level to keep it at 90% capacity, to avoid overflowing of the water.
- When the pool is completely filled, check that the distance between the water surface and the top of the rails is the same all around; if it is different, it means that the floor is not leveled so we strongly recommend to drain the water and re-level the ground.
- Keeping the pool full of water on unlevelled ground can cause bursting of the welding points and/or pool collapse, causing serious personal injury and/or damage to property.

MAINTENANCE

If you do not adhere to the maintenance guidelines below, your health might be at risk, especially that of your children.

WATER

- Keeping your pool water clean and chemically balanced is necessary. Simply cleaning the filter cartridge is not enough for proper maintenance; we recommend you use pool chemicals to maintain water chemistry and chlorine or bromine tablets (do not use granules) with the chemical dispenser.

- Water quality is directly related to frequency of use, number of users and overall maintenance of the pool. The water should be changed every 3 days if there is no chemical treatment being performed with the water. It is highly recommended to use tap water for filling to minimize the influence of unwanted content, such as minerals.
- We recommend that you take a shower before using your pool, as cosmetic products, lotions, and other residues on the skin can quickly degrade water quality.
- Skim pool regularly to avoid settled dirt.
- Locate a bucket of water next to pool to clean users' feet before entering pool.
- The chemical maintenance must be performed with ChemConnect or chemical floater; don't throw chemical products directly in the water, the chemical will deposit on the bottom and damage the material and discolor the PVC.

Chemical Tablets (Not Included):

- Your purchased pool set may not include any dispensers; in this case you can purchase one by visiting our website www.bestwaycorp.com or at the nearest pool dealer.
- Remove the chemical dispenser from pool when the pool is in use.
- After performing chemical maintenance and before using the pool, use a test kit (not included) to test the water chemistry. We recommend maintaining your water chemical balance as shown in the below table.

Parameters	Values
Water clarity	clear view of the pool bottom
Colour of the water	no colour should be observed
Turbidity in FNU/NTU	max. 1,5 (preferably less than 0,5)
Nitrate concentration above that of fill water in mg/l	max. 20
Total organic carbon (TOC) in mg/l	max. 4,0
Redox potential against Ag/AgCl 3,5 m KCl in mV	min. 650
pH value	6,8 to 7,6
Free active chlorine (without cyanuric acid) in mg/l	0,3 to 1,5
Free chlorine used in combination with cyanuric acid in mg/l	1,0 to 3,0
Cyanuric acid in mg/l	max. 100
Combined chlorine in mg/l	max. 0,5 (preferably close to 0,0 mg/l)

- Pool damage resulting from misuse of chemicals and mismanagement of pool water is not covered by the warranty.
- Over usage of chemicals will discolor the printing and all points of the pool material; in worst cases, it will damage the structure of the pool liner.
- Pool chemicals are potentially toxic and should be handled with care. There are serious health risks from chemical vapors and the incorrect labeling and storage of chemical containers.
- Please consult your local pool or chemical supply retailer for more information about chemical maintenance. Pay close attention to the chemical manufacturer's instructions.
- The pump is used to circulate the water and to filter small particles. In order to keep your pool water clean and hygienic, you must also add chemicals.

LINER

We suggested that you buy a pool cover, if not included in the set, and cover the pool when not in use, to prevent any damage to the Duraplus material on the top rails. Gently clean any dirt deposit on the top rails with a clean cloth.

DISASSEMBLY AND STORAGE

DRAINING

- For draining, follow the drawings inside the manual. Drawings are for illustration purposes only. May not reflect actual product. Not to scale.
- To drain your pool water, check local regulations for drainage by-laws.

CLEANING

- Rinse the pool liner with tap water, to remove any residual of chemicals or dirt completely.
- Leave the pool under the sunlight until it's completely dried.
- To remove the remaining water completely, wipe the pool liner with a dry cloth.

STORAGE

- Remove all accessories; be sure that pool liner and accessories are completely clean and dry before the storage. If the pool is not completely dry, mold may result and will damage the pool liner during the storage period.
- Once pool is completely dry, sprinkle with talcum powder to prevent pool from sticking together.
- We strongly recommend disassembling the pool when the environment temperature is below 10°C / 50°F.
- Fold the pool liner only if the environment temperature is above 10°C / 50°F. Store the pool in a dry place with a moderate temperature between 10°C / 50°F and 38°C / 100°F and position the pool liner and all accessories inside a carton box, to better protect the PVC material during the winter period.

REPAIR

In the event of a leak, patch your pool using the underwater adhesive repair patch provided. You can find the instructions in FAQs on the support section of our website, www.bestwaycorp.com/support.



MANUAL DO UTILIZADOR



Visite o canal da Bestway no YouTube

INSTRUÇÕES DE SEGURANÇA IMPORTANTES

⚠️ ATENÇÃO

LEIA E SIGA TODAS AS INSTRUÇÕES.

- Leia cuidadosamente, compreenda e siga todas as informações deste manual do utilizador antes de instalar e utilizar a piscina. Estes avisos, instruções e diretrizes de segurança abordam alguns riscos comuns da recreação aquática, mas não podem abranger todos os riscos e perigos em todos os casos. Use sempre cautela, senso comum e bom senso ao desfrutar de qualquer atividade aquática. Guarde esta informação para uso futuro. Além disso, a seguinte informação pode ser fornecida dependendo do tipo de piscina.
- Guarde estas instruções num local seguro. Se faltarem instruções, por favor contate o fabricante ou pesquise no website www.bestwaycorp.com.
- Designe um adulto competente para supervisionar a piscina cada vez que ela estiver a ser utilizada.
- Barreiras, coberturas de piscina, alarmes de piscina, ou dispositivos de segurança semelhantes são ajudas úteis, mas não substituem a supervisão contínua e competente de um adulto.

Utilização segura da piscina

- Encoraje todos os utilizadores, especialmente as crianças, a aprenderem a nadar.
- Aprenda Suporte Básico de Vida (RCP de Ressuscitação Cardiopulmonar) e atualize este conhecimento regularmente. Isto pode fazer uma diferença vital no caso de uma emergência.
- Ensine a todos os utilizadores da piscina, incluindo crianças, o que fazer em caso de emergência.
- Nunca mergulhe em qualquer corpo de água rasa. Isto pode levar a ferimentos graves ou à morte.
- Não utilize a piscina quando consumir álcool ou medicamentos que possam prejudicar a sua capacidade de utilizar a piscina em segurança.

Dispositivos de segurança

- A fim de evitar que as crianças se afoguem, recomenda-se assegurar o acesso à piscina com um dispositivo de proteção. A fim de evitar que as crianças escalem pela válvula de entrada e saída, é recomendado instalar uma barreira (e proteger todas as portas e janelas, quando aplicável) para impedir o acesso não autorizado à piscina.

Equipamento de segurança

- É recomendado manter o equipamento de salvamento (por exemplo, uma boia de anel) junto à piscina.
- Mantenha um telemóvel em funcionamento e uma lista de números de telefone de emergência perto da piscina.
- Quando as coberturas da piscina são utilizadas, remova-as completamente da superfície da água antes de entrar na piscina.
- Proteja os ocupantes da piscina de doenças relacionadas com a água, mantendo a água da piscina tratada e praticando uma boa higiene. Consulte as orientações de tratamento da água no manual do utilizador.
- Armazene os produtos químicos (por exemplo, produtos de tratamento, limpeza ou desinfecção da água) fora do alcance das crianças.
- Use a sinalização como descrito abaixo. A sinalização deve ser exibida numa posição de destaque a menos de 2m da piscina.



Mantenha as crianças sob supervisão no ambiente aquático. Não mergulhar.

- As escadas removíveis devem ser colocadas sobre uma superfície horizontal.
- Independentemente dos materiais utilizados na construção da piscina, as superfícies acessíveis têm de ser verificadas regularmente para evitar ferimentos.
- Monitorize regularmente os parafusos e as cavilhas. Remova lascas ou quaisquer arestas pontiagudas para evitar ferimentos.
- Não deixe a piscina vazia do lado de fora. A piscina vazia é suscetível de ficar deformada e/ou deslocada devido ao vento.
- Se tiver uma bomba de filtragem, consulte o manual da bomba para obter instruções.
- A bomba não pode ser utilizada enquanto as pessoas estiverem dentro da piscina!
- Se você tiver uma escada, consulte o manual da escada para obter instruções.
- **ATENÇÃO!** A utilização de uma piscina implica o cumprimento das instruções de segurança descritas no guia de funcionamento e manutenção. A fim de evitar afogamentos ou outros ferimentos graves, preste especial atenção à possibilidade de acesso inesperado à piscina por crianças menores de 5 anos, garantindo o acesso à mesma, e, durante o período de banho, mantenha-as sob constante supervisão de adultos.

Segurança dos Não-Nadadores

- A supervisão contínua, ativa e vigilante de nadadores fracos e não-nadadores por um adulto competente é sempre necessária (lembrando que as crianças menores de cinco anos correm o maior risco de se afogarem).
- Os nadadores fracos ou não-nadadores devem utilizar equipamento de proteção pessoal quando utilizam a piscina.
- Quando a piscina não estiver a ser utilizada, ou sem supervisão, retire todos os brinquedos da piscina e dos seus arredores para evitar atrair as crianças para a piscina.

POR FAVOR, LEIA COM ATENÇÃO E GUARDE PARA REFERÊNCIA FUTURA.

PRÉ-MONTAGEM

LISTA DE VERIFICAÇÃO

Verifique as peças dentro do manual. Verifique se os componentes do equipamento representam o modelo que pretendia adquirir. Em caso de quaisquer peças danificadas ou em falta no momento da compra, visite o nosso website bestwaycorp.com/support.

ESCOLHA O LOCAL CORRETO

A superfície escolhida para a instalação da piscina deve respeitar as seguintes condições:

- Devido ao peso combinado da água dentro da piscina e dos utilizadores da piscina, é extremamente importante que a superfície escolhida para instalar a piscina seja capaz de suportar uniformemente o peso total durante todo o tempo em que a piscina é instalada. Ao escolher a superfície, tenha em consideração que a água pode sair da piscina quando em uso ou quando chove. Se a água suavizar a superfície, pode perder a sua capacidade de suportar o peso da piscina.
- Verifique regularmente a posição das pernas verticais e/ou dos suportes em "U". Eles devem estar sempre ao mesmo nível que o fundo da piscina. Se a perna vertical ou o suporte em "U" começar a afundar-se no solo, drene imediatamente a água da piscina para evitar o colapso da piscina devido à carga irregular na estrutura da estrutura. Mude o local da piscina ou modifique o material da superfície.
- A superfície deve ser plana e lisa. Se a superfície for inclinada ou irregular, pode criar uma carga desequilibrada sobre a estrutura da piscina. Isto pode danificar os pontos de soldadura do revestimento e entortar a estrutura. Nos piores casos, a piscina pode colapsar, causando sérios danos pessoais e/ou danos a bens pessoais.
- Recomendamos o posicionamento da piscina longe de quaisquer objetos que as crianças possam utilizar para entrar na piscina.
- Posicione a piscina perto de um sistema de drenagem adequado para lidar com o transbordamento ou para esvaziar a piscina. Certifique-se que o lado da piscina com a entrada de água A e a saída B está localizada na mesma direção da fonte de energia, onde o sistema de filtragem tem de ser ligado.
- A superfície selecionada deve estar livre de qualquer tipo de objeto. Devido ao peso da água, qualquer objeto debaixo da piscina pode danificar ou perfurar o fundo da piscina.
- A superfície selecionada tem de estar livre de plantas agressivas e espécies de ervas daninhas. Estes tipos de vegetação forte podem crescer através do revestimento e criar fugas de água. A relva ou outra vegetação que possa causar odor ou todo tem de ser eliminada do local de instalação.
- O local selecionado não deve ter linhas elétricas ou árvores em cima. Certifique-se de que o local não contém tubos, linhas ou cabos de qualquer tipo subterrâneos.
- A posição selecionada deve estar longe da entrada da casa. Não posicione qualquer equipamento ou outro mobiliário à volta da piscina. A água que sai da piscina durante a utilização ou devido a falhas no produto pode danificar a mobília dentro da casa ou ao redor da piscina.
- A superfície selecionada deve ser plana e sem buracos que possam danificar o material do revestimento.

Sugestões de superfícies de montagem: relva, solo, betão e todas as outras superfícies que respeitem as condições de montagem acima referidas.

Superfícies a evitar: lama, areia, cascalho, deque, varanda, caminho de acesso, plataforma, solo macio/ solto ou outras superfícies que não respeitem as condições de montagem acima referidas.

- Verifique com a sua câmara municipal local se existem estatutos relacionados com vedações, barreiras, iluminação e requisitos de segurança e assegure-se de que cumpre todas as leis.
- Se uma bomba e/ou escada estiver incluída no conjunto, consulte o manual da bomba e/ou da escada para obter instruções de segurança e instalação. A escada deve corresponder ao tamanho da piscina.
- Se durante a instalação for necessário mudar a posição da piscina, levante o revestimento e não o arraste pelo chão; o atrito entre o material PVC e o chão pode danificar o revestimento da piscina.
- **Siga as instruções importantes acima para escolher a superfície e o local corretos para montar a sua piscina. As partes danificadas da piscina, devido ao fato da superfície e do local de instalação não corresponderem às instruções, não serão consideradas como defeito de fabrico e anularão a garantia e quaisquer reivindicações de assistência técnica.**

INSTALAÇÃO

MONTAGEM

- Para instruções de instalação, siga os desenhos dentro do manual. Os desenhos são apenas para fins ilustrativos. Podem não refletir o produto real. Não à escala.
- A montagem da Moldura da Piscina pode ser completada sem ferramentas.
- A instalação demora normalmente cerca de 20-30 minutos com 2-3 pessoas excluindo o enchimento.
- Para prolongar a vida útil da sua piscina, é importante polvilhar as calhas superiores com o Talco em Pó antes da montagem. O Talco em Pó não está incluído no pacote.
- A Bestway não será responsável por danos causados à piscina devido a manipulação incorreta ou falha em seguir estas instruções.
- Sugerimos fortemente que abra a embalagem e monte a piscina quando a temperatura ambiente estiver acima dos 15°C; o material PVC do revestimento tornar-se-á mais flexível e mais fácil de montar.

ENCHIMENTO DA PISCINA COM ÁGUA

- Não deixe a piscina sem vigilância enquanto a encher com água.
- Encha a piscina com água depois de todas as etapas de montagem estarem concluídas e até a água chegar à linha de soldadura, o que corresponde a 90% da capacidade total.
- Não encha em demasia, pois isto pode causar o colapso da piscina. Em caso de chuva intensa, recomendamos fortemente a redução do nível da água para mantê-la a 90% da capacidade, para evitar o transbordamento da água.
- Quando a piscina estiver completamente cheia, verifique se a distância entre a superfície da água e o topo dos corrimões é a mesma em toda a volta; se for diferente, significa que o pavimento não está nivelado, por isso recomendamos fortemente que drene a água e volte a nivelar o solo.
- Manter a piscina cheia de água em solo não nivelado pode causar o rebentamento dos pontos de soldadura e/ou o colapso da piscina, causando sérios ferimentos pessoais e/ou danos materiais.

MANUTENÇÃO

Se não aderir às diretrizes de manutenção abaixo indicadas, a sua saúde pode estar em risco, especialmente a das crianças.

ÁGUA

- É necessário manter a água da sua piscina limpa e quimicamente equilibrada. A simples limpeza do cartucho filtrante não é suficiente para uma

manutenção adequada; recomendamos a utilização de produtos químicos da piscina para manter a química da água e pastilhas de cloro ou bromo (não utilizar grânulos) com o dispensador de produtos químicos.

- A qualidade da água está diretamente relacionada com a frequência de utilização, número de utilizadores e manutenção geral da piscina. A água deve ser mudada a cada 3 dias se não houver tratamento químico a ser realizado com a água. É altamente recomendada a utilização de água da torneira para enchimento para minimizar a influência de conteúdos indesejados, tais como minerais.
- Recomendamos que tome um duche antes de utilizar a sua piscina, pois os produtos cosméticos, loções e outros resíduos na pele podem degradar rapidamente a qualidade da água.
- Limpe a piscina regularmente para evitar a sujidade assentada.
- Coloque um balde de água junto à piscina para limpar os pés dos utilizadores antes de entrar na piscina.
- A manutenção química deve ser realizada com ChemConnect ou flutuador químico; não jogue produtos químicos diretamente na água, o químico depositar-se-á no fundo e danificará o material e descolorará o PVC.

Pastilhas Químicas (Não Incluídas):

- O seu conjunto de piscina adquirido pode não incluir dispensadores; neste caso, pode adquirir um, visitando o nosso website www.bestwaycorp.com ou no revendedor de piscina mais próximo.
- Remova o dispensador de químicos da piscina quando a piscina estiver a ser utilizada.
- Após efetuar a manutenção química e antes de utilizar a piscina, utilize um kit de teste (não incluído) para testar a química da água. Recomendamos a manutenção do equilíbrio químico da água, como se mostra na tabela abaixo.

Parâmetros	Valores
Clareza da água	vista clara do fundo da piscina
Cor da água	nenhuma cor deve ser observada
Turbidez no FNU/NTU	máx. 1,5 (de preferência menos de 0,5)
Concentração de nitratos acima da da água de enchimento em mg/L	máx. 20
Carbono orgânico total (COT) em mg/L	máx. 4,0
Potencial Redox contra Ag/AgCl 3,5 m KCl em mV	min. 650
Valor do pH	6,8 a 7,6
Cloro ativo livre (sem ácido cianúrico) em mg/L	0,3 a 1,5
Cloro livre usado em combinação com ácido cianúrico em mg/L	1,0 a 3,0
Ácido cianúrico em mg/L	máx. 100
Cloro combinado em mg/L	máx. 0,5 (de preferência perto de 0,0 mg/L)

- Os danos da piscina resultantes do mau uso de produtos químicos e má gestão da água da piscina não estão cobertos pela garantia.
- A utilização excessiva de produtos químicos irá descolorir a impressão e todos os pontos do material da piscina; nos piores casos, irá danificar a estrutura do revestimento da piscina.
- Os produtos químicos da piscina são potencialmente tóxicos e devem ser manuseados com cuidado. Existem sérios riscos para a saúde devido aos vapores químicos e à etiquetagem e armazenamento incorretos dos recipientes químicos.
- Por favor consulte a sua piscina local ou o revendedor de produtos químicos para mais informações sobre manutenção de produtos químicos. Preste muita atenção às instruções do fabricante de produtos químicos.
- A bomba é usada para fazer circular a água e para filtrar pequenas partículas. A fim de manter a água da sua piscina limpa e higiénica, deve também adicionar produtos químicos.

REVESTIMENTO

- Sugere-se que compre uma cobertura da piscina, se não estiver incluída no conjunto, e que cubra a piscina quando não estiver a ser utilizada, para evitar qualquer dano ao material Duraplus nos corrimões superiores. Limpe suavemente qualquer depósito de sujidade nos corrimões superiores com um pano limpo.

DESMONTAGEM E ARMAZENAMENTO

DRENAGEM

- Para drenar, siga os desenhos dentro do manual. Os desenhos são apenas para fins ilustrativos. Podem não refletir o produto real. Não à escala.
- Para drenar a água da sua piscina, verifique os regulamentos locais para a drenagem por regulamentos.

LIMPEZA

- Lave o revestimento da piscina com água da torneira, para remover completamente qualquer resíduo de produtos químicos ou sujidade.
- Deixe a piscina sob a luz solar até estar completamente seca.
- Para remover completamente a água restante, limpe o revestimento da piscina com um pano seco.

ARMAZENAMENTO

- Remova todos os acessórios; certifique-se de que o revestimento e os acessórios da piscina estão completamente limpos e secos antes do armazenamento. Se a piscina não estiver completamente seca, pode ocorrer bolor e danificar o revestimento da piscina durante o período de armazenamento.
- Assim que a piscina estiver completamente seca, polvilhe com pó de talco para evitar que a piscina fique grudada.
- Recomendamos fortemente a desmontagem da piscina quando a temperatura ambiente for inferior a 10°C / 50°F.
- Dobre o revestimento da piscina apenas se a temperatura ambiente for superior a 10°C / 50°F. Guarde a piscina num local seco com uma temperatura moderada entre 10°C e 38°C e coloque o revestimento da piscina e todos os acessórios dentro de uma caixa de cartão/papelão, para melhor proteger o material PVC durante o período de Inverno.

REPARAÇÃO

No caso de uma fuga, remede a sua piscina usando o remendo de reparação adesivo subaquático fornecido. Pode encontrar as instruções nas FAQs na seção de suporte do nosso site, www.bestwaycorp.com/support.



MANUAL DEL USUARIO



Visite el canal de YouTube de Bestway

INSTRUCCIONES IMPORTANTES DE SEGURIDAD



ADVERTENCIA

LEA Y SIGA TODAS LAS INSTRUCCIONES.

- Lea detenidamente, comprenda y siga toda la información de este manual de usuario antes de instalar y utilizar la piscina. Estas advertencias, instrucciones y directrices de seguridad abordan algunos riesgos comunes de las actividades acuáticas, pero no pueden abarcar todos los riesgos y peligros en todos los casos. Utilice siempre la precaución, el sentido común y el buen juicio cuando disfrute de cualquier actividad acuática. Conserve esta información para su uso futuro. Además, según el tipo de piscina, se puede suministrar la siguiente información.
- Mantenga estas instrucciones en un lugar seguro. Si faltan las instrucciones, póngase en contacto con el fabricante o búsquelas en la página web www.bestwaycorp.com.
- Designe a un adulto competente para que supervise la piscina cada vez que se utilice.
- Las barreras, las cubiertas de la piscina, las alarmas de la piscina o dispositivos de seguridad similares son ayudas útiles, pero no sustituyen la supervisión continua y competente de un adulto.

Uso seguro de la piscina

- Anime a todos los usuarios, especialmente a los niños, a aprender a nadar.
- Aprenda el soporte vital básico (RCP de reanimación cardiopulmonar) y actualice estos conocimientos con regularidad. Esto puede suponer una diferencia que salve vidas en caso de emergencia.
- Instruya a todos los usuarios de la piscina, incluidos los niños, sobre lo que deben hacer en caso de emergencia.
- No se tire nunca en ninguna masa de agua poco profunda. Esto puede provocar lesiones graves o la muerte.
- No utilice la piscina cuando esté consumiendo alcohol o medicamentos que puedan afectar a su capacidad para utilizar la piscina con seguridad.

Dispositivos de seguridad

- Para prevenir que los niños se ahoguen, se recomienda asegurar el acceso a la piscina con un dispositivo de protección. Para evitar que los niños escalen por la válvula de entrada y salida, se recomienda instalar una barrera (y asegurar todas las puertas y ventanas, si procede) para prevenir el acceso no autorizado a la piscina.

Equipo de seguridad

- Se recomienda mantener el equipo de rescate (por ejemplo, una boya de anillo) junto a la piscina.
- Mantenga un móvil que funcione y una lista de números de teléfono de emergencia cerca de la piscina.
- Cuando se utilicen cubiertas para piscinas, quítelas completamente de la superficie del agua antes de entrar en la piscina.
- Proteja a los ocupantes de la piscina de las enfermedades relacionadas con el agua, manteniendo el agua de la piscina tratada y practicando una buena higiene. Consulte las pautas de tratamiento del agua en el manual del usuario.
- Guarde los productos químicos (por ejemplo, productos de tratamiento del agua, limpieza o desinfección) fuera del alcance de los niños.
- Utilice la señalización como se indica a continuación. La señalización debe colocarse en un lugar destacado a menos de 2m de la piscina.



Mantenga a los niños bajo supervisión en el medio acuático. No está permitido tirarse al agua.

- Las escaleras extraíbles deberán colocarse en una superficie horizontal.
- Independientemente de los materiales utilizados para la construcción de la piscina, las superficies accesibles deben ser verificadas regularmente para evitar lesiones.
- Controle regularmente los pernos y tornillos. Quite las astillas o cualquier borde afilado para evitar lesiones.
- No deje la piscina drenada en el exterior. La piscina vacía puede deformarse y/o desplazarse debido al viento.
- Si tiene una bomba de filtrado, consulte el manual de la bomba para obtener instrucciones.
- ¡La bomba no puede utilizarse mientras haya personas dentro de la piscina!
- Si tiene una escalera, consulte el manual de la misma para obtener instrucciones.
- ¡ADVERTENCIA! El uso de una piscina implica el cumplimiento de las instrucciones de seguridad descritas en la guía de operación y mantenimiento. Para prevenir ahogamientos u otras lesiones graves, preste especial atención a la posibilidad de que los niños menores de 5 años accedan de forma inesperada a la piscina asegurando el acceso a la misma y, durante el periodo de baño, manténgalos bajo la constante supervisión de un adulto.

Seguridad de los No Nadadores

- Se requiere una supervisión continua, activa y vigilante de los nadadores débiles y de los no nadadores por parte de un adulto competente en todo momento (recordando que los niños menores de cinco años presentan el mayor riesgo de ahogamiento).
- Los nadadores débiles o los que no nadan deben llevar equipo de protección personal cuando utilicen la piscina.
- Cuando la piscina no esté en uso, o no esté supervisada, quite todos los juguetes de la piscina y sus alrededores para evitar atraer a los niños a la piscina.

POR FAVOR, LEA CUIDADOSAMENTE Y GUARDE PARA FUTURA REFERENCIA.

PREMONTAJE

LISTA DE VERIFICACIÓN

Compruebe las piezas del interior del manual. Verifique que los componentes del equipo representen el modelo que pretendía comprar. En caso de que alguna pieza esté dañada o falte en el momento de la compra, visite nuestra página web bestwaycorp.com/support.

ELIJA LA UBICACIÓN CORRECTA

La superficie elegida para instalar la piscina debe respetar las siguientes condiciones:

- Debido al peso combinado del agua dentro de la piscina y de los usuarios de la misma, es extremadamente importante que la superficie elegida para instalar la piscina sea capaz de soportar uniformemente el peso total durante todo el tiempo que la piscina esté instalada. A la hora de elegir la superficie, tenga en cuenta que el agua puede salir de la piscina cuando se utiliza o cuando llueve. Si el agua ablanda la superficie, puede perder su capacidad de soportar el peso de la piscina.
 - Verifique regularmente la posición de las patas verticales y/o de los soportes en "U". Deben estar al mismo nivel que el fondo de la piscina en todo momento. Si la pata vertical o el soporte en "U" comienza a hundirse en el suelo, drene el agua de la piscina inmediatamente para evitar que la piscina se derrumbe debido a la carga desigual en la estructura del marco. Cambie la ubicación de la piscina o modifique el material de la superficie.
 - La superficie debe ser plana y lisa. Si la superficie está inclinada o es irregular, puede crear una carga desequilibrada en la estructura de la piscina. Esto puede dañar los puntos de soldadura del revestimiento y doblar el marco. En el peor de los casos, la piscina puede derrumbarse, causando graves lesiones personales y/o daños materiales.
 - Le recomendamos que coloque la piscina lejos de cualquier objeto que los niños puedan utilizar para subir a la piscina.
 - Coloque la piscina cerca de un sistema de drenaje adecuado para hacer frente al desbordamiento o para vaciar la piscina. Asegúrese de que el lado de la piscina con la entrada de agua A y la salida B está situado en la misma dirección de la fuente de alimentación, donde debe conectarse el sistema de filtrado.
 - La superficie elegida debe estar libre de cualquier tipo de objeto. Debido al peso del agua, cualquier objeto bajo la piscina podría dañar o perforar el fondo de la misma.
 - La superficie seleccionada debe estar limpia de plantas agresivas y especies de malas hierbas. Ese tipo de vegetación fuerte podría crecer a través del revestimiento y crear fugas de agua. Hay que eliminar del lugar de montaje la hierba u otra vegetación que pueda provocar olores o la aparición de limo.
 - El lugar elegido no debe tener líneas eléctricas aéreas ni árboles. Asegúrese de que el lugar no contiene tuberías, líneas o cables de servicios públicos subterráneos de ningún tipo.
 - La posición seleccionada debe estar alejada de la entrada de la casa. No coloque ningún equipo ni otros muebles alrededor de la piscina. El agua que sale de la piscina durante su uso o debido a fallos del producto puede dañar el mobiliario de la casa o de los alrededores de la piscina.
 - La superficie seleccionada debe ser plana y sin agujeros que puedan dañar el material del revestimiento.
- Superficies de montaje sugeridas:** césped, tierra, hormigón y cualquier otra superficie que respete las condiciones de montaje anteriores.
- Superficies que deben evitarse:** barro, arena, grava, terraza, balcón, camino de entrada, plataforma, suelo blando/fojo u otra superficie que no cumpla las condiciones de montaje anteriores.
- Verifique con el ayuntamiento de su localidad las ordenanzas relativas a vallas, barreras, iluminación y requisitos de seguridad y asegúrese de cumplir con todas las leyes.
 - Si el conjunto incluye una bomba y/o una escalera, consulte el manual de la bomba y/o de la escalera para conocer las instrucciones de seguridad y de instalación. La escalera debe coincidir con las dimensiones de la piscina.
 - Si durante el montaje es necesario cambiar la posición de la piscina, levante el revestimiento y no lo arrastre por el suelo; la fricción entre el material de PVC y el suelo puede dañar el revestimiento de la piscina.
- Siga las instrucciones importantes que aparecen arriba para elegir la superficie y el lugar correctos para montar su piscina. Los daños en el conjunto de la piscina, debidos a que la superficie y la ubicación de montaje no coinciden con las instrucciones, no se considerarán como defecto de fabricación y anularán la garantía y cualquier reclamación de asistencia técnica.**

INSTALACIÓN

MONTAJE

- Para las instrucciones de instalación, siga los dibujos del interior del manual. Los dibujos son sólo para fines ilustrativos. Pueden no reflejar el producto real. No están a escala.
- El montaje de la Piscina de Marco se puede realizar sin herramientas.
- La instalación suele llevar unos 20-30 minutos con 2-3 personas, sin contar el llenado.
- Para alargar la vida de su piscina, es importante espolvorear los ralles superiores con el Polvo de Talco antes del montaje. El polvo de talco no está incluido en el paquete.
- Bestway no se hace responsable de los daños causados a la piscina por una mala manipulación o por no seguir estas instrucciones.
- Aconsejamos fuertemente abrir el paquete y montar la piscina cuando la temperatura ambiente sea superior a 15°C / 59°F; el material de PVC del revestimiento se volverá más flexible y fácil de montar.

LLENADO DE LA PISCINA CON AGUA

- No deje la piscina sin vigilancia mientras se llena de agua.
- Llene la piscina con agua una vez completados todos los pasos de montaje y hasta que el agua alcance la línea de soldadura, que corresponde al 90% de la capacidad total.
- No llene la piscina en exceso, ya que podría provocar el colapso de la misma. En caso de fuertes lluvias, recomendamos fuertemente reducir el nivel de agua para mantenerlo al 90% de su capacidad, para evitar el desbordamiento del agua.
- Cuando la piscina esté completamente llena, verifique que la distancia entre la superficie del agua y la parte superior de las barandillas es la misma en todo el perímetro; si es diferente, significa que el suelo no está nivelado, por lo que recomendamos fuertemente drenar el agua y volver a nivelar el terreno.
- Mantener la piscina llena de agua sobre un suelo desnivelado puede provocar la rotura de los puntos de soldadura y/o el colapso de la piscina, causando graves daños personales y/o materiales.

MANTENIMIENTO

Si no sigue las pautas de mantenimiento que se indican a continuación, su salud podría estar en peligro, especialmente la de los niños.

AGUA

- Es necesario mantener el agua de su piscina limpia y químicamente equilibrada. La simple limpieza del cartucho filtrante no es suficiente para un mantenimiento adecuado; le recomendamos que utilice productos químicos para piscinas para mantener la química del agua y tabletas de cloro o bromo (no utilice gránulos) con el dispensador de productos químicos.
- La calidad del agua está directamente relacionada con la frecuencia de uso, el número de usuarios y el mantenimiento general de la piscina. El agua debe cambiarse cada 3 días si no se realiza ningún tratamiento químico con el agua. Es muy recomendable utilizar agua del grifo para el llenado a fin de minimizar la influencia de contenidos no deseados, como los minerales.
- Le recomendamos que se duche antes de utilizar la piscina, ya que los productos cosméticos, las lociones y otros residuos en la piel pueden degradar rápidamente la calidad del agua.
- Limpie la piscina con regularidad para evitar que se deposite la suciedad.
- Coloque un cubo de agua próximo a la piscina para limpiar los pies de los usuarios antes de entrar en ella.
- El mantenimiento químico debe realizarse con ChemConnect o con un flotador químico; no eche productos químicos directamente al agua, el producto químico se depositará en el fondo y dañará el material y decolorará el PVC.

Tabletas Químicas (No Incluidas):

- Es posible que el conjunto que ha adquirido para su piscina no incluya ningún dispensador; en este caso puede adquirir uno visitando nuestra página web www.bestwaycorp.com o en el distribuidor de piscinas más cercano.
- Quite el dispensador de productos químicos de la piscina cuando la piscina esté en uso.
- Después de realizar el mantenimiento químico y antes de utilizar la piscina, utilice un kit de análisis (no incluido) para comprobar la química del agua. Le recomendamos que mantenga el equilibrio químico del agua como se indica en la siguiente tabla.

Parámetros	Valores
Claridad del agua	vista clara del fondo de la piscina
Color del agua	no debe observarse ningún color
Turbidez en FNU/NTU	máx. 1,5 (preferiblemente menos de 0,5)
Concentración de nitrato por encima de la del agua de llenado en mg/L	máx. 20
Carbono orgánico total (COT) en mg/L	máx. 4,0
Potencial redox frente a Ag/AgCl 3,5 m KCl en mV	mín. 650
Valor del pH	6,8 a 7,6
Cloro libre activo (sin ácido cianúrico) en mg/L	0,3 a 1,5
Cloro libre utilizado en combinación con ácido cianúrico en mg/L	1,0 a 3,0
Ácido cianúrico en mg/L	máx. 100
Cloro combinado en mg/L	máx. 0,5 (preferiblemente cerca de 0,0 mg/L)

- Los daños en la piscina resultantes del mal uso de productos químicos y de la mala gestión del agua de la piscina no están cubiertos por la garantía.
- La utilización excesiva de productos químicos decolorará el estampado y todos los puntos del material de la piscina; en el peor de los casos, dañará la estructura del revestimiento de la piscina.
- Los productos químicos para piscinas son potencialmente tóxicos y deben manipularse con cuidado. Existen graves riesgos para la salud derivados de los vapores químicos y del incorrecto etiquetado y almacenamiento de los envases de productos químicos.
- Por favor, consulte a su distribuidor local de piscinas o de productos químicos para obtener más información sobre el mantenimiento de los productos químicos. Preste mucha atención a las instrucciones del fabricante de productos químicos.
- La bomba se utiliza para hacer circular el agua y para filtrar pequeñas partículas. Para mantener el agua de su piscina limpia e higiénica, también debe añadir productos químicos.

REVESTIMIENTO

- Le sugerimos que compre una cubierta de piscina, si no está incluida en el conjunto, y que cubra la piscina cuando no la utilice, para prevenir cualquier daño al material Duraplus de las barandillas superiores. Limpie suavemente cualquier depósito de suciedad en las barandillas superiores con un paño limpio.

DESMONTAJE Y ALMACENAMIENTO

DRENAJE

- Para el drenaje, siga los dibujos del interior del manual. Los dibujos son sólo para fines ilustrativos. Pueden no reflejar el producto real. No está a escala.

- Para vaciar el agua de la piscina, compruebe las normativas locales de vaciado.

LIMPIEZA

- Enjuague el revestimiento de la piscina con agua del grifo, para quitar completamente cualquier residuo de productos químicos o suciedad.
- Deje la piscina bajo la luz del sol hasta que esté completamente seca.
- Para quitar el agua restante por completo, limpie el revestimiento de la piscina con un paño seco.

ALMACENAMIENTO

- Quite todos los accesorios; asegúrese de que el revestimiento de la piscina y los accesorios estén completamente limpios y secos antes de almacenarlos. Si la piscina no está completamente seca, puede aparecer moho y dañar el revestimiento de la piscina durante el periodo de almacenamiento.
- Una vez que la piscina esté completamente seca, espolvoree con polvos de talco para prevenir que la piscina se pegue.
- Recomendamos fuertemente desmontar la piscina cuando la temperatura ambiente sea inferior a 10°C / 50°F.
- Pliegue el revestimiento de la piscina sólo si la temperatura ambiente es superior a 10°C / 50°F. Guarde la piscina en un lugar seco con una temperatura moderada entre 10°C / 50°F y 38°C / 100°F y coloque el revestimiento de la piscina y todos los accesorios dentro de una caja de cartón, para proteger mejor el material de PVC durante el periodo de invierno.

REPARACIÓN

En caso de fugas, remiende su piscina con el parche adhesivo de reparación subacuático proporcionado. Puede encontrar las instrucciones en las preguntas frecuentes de la sección de asistencia de nuestra página web, www.bestwaycorp.com/support.

¡Gracias por elegir Bestway!

ES

¡Amplía ahora **gratis** la garantía de tu compra!

Registra tu producto en un plazo de 30 días desde la fecha de compra y regálate 6 meses de ampliación gratuita de la garantía.

¡Visita **WWW.REGISTROBESTWAY.ES** y registra ya tu producto!

Esta garantía adicional cubre los siguientes países: España, Alemania, Belgica, Francia, Italia, Luxemburgo.



GEBRAUCHSANWEISUNG



Besuchen Sie Bestway® auf YouTube

WICHTIGE SICHERHEITSHINWEISE

⚠ ACHTUNG

BITTE SORGFÄLTIG DURCHLESEN

- Vor dem Bau und der Benutzung des Schwimmbeckens werden sämtliche Informationen in dieser Anleitung sorgfältig gelesen, verstanden und befolgt. Diese Warnhinweise, Anleitungen und Sicherheitsrichtlinien umfassen einige allgemeine Risiken in Bezug auf Freizeitbeschäftigung im Wasser, sie können jedoch nicht sämtliche Risiken und Gefährdungen in allen Fällen behandeln. Bei jeglicher Aktivität im Wasser wird Vorsicht, gesunder Menschenverstand und gutes Urteilsvermögen walten gelassen. Diese Angaben werden für die spätere Nutzung aufbewahrt. Darüber hinaus, können je nach Art des Pools die folgenden Angaben voneinander abweichen.
- Sollte keine Gebrauchsanweisung beiliegen, besuchen Sie uns unter www.bestwaycorp.com / www.bestwayservice.de (DE / A).
- Es wird eine sachkundige erwachsene Person bestimmt, die das Becken überwacht, wenn es benutzt wird.
- Absperrungen, Beckenabdeckungen, Alarmanlagen oder ähnliche Sicherheitsvorrichtungen sind sinnvolle Hilfsmittel, ersetzen jedoch keine ständige und sachkundige Überwachung durch erwachsene Personen.

Sichere Nutzung des Schwimmbeckens

- Sämtliche Nutzer, insbesondere Kinder, werden dazu ermuntert, schwimmen zu lernen.
- Erste Hilfe (Herz-Lungen-Wiederbelebung) erlernen und diese Kenntnisse regelmäßig auffrischen. Das kann bei einem Notfall einen lebensrettenden Unterschied ausmachen.
- Sämtliche Beckenbenutzer, einschließlich Kinder, anweisen, was in einem Notfall zu tun ist.
- Niemand in flaches Wasser springen. Das kann zu schweren Verletzungen oder zum Tode führen.
- Das Schwimmbecken nicht benutzen, wenn man unter dem Einfluss von Alkohol oder Medikamenten steht, welche die Fähigkeit zur sicheren Nutzung des Beckens beeinträchtigen können.

Sicherheitsvorrichtungen

- Um das Ertrinken von Kindern zu verhindern, wird empfohlen, den Zugang zum Schwimmbecken mit einer Schutzvorrichtung zu sichern. Um zu verhindern, dass Ein- und Auslassventile den Kindern als Einstiegshilfe dienen könnten, es wird empfohlen, eine Absperrung zu errichten (und sämtliche Türen und Fenster zu sichern, sofern zutreffend), um unberechtigten Zutritt zum Schwimmbecken zu vermeiden.

Sicherheitsausrüstung

- Es wird empfohlen, Rettungsausrüstung (z. B. einen Rettungsring) in der Nähe des Beckens aufzubewahren.
- Ein funktionierendes Telefon und eine Liste von Notrufnummern werden in der Nähe des Schwimmbeckens aufbewahrt.
- Beckenabdeckungen vor dem Betreten des Schwimmbeckens vollständig von der Wasseroberfläche entfernen, wenn sie verwendet werden.
- Die Nutzer des Schwimmbeckens werden vor durch das Wasser verbreiteten Krankheiten geschützt, indem das Wasser stets aufbereitet und hygienisch unbedenklich gehalten wird. Die Richtlinien zur Wasseraufbereitung in der Gebrauchsanleitung werden zu Rate gezogen.
- Chemikalien (z. B. Produkte für die Wasseraufbereitung, Reinigung oder Desinfektion) außerhalb der Reichweite von Kindern aufbewahren.
- Die nachstehenden Zeichen werden verwendet. Die Zeichen sind an einer gut sichtbaren Stelle innerhalb von 2m in der Nähe des Schwimmbeckens anzubringen.



Kinder im Wasser und der Wasserumgebung stets beaufsichtigen. Nicht springen.

- Abnehmbare Leitern sind auf einer waagerechten Fläche anzuordnen.
- Zugängliche Flächen müssen regelmäßig überprüft werden, um Verletzungen zu vermeiden, unabhängig von den für den Bau des Schwimmbeckens verwendeten Materialien.
- Kontrollieren Sie in regelmäßigen Abständen Bolzen und Schrauben und entfernen Sie dabei alle Splitter oder scharfe Kanten, um Schnittverletzungen zu vermeiden.
- Lassen Sie den Pool im entleerten Zustand nicht im Freien stehen. Durch auftretende Winde droht ein Verrutschen des Pools sowie Verformungen des Stahlrahmens.
- Wenn Sie eine Filterpumpe besitzen, lesen Sie bitte die entsprechende Gebrauchsanweisung.
- Die Pumpe darf nicht benutzt werden, wenn sich Personen im Pool aufhalten.
- Wenn Sie eine Sicherheitsleiter besitzen, lesen Sie bitte die entsprechende Gebrauchsanweisung.
- **ACHTUNG!** Die Verwendung eines Schwimmbeckens-Bausatzes setzt voraus, dass er mit den Sicherheitsvorschriften übereinstimmt, die in der Betriebs- und Wartungsanleitung beschrieben sind. Um ein Ertrinken oder andere ernsthafte Verletzungen zu verhindern, wird besondere Aufmerksamkeit darauf gerichtet, den Zugang zum Schwimmbecken zu sichern, da sich Kinder unter 5 Jahren unerwartet Zugang zum Schwimmbecken verschaffen können, und beim Baden werden die Kinder ununterbrochen von einer erwachsenen Aufsichtsperson beaufsichtigt.

Sicherheit von Nichtschwimmern

- Es ist jederzeit eine ständige, aktive und wachsame Beaufsichtigung schwacher Schwimmer und Nichtschwimmer durch eine sachkundige erwachsene Aufsichtsperson erforderlich (es wird daran erinnert, dass das größte Risiko des Ertrinkens bei Kindern unter 5 Jahren besteht).
- Schwache Schwimmer oder Nichtschwimmer sollten persönliche Schutzausrüstung tragen, wenn sie ins Schwimmbecken gehen.
- Wenn das Schwimmbecken nicht benutzt oder überwacht wird, werden sämtliche Spielsachen aus dem Schwimmbecken und seiner Umgebung entfernt, um zu verhindern, dass Kinder davon angezogen werden.

BITTE SORGFÄLTIG LESEN UND FÜR SPÄTERES NACHSCHLAGEN AUFBEWAHREN.

VOR DEM AUFBAU

CHECKLISTE

Überprüfen Sie den Verpackungsinhalt mithilfe der Gebrauchsanweisung auf seine Vollständigkeit. Vergewissern Sie sich, dass die Komponenten dem von Ihnen

gekauften Modell entsprechen. Sollten zum Zeitpunkt des Kaufs Teile beschädigt sein oder fehlen, besuchen Sie uns unter www.bestwaycorp.com/support / www.bestwayservice.de (DE / A).

DEN RICHTIGEN STANDORT AUSWÄHLEN

Die Oberfläche, auf dem der Pool aufgebaut werden soll, muss folgende Voraussetzungen erfüllen:

- Aufgrund des kombinierten Gewichts aus Wasser im Benutzer ist es äußerst wichtig, dass der gewählte Untergrund in der Lage ist, dieses während der gesamten Badesaison vollständig tragen zu können. Dabei sind auch Einflüsse wie Regen oder überschwappendes Wasser zu beachten, da diese den Boden aufweichen können.
- Überprüfen Sie regelmäßig die Position der Poolbeine/ Füße sowie der seitlichen U-Träger. Diese müssen sich stets auf derselben Höhe wie der Poolboden befinden. Sollten Füße und U-Träger anfangen im Boden zu versinken, lassen Sie das Wasser sofort ab, um ein Zusammenbrechen des Pools zu verhindern. Stellen Sie diesen im Anschluss einer anderen Stelle wieder auf oder verstärken Sie den Untergrund.
- Die Oberfläche muss absolut eben sein. Liegt eine Unebenheit oder Gefälle vor, kann dies zu einer ungleichmäßigen Belastung des Pools führen. Die Schweißpunkte der Folie können dadurch beschädigt und der Rahmen verbogen werden. Dies kann im schlimmsten Fall zum Einsturz des Pools bis hin zu schweren Personen- und/oder Sachschäden führen.
- Wir empfehlen, den Pool nicht in der Nähe von Gegenständen aufzustellen, welche Kindern das Hineinklettern ermöglichen könnten.
- Platzieren Sie den Pool in der Nähe eines geeigneten Abflusssystems, um ein Überlaufen zu verhindern oder diesen zu entleeren. Stellen Sie sicher, dass die Beckenseite mit Wassereinfluss A und Wasserauslass B in der gleichen Richtung wie die Stromquelle liegt, an die das Filtersystem angeschlossen werden muss.
- Die gewählte Oberfläche muss frei von jeglichen Gegenständen sein. Aufgrund des Gewichts des Wassers könnte jeder Gegenstand unter dem Poolboden das Material beschädigen.
- Die gewählte Oberfläche muss frei von aggressiven Pflanzen und Unkrautarten sein. Zu starker Bewuchs könnte sich durch die Folie hindurchfressen und zu einem Wasseraustritt führen. Gras oder andere Pflanzen, die zu Geruchs- oder Schleimbildung führen können, müssen vom gewählten Standort entfernt werden.
- Am gewählten Standort dürfen sich keine Freileitungen oder Bäume befinden. Vergewissern Sie sich, dass der Standort keine unterirdischen Versorgungsrohre, -leitungen oder -kabel jeglicher Art enthält.
- Der gewählte Standort muss sich weit genug vom Hauseingang entfernt befinden. Platzieren Sie keine Geräte oder Möbel um den Pool herum. Überlaufendes Wasser könnte diese beschädigen.
- Die gewählte darf keine Löcher aufweisen.

Empfohlene Oberflächen: Gras, Boden, Beton und alle anderen Oberflächen, welche die oben genannten Voraussetzungen erfüllen.

Nicht empfohlene Oberflächen: Schlamm, Sand, Kies, Terrasse, Balkon, Einfahrt, Plattform, weicher/lockerer Boden und alle anderen Untergründe, welche die oben genannten nicht Voraussetzungen erfüllen.

- Erkundigen Sie sich bei Ihrer örtlichen Stadtverwaltung nach den gesetzlichen Bestimmungen in Bezug auf Zäune, Absperrungen, Beleuchtung und Sicherheitsanforderungen und stellen Sie sicher, dass Sie alle Gesetze einhalten.
- Wenn eine Pumpe und/oder eine Sicherheitsleiter im Set enthalten ist, lesen Sie hierfür bitte die jeweils entsprechenden Gebrauchsanweisungen. Die Sicherheitsleiter muss der Größe des Schwimmbeckens entsprechen.
- Sollte es während des Aufbaus notwendig sein, die Position des Pools zu verändern, heben Sie die Poolfolie an und ziehen Sie diese nicht über den Boden. Die Reibung zwischen dem PVC und dem Boden kann die Poolfolie beschädigen.
- **Beschädigte Komponente des Pools, die auf einen ungeeigneten Untergrund zurückzuführen sind, können nicht als Herstellungsfehler betrachtet werden und führen zum Erlöschen jeglicher Garantiansprüche.**

INSTALLATION

AUFBAU

- Befolgen Sie die Installationsanweisungen gemäß der in der Gebrauchsanweisung abgebildeten Zeichnungen. Diese dienen lediglich zur Veranschaulichung und spiegeln möglicherweise nicht das tatsächliche Produkt wider. Nicht maßstabsgetreu.
- Der Aufbau eines Stahlrahmenpools ist ohne den Einsatz von Werkzeug möglich.
- Der Aufbau ohne Befüllung dauert mit 2-3 Personen in der Regel ca. 20-30 Minuten.
- Um die Lebensdauer Ihres Pools zu verlängern, ist es wichtig, die oberen Schienen vor dem Aufbau mit Talkumpuder zu bestreuen (nicht im Lieferumfang enthalten).
- Bestway® übernimmt keine Verantwortung für Schäden, die auf die unsachgemäße Handhabung oder Nichtbeachtung dieser Anweisungen zurückzuführen.
- Wir empfehlen dringend, den Pool nur zu montieren, wenn die Außentemperatur mehr 15°C beträgt; das PVC-Material der Poolfolie wird dann flexibler und lässt sich leichter handhaben.

BEFÜLLUNG

- Lassen Sie den Pool wegen der Befüllung nicht unbeaufsichtigt.
- Füllen Sie das den Pool bis zur Schweißlinie mit Wasser. Dies entspricht 90 % der maximalen Wasserkapazität.
- Befüllen Sie den Pool nicht übermäßig, da dies zum Einsturz führen kann. Bei starken Regenfällen empfehlen wir dringend, den Wasserstand vorab zu reduzieren, um ein Überlaufen zu verhindern.
- Wenn das Becken vollständig gefüllt ist, überprüfen Sie, ob der Abstand zwischen der Wasseroberfläche und der Oberkante des Gestänges überall gleich ist... Ist dies nicht der Fall, deutet das auf Unebenheiten des Untergrunds hin.
- Ein mit Wasser gefüllter Pool auf unebenem Boden kann zum Bersten der Schweißpunkte und/oder zum Einsturz des Beckens führen, was schwere Personen- und/oder Sachschäden verursachen kann.

WARTUNG

Das Nichtbefolgen der folgenden Wartungshinweise, kann birgt ernsthafte gesundheitliche Risiken für Sie und Ihre Kinder.

WASSER

- Es ist wichtig, das Wasser Ihres Pools stets sauber und chemisch ausgewogen zu halten. Eine einfache Reinigung der Filterkartusche reicht für eine ordnungsgemäße Wartung nicht aus. Wir empfehlen Ihnen daher den ordnungsgemäßen Einsatz von Pool-Chemie in Form von Chlor- oder Bromtablets (kein Granulat) im Zusammenhang mit dem Chemikaliendosierer zu verwenden. Die Chemietabletten sind nicht im Lieferumfang enthalten.
- Die Wasserqualität steht in direktem Zusammenhang mit der Häufigkeit der Nutzung, der Anzahl der Personen sowie der allgemeinen Pflege des Pools. Wird keine chemische Behandlung des Wassers durchgeführt wird, sollte dieses alle 3 Tage gewechselt werden. Verwenden Sie zur Befüllung in jedem Fall Leitungswasser, um den Einfluss unerwünschter Inhaltsstoffe, wie z. B. Mineralien, zu minimieren.
- Wir empfehlen Ihnen, sich vor der Benutzung des Pools abzusuchen, da Kosmetikprodukte, Lotionen und andere Rückstände auf der Haut die Wasserqualität beeinflussen können.
- Entfernen Sie regelmäßig alle Schmutzablagerungen aus dem Pool.
- Stellen Sie einen Eimer mit Wasser neben Ihren Pool, um die Füße der Benutzer zu reinigen, bevor sie diesen Becken betreten.
- Die chemische Aufbereitung muss mit einem ChemConnect™ Chemikaliendosierer oder einem Dosischwimmer durchgeführt werden. Chemikalien dürfen niemals direkt ins Wasser gegeben werden, da sich diese am Boden absetzen und das Material verfärben oder beschädigen können.

Chemietabletten (nicht im Lieferumfang enthalten):

- Das von Ihnen erworbene Pool-Set enthält möglicherweise keinen ChemConnect™ Chemikaliendosierer. In diesem Fall können Sie diesen unter www.bestwaycorp.com / www.bestwaystore.de (DE / A) oder beim nächsten Händler erwerben.
- Entfernen Sie den Chemikaliendosierer, wenn der Pool in Gebrauch ist.
- Verwenden Sie nach dem Einsatz Poolchemie und vor der Benutzung des Pools Teststreifen (nicht im Lieferumfang enthalten), um den Chemikaliengehalt zu überprüfen. Die folgende Tabelle dient hier als Orientierungshilfe.

Parameter	Wert
Wasserklarheit	Klare Sicht auf Poolboden
Wasserfarbe	Keine Färbung
Trübung in FNU/NTU	Max. 1,5 (optimal: < 0,5)
Nitratkonzentration über dem Wert des Füllwassers (mg/l)	Max. 20
Menge an organischem Kohlenstoff (TOC) (mg/l)	Max. 4,0
Redoxpotential gegen Ag / AgCl 3,5 m KCl in mV	Min. 650
PH-Wert	6,8 - 7,6
Freies Aktivchlor (ohne Cyanursäure) (mg/l)	0,3 - 1,5
Freies Chlor in Kombination mit Cyanursäure (mg/l)	1,0 - 3,0
Cyanursäure (mg/l)	Max. 100
Kombiniertes Chlor (mg/l)	Max. 0,5 (optimal nahe 0,0)

- Schäden am Pool, welche sich auf einen unsachgemäßen Einsatz von Pool-Chemie zurückführen lassen, sind nicht durch die Herstellergarantie abgedeckt.
- Eine übermäßige Verwendung von Chemikalien kann zu Verfärbungen des Materials führen und im schlimmsten Fall die Poolfolie beschädigen.
- Chemikalien sind potenziell giftig und sollten stets mit Vorsicht gehandhabt werden. Chemische Dämpfe, sowie die falsche Kennzeichnung wie Lagerung von Chemikalien können ernsthafte gesundheitliche Risiken darstellen.
- Weitere Informationen erhalten Sie bei Ihrem örtlichen Händler. Beachten Sie dabei unbedingt die Anweisungen des Chemikalienherstellers.
- Die Pumpe dient der Umwälzung des Wassers und dem Einfangen kleiner Schmutzpartikel. Um Ihr Poolwasser darüber hinaus stets sauber und hygienisch zu halten, müssen dem Wasser zusätzlich Chemikalien hinzugefügt werden.

POOLFOLIE

- Wir empfehlen Ihnen den Kauf einer Abdeckplane, insofern diese nicht im Set enthalten ist. So können Sie Ihren Pool bei Nichtbenutzung abdecken. Entfernen Sie eventuelle Schmutzablagerungen auf den oberen Stangen vorsichtig mit einem Tuch.

AUFBAU UND LAGERUNG

ABLASSEN

- Zum Ablassen des Wassers folgen Sie bitte den entsprechenden Abbildungen in der Gebrauchsanweisung. Diese dienen lediglich zur Veranschaulichung und spiegeln möglicherweise nicht das tatsächliche Produkt wider. Nicht maßstabsgetreu.
- Informieren Sie sich außerdem über die örtlich geltenden Vorschriften zur Wasserentsorgung.

REINIGUNG

- Spülen Sie die Poolfolie mit Leitungswasser ab, um alle Chemikalien- und Schmutzreste vollständig zu entfernen.
- Lassen Sie den Pool in der Sonne vollständig trocknen.
- Um das restliche Wasser vollständig zu entfernen, wischen Sie die Poolfolie mit einem trockenen Tuch ab.

LAGERUNG

- Entfernen Sie sämtliches Zubehör und stellen Sie sicher, dass die Poolfolie und das Zubehör vor der Einlagerung vollständig sauber und trocken sind. Ist dies nicht der Fall, kann sich Schimmel bilden und die Poolfolie während der Lagerung beschädigen.
- Wenn das Schwimmbecken vollständig getrocknet ist, bestreuen Sie es mit Talkumpuder, um ein Zusammenkleben zu verhindern.
- Wir empfehlen dringend, den Pool bei einer Außentemperatur unter 10°C abzubauen.
- Falten Sie die Poolfolie nur zusammen, wenn die Außentemperatur über 10°C liegt. Lagern Sie das Schwimmbecken an einem trockenen Ort mit einer moderaten Temperatur zwischen 10 und 38°C. Verwenden Sie für die Lagerung einen Karton, um das PVC-Material während der Winterzeit besser zu schützen.

REPARATUR

Im Falle eines Lecks reparieren Sie Ihren Pool mit dem mitgelieferten Reparaturflicken. Weitere Informationen finden Sie unter www.bestwaycorp.com/support / www.bestwayservice.de (DE / A).

Vielen Dank für Ihren Kauf eines Bestway Produktes!

(DE)

Verlängern Sie Jetzt **kostenlos** die Garantie Ihres Produktes!
Registrieren Sie Ihr Produkt innerhalb von 30 Tagen nach Kaufdatum und in nur wenigen Minuten erhalten Sie eine kostenlose Verlängerung der Herstellergarantie um 6 Monate!

Besuchen Sie sofort **WWW.BESTWAYREGISTRIERUNG.DE**

und registrieren Ihr Produkt!

Diese Möglichkeit der Garantieverlängerung gilt nur in folgenden Ländern:
Deutschland, Belgien, Frankreich, Italien, Luxemburg, Spanien.



OMISTAJAN KÄSIKIRJA



Käy katsomassa Bestway YouTube-kanavaa

TÄRKEITÄ TURVALLISUUSOHJEITA

⚠ VAROITUS

LUE JA NOUDATA KAUKKIA OHJEITA.

- Lue huolellisesti, ymmärrä ja noudata kaikkia tämän käyttöoppaan tietoja ennen uima-altaan asennusta ja käyttöä. Nämä varoitukset, ohjeet ja turvallisuusohjeet koskevat yleisiä vedessä virkistätymisen riskejä, mutta ne eivät pysty kattamaan kaikkia riskejä ja vaaroja kaikissa tapauksissa. Ole aina varovainen, käytä tervettä järkeä ja hyvää arvostelukykä, kun olet vedessä. Säilytä nämä tiedot myöhemmpää käyttöä varten. Altaan tyypistä riippuen voidaan toimittaa lisäksi seuraavat tiedot.
- Säilytä nämä ohjeet turvallisessa paikassa. Jos ohjeet puuttuvat, ota yhteyttä valmistajaan tai etsi ohjeet verkkosivustolta www.bestwaycorp.fi.
- Määrää pätevä aikuinen valvomaan altaasta joka kerta, kun sitä käytetään.
- Reunat, allaspeitteet, allashälyttimet tai vastaavat turvalaitteet ovat hyödyllisiä apuvälineitä, mutta ne eivät korvaa jatkuvaa ja pätevää aikuisen valvontaa.

Altaan turvallinen käyttö

- Kannusta kaikkia käyttäjiä, erityisesti lapsia, opettelemaan uimaan.
- Opi perusensiapu (paineelueivytys) ja päivitä tätä osaamista säännöllisesti. Tämä voi pelastaa elämän hätätilanteessa.
- Ohjeista kaikkia altaan käyttäjiä, lapset mukaan lukien, mitä tehdä hätätilanteessa.
- Älä koskaan sukella altaan matalaan osaan. Tämä voi aiheuttaa vakavan vamman tai kuoleman.
- Älä käytä uima-altaasta, kun käytät alkoholia tai lääkitystä, jotka voivat heikentää kykyä käyttää altaasta turvallisesti.

Turvalaitteet

- Jotta lapsia estettäisiin hukkamasta, suosittelemme sulkemaan pääsyn altaalle suojaileilla. Jotta lapsia estettäisiin kipeämästä sisään- ja ulostuloventtiin, suosittelemme asentamaan esteen (ja lukitsemaan kaikki ovet ja ikkunat, kun sovellettavissa) luvattoman pääsyn estämiseksi altaaseen.

Turvalaitteisto

- Suosittelemme säilyttämään pelastuslaitteisto (esim. pelastusrenkas) altaalla.
- Pidä toimiva puhelin ja luettelo hätäpuhelinnumeroista lähellä altaasta.
- Kun allaspeitteitä käytetään, poista ne kokonaan altaan pinnalta ennen altaaseen menoa.
- Suojaa altaan käyttäjiä veteen liittyvistä sairauksista pitämällä altaan vesi käsiteltynä ja noudattamalla hyviä hygieniakäytäntöjä. Katso vedenkäsitelyohjeita käyttöoppaasta.
- Säilytä kemikaalit (esim. vedenkäsitely-, puhdistus- tai desinfiointituotteet) poissa lasten ulottuvilta.
- Käytä alla esitetyjä opasteita. Opasteet on sijoitettava näkyvälle paikalle enintään 2 m altaasta.



Älä jätä lapsia ilman valvontaa, kun lähistöllä on vettä. Ei sukeltamista.

- Irrotettavat tikkaat on sijoitettava vaakasuoralle pinnalle.
- Rippumatta altaan rakentamiseen käytetyistä materiaaleista, käytettävissä olevat pinnat on tarkastettava säännöllisesti vammojen välttämiseksi.
- Tarkasta pulkit ja ruuvit säännöllisesti. Poista tikut tai muut terävät reunat vammojen välttämiseksi.
- Älä jätä tyhjää altaasta ulos. Tyhjä altaan muoto voi vääristyä ja/tai allas voi siirtyä paikaltaan tuulen vuoksi.
- Jos sinulla on suodatinpumppu, noudata pumpun ohjekirjan ohjeita.
- Pumpua ei saa käyttää, kun altaassa on ihmisiä!
- Jos sinulla on tikkaat, noudata tikkaiden ohjekirjan ohjeita.
- **VAROITUS!** Uima-altaan käyttö viittaa käyttö- ja huolto-oppaassa kuvattujen turvallisuusohjeiden noudattamiseen. Hukkumisen tai muiden vakavien vammojen estämiseksi kiinnitä erityistä huomiota alle 5-vuotiaiden lasten odottamattoman pääsyn altaalle lukitsemalla pääsy sille, ja uinnin aikana pätevän aikuisen on valvottava heitä jatkuvasti.

Uimataidottomien turvallisuus

- Jatkuva, aktiivinen ja tarkkaavainen heikkojen uimareiden tai uimataidottomien valvonta pätevän aikuisen toimesta vaaditaan kaikkina aikoina (muistaen, että alle 5-vuotiaat lapset ovat suurimmassa hukkumisvaarassa).
- Heikkojen uimareiden tai uimataidottomien tulisi käyttää henkilönsuojalaitteita altaassa.
- Kun allas ei ole käytössä tai se on vartioimaton, poista kaikki lelut altaasta ja sen ympäristöstä, jotta lapsilla ei olisi houkutusta mennä altaalle.

LUE NÄMÄ TIEDOT HUOLELLISESTI JA SÄILYTÄ MAHDOLLISTA TULEVAAN TARVETTA VARTEN.

ENNEN ASENNUSTA

TARKISTUSLISTA

Tarkista osat käsikirjasta. Tarkista, että laitteen osat ovat sen mallin osia, jonka halusit ostaa. Jos ostoehdellä on vahingoittuneita tai puuttuvia osia, käy verkkosivustollamme Bestwaycorp.com/support.

VALITSE SOPIVA PAIKKA

Altaan asennuspaikan pinnan on täytettävä seuraavat ominaisuudet:

- Altaan sisältämän veden ja altaan käyttäjien yhteispainon vuoksi on äärimmäisen tärkeää, että altaalle valittu asennuspaikka kannattelee tasaisesti koko painon altaan koko asennusajan. Ota huomioon paikkaa valitessasi, että altaasta voi valua pois vettä käytön tai sateen aikana. Jos vesi pehmentää pinnan, se ei ehkä enää pysty kannattelemaan altaan painoa.
- Tarkasta säännöllisesti pystyjalkojen asento ja U-tuet. Niiden on oltava aina altaan pohjan tasolla. Jos pystyjalka tai U-tuki alkaa upota maahan, tyhjennä altaasta vesi välittömästi, jotta allas ei romahda runkorakenteen epätasaisen kuormituksen vuoksi. Vaihda allas toiseen paikkaan tai muokkaa maanpintaa.
- Pinnan tulee olla tasainen ja sileä. Jos pinta on kalteva tai epätasainen, altaan rakenne voi kuormittua epätasapainoisesti. Tämä voi vahingoittaa vuorauksen hitsauskohtia ja taivuttaa runkoa. Pahimmassa tapauksessa allas voi romahtaa aiheuttaen vakavan henkilövahingon ja/tai omaisuusvahinkoja.
- Suosittellemme sijoittamaan altaan loitolle tavaroista, joita lapset voisivat käyttää altaaseen kipeämiseen.
- Sijoita uima-allas lähelle asianmukaista poistojärjestelmää ylivuotoja tai altaan tyhjennystä varten. Varmista, että se altaan reuna, jossa on veden sisäänulo A ja ulostulo B, ovat samassa suunnassa kuin virtälähde, johon suodatusjärjestelmä on liitetty.
- Valitulla pinnalla ei saa olla mitään tavaraita. Veden painon vuoksi altaan alla olevat esineet voivat vahingoittaa tai puhkaista altaan pohjan.
- Valitulla pinnalla ei saa aggressiivisia kasveja tai ruohoja. Voimakas kasvillisuus voi kasvaa vuorauksen läpi ja aiheuttaa vesivuotoja. Ruoho ja muu kasvillisuus, joka voi synnyttää hajua tai liejuja, on poistettava asennuspaikalta.
- Valitun kohtaan yläpuolella ei saa olla voimalinjoja tai puita. Varmista, että kohteessa ei ole maanallaisia putkia, linjoja tai kaapeleita.
- Valitun paikan on oltava kaukana talon sisäänkäynnistä. Älä laita altaan ympärille mitään laitteita tai muita kalusteita. Käytön aikana tai viallisesta tuotteesta pois valvua vesi voi vahingoittaa talon sisällä tai altaan ympärillä olevia kalusteita.
- Valitun pinnan on oltava tasainen, eikä siinä saa olla kuoppia, jotka voivat vahingoittaa vuorauksen materiaalia.
- Ehdotettu asennuspinta:** nurmikko, maa, betoni ja kaikki muut pinnat, jotka vastaavat yllä annettuja asennusvaatimuksia.
- Pinnat, joita ei suositella:** mura, hiekka, sora, terassi, parveke, ajotie, taso, pehmeä/irtonainen maaperä tai muu pinta, joka ei täytä edellä mainittuja asennusolosuhteita.
- Tarkista paikalliset aidotukseen, esteisiin, valaistukseen ja turvatoimenpiteisiin liittyvät säädökset ja varmista, että noudatat kaikki asiaankuuluvia lakeja.
- Jos setti sisältää pumpun ja/tai tikkaat, noudata pumpun/tikkaiden käyttöoppaan sisältämiä asennus- ja turvallisuusohjeita. Tikkaiden koon on vastattava altaan kokoa.
- Jos altaan paikkaa on tarpeen muuttaa asennuksen aikana, nosta vuoraus maasta. Älä vedä vuorasta toiseen paikkaan, sillä PVC-materiaalin ja maan välinen hankaus saattaa vaurioittaa allasvuorasta.
- Valitse asianmukainen pinta ja altaan asennuspaikka noudattamalla yllä annettuja tärkeitä ohjeita. Altaan osien vahingoittumista, joka johtuu siitä, että asennuspinta ja paikka ei ole ohjeiden mukainen, ei katsota valmistusvikaksi, takuu kata niitä eikä niille voi esittää huoltovaatetta.**

ASENNUS

KOKOAMINEN

- Noudata käyttöoppaan kuvien asennusohjeita. Piirustukset ovat vain viitteeksi. Ne eivät välttämättä vastaa todellista tuotetta. Ne eivät ole mittakaavassa.
- Altaan runko voidaan koota ilman työkaluja.
- Asennus kestää yleensä noin 20-30 minuuttia, kun asennuksessa on mukana 2-3 henkilöä. Aikaan ei lueta altaan täyttämistä.
- Altaan käyttöajan pidentämiseksi on tärkeää ripotella yläkiskoihin talkkijauhetta ennen kokoontamisaikaa. Talkkijauhetta ei toimiteta mukana.
- Bestway ei vastaa uima-altaalle koituneista vahingoista, jotka johtuvat väärästä käsittelystä tai näiden ohjeiden noudattamatta jättämisestä.
- Suosittellemme vahvasti avamaan pakkauksen ja asettamaan altaan paikalleen, kun ympäristön lämpötila on yli 15 °C / 59°F, koska vuorauksen PVC-materiaali on tällöin joustavampaa ja helpompaa asentaa.

ALTAAN TÄYTTÖ VEDELLÄ

- Älä jätä uima-allasta ilman valvontaa, kun täytät sitä vedellä.
- Täytä allas, kun kaikki asennustyöt on tehty. Täytä allasta, kunnes vesi yltää hitsausviivaa, mikä vastaa 90 % täyttöastetta.
- Älä ylitäytä, sillä se saattaa aiheuttaa altaan romahtamisen. Erittäin sateisella säällä suosittellemme tyhjentämään altaasta vettä, jotta veden kokonaisuus pysyy oikeana (90 %), eikä vettä kerry altaaseen niin paljon, että sitä allas virrata pois.
- Kun allas on täytetty vedellä, tarkista, että vedenpinnan ja kiskojen yläreunan välimatka on sama joka puolella allasta. Jos välimatka ei ole sama, allas ei ole vaakasuorassa. Suosittelemme tässä tapauksessa tyhjentämään altaan ja tasaamaan maan pinnan.
- Jos altaan annetaan olla epätasaisella maanpinnalla, altaan hitsaussaumut voivat pettää ja/tai allas voi romahtaa. Tästä voi aiheutua vakavia henkilö- ja/tai omaisuusvahinkoja.

KUNNOSSAPITO

Jos et noudata tässä annettuja kunnossapito-ohjeita, terveytesi ja erityisesti lapsiesi terveys voi vaarantua.

VESI

- Altaan veden pitäminen puhtaana ja kemiallisesti tasapainossa on välttämätöntä. Pelkästään suodatinpatruunoiden puhdistus ei yksistään riitä. Lisäksi suosittelemme käyttämään kemikaaliannostelijassa uima-altaan veden puhdistamiseen tarkoitettuja kemikaaleja ja kloori- ja bromitabletteja (älä käytä rakeita).
- Altaan käyttöikeys, käyttäjien määrä sekä altaan huoltoimet vaikuttavat suoraan vedenlaatuun. Jos altaan vettä ei käsitellä kemiallisesti millään tavalla, vesi tulisi vaihtaa 3 päivän välein. On erittäin suositeltavaa täyttää allas vesijohtovedellä, jotta voidaan minimoida ei-toivotun sisällön, kuten mineraalien, vaikutus.

- Suosittelemme suihkussa käymistä ennen altaan käyttämistä, sillä kosmeettiset tuotteet, voiteet ja muut jäämät voivat huonontaa vedenlaatua nopeasti.
- Puhdista altaan pinta säännöllisesti, jotta likaa ei pääse kertymään.
- Laita vesiamperi altaan vieren, jotta käyttäjät voivat puhdistaa jalkansa ennen altaaseen menoa.
- Altaan kemiallinen huolto on tehtävä käyttämällä ChemConnectia tai kemikaalikelkettä. Älä heitä kemiallisia tuotteita suoraan veteen, kemikaali kerääntyy pohjaan ja vahingoittaa materiaalia ja värjää PVC:n.

Kemikaalitabletit (ei sisälly toimitukseen):

- Ostamassasi altaassa ei ole välttämättä ole mukana mitään annostelijoita. Siinä tapauksessa voit ostaa niitä verkkosivustoltamme www.bestwaycorp.fi tai lähimmältä altaan jälleenmyyjältä.
- Poista kemikaaliannostelija altaasta, kun allas on käytössä.
- Testaa veden kemiallinen koostumus testisarjalla (ei sisälly toimitukseen), sen jälkeen kun kemikaaleja on lisätty veteen ja ennen kuin allasta käytetään. Suosittelemme ylläpitämään vesikemikaalien tasapainon alla näkyvän taulukon mukaisesti:

Parametrit	Arvot
Veden kirkkaus	selkeä näkyvyys altaan pohjaan
Veden väri	mitään väriä ei tulisi havaita
Sameus FNU/NTU:ssa	maks. 1.5 (mieluiten alle 0,5)
Nitraattipitoisuus enemmän kuin täyttövedessä mg/l	maks. 20
Orgaanisen hiilen kokonaismäärä (TOC) mg/l	maks. 4,0
Redoksipotentiaali vastaan Ag/AgCl 3,5 m KCl mV:ssä	väh. 650
pH-arvo	6,8–7,6
Vapaa aktiivinen kloori (ilman syanurihappoa) mg/l	0,3–1,5
Vapaa kloori käytettyinä yhdessä syanurihapon kanssa mg/l	1,0–3,0
Syanurihappo mg/l	maks. 100
Yhdistetty kloori mg/L	maks. 0,5 (mieluiten lähellä 0,0 mg/l)

- Takuu ei kata vahinkoja, jotka ovat aiheutuneet kemikaalien väärinkäytöstä ja altaan veden väärinlaisesta huollosta.
- Kemikaalien liikkäkyttö värjää altaan materiaalin painatuksen ja kaikki kohdat. Pahimmassa tapauksessa altaan vuorauksen rakenne vaurioituu.
- Allaschemikaalit ovat periaatteessa myrkyllisiä ja niitä tulisi käsitellä varoen. Kemialliset kaasut ovat vakava terveysriski. Myös virheelliset etiketit ja kemiallisia aineita sisältävien säiliöiden virheellinen varastointi voivat olla vakavia terveysriskejä.
- Lisätietoja veden kemiallisen tasapainon ylläpitämisestä saat paikalliselta uima-allastuotteiden tai kemiallisten tuotteiden jälleenmyyjältä. Seuraa tarkasti kemikaalien valmistajan ohjeita.
- Pumpua käytetään kierrättämään vettä ja suodattamaan pienhiukkaset. Altaan veden pitämiseksi puhtaana ja hygieenisenä siihen on lisättävä kemikaaleja.

VUORAUUS

- Suosittelemme, että ostat allaskatteen, jos sellainen ei sisälly toimitukseen. Allas kannattaa peittää katteella, kun sitä ei käytetä, jotta yläkiskojen Duraplus-materiaali ei vahingoitu. Puhdista hellävaraisesti yläkiskoihin mahdollisesti kertynyt lika puhtaalla liinalla.

PURKAMINEN JA VARASTOINTI

TYHJENNYS

- Tyhjennä noudattamalla oppaan piirustuksia. Piirustukset ovat vain viitteeksi. Ne eivät välttämättä vastaa todellista tuotetta. Ne eivät ole mittakaavassa.
- Tarkasta mahdolliset paikalliset altaan tyhjennystä koskevat määräykset.

PUHDISTUS

- Huuhtelee allasvuoraus vesijohtovedellä ja poista huolellisesti kaikki kemikaalien ja liian jäänteet.
- Jätä allas auringonvaloon, kunnes se on täysin kuiva.
- Poista loputkin vedet vuorauksesta pyyhkimällä vuoraus kuivalla liinalla.

VARASTOINTI

- Irrota kaikki lisälaitteet ja varmista, että altaan vuoraus ja lisätarvikkeet ovat täysin puhtaat ja kuivat ennen varastointia. Jos allas ei ole täysin kuiva, hometta voi muodostua. Se vaurioittaa vuorausta varastoinnin aikana.
- Kun allas on täysin kuiva, ripottele talkkijauhetta estääksesi allasta liimautumasta yhteen.
- On erittäin suositeltavaa purkaa allas osiin, kun ympäristön lämpötila on alle 10 °C / 50°F.
- Taita altaan vuorausta vain, jos ympäristön lämpötila on yli 10 °C / 50°F. Varastoi allas kuivassa paikassa, jonka lämpötila on 10 °C / 50°F – 38 °C / 100°F. Aseta altaan vuoraus ja kaikki lisätarvikkeet pihvialatikkoon, joka suoja PVC-materiaalia muita materiaaleja paremmin talvikauduksina.

KORJAAMINEN

Mikäli vuotoja on, paikkaa allasta käyttämällä mukana toimitettua vedessä käytettävää korjauspaikkaa. Usein kysytyjä kysymyksiä löytyy verkkosivustomme www.bestwaycorp.fi/support.



GEBRUIKERSHANDLEIDING



Bezoek het Bestway YouTube kanaal

BELANGRIJKE VEILIGHEIDSINSTRUCTIES

⚠ WAARSCHUWING LEES EN VOLG ALLE INSTRUCTIES.

- Lees, begrijp en volg alle informatie in deze gebruikershandleiding zorgvuldig voordat u het zwembad opzet en gebruikt. Deze waarschuwingen, instructies en veiligheidsrichtlijnen behandelen enkele veelvoorkomende risico's, maar ze kunnen niet alle mogelijke risico's en gevaren dekken. Wees altijd voorzichtig en gebruik gezond verstand wanneer u van enige wateractiviteit geniet. Bewaar deze informatie voor toekomstig gebruik. Bovendien kan de volgende informatie verkregen worden, afhankelijk van het type zwembad.
- Bewaar de gebruiksaanwijzing op een veilige plaats. Als er instructies ontbreken, neem dan contact op met de fabrikant of zoek ernaar op de website www.bestwaycorp.com.
- Wijs een competente volwassene aan om toezicht te houden op het zwembad bij elk gebruik.
- Barrières, zwembadafdekkingen, zwembadalarmen of soortgelijke veiligheidsvoorzieningen zijn nuttige hulpmiddelen, maar ze zijn geen vervanging voor continue en competent toezicht van volwassenen.

Veilig gebruik van het zwembad

- Moedig alle gebruikers, vooral kinderen, aan om te leren zwemmen.
- Leer eerste hulp ondersteuning (cardiopulmonale reanimatie - CPR) en vernieuw deze kennis regelmatig. Dit kan een levensreddend verschil maken in geval van nood.
- Vertel alle zwembad gebruikers, inclusief kinderen, wat ze moeten doen in geval van nood.
- Duik nooit in ondiep water. Dit kan leiden tot ernstig letsel of een sterfgeval.
- Gebruik het zwembad niet wanneer u alcohol of medicijnen gebruikt die het vermogen van de badgasten om het zwembad veilig te gebruiken, kunnen aantasten.

Veiligheidsstoelstellen

- Om te voorkomen dat kinderen verdrinken, is het aan te raden om de toegang tot het zwembad te beveiligen met een beschermingsvoorziening. Om te voorkomen dat kinderen op de in- en uitlaatklep klimmen, wordt aanbevolen om een barrière te installeren (en indien van toepassing alle deuren en ramen te beveiligen) om onbevoegde toegang tot het zwembad te voorkomen.

Veiligheids uitrusting

- Het wordt aanbevolen om reddingsuitrusting (bijv. een ringboei) bij het zwembad te bewaren.
- Houd een werkende telefoon en een lijst met noodnummers in de buurt van het zwembad.
- Wanneer zwembadafdekkingen worden gebruikt, verwijder deze dan volledig van het wateroppervlak voordat u het zwembad ingaat.
- Bescherm zwembadgebruikers tegen water gerelateerde ziekten door het zwembadwater te behandelen en goede hygiëne in acht te nemen. Raadpleeg de richtlijnen voor waterbehandeling in de gebruikershandleiding.
- Bewaar chemicaliën (bijv. waterbehandelings-, reinigings- of desinfectieproducten) buiten het bereik van kinderen.
- Gebruik de bordes zoals hieronder beschreven. Het moet op een prominente plaats binnen 2 meter van het zwembad worden weergegeven.



Houd kinderen onder toezicht in het watermilieu. Niet duiken.

- Verwijderbare ladders moeten op een horizontaal oppervlak worden geplaatst.
- Ongeacht de materialen die worden gebruikt voor de constructie van het zwembad, moeten toegankelijke oppervlakken regelmatig worden gecontroleerd om verwondingen te voorkomen.
- Controleer regelmatig bouten en schroeven. Verwijder splinters of scherpe randen om verwondingen te voorkomen.
- Laat het leeggelopen zwembad niet buiten staan. Het leeg zwembad kan door wind vervormd en/of verplaatst worden.
- Als u een filterpomp heeft, raadpleeg dan de handleiding van de pomp voor instructies.
- De pomp kan niet worden gebruikt als er mensen in het zwembad zijn!
- Als u een ladder heeft, raadpleeg dan de handleiding van de ladder voor instructies.
- **WAARSCHUWING!** Het gebruik van een zwembad impliceert de naleving van de veiligheidsinstructies beschreven in de gebruiks- en onderhoudsgids. Om verdrinking of ander ernstig letsel te voorkomen, dient u bijzondere aandacht te besteden aan de mogelijkheid van onverwachte toegang tot het zwembad door kinderen jonger dan 5 jaar door de toegang tot het zwembad te beveiligen en hen tijdens het baden onder constant toezicht van een volwassene te houden.

Veiligheid voor Niet-Zwemmers

- Voortdurend, actief en waakzaam toezicht door een competente volwassene is te allen tijde vereist voor zwakke zwemmers en niet-zwemmers (onthoud dat kinderen jonger dan vijf jaar het grootste risico lopen om te verdrinken).
- Zwakke zwemmers of niet-zwemmers moeten persoonlijke beschermingsmiddelen dragen tijdens het gebruik van het zwembad.
- Als het zwembad niet in gebruik is of er geen toezicht is, verwijder dan al het speelgoed uit het zwembad en de omgeving rond het zwembad om te voorkomen dat kinderen er naar toe gaan.

LEES ZORGVULDIG EN BEWAAR VOOR TOEKOMSTIGE REFERENTIE.

PRE-SETUP

CHECK LIST

Controleer de onderdelen in de handleiding. Controleer of de apparatuurcomponenten het model vertegenwoordigen dat u van plan was te kopen. In het geval van beschadigde of ontbrekende onderdelen op het moment van aankoop; bezoek dan onze website bestwaycorp.com/support.

KIES DE JUISTE LOCATIE

Het oppervlak dat is gekozen om het zwembad op te installeren, moet aan de volgende voorwaarden voldoen:

- Vanwege het gecombineerde gewicht van het water in het zwembad en de gebruikers van het zwembad, is het uiterst belangrijk dat het gekozen oppervlak om het zwembad op te zetten in staat is om het totale gewicht gelijkmatig te dragen gedurende de hele tijd dat het zwembad is geïnstalleerd. Houd er bij de keuze van de ondergrond rekening mee dat er water uit het zwembad kan komen bij gebruik of bij regen. Als het water het oppervlak zachter maakt, kan het zijn vermogen verliezen om het gewicht van het zwembad te dragen.
- Controleer regelmatig de stand van de verticale poten en/of de U-steunen. Ze moeten zich te allen tijde op hetzelfde niveau als de bodem van het zwembad bevinden. Als de verticale poot of de U-steun in de grond begint te zakken, laat het zwembadwater dan onmiddellijk weglopen om te voorkomen dat het zwembad bezwijkt door de ongelijkmatige belasting van de framestructuur. Verander dan de locatie van het zwembad of wijzig het oppervlakmateriaal.
- Het oppervlak moet vlak en glad zijn. Als het oppervlak schuin of oneffen is, kan dit een onevenwichtige belasting op de structuur van het zwembad veroorzaken. Dit kan de laspunten van de voering beschadigen en het frame verbuigen. In het ergste geval kan het zwembad instorten, met ernstig persoonlijk letsel en/of schade aan persoonlijke eigendommen tot gevolg.
- We raden aan om het zwembad uit de buurt van voorwerpen te plaatsen die kinderen kunnen gebruiken om in het zwembad te klimmen.
- Plaats het zwembad in de buurt van een geschikt afvoersysteem om overstroming op te vangen of om het zwembad te legen. Zorg ervoor dat de kant van het zwembad met de waterinlaat A en -uitlaat B zich in dezelfde richting van de stroombron bevinden, waar het filtersysteem moet worden aangesloten.
- Het gekozen oppervlak moet vrij zijn van elk type object. Vanwege het gewicht van het water, kan elk object onder het zwembad de bodem beschadigen of perforeren.
- Het geselecteerde oppervlak moet vrij zijn van agressieve planten en onkruidsoorten. Die soorten sterke vegetatie zouden door de voering kunnen groeien en waterlekage creëren. Gras of andere vegetatie die geur of slijm kunnen ontwikkelen moeten worden verwijderd uit de opzetlocatie.
- De geselecteerde locatie mag geen bovengrondse hoogspanningslijnen of bomen hebben. Zorg ervoor dat de locatie geen ondergrondse leidingen of kabels van welke aard dan ook bevat.
- De geselecteerde positie moet ver van de ingang van het huis zijn. Plaats geen apparaat of ander meubilair rond het zwembad. Het water dat tijdens het gebruik of door een defect uit het zwembad komt, kan het meubilair in huis of rond het zwembad beschadigen.
- Het geselecteerde oppervlak moet vlak zijn en zonder gaten die het materiaal van de voering kunnen beschadigen.

Aanbevolen Oppervlakken: gras, grond, beton en alle andere oppervlakken die voldoen aan de bovenstaande voorwaarden.

Niet Aanbevolen Oppervlakken: modder, zand, grind, terras, balkon, oprit, zachte/losse grond of andere ondergrond die niet aan bovenstaande voorwaarden voldoet.

- Neem contact op met uw plaatselijke overheid voor regelgevingen met betrekking tot omheiningen, slagbomen, verlichting en veiligheidsvereisten en zorg ervoor dat u aan alle wetten voldoet.
- Als er een pomp en/of ladder in de set zit, raadpleeg dan de handleiding van de pomp en/of ladder voor veiligheidsinstructies en installatie. De ladder moet overeenkomen met de grootte van het zwembad.
- Als het tijdens het opzetten nodig is om de positie van het zwembad te veranderen, til dan de voering op en sleep het niet over de grond; de wrijving tussen het PVC materiaal en de grond kan de voering van het zwembad beschadigen.
- **Volg de belangrijke instructies hierboven om het juiste oppervlak en de juiste locatie te kiezen om uw zwembad op te zetten. Beschadigde onderdelen van het zwembad, vanwege het feit dat het opsteloppervlak en de locatie niet overeenkomen met de instructies, zullen niet worden beschouwd als fabricagefouten en zullen geen gebruik maken van de garantie en eventuele serviceclaims.**

INSTALLATIE

IN ELKAAR ZETTEN

- Volg voor installatie instructies de tekeningen in de handleiding. Tekeningen zijn alleen ter illustratie. Ze geven mogelijk niet het werkelijke product weer. Niet op schaal.
- De montage van de Frame Pool kan zonder gereedschap worden uitgevoerd.
- Het opzetten duurt meestal ongeveer 20-30 minuten met 2-3 personen exclusief vulling.
- Om de levensduur van uw zwembad te verlengen, is het belangrijk om voor de montage de bovenrails met talkpoeder te besprenkelen. Talkpoeder is niet inbegrepen in de verpakking.
- Bestway is niet verantwoordelijk voor schade aan het zwembad veroorzaakt door verkeerd gebruik of het niet opvolgen van deze instructies.
- We raden ten eerste aan om de verpakking te openen en het zwembad in elkaar te zetten wanneer de omgevingstemperatuur hoger is dan 15°C / 59°F; het PVC materiaal van de voering zal flexibeler worden en is dan gemakkelijker te monteren.

ZWEMBAD VULLEN MET WATER

- Laat het zwembad niet onbeheerd achter tijdens het vullen met water.
- Vul het zwembad met water nadat alle stappen voor het opzetten zijn voltooid en vul totdat het water de laslijn bereikt, wat overeenkomt met 90% van de volledige capaciteit.
- Niet te vol vullen, omdat dit ertoe kan leiden dat het zwembad instort. In geval van hevige regenval raden we ten eerste aan om het waterpeil te verlagen om het op 90% van de capaciteit te houden, om te voorkomen dat het water overloopt.
- Controleer of de afstand tussen het wateroppervlak en de bovenkant van de rails overal gelijk is wanneer het zwembad volledig gevuld is; als het anders is, betekent dit dat de vloer niet is geëgaliseerd, dus we raden ten eerste aan om dan het water af te voeren en de grond opnieuw te egaliseren.
- Als het zwembad vol water op een ongelijke ondergrond blijft staan, kunnen de laspunten barsten en/of kan het zwembad instorten, met ernstig persoonlijk letsel en/of materiële schade tot gevolg.

ONDERHOUD

Als u zich niet aan de onderstaande onderhoudsrichtlijnen houdt, kan uw gezondheid in gevaar komen, vooral die van uw kinderen.

WATER

- Het is noodzakelijk om uw zwembadwater schoon en chemisch gebalanceerd te houden. Het reinigen van de filterpatroon op zichzelf is niet voldoende voor goed onderhoud; we raden u aan om zwembadchemicaliën te gebruiken om de waterchemie te behouden en chloor- of broomtabletten te gebruiken met de chemicaliëndispenser (gebruik geen korrels).
- De waterkwaliteit is direct gerelateerd aan de gebruiksfrequentie, het aantal gebruikers en het algehele onderhoud van het zwembad. Het water moet om de 3 dagen worden ververs als er geen chemische behandeling met het water wordt uitgevoerd. Het wordt sterk aanbevolen om kraanwater te gebruiken voor het vullen om de invloed van ongewenste inhoud, zoals mineralen, te minimaliseren.
- We raden u aan te douchen voordat u uw zwembad gebruikt, omdat cosmetische producten, lotions en andere resten op de huid de waterkwaliteit snel kunnen aantasten.
- Schuim het zwembad regelmatig af om bezonken vuil te voorkomen.
- Plaats een emmer water naast het zwembad om de voeten van de gebruikers schoon te maken voordat ze het zwembad in gaan.
- Het chemisch onderhoud dient te worden uitgevoerd met ChemConnect of chemische skimmer; gooi chemische producten niet direct in het water, de chemische stof zal zich dan afzetten op de bodem en wat het materiaal beschadigt en het PVC verkleurt.

Chemische tabletten (niet inbegrepen):

- Uw gekochte zwembadset bevat mogelijk geen dispensers; in dit geval kunt u er een kopen door onze website www.bestwaycorp.com te bezoeken of bij de dichtstbijzijnde zwembaddealer.
- Verwijder de chemicaliëndispenser uit het zwembad wanneer het zwembad in gebruik is.
- Gebruik na het uitvoeren van chemisch onderhoud en voordat u het zwembad gaat gebruiken een testkit (niet meegeleverd) om de chemische samenstelling van het water te testen. We raden aan om de chemische balans van het water als volgt te handhaven.

Parameters	Waarden
Waterhelderheid	Vrij zicht op de bodem van het zwembad
Kleur van het water	Er mag geen kleur worden waargenomen
Troebelheid in FNU/NTU	Maximaal 1,5 (bij voorkeur minder dan 0,5)
Nitraatconcentratie boven vulwater in mg/l	max. 20
Totaal organische koolstof (TOC) in mg/l	max. 4,0
Redoxpotentiaal tegen Ag/AgCl 3,5 m KCl in mV	min. 650
pH waarde	6,8 tot 7,6
Vrij actief chloor (zonder cyaanuurzuur) in mg/l	0,3 tot 1,5
Vrij chloor gebruikt in combinatie met cyaanuurzuur in mg/l	1,0 tot 3,0
Cyanuurzuur in mg/l	max. 100
Gecombineerd chloor in mg/l	max. 0,5 (Bij voorkeur dicht bij 0,0 mg/l)

- Schade aan het zwembad als gevolg van verkeerd gebruik van chemicaliën en verkeerd beheer van het water valt niet onder de garantie.
- Overmatig gebruik van chemicaliën zal de bedrukking en alle punten van het materiaal van het zwembad verkleuren; in het ergste geval zal het de structuur van de voering beschadigen.
- Zwembadchemicaliën zijn potentieel giftig en moeten met zorg worden behandeld. Chemische dampen en onjuiste etikettering en opslag van chemicaliëncontainers brengen ernstige gezondheidsrisico's met zich mee.
- Raadpleeg alstublieft uw plaatselijke zwembad of chemicaliën leverancier voor meer informatie over chemisch onderhoud. Let goed op de instructies van de fabrikant van de chemicaliën.
- De pomp wordt gebruikt om het water te laten circuleren en kleine deeltjes te filteren. Om uw zwembadwater schoon en hygiënisch te houden, moet u ook chemicaliën toevoegen.

VOERING

- We raden u aan een zwembadafdekking te kopen indien deze niet in de set zit, en het zwembad af te dekken wanneer u het niet gebruikt, om schade aan het Duraplus materiaal op de bovenrails te voorkomen. Reinig eventuele vuilafzetting op de bovenrails voorzichtig met een schone doek.

DEMONTAGE EN OPSLAG

AFVOEREN

- Volg de tekeningen in de handleiding voor het leeglopen. Tekeningen zijn alleen ter illustratie. Ze geven mogelijk niet het werkelijke product weer. Niet op schaal.
- Om uw zwembadwater af te voeren, raadpleeg de plaatselijke voorschriften voor afvoerverordeningen.

SCHOONMAKEN

- Spoel de voering af met kraanwater om eventuele resten van chemicaliën of vuil volledig te verwijderen.
- Laat het zwembad in de zon liggen totdat het volledig is opgedroogd.
- Om het resterende water volledig te verwijderen, veegt u de voering van het zwembad af met een droge doek.

OPSLAG

- Verwijder alle accessoires; zorg ervoor dat de voering, en de accessoires volledig schoon en droog zijn voordat u ze opbergt. Indien het zwembad niet volledig droog is, kan er schimmel ontstaan die de voering van het zwembad kan beschadigen tijdens de opslagperiode.
- Zodra het zwembad helemaal droog is, bestrooit u het met talkpoeder om te voorkomen dat het zwembad aan elkaar blijft plakken.
- We raden ten zeerste aan om het zwembad te demonteren wanneer de omgevingstemperatuur lager is dan 10°C / 50°F.
- Vouw de voering alleen op als de omgevingstemperatuur hoger is dan 10°C / 50°F. Bewaar het zwembad op een droge plaats met een gematigde temperatuur tussen 10°C / 50°F en 38°C / 100°F en plaats de voering en alle accessoires in een kartonnen doos om het PVC materiaal beter te beschermen tijdens de winterperiode.

REPARATIE

In het geval van een lek, patch uw zwembad met behulp van de meegeleverde reparatiepleister voor onderwaterlijm. U kunt de instructies vinden in de veelgestelde vragen in het ondersteuningsgedeelte van onze website, www.bestwaycorp.com/support.

Bedankt dat U voor Bestway hebt gekozen !

(BE/NL)

Ontvang onmiddellijk **gratis** de garantieverlenging voor uw aankoop !
Registreer uw product binnen de 30 dagen na de aankoopdatum en wij geven u 6 maanden gratis garantieverlenging.

Bezoek **WWW.REGISTREERBESTWAY.BE** en registreer direct uw product !
De territoriale uitbreiding van deze aanvullende garantie betreft de volgende landen : België, Luxemburg, Italië, Frankrijk, Duitsland en Spanje.



MANUALE D'USO



Visita il canale YouTube Bestway

ISTRUZIONI DI SICUREZZA IMPORTANTI

⚠ AVVERTENZA

SI PREGA DI LEGGERE E SEGUIRE TUTTE LE ISTRUZIONI RIPORTATE DI SEGUITO.

- Si prega di leggere e attenersi a tutte le informazioni contenute in questo manuale utente prima di installare e utilizzare la piscina. Queste avvertenze, istruzioni e linee guida di sicurezza riguardano alcuni dei rischi più comuni, ma non possono necessariamente includere tutti i possibili rischi e pericoli. È opportuno usare sempre cautela e buon senso nello svolgere qualsiasi attività in acqua. Si prega di conservare queste istruzioni per l'uso futuro, tenendo inoltre presente che le informazioni possono variare a seconda del modello di piscina acquistato.
- Conservare queste istruzioni in un luogo sicuro. In mancanza delle stesse, rivolgersi al produttore o effettuare una ricerca sul sito Web www.bestwaycorp.com.
- Affidare a un adulto competente la supervisione della piscina ogni volta che la stessa viene utilizzata.
- Barriere, coperture per la piscina, allarmi o simili dispositivi di sicurezza sono ausili utili, ma non sostituiscono la supervisione continua e competente di un adulto.

Utilizzo sicuro della piscina

- Incoraggiare tutti gli utenti, in particolare i bambini, a imparare a nuotare.
- Imparare le tecniche basilari di supporto vitale (rianimazione cardiopolmonare - RCP) e rinfrescare regolarmente le proprie conoscenze: in situazioni di emergenza, tali conoscenze possono fare la differenza fra la vita e la morte.
- Spiegare a tutti coloro che useranno la piscina, compresi i bambini, cosa fare in caso di emergenza.
- Non tuffarsi mai in specchi d'acqua poco profondi, in quanto ciò potrebbe portare a lesioni gravi o morte.
- Non usare la piscina contestualmente all'assunzione di alcol o farmaci che potrebbero compromettere la capacità di utilizzarla in sicurezza.

Dispositivi di sicurezza

- Per prevenire il pericolo di annegamento nei bambini, si raccomanda di proteggere l'accesso alla piscina con un dispositivo di protezione. Si consiglia di installare una barriera (e bloccare porte e finestre, ove applicabile) per impedire qualsiasi accesso non autorizzato ed evitare che i bambini si arrampichino sulla piscina usando le valvole di ingresso e di uscita.

Equipaggiamento di sicurezza

- Si consiglia di predisporre nelle vicinanze della piscina dispositivi di soccorso (ad es. un salvagente) adeguati.
- Tenere un telefono funzionante e un elenco di numeri di telefono di emergenza nelle vicinanze.
- Quando si utilizzano coperture, rimuoverle completamente dalla superficie dell'acqua prima di immergersi.
- Al fine di proteggere gli utenti dalle possibili malattie causate da acque contaminate, si consiglia di trattare regolarmente l'acqua della piscina e praticare una buona igiene. Consultare le linee guida per il trattamento dell'acqua nel manuale d'uso.
- Conservare i prodotti chimici (ad es. prodotti per il trattamento dell'acqua, la pulizia o la disinfezione) fuori dalla portata dei bambini.
- Utilizzare la segnaletica come indicato di seguito. La segnaletica deve essere esposta in una posizione ben visibile entro 2 m dalla piscina.



Sorvegliare costantemente i bambini quando sono in acqua. Vietato tuffarsi.

- Le scalette rimovibili devono essere posizionate su una superficie orizzontale.
- Indipendentemente dai materiali utilizzati per la realizzazione della piscina, tutte le superfici accessibili devono essere ispezionate regolarmente per prevenire il rischio di lesioni.
- Controllare regolarmente la tenuta di bulloni e viti. Rimuovere schegge o bordi taglienti per evitare lesioni.
- Non lasciare all'esterno la piscina svuotata: potrebbe deformarsi e/o spostarsi a causa del vento.
- Se si dispone di una pompa filtro, fare riferimento al manuale della pompa per tutte le istruzioni.
- Attenzione: la pompa non può essere azionata mentre la piscina è in uso!
- Se si dispone di una scaletta, fare riferimento all'apposito manuale per tutte le istruzioni.
- **AVVERTENZA!** L'utilizzo di una piscina implica il rispetto delle indicazioni di sicurezza descritte nella guida all'uso e alla manutenzione. Al fine di prevenire annegamenti o altre lesioni gravi, prestare particolare attenzione alla possibilità di accesso improvviso alla piscina da parte di bambini di età inferiore a 5 anni; durante il periodo di balneazione, mantenere i bambini sotto la costante sorveglianza di un adulto.

Sicurezza di chi non nuota

- È necessario che i nuotatori principianti/ chi non sa nuotare rimangano sotto la supervisione costante di un adulto esperto quando usano la piscina. Tenere presente che il più alto rischio di annegamento si riscontra nei bambini di età inferiore ai cinque anni.
- I nuotatori principianti e coloro che non sono in grado di nuotare dovrebbero indossare dispositivi di protezione personale quando utilizzano la piscina.
- Quando piscina non è in uso o non è sorvegliata, rimuovere tutti i giocattoli dalla vasca e dall'area circostante per evitare di attirare i bambini.

SI PREGA DI LEGGERE ATTENTAMENTE E CONSERVARE PER RIFERIMENTI FUTURI.

PRIMA DELL'ALLESTIMENTO

ELENCO DI CONTROLLO

Controllare i vari componenti facendo riferimento al manuale. Accertarsi che corrispondano al modello che si intendeva acquistare. In caso di parti danneggiate o mancanti al momento dell'acquisto, visitare il nostro sito Web bestwaycorp.com/support.

SCELTA DELLA POSIZIONE ADATTA

La superficie scelta per installare la piscina deve rispettare i seguenti requisiti:

- A causa del peso dell'acqua all'interno della piscina combinato al peso degli utenti, è estremamente importante che la superficie scelta sia in grado di sostenere uniformemente tale peso fintanto che la piscina rimane installata. Tenere in considerazione, nel scegliere la superficie adatta, che una certa quantità d'acqua può trascinare quando la piscina è in uso o in caso di pioggia. E' pertanto di fondamentale importanza assicurarsi che la superficie prescelta non possa essere resa meno solida o stabile dall'azione dell'acqua, in quanto potrebbe non sostenere più il peso della piscina.
- Controllare regolarmente la posizione dei supporti verticali del telaio e/o dei supporti a U, devono essere sempre al livello con la base della piscina. Se uno dei supporti verticali o a U inizia a sprofondare nel terreno, drenare immediatamente l'acqua della piscina per evitare il crollo a causa del carico irregolare sulla struttura del telaio. Cambiare la posizione della piscina o il materiale della superficie.
- La superficie selezionata deve essere piana e liscia. Qualora la superficie risultasse irregolare o in pendenza, si verrebbe a creare un carico sbilanciato sulla struttura della piscina. Ciò potrebbe danneggiare i punti di saldatura del rivestimento e piegare il telaio. Nei casi peggiori, la piscina potrebbe crollare, causando gravi lesioni alle persone e/o danni ai beni di proprietà delle stesse.
- Si consiglia di posizionare la piscina lontano da oggetti che i bambini potrebbero utilizzare per arrampicarsi.
- Posizionare la piscina vicino ad un sistema di drenaggio adeguato per far fronte a tracimazioni o per svuotare la piscina. Assicurarsi che il lato della piscina con l'ingresso dell'acqua A e l'uscita B si trovi nella stessa direzione della presa di corrente alla quale verrà collegato il sistema di filtrazione.
- La superficie selezionata deve essere sgombra da qualsiasi tipo di oggetto. A causa del peso dell'acqua, qualsiasi oggetto sotto la piscina potrebbe danneggiare o perforarne la base.
- La superficie scelta deve essere priva di piante aggressive e specie infestanti. Questi tipi di vegetazione potrebbero crescere attraverso il rivestimento e causare perdite d'acqua. Eliminare dall'area prescelta erba o altra vegetazione che possa causare la formazione di cattivi odori o melma.
- L'area scelta per allestire la piscina deve essere priva di linee elettriche aeree o alberi; accertarsi inoltre che sia sgombra da tubature o linee elettriche interrate e cavi di qualsiasi tipo.
- La posizione scelta deve essere lontana dall'ingresso della casa. Non posizionare apparecchiature o mobili intorno alla piscina. Un'eventuale tracimazione d'acqua causata da un uso improprio della piscina o da un guasto in uno dei prodotti potrebbe danneggiare i mobili.
- La superficie scelta deve essere livellata e senza buche che possano causare danni al rivestimento.

Superfici di allestimento consigliate: erba, terra, cemento e tutte le altre superfici che rispettano le condizioni di allestimento sopra indicate. **Superfici sconsigliate:** fango, sabbia, ghiaia, pedane in legno, balconi, vialetti, piattaforme, terreno soffice/sciolto o altra superficie che non soddisfi i requisiti di cui sopra.

- Verificare presso il proprio comune i regolamenti locali relativi a recinzioni, barriere, illuminazione e requisiti di sicurezza e assicurarsi di rispettare tutte le normative.
- Se nel set è inclusa una pompa e/o una scaletta, fare riferimento ai rispettivi manuali per le istruzioni di sicurezza e installazione. La scaletta deve essere adeguata alle dimensioni della piscina.
- Se durante l'allestimento si rende necessario cambiare la posizione della piscina, sollevare il rivestimento invece di trascinarlo, in quanto l'attrito con il terreno potrebbe danneggiare il PVC.
- Seguire le istruzioni di cui sopra per selezionare una superficie e posizione adeguata all'allestimento della piscina. Eventuali danni ai componenti della piscina che siano stati causati da una superficie di allestimento priva dei requisiti di cui sopra, non saranno considerati come difetti di fabbricazione e comporteranno l'annullamento della garanzia e qualsiasi richiesta di assistenza.

INSTALLAZIONE

ASSEMBLAGGIO

- Per le istruzioni di installazione, fare riferimento alle illustrazioni contenute nel manuale. Le immagini sono unicamente a scopo illustrativo e potrebbero differire dall'originale. Non in scala.
- L'assemblaggio di una piscina a telaio portante può essere completato senza bisogno di attrezzi.
- Con l'aiuto di 2-3 persone, l'installazione richiede solitamente circa 20-30 minuti, escluso il riempimento.
- Per prolungare la longevità della piscina, è importante cospargere le ringhiere superiori con del talco prima del montaggio. Il talco non è incluso nella confezione.
- Bestway non si riterrà responsabile per eventuali danni alla piscina causati da un uso improprio della stessa o dalla mancata osservanza di queste istruzioni.
- Si raccomanda di aprire la confezione e montare la piscina a una temperatura ambiente superiore ai 15°C / 59°F; in tal modo, il PVC del rivestimento diventerà più flessibile e più facile da montare.

RIEMPIMENTO DELLA PISCINA

- Non lasciare la piscina incustodita durante le operazioni di riempimento.
- Riempire la piscina dopo aver completato tutte le fasi di montaggio e fino a quando l'acqua non raggiunge la linea di saldatura, che corrisponde al 90% della piena capacità.
- Non riempire eccessivamente, poiché ciò potrebbe causare il collasso della piscina. In caso di forti piogge, si consiglia vivamente di ridurre il livello dell'acqua per mantenerlo al 90% della capacità, onde evitare tracimazioni.
- A piscina completamente riempita, verificare che la distanza tra la superficie dell'acqua e la parte superiore delle ringhiere sia la stessa tutt'intorno; se così non fosse vorrebbe dire che la superficie su cui poggia la piscina non è livellata, quindi sarà necessario drenare l'acqua e livellare il terreno.
- Mantenere la piscina piena d'acqua su un terreno non livellato può causare il cedimento dei punti di saldatura e/o il collasso della piscina, provocando gravi lesioni alle persone e/o danni materiali.

MANUTENZIONE

Il mancato rispetto delle linee guida sulla manutenzione qui descritte comporta rischi per la salute, in special modo quella dei bambini.

TRATTAMENTO DELL'ACQUA

- È necessario mantenere la pulizia e il corretto bilanciamento chimico dell'acqua della piscina. La semplice pulizia della cartuccia filtrante non è sufficiente a una corretta manutenzione: si consiglia di utilizzare prodotti chimici per piscine per mantenere il corretto bilanciamento dell'acqua, in combinazione a compresse di cloro o bromo (non utilizzare granuli) erogate tramite apposito dispenser.
- La qualità dell'acqua sarà direttamente correlata alla frequenza di utilizzo, al numero di utenti e alla manutenzione complessiva della piscina. L'acqua dovrebbe essere cambiata ogni 3 giorni se non viene sottoposta ad alcun trattamento chimico. Si consiglia vivamente di utilizzare l'acqua del rubinetto per riempire la piscina; ciò al fine di ridurre al minimo l'impatto di sostanze indesiderate (ad es. sali minerali).
- E' consigliabile fare una doccia prima di utilizzare la piscina, poiché cosmetici, lozioni e altri residui di prodotti sulla pelle possono degradare rapidamente la qualità dell'acqua.
- Rimuovere lo sporco regolarmente usando uno skimmer per evitare depositi.
- Lasciare a disposizione un secchio d'acqua accanto alla piscina per consentire ai bagnanti di pulirsi i piedi prima di immergersi.
- La manutenzione chimica dell'acqua deve essere eseguita tramite ChemConnect o dispenser chimico flottante; non gettare i prodotti direttamente in acqua, le sostanze di cui sono composti si depositerebbero sul fondo della piscina, danneggiando il rivestimento e causando lo scolorimento del PVC.

Pastiglie chimiche (non incluse):

- Il set da piscina acquistato potrebbe non includere erogatori; in tal caso sarà possibile acquistarne uno visitando il sito www.bestwaycorp.com o rivolgendosi al rivenditore più vicino.
- Rimuovere l'erogatore chimico dalla piscina quando la stessa è in uso.
- Dopo aver eseguito il trattamento chimico e prima di utilizzare la piscina, utilizzare un test kit (non incluso) per l'analisi dei valori dell'acqua. Si consiglia di mantenere il bilanciamento chimico dell'acqua come illustrato nella tabella sottostante.

Parametri	Valori
Trasparenza dell'acqua	Fondale della piscina chiaramente visibile
Colore dell'acqua	Non dovrebbe essere visibile alcun colore
Torbidità in FNU/NTU	massimo 1,5 (preferibilmente inferiore a 0,5)
Concentrazione di nitrati superiore a quella dell'acqua di riempimento in mg/l	Massimo 20
Carbonio organico totale (TOC) in mg/l	massimo 4,0
Potenziale redox per Ag/AgCl 3,5 m KCl in mV	min. 650
Parametri pH	da 6,8 a 7,6
Cloro attivo libero (senza acido cianurico) in mg/l	da 0,3 a 1,5
Cloro libero in combinazione con acido cianurico in mg/l	da 1,0 a 3,0
Acido cianurico in mg/l	massimo 100
Cloro combinato in mg/l	massimo 0,5 (meglio se 0,0 mg/l)

- I danni alla piscina derivanti dall'uso improprio di prodotti chimici e un non corretto mantenimento dell'acqua della spa non sono coperti da garanzia.
- L'uso eccessivo di prodotti chimici può causare lo scolorimento della stampa e del materiale della piscina in ogni suo punto e nel peggiore dei casi, danneggiare la struttura stessa del rivestimento.
- Le sostanze chimiche utilizzate per la manutenzione delle piscine sono potenzialmente tossiche e devono essere maneggiate con cautela. L'esposizione a gas o vapori e l'errata etichettatura e/o stoccaggio dei contenitori di tali sostanze comportano seri rischi per la salute umana e animale.
- Rivolgersi al proprio rivenditore locale per maggiori informazioni sul trattamento delle acque. Prestare estrema attenzione alle istruzioni del produttore.
- La pompa viene utilizzata per far circolare l'acqua e filtrare piccole particelle. Per mantenere pulita l'acqua della piscina è necessario aggiungere anche specifici prodotti per il trattamento chimico.

RIVESTIMENTO

- E' consigliabile acquistare una copertura per piscina, se non inclusa nel set, e coprire sempre la piscina quando non viene utilizzata, per evitare danni al materiale in Duraplus sulle ringhiere superiori. Eliminare eventuali depositi di sporco sulle ringhiere superiori con un panno pulito.

SMONTAGGIO E CONSERVAZIONE

SVUOTARE LA PISCINA

- Per le istruzioni relative al drenaggio fare riferimento alle illustrazioni contenute nel manuale. Le immagini sono unicamente a scopo illustrativo e potrebbero differire dall'originale. Non in scala.
- Controllare le normative locali in merito al drenaggio e allo smaltimento dell'acqua della piscina.

PULIZIA

- Sciacquare il rivestimento con acqua di rubinetto, in modo da rimuovere completamente ogni residuo di prodotti chimici o sporco.
- Lasciare la piscina al sole fino a completa asciugatura.
- Per rimuovere completamente l'acqua residua, passare un panno asciutto sul rivestimento.

CONSERVAZIONE

- Rimuovere tutti gli accessori; assicurarsi che il rivestimento della piscina e gli accessori siano completamente puliti e asciutti prima di riporli. In presenza di umidità residua potrebbero formarsi muffe che danneggerebbero il rivestimento della piscina durante il periodo di rimessaggio.
- Una volta che la piscina è completamente asciutta, cospargere di talco per evitare che il rivestimento si incollì.
- Si consiglia vivamente di smontare la piscina a una temperatura ambiente inferiore ai 10°C / 50°F.
- Ripiegare il rivestimento della spa solo se la temperatura ambiente è superiore a 10°C / 50°F. Conservare la piscina in un luogo asciutto ad una temperatura moderata compresa tra 10°C / 50°F e i 38°C / 100°F e riporre il suo rivestimento e tutti gli accessori all'interno di una scatola in cartone, per proteggere meglio il materiale in PVC durante il periodo invernale.

RIPARAZIONI

- In caso di perdite, riparare il rivestimento utilizzando la toppa di riparazione adesiva fornita insieme al set. È possibile trovare le istruzioni nelle FAQ della sezione di supporto del sito Web, www.bestwaycorp.com/support.

Grazie per aver scelto Bestway!

IT

Estendi subito **gratuitamente** la garanzia del tuo acquisto!
Registra il tuo prodotto entro 30 giorni dall'acquisto e regalati 6 mesi di
estensione gratuita della garanzia.

Visita: **WWW.REGISTRAZIONEBESTWAY.IT** e registra subito il tuo prodotto.

La promozione è valida solo nei territori di Italia, Belgio, Francia, Germania,
Lussemburgo, Spagna.



MANUEL DE L'UTILISATEUR



Visitez la chaîne YouTube de Bestway

CONSIGNES DE SÉCURITÉ IMPORTANTES

⚠ ATTENTION

LISEZ ET SUIVEZ TOUTES LES INSTRUCTIONS.

- Avant d'installer et d'utiliser, la piscine, veuillez lire attentivement, assimiler et respecter toutes les informations contenues dans cette notice d'utilisation. Ces avertissements, instructions et consignes de sécurité portent sur certains des risques usuels associés aux loisirs aquatiques, mais ils ne peuvent pas couvrir la totalité des risques et dangers dans tous les cas. Faites toujours preuve de prudence, de discernement et de bon sens lors des activités aquatiques. Conservez ces informations afin de pouvoir vous y référer ultérieurement. De plus, les informations suivantes peuvent être fournies en fonction du type de piscine.
- Conservez ces instructions dans un endroit sûr. Si des instructions manquent, veuillez contacter le fabricant ou les rechercher sur le site www.bestwaycorp.com.
- Désignez un adulte compétent pour surveiller le bassin à chaque fois qu'il est utilisé.
- Les barrières, couvertures, alarmes de piscines ou dispositifs de sécurité similaires sont des aides utiles, mais ils ne remplacent pas la surveillance continue par un adulte compétent.

Sécurité d'emploi de la piscine

- Incitez tous les utilisateurs, en particulier les enfants, à apprendre à nager.
- Apprenez les gestes qui sauvent (réanimation cardiopulmonaire) et remettez régulièrement à jour vos connaissances. Ces gestes peuvent sauver une vie en cas d'urgence.
- Exploitez aux utilisateurs de la piscine, enfants inclus, la procédure à suivre en cas d'urgence.
- Ne plongez jamais dans un plan d'eau peu profond, sous peine de blessures graves ou mortelles.
- N'utilisez pas la piscine sous l'emprise d'alcool ou de médicaments susceptibles de réduire votre capacité à utiliser la piscine en toute sécurité.

Dispositifs de sécurité

- Pour éviter toute noyade d'enfant, il est recommandé de sécuriser l'accès au bassin par un dispositif de protection. Pour empêcher les enfants de grimper sur la vanne d'entrée et de sortie, il est recommandé d'installer une barrière (et de sécuriser toutes les portes et fenêtres, le cas échéant) afin d'empêcher tout accès non autorisé à la piscine.

Équipements de sécurité

- Il est recommandé de garder du matériel de sauvetage (une bouée, par exemple) près du bassin.
- Gardez un téléphone en parfait état de marche et une liste de numéros d'urgence à proximité du bassin.
- Si la piscine est recouverte d'une couverture, retirez-la entièrement de la surface de l'eau avant d'entrer dans le bassin.
- Traitez l'eau de votre piscine et instaurer de bonnes pratiques d'hygiène afin de protéger les utilisateurs des maladies liées à l'eau. Consultez les consignes de traitement de l'eau données dans la notice d'utilisation.
- Stockez les produits chimiques (produits de traitement de l'eau, de nettoyage ou de désinfection, par exemple) hors de portée des enfants.
- Utilisez les pictogrammes décrits ci-dessous. Les pictogrammes doivent être affichés dans une position visible à moins de 2m de la piscine.



Garder les enfants sous surveillance dans l'environnement aquatique. Ne pas plonger.

- Placez les échelles amovibles sur une surface horizontale.
- Quels que soient les matériaux utilisés pour la construction de la piscine, les surfaces accessibles doivent être régulièrement contrôlées afin d'éviter les blessures.
- Contrôlez régulièrement les boulons et les vis. Enlevez les échardes ou tout bord tranchant pour éviter les blessures.
- Ne laissez pas la piscine vidée à l'extérieur. La piscine vide est susceptible de se déformer et/ou de se déplacer sous l'effet du vent.
- Si vous avez une pompe de filtration, consultez le manuel de la pompe pour les instructions.
- La pompe ne peut pas être utilisée lorsque des personnes se trouvent dans la piscine !
- Si vous avez une échelle, consultez le manuel de l'échelle pour les instructions.
- **ATTENTION !** L'utilisation d'une piscine implique le respect des consignes de sécurité décrites dans la notice d'entretien et d'utilisation. Pour prévenir toute noyade ou autres blessures graves, accorder une attention particulière à la sécurisation de l'accès à la piscine pour les enfants de moins de 5 ans et, pendant la période de baignade, les maintenir en permanence sous la surveillance d'un adulte.

Sécurité des non-nageurs

- Une surveillance attentive, active et continue par un adulte compétent des enfants qui ne savent pas bien nager et des non-nageurs est requise en permanence (en gardant à l'esprit que le risque de noyade est le plus élevé pour les enfants de moins de cinq ans).
- Il convient que les enfants qui ne savent pas bien nager ou les non-nageurs portent des équipements de protection individuelle lorsqu'ils utilisent la piscine.
- Lorsque le bassin n'est pas utilisé ou est sans surveillance, retirez tous les jouets de la piscine et ses abords afin de ne pas attirer les enfants vers le bassin.

À LIRE ATTENTIVEMENT ET A CONSERVER POUR CONSULTATION ULTERIEURE.

AVANT L'INSTALLATION

LISTE DE VÉRIFICATION

Vérifiez les pièces présentées dans le manuel. Vérifiez que les pièces de l'équipement correspondent au modèle que vous avez acheté. En cas de pièces endommagées ou manquantes au moment de l'achat, consultez notre site Internet bestwaycorp.com/support.

CHOISIR LE BON EMPLACEMENT

La surface choisie pour installer la piscine doit respecter les conditions suivantes :

- Compte tenu du poids total de la piscine, de l'eau et des utilisateurs, il est extrêmement important que la surface sur laquelle la piscine est installée soit lisse, plate, de niveau et capable de supporter le poids pendant toute la durée de l'installation de la piscine. Lorsque vous choisissez la surface, tenez compte du fait que de l'eau peut sortir de la piscine lorsqu'elle est utilisée ou lorsqu'il pleut. Si l'eau ramollit la surface, elle peut perdre sa capacité à supporter le poids de la piscine.

- Vérifiez régulièrement la position des pieds verticaux et/ou des supports en U. Ils doivent être au même niveau que le fond de la piscine à tout moment. Si le pied vertical ou le support en U commence à s'enfoncer dans le sol, videz immédiatement l'eau de la piscine pour éviter que la piscine ne soit détruite en raison de la charge inégale sur la structure. Changez l'emplacement de la piscine ou modifiez le matériau de surface.
 - La surface doit être plane et lisse. Si la surface est inclinée ou irrégulière, la structure de la piscine peut être déséquilibrée. Cela peut endommager les points de soudure du liner et déformer le cadre. Dans les cas les plus extrêmes, la piscine peut éclater, en occasionnant des blessures graves et/ou des dommages aux biens personnels.
 - Nous recommandons de placer la piscine loin de tout objet que les enfants pourraient utiliser pour grimper dans le bassin.
 - Placez la piscine à proximité d'un système de drainage adéquat pour gérer le débordement ou pour vider la piscine. Assurez-vous que le côté de la piscine avec l'entrée d'eau A et la sortie B est situé dans la même direction que la source d'énergie, à laquelle le système de filtration doit être connecté.
 - La surface sélectionnée doit être exempte de tout type d'objet. En raison du poids de l'eau, tout objet placé sous la piscine pourrait endommager ou perforer le fond du bassin.
 - La surface choisie doit être exempte de plantes agressives et d'espèces de mauvaises herbes. Ces types de végétation forte pourraient se développer à travers le liner et créer des fuites d'eau. L'herbe ou toute autre végétation susceptible de provoquer des odeurs ou de la boue doit être éliminée du lieu d'installation.
 - L'emplacement choisi ne doit pas comporter de lignes électriques aériennes ni d'arbres. Assurez-vous que l'emplacement ne comporte pas de tuyaux, de lignes ou de câbles de services publics souterrains de quelque nature que ce soit.
 - La position choisie doit être éloignée de l'entrée de la maison. Ne placez pas d'équipement ou d'autres meubles autour de la piscine. L'eau qui sort de la piscine pendant l'utilisation ou en raison de défauts du produit peut endommager les meubles à l'intérieur de la maison ou autour de la piscine.
 - La surface choisie doit être plane et sans trous susceptibles d'endommager le matériau du liner.
- Surfaces d'installation suggérées :** herbe, sol, béton, et toute autre surface respectant les conditions d'installation ci-dessus.
- Surfaces déconseillées :** terre, sable, gravier, terrasse, balcon, allée, plateforme, sol mou/terre meuble ou toute autre surface qui ne répond pas aux conditions de mise en place ci-dessus.
 - Vérifiez auprès de votre conseil municipal les règlements relatifs aux clôtures, aux barrières, à l'éclairage et aux exigences de sécurité et assurez-vous de respecter toutes les réglementations.
 - Si une pompe et/ou une échelle sont incluses dans le kit, consultez le manuel de la pompe et/ou de l'échelle pour les instructions de sécurité et l'installation. L'échelle doit correspondre à la taille de la piscine.
 - Si, au cours de l'installation, il est nécessaire de changer la position de la piscine, soulevez le liner et ne le traînez pas sur le sol ; la friction entre le PVC et le sol peut endommager le liner de la piscine.

Suivez les instructions importantes ci-dessus pour choisir la surface et l'emplacement adéquats pour installer votre piscine. Les parties endommagées de la piscine, dues au fait que la surface et l'emplacement de montage ne correspondent pas aux instructions, ne seront pas considérées comme un défaut de fabrication et annuleront la garantie et toute demande de service.

INSTALLATION

ASSEMBLAGE

- Pour les instructions d'installation, suivez les dessins à l'intérieur du manuel. Les dessins ne sont donnés qu'à titre d'illustration. Ils sont susceptibles de ne pas refléter le produit réel. Pas à l'échelle.
- L'assemblage de la piscine hors sol peut être réalisé sans outils.
- L'installation prend généralement environ 20 à 30 minutes avec 2 à 3 personnes, sans compter le remplissage.
- Pour prolonger la durée de vie de votre piscine, il est important de saupoudrer les structures supérieures de talc avant le montage. Le talc n'est pas inclus dans le kit.
- Bestway n'est pas responsable des dommages causés à la piscine en raison d'une mauvaise manipulation ou du non-respect de ces instructions.
- Nous vous conseillons vivement d'ouvrir l'emballage et d'assembler la piscine lorsque la température ambiante est supérieure à 15 °C ; le matériau PVC du liner deviendra plus souple et plus facile à assembler.

REMPLISSAGE DE LA PISCINE AVEC DE L'EAU

- Ne laissez pas la piscine sans surveillance pendant le remplissage.
- Remplissez la piscine d'eau une fois toutes les étapes de montage terminées et jusqu'à ce que l'eau atteigne la ligne de soudure, qui correspond à 90 % de la capacité totale.
- Ne pas trop remplir, car cela pourrait provoquer l'éclatement de la piscine. En cas de fortes pluies, nous recommandons vivement de réduire le niveau d'eau pour le maintenir à 90 % de sa capacité, afin d'éviter tout débordement de l'eau.
- Lorsque la piscine est complètement remplie, vérifiez que la distance entre la surface de l'eau et le haut de la structure est la même tout autour ; si elle est différente, cela signifie que le sol n'est pas nivelé ; nous vous recommandons donc vivement de vidanger l'eau et de remettre le sol à niveau.
- Le fait de maintenir la piscine pleine d'eau sur un sol non nivelé peut provoquer l'éclatement des points de soudure et/ou la rupture de la piscine, entraînant des blessures graves et/ou des dommages matériels.

ENTRETIEN

Si vous ne respectez pas les consignes d'entretien ci-dessous, votre santé peut être mise en danger, notamment celle de vos enfants.

EAU

- Il est nécessaire de conserver l'eau de votre piscine propre et chimiquement équilibrée. Il ne suffit pas de nettoyer la cartouche de filtration pour un entretien correct, nous vous recommandons d'utiliser des produits chimiques pour piscine afin de maintenir les propriétés chimiques de l'eau et des comprimés de chlore ou de brome (n'utilisez pas de granulés) avec le diffuseur chimique.
- La qualité de l'eau sera directement liée à la fréquence d'utilisation, au nombre d'utilisateurs et à l'entretien général de la piscine. Il faut changer l'eau tous les 3 jours si aucun traitement chimique n'est effectué. Il est vivement recommandé d'utiliser de l'eau du robinet pour le remplissage, afin de réduire au minimum l'influence d'un contenu indésirable, comme par exemple des minéraux.
- Nous vous recommandons de prendre une douche avant d'utiliser votre piscine, car les produits cosmétiques, lotions et autres résidus sur la peau peuvent rapidement dégrader la qualité de l'eau.
- Écumez régulièrement la piscine pour éviter les dépôts de saleté.
- Placez un seau d'eau à côté de la piscine pour nettoyer les pieds des utilisateurs avant d'entrer dans la piscine.
- L'entretien chimique doit être effectué avec ChemConnect ou un flotteur chimique ; ne pas jeter les produits chimiques directement dans l'eau, le produit chimique se déposera au fond, endommagera le matériau et décolorera le PVC.

Traitement chimique par comprimés (non fournis) :

- Il se peut que le kit de piscine que vous avez acheté ne comprenne pas de diffuseurs ; dans ce cas, vous pouvez en acheter un sur notre site web www.bestwaycorp.com ou chez le revendeur de piscines le plus proche.
- Retirez le diffuseur de produits chimiques de la piscine lorsque celle-ci est utilisée.
- Après avoir effectué l'entretien chimique et avant d'utiliser la piscine, utilisez un kit de test (non inclus) pour tester l'équilibre chimique de l'eau. Nous vous recommandons de maintenir l'équilibre chimique de votre eau comme indiqué dans le tableau ci-dessous.

Paramètres	Valeurs
Clarté de l'eau	Vue claire du fond de la piscine
Couleur de l'eau	Aucune couleur ne doit être observée
Turbidité en FNU/NTU	Max. 1,5 (de préférence moins de 0,5)
Concentration en nitrates supérieure à celle de l'eau de remplissage en mg/l	Max. 20
Carbone organique total (COT) en mg/l	Max. 4,0
Potentiel redox contre Ag/AgCl 3,5 M KCl en mV	Min. 650
Valeur pH	6,8 à 7,6
Chlore actif libre (sans acide cyanurique) en mg/l	0,3 à 1,5
Chlore libre utilisé en combinaison avec l'acide cyanurique en mg/l	1,0 à 3,0
Acide cyanurique en mg/l	Max. 100
Chlore combiné en mg/l	Max. 0,5 (de préférence proche de 0,0 mg/l)

- Les dommages à la piscine résultant d'une mauvaise utilisation des produits chimiques et d'une mauvaise gestion de l'eau de la piscine ne sont pas couverts par la garantie.
- L'utilisation excessive de produits chimiques peut décolorer l'imprimé et tous les points du matériau de la piscine, dans les cas les plus graves, ils peuvent endommager la structure du liner de la piscine.
- Les produits chimiques pour spa sont potentiellement toxiques et doivent être manipulés avec précaution. Les vapeurs chimiques ainsi que l'étiquetage et le stockage incorrects des conteneurs de produits chimiques présentent de graves risques pour la santé.
- Veuillez consulter votre revendeur de produits pour piscines et spas pour plus d'informations sur l'entretien chimique. Lisez attentivement les instructions du fabricant des produits chimiques.
- La pompe est utilisée pour faire circuler l'eau et pour filtrer les petites particules. Pour que l'eau de votre piscine reste propre et hygiénique, vous devez également ajouter des produits chimiques.

LINER

- Nous vous suggérons d'acheter une bâche de piscine, si elle n'est pas incluse dans le kit, et de couvrir la piscine lorsqu'elle n'est pas utilisée, afin d'éviter tout dommage au matériau Duraplus sur la structure supérieure. Nettoyez délicatement tout dépôt de saleté sur la structure supérieure avec un chiffon propre.

DÉMONTAGE ET STOCKAGE

VIDANGE

- Pour la vidange, suivez les dessins présentés dans le manuel. Les dessins ne sont donnés qu'à titre d'illustration. Ils sont susceptibles de ne pas refléter le produit réel. Pas à l'échelle.
- Pour vider l'eau de votre piscine, vérifiez les règlements locaux en matière de drainage.

NETTOYAGE

- Rincez le liner de la piscine avec de l'eau du robinet, pour éliminer complètement tout résidu de produits chimiques ou de saleté.
- Laissez la piscine à la lumière du soleil jusqu'à ce qu'elle soit complètement sèche.
- Pour éliminer complètement l'eau restante, essuyez le liner de la piscine avec un chiffon sec.

STOCKAGE

- Retirez tous les accessoires : assurez-vous que le liner et les accessoires sont complètement propres et secs avant le stockage. Si la piscine n'est pas complètement sèche, des moisissures peuvent apparaître et endommager le liner de la piscine pendant la période de stockage.
- Une fois que la piscine est complètement sèche, saupoudrez de talc pour empêcher la piscine de coller.
- Nous recommandons fortement de démonter la piscine lorsque la température ambiante est inférieure à 10 °C.
- Ne repliez le liner de la piscine que si la température ambiante est supérieure à 10 °C. Stockez la piscine dans un endroit sec avec une température modérée entre 10 °C et 38 °C et placez le liner de la piscine et tous les accessoires à l'intérieur d'une boîte en carton, pour mieux protéger le matériau PVC pendant la période hivernale.

RÉPARATION

En cas de fuite, colmatez votre piscine à l'aide du patch de réparation adhésif étanche fourni. Vous trouverez les instructions dans les FAQ de la section « Support » de notre site web, www.bestwaycorp.com/support.



Merci d'avoir choisi Bestway !

FR

Obtenez immédiatement et **gratuitement** l'extension de garantie de votre achat !
Enregistrez votre produit dans les 30 jours à compter de la date d'achat et nous vous offrons 6 mois d'extension gratuite de la garantie.

Visitez **WWW.ENREGISTREMENTBESTWAY.FR** et enregistrez immédiatement votre produit!

L'extension territoriale de la présente garantie supplémentaire concerne les pays suivants : France, Allemagne, Belgique, Espagne, Italie, Luxembourg.

Merci d'avoir choisi Bestway !

BE/FR

Obtenez immédiatement et **gratuitement** l'extension de garantie de votre achat !
Enregistrez votre produit dans les 30 jours à compter de la date d'achat et nous vous offrons 6 mois d'extension gratuite de la garantie.

Visitez **WWW.ENREGISTREMENTBESTWAY.BE** et enregistrez immédiatement votre produit!

L'extension territoriale de la présente garantie supplémentaire concerne les pays suivants : Belgique, France, Italie, Allemagne, Espagne.



ΕΓΧΕΙΡΙΔΙΟ ΧΡΗΣΤΗ



ΕΠΙΣΚΕΦΘΕΙΤΕ ΤΟ ΚΑΝΑΛΙ
ΤΗΣ BESTWAY ΣΤΟ YOUTUBE

ΣΗΜΑΝΤΙΚΕΣ ΟΔΗΓΙΕΣ ΑΣΦΑΛΕΙΑΣ

⚠ ΠΡΟΕΙΔΟΠΟΙΗΣΗ

ΔΙΑΒΑΣΤΕ ΚΑΙ ΑΚΟΛΟΥΘΗΣΤΕ ΟΛΕΣ ΤΙΣ ΟΔΗΓΙΕΣ.

- ΔΙΑΒΑΣΤΕ ΠΡΟΞΕΚΤΙΚΑ, ΚΑΤΑΝΟΗΣΤΕ ΚΑΙ ΑΚΟΛΟΥΘΗΣΤΕ ΟΛΕΣ ΤΙΣ ΠΛΗΡΟΦΟΡΙΕΣ ΠΟΥ ΥΠΑΡΧΟΥΝ ΣΕ ΑΥΤΟ ΤΟ ΕΓΧΕΙΡΙΔΙΟ ΧΡΗΣΤΗ ΠΡΙΝ ΑΠΟ ΤΗΝ ΕΓΚΑΤΑΣΤΑΣΗ ΚΑΙ ΧΡΗΣΗ ΤΗΣ ΠΙΣΙΝΑΣ. ΑΥΤΕΣ ΟΙ ΠΡΟΕΙΔΟΠΟΙΗΣΕΙΣ, ΟΔΗΓΙΕΣ ΚΑΙ ΚΑΤΕΥΘΥΝΤΗΡΙΕΣ ΟΔΗΓΙΕΣ ΓΙΑ ΤΗΝ ΑΣΦΑΛΕΙΑ ΑΝΑΦΕΡΟΝΤΑΙ ΣΕ ΚΑΠΟΙΟΥΣ ΣΥΝΗΘΙΣΜΕΝΟΥΣ ΚΙΝΔΥΝΟΥΣ ΤΗΣ ΑΝΑΨΥΧΗΣ ΣΤΟ ΝΕΡΟ, ΑΛΛΑ ΔΕΝ ΜΠΟΡΟΥΝ ΝΑ ΚΑΛΥΨΟΥΝ ΟΛΟΥΣ ΤΟΥΣ ΚΙΝΔΥΝΟΥΣ ΣΕ ΟΛΕΣ ΤΙΣ ΠΕΡΙΠΤΩΣΕΙΣ. ΠΑΝΤΟΤΕ ΕΠΙΔΕΙΚΝΥΕΤΕ ΠΡΟΣΟΧΗ, ΚΟΙΝΗ ΛΟΓΙΚΗ ΚΑΙ ΚΑΛΗ ΚΡΙΣΗ ΟΤΑΝ ΑΠΟΛΑΜΒΑΝΕΤΕ ΟΤΙΟΔΙΕΤΗΤΕ ΔΡΑΣΤΗΡΙΟΤΗΤΑ ΣΤΟ ΝΕΡΟ. ΦΥΛΑΞΤΕ ΑΥΤΕΣ ΤΙΣ ΠΛΗΡΟΦΟΡΙΕΣ ΓΙΑ ΜΕΛΛΟΝΤΙΚΗ ΧΡΗΣΗ. ΕΠΙΠΡΟΣΘΕΤΩΣ, ΜΠΟΡΟΥΝ ΝΑ ΠΑΡΑΣΧΕΟΥΝ ΟΙ ΑΚΟΛΟΥΘΟΥΣ ΠΛΗΡΟΦΟΡΙΕΣ ΑΝΑΛΟΓΑ ΜΕ ΤΟΝ ΤΥΠΟ ΤΗΣ ΠΙΣΙΝΑΣ.
- ΦΥΛΑΞΤΕ ΑΥΤΕΣ ΤΙΣ ΟΔΗΓΙΕΣ ΣΕ ΑΣΦΑΛΕΣ ΜΕΡΟΣ. ΕΑΝ ΧΑΣΑΤΕ ΤΙΣ ΟΔΗΓΙΕΣ, ΠΑΡΑΚΑΛΟΥΜΕ ΕΠΙΚΟΙΝΩΝΗΣΤΕ ΜΕ ΤΟΝ ΚΑΤΑΣΚΕΥΑΣΤΗ Η ΑΝΑΖΗΤΗΣΤΕ ΤΙΣ ΣΤΗΝ ΙΣΤΟΣΕΛΙΔΑ: www.bestwaycorp.com.
- ΟΡΙΖΕΤΕ ΕΝΑΝ ΑΡΜΟΔΙΟ ΕΝΗΛΙΚΑ ΝΑ ΕΠΙΒΛΕΠΕΙ ΤΗΝ ΠΙΣΙΝΑ ΚΑΘΕ ΦΟΡΑ ΠΟΥ ΕΙΝΑΙ ΣΕ ΧΡΗΣΗ.
- ΦΡΑΚΤΕΣ, ΚΑΛΥΜΜΑΤΑ ΠΙΣΙΝΑΣ, ΣΥΝΑΓΕΡΜΟΙ ΠΙΣΙΝΑΣ Η ΠΑΡΟΜΟΙΕΣ ΣΥΣΚΕΥΕΣ ΑΣΦΑΛΕΙΑΣ ΕΙΝΑΙ ΧΡΗΣΙΜΑ ΒΟΗΘΗΜΑΤΑ, ΑΛΛΑ ΔΕΝ ΥΠΟΚΑΘΙΣΤΟΥΝ ΤΗ ΣΥΝΕΧΗ ΚΑΙ ΑΡΜΟΔΙΑ ΕΠΙΒΛΕΨΗ ΑΠΟ ΕΝΗΛΙΚΑ.

ΑΣΦΑΛΗΣ ΧΡΗΣΗ ΤΗΣ ΠΙΣΙΝΑΣ

- ΕΝΘΑΡΡΥΝΕΤΕ ΟΛΟΥΣ ΤΟΥΣ ΧΡΗΣΤΕΣ ΚΑΙ ΙΔΙΑΙΤΕΡΑ ΤΑ ΠΑΙΔΙΑ ΝΑ ΜΑΘΟΥΝ ΚΟΛΥΜΒΗΣΗ.
- ΜΑΘΕΤΕ ΒΑΣΙΚΗ ΥΠΟΣΤΗΡΙΞΗ ΖΩΗΣ (ΚΑΡΔΙΟΑΝΑΠΝΕΥΣΤΙΚΗ ΑΝΑΝΗΨΗ - CPR) ΚΑΙ ΑΝΑΝΕΩΝΕΤΕ ΑΥΤΕΣ ΤΙΣ ΓΝΩΣΕΙΣ ΤΑΚΤΙΚΑ. ΣΕ ΠΕΡΙΠΤΩΣΗ ΕΚΤΑΚΤΗΣ ΑΝΑΓΚΗΣ ΑΥΤΟ ΜΠΟΡΕΙ ΝΑ ΚΑΝΕΙ ΤΗ ΔΙΑΦΟΡΑ ΔΙΑΣΩΣΗΣ ΜΙΑΣ ΖΩΗΣ.
- ΔΩΣΤΕ ΟΔΗΓΙΕΣ ΣΕ ΟΛΟΥΣ ΤΟΥΣ ΧΡΗΣΤΕΣ ΤΗΣ ΠΙΣΙΝΑΣ, ΣΥΜΠΕΡΙΛΑΜΒΑΝΟΜΕΝΩΝ ΤΩΝ ΠΑΙΔΙΩΝ, ΓΙΑ ΤΟ ΤΙ ΝΑ ΚΑΝΟΥΝ ΣΕ ΠΕΡΙΠΤΩΣΗ ΕΚΤΑΚΤΗΣ ΑΝΑΓΚΗΣ.
- ΠΟΤΕ ΜΗΝ ΚΑΤΑΛΥΣΕΤΕ ΣΕ ΤΥΧΟΝ ΡΗΧΑ ΝΕΡΑ. ΑΥΤΟ ΜΠΟΡΕΙ ΝΑ ΠΡΟΚΛΕΣΕΙ ΣΟΒΑΡΟ ΤΡΑΥΜΑΤΙΣΜΟ Η ΘΑΝΑΤΟ.
- ΜΗΝ ΧΡΗΣΙΜΟΠΟΙΕΙΤΕ ΤΗΝ ΠΙΣΙΝΑ ΟΤΑΝ ΚΑΝΕΤΕ ΧΡΗΣΗ ΑΛΚΟΟΛ Η ΦΑΡΜΑΚΩΝ ΠΟΥ ΜΠΟΡΕΙ ΝΑ ΕΠΗΡΕΑΣΟΥΝ ΤΗΝ ΙΚΑΝΟΤΗΤΑ ΣΑΣ ΝΑ ΧΡΗΣΙΜΟΠΟΙΕΙΤΕ ΜΕ ΑΣΦΑΛΕΙΑ ΤΗΝ ΠΙΣΙΝΑ.

ΣΥΣΚΕΥΕΣ ΑΣΦΑΛΕΙΑΣ

- ΠΡΟΚΕΙΜΕΝΟΥ ΝΑ ΑΠΟΤΡΑΠΕΙ Ο ΠΝΙΓΜΟΣ ΠΑΙΔΙΩΝ, ΣΥΝΙΣΤΑΤΑΙ ΝΑ ΑΣΦΑΛΙΣΤΕ ΤΗΝ ΠΡΟΣΒΑΣΗ ΣΤΗΝ ΠΙΣΙΝΑ ΜΕ ΜΙΑ ΠΡΟΣΤΑΤΕΥΤΙΚΗ ΣΥΣΚΕΥΗ. ΠΡΟΚΕΙΜΕΝΟΥ ΝΑ ΑΠΟΤΡΑΠΕΙ Η ΑΝΑΡΡΗΧΗ ΤΩΝ ΠΑΙΔΙΩΝ ΑΠΟ ΤΗ ΒΑΛΒΙΔΑ ΕΙΣΑΓΩΓΗΣ ΚΑΙ ΕΞΑΓΩΓΗΣ, ΣΥΝΙΣΤΑΤΑΙ Η ΤΟΠΟΘΕΤΗΣΗ ΕΝΟΣ ΦΡΑΚΤΗ(ΚΑΙ Η ΣΤΕΡΕΩΣΗ ΟΛΩΝ ΤΩΝ ΘΥΡΩΝ ΚΑΙ ΤΩΝ ΠΑΡΑΘΥΡΩΝ, ΕΑΝ ΕΙΝΑΙ ΑΠΑΡΑΙΤΗΤΟ) ΓΙΑ ΤΗΝ ΑΠΟΦΥΓΗ ΜΗ ΕΞΟΥΣΙΟΔΟΤΗΜΕΝΗΣ ΠΡΟΣΒΑΣΗΣ ΣΤΗΝ ΠΙΣΙΝΑ.

ΕΞΟΠΛΙΣΜΟΣ ΑΣΦΑΛΕΙΑΣ

- ΣΥΝΙΣΤΑΤΑΙ ΝΑ ΔΙΑΤΗΡΕΙΤΕ ΤΟΝ ΕΞΟΠΛΙΣΜΟ ΔΙΑΣΩΣΗΣ (Π.Χ. ΣΗΜΑΔΟΥΡΑ) ΔΙΠΛΑ ΣΤΗΝ ΠΙΣΙΝΑ.
- ΔΙΑΤΗΡΕΙΤΕ ΜΙΑ ΛΕΙΤΟΥΡΓΙΚΗ ΣΥΣΚΕΥΗ ΤΗΛΕΦΩΝΟΥ ΚΑΙ ΜΙΑ ΛΙΣΤΑ ΤΩΝ ΤΗΛΕΦΩΝΩΝ ΕΚΤΑΚΤΗΣ ΑΝΑΓΚΗΣ ΚΟΝΤΑ ΣΤΗΝ ΠΙΣΙΝΑ.
- ΟΤΑΝ ΧΡΗΣΙΜΟΠΟΙΟΥΝΤΑΙ ΚΑΛΥΜΜΑΤΑ ΠΙΣΙΝΑΣ, ΑΦΑΙΡΕΙΤΕ ΤΑ ΕΝΤΕΛΩΣ ΑΠΟ ΤΗΝ ΕΠΙΦΑΝΕΙΑ ΤΟΥ ΝΕΡΟΥ ΠΡΙΝ ΑΠΟ ΤΗΝ ΕΙΣΩΔΟ ΣΤΗΝ ΠΙΣΙΝΑ.
- ΠΡΟΣΤΑΤΕΨΤΕ ΤΟΥΣ ΧΡΗΣΤΕΣ ΤΗΣ ΠΙΣΙΝΑΣ ΑΠΟ ΑΣΘΕΝΕΙΕΣ ΠΟΥ ΣΧΕΤΙΖΟΝΤΑΙ ΜΕ ΤΟ ΝΕΡΟ, ΔΙΑΤΗΡΩΝΤΑΣ ΤΟ ΝΕΡΟ ΤΗΣ ΠΙΣΙΝΑΣ ΚΑΤΑΛΛΗΛΑ ΕΠΕΞΕΡΓΑΣΜΕΝΟ ΚΑΙ ΑΚΟΛΟΥΘΩΝΤΑΣ ΟΡΘΗ ΥΓΙΕΙΝΗ. ΑΝΑΤΡΕΤΕ ΣΤΙΣ ΟΔΗΓΙΕΣ ΕΠΕΞΕΡΓΑΣΙΑΣ ΝΕΡΟΥ ΣΤΟ ΕΓΧΕΙΡΙΔΙΟ ΧΡΗΣΤΗΣ.
- ΦΥΛΑΞΤΕ ΤΑ ΧΗΜΙΚΑ (Π.Χ. ΠΡΟΪΟΝΤΑ ΕΠΕΞΕΡΓΑΣΙΑΣ ΝΕΡΟΥ, ΚΑΘΑΡΙΣΜΟΥ Η ΑΠΟΛΥΜΑΝΣΗΣ) ΜΑΚΡΙΑ ΑΠΟ ΠΑΙΔΙΑ.
- ΧΡΗΣΙΜΟΠΟΙΗΣΤΕ ΤΗ ΣΗΜΑΝΣΗ ΟΠΩΣ ΠΕΡΙΓΡΑΦΕΤΑΙ ΠΑΡΑΚΑΤΩ. Η ΣΗΜΑΝΣΗ ΠΡΕΠΕΙ ΝΑ ΒΡΙΣΚΕΤΑΙ ΣΕ ΕΜΦΑΝΕΣ ΣΗΜΕΙΟ ΕΝΤΟΣ 2 ΜΕΤΡΩΝ ΑΠΟ ΤΗΝ ΠΙΣΙΝΑ.



ΕΠΙΒΛΕΠΕΤΕ ΤΑ ΠΑΙΔΙΑ ΠΟΥ ΒΡΙΣΚΟΝΤΑΙ ΣΤΟ ΝΕΡΟ. ΑΠΑΓΟΡΕΥΟΝΤΑΙ ΟΙ ΒΟΥΤΙΕΣ.

- ΟΙ ΑΦΑΙΡΕΤΕΜΕΝΕΣ ΣΚΑΛΕΣ ΠΡΕΠΕΙ ΝΑ ΤΟΠΟΘΕΤΟΥΝΤΑΙ ΣΕ ΟΡΙΖΟΝΤΙΑ ΕΠΙΦΑΝΕΙΑ.
- ΕΑΝ ΕΞΑΡΤΗΤΑ ΑΠΟ ΤΑ ΥΛΙΚΑ ΠΟΥ ΧΡΗΣΙΜΟΠΟΙΟΥΝΤΑΙ ΓΙΑ ΤΗΝ ΚΑΤΑΣΚΕΥΗ ΤΗΣ ΠΙΣΙΝΑΣ, ΟΙ ΠΡΟΣΒΑΣΙΜΕΣ ΕΠΙΦΑΝΕΙΕΣ ΠΡΕΠΕΙ ΝΑ ΕΛΕΓΧΟΝΤΑΙ ΤΑΚΤΙΚΑ ΓΙΑ ΤΗΝ ΑΠΟΦΥΓΗ ΤΡΑΥΜΑΤΙΣΜΩΝ.
- ΕΛΕΓΧΤΕ ΤΑΚΤΙΚΑ ΤΑ ΜΠΟΥΛΟΝΙΑ ΚΑΙ ΤΙΣ ΒΙΔΕΣ. ΑΦΑΙΡΕΣΤΕ ΤΑ ΘΡΑΥΣΜΑΤΑ ΤΥΧΟΝ ΑΙΧΜΗΡΕΣ ΑΚΡΕΣ ΓΙΑ ΝΑ ΑΠΟΦΥΓΕΤΕ ΤΡΑΥΜΑΤΙΣΜΟΥΣ.
- ΜΗΝ ΑΦΗΝΕΤΕ ΤΗΝ ΑΠΟΣΤΡΑΓΓΙΣΜΕΝΗ ΠΙΣΙΝΑ ΕΞΩ. Η ΑΔΕΙΑ ΠΙΣΙΝΑ ΕΝΔΕΧΕΤΑΙ ΝΑ ΠΑΡΑΜΟΡΦΩΘΕΙ Ή/ΚΑΙ ΝΑ ΜΕΤΑΤΟΠΙΣΤΕΙ ΛΟΓΩ ΤΟΥ ΑΝΕΜΟΥ.
- ΕΑΝ ΔΙΑΘΕΤΕΤΕ ΜΙΑ ΑΝΤΛΙΑ ΜΕ ΦΙΛΤΡΟ, ΑΝΑΤΡΕΤΕ ΣΤΟ ΣΧΕΤΙΚΟ ΕΓΧΕΙΡΙΔΙΟ ΧΡΗΣΗΣ ΤΗΣ ΑΝΤΛΙΑΣ ΓΙΑ ΟΔΗΓΙΕΣ.
- Η ΑΝΤΛΙΑ ΔΕΝ ΜΠΟΡΕΙ ΝΑ ΧΡΗΣΙΜΟΠΟΙΗΘΕΙ, ΕΝΩ ΥΠΑΡΧΟΥΝ ΑΝΘΡΩΠΟΙ ΜΕΣΑ ΣΤΗΝ ΠΙΣΙΝΑ!
- ΕΑΝ ΕΧΕΤΕ ΣΚΑΛΑ, ΑΝΑΤΡΕΤΕ ΣΤΟ ΕΓΧΕΙΡΙΔΙΟ ΤΗΣ ΣΚΑΛΑΣ ΓΙΑ ΟΔΗΓΙΕΣ.
- **ΠΡΟΕΙΔΟΠΟΙΗΣΗ** Η ΧΡΗΣΗ ΤΗΣ ΠΙΣΙΝΑΣ ΠΡΟΥΠΟΘΕΤΕΙ ΣΥΜΜΟΡΦΩΣΗ ΜΕ ΤΙΣ ΟΔΗΓΙΕΣ ΑΣΦΑΛΕΙΑΣ ΠΟΥ ΠΕΡΙΓΡΑΦΟΝΤΑΙ ΣΤΙΣ ΟΔΗΓΙΕΣ ΛΕΙΤΟΥΡΓΙΑΣ ΚΑΙ ΣΥΝΤΗΡΗΣΗΣ. ΓΙΑ ΤΗΝ ΠΡΟΛΗΨΗ ΠΝΙΓΜΟΥ Η ΑΛΛΩΝ ΣΟΒΑΡΩΝ ΤΡΑΥΜΑΤΙΣΜΩΝ, ΔΩΣΤΕ ΙΔΙΑΙΤΕΡΗ ΠΡΟΣΟΧΗ ΣΤΗΝ ΠΙΣΙΝΑ ΟΤΑΝ ΑΠΡΟΣΔΟΚΗΤΗΣ ΠΡΟΣΒΑΣΗΣ ΣΤΗΝ ΠΙΣΙΝΑ ΑΠΟ ΠΑΙΔΙΑ ΚΑΤΩ ΤΩΝ 5 ΕΤΩΝ ΑΣΦΑΛΙΖΟΝΤΑΣ ΤΗΝ ΠΡΟΣΒΑΣΗ ΣΕ ΑΥΤΗΝ ΚΑΙ ΟΣΟ ΚΟΛΥΜΠΑΝΕ, ΚΡΑΤΗΣΤΕ ΤΑ ΥΠΟ ΣΥΝΕΧΗ ΕΠΙΒΛΕΨΗ ΕΝΗΛΙΚΟΥ.

ΑΣΦΑΛΕΙΑ ΟΣΩΝ ΔΕΝ ΓΝΩΡΙΖΟΥΝ ΚΟΛΥΜΒΗΣΗ

- ΑΝΑ ΠΙΑΣ ΣΤΙΓΜΗ ΑΠΑΙΤΕΙΤΑΙ ΣΥΝΕΧΗΣ, ΕΝΕΡΓΗ, ΚΑΙ ΑΓΡΥΠΝΗ ΕΠΙΒΛΕΨΗ ΤΩΝ ΑΔΥΝΑΜΩΝ ΚΟΛΥΜΒΗΤΩΝ ΚΑΙ ΤΩΝ ΜΗ ΚΟΛΥΜΒΗΤΩΝ ΑΠΟ ΑΡΜΟΔΙΟ ΕΝΗΛΙΚΑ (ΕΝΘΥΜΟΥΜΕΝΟΙ ΟΤΙ ΤΑ ΠΑΙΔΙΑ ΚΑΤΩ ΤΩΝ ΠΕΝΤΕ ΕΤΩΝ ΔΙΑΤΡΕΧΟΥΝ ΤΟΝ ΥΨΗΛΟΤΕΡΟ ΚΙΝΔΥΝΟ ΠΝΙΓΜΟΥ).
- ΟΙ ΑΔΥΝΑΜΟΙ ΚΟΛΥΜΒΗΤΕΣ Η ΟΙ ΜΗ ΓΝΩΡΙΖΟΝΤΕΣ ΚΟΛΥΜΒΗΣΗ ΘΑ ΠΡΕΠΕΙ ΝΑ ΦΟΡΟΥΝ ΕΞΟΠΛΙΣΜΟ ΑΤΟΜΙΚΗΣ ΠΡΟΣΤΑΣΙΑΣ ΚΑΤΑ ΤΗ ΧΡΗΣΗ ΤΗΣ ΠΙΣΙΝΑΣ.
- ΟΤΑΝ Η ΠΙΣΙΝΑ ΔΕΝ ΧΡΗΣΙΜΟΠΟΙΕΙΤΑΙ Η ΧΡΗΣΙΜΟΠΟΙΕΙΤΑΙ ΧΩΡΙΣ ΕΠΙΒΛΕΨΗ, ΑΦΑΙΡΕΣΤΕ ΟΛΑ ΤΑ ΠΑΙΧΝΙΔΙΑ ΑΠΟ ΤΗΝ ΠΙΣΙΝΑ ΚΑΙ ΤΟΝ ΠΕΡΙΒΑΛΛΟΝΤΑ ΧΩΡΟ ΓΙΑ ΝΑ ΑΠΟΦΥΓΕΤΕ ΤΗΝ ΠΡΟΣΕΛΚΥΣΗ ΠΑΙΔΙΩΝ ΣΤΗΝ ΠΙΣΙΝΑ.

ΠΑΡΑΚΑΛΟΥΜΕ ΔΙΑΒΑΣΤΕ ΠΡΟΞΕΚΤΙΚΑ ΚΑΙ ΦΥΛΑΞΤΕ ΓΙΑ ΜΕΛΛΟΝΤΙΚΗ ΑΝΑΦΟΡΑ.

ΠΡΟ-ΡΥΘΜΙΣΗ

ΛΙΣΤΑ ΕΛΕΓΧΟΥ

ΕΛΕΓΞΤΕ ΤΑ ΕΞΑΡΤΗΜΑΤΑ ΜΕΣΑ ΣΤΟ ΕΓΧΕΙΡΙΔΙΟ. ΒΕΒΑΙΩΘΕΙΤΕ ΟΤΙ ΤΑ ΕΞΑΡΤΗΜΑΤΑ ΑΝΤΙΠΡΟΣΩΠΟΥΝ ΤΟ ΜΟΝΤΕΛΟ ΠΟΥ ΕΙΧΑΤΕ ΤΗΝ ΠΡΟΘΕΣΗ ΝΑ ΑΓΟΡΑΣΕΤΕ. ΣΕ ΠΕΡΙΠΤΩΣΗ ΠΟΥ ΥΠΑΡΧΟΥΝ ΟΠΙΟΔΗΠΟΤΕ ΕΞΑΡΤΗΜΑΤΑ ΠΟΥ ΕΙΝΑΙ ΚΑΤΕΣΤΡΑΜΜΕΝΑ Η ΠΟΥ ΛΕΙΠΟΥΝ ΚΑΤΑ ΤΗΝ ΑΓΟΡΑ, ΕΠΙΣΚΕΦΘΕΙΤΕ ΤΗΝ ΙΣΤΟΣΕΛΙΔΑ ΜΑΣ. bestwaycorp.com/support.

ΕΠΙΛΕΞΤΕ ΤΗ ΣΩΣΤΗ ΤΟΠΟΘΕΣΙΑ

- Η ΕΠΙΦΑΝΕΙΑ ΠΟΥ ΘΑ ΕΠΙΛΕΞΕΤΕ ΓΙΑ ΤΗΝ ΕΓΚΑΤΑΣΤΑΣΗ ΤΗΣ ΠΙΣΙΝΑΣ ΠΡΕΠΕΙ ΝΑ ΠΛΗΡΗ ΤΙΣ ΑΚΟΛΟΥΘΕΣ ΠΡΟΫΠΟΘΕΣΕΙΣ:
 - ΛΟΓΟ ΤΟΥ ΣΥΝΔΥΑΣΜΕΝΟΥ ΒΑΡΟΥ ΤΟΥ ΝΕΡΟΥ ΕΝΤΟΣ ΤΗΣ ΠΙΣΙΝΑΣ ΚΑΙ ΤΩΝ ΧΡΗΣΤΩΝ ΤΗΣ ΠΙΣΙΝΑΣ, ΕΙΝΑΙ ΕΞΑΙΡΕΤΙΚΑ ΣΗΜΑΝΤΙΚΟ Η ΕΠΙΦΑΝΕΙΑ ΠΟΥ ΘΑ ΕΠΙΛΕΞΕΤΕ ΓΙΑ ΤΗΝ ΕΓΚΑΤΑΣΤΑΣΗ ΤΗΣ ΠΙΣΙΝΑΣ ΝΑ ΜΠΟΡΕΙ ΝΑ ΥΠΟΣΤΗΡΙΞΕΙ ΟΜΟΙΟΜΟΡΦΑ ΤΟ ΣΥΝΟΛΙΚΟ ΒΑΡΟΣ ΓΙΑ ΟΛΗ ΤΗΝ ΟΡΑ ΠΟΥ Η ΠΙΣΙΝΑ ΘΑ ΕΙΝΑΙ ΕΓΚΑΤΕΣΤΗΜΕΝΗ. ΟΤΑΝ ΕΠΙΛΕΓΕΤΕ ΤΗΝ ΕΠΙΦΑΝΕΙΑ, ΛΑΒΕΤΕ ΥΠΟΨΗ ΣΑΣ ΟΤΙ ΤΟ ΝΕΡΟ ΜΠΟΡΕΙ ΝΑ ΒΓΑΙΝΕΙ ΑΠΟ ΤΗΝ ΠΙΣΙΝΑ ΟΤΑΝ ΑΥΤΗ ΧΡΗΣΙΜΟΠΟΙΕΙΤΑΙ Η ΟΤΑΝ ΒΡΕΧΕΙ. ΕΑΝ ΤΟ ΝΕΡΟ ΜΑΛΑΚΟΚΣΕΙ ΤΗΝ ΕΠΙΦΑΝΕΙΑ, ΑΥΤΗ ΜΠΟΡΕΙ ΝΑ ΧΑΣΕΙ ΤΗΝ ΙΚΑΝΟΤΗΤΑ ΤΗΣ ΝΑ ΥΠΟΣΤΗΡΙΞΕΙ ΤΟ ΒΑΡΟΣ ΤΗΣ ΠΙΣΙΝΑΣ.
 - ΕΛΕΓΧΤΕ ΤΑΚΤΙΚΑ ΤΗ ΘΕΣΗ ΤΩΝ ΚΑΤΑΚΟΡΥΦΩΝ ΠΟΔΩΝ ΉΚΑΙ ΤΩΝ "U" ΥΠΟΣΤΗΡΙΓΜΑΤΩΝ. ΑΥΤΑ ΠΡΕΠΕΙ ΝΑ ΒΡΙΣΚΟΝΤΑΙ ΣΤΟ ΙΔΙΟ ΕΠΙΠΕΔΟ ΜΕ ΤΟ ΚΑΤΩ ΜΕΡΟΣ ΤΗΣ ΠΙΣΙΝΑΣ ΑΝΑ ΠΛΑΣΤΙΝΗ. ΕΑΝ ΤΟ ΚΑΤΑΚΟΡΥΦΟ ΠΟΔΙ Η ΤΟ "U" ΥΠΟΣΤΗΡΙΓΜΑ ΑΡΧΙΣΕΙ ΝΑ ΒΥΘΙΖΕΤΑΙ ΜΕΣΑ ΣΤΟ ΕΔΑΦΟΣ, ΑΠΟΣΤΡΑΤΙΣΤΕ ΑΜΕΣΩΣ ΤΟ ΝΕΡΟ ΤΗΣ ΠΙΣΙΝΑΣ ΓΙΑ ΝΑ ΑΠΟΦΥΓΕΤΕ ΤΗΝ ΚΑΤΑΡΡΕΥΣΗ Η ΤΗΝ ΠΙΣΙΝΑΣ ΛΟΓΩ ΤΗΣ ΑΝΩΜΑΛΩΣ ΦΟΡΤΩΣΗΣ ΣΤΗ ΔΟΜΗ ΤΟΥ ΠΛΑΙΣΙΟΥ. ΑΛΛΑΞΤΕ ΤΗ ΘΕΣΗ ΤΗΣ ΠΙΣΙΝΑΣ Η ΤΡΟΠΟΠΟΙΗΣΤΕ ΤΟ ΥΛΙΚΟ ΤΗΣ ΕΠΙΦΑΝΕΙΑΣ.
 - Η ΕΠΙΦΑΝΕΙΑ ΠΡΕΠΕΙ ΝΑ ΕΙΝΑΙ ΕΠΙΠΕΔΗ ΚΑΙ ΛΕΙΑ. ΕΑΝ Η ΕΠΙΦΑΝΕΙΑ ΕΙΝΑΙ ΚΕΚΛΙΜΕΝΗ Η ΑΝΩΜΑΛΗ, ΜΠΟΡΕΙ ΝΑ ΔΗΜΙΟΥΡΓΗΣΕΙ ΜΙΑ ΜΗ ΙΣΟΡΡΟΠΗΜΕΝΗ ΦΟΡΤΩΣΗ ΣΤΗ ΔΟΜΗ ΤΗΣ ΠΙΣΙΝΑΣ. ΑΥΤΟ ΕΝΔΕΧΟΜΕΝΟΣ ΝΑ ΚΑΤΑΣΤΡΕΦΕΙ ΤΑ ΣΗΜΕΙΑ ΣΥΓΚΟΛΛΗΣΗΣ ΤΗΣ ΕΠΕΝΔΥΣΗΣ ΚΑΙ ΝΑ ΚΑΜΦΕΙ ΤΟ ΠΛΑΙΣΙΟ. ΣΤΙΣ ΧΕΙΡΟΤΕΡΕΣ ΠΕΡΙΠΤΩΣΕΙΣ, Η ΠΙΣΙΝΑ ΜΠΟΡΕΙ ΝΑ ΚΑΤΑΡΡΕΥΣΕΙ, ΠΡΟΚΛΑΔΟΝΤΑΣ ΣΟΒΑΡΟ ΠΡΟΣΩΠΙΚΟ ΤΡΑΥΜΑΤΙΣΜΟ Ή/ΚΑΙ ΖΗΜΙΕΣ ΣΕ ΠΡΟΣΩΠΙΚΑ ΑΝΤΙΚΕΙΜΕΝΑ.
 - ΣΥΝΙΣΤΟΥΜΕ Η ΠΙΣΙΝΑ ΝΑ ΕΙΝΑΙ ΜΑΚΡΙΑ ΑΠΟ ΚΑΘΕ ΕΙΔΟΥΣ ΑΝΤΙΚΕΙΜΕΝΑ ΠΟΥ ΜΠΟΡΟΥΝ ΝΑ ΧΡΗΣΙΜΟΠΟΙΟΥΝΤΑΙ ΤΑ ΠΑΙΔΙΑ ΓΙΑ ΝΑ ΑΝΕΒΟΥΝ ΣΤΗΝ ΠΙΣΙΝΑ.
 - ΤΟΠΟΘΕΤΗΣΤΕ ΤΗΝ ΠΙΣΙΝΑ ΚΟΝΤΑ ΣΕ ΕΝΑ ΕΠΑΡΚΕΣ ΣΥΣΤΗΜΑ ΑΠΟΣΤΡΑΓΓΙΣΗΣ ΩΣΤΕ ΝΑ ΑΝΤΙΜΕΤΩΠΙΣΕΤΕ ΣΩΣΤΑ ΤΗΝ ΟΠΟΙΑ ΥΠΕΡΧΕΙΛΙΣΗ Η ΝΑ ΑΔΕΙΑΣΕΤΕ ΤΗΝ ΠΙΣΙΝΑ. ΒΕΒΑΙΩΘΕΙΤΕ ΟΤΙ Η ΠΛΕΥΡΑ ΤΗΣ ΠΙΣΙΝΑΣ ΜΕ ΤΗΝ ΕΙΣΟΔΟ ΝΕΡΟΥ Α ΚΑΙ ΤΗΝ ΕΞΟΔΟ Β ΒΡΙΣΚΕΤΑΙ ΣΤΗΝ ΙΔΙΑ ΚΑΤΕΥΘΥΝΣΗ ΜΕ ΤΗΝ ΤΡΟΦΟΔΟΣΙΑ ΡΕΥΜΑΤΟΣ, ΟΠΟΥ ΠΡΕΠΕΙ ΝΑ ΣΥΝΔΕΘΕΙ ΤΟ ΣΥΣΤΗΜΑ ΦΙΛΤΡΑΡΙΣΜΑΤΟΣ.
 - Η ΕΠΙΠΛΗΜΝΗ ΤΟΠΟΘΕΣΙΑ ΠΡΕΠΕΙ ΝΑ ΕΙΝΑΙ ΚΑΘΑΡΗ ΑΠΟ ΟΠΙΟΔΗΠΟΤΕ ΕΙΔΟΣ ΑΝΤΙΚΕΙΜΕΝΟΥ. ΛΟΓΩ ΤΟΥ ΒΑΡΟΥ ΤΟΥ ΝΕΡΟΥ, ΤΟ ΟΠΙΟΔΗΠΟΤΕ ΑΝΤΙΚΕΙΜΕΝΟ ΚΑΤΩ ΑΠΟ ΤΗΝ ΠΙΣΙΝΑ ΜΠΟΡΕΙ ΝΑ ΠΡΟΚΑΛΕΣΕΙ ΖΗΜΙΑ Η ΔΙΑΤΡΗΣΗ ΣΤΟ ΚΑΤΩ ΜΕΡΟΣ ΤΗΣ ΠΙΣΙΝΑΣ.
 - Η ΕΠΙΠΛΗΜΝΗ ΤΟΠΟΘΕΣΙΑ ΠΡΕΠΕΙ ΝΑ ΕΙΝΑΙ ΚΑΘΑΡΗ ΑΠΟ ΕΠΙΘΕΤΙΚΑ ΦΥΤΑ ΚΑΙ ΕΙΔΗ ΖΙΖΑΝΙΩΝ. ΑΥΤΟΙ ΟΙ ΤΥΠΟΙ ΙΣΧΥΡΗΣ (ΕΠΙΘΕΤΙΚΗΣ) ΒΛΑΣΤΗΣΗΣ ΕΝΔΕΧΟΜΕΝΟΣ ΝΑ ΜΠΟΡΟΥΝ ΝΑ ΑΝΑΠΤΥΧΘΟΥΝ ΜΕΣΩ ΤΗΣ ΕΠΕΝΔΥΣΗΣ ΚΑΙ ΝΑ ΔΗΜΙΟΥΡΓΗΣΟΥΝ ΔΙΑΦΡΑΓΜΑ ΝΕΡΟΥ. ΤΟ ΓΡΑΣΙΔΙ Η ΑΛΛΟΥ ΤΥΠΟΥ ΒΛΑΣΤΗΝ ΜΠΟΡΕΙ ΝΑ ΠΡΟΚΑΛΕΣΕΙ ΟΧΜΕΣ Η ΝΑ ΔΗΜΙΟΥΡΓΗΣΕΙ ΛΑΣΠΗ Η ΟΠΟΙΑ ΠΡΕΠΕΙ ΝΑ ΕΞΑΛΕΙΦΕΙ ΑΠΟ ΤΗ ΘΕΣΗ ΕΓΚΑΤΑΣΤΑΣΗΣ.
 - Η ΕΠΙΠΛΗΜΝΗ ΤΟΠΟΘΕΣΙΑ ΔΕΝ ΠΡΕΠΕΙ ΝΑ ΕΧΕΙ ΕΝΑΕΡΙΕΣ ΓΡΑΜΜΕΣ ΗΛΕΚΤΡΙΚΟΥ ΔΙΚΤΥΟΥ Η ΔΕΝΤΡΑ. ΒΕΒΑΙΩΘΕΙΤΕ ΟΤΙ Η ΤΟΠΟΘΕΣΙΑ ΔΕΝ ΠΕΡΙΛΑΜΒΑΝΕΙ ΥΠΟΓΕΙΣ ΣΩΛΗΝΩΣΕΙΣ, ΑΓΩΓΟΥΣ Η ΚΑΛΩΔΙΑ ΟΠΙΟΔΗΠΟΤΕ ΕΙΔΟΥΣ.
 - Η ΕΠΙΠΛΗΜΝΗ ΤΟΠΟΘΕΣΙΑ ΠΡΕΠΕΙ ΝΑ ΑΠΕΧΕΙ ΠΡΟΥ ΑΠΟ ΤΗΝ ΕΙΣΟΔΟ ΤΟΥ ΣΠΙΤΙΟΥ. ΜΗΝ ΤΟΠΟΘΕΤΕΙΤΕ ΕΠΙΠΛΑ Η ΑΛΛΟ ΕΞΟΠΛΙΣΜΟ ΓΥΡΩ ΑΠΟ ΤΗΝ ΠΙΣΙΝΑ. ΤΟ ΝΕΡΟ ΠΟΥ ΒΓΑΙΝΕΙ ΑΠΟ ΤΗΝ ΠΙΣΙΝΑ ΚΑΤΑ ΤΗ ΧΡΗΣΗ Η ΛΟΓΩ ΕΛΑΤΤΩΜΑΤΩΝ ΤΟΥ ΠΡΟΪΟΝΤΟΣ ΜΠΟΡΕΙ ΝΑ ΚΑΤΑΣΤΡΕΦΕΙ ΤΑ ΕΠΙΠΛΑ ΜΕΣΑ ΣΤΟ ΣΠΙΤΙ Η ΓΥΡΩ ΑΠΟ ΤΗΝ ΠΙΣΙΝΑ.
 - Η ΕΠΙΠΛΗΜΝΗ ΕΠΙΦΑΝΕΙΑ ΠΡΕΠΕΙ ΝΑ ΕΙΝΑΙ ΕΠΙΠΕΔΗ ΚΑΙ ΧΩΡΙΣ ΤΡΥΠΕΣ ΟΙ ΟΠΟΙΕΣ ΜΠΟΡΕΙ ΝΑ ΚΑΤΑΣΤΡΕΦΟΥΝ ΤΟ ΥΛΙΚΟ ΤΗΣ ΕΠΕΝΔΥΣΗΣ. **ΠΡΟΤΙΝΟΜΕΝΕΣ ΕΠΙΦΑΝΕΙΕΣ ΕΓΚΑΤΑΣΤΑΣΗΣ:** ΓΡΑΣΙΔΙ, ΕΔΑΦΟΣ, ΣΚΥΡΩΔΕΜΑ ΚΑΙ ΟΛΕΣ ΤΙΣ ΑΛΛΕΣ ΕΠΙΦΑΝΕΙΕΣ ΠΟΥ ΤΗΡΟΥΝ ΤΙΣ ΠΑΡΑΠΑΝΩ ΣΥΝΘΗΚΕΣ ΕΓΚΑΤΑΣΤΑΣΗΣ.
- ΕΠΙΦΑΝΕΙΑ ΠΡΟΣ ΑΠΟΨΥΧΗ:** ΕΠΙΦΑΝΕΙΕΣ ΜΕ ΛΑΣΠΗ, ΑΜΜΟ, ΧΑΛΙΚΗ, ΧΑΛΑΡΟ ΠΑΤΩΜΑ, ΜΠΑΛΚΟΝΙ, ΕΠΙΦΑΝΕΙΑ ΜΕ ΜΑΛΑΚΟ/ΧΑΛΑΡΟ ΧΩΜΑ Η ΟΠΙΟΔΗΠΟΤΕ ΑΛΛΗ ΕΠΙΦΑΝΕΙΑ ΔΕΝ ΠΑΡΗΡΕΙ ΤΙΣ ΠΑΡΑΠΑΝΩ ΣΥΝΘΗΚΕΣ ΕΓΚΑΤΑΣΤΑΣΗΣ.
- ΣΥΜΒΟΥΛΕΥΕΙΤΕ ΤΙΣ ΤΟΠΙΚΕΣ ΑΡΧΕΣ ΤΗΣ ΠΟΛΗΣ ΣΑΣ ΑΝΑΦΟΡΙΚΑ ΜΕ ΤΟΥΣ ΚΑΝΟΝΙΣΜΟΥΣ ΣΧΕΤΙΚΑ ΜΕ ΤΗΝ ΠΕΡΙΦΡΑΣΗ, ΤΟΥΣ ΦΡΑΚΤΕΣ, ΤΙΣ ΑΠΛΗΤΗΣΕΙΣ ΦΡΟΝΙΣΜΟΥ ΚΑΙ ΑΣΦΑΛΕΙΑΣ ΚΑΙ ΒΕΒΑΙΩΘΕΙΤΕ ΟΤΙ ΣΥΜΜΟΡΦΩΝΕΣΤΕ ΜΕ ΟΛΟΥΣ ΤΟΥΣ ΝΟΜΟΥΣ.
- ΕΑΝ ΣΤΟ ΣΕΤ ΠΕΡΙΛΑΜΒΑΝΕΤΑΙ ΑΝΤΙΛΙΑ ΣΚΑΛΑ, ΑΝΑΤΡΕΤΕ ΣΤΟ ΕΓΧΕΙΡΙΔΙΟ ΤΗΣ ΑΝΤΙΛΙΑΣ ΉΚΑΙ ΤΗΣ ΣΚΑΛΑΣ ΓΙΑ ΟΔΗΓΙΕΣ ΑΣΦΑΛΕΙΑΣ ΚΑΙ ΕΓΚΑΤΑΣΤΑΣΗΣ. Η ΣΚΑΛΑ ΠΡΕΠΕΙ ΝΑ ΕΙΝΑΙ ΑΝΤΙΣΤΟΙΧΗ ΜΕ ΤΟ ΜΕΓΕΘΟΣ ΤΗΣ ΠΙΣΙΝΑΣ.
- ΕΑΝ ΚΑΤΑ ΤΗ ΔΙΑΡΚΕΙΑ ΤΗΣ ΕΓΚΑΤΑΣΤΑΣΗΣ ΕΙΝΑΙ ΑΠΑΡΑΙΤΗΤΟ ΝΑ ΑΛΛΑΞΕΤΕ ΤΗ ΘΕΣΗ ΤΗΣ ΠΙΣΙΝΑΣ, ΣΗΚΩΣΤΕ ΤΗΝ ΕΠΕΝΔΥΣΗ ΚΑΙ ΜΗΝ ΤΗ ΣΥΡΤΕ ΣΤΟ ΕΔΑΦΟΣ. Η ΤΡΙΒΗ ΜΕΤΑΞΥ ΤΟΥ ΥΛΙΚΟΥ PVC ΚΑΙ ΤΟΥ ΕΔΑΦΟΥΣ ΜΠΟΡΕΙ ΝΑ ΚΑΤΑΣΤΡΕΦΕΙ ΤΗΝ ΕΠΕΝΔΥΣΗ ΤΗΣ ΠΙΣΙΝΑΣ.
- **ΑΚΟΛΟΥΘΗΣΤΕ ΤΙΣ ΠΑΡΑΠΑΝΩ ΣΗΜΑΝΤΙΚΕΣ ΟΔΗΓΙΕΣ ΩΣΤΕ ΝΑ ΕΠΙΛΕΞΕΤΕ ΤΗ ΣΩΣΤΗ ΕΠΙΦΑΝΕΙΑ ΚΑΙ ΤΟΠΟΘΕΣΙΑ ΓΙΑ ΝΑ ΕΓΚΑΤΑΣΤΗΣΕΤΕ ΤΗΝ ΠΙΣΙΝΑ ΣΑΣ. ΚΑΤΕΣΤΡΑΜΜΕΝΑ ΤΜΗΜΑΤΑ ΤΗΣ ΠΙΣΙΝΑΣ, ΛΟΓΩ ΤΟΥ ΓΕΓΟΝΤΟΣ ΟΤΙ Η ΕΠΙΦΑΝΕΙΑ ΚΑΙ Η ΤΟΠΟΘΕΣΙΑ ΤΗΣ ΕΓΚΑΤΑΣΤΑΣΗΣ ΔΕΝ ΤΑΙΡΙΑΖΟΥΝ ΜΕ ΤΙΣ ΟΔΗΓΙΕΣ, ΔΕΝ ΘΑ ΘΕΩΡΗΣΟΥΝ ΚΑΤΑΣΚΕΥΑΣΤΙΚΑ ΕΛΑΤΤΩΜΑΤΑ ΚΑΙ ΔΕΝ ΘΑ ΥΠΟΚΕΙΝΤΑΙ ΣΤΗΝ ΕΓΓΥΣΗ ΟΥΣΘΑ ΘΑ ΑΝΑΓΩΡΙΣΟΥΝ ΤΥΧΟΝ ΑΣΙΩΣΕΙΣ ΣΕΡΒΙΣ.**

ΕΓΚΑΤΑΣΤΑΣΗ

ΣΥΝΑΡΜΟΛΟΓΗΣΗ

- ΓΙΑ ΤΙΣ ΟΔΗΓΙΕΣ ΕΓΚΑΤΑΣΤΑΣΗΣ, ΑΝΑΤΡΕΤΕ ΣΤΑ ΣΧΕΔΙΑ ΜΕΣΑ ΣΤΟ ΕΓΧΕΙΡΙΔΙΟ. ΤΑ ΣΧΕΔΙΑ ΕΙΝΑΙ ΜΟΝΟ ΓΙΑ ΛΟΓΟΥΣ ΑΠΕΙΚΟΝΙΣΗΣ. ΜΠΟΡΕΙ ΝΑ ΜΗΝ ΑΝΤΑΠΟΚΡΙΝΟΝΤΑΙ ΣΤΟ ΠΡΑΓΜΑΤΙΚΟ ΠΡΟΪΟΝ, ΔΕΝ ΕΙΝΑΙ ΥΠΟ ΚΛΙΜΑΚΑ.
- Η ΣΥΝΑΡΜΟΛΟΓΗΣΗ ΤΟΥ ΠΛΑΙΣΙΟΥ ΤΗΣ ΠΙΣΙΝΑΣ ΜΠΟΡΕΙ ΝΑ ΟΛΟΚΛΗΡΩΘΕΙ ΧΩΡΙΣ ΕΡΓΑΣΙΑ.
- Η ΕΓΚΑΤΑΣΤΑΣΗ ΣΥΝΗΘΩΣ ΑΠΑΙΤΕΙ ΠΕΡΙΠΟΥ 20-30 ΛΕΠΤΑ ΚΑΙ 2-3 ΑΤΟΜΑ ΕΞΑΙΡΟΝΤΑΣ ΤΗΝ ΠΛΗΡΩΣΗ.
- ΠΙΝ ΑΝ ΕΠΙΚΗΜΥΝΘΕΙ Η ΔΙΑΡΚΕΙΑ ΖΩΗΣ ΤΗΣ ΠΙΣΙΝΑΣ ΣΑΣ, ΕΙΝΑΙ ΣΗΜΑΝΤΙΚΟ ΝΑ ΠΑΣΤΙΛΙΑΣΤΕ ΤΟ ΚΙΦΚΛΙΔΩΜΑ ΜΕ ΤΗ ΣΚΟΝΗ "TALCUM POWDER" ΓΡΑΝ ΑΠΟ ΤΗ ΣΥΝΑΡΜΟΛΟΓΗΣΗ. Η ΣΚΟΝΗ "TALCUM POWDER" ΔΕΝ ΠΕΡΙΛΑΜΒΑΝΕΤΑΙ ΣΤΗ ΣΥΣΚΕΥΑΣΙΑ.
- Η BESTWAY ΔΕΝ ΘΑ ΕΙΝΑΙ ΥΠΕΥΘΥΝΗ ΓΙΑ ΖΗΜΙΕΣ ΠΟΥ ΠΡΟΚΛΗΘΗΚΑΝ ΣΤΗΝ ΠΙΣΙΝΑ ΛΟΓΩ ΚΑΚΟΜΕΤΑΧΕΙΡΙΣΗΣ Η ΛΟΓΩ ΜΗ ΣΥΜΜΟΡΦΩΣΗΣ ΜΕ ΑΥΤΕΣ ΤΙΣ ΟΔΗΓΙΕΣ.
- ΣΥΝΙΣΤΑΤΑΙ ΑΝΕΠΙΘΥΛΑΚΤΑ ΤΟ ΑΝΟΙΓΜΑ ΤΗΣ ΣΥΣΚΕΥΑΣΙΑΣ ΚΑΙ Η ΣΥΝΑΡΜΟΛΟΓΗΣΗ ΤΗΣ ΠΙΣΙΝΑΣ ΝΑ ΠΡΑΓΜΑΤΟΠΟΙΟΥΝΤΑΙ ΣΤΗΝ ΞΗΡΗ ΚΑΙ ΘΕΡΜΟΚΡΑΣΙΑ ΠΕΡΙΒΑΛΛΟΝΤΟΣ ΕΙΝΑΙ ΠΑΝΩ ΑΠΟ 15°C / 59°F. ΤΟ ΥΛΙΚΟ PVC ΤΗΣ ΕΠΕΝΔΥΣΗΣ ΘΑ ΓΙΝΕΙ ΠΟΥ ΕΥΚΛΗΜΤΟ ΚΑΙ ΠΙΟ ΕΥΚΟΛΟ ΣΤΗ ΣΥΝΑΡΜΟΛΟΓΗΣΗ.

ΠΛΗΡΩΣΗ (ΓΕΜΙΣΜΑ) ΠΙΣΙΝΑΣ ΜΕ ΝΕΡΟ

- ΜΗΝ ΑΦΗΝΕΤΕ ΤΗΝ ΠΙΣΙΝΑ ΧΩΡΙΣ ΕΠΙΒΛΕΨΗ ΕΝΩ ΑΥΤΗ ΓΕΜΙΖΕΙ ΜΕ ΝΕΡΟ.
- ΓΕΜΙΣΤΕ ΤΗΝ ΠΙΣΙΝΑ ΜΕ ΝΕΡΟ ΑΦΟΥ ΟΛΟΚΛΗΡΩΘΟΥΝ ΟΛΑ ΤΑ ΒΗΜΑΤΑ ΣΥΝΑΡΜΟΛΟΓΗΣΗΣ ΚΑΙ ΜΕΧΡΙ ΤΟ ΝΕΡΟ ΝΑ ΦΤΑΣΕΙ ΣΤΗ ΓΡΑΜΜΗ ΣΥΓΚΟΛΛΗΣΗΣ, ΠΟΥ ΑΝΤΙΣΤΟΙΧΕΙ ΣΤΟ 90% ΤΗΣ ΠΛΗΡΟΥΣ ΧΩΡΗΤΙΚΟΤΗΤΑΣ.
- ΜΗΝ ΤΗΝ ΠΑΡΑΓΕΜΙΣΤΕ ΚΑΘΩΣ ΑΥΤΟ ΜΠΟΡΕΙ ΝΑ ΠΡΟΚΑΛΕΣΕΙ ΤΗΝ ΚΑΤΑΡΡΕΥΣΗ ΤΗΣ ΠΙΣΙΝΑΣ. ΣΕ ΠΕΡΙΠΤΩΣΗ ΕΝΤΟΝΗΣ ΒΡΟΧΟΠΤΩΣΗΣ, ΣΥΝΙΣΤΟΥΜΕ ΑΝΕΠΙΘΥΛΑΚΤΑ ΤΗ ΜΕΙΩΣΗ ΤΗΣ ΣΤΑΘΜΗΣ ΤΟΥ ΝΕΡΟΥ ΓΙΑ ΝΑ ΔΙΑΤΗΡΕΙΤΑΙ ΣΤΟ 90% ΤΗΣ ΧΩΡΗΤΙΚΟΤΗΤΑΣ, ΩΣΤΕ ΝΑ ΑΠΟΦΥΕΧΘΕΙ Η ΥΠΕΡΧΕΙΛΙΣΗ ΤΟΥ ΝΕΡΟΥ.
- ΟΤΑΝ Η ΠΙΣΙΝΑ ΓΕΜΙΖΕΙ ΕΝΤΕΛΩΣ, ΦΡΟΝΤΙΣΤΕ Η ΑΠΟΣΤΑΣΗ ΜΕΤΑΞΥ ΤΗΣ ΕΠΙΦΑΝΕΙΑΣ ΤΟΥ ΝΕΡΟΥ ΚΑΙ ΤΗΣ ΚΟΥΡΦΗΣ ΤΩΝ ΚΙΦΚΛΙΔΩΜΑΤΩΝ ΝΑ ΕΙΝΑΙ Η ΙΔΙΑ ΣΤΗΝ ΠΕΡΙΜΕΤΡΟ. ΑΝ ΕΙΝΑΙ ΔΙΑΦΟΡΕΤΙΚΗ, ΣΗΜΑΙΝΕΙ ΟΤΙ ΤΟ ΔΑΠΕΔΟ ΔΕΝ ΕΙΝΑΙ ΙΣΙΟ, ΓΥ ΑΥΤΟ ΣΥΝΙΣΤΟΥΜΕ ΑΝΕΠΙΘΥΛΑΚΤΑ ΤΗΝ ΑΠΟΣΤΡΑΓΓΙΣΗ ΤΟΥ ΝΕΡΟΥ ΚΑΙ ΤΗΝ ΕΚ ΝΕΟΥ ΙΣΟΠΕΔΩΣΗ ΤΟΥ ΕΔΑΦΟΥΣ.
- Η ΔΙΑΤΗΡΗΣΗ ΤΗΣ ΠΙΣΙΝΑΣ ΓΕΜΑΤΗ ΜΕ ΝΕΡΟ ΣΕ ΑΝΙΣΟΠΕΔΟ ΕΔΑΦΟΣ ΜΠΟΡΕΙ ΝΑ ΠΡΟΚΑΛΕΣΕΙ ΔΙΑΡΡΗΣΗ ΤΩΝ ΣΗΜΕΙΩΝ ΣΥΓΚΟΛΛΗΣΗΣ Ή/ΚΑΙ ΚΑΤΑΡΡΕΥΣΗ ΤΗΣ ΠΙΣΙΝΑΣ, ΠΡΟΚΛΑΔΟΝΤΑΣ ΣΟΒΑΡΟ ΣΩΜΑΤΙΚΟ Η ΥΛΙΚΟ ΤΡΑΥΜΑΤΙΣΜΟ.

ΣΥΝΤΗΡΗΣΗ

ΕΑΝ ΔΕΝ ΣΥΜΜΟΡΦΩΘΕΙΤΕ ΜΕ ΤΙΣ ΟΔΗΓΙΕΣ ΣΥΝΤΗΡΗΣΗΣ ΠΟΥ ΑΝΑΓΡΑΦΟΝΤΑΙ ΚΑΙ ΕΠΙΣΗΜΑΙΝΟΝΤΑΙ ΠΑΡΑΚΑΤΩ, Η ΥΓΕΙΑ ΣΑΣ ΜΠΟΡΕΙ ΝΑ ΘΕΩΡΕΙ ΣΕ ΚΙΝΔΥΝΟ, ΙΔΙΑΙΤΕΡΩΣ ΔΕ ΑΥΤΗ ΤΩΝ ΠΑΙΔΙΩΝ.

ΝΕΡΟ

- ΕΙΝΑΙ ΑΠΛΑΡΑΙΗΤΟ ΝΑ ΔΙΑΤΗΡΕΙΤΕ ΚΑΘΑΡΟ ΚΑΙ ΧΗΜΙΚΑ ΙΣΟΡΡΟΠΗΜΕΝΟ ΤΟ ΝΕΡΟ ΤΗΣ ΠΙΣΙΝΑΣ. ΕΝΑΣ ΑΠΛΟΣ ΜΟΝΟ ΚΑΘΑΡΙΣΜΟΣ ΤΟΥ ΦΙΛΤΡΟΥ ΔΕΝ ΕΙΝΑΙ ΑΡΚΕΤΟΣ ΓΙΑ ΤΗ ΣΩΣΤΗ ΣΥΝΤΗΡΗΣΗ ΤΟΥ. ΣΥΝΙΣΤΑΤΑΙ Η ΧΡΗΣΗ ΧΗΜΙΚΩΝ ΓΙΑ ΠΙΣΙΝΕΣ ΟΣΤΕ ΝΑ ΔΙΑΤΗΡΕΙΤΑΙ Η ΣΩΣΤΗ ΧΗΜΕΙΑ ΤΟΥ ΝΕΡΟΥ, ΚΑΘΩΣ ΚΑΙ ΤΑΜΠΛΕΤΕΣ ΧΛΩΡΙΟΥ Η ΒΡΟΜΙΟΥ (ΜΗΝ ΧΡΗΣΙΜΟΠΟΙΕΙΤΕ ΚΟΚΚΟΥΣ) ΓΙΑ ΤΟΝ ΧΗΜΙΚΟ ΔΙΑΝΟΜΕΑ.
- Η ΠΟΙΟΤΗΤΑ ΤΟΥ ΝΕΡΟΥ ΣΧΕΤΙΖΕΤΑΙ ΑΜΕΣΑ ΜΕ ΤΗ ΣΥΝΟΧΗ ΤΗΣ ΧΡΗΣΗΣ. ΤΟΝ ΑΡΙΘΜΟ ΤΩΝ ΧΡΗΣΤΩΝ ΚΑΙ ΤΗ ΓΕΝΙΚΗ ΣΥΝΤΗΡΗΣΗ ΤΟΥ ΣΠΑ. ΤΟ ΝΕΡΟ ΘΑ ΠΡΕΠΕΙ ΝΑ ΑΛΛΑΞΕΙ ΚΑΘΕ 3 ΗΜΕΡΕΣ, ΕΑΝ ΔΕΝ ΠΡΑΓΜΑΤΟΠΟΙΕΙΤΑΙ ΧΗΜΙΚΗ ΕΠΕΞΕΡΓΑΣΙΑ ΤΟΥ ΝΕΡΟΥ. ΣΥΝΙΣΤΑΤΑΙ ΙΔΙΑΙΤΕΡΩΣ ΝΑ ΧΡΗΣΙΜΟΠΟΙΕΙΤΕ ΝΕΡΟ ΒΡΥΣΗΣ ΓΙΑ ΤΗΝ ΠΛΗΡΩΣΗ ΟΣΤΕ ΝΑ ΕΛΑΧΙΣΤΟΠΟΙΗΣΕΤΕ ΤΗΝ ΕΠΙΔΡΑΣΗ ΑΝΕΠΙΘΥΜΗΤΟΥ ΠΕΡΙΕΧΟΜΕΝΟΥ, ΟΠΩΣ ΜΕΤΑΛΛΙΚΑ ΣΤΟΙΧΕΙΑ.
- ΣΥΝΙΣΤΟΥΜΕ ΝΑ ΚΑΝΕΤΕ ΠΡΩΤΑ ΕΝΑ ΝΤΟΥΣ ΠΡΙΝ ΧΡΗΣΙΜΟΠΟΙΗΣΕΤΕ ΤΗΝ ΠΙΣΙΝΑ, ΚΑΘΩΣ ΚΑΛΥΠΤΙΚΑ ΠΡΟΪΟΝΤΑ, ΛΟΞΙΟΝ ΚΑΙ ΆΛΛΑ ΚΑΤΑΛΟΙΠΑ ΕΠΙΛΟΝ ΣΤΗΝ ΕΠΙΔΕΡΜΙΔΑ ΜΠΟΡΟΥΝ ΠΟΛΥ ΓΡΗΓΟΡΑ ΝΑ ΥΠΟΒΑΘΜΙΣΟΥΝ ΤΗΝ ΠΟΙΟΤΗΤΑ ΤΟΥ ΝΕΡΟΥ.
- ΑΔΕΙΑΖΕΤΕ ΤΑΚΤΙΚΑ ΤΗΝ ΠΙΣΙΝΑ ΟΣΤΕ ΝΑ ΑΠΟΦΥΓΕΤΕ ΤΗ ΡΥΠΑΝΣΗ.
- ΤΟΠΟΘΕΤΗΣΕ ΕΝΑΝ ΚΑΔΟ ΜΕ ΝΕΡΟ ΔΙΠΛΑ ΣΤΗΝ ΠΙΣΙΝΑ ΟΣΤΕ ΟΙ ΧΡΗΣΤΕΣ ΝΑ ΚΑΘΑΡΙΖΟΥΝ ΤΑ ΠΟΔΙΑ ΤΟΥΣ ΠΡΙΝ ΜΠΟΥΝ ΣΤΗΝ ΠΙΣΙΝΑ.
- Η ΧΗΜΙΚΗ ΣΥΝΤΗΡΗΣΗ ΠΡΕΠΕΙ ΝΑ ΕΚΤΕΛΕΙΤΑΙ ΜΕ CHEMCONNECT Η ΧΗΜΙΚΟ ΠΛΩΤΗΡΑ. ΜΗΝ ΠΙΝΕΤΕ ΧΗΜΙΚΑ ΠΡΟΪΟΝΤΑ ΑΠΕΥΘΕΙΑΣ ΣΤΟ ΝΕΡΟ, Η ΧΗΜΙΚΗ ΟΥΣΙΑ ΘΑ ΑΠΟΤΕΘΕΙ ΣΤΟΝ ΠΥΘΜΕΝΑ, ΘΑ ΚΑΤΑΣΤΡΕΦΕΙ ΤΟ ΥΛΙΚΟ ΚΑΙ ΘΑ ΑΠΟΧΡΩΜΑΤΙΣΕΙ ΤΟ ΡΥC.

ΧΗΜΙΚΕΣ ΤΑΜΠΛΕΤΕΣ (ΔΕΝ ΠΕΡΙΛΑΜΒΑΝΟΝΤΑΙ):

- ΤΟ ΣΕΤ ΠΙΣΙΝΑΣ ΠΟΥ ΑΓΟΡΑΣΑΤΕ ΜΠΟΡΕΙ ΝΑ ΜΗΝ ΠΕΡΙΛΑΜΒΑΝΕΙ ΔΙΑΝΟΜΗΤΕΣ. ΣΕ ΑΥΤΗ ΤΗ ΠΕΡΙΠΤΩΣΗ ΕΠΙΣΚΕΦΘΕΙΤΕ ΤΗΝ ΙΣΤΟΣΕΛΙΔΑ ΜΑΣ www.bestwaycorp.com Η ΤΟΝ ΠΛΗΣΙΕΣΤΕΡΟ ΑΝΤΙΠΡΟΣΩΠΟ ΤΗΣ ΠΙΣΙΝΑΣ.
- ΑΦΑΙΡΕΣΤΕ ΤΟΝ ΧΗΜΙΚΟ ΔΙΑΝΟΜΕΑ ΑΠΟ ΤΗΝ ΠΙΣΙΝΑ, ΟΤΑΝ Η ΠΙΣΙΝΑ ΕΙΝΑΙ ΣΕ ΧΡΗΣΗ.
- ΜΕΤΑ ΤΗΝ ΕΚΤΕΛΕΣΗ ΤΗΣ ΧΗΜΙΚΗΣ ΣΥΝΤΗΡΗΣΗΣ ΚΑΙ ΠΡΙΝ ΤΗ ΧΡΗΣΗ ΤΗΣ ΠΙΣΙΝΑΣ, ΧΡΗΣΙΜΟΠΟΙΗΣΤΕ ΕΝΑ ΚΙΤ ΔΟΚΙΜΗΣ (ΔΕΝ ΠΕΡΙΛΑΜΒΑΝΕΤΑΙ) ΟΣΤΕ ΝΑ ΔΟΚΙΜΑΣΕΤΕ ΤΗ ΧΗΜΕΙΑ ΤΟΥ ΝΕΡΟΥ. ΣΥΝΙΣΤΟΥΜΕ ΝΑ ΔΙΑΤΗΡΕΙΤΕ ΤΗ ΧΗΜΙΚΗ ΙΣΟΡΡΟΠΙΑ ΤΟΥ ΝΕΡΟΥ ΟΠΩΣ ΦΑΙΝΕΤΑΙ ΣΤΟΝ ΠΑΡΑΚΑΤΩ ΠΙΝΑΚΑ.

ΠΑΡΑΜΕΤΡΟΙ	ΤΙΜΕΣ
ΔΙΑΥΓΕΙΑ ΝΕΡΟΥ	ΚΑΘΑΡΗ ΘΕΑ ΤΟΥ ΠΥΘΜΕΝΑ ΤΗΣ ΠΙΣΙΝΑΣ
ΧΡΩΜΑ ΝΕΡΟΥ	ΔΕΝ ΠΡΕΠΕΙ ΝΑ ΠΑΡΑΤΗΡΕΙΤΑΙ ΧΡΩΜΑ
ΘΟΛΟΤΗΤΑ ΣΕ FNU / NTU	ΜΕΓΙΣΤΟ 1,5 (ΚΑΤΑ ΠΡΟΤΙΜΗΣΗ ΜΙΚΡΟΤΕΡΟ ΑΠΟ 0,5)
ΣΥΓΚΕΝΤΡΩΣΗ ΝΙΤΡΙΚΟΥ ΑΛΑΤΟΣ ΜΕΓΑΛΥΤΕΡΗ ΑΠΟ ΕΚΕΙΝΗ ΤΗΣ ΠΛΗΡΩΣΗΣ ΜΕ ΝΕΡΟ ΣΕ mg/l	ΜΕΓΙΣΤΟ 20
ΟΛΙΚΟΣ ΟΡΓΑΝΙΚΟΣ ΑΝΘΡΑΚΑΣ (ΤΟC) ΣΕ mg/l	ΜΕΓΙΣΤΟ 4,0
ΔΥΝΑΜΙΚΗ ΟΞΕΙΔΩΣΑΓΩΓΗ ΕΝΑΝΤΙ Ag/AgCl 3,5 ΜΕΤΡΑ ΚCl ΣΕ mlv	ΕΛΑΧΙΣΤΟ 650
ΤΙΜΗ pH	6,8 ΕΩΣ 7,6
ΕΛΕΥΘΕΡΟ ΕΝΕΡΓΟ ΧΛΩΡΙΟ (ΧΩΡΙΣ ΚΥΑΝΟΥΡΙΚΟ ΟΞΥ) ΣΕ mg/l	0,3 ΕΩΣ 1,5
ΧΡΗΣΙΜΟΠΟΙΕΙΤΑΙ ΕΛΕΥΘΕΡΟ ΧΛΩΡΙΟ ΣΕ ΣΥΝΔΥΑΣΜΟ ΜΕ ΚΥΑΝΟΥΡΙΚΟ ΟΞΥ ΣΕ mg/l	1,0 ΕΩΣ 3,0
ΚΥΑΝΟΥΡΙΚΟ ΟΞΥ ΣΕ mg/l	ΜΕΓΙΣΤΟ 100
ΣΥΝΔΥΑΣΜΕΝΟ ΧΛΩΡΙΟ ΣΕ mg/l	ΜΕΓΙΣΤΟ 0,5 (ΚΑΤΑ ΠΡΟΤΙΜΗΣΗ ΚΟΝΤΑ ΣΤΟ 0,0 mg/l)

- ΖΗΜΙΕΣ ΣΤΗΝ ΠΙΣΙΝΑ ΠΟΥ ΠΡΟΚΥΠΤΟΥΝ ΑΠΟ ΛΑΘΑΣΜΕΝΗ ΧΡΗΣΗ ΤΩΝ ΧΗΜΙΚΩΝ ΚΑΙ ΚΑΚΗ ΔΙΑΧΕΙΡΙΣΗ ΤΟΥ ΝΕΡΟΥ ΤΗΣ ΠΙΣΙΝΑΣ ΔΕΝ ΧΑΡΙΖΟΝΤΑΙ ΑΠΟ ΤΗΝ ΕΓΓΥΗΣΗ.
- Η ΥΠΕΡΒΟΛΙΚΗ ΧΡΗΣΗ ΧΗΜΙΚΩΝ ΘΑ ΑΠΟΧΡΩΜΑΤΙΣΕΙ ΤΑ ΣΗΜΕΙΑ ΧΡΩΜΑΤΙΣΜΟΥ ΚΑΙ ΟΛΑ ΤΑ ΣΗΜΕΙΑ ΤΟΥ ΥΛΙΚΟΥ ΤΗΣ ΠΙΣΙΝΑΣ, ΣΤΗ ΔΕ ΧΕΙΡΟΤΕΡΗ ΠΕΡΙΠΤΩΣΗ ΘΑ ΠΡΟΚΑΛΕΣΕΙ ΖΗΜΙΑ ΣΤΗΝ ΟΛΗ ΔΟΜΗ ΤΗΣ ΕΠΕΝΔΥΣΗΣ ΤΗΣ ΠΙΣΙΝΑΣ.
- ΤΑ ΧΗΜΙΚΑ ΠΙΣΙΝΑΣ ΕΙΝΑΙ ΠΙΣΑΝΟΝ ΤΟΞΙΚΑ ΚΑΙ ΓΙ' ΑΥΤΟ ΘΑ ΠΡΕΠΕΙ ΝΑ ΧΕΙΡΙΖΟΝΤΑΙ ΜΕ ΠΡΟΣΟΧΗ. ΥΠΑΡΧΟΥΝ ΣΟΒΑΡΟΙ ΚΙΝΔΥΝΟΙ ΓΙΑ ΤΗΝ ΥΓΕΙΑ ΑΠΟ ΧΗΜΙΚΟΥΣ ΑΤΜΟΥΣ ΚΑΙ ΑΠΟ ΤΗΝ ΛΑΘΑΣΜΕΝΗ ΣΗΜΑΣΙΑ ΚΑΙ ΑΠΟΘΗΚΕΥΣΗ ΤΩΝ ΔΟΧΕΙΩΝ ΜΕ ΤΑ ΧΗΜΙΚΑ.
- ΠΑΡΑΚΑΛΟΥΜΕ ΝΑ ΣΥΜΒΟΥΛΕΥΘΕΙΤΕ ΤΟ ΤΟΠΙΚΟ ΚΑΤΑΣΤΗΜΑ ΠΩΛΗΣΗΣ ΥΛΙΚΩΝ ΠΙΣΙΝΑΣ Η ΧΗΜΙΚΩΝ ΓΙΑ ΠΕΡΙΣΣΟΤΕΡΕΣ ΠΛΗΡΟΦΟΡΙΕΣ ΣΧΕΤΙΚΑ ΜΕ ΤΗΝ ΧΗΜΙΚΗ ΣΥΝΤΗΡΗΣΗ, ΔΟΣΤΕ ΠΡΟΣΟΧΗ ΣΤΙΣ ΟΔΗΓΙΕΣ ΤΟΥ ΚΑΤΑΣΚΕΥΑΣΤΗ ΤΩΝ ΧΗΜΙΚΩΝ.
- Η ΑΝΤΙΛΙΑ ΧΡΗΣΙΜΟΠΟΙΕΙΤΑΙ ΓΙΑ ΝΑ ΚΥΚΛΟΦΕΡΕΙ ΤΟ ΝΕΡΟ ΚΑΙ ΓΙΑ ΝΑ ΦΙΛΤΡΑΡΕΙ ΤΑ ΜΙΚΡΑ ΣΩΜΑΤΙΔΙΑ. ΓΙΑ ΝΑ ΔΙΑΤΗΡΗΣΕΤΕ ΤΟ ΝΕΡΟ ΤΗΣ ΠΙΣΙΝΑΣ ΚΑΘΑΡΟ ΚΑΙ ΥΓΙΕΙΝΟ, ΠΡΕΠΕΙ ΝΑ ΠΡΟΣΘΕΣΕΤΕ ΧΗΜΙΚΑ.

ΕΠΕΝΔΥΣΗ

- ΣΥΝΙΣΤΑΤΑΙ ΝΑ ΑΓΟΡΑΣΕΤΕ ΕΝΑ ΚΑΛΥΜΜΑ ΠΙΣΙΝΑΣ, ΕΑΝ ΔΕΝ ΠΕΡΙΛΑΜΒΑΝΕΤΑΙ ΣΤΟ ΣΕΤ, ΚΑΙ ΝΑ ΚΑΛΥΠΤΕΤΕ ΤΗΝ ΠΙΣΙΝΑ ΟΤΑΝ ΔΕΝ ΧΡΗΣΙΜΟΠΟΙΕΙΤΑΙ, ΓΙΑ ΝΑ ΑΠΟΦΥΓΕΤΕ ΟΠΟΙΟΔΗΠΟΤΕ ΖΗΜΙΑ ΣΤΟ ΥΛΙΚΟ DURAPLUS ΣΤΑ ΚΙΓΚΛΙΔΩΜΑΤΑ. ΚΑΘΑΡΙΣΤΕ ΑΓΛΑΛΑ ΤΥΧΟΝ ΥΠΟΛΕΙΜΜΑΤΑ ΒΡΩΜΙΑΣ ΣΤΑ ΚΙΓΚΛΙΔΩΜΑΤΑ ΜΕ ΕΝΑ ΚΑΘΑΡΟ ΠΑΝΙ.

ΑΠΟΣΥΝΑΡΜΟΛΟΓΗΣΗ ΚΑΙ ΑΠΟΘΗΚΕΥΣΗ

ΑΠΟΣΤΡΑΓΓΙΣΗ

- ΓΙΑ ΤΗΝ ΑΠΟΣΤΡΑΓΓΙΣΗ, ΑΝΑΤΡΕΨΤΕ ΣΤΑ ΣΧΕΔΙΑ ΜΕΣΑ ΣΤΟ ΕΓΧΕΙΡΙΔΙΟ. ΤΑ ΣΧΕΔΙΑ ΕΙΝΑΙ ΜΟΝΟ ΓΙΑ ΛΟΓΟΥΣ ΑΠΕΙΚΟΝΙΣΗΣ. ΜΠΟΡΕΙ ΝΑ ΜΗΝ ΑΝΤΑΠΟΚΡΙΝΟΝΤΑΙ ΣΤΟ ΠΡΑΓΜΑΤΙΚΟ ΠΡΟΪΟΝ ΔΕΝ ΕΙΝΑΙ ΥΠΟ ΚΛΙΜΑΚΑ.
- ΓΙΑ ΤΗΝ ΑΠΟΣΤΡΑΓΓΙΣΗ ΤΟΥ ΝΕΡΟΥ ΤΗΣ ΠΙΣΙΝΑΣ, ΕΛΕΓΞΤΕ ΤΟΥΣ ΤΟΠΙΚΟΥΣ ΚΑΝΟΝΙΣΜΟΥΣ ΓΙΑ ΤΙΣ ΔΙΑΤΑΞΕΙΣ ΑΠΟΧΕΤΕΥΣΗΣ.

ΚΑΘΑΡΙΣΜΟΣ

- ΞΕΠΛΥΝΕΤΕ ΤΗΝ ΕΠΕΝΔΥΣΗ ΤΗΣ ΠΙΣΙΝΑΣ ΜΕ ΝΕΡΟ ΒΡΥΣΗΣ, ΓΙΑ ΝΑ ΑΦΑΙΡΕΣΕΤΕ ΕΝΤΕΛΩΣ ΤΥΧΟΝ ΥΠΟΛΕΙΜΜΑΤΑ ΧΗΜΙΚΩΝ Η ΒΡΩΜΙΑΣ.
- ΑΦΗΣΤΕ ΤΗΝ ΠΙΣΙΝΑ ΣΤΟ ΦΩΣ ΤΟΥ ΗΛΙΟΥ ΜΕΧΡΙ ΝΑ ΣΤΕΓΝΩΣΕΙ ΤΕΛΕΙΩΣ.
- ΓΙΑ ΝΑ ΑΦΑΙΡΕΣΕΤΕ ΤΕΛΕΙΩΣ ΤΟ ΥΠΟΛΟΙΠΟ ΝΕΡΟ, ΣΚΟΥΠΙΣΤΕ ΤΗΝ ΕΠΕΝΔΥΣΗ ΤΗΣ ΠΙΣΙΝΑΣ ΜΕ ΕΝΑ ΣΤΕΓΝΟ ΠΑΝΙ.

ΑΠΟΘΗΚΕΥΣΗ

- ΑΦΑΙΡΕΣΤΕ ΟΛΑ ΤΑ ΕΞΑΡΤΗΜΑΤΑ. ΒΕΒΑΙΩΘΕΙΤΕ ΟΤΙ Η ΕΠΕΝΔΥΣΗ ΚΑΙ ΤΑ ΕΞΑΡΤΗΜΑΤΑ ΤΗΣ ΠΙΣΙΝΑΣ ΕΙΝΑΙ ΕΝΤΕΛΩΣ ΚΑΘΑΡΑ ΚΑΙ ΣΤΕΓΝΑ ΠΡΙΝ ΤΗΝ ΑΠΟΘΗΚΕΥΣΗ. ΕΑΝ Η ΠΙΣΙΝΑ ΔΕΝ ΕΙΝΑΙ ΕΝΤΕΛΩΣ ΣΤΕΓΝΗ, ΜΠΟΡΕΙ ΝΑ ΠΡΟΚΛΗΘΕΙ ΜΟΥΧΛΑ ΚΑΙ ΝΑ ΚΑΤΑΣΤΡΕΦΕΙ ΤΗΝ ΕΠΕΝΔΥΣΗ ΤΗΣ ΠΙΣΙΝΑΣ ΚΑΤΑ ΤΗΝ ΠΕΡΙΟΔΟ ΑΠΟΘΗΚΕΥΣΗΣ.
- ΜΟΛΙΣ ΣΤΕΓΝΩΣΕΙ ΤΕΛΕΙΩΣ Η ΠΙΣΙΝΑ, ΦΕΚΑΣΤΕ ΜΕ ΤΑΚ ΓΙΑ ΝΑ ΜΗΝ ΚΟΛΛΗΣΕΙ Η ΠΙΣΙΝΑ.
- ΣΥΝΙΣΤΑΤΑΙ ΑΝΕΠΙΦΥΛΑΚΤΑ Η ΑΠΟΣΥΝΑΡΜΟΛΟΓΗΣΗ ΤΗΣ ΠΙΣΙΝΑΣ ΟΤΑΝ Η ΘΕΡΜΟΚΡΑΣΙΑ ΠΕΡΙΒΑΛΛΟΝΤΟΣ ΕΙΝΑΙ ΚΑΤΩ ΑΠΟ 10°C / 50°F.
- ΔΙΠΛΩΣΤΕ ΤΗΝ ΕΠΕΝΔΥΣΗ ΤΗΣ ΠΙΣΙΝΑΣ ΜΟΝΟ ΕΑΝ Η ΘΕΡΜΟΚΡΑΣΙΑ ΠΕΡΙΒΑΛΛΟΝΤΟΣ ΕΙΝΑΙ ΠΑΝΩ ΑΠΟ 10°C / 50°F. ΑΠΟΘΗΚΕΥΣΤΕ ΤΗΝ ΠΙΣΙΝΑ ΣΕ ΞΗΡΟ ΜΕΡΟΣ ΜΕ ΜΕΤΡΙΑ ΘΕΡΜΟΚΡΑΣΙΑ ΜΕΤΑΞΥ 10°C / 50°F ΚΑΙ 38°C / 100°F ΚΑΙ ΤΟΠΟΘΕΤΗΣΤΕ ΤΗΝ ΕΠΕΝΔΥΣΗ ΤΗΣ ΠΙΣΙΝΑΣ ΚΑΙ ΟΛΑ ΤΑ ΕΞΑΡΤΗΜΑΤΑ ΜΕΣΑ ΣΕ ΕΝΑ ΚΟΥΤΙ ΑΠΟ ΧΑΡΤΟΝΙ, ΓΙΑ ΝΑ ΠΡΟΣΤΑΤΕΥΣΕΤΕ ΚΑΛΥΤΕΡΑ ΤΟ ΥΛΙΚΟ ΡΥC ΚΑΤΑ ΤΗ ΧΕΙΜΕΡΙΝΗ ΠΕΡΙΟΔΟ.

ΕΠΙΣΚΕΥΗ

- ΣΕ ΠΕΡΙΠΤΩΣΗ ΔΙΑΡΡΟΗΣ, ΕΠΙΔΡΟΦΩΣΤΕ ΤΗΝ ΠΙΣΙΝΑ ΧΡΗΣΙΜΟΠΟΙΩΝΤΑΣ ΤΟ ΥΠΟΒΡΥΧΙΟ ΑΥΤΟΚΟΛΛΗΤΟ ΕΠΙΡΑΜΜΑ ΕΠΙΣΚΕΥΗΣ ΠΟΥ ΠΑΡΕΧΕΤΑΙ. ΜΠΟΡΕΙΤΕ ΝΑ ΒΡΕΙΤΕ ΤΙΣ ΟΔΗΓΙΕΣ ΣΤΟ ΠΕΔΙΟ «ΣΥΧΝΕΣ ΕΡΩΤΗΣΕΙΣ» ΣΤΗΝ ΕΝΟΤΗΤΑ ΥΠΟΣΤΗΡΙΞΗΣ ΤΗΣ ΙΣΤΟΣΕΛΙΔΑΣ ΜΑΣ, www.bestwaycorp.com/support.



РУКОВОДСТВО ПОЛЬЗОВАТЕЛЯ



Посетите канал Bestway на YouTube

ВАЖНЫЕ ИНСТРУКЦИИ ПО ТЕХНИКЕ БЕЗОПАСНОСТИ

⚠ ВНИМАНИЕ

ПРОЧИТАЙТЕ И СОБЛЮДАЙТЕ ВСЕ ИНСТРУКЦИИ.

- Внимательно прочитайте информацию в руководстве пользователя, убедитесь в том, что вам все понятно, и следуйте указаниям при установке и использовании бассейна. Эти предостережения, инструкции, меры предосторожности предупреждают о некоторых распространенных рисках отдыха и игр в воде, но не покрывают все риски и все возможные опасности. Будьте осторожны, рассудительны и разумны при отдыхе и играх в воде. Сохраните эту брошюру для дальнейшего использования в справочных целях. Кроме того, в зависимости от типа бассейна, может предоставляться следующая ниже информация.
- Храните эту инструкцию в безопасном месте. В случае утери инструкции обратитесь в компанию Bestway или на веб-сайт www.bestwaycorp.com
- Каждый раз при использовании бассейна поручайте наблюдение за детьми компетентному взрослому.
- Ограждения, покрытие бассейна, сигнализация в бассейне и прочие защитные устройства полезны, но они не могут заменить постоянное и компетентное наблюдение, осуществляемое взрослыми.

Безопасное использование бассейна

- Стимулируйте всех пользователей, особенно детей, обучению плаванию.
- Изучите базовые техники экстренной первой помощи (сердечно-легочная реанимация – СЛР) и регулярно освежайте ваши знания. Если произойдет несчастный случай, вы сможете спасти жизнь человека.
- Объясните всем пользователям бассейна, особенно детям, что делать в случае чрезвычайного происшествия.
- Не ныряйте на мелководье. Это может привести к серьезным травмам или смерти.
- Не пользуйтесь бассейном, если вы выпили алкогольный напиток или приняли лекарство, которое может негативно повлиять на вашу способность безопасно пользоваться бассейном.

Устройства, обеспечивающие безопасность

- Чтобы предотвратить риск утопления детей, рекомендуется закрыть доступ в бассейн защитным ограждением. Чтобы помешать детям карабкаться на впускной и выпускной клапаны, рекомендуется установить ограждение (и блокировать все окна и двери, если они имеются), чтобы предотвратить доступ в бассейн без разрешения.

Оборудование, обеспечивающее безопасность

- Рекомендуется хранить спасательное оборудование (например, спасательный круг) в непосредственной близости от бассейна.
- Держите работающий телефон и список номеров телефонов экстренной связи в непосредственной близости от бассейна.
- Если вы используете покрытие бассейна, полностью уберите его с поверхности воды перед тем, как использовать бассейн.
- Защищайте пользователей бассейна от болезней, которые могут передаваться через воду, регулярно очищая воду и следуя правилам гигиены. Следуйте инструкциям по очистке воды, содержащимся в этом руководстве пользователя.
- Храните химикаты (например, для очистки воды, чистящие и дезинфицирующие средства) в недоступном для детей месте.
- Выполняйте указания графических знаков, как указано ниже. Сигналы должны быть установлены на видном месте в пределах 2 м от бассейна.



В воде дети должны находиться под присмотром взрослых. Нырять запрещается.

- Съемные лестницы должны быть установлены на ровной поверхности.
- Независимо от материалов, из которых изготовлен бассейн, регулярно проверяйте доступные поверхности, чтобы избежать риска травм.
- Регулярно проверяйте состояние болтов и винтов. Удалите сколы и острые кромки, чтобы избежать травм.
- Не оставляйте слитый бассейн вне помещения. Пустой бассейн может деформироваться и (или) опрокинуться от ветра.
- Если у вас есть фильтрующий насос, см. инструкции в руководстве пользователя насоса.
- Запрещается пользоваться насосом, когда люди находятся в бассейне!
- Если у вас есть лестница, см. инструкции в руководстве пользователя лестницы.
- **ВНИМАНИЕ!** При пользовании плавательным бассейном необходимо соблюдать инструкции по технике безопасности, содержащиеся в руководстве по эксплуатации и обслуживанию. Чтобы избежать опасности утопления или других серьезных травм, внимательно следите за тем, чтобы дети до 5 лет не попали в бассейн без разрешения. Оборудуйте доступ к бассейну защитными устройствами и постоянно держите детей под наблюдением взрослых во время использования бассейна.

Безопасность пользователей, не умеющих плавать

- Компетентный взрослый должен постоянно внимательно и активно присматривать за детьми, которые не умеют плавать или плавают не очень хорошо (помните, что наибольшему риску утонуть подвержены дети до пяти лет).
- Дети, которые не умеют плавать или плавают не очень хорошо, должны использовать специальное защитное снаряжение при пользовании бассейном.
- Когда бассейн не используется, или когда за ним никто не присматривает, уберите все игрушки из бассейна и прилегающей зоны, чтобы дети не могли заинтересоваться ими и приблизиться к бассейну.

ВНИМАТЕЛЬНО ИЗУЧИТЕ ИНСТРУКЦИИ И СОХРАНИТЕ ИХ ДЛЯ ДАЛЬНЕЙШЕГО ИСПОЛЬЗОВАНИЯ В СПРАВОЧНЫХ ЦЕЛЯХ.

ПРОВЕРКА ПЕРЕД НАЧАЛОМ УСТАНОВКИ

КОНТРОЛЬНЫЙ СПИСОК

Проверьте наличие деталей в соответствии с руководством пользователя. Проверьте, чтобы компоненты оборудования соответствовали модели, которую вы собирались приобрести. В случае любых поврежденных или отсутствующих деталей на момент покупки посетите наш веб-сайт bestwaycorp.com/support.

ВЫБЕРИТЕ ПРАВИЛЬНОЕ МЕСТО УСТАНОВКИ

Выбранная для установки бассейна поверхность должна отвечать следующим условиям:

- Из-за значительного суммарного веса воды в бассейне и пользователей в нем чрезвычайно важно, чтобы участок для установки бассейна был способен равномерно выдерживать общий вес установленного бассейна. При выборе участка принимайте во внимание, что вода может выливаться из бассейна во время его использования или дождя. Если вода приведет к размягчению поверхности участка, это может повлечь утрату участком способности выдерживать вес бассейна.
- Регулярно проверяйте положение вертикальных ножек и (или) U-образных опор. Они всегда должны находиться на одном уровне с дном бассейна. Если вертикальная ножка или U-образная опора начинает углубляться в землю, немедленно слейте воду из бассейна во избежание разрушения бассейна вследствие неравномерной нагрузки на рамную конструкцию. Поменяйте место расположения бассейна или замените материал покрытия участка более прочным.
- Поверхность должна быть плоской и гладкой. Если участок имеет уклон или неровный, это может привести к несбалансированной нагрузке на конструкцию бассейна. Это может повлечь разрушение сварных швов лайнера и гибание рамы. В худшем случае бассейн может разрушиться, что может повлечь причинение серьезных травм людям и (или) повреждение имущества.
- Рекомендуем устанавливать бассейн вдали от предметов, которые дети могут использовать для того, чтобы забраться в него.
- Устанавливайте бассейн рядом с подводящей системой слива, чтобы, при необходимости, устранить переливание или опорожнить бассейн. Убедитесь, что сторона бассейна с входом для воды А и выходом В расположена с той же стороны, что и источник питания, где должна быть подключена система фильтрации.
- Выбранный участок должен быть свободен от каких бы то ни было предметов. Из-за веса воды любой предмет, оказавшийся под бассейном, может повредить или проткнуть дно бассейна.
- Выбранный участок должен быть свободен от агрессивных видов растений и сорняков. Эти растения, отличающиеся сильной вегетацией, могут прорости через лайнер и привести к утечке воды. С участка необходимо удалить всю траву и другую растительность, которые после увядания могут привести к возникновению неприятных запахов и слизи.
- Над участком не должны проходить линии электропередачи и нависать ветки деревьев. Убедитесь в том, что на выбранном участке нет подземных коммуникаций, линий и кабелей.
- Выбранное месторасположение должно находиться далеко от входа в дом. Не располагайте какое-либо оборудование или мебель вокруг бассейна. Вливающаяся из бассейна вода во время его использования либо из-за его дефекта или повреждения может повредить мебель внутри дома или вокруг бассейна.
- Выбранный участок должен быть плоским и не иметь нор и ямок, поскольку они могут повредить материал лайнера.

Рекомендуемые поверхности для установки: трава, земля, бетон и другие поверхности, отвечающие вышеприведенным условиям для установки.

Не рекомендуемые поверхности для установки: грязь, песок, гравий, крыша, балкон, подъездная дорожка, помост, мягкий/рыхлый грунт и другие поверхности, не отвечающие вышеприведенным условиям для установки.

- Обратитесь в городской совет за информацией о постановлениях, касающихся ограждения, барьеров, освещения, и нормах техники безопасности и неукоснительно их соблюдайте.
- Если насос и (или) лестница входят в комплект, см. инструкции по технике безопасности и установке в руководстве насоса и (или) лестницы. Лестница должна соответствовать размеру бассейна.
- Если во время установки необходимо изменить положение бассейна, поднимите лайнер, чтобы не тянуть его по земле; трение между ПВХ-материалом и землей может повредить лайнер бассейна.
- **Следуйте важным приведенным выше инструкциям для выбора правильного расположения и участка для установки вашего бассейна. Повреждения деталей бассейна вследствие его расположения и установки на участке, не отвечающем данным инструкциям, не будут считаться производственным дефектом и не будут покрываться гарантией, по ним не будут приниматься никакие претензии по проведению ремонта или обслуживания.**

УСТАНОВКА

СБОРКА

- Инструкцию по установке см. на рисунках внутри руководства пользователя. Схемы предназначены исключительно для целей иллюстрации. Они могут не отображать конкретное изделие. Схемы не отображают действительный масштаб.
- Сборка бассейна с рамой может быть выполнена без инструментов.
- Установка силами 2-3 человек обычно занимает приблизительно 20-30 минут, не считая наполнения бассейна водой.
- Чтобы продлить срок службы бассейна, перед сборкой нужно посыпать тальком верхние направляющие. Тальк не входит в комплект поставки.
- Компания Bestway не несет ответственности за причиненные бассейну повреждения вследствие неправильного обращения или несоблюдения настоящих инструкций.
- Мы настоятельно рекомендуем вскрывать упаковку и собирать бассейн при температуре окружающей среды выше 15°C (59°F); ПВХ-материал лайнера будет более гибким, что упростит сборку бассейна.

НАПОЛНЕНИЕ БАССЕЙНА ВОДОЙ

- Не оставляйте бассейн без присмотра, когда он наполняется водой.
- После завершения всех этапов сборки наполняйте бассейн, пока вода не достигнет линии сварки, что соответствует 90% полного объема бассейна.
- Не наливайте слишком много воды, так как бассейн потеряет устойчивость и может разрушиться. В случае сильных осадков мы настоятельно рекомендуем снизить уровень воды с целью поддержания его на отметке 90% полного объема, чтобы избежать переполнения бассейна.
- Когда бассейн полностью заполнен, убедитесь, что расстояние между поверхностью воды и верхом направляющих одинаково по всему периметру; если оно отличается, это означает, что пол не выровнен, поэтому мы настоятельно рекомендуем слить воду и повторно выровнять участок почвы под бассейном.
- Если оставить наполненный водой бассейн на неровной поверхности, это может привести к разрыву сварных швов и (или) разрушению бассейна, что может причинить серьезные травмы и (или) материальный ущерб.

ТЕХНИЧЕСКОЕ ОБСЛУЖИВАНИЕ

В случае невыполнения указанных рекомендаций по обслуживанию бассейна вы можете подвергнуть опасности свое здоровье, особенно здоровье своих детей.

ВОДА

- Необходимо следить за тем, чтобы вода в бассейне была чистой и химически сбалансированной. Недостаточно просто чистить картридж для поддержания воды в идеальном состоянии, мы рекомендуем использовать специальные химикаты для бассейнов для того, чтобы сохранять химический баланс воды, а также таблетки хлора или брома (но не гранулы) в дозаторе химических средств.
- Качество воды зависит от частоты использования, количества пользователей и общего обслуживания бассейна. Если вода не подвергается химической обработке, ее нужно менять каждые 3 дня. Настоятельно рекомендуется использовать для наполнения бассейна водопроводную воду, чтобы свести к минимуму влияние нежелательных примесей, таких как минеральные соли.
- Мы советуем принимать душ перед посещением бассейна, так как косметика, лосьоны и прочие средства, оставшиеся на коже, могут быстро ухудшить качество воды.
- Регулярно очищайте поверхность воды бассейна, не допуская осаждения загрязнений.
- Установите емкость с водой рядом с бассейном, чтобы пользователи могли промывать ноги перед входом в бассейн.
- Обработка воды химическими средствами должна выполняться с помощью дозатора химических средств ChemConnect или поплавка для химических средств; не бросайте химические средства непосредственно в воду, иначе они осядут на дне и повредят материал и обесцветят ПВХ.

Таблетки химических средств (в комплект не входят):

- В комплект приобретенного вами изделия может не входить ни один из этих дозаторов. В этом случае вы можете приобрести их, посетив наш веб-сайт www.bestwaycorp.com, или у ближайшего продавца бассейнов.
- На время пользования бассейном удаляйте из него дозатор химических средств.
- После того как вы очистили воду с помощью химических средств, а также перед использованием бассейна, воспользуйтесь тестовым набором (не входит в комплект поставки), чтобы проверить химический состав воды. Мы рекомендуем поддерживать химический баланс воды, как показано в таблице ниже.

Параметры	Значения
Прозрачность воды	Ясно видно дно бассейна
Цвет воды	Вода должна быть бесцветной
Мутность в FNU/NTU	макс. 1,5 (желательно менее 0,5)
Концентрация нитратов больше, чем в воде наполнения, в мг/л	макс. 20
Общее количество органического углерода (ООУ) в мг/л	макс. 4,0
Редокс-потенциал против Ag/AgCl 3,5 м KCl в мВ	мин. 650
Значение pH	от 6,8 до 7,6
Свободный активный хлор (без циануровой кислоты) в мг/л	от 0,3 до 1,5
Свободный хлор, используемый в сочетании с циануровой кислотой в мг/л	от 1,0 до 3,0
Циануровая кислота в мг/л	макс. 100
Смешанный хлор в мг/л	макс. 0,5 (желательно ближе к 0,0 мг/л)

- Повреждение бассейна, причиненное в результате неправильного применения химических средств и неправильного ухода за водой бассейна, не покрывается гарантией.
- Чрезмерное применение химикатов обесцветит рисунки и материал бассейна, а в худшем случае повредит структуру лайнера бассейна.
- Химические средства для очистки воды в бассейне потенциально токсичны; следует обращаться с ними осторожно. Серьезную опасность для здоровья могут представлять собой испарения химических веществ, а также неправильно подписанные или неправильно хранящиеся контейнеры с химическими веществами.
- Обратитесь к своему местному продавцу бассейнов, чтобы получить более подробную информацию об обработке воды химическими средствами. Строго выполняйте инструкции производителя химикатов.
- Насос используется для циркуляции воды и фильтрации мелких частиц. Для поддержания чистоты и гигиены воды в бассейне также следует использовать химикаты.

ЛАЙНЕР

- Советуем вам приобрести покрытие для бассейна, если оно не входит в комплект поставки, и накрыть бассейн, когда он не используется, чтобы предотвратить любое повреждение материала Dugaplus на верхних направляющих. Чистой тканью аккуратно счищайте отложения грязи на верхних направляющих.

РАЗБОРКА И ХРАНЕНИЕ

СЛИВ

- Инструкцию по сливу см. на рисунках внутри руководства пользователя. Схемы предназначены исключительно для целей иллюстрации. Они могут не отображать конкретное изделие. Схемы не отображают действительный масштаб.
- Чтобы слить воду из бассейна, ознакомьтесь с местными нормами по сливу воды.

ЧИСТКА

- Промойте лайнер бассейна водопроводной водой, чтобы полностью удалить остатки химических средств или грязь.
- Оставьте бассейн на солнце, пока он полностью не высохнет.
- Чтобы полностью удалить оставшуюся воду, протрите лайнер бассейна сухой тканью.

ХРАНЕНИЕ

- Снимите все принадлежности; убедитесь, что лайнер бассейна и принадлежности полностью чистые и сухие перед хранением. Если не просушить бассейн полностью, может образоваться плесень и повредить лайнер бассейна.
- После полного просушивания бассейна посыпьте поверхности тальком, чтобы они не слипались.
- Мы настоятельно рекомендуем разбирать бассейн, когда температура воздуха опускается ниже 10°C (50°F).
- Складывайте лайнер бассейна только в том случае, если температура воздуха превышает 10°C (50°F). Храните бассейн в сухом месте при умеренной температуре от 10°C (50°F) до 38°C (100°F) и поместите лайнер бассейна и все принадлежности в картонную коробку, чтобы лучше защитить ПВХ-материал в зимний период.

РЕМОНТ

В случае протечки заклейте бассейн клейкой заплатой, предназначенной для ремонта поверхности, находящейся под водой (входит в комплект поставки). Инструкции можно найти в часто задаваемых вопросах раздела поддержки на нашем веб-сайте www.bestwaycorp.com/support.



INSTRUKCJA OBSŁUGI



Odwiedź kanał Bestway na YouTube

WAŻNE INSTRUKCJE BEZPIECZEŃSTWA

⚠ OSTRZEŻENIE

PRZECZYTAJ I PRZESTRZEGAJ WSZYSTKICH INSTRUKCJI.

- Uważnie przeczytaj, zrozum i przestrzegaj wszystkich informacji zawartych w niniejszej instrukcji obsługi przed montażem i użytkowaniem basenu. Te ostrzeżenia, instrukcje i wytyczne dotyczące bezpieczeństwa odnoszą się do niektórych typowych zagrożeń związanych z rekreacją w wodzie, ale nie mogą obejmować wszystkich zagrożeń i niebezpieczeństw we wszystkich przypadkach. Zawsze należy zachować ostrożność, zdrowy rozsądek i zdrowy osąd, gdy cieszysz się jakąkolwiek aktywnością w wodzie. Zachowaj te informacje do wykorzystania w przyszłości. Ponadto w zależności od typu basenu można podać następujące informacje.
- Przechowuj te instrukcje w bezpiecznym miejscu. Jeśli brakuje instrukcji, skontaktuj się z producentem lub wyszukaj ją na stronie www.bestwaycorp.com.
- Wyznacz kompetentną osobę dorosłą do nadzorowania basenu za każdym razem, gdy jest on używany.
- Barierki, przykrycia basenowe, alarmy basenowe lub podobne urządzenia zabezpieczające są pomocne, ale nie zastępują ciągłego i kompetentnego nadzoru osoby dorosłej.

Bezpieczne korzystanie z basenu

- Zachęć wszystkich użytkowników, zwłaszcza dzieci, do nauki pływania.
- Naucz się podstawowych zabiegów resuscytacyjnych (RKO w resuscytacji krążeniowo-oddechowej) i regularnie odświeżaj tę wiedzę. Może to mieć znaczenie ratujące życie w nagłych wypadkach.
- Poinstruj wszystkich użytkowników basenu, w tym dzieci, co robić w sytuacji awaryjnej.
- Nigdy nie nurkuj w płytke akwenty. Może to prowadzić do poważnych obrażeń lub śmierci.
- Nie korzystaj z basenu pod wpływem alkoholu lub leków, które mogą osłabić Twoją zdolność do bezpiecznego korzystania z basenu.

Urządzenia bezpieczeństwa

- Aby zapobiec utonięciu dzieci, zaleca się zabezpieczenie dostępu do basenu urządzeniem zabezpieczającym. Aby uniemożliwić dzieciom wspinanie się po zaworze wlotowym i wylotowym, zaleca się zainstalowanie bariery (i zabezpieczenie wszystkich drzwi i okien, jeśli ma to zastosowanie), aby uniemożliwić nieautoryzowany dostęp do basenu.

Sprzęt bezpieczeństwa

- Zaleca się przechowywanie sprzętu ratowniczego (np. bojki) przy basenie.
- Trzymaj w pobliżu basenu działający telefon i listę numerów alarmowych.
- Kiedy używane są przykrycia basenowe, należy je całkowicie usunąć z powierzchni wody przed wejściem do basenu.
- Chroń użytkowników basenu przed chorobami związanymi z wodą, dbając o uzdatnianie wody w basenie i dbając o odpowiednią higienę. Zapoznaj się z wytycznymi dotyczącymi uzdatniania wody w instrukcji obsługi.
- Przechowuj chemikalia (np. środki do uzdatniania wody, czyszczenia lub dezynfekcji) poza zasięgiem dzieci.
- Używaj oznakowania zgodnie z poniższym opisem. Oznakowanie ma być umieszczone w widocznym miejscu w odległości 2m od basenu.



Trzymaj dzieci pod nadzorem w środowisku wodnym. Zakaz nurkowania.

- Demontowalne drabiny należy ustawić na poziomej powierzchni.
- Niezależnie od materiałów użytych do budowy basenu, dostępne powierzchnie muszą być regularnie sprawdzane, aby uniknąć obrażeń.
- Regularnie monitoruj śruby i wkręty. Usuń drzazgi lub wszelkie ostre krawędzie, aby uniknąć obrażeń.
- Nie zostawiaj osuszonego basenu na zewnątrz. Pusty basen może ulec deformacji i/lub przemieszczeniu pod wpływem wiatru.
- Jeśli masz pompę filtrującą, zapoznaj się z instrukcją obsługi pompy.
- Pompy nie można używać, gdy w basenie znajdują się ludzie!
- Jeśli masz drabinę, zapoznaj się z instrukcją obsługi drabiny.
- **OSTRZEŻENIE!** Korzystanie z basenu oznacza przestrzeganie instrukcji bezpieczeństwa opisanych w instrukcji obsługi i konserwacji. Aby zapobiec utonięciu lub innym poważnym urazom należy zwrócić szczególną uwagę na możliwość nieoczekiwanej wejścia do basenu dzieci poniżej 5 roku życia poprzez zabezpieczenie dostępu do niego, a w okresie kąpieli pod stałą opieką dorosłych.

Bezpieczeństwo osób nie pływających

- Ciągły, aktywny i czynny nadzór nad słabymi pływakami i osobami niepływającymi przez kompetentną osobę dorosłą jest wymagany przez cały czas (pamiętając, że dzieci poniżej piątego roku życia są najbardziej narażone na utonięcie).
- Osoby słabo umiające pływać lub nie umiające pływać powinny nosić osobiste wyposażenie ochronne podczas korzystania z basenu.
- Gdy basen nie jest używany lub nie jest nadzorowany, usuń wszystkie zabawki z basenu i jego otoczenia, aby nie przyciągać do niego dzieci.

PROSIMY O UWAŻNE PRZECZYTANIE I ZACHOWANIE DO WYKORZYSTANIA W PRZYSZŁOŚCI.

KONFIGURACJA WSTĘPNA

LISTA KONTROLNA

Sprawdź części wewnątrz instrukcji. Sprawdź, czy elementy wyposażenia odpowiadają modelowi, który zamierzałeś kupić. W przypadku jakichkolwiek uszkodzonych lub brakujących części w momencie zakupu, odwiedź naszą stronę internetową bestwaycorp.com/support.

WYBIERZ WŁAŚCIWĄ LOKALIZACJĘ

Powierzchnia wybrana do montażu basenu musi spełniać następujące warunki:

- Ze względu na łączny ciężar wody wewnątrz basenu i użytkowników basenu niezwykle ważne jest, aby powierzchnia wybrana do montażu basenu była w stanie równomiernie utrzymać całkowity ciężar przez cały czas gdy basen jest zmontowany. Wybierając powierzchnię należy wziąć pod uwagę, że woda może wypływać z basenu podczas użytkowania lub gdy pada deszcz. Jeśli woda zmiękczy powierzchnię, może stracić zdolność do utrzymywania ciężaru basenu.
 - Regularnie sprawdzaj położenie nóg pionowych i/lub wsporników w kształcie litery U. Muszą przez cały czas znajdować się na tym samym poziomie co dno basenu. Jeśli pionowa noga lub wspornik w kształcie litery U zacznie zapadać się w ziemię, natychmiast spuść wodę w basenie, aby uniknąć destrukcji basenu z powodu nierównomiernego obciążenia konstrukcji stelaża. Zmień położenie basenu lub zmodyfikuj materiał powierzchni.
 - Powierzchnia musi być płaska i gładka. Jeśli powierzchnia jest nachylona lub nierówna, może to spowodować nierównoważone obciążenie konstrukcji basenu. Może to uszkodzić punkty zgrzewów poszycia i wygiąć stelaż. W najgorszych przypadkach basen może się zniszczyć, powodując poważne obrażenia ciała i/lub uszkodzenia mienia osobistego.
 - Zalecamy ustawienie basenu z dala od wszelkich przedmiotów, których dzieci mogłyby użyć do wejścia do basenu.
 - Ustaw basen w pobliżu odpowiedniego systemu odwadniającego, aby poradzić sobie z przepięleniem lub opróżnieniem basenu. Upewnij się, że strona basenu z wlotem wody A i wylotem B znajduje się w tym samym kierunku co źródło zasilania, do którego należy podłączyć system filtracji.
 - Wybrana powierzchnia musi być wolna od wszelkiego rodzaju obiektów. Ze względu na ciężar wody każdy przedmiot pod basenem może uszkodzić lub przebić dno basenu.
 - Wybrana powierzchnia musi być wolna od agresywnych roślin i gatunków chwastów. Te rodzaje silnej roślinności mogą przebić poszycie i powodować wycieki wody. Trawa lub inna roślinność, która może powodować powstawanie nieprzyjemnego zapachu lub szlamu, musi zostać wyeliminowana z miejsca ustawienia.
 - W wybranej lokalizacji nie mogą znajdować się napowietrzne linie energetyczne ani drzewa. Upewnij się, że lokalizacja nie zawiera żadnych podziemnych rur, przewodów ani kabli.
 - Wybrana pozycja musi znajdować się daleko od wejścia do domu. Nie ustawiaj żadnego sprzętu ani innych mebli wokół basenu. Woda, która wydostaje się z basenu podczas użytkowania lub z powodu wad produktu, może uszkodzić meble w domu lub wokół basenu.
 - Wybrana powierzchnia musi być płaska i bez dziur, które mogą uszkodzić materiał poszycia.
- Sugerowane powierzchnie ustawiania:** trawa, ziemia, beton i wszystkie inne powierzchnie, które spełniają powyższe warunki ustawienia.
- Powierzchnie, których należy unikać:** błoto, piasek, żwir, piętrowy balkon, podjazd, platforma, miękka/luźna gleba lub inna powierzchnia, która nie spełnia powyższych warunków ustawienia.
- Sprawdź w lokalnej radzie miasta przepisy dotyczące ogrodzenia, barier, oświetlenia i wymogów bezpieczeństwa oraz upewnij się, że przestraszysz wszystkich przepisów.
 - Jeśli w zestawie znajduje się pompa i/lub drabina, należy zapoznać się z instrukcją obsługi pompy i/lub drabiny, aby uzyskać instrukcje dotyczące bezpieczeństwa i instalacji. Drabina musi pasować do rozmiaru basenu.
 - Jeżeli podczas rozstawiania konieczna jest zmiana położenia basenu, należy podnieść poszycie i nie ciągnąć go po ziemi; tarcie między materiałem PVC a ziemią może uszkodzić poszycie basenu.
- Postępuj zgodnie z ważnymi instrukcjami powyżej, aby wybrać odpowiednią powierzchnię i lokalizację do ustawienia basenu. Uszkodzone części basenu, ze względu na fakt, że powierzchnia ustawienia i lokalizacja nie jest zgodna z instrukcją, nie będą traktowane jako wada fabryczna, zostaną pozbawione gwarancji i wszelkich roszczeń serwisowych.**

MONTAŻ

SKŁADANIE

- Aby uzyskać instrukcje montażu, postępuj zgodnie z rysunkami wewnątrz instrukcji. Rysunki służą wyłącznie do celów ilustracyjnych. Może nie odzwierciedlać rzeczywistego produktu. Nie skalowalne.
- Montaż basenu Frame Pool można wykonać bez użycia narzędzi.
- Instalacja trwa zwykle około 20-30 minut przy 2-3 osobach, wyłączając napełnianie.
- Aby przedłużyć żywotność basenu, ważne jest, aby przed montażem posypać rury poziome talkiem. Talk nie jest zawarty w opakowaniu.
- Bestway nie ponosi odpowiedzialności za uszkodzenia basenu spowodowane niewłaściwą obsługą lub nieprzestrzeganiem tych instrukcji.
- Zdecydowanie zalecamy otwieranie opakowania i montaż basenu, gdy temperatura otoczenia przekracza 15°C / 59°F; materiał PVC poszycia stanie się bardziej elastyczny i łatwiejszy w montażu.

NAPEŁNIANIE BASENU WODĄ

- Nie pozostawiaj basenu bez nadzoru podczas napełniania wodą.
- Napełnij basen wodą po zakończeniu wszystkich etapów montażu i do momentu, gdy woda dotrze do linii zgrzewu, co odpowiada 90% pełnej pojemności.
- Nie przepelniaj, ponieważ może to spowodować destrukcję basenu. W przypadku obfitych opadów zdecydowanie zalecamy obniżenie poziomu wody, aby utrzymać ją na poziomie 90%, aby uniknąć przelania wody.
- Gdy basen jest całkowicie napełniony, sprawdź, czy odległość między powierzchnią wody a górną częścią stelaża jest taka sama dookoła; jeśli jest inaczej, oznacza to, że podłoże nie jest wypoziomowane, dlatego zdecydowanie zalecamy wylanie wody i ponowne wyrównanie gruntu.
- Utrzymywanie basenu z wodą na nierównym podłożu może spowodować pęknięcie punktów spawania i/lub destrukcję basenu, powodując poważne obrażenia ciała i/lub uszkodzenie mienia.

KONSERWACJA

Jeśli nie zastosujesz się do poniższych wskazówek dotyczących konserwacji, Twoje zdrowie może być zagrożone, zwłaszcza Twoich dzieci.

WODA

- Niezbędne jest utrzymywanie wody w basenie w czystości i równowadze chemicznej. Samo czyszczenie wkładu filtra nie wystarczy do prawidłowej konserwacji; zalecamy stosowanie chemii basenowej do utrzymania chemii wody oraz tabletek chloru lub bromu (nie używaj granulek) z dozownikiem chemii.

- Jakość wody jest bezpośrednio związana z częstotliwością użytkowania, liczbą użytkowników i ogólną konserwacją basenu. Wodę należy wymieniać co 3 dni, jeśli nie przeprowadza się z nią obróbki chemicznej. Zdecydowanie zaleca się używanie do napełniania wody z kranu, aby zminimalizować wpływ niepożądaną zawartości, takiej jak minerały.
- Zalecamy wzięcie prysznica przed skorzystaniem z basenu, ponieważ produkty kosmetyczne, balsamy i inne pozostałości na skórze mogą szybko pogorszyć jakość wody.
- Regularnie czyścić basen, aby uniknąć osiadłego brudu.
- Umieść wiadro z wodą obok basenu, aby oczyścić stopy użytkowników przed wejściem do basenu.
- Konserwację chemiczną należy przeprowadzać za pomocą ChemConnect lub chemicznego pływaka; nie wyrzucaj produktów chemicznych bezpośrednio do wody, substancja chemiczna osadza się na dnie i uszkadza materiał oraz odbarwia PVC.

Tabletki chemiczne (brak w zestawie):

- Zakupiony zestaw basenowy może nie zawierać żadnych dozowników; w takim przypadku możesz go kupić, odwiedzając naszą stronę internetową www.bestwaycorp.com lub u najbliższego dealera basenów.
- Wyjmij dozownik chemii z basenu, gdy basen jest w użyciu.
- Po wykonaniu konserwacji chemicznej i przed użyciem basenu użyj zestawu testowego (brak w zestawie), aby sprawdzić skład chemiczny wody. Zalecamy utrzymanie równowagi chemicznej wody, jak pokazano w poniższej tabeli.

Parametry	Wartości
Przejrzystość wody	wyraźny widok na dno basenu
Kolor wody	żaden kolor nie powinien być widoczny
Zmętnienie w FNU/NTU	max. 1,5 (najlepiej mniej niż 0,5)
Stężenie azotanów w mg/l	max. 20
Całkowity węgiel organiczny (TOC) w mg/l	max. 4,0
Potencjał redoks wobec Ag/AgCL 3,5 m KCl w mV	min. 650
Wartość pH	6,8 do 7,6
Wolny aktywny chlor (bez kwasu cyjanurowego) w mg/l	0,3 do 1,5
Wolny chlor stosowany w połączeniu z kwasem cyjanurowym w mg/l	1,0 do 3,0
Kwas cyjanurowy w mg/l	max. 100
Chlor związany w mg/l	max. 0,5 (najlepiej blisko 0,0 mg/l)

- Uszkodzenia basenu wynikające z niewłaściwego użycia środków chemicznych i niewłaściwego gospodarowania wodą w basenie nie są objęte gwarancją.
- Nadmierne użycie środków chemicznych odbarwi druk i wszystkie punkty materiału basenu; w najgorszych przypadkach uszkodzi strukturę niekła basenowej.
- Chemikalia basenowe są potencjalnie toksyczne i należy się z nimi obchodzić ostrożnie. Opary chemiczne oraz nieprawidłowe oznakowanie i przechowywanie pojemników na chemikalia stwarzają poważne zagrożenie dla zdrowia.
- Aby uzyskać więcej informacji na temat konserwacji chemikaliów, skonsultuj się z lokalnym sprzedawcą basenów lub chemikaliów. Zwróć szczególną uwagę na instrukcje producenta chemikaliów.
- Pompa służy do cyrkulacji wody i filtrowania małych cząstek. Aby woda w basenie była czysta i higieniczna, musisz również dodawać środki chemiczne.

POSZYCIE

- Sugerujemy zakup przykrycia basenu, jeśli nie jest on zawarty w zestawie, i przykrycie go, gdy nie jest używany, aby zapobiec uszkodzeniom materiału Duraplus na rurach poziomych. Delikatnie wyczyść wszelkie zabrudzenia na rurach poziomych czystą szmatką.

DEMONTAŻ I PRZECHOWYWANIE

OPRÓŻNIANIE

- W celu opróżnienia postępuj zgodnie z rysunkami w instrukcji. Rysunki służą wyłącznie do celów ilustracyjnych. Może nie odzwierciedlać rzeczywistego produktu. Nie skalowalne.
- Aby spuścić wodę w basenie, sprawdź lokalne przepisy dotyczące drenażu.

CZYSZCZENIE

- Oplucz poszycie basenu wodą z kranu, aby całkowicie usunąć wszelkie pozostałości chemikaliów lub brudu.
- Pozostaw basen na słońcu, aż całkowicie wyschnie.
- Aby całkowicie usunąć pozostałą wodę, wytrzyj poszycie basenu suchą szmatką.

PRZECHOWYWANIE

- Usuń wszystkie akcesoria; upewnij się, że niekła basenowa i akcesoria są całkowicie czyste i suche przed przechowywaniem. Jeśli basen nie jest całkowicie suchy, może powstać pleśń i uszkodzić poszycie basenu w okresie przechowywania.
- Gdy basen jest całkowicie suchy, posyp go talkiem, aby zapobiec sklejaniu się basenu.
- Zdecydowanie zalecamy demontaż basenu, gdy temperatura otoczenia jest niższa niż 10°C / 50°F.
- Złóż niekłę basenową tylko wtedy, gdy temperatura otoczenia przekracza 10°C / 50°F. Przechowuj basen w suchym miejscu o umiarkowanej temperaturze między 10°C / 50°F a 38°C / 100°F i umieść poszycie basenu i wszystkie akcesoria w pudełku kartonowym, aby lepiej chronić materiał PVC w okresie zimowym.

NAPRAWA

W przypadku wycieku, zalataj basen za pomocą dołączonej do zestawu podwodnej łatki samoprzylepnej. Instrukcje można znaleźć w często zadawanych pytaniach w sekcji pomocy na naszej stronie internetowej, www.bestwaycorp.com/support.



HASZNÁLATI ÚTMUTATÓ



Látogassa meg a Bestway YouTube-csatornáját

FONTOS BIZTONSÁGI UTASÍTÁSOK

⚠ FIGYELMEZTETÉS

MINDEN UTASÍTÁST OLVASSON EL ÉS TARTSA BE AZ AZOKBAN FOGLALTAKAT.

- Az úszómedence felállítását és használatát előtt figyelmesen olvassa el ezt a használati útmutatót, és értsen meg, valamint tartsa be a benne foglaltakat. Ezek a figyelmeztetések, utasítások és biztonsági iránymutatások segítenek elhárítani a vízi rekreációval kapcsolatos néhány általános kockázatot, de nem tudják lefedni az összes kockázatot és veszélyt. A vízi tevékenységek végzése során mindig legyen óvatos, megfontolt, és jól ítélőképesű. Tegye félre ezt a kézikönyvet, hogy a jövőben bármikor belenézhesen. Továbbá az alábbi információ biztosítására lehet szükség a medence típusának függvényében.
- Tartsa ezeket az utasításokat biztonságos helyen. Az útmutató hiánya esetén, kérjük, vegye fel a kapcsolatot a gyártóval, vagy keresse meg a következő webhelyen: www.bestwaycorp.com
- A medence minden egyes használata alkalmával jelöljön ki hozzáértő felnőttet a medence felügyelőtére.
- A kerítések, medencefedelek, medencerasztók, illetve hasonló biztonsági berendezések hasznos segítségek, de nem helyettesítik a hozzáértő felnőtt általi folyamatos felügyeletet.

A medence biztonságos használata

- Biztasson minden felhasználót, különösen a gyermekeket, hogy tanuljanak meg úszni.
- Tanulja meg az alapszintű elsősegélynyújtást (újraélesztést), és rendszeresen frissítse ezen ismereteit. Ez vészhelyzetben életet menthet.
- Tájékozassa az összes medencehasználót, hogy mit csinálni vészhelyzet esetén.
- Soha ne ugorjon sekély vízbe. Ez súlyos sérüléshez vagy halálhoz vezethet.
- Ne használja az úszómedencét, ha alkoholt vagy gyógyszer hatása alatt áll, amely hatás hátrányosan befolyásolhatja a medence biztonságos használatát.

Biztonsági berendezések

- A gyermekek megfulladásának elkerülése érdekében ajánlatos a medencéhez való hozzáférést védőeszközzel korlátozni. Annak érdekében, hogy a gyermekek ne ugrálhassanak a bemeneti és kimeneti szelepekről, tanácsos kerítéssel (és adott esetben az ajtók és ablakok bezárásával) megakadályozni az illetéktelenek medencéhez való hozzáféréseit.

Biztonsági berendezések

- A medence mellett tanácsos mentőfelszerelést (pl. mentőöv) tartani.
- Tartson működőképés telefonot és a segélyhívószám-listát a medence mellett.
- Medencefedél használata esetén a medencébe való beszállás előtt teljesen távolítsa el azt a vízfületről.
- A medencevíz kezelésével és jó higiéniai állapotának fenntartásával védje a medence használót a vizen keresztül elkapható betegségektől. Tekintse meg a használati útmutatóban a vízkezelési irányelveket.
- A vegyszerek (pl. vízkezelő szerek, tisztító vagy fertőtlenítő termékek) a gyermekek számára hozzáférhetetlen helyen tartandók.
- Használja az alább leírt jelzést. A jelzést felülnő helyen kell elhelyezni, a medence 2 méteres környezetében.



Ne hagyja a gyermekeket a vizes környezetben felügyelet nélkül. Merülni tilos!

- Az eltávolítható létrákat vízszintes felületre kell helyezni.
- Az úszómedencéhez használt anyagoktól függetlenül, a sérülések elkerülése érdekében a hozzáférhető felületeket rendszeresen ellenőrizni kell.
- Rendszeresen ellenőrizze a szárakat és csavarokat. A sérülések elkerülése érdekében távolítsa el a szilánkokat vagy az éles széleket.
- Ne hagyja a leürített medencét a szabadban. A medence üres állapotban könnyen deformálódhat, illetve a medencét könnyen arrébb fújhatja a szél.
- Ha van szűrőszivattyúja, a részletekért tekintse meg a szivattyú kézikönyvét.
- A szivattyú nem használható, ha ember van a medencében!
- Ha van létrája, a részletekért tekintse meg a létra kézikönyvét.
- **FIGYELMEZTETÉS!** Az úszómedence használata során tartsa be a használati és karbantartási útmutatójában foglalt biztonsági utasításokat. A fulladás, illetve egyéb súlyos sérülések megelőzése érdekében különösen figyeljen oda az úszómedence 5 éven aluli gyermekek általi nem várt hozzáféréseinek lehetőségére, és gondoskodjon arról, hogy a gyermekek ne férhessenek a medencéhez, valamint a furdözése ideje alatt folyamatosan felügyelje őket, vagy gondoskodjon felnőtt általi felügyeletükről.

Az úszni nem tudók biztonsága

- A gyengébb úszóknak és úszni nem tudóknak mindig hozzáértő felnőtt általi folyamatos, aktív és éber felügyeletet kell biztosítani (vegye figyelembe, hogy az öt év alatti gyermekeknél a legnagyobb a fulladásveszély).
- A gyengébb úszóknak, illetve úszni nem tudóknak a medence használatakor egyéni védőfelszerelést kell viselniük.
- Ha az úszómedence nincs használatalban, távolítsa el belőle és a környezetéből minden játékokat, hogy azok a gyermekeket nehogy a medencébe csalogassák.

ALAPOSAN OLVASSA EL, ÉS TEGYE FÉLRE, HOGY A JÖVŐBEN BÁRMIKOR BELENÉZHESSEN.

ÖSSZESZERELÉS ELŐTT

ELLENŐRZŐLISTA

Ellenőrizze a kézikönyvben található alkatrészeket. Ellenőrizze, hogy a berendezés részegységei a ténylegesen megvásárolni kívánt modellnek felelnek meg. Ha a vásárlásakor bármilyen sérült vagy hiányzó alkatrésze van, látogasson el webhelyünkre: bestwaycorp.com/support.

MEGFELELŐ HELY KIVÁLASZTÁSA

A medence felállításhoz választott helynek elegendő kell tennie az alábbi jellemzőknek:

- A medencében lévő víz és a felhasználók összátalán miatt különösen fontos, hogy a medence felállításához választott terület képes legyen megtámasztani egész felületén a medencét, elviselve annak teljes tömegét. A terület kiválasztásakor vegye figyelembe, hogy használat közben a medencéből víz távozhat, illetve amikor esik az eső. Ha víz megpuhítja a felületet, az elveszítheti a medencetömeg megtámasztásának a képességét.
- Rendszeres időközönként ellenőrizze a függőleges lábak és az U tartók pozícióját. Ezeknek minden esetben a medence aljával azonos szinten kell lenniük. Ha a függőleges láb vagy az U tartó belesüllyed a talajba, azonnal engedje ki a medencevizet, hogy elkerülje a medence összedőlését, amelyet a vázszerkezet egyenletlen terhelése eredményezhet. Helyezze át a medencét, vagy módosítsa az adott felület anyagát.
- A felületnek egyenesnek és simának kell lennie. Egyenetlen vagy lejtős felület esetén a medence szerkezete egyenletlen terhelést kaphat. Ez károsíthatja a bevonatnak a hegesszási pontjait, illetve elhajlíthatja a keretet. Végso esetben a medence összedőlhet, ami súlyos személyi sérülést és/vagy anyagi kárt okozhat.
- Javasoljuk, hogy a medencét minden olyan tárgytól távol helyezze el, amelyeket a gyermekek a medencébe mászásra használhatnak.
- A medencét megfelelő vízelvezető rendszerhez közel helyezze el, amely képes a medence túlsodulásokor vagy leengedéskor jelentkező víz elvezetésére. Győződjön meg arról, hogy a medence oldalán az A vízbemenet és a B kimenet az áramforrással azonos irányban helyezkedik el, ahova a szűrőrendszer csatlakoztatni kell.
- A kiválasztott felületnek mentesnek kell lennie mindenféle tárgytól. A víz tömege miatt a medence alatt lévő bármilyen tárgy károsíthatja vagy átszúrhatja a medencepadlót.
- A kiválasztott felületnek mentesnek kell lennie az agresszív növényektől és fűféléktől. Ezek az életerős növények áthatolhatnak a burkolaton, és vízszivargást eredményezhetnek. Fű és egyéb növényzet nyomán kellemetlen szagok vagy penészek jelenkezhetnek, ezért ezeket a növényeket el kell távolítani a felállítás helyéről.
- A kiválasztott hely fölött nem lehetnek villamos légvéteték vagy lombkorona. Bizonyosodjon meg arról, hogy a kiválasztott helyszín alatt nem találhatók közmüházozati csövek, vezetékek vagy kábelek.
- A kiválasztott helynek távol kell lennie a ház bejárattól. Ne tegyen semmilyen berendezést vagy bútort a medence köré. A használat közben vagy termékhibák nyomán a medencéből távozó víz kárt tehet a bútorban, illetve a házban, vagy a medence mellett található berendezésekben.
- A kiválasztott helynek egyenesnek és lyukától mentesnek kell lennie, megelőzendő a burkolat anyagának aárosódását.

Javasolt felületek összeszereléshez: fű, föld, beton, illetve minden egyéb felület, amely megfelel a fenti összeszerelési követelményeknek.

Kerülendő felületek: sár, homok, murva, deszka, terasz, autóbahajtó, platform, puha/laza talaj vagy egyéb felület, amely nem felel meg a fenti összeszerelési követelményeknek.

Egyeztessen a helyi városi önkormányzattal a kerítések, korlátok, világításokra és biztonságra vonatkozó követelmények ügyében, és bizonyosodjon meg arról, hogy elegendő tesz az összes törvényi előírásnak.

Ha a készlet tartalmaz egy szivattyút és/vagy létrát, a biztonsági utasításokat és a telepítést illetően olvassa el a szivattyú és/vagy a létra kézikönyvét. A létrának egyeznie kell a medence méretével.

Ha a beállítás során meg kell változtatni a medence helyzetét, emelje fel a bevonatot, és ne húzza a földön; a PVC anyag és a talaj közötti súrlódás károsíthatja a medence bevonatát.

A medence felállításához megfelelő felület és hely kiválasztásához kövesse a fenti fontos utasításokat. A medence sérült elemei, amennyiben ezen sérülések a nem megfelelő összeszerelési felületnek és helynek tudhatók be, nem minősülnek gyártási hibának, következőképpen jótállási vagy javítási igény sem fogantatosítható ezek vonatkozásában.

TELEPÍTÉS

ÖSSZESZERELÉS

A telepítési utasítások vonatkozásában kövesse a kézikönyvben található ábrákat. Az ábrák csak illusztrációként szolgálnak. Az ábrák nem feltétlenül a vonatkozó terméket mutatják. Az ábrák nem méretarányosak.

- A vázas medence összeszerelése nem igényel semmilyen szerszámot.
- A telepítés a feltöltést figyelmen kívül hagyva általában 20-30 percet vesz igénybe, illetve 2-3 embert igényel.
- A medence élettartamának meghosszabbítása érdekében fontos, hogy a felső síneket összeszerelés előtt lássa el némi hintóporral. A csomag nem tartalmaz hintóport.
- A Bestway nem vállal felelősséget a medence nem megfelelő kezeléséből vagy jelen utasítások figyelmen kívül hagyásából származó károkért.
- Erősen javasoljuk, hogy akkor nyissa ki a csomagot és szerelje össze a medencét, amikor a környezeti hőmérséklet meghaladja a 15 °C / 59 °F értéket; a bevonat PVC anyaga rugalmasabb és könnyebben összeszerelhető magasabb hőmérsékleten.

A MEDENCE FELTÖLTÉSE VÍZZEL

- Ne hagyja a medencét felügyelet nélkül a vízzel való feltöltés során.
- Töltse fel a medencét vízzel, miután minden összeszerelési lépés befejeződött, és amíg a víz el nem éri a hegesszítés vonalát, ami a teljes kapacitás 90%-ának felel meg.
- Ne töltse túl, mivel ez a medence összedőlését okozhatja. Erős esőzés esetén javasoljuk, hogy csökkentse a vízszintet, hogy 90%-os kapacitással rendelkezzen, hogy elkerülje a víz túlfolyását.
- Amikor a medence teljesen fel van töltve, ellenőrizze, hogy a víz felület és a sínek teteje közötti távolság mindenütt azonos-e; ellenkező esetben a padló nincs szintben, ezért javasoljuk, hogy eressze le a vizet, és gondoskodjon a talaj sík jellegéről.
- Ha a medencét nem vízszintes talajon használja, a hegesszási pontok megrepedhetnek és/vagy a medence összeomolhat, súlyos személyi sérülést és/vagy anyagi kárt okozva.

KARBANTARTÁS

Az alábbi karbantartási utasítások be nem tartása veszélyezteti az Ön, és különösen az Ön gyermekeinek egészségét.

víz

- A fürdővizet tisztán és kémiai egyensúlyban kell tartani. Csak a szűrőkazetta tisztítása nem elég a megfelelő karbantartáshoz, ezért javasoljuk,

hogy használjon vegyszereket, hogy megőrizze a víz vegyi összetételét, valamint használjon klór- vagy brómtablettákat (ne granulátumot) a vegyszeradagolóban.

- A vízminőség közvetlen kapcsolatban áll a használati gyakorisággal, a felhasználók számával és a medence általános karbantartásával. Ha a vizet nem kezeli vegyszeresen, akkor nagyjából 3 naponta cserélni kell. A nemkívánatos összetevők, így például az ásványi anyagok fürdőre tett hatásának minimalizálása érdekében a feltöltéshez javasoljuk csapvíz használatát.
- Javasoljuk, hogy a medence használata előtt zuhanyozzon le, mivel a kozmetikai termékek, oldatok és a bőrön maradt egyéb anyagok gyorsan ronthatják a víz minőségét.
- A szennyződések lerakódását megelőzendő szabályos időközönként tisztítsa meg a vízfelületet.
- Helyezzen egy vödör vizet a medence mellé, amelyben a felhasználók leöblíthetik a lábukat, mielőtt a medencébe lépnének.
- A kémiai karbantartást ChemConnect egységgel vagy lebegő vegyszeradagolóval kell végezni; ne dobja a kémiai termékeket közvetlenül a vízbe, a vegyi anyag lerakódik a medence alján, károsítja az anyagot és elszínezi a PVC-t.

Vegyszertabletták (nincs mellékelve):

- Előfordulhat, hogy a megvásárolt medencekészlet nem tartalmazza ezen adagolók egyikét sem, ebben az esetben az egységeket megvásárolhatja a www.bestwaycorp.com webhelyünkön, illetve megkeresheti a legközelebbi medenceforgalmazót.
- Ha a medence nincs használatban, vegye ki a vegyszeradagolót a medencéből.
- A vegyi karbantartás elvégzését követően és a medence használata előtt tesztkészlettel (nincs mellékelve) ellenőrizze a víz vegyi tulajdonságait. Javasoljuk, hogy tartsa fenn a víz kémiai egyensúlyát az alábbi táblázat szerint.

Paraméterek	Értékek
Víz tisztaság	tisztán látni a medence alját
A víz színe	kifejezett szín nem tapasztalható
Zavarosság [FNU/NTU]	max. 1,5 (lehetőleg kevesebb mint 0,5)
A töltővíz értékét meghaladó nitrátkoncentráció [mg/l]	max. 20
Összes szerves szén (TOC) [mg/l]	max. 4,0
Redoxpotenciál Ag/AgCl és 3,5 M KCl vizes oldatában [mV]	min. 650
pH-érték	6,8 ... 7,6
Szabad aktív klór (cianursav nélkül) [mg/l]	0,3 ... 1,5
Szabad klór cianursavval együtt használva [mg/l]	1,0 ... 3,0
Cianursav [mg/l]	max. 100
Kombinált klór [mg/l]	max. 0,5 (lehetőleg kevesebb mint 0,0 mg/l)

- A medencének a vegyszerek nem rendeltetésszerű használatából és a medencevíz rossz kezeléséből eredő károsodására a jótállás nem érvényesíthető.
- A vegyszerek túlzott mértékű használata elszínezi a medence lenyomatait és egyéb részeit, súlyosabb esetben pedig szerkezetileg károsítja a medence bevonatot.
- A medencében használt vegyszerek potenciálisan mérgezők, ezért óvatosan kezelendők. A vegyszergőzők és a vegyszerelőelő edények helytelen címkézése súlyos egészségügyi kockázatot jelentenek.
- A vegyi karbantartással kapcsolatos további információkért forduljon a legközelebbi medence- vagy vegyiáru-forgalmazóhoz. Szigorúan tartsa be a vegyszer gyártójának utasításait.
- A szivattyú a víz keringtetésére és a kis részecskék kiszűrésére szolgál. A víz tiszta és higiénikus állapotának megtartása érdekében a vízhez vegyszereket is kell adnia.

BEVONAT

- Javasoljuk, hogy legyen medencefedele, ha az nem képezi a készlet részét, és takarja le a medencét, amikor nincs használatban, hogy megelőzze a Duraplus anyag károsodását a felső síneken. Óvatosan távolítsa el bármilyen felhalmozódott szennyeződést a felső sínek alól egy tiszta törökendő segítségével.

SZÉTSZERELÉS ÉS TÁROLÁS

LEERESZTÉS

- A leürítéshez kövesse a kézikönyvben található ábrákat. Az ábrák csak illusztrációként szolgálnak. Az ábrák nem feltétlenül a vonatkozó termékek mutatják. Az ábrák nem méretarányosak.
- A medence vízének leürítése ügyében ellenőrizze a helyi előírásokat a vízelvezetésre vonatkozó szabályok tekintetében.

TISZTÍTÁS

- Öblítse le a medence bevonatot csapvízzel, hogy teljesen eltávolítsa a vegyszermaradványokat és a szennyződéseket.
- Hagyja a medencét a napfény alatt, amíg teljesen meg nem szárad.
- Bármilyen megmaradt víz teljes eltávolításához törölje le a medence belését egy száraz törökendővel.

TÁROLÁS

- A tárolás előtt távolítsa el az összes tartozékot; győződjön meg arról, hogy a medence bevonata és tartozékai teljesen tiszták és szárazak. Ha a medence nem teljesen száraz, penész jelentkezhet, és károsíthatja a medence bevonatát a tárolás ideje alatt.
- Ha a medence teljesen megszáradt, a medence részeinek egymáshoz ragadása ellen szórja be hintőporral.
- Határozottan javasoljuk, hogy szerelje szét a medencét, ha a környezeti hőmérséklet nem éri el a 10 °C / 50 °F értéket.
- Csak akkor hajtsa össze a medence bevonatát, ha a környezeti hőmérséklet meghaladja a 10 °C / 50 °F értéket. A medencét száraz helyen, 10 °C / 50 °F és 38 °C / 100 °F közötti hőmérsékleten tárolja, és helyezze a medence bevonatot és az összes tartozékot egy kartondobozba, hogy jobban védje a PVC anyagot a téli időszakban.

JAVÍTÁS

Szivárgás esetén a mellékelt víz alatti óntapadós javítótapasz segítségével ragassza meg a medencét. Az utasítások megtalálhatók a www.bestwaycorp.com/support webhelyünk ügyféltámogatás részének GYIK oldalán.



BRUKSANVISNING



Besök Bestway YouTube-kanal

VIKTIGA SÄKERHETSINSTRUKTIONER

⚠ VARNING

LÄS OCH FÖLJ ALLA INSTRUKTIONER.

- Läs instruktionerna noga så att du förstär och följer all information i bruksanvisning innan poolen installeras och används. Dessa varningar, instruktioner och säkerhetsföreskrifter tar upp vanliga risker med vattenlek, men de omfattar inte alla risker eller alla faror i alla scenarion. Var alltid uppmärksam och använd sunt förnuft och gott omdöme under vattenaktiviteter. Spara informationen för framtida bruk. Beroende på typ av pool kan följande information vara bifogad.
- Förvara dessa instruktioner på en säker plats. Om instruktionerna saknas, kontakta tillverkaren eller sök efter dem på webbplatsen: www.bestwaycorp.com.
- Utse en kunnig vuxen att övervaka poolen varje gång den används.
- Barriärer, poolöverdrag, poolamm, eller liknande säkerhetsanordningar är bra hjälpmedel men de är inget substitut för kontinuerlig övervakning av en kunnig vuxen.

Säker användning av poolen

- Uppmuntra alla användare, speciellt barn att lära sig simma.
- Lär dig grundläggande livräddning (hjärt-lungräddning HLR) och fräscha upp kunskaperna regelbundet. Det kan vara livsavgörande i en nödsituation.
- Instruera alla poolanvändare, även barn om vad de skall göra i en nödsituation.
- Dyk aldrig på grunt vatten. Det kan leda till allvarigt skada eller död.
- Använd inte poolen i samband med alkoholintag eller under påverkan av medicin som sänker uppmärksamheten.

Säkerhetsanordningar

- Förebygg att barn drunknar i poolen genom att sätta upp säkerhetsanordningar så att de inte kan komma i närheten av poolen. Vi rekommenderar att installera en barriär för att förhindra att barn klättrar på inlopps- och utloppsventilen (och läs dörrar och fönster, om det finns) så att obehöriga inte kan tillträda poolen.

Säkerhetsutrustning

- Vi råder att förvara räddningsutrustning (t.ex. en livboj) i direkt anslutning till poolen.
- Se till att ha en fungerande telefon och en lista med nödtelefonnummer nära poolen.
- Poolöverdrag ska helt tas bort innan du stiger ner i poolen.
- Ge användare råd och tips om hur de håller vattnet rent/behandlat och god hygien för att skydda sig och andra mot vattenrelaterade sjukdomar. Se riktlinjerna för vattenbehandling i bruksanvisningen.
- Förvara kemikalier (t.ex. vattenrening, rengörings- eller desinfektionsprodukter) utom räckhåll för barn.
- Använd skytten på följande sätt. Placera skytten på en väl synlig plats inom 2 meter från poolen.



Håll barn under uppsikt i vattenmiljöer. Dykning förbjuden!

- Avtagbara stegar ska placeras horisontellt.
- Oavsett poolkonstruktionens material måste tillgängliga ytor kontrolleras regelbundet för att undvika skador.
- Kontrollera regelbundet bultar och skruvar. Avlägsna vassa kanter eller splittar för att undvika skador.
- En tömd pool ska inte lämnas utomhus. En tom pool kan deformeras eller blåsa iväg om det blåser kraftigt.
- Om du behöver mer information om filterpumpar hittar du dem i bruksanvisningen över pumpar.
- Inga personer får inte vara i poolen när pumpen används!
- Om du behöver mer information om stegar hittar du dem i bruksanvisningen över stegar.
- **VARNING!** För att använda en pool måste man följa de säkerhetsinstruktioner som beskrivs i bruks- och underhållsanvisningen. För att förhindra drunkningsolyckor eller andra allvariga skador: var särskilt uppmärksam så att barn (särskilt under 5 år) inte har tillkommit till poolen. Säkra ingångarna och håll barnen under ständig uppsikt (av vuxen person) när de är i eller i närheten av poolen.

Säkerhet för icke-simkunniga

- Det krävs alltid att en kunnig vuxen konstant, aktivt och noggrant övervakar de som inte kan simma eller inte har så god simkunskap, (kom ihåg att barn under fem år löper störst risk att drunkna).
- De som inte kan simma eller inte har så god simkunskap bör bära flytväst när de använder poolen.
- Ta bort alla leksaker ur poolen och runtomkring när badet inte används eller är oöversatt, så att barn inte lockas dit.

LÄS NOGGRANT OCH SPARA FÖR FRAMTIDA BEHOV.

FÖRINSTÄLLNING

CHECKLISTA

Kontrollera delarna i bruksanvisningen. Kontrollera att utrustningens delar motsvarar modellen du ämnade köpa. Besök vår webbplats bestwaycorp.com/support om delar är skadade eller fattas vid köptillfället.

VÄLJ RÄTT PLATS

- Platsen som valts för uppställning måste vara i enlighet med följande tekniska egenskaper.
 - Det är viktigt att den plats där poolen ska ställas upp på kan stödja den totala vikten av vattenfylld pool med badare och under hela den tiden som poolen beräknas vara uppställd. När du väljer plats/underlag för poolen, tänk på att det kan hända att vatten rinner ut när den används eller när det regnar. Om vattnet gör underlaget mjukt kan det hända att poolens vikt inte stöds.
 - Kontrollera lägena för de vertikala benen och/eller U-stöden. De måste alltid vara på samma nivå som poolbotten. Om det vertikala benet eller U-stödet börjar sjunka ner i marken ska vattnet omedelbart tömmas. Poolen kan annars kollapsa på grund av ojämn belastning på ramkonstruktionen. Ställ upp poolen på en annan plats eller modifiera underlaget.
 - Underlaget måste vara platt och jämnt. Om underlaget lutar eller är ojämnt blir det en obalanserad belastning på strukturen. Detta kan skada dukens svetspunkter och böja ramen. I värsta fall kollapsar poolen. Detta kan leda till allvariga personskador och/eller skada på egendom.
 - Vi råder att placera poolen på behörigt avstånd från alla föremål som kan användas av barn för att klättra in i poolen.
 - Placera poolen nära ett lämpligt avloppssystem som tar hand om överflödesvatten eller dräneringsvatten. Se till att poolsidan med vatteninlopp A och utlopp B är placerade i samma riktning som strömkällan (där filtreringssystemet ska anslutas).
 - Underlaget måste vara helt fritt från föremål. På grund av vattenvikten kan alla föremål under poolen skada eller punktera botten.
 - Underlaget måste vara helt fritt från aggressiva växter och ogräs. Den typen av växter kan växa igenom poolduken och skapa vattenläckage. Gräs eller annan vegetation som kan börja lukta eller blir till slem måste tas bort helt innan poolen monteras.
 - Det får inte finnas strömledningar eller träd över platsen. Var säker på att platsen inte innehåller underjordiska rörledningar eller kablar av något slag.
 - Platsen ska vara på långt avstånd från husingångar. Placera inte någon utrustning eller möbler runt poolen. Vatten som rinner ut ur poolen vid användning eller på grund av produktfel kan skada inomhusmöbler eller möbler placerade runt poolen.
 - Underlaget måste vara platt och utan hål. Annars kan dukmaterialet skadas.
- Rekommenderade underlag:** gräs, mark, betong, och alla andra underlag som respekterar ovanstående installationsförhållanden.
- Underlag som ska undvikas:** lera, sand, grus, däck, balkong, uppfart, plattform, mjuk/lös mark eller andra underlag som inte uppfyller ovanstående installationsförhållanden.
- Kontrollera med din lokala kommunfullmäktige om gällande stadgar för stängsel, barriärer, belysning och säkerhetskrav för att se till att du följer alla lagar.
 - För set upp med pump och/eller stega, se säkerhetsinstruktioner och installering i bruksanvisningen för pumpen/stegen. Stegen måste passa poolens storlek.
 - Om du skulle behöva flytta på poolen vid monteringen, lyft duken utan att dra den över marken. Friktionen mellan PVC-materialet och marken kan skada poolduken.
 - Följ de viktiga anvisningarna ovan för att välja korrekt underlag och plats när du monterar din pool. Delar som skadas på grund av att underlaget och placeringen inte överensstämmer med anvisningarna anses inte vara tillverkningsfel och ingår därför inte i garantin eller i eventuella serviceanmälningar.

INSTALLERING

MONTERING

- Se bilderna i bruksanvisningen för installationsinstruktioner. Bilderna är endast avsedda som förklaring. De kan skilja sig från den faktiska produkten. Inte skalenäliga.
- Det krävs inga verktyg för att montera poolramen.
- Installationen tar vanligtvis cirka 20-30 minuter med hjälp av 2-3 personer (ej fyllning av vatten).
- För att förlänga din pools livslängd, pudra toppskenan med talkpulver innan montering. Talkpulver ingår inte i förpackningen.
- Bestway kommer inte att ansvara för skador som uppstått på poolen vid inkorrekt behandling eller av att inte ha följt instruktionerna.
- Vi råder att öppna förpackningen och montera poolen när omgivningstemperaturen är över 15 °C (59 °F). Det gör PVC-materialet mer flexibelt och lättare att sätta upp.

FYLL POOLEN MED VATTEN

- Lämna inte poolen obevakad när du fyller den med vatten.
- När alla monteringssteg är utförda kan du fylla poolen med vatten. Fyll på upp till den sammansvetsade linjen (vilket motsvarar 90 % av poolens fulla kapacitet).
- Fyll inte på för mycket eftersom detta skulle kunna leda till att poolen kollapsar. Vi råder att du håller vattenkapaciteten på 90 %. Tappa ut extra vatten om det regnar kraftigt för att undvika att vattnet rinner över.
- När poolen är helt fylld, kontrollera att avståndet mellan vattenytan och toppskenan är detsamma runt om. Om det är högre/mindre på någon sida betyder det att underlaget är ojämnt. Tom ut vattnet och jämna ut underlaget innan du monterar poolen igen.
- En pool full med vatten på ojämn mark kan göra att svetspunkterna spricker och/eller att poolen kollapsar. Detta kan orsaka allvariga personskador och/eller skador på egendom.

UNDERHÅLL

Om du inte följer de riktlinjer för underhåll som följer nedan, kan din hälsa vara i riskzonen och särskilt dina barns.

VATTEN

Att hålla poolvattnet rent och kemiskt balanserat är nödvändigt. Att endast rengöra filterpatronen är inte tillräckligt för korrekt underhåll, vi rekommenderar att du använder poolkemikalier för att upprätthålla vattenkemin och klor- eller bromtabletter (använd inte granulat) med den kemiska dispensern.

- Vattenkvaliteten är direkt kopplad till användningstäthet, antal användare och allmänt underhåll av den pool. Vattnet behöver bytas var tredje dag om ingen kemisk behandling av vattnet utförs. Det rekommenderas starkt att använda kranvatten för att fylla poolen. Detta för att minimera uppkomsten av oönskat innehåll såsom mineraler.
- Vi rekommenderar att du tar en dusch innan du använder poolen, eftersom kosmetiska produkter, lotioner och andra restprodukter på huden snabbt kan försämrare vattenkvaliteten.
- Använd regelbundet skimmer för att undvika att smuts sätter sig fast.
- Ställ en hink med vatten bredvid poolen för att rengöra fötterna innan du hoppar i.
- Det kemiska underhållet måste utföras med ChemConnect-dispenser eller kemisk flottör. Kasta inte kemiska produkter direkt i vattnet, kemikalien kommer att lägga sig på botten och skada materialet samt missfärga PVC:en.

Kemiska tabletter (ingår ej):

- Din köpta artikel kanske inte inkluderar någon kemisk flottör. I detta fall kan du köpa en dispenser genom att besöka vår webbplats www.bestwaycorp.com eller hos närmaste poolåterförsäljare.
- Ta bort den kemiska dispensern från poolen när poolen används.
- Efter att ha utfört kemiskt underhåll och innan du använder poolen, använd ett testkit (ingår ej) för att testa vattenkemin. Vi råder dig att bibehålla vattnets kemiska balans enligt parameterna i tabellen nedan.

Parametrar	Värden
Vattnets klarhet	tydlig sikt över poolbotten
Vattnets färg	vattnet ska vara genomskinligt
Turbiditet FNU/NTU	max. 1,5 (helst mindre än 0,5)
Koncentrationen av nitrat över fyllt vatten i mg/l	max. 20
Totalt organiskt kol (TOC) i mg/l	max. 4,0
Redoxpotential mot Ag/AgCl 3,5 m KCl i mV	min. 650
pH-värde	6,8 till 7,6
Fritt klor (utan cyanursyra) i mg/l	0,3 till 1,5
Fritt klor som används i kombination med cyanursyra i mg/l	1,0 till 3,0
Cyanursyra i mg/l	max. 100
Kombinerad klorin i mg/l	max. 0,5 (helst nära 0,0 mg/l)

- Poolskada till följd av felaktig användning av kemikalier och misskötsel av badvattnet täcks inte av garantin.
- Överdosing av kemikalier kommer att missfärga hela poolmaterialet. I värsta fall kan hela konstruktionen skadas.
- Poolkemikalier är potentiellt giftiga och bör hanteras med försiktighet. Det finns allvarliga hälsorisker med kemiska ångor och felaktig märkning och lagring av kemiska behållare.
- Kontakta din lokala poolåterförsäljare för mer information om kemiskt underhåll. Ägna stor uppmärksamhet åt de instruktioner som tillverkaren av kemikalierna har givit.
- Pumpen används för att cirkulera vattnet och filtrera bort små partiklar. För att hålla ditt poolvatten rent och hygieniskt måste du tillsätta kemikalier.

DUK

- Vi råder dig att köpa ett poolöverdrag (om det inte medföljer setet) att täcka över poolen med när den inte används för att förebygga eventuella skador på toppskenorna tillverkade i Duraplus. Använd en ren trasa och rengör försiktigt under toppskenorna för att ta bort allt smuts.

DEMONTERING OCH FÖRVARING

TÖM POOLEN PÅ VATTEN

- Se bilderna i bruksanvisningen för att tömma poolen på vatten. Bilderna är endast avsedda som förklaring. De kan skilja sig från den faktiska produkten. Inte skaleniiga.
- Kontrollera och följ de lokala bestämmelserna för dränering när du ska tömma din pool på vatten.

RENGÖRING

- Skölj av poolöverdraget med kranvatten för att ta bort eventuella rester av kemikalier eller smuts.
- Låt poolen soltorka tills den är helt torr.
- Torka av allt överflödigt vatten med en torr trasa.

FÖRVARING

- Ta bort alla delar och säkerställ att poolduken och tillbehören är helt rena och torra innan de läggs undan för förvaring. Om poolen inte är helt torr kan mögel bildas som skadar poolduken under förvaringstiden.
- När poolen är helt torr, strö med talk för att förhindra att poolen klibbar ihop.
- Vi råder att du demonterar poolen när omgivningstemperaturen är under 10 °C / 50 °F.
- Vik bara ihop poolduken om omgivningstemperaturen är över 10 °C / 50 °F. Förvara poolen på en torr plats med en måttlig temperatur på mellan 10 °C / 50 °F och 38 °C / 100 °F. Placera poolduk och tillbehör i en kartong för att bättre skydda PVC-materialet under vinterperioden.

REPARATION

I händelse av läcka kan du lappa din pool med den medföljande lagningslappen för användning under vatten. Du hittar instruktionerna i vanliga frågor på hjälpadelningen på vår webbplats, www.bestwaycorp.com/support.



For support please visit us at:
bestwaycorp.com/support

©2022 Bestway Inflatables & Material Corp.

All rights reserved/Tous droits réservés/Todos los derechos reservados/Alle Rechte vorbehalten/Tutti i diritti riservati

Trademarks used in some countries under license from/

Marques utilisées dans certains pays sous la licence de/

Marcas comerciales utilizadas en algunos países bajo la licencia de/

Die Warenzeichen werden in einigen Ländern verwendet unter Lizenz der/

Marchi utilizzati in alcuni paesi concessi in licenza a

Bestway Inflatables & Material Corp., Shanghai, China

Manufactured, distributed and represented in the European Union by/

Fabriqué, distribué et représenté dans l'Union Européenne par/Fabricado, distribuido y representado en la Unión Europea por/

Hergestellt, vertrieben und in der Europäischen Union vertreten von/Prodotto, distribuito e rappresentato nell'Unione Europea da

Bestway Europe S.p.a., Via Resistenza, 5, 20098 San Giuliano Milanese (Milano), Italy

Distributed in Latin America by/Distribué en Amérique latine par/Distribuido en Latinoamérica por/Distribuido na América Latina por

Bestway Central & South America Ltda, Salar Ascotan 1282, Parque Enea, Pudahuel, Santiago, Chile

Distributed in Australia & New Zealand by **Bestway Australia Pty Ltd, Unit 2/98-104 Carnarvon St Silverwater, NSW 2128, Australia**

Tel: Australia: (+61) 2 9037 1388; New Zealand: 0800 142 101

Distributed in United Kingdom by **Bestway Corp UK Ltd, 8 Wentworth Road, Heathfield Industrial Estate, Newton Abbot, Devon, TQ12 6TL**

Exported by/Exporté par/Exportado por/Exportiert von/Esportato da

Bestway (Hong Kong) International Ltd./Bestway Enterprise Company Limited

Suite 713, 7/Floor, East Wing, Tsim Sha Tsui Centre, 66 Mody Road, Kowloon, Hong Kong

www.bestwaycorp.com