

# Bestway®



EN  
PT  
ES  
DE  
FI  
NL  
IT  
FR  
EL  
RU  
PL  
HU  
SV



[bestwaycorp.com/support](http://bestwaycorp.com/support)

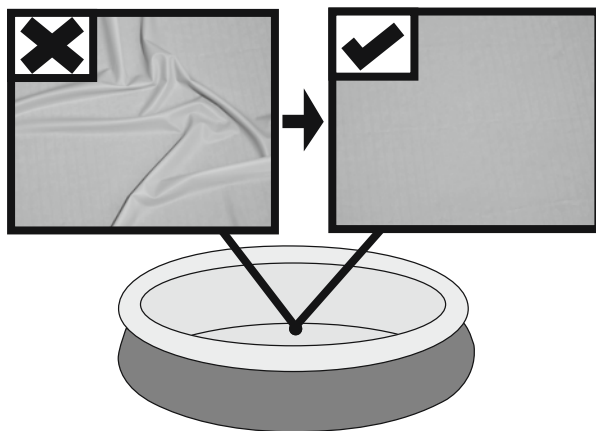
Visit Bestway YouTube channel 



**WARNING / ATENÇÃO / ADVERTENCIA / ACHTUNG  
VAROITUS / WAARSCHUWING / AVVERTENZA  
ATTENTION / ΠΡΟΕΙΔΟΠΟΙΗΣΗ / ВНИМАНИЕ  
OSTRZEŻENIE / FIGYELMEZTETÉS / VARNING**

smooth out the bottom  
suavizar o fundo  
suavizar la parte inferior  
glätten den Boden  
tasoittaa pohjaan  
glad uit de bodem  
appianare il fondo

lisser le fond  
ΕΞΟΜΑΛΥΝΕΙ ΤΟ ΠΥΘΜΕΝΑ  
Расправьте дно  
wygładzić dna  
elsimítására az alsó  
jämna ut botten



Put 1" to 2" water in the pool to cover the floor. Once pool floor is slightly covered, gently smooth out all wrinkles. Start in the center of the pool and work your way clockwise to the outside.

Encher a piscina com uma quantidade de água suficiente para cobrir a superfície (de 2 a 5 cm). Uma vez que a superfície estiver levemente coberta, eliminar todas as dobras presentes, começando pelo centro da piscina e continuando, no sentido horário, em direção à parte externa.

Ponga de 1" a 2" de agua en la piscina para cubrir el suelo. Cuando la piscina esté un poco cubierta, alise suavemente las arrugas. Comience desde el centro de la piscina y trabaje en sentido horario hacia el exterior.

Füllen Sie 1" bis 2" Wasser in den Pool, so dass der Boden bedeckt ist. Glätten Sie vorsichtig alle Falten sobald der Poolboden leicht bedeckt ist. Beginnen Sie in der Mitte des Pools und arbeiten Sie im Uhrzeigersinn zur Außenseite.

Laita altaaseen 2,5 - 5cm:n kerros vettä pohjan peittämiseksi. Kun altaan pohja on peittynyt, silitä varovasti kaikki rypyt. Aloita keskeltä ja etene myötäpäivään laidoille.

Doe 1" tot 2" water in het zwembad, net voldoende om de bodem onder water te zetten. Wanneer dit gebeurd is worden alle rimpels voorzichtig gladgestreken. Begin in het midden van het zwembad en ga zo rechtsom naar de rand toe.

Riempire la piscina con una quantità d'acqua sufficiente a coprire la superficie (da 2,5 a 5cm) Una volta piscina verso l'esterno muovendosi in senso orario. eseguita questa operazione, eliminare tutte le pieghe presenti sulla superficie partendo dal centro della.

Mettre quelques centimètres d'eau dans la piscine pour couvrir le sol. Une fois que le sol de la piscine est légèrement recouvert, lissez tous les plis. Commencez par le centre de la piscine et continuez dans le sens des aiguilles d'une montre vers l'extérieur.

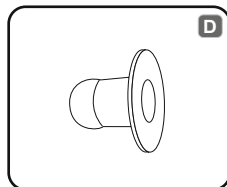
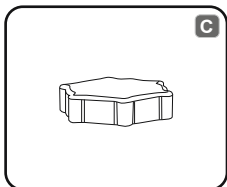
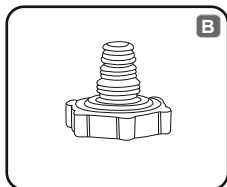
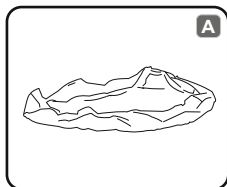
ΒΑΛΤΕ 1" ΕΩΣ 2" ΝΕΡΟ ΣΤΗΝ ΠΙΣΙΝΑ ΓΙΑ ΝΑ ΚΑΛΥΨΕΤΕ ΤΟ ΠΑΤΩΜΑ. ΜΟΛΙΣ ΚΑΛΥΦΘΕΙ ΕΛΑΦΡΑ ΤΟ ΠΑΤΩΜΑ ΤΗΣ ΠΙΣΙΝΑΣ, Ο ΕΓΚΑΤΑΣΤΑΤΗΣ ΠΡΕΠΕΙ ΝΑ ΙΣΙΩΣΕΙ ΟΛΕΣ ΤΙΣ ΠΤΥΧΕΣ. ΞΕΚΙΝΗΣΤΕ ΑΠΟ ΤΟ ΚΕΝΤΡΟ ΤΗΣ ΠΙΣΙΝΑΣ ΚΑΙ ΣΥΝΕΧΙΣΤΕ ΔΕΞΙΟΣΤΡΟΦΑ ΠΡΟΣ ΤΑ ΕΞΩ.

Налейте немного воды в бассейн так, чтобы она покрывала дно на 3-5 сантиметров. Когда вода налита, аккуратно расправьте складки дна. Начинайте с центра бассейна и двигайтесь к краям по часовой стрелке.

Puść wodę do basenu o głębokości 1" - 2", aby jej warstwa zakryła dno basenu. Jeśli dno basenu jest już trochę zakryte wodą, delikatnie wygładź wszystkie jego fałdy. Zaczynj od środka basenu i idąc w kierunku zgodnym z ruchem wskazówek zegara, podążaj do brzegu basenu.

A medencébe engedjen 1" - 2" mélységű vizet, hogy az a medence fenekét befedje. Ha a medence alján egy kis mennyiségű víz található, a gyűrődéseket finoman egyenesítse ki. A medence közepétől kezdje és az óramutató járásával megegyezően haladjon a medence szélé felé.

Häll 1" till 2" vatten i poolen för att täcka golvet. Då poolgolvet är något täckt, ska du slåta ut alla veck. Börja i mitten av poolen och arbeta dig medsols utåt.



NO.	57265;57267; 57268	57266;57269; 57270	57273;57274; 57275	57375;57376
		2.44 m x 66 cm (8' x 26")	3.05 m x 76 cm (10' x 30")	3.66 m x 76 cm (12' x 30")
A	1	1	1	1
B	1	1	1	1
C	1	1	1	1
D	2	2	2	2

A	P04351	P03608	P04355	P04357
B	P6H1419ASS16	P6H1419ASS16	P6H1419ASS16	P6H1419ASS16
C	P6H1158ASS16	P6H1158ASS16	P6H1158ASS16	P6H1158ASS16
D	P6C1418ASS19	P6C1418ASS19	P6C1418ASS19	P6C1418ASS19

NO.	57313;57315	57371;57372	57289	
		4.57 m x 84 cm (15' x 33")	4.57 m x 1.07 m (15' x 42")	4.57 m x 1.22 m (15' x 48")
A	1	1	1	
B	1	1	1	
C	1	1	1	
D	2	2	2	

A	P03613	P04359	P03611	
B	P6H1419ASS16	P6H1419ASS16	P6H1419ASS16	
C	P6H1158ASS16	P6H1158ASS16	P6H1158ASS16	
D	P6C1418ASS19	P6C1418ASS19	P6C1418ASS19	



## FAST SET™ POOLS OWNER'S MANUAL

### WARNING

Carefully read, understand, and follow all information in this user manual before installing and using the swimming pool. These warnings, instructions, and safety guidelines address some common risks of water recreation, but they cannot cover all risks and dangers in all cases. Always use caution, common sense, and good judgment when enjoying any water activity. Retain this information for future use.

#### Non Swimmers safety

- Continuous, active, and vigilant supervision of weak swimmers and non-swimmers by a competent adult is required at all times (remembering that children under five are at the highest risk of drowning).
- Designate a competent adult to supervise the pool each time it is being used.
- Weak swimmers or non-swimmers should wear personal protection equipment when using the pool.
- When the pool is not in use, or unsupervised, remove all toys from the swimming pool and its surrounding to avoid attracting children to the pool.

#### Safety devices

- In order to prevent children from drowning, it is recommended to secure the access to the pool with a protection device. In order to prevent children climbing from the inlet and outlet valve, it is recommended to install a barrier (and secure all doors and windows, where applicable) to prevent unauthorized access to the swimming pool.
- Barriers, pool covers, pool alarms, or similar safety devices are helpful aids, but they are not substitutes for continuous and competent adult supervision.

#### Safety equipment

- It is recommended to keep rescue equipment (e.g. a ring buoy) by the pool.
- Keep a working phone and a list of emergency phone numbers near the pool.

#### Safe use of the pool

- Encourage all users especially children to learn how to swim.
- Learn Basic Life Support (Cardiopulmonary Resuscitation - CPR) and refresh this knowledge regularly. This can make a life-saving difference in the event of an emergency.
- Instruct all pool users, including children, what to do in case of an emergency.
- Never dive into any shallow body of water. This can lead to serious injury or death.
- Do not use the swimming pool when using alcohol or medication that may impair your ability to safely use the pool.
- When pool covers are used, remove them completely from the water surface before entering the pool.
- Protect pool occupants from water related illnesses by keeping the pool water treated and practicing good hygiene. Consult the water treatment guidelines in the user's manual.
- Store chemicals (e.g. water treatment, cleaning or disinfection products) out of the reach of children.
- Use the signage as outlined below. Signage is to be displayed in a prominent position within 2m of the pool.

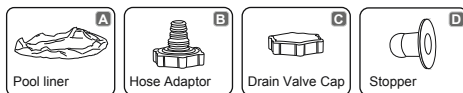


Keep children under supervision in the aquatic environment. No diving.

- Removable ladders shall be placed on a horizontal surface.
- Irrespective of materials used for swimming pool construction, accessible surfaces have to be checked regularly to avoid injuries.
- Regularly monitor bolts and screws. Remove splinters or any sharp edges to avoid injuries.
- **ATTENTION:** Do not leave the drained pool outside. The empty pool is liable to become deformed and/or displaced due to wind.
- If you have a filter pump, refer to the pump's manual for instructions.
- **WARNING!** The pump cannot be used while people are inside the pool!
- If you have a ladder, refer to the ladder's manual for instructions.
- **WARNING!** The use of a swimming pool implies compliance with the safety instructions described in the operating and maintenance guide. In order to prevent drowning or other serious injuries, pay particular attention to the possibility of unexpected access to the swimming pool by children under 5 years by securing the access to it, and, during the bathing period, keep them under constant adult supervision.

### Please read carefully and keep for future reference

Installation usually takes approximately 10 minutes with 2-3 people excluding earthworks and filling.



**NOTE:** Some parts already have been installed on the pool.

### CHOOSE THE CORRECT LOCATION

**NOTE:** The pool must be set up on a completely flat and level surface. Please do not install the pool if the surface is inclined or sloped.

#### Correct conditions to set up the pool:

- The selected location has to be capable of uniformly supporting the weight for the entire time the pool is installed, moreover the location must be flat and must be cleared of all objects and debris including stones and twigs.
- We recommend positioning the pool away from any objects children could use to climb into the pool.

**NOTE:** Position the pool near an adequate drainage system to deal with overflow or to discharge the pool.

#### Incorrect conditions to set up the pool:

- On uneven ground the pool may collapse causing serious personal injury and/or damage to personal property and will void the warranty and prevent any service claims.
- Sand should not be used to create a level base; the ground must be dug out if necessary.
- Directly under overhead power lines or trees. Be sure the location does not contain underground utility pipes, lines or cables of any kind.
- Do not set up the pool on driveways, decks, platforms, gravel or asphalt surfaces. The selected location should be firm enough to withstand the pressure of the water; Mud, sand, soft / loose soil or tar are not suitable.
- Grass or other vegetation under the pool will die and may cause odors and slime to develop, therefore we recommend removing all grass from the selected pool location.
- Avoid areas prone to aggressive plant and weed species that may grow through the liner.

**NOTE:** Check with your local city council for by-laws relating to fencing, barriers, lighting and safety requirements and ensure you comply with all laws.

**NOTE:** If have a filter pump, refer to the pump's manual for instructions.

**NOTE:** The ladder must match the pool size and should be used only for entering and exiting the pool. It is forbidden to exceed the permitted payload of the ladder. Check regularly if the ladder is properly assembled.

## Installation

Bestway Inflatables will not be responsible for damage caused to the pool due to mishandling or failure to follow these instructions.

**ATTENTION:** Do not use a high pressure air hose or over-inflate the top ring, it should be slightly stiff to the touch.

**NOTE:** Do not use extension power cords to power your pump.

**ATTENTION:** Do not drag the pool on the ground, this can damage the pool.

**NOTE:** The base or bottom of the pool should be laid out properly (flat without wrinkles).

**NOTE:** Hot temperatures cause air to expand the ring and may cause damage. Leave some room for expansion.

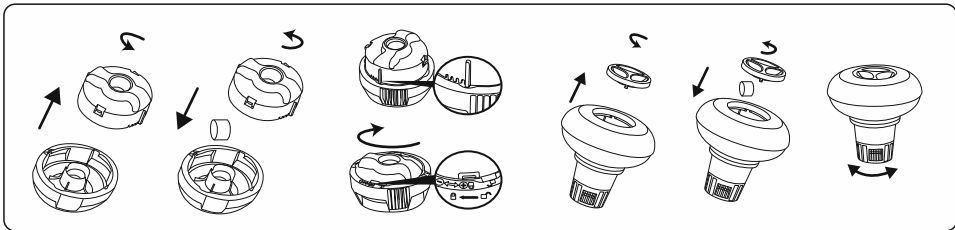
**NOTE:** Drawings for illustration purposes only. May not reflect actual product. Not to scale.

## Pool Maintenance

If you do not adhere to the maintenance guidelines below, your health might be at risk, especially that of your children.

### Using chemical tablets (not included):

**NOTE:** Chemconnect or Chemical Floater must be used when you perform chemical maintenance with tablets. Your purchased item may not include any of those dispensers, in this case you can purchase it by visiting our website [www.bestwaycorp.com](http://www.bestwaycorp.com) or at the nearest pool dealer.



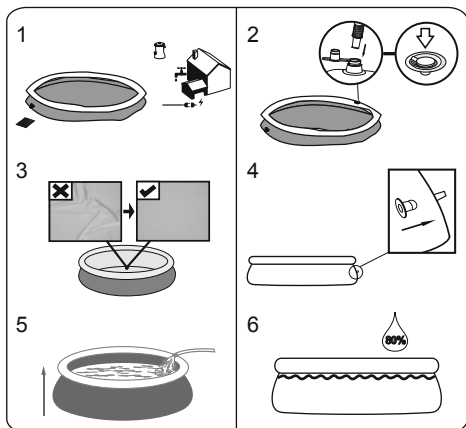
**IMPORTANT:** Don't use granulate tablets or throw the tablet directly in the water. The chemicals can deposit on the bottom, damage the material and discolor the PVC.

### Using chemical liquid (not included):

**IMPORTANT:** Add chemical liquid in small doses and in the center of the pool to avoid direct contact between the chemicals and the PVC surface. Direct contact can damage the material and discolor the surface.

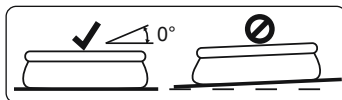
**NOTE:** Remove the chemical dispenser from pool when the pool is in use.

**IMPORTANT:** After performing chemical maintenance and before using the pool, use a test kit (not included) to test the water chemistry. We recommend maintaining your water according to the following table.



**ATTENTION:** Do not leave pool unattended while filling with water. Pool walls will rise as you fill with water.

1. Fill pool until water capacity is 80%, DO NOT OVERFILL as this could cause the pool to collapse. In times of heavy rainfall you may need to empty some of the water to ensure the level is correct.
2. When filling the pool is completed, check that the water is not collecting on any side to ensure the pool is level.



**IMPORTANT:** If pool is not level, drain water and re-level ground by digging out. Never attempt to move the pool with water in it, serious personal injury or damage to the pool may result.

**WARNING:** Your pool may contain a great deal of pressure. If your pool has any bulge or uneven side, then the pool is not level, the sides may burst and the water may discharge suddenly causing serious personal injury and/or damage to property.

Parameters	Values
Water clarity	clear view of the pool bottom
Colour of the water	no colour should be observed
Turbidity in FNU/NTU	max. 1,5 (preferably less than 0,5)
Nitrate concentration above that of fill water in mg/l	max. 20
Total organic carbon (TOC) in mg/l	max. 4,0
Redox potential against Ag/AgCl 3,5 m KCl in mV	min. 650
pH value	6,8 to 7,6
Free active chlorine (without cyanuric acid) in mg/l	0,3 to 1,5
Free chlorine used in combination with cyanuric acid in mg/l	1,0 to 3,0
Cyanuric acid in mg/l	max. 100
Combined chlorine in mg/l	max. 0,5 (preferably close to 0,0 mg/l)

**NOTE:** Damage resulting from chemical imbalance is not covered by the warranty. Pool chemicals are potentially toxic and should be handled with care. There are serious health risks from chemical vapors and the incorrect labeling and storage of chemical containers. Please consult your local pool supply retailer for more information about chemical maintenance. Pay close attention to the chemical manufacturer's instructions. Pool damage resulting from misuse of chemicals and mismanagement of pool water is not covered by the warranty.

**IMPORTANT:** Over usage of chemicals can discolor the printing and all points of the pool material. It can also damage the structure of the pool liner.

### To keep your pool clean:

- Contact your local pool supply shop for advice and purchase of chemicals and pH kits. One of the most important factors to increase the life of the liner is to keep continuously clean and healthy water. Please strictly follow the instructions from professional technicians for the water treatment through the use of chemicals.
- Locate a bucket of water next to pool to clean users' feet before entering pool.
- Cover the pool when not in use.
- Skim pool regularly to avoid settled dirt.
- Check and wash the filter cartridge regularly.
- Gently clean any scum from below the top ring with a clean cloth.
- Please be careful in case of rain water, kindly check that the water level is not higher than the expected. If so, **YOU HAVE TO DISCHARGE THE EXCESS WATER.**
- If it rains, check that the water level is not higher than the specified level. If water exceeds the specified levels, drain the pool to the specified level.

### Proper maintenance can maximize the life of your pool.

During the season of use of the swimming pool, the filtration system must be necessarily put into service every day, enough time to assure at least a complete renewal of the volume of water.

**NOTE:** The pump is used to circulate the water and to filter small particles. In order to keep your pool water clean and hygienic, you must also add chemicals.

### Repair

In the event of a leak, patch your pool using the underwater adhesive repair patch provided. You can find the instructions in FAQs on the support section of our website, [www.bestwaycorp.com](http://www.bestwaycorp.com).

### Dismantling

- Unscrew the drain valve cap counter-clockwise and remove.
- Connect the adaptor to the hose and put the other end of the hose in the area where you are going to drain your pool. (Check local regulations for drainage by-laws).
- Screw the control ring of the hose adaptor clockwise onto the drain valve. The drain valve will be open and water will start to drain automatically. Open the drain valve to the maximum position.
- Deflate the top ring by squeezing the air valve.
- When the top ring is fully deflated, press the top ring down, and tilt it to drain the pool easily. Completely drain the water in the pool.
- When draining is finished, unscrew the control ring to close the valve.
- Disconnect the hose.
- Screw the cap back onto the drain valve.
- Air dry pool.

### Storage and Winterization

- Please remove all the accessories and spare parts of the pool and store them clean and dry.
- Once pool is completely dry, sprinkle with talcum powder to prevent pool from sticking together, fold pool carefully. If pool is not completely dry, mold may result and will damage the pool liner.
- Store liner and accessories in a dry place with a moderate temperature between 5°C / 41°F and 38°C / 100°F.
- During the rainy season, pool and accessories should be stored as per above instructions also.
- Improper draining of the pool might cause serious personal injury and/or damage to personal property.
- We strongly recommend the pool is disassembled during the off season (winter months). Store in a dry location out of children's reach.

## PISCINAS FAST SET™ MANUAL DO PROPRIETÁRIO



Visite o canal da Bestway no YouTube

### ATENÇÃO

Leia atentamente, compreenda e siga todas as instruções contidas neste manual de utilizador antes de instalar e utilizar a piscina. Estes avisos, instruções e orientações de segurança visam alguns riscos comuns de divertimentos aquáticos, contudo não podem abranger todos os riscos e perigos em todos os casos. Sempre que desfrutar de uma actividade aquática, deve ter cuidado, senso comum e bom discernimento. Preserve esta informação para utilização futura.

#### Segurança dos Não-Nadadores

- É sempre necessária uma supervisão contínua, activa e vigilante dos nadadores mais vulneráveis e dos não-nadadores por um adulto competente (lembre-se que as crianças com idade inferior a cinco anos correm o risco mais elevado de afogamento).
- Nomeie um adulto competente para supervisionar a piscina sempre que esteja em utilização.
- Os nadadores mais vulneráveis ou não-nadadores devem utilizar equipamento de protecção pessoal sempre que utilizarem a piscina.
- Sempre que a piscina não estiver a ser utilizada ou sem supervisão, retire todos os brinquedos da piscina e dos seus arredores para evitar atrair crianças até à piscina.

#### Dispositivos de segurança

- De modo a prevenir que as crianças se afoguem, recomenda-se que proteja o acesso à piscina com um dispositivo de protecção. De modo a prevenir que as crianças subam pelas válvulas de entrada e saída, recomenda-se que instale uma barreira (e proteja todas as portas e janelas, sempre que aplicável) para prevenir o acesso não autorizado à piscina.
- Barreiras, coberturas de piscina, alarmes de piscina ou dispositivos de segurança semelhantes são auxiliares muito úteis, embora não substituam a supervisão contínua e competente por um adulto.

#### Equipamento de segurança

- Recomenda-se que mantenha equipamento de resgate (ex., uma bóia em anel) nas proximidades da piscina.
- Mantenha um telefone funcional e uma lista de telefones de emergência nas proximidades da piscina.

#### Utilização segura da piscina

- Encoraje todos os utilizadores, em especial as crianças, a aprender a nadar.
- Aprenda medidas de Suporte Básico de Vida (Ressuscitação Cardiopulmonar - RCP) e renove este conhecimento regularmente. Isto pode ajudar a salvar vidas em caso de emergência.
- Instrua todos os utilizadores da piscina, incluindo as crianças, acerca do que devem fazer em caso de emergência.
- Nunca mergulhe em corpos de água pouco profundos. Isto pode causar ferimentos graves ou morte.
- Não utilize a piscina quando ingerir álcool ou medicamentos que possam afectar a sua capacidade para desfrutar dela em segurança.
- Caso tenha uma cobertura de piscina, retire-a completamente da superfície da água antes de entrar na piscina.
- Proteja os ocupantes da piscina de doenças relacionadas com a água, mantendo a água da piscina tratada e praticando uma boa higiene. Consulte as orientações de tratamento da água

contidas no manual de utilizador.

- Armazene os químicos (ex., produtos de tratamento, limpeza e desinfecção da água) fora do alcance das crianças.
- Utilize a sinalização conforme indicado abaixo. A sinalização deve ser exibida numa posição proeminente a 2m da piscina.

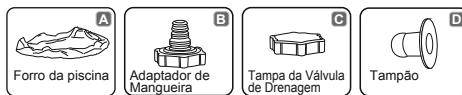


Mantenha as crianças sob supervisão no meio aquático. Não mergulhe.

- As escadas amovíveis devem ser colocadas numa superfície horizontal.
- Independentemente dos materiais utilizados na construção da piscina, as superfícies acessíveis devem ser verificadas regularmente para evitar ferimentos.
- Monitorize regularmente os parafusos e remova lascas ou quaisquer arestas afiadas para evitar ferimentos.
- **ATENÇÃO:** Não deixe a piscina drenada no exterior. Quando vazia, a piscina fica suscetível a sofrer deformações e/ou deslocamentos devido ao vento.
- Se tiver uma bomba de filtro, consulte o manual da bomba para obter instruções.
- **ATENÇÃO!** A bomba não pode ser utilizada enquanto a piscina estiver ocupada!
- Se tiver uma escada, consulte o manual da escada para obter instruções.
- **ATENÇÃO!** A utilização de uma piscina implica o cumprimento das instruções de segurança descritas no guia de funcionamento e manutenção. Para prevenir afogamentos ou outros ferimentos graves, preste especial atenção à possibilidade das crianças com idade inferior a 5 anos acederem à piscina de forma inesperada, através da protecção do acesso à mesma, e mantendo-as sob supervisão constante de um adulto durante o período de banhos.

### Por favor leia cuidadosamente e guarde para referência futura.

A instalação demora normalmente cerca de 10 minutos com 2-3 pessoas excluindo trabalhos de remoção de solos e enchimento.



**NOTA:** Algumas peças já foram instaladas na piscina.

### ESCOLHA A LOCALIZAÇÃO CORRECTA

**NOTA:** A piscina tem de ser montada numa superfície completamente plana e nivelada. Não instalar a piscina sobre uma superfície inclinada.

#### Condição correcta para instalar a piscina:

- A localização seleccionada tem de ser capaz de suportar uniformemente o peso durante todo o tempo em que a piscina esteja instalada, adicionalmente a localização deve ser plana e deve estar livre de quaisquer objectos e detritos inclusive pedras e ramos.
- Recomendamos que posicione a piscina afastada de quaisquer objecto que as crianças possam utilizar para trepar para a piscina.
- NOTA:** Posicione a piscina perto de um sistema de drenagem adequado para lidar com transbordamentos ou a descarga da piscina.

### Condições incorrectas para instalar a piscina:

- Em terreno desnivelado a piscina pode colapsar causando ferimentos pessoais sérios e/ou danos a propriedade pessoal e isso irá invalidar a garantia e prevenir quaisquer reclamações de assistência.
- Não deve ser utilizada areia para criar uma base nivelada; o solo deve ser escavado caso necessário.
- Directamente por baixo de linhas de electricidade superiores ou árvores. Certifique-se que a localização não contém tubagens, linhas ou cabos de infraestruturas de qualquer tipo subterrâneos.
- Não instale a piscina em acessos de garagem, decks, plataformas, superfícies de gravilha ou asfalto. A localização seleccionada deve ser firme o suficiente para suportar a pressão da água; a lama, areia, solo suave / solto ou alcatrão não são adequados.
- A relva e outra vegetação por baixo da piscina irá morrer e pode causar o desenvolvimento de odores e lamas, assim, recomendamos que remova toda a erva da localização da piscina seleccionada.
- Evite áreas propensas a tipos de plantas e ervas daninhas agressivas que possam crescer através do revestimento.

**NOTA:** Verifique com a sua câmara municipal quanto a legislação relacionada com requisitos de vedações, barreiras, iluminação e segurança e certifique-se que respeita todas as leis.

**NOTA:** Caso possua uma bomba de filtro consulte o manual da bomba para obter instruções.

**NOTA:** A escada deve ser adequada ao tamanho da piscina e deve ser usada apenas para entrar e sair da piscina. É proibido exceder a carga permitida da escada. Verifique regularmente se a escada está montada devidamente.

### Instalação

Bestway Inflatable não se responsabilizará por danos causados à piscina devidos à falta de cuidado e ao não cumprimento destas instruções.

**ATENÇÃO:** Não utilize uma mangueira de ar a alta pressão ou encha demasiado o anel superior, este deve estar ligeiramente rígido ao toque.

**NOTA:** Não utilize extensões para alimentar a sua bomba.

**ATENÇÃO:** Não arraste a piscina pelo chão, isto pode danificar a piscina.

**NOTA:** A base ou fundo da piscina deve ser estendido devidamente (plano sem rugas).

**NOTA:** As temperaturas quentes levam o ar a expandir o anel e podem causar danos. Deixar espaço para expansão.

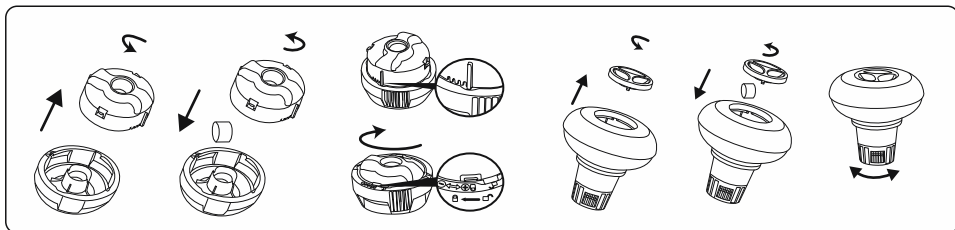
**NOTA:** Os desenhos servem apenas para fins ilustrativos. Pode não ilustrar o produto real. Não está à escala.

### Manutenção da piscina

Se você não cumprir as diretrizes de manutenção detalhadas abaixo, sua saúde pode estar em risco, especialmente a de seus filhos.

### Uso de comprimidos químicos (não incluídos):

**NOTA:** O Chemconnect ou o Chemical Floater devem ser usados ao realizar manutenção química com os comprimidos. O item adquirido pode não incluir nenhum desses dispensadores; nesse caso, você pode comprá-lo visitando nosso site [www.bestwaycorp.com](http://www.bestwaycorp.com) ou o distribuidor de piscina mais próximo.



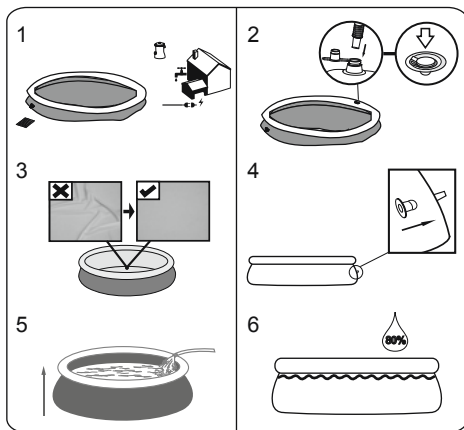
**IMPORTANTE:** Não use comprimidos granulados ou jogue-o diretamente na água. Os produtos químicos podem assentar no fundo, danificar o material e descolorir o PVC.

### Uso de líquido químico (não incluído):

**IMPORTANTE:** Adicione líquido químico em pequenas doses e no centro da piscina para evitar o contato direto entre os produtos químicos e a superfície do PVC. O contato direto pode danificar o material e descolorir a superfície.

**NOTE:** Remova o distribuidor de produtos químicos da piscina quando a piscina estiver em uso.

**IMPORTANT:** Após realizar a manutenção química e antes de usar a piscina, use um kit de teste (não incluído) para testar a química da água. Recomendamos manter a água de acordo com a tabela a seguir.

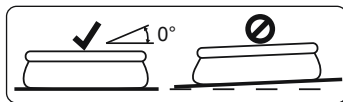


**ATENÇÃO:** Supervisionar a piscina quando a mesma estiver a ser enchida.

### As paredes da piscina levantar-se-ão ao encher-se de água.

1. Encher a piscina até 80% da sua capacidade. **NÃO ENCHER DEMASIADO** a piscina, visto que poderia desmontar-se. Em caso de chuva forte, será necessário escoar um pouco de água para manter o correcto nível.

2. Quando o enchimento da piscina estiver concluído, certificar-se de que a água não se esteja a acumular em de um lado; sinal de que a piscina não foi colocada sobre superfície plana.



**IMPORTANTE:** Se a piscina não estiver nivelada, escoar a água e nivelar o terreno. Não tentar, de modo algum, deslocar a piscina se a mesma estiver cheia, isto poderia causar sérios ferimentos e/ou danos à piscina!

**ATENÇÃO:** A sua piscina pode conter bastante pressão. Caso a sua piscina tenha qualquer protuberância ou lado desnivelado, então a piscina não está nivelada, os lados podem estourar e a água poderá ser descarregada subitamente causando ferimentos pessoais graves e/ou danos de propriedade.



Parâmetros	Valores
Clareza da água	Visão clara do fundo da piscina
Cor de água	A cor não deve ser observada
Turvação em UNF / NTU	máx. 1,5 (preferencialmente menor que 0,5)
Concentração de nitrato superior à água em mg / l	max. 20
Carbono orgânico total (TOC) em mg / l	max. 4,0
Potencial redox contra Ag / AgCL 3,5 m KCl em mV	min. 650
Valor de pH	de 6,8 a 7,6
Cloro ativo livre (sem ácido cianúrico) em mg / l	de 0,3 a 1,5
Cloro livre usado em combinação com ácido cianúrico em mg / l	de 1,0 a 3,0
Ácido cianúrico em mg / l	max. 100
Cloro combinado em mg / l	máx. 0,5 (de preferência perto de 0,0 mg / l)

**NOTE:** Danos resultantes de desequilíbrio químico não são cobertos pela garantia. Os produtos químicos da piscina são potencialmente tóxicos e devem ser manuseados com cuidado. Existem sérios riscos para a saúde causados por vapores químicos e rotulagem e armazenamento inadequados de recipientes químicos. Consulte o seu distribuidor local de suprimentos para piscinas para obter mais informações sobre manutenção química. Preste muita atenção às instruções do fabricante de produtos químicos. A garantia não cobre danos causados pelo uso inadequado de produtos químicos e manuseio inadequado da água da piscina.

**IMPORTANTE:** O uso excessivo de produtos químicos pode descolorir a impressão e todos os pontos do material da piscina. Também pode danificar a estrutura do revestimento da piscina.

### Para manter sua piscina limpa:

1. Entre em contato com a loja de suprimentos da piscina local para obter orientação e comprar produtos químicos e kits de pH. Um dos fatores mais importantes para aumentar a vida útil do revestimento é manter a água limpa e saudável continuamente. Siga rigorosamente as instruções de técnicos profissionais para tratamento de água usando produtos químicos.
2. Coloque um balde de água ao lado da piscina para limpar os pés dos usuários antes de entrar na piscina.
3. Cubra a piscina quando não estiver em uso.
4. Limpe a piscina regularmente para evitar acúmulo de sujeira.
5. Verifique e lave o cartucho do filtro regularmente.
6. Limpe cuidadosamente qualquer escória de baixo do anel superior com um pano limpo.
7. Tenha cuidado em caso de chuva, verifique se o nível da água não está acima do esperado. Nesse caso, você DEVE baixar o excesso de água.
8. Se chover, verifique se o nível da água não excede o nível especificado. Se a água exceder os níveis especificados, drene a piscina para o nível especificado.

### A manutenção adequada pode maximizar a vida útil da sua piscina.

Durante a estação de uso da piscina, o sistema de filtragem deve necessariamente ser colocado em serviço todos os dias, tempo suficiente para garantir pelo menos uma renovação completa do volume de água.

**NOTE:** A bomba é usada para circular a água e filtrar pequenas partículas. Para manter a água da piscina limpa e higiênica, você também deve adicionar produtos químicos.

### Reparação

Em caso de vazamento, repare sua piscina usando o adesivo adesivo subaquático fornecido. Você pode encontrar as instruções em Perguntas frequentes na seção de suporte do nosso site, [www.bestwaycorp.com](http://www.bestwaycorp.com).


### Desmontagem

1. Desaperte a tampa da válvula de drenagem em sentido anti-horário e remova.
2. Ligue o adaptador à mangueira e coloque a outra extremidade da mangueira na área onde vai drenar a sua piscina. (Verifique os regulamentos locais quanto à legislação sobre drenagens).
3. Aparafuse o anel de controle do adaptador de mangueira em sentido horário na válvula de drenagem. A válvula de drenagem será aberta e a água começará a drenar automaticamente. Abra a válvula de drenagem na posição máxima.
4. Esvazie o anel superior, apertando a válvula de ar.
5. Quando o anel superior estiver totalmente esvaziado, pressione o anel superior para baixo, e incline-o para drenar a piscina com facilidade. Esvazie completamente a água da piscina.
6. Quando a drenagem estiver concluída, desaparafuse o anel de controle para fechar a válvula.
7. Desligue a mangueira.
8. Aparafuse a tampa de volta na válvula de drenagem.
9. Seque a piscina ao ar.

### Armazenamento e Proteção para o Inverno

1. Por favor remova todos os acessórios e peças sobresselentes da piscina e armazene-as limpas e secas.
2. Assim que a piscina estiver totalmente seca, polvilhe com pó de talco para evitar que a piscina cole, dobre a piscina cuidadosamente. Caso a piscina não estiver totalmente seca, podem surgir fungos que irão danificar o forro da piscina.
3. Armazene o forro e os acessórios num local seco com uma temperatura moderada entre 5°C / 41°F e 38°C / 100°F.
4. Durante a estação das chuvas, a piscina e os acessórios também devem ser armazenados consoante as instruções acima.
5. A drenagem inadequada da piscina pode causar ferimentos pessoais graves e/ou danos a propriedade.
6. Recomendamos fortemente que a piscina seja desmontada fora da estação (meses de inverno). Armazene num local seco fora do alcance das crianças.

## PISCINAS FAST SET™ MANUAL DE INSTRUCCIONES

Visite el canal de YouTube de Bestway 



### ADVERTENCIA

Lea atentamente, comprenda y siga toda la información contenida en este manual antes de instalar y utilizar la piscina. Estas advertencias, instrucciones y normas de seguridad abordan algunos de los riesgos más comunes relacionados con el ocio acuático, pero no cubren todos los riesgos y peligros en cualquier caso. Sea siempre prudente y utilice el sentido común y el buen juicio cuando disfrute de cualquier actividad acuática. Conserve esta información para un uso futuro.

#### Seguridad de los no nadadores

- Los nadadores principiantes y los no nadadores requieren de la supervisión continua, activa y atenta de un adulto competente en todo momento (recuerde que los menores de cinco años cuentan con el mayor riesgo de ahogamiento).
- Asigne a un adulto competente la tarea de supervisar la piscina cada vez que esta esté en uso.
- Los nadadores principiantes o los no nadadores deben llevar un equipo de protección personal cuando utilicen la piscina.
- Cuando no se esté utilizando la piscina, o no cuente con supervisión, retire todos los juguetes de ella y de sus alrededores para que no atraigan a los niños.

#### Dispositivos de seguridad

- Para prevenir el ahogamiento infantil, se recomienda asegurar el acceso a la piscina con algún dispositivo de seguridad. Para prevenir que los niños suban sobre las válvulas de entrada y de salida, se recomienda instalar una barrera (y asegurar todas las puertas y ventanas, donde sea necesario) para prevenir el acceso no autorizado a la piscina.
- Las barreras, cubiertas de piscina, alarmas de piscina o dispositivos de seguridad similares son ayudas útiles, pero no sustituyen la supervisión competente y constante de un adulto.

#### Equipos de seguridad

- Se recomienda tener los equipos de rescate (ej.: salvavidas) cerca de la piscina.
- Tenga un teléfono activo y una lista de números de emergencia cerca de la piscina.

#### Uso seguro de la piscina

- Anime a todos los usuarios, y especialmente a los niños, a aprender a nadar.
- Aprenda métodos de reanimación básica (reanimación cardiopulmonar - RCP) y repase este conocimiento regularmente. Esto puede marcar la diferencia en caso de emergencia.
- Enseñe a todos los usuarios de la piscina, niños incluidos, qué hacer en caso de emergencia.
- No se zambulla en aguas poco profundas. Esto podría causar graves daños o incluso muerte.
- No utilice la piscina cuando se encuentre bajo los efectos del alcohol o de medicamentos que puedan afectar a su capacidad de usar la piscina de manera segura.
- Cuando se utilizan las cubiertas de piscina, retírelas completamente de la superficie del agua antes de entrar en la piscina.
- Proteja a los usuarios de la piscina de enfermedades manteniendo el tratamiento del agua de la piscina y practicando buenos hábitos higiénicos. Consulte las directrices para el tratamiento del agua en el manual del usuario.
- Almacene los productos químicos (ej.: tratamientos para el agua, productos de limpieza o desinfección) fuera del alcance de los niños.

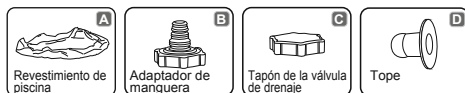
- Utilice la señalización como se especifica más abajo. La señalización se debe colocar en una posición visible y destacada dentro de un radio de 2 metros de la piscina.



- Supervise a los niños en el entorno acuático. Prohibido tirarse de cabeza.
- Las escaleras extraíbles deben colocarse sobre una superficie horizontal.
- Independientemente del material utilizado para la construcción de la piscina, las superficies accesibles deben comprobarse regularmente para evitar lesiones.
- Compruebe regularmente los tornillos y tuercas; retire las astillas o cualquier borde afilado para evitar lesiones.
- **ATENCIÓN:** No deje la piscina vacía en el exterior. La piscina vacía podría deformarse y/o desplazarse debido al viento.
- Si cuenta con una bomba de filtrado, consulte el manual de instrucciones de la bomba.
- **¡ADVERTENCIA!** La bomba no se puede poner en marcha mientras haya personas en el interior de la piscina.
- Si tiene una escalera, consulte su correspondiente manual para las instrucciones.
- **¡ADVERTENCIA!** El uso de una piscina implica el cumplimiento de las instrucciones de seguridad descritas en el manual de uso y mantenimiento. Para evitar ahogamiento y otras lesiones graves, preste una especial atención a la posibilidad de acceso inesperado a la piscina de niños de menos de 5 años, tomando las medidas de seguridad necesarias y, durante el periodo del baño, téngales bajo la vigilancia constante de un adulto.

### Lea detenidamente y conserve este documento para consultas futuras.

La instalación normalmente dura 10 minutos si la llevan a cabo 2-3 personas, excluyendo las excavaciones y el llenado.



**NOTA:** Algunas partes ya han sido instaladas en la piscina.

### ELIJA UNA UBICACIÓN ADECUADA

**NOTA:** La piscina debe montarse en una superficie completamente plana y nivelada. No instale la piscina si la superficie está inclinada o en pendiente.

#### Condiciones adecuadas para instalar la piscina:

- La ubicación seleccionada debe ser capaz de soportar de forma uniforme el peso de la piscina durante todo el tiempo que permanezca montada; asimismo, la ubicación debe tener una superficie plana y debe estar libre de objetos y residuos como piedras o ramas.
- Le recomendamos colocar la piscina alejada de cualquier objeto que los niños pudieran utilizar para escalar e introducirse en ella.

**NOTA:** Coloque la piscina cerca de un sistema de drenaje adecuado para dar salida a los desbordamientos de agua o vaciar la piscina.

#### Condiciones inadecuadas para instalar la piscina:

- Sobre un suelo con desniveles, pues la piscina podría derrumbarse provocando lesiones personales o pérdidas materiales graves; además, dejaría la garantía sin validez e impediría la presentación de reclamaciones de mantenimiento o reparación.
- No debe utilizarse arena para crear una base nivelada; en caso necesario, habrá que realizar excavaciones en el suelo.
- Directamente debajo de árboles o líneas de alta tensión. Asegúrese de que no pasan tuberías, líneas o cables por

debajo del lugar de instalación.

- No coloque la piscina en entradas, terrazas, plataformas, superficies de gravilla o asfalto. La ubicación seleccionada debería ser lo suficientemente firme para soportar la presión del agua; no situar sobre lodo, arena, suelo blando o suelto o alquitrán.
- El césped o la vegetación bajo de la piscina semarchitará y podría provocarnos olores o la aparición de fango. Por eso, recomendamos eliminar todo el césped de la ubicación elegida para la piscina.
- Evite áreas propensas de tipos de plantas agresivas y malezas que puedan crecer a través del revestimiento.

**NOTA:** Consulte a las autoridades locales para conocer las normativas en materia de vallas, barreras, iluminación y seguridad y asegúrese de cumplirlas.

**NOTA:** Si cuenta con una bomba de filtrado, consulte el manual de instrucciones de la bomba.

**NOTA:** La escalera debe adaptarse al tamaño de la piscina y debe utilizarse únicamente para entrar y salir de ella. Queda prohibido exceder la carga máxima permitida de la escalera. Compruebe periódicamente el correcto montaje de esta última.

## Instalación

Bestway Inflatables no es responsable por daños provocados en la piscina debidos a un mal manejo o a la falta de respeto de estas instrucciones.

**ATENCIÓN:** No utilice una manguera de aire de alta presión ni infle en exceso el anillo superior, este debe quedar ligeramente rígido al tacto.

**NOTA:** No use cables de prolongación para conectar la bomba a la red eléctrica.

**ATENCIÓN:** No arrastre la piscina sobre el suelo, la piscina podría sufrir daños.

**NOTA:** La base o fondo de la piscina debe estar adecuadamente extendida (lisa y sin arrugas).

**NOTA:** Las altas temperaturas hacen que el aire dilate el anillo, lo que podría causar daños. Deje algo de espacio en previsión.

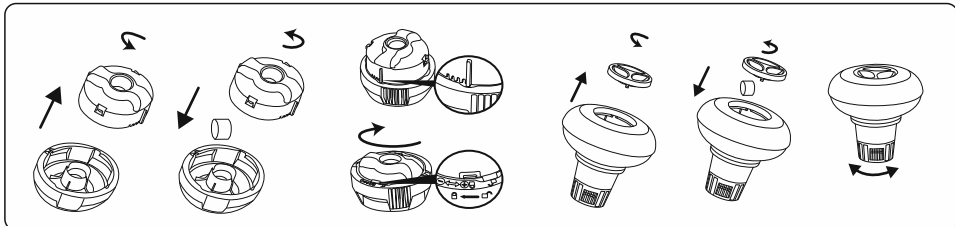
**NOTA:** Las ilustraciones se incluyen únicamente a título indicativo. Puede que no se correspondan con el producto real. No a escala.

## Mantenimiento de piscinas

Si no cumple con las pautas de mantenimiento detalladas a continuación, su salud podría estar en riesgo, especialmente la de sus hijos.

### Uso de tabletas químicas (no incluidas):

**NOTA:** Chemconnect o Chemical Floater deben usarse cuando realiza mantenimiento químico con tabletas. Su artículo comprado puede no incluir ninguno de esos dispensadores, en este caso puede comprarlo visitando nuestro sitio web [www.bestwaycorp.com](http://www.bestwaycorp.com) en el distribuidor de piscinas más cercano.



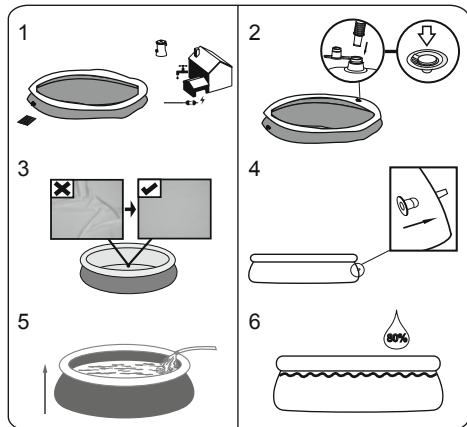
**IMPORTANTE:** No use tabletas granuladas ni las arroje directamente al agua. Los productos químicos pueden depositarse en el fondo, dañar el material y decolorar el PVC.

### Uso de líquido químico (no incluido):

**IMPORTANTE:** Agregue líquido químico en pequeñas dosis y en el centro de la piscina para evitar el contacto directo entre los químicos y la superficie de PVC. El contacto directo puede dañar el material y decolorar la superficie.

**NOTA:** Retire el dispensador de químicos de la piscina cuando la piscina esté en uso.

**IMPORTANTE:** Después de realizar el mantenimiento químico y antes de usar la piscina, use un kit de prueba (no incluido) para probar la química del agua. Recomendamos mantener su agua de acuerdo con la siguiente tabla.

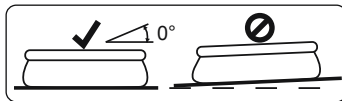


**ATENCIÓN:** No deje la piscina sin vigilancia mientras la está llenando de agua.

**Las paredes de la piscina subirán a medida que se llena con agua.**

1. Llene la piscina hasta el 80% de la capacidad. **NO LLENE DEMASIADO** ya que esto puede hacer que la piscina se hunda. Si llueve bastante, podría ser necesario quitar un poco de agua de la piscina para asegurarse de que el nivel es correcto.

2. Cuando la piscina se haya llenado por completo, compruebe que el agua no se acumula en ningún lado para que la piscina esté equilibrada.



**IMPORTANTE:** Si la piscina no está equilibrada, drene el agua y vuelva a equilibrar el suelo cavando. No intente nunca mover la piscina con agua dentro de la misma, pueden provocarse graves daños personales o daños en la piscina.

**ADVERTENCIA:** Su piscina puede contener una gran cantidad de presión. Si su piscina presenta alguna protuberancia o lado irregular la piscina no está equilibrada, los lados podrían explotar y el agua podría derramarse repentinamente causando graves daños personales y/o materiales.

Parámetros	Valores
Claridad del agua	Vista clara del fondo de la piscina
Color del agua	No se debe observar color
Turbidez en FNU / NTU	max. 1,5 (preferiblemente menos de 0,5)
Concentración de nitrato superior a la del agua en mg / l	max. 20
Carbono orgánico total (TOC) en mg / l	max. 4,0
Potencial redox contra Ag / AgCl 3,5 m KCl en mV	min. 650
Valor de pH	de 6,8 a 7,6
Cloro activo libre (sin ácido cianúrico) en mg / l	de 0,3 a 1,5
Cloro libre usado en combinación con ácido cianúrico en mg / l	de 1,0 a 3,0
Ácido cianúrico en mg / l	max. 100
Cloro combinado en mg / l	max. 0,5 (preferiblemente cercano a 0,0 mg / l)

**NOTA:** El daño resultante del desequilibrio químico no está cubierto por la garantía. Los productos químicos para piscinas son potencialmente tóxicos y deben manejarse con cuidado. Existen graves riesgos para la salud por los vapores químicos y el etiquetado y almacenamiento incorrectos de los contenedores químicos. Consulte a su distribuidor local de suministros de piscinas para obtener más información sobre el mantenimiento químico. Preste mucha atención a las instrucciones del fabricante del químico. La garantía no cubre los daños causados por el uso indebido de productos químicos y el mal manejo del agua de la piscina.

**IMPORTANTE:** El uso excesivo de productos químicos puede decolorar la impresión y todos los puntos del material de la piscina. También puede dañar la estructura del revestimiento de la piscina.

### Para mantener su piscina limpia:

1. Póngase en contacto con su tienda local de suministros de piscinas para obtener asesoramiento y comprar productos químicos y kits de pH. Uno de los factores más importantes para aumentar la vida útil del revestimiento es mantener continuamente agua limpia y saludable. Siga estrictamente las instrucciones de técnicos profesionales para el tratamiento del agua mediante el uso de productos químicos.
2. Coloque un cubo de agua al lado de la piscina para limpiar los pies de los usuarios antes de entrar a la piscina.
3. Tape la piscina cuando no esté en uso.
4. Limpie la piscina regularmente para evitar la acumulación de suciedad.
5. Revise y lave el cartucho del filtro regularmente.
6. Limpie suavemente cualquier escoria de debajo del anillo superior con un paño limpio.
7. Tenga cuidado en caso de lluvia, verifique que el nivel del agua no sea superior al esperado. Si es así, DEBE DESCARGAR EL EXCESO DE AGUA.
8. Si llueve, verifique que el nivel del agua no sea superior al nivel especificado. Si el agua excede los niveles especificados, drene la piscina al nivel especificado.

### Un mantenimiento adecuado puede maximizar la vida útil de su piscina.

Durante la temporada de uso de la piscina, el sistema de filtración debe ponerse necesariamente en servicio todos los días, tiempo suficiente para asegurar al menos una renovación completa del volumen de agua.

**NOTA:** La bomba se usa para hacer circular el agua y para filtrar partículas pequeñas. Para mantener el agua de su piscina limpia e higiénica, también debe agregar productos químicos.

### Reparación

En el caso de una fuga, repare su piscina usando el parche de reparación adhesivo subacuático provisto. Puede encontrar las instrucciones en Preguntas frecuentes en la sección de soporte de nuestro sitio web, [www.bestwaycorp.com](http://www.bestwaycorp.com).

### Desmontaje

1. Desenrosque el tapón de la válvula de drenaje girando en sentido antihorario y retírelo.
2. Conecte el adaptador a la manguera y coloque el otro extremo de la manguera en la zona donde va a vaciar la piscina. (Consulte las normativas locales para conocer las disposiciones en materia de drenaje).
3. Enrosque el anillo de control del adaptador de la manguera en la válvula de drenaje girando en sentido horario. La válvula de drenaje se abrirá y el agua empezará a fluir automáticamente. Abra la válvula de drenaje hasta su posición máxima.
4. Desinfe el anillo superior apretando la válvula de aire.
5. Cuando el anillo superior esté completamente desinflado, presiónelo hacia abajo e inclínelo para facilitar el vaciado. Vacíe completamente la piscina.
6. Una vez finalizado el vaciado, desenrosque el anillo de control para cerrar la válvula.
7. Desconecte la manguera.
8. Enrosque el tapón nuevamente en la válvula de drenaje.
9. Deje secar la piscina al aire.

### Almacenamiento y preparación para el invierno

1. Retire todos los accesorios y las piezas de repuesto de la piscina, guárdelos limpios y secos.
2. Cuando la piscina esté completamente seca, espolvoree con polvo de talco para evitar que las superficies de la piscina se adhieran entre sí y dóblela con cuidado. Si la piscina no está completamente seca, podría desarrollarse moho y dañar el revestimiento de la piscina.
3. Guarde el revestimiento y los accesorios en un lugar seco con una temperatura moderada, entre 5°C / 41°F y 38°C / 100°F.
4. Durante la estación lluviosa, la piscina y los accesorios deben almacenarse siguiendo las instrucciones anteriores.
5. Un drenaje inadecuado de la piscina podría provocar lesiones personales graves y/ o daños materiales.
6. Recomendamos encarecidamente desmontar la piscina fuera de temporada (los meses de invierno). Guárdelo en un lugar seco fuera del alcance de los niños.

## FAST SET™ - POOLS BENUTZERHANDBUCH



Besuchen Sie den YouTube-Kanal von Bestway 

### ACHTUNG

Vor dem Bau und der Benutzung des Schwimmbeckens werden sämtliche Informationen in dieser Anleitung sorgfältig gelesen, verstanden und befolgt. Diese Warnhinweise, Anleitungen und Sicherheitsrichtlinien umfassen einige allgemeine Risiken in Bezug auf Freizeitbeschäftigung im Wasser, sie können jedoch nicht sämtliche Risiken und Gefährdungen in allen Fällen behandeln. Bei jeglicher Aktivität im Wasser wird Vorsicht, gesunder Menschenverstand und gutes Urteilsvermögen walten gelassen. Diese Angaben werden für die spätere Nutzung aufbewahrt.

#### Sicherheit von Nichtschwimmern

- Es ist jederzeit eine ständige, aktive und wachsame Beaufsichtigung schwacher Schwimmer und Nichtschwimmer durch eine sachkundige erwachsene Aufsichtsperson erforderlich (es wird daran erinnert, dass das größte Risiko des Ertrinkens bei Kindern unter 5 Jahren besteht).
- Es wird eine sachkundige erwachsene Person bestimmt, die das Becken überwacht, wenn es benutzt wird.
- Schwache Schwimmer oder Nichtschwimmer sollten persönliche Schutzausrüstung tragen, wenn sie ins Schwimmbecken gehen.
- Wenn das Schwimmbecken nicht benutzt oder überwacht wird, werden sämtliche Spielsachen aus dem Schwimmbecken und seiner Umgebung entfernt, um zu verhindern, dass Kinder davon angezogen werden.

#### Sicherheitsvorrichtungen

- Um das Ertrinken von Kindern zu verhindern, wird empfohlen, den Zugang zum Schwimmbecken mit einer Schutzeinrichtung zu sichern. Um Kinder vom Klettern über das Einlass- und Auslassventil abzuhalten, Es wird empfohlen, eine Absperrung zu errichten (und sämtliche Türen und Fenster zu sichern, sofern zutreffend), um unberechtigten Zutritt zum Schwimmbecken zu vermeiden.
- Absperrungen, Beckenabdeckungen, Alarmanlagen oder ähnliche Sicherheitsvorrichtungen sind sinnvolle Hilfsmittel, ersetzen jedoch keine ständige und sachkundige Überwachung durch erwachsene Personen.

#### Sicherheitsausrüstung

- Es wird empfohlen, Rettungsausrüstung (z. B. einen Rettungsring) in der Nähe des Beckens aufzubewahren.
- Ein funktionierendes Telefon und eine Liste von Notrufnummern werden in der Nähe des Schwimmbeckens aufbewahrt.

#### Sichere Nutzung des Schwimmbeckens

- Sämtliche Nutzer, insbesondere Kinder, werden dazu ermuntert, schwimmen zu lernen.
- Erste Hilfe (Herz-Lungen-Wiederbelebung) erlernen und diese Kenntnisse regelmäßig auffrischen. Das kann bei einem Notfall einen lebensrettenden Unterschied ausmachen.
- Sämtliche Beckenbenutzer, einschließlich Kinder, anweisen, was in einem Notfall zu tun ist.
- Niemals in flaches Wasser springen. Das kann zu schweren Verletzungen oder zum Tode führen.
- Das Schwimmbecken nicht benutzen, wenn man unter dem Einfluss von Alkohol oder Medikamenten steht, welche die Fähigkeit zur sicheren Nutzung des Beckens beeinträchtigen können.
- Beckenabdeckungen vor dem Betreten des Schwimmbeckens vollständig von der Wasseroberfläche entfernen, wenn sie

verwendet werden.

- Die Nutzer des Schwimmbeckens werden vor durch das Wasser verbreiteten Krankheiten geschützt, indem das Wasser stets aufbereitet und hygienisch unbedenklich gehalten wird. Die Richtlinien zur Wasseraufbereitung in der Gebrauchsanleitung werden zu Rate gezogen.

- Chemikalien (z. B. Produkte für die Wasseraufbereitung, Reinigung oder Desinfektion) außerhalb der Reichweite von Kindern aufbewahren.

- Die nachstehenden Zeichen werden verwendet. Die Zeichen sind an einer gut sichtbaren Stelle innerhalb von 2 000 m in der Nähe des Schwimmbeckens anzubringen.



Kinder im Wasser und der Wasserumgebung stets beaufsichtigen. Nicht springen.

- Abnehmbare Leitern sind auf einer waagerechten Fläche anzubringen.

- Zugängliche Flächen müssen regelmäßig überprüft werden, um Verletzungen zu vermeiden, unabhängig von den für den Bau des Schwimmbeckens verwendeten Materialien.

- Prüfen Sie regelmäßige Bolzen und Schrauben; entfernen Sie Späne, Spreiße sowie sämtliche scharfen Kanten, um Verletzungen zu vermeiden.

- **ACHTUNG:** Lassen Sie den entleerten Pool nicht im Freien. Der leere Pool neigt dazu, durch den Wind verformt und/oder verschoben zu werden.

- Wenn Sie über eine Filterpumpe verfügen, beachten Sie die Anweisungen des Filterpumpen-Handbuchs.

- **ACHTUNG!** Die Pumpe darf nicht betrieben werden, wenn sich Menschen im Pool aufhalten!

- Wenn Sie über eine Leiter verfügen, beachten Sie die Anweisungen des Leiter-Handbuchs.

- **ACHTUNG!** Die Verwendung eines Schwimmbecken-Bausatzes setzt voraus, dass er mit den Sicherheitsvorschriften übereinstimmt, die in der Betriebs- und Wartungsanleitung beschrieben sind. Um ein Ertrinken oder andere ernsthafte Verletzungen zu verhindern, wird besondere Aufmerksamkeit darauf gerichtet, den Zugang zum Schwimmbecken zu sichern, da sich Kinder unter 5 Jahren unerwartet Zugang zum Schwimmbecken verschaffen können, und beim Baden werden die Kinder ununterbrochen von einer erwachsenen Aufsichtsperson beaufsichtigt.

### Bitte sorgfältig lesen und für späteres Nachschlagen aufbewahren.

Die Montage durch 2-3 Personen erfordert in der Regel etwa 10 Minuten, exklusive ggf. erforderlicher Bodenarbeiten und Befüllung.



**HINWEIS:** Einige Teile wurden bereits am Pool installiert.

### WÄHLEN SIE EINE GEEIGNETE STELLE AUS

**HINWEIS:** Der Pool muss auf einer vollkommen flachen und ebenen Oberfläche aufgestellt werden. Installieren Sie den Pool nicht, wenn die Oberfläche geneigt oder abschüssig ist.

#### Erforderliche Voraussetzungen für den Aufbau des Pools:

- Der gewählte Bereich muss geeignet sein, das vollständige Gewicht über die gesamte Nutzungsdauer nach dem Aufbau des Pools zu tragen. Weiterhin muss der Untergrund eben sowie frei von Gegenständen und Verunreinigungen sein, inklusive Steinen und Zweigen.
  - Wir empfehlen die Aufstellung in ausreichender Entfernung von Objekten, mit deren Hilfe Kinder in den Pool klettern könnten.
- HINWEIS:** Stellen Sie den Pool in der Nähe eines geeigneten Abflusssystems auf, um überlaufendes Poolwasser

aufzufangen oder den Pool zu entleeren.

#### Ungeeignete Voraussetzungen für den Aufbau des Pools:

- Der Aufbau auf unebenem Untergrund kann zum Einstürzen des Pools und zu ernsthaften Verletzungen und / oder Sachschäden sowie zum Verlust jeglicher Garantie - und Service - Ansprüche führen.
- Es darf kein Sand verwendet werden, um einen ebenen Untergrund zu schaffen; der Untergrund muss ausgegraben werden, wenn erforderlich.
- Direkt unter Freileitungen oder Bäumen auf. Vergewissern Sie sich, dass der Bereich keine unterirdischen Versorgungsrohre, Leitungen oder Kabel jeglicher Art enthält.
- Stellen Sie den Pool nicht auf Zufahrtswegen, Veranden, Podesten, Kies - oder Asphalt - Oberflächen auf. Der gewählte Bereich muss dem Gewicht des Wassers standhalten; Schlamm, Sand, weicher / lockerer Erdboden oder Teer sind nicht geeignet.
- Rasen oder andere Vegetation wird unter dem Pool wird absterben, wodurch es zu Geruchs - und Schleimbildung kommen kann. Wir empfehlen daher, sämtliches Gras vor der Aufstellung aus dem gewählten Bereich zu entfernen.
- Vermeiden Sie Aufstellorte mit aggressiven Pflanzen und Gräsern, die durch die Poolfolie wachsen könnten.

**HINWEIS:** Informieren Sie sich bei Ihrer örtlichen Stadtverwaltung über Verordnungen bezüglich Einzäunung, Absperrung, Beleuchtung sowie Sicherheitsvorschriften und stellen Sie die Einhaltung aller Gesetze sicher.

**HINWEIS:** Wenn Sie über eine Filterpumpe verfügen, beachten Sie die Anweisungen des Filterpumpen - Handbuchs.

**HINWEIS:** Die Leiter muss für die Poolgröße geeignet sein und darf nur zum Betreten und Verlassen des Pools benutzt werden. Es ist untersagt, die zulässige Tragkraft der Leiter zu überschreiten. Prüfen Sie in regelmäßigen Abständen, ob die Leiter ordnungsgemäß montiert ist.

### Installation

Die Firma Bestway Inflatables kann nicht für Schäden am Pool durch die falsche Behandlung oder Nichtbeachtung dieser Anweisungen haftbar gemacht werden.

**ACHTUNG:** Verwenden Sie keinen Hochdruckluftschlauch und blasen Sie den oberen Ring nicht übermäßig auf, er sollte sich ein bisschen fest anfühlen.

**HINWEIS:** Verwenden Sie keine Verlängerungskappe, um Ihre Pumpe anzuschließen.

**ACHTUNG:** Ziehen Sie den Pool nicht über den Boden, da dies den Pool beschädigen kann.

**HINWEIS:** Die Basis bzw. der Boden des Pools muss ordnungsgemäß ausgebreitet sein (flach und ohne Falten).

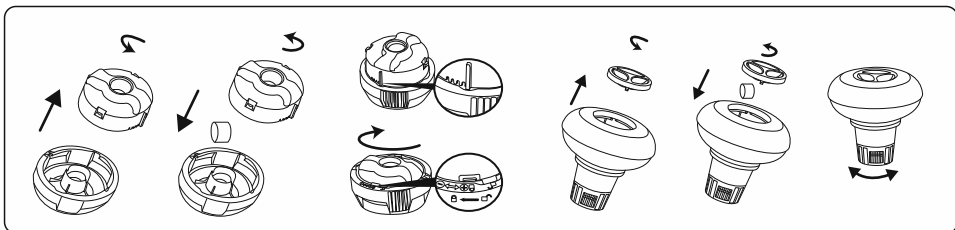
**HINWEIS:** Heiße Temperaturen führen zu einer Ausdehnung des Rings, was zu Beschädigungen führen kann. Lassen Sie etwas Raum für die Ausdehnung.

### Poolwartung

Bei Nichtbeachtung der unten stehenden Wartungsanweisungen besteht Gefahr für Ihre Gesundheit, vor allem für die Ihrer Kinder.

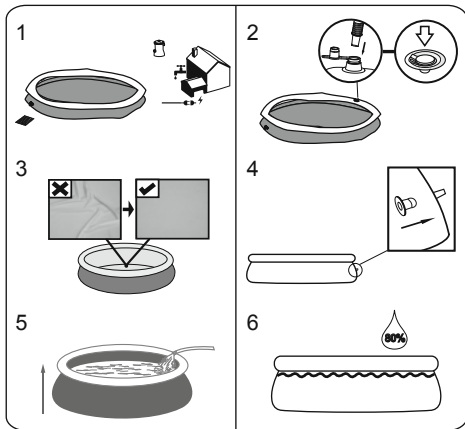
#### **Einsatz von Chemikalien-Tabletten (nicht enthalten):**

**BITTE BEACHTEN:** Warten Sie Ihren Pool mit Chemikalien in Tablettenform, verwenden Sie unbedingt einen Dosierschwimmer oder Chemconnect Chemikaliendosierer. Enthält der von Ihnen erworbene Artikel keinen solchen Dosierer, können Sie ihn über unsere Webseite [www.bestwaycorp.com](http://www.bestwaycorp.com) oder bei einem entsprechenden Fachhändler in Ihrer Nähe kaufen.



**WICHTIG:** Verwenden Sie keine Granulat-Tabletten und werfen Sie keine Tabletten direkt ins Wasser. Die Chemikalien können sich am Boden absetzen, das Material beschädigen und das PVC verfärben.

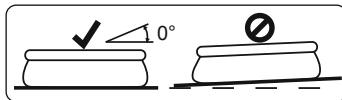
**HINWEIS:** Die Zeichnungen dienen lediglich Illustrationszwecken. Möglicherweise ist nicht das vorliegende Produkt dargestellt. Nicht maßstabsgetreu.



**ACHTUNG:** Lassen Sie den Pool während des Einfüllens des Wassers nicht unbeaufsichtigt.

#### **Die Wände des Pools heben sich beim Einfüllen des Wassers.**

1. Füllen Sie den Pool bis zu 80% seines Fassungsvermögens mit Wasser. ÜBERFÜLLEN Sie den Pool nicht, das dies zu einem Reißen führen kann. Bei starken Regenfällen müssen Sie unter Umständen etwas Wasser entleeren, um den richtigen Füllstand zu gewährleisten.
2. Nachdem der Pool vollständig befüllt ist, prüfen Sie, dass sich das Wasser nicht auf einer Seite sammelt, um zu gewährleisten, dass der Pool eben ist.



**WICHTIG:** Lassen Sie, wenn der Pool nicht eben ist, das Wasser ab und nivellieren Sie den Boden durch Aushub. Versuchen Sie nicht, den Pool mit darin befindlichem Wasser zu bewegen. Dabei kann es zu schweren Verletzungen oder Schäden am Pool kommen.

**ACHTUNG:** Ihr Pool kann sehr viel Druck enthalten. Wenn Ihr Pool Wölbungen oder unebene Seiten aufweist, dann ist der Pool nicht eben, so dass die Seiten platzen können und das Wasser sich plötzlich entleeren kann. Es besteht die Gefahr von ernsthaften Personen- und/oder Sachschäden.



## Einsatz von Flüssigchemikalien (nicht enthalten):

**WICHTIG:** Geben Sie Flüssigchemikalien in kleinen Mengen in die Mitte des Pools, um den direkten Kontakt von Chemikalien und PVC-Oberfläche zu vermeiden. Direkter Kontakt kann das Material beschädigen und die Oberfläche verfärben.

**BITTE BEACHTEN:** Entfernen Sie den Chemikaliendosierer aus dem Pool, während Sie den Pool verwenden.

**WICHTIG:** Nach der Wartung des Pools mit Chemikalien verwenden Sie ein Testset (nicht enthalten), um die chemische Zusammensetzung des Wassers zu testen, bevor Sie den Pool verwenden. Wir empfehlen die Pflege Ihres Poolwassers entsprechend der folgenden Tabelle.

Parameter	Werte
Klarheit des Wassers	Klare Sicht auf den Poolboden
Farbe des Wassers	Es sollte keine Färbung erkennbar sein
Trübung in FNU/NTU	max. 1,5 (möglichst geringer als 0,5)
Nitratkonzentration über der des Füllwassers in mg/l	max. 20
Gesamter organischer Kohlenstoff (TOC) in mg/l	max. 4,0
Redoxpotential gegen Ag/AgCl 3,5 m KCl in mV	min. 650
pH-Wert	6,8 bis 7,6
Freies, aktives Chlor (ohne Cyanursäure) in mg/l	0,3 bis 1,5
Freies Chlor in Kombination mit Cyanursäure in mg/l	1,0 bis 3,0
Cyanursäure in mg/l	max. 100
Gebundenes Chlor in mg/l	max. 0,5 (möglichst nahe 0,0 mg/l)

**BITTE BEACHTEN:** Schäden aus chemischem Ungleichgewicht sind von der Garantie nicht abgedeckt. Poolchemikalien sind potenziell giftig und sind mit Sorgfalt zu behandeln. Chemische Dämpfe sowie fehlerhafte Beschriftung und Lagerung von Chemikalienbehältern stellen ernsthafte Risiken für die Gesundheit dar. Bitte erkundigen Sie sich bei Ihrem örtlichen Fachhändler nach weiteren Informationen zur Anwendung von Poolchemikalien. Beachten Sie die Anweisungen des Chemikalienherstellers genau. Schäden am Pool aus Missbrauch von Chemikalien und falscher Behandlung des Poolwassers sind von der Garantie nicht abgedeckt.

**WICHTIG:** Durch Überdosierung von Chemikalien können sich der Aufdruck und beliebige Stellen des Poolmaterials verfärben. Die Poolfolie kann auch strukturellen Schaden nehmen.

## So halten Sie Ihren Pool sauber:

1. Kontaktieren Sie Ihren örtlichen Fachhändler für Hinweise und den Kauf von Chemikalien und pH-Sets. Um die Langlebigkeit der Poolfolie zu gewährleisten, ist es besonders wichtig, das Wasser jederzeit in sauberem und gesundem Zustand zu halten. Bitte befolgen Sie die Anweisungen zur Wasserbehandlung mit Chemikalien der Fachleute genau.
2. Halten Sie einen Eimer mit Wasser am Poolrand zum Reinigen der Füße vor der Benutzung des Pools bereit.
3. Wenn Sie den Pool nicht verwenden, decken Sie ihn ab.
4. Schöpfen Sie die Oberfläche des Poolwassers in regelmäßigen Abständen ab, um Schmutzablagerungen zu vermeiden.
5. Überprüfen und reinigen Sie die Filterkartusche in regelmäßigen Abständen.
6. Entfernen Sie vorsichtig Schaumablagerungen unterhalb des oberen Rings mit einem sauberen Tuch.
7. Lassen Sie bitte bezüglich Regenwasser Vorsicht walten und stellen Sie sicher, dass der Wasserstand nicht zu hoch ist. Ist dies der Fall, LASSEN SIE ÜBERSCHÜSSIGES WASSER AB.
8. Stellen Sie bei Regen sicher, dass der Wasserstand nicht höher als angegeben ist. Überschreitet der Wasserstand die Maximalanzeige, lassen Sie das Wasser bis zum angegebenen Füllstand ab.

## Fachgerechte Wartung kann die Lebensdauer Ihres Pools verlängern.

Während der Poolsaison ist das Filtersystem täglich in Betrieb zu nehmen, und zwar so lange, bis das Poolwasser mindestens einmal zur Gänze erneuert ist.

**BITTE BEACHTEN:** Die Pumpe dient der Umwälzung des Wassers und dem Herausfiltern kleinerer Partikel. Damit das Poolwasser sauber und hygienisch einwandfrei bleibt, sind Chemikalien hinzuzufügen.

## REPARATUR

Sollte ein Loch auftreten, reparieren Sie es mit dem mitgelieferten wasserfesten REPARATURFlicken. Hinweise dazu entnehmen Sie den Fragen & Antworten auf unserer Webseite, [www.bestwaycorp.com](http://www.bestwaycorp.com).


## Demontage

1. Schrauben Sie die Kappe des Ablassventils gegen den Uhrzeigersinn ab und entfernen Sie die Kappe.
2. Verbinden Sie den Adapter mit dem Schlauch und bringen Sie das andere Ende in dem Bereich an, in den Sie das Poolwasser ableiten möchten. (Halten Sie sich an die örtlichen Bestimmungen und Verordnungen zur Wasserableitung).
3. Schrauben Sie den Steuerring des Schlauchadapters im Uhrzeigersinn auf das Ablassventil. Das Ablassventil öffnet sich und das Wasser wird automatisch abgelassen. Öffnen Sie das Ablassventil bis zur Maximalposition.
4. Lassen Sie die Luft aus dem oberen Ring ab, indem Sie das Luftventil zusammendrücken.
5. Wenn die Luft aus dem oberen Ring vollständig abgelassen ist, drücken Sie den oberen Ring herunter und halten Sie ihn geneigt, um das Wasser abzulassen. Lassen Sie das Wasser vollständig aus dem Pool ablaufen.
6. Schrauben Sie nach dem Ablassen des Wassers den Steuerring ab, um das Ventil zu schließen.
7. Entfernen Sie den Schlauch.
8. Schrauben Sie den Deckel wieder auf das Ablassventil.
9. Lassen Sie den Pool an der Luft trocknen.

## Lagerung und Überwinterung

1. Entfernen Sie sämtliches Zubehör und alle Ersatzteile vom Pool und lagern Sie diese sauber und trocken.
2. Ist der Pool vollständig getrocknet, bestäuben Sie ihn mit Talkumpuder, um ein Zusammenhaften zu vermeiden, und falten Sie den Pool vorsichtig zusammen. Ist der Pool nicht vollständig getrocknet, kann sich Schimmel bilden, der die Innenverkleidung des Pools beschädigt.
3. Lagern Sie die Innenverkleidung und das Zubehör an einem trockenen Ort bei gemäßigten Temperaturen zwischen 5 °C / 41 °F und 38 °C / 100 °F.
4. Während der Regenzeit müssen der Pool sowie alle Zubehörteile auch wie oben ausgeführt gelagert werden.
5. Eine unsachgemäße Entleerung des Pools kann zu ernsthaften Personen- und/oder Sachschäden führen.
6. Wir empfehlen dringend, den Pool außerhalb der Badesaison (während der Wintermonate) abzubauen. Lagern Sie ihn an einem trockenen Ort außerhalb der Reichweite von Kindern.

## FAST SET™ - UIMA - ALTAAT KÄYTTÖOPAS

Käy katsomassa Bestwayn YouTube-kanavaa 



### VAROITUS

Lue huolellisesti, ymmärrä ja noudata kaikkia tämän käyttöoppaan tietoja ennen uima-altaan asennusta ja käyttöä. Nämä varoitukset, ohjeet ja turvallisuusohjeet koskevat yleisiä vedessä virkistämisen riskejä, mutta ne eivät pysty kattamaan kaikkia riskejä ja vaaroja kaikissa tapauksissa. Ole aina varovainen, käytä tervettä järkeä ja hyvä arvostelukykyä, kun olet vedessä. Säilytä nämä tiedot myöhemmä käyttöä varten.

#### Uimataidottomien turvallisuus

- Jatkuva, aktiivinen ja tarkkaavainen heikkojen uimareiden tai uimataidottomien valvonta pätevän aikuisen toimesta vaaditaan kaikkina aikoina (muistaen, että alle 5-vuotiaat lapset ovat suurimmassa hukkumisvaarassa).
- Määrää pätevä aikuinen valvomaan altaasta joka kerta, kun sitä käytetään.
- Heikkojen uimareiden tai uimataidottomien tulisi käyttää henkilönsuojauslaitteita altaassa.
- Kun allas ei ole käytössä tai se on vartioimaton, poista kaikki lelut altaasta ja sen ympäristöstä, jotta lapsilla ei olisi houkutusta mennä altaalle.

#### Turvallaitteet

- Jotta lapsia estettäisiin hukkumasta, suosittelemme sulkemaan pääsyn altaalle suojalaitteella. Jotta lapsia estettäisiin kiipeämästä sisään- ja ulostuloventtiliin, suosittelemme asentamaan esteen (ja lukitsemaan kaikki ovet ja ikkunat, kun sovellettavissa) luvattoman pääsyn estämiseksi altaaseen.
- Reunat, allaspeitteet, allashälyttimet tai vastaavat turvallaitteet ovat hyödyllisiä apuvälineitä, mutta ne eivät korvaa jatkuvaa ja pätevää aikuisen valvontaa.

#### Turvallaitteisto

- Suosittelemme säilyttämään pelustuslaitteisto (esim. pelustusrengas) altaalla.
- Pidä toimivia puhelin ja luettelo hätäpuhelinnumeroista lähellä altaasta.

#### Altaan turvallinen käyttö

- Kannusta kaikkia käyttäjiä, erityisesti lapsia opettelemaan uimaan.
- Opi perusensiapu (paineeluvlyty) ja päivitä tätä osaamista säännöllisesti. Tämä voi pelastaa elämän hätätilanteessa.
- Ohjeista kaikkia altaan käyttäjiä, lapset mukaan lukien, mitä tehdä hätätilanteessa.
- Älä koskaan sukella altaan matalaan osaan. Tämä voi aiheuttaa vakavan vamman tai kuoleman.
- Älä käytä uima-allasta, kun käytät alkoholia tai lääkitystä, jotka voivat heikentää kykyäsi käyttää altaasta turvallisesti.
- Kun allaspeitteitä käytetään, poista ne kokonaan altaan pinnalta ennen altaaseen menoa.
- Suojaa altaan käyttäjiä veteen liittyviltä sairauksilta pitämällä altaan vesi käsiteltyinä ja noudattamalla la hyviä

hygieniakäytäntöjä. Katso vedenkäsitelyohjeita käyttöoppaasta.

- Säilytä kemikaalit (esim. vedenkäsitely-, puhdistus- tai desinfiointituotteet) poissa lasten ulottuvilta.
- Käytä alla esitetyjä opeasteita. Opeasteet on sijoitettava näkyvälle paikalle enintään 2 m altaasta.



Älä jätä lapsia ilman valvontaa, kun lähistöllä on vettä. Ei sukeltamista.

- Irrotettavat tikkaat on sijoitettava tasaiselle pinnalle.
- Riippumatta altaan rakentamiseen käytetyistä materiaaleista, käytettävissä olevat pinnat on tarkastettava säännöllisesti vammojen välttämiseksi.
- Tarkasta pultit ja ruuvit säännöllisesti. Poista tikut tai muut terävät reunat vammojen välttämiseksi.
- **HUOMIO:** Älä jätä tyhjennettyä allasta ulos. Tyhjä altaan muoto voi vääristyä ja/tai allas voi siirtyä paikaltaan tuulen vuoksi.
- Jos suodatinpumppu asennetaan, noudata pumpun ohjekirjan ohjeita.
- **VAROITUS!** Pumpua ei saa käyttää, kun altaassa on ihmisiä!
- Jos tikkaat asennetaan, noudata tikkaiden ohjekirjan ohjeita.
- **VAROITUS!** Uima-altaan käyttö viittaa käyttö- ja huoltooppaassa kuvattujen turvallisuusohjeiden noudattamiseen. Hukkumisen tai muiden vakavien vammojen estämiseksi kiinnitä erityistä huomiota alle 5-vuotiaiden lasten odottamattomaan pääsyn altaalle lukitsemalla pääsy sille, ja uinnin aikana pätevän aikuisen on valvottava heitä jatkuvasti.

### Lue nämä tiedot huolellisesti ja säilytä mahdollista tulevaa tarvetta varten.

Asennus kestää yleensä noin 10 minuuttia, kun asennuksessa on mukana 2-3 henkilöä. Aikaan ei lueta mukaan uima-altaan sijoituspaikan maan käsittelyä ja altaan täyttämistä.



**HUOMAA:** Jotkin osat on jo asennettu altaaseen.

### VALITSE ASIANMUKAINEN SIJOITUSPAIKKA

**HUOMAA:** Allas on asetettava täysin tasaiselle ja vaakasuoralle pinnalle. Älä asenna allasta, jos pinta on kalteva.

#### Oikeat olosuhteet altaan asennukseen:

- Valitun sijainnin on pystyttävä tukemaan tasaisesti painoa koko altaan asennuksen ajan. Lisäksi sijainnin on oltava tasainen ja se on tyhjennettävä kaikista esineistä ja roskista mukaan lukien kivet ja risut.
- Suosittelemme altaan sijoittamista pois sellaisista esineistä, joita lapset voisivat käyttää altaaseen kiipeämiseen.
- HUOMAA:** Sijoita allas lähelle riittävää viemärijärjestelmää, joka käsittelee ylivuodot tai altaan päästöt.



### Virheelliset olosuhteet altaan asennukseen:

- Allas voi romahtaa epätasaisella alustalla aiheuttaen vakavia henkilövammoja ja/tai omaisuusvau rioita. Tämä mitätöi takuu ja estää huoltovasteet.
  - Hiekkaa ei saa käyttää tasaisen pohjan luomiseen; alustaa on kaivettava tarvittaessa.
  - Suoraan sähkölinjojen tai puiden alle. Varmista, että sijoituspaikka ei sisällä maanalaista sähkö- ja vesi- tai lämmitysputkia, -letkuja tai kaapeleita.
  - Älä asenna allasta ajoteille, kansille, alustoille, sora- tai asfalttipinnoille. Valittu sijoituspaikan on oltava riittävän kova kestämään veden painetta. Muta, hiekka, pehmeä/irtonainen maaperä tai piki eivät ole sopivia.
  - Ruoho tai muu kasvillisuus altaan alla kuolee ja voi aiheuttaa hajujen tai illejun kehittymistä. Siksi suosittelemme poistamaan kaiken ruohon altaan valitusta sijoituspaikasta.
  - Vältä alueita, joilla voi kasvaa aggressiivisia kasveja ja ruohoja, jotka voivat kasvaa vuorauksen läpi.
- HUOMAA:** Tarkasta paikalliselta rakennusviranomaiselta säännöt, jotka koskevat aitoja, esteitä, valaistusta ja turva vaatimuksia, ja varmista, että noudatat kaikkia lakeja.
- HUOMAA:** Jos sinulla on suodatinpumppu, lue pumppun käyttöohjeet.
- HUOMAA:** Tikkaiden on sijoittava altaan kokoon, ja niitä saa käyttää vain altaaseen siirtymiseen tai sieltä poistumiseen. Tikkaiden sallittu hyötykuorman ylittäminen on kiellettyä. Tarkasta säännöllisesti, ovatko tikkaat asianmukaisesti koottu.

### Asennus

Bestway Inflatables ei vastaa altaan vahingoista, jotka aiheutuvat väärästä käsittelystä tai näiden ohjeiden noudattamatta jättämisestä.

**HUOMIO:** Älä käytä korkeapaineista ilmaa letkua tai ylityttä ylärengasta. Sen tulisi olla hieman jykkää kosketettaessa.

**HUOMAA:** Älä käytä jatkojohtoja pumppu virransyöttöön.

**HUOMIO:** Älä raahaa allasta maata pitkin, sillä tämä voi vahingoittaa allasta.

**HUOMAA:** Altaan perusta tai pohja on levitettävä asianmukaisesti (tasaisesti ilman rypyyjiä).

**HUOMAA:** Kuumat lämpötilat voivat saada ilman laajentamaan rengasta ja aiheuttamaan vahinkoja. Jätä tilaa laajentumiselle.

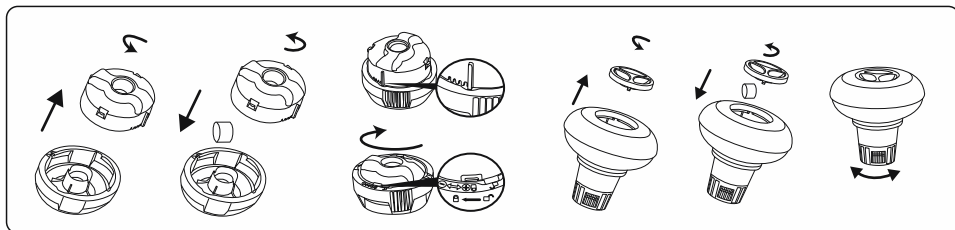
**HUOMAA:** Puirutukset ovat vain viitteeksi. Eivät välttämättä vastaa todellista tuotetta. Eivät ole mittakaavassa.

### Altaan huolto

Jos et noudata tässä annettuja kunnossapito-ohjeita, terveytesi ja erityisesti lapsiesi terveys voi vaarantua.

### Kemikaalitablettien käyttäminen (eivät sisälly pakkaukseen)

**HUOMAUTUS:** Kun allasta huolletaan kemikaalisesti, on käytettävä Chemconnect- tai Chemical Floater -tuotetta. Ostamassasi tuotteessa ei ole välttämättä näitä annostelijoita. Siinä tapauksessa voi ostaa niitä verkkosivustoltamme [www.bestwaycorp.com](http://www.bestwaycorp.com) tai lähimmältä altaan jälleenmyyjältä.



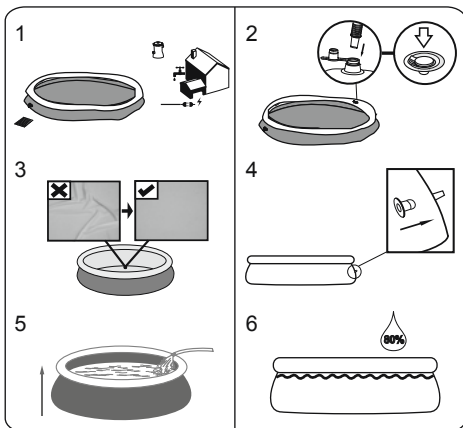
**TÄRKEÄÄ:** Älä käytä kide tabletteja tai heitä tabletteja suoraan veteen. Kemikaalit voivat asettua pohjalle, vahingoittaa materiaalia ja haalistaa PVC-muovia.

### Kemikaalinesteen käyttäminen (ei sisälly pakkaukseen):

**TÄRKEÄÄ:** Lisää kemikaalinestettä pienissä annoksissa ja altaan keskelle, jotta kemikaalit eivät kosketa suoraan PVC-muovin pintaa. Suora kosketus voi vahingoittaa materiaalia ja haalistaa pintaa.

**HUOMAUTUS:** Poista kemikaalinestettä altaasta, kun allas on käytössä.

**TÄRKEÄÄ:** Testaa veden kemiallinen koostumus testisarjalla (ei sisälly tuotteen mukana), sen jälkeen kun kemikaaleja on lisätty veteen ja ennen kuin allasta käytetään. Suosittelemme pitämään veden kemiallisen koostumuksen seuraavan taulukon mukaan.

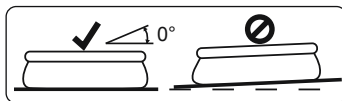


**HUOMAA:** Älä jätä allasta valvomatta täytön aikana.

**Altaan seinät nousevat täytön mukana.**

1. Täytä allasta 80%:n tilavuuteen. **ÄLÄ TÄYTÄ LIIKAA**, koska silloin allas voi romahtaa. Rankkasateella voit joutua tyhjentämään osan vedestä varmistaaksesi, että veden taso on oikea.

2. Kun allaan täyttö on valmis, tarkista, että vesi ei nouse enemmän jollain sivulla, jolloin allas ei ole suorassa.



**TÄRKEÄÄ:** Jos allas ei ole suorassa, tyhjännä vesi ja tasaa allasta kaivamalla. Älä koskaan yritä siirtää allasta, jossa on vettä. Seurauksena voi olla vakava henkilövahinko tai altaan vahingoittuminen.

**VAROITUS:** Altaassasi voi olla suuri määrä painetta. Jos allas pullottaa tai sivu on epätasainen, niin allas ei ole vaakatasossa. Sivut voivat puhjeta ja vesi purkaantua äkillisesti aiheuttaen vakavan henkilövamman ja/tai omaisuusvahinkoja.

Parametri	Arvot
Veden kirkkkaus	selkeä näkyvyys altaan pohjaan
Veden väri	mitään väriä ei saisi havaita
Sameus FNU/NTU:ssa	maks 1,5 (mieluiten alle 0,5)
Nitraattipitoisuus enemmän kuin täyttövedessä mg/l	maks. 20
Orgaanisen hiilen kokonaismäärä (TOC) mg/l	maks. 4,0
Redoksipotentiaali vastaan Ag/AgCl 3,5 m KCl mV:ssä	väh. 650
pH-arvo	6,8 - 7,6
Vapaa aktiivinen kloori (ilman syanurihappoa) mg/l	0,3 - 1,5
Vapaa kloori käytettynä yhdessä syanuri-hapon kanssa mg/l	1,0 - 3,0
Syanurihappoa mg/l	maks. 100
Yhdistetty kloori mg/l	maks. 0,5 (mieluiten lähellä 0,0 mg/l)

**HUOMAUTUS:** Takuu ei kata kemiallisesta epätasapainosta aiheutuvia vahinkoja. Allaskemikaalit ovat periaatteessa myrkyllisiä ja niitä tulisi käsitellä varoen. Kemialliset kaasut ovat vakava terveysriski. Myös virheelliset etiketit ja kemiallisia aineita sisältävien säiliöiden virheellinen varastointi voivat olla vakavia terveysriskejä. Lisätietoja veden kemiallisen tasapainon ylläpitämisestä saat paikalliselta uima-allastuotteiden jälleenmyyjältä. Seuraa tarkasti kemikaalien valmistajan ohjeita. Takuu ei kata vahinkoja, jotka ovat aiheutuneet kemikaalien väärinkäytöstä ja altaan veden vääränlaisesta huollosta.

**TÄRKEÄÄ:** Kemikaalien liiallinen käyttö voi muuttaa painatuksen väriä ja kaikkia allasmateriaalin kohtia. Se voi myös vahingoittaa altaan vuorauksen rakennetta.

### Altaan pitäminen puhtaana:

1. Kysy ohjeita paikalliselta allastuotteiden jälleenmyyjältä, jolta voit hankkia myös kemikaaleja ja pH-sarjoja. Yksi tärkeimmistä tekijöistä vuorauksen käyttöön pidentämiseksi on veden pitäminen puhtaana ja terveellisenä. Noudata tiukasti ammattilaisten ohjeita vedenkäsittelystä kemikaalien avulla.
2. Laita vesiämpäri altaan viereen, jotta käyttäjät voivat puhdistaa jalkansa ennen altaaseen menoa.
3. Peitä allas, kun sitä ei käytetä.
4. Puhdista altaan pinta säännöllisesti, jotta likaa ei pääse kertymään.
5. Tarkista ja pese vesipatruuna säännöllisesti.
6. Puhdista hellävaraisesti ylärenkaan alla mahdollisesti oleva vaahoto puhtaalla liinalla.
7. Tarkkaile tilannetta huolellisesti vesitasen yhteydessä. Tarkista, että veden taso ei nouse oletettua korkeammaksi. Jos näin käy, **LIIKA VESI ON POISTETTAVA**.
8. Jos sataa, tarkista, ettei veden pinta ole korkeammalla kuin ohjeiden mukaisella tasolla. Jos veden pinta ylittää ohjeiden mukaisen tason, tyhjennä allasta ohjeiden mukaiselle tasolle.

### Asianmukainen huolto voi pidentää uima-altaan käyttöikä.

Uima-altaan käyttökauden aikana suodatusjärjestelmää on käytettävä päivittäin. Käytä sitä riittävän aikaa, jotta vesimäärä vaihtuu vähintään kerran kokonaan.

**HUOMAUTUS:** Pumpua käytetään kierrättämään vettä ja suodattamaan pienihiukkaset. Altaan veden pitämiseksi puhtaana ja hygieenisenä siihen on lisättävä kemikaaleja.

### Korjaus

Mikäli vuotoja on, paikkaa altaasi käyttämällä mukana toimitettua vedessä käytettävää korjauspaikkaa. Usein kysytyjä kysymyksiä löytyy verkkosivustomme [www.bestwaycorp.com](http://www.bestwaycorp.com) tukisivulta.

### Purkaminen


1. Avaa tyhjennysventtiilin korkki vastapäivään ja poista.
2. Kytke liitin letkuun ja laita letkun pää alueelle, jonne aiot tyhjentää altaan. (Tarkasta paikalliset määräykset tyhjennystä koskevien sääntöjen varalta).
3. Ruuvaa letkun liittimen säätörengas myötäpäivään tyhjennysventtiiliin. Tyhjennysventtiili avautuu ja vesi alkaa tyhjentää automaattisesti. Avaa tyhjennysventtiili suurimpaan asentoon.
4. Tyhjennä ylärengas puristamalla ilmaventtiiliä.
5. Kun ylärengas on täysin tyhjä, paina alarengas alas ja kallista sitä tyhjentääksesi altaan helposti. Tyhjennä vesi kokonaan pois altaasta.
6. Kun tyhjennys on tehty, avaa säätörengas sulkeaksesi venttiilin.
7. Irrota letku.
8. Ruuvaa korkki takaisin tyhjennysventtiiliin.
9. Anna altaan kuivua ilmassa.

### Varastointi ja talvikuntoon laittaminen

1. Poista kaikki lisävarusteet ja varaosat altaasta. Varastoi ne puhtaana ja kuivana.
2. Kun allas on täysin kuiva, ripotele talkkijauhetta estääksesi allasta liimautumasta yhteen. Taita allas varovaisesti. Jos allas ei ole täysin kuiva, hometta voi muodostua. Se vaurioittaa allasmuovia.
3. Varastoi allasmuovi ja lisävarusteet kuivassa paikassa kohtuullisessa lämpötilassa 5 °C / 41°F - 38 °C / 100 °F.
4. Sateisella säällä allas ja lisätarvikkeet on varastoitava yllä annettujen ohjeiden mukaisesti.
5. Altaan virheellinen tyhjennys voi aiheuttaa vakavia henkilövammoja ja/tai omaisuusvahinkoja.
6. Suosittelemme vahvasti altaan purkamista käyttösosongin ulkopuolella (talvikukausiksi). Säilytä kuivassa paikassa poissa lasten ulottuvilta.



## FAST SET™ ZWEMBADEN GEBRUIKERSHANDLEIDING

Bezoek het Bestway YouTube-kanaal 

### WAARSCHUWING

Lees, begrijp en volg zorgvuldig alle informatie in deze gebruikershandleiding vooraleer het zwembad te installeren en te gebruiken. Deze waarschuwingen, instructies en veiligheidsrichtlijnen gaan over sommige courante risico's van waterrecreatie, maar ze omvatten niet alle risico's en gevaren in alle gevallen. Wees altijd voorzichtig en gebruik gezond verstand en beoordelingsvermogen wanneer u van wateractiviteiten geniet. Bewaar deze informatie voor toekomstig gebruik.

#### Veiligheid van niet-zwemmer

- Continu, actief en waakzaam toezicht van zwakke zwemmers en niet-zwemmers door een competente volwassene is altijd vereist (denk eraan dat kinderen onder de vijf jaar oud het hoogste risico op verdrinking lopen).
- Duid een competente volwassene aan om toezicht te houden op het zwembad telkens wanneer het gebruikt wordt.
- Zwakke zwemmers of niet-zwemmers zouden persoonlijke beschermingsuitrusting moeten dragen wanneer ze het zwembad gebruiken.
- Wanneer het zwembad niet in gebruik is of er geen toezicht is, verwijder alle speelgoed uit het zwembad en zijn omgeving om te vermijden kinderen aan te trekken naar het zwembad.

#### Veiligheidsmiddelen

- Ten einde verdrinking van kinderen te vermijden, is het aanbevolen om de toegang tot het zwembad te beveiligen met een beschermingselement. Ten einde te voorkomen dat kinderen van de invoer- en afvoerklappen klimmen, is het aanbevolen een barrière te installeren (en alle deuren en vensters waar van toepassing te beveiligen) om onbevoegde toegang tot het zwembad te voorkomen.
- Barrières, zwembadafdekkingen, zwembadalarmen of gelijkaardige veiligheidsmiddelen zijn nuttige hulpmiddelen, maar het zijn geen vervangingen voor een continu en competent toezicht door volwassenen.

#### Veiligheidsapparatuur

- Het is aanbevolen om reddingsapparatuur (bijv. een ring-boei) nabij het zwembad te hebben.
- Houd ook een werkende telefoon en een lijst met noodnummers nabij het zwembad.

#### Veilig gebruik van het zwembad

- Moedig alle gebruikers vooral kinderen aan om te leren zwemmen
- Leer om te reanimeren (cardiopulmonaire reanimatie - CPR) en vernieuw deze kennis regelmatig. Dit kan een levensreddend verschil uitmaken in een noodgeval.
- Onderricht alle zwembadgebruikers, inbegrepen kinderen, wat te doen in een noodgeval
- Duik nooit in ondiep water. Dit kan leiden tot ernstige verwondingen of tot de dood.
- Gebruik het zwembad niet wanneer u alcohol of medicatie gebruikt die uw vermogen om het zwembad veilig te gebruiken, zou kunnen aantasten.
- Wanneer zwembadafdekkingen gebruikt worden, verwijder deze volledig uit het wateroppervlak voor u in het zwembad gaat.
- Bescherm de zwembadgebruikers tegen met water verband houdende ziekten door het zwembadwater behandeld te houden en goede hygiëne in acht te nemen. Raadpleeg de richtlijnen voor waterbehandeling in de gebruikershandleiding.

- Bewaar chemicaliën (bijv. voor waterbehandeling of reinigings- en ontsmettingsproducten) buiten het bereik van kinderen.
- Gebruik de aanduidingsborden zoals hieronder aangegeven. Er moeten aanduidingsborden staan in een prominente positie binnen de 2m van het zwembad.

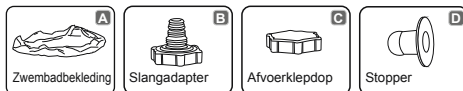


Houd de kinderen onder toezicht in de wateromgeving. Niet duiken.

- Er moeten verwijderbare ladders staan op een horizontaal oppervlak.
- Ongeacht de gebruikte materialen voor de zwembadconstructie, moeten de toegankelijke oppervlakken regelmatig gecontroleerd worden om verwondingen te vermijden.
- Controleer regelmatig bouten en schroeven, verwijder splinters of andere scherpe randen om verwondingen te vermijden.
- **AANDACHT:** Laat het leeggelopen zwembad niet buiten staan. Het lege zwembad kan vervormd en/of verplaatst worden omwille van de wind.
- Als u een filterpomp hebt, raadpleeg de handleiding van de pomp voor instructies.
- **WAARSCHUWING!** De pomp kan niet worden gebruikt wanneer er zich mensen in het zwembad bevinden!
- Als u een ladder hebt, raadpleeg de handleiding van de ladder voor instructies.
- **WAARSCHUWING!** Het gebruik van een zwembadkit impliceert het naleven van de veiligheidsinstructies beschreven in de gebruiksinstructies en onderhoudshandleiding. Ten einde verdrinking of andere ernstige verwondingen te vermijden, moet u bijzondere aandacht verlenen aan de mogelijkheid van een onverwachte toegang tot het zwembad door kinderen jonger dan 5 jaar door de toegang ertoe te beveiligen en de kinderen tijdens het zwemmen voortdurend onder toezicht te houden van volwassenen.

### Zorgvuldig lezen en bewaren voor toekomstige referentie.

De installatie vergt meestal ongeveer 10 minuten met 2-3 mensen exclusief grondwerken en vullen.



**OPMERKING:** Sommige delen werden al op het zwembad geïnstalleerd.

### KIES DE CORRECTE LOCATIE

**OPMERKING:** Het zwembad moet op een volledig vlak en effen oppervlak opgesteld worden. Stel het zwembad niet op als de ondergrond helt of oneffen is.

#### Correcte omstandigheid om het zwembad op te zetten:

- De geselecteerde locatie moet in staat zijn tot het uniform ondersteunen van het gewicht gedurende de hele tijd dat het zwembad geïnstalleerd is. Bovendien moet de locatie plat zijn en vrij van voorwerpen en rommel, zoals bijvoorbeeld steentjes en takjes.
- Wij adviseren het zwembad te plaatsen op een afstand van voorwerpen die kinderen kunnen gebruiken om in het zwembad te klimmen.
- **OPMERKING:** Plaats het zwembad bij een goed afwateringssysteem, zodat het water kan overlopen of het zwembad geleegd kan worden.

#### Incorrecte omstandigheden om het zwembad op te zetten:

- Op een oneffen ondergrond kan het zwembad omslaan, met persoonlijk letsel en/of schade aan eigendommen tot gevolg. Bovendien vervalt hierdoor de garantie en serviceaanvragen.
- Zand mag niet gebruikt worden om een ondergrond te creëren; indien nodig moet de grond met worden uitgegraven.
- Direct onder hoogspanningsleidingen of bomen. Zorg ervoor

dat de locatie geen ondergrondse pijpleidingen, bedradingen of welk soort kabels dan ook bevat.

- Zet het zwembad niet op op opritten, bootdekken, platforms, of op grind of asfalt. De gekozen locatie moet stevig genoeg zijn om de druk van het water aan te kunnen; modder, zand, zachte of losse aarde of teer zijn niet geschikt.
- Gras of andere vegetatie onder het zwembad gaat dood en kan stank veroorzaken en slijm ontwikkelen. Daarom adviseren wij al het gras te verwijderen van de gekozen zwembadlocatie.
- Vermijd terreinen waarop agressieve planten- en onkruidsoorten groeien die door de zwembadbekleding heen kunnen komen.

**OPMERKING:** Controleer bij uw plaatselijke gemeente of er regelgevingen zijn voor schuttingen/afscheidings/ belichting en veiligheidsvoorschriften en zorg ervoor dat u met geen enkele van deze regelgevingen in overtreding bent.

**OPMERKING:** Als u een filterpomp heeft, zie dan de handleiding van de pomp voor instructies.

**OPMERKING:** De ladder moet overeenkomen met de afmeting van het zwembad en mag alleen gebruikt worden om in en uit het zwembad te gaan. Het is verboden om de nuttige belasting van de trap te overschrijden. Controleer regelmatig of de trap goed is gemonteerd.

## Installatie

Bestway Inflatables kan niet aansprakelijk gesteld worden voor schade aan het zwembad die toe te schrijven is aan een verkeerde hantering of het niet naleven van deze aanwijzingen.

**AANDACHT:** Gebruik geen hogedruk-luchtslang of blaas de bovenste ring niet teveel op, deze moet lichtjes stijf zijn bij aanraking.

**OPMERKING:** Gebruik geen verlengsnoeren om uw pomp op de stroom aan te sluiten.

**AANDACHT:** Trek het zwembad niet over de grond, dit kan het zwembad beschadigen.

**OPMERKING:** De onderkant of bodem van het zwembad moet goed uitgespreid liggen (vlak zonder rimpels)

**OPMERKING:** Hete temperaturen doen de lucht de ring uitzetten en kunnen schade veroorzaken. Laat enige ruimte voor expansie.

**OPMERKING:** Tekeningen enkel voor illustratiedoeleinden.

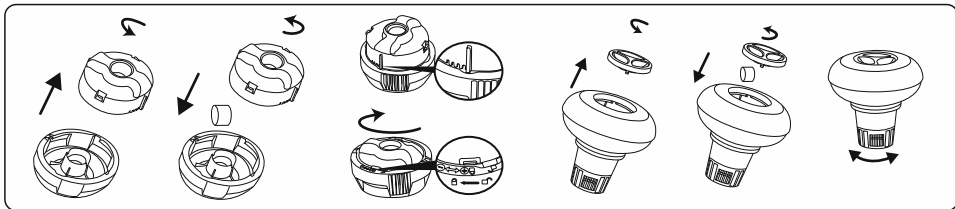
Mogelijk geen weerspiegeling van het werkelijke product. Niet op schaal.

## Zwembadonderhoud

Als u zich niet houdt aan de onderstaande onderhoudsrichtlijnen, kan uw gezondheid, en met name die van uw kinderen, gevaar lopen.

### Gebruik van chemische tabletten (niet inbegrepen):

**OPMERKING:** Chemconnect of Chemical Floater moeten worden gebruikt wanneer u chemisch onderhoud met tabletten uitvoert. Het door u aangekochte artikel mag geen van deze dispensers bevatten, in dit geval kunt u hem aanschaffen via onze website [www.bestwaycorp.com](http://www.bestwaycorp.com) of bij het dichtstbijzijnde zwembadverkooppunt.



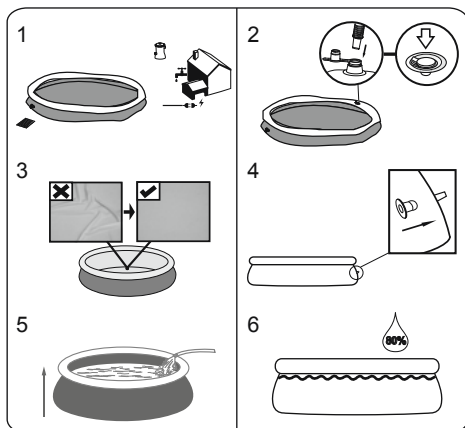
**BELANGRIJK:** Gebruik geen korreltabletten en gooi de tablet niet direct in het water. De chemicaliën kunnen op de bodem gaan zitten en het materiaal beschadigen en het PVC ontkleuren.

### Gebruik van chemische vloeistoffen (niet inbegrepen):

**BELANGRIJK:** Voeg chemische vloeistof in kleine doses en in het midden van het zwembad toe om direct contact tussen chemicaliën en het PVC-oppervlak te vermijden. Direct contact kan het materiaal beschadigen en het oppervlak ontkleuren.

**OPMERKING:** Verwijder de chemicaliëndoseerder uit het zwembad wanneer het zwembad in gebruik is.

**BELANGRIJK:** Na het uitvoeren van chemisch onderhoud en voor het gebruik van het zwembad, gebruik een testkit (niet inbegrepen) om de waterchemie te testen. Wij adviseren het water te behouden zoals in de onderstaande tabel.

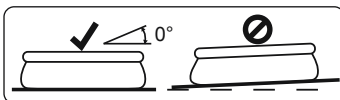


**OPGELET:** Laat het zwembad niet zonder toezicht wanneer het gevuld wordt met water.

**De wanden van het zwembad zullen omhoog komen naarmate het zwembad gevuld wordt met water.**

1. Vul het zwembad tot 80% van de inhoud. Vul NIET TE VEEL omdat het zwembad hierdoor in elkaar kan zakken. Bij hevige regenval kan het nodig zijn om wat water af te voeren, om het correct niveau te herstellen.

2. Wanneer het zwembad gevuld is, controleer of het water niet hoger staat aan een zijde van het zwembad.



**BELANGRIJK:** Is het zwembad niet genivelleerd is, wordt het water afgevoerd en de ondergrond uitgegraven. Probeer het zwembad nooit te verplaatsen wanneer er water in zit, om persoonlijke letsels of schade aan het zwembad te vermijden.

**WAARSCHUWING:** Uw zwembad kan heel wat druk bevatten. Als uw zwembad een uitstulping of ongelijke kant heeft, is het zwembad niet waterpas. De zijanten kunnen dan openbarsten en er kan plots water weglopen wat ernstig persoonlijk letsel en/of schade aan eigendom kan veroorzaken.

Parameters	Waarden
Waterhelderheid	duidelijk zicht van de bodem van het zwembad
Kleur van het water	er mag geen kleur worden geobserveerd
Turbiditeit in FNU/NTU	max. 1,5 (bij voorkeur minder dan 0,5)
Nitratconcentratie boven die van vulwater in mg/l	max. 20
Totaal organische koolstof (TOC) in mg/l	max. 4,0
Redoxpotentiaal tegen Ag/AgCl 3,5 m KCl in mV	min. 650
pH-waarde	6,8 tot 7,6
Vrij werkzaam chloor (zonder cyaanuurzuur) in mg/l	0,3 tot 1,5
Vrij werkzaam chloor in combinatie met cyaanuurzuur in mg/l	1,0 tot 3,0
Cyaanuurzuur in mg/l	max. 100
Gecombineerd chloor in mg/l	max. 0,5 (bij voorkeur dicht bij 0,0 mg/l)

**OPMERKING:** Schade tengevolge van chemische onevenwichtigheid is niet gedekt door de garantie. Zwembadchemicaliën zijn potentieel giftig en moeten met zorg gehanteerd worden. Er zijn ernstige gezondheidsrisico's van chemische dampen die het incorrecte labelen en bewaren van chemische containers. Consulteer uw plaatselijke zwembadleverancier voor meer informatie over chemisch onderhoud. Volg nauwgezet de instructies van de fabrikant van de chemicaliën. Schade aan het zwembad tengevolge van het verkeerd gebruik van chemicaliën en verkeerd beheer van het zwembadwater is niet gedekt door de garantie.

**BELANGRIJK:** Overgebruik van chemicaliën kan de print en alle punten van het zwembadmateriaal doen verkleuren. Het kan ook de structuur van de zwembadbekleding beschadigen.

### Het zwembad schoon houden:

1. Neem contact op met uw plaatselijke zwembadverkooppunt voor advies en aankoop van chemicaliën en PH-kits. Een van de belangrijkste factoren om de levensduur van de bekleding te doen toenemen is het water steeds schoon en gezond te houden. Volg daarom de instructies van professionele technici strikt op voor de waterbehandeling middels het gebruik van chemicaliën.
2. Plaats een emmer water naast het zwembad om de voeten van de gebruikers mee te wassen voordat ze het zwembad in stappen.
3. Dek het zwembad af wanneer het niet in gebruik is.
4. Skim het oppervlak van het zwembadwater regelmatig om vuilafzetting te voorkomen.
5. Controleer en spoel het filterpatroon regelmatig.
6. Maak van onder de bovenste ring zachtjes schoon en haal eventueel vuil weg met een schone doek.
7. Wees voorzichtig in geval van regenwater, controleer of het waterniveau niet hoger is dan verwacht. Indien dit het geval is, HET OVERTOLLIGE WATER AFVOEREN.
8. Als het regent, controleer dat het waterniveau niet hoger is dan het opgegeven niveau. Als het waterniveau het opgegeven niveau overschrijdt, voer dan water af tot het opgegeven niveau bereikt is.

### Correct onderhoud kan de levensduur van uw zwembad maximaliseren.

Tijdens het seizoen waarin het zwembad gebruikt wordt, moet het filtersysteem noodzakelijkwijds elke dag worden gebruikt, lang genoeg om ten minste een complete verversing van het hele watervolume te garanderen.

**OPMERKING:** De pomp wordt gebruikt om het water te circuleren en om de kleine deeltjes te filteren. U moet ook chemicaliën toevoegen om uw water proper en hygiënisch te houden.

### Reparatie

In het geval van een lek, repareer uw zwembad met behulp van de bijgeleverde heavy-duty reparatiepatch voor onderwater. U kunt de instructies in de FAQ vinden in de supportafdeling van onze website, [www.bestwaycorp.com](http://www.bestwaycorp.com).

### Demontage

1. Schroef de afvoerlekdop tegen de klok in los en verwijder.
2. Sluit de adapter aan op de slang. Plaats het andere uiteinde van de slang in een gebied waar het water afgevoerd zal worden. (Controleer de plaatselijke regelgeving voor afvoerschriften).
3. Schroef de bedieningsring van de slangadapter met de klok mee op de afvoerlekdop. De afvoerlekdop zal open gaan en water zal automatisch afgevoerd worden. Open de afvoerlekdop naar de maximum positie.
4. Laat de lucht leegstromen uit de bovenste ring door op de luchtlekdop te drukken.
5. Wanneer de bovenste ring volledig leeg is, druk deze naar beneden en kanteel voor een eenvoudige afvoer. Laat het water in het zwembad volledig weglopen.
6. Wanneer de afvoer voltooid is, schroef de bedieningsring los om de lekdop te sluiten.
7. Koppel de slang los.
8. Schroef de dop terug op de afvoerlekdop.
9. Laat het zwembad aan de lucht drogen.

### Opbergen en klaarmaken voor de winter

1. Verwijder alle accessoires en reserveonderdelen van het zwembad en berg ze proper en droog op.
2. Wanneer het zwembad volledig droog is, besprenkel met talkpoeder om te vermijden dat het zwembad samenkleeft en vouw het zwembad dan zorgvuldig op. Als het zwembad niet volledig droog is, kan er schimmel ontstaan die de zwembadbekleding kan beschadigen.
3. Berg de bekleding en accessoires in een droge plaats op met een matige temperatuur tussen 5°C / 41°F and 38°C / 100°F.
4. Tijdens het regenseizoen moeten het zwembad en de accessoires ook volgens bovenstaande instructies worden opgeborgen.
5. Het zwembad op incorrecte wijze laten leeglopen kan ernstig persoonlijk letsel en/of schade aan persoonlijke eigendom veroorzaken.
6. We bevelen ten eerste aan het zwembad te demonteren buiten het seizoen (tijdens de wintermaanden). Berg op in een droge plaats en buiten het bereik van kinderen.



## PISCINE FAST SET™ MANUALE D'USO

Visita il canale Bestway su YouTube 

### AVVERTENZA

Leggere attentamente, comprendere e seguire tutte le informazioni in questo manuale prima di installare ed utilizzare la piscina. Queste avvertenze, istruzioni e linee guida di sicurezza trattano alcuni rischi comuni dello svago in acqua, ma non possono coprire tutti i rischi e pericoli in tutti i casi. Fare sempre attenzione e usare buon senso e giudizio durante i giochi in piscina. Conservare questo opuscolo per futuri riferimenti.

#### Sicurezza dei non nuotatori

- È necessaria la sorveglianza continua, attiva e vigile dei nuotatori poco esperti e non nuotatori da parte di un adulto competente (ricordando che i bambini sotto i cinque anni sono a più alto rischio di annegamento).
- Designare un adulto competente che sorvegli la piscina ad ogni utilizzo.
- I nuotatori poco esperti e i non nuotatori devono indossare dispositivi di protezione individuale durante l'uso della piscina.
- Quando la piscina è inutilizzata o non sorvegliata, rimuovere tutti i giocattoli dalla piscina e dai suoi dintorni per evitare di attirare i bambini verso la piscina.

#### Dispositivi di sicurezza

- Per evitare il rischio di annegamento dei bambini, si raccomanda di proteggere l'accesso alla piscina con un dispositivo di sicurezza. Al fine di evitare che i bambini si arrampichino dalla valvola di ingresso e di uscita, si raccomanda di installare una barriera (e proteggere tutte le porte e le finestre, se possibile) per impedire l'accesso non autorizzato alla piscina.
- Barriere, coperture e allarmi per piscine, o simili dispositivi di sicurezza sono utili, ma non possono sostituire la sorveglianza continua e competente di un adulto.

#### Attrezzatura di sicurezza

- Si raccomanda di tenere le attrezzature di sicurezza (ad es. galleggianti) in prossimità della piscina.
- Tenere un telefono funzionante e un elenco di numeri di emergenza vicino alla piscina.

#### Uso sicuro della piscina

- Incoraggiare tutti gli utenti e in particolare i bambini ad imparare a nuotare
- Imparare le tecniche di primo soccorso (rianimazione cardiopolmonare - RCP) e aggiornare regolarmente le proprie conoscenze. Ciò può fare la differenza e salvare vite umane in caso di emergenza.
- Informare tutti gli utenti della piscina, compresi i bambini, delle procedure da adottare in caso di emergenza
- Non tuffarsi in bacini d'acqua poco profondi. Ciò potrebbe causare lesioni gravi, anche fatali.
- Non usare la piscina se sono stati assunti alcol o farmaci che potrebbero compromettere la capacità di utilizzare in modo sicuro la piscina.
- Quando si utilizzano le coperture per piscina, rimuoverle completamente dalla superficie dell'acqua prima di entrare in piscina.
- Proteggere gli occupanti della piscina da malattie legate all'acqua, mantenendo l'acqua della piscina trattata e in buone condizioni igieniche. Consultare le linee guida per il trattamento dell'acqua contenute nel manuale utente.
- Conservare i prodotti chimici (es. trattamento dell'acqua, prodotti per la pulizia e la disinfezione) fuori dalla portata dei bambini.

- Utilizzare la segnaletica come indicato di seguito. La segnaletica deve essere esposta in modo visibile entro il raggio di 2 m dalla piscina.

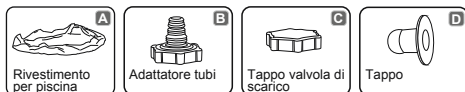


Quando i bambini sono in acqua, sorvegliarli continuamente. Non tuffarsi.

- Le scalette rimovibili devono essere collocate su una superficie orizzontale.
- Indipendentemente dai materiali utilizzati per la costruzione della piscina, le superfici accessibili devono essere controllate regolarmente per evitare infortuni.
- Controllare regolarmente i bulloni e le viti; rimuovere schegge o bordi appuntiti per evitare lesioni.
- **ATTENZIONE:** Non lasciare la piscina svuotata all'aperto. La piscina vuota rischia di deformarsi e/o di spostarsi a causa del vento.
- Se è presente una pompa filtrante, fare riferimento al relativo manuale di istruzioni.
- **AVVERTENZA!** Non adoperare la pompa quando le persone si trovano nella piscina!
- Se è presente una scaletta, fare riferimento al relativo manuale di istruzioni.
- **AVVERTENZA!** Per utilizzare la piscina è obbligatorio attenersi alle istruzioni relative alla sicurezza riportate nella guida per l'uso e la manutenzione. Al fine di prevenire l'annegamento o altre gravi lesioni, prestare particolare attenzione alla possibilità di accesso inatteso alla piscina da parte di bambini sotto i 5 anni rendendo sicuro l'accesso alla stessa e, durante il bagno, tenerli sotto la costante sorveglianza di un adulto.

### Leggere attentamente e conservare per futuri riferimenti.

L'installazione generalmente può essere effettuata da 2-3 persone e richiede circa 10 minuti, esclusa la preparazione e il riempimento del terreno.



**NOTA:** Alcune parti sono già state installate sulla piscina.

### SCEGLIERE LA CORRETTA UBICAZIONE

**NOTA:** Montare la piscina su una superficie piana e uniforme. Non installare la piscina su superfici in pendenza.

#### Condizioni corrette di installazione della piscina:

- L'ubicazione scelta deve essere in grado di supportare uniformemente il peso della piscina per tutto il tempo in cui essa è installata; inoltre l'installazione deve avvenire su una superficie piana e ripulita da tutti gli oggetti e i detriti presenti, tra cui sassi e rametti.
- Si raccomanda di posizionare la piscina lontano da qualsiasi oggetto che i bambini potrebbero usare per arrampicarsi sulla piscina.
- **NOTA:** Posizionare la piscina vicino ad un sistema di drenaggio adeguato per gestire casi di straripamento o per svuotare la piscina.

#### Condizioni scorrette di installazione della piscina:

- Su terreni irregolari la piscina potrebbe crollare causando gravi lesioni personali e/o danni alla proprietà. Ciò invaliderà la garanzia e impedirà qualsiasi richiesta di assistenza.
- La sabbia non deve essere usata per creare il livello di base; il terreno deve essere scavato se necessario.
- Direttamente sotto linee aeree di alta tensione o alberi.
- Assicurarsi che nel terreno sottostante non siano interrati condutture, tubi o cavi di alcun genere.
- Non posizionare la piscina su vialletti di accesso, ponti, piattaforme, superfici in ghiaia o asfalto. La posizione scelta



deve essere sufficientemente stabile da resistere alla pressione dell'acqua; non sono adatti terreni fangosi, sabbiosi, morbidi / cedevoli o catrame.

• Poiché l'erba o la vegetazione che cresce al di sotto della piscina appassirà, causando odori sgradevoli e fanghiglia, è consigliabile estirparla in corrispondenza del punto in cui verrà collocata la piscina.

• Evitare aree ove sono presenti piante aggressive e specie infestanti che possono crescere attraverso il rivestimento.  
**NOTA:** Verificare con l'amministrazione locale le norme relative all'installazione di recinti, barriere e segnalazioni luminose, nonché i requisiti di sicurezza e assicurarsi di essere in regola con tutte le disposizioni di legge esistenti.

**NOTA:** Se è stata acquistata una pompa a filtro, seguire le istruzioni riportate nel relativo manuale.

**NOTA:** La scaletta deve essere adeguata alle dimensioni della piscina e deve essere utilizzata esclusivamente per entrare e uscire dalla piscina. È vietato superare la portatamassima consentita della scaletta. Verificare regolarmente lo stato di montaggio della scaletta.

## Installazione

Bestway Inflatables declina qualsiasi responsabilità in merito a danni causati dall'uso improprio della piscina o dal mancato rispetto di queste istruzioni.

**ATTENZIONE:** Non usare un tubo dell'aria ad alta pressione né gonfiare eccessivamente l'anello superiore, dovrebbe essere leggermente rigido al tatto.

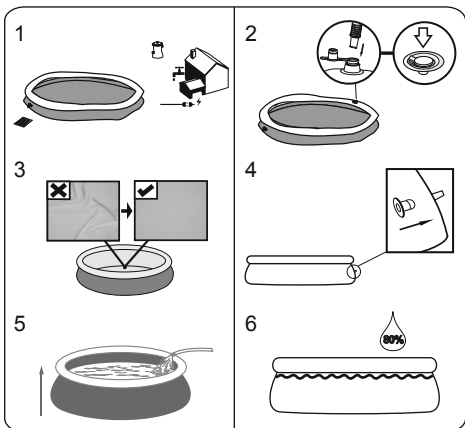
**NOTA:** Non adoperare prolunghe elettriche per alimentare la pompa.

**ATTENZIONE:** Non trascinare la piscina sul terreno perché potrebbe danneggiarsi.

**NOTA:** Stendere correttamente la base o il fondo della piscina (piatto senza pieghe)

**NOTA:** Le temperature elevate determinano una dilatazione dell'anello con conseguenti possibili danni. Lasciare un po' di spazio per la dilatazione.

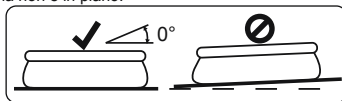
**NOTA:** I disegni sono riportati solo a scopo illustrativo e potrebbero essere diversi dal prodotto. I disegni non sono in scala.



**ATTENZIONE:** Sorvegliare la piscina durante la fase di riempimento.

**Le pareti della piscina si alzano man mano che si riempie con acqua.**

1. Riempire la piscina fino all'80% della sua capacità. **NON RIEMPIRE ECCESSIVAMENTE** la piscina in quanto potrebbe smontarsi. In caso di forte pioggia è necessario lasciar defluire un pò d'acqua per garantire sempre un livello ottimale.
2. Dopo aver riempito la piscina, verificare che l'acqua non si accumuli su un lato della piscina; in tal caso significa la piscina non è in piano.



**IMPORTANTE:** Se così fosse, far defluire l'acqua e livellare il terreno. Non cercare di spostare la piscina piena d'acqua - rischio di lesioni o danni alla piscina!

**AVVERTENZA:** La piscina potrebbe contenere una pressione elevata. Rigonfiamenti o lati irregolari indicano che la piscina non è collocata correttamente; in tal caso, i lati potrebbero scoppiare e l'acqua potrebbe rovesciarsi improvvisamente fuori, causando gravi danni a persone e/o danni materiali.

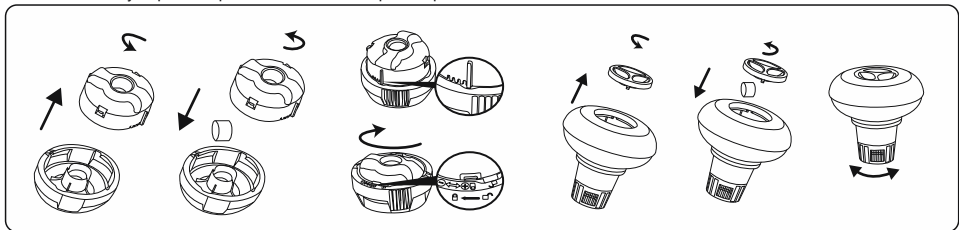
## Manutenzione della piscina

Se non si rispettano le linee guida di manutenzione riportate di seguito, la salute potrebbe essere a rischio, in particolare quella dei propri figli.

### Utilizzo di compresse chimiche (non incluse):

**NOTA:** Chemconnect o Chemical Floater devono essere utilizzati quando si esegue la manutenzione chimica con compresse.

L'articolo acquistato potrebbe non includere nessuno di questi distributori, in questo caso è possibile acquistarlo visitando il nostro sito web [www.bestwaycorp.com](http://www.bestwaycorp.com) o presso il rivenditore di piscine più vicino.



**IMPORTANTE:** Non utilizzare compresse di granulato o gettare la compressa direttamente nell'acqua. I prodotti chimici possono depositarsi sul fondo, danneggiare il materiale e scolorire il PVC.

### Utilizzo di liquido chimico (non incluso):

**IMPORTANTE:** Aggiungere liquido chimico a piccole dosi e al centro della piscina per evitare il contatto diretto tra i prodotti chimici e la superficie del PVC. Il contatto diretto può danneggiare il materiale e scolorire la superficie.

**NOTA:** Rimuovere il distributore chimico dalla piscina quando la piscina è in uso.

**IMPORTANTE:** Dopo aver eseguito la manutenzione chimica e prima di utilizzare la piscina, utilizzare un kit di prova (non incluso) per testare la chimica dell'acqua. Raccomandiamo di mantenere l'acqua secondo la seguente tabella.

Parametri	Valori
Chiarezza dell'acqua	chiara visione del fondo della piscina
Colore dell'acqua	nessun colore dovrebbe essere osservato
Torbidità in FNU / NTU	max. 1,5 (preferibilmente inferiore a 0,5)
Concentrazione di nitrati superiore a quella dell'acqua di riempimento in mg / l	max. 20
Carbonio organico totale (TOC) in mg / l	max. 4,0
Potenziale redox contro Ag / AgCl 3,5 m KCl in mV	min. 650
Valore pH	da 6,8 a 7,6
Cloro attivo libero (senza acido cianurico) in mg / l	da 0,3 a 1,5
Cloro libero usato in combinazione con acido cianurico in mg / l	da 1,0 a 3,0
Acido cianurico in mg / l	max. 100
Cloro combinato in mg / l	max. 0,5 (preferibilmente vicino a 0,0 mg / l)

**NOTA:** I danni derivanti da uno squilibrio chimico non sono coperti dalla garanzia. I prodotti chimici per piscina sono potenzialmente tossici e devono essere maneggiati con cura. Esistono gravi rischi per la salute derivanti dai vapori chimici e dall'etichettatura e dallo stoccaggio errati dei contenitori di sostanze chimiche. Per ulteriori informazioni sulla manutenzione chimica, consultare il rivenditore locale di articoli da piscina. Prestare molta attenzione alle istruzioni del produttore del prodotto chimico. I danni alla piscina derivanti dall'uso improprio di sostanze chimiche e dalla cattiva gestione dell'acqua della piscina non sono coperti da garanzia.

**IMPORTANTE:** L'uso eccessivo di sostanze chimiche può scolorire la stampa e tutti i punti del materiale della piscina. Può anche danneggiare la struttura del rivestimento della piscina.

### Per mantenere pulita la piscina:

1. Contattare il negozio di forniture per piscina locale per consulenza e acquisto di prodotti chimici e kit pH. Uno dei fattori più importanti per aumentare la durata del rivestimento è quello di mantenere costantemente acqua pulita e sana. Si prega di seguire rigorosamente le istruzioni dei tecnici professionisti per il trattamento dell'acqua attraverso l'uso di prodotti chimici.
2. Collocare un secchio d'acqua accanto alla piscina per pulire i piedi dei bagnanti prima di entrare nella piscina.
3. Coprire la piscina quando non in uso.
4. Scrementare la piscina regolarmente per evitare lo sporco depositato.
5. Controllare e lavare regolarmente la cartuccia del filtro.
6. Pulire delicatamente la schiuma da sotto l'anello superiore con un panno pulito.
7. Si prega di fare attenzione in caso di acqua piovana, verificare gentilmente che il livello dell'acqua non sia superiore al previsto. In tal caso, **SCARICARE L'ACQUA IN ECCESSO**.
8. Se piove, verificare che il livello dell'acqua non sia superiore al livello specificato. Se l'acqua supera i livelli specificati, scaricare la piscina al livello specificato.

### Una corretta manutenzione può massimizzare la durata della piscina.

Durante la stagione di utilizzo della piscina, il sistema di filtrazione deve essere necessariamente messo in servizio ogni giorno, tempo sufficiente per assicurare almeno un completo rinnovo del volume di acqua.

**NOTA:** La pompa viene utilizzata per far circolare l'acqua e per filtrare piccole particelle. Per mantenere l'acqua della piscina pulita e igienica, è necessario aggiungere anche sostanze chimiche.

### Riparazione

In caso di perdite, rattoppare la piscina utilizzando la toppa di riparazione adesiva impermeabile fornita. Puoi trovare le istruzioni nelle FAQ nella sezione di supporto del nostro sito Web, [www.bestwaycorp.com](http://www.bestwaycorp.com).

### Smontaggio

1. Svitare in senso antiorario il cappuccio della valvola di scarico e rimuoverlo.
2. Collegare l'adattatore al tubo e collocare l'altra estremità del tubo nell'area in cui si desidera svuotare la piscina. (Verificare le normative locali per le regole in materia di svuotamento delle piscine).
3. Avvitare in senso orario l'anello di controllo dell'adattatore del tubo alla valvola di scarico. In tal modo, la valvola di scarico si apre e si avvia automaticamente lo scarico dell'acqua. Aprire completamente la valvola di scarico.
4. Sgonfiare l'anello superiore stringendo la valvola dell'aria.
5. Quando l'anello superiore è totalmente sgonfio, premerlo verso il basso e lasciarlo inclinare per facilitare lo scarico. Scaricare tutta l'acqua della piscina.
6. Quando la piscina è vuota, svitare l'anello di controllo per chiudere la valvola.
7. Scollegare il tubo.
8. Avvitare nuovamente il tappo alla valvola di scarico.
9. Lasciare asciugare all'aria la piscina.

### Conservazione e preparazione per la stagione invernale

1. Rimuovere tutti gli accessori e i ricambi della piscina; pulirli e asciugarli prima di conservarli.
2. Quando la piscina è completamente asciutta, spargere polvere di talco per evitare che le pareti della piscina si incollino tra loro, quindi ripiegarla con cura. Se la piscina non è completamente asciutta, potrebbe ammuffirsi e il rivestimento della piscina potrebbe danneggiarsi.
3. Conservare il rivestimento e gli accessori in un luogo asciutto con una temperatura moderata tra 5°C/41°F e 38°C/100°F.
4. Durante i periodi piovosi, la piscina e i relativi accessori devono essere conservati attenendosi alle istruzioni sopra fornite.
5. Se la piscina non viene svuotata correttamente, potrebbero verificarsi gravi lesioni personali e/o danni a oggetti e beni.
6. Si consiglia vivamente di smontare la piscina durante la bassa stagione (mesi invernali). Conservare in un luogo asciutto e fuori dalla portata dei bambini.





## PISCINES FAST SET™ NOTICE D'UTILISATION

Visitez la chaîne YouTube de Bestway

### ATTENTION

Avant d'installer et d'utiliser, la piscine, veuillez lire attentivement, assimiler et respecter toutes les informations contenues dans cette notice d'utilisation. Ces avertissements, instructions et consignes de sécurité portent sur certains des risques usuels associés aux loisirs aquatiques, mais ils ne peuvent pas couvrir la totalité des risques et dangers dans tous les cas. Faites toujours preuve de prudence, de discernement et de bon sens lors des activités aquatiques. Conservez ces informations afin de pouvoir vous y référer ultérieurement.

#### Sécurité des non-nageurs

- Une surveillance attentive, active et continue par un adulte compétent des enfants qui ne savent pas bien nager et des non-nageurs est requise en permanence (en gardant à l'esprit que le risque de noyade est le plus élevé pour les enfants de moins de cinq ans).
- Désignez un adulte compétent pour surveiller le bassin à chaque fois qu'il est utilisé.
- Il convient que les enfants qui ne savent pas bien nager et les non-nageurs portent des équipements de protection individuelle lorsqu'ils utilisent la piscine.
- Lorsque le bassin n'est pas utilisé ou est sans surveillance, retirez tous les jouets de la piscine et ses abords afin de ne pas attirer les enfants vers le bassin.

#### Dispositifs de sécurité

- Pour éviter toute noyade d'enfant, il est recommandé de sécuriser l'accès au bassin par un dispositif de protection. Pour éviter que les enfants montent par la vanne d'entrée et de sortie, il est recommandé d'installer une barrière (et de sécuriser toutes les portes et fenêtres, le cas échéant) afin d'empêcher tout accès non autorisé à la piscine.
- Les barrières, couvertures, alarmes de piscines ou dispositifs de sécurité similaires sont des aides utiles, mais ils ne remplacent pas la surveillance continue par un adulte compétent.

#### Équipements de sécurité

- Il est recommandé de garder du matériel de sauvetage (une bouée, par exemple) près du bassin.
- Gardez un téléphone en parfait état de marche et une liste de numéros d'urgence à proximité du bassin.

#### Sécurité d'emploi de la piscine

- Incitez tous les utilisateurs, en particulier les enfants, à apprendre à nager.
- Apprenez les gestes qui sauvent (réanimation cardiopulmonaire) et remettez régulièrement à jour vos connaissances. Ces gestes peuvent sauver une vie en cas d'urgence.
- Expliquez aux utilisateurs de la piscine, enfants inclus, la procédure à suivre en cas d'urgence.
- Ne plongez jamais dans un plan d'eau peu profond, sous peine de blessures graves ou mortelles.
- N'utilisez pas la piscine sous l'emprise d'alcool ou de médicaments susceptibles de réduire votre capacité à utiliser la piscine en toute sécurité.
- Si la piscine est recouverte d'une couverture, retirez-la entièrement de la surface de l'eau avant d'entrer dans le bassin.
- Traitez l'eau de votre piscine et instaurer de bonnes pratiques d'hygiène afin de protéger les utilisateurs des maladies liées à

l'eau. Consultez les consignes de traitement de l'eau données dans la notice d'utilisation.

- Stockez les produits chimiques (produits de traitement de l'eau, de nettoyage ou de désinfection, par exemple) hors de portée des enfants.
- Utilisez les pictogrammes décrits ci-dessous. Les pictogrammes doivent être affichés dans une position visible à moins de 2 000 mm de la piscine.

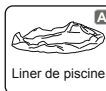


Garder les enfants sous surveillance dans l'environnement aquatique. Ne pas plonger.

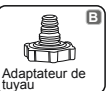
- Placez les échelles amovibles sur une surface horizontale.
- Quels que soient les matériaux utilisés pour la construction de la piscine, les surfaces accessibles doivent être régulièrement contrôlées afin d'éviter les blessures.
- Vérifiez régulièrement les boulons et les vis ; éliminez les écailles ou toute arête vive pour éviter les blessures.
- **ATTENTION** : Ne laissez pas la piscine vide à l'extérieur. La piscine vide est susceptible de se déformer et/ou d'être emportée par le vent.
- Si vous avez une pompe de filtration, reportez-vous à la notice d'instructions de la pompe.
- **ATTENTION** ! Il est interdit d'utiliser la pompe quand des gens se trouvent à l'intérieur de la piscine !
- Si vous avez une échelle, reportez-vous à la notice d'instructions de l'échelle.
- **ATTENTION** ! L'utilisation d'une piscine implique le respect des consignes de sécurité décrites dans la notice d'entretien et d'utilisation. Pour prévenir toute noyade ou autres blessures graves, accorder une attention particulière à la sécurisation de l'accès à la piscine pour les enfants de moins de 5 ans et, pendant la période de baignade, les maintenir en permanence sous la surveillance d'un adulte.

#### À lire attentivement et à conserver pour consultation ultérieure.

L'installation prend habituellement 10 minutes environ avec 2-3 personnes, à l'exclusion des ouvrages de terre et du remplissage.



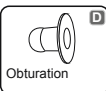
Liner de piscine



Adaptateur de tuyau



Bouchon de la vanne de vidange



Obturation

**REMARQUE** : Certaines pièces ont déjà été installées sur la piscine.

#### CHOISIR L'EMPLACEMENT CORRECT

**REMARQUE** : La piscine doit être montée sur une surface complètement plate et nivelée. N'installez pas SVP la piscine si la surface est inclinée ou en pente.

#### Condition correcte pour installer la piscine :

- L'emplacement choisi doit pouvoir supporter uniformément le poids pendant toute la durée d'installation de la piscine, en outre, l'emplacement doit être plat et doit être dénué d'objets et débris, y compris des cailloux et des brindilles.
- Nous recommandons de positionner la piscine loin d'objets que les enfants pourraient utiliser pour grimper dans la piscine.

**REMARQUE** : Placer la piscine près d'un système d'évacuation adéquat pour traiter tout surplus ou pour vidanger la piscine.

#### Conditions incorrectes pour installer la piscine :

- Sur un sol irrégulier, la piscine pourrait s'affaisser provoquant de graves lésions personnelles et/ou des dommages aux biens personnels et cela annulerait la garantie et empêcherait toute réclamation.
- Ne pas utiliser de sable pour créer une base de niveau ; le sol doit être creusé si nécessaire.
- Directement sous des lignes électriques aériennes ou des arbres. Assurez-vous que l'emplacement ne contient pas de tuyaux souterrains, de lignes ou câbles de quelque sorte que ce soit.

- Ne pas installer la piscine sur des routes, des ponts, des plate-formes, des surfaces en graviers ou en asphalte. L'emplacement choisi doit être suffisamment ferme pour résister à la pression de l'eau ; boue, sable, sol mou ou goudron ne sont pas adaptés.
- L'herbe ou toute autre végétation sous la piscinemourra et est susceptible de provoquer des odeurs et le développement de boue, nous vous recommandons donc d'enlever toute l'herbe de l'emplacement choisi pour la piscine.
- Évitez les zones où peuvent pousser des plantes agressives et des mauvaises herbes car elles pourraient endommager la bâche.

**REMARQUE :** Vérifier avec votre conseil municipal les règlements liés aux barrières, enceintes, éclairage et dispositifs de sécurité et assurez-vous que vous conformez à toutes les lois.

**REMARQUE :** Si vous disposez d'une pompe filtrante, consultez le manuel de la pompe pour connaître les instructions.

**REMARQUE :** L'échelle doit être adaptée à la taille de la piscine et doit être utilisée uniquement pour entrer et sortir de la piscine. Il est interdit de dépasser la charge permise sur l'échelle. Vérifiez régulièrement si l'échelle est convenablement assemblée.

## Installation

Bestway Inflatables n'est pas responsable pour les dommages causés à la piscine par un mauvais usage ou par le non respect de ces instructions.

**ATTENTION :** N'utilisez pas un tuyau d'air sous haute pression ou ne gonflez pas trop le boudin du haut, il doit être légèrement ferme au toucher.

**REMARQUE :** N'utilisez pas de rallonge pour alimenter votre pompe.

**ATTENTION :** Ne traînez pas la piscine sur le sol car cela peut l'abîmer.

**REMARQUE :** La base ou le fond de la piscine doit être étalé correctement (plat sans plis)

**REMARQUE :** Les températures élevées entraînent l'expansion du boudin à cause de l'air et cela peut provoquer des dégâts. Laissez de la place pour une éventuelle expansion.

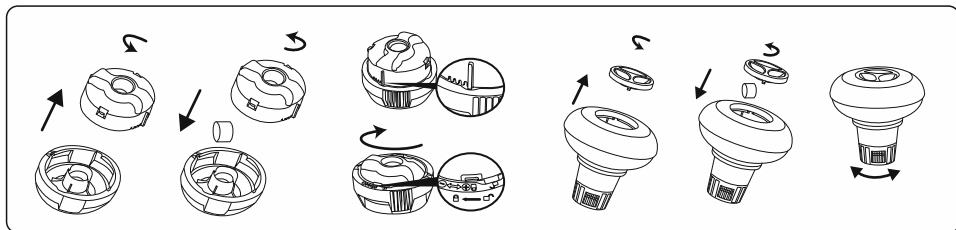
**REMARQUE :** Les dessins ne sont qu'à titre d'illustration. Il peut arriver qu'ils ne reflètent pas le produit réel. Pas à l'échelle.

## Entretien de la piscine

Si vous ne respectez pas les consignes d'entretien ci-dessous, vous mettez en danger votre santé, et en particulier celle de vos enfants.

### Utilisation de comprimés chimiques (non inclus) :

**REMARQUE :** Le diffuseur Chemconnect ou le flotteur chimique doit être utilisé lorsque vous effectuez l'entretien chimique avec des comprimés. L'article que vous avez acheté peut ne comprendre aucun de ces diffuseurs. Dans ce cas-là, vous devez l'acheter en visitant notre site web [www.bestwaycorp.com](http://www.bestwaycorp.com) ou chez le revendeur de piscines le plus proche.



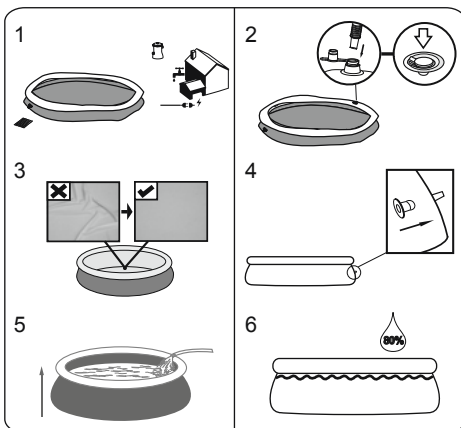
**IMPORTANT :** N'utilisez pas de comprimés en granulés et ne jetez pas le comprimé directement dans l'eau. Les produits chimiques peuvent se déposer au fond, endommager le matériau et décolorer le PVC.

### Utilisation de liquide chimique (non inclus) :

**IMPORTANT :** Ajoutez le liquide chimique en petites doses et au centre de la piscine pour éviter tout contact direct entre le produit chimique et la surface du PVC. Tout contact direct peut endommager le matériau et décolorer la surface.

**REMARQUE :** Sortez le diffuseur de produits chimiques de la piscine lorsque vous utilisez la piscine.

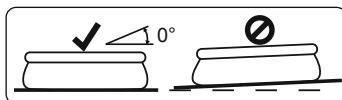
**IMPORTANT :** Après avoir effectué le traitement chimique et avant d'utiliser la piscine, servez-vous d'un kit d'essai (non fourni avec) pour tester les propriétés chimiques de l'eau. Nous recommandons de maintenir l'eau conformément au tableau suivant.



**ATTENTION :** Ne laissez pas la piscine sans surveillance quand vous la remplissez d'eau.

**Les parois de la piscine se soulèvent quand vous la remplissez d'eau.**

1. Remplissez la piscine à 80%. **NE REMPLISSEZ PAS TROP** car cela pourrait provoquer un effondrement de la piscine. En cas de fortes pluies, vous devez vider suffisamment la piscine pour que le niveau reste correct.
2. Lorsque le remplissage de la piscine est achevé, contrôlez que l'eau ne se rassemble pas d'un côté pour s'assurer que la piscine est bien nivelée.



**IMPORTANT :** Si la piscine n'est pas nivelée, enlevez l'eau et nivelez de nouveau le sol en le creusant. N'essayez jamais de déplacer la piscine avec de l'eau à l'intérieur, cela pourrait provoquer de graves blessures ou endommager la piscine.

**ATTENTION :** Votre piscine peut contenir une forte pression. Si votre piscine est bombée ou présente un côté irrégulier cela veut dire qu'elle n'est pas à niveau, les côtés pourraient exploser et l'eau pourrait se vider à l'improviste en provoquant des blessures graves et/ou des dégâts matériels.

Paramètres	Valeurs
Clarté de l'eau	le fond de la piscine est clairement visible
Couleur de l'eau	on ne doit remarquer aucune couleur de l'eau
Turbidité en FNU/NTU	1,5 maxi (de préférence inférieure à 0,5)
Concentration de nitrates supérieure à celle de l'eau de remplissage en mg/l	20 maxi
Carbone organique total (COT) en mg/l	4,0 maxi
Potentiel d'oxydo-réduction par rapport à Ag/AgCl 3,5 m KCl en mV	650 mini
Valeur du pH	de 6,8 à 7,6
Chlore actif libre (sans acide cyanurique) en mg/l	de 0,3 à 1,5
Chlore libre utilisé combiné avec de l'acide cyanurique en mg/l	de 1,0 à 3,0
Acide cyanurique en mg/l	100 maxi
Chlore combiné en mg/l	0,5 maxi (de préférence proche de 0,0 mg/l)

**REMARQUE :** La garantie ne couvre pas les dégâts provoqués par un déséquilibre chimique. Les produits chimiques pour piscine sont potentiellement toxiques et doivent être manipulés en faisant attention. Il existe des risques sérieux pour la santé dérivant des vapeurs chimiques ainsi que de l'étiquetage et du stockage incorrects des récipients chimiques. Veuillez vous adresser au concessionnaire de piscine le plus proche pour plus d'informations au sujet de la maintenance chimique. Lisez attentivement les instructions du producteur de produits chimiques. La garantie ne couvre pas les dégâts occasionnés à la piscine suite à une utilisation incorrecte des produits chimiques et à une mauvaise gestion de l'eau de la piscine.

**IMPORTANT :** L'utilisation excessive de produits chimiques peut décolorer l'imprimé et tous les points du matériel de la piscine. Elle peut également endommager la structure de la bache de piscine.

### Pour maintenir votre piscine propre :

1. Adressez-vous au magasin de produits de piscine le plus proche pour obtenir des conseils et acheter des produits chimiques et des kits pour mesurer le pH. L'un des facteurs les plus importants pour augmenter la durée de vie de la bache consiste à maintenir l'eau toujours propre et saine. Veuillez suivre scrupuleusement les instructions des techniciens professionnels pour le traitement de l'eau en utilisant des produits chimiques.
2. Placez un seau d'eau à côté de la piscine pour que les utilisateurs se lavent les pieds avant d'entrer dans la piscine.
3. Couvrez la piscine quand vous ne l'utilisez pas.
4. Écumez la piscine régulièrement pour éviter que la saleté s'installe.
5. Nettoyez et lavez régulièrement la cartouche de filtration.
6. Nettoyez délicatement la mousse sous le boudin du haut avec un chiffon propre.
7. Faites attention quand il pleut en vérifiant que l'eau ne dépasse pas le niveau prévu. Si c'est le cas, VOUS DEVEZ VIDANGER L'EXCÉDENT D'EAU.
8. S'il pleut, vérifiez que le niveau de l'eau ne dépasse pas le niveau indiqué. Si l'eau dépasse les niveaux indiqués, vidangez la piscine jusqu'au niveau indiqué.

### Un bon entretien peut optimiser la durée de vie de votre piscine.

Durant la saison d'utilisation de la piscine, le système de filtration doit être nécessairement mis en service tous les jours pendant suffisamment longtemps pour garantir au moins un renouvellement complet du volume de l'eau.

**REMARQUE :** La pompe sert à faire circuler l'eau et à filtrer les petites particules. Pour que l'eau de votre piscine reste propre et saine, vous devez également ajouter des produits chimiques.

### Réparation

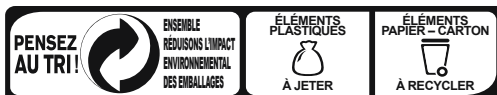
En cas de fuite, réparez votre piscine au moyen de la rustine résistante fournie. Vous pouvez trouver les instructions dans les FAQ dans la section assistance de notre site web, [www.bestwaycorp.com](http://www.bestwaycorp.com).

### Démontage

1. Dévissez le capuchon de la vanne de vidange dans le sens contraire des aiguilles d'une montre et enlevez-le.
2. Raccordez l'adaptateur sur le tuyau et placez l'autre extrémité du tuyau dans la zone où vous souhaitez vidanger votre piscine. (consultez les règlements locaux pour connaître les lois en matière de vidange).
3. Vissez la rondelle de contrôle de l'adaptateur du tuyau sur la vanne de vidange dans le sens des aiguilles d'une montre. La vanne de vidange sera ouverte et l'eau commencera à se vider automatiquement. Ouvrez la vanne de vidange sur la position maximale.
4. Dégonflez le boudin du haut en pinçant la vanne d'air.
5. Quand le boudin du haut est entièrement dégonflé, appuyez sur le boudin du haut et faites-le basculer pour vidanger aisément la piscine. Vidangez complètement l'eau de la piscine.
6. Quand la vidange est terminée, dévissez la rondelle de contrôle pour fermer la vanne.
7. Débranchez le tuyau.
8. Revissez le capuchon sur la vanne de vidange.
9. Séchez la piscine.

### Rangement et remisage

1. Vidangez tous les accessoires et toutes les pièces détachées de la piscine, puis rangez-les après les avoir lavés et séchés.
2. Une fois que la piscine est entièrement sèche, saupoudrez de talc afin d'éviter que la piscine colle et pliez-la soigneusement. Si la piscine n'est pas entièrement sèche, de la moisissure peut se former et endommager la bache de la piscine.
3. Rangez la bache et les accessoires au sec à une température modérée comprise entre 5 °C / 41 °F et 38 °C / 100 °F.
4. Pendant la saison des pluies, il faut ranger la piscine et ses accessoires comme cela est indiqué plus haut.
5. Une vidange incorrecte de la piscine peut provoquer des blessures graves et/ou des dégâts matériels.
6. Nous conseillons vivement de démonter la piscine hors saison (pendant l'hiver). Rangez-la au sec, hors de portée des enfants.





## ΠΙΣΙΝΕΣ FAST SET™ ΕΓΧΕΙΡΙΔΙΟ ΧΡΗΣΤΗ

ΕΠΙΣΚΕΦΕΙΤΕ ΤΟ ΚΑΝΑΛΙ ΤΗΣ BESTWAY ΣΤΟ YOUTUBE

### ΠΡΟΕΙΔΟΠΟΙΗΣΗ

ΔΙΑΒΑΣΤΕ ΠΡΟΣΕΚΤΙΚΑ, ΚΑΤΑΝΟΗΣΤΕ ΚΑΙ ΑΚΟΛΟΥΘΗΣΤΕ ΟΛΕΣ ΤΙΣ ΠΛΗΡΟΦΟΡΙΕΣ ΣΕ ΑΥΤΟ ΤΟ ΕΓΧΕΙΡΙΔΙΟ ΧΡΗΣΗΣ ΠΡΙΝ ΑΠΟ ΤΗΝ ΕΓΚΑΤΑΣΤΑΣΗ ΚΑΙ ΤΗ ΧΡΗΣΗ ΤΗΣ ΠΙΣΙΝΑΣ. ΑΥΤΕΣ ΟΙ ΠΡΟΕΙΔΟΠΟΙΗΣΕΙΣ, ΟΔΗΓΙΕΣ ΚΑΙ ΚΑΤΕΥΘΥΝΤΡΙΕΣ ΟΔΗΓΙΕΣ ΓΙΑ ΤΗΝ ΑΣΦΑΛΕΙΑ ΑΝΑΦΕΡΟΝΤΑΙ ΣΕ ΚΑΠΟΙΟΥΣ ΣΥΝΗΘΙΣΜΕΝΟΥΣ ΚΙΝΔΥΝΟΥΣ ΤΗΣ ΑΝΑΨΥΧΗΣ ΣΤΟ ΝΕΡΟ, ΑΛΛΑ ΔΕΝ ΜΠΟΡΟΥΝ ΝΑ ΚΑΛΥΨΟΥΝ ΟΛΟΥΣ ΤΟΥΣ ΚΙΝΔΥΝΟΥΣ ΣΕ ΟΛΕΣ ΤΙΣ ΠΕΡΙΠΤΩΣΕΙΣ. ΠΑΝΤΟΤΕ ΕΠΙΔΕΙΚΝΕΙΤΕ ΠΡΟΣΟΧΗ, ΚΟΙΝΗ ΛΟΓΙΚΗ ΚΑΙ ΚΑΛΗ ΚΡΙΣΗ ΟΤΑΝ ΑΠΟΛΑΜΒΑΝΕΤΕ ΟΠΟΙΑΔΗΠΟΤΕ ΔΡΑΣΤΗΡΙΟΤΗΤΑ ΣΤΟ ΝΕΡΟ. ΦΥΛΑΞΤΕ ΑΥΤΕΣ ΤΙΣ ΠΛΗΡΟΦΟΡΙΕΣ ΓΙΑ ΜΕΛΛΟΝΤΙΚΗ ΧΡΗΣΗ.

#### ΑΣΦΑΛΕΙΑ ΟΩΝ ΔΕΝ ΓΝΩΡΙΖΟΥΝ ΚΟΛΥΜΒΗΣΗ

- ΑΝΑ ΠΑΞΑ ΣΤΙΓΜΗ ΑΠΑΙΤΕΙΤΑΙ ΣΥΝΕΧΗΣ, ΕΝΕΡΓΗ, ΚΑΙ ΑΓΡΥΠΝΗ ΕΠΙΒΛΕΨΗ ΤΩΝ ΑΔΥΝΑΜΩΝ ΚΟΛΥΜΒΗΤΩΝ ΚΑΙ ΤΩΝ ΜΗ ΚΟΛΥΜΒΗΤΩΝ ΑΠΟ ΑΡΜΟΔΙΟ ΕΝΗΛΙΚΑ (ΕΝΟΥΜΩΜΕΝΟΙ ΟΤΙ ΤΑ ΠΑΙΔΙΑ ΚΑΤΩ ΤΩΝ ΠΕΝΤΕ ΕΤΩΝ ΔΙΑΤΡΕΧΟΥΝ ΤΟΝ ΥΨΗΛΟΤΕΡΟ ΚΙΝΔΥΝΟ ΠΝΙΓΜΟΥ).
- ΟΡΙΖΕΤΕ ΕΝΑΝ ΑΡΜΟΔΙΟ ΕΝΗΛΙΚΑ ΝΑ ΕΠΙΒΛΕΠΕΙ ΤΗΝ ΠΙΣΙΝΑ ΚΑΘΕ ΦΟΡΑ ΠΟΥ ΕΙΝΑΙ ΣΕ ΧΡΗΣΗ.
- ΟΙ ΑΔΥΝΑΜΟΙ ΚΟΛΥΜΒΗΤΕΣ Η ΟΙ ΜΗ ΓΝΩΡΙΖΟΝΤΕΣ ΚΟΛΥΜΒΗΣΗ ΘΑ ΠΡΕΠΕΙ ΝΑ ΦΟΡΟΥΝ ΕΞΟΠΛΙΣΜΟ ΑΤΟΜΙΚΗΣ ΠΡΟΣΤΑΣΙΑΣ ΚΑΤΑ ΤΗ ΧΡΗΣΗ ΤΗΣ ΠΙΣΙΝΑΣ.
- ΟΤΑΝ Η ΠΙΣΙΝΑ ΔΕΝ ΕΙΝΑΙ ΣΕ ΧΡΗΣΗ, Η ΕΙΝΑΙ ΧΩΡΙΣ ΕΠΙΒΛΕΨΗ, ΑΦΑΙΡΕΣΤΕ ΟΛΑ ΤΑ ΠΑΙΧΝΙΔΙΑ ΑΠΟ ΤΗΝ ΠΙΣΙΝΑ ΚΑΙ ΤΟΝ ΠΕΡΙΒΑΛΛΟΝΤΑ ΧΟΡΟ ΟΣΤΕ ΝΑ ΑΠΟΤΡΕΠΕΤΑΙ Η ΠΡΟΣΕΛΚΥΣΗ ΠΑΙΔΙΩΝ ΣΤΗΝ ΠΙΣΙΝΑ.

#### ΣΥΣΚΕΥΕΣ ΑΣΦΑΛΕΙΑΣ

- ΠΡΟΚΕΙΜΕΝΟΥ ΝΑ ΑΠΟΤΡΑΠΕΙ Ο ΠΝΙΓΜΟΣ ΠΑΙΔΙΩΝ, ΣΥΝΙΣΤΑΤΑΙ ΝΑ ΑΣΦΑΛΙΣΕΤΕ ΤΗΝ ΠΡΟΣΒΑΣΗ ΣΤΗΝ ΠΙΣΙΝΑ ΜΕ ΜΙΑ ΠΡΟΣΤΑΥΕΤΙΚΗ ΣΥΣΚΕΥΗ. ΠΡΟΚΕΙΜΕΝΟΥ ΝΑ ΑΠΟΤΡΑΠΟΥΝ ΤΑ ΠΑΙΔΙΑ ΑΠΟ ΤΟ ΝΑ ΣΚΑΡΦΑΛΩΣΟΥΝ ΑΠΟ ΤΗ ΒΑΛΒΙΔΑ ΕΙΣΟΔΟΥ ΚΑΙ ΕΞΟΔΟΥ, ΣΥΝΙΣΤΑΤΑΙ ΝΑ ΕΓΚΑΤΑΣΤΑΘΕΙ ΕΝΑ ΕΜΠΟΔΙΟ (ΚΑΙ ΝΑ ΑΣΦΑΛΙΣΤΕ ΟΛΕΣ ΤΙΣ ΠΟΡΤΕΣ ΚΑΙ ΤΑ ΠΑΡΑΘΥΡΑ, ΟΠΟΥ ΕΦΑΡΜΟΖΕΤΑΙ) ΓΙΑ ΝΑ ΑΠΟΤΡΕΨΕΤΕ ΤΗ ΜΗ ΕΞΟΥΣΙΟΔΟΤΗΜΕΝΗ ΠΡΟΣΒΑΣΗ ΣΤΗΝ ΠΙΣΙΝΑ.
- ΕΜΠΟΔΙΑ, ΚΑΛΥΜΜΑΤΑ ΠΙΣΙΝΑΣ, ΣΥΝΑΓΕΡΜΟΙ ΠΙΣΙΝΑΣ, Η ΠΑΡΟΜΟΙΕΣ ΣΥΣΚΕΥΕΣ ΑΣΦΑΛΕΙΑΣ ΕΙΝΑΙ ΧΡΗΣΙΜΑ ΒΟΗΘΗΜΑΤΑ, ΑΛΛΑ ΔΕΝ ΥΠΟΚΑΘΙΣΤΟΥΝ ΤΗ ΣΥΝΕΧΗ ΚΑΙ ΑΡΜΟΔΙΑ ΕΠΙΒΛΕΨΗ ΑΠΟ ΕΝΗΛΙΚΑ.

#### ΕΞΟΠΛΙΣΜΟΣ ΑΣΦΑΛΕΙΑΣ

- ΣΥΝΙΣΤΑΤΑΙ Ο ΕΞΟΠΛΙΣΜΟΣ ΔΙΑΣΩΣΗΣ (Π.Χ. ΔΑΚΤΥΛΙΟΙΔΕΙΣ ΣΙΔΗΡΑΔΟΥΡΑ) ΝΑ ΦΥΛΑΣΣΕΤΑΙ ΔΙΠΛΑ ΣΤΗΝ ΠΙΣΙΝΑ.
- ΔΙΑΤΗΡΕΙΤΕ ΜΙΑ ΛΕΙΤΟΥΡΓΙΚΗ ΣΥΣΚΕΥΗ ΘΛΕΦΩΝΟΥ ΚΑΙ ΜΙΑ ΛΙΣΤΑ ΤΩΝ ΘΛΕΦΩΝΩΝ ΕΚΤΑΚΤΗΣ ΑΝΑΓΚΗΣ ΚΟΝΤΑ ΣΤΗΝ ΠΙΣΙΝΑ.

#### ΑΣΦΑΛΗΣ ΧΡΗΣΗ ΤΗΣ ΠΙΣΙΝΑΣ

- ΕΝΘΑΡΡΥΝΕΤΕ ΟΛΟΥΣ ΤΟΥΣ ΧΡΗΣΤΕΣ ΚΑΙ ΙΔΙΑΙΤΕΡΑ ΤΑ ΠΑΙΔΙΑ ΝΑ ΜΑΘΟΥΝ ΚΟΛΥΜΒΗΣΗ.
- ΜΑΘΕΤΕ ΒΑΣΙΚΗ ΥΠΟΣΤΗΡΙΞΗ ΖΩΗΣ (ΚΑΡΔΙΟΑΝΑΠΝΕΥΣΤΙΚΗ ΑΝΑΝΗΨΗ - CPR) ΚΑΙ ΑΝΑΝΕΩΝΕΤΕ ΑΥΤΕΣ ΤΙΣ ΓΝΩΣΕΙΣ ΤΑΚΤΙΚΑ. ΣΕ ΠΕΡΙΠΤΩΣΗ ΕΚΤΑΚΤΗΣ ΑΝΑΓΚΗΣ ΑΥΤΟ ΜΠΟΡΕΙ ΝΑ ΚΑΝΕΙ ΤΗ ΔΙΑΦΟΡΑ ΔΙΑΣΩΣΗΣ ΜΙΑΣ ΖΩΗΣ.
- ΔΩΣΤΕ ΟΔΗΓΙΕΣ ΣΕ ΟΛΟΥΣ ΤΟΥΣ ΧΡΗΣΤΕΣ ΤΗΣ ΠΙΣΙΝΑΣ, ΣΥΜΠΕΡΙΛΑΜΒΑΝΟΜΕΝΩΝ ΤΩΝ ΠΑΙΔΙΩΝ, ΓΙΑ ΤΟ ΤΙ ΝΑ ΚΑΝΟΥΝ ΣΕ ΠΕΡΙΠΤΩΣΗ ΕΚΤΑΚΤΗΣ ΑΝΑΓΚΗΣ.
- ΠΟΤΕ ΜΗΝ ΚΑΤΑΔΥΞΕΤΕ ΣΕ ΟΠΟΙΑΔΗΠΟΤΕ ΡΗΧΑ ΝΕΡΑ. ΑΥΤΟ ΜΠΟΡΕΙ ΝΑ ΠΡΟΚΑΛΕΣΕΙ ΣΟΒΑΡΟ ΤΡΑΥΜΑΤΙΣΜΟ Η ΘΑΝΑΤΟ.
- ΜΗΝ ΧΡΗΣΙΜΟΠΟΙΕΙΤΕ ΤΗΝ ΠΙΣΙΝΑ ΟΤΑΝ ΚΑΝΕΤΕ ΧΡΗΣΗ ΑΛΚΟΟΛ Η ΦΑΡΜΑΚΩΝ ΠΟΥ ΜΠΟΡΕΙ ΝΑ ΕΠΗΡΕΑΣΟΥΝ ΤΗΝ ΙΚΑΝΟΤΗΤΑ ΣΑΣ ΝΑ ΧΡΗΣΙΜΟΠΟΙΕΙΤΕ ΜΕ ΑΣΦΑΛΕΙΑ ΤΗΝ ΠΙΣΙΝΑ.
- ΟΤΑΝ ΧΡΗΣΙΜΟΠΟΙΟΥΝΤΑΙ ΚΑΛΥΜΜΑΤΑ ΠΙΣΙΝΑΣ, ΑΦΑΙΡΕΙΤΕ ΤΑ ΕΝΤΕΛΩΣ ΑΠΟ ΤΗΝ ΕΠΙΦΑΝΕΙΑ ΤΟΥ ΝΕΡΟΥ ΠΡΙΝ ΑΠΟ ΤΗΝ ΕΙΣΟΔΟ ΣΤΗΝ ΠΙΣΙΝΑ.
- ΠΡΟΣΤΑΤΕΨΤΕ ΤΟΥΣ ΧΡΗΣΤΕΣ ΤΗΣ ΠΙΣΙΝΑΣ ΑΠΟ ΑΣΘΕΝΕΙΕΣ

- ΠΟΥ ΣΧΕΤΙΖΟΝΤΑΙ ΜΕ ΤΟ ΝΕΡΟ, ΔΙΑΤΗΡΩΝΤΑΣ ΤΟ ΝΕΡΟ ΤΗΣ ΠΙΣΙΝΑΣ ΕΠΕΞΕΡΓΑΣΜΕΝΟ ΚΑΙ ΤΗΡΩΝΤΑΣ ΚΑΛΗ ΥΓΙΕΙΝΗ. ΣΥΜΒΟΥΛΕΥΕΙΤΕ ΤΙΣ ΚΑΤΕΥΘΥΝΤΡΙΕΣ ΟΔΗΓΙΕΣ ΕΠΕΞΕΡΓΑΣΙΑΣ ΤΟΥ ΝΕΡΟΥ ΣΤΟ ΕΓΧΕΙΡΙΔΙΟ ΧΡΗΣΗΣ.
- ΑΠΟΘΗΚΕΥΤΕ ΤΑ ΧΗΜΙΚΑ (Π.Χ. ΠΡΟΪΟΝΤΑ ΕΠΕΞΕΡΓΑΣΙΑΣ ΝΕΡΟΥ, ΚΑΘΑΡΙΣΜΟΥ Η ΑΠΟΛΥΜΑΝΣΗΣ) ΜΑΚΡΙΑ ΑΠΟ ΠΑΙΔΙΑ.
- ΧΡΗΣΙΜΟΠΟΙΗΣΤΕ ΤΗ ΣΗΜΑΝΣΗ ΟΠΩΣ ΠΕΡΙΓΡΑΦΕΤΑΙ ΠΑΡΑΚΑΤΟ. Η ΣΗΜΑΝΣΗ ΠΡΕΠΕΙ ΝΑ ΑΝΑΡΤΑΤΑΙ ΣΕ ΕΜΦΑΝΗ ΘΕΣΗ ΕΝΤΟΣ 2μ. ΑΠΟ ΤΗΝ ΠΙΣΙΝΑ.



ΕΠΙΒΛΕΠΕΤΕ ΤΑ ΠΑΙΔΙΑ ΠΟΥ ΒΡΙΣΚΟΝΤΑΙ ΣΤΟ ΝΕΡΟ. ΑΠΑΓΟΡΕΥΟΝΤΑΙ ΟΙ ΒΟΥΤΙΕΣ.

- ΟΙ ΑΦΑΙΡΟΥΜΕΝΕΣ ΣΚΑΛΕΣ ΠΡΕΠΕΙ ΝΑ ΤΟΠΟΘΕΤΟΥΝΤΑΙ ΣΕ ΟΡΙΖΟΝΤΙΑ ΕΠΙΦΑΝΕΙΑ.
- ΑΝΕΞΑΡΤΗΤΑ ΤΩΝ ΥΛΙΚΩΝ ΠΟΥ ΧΡΗΣΙΜΟΠΟΙΟΥΝΤΑΙ ΓΙΑ ΤΗΝ ΚΑΤΑΣΚΕΥΗ ΤΗΣ ΠΙΣΙΝΑΣ, ΟΙ ΠΡΟΣΤΕΙΣ ΕΠΙΦΑΝΕΙΕΣ ΠΡΕΠΕΙ ΝΑ ΕΛΕΓΧΟΥΝΤΑΙ ΤΑΚΤΙΚΑ ΓΙΑ ΤΗΝ ΑΠΟΦΥΓΗ ΤΡΑΥΜΑΤΙΣΜΩΝ.
- ΕΠΙΘΕΡΕΙΤΕ ΤΑΚΤΙΚΑ ΤΑ ΜΠΟΥΛΟΝΙΑ ΚΑΙ ΒΙΔΕΣ, ΑΦΑΙΡΕΙΤΕ ΑΚΙΔΕΣ Η ΑΙΧΜΗΡΕΣ ΑΚΜΕΣ ΓΙΑ ΤΗΝ ΑΠΟΦΥΓΗ ΤΡΑΥΜΑΤΙΣΜΩΝ.
- **ΠΡΟΣΟΧΗ:** ΜΗΝ ΑΦΗΝΕΤΕ ΤΗΝ ΑΠΟΣΤΡΑΓΓΙΣΜΕΝΗ ΠΙΣΙΝΑ ΕΞΩ. Η ΑΔΕΙΑ ΠΙΣΙΝΑ ΕΙΝΑΙ ΠΙΘΑΝΟ ΝΑ ΠΑΡΑΜΟΡΦΩΘΕΙ ΚΑΙ/Η ΝΑ ΕΚΤΟΠΙΣΤΕΙ ΛΟΓΩ ΤΟΥ ΑΝΕΜΟΥ.
- ΕΑΝ ΔΙΑΘΕΤΕΤΕ ΜΙΑ ΑΝΤΛΙΑ ΦΙΛΤΡΟΥ, ΑΝΑΤΡΕΣΤΕ ΣΤΟ ΕΓΧΕΙΡΙΔΙΟ ΤΗΣ ΑΝΤΛΙΑΣ ΓΙΑ ΟΔΗΓΙΕΣ.
- **ΠΡΟΕΙΔΟΠΟΙΗΣΗ!** Η ΑΝΤΛΙΑ ΔΕΝ ΜΠΟΡΕΙ ΝΑ ΧΡΗΣΙΜΟΠΟΙΗΘΕΙ, ΕΝΩ ΥΠΛΑΧΟΥΝ ΑΝΘΡΩΠΟΙ ΜΕΣΑ ΣΤΗΝ ΠΙΣΙΝΑ!
- ΕΑΝ ΔΙΑΘΕΤΕΤΕ ΜΙΑ ΣΚΑΛΑ, ΑΝΑΤΡΕΣΤΕ ΣΤΟ ΕΓΧΕΙΡΙΔΙΟ ΤΗΣ ΣΚΑΛΑΣ ΓΙΑ ΟΔΗΓΙΕΣ.
- **ΠΡΟΕΙΔΟΠΟΙΗΣΗ!** Η ΧΡΗΣΗ ΤΗΣ ΠΙΣΙΝΑΣ ΠΡΟΪΠΟΘΕΤΕΙ ΣΥΜΜΟΡΦΩΣΗ ΜΕ ΤΙΣ ΟΔΗΓΙΕΣ ΑΣΦΑΛΕΙΑΣ ΠΟΥ ΠΕΡΙΓΡΑΦΟΝΤΑΙ ΣΤΙΣ ΟΔΗΓΙΕΣ ΛΕΙΤΟΥΡΓΙΑΣ ΚΑΙ ΣΥΝΤΗΡΗΣΗΣ. ΓΙΑ ΤΗΝ ΠΡΟΛΗΨΗ ΠΝΙΓΜΟΥ ΚΑΙ ΑΛΛΩΝ ΣΟΒΑΡΩΝ ΤΡΑΥΜΑΤΙΣΜΩΝ, ΔΩΣΤΕ ΙΔΙΑΙΤΕΡΗ ΠΡΟΣΟΧΗ ΣΤΗΝ ΠΙΘΑΝΟΤΗΤΑ ΑΠΡΟΣΔΟΚΗΤΗΣ ΠΡΟΣΒΑΣΗΣ ΣΤΗΝ ΠΙΣΙΝΑ ΑΠΟ ΠΑΙΔΙΑ ΚΑΤΩ ΤΩΝ 5 ΕΤΩΝ ΑΣΦΑΛΙΖΟΝΤΑΣ ΤΗΝ ΠΡΟΣΒΑΣΗ ΣΕ ΑΥΤΗΝ. ΚΑΙ, ΚΑΤΑ ΤΗ ΔΙΑΡΚΕΙΑ ΤΗΣ ΚΟΛΥΜΒΗΣΗΣ, ΔΙΑΤΗΡΗΣΤΕ ΤΑ ΥΠΟ ΤΗ ΣΥΝΕΧΗ ΕΠΙΤΗΡΗΣΗ ΕΝΗΛΙΚΑ.

### ΠΑΡΑΚΑΛΟΥΜΕ ΔΙΑΒΑΣΤΕ ΠΡΟΣΕΚΤΙΚΑ ΚΑΙ ΦΥΛΑΞΤΕ ΓΙΑ ΜΕΛΛΟΝΤΙΚΗ ΑΝΑΦΟΡΑ.

Η ΕΓΚΑΤΑΣΤΑΣΗ ΣΥΝΗΘΩΣ ΑΠΑΙΤΕΙ ΠΕΡΙΠΟΥ 10 ΛΕΠΤΑ ΜΕ 2-3 ΑΤΟΜΑ ΕΞΑΙΡΟΝΤΑΣ ΤΙΣ ΧΩΜΑΤΟΥΡΓΙΚΕΣ ΕΡΓΑΣΙΕΣ ΚΑΙ ΤΗΝ ΠΛΗΡΩΣΗ.



**ΣΗΜΕΙΩΣΗ:** ΟΡΙΣΜΕΝΑ ΕΞΑΡΤΗΜΑΤΑ ΕΧΟΥΝ ΗΔΗ ΕΓΚΑΤΑΣΤΑΘΕΙ ΣΤΗΝ ΠΙΣΙΝΑ.

### ΕΠΙΛΕΞΤΕ ΤΗ ΣΩΣΤΗ ΤΟΠΟΘΕΣΙΑ

**ΣΗΜΕΙΩΣΗ:** Η ΠΙΣΙΝΑ ΘΑ ΠΡΕΠΕΙ ΝΑ ΕΓΚΑΘΙΣΤΑΤΕ ΣΕ ΜΙΑ ΕΝΤΕΛΩΣ ΕΠΙΠΕΔΗ ΚΑΙ ΟΜΑΛΗ ΕΠΙΦΑΝΕΙΑ. ΜΗΝ ΕΓΚΑΘΙΣΤΑΤΕ ΤΗΝ ΠΙΣΙΝΑ ΑΝ Η ΕΠΙΦΑΝΕΙΑ ΕΙΝΑΙ ΕΠΙΚΛΙΝΣΗ Ή ΑΝΩΜΑΛΗ.

#### ΣΩΣΤΕΣ ΣΥΝΘΗΚΕΣ ΓΙΑ ΤΟ ΣΤΗΣΙΜΟ ΤΗΣ ΠΙΣΙΝΑΣ:

- Η ΕΠΙΛΕΓΜΕΝΗ ΤΟΠΟΘΕΣΙΑ ΠΡΕΠΕΙ ΝΑ ΕΙΝΑΙ ΣΕ ΘΕΣΗ ΝΑ ΥΠΟΣΤΗΡΙΞΕΙ ΟΜΟΙΟΜΟΡΦΑ ΤΟ ΒΑΡΟΣ ΓΙΑ ΟΛΟ ΤΟ ΧΡΟΝΟ ΠΟΥ ΘΑ ΕΙΝΑΙ ΕΓΚΑΤΕΣΤΗΜΕΝΗ Η ΠΙΣΙΝΑ. ΕΠΙΠΛΕΟΝ Η ΤΟΠΟΘΕΣΙΑ ΠΡΕΠΕΙ ΝΑ ΕΙΝΑΙ ΕΠΙΠΕΔΗ ΚΑΙ ΠΡΕΠΕΙ ΝΑ ΚΑΘΑΡΙΣΤΕΙ ΑΠΟ ΟΛΑ ΤΑ ΑΝΤΙΚΕΙΜΕΝΑ ΚΑΙ ΤΑ ΥΠΟΛΕΙΜΜΑΤΑ ΣΥΜΠΕΡΙΛΑΜΒΑΝΟΜΕΝΩΝ ΠΕΤΡΩΝ ΚΑΙ ΚΛΑΔΙΩΝ.
  - ΣΥΝΙΣΤΟΥΜΕ ΤΗΝ ΤΟΠΟΘΕΤΗΣΗ ΤΗΣ ΠΙΣΙΝΑΣ ΜΑΚΡΙΑ ΑΠΟ ΟΠΟΙΑΔΗΠΟΤΕ ΑΝΤΙΚΕΙΜΕΝΑ ΠΟΥ ΘΑ ΜΠΟΡΟΥΣΑΝ ΝΑ ΧΡΗΣΙΜΟΠΟΙΗΘΟΥΝ ΑΠΟ ΠΑΙΔΙΑ ΓΙΑ ΝΑ ΣΚΑΡΦΑΛΩΣΟΥΝ ΜΕΣΑ ΣΤΗΝ ΠΙΣΙΝΑ.
  - **ΣΗΜΕΙΩΣΗ:** ΤΟΠΟΘΕΤΗΣΤΕ ΤΗΝ ΠΙΣΙΝΑ ΚΟΝΤΑ ΣΕ ΕΝΑ ΚΑΤΑΛΛΗΛΟ ΣΥΣΤΗΜΑ ΑΠΟΧΕΤΕΥΣΗΣ ΓΙΑ ΤΟ ΧΕΙΡΙΣΙΜΟ ΤΩΝ ΥΠΕΡΧΕΙΜΑΙΣΕΩΝ Η ΤΗΝ ΕΚΚΕΝΩΣΗ ΤΗΣ ΠΙΣΙΝΑΣ.
- ΑΝΑΦΕΡΟΜΕΝΕΣ ΣΥΝΘΗΚΕΣ ΓΙΑ ΤΟ ΣΤΗΣΙΜΟ ΤΗΣ ΠΙΣΙΝΑΣ:**
- ΣΕ ΑΝΩΜΑΛΟ ΕΔΑΦΟΣ Η ΠΙΣΙΝΑ ΜΠΟΡΕΙ ΝΑ ΚΑΤΑΡΡΕΥΣΕΙ ΠΡΟΚΑΛΩΝΤΑΣ ΣΟΒΑΡΟ ΠΡΟΣΩΠΙΚΟ ΤΡΑΥΜΑΤΙΣΜΟ ΚΑΙ/Η ΖΗΜΙΑ ΣΕ ΠΡΟΣΩΠΙΚΗ ΠΕΡΙΟΥΣΙΑ ΑΚΥΡΩΝΟΝΤΑΣ ΤΗΝ ΕΓΓΥΗΣΗ ΚΑΙ ΕΜΠΟΔΙΖΟΝΤΑΣ ΤΙΣ ΟΠΟΙΕΣ ΑΞΙΟΣΕΙΣ

## ΑΠΟΖΗΜΙΩΣΗΣ.

• ΔΕΝ ΠΡΕΠΕΙ ΝΑ ΧΡΗΣΙΜΟΠΟΙΕΙΤΑΙ ΑΜΜΟΣ ΓΙΑ ΤΗ ΔΗΜΙΟΥΡΓΙΑ ΜΙΑΣ ΕΠΙΠΕΔΗΣ ΒΑΣΗΣ, ΤΟ ΕΔΑΦΟΣ ΠΡΕΠΕΙ ΝΑ ΑΝΑΣΚΑΦΕΙ ΕΑΝ ΕΙΝΑΙ ΑΠΑΡΑΙΤΗΤΟ.

• ΑΠΕΥΘΕΙΑΣ ΚΑΤΩ ΑΠΟ ΥΠΕΡΚΕΙΜΕΝΑ ΗΛΕΚΤΡΙΚΑ ΚΑΛΩΔΙΑ Η ΔΕΝΤΡΑ. ΒΕΒΑΙΩΘΕΙΤΕ ΟΤΙ Η ΤΟΠΟΘΕΣΙΑ ΔΕΝ ΠΕΡΙΛΑΜΒΑΝΕΙ ΥΠΟΓΕΙΟΥΣ ΣΩΛΗΝΕΣ, ΓΡΑΜΜΕΣ Η ΚΑΛΩΔΙΑ ΚΟΙΝΗΣ ΟΦΕΛΕΙΑΣ ΟΠΟΙΟΥΔΗΠΟΤΕ ΕΙΔΟΥΣ.

• ΜΗΝ ΕΓΚΑΤΑΣΤΗΣΕΤΕ ΤΗΝ ΠΙΣΙΝΑ ΣΕ ΙΔΙΩΤΙΚΟΥΣ ΔΡΟΜΟΥΣ, ΞΥΛΙΝΑ ΔΑΠΕΔΑ, ΠΛΑΤΦΟΡΜΕΣ, ΕΠΙΦΑΝΕΙΕΣ ΑΠΟ ΧΑΛΙΚΗ Η ΑΣΦΑΛΤΟ. Η ΕΠΙΛΕΓΜΕΝΗ ΤΟΠΟΘΕΣΙΑ ΠΡΕΠΕΙ ΝΑ ΕΙΝΑΙ ΑΡΚΕΤΑ ΣΥΜΠΛΗΡΗΣ ΓΙΑ ΝΑ ΑΝΤΕΧΕΙ ΤΗΝ ΠΙΕΣΗ ΤΟΥ ΝΕΡΟΥ. ΛΑΣΠΗ, ΑΜΜΟΣ, ΜΑΛΑΚΟ/ΧΑΛΑΡΟ ΕΔΑΦΟΣ Η ΠΙΣΣΑ ΔΕΝ ΕΙΝΑΙ ΚΑΤΑΛΛΗΛΑ.

• ΓΡΑΣΙΔΙ Η ΑΛΛΗ ΒΛΑΣΤΗΣΗ ΚΑΤΩ ΑΠΟ ΤΗΝ ΠΙΣΙΝΑ ΘΑ ΚΑΤΑΣΤΡΑΦΕΙ ΚΑΙ ΜΠΟΡΕΙ ΝΑ ΑΝΑΠΤΥΧΘΟΥΝ ΟΣΜΕΣ ΚΑΙ ΛΑΣΠΗ. ΣΥΝΕΠΩΣ ΠΡΟΤΙΝΟΥΜΕ ΝΑ ΑΦΑΙΡΕΘΕΙ ΟΛΟ ΤΟ ΓΡΑΣΙΔΙ ΑΠΟ ΤΗΝ ΕΠΙΛΕΓΜΕΝΗ ΘΕΣΗ ΓΙΑ ΤΗΝ ΠΙΣΙΝΑ.

• ΑΠΟΦΥΓΕΤΕ ΠΕΡΙΟΧΕΣ ΕΠΙΡΡΕΠΕΙΣ ΣΕ ΕΠΙΘΕΤΙΚΑ ΕΙΔΗ ΦΥΤΩΝ ΚΑΙ ΖΙΖΑΝΙΩΝ ΤΑ ΟΠΟΙΑ ΜΠΟΡΕΙ ΝΑ ΑΝΑΠΤΥΧΘΟΥΝ ΜΕΣΩ ΤΗΣ ΕΠΕΝΔΥΣΗΣ.

**ΣΗΜΕΙΩΣΗ:** ΕΛΕΓΕΤΕ ΜΕ ΤΗΝ ΤΟΠΙΚΗ ΑΥΤΟΔΙΟΙΚΗΣΗ ΤΟΥΣ ΚΑΝΟΝΙΣΜΟΥΣ ΠΟΥ ΑΦΟΡΟΥΝ ΣΕ ΠΕΡΙΦΡΑΣΗ, ΦΡΑΓΜΟΥΣ, ΦΩΤΙΣΜΟ ΚΑΙ ΤΙΣ ΑΠΑΙΤΗΣΕΙΣ ΑΣΦΑΛΕΙΑΣ ΚΑΙ ΕΞΑΣΦΑΛΙΣΤΕ ΟΤΙ ΣΥΜΜΟΡΦΩΝΕΣΤΕ ΜΕ ΤΗ ΝΟΜΟΘΕΣΙΑ.

**ΣΗΜΕΙΩΣΗ:** ΕΑΝ ΔΙΑΘΕΤΕΤΕ ΜΙΑ ΑΝΤΛΙΑ ΦΙΛΤΡΟΥ, ΑΝΑΤΡΕΣΤΕ ΣΤΟ ΕΓΧΕΙΡΙΔΙΟ ΤΗΣ ΑΝΤΛΙΑΣ ΓΙΑ ΟΔΗΓΙΕΣ.

**ΣΗΜΕΙΩΣΗ:** Η ΣΚΑΛΑ ΠΡΕΠΕΙ ΝΑ ΤΑΙΡΙΑΖΕΙ ΣΤΟ ΜΕΓΕΘΟΣ ΤΗΣ ΠΙΣΙΝΑΣ ΚΑΙ ΘΑ ΠΡΕΠΕΙ ΝΑ ΧΡΗΣΙΜΟΠΟΙΕΙΤΑΙ ΜΟΝΟ ΓΙΑ ΤΗΝ ΕΙΣΟΔΟ ΚΑΙ ΤΗΝ ΕΞΟΔΟ ΑΠΟ ΤΗΝ ΠΙΣΙΝΑ. ΑΠΑΓΟΡΕΥΕΤΑΙ ΝΑ ΥΠΕΡΒΑΙΝΕΤΕ ΤΟ ΕΠΙΤΡΕΠΟΜΕΝΟ ΦΟΡΤΙΟ ΤΗΣ ΣΚΑΛΑΣ. ΕΛΕΓΧΕΤΕ ΤΑΚΤΙΚΑ ΕΑΝ Η ΣΚΑΛΑ ΕΙΝΑΙ ΣΩΣΤΑ ΣΥΝΑΡΜΟΛΟΓΗΜΕΝΗ.

## ΕΓΚΑΤΑΣΤΑΣΗ

Η BESTWAY INFLATABLES ΔΕΝ ΘΑ ΕΥΘΥΝΕΤΑΙ ΓΙΑ ΒΛΑΒΗ ΣΤΗΝ ΠΙΣΙΝΑ ΛΟΓΩ ΚΑΚΟΥ ΧΕΙΡΙΣΜΟΥ Ή ΑΣΤΟΧΙΑΣ ΤΗΡΗΣΗΣ ΑΥΤΩΝ ΤΩΝ ΟΔΗΓΙΩΝ.

**ΠΡΟΣΟΧΗ:** ΜΗΝ ΧΡΗΣΙΜΟΠΟΙΕΙΤΕ ΕΥΚΑΜΠΤΟ ΣΩΛΗΝΑ ΑΕΡΑ ΥΨΗΛΗΣ ΠΙΕΣΗΣ ΚΑΙ ΜΗΝ ΠΑΡΑΦΟΡΩΣΚΟΝΕΤΕ ΤΟΝ ΕΓΓΛΩ ΔΑΚΤΥΛΙΟ, ΘΑ ΠΡΕΠΕΙ ΝΑ ΕΙΝΑΙ ΕΛΑΦΡΑ ΣΚΛΗΡΟΝ ΣΤΟ ΑΓΓΙΓΜΑ.

**ΣΗΜΕΙΩΣΗ:** ΜΗΝ ΧΡΗΣΙΜΟΠΟΙΕΙΤΕ ΕΠΕΚΤΑΣΕΙΣ ΚΑΛΩΔΙΩΝ ΤΡΟΦΟΔΟΣΙΑΣ ΓΙΑ ΤΗΝ ΑΝΤΛΙΑ.

**ΠΡΟΣΟΧΗ:** ΜΗΝ ΣΕΡΝΕΤΕ ΤΗΝ ΠΙΣΙΝΑ ΣΤΟ ΕΔΑΦΟΣ, ΑΥΤΟ ΜΠΟΡΕΙ ΝΑ ΠΡΟΚΑΛΕΣΕΙ ΒΛΑΒΗ ΣΤΗΝ ΠΙΣΙΝΑ.

**ΣΗΜΕΙΩΣΗ:** Η ΒΑΣΗ Η Ο ΠΥΘΜΕΝΑΣ ΤΗΣ ΠΙΣΙΝΑΣ ΠΡΕΠΕΙ ΝΑ ΑΠΛΩΝΕΤΑΙ ΣΩΣΤΑ (ΕΠΙΠΕΔΟΣ, ΧΩΡΙΣ ΖΑΡΕΣ)

**ΣΗΜΕΙΩΣΗ:** ΟΙ ΥΨΗΛΕΣ ΘΕΡΜΟΚΡΑΣΙΕΣ ΠΡΟΚΑΛΟΥΝ ΤΗ ΔΙΑΣΤΟΛΗ ΤΟΥ ΑΕΡΑ ΣΤΟ ΔΑΚΤΥΛΙΟ ΚΑΙ ΜΠΟΡΕΙ ΝΑ ΠΡΟΚΑΛΕΣΟΥΝ ΖΗΜΙΑ. ΑΦΗΣΤΕ ΚΑΠΟΙΟ ΧΩΡΟ ΓΙΑ ΔΙΑΣΤΟΛΗ.

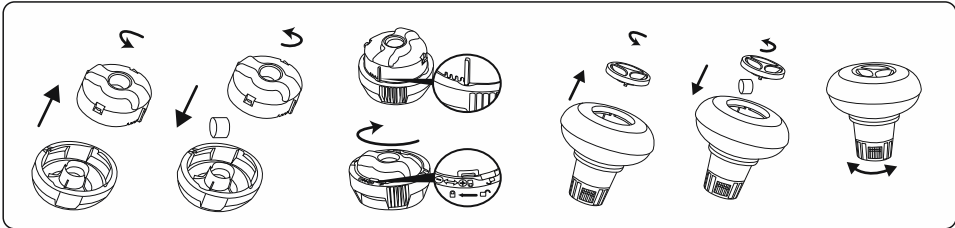
**ΣΗΜΕΙΩΣΗ:** ΤΑ ΣΧΕΔΙΑ ΕΙΝΑΙ ΜΟΝΟ ΓΙΑ ΛΟΓΟΥΣ ΑΠΕΙΚΟΝΙΣΗΣ. ΜΠΟΡΕΙ ΝΑ ΜΗΝ ΑΝΤΑΠΟΚΡΙΝΟΝΤΑΙ ΣΤΟ ΠΡΑΓΜΑΤΙΚΟ ΠΡΟΪΟΝ. ΔΕΝ ΕΙΝΑΙ ΥΠΟ ΚΑΙΜΑΚΑ.

## ΣΥΝΤΗΡΗΣΗ ΠΙΣΙΝΑΣ

ΕΑΝ ΔΕΝ ΣΥΜΜΟΡΦΩΘΕΙΤΕ ΜΕ ΤΙΣ ΟΔΗΓΙΕΣ ΣΥΝΤΗΡΗΣΗΣ ΠΟΥ ΑΝΑΓΡΑΦΟΝΤΑΙ ΚΑΙ ΕΠΙΣΗΜΑΙΝΟΝΤΑΙ ΠΑΡΑΚΑΤΩ, Η ΥΓΕΙΑ ΣΑΣ ΜΠΟΡΕΙ ΝΑ ΤΘΕΘΕΙ ΣΕ ΚΙΝΔΥΝΟ. ΙΔΙΑΙΤΕΡΟΣ ΔΕ ΑΥΤΗ ΤΩΝ ΠΑΙΔΙΩΝ.

## ΧΡΗΣΗ ΧΗΜΙΚΩΝ ΤΑΜΠΛΕΤΩΝ (ΔΕΝ ΠΕΡΙΛΑΜΒΑΝΟΝΤΑΙ)

**ΣΗΜΕΙΩΣΗ:** ΤΟ "Chemiconnet" (ΧΗΜΙΚΟΣ ΣΥΝΔΕΤΗΡΑΣ) Ή ΤΟ "Chemical Floater" (ΧΗΜΙΚΟΣ ΠΛΩΤΗΡΑΣ) ΠΡΕΠΕΙ ΝΑ ΧΡΗΣΙΜΟΠΟΙΟΥΝΤΑΙ ΟΤΑΝ ΚΑΝΕΤΕ ΧΗΜΙΚΗ ΣΥΝΤΗΡΗΣΗ ΜΕ ΔΙΣΚΙΑ. ΤΟ ΣΤΟΙΧΕΙΟ ΠΟΥ ΑΓΟΡΑΣΑΤΕ ΜΠΟΡΕΙ ΝΑ ΜΗΝ ΠΕΡΙΛΑΜΒΑΝΕΙ ΚΑΝΕΝΑΝ ΑΠΟ ΑΥΤΟΥΣ ΤΟΥΣ ΔΙΑΜΕΜΗΤΗΣ, ΣΕ ΑΥΤΗ ΤΗ ΠΕΡΙΠΤΩΣΗ ΕΠΙΣΚΕΦΘΕΙΤΕ ΤΗΝ ΙΣΤΟΣΕΛΙΔΑ ΜΑΣ [www.bestwaycorp.com](http://www.bestwaycorp.com) Ή ΤΟΝ ΠΛΗΞΙΕΣΤΕΡΟ ΑΝΤΙΠΡΟΣΩΠΟ ΤΗΣ ΠΙΣΙΝΑΣ.



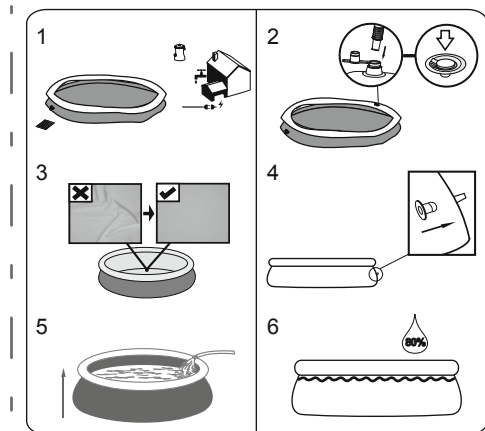
**ΣΗΜΑΝΤΙΚΟ:** ΜΗΝ ΧΡΗΣΙΜΟΠΟΙΕΙΤΕ ΘΡΥΜΑΤΙΣΜΕΝΑ ΣΕ ΚΟΚΚΟΥΣ ΔΙΣΚΙΑ Η ΠΕΤΑΣΤΕ ΤΟ ΔΙΣΚΙΟ ΑΠΕΥΘΕΙΑΣ ΣΤΟ ΝΕΡΟ. ΟΙ ΧΗΜΙΚΕΣ ΟΥΣΙΕΣ ΜΠΟΡΕΙ ΝΑ ΕΝΑΠΟΤΕΘΟΥΝ ΣΤΟ ΚΑΤΩ ΜΕΡΟΣ, ΝΑ ΒΛΑΨΟΥΝ ΤΟ ΥΛΙΚΟ ΚΑΙ ΝΑ ΑΠΟΧΡΩΜΑΤΙΣΟΥΝ ΤΟ PVC.

## ΧΡΗΣΗ ΧΗΜΙΚΩΝ ΥΓΡΟΥ (ΔΕΝ ΠΕΡΙΛΑΜΒΑΝΕΤΑΙ)

**ΣΗΜΑΝΤΙΚΟ:** ΠΡΟΣΘΕΣΤΕ ΧΗΜΙΚΟ ΥΓΡΟ ΣΕ ΜΙΚΡΕΣ ΔΟΣΕΙΣ ΚΑΙ ΣΤΟ ΚΕΝΤΡΟ ΤΗΣ ΠΙΣΙΝΑΣ ΟΣΤΕ ΝΑ ΑΠΟΦΥΓΕΤΕ ΤΗΝ ΑΜΕΣΗ ΕΠΙΦΑΝΗ ΤΩΝ ΧΗΜΙΚΩΝ ΟΥΣΙΩΝ ΜΕ ΤΗΝ ΕΠΙΦΑΝΕΙΑ PVC. Η ΑΜΕΣΗ ΕΠΙΦΑΝΗ ΜΠΟΡΕΙ ΝΑ ΚΑΤΑΣΤΡΕΦΕΙ ΤΟ ΥΛΙΚΟ ΚΑΙ ΝΑ ΑΠΟΧΡΩΜΑΤΙΣΕΙ ΤΗΝ ΕΠΙΦΑΝΕΙΑ.

**ΣΗΜΕΙΩΣΗ:** ΑΦΑΙΡΕΣΤΕ ΤΟΝ ΧΗΜΙΚΟ ΔΙΑΝΟΜΕΑ ΑΠΟ ΤΗΝ ΠΙΣΙΝΑ, ΟΤΑΝ Η ΠΙΣΙΝΑ ΕΙΝΑΙ ΣΕ ΧΡΗΣΗ.

**ΣΗΜΑΝΤΙΚΟ:** ΜΕΤΑ ΤΗΝ ΕΚΤΕΛΕΣΗ ΤΗΣ ΧΗΜΙΚΗΣ ΣΥΝΤΗΡΗΣΗΣ ΚΑΙ ΠΡΙΝ ΤΗ ΧΡΗΣΗ ΤΗΣ ΠΙΣΙΝΑΣ, ΧΡΗΣΙΜΟΠΟΙΗΣΤΕ ΕΝΑ ΚΙΤ ΔΟΚΙΜΗΣ (ΔΕΝ ΠΕΡΙΛΑΜΒΑΝΕΤΑΙ) ΟΣΤΕ ΝΑ ΔΟΚΙΜΑΖΕΤΕ ΤΗ ΧΗΜΕΙΑ ΤΟΥ ΝΕΡΟΥ. ΣΑΣ ΣΥΝΙΣΤΟΥΜΕ ΝΑ ΔΙΑΤΗΡΕΙΤΕ ΤΟ ΝΕΡΟ ΣΥΜΦΩΝΑ ΜΕ ΤΟΝ ΠΑΡΑΚΑΤΩ ΠΙΝΑΚΑ.

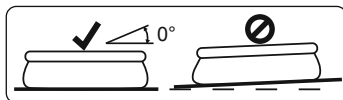


**ΠΡΟΣΟΧΗ:** ΜΗΝ ΑΦΗΝΕΤΕ ΤΗΝ ΠΙΣΙΝΑ ΧΩΡΙΣ ΕΠΙΒΛΕΨΗ ΚΑΤΑ ΤΟ ΓΕΜΙΣΜΑ ΜΕ ΝΕΡΟ.

**ΤΑ ΤΟΙΧΩΜΑΤΑ ΤΗΣ ΠΙΣΙΝΑΣ ΘΑ ΑΝΥΨΩΘΟΥΝ ΚΑΘΩΣ ΓΕΜΙΖΕΤΕ ΜΕ ΝΕΡΟ.**

1. ΓΕΜΙΣΤΕ ΤΗΝ ΠΙΣΙΝΑ ΕΩΣ ΟΤΟΥ Η ΧΩΡΗΤΙΚΟΤΗΤΑ ΣΕ ΝΕΡΟ ΦΤΑΣΕΙ ΤΟ 80%. ΜΗΝ ΥΠΕΡΓΕΜΙΖΕΤΕ ΓΙΑΤΙ ΑΥΤΟ ΜΠΟΡΕΙ ΝΑ ΠΡΟΚΑΛΕΣΕΙ ΚΑΤΑΡΡΕΥΣΗ ΤΗΣ ΠΙΣΙΝΑΣ. ΣΕ ΠΕΡΙΠΤΩΣΗ ΒΑΡΙΑΣ ΒΡΟΧΟΠΤΩΣΗΣ ΜΠΟΡΕΙ ΝΑ ΧΡΕΙΑΣΤΕΙ ΝΑ ΑΔΕΙΑΣΑΤΕ ΛΙΓΟ ΝΕΡΟ ΓΙΑ ΝΑ ΒΕΒΑΙΩΘΕΙΤΕ ΟΤΙ ΤΟ ΕΠΙΠΕΔΟ ΕΙΝΑΙ ΣΩΣΤΟ.

2. ΟΤΑΝ ΟΛΟΚΛΗΡΩΘΕΙ Η ΠΛΗΡΩΣΗ ΤΗΣ ΠΙΣΙΝΑΣ, ΕΛΕΓΕΤΕ ΟΤΙ ΤΟ ΝΕΡΟ ΔΕ ΜΑΖΕΥΕΤΑΙ ΣΕ ΟΠΟΙΟΔΗΠΟΤΕ ΠΛΕΥΡΑ ΓΙΑ ΝΑ ΒΕΒΑΙΩΘΕΙΤΕ ΟΤΙ Η ΠΙΣΙΝΑ ΕΙΝΑΙ ΕΠΙΠΕΔΗ.



**ΣΗΜΑΝΤΙΚΟ:** ΑΝ Η ΠΙΣΙΝΑ ΔΕΝ ΕΙΝΑΙ ΕΠΙΠΕΔΗ, ΠΑΡΟΧΕΤΕΥΣΤΕ ΤΟ ΝΕΡΟ ΚΑΙ ΕΠΑΝΙΣΤΩΣΤΕ ΤΟ ΕΔΑΦΟΣ ΜΕ ΕΚΣΚΑΦΗ. ΜΗΝ ΕΠΙΧΕΙΡΗΣΕΤΕ ΝΑ ΜΕΤΑΚΙΝΗΣΕΤΕ ΤΗΝ ΠΙΣΙΝΑ ΜΕ ΝΕΡΟ ΜΕΣΑ ΣΕ ΑΥΤΗΝ. ΜΠΟΡΕΙ ΝΑ ΠΡΟΚΑΘΕΙ ΣΟΒΑΡΟΣ ΑΤΟΜΙΚΟΣ ΤΡΑΥΜΑΤΙΣΜΟΣ Ή ΚΑΙ ΒΛΑΒΗ ΣΤΗΝ ΠΙΣΙΝΑ.

**ΠΡΟΕΙΔΟΠΟΙΗΣΗ:** Η ΠΙΣΙΝΑ ΣΑΣ ΜΠΟΡΕΙ ΝΑ ΠΕΡΙΚΛΕΙΕΙ ΜΕΓΑΛΗ ΠΙΕΣΗ. ΕΑΝ Η ΠΙΣΙΝΑ ΣΑΣ ΠΑΡΟΥΣΙΑΖΕΙ ΟΠΟΙΟΔΗΠΟΤΕ ΕΞΟΓΚΩΜΑ Η ΑΝΟΜΟΙΟΜΟΡΦΗ ΠΛΕΥΡΑ, ΤΟΤΕ Η ΠΙΣΙΝΑ ΔΕΝ ΕΙΝΑΙ ΟΡΙΖΟΝΤΙΑ, ΟΙ ΠΛΕΥΡΕΣ ΜΠΟΡΕΙ ΝΑ ΣΠΛΑΣΟΥΝ ΚΑΙ ΤΟ ΝΕΡΟ ΝΑ ΕΚΤΟΝΩΘΕΙ ΞΑΦΝΙΚΑ ΠΡΟΚΑΛΩΝΤΑΣ ΣΟΒΑΡΟ ΤΡΑΥΜΑΤΙΣΜΟ ΚΑΙ/Η ΥΛΙΚΕΣ ΖΗΜΙΕΣ.

ΠΑΡΑΜΕΤΡΟΙ	ΤΙΜΕΣ
ΔΙΑΥΓΕΙΑ ΝΕΡΟΥ	ΚΑΘΑΡΗ ΘΕΑ ΤΟΥ ΠΥΘΜΕΝΑ ΤΗΣ ΠΙΣΙΝΑΣ
ΧΡΩΜΑ ΝΕΡΟΥ	ΔΕΝ ΠΡΕΠΕΙ ΝΑ ΠΑΡΑΤΗΡΕΙΤΑΙ ΧΡΩΜΑ
ΘΟΛΟΤΗΤΑ ΣΕ FNU / NTU	ΜΕΓΙΣΤΟ 1,5 (ΚΑΤΑ ΠΡΟΤΙΜΗΣΗ ΜΙΚΡΟΤΕΡΟ ΑΠΟ 0,5)
ΣΥΓΚΕΝΤΡΩΣΗ ΝΙΤΡΙΚΟΥ ΛΑΤΟΣ ΜΕΓΑΛΥΤΕΡΗ ΑΠΟ ΕΚΕΙΝΗ ΤΗΣ ΠΛΗΡΩΣΗΣ ΜΕ ΝΕΡΟ ΣΕ mg/l	ΜΕΓΙΣΤΟ 20
ΟΛΙΚΟΣ ΟΡΓΑΝΙΚΟΣ ΑΝΘΡΑΚΑΣ (ΤΟC) ΣΕ mg/l	ΜΕΓΙΣΤΟ 4,0
ΔΥΝΑΜΙΚΗ ΟΞΕΙΔΩΣΙΜΟΤΗΤΗ ΕΝΑΝΤΙ Ag/AgCl 3,5 ΜΕΤΡΑ ΚCl ΣΕ mV	ΕΛΑΧΙΣΤΟ 650
ΤΙΜΗ pH	6,8 ΕΩΣ 7,6
ΕΛΕΥΘΕΡΟ ΕΝΕΡΓΟ ΧΛΩΡΙΟ (ΧΩΡΙΣ ΚΥΑΝΟΥΡΙΚΟ ΟΞΥ) ΣΕ mg/l	0,3 ΕΩΣ 1,5
ΧΡΗΣΙΜΟΠΟΙΕΙΤΑΙ ΕΛΕΥΘΕΡΟ ΧΛΩΡΙΟ ΣΕ ΣΥΝΔΥΑΣΜΟ ΜΕ ΚΥΑΝΟΥΡΙΚΟ ΟΞΥ ΣΕ mg/l	1,0 ΕΩΣ 3,0
ΚΥΑΝΟΥΡΙΚΟ ΟΞΥ ΣΕ mg/l	ΜΕΓΙΣΤΟ 100
ΣΥΝΔΥΑΣΜΕΝΟ ΧΛΩΡΙΟ ΣΕ mg/l	ΜΕΓΙΣΤΟ 0,5 (ΚΑΤΑ ΠΡΟΤΙΜΗΣΗ ΚΟΝΤΑ ΣΤΟ 0,0 mg/l)

**ΣΗΜΕΙΩΣΗ:** ΖΗΜΙΕΣ ΠΟΥ ΠΡΟΚΥΠΤΟΥΝ ΑΠΟ ΧΗΜΙΚΗ ΑΝΙΣΟΡΡΟΠΙΑ ΔΕΝ ΚΑΛΥΠΤΟΝΤΑΙ ΑΠΟ ΤΗΝ ΕΓΓΥΗΣΗ. ΤΑ ΧΗΜΙΚΑ ΠΙΣΙΝΑΣ ΕΙΝΑΙ ΠΙΘΑΝΟΝ ΤΟΣΙΣΤΑ ΚΑΙ ΓΙ' ΑΥΤΟ ΘΑ ΠΡΕΠΕΙ ΝΑ ΧΕΙΡΙΖΟΝΤΑΙ ΜΕ ΠΡΟΣΟΧΗ. ΥΠΑΡΧΟΥΝ ΣΟΒΑΡΟΙ ΚΙΝΔΥΝΟΙ ΓΙΑ ΤΗΝ ΥΓΕΙΑ ΑΠΟ ΧΗΜΙΚΟΥΣ ΑΤΜΟΥΣ ΚΑΙ ΑΠΟ ΤΗΝ ΛΑΝΘΑΣΜΕΝΗ ΣΗΜΑΝΣΗ ΚΑΙ ΑΠΟΘΗΚΕΥΣΗ ΤΩΝ ΔΟΧΕΙΩΝ ΜΕ ΤΑ ΧΗΜΙΚΑ. ΠΑΡΑΚΑΛΟΥΜΕ ΝΑ ΣΥΜΒΟΥΛΕΥΘΕΙΤΕ ΤΟ ΤΟΠΙΚΟ ΚΑΤΑΣΤΗΜΑ ΠΩΛΗΣΗΣ ΥΛΙΚΩΝ ΠΙΣΙΝΑΣ ΓΙΑ ΠΕΡΙΣΣΟΤΕΡΕΣ ΠΛΗΡΟΦΟΡΙΕΣ ΣΧΕΤΙΚΑ ΜΕ ΤΗΝ ΧΗΜΙΚΗ ΣΥΝΤΗΡΗΣΗ. ΔΩΣΤΕ ΠΡΟΣΟΧΗ ΣΤΙΣ ΟΔΗΓΙΕΣ ΤΟΥ ΚΑΤΑΣΚΕΥΑΣΤΗ ΤΩΝ ΧΗΜΙΚΩΝ. ΖΗΜΙΕΣ ΣΤΗΝ ΠΙΣΙΝΑ ΠΟΥ ΠΡΟΚΥΠΤΟΥΝ ΑΠΟ ΛΑΝΘΑΣΜΕΝΗ ΧΡΗΣΗ ΤΩΝ ΧΗΜΙΚΩΝ ΚΑΙ ΚΑΚΗ ΔΙΑΧΕΙΡΙΣΗ ΤΟΥ ΝΕΡΟΥ ΤΗΣ ΠΙΣΙΝΑΣ ΔΕΝ ΚΑΛΥΠΤΟΝΤΑΙ ΑΠΟ ΤΗΝ ΕΓΓΥΗΣΗ.

**ΣΗΜΑΝΤΙΚΟ:** Η ΥΠΕΡΒΟΛΙΚΗ ΧΡΗΣΗ ΧΗΜΙΚΩΝ ΟΥΣΙΩΝ ΜΠΟΡΕΙ ΝΑ ΑΠΟΧΡΩΜΑΤΙΣΕΙ ΤΗΝ ΕΚΤΥΠΩΣΗ ΚΑΙ ΟΛΑ ΤΑ ΣΧΕΤΙΚΑ ΣΗΜΕΙΑ ΤΟΥ ΥΛΙΚΟΥ ΤΗΣ ΠΙΣΙΝΑΣ. ΜΠΟΡΕΙ ΕΠΙΣΗΣ ΝΑ ΚΑΤΑΣΤΡΕΦΕΙ ΤΗ ΔΟΜΗ ΤΗΣ ΕΠΕΝΔΥΣΗΣ ΤΗΣ ΠΙΣΙΝΑΣ.

### ΓΙΑ ΝΑ ΔΙΑΤΗΡΕΙΤΕ ΤΗΝ ΠΙΣΙΝΑ ΚΑΘΑΡΗ:

- ΕΠΙΚΟΙΝΩΝΗΣΤΕ ΜΕ ΤΟ ΤΟΠΙΚΟ ΚΑΤΑΣΤΗΜΑ ΤΗΣ ΠΙΣΙΝΑΣ ΓΙΑ ΣΥΜΒΟΥΛΕΣ ΚΑΙ ΑΓΟΡΑ ΧΗΜΙΚΩΝ ΚΑΙ ΚΙΤ pH. ΕΝΑΣ ΑΠΟ ΤΟΥΣ ΣΗΜΑΝΤΙΚΟΤΕΡΟΥΣ ΠΑΡΑΓΟΝΤΕΣ ΓΙΑ ΤΗΝ ΑΥΞΗΣΗ ΤΗΣ ΔΙΑΡΚΕΙΑΣ ΖΩΗΣ ΤΗΣ ΕΠΕΝΔΥΣΗΣ ΕΙΝΑΙ ΝΑ ΔΙΑΤΗΡΕΙΤΑΙ ΣΥΝΕΧΩΣ ΚΑΘΑΡΟ ΚΑΙ ΥΓΙΕΙΝΟ ΝΕΡΟ. ΑΚΟΛΟΥΘΗΣΤΕ ΑΥΤΗΦΡΑ ΤΙΣ ΣΧΕΤΙΚΕΣ ΟΔΗΓΙΕΣ ΑΠΟ ΕΠΑΓΓΕΛΜΑΤΙΕΣ ΤΕΧΝΙΚΟΥΣ ΓΙΑ ΤΗΝ ΕΠΙΞΕΡΤΑΣΙΑ ΤΟΥ ΝΕΡΟΥ ΜΕΣΩ ΤΗΣ ΧΡΗΣΗΣ ΧΗΜΙΚΩΝ ΟΥΣΙΩΝ.
- ΤΟΠΟΘΕΤΗΣΤΕ ΕΝΑΝ ΚΑΔΟ ΜΕ ΝΕΡΟ ΔΙΠΛΑ ΣΤΗΝ ΠΙΣΙΝΑ ΩΣΤΕ ΟΙ ΧΡΗΣΤΕΣ ΝΑ ΚΑΘΑΡΙΖΟΥΝ ΤΑ ΠΟΔΙΑ ΤΟΥΣ ΠΡΙΝ ΜΠΟΥΝ ΣΤΗΝ ΠΙΣΙΝΑ.
- ΚΑΛΥΨΤΕ ΕΝΤΕΛΩΣ ΤΗΝ ΠΙΣΙΝΑ ΟΤΑΝ ΔΕΝ ΤΗ ΧΡΗΣΙΜΟΠΟΙΕΙΤΕ.
- ΑΔΕΙΑΣΤΕ ΤΑΚΤΙΚΑ ΤΗΝ ΠΙΣΙΝΑ ΩΣΤΕ ΝΑ ΑΠΟΦΥΓΕΤΕ ΤΗ ΡΥΠΑΝΣΗ.
- ΕΛΕΓΧΤΕ ΚΑΙ ΚΑΘΑΡΙΖΤΕ ΤΑΚΤΙΚΑ ΤΗΝ ΚΑΣΕΤΑ ΦΙΛΤΡΟΥ.
- ΚΑΘΑΡΙΣΤΕ ΑΠΛΑ ΑΠΟ ΚΑΤΩ ΕΩΣ ΤΟΝ ΕΠΙΑΝΘ ΔΑΚΤΥΛΙΟ ΜΕ ΕΝΑ ΚΑΘΑΡΟ ΠΑΝΙ ΑΠΟΜΑΚΡΥΝΟΝΤΑΣ ΟΠΟΙΟΔΗΠΟΤΕ ΞΕΝΟ ΣΩΜΑ ΥΠΑΡΧΕΙ.
- ΣΕ ΠΕΡΙΠΤΩΣΗ ΒΡΟΧΗΣ, ΝΑ ΕΛΕΓΞΕΤΕ ΠΡΟΣΕΚΤΙΚΑ ΟΤΙ Η ΣΤΑΘΜΗ ΤΟΥ ΝΕΡΟΥ ΔΕΝ ΕΙΝΑΙ ΥΨΗΛΟΤΕΡΗ ΑΠΟ ΤΗΝ ΑΝΑΜΕΝΟΜΕΝΗ. ΕΑΝ ΕΙΝΑΙ, ΤΟΤΕ ΠΡΕΠΕΙ ΝΑ ΑΔΕΙΑΣΤΕ ΤΟ ΠΛΕΟΝΑΖΩΝ ΝΕΡΟ.
- ΕΑΝ ΒΡΕΧΕΙ, ΕΛΕΓΞΤΕ ΟΤΙ Η ΣΤΑΘΜΗ ΤΟΥ ΝΕΡΟΥ ΔΕΝ ΕΙΝΑΙ ΥΨΗΛΟΤΕΡΗ ΑΠΟ ΤΟ ΚΑΘΟΡΙΣΜΕΝΟ ΕΠΙΠΕΔΟ. ΕΑΝ ΤΟ ΝΕΡΟ ΥΠΕΡΒΕΙ ΤΟ ΚΑΘΟΡΙΣΜΕΝΟ ΕΠΙΠΕΔΟ, ΑΠΟΣΤΡΑΓΓΙΣΤΕ ΤΟ ΠΛΕΟΝΑΖΩΝ ΩΣΤΕ Η ΠΙΣΙΝΑ ΝΑ ΕΧΕΙ ΝΕΡΟ ΜΕΧΡΙ ΤΟ ΚΑΘΟΡΙΣΜΕΝΟ ΕΠΙΠΕΔΟ.

### Η ΣΩΣΤΗ ΣΥΝΤΗΡΗΣΗ ΜΠΟΡΕΙ ΝΑ ΜΕΓΙΣΤΟΠΟΙΗΣΕΙ ΤΗ ΔΙΑΡΚΕΙΑ ΖΩΗΣ ΤΗΣ ΠΙΣΙΝΑΣ ΣΑΣ.

ΚΑΤΑ ΤΗ ΔΙΑΡΚΕΙΑ ΤΗΣ ΧΡΗΣΗΣ ΤΗΣ ΠΙΣΙΝΑΣ, ΤΟ ΣΥΣΤΗΜΑ ΦΙΛΤΡΑΡΙΣΜΑΤΟΣ ΠΡΕΠΕΙ ΝΑ ΘΙΒΕΤΑΙ ΥΠΟΧΡΩΡΙΤΙΚΑ ΣΕ ΛΕΙΤΟΥΡΓΙΑ ΚΑΘΕ ΗΜΕΡΑ, ΑΡΚΕΤΟΣ ΧΡΟΝΟΣ ΩΣΤΕ ΝΑ ΕΞΑΣΦΑΛΙΣΤΕΙ ΤΟΥΛΑΧΙΣΤΟΝ ΜΙΑ ΠΛΗΡΗΣ ΑΝΑΝΕΩΣΗ ΤΟΥ ΟΓΚΟΥ ΤΟΥ ΝΕΡΟΥ.

**ΣΗΜΕΙΩΣΗ:** Η ΑΝΤΛΙΑ ΧΡΗΣΙΜΟΠΟΙΕΙΤΑΙ ΓΙΑ ΝΑ ΚΥΚΛΟΦΟΡΕΙ ΤΟ ΝΕΡΟ ΚΑΙ ΓΙΑ ΝΑ ΦΙΛΤΡΑΡΕΙ ΤΑ ΜΙΚΡΑ ΣΩΜΑΤΙΔΙΑ. ΓΙΑ ΝΑ ΔΙΑΤΗΡΗΣΕΤΕ ΤΟ ΝΕΡΟ ΤΗΣ ΠΙΣΙΝΑΣ ΚΑΘΑΡΟ ΚΑΙ ΥΓΙΕΙΝΟ, ΠΡΕΠΕΙ ΝΑ ΠΡΟΞΕΣΕΤΕ ΧΗΜΙΚΑ.

### ΕΠΙΣΚΕΥΗ

ΣΕ ΠΕΡΙΠΤΩΣΗ ΔΙΑΡΡΟΦΗΣ, ΕΠΙΔΙΟΡΘΩΣΤΕ ΤΗΝ ΠΙΣΙΝΑ ΧΡΗΣΙΜΟΠΟΙΩΝΤΑΣ ΤΟ ΥΠΟΒΡΥΧΙΟ ΑΥΤΟΚΟΛΛΗΤΟ ΕΠΙΡΑΜΜΑ ΕΠΙΣΚΕΥΗΣ ΠΟΥ ΠΑΡΕΧΕΤΑΙ. ΜΠΟΡΕΙΤΕ ΝΑ ΒΡΕΙΤΕ ΤΙΣ ΟΔΗΓΙΕΣ ΣΤΟ ΠΕΔΙΟ «ΣΥΧΝΕΣ ΕΡΩΤΗΣΕΙΣ» ΣΤΗΝ ΕΝΟΤΗΤΑ ΥΠΟΣΤΗΡΙΞΗΣ ΤΗΣ ΙΣΤΟΣΕΛΙΔΑΣ ΜΑΣ, [www.bestwaycorp.com](http://www.bestwaycorp.com).

### ΑΠΟΣΥΝΑΡΜΟΛΟΓΗΣΗ

- ΞΕΒΙΔΩΣΤΕ ΑΡΙΣΤΕΡΟΣΤΡΟΦΑ ΤΟ ΚΑΠΑΚΙ ΤΗΣ ΒΑΛΒΙΔΑΣ ΑΠΟΣΤΡΑΓΓΙΣΗΣ ΚΑΙ ΑΦΑΙΡΕΣΤΕ ΤΟ.
- ΣΥΝΔΕΣΤΕ ΤΟΝ ΠΡΟΣΑΡΜΟΓΕΑ ΣΤΟΝ ΕΥΚΑΜΠΤΟ ΣΩΛΗΝΑ ΚΑΙ ΤΟΠΟΘΕΤΗΣΤΕ ΤΟ ΑΛΛΟ ΑΚΡΟ ΤΟΥ ΕΥΚΑΜΠΤΟΥ ΣΩΛΗΝΑ ΣΤΗΝ ΠΕΡΙΟΧΗ ΟΠΟΥ ΠΡΟΚΕΙΤΑΙ ΝΑ ΑΠΟΣΤΡΑΓΓΙΣΤΕ ΤΗΝ ΠΙΣΙΝΑ. (ΕΛΕΓΞΤΕ ΤΟΥΣ ΤΟΠΙΚΟΥΣ ΚΑΝΟΝΙΣΜΟΥΣ ΓΙΑ ΤΟΥΣ ΚΑΝΟΝΙΣΜΟΥΣ ΑΠΟΣΤΡΑΓΓΙΣΗΣ).
- ΒΙΔΩΣΤΕ ΤΟ ΔΕΞΙΟΣΤΡΟΦΑ ΤΟ ΔΑΚΤΥΛΙΟ ΕΛΕΓΧΟΥ ΤΟΥ ΠΡΟΣΑΡΜΟΓΕΑ ΓΙΑ ΕΥΚΑΜΠΤΟΥΣ ΣΩΛΗΝΕΣ ΠΑΝΩ ΣΤΗ ΒΑΛΒΙΔΑ ΑΠΟΣΤΡΑΓΓΙΣΗΣ. Η ΒΑΛΒΙΔΑ ΑΠΟΣΤΡΑΓΓΙΣΗΣ ΘΑ ΑΝΟΙΞΕΙ ΚΑΙ ΤΟ ΝΕΡΟ ΘΑ ΑΡΧΙΣΕΙ ΝΑ ΑΠΟΣΤΡΑΓΓΙΖΕΤΑΙ ΑΥΤΟΜΑΤΑ. ΑΝΟΙΞΤΕ ΤΗ ΒΑΛΒΙΔΑ ΑΠΟΣΤΡΑΓΓΙΣΗΣ ΣΤΗ ΜΕΓΙΣΤΗ ΘΕΣΗ.
- ΞΕΦΟΥΣΚΩΣΤΕ ΤΟΝ ΕΠΙΑΝΘ ΔΑΚΤΥΛΙΟ ΠΙΕΖΟΝΤΑΣ ΤΗ ΒΑΛΒΙΔΑ ΑΕΡΑ.
- ΟΤΑΝ Ο ΕΠΙΑΝΘ ΔΑΚΤΥΛΙΟΣ ΕΧΕΙ ΞΕΦΟΥΣΚΩΣΕΙ ΕΝΤΕΛΩΣ, ΠΙΕΣΤΕ ΤΟΝ ΕΠΙΑΝΘ ΔΑΚΤΥΛΙΟ ΠΡΟΣ ΤΑ ΚΑΤΩ ΚΑΙ ΔΩΣΤΕ ΤΟΥ ΚΛΙΣΗ ΓΙΑ ΕΥΚΟΛΗ ΑΠΟΣΤΡΑΓΓΙΣΗ ΤΗΣ ΠΙΣΙΝΑΣ. ΑΠΟΣΤΡΑΓΓΙΣΤΕ ΕΝΤΕΛΩΣ ΤΟ ΝΕΡΟ ΤΗΣ ΠΙΣΙΝΑΣ.
- ΟΤΑΝ ΟΛΟΚΛΗΡΩΘΕΙ Η ΑΠΟΣΤΡΑΓΓΙΣΗ, ΞΕΒΙΔΩΣΤΕ ΤΟ ΔΑΚΤΥΛΙΟ ΕΛΕΓΧΟΥ ΓΙΑ ΝΑ ΚΛΕΙΣΕΤΕ ΤΗ ΒΑΛΒΙΔΑ.
- ΑΠΟΣΥΝΔΕΣΤΕ ΤΟΝ ΕΥΚΑΜΠΤΟ ΣΩΛΗΝΑ.
- ΒΙΔΩΣΤΕ ΞΑΝΑ ΤΟ ΚΑΠΑΚΙ ΣΤΗ ΒΑΛΒΙΔΑ ΑΠΟΣΤΡΑΓΓΙΣΗΣ.
- ΣΤΕΓΝΩΣΤΕ ΤΗΝ ΠΙΣΙΝΑ ΣΤΟΝ ΑΕΡΑ.

### ΑΠΟΘΗΚΕΥΣΗ ΚΑΙ ΠΡΟΕΤΟΙΜΑΣΙΑ ΓΙΑ ΤΟ ΧΕΙΜΩΝΑ

- ΠΑΡΑΚΑΛΟΥΜΕ ΑΦΑΙΡΕΣΤΕ ΟΛΑ ΤΑ ΕΞΑΡΤΗΜΑΤΑ ΚΑΙ ΑΝΤΑΛΛΑΚΤΙΚΑ ΑΠΟ ΤΗΝ ΠΙΣΙΝΑ ΚΑΙ ΑΠΟΘΗΚΕΥΣΤΕ ΤΑ ΚΑΘΑΡΑ ΚΑΙ ΣΤΕΓΝΑ.
- ΜΟΛΙΣ Η ΠΙΣΙΝΑ ΣΤΕΓΝΩΣΕΙ ΕΝΤΕΛΩΣ, ΠΑΣΠΑΛΙΣΤΕ ΤΗΝ ΜΕ ΤΑΚΗ ΓΙΑ ΝΑ ΕΜΠΛΩΔΙΣΤΕ ΤΗΝ ΠΙΣΙΝΑ ΝΑ ΚΟΛΛΗΣΕΙ, ΔΙΠΛΩΣΤΕ ΠΡΟΣΕΚΤΙΚΑ ΤΗΝ ΠΙΣΙΝΑ. ΕΑΝ Η ΠΙΣΙΝΑ ΔΕΝ ΕΙΝΑΙ ΕΝΤΕΛΩΣ ΣΤΕΓΝΗ, ΜΠΟΡΕΙ ΝΑ ΕΜΦΑΝΙΣΤΕΙ ΜΟΥΧΛΑ Η ΟΠΟΙΑ ΘΑ ΚΑΤΑΣΤΡΕΦΕΙ ΤΗΝ ΕΠΕΝΔΥΣΗ ΤΗΣ ΠΙΣΙΝΑΣ.
- ΑΠΟΘΗΚΕΥΣΤΕ ΤΗΝ ΕΠΕΝΔΥΣΗ ΚΑΙ ΤΑ ΑΞΕΣΟΥΑΡ ΣΕ ΣΤΕΓΝΟ ΧΩΡΟ ΜΕ ΜΙΑ ΜΕΤΡΙΑ ΘΕΡΜΟΚΡΑΣΙΑ ΜΕΤΑΞΥ 5°C ΚΑΙ 38°C.
- ΚΑΤΑ ΤΗ ΒΡΟΧΕΡΗ ΠΕΡΙΟΔΟ, Η ΠΙΣΙΝΑ ΚΑΙ ΤΑ ΕΞΑΡΤΗΜΑΤΑ ΘΑ ΠΡΕΠΕΙ ΕΠΙΣΗΣ ΝΑ ΑΠΟΘΗΚΕΥΟΝΤΑΙ ΣΥΜΦΩΝΑ ΜΕ ΤΙΣ ΠΑΡΑΠΛΑΝ ΟΔΗΓΙΕΣ.
- Η ΛΑΝΘΑΣΜΕΝΗ ΑΠΟΣΤΡΑΓΓΙΣΗ ΤΗΣ ΠΙΣΙΝΑΣ ΜΠΟΡΕΙ ΝΑ ΠΡΟΚΑΛΕΣΕΙ ΣΟΒΑΡΟ ΠΡΟΣΩΠΙΚΟ ΤΡΑΥΜΑΤΙΣΜΟ ΚΑΙ/Η ΖΗΜΙΑ ΣΕ ΠΡΟΣΩΠΙΚΗ ΠΕΡΙΟΥΣΙΑ.
- ΣΑΣ ΣΥΝΙΣΤΟΥΜΕ Η ΠΙΣΙΝΑ ΝΑ ΑΠΟΣΥΝΑΡΜΟΛΟΓΕΙΤΑΙ ΚΑΤΑ ΤΗ ΔΙΑΡΚΕΙΑ ΤΗΣ ΕΚΤΟΣ ΧΡΗΣΗΣ ΠΕΡΙΟΔΟΥ (ΧΕΙΜΕΡΙΝΟΙ ΜΗΝΕΣ). ΑΠΟΘΗΚΕΥΣΤΕ ΣΕ ΞΗΡΟ ΧΩΡΟ ΜΑΚΡΙΑ ΑΠΟ ΠΑΙΔΙΑ.



# БАССЕЙНЫ БЫСТРОЙ УСТАНОВКИ FAST SET™ РУКОВОДСТВО ДЛЯ ВЛАДЕЛЬЦА



Посетите канал Bestway на YouTube

## ВНИМАНИЕ

Внимательно прочитайте информацию в руководстве пользователя, убедитесь в том, что вам все понятно, и следуйте указаниям при установке и использовании бассейна. Эти предостережения, инструкции, меры предосторожности предупреждают о некоторых распространенных рисках отдыха и игр в воде, но не покрывают всех риски и все возможные опасности. Будьте осторожны, рассудительны и разумны при отдыхе и играх в воде. Сохраните эту брошюру для дальнейшего использования в справочных целях.

### Безопасность пользователей, не умеющих плавать

- Компетентный взрослый должен постоянно внимательно и активно присматривать за детьми, которые не умеют плавать или плавают не очень хорошо (помните, что наибольшему риску утонуть подвержены дети до пяти лет).

- Каждый раз при использовании бассейна поручайте наблюдение за детьми компетентному взрослому.

- Дети, которые не умеют плавать или плавают не очень хорошо, должны использовать специальное защитное снаряжение при использовании бассейна.

- Когда бассейн не используется, или когда за ним никто не присматривает, уберите все игрушки из бассейна и прилегающей зоны, чтобы дети не могли заинтересоваться ими и приблизиться к бассейну.

### Устройства, обеспечивающие безопасность

- Чтобы предотвратить риск утопления детей, рекомендуется закрыть доступ в бассейн защитным ограждением. Чтобы помешать детям карабкаться на впускной и выпускной клапаны, рекомендуется установить ограждение (и блокировать все окна и двери, если они имеются), чтобы предотвратить доступ в бассейн без разрешения.

- Ограждения, покрытия бассейна, сигнализация в бассейне и прочие защитные устройства полезны, но они не могут заменить постоянное и компетентное наблюдение, осуществляемое взрослыми.

### Оборудование, обеспечивающее безопасность

- Рекомендуется хранить спасательное оборудование (напр., спасательный круг) в непосредственной близости от бассейна.

- Держите работающий телефон и список номеров телефонов экстренной связи в непосредственной близости от бассейна.

### Безопасное использование бассейна

- Посоветуйте всем пользователям, особенно детям, научиться плавать.

- Изучите базовые техники экстренной первой помощи (сердечно-легочная реанимация - СЛР) и регулярно освежайте ваши знания. Если произойдет несчастный случай, вы сможете спасти жизнь человека.

- Объясните все пользователям бассейна, особенно детям, что делать в случае чрезвычайного происшествия.

- Никогда не ныряйте на мелководье. Это может привести к серьезным травмам или смерти.

- Не используйте бассейн, если вы выпили алкогольный напиток или приняли лекарство, которое может негативно повлиять на вашу способность безопасно пользоваться бассейном.

- Если вы используете покрытие бассейна, полностью уберите его с поверхности воды перед тем, как использовать бассейн.

- Защищайте пользователей бассейна от болезней, которые могут передаваться через воду, регулярно очищая воду и следуя правилам гигиены. Следуйте инструкциям по очистке воды, содержащимся в этом руководстве пользователя.

- Храните химикаты (напр., для очистки воды, чистящие и дезинфицирующие средства) в недоступном для детей месте.

- Используйте указанные ниже предупредительные знаки. Знаки должны быть установлены на видном месте на расстоянии 2 м от бассейна.



В воде дети должны находиться под присмотром взрослых. Нырять запрещается

- Съемные лестницы должны быть установлены на ровной поверхности.

- Независимо от материалов, из которых изготовлен бассейн, регулярно проверяйте доступные поверхности, чтобы избежать риска травм.

- Регулярно проверяйте болты и винты; удаляйте обломки и острые углы, чтобы избежать риска травм.

- **ВНИМАНИЕ:** Не оставляйте бассейн со слитой водой на улице. Пустой бассейн может деформироваться и/или опрокинуться от ветра.

- Если в комплект поставки входит фильтрующий насос, см. инструкции в руководстве пользователя насоса.

- **ВНИМАНИЕ!** Запрещается пользоваться насосом, когда люди находятся в бассейне!

- Если в комплект поставки входит лестница, см. инструкции в руководстве пользователя лестницы.

- **ВНИМАНИЕ!** При пользовании плавательным бассейном необходимо соблюдать инструкции по технике безопасности, содержащиеся в руководстве по эксплуатации и обслуживанию. Чтобы избежать опасности утопления или других серьезных травм, внимательно следите за тем, чтобы дети до 5 лет не попали в бассейн без разрешения.

Оборудуйте доступ к бассейну защитными устройствами и постоянно держите детей под наблюдением взрослых во время использования бассейна.

### Внимательно изучите инструкции и сохраните их для дальнейшего использования в справочных целях.

Установка силами 2-3 человек обычно занимает приблизительно 10 минут, не считая земляных работ и наполнения бассейна водой.



Лайнер бассейна

Переходник шланга

Крышка сливного клапана

Заглушка

**ПРИМЕЧАНИЕ.** Некоторые детали уже установлены на бассейне.

## ВЫБЕРИТЕ ПРАВИЛЬНОЕ МЕСТО УСТАНОВКИ

**ПРИМЕЧАНИЕ:** Бассейн необходимо устанавливать на полностью ровной и горизонтальной поверхности. Не устанавливайте бассейн на наклонных поверхностях и склоне.

### Правильные условия установки бассейна

- Выбранный участок должен равномерно выдерживать вес бассейна в течение всего времени его установки; кроме того, участок должен быть ровным и освобожден от всех посторонних предметов и мусора, включая камни и ветки.
- Рекомендуем устанавливать бассейн вдалеке от предметов, которые дети могут использовать для того, чтобы забраться в него.

**ПРИМЕЧАНИЕ.** Устанавливайте бассейн рядом с подходящей системой слива, чтобы, при необходимости, устранить переливание или опорожнить бассейн.

### Неправильные условия установки бассейна

- На неровной поверхности бассейн может перевернуться, что приведет к серьезным травмам и/или повреждению личного имущества, аннулирует гарантию и создает невозможным обращение в сервисную службу.
- Не формируйте ровную поверхность с помощью песка; при необходимости сойте землю.

- Непосредственно под воздушными линиями электропередач или деревьями. Убедитесь в том, что на выбранном участке нет подземных коммуникаций, линий или кабелей.
- Не устанавливайте бассейн на подъездных дорожках, настилах, платформах, гравии или асфальте. Выбранный участок должен быть достаточно твердым, чтобы выдержать давление воды; грязь, песок, мягкая/рыхлая почва или смола не подходят.
- Трава и другая растительность под бассейном погибнет и может привести к возникновению неприятных запахов и слизи, поэтому рекомендуем удалить с выбранного для установки участка всю траву.
- Избегайте участков, на которых агрессивные виды растений и сорняков могут прорасти через чашу бассейна.

**ПРИМЕЧАНИЕ.** Обратитесь в местные органы власти за информацией о постановлениях, касающихся ограживания, барьеров, освещения, и нормах техники безопасности и неукоснительно их соблюдайте.

**ПРИМЕЧАНИЕ.** Если в комплект поставки входит фильтрующий насос, см. инструкции в руководстве пользователя насоса. см. инструкции в его руководстве пользователя.

**ПРИМЕЧАНИЕ.** Лестница должна соответствовать размеру бассейна; используйте ее только для того, чтобы войти и выйти из бассейна. Запрещено превышать полезную нагрузку лестницы. Регулярно проверяйте, правильно ли собрана лестница.

## Сборка

Компания Bestway Inflatables не принимает на себя ответственность за повреждения бассейна по причине неправильного обращения или несоблюдения настоящей инструкции.

**ВНИМАНИЕ!** Не используйте воздушный шланг под высоким давлением и не надувайте слишком сильно верхнее кольцо, оно должно быть лишь немного твердым на ощупь.

**ПРИМЕЧАНИЕ:** Не используйте удлинители для подключения насоса к источнику питания.

**ВНИМАНИЕ!** Не волочите бассейн по земле, это может привести к его повреждению.

**ПРИМЕЧАНИЕ:** Основание или дно бассейна должны быть тщательно и ровно разложены (плоско, без складок)

**ПРИМЕЧАНИЕ:** Высокие температуры могут привести к тому, что давление воздуха на кольцо растянется и повредит его. Оставьте немного места для возможного расширения кольца.

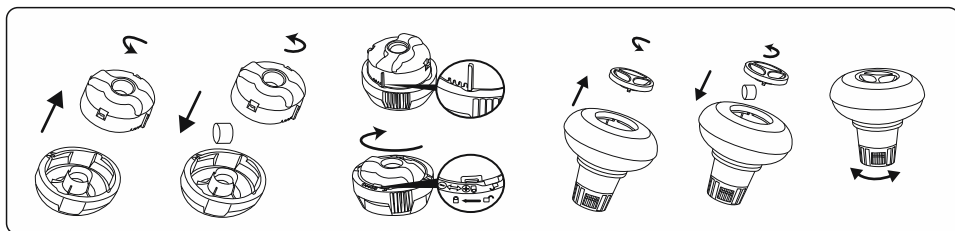
**ПРИМЕЧАНИЕ:** Схемы предназначены исключительно для целей иллюстрации. Они могут не отображать конкретное изделие. Схемы не отображают действительный масштаб.

## Обслуживание бассейна

В случае невыполнения указанных рекомендаций по обслуживанию бассейна вы можете подвергнуть опасности свое здоровье, особенно здоровье своих детей.

### Использование таблеток химических средств (в комплект не входят):

**ПРИМЕЧАНИЕ.** Дозатор Chemconnect или поплавок для химических средств (Chemical Floater) следует использовать, если вы осуществляете обработку воды химическими веществами с помощью таблеток. В комплект приобретенного вами изделия может не входить ни один из этих дозаторов. В этом случае вы можете приобрести их, посетив наш веб-сайт [www.bestwaycorp.com](http://www.bestwaycorp.com), или у ближайшего дилера по продаже бассейнов.



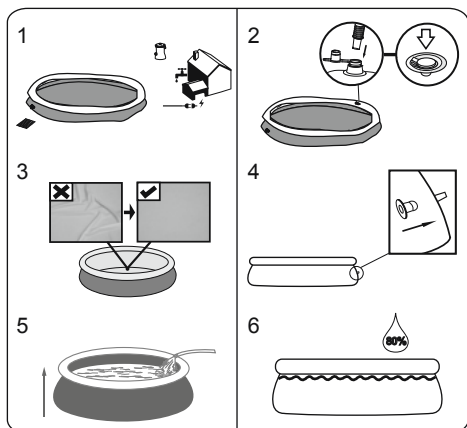
**ВАЖНО!** Не используйте гранулированные таблетки и не бросайте таблетки непосредственно в воду. Химикаты могут отложиться на дне, повредить материал и обесцветить ПВХ.

### Использование растворов химических средств (в комплект не входят):

**ВАЖНО!** Добавляйте химический раствор небольшими дозами и в центре бассейна, во избежание непосредственного контакта между химикатами и поверхностью ПВХ. При непосредственном соприкосновении химикаты могут повредить материал и обесцветить поверхность.

**ПРИМЕЧАНИЕ.** На время пользования бассейном удаляйте из него дозатор химических средств.

**ВАЖНО!** После того как вы очистили воду с помощью химических средств, а также перед использованием бассейна, воспользуйтесь тестовым набором (не входит в комплект поставки), чтобы проверить химический состав воды. Мы рекомендуем поддерживать воду в рамках значений, указанных в следующей таблице.

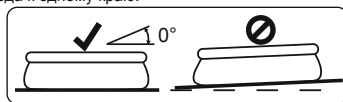


**ВНИМАНИЕ:** Не оставляйте бассейн без внимания, когда он наполняется водой.

**Стенки бассейна поднимаются при его наполнении водой.**

1. Наполните бассейн водой на 80%. НЕ ПЕРЕПОЛНЯЙТЕ его водой, он может разрушиться. Во время сильных дождей, возможно, понадобится отлить часть воды, чтобы сохранить нужный уровень воды в бассейне.

2. По завершении наполнения бассейна, убедитесь в том, что бассейн установлен ровно, проверьте, не перетекает ли вода к одному краю.



**ВАЖНО!** Если бассейн установлен неровно, слейте воду и выровняйте площадку, подковав землю. Никогда не пытайтесь передвигать бассейн с находящейся в нем водой, можно получить травму или повредить бассейн.

**ВНИМАНИЕ:** Внутри бассейна может накапливаться высокое давление. Если на поверхности бассейна присутствуют бугры или неровности, это означает, что давление внутри бассейна неравномерно или он установлен неровно, стенки бассейна могут внезапно прорваться и вода выльется из бассейна, становясь причиной серьезных травм и/или нанесения материального ущерба.



Параметры	Значения
Прозрачность воды	Ясно видно дно бассейна
Цвет воды	Вода должна быть бесцветной
Мутность в FNU/NTU	макс. 1,5 (желательно менее 0,5)
Концентрация нитратов больше, чем в воде наполнения, в мг/л	макс. 20
Общее количество органического углерода (ООУ) в мг/л	макс. 4,0
Редокс-потенциал против Ag/AgCl 3,5 м КCl в мВ	мин. 650
значение pH	от 6,8 до 7,6
Свободный активный хлор (без циануровой кислоты) в мг/л	от 0,3 до 1,5
Свободный хлор, используемый в сочетании с циануровой кислотой в мг/л	от 1,0 до 3,0
Циануровая кислота в мг/л	макс. 100
Смешанный хлор в мг/л	макс. 0,5 (желательно ближе к 0,0 мг/л)

**ПРИМЕЧАНИЕ.** Гарантия не распространяется на ущерб, причиненный в результате химического дисбаланса. Химические средства для очистки воды в бассейне потенциально токсичны; следует обращаться с ними осторожно. Серьезную опасность для здоровья могут представлять собой испарения химических веществ, а также неправильно подписанные или неправильно хранящиеся контейнеры с химическими веществами. Обратитесь к своему местному продавцу бассейнов, чтобы получить более подробную информацию об обработке воды химическими средствами. Строго соблюдайте инструкции производителей химических средств. Повреждение бассейна, причиненное в результате неправильного применения химических средств и неправильным уходом за водой бассейна, не покрывается гарантией.

**ВАЖНО!** Чрезмерное применение химикатов может обесцветить рисунки и материал бассейна. Это может также повредить структуру чаши бассейна.

### Чтобы содержать свой бассейн в чистоте:

1. Обратитесь в свой местный магазин по продаже бассейнов и приобретите химикаты и наборы pH. Постоянное поддержание воды в чистом и безопасном для здоровья состоянии является одним из важнейших факторов длительного срока службы чаши бассейна. Строго соблюдайте инструкции профессиональных специалистов по обработке воды с помощью химических средств.
2. Установите емкость с водой рядом с бассейном, чтобы пользователи могли промыть ноги перед входом в бассейн.
3. Накрывайте бассейн, когда он не используется.
4. Регулярно очищайте поверхность воды бассейна, не допуская осаждения загрязнений.
5. Регулярно проверяйте и промывайте картридж фильтра.
6. Чистой тканью аккуратно очищайте пену и грязь с нижней стороны верхнего кольца.
7. В случае дождя внимательно следите за тем, чтобы не был превышен заданный уровень воды. В противном случае **СЛЕДУЕТ СЛИТЬ ЛИШНЮЮ ВОДУ.**
8. Если идет дождь, следите, чтобы уровень воды в бассейне не превышал заданного значения. В случае превышения заданного уровня, слейте воду из бассейна до указанного уровня.

### Неадекватный уход за бассейном может продлить срок его службы.

В сезон пользования плавательным бассейном фильтрационную систему необходимо включать каждый день на время, достаточное для того, чтобы обеспечить полное обновление объема воды.

**ПРИМЕЧАНИЕ.** Насос используется для циркуляции воды и фильтрации мелких частиц. Для поддержания чистоты и гигиены воды в бассейне также следует использовать химикаты.

### Ремонт

В случае протечки заклейте бассейн клеевой заплатой специально для ремонта поверхности, находящейся под водой (входит в комплект поставки). Инструкции можно найти в часто задаваемых вопросах раздела поддержки на нашем веб-сайте [www.bestwaycorp.com](http://www.bestwaycorp.com).

### Разборка

1. Отвинтите крышку сливного клапана против часовой стрелки и снимите ее.
2. Подсоедините переходник к шлангу и расположите другой конец шланга там, куда вы хотите сливать воду из бассейна. (Ознакомьтесь с местными нормами по сливу воды.)
3. Навинтите управляющее кольцо переходника шланга на сливной клапан по часовой стрелке. Сливной клапан откроется, и слив воды начнется автоматически. Откройте сливной клапан на максимум.
4. Выпустите воздух из верхнего кольца, сжимая воздушный клапан.
5. Когда воздух полностью выйдет из верхнего кольца, нажмите на верхнее кольцо и наклоните, чтобы облегчить слив. Полностью слейте воду из бассейна.
6. По завершении слива отвинтите регулирующее кольцо, чтобы закрыть клапан.
7. Отсоедините шланг.
8. Снова навинтите крышку на сливной клапан.
9. Выполните воздушную сушку бассейна.

### Хранение и подготовка к зиме

1. Уберите все аксессуары и запасные части бассейна и сложите их на хранение в чистом и сухом месте.
2. После полного просушивания бассейна посыпьте поверхность тальком, чтобы они не сплелись, и аккуратно расправьте бассейн. Если не просушить бассейн полностью, может образоваться плесень и повредить ткань бассейна.
3. Храните чашу бассейна и его аксессуары в сухом месте при умеренной температуре от 5°C / 41°F до 38°C / 100°F.
4. В дождливое время года бассейн и принадлежности следует хранить, как указано выше.
5. Неправильный слив воды из бассейна может привести к серьезным травмам людей и/или повреждения имущества.
6. Вне сезона (в зимние месяцы) настоятельно рекомендуется разбирать бассейн. Храните в сухом месте, недоступном для детей.

## BASENY FAST SET™ INSTRUKCJA OBSŁUGI



Odwiedź stronę Bestway na YouTube

### OSTRZEŻENIE

Przed montażem i użyciem basenu przeczytaj dokładnie i ze zrozumieniem wszystkie informacje zawarte w instrukcji obsługi i postępuj zgodnie z nimi. Ostrzeżenia, instrukcje i wskazówki dotyczące bezpieczeństwa obejmują niektóre z zagrożeń powszechnych dla rekreacji wodnej, nie obejmują w żadnym razie wszystkich możliwych zagrożeń. Przy każdej zabawie w wodzie należy kierować się zdrowym rozsądkiem i oceną sytuacji. Zachowaj tą informację do późniejszego wglądu.

#### Bezpieczeństwo osób nie umiejących pływać

- Wymagany jest zawsze ciągle, aktywny i czujny nadzór kompetentnej osoby dorosłej jeśli w basenie znajdują się słabo pływające lub nieumiejące pływać (pamiętaj, że dzieci poniżej 5 roku życia są zagrożone w najwyższym stopniu utonięciem).
- Przed każdym użyciem basenu wyznacz kompetentną osobę dorosłą w celu jego nadzoru.
- Osoby słabo pływające lub nieumiejące pływać, podczas korzystania z basenu powinny zakładać środki ochrony indywidualnej.
- Kiedy basen nie jest używany lub pozostaje bez nadzoru, należy usunąć z niego i jego otoczenia wszystkie zabawki, aby w ten sposób nie przyciągać uwagi dzieci.

#### Środki ochrony osobistej

- Aby zapobiec utonięciu, zaleca się zabezpieczenie dostępu dzieci do basenu przy pomocy odpowiednich urządzeń ochronnych. Aby zapobiec wspinaniu się przez dzieci na zawór wlotowy i wylotowy, zalecane jest zamontowanie bariery (i zabezpieczenie w razie potrzeby wszystkich drzwi i okien) zapobiegającej nieupoważnionemu dostępowi do basenu.
- Bariery, pokrywki na basen lub podobne zabezpieczenia stanowią użyteczną pomoc, ale nie zastępują stałego i kompetentnego nadzoru przez dorosłych.

#### Sprzęt ratunkowy

- Zaleca się posiadanie sprzętu ratunkowego (np. koła ratunkowego) w pobliżu basenu.
- W pobliżu basenu należy mieć działający telefon oraz listę numerów telefonów ratunkowych.

#### Bezpieczne korzystanie z basenu

- Zachęcaj wszystkich użytkowników, a szczególnie dzieci do nauki pływania.
- Naucz się podstawowych technik ratowania życia (resuscytacji krążeniowo-oddechowej – CPR) i regularnie odświeżaj tę wiedzę. Może ona pomóc w uratowaniu życia w nagłym wypadku.
- Naucz wszystkich użytkowników basenu, w tym dzieci, co mają robić w razie niebezpieczeństwa.
- Nigdy nie wskakuj na główkę do płytkiej wody. Może to spowodować poważne obrażenia, a nawet śmierć.
- Nie korzystaj z basenu po spożyciu alkoholu lub leków, które mogą negatywnie wpływać na zdolność bezpiecznego korzystania z basenu.
- W przypadku używania pokryw na basen, przed wejściem do basenu zdejmij je całkowicie z powierzchni wody.
- Chroni użytkowników basenu przed chorobami związanymi z wodą uzdatniającą wodę do basenu i zachowując zasady

pravidłowej higieny. Zapoznaj się z wytycznymi dotyczącymi uzdatniania wody w instrukcji obsługi.

- Chemikalia (np. środki do uzdatniania wody, czyszczące i dezynfekcyjne) trzymaj poza zasięgiem dzieci.
- Stosuj oznakowanie opisane poniżej. Oznakowanie należy ustawić w widocznym miejscu w odległości nie większej niż 2 m od basenu.



Nadzoruj dzieci w środowisku wodnym. Nie nurkować.

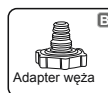
- Zdejmowane drabinki należy ustawiać na powierzchni poziomej.
- Aby uniknąć obrażeń, powierzchnie dostępne należy regularnie sprawdzać, niezależnie od materiałów konstrukcyjnych basenu.
- Należy regularnie sprawdzać śruby i wkręty. Aby uniknąć obrażeń należy usuwać odpryski i wszelkie ostre krawędzie.
- **UWAGA:** Po wypuszczeniu wody, nie pozostawiaj basenu na zewnątrz. Pusty basen może zostać okształcony i/lub przemieszczony przez wiatr.
- W przypadku montażu pompy filtrującej, dla uzyskania wskazówek należy zapoznać się z jej instrukcją obsługi.
- **OSTRZEŻENIE!** Pompy nie wolno używać, kiedy w basenie przebywają ludzie.
- W przypadku stosowania drabinki, dla uzyskania wskazówek należy zapoznać się z jej instrukcją obsługi.
- **OSTRZEŻENIE!** Używanie basenu jest równoznaczne z akceptacją i przestrzeganiem zasad bezpieczeństwa zamieszczonych w instrukcji obsługi i konserwacji. Aby uniknąć utonięcia lub innych poważnych obrażeń, należy zwracać szczególną uwagę na możliwość niespodzianego wejścia do basenu przez dzieci w wieku poniżej 5 lat. Należy w tym celu zabezpieczyć wejście do basenu, a kąpiące się dzieci muszą być pod stałym nadzorem osoby dorosłej.

### Prosimy o dokładne przeczytanie i zachowanie tego dokumentu do późniejszego wglądu.

Montaż zazwyczaj zajmuje około 10 minut i wymaga 2-3 osób, z wyłączeniem prac ziemnych i napełniania.



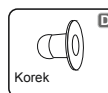
Wykładzina basenu



Adapter węża



Nakrętka zaworu spustowego



Korek

**UWAGA:** Niektóre z części zostały już zamontowane do basenu.

### WYBRAĆ ODPOWIEDNIE UMIEJSCOWIENIE

**UWAGA:** Basen należy ustawić na zupełnie płaskiej i równej powierzchni. Nie instaluj basenu, jeśli teren jest pochylony lub stromy.

#### Pravidłowe warunki do ustawienia basenu:

- Wybraneniejscemusiby w stanie równomiernie utrzymać ciężar basenu przez cały okres jego instalacji. Ponadto teren tenmusi być płaski i oczyszczony z wszelkich przedmiotów i gruzu, a także kamieni i patyków.
- Zaleca się ustawienie basenu z dala od wszelkich przedmiotów, dzięki którym dzieciomogłyby wejść do basenu.
- UWAGA:** Basen umieścić w pobliżu odpowiedniego systemu odwadniającego, aby poradzić sobie w przypadku jego przelania się lub w razie opróżnienia basenu.
- Niepravidłowe warunki do ustawienia basenu:**
  - Ustawienie basenu na nierównym podłożumozże spowodować jego runięcie i zalanie, powodując poważne obrażenia ciała i/lub wyrządzać szkodymaterialne oraz pociągnąć za sobą

utrata gwarancji i praw do naprawy.

- Nie używać piasku do wyrównania podłoża, wykopać dół, jeśli jest to konieczne.
- Bezpośrednio pod liniami elektrycznymi lub drzewami. Upewnij się, czy pod basenem nie są poprowadzone podziemne rury, ani jakiegokolwiek inne przewody lub kable.
- Basenu nie ustawiać na podjazdach, pomostach, podwyższeniach, żwirze lub asfalcie. Podłoże powinno być wystarczająco zwarte, aby wytrzymać ciężar wody w basenie; błoto, piasek, miękka / luźna gleba lub mokradła nie nadają się.
- Trawnik lub inne rośliny pod basenem zginą lub zginią i mogą nieprzyjemnie pachnieć, dlatego zaleca się usunięcie wszystkich roślin z miejsca, gdzie ma stać basen.
- Unikaj obszarów podatnych na agresywne gatunki roślin i chwastów, które mogą rosnąć przez posycie basenu.

**UWAGA:** Sprawdź, jakie są obowiązujące przepisy lokalne dotyczące stawiania ogrodzeń, barierek, oświetlenia oraz jakie są przepisy dotyczące bezpieczeństwa i upewnij się, czy nie narusza się żadnego z nich.

**UWAGA:** Jeśli zakupiona została pompa filtrująca, element ten ma swoje osobne instrukcje użytkowania.

**UWAGA:** Drabinkami pasować do wymiarów basenu i może być używana tylko do wchodzenia i wychodzenia z basenu. Nie wolno przekraczać maksymalnego obciążenia drabinki. Regularnie sprawdzać, czy drabinka jest prawidłowo zamontowana.

## Montaż

Firma Bestway Inflatables nie bierze na siebie odpowiedzialności za uszkodzenia powodowane niewłaściwą obsługą basenu lub nieprzestrzeganiem niniejszych instrukcji.

**UWAGA:** Nie należy używać wężu wysokiego ciśnienia ani nie pompować w nadmiarze górnego pierścienia, nie powinien być twardy w dotyku.

**UWAGA:** Do zasilania pompy nie należy używać przedłużaczy.

**UWAGA:** Nie przeciągać basenu po ziemi, może to spowodować jego uszkodzenie.

**UWAGA:** Podstawa/dno basenu powinno być prawidłowo rozłożone (poziomo bez zmarszczek).

**UWAGA:** Wysokie temperatury powodują zwiększenie objętości powietrza i rozciągnięcie pierścienia co może spowodować jego uszkodzenie. Zostaw trochę miejsca na ewentualną zmianę objętości.

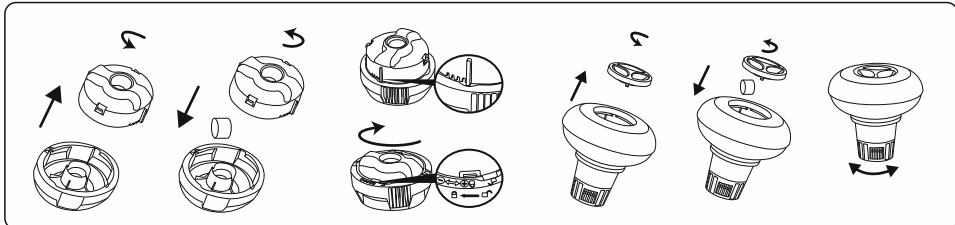
**UWAGA:** Rysunki zostały zamieszczone wyłącznie w celach ilustracyjnych. Mogą odbiegać one od rzeczywistego wyglądu produktu. Nie wykonane w skali.

## Konserwacja basenu

Jeśli nie zastosujesz się do poniższych wskazówek dotyczących utrzymania, Twoje zdrowie może być zagrożone, zwłaszcza zdrowie Twoich dzieci.

### Używanie tabletek chemicznych (brak w zestawie):

**UWAGA:** Podczas przeprowadzania konserwacji chemicznej za pomocą tabletek należy używać Chemconnect lub płwaka do chemii. Zakupiony przedmiot może nie zawierać żadnego z tych dozowników, w takim przypadku możesz go kupić, odwiedzając naszą stronę internetową [www.bestwaycorp.com](http://www.bestwaycorp.com) lub w najbliższym punkcie sprzedaży basenów.



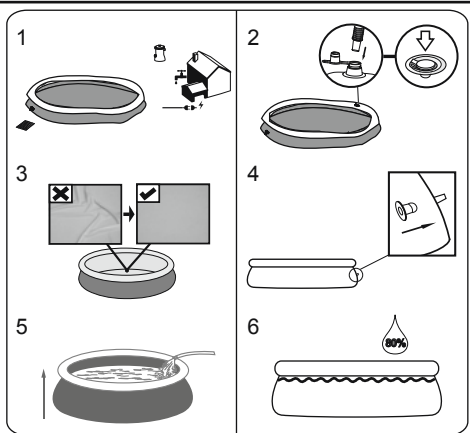
**WAŻNE:** Nie używaj tabletek granulowanych ani nie wrzucaj tabletek bezpośrednio do wody. Chemikalia mogą osadzać się na dnie, uszkadzać materiał i odbarwiać PVC.

### Używanie cieczy chemicznej (brak w zestawie):

**UWAGA:** Dodaj płyn chemiczny w małych dawkach i na środek basenu, aby uniknąć bezpośredniego kontaktu chemikaliów z powierzchnią PVC. Bezpośredni kontakt może uszkodzić materiał i odbarwić powierzchnię.

**UWAGA:** Wymij dozownik chemikaliów z basenu, gdy basen jest używany.

**WAŻNE:** Po przeprowadzeniu konserwacji chemicznej i przed użyciem basenu użyj zestawu testowego (brak w zestawie), aby przetestować chemię wody. Zalecamy utrzymanie wody zgodnie z poniższą tabelą.

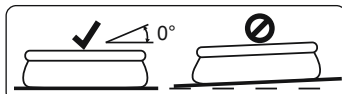


**OSTRZEŻENIE:** Podczas napełniania basenu wodą nie zostawiaj go bez nadzoru.

**Ściany basenu będą podnosić się wmiarę jego napełniania wodą.**

1. Napełnij basen wodą do 80% jego objętości, **NIE PRZEPEŁNIAJ GO**, gdyż może to spowodować runięcie basenu. W razie intensywnych opadów deszczowych być konieczne spuszczenie pewnej ilości wody z basenu, żeby utrzymać odpowiedni poziom wody.

2. Kiedy napełnianie basenu jest zakończone, sprawdź, czy woda nie zbiera się po bokach, co oznacza, że basen stoi również. Jeżeli basen nie stoi równo, spuść wodę i wyrównaj ponownie podłoże, podkopując ziemię.



**WAŻNE:** Nigdy nie próbuj przesuwac basenu z wodą, ponieważ to grozi poważnymi obrażeniami ciała lub może spowodować uszkodzenie basenu.

**OSTRZEŻENIE:** Woda może wywierać na basen wysokie ciśnienie. Jeśli na powierzchni basenu występuje wybrzuszenie lub którakolwiek z jego ścian nie jest wyrównana z innymi, ściany mogą pęknąć co spowoduje gwałtowne wylanie się wody z basenu i może spowodować poważne obrażenia i/lub uszkodzenie mienia osobistego.

Parametry	Wartości
Klarowność wody	wyraźny widok dna basenu
Kolor wody	powinien być zaobserwowany brak koloru
Zmętnienie w FNU / NTU	max. 1,5 (najlepiej mniej niż 0,5)
Stężenie azotanu powyżej stężenia wody wypełniającej w mg / l	max. 20
Całkowity węgiel organiczny (TOC) w mg / l	max. 4,0
Potencjał redoks w stosunku do Ag / AgCl 3,5 m KCl w mVl	min. 650
Wartość pH	6,8 do 7,6
Wolny aktywny chlor (bez kwasu cyjanurowego) w mg / l	0,3 do 1,5
Wolny chlor stosowany w połączeniu z kwasem cyjanurowym w mg / l	1,0 do 3,0
Kwas cyjanurowy w mg / l	max. 100
Połączony chlor w mg / l	max. 0,5 (najlepiej blisko 0,0 mg / l)

**UWAGA:** Uszkodzenia wynikające z braku równowagi chemicznej nie są objęte gwarancją. Chemikalia basenowe są potencjalnie toksyczne i należy się z nimi obchodzić ostrożnie. Istnieją poważne zagrożenia dla zdrowia spowodowane oparami chemikaliów oraz niewłaściwym etykietowaniem i przechowywaniem pojemników z chemikaliami. Aby uzyskać więcej informacji na temat konserwacji chemicznej, skontaktuj się z lokalnym sprzedawcą detalicznym. Zwróć szczególną uwagę na instrukcje producenta chemikaliów. Uszkodzenia basenu wynikające z niewłaściwego użycia chemikaliów i niewłaściwego zarządzania wodą w basenie nie są objęte gwarancją.

**WAŻNE:** Nadmierne użycie chemikaliów może odbarwić nadruk i wszystkie punkty materiału basenu. Może również uszkodzić strukturę niecki basenowej.

### Aby utrzymać basen w czystości:

- Skontaktuj się z lokalnym sklepem z zaopatrzeniem dla basenów, aby uzyskać porady i zakup chemikaliów oraz zestawów do pomiaru pH. Jednym z najważniejszych czynników zwiększających żywotność niecki jest ciągłe utrzymywanie czystej i zdrowej wody. Należy ściśle przestrzegać instrukcji profesjonalnych techników dotyczących uzdatniania wody za pomocą chemikaliów.
- Postaw miskę z wodą obok basenu, aby oczyścić stopy użytkownikom przed wejściem do basenu.
- Zakryj basen, gdy nie jest używany.
- Regularnie przeglądaj basen, aby uniknąć osadzenia się brudu.
- Regularnie sprawdzaj i myj wkład filtra.
- Delikatnie wyczyść brud spod górnego pierścienia czystą szmatką.
- Należy zachować ostrożność w przypadku wody deszczowej, sprawdzić, czy poziom wody nie jest wyższy niż oczekiwany. Jeśli tak, MUSISZ opróżnić nadmiar wody
- Jeśli pada deszcz, sprawdź, czy poziom wody nie jest wyższy niż określony poziom. Jeśli woda przekroczy określone poziomy, opróżnij basen do określonego poziomu.

### Właściwa konserwacja może zmaksymalizować żywotność basenu.

W sezonie korzystania z basenu system filtracji musi być koniecznie uruchamiany codziennie, wystarczająco długo, aby zapewnić co najmniej całkowitą wymianę objętości wody.

**UWAGA:** Pompa służy do cyrkulacji wody i filtrowania małych cząstek. Aby utrzymać czystość i higienę wody w basenie, musisz również dodać chemikalia.

### Naprawa

W przypadku wycieku załataj basen za pomocą dostarczonej podwodnejłaty naprawczej. Instrukcje można znaleźć w często zadawanych pytaniach w sekcji pomocy na naszej stronie internetowej [www.bestwaycorp.com](http://www.bestwaycorp.com).

### Demontaż


- Odkręć nakrętkę zaworu spustowego przekręcając ją w stronę zgodną z ruchem wskazówek zegara i zdejmij ją.
- Podłącz adapter do węża i umieść drugi koniec węża w miejscu, w które masz zamiar wypuścić wodę z basenu. (Sprawdź lokalne przepisy dotyczące wypuszczania wody.)
- Przykręć pierścień regulujący adaptera węża do zaworu spustowego, obracając pierścień w prawo. Zawór spustowy otworzy się, a woda zacznie automatycznie wypływać. Otwórz maksymalnie zawór spustowy.
- Wypuść powietrze z górnego pierścienia ściskając zawór powietrza.
- Jeśli górny pierścień jest już całkowicie opróżniony, naciśnij górny pierścień w dół i pozwól mu się przechylić dla ułatwienia odpływu wody. Wypuść całkowicie wodę z basenu.
- Po zakończeniu opróżniania, odkręć pierścień regulujący w celu zamknięcia zaworu.
- Odłącz wąż.
- Przykręć z powrotem nasadkę na zawór odpływu.
- Wysusz basen na powietrzu.

### Przechowywanie i konserwacja przed okresem zimowym

- Odczep od basenu wszystkie akcesoria i części wymienne i przechowuj je czyste i suche.
- Gdy basen jest już całkowicie suchy, posyp go talkiem, aby zapobiec jego sklejeniu się i ostrożnie zwiń basen. Jeśli basen nie jest całkowicie suchy, może rozwinąć się pleśń, co uszkodzi wkładkę basenu.
- Przechowuj wykładzinę i akcesoria w suchym miejscu o umiarkowanej temperaturze, pomiędzy 5°C / 41°F i 38°C / 100°F.
- W okresach deszczowych basen i akcesoria powinny być przechowywane w wyżej opisany sposób.
- Nieprawidłowe odprowadzanie wody z basenu może spowodować poważne obrażenia ciała i/lub uszkodzenia mienia osobistego.
- Zalecamy demontaż basenu poza sezonem (podczas miesięcy zimowych). Przechowuj w chłodnym, suchym miejscu, poza zasięgiem dzieci.

## FAST SET™ MEDENCÉK HASZNÁLATI ÚTMUTATÓ



Látogassa meg a Bestway YouTube-csatornáját 

### FIGYELMEZTETÉS

Az úszómedence telepítése és használata előtt gondosan olvassa el ezt a kézikönyvet, és értse meg, valamint tartsa be a benne foglaltakat. Ezek a figyelmeztetések, utasítások és biztonsági irányelvek segítenek elhárítani a vízi rekreációval kapcsolatos néhány általános kockázatot, de nem tudják lefedni az összes kockázatot és veszélyt. A vízi tevékenységek végzése során mindig legyen óvatos, megfontolt, és jó ítélőképességű. Tegye félre ezt a kézikönyvet, hogy a jövőben bármikor belenézhesen.

#### Az úszni nem tudók biztonságáért

- A gyengén úszóknak és úszni nem tudóknak mindig hozzáférő felnőtt általi folyamatos, aktív és éber felügyeletet kell biztosítani (vegye figyelembe, hogy az öt év alatti gyermekeknek a legnagyobb a fulladásveszély).
- A medence minden egyes használata alkalmával jelöljön ki hozzáférő felnőttet a medence felügyelőre.
- A gyengén úszóknak, illetve úszni nem tudóknak a medence használatakor egyéni védőfelszerelést kell viselniük.
- Ha az úszómedence nincs használatban, távolítsa el belőle és a környezetéből minden játékot, hogy azok a gyermekeket neohgy a medencébe csalogassák.

#### Biztonsági berendezések

- A gyermekek megfulladásának elkerülése érdekében ajánlatos a medencéhez való hozzáférést védőeszközzel korlátozni. Annak érdekében, hogy a gyermekek ne ugrálhassanak a bemeneti és kimeneti szelepekről, tanácsos kerítéssel (és adott esetben az ajtók és ablakok bezárásával) megakadályozni az illetéktelenek medencéhez való hozzáférést.
- A kerítések, medencefedelek, medenceriásztók, illetve hasonló biztonsági berendezések hasznos segítség, de nem helyettesítik a hozzáférő felnőtt általi folyamatos felügyeletet.

#### Biztonsági berendezések

- A medence mellett tanácsos mentőfelszerelést (pl. mentőőv) tartani.
- Tartson működőképes telefont és a segélyhívószám-listát a medence mellett.

#### A medence biztonságos használata

- Biztasson minden felhasználót – különösen a gyermekeket – hogy tanuljanak meg úszni.
- Tanulja meg az alapszintű elsősegélynyújtást (újraélesztés – CPR), és rendszeresen frissítse ezen ismereteit. Ez vészhelyzetben életet menthet.
- Tájékoztassa az összes medencehasználót, hogy mit kell csinálni vészhelyzet esetén.
- Soha ne ugorjon sekély vízbe. Ez súlyos sérüléshez vagy halálhoz vezethet.
- Ne használja az úszómedencét, ha alkohol vagy gyógyszer hatása alatt áll, amely hatás hátrányosan befolyásolhatja a medence biztonságos használatát.
- Medencefedél használatát esetén a medencébe való beszállás előtt teljesen távolítsa el azt a vízfelületről.
- A medencevíz kezelésével és jó higiéniai állapotának fenntartásával védje a medence használóit a vízen keresztül elkapható betegségektől. Tekintse meg a használati útmutatóban a vízkezelési irányelveket.

- A vegyszerek (pl. vízkezelő szerek, tisztító vagy fertőtlenítő termékek) a gyermekek számára hozzáférhetetlen helyen tartandók!
- Használja az alább leírt jelzést. A jelzést feltűnő helyen kell elhelyezni, a medence 2 méteres környezetében.

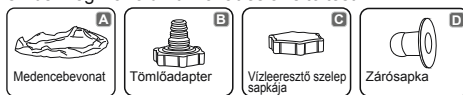


Ne hagyja a gyermekeket a vizes környezetben felügyelet nélkül. Merülni tilos!

- Az eltávolítható létrákat vízszintes felületre kell helyezni.
- Az úszómedencéhez használt anyagoktól függetlenül, a sérülések elkerülése érdekében a hozzáférhető felületeket rendszeresen ellenőrizni kell.
- A sérülések elkerülése érdekében rendszeresen ellenőrizze a csavarok állapotát, távolítsa el a sorjákat, illetve szüntesse meg az éles peremeket.
- **FIGYELEM:** Ne hagyja a leürített medencét a szabadban. A medence üres állapotban könnyen deformálódhat, illetve a medencét könnyen arébb fújhatja a szél.
- Ha van szűrőszivattyúja, részletekért tekintse meg a szivattyú kézikönyvét.
- **FIGYELMEZTETÉS!** A szivattyú nem használható, ha ember van a medencében!
- Ha van létrája, részletekért tekintse meg a létra kézikönyvét.
- **FIGYELMEZTETÉS!** Az úszómedence használata során tartsa be a használati és karbantartási útmutatójában foglalt biztonsági utasításokat. A fulladás, illetve egyéb súlyos sérülések megelőzése érdekében különösen figyeljen oda az úszómedence 5 éven aluli gyermekek általi nem várt hozzáféréseinek lehetőségére, és gondoskodjon arról, hogy a gyermekek ne férhessenek a medencéhez, valamint a furdözés ideje alatt folyamatosan felügyelje őket, vagy gondoskodjon felnőtt általi felügyeletükről.

### Alaposan olvassa el, és tegye félre, hogy a jövőben bármikor belenézhesen.

A beszerelés általában 10 percet vesz igénybe, ha 2-3 ember végzi a földmunkákat és a feltöltést.



**MEGJEGYZÉS:** Néhány részegység eleve fel van szerelve a medencére.

### AMEGFELELŐ HELYSZÍN KIVÁLASZTÁSA

**MEGJEGYZÉS:** Amedencét teljesen sima és lapos felületre állítsa. Ne állítsa fel amedencét olyan helyen, ahol a talaj nem egyenletes vagy lejtős.

#### Amedence helyes felállításának körülményei:

- A kiválasztott helynek a használat teljes időtartamában képesnek kell lennie egyenletesen megtertelni a medence tömegét, továbbá a helyszínnek vízszintesnek és minden tárgytól és törmeléktől (pl. kövek és ágak) kell lennie.
- Amedencét tanácsos minden olyan tárgytól távol elhelyezni, amelyeket a gyermekek amedencébe ugrásra felhasználhatnak.

**MEGJEGYZÉS:** Helyezze amedencét a túfolyás vagy amedenceelűrités esetén elfolyó vizet befogadni képes, megfelelő csatorna-rendszerrel.

#### Amedencefelállítás nem megfelelő körülményei:

- Egyetlen talajon amedence összedőlhet, ami súlyos személyi sérülést és/vagy tárgyi kárt okozhat, egyúttal a

garancia, valamint a szervizjogosultság elvesztésével jár.

- A szintezéshez ne használjon homokot; szükség esetén a talajt kímárással kell elegyíteni.
- Közvetlenül felső erősáramú vezetékek vagy fák alá.
- Győződjön meg arról, hogy a helyszínen nincsenek föld alatti közüzemi hálózati csövek, vezetékek vagy bármilyen kábelek.
- Ne állítsa fel amedencét kocsibehajtókon, fedélzeteken, emelvényeken, kavics- vagy aszfaltfelületeken. A kiválasztott helyszínek elég szilárdnak kell lennie ahhoz, hogy ellenálljon a víz nyomásának – a saras, homokos, puha/laza talaj vagy kátrány nem megfelelő.
- Amedence alatti fű vagy egyéb növények szag és nyálka képződésével el fognak pusztulni, ezért tanácsos a fűvet eltávolítani amedence kiválasztott helyszíne alól.
- Kerülje az agresszív növények és gyomok számára kedvező helyeket, mivel ezek átjuthatnak a bevonaton.

**MEGJEGYZÉS:** Tudakolj meg a helyi városi tanácsnál a kerítésekre, korlátokra, világításra és biztonságra vonatkozó követelményeket, és tartson bennind jogszabályi előírást.

**MEGJEGYZÉS:** Ha van szűrőszivattyúja, részletekért tekintse meg a szivattyú kézikönyvét.

**MEGJEGYZÉS:** A létrának amedenceméretéhez valónak kell lennie, és azt csak amedencébe való beszállásra, illetve az abból való kiszállásra szabad használni. Tilos a létrát amaximális teherbírásánál jobban terhelni. Rendszeresen ellenőrizze, hogy a létramegfelelően van-e összeszerelve.

## Összeszerelés

A Bestway Inflatables cég nem vállalmagára felelősséget amedence nem rendeltetészerű vagy a használati utasításban foglaltaktól eltérő felhasználásából eredő esetleges károkért.

**FIGYELEM:** Ne használjon sűrítettlevegő-tömlőt, illetve ne fújja túl a felső gyűrűt – annak érintésre enyhén feszesnek kell lennie.

**MEGJEGYZÉS:** Ne használjon hosszabbítót a szivattyú áramellátásának biztosításához.

**FIGYELEM:** Ne húzza a medencét a földön, mert az megsérülhet.

**MEGJEGYZÉS:** A medence alapját vagy alját megfelelően kell leteríteni (legyen sima, ráncok nélkül).

**MEGJEGYZÉS:** Meleg hőmérsékleten a levegő tágulása sérülést okozhat a gyűrűben.. Hagyjon teret a tágulásnak.

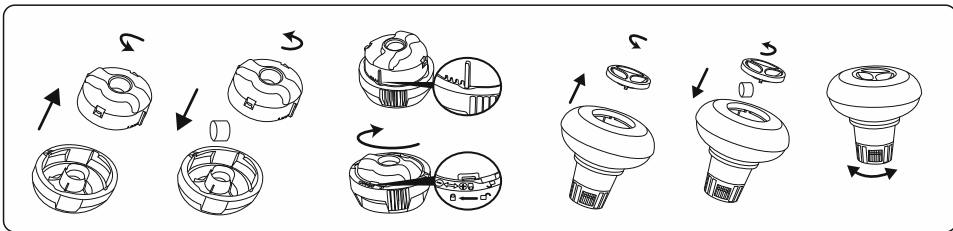
**MEGJEGYZÉS:** Az ábrák csak illusztrációként szolgálnak. Az ábrák nem feltétlenül a vonatkozó terméket mutatják. Az ábrák nem méretarányosak.

## Medence karbantartása

Az alábbi karbantartási utasítások be nem tartása veszélyezteti az Ön, és különösen az Ön gyermekeinek egészségét.

### Vegyszertabletták használata (nincs mellékelve):

**MEGJEGYZÉS:** Kötelezően használja a Chemconnect egységet vagy úszó vegyszeradagoló tablettákkal végzett vegyi karbantartáskor. Előfordulhat, hogy a termék nem tartalmazza ezen adagolókat egyikét sem, ebben az esetben az egységeket megvásárolhatja a [www.bestwaycorp.com](http://www.bestwaycorp.com) webhelyünkön, illetve megkeresheti a legközelebbi medenceforgalmazót.



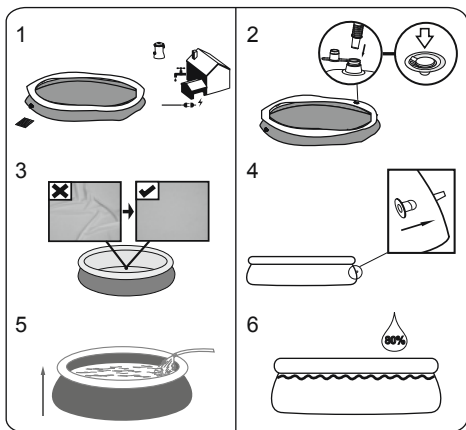
**FONTOS:** Ne használjon granulátumtablettákat, illetve ne dobja a tablettát közvetlenül a vízbe. A vegyszerek lerakódhatnak a medence alján, így károsítva az anyagot, illetve elszínezve a PVC-t.

### Vegyszerfolyadék használata (nincs mellékelve):

**FONTOS:** A vegyszerfolyadékot adja hozzák kicsi dózisokban és a medence közepénél, így elkerülve a közvetlen érintkezést a vegyszer és a PVC felület között. A közvetlen érintkezés károsíthatja az anyagot, illetve elszínezheti a felületet.

**MEGJEGYZÉS:** Ha a medence nincs használatban, vegye ki a vegyszeradagolót a medencéből.

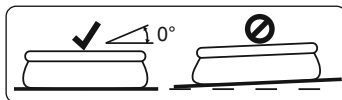
**FONTOS:** A vegyi karbantartás elvégzését követően és a medence használata előtt tesztkészlettel (nincs mellékelve) ellenőrizze a víz vegyi tulajdonságait. Javasoljuk, hogy a víz karbantartását az alábbi táblázatban foglaltak szerint végezze.



**VIGYÁZAT:** A víz töltése közben amedencét ne hagyja felülegelet nélkül.

**Amedence falai a víz töltése közben fel fognak emelkedni.**

1. Amedencét a térfogatának a 80%-ig töltsen meg, NE TÖLTSE TUL, mivel az amedence szétesését okozhatja. Intenzív esőzések esetén szükség lehet bizonyymennyiségű víz leeresztésére, hogy biztosítva legyen amegfelelő vízszint.
2. Ha a végzett amedence feltöltésével, ellenőrizze, hogy a víz szintje amedencébenmindehol egyenlő-e. Ha a víz szintje nem egyenlő, eressze le a vizet és egyengesse ki a talajt ásóval.



**FONTOS:** Sohasem próbálja amedencét arrébb vinni, ha abban víz van, mivel az testi sérülést vagy amedence károsodását okozhatja.

**FIGYELMEZTETÉS:** Az Ön medencéje nagy nyomást tartalmazhat. Ha a medence fala dudorodik vagy egyenetlen az oldala, az azt jelenti, hogy a medence nincs vízszintben. Ilyen esetben a medence oldalai kihatadhatnak, és a víz hirtelen kiáramolhat, ami súlyos személyi sérülést és/vagy tárgyi kárt okozhat.



Paraméterek	Értékek
Víz tisztaság	tisztán látni a medence alját
A víz színe	kifejezett szín nem tapasztalható
Zavarosság [FNU/NTU]	max. 1,5 (lehetőleg kevesebb mint 0,5)
A töltővíz értékét meghaladó nitrátkoncentráció [mg/l]	max. 20
Összes szerves szén (TOC) [mg/l]	max. 4,0
Redoxpotenciál Ag/AgCl és 3,5 M KCl vizes oldatában [mV]	min. 650
pH-érték	6,8 ... 7,6
Szabad aktív klór (cianursav nélkül) [mg/l]	0,3 ... 1,5
Szabad klór cianursavval együtt használva [mg/l]	1,0 ... 3,0
Cianursav [mg/l]	max. 100
Kombinált klór [mg/l]	max. 0,5 (lehetőleg kevesebb mint 0,0 mg/l)

**MEGJEGYZÉS:** A kémiai egyensúly hiánya által okozott károokra nem vonatkozik a garancia. A medencében használt vegyszerek potenciálisan mérgezők, ezért óvatosan kezelendők. A vegyszergázok és a vegyszertároló edények helytelen címkézése súlyos egészségügyi kockázatot jelentenek. A vegyi karbantartással kapcsolatos további információkért forduljon a legközelebbi medenceforgalmazóhoz. Szigorúan tartsa be a vegyszer gyártójának utasításait. A medencének a vegyszerek nem rendelkezészerű használatából és a medencevíz rossz kezeléséből eredő károsodására a jótállás nem érvényesíthető.

**FONTOS:** A vegyszerek túlzott használata elszínezheti a grafikát, illetve a medenceanyag teljes felületét. Továbbá károsíthatja a medencebevonat szerkezetét.

### A medence tisztán tartása:

1. A vegyszerekre és pH készletekre vonatkozó tanácsadás és beszerzési csatornák tekintetében tájékozódjon a helyi, uszodakellékek forgalmazó boltjánál A bevonat élettartama leghatékonyabban a víz folyamatosan tisztán és egészséges szinten tartásával hosszabbítható meg. A vegyszerekkel végzett vízkezelés ügyében szigorúan kövesse a szakemberek utasításait.
2. Helyezzen egy vödör vizet a medence mellé, amelyben a felhasználók előlölthetik a lábukat, mielőtt a medencébe lépnének.
3. Fedje le a medencét, amikor nem használja.
4. A szennyeződések lerakódását megelőzendő szabályos időközönként tisztítsa meg a vízfelületet.
5. Szabályos időközönként ellenőrizze és mossa át a szűrőkazettát.
6. Óvatosan távolítson el bármilyen szennyeződést a felső gyűrű alól egy tiszta törülköző segítségével.
7. Esős esetén figyeljen arra, hogy a vízszint ne legyen magasabb a javasoltnál. Ellenkező esetben TÁVOLÍTSA EL A VÍZFELESLEGET.
8. Eső esetén ellenőrizze, hogy a vízszint nincs-e magasabban a megadott szintnél. Ha a víz a megadott szint fölé megy, eressze le a medencét a megadott szintig.

### A megfelelő karbantartás maximalizálhatja a medence élettartamát.

Az uszómedence használati évszakában a szűrőrendszert működtesse kötelezően napi rendszerességgel, illetve elég hosszán ahhoz, hogy a rendszer átforgassa legalább egyszer a teljes vízmennyiséget.

**MEGJEGYZÉS:** A szivattyú a víz keringtetésére és a kis részecskék kiszűrésére szolgál. A víz tiszta és higiénikus állapotának megtartása érdekében a vízhez vegyszereket is kell adnia.

### Javítás

Szivárgás esetén a mellékelt víz alatti öntapadós javítótapasz segítségével ragassza meg a medencét. Az utasítások megtalálhatók a [www.bestwaycorp.com](http://www.bestwaycorp.com) webhelyünk ügyféltámogatás részének GYIK oldalán.

### Szűrészerelés


1. Óráiránnyal ellentétesen csavarozza le és vegye le a leeresztőszелеp sapkáját.
2. Csatlakoztassa az adaptert a tömlőhöz, és illessze a tömlő másik végét arra a területre, ahová a medence leeresztendő vizét folyatni szeretné. (Ellenőrizze a vízvezetésre vonatkozó helyi előírásokat).
3. Óráirányban csavarja föl a tömlőadapter vezérlőgyűrűjét a leeresztőszелеpre. A leeresztőszелеp kinyit, a víz pedig automatikusan folyni kezd. A maximális állásig nyissa ki a leeresztőszелеpet.
4. A légszелеp összenyomásával eressze ki a felső gyűrűből a levegőt.
5. Ha a felső gyűrű teljesen leeresztett, nyomja lefelé a felső gyűrűt, és döntse meg, hogy megkönnyítse a leeresztést. Teljesen eressze le a medencében lévő vizet.
6. A leeresztés végén a szелеp elzárásához csavarja le a vezérlőgyűrűt.
7. Válassza le a tömlőt.
8. Csavarja vissza a leeresztőszелеp sapkáját.
9. Levegőt szárítsa ki a medencét.

### Tárolás és téliesítés

1. Távolítsa el a medence összes tartozékát és pótalkatrészét, majd tisztítsa és szárítsa után tegye el őket.
2. Ha a medence teljesen megszáradt, a medence részeinek egymáshoz ragadása ellen szórja be hintőporral, majd gondosan hajtogassa össze a medencét. Ha a medencét nem teljesen szárazon teszi el, a medencén penész jelenhet meg, ami tönkretelheti a medencebevonatot.
3. Tárolja a bevonatot és a tartozékokat száraz, 5 ... 38 °C (41 ... 100 °F) hőmérsékletű helyen.
4. Esős időszakban a medencét és annak tartozékait szintén a fenti utasítások szerint kell tárolni.
5. A medence nem megfelelő leürítése súlyos személyi sérülést és/vagy tárgyi kárt okozhat.
6. Nagyon javasoljuk, hogy a holt szezonban (téli hónapok) szerelje szét a medencét. Tárolja száraz, gyermekek számára hozzáférhetetlen helyen.

## FAST SET™ POOLER ÅGARENS BRUKSANVISNING



Besök Bestway YouTube kanal 

### VARNING

Läs noggrant, förstå, och följ all information i användarmanualen innan du installerar och använder swimmingpoolen. Dessa varningar, instruktioner och säkerhetsanvisningar handlar om några vanliga risker i samband med vattenlekar, men de täcker inte alla risker och faror för alla tillfällen. Var alltid försiktig, använd vanligt förnuft och gott omdöme när du njuter av aktiviteter i vattnet. Bevara den här informationen för framtida bruk.

#### Säkerhet för icke simkunniga

- För de personer som är dåliga på att simma eller inte är simkunniga (kom ihåg att barn under fem år lider största risken för drunkning) krävs det en ständig och aktiv övervakning av en vuxen person.
- Utse en vuxen person att övervaka poolen varje gång den används.
- Dåliga simmare eller ej simkunniga personer bör använd personlig räddningsutrustning när de använder poolen.
- När poolen inte används, eller om den är övervakad, ta då bort alla leksaker från swimmingpoolen och runt omkring den för att undvika att barn dras till poolen.

#### Säkerhetsanordningar

- För att undvika drunkningsolyckor med barn rekommenderar vi att säkra tillträdet till poolen med en skyddsanordning. För att undvika att barn klättrar från inloppsventilen och utloppsventilen rekommenderar vi att ett hinder installeras (och att säkra alla dörrar och fönster där det är möjligt) för att undvika att icke behöriga personer får tillträde till swimmingpoolen.
- Hinder, poolöverdrag, poolalarm, eller liknande säkerhetsanordningar är bra hjälpmedel, men de ersätter inte en ständig och kompetent övervakning av en vuxen person.

#### Säkerhetsutrustning

- Vi rekommenderar att ha räddningsutrustning (ex. livboj) bredvid poolen.
- Förvara en fungerande telefon och en lista på nödnummer bredvid poolen.

#### Säker användning av poolen

- Uppmuntra alla användarna, framförallt barnen, att lära sig att simma.
- Lär dig grundläggande livsupphållande åtgärder (hjärt- och lungräddning - CPR) och uppdatera denna kunskap regelmässigt. Detta kan utgöra skillnaden vid en livräddning i en nödsituation.
- Ge alla användarna, inklusive barnen, instruktioner om vad man ska göra i händelse av en nödsituation.
- Dyk aldrig i grunt vatten. Det kan leda till allvarliga skador eller till döden.
- Gå inte i swimmingpoolen när du har druckit alkohol eller tagit medicin som kan försämra din förmåga att använda poolen på ett säkert sätt.

- Om poolöverdrag finns på poolen, ta då bort det fullständigt från vattenytan innan du går i poolen.
- Skydda poolanvändarna från vattenrelaterade sjukdomar genom att behandla poolvattnet och genom att praktisera en god hygien. Läs i användarmanualen om riktlinjerna för vattenbehandlingar.
- Förvara kemikalier (t.ex. vattenbehandling, rengörings- och desinfekteringsprodukter) oåtkomliga för barn.
- Använd nedanstående skyltar. Skyltarna ska finnas på en framträdande plats inte längre än 2 meter från poolen.

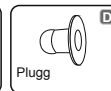
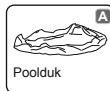


Håll barnen under uppsikt i vattenområdet. Ingen dykning.

- Flyttbara stegar ska placeras på en horisontell yta.
- Oavsett det material som använts för tillverkning av poolen, måste alla tillgängliga ytor regelbundet kontrolleras för att undvika skador.
- Kontrollera regelbundet bultar och skruvar, ta bort flisor eller vassa kanter för att undvika skador.
- **VAR UPPMÄRKSAM PÅ:** Lämna inte den tömda poolen utomhus. Den tomma poolen riskerar att bli deformerad och/eller förflyttad pga. vinden.
- Om du har en filter pump, läs då i pumpmanualen för vidare instruktioner.
- **VARNING!** Pumpen får inte användas då det finns människor inuti poolen!
- Om du har en stege, läs då stegens manual för vidare instruktioner.
- **VARNING!** Användningen av en swimmingpool innebär samtycke till säkerhetsinstruktionerna som beskrivs i användar- och underhållsmanualen. För att undvika drunkning och andra allvarliga händelser, måste man vara särskilt försiktig när det gäller risken att barn under 5 år får oförutsett tillträde till swimmingpoolen. Säkra tillträdet till poolen och håll barnen under konstant uppsikt av en vuxen under badtillfällena.

### Läs noggrant och bevara för framtida behov.

Installationen tar vanligtvis ungefär 10 minuter med 2-3 personer, men omfattar då inte markarbetet och fyllning.



**OBS!** Vissa delar redan har installerats på poolen.

### VÄLJ RÄTT PLATS

**OBSERVERA:** Poolen måste placeras på en helt platt och jämn yta. Installera inte poolen om ytan lutar eller är sned.

#### Korrekt omgivning för att sätta upp poolen:

- Den valda platsen måste enhetligt kunna klara vikten under poolens hela installationstid, samt vara platt och alla objekt eller skräp, såsom stenar eller kvistar, måste ha rensats bort.



- Vi rekommenderar att placera poolen där det saknas object som barn kan klättra upp på för att ta sig i poolen.

**OBSERVERA:** Placera poolen när ett lämpligt dräneringssystem för att kunna hantera översvämningar och tömning av poolen.

**Inkorrekt omgivning för att sätta upp poolen:**

- En ojämn markyta kan orsaka att poolen kollapsar och leda till allvarliga personskador och/eller skador på personliga tillhörigheter samt upphäva garantin och förhindra krav på service.
- Sand bör inte användas för att skapa en jämn grund, om nödvändigt bör grunden grävas ut.
- Direkt under luftledning eller träd. Se till att platsen inte innehåller underjordiska allmännyttiga ledningar, eller ledningar eller kablar av annan sort.
- Installera inte poolen på infarter, däck, plattformar, grus- eller asfaltytor. Den valda platsen bör vara fast nog att kunna motstå trycket från vattnet. Lera, sand, mjuk eller lös jord eller tjära passar inte.
- Gräs eller annan vegetation under poolen kan dö och orsaka utveckling av lukt eller slam, vi rekommenderar därför att man avlägsnar allt gräs från platsen där poolen skall installeras.
- Undvik områden som är benägna för aggressiva växter och ogräsarter som kan växa genom poolduken.

**OBSERVERA:** Hör med lokala myndigheter gällande stadgar för uppsättning av stängsel, barriärer, belysning samt säkerhetsregleringar och se till att du följer lagen.

**OBSERVERA:** Om du har en filterpump, se pumpens manual för instruktioner.

**OBSERVERA:** Stegen måste passa poolstorleken och bör endast användas för att ta sig in och ut ur poolen. Det är förbjudet att överskrida stegens tillåtna belastning. Kontrollera regelbundet att stegen är ordentligt monterad.

**Installation**

Bestway Inflatables ansvarar inte för skador på poolen om de uppstår på grund av felaktig hantering eller om man inte följer dessa instruktioner.

**BEAKTA FÖLJANDE:** Använd inte en högtrycksluftslang eller fyll inte den övre ringen med för mycket lyft. Den ska vara något hård vid beröring.

**OBS!** Använd inte förlängningssladdar för att förse din pump med elektricitet

**BEAKTA FÖLJANDE:** Dra inte poolen på gräsmattan, eftersom detta kan leda till skador på den.

**OBS!** Poolens bas eller botten ska läggas ut ordentligt (platt utan veck)

**OBS!** Höga temperaturer orsakar att luften expanderar i ringen och detta kan orsaka skador. Lämna lite plats för expansion.

**OBS!** Bilderna är endast avsedda som förklaring. De kan skilja sig från den faktiska produkten.

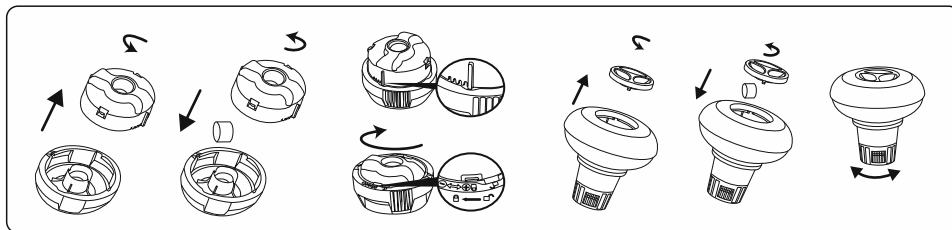
Bilderna är inte skalens.

**Poolskötsel**

Om du inte följer de riktlinjer för underhåll som följer nedan, kan din hälsa vara i riskzonen och särskilt dina barns.

**Att använda kemiska tabletter (ej inkluderade)**

**OBS!** När du utför kemiskt underhåll med tabletter måste Chemconnect eller en kemisk flottör användas. Din köpta artikel kanske inte inkluderar Chemconnect eller kemisk flottör. I detta fall kan du köpa en dispenser genom att besöka vår webbplats [www.bestwaycorp.com](http://www.bestwaycorp.com) eller hos närmaste poolåterförsäljare.



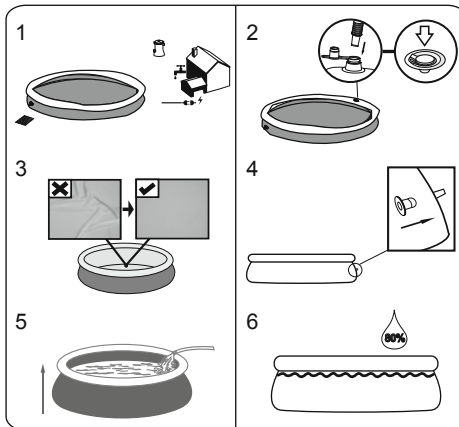
**VIKTIGT:** Använd inte tabletter i granulerad form och kasta inte tablettens direkt i vattnet. Kemikalier kan fastna på botten, skada materialet och missfärga PVC-materialet.

**Att använda kemisk vätska (ej inkluderad)**

**VIKTIGT:** Tillsätt kemisk vätska i små doser i mitten av poolen. På så sätt förhindras direkt kontakt mellan kemikalier och PVC-ytan. Direkt kontakt kan skada materialet och missfärga ytan.

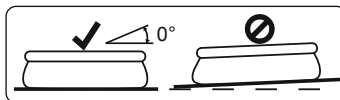
**OBS!** Ta bort den kemiska dispensern från poolen när poolen används.

**VIKTIGT:** Efter att ha utfört kemiskt underhåll och innan du använder poolen, använd ett testkit (ingår ej) för att testa vattenkemin. Vi rekommenderar att du håller ditt vatten enligt följande tabell.



**OBS:** Lämna inte poolen utan tillsyn då den är fylld med vatten. **Poolväggarna höjer sig då du fyller på med vatten.**

1. Fyll poolen tills vattenkapaciteten är 80%. Fyll den INTE FÖR MYCKET eftersom det kan göra så att poolen kollapsar. Vid håftiga regnfall kan du behöva tömma ut lite vatten för att se till att nivån är korrekt.
2. När fyllningen av poolen avslutats, kontrollera att vattnet inte samlas på någon av sidorna för att se till att poolen är jämn.



**VIKTIGT:** Om poolen inte är jämn ska du tömma ut vattnet och göra marken jämn genom att gräva ut den. Försök aldrig flytta poolen om den innehåller vatten. Annars kan allvariga personskador eller materiella skador uppstå.

**WARNING:** Din pool kan innehålla en stor mängd tryck. Om din pool har någon utbuckling eller en ojämn sida, då är inte poolen nivålerad, sidorna kan brista och vattnet som rinner ut kan orsaka allvarliga personliga skador och/eller egendomsskador.

Parametrar	Värden
Vattnets klarhet	Tydlig sikt över poolbotten
Vattnets färg	Vattnet ska vara genomskinligt
Turbiditet FNU/NTU	max. 1,5 (helst mindre än 0,5)
Koncentrationen av nitrat över fyllt vatten i mg/l	max. 20
Totalt organiskt kol (TOC) i mg/l	max. 4,0
Redoxpotential mot Ag/AgCl 3,5 m KCl i mV	min. 650
pH-värde	6,8 till 7,6
Fritt klor (utan cyanursyra) i mg/l	0,3 till 1,5
Fritt klor som används i kombination med cyanursyra i mg/l	1,0 till 3,0
Cyanursyra i mg/l	max. 100
Kombinerad klorin i mg/l	max. 0,5 (helst nära 0,0 mg/l)

**OBS!** Skador till följd av kemisk obalans täcks inte av garantin. Poolkemikalier är potentiellt giftiga och bör hanteras med försiktighet. Det finns allvarliga hälsorisker med kemiska ångor och felaktig märkning och lagring av kemiska behållare. Kontakta din lokala poolåterförsäljare för mer information om kemiskt underhåll. Ägna stor uppmärksamhet åt de instruktioner som tillverkaren av kemikalierna har givit. Poolskada till följd av felaktig användning av kemikalier och misskötsel av badvattnet täcks inte av garantin.

**VIKTIGT:** Överanvändning av kemikalier kan misfärga poolens interiör och själva poolmaterialet. Det kan också skada pooldukenes struktur.

### För att hålla ditt poolvatten rent

1. Kontakta din lokala poolåterförsäljare för rådgivning och köp av kemikalier och pH-satser. En av de viktigaste faktorerna för att öka livslängden av poolduken är att hålla vattnet kontinuerligt rent och friskt. Följ noggrant anvisningarna från professionella tekniker för vattenbehandling genom användning av kemikalier.
2. Ställ en hink med vatten bredvid poolen för att rengöra fötterna innan du går in i poolen.
3. Täck över poolen när den inte används.
4. Använd regelbundet skimmer för att undvika att smuts sätter sig fast.
5. Kontrollera och rengör regelbundet filterpatronen.
6. Använd en ren trasa och rengör försiktigt under toppringen för att ta bort allt skum.
7. Var noga med regnvatten, kontrollera alltid att vattennivån inte är högre än beräknat. Om så är fallet måste du tömma överflödigt vatten.
8. Om det regnar, kontrollera att vattennivån inte är högre än den angivna nivån. Om vattennivån överskrider de angivna nivåerna, töm poolen till den angivna nivån.

### Korrekt underhåll kan göra att poolen håller längre.

Under badsäsongen måste filtersystemet vara igång dagligen, tillräckligt lång tid för att garantera att allt vatten byts ut.

**OBS!** Pumpen används för att cirkulera vattnet och filtrera bort små partiklar. För att hålla ditt poolvatten rent och hygieniskt måste du tillsätta kemikalier.

### Reparation

I händelse av läcka kan du lappa din pool med den medföljande lagningslappen för användning under vatten. Du kan hitta instruktionerna i vanliga frågor på hjälpaavdelningen på vår webbplats, [www.bestwaycorp.com](http://www.bestwaycorp.com).

### Nedmontering

1. Skruva loss locket på tömningsventilen motsols och ta bort.
2. Anslut adaptern till slangens och placera den andra änden av slangens där du kommer att tömma poolen. (Kontrollera lokala regelverk och förordningar för avtappning).
3. Skruva av regleringsringen från slangens adapter motsols och på tömningsventilen. Denna ventil kommer att vara öppen och vattnet kommer automatiskt att tappas ut. Öppna tömningsventilen maximalt.
4. Töm den övre ringen av luft genom att klämma luftventilerna.
5. När den övre ringen är fullständigt tömd på luft, tryck då ned den övre ringen och ställ poolen på kant för att lätt kunna tömma den. Töm poolen fullständigt på vatten.
6. När tömningen är avslutad ska regleringsringen skruvas loss och ventilerna stängas.
7. Koppla loss slangens.
8. Skruva tillbaka locket på tömningsventilen
9. Lufta torr pool.

### Förvaring och vinterförvaring

1. Ta bort alla tillbehör och reservdelar på poolen och förvara dem rent och torrt.
2. När poolen är fullständigt torr, pudra över talkpuder för att undvika att poolen klustras samman. Vik poolen noggrant. Om poolen inte är fullständigt torr kan det resultera i mögel, vilket skadar poolinern.
3. Förvara linern och tillbehör på en torr plats med moderat temperatur mellan 5°C / 41°F och 38°C / 100°F.
4. Under den regniga årstiden, ska poolen och tillbehören också förvaras som ovan beskrivet.
5. Felaktig tömning av poolen kan orsaka allvarliga personskador och/eller personliga egendomsskador.
6. Vi rekommenderar absolut att poolen ska monteras ned under lågsäsongen (vintermånaderna). Förvaras på en torr plats utom räckhåll för barn.





For support please visit us at:  
[bestwaycorp.com/support](http://bestwaycorp.com/support)

**©2020 Bestway Inflatables & Material Corp.**

All rights reserved/Tous droits réservés/Todos los derechos reservados/Alle Rechte vorbehalten/Tutti i diritti riservati

®™ Trademarks used in some countries under license to/

Marques ®™ utilisées dans certains pays sous la licence de/

Marcas comerciales ®™ utilizadas en algunos países bajo la licencia de/

®™ Die Warenzeichen werden in einigen Ländern verwendet unter Lizenz der/

®™ Marchi utilizzati in alcuni paesi concessi in licenza a

**Bestway Inflatables & Material Corp., No.3065 Cao An Road, Shanghai, 201812, China.**

Manufactured, distributed and represented in the European Union by/

Fabriqués, distribués et représentés dans l'Union Européenne par/Fabricado, distribuido y representado en la Unión Europea por/

Hergestellt, vertrieben und in der Europäischen Union vertreten von/Prodotto, distribuito e rappresentato nell'Unione Europea da

**Bestway (Europe) S.r.l., Via Resistenza, 5, 20098 San Giuliano Milanese (Milano), Italy**

Distributed in North America by/Distribués en Amérique du Nord par/Distribuido en Norteamérica por

**Bestway (USA) Inc., 3411 E. Harbour Drive, Phoenix, Arizona 85034, United States of America**

Tel: +86 21 69135588 (For U.S. and Canada)

Distributed in Latin America by/Distribués en Amérique latine par/Distribuido en Latinoamérica por/Distribuido na América Latina por

**Bestway Central & South America Ltda, Salar Ascotan 1282, Parque Enea, Pudahuel, Santiago, Chile**

Distributed in Australia & New Zealand by **Bestway Australia Pty Ltd, Unit 2/98-104 Carnarvon St Silverwater, NSW 2128, Australia**

Tel: Australia: (+61) 29 0371 388; New Zealand: 0800 142 101

Exported by/Exporté par/Exportado por/Exportiert von/Esportato da

**Bestway (Hong Kong) International Ltd./Bestway Enterprise Company Limited**

Suite 713, 7/Floor, East Wing, Tsim Sha Tsui Centre, 66 Mody Road, Kowloon, Hong Kong

[www.bestwaycorp.com](http://www.bestwaycorp.com)