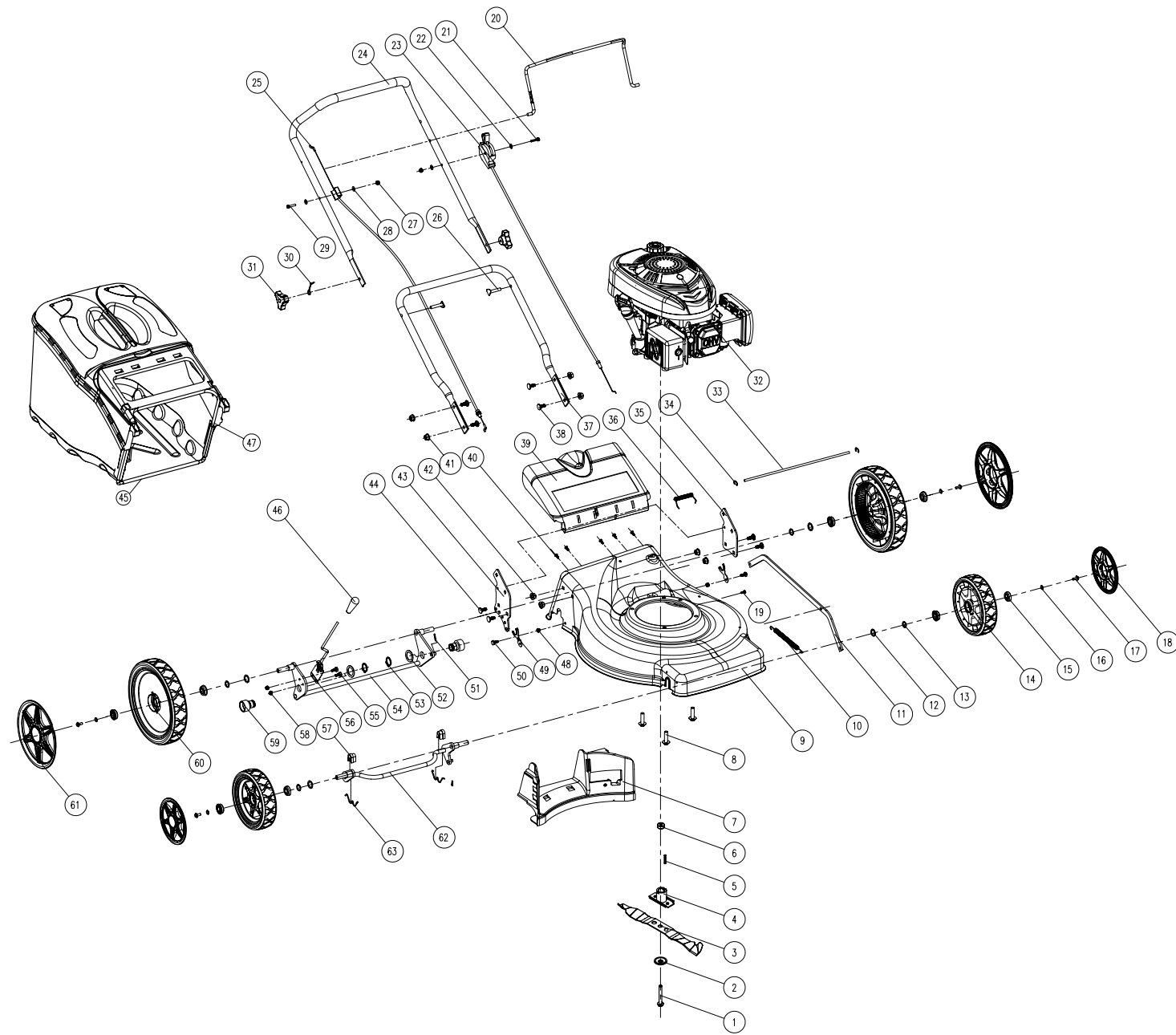


# HECHT<sup>®</sup> 546 model 2011 STROJ

made for garden



# HECHT<sup>®</sup> 546 model 2011 STROJ

made for garden

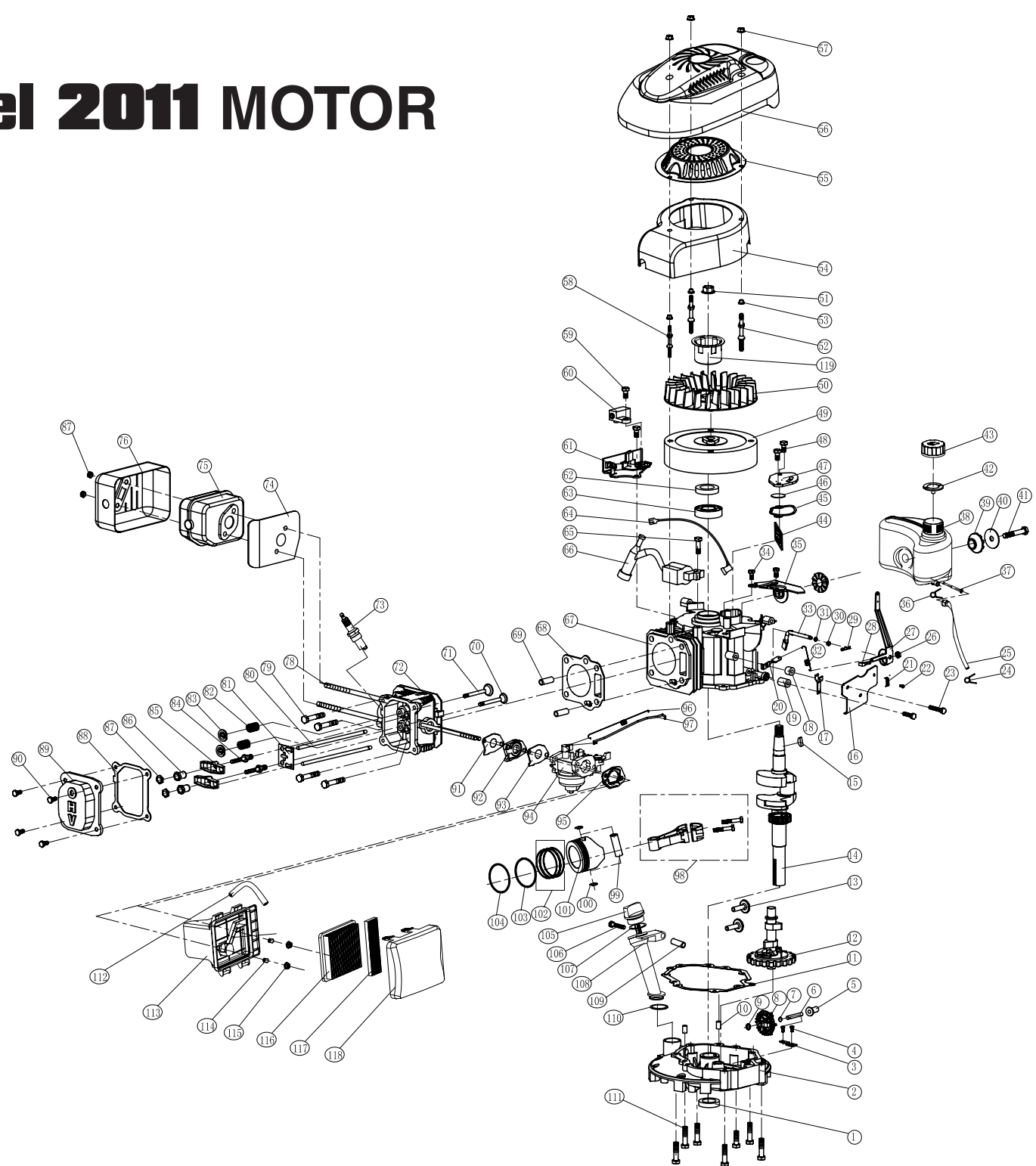
NO.	PART CODE	PART NAME	QTY.
1	DY06.00-6	Blade Bolt	1
2	DY0218-20	Bended washer	1
3	DY0608-12	Blade	1
4	DY0218.21A.2	Blade holder	1
5	DY0701-31	Long key 4.7x5x35	1
6	DY0218.21B-2	Block Ø10.5xØ22x7	1
7	DY0801-3	Air channel	1
8	GB/T 5789	Bolt M8x25	3
9	DY0801-1	Deck	1
10	DY0302-6A	Spring for connecting rod	1
11	DY0801-6A	connecting rod	1
12	GB/T 955	Wave washer Ø12	4
13	GB/T 848	Small Washer Ø12xØ20x2	4
14	DY0701.1	Front wheel assy 7.5"	2
15	DY0218-15A	Bearings	8
16	GB/T 96.2	Big washer Ø6X18X1.6	4
17	GB/T 5789	Bolt M6X12	4
18	DY0701-13	Front wheel cover	2
19	GB/T 845	Screw ST4.8x13	1
20	DY0302.2-1	Break holdbar	1
21	GB/T 5787	Screw M6X55	1
22	GB/T 848-85	small washer Ø6	2
23	DY0605.1	throttle cable assy	1
24	DY0302.2-3B	Upper Handle	1
25	DY0605.2	flameout cable assy	1
26	DY0218.1-4	flat head screw	2
27	GB/T 802	Nut M6	2
28	GB/T 848-85	small washer Ø6	2
29	GB/T 5787	Bolt M6X35	1

NO.	PART CODE	PART NAME	QTY.
30	DY0218-26	Hook	1
31	DY0218.1.4A	Screw with plastic nut	2
32	DY1P60F	Engine	1
33	DY0601-14	round pole	1
34	GB/T 896	unlock circlip ø4	2
35	DY0801-5	Right handle support	1
36	DY0701-20	torsional spring	1
37	DY0701-24	Lower Handle	1
38	GB/T 12	half round head screw M8x20	4
39	DY0701-21	Rear cover	1
40	GB/T 845	self-driven screw ST4.8x16	5
41	GB/T 6187.1	Nut M8	4
42	GB/T 6187.1	Nut M8	4
43	DY0701-18	Left handle support	1
44	GB/T 12	half round head screw M8x20	4
45	DY0701.6-1A	steel frame for grass catcher	1
46	DY0601-13	Handgrip	1
47	DY0701.6.1B	Half plastic grass catcher-18"	1
48	GB/T 6182	Nut M6	2
49	DY0304-10	Axes Circlip	2
50	GB/T 5783	Bolt M6x16	2
51	GB/T91	cotter pin 2.0x20	2
52	DY0302.3-4	Washer	2
53	GB/T 894.1	flexible circle clip Ø22	2
54	DY0701.4	Rear wheel axle assy	1
55	GB/T 5789	Screw M6X16	2

NO.	PART CODE	PART NAME	QTY.
56	DY0801.5	height adjuster module	1
57	DY0302-30	Hoop of front wheel axle	2
58	GB/T 6182	Nut M6	2
59	DY0302.3-3	Bearing sheath	2
60	DY0701.2	Rear wheel assy 10.5"	2
61	DY0701-14	Rear wheel cover	2
62	DY0801.3A	Front axle assy	1
63	DY0601-6	W type steel wire	2

# HECHT<sup>®</sup> 546 model 2011 MOTOR

made for garden



# HECHT<sup>®</sup> 546 model 2011 MOTOR

made for garden

NO.	"1P60F 1P60FQ08.00-00A"	ENGLISH DESCRIPTION	QTY
1	Q08.01-38	OIL SEAL FB25 38 7 NBR	1
2	Q08.01-05	CRANKCASE COVER ASSY	1
3	Q08.07-45	PRESS BOARD	1
4	GB5789	SCREW M6x12	2
5	Q08.07-43	SLIDE BUSHING	1
6	Q08.07-44	Speed control gear axle	1
7	GB895.2	elastic collar 6	1
8	Q08.07-40	governor gear assembly	1
9	GB96-86	GASKET $\phi 6.5 \times \phi 12 \times 1.5$	2
10	1P56FQ08.01-14	nest pin $\phi 8 \times 14$	2
11	Q08.01-36	gasket seal	1
12	Q08.05-30	NYLON CAMSHAFT ASSY	1
13	Q08.05-22	TAPPET	2
14	Q08.04-00	CRANKSHAFT ASSY	1
15	Q08.04-13	woodruff key 4*16	1
16	Q08.07-10	single speed control fixing plate	1
17	Q08.06.2	FUEL PIPE CLIP	1
18	Q08.07-12	spacer 1	1
19	Q08.07-13	spacer 2	1
20	Q08.07-11	spring suspension plate	1
21	G08.07-14	accelerator tension disc	1
22	GB/T 818	Cross Recess Head Screw M5x16	1
23	GB5789-86	BOLT M6x30	2
24	G08.06-4	FUEL PIPE CLIP B	1
25	Q08.06-10	inlet FUEL PIPE	1
26	GB/T6177.1	NUT M6	1
27	Q08.07-30	Rocker arm assembly	1
28	G08.07-32	SPEED ADJUSTER SCREW	1
29	G06.07-27	Spring cotters	1
30	GB9877-1-88	OIL SEAL B6*11*4 NBR	1
31	GB95-86	GASKET 6.5*12*1.5	1
32	Q08.07-33	SPEED CONTROL SPRING	1

NO.	"1P60F 1P60FQ08.00-00A"	ENGLISH DESCRIPTION	QTY
33	Q08.07-22	SPEED CONTROL LEVEL	1
34	GB5789-86	BOLT M6x12	2
35	Q08.13-01	FUEL TANK HOLDER ASSY	1
36	Q08.06-3	FUEL PIPE CLIP A	1
37	Q08.13-02	FUEL FILTER	1
38	Q08.13-03	FUEL TANK	1
39	1P56FQ08.13-07	cushion blocking	2
40	1P56FQ08.13-06	CUSHION	1
41	GB5787	BOLT M8x55	1
42	Q08.13-12	Tank cap gasket	1
43	Q08.13-11	FUEL TANK CAP	1
44	Q08.01-25	FILTER	1
45	Q08.01-24	respirator gasket	1
46	Q08.01-23	respirator baffle plate	1
47	Q08.01-20	RESPIROMETER COVER ASSY	1
48	GB5789	BOLT M6x16	2
49	Q08.10-10	FLYWHEEL ASSY	1
50	Q08.10-20	FAN	1
51	GB6177.1	NUT M14x1.5	1
52	Q08.12-12	SCREW	1
53	GB6177.1-2000	NUT	1
54	Q08.12-22	COVER	2
55	Q08.12-20	RECOIL STARTER ASSY	1
56	Q08.12-10	ENGINE COVER ASSY	1
57	GB6177.1-2000	NUT	3
58	Q08.12-11	SCREW	1
59	GB5789	SCREW M6x16	2
60	Q08.11-30	FLAME OUT SWITCH ASSY	1
61	Q08.07-50	BRAKE EQUIP. ASSY	1
62	Q08.01-13	OIL SEAL FB22 35 7NBR	1
63	Q08.01-14	roller bearing 6205	1
64	Q08.11-38	FLAME OUT WIRE ASSY	1

# HECHT<sup>®</sup> 546 model 2011 MOTOR

made for garden

NO.	"1P60F 1P60FQ08.00-00A"	ENGLISH DESCRIPTION	QTY
65	GB5789-86	SCREW M6*25	1
66	Q08.11-10	IGNITION ASSY	1
67	Q08.01-10	CRANKSHAFT BOX	1
68	Q08.02-16	CYLINDER HEAD WASHER	1
69	1P56FQ08.02-19	cylinderhead pin $\phi$ 10*16	2
70	Q08.05-20	INTAKE VALVE	1
71	Q08.05-21	EXHAUST VALVE	1
72	Q08.02-10	CYLINDER ASSY	1
73	Q08.11-20	SPARK PLUG	1
74	Q08.09-30	MUFFLER GASKET	1
75	Q08.09-10	air exhaust muffler assy	1
76	Q08.09-20	MUFFLER COVER ASSY	1
77	GB6187.1-2000	SCREW M6	2
78	Q08.02-17	muffler stud bolt M6*80	2
79	GB5787-86	BOLT M8x45	4
80	Q08.05-10	PUSH ROD ASSY	2
81	Q08.05-11	PUSH ROD GUIDE PLATE	1
82	Q08.05-23	VALVE SPRING	2
83	Q08.05-24	VALVE SPRING KEEPERS	2
84	Q08.05-26	ADJUSTMENT BOLT	2
85	Q08.05-25	ROCKERS	2
86	Q08.05-27	adjust(ing) nut	2
87	Q08.05-28	Jam nut	2
88	Q08.02-21	CLINDER COVER GASKET	1
89	Q08.02-20	CLINDER COVER	1
90	GB5789	BOLT M6x16	4
91	Q08.08-13	Gasket to cylinder&inlet air pipe	1
92	Q08.08-14	inlet air pipe	1
93	Q08.08-12	Gasket to carburetor&inlet air pipe	1
94	Q08.06-00	P15 CARBURETOR ASSY	1
95	Q08.08-15	Air Cleaner GASKET	1
96	Q08.07-21	accelerator TENSION SPRING	1

NO.	"1P60F 1P60FQ08.00-00A"	ENGLISH DESCRIPTION	QTY
97	Q08.07-20	THROTTLE LINKAGE	1
98	Q08.03-10	CONNECTING ROD ASSY	1
99	Q08.03-32	PISTON PIN	1
100	Q08.03-31	piston pin clamping spring	2
101	Q08.03-30	PISTON	1
102	Q08.03-20	combined oil ring	1
103	Q08.03-24	Piston Ring 2	1
104	Q08.03-23	Piston Ring 1	1
105	Q08.01-41	OIL RULER	1
106	GB5789	BOLT M6*45	1
107	Q08.01-45	"O" RING 25*3.1	1
108	Q08.01-42	OIL FILLING PIPE	1
109	Q08.01-46	spacer bush to oil filling structure	1
110	Q08.01-44	"O" RING 20*2.65	1
111	GB5789	BOLT M6*30	1
112	Q08.08-60	AIR PIPE	1
113	Q08.08-11B	AIR FILTER BRACKET	1
114	Q08.08-13B	AIR FILTER BUSHING BLOCK	1
115	GB6177.1-2000	NUT M6	2
116	Q08.08-14B	PAPER FILTER ASSY	1
117	Q08.08-15B	SPONGE FILTER	1
118	Q08.08-10B	AIR CLEANER UPPER COVER	1
119	Q08.12-13	PASSIVE TRAY	1