

CHEST FREEZER

USER'S MANUAL

PHILCO



Famous for Quality the World Over

PCF 2502-5

PCF 2032-5

PCF 1432-5

PCF 982-5

**Dear customer,
Thank you for buying a PHILCO brand product. So that your appliance serves you well, please read all the instructions in this user's manual.**

CONTENTS

PART 1: BEFORE PUTTING INTO OPERATION	2
• Safety notices	2
• Safety instructions for gas R600a	4
PART 2: DESCRIPTION OF THE PRODUCT	5
PART 3: INSTALLATION	6
• Transport and unpacking	6
• Installation location	7
• Cleaning before use	8
• Electrical connection	8
PART 4: SETTING THE TEMPERATURE	9
PART 5: ARRANGEMENT OF FOOD	10
• Storage of frozen food	10
• Chart on storing food in the refrigerator	11
PART 6: DEFROSTING AND REGULAR MAINTENANCE	12
PART 7: WHAT SHOULD I DO WHEN	14
PART 8: INFORMATION SHEET	16

PART 1: BEFORE PUTTING INTO OPERATION

Safety notice

Symbols:



General advice for the optimal operation of the appliance



General dangers



Hot surfaces

Before you put the appliance into operation

- Carefully study the user's manual and installation instructions before installing and using the appliance! This user's manual includes important information regarding the installation, operation and maintenance of the appliance. Store the user's manual also for future reference, or for other owners of the appliance if the appliance is sold.



If the appliance is transported in a horizontal position the oil from the compressor may leak into the cooling circuit. For this reason, allow the appliance to rest in a vertical position for 12 hours before turning it on, so that the oil flows back into the compressor.



After unpacking the appliance, carefully inspect that it has in not been damaged in any way. Also check that the power cord is not damaged. If you discover any defects, turn off the appliance and contact the vendor or in the case of a damaged power cord contact the service centre. If the appliance and all its parts are in order, install it according to the instructions in the relevant chapter.

- When installing the appliance in its place, or when moving the appliance, the power cord could be penetrated or damaged. Check that the power cord is not interfering anywhere.
- Before connecting the appliance to the electrical power source, check that the capacity of the system corresponds to the specifications on the appliance's rating label.
- Any kind of home electric wiring necessary for the connection of the appliance must only be carried out by a qualified electrician.



If you move the appliance from its usual position, it is necessary to understand, that although you have disconnected the power cord, the components on the rear side of the appliance may remain very hot for some time.




This appliance is not designed to be built-in. Do not cover or block the air inflow or outflow openings. Insufficient ventilation will cause poor operation and damage to the appliance.


Operating the appliance

- Use the appliance only for the purposes for which it has been designed.
- This appliance is designed only for household use, for storing or freezing food and for preparing ice.
- The temperature inside the freezer may rise or fall slightly, and so these appliances are not suitable for storing products (e.g. medicines), which require a stable temperature.





Do not use any other electric appliances (e.g. heating elements, electric ice cream machines, etc.) inside the appliance. There is a danger of explosion!


 Do not place food inside the freezer containing flammable propulsion gases (e.g. sprays) and no explosive, contaminating or volatile substances. There is a danger of explosion!

 Do not store liquids inside bottles and cans (especially beverages containing carbon dioxide) inside the freezer compartment. The bottles and cans could crack!

- Store liquor only with a firmly tightened cap and in a vertical position.
- Do not use the base, drawers, door of the appliance, etc. as a step or as a support. There is a danger of injury to persons or damage to the appliance.
- Ensure that the plastic parts of the appliance and the door gasket seals are not soiled with oil or grease. The plastic parts and the gasket seals would then become porous.
- Do not consume frozen food immediately after taking it out of the freezer compartment. There is a danger of frost bite!

 Avoid prolonged hand contact with frozen food, ice or evaporating pipes. There is a danger of frost bite and freezing to these objects!


 We do not recommend placing hot liquids or food inside the freezer and filling containers all the way to the rim.


 Do not put fragile, heavy or unstable objects on the freezer.

Children in the household

- Never leave packaging and its parts with the children. There is a danger of poisoning or suffocation by the cardboard boxes and plastic sheets!
- This appliance is in no way a toy for children!
- For appliances with door locks: do not leave keys within the reach of children!
- If you will not be using the freezer any more, remove the door, seals and store it in a safe place. In this way you will prevent the danger of children becoming trapped inside the freezer.

Maintenance and cleaning

 Before you begin with regular or exceptional maintenance, disconnect the appliance's power cord or disengage the fuse or circuit breaker. Never pull the electric power cord, only pull on the power plug.

 Do not use mechanical or any other devices, except for devices recommended by the manufacturer for the purpose of accelerating the defrosting process.

- Do not defrost or clean the appliance using a steam cleaning device! The steam may come into contact with the electric components inside the appliance, where a short circuit could occur. There is a danger of electric shock!
- Do not remove the frozen ice layer and frozen on food using a knife or a sharp object. This could damage the cooling medium pipes. The escape of the cooling medium may cause eye injuries or may catch on fire.

General instructions

- This appliance must not be used by persons (including children) with physical, sensory or psychological impairments or by inexperienced persons, unless properly trained or schooled in the safe use of the appliance, or unless they have been properly supervised by a person who will be responsible for their safety. Children should be supervised so as not to play with the appliance.
- This appliance has been tested in accordance with the directives in force in the European Union.
- The tightness of the cooling circuit has been verified.
- This appliance conforms to the relevant safety provisions for electrical appliances in force in the European Union.

Technical safety



The appliance contains a cooling gas, ISOBUTHAN (R600a). Only transport or move the appliance with the utmost care, prevent excessive impacts and shaking to prevent damaging the appliance. If the cooling circuit becomes damaged and the cooling gas may be escaping, there is a risk of an explosion, which may be ignited by a spark or flame. If the appliance shows signs of damage, it must not be put into operation. In such a case contact the service centre, ventilate the room where the appliance is located and prevent the spreading of flames or other interference with the appliance.

Safety instructions for gas R600a

Measures in case of an unexpected release

If ventilation is possible, allow the material to evaporate.

Characteristics of the gas

The gas is highly flammable, it is necessary to completely prevent contact with an open flame and hot surfaces. Because the R600a gas is heavier than air, it may become very concentrated at the level of the ground, where ventilation is weak.

First aid

Inhalation

Take the affected person from the contaminated area to a warm, well ventilated location. Staying in a contaminated location for a long time may cause suffocation, or potentially loss of consciousness. If necessary, provide mouth-to-mouth resuscitation and in exceptionally serious situations, under expert medical supervision, give oxygen.

Contact with the skin

Random contact with the skin will not endanger health, it is better to thoroughly wash the affected area. The liquid spray or dispersed liquid may cause frost bite, wash the affected area with large amounts of water and contact a medical doctor.

Contact with the eyes

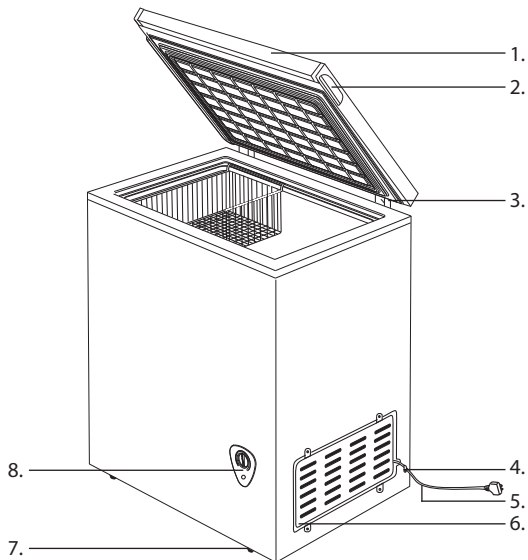
If eyes have been affected, wash out with large amounts of water, while trying to keep the eyes open, and call a specialised doctor as soon as possible.

If contact or inhalation of the R600a gas occurs, contact your medical doctor.

PART 2: DESCRIPTION OF THE APPLIANCE

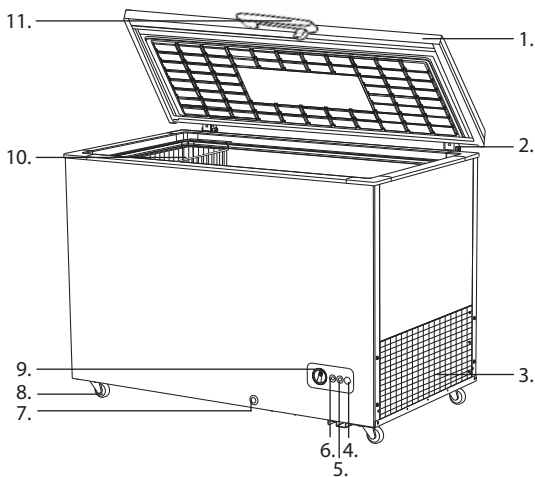
PCF 14324

1. Door
2. Cut-out for easy opening
3. Hinge
4. Power cord clamp
5. Power cord
6. Side cover
7. Foot
8. Temperature control dial



PCF 25024

1. Freezer door
2. Hinge
3. Side cover
4. Super freeze indicator light
5. Power indicator light
6. Alarm indicator light
7. Drain cover
8. Wheel
9. Temperature dial
10. Food basket
11. Handle



NOTE:

Due to the continuous innovation of products, the actual appliance may differ from this user's manual but the functions and methods of use remain the same.

PART 3: INSTALLATION

Transport and unpacking

If the appliance is transported in a horizontal position the oil from the compressor may leak into the cooling circuit. For this reason, allow the appliance to rest in a vertical position for 12 hours before turning it on, so that the oil flows back into the compressor.

Remove the external packaging, remove the protective plastic film from the surface of the appliance (if used) and clean the external parts of the appliance with an agent designed for this purpose. Do not use steel wool or any coarse agents, which could irreparably damage the surface of the appliance. Carefully remove all papers and adhesive tape from the appliance, door and other parts packed in polystyrene. Remove documents and accessories from inside the appliance.

The packaging material is recyclable and is marked with a recycling symbol. For disposal follow the local regulations. Packaging materials (plastic bags, polystyrene parts, etc.) must be kept out of the reach of children, because they present a possible source of danger.

Carefully inspect the appliance. If you discover any defects, stop the installation and contact the vendor.

Operating conditions

The proper operation of the appliance, the freezing temperatures are guaranteed only when the following conditions are met:

- The temperature in the room where the appliance is located conforms to the climate class stated on the appliance's rating label.
- Maximum ambient relative humidity: 90%.
- The appliance must be placed at a sufficient distance from heat sources (e.g. baking ovens, central heating, direct sunlight, etc.).
- The appliance must be located in such a location that it is protected against the effects of weather.
- Regular maintenance is performed according to the instructions in this user's manual.
- The ventilation openings in the cover of the appliance must not be covered by anything.
- Correct installation (e.g. levelling, the capacity of the system correspond to the specifications on the rating label of the appliance.)

Table – Climatic class

Climatic class	Ambient temperature
SN	+10°C to +32°C
N	+16°C to +32°C
ST	+16°C to +38°C
T	+16°C to +43°C

Installation location

The installation location of the appliance must meet the requirements in the paragraph "Operating conditions" and must have a stable floor with a load bearing capacity corresponding to the weight of the appliance. Furthermore, you must maintain distances and dimensions of the appliance, so that correct operation is ensured:

1. Rear part at least 10 cm;
2. The wall on the side where the door opens at least 7.5 cm.

Level the appliance using the adjustable feet, ensure there is a gap between the bottom edge of the appliance and the ground, so that there is sufficient circulation of cooling air, by which you will ensure the optimal performance of the cooling circuit.

Check whether any cooling circulation pipes have been damaged during the installation.

- Use the appliance only for the purposes for which it has been designed.
- The appliance must be located on a rigid and even surface.

In this way you will ensure free circulation of the coolant and effective operation of your appliance.

- If possible, place the appliance into a cool, well ventilated and dry room.
- Do not locate the appliance in direct sunlight, or in a room with a high temperature, in the vicinity of any sources of direct heat, such as heating, an oven, a stove, etc. – this would mean that the compressor would need to work a lot harder resulting a substantially higher power consumption level.

If it is not possible to prevent the installation in the vicinity of a heat source, we recommend the insertion of an appropriate insulating board (do not use asbestos) between the appliance and the heat source; or at least to maintain the following minimum distances:

- From a gas or electric stove 3 cm;
- From a heater or oven, etc. 30 cm;
- From another cooling appliance 2 cm.

Do not place any appliances on the appliance, which emit heat on to the appliance, such as microwave ovens, toasters, etc.

Never cover the ventilation grill. Pull out the power plug by pulling on the plug itself, never pull on the cord when disconnecting the appliance.

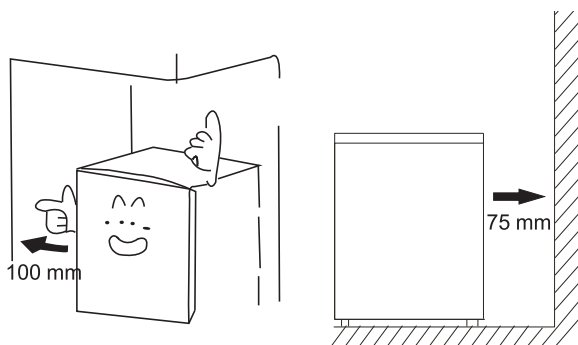


Before turning on the appliance allow it to stand in its final location for 12 hours, the coolant circuit will stabilise in this way and no operating problems will occur. Before connecting the appliance to the power grid check that it is perfectly dry inside – especially in the corners.



Danger warning

The coolant may be highly flammable, depending on its composition. The coolant circuit was hermetically closed and sealed and was tested many times for possible leaks. Any unqualified tampering with the product may cause a fire hazard. Check that there is no mechanical interruption or effect on the coolant circulation, namely in the accessible parts around the compressor. Only professionally qualified persons may work on the cooling system.



Cleaning before use

Check that you have removed from the appliance all adhesive tape used to hold accessories. Then clean all the inside parts using lukewarm water with a neutral cleaning agent, vinegar or sodium carbonate – in this way you will remove the characteristic odour of new parts – then dry carefully. Do not use detergents or aggressive agents, which could damage the surfaces.

Electrical connection

Before connecting the power plug to the power socket, check that:

- Your hands are completely dry.
- The voltage and frequency shown on the rating label of the appliance corresponds to that in the home power grid (permitted tolerance from -6% to +6% for nominal voltage, for use with different voltages, use a voltage converter with the corresponding parameters).
- The cord and the plug are not damaged or caught under heavy objects.
- The power cord is not excessively tensioned, it is not permitted to use an extension cord.



Do not connect the appliance to a voltage rectifier (e.g. solar power plant) or use an extension cord.



The appliance must be connected to a working grounding lead. If the power socket of the home system is not grounded in accordance with the current legal regulations, connect the appliance after consulting a specialised technician to the grounding lead itself. The manufacturer takes no responsibility for injuries caused as a result of not following these instructions.



If you do not correctly level the freezer during the installation, the door may not close shut and seal properly, which may cause problems with the cooling, ice build up or moisture. Levelling the freezer is very important.

Level the freezer using the adjustable feet – turn them clockwise to lift the freezer and turn them anticlockwise to lower the freezer.

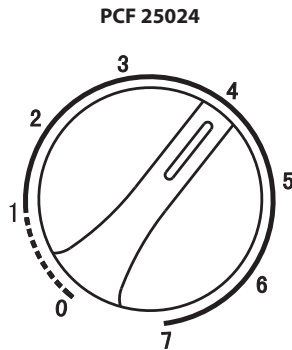
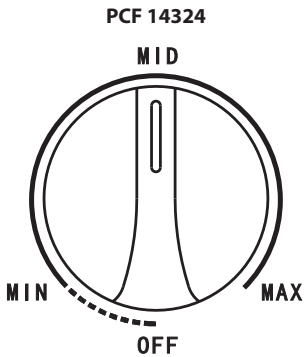
PART 4: SETTING THE TEMPERATURE

Setting the temperature

The temperature control dial is used to set the freezer temperature. It is located in the lower part of the freezer. We recommend the temperature control dial to be set to MID or 4 (depending on the model).

If the cooling performance of the freezer is insufficient, set the temperature control dial to MAX or 7 (depending on the model). If on the other hand, the cooling performance of the freezer is too high, set the temperature control dial to MIN or 1 (depending on the model).

If you need to turn the freezer off, turn the temperature control dial to OFF or 0 (depending on the model).



PART 5: ARRANGEMENT OF FOOD

- Appropriate wrapping materials for food are plastic containers, aluminium foil, polyethylene freezing bags, etc.
- Always allow hot dishes to cool down before placing them into the freezer.
- Open the door only for a short time so that the inside area of the freezer is not heated. This saves energy.
- Never store explosive materials or products with flammable compressed gasses (e.g. whipped cream sprayers with pressurised capsules/cartridges, spray cans) – **DANGER OF EXPLOSION!**

Storage of frozen food

If you have turned on the freezer for the first time or you have just defrosted it, wait at least for 2 hours before putting food into the the freezer.

All frozen food must be put into the freezer as soon as possible after being bought, so that they do not defrost and cause potential contamination.

Store frozen products according to the manufacturer's instructions on the packaging.

Pay increased attention to handling the drawer, so that you do not damage the cooling circuit.

Placing fresh food into a freezer

Ensure that the freezer is clean as the freezing process itself does not sterilise food. We recommend freezing food in the original packaging, or in various containers suitable for freezing or in special freezer bags. Never place hot or warm dishes into the freezer. Allow dishes to fully cool down before placing them into the freezer, wrap them in a plastic bag, aluminium foil or put them in a jar. Check the label on the freezer, to check how many kilos of fresh food (at a room temperature of 25°C) the freezer is able to freeze in 24 hours. Never insert more food than the permitted amount.

Never place bottles with fizzy drinks into the freezer nor any other bottles.

For better freezing results give the food sufficient room for air circulation.

We recommend a setting between the medium and maximum value for standard use and for long term food storage in the freezer.



ATTENTION!

- Do not store cans and bottles with beverages containing carbon dioxide in the freezer. The contents expand during the freezing process, which may rip the bottle or can apart. Risk of injury and damage!
- Consume ice cream only several minutes after removing it from the freezer – you will avoid injury to your lips and tongue. Do not touch the inside of the freezer if you have wet hands.

Important information

- Place only properly wrapped food into the freezer.
- When storing deep frozen food intended for immediate consumption, note the expiry date marked by the manufacturer.
- Remember that only quality fresh food is suitable for freezing.
- Freeze fresh food in appropriately sized portions.
- Ensure that you use an appropriate wrapping material (plastic wrap, aluminium foil, freezing bays).
- Push all air out of the packages.
- To close the packages use rubber bands, plastic clips, tie wire or adhesive tape resistant to cold.
- Plastic bags and tubes can also be closed using a food sealing appliance.
- On the closed package write down the contents, weight and date of freezing.
- Before placing plastic bags into the freezer check that they are dry so as to prevent them from freezing to each other.
- To prevent partial defrosting, place the food that is to be frozen in such a way that it is not touching the already frozen food.
- Do not refreeze fully or partially defrosted food apart from the case where they were heat processed (cooked or fried/baked).
- Do not consume food that has been stored for a period longer than its expiry date. You may cause yourself food poisoning.

Chart on storing food in the freezer

Food	Storage method	Zone	Durability
Storing frozen food, ice cubes and ice creams	Original packaging, well sealed	Top part of the freezer	Depends on expiry date
Frozen food: meat and fish	Original packaging, well sealed. Food containers suitable for low temperatures, hermetically sealed.	Best in the bottom part of the freezer	Beef: 12 months Pork: 12 months Minced pork: 6 months Rabbit: 6 months Veal: 9 months Mutton: 9 months Poultry: 6 months Fish: 6 months
Frozen food: pasta dishes, fruit, vegetables, confectionery	Food containers suitable for low temperatures, hermetically sealed.	Top part of the freezer	6-12 months

PART 6: DEFROSTING AND REGULAR MAINTENANCE

For hygiene reasons, it is necessary to regularly clean the appliance (including the outside and inside accessories) at least once every two months.



ATTENTION!

The appliance must not be connected to the power socket during cleaning. Danger of injury by electric shock! Before cleaning the appliance, disconnect the power plug from the power socket.

Cleaning the outer surface

In order for the appliance to serve you long and well, it is necessary to clean it regularly.

- Wipe the control panel and display using a soft clean wiping cloth.
- Apply water on to the wiping cloth instead of on the appliance. This will ensure that the water is spread evenly over the surface of the appliance.
- Wipe the door, handles, sides with a wiping cloth dipped in lukewarm water with a little kitchen detergent and then wipe dry.



ATTENTION!

- Do not use sharp objects, coarse cleaning agents which could scratch the surface of the appliance.
- Do not use thinners, car cleaners, chlorine, petrol, coarse cleaning agents, benzene or any other similar agents for cleaning. They can damage the surface of the appliance and cause a fire.

The use of steam cleaning appliances is extremely dangerous and so is strictly forbidden.

Cleaning the inside area

It is necessary to regularly clean the inside area. It will be easier to clean the inside area if there is not too much food inside the appliance. Wipe the inside area using a soft wiping cloth dipped in a weak solution of water and baking soda or vinegar, wipe using a wiping cloth dipped in clean warm water. Then wipe dry using a clean wiping cloth before reinserting the shelves and drawers.

Thoroughly dry out the inside area and accessories.

Defrosting

Despite the appliance being equipped with the automatic defrosting function, a layer of ice may appear from time to time on the inner walls of the freezer, especially if the freezer door is being opened too frequently or left open for longer periods of time. If the ice layer is too thick, remove the food from the freezer and proceed as follows:

1. Take out the food and accessories, turn off the appliance and disconnect the power cord from the power socket. Ensure ventilation in the room to speed up the defrosting process.
2. As soon as the freezer is defrosted, clean it in the same way as described above.



ATTENTION!

- Do not use sharp objects for the removal of frozen food or ice, the wall of the freezer could be scratched.
- When defrosting a freezer never use electric appliances such as hair fans, hot air fans, steam cleaners, de-icing sprays or open flames (e.g. candles). The plastic interior could melt and the resulting foam gas could be ignited from a spark or an open flame. Never use a steam cleaner to melt a layer of ice in the appliance (high risk of injury by electrical shock).
- Remove the frozen food and wrap into several newspaper layers.
- Place the frozen food in a cold place until it is possible to use the freezer again.

- Do not scratch the ice deposit layer because you could damage the evaporation surface.
- Perform the defrosting process as fast as possible to prevent the removed food from defrosting.
- You can speed up the defrosting process by placing a bowl with hot water (not boiling) into the freezer. In this case close the freezer door.
- The appliance may be connected to the power grid and turned on only after the inside area is completely dry.

Cleaning gasket seals

Keep the door gasket seals clean.

Sticky foods and beverages may cause the gasket seal to stick to the inner edge and result in damage when the door is opened. Wash the gasket seal with a soft wiping cloth dipped in warm water with a small amount of kitchen detergent. Rinse and thoroughly wipe dry.



ATTENTION!

Only turn on the appliance once the gasket seal is thoroughly dry.

Taking out of operation for an extended period

If you are not going to use the appliance for an extended period of time, do the following:

Disconnect the freezer from the power source by pulling it out of the power socket. Clean out the inside and dry it out as described in the part Cleaning the freezer. Leave the door open to prevent an unpleasant odour from forming inside.



Please be aware:

Compressor

The compressor is controlled by the thermostat, which is set by the temperature dial, and turns itself on automatically when temperatures inside the appliance is exceeded and then turns itself off as soon as it again reaches this temperature.

When any compressor – cooling system is turned on – noise can be heard. These sounds are made when the motor in the compressor is working and they are also made by the coolant circulating in the circuit of the cooling system. These noises are normal and do not indicate any malfunction in the operation of the appliance. In unheated rooms or in cold weather conditions condensate may form on the exterior walls of the appliance. This does not indicate a malfunction and this condensate will disappear as soon as the temperature rises.

Contact the service department only when, after analysing all possible factors of the malfunction you cannot find any cause for the malfunction or you are unable to remedy the malfunction yourself. So, first focus on: " **What should I do when....**"

PART 7: WHAT SHOULD I DO WHEN...

If you notice problems with your appliance or if you find that the appliance is not working properly, you can remedy some of the most common faults yourself prior to contacting an authorised service centre. Check the appliance and proceed according to the instructions below before contacting an authorised service centre.



WARNING!


Do not attempt to repair the appliance on your own. If the problem persists after performing the inspection, please contact an authorised service centre, a qualified technician or the vendor from whom you purchased the appliance.

Problem	Solution
Power outage	Open the freezer door as little as possible to prevent cold air from leaking out.
	Do not add additional food for freezing. This could increase the temperature.
	In the event of an extended power outage, put dry ice into the freezer.
Problems with the power cord.	If the power cord is damaged in any way, stop using the appliance, contact an authorised service centre to have the power cord replaced. The replacement can only be performed by a qualified person.
	The power plug is used as a disconnection device and therefore must remain accessible at all times.
Taking out of operation for an extended period	Take all food out of the freezer and disconnect the power cord from the power socket.
	Clean out the inside area and wipe away excess water.
	To prevent the creation of an unpleasant odour, leave the door of the freezer open.
Transport	Disconnect the power plug from the power socket.
	Prior to transport, make sure that the feet of the freezer are not damaged.
	Do not allow the feet of the appliance to hit against stairs, doorsills, etc.
Storage	Place a piece of wood or a similar object between the door and the unit to prevent the freezer from closing.
	Ensure that the freezer is placed out of reach of children to ensure that they do not play with the appliance.
	If the child becomes stuck in the freezer or the door closes, the child may not be able to open it.
The freezer is not freezing.	Is the power supply interrupted?
	Is the power cord disconnected from the power socket?
	Have the fuses burned or is the circuit activated?
	Is the temperature control dial set to OFF or 0?

Problem	Solution
Insufficient freezing	Is sufficient ventilation provided?
	Is the freezer exposed to direct sunlight or located near a source of heat (e.g. stove)?
	Is the door open? Did you open the door too frequently?
	Are pieces of food stuck between the door and the unit?
	Set the temperature control dial to MAX or 7, otherwise then to MIN or 1.
	Ice build-up is too thick, it is necessary to defrost the freezer.
Excessive noise	Is the floor under the freezer hard enough?
	Is the freezer moving or rattling?
	Is the rear part of the freezer touching a wall?
	Is there an item behind the freezer? The compressor will be louder when the freezer is first turned on, when the ambient temperature is high and when it is set to the maximum setting. The noise level will then decline.
Condensed water on the outer casing	Condensed water may appear on the outer casing and door during hot and humid days or if the freezer has been installed in an excessively hot and humid location. Water then condenses on the cooler parts of the freezer. This is normal. Wipe the water away with a dry wiping cloth.
The freezer is hot to touch.	The freezer may be hot to touch especially during the summer or when first started. The freezer is equipped with a tube that provides protection against excessive condensation, that is why it heats up. This temperature does not affect the temperature inside the freezer

PART 8: INFORMATION SHEET

INFORMATION SHEET: Philco

Philco brand: PHILCO 				
Brand	Philco			
Product number	PCF 2502-5	PCF 2032-5	PCF 1432-5	PCF 982-5
Type of appliance 3)	9	9	9	9
Energy efficiency class (A... low electricity consumption to G high electricity consumption)	A++	A++	A++	A++
Electricity consumption per 365 days 1) kWh	194	175	151	133
Total available volume: l	250	203	143	98
of which: refrigerator part l				
of which: freezer part l	250	203	143	98
Star mark for the freezer area	****	****	****	****
Freezing capacity kg/24h	18	15	14	9,5
Climatic class 2)	SN-T	SN-T	SN-T	SN-T
Voltage	220-240v/50Hz	220-240v/50Hz	220-240v/50Hz	220-240v/50Hz
Noise level 4) dB (re 1pW)	42	42	42	42
Dimensions cm (h x w x d) cm	835x1115x607	832x952x607	832x737x607	837x563x519
Weight kg	49	38	34	23

- 1) Electricity consumption in kWh / year is based on the results of a normalised test carried out over a period of 24 hours. Actual electricity consumption depends on the use and location of the appliance.
- 2) SN: ambient temperatures from +10 °C to +32 °C
ST: ambient temperatures from +18 °C to +38 °C
N: ambient temperatures from +16 °C to +32 °C
- 3) 1 = Refrigerator without low temperature areas
7 = Refrigerator/freezer with low temperature areas *(***)
8 = Box freezer
9 = Chest freezer
- 4) Noise level according to European norm EN 60704

NOTE:

All the here provided data is subject to change.

INSTRUCTIONS AND INFORMATION REGARDING THE DISPOSAL OF USED PACKAGING MATERIALS

Dispose of packaging material at a public waste disposal site.

DISPOSAL OF USED ELECTRICAL AND ELECTRONIC APPLIANCES



The meaning of the symbol on the product, its accessory or packaging indicates that this product shall not be treated as household waste. Please, dispose of this product at your applicable collection point for the recycling of electrical & electronic equipment waste. Alternatively in some states of the European Union or other European states you may return your products to your local retailer when buying an equivalent new product. The correct disposal of this product will help save valuable natural resources and help in preventing the potential negative impact on the environment and human health, which could be caused as a result of improper liquidation of waste. Please ask your local authorities or the nearest waste collection centre for further details. The improper disposal of this type of waste may fall subject to national regulations for fines.

For business entities in the European Union

If you wish to dispose of an electrical or electronic device, request the necessary information from your seller or supplier.

Disposal in other countries outside the European Union

If you wish to dispose of this product, request the necessary information about the correct disposal method from local government departments or from your seller.



This product meets all the basic EU regulation requirements that relate to it.

Changes to the text, design and technical specifications may occur without prior notice and we reserve the right to make these changes.

TRUHLICOVÝ MRAZÁK

NÁVOD K OBSLUZE

PHILCO



Famous for Quality the World Over

PCF 2502-5

PCF 2032-5

PCF 1432-5

PCF 982-5

**Vážený zákazníku,
Děkujeme, že jste zakoupil výrobek značky PHILCO. Aby váš spotřebič sloužil co nejlépe, přečtěte si všechny pokyny v tomto návodu.**

OBSAH

ČÁST 1: PŘED UVEDENÍM DO PROVOZU	2
• Bezpečnostní upozornění.....	2
• Bezpečnostní pokyny pro plyn R600a.....	4
ČÁST 2: POPIS PŘÍSTROJE	5
ČÁST 3: INSTALACE	6
• Přeprava a rozbalení	6
• Umístění	7
• Čištění před použitím	8
• Elektrické zapojení	8
ČÁST 4: NASTAVENÍ TEPLoty	9
ČÁST 5: USPOŘÁDÁNÍ POTRAVIN	10
• Ukládání mražených potravin	10
• Tabulka uchovávání potravin v mrazáku.....	11
ČÁST 6: ODMRAZOVÁNÍ A PRAVIDELNÁ UDRŽBA	12
ČÁST 7: CO MÁM DĚLAT, JESTLIŽE	14
ČÁST 8: INFORMAČNÍ LIST	16

ČÁST 1: PŘED UVEDENÍM DO PROVOZU

Bezpečnostní upozornění

Symbols:



Obecné rady pro optimální provoz spotřebiče



Obecné nebezpečí



Horké povrchy

Než uvedete spotřebič do provozu

- Pročtete si pozorně návod k použití a k montáži před instalací, zapnutím a používáním přístroje! Tento návod obsahuje důležité informace týkající se instalace, použití a údržby spotřebiče. Návod si uschovejte i pro pozdější nahlédnutí, případně pro další majitele spotřebiče v případě dalšího prodeje výrobku.



Pokud je spotřebič přepravován v horizontální poloze, olej z kompresoru může zatéct do chladicího okruhu. Proto ponechte spotřebič po dobu 12 hodin před zapnutím ve vertikální poloze, aby olej natekl zpět do kompresoru.



Po vybalení spotřebič pečlivě prohlédněte, zda není nikterak poškozen. Přesvědčte se také, že kabel není poškozen. Zjistíte-li nějaké závady, vypněte spotřebič a kontaktujte prodejce nebo v případě poškozeného přívodního kabelu servisní centrum. Pokud je přístroj a všechny jeho součásti v pořádku, nainstalujte podle pokynů v příslušné kapitole.

- Při instalaci spotřebiče na místo, popř. při posouvání spotřebiče, by mohlo dojít k jeho promáčknutí nebo poškození přívodního kabelu. Zkontrolujte, zda přívodní kabel nikde nepřekáží.
- Před připojením spotřebiče ke zdroji elektrické energie se ujistěte, že kapacita systému odpovídá údajům uvedených na výkonostním štítku spotřebiče.
- Jakékoliv úpravy domácí elektroinstalace nezbytné pro připojení spotřebiče mohou být provedeny pouze odborným pracovníkem.



Přesouváte-li spotřebič z jeho obvyklé pozice, je nutné si uvědomit, že i když jste odpojili přívodní kabel, součásti na zadní straně spotřebiče mohou být ještě po určitou dobu velmi horké.



Tento spotřebič není určen pro vestavby. Nezakrývejte nebo nezastavujte otvory přívodu a odvodu vzduchu. Nedostatečné odvětrání způsobí špatnou funkci a poškození spotřebiče.


Provoz přístroje

- Používejte spotřebič pouze k účelům, ke kterým je určen.
- Tento spotřebič je určen výhradně pro domácí použití, pro uchovávání nebo zmrazování potravin a k přípravě ledu.
- Teplota uvnitř mrazáku může mírně stoupat nebo klesat, tato zařízení nejsou proto vhodná k uchovávání výrobků (např. léků), které vyžadují stabilní teplotu.





Nepoužívejte uvnitř spotřebiče žádné další elektrospotřebiče (např. topná tělesa, elektrické zmrzlinové strojky atd.) Hrozí nebezpečí výbuchu!

 Neukládejte do mrazáku potraviny s hořlavými hncacími plyny (např. spreje) a žádné výbušné, kontaminující nebo těkavé látky. Hrozí nebezpečí výbuchu!

 Neskladujte v mrazicím prostoru tekutiny v lahvách a plechovkách (zejména nápoje s obsahem oxidu uhličitého). Láhve a plechovky mohou prasknout!

- Vysokoprocenní alkohol ukládejte jen s pevným uzávěrem a ve svislé poloze.
- Nepoužívejte podstavec, zásuvky, dvířka spotřebiče atd. jako stupátko nebo jako opěrku. Hrozí nebezpečí zranění osob nebo poškození spotřebiče.
- Dbejte na to, aby se plastové součásti spotřebiče a těsnění dveří neznečistilo olejem nebo tukem. Plastové součásti a těsnění se pak stávají porézní.
- Nekonzumujte zmrazené potraviny ihned po vyjmutí z mrazicího prostoru. Hrozí nebezpečí omrzlin!

 Vyhněte se delšímu kontaktu rukou se zmrazenými potravinami, ledem nebo odpařovacími trubkami. Hrozí nebezpečí omrzlin a přimrznutí!


 Nedoporučujeme vkládat horké tekutiny nebo jídla dovnitř mrazáku a plnit nádoby až po okraj.


 Nepokládejte na mrazák křehké, těžké nebo nestabilní předměty.

Děti v domácnosti

- Nikdy nenechávejte obaly a jejich součásti dětem. Hrozí nebezpečí otravy nebo udušení skládacími kartony a fóliemi!
- Tento spotřebič není žádnou hračkou pro děti!
- U spotřebičů se zámek na dveřích: nenechávejte klíče v dosahu dětí!
- Pokud již mrazák nebudete používat, demontujte dvířka, těsnění, police a uložte je na bezpečné místo. Předjete tak nebezpečí uvíznutí dítěte uvnitř mrazáku.

Údržba a čištění

 Dříve než začnete s pravidelnou nebo mimořádnou údržbou, odpojte přívodní kabel spotřebiče nebo vypínejte jištění. Netahejte nikdy za síťový přívodní kabel, ale vždy přímo za vidlici.

 Nepoužívejte mechanická ani jiná zařízení, mimo zařízení doporučených výrobcem, k tomu, abyste urychlili proces rozmrazování.

- Neodmrazujte nebo nečistěte spotřebič pomocí parního čistícího přístroje! Pára může vniknout do elektrických součástí spotřebiče, kde by mohlo dojít ke zkratu. Hrozí nebezpečí zásahu elektrickým proudem!
- Zmrzlou vrstvu ledu a přimrzlé potraviny neodstraňujte nožem nebo ostrým předmětem. Můžete tím poškodit trubky na chladicí médium. Při úniku chladicího média může dojít k poranění očí, nebo se může vznítit.

Všeobecné pokyny

- Zařízení není určeno pro použití osobami (včetně dětí) se sníženými fyzickými, smyslovými nebo psychickými schopnostmi, nedostatkem zkušeností a znalostí, pokud nejsou pod dozorem nebo nebyly poučeny o použití zařízení osobou odpovědnou za jejich bezpečnost. Děti by měly být pod dozorem, aby si se zařízením nehrály.
- Tento spotřebič je otestován v souladu se směrnicemi platnými v Evropské Unii.
- Těsnost chladicího okruhu je přezkoušena.
- Tento výrobek odpovídá příslušným bezpečnostním ustanovením pro elektrické spotřebiče platným v Evropské Unii.

Technická bezpečnost



Spotřebič obsahuje chladicí plyn, ISOBUTHAN (R600a). Spotřebič přepravujte či přesouvejte jen s maximální opatrností, vyhněte se nadměrným nárazům a otřesům, aby nedošlo k poškození spotřebiče. Pokud dojde k poškození chladicího okruhu a možnému úniku chladicího plynu, vzniká riziko výbuchu, který může být vyvolán jiskrou nebo plameny. Pokud spotřebič vykazuje známky poškození, nesmí být uveden do provozu. V takovém případě kontaktujte servisní centrum, vyvětrejte místnost, kde je zařízení umístěno a zamezte šíření plamenů nebo jiným zásahům do zařízení.

Bezpečnostní pokyny pro plyn R600a

Opatření v případě nenadálého úniku

Pokud lze větrat, nechte materiál odpařit.

Vlastnosti plynu

Plyn je vysoce hořlavý, je nutno zcela vyloučit kontakt s otevřeným ohněm a horkými povrchy. Protože je plyn R600a těžší než vzduch, může docházet k jeho vysoké koncentraci u země, kde je větrání slabé.

První pomoc

Vdechnutí

Odvedte zasaženou osobu ze zamořeného prostoru na teplé, dobře větrané místo. Dlouhodobý pobyt v zamořeném území může způsobit dušení, případně ztrátu vědomí. Pokud je to nutné, zaveďte umělé dýchání a v mimořádně vážné situaci, pod odborným lékařským dohledem, podejte kyslík.

Kontakt s pokožkou

Při nahodilém kontaktu s pokožkou nedojde k ohrožení zdraví, raději důkladně omyjte postižené místo. Tekutý postřík nebo rozprášená tekutina mohou způsobit omrzliny, omyjte postižené místo velkým množstvím vody a přivolejte ošetřujícího lékaře.

Kontakt s očima

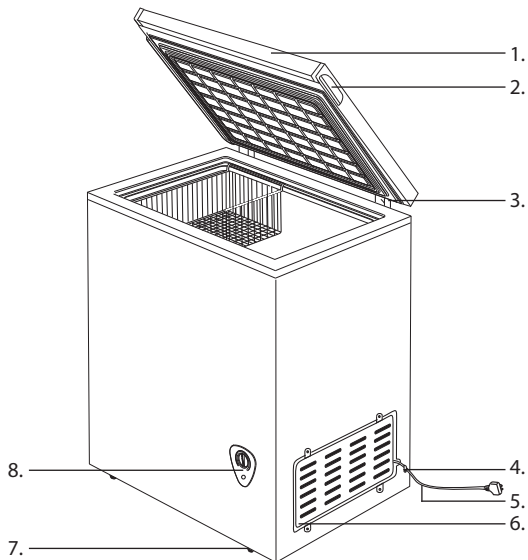
Pokud jsou zasaženy oči, vymyjte je velkým množstvím vody, snažte se přitom mít oči otevřené, a co nejdříve zavolejte specializovaného lékaře.

Pokud dojde ke styku s plynem nebo vdechnutí plynu R600a, kontaktujte svého lékaře.

ČÁST 2: POPIS PŘÍSTROJE

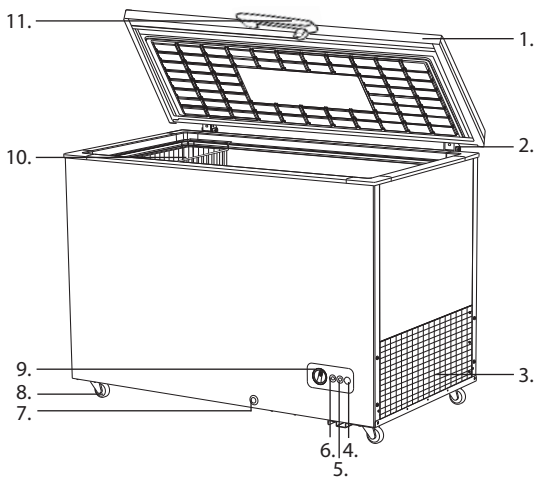
PCF 14324

1. Dvířka
2. Výřez pro snadné otevření
3. Závěs
4. Svorka přívodního kabelu
5. Přívodní kabel
6. Postranní kryt
7. Noha
8. Ovladač termostatu



PCF 25024

1. Dvířka mrazáku
2. Závěs
3. Postranní kryt
4. Světelná kontrolka rychlého zmrazení
5. Světelná kontrolka napájení
6. Světelná kontrolka alarmu
7. Kryt pro odtok
8. Kolečko
9. Termostat
10. Košík na potraviny
11. Madlo



POZNÁMKA:

Z důvodu neustálého zdokonalování produktů se může vlastní spotřebič lišit od tohoto návodu k použití, ale funkce a metody použití zůstávají stejné.

ČÁST 3: INSTALACE

Přeprava a rozbalení

Pokud je spotřebič přepravován v horizontální poloze, olej z kompresoru může natéct do chladicího okruhu. Proto ponechte spotřebič po dobu 12 hodin před zapnutím ve vertikální poloze, aby olej natekl zpět do kompresoru.

Odstraňte vnější obal, sejměte ochranný film z povrchu spotřebiče (je-li použit) a očistěte vnější část spotřebiče k tomu určeným přípravkem. Nepoužívejte škrabky ani hrubé látky, které by mohly nevratně poškodit povrchy spotřebiče. Opatrně odstraňte veškeré papíry a lepicí pásky ze spotřebiče, dveří a dalších částí zabalených v polystyrenu. Vyjměte dokumenty a příslušenství zevnitř spotřebiče.

Obalový materiál je recyklovatelný a je označen symbolem recyklace. Při likvidaci se řiďte místními předpisy. Obalové materiály (plastové sáčky, polystyrenové části, atd.) musí být uchovány mimo dosah dětí, protože představují možný zdroj nebezpečí.

Spotřebič pečlivě prohlédněte. Zjistíte-li nějaké vady, ukončete instalaci a kontaktujte prodejce.

Provozní podmínky

Správný provoz spotřebiče, teploty mražení jsou garantovány pouze při zachování následujících podmínek:

- Teplota místnosti, ve které je spotřebič umístěn, odpovídá klimatické třídě uvedené na výkonnostním štítku spotřebiče.
- Maximální relativní vlhkost okolí: 90%.
- Spotřebič musí být umístěn v dostatečné vzdálenosti od zdrojů tepla (např. pečí trouby, centrálního vytápění, přímých slunečních paprsků atd.).
- Zařízení musí být umístěno tak, aby bylo chráněno před povětrnostními vlivy.
- Pravidelná údržba je prováděna dle pokynů v tomto návodu.
- Větrací otvory v krytu spotřebiče nesmí být zakryty žádnými zábranami.
- Správná instalace (např. vyvážení, kapacita systému odpovídá údajům na výkonnostním štítku spotřebiče).

Tabulka – Klimatická třída

Klimatická třída	Teplota okolí
SN	+10°C až +32°C
N	+16°C až +32°C
ST	+16°C až +38°C
T	+16°C až +43°C

Umístění

Prostor pro umístění spotřebiče musí splňovat požadavky uvedené v odstavci „Provozní podmínky“ a musí mít stabilní podlahu s nosností odpovídající nosnosti spotřebiče.

Dále musíte zachovat vzdálenosti a rozměry spotřebiče, aby byla zajištěna jeho správná funkce:

1. Zadní část nejméně 10 cm;
2. Stěna na straně, kde se otevírají dveře nejméně 7,5 cm.

Vyrovnejte spotřebič pomocí nastavitelných noh, zajistěte mezeru mezi spodním okrajem spotřebiče a zemí, aby byla zajištěna cirkulace chladicího vzduchu, čímž zajistíte optimální výkon chladicího okruhu.

Zkontrolujte, zda žádné potrubí pro oběh chladiva není během instalace žádným způsobem poškozeno.

- Používejte spotřebič pouze k účelům, ke kterým je určen.
- Spotřebič musí být umístěn na pevném a rovném povrchu.

Tímto způsobem bude zajištěn volný oběh chladiva a účinný provoz vašeho spotřebiče.

- Pokud je to možné, umístěte spotřebič do chladné, dobře větrané a suché místnosti.
- Neumísťujte spotřebič na přímé sluneční světlo, ani do místnosti s vysokou teplotou, do blízkosti jakýchkoliv zdrojů přímého tepla, jako je topení, trouba, sporák atd. – to by znamenalo, že kompresor by musel pracovat mnohem více a výsledkem by byla i znatelně vyšší spotřeba energie.

Pokud nelze předejít instalaci v blízkosti přímého zdroje tepla, doporučujeme mezi spotřebič a tepelný zdroj umístit vhodnou izolační desku (nepoužívejte azbest), nebo alespoň dodržet následující minimální vzdálenosti:

- Od plynového nebo elektrického sporáku 3 cm;
- Od radiátoru nebo trouby, apod. 30 cm;
- Od jiného chladicího spotřebiče 2 cm.

Na spotřebič neumísťujte žádné spotřebiče, které na spotřebič uvolňují teplo, jako jsou mikrovlnné trouby, opékače topinek, apod.

Nikdy nezakrývejte ventilační mřížku. Zástrčku vytahujte zatažením za samotnou vidlici, při odpojování spotřebiče od sítě nikdy netahejte za kabel.



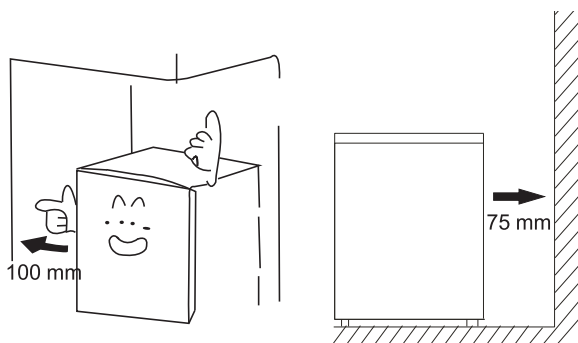
Před zapnutím, spotřebič nechte v konečném umístění stát 12 hodin, oběh chladiva se tak stabilizuje a nevyškytnou se žádné provozní problémy. Před připojením spotřebiče k síti se přesvědčte, že je uvnitř zcela suchý – zejména v rozích.



Varování před nebezpečím

Chladivo může být vysoce hořlavé, v závislosti na složení. Okruh chladiva byl hermeticky uzavřen a utěsněn a byl mnohokrát testován na možné úniky. Jakýkoliv neodborný zásah může způsobit nebezpečí požáru. Ujistěte se, že nedochází k žádnému mechanickému narušení či vlivu na oběh paliva, zejména v přístupných částech okolo kompresoru.

Do chladicího systému může zasahovat pouze odborně kvalifikovaný personál.



Čištění před použitím

Přesvědčte se, že jste odstranili ze spotřebiče veškeré lepicí pásky sloužící k uchycení příslušenství. Pak očistěte veškeré vnitřní části vlažnou vodou s neutrálním čisticím prostředkem, octem nebo uhlíčanem sodným – tím odstraníte charakteristický zápach nových součástí – následně pečlivě vysušte. Nepoužívejte saponáty nebo agresivní přípravky, které by mohly poškodit povrchy.

Elektrické zapojení

Předtím, než zapojíte zástrčku do síťové zásuvky, zajistěte, zda:

- Máte zcela suché ruce.
- Napětí a frekvence uvedené na výkonostním štítku spotřebiče odpovídají údajům, které jsou v domácí napájecí síti (povolena tolerance od -6% do +6% pro jmenovité napětí, pro použití při jiných napětích, použijte měnič napětí odpovídajících parametrů).
- Kabel a zástrčka nejsou poškozeny nebo skřípnuty těžkými předměty.
- Přívodní kabel není příliš napnutý, není povoleno používat prodlužovací kabel.



Nepřipojujte spotřebič k usměrňovači proudu (např. sluneční elektrárna) nebo pomocí prodlužovacího kabelu.



Spotřebič musí být připojen k fungujícímu uzemnění. V případě, že síťová zásuvka domácího systému není uzemněna v souladu se současnými právními předpisy, připojte spotřebič po konzultaci se specializovaným technikem k samostatnému uzemnění. Výrobce není zodpovědný za úrazy vzniklé následkem nerespektování těchto pokynů.



Pokud mrazák během instalace nevyrovnáte, nemusí se dvířka správně dovírat a těsnění nemusí řádně těsnit, což bude mít za následek problémy s chlazením, námrazou nebo vlhkostí. Je velmi důležité vyrovnání mrazáku.

Mrazák vyrovnáte pomocí nastavitelných noh – jejich otáčením ve směru hodinových ručiček mrazák zdviháte a jejich otáčením proti směru hodinových ručiček mrazák spouštíte.

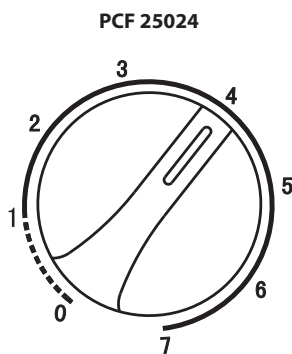
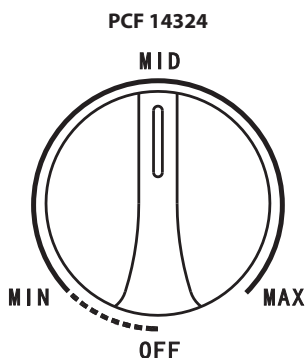
ČÁST 4: NASTAVENÍ TEPLoty

Nastavení teploty

K nastavení teploty mrazáku se používá ovladač termostatu. Tento se nachází v dolní části mrazáku. Doporučujeme nastavit ovladač termostatu na MID nebo 4 (v závislosti na modelu).

Pokud je výkon mrazáku nedostatečný, nastavte ovladač termostatu na MAX nebo 7 (v závislosti na modelu). Pokud je naopak výkon mrazáku příliš velký, nastavte ovladač termostatu na MIN nebo 1 (v závislosti na modelu).

Pokud potřebujete mrazák vypnout, otočte ovladač termostatu na OFF nebo 0 (v závislosti na modelu).



ČÁST 5: USPOŘÁDÁNÍ POTRAVIN

- Vhodnými balíci materiály na potraviny jsou: plastová nádoba, alobal, polyetylenový mrazící sáček apod.
- Horká jídla vždy před vložením do mrazáku nechte dostatečně vychladnout.
- Dveře otevírejte pouze na krátkou dobu, aby nedošlo k oteplení vnitřního prostoru mrazáku. Šetří to energii.
- Nikdy neskladujte výbušné materiály nebo výrobky s hořlavými stlačenými plyny (např. dávkovače šlehačky s tlakovými kapslemi/bombičkami, sprejové plechovky) – **RIZIKO VÝBUCHU!**

Ukládání mražených potravin

Pokud jste zapnuli mrazák poprvé nebo jste ji právě rozmrazili, vyčkejte alespoň 2 hodiny před vložením potravin mrazáku.

Všechny mražené potraviny musí být uloženy do mrazáku co nejdříve od nákupu, aby se zabránilo jejich rozmražení a případné kontaminace.

Skladujte mražené výrobky dle instrukcí uvedených na obale od výrobce.

Dbejte zvýšené opatrnosti při manipulaci se zásuvkou, aby se nepoškodil chladicí obvod.

Ukládání čerstvých potravin do mrazáku

Ujistěte se, že je mrazák čistý, jelikož samotné mražení nesterilizuje potraviny. Doporučujeme mrazit potraviny v originálním obalu, popř. v dózách určených k mražení nebo v speciálních mrazících sáčcích. Nikdy nevkládejte do mrazáku horké nebo teplé potraviny. Před vložením do mrazáku nechte potraviny zcela vychladnout, zabalte do plastového sáčku, alobalu nebo dózy. Zkontrolujte štítek mrazáku, abyste se ujistili, kolik kilo čerstvých potravin (pokožová teplota 25°C) je mrazák schopen ve 24 hodin zmrazit. Nikdy nevkládejte více, než je povolené množství.

Nikdy nevkládejte do mrazáku láhve se sycenými nápoji ani jiné láhve.

Pro lepší výsledek mražení ponechte kolem potravin dostatečný prostor pro cirkulaci vzduchu.

Doporučujeme nastavení mezi střední a maximální hodnotou pro běžné užívání a pro dlouhodobé skladování potravin v prostoru mrazáku.



UPOZORNĚNÍ!

- V prostoru mrazáku neskladujte plechovky a láhve s nápoji obsahujícími oxid uhličitý. Obsah se při zmrazování roztahuje a může láhev nebo plechovku roztrhnout. Riziko úrazu a poškození!
- Zmrzlinu konzumujte až několik minut po vyjmutí z mrazáku – vyhněte se tak poranění rtů a jazyka. Nedotýkejte se vnitřku mrazáku, pokud máte mokré ruce.

Důležité informace

- Do prostoru mrazáku ukládejte pouze řádně zabalené potraviny.
- Při ukládání hluboce zmrazených potravin určených k okamžité konzumaci si povšimněte data spotřeby označeného výrobcem.
- Pamatujte si, že ke zmrazování jsou vhodné pouze kvalitní čerstvé potraviny.
- Čerstvé potraviny zmrazujete ve vhodných velikostech porcí.
- Ujistěte se, že používáte vhodný balicí materiál (potravinovou folii, alobal, mrazící schránky).
- Z balíčků vytačte všechn vzduch.
- Balíčky uzavřete pomocí elastické pásky, plastových kolíčků, struny nebo lepicí pásky odolné proti chladu.
- Plastové sáčky a tuby lze také uzavřít pomocí zařízení na svařování.
- Uzavřený balíček označte obsahem, váhou a datem zmrazení.
- Před vložením sáčků do mrazáku se ujistěte, že jsou suché, tím zabráníte, aby k sobě přimrzaly.
- Abyste zabránili částečnému rozmrazení, umístěte potraviny, které se mají zmrazit tak, aby se nedotýkaly již zmrazených potravin.
- Zcela nebo zčásti rozmražené potraviny znovu nezmrazujte mimo případy, kdy byly tepelně zpracovány (vařené nebo smažené / pečené).
- Nekonzumujte potraviny, které byly skladovány po dobu delší, nežli je jejich datum spotřeby. Můžete si přivodit otravu jídlem.

Tabulka – uchovávání potravin v mrazáku

Potravina	Způsob uchovávání	Zóna	Trvanlivost
Uchovávání zmrazených potravin, ledových kostek a zmrzlin	Původní balení, dobře uzavřené	Horní část mrazák	Dle data spotřeby
Zmražené potraviny: maso a ryby	Původní balení, dobře uzavřené. Kontejnery na potraviny vhodné pro nízké teploty, hermeticky uzavřené.	Nejlépe ve spodní části mrazák	Hovězí: 12 měsíců Vepřové: 12 měsíců Mleté vepřové: 6 měsíců Králičí: 6 měsíců Telecí: 9 měsíců Skopové: 9 měsíců Drůbež: 6 měsíců Ryby: 6 měsíců
Zmražené potraviny: těstovinová jídla, ovoce, zelenina, cukrovinky	Potravinové kontejnery vhodné pro nízké teploty, hermeticky uzavřené.	Horní část mrazák	6-12 měsíců

ČÁST 6: ODMRAZOVÁNÍ A PRAVIDELNÁ UDRŽBA

Z hygienických důvodů je třeba, aby byl spotřebič (včetně vnějších a vnitřních příslušenství) čištěn pravidelně alespoň jednou za dva měsíce.



UPOZORNĚNÍ

Během čištění nesmíte spotřebič zapojit do zásuvky. Riziko úrazu elektrickým proudem! Před čištěním vypněte spotřebič a vyjměte zástrčku ze síťové zásuvky.

Čištění vnějšího povrchu

Aby vám spotřebič dobře a dlouho sloužil, je třeba jej pravidelně čistit.

- Otřete ovládací panel a displej čistou a měkkou utěrkou.
- Vodu aplikujte na utěrku místo na spotřebič. Zajistíte tak rovnoměrné rozetření vody po povrchu spotřebiče.
- Otřete dvířka, madla, strany utěrkou namočenou ve vlažné vodě s trochou prostředku na mytí nádobí a poté otřete do sucha.



UPOZORNĚNÍ

- Nepoužívejte ostré předměty, hrubé čisticí prostředky, které by mohly poškrábat povrch spotřebiče.
- Nepoužívejte ředidlo, čisticí na auta, chlór, benzín, hrubé čisticí prostředky, benzen ani jiné podobné prostředky k čištění. Mohou poničit povrch spotřebiče a způsobit požár.

Používání parních čisticích spotřebičů je extrémně nebezpečné a je tedy i přísně zakázané.

Čištění vnitřního prostoru

Je třeba vnitřní prostor pravidelně čistit. Snadněji se bude vnitřní prostor čistit, pokud je ve spotřebiči málo potravin. Otřete vnitřní prostor měkkou utěrkou namočenou ve slabém roztoku vody a jedlé sody nebo octa, otřete utěrkou namočenou v čisté teplé vodě. Poté otřete dosucha čistou utěrkou před vložením polic a zásuvek.

Důkladně vysušte vnitřní prostor a příslušenství.

Odmrazování

Ačkoliv je spotřebič vybaven funkcí automatického odmrazování, může se občas objevit vrstva ledu na vnitřních stranách mrazáku, zvláště pokud jsou dvířka mrazáku otevírána příliš často nebo ponechána delší dobu otevřená. Pokud je ledová vrstva příliš silná, vyjměte potraviny z mrazáku a postupujte následovně:

1. Vyjměte potraviny a příslušenství, vypněte spotřebič a odpojte zástrčku přírodního kabelu ze síťové zásuvky. Zajistěte odvětrávání místnosti pro urychlení procesu odmrazování.
2. Jakmile je odmrazení dokončení, vyčistěte mrazák stejným způsobem, jako je uvedeno výše.



UPOZORNĚNÍ

- Nepoužívejte ostré předměty k odstranění zmrazených potravin nebo ledu, může dojít k poškrábání stěny mrazáku.
- Při rozmrazování mrazničky nikdy nepoužívejte elektrické spotřebiče, jako jsou fény na vlasy, horkovzdušné ventilátory, parní čističe, rozmrazovací spreje nebo otevřené plameny (např. svíčky). Plastový vnitřek by se mohl roztéci a vznikající pěnový plyn by se mohl vznítit z jiskry nebo otevřeného plamene. K rozpuštění vrstvy ledu ve spotřebiči nikdy nepoužívejte parní čistič (vysoké riziko úrazu elektrickým proudem).
- Vyjměte zmrazené potraviny a zabalte je do několika vrstev novin.
- Zmrazené potraviny vložte na chladné místo do doby, nežli je možné mrazničku znovu používat.
- Námraza či ledovou pokrývku neškrábejte, neboť se může poškodit odpařovací povrch.

- Odmrazení proveďte co nejrychleji, abyste zabránili rozmrazení vyjmutých potravin.
- Odmrazování můžete urychlit umístěním misky s horkou (ne vařící) vodou do mrazničky. V tomto případě zavřete dveře mrazničky.
- Spotřebič může být zapojen do sítě a zapnut, pouze pokud je vnitřní prostor zcela suchý.

Čištění těsnění

Udržujte těsnění dvířek v čistotě.

Lepkavé potraviny a nápoje mohou způsobit přilepení těsnění k vnitřní hraně a následnému poškození při otevírání. Omyjte těsnění měkkou utěrkou namočenou v teplé vodě s trochou prostředku na mytí nádobí. Opláchněte a otřete řádně dosucha.



UPOZORNĚNÍ!

Zapněte spotřebič, až co je těsnění řádně suché.

Dlouhodobé vyřazení z provozu

Pokud spotřebič nebudete delší dobu používat, proveďte následující:

Odpojte mrazák od zdroje energie jejím vytažením ze zásuvky. Vnitřek vyčistěte a vysušte, jak je uvedeno v části o čištění mrazáku. Nechte dvířka otevřená, aby se uvnitř netvořil nepříjemný zápach.



Prosím, pozor:

Kompresor

Kompresor je ovládán termostatem, který nastavujete na otočném ovladači teploty, a spíná se automaticky v okamžiku, kdy dojde k překročení teploty ve spotřebiči, a vypne se, jakmile se této teploty opět dosáhne.

Při spuštění každého kompresoru – chladicího systému – je slyšet hluk. Tyto zvuky jsou vytvářeny tehdy, když motor v kompresoru pracuje, a vytváří je i chladivo, obíhající v okruhu chladicího systému. Tyto zvuky jsou normální, neznamenají žádnou poruchu ve funkci spotřebiče.

V nevyhříváných místnostech nebo v chladných povětrnostních podmínkách se na vnějších stěnách spotřebiče může vytvářet kondenzát. To neznamená poruchu a tento kondenzát zmizí, jakmile se zvýší teplota.

Servisní oddělení kontaktujte pouze tehdy, jestliže po analýze všech možných faktorů poruchy nemůžete nalézt žádnou příčinu nebo nejste schopni poruchu sami eliminovat. Nejdříve se tedy zaměřte na: „ Co mám dělat, jestliže....“

ČÁST 7: CO MÁM DĚLAT, JESTLIŽE

Pokud zaznamenáte problém se svým spotřebičem nebo zjistíte, že spotřebič nefunguje správně, můžete některé běžné závady odstranit sami před kontaktováním autorizovaného servisního centra. Provedte kontrolu spotřebiče a postupujte podle instrukcí níže před kontaktováním autorizovaného servisního centra.



VAROVÁNÍ!


Nepokoušejte se spotřebič vlastními silami opravit. Pokud problém přetrvává, poté co jste provedli kontrolu, obraťte se na autorizované servisní středisko, kvalifikovaného technika nebo prodejce, u kterého jste spotřebič zakoupili.

Problém	Řešení
Výpadek elektrického proudu	Otevírejte dvířka mrazáku co nejméně, abyste zabránili úniku chladného vzduchu.
	Ne vkládejte nové potraviny k zamrazení. Teplota by se tím mohla zvýšit.
	V případě dlouhodobého výpadku vložte do mrazáku suchý led.
Problémy s přívodním kabelem.	Pokud je přívodní kabel jakkoliv poškozený, přestaňte spotřebič používat, obraťte se na autorizovaný servis, aby provedli výměnu přívodního kabelu. Výměnu může provést pouze kvalifikovaná osoba.
	Zástrčka přívodního kabelu se používá jako odpojovací zařízení, a proto musí zůstat vždy přístupná.
Dlouhodobé vyřazení z provozu	Vyjměte všechny potraviny z mrazáku a odpojte zástrčku přívodního kabelu ze síťové zásuvky.
	Vyčistěte vnitřní prostor a otřete přebytečnou vodu.
	Abyste zabránili vzniku nepříjemného zápachu, nechte dvířka mrazáku otevřená.
Přeprava	Odpojte zástrčku přívodního kabelu ze síťové zásuvky.
	Před přepravou se ujistěte, že nohy spotřebiče nejsou poškozeny.
	Zabraňte nárazu nohou spotřebiče se schody, prahem apod.
Uložení	Mezi dvířka a jednotku vložte kousek dřeva nebo podobného předmětu, abyste zabránili zavření mrazáku.
	Ujistěte se, že je mrazák uložen mimo dosah dětí, aby se zajistilo, že si se spotřebičem nebudou hrát.
	Pokud by dítě uvízlo v mrazáku a dvířka se zavřela, nemuselo by je dítě otevřít.
Mrazák nemrazí.	Není přerušena dodávka elektrické energie?
	Není přívodní kabel odpojen od síťové zásuvky?
	Nejsou vyhořelé pojistky nebo není obvod aktivován?
	Není ovladač termostatu nastaven na OFF nebo 0?

Problém	Řešení
Nedostatečné mražení	Je zajištěna dostatečná ventilace?
	Není mrazák vystaven přímému slunečnímu světlu nebo není umístěn v blízkosti zdroje tepla (např. sporák)?
	Nejsou dvířka otevřena? Neotevírali jste dvířka příliš často?
	Neuvízly kusy potravin mezi dvířky a jednotkou?
	Nastavte ovladač termostatu na MAX nebo 7, v opačném případě pak na MIN nebo 1.
	Příliš silná vrstva námrazy, je třeba mrazák odmrazit.
Nadměrný hluk	Je podlaha pod mrazákem dostatečně tvrdá?
	Nepohybuje se nebo neklepe se mrazák?
	Nedotýká se zadní část mrazáku zdi?
	Není nějaký předmět za mrazákem? Kompresor bude vydávat hlasitější zvuk, pokud byl mrazák zapnut, v případě vysoké okolní teploty a maximálního nastavení. Hluk se poté sníží.
Kondenzovaná voda na vnějším plášti	Kondenzovaná voda se může objevit na vnějším plášti a dvířkách během horkých a vlhkých dnů, nebo pokud je mrazák instalován ve vlhkém a příliš teplém místě. Voda pak zkondenzuje na chladnějších místech mrazáku. Jedná se o normální jev. Otřete vodu suchou utěrkou.
Mrazák je na dotyk horký.	Zvláště v o létě nebo v období prvního spuštění, může být mrazák na dotyk horký. Mrazák je vybaven trubicí, která chrání před nadměrnou kondenzací, a proto se zahřívá. Tato teplota neovlivňuje teplotu uvnitř mrazáku

ČÁST 8: INFORMAČNÍ LIST

INFORMAČNÍ LIST: Philco

Obchodní značka Philco: PHILCO 				
Značka	Philco			
Prodejní označení	PCF 2502-5	PCF 2032-5	PCF 1432-5	PCF 982-5
Typ spotřebiče 3)	9	9	9	9
Třída energet. účinnosti (A... nízká spotřeba el. energie až G... vysoká spotřeba el. energie)	A++	A++	A++	A++
Spotřeba energie za 365 dní 1) kWh	194	175	151	133
Užitný objem celkem: l	250	203	143	98
z toho: objem chladicí části l				
z toho: objem mrazicí části l	250	203	143	98
Hvězdičkové označení mrazicího prostoru	****	****	****	****
Mrazicí kapacita kg/24 h	18	15	14	9,5
Klimatická třída 2)	SN-T	SN-T	SN-T	SN-T
Napětí	220-240v/50Hz	220-240v/50Hz	220-240v/50Hz	220-240v/50Hz
Hlučnost 4) dB (re 1pW)	42	42	42	42
Rozměry cm (vxšxh)	835x1115x607	832x952x607	832x737x607	837x563x519
Váha kg	49	38	34	23

- 1) Spotřeba energie v kWh /rok založená na výsledcích normalizované zkoušky po dobu 24 hod. Skutečná spotřeba energie závisí na způsobu použití a umístění spotřebiče.
- 2) SN: okolní teploty od +10 °C do +32 °C
ST: okolní teploty od +18 °C do +38 °C
N: okolní teploty od +16 °C do +32 °C
- 3) 1 = Chladnička bez prostorů o nízké teplotě
7 = Chladnička/mraznička, s prostory o nízké teplotě *(***)
8 = Skříňová mraznička
9 = Pultová mraznička
- 4) Hlučnost dle Evropské normy EN 60704.

POZNÁMKA:

Výše uvedená data podléhají změnám.

POKYNY A INFORMACE O NAKLÁDÁNÍ S POUŽITÝM OBALEM

Použitý obalový materiál odložte na místo určené obcí k ukládání odpadu.

LIKVIDACE POUŽITÝCH ELEKTRICKÝCH A ELEKTRONICKÝCH ZAŘÍZENÍ



Tento symbol na produktech anebo v průvodních dokumentech znamená, že použité elektrické a elektronické výrobky nesmí být přidány do běžného komunálního odpadu. Ke správné likvidaci, obnově a recyklaci předejte tyto výrobky na určená sběrná místa. Alternativně v některých zemích Evropské unie nebo jiných evropských zemích můžete vrátit své výrobky místnímu prodejci při koupi ekvivalentního nového produktu. Správnou likvidací tohoto produktu pomůžete zachovat cenné přírodní zdroje a napomáháte prevenci potenciálních negativních dopadů na životní prostředí a lidské zdraví, což by mohly být důsledky nesprávné likvidace odpadů. Další podrobnosti si vyžádejte od místního úřadu nebo nejbližšího sběrného místa. Při nesprávné likvidaci tohoto druhu odpadu mohou být v souladu s národními předpisy uděleny pokuty.

Pro podnikové subjekty v zemích Evropské unie

Chcete-li likvidovat elektrická a elektronická zařízení, vyžádejte si potřebné informace od svého prodejce nebo dodavatele.

Likvidace v ostatních zemích mimo Evropskou unii

Tento symbol je platný v Evropské unii. Chcete-li tento výrobek zlikvidovat, vyžádejte si potřebné informace o správném způsobu likvidace od místních úřadů nebo od svého prodejce.



Tento výrobek je v souladu s požadavky směrnic EU o elektromagnetické kompatibilitě a elektrické bezpečnosti.

Změny v textu, designu a technických specifikacích se mohou měnit bez předchozího upozornění a vyhrazujeme si právo na jejich změnu.

TRUHLICOVÁ MRAZNIČKA

NÁVOD NA OBSLUHU

PHILCO



Famous for Quality the World Over

PCF 2502-5

PCF 2032-5

PCF 1432-5

PCF 982-5

Vážený zákazník,

Ďakujeme, že ste si kúpili výrobok značky PHILCO. Aby váš spotrebič slúžil čo najlepšie, prečítajte si všetky pokyny v tomto návode.

OBSAH

ČASŤ 1: PRED UVEDENÍM DO PREVÁDZKY	2
• Bezpečnostné upozornenia	2
• Bezpečnostné pokyny pre plyn R600a	4
ČASŤ 2: POPIS PRÍSTROJA	5
ČASŤ 3: INŠTALÁCIA	6
• Preprava a rozbalenie	6
• Umiestnenie	7
• Čistenie pred použitím	8
• Elektrické zapojenie	8
ČASŤ 4: NASTAVENIE TEPLoty	9
ČASŤ 5: USPORIADANIE POTRAVÍN	10
• Ukladanie mrazených potravín	10
• Tabuľka uchovávania potravín v mrazničke	11
ČASŤ 6: ODMRAZOVANIE A PRAVIDELNÁ ÚDRŽBA	12
ČASŤ 7: ČO MÁM ROBIŤ, AK	14
ČASŤ 8: KARTA INFORMAČNÝCH ÚDAJOV	16

ČASŤ 1: PRED UVEDENÍM DO PREVÁDZKY

Bezpečnostné upozornenia

Symbols:



Všeobecné rady pre optimálnu prevádzku spotrebiča



Všeobecné nebezpečenstvo



Horúce povrchy

Skôr ako uvediete spotrebič do prevádzky

- Pred inštaláciou, zapnutím a používaním prístroja si pozorne prečítajte návod na použitie a na montáž! Tento návod obsahuje dôležité informácie týkajúce sa inštalácie, použitia a údržby spotrebiča. Návod si uschovajte aj na neskoršie nahliadnutie, prípadne pre ďalších majiteľov spotrebiča v prípade ďalšieho predaja výrobku.



Ak sa spotrebič prepravuje v horizontálnej polohe, olej z kompresora môže zatiect' do chladiaceho okruhu. Preto ponechajte spotrebič 12 hodín pred zapnutím vo vertikálnej polohe, aby olej natiekol späť do kompresora.



Po vybalení spotrebič dôkladne prezrite, či nie je nejako poškodený. Presvedčte sa tiež, že kábel nie je poškodený. Ak zistíte nejaké poruchy, vypnite spotrebič a kontaktujte predajcu alebo v prípade poškodeného prívodného kábla servisné centrum. Ak je prístroj a všetky jeho súčasti v poriadku, nainštalujte podľa pokynov v príslušnej kapitole.

- Pri inštalácii spotrebiča na miesto, príp. pri posúvaní spotrebiča, by mohlo dôjsť k jeho zatlačeniu alebo poškodeniu prívodného kábla. Skontrolujte, či prívodný kábel nikde neprekáža.
- Pred pripojením spotrebiča k zdroju elektrickej energie sa uistite, že kapacita systému zodpovedá údajom uvedeným na výkonnostnom štítiku spotrebiča.
- Akékoľvek úpravy domovej elektroinštalácie nutné na pripojenie spotrebiča môže vykonať iba odborný pracovník.



Ak presúvate spotrebič z jeho obvyklej pozície, je nutné si uvedomiť, že aj keď ste odpojili prívodný kábel, súčasti na zadnej strane spotrebiča môžu byť ešte určitý čas veľmi horúce.




Tento spotrebič nie je určený na zabudovanie. Nezakrývajte alebo nezalozte otvory prívodu a odvodu vzduchu. Nedostatočné vetranie spôsobí zlú funkciu a poškodenie spotrebiča.


Prevádzka prístroja

- Používajte spotrebič iba na účely, na ktoré je určený.
- Tento spotrebič je určený výhradne na domáce použitie, na uchovávanie alebo zmrazovanie potravín a na prípravu ľadu.
- Teplota vnútri mrazničky môže mierne stúpať alebo klesať, tieto zariadenia nie sú preto vhodné na uchovávanie výrobkov (napr. liekov), ktoré vyžadujú stabilnú teplotu.




Nepoužívajte vnútri spotrebiča žiadne ďalšie elektrospotrebiče (napr. vyhrievacie telesá, elektrické zmrazlinové strojičky atď.). Hrozí nebezpečenstvo výbuchu!


 Neukladajte do mrazničky potraviny s horľavými hnačacími plynmi (napr. spreje) a žiadne výbušné, kontaminujúce alebo prchavé látky. Hrozí nebezpečenstvo výbuchu!

 Neskladujte v mraziacom priestore tekutiny vo fľašiach a plechovkách (najmä nápoje s obsahom oxidu uhličitého). Flaše a plechovky môžu prasknúť!

- Vysokopercentný alkohol ukladajte len s pevným uzáverom a vo zvislej polohe.
- Nepoužívajte podstavec, zásuvky, dvierka spotrebiča atď. ako stúpadlo alebo ako opierku. Hrozí nebezpečenstvo zranenia osôb alebo poškodenie spotrebiča.
- Dbajte na to, aby sa plastové súčasti spotrebiča a tesnenie dverí neznečistili olejom alebo tukom. Plastové súčasti a tesnenie sa potom stávajú poréznymi.
- Nekonzumujte zmrazené potraviny ihneď po vybratí z mraziaceho priestoru. Hrozí nebezpečenstvo omrzlín!

 Vyhnite sa dlhšiemu kontaktu rúk so zmrazenými potravinami, ľadom alebo odparovacími rúrkami. Hrozí nebezpečenstvo omrzlín a primrznutia!


 Neodporúčame vkladat' horúce tekutiny alebo jedlá dovnútra mrazničky a plniť nádoby až po okraj.


 Nekladte na mrazničku krehké, ťažké alebo nestabilné predmety.

Deti v domácnosti

- Nikdy nenechávajte obaly a ich súčasti deťom. Hrozí nebezpečenstvo otravy alebo udusenía skladacími kartónmi a fóliami!
- Tento spotrebič nie je žiadna hračka pre deti!
- Pri spotrebičoch so zámkom na dverách: nenechávajte kľúče v dosahu detí!
- Ak už mrazničku nebudete používať, demontujte dvierka, tesnenie, police a uložte ich na bezpečné miesto. Predídete tak nebezpečenstvu uviaznutia dieťaťa vnútri mrazničky.

Údržba a čistenie

 Skôr než začnete s pravidelnou alebo mimoriadnou údržbou, odpojte prívodný kábel spotrebiča alebo vypínajte istenie. Neťahajte nikdy za sieťový prívodný kábel, ale vždy priamo za vidlicu.

 Nepoužívajte mechanické ani iné zariadenia, okrem zariadení odporúčaných výrobcom, na to, aby ste urýchlili proces rozmrazovania.

- Neodmrazujte alebo nečistite spotrebič pomocou parného čistiaceho prístroja! Para môže vniknúť do elektrických súčastí spotrebiča, kde by mohlo dôjsť ku skratu. Hrozí nebezpečenstvo zásahu elektrickým prúdom!
- Zmrznutú vrstvu ľadu a primrznuté potraviny neodstraňujte nožom alebo ostrým predmetom. Môžete tým poškodiť rúrky na chladiace médium. Pri úniku chladiaceho média môže dôjsť k poraneniu očí alebo sa môže vznietiť.

Všeobecné pokyny

- Zariadenie nie je určené na použitie osobami (vrátane detí) so zníženými fyzickými, zmyslovými alebo psychickými schopnosťami, nedostatkom skúseností a znalostí, pokiaľ nie sú pod dozorom alebo neboli poučené o použití zariadenia osobou zodpovednou za ich bezpečnosť. Deti by mali byť pod dozorom, aby sa so zariadením nehrali.
- Tento spotrebič je otestovaný v súlade so smernicami platnými v Európskej únii.
- Tesnosť chladiaceho okruhu je preskúšaná.
- Tento výrobok zodpovedá príslušným bezpečnostným ustanoveniam pre elektrické spotrebiče platným v Európskej únii.

Technická bezpečnosť



Spotrebič obsahuje chladiaci plyn izobután (R600a). Spotrebič prepravujte či presúvajte len s maximálnou opatrnosťou, vyhnite sa nadmerným nárazom a otrasom, aby nedošlo k poškodeniu spotrebiča. Ak dôjde k poškodeniu chladiaceho okruhu a možnému úniku chladiaceho plynu, vzniká riziko výbuchu, ktorý môže byť vyvolaný iskrou alebo plameňmi. Ak spotrebič vykazuje známky poškodenia, nesmie byť uvedený do prevádzky. V takom prípade kontaktujte servisné centrum, vyvetrajte miestnosť, kde je zariadenie umiestnené a zamedzte šíreniu plameňov alebo iným zásahom do zariadenia.

Bezpečnostné pokyny pre plyn R600a

Opatrenia v prípade náhleho úniku

Ak je možné vetrať, nechajte materiál odpariť.

Vlastnosti plynu

Plyn je vysoko horľavý, je nutné celkom vylúčiť kontakt s otvoreným ohňom a horúcimi povrchmi. Pretože je plyn R600a ťažší než vzduch, môže dochádzať k jeho vysokej koncentrácii pri zemi, kde je vetranie slabé.

Prvá pomoc

Vdýchnutie

Odveďte zasiahnutú osobu zo zamoreného priestoru na teplé, dobre vetrané miesto. Dlhodobý pobyt v zamorenom území môže spôsobiť dusenie, prípadne stratu vedomia. Ak je to nutné, zavedte umelé dýchanie a v mimoriadne vážnej situácii, pod odborným lekárskej dohľadom, podajte kyslík.

Kontakt s pokožkou

Pri náhodnom kontakte s pokožkou nedôjde k ohrozeniu zdravia, radšej dôkladne umyte postihnuté miesto. Tekutý postrek alebo rozprášená tekutina môžu spôsobiť omrzliny, umyte postihnuté miesto veľkým množstvom vody a privolajte ošetrojúceho lekára.

Kontakt s očami

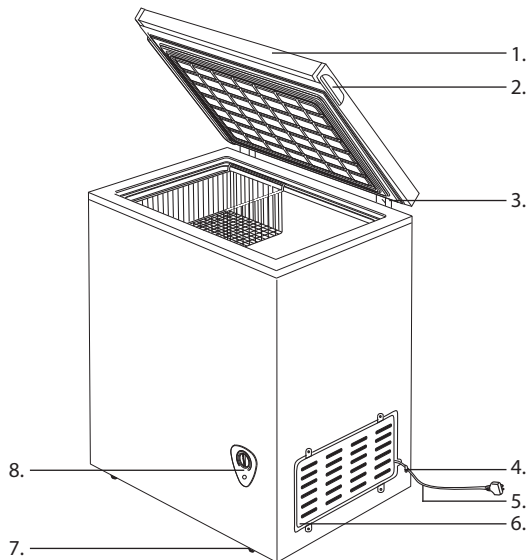
Ak sú zasiahnuté oči, vymyte ich veľkým množstvom vody, snažte sa pri tom mať oči otvorené, a čo najskôr zavolajte špecializovaného lekára.

Ak dôjde k styku s plynom alebo vdýchnutiu plynu R600a, kontaktujte svojho lekára.

ČASŤ 2: POPIS PRÍSTROJA

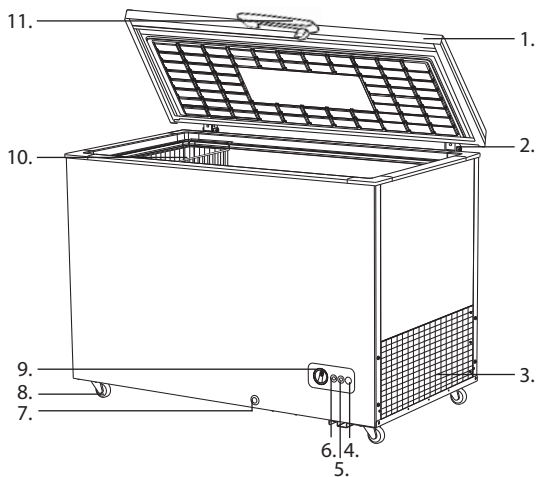
PCF 14324

1. Dvierka
2. Výrez na ľahké otvorenie
3. Záves
4. Svorka prívodného kábla
5. Prívodný kábel
6. Postranný kryt
7. Noha
8. Ovládač termostatu



PCF 25024

1. Dvierka mrazničky
2. Záves
3. Postranný kryt
4. Svetelná kontrolka rýchleho zmrazenia
5. Svetelná kontrolka napájania
6. Svetelná kontrolka alarmu
7. Kryt pre odtok
8. Koliesko
9. Termostat
10. Košík na potraviny
11. Držadlo



POZNÁMKA:

Z dôvodu neustáleho zdokonaľovania produktov sa môže vlastný spotrebič líšiť od tohto návodu na použitie, ale funkcie a metódy použitia zostávajú rovnaké.

ČASŤ 3: INŠTALÁCIA

Preprava a rozbalenie

Ak je spotrebič prepravovaný v horizontálnej polohe, olej z kompresora môže natiecť do chladiaceho okruhu. Preto ponechajte spotrebič na 12 hodín pred zapnutím vo vertikálnej polohe, aby olej natiekol späť do kompresora.

Odstráňte vonkajší obal, odstráňte ochranný film z povrchu spotrebiča (ak je použitý) a očistite vonkajšiu časť spotrebiča na to určeným prípravkom. Nepoužívajte škrabky ani hrubé látky, ktoré by mohli nenávratne poškodiť povrchu spotrebiča. Opatrne odstráňte všetky papiere a lepiace pásky zo spotrebiča, dverí a ďalších častí zabalených v polystyréne. Vyberte dokumenty a príslušenstvo znútra spotrebiča.

Obalový materiál je recyklovateľný a je označený symbolom recyklácie. Pri likvidácii sa riadte miestnymi predpismi. Obalové materiály (plastové vrecká, polystyrénové časti atď.) sa musia uchovávať mimo dosahu detí, pretože predstavujú možný zdroj nebezpečenstva.

Spotrebič dôkladne prezrite. Ak zistíte nejaké chyby, ukončíte inštaláciu a kontaktujte predajcu.

Prevádzkové podmienky

Správna prevádzka spotrebiča, teploty mrazenia sú garantované iba pri zachovaní nasledujúcich podmienok:

- Teplota miestnosti, v ktorej je spotrebič umiestnený, zodpovedá klimatickej triede uvedenej na výkonnostnom štítku spotrebiča.
- Maximálna relatívna vlhkosť okolia: 90 %.
- Spotrebič musí byť umiestnený v dostatočnej vzdialenosti od zdrojov tepla (napr. rúry na pečenie, centrálného vykurovania, priamych slnečných lúčov atď.).
- Zariadenie musí byť umiestnené tak, aby bolo chránené pred poveternostnými vplyvmi.
- Pravidelná údržba je vykonávaná podľa pokynov v tomto návode.
- Vetracie otvory v kryte spotrebiča nesmú byť zakryté žiadnymi zábranami.
- Správna inštalácia (napr. vyváženie, kapacita systému zodpovedá údajom na výkonnostnom štítku spotrebiča).

Tabuľka – Klimatická trieda

Klimatická trieda	Teplota okolia
SN	+10°C až +32°C
N	+16°C až +32°C
ST	+16°C až +38°C
T	+16°C až +43°C

Umiestnenie

Priestor na umiestnenie spotrebiča musí spĺňať požiadavky uvedené v odseku „Prevádzkové podmienky“ a musí mať stabilnú podlahu s nosnosťou zodpovedajúcou nosnosti spotrebiča.

Musíte zachovať vzdialenosti a rozmery spotrebiča, aby bola zaistená jeho správna funkcia:

1. Zadná časť najmenej 10 cm;
2. Stena na strane, kde sa otvárajú dvere, najmenej 7,5 cm.

Vyrovajte spotrebič pomocou nastaviteľných nôh, zaistíte medzeru medzi spodným okrajom spotrebiča a zemou, aby bola zaistená cirkulácia chladiaceho vzduchu, čím zaistíte optimálny výkon chladiaceho okruhu.

Skontrolujte, či žiadne potrubie na obeh chladiaceho média nie je počas inštalácie žiadnym spôsobom poškodené.

- Používajte spotrebič iba na účely, na ktoré je určený.
- Spotrebič musí byť umiestnený na pevnom a rovnom povrchu.

Týmto spôsobom bude zaistený voľný obeh chladiaceho média a účinná prevádzka vášho spotrebiča.

- Ak je to možné, umiestnite spotrebič do chladnej, dobre vetranej a suchej miestnosti.
- Neumiestňujte spotrebič na priame slnečné svetlo, ani do miestnosti s vysokou teplotou, do blízkosti akýchkoľvek zdrojov priameho tepla, ako je kúrenie, rúra, sporák atď. – to by znamenalo, že kompresor by musel pracovať omnoho viac a výsledkom by bola i znateľne vyššia spotreba energie.

Ak nie je možné predísť inštalácii v blízkosti priameho zdroja tepla, odporúčame medzi spotrebič a tepelný zdroj umiestniť vhodnú izolačnú dosku (nepoužívajte azbest) alebo aspoň dodržať nasledujúce minimálne vzdialenosti:

- Od plynového alebo elektrického sporáka 3 cm;
- Od radiátora alebo rúry a pod. 30 cm;
- Od iného chladiaceho spotrebiča 2 cm.

Na spotrebič neumiestňujte žiadne spotrebiče, ktoré na spotrebič uvoľňujú teplo, ako sú mikrovlnné rúry, hriankovače a pod.

Nikdy nezakrývajte ventilačnú mriežku. Zástrčku vyťahujte zatiahnutím za samotnú vidlicu, pri odpájaní spotrebiča od siete nikdy netahajte za kábel.

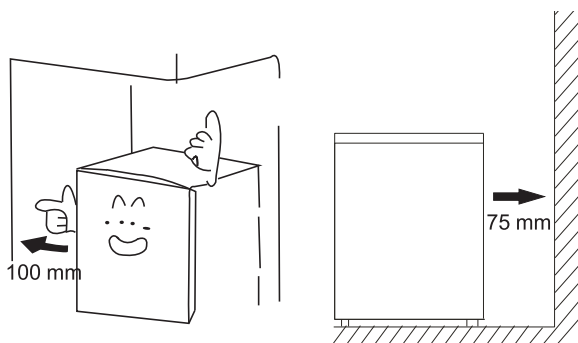


Pred zapnutím nechajte spotrebič v konečnom umiestnení stať 12 hodín, obeh chladiaceho média sa tak stabilizuje a nevyskytnú sa žiadne prevádzkové problémy. Pred pripojením spotrebiča k sieti sa presvedčte, že je vnútri celkom suchý – najmä v rohoch.



Varovanie pred nebezpečenstvom

Chladiace médium môže byť vysoko horľavé, v závislosti od zloženia. Okruh chladiaceho média bol hermeticky uzatvorený a utesnený a bol mnohokrát testovaný na možné úniky. Akýkoľvek neodborný zásah môže spôsobiť nebezpečenstvo požiaru. Ubezpečte sa, že nedochádza k žiadnemu mechanickému narušeniu či vplyvu na obeh paliva, najmä v prístupných častiach okolo kompresora. Do chladiaceho systému môže zasahovať iba odborne kvalifikovaný personál.



Čistenie pred použitím

Presvedčte sa, že ste odstránili zo spotrebiča všetky lepiace pásky slúžiace na uchytenie príslušenstva. Potom očistite všetky vnútorné časti vlažnou vodou s neutrálnym čistiacim prostriedkom, octom alebo uhličitanom sodným – tým odstránite charakteristický zápach nových súčastí – následne dôkladne vysušte. Nepoužívajte saponáty alebo agresívne prípravky, ktoré by mohli poškodiť povrchy.

Elektrické zapojenie

Pred tým, než zapojíte zástrčku do sieťovej zásuvky, zaistite, že:

- Máte úplne suché ruky.
- Napätie a frekvencia uvedené na výkonnostnom štítku spotrebiča zodpovedajú údajom, ktoré sú v domovej napájacej sieti (povolená tolerancia od -6 % do +6 % pre menovité napätie, v prípade použitia pri iných napätiach použite menič napätia zodpovedajúcich parametrov).
- Kábel a zástrčka nie sú poškodené alebo prištiknuté ťažkými predmetmi.
- Prívodný kábel nie je príliš napnutý, nie je povolené používať predĺžovací kábel.



Nepripájajte spotrebič k usmerňovaču prúdu (napr. slnečná elektrárňa) alebo pomocou predĺžovacieho kábla.



Spotrebič musí byť pripojený k fungujúcemu uzemneniu. V prípade, že sieťová zásuvka domáceho systému nie je uzemnená v súlade so súčasnými právnymi predpismi, pripojte spotrebič po konzultácii so špecializovaným technikom k samostatnému uzemneniu. Výrobca nie je zodpovedný za úrazy vzniknuté následkom nerespektovania týchto pokynov.



Ak mrazničku počas inštalácie nevyrovnáte, musia sa dvierka správne dovierať a tesnenie nemusí riadne tesniť, čo bude mať za následok problémy s chladením, námrazou alebo vlhkosťou. Je veľmi dôležité vyrovnanie mrazničky.

Mrazničku vyrovnáte pomocou nastaviteľných nôh – ich otáčaním v smere hodinových ručičiek mrazničku zdvíhate a ich otáčaním proti smeru hodinových ručičiek mrazničku spúšťate.

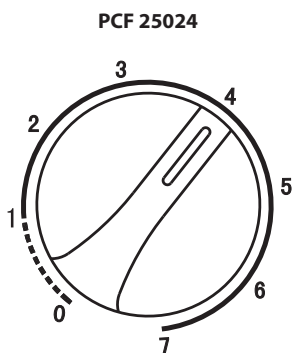
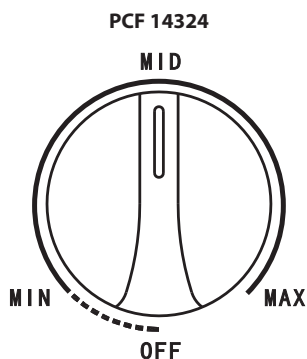
ČASŤ 4: NASTAVENIE TEPLoty

Nastavenie teploty

Na nastavenie teploty mrazničky sa používa ovládač termostatu. Tento sa nachádza v dolnej časti mrazničky. Odporúčame nastaviť ovládač termostatu na MID alebo 4 (v závislosti od modelu).

Ak je výkon mrazničky nedostatočný, nastavte ovládač termostatu na MAX alebo 7 (v závislosti od modelu). Ak je, naopak, výkon mrazničky príliš veľký, nastavte ovládač termostatu na MIN alebo 1 (v závislosti od modelu).

Ak potrebujete mrazničku vypnúť, otočte ovládač termostatu na OFF alebo 0 (v závislosti od modelu).



ČASŤ 5: USPORIADANIE POTRAVÍN

- Vhodnými baliacimi materiálmi na potraviny sú: plastová nádoba, alobal, polyetylénové mraziace vrecúško a pod.
- Horúce jedlá vždy pred vložením do mrazničky nechajte dostatočne vychladnúť.
- Dvere otvárajte iba na krátky čas, aby nedošlo k otepleniu vnútorného priestoru mrazničky. Šetrí to energiu.
- Nikdy neskladujte výbušné materiály alebo výrobky s horľavými stlačenými plynmi (napr. dávkovače šľahačky s tlakovými kapsulami/bombičkami, sprejové plechovky) – **RIZIKO VÝBUCHU!**

Ukladanie mrazených potravín

Ak ste zapli mrazničku prvýkrát alebo ste ju práve rozmrazili, pred vložením potravín do mrazničky vyčkajte aspoň 2 hodiny.

Všetky mrazené potraviny musia byť uložené do mrazničky čo najrýchlejšie od nákupu, aby sa zabránilo ich rozmrazeniu a prípadnej kontaminácii.

Skladujte mrazené výrobky podľa inštrukcií uvedených na obale od výrobcu.

Dbajte na zvýšenú opatrnosť pri manipulácii so zásuvkou, aby sa nepoškodil chladiaci obvod.

Ukladanie čerstvých potravín do mrazničky

Uistite sa, že je mraznička čistá, keďže samotné mrazenie nesterilizuje potraviny. Odporúčame mraziť potraviny v originálnom obale, príp. v dózach určených na mrazenie alebo v špeciálnych mraziacich vrecúškach. Nikdy nekladajte do mrazničky horúce alebo teplé potraviny. Pred vložením do mrazničky nechajte potraviny celkom vychladnúť, zabaľte do plastového vrecúška, alobalu alebo dózy. Skontrolujte štítok mrazničky, aby ste sa uistili, koľko kíl čerstvých potravín (izbová teplota 25 °C) je mraznička schopná za 24 hod. zmraziť. Nikdy nekladajte viac, než je povolené množstvo.

Nikdy nekladajte do mrazničky fľaše so sýtenými nápojmi ani iné fľaše.

Kvôli lepšiemu výsledku mrazenia ponechajte okolo potravín dostatočný priestor na cirkuláciu vzduchu.

Odporúčame nastavenie medzi strednou a maximálnou hodnotou na bežné používanie a na dlhodobé skladovanie potravín v priestore mrazničky.



UPOZORNENIE!

- V priestore mrazničky neskladujte plechovky a fľaše s nápojmi obsahujúcimi oxid uhličitý. Obsah sa pri zmrazovaní roztahuje a môže fľašu alebo plechovku roztrhnúť. Riziko úrazu a poškodenia!
- Zmrzlinu konzumujte až niekoľko minút po vybratí z mrazničky – vyhnete sa tak poraneniu pier a jazyka. Nedotýkajte sa vnútra mrazničky, ak máte mokré ruky.

Dôležité informácie

- Do priestoru mrazničky ukladajte iba riadne zabalené potraviny.
- Pri ukladaní hlboko zmrazených potravín určených na okamžitú konzumáciu si všimnite dátum spotreby označený výrobcom.
- Pamätajte si, že na zmrazovanie sú vhodné iba kvalitné čerstvé potraviny.
- Čerstvé potraviny zmrazujte vo vhodných veľkostiach porcií.
- Uistite sa, že používate vhodný baliaci materiál (potravinovú fóliu, alobal, mraziace schránky).
- Z balíčkov vytlačte všetok vzduch.
- Balíčky uzavrite pomocou elastickej pásky, plastových kolíčkov, struny alebo lepiacej pásky odolnej proti chladu.
- Plastové vrecúška a tuby je možné tiež uzavrieť pomocou zariadenia na zváranie.
- Uzatvorený balíček označte obsahom, hmotnosťou a dátumom zmrazenia.
- Pred vložením vrecúšok do mrazničky sa uistite, že sú suché, tým zabránite, aby k sebe primrzli.
- Aby ste zabránili čiastočnému rozmrazeniu, umiestnite potraviny, ktoré sa majú zmraziť tak, aby sa nedotýkali už zmrazených potravín.
- Celkom alebo sčasti rozmrazené potraviny znovu nezmrazujte okrem prípadov, keď boli tepelne spracované (varené alebo smažené/pečené).
- Nekonzumujte potraviny, ktoré boli skladované dlhšie, než je dátum ich spotreby. Môžete si spôsobiť otravu jedlom.

Tabuľka – uchovávanie potravín v mrazničke

Potravina	Spôsob uchovávania	Zóna	Trvanlivosť
Uchovávanie zmrazených potravín, ľadových kociek a zmrzlín	Pôvodné balenie, dobre uzatvorené	Horná časť mrazničky	Podľa dátumu spotreby
Zmrazené potraviny: mäso a ryby	Pôvodné balenie, dobre uzatvorené. Kontajnery na potraviny vhodné pre nízke teploty, hermeticky uzatvorené.	Najlepšie v spodnej časti mrazničky	Hovädzie: 12 mesiacov Bravčové: 12 mesiacov Mleté bravčové: 6 mesiacov Králičie: 6 mesiacov Telacie: 9 mesiacov Baranie: 9 mesiacov Hydina: 6 mesiacov Ryby: 6 mesiacov
Zmrazené potraviny: cestovinové jedlá, ovocie, zelenina, cukrovinky	Potravinové kontajnery vhodné pre nízke teploty, hermeticky uzatvorené.	Horná časť mrazničky	6 – 12 mesiacov

ČASŤ 6: ODMRAZOVANIE A PRAVIDELNÁ ÚDRŽBA

Z hygienických dôvodov je potrebné, aby sa spotrebič (vrátane vonkajších a vnútorných príslušenstiev) čistil pravidelne aspoň raz za dva mesiace.



UPOZORNENIE!

Počas čistenia nesmiete spotrebič zapojiť do zásuvky. Riziko úrazu elektrickým prúdom! Pred čistením vypnite spotrebič a vyberte zástrčku zo sieťovej zásuvky.

Čistenie vonkajšieho povrchu

Aby vám spotrebič dobre a dlho slúžil, je potrebné ho pravidelne čistiť.

- Utrite ovládací panel a displej čistou a mäkkou utierkou.
- Vodu aplikujte na utierku, nie na spotrebič. Zaisťujete tak rovnomerné rozotrenie vody po povrchu spotrebiča.
- Utrite dvierka, držadlá, strany utierkou namočenou vo vlažnej vode s trochou prostriedku na umývanie riadu a potom utrite do sucha.



UPOZORNENIE!

- Nepoužívajte ostré predmety, hrubé čistiace prostriedky, ktoré by mohli poškrabať povrch spotrebiča.
- Nepoužívajte riedidlo, čistiadlo na autá, chlór, benzín, hrubé čistiace prostriedky, benzén ani iné podobné prostriedky na čistenie. Môžu poničiť povrch spotrebiča a spôsobiť požiar.

Používanie parných čistiacich spotrebičov je extrémne nebezpečné a je teda i prísne zakázané.

Čistenie vnútorného priestoru

Je potrebné vnútorný priestor pravidelne čistiť. Jednoduchšie sa bude vnútorný priestor čistiť, ak je v spotrebiči málo potravín. Utrite vnútorný priestor mäkkou utierkou namočenou v slabom roztoku vody a jedlej sódy alebo octu, utrite utierkou namočenou v čistej teplej vode. Potom utrite dosucha čistou utierkou pred vložením políc a zásuviek.

Dôkladne vysušte vnútorný priestor a príslušenstvo.

Odmrazovanie

Hoci je spotrebič vybavený funkciou automatického odmrázovania, môže sa občas objaviť vrstva ľadu na vnútorných stranách mrazničky, zvlášť ak sú dvierka mrazničky otvárané príliš často alebo ponechané dlhšie otvorené. Ak je ľadová vrstva príliš hrubá, vyberte potraviny z mrazničky a postupujte nasledovne:

1. Vyberte potraviny a príslušenstvo, vypnite spotrebič a odpojte zástrčku prírodného kábla od sieťovej zásuvky. Zaisťujete odvetrávanie miestnosti kvôli urýchleniu procesu odmrázovania.
2. Hneď ako je odmrázovanie dokončené, vyčistite mrazničku rovnakým spôsobom, ako je uvedené vyššie.



UPOZORNENIE!

- Nepoužívajte ostré predmety na odstránenie zmrazených potravín alebo ľadu, môže dôjsť k poškriabaniu steny mrazničky.
- Pri rozmrazovaní mrazničky nikdy nepoužívajte elektrické spotrebiče, ako sú fény na vlasy, teplovzdušné ventilátory, parné čističe, rozmrazovacie spreje alebo otvorené plamene (napr. sviečky). Plastové vnútro by sa mohlo roztopiť a vznikajúci penový plyn by sa mohol vznietiť od iskry alebo otvoreného plameňa. Na rozpustenie vrstvy ľadu v spotrebiči nikdy nepoužívajte parný čistič (vysoké riziko úrazu elektrickým prúdom).
- Vyberte zmrazené potraviny a zabalte ich do niekoľkých vrstiev novín.
- Zmrazené potraviny vložte na chladné miesto dovtedy, kým nie je možné mrazničku znovu používať.

- Námraza či ladovú pokrývku neškrabte, pretože sa môže poškodiť odparovací povrch.
- Odmrazenie vykonajte čo najrýchlejšie, aby ste zabránili rozmrazeniu vybratých potravín.
- Odmrazovanie môžete urýchliť umiestnením misky s horúcou (nie vriacou) vodou do mrazničky. V tomto prípade zavrite dvere mrazničky.
- Spotrebič môže byť zapojený do siete a zapnutý iba vtedy, ak je vnútorný priestor úplne suchý.

Čistenie tesnenia

Udržujte tesnenie dvierok v čistote.

Lepkavé potraviny a nápoje môžu spôsobiť prilepenie tesnenia k vnútornej hrane a následnému poškodeniu pri otváraní. Umyte tesnenie mäkkou utierkou namočenou v teplej vode s trochou prostriedku na umývanie riadu. Opláchnite a utrite riadne dosucha.



UPOZORNENIE!

Zapnite spotrebič, kým nie je tesnenie suché.

Dlhodobé vyradenie z prevádzky

Ak spotrebič nebudete dlhší čas používať, vykonajte nasledujúce:

Odpojte mrazničku od zdroja energie jej vytiahnutím zo zásuvky. Vnútro vyčistite a vysušte, ako je uvedené v časti o čistení mrazničky. Nechajte dvierka otvorené, aby sa vnútri netvoril nepríjemný zápach.



Prosím, pozor:

Kompresor

Kompresor je ovládaný termostatom, ktorý nastavujete na otočnom ovládači teploty, a spína sa automaticky v okamihu, keď dôjde k prekročeniu teploty v spotrebiči, a vypne sa, hneď ako sa táto teplota opäť dosiahne. Pri spustení každého kompresora – chladiaceho systému – je počuť hluk. Tieto zvuky sa vytvárajú vtedy, keď motor v kompresore pracuje, a vytvára ich aj chladiace médium prúdiace v okruhu chladiaceho systému. Tieto zvuky sú normálne, neznamenajú žiadnu poruchu vo funkcii spotrebiča.

V nevyhrievaných miestnostiach alebo v chladných poveternostných podmienkach sa na vonkajších stenách spotrebiča môže vytvárať kondenzát. To neznamená poruchu a tento kondenzát zmizne, hneď ako sa zvýši teplota.

Servisné oddelenie kontaktujte iba vtedy, ak po analýze všetkých možných faktorov poruchy nemôžete nájsť žiadnu príčinu alebo nie ste schopní poruchu sami eliminovať. Najskôr sa teda zamerajte na: „**Čo mám robiť, ak....**“.

ČASŤ 7: ČO MÁM ROBIŤ, AK

Ak zaznamenáte problém so svojim spotrebičom alebo zistíte, že spotrebič nefunguje správne, môžete niektoré bežné poruchy odstrániť sami pred kontaktovaním autorizovaného servisného centra. Urobte kontrolu spotrebiča a postupujte podľa inštrukcií nižšie pred kontaktovaním autorizovaného servisného centra.



VAROVANIE!


Nepokúšajte sa spotrebič vlastnými silami opraviť. Ak problém pretrváva po tom, čo ste urobili kontrolu, obráťte sa na autorizované servisné stredisko, kvalifikovaného technika alebo predajcu, u ktorého ste spotrebič kúpili.

Problém	Riešenie
Výpadok elektrického prúdu	Otvárajte dvierka mrazničky čo najmenej, aby ste zabránili úniku chladného vzduchu.
	Nevkladajte nové potraviny na zamrazenie. Teplota by sa tým mohla zvýšiť.
	V prípade dlhodobého výpadku vložte do mrazničky suchý ľad.
Problémy s prívodným káblom.	Ak je prívodný kábel akokoľvek poškodený, prestaňte spotrebič používať, obráťte sa na autorizovaný servis, aby prívodný kábel vymenili. Výmenu môže vykonať iba kvalifikovaná osoba.
	Zástrčka prívodného kábla sa používa ako odpájacie zariadenie, a preto musí zostať vždy prístupná.
Dlhodobé vyradenie z prevádzky	Vyberte všetky potraviny z mrazničky a odpojte zástrčku prívodného kábla od sieťovej zásuvky.
	Vyčistite vnútorný priestor a utrite prebytočnú vodu.
	Aby ste zabránili vzniku nepríjemného zápachu, nechajte dvierka mrazničky otvorené.
Preprava	Odpojte zástrčku prívodného kábla od sieťovej zásuvky.
	Pred prepravou sa uistite, že nohy spotrebiče nie sú poškodené.
	Zabráňte nárazu nôh spotrebiča do schodov, prahu a pod.
Uloženie	Medzi dvierka a jednotku vložte kúsok dreva alebo podobného predmetu, aby ste zabránili zavretiu mrazničky.
	Uistite sa, že je mraznička uložená mimo dosahu detí, aby sa zaistilo, že sa so spotrebičom nebudú hrať.
	Ak by dieťa uviazlo v mrazničke a dvierka sa zavreli, nemuselo by ich dieťa otvoriť.
Mraznička nemrazí.	Nie je prerušená dodávka elektrickej energie?
	Nie je prívodný kábel odpojený od sieťovej zásuvky?
	Nie sú vyhorené poistky alebo nie je obvod aktivovaný?
	Nie je ovládač termostatu nastavený na OFF alebo 0?

Problém	Riešenie
Nedostatočné mrazenie	Je zaistená dostatočná ventilácia?
	Nie je mraznička vystavená priamemu slnečnému svetlu alebo nie je umiestnená v blízkosti zdroja tepla (napr. sporák)?
	Nie sú dvierka otvorené? Neotvárali ste dvierka príliš často?
	Neuviazli kusy potravín medzi dvierkami a jednotkou?
	Nastavte ovládač termostatu na MAX alebo 7, v opačnom prípade potom na MIN alebo 1.
	Príliš hrubá vrstva námrazy, treba mrazničku odmraziť.
Nadmerný hluk	Je podlaha pod mrazničkou dostatočne tvrdá?
	Nepohybuje sa alebo neklepe sa mraznička?
	Nedotýka sa zadná časť mrazničky steny?
	Nie je nejaký predmet za mrazničkou? Kompresor bude vydávať hlasitejší zvuk, ak bola mraznička zapnutá pri vysokej okolitej teplote a maximálnom nastavení. Hluk sa potom zníži.
Kondenzovaná voda na vonkajšom plášti	Počas horúcich a vlhkých dní, alebo ak je mraznička inštalovaná vo vlhkom a príliš teplom mieste, sa môže na vonkajšom plášti a dvierkach objaviť kondenzovaná voda. Voda potom skondenzuje na chladnejších miestach mrazničky. Ide o normálny jav. Utrite vodu suchou utierkou.
Mraznička je na dotyk horúca.	Zvlášť v lete alebo pri prvom spustení môže byť mraznička na dotyk horúca. Mraznička je vybavená trubicou, ktorá chráni pred nadmernou kondenzáciou, a preto sa zahrieva. Táto teplota neovplyvňuje teplotu vnútri mrazničky.

ČASŤ 8: KARTA INFORMAČNÝCH ÚDAJOV

KARTA INFORMAČNÝCH ÚDAJOV: Philco

Obchodná značka Philco: PHILCO 				
Značka	Philco			
Predajné označenie	PCF 2502-5	PCF 2032-5	PCF 1432-5	PCF 982-5
Typ spotrebiča 3)	9	9	9	9
Trieda energet. účinnosti (A... nízka spotreba el. energie až G... vysoká spotreba el. energie)	A++	A++	A++	A++
Spotreba energie za 365 dní 1) kWh	194	175	151	133
Úžitkový objem celkovo: l	250	203	143	98
z toho: objem chladiacej časti l				
z toho: objem mraziacej časti l	250	203	143	98
Hviezdičkové označenie mraziaceho priestoru	****	****	****	****
Mraziaca kapacita kg/24 h	18	15	14	9,5
Klimatická trieda 2)	SN-T	SN-T	SN-T	SN-T
Napätie	220-240v/50Hz	220-240v/50Hz	220-240v/50Hz	220-240v/50Hz
Hlučnosť 4) dB (re 1pW)	42	42	42	42
Rozmery cm (v × š × h)	835x1115x607	832x952x607	832x737x607	837x563x519
Hmotnosť kg	49	38	34	23

- 1) Spotreba energie v kWh/rok založená na výsledkoch normalizovanej skúšky v priebehu 24 hod. Skutočná spotreba energie závisí od spôsobu použitia a umiestnenia spotrebiča.
- 2) SN: okolité teploty od +10 °C do +32 °C
ST: okolitá teplota od +18 °C do +38 °C
N: okolitá teplota od +16 °C do +32 °C
- 3) 1 = Chladnička bez priestorov s nízkou teplotou
7 = Chladnička/mrazička s priestormi s nízkou teplotou *(***)
8 = Skriňová mrazička
9 = Pultová mrazička
- 4) Hlučnosť podľa európskej normy EN 60704.

POZNÁMKA:

Vyššie uvedené údaje podliehajú zmenám.

POKYNY A INFORMÁCIE O ZAOBCHÁDZANÍ S POUŽITÝM OBALOM

Použitý obalový materiál odložte na miesto určené obcou na ukladanie odpadu.

LIKVIDÁCIA POUŽITÝCH ELEKTRICKÝCH A ELEKTRONICKÝCH ZARIADENÍ



Tento symbol na produktoch alebo v sprievodných dokumentoch znamená, že použité elektrické a elektronické výrobky nesmú byť pridané do bežného komunálneho odpadu. Pre správnu likvidáciu, obnovu a recykláciu odovzdajte tieto výrobky na určené zberné miesta. Alternatívne v niektorých krajinách Európskej únie alebo v iných európskych krajinách môžete vrátiť svoje výrobky miestnemu predajcovi pri kúpe ekvivalentného nového produktu. Správnou likvidáciou tohto produktu pomôžete zachovať cenné prírodné zdroje a napomáhate prevencii potenciálnych negatívnych dopadov na životné prostredie a ľudské zdravie, čo by mohli byť dôsledky nesprávnej likvidácie odpadov. Ďalšie podrobnosti si vyžiadajte od miestneho úradu alebo najbližšieho zberného miesta. Pri nesprávnej likvidácii tohto druhu odpadu môžu byť v súlade s národnými predpismi udelené pokuty.

Pre podnikové subjekty v krajinách Európskej únie

Ak chcete likvidovať elektrické a elektronické zariadenia, vyžiadajte si potrebné informácie od svojho predajcu alebo dodávateľa.

Likvidácia v ostatných krajinách mimo Európskej únie

Tento symbol je platný v Európskej únii. Ak chcete tento výrobok zlikvidovať, vyžiadajte si potrebné informácie o správnom spôsobe likvidácie od miestnych úradov alebo od svojho predajcu.



Tento výrobok spĺňa všetky základné požiadavky smerníc EÚ, ktoré sa naň vzťahujú.

Zmeny v texte, dizajne a technických špecifikáciách sa môžu meniť bez predchádzajúceho upozornenia a vyhradzujeme si právo na ich zmenu.

Dovozce:
FAST ČR, a.s.
Cernokostecká 1621
CZ-25101 Říčany

Dovozca:
FAST PLUS s.r.o.
Na pántoch 18
SK-831 06 Bratislava

PHILCO® 

**is a registered trademark used under license from
Electrolux International Company, U.S.A.**