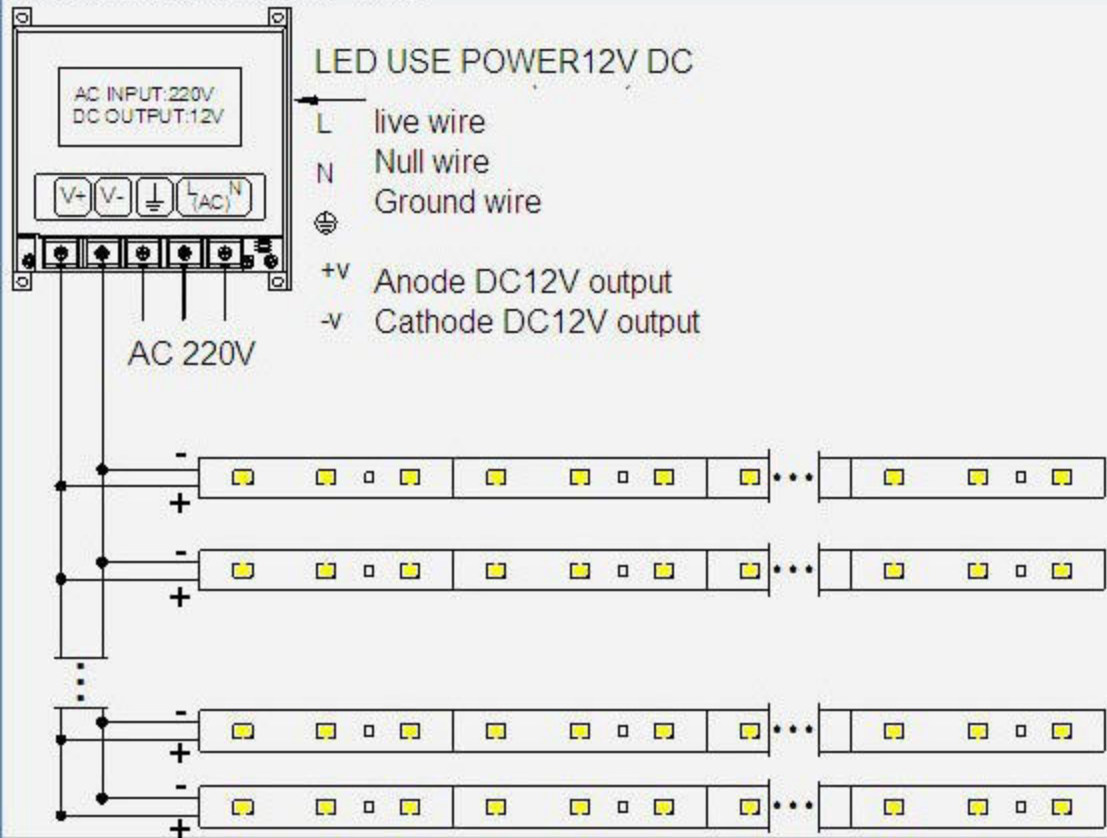


Installation Instruction (Unit: mm) :



Instruction:

- 1、 SMD 3528 flexible led strip light, Red wire for Anode, Black for Cathode. Protection tape covered at the wiring output port in prevention wire surface damage. Working voltage is 12V, please confirm whether your output is 12V when your power supply connected. The lights will be damaged permanently by mistaken high voltage.
- 2、 For every circuit, the max cascade length is 5 meters, more than 5 meters please cascade another, and keep every circuit have the same length.
- 3、 Mind waterproof at wire output port.
- 4、 Static touch and hotline work strictly prohibited.
- 5、 Qualified switch power supply is recommended (with short circuit, overvoltage and overload protection, certificated).
- 6、 The thickness of wire decided by the max actual current, power, the wiring length (Less than 5M is recommended) and the low voltage wire.
- 7、 No crash and crush, avoiding over buckled.
- 8、 Mounting surface need to be even, clean and dry.
- 9、 Preventing from drench and vibration.
- 10、 Switch power supply must work in ventilation and dry environment.
- 11、 Normally 80%-90% power is used for switch power supply.