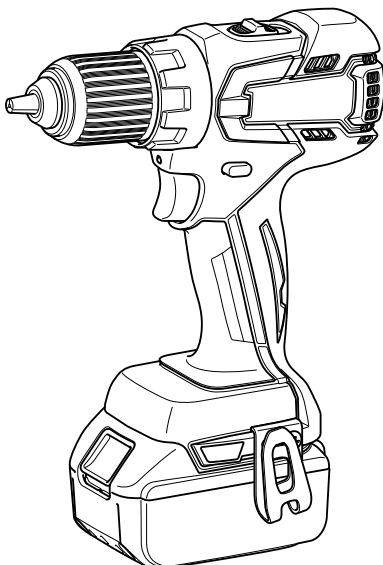
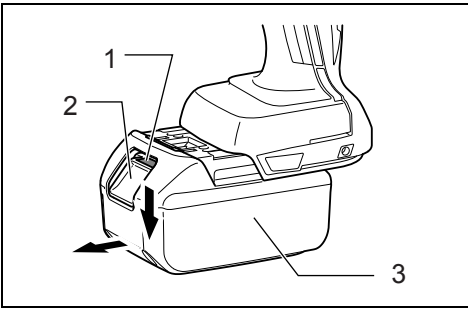




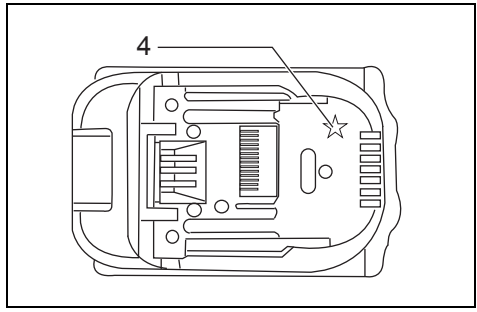
GB	Cordless Driver Drill	Instruction Manual
F	Perceuse-Visseuse sans Fil	Manuel d'instructions
D	Akku-Bohrschrauber	Betriebsanleitung
I	Trapano avvitatore a batteria	Istruzioni per l'uso
NL	Snoerloze boor-schroevendraaier	Gebruiksaanwijzing
E	Atornillador Taladro Inalámbrico	Manual de instrucciones
P	Furadeira / Parafusadeira a Bateria	Manual de instruções
DK	Akku-slagskruetrækkerbor	Brugsanvisning
GR	Δραπανοκατσαβίδο μπαταρίας	Οδηγίες χρήσεως
TR	Akülü Matkap Tornavida	Kullanma kılavuzu

BDF459

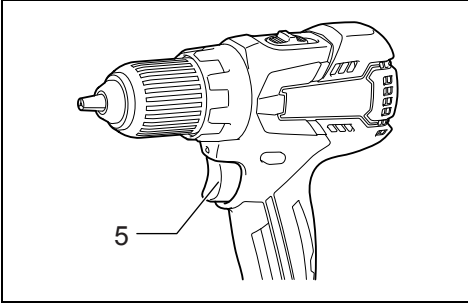




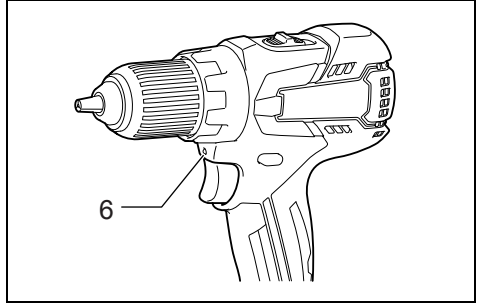
1 012970



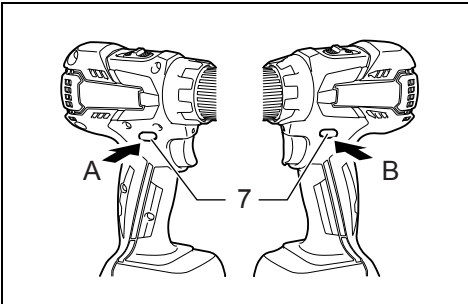
2 012128



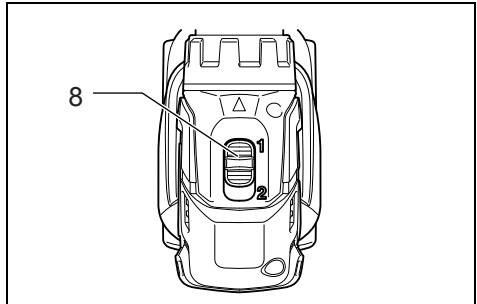
3 012971



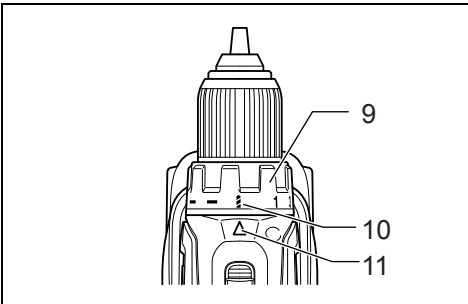
4 012972



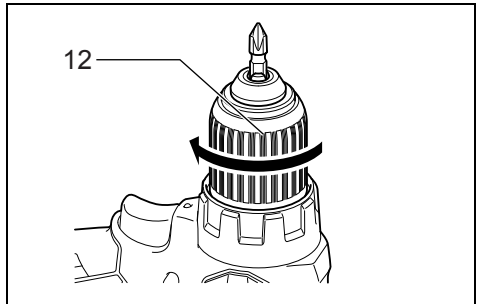
5 012973



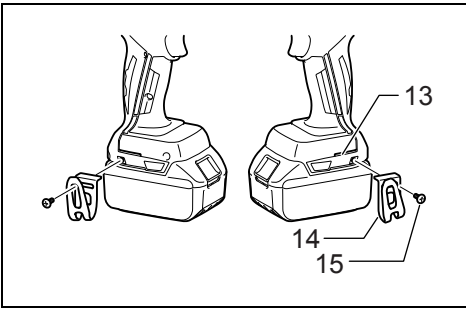
6 012975



7 012974

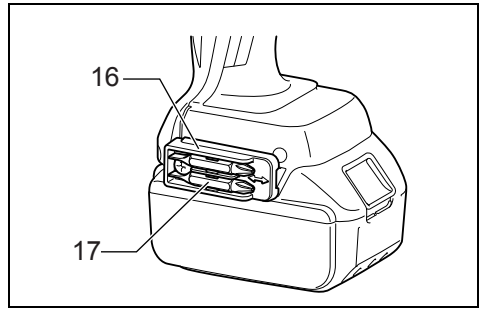


8 012976



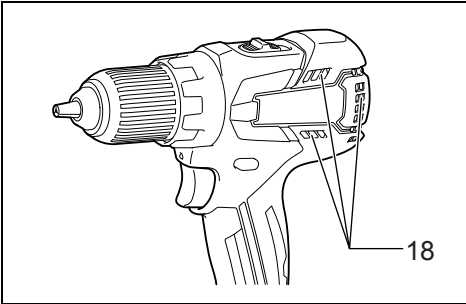
9

012977



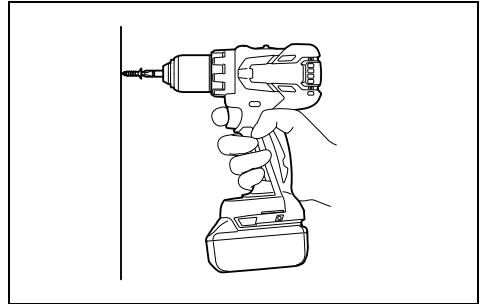
10

012978



11

012979



12

012978

Explanation of general view

1 Red indicator	7 Reversing switch lever	13 Groove
2 Button	8 Speed change lever	14 Hook
3 Battery cartridge	9 Adjusting ring	15 Screw
4 Star marking	10 Graduation	16 Bit holder
5 Switch trigger	11 Arrow	17 Bit
6 Lamp	12 Sleeve	18 Vent

SPECIFICATIONS

Model		BDF459		
Capacities	Steel	13 mm		
	Wood	38 mm		
	Wood screw	6 mm x 75 mm		
	Machine screw	M6		
No load speed (min ⁻¹)	High (2)	0 – 1,500		
	Low (1)	0 – 400		
Overall length		179 mm		
Rated voltage		D.C. 18 V		
Battery cartridge		BL1815	BL1815N	BL1830
Net weight		1.5 kg	1.4 kg	1.7 kg

- Due to our continuing program of research and development, the specifications herein are subject to change without notice.
- Specifications and battery cartridge may differ from country to country.
- Weight, with battery cartridge, according to EPTA-Procedure 01/2003

ENE034-1

Intended use

The tool is intended for drilling and screw driving in wood, metal and plastic.

GEA010-1

General Power Tool Safety Warnings

⚠ WARNING Read all safety warnings and all instructions. Failure to follow the warnings and instructions may result in electric shock, fire and/or serious injury.

Save all warnings and instructions for future reference.

GEB088-1

CORDLESS DRIVER DRILL SAFETY WARNINGS

1. **Use auxiliary handle(s), if supplied with the tool.**
Loss of control can cause personal injury.
2. **Hold power tool by insulated gripping surfaces, when performing an operation where the cutting accessory may contact hidden wiring.** Cutting accessory contacting a “live” wire may make exposed metal parts of the power tool “live” and could give the operator an electric shock.

3. **Hold power tool by insulated gripping surfaces, when performing an operation where the fastener may contact hidden wiring.** Fasteners contacting a “live” wire may make exposed metal parts of the power tool “live” and could give the operator an electric shock.
4. **Always be sure you have a firm footing. Be sure no one is below when using the tool in high locations.**
5. **Hold the tool firmly.**
6. **Keep hands away from rotating parts.**
7. **Do not leave the tool running. Operate the tool only when hand-held.**
8. **Do not touch the drill bit or the workpiece immediately after operation; they may be extremely hot and could burn your skin.**
9. **Some material contains chemicals which may be toxic. Take caution to prevent dust inhalation and skin contact. Follow material supplier safety data.**

SAVE THESE INSTRUCTIONS.

⚠ WARNING:
DO NOT let comfort or familiarity with product (gained from repeated use) replace strict adherence to safety rules for the subject product. **MISUSE** or failure to follow the safety rules stated in this instruction manual may cause serious personal injury.

IMPORTANT SAFETY INSTRUCTIONS

FOR BATTERY CARTRIDGE

1. Before using battery cartridge, read all instructions and cautionary markings on (1) battery charger, (2) battery, and (3) product using battery.
2. Do not disassemble battery cartridge.
3. If operating time has become excessively shorter, stop operating immediately. It may result in a risk of overheating, possible burns and even an explosion.
4. If electrolyte gets into your eyes, rinse them out with clear water and seek medical attention right away. It may result in loss of your eyesight.
5. Do not short the battery cartridge:
 - (1) Do not touch the terminals with any conductive material.
 - (2) Avoid storing battery cartridge in a container with other metal objects such as nails, coins, etc.
 - (3) Do not expose battery cartridge to water or rain.

A battery short can cause a large current flow, overheating, possible burns and even a breakdown.

6. Do not store the tool and battery cartridge in locations where the temperature may reach or exceed 50°C (122°F).
7. Do not incinerate the battery cartridge even if it is severely damaged or is completely worn out. The battery cartridge can explode in a fire.
8. Be careful not to drop or strike battery.
9. Do not use a damaged battery.
10. Follow your local regulations relating to disposal of battery.

SAVE THESE INSTRUCTIONS.

Tips for maintaining maximum battery life

1. Charge the battery cartridge before completely discharged.
Always stop tool operation and charge the battery cartridge when you notice less tool power.
2. Never recharge a fully charged battery cartridge. Overcharging shortens the battery service life.
3. Charge the battery cartridge with room temperature at 10°C – 40°C (50°F – 104°F). Let a hot battery cartridge cool down before charging it.
4. Charge the battery cartridge once in every six months if you do not use it for a long period of time.

FUNCTIONAL DESCRIPTION

⚠ CAUTION:

- Always be sure that the tool is switched off and the battery cartridge is removed before adjusting or checking function on the tool.

Installing or removing battery cartridge (Fig. 1)

⚠ CAUTION:

- Always switch off the tool before installing or removing of the battery cartridge.

- **Hold the tool and the battery cartridge firmly when installing or removing battery cartridge.** Failure to hold the tool and the battery cartridge firmly may cause them to slip off your hands and result in damage to the tool and battery cartridge and a personal injury.

To remove the battery cartridge, slide it from the tool while sliding the button on the front of the cartridge.

To install the battery cartridge, align the tongue on the battery cartridge with the groove in the housing and slip it into place. Insert it all the way until it locks in place with a little click. If you can see the red indicator on the upper side of the button, it is not locked completely.

⚠ CAUTION:

- Always install the battery cartridge fully until the red indicator cannot be seen. If not, it may accidentally fall out of the tool, causing injury to you or someone around you.
- Do not install the battery cartridge forcibly. If the cartridge does not slide in easily, it is not being inserted correctly.

Battery protection system

The tool and battery are equipped with a protection system. This system automatically cuts off power to the tool to extend battery life.

The tool will automatically stop during operation if the tool and/or battery are placed under one of the following conditions:

- Overloaded:

The tool is operated in a manner that causes it to draw an abnormally high current.

In this situation, release the switch trigger on the tool and stop the application that caused the tool to become overloaded. Then pull the switch trigger again to restart.

If the tool does not start, the battery is overheated. In this situation, let the battery cool before pulling the switch trigger again.

- Low battery voltage:

The remaining battery capacity is too low and the tool will not operate. In this situation, remove and recharge the battery.

NOTE:

- Those temperature-sensitive protection and low-voltage protection is applied only when the tool is used with a battery cartridge with a star mark. (Fig. 2)

Switch action (Fig. 3)

⚠ CAUTION:

- Before inserting the battery cartridge into the tool, always check to see that the switch trigger actuates properly and returns to the "OFF" position when released.

To start the tool, simply pull the switch trigger. Tool speed is increased by increasing pressure on the switch trigger. Release the switch trigger to stop.

Lighting up the lamp (Fig. 4)

⚠ CAUTION:

- Do not look in the light or see the source of light directly.

Pull the switch trigger to light up the lamp. The lamp keeps on lighting while the switch trigger is being pulled. The lamp goes out just after releasing the trigger.

NOTE:

- Use a dry cloth to wipe the dirt off the lens of the lamp. Be careful not to scratch the lens of lamp, or it may lower the illumination.

Reversing switch action (Fig. 5)

⚠ CAUTION:

- Always check the direction of rotation before operation.
- Use the reversing switch only after the tool comes to a complete stop. Changing the direction of rotation before the tool stops may damage the tool.
- When not operating the tool, always set the reversing switch lever to the neutral position.

This tool has a reversing switch to change the direction of rotation. Depress the reversing switch lever from the A side for clockwise rotation or from the B side for counterclockwise rotation.

When the reversing switch lever is in the neutral position, the switch trigger cannot be pulled.


Speed change (Fig. 6)


⚠ CAUTION:

- Always set the speed change lever fully to the correct position. If you operate the tool with the speed change lever positioned halfway between the “1” side and “2” side, the tool may be damaged.
- Do not use the speed change lever while the tool is running. The tool may be damaged.

To change the speed, first switch off the tool and then slide the speed change lever to the “2” side for high speed or “1” side for low speed. Be sure that the speed change lever is set to the correct position before operation. Use the right speed for your job.

Adjusting the fastening torque (Fig. 7)

The fastening torque can be adjusted in 17 steps by turning the adjusting ring so that its graduations are aligned with the pointer on the tool body. The fastening torque is minimum when the number 1 is aligned with the pointer, and maximum when the  marking is aligned with the pointer.

The clutch will slip at various torque levels when set at the number 1 to 16. The clutch is designed not to slip at the  marking.

Before actual operation, drive a trial screw into your material or a piece of duplicate material to determine which torque level is required for a particular application.

ASSEMBLY

⚠ CAUTION:

- Always be sure that the tool is switched off and the battery cartridge is removed before carrying out any work on the tool.

Installing or removing the driver bit or drill bit (Fig. 8)

Turn the sleeve counterclockwise to open the chuck jaws. Place the bit in the chuck as far as it will go. Turn the sleeve clockwise to tighten the chuck.

To remove the bit, turn the sleeve counterclockwise.

Installing the hook (Fig. 9)

The hook is convenient for temporarily hanging the tool. This can be installed on either side of the tool.

To install the hook, insert it into a groove in the tool housing on either side and then secure it with a screw. To remove, loosen the screw and then take it out.

Installing the bit holder (Optional accessory) (Fig. 10)

Fit the bit holder into the protrusion at the tool foot on either right or left side and secure it with a screw.

When not using the driver bit, keep it in the bit holders. Bits 45 mm long can be kept there.

OPERATION

⚠ CAUTION:


- Always insert the battery cartridge all the way until it locks in place. If you can see the red part on the upper side of the button, it is not locked completely. Insert it fully until the red part cannot be seen. If not, it may accidentally fall out of the tool, causing injury to you or someone around you.

Hold the tool firmly with one hand on the grip and the other hand on the bottom of the battery cartridge to control the twisting action.

⚠ CAUTION:

- Do not cover vents, or it may cause overheating and damage to the tool. (Fig. 11)

Screwdriving operation (Fig. 12)

First, turn the action mode changing ring so that the arrow on the tool body points to the  marking. Adjust the adjusting ring to the proper torque level for your work. Then proceed as follows.

Place the point of the driver bit in the screw head and apply pressure to the tool. Start the tool slowly and then increase the speed gradually. Release the switch trigger as soon as the clutch cuts in.


⚠ CAUTION:

- Make sure that the driver bit is inserted straight in the screw head, or the screw and/or bit may be damaged.

NOTE:

- When driving wood screw, predrill a pilot hole 2/3 the diameter of the screw. It makes driving easier and prevents splitting of the workpiece.

Drilling operation

First, turn the adjusting ring so that the pointer points to the  marking. Then proceed as follows.

⚠ CAUTION:

- Pressing excessively on the tool will not speed up the drilling. In fact, this excessive pressure will only serve to damage the tip of your bit, decrease the tool performance and shorten the service life of the tool.
- There is a tremendous force exerted on the tool/bit at the time of hole break through. Hold the tool firmly and exert care when the bit begins to break through the workpiece.
- A stuck bit can be removed simply by setting the reversing switch to reverse rotation in order to back out. However, the tool may back out abruptly if you do not hold it firmly.
- Always secure small workpieces in a vise or with a similar hold-down device.
- If the tool is operated continuously until the battery cartridge has discharged, allow the tool to rest for 15 minutes before proceeding with a fresh battery.
- Do not pull the switch trigger repeatedly when the motor is locked. It may damage the tool.

Drilling in wood

When drilling in wood, the best results are obtained with wood drills equipped with a guide screw. The guide screw makes drilling easier by pulling the bit into the workpiece.

Drilling in metal

To prevent the bit from slipping when starting to make a hole, make an indentation with a center-punch and hammer at the point to be drilled. Place the point of the bit in the indentation and start drilling. Use a cutting lubricant when drilling metals. The exceptions are iron and brass which should be drilled dry.

MAINTENANCE

⚠ CAUTION:

- Always be sure that the tool is switched off and the battery cartridge is removed before attempting to perform inspection or maintenance.
- Never use gasoline, benzine, thinner, alcohol or the like. Discoloration, deformation or cracks may result.

To maintain product SAFETY and RELIABILITY, repairs, any other maintenance or adjustment should be performed by Makita Authorized Service Centers, always using Makita replacement parts.

OPTIONAL ACCESSORIES

⚠ CAUTION:

- These accessories or attachments are recommended for use with your Makita tool specified in this manual. The use of any other accessories or attachments might present a risk of injury to persons. Only use the accessories or attachments for their stated purposes.

If you need any assistance for more details regarding these accessories, ask your local Makita Service Center.

- Drill bits
- Screw bits
- Socket bit
- Safety goggles
- Makita genuine battery and charger
- Hook
- Bit holder

NOTE:

- Some items in the list may be included in the tool package as standard accessories. They may differ from country to country.

ENG905-1

Noise

The typical A-weighted noise level determined according to EN60745:

Sound pressure level (L_{pA}): 72 dB (A)
Uncertainty (K): 3 dB (A)

The noise level under working may exceed 80 dB (A).

Wear ear protection

ENG900-1

Vibration

The vibration total value (tri-axial vector sum) determined according to EN60745:

Work mode: drilling into metal
Vibration emission ($a_{h,D}$): 2.5 m/s² or less
Uncertainty (K): 1.5 m/s²

- The declared vibration emission value has been measured in accordance with the standard test method and may be used for comparing one tool with another.
- The declared vibration emission value may also be used in a preliminary assessment of exposure.

⚠ WARNING:

- The vibration emission during actual use of the power tool can differ from the declared emission value depending on the ways in which the tool is used.
- Be sure to identify safety measures to protect the operator that are based on an estimation of exposure in the actual conditions of use (taking account of all parts of the operating cycle such as the times when the tool is switched off and when it is running idle in addition to the trigger time).

ENH101-16

For European countries only

EC Declaration of Conformity

We Makita Corporation as the responsible manufacturer declare that the following Makita machine(s):

Designation of Machine: Cordless Driver Drill
Model No./ Type: BDF459
are of series production and

Conforms to the following European Directives:
2006/42/EC

And are manufactured in accordance with the following standards or standardised documents:

EN60745

The technical documentation is kept by:

Makita International Europe Ltd.
Technical Department,
Michigan Drive, Tongwell,
Milton Keynes, Bucks MK15 8JD, England

24.11.2011



Tomoyasu Kato
Director

Makita Corporation
3-11-8, Sumiyoshi-cho,
Anjo, Aichi, 446-8502, JAPAN

Descriptif

1 Indicateur rouge	8 Levier de changement de vitesse	14 Crochet
2 Bouton	9 Bague de réglage	15 Vis
3 Batterie	10 Graduation	16 Porte-embout
4 Marque étoilée	11 Flèche	17 Embout
5 Gâchette	12 Manchon	18 Orifice d'aération
6 Lampe	13 Rainure	
7 Levier de l'inverseur		

SPÉCIFICATIONS

Modèle		BDF459		
Capacités	Acier	13 mm		
	Bois	38 mm		
	Vis à bois	6 mm x 75 mm		
	Vis mécanique	M6		
Vitesse à vide (min ⁻¹)	Élevé (2)	0 – 1 500		
	Bas (1)	0 – 400		
Longueur totale		179 mm		
Tension nominale		18 V CC		
Batterie		BL1815	BL1815N	BL1830
Poids net		1,5 kg	1,4 kg	1,7 kg

- Étant donné l'évolution constante de notre programme de recherche et de développement, les spécifications contenues dans ce manuel sont sujettes à modification sans préavis.
- Les spécifications et la batterie peuvent être différentes suivant les pays.
- Poids, avec la batterie, conformément à la procédure EPTA-01/2003

ENE034-1

Utilisations

L'outil est conçu pour percer et visser dans le bois, le métal et le plastique.

GEA010-1

Consignes de sécurité générales pour outils électriques

⚠ AVERTISSEMENT Veuillez lire toutes les mises en garde et toutes les instructions. Il y a risque de choc électrique, d'incendie et/ou de blessure grave si les mises en garde et les instructions ne sont pas respectées.

Conservez toutes les mises en garde et instructions pour référence ultérieure.

GE088-1

CONSIGNES DE SÉCURITÉ POUR PERCEUSE-VISSEUSE SANS FIL

1. Utilisez la ou les poignée(s) auxiliaire(s), si l'outil en possède. Toute perte de maîtrise de l'outil comporte un risque de blessure.

2. **Saisissez l'outil électrique par ses surfaces de poigne isolées lorsque vous effectuez des travaux au cours desquels l'accessoire tranchant peut entrer en contact avec des fils cachés.** Le contact de l'accessoire tranchant avec un fil sous tension peut également mettre sous tension les parties métalliques exposées de l'outil électrique, causant ainsi un choc électrique chez l'utilisateur.
3. **Saisissez l'outil électrique par ses surfaces de poigne isolées lorsque vous effectuez des travaux au cours desquels la fixation peut entrer en contact avec des fils cachés.** Le contact des fixations avec un fil sous tension peut également mettre sous tension les parties métalliques exposées de l'outil électrique, causant ainsi un choc électrique chez l'utilisateur.
4. **Assurez-vous toujours de travailler en position stable.** Lorsque vous utilisez l'outil dans un endroit élevé, assurez-vous qu'il n'y a personne en bas.
5. **Tenez l'outil fermement.**
6. **Gardez les mains éloignées des pièces en rotation.**
7. **Ne vous éloignez pas en laissant l'outil tourner. Ne le faites fonctionner que lorsque vous l'avez bien en main.**
8. **Ne touchez pas l'embout de perçage ou la pièce immédiatement après l'exécution du travail ; ils peuvent être extrêmement chauds et vous brûler la peau.**

- Certains matériaux contiennent des produits chimiques qui peuvent être toxiques. Prenez les précautions nécessaires pour éviter que la poussière dégagée lors du travail ne soit inhalée ou n'entre en contact avec la peau. Suivez les consignes de sécurité du fournisseur du matériau.

CONSERVEZ CES INSTRUCTIONS.

⚠ AVERTISSEMENT :

NE vous laissez PAS tromper (au fil d'une utilisation répétée) par un sentiment d'aisance et de familiarité avec le produit, en négligeant le respect rigoureux des consignes de sécurité qui accompagnent le produit en question. La MAUVAISE UTILISATION de l'outil ou l'ignorance des consignes de sécurité indiquées dans ce manuel d'instructions peut entraîner une blessure grave.

ENC007-8

IMPORTANTES CONSIGNES DE SÉCURITÉ

POUR LA BATTERIE

- Avant d'utiliser la batterie, lisez toutes les instructions et précautions relatives (1) au chargeur de batterie, (2) à la batterie, et (3) à l'outil utilisant la batterie.
- Ne démontez pas la batterie.
- Si le temps de fonctionnement devient très court, cessez immédiatement l'utilisation. Autrement il y a risque de surchauffe, de brûlure, voire d'explosion.
- Si de l'électrolyte pénètre dans vos yeux, rincez-les à l'eau claire et consultez immédiatement un médecin. Autrement il y a risque de blessure aux yeux.
- Ne court-circuitez pas la batterie :
 - Ne touchez les bornes avec aucun matériau conducteur.
 - Évitez de ranger la batterie dans un conteneur avec d'autres objets métalliques, par exemple des clous, des pièces de monnaie, etc.
 - N'exposez pas la batterie à l'eau ou à la pluie.

Un court-circuit de la batterie pourrait provoquer un fort courant, une surchauffe, parfois des brûlures et même une panne.
- Ne rangez pas l'outil ou la batterie dans des endroits où la température risque d'atteindre ou de dépasser 50°C.
- Ne jetez pas la batterie au feu même si elle est sérieusement endommagée ou complètement épuisée. La batterie peut exploser au contact du feu.
- Veillez à ne pas heurter ou faire tomber la batterie.
- N'utilisez pas une batterie abîmée.
- La batterie doit être éliminée conformément aux réglementations locales en vigueur.

CONSERVEZ CES INSTRUCTIONS.

Conseils pour assurer la durée de vie optimale de la batterie

- Rechargez la batterie avant qu'elle ne soit complètement déchargée.
Arrêtez toujours l'outil et rechargez la batterie quand vous remarquez que la puissance de l'outil diminue.
- Ne rechargez jamais une batterie complètement chargée.
La surcharge réduit la durée de service de la batterie.
- Chargez la batterie alors que la température de la pièce se trouve entre 10°C et 40°C. Avant de charger une batterie chaude, laissez-la refroidir.
- Chargez la batterie tous les six mois si elle reste inutilisée pendant une période prolongée.

DESCRIPTION DU FONCTIONNEMENT

⚠ ATTENTION :

- Vérifiez toujours que l'outil est hors tension et que la batterie est retirée avant d'ajuster l'outil ou de vérifier son fonctionnement.

Pose ou retrait de la batterie (Fig. 1)

⚠ ATTENTION :

- Mettez toujours l'outil hors tension avant de poser ou de retirer la batterie.
- Lorsque vous posez ou retirez la batterie, tenez fermement l'outil et la batterie. Si vous ne tenez pas fermement l'outil et la batterie, ils risquent de s'abîmer en vous glissant des mains, et vous courez un risque de blessure corporelle.

Pour retirer la batterie, faites-la glisser hors de l'outil tout en faisant glisser le bouton qui se trouve à l'avant de la batterie.

Pour poser la batterie, alignez sa languette sur la rainure à l'intérieur du carter, et faites-la glisser en place. Insérez-la à fond, jusqu'à ce qu'elle se mette en place avec un léger déclic. Si vous pouvez voir l'indicateur rouge du côté supérieur du bouton, la batterie n'est pas complètement verrouillée.

⚠ ATTENTION :

- Insérez toujours la batterie à fond, jusqu'à ce que l'indicateur rouge ne soit plus visible. Sinon, elle pourrait tomber accidentellement de l'outil, au risque de vous blesser ou de blesser quelqu'un se trouvant près de vous.
- Ne forcez pas pour insérer la batterie. Si elle ne glisse pas facilement, c'est que vous ne l'insérez pas correctement.

Dispositif de protection de la batterie

L'outil et sa batterie sont dotés d'un dispositif de protection. Ce dispositif coupe automatiquement l'alimentation de l'outil pour prolonger la durée de service de la batterie.

Si l'outil ou la batterie se trouve dans l'une ou l'autre des situations suivantes, l'outil cessera automatiquement de fonctionner :

- Surchargé :

L'outil est utilisé de manière telle qu'il consomme un courant anormalement élevé.

Il faut alors libérer la gâchette de l'outil et cesser l'application qui cause la surcharge. Tirez ensuite de nouveau sur la gâchette pour redémarrer.

Si l'outil ne démarre pas, cela signifie que la batterie est trop chaude. Il faut alors laisser refroidir la batterie avant de tirer de nouveau sur la gâchette.

- Faible tension de la batterie :

La charge restante de la batterie étant trop faible, l'outil ne fonctionne pas. Le cas échéant, retirez la batterie et rechargez-la.

NOTE :

- Ces dispositifs de protection sensibles à la température et à la faible tension s'appliquent uniquement si l'outil est utilisé avec une batterie qui porte une marque étoilée. (Fig. 2)

Interrupteur (Fig. 3)

⚠ ATTENTION :

- Avant d'insérer la batterie dans l'outil, vérifiez toujours que la gâchette fonctionne correctement et revient sur la position "OFF" une fois libérée.

Pour mettre l'outil en marche, tirez simplement sur la gâchette. La vitesse de l'outil augmente quand vous augmentez la pression sur la gâchette. Pour arrêter l'outil, libérez la gâchette.

Allumage de la lampe (Fig. 4)

⚠ ATTENTION :

- Ne regardez pas directement la lumière ou la source de lumière.

Tirez sur la gâchette pour allumer la lampe. La lampe demeure allumée tant que vous tirez sur la gâchette. La lampe s'éteint dès que vous libérez la gâchette.

NOTE :

- Utilisez un chiffon sec pour essuyer les saletés sur la lentille de la lampe. Évitez de rayer la lentille de la lampe, autrement sa capacité d'éclairage diminuera.

Fonctionnement de l'inverseur (Fig. 5)

⚠ ATTENTION :

- Vérifiez toujours le sens de la rotation avant de commencer le travail.
- N'activez l'inverseur qu'une fois l'outil parfaitement arrêté. Vous risqueriez d'abîmer l'outil en changeant le sens de rotation avant l'arrêt complet.
- Après l'utilisation de l'outil, mettez toujours le levier de l'inverseur en position neutre.

Cet outil possède un inverseur qui permet de changer le sens de la rotation. Enfoncez le levier de l'inverseur du côté A pour une rotation dans le sens des aiguilles d'une montre, ou du côté B pour une rotation en sens contraire. Il n'est pas possible de tirer sur la gâchette lorsque le levier de l'inverseur est en position neutre.


Changement de vitesse (Fig. 6)


⚠ ATTENTION :

- Mettez toujours le levier de changement de vitesse parfaitement sur la bonne position. En utilisant l'outil avec le levier de changement de vitesse placé entre les côtés "1" et "2", vous risqueriez d'abîmer l'outil.
- Ne déplacez pas le levier de changement de vitesse pendant que l'outil tourne. Vous risqueriez d'abîmer l'outil.

Pour changer la vitesse, coupez d'abord le contact puis faites glisser le levier de changement de vitesse du côté "2" pour la vitesse rapide, ou du côté "1" pour la vitesse lente. Avant d'utiliser l'outil, assurez-vous que le levier de changement de vitesse se trouve sur la bonne position. Utilisez une vitesse adaptée au type de travail à effectuer.

Réglage du couple de serrage (Fig. 7)

Le couple de serrage peut être réglé sur l'un ou l'autre de 17 niveaux en tournant la bague de réglage pour aligner les graduations de la bague sur l'index du corps de l'outil. Le couple de serrage minimum s'obtient en alignant le numéro 1 sur l'index, et le couple de serrage maximum en alignant l'indication  sur l'index.

L'engrenage glissera quand sera atteint le couple de serrage correspondant au numéro sélectionné de 1 à 16. L'engrenage est conçu pour ne pas glisser quand l'outil est réglé sur l'indication .

Avant d'effectuer le véritable travail, faites un essai de vissage dans le matériau en question ou dans un matériau identique pour savoir quel est le niveau de couple de serrage requis pour ce travail particulier.

ASSEMBLAGE

⚠ ATTENTION :

- Assurez-vous toujours que l'outil est hors tension et que sa batterie est retirée avant d'effectuer tout travail dessus.

Pose ou retrait de l'embout de vissage ou de l'embout de perçage (Fig. 8)

Tournez le manchon dans le sens contraire des aiguilles d'une montre pour ouvrir les mâchoires du mandrin. Insérez l'embout à fond dans le mandrin. Tournez le manchon dans le sens des aiguilles d'une montre pour serrer le mandrin.

Pour retirer l'embout, tournez le manchon dans le sens contraire des aiguilles d'une montre.

Pose du crochet (Fig. 9)

Le crochet est pratique pour accrocher temporairement l'outil. Il peut être posé d'un côté ou de l'autre de l'outil. Pour poser le crochet, insérez-le dans la rainure du carter de l'outil, d'un côté ou de l'autre, puis fixez-le à l'aide d'une vis. Pour le retirer, desserrez la vis et enlevez-le.

Pose du porte-embout (Accessoire en option) (Fig. 10)

Mettez le porte-embout dans la partie saillante du pied de l'outil, d'un côté ou de l'autre, et fixez-le à l'aide d'une vis.

Lorsque vous n'utilisez pas l'embout de vissage, rangez-le dans un des porte-embouts. Ils peuvent contenir des embouts d'une longueur de 45 mm.

UTILISATION

ATTENTION :


- Insérez toujours la batterie à fond jusqu'à ce qu'elle se verrouille en place. Si vous pouvez voir la partie rouge du côté supérieur du bouton, la batterie n'est pas complètement verrouillée. Insérez-la complètement, jusqu'à ce que la partie rouge ne soit plus visible. Sinon, elle pourrait tomber accidentellement de l'outil, au risque de vous blesser ou de blesser quelqu'un se trouvant près de vous.

Tenez l'outil fermement en le saisissant d'une main par la poignée et de l'autre par le dessous de la batterie, afin de résister à la force de torsion.

ATTENTION :

- Ne recouvrez pas les orifices d'aération, car cela peut causer une surchauffe et endommager l'outil. (Fig. 11)

Vissage (Fig. 12)

Tournez d'abord la bague de changement de mode, de sorte que la flèche du corps de l'outil pointe sur le symbole . Mettez la bague de réglage sur un niveau de couple de serrage adapté au travail à effectuer. Procédez ensuite comme suit.

Placez la pointe de l'embout de vissage dans la tête de vis et appliquez une pression sur l'outil. Faites démarrer l'outil lentement, puis augmentez la vitesse graduellement. Libérez la gâchette dès que l'engrenage s'active.


ATTENTION :

- Assurez-vous que l'embout de vissage est inséré bien droit dans la tête de vis, sinon vous risquerez d'abîmer la vis et/ou l'embout.

NOTE :

- Lorsque vous insérez une vis à bois, percez d'abord un avant-trou d'un diamètre du 2/3 de celui de la vis. Cela facilitera le vissage et évitera que la pièce ne se fende.

Perçage

Tournez d'abord la bague de réglage de sorte que l'indicateur pointe vers le symbole . Procédez ensuite comme suit.

ATTENTION :

- Une pression excessive sur l'outil n'accélérera pas le perçage. En fait, la pression excessive abîmera la pointe de l'embout, causera une baisse de rendement de l'outil et réduira sa durée de service.
- Une très grande force s'exerce sur l'outil et l'embout lorsque celui-ci émerge sur la face opposée. Tenez l'outil fermement et faites bien attention lorsque l'embout commence à sortir par la face opposée de la pièce.
- Un embout coincé peut être retiré en réglant simplement l'inverseur sur la rotation inverse pour faire marche arrière. L'outil peut toutefois faire brusquement marche arrière si vous ne le tenez pas fermement.
- Immobilisez toujours les petites pièces à travailler dans un étai ou au moyen d'un dispositif de retenue similaire.
- Si l'outil est utilisé de manière continue jusqu'à ce que la batterie se décharge, laissez-le reposer 15 minutes avant de poursuivre le travail avec une batterie fraîchement chargée.
- N'activez pas la gâchette de manière répétée lorsque le moteur est verrouillé. Vous risqueriez d'abîmer l'outil.

Perçage dans le bois

Lorsque vous percez dans le bois, vous obtiendrez un résultat optimal avec un foret à bois équipé d'une vis de guidage. La vis de guidage facilite le perçage en entraînant l'embout dans la pièce.

Perçage dans le métal

Pour que l'embout ne glisse pas quand vous commencez à percer le trou, faites une entaille à l'aide d'un pointeau et d'un marteau à l'emplacement prévu pour le trou. Placez la pointe de l'embout dans l'entaille et commencez à percer.

Utilisez un lubrifiant de coupe pour percer les métaux. Seuls le fer et le laiton doivent être percés à sec.

ENTRETIEN

ATTENTION :

- Assurez-vous toujours que l'outil est hors tension et la batterie retirée avant d'effectuer tout travail d'inspection ou d'entretien.
- N'utilisez jamais d'essence, benzine, diluant, alcool ou autre produit similaire. Cela risquerait de provoquer la décoloration, la déformation ou la fissuration de l'outil.

Pour maintenir la SÉCURITÉ et la FIABILITÉ du produit, les réparations, travaux d'entretien et autres réglages doivent être effectués dans un centre de service Makita agréé, exclusivement avec des pièces de rechange Makita.

ACCESSOIRES EN OPTION

ATTENTION :

- Ces accessoires ou pièces complémentaires sont recommandés pour l'utilisation avec l'outil Makita spécifié dans ce mode d'emploi. L'utilisation de tout autre accessoire ou pièce complémentaire peut comporter un risque de blessure. N'utilisez les accessoires ou pièces qu'aux fins pour lesquelles ils ont été conçus.

Si vous désirez obtenir plus de détails concernant ces accessoires, veuillez contacter le centre de service après-vente Makita le plus près.

- Embouts de perçage
- Embouts de vissage
- Embout à douille
- Lunettes à coques
- Batterie et chargeur Makita authentiques
- Crochet
- Porte-embout

NOTE :

- Il se peut que certains éléments de la liste soient compris dans l'emballage de l'outil en tant qu'accessoires standard. Ils peuvent varier d'un pays à l'autre.

ENG905-1

Bruit

Niveau de bruit pondéré A typique, déterminé selon EN60745 :

Niveau de pression sonore (L_{pA}) : 72 dB (A)

Incertitude (K) : 3 dB (A)

Le niveau de bruit en fonctionnement peut dépasser 80 dB (A).

Porter des protecteurs anti-bruit

Vibrations

Valeur totale de vibrations (somme de vecteur triaxial) déterminée selon EN60745 :

Mode de travail : perçage dans le métal

Emission de vibrations ($a_{h, D}$) : 2,5 m/s² ou moins

Incertitude (K) : 1,5 m/s²

ENG901-1

- La valeur d'émission de vibrations déclarée a été mesurée conformément à la méthode de test standard et peut être utilisée pour comparer les outils entre eux.
- La valeur d'émission de vibrations déclarée peut aussi être utilisée pour l'évaluation préliminaire de l'exposition.

⚠ AVERTISSEMENT :

- L'émission de vibrations lors de l'usage réel de l'outil électrique peut être différente de la valeur d'émission déclarée, suivant la façon dont l'outil est utilisé.
- Les mesures de sécurité à prendre pour protéger l'utilisateur doivent être basées sur une estimation de l'exposition dans des conditions réelles d'utilisation (en tenant compte de toutes les composantes du cycle d'utilisation, comme par exemple le moment de sa mise hors tension, lorsqu'il tourne à vide et le moment de son déclenchement).

ENH101-16

Pour les pays d'Europe uniquement**Déclaration de conformité CE**

Makita Corporation, en tant que fabricant responsable, déclare que la ou les machine(s) Makita suivante(s) :

Désignation de la machine : Perceuse-Visseuse sans Fil

N° de modèle / Type : BDF459

sont produites en série et

sont conformes aux directives européennes suivantes :

2006/42/CE

et qu'elles sont fabriquées conformément aux normes ou documents normalisés suivants :

EN60745

La documentation technique est conservée par :

Makita International Europe Ltd.

Service technique,

Michigan Drive, Tongwell,

Milton Keynes, Bucks MK15 8JD, Angleterre

24.11.2011



Tomoyasu Kato

Directeur

Makita Corporation

3-11-8, Sumiyoshi-cho,

Anjo, Aichi, 446-8502, JAPAN

Übersicht

- | | | |
|----------------------|---------------------------|---------------------|
| 1 Rote Anzeige | 7 Drehrichtungsumschalter | 13 Führungsnut |
| 2 Knopf | 8 Drehzahlumschalthebel | 14 Haken |
| 3 Akku | 9 Einstellring | 15 Schraube |
| 4 Sternsymbol | 10 Teilstrich | 16 Einsatzhalter |
| 5 Elektronikschalter | 11 Pfeil | 17 Einsatz |
| 6 Lampe | 12 Werkzeugaufnahme | 18 Lüftungsschlitze |

TECHNISCHE DATEN

Modell		BDF459		
Kapazitäten	Stahl	13 mm		
	Holz	38 mm		
	Holzschraube	6 mm x 75 mm		
	Maschinenschraube	M6		
Leerlaufdrehzahl (min ⁻¹)	Stark (2)	0 – 1 500		
	Schwach (1)	0 – 400		
Gesamtlänge		179 mm		
Nennspannung		DC 18 V		
Akku		BL1815	BL1815N	BL1830
Nettogewicht		1,5 kg	1,4 kg	1,7 kg

- Wir behalten uns vor, Änderungen im Zuge der Entwicklung und des technischen Fortschritts ohne vorherige Ankündigung vorzunehmen.
 - Die technischen Daten und der Akku können von Land zu Land unterschiedlich sein.
 - Gewicht mit Akku nach EPTA-Verfahren 01/2003
- ENE034-1
- Vorgesehene Verwendung**
Die Maschine ist für Bohren und Schrauben in Holz, Metall und Kunststoff vorgesehen.
- GEA010-1
- Allgemeine Sicherheitswarnungen für Elektrowerkzeuge**
- ⚠️ WARNUNG Lesen Sie alle Sicherheitswarnungen und Anweisungen durch.** Eine Missachtung der unten aufgeführten Warnungen und Anweisungen kann zu einem elektrischen Schlag, Brand und/oder schweren Verletzungen führen.
- Bewahren Sie alle Warnungen und Anweisungen für spätere Bezugnahme auf.**
- GEB088-1
- SICHERHEITSWARNUNGEN FÜR AKKU-BOHRSCHRAUBER**
1. **Benutzen Sie (einen) Zusatzgriff(e), sofern er (sie) mit dem Werkzeug geliefert wurde(n).** Verlust der Kontrolle kann Verletzungen verursachen.
 2. **Halten Sie das Elektrowerkzeug an den isolierten Griffflächen, wenn Sie Arbeiten ausführen, bei denen die Gefahr besteht, dass das Schneidwerkzeug verborgene Kabel kontaktiert.** Bei Kontakt mit einem Strom führenden Kabel können die freiliegenden Metallteile des Elektrowerkzeugs ebenfalls Strom führend werden, so dass der Benutzer einen elektrischen Schlag erleiden kann.
 3. **Halten Sie das Elektrowerkzeug an den isolierten Griffflächen, wenn Sie Arbeiten ausführen, bei denen die Gefahr besteht, dass das Befestigungselement verborgene Kabel kontaktiert.** Bei Kontakt mit einem Strom führenden Kabel können die freiliegenden Metallteile des Elektrowerkzeugs ebenfalls Strom führend werden, so dass der Benutzer einen elektrischen Schlag erleiden kann.
 4. **Achten Sie stets auf sicheren Stand. Vergewissern Sie sich bei Einsatz der Maschine an hochgelegenen Arbeitsplätzen, dass sich keine Personen darunter aufhalten.**
 5. **Halten Sie die Maschine mit festem Griff.**
 6. **Halten Sie die Hände von rotierenden Teilen fern.**
 7. **Lassen Sie die Maschine nicht unbeaufsichtigt laufen.** Benutzen Sie die Maschine nur mit Handhaltung.
 8. **Vermeiden Sie eine Berührung des Bohreinsatzes oder des Werkstücks unmittelbar nach der Bearbeitung, weil die Teile noch sehr heiß sind und Hautverbrennungen verursachen können.**

- Manche Materialien können giftige Chemikalien enthalten. Treffen Sie Vorsichtsmaßnahmen, um das Einatmen von Arbeitsstaub und Hautkontakt zu verhüten. Befolgen Sie die Sicherheitsdaten des Materialherstellers.

BEWAHREN SIE DIESE HINWEISE SORGFÄLTIG AUF.

⚠️ WARNUNG:

Lassen Sie sich NICHT durch Bequemlichkeit oder Vertrautheit mit dem Produkt (durch wiederholten Gebrauch erworben) von der strikten Einhaltung der Sicherheitsregeln für das vorliegende Produkt abhalten. MISSBRAUCH oder Missachtung der Sicherheitsvorschriften in dieser Anleitung können schwere Verletzungen verursachen.

ENC007-8

WICHTIGE SICHERHEITSVORSCHRIFTEN

FÜR AKKU

- Lesen Sie vor der Benutzung des Akkus alle Anweisungen und Warnhinweise, die an (1) Ladegerät, (2) Akku und (3) Akkuwerkzeug angebracht sind.
- Unterlassen Sie ein Zerlegen des Akkus.
- Falls die Betriebszeit beträchtlich kürzer geworden ist, stellen Sie den Betrieb sofort ein. Anderenfalls besteht die Gefahr von Überhitzung, möglichen Verbrennungen und sogar einer Explosion.
- Falls Elektrolyt in Ihre Augen gelangt, waschen Sie sie mit sauberem Wasser aus, und begeben Sie sich unverzüglich in ärztliche Behandlung. Anderenfalls können Sie Ihre Sehkraft verlieren.
- Der Akku darf nicht kurzgeschlossen werden:
 - (1) Die Kontakte dürfen nicht mit leitfähigem Material berührt werden.
 - (2) Lagern Sie den Akku nicht in einem Behälter zusammen mit anderen Metallgegenständen, wie z.B. Nägel, Münzen usw.
 - (3) Setzen Sie den Akku weder Wasser noch Regen aus.

Ein Kurzschluss des Akkus verursacht starken Stromfluss, der Überhitzung, Verbrennungen und einen Defekt zur Folge haben kann.

- Lagern Sie Akkuwerkzeug und Akku nicht an Orten, an denen die Temperatur 50°C erreichen oder überschreiten kann.
- Versuchen Sie niemals, den Akku zu verbrennen, selbst wenn er stark beschädigt oder vollkommen verbraucht ist. Der Akku kann im Feuer explodieren.
- Achten Sie darauf, dass der Akku nicht fallen gelassen oder Stößen ausgesetzt wird.
- Benutzen Sie keine beschädigten Akkus.
- Befolgen Sie die örtlichen Bestimmungen bezüglich der Entsorgung von Akkus.

BEWAHREN SIE DIESE HINWEISE SORGFÄLTIG AUF.

Hinweise zur Aufrechterhaltung der maximalen Akku-Nutzungsdauer

- Laden Sie den Akku, bevor er vollkommen erschöpft ist.
Schalten Sie die Maschine stets aus, und laden Sie den Akku, wenn Sie ein Nachlassen der Maschinenleistung feststellen.
- Unterlassen Sie das erneute Laden eines voll aufgeladenen Akkus.
Überladen führt zu einer Verkürzung der Nutzungsdauer des Akkus.
- Laden Sie den Akku bei Raumtemperatur zwischen 10°C – 40°C. Lassen Sie einen heißen Akku abkühlen, bevor Sie ihn laden.
- Laden Sie den Akku bei längerer Nichtbenutzung alle sechs Monate nach.

FUNKTIONSBESCHREIBUNG

⚠️ VORSICHT:

- Vergewissern Sie sich vor der Durchführung von Einstellungen oder Funktionsprüfungen der Maschine stets, dass die Maschine ausgeschaltet und der Akku abgenommen ist.

Anbringen und Abnehmen des Akkus (Abb. 1)

⚠️ VORSICHT:

- Schalten Sie stets die Maschine aus, bevor Sie den Akku anbringen oder abnehmen.
- Halten Sie Maschine und Akku beim Anbringen oder Abnehmen des Akkus sicher fest. Wenn Sie Maschine und Akku nicht sicher festhalten, können sie Ihnen aus der Hand rutschen, was zu einer Beschädigung der Maschine und des Akkus und zu Körperverletzungen führen kann.

Ziehen Sie den Akku zum Abnehmen von der Maschine ab, während Sie den Knopf an der Vorderseite des Akkus verschieben.

Richten Sie zum Anbringen des Akkus dessen Führungsfeder auf die Nut im Gehäuse aus, und schieben Sie den Akku hinein. Schieben Sie ihn vollständig ein, bis er mit einem hörbaren Klicken einrastet. Falls die rote Anzeige an der Oberseite des Knopfes sichtbar ist, ist der Akku-Adapter nicht vollständig verriegelt.

⚠️ VORSICHT:

- Schieben Sie den Akku stets bis zum Anschlag ein, bis die rote Anzeige nicht mehr sichtbar ist. Anderenfalls kann er aus der Maschine herausfallen und Sie oder umstehende Personen verletzen.
- Unterlassen Sie Gewaltanwendung beim Anbringen des Akkus. Falls der Akku nicht reibungslos hineingleitet, ist er nicht richtig ausgerichtet.

Akku-Schutzsystem

Maschine und Akku sind mit einem Schutzsystem ausgestattet. Dieses System schaltet die Stromversorgung der Maschine automatisch ab, um die Akku-Lebensdauer zu verlängern.

Die Maschine schaltet sich während des Betriebs automatisch ab, wenn Maschine und/oder Akku einer der folgenden Bedingungen unterliegen:

- **Überlastung:**
Die Maschine wird auf eine Weise benutzt, die eine ungewöhnlich hohe Stromaufnahme bewirkt.
Lassen Sie in dieser Situation den Elektronikschalter der Maschine los, und brechen Sie die Arbeit ab, die eine Überlastung der Maschine verursacht hat.
Betätigen Sie dann den Elektronikschalter erneut, um die Maschine wieder zu starten.
Falls die Maschine nicht startet, ist der Akku überhitzt.
Lassen Sie den Akku in dieser Situation abkühlen, bevor Sie den Elektronikschalter erneut betätigen.
- **Niedrige Akkuspannung:**
Die Akku-Restkapazität ist zu niedrig, und die Maschine funktioniert nicht. Nehmen Sie in dieser Situation den Akku ab, und laden Sie ihn auf.

HINWEIS:

- Dieser temperaturabhängige Schutz und Niederspannungsschutz wird nur dann ausgelöst, wenn ein Akku mit Sternsymbol an der Maschine angebracht wird. **(Abb. 2)**

Schaltefunktion (Abb. 3)

⚠ VORSICHT:

- Vergewissern Sie sich vor dem Einsetzen des Akkus in die Maschine stets, dass der Elektronikschalter ordnungsgemäß funktioniert und beim Loslassen in die AUS-Stellung zurückkehrt.

Zum Einschalten der Maschine einfach den Elektronikschalter drücken. Die Drehzahl erhöht sich durch verstärkte Druckausübung auf den Elektronikschalter. Zum Ausschalten den Elektronikschalter loslassen.

Einschalten der Lampe (Abb. 4)

⚠ VORSICHT:

- Blicken Sie nicht direkt in die Lampe oder die Lichtquelle.

Betätigen Sie den Elektronikschalter, um die Lampe einzuschalten. Die Lampe bleibt erleuchtet, solange der Elektronikschalter gedrückt gehalten wird. Die Lampe erlischt unmittelbar nach dem Loslassen des Elektronikschalters.

HINWEIS:

- Wischen Sie Schmutz auf der Lampenlinse mit einem trockenen Tuch ab. Achten Sie sorgfältig darauf, dass Sie die Lampenlinse nicht verkratzen, weil sich sonst die Lichtstärke verringert.

Funktion des Drehrichtungsumschalters (Abb. 5)

⚠ VORSICHT:

- Prüfen Sie stets die Drehrichtung, bevor Sie mit der Arbeit beginnen.
- Betätigen Sie den Drehrichtungsumschalter erst, nachdem die Maschine völlig zum Stillstand gekommen ist. Durch Umschalten der Drehrichtung bei noch laufender Maschine kann die Maschine beschädigt werden.
- Stellen Sie den Drehrichtungsumschalter stets auf die Neutralstellung, wenn Sie die Maschine nicht benutzen.

Diese Maschine besitzt einen Drehrichtungsumschalter. Drücken Sie auf die Seite A des Drehrichtungsumschalters für Rechtsdrehung, und auf die Seite B für Linksdrehung.

In der Neutralstellung des Drehrichtungsumschalters ist der Elektronikschalter verriegelt.

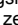
Drehzahlumschaltung (Abb. 6)

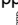
⚠ VORSICHT:

- Achten Sie stets darauf, dass sich der Drehzahlumschalthebel vollkommen in seiner jeweiligen Rastposition befindet. Wird die Maschine bei einer Zwischenstellung des Drehzahlumschalthebels zwischen den Positionen "1" und "2" betrieben, kann sie beschädigt werden.
- Betätigen Sie den Drehzahlumschalthebel nicht während des Betriebs der Maschine. Die Maschine kann sonst beschädigt werden.

Zum Umschalten der Drehzahl zunächst die Maschine ausschalten, und dann den Drehzahlumschalthebel für hohe Drehzahl zur Position "2" oder für niedrige Drehzahl zur Position "1" schieben. Vergewissern Sie sich vor Arbeitsbeginn stets, dass sich der Drehzahlumschalthebel in der korrekten Stellung befindet. Verwenden Sie stets die geeignete Drehzahl für die jeweilige Arbeit.

Einstellen des Anzugsmoments (Abb. 7)

Das Anzugsmoment kann durch Drehen des Einstellrings in 17 Stufen eingestellt werden, wobei die Teilstriche auf den Zeiger am Maschinengehäuse ausgerichtet werden. Stellung 1 ergibt das minimale Anzugsmoment, während das maximale Anzugsmoment erzielt wird, wenn der Zeiger auf das Symbol  zeigt.

In den Stellungen 1 bis 16 rutscht die Kupplung bei Erreichen des Soll Drehmoments durch. Die Kupplung ist so konstruiert, dass sie in der Stellung  nicht durchrutscht.

Bevor Sie mit der eigentlichen Schraubarbeit beginnen, sollten Sie eine Probeverschraubung mit Ihrem Material oder einem Stück des gleichen Materials durchführen, um das geeignete Anzugsmoment zu ermitteln.

MONTAGE

⚠ VORSICHT:

- Vergewissern Sie sich vor der Ausführung von Arbeiten an der Maschine stets, dass die Maschine ausgeschaltet und der Akku abgenommen ist.

Montieren und Demontieren von Schraubendreher- oder Bohrereinsatz (Abb. 8)

Drehen Sie die Werkzeugaufnahme entgegen dem Uhrzeigersinn, um das Spannfutter zu öffnen. Führen Sie den Einsatz bis zum Anschlag in das Spannfutter ein. Drehen Sie die Werkzeugaufnahme im Uhrzeigersinn, um das Spannfutter festzuziehen.

Zum Entfernen des Einsatzes drehen Sie die Werkzeugaufnahme entgegen dem Uhrzeigersinn.

Anbringen des Hakens (Abb. 9)

Der Haken ist praktisch, um das Werkzeug vorübergehend aufzuhängen. Dieses Teil kann auf beiden Seiten der Maschine angebracht werden.

Um den Haken anzubringen, führen Sie ihn in die Nut entweder auf der linken oder rechten Seite des Werkzeuggehäuses ein, und sichern Sie ihn dann mit einer Schraube. Zum Entfernen die Schraube lösen, und dann das Teil herausnehmen.

Anbringen des Einsatzhalters (Sonderzubehör) (Abb. 10)

Stecken Sie den Einsatzhalter auf den Vorsprung am Maschinenfuß entweder auf der rechten oder linken Seite, und sichern Sie ihn mit einer Schraube.

Wenn Sie den Schraubendrehereinsatz nicht benutzen, bewahren Sie ihn im Einsatzhalter auf. Einsätze von 45 mm Länge können dort aufbewahrt werden.

BETRIEB

⚠ VORSICHT:


- Führen Sie den Akku immer vollständig ein, bis er einrastet. Falls der rote Teil an der Oberseite des Knopfes sichtbar ist, ist der Akku nicht vollständig verriegelt. Führen Sie ihn vollständig ein, bis der rote Teil nicht mehr sichtbar ist. Anderenfalls kann er aus der Maschine herausfallen und Sie oder umstehende Personen verletzen.

Halten Sie die Maschine mit einer Hand am Griff und mit der anderen Hand an der Unterseite des Akkus fest, um der Drehwirkung entgegenzuwirken.

⚠ VORSICHT:

- Verdecken Sie nicht die Lüftungsschlitze, weil dadurch Überhitzung und Beschädigung der Maschine verursacht werden kann. (Abb. 11)

Schraubbetrieb (Abb. 12)

Drehen Sie zuerst den Betriebsart-Umschaltring, so dass der Pfeil am Maschinengehäuse auf das Symbol  zeigt. Stellen Sie mit dem Einstellring das korrekte Anzugsmoment für Ihre Arbeit ein. Gehen Sie dann folgendermaßen vor.

Setzen Sie die Spitze des Schraubendrehereinsatzes in den Schraubenkopf ein, und üben Sie Druck auf die Maschine aus. Lassen Sie die Maschine langsam anlaufen, und erhöhen Sie dann die Drehzahl allmählich. Lassen Sie den Elektronikschalter los, sobald die Kupplung ausrückt.


⚠ VORSICHT:

- Achten Sie darauf, dass die Spitze des Schraubendrehereinsatzes senkrecht in den Schraubenkopf eingeführt wird, um eine Beschädigung von Schraube und/oder Einsatz zu vermeiden.

HINWEIS:

- Wenn Sie Holzschrauben eindrehen, bohren Sie eine Führungsbohrung von 2/3 des Schraubendurchmessers vor. Dies erleichtert das Eindrehen und verhindert Spaltung des Werkstücks.

Bohrbetrieb

Drehen Sie zunächst den Einstellring, bis der Zeiger auf das Symbol  zeigt. Gehen Sie dann folgendermaßen vor.

⚠ VORSICHT:

- Übermäßige Druckausübung auf die Maschine bewirkt keine Beschleunigung der Bohrleistung. Im Gegenteil; übermäßiger Druck führt zu einer Beschädigung der Bohrer Spitze und damit zu einer Verringerung der Leistungsfähigkeit sowie zu einer Verkürzung der Lebensdauer der Maschine.
- Beim Bohrungsdurchbruch wirkt ein hohes Rückdrehmoment auf Maschine und Bohrer. Halten Sie daher die Maschine mit festem Griff und lassen Sie Vorsicht walten, wenn der Bohrer im Begriff ist, aus dem Werkstück auszutreten.

- Ein festsitzender Bohrer lässt sich durch einfaches Umschalten der Drehrichtung wieder herausdrehen. Dabei sollten Sie aber die Maschine gut festhalten, damit sie nicht ruckartig herausgestoßen wird.
- Spannen Sie kleine Werkstücke stets in einen Schraubstock oder eine ähnliche Aufspannvorrichtung ein.
- Wenn die Maschine im Dauerbetrieb bis zur vollkommenen Entladung des Akkus benutzt wurde, lassen Sie die Maschine vor dem Fortsetzen des Betriebs mit einem frischen Akku 15 Minuten lang ruhen.
- Betätigen Sie den Elektronikschalter nicht wiederholt, wenn der Motor blockiert ist. Dadurch kann die Maschine beschädigt werden.

Bohren in Holz

Beim Bohren in Holz lassen sich die besten Ergebnisse mit Holzbohrern erzielen, die mit einer Zentrierspitze ausgestattet sind. Die Zentrierspitze erleichtert das Bohren, da sie den Bohrer in das Werkstück hineinzieht.

Bohren in Metall

Um Abrutschen des Bohrers beim Anbohren zu vermeiden, empfiehlt es sich, die Bohrstelle mit einem Zentrierkörner und Hammer anzukörnen. Setzen Sie dann die Spitze des Bohrers in die Vertiefung, und beginnen Sie mit dem Bohren.

Verwenden Sie Schneidflüssigkeit beim Bohren von Metall. Eisen und Messing sollten jedoch trocken gebohrt werden.

WARTUNG

⚠ VORSICHT:

- Vergewissern Sie sich vor der Durchführung von Inspektions- oder Wartungsarbeiten stets, dass die Maschine ausgeschaltet und der Akku abgenommen ist.
- Verwenden Sie auf keinen Fall Benzin, Benzol, Verdünnern, Alkohol oder dergleichen. Solche Mittel können Verfärbung, Verformung oder Rissbildung verursachen.

Um die SICHERHEIT und ZUVERLÄSSIGKEIT dieses Produkts zu gewährleisten, sollten Reparaturen und andere Wartungs- oder Einstellarbeiten nur von Makita-Kundendienstzentren unter ausschließlicher Verwendung von Makita-Originalersatzteilen ausgeführt werden.

SONDERZUBEHÖR

⚠ VORSICHT:

- Die folgenden Zubehörteile oder Vorrichtungen werden für den Einsatz mit der in dieser Anleitung beschriebenen Makita-Maschine empfohlen. Die Verwendung anderer Zubehörteile oder Vorrichtungen kann eine Verletzungsgefahr darstellen. Verwenden Sie die Zubehörteile oder Aufsätze nur für ihre angegebenen Zwecke.

Wenn Sie weitere Einzelheiten bezüglich dieser Zubehörteile benötigen, wenden Sie sich bitte an Ihre Makita-Kundendienststelle.

- Bohreinsätze
- Schraubendrehereinsätze
- Steckschlüsseleinsatz
- Schutzbrille
- Original-Makita-Akku und -Ladegerät
- Haken
- Einsatzhalter

HINWEIS:

- Manche Teile in der Liste können als Standardzubehör im Werkzeugsatz enthalten sein. Sie können von Land zu Land unterschiedlich sein.

ENG905-1

Geräusch

Typischer A-bewerteter Geräuschpegel ermittelt gemäß EN60745:

Schalldruckpegel (L_{pA}): 72 dB (A)
 Ungewissheit (K): 3 dB (A)

Der Lärmpegel kann während des Betriebs 80 dB (A) überschreiten.

Gehörschutz tragen

ENG900-1

Vibration

Vibrationsgesamtwerk (Drei-Achsen-Vektorsumme) ermittelt gemäß EN60745:

Arbeitsmodus: Bohren in Metall
 Vibrationsemission ($a_{h,D}$): 2,5 m/s² oder weniger
 Ungewissheit (K): 1,5 m/s²

ENG901-1

- Der angegebene Vibrationsemissionswert wurde im Einklang mit der Standardprüfmethode gemessen und kann für den Vergleich zwischen Maschinen herangezogen werden.
- Der angegebene Vibrationsemissionswert kann auch für eine Vorbewertung des Gefährdungsgrads verwendet werden.

WARNUNG:

- Die Vibrationsemission während der tatsächlichen Benutzung des Elektrowerkzeugs kann je nach der Benutzungsweise der Maschine vom angegebenen Emissionswert abweichen.
- Identifizieren Sie Sicherheitsmaßnahmen zum Schutz des Benutzers anhand einer Schätzung des Gefährdungsgrads unter den tatsächlichen Benutzungsbedingungen (unter Berücksichtigung aller Phasen des Arbeitszyklus, wie z. B. Ausschalt- und Leerlaufzeiten der Maschine zusätzlich zur Betriebszeit).

Nur für europäische Länder

EG-Übereinstimmungserklärung

Wir, die Firma Makita als verantwortlicher Hersteller, erklären, dass die folgende(n) Makita-Maschine(n):
 Bezeichnung der Maschine: Akku-Bohrschrauber
 Modell-Nr./ Typ: BDF459
 der Serienproduktion entstammen und **den folgenden europäischen Richtlinien entsprechen:**

2006/42/EG

und gemäß den folgenden Standards oder standardisierten Dokumenten hergestellt werden:

EN60745

Die technische Dokumentation befindet sich im Bestand von:

Makita International Europe Ltd.
 Technische Abteilung,
 Michigan Drive, Tongwell,
 Milton Keynes, Bucks MK15 8JD, England

24.11.2011



Tomoyasu Kato
 Direktor
 Makita Corporation
 3-11-8, Sumiyoshi-cho,
 Anjo, Aichi, 446-8502, JAPAN

Visione generale

- | | | |
|---------------------|-----------------------------------|-----------------------------|
| 1 Indicatore rosso | 7 Leva interruttore di inversione | 13 Scanalatura |
| 2 Bottone | 8 Leva di cambio velocità | 14 Gancio |
| 3 Batteria | 9 Anello di regolazione | 15 Vite |
| 4 Marchio di stella | 10 Graduazione | 16 Portapunta |
| 5 Interruttore | 11 Freccia | 17 Punta |
| 6 Lampadina | 12 Manicotto | 18 Apertura di ventilazione |

DATI TECNICI

Modello		BDF459		
Capacità	Acciaio	13 mm		
	Legno	38 mm		
	Vite per legno	6 mm x 75 mm		
	Vite a ferro	M6		
Velocità senza carico (min ⁻¹)	Alta (2)	0 – 1.500		
	Bassa (1)	0 – 400		
Lunghezza totale		179 mm		
Tensione nominale		C.c. 18 V		
Batteria		BL1815	BL1815N	BL1830
Peso netto		1,5 kg	1,4 kg	1,7 kg

- Per il nostro programma di ricerca e sviluppo continui, i dati tecnici sono soggetti a modifiche senza preavviso.
- I dati tecnici e la cartuccia batteria potrebbero differire da paese a paese.
- Peso, con batteria, secondo la Procedura EPTA 01/2003

ENE034-1

Utilizzo previsto

Questo utensile è progettato per la foratura e l'avvitamento delle viti nel legno, metallo e plastica.

GEA010-1

Avvertimenti generali per la sicurezza dell'utensile elettrico

⚠ AVVERTIMENTO Leggere tutti gli avvertimenti per la sicurezza e le istruzioni. La mancata osservanza degli avvertimenti e delle istruzioni può causare scosse elettriche, incendio e/o gravi incidenti.

Conservare tutti gli avvertimenti e le istruzioni per riferimenti futuri.

GEB088-1

AVVERTIMENTI PER LA SICUREZZA DEL TRAPANO AVVITATORE A BATTERIA

1. Usare i manici ausiliari, se sono in dotazione all'utensile. La perdita di controllo può causare un incidente all'operatore.

2. **Tenere l'utensile elettrico per le superfici isolate quando si esegue una operazione in cui l'accessorio di taglio potrebbe fare contatto con fili elettrici nascosti.** L'accessorio di taglio che fa contatto con un filo elettrico "sotto tensione" potrebbe mettere "sotto tensione" le parti metalliche esposte dell'utensile elettrico e dare una scossa all'operatore.
3. **Tenere l'utensile elettrico per le sue superfici isolate quando si esegue una operazione in cui un elemento di fissaggio potrebbe fare contatto con fili elettrici nascosti.** Gli elementi di fissaggio che fanno contatto con un filo elettrico "sotto tensione" potrebbero mettere "sotto tensione" le parti metalliche esposte dell'utensile elettrico e dare una scossa elettrica all'operatore.
4. **Accertarsi che i piedi siano appoggiati saldamente.** Accertarsi che non ci siano persone sotto quando si usa l'utensile in luoghi alti.
5. **Tenere saldamente l'utensile.**
6. **Tenere le mani lontane dalle parti rotanti.**
7. **Non lasciare l'utensile mentre sta funzionando.** Far funzionare l'utensile soltanto tenendolo in mano.
8. **Non toccare la punta trapano o il pezzo immediatamente dopo una operazione; essi potrebbero essere estremamente caldi e bruciare la pelle.**
9. **Alcuni materiali contengono sostanze chimiche che potrebbero essere tossiche.** Fare attenzione per evitare di inspirare la polvere e il contatto con la pelle. Seguire i dati per la sicurezza del fornitore del materiale.

CONSERVARE QUESTE ISTRUZIONI.

AVVERTIMENTO:

NON lasciare che la comodità o la familiarità d'utilizzo con il prodotto (acquisita con l'uso ripetuto) sostituisca la stretta osservanza delle norme di sicurezza. L'utilizzo SBAGLIATO o la mancata osservanza delle norme di sicurezza di questo manuale di istruzioni potrebbero causare lesioni serie.

ENC007-8

ISTRUZIONI IMPORTANTI PER LA SICUREZZA

CARTUCCIA BATTERIA

1. Prima di usare la cartuccia della batteria, leggere tutte le istruzioni e le avvertenze sul (1) caricabatteria, sulla (2) batteria e sul (3) prodotto che utilizza la batteria.
2. Non smontare la cartuccia della batteria.
3. Se il tempo di funzionamento diventa eccessivamente corto, smettere immediatamente di usare l'utensile. C'è pericolo di surriscaldamento, di possibili bruciate e anche di esplosione.
4. Se l'elettrolito finisce negli occhi, sciacquarli con acqua fresca e rivolgersi subito a un medico. C'è la possibilità di perdita della vista.
5. Non cortocircuitare la cartuccia della batteria:
 - (1) Non toccare i terminali con qualche metallo conduttivo.
 - (2) Evitare di conservare la cartuccia della batteria in un contenitore con altri oggetti metallici come i chiodi, le monete, ecc.
 - (3) Non esporre la cartuccia della batteria all'acqua o alla pioggia.

Un cortocircuito della batteria può causare un grande flusso di corrente, il surriscaldamento, possibili ustioni e addirittura un guasto.

6. Non conservare l'utensile e la cartuccia batteria in luoghi dove la temperatura potrebbe raggiungere o superare i 50°C.
7. Non incenerire la cartuccia della batteria anche se è gravemente danneggiata o è completamente esaurita. La cartuccia della batteria può esplodere e provocare un incendio.
8. Fare attenzione a non lasciar cadere o a colpire la batteria.
9. Non usare una batteria danneggiata.
10. Seguire le norme locali relative al modo di disfarsi della batteria.

CONSERVARE QUESTE ISTRUZIONI.

Suggerimenti per mantenere la durata massima della batteria

1. Caricare la cartuccia della batteria prima che si scarichi completamente. Smettere sempre di usare l'utensile e caricare la cartuccia della batteria quando si nota che la potenza dell'utensile è diminuita.
2. Non ricaricare mai una cartuccia della batteria completamente carica. La sovraccarica riduce la durata della batteria.
3. Caricare la cartuccia della batteria con la temperatura ambiente da 10°C a 40°C. Lasciar raffreddare una cartuccia della batteria calda prima di caricarla.

4. Caricare la cartuccia della batteria una volta ogni sei mesi se non si intende usarla per un lungo periodo di tempo.

DESCRIZIONE FUNZIONALE

ATTENZIONE:

- Accertarsi sempre che l'utensile sia spento e di aver rimosso la cartuccia batteria prima di regolarlo o di controllare il suo funzionamento.

Installazione o rimozione della batteria (Fig. 1)

ATTENZIONE:

- Spegnere sempre l'utensile prima di installare o di rimuovere la batteria.
- **Tenere saldamente l'utensile e la batteria quando si installa o si rimuove la batteria.** Se non si tengono saldamente l'utensile e la batteria, potrebbero sfuggire di mano con conseguente danno dell'utensile e della batteria e un incidente.

Per rimuovere la batteria, toglierla dall'utensile spingendo allo stesso tempo il bottone sulla parte anteriore della batteria.

Per installare la batteria, allineare l'appendice della batteria sulla scanalatura dell'alloggiamento e spingerla in posizione. Inserirla completamente finché si blocca in posizione con uno piccolo scatto. Se si vede l'indicatore rosso sul lato superiore del bottone, vuol dire che la batteria non è bloccata completamente.

ATTENZIONE:

- Installare sempre completamente la batteria finché l'indicatore rosso non è più visibile. In caso contrario, potrebbe cadere accidentalmente fuori dall'utensile causando un incidente all'operatore o a chi gli è vicino.
- Non installare forzatamente la batteria. Se la batteria non scivola dentro facilmente, vuol dire che non viene inserita correttamente.

Sistema di protezione della batteria

L'utensile e la batteria sono dotati di un sistema di protezione. Questo sistema interrompe automaticamente la corrente all'utensile per estendere la vita di servizio della batteria.

L'utensile si arresta automaticamente mentre sta funzionando se esso e/o la batteria vengono a trovarsi in una delle condizioni seguenti:

- Sovraccarico:
L'utensile viene usato in un modo che causa un suo assorbimento anormalmente alto di corrente. In tal caso, rilasciare l'interruttore dell'utensile e fermare l'accessorio applicativo che ha causato il sovraccarico dell'utensile. Schiacciare poi di nuovo l'interruttore per riavviare l'utensile. Se l'utensile non si riavvia, vuol dire che è sovraccarica la batteria. In tal caso, lasciare raffreddare la batteria prima di schiacciare di nuovo l'interruttore.
- Bassa tensione della batteria:
La capacità restante della batteria è troppo bassa e l'utensile non funziona. In tal caso, rimuovere e ricaricare la batteria.

NOTA:

- La protezione sensibile alla temperatura e la protezione alla bassa tensione intervengono soltanto quando si usa l'utensile con una batteria che ha il marchio di una stella. (Fig. 2)

Funzionamento dell'interruttore (Fig. 3)

⚠ ATTENZIONE:

- Prima di inserire la batteria nell'utensile, accertarsi sempre che l'interruttore funzioni correttamente e che torni sulla posizione "OFF" quando viene rilasciato.

Per avviare l'utensile, schiacciare semplicemente l'interruttore. La velocità dell'utensile si aumenta aumentando la pressione sull'interruttore. Rilasciare l'interruttore per fermarlo.

Accensione della lampadina (Fig. 4)

⚠ ATTENZIONE:

- Non guardare direttamente la luce o la sorgente della luce.

Schiacciare l'interruttore per accendere la lampadina. La lampadina rimane accesa mentre l'interruttore è schiacciato. La lampadina si spegne subito dopo che si è rilasciato l'interruttore.

NOTA:

- Usare un panno asciutto per togliere lo sporco dalla lente della lampadina. Fare attenzione a non graffiare la lente della lampadina, perché ciò potrebbe abbassare l'illuminazione.

Funzionamento dell'interruttore di inversione (Fig. 5)

⚠ ATTENZIONE:

- Controllare sempre la direzione di rotazione prima di una operazione.
- Usare l'interruttore di inversione soltanto dopo che l'utensile si è arrestato completamente. Se si cambia la direzione di rotazione prima dell'arresto dell'utensile lo si potrebbe danneggiare.
- Quando non si usa l'utensile, regolare sempre la leva interruttore di inversione sulla posizione neutra.

L'utensile è dotato di un interruttore di inversione per il cambiamento della direzione di rotazione. Schiacciare la leva interruttore di inversione dal lato A per la rotazione in senso orario, oppure dal lato B per la rotazione in senso antiorario.

Quando la leva interruttore di inversione è sulla posizione neutra, l'interruttore non può essere schiacciato.


Cambiamento di velocità (Fig. 6)


⚠ ATTENZIONE:

- Mettere sempre la leva di cambio velocità completamente sulla posizione corretta. Se si fa funzionare l'utensile con la leva di cambio velocità su una posizione intermedia tra il lato "1" e il lato "2", lo si potrebbe danneggiare.
- Non usare la leva di cambio velocità mentre l'utensile sta funzionando. Si potrebbe danneggiare l'utensile.

Per cambiare la velocità, spegnere prima l'utensile e spingere poi la leva di cambio velocità sul lato "2" per l'alta velocità, o sul lato "1" per la bassa velocità. Accertarsi che la leva di cambio velocità sia regolata sulla posizione corretta prima di procedere con il lavoro. Usare la velocità corretta per il lavoro.

Regolazione della coppia di serraggio (Fig. 7)

La coppia di serraggio può essere regolata in 17 passi girando l'anello di regolazione, in modo da allineare le sue graduazioni sull'indice sul corpo dell'utensile. La coppia di serraggio è minima quando il numero 1 è allineato sull'indice, e massima quando il segno  è allineato sull'indice.

La frizione slitta a vari livelli di coppia quando è regolato un numero da 1 a 16. La frizione è progettata in modo da non slittare al segno .

Prima di cominciare il lavoro reale, avvitare una vite di prova nel materiale o in un pezzo dello stesso materiale, in modo da determinare il livello di coppia necessario per la particolare applicazione.

MONTAGGIO

⚠ ATTENZIONE:

- Accertarsi sempre che l'utensile sia spento e che la batteria sia stata rimossa prima di qualsiasi intervento sull'utensile.

Installazione o rimozione della punta avvitatore o punta trapano (Fig. 8)

Girare il manico in senso antiorario per aprire le ganasce del mandrino portapunta. Inserire la punta nel mandrino portapunta finché non può andare più oltre. Girare il manico in senso orario per stringere il mandrino portapunta.

Per rimuovere la punta, girare il manico in senso antiorario.

Installazione del gancio (Fig. 9)

Il gancio è comodo per appendere temporaneamente l'utensile. Esso può essere installato su entrambi i lati dell'utensile.

Per installare il gancio, inserirlo in una scanalatura dell'alloggiamento dell'utensile su uno dei suoi lati, e fissarlo con una vite. Per rimuoverlo, allentare la vite e toglierlo via.

Installazione del portapunta (Accessorio opzionale) (Fig. 10)

Montare il portapunta nella sporgenza sul piede dell'utensile, sul lato destro o sinistro, e fissarlo con una vite.

Quando non si usa la punta avvitatore, tenerla nei portapunta. Qui si possono riporre le punte di 45 mm di lunghezza.

FUNZIONAMENTO

⚠ ATTENZIONE:


- Inserire sempre completamente la batteria finché si blocca in posizione. Se si vede la parte rossa sul lato superiore del bottone, vuol dire che non è bloccata completamente. Inserirla completamente finché non si vede più la parte rossa. In caso contrario, potrebbe cadere accidentalmente fuori dall'utensile causando un incidente all'operatore o a chi gli è vicino.

Tenere saldamente l'utensile con una mano sull'impugnatura e con l'altra mano sulla parte inferiore della batteria, in modo da poter controllare il movimento di torsione.

⚠ ATTENZIONE:

- Non coprire le aperture di ventilazione, perché si potrebbe causare un surriscaldamento e danneggiare l'utensile. (Fig. 11)

Operazione di avvvitamento (Fig. 12)

Girare per prima cosa l'anello di cambio modalità azione in modo che la freccia sul corpo dell'utensile sia puntata sul segno . Regolare l'anello di regolazione sul livello di coppia appropriato al lavoro. Procedere poi come segue. Mettere la punta dell'avvitatore sulla testa della vite ed esercitare una pressione sull'utensile. Avviare lentamente l'utensile e aumentare gradualmente la velocità. Rilasciare l'interruttore non appena la frizione si innesta.


ATTENZIONE:

- Accertarsi che la punta avvitatore sia inserita dritta nella testa della vite, perché altrimenti la vite e/o la punta potrebbero danneggiarsi.

NOTA:

- Per avvitare una vite per legno, eseguire un foro guida di 2/3 del diametro della vite. Ciò facilita l'avvitamento e previene la frattura del pezzo.

Operazione di foratura

Girare per prima cosa l'anello di regolazione in modo che l'indice sia puntato sul segno . Procedere poi come segue.

ATTENZIONE:

- Esercitando una pressione eccessiva sull'utensile non si accelera la foratura. Al contrario, tale pressione eccessiva serve soltanto a danneggiare la punta, a ridurre le prestazioni dell'utensile e ad accorciare la vita di servizio dell'utensile.
- Sull'utensile/punta viene esercitata una grandissima forza al momento della fuoriuscita dal foro. Tenere saldamente l'utensile e fare attenzione quando la punta comincia a fuoriuscire dal foro.
- Una punta incastrata può essere rimossa regolando semplicemente l'interruttore di inversione con la rotazione inversa in modo da farla retrocedere. L'utensile potrebbe però retrocedere dal pezzo improvvisamente se non viene tenuto saldamente.
- Fissare sempre i piccoli pezzi con una morsa o altro dispositivo di bloccaggio.
- Se si fa funzionare continuamente l'utensile fino allo scaricamento della batteria, lasciarlo riposare per 15 minuti prima di continuare a lavorare con una batteria fresca.
- Non schiacciare ripetutamente l'interruttore quando il motore è bloccato. Si potrebbe danneggiare l'utensile.

Foratura del legno

Per la foratura del legno si ottengono i risultati migliori con i trapani per legno dotati di una vite guida. La vite guida rende più facile la foratura attirando la punta nel pezzo.

Foratura del metallo

Per evitare che la punta scivoli quando si comincia a praticare un foro, usare un punzone e un martello per fare una tacca sul punto da forare. Mettere la punta sulla tacca e cominciare a forare.

Per la foratura dei metalli si deve usare un lubrificante di taglio. Le eccezioni sono il ferro e l'ottone, che vanno forati a secco.

MANUTENZIONE

ATTENZIONE:

- Accertarsi sempre che l'utensile sia spento e di aver rimosso la batteria prima di cercare di eseguire l'ispezione o la manutenzione.
- Mai usare benzina, benzene, solventi, alcol e altre sostanze simili. Potrebbero causare scolorimenti, deformazioni o crepe.

Per preservare la SICUREZZA e l'AFFIDABILITÀ del prodotto, le riparazioni, qualsiasi altra manutenzione o regolazione devono essere eseguite da un Centro Assistenza Makita autorizzato usando sempre ricambi Makita.

ACCESSORI OPZIONALI

ATTENZIONE:

- Questi accessori o attrezzi sono consigliati per l'uso con l'utensile Makita specificato in questo manuale. L'impiego di altri accessori o attrezzi può costituire un rischio di lesioni alle persone. Usare gli accessori e attacchi soltanto per il loro scopo prefissato.

Per ottenere maggiori dettagli su questi accessori, rivolgersi a un Centro Assistenza Makita locale.

- Punte trapano
- Punte viti
- Punta a bussola
- Occhiali di sicurezza
- Batteria e caricatore genuini Makita
- Gancio
- Portapunta

NOTA:

- Alcuni articoli nella lista potrebbero essere inclusi nell'imballo dell'utensile come accessori standard. Essi potrebbero differire da Paese a Paese.

ENG905-1

Rumore

Il tipico livello di rumore pesato A determinato secondo EN60745:

Livello pressione sonora (L_{pA}): 72 dB (A)
Incertezza (K): 3 dB (A)

Il livello di rumore durante il lavoro potrebbe superare gli 80 dB (A).

Indossare i paraorecchi

ENG900-1

Vibrazione

Il valore totale di vibrazione (somma vettore triassiale) determinato secondo EN60745:

Modalità operativa: foratura dei metalli
Emissione di vibrazioni ($a_{h,D}$): 2,5 m/s² o meno
Incertezza (K): 1,5 m/s²

ENG901-1

- Il valore di emissione delle vibrazioni dichiarato è stato misurato conformemente al metodo di test standard, e può essere usato per paragonare un utensile con un altro.
- Il valore di emissione delle vibrazioni dichiarato può anche essere usato per una valutazione preliminare dell'esposizione.

⚠ AVVERTIMENTO:

- L'emissione delle vibrazioni durante l'uso reale dell'utensile elettrico può differire dal valore di emissione dichiarato a seconda dei modi in cui viene usato l'utensile.
- Identificare le misure di sicurezza per la protezione dell'operatore basate sulla stima dell'esposizione nelle condizioni reali d'utilizzo (tenendo presente tutte le parti del ciclo operativo, come le volte in cui l'utensile viene spento e quando gira a vuoto, oltre al tempo di funzionamento).

ENH101-16

Modello per l'Europa soltanto

Dichiarazione CE di conformità

Noi della Makita Corporation, come produttori responsabili, dichiariamo che le macchine Makita seguenti:

Designazione della macchina: Trapano avvitatore a batteria

Modello No./Tipo: BDF459

sono una produzione di serie e

Conforme alle Direttive Europee:

2006/42/CE

E sono fabbricate conformemente ai seguenti standard o documenti standardizzati:

EN60745

La documentazione tecnica è tenuta da:

Makita International Europe Ltd.

Assistenza tecnica,

Michigan Drive, Tongwell,

Milton Keynes, Bucks MK15 8JD, England

24.11.2011



Tomoyasu Kato

Amministratore

Makita Corporation

3-11-8, Sumiyoshi-cho,

Anjo, Aichi, 446-8502, JAPAN

Verklaring van algemene gegevens

1 Rode indicator	7 Omkeerschakelaar	13 Groef
2 Knop	8 Snelheidskeuzeknop	14 Ophanghaak
3 Accu	9 Koppelinstelling	15 Schroef
4 Stermarkering	10 Koppelaanduiding	16 Bithouder
5 Trekkerschakelaar	11 Pijlteken	17 Schroefbit
6 Lamp	12 Klembus	18 Ventilatiesleuven

TECHNISCHE GEGEVENS

Model		BDF459		
Capaciteiten	Staal	13 mm		
	Hout	38 mm		
	Hout Schroef	6 mm x 75 mm		
	Kolom Schroef	M6		
Toerental onbelast (min ⁻¹)	Hoog (2)	0 – 1 500		
	Laag (1)	0 – 400		
Totale lengte		179 mm		
Nominale spanning		D.C. 18 V		
Accu	BL1815	BL1815N	BL1830	
Nettogewicht	1,5 kg	1,4 kg	1,7 kg	

- In verband met ononderbroken research en ontwikkeling behouden wij ons het recht voor bovenstaande technische gegevens te wijzigen zonder voorafgaande kennisgeving.
- De technische gegevens en de accu kunnen van land tot land verschillen.
- Gewicht, inclusief accu, volgens de EPTA-procedure 01/2003

ENE034-1

Doeleinden van gebruik

Dit gereedschap is bestemd voor het boren en aandraaien van schroeven in hout, metaal en plastic.

GEA010-1

Algemene veiligheidswaarschuwingen voor elektrisch gereedschap

⚠ WAARSCHUWING! Lees alle veiligheidswaarschuwingen en alle instructies. Het niet volgen van de waarschuwingen en instructies kan leiden tot elektrische schokken, brand en/of ernstig letsel.

Bewaar alle waarschuwingen en instructies om in de toekomst te kunnen raadplegen.

GEB088-1

VEILIGHEIDSVOORSCHRIFTEN VOOR DE SNOERLOZE BOOR-SCHROEVENDRAAIER

1. Gebruik hulphandgreep (hulphandgrepen), indien bij het gereedschap geleverd. Verliezen van de macht over het gereedschap kan letsel veroorzaken.

2. **Houd elektrisch gereedschap alleen vast aan de geïsoleerde handgrepen wanneer de kans bestaat dat het werktuig in aanraking komt met verborgen bedrading.** Als een draad die onder stroom staat wordt ingesneden, kunnen de metalen delen van het gereedschap ook onder stroom komen te staan en kunt u een gevaarlijke schok krijgen.
3. **Houd elektrisch gereedschap alleen vast aan de geïsoleerde handgrepen, wanneer u werkt op plaatsen waar het bevestigingsmateriaal met verborgen bedrading in aanraking kan komen.** Als een draad die onder stroom staat wordt beschadigd, kunnen de metalen delen van het gereedschap ook onder stroom komen te staan en kunt u een gevaarlijke elektrische schok krijgen.
4. **Zorg ook altijd dat u stevig op een solide bodem staat.**
Let bij het werken op hoge plaatsen op dat er zich niemand recht onder u bevindt.
5. **Houd het gereedschap stevig vast.**
6. **Houd uw handen uit de buurt van draaiende onderdelen.**
7. **Laat het gereedschap niet ingeschakeld achter. Schakel het gereedschap alleen in wanneer u het stevig vasthoudt.**
8. **Raak direct na uw werk de boorkop of het werkstuk niet aan; ze kunnen erg heet zijn en u zou zich kunnen branden.**
9. **Bepaalde materialen kunnen giftige chemicaliën bevatten. Vermijd dan het contact met uw huid en zorg dat u geen stof inademt. Volg de veiligheidsvoorschriften van de fabrikant van het materiaal.**

BEWAAR DEZE VOORSCHRIFTEN.

⚠ WAARSCHUWING:

Laat u NIET misleiden door een vals gevoel van comfort en bekendheid met het gereedschap (na veelvuldig gebruik) en neem alle veiligheidsvoorschriften van het betreffende gereedschap altijd strikt in acht. **VERKEERD GEBRUIK** of het niet naleven van de veiligheidsvoorschriften in deze gebruiksaanwijzing kan leiden tot ernstige verwondingen.

ENC007-8

BELANGRIJKE VEILIGHEIDSVORSCHRIFTEN

VOOR DE ACCU

1. Lees alle voorschriften en waarschuwingen op (1) de acculader, (2) de accu, en (3) het product waarvoor de accu wordt gebruikt, aandachtig door alvorens de acculader in gebruik te nemen.
2. Neem de accu niet uit elkaar.
3. Als de gebruiksduur van het gereedschap erg kort is geworden, staakt u dan onmiddellijk het gebruik. Er bestaat kans op oververhitting, met gevaar voor brand of zelfs een explosie.
4. Als er accuvloeistof in uw ogen komt, wast u die dan onmiddellijk uit met volop water en raadpleeg dan onmiddellijk een arts. Uw gezichtsvermogen zou ernstig aangetast kunnen worden.
5. Voorkom kortsluiting van de accu:
 - (1) Raak de accuklemmen nooit aan met een geleidend materiaal.
 - (2) Bewaar de accu niet in een bak waarin andere metalen voorwerpen zoals spijkers, munten e.d. worden bewaard.
 - (3) Stel de accu niet bloot aan water of regen.Kortsluiting van de accu kan oorzaak zijn van een grote stroomafgifte, oververhitting, brandwonden, en zelfs defecten.
6. Bewaar het gereedschap en de accu niet op plaatsen waar de temperatuur kan oplopen tot 50°C of hoger.
7. Werp de accu nooit in het vuur, ook niet wanneer hij zwaar beschadigd of volledig versleten is. De accu kan namelijk ontploffen in het vuur.
8. Wees voorzichtig dat u de accu niet laat vallen en hem niet blootstelt aan schokken of stoten.
9. Gebruik nooit een beschadigde accu.
10. Volg bij het wegwerpen van de accu de plaatselijk geldende voorschriften.

BEWAAR DEZE VOORSCHRIFTEN.

Tips voor een maximale levensduur van de accu

1. Laad de accu op voordat hij volledig ontladen is. Stop het gebruik van het gereedschap en laad de accu op telkens wanneer u vaststelt dat het vermogen van het gereedschap is afgenomen.
2. Laad een volledig opgeladen accu nooit opnieuw op. Als u de accu te veel oplaadt, zal hij minder lang meegaan.
3. Laad de accu op bij een kamertemperatuur tussen 10°C en 40°C. Laad een warme accu afkoelen alvorens hem op te laden.
4. Laad de accu zeker elk half jaar een keer op, ook als u deze geruime tijd lang niet gebruikt.

BESCHRIJVING VAN DE FUNCTIES

⚠ LET OP:

- Zorg altijd dat het gereedschap is uitgeschakeld en de accu ervan is verwijderd alvorens de functies op het gereedschap af te stellen of te controleren.

Aanbrengen en verwijderen van de accu (Fig. 1)

⚠ LET OP:

- Schakel altijd het gereedschap uit voordat u de accu aanbrengt of verwijdert.
- **Houd het gereedschap en de accu stevig vast wanneer u de accu aanbrengt of verwijdert.** Als u het gereedschap en de accu niet stevig vasthoudt, zou er iets uit uw handen kunnen glippen, met gevaar voor schade aan het gereedschap of de accu en eventuele verwonding.

Om de accu te verwijderen, schuift u deze uit het gereedschap los terwijl u de knop voorop de accu ingedrukt houdt.

Voor het aanbrengen van de accu plaatst u de tong van de accu in de groef van de behuizing en schuift u de accu op zijn plaats. Schuif de accu er altijd volledig in totdat die op zijn plaats vast klikt. Wanneer de rode indicator op de bovenkant van de knop nog zichtbaar is, zit de accu niet volledig erin.

⚠ LET OP:

- Schuif de accu volledig erin totdat de rode indicator niet meer zichtbaar is. Als u dit nalaat, zou de accu uit het gereedschap kunnen vallen en uzelf of anderen kunnen verwonden.
- Druk de accu er niet met kracht in. Als de accu er niet soepel in gaat, houdt u die waarschijnlijk in de verkeerde stand.

Accubeveiligingssysteem

Het gereedschap en de accu zijn voorzien van een beveiligingssysteem. Dat kan automatisch de stroomtoevoer afsluiten om de levensduur van de accu te verlengen.

Het gereedschap kan tijdens gebruik automatisch stoppen wanneer het gereedschap en/of de accu aan één van de volgende omstandigheden wordt blootgesteld:

- Overbelasting:
Als het gereedschap wordt gebruikt op een manier die een abnormaal hoge stroomsterkte vergt. In dit geval laat u de trekkerschakelaar van het gereedschap los en verhelpt u de oorzaak van de overbelasting nadat het werktuig gestopt is. Vervolgens drukt u de trekkerschakelaar opnieuw in om weer te starten.
Als het gereedschap niet start, kan de accu oververhit zijn. In dit geval laat u eerst de accu afkoelen voordat u de trekkerschakelaar weer indrukt.
- Onvoldoende accuspanning:
Als de resterende accuspanning onvoldoende is, zal het gereedschap niet starten. In dat geval verwijdert u de accu en laadt u die opnieuw op.

OPMERKING:

- Deze beveiliging tegen oververhitting en onvoldoende accuvermogen werkt alleen wanneer u het gereedschap gebruikt met een accu gemarkeerd met een ster. (Fig. 2)

Werkning van de schakelaar (Fig. 3)

LET OP:

- Controleer voordat u de accu in het gereedschap plaatst altijd eerst of de trekkerschakelaar goed werkt en bij loslaten direct naar de "OFF" stand terugkeert.

Om het gereedschap te starten, drukt u enkel de trekkerschakelaar in. U kunt de snelheid van het gereedschap verhogen door de trekkerschakelaar harder in te drukken. Laat de trekkerschakelaar los om te stoppen.

Aandoen van de lamp (Fig. 4)

LET OP:

- Kijk niet recht in het lamplicht of de lichtbron.

Druk de trekkerschakelaar in zodat de lamp gaat branden. De lamp blijft branden zolang u de trekkerschakelaar ingedrukt houdt. De lamp dooft direct nadat u de trekkerschakelaar loslaat.

OPMERKING:

- Als het lensje van de lamp vuil is, veegt u dat schoon met een droge doek. Let op dat u geen krassen maakt op het lensglas van de lamp, want dat kan het licht belemmeren.

Werkning van de omkeerschakelaar (Fig. 5)

LET OP:

- Controleer voordat u gaat werken altijd eerst de draairichting van het gereedschap.
- Gebruik de omkeerschakelaar alleen nadat het gereedschap helemaal tot stilstand is gekomen. Als u de draairichting verandert terwijl het gereedschap nog draait, kan het gereedschap beschadigd raken.
- Zet de omkeerschakelaar altijd in de neutrale stand wanneer u het gereedschap niet gebruikt.

Dit gereedschap heeft een omkeerschakelaar voor het veranderen van de draairichting. Druk de omkeerschakelaar in vanaf kant A voor rechtse, kloksgewijze draairichting, of vanaf kant B voor linkse draairichting.

Wanneer de omkeerschakelaar in de neutrale stand staat, kan de trekkerschakelaar niet worden ingedrukt.

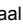
Snelheid kiezen (Fig. 6)

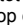
LET OP:

- Zet de snelheidskeuzeknop altijd volledig naar de juiste stand. Als u het gereedschap gebruikt met de snelheidskeuzeknop halverwege tussen de standen "1" en "2", kan het gereedschap beschadigd worden.
- Verstel de snelheidskeuzeknop niet terwijl het gereedschap in werking is. Dat kan het gereedschap beschadigen.

Om het toerental te wijzigen, schakelt u eerst het gereedschap uit en dan schuift u de snelheidskeuzeknop naar stand "2" voor een hoger toerental of stand "1" voor een lager toerental. Let op dat de snelheidskeuzeknop geheel in de juiste stand is gezet voordat u gaat werken. Gebruik de juiste snelheid voor de te verrichten taak.

Instellen van het aandraaikoppel (Fig. 7)

Het aandraaikoppel is instelbaar in 17 stappen, door de koppelinstelling zo te draaien dat de gewenste koppelaanduiding recht tegenover het pijltje op het gereedschapshuis komt. Het aandraaikoppel is minimaal wanneer het cijfer 1 tegenover het pijltje staat, en maximaal wanneer de markering  tegenover het pijltje staat.

De koppeling zal slippen bij verschillende aandraaikoppelwaarden, afhankelijk van uw instelling van 1 tot 16. De koppeling zal niet slippen wanneer u instelt op de markering .

Alvorens met het eigenlijke werk te beginnen, draait u eerst een testschroef in uw werkstuk of een soortgelijk materiaal, om te bepalen welk aandraaikoppel het best geschikt is voor uw huidige toepassing.

INEENZETTEN

LET OP:

- Controleer altijd of het gereedschap is uitgeschakeld en de accu ervan is verwijderd alvorens enig werk aan het gereedschap uit te voeren.

Aanbrengen of verwijderen van het schroefbit of de boorkop (Fig. 8)

Draai de klembus linksom los om de klauwen te openen. Plaats het bit zo ver mogelijk in de klembus. Draai de klembus rechtsom aan om het bit in de bus vast te zetten.

Om het bit te verwijderen, draait u de klembus linksom los.

Aanbrengen van de ophanghaak (Fig. 9)

De ophanghaak kan handig zijn om het gereedschap tussendoor even op te hangen. Deze is aan beide kanten van het gereedschap te bevestigen.

Om de ophanghaak te bevestigen, steekt u die in één van de groeven aan weerszijden van het gereedschapshuis en zet u de haak met een schroef vast. Om de ophanghaak te verwijderen, draait u de schroef los en trekt u de haak er uit.

Aanbrengen van de bithouder (Optioneel accessoire) (Fig. 10)

Pas de bithouder op de uitstekende nok aan de voet van het gereedschapshuis, links of rechts naar keuze, en zet de bithouder vast met een schroef.

Wanneer u een schroefbit niet gebruikt, kunt u dat bit handig in de bithouder opbergen. Hierin kunt u bits tot 45 mm lengte bewaren.

BEDIENING

LET OP:


- Druk de accu altijd stevig aan totdat die op zijn plaats vastklikt. Wanneer het rode deel aan de bovenkant van de knop nog zichtbaar is, zit de accu er nog niet helemaal in. Schuif hem er helemaal in totdat het rode deel niet meer zichtbaar is. Als u dit nalaat, zou de accu uit het gereedschap kunnen vallen en uzelf of anderen kunnen verwonden.

Houd het gereedschap stevig vast met één hand aan de handgreep en de andere aan de onderkant van de accu om wringkrachten goed te kunnen beheersen.

LET OP:

- Zorg dat de ventilatiesleuven nergens door afgedekt worden, om oververhitting en schade aan het gereedschap te voorkomen. (Fig. 11)

Gebruik als schroevendraaier (Fig. 12)

Draai eerst de instelring zo dat het pijltekens naar het  teken wijst. Stel de koppelinstelling in op het juiste koppel voor uw werkstuk. Ga daarna als volgt te werk.

Plaats de punt van het schroefbit in de schroefkop en oefen wat druk uit op het gereedschap. Start het gereedschap langzaam en verhoog dan geleidelijk de snelheid. Zodra de koppeling aangrijpt, laat u de trekkerschakelaar onmiddellijk los.

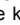
LET OP:

- Zorg dat het schroefbit recht in de schroefkop steekt, anders kunnen de schroef en/of het bit beschadigd worden.

OPMERKING:

Voor het vastdraaien van houtschroeven dient u een boorgat van 2/3 de diameter van de schroef voor te boren. Dit vergemakelijkt het vastdraaien en voorkomt dat het werkstuk kan splijten.

Gewoon boren

Draai eerst de koppelinstelling zo dat het pijltekens naar de markering  op de ring wijst. Ga daarna als volgt te werk.

LET OP:

- Het boren zal niet sneller verlopen als u hard op het gereedschap drukt. In feite zal dergelijk hard drukken alleen maar leiden tot beschadiging van de boor, mindere prestaties van het gereedschap en verkorting van de levensduur van het gereedschap.
- Op het moment dat het boorgat doorbreekt wordt een enorme wringende kracht uitgeoefend op het gereedschap/de boor. Houd het gereedschap stevig vast en let vooral goed op wanneer de boor door het werkstuk heen breekt.
- Een vastgelopen boorkop kan eenvoudig verwijderd worden door de draairichting te veranderen met de omkeerschakelaar, om zo de boorkop los te halen. Houd het gereedschap daarbij wel stevig vast, want er is kans op een plotselinge terugslag.
- Zet kleinere werkstukken altijd vast in een bankschroef of dergelijke veiligheidsklem.
- Als het gereedschap lang achtereen blijft draaien totdat de accu geheel leeg is, laat u het gereedschap dan eerst 15 minuten ongebruikt liggen, voordat u doorgaat met een verse accu.
- Druk niet herhaaldelijk op de trekkerschakelaar wanneer de motor is geblokkeerd. Dat kan het gereedschap beschadigen.

Boren in hout

Bij het boren in hout verkrijgt u de beste resultaten met houtboortjes voorzien van een geleideschroefpunt. Deze geleideschroefpunt vergemakelijkt het boren, door de boor het werkstuk in te trekken.

Boren in metaal

Om te voorkomen dat de boorkop bij het begin van het boren zijdelings wegglijdt, maakt u met een hamer en een centerpons een inkeping precies op de plaats waar u wilt boren. Plaats dan de punt van de boorkop in de inkeping en begin met boren.

Gebruik bij het boren in metaal een smeermiddel. Uitzonderingen hierbij zijn ijzer en koper, die droog geboord moeten worden.

ONDERHOUD

LET OP:

- Zorg er altijd voor dat het gereedschap is uitgeschakeld en de accu is verwijderd, voordat u enige inspectie of onderhoud uitvoert.
- Gebruik nooit benzine, wasbenzine, thinner, alcohol en dergelijke. Hierdoor kunnen verkleuring, vervormingen en barsten worden veroorzaakt.

Om de VEILIGHEID en BETROUWBAARHEID van het product te handhaven, dienen alle reparaties en alle andere onderhoudswerkzaamheden of afstellingen te worden uitgevoerd door een erkend Makita Servicecentrum, en dat uitsluitend met gebruik van Makita vervangingsonderdelen.

OPTIONELE ACCESSOIRES

LET OP:

- Deze accessoires of hulpstukken worden aanbevolen voor gebruik met het Makita gereedschap dat in deze gebruiksaanwijzing is beschreven. Bij gebruik van andere accessoires of hulpstukken bestaat er gevaar voor persoonlijke verwonding. Gebruik accessoires en hulpstukken alleen voor hun voorgeschreven toepassing.

Raadpleeg het dichtstbijzijnde Makita servicecentrum voor verder advies of bijzonderheden omtrent deze accessoires.

- Boorkoppen
- Schroefbits
- Schroefdop
- Veiligheidsbril
- Originele Makita accu en acculader
- Ophanghaak
- Bithouder

OPMERKING:

- Sommige onderdelen in deze lijst kunnen bij het gereedschap zijn meegeleverd als standaard-accessoires. Deze kunnen van land tot land verschillen.

ENG905-1

Geluidsniveau

De typisch, A-gewogen geluidsniveaus vastgesteld volgens EN60745:

Geluidsdrukniveau (L_{pA}): 72 dB (A)

Onnauwkeurigheid (K): 3 dB (A)

Tijdens het werken kan het geluidsniveau 80 dB (A) overschrijden.

Draag oorbeschermers

Trilling

De totaalwaarde van de trillingen (triaxiale vectorsom) vastgesteld volgens EN60745:

Toepassing: boren in metaal

Trillingsemisatie ($a_{h,D}$): 2,5 m/s² of minder

Onnauwkeurigheid (K): 1,5 m/s²

ENG901-1

- De opgegeven trillingsemisatiewaarde is gemeten volgens de standaardtestmethode en kan worden gebruikt om dit gereedschap te vergelijken met andere gereedschappen.
- De opgegeven trillingsemisatiewaarde kan ook worden gebruikt voor een beoordeling vooraf van de blootstelling.

⚠ WAARSCHUWING:

- De trillingsemisatie tijdens het gebruik van het elektrisch gereedschap in de praktijk kan verschillen van de opgegeven trillingsemisatiewaarde afhankelijk van de manier waarop het gereedschap wordt gebruikt.
- Zorg ervoor dat veiligheidsmaatregelen worden getroffen ter bescherming van de operator die zijn gebaseerd op een schatting van de blootstelling onder praktijkomstandigheden (rekening houdend met alle fasen van de bedrijfscyclus, zoals de tijdsduur gedurende welke het gereedschap is uitgeschakeld en stationair draait, naast de ingeschakelde tijdsduur).

ENH101-16

Alleen voor Europese landen**EU-Verklaring van Conformiteit**

Wij, Makita Corporation, als de verantwoordelijke fabrikant, verklaren dat de volgende Makita-machine(s):

Aanduiding van de machine:

Snoerloze boor-schroevendraaier

Modelnr./Type: BDF459

in serie zijn geproduceerd en

Voldoet aan de volgende Europese Richtlijnen:

2006/42/CE

En zijn gefabriceerd in overeenstemming met de volgende normen of genormaliseerde documenten:

EN60745

De technische documentatie wordt bewaard door:

Makita International Europe Ltd.

Technische afdeling,

Michigan Drive, Tongwell,

Milton Keynes, Bucks MK15 8JD, Engeland

24.11.2011



Tomoyasu Kato

Directeur

Makita Corporation

3-11-8, Sumiyoshi-cho,

Anjo, Aichi, 446-8502, JAPAN

Explicación de los dibujos

1 Indicador rojo	8 Palanca de cambio de velocidad	14 Gancho
2 Botón	9 Anillo de ajuste	15 Tornillo
3 Cartucho de batería	10 Graduaciones	16 Portapuntas
4 Marca de estrella	11 Flecha	17 Punta de atornillar
5 Gatillo interruptor	12 Manguito	18 Aberturas de ventilación
6 Lámpara	13 Ranura	
7 Interruptor inversor		

ESPECIFICACIONES

Modelo		BDF459		
Capacidades	Acero	13 mm		
	Madera	38 mm		
	Tornillo para madera	6 mm x 75 mm		
	Tornillo para metales	M6		
Velocidad en vacío (min ⁻¹)	Alto (2)	0 – 1.500		
	Bajo (1)	0 – 400		
Longitud total		179 mm		
Tensión nominal		CC 18 V		
Cartucho de batería		BL1815	BL1815N	BL1830
Peso neto		1,5 kg	1,4 kg	1,7 kg

- Debido a un programa continuo de investigación y desarrollo, las especificaciones aquí dadas están sujetas a cambios sin previo aviso.
- Las especificaciones y el cartucho de batería pueden diferir de país a país.
- Peso, con el cartucho de batería, de acuerdo con el procedimiento EPTA 01/2003

ENE034-1

Uso previsto

La herramienta ha sido prevista para taladrar y atornillar en madera, metal y plástico.

GEA010-1

Advertencias de seguridad generales para herramientas eléctricas

⚠ ¡ADVERTENCIA! Lea todas las advertencias de seguridad y todas las instrucciones. Si no sigue todas las advertencias e instrucciones podrá ocasionar una descarga eléctrica, un incendio y/o heridas graves.

Guarde todas las advertencias e instrucciones para futuras referencias.

GEB088-1

ADVERTENCIAS DE SEGURIDAD PARA EL ATORNILLADOR TALADRO INALÁMBRICO

1. **Utilice el mango(s) auxiliar, si se suministra con la herramienta.** Una pérdida del control puede ocasionar heridas personales.

2. **Cuando realice una operación en la que el accesorio de corte pueda entrar en contacto con cableado oculto, sujete la herramienta eléctrica por las superficies de asimiento aisladas.** El contacto del accesorio de corte con un cable con corriente hará que la corriente circule por las partes metálicas expuestas de la herramienta eléctrica y podrá soltar una descarga eléctrica al operario.
3. **Cuando realice una operación en la que el tornillo o la broca pueda entrar en contacto con cableado oculto, sujete la herramienta eléctrica por las superficies de asimiento aisladas.** El contacto del tornillo o la broca con un cable con corriente puede hacer que la corriente circule por las partes metálicas expuestas de la herramienta eléctrica y sufrir el operario una descarga eléctrica.
4. **Asegúrese siempre de que tiene suelo firme. Asegúrese de que no haya nadie debajo cuando utilice la herramienta en lugares altos.**
5. **Sujete la herramienta firmemente.**
6. **Mantenga las manos alejadas de las partes giratorias.**
7. **No deje la herramienta en marcha. Tenga en marcha la herramienta solamente cuando la tenga en la mano.**
8. **No toque la broca ni la pieza de trabajo inmediatamente después de la operación; podrán estar muy calientes y podrían quemarle la piel.**
9. **Algunos materiales contienen sustancias químicas que podrán ser tóxicas. Tenga precaución para evitar la inhalación de polvo y el contacto con la piel. Siga los datos de seguridad del abastecedor del material.**

GUARDE ESTAS INSTRUCCIONES.

ADVERTENCIA:

NO deje que la comodidad o familiaridad con el producto (a base de utilizarlo repetidamente) sustituya la estricta observancia de las normas de seguridad para el producto en cuestión. El MAL USO o el no seguir las normas de seguridad establecidas en este manual de instrucciones podrá ocasionar graves heridas personales.

ENC007-8

INSTRUCCIONES DE SEGURIDAD IMPORTANTES

PARA EL CARTUCHO DE BATERÍA

1. Antes de utilizar el cartucho de batería, lea todas las instrucciones e indicaciones de precaución sobre (1) el cargador de baterías, (2) la batería, y (3) el producto con el que se utiliza la batería.
2. No desarme el cartucho de batería.
3. Si el tiempo de uso del cartucho de batería se acorta demasiado, deje de usarlo inmediatamente. Podría resultar en un riesgo de recalentamiento, posibles quemaduras e incluso una explosión.
4. Si entra electrolito en sus ojos, aclárelos con agua limpia y acuda a un médico inmediatamente. Existe el riesgo de poder perder la vista.
5. No cortocircuite el cartucho de batería:
 - (1) No toque los terminales con ningún material conductor.
 - (2) Evite guardar el cartucho de batería en un cajón junto con otros objetos metálicos, tales como clavos, monedas, etc.
 - (3) No exponga el cartucho de batería al agua ni a la lluvia.

Un cortocircuito en la batería puede producir una gran circulación de corriente, un recalentamiento, posibles quemaduras e incluso una rotura de la misma.

6. No guarde la herramienta y el cartucho de batería en lugares donde la temperatura pueda alcanzar o exceder los 50°C.
7. Nunca incinere el cartucho de batería incluso en el caso de que esté dañado seriamente o ya no sirva en absoluto. El cartucho de batería puede explotar si se tira al fuego.
8. Tenga cuidado de no dejar caer ni golpear el cartucho de batería.
9. No utilice una batería dañada.
10. Siga los reglamentos locales referentes al desecho de la batería.

GUARDE ESTAS INSTRUCCIONES.

Consejos para alargar al máximo la vida de servicio de la batería

1. Cargue el cartucho de batería antes de que se descargue completamente. Pare siempre la operación y cargue el cartucho de batería cuando note menos potencia en la herramienta.
2. No cargue nunca un cartucho de batería que esté completamente cargado. La sobrecarga acortará la vida de servicio de la batería.

3. Cargue el cartucho de batería a temperatura ambiente de 10°C – 40°C. Si un cartucho de batería está caliente, déjelo enfriar antes de cargarlo.
4. Cargue el cartucho de batería una vez cada seis meses si no lo utiliza durante un periodo de tiempo prolongado.

DESCRIPCIÓN DEL FUNCIONAMIENTO

PRECAUCIÓN:

- Asegúrese siempre de que la herramienta está apagada y el cartucho de batería extraído antes de realizar cualquier ajuste o comprobación en la herramienta.

Instalación o extracción del cartucho de batería (Fig. 1)

PRECAUCIÓN:

- Apague siempre la herramienta antes de la instalación o extracción del cartucho de batería.
- Sujete la herramienta y el cartucho de batería firmemente cuando instale o extraiga el cartucho de batería. Si no sujeta la herramienta y el cartucho de batería firmemente podrán caérsele de las manos y resultar en daños a la herramienta y cartucho de batería y heridas personales.

Para extraer el cartucho de batería, deslícelo de la herramienta a la vez que desliza el botón de la parte frontal del cartucho.

Para instalar el cartucho de batería, alinee la lengüeta del cartucho de batería con la ranura de la carcasa y deslícelo hasta que encaje en su sitio. Insértelo a tope hasta que se bloquee en su sitio produciendo un pequeño chasquido. Si puede ver el indicador rojo en el lado superior del botón, no estará bloqueado completamente.

PRECAUCIÓN:

- Instale siempre el cartucho de batería completamente hasta que no pueda verse el indicador rojo. En caso contrario, podrá caerse accidentalmente de la herramienta y ocasionarle heridas a usted o a alguien que esté cerca de usted.
- No instale el cartucho de batería empleando fuerza. Si el cartucho no se desliza al interior fácilmente, será porque no está siendo insertado correctamente.

Sistema de protección de la batería

La herramienta y la batería están equipadas con un sistema de protección. Este sistema corta automáticamente la alimentación de la herramienta para alargar la vida útil de la batería.

La herramienta se detendrá automáticamente durante la operación si la herramienta y/o la batería son puestas en una de las condiciones siguientes:

- Sobrecargada:

La herramienta es utilizada de una manera que da lugar a que tenga que absorber una corriente anormalmente alta.

En esta situación, suelte el gatillo interruptor de la herramienta y detenga la tarea que ocasiona la sobrecarga de la herramienta. Después apriete el gatillo interruptor otra vez para volver a ponerla en marcha.

Si la herramienta no se pone en marcha, la batería estará recalentada. En esta situación, deje que la batería se enfríe antes de apretar el gatillo interruptor otra vez.

- **Tensión baja en la batería:**

La capacidad de batería restante es muy baja y la herramienta no funcionará. En esta situación, extraiga la batería y vuelva a cargarla.

NOTA:

- La protección sensible a la temperatura y la protección contra bajo voltaje se aplican solamente cuando la herramienta es usada con un cartucho de batería con marca de estrella. (Fig. 2)

Accionamiento del interruptor (Fig. 3)

⚠ PRECAUCIÓN:

- Antes de insertar el cartucho de batería en la herramienta, compruebe siempre para cerciorarse de que el gatillo interruptor se acciona debidamente y que vuelve a la posición "OFF" cuando lo suelta.

Para poner en marcha la herramienta, simplemente apriete el gatillo interruptor. La velocidad de la herramienta aumenta incrementando la presión en el gatillo interruptor. Suelte el gatillo interruptor para parar.

Encendido de la lámpara (Fig. 4)

⚠ PRECAUCIÓN:

- No mire a la luz ni vea la fuente de luz directamente.

Apriete el gatillo interruptor para encender la lámpara. La lámpara seguirá encendida mientras el gatillo interruptor esté siendo apretado. La lámpara se apagará justo después de soltar el gatillo.

NOTA:

- Utilice un paño seco para quitar la suciedad de la lente de la lámpara. Tenga cuidado de no rayar la lente de la lámpara, porque podrá disminuir la iluminación.

Accionamiento del interruptor inversor (Fig. 5)

⚠ PRECAUCIÓN:

- Confirme siempre la dirección de giro antes de iniciar la operación.
- Utilice el interruptor inversor solamente después de que la herramienta se haya parado completamente. Si cambia la dirección de giro antes de que la herramienta se haya parado podrá dañarla.
- Cuando no está utilizando la herramienta, ponga siempre el interruptor inversor en la posición neutral.

Esta herramienta tiene un interruptor inversor para cambiar la dirección de giro. Presione hacia dentro el interruptor inversor del lado A para giro hacia la derecha o del lado B para giro hacia la izquierda.

Cuando el interruptor inversor está en la posición neutral, no se podrá apretar el gatillo interruptor.


Cambio de velocidad (Fig. 6)


⚠ PRECAUCIÓN:

- Ponga siempre la palanca de cambio de velocidad completamente en la posición correcta. Si utiliza la herramienta con la palanca de cambio de velocidad puesta a medias entre las posiciones "1" y "2", la herramienta podrá dañarse.
- No utilice la palanca de cambio de velocidad mientras la herramienta esté en marcha. Podría dañar la herramienta.

Para cambiar la velocidad, en primer lugar apague la herramienta y después deslice la palanca de cambio de velocidad a la posición "2" para velocidad alta o posición "1" para velocidad baja. Asegúrese de que la palanca de cambio de velocidad está puesta en la posición correcta antes de realizar la operación. Utilice la velocidad correcta para su trabajo.

Ajuste de la torsión de apriete (Fig. 7)

La torsión de apriete se puede ajustar en 17 posiciones girando el anillo de ajuste de manera que sus graduaciones queden alineadas con el puntero del cuerpo de la herramienta. La torsión de apriete es mínima cuando el número 1 está alineado con el puntero, y máxima cuando la marca  está alineada con el puntero.

El embrague patinará a varios niveles de torsión cuando esté puesto en los números 1 al 16. El embrague ha sido diseñado para que no patine en la marca .

Antes de comenzar a realizar una operación, atornille un tornillo de prueba en su propio material o en un trozo del mismo material para determinar qué nivel de torsión se requiere para esa aplicación particular.

MONTAJE

⚠ PRECAUCIÓN:

- Asegúrese siempre de que la herramienta esté apagada y el cartucho de batería extraído antes de realizar cualquier trabajo en la herramienta.

Instalación o desmontaje de la punta de atornillar o la broca (Fig. 8)

Gire el manguito hacia la izquierda para abrir las garras del mandril. Ponga la broca en el mandril a fondo. Gire el manguito hacia la derecha para apretar el mandril.

Para desmontar la broca, gire el manguito hacia la izquierda.

Instalación del gancho (Fig. 9)

El gancho resulta útil para colgar temporalmente la herramienta. Se puede instalar en cualquiera de los lados de la herramienta.

Para instalar el gancho, insértelo en una ranura de cualquiera de los costados de la carcasa de la herramienta y después sujételo con un tornillo. Para quitarlo, afloje el tornillo y después sáquelo.

Instalación del portapuntas (Accesorio opcional) (Fig. 10)

Encaje el portapuntas en la protuberancia de la base de la herramienta en el lado derecho o izquierdo y sujételo con un tornillo.

Cuando no esté utilizando la punta de atornillar, manténgala en el portapuntas. Aquí se pueden poner puntas de atornillar de hasta 45 mm.

OPERACIÓN

⚠ PRECAUCIÓN:


- Inserte siempre el cartucho de batería a tope hasta que se bloquee en su sitio. Si puede ver la parte roja del lado superior del botón, no estará bloqueado completamente. Insértelo completamente hasta que no pueda verse la parte roja. En caso contrario, podrá caerse accidentalmente de la herramienta y ocasionarle heridas a usted o a alguien que esté cerca de usted.

Sujete la herramienta firmemente con una mano en la empuñadura y la otra mano en la parte inferior del cartucho de batería para controlar la acción de contorsión.

⚠ PRECAUCIÓN:

- No cubra las aberturas de ventilación, porque podrá ocasionar un recalentamiento y dañar la herramienta. (Fig. 11)

Operación de atornillado (Fig. 12)

En primer lugar, gire el anillo de cambio del modo de accionamiento de forma que la flecha que hay en el cuerpo de la herramienta apunte a la marca . Ajuste el anillo de ajuste al nivel de torsión apropiado para su tarea. Después proceda de la forma siguiente.

Ponga la punta de la punta de atornillar en la cabeza del tornillo y aplique presión en la herramienta. Haga funcionar la herramienta despacio y después aumente la velocidad gradualmente. Suelte el gatillo interruptor en cuanto el embrague patine.


⚠ PRECAUCIÓN:

- Asegúrese de que la punta de atornillar esté insertada en línea recta en la cabeza del tornillo, o de lo contrario podrá dañar el tornillo y/o la punta de atornillar.

NOTA:

- Cuando atornille tornillos para madera, haga primero un agujero piloto de 2/3 del diámetro del tornillo. Esto facilita el atornillado y evita que se resquebraje la pieza de trabajo.

Operación de perforación

Primero, gire el anillo de ajuste de forma que el puntero quede apuntando a la marca . Después proceda de la forma siguiente.

⚠ PRECAUCIÓN:

- Con ejercer una presión excesiva sobre la herramienta no conseguirá perforar más rápido. De hecho, esta presión excesiva sólo servirá para dañar la punta de la broca, disminuir el rendimiento de la herramienta y acortar su vida de servicio.
- En el momento de comenzar a penetrar se ejerce una fuerza tremenda sobre la herramienta/broca. Sujete la herramienta firmemente y tenga cuidado cuando la broca comience a penetrar en la pieza de trabajo.
- Una broca atascada podrá extraerse simplemente poniendo el interruptor de inversión en giro inverso para que retroceda. Sin embargo, la herramienta podrá retroceder bruscamente si no la sujeta firmemente.
- Sujete siempre las piezas de trabajo pequeñas en un tornillo de banco o con un dispositivo de sujeción similar.
- Si utiliza la herramienta continuamente hasta descargar el cartucho de batería, deje descansar la herramienta durante 15 minutos antes de proceder con una batería fresca.
- No apriete el gatillo interruptor repetidamente cuando el motor esté bloqueado. Podría dañar la herramienta.

Perforación en madera

Cuando perforo en madera, los mejores resultados se obtendrán con brocas para madera equipadas con un tornillo guía. El tornillo guía facilita la perforación tirando de la broca hacia el interior de la pieza de trabajo.

Perforación en metal

Para evitar que la broca resbale al empezar a hacer un agujero, haga una mella con un punzón y martillo en el punto a perforar. Ponga la punta de la broca en la mella y comience a perforar.

Utilice un lubricante para operaciones de corte cuando perforo metales. Las excepciones son acero y latón que deberán ser perforados en seco.

MANTENIMIENTO

⚠ PRECAUCIÓN:

- Asegúrese siempre de que la herramienta está apagada y el cartucho de batería desmontado antes de intentar realizar una inspección o mantenimiento.
- No utilice nunca gasolina, bencina, disolvente, alcohol o similares. Podría producir descoloración, deformación o grietas.

Para mantener la SEGURIDAD y la FIABILIDAD del producto, las reparaciones y cualquier otro mantenimiento o ajuste deberán ser realizados por los centros de servicio autorizado de Makita, siempre con piezas de repuesto de Makita.

ACCESORIOS OPCIONALES

⚠ PRECAUCIÓN:

- Estos accesorios o aditamentos están recomendados para su uso con la herramienta Makita especificada en este manual. El uso de cualquier otro accesorio o aditamento puede suponer un riesgo de lesiones personales. Utilice los accesorios o acoplamientos para los propósitos indicados.

Si necesita información más detallada sobre estos accesorios, consulte con su centro local de servicio de Makita.

- Brocas
- Puntas de atornillar
- Punta de llave de tubo
- Gafas de seguridad
- Batería y cargador genuinos de Makita
- Gancho
- Portapuntas

NOTA:

- Algunos elementos de la lista podrán estar incluidos en el paquete de la herramienta como accesorios estándar. Pueden variar de un país a otro.

ENG905-1

Ruido

El nivel de ruido A-ponderado típico determinado de acuerdo con la norma EN60745:

Nivel de presión sonora (L_{pA}): 72 dB (A)

Incerteza (K): 3 dB (A)

El nivel de ruido en condiciones de trabajo puede que sobrepase los 80 dB (A).

Póngase protectores en los oídos

ENG900-1

Vibración

El valor total de la vibración (suma de vectores triaxiales) determinado de acuerdo con la norma EN60745:

Modo tarea: perforar en metal

Emisión de vibración ($a_{h,D}$): 2,5 m/s² o menos

Incerteza (K): 1,5 m/s²

- El valor de emisión de vibración declarado ha sido medido de acuerdo con el método de prueba estándar y se puede utilizar para comparar una herramienta con otra.
- El valor de emisión de vibración declarado también se puede utilizar en una valoración preliminar de exposición.

⚠ ADVERTENCIA:

- La emisión de vibración durante la utilización real de la herramienta eléctrica puede variar del valor de emisión declarado dependiendo de las formas en las que la herramienta sea utilizada.
- Asegúrese de identificar medidas de seguridad para proteger al operario que estén basadas en una estimación de la exposición en las condiciones reales de utilización (teniendo en cuenta todas las partes del ciclo operativo tal como las veces cuando la herramienta está apagada y cuando está funcionando en vacío además del tiempo de gatillo).

ENH101-16

Para países europeos solamente

Declaración de conformidad CE

Makita Corporation como fabricante responsable declara que la(s) siguiente(s) máquina(s) de Makita:

Designación de máquina:

Atornillador Taladro Inalámbrico

Modelo N°/Tipo: BDF459

son producidas en serie y

Cumplen con las directivas europeas siguientes:

2006/42/CE

Y que están fabricadas de acuerdo con las normas o documentos normalizados siguientes:

EN60745

Los documentos técnicos los guarda:

Makita International Europe Ltd.

Departamento técnico,

Michigan Drive, Tongwell,

Milton Keynes, Bucks MK15 8JD, Inglaterra

24.11.2011



Tomoyasu Kato
Director

Makita Corporation

3-11-8, Sumiyoshi-cho,

Anjo, Aichi, 446-8502, JAPAN

Explicação geral

1	Indicador vermelho	7	Alavanca do interruptor de inversão	12	Manga
2	Botão	8	Alavanca de mudança de velocidade	13	Ranhura
3	Cartucho da bateria	9	Anel de regulação	14	Gancho
4	Marcação de estrela	10	Graduação	15	Parafuso
5	Gatilho do interruptor	11	Seta	16	Porta-brocas
6	Lâmpada			17	Broca
				18	Ventilação

ESPECIFICAÇÕES

Modelo		BDF459		
Capacidades	Aço	13 mm		
	Madeira	38 mm		
	Parafuso para madeira	6 mm x 75 mm		
	Parafuso de montagem	M6		
Velocidade em vazio (min ⁻¹)	Alta (2)	0 – 1.500		
	Baixa (1)	0 – 400		
Comprimento total		179 mm		
Tensão nominal		18 V C.C		
Cartucho da bateria		BL1815	BL1815N	BL1830
Peso líquido		1,5 kg	1,4 kg	1,7 kg

- Devido ao nosso programa contínuo de pesquisa e desenvolvimento, as características indicadas neste documento estão sujeitas a alterações sem aviso prévio.
- As especificações e a bateria podem variar de país para país.
- Peso, com a bateria, de acordo com o Procedimento 01/2003 da EPTA (European Power Tool Association)

ENE034-1

Utilização a que se destina

A ferramenta serve para perfurar e aparafusar em madeira, metal e plástico.

GEA010-1

Avisos gerais de segurança para ferramentas eléctricas

⚠ AVISO! Leia todos os avisos de segurança e todas as instruções. O não cumprimento de todos os avisos e instruções pode originar choque eléctrico, incêndio e/ou ferimentos graves.

Guarde todos os avisos e instruções para futuras referências.

GEB088-1

AVISOS DE SEGURANÇA PARA FURADEIRA / PARAFUSADEIRA A BATERIA

1. Utilize pega(s) auxiliar(es), se fornecida(s) com a ferramenta. A perda de controlo pode causar ferimentos pessoais.

2. **Segure na ferramenta eléctrica pelas superfícies de aderência isoladas, quando executar uma operação em que o acessório de corte possa entrar em contacto com fios ocultos.** O acessório de corte que entra em contacto com um fio “vivo” pode tornar as partes metálicas expostas da ferramenta eléctrica “vivas” e causar choque eléctrico ao operador.
3. **Segure na ferramenta eléctrica pelas superfícies de aderência isoladas, quando executar uma operação em que o grampo possa entrar em contacto com fios ocultos.** Os grampos que entrem em contacto com um fio “vivo” podem tornar as partes metálicas expostas da ferramenta eléctrica “vivos” e causar choque eléctrico ao operador.
4. **Certifique-se sempre que possui uma base firme.** Certifique-se de que ninguém está por baixo quando usa a ferramenta em locais elevados.
5. **Segure a ferramenta firmemente.**
6. **Mantenha as mãos afastadas das partes giratórias.**
7. **Não deixe a ferramenta a funcionar. Opere a ferramenta apenas quando a estiver a agarrar.**
8. **Não toque na broca ou na peça de trabalho imediatamente após a operação; podem estar extremamente quentes e queimar a sua pele.**
9. **Alguns materiais contêm químicos que podem ser tóxicos. Tome cuidado para evitar a inalação de poeira e o contacto com a pele. Siga os dados de segurança do fornecedor do material.**

GUARDE ESTAS INSTRUÇÕES.

⚠ AVISO:

NÃO permita que conforto ou familiaridade com o produto (adquirido com o uso repetido) substitua a aderência estrita às regras de segurança da ferramenta. **MÁ INTERPRETAÇÃO** ou não seguimento das regras de segurança estabelecidas neste manual de instruções pode causar danos pessoais sérios.

ENC007-8

INSTRUÇÕES DE SEGURANÇA IMPORTANTES

PARA A BATERIA

1. Antes de utilizar a bateria, leia todas as instruções e etiquetas de precaução no (1) carregador de bateria (2) bateria e (3) produto que utiliza a bateria.
2. Não abra a bateria.
3. Se o tempo de funcionamento se tornar excessivamente curto, pare imediatamente a operação. Pode resultar em sobreaquecimento, possíveis queimaduras e mesmo explosão.
4. Se entrar electrólito nos seus olhos, lave-os com água limpa e consulte imediatamente um médico. Pode resultar em perda de visão.
5. Não corte-circuite a bateria:
 - (1) Não toque nos terminais com qualquer material condutor.
 - (2) Evite guardar a bateria juntamente com outros objectos metálicos tais como pregos, moedas, etc.
 - (3) Não exponha a bateria à água ou chuva.Um curto-circuito pode ocasionar um enorme fluxo de corrente, sobreaquecimento, possíveis queimaduras e mesmo estragar-se.
6. Não guarde a ferramenta e a bateria em locais onde a temperatura possa atingir ou exceder os 50°C.
7. Não queime a bateria mesmo que esteja estragada ou completamente gasta. A bateria pode explodir no fogo.
8. Tenha cuidado para não deixar cair ou dar pancadas na bateria.
9. Não utilize uma bateria danificada.
10. Siga os seus regulamentos locais relativos à eliminação da bateria.

GUARDE ESTAS INSTRUÇÕES.

Conselhos para manter a máxima vida útil da bateria

1. Carregue a bateria antes que esteja completamente descarregada. Pare sempre o funcionamento da ferramenta e carregue a bateria quando notar menos poder na ferramenta.
2. Nunca carregue uma bateria completamente carregada. Carregamento excessivo diminui a vida útil da bateria.
3. Carregue a bateria à temperatura ambiente de 10°C – 40°C. Deixe que uma bateria quente arrefeça antes de a carregar.
4. Carregue a bateria uma vez a cada seis meses se não for utilizá-la por um longo período de tempo.

DESCRIÇÃO FUNCIONAL

⚠ PRECAUÇÃO:

- Certifique-se sempre de que a ferramenta está desligada e a bateria retirada antes de regular ou verificar qualquer função na ferramenta.

Instalar ou retirar o cartucho da bateria (Fig. 1)

⚠ PRECAUÇÃO:

- Desligue sempre a ferramenta antes de instalar ou retirar o cartucho da bateria.
- **Segure firmemente na ferramenta e no cartucho da bateria quando instalar ou retirar o cartucho da bateria.** Se não segurar firmemente na ferramenta e no cartucho a bateria pode dar origem a que escorreguem das suas mãos e daí resultar danos para a ferramenta e para o cartucho da bateria e ferimentos corporais.

Para retirar o cartucho da bateria, deslize-o da ferramenta enquanto desliza o botão na parte da frente do cartucho.

Para instalar o cartucho da bateria, alinhe a lingueta no cartucho da bateria com o entalhe na caixa e deslize-o para o lugar. Insira-o por completo até bloquear no lugar com um pequeno estalido. Se conseguir ver o indicador vermelho no lado superior do botão, não está bloqueado completamente.

⚠ PRECAUÇÃO:

- Instale sempre o cartucho da bateria por completo até o indicador vermelho não ser visto. Se isso não acontecer, pode cair acidentalmente da ferramenta, causando-lhe ferimentos a si ou alguém perto de si.
- Não instale o cartucho da bateria fazendo força. Se o cartucho não deslizar facilmente, não está a ser inserido correctamente.

Sistema de protecção da bateria

A ferramenta e a bateria estão equipadas com um sistema de protecção. Este sistema corta automaticamente a corrente à ferramenta para aumentar a duração da bateria.

A ferramenta pára automaticamente durante a operação se a ferramenta e/ou a bateria estiverem sujeitas a uma das seguintes condições:

- Sobrecarga:

A ferramenta é operada de modo que a obriga a puxar uma corrente anormalmente elevada. Nesta situação, solte o gatilho do interruptor na ferramenta e pare a aplicação que provocou a sobrecarga da ferramenta. Em seguida, volte a apertar o gatilho do interruptor para reiniciar. Se a ferramenta não iniciar, a bateria sobreaqueceu. Nesta situação, deixe a bateria arrefecer antes de voltar a apertar o gatilho do interruptor.
- Tensão baixa da bateria:

A capacidade restante da bateria é demasiada baixa e a ferramenta não funcionará. Nesta situação, retire e recarregue a bateria.

NOTA:

- Essas protecções sensíveis à temperatura e de baixa tensão aplicam-se apenas quando a ferramenta é usada com um cartucho da bateria com uma marca de estrela. (Fig. 2)

Ação do interruptor (Fig. 3)

PRECAUÇÃO:

- Antes de inserir o cartucho da bateria na ferramenta, verifique sempre se o gatilho do interruptor funciona correctamente e volta à posição "OFF" (desligado) quando libertado.

Para ligar a ferramenta, carregue simplesmente no gatilho do interruptor. A velocidade da ferramenta aumenta de acordo com a pressão no gatilho do interruptor. Liberte o gatilho do interruptor para parar.

Acender a lâmpada (Fig. 4)

PRECAUÇÃO:

- Não olhe para a luz ou para a fonte de iluminação directamente.

Puxe o gatilho do interruptor para acender a lâmpada. A lâmpada continua a acender enquanto o gatilho do interruptor estiver a ser apertado. A lâmpada apaga-se logo depois de soltar o gatilho.

NOTA:

- Use um pano seco para limpar a sujidade da lente da lâmpada. Tenha cuidado para não riscar a lente da lâmpada ou pode diminuir a iluminação.

Ação do interruptor de inversão (Fig. 5)

PRECAUÇÃO:

- Verifique sempre a direcção de rotação antes da operação.
- Utilize o interruptor de inversão só depois da ferramenta estar completamente parada. Mudar a direcção de rotação antes da ferramenta parar pode danificá-la.
- Quando não operar a ferramenta, regule sempre a alavanca do interruptor de inversão para a posição neutra.

Esta ferramenta tem um interruptor de inversão para mudar a direcção de rotação. Carregue na alavanca do interruptor de inversão do lado A para rotação para a direita ou do lado B para rotação para a esquerda.

Quando a alavanca do interruptor de inversão estiver na posição neutra, o gatilho do interruptor não pode ser apertado.


Mudança de velocidade (Fig. 6)


PRECAUÇÃO:

- Regule sempre a alavanca de mudança de velocidade completamente para a posição correcta. Se operar a ferramenta com a alavanca de mudança de velocidade posicionada a meio entre o lado "1" e o lado "2", a ferramenta pode ficar danificada.
- Não utilize a alavanca de mudança de velocidade enquanto a ferramenta estiver a funcionar. A ferramenta pode ficar danificada.

Para mudar a velocidade, primeiro desligue a ferramenta e depois deslize a alavanca de mudança de velocidade para o lado "2" para velocidade alta ou o lado "1" para velocidade baixa. Certifique-se de que a alavanca de mudança de velocidade está regulada para a posição correcta antes da operação. Utilize a velocidade certa para o seu trabalho.

Ajustar o binário de aperto (Fig. 7)

O binário de aperto pode ser ajustado em 17 passos rodando o anel de regulação para que as graduações estejam alinhadas com o indicador no corpo da ferramenta. O binário de aperto é mínimo quando o número 1 estiver alinhado com o indicador e máximo quando a marca  estiver alinhada com o indicador.

A embraiagem deslizará a vários níveis de binário quando fixada no número 1 a 16. A embraiagem foi concebida para não deslizar na marca .

Antes da operação efectiva, introduza um parafuso de teste no seu material ou uma peça de material duplicado para determinar que nível de aperto é necessário para uma aplicação em particular.

ASSEMBLAGEM

PRECAUÇÃO:

- Certifique-se sempre de que a ferramenta está desligada e a bateria retirada antes de executar qualquer manutenção na ferramenta.

Instalar ou retirar a broca de aparafusar ou broca de perfuração (Fig. 8)

Rode a manga para a esquerda para abrir as garras do mandril. Coloque a broca no mandril até onde puder ir. Rode a manga para a direita para apertar o mandril. Para retirar a broca, rode a manga para a esquerda.

Instalar o gancho (Fig. 9)

O gancho é conveniente para pendurar temporariamente a ferramenta. Este pode ser instalado em qualquer dos lados da ferramenta.

Para instalar o gancho, insira-o numa ranhura no corpo da ferramenta em qualquer dos lados e depois prenda-o com um parafuso. Para retirar, desaperte o parafuso e em seguida retire-o.

Instalar o porta-brocas (Acessório opcional)

(Fig. 10)

Coloque o porta-brocas na saliência na base da ferramenta no lado direito ou esquerdo e fixe-o com um parafuso.

Quando não utilizar a broca de aparafusar, mantenha-a nos porta-brocas. Brocas de 45 mm podem ser guardadas aí.

OPERAÇÃO

PRECAUÇÃO:

- Insira sempre o cartucho da bateria por completo até bloquear no lugar com um clique. Se conseguir ver a parte vermelha no lado superior do botão, não está bloqueado completamente. Introduza-o totalmente até a parte vermelha não puder ser vista. Se isso não acontecer, pode cair acidentalmente da ferramenta, causando-lhe ferimentos a si ou alguém perto de si.

Segure firmemente na ferramenta com uma mão no punho e a outra mão na parte inferior do cartucho da bateria para controlar a acção de torção.

PRECAUÇÃO:

- Não tape os orifícios de ventilação porque isso pode causar sobreaquecimento e danificar a ferramenta. (Fig. 11)

Aparafusamento (Fig. 12)

Primeiro, rode o anel de mudança do modo de acção para que a seta no corpo da ferramenta aponte para a marca . Ajuste o anel de regulação para o nível de binário adequado ao seu trabalho. Depois faça o seguinte.

Coloque a ponta da broca de aparafusar na cabeça do parafuso e aplique pressão na ferramenta. Inicie a ferramenta lentamente e depois aumente gradualmente a velocidade. Solte o gatilho do interruptor assim que a embraiagem entrar em acção.

PRECAUÇÃO:

- Certifique-se de que a broca de aparafusar está inserida direita na cabeça do parafuso ou o parafuso e/ou broca podem ficar danificados.

NOTA:

- Quando introduzir parafuso para madeira, perfure previamente um orifício piloto com 2/3 do diâmetro do parafuso. Facilita o aparafusamento e evita a fissura da peça de trabalho.

Perfuração

Primeiro, rode o anel de regulação para que o indicador aponte para a marca . Depois faça o seguinte.

PRECAUÇÃO:

- Não acelerará a perfuração se exercer demasiada pressão na ferramenta. Na realidade, esta pressão excessiva servirá apenas para danificar a ponta da sua broca, diminuir o desempenho da ferramenta e encurtar o tempo de vida útil da ferramenta.
- No momento de atravessar o orifício, exercer-se-á uma enorme força na ferramenta/broca. Segure a ferramenta com firmeza e tenha cuidado quando a broca começar a atravessar a peça de trabalho.
- Uma broca presa pode ser retirada colocando-se simplesmente o interruptor de inversão para rotação inversa para fazê-la sair. No entanto, a ferramenta pode saltar para trás de repente se não a agarrar firmemente.
- Prenda sempre peças de trabalho pequenas num torno ou dispositivo de fixação similar.
- Se a ferramenta funcionar continuamente até o cartucho da bateria ficar descarregado, deixe a ferramenta de lado 15 minutos antes de prosseguir com uma bateria nova.
- Não puxe o gatilho do interruptor repetidamente quando o motor estiver bloqueado. Isso pode danificar a ferramenta.

Perfurar em madeira

Quando perfurar em madeira, os melhores resultados são obtidos com brocas para madeira equipadas com um parafuso guia. O parafuso guia facilita a perfuração empurrando a broca para dentro da peça de trabalho.

Perfurar em metal

Para evitar que a broca deslize quando começa a perfurar um orifício, faça um entalhe com punção de bico e martelo no ponto a perfurar. Coloque a ponta da broca no entalhe e comece a perfurar.

Utilize um lubrificante de corte quando perfurar metais. As excepções são ferro e latão que devem ser perfurados a seco.

MANUTENÇÃO

PRECAUÇÃO:

- Certifique-se sempre que a ferramenta está desligada e o cartucho da bateria retirado antes de fazer a inspecção ou manutenção.
- Nunca utilize gasolina, benzina, diluente, álcool ou produtos semelhantes. Pode ocorrer a descoloração, deformação ou rachaduras.

Para manter a SEGURANÇA e FIABILIDADE, as reparações e outras acções de manutenção ou ajustes devem ser executados pelos Centros de assistência autorizados da Makita, utilizando sempre peças de substituição Makita.

ACESSÓRIOS OPCIONAIS

PRECAUÇÃO:

- Estes acessórios ou peças são recomendados para utilização com a ferramenta Makita especificada neste manual. A utilização de outros acessórios ou peças pode ser perigosa para as pessoas. Utilize apenas os acessórios ou acoplamentos para os fins indicados.

Se precisar de ajuda para obter mais informações relativas a estes acessórios, entre em contacto com o centro de assistência Makita local.

- Brocas de perfuração
- Brocas de parafuso
- Broca de contacto
- Óculos de segurança
- Bateria e carregador genuínos da Makita
- Gancho
- Porta-brocas

NOTA:

- Alguns itens da lista podem estar incluídos na embalagem da ferramenta como acessórios padrão. Eles podem variar de país para país.

ENG905-1

Ruído

A característica do nível de ruído A determinado de acordo com EN60745:

Nível de pressão de som (L_{pA}): 72 dB (A)

Variabilidade (K): 3 dB (A)

O nível de ruído durante o trabalho pode exceder 80 dB (A).

Utilize protectores para os ouvidos

ENG900-1

Vibração

O valor total da vibração (soma vectorial tri-axial) determinado de acordo com EN60745:

Modo de funcionamento: perfuração em metal

Emissão de vibração ($a_{h,D}$): 2,5 m/s² ou inferior

Variabilidade (K): 1,5 m/s²

- O valor da emissão de vibração indicado foi medido de acordo com o método de teste padrão e pode ser utilizado para comparar duas ferramentas.
- O valor da emissão de vibração indicado pode também ser utilizado na avaliação preliminar da exposição.

⚠ AVISO:

- A emissão de vibração durante a utilização real da ferramenta eléctrica pode diferir do valor de emissão indicado, dependendo das formas como a ferramenta é utilizada.
- Certifique-se de identificar as medidas de segurança para protecção do operador que sejam baseadas em uma estimativa de exposição em condições reais de utilização (considerando todas as partes do ciclo de operação, tal como quando a ferramenta está desligada e quando está a funcionar em marcha lenta além do tempo de accionamento).

ENH101-16

Só para países Europeus

Declaração de conformidade CE

Nós, a Makita Corporation, fabricante responsável, declaramos que a(s) seguinte(s) ferramenta(s)

Makita:

Designação da ferramenta:

Furadeira / Parafusadeira a Bateria

Modelos nº/Tipo: BDF459

são de produção de série e

Em conformidade com as seguintes directivas europeias:

2006/42/EC

E estão fabricadas de acordo com as seguintes normas ou documentos normativos:

EN60745

A documentação técnica é mantida pelo:

Makita International Europe Ltd.

Departamento técnico,

Michigan Drive, Tongwell,

Milton Keynes, Bucks MK15 8JD, Inglaterra

24.11.2011



Tomoyasu Kato

Director

Makita Corporation

3-11-8, Sumiyoshi-cho,

Anjo, Aichi, 446-8502, JAPAN

Illustrationsoversigt

1 Rød indikator	7 Omløbsvælger	13 Rille
2 Knap	8 Hastighedsvælger	14 Krog
3 Akku	9 Justeringsring	15 Skrue
4 Stjernemærke	10 Graduering	16 Bitholder
5 Afbryderknap	11 Pål	17 Bit
6 Lampe	12 Muffe	18 Åbning

SPECIFIKATIONER

Model		BDF459		
Kapaciteter	Stål	13 mm		
	Træ	38 mm		
	Træskrue	6 mm x 75 mm		
	Maskinskrue	M6		
Omdrejninger ubelastet (min ⁻¹)	Høj (2)	0 – 1 500		
	Lav (1)	0 – 400		
Længde i alt		179 mm		
Mærkespænding		D.C. 18 V		
Akku		BL1815	BL1815N	BL1830
Nettovægt		1,5 kg	1,4 kg	1,7 kg

- På grund af vores kontinuerlige forskningsprogrammer og udvikling, kan hosstående specifikationer blive ændret uden varsel.
- Specifikationer og akku kan variere fra land til land.
- Vægt inklusive akku, i henhold til EPTA-Procedure 01/2003

ENE034-1

Tilsigtet anvendelse

Denne maskine er beregnet til boring og iskruning af skruer i træ, metal og plastic.

GEA010-1

Almindelige sikkerhedsregler for el-værktøj

⚠ ADVARSEL! Læs alle sikkerhedsadvarsler og alle sikkerhedsinstruktioner. Hvis nedenstående advarsler og instruktioner ikke overholdes, kan resultatet blive elektrisk stød, brand og/eller alvorlig personskade.

Gem alle advarsler og instruktioner til fremtidig reference.

GEB088-1

SIKKERHEDSADVARSLER FOR AKKU-SLAGSKRUETRÆKKERBOR

1. Brug hjælpehåndtaget (-håndtagene), hvis sådanne følger med maskinen. Hvis herredømmet over maskinen mistes, kan det føre til tilskadekomst.
2. Hold el-værktøjet i de isolerede grebflader, når der udføres et arbejde, hvor skæretilbehøret kan komme i kontakt med skjulte ledninger. Skæretilbehør, som kommer i kontakt med en "strømførende" ledning, kan gøre el-værktøjets ikke-isolerede metaldele "strømførende", hvilket kan give operatøren elektrisk stød.

3. Hold kun el-værktøjet i de isolerede grebflader, når De udfører et arbejde, hvor fastgøringsanordningen kan komme i kontakt med skjulte ledninger. Fastgøringsanordninger, som kommer i kontakt med en strømførende ledning, kan gøre uafdækkede metaldele på maskinen strømførende og give operatøren stød.
4. Vær altid sikker på, at De har et godt fodfæste. Vær sikker på, at der ikke befinder sig nogen nedenunder, når maskinen anvendes i højden.
5. Hold godt fast i maskinen.
6. Hold hænderne væk fra roterende dele.
7. Lad ikke maskinen køre i tomgang. Anvend kun maskinen håndholdt.
8. Rør ikke ved borebitten eller arbejdsstykket umiddelbart efter arbejdet, da de kan være meget varme og give hudforbrændinger.
9. Nogle materialer indeholder kemikalier, som kan være giftige. Vær påpasselig med at forhindre inhalering af støv og hudkontakt. Følg materialeleverandørens sikkerhedsdata.

GEM DENNE BRUGSANVISNING.

⚠ ADVARSEL:

LAD IKKE bekvemmelighed eller kendskab til produktet (opnået gennem gentagen brug) forhindre, at sikkerhedsforskrifterne for produktet nøje overholdes. MISBRUG eller forsømmelse af at følge de i denne brugsvejledning givne sikkerhedsforskrifter kan føre til, at De kommer alvorligt til skade.

VIGTIGE SIKKERHEDSINSTRUKTIONER

FOR AKKU

1. Læs alle instruktioner og advarselmærkater på (1) akku opladeren, (2) akku og (3) produktet, som anvender akku.
2. Lad være med at skille akkuen ad.
3. Stop straks brugen, hvis driftstiden er blevet stærkt afkortet. Fortsat anvendelse kan resultere i risiko for overophedning, forbrændinger og endog eksplosion.
4. Hvis De har fået elektrolyt i øjnene, skal De straks skylle den ud med rent vand og øjeblikkeligt søge lægehjælp. I modsat fald kan De risikere at miste synet.
5. Vær påpasselig med ikke at komme til at kortslutte akkuen:
 - (1) Rør ikke ved terminalerne med noget ledende materiale.
 - (2) Undgå at opbevare akkuen i en beholder sammen med andre genstande af metal, som for eksempel søm, mønter og lignende.
 - (3) Udsæt ikke akkuen for vand eller regn.

Kortslutning af akkuen kan være årsag til en kraftig øgning af strømmen, overophedning, mulige forbrændinger og endog maskinstop.

6. Opbevar ikke værktøj og akkuen på et sted, hvor temperaturen kan nå eller overstige 50°C.
7. Lad være med at brænde akkuen, selv ikke i tilfælde, hvor det har lidt alvorlig skade eller er fuldstændig udtjent. Akkuen kan eksplodere, hvis man forsøger at brænde den.
8. Lad være med at brænde akkuen eller udsætte det for stød.
9. Anvend ikke en beskadiget akku.
10. Følg de lokale regler angående bortskaffelse af akkuer.

GEM DENNE BRUGSANVISNING.

Tips til opnåelse af maksimal akku-levetid

1. Oplad altid akkuen, inden den er helt afladet. Stop altid værktøj og oplad akkuen, hvis det bemærkes, at maskineffekten er dalende.
2. Genoplad aldrig en fuldt opladet akku. Overopladning vil afkorte akkuens levetid.
3. Oplad akkuen ved stuetemperatur ved 10°C – 40°C. Lad altid en varm akku få tid til at køle af, inden den oplades.
4. Oplad akkuen en gang hver sjette måned, hvis den ikke anvendes i et længere tidsrum.

FUNKTIONSBESKRIVELSE

⚠ FORSIGTIG:

- Vær altid sikker på, at maskinen er afbrudt og akkuen fjernet, inden De justerer eller kontrollerer funktionen af maskinen.

Montering og afmontering af akkuen (Fig. 1)

⚠ FORSIGTIG:

- Sluk altid for maskinen, inden De installerer eller fjerner akkuen.
- Hold godt fast i maskinen og akkuen, når akkuen installeres eller fjernes. Forsømmelse af at holde godt fast i maskinen og akkuen, kan bevirke, at disse glider ud af hænderne på Dem, hvilket kan resultere i beskadigelse af maskinen og akkuen samt tilskadekomst.

For at fjerne akkuen, skal man skyde den fra maskinen, idet man skyder knappen på forsiden af akkuen i stilling.

For at installere akkuen, skal man sætte tungen på akkuen ud for rillen i huset og skyde den på plads. Sæt den hele vejen ind, så den låses på plads med et lille klik. Hvis den røde indikator på oversiden af knappen er synlig, betyder det, at den ikke er helt låst.

⚠ FORSIGTIG:

- Sæt altid akkuen helt ind, så den røde indikator ikke kan ses. Hvis den ikke er sat helt ind, kan den ved et uheld falde ud af maskinen, hvorved omkringstående eller De selv kan komme til skade.
- Sæt ikke akkuen i med magt. Hvis akkuen ikke glider nemt på plads, betyder det, at den ikke sættes korrekt i.

Akkubeskyttelsessystem

Maskinen og akkuen er udstyret med et beskyttelsessystem. Dette system afbryder automatisk strømmen til maskinen, så akkuens levetid forlænges.

Maskinen vil automatisk stoppe under anvendelsen, hvis maskinen og/eller akkuen er i en af de følgende tilstande:

- Overbelastet:

Maskinen køres på en måde, der bevirker, at den forbruger en unormalt høj strøm.

I denne situation skal De slippe afbryderknappen på maskinen og stoppe den anvendelse, der førte til overbelastning af maskinen. Tryk derefter afbryderknappen ind igen for at starte igen.

Hvis maskinen ikke starter, er det fordi akkuen er overophedet. I denne situation skal De lade akkuen køle af, inden De trykker afbryderknappen ind igen.

- Lav akku-spænding:

Den tilbageværende akku-kapacitet er for lav og maskinen vil ikke køre. Fjern i dette tilfælde akkuen og oplad den.

BEMÆRK:

- Den temperaturfølsomme beskyttelse og lavspændingsbeskyttelsen aktiveres kun, når maskinen anvendes med en akku med stjernemærke. (Fig. 2)

Afbryderanvendelse (Fig. 3)

⚠ FORSIGTIG:

- Inden akkuen sættes i maskinen, bør De altid kontrollere, at afbryderknappen fungerer korrekt og returnerer til "OFF"-positionen, når den slippes.

For at starte maskinen, trykkes der blot på afbryderknappen. Maskinens hastighed øges ved at man øger trykket på afbryderknappen. Slip afbryderknappen for at stoppe.

Tænding af lampen (Fig. 4)

⚠ FORSIGTIG:

- Se ikke ind i lyset eller direkte ind i lyskilden.

For at tænde lampen, skal man trykke på afbryderknappen. Lampen bliver ved med at lyse, mens afbryderknappen er trykket ind. Lampen slukker lige efter at afbryderen er sluppet.

BEMÆRK:

- Brug en tør klud til at tørre snavs af lampens linse. Vær påpasselig med ikke at ridse lampens linse, da dette kan gøre lyset svagere.

Omløbsvælgerbetjening (Fig. 5)

⚠ FORSIGTIG:

- Kontroller altid omløbsretningen, inden arbejdet påbegyndes.
- Brug kun omløbsvælgeren, når maskinen er helt standset. Hvis omløbsretningen ændres, inden maskinen er helt standset, kan maskinen lide skade.
- Sæt altid omløbsvælgeren i neutral stilling, når maskinen ikke anvendes.

Denne maskine har en omløbsvælger til ændring af omløbsretningen. Tryk omløbsvælgeren ind fra A-siden for omdrejning med uret, og fra B-siden for omløb mod uret.

Når omløbsvælgeren er i neutral stilling, kan afbryderknappen ikke trykkes ind.

Ændring af hastigheden (Fig. 6)

⚠ FORSIGTIG:

- Sæt altid hastighedsvælgeren helt til den korrekte stilling. Hvis maskinen anvendes med hastighedsvælgeren sat halvvejs mellem "1" siden og "2" siden, kan maskinen lide skade.
- Brug ikke hastighedsvælgeren, mens maskinen kører. Maskinen kan lide skade.

For at ændre hastigheden, skal man først afbryde maskinen og derefter trykke hastighedsvælgeren til "2" siden for høj hastighed eller til "1" siden for lav hastighed. Sørg for, at hastighedsvælgeren er sat i den rigtige stilling, inden arbejdet påbegyndes. Anvend den rigtige hastighed til arbejdet.

Indstilling af drejningsmomentet (Fig. 7)

Drejningsmomentet kan indstilles i 17 trin ved at man drejer justeringsringen, så gradueringerne står ud for pilen på maskinen. Drejningsmomentet er minimum, når tallet 1 står ud for pilen og maksimum, når 16 markeringen står ud for pilen.

Koblingen vil glide ved forskellige drejningsniveauer, når den indstilles fra nummer 1 til 16. Koblingen er lavet til ikke at glide ved 16 markeringen.

Inden arbejdet påbegyndes, skal man skrue en prøveskrue i materialet eller et stykke tilsvarende materiale for at bestemme, hvilket momentniveau der kræves til en bestemt anvendelse.

SAMLING

⚠ FORSIGTIG:

- Sørg altid for at maskinen er slukket, og at akkuen er taget ud, før der udføres noget arbejde på maskinen.

Montering og afmontering af skruebit eller borebit (Fig. 8)

Drej muffen mod uret for at åbne borpatronkæberne. Sæt bitten så langt ind i borpatronen som den kan komme. Drej muffen med uret for at spænde borpatronen. For at fjerne bitten, drejes muffen mod uret.

Montering af krogen (Fig. 9)

Krogen er bekvemt til midlertidig ophængning af maskinen. Den kan monteres på begge sider af maskinen.

Krogen monteres ved at man sætter den ind i rillen på maskinen på en af siderne og derefter fastgør den med en skrue. Krogen fjernes ved at man løsner skruen og derefter tager den ud.

Montering af bitholder (Ekstraudstyr) (Fig. 10)

Bitholderen ind i fremspringet på maskinfoden på enten højre eller venstre side og fastgør den med en skrue.

Når skruetrækkerbitten ikke anvendes, skal den opbevares i bitholderen. 45 mm lange bits kan opbevares der.

BETJENING

⚠ FORSIGTIG:

- Sæt altid akkuen helt ind, så den låses på plads. Hvis den røde indikator kan ses på den øverste side af knappen, er den ikke helt låst. Sæt den helt ind, så den røde del ikke kan ses. Hvis den ikke er sat helt ind, kan den ved et uheld falde ud af maskinen, hvorved omkringsstående eller De selv kan komme til skade.

Hold godt fast i maskinen med den ene hånd på grebet og den anden hånd på undersiden af akkuen for at modvirke vridningen.

⚠ FORSIGTIG:

- Tildæk ikke ventilationsåbningerne, da dette kan føre til overophedning og skade på maskinen. (Fig. 11)

Anvendelse af skruetrækker (Fig. 12)

Drej først ringen til ændring af funktionsmåde, så pilen på maskinen peger på 16 mærket. Indstil justeringsringen til det rigtige momentniveau for Deres arbejde. Fortsæt derefter som følger.

Anbring skruetrækkerbittens spids i skruehovedet og udøv tryk på maskinen. Start maskinen langsomt og øg derefter hastigheden gradvist. Slip afbryderknappen, så snart koblingen går i gang.

⚠ FORSIGTIG:

- Sørg for, at skruetrækkerbitten er sat lige ind i skruehovedet, da skruen og/eller bitten ellers kan lide skade.

BEMÆRK:

- Når man skruer en træskrue i, skal man forfore et føringshul med 2/3 af skrueens diameter. Dette gør iskrningen nemmere og forhindrer, at arbejdsstykket splintres.

Boring

Drej først justeringsringen, så pilen peger på 16 mærket. Fortsæt derefter som følger.

⚠ FORSIGTIG:

- Et kraftigere tryk på maskinen vil ikke gøre boringen hurtigere. Faktisk vil et kraftigere tryk kun føre til skade på bitspidsen, nedsætte maskinen ydelse og afkortet maskinens levetid.

- Maskinen/bitten udsættes for en kraftig påvirkning på det tidspunkt, hvor der brydes igennem hullet. Hold godt fast i maskinen og udvis forsigtighed, når bitten begynder at bryde igennem arbejdsstykket.
- En bit, der har sat sig fast, kan fjernes ved at man ganske enkelt sætter omløbsvælgeren til baglæns rotation for at bakke ud. Imidlertid kan maskinen pludselig bakke ud, hvis man ikke holder godt fast i den.
- Fastspænd altid mindre arbejdsstykker i en skruestik eller en lignende fastspændingsanordning.
- Hvis maskinen anvendes uafbrudt, indtil akkuen er udtjent, skal maskinen have lov til at hvile i 15 minutter, inden der fortsættes med en ny akku.
- Tryk ikke afbryderknappen ind gentagne gange, når motoren er låst. Dette kan beskadige maskinen.

Boring i træ

Når der bores i træ, opnås det bedste resultat med træbor, som er udstyret med en ledeskruer. Ledeskruen gør boring nemmere ved at trække bitten ind i arbejdsstykket.

Boring i metal

For at forhindre bitten i at glide, når man begynder at lave et hul, skal man lave et hak med en kørner og en hammer på det punkt, hvor der skal bores. Anbring spidsen af bitten i hakket og begynd boringen. Brug skæresmørelse, når der bores i metal.

Undtagelserne er jern og messing, som skal tørbores.

VEDLIGEHOLDELSE

⚠ FORSIGTIG:

- Kontroller altid, at maskinen er slået fra og at akkuen er fjernet, inden De udfører inspektion eller vedligeholdelse.
- Anvend aldrig benzin, rensbenzin, fortynder, alkohol og lignende. Resultatet kan blive misfarvning, deformation eller revner.

For at opretholde produktets SIKKERHED og PÅLIDELIGHED bør reparation, vedligeholdelse og justering kun udføres af et Makita Service Center med anvendelse af original Makita udskiftningsdele.

EKSTRAUDSTYR

⚠ FORSIGTIG:

- Det følgende tilbehør og ekstraudstyr er anbefalet til brug med Deres Makita maskine, der er beskrevet i denne brugsanvisning. Anvendelse af andet tilbehør eller ekstraudstyr kan udgøre en risiko for personskade. Brug kun ekstraudstyret eller tilbehørsdelene til det, de er beregnet til.

Hvis De har behov for yderligere detaljer om dette tilbehør, bedes De kontakte Deres lokale Makita Service Center.

- Borebits
- Skruebits
- Top
- Sikkerhedsbriller
- Original Makita-akku og oplader
- Krog
- Bitholder

BEMÆRK:

- Nogle ting på denne liste kan være inkluderet i værktøjsspakken som standardtilbehør. Det kan være forskelligt fra land til land.

Lyd

Det typiske A-vægtede støjniveau bestemmt i overensstemmelse med EN60745:

Lydtrykniveau (L_{pA}): 72 dB (A)

Usikkerhed (K): 3 dB (A)

Støjniveauet under arbejde kan overstige 80 dB (A).

Bær høreværn

ENG900-1

Vibration

Vibrations totalværdi (tre-aksial vektorsum) bestemmt i overensstemmelse med EN60745:

Arbejdsindstilling: boring i metal

Vibrationsafgivelse ($a_{h,D}$): 2.5 m/s² eller mindre

Usikkerhed (K): 1,5 m/s²

ENG901-1

- Den angivne vibrationsemissionsværdi er blevet målt i overensstemmelse med standardtestmetoden og kan anvendes til at sammenligne en maskine med en anden.
- Den angivne vibrationsemissionsværdi kan også anvendes i en preliminær eksponeringsvurdering.

⚠ ADVARSEL:

- Vibrationsemissionen under den faktiske anvendelse af maskinen kan være forskellig fra den erklærede emissionsværdi, afhængigt af den måde, hvorpå maskinen anvendes.
- Sørg for at identificere de sikkerhedsforskrifter til beskyttelse af operatøren, som er baseret på en vurdering af eksponering under de faktiske brugsforhold (med hensyntagen til alle dele i brugszyklen, som f.eks. de gange, hvor maskinen er slukket og når den kører i tomgang i tilgift til afbrydertiden).

ENH101-16

Kun for lande i Europa

EU-konformitetserklæring

Vi, Makita Corporation, erklærer, som den ansvarlige fabrikant, at den (de) følgende Makita maskine(r):

Maskinens betegnelse: Akku-slagskrue/rækkerbor

Model nr./Type: BDF459

er af serieproduktion og

Er i overensstemmelse med de europæiske direktiver:

2006/42/EC

og er fremstillet i overensstemmelse med de følgende standarder eller standardiserede dokumenter:

EN60745

Den tekniske dokumentation opbevares af:

Makita International Europe Ltd.

Teknisk Afdeling,

Michigan Drive, Tongwell,

Milton Keynes, Bucks MK15 8JD, England

24.11.2011



Tomoyasu Kato

Direktør

Makita Corporation

3-11-8, Sumiyoshi-cho,

Anjo, Aichi, 446-8502, JAPAN

Περιγραφή γενικής άποψης

1 Κόκκινη ένδειξη	7 Μοχλός διακόπτη αντιστροφής	13 Αυλάκωση
2 Κουμπί	8 Μοχλός αλλαγής ταχύτητας	14 Γάντζος
3 Κασέτα μπαταρίας	9 Δακτύλιος ρύθμισης	15 Βίδα
4 Ένδειξη αστεριού	10 Διαβαθμίσεις	16 Στήριγμα μύτης
5 Σκανδάλη διακόπτη	11 Βέλος	17 Μύτη
6 Λυχνία	12 Χιτώνιο	18 Άνοιγμα εξαερισμού

ΤΕΧΝΙΚΑ ΧΑΡΑΚΤΗΡΙΣΤΙΚΑ

Μοντέλο		BDF459		
Ικανότητες	Ατσάλι	13 χιλ		
	Ξύλο	38 χιλ		
	Ξυλόβιδα	6 χιλ x 75 χιλ		
	Κοχλίας	M6		
Ταχύτητα χωρίς φορτίο (λεπ ⁻¹)	Υψηλή (2)	0 – 1.500		
	Χαμηλή (1)	0 – 400		
Συνολικό μήκος		179 χιλ		
Ονομαστική τάση		D.C. 18 V		
Κασέτα μπαταρίας		BL1815	BL1815N	BL1830
Καθαρό βάρος		1,5 Χγρ	1,4 Χγρ	1,7 Χγρ

- Λόγω του συνεχιζόμενου προγράμματος έρευνας και ανάπτυξης, οι παρούσες προδιαγραφές υπόκεινται σε αλλαγή χωρίς προειδοποίηση.
- Τα τεχνικά χαρακτηριστικά και η κασέτα μπαταρίας μπορεί να διαφέρουν από χώρα σε χώρα.
- Βάρος, με κασέτα μπαταρίας, σύμφωνα με τη διαδικασία ΕΡΤΑ 01/2003

ENE034-1

Προοριζόμενη χρήση

Το εργαλείο προορίζεται για τρυπάνισμα και βιδωμα σε ξύλο, μέταλλο και πλαστικό.

GEA010-1

Γενικές προειδοποιήσεις ασφαλείας για το ηλεκτρικό εργαλείο

⚠ ΠΡΟΕΙΔΟΠΟΙΗΣΗ Διαβάστε όλες τις προειδοποιήσεις ασφαλείας και όλες τις οδηγίες. Η μη τήρηση των προειδοποιήσεων και οδηγιών ενδέχεται να καταλήξει σε ηλεκτροπληξία, πυρκαγιά ή/και σοβαρό τραυματισμό.

Φυλάξτε όλες τις προειδοποιήσεις και τις οδηγίες για μελλοντική παραπομπή.

GEB088-1

ΠΡΟΕΙΔΟΠΟΙΗΣΕΙΣ ΑΣΦΑΛΕΙΑΣ ΓΙΑ ΤΟ ΔΡΑΠΑΝΟΚΑΤΣΑΒΙΔΟ ΜΠΑΤΑΡΙΑΣ

1. Να χρησιμοποιείτε τη(ις) βοηθητική(ές) λαβή(ές), εάν παρέχονται με το εργαλείο. Η απώλεια του ελέγχου μπορεί να προκαλέσει προσωπικό τραυματισμό.

2. Να κρατάτε το ηλεκτρικό εργαλείο από τις μονωμένες επιφάνειες λαβής όταν εκτελείτε εργασίες κατά τις οποίες το εξάρτημα κοπής μπορεί να έρθει σε επαφή με κρυμμένα καλώδια. Σε περίπτωση επαφής του εξαρτήματος κοπής με ηλεκτροφόρο καλώδιο, μπορεί τα εκτεθειμένα μεταλλικά εξαρτήματα του ηλεκτρικού εργαλείου να καταστούν τα ίδια ηλεκτροφόρα και να προκαλέσουν ηλεκτροπληξία στο χειριστή.
3. Να κρατάτε το ηλεκτρικό εργαλείο από τις λαβές με μόνωση όταν εκτελείτε εργασίες κατά τις οποίες ο σύνδεσμος μπορεί να έρθει σε επαφή με κρυμμένα καλώδια. Αν οι σύνδεσμοι έρθουν σε επαφή με κάποιο ηλεκτροφόρο καλώδιο, μπορεί τα εκτεθειμένα μεταλλικά μέρη του ηλεκτρικού εργαλείου να γίνουν και αυτά ηλεκτροφόρα και να προκληθεί ηλεκτροπληξία στο χειριστή.
4. Να βεβαιώνετε πάντοτε ότι στέκεστε σταθερά. Όταν χρησιμοποιείτε το εργαλείο σε υψηλές τοποθεσίες, να βεβαιώνετε ότι δεν βρίσκεται κανένας από κάτω.
5. Κρατήστε το εργαλείο σταθερά.
6. Μην πλησιάζετε τα χέρια σας σε περιστρεφόμενα μέρη.
7. Μην αφήνετε το εργαλείο σε λειτουργία. Το εργαλείο πρέπει να βρίσκεται σε λειτουργία μόνο όταν το κρατάτε.
8. Μην αγγίζετε τη μύτη τρυπανίσματος ή το τεμάχιο εργασίας αμέσως μετά τη λειτουργία του εργαλείου. Μπορεί να είναι εξαιρετικά θερμά και να προκληθεί έγκαυμα στο δέρμα σας.

9. Μερικά υλικά περιέχουν χημικά που μπορεί να είναι τοξικά. Προσέχετε ώστε να αποφεύγετε την εισπνοή σκόνης και την επαφή με το δέρμα. Ακολουθείτε τα δεδομένα ασφαλείας υλικού που παρέχονται από τον προμηθευτή.

ΦΥΛΑΞΤΕ ΤΙΣ ΟΔΗΓΙΕΣ ΑΥΤΕΣ.

⚠ ΠΡΟΕΙΔΟΠΟΙΗΣΗ:

ΜΗΝ επιτρέψετε το βαθμό άνεσης ή εξοικείωσης με το προϊόν (λόγω επανειλημμένης χρήσης) να αντικαταστήσει την αυστηρή τήρηση των κανόνων ασφαλείας του παρόντος εργαλείου. **ΚΑΚΗ ΧΡΗΣΗ** ή αμέλεια να ακολουθήσετε τους κανόνες ασφαλείας που διατυπώνονται σ' αυτό το εγχειρίδιο οδηγιών μπορεί να προκαλέσει σοβαρό προσωπικό τραυματισμό.

ENC007-8

ΣΗΜΑΝΤΙΚΕΣ ΟΔΗΓΙΕΣ ΓΙΑ ΤΗΝ ΑΣΦΑΛΕΙΑ

ΓΙΑ ΤΗΝ ΚΑΣΕΤΑ ΜΠΑΤΑΡΙΑ

1. Πριν χρησιμοποιήσετε την κασέτα μπαταρίας, διαβάστε όλες τις οδηγίες και σημειώσεις προφυλάξης (1) στον φορτιστή μπαταρίας, (2) στην μπαταρία και (3) στο προϊόν που χρησιμοποιεί την μπαταρία.
2. Μην αποσυρμολογήσετε την κασέτα μπαταρίας.
3. Αν ο χρόνος λειτουργίας έχει γίνει υπερβολικά σύντομος, σταματήστε αμέσως τη λειτουργία. Αλλιώς, μπορεί να έχει ως αποτέλεσμα κίνδυνο υπερθέρμανσης, πιθανά εγκαύματα ή ακόμη και έκρηξη.
4. Αν ηλεκτρολύτης μπει στα μάτια σας, ξεπλύνετε τα με καθαρό νερό και ζητήστε ιατρική φροντίδα αμέσως. Αλλιώς, μπορεί να έχει ως αποτέλεσμα απώλεια της όρασής σας.
5. Μην βραχυκυκλώνετε την κασέτα μπαταρίας:
 - (1) Μην αγγίζετε τους πόλους με σιδηπότε αγώγιμο υλικό.
 - (2) Αποφεύγετε να αποθηκεύετε την κασέτα μπαταρίας μέσα σε ένα δοχείο μαζί με άλλα μεταλλικά αντικείμενα όπως καρφιά, νομίσματα, κλπ.
 - (3) Μην εκθέτετε την κασέτα μπαταρίας στο νερό ή στη βροχή.Ένα βραχυκύκλωμα μπαταρίας μπορεί να προκαλέσει μεγάλη ροή ρεύματος, υπερθέρμανση, πιθανά εγκαύματα ακόμη και σοβαρή βλάβη.
6. Μην αποθηκεύετε το εργαλείο και την κασέτα μπαταρίας σε μέρη όπου η θερμοκρασία μπορεί να φτάσει ή να ξεπεράσει τους 50°C.
7. Μην καίτε την κασέτα μπαταρίας ακόμη και εάν έχει σοβαρή ζημιά ή είναι εντελώς φθαρεμένη. Η κασέτα μπαταρίας μπορεί να εκραγεί στην φωτιά.
8. Προσέχετε να μη ρίξετε κάτω ή χτυπήσετε την μπαταρία.
9. Μην χρησιμοποιείτε μπαταρία που έχει υποστεί ζημιά.
10. Τηρήστε τους τοπικούς κανονισμούς που σχετίζονται με τη διάθεση της μπαταρίας.

ΦΥΛΑΞΤΕ ΤΙΣ ΟΔΗΓΙΕΣ ΑΥΤΕΣ.

Συμβουλές για διατήρηση μέγιστης ζωής μπαταρίας

1. Φορτίζετε την κασέτα μπαταρίας πριν από την πλήρη αποφόρτιση. Πάντοτε σταματάτε τη λειτουργία του εργαλείου και φορτίζετε την κασέτα μπαταρίας όταν παρατηρείτε μειωμένη ισχύ εργαλείου.
2. Ποτέ μην επαναφορτίζετε μία πλήρως φορτισμένη κασέτα μπαταρίας. Υπερφόρτιση μειώνει την ωφέλιμη ζωή της μπαταρίας.
3. Να φορτίζετε την μπαταρία σε θερμοκρασία δωματίου, δηλαδή στους 10°C – 40°C. Αφήστε μία θερμή κασέτα μπαταρίας να κρυώσει πριν την φορτίσετε.
4. Φορτίστε την κασέτα μπαταρίας μία φορά κάθε έξι μήνες εάν δεν τη χρησιμοποιείτε για μεγάλη χρονική περίοδο.

ΠΕΡΙΓΡΑΦΗ ΛΕΙΤΟΥΡΓΙΑΣ

⚠ ΠΡΟΣΟΧΗ:

- Να φροντίζετε πάντα για την απενεργοποίηση του εργαλείου και την αφαίρεση της κασέτας μπαταρίας, πριν από οποιαδήποτε ρύθμιση ή έλεγχο της λειτουργίας του.

Τοποθέτηση ή αφαίρεση της κασέτας μπαταρίας (Εικ. 1)

⚠ ΠΡΟΣΟΧΗ:

- Πάντοτε να σβήνετε το εργαλείο πριν τοποθετήσετε ή αφαιρέσετε την κασέτα μπαταρίας.
- Κρατήστε το εργαλείο και την κασέτα μπαταρίας σταθερά κατά την τοποθέτηση ή αφαίρεση της κασέτας μπαταρίας. Αν δεν κρατάτε το εργαλείο και την κασέτα μπαταρίας σταθερά, μπορεί γλιστρήσουν από τα χέρια σας και να προκληθεί βλάβη στο εργαλείο και την κασέτα μπαταρίας και προσωπικούς τραυματισμούς.

Για να αφαιρέσετε την κασέτα μπαταρίας, ολισθήστε την από το εργαλείο ενώ σύρετε το κουμπί στο μπροστινό μέρος της κασέτας.

Για να τοποθετήσετε την κασέτα μπαταρίας, ευθυγραμμίστε τη γλώσσα στην κασέτα μπαταρίας με την αύλακα στην υποδοχή και ολισθήστε τη στη θέση της. Να την τοποθετείτε πλήρως μέχρι να ασφαλίσει στη θέση της, γεγονός που υποδεικνύεται με ένα χαρακτηριστικό ήχο. Αν μπορείτε να δείτε την κόκκινη ένδειξη στην επάνω πλευρά του κουμπιού, δεν έχει κλειδωθεί τελείως.

⚠ ΠΡΟΣΟΧΗ:

- Να τοποθετείτε πάντα την κασέτα μπαταρίας πλήρως μέχρι να μην βλέπετε την κόκκινη ένδειξη. Σε αντίθετη περίπτωση, μπορεί να πέσει κατά λάθος από το εργαλείο και να τραυματίσει εσάς ή κάποιον παρευρισκόμενο.
- Μην τοποθετείτε την κασέτα μπαταρίας με βία. Αν η κασέτα δεν εισέρχεται με ευκολία, δεν είναι τοποθετημένη σωστά.

Σύστημα προστασίας μπαταρίας

Το εργαλείο και η μπαταρία είναι εξοπλισμένα με σύστημα προστασίας. Αυτό το σύστημα αποκόπτει αυτόματα την ισχύ προς το εργαλείο για να παραταθεί η διάρκεια λειτουργίας της.

Το εργαλείο σταματάει αυτόματα κατά τη διάρκεια της λειτουργίας αν το εργαλείο ή/και η μπαταρία βρεθούν κάτω από τις παρακάτω συνθήκες:

• Υπερφόρτωση:

Το εργαλείο λειτουργεί με τρόπο ώστε να αναγκάζεται να καταναλώνει ασυνήθιστα υψηλό ρεύμα.

Σε αυτή την κατάσταση, αφήστε τη σκανδάλη διακόπτη στο εργαλείο και διακόψτε την εφαρμογή που προκαλεί την υπερφόρτωση του εργαλείου. Στη συνέχεια, τραβήξτε ξανά τη σκανδάλη διακόπτη για επανεκκίνηση.

Αν το εργαλείο δεν ξεκινάει, η μπαταρία έχει υπερθερμανθεί. Σε αυτή την κατάσταση, αφήστε την μπαταρία να ψυχθεί πριν τραβήξετε ξανά τη σκανδάλη διακόπτη.

• Χαμηλή τάση μπαταρίας:

Η υπόλοιπη χωρητικότητα μπαταρίας είναι πολύ χαμηλή και το εργαλείο δεν λειτουργεί. Σε αυτή την κατάσταση, αφαιρέστε και επαναφορτίστε την μπαταρία.

ΠΑΡΑΤΗΡΗΣΗ:

- Η ευαισθητή στη θερμοκρασία προστασία και η προστασία χαμηλής τάσης εφαρμόζεται μόνο όταν το εργαλείο χρησιμοποιείται με κασέτα μπαταρίας με ένδειξη αστεριού. (Εικ. 2)

Δράση διακόπτη (Εικ. 3)

⚠ ΠΡΟΣΟΧΗ:

- Πριν βγάλετε την κασέτα μπαταρίας μέσα στο εργαλείο, να ελέγχετε πάντα να δείτε εάν η σκανδάλη διακόπτης ενεργοποιείται κανονικά και επιστρέφει στη θέση "OFF" όταν ελευθερώνεται.

Για να ξεκινήσετε το εργαλείο, απλώς τραβήξτε τη σκανδάλη διακόπτη. Η ταχύτητα του εργαλείου αυξάνει αν αυξήσετε την πίεση στη σκανδάλη διακόπτη. Ελευθερώστε την σκανδάλη διακόπτη για να σταματήσει.

Άναμμα λυχνίας (Εικ. 4)

⚠ ΠΡΟΣΟΧΗ:

- Μην κοιτάζετε το φως και μην βλέπετε την πηγή φωτός απευθείας.

Τραβήξτε τη σκανδάλη διακόπτη για να ενεργοποιήσετε τη λυχνία. Η λυχνία εξακολουθεί να είναι αναμμένη όσο τραβάτε τη σκανδάλη διακόπτη. Η λυχνία σβήνει αφού αφήσετε τη σκανδάλη.

ΠΑΡΑΤΗΡΗΣΗ:

- Χρησιμοποιήστε ένα στεγνό πανί για να σκουπίσετε τη σκόνη από το φακό της λυχνίας. Προσέχετε να μη γρατσουνίσετε το φακό της λυχνίας, επειδή μπορεί να μειωθεί η ένταση του φωτισμού.

Λειτουργία διακόπτη αντιστροφής (Εικ. 5)

⚠ ΠΡΟΣΟΧΗ:

- Να ελέγχετε πάντα τη διεύθυνση περιστροφής πριν από τη λειτουργία.
- Χρησιμοποιείτε το διακόπτη αντιστροφής μόνο αφού το εργαλείο σταματήσει εντελώς. Η αλλαγή της διεύθυνσης περιστροφής πριν το εργαλείο σταματήσει μπορεί να προκαλέσει ζημιά στο εργαλείο.
- Όταν δεν χρησιμοποιείτε το εργαλείο, να βάζετε πάντα το μοχλό διακόπτη αντιστροφής στην ουδέτερη θέση.

Αυτό το εργαλείο έχει ένα διακόπτη αντιστροφής για να αλλάξει τη διεύθυνση περιστροφής. Πιέστε το μοχλό διακόπτη αντιστροφής από την πλευρά Α για δεξιόστροφη περιστροφή ή από την πλευρά Β για αριστερόστροφη περιστροφή.

Όταν ο μοχλός διακόπτη αντιστροφής είναι στην ουδέτερη θέση, η σκανδάλη διακόπτης δεν μπορεί να τραβηχθεί.

Αλλαγή ταχύτητας (Εικ. 6)

⚠ ΠΡΟΣΟΧΗ:

- Να ρυθμίζετε πάντα το μοχλό αλλαγής ταχύτητας πλήρως στη σωστή θέση. Αν χειρίζεστε το εργαλείο όταν ο μοχλός αλλαγής ταχύτητας βρίσκεται ανάμεσα από την πλευρά "1" και την πλευρά "2", μπορεί να προκληθεί βλάβη στο εργαλείο.
- Μη χρησιμοποιείτε το μοχλό αλλαγής ταχύτητας όταν λειτουργεί το εργαλείο. Μπορεί να προκληθεί βλάβη στο εργαλείο.

Για να αλλάξετε την ταχύτητα, σβήστε πρώτα το εργαλείο και κατόπιν σύρετε το μοχλό αλλαγής ταχύτητας στην πλευρά "2" για υψηλή ταχύτητα ή στην πλευρά "1" για χαμηλή ταχύτητα. Πριν από τη λειτουργία, βεβαιωθείτε ότι ο μοχλός αλλαγής ταχύτητας είναι ρυθμισμένος στη σωστή θέση. Να χρησιμοποιείτε τη σωστή ταχύτητα, ανάλογα με την εργασία σας.

Ρύθμιση της ροπής στερέωσης (Εικ. 7)

Μπορείτε να ρυθμίσετε τη ροπή στερέωσης σε 17 βήματα αν περιστρέψετε το δακτύλιο ρύθμισης με τρόπο ώστε οι διαβαθμίσεις του να ευθυγραμμίζονται με το βέλος στο κύριο σώμα του εργαλείου. Η ροπή στερέωσης είναι η ελάχιστη όταν ο αριθμός 1 είναι ευθυγραμμισμένος με το βέλος, ενώ είναι η μέγιστη όταν η ένδειξη $\frac{1}{2}$ είναι ευθυγραμμισμένη με το βέλος.

Ο σφικκτήρας θα ολισθαίνει σε διάφορα επίπεδα ροπής όταν τον ρυθμίζετε σε αριθμό από 1 έως 16. Ο σφικκτήρας είναι σχεδιασμένος ώστε να μην ολισθαίνει όταν βρίσκεται στην ένδειξη $\frac{1}{2}$.

Πριν από τη λειτουργία, να βιδώνετε μια δοκιμαστική βίδα στο υλικό σας ή σε ένα κομμάτι πανομοιότυπου υλικού για να καθορίζετε το επίπεδο ροπής που απαιτείται για τη συγκεκριμένη εφαρμογή.

ΣΥΝΑΡΜΟΛΟΓΗΣΗ

⚠ ΠΡΟΣΟΧΗ:

- Πάντοτε βεβαιώνετε ότι το εργαλείο είναι σβηστό και η κασέτα μπαταρίας έχει αφαιρεθεί πριν εκτελέσετε κάποια εργασία στο εργαλείο.

Τοποθέτηση ή αφαίρεση της μύτης βιδώματος ή της μύτης τρυπανιού (Εικ. 8)

Στρέψτε το χιτώνιο αριστερόστροφα για να ανοίξετε τις σιαγόνες σφικκτήρα. Τοποθετήστε τη μύτη μέσα στο σφικκτήρα μέχρι τέρμα. Στρέψτε το χιτώνιο δεξιόστροφα για να σφίξετε το σφικκτήρα.

Για να βγάλετε τη μύτη, στρέψτε το χιτώνιο αριστερόστροφα.

Τοποθέτηση του γάντζου (Εικ. 9)

Ο γάντζος είναι βολικός για προσωρινό κρέμασμα του εργαλείου. Μπορεί να τοποθετηθεί σε οποιαδήποτε πλευρά του εργαλείου.

Για να τοποθετήσετε το γάντζο, βάλτε τον σε μια αυλάκωση στο περίβλημα του εργαλείου σε οποιαδήποτε πλευρά και μετά ασφαλίστε τον με μια βίδα. Για να τον αφαιρέσετε, χαλαρώστε τη βίδα και μετά αφαιρέστε τον.

Τοποθέτηση του στηρίγματος μύτης (Προαιρετικό εξάρτημα) (Εικ. 10)

Προσαρμόστε το στηρίγμα μύτης μέσα στην προεξοχή στο κάτω μέρος του εργαλείου, στη δεξιά ή στην αριστερή πλευρά και ασφαλίστε το με μια βίδα. Όταν χρησιμοποιείτε τη μύτη βιδώματος, φυλάσσετε τη στα στηρίγματα μύτης. Μπορείτε να φυλάσσετε εκεί μύτες με μήκος 45 χιλ.

ΛΕΙΤΟΥΡΓΙΑ

⚠ ΠΡΟΣΟΧΗ:


- Να εισάγετε πάντα την κασέτα μπαταρίας έως το τέρμα, μέχρι να ασφαλίσει στη θέση της. Αν μπορείτε να δείτε το κόκκινο κομμάτι στην επάνω πλευρά του κουμπιού, δεν έχει κλειδώσει τελείως. Εισαγάγετε την πλήρως έτσι ώστε να μην φαίνεται το κόκκινο κομμάτι. Σε αντίθετη περίπτωση, μπορεί να πέσει κατά λάθος από το εργαλείο και να τραυματίσει εσάς ή κάποιον παρευρισκόμενο.

Κρατήστε το εργαλείο σταθερά με το ένα χέρι στη λαβή και το άλλο χέρι στο κάτω μέρος της κασέτας μπαταρίας για να ελέγχετε την περιστροφική δράση.

⚠ ΠΡΟΣΟΧΗ:

- Μην καλύπτετε τα ανοίγματα εξαερισμού, διαφορετικά μπορεί να προκληθεί υπερθέρμανση και ζημιά στο εργαλείο. (Εικ. 11)

Λειτουργία βιδώματος (Εικ. 12)

Πρώτα, στρέψτε το δακτύλιο αλλαγής τρόπου δράσης ώστε το βέλος στο κύριο σώμα του εργαλείου να είναι στραμμένο στην ένδειξη . Θέστε το δακτύλιο ρύθμισης στο σωστό επίπεδο ροπής για την εργασία σας. Κατόπιν, συνεχίστε όπως περιγράφεται στη συνέχεια.

Τοποθετήστε το άκρο της μύτης βιδώματος στην κεφαλή της βίδας και ασκήστε πίεση στο εργαλείο. Ξεκινήστε αργά το εργαλείο και κατόπιν αυξήστε σταδιακά την ταχύτητα. Αφήστε τη σκανδάλη διακόπτη μόλις ολισθήσει ο σφικτήρας.


⚠ ΠΡΟΣΟΧΗ:

- Βεβαιωθείτε ότι τοποθετήσατε τη μύτη βιδώματος απευθείας στην κεφαλή της βίδας. Διαφορετικά, μπορεί να προκληθεί βλάβη στη βίδα ή/και στη μύτη.

ΠΑΡΑΤΗΡΗΣΗ:

- Κατά το τρυπάνισμα ξυλόβιδας, τρυπανίστε από πριν μια καθοδηγητική οπή ίση με το 2/3 της διαμέτρου της βίδας. Με αυτόν τον τρόπο διευκολύνεται το βιδώμα και αποφεύγεται η διάσπαση του ξύλου.

Λειτουργία τρυπάνισματος

Πρώτα, γυρίστε το δακτύλιο ρύθμισης ώστε ο δείκτης να είναι ευθυγραμμισμένος με την ένδειξη . Κατόπιν, συνεχίστε όπως περιγράφεται στη συνέχεια.

⚠ ΠΡΟΣΟΧΗ:

- Η υπερβολική πίεση στο εργαλείο δεν επιταχύνει τη διάτρηση. Στην πραγματικότητα, αυτή η υπερβολική πίεση προκαλεί ζημιά στο άκρο της μύτης, μείωση της απόδοσης όπως και της διάρκειας ζωής του εργαλείου.
- Ασκείται τεράστια δύναμη στο εργαλείο/μύτη τη στιγμή που διαπερνάει η οπή. Κρατήστε σταθερά το εργαλείο και προσέχετε ιδιαίτερα τη στιγμή που η μύτη διέρχεται από το άλλο άκρο της οπής.

- Μπορείτε να αφαιρέσετε μια μπλοκαρισμένη μύτη με απλή ρύθμιση του διακόπτη αντιστροφής στη θέση αντιστροφής περιστροφής, ώστε η μύτη να οπισθοχωρήσει. Πάντως, το εργαλείο ενδέχεται να οπισθοχωρήσει έξω από την οπή απότομα, αν δεν το κρατάτε σταθερά.
- Να ασφαλίσετε πάντα τα μικρά τεμάχια εργασίας σε μέγνηνη ή παρόμοια διάταξη συγκράτησης.
- Αν το εργαλείο λειτουργεί συνεχόμενα έως ότου αποφορτιστεί η μπαταρία, αφήστε το εργαλείο σβηστό για 15 λεπτά πριν συνεχίσετε την εργασία με καινούργια μπαταρία.
- Μην τραβάτε επανειλημμένα τη σκανδάλη διακόπτη όταν το μοτέρ είναι κλειδωμένο. Μπορεί να προκληθεί ζημιά στο εργαλείο.

Τρυπάνισμα ξύλου

Όταν τρυπανίζετε σε ξύλο, έχετε καλύτερα αποτελέσματα με μύτες για ξύλο εξοπλισμένες με βίδα οδήγησης. Η βίδα οδήγησης κάνει το τρυπάνισμα ευκολότερο επειδή τραβεί τη μύτη μέσα στο τεμάχιο εργασίας.

Τρυπάνισμα σε μέταλλο

Για να μην ολισθήσει μια μύτη όταν ξεκινάτε τη δημιουργία μιας τρύπας, κάντε ένα κοίλωμα με πόντα και σφυρί στο σημείο όπου θα τρυπανίσετε. Τοποθετήστε τη μύτη στο κοίλωμα και ξεκινήστε το τρυπάνισμα.

Όταν τρυπανίζετε μέταλλο, χρησιμοποιήστε λιπαντικό κοπής. Εξάρτηση αποτελούν το σίδερο και ο χάλυβας τα οποία θα πρέπει να τρυπανίζετε στεγνά.

ΣΥΝΤΗΡΗΣΗ

⚠ ΠΡΟΣΟΧΗ:

- Να φροντίζετε πάντα για την απενεργοποίηση του εργαλείου και την αφαίρεση της κασέτας μπαταρίας πριν επιχειρήσετε οποιοδήποτε έλεγχο ή συντήρηση του εργαλείου.
- Μην χρησιμοποιείτε ποτέ βενζίνη, πετρελαϊκό αιθέρα, διαλυτικό, αλκοόλη ή παρόμοιες ουσίες. Ενδέχεται να προκληθεί αποχρωματισμός παραμόρφωση ή ρωγμές.

Για την διατήρηση της ΑΣΦΑΛΕΙΑΣ και ΑΞΙΟΠΙΣΤΙΑΣ του προϊόντος, επισκευές, οποιαδήποτε άλλη συντήρηση ή ρύθμιση πρέπει να εκτελούνται από τα Εξουσιοδοτημένα Κέντρα Εξυπηρέτησης της Makita, με χρήση πάντοτε ανταλλακτικών Makita.

ΠΡΟΑΙΡΕΤΙΚΑ ΕΞΑΡΤΗΜΑΤΑ

⚠ ΠΡΟΣΟΧΗ:

- Αυτά τα ανταλλακτικά ή προσαρτήματα συνιστώνται για χρήση με το εργαλείο σας της Makita που περιγράφεται στο εγχειρίδιο αυτό. Η χρήση οποιδήποτε άλλων ανταλλακτικών ή προσαρτημάτων μπορεί να παρουσιάσουν κίνδυνο τραυματισμού σε άτομα. Να χρησιμοποιείτε τα εξαρτήματα ή τα παρελκόμενα μόνο για το σκοπό που προορίζονται.

Εάν χρειάζεστε βοήθεια ή περισσότερες λεπτομέρειες σε σχέση με αυτά τα ανταλλακτικά, ρωτήστε το τοπικό σας Κέντρο Εξυπηρέτησης της Makita.

- Μύτες τρυπάνισματος
- Μύτες βιδώματος
- Μύτη με υποδοχή
- Προστατευτικά γυαλιά-προσωπίδες
- Γνήσια μπαταρία και φορτιστής της Makita
- Γάντζος
- Στήριγμα μύτης

ΠΑΡΑΤΗΡΗΣΗ:

- Μερικά στοιχεία στη λίστα μπορεί να συμπεριλαμβάνονται στη συσκευασία εργαλείου ως στάνταρ εξαρτήματα. Μπορεί να διαφέρουν ανάλογα με τη χώρα.

ENG905-1

Θόρυβος

Το τυπικό A επίπεδο μετρημένου θορύβου καθορίζεται σύμφωνα με το EN60745:

Στάθμη πίεσης ήχου (L_{pA}): 72 dB (A)

Αβεβαιότητα (K): 3 dB (A)

Η ένταση ήχου υπό συνθήκες εργασίας μπορεί να υπερβεί τα 80 dB (A).

Φοράτε ωτοασπίδες

ENG900-1

Κραδασμός

Η ολική τιμή δόνησης (άθροισμα τρι-αξονικού διανύσματος) καθορίζεται σύμφωνα με το EN60745:

Είδος εργασίας: Τρυπάνισμα σε μέταλλο

Εκπομπή δόνησης ($a_{h, D}$): 2,5 m/s² ή λιγότερο

Αβεβαιότητα (K): 1,5 m/s²

ENG901-1

- Η δηλωμένη τιμή εκπομπής κραδασμών έχει μετρηθεί σύμφωνα με την πρότυπη μέθοδο δοκιμής και μπορεί να χρησιμοποιηθεί για τη σύγκριση ενός εργαλείου με άλλο.
- Η δηλωμένη τιμή εκπομπής κραδασμών μπορεί να χρησιμοποιηθεί και στην προκαταρκτική αξιολόγηση έκθεσης.

⚠️ ΠΡΟΕΙΔΟΠΟΙΗΣΗ:

- Η εκπομπή κραδασμών κατά τη χρήση του ηλεκτρικού εργαλείου σε πραγματικές συνθήκες μπορεί να διαφέρει από τη δηλωμένη τιμή εκπομπής ανάλογα με τον τρόπο χρήσης του εργαλείου.
- Φροντίστε να λάβετε τα κατάλληλα μέτρα προστασίας του χειριστή βάσει υπολογισμού της έκθεσης σε πραγματικές συνθήκες χρήσης (λαμβάνοντας υπόψη όλες τις συνιστώσες του κύκλου λειτουργίας όπως τους χρόνους που το εργαλείο είναι εκτός λειτουργίας και όταν βρίσκεται σε αδρανή λειτουργία πέραν του χρόνου ενεργοποίησης).

Μόνο για χώρες της Ευρώπης**Δήλωση Συμμόρφωσης ΕΚ**

Η Makita Corporation, ως ο υπεύθυνος κατασκευαστής, δηλώνει ότι το/τα ακόλουθο(α) μηχανήμα(τα) της Makita:

Χαρακτηρισμός μηχανήματος:

Δραπανοκατάρβιδο μπαταρίας

Αρ. μοντέλου/ Τύπος: BDF459

είναι εν σειρά παραγωγή και

Συμμορφώνονται με τις ακόλουθες Ευρωπαϊκές Οδηγίες:

2006/42/ΕΚ

και κατασκευάζονται σύμφωνα με τα ακόλουθα πρότυπα ή έγγραφα τυποποίησης:

EN60745

Το τεχνικό πληροφοριακό υλικό διατηρείται από:

Makita International Europe Ltd.

Technical Department (Τεχνικό Τμήμα),

Michigan Drive, Tongwell,

Milton Keynes, Bucks MK15 8JD, England (Αγγλία)

24.11.2011



Tomoyasu Kato

Διευθυντής

Makita Corporation

3-11-8, Sumiyoshi-cho,

Anjo, Aichi, 446-8502, JAPAN

Genel görünüşün açıklanması

1 Kırmızı gösterge	7 Ters dönüş mandalı	13 Oluk
2 Düğme	8 Hız değiştirme kolu	14 Kanca
3 Batarya kartuşu	9 Ayarlama halkası	15 Vida
4 Yıldız işareti	10 Derecelendirme	16 Uç tutucusu
5 Anahtar tetik	11 Ok	17 Uç
6 Lamba	12 Kovan	18 Havalandırma deliği

ÖZELLİKLER

Model		BDF459		
Kapasiteler	Çelik	13 mm		
	Tahta	38 mm		
	Ahşap vidası	6 mm x 75 mm		
	Makine vidası	M6		
Yüksüz hız (dak ⁻¹)	Yüksek (2)	0 – 1.500		
	Düşük (1)	0 – 400		
Toplam uzunluk		179 mm		
Anma voltajı		D.C. 18 V		
Batarya kartuşu		BL1815	BL1815N	BL1830
Net ağırlık		1,5 kg	1,4 kg	1,7 kg

- Sürekli yapılan araştırma ve geliştirmelerden dolayı, burada belirtilen özellikler önceden bildirilmeksizin değiştirilebilir.
- Özellikler ve batarya kartuşu ülkeden ülkeye değişebilir.
- EPTA-Prosedürü 01/2003 uyarınca, batarya kartuşu dahil, ağırlık

ENE034-1

Kullanım amacı

Bu alet ahşap, metal ve plastik malzemede delme ve vidalama işlemleri için kullanılması amaçlanmıştır.

GEA010-1

Genel Elektrikli Alet Güvenliği

⚠ UYARI! Tüm güvenlik uyarılarını ve tüm talimatları okuyun. Uyarılara ve talimatlara uyulmaması elektrik şoku, yangın ve/veya ciddi yaralanmalar ile sonuçlanabilir.

Tüm uyarıları ve talimatları ileride başvurmak için saklayın.

GEB088-1

AKÜLÜ MATKAP TORNAVİDA İLE İLGİLİ GÜVENLİK UYARILARI

- Alete birlikte sağlanmışsa yardımcı tutamaç/ tutamakları kullanın. Kontrol kaybı yaralanmaya neden olabilir.
- Kesici aksesuarın görünmeyen kablolarla temas etme olasılığı bulunan yerlerde çalışırken elektrikli aleti yalıtımlı kavrama yüzeylerinden tutun. Kesici aksesuarın “akımlı” bir telle temas etmesi elektrikli aletin yalıtımsız metal kısımlarını “akımlı” hale getirebilir ve kullanıcıyı elektrik şokuna maruz bırakabilir.

- Bağlama elemanının görünmeyen kablolarla temas etme olasılığı bulunan yerlerde çalışırken elektrikli aleti yalıtımlı kavrama yüzeylerinden tutun. Bağlama elemanlarının “akımlı” bir tele temas etmesi, elektrikli aletin yalıtımsız metal kısımlarını “akımlı” hale getirebilir ve kullanıcıyı elektrik şokuna maruz bırakabilir.
- Her zaman yere sağlam basın. Makineyi yüksekte kullandığınızda, altında kimsenin olmadığından emin olun.
- Makineyi sıkıca tutun.
- Ellerinizi dönen parçalardan uzak tutun.
- Makineyi çalışır durumda bırakmayın. Makineyi sadece elinizde iken çalıştırın.
- Kullanılan ucu veya iş parçasını işlemden hemen sonra ellemeyin; bunlar çok sıcak olup derinizi yakabilir.
- Bazı malzemeler zehirli olabilen kimyasallar içerirler. Toz utmayı ve cilt temasını önlemek için tedbir alın. Malzeme sağlayıcısının güvenlik bilgilerine uyun.

BU TALİMATLARI SAKLAYIN.**⚠ UYARI:**

Ürünü kullanırken (defalarca kullanınca kazanılan) rahatlık ve tanıdıklık duygusunun ilgili ürünün güvenlik kurallarına sıkı sıkıya bağlı kalmanın yerine geçmesine İZİN VERMEYİN. YANLIŞ KULLANIM veya bu kullanma kılavuzunda belirtilen emniyet kurallarına uymama ciddi yaralanmaya neden olabilir.

Batarya kartuşunun takılması ve çıkarılması (Şek. 1)

⚠ DİKKAT:

- Batarya kartuşunu takmadan ya da çıkarmadan önce aleti daima kapatın.
- **Batarya dönüştürücüyü takarken veya çıkarırken aleti ve batarya dönüştürücüyü sıkıca tutun.** Aletin ve batarya dönüştürücünün sıkıca tutulmaması bunların düşürülmesine ve zarar görmesine ya da ciddi yaralanmalara sebep olabilir.

Batarya kartuşunu çıkarmak için, kartuşun ön tarafındaki düğmeyi kaydırarak kartuşu aletten çıkarın.

Batarya kartuşunu takmak için, batarya kartuşu üzerindeki dili yuvanın çentiği ile hizalayın ve yerine oturtun. Hafif bir tık sesi duyulana kadar itip yerine tam oturmasını sağlayın. Düğmenin üst tarafındaki kırmızı gösterge görünüyorsa tam yerine kilitlenmemiş demektir.

⚠ DİKKAT:

- Batarya kartuşunu daima kırmızı gösterge görünmeyecek şekilde tam olarak takın. Yerine tam oturmazsa, aletten yanlışlıkla düşebilir, sizin ya da çevrenizdeki kişilerin yaralanmasına neden olabilir.
- Batarya kartuşunu zorlayarak takmayın. Kartuş kolay bir şekilde kaymıyorsa doğru yerleştirilmemiş demektir.

Batarya koruma sistemi

Alet ve bataryası bir koruma sistemi ile donatılmıştır. Bu sistem alete giden gücü otomatik olarak keserek uzun hizmet ömrü sağlar.

Alet ve/veya batarya için aşağıdaki durumlardan biri söz konusu olduğunda aletin işleyişi otomatik olarak durur.

- **Aşırı yüklenme:**
Alet, anormal derecede yüksek akım çekmesine neden olacak şekilde kullanılmaktadır. Bu durumda, aletin üzerindeki anahtar tetiği serbest bırakın ve aletin aşırı yüklenmesine neden olan uygulamayı durdurun. Ardından anahtar tetiği tekrar çekerek çalışmayı yeniden başlatın.
- **Alet çalışmaya başlamazsa, batarya aşırı ısınmış demektir.** Bu durumda, anahtar tetiği tekrar çekmeden önce bataryanın soğumasını bekleyin.
- **Düşük batarya voltajı:**
Kalan batarya kapasitesi çok düşüktür ve alet çalışmaz. Bu durum söz konusuysa, bataryayı çıkarıp şarj edin.

NOT:

- Sıcaklığa duyarlı koruma ve düşük voltaj koruması sadece alet yıldız işaretli bir batarya ile kullanıldığında uygulanır. (Şek. 2)

Açma/Kapama işlemi (Şek. 3)

⚠ DİKKAT:

- Batarya kartuşunu alete takmadan önce, anahtar tetiğin düzgün çalıştığından ve bırakıldığında "OFF" (KAPALI) pozisyona döndüğünden emin olun.

Makineyi çalıştırmak için anahtar tetiği çekin. Makinanın hızı anahtar tetiğin üzerine daha fazla bastırılarak artırılır. Durdurmak için anahtar tetiği bırakın.

Lambanın yakılması (Şek. 4)

⚠ DİKKAT:

- İşığa ya da ışıgın kaynağına doğrudan bakmayın.

Lambayı yakmak için anahtar tetiği çekin. Anahtar tetik çekilirken lamba yanmaya devam eder. Tetik bırakılınca lamba söner.

ÖNEMLİ GÜVENLİK TALİMATLARI

BATARYA KARTUŞU İÇİN

1. Batarya kartuşunu kullanmadan önce, tüm talimatları ve (1) batarya şarj aleti, (2) batarya ve (3) bataryası kullanan alet üstündeki tüm uyarıları okuyun.
2. Batarya kartuşunu sökmeyin.
3. Çalışma süresi aşırı derecede kısalmışsa kullanmayı derhal bırakın. Aşırı ısınma, yanma riski hatta patlamaya neden olabilir.
4. Gözünüze elektrolit kaçarsa, gözlerinizi temiz suyla durulayın ve hemen tıbbi yardım alın. Görme kaybına yol açabilir.
5. Batarya kartuşunu kısa devre yaptırmayın:
 - (1) Terminallere herhangi bir iletken madde değdirmeyin.
 - (2) Batarya kartuşunu çiviler, madeni paralar, vb. gibi başka metal nesnelere aynı kaba koymaktan kaçının.
 - (3) Batarya kartuşunu yağmura ya da suya maruz bırakmayın.

Bataryada bir kısa devre büyük bir elektrik akımına, aşırı ısınmaya, olası yanıklara ve hatta bir bozulmaya neden olabilir.

6. Aleti ve batarya kartuşunu sıcaklığın 50°C'yi geçtiği ortamlarda saklamayın.
7. Batarya kartuşunu ciddi hasar görmüş ya da tamamen kullanılmaz hale gelmiş olsa bile ateşe atmayın. Batarya kartuşu ateşin içinde patlayabilir.
8. Bataryası düşürmemeye ya da darbe almamasına dikkat edin.
9. Zarar gören bataryası kullanmayın.
10. Bataryanın elden çıkarılması ile ilgili yerel düzenlemelere uyunuz.

BU TALİMATLARI SAKLAYIN.

Maksimum batarya ömrünü koruma için tavsiyeler

1. Batarya kartuşunu tamamen boşalmadan şarj edin.
Aletin gücünün zayıfladığını fark ettiğiniz zaman daima kullanmayı durdurarak batarya kartuşunu şarj edin.
2. Tam şarjlı bir batarya kartuşunu asla tekrar şarj etmeyin.
Fazla şarj etme bataryanın kullanım ömrünü kısaltır.
3. Batarya kartuşunu 10°C – 40°C oda sıcaklığında şarj edin. Sıcak bir batarya kartuşunu şarj etmeden önce soğumasını bekleyin.
4. Uzun bir süre kullanmadığınız durumlarda batarya kartuşunu altı ayda bir şarj edin.

İŞLEVSEL AÇIKLAMALAR

⚠ DİKKAT:

- Alet üzerinde ayarlama ya da işleyiş kontrolü yapmadan önce aletin kapalı ve batarya kartuşunun çıkartılmış olduğundan daima emin olun.

NOT:

- Lamba lensini temizlemek için kuru bir bez kullanın. Aydınlatmayı azaltacağı için lamba lensinin çizilmemesine dikkat edin.

Anahtar işleminin ters çevrilmesi (Şek. 5)

⚠ DİKKAT:

- Kullanmadan önce dönüş yönünü daima kontrol edin.
- Ters dönüş mandalını, makine tamamen durduktan sonra kullanın. Alet durmadan yön değiştirmek alete zarar verebilir.
- Aleti kullanmadığınız zamanlarda, ters dönüş mandalını daima nötr pozisyonda tutun.

Bu makinanın dönme yönünü değiştirmek için ters dönüş mandalı vardır. Saat yönünde dönme için, ters dönüş mandalını A tarafı pozisyonuna, saat yönünün tersine dönme için de B tarafı pozisyonuna getirin.

Ters dönüş mandalı nötr pozisyondayken anahtar tetik çekilemez.

Hız değişimi (Şek. 6)

⚠ DİKKAT:

- Hız değiştirme kolunu doğru konuma daima tam olarak ayarlayın. Hız değiştirme kolu "1" ile "2" konumları arasında bir pozisyonda iken aleti kullanırsanız alet zarar görebilir.
- Alet çalışırken hız değiştirme kolunu kullanmayın. Alet zarar görebilir.

Hızı değiştirmek için önce aleti kapatın, ardından hız değiştirme kolunu yüksek hız için "2"ye düşük hız için ise "1"e getirin. Kullanmaya başlamadan önce hız değiştirme kolunun doğru konuma ayarlandığından emin olun. Yaptığınız işe uygun hızı kullanın.

Sıkma torkunun ayarlanması (Şek. 7)

Sıkma torku, ayarlama halkası döndürülerek kademeler alet gövdesi üzerindeki işaretçi ile hizalanarak 17 kademeli olarak ayarlanabilir. 1 sayılı işaretçi ile hizalandığında sıkma torku minimum, 17 sayılı işaretçi ile hizalandığında sıkma torku maksimum seviyededir.

1 ile 16 arasında bir sayıya ayarlandığında ambreyaj farklı tork seviyelerinde kayacaktır. Ambreyaj, 17 sayılı işaretinde kaymayacak şekilde tasarlanmıştır.

Gerçek kullanım öncesinde, belli bir uygulama için hangi tork düzeyinin gerekli olduğunu belirlemek için, kullanacağınız malzeme ya da aynı malzemenin bir eşi üzerinde bir vida ile deneme yapın.

MONTAJ

⚠ DİKKAT:

- Alet üzerinde herhangi bir iş yapmadan önce aletin kapalı ve batarya kartuşunun ayrılmış olduğundan daima emin olun.

Tornavida ucu ya da matkap ucunun takılması ve çıkarılması (Şek. 8)

Mandren ağızlarını açmak için, kovani saat yönünün tersine çevirin. Ucu mandrenin içinde gidebileceği kadar yerleştirin. Mandreni sıkma için, kovani saat yönünde çevirin.

Ucu çıkarmak için, kovani saat yönünün tersine çevirin.

Kancanın takılması (Şek. 9)

Kanca, aletin geçici bir süre asılmasına yarar. Bu parça aletin her iki yanına da takılabilir.

Kancayı takmak için, onu alet gövdesinin her iki yanındaki oluklardan birine geçirin ve sonra bir vida ile sabitleyin. Çıkarmak için, vidayı gevşetin ve sonra dışarı çekip alın.

Uç tutucunun takılması (İsteğe bağlı aksesuar) (Şek. 10)

Uç tutucuyu sağ ya da sol taraftaki alet ayağının çıkıntısına yerleştirip bir vida ile sabitleyin.

Tornavida ucunu kullanmadığınız zamanlarda uç tutucularda saklayın. 45 mm uzunluğundaki uçlar burada saklanabilir.

KULLANIM

⚠ DİKKAT:


- Batarya kartuşunu yerine tam oturana kadar itin. Düğmenin üst tarafındaki kırmızı bölüm görünüyorsa tam yerine kilitlenmemiş demektir. Kırmızı bölüm görünmeyecek şekilde tam olarak oturtun. Yerine tam oturmazsa, aletten yanlışlıkla düşebilir, sizin ya da çevrenizdeki kişilerin yaralanmasına neden olabilir.

Dönüş gücünü kontrol etmek için tek elinizle aletin kavrama bölümünden ve diğer elinizle batarya kartuşunun altından sıkıca tutarak aleti kullanın.

⚠ DİKKAT:

- Havalandırma deliklerinin üzerini örtmeyin, aksi takdirde aşırı ısınmaya neden olabilir ve alete zarar gelebilir. (Şek. 11)

Vidalama işlemi (Şek. 12)

Önce, eylem modu değiştirme halkasını alet gövdesi üzerindeki ok  işaretini gösterecek şekilde döndürün. Ayarlama halkasını yaptığınız iş için uygun olan tork seviyesine ayarlayın. Ardından, aşağıda belirtilen şekilde işleme devam edin.

Matkap ucunu vida başına yerleştirin ve alete basınç uygulayın. Aleti yavaş hızda başlatın, hızı dereceli olarak artırın. Ambreyaj devreye girer girmez anahtar tetiği bırakın.


⚠ DİKKAT:

- Tornavida ucunun vida başına düzgün olarak girdiğinden emin olun, aksi takdirde vida ve/veya uç hasar görebilir.

NOT:

- Aışak vidalarla çalışırken, önce vida çapının 2/3'ü büyük olduğunda bir pilot delik delin. Bu işlem, vidalamayı kolaylaştırır ve iş parçasının parçalanmasını önler.

Delme işlemi

Önce, ayarlama halkasını işaretçi  işaretine bakacak şekilde döndürün. Ardından, aşağıda belirtilen şekilde işleme devam edin.

⚠ DİKKAT:

- Makineye aşırı baskı yapıldığında delme işlemi hızlanmayacaktır. Aşırı baskı ucun yıpranmasına, makina performansının düşmesine ve makinanın kullanım ömrünün kısalmasına yol açacaktır.
- Delğin açılması sırasında makina ve uç üzerinde çok büyük güç uygulanır. Uç, iş parçasını delip çıkmaya başladığında makina sıkı tutun ve dikkat sarf edin.
- Sıkışan bir uç, makina ters yöne döndürerek kolayca çıkarılabilir. Fakat bu durumda makina sıkıca tutmak gerekir, aksi halde makina darbe ile aniden elden çıkabilir.
- Küçük iş parçalarını delerken, daima mengene ya da benzeri sabit tutucu aletler kullanın.

- Alet, batarya kartuşu bitene kadar sürekli olarak kullanılmışsa, yeni bir batarya takıp devam etmeden önce 15 dakika dinlenin.
- Motor kilitlendiğinde anahtar tetiği tekrar tekrar çekmeyin. Bu işlem alete zarar verebilir.

Tahta delerken

Tahta delerken, kılavuz vidalı tahta uçlarıyla en iyi sonuçlar elde edilir. Kılavuz vida, ucu iş parçasına çekmek suretiyle delme işlemini kolaylaştırır.

Metal delerken

Delik delmeye başlarken, ucun kaymasını engellemek için zimba ve çekiç yardımı ile delik açılacak noktaya çentik açın. Çentik üstüne matkap ucunu yerleştirip delmeye başlayın.

Metal delerken kesme soğutucusu sıvıyı kullanın. Ancak demir ve çelik istisna olup kuru olarak delinmelidir.

BAKIM

⚠ DİKKAT:

- Kontrol ya da bakım yapmadan önce aletin kapalı ve batarya kartuşunun çıkartılmış olduğundan daima emin olun.
- Benzin, tiner, alkol ve benzeri maddeleri kesinlikle kullanmayın. Renk değişimi, deformasyon veya çatlaklar oluşabilir.

Aleti EMNİYETLİ ve ÇALIŞMAYA HAZIR durumda tutmak için onarımlar, başka her türlü bakım ve ayarlamalar daima Makita yedek parçaları kullanılarak Makita Yetkili Servis Merkezleri tarafından yapılmalıdır.

İSTEĞE BAĞLI AKSESUARLAR

⚠ DİKKAT:

- Bu aksesuarlar ve ek parçalar bu el kitabında belirtilen Makita aletiniz ile kullanılmak için tavsiye edilmektedir. Herhangi başka bir aksesuar ya da ek parça kullanılması insanlar için bir yaralanma riski getirebilir. Aksesuarları ya da ek parçaları yalnızca belirtilmiş olan amaçlarına uygun olarak kullanın.

Bu aksesuarlarla ilgili daha fazla bilgiye ihtiyaç duyarsanız bulunduğunuz yerdeki Makita Servis Merkezi başvurun.

- Matkap uçları
- Tornavida uçları
- Lokma ucu
- Koruyucu gözlük
- Orijinal Makita batarya ve şarj aleti
- Kanca
- Uç tutucusu

NOT:

- Listedeki bazı parçalar standart aksesuar olarak ürün paketinin içine dahil edilmiş olabilir. Aksesuarlar ülkeden ülkeye farklılık gösterebilir.

ENG905-1

Gürültü

EN60745 uyarınca hesaplanan tipik A-ağırlıklı gürültü düzeyi:

Ses basınç seviyesi (L_{pA}): 72 dB (A)

Belirsizlik (K): 3 dB (A)

İşlem sırasında gürültü seviyesi 80 dB (A)'yi geçebilir.

Kulak koruyucusu takın

Titreşim

EN60745 standardına göre hesaplanan titreşim toplam değeri (üç eksenli vektör toplamı):

Çalışma modu: metal delme

Titreşim emisyonu ($a_{h,D}$): 2,5 m/s²'den az

Belirsizlik (K): 1,5 m/s²

ENG901-1

- Beyan edilen titreşim emisyon değeri standart test yöntemine uygun şekilde ölçülmüştür ve bir aleti bir başkasıyla karşılaştırmak için kullanılabilir.
- Beyan edilen titreşim emisyon değeri bir ön maruz kalma değerlendirmesi olarak da kullanılabilir.

⚠ UYARI:

- Bu elektrikli aletin gerçek kullanımı sırasındaki titreşim emisyonu aletin kullanım biçimlerine bağlı olarak beyan edilen emisyon değerinden farklı olabilir.
- Gerçek kullanım koşullarındaki maruz kalmanın bir tahmini hesaplaması temelinde operatörü koruyacak güvenlik önlemlerini mutlaka belirleyin (çalışma döngüsü içerisinde aletin kapalı olduğu ve aktif durumda olmasının yanı sıra boşta çalıştığı zamanlar gibi, bütün zaman dilimleri göz önünde bulundurulacak değerlendirilmelidir).

ENH101-16

Sadece Avrupa ülkeleri için

EC Uygunluk Beyanı

Sorumlu imalatçı olarak biz Makita Corporation beyan ederiz ki aşağıdaki Makita makine (ler):

Makine Adı: Akülü Matkap Tornavida

Model No./ Tipi: BDF459

seri üretilmişlerdir ve

Aşağıdaki Avrupa Direktiflerine uygundur:

2006/42/EC

ve aşağıdaki standartlara veya standartlaştırılmış belgelere uygun olarak imal edilmişlerdir:

EN60745

Teknik dokümantasyon şurada muhafaza edilmektedir:

Makita International Europe Ltd.

Teknik Departman,

Michigan Drive, Tongwell,

Milton Keynes, Bucks MK15 8JD, England

24.11.2011



Tomoyasu Kato
Müdür

Makita Corporation
3-11-8, Sumiyoshi-cho,
Anjo, Aichi, 446-8502, JAPAN

Makita Corporation
Anjo, Aichi, Japan

885125A996

www.makita.com

IDE