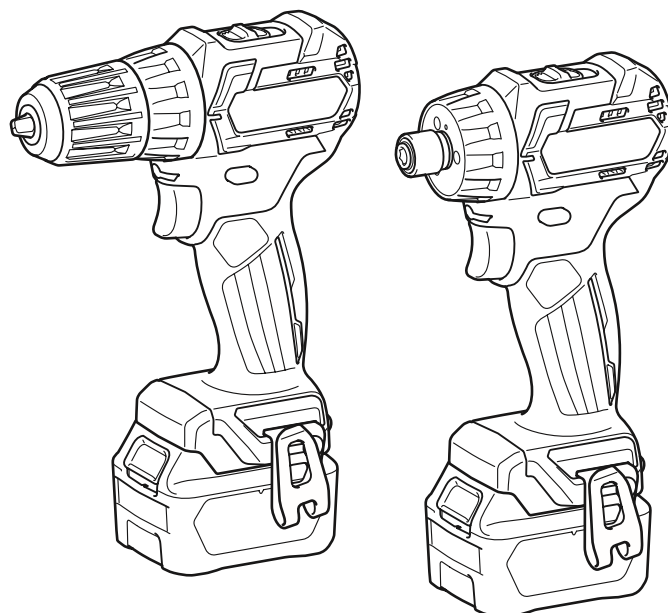




EN	Cordless Driver Drill	INSTRUCTION MANUAL	5
FR	Perceuse-Visseuse sans Fil	MANUEL D'INSTRUCTIONS	11
DE	Akku-Bohrschrauber	BETRIEBSANLEITUNG	18
IT	Trapano avvitatore a batteria	ISTRUZIONI PER L'USO	25
NL	Accuschroefboormachine	GEBRUIKSAANWIJZING	32
ES	Atornillador Taladro Inalámbrico	MANUAL DE INSTRUCCIONES	39
PT	Parafusadeira/Furadeira a Bateria	MANUAL DE INSTRUÇÕES	46
DA	Akku skrue-/boremaskine	BRUGSANVISNING	53
EL	Δραπανοκατσάβιδο μπαταρίας	ΕΓΧΕΙΡΙΔΙΟ ΟΔΗΓΙΩΝ	59
TR	Akülü Matkap Tornavida	KULLANMA KILAVUZU	66

DF332D
DF032D



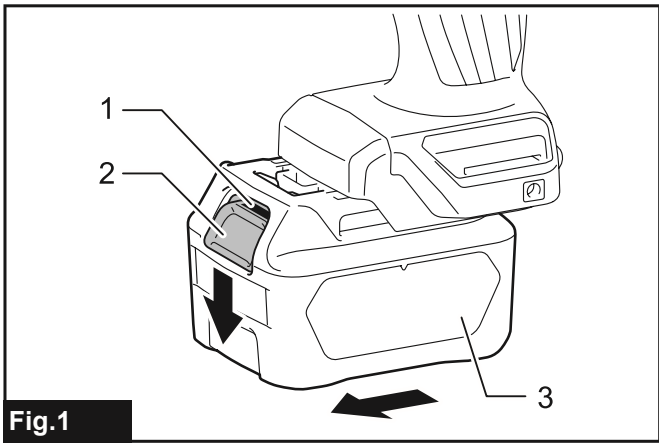


Fig.1

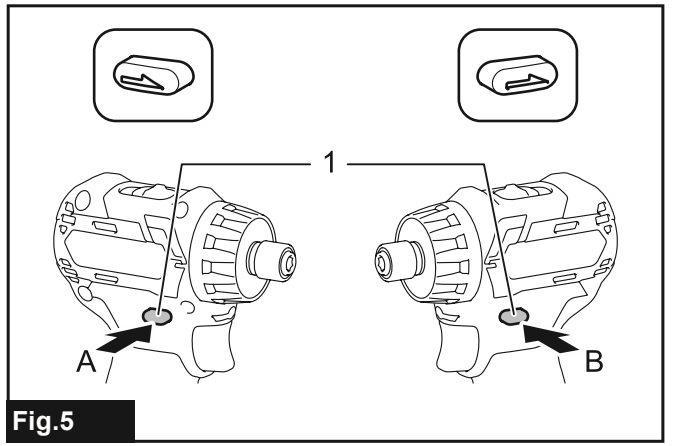


Fig.5

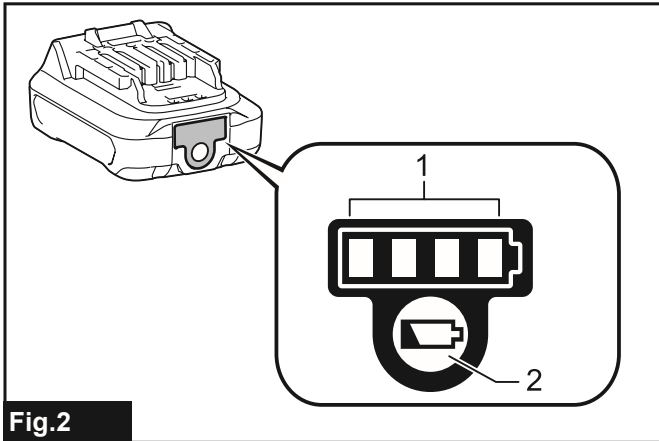


Fig.2

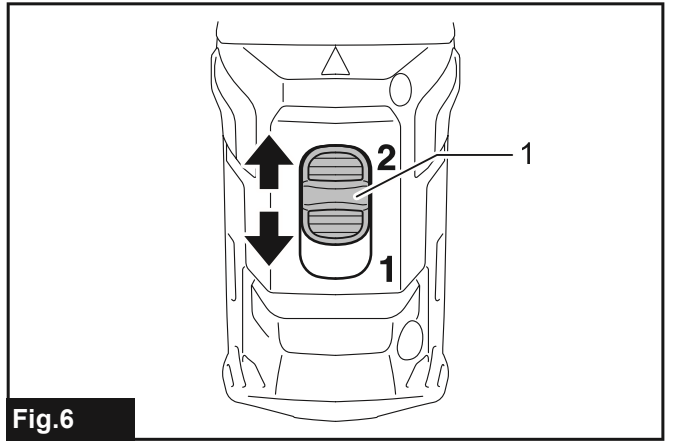


Fig.6

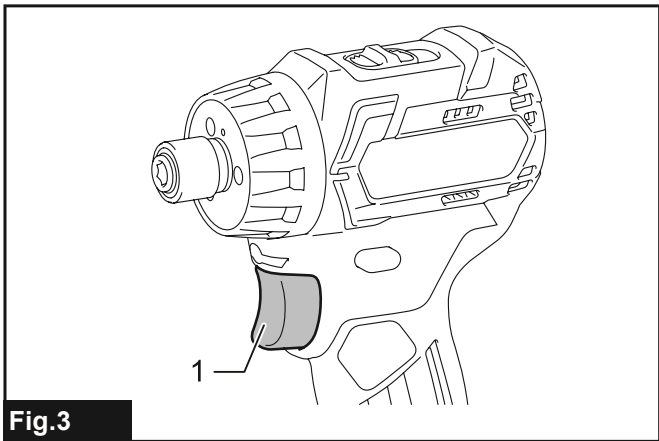


Fig.3

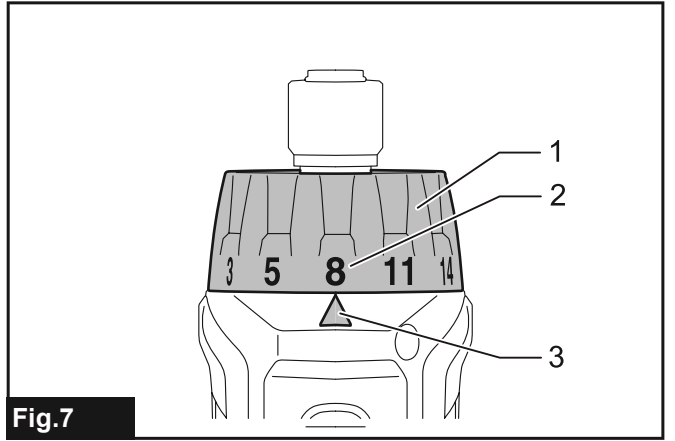


Fig.7

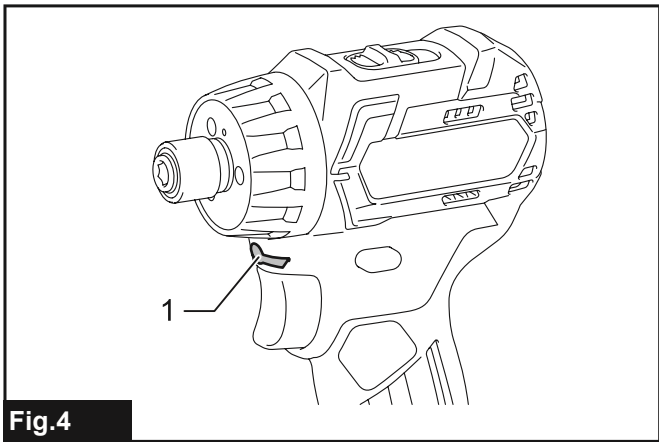


Fig.4

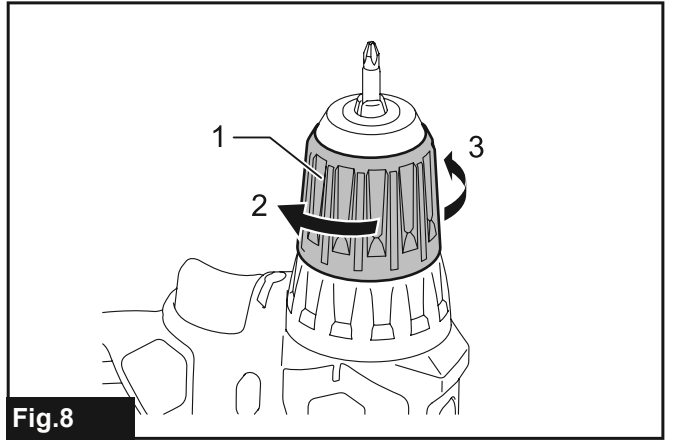


Fig.8

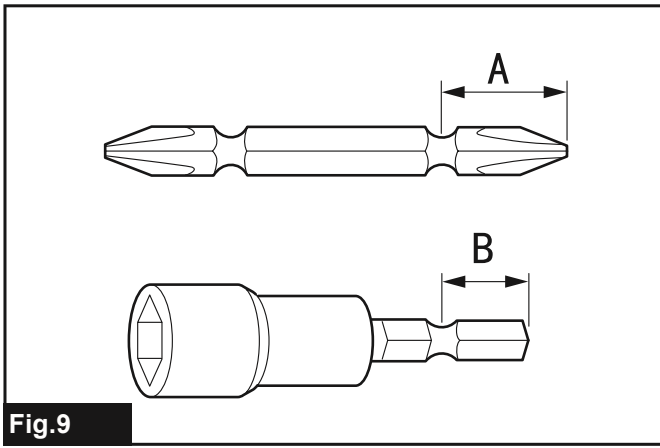


Fig.9

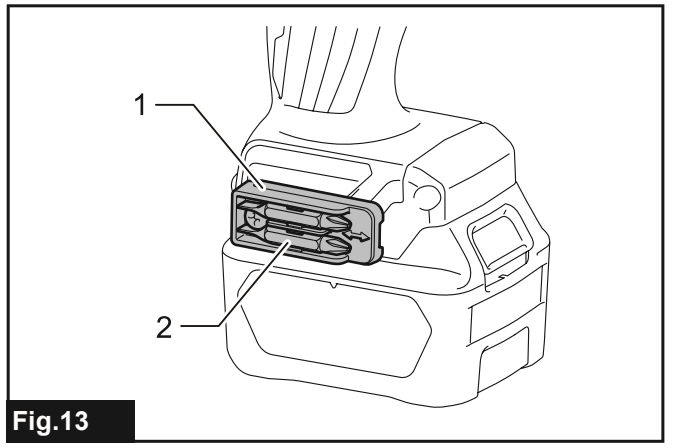


Fig.13

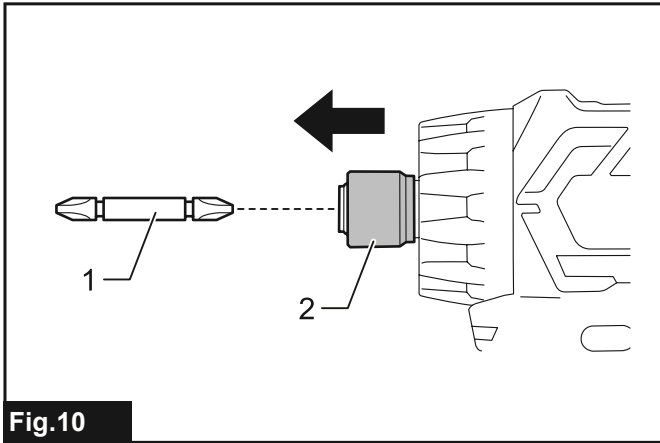


Fig.10

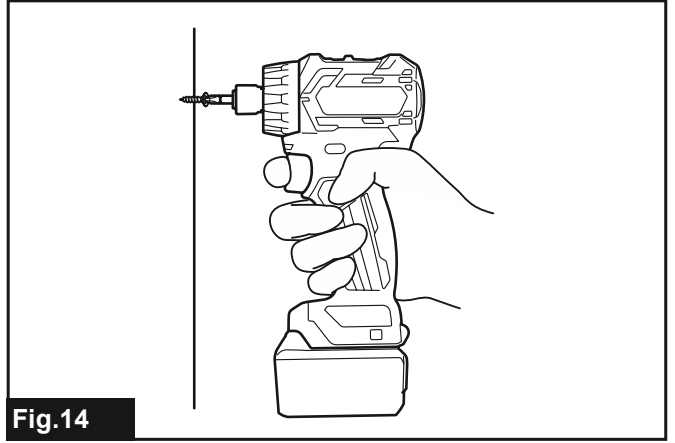


Fig.14

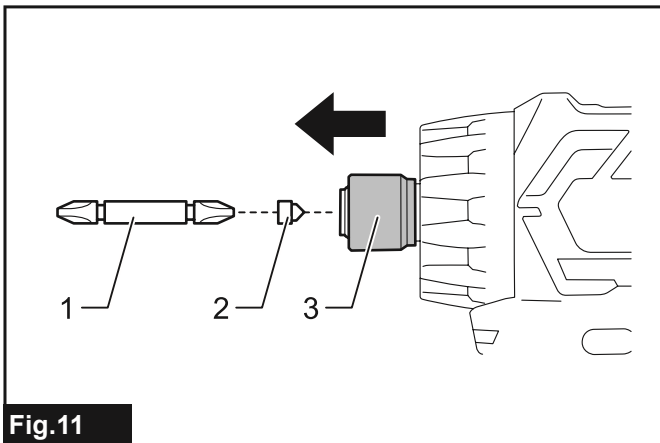


Fig.11

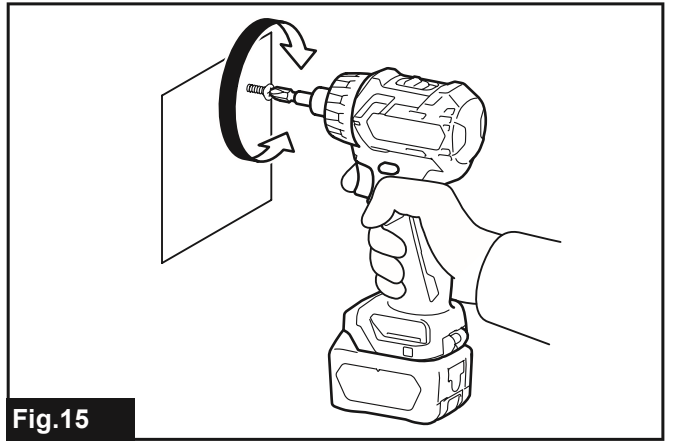


Fig.15

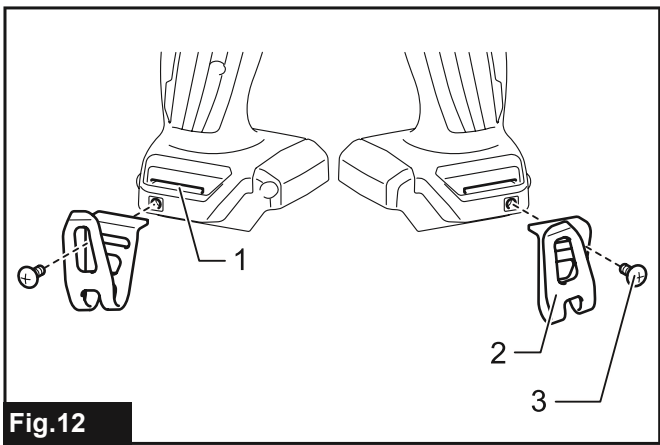


Fig.12

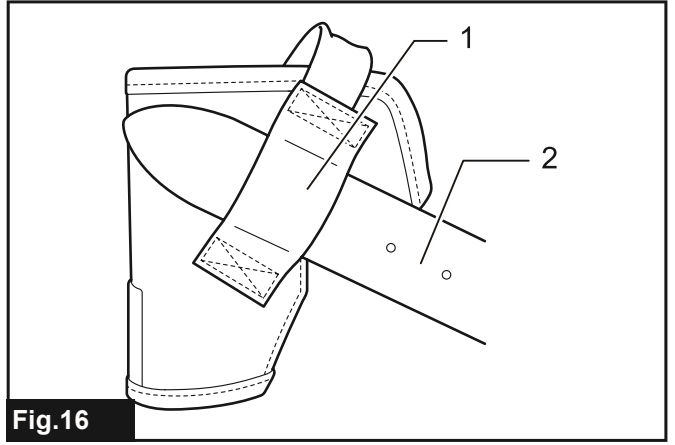


Fig.16

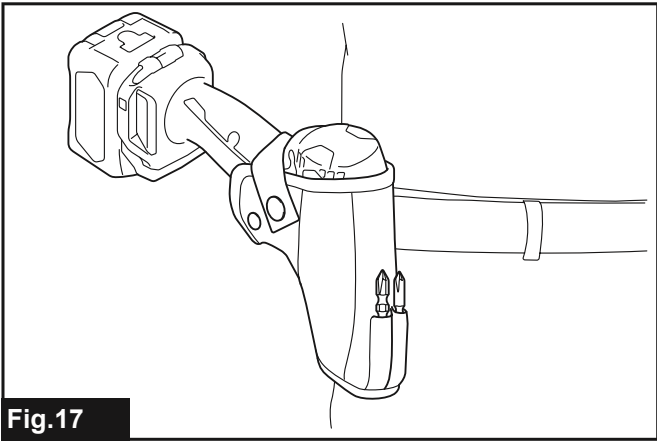


Fig.17

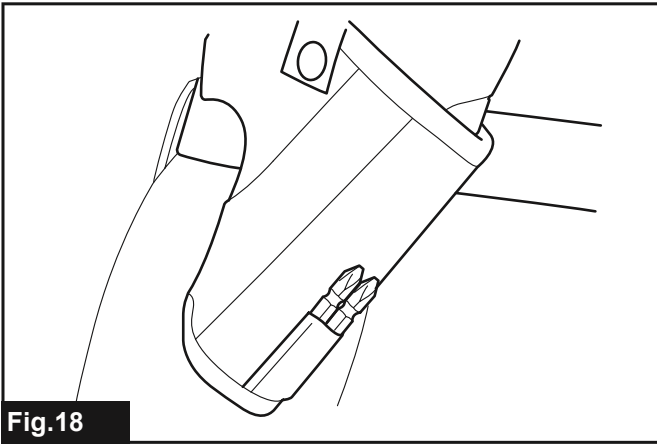


Fig.18

SPECIFICATIONS

Model:		DF332D	DF032D	
Drilling capacities	Steel	10 mm		
	Wood	28 mm		
Fastening capacities	Wood screw	5.1 mm x 63 mm		
	Machine screw	M6		
No load speed	High (2)	0 - 1,500 min ⁻¹		
	Low (1)	0 - 450 min ⁻¹		
Overall length		154 mm	124 mm	
Rated voltage		D.C. 10.8 V		
Battery cartridge		BL1015, BL1020B	BL1040B	BL1015, BL1020B BL1040B
Net weight		1.0 kg	1.2 kg	0.88 kg 1.0 kg

- Due to our continuing program of research and development, the specifications herein are subject to change without notice.
- Specifications and battery cartridge may differ from country to country.
- Weight, with battery cartridge, according to EPTA-Procedure 01/2003

Intended use

The tool is intended for drilling and screw driving in wood, metal and plastic.

Noise

The typical A-weighted noise level determined according to EN60745:

Model DF332D

Sound pressure level (L_{pA}) : 72 dB(A)
Uncertainty (K) : 3 dB(A)

The noise level under working may exceed 80 dB (A).

Model DF032D

Sound pressure level (L_{pA}) : 71 dB(A)
Uncertainty (K) : 3 dB(A)

The noise level under working may exceed 80 dB (A).

⚠ WARNING: Wear ear protection.

Vibration

The vibration total value (tri-axial vector sum) determined according to EN60745:

Model DF332D

Work mode: drilling into metal
Vibration emission ($a_{h,D}$) : 2.5 m/s² or less
Uncertainty (K) : 1.5 m/s²

Model DF032D

Work mode: drilling into metal
Vibration emission ($a_{h,D}$) : 2.5 m/s² or less
Uncertainty (K) : 1.5 m/s²

NOTE: The declared vibration emission value has been measured in accordance with the standard test method and may be used for comparing one tool with another.

NOTE: The declared vibration emission value may also be used in a preliminary assessment of exposure.

⚠ WARNING: The vibration emission during actual use of the power tool can differ from the declared emission value depending on the ways in which the tool is used.

⚠ WARNING: Be sure to identify safety measures to protect the operator that are based on an estimation of exposure in the actual conditions of use (taking account of all parts of the operating cycle such as the times when the tool is switched off and when it is running idle in addition to the trigger time).

EC Declaration of Conformity

For European countries only

Makita declares that the following Machine(s):
Designation of Machine: Cordless Driver Drill
Model No./ Type: DF332D, DF032D

Conforms to the following European Directives:
2006/42/EC

They are manufactured in accordance with the following standard or standardized documents: EN60745

The technical file in accordance with 2006/42/EC is available from:

Makita, Jan-Baptist Vinkstraat 2, 3070, Belgium
11.6.2015



Yasushi Fukaya
Director
Makita, Jan-Baptist Vinkstraat 2, 3070, Belgium

General power tool safety warnings

⚠️WARNING: Read all safety warnings and all instructions. Failure to follow the warnings and instructions may result in electric shock, fire and/or serious injury.

Save all warnings and instructions for future reference.

The term "power tool" in the warnings refers to your mains-operated (corded) power tool or battery-operated (cordless) power tool.

Cordless driver drill safety warnings

1. **Use auxiliary handle(s), if supplied with the tool.** Loss of control can cause personal injury.
2. **Hold power tool by insulated gripping surfaces, when performing an operation where the cutting accessory may contact hidden wiring.** Cutting accessory contacting a "live" wire may make exposed metal parts of the power tool "live" and could give the operator an electric shock.
3. **Hold power tool by insulated gripping surfaces, when performing an operation where the fastener may contact hidden wiring.** Fasteners contacting a "live" wire may make exposed metal parts of the power tool "live" and could give the operator an electric shock.
4. **Always be sure you have a firm footing. Be sure no one is below when using the tool in high locations.**
5. **Hold the tool firmly.**
6. **Keep hands away from rotating parts.**
7. **Do not leave the tool running. Operate the tool only when hand-held.**
8. **Do not touch the drill bit or the workpiece immediately after operation; they may be extremely hot and could burn your skin.**
9. **Some material contains chemicals which may be toxic. Take caution to prevent dust inhalation and skin contact. Follow material supplier safety data.**

SAVE THESE INSTRUCTIONS.

⚠️WARNING: DO NOT let comfort or familiarity with product (gained from repeated use) replace strict adherence to safety rules for the subject product. MISUSE or failure to follow the safety rules stated in this instruction manual may cause serious personal injury.

Important safety instructions for battery cartridge

1. **Before using battery cartridge, read all instructions and cautionary markings on (1) battery charger, (2) battery, and (3) product using battery.**
2. **Do not disassemble battery cartridge.**
3. **If operating time has become excessively shorter, stop operating immediately. It may**

result in a risk of overheating, possible burns and even an explosion.

4. **If electrolyte gets into your eyes, rinse them out with clear water and seek medical attention right away. It may result in loss of your eyesight.**
5. **Do not short the battery cartridge:**
 - (1) **Do not touch the terminals with any conductive material.**
 - (2) **Avoid storing battery cartridge in a container with other metal objects such as nails, coins, etc.**
 - (3) **Do not expose battery cartridge to water or rain.**

A battery short can cause a large current flow, overheating, possible burns and even a breakdown.

6. **Do not store the tool and battery cartridge in locations where the temperature may reach or exceed 50 °C (122 °F).**
7. **Do not incinerate the battery cartridge even if it is severely damaged or is completely worn out. The battery cartridge can explode in a fire.**
8. **Be careful not to drop or strike battery.**
9. **Do not use a damaged battery.**
10. **Follow your local regulations relating to disposal of battery.**

SAVE THESE INSTRUCTIONS.

⚠️CAUTION: Only use genuine Makita batteries. Use of non-genuine Makita batteries, or batteries that have been altered, may result in the battery bursting causing fires, personal injury and damage. It will also void the Makita warranty for the Makita tool and charger.

Tips for maintaining maximum battery life

1. **Charge the battery cartridge before completely discharged. Always stop tool operation and charge the battery cartridge when you notice less tool power.**
2. **Never recharge a fully charged battery cartridge. Overcharging shortens the battery service life.**
3. **Charge the battery cartridge with room temperature at 10 °C - 40 °C (50 °F - 104 °F). Let a hot battery cartridge cool down before charging it.**

FUNCTIONAL DESCRIPTION

⚠️CAUTION: Always be sure that the tool is switched off and the battery cartridge is removed before adjusting or checking function on the tool.

Installing or removing battery cartridge

CAUTION: Always switch off the tool before installing or removing of the battery cartridge.

CAUTION: Hold the tool and the battery cartridge firmly when installing or removing battery cartridge. Failure to hold the tool and the battery cartridge firmly may cause them to slip off your hands and result in damage to the tool and battery cartridge and a personal injury.

► **Fig.1:** 1. Red indicator 2. Button 3. Battery cartridge

To remove the battery cartridge, slide it from the tool while sliding the button on the front of the cartridge.

To install the battery cartridge, align the tongue on the battery cartridge with the groove in the housing and slip it into place. Insert it all the way until it locks in place with a little click. If you can see the red indicator on the upper side of the button, it is not locked completely.

CAUTION: Always install the battery cartridge fully until the red indicator cannot be seen. If not, it may accidentally fall out of the tool, causing injury to you or someone around you.

CAUTION: Do not install the battery cartridge forcibly. If the cartridge does not slide in easily, it is not being inserted correctly.

Battery protection system

The tool is equipped with a battery protection system. This system automatically cuts off power to the motor to extend battery life.

The tool will automatically stop during operation if the tool and/or battery are placed under one of the following conditions:

Overloaded:

The tool is operated in a manner that causes it to draw an abnormally high current.

In this situation, turn the tool off and stop the application that caused the tool to become overloaded. Then turn the tool on to restart.

If the tool does not start, the battery is overheated. In this situation, let the battery cool before turning the tool on again.

Low battery voltage:

The remaining battery capacity is too low and the tool will not operate. If you turn the tool on, the motor runs again but stops soon. In this situation, remove and recharge the battery.

Indicating the remaining battery capacity

Only for battery cartridges with "B" at the end of the model number

► **Fig.2:** 1. Indicator lamps 2. Check button

Press the check button on the battery cartridge to indicate the remaining battery capacity. The indicator lamps light up for few seconds.

Indicator lamps		Remaining capacity
Lighted	Off	
■ ■ ■ ■		75% to 100%
■ ■ ■ □		50% to 75%
■ ■ □ □		25% to 50%
■ □ □ □		0% to 25%

NOTE: Depending on the conditions of use and the ambient temperature, the indication may differ slightly from the actual capacity.

Switch action

► **Fig.3:** 1. Switch trigger

CAUTION: Before inserting the battery cartridge into the tool, always check to see that the switch trigger actuates properly and returns to the "OFF" position when released.

To start the tool, simply pull the switch trigger. Tool speed is increased by increasing pressure on the switch trigger. Release the switch trigger to stop.

NOTE: The tool automatically stops if you keep pulling the switch trigger for about 6 minutes.

Lighting up the front lamp

► **Fig.4:** 1. Lamp

CAUTION: Do not look in the light or see the source of light directly.

Pull the switch trigger to light up the lamp. The lamp keeps on lighting while the switch trigger is being pulled. The lamp goes out approximately 10 seconds after releasing the switch trigger.

NOTE: Use a dry cloth to wipe the dirt off the lens of the lamp. Be careful not to scratch the lens of lamp, or it may lower the illumination.

NOTE: When the tool is overheated, the light flashes for one minute, and then the LED display goes off. In this case, cool down the tool before operating again.

Reversing switch action

► **Fig.5:** 1. Reversing switch lever

CAUTION: Always check the direction of rotation before operation.

CAUTION: Use the reversing switch only after the tool comes to a complete stop. Changing the direction of rotation before the tool stops may damage the tool.

CAUTION: When not operating the tool, always set the reversing switch lever to the neutral position.

This tool has a reversing switch to change the direction of rotation. Depress the reversing switch lever from the A side for clockwise rotation or from the B side for counterclockwise rotation.

When the reversing switch lever is in the neutral position, the switch trigger cannot be pulled.

Speed change

► **Fig.6:** 1. Speed change lever

⚠ CAUTION: Always set the speed change lever fully to the correct position. If you operate the tool with the speed change lever positioned halfway between the "1" side and "2" side, the tool may be damaged.

⚠ CAUTION: Do not use the speed change lever while the tool is running. The tool may be damaged.

Position of speed change lever	Speed	Torque	Applicable operation
1	Low	High	Heavy loading operation
2	High	Low	Light loading operation

To change the speed, switch off the tool first. Select the "2" side for high speed or "1" for low speed but high torque. Be sure that the speed change lever is set to the correct position before operation.

If the tool speed is coming down extremely during the operation with "2", slide the lever to the "1" and restart the operation.

Adjusting the fastening torque

► **Fig.7:** 1. Adjusting ring 2. Graduation 3. Arrow

The fastening torque can be adjusted in 21 steps by turning the adjusting ring. Align the graduations with the arrow on the tool body. You can get the minimum fastening torque at 1 and maximum torque at 21 marking.

The clutch will slip at various torque levels when set at the number 1 to 20. The clutch does not work at the 21 marking.

Before actual operation, drive a trial screw into your material or a piece of duplicate material to determine which torque level is required for a particular application.

The following shows the rough guide of the relationship between the screw size and graduation.

Graduation		1	2	3	4	5	6	7	8	9	10	11	12	13	14	15	16	17	18	19	20
Machine screw		M4				M5								M6							
Wood screw	Soft wood (e.g. pine)	-				φ3.5 x 22				φ4.1 x 38				-							
	Hard wood (e.g. lauan)	-				φ3.5 x 22				φ4.1 x 38				-							

ASSEMBLY

⚠ CAUTION: Always be sure that the tool is switched off and the battery cartridge is removed before carrying out any work on the tool.

Installing or removing driver bit/drill bit

For Model DF332D (optional accessory)

► **Fig.8:** 1. Sleeve 2. Close 3. Open

Turn the sleeve counterclockwise to open the chuck jaws. Place the driver bit/drill bit in the chuck as far as it will go. Turn the sleeve clockwise to tighten the chuck. To remove the driver bit/drill bit, turn the sleeve counterclockwise.

Installing or removing driver bit/socket bit

For Model DF032D (optional accessory)

► **Fig.9**

Use only driver bit/socket bit that has inserting portion shown in the figure. Do not use any other driver bit/socket bit.

For tool with shallow driver bit hole

A=12mm
B=9mm

Use only these type of driver bit. Follow the procedure 1. (Note) Bit-piece is not necessary.

For tool with deep driver bit hole

A=17mm
B=14mm

To install these types of driver bits, follow the procedure 1.

A=12mm
B=9mm

To install these types of driver bits, follow the procedure 2. (Note) Bit-piece is necessary for installing the bit.

1. To install the driver bit, pull the sleeve in the direction of the arrow and insert the driver bit into the sleeve as far as it will go. Then release the sleeve to secure the driver bit.

► **Fig.10:** 1. Driver bit 2. Sleeve

2. To install the driver bit, pull the sleeve in the direction of the arrow and insert the bit-piece and driver bit into the sleeve as far as it will go. The bit-piece should be inserted into the sleeve with its pointed end facing in. Then release the sleeve to secure the driver bit.

► **Fig.11:** 1. Driver bit 2. Bit-piece 3. Sleeve

To remove the driver bit, pull the sleeve in the direction of the arrow and pull the driver bit out.

NOTE: If the driver bit is not inserted deep enough into the sleeve, the sleeve will not return to its original position and the driver bit will not be secured. In this case, try re-inserting the bit according to the instructions above.

NOTE: After inserting the driver bit, make sure that it is firmly secured. If it comes out, do not use it.

Installing hook

► **Fig.12:** 1. Groove 2. Hook 3. Screw

The hook is convenient for temporarily hanging the tool. This can be installed on either side of the tool. To install the hook, insert it into a groove in the tool housing on either side and then secure it with a screw. To remove, loosen the screw and then take it out.

Installing driver bit holder

Optional accessory

► **Fig.13:** 1. Driver bit holder 2. Driver bit

Fit the driver bit holder into the protrusion at the tool foot on either right or left side and secure it with a screw. When not using the driver bit, keep it in the driver bit holders. Driver bits 45 mm-long can be kept there.

OPERATION

CAUTION: Always insert the battery cartridge all the way until it locks in place. If you can see the red part on the upper side of the button, it is not locked completely. Insert it fully until the red part cannot be seen. If not, it may accidentally fall out of the tool, causing injury to you or someone around you.

CAUTION: When the speed comes down extremely, reduce the load or stop the tool to avoid the tool damage.

Hold the tool firmly with one hand on the grip and the other hand on the bottom of the battery cartridge to control the twisting action.

► **Fig.14**

Screwdriving operation


CAUTION: Adjust the adjusting ring to the proper torque level for your work.

CAUTION: Make sure that the driver bit is inserted straight in the screw head, or the screw and/or driver bit may be damaged.

Place the point of the driver bit in the screw head and apply pressure to the tool. Start the tool slowly and then increase the speed gradually. Release the switch trigger as soon as the clutch cuts in.

NOTE: When driving wood screw, pre-drill a pilot hole 2/3 the diameter of the screw. It makes driving easier and prevents splitting of the workpiece.

Drilling operation

First, turn the adjusting ring so that the pointer points to the  marking. Then proceed as follows.

Drilling in wood

When drilling in wood, the best results are obtained with wood drills equipped with a guide screw. The guide screw makes drilling easier by pulling the drill bit into the workpiece.

Drilling in metal

To prevent the drill bit from slipping when starting a hole, make an indentation with a center-punch and hammer at the point to be drilled. Place the point of the drill bit in the indentation and start drilling.

Use a cutting lubricant when drilling metals. The exceptions are iron and brass which should be drilled dry.

CAUTION: Pressing excessively on the tool will not speed up the drilling. In fact, this excessive pressure will only serve to damage the tip of your drill bit, decrease the tool performance and shorten the service life of the tool.

CAUTION: Hold the tool firmly and exert care when the drill bit begins to break through the workpiece. There is a tremendous force exerted on the tool/drill bit at the time of hole break through.

CAUTION: A stuck drill bit can be removed simply by setting the reversing switch to reverse rotation in order to back out. However, the tool may back out abruptly if you do not hold it firmly.


CAUTION: Always secure small workpieces in a vise or similar hold-down device.

CAUTION: If the tool is operated continuously until the battery cartridge has discharged, allow the tool to rest for 15 minutes before proceeding with a fresh battery.

Using the tool as a hand screwdriver

► **Fig.15**

Switch off the tool.

Move the reversing switch lever to the neutral position. Turn the adjusting ring so that the arrow points to the  marking.

Turn the tool.

NOTE: This use is convenient for checking the screwdriving.

NOTE: Do not use the tool for work requiring excessive force, such as tightening bolt or removing rusted screws.

Using holster

Optional accessory

⚠ CAUTION: When using the holster, remove a driver bit/drill bit from the tool.

⚠ CAUTION: Turn off the tool and wait until it comes to a complete stop before placing it in the holster.

Be sure to close the holster securely with the holster button so that it holds the tool firmly.

1. Thread a waist belt or similar through holster holder.

► Fig.16: 1. Holster holder 2. Waist belt

2. Put the tool in the holster and lock it with the holster button.

► Fig.17

► Fig.18

You can keep two driver bits at the front of the holster.

NOTE: Some items in the list may be included in the tool package as standard accessories. They may differ from country to country.

MAINTENANCE

⚠ CAUTION: Always be sure that the tool is switched off and the battery cartridge is removed before attempting to perform inspection or maintenance.

NOTICE: Never use gasoline, benzine, thinner, alcohol or the like. Discoloration, deformation or cracks may result.

To maintain product SAFETY and RELIABILITY, repairs, any other maintenance or adjustment should be performed by Makita Authorized or Factory Service Centers, always using Makita replacement parts.

OPTIONAL ACCESSORIES

⚠ CAUTION: These accessories or attachments are recommended for use with your Makita tool specified in this manual. The use of any other accessories or attachments might present a risk of injury to persons. Only use accessory or attachment for its stated purpose.

If you need any assistance for more details regarding these accessories, ask your local Makita Service Center.

- Drill bits
- Driver bits
- Socket bits
- Bit piece
- Driver bit holder
- Holster
- Plastic carrying case
- Hook
- Makita genuine battery and charger

SPÉCIFICATIONS

Modèle :		DF332D	DF032D	
Capacités de perçage	Acier	10 mm		
	Bois	28 mm		
Capacités de serrage	Vis à bois	5,1 mm x 63 mm		
	Vis mécanique	M6		
Vitesse à vide	Élevée (2)	0 à 1 500 min ⁻¹		
	Basse (1)	0 à 450 min ⁻¹		
Longueur totale		154 mm	124 mm	
Tension nominale		10,8 V CC		
Batterie		BL1015, BL1020B	BL1040B	BL1015, BL1020B BL1040B
Poids net		1,0 kg	1,2 kg	0,88 kg 1,0 kg

- Étant donné l'évolution constante de notre programme de recherche et de développement, les spécifications contenues dans ce manuel sont sujettes à modification sans préavis.
- Les spécifications et la batterie peuvent être différentes suivant les pays.
- Poids, avec la batterie, conformément à la procédure EPTA-01/2003

Utilisations

L'outil est conçu pour percer et visser dans le bois, le métal et le plastique.

Bruit

Niveau de bruit pondéré A typique, déterminé selon EN60745 :

Modèle DF332D

Niveau de pression sonore (L_{pA}) : 72 dB (A)
Incertitude (K) : 3 dB (A)

Le niveau de bruit en fonctionnement peut dépasser 80 dB (A).

Modèle DF032D

Niveau de pression sonore (L_{pA}) : 71 dB (A)
Incertitude (K) : 3 dB (A)

Le niveau de bruit en fonctionnement peut dépasser 80 dB (A).

AVERTISSEMENT : Portez un serre-tête antibruit.

Vibrations

Valeur totale de vibrations (somme de vecteur triaxial) déterminée selon EN60745 :

Modèle DF332D

Mode de travail : perçage dans le métal
Émission de vibrations ($a_{h,D}$) : 2,5 m/s² ou moins
Incertitude (K) : 1,5 m/s²

Modèle DF032D

Mode de travail : perçage dans le métal
Émission de vibrations ($a_{h,D}$) : 2,5 m/s² ou moins
Incertitude (K) : 1,5 m/s²

NOTE : La valeur d'émission de vibrations déclarée a été mesurée conformément à la méthode de test standard et peut être utilisée pour comparer les outils entre eux.

NOTE : La valeur d'émission de vibrations déclarée peut aussi être utilisée pour l'évaluation préliminaire de l'exposition.

AVERTISSEMENT : L'émission de vibrations lors de l'usage réel de l'outil électrique peut être différente de la valeur d'émission déclarée, suivant la façon dont l'outil est utilisé.

AVERTISSEMENT : Les mesures de sécurité à prendre pour protéger l'utilisateur doivent être basées sur une estimation de l'exposition dans des conditions réelles d'utilisation (en tenant compte de toutes les composantes du cycle d'utilisation, comme par exemple le moment de sa mise hors tension, lorsqu'il tourne à vide et le moment de son déclenchement).

Déclaration de conformité CE

Pour les pays européens uniquement

Makita déclare que la ou les machines suivantes :
Désignation de la machine : Perceuse-Visseuse sans Fil
N° de modèle/Type : DF332D, DF032D
sont conformes aux Directives européennes suivantes :
2006/42/CE
et sont fabriquées conformément aux normes ou aux documents normalisés suivants : EN60745
La documentation technique conforme à la norme 2006/42/CE est disponible auprès de :
Makita, Jan-Baptist Vinkstraat 2, 3070, Belgique
11.6.2015



Yasushi Fukaya
Directeur
Makita, Jan-Baptist Vinkstraat 2, 3070, Belgique

Consignes de sécurité générales pour outils électriques

⚠ AVERTISSEMENT : Lisez toutes les consignes de sécurité et toutes les instructions. Il y a risque d'électrocution, d'incendie et/ou de graves blessures si les mises en garde et les instructions ne sont pas respectées.

Conservez toutes les mises en garde et instructions pour référence ultérieure.

Le terme « outil électrique » dans les avertissements fait référence à l'outil électrique alimenté par le secteur (avec cordon d'alimentation) ou à l'outil électrique fonctionnant sur batterie (sans cordon d'alimentation).

Consignes de sécurité pour perceuse-visseuse sans fil

1. **Utilisez la ou les poignées auxiliaires, si l'outil en possède.** Toute perte de maîtrise de l'outil comporte un risque de blessure.
2. **Tenez l'outil électrique par des surfaces de prise isolées lorsque vous effectuez une tâche au cours de laquelle l'accessoire de coupe peut entrer en contact avec des fils cachés.** Le contact de l'accessoire de coupe avec un fil sous tension peut transmettre du courant dans les pièces métalliques exposées de l'outil et électrocuter l'opérateur.
3. **Tenez l'outil électrique par des surfaces de prise isolées lorsque vous effectuez une tâche au cours de laquelle la vis ou le boulon peut entrer en contact avec des fils cachés.** Le contact de la vis ou du boulon avec un fil sous tension peut transmettre du courant dans les pièces métalliques exposées de l'outil et électrocuter l'opérateur.
4. **Assurez-vous toujours de travailler en position stable.** Veillez à ce que personne ne se trouve en dessous de vous quand vous utilisez l'outil en hauteur.
5. **Tenez l'outil fermement.**
6. **Gardez les mains éloignées des pièces en rotation.**
7. **Ne vous éloignez pas en laissant l'outil tourner.** Ne le faites fonctionner que lorsque vous l'avez bien en main.
8. **Ne touchez pas le foret ou la pièce immédiatement après l'exécution du travail ; ils peuvent être extrêmement chauds et vous brûler la peau.**
9. **Certains matériaux contiennent des produits chimiques qui peuvent être toxiques.** Prenez garde de ne pas avaler la poussière et évitez tout contact avec la peau. Suivez les données de sécurité du fournisseur du matériau.

CONSERVEZ CES INSTRUCTIONS.

⚠ AVERTISSEMENT : NE vous laissez PAS tromper (au fil d'une utilisation répétée) par un sentiment d'aisance et de familiarité avec le produit, en négligeant le respect rigoureux des consignes de sécurité qui accompagnent le produit en question. La MAUVAISE UTILISATION de l'outil ou l'ignorance des consignes de sécurité indiquées dans ce mode d'emploi peut entraîner de graves blessures.

Consignes de sécurité importantes pour la batterie

1. **Avant d'utiliser la batterie, lisez toutes les instructions et précautions relatives (1) au chargeur de batterie, (2) à la batterie, et (3) au produit utilisant la batterie.**
2. **Ne démontez pas la batterie.**
3. **Cessez immédiatement l'utilisation si le temps de fonctionnement devient excessivement court.** Il y a risque de surchauffe, de brûlures, voire d'explosion.
4. **Si l'électrolyte pénètre dans vos yeux, rincez-les à l'eau claire et consultez immédiatement un médecin.** Il y a risque de perte de la vue.
5. **Ne court-circuitez pas la batterie :**
 - (1) **Ne touchez les bornes avec aucun matériau conducteur.**
 - (2) **Évitez de ranger la batterie dans un conteneur avec d'autres objets métalliques, par exemple des clous, des pièces de monnaie, etc.**
 - (3) **N'exposez pas la batterie à l'eau ou à la pluie.**

Un court-circuit de la batterie peut provoquer une intensité de courant élevée, une surchauffe, parfois des brûlures et même une panne.
6. **Ne rangez pas l'outil et la batterie dans un endroit où la température risque d'atteindre ou de dépasser 50 °C.**
7. **Ne jetez pas la batterie au feu même si elle est sérieusement endommagée ou complètement épuisée.** La batterie peut exploser au contact du feu.
8. **Évitez de laisser tomber ou de cogner la batterie.**
9. **N'utilisez pas la batterie si elle est endommagée.**
10. **Suivez les réglementations locales en matière de mise au rebut des batteries.**

CONSERVEZ CES INSTRUCTIONS.

⚠ ATTENTION : N'utilisez que des batteries Makita d'origine. L'utilisation de batteries de marque autre que Makita ou de batteries modifiées peut provoquer l'explosion des batteries, ce qui présente un risque d'incendie, de dommages matériels et corporels. Cela annulera également la garantie Makita pour l'outil et le chargeur Makita.

Conseils pour assurer la durée de vie optimale de la batterie

1. **Chargez la batterie avant qu'elle ne soit complètement déchargée. Arrêtez toujours l'outil et rechargez la batterie quand vous remarquez que la puissance de l'outil diminue.**
2. **Ne rechargez jamais une batterie complètement chargée. La surcharge réduit la durée de service de la batterie.**
3. **Chargez la batterie à une température ambiante comprise entre 10 °C et 40 °C. Avant de charger une batterie chaude, laissez-la refroidir.**

DESCRIPTION DU FONCTIONNEMENT

⚠ ATTENTION : Assurez-vous toujours que l'outil est hors tension et que sa batterie est retirée avant de l'ajuster ou de vérifier son fonctionnement.

Insertion ou retrait de la batterie

⚠ ATTENTION : Éteignez toujours l'outil avant de mettre en place ou de retirer la batterie.

⚠ ATTENTION : Tenez fermement l'outil et la batterie lors de la mise en place ou du retrait de la batterie. Si vous ne tenez pas fermement l'outil et la batterie, ils peuvent vous glisser des mains, et s'abîmer ou vous blesser.

► **Fig.1:** 1. Voyant rouge 2. Bouton 3. Batterie

Pour retirer la batterie, faites-la glisser hors de l'outil tout en faisant glisser le bouton à l'avant de la batterie.

Pour mettre en place la batterie, alignez la languette sur la batterie avec la rainure sur le compartiment et insérez-la. Insérez-la à fond jusqu'à ce qu'un léger déclic se fasse entendre. Si le voyant rouge sur le dessus du bouton est visible, cela signifie qu'elle n'est pas bien verrouillée.

⚠ ATTENTION : Insérez toujours complètement la batterie jusqu'à ce que le voyant rouge ne soit plus visible. Sinon, elle pourrait tomber accidentellement de l'outil, au risque de vous blesser ou de blesser quelqu'un se trouvant près de vous.

⚠ ATTENTION : N'insérez pas la batterie de force. Si elle ne glisse pas facilement, c'est que vous ne l'insérez pas correctement.

Système de protection de la batterie

L'outil est équipé d'un système de protection de la batterie. Ce système coupe automatiquement le courant de l'outil pour prolonger la durée de service de la batterie.

L'outil s'arrêtera automatiquement en cours d'utilisation si l'outil et/ou la batterie se trouve dans l'une ou l'autre des situations suivantes :

Surcharge :

L'outil est utilisé de manière telle qu'il consomme un courant anormalement élevé.

Dans ce cas, éteignez l'outil et arrêtez la tâche ayant provoqué la surcharge de l'outil. Puis rallumez l'outil pour reprendre la tâche.

Si l'outil ne démarre pas, c'est que la batterie a surchauffé. Dans ce cas, laissez la batterie refroidir avant de rallumer l'outil.

Faible tension de la batterie :

La charge restante de la batterie est trop faible et l'outil ne fonctionne pas. Si vous mettez l'outil sous tension, le moteur redémarre, mais s'arrête rapidement. Le cas échéant, retirez et rechargez la batterie.

Indication de la charge restante de la batterie

Uniquement pour les batteries dont le numéro de modèle se termine par « B »

► **Fig.2:** 1. Témoins 2. Bouton de vérification

Appuyez sur le bouton de vérification sur la batterie pour indiquer la charge restante de la batterie. Les témoins s'allument pendant quelques secondes.

Témoins		Charge restante
Allumé	Éteint	
■ ■ ■ ■		75 % à 100 %
■ ■ ■ □		50 % à 75 %
■ ■ □ □		25 % à 50 %
■ □ □ □		0 % à 25 %

NOTE : Selon les conditions d'utilisation et la température ambiante, l'indication peut être légèrement différente de la capacité réelle.

Fonctionnement de la gâchette

► **Fig.3:** 1. Gâchette

⚠ ATTENTION : Avant d'insérer la batterie dans l'outil, vérifiez toujours que la gâchette fonctionne bien et revient en position d'arrêt lorsque vous la relâchez.

Il suffit d'enclencher la gâchette pour démarrer l'outil. La vitesse de l'outil augmente à mesure que l'on accroît la pression exercée sur la gâchette. Pour l'arrêter, relâchez la gâchette.

NOTE : L'outil s'arrêtera automatiquement si vous continuez d'enclencher la gâchette pendant 6 minutes environ.

Allumage de la lampe avant

► Fig.4: 1. Lampe

⚠ ATTENTION : Évitez de regarder directement le faisceau lumineux ou sa source.

Enclenchez la gâchette pour allumer la lampe. La lampe reste allumée tant que la gâchette est enclenchée. La lampe s'éteint environ 10 secondes après avoir relâché la gâchette.

NOTE : Retirez la saleté sur la lentille de la lampe avec un chiffon sec. Prenez soin de ne pas érafler la lentille de la lampe sous peine de diminuer son éclairage.

NOTE : En cas de surchauffe de l'outil, la lumière clignote pendant une minute, puis l'afficheur à DEL s'éteint. Il faut alors laisser refroidir l'outil avant de le remettre en marche.

Fonctionnement de l'inverseur

► Fig.5: 1. Levier de l'inverseur

⚠ ATTENTION : Vérifiez toujours le sens de rotation avant d'utiliser l'outil.

⚠ ATTENTION : N'utilisez l'inverseur qu'une fois que l'outil est complètement arrêté. Si vous changez le sens de rotation avant l'arrêt de l'outil, vous risquez de l'endommager.

⚠ ATTENTION : Lorsque vous n'utilisez pas l'outil, placez toujours le levier de l'inverseur en position neutre.

L'outil possède un inverseur qui permet de changer le sens de rotation. Enfoncez le levier de l'inverseur du côté A pour une rotation dans le sens des aiguilles d'une montre, ou du côté B pour une rotation dans le sens inverse des aiguilles d'une montre.

La gâchette ne peut pas être enclenchée lorsque le levier de l'inverseur se trouve en position neutre.

Changement de vitesse

► Fig.6: 1. Levier de changement de vitesse

⚠ ATTENTION : Mettez toujours le levier de changement de vitesse parfaitement sur la bonne position. En utilisant l'outil avec le levier de changement de vitesse placé entre les côtés « 1 » et « 2 », vous risqueriez d'abîmer l'outil.

⚠ ATTENTION : Ne déplacez pas le levier de changement de vitesse pendant que l'outil tourne. Vous risqueriez d'abîmer l'outil.

Position du levier de changement de vitesse	Vitesse	Couple	Tâche applicable
1	Faible	Élevé	Tâche difficile
2	Élevée	Faible	Tâche facile

Pour changer de vitesse, mettez d'abord l'outil hors tension. Sélectionnez le côté « 2 » pour une vitesse élevée ou le côté « 1 » pour une vitesse lente avec couple élevé. Avant d'utiliser l'outil, assurez-vous que le levier de changement de vitesse se trouve sur la bonne position.

Si la vitesse de l'outil diminue considérablement pendant la tâche avec le réglage « 2 », faites glisser le levier sur « 1 » et recommencez.

Réglage du couple de serrage

► Fig.7: 1. Bague de réglage 2. Graduation 3. Flèche

Le couple de serrage peut être réglé sur un des 21 niveaux en tournant la bague de réglage. Aligned les graduations sur la flèche de l'outil. Vous pouvez obtenir un couple de serrage minimum en sélectionnant 1 et un couple maximum en sélectionnant l'indication 20.

L'engrenage glissera quand sera atteint le couple de serrage correspondant au numéro sélectionné de 1 à 20.

L'engrenage ne fonctionne pas sur l'indication 21.

Avant d'effectuer le véritable travail, faites un essai de vissage dans le matériau en question ou dans un matériau identique pour savoir quel est le niveau de couple de serrage requis pour ce travail particulier.

Vous trouverez ci-dessous une indication approximative de la relation entre la taille de vis et la graduation.

Graduation		1	2	3	4	5	6	7	8	9	10	11	12	13	14	15	16	17	18	19	20
Vis mécanique		M4				M5								M6							
Vis à bois	Bois mou (comme le pin)	-				φ3,5 x 22				φ4,1 x 38				-							
	Bois franc (comme le méranti)	-				φ3,5 x 22						φ4,1 x 38				-					

ASSEMBLAGE

⚠ ATTENTION : Assurez-vous toujours que l'outil est hors tension et que sa batterie est retirée avant d'effectuer toute tâche dessus.

Installation ou retrait de l'embout de vissage/foret

Pour le modèle DF332D (accessoire en option)

► Fig.8: 1. Manchon 2. Fermer 3. Ouvrir

Tournez le manchon dans le sens contraire des aiguilles d'une montre pour ouvrir les mâchoires du mandrin. Insérez l'embout de vissage/foret à fond dans le mandrin. Tournez le manchon dans le sens des aiguilles d'une montre pour serrer le mandrin. Pour retirer l'embout de vissage/foret, tournez le manchon dans le sens contraire des aiguilles d'une montre.

Installation ou retrait de l'embout de vissage/embout à douille

Pour le modèle DF032D (accessoire en option)

► Fig.9

Utilisez exclusivement un embout de vissage/embout à douille doté de la partie à insérer indiquée sur la figure. N'utilisez aucun autre embout de vissage/embout à douille.

Pour outil à orifice d'embout de vissage peu profond

A = 12 mm B = 9 mm	Utilisez exclusivement ces types d'embout de vissage. Suivez la procédure 1. (Note) Porte-embout non requis.
-----------------------	--

Pour outil à orifice d'embout de vissage profond

A = 17 mm B = 14 mm	Pour installer ces types d'embout de vissage, suivez la procédure 1.
A = 12 mm B = 9 mm	Pour installer ces types d'embout de vissage, suivez la procédure 2. (Note) Un porte-embout est requis pour installer l'embout.

1. Pour installer l'embout de vissage, tirez le manchon dans le sens de la flèche et insérez l'embout de vissage à fond dans le manchon. Libérez ensuite le manchon pour fixer l'embout de vissage.

► Fig.10: 1. Embout de vissage 2. Manchon

2. Pour installer l'embout de vissage, tirez le manchon dans le sens de la flèche et insérez le porte-embout et l'embout de vissage à fond dans le manchon. Le porte-embout doit être inséré dans le manchon, avec son extrémité pointue orientée vers l'intérieur du manchon. Libérez ensuite le manchon pour fixer l'embout de vissage.

► Fig.11: 1. Embout de vissage 2. Porte-embout 3. Manchon

Pour retirer l'embout de vissage, tirez sur le manchon dans le sens de la flèche et enlevez l'embout de vissage.

NOTE : Si l'embout de vissage n'est pas inséré assez profondément dans le manchon, celui-ci ne revient pas à sa position d'origine et l'embout de vissage ne se trouve pas bien fixé. Dans ce cas, insérez à nouveau l'embout conformément aux instructions ci-dessus.

NOTE : Après avoir inséré l'embout de vissage, assurez-vous qu'il est fermement fixé. Ne l'utilisez pas s'il sort du manchon.

Installation du crochet

► Fig.12: 1. Rainure 2. Crochet 3. Vis

L'outil est équipé d'un crochet pratique qui permet de l'accrocher temporairement. Ce crochet s'installe d'un côté comme de l'autre de l'outil. Pour installer le crochet, insérez-le dans une des rainures situées de chaque côté du carter de l'outil, puis serrez-le avec une vis. Pour l'enlever, desserrez la vis et retirez-le.

Installation du support d'embout de vissage

Accessoire en option

► Fig.13: 1. Support d'embout de vissage 2. Embout de vissage

Mettez le support d'embout de vissage dans la partie saillante du pied de l'outil, d'un côté ou de l'autre, et fixez-le à l'aide d'une vis.

Lorsque vous n'utilisez pas l'embout de vissage, rangez-le dans un des supports d'embout de vissage. Ils peuvent contenir des embouts de vissage d'une longueur de 45 mm.

UTILISATION

⚠ ATTENTION : Insérez toujours la batterie à fond jusqu'à ce qu'elle se verrouille en place. Si vous pouvez voir la partie rouge du côté supérieur du bouton, la batterie n'est pas complètement verrouillée. Insérez-la complètement, jusqu'à ce que la partie rouge ne soit plus visible. Sinon, elle pourrait tomber accidentellement de l'outil, au risque de vous blesser ou de blesser quelqu'un se trouvant près de vous.

⚠ ATTENTION : Lorsque la vitesse diminue considérablement, réduisez la charge ou arrêtez l'outil pour éviter de l'abîmer.

Tenez l'outil fermement en le saisissant d'une main par la poignée et de l'autre par le dessous de la batterie, afin de résister à la force de torsion.

► Fig.14

Vissage


⚠ ATTENTION : Mettez la bague de réglage sur un niveau de couple de serrage adapté au travail à effectuer.

⚠ ATTENTION : Assurez-vous que l'embout de vissage est inséré bien droit dans la tête de vis, sinon vous risquerez d'abîmer la vis et/ou l'embout de vissage.

Placez la pointe de l'embout de vissage dans la tête de vis et appliquez une pression sur l'outil. Faites démarrer l'outil lentement, puis augmentez la vitesse graduellement. Relâchez la gâchette dès que l'engrenage s'active.

NOTE : Lorsque vous insérez une vis à bois, percez d'abord un avant-trou d'un diamètre du 2/3 de celui de la vis. Cela facilitera le vissage et évitera que la pièce ne se fende.

Perçage

Tournez d'abord la bague de réglage de sorte que l'index pointe vers l'indication . Procédez ensuite comme suit.

Perçage dans le bois

Lorsque vous percez dans le bois, vous obtiendrez un résultat optimal avec un foret à bois équipé d'une vis de guidage. La vis de guidage facilite le perçage en entraînant le foret dans la pièce.

Perçage dans le métal

Pour que le foret ne glisse pas quand vous commencez à percer le trou, faites une entaille à l'aide d'un pointeau et d'un marteau à l'emplacement prévu pour le trou. Placez la pointe du foret dans l'entaille et commencez à percer.

Utilisez un lubrifiant de coupe pour percer les métaux. Seuls le fer et le laiton doivent être percés à sec.

⚠ ATTENTION : Une pression excessive sur l'outil n'accélèrera pas le perçage. En fait, la pression excessive abîmera la pointe du foret, provoquera une baisse de rendement de l'outil et réduira sa durée de service.

⚠ ATTENTION : Tenez l'outil fermement et redoublez d'attention lorsque le foret commence à sortir par la face opposée de la pièce. Une très grande force s'exerce sur l'outil/foret lorsque celui-ci émerge sur la face opposée.

⚠ ATTENTION : Un foret coincé peut être retiré en réglant simplement l'inverseur sur la rotation inverse pour faire marche arrière. L'outil peut toutefois faire brusquement marche arrière si vous ne le tenez pas fermement.

⚠ ATTENTION : Immobilisez toujours les petites pièces à travailler dans un étau ou un dispositif de retenue similaire.

⚠ ATTENTION : Si l'outil est utilisé de manière continue jusqu'à ce que la batterie se décharge, laissez-le reposer 15 minutes avant de poursuivre le travail avec une batterie fraîchement chargée.


Utilisation de l'outil comme un tournevis à main

► Fig.15

Mettez l'outil hors tension.

Déplacez le levier de l'inverseur sur la position neutre.

Tournez la bague de réglage de sorte que la flèche

pointe vers l'indication .

Tournez l'outil.

NOTE : Cette utilisation peut se révéler pratique pour vérifier le vissage.

NOTE : N'utilisez pas l'outil pour des tâches nécessitant une force excessive, comme le serrage de boulons ou le retrait de vis rouillées.

Utilisation de l'étui de type holster

Accessoire en option

⚠ ATTENTION : Lorsque vous utilisez l'étui de type holster, retirez l'embout de vissage/foret de l'outil.

⚠ ATTENTION : Mettez l'outil hors tension et attendez qu'il s'arrête complètement avant de le placer dans l'étui de type holster.

Veillez à fermer soigneusement l'étui de type holster avec le bouton de l'étui pour qu'il retienne fermement l'outil.

1. Passez une ceinture ou un objet semblable par le passant de l'étui de type holster.

► **Fig.16:** 1. Passant de l'étui de type holster
2. Ceinture

2. Placez l'outil dans l'étui de type holster et fermez-le avec le bouton de l'étui.

► **Fig.17**

► **Fig.18**

Vous pouvez garder deux embouts de vissage sur l'avant de l'étui de type holster.

ENTRETIEN

⚠ ATTENTION : Assurez-vous toujours que l'outil est hors tension et que la batterie est retirée avant d'y effectuer tout travail d'inspection ou d'entretien.

REMARQUE : N'utilisez jamais d'essence, benzine, diluant, alcool ou autre produit similaire. Cela risquerait de provoquer la décoloration, la déformation ou la fissuration de l'outil.

Pour assurer la SÉCURITÉ et la FIABILITÉ du produit, toute réparation, tout travail d'entretien ou de réglage doivent être effectués par un centre d'entretien Makita agréé, avec des pièces de rechange Makita.

ACCESSOIRES EN OPTION

⚠ ATTENTION : Ces accessoires ou pièces complémentaires sont recommandés pour l'utilisation avec l'outil Makita spécifié dans ce mode d'emploi. L'utilisation de tout autre accessoire ou pièce complémentaire peut comporter un risque de blessure. N'utilisez les accessoires ou pièces complémentaires qu'aux fins auxquelles ils ont été conçus.

Pour obtenir plus de détails sur ces accessoires, contactez votre centre d'entretien local Makita.

- Forets
- Embouts de vissage
- Embouts à douille
- Porte-embout
- Support d'embout de vissage
- Étui de type holster
- Étui de transport en plastique
- Crochet
- Batterie et chargeur Makita d'origine

NOTE : Il se peut que certains éléments de la liste soient compris dans l'emballage de l'outil en tant qu'accessoires standard. Ils peuvent varier d'un pays à l'autre.

TECHNISCHE DATEN

Modell:		DF332D	DF032D	
Bohrkapazitäten	Stahl	10 mm		
	Holz	28 mm		
Anzugskapazitäten	Holzschraube	5,1 mm x 63 mm		
	Maschinenschraube	M6		
Leerlaufdrehzahl	Hoch (2)	0 - 1.500 min ⁻¹		
	Niedrig (1)	0 - 450 min ⁻¹		
Gesamtlänge		154 mm	124 mm	
Nennspannung		10,8 V Gleichstrom		
Akku		BL1015, BL1020B	BL1040B	BL1015, BL1020B BL1040B
Nettogewicht		1,0 kg	1,2 kg	0,88 kg 1,0 kg

- Wir behalten uns vor, Änderungen der technischen Daten im Zuge der Entwicklung und des technischen Fortschritts ohne vorherige Ankündigung vorzunehmen.
- Die technischen Daten und der Akku können von Land zu Land unterschiedlich sein.
- Gewicht mit Akku nach EPTA-Verfahren 01/2003

Vorgesehene Verwendung

Das Werkzeug ist für Bohren und Schrauben in Holz, Metall und Kunststoff vorgesehen.

Geräusch

Typischer A-bewerteter Geräuschpegel ermittelt gemäß EN60745:

Modell DF332D

Schalldruckpegel (L_{pA}): 72 dB (A)
Messunsicherheit (K): 3 dB (A)

Der Geräuschpegel kann während des Betriebs 80 dB (A) überschreiten.

Modell DF032D

Schalldruckpegel (L_{pA}): 71 dB (A)
Messunsicherheit (K): 3 dB (A)

Der Geräuschpegel kann während des Betriebs 80 dB (A) überschreiten.

⚠️ WARNUNG: Einen Gehörschutz tragen.

Schwingungen

Schwingungsgesamtwert (Drei-Achsen-Vektorsumme) ermittelt gemäß EN60745:

Modell DF332D

Arbeitsmodus: Bohren in Metall
Schwingungsemission ($a_{h,D}$): 2,5 m/s² oder weniger
Messunsicherheit (K): 1,5 m/s²

Modell DF032D

Arbeitsmodus: Bohren in Metall
Schwingungsemission ($a_{h,D}$): 2,5 m/s² oder weniger
Messunsicherheit (K): 1,5 m/s²

HINWEIS: Der angegebene Schwingungsemissionswert wurde im Einklang mit der Standardprüfmethode gemessen und kann für den Vergleich zwischen Werkzeugen herangezogen werden.

HINWEIS: Der angegebene Schwingungsemissionswert kann auch für eine Vorbewertung des Gefährdungsgrads verwendet werden.

⚠️ WARNUNG: Die Schwingungsemission während der tatsächlichen Benutzung des Elektrowerkzeugs kann je nach der Benutzungsweise des Werkzeugs vom angegebenen Emissionswert abweichen.

⚠️ WARNUNG: Identifizieren Sie Sicherheitsmaßnahmen zum Schutz des Benutzers anhand einer Schätzung des Gefährdungsgrads unter den tatsächlichen Benutzungsbedingungen (unter Berücksichtigung aller Phasen des Arbeitszyklus, wie z. B. Ausschalt- und Leerlaufzeiten des Werkzeugs zusätzlich zur Betriebszeit).

EG-Konformitätserklärung

Nur für europäische Länder

Makita erklärt, dass die folgende(n) Maschine(n):
Bezeichnung der Maschine: Akku-Bohrschrauber
Modell-Nr./Typ: DF332D, DF032D

Entspricht den folgenden europäischen Richtlinien:
2006/42/EG

Sie werden gemäß den folgenden Standards oder standardisierten Dokumenten hergestellt: EN60745

Die technische Akte in Übereinstimmung mit 2006/42/EG ist erhältlich von:

Makita, Jan-Baptist Vinkstraat 2, 3070, Belgien
11.6.2015

Yasushi Fukaya

Allgemeine Sicherheitswarnungen für Elektrowerkzeuge

⚠️ WARNUNG: Lesen Sie alle Sicherheitswarnungen und Anweisungen durch. Eine Missachtung der unten aufgeführten Warnungen und Anweisungen kann zu einem elektrischen Schlag, Brand und/oder schweren Verletzungen führen.

Bewahren Sie alle Warnungen und Anweisungen für spätere Bezugnahme auf.

Der Ausdruck „Elektrowerkzeug“ in den Warnhinweisen bezieht sich auf Ihr mit Netzstrom (mit Kabel) oder Akku (ohne Kabel) betriebenes Elektrowerkzeug.

Sicherheitswarnungen für Akku-Bohrschrauber

1. **Benutzen Sie (einen) Zusatzgriff(e), sofern er (sie) mit dem Werkzeug geliefert wurde(n).** Verlust der Kontrolle kann Personenschäden verursachen.
2. **Halten Sie das Elektrowerkzeug an den isolierten Griffflächen, wenn Sie Arbeiten ausführen, bei denen die Gefahr besteht, dass das Schneidwerkzeug verborgene Kabel kontaktiert.** Bei Kontakt mit einem Strom führenden Kabel können die freiliegenden Metallteile des Elektrowerkzeugs ebenfalls Strom führend werden, so dass der Benutzer einen elektrischen Schlag erleiden kann.
3. **Halten Sie das Elektrowerkzeug an den isolierten Griffflächen, wenn Sie Arbeiten ausführen, bei denen die Gefahr besteht, dass das Befestigungselement verborgene Kabel kontaktiert.** Bei Kontakt mit einem Strom führenden Kabel können die freiliegenden Metallteile des Elektrowerkzeugs ebenfalls Strom führend werden, so dass der Benutzer einen elektrischen Schlag erleiden kann.
4. **Achten Sie stets auf sicheren Stand.** Vergewissern Sie sich bei Einsatz des Werkzeugs an hochgelegenen Arbeitsplätzen, dass sich keine Personen darunter aufhalten.
5. **Halten Sie das Werkzeug mit festem Griff.**
6. **Halten Sie Ihre Hände von rotierenden Teilen fern.**
7. **Lassen Sie das Werkzeug nicht unbeaufsichtigt laufen.** Benutzen Sie das Werkzeug nur mit Handhaltung.
8. **Vermeiden Sie eine Berührung des Bohrereinsatzes oder des Werkstücks unmittelbar nach der Bearbeitung, weil die Teile noch sehr heiß sind und Hautverbrennungen verursachen können.**
9. **Manche Materialien können giftige Chemikalien enthalten.** Treffen Sie

Vorsichtsmaßnahmen, um das Einatmen von Arbeitsstaub und Hautkontakt zu verhindern. Befolgen Sie die Sicherheitsdaten des Materiallieferanten.

DIESE ANWEISUNGEN AUFBEWAHREN.

⚠️ WARNUNG: Lassen Sie sich NICHT durch Bequemlichkeit oder Vertrautheit mit dem Produkt (durch wiederholten Gebrauch erworben) von der strikten Einhaltung der Sicherheitsregeln für das vorliegende Produkt abhalten. MISSBRAUCH oder Missachtung der Sicherheitsvorschriften in dieser Anleitung können schwere Verletzungen verursachen.

Wichtige Sicherheitsanweisungen für Akku

1. **Lesen Sie vor der Benutzung des Akkus alle Anweisungen und Warnhinweise, die an (1) Ladegerät, (2) Akku und (3) Akkuwerkzeug angebracht sind.**
2. **Unterlassen Sie ein Zerlegen des Akkus.**
3. **Falls die Betriebszeit beträchtlich kürzer geworden ist, stellen Sie den Betrieb sofort ein.** Anderenfalls besteht die Gefahr von Überhitzung, möglichen Verbrennungen und sogar einer Explosion.
4. **Falls Elektrolyt in Ihre Augen gelangt, waschen Sie sie mit sauberem Wasser aus, und begeben Sie sich unverzüglich in ärztliche Behandlung.** Anderenfalls können Sie Ihre Sehkraft verlieren.
5. **Der Akku darf nicht kurzgeschlossen werden:**
 - (1) **Die Kontakte dürfen nicht mit leitfähigem Material berührt werden.**
 - (2) **Lagern Sie den Akku nicht in einem Behälter zusammen mit anderen Metallgegenständen, wie z. B. Nägel, Münzen usw.**
 - (3) **Setzen Sie den Akku weder Wasser noch Regen aus.****Ein Kurzschluss des Akkus verursacht starken Stromfluss, der Überhitzung, mögliche Verbrennungen und einen Defekt zur Folge haben kann.**
6. **Lagern Sie das Werkzeug und den Akku nicht an Orten, an denen die Temperatur 50 °C erreichen oder überschreiten kann.**
7. **Versuchen Sie niemals, den Akku zu verbrennen, selbst wenn er stark beschädigt oder vollkommen verbraucht ist.** Der Akku kann im Feuer explodieren.
8. **Achten Sie darauf, dass der Akku nicht fallen gelassen oder Stößen ausgesetzt wird.**
9. **Benutzen Sie keine beschädigten Akkus.**
10. **Befolgen Sie die örtlichen Bestimmungen bezüglich der Entsorgung von Akkus.**

DIESE ANWEISUNGEN AUFBEWAHREN.

⚠ VORSICHT: Verwenden Sie nur Original-Makita-Akkus. Die Verwendung von Nicht-Original-Makita-Akkus oder von Akkus, die abgeändert worden sind, kann zum Bersten des Akkus und daraus resultierenden Bränden, Personenschäden und Beschädigung führen. Außerdem wird dadurch die Makita-Garantie für das Makita-Werkzeug und -Ladegerät ungültig.

Hinweise zur Aufrechterhaltung der maximalen Akku-Nutzungsdauer

1. Laden Sie den Akku, bevor er vollkommen erschöpft ist. Schalten Sie das Werkzeug stets aus, und laden Sie den Akku, wenn Sie ein Nachlassen der Werkzeulleistung feststellen.
2. Unterlassen Sie erneutes Laden eines voll aufgeladenen Akkus. Überladen führt zu einer Verkürzung der Nutzungsdauer des Akkus.
3. Laden Sie den Akku bei Raumtemperatur zwischen 10 – 40 °C. Lassen Sie einen heißen Akku abkühlen, bevor Sie ihn laden.

FUNKTIONSBESCHREIBUNG

⚠ VORSICHT: Vergewissern Sie sich vor der Durchführung von Einstellungen oder Funktionsprüfungen des Werkzeugs stets, dass das Werkzeug ausgeschaltet und der Akku abgenommen ist.

Anbringen und Abnehmen des Akkus

⚠ VORSICHT: Schalten Sie das Werkzeug stets aus, bevor Sie den Akku anbringen oder abnehmen.

⚠ VORSICHT: Halten Sie das Werkzeug und den Akku beim Anbringen oder Abnehmen des Akkus sicher fest. Wenn Sie das Werkzeug und den Akku nicht sicher festhalten, können sie Ihnen aus der Hand rutschen, was zu einer Beschädigung des Werkzeugs und des Akkus und zu Körperverletzungen führen kann.

► **Abb.1:** 1. Rote Anzeige 2. Knopf 3. Akku

Ziehen Sie den Akku zum Abnehmen vom Werkzeug ab, während Sie den Knopf an der Vorderseite des Akkus verschieben.

Richten Sie zum Anbringen des Akkus dessen Führungsfeder auf die Nut im Gehäuse aus, und schieben Sie den Akku hinein. Schieben Sie ihn vollständig ein, bis er mit einem hörbaren Klicken einrastet. Falls die rote Anzeige an der Oberseite des Knopfes sichtbar ist, ist der Akku nicht vollständig verriegelt.

⚠ VORSICHT: Schieben Sie den Akku stets bis zum Anschlag ein, bis die rote Anzeige nicht mehr sichtbar ist. Anderenfalls kann er aus dem Werkzeug herausfallen und Sie oder umstehende Personen verletzen.

⚠ VORSICHT: Unterlassen Sie Gewaltanwendung beim Anbringen des Akkus. Falls der Akku nicht reibungslos hineingleitet, ist er nicht richtig ausgerichtet.

Akku-Schutzsystem

Das Werkzeug ist mit einem Akku-Schutzsystem ausgestattet. Dieses System schaltet die Stromversorgung des Motors automatisch ab, um die Akku-Lebensdauer zu verlängern.

Das Werkzeug schaltet sich während des Betriebs automatisch ab, wenn Werkzeug und/oder Akku einer der folgenden Bedingungen unterliegen:

Überlastung:

Das Werkzeug wird auf eine Weise benutzt, die eine ungewöhnlich hohe Stromaufnahme bewirkt. Schalten Sie in dieser Situation das Werkzeug aus, und brechen Sie die Arbeit ab, die eine Überlastung des Werkzeugs verursacht hat. Schalten Sie dann das Werkzeug wieder ein, um neu zu starten. Falls das Werkzeug nicht startet, ist der Akku überhitzt. Lassen Sie den Akku in dieser Situation abkühlen, bevor Sie das Werkzeug wieder einschalten.

Niedrige Akkuspannung:

Die Akku-Restkapazität ist zu niedrig, und das Werkzeug funktioniert nicht. Wenn Sie das Werkzeug einschalten, läuft der Motor wieder an, bleibt aber bald darauf stehen. Nehmen Sie in dieser Situation den Akku ab, und laden Sie ihn auf.

Anzeigen der Akku-Restkapazität

Nur für Akkus mit „B“ am Ende der Modellnummer

► **Abb.2:** 1. Anzeigelampen 2. Prüftaste

Drücken Sie die Prüftaste am Akku, um die Akku-Restkapazität anzuzeigen. Die Anzeigelampen leuchten wenige Sekunden lang auf.

Anzeigelampen		Restkapazität
Erleuchtet	Aus	
■	□	
■ ■ ■ ■		75% bis 100%
■ ■ ■ □		50% bis 75%
■ ■ □ □		25% bis 50%
■ □ □ □		0% bis 25%

HINWEIS: Abhängig von den Benutzungsbedingungen und der Umgebungstemperatur kann die Anzeige geringfügig von der tatsächlichen Kapazität abweichen.

Schalterfunktion

► Abb.3: 1. Ein-Aus-Schalter

⚠ VORSICHT: Vergewissern Sie sich vor dem Einsetzen des Akkus in das Werkzeug stets, dass der Ein-Aus-Schalter ordnungsgemäß funktioniert und beim Loslassen in die AUS-Stellung zurückkehrt.

Drücken Sie zum Einschalten des Werkzeugs einfach den Ein-Aus-Schalter. Die Drehzahl erhöht sich durch verstärkte Druckausübung auf den Ein-Aus-Schalter. Lassen Sie den Ein-Aus-Schalter zum Anhalten los.

HINWEIS: Das Werkzeug bleibt automatisch stehen, wenn der Ein-Aus-Schalter etwa 6 Minuten lang betätigt wird.

Einschalten der Frontlampe

► Abb.4: 1. Lampe

⚠ VORSICHT: Blicken Sie nicht direkt in die Lampe oder die Lichtquelle.

Betätigen Sie den Ein-Aus-Schalter, um die Lampe einzuschalten. Die Lampe bleibt erleuchtet, solange der Ein-Aus-Schalter gedrückt gehalten wird. Die Lampe erlischt ungefähr 10 Sekunden nach dem Loslassen des Ein-Aus-Schalters.

HINWEIS: Wischen Sie Schmutz auf der Lampenlinse mit einem trockenen Tuch ab. Achten Sie sorgfältig darauf, dass Sie die Lampenlinse nicht verkratzen, weil sich sonst die Lichtstärke verringert.

HINWEIS: Wenn das Werkzeug überhitzt ist, blinkt die Leuchte eine Minute lang, und dann erlischt die LED-Anzeige. Lassen Sie das Werkzeug in diesem Fall abkühlen, bevor Sie die Arbeit fortsetzen.

Funktion des Drehrichtungsumschalters

► Abb.5: 1. Drehrichtungsumschalthebel

⚠ VORSICHT: Prüfen Sie stets die Drehrichtung, bevor Sie mit der Arbeit beginnen.

⚠ VORSICHT: Betätigen Sie den Drehrichtungsumschalter erst, nachdem das Werkzeug völlig zum Stillstand gekommen ist. Durch Umschalten der Drehrichtung bei noch laufendem Werkzeug kann das Werkzeug beschädigt werden.

⚠ VORSICHT: Stellen Sie den Drehrichtungsumschalthebel stets auf die Neutralstellung, wenn Sie das Werkzeug nicht benutzen.

Dieses Werkzeug besitzt einen Drehrichtungsumschalter. Drücken Sie auf die Seite A des Drehrichtungsumschalthebels für Rechtsdrehung, und auf die Seite B für Linksdrehung. In der Neutralstellung des Drehrichtungsumschalthebels ist der Ein-Aus-Schalter verriegelt.

Drehzahl-Umschaltung

► Abb.6: 1. Drehzahlumschalthebel

⚠ VORSICHT: Achten Sie stets darauf, dass sich der Drehzahlumschalthebel vollkommen in seiner jeweiligen Rastposition befindet. Wird das Werkzeug bei einer Zwischenstellung des Drehzahlumschalters zwischen den Positionen „1“ und „2“ betrieben, kann es beschädigt werden.

⚠ VORSICHT: Betätigen Sie den Drehzahlumschalthebel nicht während des Betriebs des Werkzeugs. Das Werkzeug kann sonst beschädigt werden.


Position des Drehzahlumschalthebels	Drehzahl	Drehmoment	Zutreffender Betrieb
1	Niedrig	Hoch	Betrieb mit schwerer Last
2	Hoch	Niedrig	Betrieb mit leichter Last


Zum Ändern der Drehzahl muss das Werkzeug zuerst ausgeschaltet werden. Wählen Sie die Seite „2“ für hohe Drehzahl, oder „1“ für niedrige Drehzahl, aber hohes Drehmoment. Vergewissern Sie sich vor Arbeitsbeginn stets, dass sich der Drehzahlumschalthebel in der korrekten Stellung befindet.

Falls die Werkzeugdrehzahl während des Betriebs mit „2“ sehr stark abfällt, schieben Sie den Hebel auf die Position „1“, und starten Sie den Betrieb neu.

Einstellen des Anzugsmoments

► **Abb.7:** 1. Einstellring 2. Teilstrich 3. Pfeil

Das Anzugsmoment kann durch Drehen des Einstellrings in 21 Stufen eingestellt werden. Richten Sie die Teilstriche auf den Pfeil am Werkzeuggehäuse aus. Das minimale Anzugsmoment erhält man bei 1, und das maximale bei dem Symbol .

In den Stellungen 1 bis 20 rutscht die Kupplung bei Erreichen des Soll Drehmoments durch. Bei Einstellung auf das Symbol  ist die Kupplung funktionsunfähig.

Bevor Sie mit der eigentlichen Schraubarbeit beginnen, sollten Sie eine Probeverschraubung mit Ihrem Material oder einem Stück des gleichen Materials durchführen, um das geeignete Anzugsmoment zu ermitteln.

Die nachstehende Tabelle zeigt die Beziehung zwischen der Schraubengröße und dem Teilstrich als grober Anhaltspunkt.

Teilstrich		1	2	3	4	5	6	7	8	9	10	11	12	13	14	15	16	17	18	19	20
Maschinenschraube		M4				M5										M6					
Holzschraube	Weichholz (z. B. Kiefer)	-				ø3,5 x 22				ø4,1 x 38				-							
	Hartholz (z. B. Lauan)	-				ø3,5 x 22						ø4,1 x 38			-						

MONTAGE

⚠ VORSICHT: Vergewissern Sie sich vor der Ausführung von Arbeiten am Werkzeug stets, dass das Werkzeug ausgeschaltet und der Akku abgenommen ist.

Montage und Demontage von Schraubendrehereinsatz/Bohrereinsatz

Für Modell DF332D (Sonderzubehör)

► **Abb.8:** 1. Werkzeugaufnahme 2. Schließen 3. Öffnen

Drehen Sie die Werkzeugaufnahme entgegen dem Uhrzeigersinn, um das Spannfutter zu öffnen. Führen Sie den Schraubendrehereinsatz/Bohrereinsatz bis zum Anschlag in das Spannfutter ein. Drehen Sie die Werkzeugaufnahme im Uhrzeigersinn, um das Spannfutter festzuziehen. Zum Entfernen des Schraubendrehereinsatzes/Bohrereinsatzes drehen Sie die Werkzeugaufnahme entgegen dem Uhrzeigersinn.

Montage und Demontage von Schraubendrehereinsatz/Steckschlüsseleinsatz

Für Modell DF032D (Sonderzubehör)

► **Abb.9**

Verwenden Sie nur Schraubendrehereinsätze/Steckschlüsseleinsätze, deren Einschubteil die in der Abbildung gezeigte Form hat. Verwenden Sie keinen anderen Schraubendrehereinsatz/Steckschlüsseleinsatz.

Für Werkzeug mit flacher Schraubendrehereinsatzaufnahme

A=12 mm
B=9 mm

Nur diese Schraubendrehereinsatztypen verwenden. Wenden Sie Verfahren 1 an. (Hinweis) Einsatzhalter wird nicht benötigt.

Für Werkzeug mit tiefer Schraubendrehereinsatzaufnahme

A=17 mm
B=14 mm

Zur Montage dieser Schraubendrehereinsatztypen wenden Sie Verfahren 1 an.

A=12 mm
B=9 mm

Zur Montage dieser Schraubendrehereinsatztypen wenden Sie Verfahren 2 an. (Hinweis) Für die Montage des Einsatzes wird ein Einsatzhalter benötigt.

1. Ziehen Sie die Werkzeugaufnahme zum Anbringen des Schraubendrehereinsatzes in Pfeilrichtung, und führen Sie den Schraubendrehereinsatz bis zum Anschlag in die Werkzeugaufnahme ein. Lassen Sie dann die Werkzeugaufnahme los, um den Schraubendrehereinsatz zu sichern.

► **Abb.10:** 1. Schraubendrehereinsatz 2. Werkzeugaufnahme

2. Ziehen Sie die Werkzeugaufnahme zum Anbringen des Schraubendrehereinsatzes in Pfeilrichtung, und führen Sie den Einsatzhalter und den Schraubendrehereinsatz bis zum Anschlag in die Werkzeugaufnahme ein. Der Einsatzhalter muss mit dem spitzen Ende nach innen in die Werkzeugaufnahme eingeschoben werden. Lassen Sie dann die Werkzeugaufnahme los, um den Schraubendrehereinsatz zu sichern.

► **Abb.11:** 1. Schraubendrehereinsatz 2. Einsatzhalter 3. Werkzeugaufnahme

Ziehen Sie die Werkzeugaufnahme zum Abnehmen des Schraubendrehereinsatzes in Pfeilrichtung, und ziehen Sie dann den Schraubendrehereinsatz heraus.

HINWEIS: Wird der Schraubendrehereinsatz nicht tief genug in die Werkzeugaufnahme eingeführt, kehrt die Werkzeugaufnahme nicht zur Ausgangsstellung zurück, so dass der Schraubendrehereinsatz nicht eingespannt wird. Versuchen Sie in diesem Fall, den Einsatz wie oben beschrieben neu einzuführen.

HINWEIS: Vergewissern Sie sich nach dem Einführen des Schraubendrehereinsatzes, dass er einwandfrei gesichert ist. Verwenden Sie ihn nicht, falls er herausrutscht.

Montieren des Aufhängers

► **Abb.12:** 1. Führungsnut 2. Aufhänger 3. Schraube

Der Aufhänger ist praktisch, um das Werkzeug vorübergehend aufzuhängen. Der Aufhänger kann auf beiden Seiten des Werkzeugs angebracht werden. Um den Aufhänger anzubringen, führen Sie ihn in die Nut entweder auf der linken oder rechten Seite des Werkzeuggehäuses ein, und sichern Sie ihn dann mit einer Schraube. Um den Aufhänger zu entfernen, lösen Sie die Schraube, und nehmen Sie dann den Aufhänger heraus.

Montieren des Schraubendreher-Einsatzhalters

Sonderzubehör

► **Abb.13:** 1. Schraubendreher-Einsatzhalter
2. Schraubendrehereinsatz

Stecken Sie den Schraubendreher-Einsatzhalter auf den Vorsprung am Werkzeugfuß entweder auf der rechten oder linken Seite, und sichern Sie ihn mit einer Schraube.

Wenn Sie den Schraubendrehereinsatz nicht benutzen, bewahren Sie ihn in den Schraubendreher-Einsatzhaltern auf. Schraubendrehereinsätze von 45 mm Länge können dort aufbewahrt werden.

BETRIEB

⚠ VORSICHT: Führen Sie den Akku immer vollständig ein, bis er einrastet. Falls der rote Teil an der Oberseite des Knopfes sichtbar ist, ist der Akku nicht vollständig verriegelt. Führen Sie ihn vollständig ein, bis der rote Teil nicht mehr sichtbar ist. Anderenfalls kann er aus dem Werkzeug herausfallen und Sie oder umstehende Personen verletzen.

⚠ VORSICHT: Wenn die Drehzahl sehr stark abfällt, verringern Sie die Last, oder halten Sie das Werkzeug an, um Beschädigung des Werkzeugs zu vermeiden.

Halten Sie das Werkzeug mit einer Hand am Griff und mit der anderen Hand an der Unterseite des Akkus fest, um der Drehwirkung entgegenzuwirken.

► **Abb.14**

Schraubetrieb


⚠ VORSICHT: Stellen Sie mit dem Einstellring das korrekte Anzugsmoment für Ihre Arbeit ein.

⚠ VORSICHT: Achten Sie darauf, dass die Spitze des Schraubendrehereinsatzes senkrecht in den Schraubenkopf eingeführt wird, um eine Beschädigung von Schraube und/oder Schraubendrehereinsatz zu vermeiden.

Setzen Sie die Spitze des Schraubendrehereinsatzes in den Schraubenkopf ein, und üben Sie Druck auf das Werkzeug aus. Lassen Sie das Werkzeug langsam anlaufen, und erhöhen Sie dann die Drehzahl allmählich. Lassen Sie den Ein-Aus-Schalter los, sobald die Kupplung durchrutscht.

HINWEIS: Wenn Sie Holzschrauben eindrehen, bohren Sie eine Führungsbohrung von 2/3 des Schraubendurchmessers vor. Dies erleichtert das Eindrehen und verhindert Spaltung des Werkstücks.

Bohrbetrieb

Drehen Sie zunächst den Einstellring, bis der Zeiger auf das Symbol  zeigt. Gehen Sie dann folgendermaßen vor.

Bohren in Holz

Beim Bohren in Holz lassen sich die besten Ergebnisse mit Holzbohrern erzielen, die mit einer Zentrierspitze ausgestattet sind. Die Zentrierspitze erleichtert das Bohren, da sie den Bohreinsatz in das Werkstück hineinzieht.

Bohren in Metall

Um Abrutschen des Bohreinsatzes beim Anbohren zu vermeiden, empfiehlt es sich, die Bohrstelle mit einem Zentriertkorn anzukörnen. Setzen Sie dann die Spitze des Bohreinsatzes in die Vertiefung, und beginnen Sie mit dem Bohren.

Verwenden Sie Schneidflüssigkeit beim Bohren von Metall. Eisen und Messing sollten jedoch trocken gebohrt werden.

⚠ VORSICHT: Übermäßige Druckausübung auf das Werkzeug bewirkt keine Beschleunigung der Bohrleistung. Im Gegenteil; übermäßiger Druck führt zu einer Beschädigung der Spitze des Bohrereinsatzes und damit zu einer Verringerung der Leistungsfähigkeit sowie zu einer Verkürzung der Lebensdauer des Werkzeugs.

⚠ VORSICHT: Halten Sie daher das Werkzeug mit festem Griff und lassen Sie Vorsicht walten, wenn der Bohrereinsatz im Begriff ist, aus dem Werkstück auszutreten. Beim Bohrungsdurchbruch wirkt ein hohes Rückdrehmoment auf Werkzeug und Bohrereinsatz.


⚠ VORSICHT: Ein festsitzender Bohrereinsatz lässt sich durch einfaches Umschalten der Drehrichtung wieder herausdrehen. Dabei sollten Sie aber das Werkzeug gut festhalten, damit es nicht ruckartig herausgestoßen wird.

⚠ VORSICHT: Spannen Sie kleine Werkstücke stets in einen Schraubstock oder eine ähnliche Aufspannvorrichtung ein.

⚠ VORSICHT: Wenn das Werkzeug im Dauerbetrieb bis zur vollkommenen Entladung des Akkus benutzt wurde, lassen Sie das Werkzeug vor dem Fortsetzen des Betriebs mit einem frischen Akku 15 Minuten lang ruhen.

Verwendung des Werkzeugs als Handschrauber

► Abb.15

Schalten Sie das Werkzeug aus.
Stellen Sie den Drehrichtungsumschalthebel auf die Neutralstellung.
Drehen Sie den Einstellring, bis der Zeiger auf das Symbol  zeigt.
Drehen Sie das Werkzeug.

HINWEIS: Diese Benutzungsweise ist praktisch, um Schraubverbindungen zu prüfen.

HINWEIS: Benutzen Sie das Werkzeug nicht für Arbeiten, die einen hohen Kraftaufwand erfordern, z. B. zum Anziehen von Bolzen oder zum Herausdrehen rostiger Schrauben.

Verwendung des Halfters

Sonderzubehör

⚠ VORSICHT: Wenn Sie das Halfter benutzen, entfernen Sie den Schraubendrehereinsatz/ Bohrereinsatz vom Werkzeug.

⚠ VORSICHT: Schalten Sie das Werkzeug aus, und warten Sie, bis es zum vollständigen Stillstand gekommen ist, bevor Sie es in das Halfter stecken.
Schließen Sie das Halfter einwandfrei mit dem Halfterknopf, damit das Werkzeug sicher gehalten wird.

1. Ziehen Sie einen Hüftgurt o. Ä. durch den Halfterhalter.

► **Abb.16:** 1. Halfterhalter 2. Hüftgurt

2. Stecken Sie das Werkzeug in das Halfter, und sichern Sie es mit dem Halfterknopf.

► **Abb.17**

► **Abb.18**

Sie können zwei Schraubendrehereinsätze an der Vorderseite des Halfters aufbewahren.

WARTUNG

⚠ VORSICHT: Vergewissern Sie sich vor der Durchführung von Inspektions- oder Wartungsarbeiten stets, dass das Werkzeug ausgeschaltet und der Akku abgenommen ist.

ANMERKUNG: Verwenden Sie auf keinen Fall Benzin, Waschbenzin, Verdüner, Alkohol oder dergleichen. Solche Mittel können Verfärbung, Verformung oder Rissbildung verursachen.

Um die SICHERHEIT und ZUVERLÄSSIGKEIT dieses Produkts zu gewährleisten, sollten Reparaturen und andere Wartungs- oder Einstellarbeiten nur von Makita-Vertragswerkstätten oder Makita-Kundendienstzentren unter ausschließlicher Verwendung von Makita-Originalersatzteilen ausgeführt werden.

SONDERZUBEHÖR

⚠ VORSICHT: Die folgenden Zubehörteile oder Vorrichtungen werden für den Einsatz mit dem in dieser Anleitung beschriebenen Makita-Werkzeug empfohlen. Die Verwendung anderer Zubehörteile oder Vorrichtungen kann eine Verletzungsgefahr darstellen. Verwenden Sie Zubehörteile oder Vorrichtungen nur für ihren vorgesehenen Zweck.

Wenn Sie weitere Einzelheiten bezüglich dieser Zubehörteile benötigen, wenden Sie sich bitte an Ihre Makita-Kundendienststelle.

- Bohrereinsätze
- Schraubendrehereinsätze
- Steckschlüsseleinsätze
- Einsatzhalter
- Schraubendreher-Einsatzhalter
- Halfter
- Plastikkoffer
- Aufhänger
- Original-Makita-Akku und -Ladegerät

HINWEIS: Manche Teile in der Liste können als Standardzubehör im Werkzeugsatz enthalten sein. Sie können von Land zu Land unterschiedlich sein.

Makita Jan-Baptist Vinkstraat 2, 3070, Belgium
Makita Corporation Anjo, Aichi, Japan

www.makita.com

885466-990
EN, FR, DE, IT,
NL, ES, PT, DA,
EL, TR
20150914