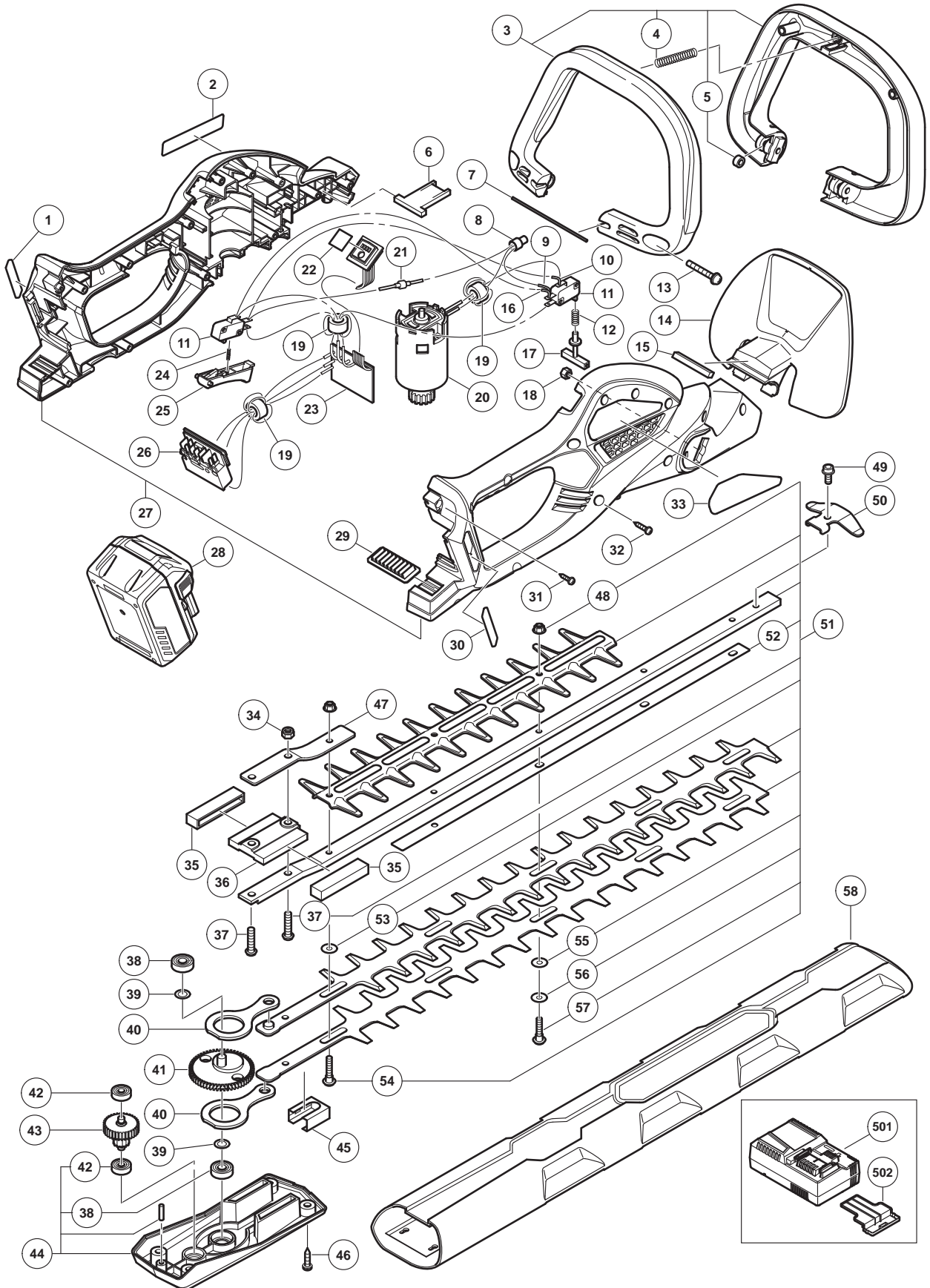


## ELECTRIC TOOL PARTS LIST

**CORDLESS HEDGE TRIMMER**  
**Model CH 3656DA**

**2018-2-14**  
**(E1)**



## PARTS

CH 3656DA

ITEM NO.	CODE NO.	DESCRIPTION	NO. USED	REMARKS
1		MV LABEL (A)	1	
2		BRAND LABEL	1	
3	335015	SUB HANDLE ASS'Y	1	INCLUD.4,5
4	333341	SPRING (C)	1	
5	335347	COLLAR	2	
6	335761	FELT	1	
7	335019	SHAFT (D)	1	
8	959141	CONNECTOR 50092 (10 PCS.)	1	
9	335345	INTERNAL WIRE (L96)	1	
10	335344	INTERNAL WIRE (L186)	1	
11	335018	SWITCH	2	
12	333344	SPRING (D)	1	
13	336239	MACHINE SCREW (W/WASHER) M5 X 30 (BLACK)	2	
14	335010	PROTECTOR	1	
15	335762	PACKING (A)	1	
16	335343	INTERNAL WIRE (L204)	1	
17	333343	PUSH PIN	1	
18	302012	NUT M5 (BLACK)	2	
* 19	334379	FERRITE CORE	3	EXCEPT FOR NZL
20	335016	MOTOR DC 36V	1	
21	335346	DIODE	1	
22		PANEL SHEET	1	
* 23	373109	CONTROLLER ASS'Y	1	INCLUD.19,22,26
* 23	373108	CONTROLLER ASS'Y	1	INCLUD.22,26 FOR NZL
24	373361	SPRING (E)	1	
25	333761	TRIGGER	1	
26	372228	BATTERY TERMINAL	1	
27	373110	HOUSING (A).(B) SET	1	
* 28	371750	BATTERY BSL 36A18 (EUROPE,AUS,NZL)	1	INCLUD.502
29	370328	BUTTERY RUBBER (B)	1	
30		MV LABEL (B)	1	
31	313687	TAPPING SCREW (W/FLANGE) D3 X 16 (BLACK)	1	
32	339250	TAPPING SCREW (W/FLANGE) D4 X 20	12	
33		NAME PLATE	1	
34	6698766	NYLON NUT M6	2	
35	335021	CUSHION	2	
36	335020	SPACER	1	
37	6699113	HEX. SOCKET HD. BOLT (W/BUTTON) M6 X 25	2	
38	608DDM	BALL BEARING 608DD	2	
39	335022	WASHER	2	
40	373362	CAM ROD	2	
41	335014	GEAR	1	
42	335669	BALL BEARING 626ZZC2 PS2-L	2	
43	335013	FIRST GEAR	1	
44	335017	BOTTOM COVER ASS'Y	1	INCLUD.38,42
45	335677	CAM ROD HOLDER	1	
46	302089	TAPPING SCREW (W/FLANGE) D5 X 20 (BLACK)	4	
47	337893	SUPPORT PLATE	1	
48	6699108	U-NUT M5	5	
49	6699065	HEX. SOCKET HD. BOLT (W/FLANGE) M5 X 8	1	

