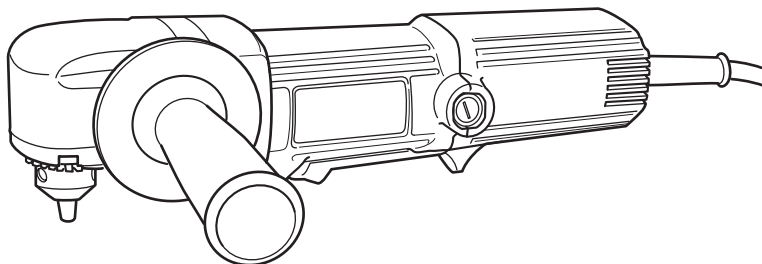


# **HIKOKI**

**Angle Drill  
Winkelbohrmaschine  
Perceuse d'angle  
Trapano angolare  
Haakse boormachine  
Taladro angular**

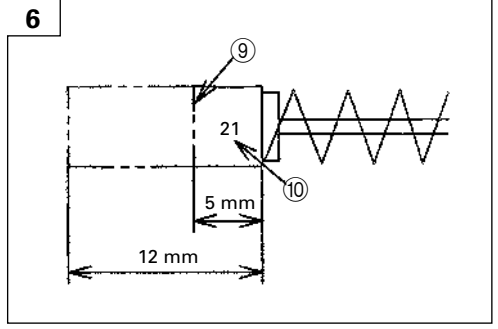
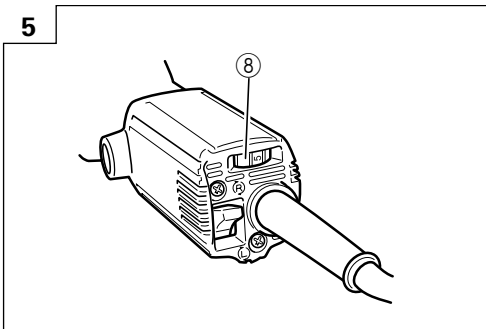
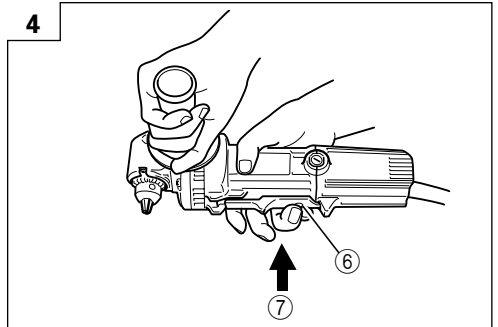
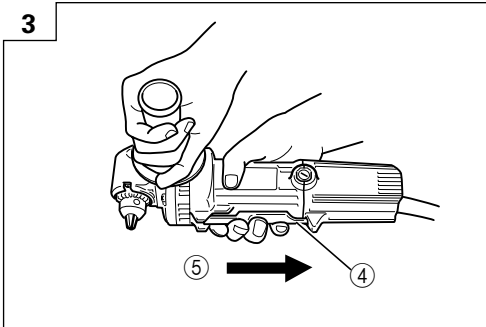
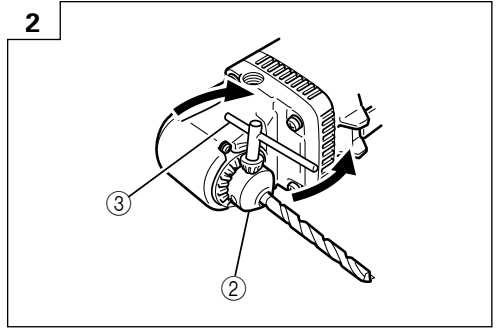
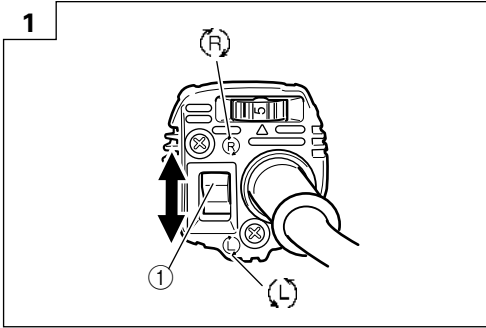
## **D 10YB**



Read through carefully and understand these instructions before use.  
Diese Anleitung vor Benutzung des Werkzeugs sorgfältig durchlesen und verstehen.  
Lire soigneusement et bien assimiler ces instructions avant usage.  
Prima dell'uso leggere attentamente e comprendere queste istruzioni.  
Deze gebruiksaanwijzing s.v.p. voor gebruik zorgvuldig doorlezen.  
Leer cuidadosamente y comprender estas instrucciones antes del uso.













Handling instructions  
Bedienungsanleitung  
Mode d'emploi  
Istruzioni per l'uso  
Gebruiksaanwijzing  
Instrucciones de manejo



	English	Deutsch	Français
①	Reversing switch lever	Umkehrschalterhebel	Inverseur
②	Drill chuck	Bohrfutter	Mandrin
③	Chuck wrench	Futterschlüssel	Clef pour mandrin
④	Switch lever	Schalterhebel	Levier d'interrupteur
⑤	Switch on	Einschalten	Mise en marche
⑥	Round convex on surface of switch lever	Konvexwölbung an der Oberfläche des Schalterhebels	Bossage convexe à la surface du levier d'interrupteur
⑦	Switch off	Ausschalten	Arrêt
⑧	Dial	Skala	Cadran
⑨	Wear limit	Verschleißgrenze	Limite d'usure
⑩	No. of Carbon Brush	Nr. der Kohlebürste	No. de balai en carbone

	Italiano	Nederlands	Español
①	Leva di commutazione	Omzetschakelaar	Palanca del conmutador inversor
②	Mandrino del trapano	Boorkop	Mandril
③	Chiave mandrino	Boorkopsleutel	Llave de mandril
④	Leva di commutazione	Schakelhendel	Palanca del conmutador
⑤	Accendere	Inschakelen	Encendido
⑥	Superficie rotonda convessa della leva di commutazione	Bolrond oppervlak schakelhendel	Parte convexa redonda en la superficie de la palanca del conmutador
⑦	Spegnere	Uitschakelen	Apagado
⑧	Selettore	Schaal	Indicador
⑨	Limite d'usura	Slijtagelimiet	Límite de desgaste
⑩	Numero delle spazzole di carbone	Nr. van koolborstels	Nº de escobilla de carbón

	<p><b>Symbols</b>   <b>WARNING</b>  The following show symbols used for the machine. Be sure that you understand their meaning before use.</p>	<p><b>Symbole</b>   <b>WARNUNG</b>  Die folgenden Symbole werden für diese Maschine verwendet. Achten Sie darauf, diese vor der Verwendung zu verstehen.</p>	<p><b>Symboles</b>   <b>AVERTISSEMENT</b>  Les symboles suivants sont utilisés pour l'outil. Bien se familiariser avec leur signification avant d'utiliser l'outil.</p>
	<p><b>Read all safety warnings and all instructions.</b>  Failure to follow the warnings and instructions may result in electric shock, fire and/or serious injury.</p>	<p><b>Lesen Sie sämtliche Sicherheitshinweise und Anweisungen durch.</b>  Wenn die Warnungen und Anweisungen nicht befolgt werden, kann es zu Stromschlag, Brand und/oder ernsthaften Verletzungen kommen.</p>	<p><b>Lire tous les avertissements de sécurité et toutes les instructions.</b>  Tout manquement à observer ces avertissements et instructions peut engendrer des chocs électriques, des incendies et/ou des blessures graves.</p>
	<p>Only for EU countries  Do not dispose of electric tools together with household waste material!  In observance of European Directive 2002/96/EC on waste electrical and electronic equipment and its implementation in accordance with national law, electric tools that have reached the end of their life must be collected separately and returned to an environmentally compatible recycling facility.</p>	<p>Nur für EU-Länder  Werfen Sie Elektrowerkzeuge nicht in den Hausmüll!  Gemäss Europäischer Richtlinie 2002/96/EG über Elektro- und Elektronik-Altgeräte und Umsetzung in nationales Recht müssen verbrauchte Elektrowerkzeuge getrennt gesammelt und einer umweltgerechten Wiederverwertung zugeführt werden.</p>	<p>Pour les pays européens uniquement  Ne pas jeter les appareils électriques dans les ordures ménagères!  Conformément à la directive européenne 2002/96/EG relative aux déchets d'équipements électriques ou électroniques (DEEE), et à sa transposition dans la législation nationale, les appareils électriques doivent être collectés à part et être soumis à un recyclage respectueux de l'environnement.</p>
	<p><b>Simboli</b>   <b>AVVERTENZA</b>  Di seguito mostriamo i simboli usati per la macchina. Assicurarsi di comprenderne il significato prima dell'uso.</p>	<p><b>Symbolen</b>   <b>WAARSCHUWING</b>  Hieronder staan symbolen afgebeeld die van toepassing zijn op deze machine. U moet de betekenis hiervan begrijpen voor gebruik.</p>	<p><b> Símbolos</b>   <b>ADVERTENCIA</b>  A continuación se muestran los símbolos usados para la máquina. Asegúrese de comprender su significado antes del uso.</p>
	<p><b>Leggere tutti gli avvertimenti di sicurezza e tutte le istruzioni.</b>  La mancata osservanza degli avvertimenti e delle istruzioni potrebbe essere causa di scosse elettriche, incendi e/o gravi lesioni.</p>	<p><b>Lees alle waarschuwingen en instructies aandachtig door.</b>  Nalating om de waarschuwingen en instructies op te volgen kan in een elektrische schok, brand en/of ernstig letsel resulteren.</p>	<p><b>Lea todas las instrucciones y advertencias de seguridad.</b>  Si no se siguen las advertencias e instrucciones, podría producirse una descarga eléctrica, un incendio y/o daños graves.</p>
	<p>Solo per Paesi UE  Non gettare le apparecchiature elettriche tra i rifiuti domestici.  Secondo la Direttiva Europea 2002/96/CE sui rifiuti di apparecchiature elettriche ed elettroniche e la sua attuazione in conformità alle norme nazionali, le apparecchiature elettriche esauste devono essere raccolte separatamente, al fine di essere reimpiagate in modo eco-compatibile.</p>	<p>Alleen voor EU-landen  Geef elektrisch gereedschap niet met het huisvuil mee!  Volgens de Europese richtlijn 2002/96/EG inzake oude elektrische en elektronische apparaten en de toepassing daarvan binnen de nationale wetgeving, dient gebruikt elektrisch gereedschap gescheiden te worden ingezameld en te worden afgevoerd naar een recycle bedrijf dat voldoet aan de geldende milieu-eisen.</p>	<p>Sólo para países de la Unión Europea  ¡No desheche los aparatos eléctricos junto con los residuos domésticos!  De conformidad con la Directiva Europea 2002/96/CE sobre residuos de aparatos eléctricos y electrónicos y su aplicación de acuerdo con la legislación nacional, las herramientas eléctricas cuya vida útil haya llegado a su fin se deberán recoger por separado y trasladar a una planta de reciclaje que cumpla con las exigencias ecológicas.</p>

## GENERAL POWER TOOL SAFETY WARNINGS

### WARNING

Read all safety warnings and all instructions.

Failure to follow the warnings and instructions may result in electric shock, fire and/or serious injury.

Save all warnings and instructions for future reference.

The term "power tool" in the warnings refers to your mains-operated (corded) power tool or battery-operated (cordless) power tool.

#### 1) Work area safety

- a) **Keep work area clean and well lit.**  
*Cluttered or dark areas invite accidents.*
- b) **Do not operate power tools in explosive atmospheres, such as in the presence of flammable liquids, gases or dust.**  
*Power tools create sparks which may ignite the dust or fumes.*
- c) **Keep children and bystanders away while operating a power tool.**  
*Distractions can cause you to lose control.*

#### 2) Electrical safety

- a) **Power tool plugs must match the outlet. Never modify the plug in any way. Do not use any adapter plugs with earthed (grounded) power tools.**  
*Unmodified plugs and matching outlets will reduce risk of electric shock.*
- b) **Avoid body contact with earthed or grounded surfaces, such as pipes, radiators, ranges and refrigerators.**  
*There is an increased risk of electric shock if your body is earthed or grounded.*
- c) **Do not expose power tools to rain or wet conditions.**  
*Water entering a power tool will increase the risk of electric shock.*
- d) **Do not abuse the cord. Never use the cord for carrying, pulling or unplugging the power tool. Keep cord away from heat, oil, sharp edges or moving parts.**  
*Damaged or entangled cords increase the risk of electric shock.*
- e) **When operating a power tool outdoors, use an extension cord suitable for outdoor use.**  
*Use of a cord suitable for outdoor use reduces the risk of electric shock.*
- f) **If operating a power tool in a damp location is unavoidable, use a residual current device (RCD) protected supply.**  
*Use of an RCD reduces the risk of electric shock.*

#### 3) Personal safety

- a) **Stay alert, watch what you are doing and use common sense when operating a power tool. Do not use a power tool while you are tired or under the influence of drugs, alcohol or medication.**  
*A moment of inattention while operating power tools may result in serious personal injury.*
- b) **Use personal protective equipment. Always wear eye protection.**  
*Protective equipment such as dust mask, non-skid safety shoes, hard hat, or hearing protection used for appropriate conditions will reduce personal injuries.*
- c) **Prevent unintentional starting. Ensure the switch is in the off-position before connecting to power source and/or battery pack, picking up or carrying the tool.**

*Carrying power tools with your finger on the switch or energising power tools that have the switch on invites accidents.*

- d) **Remove any adjusting key or wrench before turning the power tool on.**  
*A wrench or a key left attached to a rotating part of the power tool may result in personal injury.*
  - e) **Do not overreach. Keep proper footing and balance at all times.**  
*This enables better control of the power tool in unexpected situations.*
  - f) **Dress properly. Do not wear loose clothing or jewellery. Keep your hair, clothing and gloves away from moving parts.**  
*Loose clothes, jewellery or long hair can be caught in moving parts.*
  - g) **If devices are provided for the connection of dust extraction and collection facilities, ensure these are connected and properly used.**  
*Use of dust collection can reduce dust related hazards.*
- #### 4) Power tool use and care
- a) **Do not force the power tool. Use the correct power tool for your application.**  
*The correct power tool will do the job better and safer at the rate for which it was designed.*
  - b) **Do not use the power tool if the switch does not turn it on and off.**  
*Any power tool that cannot be controlled with the switch is dangerous and must be repaired.*
  - c) **Disconnect the plug from the power source and/or the battery pack from the power tool before making any adjustments, changing accessories, or storing power tools.**  
*Such preventive safety measures reduce the risk of starting the power tool accidentally.*
  - d) **Store idle power tools out of the reach of children and do not allow persons unfamiliar with the power tool or these instructions to operate the power tool. Power tools are dangerous in the hands of untrained users.**
  - e) **Maintain power tools. Check for misalignment or binding of moving parts, breakage of parts and any other condition that may affect the power tool's operation. If damaged, have the power tool repaired before use. Many accidents are caused by poorly maintained power tools.**
  - f) **Keep cutting tools sharp and clean.**  
*Properly maintained cutting tools with sharp cutting edges are less likely to bind and are easier to control.*
  - g) **Use the power tool, accessories and tool bits etc. in accordance with these instructions, taking into account the working conditions and the work to be performed.**  
*Use of the power tool for operations different from those intended could result in a hazardous situation.*
- #### 5) Service
- a) **Have your power tool serviced by a qualified repair person using only identical replacement parts.**  
*This will ensure that the safety of the power tool is maintained.*

### PRECAUTION

Keep children and infirm persons away.

When not in use, tools should be stored out of reach of children and infirm persons.

## ANGLE DRILL SAFETY WARNINGS

1. **Wear ear protectors with impact drills.**  
Exposure to noise can cause hearing loss.
2. **Use auxiliary handles supplied with the tool.**  
Loss of control can cause personal injury.
3. Hold the drill and side handle securely with both hands when using.
4. Do not wear gloves made of stuff liable to roll up such as cotton, wool, cloth or string, etc.
5. Prior to drilling into walls, ceilings or floors, ensure there are no electric cables or conduits inside.

## SPECIFICATIONS

Voltage (by areas)*	(110V, 115V, 220V, 230V, 240V) ∪
Power input*	500 W
No-load speed	500 – 2300 min <sup>-1</sup>
Drill chuck capacity	10 mm
Capacity: Steel	10 mm
Wood	22 mm
Weight (without cord)	1.5 kg

\*Be sure to check the nameplate on product as it is subject to change by areas.

## STANDARD ACCESSORIES

- (1) Chuck wrench ..... 1
  - (2) Side handle ..... 1
- Standard accessories are subject to change without notice.

## APPLICATIONS

- Drilling holes on various metal, wood and plastics.

## PRIOR TO OPERATION

1. **Power source**  
Ensure that the power source to be utilized conforms to the power requirements specified on the product nameplate.
2. **Power switch**  
Ensure that the power switch is in the OFF position. If the plug is connected to a receptacle while the power switch is in the ON position, the power tool will start operating immediately, inviting serious accident.
3. **Extension cord**  
When the work area is removed from the power source, use an extension cord of sufficient thickness and rated capacity. The extension cord should be kept as short as practicable.
4. **Confirm the direction of bit rotation (Fig. 1)**  
The bit rotates clockwise (viewed from the top side) by pushing the R-side of the reversing switch lever. The L-side of the lever is pushed to turn the bit counterclockwise.

### CAUTION

Never change the direction of bit rotation while operating.

Turn the power switch OFF before changing the direction of bit rotation; otherwise, burning of the motor will result.

### 5. Mounting drill bits (Fig. 2)

Tighten drill bits with the chuck wrench. There are three holes in which the chuck wrench should be inserted. Tighten them equally in turn at three holes, without tightening them only at one hole. The drill bit can be removed in the opposite method as mentioned above.

### 6. How to select drill bits

- (1) When drilling holes in metals or plastics:  
Use ordinary metalworking drill bits, applicable drill sizes range from min. 1.5 mm to drill chuck capacity.
- (2) When drilling holes in wood:  
Use woodworking drill bits. For small holes of 6.5 mm diam. or below, use metalworking drill bits.

### 7. Fixing the side handle

Screw the side handle into the gear cover.

## HOW TO USE

### 1. Switching instruction

- (1) Turning the switch on  
Slide the switch lever on the main body backward as illustrated in Fig. 3. When you slide it backward completely, the switch gets turned on and locked in that condition.
- (2) Turning the switch off  
Press the round convex on the surface of the switch lever as illustrated in Fig. 4. Then, the lock comes off, the switch lever returns forward on the main body by the spring's force, and the switch gets turned off.

**CAUTION**

Check and make sure positively that the switch is off before inserting the plug into the power outlet. Otherwise, a sudden start of the tool definitely results an accident.

**2. Pressing force of drill**

You can not get holes quickly even if pressing it by strong force more than necessary.

It not only damages the tip of drill bits and decreases the efficiency of operation, but also shortens the life of the drill.

**3. When drilling completely through the material**

When the drill bit bores completely through the material, careless handling often results in a broken drill bit or damage to the drill body itself due to the sudden movement of the drill. Always be alert and ready to release pushing force and hold the drill body securely with both hands when drilling through the material.

**4. Adjusting the drilling speed**

D10YB is equipped with electric control circuit which enables non-step speed control.

To adjust the speed, turn the dial shown in Fig. 5. When the dial is set to "1", the drilling speed is minimum speed (500/min). When the dial is set to "5", the drilling speed is maximum speed (2300/min). Adjust the drilling speed according to the material.

**NOTE**

When the dial is set to "1", there can be cases where no rotation takes place due to a power situation, etc. In this case, raise the dial slightly before use.

**MAINTENANCE AND INSPECTION****1. Inspecting the drill bits**

Since use of an abraded drill bits will cause motor malfunctioning and degraded efficiency, replace the drill bits with a new one or resharpening without delay when abrasion is noted.

**2. Inspecting the mounting screws**

Regularly inspect all mounting screws and ensure that they are properly tightened. Should any of the screws be loose, retighten them immediately. Failure to do so could result in serious hazard.

**3. Maintenance of the motor**

The motor unit winding is the very "heart" of the power tool. Exercise due care to ensure the winding does not become damaged and/or wet with oil or water.

**4. Inspecting the carbon brushes (Fig. 7)**

The motor employs carbon brushes which are consumable parts. Since an excessively worn carbon brush can result in motor trouble, replace the carbon brushes with new ones which have the same carbon brush No. shown in the figure when they become worn to or near the "wear limit". In addition, always keep carbon brushes clean and ensure that they slide freely within the brush holders.

**5. Replacing carbon brushes**

Disassemble the brush caps with a slotted-head screwdriver the carbon brushes can the be easily removed.

**6. Service parts list**

- A: Item No.
- B: Code No.
- C: No. Used
- D: Remarks

**CAUTION**

Repair, modification and inspection of HiKOKI Power Tools must be carried out by a HiKOKI Authorized Service Center.

This Parts List will be helpful if presented with the tool to the HiKOKI Authorized Service Center when requesting repair or other maintenance.

In the operation and maintenance of power tools, the safety regulations and standards prescribed in each country must be observed.

**MODIFICATIONS**

HiKOKI Power Tools are constantly being improved and modified to incorporate the latest technological advancements.

Accordingly, some parts (i.e. code numbers and/or design) may be changed without prior notice.

**GUARANTEE**

We guarantee HiKOKI Power Tools in accordance with statutory/country specific regulation. This guarantee does not cover defects or damage due to misuse, abuse, or normal wear and tear. In case of complaint, please send the Power Tool, undismantled, with the GUARANTEE CERTIFICATE found at the end of this Handling instruction, to a HiKOKI Authorized Service Center.

**NOTE**

Due to HiKOKI's continuing program of research and development, the specifications herein are subject to change without prior notice.

**IMPORTANT****Correct connection of the plug**

The wires of the main lead are coloured in accordance with the following code:

- Blue: -Neutral
- Brown: -Live

As the colours of the wires in the main lead of this tool may not correspond with the coloured markings identifying the terminals in your plug proceed as follows: The wire coloured blue must be connected to the terminal marked with the letter N or coloured black. The wire coloured brown must be connected to the terminal marked with the letter L or coloured red. Neither core must be connected to the earth terminal.

**NOTE**

This requirement is provided according to BRITISH STANDARD 2769: 1984.

Therefore, the letter code and colour code may not be applicable to other markets except The United Kingdom.

---

---

**Information concerning airborne noise and vibration**

The measured values were determined according to EN60745 and declared in accordance with ISO 4871.

Measured A-weighted sound pressure level: 78 dB (A)

Uncertainty KpA: 3 dB (A).

Wear ear protection.

The typical weighted root mean square acceleration value does not exceed  $2.5 \text{ m/s}^2$ .

---

---



## ALLGEMEINE SICHERHEITSHINWEISE FÜR ELEKTROGERÄTE

### WARNUNG

Lesen Sie sämtliche Sicherheitshinweise und Anweisungen durch. Wenn die Warnungen und Anweisungen nicht befolgt werden, kann es zu Stromschlag, Brand und/oder ernsthaften Verletzungen kommen.

Bitte bewahren Sie alle Warnhinweise und Anweisungen zum späteren Nachschlagen auf.

Der Begriff „Elektrowerkzeug“ bezieht sich in den Warnhinweisen auf Elektrowerkzeuge mit Netz- (schnurgebunden) oder Akkubetrieb (schnurlos).

#### 1) Sicherheit im Arbeitsbereich

- a) Sorgen Sie für einen sauberen und gut ausgeleuchteten Arbeitsbereich.  
Zugestellte oder dunkle Bereiche ziehen Unfälle förmlich an.
- b) Verwenden Sie Elektrowerkzeuge niemals an Orten, an denen Explosionsgefahr besteht – zum Beispiel in der Nähe von leicht entflammaren Flüssigkeiten, Gasen oder Stäuben.  
Bei der Arbeit mit Elektrowerkzeugen kann es zu Funkenbildung kommen, wodurch sich Stäube oder Dämpfe entzünden können.
- c) Sorgen Sie bei der Arbeit mit Elektrowerkzeugen dafür, dass sich keine Zuschauer (insbesondere Kinder) in der Nähe befinden.  
Wenn Sie abgelenkt werden, können Sie die Kontrolle über das Werkzeug verlieren.

#### 2) Elektrische Sicherheit

- a) Elektrowerkzeuge müssen mit passender Stromversorgung betrieben werden.  
Nehmen Sie niemals irgendwelche Änderungen am Anschlussstecker vor.  
Verwenden Sie bei Elektrowerkzeugen mit Schutzkontakt (geerdet) niemals Adapterstecker.  
Stecker im Originalzustand und passende Steckdosen reduzieren das Stromschlagrisiko.
  - b) Vermeiden Sie Körperkontakt mit geerdeten Gegenständen wie Rohrleitungen, Heizungen, Herden oder Kühlschränken.  
Bei Körperkontakt mit geerdeten Gegenständen besteht ein erhöhtes Stromschlagrisiko.
  - c) Setzen Sie Elektrowerkzeuge niemals Regen oder sonstiger Feuchtigkeit aus.  
Wenn Flüssigkeiten in ein Elektrowerkzeug eindringen, erhöht sich das Stromschlagrisiko.
  - d) Verwenden Sie die Anschlusschnur nicht missbräuchlich. Tragen Sie das Elektrowerkzeug niemals an der Anschlusschnur, ziehen Sie es nicht damit heran und ziehen Sie den Stecker nicht an der Anschlusschnur aus der Steckdose.  
Halten Sie die Anschlusschnur von Hitzequellen, Öl, scharfen Kanten und beweglichen Teilen fern.  
Beschädigte oder verdrehte Anschlusschnüre erhöhen das Stromschlagrisiko.
  - e) Wenn Sie ein Elektrowerkzeug im Freien benutzen, verwenden Sie ein für den Außeneinsatz geeignetes Verlängerungskabel.  
Ein für den Außeneinsatz geeignetes Kabel vermindert das Stromschlagrisiko.
  - f) Falls sich der Betrieb des Elektrowerkzeuges in feuchter Umgebung nicht vermeiden lässt, verwenden Sie eine Stromversorgung mit Fehlerstromschutzeinrichtung (Residual Current Device, RCD).
- Durch den Einsatz einer Fehlerstromschutzeinrichtung wird das Risiko eines elektrischen Schlages reduziert.

#### 3) Persönliche Sicherheit

- a) Bleiben Sie wachsam, achten Sie auf das, was Sie tun, und setzen Sie Ihren Verstand ein, wenn Sie mit Elektrowerkzeugen arbeiten.  
Benutzen Sie keine Elektrowerkzeuge, wenn Sie müde sind oder unter Einfluss von Drogen, Alkohol oder Medikamenten stehen.  
Bei der Arbeit mit Elektrowerkzeugen können bereits kurze Phasen der Unaufmerksamkeit zu schweren Verletzungen führen.
  - b) Benutzen Sie eine persönliche Schutzausrüstung. Tragen Sie immer einen Augenschutz.  
Schutzausrüstung wie Staubmaske, rutschsichere Sicherheitsschuhe, Schutzhelm und Gehörschutz senken das Verletzungsrisiko bei angemessenem Einsatz.
  - c) Vermeiden Sie unbeabsichtigten Anlauf. Achten Sie darauf, dass sich der Schalter in der Aus- (Off-) Position befindet, ehe Sie das Gerät mit der Stromversorgung und/oder Batteriestromversorgung verbinden, es aufheben oder herumtragen.  
Das Herumtragen von Elektrowerkzeugen mit dem Finger am Schalter oder das Herstellen der Stromversorgung bei betätigtem Schalter zieht Unfälle regelrecht an.
  - d) Entfernen Sie sämtliche Einstellwerkzeuge (Einstellschlüssel), ehe Sie das Elektrowerkzeug einschalten.  
Ein an einem beweglichen Teil des Elektrowerkzeuges angebrachter Schlüssel kann zu Verletzungen führen.
  - e) Sorgen Sie für einen festen Stand. Achten Sie jederzeit darauf, sicher zu stehen und das Gleichgewicht zu bewahren.  
Dadurch haben Sie das Elektrowerkzeug in unerwarteten Situationen besser im Griff.
  - f) Kleiden Sie sich richtig. Tragen Sie keine lose Kleidung oder Schmuck. Halten Sie Haar, Kleidung und Handschuhe von beweglichen Teilen fern.  
Lose Kleidung, Schmuck oder langes Haar kann von beweglichen Teilen erfasst werden.
  - g) Wenn Anschlüsse für Staubabsaug- und -sammelvorrichtungen vorhanden sind, sorgen Sie dafür, dass diese richtig angeschlossen und eingesetzt werden.  
Durch Entfernen des Staubes können staubbezogene Gefahren vermindert werden.
- #### 4) Einsatz und Pflege von Elektrowerkzeugen
- a) Überprüfen Sie Elektrowerkzeuge nicht. Benutzen Sie das richtige Elektrowerkzeug für Ihren Einsatzzweck.  
Das richtige Elektrowerkzeug erledigt seine Arbeit bei bestimmungsgemäßem Einsatz besser und sicherer.
  - b) Benutzen Sie das Elektrowerkzeug nicht, wenn es sich nicht am Schalter ein- und ausschalten lässt.  
Jedes Elektrowerkzeug, das nicht mit dem Schalter betätigt werden kann, stellt eine Gefahr dar und muss repariert werden.
  - c) Stecken Sie den Stecker der Stromversorgung oder Batteriestromversorgung vom Gerät ab, ehe Sie Einstellarbeiten vornehmen, Zubehörteile tauschen oder das Elektrowerkzeug verstauen.  
Solche präventiven Sicherheitsmaßnahmen verhindern den unbeabsichtigten Anlauf des Elektrowerkzeugs und die damit verbundenen Gefahren.
  - d) Lagern Sie nicht benutzte Elektrowerkzeuge außerhalb der Reichweite von Kindern, lassen Sie nicht zu, dass Personen das Elektrowerkzeug bedienen, die nicht mit dem Werkzeug selbst und/oder diesen Anweisungen vertraut sind.  
Elektrowerkzeuge in ungeschulten Händen sind gefährlich.
  - e) Halten Sie Elektrowerkzeuge in Stand. Prüfen Sie auf Fehlausrichtungen, sicheren Halt und Leichtgängigkeit beweglicher Teile, Beschädigungen von Teilen und auf jegliche andere Zustände, die sich auf den Betrieb des Elektrowerkzeugs auswirken können.

Bei Beschädigungen lassen Sie das Elektrowerkzeug reparieren, ehe Sie es benutzen.

Viele Unfälle mit Elektrowerkzeugen sind auf schlechte Wartung zurückzuführen.

- f) **Halten Sie Schneidwerkzeuge scharf und sauber.**  
Richtig gewartete Schneidwerkzeuge mit scharfen Schneidkanten bleiben weniger häufig hängen und sind einfacher zu beherrschen.
- g) **Benutzen Sie Elektrowerkzeuge, Zubehör, Werkzeugspitzen und Ähnliches in Übereinstimmung mit diesen Anweisungen – beachten Sie dabei die jeweiligen Arbeitsbedingungen und die Art und Weise der auszuführenden Arbeiten.**  
Der Gebrauch des Elektrowerkzeuges für andere als die vorgesehenen Anwendungen kann zu gefährlichen Situationen führen.

## 5) Service

- a) **Lassen Sie Elektrowerkzeuge durch qualifizierte Fachkräfte und unter Einsatz passender, zugelassener Originalteile warten.**  
Dies sorgt dafür, dass die Sicherheit des Elektrowerkzeuges nicht beeinträchtigt wird.

## VORSICHT

Von Kindern und gebrechlichen Personen fernhalten.  
Werkzeuge sollten bei Nichtgebrauch außerhalb der Reichweite von Kindern und gebrechlichen Personen aufbewahrt werden.

## TECHNISCHE DATEN

Spannung (je nach Gebiet)*	(110V, 115V, 220V, 230V, 240V) ∪
Leistungsaufnahme*	500 W
Leerlaufdrehzahl	500 – 2300 min <sup>-1</sup>
Bohrfutter-Kapazität	10 mm
Kapazität: Stahl	10 mm
Holz	22 mm
Gewicht (ohne Kabel)	1,5 kg

\* Vergessen Sie nicht, die Produktangaben auf dem Typenschild zu überprüfen, da sich diese je nach Verkaufsgebiet ändern.

## STANDARDZUBEHÖRE

- (1) Bohrfutterschlüssel ..... 1
  - (2) Seitengriff ..... 1
- Die Standardzubehöre können ohne vorherige Bekanntmachung jederzeit geändert werden.

## ANWENDUNGEN

- Bohren in verschiedene Metalle, Holz und Plastik.

## VOR INBETRIEBNAHME

### 1. Netzspannung

Prüfen Sie, daß die zu verwendende Netzspannung der Angabe auf dem Typenschild entspricht.

## SICHERHEITSHINWEISE ZUR BENUTZUNG DER WINKELBOHRMASCHINE

1. **Tragen Sie bei der Arbeit mit Schlagbohrmaschinen einen Gehörschutz.**  
Starke und/oder dauerhafte Lärmbelastung kann zu Hörverlust führen.
2. **Benutzen Sie die mit dem Werkzeug gelieferten Zusatzgriffe.**  
Wenn Sie die Kontrolle über das Werkzeug verlieren, kann es zu Verletzungen kommen.
3. Die Bohrmaschine und den Seitengriff bei der Benutzung sicher mit beiden Händen halten.
4. Keine Arbeitshandschuhe aus Baumwolle, Wolle, Stoff oder anderen Materialien tragen, die sich aufwickeln können.
5. Vor dem Bohren in Wänden, Decken und Fußböden überprüfen, daß keine elektrischen Leitungen und Wasserrohre vorhanden sind.

### 2. Netzschalter

Prüfen Sie, daß der Netzschalter auf „AUS“ steht. Wenn der Stecker an das Netz angeschlossen wird, während der Schalter auf „EIN“ steht, beginnt das Werkzeug sofort zu laufen, was gefährlich ist.

### 3. Verlängerungskabel

Wenn der Arbeitsbereich nicht in der Nähe des Netzanschlusses liegt, ist ein Verlängerungskabel ausreichenden Querschnitts und ausreichender Nennleistung zu verwenden. Das Verlängerungskabel sollte so kurz wie möglich gehalten werden.

### 4. Die Drehrichtung der Bohrerspitze überprüfen (Abb. 1)

Die Bohrerspitze dreht sich nach rechts (von der Oberseite her gesehen), wenn der Wendeschalterhebel auf R gestellt wird. Damit sich die Bohrerspitze nach links dreht, muss der Hebel auf L gestellt werden.

**VORSICHT**

Niemals die Drehrichtung der Bohrerspitze während des Betriebs ändern.

Den Hauptschalter auf „OFF“ stellen, bevor die Drehrichtung der Bohrerspitze geändert wird, sonst können im Motor Verbrennungen auftreten.

**5. Einsetzen der Bohrer (Abb. 2)**

Den Bohrer mit dem Bohrfutter-Schlüssel anziehen. Im Bohrfutter befinden sich drei Löcher, in die der Bohrfutter-Schlüssel der Reihe nach eingesetzt und angezogen werden sollte. Nicht nur ein Loch zum Anziehen verwenden. Zum Entfernen des Bohrers das Bohrfutter mit dem Bohrfutter-Schlüssel öffnen.

**6. Wahl des geeigneten Bohrers**

(1) Beim Bohren von Metall oder Kunststoff:  
Normale Metallbohrer verwenden. Die Größen reichen von minimal 1,5 mm bis zur Maximal-Spannweite des Bohrfutters.

(2) Beim Bohren von Holz:  
Holzspiralbohrer verwenden. Fünf Löcher von 6,5 mm und kleiner Metallbohrer verwenden.

**7. Anbringen des Seitengriffes**

Den Seitengriff in den Getriebedeckel einschrauben.

**VERWENDUNGEN****1. Anweisungen zum Ein- und Ausschalten**

(1) Einschalten

Den Schalterhebel am Gerät wie in **Abb. 3** gezeigt nach hinten schieben. Wenn der Hebel ganz nach hinten geschoben wird, so wird der Schalter eingeschaltet und in diesem Zustand verriegelt.

(2) Ausschalten

Die Konvexwölbung an der Oberfläche des Schalterhebels wie in **Abb. 4** gezeigt drücken. Die Verriegelung wird dann gelöst, der Schalterhebel kehrt durch die Federkraft nach vorne zurück, und der Schalter wird ausgeschaltet.

**ACHTUNG**

Vor dem Anschließen des Steckers an eine Steckdose unbedingt sicherstellen, daß der Schalter ausgeschaltet ist, da es sonst durch den plötzlichen Start des Werkzeugs zu einem Unfall kommen kann.

**2. Druckkraft des Bohrers**

Die Löcher lassen sich nicht schneller bohren, auch wenn stärker als erforderlich auf den Bohrer gedrückt wird.

Dadurch werden nicht nur die Spitzen der Bohrer beschädigt und die Arbeitsleistung vermindert, sondern auch die Lebensdauer der Bohrmaschine verkürzt.

**3. Durchbohren des Materials**

Wenn ein Loch ganz durch das Material gebohrt wird, führt eine unachtsame Handhabung oft zur einem abgebrochenen Bohrer oder zu einer Beschädigung der Bohrmaschine selbst aufgrund der plötzlichen Bewegung der Bohrmaschine. Man sollte die Bohrmaschine sicher mit beiden Händen halten und muß immer darauf gefaßt und bereit sein, den Druck beim Durchbohren des Materials zu verringern.

**4. Einstellung der Bohrgeschwindigkeit**

D10YB ist mit einer elektrischen Steuerschaltung ausgestattet, die eine stufenlose Regelung der Geschwindigkeit ermöglicht.

Zum Einstellen der Geschwindigkeit die Skala wie in **Abb. 5** gezeigt drehen. Wenn die Skala auf „1“ steht, ist die Geschwindigkeit minimal (500/Min.). Wenn die Skala auf „5“ steht, ist die Geschwindigkeit maximal (2300/Min.). Die Geschwindigkeit entsprechend des Materials einstellen.

**ANMERKUNG**

Wenn die Skala auf „1“ gestellt ist, kann es auf Grund der Stromversorgung möglich sein, daß keine Drehung erfolgt. In diesem Fall die Skala vor der Verwendung auf einen etwas höheren Wert stellen.

**WARTUNG UND INSPEKTION****1. Inspektion der Bohrer**

Die Verwendung eines stumpfen Bohrers führt zu Fehlfunktionen des Motors und vermindert die Bohrleistung. Daher sollten stumpfe Bohrer unverzüglich ersetzt oder geschärft werden.

**2. Inspektion der Befestigungsschrauben**

Alle Befestigungsschrauben müssen regelmäßig inspiziert und geprüft werden, ob sie gut angezogen sind. Wenn sich eine der Schrauben lockert, muß sie sofort wieder angezogen werden. Geschieht dies nicht, kann das zu erheblichen Gefahren führen.

**3. Wartung des Motors**

Die Motorwicklung ist das „Herz“ des Elektrowerkzeugs. Daher ist besonders sorgfältig darauf zu achten, daß die Wicklung nicht beschädigt wird und nicht mit Öl oder Wasser in Berührung kommt.

**4. Inspektion der Kohlebürsten (Abb. 7)**

Im Motor sind Kohlebürsten verwendet, die Verbrauchsteile sind. Übermäßig abgenutzte Kohlebürsten führen zu Motorproblemen. Deshalb wird eine Kohlebürste durch eine neue ersetzt, die dieselbe Nummer trägt wie auf der Abbildung gezeigt, wenn sie teilweise oder ganz verbraucht ist. Darüber hinaus müssen die Kohlebürsten immer sauber gehalten werden und müssen sich immer in der Halterung frei bewegen können.

**5. Austausch einer Kohlebürste**

Der Bürstendeckel wird mit einem Steckschlüssel abmontiert. Dann kann die Kohlebürste leicht entfernt werden.

**6. Liste der Wartungsteile**

- A: Punkt Nr.
- B: Code Nr.
- C: Verwendete Anzahl
- D: Bemerkungen

**ACHTUNG**

Reparatur, Modifikation und Inspektion von HiKOKI-Elektrowerkzeugen müssen durch ein autorisiertes HiKOKI-Kundendienstzentrum durchgeführt werden. Diese Teilleiste ist hilfreich, wenn sie dem autorisierten HiKOKI-Kundendienstzentrum zusammen mit dem Werkzeug für Reparatur oder Wartung ausgehändigt wird.

Bei Betrieb und Wartung von Elektrowerkzeugen müssen die Sicherheitsvorschriften und Normen beachtet werden.

**MODIFIKATIONEN**

HiKOKI-Elektrowerkzeuge werden fortwährend verbessert und modifiziert, um die neuesten technischen Fortschritte einzubauen.

Dementsprechend ist es möglich, daß einige Teile (z.B. Codenummern bzw. Entwurf) ohne vorherige Benachrichtigung geändert werden.

---

## **GARANTIE**

Auf HiKOKI-Elektrowerkzeuge gewähren wir eine Garantie unter Zugrundelegung der jeweils geltenden gesetzlichen und landesspezifischen Bedingungen. Dieses Garantie erstreckt sich nicht auf Gehäusedefekte und nicht auf Schäden, die auf Missbrauch, bestimmungswidrigen Einsatz oder normalen Verschleiß zurückzuführen sind. Im Schadensfall senden Sie das nicht zerlegte Elektrowerkzeug zusammen mit dem GARANTIESCHEIN, den Sie am Ende der Bedienungsanleitung finden, an ein von HiKOKI autorisiertes Servicecenter.

---

## **ANMERKUNG**

Aufgrund des ständigen Forschungs- und Entwicklungsprogramms von HiKOKI sind Änderungen der hierin gemachten technischen Angaben nicht ausgeschlossen.

---

---

## **Information über Betriebslärm und Vibration**

Die gemessenen Werte wurden entsprechend EN60745 bestimmt und in Übereinstimmung mit ISO 4871 ausgewiesen.

Gemessener A-gewichteter Schalldruck: 78 dB (A)  
Messunsicherheit KpA: 3 dB (A)

Bei der Arbeit immer einen Ohrenschutz tragen.

Der typische gewogene quadratische Mittelwert der Beschleunigung überschreitet 2,5 m/s<sup>2</sup> nicht.

---

---

## AVERTISSEMENTS DE SÉCURITÉ GÉNÉRAUX CONCERNANT LES OUTILS ÉLECTRIQUES

### AVERTISSEMENT

Lire tous les avertissements de sécurité et toutes les instructions.

Tout manquement à observer ces avertissements et instructions peut engendrer des chocs électriques, des incendies et/ou des blessures graves.

Conservez tous les avertissements et toutes les instructions pour vous y référer ultérieurement.

Leterme "outil électrique", utilisé dans les avertissements, se réfère aux outils électriques (câblé) ou aux outils à piles (sans fil).

#### 1) Sécurité sur l'aire de travail

- a) **Maintenir l'aire de travail propre et bien éclairée.**  
*Les endroits encombrés ou sombres sont propices aux accidents.*
- b) **Ne pas utiliser d'outils électriques en présence de liquides, gaz ou poussière inflammables, au risque de provoquer une explosion.**  
*Les outils électriques créent des étincelles susceptibles d'enflammer la poussière ou les vapeurs.*
- c) **Ne pas laisser les enfants et les visiteurs s'approcher de vous lorsque vous utiliser un outil électrique.**  
*Les distractions peuvent faire perdre le contrôle.*

#### 2) Sécurité électrique

- a) **Les prises de l'outil électrique doivent correspondre à la prise secteur.**  
**Ne jamais modifier la prise.**  
**Ne pas utiliser d'adaptateurs avec les outils électriques mis à la masse.**  
*Les prises non modifiées et les prises secteurs correspondantes réduisent les risques de choc électrique.*
- b) **Éviter tout contact avec les surfaces mises à la masse telles que les tuyaux, radiateurs, bandes et réfrigérateurs.**  
*Le risque de choc électrique est accru en cas de mise à la masse du corps.*
- c) **Ne pas exposer les outils électriques à la pluie ou à des conditions humides.**  
*Si l'eau pénètre dans l'outil, cela augmente les risques de choc électrique.*
- d) **Ne pas utiliser le cordon à tort. Ne jamais utiliser le cordon pour transporter ou débrancher l'outil électrique.**  
**Maintenir le cordon loin de la chaleur, de l'huile, des bords pointus ou des pièces mobiles.**  
*Les cordons endommagés ou usés augmentent les risques de choc électrique.*
- e) **En cas d'utilisation d'un outil électrique à l'extérieur, utiliser un cordon de rallonge adapté à un usage extérieur.**  
*L'utilisation d'un cordon adapté à l'usage extérieur réduit les risques de choc électrique.*
- f) **Si vous devez utiliser un outil électrique dans un endroit humide, utilisez une alimentation protégée contre les courants résiduels.**  
*L'utilisation d'un dispositif de protection contre les courants résiduels réduit le risque de choc électrique.*

#### 3) Sécurité personnelle

- a) **Restez alerte, regarder ce que vous faites et usez de votre bon sens en utilisant un outil électrique.**  
**Ne pas utiliser d'outil électrique si vous êtes sous l'influence de drogues, d'alcool ou de médicaments.**

*Pendant l'utilisation d'outils électrique, un instant d'inattention peut entraîner des blessures graves.*

- b) **Utiliser un équipement de protection individuelle. Toujours porter des verres de protection.**  
*L'utilisation d'équipements de protection tels que les masques anti-poussière, les chaussures de sécurité anti-dérapantes, les casques ou les protections auditives dans des conditions appropriées réduisent les risques de blessures.*
  - c) **Empêcher les démarrages intempestifs. Veiller à ce que l'interrupteur soit en position d'arrêt avant de brancher à une source d'alimentation et/ou une batterie, de ramasser l'outil au sol ou de le transporter.**  
*Transporter les outils électriques avec le doigt sur l'interrupteur ou brancher les outils électriques avec l'interrupteur en position de marche peut entraîner des accidents.*
  - d) **Retirer toute clé de sécurité ou clé avant de mettre l'outil électrique en marche.**  
*Laisser une clé ou une clé de sécurité sur une partie mobile de l'outil électrique peut engendrer des blessures.*
  - e) **Ne pas trop se pencher. Toujours garder une bonne assise et un bon équilibre pendant le travail.**  
*Cela permet un meilleur contrôle de l'outil électrique dans des situations imprévisibles.*
  - f) **Porter des vêtements adéquats. Ne pas porter de vêtements amples ni de bijoux. Maintenir les cheveux, les vêtements et les gants loin des pièces mobiles.**  
*Les vêtements amples ou les cheveux longs peuvent se prendre dans les pièces mobiles.*
  - g) **En cas de dispositifs destinés au raccordement d'installations d'extraction et de recueil de la poussière, veiller à ce qu'ils soient correctement raccordés et utilisés.**  
*L'utilisation d'un dispositif de collecte de la poussière peut réduire les dangers associés à la poussière.*
- #### 4) Utilisation et entretien d'un outil électrique
- a) **Ne pas forcer sur l'outil électrique. Utiliser l'outil électrique adapté à vos travaux.**  
*Le bon outil électrique fera le travail mieux et en toute sécurité au régime pour lequel il a été conçu.*
  - b) **Ne pas utiliser l'outil électrique si l'interrupteur ne le met pas en position de marche et d'arrêt.**  
*Tout outil ne pouvant être contrôlé par l'interrupteur est dangereux et doit être réparé.*
  - c) **Débrancher la prise et/ou la batterie avant de procéder à des réglages, au remplacement des accessoires ou au stockage des outils électriques.**  
*Ces mesures préventives de sécurité réduisent les risques de démarrage accidentel de l'outil électrique.*
  - d) **Stockez les outils électriques inutilisés hors de la portée des enfants et ne pas laisser des personnes non familiarisées avec l'outil ou ces instructions utiliser l'outil électrique.**  
*Les outils électriques sont dangereux entre les mains d'utilisateurs non habilités.*
  - e) **Entretien des outils électriques. Vérifier l'absence de mauvais alignement ou d'arrêt, d'endommagement de pièces ou toute autre condition susceptible d'affecter l'opération de l'outil.**  
**Si l'outil est endommagé, le faire réparer avant utilisation.**  
*De nombreux accidents sont dus à des outils mal entretenus.*

- f) **Maintenir les outils coupants aiguisés et propres.**  
*Des outils coupants bien entretenus avec des bords aiguisés sont moins susceptibles de se coincer et plus simples à contrôler.*
- g) **Utiliser l'outil électrique, les accessoires et les mèches de l'outil, etc. conformément à ces instructions en tenant compte des conditions d'utilisation et du travail à réaliser.**  
*L'utilisation de l'outil électrique pour des opérations différentes de celles pour lesquelles il a été conçu est dangereuse.*

## 5) Service

- a) **Faire entretenir l'outil électrique par un technicien habilité à l'aide de pièces de rechange identiques exclusivement.**  
*Cela garantira le maintien de la sécurité de l'outil électrique.*

## PRECAUTIONS

**Maintenir les enfants et les personnes infirmes éloignés.**  
**Lorsque les outils ne sont pas utilisés, ils doivent être rangés hors de portée des enfants et des personnes infirmes.**

## SPECIFICATIONS

Tension (par zone)*	(110V, 115V, 220V, 230V, 240V) ~
Puissance*	500 W
Vitesse sans charge	500 – 2300 min <sup>-1</sup>
Capacité du porte-foret	10 mm
Capacité: acier	10 mm
bois	22 mm
Poids (sans fil)	1,5 kg

\* Assurez-vous de vérifier la plaque signalétique se trouvant sur le produit, car elle peut changer suivant les régions.

## ACCESSOIRES STANDARD

- (1) Clef pour mandrin ..... 1  
 (2) Poignée latérale ..... 1  
 Les accessoires standard sont sujets à changement sans préavis.

## APPLICATIONS

- Perçage de trous dans des métaux divers, bois de construction et plastiques.

## AVANT LA MISE EN MARCHÉ

### 1. Source de puissance

S'assurer que la source de puissance à utiliser correspond à la puissance indiquée sur la plaque signalétique du produit.

### 2. Interrupteur de puissance

S'assurer que l'interrupteur de puissance est en position ARRÊT. Si la fiche est branchée alors que l'interrupteur est sur MARCHÉ, l'outil démarre immédiatement et peut provoquer un grave accident.

## AVERTISSEMENTS DE SÉCURITÉ RELATIFS À LA PERÇEUSE D'ANGLE

- Portez des bouchons avec les perceuses à percussion.**  
L'exposition au bruit peut engendrer une perte de l'audition.
- Utilisez les poignées auxiliaires fournies avec l'outil.**  
Toute perte de contrôle peut entraîner des blessures.
- Lors de son utilisation, bien maintenir la perceuse et la poignée latérale à l'aide des deux mains.
- Ne pas porter de gants faits d'une matière qui puisse se froisser tel que le coton, la laine, les chiffons ou les cordes, etc.
- Avant d'effectuer toute coupe dans les murs, les planchers ou les plafonds, s'assurer qu'il ne s'y trouve à l'intérieur aucun câble électrique ou conduit, etc.

### 3. Fil de rallonge

Lorsque la zone de travail est éloignée de la source de puissance, utiliser un fil de rallonge d'une épaisseur suffisante et d'une capacité nominale suffisante. Le fil de rallonge doit être aussi court que possible.

### 4. Vérifier la direction de rotation de la mèche (Fig. 1)

La mèche tourne dans le sens horaire (vu du haut) quand on appuie sur côté-R du levier de contact. En appuyant sur côté-L du levier la mèche tourne dans le sens anti-horaire.

#### ATTENTION

Ne changez jamais la direction de rotation de la mèche pendant le fonctionnement.

Mettez l'interrupteur principal sur OFF avant de changer la direction de rotation de la mèche; sans quoi cela brûlera le moteur.

### 5. Montage des forets (Fig. 2)

Fixer les forets à l'aide de la clé de mandrin. Il se trouve trois trous où la clé de mandrin peut être introduite. Les fixer tour à tour dans les trois trous, sans les fixer uniquement sur un trou. On peut retirer les forets en procédant de la manière inverse que celle qui est mentionnée plus haut.

## 6. Sélection des forets

(1) Lors du perçage de trous dans du métal ou du plastique:

Utiliser des forets ordinaires de perçage du métal, les dimensions des forets appropriés allant d'un minimum de 1,5 mm jusqu'à la capacité du porteforet.

(2) Lors du perçage de trous dans du bois de construction:

Utiliser des forets pour le travail du bois. En ce qui concerne les petits trous de 6,5 mm de diamètre ou au dessous, utiliser des forets pour métaux.

## 7. Fixation de la poignée latérale

Vissez la poignée latérale dans le couvercle de l'engrenage.

## UTILISATION

### 1. Instructions de mise en marche

(1) Mise en marche

Glisser le levier d'interrupteur du corps principal vers l'arrière comme illustré à la **Fig. 3**. Quand il est glissé à fond vers l'arrière, l'interrupteur se met en marche et il se verrouille dans cet état.

(2) Arrêt

Appuyer sur le bossage convexe à la surface du levier d'interrupteur comme illustré à la **Fig. 4**. Le verrouillage se dégage, le levier d'interrupteur revient vers l'avant du corps principal sous l'action du ressort, et l'interrupteur se coupe.

### ATTENTION

S'assurer impérativement que l'interrupteur est coupé avant d'insérer la fiche dans la prise d'alimentation. Sinon, l'outil se mettra brusquement en marche, ce qui ne manquera pas de provoquer des accidents.

### 2. Force d'appui de la perceuse

On ne peut obtenir rapidement des trous même si l'on exerce une force d'appui supérieure à celle qui est requise.

Cette action n'endommage non seulement les bouts des forets mais réduit l'efficacité de l'opération et, par ailleurs, amenuise la durée d'utilisation de la perceuse.

### 3. En perçant complètement la matière

Lorsque le foret passe complètement à travers un matériau percé, une manipulation insouciante a souvent pour résultat un foret cassé ou un endommagement ducausé par un mouvement brusque de la perceuse. Se tenir toujours prêt à relâcher la force d'appui et à maintenir fermement le corps de la perceuse à l'aide des deux mains lors du perçage du matériau.

### 4. Réglage de vitesse de la perceuse

La D10YB est équipée d'un circuit de commande électrique qui permet d'effectuer une commande de la vitesse continue.

Pour régler la vitesse, tourner le cadran indiqué à la **Fig. 5**. Lorsque le cadran est réglé sur "1", la vitesse de perçage est la vitesse minimum (500/min). Lorsque le cadran est réglé sur "5", la vitesse de perçage est la vitesse maximum (2300/min). Régler la vitesse de perçage en fonction du matériau.

## NOTE

Lorsque la bague est réglée sur "1", il peut arriver que la rotation ne s'effectue pas en raison de la situation de l'alimentation, etc. Dans ce cas, relever légèrement la bague avant l'utilisation.

## ENTRETIEN ET CONTROLE

### 1. Contrôle des forets

Etant donné que l'utilisation de forets usés provoquera un mauvais fonctionnement du moteur et une dégradation de l'efficacité, remplacer les forets aussitôt que l'usure est détectée, ou bien les affûter de nouveau.

### 2. Contrôle des vis de montage

Vérifier régulièrement les vis de montage et s'assurer qu'elles sont correctement serrées. Resserrer immédiatement toute vis desserrée. Sinon, il y a danger sérieux.

### 3. Entretien du moteur

Le bobinage de l'ensemble moteur est le "cœur" même de l'outil électro-portatif. Veiller soigneusement à ce que ce bobinage ne soit pas endommagé et/ou mouillé par de l'huile ou de l'eau.

### 4. Contrôle des balais en carbone (Fig. 7)

Le moteur utilise des balais en carbone qui sont des pièces qui s'usent. Comme un balai en carbone trop usé peut détériorer le moteur, remplacer les balais en carbone par des neufs ayant le même No. que celui montré à la figure quand ils sont usés ou à la limite d'usure. En outre, toujours tenir les balais propres et veiller à ce qu'ils coulissent librement dans les supports.

### 5. Remplacement d'un balai carbone

Démonter le capuchon du balai avec un tournevis à petite tête. Le balai en carbone peut se retirer facilement.

### 6. Liste des pièces de rechange

A: No. élément

B: No. code

C: No. utilisé

D: Remarques

### ATTENTION

Les réparations, modifications et inspections des outils électriques HIKOKI doivent être confiées à un service après-vente HIKOKI agréé.

Il sera utile de présenter cette liste de pièces au service après-vente HIKOKI agréé lorsqu'on apporte un outil nécessitant des réparations ou tout autre entretien.

Lors de l'utilisation et de l'entretien d'un outil électrique, respecter les règlements et les normes de sécurité en vigueur dans le pays en question.

### MODIFICATIONS

Les outils électriques HIKOKI sont constamment améliorés et modifiés afin d'incorporer les tous derniers progrès technologiques.

En conséquence, il est possible que certaines pièces (c.-à-d. no. de code et/ou dessin) soient modifiées sans avis préalable.

---

## **GARANTIE**

---

Nous garantissons que l'ensemble des Outils électriques HiKOKI sont conformes aux réglementations spécifiques statutaires/nationales. Cette garantie ne couvre pas les défauts ni les dommages inhérents à une mauvaise utilisation, une utilisation abusive ou l'usure et les dommages normaux. En cas de réclamation, veuillez envoyer l'Outil électrique, en l'état, accompagné du CERTIFICAT DE GARANTIE qui se trouve à la fin du Mode d'emploi, dans un service d'entretien autorisé.

---

### **NOTE**

Par suite du programme permanent de recherche et de développement HiKOKI, ces spécifications peuvent faire l'objet de modifications sans avis préalable.

---

---

### **Au sujet du bruit et des vibrations**

Les valeurs mesurées ont été déterminées en fonction de la norme EN60745 et déclarées conforme à ISO 4871.

Niveau de pression acoustique pondérée A: 78 dB (A)

Incertitude KpA: 3 dB (A)

Porter un casque de protection.

La valeur d'accélération moyenne quadratique pondérée type ne dépasse pas 2,5 m/s<sup>2</sup>.

---



## AVVERTIMENTI GENERALI DI SICUREZZA SUGLI UTENSILI ELETTRICI

### AVVERTENZA

**Leggere tutti gli avvertimenti di sicurezza e tutte le istruzioni.**

*La mancata osservanza degli avvertimenti e delle istruzioni potrebbe essere causa di scosse elettriche, incendi e/o gravi lesioni.*

**Salvare tutti gli avvertimenti e le istruzioni per riferimenti futuri.**

*Il termine "elettroutensili" riportato nelle avvertenze si riferisce agli elettroutensili azionati con alimentazione di rete (via cavi) o a batterie (senza cavi).*

#### 1) Sicurezza dell'area operativa

- Mantenere l'area operativa pulita e ordinata.**  
*Aree operative sporche o disordinate possono favorire gli infortuni.*
- Non utilizzare gli elettroutensili in atmosfere esplosive, ad es. in presenza di liquidi, gas o polveri infiammabili.**  
*Gli elettroutensili generano delle scintille che potrebbero accendere la polvere o i fumi.*
- Tenere lontani bambini e astanti durante l'utilizzo degli elettroutensili.**  
*Qualsiasi distrazione può essere causa di perdita di controllo.*

#### 2) Sicurezza elettrica

- Le spine degli elettroutensili devono essere idonee alle prese disponibili.**  
**Non modificare mai le prese.**  
**Con gli elettroutensili a massa (messi a terra), non utilizzare alcun adattatore.**  
*L'utilizzo di spine intatte e corrispondenti alle prese disponibili ridurrà il rischio di scosse elettriche.*
- Evitare qualsiasi contatto con le superfici a massa o a terra, quali tubi, radiatori, fornelli e frigoriferi.**  
*In caso di messa a terra o massa del corpo, sussiste un maggior rischio di scosse elettriche.*
- Non esporre gli elettroutensili alla pioggia o all'umidità.**  
*La penetrazione di acqua negli elettroutensili aumenterà il rischio di scosse elettriche.*
- Non tirare il cavo. Non utilizzarlo per il trasporto, o per tirare o scollegare l'elettroutensile.**  
**Tenere il cavo lontano da fonti di calore, oli, bordi appuntiti o parti in movimento.**  
*Cavi danneggiati o attorcigliati possono aumentare il rischio di scosse elettriche.*
- Durante l'uso degli elettroutensili all'esterno, utilizzare una prolunga idonea per usi esterni.**  
*L'utilizzo di cavi per esterno riduce il rischio di scosse elettriche.*
- Se è impossibile evitare l'impiego di un utensile elettrico in un luogo umido, utilizzare l'alimentazione protetta da un dispositivo a corrente residua (RCD).**  
*L'uso di un RCD riduce il rischio di scosse elettriche.*

#### 3) Sicurezza personale

- Durante l'uso degli elettroutensili, state all'erta, verificate ciò che state eseguendo e adottate sempre il buon senso.**  
**Non utilizzate gli elettroutensili qualora siate stanchi, sotto l'influenza di farmaci, alcol o cure mediche.**  
*Anche un attimo di disattenzione durante l'uso degli elettroutensili potrebbe essere causa di gravi lesioni personali.*

- Indossate l'attrezzatura di protezione personale. Indossate sempre le protezioni oculari.**  
*L'attrezzatura protettiva, quali maschera facciale, calzature antiscivolo, caschi o protezioni oculari ridurrà il rischio di lesioni personali.*
  - Impedite le accensioni involontarie. Prima del collegamento a una sorgente di alimentazione e/o pacco batteria e prima di raccogliere o trasportare l'utensile, verificate che l'interruttore sia posizionato su OFF.**  
*Il trasporto degli elettroutensili tenendo le dita sull'interruttore o l'attivazione elettrica degli utensile che hanno l'interruttore su ON, implica il rischio di incidenti.*
  - Prima di attivare l'elettroutensile, rimuovete qualsiasi chiave di regolazione.**  
*Lasciando la chiave in un componente in rotazione dell'elettroutensile, sussiste il rischio di lesioni personali.*
  - Mantenersi in equilibrio. Mantenersi sempre su due piedi, in equilibrio stabile.**  
*Ciò consente di controllare al meglio l'elettroutensile in caso di situazioni impreviste.*
  - Vestirsi in modo adeguato. Non indossare abiti larghi o gioielli. Tenere i capelli, gli abiti e i guanti lontano dalle parti in movimento.**  
*Abiti allentati, gioielli e capelli lunghi potrebbero impigliarsi nelle parti in movimento.*
  - In caso di dispositivi provvisti di collegamento ad apparecchiature di rimozione e raccolta polveri, verificare che queste siano collegate e utilizzate in modo adeguato.**  
*L'utilizzo della raccolta della polvere può ridurre i rischi connessi alle polveri.*
- #### 4) Utilizzo e manutenzione degli elettroutensili
- Non utilizzare elettroutensili non idonei. Utilizzare l'elettroutensile idoneo alla propria applicazione.**  
*Utilizzando l'elettroutensile corretto, si garantirà un'esecuzione migliore e più sicura del lavoro, alla velocità di progetto.*
  - Non utilizzare l'elettroutensile qualora non sia possibile accenderlo/spengerlo tramite l'interruttore.**  
*È pericoloso utilizzare elettroutensili che non possano essere azionati dall'interruttore. Provvedere alla relativa riparazione.*
  - Prima di effettuare qualsiasi regolazione, sostituire gli accessori o depositare gli elettroutensili, scollegare la spina dalla presa elettrica e/o il pacco batteria dall'utensile elettrico.**  
*Queste misure di sicurezza preventive riducono il rischio di avvio involontario dell'elettroutensile.*
  - Depositare gli elettroutensili non utilizzati lontano dalla portata dei bambini ed evitare che persone non esperte di elettroutensili o non a conoscenza di quanto riportato sulle presenti istruzioni azionino l'elettroutensile.**  
*È pericoloso consentire che utenti non esperti utilizzino gli elettroutensili.*
  - Manutenzione degli elettroutensili. Verificare che non vi siano componenti in movimento disallineati o bloccati, componenti rotti o altre condizioni che potrebbero influenzare negativamente il funzionamento dell'elettroutensile.**  
**In caso di guasti, provvedere alla riparazione dell'elettroutensile prima di riutilizzarlo.**  
*Molti incidenti sono causati da una scarsa manutenzione.*

- f) **Mantenere gli strumenti di taglio affilati e puliti.**  
*Gli strumenti di taglio in condizioni di manutenzione adeguata, con bordi affilati, sono meno soggetti al bloccaggio e sono più facilmente controllabili.*
- g) **Utilizzare l'elettrotensile, gli accessori, le barrette, ecc. in conformità a quanto riportato nelle presenti istruzioni, tenendo in debita considerazione le condizioni operative e il tipo di lavoro da eseguire.**  
*L'uso dell'utensile elettrico per operazioni diverse da quelle previste potrebbe causare una situazione pericolosa.*

**5) Assistenza**

- a) **Affidate le riparazioni dell'elettrotensile a persone qualificate che utilizzino solamente parti di ricambio identiche.**  
*Ciò garantirà il mantenimento della sicurezza dell'elettrotensile.*

**PRECAUZIONI**

**Tenere lontano dalla portata di bambini e invalidi.**  
**Quando non utilizzati, gli strumenti dovranno essere deposti lontano dalla portata di bambini e invalidi.**

**CARATTERISTICHE**

Voltaggio (per zone)*	(110V, 115V, 220V, 230V, 240V) ~
Potenza assorbita*	500 W
Velocità senza carico	500 – 2300 min <sup>-1</sup>
Capacità del mandrino	10 mm
Capacità: acciaio	10 mm
legno	22 mm
Peso (escluso il cavo)	1,5 kg

\*Accertatevi di aver controllato bene la piastrina perchè essa varia da zona a zona.

**ACCESSORI STANDARD**

- (1) Chiave per mandrino ..... 1  
 (2) Impugnatura laterale ..... 1  
 Gli accessori standard possono essere modificati senza preavviso.

**APPLICAZIONI**

- Foratura in metalli diversi, legno e plastica.

**PRIMA DELL'USO**

- 1. Alimentazione**  
 Assicurarsi che la rete di alimentazione che si vuole usare sia compatibile con le caratteristiche relative all'alimentazione di corrente specificate nella piastrina dell'apparecchio.
- 2. Interruttore di corrente**  
 Mettere l'interruttore in posizione SPENTO. Se la spina è infilata in una presa mentre l'interruttore è acceso, l'utensile elettrico si mette immediatamente in moto, facilitando il verificarsi di incidenti gravi.

**AVVERTIMENTI DI SICUREZZA PER IL TRAPANO ANGOLARE**

- Indossare protezioni per le orecchie con le sonde a percussione.**  
 L'esposizione al rumore può causare la perdita dell'udito.
- Utilizzare le leve ausiliarie fornite con l'utensile.**  
 La perdita di controllo può causare lesioni alla persona.
- Durante l'uso, tenere l'attrezzo e impugnatura saldamente, con le due mani.
- Non portare guanti di un materiale deformabile come per esempio cotone, lana, oppure comportanti lacci e simili.
- Prima di forare pareti, soffitti o pavimenti, assicurarsi che non vi siano fili elettrici sotto di essi.

- Prolunga del cavo**  
 Quando l'ambiente di lavoro è lontano da una presa di corrente, usare una prolunga del cavo di sufficiente spessore e di prestazione adeguata. La prolunga deve essere più corta possibile.
- Accertare la direzione della rotazione della punta (Fig. 1)**  
 La punta gira in senso orario (come visto da sopra) se si preme la parte di destra (R) della leva di commutazione. Per far girare la punta in senso antiorario premere la leva verso sinistra (parte L).  
**ATTENZIONE**  
 Non cambiare mai il senso di rotazione della punta quando si fa funzionare il trapano.  
 Prima di eseguire ciò spegnere la corrente altrimenti si rischia di bruciare il motore.
- Montaggio della punta (Fig. 2)**  
 Fissare bene la punta per mezzo della chiave del mandrino. Vi sono tre fori per il serraggio della punta. Inserire la chiave in tutti e tre, uno dopo l'altro, e serrare in modo uguale. Per smontare la punta, procedere nel modo inverso.
- Scelta della punta**  
 (1) Foratura di metallo o plastica:  
 Usare una punta normale per il metallo. Il formato usabile va da 1,5 mm alla capacità del mandrino.

- (2) Foratura di legno:  
Usare punte per il legno. Per dei fori piccoli, fino a 6,5 mm di diametro, usare punte per il metallo.
- 7. Fissaggio dell'impugnatura laterale**  
Avvitare il manico sul coperchio degli ingranaggi.

---

## MODO D'USO

---

### 1. Istruzioni per la commutazione

- (1) Accensione  
Spostare indietro la leva di commutazione sul corpo principale come mostrato nella **Fig. 3**. Quando la si sposta indietro completamente, il commutatore si attiva e rimane bloccato in quella posizione.
- (2) Spegnimento  
Premere la parte rotonda convessa sulla superficie della leva di commutazione come mostrato nella **Fig. 4**. Il fermo viene sbloccato, la leva di commutazione torna in avanti sul corpo principale sotto la spinta della molla e il commutatore viene disattivato.

### ATTENZIONE

Controllare che il commutatore sia disattivato prima di inserire la spina del cavo di alimentazione nella presa di corrente. Altrimenti l'avvio improvviso dell'utensile causerà sicuramente un incidente.

### 2. Pressione sull'attrezzo

Puresercitando una forza maggiore del necessario sull'attrezzo, i fori non vengono eseguiti più velocemente.

Una pressione eccessiva non solo rovina le punte e l'efficienza dell'attrezzo, ma accorcia pure la vita di quest'ultimo.

### 3. Foratura da una parte all'altra di un materiale

Dovendo forare da parte a parte un materiale, una procedura incorretta può essere la causa di rottura della punta o di danni all'attrezzo, a causa di improvvisi movimenti di quest'ultimo. Stare sempre all'erta e pronti ad interrompere la pressione sull'attrezzo. Tenere quest'ultimo saldamente, con le due mani.

### 4. Regolazione della rotazione

Il D10YB incorpora un circuito elettrico speciale, il quale consente di variare in modo continuo la velocità di rotazione.

Per fare questo, è sufficiente girare il selettore illustrato in **Fig. 5**. La posizione "1" corrisponde alla velocità più bassa possibile (500 giri/min.). La posizione "5" corrisponde invece alla velocità più elevata possibile (2300 giri/min.). Regolare la velocità di rotazione a seconda del materiale da forare.

### NOTA

Quando il selettore è regolato su "1", ci possono essere casi in cui non si ha rotazione a causa della situazione dell'alimentazione, ecc. In questo caso, sollevare leggermente il selettore prima dell'uso.

---

## MANUTENZIONE ED ISPEZIONE

---

### 1. Controllo delle punte

L'uso di una punta consumata è causa di malfunzionamento del motore e minor efficienza. Di conseguenza, non appena si nota che una punta è consumata, sostituirla o limarla subito.

### 2. Controllo delle viti di tenuta

Controllare regolarmente tutte le viti di tenuta e assicurarsi che siano esclusivamente serrate. Nel caso che una di queste viti dovesse allentarsi riserrarla immediatamente. Se si non ottiene di farlo, si può causare una grave incidente.

### 3. Manutenzione del motore

L'avvolgimento del motore il vero e proprio "cuore" degli attezzi elettrici. Fare attenzione a non danneggiare l'avvolgimento e/o non bagnarlo con olio o acqua.

### 4. Controllo delle spazzole di carbone (Fig. 7)

Il motore impiega spazzole di carbone che sono materiali di consumo. Poiché una spazzola di carbone troppo usurata può creare fastidi al motore, sostituire le spazzole con altre nuove dello stesso numero indicato nella figura quando sono logore fino al limite del regolamento e quasi. Tenere inoltre sempre pulite le spazzole di carbone e fare in modo che esse scorrano liberamente nell'interno del portaspazzola.

### 5. Sostituzione di una spazzola di carbone

Togliere la capsula della spazzola con un cacciavite a taglio. La spazzola può così essere agevolmente rimossa.

### 6. Lista dei pezzi di ricambio

- A: N. voce  
B: N. codice  
C: N. uso  
D: Note

### CAUTELA

Riparazioni, modifiche e ispezioni di utensili elettrici HiKOKI devono essere eseguite da un centro assistenza HiKOKI autorizzato.

Questa lista dei pezzi torna utile se viene presentata con l'utensile al centro assistenza HiKOKI autorizzato quando si richiedono riparazioni o altri interventi di manutenzione.

Nell'uso e nella manutenzione degli utensili elettrici devono essere osservate le normative di sicurezza e i criteri prescritti in ciascun paese.

### MODIFICHE

Gli utensili elettrici HiKOKI vengono continuamente migliorati e modificati per includere le più recenti innovazioni tecnologiche.

Di conseguenza, alcuni pezzi (p.es. numero di codice e/o design) possono essere modificati senza preavviso.

---

## GARANZIA

---

Garantiamo gli Utensili Elettrici HiKOKI in conformità alle specifiche normative imposte dalla legge e dai paesi. Questa garanzia non copre difetti o danni dovuti a uso erraneo, abuso o normale usura. In caso di lamentele, si prega di inviare l'Utensile Elettrico, non smontato, insieme al CERTIFICATO DI GARANZIA che si trova al termine di queste Istruzioni per l'uso, ad un Centro di Assistenza Autorizzato HiKOKI.

### NOTA

A causa del continuo programma di ricerca e sviluppo della HiKOKI, le caratteristiche qui riportate sono soggette a cambiamenti senza preventiva comunicazione.

---

---

**Informazioni riguardanti i rumori trasmessi dall'aria e le vibrazioni**

I valori misurati sono stati determinati in conformità a EN60745 e descritti in conformità alla normativa ISO 4871.

Livello misurato di pressione sonora pesato A: 78 dB (A)

KpA incertezza: 3 dB (A)

Indossare protezioni per le orecchie.

Il valore d'accelerazione tipico RMS pesato non supera 2,5 m/s<sup>2</sup>.

---

---

## ALGEMENE VEILIGHEIDSWAARSCHUWINGEN VOOR ELEKTRISCH GEREEDSCHAP

### WAARSCHUWING

Lees alle waarschuwingen en instructies aandachtig door. Nalating om de waarschuwingen en instructies op te volgen kan in een elektrische schok, brand en/of ernstig letsel resulteren.

Bewaar alle waarschuwingen en aanwijzingen voor eventuele naslag in de toekomst.

De term "elektrisch gereedschap" heeft zowel betrekking op elektrisch gereedschap dat via de netvoeding van stroom wordt voorzien als gereedschap dat via een accu (snoerloos) van stroom wordt voorzien.

#### 1) Veiligheid van de werkplek

- Zorg voor een schone en goed verlichte werkplek.**  
*Een rommelige of donkere werkplek verhoogt de kans op ongelukken.*
- Gebruik het elektrisch gereedschap niet in een omgeving met ontplofbare vloeistoffen, gassen of stof.**  
*Elektrisch gereedschap kan vonken afgeven. Deze vonkjes kunnen stofdeeltjes of gassen doen ontbranden.*
- Houd kinderen en andere toeschouwers tijdens het gebruik van elektrische gereedschap uit de buurt.**  
*Afleidingen kunnen gevaarlijk zijn.*

#### 2) Elektrische veiligheid

- De stekker op het elektrische gereedschap moet geschikt zijn voor aansluiting op de wandcontactdoos.**  
De stekker mag op geen enkele manier gemodificeerd worden. Gebruik geen verloopstekker met geaard elektrisch gereedschap.  
*Deugdelijke stekkers en geschikte wandcontactdozen verminderen het risico op een elektrische schok.*
- Vermijd lichamen contact met geaarde oppervlakken zoals leidingen, radiatoren, fornuizen en koelkasten.**  
*Wanneer uw lichaam in contact staat met geaarde oppervlakken loopt u een groter risico op een elektrische schok.*
- Stel het elektrisch gereedschap niet bloot aan regen of vochtige omstandigheden.**  
*Het risico op een elektrische schok wordt vergroot wanneer er water in het elektrisch gereedschap terechtkomt.*
- Behandel het snoer voorzichtig. Draag het gereedschap nooit door dit bij het snoer vast te houden. Trek niet aan het snoer wanneer u de stekker uit het stopcontact wilt halen.**  
*Houd het snoer uit de buurt van warmtebronnen, olie, scherpe randen of bewegende onderdelen. Een beschadigd of verward snoer verhoogt het risico op een elektrische schok.*
- Gebruik buitenshuis een verlengsnoer dat specifiek geschikt is voor het gebruik buiten.**  
*Het gebruik van een snoer dat specifiek geschikt is voor gebruik buitenshuis vermindert het risico op een elektrische schok.*
- Als het elektrisch gereedschap in een vochtige omgeving gebruikt moet worden, dient een voeding met RCD (reststroom-apparaat) beveiliging te worden gebruikt.**  
*Gebruik van een RCD vermindert de kans op een elektrische schok.*

#### 3) Persoonlijke veiligheid

- Blijf waakzaam, let voortdurend op uw werk en gebruik uw gezond verstand wanneer u elektrisch gereedschap gebruikt.**

Gebruik geen elektrisch gereedschap wanneer u moe bent of onder invloed van drugs, alcohol of medicijnen. *Eén moment van onoplettendheid kan in ernstig lichamenlijk letsel resulteren.*

#### b) Gebruik persoonlijke beschermingsmiddelen. Draag altijd oogbescherming.

*Beschermingsmiddelen zoals stofmaskers, niet-glijdende veiligheidsschoenen, een helm of oorbescherming vermindert het risico op lichamenlijk letsel.*

#### c) Voorkom dat het gereedschap per ongeluk kan starten. Controleer of de schakelaar in de uit-stand staat voordat u de voeding en/of de accu aansluit, het gereedschap oppakt of gaat dragen.

*Zorg ervoor dat u tijdens het verplaatsen van het elektrisch gereedschap uw vingers uit de buurt van de schakelaar houdt en sluit de stroombron niet aan terwijl de schakelaar op aan staat om ongelukken te vermijden.*

#### d) Verwijder sleutels en moersleutels uit het gereedschap voordat u het elektrisch gereedschap aanzet.

*Een (moer-)sleutel die op een bewegend onderdeel van het elektrisch gereedschap bevestigd is kan in lichamenlijk letsel resulteren.*

#### e) Reik niet te ver. Zorg ervoor dat u te allen tijde stevig staat en uw evenwicht behoudt.

*Op deze manier heeft u tijdens een onverwachte situatie meer controle over het elektrisch gereedschap.*

#### f) Draag geen loszittende kleding of sieraden. Houd uw haar, kleding en handschoenen uit de buurt van bewegende onderdelen.

*Loszittende kleding, sieraden en lang haar kunnen in de bewegende onderdelen verstrikt raken.*

#### g) Indien het elektrisch gereedschap van een aansluiting voor stofafzuiging is voorzien dan dient u ervoor te zorgen dat de stofafzuiging aangesloten en op de juiste manier gebruikt wordt.

*Het gebruik van stofafzuiging vermindert eventuele stofgerelateerde risico's.*

#### 4) Bediening en onderhoud van elektrisch gereedschap

##### a) Het elektrisch gereedschap mag niet geforceerd worden. Gebruik het juiste gereedschap voor het karwei.

*U kunt de klus beter en veiliger uitvoeren wanneer u het juiste elektrische gereedschap gebruikt.*

##### b) Gebruik het elektrisch gereedschap niet als de schakelaar niet goed werkt.

*Elektrisch gereedschap dat niet via de schakelaar bediend kan worden is gevaarlijk en moet onmiddellijk gerepareerd worden.*

##### c) Haal de stekker uit het stopcontact voordat u de voeding en/of de accu van het elektrisch gereedschap losmaakt, afstellingen verricht, accessoires verwisselt of voordat u het elektrisch gereedschap opbergt.

*Dergelijke preventieve veiligheidsmaatregelen verminderen het risico dat het elektrisch gereedschap per ongeluk opstart.*

##### d) Berg elektrisch gereedschap buiten het bereik van kinderen op en sta niet toe dat personen die niet bekend zijn met het juiste gebruik van het gereedschap of deze voorschriften dit elektrisch gereedschap gebruiken.

*Elektrisch gereedschap is gevaarlijk in onbevoegde handen.*

##### e) Het elektrisch gereedschap moet regelmatig onderhouden worden. Controleer het gereedschap op een foutieve uitlijning, vastgelopen of defecte bewegende onderdelen en andere problemen die van invloed zijn op de juiste werking van het gereedschap.

Indien het gereedschap defect of beschadigd is moet het gerepareerd worden voordat u het gereedschap opnieuw gebruikt.

*Slecht onderhouden elektrisch gereedschap is verantwoordelijk voor een groot aantal doe-het-zelf ongelukken.*

- f) **Houd snijwerktuigen scherp en schoon.**  
*Goed onderhouden snijwerktuigen met scherpe snijranden lopen minder snel vast en zijn gemakkelijker in het gebruik.*
- g) **Elektrisch gereedschap, toebehoren, bits enz. moeten in overeenstemming met deze instructies worden gebruikt waarbij de werkomstandigheden en het werk in overweging moeten worden genomen.**  
*Gebruik van het elektrisch gereedschap voor andere doeleinden dan waarvoor het is bedoelt, kan resulteren in een gevaarlijke situatie.*

**5) Onderhoudsbeurt**

- a) **Het gereedschap mag uitsluitend door bevoegd onderhoudspersoneel worden onderhouden die authentieke onderdelen gebruikt.**

*Hierdoor kunt u erop aan dat de veiligheid van het elektrisch gereedschap behouden blijft.*

**VOORZORGMAATREGELEN**

Houd kinderen en kwetsbare personen op een afstand.  
Het gereedschap moet na gebruik buiten het bereik van kinderen en andere kwetsbare personen worden opgeborgen.

**TECHNISCHE GEGEVENS**

Voltage (verschillend van gebied tot gebied)*	(110V, 115V, 220V, 230V, 240V) ~
Opgenomen vermogen*	500 W
Onbelaste snelheid	500 – 2300 min <sup>-1</sup>
Spanningwijdte boorhouder	10 mm
Capaciteit: staal	10 mm
hout	22 mm
Gewicht (zonder kabel)	1,5 kg

\* Controleer het naamplaatje op het apparaat daar het apparaat afhankelijk van het gebied waar het verkocht wordt gewijzigd kan worden.

**STANDAARD TOEBEHOREN**

- (1) Boorhoudersleutel ..... 1
  - (2) Handgreep ..... 1
- De standaard toebehoren kunnen zonder aankondiging op ieder moment worden veranderd.

**TOEPASSINGEN**

- Het boren van gaten in diverse metalen, hout en kunststoffen.

**VEILIGHEIDSWAARSCHUWINGEN VOOR DE HAAKSE BOORMACHINE**

1. **Draag gehoorbescherming tijdens het gebruik van klopboormachines.**  
Blootstelling aan lawaai kan tot gehoorverlies leiden.
2. **Gebruik de extra handgrepen die met het gereedschap zijn meegeleverd.**  
Verlies van controle over het gereedschap kan in lichamelijk letsel resulteren.
3. Houd het gereedschap en handgreep tijdens het gebruik stevig met beide handen vast.
4. Draag geen handschoenen gemaakt van een materiaal dat gemakkelijk kan orollen zoals katoen, wol, stof of vezel.
5. Alvorens in een muur, plafond of vloer te boren, dient u te controleren of er geen elektrische kabels achter liggen.

**VOOR BEGIN VAN WERK**

1. **Netspanning**  
Controleren of de netspanning overeenkomt met de opgave op het naamplaatje.
2. **Netschakelaar**  
Controleren of de netschakelaar op "UIT" staat. Wanneer de stekker op het net aangesloten is, terwijl de schakelaar op "AAN" staat, begint het gereedschap onmiddellijk te draaien, hetwelk ernstig gevaar betekent.
3. **Verlengsnoer**  
Wanneer het werkteerein niet in de buurt van een stopcontact ligt, dan moet men gebruik maken van

een verlengsnoer, dat voldoende dwarsprofiel en voldoende nominaal vermogen heeft. Het verlengsnoer moet zo kort mogelijk gehouden worden.

- 4. Controle van de draairichting van de boor (Afb. 1)**  
De boor draait rechtsom (van boven gezien) wanneer de R-kant van de omzetschakelaar ingedrukt wordt. De L-kant van de omzetschakelaar dient te worden ingedrukt om de boor linksom te laten draaien.

#### VOORZICHTIG

Verander de draairichting niet terwijl de boor draait. Zet de netschakelaar op "OFF" alvorens de draairichting van de boor te veranderen. Dit om schade aan de motor te voorkomen.

- 5. Inzetten van de boor (Afb. 2)**  
Gebruik de klem sleutel voor het vastzetten van de boor. De sleutel moet in de drie gaten worden gestoken. Draai bij ieder gat om de beurt in gelijke mate vast. Draai niet alleen maar bij een gat vast. Voor het verwijderen dienen deze aanwijzingen in omgekeerde volgorde te worden uitgevoerd.

#### 6. Kiezen van de juiste boor

- (1) Bij het boren in metaal of kunststof:  
Gebruik een normale metaalboor met een grootte van minimaal 1,5 mm tot de maximale spanning-wijdte van de boorhouder.
- (2) Bij het boren in hout:  
Gebruik een normale houtboor. Voor gaten van 6,5 mm of kleiner moet een metaalboor worden gebruikt.

#### 7. Het aanbrengen van de handgreep

Schoef de zijhendel in de behuizing.

## GEBRUIK

### 1. Schakelinstructies

- (1) Inschakelen van de schakelaar  
Schuif de schakelhendel op de behuizing terug zoals aangegeven in **Afb. 3**. Wanneer u deze geheel terug schuift, zal de schakelaar ingeschakeld worden en in deze stand vergrendeld worden.
- (2) Uitschakelen van de schakelaar  
Druk op het bolronde oppervlak van de schakelhendel, zoals aangegeven in **Afb. 4**. De vergrendeling wordt nu opgeheven, de schakelhendel veert terug naar voren op de behuizing en de schakelaar wordt uitgeschakeld.

### VOORZICHTIG

Controleer goed of de schakelaar uit staat voor u de stekker in het stopcontact steekt. Doet u dit niet, dan zal het gereedschap ineens gaan draaien wat zeker zal leiden tot ongelukken.

### 2. Druk op de boor

Het boren wordt niet bespoedigd door het uitoefenen van een extra sterke druk op de boor. Extra druk leidt tot beschadiging van de boor, een verminderde boorprestatie alsmede een kortere levensduur van de boormachine.

### 3. Bij het boren door het materiaal

Wanneer de boor volledig door het materiaal heenboort, leidt een achteloze hantering dikwijls tot een afgebroken boor of tot beschadiging van de boormachine zelf op grond van de plotselinge beweging van de boormachine. Bij het boren door materiaal heen dient u daarom altijd op tijd de druk te verminderen en de boormachine stevig met beide handen vast te houden.

### 4. Afstellen van de draaisnelheid

De D10YB is voorzien van een elektrisch-gestuurde schakeling voor een continu variabele instelling van de draaisnelheid.

Gebruik de in **Afb. 5** afgebeelde schaal voor het instellen van de snelheid. Als de schaal op "1" staat, is de snelheid minimaal (500/min). Als de schaal op "5" staat, is de snelheid maximaal (2300/min). Stel de snelheid in overeenkomstig het materiaal waar doorheen wordt geboord.

### AAANTEKENING

Wanneer de draaiknop op "1" staat, is het mogelijk dat het gereedschap niet draait vanwege problemen met de stroomvoorziening enz. Kies in dit geval een iets hogere instelling met de draaiknop voor u het gereedschap gaat gebruiken.

## ONDERHOUD EN INSPECTIE

### 1. Inspectie van de boor

Aanhoudend gebruik van een stompe of beschadigde boor zal de motor van de boormachine aanzienlijk overbelasten en leidt tot een verminderde boorprestatie. Controleer de boor regelmatig en slijp deze of vervang hem door een nieuwe.

### 2. Inspectie van de bevestigingsschroef

Alle bevestigingsschroeven worden regelmatig geïnspecteerd en gecontroleerd of zij juist aangedraaid zijn. Wanneer één van de schroeven losraakt, dan moet deze onmiddellijk opnieuw aangedraaid worden. Gebeurt dat niet, dan kan dat tot aanzienlijke gevaren leiden.

### 3. Onderhoud van de motor

De motorwikkeling is het "hart" van het elektrische gereedschap. Er moet daarom bijzonder zorgvuldig op gelet worden, dat de wikkeling niet beschadigd en/of met olie of water bevochtigd wordt.

### 4. Inspectie van de koolborstels (Afb. 7)

Bij de motor zijn koolborstels gebruikt, die onderhevig zijn aan slijtage. Buitengewoon versleten koolborstels leiden tot problemen bij de motor. Dientengevolge dienen de koolborstels vervangen te worden met borstels die hetzelfde nummer hebben als de afbeelding aantoon, wanneer de koolborstel versleten, of bijna versleten is. Bovendien moeten de koolborstels altijd schoon zijn en zich in vrij de borstelhouders bewegen kunnen.

### 5. Het wisselen van de koolborstel

Men demonteert de borsteldeksel met een steeksleutel. Men kan de koolborstel dan gemakkelijk verwijderen.

### 6. Lijst vervangingsonderdelen

- A: Ond.nr.  
B: Codenr.  
C: Gebr.nr.  
D: Opm.

### LET OP

Reparatie, modificatie en inspectie van HiKOKI elektrisch gereedschap dient te worden uitgevoerd door een erkend HiKOKI Service-centrum.

Deze Onderdelenlijst komt van pas wanneer u deze samen met het gereedschap aanbiedt bij het erkende HiKOKI Service-centrum wanneer u om reparatie of ander onderhoud verzoekt.

Bij gebruik en onderhoud van elektrisch gereedschap dienen de in het land waar u zich bevindt geldende veiligheidsregelgeving en veiligheidsstandaarden strikt te worden opgevolgd.

## MODIFICATIES

HiKOKI elektrisch gereedschap wordt voortdurend verbeterd en gewijzigd teneinde gebruik te kunnen maken van de nieuwste technische ontwikkelingen. Daarom is mogelijk dat sommige onderdelen (zoals codenummers en/of ontwerp) zonder voorafgaande kennisgeving gewijzigd worden.

---

## GARANTIE

De garantie op het elektrisch gereedschap van HiKOKI is in overeenstemming met de wettelijke/landspecifieke richtlijnen. Deze garantie dekt geen defecten of schade als gevolg van foutief gebruik, misbruik of normale slijtage. In geval van klachten verzoeken wij u het elektrisch gereedschap samen met het GARANTIECERTIFICAAT dat u achterin deze handleiding aantreft naar een erkend servicecentrum van HiKOKI te sturen. Indien door de gebruiker de machine wordt gedemonteerd vervalt de aanspraak op garantie.

---

## AANTEKENING

Op grond van het voortdurende research- en ontwikkelingsprogramma van HiKOKI zijn veranderingen van de hierin genoemde technische opgaven voorbehouden.

---

## Informatie betreffende luchtgeluid en trillingen

De gemeten waarden zijn verkregen overeenkomstig EN60745 en voldoen aan de eisen van ISO 4871.

Gemeten A-gewogen geluidsdrukniveau: 78 dB (A)  
Onzekerheid KpA: 3 dB (A)

Draag gehoorbescherming.

De typische gemeten effectieve waarde van de acceleratie is niet meer dan 2,5 m/s<sup>2</sup>.

---

---



## ADVERTENCIAS DE SEGURIDAD GENERAL DE LA HERRAMIENTA ELÉCTRICA

### ADVERTENCIA

Lea todas las instrucciones y advertencias de seguridad. Si no se siguen las advertencias e instrucciones, podría producirse una descarga eléctrica, un incendio y/o daños graves.

Guarde todas las advertencias e instrucciones para futura referencia.

El término "herramienta eléctrica" en las advertencias hace referencia a la herramienta eléctrica que funciona con la red de suministro (con cable) o a la herramienta eléctrica que funciona con pilas (sin cable).

#### 1) Seguridad del área de trabajo

- Mantenga la zona de trabajo limpia y bien iluminada.**  
*Las zonas desordenadas u oscuras pueden provocar accidentes.*
- No utilice las herramientas eléctricas en entornos explosivos como, por ejemplo, en presencia de líquidos inflamables, gases o polvo.**  
*Las herramientas eléctricas crean chispas que pueden inflamar el polvo o los humos.*
- Mantenga a los niños y transeúntes alejados cuando utilice una herramienta eléctrica.**  
*Las distracciones pueden hacer que pierda el control.*

#### 2) Seguridad eléctrica

- Los enchufes de las herramientas eléctricas tienen que ser adecuados a la toma de corriente.**  
**No modifique el enchufe.**  
**No utilice enchufes adaptadores con herramientas eléctricas conectadas a tierra.**  
*Si no se modifican los enchufes y se utilizan tomas de corriente adecuadas se reducirá el riesgo de descarga eléctrica.*
- Evite el contacto corporal con superficies conectadas a tierra como tuberías, radiadores y frigoríficos.**  
*Hay mayor riesgo de descarga eléctrica si su cuerpo está en contacto con el suelo.*
- No exponga las herramientas eléctricas a la lluvia o a la humedad.**  
*La entrada de agua en una herramienta eléctrica aumentará el riesgo de descarga eléctrica.*
- No utilice el cable incorrectamente. No utilice el cable para transportar, tirar de la herramienta eléctrica o desenrollarla.**  
**Mantenga el cable alejado del calor, del aceite, de bordes afilados o piezas móviles.**  
*Los cables dañados o enredados aumentan el riesgo de descarga eléctrica.*
- Cuando utilice una herramienta eléctrica al aire libre, utilice un cable prolongador adecuado para utilizarse al aire libre.**  
*La utilización de un cable adecuado para usarse al aire libre reduce el riesgo de descarga eléctrica.*
- Si no se puede evitar el uso de una herramienta eléctrica en un lugar húmedo, utilice un suministro protegido mediante un dispositivo de corriente residual (RCD).**  
*El uso de un RCD reduce el riesgo de descarga eléctrica.*

#### 3) Seguridad personal

- Esté atento, preste atención a lo que hace y utilice el sentido común cuando utilice una herramienta eléctrica.**  
**No utilice una herramienta eléctrica cuando esté cansado o esté bajo la influencia de drogas, alcohol o medicación.**

*La distracción momentánea cuando utiliza herramientas eléctricas puede dar lugar a importantes daños personales.*

- Utilice un equipo de protección. Utilice siempre una protección ocular.**

*El equipo de protección como máscara para el polvo, zapatos de seguridad antideslizantes, casco o protección para oídos utilizado para condiciones adecuadas reducirá los daños personales.*

- Evite un inicio involuntario. Asegúrese de que el interruptor está en "off" antes de conectar la herramienta a una fuente de alimentación y/o batería, cogerla o transportarla.**

*El transporte de herramientas eléctricas con el dedo en el interruptor o el encendido de herramientas eléctricas con el interruptor encendido puede provocar accidentes.*

- Retire las llaves de ajuste antes de encender la herramienta eléctrica.**

*Si se deja una llave en una pieza giratoria de la herramienta eléctrica podrían producirse daños personales.*

- No se extralimite. Mantenga un equilibrio adecuado en todo momento.**

*Esto permite un mayor control de la herramienta eléctrica en situaciones inesperadas.*

- Vístase adecuadamente. No lleve prendas sueltas o joyas. Mantenga el pelo, la ropa y los guantes alejados de las piezas móviles.**

*La ropa suelta, las joyas y el pelo largo pueden pillarse en las piezas móviles.*

- Si se proporcionan dispositivos para la conexión de extracción de polvo e instalaciones de recogida, asegúrese de que están conectados y se utilizan adecuadamente.**

*La utilización de un sistema de recogida de polvo puede reducir los riesgos relacionados con el polvo.*

#### 4) Utilización y mantenimiento de las herramientas eléctricas

- No fuerce la herramienta eléctrica. Utilice la herramienta eléctrica correcta para su aplicación.**

*La herramienta eléctrica correcta trabajará mejor y de forma más segura si se utiliza a la velocidad para la que fue diseñada.*

- No utilice la herramienta eléctrica si el interruptor no la enciende y apaga.**

*Las herramientas eléctricas que no pueden controlarse con el interruptor son peligrosas y deben repararse.*

- Desconecte el enchufe de la fuente eléctrica y/o la batería de la herramienta eléctrica antes de hacer ajustes, cambiar accesorios o almacenar herramientas eléctricas.**

*Estas medidas de seguridad preventivas reducen el riesgo de que la herramienta eléctrica se ponga en marcha accidentalmente.*

- Guarde las herramientas eléctricas que no se utilicen para que no las cojan los niños y no permita que utilicen las herramientas eléctricas personas no familiarizadas con las mismas o con estas instrucciones.**

*Las herramientas eléctricas son peligrosas si son utilizadas por usuarios sin formación.*

- Mantenimiento de las herramientas eléctricas. Compruebe si las piezas móviles están mal alineadas o unidas, si hay alguna pieza rota u otra condición que pudiera afectar al funcionamiento de las herramientas eléctricas.**

*Si la herramienta eléctrica está dañada, llévela a reparar antes de utilizarla.*

Se producen muchos accidentes por no realizar un mantenimiento correcto de las herramientas eléctricas.

- f) **Mantenga las herramientas de corte afiladas y limpias.**  
Las herramientas de corte correctamente mantenidas con los bordes de corte afilados son más fáciles de controlar.
- g) **Utilice la herramienta eléctrica, los accesorios y las brocas de la herramienta, etc. de acuerdo con estas instrucciones, teniendo en cuenta las condiciones laborales y el trabajo que se va a realizar.**  
La utilización de la herramienta eléctrica para operaciones diferentes a aquellas pretendidas podría dar lugar a una situación peligrosa.

## 5) Revisión

- a) **Lleve su herramienta a que la revise un experto cualificado que utilice sólo piezas de repuesto idénticas.**  
Esto garantizará el mantenimiento de la seguridad de la herramienta eléctrica.

## PRECAUCIÓN

Mantenga a los niños y a las personas enfermas alejadas. Cuando no se utilicen, las herramientas deben almacenarse fuera del alcance de los niños y de las personas enfermas.

## ESPECIFICACIONES

Voltaje (por áreas)*	(110V, 115V, 220V, 230V, 240V) ~
Acometida*	500 W
Velocidad sin carga	500 – 2300 min <sup>-1</sup>
Capacidad del portabroca	10 mm
Capacidad: acero	10 mm
madera	22 mm
Peso (sin cable)	1,5 kg

\* Verificar indefectiblemente los datos de la placa de características de la máquina, pues varían de acuerdo al país de destino.

## ACCESORIOS ESTANDAR

- (1) Volvedor de mandril ..... 1
  - (2) Asidero lateral ..... 1
- Los accesorios estándar están sujetos a cambio sin previo aviso.

## APLICACIONES

- Para taladrar agujeros en varios metales, madera y plásticos.

## ANTES DE LA PUESTA EN MARCHA

### 1. Alimentación

Asegúrese de que la fuente de alimentación que ha de ser utilizada cumpla con los requerimientos de alimentación especificados en la placa de características del producto.

### 2. Interruptor de alimentación

Asegúrese de que el interruptor de alimentación esté en la posición OFF. Si conectase la clavija a

## PRECAUCIONES DE SEGURIDAD DEL TALADRO ANGULAR

1. **Utilice protección de oídos con taladros de impacto.**  
La exposición al ruido puede causar daños auditivos.
2. **Utilice los mangos auxiliares proporcionados con la herramienta.**  
La pérdida de control puede causar daños personales.
3. Sujetar firmemente el taladro y asidero lateral con ambas manos al utilizarlo.
4. No ponerse guantes de material que pueda enrollarse como por ejemplo, algodón, lana, paño, etc.
5. Antes de taladrar paredes, techos o suelos, cerciorarse de que no haya cables eléctricos o conductos en su interior.

un tomacorriente con el interruptor de alimentación en la posición ON, la herramienta eléctrica empezaría a funcionar imprevistamente, y podría producirse un accidente grave.

### 3. Cable prolongador

Cuando el área de trabajo esté alejada de la fuente de alimentación, utilice un cable prolongador de suficiente grosor y capacidad nominal. El cable prolongador deberá ser lo más corto posible.

### 4. Confirmar la dirección de rotación de la broca (Fig. 1)

La broca rota hacia la derecha (mirándola desde arriba) al oprimir el lado R (der.) de la palanca interruptora de inversión. El lado L (izq.) de la palanca se usa para hacer girar la broca hacia la izquierda.

## PRECAUCION

Nunca cambiar la dirección de la broca cuando está rotando.

Desactivar el taladro (interruptor en "OFF") antes de cambiar la dirección de rotación de broca, de lo contrario, puede quemarse el motor.

**5. Montaje de brocas (Fig. 2)**

Apretar las brocas con la llave del portabroca. La llave del portabrocas debe insertarse en tres agujeros. Apretar igualmente en los tres agujeros, no solamente en uno. La broca puede quitarse siguiendo el orden inverso utilizado para montarla.

**6. Modo de seleccionar las brocas**

(1) Cuando se taladren agujeros en metales o plásticos: Utilizar brocas ordinarias para trabajar en metal. La gama de tamaños comprende desde las brocas de 1,5 mm hasta aquellas de la máxima capacidad del portabroca.

(2) Cuando se taladren agujeros en madera: Utilizar brocas para trabajos en madera. Para agujeros pequeños, 6,5 mm o menos, utilizar brocas para trabajos en metal.

**7. Montar el asidero lateral**

Atornillar el asidero lateral en la cubierta de engranaje.

**MODO DE UTILIZACION****1. Instrucciones sobre el encendido y apagado**

(1) Conexión del conmutador

Deslizar hacia atrás la palanca del conmutador en el cuerpo principal, tal como se observa en la Fig. 3. Al deslizar completamente la palanca hacia atrás, el conmutador se conecta y se bloquea en esa posición.

(2) Desconexión del conmutador

Presionar la parte convexa redonda en la superficie de la palanca del conmutador, tal como se observa en la Fig. 4. Seguidamente, se libera el bloqueo, la palanca del conmutador retorna hacia la parte delantera del cuerpo principal mediante la fuerza del resorte, y el conmutador se desconecta.

**PRECAUCION**

Antes de enchufar la clavija en la toma de corriente eléctrica, cerciorarse de que el conmutador esté desconectado. De lo contrario, la herramienta se pondría en marcha imprevistamente y se produciría un accidente.

**2. Aplicando fuerza al taladro**

No podrán taladrarse agujeros rápidamente a pesar de aplicar una gran fuerza al taladro.

De esta forma, se dañará la punta de la broca, disminuye la eficiencia de la operación y se acorta la duración del taladro.

**3. Cuando se taladre por completo un material**

Cuando la broca taladra por completo el material, un manejo descuidado causa a menudo la rotura de la broca, o daña el mismo cuerpo del taladro debido al brusco movimiento de la broca. Estar siempre alerta y listo para dejar de aplicar fuerza y sujetar el cuerpo del taladro firmemente con ambas manos cuando se taladre por completo un material.

**4. Ajuste de la velocidad para efectuar el taladrado**

El D10YB está equipado con un circuito de control eléctrico que permite el control de la velocidad sin pasos.

Para ajustar la velocidad, girar el indicador mostrado en la Fig. 5. Cuando el indicador esté en la posición "1", la velocidad del taladro será la mínima (500/min). Cuando el indicador esté en la posición

"5", la velocidad del taladro será la máxima (2300/min). Ajustar la velocidad del taladro se acuerdo al material a taladrar.

**OBSERVACION**

Cuando el dial está ajustado a "1", podría suceder que la rotación no se efectúe debido a las condiciones de la fuente de alimentación, etc. En tal caso, aumentar ligeramente el ajuste del dial antes del uso.

**MANTENIMIENTO E INSPECCION****1. Inspección de las brocas**

Las brocas mal afiladas o desgastadas harán que el motor funcione mal y disminuirán la eficiencia del taladro. Cambiar las brocas cuando sea necesario, o afilarlas, cuando quiera que se note deformación alguna.

**2. Inspección de los tornillos de montaje**

Inspeccione con regularidad todos los tornillos de montaje y asegúrese de que estén correctamente apretados. Si hay algún tornillo flojo, reapriételo inmediatamente. La negligencia en la observación de esta advertencia podría ser sumamente peligroso.

**3. Mantenimiento del motor**

El devanado del motor es el "corazón" mismo de la herramienta eléctrica. Preste suma atención para asegurarse de que el devanado no se dañe y/o se humedezca con aceite o agua.

**4. Inspección de las escobillas de carbón (Fig. 7)**

El motor emplea escobillas de carbón, que son piezas fungibles. Como una escobilla de carbón excesivamente desgastada podría producir averías en el motor, reemplace las escobillas por otras que tengan el mismo número que el indicado en la figura, cuando se hayan desgastado o estén cerca del "límite de uso". Asimismo, mantenga las escobillas de carbón limpias y asegúrese de que se deslicen libremente en los portaescobillas.

**5. Reemplazar la escobilla**

Quitar la cápsula de la escobilla con un destornillador con cabeza pequeña. La escobilla de contacto se deja entonces quitar fácilmente.

**6. Lista de repuestos**

- A: N°. ítem
- B: N°. código
- C: N°. usado
- D: Observaciones

**PRECAUCION**

La reparación, modificación e inspección de las herramientas eléctricas HiKOKI deben ser realizadas por un Centro de Servicio Autorizado de HiKOKI. Esta lista de repuestos será de utilidad si es presentada junto con la herramienta al Centro de Servicio Autorizado de HiKOKI, para solicitar la reparación o cualquier otro tipo de mantenimiento. En el manejo y el mantenimiento de las herramientas eléctricas, se deberán observar las normas y reglamentos vigentes en cada país.

**MODIFICACIONES**

HiKOKI Power Tools introduce constantemente mejoras y modificaciones para incorporar los últimos avances tecnológicos.

Por consiguiente, algunas partes (por ejemplo, números de códigos y/o diseño) pueden ser modificadas sin previo aviso.

---

## **GARANTÍA**

---

Las herramientas motorizadas de HiKOKI incluye una garantía conforme al reglamento específico legal/nacional. Esta garantía no cubre los defectos o daños debidos al uso incorrecto, el abuso o el desgaste normal. En caso de reclamación, envíe la herramienta motorizada, sin desmontar y con el CERTIFICADO DE GARANTÍA que aparece al final de estas instrucciones de uso, al Centro de Servicio Autorizado de HiKOKI.

---

## **OBSERVACION**

Debido al programa continuo de investigación y desarrollo de HiKOKI éstas especificaciones están sujetas a cambio sin previo aviso.

---

---

## **Información sobre el ruido propagado por el aire y vibración**

Los valores medidos se determinaron de acuerdo con EN60745 declararon de conformidad con ISO 4871.

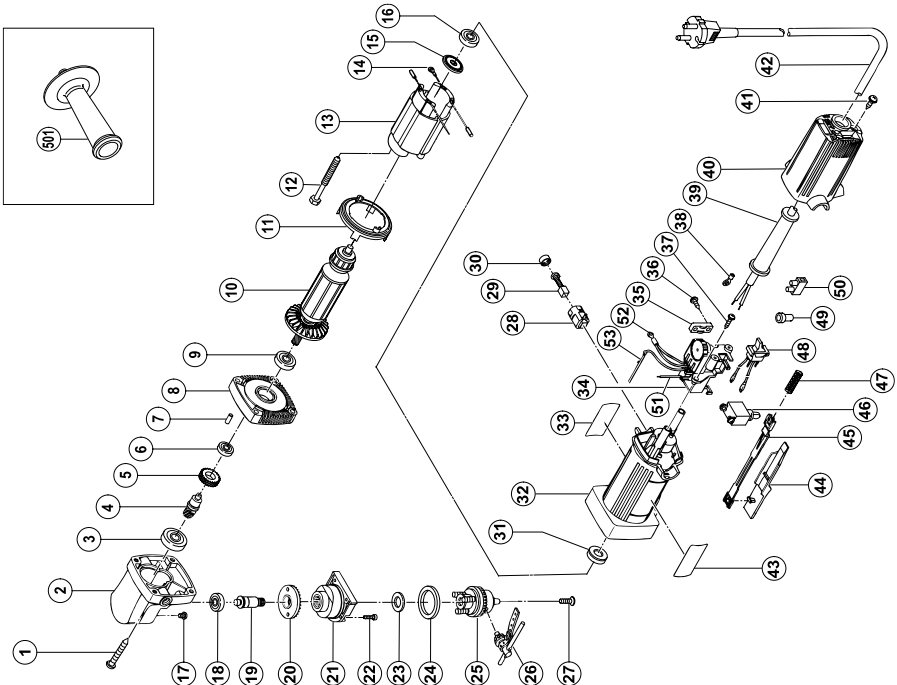
Nivel de presión auditiva ponderada A: 78 dB (A)

Duda KpA: 3 dB (A)

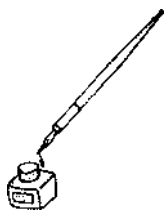
Utilice protectores para los oídos.

El valor de aceleración cuadrática media de raíz ponderada típica no supera los 2,5 m/s<sup>2</sup>.

---



A	B	C	D	A	B	C	D
1	316458	4	D5x40	36	984750	2	D4x16
2	318828	1		37	305095	2	D4x20
3	6001VV	1	6001VVCMP2S2L	38	980063	1	
4	318833	1		39	953327	1	
5	318834	1		40	318836	1	
6	606ZZM	1	606ZZC2PS2L	41	307811	2	D4x16
7	931701	1		42	_____	1	
8	318827	1		43	_____	1	
9	608DDM	1	608DDC2PS2L	44	318825	1	
10-1	360528U	1	110V-115V "9, 15, 16"	45	318826	1	
10-2	360528E	1	220V-230V	46	314603	1	
10-3	360528F	1	240V	47	314429	1	
11	306840	1		48	319061	1	
12	982021	2	D4x70	49	959140	2	
13-1	340469C	1	110V-115V "14"	50	938307	1	
13-2	340469G	1	220V-230V "14"	51	325566	1	
13-3	340469E	1	220V-230V "14"	52	930800	1	M4.0
			"NZL, AUS, GBR(230V), ITA, FRG, FRA, HOL, AUT, ESP, SUJ"	53	314854	1	
			240V "14"	501	956633	1	
13-4	340469F	1	240V "14"				
14	980063	1					
15	313775	1					
16	626VVM	1	626VVC2PS2L				
17	985414	2	M4x10				
18	607VVC	1	607VVC2PS2L				
19	318830	1					
20	318829	1					
21	318831	1					
22	318832	4	M3x12				
23	936973	1					
24	943153	1					
25	318835	1	10TLRD "26"				
26	319070	1	10TLRD				
27	317995	2	M5x15				
28	313777	2					
29	999021	2					
30	936551	2					
31	309929	1					
32	318839	1	"31"				
33	_____	1					
34	319059	1					
35	937631	1					



<p>English</p> <p><b><u>GUARANTEE CERTIFICATE</u></b></p> <p>① Model No.  ② Serial No.  ③ Date of Purchase  ④ Customer Name and Address  ⑤ Dealer Name and Address  (Please stamp dealer name and address)</p>	<p>Italiano</p> <p><b><u>CERTIFICATO DI GARANZIA</u></b></p> <p>① Modello  ② N° di serie  ③ Data di acquisto  ④ Nome e indirizzo dell'acquirente  ⑤ Nome e indirizzo del rivenditore  (Si prega di apporre il timbro con questi dati)</p>
<p>Deutsch</p> <p><b><u>GARANTIESCHEIN</u></b></p> <p>① Modell-Nr.  ② Serien-Nr.  ③ Kaufdatum  ④ Name und Anschrift des Kunden  ⑤ Name und Anschrift des Händlers  (Bitte mit Namen und Anschrift des Handlers abstempeln)</p>	<p>Nederlands</p> <p><b><u>GARANTIEBEWIJS</u></b></p> <p>① Modelnummer  ② Serienummer  ③ Datum van aankoop  ④ Naam en adres van de gebruiker  ⑤ Naam en adres van de handelaar  (Stempel a.u.b. naam en adres vande handelaar)</p>
<p>Français</p> <p><b><u>CERTIFICAT DE GARANTIE</u></b></p> <p>① No. de modèle  ② No. de série  ③ Date d'achat  ④ Nom et adresse du client  ⑤ Nom et adresse du revendeur  (Cachet portant le nom et l'adresse du revendeur)</p>	<p>Español</p> <p><b><u>CERTIFICADO DE GARANTIA</u></b></p> <p>① Número de modelo  ② Número de serie  ③ Fecha de adquisición  ④ Nombre y dirección del cliente  ⑤ Nombre y dirección del distribudor  (Se ruega poner el sellú del distribudor con su nombre y dirección)</p>



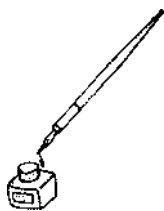
# HIKOKI

①	
②	
③	
④	
⑤	









## **Hikoki Power Tools Deutschland GmbH**

Siemensring 34, 47877 Willich, Germany

Tel: +49 2154 49930

Fax: +49 2154 499350

URL: <http://www.hikoki-powertools.de>

## **Hikoki Power Tools Netherlands B.V.**

Brabanthaven 11, 3433 PJ Nieuwegein, The Netherlands

Tel: +31 30 6084040

Fax: +31 30 6067266

URL: <http://www.hikoki-powertools.nl>

## **Hikoki Power Tools (U.K.) Ltd.**

Precedent Drive, Rooksley, Milton Keynes, MK 13, 8PJ,

United Kingdom

Tel: +44 1908 660663

Fax: +44 1908 606642

URL: <http://www.hikoki-powertools.uk>

## **Hikoki Power Tools France S.A.S.**

Parc de l'Eglantier 22, rue des Cerisiers, Lisses-C.E. 1541,

91015 EVRY CEDEX, France

Tel: +33 1 69474949

Fax: +33 1 60861416

URL: <http://www.hikoki-powertools.fr>

## **Hikoki Power Tools Belgium N.V./S.A.**

Koningin Astridlaan 51, B-1780 Wommel, Belgium

Tel: +32 2 460 1720

Fax: +32 2 460 2542

URL: <http://www.hikoki-powertools.be>

## **Hikoki Power Tools Italia S.p.A**

Via Piave 35, 36077, Altavilla Vicentina (VI), Italy

Tel: +39 0444 548111

Fax: +39 0444 548110

URL: <http://www.hikoki-powertools.it>

## **Hikoki Power Tools Ibérica, S.A.**

C/ Puigbarral, 26-28, Pol. Ind. Can Petit, 08227 Terrassa

(Barcelona), Spain

Tel: +34 93 735 6722

Fax: +34 93 735 7442

URL: <http://www.hikoki-powertools.es>

## **Hikoki Power Tools Österreich GmbH**

IndustrieZentrum NÖ –Süd, Straße 7, Obj. 58/A6 2355

Wiener Neudorf, Austria

Tel: +43 2236 64673/5

Fax: +43 2236 63373

URL: <http://www.hikoki-powertools.at>

<p>English</p> <p><b>EC DECLARATION OF CONFORMITY</b></p> <p>We declare under our sole responsibility that Angle Drill, identified by type and specific identification code *1), is in conformity with all relevant requirements of the directives *2) and standards *3). Technical file at *4) – See below. The European Standard Manager at the representative office in Europa is authorized to compile the technical file. The declaration is applicable to the product affixed CE marking.</p>	<p>Italiano</p> <p><b>DICHIARAZIONE DI CONFORMITÀ CE</b></p> <p>Dichiariamo sotto la nostra esclusiva responsabilità che il Trapano angolare, identificato dal tipo e dal codice identificativo specifico *1), è conforme a tutti i requisiti delle direttive *2) e degli standard *3). Documentazione tecnica presso *4) – Vedere sotto. Il gestore delle norme europee presso l'ufficio di rappresentanza in Europa è autorizzato a compilare il fascicolo tecnico. La dichiarazione è applicabile ai prodotti cui sono applicati i marchi CE.</p>
<p>Deutsch</p> <p><b>EG-KONFORMITÄTSERLÄRUNG</b></p> <p>Wir erklären in alleiniger Verantwortung, dass die durch den Typ und den spezifischen Identifizierungscode *1) identifizierte Winkelbohrmaschine allen einschlägigen Bestimmungen der Richtlinien *2) und Normen *3) entspricht. Technische Unterlagen unter *4) – Siehe unten. Die Leitung der repräsentativen Behörde für europäische Normen und Richtlinien ist berechtigt, die technischen Unterlagen zusammenzustellen. Die Erklärung gilt für die an dem Produkt angebrachte CE-Kennzeichnung.</p>	<p>Nederlands</p> <p><b>EC VERKLARING VAN CONFORMITEIT</b></p> <p>Wij verklaren onder onze eigen verantwoordelijkheid dat Haakse boormachine, geïdentificeerd door het type en de specifieke identificatiecode *1), voldoet aan alle relevante bepalingen van de richtlijnen *2) en normen *3). Technische documentatie bij*4) – zie onder. De Europese Normen Manager bij de vertegenwoordiging in Europa is gemachtigd om het technisch dossier samen te stellen. Deze verklaring is van toepassing op producten voorzien van de CE-markeringen.</p>
<p>Français</p> <p><b>DECLARATION DE CONFORMITE CE</b></p> <p>Nous déclarons sous notre entière responsabilité que la Perceuse d'angle, identifiée par le type et le code d'identification spécifique *1) est en conformité avec toutes les exigences applicables des directives *2) et des normes *3). Dossier technique en *4) - Voir ci-dessous. Le Gestionnaire des normes européennes du bureau de représentation en Europe est autorisé à constituer le dossier technique. Cette déclaration s'applique aux produits désignés CE.</p>	<p>Español</p> <p><b>DECLARACIÓN DE CONFORMIDAD DE LA CE</b></p> <p>Declaramos bajo nuestra única responsabilidad que el Taladro angular, identificado por tipo y por código de identificación específico *1), está en conformidad con todas las disposiciones correspondientes de las directivas *2) y de las normas *3). Documentación técnica en *4) – Ver a continuación. El Director de Normas Europeas en la oficina de representación en Europa está autorizado para elaborar el expediente técnico. La declaración se aplica al producto con marcas de la CE.</p>
<p>*1) D10YB C322416R C322419M *2) 2006/42/EC, 2014/30/EU, 2011/65/EU *3) EN60745-1:2009+A11:2010 EN60745-2-1:2010 EN55014-1:2006+A1:2009+A2:2011 EN55014-2:1997+A1:2001+A2:2008 EN61000-3-2:2014 EN61000-3-3:2013</p>	
<p>*4) Representative office in Europe <b>Hikoki Power Tools Deutschland GmbH</b> Siemensring 34, 47877 Willich, Germany</p> <p>Head office in Japan <b>Koki Holdings Co., Ltd.</b> Shinagawa Intercity Tower A, 15-1, Konan 2-chome, Minato-ku, Tokyo, Japan</p> <p>29. 6. 2018 Naoto Yamashiro European Standard Manager</p> <p>29. 6. 2018  A. Nakagawa Corporate Officer</p> 	

**Koki Holdings Co., Ltd.**