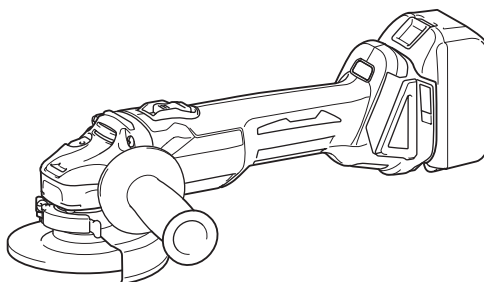




EN	Cordless Angle Grinder	INSTRUCTION MANUAL	6
UK	Бездротова кутова шліфувальна машина	ІНСТРУКЦІЯ З ЕКСПЛУАТАЦІЇ	15
PL	Akumulatorowa szlifierka kąтова	INSTRUKCJA OBSŁUGI	26
RO	Polizor unghiular cu acumulator	MANUAL DE INSTRUCȚIUNI	37
DE	Akku-Winkelschleifer	BEDIENUNGSANLEITUNG	47
HU	Akkumulátoros sarokcsiszoló	HASZNÁLATI KÉZIKÖNYV	58
SK	Ručná uhlová brúska	NÁVOD NA OBSLUHU	68
CS	Akumulátorová úhlová bruska	NÁVOD K OBSLUZE	78

DGA404
DGA454
DGA504



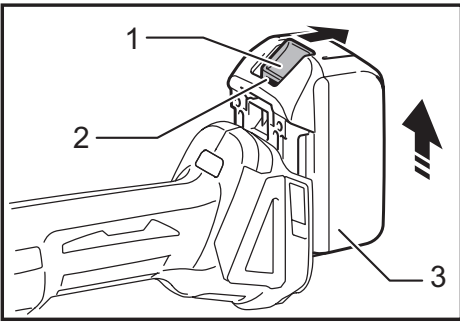


Fig.1

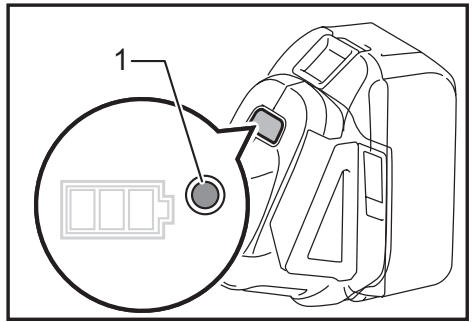


Fig.5

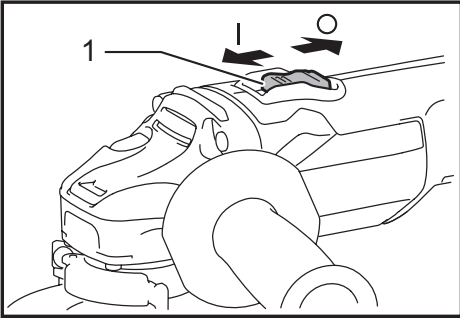


Fig.2

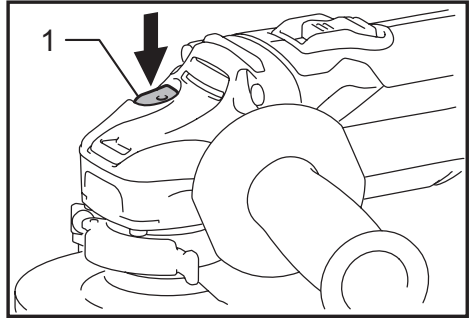


Fig.6

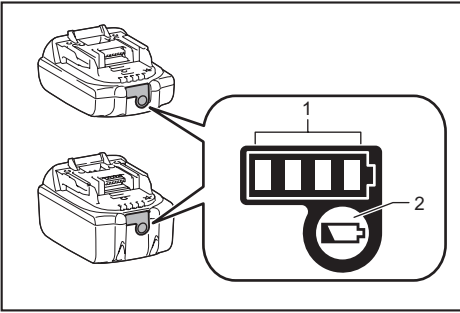


Fig.3

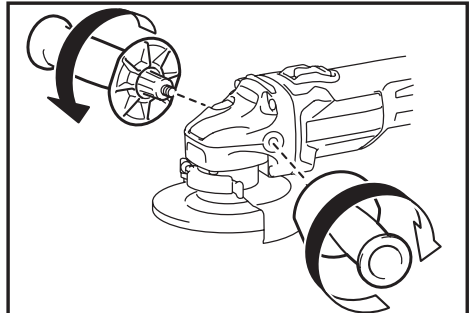


Fig.7

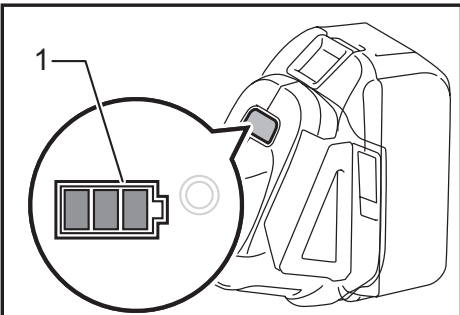


Fig.4

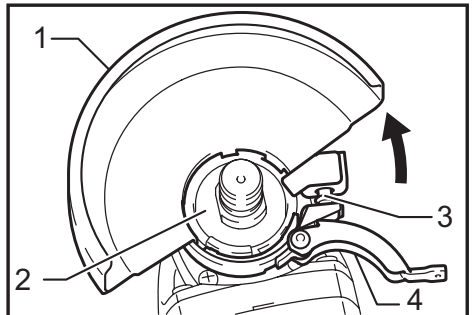


Fig.8

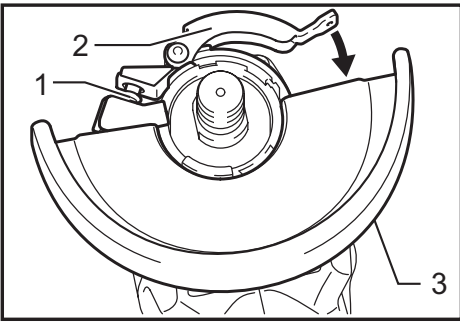


Fig.9

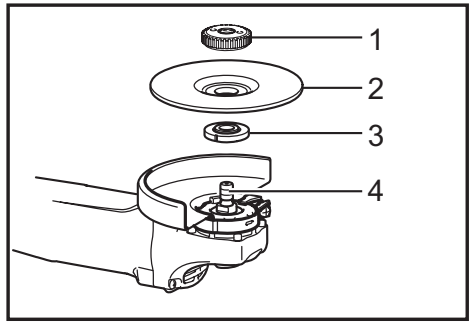


Fig.13

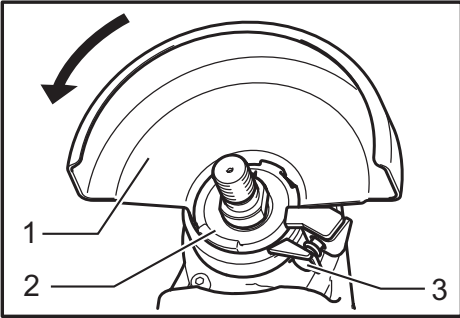


Fig.10

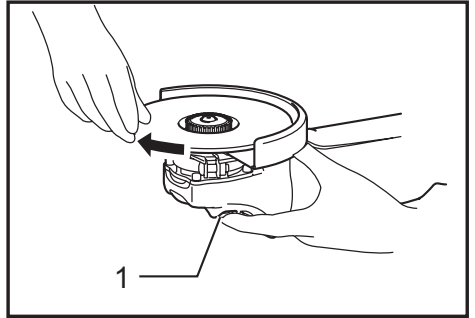


Fig.14

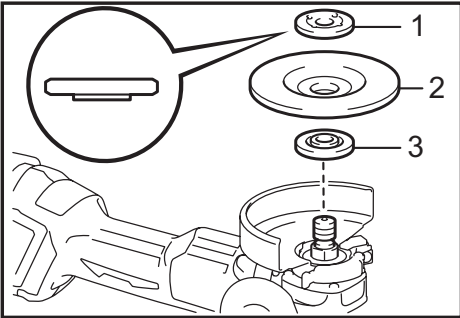


Fig.11

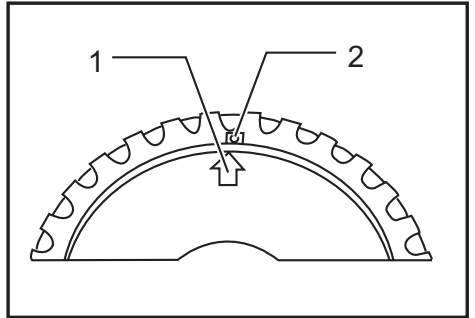


Fig.15

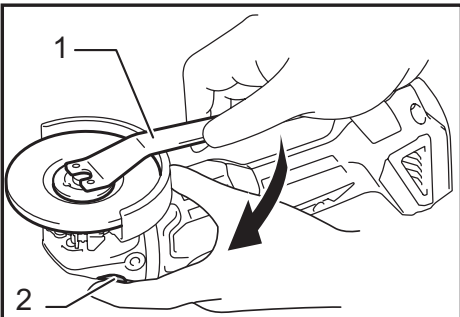


Fig.12

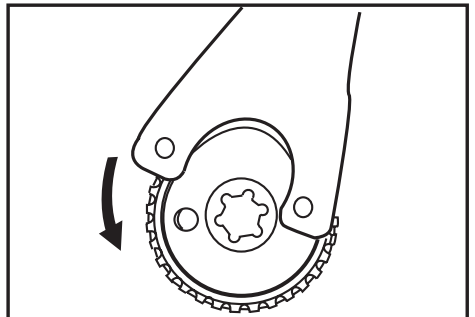


Fig.16

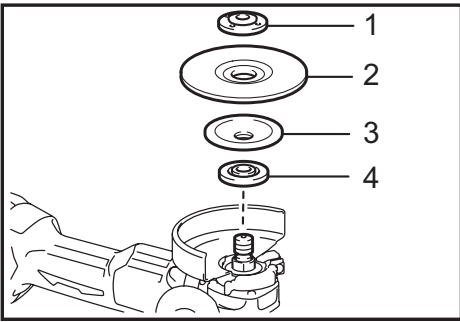


Fig.17

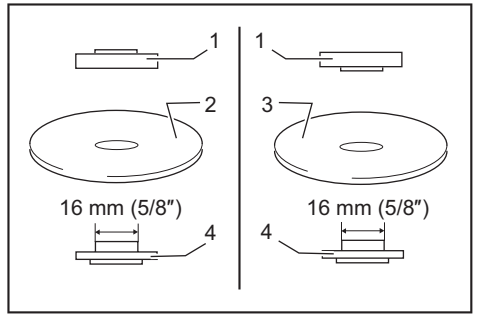


Fig.21

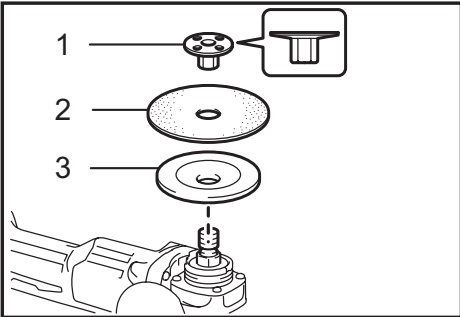


Fig.18

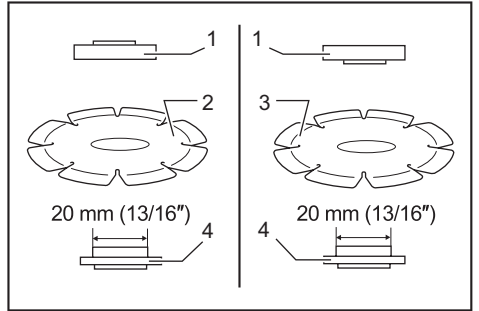


Fig.22

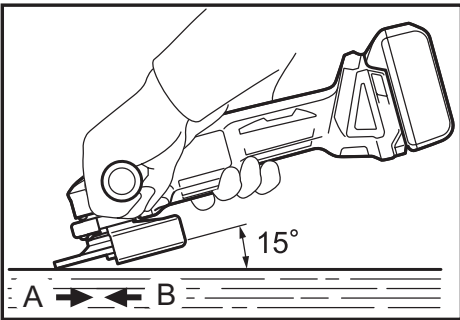


Fig.19

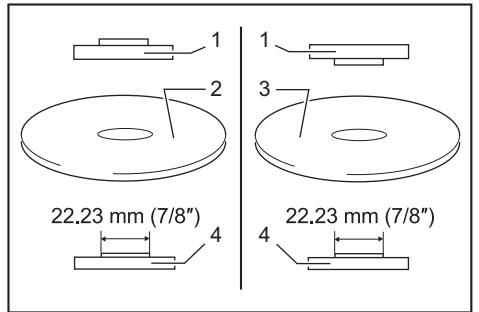


Fig.23

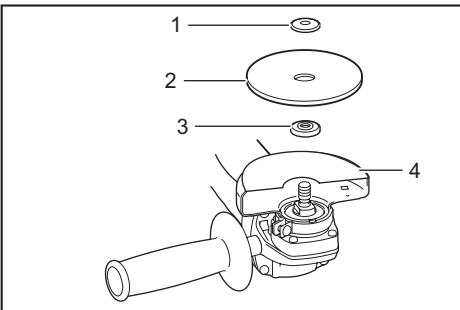


Fig.20

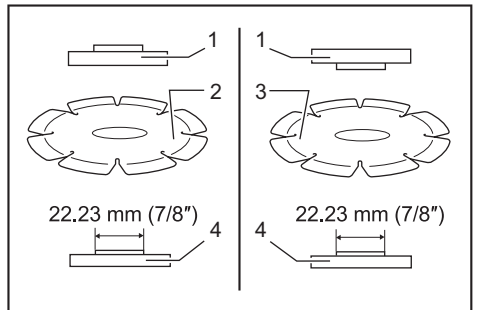


Fig.24

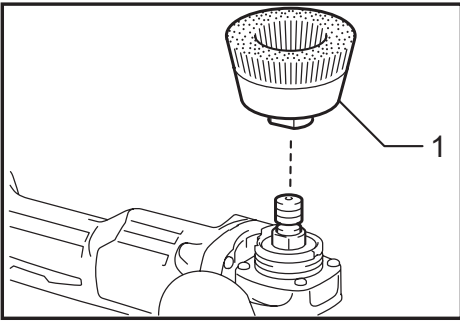


Fig.25

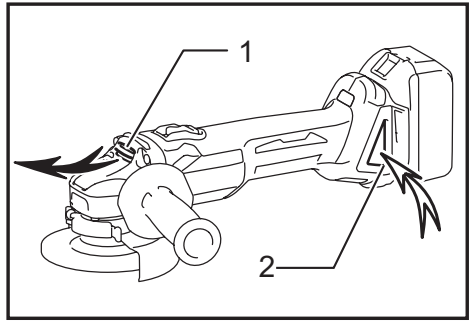


Fig.27

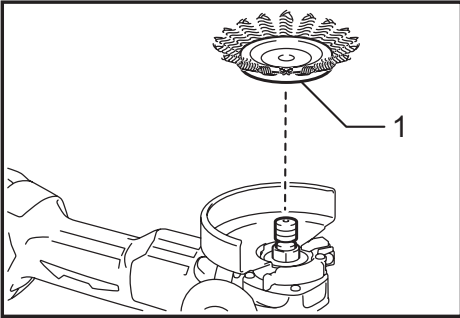


Fig.26

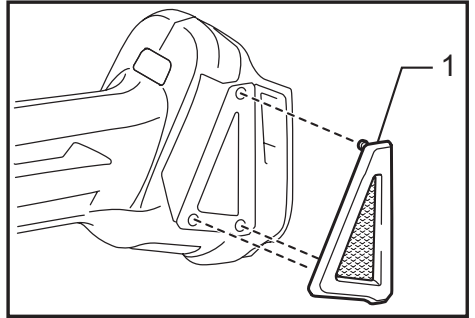


Fig.28

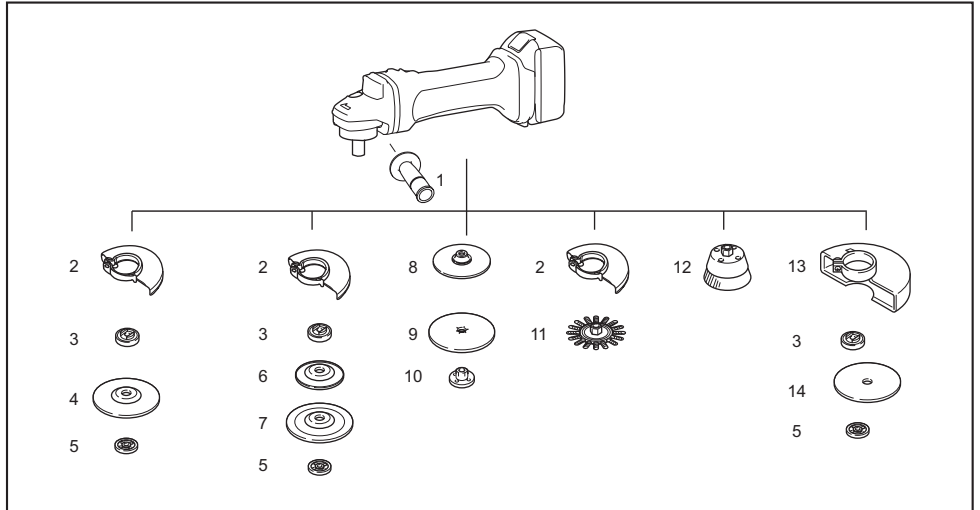


Fig.29

SPECIFICATIONS

Model		DGA404	DGA454	DGA504
Wheel diameter		100 mm (4")	115 mm (4-1/2")	125 mm (5")
Max. wheel thickness		6.4 mm (1/4")	6.4 mm (1/4")	6.4 mm (1/4")
Spindle thread		M10	M14 or 5/8" (country specific)	
Rated speed (n) / No load speed (n ₀)		8,500 min ⁻¹		
Overall length	With battery cartridge BL1815N, BL1820, BL1820B	348 mm		
	With battery cartridge BL1830, BL1830B, BL1840, BL1840B, BL1850, BL1850B, BL1860B	362 mm		
Net weight	With battery cartridge BL1815N, BL1820, BL1820B	2.2 kg	2.3 kg	2.3 kg
	With battery cartridge BL1830, BL1830B, BL1840, BL1840B, BL1850, BL1850B, BL1860B	2.4 kg	2.5 kg	2.5 kg
Rated voltage		D.C. 18 V		

- Due to our continuing program of research and development, the specifications herein are subject to change without notice.
- Specifications and battery cartridge may differ from country to country.
- Weight, with battery cartridge, according to EPTA-Procedure 01/2003

Intended use

The tool is intended for grinding, sanding and cutting of metal and stone materials without the use of water.

Work mode: disc sanding

Vibration emission (a_{h,DS}): 2.5 m/s² or less

Uncertainty (K): 1.5 m/s²

Noise

The typical A-weighted noise level determined according to EN60745:

Model DGA404

Sound pressure level (L_{pA}): 80 dB (A)

Sound power level (L_{WA}): 91 dB (A)

Uncertainty (K): 3 dB (A)

Model DGA454, DGA504

Sound pressure level (L_{pA}): 79 dB (A)

Uncertainty (K): 3 dB (A)

The noise level under working may exceed 80 dB (A).

Wear ear protection

NOTE: The declared vibration emission value has been measured in accordance with the standard test method and may be used for comparing one tool with another.

NOTE: The declared vibration emission value may also be used in a preliminary assessment of exposure.

NOTE: The declared vibration emission value is used for main applications of the power tool. However if the power tool is used for other applications, the vibration emission value may be different.

Vibration

The vibration total value (tri-axial vector sum) determined according to EN60745:

Model DGA404

Work mode : surface grinding with normal side grip

Vibration emission (a_{h,AG}): 4.5 m/s²

Uncertainty (K): 1.5 m/s²

Work mode : surface grinding with anti vibration side grip

Vibration emission (a_{h,AG}): 4.0 m/s²

Uncertainty (K): 1.5 m/s²

Work mode: disc sanding

Vibration emission (a_{h,DS}): 2.5 m/s² or less

Uncertainty (K): 1.5 m/s²

Model DGA454, DGA504

Work mode : surface grinding with normal side grip

Vibration emission (a_{h,AG}): 6.5 m/s²

Uncertainty (K): 1.5 m/s²

Work mode : surface grinding with anti vibration side grip

Vibration emission (a_{h,AG}): 6.0 m/s²

Uncertainty (K): 1.5 m/s²

⚠WARNING: The vibration emission during actual use of the power tool can differ from the declared emission value depending on the ways in which the tool is used.

⚠WARNING: Be sure to identify safety measures to protect the operator that are based on an estimation of exposure in the actual conditions of use (taking account of all parts of the operating cycle such as the times when the tool is switched off and when it is running idle in addition to the trigger time).

For European countries only

EC Declaration of Conformity

Makita declares that the following Machine(s):

Designation of Machine:

Cordless Angle Grinder

Model No./ Type: DGA404,DGA454,DGA504

Conforms to the following European Directives:

2006/42/EC

They are manufactured in accordance with the following standard or standardized documents:

EN60745

The technical file in accordance with 2006/42/EC is available from:

Makita, Jan-Baptist Vinkstraat 2, 3070, Belgium

13.3.2014



Yasushi Fukaya
Director

Makita, Jan-Baptist Vinkstraat 2, 3070, Belgium

General Power Tool Safety Warnings

⚠WARNING Read all safety warnings and all instructions. Failure to follow the warnings and instructions may result in electric shock, fire and/or serious injury.

Save all warnings and instructions for future reference.

CORDLESS GRINDER SAFETY WARNINGS

Safety Warnings Common for Grinding, Sanding, Wire Brushing, or Abrasive Cutting-Off Operations:

1. **This power tool is intended to function as a grinder, sander, wire brush or cut-off tool. Read all safety warnings, instructions, illustrations and specifications provided with this power tool.** Failure to follow all instructions listed below may result in electric shock, fire and/or serious injury.
2. **Operations such as polishing are not recommended to be performed with this power tool.** Operations for which the power tool was not designed may create a hazard and cause personal injury.
3. **Do not use accessories which are not specifically designed and recommended by the tool manufacturer.** Just because the accessory can be attached to your power tool, it does not assure safe operation.
4. **The rated speed of the accessory must be at least equal to the maximum speed marked on the power tool.** Accessories running faster than their rated speed can break and fly apart.
5. **The outside diameter and the thickness of your accessory must be within the capacity rating of your power tool.** Incorrectly sized accessories cannot be adequately guarded or controlled.

6. **Threaded mounting of accessories must match the grinder spindle thread. For accessories mounted by flanges, the arbour hole of the accessory must fit the locating diameter of the flange.** Accessories that do not match the mounting hardware of the power tool will run out of balance, vibrate excessively and may cause loss of control.
7. **Do not use a damaged accessory. Before each use inspect the accessory such as abrasive wheels for chips and cracks, backing pad for cracks, tear or excess wear, wire brush for loose or cracked wires. If power tool or accessory is dropped, inspect for damage or install an undamaged accessory. After inspecting and installing an accessory, position yourself and bystanders away from the plane of the rotating accessory and run the power tool at maximum no-load speed for one minute.** Damaged accessories will normally break apart during this test time.
8. **Wear personal protective equipment. Depending on application, use face shield, safety goggles or safety glasses. As appropriate, wear dust mask, hearing protectors, gloves and workshop apron capable of stopping small abrasive or workpiece fragments.** The eye protection must be capable of stopping flying debris generated by various operations. The dust mask or respirator must be capable of filtering particles generated by your operation. Prolonged exposure to high intensity noise may cause hearing loss.
9. **Keep bystanders a safe distance away from work area. Anyone entering the work area must wear personal protective equipment.** Fragments of workpiece or of a broken accessory may fly away and cause injury beyond immediate area of operation.
10. **Hold the power tool by insulated gripping surfaces only, when performing an operation where the cutting tool may contact hidden wiring.** Contact with a "live" wire will also make exposed metal parts of the power tool "live" and could give the operator an electric shock.
11. **Never lay the power tool down until the accessory has come to a complete stop.** The spinning accessory may grab the surface and pull the power tool out of your control.
12. **Do not run the power tool while carrying it at your side.** Accidental contact with the spinning accessory could snag your clothing, pulling the accessory into your body.
13. **Regularly clean the power tool's air vents.** The motor's fan will draw the dust inside the housing and excessive accumulation of powdered metal may cause electrical hazards.
14. **Do not operate the power tool near flammable materials.** Sparks could ignite these materials.
15. **Do not use accessories that require liquid coolants.** Using water or other liquid coolants may result in electrocution or shock.

Kickback and Related Warnings

Kickback is a sudden reaction to a pinched or snagged rotating wheel, backing pad, brush or any other accessory. Pinching or snagging causes rapid stalling of the rotating accessory which in turn causes the uncontrolled power tool to be forced in the direction opposite of the accessory's rotation at the point of the binding.

For example, if an abrasive wheel is snagged or pinched by the workpiece, the edge of the wheel that is entering into the pinch point can dig into the surface of the material causing the wheel to climb out or kick out. The wheel may either jump toward or away from the operator, depending on direction of the wheel's movement at the point of pinching. Abrasive wheels may also break under these conditions.

Kickback is the result of power tool misuse and/or incorrect operating procedures or conditions and can be avoided by taking proper precautions as given below.

- a) **Maintain a firm grip on the power tool and position your body and arm to allow you to resist kickback forces. Always use auxiliary handle, if provided, for maximum control over kickback or torque reaction during start-up.** The operator can control torque reactions or kickback forces, if proper precautions are taken.
- b) **Never place your hand near the rotating accessory.** Accessory may kickback over your hand.
- c) **Do not position your body in the area where power tool will move if kickback occurs.** Kickback will propel the tool in direction opposite to the wheel's movement at the point of snagging.
- d) **Use special care when working corners, sharp edges etc. Avoid bouncing and snagging the accessory.** Corners, sharp edges or bouncing have a tendency to snag the rotating accessory and cause loss of control or kickback.
- e) **Do not attach a saw chain woodcarving blade or toothed saw blade.** Such blades create frequent kickback and loss of control.

Safety Warnings Specific for Grinding and Abrasive Cutting-Off Operations:

- a) **Use only wheel types that are recommended for your power tool and the specific guard designed for the selected wheel.** Wheels for which the power tool was not designed cannot be adequately guarded and are unsafe.
- b) **The grinding surface of centre depressed wheels must be mounted below the plane of the guard lip.** An improperly mounted wheel that projects through the plane of the guard lip cannot be adequately protected.
- c) **The guard must be securely attached to the power tool and positioned for maximum safety, so the least amount of wheel is exposed towards the operator.** The guard helps to protect the operator from broken wheel fragments, accidental contact with wheel and sparks that could ignite clothing.
- d) **Wheels must be used only for recommended applications. For example: do not grind with the side of cut-off wheel.** Abrasive cut-off wheels are intended for peripheral grinding, side forces applied to these wheels may cause them to shatter.
- e) **Always use undamaged wheel flanges that are of correct size and shape for your selected wheel.** Proper wheel flanges support the wheel thus reducing the possibility of wheel breakage. Flanges for cut-off wheels may be different from grinding wheel flanges.
- f) **Do not use worn down wheels from larger power tools.** Wheel intended for larger power tool is not suitable for the higher speed of a smaller tool and may burst.

Additional Safety Warnings Specific for Abrasive Cutting-Off Operations:

- a) **Do not "jam" the cut-off wheel or apply excessive pressure. Do not attempt to make an excessive depth of cut.** Overstressing the wheel increases the loading and susceptibility to twisting or binding of the wheel in the cut and the possibility of kickback or wheel breakage.
- b) **Do not position your body in line with and behind the rotating wheel.** When the wheel, at the point of operation, is moving away from your body, the possible kickback may propel the spinning wheel and the power tool directly at you.
- c) **When wheel is binding or when interrupting a cut for any reason, switch off the power tool and hold the power tool motionless until the wheel comes to a complete stop. Never attempt to remove the cut-off wheel from the cut while the wheel is in motion otherwise kickback may occur.** Investigate and take corrective action to eliminate the cause of wheel binding.
- d) **Do not restart the cutting operation in the workpiece. Let the wheel reach full speed and carefully re-enter the cut.** The wheel may bind, walk up or kickback if the power tool is restarted in the workpiece.
- e) **Support panels or any oversized workpiece to minimize the risk of wheel pinching and kickback.** Large workpieces tend to sag under their own weight. Supports must be placed under the workpiece near the line of cut and near the edge of the workpiece on both sides of the wheel.
- f) **Use extra caution when making a "pocket cut" into existing walls or other blind areas.** The protruding wheel may cut gas or water pipes, electrical wiring or objects that can cause kickback.

Safety Warnings Specific for Sanding Operations:

- a) **Do not use excessively oversized sanding disc paper. Follow manufacturers recommendations, when selecting sanding paper.** Larger sanding paper extending beyond the sanding pad presents a laceration hazard and may cause snagging, tearing of the disc or kickback.

Safety Warnings Specific for Wire Brushing Operations:

- a) **Be aware that wire bristles are thrown by the brush even during ordinary operation. Do not overstress the wires by applying excessive load to the brush.** The wire bristles can easily penetrate light clothing and/or skin.
- b) **If the use of a guard is recommended for wire brushing, do not allow interference of the wire wheel or brush with the guard.** Wire wheel or brush may expand in diameter due to work load and centrifugal forces.

Additional Safety Warnings:

16. **When using depressed centre grinding wheels, be sure to use only fiberglass-reinforced wheels.**
17. **NEVER USE Stone Cup type wheels with this grinder.** This grinder is not designed for these types of wheels and the use of such a product may result in serious personal injury.
18. **Be careful not to damage the spindle, the flange (especially the installing surface) or the lock nut. Damage to these parts could result in wheel breakage.**
19. **Make sure the wheel is not contacting the workpiece before the switch is turned on.**

20. Before using the tool on an actual workpiece, let it run for a while. Watch for vibration or wobbling that could indicate poor installation or a poorly balanced wheel.
21. Use the specified surface of the wheel to perform the grinding.
22. Do not leave the tool running. Operate the tool only when hand-held.
23. Do not touch the workpiece immediately after operation; it may be extremely hot and could burn your skin.
24. Observe the instructions of the manufacturer for correct mounting and use of wheels. Handle and store wheels with care.
25. Do not use separate reducing bushings or adaptors to adapt large hole abrasive wheels.
26. Use only flanges specified for this tool.
27. For tools intended to be fitted with threaded hole wheel, ensure that the thread in the wheel is long enough to accept the spindle length.
28. Check that the workpiece is properly supported.
29. Pay attention that the wheel continues to rotate after the tool is switched off.
30. If working place is extremely hot and humid, or badly polluted by conductive dust, use a short-circuit breaker (30 mA) to assure operator safety.
31. Do not use the tool on any materials containing asbestos.
32. When use cut-off wheel, always work with the dust collecting wheel guard required by domestic regulation.
33. Cutting discs must not be subjected to any lateral pressure.
34. Do not use cloth work gloves during operation. Fibers from cloth gloves may enter the tool, which causes tool breakage.
5. Do not short the battery cartridge:
 - (1) Do not touch the terminals with any conductive material.
 - (2) Avoid storing battery cartridge in a container with other metal objects such as nails, coins, etc.
 - (3) Do not expose battery cartridge to water or rain.
A battery short can cause a large current flow, overheating, possible burns and even a breakdown.
6. Do not store the tool and battery cartridge in locations where the temperature may reach or exceed 50 °C (122 °F).
7. Do not incinerate the battery cartridge even if it is severely damaged or is completely worn out. The battery cartridge can explode in a fire.
8. Be careful not to drop or strike battery.
9. Do not use a damaged battery.
10. The contained lithium-ion batteries are subject to the Dangerous Goods Legislation requirements.
For commercial transports e.g. by third parties, forwarding agents, special requirement on packaging and labeling must be observed.
For preparation of the item being shipped, consulting an expert for hazardous material is required. Please also observe possibly more detailed national regulations.
Tape or mask off open contacts and pack up the battery in such a manner that it cannot move around in the packaging.
11. Follow your local regulations relating to disposal of battery.
12. Use the batteries only with the products specified by Makita. Installing the batteries to non-compliant products may result in a fire, excessive heat, explosion, or leak of electrolyte.

SAVE THESE INSTRUCTIONS.

⚠WARNING: DO NOT let comfort or familiarity with product (gained from repeated use) replace strict adherence to safety rules for the subject product. MISUSE or failure to follow the safety rules stated in this instruction manual may cause serious personal injury.

Important safety instructions for battery cartridge

1. Before using battery cartridge, read all instructions and cautionary markings on (1) battery charger, (2) battery, and (3) product using battery.
2. Do not disassemble battery cartridge.
3. If operating time has become excessively shorter, stop operating immediately. It may result in a risk of overheating, possible burns and even an explosion.
4. If electrolyte gets into your eyes, rinse them out with clear water and seek medical attention right away. It may result in loss of your eyesight.

SAVE THESE INSTRUCTIONS.

⚠CAUTION: Only use genuine Makita batteries. Use of non-genuine Makita batteries, or batteries that have been altered, may result in the battery bursting causing fires, personal injury and damage. It will also void the Makita warranty for the Makita tool and charger.

Tips for maintaining maximum battery life

1. Charge the battery cartridge before completely discharged. Always stop tool operation and charge the battery cartridge when you notice less tool power.
2. Never recharge a fully charged battery cartridge. Overcharging shortens the battery service life.
3. Charge the battery cartridge with room temperature at 10 °C - 40 °C (50 °F - 104 °F). Let a hot battery cartridge cool down before charging it.
4. Charge the battery cartridge if you do not use it for a long period (more than six months).

FUNCTIONAL DESCRIPTION

⚠ CAUTION:

- Always be sure that the tool is switched off and the battery cartridge is removed before adjusting or checking function on the tool.

Installing or removing battery cartridge

► Fig.1: 1. Button 2. Red indicator 3. Battery cartridge

⚠ CAUTION:

- Always switch off the tool before installing or removing of the battery cartridge.
- **Hold the tool and the battery cartridge firmly when installing or removing battery cartridge.** Failure to hold the tool and the battery cartridge firmly may cause them to slip off your hands and result in damage to the tool and battery cartridge and a personal injury.

To remove the battery cartridge, slide it from the tool while sliding the button on the front of the cartridge. To install the battery cartridge, align the tongue on the battery cartridge with the groove in the housing and slide it into place. Insert it all the way until it locks in place with a little click. If you can see the red indicator on the upper side of the button, it is not locked completely.

⚠ CAUTION:

- Always install the battery cartridge fully until the red indicator cannot be seen. If not, it may accidentally fall out of the tool, causing injury to you or someone around you.
- Do not install the battery cartridge forcibly. If the cartridge does not slide in easily, it is not being inserted correctly.

Switch action

⚠ CAUTION:

- Before installing the battery cartridge into the tool, always check to see that the slide switch actuates properly and returns to the "OFF" position when the rear of the slide switch is depressed.
- Switch can be locked in "ON" position for ease of operator comfort during extended use. Apply caution when locking tool in "ON" position and maintain firm grasp on tool.

► Fig.2: 1. Slide switch

To start the tool, slide the slide switch toward the "I (ON)" position by pushing the rear of the slide switch. For continuous operation, press the front of the slide switch to lock it.

To stop the tool, press the rear of the slide switch, then slide it toward the "O (OFF)" position.

Accidental re-start preventive function

Even if the battery cartridge is installed on the tool with the slide switch in the "I (ON)" position, the tool does not start.

To start the tool, first slide the slide switch toward the "O (OFF)" position and then slide it toward the "I (ON)" position.

Electronic torque control function

The tool electronically detects situations where the wheel or accessory may be at risk to be bound. In the situation, the tool is automatically shut off to prevent further rotation of the spindle (it does not prevent kickback).

To restart the tool, switch off the tool first, remove the cause of sudden drop in the rotation speed, and then turn the tool on.

Indicating the remaining battery capacity

Only for battery cartridges with the indicator

► Fig.3: 1. Indicator lamps 2. Check button

Press the check button on the battery cartridge to indicate the remaining battery capacity. The indicator lamps light up for a few seconds.

Indicator lamps			Remaining capacity
Lighted	Off	Blinking	
■	■ ■ ■ ■	▩	75% to 100%
■ ■ ■ ■	□		50% to 75%
■ ■	□ □		25% to 50%
■	□ □ □		0% to 25%
▩	□ □ □ □		Charge the battery.
■ ■	□ □	↑ ↓	The battery may have malfunctioned.

NOTE: Depending on the conditions of use and the ambient temperature, the indication may differ slightly from the actual capacity.

Indicating remaining battery capacity

(Country specific)

► Fig.4: 1. Battery indicator

When you turn the tool on, the battery indicator shows the remaining battery capacity.

The remaining battery capacity is shown as the following table.

Battery indicator status	Remaining battery capacity
	50% - 100%
	20% - 50%
	0% - 20%
	Charge the battery

Automatic speed change function

► Fig.5: 1. Mode indicator

Mode indicator status	Operation mode
	High speed mode
	High torque mode

This tool has "high speed mode" and "high torque mode". It automatically changes operation mode depending on the work load. When mode indicator lights up during operation, the tool is in high torque mode.

Tool / battery protection system

The tool is equipped with a tool/battery protection system. This system automatically cuts off power to the motor to extend tool and battery life.

The tool will automatically stop during operation if the tool or battery is placed under one of the following conditions. In some conditions, the indicator lights up.

Overload protection

When the tool is operated in a manner that causes it to draw an abnormally high current, the tool automatically stops without any indications. In this situation, turn the tool off and stop the application that caused the tool to become overloaded. Then turn the tool on to restart.

Overheat protection for tool

When the tool is overheated, the tool stops automatically and the battery indicator shows following state. In this situation, let the tool cool before turning the tool on again.

Battery indicator	On	Off	Blanking
	Tool is overheated		

Releasing protection lock

When the protection system works repeatedly, the tool is locked and the battery indicator shows the following state.

Battery indicator	On	Off	Blanking
	Protection lock works		

In this situation, the tool does not start even if turning the tool off and on. To release the protection lock, remove the battery, set it to the battery charger and wait until the charging finishes.

Shaft lock

CAUTION:

- Never actuate the shaft lock when the spindle is moving. The tool may be damaged.

► Fig.6: 1. Shaft lock

Press the shaft lock to prevent spindle rotation when installing or removing accessories.

ASSEMBLY

CAUTION:

- Always be sure that the tool is switched off and the battery cartridge is removed before carrying out any work on the tool.

Installing side grip (handle)

CAUTION:

- Always be sure that the side grip is installed securely before operation.

► Fig.7

Screw the side grip securely on the position of the tool as shown in the figure.

Installing or removing wheel guard (For depressed center wheel, multi disc / abrasive cut-off wheel, diamond wheel)

WARNING:

- When using a depressed center grinding wheel/ Multi-disc, flex wheel, wire wheel brush, cut-off wheel or diamond wheel, the wheel guard must be fitted on the tool so that the closed side of the guard always points toward the operator.
- When using an abrasive cut-off / diamond wheel, be sure to use only the special wheel guard designed for use with cut-off wheels. (In some European countries, when using a diamond wheel, the ordinary guard can be used. Follow the regulations in your country.)

For tool with clamp lever type wheel guard

- **Fig.8:** 1. Wheel guard 2. Bearing box 3. Screw
4. Lever

Loosen the lever on the wheel guard after loosening the screw. Mount the wheel guard with the protrusion on the wheel guard band aligned with the notch on the bearing box. Then rotate the wheel guard to such an angle that it can protect the operator according to work.

- **Fig.9:** 1. Screw 2. Lever 3. Wheel guard

Tighten the lever to fasten the wheel guard. If the lever is too tight or too loose to fasten the wheel guard, loosen or tighten the screw to adjust the tightening of the wheel guard band.

To remove wheel guard, follow the installation procedure in reverse.

For tool with locking screw type wheel guard

- **Fig.10:** 1. Wheel guard 2. Bearing box 3. Screw

Mount the wheel guard with the protrusions on the wheel guard band aligned with the notches on the bearing box. Then rotate the wheel guard around 180° counterclockwise. Be sure to tighten the screw securely.

To remove wheel guard, follow the installation procedure in reverse.

Installing or removing depressed center wheel or flap disc (optional accessory)

⚠WARNING:

- When using a depressed center wheel or flap disc, the wheel guard must be fitted on the tool so that the closed side of the guard always points toward the operator.
- Only actuate the shaft lock when the spindle is not moving.

- **Fig.11:** 1. Lock nut 2. Depressed center wheel
3. Inner flange

Mount the inner flange onto the spindle. Fit the wheel/disc on the inner flange and screw the lock nut onto the spindle.

- **Fig.12:** 1. Lock nut wrench 2. Shaft lock

To tighten the lock nut, press the shaft lock firmly so that the spindle cannot revolve, then use the lock nut wrench and securely tighten clockwise.

To remove the wheel, follow the installation procedure in reverse.

Installing or removing Ezy nut (optional accessory)

⚠CAUTION:

- Do not use Ezy nut with Super Flange or angle grinder with "F" on the end of the model No. Those flanges are so thick that the entire thread cannot be retained by the spindle.

- **Fig.13:** 1. Ezy nut 2. Abrasive wheel 3. Inner flange
4. Spindle

Mount inner flange, abrasive wheel and Ezy nut onto the spindle so that Makita Logo on Ezy nut faces outside.

- **Fig.14:** 1. Shaft lock

Press shaft lock firmly and tighten Ezy nut by turning the abrasive wheel clockwise as far as it turns.

Turn the outside ring of Ezy nut counterclockwise to loosen.

- **Fig.15:** 1. Arrow 2. Notch

- **Fig.16**

NOTE:

- Ezy nut can be loosened by hand as long as the arrow points the notch. Otherwise a lock nut wrench is required to loosen it. Insert one pin of the wrench into a hole and turn Ezy nut counterclockwise.

Installing or removing flex wheel

Optional accessory

⚠WARNING: Always use supplied guard when flex wheel is on tool. Wheel can shatter during use and guard helps to reduce chances of personal injury.

- **Fig.17:** 1. Lock nut 2. Flex wheel 3. Back up pad
4. Inner flange

Follow instructions for depressed center wheel but also use back up pad over wheel. See order of assembly on accessories page in this manual.

Installing or removing abrasive disc (optional accessory)

- **Fig.18:** 1. Sanding lock nut 2. Abrasive disc
3. Rubber pad

Mount the rubber pad onto the spindle. Fit the disc on the rubber pad and screw the lock nut onto the spindle. To tighten the lock nut, press the shaft lock firmly so that the spindle cannot revolve, then use the lock nut wrench and securely tighten clockwise.

To remove the disc, follow the installation procedure in reverse.

NOTE:

- Use sander accessories specified in this manual. These must be purchased separately.

OPERATION

⚠WARNING:

- It should never be necessary to force the tool. The weight of the tool applies adequate pressure. Forcing and excessive pressure could cause dangerous wheel breakage.
- ALWAYS replace wheel if tool is dropped while grinding.
- NEVER bang or hit grinding disc or wheel onto work.
- Avoid bouncing and snagging the wheel, especially when working corners, sharp edges etc. This can cause loss of control and kickback.
- NEVER use tool with wood cutting blades and other sawblades. Such blades when used on a grinder frequently kick and cause loss of control leading to personal injury.

⚠ CAUTION:

- Never switch on the tool when it is in contact with the workpiece, it may cause an injury to operator.
- Always wear safety goggles or a face shield during operation.
- After operation, always switch off the tool and wait until the wheel has come to a complete stop before putting the tool down.

Grinding and sanding operation

► Fig.19

ALWAYS hold the tool firmly with one hand on housing and the other on the side handle. Turn the tool on and then apply the wheel or disc to the workpiece. In general, keep the edge of the wheel or disc at an angle of about 15 degrees to the workpiece surface. During the break-in period with a new wheel, do not work the grinder in the B direction or it will cut into the workpiece. Once the edge of the wheel has been rounded off by use, the wheel may be worked in both A and B direction.

Operation with abrasive cut-off / diamond wheel

Optional accessory

⚠ WARNING: When using an abrasive cut-off / diamond wheel, be sure to use only the special wheel guard designed for use with cut-off wheels.

(In some European countries, when using a diamond wheel, the ordinary guard can be used. Follow the regulations in your country.)

⚠ WARNING: NEVER use cut-off wheel for side grinding.

⚠ WARNING: Do not "jam" the wheel or apply excessive pressure. Do not attempt to make an excessive depth of cut. Overstressing the wheel increases the loading and susceptibility to twisting or binding of the wheel in the cut and the possibility of kickback, wheel breakage and overheating of the motor may occur.

⚠ WARNING: Do not start the cutting operation in the workpiece. Let the wheel reach full speed and carefully enter into the cut moving the tool forward over the workpiece surface. The wheel may bind, walk up or kickback if the power tool is started in the workpiece.

⚠ WARNING: During cutting operations, never change the angle of the wheel. Placing side pressure on the cut-off wheel (as in grinding) will cause the wheel to crack and break, causing serious personal injury.

⚠ WARNING: A diamond wheel shall be operated perpendicular to the material being cut.

- Fig.20: 1. Lock nut 2. Abrasive cut-off wheel / diamond wheel 3. Inner flange 4. Wheel guard for abrasive cut-off wheel / diamond wheel

As for the installation, follow the instructions for depressed center wheel.

The direction for mounting the lock nut and the inner flange varies by wheel type and thickness. Refer to the following figures.

For 100 mm (4") model

When installing the abrasive cut-off wheel:

- Fig.21: 1. Lock nut 2. Abrasive cut-off wheel (Thinner than 4 mm (5/32")) 3. Abrasive cut-off wheel (4 mm (5/32") or thicker) 4. Inner flange

When installing the diamond wheel:

- Fig.22: 1. Lock nut 2. Diamond wheel (Thinner than 4 mm (5/32")) 3. Diamond wheel (4 mm (5/32") or thicker) 4. Inner flange

For 115 mm (4 - 1/2") / 125 mm (5") model

When installing the abrasive cut-off wheel:

- Fig.23: 1. Lock nut 2. Abrasive cut-off wheel (Thinner than 4 mm (5/32")) 3. Abrasive cut-off wheel (4 mm (5/32") or thicker) 4. Inner flange

When installing the diamond wheel:

- Fig.24: 1. Lock nut 2. Diamond wheel (Thinner than 4 mm (5/32")) 3. Diamond wheel (4 mm (5/32") or thicker) 4. Inner flange

Operation with wire cup brush (optional accessory)

⚠ CAUTION:

- Check operation of brush by running tool with no load, insuring that no one is in front of or in line with brush.
- Do not use brush that is damaged, or which is out of balance. Use of damaged brush could increase potential for injury from contact with broken brush wires.

- Fig.25: 1. Wire cup brush

Remove the battery cartridge from the tool and place it upside down allowing easy access to spindle. Remove any accessories on spindle. Thread wire cup brush onto spindle and tighten with supplied wrench. When using brush, avoid applying too much pressure which causes over bending of wires, leading to premature breakage.

Operation with wire wheel brush (optional accessory)

⚠ CAUTION:

- Check operation of wire wheel brush by running tool with no load, insuring that no one is in front of or in line with the wire wheel brush.
- Do not use wire wheel brush that is damaged, or which is out of balance. Use of damaged wire wheel brush could increase potential for injury from contact with broken wires.
- ALWAYS use guard with wire wheel brushes, assuring diameter of wheel fits inside guard. Wheel can shatter during use and guard helps to reduce chances of personal injury.

- Fig.26: 1. Wire wheel brush

Remove the battery cartridge from the tool and place it upside down allowing easy access to spindle. Remove any accessories on spindle. Thread wire wheel brush onto spindle and tighten with the wrenches. When using wire wheel brush, avoid applying too much pressure which causes over bending of wires, leading to premature breakage.

MAINTENANCE

⚠ CAUTION:

- Always be sure that the tool is switched off and the battery cartridge is removed before attempting to perform inspection or maintenance.
- Never use gasoline, benzene, thinner, alcohol or the like. Discoloration, deformation or cracks may result.

► Fig.27: 1. Exhaust vent 2. Inhalation vent

The tool and its air vents have to be kept clean. Regularly clean the tool's air vents or whenever the vents start to become obstructed.

► Fig.28: 1. Dust cover

Remove the dust cover from inhalation vent and clean it for smooth air circulation.

NOTE:

- Clean out the dust cover when it is clogged with dust or foreign matters. Continuing operation with a clogged dust cover may damage the tool.

To maintain product SAFETY and RELIABILITY, repairs, any other maintenance or adjustment should be performed by Makita Authorized Service Centers, always using Makita replacement parts.

OPTIONAL ACCESSORIES

⚠ CAUTION:

- These accessories or attachments are recommended for use with your Makita tool specified in this manual. The use of any other accessories or attachments might present a risk of injury to persons. Only use accessory or attachment for its stated purpose.

If you need any assistance for more details regarding these accessories, ask your local Makita Service Center.

- Makita genuine battery and charger

► Fig.29

-	100 mm (4") model	115 mm (4-1/2") model	125 mm (5") model
1	Grip 36		
2	Wheel Guard (for grinding wheel)		
3	Inner flange	Inner flange / Super flange *1*2	Inner flange / Super flange
4	Depressed center wheel / Flap disc		
5	Lock nut	Lock nut / Ezynut *1*2	Lock nut / Ezynut *2
6	Back up pad		
7	Flex wheel		
8	Rubber pad 76	Rubber pad 100	Rubber pad 115
9	Abrasive disc		
10	Sanding lock nut		
11	Wire wheel brush		
12	Wire cup brush		
13	Wheel Guard (for cut-off wheel) *3		
14	Abrasive cut-off wheel / Diamond wheel		
-	Lock nut wrench		

NOTE: *1 Only for tools with M14 spindle thread.

NOTE: *2 Do not use Super flange and Ezynut together.

NOTE: *3 In some European countries, when using a diamond wheel, the ordinary guard can be used instead of the special guard covering the both side of the wheel. Follow the regulations in your country.

NOTE:

- Some items in the list may be included in the tool package as standard accessories. They may differ from country to country.

ТЕХНІЧНІ ХАРАКТЕРИСТИКИ

Модель		DGA404	DGA454	DGA504
Діаметр диска		100 мм (4")	115 мм (4-1/2")	125 мм (5")
Макс. товщина диска		6,4 мм (1/4")	6,4 мм (1/4")	6,4 мм (1/4")
Різьба шпинделя		M10	M14 або 5/8" (залежно від країни)	
Номінальна швидкість (n) / швидкість без навантаження (n ₀)		8500 хв ⁻¹		
Загальна довжина	Із касетою з акумулятором BL1815N, BL1820, BL1820B	348 мм		
	Із касетою з акумулятором BL1830, BL1830B, BL1840, BL1840B, BL1850, BL1850B, BL1860B	362 мм		
Чиста вага	Із касетою з акумулятором BL1815N, BL1820, BL1820B	2,2 кг	2,3 кг	2,3 кг
	Із касетою з акумулятором BL1830, BL1830B, BL1840, BL1840B, BL1850, BL1850B, BL1860B	2,4 кг	2,5 кг	2,5 кг
Номінальна напруга		18 В пост. струму		

- Через те, що ми не припиняємо програми досліджень і розвитку, наведені тут технічні характеристики можуть бути змінені без попередження.
- Технічні характеристики приладу та касета з акумулятором можуть відрізнятися в різних країнах.
- Вага разом з касетою з акумулятором відповідно до EPTA-Procedure 01/2003

Призначення

Інструмент призначений для шліфування, зачистки та різання металевих та мінеральних матеріалів без використання води.

Шум

Рівень шуму за шкалою А у типовому виконанні, визначений відповідно до EN60745:

Модель DGA404

Рівень звукового тиску (L_{рА}): 80 дБ (А)
Рівень звукової потужності (L_{wА}): 91 дБ (А)
Похибка (К): 3 дБ (А)

Модель DGA454, DGA504

Рівень звукового тиску (L_{рА}): 79 дБ (А)
Похибка (К): 3 дБ (А)

Рівень шуму під час роботи може перевищувати 80 дБ (А).

Користуйтеся засобами захисту слуху

Вібрація

Загальна величина вібрації (сума трьох векторів) визначена згідно з EN60745:

Модель DGA404

Режим роботи: шліфування поверхні за допомогою звичайної бічної ручки
Вібрація (a_{h,AG}): 4,5 м/с²
Похибка (К): 1,5 м/с²
Режим роботи: шліфування поверхні за допомогою вібростійкої бічної ручки
Вібрація (a_{h,AG}): 4,0 м/с²
Похибка (К): 1,5 м/с²
Режим роботи: шліфування за допомогою диску
Вібрація (a_{h,DS}): 2,5 м/с² або менше
Похибка (К): 1,5 м/с²

Модель DGA454, DGA504

Режим роботи: шліфування поверхні за допомогою звичайної бічної ручки

Вібрація (a_{h,AG}): 6,5 м/с²

Похибка (К): 1,5 м/с²

Режим роботи: шліфування поверхні за допомогою вібростійкої бічної ручки

Вібрація (a_{h,AG}): 6,0 м/с²

Похибка (К): 1,5 м/с²

Режим роботи: шліфування за допомогою диску

Вібрація (a_{h,DS}): 2,5 м/с² або менше

Похибка (К): 1,5 м/с²

ПРИМІТКА: Заявлене значення вібрації було виміряно у відповідності до стандартних методів тестування та може використовуватися для порівняння одного інструмента з іншим.

ПРИМІТКА: Заявлене значення вібрації може також використовуватися для попередньої оцінки впливу.

ПРИМІТКА: Заявлене значення вібрації відноситься до основних операцій, що виконуються за допомогою електроінструмента. Однак у разі використання інструмента з іншою метою значення вібрації може відрізнятися.

ПОПЕРЕДЖЕННЯ: Залежно від умов використання вібрація під час фактичної роботи інструмента може відрізнятися від заявленого значення вібрації.

ПОПЕРЕДЖЕННЯ: Забезпечте належні запобіжні заходи для захисту оператора, що відповідатимуть умовам використання інструмента (слід брати до уваги всі складові робочого циклу, такі як час, коли інструмент вимкнено та коли він починає працювати на холостому ході під час запуску).

Тільки для країн Європи

Декларація про відповідність стандартам ЄС

Компанія Makita наголошує на тому, що обладнання:

Позначення обладнання:

Бездротова кутова шліфувальна машина
№ моделі/тип: DGA404, DGA454, DGA504

Відповідає таким Європейським Директивам:
2006/42/EC

Обладнання виготовлене відповідно до таких стандартів або стандартизованих документів:
EN60745

Технічну інформацію відповідно до 2006/42/EC можна отримати:

Makita, Jan-Baptist Vinkstraat 2, 3070, Бельгія

13.3.2014



Ясуші Фукайя
Директор

Makita, Jan-Baptist Vinkstraat 2, 3070, Бельгія

Застереження стосовно техніки безпеки при роботі з електроприладами

⚠УВАГА! Прочитайте усі застереження стосовно техніки безпеки та всі інструкції. Недотримання даних застережень та інструкцій може призвести до ураження струмом та виникнення пожежі та/або серйозних травм.

Збережіть усі інструкції з техніки безпеки та експлуатації на майбутнє.

ПОПЕРЕДЖЕННЯ ПРО НЕОБХІДНУ ОБЕРЕЖНІСТЬ ПІД ЧАС РОБОТИ З АКУМУЛЯТОРНОЮ ШЛІФУВАЛЬНОЮ МАШИНОЮ

Попередження про небезпеку загальні для операцій полірування, шліфування, зачищення металевою щіткою або абразивного різання:

1. Цей інструмент призначений для використання у якості машини для шліфування абразивним диском, шліфування абразивним папером, зачищення металевою щіткою або відрізання. Уважно ознайомся з усіма попередженнями про небезпеку, інструкціями, ілюстраціями та технічними характеристиками цього електроінструмента. Невиконання цих інструкцій може призвести до ураження електричним струмом, пожежі та/або серйозного поранення.
2. За допомогою цього інструменту не рекомендовано виконувати полірування. Використання інструменту не за призначенням може утворити небезпечне становище та призвести до поранення.
3. Не слід використовувати допоміжні приналежності, які спеціально не призначені та не рекомендовані для цього інструменту виробником. Навіть якщо вони добре приєднуються до інструменту, це не гарантує безпечної експлуатації.
4. Номінальна швидкість допоміжних пристроїв повинна щонайменш дорівнюватися максимальній швидкості, що вказана на електроінструменті. Допоміжні пристрої, що обертаються швидше своєї номінальної швидкості може зламатися та відскочити.
5. Зовнішній діаметр та товщина вашого допоміжного приладу повинні бути у межах паспортної потужності вашого електроінструменту. Приладдя неналежних розмірів не можна захистити або контролювати належним чином.
6. Різьба на кріпленні приладдя повинна відповідати різьбі на шпindelі шліфувальної машини. Центровий отвір приладдя, що встановлюється на фланець, повинен відповідати установочному діаметру фланця. Якщо приладдя не підходить до кріпильних засобів електроінструмента, це може призвести до надмірної вібрації та втрати контролю над інструментом внаслідок розбалансування приладдя.
7. Не слід користуватися пошкодженим приладдям. Перед кожним використанням слід перевірити приладдя, таку як абразивні диски, на наявність сколів або тріщин, зносу, а металеві щітки - на наявність послабленого або тріснутого дроту. У разі падіння інструменту або приладдя, слід оглянути їх на наявність пошкоджень або встановити неушкоджене приладдя. Після огляду та встановлення приладдя, слід зайняти таке положення, коли ви та ваші сусіди знаходяться на відстані від площини приладдя, що обертається, запустіть інструмент та дайте йому попрацювати на максимальній швидкості без навантаження протягом однієї хвилини. Під час цього пробного прогону приладдя, як правило, руйнується.
8. Слід одягати засоби індивідуального захисту. Слід користуватися щитком-маскою, захисними окулярами або захисними лінзами відповідно до області застосування. Це означає, що слід одягати пілозахисну маску, засоби захисту органів слуху, рукавиці та фартух, які здатні затримувати дрібні частки деталі та наждаку. Засоби захисту органів зору повинні бути здатними затримувати сміття, що утворюється під час виконання різних операцій. Пілозахисна маска або респіратор повинні бути здатними фільтрувати часточки, що утворюються під час роботи. Тривалий вплив сильного шуму може призвести до втрати слуху.
9. Сторонні особи повинні знаходитися на безпечному відстані від місця роботи. Кожний, хто приходить в робочу зону повинен одягати засоби індивідуального захисту. Частки деталі або уламки приладдя може відлетіти за межі безпосередньої зони роботи та поранити.
10. Тримайте електроприлад тільки за ізольовані поверхні держака під час виконання дії, за якої ріжучий пристрій може зачепити сховану електропроводку. Торкання струмоведучої проводки може призвести до передавання напруги до металевих частин електроприладу та до ураження оператора електричним струмом.
11. Не слід класти інструмент доки прилад повністю не зупиниться. Змотуючий пристрій може захопити шнур та вирвати його з-під контролю.

12. **Не слід запускати інструмент, коли ви його тримаєте збоку себе.** Випадкове стикання зі працюючим пристроєм може захопити ваш одяг, що в свою чергу може призвести до руху приладу до вас.
13. **Слід регулярно чистити вентиляційні отвори інструменту.** Вентилятор двигуна втягує пил усередину кожуха, а надмірне скупчення металевого порошку створює ризик ураження електричним струмом.
14. **Не слід працювати біля легкозаймистих матеріалів.** Вони можуть спалахнути від іскри.
15. **Не слід застосовувати допоміжне приладдя, що потребує рідких охолоджувачів.** Використання води, або рідких охолоджувачів може призвести по ураження електричним струмом або смерті.

Віддача та відповідні попереджувальні заходи

Віддача - це несподівана реакція на защемлення, чіпання наконечника, підкладки, щітки або якогось іншого приладдя. Защемлення або затискання призводить до швидкого зупинення приладдя, що обертається, і це в свою чергу спричиняє неконтрольоване штовхання інструмента у напрямку, протилежному напрямку обертання приладдя у місці заклинювання. Наприклад, якщо абразивний диск защемлений або зачеплений деталлю, край диска, що входить до місця защемлення, може зануритися в поверхню матеріалу, що призведе до зіскоку диска та віддачі. Диск може відскочити до або від оператора, це залежить від напрямку руху диска в місці защемлення. За таких умов абразивні диски можуть поламатися. Причинами віддачі є неправильне користування інструментом та/або неправильний порядок експлуатації або умови експлуатації, та їх можна уникнути дотримуючись запобіжних заходів, що наведені нижче:

- a) **Міцно тримай ручку інструменту та займи таке положення, при якому зможеш протистояти силі віддачі.** Завжди користайся допоміжною ручкою, якщо є, щоб збільшити до максимуму контроль над віддачею або реакцією крутного моменту під час пуску. Якщо дотримуватися усіх запобіжних заходів, оператор зможе контролювати крутний момент або силу віддачі.
- b) **Ніколи не слід розміщувати руку біля приналежності, що обертається.** Воно може відскочити на руку.
- c) **Не слід стояти в зоні, куди відкине інструмент під час віддачі.** Через віддачу інструмент відскочить у протилежному напрямку до напрямку руху диска в місці защемлення.
- d) **Слід бути особливо пильним під час обробки кутів, гострих країв і т.д.** Уникайте коливання та чіпання приналежності. Куті, гострі краї або коливання мають тенденцію до чіпання приладдя, що обертається, що в свою чергу призводить до втрати контролю та віддачі.
- e) **Заборонено встановлювати пильний ланцюг, полотно для різьби по дереву або полотно зубчастої пили.** такі полотна створюють часту віддачу та призводять до втрати контролю.

Попередження про безпеку загальні для операцій полірування та абразивного різання:

- a) **Використовуйте тільки типи дисків, які рекомендовані для вашого інструмента, а також спеціальний кожух під обраний диск.** Диски, на які інструмент не розрахований, не можуть бути надійно закріплені та є небезпечними.

- b) **Шліфувальна поверхня дисків із поглибленим центром повинна бути розташована під поверхнею кромки кожуха.** Якщо диск буде установлений невірною та виступатиме за поверхню кромки кожуха, відповідний захист не може бути гарантований.
- c) **Кожух повинен бути надійно закріплений на електроприладі та розташований максимально безпечно, щоб для оператора диск був відкритим якомога менше.** Кожух допомагає захищати оператора від уламків злама-ного диска, від випадкового контакту з диском та від іскор, через які може зайнятися одяг.
- d) **Диски слід використовувати тільки за їхнім рекомендованим призначенням.** Наприклад: не слід шліфувати бічну сторону відрізного диска. Абразивні відрізни диски призначені для шліфування периферією диска; у разі докладання бічних зусиль до цих дисків, вони можуть розколотися.
- e) **Слід завжди використовувати неушкоджені фланці диска, розмір та форма яких відповідають обраному диску.** Належні фланці добре утримують диск і зменшують ймовірність поломки диска. Фланці для відрізних дисків можуть відрізнятись від фланців шліфувальних дисків.
- f) **Не слід використовувати зношені диски від більших інструментів.** Диск, що призначений для більшого інструмента, не підходить до вищої скорості меншого інструмента та може розірватися.

Додаткові попередження про безпеку загальні для операцій полірування та абразивного різання:

- a) **Не можна «заклинювати» відрізний диск або прикладати надмірний тиск.** Не слід намагатися зробити проріз надмірної глибини. Перенапруга диска збільшує навантаження та схильність до перекошування або застрягання диска в прорізі, а також створює можливість віддачі або поломки диска.
- b) **Неможна розташовуватись на одній лінії та позаду диска, що обертається.** Коли під час роботи диск рухається від вас, то можлива віддача може відкинути диск, що обертається, та інструмент прямо у вас.
- c) **Коли диск застряє або коли різання з будь-яких причин переривається, слід вимкнути інструмент та тримати його на одному місці, доки диск повністю не зупиниться.** Неможна намагатись винягти відрізний диск з прорізу, коли він рухається, тому що це може призвести до віддачі. Слід перевірити та вжити належних заходів, щоб усунути причину застрягання диска.
- d) **Заборонено заново починати різання, коли диск знаходиться в деталі.** Спочатку диск повинен набрати повної швидкості, лише потім його можна обережно піднести до робочої деталі та продовжити різання. Якщо інструмент перезапустити, коли диск знаходиться в деталі, диск може застрягти, сінупитися або спричинити віддачу.
- e) **Закріпіть великі панелі або деталі великого розміру для того, щоб мінімізувати ризик защемлення полотна або віддачі.** Великі деталі прогинаються під своєю вагою. Опори слід встановити під деталь біля лінії різання та біля краю деталі панелі з обох сторін диска.

f) З особливою обережністю слід виконувати "врізання" в існуючі стіни або інші невидимі зони. Виступаючий диск може зіткнутися з предметами, що спричинять віддачу.

Спеціальні Запобіжні засоби під час шліфування:

a) Заборонено використовувати папір для шліфувального диска занадто великого розміру. Вибираючи наждачний папір слід виконувати рекомендації виробника. Наждачний папір, що виступає за межі шліфувальної підкладки, створює небезпеку завдання рваної рани та може призвести до провисання, розриву диска або до віддачі.

Спеціальні застереження для операцій зачищення металевою щіткою:

a) Слід бути обережним, оскільки від щітки відлітають осколки дроту, навіть під час звичайної роботи. Заборонено перенапружувати дріт, прикладаючи завелике навантаження на щітку. Уламки дроту пробивають легку одягу та/або шкіру.

b) Якщо для роботи із металевою щіткою рекомендовано використовувати кожух, слід запобігти контакту між щіткою та кожухом. Металевий диск або щітка можуть розширитись в діаметрі від робочого навантаження та відцентрових сил.

Додаткові попередження про безпеку:

16. У разі використання шліфувальних дисків із увгнутим центром слід завжди використовувати диски, армовані скловолокном.
17. **НИКОЛИ НЕ ВИКОРИСТОВУЙТЕ** з цієї шліфувальної машини чашоподібні шліфувальні диски по каменю. Ця шліфувальна машина не призначена для використання дисків такого типу, і їх використання може призвести до серйозних травм.
18. Не пошкоджуйте шпindel, фланець (особливо поверхню встановлення) або контргайку. Пошкодження цих частин може призвести до поломки диска.
19. Перевірте, щоб диск не торкався деталі перед увімкненням.
20. Перед початком різання деталі, запустіть інструмент та дайте попрацювати йому деякий час. Перевірте чи є биття або коливання, це може вказувати на неправильне встановлення або балансування диска.
21. Слід застосовувати зазначену поверхню диска для шліфування.
22. Не залишайте інструмент працюючим. Працюйте з інструментом тільки тоді, коли тримаєте його в руках.
23. Не торкайтесь деталі одразу після різання, вона може бути дуже гарячою та призвести до опіку шкіри.
24. Для того, щоб правильно встановити та використовувати диск, слід дотримуватись інструкцій виробника. Слід дбайливо поводитися та зберігати диск.
25. Не слід використовувати окремі перехідні втулки або адаптери для пристосування шліфувальних дисків великого діаметру.
26. Слід застосовувати тільки фланці зазначені для цього інструменту.

27. При використанні інструментів призначених для дисків з різьбовим отвором, обов'язково перевірте, щоб довжина різьби диска відповідала довжині шпindelа.
28. Перевірте надійність опори деталі.
29. Слід звернути увагу, що диск продовжує обертатися після вимкнення інструменту.
30. Для забезпечення безпеки оператора слід застосовувати автоматичний вимикач (30 МА), якщо робоче місце надмірно гаряче та вологе, або дуже забруднюється пилом.
31. Не слід застосовувати інструмент для роботи з матеріалом, що містить азбест.
32. Якщо ви використовуєте відрізний шліфувальний диск, завжди слід працювати з пилозахисним кожухом диска, необхідним за місцевими нормами.
33. Не слід надавати бокового тиску на ріжучі диски.
34. Під час роботи не користуйтеся сухими робочими рукавицями. Волокно з суханих рукавиць може потрапити в інструмент, і це призведе до його поломки.

ЗБЕРІГАЙТЕ ЦІ ВКАЗІВКИ.

▲ ПОПЕРЕДЖЕННЯ: НИКОЛИ НЕ СЛІД втрачати пильності та розслаблюватися під час користування виробом (що трапляється при частому використанні); слід завжди строго дотримуватися правил безпеки під час використання цього пристрою. **НЕНАЛЕЖНЕ ВИКОРИСТАННЯ** або недотримання правил безпеки, викладених в цьому документі, може призвести до серйозних травм.

Важливі інструкції з безпеки для касети з акумулятором

1. Перед тим як користуватися касетою з акумулятором, слід прочитати всі інструкції та застережні знаки щодо (1) зарядного пристрою акумулятора, (2) акумулятора та (3) виробів, що працюють від акумулятора.
2. Не слід розбирати касету з акумулятором.
3. Якщо період роботи дуже покортшав, слід негайно припинити користування. Це може призвести до виникнення ризику перегріву, опіку та навіть вибуху.
4. У разі потраплення електроліту в очі слід промити їх чистою водою та негайно звернутися до лікаря. Це може призвести до втрати зору.
5. Не закоротіть касету з акумулятором.
 - (1) Не слід торкатися клем будь-яким струмопровідним матеріалом.
 - (2) Не слід зберігати касету з акумулятором у ємності з іншими металевими предметами, такими як цвяхи, монети тощо.
 - (3) Не залишайте касету з акумулятором під дощем, запобігайте контакту з водою.

Коротке замикання може призвести до появи значного струму, перегріву, можливих опіків та навіть виходу з ладу.

- Не слід зберігати інструмент та касету з акумулятором в місцях, де температура може сягнути чи перевищити 50°C (122°F).
- Не слід спалювати касету з акумулятором, навіть якщо вона була неодноразово пошкоджена або повністю спрацьована. Касета з акумулятором може вибухнути у вогні.
- Не слід кидати або ударяти акумулятор.
- Не слід використовувати пошкоджений акумулятор.
- Літій-іонні акумулятори, що містяться в інструменті, мають відповідати вимогам законів про небезпечні товари.

Під час транспортування за допомогою комерційних перевезень, наприклад із залученням третьої сторони та екседиторів, необхідно дотримуватись особливих вимог, вказаних на пакуванні й у маркуванні.

Під час підготування позиції до відправлення необхідно проконсультуватись зі спеціалістом з небезпечних матеріалів. Крім того, слід виконувати більш докладні національні настанови, якщо такі є. Заклейте відкриті контакти стрічкою або заховайте їх і запакуйте акумулятор таким чином, щоб він не міг рухатися в пакуванні.

- Дотримуйтеся норм місцевого законодавства щодо утилізації акумуляторів.
- Використовуйте акумулятори лише з виробами, указаними компанією Makita. Установлення акумуляторів у невідповідні виробу може призвести до пожежі, надмірного нагрівання, вибуху чи витоку електроліту.

ЗБЕРІГАЙТЕ ЦІ ВКАЗІВКИ.

⚠ОБЕРЕЖНО: Використовуйте тільки акумулятори Makita. Використання акумуляторів, інших ніж оригінальні акумулятори Makita, або акумуляторів, конструкцію яких було змінено, може призвести до вибуху акумулятора і спричинити пожежу, травму або пошкодження. У зв'язку з цим також буде анульовано гарантію Makita на інструмент Makita і на зарядний пристрій.

Поради з забезпечення максимального строку експлуатації акумулятора

- Касету з акумулятором слід заряджати до того, як він розрядиться повністю. Завжди слід зупиняти роботу інструмента та зарядити акумулятор, якщо ви помітили зменшення потужності інструмента.
- Ніколи не слід заряджати повторно повністю заряджену касету з акумулятором. Перезарядження скорочує строк експлуатації акумулятора.
- Заряджайте касету з акумулятором при кімнатній температурі 10°C—40°C (50°F—104°F). Перед тим як заряджати касету з акумулятором, слід зачекати, доки вона охолоне.
- Якщо касета з акумулятором не використовувалася тривалий час (понад шість місяців), її слід зарядити.

ІНСТРУКЦІЯ З ВИКОРИСТАННЯ

⚠ОБЕРЕЖНО:

- Завжди перевіряйте, щоб прилад був вимкнений, а касета з акумулятором була знята, перед регулюванням або перевіркою функціонування інструмента.

Встановлення та зняття касети з акумулятором

- **Рис.1:** 1. Кнопка 2. Червоний індикатор 3. Касета з акумулятором

⚠ОБЕРЕЖНО:

- Завжди вимикайте інструмент перед встановленням або зніманням касети з акумулятором.
- Під час встановлення або зняття касети з акумулятором надійно утримуйте інструмент і касету з акумулятором. Інакше інструмент або касета з акумулятором можуть вислизнути з рук, що може призвести до травм або пошкодження інструмента й касети з акумулятором.

Щоб зняти касету з акумулятором, слід витягнути її з інструмента, натиснувши на кнопку в передній частині касети.

Щоб установити касету з акумулятором, слід сумістити шпонку касети з акумулятором із пазом у корпусі та вставити касету на місце. Уставляйте її, доки не почуєте клацання. Якщо на верхній частині кнопки видно червоний індикатор, це означає, що вона заблокована не повністю.

⚠ОБЕРЕЖНО:

- Завжди уставляйте касету повністю, аж поки червоний індикатор стане невидимим. Якщо цього не зробити, касета може випадково випасти з інструмента та завдати травми вам або людям, що знаходяться поруч.
- Не встановлюйте касету з акумулятором із зусиллям. Якщо касета не вставляється легко, то це означає, що Ви її невірно вставляєте.

Дія вимикача

⚠ОБЕРЕЖНО:

- Перед тим як вставляти касету з акумулятором в інструмент, слід завжди перевіряти, щоб повзунковий перемикач працював належним чином та повертався у положення "ВИМК." при натисканні задньої частини повзункового перемикача.
- Перемикач може бути заблокований в увімкненому положенні для зручності оператора протягом тривалого використання. Блокуючи інструмент в увімкненому положенні слід бути обережним і міцно тримати інструмент.

► **Рис.2:** 1. Повзунковий перемикач

Щоб запустити інструмент, пересуньте повзунковий перемикач у положення "I (ВМК)", натиснувши на його задню частину. Для безперервної роботи натисніть на передню частину повзункового перемикача, щоб його заблокувати. Щоб зупинити інструмент, натисніть на задню частину повзункового перемикача у напрямку положення "O (ВИМК.)".

Функція запобігання раптовому перезапуску

Навіть якщо касета з акумулятором встановлюється в інструмент, коли пересувний перемикач знаходиться в положенні "I (ВМК.)", інструмент не запускається. Для того, щоб запустити інструмент, слід пересунути повзунковий перемикач в напрямку положення "O (ВИМК.)", а потім переключити його в положення "I (ВМК.)".

Функція електронного контролю крутного моменту

За допомогою електроніки інструмент виявляє ситуації, коли існує ризик защемлення диска або приладдя. У випадку такої ситуації інструмент автоматично зупиняється, щоб запобігти подальшому обертанню шпинделя (це не запобігає віддачі). Щоб перезапустити інструмент, його слід спочатку вимкнути, потім необхідно усунути причину непередбачуваного зниження швидкості обертання, а після цього слід знову увімкнути інструмент.

Відображення залишкового заряду акумулятора

Тільки для касет з акумулятором, які мають індикатори

► **Рис.3:** 1. Індикаторні лампи 2. Кнопка перевірки

Натисніть кнопку перевірки на касеті з акумулятором для відображення залишкового ресурсу акумулятора. Індикаторні лампи загоряються на кілька секунд.

Індикаторні лампи			Залишковий ресурс
Горить	Вимк.	Блимає	
■	□	▨	від 75 до 100%
■ ■ ■ ■	□ □ □ □		
■ ■ ■ ■	□ □ □ □		від 50 до 75%
■ ■ ■ ■	□ □ □ □		від 25 до 50%
■ ■ ■ ■	□ □ □ □		від 0 до 25%
▨ □ □ □	□ □ □ □		Зарядіть акумулятор.
■ ■ □ □	□ □ □ □		Можливо, акумулятор вийшов з ладу.
□ □ ■ ■	□ □ □ □	↑ ↓	

ПРИМІТКА: Залежно від умов використання та температури оточуючого середовища показання можуть незначним чином відрізнятися від дійсного ресурсу.

Відображення залишкового заряду акумулятора

(Залежить від країни)

► **Рис.4:** 1. Індикатор акумулятора

Коли Ви вмикаєте інструмент, індикатор акумулятора показує залишковий заряд акумулятора. Залишковий заряд акумулятора відображається, як показано в наступній таблиці.

Стан індикатора акумулятора	Залишок заряду батареї
■:ВМК. □:ВИМК. ▨:Мигає	
	50 % – 100 %
	20 % – 50 %
	0 % – 20 %
	Зарядіть акумулятор

Функція автоматичної зміни швидкості

► **Рис.5:** 1. Індикатор режиму

Стан індикатора режиму	Режим роботи
	Режим високої швидкості
	Режим високого крутного моменту

Цей інструмент має "режим високої швидкості" та "режим високого крутного моменту". Він змінює режим роботи автоматично залежно від робочого навантаження. Якщо індикатор режиму горить під час роботи, інструмент працює у режимі високого крутного моменту.

Система захисту інструмента/акумулятора

Інструмент оснащено системою захисту інструмента/акумулятора. Ця система автоматично вимикає живлення двигуна з метою збільшення терміну служби інструмента та акумулятора.

Інструмент автоматично зупиняється під час роботи, якщо він або акумулятор перебувають у зазначених нижче умовах. Під час перебування в певних умовах горить індикатор.

Захист від перевантаження

Якщо інструмент використовується в умовах надмірного споживання струму, він автоматично вимикається без активування будь-яких індикаторів. У такому випадку відключіть інструмент та зупиніть роботу, під час виконання якої інструмент зазнав перевантаження. Щоб перезапустити інструмент, увімкніть його знову.

Захист інструмента від перегріву

Якщо інструмент перегрівся, він автоматично зупиняється і індикатор акумулятора вказує на нижченаведений стан. У такому разі дозвольте інструменту охолонути, перш ніж знову його увімкнути.

Індикатор акумулятора	:ВМК.	:ВИМК.	:Мигає
	Інструмент перегрівся		

Знімання захисного блокування

Коли система захисту спрацьовує повторно, відбувається блокування інструмента й індикатор акумулятора вказує на такий стан.

Індикатор акумулятора	:ВМК.	:ВИМК.	:Мигає
	Спрацьовує захисне блокування		

У такій ситуації інструмент не вмикається, навіть якщо його вимкнути і знову увімкнути. Для того щоб зняти захисне блокування, змініть акумулятор, приєднайте його до заряджаючого пристрою акумулятора та зачекайте, доки заряджання не закінчиться.

Фіксатор

⚠ ОБЕРЕЖНО:

- Заборонено використовувати блокування вала, коли шпindel обертається. Інструмент може пошкодитись.

► **Рис.6:** 1. Фіксатор

Натисніть на блокування вала для того, щоб заблокувати обертання шпінделя під час встановлення або зняття приналежностей.

КОМПЛЕКТУВАННЯ

⚠ ОБЕРЕЖНО:

- Завжди перевіряйте, щоб прилад був вимкнений, а касета з акумулятором була знята, перед тим, як проводити будь-які роботи на інструменті.

Установка бокової рукоятки (рукоятка)

⚠ ОБЕРЕЖНО:

- Перед початком роботи необхідно перевірити надійність кріплення бокової рукоятки.

► **Рис.7**

Надійно привинтіть ручку до інструменту, як показано на малюнку.

Установлення або знімання захисного кожуха (для диска з поглибленим центром, універсального диска / абразивного відрізного диска, алмазного диска)

⚠ ПОПЕРЕДЖЕННЯ:

- У разі використання диска з увігнутим центром / багатощовкового диска, гнучкого диска, дротяної щітки, відрізного диска або алмазного диска, захисний кожух диска слід встановлювати на інструменті таким чином, щоб закрита сторона кожуха була завжди направлена в бік оператора.
- Під час застосування абразивного відрізного диска/алмазного диска обов'язково використовуйте тільки спеціальний кожух диска, розроблений для використання з відрізними дисками. (У деяких країнах Європи під час застосування алмазного диска можна використовувати звичайний захисний кожух. Дотримуйтеся норм та правил, що діють у Вашій країні.)

Для інструмента з кожухом диска із затискним важелем

► **Рис.8:** 1. Кожух диска 2. Вузол підшипника 3. Гвинт 4. Важіль

Послабте важіль на захисному кожусі диска після послаблення гвинта. Установіть захисний кожух диска, сумістивши виступ на ободі захисного кожуха диска із прорізю на корпусі підшипника. Потім поверніть захисний кожух диска на такий кут, щоб він захищав оператора відповідно до виконуваної ним роботи.

► **Рис.9:** 1. Гвинт 2. Важіль 3. Кожух диска

Затягніть важіль, щоб закріпити захисний кожух диска. Якщо важіль затягнутий занадто сильно або недостатньо сильно для закріплення захисного кожуха диска, то слід послабити або затягнути гвинт для регулювання затягування обода захисного кожуха диска.

Для того, щоб зняти кожух диска, виконайте процедуру його встановлення у зворотному порядку.

Для інструмента із захисним кожухом диска зі стопорним гвинтом

► **Рис.10:** 1. Кожух диска 2. Вузол підшипника 3. Гвинт

Установіть кожух диска, сумістивши виступи на ободі кожуха диска із прорізами на корпусі підшипника. Потім прокрутіть кожух диска приблизно на 180° проти годинникової стрілки. Надійно затягніть гвинт. Для того, щоб зняти кожух диска, виконайте процедуру його встановлення у зворотному порядку.

Установлення та знімання диска з поглибленим центром або пелюсткового диска (додаткове приладдя)

⚠ ПОПЕРЕДЖЕННЯ:

- При використанні диска з поглибленим центром або пелюсткового диска встановлюйте захисний кожух таким чином, щоб закрита сторона кожуха завжди була спрямована до оператора.
- Блокування вала можна застосовувати тільки коли шпindel ь не обертається.

► **Рис.11:** 1. Контргайка 2. Диск з увігнутим центром 3. Внутрішній фланець

Встановіть внутрішній фланець на шпindel ь. Встановіть диск на внутрішній фланець та наверніть контргайку на шпindel ь.

► **Рис.12:** 1. Ключ для контргайки 2. Фіксатор

Для того, щоб затягнути контргайку, слід міцно натиснути на фіксатор блокування вала, щоб шпindel ь не міг обертатись, а потім скористатись ключем для контргайки та надійно її затягнути по годинникової стрілки.

Для того, щоб зняти диск, виконайте процедуру його встановлення у зворотному порядку.

Встановлення або зняття гайки Ezyrut (додаткове приладдя)

⚠ ОБЕРЕЖНО:

- Не використовуйте гайку Ezyrut із суперфланцем або з кутовою шліфувальною машиною, наприкінці номера моделі якої є позначка "F". Такі фланці є занадто товстими, і гайка не може бути повністю накручена на шпindel ь.

► **Рис.13:** 1. Ezyrut 2. Абразивний диск 3. Внутрішній фланець 4. Шпindel ь

Установіть внутрішній фланець, абразивний диск та гайку Ezyrut на шпindel ь, щоб логотип Makita на гайці Ezyrut був направлений назовні.

► **Рис.14:** 1. Фіксатор

Сильно натисніть на замок вала та затягніть гайку Ezyrut, повертаючи абразивний диск за годинниковою стрілкою до упора.

Щоб послабити, поверніть зовнішнє кільце гайки Ezyrut проти годинникової стрілки.

► **Рис.15:** 1. Стрiлка 2. Прорiз

► **Рис.16**

ПРИМІТКА:

- Гайку Ezyrut можна послабити вручну, доки стрiлка вказує на позначку. В iншому випадку знадобиться ключ для стопорної гайки, щоб послабити її. Вставте один штифт ключа в отвір та поверніть гайку Ezyrut проти годинникової стрілки.

Встановлення та зняття гнучкого круга

Додаткове приладдя

⚠ ПОПЕРЕДЖЕННЯ: Якщо на інструмент встановлено гнучкий круг, обов'язково використовуйте захисний кожух, що входить до комплекту поставання. Під час використання круг може розколотися, а захисний кожух зменшує ризик травмування.

► **Рис.17:** 1. Контргайка 2. Гнучкий круг 3. Підкладка 4. Внутрішній фланець

Дотримуйтеся інструкцій щодо використання диска із заглибленим центром, але також використовуйте пластикову підкладку, що встановлюється на диск. Порядок монтажу вказано в цій інструкції з експлуатації на сторінці з інформацією про приладдя.

Встановлення або зняття абразивного диска (додаткове приладдя)

► **Рис.18:** 1. Шліфувальна стопорна гайка 2. Абразивний диск 3. Гумова підкладка

Встановіть гумову підкладку на шпindel ь.

Встановіть диск на гумову підкладку та наверніть контргайку на шпindel ь. Для того, щоб затягнути контргайку, слід міцно натиснути на блокування вала, щоб шпindel ь не міг обертатись, а потім скористатись ключем для контргайки та надійно її затягнути по годинникової стрілки.

Для того, щоб зняти диск, виконайте процедуру встановлення у зворотному порядку.

ПРИМІТКА:

- Використовуйте приналежності для шліфувальної машини, які описані в цій інструкції. Їх треба купувати окремо.

ЗАСТОСУВАННЯ

⚠ ПОПЕРЕДЖЕННЯ:

- До інструмента ніколи не треба прикладати силу. Маса інструмента забезпечує достатній тиск. Прикладання сили та надмірний тиск можуть призвести до небезпечної поломки диска.
- ЗАВЖДИ замінійте диск, якщо інструмент був упущений під час роботи.
- НІКОЛИ не стукайте та не бийте диском по деталі, що оброблюється.
- Уникайте биття та чіплення диска, особливо під час обробки кутів, гострих країв та ін. Це може призвести до втрати контролю та віддачі.
- НІКОЛИ не використовуйте інструмент із відрізним диском для деревини та іншими полотнами для дискових пил. У разі використання на шліфувальних машинах такі полотна часто дають віддачу та призводять до втрати контролю та пораненням.

⚠ОБЕРЕЖНО:

- Заборонено вмикати інструмент, коли він торкається деталі, оскільки це може призвести до поранення оператора.
- Для роботи слід завжди вдягати захисні окуляри або захисний щиток для обличчя.
- Після закінчення роботи слід завжди вимикати інструмент та зачекати, доки диск не зупиниться повністю, перед тим, як його класти.

Операції з шліфування та зачищення

► Рис.19

ЗАВЖДИ міцно тримайте інструмент однією рукою за корпус, а другою - за бокову ручку. Увімкніть інструмент, після чого підводьте диск до деталі. Взагалі край диска слід тримати під кутом біля 15 градусів до поверхні деталі.

Під час притирання нового диска, не треба пересувати шліфувальну машину у напрямку "В", оскільки він урізеться в деталь. Як тільки край диска закруглиться при використанні, диск можна буде пересувати як в напрямку "А", так і в напрямку "В".

Робота з абразивним відрізним кругом / алмазним диском

Додаткове приладдя

⚠ПОПЕРЕДЖЕННЯ: Під час застосування абразивного відрізного круга / алмазного диска обов'язково використовуйте тільки спеціальний захисний кожух круга, призначений для використання з відрізними кругами.

(У деяких країнах Європи під час застосування алмазного диска можна використовувати звичайний захисний кожух. Дотримуйтеся норм та правил, чинних у вашій країні.)

⚠ПОПЕРЕДЖЕННЯ: ЗАБОРОНЕНО використовувати відрізнiй круг для бокового шліфування.

⚠ПОПЕРЕДЖЕННЯ: Не можна «заклинювати» круг або надавати його надмірному тиску. Не намагайтеся зробити розріз надмірної глибини. Перенапруження круга збільшує навантаження та здатність до перекошування або застрягання круга у розрізі, а також створює потенційний ризик віддачі, поломки круга та перегрівання двигуна.

⚠ПОПЕРЕДЖЕННЯ: Заборонено розпочинати різання, коли круг знаходиться в деталі. Спочатку круг повинен набрати повну швидкість, а потім його слід обережно ввести у проріз, пересуваючи інструмент уперед над поверхнею деталі. Якщо інструмент запустити, коли круг знаходиться в робочій деталі, круг може застрягти, зіпнутися або спричинити віддачу.

⚠ПОПЕРЕДЖЕННЯ: Під час різання не можна міняти кут нахилу круга. Прикладання бокового тиску до відрізного круга (як під час шліфування) призведе до розтріскування та поломки круга і, як наслідок, до важких травм.

⚠ПОПЕРЕДЖЕННЯ: Алмазний диск необхідно прикладати перпендикулярно до робочої поверхні під час роботи.

- Рис.20:** 1. Контргайка 2. Абразивний відрізнiй круг / алмазний диск 3. Внутрішній фланець 4. Захисний кожух для абразивного відрізного круга / алмазного диска

Стосовно встановлення дотримуйтеся інструкцій для круга із заглибленим центром.

Напрямок встановлення контргайки та внутрішнього фланця залежить від типу та товщини круга.

Див. наведені далі рисунки.

Для моделі 100 мм (4")

Під час встановлення абразивного відрізного круга:

- Рис.21:** 1. Контргайка 2. Абразивний відрізнiй круг (з товщиною до 4 мм (5/32")) 3. Абразивний відрізнiй круг (з товщиною від 4 мм (5/32")) 4. Внутрішній фланець

Під час встановлення алмазного диска:

- Рис.22:** 1. Контргайка 2. Алмазний диск (з товщиною до 4 мм (5/32")) 3. Алмазний диск (з товщиною від 4 мм (5/32")) 4. Внутрішній фланець

Для моделі 115 мм (4—1/2")/125 мм (5")

Під час встановлення абразивного відрізного круга:

- Рис.23:** 1. Контргайка 2. Абразивний відрізнiй круг (з товщиною до 4 мм (5/32")) 3. Абразивний відрізнiй круг (з товщиною від 4 мм (5/32")) 4. Внутрішній фланець

Під час встановлення алмазного диска:

- Рис.24:** 1. Контргайка 2. Алмазний диск (з товщиною до 4 мм (5/32")) 3. Алмазний диск (з товщиною від 4 мм (5/32")) 4. Внутрішній фланець

Виконання робіт із чашоподібною дротяною щіткою (додаткове приладдя)

⚠ОБЕРЕЖНО:

- Перевірте роботу щітки шляхом запуску інструмента на холостому ході, попередньо переконавшись, що нікого немає перед щіткою або поряд з нею.
- Не використовуйте пошкоджену або розбалансовану щітку. Використання пошкодженої щітки може збільшити ризик отримання травм через контакт з дротами пошкодженої щітки.

► Рис.25: 1. Чашоподібна дротяна щітка

Зніміть касету з акумулятором з інструмента та, перевернувши, покладіть її, щоб забезпечити вільний доступ до шпинделя. Зніміть усе приладдя зі шпинделя. Накрутіть чашоподібну дротяну щітку на шпиндель та затягніть за допомогою ключа, що входить до комплекту постачання. Під час використання щітки не натискайте на неї занадто сильно, тому що це може призвести до згинання дротів і, як наслідок, до передчасного пошкодження щітки.

Виконання робіт із дисковою дротяною щіткою (додаткове приладдя)

⚠ ОБЕРЕЖНО:

- Перевірте роботу дискової дротяної щітки шляхом запуску інструмента на холостому ході, попередньо переконавшись, що нікого немає перед дисковою дротяною щіткою або поряд з нею.
- Не використовуйте пошкоджену або розбалансовану дискову дротяну щітку. Використання пошкодженої дискової дротяної щітки може збільшити ризик отримання травм через контакт з пошкодженими дротами.
- Із дисковою дротяною щіткою ЗАВЖДИ використовуйте захисний кожух, діаметр якого дозволяє вставити щітку. Під час використання щітка може зламатися, захисний кожух в цьому випадку зменшує ризик поранення.

► Рис.26: 1. Дискова дротяна щітка

Зніміть касету з акумулятором з інструмента та, перевернувши, покладіть її, щоб забезпечити вільний доступ до шпинделя. Зніміть усе приладдя зі шпинделя. Накрутіть дискову дротяну щітку на шпindel та затягніть за допомогою ключа. Під час використання дискової дротяної щітки не натискайте на неї занадто сильно, тому що це може призвести до згинання дротів і, як наслідок, до передчасного пошкодження щітки.

ТЕХНІЧНЕ ОБСЛУГОВУВАННЯ

⚠ ОБЕРЕЖНО:

- Завжди перевіряйте, щоб прилад був вимкнений, а касета з акумулятором була знята, перед проведенням перевірки або обслуговування.
- Ніколи не використовуйте газолін, бензин, розріджувач, спирт та подібні речовини. Їх використання може призвести до зміни кольору, деформації та появи тріщин.

► Рис.27: 1. Вихідні вентиляційні отвори 2. Вхідні вентиляційні отвори

Інструмент та його вентиляційні отвори слід тримати в чистоті. Треба регулярно чистити вентиляційні отвори інструмента, або коли вони забиваються.

► Рис.28: 1. Пилозахисна кришка

Зніміть пилозахисну кришку з повітрязабірного вентиляційного отвору та прочистіть її, щоб забезпечити безперешкодну циркуляцію повітря.

ПРИМІТКА:

- Чистьте пилозахисну кришку у разі налипання на неї пилу або іншої сторонньої речовини. Безперервна робота із засміченою пилозахисною кришкою може призвести до пошкодження інструмента.

Для того, щоб підтримувати БЕЗПЕКУ та НАДІЙНІСТЬ, ремонт, технічне обслуговування або регулювання мають виконувати уповноважені центри обслуговування "Макіта", де використовуються лише стандартні запчастини "Макіта".

ДОДАТКОВЕ ПРИЛАДДЯ

⚠ ОБЕРЕЖНО:

- Це оснащення або приладдя рекомендовано для використання з інструментами "Макіта", що описані в інструкції з експлуатації. Використання якогось іншого оснащення або приладдя може спричинити травмування. Оснащення або приладдя слід використовувати лише за призначенням.

У разі необхідності, отримати допомогу в більш детальному ознайомленні з оснащенням звертайтеся до місцевого Сервісного центру "Макіта".

- Оригінальний акумулятор та заряджаючий пристрій Makita

► Рис.29

-	Модель 100 мм (4")	Модель 115 мм (4-1/2")	Модель 125 мм (5")
1	Затиск 36		
2	Захисний кожух круга (для шліфувального круга)		
3	Внутрішній фланець	Внутрішній фланець / супер-фланець *1*2	Внутрішній фланець / суперфланець
4	Круг із заглибленим центром / пелюстковий диск		
5	Контргайка	Контргайка / Ezynut *1*2	Контргайка / Ezynut *2
6	Підкладка		
7	Гнучкий круг		
8	Гумова підкладка 76	Гумова підкладка 100	Гумова підкладка 115
9	Абразивний диск		
10	Контргайка шліфувального диска		
11	Дискова дротяна щітка		
12	Чашоподібна дротяна щітка		
13	Захисний кожух круга (для відрізного круга) *3		
14	Абразивний відрізний круг / алмазний диск		
-	Ключ для контргайки		

ПРИМІТКА: *1 Тільки для інструментів із різьбою шпінделя М14.

ПРИМІТКА: *2 Не використовуйте суперфланець із гайкою Ezynut.

ПРИМІТКА: *3 У деяких країнах Європи під час використання алмазного диска замість спеціального захисного кожуха, що закриває диск з обох боків, можна використовувати звичайний захисний кожух. Дотримуйтеся норм та правил, чинних у вашій країні.

ПРИМІТКА:

- Деякі елементи списку можуть входити до комплекту інструмента як стандартне приладдя. Вони можуть відрізнятися залежно від країни.

SPECYFIKACJE

Model		DGA404	DGA454	DGA504
Średnica tarczy		100 mm (4")	115 mm (4-1/2")	125 mm (5")
Maks. grubość tarczy		6,4 mm (1/4")	6,4 mm (1/4")	6,4 mm (1/4")
Gwint wrzeciona		M10	M14 lub 5/8" (w zależności od kraju)	
Prędkość znamionowa (n) / Prędkość bez obciążenia (n ₀)		8 500 min ⁻¹		
Długość całkowita	Z akumulatorem BL1815N, BL1820, BL1820B	348 mm		
	Z akumulatorem BL1830, BL1830B, BL1840, BL1840B, BL1850, BL1850B, BL1860B	362 mm		
Ciężar netto	Z akumulatorem BL1815N, BL1820, BL1820B	2,2 kg	2,3 kg	2,3 kg
	Z akumulatorem BL1830, BL1830B, BL1840, BL1840B, BL1850, BL1850B, BL1860B	2,4 kg	2,5 kg	2,5 kg
Napięcie znamionowe		Prąd stały 18 V		

- W związku ze stale prowadzonym przez naszą firmę programem badawczo-rozwojowym, niniejsze specyfikacje mogą ulec zmianom bez wcześniejszego powiadomienia.
- W innych krajach urządzenie może mieć odmienne parametry techniczne i może być wyposażone w inny akumulator.
- Waga urządzenia wraz z akumulatorem obliczona zgodnie z procedurą EPTA 01/2003

Przeznaczenie

Omawiane narzędzie przeznaczone jest do szlifowania i cięcia materiałów z metalu i kamienia bez użycia wody.

Poziom hałas i drgań

Typowy równoważny poziom dźwięku A określony w oparciu o EN60745:

Model DGA404

Poziom ciśnienia akustycznego (L_{pa}): 80 dB (A)

Poziom mocy akustycznej (L_{WA}): 91 dB (A)

Niepewność (K): 3 dB (A)

Model DGA454, DGA504

Poziom ciśnienia akustycznego (L_{pa}): 79 dB (A)

Niepewność (K): 3 dB (A)

Poziom hałas podczas pracy może przekraczać 80 dB (A).

Należy stosować ochroniacze na uszy

Drgania

Całkowita wartość poziomu drgań (suma wektorów w 3 osiach) określona zgodnie z normą EN60745:

Model DGA404

Tryb pracy: szlifowanie powierzchni ze standardowym uchwytem bocznym

Emisja drgań (a_{h,AG}): 4,5 m/s²

Niepewność (K): 1,5 m/s²

Tryb pracy: szlifowanie powierzchni z antywibracyjnym uchwytem bocznym

Emisja drgań (a_{h,AG}): 4,0 m/s²

Niepewność (K): 1,5 m/s²

Tryb pracy: szlifowanie tarczowe

Emisja drgań (a_{h,DS}): 2,5 m/s² lub mniej

Niepewność (K): 1,5 m/s²

Model DGA454, DGA504

Tryb pracy: szlifowanie powierzchni ze standardowym uchwytem bocznym

Emisja drgań (a_{h,AG}): 6,5 m/s²

Niepewność (K): 1,5 m/s²

Tryb pracy: szlifowanie powierzchni z antywibracyjnym uchwytem bocznym

Emisja drgań (a_{h,AG}): 6,0 m/s²

Niepewność (K): 1,5 m/s²

Tryb pracy: szlifowanie tarczowe

Emisja drgań (a_{h,DS}): 2,5 m/s² lub mniej

Niepewność (K): 1,5 m/s²

WSKAZÓWKA: Deklarowana wartość wytwarzanych drgań została zmierzona zgodnie ze standardową metodą testową i można ją wykorzystać do porównywania narzędzi.

WSKAZÓWKA: Deklarowaną wartość wytwarzanych drgań można także wykorzystać we wstępnej ocenie narażenia.

WSKAZÓWKA: Deklarowaną wartość wytwarzanych drgań wykorzystuje się do głównych zastosowań elektronarzędzia. Jeśli jednak elektronarzędzie będzie wykorzystywane do innych zastosowań, wartość wytwarzanych drgań może być inna.

OSTRZEŻENIE: Drgania wytwarzane podczas rzeczywistego użytkowania elektronarzędzia mogą się różnić od wartości deklarowanej, w zależności od sposobu jego użytkowania.

OSTRZEŻENIE: W oparciu o szacowane narażenie w rzeczywistych warunkach użytkowania należy określić środki bezpieczeństwa w celu ochrony operatora (uwzględniając wszystkie elementy cyklu działania, tj. czas, kiedy narzędzie jest wyłączone i kiedy pracuje na biegu jałowym, a także czas, kiedy jest włączone).

Dotyczy tylko krajów europejskich

Deklaracja zgodności UE

Firma Makita oświadcza, że poniższe urządzenie/-a:

Oznaczenie maszyny:

Akumulatorowa szlifierka kątowna

Nr modelu / Typ: DGA404, DGA454, DGA504

Jest zgodne z wymogami określonymi w następujących dyrektywach europejskich:
2006/42/EC

Jest/są produkowane zgodnie z następującymi normami lub dokumentami normalizacyjnymi:

EN60745

Dokumentacja techniczna zgodna z wymaganiami dyrektywy 2006/42/WE jest dostępna w:

Makita, Jan-Baptist Vinkstraat 2, 3070, Belgia

13.3.2014



Yasushi Fukaya
Dyrektor

Makita, Jan-Baptist Vinkstraat 2, 3070, Belgia

Ogólne zasady bezpieczeństwa obsługi elektronarzędzi

⚠️ OSTRZEŻENIE Przeczytaj wszystkie ostrzeżenia i instrukcje. Nie przestrzeganie ich może prowadzić do porażeń prądem, pożarów i/lub poważnych obrażeń ciała.

Wszystkie ostrzeżenia i instrukcje należy zachować do późniejszego wykorzystania.

OSTRZEŻENIA DOTYCZĄCE BEZPIECZNEJ EKSPLOATACJI SZLIFIERKI AKUMULATOROWEJ

Ostrzeżenia dotyczące bezpieczeństwa podczas operacji szlifowania, oczyszczania powierzchni lub cięcia przy użyciu tarczy ścierniej:

1. Opisywane elektronarzędzie jest przeznaczone do szlifowania, oczyszczania powierzchni szcztoką drucianą i cięcia. Należy zapoznać się z wszystkimi zasadami bezpieczeństwa, instrukcjami, ilustracjami i danymi technicznymi dołączonymi do opisanego narzędzia. Niezastosowanie się do podanych poniżej instrukcji może prowadzić do porażeń prądem elektrycznym, pożaru i/lub poważnych obrażeń ciała.
2. Nie jest wskazane szlifowanie drewna, oczyszczanie powierzchni szcztoką drucianą, polerowanie lub cięcie z użyciem tego elektronarzędzia. Operacje, do których nie jest ono przeznaczone, mogą stwarzać zagrożenie i spowodować obrażenia.
3. Używać jedynie osprzętu, który został specjalnie zaprojektowany i jest zalecany przez producenta narzędzia. Fakt, że osprzęt można zamocować do posiadanego elektronarzędzia, wcale nie gwarantuje bezpiecznej obsługi.
4. Prędkość znamionowa osprzętu powinna być przynajmniej równa maksymalnej prędkości podanej na elektronarzędziu. Osprzęt pracujący przy większej prędkości od znamionowej może pęknąć i rozpaść się na kawałki.

5. Zewnętrzna średnica i grubość osprzętu musi mieścić się w zakresie dopuszczalnym dla tego elektronarzędzia. Nie można zapewnić prawidłowej osłony i kontroli akcesoriów o niewłaściwym rozmiarze.
6. Akcesoria montowane na gwint muszą pasować do gwintu trzpienia szlifierki. W przypadku akcesoriów montowanych na kolnierzach otwór ściernicy akcesoriów musi pasować do średnicy kolnierza. Akcesoria niepasujące do osprzętu montażowego w elektronarzędziu będą obracać się mimosłowo, wywołując silne drgania i grożąc utratą panowania.
7. Nie wolno używać uszkodzonych akcesoriów. Przed każdorazowym użyciem należy skontrolować osprzęt; ściernice pod kątem ubytków lub pęknięć, tarcze mocujące pod kątem pęknięć, rozdarć lub nadmiernego zużycia, a szcztoki druciane pod kątem luznych lub popękanych drutów. W przypadku uszkodzenia elektronarzędzia lub osprzętu należy sprawdzić, czy nie doszło do uszkodzenia, i ewentualnie zamontować nieuszkodzony osprzęt. Po sprawdzeniu bądź zamontowaniu osprzętu należy stanąć w taki sposób i tak ustawić narzędzie, aby nikt nie znajdował się w płaszczyźnie obrotu osprzętu, po czym na jedną minutę uruchomić elektronarzędzie z maksymalną prędkością bez obciążenia. Uszkodzone akcesoria zwykle rozpadną się podczas takiej próby.
8. Zakładać sprzęt ochrony osobistej. W zależności od wykonywanej operacji używać osłony twarzy, gogli lub okularów ochronnych. W miarę potrzeb zakładać maskę przeciwpyłową, ochraniacze na uszy, rękawice i fartuch, który zatrzyma drobiny materiału ściernego i obrabianego przedmiotu. Ochrona oczu powinna zatrzymywać unoszące się w powietrzu drobiny materiału, które powstają podczas różnych operacji. Maskę przeciwpyłową lub oddechowca powinna filtrować cząsteczki wytwarzane podczas pracy. Przebywanie przez dłuższy czas w hałasie o dużym natężeniu może spowodować utratę słuchu.
9. Osoby postronne powinny znajdować się w bezpiecznej odległości od miejsca pracy. Każdy, kto wchodzi do strefy roboczej, powinien mieć na sobie sprzęt ochrony osobistej. Fragmenty materiału z obrabianego przedmiotu lub pękniętego osprzętu mogą polecieć na dużą odległość i spowodować obrażenia poza bezpośrednim obszarem roboczym.
10. Gdy narzędzie tnące podczas pracy może zetknąć się z ukrytymi przewodami elektrycznymi bądź własnym przewodem zasilającym, należy trzymać urządzenie wyłącznie za izolowane uchwyty. Zetknięcie z przewodem elektrycznym pod napięciem spowoduje, że również odsłonięte elementy metalowe narzędzia znajdują się pod napięciem i mogą grozić porażeniem operatorem prądem elektrycznym.
11. Nie wolno odkładać elektronarzędzia dopóki zainstalowany osprzęt nie zatrzyma się całkowicie. Wirujący osprzęt może zahaczyć o powierzchnię i elektronarzędzie zacznie się zachowywać w sposób niekontrolowany.
12. Uruchomionego elektronarzędzia nie wolno przenosić z miejsca na miejsce. Wirujący osprzęt może przypadkowo pochwytnąć ubranie i spowodować obrażenia ciała.
13. Otwory wentylacyjne elektronarzędzia należy regularnie czyścić. Wentylator silnika wciąga do wnętrza obudowy pył. Zbyt duże nagromadzenie metalowych drobin stwarza zagrożenia elektryczne.

14. **Nie wolno używać elektronarzędzia w pobliżu materiałów łatwopalnych.** Mogą one zapalić się od iskier.
15. **Nie wolno używać osprzętu wymagającego cieczy chłodzących.** Używanie wody lub innych cieczy chłodzących grozi porażeniem lub udarem elektrycznym.

Odrzut i związane z nim ostrzeżenia

Odrzut to nagła reakcja w momencie zakleszczenia lub wyszczerbienia obracającej się ściernicy, tarczy mocującej, szcztoki lub innego rodzaju osprzętu. Zakleszczenie lub wyszczerbienie powoduje nagłe zatrzymanie się obracającego osprzętu, co z kolei prowadzi do niekontrolowanego odrzutu elektronarzędzia w miejscu zablokowania w kierunku przeciwnym do kierunku obrotu osprzętu. Przykładowo, jeżeli ściernica wyszczerbi się lub zakleszczy w obrabianym elemencie, trąc o powierzchnię materiału jej krawędź prowadząca może wypchnąć ściernicę w górę lub spowodować jej odrzut. Ściernica może odskoczyć w stronę operatora lub w kierunku przeciwnym w zależności od kierunku obrotów w punkcie zakleszczenia. W takich warunkach może również dojść do pęknięcia ściernicy. Odrzut jest wynikiem nieprawidłowej eksploatacji elektronarzędzia i/lub niewłaściwych procedur albo warunków jego obsługi. Można go uniknąć podejmując podane poniżej, odpowiednie środki ostrożności.

- a) **Przez cały czas należy narzędzie mocno trzymać, ustawiając się w taki sposób, aby przeciwdziałać siłom odrzutu. Zawsze należy korzystać z rękawic pomocniczej, jeżeli jest w zestawie, aby móc w pełni kontrolować odrzut lub przeciwdziałać momentowi obrotowemu podczas rozruchu.** Operator może kontrolować reakcje na zwiększający się moment obrotowy lub siły odrzutu, jeżeli zastosuje się odpowiednie środki ostrożności.
- b) **Nie wolno trzymać ręki w pobliżu obracającego się osprzętu.** Może bowiem nastąpić odrzut w kierunku ręki.
- c) **Nie należy stawać na linii ewentualnego odrzutu narzędzia.** Odrzut spowoduje wyrzucenie narzędzia w kierunku przeciwnym do ruchu tarczy w punkcie wyszczerbienia.
- d) **Podczas obróbki narożników, ostrych krawędzi itp. należy zachować szczególną ostrożność. Nie dopuszczać do podskakiwania i wyszczerbienia osprzętu.** Narożniki, ostre krawędzie lub podskakiwanie sprzyjają wyszczerbieniu obracającego się osprzętu i mogą spowodować utratę panowania lub odrzut.
- e) **Nie wolno montować tarcz łańcuchowych do cięcia drewna, ani tarcz zębatych.** Tarcze te często powodują odrzuty i utratę panowania nad elektronarzędziem.

Szczegółowe zasady bezpieczeństwa podczas operacji szlifowania i cięcia przy użyciu tarczy ścierniej:

- a) **Używać wyłącznie ściernic zalecanych do posiadanego elektronarzędzia oraz specjalnych osłon przeznaczonych do wybranego rodzaju tarczy.** Nie można właściwie zabezpieczyć ściernic, do których elektronarzędzie nie jest przeznaczone. Takie ściernice są niebezpieczne.
- b) **Powierzchnia szlifowania tarcz z obniżonym środkiem musi zostać zamontowana poniżej płaszczyzny krawędzi osłony.** Nieprawidłowo zamontowana tarcza wystająca poza płaszczyznę krawędzi osłony nie może być odpowiednio zabezpieczona.

c) **Oslona powinna być dobrze przymocowana do elektronarzędzia i ustawiona w sposób zapewniający maksimum bezpieczeństwa – w stronę operatora powinien być skierowany jak najmniejszy fragment odsłoniętej tarczy.** Oslona chroni operatora przed wykruszonymi odłamkami ściernicy i przypadkowym kontaktem z tarczą oraz od iskier mogących przyczynić się do zapalenia odzieży.

d) **Ściernice należy wykorzystywać tylko zgodnie z przeznaczeniem. Na przykład: nie wolno szlifować boczną powierzchnią ściernicy tnącej.** Ściernice tnące są przeznaczone do szlifowania obwodowego. Siły boczne przyłożone do tych tarcz mogą wywoływać drgania.

e) **Zawsze używać nieuszkodzonych kołnierzy mocujących o rozmiarze i kształcie właściwie dobranym do wybranego rodzaju ściernic.**

Odpowiednie kołnierze mocujące podtrzymują tarczę, zmniejszając tym samym prawdopodobieństwo jej pęknięcia. Kołnierze do ściernic tnących mogą różnić się od kołnierzy do tarcz szlifierskich.

f) **Nie używać zużytych ściernic przeznaczonych do większych elektronarzędzi.** Tarcze przeznaczone do większych elektronarzędzi nie nadają się do wyższych prędkości stosowanych w mniejszych narzędziach i mogą rozpaść się.

Dodatkowe zasady bezpieczeństwa podczas operacji cięcia przy użyciu tarczy ścierniej:

- a) **Nie wolno doprowadzać do zakleszczenia tarczy tnącej ani stosować zbyt dużego nacisku. Unikać cięć o zbyt dużej głębokości.** Przeciążona ściernica jest bardziej podatna na skręcenia lub wyginania w szczelinie i wzrasta prawdopodobieństwo odrzutu lub pęknięcia tarczy.
- b) **Nie stawać na linii obracającej się ściernicy ani za nią.** Gdy tarcza przesuwa się od operatora, ewentualny odrzut może wypchnąć ściernicę i elektronarzędzie w jego kierunku.
- c) **W przypadku zakleszczenia się tarczy lub przerwania operacji cięcia z jakiegokolwiek powodu, należy wyłączyć elektronarzędzie, trzymając je w bezruchu do momentu całkowitego zatrzymania się ściernicy. Nie wolno wyciągać tarczy tnącej z przecinanego elementu, gdy tarcza znajduje się w ruchu, w przeciwnym razie może wystąpić odrzut.** Zbadać przyczynę zakleszczania się ściernicy i podjąć stosowne działanie w celu wyeliminowania problemu.
- d) **Nie wolno wznawiać operacji cięcia, gdy tarcza znajduje się w przecinanym elemencie. Ściernicę można ponownie włożyć do naciętej szczeliny, dopiero gdy osiągnie pełną prędkość.** Jeżeli elektronarzędzie zostanie ponownie uruchomione, gdy ściernica znajduje się w przecinanym elemencie, tarcza może zakleszczyć się, wędrować po materiale, albo może nastąpić odrzut.
- e) **Duże płyty należy podierać, aby zminimalizować ryzyko zakleszczenia tarczy i odrzutu.** Duże płyty mają tendencję do wyginania się pod własnym ciężarem. Podpory należy ustawiać pod przecinanym elementem w sąsiedztwie linii cięcia i na krawędziach elementu po obu stronach ściernicy.
- f) **Należy zachować szczególną ostrożność w przypadku wykonywania „cięć wgłębnych” w istniejących ściankach bądź innych pustych przestrzeniach.** Wystająca tarcza tnąca może zagłębić się w niewidoczne elementy, które z kolei mogą wywołać odrzut.

Zasady bezpieczeństwa podczas operacji szlifowania:

- a) Nie używać zbyt dużego papieru ściernego. Przy doborze papieru ściernego kierować się zaleceniami producenta. Zbyt duży papier ścierny wystający poza obręb tarczy szlifierskiej grozi pokaleczeniem i może spowodować wyszczerbienie lub rozerwanie tarczy albo odrzut.

Zasady bezpieczeństwa podczas czyszczenia powierzchni szczotką drucianą:

- a) Należy pamiętać, że nawet podczas zwykłej pracy ze szczotki mogą wylatywać druty. Nie wolno ich nadwierać wywierając zbyt duży nacisk na szczotkę. Druty ze szczotki mogą z łatwością przebić lekkie ubranie i skórę.
- b) Jeżeli podczas operacji czyszczenia powierzchni szczotką drucianą wskazane jest używanie osłony, należy uważać, aby szczotka nie ocierała o nią. Średnica szczotki drucianej może ulec zwiększeniu pod wpływem obciążenia lub sił odśrodkowych podczas pracy.

Dodatkowe ostrzeżenia dotyczące bezpieczeństwa:

16. Nie wolno używać innych tarcz szlifierskich z obniżonym środkiem niż tarcze wzmacniane włóknem szklanym.
17. **NIE WOLNO** używać w tej szlifierce ściernic typu miseczkowego. Szlifierka nie jest przystosowana do takiego rodzaju ściernic i stosowanie ich może być przyczyną obrażeń.
18. Uważać, aby nie uszkodzić wrzeczona, kołnierza (zwłaszcza powierzchni odpowiedzialnych za prawidłowy montaż) albo nakrętki zabezpieczającej. Uszkodzenie tych części może być przyczyną pęknięcia tarczy.
19. Przed włączeniem urządzenia upewnić się, czy tarcza nie dotyka obrabianego elementu.
20. Przed przystąpieniem do obróbki danego elementu pozwolić, aby narzędzie obracało się przez chwilę bez obciążenia. Zwracając uwagę na ewentualne drgania lub bicie osiowe, które mogą wskazywać na nieprawidłowe zamocowanie lub niedokładne wyważenie tarczy.
21. Podczas szlifowania używać określonej powierzchni tarczy.
22. Nie pozostawiać załączonego elektronarzędzia. Można uruchomić elektronarzędzie tylko wtedy, gdy jest trzymane w rękach.
23. Zaraz po zakończeniu pracy nie wolno dotykać obrabianego elementu. Może on bowiem być bardzo gorący, co grozi poparzeniem skóry.
24. Przestrzegać instrukcji producenta w zakresie montażu i eksploatacji tarcz. Tarcze przechowywać i obchodzić się z nimi z dbałością.
25. Nie wolno stosować oddzielnych tulei redukcyjnych ani elementów pośrednich, aby dopasować tarcze ścierne o dużym otworze wewnętrznym.
26. Używać wyłącznie kołnierzy przeznaczonych do tego urządzenia.
27. W przypadku narzędzi współpracujących z tarczami z nagwintowanym otworem należy upewnić się, czy długość gwintu w tarczy jest wystarczająca, aby wkręcić wrzeczono na całą długość.
28. Sprawdzić, czy obrabiany element jest dobrze podparty.

29. Po wyłączeniu narzędzia tarcza nadal obraca się.
30. Jeżeli w miejscu pracy panuje wyjątkowo wysoka temperatura i wilgotność, albo występuje silnie zanieczyszczone przewodzącym pyłem, należy zastosować bezpiecznik zwarciowy (30 mA), aby zapewnić operatorowi bezpieczeństwo.
31. Nie wolno używać opisywanego narzędzia do obróbki materiałów zawierających azbest.
32. Przepisy krajowe wymagają stosowania osłony zbierającej pył, gdy używana jest tarcza tnąca.
33. Na tarcze tnące nie wolno wywierać nacisku poprzecznego.
34. Nie stosować materiałowych rękawic roboczych. Włókna z rękawic materiałowych mogą zostać pochwycone przez narzędzie, co może skutkować uszkodzeniem narzędzia.

ZACHOWAĆ INSTRUKCJE.

⚠ OSTRZEŻENIE: NIE WOLNO pozwolić, aby wygoda lub rutyna (nabyta w wyniku wielokrotnego używania narzędzia) zastąpiły ściśle przestrzeganie zasad bezpieczeństwa obsługi. **NIEWŁAŚCIWE UŻYTKOWANIE** narzędzia lub niestosowanie się do zasad bezpieczeństwa podanych w niniejszej instrukcji obsługi może prowadzić do poważnych obrażeń ciała.

Ważne zasady bezpieczeństwa dotyczące akumulatora

1. Przed użyciem akumulatora zapoznać się ze wszystkimi instrukcjami i znakami ostrzegawczymi na (1) ładowarce, (2) akumulatorze i (3) produkcie, w którym będzie używany akumulator.
2. Akumulatora nie wolno rozbierać.
3. Jeśli czas działania uległ znacznemu skróceniu, należy natychmiast przerwać pracę. Może bowiem dojść do przegrzania, ewentualnych poparzeń, a nawet eksplozji.
4. W przypadku przedostania się elektrolitu do oczu, przemyć je czystą wodą i niezwłocznie uzyskać pomoc lekarską. Może on bowiem spowodować utratę wzroku.
5. Nie doprowadzać do zwarcia akumulatora:
 - (1) Nie dotykać styków materiałami przewodzącymi prąd.
 - (2) Unikać przechowywania akumulatora w pojemniku z metalowymi przedmiotami, takimi jak gwoździe, monety itp.
 - (3) Chronić akumulator przed deszczem lub wodą.Zwarcie prowadzi do przepływu prądu elektrycznego o dużym natężeniu i przegrzania akumulatora, co w konsekwencji może grozić poparzeniami a nawet awarią urządzenia.
6. Narzędzia i akumulatora nie wolno przechowywać w miejscach, w których temperatura osiąga bądź przekracza 50°C (122°F).

7. **Akumulatorów nie wolno spalać, również tych poważnie uszkodzonych lub całkowicie zużytych. Akumulator może eksplodować w ogniu.**
8. **Chronić akumulator przed upadkiem i uderzeniami.**
9. **Nie wolno używać uszkodzonego akumulatora.**
10. **Stanowiące wyposażenie akumulatory litowo-jonowe podlegają przepisom dotyczącym produktów niebezpiecznych.**
Na potrzeby transportu komercyjnego, np. świadczonych przez firmy trzecie czy spedycyjne, należy przestrzegać specjalnych wymagań w zakresie pakowania i oznaczania etykietami. Przygotowanie produktu do wysyłki wymaga skonsultowania się ze specjalistą ds. materiałów niebezpiecznych. Należy także przestrzegać przepisów krajowych, które mogą być bardziej szczegółowe.
Zakleić taśmą lub zaślepić otwarte styki akumulatora oraz zabezpieczyć go, aby nie mógł się przesuwać w opakowaniu.
11. **Postępować zgodnie z przepisami lokalnymi dotyczącymi usuwania akumulatorów.**
12. **Używać akumulatorów tylko z produktami określonymi przez firmę Makita.** Zastosowanie akumulatorów w niezgodnych produktach może spowodować pożar, przegrzanie, wybuch lub wyciek elektrolitu.

ZACHOWAĆ NINIEJSZE INSTRUKCJE.

▲PRZESTROGA: Używać wyłącznie oryginalnych akumulatorów firmy Makita. Używanie nieoryginalnych akumulatorów firm innych niż Makita lub akumulatorów, które zostały zmodyfikowane, może spowodować wybuch akumulatora i pożar, obrażenia ciała oraz zniszczenie mienia. Stanowi to również naruszenie warunków gwarancji firmy Makita dotyczących narzędzia i ładowarki.

Wskazówki dotyczące zachowania maksymalnej trwałości akumulatora

1. **Akumulator należy naładować zanim zostanie do końca rozładowany. Po zauważeniu spadku mocy narzędzia należy przerwać pracę i naładować akumulator.**
2. **Nie wolno ładować powtórnie w pełni naładowanego akumulatora. Przeładowanie akumulatora skraca jego trwałość.**
3. **Akumulator należy ładować w temperaturze pokojowej w przedziale 10–40°C (50–104°F). W przypadku gorącego akumulatora przed przystąpieniem do ładowania należy poczekać, aż ostygnie.**
4. **Akumulatory niklowo-wodorkowe należy naładować po okresie długiego nieużytkowania (dłuższego niż sześć miesięcy).**

OPIS DZIAŁANIA

▲PRZESTROGA:

- Przed przystąpieniem do regulacji lub przeglądu narzędzia upewnić się, czy jest ono wyłączone i czy został wyjęty akumulator.

Wkładanie i wyjmowanie akumulatora

- **Rys.1:** 1. Przycisk 2. Czerwony wskaźnik 3. Akumulator

▲PRZESTROGA:

- Przed montażem lub demontażem akumulatora należy wyłączyć narzędzie.
- **Podczas wkładania lub wyjmowania akumulatora należy mocno trzymać narzędzie i akumulator.** W przeciwnym razie mogą one wyslizgnąć się z rąk, powodując uszkodzenie narzędzia lub akumulatora i obrażenia ciała.

Aby wyjąć akumulator, należy przesunąć przycisk znajdujący się w przedniej jego części i wysunąć akumulator. Aby zamontować akumulator, wystarczy wyrównać występ na akumulatorze z rowkiem w obudowie i wsunąć go na swoje miejsce. Akumulator należy wsuwać do oporu, aż się zablokuje, co jest sygnalizowane delikatnym kliknięciem. Jeśli jest widoczny czerwony wskaźnik w górnej części przycisku, akumulator nie został całkowicie zablokowany.

▲PRZESTROGA:

- Należy go zamontować całkowicie, tak aby czerwony wskaźnik nie był widoczny. W przeciwnym razie może przypadkowo wypaść z urządzenia, raniąc operatora lub osoby postronne.
- Nie montować akumulatora na siłę. Jeśli akumulator nie daje się swobodnie wsunąć, prawdopodobnie został włożony nieprawidłowo.

Włączanie

▲PRZESTROGA:

- Przed zamontowaniem akumulatora w narzędziu należy sprawdzić, czy przełącznik suwakowy włącza się prawidłowo i powraca do położenia „OFF” (wył.), w momencie gdy koniec przełącznika suwakowego zostanie naciśnięty.
- W celu ułatwienia obsługi i dla wygody operatora podczas długotrwałej pracy z użyciem narzędzia, wyłącznik można zablokować w pozycji „ON” (WŁĄCZONY). Podczas pracy z blokadą wyłącznika w pozycji „ON” (WŁĄCZONY) należy zachować ostrożność i pewnie trzymać narzędzie.

- **Rys.2:** 1. Przełącznik suwakowy

W celu uruchomienia narzędzia wystarczy przesunąć przełącznik suwakowy w kierunku położenia „I (ON)” (włączone), naciskając tylną część tego przełącznika. Pracę ciągną można uzyskać po naciśnięciu i zablokowaniu przedniej części przełącznika suwakowego. Aby wyłączyć narzędzie, wystarczy nacisnąć tylną część przełącznika suwakowego, a następnie przesunąć go do położenia „O (OFF)” (wyłączone).

Funkcja zabezpieczenia przed przypadkowym uruchomieniem

Nawet jeśli akumulator zostanie zamontowany w narzędziu przy przełączniku suwakowym ustawionym w pozycji „I (ON)”, narzędzia nie będzie można uruchomić.

Aby uruchomić narzędzie, należy przesunąć przełącznik suwakowy do pozycji „O (WYŁĄCZONY)”, a następnie z powrotem do pozycji „I (WŁĄCZONY)”.

Funkcja elektronicznego sterowania momentem

Narzędzie elektronicznie wykrywa sytuacje, w których tarcza lub osprzęt są narażone na uszkodzenie. W takim przypadku narzędzie zostanie automatycznie wyłączone w celu niedopuszczenia do dalszego ruchu obrotowego wrzeciona (takie działanie nie zabezpiecza przed wystąpieniem odrzutu).

Aby ponownie uruchomić narzędzie, należy w pierwszej kolejności wyłączyć narzędzie, usunąć przyczynę nagłego spadku prędkości obrotowej, a następnie ponownie włączyć narzędzie.

Wskazanie stanu naładowania akumulatora

Tylko w przypadku akumulatorów ze wskaźnikiem

► **Rys.3:** 1. Lampki wskaźnika 2. Przycisk kontrolny

Nacisnąć przycisk kontrolny na akumulatorze w celu wyświetlenia stanu naładowania akumulatora. Lampki wskaźnika zaświecą się przez kilka sekund.

Lampki wskaźnika			Pozostała energia akumulatora
Świeci się	Wyłączony	Miga	
■	□	◻	75–100%
■ ■ ■ ■	□	◻	
■ ■ ■	□	◻	50–75%
■ ■	□	◻	25–50%
■	□	◻	0–25%
◻	□	◻	Naładować akumulator.
■ ■ □ □	□ □	◻ ◻	Akumulator może nie działać poprawnie.
□ □ ■ ■	□ □	◻ ◻	

WSKAZÓWKA: Zależnie od warunków użytkowania i temperatury otoczenia, wskazany poziom może nieznacznie się różnić od rzeczywistego stanu naładowania akumulatora.

Wskazuje poziom naładowania akumulatora

(W zależności od kraju)

► **Rys.4:** 1. Wskaźnik akumulatora

Po włączeniu narzędzia wskaźnik akumulatora wskazuje poziom naładowania akumulatora.

Poziom naładowania akumulatora jest wyświetlany, jak pokazano w poniższej tabeli.

Stan wskaźnika akumulatora WŁ (ON) WYŁ (OFF) Pulsuje	Pozostała pojemność akumulatora
	50% - 100%
	20% - 50%
	0% - 20%
	Naładować akumulator

Funkcja automatycznej zmiany prędkości

► **Rys.5:** 1. Wskaźnik trybu

Stan wskaźnika trybu	Tryb pracy
	Tryb dużej prędkości
	Tryb wysokiego momentu

Narzędzie to może pracować w „trybie dużej prędkości” oraz w „trybie wysokiego momentu”. Narzędzie zmienia automatycznie tryb pracy w zależności od jego obciążenia. Włączenie się wskaźnika trybu podczas pracy oznacza, że narzędzie pracuje w trybie wysokiego momentu.

System ochrony narzędzia/akumulatora

Narzędzie jest wyposażone w system ochrony narzędzia/akumulatora. System ten automatycznie odcina dopływ prądu do silnika w celu wydłużenia żywotności narzędzia i akumulatora.

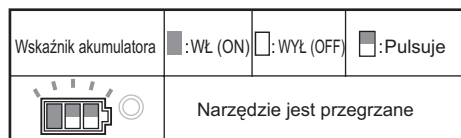
Narzędzie zostanie automatycznie wyłączone podczas pracy w następujących sytuacjach związanych z narzędziem lub akumulatorem. Niektóre sytuacje zostaną wskazane poprzez włączenie się wskaźnika.

Zabezpieczenie przed przeciążeniem

W przypadku obsługi narzędzia w sposób powodujący wytwarzanie wysokiego prądu odbiegającego od normy narzędzie to zostanie automatycznie zatrzymane bez żadnego wskazania za pomocą wskaźników. W takiej sytuacji należy wyłączyć narzędzie i zaprzestać wykonywania czynności powodującej przeciążenie narzędzia. Następnie należy włączyć urządzenie w celu jego ponownego uruchomienia.

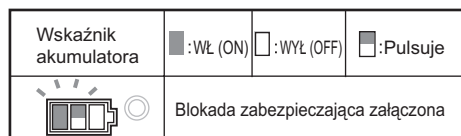
Zabezpieczenie przed przegrzaniem narzędzia

W przypadku przegrzania narzędzie zostanie automatycznie wyłączone, a wskaźnik akumulatora będzie wskazywał następujący stan. W takiej sytuacji należy odczekać, aż narzędzie ostygnie przed ponownym jego włączeniem.



Zwalnianie blokady zabezpieczającej

W przypadku gdy system ochrony pracuje raz za razem narzędzie zostanie zablokowane, a wskaźnik akumulatora wskaże następujący stan.



W takiej sytuacji nie można uruchomić narzędzia, nawet po jego wyłączeniu i ponownym włączeniu. Aby zwolnić blokadę zabezpieczającą, należy wyjąć akumulator, umieścić go w ładowarce i odczekać do momentu zakończenia procesu ładowania.

Blokada wału

▲ PRZESTROGA:

- Nie wolno załączać blokady wału, gdy wrzeciono obraca się. Narzędzie może bowiem ulec uszkodzeniu.

► **Rys.6:** 1. Blokada wału

Przed przystąpieniem do montażu bądź demontażu osprzętu nacisnąć blokadę wału, aby unieruchomić wrzeciono.

MONTAŻ

▲ PRZESTROGA:

- Przed przystąpieniem do jakichkolwiek czynności związanych z obsługą narzędzia należy koniecznie upewnić się, czy jest ono wyłączone i czy akumulator został wyjęty.

Instalowanie uchwyty bocznej (rękojeść)

▲ PRZESTROGA:

- Przed uruchomieniem, zawsze upewnić się, czy uchwyt boczny zamontowano bezpiecznie.

► **Rys.7**

Uchwyt boczny należy mocno przykręcić w odpowiednim miejscu narzędzia zgodnie z rysunkiem.

Instalacja lub usuwanie osłony (tarczy z obniżonym środkiem, tarczy Multi-disc/ ścierniej tarczy tnącej, ściernicy diamentowej)

▲ OSTRZEŻENIE:

- W przypadku używania tarczy szlifierskiej z obniżonym środkiem/ściernicy lamelowej, tarczy flex, obrotowej szczotki drucianej, tarczy tnącej lub tarczy diamentowej, osłonę tarczy należy przykręcić do narzędzia w taki sposób, aby jej zamknięta część była zawsze zwrócona w stronę operatora.
- W przypadku korzystania ze ściernicy tnącej / ściernicy diamentowej należy używać wyłącznej specjalnej osłony tarczy przeznaczonej do tego typu ściernic. (W niektórych krajach europejskich przy stosowaniu ściernicy diamentowej można użyć zwykłej osłony. Postępować zgodnie z przepisami obowiązującymi w danym kraju).

Dla narzędzia z osłoną tarczy z dźwignią zacisku

► **Rys.8:** 1. Osłona tarczy 2. Obudowa łożyska 3. Wkręt 4. Dźwignia

Poluzować dźwignię na osłonie tarczy po odkręceniu wkrętu. Zamocować osłonę tarczy i wyrównać występ na opasce osłony tarczy z nacięciem w obudowie łożyska. Następnie obrócić osłonę tarczy pod takim kątem, aby zapewniała bezpieczeństwo operatora podczas pracy.

► **Rys.9:** 1. Wkręt 2. Dźwignia 3. Osłona tarczy

Dokręcić dźwignię, aby zamocować osłonę tarczy. Jeżeli dźwignia jest dokręcona zbyt mocno lub zbyt luźno, aby zamocować osłonę tarczy, należy poluzować lub dokręcić wkręt w celu wyregulowania zamocowania opaski osłony tarczy.

Aby zdemontować osłonę tarczy, procedurę montażu należy wykonać w odwrotnej kolejności.

Dla narzędzia z osłoną tarczy ze śrubą blokującą

► **Rys.10:** 1. Osłona tarczy 2. Obudowa łożyska 3. Wkręt

Należy osłonę tarczy i wyrównać wystające elementy na jej kołnierzu z nacięciem w obudowie. Następnie obrócić osłonę tarczy o kąt 180° przeciwnie do ruchu wskazówek zegara. Pamiętać o mocnym dokręceniu śruby.

Aby zdemontować osłonę tarczy, procedurę montażu należy wykonać w odwrotnej kolejności.

Montaż i demontaż tarczy z obniżonym środkiem lub tarczą listkową (wyposażenie dodatkowe)

⚠️ OSTRZEŻENIE:

- W przypadku używania tarczy z obniżonym środkiem lub tarczy listkowej, osłonę tarczy należy przykręcić do narzędzia w taki sposób, aby jej zamknięta część była zawsze zwrócona w stronę operatora.
- Blokadę wału można załączyć dopiero wówczas, gdy wrzeciono przestanie się obracać.

► **Rys.11:** 1. Nakrętka zabezpieczająca 2. Tarcza z obniżonym środkiem 3. Kołnierz wewnętrzny

Należy przetrzeć kołnierz wewnętrzny na wrzeciono. Dopasować tarczę/ściernicę do kształtu kołnierza i dokręcić nakrętkę zabezpieczającą osadzoną na wrzecionie.

► **Rys.12:** 1. Klucz do nakrętki zabezpieczającej 2. Blokada wału

W celu dokręcenia nakrętki zabezpieczającej mocno docisnąć blokadę wału, aby unieruchomić wrzeciono, a następnie dociągnąć nakrętkę zabezpieczającą kluczem zgodnie z ruchem wskazówek zegara.

Aby zdemontować tarczę, wystarczy procedurę montażu wykonać w odwrotnej kolejności.

Montaż lub demontaż mocowania Ezynut (osprzęt dodatkowy)

⚠️ PRZESTROGA:

- Nie stosować mocowania Ezynut wraz z kołnierzem Super lub szlifierką kątową z oznaczeniem „F” na końcu numeru modelu. Kołnierze te są tak grube, że cały gwint nie może zostać przytrzymany przez wrzeciono.

► **Rys.13:** 1. Mocowanie Ezynut 2. Ściernica 3. Kołnierz wewnętrzny 4. Wrzeciono

Zamontować kołnierz wewnętrzny, ściernicę oraz mocowanie Ezynut na wrzecionie w taki sposób, aby logo Makita na mocowaniu Ezynut było widoczne od zewnątrz.

► **Rys.14:** 1. Blokada wału

Nacisnąć mocno blokadę wałka i dokręcić mocowanie Ezynut, obracając ściernicę w prawo do oporu. Aby odkręcić, należy obracać pierścień zewnętrzny mocowania Ezynut w lewo.

► **Rys.15:** 1. Strzałka 2. Nacięcie

► **Rys.16**

WSKAZÓWKA:

- Mocowanie Ezynut można odkręcić ręcznie, dopóki strzałka wskazuje wycięcie. W innych przypadkach, do odkręcenia wymagany jest klucz do nakrętek zabezpieczających. Włożyć jeden bolec klucza w otwór i obracać mocowanie Ezynut w lewo.

Zakładanie lub zdejmowanie ściernicy elastycznej

Aksesoria opcjonalne

⚠️ OSTRZEŻENIE: W przypadku zamontowania na narzędziu ściernicy elastycznej należy zawsze używać dostarczonej osłony. Ściernica może się rozpaść podczas użytkowania, zaś osłona ogranicza ryzyko obrażeń ciała.

► **Rys.17:** 1. Nakrętka zabezpieczająca 2. Ściernica elastyczna 3. Tarcza oporowa 4. Kołnierz wewnętrzny

Należy przestrzegać instrukcji dotyczących ściernicy z obniżonym środkiem, pamiętając również o umieszczeniu na ściernicy tarczy oporowej. Patrz zamawianie zestawu na stronie z osprzętem w niniejszej instrukcji.

Montaż lub demontaż ściernicy (osprzęt dodatkowy)

► **Rys.18:** 1. Nakrętka zabezpieczająca do szlifowania 2. Ściernica 3. Gumowa tarcza

Należy przykleić gumową podkładkę na wrzeciono. Dopasować tarczę do podkładki gumowej dokręcić nakrętkę zabezpieczającą osadzoną na wrzecionie. W celu dokręcenia nakrętki zabezpieczającej mocno docisnąć blokadę wału, aby unieruchomić wrzeciono, a następnie dociągnąć nakrętkę zabezpieczającą kluczem zgodnie z ruchem wskazówek zegara.

Aby zdemontować tarczę, wystarczy procedurę montażu wykonać w odwrotnej kolejności.

WSKAZÓWKA:

- Wolno używać tylko akcesoriów określonych w tej instrukcji. Należy je nabyć oddzielnie.

DZIAŁANIE

⚠️ OSTRZEŻENIE:

- Nie ma potrzeby dociskania narzędzia podczas pracy. Sam ciężar narzędzia wywiera wystarczający nacisk. Stosowanie siły i nadmiernego docisku może prowadzić do groźnego pęknięcia tarczy.
- Jeżeli podczas szlifowania narzędzie upadnie, tarczę należy KONIECZNIE wymienić.
- NIE WOLNO w żadnym wypadku uderzać tarczą o obrabiany element.
- Uważać, aby tarcza nie podskakiwała i aby nie doszło do jej wyszczerbienia, zwłaszcza podczas obróbki narożników, ostrych krawędzi itp. Może bowiem wystąpić odrzut i dojść do utraty panowania nad narzędziem.
- NIE WOLNO używać narzędzia z tarczami do cięcia drewna. Wspomniane tarcze używane w szlifierce, często powodują odrzut i utratę panowania, a w konsekwencji mogą doprowadzić do wypadku.

⚠ PRZESTROGA:

- Nie wolno włączać narzędzia, gdy dotyka ono obrabianego przedmiotu, może bowiem spowodować obrażenia ciała u operatora.
- Do pracy zawsze zakładać gogle ochronne lub osłonę na twarz.
- Po zakończeniu pracy koniecznie wyłączyć narzędzie i przed jego odłożeniem odczekać, aż tarcza całkowicie się zatrzyma.

Szlifowanie

► Rys.19

Narzędzie należy ZAWSZE mocno chwycić, trzymając jedną rękę na obudowie, a drugą na uchwycie bocznym. Włączyć narzędzie, a następnie przyłożyć tarczę do obrabianego elementu.

Zwykle krawędź tarczy powinno się trzymać pod kątem mniej więcej 15 stopni względem powierzchni obrabianego elementu. W okresie docierania nowej tarczy nie należy prowadzić narzędzia w kierunku B, ponieważ tarcza zacznie się wcinać w element. Gdy krawędź tarczy, w miarę jej eksploatacji, zostanie zaokrąglona, można prowadzić narzędzie zarówno w kierunku A jak i B.

Praca z użyciem ściernicy tnącej / tarczy diamentowej

Akcesoria opcjonalne

⚠ OSTRZEŻENIE: W przypadku używania ściernicy tnącej / tarczy diamentowej należy używać wyłącznie specjalnej osłony przeznaczonej do tego typu ściernicy.

(W niektórych krajach europejskich w przypadku stosowania tarczy diamentowej można używać zwykłej osłony. Należy przestrzegać przepisów obowiązujących w danym kraju).

⚠ OSTRZEŻENIE: Ściernicy tnącej **NIE WOLNO** używać do szlifowania bocznego.

⚠ OSTRZEŻENIE: Nie wolno doprowadzać do zakleszczania się ściernicy ani wywierać nadmiernego nacisku. Unikać cięć o zbyt dużej głębokości. Przeciążenie ściernicy zwiększa obciążenie i podatność ściernicy na skręcanie i zakleszczanie w miejscu cięcia, a także prawdopodobieństwo odrzutu lub pęknięcia tarczy. Może również dojść do przegrzania silnika.

⚠ OSTRZEŻENIE: Nie wolno rozpoczynać operacji cięcia, gdy tarcza znajduje się w przeciwnym elemencie. Należy poczekać, aż ściernica uzyska pełną prędkość i dopiero wówczas ostrożnie wprowadzić ją do nacięcia, przesuwając narzędzie do przodu po powierzchni przecinanego elementu. Jeśli elektronarzędzie zostanie uruchomione, gdy ściernica znajduje się w przeciwnym elemencie, ściernica może się zakleszczyć, wędrować po materiale lub może wystąpić odrzut.

⚠ OSTRZEŻENIE: Podczas operacji cięcia nie wolno zmieniać kąta prowadzenia ściernicy. Wywieranie bocznego nacisku na ściernicę tnącą (jak to ma miejsce w przypadku szlifowania) spowoduje pęknięcie i rozpadnięcie się ściernicy, powodując poważne obrażenia ciała.

⚠ OSTRZEŻENIE: Tarczę diamentową należy prowadzić prostopadle do ciętego materiału.

- Rys.20:** 1. Nakrętka zabezpieczająca 2. Ściernica tnąca / tarcza diamentowa 3. Kołnierz wewnętrzny 4. Osłona ściernicy tnącej / tarczy diamentowej

W celu założenia należy postępować zgodnie z instrukcjami dotyczącymi ściernicy z obniżonym środkiem.

Orientacja nakrętki zabezpieczającej i kołnierza wewnętrznego zależy od typu i grubości ściernicy. Patrz następne rysunki.

Model o średnicy 100 mm (4")

W przypadku montażu ściernicy tnącej:

- Rys.21:** 1. Nakrętka zabezpieczająca 2. Ściernica tnąca (cieńsza niż 4 mm (5/32"))
3. Ściernica tnąca (4 mm (5/32")) lub grubsza 4. Kołnierz wewnętrzny

W przypadku montażu tarczy diamentowej:

- Rys.22:** 1. Nakrętka zabezpieczająca 2. Tarcza diamentowa (cieńsza niż 4 mm (5/32"))
3. Tarcza diamentowa (4 mm (5/32")) lub grubsza 4. Kołnierz wewnętrzny

Model o średnicy 115 mm (4 - 1/2") / 125 mm (5")

W przypadku montażu ściernicy tnącej:

- Rys.23:** 1. Nakrętka zabezpieczająca 2. Ściernica tnąca (cieńsza niż 4 mm (5/32"))
3. Ściernica tnąca (4 mm (5/32")) lub grubsza 4. Kołnierz wewnętrzny

W przypadku montażu tarczy diamentowej:

- Rys.24:** 1. Nakrętka zabezpieczająca 2. Tarcza diamentowa (cieńsza niż 4 mm (5/32"))
3. Tarcza diamentowa (4 mm (5/32")) lub grubsza 4. Kołnierz wewnętrzny

Praca ze szczotką drucianą doczołową (osprzęt dodatkowy)

⚠ PRZESTROGA:

- Sprawdzić działanie szczotki, uruchamiając narzędzie bez obciążenia po uprzednim upewnieniu się, że przed szczotką ani w płaszczyźnie jej obrotu nikogo nie ma.
- Nie wolno używać szczotki, która jest uszkodzona lub niewyważona. Używanie uszkodzonej szczotki mogłoby zwiększyć ryzyko odniesienia obrażeń w kontakcie z polamanymi drutami szczotki.

- Rys.25:** 1. Szczotka druciana doczołowa

Wyjąć akumulator z narzędzia i ustawić je do góry nogami, aby uzyskać dostęp do wrzeciona. Zdemontować wszystkie akcesoria z wrzeciona. Zamocować szczotkę drucianą doczołową na wrzecionie i dokręcić dołączonym kluczem. Używając szczotki, unikać wywierania nadmiernego nacisku, ponieważ powoduje to wyginanie się drutów, prowadząc do ich przedwczesnego polamania.

Praca ze szczotką tarczową (osprzęt dodatkowy)

PRZESTROGA:

- Sprawdzić działanie szczotki tarczowej, uruchamiając narzędzie bez obciążenia po uprzednim upewnieniu się, że przed szczotkaniem w płaszczynie jej obrotu nikogo nie ma.
- Nie wolno używać szczotki tarczowej, która jest uszkodzona lub niewyważona. Używanie uszkodzonej szczotki tarczowej mogłoby zwiększyć ryzyko odniesienia obrażeń w kontakcie z połączonymi drutami szczotki.
- ZAWSZE należy stosować osłonę ze szczotką tarczową, upewniając się, że jej średnica mieści się w osłonie. Podczas eksploatacji tarcza może drgać, a osłona pomaga zmniejszyć ryzyko wypadku.

► Rys.26: 1. Szczotka tarczowa

Wyjąć akumulator z narzędzia i ustawić je do góry nogami, aby uzyskać dostęp do wrzeciona. Zdemontować wszystkie akcesoria z wrzeciona. Zamocować drucianą szczotkę tarczową na wrzecionie i dokręcić za pomocą kluczy. Używając drucianej szczotki tarczowej, unikać wywierania nadmiernego nacisku, ponieważ powoduje to wyginanie się drutów, prowadząc do ich przedwczesnego połamania.

KONSERWACJA

PRZESTROGA:

- Przed przystąpieniem do przeglądu narzędzia lub jego konserwacji upewnić się, czy jest ono wyłączone i czy akumulator został wyjęty.
- Nie wolno używać benzyny, benzenu, rozpuszczalnika, alkoholu itp. Substancje takie mogą spowodować odbarwienia, odkształcenia lub pęknięcia.

► Rys.27: 1. Wylot powietrza 2. Wlot powietrza

Narzędzie i jego otwory wentylacyjne powinny być utrzymywane w czystości. Otwory wentylacyjne należy czyścić w regularnych odstępach czasu i za każdym razem, gdy są przytkane.

► Rys.28: 1. Osłona przeciwpyłowa

Usunąć pokrywę przeciwpyłową z otworu wentylacyjnego i oczyścić ją w celu zapewnienia płynnej cyrkulacji powietrza.

WSKAZÓWKI:

- Gdy pokrywa przeciwpyłowa jest zatkana przez pył lub ciała obce, należy ją oczyścić. Kontynuowanie pracy z zatkana pokrywą przeciwpyłową spowoduje uszkodzenie narzędzia.

Dla zachowania BEZPIECZEŃSTWA i NIEZAWODNOŚCI wyrobu, naprawy oraz inne prace konserwacyjne i regulacyjne powinny być wykonywane przez Autoryzowane Centra Serwisowe Makita, wyłącznie przy użyciu części zamiennych Makita.

AKCESORIA OPCJONALNE

PRZESTROGA:

- Zaleca się stosowanie wymienionych akcesoriów i dodatków razem z elektronarzędziem Makita opisanym w niniejszej instrukcji. Stosowanie jakichkolwiek innych akcesoriów i dodatków może stanowić ryzyko uszkodzenia ciała. Stosować akcesoria i dodatki w celach wyłącznie zgodnych z ich przeznaczeniem.

W razie potrzeby, wszelkiej pomocy i szczegółowych informacji na temat niniejszych akcesoriów udziela Państwu lokalne Centra Serwisowe Makita.

- Oryginalny akumulator i ładowarka firmy Makita

► Rys.29

-	Model 100 mm (4")	Model 115 mm (4 - 1/2")	Model 125 mm (5")
1	Uchwyt 36		
2	Osłona ściernicy (do ściernicy szlifierskiej)		
3	Kolnierz wewnętrzny	Kolnierz wewnętrzny / super podkładka *1*2	Kolnierz wewnętrzny / super podkładka
4	Ściernica z obniżonym środkiem / ściernica lamelkowa		
5	Nakrętka zabezpieczająca	Nakrętka zabezpieczająca / Ezynut *1*2	Nakrętka zabezpieczająca / Ezynut *2
6	Tarcza oporowa		
7	Ściernica elastyczna		
8	Gumowy talerz szlifierski 76	Gumowy talerz szlifierski 100	Gumowy talerz szlifierski 115
9	Krążek ścierny		
10	Nakrętka zabezpieczająca krążek ścierny		
11	Druciana szczotka tarczowa		
12	Druciana szczotka garnkowa		
13	Osłona ściernicy (do ściernicy tnącej) *3		
14	Ściernica tnąca / tarcza diamentowa		
-	Klucz do nakrętki zabezpieczającej		

WSKAZÓWKA: *1 Tylko do narzędzi z wrzecionem z gwintem M14.

WSKAZÓWKA: *2 Nie używać razem super podkładki i nakrętki Ezynut.

WSKAZÓWKA: *3 W niektórych krajach europejskich podczas używania tarczy diamentowej można stosować zwykłą osłonę zamiast osłony specjalnej zakrywającej obie strony ściernicy. Należy przestrzegać przepisów obowiązujących w danym kraju.

WSKAZÓWKA:

- Niektóre pozycje znajdujące się na liście mogą być dołączone do pakietu narzędziowego jako akcesoria standardowe. Mogą to być różne pozycje, w zależności od kraju.

SPECIFICAȚII

Model		DGA404	DGA454	DGA504
Diametrul discului		100 mm (4")	115 mm (4-1/2")	125 mm (5")
Grosime maximă disc		6,4 mm (1/4")	6,4 mm (1/4")	6,4 mm (1/4")
Filetul arborelui		M10	M14 sau 5/8" (în funcție de țară)	
Turație nominală (n) / Turație în gol (n ₀)		8.500 min ⁻¹		
Lungime totală	Cu cartuș de acumulator BL1815N, BL1820, BL1820B	348 mm		
	Cu cartuș de acumulator BL1830, BL1830B, BL1840, BL1840B, BL1850, BL1850B, BL1860B	362 mm		
Greutate netă	Cu cartuș de acumulator BL1815N, BL1820, BL1820B	2,2 kg	2,3 kg	2,3 kg
	Cu cartuș de acumulator BL1830, BL1830B, BL1840, BL1840B, BL1850, BL1850B, BL1860B	2,4 kg	2,5 kg	2,5 kg
Tensiune nominală		18 V cc.		

- Datorită programului nostru continuu de cercetare și dezvoltare, caracteristicile pot fi modificate fără o notificare prealabilă.
- Specificațiile și ansamblul baterie pot diferi de la țară la țară.
- Greutatea, cu ansamblul baterie, conform procedurii EPTA 01/2003

Destinația de utilizare

Mașina este destinată polizării, șlefuirii și tăierii materialelor de metal și piatră fără utilizarea apei.

Emisie de zgomot

Nivelul de zgomot normal ponderat A determinat în conformitate cu EN60745:

Model DGA404

Nivel de presiune acustică (L_{pA}): 80 dB (A)

Nivel de putere acustică (L_{WA}): 91 dB (A)

Marjă de eroare (K): 3 dB (A)

Model DGA454, DGA504

Nivel de presiune acustică (L_{pA}): 79 dB (A)

Marjă de eroare (K): 3 dB (A)

Nivelul de zgomot în timpul funcționării poate depăși 80 dB (A).

Purtați mijloace de protecție a auzului

Vibrații

Valoarea totală a vibrațiilor (suma vectorilor tri-axiali) determinată conform EN60745:

Model DGA404

Mod de lucru: rectificare plană cu mâner lateral normal

Emisie de vibrații (a_{h,AG}): 4,5 m/s²

Marjă de eroare (K): 1,5 m/s²

Mod de lucru: rectificare plană cu mâner lateral
contra vibrațiilor

Emisie de vibrații (a_{h,AG}): 4,0 m/s²

Marjă de eroare (K): 1,5 m/s²

Mod de funcționare: șlefuire cu disc

Emisie de vibrații (a_{h,DS}): 2,5 m/s² sau mai puțin

Marjă de eroare (K): 1,5 m/s²

Model DGA454, DGA504

Mod de lucru: rectificare plană cu mâner lateral normal

Emisie de vibrații (a_{h,AG}): 6,5 m/s²

Marjă de eroare (K): 1,5 m/s²

Mod de lucru: rectificare plană cu mâner lateral
contra vibrațiilor

Emisie de vibrații (a_{h,AG}): 6,0 m/s²

Marjă de eroare (K): 1,5 m/s²

Mod de funcționare: șlefuire cu disc

Emisie de vibrații (a_{h,DS}): 2,5 m/s² sau mai puțin

Marjă de eroare (K): 1,5 m/s²

NOTĂ: Nivelul de vibrații declarat a fost măsurat în conformitate cu metoda de test standard și poate fi utilizat pentru compararea unei uneelte cu alta.

NOTĂ: Nivelul de vibrații declarat poate fi, de asemenea, utilizat într-o evaluare preliminară a expunerii.

NOTĂ: Nivelul de vibrații declarat este utilizat pentru aplicațiile principale ale mașinii electrice. Totuși, dacă mașina electrică este utilizată pentru alte aplicații, valoarea vibrațiilor emise poate fi diferită.

AVERTIZARE: Nivelul de vibrații în timpul utilizării reale a uneeltei electrice poate diferi de valoarea nivelului declarat, în funcție de modul în care unealta este utilizată.

AVERTIZARE: Asigurați-vă că identificați măsurile de siguranță pentru a proteja operatorul, acestea fiind bazate pe o estimare a expunerii în condiții reale de utilizare (luând în considerare toate părțile ciclului de operare, precum timpul în care unealta a fost oprită, sau a funcționat în gol, pe lângă timpul de declanșare).

Numai pentru țările europene

Declarație de conformitate CE

Makita declară că următoarea(ele) mașină(i):

Denumirea mașinii:

Polizor unghiular cu acumulator

Model Nr./ Tip: DGA404,DGA454,DGA504

Este în conformitate cu următoarele directive europene:

2006/42/EC

Sunt fabricate în conformitate cu următorul standard sau documente standardizate:

EN60745

Fișierul tehnic în conformitate cu 2006/42/CE este disponibil de la:

Makita, Jan-Baptist Vinkstraat 2, 3070, Belgia

13.3.2014



Yasushi Fukaya
Director

Makita, Jan-Baptist Vinkstraat 2, 3070, Belgia

Avertismente generale de siguranță pentru unele electrice

⚠️ AVERTIZARE Citiți toate avertizările de siguranță și toate instrucțiunile. Nerespectarea acestor avertizări și instrucțiuni poate avea ca rezultat electrocutarea, incendiul și/sau rănirea gravă.

Păstrați toate avertismentele și instrucțiunile pentru consultări ulterioare.

AVERTISMENTE PRIVIND SIGURANȚA PENTRU POLIZORUL FĂRĂ CABLU

Avertismente privind siguranța comune operațiunilor de polizare, de șlefuire, periere sau operațiunilor de tăiere abrazivă:

1. **Această sculă electrică este destinată să funcționeze ca polizor, șlefuitor, perie de sârmă sau mașină de tăiat. Citiți toate avertismentele privind siguranța, instrucțiunile, ilustrațiile și specificațiile furnizate cu această sculă electrică.** Nerespectarea integrală a instrucțiunilor de mai jos poate cauza electrocutări, incendii și/sau vătămări corporale grave.
2. **Nu este recomandată executarea operațiilor cum ar fi lustruirea cu această sculă electrică.** Operațiile pentru care această sculă electrică nu a fost concepută pot fi periculoase și pot provoca vătămări corporale.
3. **Nu folosiți accesorii care nu sunt special concepute și recomandate de producătorul mașinii.** Simplul fapt că accesoriul poate fi atașat la mașina dumneavoastră electrică nu asigură funcționarea în condiții de siguranță.
4. **Viteza nominală a accesoriului trebuie să fie cel puțin egală cu viteza maximă indicată pe mașina electrică.** Accesorii utilizate la o viteză superioară celei nominale se pot sparge și împrăștia.

5. **Diametrul exterior și grosimea accesoriului dumneavoastră trebuie să se înscrie în capacitatea nominală a mașinii dumneavoastră electrice.** Accesorii încorect dimensionate nu pot fi protejate sau controlate în mod adecvat.
6. **Montarea prin filetare a accesoriilor trebuie să corespundă fusului filetat al polizorului.** Pentru accesorii montate prin flanșe, orificiul arborelui accesoriului trebuie să corespundă diametrului de localizare a flanșei. Accesorii care nu corespund unelelor de montare ale mașinii electrice vor duce la dezechilibrări, vibrații excesive și pot cauza pierderea controlului.
7. **Nu folosiți un accesoriu deteriorat. Înainte fiecărei utilizări inspectați accesoriul cum ar fi discurile abrazive în privința sfărâmurilor și fisurilor, discurile de fixare în privința fisurilor, rupturii sau uzură excesivă, peria de sârmă în privința lipsei firelor și a firelor plesnite. Dacă scăpați pe jos mașina sau accesoriul, inspectați-le cu privire la deteriorări sau instalați un accesoriu intact.** După inspectarea și instalarea unui accesoriu, poziționați-vă împreună cu spectatori în depărtare de planul accesoriului rotativ și porniți mașina la viteza maximă de mers în gol timp de un minut. Accesorii deteriorate se vor sparge în mod normal pe durata acestui test.
8. **Purtați echipamentul personal de protecție. În funcție de aplicație, folosiți o mască de protecție, ochelari de protecție sau viziere de protecție. Dacă este cazul, purtați o mască de protecție contra prafului, mijloace de protecție a auzului, mănuși și un șorț de lucru capabil să oprească fragmentele mici abrazive sau fragmentele piesei.** Mijloacele de protecție a vederii trebuie să fie capabile să oprească resturile proiectate în aer generate la diverse operații. Masca de protecție contra prafului sau masca respiratoare trebuie să fie capabilă să filtreze particulele generate în timpul operației respective. Expunerea prelungită la zgomot foarte puternic poate provoca pierderea auzului.
9. **Țineți spectatori la o distanță sigură față de zona de lucru. Orice persoană care pătrunde în zona de lucru trebuie să poarte echipament personal de protecție.** Fragmentele piesei prelucrate sau ale unui accesoriu spart pot fi proiectate în jur cauzând vătămări corporale în zona imediat adiacentă zonei de lucru.
10. **Țineți mașina electrică doar de suprafețele de prindere izolate atunci când executați o operație la care scula de tăiere poate intra în contact cu cabluri ascunse.** Contactul cu un cablu aflat sub tensiune va pune sub tensiune și piesele metalice expuse ale mașinii, rezultând în electrocutarea utilizatorului.
11. **Nu așezați niciodată mașina electrică înainte de oprirea completă a accesoriului.** Accesoriul aflat în rotație ar putea apuca suprafața și trage de mașina electrică fără a o putea controla.
12. **Nu lăsați mașina electrică în funcțiune în timp ce o transportați lângă corpul dumneavoastră.** Contactul accidental cu accesoriul aflat în rotație vă poate agăța îmbrăcămintea, trăgând accesoriul spre corpul dumneavoastră.

13. **Curățați în mod regulat fantele de ventilație ale mașinii electrice.** Ventilatorul motorului va aspira praful în interiorul carcasei, iar acumulările excesive de pulberi metalice pot prezenta pericol de electrocutare.
14. **Nu folosiți mașina electrică în apropierea materialelor inflamabile.** Scânteile pot aprinde aceste materiale.
15. **Nu folosiți accesorii care necesită agenți de răcire lichizi.** Folosirea apei sau a lichidelor de răcire poate cauza electrocutări sau șocuri de tensiune.

Recul și avertismente aferente

Recul este o reacție bruscă la înțepinirea sau agățarea unui disc, unui taler suport, unei perii sau unui alt accesoriu aflat în rotație. Înțepinirea sau agățarea provoacă o oprire bruscă a accesoriului aflat în rotație, ceea ce forțează mașina scăpată de sub control în direcția opusă celei de rotire a accesoriului în punctul de contact.

De exemplu, dacă un disc abraziv se înțepenește sau se agață în piesa de prelucrat, muchia discului care pătrunde în punctul de blocare poate "mușca" din suprafața materialului cauzând urcarea sau proiectarea înapoi a discului. Discul poate sări sau nu către utilizator, în funcție de direcția de mișcare a discului în punctul de blocare. De asemenea, discurile abrazive se pot rupe în aceste condiții.

Recul este rezultatul utilizării incorecte a mașinii electrice și/sau al procedurilor sau condițiilor de lucru necorespunzătoare, putând fi evitat prin adoptarea unor măsuri de precauție adecvate prezentate în continuare.

- a) **Mențineți o priză fermă pe mașina electrică și poziționați-vă corpul și brațele astfel încât să contracarați forțele de recul.** Folosiți întotdeauna mânerul auxiliar, dacă există, pentru a contracara în mod optim reculurile sau momentul de torsiune reactiv din faza de pornire. Utilizatorul poate contracara momentele de torsiune reactive sau forțele de recul, dacă își ia măsuri de precauție adecvate.
- b) **Nu vă poziționați niciodată mâna în apropierea accesoriului aflat în rotație.** Accesoriul poate recula peste mâna dumneavoastră.
- c) **Nu vă poziționați corpul în zona în care se va deplasa mașina electrică în cazul unui recul.** Reculul va propulsa mașina în direcția opusă celei de mișcare a discului în punctul de blocare.
- d) **Procedați cu deosebită atenție când prelucrați colțuri, muchii ascuțite etc.** Evitați izbiturile și salturile accesoriului. Colțurile, muchiile ascuțite sau salturile au tendința de a agăța accesoriul aflat în rotație și conduc la pierderea controlului sau apariția reculurilor.
- e) **Nu atașați o lamă de ferăstrău cu lanț pentru scobirea lemnului sau o lamă de ferăstrău dințată.** Astfel de lame pot crea reculuri frecvente și pierderea controlului.

Avertisment privind siguranța comune operațiunilor de polizare și tăiere abrazivă:

- a) **Utilizați numai tipurile de discuri care sunt recomandate pentru scula dumneavoastră electrică și apărătorile specifice proiectate pentru discul selectat.** Discurile pentru care scula electrică nu a fost proiectată nu pot fi protejate adecvat și sunt nesigure.

b) **Suprafața de polizare a discurilor apăsată în centru trebuie să fie montată sub planul marginii în apărătoarei.** Un disc montat necorespunzător care iese prin planul marginii apărătoarei nu poate fi protejat în mod adecvat.

c) **Apărătoarea trebuie atașată ferm la mașina electrică și poziționată pentru siguranță maximă, astfel încât o porțiune cât mai mică a discului să fie expusă în direcția operatorului.** Apărătoarea ajută la protejarea operatorului de fragmentele discului scapat, de contactul accidentat cu discul și de scânteii care ar putea aprinde îmbrăcămintea.

d) **Discurile trebuie utilizate numai pentru aplicațiile recomandate. De exemplu: nu poziționați cu fața laterală a discului abraziv de retezat.** Discurile abrazive de retezat sunt concepute pentru polizarea periferică, iar aplicarea unor forțe laterale asupra acestor discuri poate provoca spargerea lor.

e) **Folosiți întotdeauna flanșe de disc intacte, cu dimensiuni și formă adecvate pentru discul folosit.** Flanșele de disc adecvate fixează discul reducând astfel posibilitatea de rupere a acestuia. Flanșele pentru discuri abrazive de retezat pot fi diferite de flanșele pentru discuri de polizat.

f) **Nu utilizați discuri uzate de a mașini electrice mai mari.** Discurile destinate unor mașini electrice mai mari nu sunt adecvate pentru viteza mai ridicată a mașinii mai mici și pot exploda.

Avertisment suplimentare specifice privind siguranța operațiunilor de retezare abrazivă:

- a) **Nu „blocați” discul de retezare și nici nu aplicați o presiune excesivă. Nu încercați să executați o adâncime excesivă a tăieturii.** Supratensionarea discului mărește sarcina și susceptibilitatea de a torsiona sau a de a înțepeni discul în tăietură și posibilitatea de recul sau de spargere a discului.
- b) **Nu vă poziționați cu corpul în linie cu și în spatele discului care se rotește.** Atunci când discul, la punctul de operare, se mișcă departe de corpul dumneavoastră, reculul posibil poate împinge discul care se învârtiște și scula electrică direct spre dumneavoastră.
- c) **Atunci când discul este înțepenit sau când este întrerupt o tăiere din orice motiv, opriți scula electrică și țineți-o nemișcată până când discul se oprește complet. Nu încercați niciodată să scoateți discul de retezare din tăietură în timp ce discul este în mișcare altfel poate apărea reculul.** Investigați și efectuați acțiunile corective pentru a elimina cauza înțepinirii discului.
- d) **Nu reporniți operația de tăiere în piesa de prelucrat. Lăsați discul să ajungă la viteza maximă și pătrundeți din nou cu atenție în tăietură.** Discul poate înțepeni, se poate deplasa în sus sau poate provoca un recul dacă mașina electrică este repornită în piesa de lucru.
- e) **Sprînjiniți panourile sau orice piesă de prelucrat de dimensiuni mari pentru a minimiza riscul de ciupire și recul al discului.** Piese de prelucrat mari tind să se încovoieze sub propria greutate. Sub piesa de prelucrat trebuie amplasate suporturi pe ambele laturi, lângă linia de tăiere și lângă marginea piesei de prelucrat pe ambele părți ale discului.

f) Aveți deosebită grijă atunci când executați o „decupare prin plonjare” în pereții existenți sau în alte zone mascate. Discul poate tăia conducte de gaz sau de apă, cabluri electrice sau obiecte care pot provoca un recul.

Avertismente specifice privind siguranța operațiunilor de șlefuire:

a) Nu utilizați disc de șlefuire din șmirghel supra-dimensionat excesiv. Respectați recomandările producătorilor, atunci când selectați hârtia pentru șlefuit. Hârtia de șlefuit prea mare extinsă în afara plăcii de șlefuire prezintă pericolul de sfâșiere și poate cauza înțepenirea, sfâșierea discului sau reculul.

Avertismente specifice privind siguranța operațiunilor de periere:

a) Fiți atent că firele de sârmă sunt aruncate de perie chiar și în timpul unei operațiuni obișnuite. Nu supratensionați firele prin aplicarea unei sarcini excesive periei. Firele de sârmă pot penetra ușor îmbrăcămintea subțire sau pielea.
b) Dacă utilizarea unei apărătoari este recomandată pentru periere, nu permiteți contactul discului de sârmă sau periei cu apărătoarea. Discul de sârmă sau peria pot crește în diametru datorită sarcinii de lucru sau forțelor centrifuge.

Avertizări suplimentare de siguranță:

16. **Atunci când folosiți discuri cu centru adâncit, asigurați-vă că folosiți numai discuri armate cu fibră de sticlă.**

17. **NU UTILIZAȚI NICIODATĂ discuri abrazive în formă de oală cu această mașină de rectificat.** Această mașină de rectificat nu este concepută pentru aceste tipuri de discuri, iar utilizarea unui astfel de produs poate duce la accidentări grave.

18. **Fiți atenți să nu deteriorați arborele, flanșa (în special suprafața de montaj) sau contrapiulița.** Deteriorarea acestor piese poate conduce la ruperea discului.

19. **Asigurați-vă că discul nu intră în contact cu piesa de prelucrat înainte de a conecta comutatorul.**

20. **Înainte de utilizarea mașinii pe piesa propriu-zisă, lăsați-o să funcționeze în gol pentru un timp.** Încercați să identificați orice vibrație sau oscilație care ar putea indica o instalare inadecvată sau un disc neechilibrat.

21. **Folosiți fața specificată a discului pentru a executa polizarea.**

22. **Nu lăsați mașina în funcțiune.** Folosiți mașina numai când o țineți cu mâinile.

23. **Nu atingeți piesa prelucrată imediat după executarea lucrării;** aceasta poate fi extrem de fierbinte și poate provoca arsuri ale pielii.

24. **Respectați instrucțiunile producătorului cu privire la montarea și utilizarea corectă a discurilor.** Manipulați și depozitați cu atenție discurile.

25. **Nu folosiți reducerii cu mufă sau adaptoare separate pentru a adapta discuri abrazive cu gaură mare.**

26. **Folosiți numai flanșele specificate pentru această mașină.**

27. **Pentru mașinile destinate a fi echipate cu disc cu gaură filetată, asigurați-vă că filetul discului este suficient de lung pentru lungimea arborelui.**

28. **Verificați ca piesa de prelucrat să fie sprijinită corect.**

29. **Rețineți că discul continuă să se rotească după oprirea mașinii.**

30. **Dacă locul de muncă este extrem de călduros și umed, sau foarte poluat cu pulbere conductoare, folosiți un întrerupător de scurtcircuitare (30 mA) pentru a asigura protecția utilizatorului.**

31. **Nu folosiți mașina pe materiale care conțin azbest.**

32. **Când folosiți discuri de retezat, lucrați întotdeauna cu apărătoarea colectoare de praf a discului, impusă de reglementările naționale.**

33. **Discurile de retezat nu trebuie supuse nici unei presiuni laterale.**

34. **Nu purtați mănuși de lucru din pânză în timpul operației.** Fibrele din mănușile de pânză pot intra în mașină, ducând la blocarea mașinii.

PĂSTRAȚI ACESTE INSTRUCȚIUNI.

⚠️ AVERTIZARE: NU permiteți comodității și familiarizării cu produsul (obținute prin utilizare repetată) să înlocuiască respectarea strictă a normelor de securitate pentru acest produs. FOLOSIREA INCORECTĂ sau nerespectarea normelor de securitate din acest manual de instrucțiuni poate provoca vătămări corporale grave.

Instrucțiuni importante privind siguranța pentru cartușul acumulatorului

1. **Înainte de a folosi cartușul acumulatorului, citiți toate instrucțiunile și atenționările de pe (1) încărcătorul acumulatorului, (2) acumulator și (3) produsul care folosește acumulatorul.**

2. **Nu dezmembrați cartușul acumulatorului.**

3. **Dacă timpul de funcționare s-a redus excesiv, întrerupeți imediat funcționarea.** Aceasta poate prezenta risc de supraîncălzire, posibile arsuri și chiar explozie.

4. **Dacă electrolitul pătrunde în ochi, clătiți bine ochii cu apă curată și consultați imediat un medic.** Există risc de orbire.

5. **Nu scurtcircuitați cartușul acumulatorului:**

- (1) **Nu atingeți bornele cu niciun material conductor.**
- (2) **Evitați depozitarea cartușului acumulatorului la un loc cu alte obiecte metalice cum ar fi cuie, monede etc.**
- (3) **Nu expuneți cartușul acumulatorului la apă sau ploaie.**

Un scurtcircuit al acumulatorului poate provoca un flux puternic de curent electric, supraîncălzire, posibile arsuri și chiar defectarea mașinii.

6. **Nu depozitați mașina și cartușul acumulatorului în spații în care temperatura poate atinge sau depăși 50 °C (122 °F).**

7. **Nu incinerati cartusul acumulatorului chiar daca acesta este grav deteriorat sau complet uzat. Cartusul acumulatorului poate exploda in foc.**
8. **Aveți grijă să nu scăpați sau să loviți acumulatorul.**
9. **Nu utilizați un acumulator deteriorat.**
10. **Acumulatorii Li-Ion încorporați se supun cerințelor Legislației privind substanțele periculoase.**
 Pentru transporturi comerciale, efectuate de exemplu de către părți terțe, expeditori, trebuie respectate cerințele speciale de ambalare și etichetare.
 Pentru pregătirea articolului care urmează să fie expediat, este necesară consultarea unui expert în materiale periculoase. Vă rugăm să respectați, de asemenea, reglementările naționale, care pot fi mai detaliate.
 Izolați sau acoperiți contactele deschise și împachetați acumulatorul în așa fel încât să nu se poată mișca în ambalaj.
11. **Respectați normele naționale privind eliminarea la deșeurile a acumulatorului.**
12. **Utilizați acumulatorii numai cu produsele specificate de Makita. Instalarea acumulatorilor în produse neconforme poate cauza incendii, căldură excesivă, explozii sau scurgeri de electrolit.**

PĂSTRAȚI ACESTE INSTRUCȚIUNI.

ATENȚIE: Folosiți numai acumulatori Makita originali. Acumulatorii Makita care nu sunt originali și acumulatorii care au suferit modificări se pot aprinde, provocând incendii, leziuni corporale și daune. De asemenea, anulează garanția oferită de Makita pentru unealta și încărcătorul Makita.

Sfaturi pentru obținerea unei durate maxime de exploatare a acumulatorului

1. **Încărcați cartusul acumulatorului înainte de a se descărca complet. Întrerupeți întotdeauna funcționarea mașinii și încărcați cartusul acumulatorului când observați o scădere a puterii mașinii.**
2. **Nu reîncărcați niciodată un acumulator complet încărcat. Suprîncărcarea va scurta durata de exploatare a acumulatorului.**
3. **Încărcați cartusul acumulatorului la temperatura camerei, între 10 °C - 40 °C (50 °F - 104 °F). Lăsați un acumulator fierbinte să se răcească înainte de a-l încărca.**
4. **Încărcați cartusul acumulatorului în cazul în care nu a fost utilizat pe o perioadă mai lungă (mai mult de șase luni).**

DESCRIERE FUNCȚIONALĂ

ATENȚIE:

- Asigurați-vă întotdeauna că mașina este oprită și cartusul acumulatorului este scos înainte de a ajusta sau verifica funcționarea mașinii.

Instalarea sau scoaterea cartuşului acumulatorului

► **Fig.1:** 1. Buton 2. Indicator roșu 3. Cartuşul acumulatorului

ATENȚIE:

- Opriți întotdeauna unealta înainte de montarea sau demontarea cartuşului de acumulator.
- **Țineți ferm mașina și cartuşul acumulatorului la montarea sau demontarea cartuşului.** În caz contrar, acestea vă pot aluneca din mâini, rezultând defectarea lor și posibile accidente.

Pentru a scoate cartuşul acumulatorului, glisați-l din unealtă în timp ce glisați butonul de pe partea frontală a cartuşului.

Pentru a instala cartuşul acumulatorului, aliniați limba de pe cartuşul acumulatorului cu canelura din carcasă și introduceți-l în locaș. Introduceți-l complet, până când se înclinetează în locaș. Dacă puteți vedea indicatorul roșu din partea superioară a butonului, acesta nu este blocat complet.

ATENȚIE:

- Instalați întotdeauna cartuşul acumulatorului complet, până când indicatorul roșu nu mai este vizibil. În caz contrar, acesta poate cădea accidental din mașină provocând rănirea dumneavoastră sau a persoanelor din jur.
- Nu forțați cartuşul de acumulator la montare. Dacă acesta nu glisează ușor, înseamnă că a fost introdus incorect.

Aționarea întrerupătorului

ATENȚIE:

- Înainte de montarea cartuşului de acumulator în mașină, verificați întotdeauna funcționarea corectă a comutatorului glisant și revenirea acestuia în poziția "OFF" (oprit) atunci când se apasă partea din spate a comutatorului glisant.
- Comutatorul poate fi blocat în poziția "ON" (pornit) pentru confortul utilizatorului în timpul utilizării prelungite. Fiți atenți când blocați mașina în poziția "ON" (pornit) și mențineți o priză fermă la mașină.

► **Fig.2:** 1. Comutator glisant

Pentru a porni mașina, glisați comutatorul glisant spre poziția „I (ON)” (pornit), apăsând partea posterioară a comutatorului glisant. Pentru funcționare continuă, apăsați partea frontală a comutatorului glisant pentru blocare. Pentru a opri mașina, apăsați partea posterioară a comutatorului glisant și apoi glisați-l spre poziția „O (OFF)” (oprit).

Funcție de prevenire a repornirii accidentale

Chiar dacă se instalează cartușul acumulatorului în mașină cu comutatorul glisant aflat în poziția "I (ON)" (pornit), mașina nu pornește.

Pentru a porni mașina, deplasați întâi comutatorul glisant către poziția "O (OFF)" (oprit) și apoi către poziția "I (ON)" (pornit).

Funcție de control electronic al cuplului

Mașina detectează electronic situațiile în care există riscul ca discul sau accesoriul să se blocheze. Într-o astfel de situație, mașina este oprită automat pentru a preveni rotirea în continuare a axului (nu previne reculul).

Pentru a reporni mașina, opriți mai întâi mașina, eliminați cauza reducerii bruște a vitezei de rotație, și apoi porniți mașina din nou.

Indicarea capacității rămase a acumulatorului

Numai pentru cartușe de acumulator cu indicator

► **Fig.3:** 1. Lămpi indicatoare 2. Buton de verificare

Apăsăți butonul de verificare de pe cartușul acumulatorului, astfel încât să se indice capacitățile rămase ale acumulatorului. Lămpile indicatorului vor lumina timp de câteva secunde.

Lămpi indicatoare			Capacitate rămasă
Iluminat	Oprit	Iluminare intermitentă	
■	□	◐	între 75% și 100%
■ ■ ■ ■			
	■ ■ ■ ■		între 50% și 75%
	■ ■ □ □		între 25% și 50%
	■ □ □ □		între 0% și 25%
◐	□ □ □ □		Încărcați acumulatorul.
■ ■ □ □	□ □ ■ ■	↑ ↓	Este posibil ca acumulatorul să fie defect.

NOTĂ: În funcție de condițiile de utilizare și temperatura ambientală, indicația poate fi ușor diferită de capacitatea reală.

Indicarea capacității rămase a acumulatorului

(în funcție de țară)

► **Fig.4:** 1. Indicator acumulator

Când porniți mașina, indicatorul de acumulator prezintă capacitatea rămasă a acumulatorului.

Nivelul de încărcare a acumulatorului este indicat precum în tabelul următor.

Stare indicator acumulator	Capacitatea rămasă a acumulatorului
■: PORNIT □: OPRIT ◐: Iluminare intermitentă	
	50% - 100%
	20% - 50%
	0% - 20%
	Încărcați acumulatorul

Funcție de schimbare automată a turației

► **Fig.5:** 1. Indicator mod

Stare indicator mod	Mod de operare
	Mod turație ridicată
	Mod cuplu ridicat

Această mașină are un "mod de turație ridicată" și un "mod de cuplu ridicat". Schimbă automat modul de operare în funcție de sarcina de lucru. Când indicatorul de mod luminează în timpul operării, mașina este în modul de cuplu ridicat.

Sistem de protecție mașină/acumulator

Mașina este prevăzută cu un sistem de protecție mașină/ acumulator. Sistemul întrerupe automat alimentarea motorului pentru a extinde durata de viață a mașinii și acumulatorului.

Mașina se va opri automat în timpul funcționării când mașina sau acumulatorul se află într-una din situațiile următoare. În unele situații, indicatorul luminează.

Protecție la suprasarcină

Când mașina este utilizată într-un mod care cauzează un consum de curent neobișnuit de ridicat, mașina se va opri automat fără nicio indicație. În această situație, opriți mașina și aplicația care a dus la supraîncărcarea mașinii. Apoi reporniți mașina.

Protecție la supraîncălzire pentru mașină

Când mașina este supraîncălzită, mașina se oprește automat, iar indicatorul de acumulator indică starea următoare. În această situație, lăsați mașina să se răcească înainte de a o reporni.

Indicator acumulator	■: PORNIT □: OPRIT ◐: Iluminare intermitentă
	Mașina este supraîncălzită

Eliberare blocaj de protecție

Când sistemul de protecție funcționează în mod repetat, mașina este blocată și indicatorul de acumulator indică starea următoare.

Indicator acumulator	:PORNIT	:OPRIT	:Iluminare intermitentă
	Blocajul de protecție funcționează		

În această situație, mașina nu pornește chiar dacă este oprită și repornită. Pentru a elibera blocajul de protecție, scoateți acumulatorul, poziționați-l pe încărcătorul de acumulator și așteptați finalizarea încărcării.

Pârghie de blocare a axului

⚠️ATENȚIE:

- Nu acționați niciodată pârghia de blocare a axului în timpul mișcării arborelui. Mașina poate fi avariata.

► Fig.6: 1. Pârghie de blocare a axului

Apăsați pârghia de blocare a axului pentru a preveni rotirea arborelui atunci când montați sau demontați accesorii.

MONTARE

⚠️ATENȚIE:

- Asigurați-vă întotdeauna că mașina este oprită și cartușul acumulatorului este scos înainte de a executa orice lucrări la mașină.

Instalarea mânerului lateral (mâner)

⚠️ATENȚIE:

- Asigurați-vă că mânerul lateral este bine montat înainte de a pune mașina în funcțiune.

► Fig.7

Înșurubați ferm mânerul lateral la mașină în poziția prezentată în figură.

Instalarea sau demontarea apărătorii pentru disc (pentru disc cu centru depresat, disc multiplu / disc abraziv pentru retezat, disc de diamant)

⚠️AVERTIZARE:

- Atunci când utilizați un disc abraziv cu centru depresat/disc multiplu, un disc flexibil, o perie oală de sârmă, un disc abraziv de retezat sau un disc diamantat, apărătoarea discului trebuie montată pe mașină astfel încât partea închisă a apărătoarei să fie întotdeauna orientată către operator.
- Atunci când utilizați un disc abraziv pentru retezare / disc de diamant, asigurați-vă că utilizați doar apărătoarele pentru disc proiectate pentru a fi utilizate împreună cu discuri abrazive pentru retezare. (În unele țări europene, la utilizarea unui disc de diamant, poate fi utilizată o apărătoare obișnuită. Respectați reglementările din țara dumneavoastră.)

Pentru mașinile cu apărătoare de disc cu pârghie de strângere

► Fig.8: 1. Apărătoarea discului 2. Lagăr 3. Șurub 4. Pârghie

Slăbiți pârghia de pe apărătoarea pentru disc după slăbirea șurubului. Montați apărătoarea pentru disc cu partea proeminentă pe banda apărătoarei pentru disc aliniată cu fanta de pe cutia lagărului. Apoi rotiți apărătoarea pentru disc în așa fel încât să protejeze operatorul în timpul lucrului.

► Fig.9: 1. Șurub 2. Pârghie 3. Apărătoarea discului

Strângeți pârghia pentru a fixa apărătoarea pentru disc. Dacă pârghia este prea strânsă sau prea slăbită pentru a fixa apărătoarea pentru disc, slăbiți sau strângeți șurubul pentru a regla strângerea benzii apărătoarei pentru disc.

Pentru a demonta apărătoarea discului, executați în ordine inversă operațiile de montare.

Pentru mașinile cu apărătoare de disc cu șurub de blocare

► Fig.10: 1. Apărătoarea discului 2. Lagăr 3. Șurub

Montați apărătoarea pentru disc cu partea proeminentă pe banda apărătoarei pentru disc aliniată cu fantele de pe lagăr. Apoi rotiți apărătoarea pentru disc la 180° în sens anti-orar. Asigurați-vă că ați strâns ferm șurubul. Pentru a demonta apărătoarea discului, executați în ordine inversă operațiile de montare.

Montarea sau demontarea discului cu centru depresat sau discului lamelar (accesoriu opțional)

⚠️AVERTIZARE:

- Atunci când utilizați un disc cu centru depresat sau un disc lamelar, apărătoarea discului trebuie montată pe mașină astfel încât partea închisă a apărătoarei să fie întotdeauna orientată către operator.
- Acționați pârghia de blocare a axului numai când arborele nu se află în mișcare.

► Fig.11: 1. Contrapiuliță 2. Disc cu centru depresat 3. Flanșă interioară

Montați flanșa interioară pe arbore. Instalați discul pe flanșa interioară și înșurubați contrapiulița pe arbore.

► Fig.12: 1. Cheie pentru contrapiuliță 2. Pârghie de blocare a axului

Pentru a strânge contrapiulița, apăsați puternic pârghia de blocare a axului astfel încât arborele să nu se poată roti, apoi folosiți cheia pentru contrapiuliță și strângeți ferm în sens orar.

Pentru a demonta discul, executați în ordine inversă operațiile de montare.

Montarea sau demontarea Ezynut (accesoriu opțional)

⚠️ ATENȚIE:

- Nu utilizați Ezynut cu supra flanșa sau polizorul unghiular cu litera "F" la finalul numărului de model. Aceste flanșe sunt mult prea groase, iar arborele nu poate reține întregul filet.

► **Fig.13:** 1. Ezynut 2. Disc abraziv 3. Flanșă interioară 4. Arbore

Montați flanșa interioară, discul abraziv și Ezynut pe ax, astfel încât logo-ul Makita de pe Ezynut să fie orientat spre exterior.

► **Fig.14:** 1. Pârghie de blocare a axului

Apăsați ferm știftul de blocare și strângeți Ezynut rotind la maximum discul abraziv în sens orar.

Rotiți inelul exterior al Ezynut în sens invers acelor de ceasornic, pentru slăbire.

► **Fig.15:** 1. Săgeată 2. Crestătură

► **Fig.16**

NOTĂ:

- Ezynut poate fi slăbit și manual atâta timp cât săgeata este orientată spre fantă. În caz contrar, este necesară o cheie de contrapiuliță pentru slăbirea acestuia. Introduceți un știft al cheii în orificiu și rotiți Ezynut în sens invers acelor de ceasornic.

Montarea sau demontarea discului flexibil

Accesorii opționale

⚠️ **AVERTIZARE:** Utilizați întotdeauna apărătoarea furnizată când discul flexibil este montat pe mașină. Discul se poate sparge în timpul utilizării, iar apărătoarea ajută la reducerea riscului de vătămare.

► **Fig.17:** 1. Contrapiuliță 2. Disc flexibil 3. Taler suport 4. Flanșă interioară

Urmați instrucțiunile pentru discul cu centru depresat, dar utilizați, de asemenea, un taler de plastic peste disc. Consultați ordinea de asamblare la pagina cu accesorii din acest manual.

Montarea sau demontarea discului abraziv (accesoriu opțional)

► **Fig.18:** 1. Contrapiuliță de presare 2. Disc abraziv 3. Taler de cauciuc

Montați talerul de cauciuc pe arbore. Instalați discul pe talerul de cauciuc și înșurubați contrapiulița pe arbore. Pentru a strânge contrapiulița, apăsați puternic pârghia de blocare a axului astfel încât arborele să nu se poată roti, apoi folosiți cheia pentru contrapiuliță și strângeți ferm în sens orar.

Pentru a demonta discul, executați în ordine inversă operațiile de instalare.

NOTĂ:

- Folosiți accesoriile pentru șlefuitor specificate în acest manual. Acestea trebuie achiziționate separat.

FUNȚIONARE

⚠️ AVERTIZARE:

- Nu este niciodată necesară forțarea mașinii. Greutatea mașinii exercită o presiune adecvată. Forțarea și exercitarea unei presiuni excesive pot provoca ruperea periculoasă a discului.
- Înlocuiți ÎNTOTDEAUNA discul dacă scăpați mașina pe jos în timpul rectificării.
- Nu loviți NICIODATĂ discul abraziv de piesa prelucrată.
- Evitați izbiturile și salturile discului, în special când prelucrați colțuri, muchii ascuțite etc. Acestea pot provoca pierderea controlului și reculeri.
- Nu folosiți NICIODATĂ mașina cu pânze de tăiat lemn sau alte pânze de ferăstrău. Astfel de pânze reculează frecvent când sunt folosite cu un polizor și provoacă pierderea controlului cauzând vătămări corporale.

⚠️ ATENȚIE:

- Nu porniți niciodată mașina atunci când aceasta se află în contact cu piesa de prelucrat, deoarece poate vătăma operatorul.
- Purtați întotdeauna ochelari de protecție și o mască de protecție în timpul lucrului.
- După terminarea operației, opriți întotdeauna mașina și așteptați ca discul să se oprească complet înainte de a așeza mașina.

Operația de rectificare și șlefuire

► **Fig.19**

Țineți ÎNTOTDEAUNA mașina ferm cu o mână de carcasă și cu cealaltă de mânerul lateral. Porniți mașina și apoi aplicați discul pe piesa de prelucrat.

În principiu, mențineți muchia discului la un unghi de circa 15 grade față de suprafața piesei de prelucrat. Pe durata perioadei de rodare a unui disc nou, nu prelucrați cu polizorul în direcția B deoarece acesta va tăia în piesa de prelucrat. După ce muchia discului a fost rotunjită prin utilizare, se poate prelucra cu discul în ambele direcții A și B.

Operarea cu disc de retezare abraziv/disc de diamant

Accesorii opționale

⚠️ AVERTIZARE: Atunci când utilizați un disc abraziv pentru retezat/disc de diamant, asigurați-vă că utilizați doar apărătoarele pentru disc proiectate special pentru a fi utilizate împreună cu discuri abrazive de retezat.

(În unele țări europene, la utilizarea unui disc de diamant, poate fi utilizată o apărătoare obișnuită. Respectați reglementările din țara dumneavoastră.)

⚠️ AVERTIZARE: NU utilizați niciodată discul abraziv de retezat la polizarea laterală.

⚠️ AVERTIZARE: Nu „înțepeniți” discul și nici nu aplicați o presiune excesivă. Nu încercați să executați o adâncime excesivă a tăieturii. Supratensionarea discului mărește sarcina și susceptibilitatea de a torsiona sau a de a înțepeni discul în tăietură și posibilitatea de recul, spargerea discului și supraîncălzirea motorului.

⚠️ AVERTIZARE: Nu porniți operația de retezare în piesa de prelucrat. Lăsați discul să ajungă la viteza maximă și pătrundeți cu atenție în tăietură prin mutarea sculei spre înainte pe suprafața piesei de prelucrat. Discul se poate înțepeni, se poate deplasa în sus sau poate provoca o recul dacă mașina electrică este repornită în piesa de lucru.

⚠️ AVERTIZARE: În timpul operațiilor de retezare, nu schimbați niciodată unghiul discului. Aplicarea unei presiuni laterale asupra discului abraziv de retezat (ca la polizare) va cauza fisurarea și spargerea discului, producând leziuni grave.

⚠️ AVERTIZARE: Discul de diamant va fi operat perpendicular pe materialul de tăiat.

- **Fig.20:** 1. Contrapiuliță 2. Disc abraziv de retezat / disc de diamant 3. Flanșă interioară
4. Apărătoare pentru disc abraziv de retezat/disc de diamant

Pentru montare, urmați instrucțiunile pentru discul cu centru depresat.

Dirjecția de montare a contrapiuliței și a flanșei interioare variază în funcție de tipul și de grosimea discului.

Consultați figurile următoare.

Pentru modelul de 100 mm (4")

La instalarea discului abraziv de retezat:

- **Fig.21:** 1. Contrapiuliță 2. Disc abraziv de retezat (mai subțire 4 mm (5/32")) 3. Disc abraziv de retezat (4 mm (5/32")) sau mai gros)
4. Flanșă interioară

La instalarea discului diamantat:

- **Fig.22:** 1. Contrapiuliță 2. Disc diamantat (mai subțire 4 mm (5/32")) 3. Disc diamantat (4 mm (5/32")) sau mai subțire) 4. Flanșă interioară

Pentru modelul de 115 mm (4 - 1/2") / 125 mm (5")

La instalarea discului abraziv de retezat:

- **Fig.23:** 1. Contrapiuliță 2. Disc abraziv de retezat (mai subțire 4 mm (5/32")) 3. Disc abraziv de retezat (4 mm (5/32")) sau mai gros)
4. Flanșă interioară

La instalarea discului diamantat:

- **Fig.24:** 1. Contrapiuliță 2. Disc diamantat (mai subțire 4 mm (5/32")) 3. Disc diamantat (4 mm (5/32")) sau mai subțire) 4. Flanșă interioară

Operare cu peria oală de sârmă (accesoriu opțional)

⚠️ ATENȚIE:

- Verificați operarea periei prin rotirea uneltei fără sarcină, asigurându-vă că nu se află nimeni în față sau în linie cu peria.
- Nu utilizați o perie care este deteriorată, sau neechilibrată. Utilizarea unei perii deteriorate poate crește potențialul de accidentare prin contact cu sârmele periei deteriorate.

- **Fig.25:** 1. Perie oală de sârmă

Scoateți cartușul de acumulator din mașină și amplasați-l în poziție inversă pentru a permite accesul ușor la arbore. Îndepărtați orice accesorii de pe arbore. Înfășurați peria oală de sârmă pe arbore și strângeți cu cheia furnizată. La utilizarea periei, evitați aplicarea unei presiuni prea mari care ar putea duce la îndoirea firelor, ducând la defectare prematură.

Operare cu peria de disc din sârmă (accesoriu opțional)

⚠️ ATENȚIE:

- Verificați operarea periei de disc din sârmă prin rotirea uneltei fără sarcină, asigurându-vă că nu se află nimeni în față sau în linie cu peria de disc din sârmă.
- Nu utilizați o perie de disc din sârmă care este deteriorată, sau neechilibrată. Utilizarea unei perii de disc din sârmă deteriorate poate crește potențialul de accidentare prin contact cu sârmele deteriorate.
- Protejați-vă ÎNTOTDEAUNA față de periile de disc din sârmă, asigurându-vă că diametrul discului se încadrează în interiorul apărătoarei. Discul se poate sparge în timpul utilizării, iar apărătoarea ajută la reducerea riscului de vătămare.

- **Fig.26:** 1. Perie de disc din sârmă

Scoateți cartușul de acumulator din mașină și amplasați-l în poziție inversă pentru a permite accesul ușor la arbore. Îndepărtați orice accesorii de pe arbore. Înfășurați peria de disc din sârmă pe arbore și strângeți cu cheia furnizată.

La utilizarea periei de disc din sârmă, evitați aplicarea unei presiuni prea mari care ar putea duce la îndoirea firelor, ducând la defectare prematură.

ÎNTREȚINERE

⚠ATENȚIE:

- Asigurați-vă întotdeauna că mașina este oprită și cartușul acumulatorului este scos înainte de a executa lucrările de inspecție și întreținere.
- Nu utilizați niciodată gazolină, benzină, diluant, alcool sau alte substanțe asemănătoare. În caz contrar, pot rezulta decolorări, deformări sau fisuri.

► Fig.27: 1. Fantă de evacuare 2. Fantă de aspirație

Mașina și fantele sale de ventilație trebuie păstrate curate. Curățați fantele de ventilație ale mașinii în mod regulat sau ori de câte ori devin îmbăcșite.

► Fig.28: 1. Capac de protecție contra prafului

Scoateți capacul de protecție contra prafului din orificiul de aspirare și curățați-l pentru a obține o circulație mai bună a aerului.

NOTĂ:

- Curățați capacul de protecție contra prafului atunci când acesta este ancrasat cu praf sau materii străine. Continuarea lucrului cu un capac de protecție contra prafului ancrasat conduce la avarierea mașinii.

Pentru a menține siguranța și fiabilitatea mașinii, reparațiile și reglajele trebuie să fie efectuate numai la Centrele de service autorizat Makita, folosindu-se piese de schimb Makita.

ACCESORII OPȚIONALE

⚠ATENȚIE:

- Folosiți accesoriile sau piesele auxiliare recomandate pentru mașina dumneavoastră în acest manual. Utilizarea oricăror alte accesorii sau piese auxiliare poate cauza vătămări. Folosiți accesoriile pentru operațiunea pentru care au fost concepute.

Dacă aveți nevoie de asistență sau de mai multe detalii referitoare la aceste accesorii, adresați-vă centrului local de service Makita.

- Acumulator și încărcător original Makita

► Fig.29

-	Model 100 mm (4")	Model 115 mm (4-1/2")	Model 125 mm (5")
1	Măner 36		
2	Apărătoare pentru disc (pentru disc abraziv)		
3	Flanșă interioară	Flanșă interioară/flanșă super *1*2	Flanșă interioară/flanșă super
4	Disc cu centru depresat/disc lamelar		
5	Contrapiuliță	Contrapiuliță/Ezynut *1*2	Contrapiuliță/Ezynut *2
6	Taler suport		
7	Disc flexibil		
8	Taler de cauciuc 76	Taler de cauciuc 100	Taler de cauciuc 115
9	Disc abraziv		
10	Contrapiuliță de presare		
11	Perie de disc din sârmă		
12	Perie oală de sârmă		
13	Apărătoare pentru disc (pentru discul abraziv de retezat) *3		
14	Disc abraziv de retezat / disc de diamant		
-	Cheie pentru contrapiuliță		

NOTĂ: *1 Doar pentru mașini cu filet de arbore M14.

NOTĂ: *2 Nu utilizați împreună flanșa super și Ezynut.

NOTĂ: *3 În unele țări europene, la utilizarea unui disc de diamant, poate fi utilizată o apărătoare obișnuită poate fi utilizată în locul apărătoarei speciale acoperind ambele părți ale discului. Respectați reglementările din țara dumneavoastră.

NOTĂ:

- Unele articole din listă pot fi incluse ca accesorii standard în ambalajul de scule. Acestea pot diferi în funcție de țară.

TECHNISCHE DATEN

Modell		DGA404	DGA454	DGA504
Scheibendurchmesser		100 mm (4")	115 mm (4-1/2")	125 mm (5")
Max. Scheibendicke		6,4 mm (1/4")	6,4 mm (1/4")	6,4 mm (1/4")
Spindelgewinde		M10	M14 oder 5/8" (länderspezifisch)	
Nenn Drehzahl (n) / Leerlaufdrehzahl (n ₀)		8.500 min ⁻¹		
Gesamtlänge	Mit Akkublock BL1815N, BL1820, BL1820B	348 mm		
	Mit Akkublock BL1830, BL1830B, BL1840, BL1840B, BL1850, BL1850B, BL1860B	362 mm		
Netto-Gewicht	Mit Akkublock BL1815N, BL1820, BL1820B	2,2 kg	2,3 kg	2,3 kg
	Mit Akkublock BL1830, BL1830B, BL1840, BL1840B, BL1850, BL1850B, BL1860B	2,4 kg	2,5 kg	2,5 kg
Nennspannung		Gleichspannung 18 V		

- Aufgrund der laufenden Forschung und Entwicklung unterliegen die hier aufgeführten technischen Daten Veränderungen ohne Hinweis.
- Die Technischen Daten und der Akkublock können in den einzelnen Ländern abweichen.
- Gewicht, mit Akkublock, ermittelt gemäß EPTA-Verfahren 01/2003

Verwendungszweck

Das Werkzeug wurde für das Schmirgeln, Schleifen und Schneiden von Metall- und Steinmaterial ohne Verwendung von Wasser entwickelt.

Arbeitsmodus: Planschleifen mit schwingungsfreiem Seitengriff

Schwingungsbelastung (a_{h,AG}): 6,0 m/s²
Abweichung (K): 1,5 m/s²

Geräuschpegel

Die typischen A-bewerteten Geräuschpegel, bestimmt gemäß EN60745:

Modell DGA404

Schalldruckpegel (L_{pA}): 80 dB (A)

Schallleistungspegel (L_{WA}): 91 dB (A)

Abweichung (K): 3 dB (A)

Modell DGA454, DGA504

Schalldruckpegel (L_{pA}): 79 dB (A)

Abweichung (K): 3 dB (A)

Unter Arbeitsbedingungen kann der Schalldruckpegel 80 dB (A) überschreiten.

Arbeitsweise: Schleifen mit Scheibenschleifer
Schwingungsbelastung (a_{h,DS}): 2,5 m/s² oder weniger
Abweichung (K): 1,5 m/s²

Tragen Sie Gehörschutz

Schwingung

SchwingungsGesamtwerte (Vektorsumme dreier Achsen) nach EN60745:

Modell DGA404

Arbeitsmodus: Planschleifen mit normalem Seitengriff

Schwingungsbelastung (a_{h,AG}): 4,5 m/s²

Abweichung (K): 1,5 m/s²

Arbeitsmodus: Planschleifen mit schwingungsfreiem Seitengriff

Schwingungsbelastung (a_{h,AG}): 4,0 m/s²

Abweichung (K): 1,5 m/s²

Arbeitsweise: Schleifen mit Scheibenschleifer

Schwingungsbelastung (a_{h,DS}): 2,5 m/s² oder weniger

Abweichung (K): 1,5 m/s²

Modell DGA454, DGA504

Arbeitsmodus: Planschleifen mit normalem Seitengriff

Schwingungsbelastung (a_{h,AG}): 6,5 m/s²

Abweichung (K): 1,5 m/s²

HINWEIS: Die deklarierte Schwingungsbelastung wurde gemäß der Standardtestmethode gemessen und kann für den Vergleich von Werkzeugen untereinander verwendet werden.

HINWEIS: Die deklarierte Schwingungsbelastung kann auch in einer vorläufigen Bewertung der Gefährdung verwendet werden.

HINWEIS: Der angegebene Wert für die erzeugten Schwingungen gilt, wenn das Elektrowerkzeug für den vorgesehenen Zweck verwendet wird. Wenn das Werkzeug für andere Zwecke verwendet wird, kann der Wert für die Schwingungsbelastung jedoch von dem hier aufgeführten Wert abweichen.

⚠️ WARNUNG: Die Schwingungsbelastung während der tatsächlichen Anwendung des Elektrowerkzeugs kann in Abhängigkeit von der Art und Weise der Verwendung des Werkzeugs vom deklarierten Belastungswert abweichen.

⚠️ WARNUNG: Stellen Sie sicher, dass Schutzmaßnahmen für den Bediener getroffen werden, die auf den unter den tatsächlichen Arbeitsbedingungen zu erwartenden Belastungen beruhen (beziehen Sie alle Bestandteile des Arbeitsablaufs ein, also zusätzlich zu den Arbeitszeiten auch Zeiten, in denen das Werkzeug ausgeschaltet ist oder ohne Last läuft).

Nur für europäische Länder

EG-Konformitätserklärung

Makita erklärt, dass die nachfolgende(n)

Maschine(n):

Bezeichnung der Maschine(n):

Akku-Winkelschleifer

Modellnr./ -typ: DGA404,DGA454,DGA504

Den folgenden EG-Richtlinien entspricht:

2006/42/EC

Sie werden gemäß den folgenden Standards oder Normen gefertigt:

EN60745

Die technischen unterlagen gemäß 2006/42/EG sind erhältlich von:

Makita, Jan-Baptist Vinkstraat 2, 3070, Belgien

13.3.2014



Yasushi Fukaya
Direktor

Makita, Jan-Baptist Vinkstraat 2, 3070, Belgien

Allgemeine Sicherheitshinweise für Elektrowerkzeuge

⚠️ WARNUNG Lesen Sie alle Sicherheitswarnungen und -anweisungen sorgfältig durch. Werden die Warnungen und Anweisungen ignoriert, besteht die Gefahr eines Stromschlags, Brands und/oder schweren Verletzungen.

Bewahren Sie alle Warnhinweise und Anweisungen zur späteren Referenz gut auf.

SICHERHEITSHINWEISE ZUM AKKU-SCHLEIFER

Allgemeine Sicherheitshinweise für das Schleifen, Schmirgeln, Drahtbürsten oder Trennschleifen:

1. **Dieses Elektrowerkzeug ist vorgesehen für die Verwendung als Schleif-, Schmirgel-, Drahtbürst- oder Trennschleifwerkzeug. Lesen Sie alle mit diesem Elektrowerkzeug mitgelieferten Sicherheitshinweise, Anweisungen, Abbildungen und Technischen Daten aufmerksam durch.** Werden nicht alle der unten aufgeführten Anweisungen befolgt, besteht die Gefahr eines Stromschlags, Brands und/oder das Risiko schwerer Verletzungen.
2. **Arbeiten, wie z.B. Polieren, sollten nicht mit diesem Elektrowerkzeug durchgeführt werden.** Arbeiten, für die das Elektrowerkzeug nicht vorgesehen ist, führen möglicherweise zu einer Gefahr und verursachen Verletzungen.
3. **Verwenden Sie ausschließlich Zubehörteile, die vom Hersteller des Werkzeugs entwickelt und empfohlen wurden.** Nur weil sich Zubehörteil an dem Elektrowerkzeug befestigen lässt, garantiert das keine sichere Verwendung.

4. **Die Nenndrehzahl des Zubehörs muss mindestens der Höchstdrehzahl entsprechen, die auf dem Elektrowerkzeug vermerkt ist.** Zubehör, das mit einer höheren als der Nenndrehzahl betrieben wird, kann abbrechen und herumgeschleudert werden.
5. **Außendurchmesser und Dicke des Zubehörs müssen innerhalb der Nennleistung des Elektrowerkzeugs liegen.** Zubehör mit der falschen Größe kann nicht angemessen abgeschirmt oder kontrolliert werden.
6. **Der Schraubanschluss des Zubehörs muss mit dem Spindelgewinde des Schleifers zusammenpassen.** Für Zubehörteile, die mittels einer Flansche montiert werden, muss das Spindelloch des Zubehörteils mit dem Durchmesser der positionierten Flansche übereinstimmen. Diejenigen Zubehörteile, die nicht mit den montierten Teilen der Elektrowerkzeuge übereinstimmen, werden ungleichmäßig laufen, übermäßig vibrieren und können sogar der Verlust der Steuerung verursachen.
7. **Verwenden Sie kein beschädigtes Zubehör. Überprüfen Sie vor jeder Verwendung das Zubehör, beispielsweise die Schleifscheiben auf Splitter und Risse, die Stützlager auf Risse, Abrisse oder übermäßigen Verschleiß, Drahtbürsten auf lose oder gebrochene Borsten.** Falls das Elektrowerkzeug oder das Zubehör runtergefallen ist, überprüfen Sie es auf Beschädigungen und bauen Sie ein unbeschädigtes Zubehörteil ein. Positionieren Sie sich selbst und Zuschauer nach dem Überprüfen und Einbauen eines Zubehörteils außerhalb der Rotationsebene des Zubehörs und betreiben Sie das Elektrowerkzeug bei maximaler Leerlaufdrehzahl für 1 Minute. Beschädigtes Zubehör zerbricht üblicherweise in dieser Testzeit.
8. **Tragen Sie eine persönliche Schutzausrüstung. Verwenden Sie je nach Anwendung Vollgesichtsschutz, Augenschutz oder Schutzbrille. Tragen Sie soweit erforderlich Staubmaske, Hörschutz, Handschuhe und Arbeitsschürze, die kleine Schleifteile oder Splitter abhält.** Der Augenschutz muss umherfliegende Fremdkörper abhalten können, die bei verschiedenen Arbeiten entstehen. Staub- oder Atemschutzmaske müssen den bei der Arbeit entstehenden Staub filtern. Wenn Sie lange lautem Lärm ausgesetzt sind, können Sie einen Hörverlust erleiden.
9. **Achten Sie bei anderen Personen auf sicheren Abstand zu Ihrem Arbeitsbereich. Jeder, der den Arbeitsbereich betritt, muss eine persönliche Schutzausrüstung tragen.** Splitter des Werkstücks oder eines zerbrochenen Zubehörs können umherfliegen und zu Verletzungen auch außerhalb des eigentlichen Arbeitsbereichs führen.
10. **Halten Sie das Elektrowerkzeug ausschließlich an den isolierten Griffflächen, wenn Sie unter Bedingungen arbeiten, bei denen das Werkzeug verborgene Verkabelung oder das eigene Kabel berühren kann.** Bei Kontakt

des Schneidwerkzeugs mit einem stromführenden Kabel wird der Strom an die Metallteile des Werkzeugs und dadurch an den Bediener weitergeleitet, und der Bediener erleidet einen Stromschlag.

11. **Legen Sie das Elektrowerkzeug niemals ab, bevor das Zubehör völlig zum Stillstand gekommen ist.** Das sich drehende Zubehör kann in Kontakt mit der Ablagefläche geraten, wodurch Sie die Kontrolle über das Elektrowerkzeug verlieren können.
12. **Lassen Sie das Elektrowerkzeug nicht laufen, während Sie es tragen.** Ihre Kleidung kann durch zufälligen Kontakt mit dem sich drehenden Zubehör erfasst werden, und das Zubehör kann sich in Ihren Körper bohren.
13. **Reinigen Sie regelmäßig die Ventilationsöffnungen des Elektrowerkzeugs.** Der Motorventilator zieht Staub in das Gehäuse hinein und eine übermäßige Ansammlung von Metallspänen kann elektrische Schläge verursachen.
14. **Verwenden Sie das Elektrowerkzeug nicht in der Nähe brennbarer Materialien.** Funken können diese Materialien entzünden.
15. **Verwenden Sie kein Zubehör, für das flüssiges Kühlmittel erforderlich ist.** Die Verwendung von Wasser oder anderen flüssigen Kühlmitteln kann zu einem elektrischen Schlag führen.

Rückschläge und zugehörige Warnhinweise

Ein Rückschlag ist eine plötzliche Reaktion einer verklemmten oder verfangenen rotierenden Schleifscheibe, des Stützlagers, der Bürste oder anderen Zubehörs. Durch Verklemmen oder Verfangen kommt es zu einem plötzlichen Stillstand des rotierenden Zubehörs, sodass das Elektrowerkzeug in entgegengesetzte Rotationsrichtung des Zubehörs am Punkt des Festlaufens gezwungen wird.

Wird eine Trennscheibe beispielsweise durch das Werkstück verklemmt, kann die Kante, die in den Punkt des Verklemmens eindringt, in die Oberfläche des Materials eindringen, sodass die Scheibe ausschlägt. Die Scheibe springt entweder in Ihre Richtung oder vom Bediener weg, dies hängt von der Richtung der Scheibenbewegung am Punkt des Verklemmens ab. Unter diesen Umständen können Trennscheiben auch brechen.

Rückschläge werden durch eine falsche Handhabung des Elektrowerkzeugs und/oder unsachgemäße Bedienschritte oder -umstände verursacht und können durch die unten aufgeführten Maßnahmen vermieden werden.

- a) **Halten Sie das Elektrowerkzeug gut fest und bringen Sie Ihren Körper und Ihre Arme in eine Position, in der Sie die Rückschlagkräfte abfangen können. Verwenden Sie, falls vorhanden, immer den Hilfsgriff, um während des Anlaufens die beste Kontrolle bei Rückschlägen oder Drehmomentreaktionen zu haben.** Der Bediener kann Drehmomentreaktionen oder Rückschlagkräfte am besten mit den geeigneten Vorsichtsmaßnahmen steuern.
- b) **Halten Sie Ihre Hand niemals in der Nähe des rotierenden Zubehörs.** Das Zubehör könnte über Ihre Hand zurückschlagen.

c) **Halten Sie Ihren Körper nicht in dem Bereich auf, in dem sich das Elektrowerkzeug im Fall eines Rückschlags bewegen würde.** Ein Rückschlag treibt das Werkzeug in die entgegengesetzte Richtung der Scheibenbewegung am Punkt der Verfangens.

d) **Arbeiten Sie besonders vorsichtig im Bereich von Ecken, scharfen Kanten usw. Verhindern Sie, dass das Zubehör vom Werkstück zurückprallt und verklemmt.** Das rotierende Zubehör neigt bei Ecken, scharfen Kanten oder wenn es abprallt dazu, sich zu verklemmen. Dies verursacht einen Verlust der Kontrolle oder Rückschlag.

e) **Keine Sägekette, Holzschnitzmesser oder gezahntes Sägeblatt einsetzen.** Diese Sägeblätter verursachen häufig ein Rückschlagen und führen zu Verlust der Kontrolle.

Spezifische Sicherheitshinweise für das Schleifen und Trennschleifen:

a) **Verwenden Sie ausschließlich die für dieses Elektrowerkzeug zugelassenen Schleifkörper und die für diese Schleifkörper vorgesehene Schutzhaube.** Schleifkörper, die nicht für das Elektrowerkzeug vorgesehen sind, können nicht ausreichend abgeschirmt werden und sind unsicher.

b) **Die Schleifoberflächen des gekröpften Scheibenrads muss unter der Fläche der Leitlippe montiert werden.** Eine unsachgemäß montiertes Scheibenrad, das über die Fläche der Leitlippen hinausragt, kann nicht ausreichend geschützt werden.

c) **Das Schutzteil muss sicher auf dem Elektrowerkzeug montiert sein und so positioniert sein, dass es maximale Sicherheit bietet, damit die geringste Menge der Scheibe in Richtung der Bedienungsperson gerichtet ist.** Das Schutzteil schützt den Bediener vor abgetrochenen Scheibenfragmente, ungewollten Kontakt mit der Scheibe und vor dem Überspringen von Funken auf die Kleidung des Bedieners, welches dadurch entzündet werden könnte.

d) **Die Schleifscheiben dürfen nur für die empfohlenen Einsatzmöglichkeiten verwendet werden. Beispiel: Schleifen Sie nicht mit der Seite einer Trennscheibe.** Trennscheiben sind zum Materialabtrag mit der Kante der Scheibe bestimmt. Bei seitlicher Kraftereinwirkung auf diese Scheiben können sie zerbrechen.

e) **Verwenden Sie immer eine unbeschädigte Scheibenflansche der entsprechenden Größe und Form für Ihre ausgewählte Schleifscheibe.** Geeignete Flanschen stützen die Schleifscheibe und verringern so die Gefahr eines Schleifscheibenbruchs. Flanschen für Trennscheiben unterscheiden sich möglicherweise von Flanschen für Schleifscheiben.

f) **Verwenden Sie keine abgenutzten Schleifscheiben von größeren Elektrowerkzeugen.** Schleifscheiben für größere Elektrowerkzeuge sind nicht für die höheren Drehzahlen von kleineren Elektrowerkzeugen ausgelegt und können brechen.

Weitere spezifische Sicherheitshinweise für das Trennschleifen:

- a) **Klemmen Sie die Schleifscheibe nicht fest und üben Sie keinen übermäßigen Druck aus. Führen Sie keine übermäßig tiefen Schnitte aus.** Eine Überlastung der Scheibe erhöht deren Beanspruchung und die Anfälligkeit zum Verkanten oder Blockieren und damit die Möglichkeit eines Rückschlags oder Schleifkörperbruchs.
- b) **Meiden Sie den Bereich vor und hinter der rotierenden Scheibe.** Wenn sich die Scheibe während des Betriebs von Ihrem Körper weg bewegt, kann im Falle eines Rückschlags das Elektrowerkzeug mit der sich drehenden Scheibe direkt auf Sie zugeschleudert werden.
- c) **Wenn die Scheibe sich verkantet oder Sie den Schnitt aus irgendeinem Grund unterbrechen, schalten Sie das Elektrowerkzeug aus, und halten Sie das Werkzeug bis zum kompletten Stillstand der Scheibe im Material, ohne es dabei zu bewegen. Versuchen Sie niemals, die laufende Scheibe aus dem Schnitt zu ziehen, da dies zu einem Rückschlag führen kann.** Überprüfen Sie die Ursache für das Verkanten der Scheibe und ergreifen Sie Korrekturmaßnahmen.
- d) **Starten Sie den Schnittvorgang nicht im Werkstück. Lassen Sie die Trennscheibe erst ihre volle Drehzahl erreichen, bevor Sie den Schnitt vorsichtig fortsetzen.** Die Scheibe kann verkanten, hochspringen oder zurückschlagen, wenn das Werkzeug im Werkstück eingeschaltet wird.
- e) **Stützen Sie Platten oder große Werkstücke ab, um das Risiko eines Rückschlags durch eine eingeklemmte Scheibe zu vermindern.** Große Werkstücke neigen dazu, sich unter ihrem Eigengewicht durchzubiegen. Stützen müssen nahe der Schnittlinie und der Werkstückkante unter dem Werkstück zu beiden Seiten der Scheibe angebracht werden.
- f) **Seien Sie besonders vorsichtig, wenn Sie einen „Tauschnitt“ in Wänden oder anderen abgeschirmten Bereichen ausführen.** Die vorstehende Scheibe kann sonst Gas- oder Wasserleitungen, Elektrokabel oder sonstige Gegenstände ansägen, die einen Rückschlag verursachen können.

Spezifische Sicherheitshinweise für das Schleifen:

- a) **Verwenden Sie kein zu großes Schleifscheibenpapier. Befolgen Sie bei der Auswahl des Schleifpapiers die Empfehlungen der Hersteller.** Großes Schmirgelpapier, das über den Schleifteller hinausreicht, stellt eine Verletzungsgefahr dar und kann zum Verfangen, Abriss der Scheibe oder zum Rückschlagen führen.

Spezifische Sicherheitshinweise für das Drahtbürsten:

- a) **Beachten Sie, dass Drahtborsten auch während des normalen Betriebs aus der Bürste fallen. Belasten Sie die Drähte nicht übermäßige durch Anwenden einer großen Kraft auf die Bürste.** Die Drahtborsten können leicht in lockere Kleidung und/oder die Haut eindringen.

b) Falls die Verwendung der Schutzabdeckung für das Drahtbürsten empfohlen wird, müssen Sie sicherstellen, dass die Drahtbürste nicht durch die Schutzabdeckung behindert wird. Auf Grund der Last und der Zentrifugalkräfte kann sich der Durchmesser der Drahtbürste vergrößern.

Zusätzliche Sicherheitshinweise:

16. **Verwenden Sie als gekrüpfte Trennschleifscheiben nur glasfaserverstärkte Scheiben.**
17. **Verwenden Sie mit diesem Schleifwerkzeug NIEMALS Steinschleifköpfe.** Dieses Schleifwerkzeug ist nicht für diese Scheibetypen ausgelegt und die Verwendung dieser Scheiben kann zu schweren Verletzungen führen.
18. **Achten Sie sorgfältig darauf, dass Spindel, Flansch (insbesondere die Ansatzfläche) oder Sicherungsmutter nicht beschädigt werden. Eine Beschädigung dieser Teile kann zu einem Scheibenbruch führen.**
19. **Stellen Sie sicher, dass die Trennscheibe das Werkstück nicht berührt, bevor das Werkzeug eingeschaltet wurde.**
20. **Bevor Sie das Werkzeug auf das zu bearbeitende Werkstück ansetzen, lassen Sie es einige Zeit ohne Last laufen. Achten Sie auf Vibrationen und Schlägen. Beides gibt Aufschluss über eine schlecht ausgewuchtete Scheibe oder kann auf einen nicht fachgerechten Einbau deuten.**
21. **Verwenden Sie nur die vorgeschriebene Fläche der Schleifscheibe für Schleifarbeiten.**
22. **Lassen Sie das Werkzeug nicht unbeaufsichtigt laufen. Arbeiten Sie nur mit ihm, wenn Sie es in der Hand halten.**
23. **Vermeiden Sie eine Berührung des Werkstücks unmittelbar nach der Bearbeitung, weil es dann noch sehr heiß ist und Hautverbrennungen verursachen kann.**
24. **Befolgen Sie die Anweisungen des Herstellers zur korrekten Montage und Verwendung der Scheiben. Behandeln und lagern Sie die Scheiben mit Sorgfalt.**
25. **Verwenden Sie keine separaten Reduzierbuchsen oder Adapter zur Anpassung von Schleifscheiben mit großem Durchmesser.**
26. **Verwenden Sie nur die für dieses Werkzeug vorgeschriebenen Flansche.**
27. **Wenn eine Trennscheibe mit Gewindebohrung am Werkzeug montiert werden soll, achten Sie darauf, dass ihr Gewinde tief genug für die Spindellänge ist.**
28. **Achten Sie auf eine korrekte Abstützung des Werkstücks.**
29. **Beachten Sie, dass sich die Scheibe nach dem Ausschalten der Maschine noch weiterdreht.**
30. **Falls der Arbeitsplatz sehr heiß ist, feucht oder durch leitfähigen Staub stark verschmutzt ist, verwenden Sie einen Kurzschlusschalter (30 mA) zum Schutz des Bedieners.**
31. **Verwenden Sie dieses Werkzeug nicht zum Schneiden von asbesthaltigen Materialien.**

32. Verwenden Sie bei Arbeiten mit der Trennscheibe immer eine gesetzlich vorgeschriebene Staubsammelhaube.
33. Die Trennscheiben dürfen keinem seitlichen Druck ausgesetzt werden.
34. Tragen Sie bei der Bedienung keine Arbeitshandschuhe aus Stoff. Fasern von Stoffhandschuhen können in das Werkzeug eindringen und Schäden am Werkzeug verursachen.

BEWAHREN SIE DIESE ANWEISUNGEN AUF.

⚠️ WARNUNG: Lassen Sie sich NIE durch Bequemlichkeit oder (aus fortwährendem Gebrauch gewonnener) Vertrautheit mit dem Werkzeug dazu verleiten, die Sicherheitsregeln für das Werkzeug zu missachten. Bei MISSBRÄUCLICHER Verwendung des Werkzeugs oder Missachtung der in diesem Handbuch enthaltenen Sicherheitshinweise kann es zu schweren Verletzungen kommen.

Wichtige Sicherheitsanweisungen für Akku

1. Lesen Sie vor der Benutzung des Akkus alle Anweisungen und Warnhinweise, die an (1) Ladegerät, (2) Akku und (3) Akkuwerkzeug angebracht sind.
2. Unterlassen Sie ein Zerlegen des Akkus.
3. Falls die Betriebszeit beträchtlich kürzer geworden ist, stellen Sie den Betrieb sofort ein. Anderenfalls besteht die Gefahr von Überhitzung, möglichen Verbrennungen und sogar einer Explosion.
4. Falls Elektrolyt in Ihre Augen gelangt, waschen Sie sie mit sauberem Wasser aus, und begeben Sie sich unverzüglich in ärztliche Behandlung. Anderenfalls können Sie Ihre Sehkraft verlieren.
5. Der Akku darf nicht kurzgeschlossen werden:
 - (1) Die Kontakte dürfen nicht mit leitfähigem Material berührt werden.
 - (2) Lagern Sie den Akku nicht in einem Behälter zusammen mit anderen Metallgegenständen, wie z. B. Nägel, Münzen usw.
 - (3) Setzen Sie den Akku weder Wasser noch Regen aus.

Ein Kurzschluss des Akkus verursacht starken Stromfluss, der Überhitzung, mögliche Verbrennungen und einen Defekt zur Folge haben kann.
6. Lagern Sie das Werkzeug und den Akku nicht an Orten, an denen die Temperatur 50 °C erreichen oder überschreiten kann.
7. Versuchen Sie niemals, den Akku zu verbrennen, selbst wenn er stark beschädigt oder vollkommen verbraucht ist. Der Akku kann im Feuer explodieren.

8. Achten Sie darauf, dass der Akku nicht fallen gelassen oder Stößen ausgesetzt wird.
9. Benutzen Sie keine beschädigten Akkus.
10. Die enthaltenen Lithium-Ionen-Akkus unterliegen den Anforderungen der Gefahrengut-Gesetzgebung.

Für kommerzielle Transporte, z. B. durch Dritte oder Spediteure, müssen besondere Anforderungen zu Verpackung und Etikettierung beachtet werden.

Zur Vorbereitung des zu transportierenden Artikels ist eine Beratung durch einen Experten für Gefahrengut erforderlich. Bitte beachten Sie möglicherweise ausführlichere nationale Vorschriften. Überleben oder verdecken Sie offene Kontakte, und verpacken Sie den Akku so, dass er sich in der Verpackung nicht umher bewegen kann.
11. Befolgen Sie die örtlichen Bestimmungen bezüglich der Entsorgung von Akkus.
12. Verwenden Sie die Akkus nur mit den von Makita angegebenen Produkten. Das Einsetzen der Akkus in nicht konforme Produkte kann zu einem Brand, übermäßiger Hitzebildung, einer Explosion oder Auslaufen von Elektrolyt führen.

DIESE ANWEISUNGEN AUFBEWAHREN.

⚠️ VORSICHT: Verwenden Sie nur Original-Makita-Akkus. Die Verwendung von Nicht-Original-Makita-Akkus oder von Akkus, die abgeändert worden sind, kann zum Bersten des Akkus und daraus resultierenden Bränden, Personenschäden und Beschädigung führen. Außerdem wird dadurch die Makita-Garantie für das Makita-Werkzeug und -Ladegerät ungültig.

Hinweise zur Aufrechterhaltung der maximalen Akku-Nutzungsdauer

1. Laden Sie den Akku, bevor er vollkommen erschöpft ist. Schalten Sie das Werkzeug stets aus, und laden Sie den Akku, wenn Sie ein Nachlassen der Werkzeugleistung feststellen.
2. Unterlassen Sie erneutes Laden eines voll aufgeladenen Akkus. Überladen führt zu einer Verkürzung der Nutzungsdauer des Akkus.
3. Laden Sie den Akku bei Raumtemperatur zwischen 10 – 40 °C. Lassen Sie einen heißen Akku abkühlen, bevor Sie ihn laden.
4. Der Akku muss geladen werden, wenn er lange Zeit (länger als sechs Monate) nicht benutzt wird.

FUNKTIONSBESCHREIBUNG

⚠ VORSICHT:

- Schalten Sie das Werkzeug stets aus und entfernen Sie den Akkublock, bevor Sie Einstellungen oder eine Funktionsprüfung des Werkzeugs vornehmen.

Montage und Demontage des Akkublocks

► **Abb.1:** 1. Taste 2. Rote Anzeige 3. Akkublock

⚠ VORSICHT:

- Schalten Sie das Werkzeug immer aus, bevor Sie den Akkublock einsetzen oder entnehmen.
- **Halten Sie das Werkzeug und den Akkublock sicher fest, wenn Sie den Akkublock einsetzen oder herausnehmen.** Andernfalls könnte Ihnen das Werkzeug oder der Akkublock aus den Händen fallen, sodass das Werkzeug oder der Akkublock beschädigt werden oder diese Verletzungen verursachen.

Zum Entnehmen des Akkublocks müssen Sie die Taste auf der Vorderseite des Akkublocks schieben und gleichzeitig den Akkublock aus dem Werkzeug herausziehen. Zum Einsetzen des Akkublocks müssen Sie die Zunge des Akkublocks an der Rille im Gehäuse ausrichten und in die gewünschte Position schieben. Setzen Sie den Akkublock ganz ein, bis er mit einem Klick einrastet. Wenn Sie den roten Bereich oben auf der Taste sehen können, ist der Akkublock nicht ganz eingerastet.

⚠ VORSICHT:

- Setzen Sie den Akkublock unbedingt ganz ein, bis der rote Bereich nicht mehr zu sehen ist. Andernfalls kann der Akkublock versehentlich aus dem Werkzeug fallen und Sie oder Personen in Ihrem Umfeld verletzen.
- Setzen Sie den Akkublock nicht mit Gewalt ein. Wenn der Akkublock nicht leicht hineingleitet, ist er nicht richtig angesetzt.

Einschalten

⚠ VORSICHT:

- Stellen Sie vor dem Einsetzen des Akkublocks in das Werkzeug sicher, dass sich der Schiebeshalter korrekt bedienen lässt und in Stellung "OFF" (AUS) zurückkehrt, sobald das hintere Ende des Schiebeshalters nach unten gedrückt wird.
- Der Schalter lässt sich in Stellung "ON" arretieren, um die Bedienung bei längerem Gebrauch zu vereinfachen. Seien Sie vorsichtig, wenn das Werkzeug auf "ON" fest eingestellt ist, und halten Sie es gut fest.

► **Abb.2:** 1. Schiebeshalter

Um das Werkzeug einzuschalten, schieben Sie den Schiebeshalter in die Stellung „I (ON)“. Drücken Sie dazu auf die Rückseite des Schalters. Für Dauerbetrieb arretieren Sie den Schiebeshalter, indem Sie auf das vordere Ende des Schiebeshalters drücken.

Zum Ausschalten des Werkzeugs drücken Sie auf das hintere Ende des Schiebeshalters und schieben den Schiebeshalter dann in die Stellung „O (OFF)“.

Funktion zum Verhindern eines versehentlichen Neustarts

Selbst wenn sich der Schiebeshalter auf der Position "I (ON)" befindet und der Akkublock eingesetzt wurde, wird das Werkzeug nicht gestartet. Schieben Sie zum Start des Werkzeugs zunächst den Schiebeshalter in die Position "O (OFF)" und anschließend in die Position "I (ON)".

Elektronische Drehmomentsteuerung

Das Werkzeug erkennt elektronisch Situationen, in denen die Scheibe oder Zubehörteile behindert werden könnten. Das Werkzeug wird dann automatisch abgeschaltet, um ein Weiterdrehen der Spindel zu verhindern (Rückschläge werden dadurch nicht verhindert). Um das Werkzeug wieder zu starten, schalten Sie das Werkzeug zuerst aus, beseitigen Sie die Ursache des plötzlichen Drehzahlabfalls und schalten Sie dann das Werkzeug wieder ein.

Anzeigen der Akku-Restkapazität

Nur für Akkus mit Anzeige

► **Abb.3:** 1. Anzeigelampen 2. Prüftaste

Drücken Sie die Prüftaste am Akku, um die Akku-Restkapazität anzuzeigen. Die Anzeigelampen leuchten wenige Sekunden lang auf.

Anzeigelampen			Restkapazität
Erleuchtet	Aus	Blinkend	
■	□	▧	75 % bis 100 %
■ ■ ■ ■	□	□	50% bis 75%
■ ■ □ □	□	□	25% bis 50%
■ □ □ □	□	□	0% bis 25%
▧ □ □ □	□	□	Den Akku aufladen.
■ ■ □ □	□	□	Möglicherweise liegt eine Funktionsstörung im Akku vor.
□ □ ■ ■	□	□	

HINWEIS: Abhängig von den Benutzungsbedingungen und der Umgebungstemperatur kann die Anzeige geringfügig von der tatsächlichen Kapazität abweichen.

Anzeigen der verbleibenden Akkuleistung

(länderspezifisch)

► **Abb.4:** 1. Anzeige Akkuladestatus

Wenn Sie das Werkzeug einschalten, zeigt die Akkuanzeige die verbleibende Akkuleistung an. Die verbleibende Akkuleistung wird gemäß der folgenden Tabelle angezeigt.

Status der Akkuanzeige	Verbleibende Akkuleistung
:ON (EIN) :OFF (AUS) :Blinkt	
	50 % - 100 %
	20 % - 50 %
	0 % - 20 %
	Laden Sie den Akkublock auf

Automatische Drehzahlumschaltung

► **Abb.5:** 1. Modusanzeige

Status der Modusanzeige	Betriebsmodus
	Drehzahlmodus
	Drehmomentmodus

Das Werkzeug verfügt über einen „Drehzahlmodus“ und einen „Drehmomentmodus“. Der Betriebsmodus wird je nach Arbeitslast automatisch umgeschaltet. Wenn die Modusanzeige während des Betriebs aufleuchtet, arbeitet das Werkzeug im Drehmomentmodus.

Werkzeug-/Akku-Schutzsystem

Das Werkzeug ist mit einem Werkzeug-/Akku-Schutzsystem ausgestattet. Dieses System schaltet die Stromversorgung des Motors automatisch aus, um die Lebensdauer des Werkzeugs und des Akkus zu verlängern.

Unter folgenden Bedingungen des Werkzeugs und/oder des Akkus stoppt das Werkzeug während des Betriebs automatisch. Unter einigen dieser Bedingungen leuchtet die Anzeige auf.

Überlastungsschutz

Wird das Werkzeug auf eine Weise betrieben, die zu einer abnormal hohen Stromaufnahme führt, stoppt das Werkzeug automatisch ohne jede Anzeige. Schalten Sie in dieser Situation das Werkzeug aus und beenden Sie die Arbeiten, die zu der Überlastung des Werkzeugs geführt haben. Schalten Sie dann das Werkzeug zum erneuten Starten wieder ein.

Überhitzungsschutz für das Werkzeug

Ist das Werkzeug überhitzt, stoppt das Werkzeug automatisch und die Akkuanzeige zeigt folgenden Status an. Lassen Sie in dieser Situation das Werkzeug erst abkühlen, bevor Sie es wieder einschalten.

Anzeige Akkuladezustand	:ON (EIN)	:OFF (AUS)	:Blinkt
			Werkzeug ist überhitzt

Freigabe der Schutz Sperre

Wenn das Schutzsystem wiederholt anspricht, wird das Werkzeug gesperrt und die Akkuanzeige zeigt folgenden Zustand an.

Anzeige Akkuladezustand	:ON (EIN)	:OFF (AUS)	:Blinkt
			Schutzsperre aktiviert

In diesem Zustand lässt sich das Werkzeug nicht in Betrieb nehmen, selbst wenn es aus- und wieder eingeschaltet wird. Um die Schutzsperre freizugeben, entfernen Sie den Akku, setzen Sie ihn in das Akku-Ladegerät ein und warten Sie, bis der Ladevorgang beendet ist.

Spindelarreterung

⚠ **VORSICHT:**

- Betätigen Sie die Spindelarreterung niemals bei rotierender Spindel. Andernfalls kann das Werkzeug beschädigt werden.

► **Abb.6:** 1. Spindelarreterung

Drücken Sie die Spindelarreterung , um die Spindel beim Montieren oder Demontieren von Zubehör zu blockieren.

MONTAGE

⚠ **VORSICHT:**

- Schalten Sie das Werkzeug stets aus, und entfernen Sie den Akkublock, bevor Sie Arbeiten am Werkzeug ausführen.

Anbau des seitlichen Griffes (Halter)

⚠ **VORSICHT:**

- Achten Sie darauf, dass der seitliche Griff immer vor der Arbeit fest installiert ist.

► **Abb.7**

Schrauben Sie den Seitengriff an der in der Abbildung gezeigten Position fest an die Maschine.

Montieren und Demontieren der Schutzhaube (für gekröpfte Scheiben, Multi-Scheiben / Trennschleifscheiben, Diamantscheiben)

⚠ **WARNUNG:**

- Bei Verwendung einer gekröpften Trennschleifscheibe/ Multischeibe, Flexscheibe, Drahrundbürste, Trennscheibe oder Diamantscheibe muss die Schutzhaube so am Werkzeug angebracht werden, dass die geschlossene Seite stets in Richtung Bediener zeigt.
- Vergewissern Sie sich bei Verwendung einer Trennschleifscheibe/Diamantscheibe, dass Sie die spezielle Schutzhaube für diese Trennscheiben verwenden. (In einigen europäischen Ländern: Bei Verwendung einer Diamantscheibe kann der gewöhnliche Schutz verwendet werden. Halten Sie die Bestimmungen Ihres Landes ein.)

Für Werkzeug mit Klemmhebel-Schutzhaube

- **Abb.8:** 1. Schutzhaube 2. Lagergehäuse
3. Schraube 4. Hebel

Lösen Sie nach dem Lösen der Schraube den Hebel an der Schutzhaube. Montieren Sie die Schutzhaube so, dass der Vorsprung am Schutzhaubenring an der Nut im Lagergehäuse ausgerichtet ist. Drehen Sie anschließend die Schutzhaube in einen solchen Winkel, dass sie den Bediener bei seiner Arbeit entsprechend schützt.

- **Abb.9:** 1. Schraube 2. Hebel 3. Schutzhaube

Ziehen Sie den Hebel fest, um die Schutzhaube zu befestigen. Falls der Hebel zu fest oder zu lose ist, um die Schutzhaube zu sichern, lösen oder ziehen Sie die Schraube fest an, um die Spannung des Schutzhaubenrings einzustellen. Zum Demontieren der Schutzhaube müssen Sie die Einbauprozedur in umgekehrter Reihenfolge ausführen.

Für Werkzeug mit Sicherungsschrauben-Schutzhaube

- **Abb.10:** 1. Schutzhaube 2. Lagergehäuse
3. Schraube

Montieren Sie die Schutzhaube so, dass die Vorsprünge am Schutzhaubenring mit den Nuten im Lagergehäuse ausgerichtet sind. Drehen Sie dann die Schutzhaube um 180° gegen den Uhrzeigersinn. Achten Sie darauf, die Schraube fest anzuziehen. Zum Demontieren der Schutzhaube müssen Sie die Einbauprozedur in umgekehrter Reihenfolge ausführen.

Montage und Demontage der gekröpften Trennschleifscheibe oder der Fächerschleifscheibe (Sonderzubehör)

⚠ **WARNUNG:**

- Bei Verwendung einer gekröpften Trennschleifscheibe oder einer Fächerschleifscheibe muss die Schutzhaube so am Werkzeug angebracht werden, dass die geschlossene Seite stets in Richtung Bediener zeigt.
- Betätigen Sie die Spindel-Arretiertaste niemals bei rotierender Spindel.

- **Abb.11:** 1. Sicherungsmutter 2. Gekröpfte Trennschleifscheibe 3. Innenflansch

Setzen Sie den Innenflansch auf die Spindel. Setzen Sie die Trenn-/Schleifscheibe auf den Innenflansch, und schrauben Sie die Sicherungsmutter auf die Spindel.

- **Abb.12:** 1. Sicherungsmutterschlüssel
2. Spindelarrretierung

Zum Anziehen der Sicherungsmutter drücken Sie die Spindelarrretierung, um die Spindel zu blockieren. Dann ziehen Sie die Mutter mit dem Sicherungsmutterschlüssel im Uhrzeigersinn an. Zum Entnehmen der Trennscheibe befolgen Sie die Einbauprozedur rückwärts.

Montage und Demontage des Ezynut-Flanschs (optionales Zubehör)

⚠ **VORSICHT:**

- Verwenden Sie den Ezynut-Flansch nicht mit dem Super-Flansch oder mit Rotationsschleifmaschinen, die ein „F“ am Ende der Modellnummer haben. Diese Flansche sind so dick, dass der gesamte Draht von der Spindel nicht gehalten werden kann.

- **Abb.13:** 1. Ezynut-Flansch 2. Schleifscheibe
3. Innenflansch 4. Spindel

Montieren Sie Innenflansch, Schleifscheibe und Ezynut-Flansch so auf die Spindel, dass das Makita-Logo auf dem Ezynut-Flansch nach außen zeigt.

- **Abb.14:** 1. Spindelarrretierung

Drücken Sie die Spindelarrretierung fest und ziehen Sie den Ezynut-Flansch fest, indem Sie die Schleifscheibe so weit wie möglich im Uhrzeigersinn drehen. Drehen Sie den Außenring des Ezynut-Flansches zum Lösen entgegen dem Uhrzeigersinn.

- **Abb.15:** 1. Pfeil 2. Kerbe

- **Abb.16**

HINWEIS:

- Der Ezynut-Flansch kann gelöst werden, wenn der Pfeil auf die Kerbe zeigt. Andernfalls benötigen Sie zum Lösen einen Mutternschlüssel für die Sicherungsmutter. Setzen Sie einen Bolzen des Mutternschlüssels in ein Loch ein und drehen Sie den Ezynut-Flansch entgegen dem Uhrzeigersinn.

Anbringen oder Abnehmen einer Flexscheibe

Sonderzubehör

⚠ **WARNUNG: Benutzen Sie immer die mitgelieferte Schutzhaube, wenn eine Flexscheibe am Werkzeug montiert ist.** Die Schutzhaube reduziert die Gefahr von Personenschäden, falls die Scheibe während des Betriebs zerbricht.

- **Abb.17:** 1. Sicherungsmutter 2. Flexscheibe
3. Stützteller 4. Innenflansch

Folgen Sie den Anweisungen für eine gekröpfte Trennschleifscheibe, aber benutzen Sie auch eine Stützteller auf der Schleifscheibe. Die Montagereihenfolge ist auf der Zubehörseite in dieser Anleitung ersichtlich.

Montage und Demontage der Schleifscheibe (optionales Zubehör)

- **Abb.18:** 1. Schmirgel-Sicherungsmutter
2. Schleifscheibe 3. Gummiteller

Setzen Sie den Gummiteller auf die Spindel. Setzen Sie die Scheibe auf den Teller, und schrauben Sie die Sicherungsmutter auf die Spindel. Zum Anziehen der Sicherungsmutter die Spindelarrretierung fest drücken, um die Spindel zu blockieren; dann die Mutter mit dem Sicherungsmutterschlüssel im Uhrzeigersinn anziehen. Zum Entnehmen der Scheibe befolgen Sie die Einbauprozedur rückwärts.

HINWEIS:

- Verwenden Sie nur das in diesem Handbuch angegebene Schleifzubehör. Es muss separat erstanden werden.

ARBEIT

⚠️ WARNUNG:

- Die Maschine darf auf keinen Fall gewaltsam angedrückt werden. Das Eigengewicht der Maschine übt ausreichenden Druck aus. Gewaltanwendung und übermäßiger Druck können zu einem gefährlichen Schleifscheibenbruch führen.
- Wechseln Sie die Schleifscheibe IMMER aus, falls die Maschine während der Arbeit fallen gelassen wurde.
- Eine Schleif- oder Trennscheibe darf NIEMALS gegen das Werkstück geschlagen oder gestoßen werden.
- Achten Sie besonders beim Bearbeiten von Ecken, scharfen Kanten usw. darauf, dass die Schleifscheibe nicht springt oder hängen bleibt. Dies könnte den Verlust der Kontrolle und Rückschläge verursachen.
- Verwenden Sie die Maschine NIEMALS mit Holz- oder anderen Sägeblättern. Solche Sägeblätter verursachen bei Verwendung an einer Schleifmaschine häufiges Rückschlagen und Verlust der Kontrolle, was zu Verletzungen führen kann.

⚠️ VORSICHT:

- Schalten Sie das Werkzeug niemals ein, wenn sie mit dem Werkstück in Berührung ist, weil sonst Verletzungsgefahr für den Bediener besteht.
- Tragen Sie bei der Arbeit stets eine Schutzbrille und einen Gesichtsschutz.
- Schalten Sie die Maschine nach der Arbeit stets aus, und warten Sie, bis die Scheibe zum völligen Stillstand gekommen ist, bevor Sie die Maschine ablegen.

Schleifen und Schmirgeln

▶ Abb.19

Halten Sie die Maschine IMMER mit einer Hand am Gehäuse und mit der anderen am Seitengriff fest. Schalten Sie das Werkzeug ein und bringen Sie die Trenn- oder Schleifscheibe an das Werkstück. Allgemein gilt, dass sich die Kante der Trenn- oder Schleifscheibe in einem Winkel von 15 Grad zur Werkstückoberfläche befinden soll. Bewegen Sie die Schleifmaschine beim Einschleifen einer neuen Schleifscheibe nicht in Richtung B, weil die Schleifscheibe sonst in das Werkstück einschneidet. Sobald die Schleifscheibenkante durch Gebrauch abgerundet ist, kann die Schleifscheibe sowohl in Richtung A als auch in Richtung B bewegt werden.

Betrieb mit Trennschleifscheibe / Diamantscheibe

Sonderzubehör

⚠️ WARNUNG: Benutzen Sie beim Arbeiten mit einer Trennschleifscheibe/Diamantscheibe nur die spezielle Schutzhaube, die für den Einsatz mit Trennscheiben ausgelegt ist.

(In manchen europäischen Ländern kann bei Verwendung einer Diamantscheibe die gewöhnliche Schutzhaube benutzt werden. Befolgen Sie die Vorschriften in Ihrem Land.)

⚠️ WARNUNG: Benutzen Sie Trennscheiben NIEMALS für Seitenschleifen.

⚠️ WARNUNG: Vermeiden Sie „Verkanten“ der Trennscheibe oder die Ausübung übermäßigen Drucks. Versuchen Sie nicht, übermäßig tiefe Schnitte zu machen. Überbeanspruchung der Trennscheibe erhöht die Belastung und die Empfänglichkeit für Verdrehen oder Klemmen der Trennscheibe im Schnitt sowie die Möglichkeit von Rückschlag, Scheibenbruch und Überhitzung des Motors.

⚠️ WARNUNG: Starten Sie den Schnittbetrieb nicht mit im Werkstück sitzender Trennscheibe. Warten Sie, bis die Trennscheibe ihre volle Drehzahl erreicht hat, bevor Sie sie vorsichtig in den Schnitt senken und das Werkzeug über die Werkstückoberfläche vorschieben. Wird das Elektrowerkzeug mit im Werkstück sitzender Trennscheibe eingeschaltet, kann die Trennscheibe klemmen, hochsteigen oder zurückschlagen.

⚠️ WARNUNG: Ändern Sie während der Schneidarbeiten niemals den Winkel der Trennscheibe. Die Ausübung von Seitendruck auf die Trennscheibe (wie beim Schleifen) verursacht Reißen und Brechen der Trennscheibe, was schwere Personenschäden zur Folge haben kann.

⚠️ WARNUNG: Eine Diamantscheibe muss senkrecht zum Werkstückmaterial angesetzt werden.

- ▶ **Abb.20:**
1. Sicherungsmutter
 2. Trennschleifscheibe / Diamantscheibe
 3. Innenflansch 4. Schutzhaube für Trennschleifscheibe / Diamantscheibe

Befolgen Sie zur Montage die Anweisungen für gekröpfte Trennschleifscheibe.
Die Montagerichtung der Sicherungsmutter und des Innenflansches hängt vom Scheibentyp und der Scheibendicke ab.
Siehe die nachstehenden Abbildungen.

Für 100-mm-Modell

Bei Montage einer Trennschleifscheibe:

- ▶ **Abb.21:**
1. Sicherungsmutter
 2. Trennschleifscheibe (dünner als 4 mm)
 3. Trennschleifscheibe (4 mm oder dicker)
 4. Innenflansch

Bei Montage einer Diamantscheibe:

- ▶ **Abb.22:**
1. Sicherungsmutter
 2. Diamantscheibe (dünner als 4 mm)
 3. Diamantscheibe (4 mm oder dicker)
 4. Innenflansch

Für 115-mm- / 125-mm-Modell

Bei Montage einer Trennschleifscheibe:

- **Abb.23:** 1. Sicherungsmutter
2. Trennschleifscheibe (dünner als 4 mm)
3. Trennschleifscheibe (4 mm oder dicker)
4. Innenflansch

Bei Montage einer Diamantscheibe:

- **Abb.24:** 1. Sicherungsmutter 2. Diamantscheibe (dünner als 4 mm) 3. Diamantscheibe (4 mm oder dicker) 4. Innenflansch

Betrieb mit einer Topfdrabtbürste (optionales Zubehör)

⚠ VORSICHT:

- Überprüfen Sie die Funktionstüchtigkeit der Bürste, indem Sie das Werkzeug ohne Last laufen lassen. Stellen Sie sicher, dass sich niemand vor oder in einer Linie mit der Bürste befindet.
- Verwenden Sie niemals eine Bürste, die beschädigt oder aus dem Gleichgewicht ist. Die Verwendung einer beschädigten Bürste erhöht das Verletzungsrisiko durch den Kontakt mit gebrochenen Bürstendrähten.

► **Abb.25:** 1. Topfdrabtbürste

Nehmen Sie den Akkublock aus dem Werkzeug und legen Sie das Werkzeug umgekehrt hin, damit die Spindel bequem zugänglich ist. Bauen Sie alle Zubehörteile von der Spindel ab. Schrauben Sie die Topfdrabtbürste auf die Spindel und ziehen Sie diese mit dem mitgelieferten Schlüssel fest. Vermeiden Sie bei Verwendung der Bürste übermäßigen Druck, denn dadurch werden die Drähte verbogen und können vorzeitig brechen.

Betrieb mit einer Drahrundbürste (optionales Zubehör)

⚠ VORSICHT:

- Überprüfen Sie die Funktionstüchtigkeit der Drahrundbürste, indem Sie das Werkzeug ohne Last laufen lassen. Stellen Sie sicher, dass sich niemand vor oder in einer Linie mit der Drahrundbürste befindet.
- Verwenden Sie niemals eine Drahrundbürste, die beschädigt oder aus dem Gleichgewicht ist. Die Verwendung einer beschädigten Drahrundbürste erhöht das Verletzungsrisiko durch den Kontakt mit gebrochenen Bürstendrähten.
- Verwenden Sie mit Drahrundbürsten STETS einen Schutz, wobei der Scheibendurchmesser in den Schutz hineinpassen muss. Die Scheibe kann während ihres Gebrauchs zerbrechen. Durch die Schutzhaube wird das Risiko von Verletzungen verringert.

► **Abb.26:** 1. Drahrundbürste

Nehmen Sie den Akkublock aus dem Werkzeug und legen Sie das Werkzeug umgekehrt hin, damit die Spindel bequem zugänglich ist. Bauen Sie alle Zubehörteile von der Spindel ab. Schrauben Sie die Drahrundbürste auf die Spindel und ziehen Sie diese mit den Schlüsseln fest. Vermeiden Sie bei Verwendung der Drahrundbürste übermäßigen Druck, denn dadurch werden die Drähte verbogen und können vorzeitig brechen.

WARTUNG

⚠ VORSICHT:

- Schalten Sie das Werkzeug stets aus und entfernen Sie den Akkublock, bevor Sie Inspektionen oder Wartungsarbeiten am Werkzeug vornehmen.
- Verwenden Sie zum Reinigen niemals Kraftstoffe, Benzin, Verdünnern, Alkohol oder ähnliches. Dies kann zu Verfärbungen, Verformungen oder Rissen führen.

► **Abb.27:** 1. Auslassöffnung 2. Einlassöffnung

Halten Sie die Maschine und ihre Ventilationsöffnungen stets sauber. Reinigen Sie die Ventilationsöffnungen der Maschine regelmäßig oder im Anfangsstadium einer Verstopfung.

► **Abb.28:** 1. Staubschutzmanschette

Entfernen Sie die Staubabdeckung von der Ventilationsöffnung und reinigen Sie die Abdeckung, um eine ungehinderte Luftzirkulation zu gewährleisten.

HINWEIS:

- Reinigen Sie die Staubabdeckung, wenn sie mit Staub oder anderen Materialien verunreinigt ist. Wenn Sie die Arbeiten mit einer verstopften Staubabdeckung fortsetzen, kann es zu einer Beschädigung des Werkzeugs kommen.

Zur Aufrechterhaltung der SICHERHEIT und ZUVERLÄSSIGKEIT des Produkts müssen die Reparaturen und alle Wartungen und Einstellungen von den autorisierten Servicestellen der Firma Makita und unter Verwendung der Ersatzteile von Makita durchgeführt werden.

SONDERZUBEHÖR

⚠ VORSICHT:

- Für Ihr Werkzeug Makita, das in dieser Anleitung beschrieben ist, empfehlen wir folgende Zubehörteile und Aufsätze zu verwenden. Bei der Verwendung anderer Zubehörteile oder Aufsätze kann die Verletzungsgefahr für Personen drohen. Die Zubehörteile und Aufsätze dürfen nur für ihre festgelegten Zwecke verwendet werden.

Wenn Sie nähere Informationen bezüglich dieses Zubehörs benötigen, wenden Sie sich bitte an Ihre örtliche Servicestelle der Firma Makita.

- Originalakku und Ladegerät von Makita

► **Abb.29**

-	100-mm-Modell	115-mm-Modell	125-mm-Modell
1	Griff 36		
2	Schutzhaube (für Schleifscheibe)		
3	Innenflansch	Innenflansch / Superflansch *1*2	Innenflansch / Superflansch
4	Gekröpfte Trennschleifscheibe / Fächerscheibe		
5	Sicherungsmutter	Sicherungsmutter / Ezynut *1*2	Sicherungsmutter / Ezynut *2
6	Stützteller		
7	Flexscheibe		
8	Gummiteller 76	Gummiteller 100	Gummiteller 115
9	Schleifblatt		
10	Schleifscheiben-Sicherungsmutter		
11	Rotordrahtbürste		
12	Topfdrabtbürste		
13	Schutzhaube (für Trennscheibe) *3		
14	Trennschleifscheibe / Diamantscheibe		
-	Sicherungsmutterschlüssel		

HINWEIS: *1 Nur für Modelle mit M14-Spindelgewinde.

HINWEIS: *2 Verwenden Sie Superflansch und Ezynut nicht zusammen.

HINWEIS: *3 In manchen europäischen Ländern kann bei Verwendung einer Diamantscheibe die gewöhnliche Schutzhaube anstelle der Spezialschutzhaube verwendet werden, die beide Seiten der Schleifscheibe abdeckt. Befolgen Sie die Vorschriften in Ihrem Land.

HINWEIS:

- Einige der in der Liste aufgeführten Elemente sind dem Werkzeugpaket als Standardzubehör beigelegt. Diese können in den einzelnen Ländern voneinander abweichen.

RÉSZLETES LEÍRÁS

Modell		DGA404	DGA454	DGA504
Tárcsa átmérője		100 mm (4")	115 mm (4-1/2")	125 mm (5")
Max. tárcsavastagság		6,4 mm (1/4")	6,4 mm (1/4")	6,4 mm (1/4")
Orsómenet		M10	M14 vagy 5/8" (országoként változó)	
Névleges fordulatszám (n) / Üresjárat fordulat/szám (n ₀)		8500 min ⁻¹		
Teljes hossz	BL1815N, BL1820, BL1820B akkumulátor használata esetén	348 mm		
	BL1830, BL1830B, BL1840, BL1840B, BL1850, BL1850B, BL1860B akkumulátor használata esetén	362 mm		
Tiszta tömeg	BL1815N, BL1820, BL1820B akkumulátor használata esetén	2,2 kg	2,3 kg	2,3 kg
	BL1830, BL1830B, BL1840, BL1840B, BL1850, BL1850B, BL1860B akkumulátor használata esetén	2,4 kg	2,5 kg	2,5 kg
Névleges feszültség		18 V, egyenáram		

• Folyamatos kutató- és fejlesztőprogramunk eredményeként az itt felsorolt tulajdonságok figyelmeztetés nélkül megváltozhatnak.

• A műszaki adatok és az akkumulátor országoként változhatnak.

• Súly az akkumulátorral, a 01/2003 EPTA eljárás szerint meghatározva

Rendeltetésszerű használat

A szerszám fém és kő csiszolására és vágására szolgál, víz használata nélkül.

Zaj

A tipikus A-súlyozású zajszint, a EN60745 szerint meghatározva:

Típus DGA404

Hangnyomásszint (L_{PA}): 80 dB (A)

Hangteljesítményszint (L_{WA}): 91 dB (A)

Tűrés (K): 3 dB (A)

Típus DGA454, DGA504

Hangnyomásszint (L_{PA}): 79 dB (A)

Tűrés (K): 3 dB (A)

A zajszint a munkavégzés során meghaladhatja a 80 dB (A) értéket.

Viseljen fülvédőt

Vibráció

A vibráció teljes értéke (háromtengelyű vektorösszeg) EN60745 szerint meghatározva:

Típus DGA404

Működési mód: felületcsiszolás normál oldalsó markolattal

Rezgéskibocsátás (a_{h,AG}): 4,5 m/s²

Tűrés (K): 1,5 m/s²

Működési mód: felületcsiszolás rezgésálló, oldalsó markolattal

Rezgéskibocsátás (a_{h,AG}): 4,0 m/s²

Tűrés (K): 1,5 m/s²

Működési mód: korongcsiszolás

Rezgéskibocsátás (a_{h,DS}): 2,5 m/s² vagy kevesebb

Tűrés (K): 1,5 m/s²

Típus DGA454, DGA504

Működési mód: felületcsiszolás normál oldalsó markolattal

Rezgéskibocsátás (a_{h,AG}): 6,5 m/s²

Tűrés (K): 1,5 m/s²

Működési mód: felületcsiszolás rezgésálló,

oldalsó markolattal

Rezgéskibocsátás (a_{h,AG}): 6,0 m/s²

Tűrés (K): 1,5 m/s²

Működési mód: korongcsiszolás

Rezgéskibocsátás (a_{h,DS}): 2,5 m/s² vagy kevesebb

Tűrés (K): 1,5 m/s²

MEGJEGYZÉS: A rezgéskibocsátás értéke a szabványos vizsgálati eljárásnak megfelelően lett mérve, és segítségével az elektromos kéziszerszámok összehasonlíthatók egymással.

MEGJEGYZÉS: A rezgéskibocsátás értékének segítségével előzetesen megbecsülhető a rezgésnek való kitettség mértéke.

MEGJEGYZÉS: A rezgéskibocsátás megadott értéke a szerszám használatának alapvető módjára vonatkozik. Ha a szerszámot más célra használja, a vibráció értéke eltérő lehet.

FIGYELMEZTETÉS: A szerszám rezgéskibocsátása egy adott alkalmazásnál eltérhet a megadott értéktől a használat módjától függően.

FIGYELMEZTETÉS: Határozza meg a kezelő védelmét szolgáló munkavédelmi lépéseket, melyek az adott munkafeltételek melletti vibrációs hatás becslült mértékén alapulnak (figyelembe véve a munkaciklus elemeit, mint például a gép leállításának és üresjáratának mennyiségét az elindítások száma mellett).

Csak európai országokra vonatkozóan

EK Megfelelőségi nyilatkozat

A Makita kijelenti, hogy az alábbi gép(ek):

Gép megnevezése:

Akkumulátoros sarokcsiszoló

Típuszám/típus: DGA404, DGA454, DGA504

Megfelel a következő Európai direktíváknak:

2006/42/EC

Gyártása a következő szabványoknak, valamint szabványosított dokumentumoknak megfelelően történt:

EN60745

A műszaki leírás a 2006/42/EK előírásainak megfelelően elérhető innen:

Makita, Jan-Baptist Vinkstraat 2, 3070, Belgium

13.3.2014



Yasushi Fukaya

Igazgató

Makita, Jan-Baptist Vinkstraat 2, 3070, Belgium

A szerszámgépekre vonatkozó általános biztonsági figyelmeztetések

⚠ FIGYELEM Olvassa el az összes biztonsági figyelmeztetést és utasítást. Ha nem tartja be a figyelmeztetéseket és utasításokat, akkor áramütést, tüzet és/vagy súlyos sérülést okozhat.

Örizzen meg minden figyelmeztetést és utasítást a későbbi tájékozódás érdekében.

A VEZETÉK NÉLKÜLI CSISZOLÓRA VONATKOZÓ BIZTONSÁGI FIGYELMEZTETÉSEK

A biztonsági figyelmeztetések megegyeznek a köszörlési, csiszolási, drótképes vagy köszörlési daraból műveletek esetében:

- 1. Ez az elektromos szerszám működhet köszörlő, csiszoló, drótkéfe vagy daraból szerszámként. Olvassa el az összes, ezen elektromos szerszámmal kapcsolatos biztonsági figyelmeztetést, utasítást, illusztrációt és specifikációt. A következőkben leírt utasítások figyelmen kívül hagyása elektromos áramütést, tüzet és/vagy komoly sérülést eredményezhet.**
- 2. Polírozási műveletek végzése nem javasolt ezzel az elektromos szerszámmal. Az olyan műveletek végzése, amelyekre az elektromos szerszám nem lett tervezve, veszélyhelyzeteket és személyi sérüléseket eredményezhet.**
- 3. Ne használjon olyan kiegészítőket, amelyeket nem speciálisan erre a célra lettek tervezve és a szerszám gyártója nem javasolta azok használatát. Az, hogy a kiegészítő hozzákapcsolható a szerszámmal, még nem biztosítja a biztonságos működést.**
- 4. A kiegészítő névleges sebessége legalább akkora kell legyen, mint a szerszámon megadott legmagasabb sebességérték. A névleges sebességüknél magasabb sebességen működő kiegészítők összetörhetnek és szétrepülhetnek.**

- 5. A kiegészítő külső átmérője és vastagsága a szerszám kapacitásának határain belül kell legyenek. A nem megfelelő méretű kiegészítőket nem lehet megfelelően védeni és irányítani.**
- 6. A tartozékok metentes csatlakozójának meg kell felelnie a csiszoló tengely menetének. Az illesztőperemes csatlakozású tartozékok tengelynyílásának illeszkednie kell az illesztőperem nyílásába. Ha egy tartozék nem illeszkedik pontosan a szerszámgép csatlakozórézsébe, a gép járása egyenetlen, vibrációja túl nagy lesz, és a kezelő akár el is vesztheti felettle az uralmat.**
- 7. Ne használjon sérült kiegészítőket. Minden használat előtt ellenőrizze az adott kiegészítőt, a csiszoló tárcsákat, hogy nem-e csorbultak vagy repedtek az alátétlapokat, hogy nem-e repedtek, szakadtak vagy kopottak, a drótkéfeket, hogy a drótok nem-e feslettek vagy törtek el. Ha az elektromos szerszám kiegészítője leesett, vizsgálja át azt a sérülések tekintetében, vagy szereljen fel egy sérülésmentes kiegészítőt. A kiegészítő átvizsgálása és felszerelése után Ön és a közelben állók menjenek távol a forgó kiegészítő síkjától, majd működtesse a szerszámot a maximális terhelés nélküli sebességen egy percen át. A sérült kiegészítők általában összetörnek ezen tesztidőtartam alatt.**
- 8. Viseljen személyi védelmi eszközöket. A megmunkálás függvényében vegyen fel arcvédőt, szemvédőt vagy védőszemüveget. Ha szükséges, vegyen fel pormaszkot, fülvédőt, kesztyűt és olyan kótenyt, amely képes megfogni a csiszolóanyagból vagy a munkadarabból származó kisméretű darabokat. A szemvédőnek képesnek kell lennie megfogni a különböző műveletek során keletkező repülő törmelékdarabokat. A pormaszknak vagy a légzőkészüléknek képesnek kell lennie a művelet során keletkező részecskék kiszűrésére. A hosszabb ideig tartó nagyintenzitású zaj halláskárosodást okozhat.**
- 9. A környezetében tartózkodók álljanak biztonságos távolságra a munkaterülettől. Bárkinek, aki a munkaterületre lép, személyi védelmi eszközöket kell felvennie. A munkadarabból vagy egy széttrött kiegészítőből származó darabok szétrepülhetnek és sérüléseket okozhatnak a szerszám használati helye mögötti területen.**
- 10. Tartsa az elektromos szerszámot a szigetelt markolási felületeinél fogva, amikor olyan műveletet végez, amelyben fennáll a veszélye, hogy a vágószerszám rejtett vezetékekbe ütközhet. „Élő” vezetékekkel való érintkezésekor az elektromos szerszám fém alkatrészei is áram alá kerülnek, és megrázzhatják a kezelőt.**
- 11. Soha ne fektesse le az elektromos gépet addig, amíg az teljesen meg nem állt. A forgó szerszám beakadhat a felületbe, és irányíthatatlanná válhat.**
- 12. Ne működtesse a szerszámot amikor az oldalánál viszi. Ha a szerszám véletlenül Önhöz ér, elkaphatja a ruháját, és a szerszám a testébe hatolhat.**
- 13. Rendszeresen tisztítsa meg az elektromos szerszám szellőzőnyílásait. A motor ventilátora beszívja a port a készülék belsejébe, és a fémport túlzott felhalmozódása veszélyes elektromos körülményeket teremthet.**
- 14. Ne működtesse az elektromos szerszámot gyúlékony anyagok közelében. A szikrák felgyűlthetnek ezeket az anyagokat.**
- 15. Ne használjon olyan kiegészítőket, amelyekhez folyadék hűtőközeg szükséges. Víz vagy más folyadék használata rövidzárlatot vagy áramütést okozhat.**

A visszarúgásra és hasonló jelenségekre vonatkozó figyelmeztetések

A visszarúgás a szerszám hirtelen reakciója a beszorult vagy elakadt forgótárcsára, alátétlappra, kefére vagy más kiegészítőre. A beszorulás vagy az elakadás a forgó kiegészítő hirtelen megállását okozza, amely ahhoz vezet, hogy az irányíthatatlanná vált elektromos szerszám a forgási irányval ellentétes irányba mozdul el a megakadási pontban.

Például ha a csiszolókorong beakad vagy beszorul a munkadarabra, a tárcsa széle a beszorulás pontjában bevághatja magát az anyag felszínébe, miáltal a tárcsa kímászik vagy kiugrik. A tárcsa a kezelő felé az ellenkező irányba is ugorhat, a tárcsa mozgásának irányától függően a beszorulási pontban. A csiszolótárcsák össze is törhetnek ilyen körülmények között. A visszarúgás az elektromos szerszám helytelen használatának és/vagy a hibás megmunkálási eljárásnak az eredménye és az alább leírt óvintézkedések betartásával elkerülhető.

- Fogja stabilan az elektromos szerszámot mindkét kezével és irányítsa úgy a karját, hogy ellen tudjon állni a visszarúgáskor fellépő erőnek. Mindig használja a kiegészítő fogantyút, ha van, hogy maximálisan ura legyen a gépnek visszarúgáskor, vagy a bekapcsoláskor fellépő nyomatékreakciókorról.** A kezelő uralhatja a nyomatékreakciókat és visszarúgáskor fellépő erőket, ha megteszi a megfelelő óvintézkedéseket.
- Soha ne tegye a kezét a forgó kiegészítő közelébe.** A kiegészítő visszarúghat a kezéin át.
- Ne irányítsa a testét arra a területre, amerre az elektromos szerszám visszarúgáskor mozoghat.** A visszarúgás a szerszámot a tárcsa beszorulási pontbeli mozgásának irányával ellentétesen fogja forgatni.
- Legyen különösen óvatos sarkok, éles szélek, stb. megmunkálásakor. Kerülje el a kiegészítő pattogását vagy megugrását.** A sarkok, éles szélek vagy a pattogás hatására a forgó kiegészítő kiugorhat, az irányítás elvesztését vagy visszarúgást okozva.
- Ne szereljen fel fafaragó fűrészlapot vagy fogazott fűrészlapot.** Ezek a lapok gyakran visszarúgást és az irányítás elvesztését okozzák.

Speciális biztonsági figyelmeztetések a köszörlülési és csiszolási vágóműveletekhez:

- Csak az elektromos szerszámaéhoz javasolt csiszolótárcsát használja és a kiválasztott tárcsához járó tárcsavédőt.** Azok a tárcsák, amelyek nem találják az elektromos szerszámmal, nem védhetők megfelelően és nem biztonságosak.
- A súllyesztett középfuratú tárcsát a védőperem síkja alatt kell felszerelni.** A helytelenül felszerelt, a védőperem síkján túlnyúló tárcsának nem lehet megfelelő védelmet biztosítani.
- A tárcsavédőt biztonságosan kell felszerelni az elektromos szerszáma, úgy elhelyezve, hogy a tárcsa a kezelő felől a lehető legnagyobb részben takarva legyen.** A tárcsavédő megvédi a kezelőt a letördelzett tárcsadaraboktól, a tárcsával való esetleges érintkezéstől, és a szikráktól, amelyek lángra lobbanthatják a ruházatát.
- A tárcsákat csak a javasolt alkalmazásokra szabad használni.** Például: ne csiszoljon a vágótárcsa oldalával. A daraboló köszörlültárcsáknak csak az élével lehet csiszolni, mert az oldalirányú erők hatására ezek a tárcsák összetörhetnek.
- Mindig csak sérülésmentes illesztőperemet használjon a tárcsához, melynek mérete és alakja a kiválasztott tárcsának megfelelő.** A megfelelő illesztőperem megtámasztja a korongot, ezzel csökkenti a törés valószínűségét. A daraboló tárcsák illesztőperemei különbözhetnek a csiszolótárcsa illesztőperemétől.

f) **Ne használjon nagyobb méretű szerszámokról leszerelt kopott tárcsákat.** A nagyobb elektromos szerszámokhoz tervezett tárcsa nem használható a kisebb számú nagyobb forgási sebessége miatt, és szétrobbanhat.

További speciális biztonsági figyelmeztetések a daraboló köszörlülési műveletekhez:

- Ne „akassza be” a daraboló tárcsát vagy ne nyomja meg túlságosan. Ne próbáljon túl mély vágást végezni.** A tárcsa túlságos igénybevétele növeli a terhelést, és a tárcsa kifordulhat, vagy szorulhat a vágásban, és nő a visszarúgási vagy tárcsa eltérési lehetősége.
- Ne helyezkedjen el egyvonalban, vagy a forgótárcsa mögé.** Ha a tárcsa a művelet egyik pontjában a teste irányából elmozdul, a lehetséges visszarúgás közvetlenül Ön fele hajthatja az orsós tárcsát és az elektromos szerszámot.
- Ha a tárcsa szorul, vagy ha megáll a vágással bármilyen okból kifolyólag, kapcsolja ki az elektromos szerszámot és tartsa mozdulatlanul a szerszámot mindaddig, amíg a tárcsa teljesen leáll.** Soha ne próbálja kivenni a vágásból a daraboló tárcsát, miközben az mozgásban van, mivel visszarúgást okozhat. Figyelje meg és intézkedjen a tárcsa szorulási okának kiküszöbölésére.
- Ne kezdje újra a vágást a munkadarabban. Hagyja a tárcsát elérni a teljes sebességét, majd óvatosan vigye a vágatba.** Ha az elektromos szerszámot a munkadarabon indítja újra, a tárcsa szorulhat, kiléphet vagy visszarúghat.
- A nagyméretű falapokat vagy bármely nagy munkadarabot támassza alá a tárcsa beszorulását és a visszarúgást elkerülendő.** A nagyméretű munkadarabok meghajolhatnak saját súlyuk alatt. Támasztékot a munkadarab alá kell tenni, a vágóvonal közelében és a munkadarab szélétől nem messze, a tárcsa mindkét oldalára.
- Különösen figyeljen oda amikor "zsebvágrák" végez falakba vagy más nem belátható területekre.** A kiemelkedő tárcsalap elvághat gáz vagy vízvezetéseket, elektromos vezetékeket vagy tárgyakat, ami visszarúgást okozhat.

Biztonsági figyelmeztetések speciálisan a köszörlülési művelethez vonatkozóan:

- Ne alkalmazzon különösen túlméretezett csiszolólapot.** Kövesse a gyártó javaslatait a csiszolólap kiválasztásakor. A csiszolópadról lefúgó csiszolólap szaktitási veszélyt jelent, és a tárcsa kiugrását, repedését vagy visszarúgását okozhatja.

Biztonsági figyelmeztetések speciálisan a drótkéfé- lési művelethez vonatkozóan:

- Vigyázzon a drótsörték ledobására akár a megszakított művelet közben is. Ne vegye túlságosan igénybe a drótokat a kefe túlterhelésével.** A drótsörték könnyen átmehetnek a könnyű ruházaton keresztül és / vagy a bőrön.
- Ha a drótkéféléshez javasolt a védő használat, ne engedje érintkezni a dróttárcsát vagy kefé a védőtárcsával.** A terhelés és a centrifugális erő következtében a dróttárcsa vagy kefe átmeréje növekedhet.

Kiegészítő biztonsági figyelmeztetések:

- Súllyesztett középfuratú csiszolótárcsák használatakor ügyeljen rá, hogy csak üvegszál erősítésű tárcsákat használjon.**
- SOHA NE HASZNÁLJON köcsiszoló típusú tárcsákat ezzel a csiszolóval.** Ezt a csiszolót nem ilyen típusú tárcsák használatára tervezték, a köcsiszoló tárcsák használatára súlyos személyi sérüléseket okozhat.
- Legyen óvatos, ne rongálja meg az orsót, az illesztőperemet (különösen annak szerelési felületét) vagy a rögzítőanyát.** Ezen alkatrészek károsodása a tárcsa törését okozhatja.

19. Ellenőrizze, hogy a tárcsa nem ér a munkadarabhoz, mielőtt bekapcsolja a szerszámot.
20. Mielőtt használja a szerszámot a tényleges munkadarabon, hagyja járni egy kicsit. Figyelje a rezgéseket vagy imbolygást, amelyek rosszul felszerelt vagy rosszul kiegyensúlyozott tárcsára utalhatnak.
21. Csiszoláshoz használja a tárcsa erre kijelölt felületét.
22. Ne hagyja a szerszámot bekapcsolva. Csak kézben tartva használja a szerszámot.
23. Ne érjen a munkadarabhoz közvetlenül a munkavégzést követően; az rendkívül forró lehet és megégetheti a bőrt.
24. Kövesse a gyártó útmutatásait a tárcsák helyes felszerelését és használatát illetően. Körültekintően kezelje és tárolja a tárcsákat.
25. Ne használjon külön szűkítőhüvelyeket vagy adaptereket a nagy furattal rendelkező tárcsák illesztéséhez.
26. Csak a szerszámhoz engedélyezett illesztőperemeket használja.
27. A menetes furatú tárcsákkal felszerelhető szerszámok esetében ellenőrizze, hogy a tárcsa menete elég hosszú, hogy befogadja az orsó menetét.
28. Ellenőrizze, hogy a munkadarab megfelelően alá van támasztva.
29. Figyeljen oda arra, hogy a tárcsa tovább forog a szerszám kikapcsolása után.
30. Ha a munkahely különösen meleg és páras, vagy elektromosan vezető porral szennyezett, használjon rövidzárlati megszakítót (30 mA) a biztonságos működés érdekében.
31. Ne használja a szerszámot azbeszttel tartalmazó anyagokon.
32. Kivágótárcsa használatakor mindig a helyi szabályozás által előírt porgyűjtő tárcsavédőt felszerelve dolgozzon.
33. A vágókorongokat nem szabad laterális irányú nyomásnak kitenni.
34. Ne használjon ruhakesztyűt a művelet elvégzése közben. A ruhakesztyű rostjai belemehetnek a gépbe, és tönkretethetik a gépet.
4. Ha elektrolit kerül a szemébe, mossa ki azt tiszta vízzel és azonnal kérjen orvosi segítséget. Ez a látásának elvesztését okozhatja.
5. Ne zárja rövidre az akkumulátort:
 - (1) Ne érjen az érintkezőkhöz elektromosan vezető anyagokkal.
 - (2) Ne tárolja az akkumulátort más fémtárgyakkal, mint pl. szegekkel, érmekkel, stb. egy helyen.
 - (3) Ne tegye ki az akkumulátort víznek vagy esőnek.

Az akkumulátor rövidzárlata nagy áramerősséget, túlmelegedést, égéseket, sőt akár meghibásodást is okozhat.
6. Ne tárolja a szerszámot vagy az akkumulátort olyan helyen, ahol a hőmérséklet elkerülhet a megengedett határérték fölé, azaz 50 °C-ot (122 °F).
7. Ne égesse el az akkumulátort még akkor sem, ha az komolyan megsérült vagy teljesen elhasználódott. Az akkumulátor a tűzben fellobbanhat.
8. Vigyázzon, nehogy leejtse vagy megüsse az akkumulátort.
9. Ne használjon sérült akkumulátort.
10. A készülékben található lítium-ion akkumulátorokra a veszélyes árukkal kapcsolatos előírások vonatkoznak. A termék pl. harmadik felek, fuvarozó cégek stb. által történő szállítása esetén minden esetben tartsa szem előtt a csomagoláson és a címkén található speciális követelményeket. A termék szállításra történő felkészítése esetén vegye fel a kapcsolatot egy veszélyes anyagokkal foglalkozó szakemberrel. Kérjük, hogy az esetlegesen szigorúbb nemzeti előírásokat is vegye figyelembe. Ragassza le a kiálló érintkezőket, illetve oly módon csomagolja be az akkumulátort, hogy az ne tudjon elmozdulni a csomagolásban.
11. **Az akkumulátor ártalmatlanításakor tartsa be a helyi előírásokat.**
12. **Az akkumulátorokat csak a Makita által megjelölt termékekhez használja.** Ha az akkumulátorokat azokkal nem kompatibilis termékekbe helyezi, az tűzhöz, túlmelegedéshez, robbanáshoz vagy elektrolízisvárogáshoz vezethet.

ŐRIZZE MEG EZEKET AZ UTASÍTÁSOKAT.

▲ FIGYELMEZTÉS: NE HAGYJA, hogy a kényelem vagy a termék (többszöri használatból adódó) mind alaposabb ismerete váltsa fel az adott termékre vonatkozó biztonsági előírások szigorú betartását. A **HELYTELEN HASZNÁLAT** és a **használati útmutatóban szereplő biztonsági előírások megszegése súlyos személyi sérülésekhez vezethet.**

Fontos biztonsági utasítások az akkumulátorra vonatkozóan

1. Az akkumulátor használata előtt tanulmányozza át az akkumulátortöltőt (1), az akkumulátoron (2) és az akkumulátorral működtetett terméken (3) olvasható összes utasítást és figyelmeztető jelzést.
2. Ne szerelje szét az akkumulátort.
3. Ha a működési idő nagyon lerövidült, azonnal hagyja abba a használatot. Ez a túlmelegedés, esetleges égések és akár robbanás veszélyével is járhat.

ŐRIZZE MEG EZEKET AZ UTASÍTÁSOKAT.

▲ VIGYÁZAT: Csak eredeti Makita akkumulátorokat használjon. A nem eredeti Makita akkumulátorok vagy módosított akkumulátorok használata esetén az akkumulátor fellobbanhat, ami tüzet, személyi sérülést és anyagi kárt okozhat. A Makita szerszáma és töltőre vonatkozó Makita garanciát is érvénytelenítheti.

Tipppek az akkumulátor maximális élettartamának eléréséhez

1. Töltse fel az akkumulátort, mielőtt teljesen lemerülne. Állítsa le a gépet, és töltse fel az akkumulátort, ha a gép erejének csökkenését észleli.
2. Soha ne töltse újra a teljesen feltöltött akkumulátort. A túltöltés csökkenti az akkumulátor élettartamát.
3. Töltse az akkumulátort szobahőmérsékleten, 10 °C - 40 °C (50 °F - 104 °F) között. Töltés előtt hagyja lehűlni a főlforrósodott akkumulátort.
4. Töltse fel az akkumulátort, ha hosszabb ideje (több mint hat hónapja) nem használta azt.

MŰKÖDÉSI LEÍRÁS

⚠ VIGYÁZAT:

- Minden esetben ellenőrizze, hogy a szerszám ki van kapcsolva és az akkumulátor eltávolításra került mielőtt beállít vagy ellenőriz valamilyen funkciót a szerszámon.

Az akkumulátor behelyezése és eltávolítása

► **Ábra1:** 1. Gomb 2. Piros jelölés 3. Akkumulátor

⚠ VIGYÁZAT:

- Mindig kapcsolja ki az eszközt, mielőtt behelyezi vagy eltávolítja az akkumulátort.
- Az akkumulátort és a szerszámot tartsa erősen, amikor az akkumulátort a szerszáma helyezi vagy eltávolítja arról.** Amennyiben nem így jár el, a szerszám vagy az akkumulátor a kezéből kicsúszhat és megsérülhet, illetve személyi sérülést okozhat.

Az akkumulátoregység kivételéhez nyomja be az akkumulátoregység elején található gombot, és tolja ki az egységet. Az akkumulátor beszereléséhez illessze az akkumulátor nyelvét a burkolaton található vágatba és csúsztassa a helyére. Egészen addig tolja be, amíg egy kis kattánással a helyére nem ugrik. Ha látható a piros jelölés a gomb felső oldalán, akkor a gomb nem kattant be teljesen.

⚠ VIGYÁZAT:

- Mindig tolja be teljesen az akkumulátort, amíg a piros jelölés el nem tűnik. Ha ez nem történik meg, akkor az akkumulátor kieshet a szerszámból, és Önnek vagy a környezetében másnak sérülést okozhat.
- Ne erőltesse be az akkumulátort. Ha az akkumulátor nem csúszik be könnyedén, akkor nem megfelelően lett behelyezve.

A kapcsoló használata

⚠ VIGYÁZAT:

- Mielőtt a szerszámba helyezné az akkumulátort, mindig ellenőrizze, hogy az oldalsó kapcsoló megfelelően működik, és visszatér az "OFF" állásba, amikor a kapcsolókar hátulsó részét lenyomja.
- Huzamosabb használatkor a kapcsoló az "ON" pozícióban elreteszeltető a kezelő munkáját megkönnyítendő. Legyen nagyon körültekintő, amikor a szerszámot elreteszeli az "ON" pozícióban és szilárdan tartsa a szerszámot.

► **Ábra2:** 1. Csúszókapcsoló

A szerszám bekapcsolásához csúsztassa a kapcsolót annak hátsó részét nyomva az „I (be)” pozíció irányába. A folyamatos működéshez reteszelle a csúszókapcsolót úgy, hogy lenyomja az előlő részét.

A szerszám kikapcsolásához nyomja le a kapcsoló hátsó részét, majd csúsztassa a „O (ki)” pozíció irányába.

Véletlenszerű újraindítást megelőző funkció

Amikor az akkumulátor fel van helyezve az eszközre, és a csúszókapcsoló „I (ON)” állásban van, az eszköz nem indul.

A szerszám bekapcsolásához tolja a csúszókapcsolót az "O (OFF)" állásba, majd vissza a "I (ON)" pozícióba.

Elektromos nyomatékkezelési funkció

A szerszám elektronikusan érzékeli azokat a helyzeteket, amelyekben a tárcsa vagy a kiegészítő beszorulhat. Ilyen esetekben a szerszám automatikusan leáll megelőző a tengely további forgását (de a visszarugást nem előzi meg).
















A szerszám újraindításához először kapcsolja ki azt, távolítsa el a forgási sebesség hirtelen csökkenését okozó dolgot, majd indítsa újra a szerszámot.

Az akkumulátor töltöttségének jelzése

Csak állapotjelzős akkumulátorok esetén

► **Ábra3:** 1. Jelzőlámpák 2. Check (ellenőrzés) gomb

Nyomja meg az ellenőrzőgombot, hogy az akkumulátortöltöttség-jelző megmutassa a hátralévő akkumulátor-kapacitást. Ekkor a töltöttség-szint-jelző lámpák néhány másodpercre kigyulladnak.

Jelzőlámpák			Töltöttségi szint
 Világító lámpa	 KI	 Villogó lámpa	
			75%-tól 100%-ig
			50%-tól 75%-ig
			25%-tól 50%-ig
			0%-tól 25%-ig
			Töltsse fel az akkumulátort.
			Lehetséges, hogy az akkumulátor meghibásodott.

MEGJEGYZÉS: Az adott munkafeltételektől és a környezet hőmérsékletétől függően a jelzett töltöttségi szint némileg eltérhet a tényleges töltöttségi szinttől.

A fennmaradó akkumulátortöltöttség jelzése

(Országfüggő)

► **Ábra4:** 1. Akkumulátortöltöttség-jelző

A szerszámot bekapcsolva az akkumulátor-visszajelző megjeleníti a fennmaradó akkumulátortöltöttséget.

A fennmaradó akkumulátortöltöttség az alábbi táblázatban található vázoltak szerint jelenik meg.

Az akkumulátor-visszajelző állapota ■:BE □:KI □: Villogó lámpa	Hátralevő akkumulátor-kapacitás
	50 % – 100 %
	20 % – 50 %
	0 % – 20 %
	Töltse fel az akkumulátort

Automatikus sebességváltó funkció

► **Ábra5:** 1. Üzemmód jelzőfény

Az üzemmód-visszajelző állapota	Üzemmód
	Magas fordulatszámú mód
	Nagy nyomatékú mód

A szerszám „magas fordulatszámú móddal” és „nagy nyomatékú móddal” is képes működni. A használati terhelés függvényében automatikusan vált az üzemmódok között. Amikor az üzemmód-visszajelző üzem közben világít, akkor a szerszám nagy nyomatékú módban üzemel.

Szerszám-/akkumulátorvédő rendszer

A szerszám szerszám-/akkumulátorvédő rendszerrel van felszerelve. A rendszer automatikusan kikapcsolja a motor áramellátását, így megnöveli a szerszám és az akkumulátor élettartamát.

A szerszám használat közben automatikusan leáll, ha a szerszám vagy az akkumulátor a következő állapotba kerül. Bizonyos állapotokban a jelzőfény világítani kezd.

Túlterhelésvédelem

Ha a szerszámot úgy használják, hogy az rendellenesen nagy áramot vesz fel, akkor a szerszám minden-fajta jelzés nélkül leáll. Ilyenkor kapcsolja ki a szerszámot, és hagyjon fel azzal a használati móddal, amely a szerszám túlterhelődéséhez vezetett. Ezután kapcsolja be a szerszámot a munka újbóli megkezdéséhez.

Szerszám-túlmelegedés elleni védelem

A szerszám túlhevülés esetén automatikusan leáll, az akkumulátor-visszajelző pedig az alábbi állapotot mutatja. Ilyenkor hagyja kihűlni a szerszámot, mielőtt ismét bekapcsolná.

Akkumulátortöltöttség-jelző	■:BE □:KI □: Villogó lámpa
	A szerszám túlhevült

A biztonsági zár nyitása

Amikor a biztonsági rendszer ismétlőműködést végez, a szerszám zárt állapotba kerül, és az akkumulátorjelző a következő állapotot mutatja:

Akkumulátortöltöttség-jelző	■:BE □:KI □: Villogó lámpa
	A biztonsági zár működése

Ilyenkor a szerszám nem indul el, akkor sem, ha azt ki-majd bekapcsolja. A biztonsági zár nyitásához távolítsa el az akkumulátort, helyezze az akkumulátortöltőbe, majd várja meg amíg teljesen feltölt.

Tengelyretesz

⚠ VIGYÁZAT:

- Soha ne hozza működésbe a tengelyreteszt ha az orsó még forog. A szerszám károsodhat.

► **Ábra6:** 1. Tengelyretesz

Nyomja le a tengelyreteszt az orsó forgásának megakadályozásához amikor a tartozékokat felszereli vagy leszereli.

ÖSSZESZERELÉS

⚠ VIGYÁZAT:

- Minden esetben ellenőrizze, hogy a szerszám ki van kapcsolva és az akkumulátor eltávolításra került mielőtt bármilyen műveletet végez a szerszámon.

Az oldalsó markolat (nyél) felszerelése

⚠ VIGYÁZAT:

- Használat előtt mindig bizonyosodjon meg az oldalsó markolat szilárd felszereltségéről.

► **Ábra7**

Rögzítse az oldalsó fogantyút a helyére a szerszámon az ábrának megfelelően.

A tárcsavédő fel- és leszerelése (süllyesztett középformatú tárcsa, legyezős korong/daraboló köszőrútárcsa, gyémánttárcsa esetén)

▲ FIGYELMEZTETÉS:

- Süllyesztett középformatú csiszolóárcsa/legyezős korong, flexkorong, drótkéfe, leszűrőkorong vagy gyémántkorong használatakor a korongvédőt úgy kell felszerelni a szerszámra, hogy a zárt oldalával mindig a kezelő felé nézzen.
- Daraboló köszőrútárcsa/gyémánttárcsa használatkor ügyeljen arra, hogy csak daraboló köszőrútárcsákhoz készített tárcsavédőt alkalmazzon. (Egyes európai országokban a gyémánttárcsa használatkor az általános tárcsavédő használható. Kövesse a hazájában érvényes előírásokat.)

A rögzítőkaros tárcsavédő esetén

- **Ábra8:** 1. Tárcsavédő 2. Csapágyház 3. Csavar 4. Kar

Lazítsa meg a tárcsavédőn a kart, miután meglazította a csavart. Úgy szerelje fel a tárcsavédőt, hogy a szorítóbilincsen található kiemelkedés illeszkedjen a csapágyházon levő bevágáshoz. Ezután fordítsa a tárcsavédőt olyan szögbe, hogy a megmunkálásnak megfelelően védeni tudja a kezelőt.

- **Ábra9:** 1. Csavar 2. Kar 3. Tárcsavédő

A tárcsavédő rögzítéséhez szorítsa meg a kart. Ha a kar túl szoros, vagy túl laza a tárcsavédő rögzítéséhez, lazítson vagy szorítson a csavarokon a szorítóbilincsen beállításához.

A tárcsavédő eltávolításához kövesse a felszerelési eljárást fordított sorrendben.

A csavarretesz tárcsavédő esetén

- **Ábra10:** 1. Tárcsavédő 2. Csapágyház 3. Csavar

Úgy szerelje fel a tárcsavédőt, hogy a szorítóbilincsen található kiemelkedés illeszkedjen a csapágyházon levő bevágáshoz. Ezután forgassa el a tárcsavédőt körülbelül 180 fokkal az óramutató járásával ellentétesen. Ügyeljen rá, hogy a csavart meghúzza.

A tárcsavédő eltávolításához kövesse a felszerelési eljárást fordított sorrendben.

Süllyesztett középformatú korong vagy lapos korong használatkor a korongvédőt úgy kell felszerelni a szerszámra, hogy zárt oldalával mindig a kezelő felé nézzen.

▲ FIGYELMEZTETÉS:

- Süllyesztett középformatú korong vagy lapos korong használatkor a korongvédőt úgy kell felszerelni a szerszámra, hogy zárt oldalával mindig a kezelő felé nézzen.
- Csak akkor hozza működésbe a tengelyreteszt ha az orsó már nem forog.

- **Ábra11:** 1. Rögzítőanya 2. Süllyesztett középformatú tárcsa 3. Belső illesztőperem

Helyezze a belső illesztőperemet az orsóra. Illessze a tárcsát/korongot a belső illesztőperemre és csavarja fel a biztosítóanyát az orsóra.

- **Ábra12:** 1. Rögzítőanya kulcsa 2. Tengelyreteszt

A rögzítőanya meghúzásához nyomja le a tengelyreteszt, hogy a tengely ne tudjon fogorni, majd a rögzítőanya kulcsával szorosan húzza meg az anyát az óramutató járásának irányába.

A tárcsa eltávolításához kövesse a felszerelési eljárást fordított sorrendben.

Ezynyut (opcionális kiegészítő) felhelyezése és eltávolítása

▲ FIGYELMEZTETÉS:

- Ne használja az Ezynyut rögzítőanyát extra illesztőperemmel vagy olyan sarokcsiszolóval, amelynek a típuszáma „F” betűvel végződik. Ezen modellek illesztőperemei annyira vastagok, hogy a tengely nem tudja fogadni a rögzítőanya minden menetét.

- **Ábra13:** 1. Ezynyut rögzítőanya 2. Csiszolókorong 3. Belső illesztőperem 4. Orsó

A belső illesztőperemet, a csiszolóárcsát és az Ezynyut rögzítőanyát úgy szerelje fel a tengelyre, hogy a Makita embléma a rögzítőanyán kifelé nézzen.

- **Ábra14:** 1. Tengelyreteszt

Nyomja be erősen a tengelyreteszt, majd kézzel húzza meg szorosa az Ezynyut rögzítőanyát a csiszolóárcsa óramutató járásával egyező irányú elforgatásával. Meglazításhoz forgassa az Ezynyut külső gyűrűjét az óramutató járásával ellentétes irányba.

- **Ábra15:** 1. Nyíl 2. Bevágás

- **Ábra16**

MEGJEGYZÉS:

- Az Ezynyut rögzítőanya mindaddig kézzel meglazítható, míg a nyíl a rovátkára mutat. Egyéb esetben a rögzítőanyát csak kulccsal lehet meglazítani. A kulcs egyik tuskóját helyezze az Ezynyut egyik furatába, és forgassa el a rögzítőanyát az óramutató járásával ellentétes irányba.

A flexkorong felszerelése és eltávolítása

Opcionális kiegészítők

▲ FIGYELMEZTETÉS: Mindig alkalmazza a mellékelt tárcsavédőt, ha flexkorong van a gépre szerelve. A korong széttröhet a használat során, és a tárcsavédő csökkenti a személyi sérülések kockázatát.

- **Ábra17:** 1. Rögzítőanya 2. Flexkorong 3. Alátétlappal 4. Belső illesztőperem

Kövesse a súllyesztett középfuratú tárcsa használatára vonatkozó utasításokat, de a tárcsára tegye fel az alátétlappal is. Az összeállítási sorrendet megtalálja a kézikönyv tartozékokat tartalmazó oldalán.

Csiszolókorong (opcionális kiegészítő) felhelyezése és eltávolítása

- **Ábra18:** 1. Csiszoló rögzítőanya 2. Csiszolókorong 3. Gumitalp

Szerelje a gumitalpat az orsóra. Illessze a korongot a gumitalpra és csavarja a rögzítőanyát az orsóra. A rögzítőanya meghúzásához nyomja le a tengelyresteret, hogy a tengely ne tudjon forogni, majd a rögzítőanya kulcsával szorosan húzza meg az anyát az óramutató járásának irányába.

A korong eltávolításához kövesse a felhelyezési eljárást fordított sorrendben.

MEGJEGYZÉS:

- Csak az ebben a kézikönyvben leírt kiegészítőket használja a csiszolóhoz. Ezeket külön meg kell vásárolni.

ÜZEMELTETÉS

▲ FIGYELMEZTETÉS:

- Soha nem szabad erőltetni a szerszámot. A szerszám súlya elegendő nyomóerőt biztosít. Az erőltetés és a túlzott nyomáskifejtés a tárcsa töréséhez vezethet, ami veszélyes.
- MINDIG cserélje ki a tárcsát, ha a szerszám leeseett csiszolás közben.
- SOHA ne csapja vagy üsse oda a csiszolókorongot vagy a tárcsát a munka során.
- Kerülje el a tárcsa visszaurgását és kiugrását, különösen sarkok, éles szélek, stb. megmunkálásakor. Ekkor a szerszám irányíthatatlanná válik és visszarúghat.
- SOHA ne használja a szerszámot favágó tárcsákkal és más fűrészlappal. Az ilyen fűrészlapok a csiszolón gyakran megugranak és a szerszám irányíthatatlanná válik, ami személyi sérülésekhez vezethet.

▲ VIGYÁZAT:

- Soha ne kapcsolja be a szerszámot, ha az érintkezik a munkadarabbal, mert ez a kezelő sérülését okozhatja.
- A használat alatt mindig viseljen védőszemüveget vagy arcvédőt.
- A használat végén mindig kapcsolja ki a szerszámot és várja meg amíg a tárcsa teljesen megáll, ezután tegye le a szerszámot.

Köszörülés és csiszolás

- **Ábra19**

MINDIG szilárdan fogja a szerszámot egyik kezével a burkolatánál, a másikkal pedig az oldalsó fogantyújánál fogva. Kapcsolja be a szerszámot majd vigye a tárcsát vagy a korongot a munkadarabhoz.

Általában úgy kell tartani a szerszámot, hogy a korong vagy tárcsa széle 15 fokos szöveget zárjon be a munkadarab felületével.

Egy új tárcsa bejáratásakor ne használja a csiszolót a B irányban, mert akkor belevág a munkadarabba. Miután a tárcsa szélét lekerelkedett a használat során, a tárcsával az A és B irányokban is végezhető megmunkálás.

Műveletek daraboló köszörűtárcsával/gyémánttárcsával

Opcionális kiegészítők

▲ FIGYELMEZTETÉS: Daraboló köszörűtárcsa/gyémánttárcsa használatakor ügyeljen arra, hogy csak daraboló köszörűtárcsákhoz készített tárcsavédőt alkalmazzon.

(Egyes európai országokban a gyémánttárcsa használatakor az általános tárcsavédő használható. Kövesse a hazájában érvényes előírásokat.)

▲ FIGYELMEZTETÉS: SOHA ne használjon darabolótárcsát oldalgöszörüléshez.

▲ FIGYELMEZTETÉS: Ne „akassza meg”, és ne nyomja túlzott erővel a tárcsát. Ne próbáljon túl mély vágást végezni. A tárcsa túl nagy igénybevétele növeli a terhelést, és a tárcsa kifordulhat vagy megszorulhat a vágásban, és nő a visszarúgásnak, a tárcsa eltörésének és a motor túlhevülésének veszélye.

▲ FIGYELMEZTETÉS: A vágást ne kezdje a munkadarabban. Hagyja, hogy a tárcsa elérje a teljes fordulatszámot, majd óvatosan vigye a vágásba, és mozgassa előre a szerszámot a munkafelületen. Ha az elektromos szerszámot a munkadarabban indítja újra, a tárcsa szorulhat, kiléphet vagy visszarúghat.

▲ FIGYELMEZTETÉS: Vágási műveletek alatt soha ne változtasson a tárcsa szögén. A darabolótárcsa oldalnyomása (köszörülésnél is) a tárcsa repedését és törését okozza, ami veszélyes sérüléshez vezet.

▲ FIGYELMEZTETÉS: A gyémánttárcsát tartsa a darabolandó anyagra merőlegesen.

- **Ábra20:** 1. Rögzítőanya 2. Daraboló köszörűtárcsa / gyémánttárcsa 3. Belső illesztőperem 4. Tárcsavédő daraboló köszörűtárcsához / gyémánttárcsához

Felszerelések kövesse a sülyesztett középfuratú tárcsa felszerelési utasításait.

A rögzítőanya és a belső illesztőperem rögzítési iránya a tárcsa típusának és átmérőjének függvényében változik.

Lásd a következő számadatokat.

100 mm-es (4") típus esetén

Daraboló köszörűtárcsa felszerelések:

- **Ábra21:** 1. Rögzítőanya 2. Daraboló köszörűtárcsa (4 mm-nél (5/32") vékonyabb) 3. Daraboló köszörűtárcsa (4 mm-es (5/32") vagy vastagabb) 4. Belső illesztőperem

Gyémánttárcsa felszerelések:

- **Ábra22:** 1. Rögzítőanya 2. Gyémánttárcsa (4 mm-nél (5/32") vékonyabb) 3. Gyémánttárcsa (4 mm-es (5/32") vagy vastagabb) 4. Belső illesztőperem

115 mm-es (4-1/2") / 125 mm-es (5") típus

Daraboló köszörűtárcsa felszerelések:

- **Ábra23:** 1. Rögzítőanya 2. Daraboló köszörűtárcsa (4 mm-nél (5/32") vékonyabb) 3. Daraboló köszörűtárcsa (4 mm-es (5/32") vagy vastagabb) 4. Belső illesztőperem

Gyémánttárcsa felszerelések:

- **Ábra24:** 1. Rögzítőanya 2. Gyémánttárcsa (4 mm-nél (5/32") vékonyabb) 3. Gyémánttárcsa (4 mm-es (5/32") vagy vastagabb) 4. Belső illesztőperem

Fazékkfevével (opcionális kiegészítő) végzett műveletek

⚠ VIGYÁZAT:

- Ellenőrizze a kefe működését a gép terhelés nélküli beindításával, és ügyeljen arra, hogy senki ne legyen a kefe előtt, illetve annak vonalában.
- Ne használjon sérült vagy kiegyensúlyozatlan kefét. A sérült kefe használata megnöveli a sérülés veszélyét, mely a törött drótszalakkal való érintkezéskor következhet be.

- **Ábra25:** 1. Drótkefecsésze

Vegye ki az akkumulátort a szerszámból, és fordítsa fejletőre a szerszámot, hogy könnyebben hozzáférjen a tengelyhez. Szerelje le a tengelyről a kiegészítőket. Szerelje fel a fazékkorongot a tengelyre, és húzza meg a mellékelt villáskulccsal. Kefe használatokor ne fejtessen ki túl nagy nyomást a munkadarabra, mivel ekkor a kefe drótszalái meghajolhatnak, és ez a korai törésükhöz vezet.

Drótkoronggal (opcionális kiegészítő) végzett műveletek

⚠ VIGYÁZAT:

- Ellenőrizze a drótkorong működését a gép terhelés nélküli beindításával, és ügyeljen arra, hogy senki ne legyen a drótkorong előtt, illetve annak vonalában.
- Ne használjon sérült vagy kiegyensúlyozatlan drótkorongot. A sérült drótkorong használata megnöveli a sérülés veszélyét, mely a törött drótszalakkal való érintkezéskor következhet be.
- Drótkorong használatokor MINDIG használjon olyan átmérőjű védőburkolatot, amelyben megfelelően elfér a drótkorong. A korong szétterhet a használat során, és a védőburkolat csökkenti a személyi sérülések kockázatát.

- **Ábra26:** 1. Drótkorong

Vegye ki az akkumulátort a szerszámból, és fordítsa fejletőre a szerszámot, hogy könnyebben hozzáférjen a tengelyhez. Szerelje le a tengelyről a kiegészítőket. Csavarja fel a drótkorongot a tengelyre, és húzza meg villáskulccsokkal.

Drótkorong használatokor ne fejtessen ki túl nagy nyomást a munkadarabra, mert a kefe drótszalái meghajolhatnak, és ez korai törésükhöz vezet.

KARBANTARTÁS

⚠ VIGYÁZAT:

- Minden esetben ellenőrizze, hogy a szerszám ki van kapcsolva és az akkumulátor eltávolításra került mielőtt átvizsgálja a szerszámot vagy annak karbantartását végzi.
- Soha ne használjon gázolajt, benzint, hígítót, alkoholt vagy hasonló anyagokat. Ezek elszineződést, alakvesztést vagy repedést okozhatnak.

- **Ábra27:** 1. Elszívó nyílás 2. Beszívó nyílás

A szerszámot és szellőzőnyílásait tisztán kell tartani. Rendszeresen tisztítsa meg a szerszám szellőzőnyílásait és akkor is ha kezdenek eltömődni.

- **Ábra28:** 1. Porfogó

Távolítsa el a porvédőt a szívónyílásról, és tisztítsa meg, hogy a levegő akadálymentesen áramolhasson.

MEGJEGYZÉS:

- Tisztítsa ki a porvédőt, ha azt a fűrészpör vagy idegen tárgyak eltömítik. A munka folytatása eltömődött porvédővel károsítja a szerszámot.

A termék BIZTONSÁGÁNAK és MEGBIZHATÓSÁGÁNAK fenntartásához, a javításokat, bármilyen egyéb karbantartást vagy beszbályozást a Makita Autorizált Szervizközpontoknak kell végrehajtaniuk, mindig Makita pótalkatrészek használatával.

OPCIONÁLIS KIEGÉSZÍTŐK

⚠ VIGYÁZAT:

- Ezek a tartozékok vagy kellékek ajánlottak az Önnek ebben a kézikönyvben leírt Makita szerszámához. Bármely más tartozék vagy kellék használata személyes veszélyt vagy sérülést jelenthet. A tartozékot vagy kelléket használja csupán annak kifejezett rendeltetésére.

Ha bármilyen segítségre vagy további információra van szüksége ezekkel a tartozékokkal kapcsolatban, keresse fel a helyi Makita Szervizközpontot.

- Eredeti Makita akkumulátor és töltő

► Ábra29

-	100 mm-es (4") típus	115 mm-es (4-1/2") típus	125 mm-es (5") típus
1	36-os markolat		
2	Tárcsavédő (csiszolókoronghoz)		
3	Belső illesztőperem	Belső illesztőperem / extra illesztőperem *1*2	Belső illesztőperem / extra illesztőperem
4	Süllyesztett középfuratú korong / lapos tárcsa		
5	Rögzítőanya	Rögzítőanya / Ezynt rögzítőanya *1*2	Rögzítőanya / Ezynt rögzítőanya *2
6	Alátétalp		
7	Flexkorong		
8	Gumitalp, 76	Gumitalp, 100	Gumitalp, 115
9	Csiszolótárcsa		
10	Csiszoló rögzítőanya		
11	Drótkorong		
12	Drótkefecsésze		
13	Tárcsavédő (darabolótárcsához) *3		
14	Daraboló köszörütárcsa / gyémánttárcsa		
-	Rögzítőanya kulcsa		

MEGJEGYZÉS: *1 Kizárólag M14 orsómenetes szerszámokhoz.

MEGJEGYZÉS: *2 Ne használja együtt az extra illesztőperemet és az Ezynt rögzítőanyát.

MEGJEGYZÉS: *3 Bizonyos európai országokban a gyémánttárcsa használatakor az általános tárcsavédő alkalmazható a speciális tárcsavédő helyett, mely a tárcsa mindkét oldalát lefedi. Kövesse a hazájában érvényes előírásokat.

MEGJEGYZÉS:

- A listán felsorolt néhány kiegészítő megtalálható az eszköz csomagolásában standard kiegészítőként. Ezek országonként eltérőek lehetnek.

TECHNICKÉ ÚDAJE

Model		DGA404	DGA454	DGA504
Priemer kotúča		100 mm (4")	115 mm (4-1/2")	125 mm (5")
Max. hrúbka kotúča		6,4 mm (1/4")	6,4 mm (1/4")	6,4 mm (1/4")
Závit vretena		M10	M14 alebo 5/8" (špecifické pre krajinu)	
Menovité otáčky (n) / Otáčky naprázdno (n ₀)		8500 min ⁻¹		
Celková dĺžka	S blok akumulátora BL1815N, BL1820, BL1820B	348 mm		
	S blok akumulátora BL1830, BL1830B, BL1840, BL1840B, BL1850, BL1850B, BL1860B	362 mm		
Hmotnosť netto	S blok akumulátora BL1815N, BL1820, BL1820B	2,2 kg	2,3 kg	2,3 kg
	S blok akumulátora BL1830, BL1830B, BL1840, BL1840B, BL1850, BL1850B, BL1860B	2,4 kg	2,5 kg	2,5 kg
Menovité napätie		Jednosmerný prúd 18 V		

- Vzhľadom k neustálemu výskumu a vývoju tu uvedené technické údaje podliehajú zmenám bez upozornenia.
- Technické špecifikácie a typ akumulátora sa môžu v rámci jednotlivých krajín líšiť.
- Hmotnosť s akumulátorom podľa postupu EPTA 01/2003

Určené použitie

Tento nástroj je určený na brúsenie, pieskovanie a rezanie kovových a kamenných materiálov bez použitia vody.

Hluk

Typická hladina akustického tlaku pri záťaži A určená podľa EN60745:

Model DGA404

Hladina akustického tlaku (L_{pA}): 80 dB (A)
 Hladina akustického výkonu (L_{WA}): 91 dB (A)
 Odchýlka (K): 3 dB (A)

Model DGA454, DGA504

Hladina akustického tlaku (L_{pA}): 79 dB (A)
 Odchýlka (K): 3 dB (A)

Úroveň hluku pri práci môže prekročiť 80 dB (A).

Používajte chrániče sluchu

Vibrácie

Celková hodnota vibrácií (trojosový vektorový súčet) určená podľa normy EN60745:

Model DGA404

Pracovný režim: brúsenie povrchov so štandardným bočným držadlom
 Emisie vibrácií ($a_{h,AG}$): 4,5 m/s²
 Odchýlka (K): 1,5 m/s²
 Pracovný režim: brúsenie povrchov s antivibračným bočným držadlom
 Emisie vibrácií ($a_{h,AG}$): 4,0 m/s²
 Odchýlka (K): 1,5 m/s²
 Pracovný režim: kotúčové brúsenie
 Emisie vibrácií ($a_{h,DS}$): 2,5 m/s² alebo menej
 Odchýlka (K): 1,5 m/s²

Model DGA454, DGA504

Pracovný režim: brúsenie povrchov so štandardným bočným držadlom
 Emisie vibrácií ($a_{h,AG}$): 6,5 m/s²
 Odchýlka (K): 1,5 m/s²

Pracovný režim: brúsenie povrchov s antivibračným bočným držadlom

Emisie vibrácií ($a_{h,AG}$): 6,0 m/s²

Odchýlka (K): 1,5 m/s²

Pracovný režim: kotúčové brúsenie

Emisie vibrácií ($a_{h,DS}$): 2,5 m/s² alebo menej

Odchýlka (K): 1,5 m/s²

POZNÁMKA: Deklarovaná hodnota emisií vibrácií bola meraná podľa štandardnej skúšobnej metódy a môže sa použiť na porovnanie jedného náradia s druhým.

POZNÁMKA: Deklarovaná hodnota emisií vibrácií sa môže použiť aj na predbežné posúdenie vystavenia ich účinkom.

POZNÁMKA: Deklarovaná hodnota vibrácií sa používa pre hlavné aplikácie elektrického náradia. Pokiaľ sa však náradie používa na iné účely, hodnota emisií vibrácií môže byť iná.

VAROVANIE: Emisie vibrácií počas skutočného používania elektrického náradia sa môžu odlišovať od deklarovanej hodnoty emisií vibrácií, a to v závislosti na spôsoboch používania náradia.

VAROVANIE: Nezabudnite označiť bezpečnostné opatrenia s cieľom chrániť obsluhu, a to tie, ktoré sa zakladajú na odhade vystavenia účinkom v rámci reálnych podmienok používania (berúc do úvahy všetky súčasti prevádzkového cyklu, ako sú doby, kedy je náradie vypnuté a kedy beží bez zaťaženia, ako dodatok k dobe zapnutia).

Len pre európske krajiny

Vyhlasenie o zhode so smernicami Európskeho spoločenstva

Spoločnosť Makita vyhlasuje, že nasledovné strojné zariadenie(a):

Označenie strojného zariadenia:

Ručná uhlová brúska

Číslo modelu/Typ: DGA404,DGA454,DGA504

Je v zhode s nasledujúcimi európskymi smernicami:

2006/42/EC

Sú vyrobené podľa nasledovných noriem a štandardizovaných dokumentov:

EN60745

Technická dokumentácia podľa smernice 2006/42/ES je k dispozícii na adrese:

Makita, Jan-Baptist Vinkstraat 2, 3070, Belgicko

13.3.2014



Yasushi Fukaya

Riaditeľ

Makita, Jan-Baptist Vinkstraat 2, 3070, Belgicko

Všeobecné bezpečnostné predpisy pre elektronáradie

⚠️ UPOZORNENIE Prečítajte si všetky upozornenia a inštrukcie. Nedodržavanie pokynov a inštrukcií môže mať za následok úraz elektrickým prúdom, požiar alebo vážne zranenie.

Všetky pokyny a inštrukcie si odložte pre prípad potreby v budúcnosti.

BEZPEČNOSTNÉ VÝSTRAHY PRE AKUMULÁTOROVÚ BRÚSKU

Spoločné bezpečnostné výstrahy pre operácie brúsenia, pieskovania, brúsenia drôteným kotúčom alebo abrazívneho rozbrusovania:

1. Tento elektrický nástroj funguje ako brúska, pieskovač, drôtená kefa alebo rozbrusovací nástroj. Prečítajte si všetky bezpečnostné výstrahy, pokyny, vyobrazenia a špecifikácie určené pre tento elektrický nástroj. Pri nedodržaní všetkých doleuvedených pokynov môže dôjsť k úrazu elektrickým prúdom, požiaru a/alebo vážnemu poraneniu.
2. S týmto elektrickým nástrojom sa neodporúča vykonávať operácie ako leštenie. Operácie, na ktoré tento nástroj nie je určený, môžu spôsobiť riziko a spôsobiť telesné poranenie.
3. Nepoužívajte príslušenstvo, ktoré nie je výslovne určené a odporúčané výrobcom nástroja. To, že príslušenstvo možno pripojiť k vášmu elektrickému nástroju, nezaisťuje bezpečnú prevádzku.

4. **Menovitá rýchlosť príslušenstva musí byť minimálne rovná maximálnej rýchlosti vyznačenej na elektrickom nástroji.** Príslušenstvo pracujúce vyššou rýchlosťou ako jeho menovitá rýchlosť môže prasknúť a rozpadnúť sa.
5. **Vonkajší priemer a hrúbka vášho príslušenstva musí byť v rozmedzí menovitej kapacity elektrického nástroja.** Príslušenstvo nepravého veľkosti nie je možné primerane viesť a ovládať.
6. **Montáž príslušenstva so závitom musí vyhovovať závitom vretena brúsky.** Ak ide o príslušenstvo montované pomocou prírub, otvor na vreteno na príslušenstve musí vyhovovať polohovaciemu priemeru príruby. Príslušenstvo, ktoré nevyhovuje montážnym prostriedkom elektrického nástroja, bude fungovať v nevyváženom stave, bude nadmerne vibrovať a môže spôsobiť stratu kontroly.
7. **Nepoužívajte poškodené príslušenstvo. Pred každým použitím skontrolujte príslušenstvo, napríklad brúsne kotúče, či na nich nie sú úlomky a praskliny, podkladové podložky, či na nich nie sú praskliny, trhliny alebo nie sú nadmerne opotrebované, drôtenú kefu, či nemá uvoľnené alebo popraskané drôty.** Ak elektrický nástroj alebo nástroj spadne, skontrolujte, či nie sú poškodené alebo namontujte nepoškodené príslušenstvo. Po kontrole a namontovaní príslušenstva sa postavte vy aj okolostojaci mimo roviny otáčajúceho sa príslušenstva a spustíte elektrický nástroj na maximálnu rýchlosť bez záťaže na jednu minútu. Poškodené príslušenstvo sa za normálnych okolností počas doby tohto testu rozpadne.
8. **Používajte osobné ochranné prostriedky. V závislosti od aplikácie používajte štít na tvár, ochranné okuliare alebo bezpečnostné okuliare.** Podľa potreby použite protiprachovú masku, chrániče sluchu, rukavice a pracovnú zásteru schopnú zastaviť malé úlomky brusiva alebo obrobku. Chránič zraku musí byť schopný zastaviť odletujúce úlomky vytvárané pri rôznych úkonoch. Protiprachová maska alebo respirátor musia byť schopné filtrovať častičky vytvárané pri vašej činnosti. Dlhodobé vystavenie intenzívnemu hluku môže spôsobiť stratu sluchu.
9. **Okolostojacich udržiavajte v bezpečnej vzdialenosti od pracovného miesta. Každý, kto vstúpi na miesto práce, musí mať osobné ochranné prostriedky.** Úlomky obrobku alebo poškodené príslušenstvo môže odletieť a spôsobiť poranenie aj mimo bezprostredného miesta práce.
10. **Elektrické náradie pri práci, kedy by rezný príslušenstvo mohlo prísť do kontaktu so skrytým vedením, držte len za izolované úchopné povrchy.** Kontakt so „živým“ vodičom môže spôsobiť „vodivosť“ nechránených kovových častí elektrického náradia a spôsobiť tak obsluhu zasiahnutie elektrickým prúdom.
11. **Nikdy elektrický nástroj neodkladajte, kým sa príslušenstvo úplne nezastavilo.** Otáčajúce sa príslušenstvo môže zachytiť a siahnuť elektrický nástroj mimo vašu kontrolu.
12. **Nikdy nespúšťajte elektrický nástroj, keď ho nosíte na boku.** Pri náhodnom kontakte s otáčajúcim sa príslušenstvom by vám mohlo zachytiť odev a siahnuť príslušenstvo smerom na vaše telo.

13. **Pravidelne čistite prieduchy elektrický nástroja.** Ventilátor motora vŕhajúce prach dovnútra a nadmerné nahromadenie práškoveho kovu môže spôsobiť ohrozenie elektrickým prúdom.
14. **Nepoužívajte nástroj v blízkosti horľavých materiálov.** Iskry mohli spôsobiť vznietenie týchto materiálov.
15. **Nepoužívajte príslušenstvo, ktoré vyžadujú tekuté chladivá.** Pri použití vody alebo iného tekutého chladiva by mohlo dôjsť k usmrteniu alebo úderu elektrickým prúdom.

Spätný náraz a príslušné výstrahy

Spätný náraz je náhla reakcia na zovretý alebo prítlačný rotujúci kotúč, opornú podložku, kefku alebo iné príslušenstvo. Zoškrtenie alebo prítlačenie spôsobí náhle spomalenie otáčajúceho sa príslušenstva, čo zase spôsobí vyťahnutie alebo vykopnutie kotúča. Kotúč môže buď vyskočiť dopredu alebo dozadu od obsluhujúcej osoby, v závislosti od smeru pohybu kotúča v momente priškrtenia. Rozbrusovacie kotúče sa za týchto okolností môžu aj prelomiť.

Napríklad, ak obrobok priškrtní alebo prítlačí rozbrusovací kotúč, okraj kotúča vstupujúceho do bodu priškrtenia môže spôsobiť vrytie sa do povrchu materiálu, čo spôsobí vyťahnutie alebo vykopnutie kotúča. Kotúč môže buď vyskočiť dopredu alebo dozadu od obsluhujúcej osoby, v závislosti od smeru pohybu kotúča v momente priškrtenia. Rozbrusovacie kotúče sa za týchto okolností môžu aj prelomiť.

Spätný náraz je výsledok nesprávneho používania elektrického nástroja a/alebo nesprávnych prevádzkových postupov alebo podmienok a možno sa mu vyhnúť vykonaním príslušných protipatrení uvedených nižšie.

- a) **Elektrický nástroj stále pevne držte oboma rukami a telo a rameno držte tak, aby ste odolali silám spätného nárazu. Vždy používajte aj pomocnú rúčku, ak je namontovaná, čím dosiahnete maximálnu kontrolu nad spätným nárazom alebo momentovou reakciou pri spustení.** Sily spätného nárazu alebo momentových reakcií môže obsluhujúca osoba ovládnuť, ak vykoná príslušné protipatrenia.
- b) **Nikdy nedávajte ruku do blízkosti otáčajúceho sa príslušenstva.** Príslušenstvo môže vykonať spätý náraz ponad vašu ruku.
- c) **Nepribližujte sa telom do oblasti, kam sa pohne elektrický nástroj, keď nastane spätný náraz.** Spätný náraz poženie nástroj do opačného smeru ako smer pohybu kotúča v momente privretia.
- d) **Pri opracovávaní rohov, ostrých hrán a pod, buďte zvlášť opatrní. Zabráňte odsakovaniu a zadrhávaniu príslušenstva.** Rohy, ostré hrany alebo odsakovanie majú tendenciu zadrhnúť príslušenstvo a spôsobí stratu kontroly alebo spätný náraz.
- e) **Nepripájajte rezbárske ostrie reťazovej pily ani zúbkované pilové ostrie.** Takéto ostria často spôsobujú spätý náraz a stratu kontroly.

Špecifické bezpečnostné výstrahy pre operácie brúsenia a abrazívneho rozbrusovania:

- a) **Používajte len typy kotúčov, ktoré sú odporúčané pre váš elektrický nástroj a špecifický ochranný kryt určený pre zvolený kotúč.** Kotúče, ktoré nie sú určené pre tento elektrický nástroj, nemôžu byť dostatočne chránené a nie sú bezpečné.

- b) **Brúsný povrch kotúčov so spošteným stredom musí byť namontovaný pod rovinnou okraj chrániča.** Nesprávne namontovaný kotúč vyčnievajúci cez rovinnú okraj chrániča nemôže byť správne chránený.
- c) **Chránič musí byť bezpečne namontovaný na elektrický nástroj, musí byť umiestnený tak, aby bola dosiahnutá maximálna bezpečnosť a tak, aby bola najmenšia jeho časť nechránená vzhľadom k obsluhu.** Chránič pomáha chrániť obsluhu pre časťami zlomeného kotúča, pred náhodným kontaktom s kotúčom a iskrami, ktoré by mohli zapáliť odev.
- d) **Kotúče sa musia používať len na odporúčané aplikácie. Napríklad: nebrúste s bočnou stranou rozbrusovacieho kotúča.** Abrázívne rozbrusovacie kotúče sú určené pre periférne brúsenie; bočné sily aplikované na tieto kotúče by mohli zapríčiniť ich rozlomenie.
- e) **Vždy používajte nepoškodené príruby kotúčov správnej veľkosti a tvaru pre váš zvolený kotúč.** Správne príruby kotúčov podopierajú kotúč, a tým znižujú pravdepodobnosť zlomenia kotúča. Príruby pre rozbrusovacie kotúče sa môžu líšiť od prírub pre brúsný kotúč.
- f) **Nepoužívajte vydraté kotúče z väčších elektrických nástrojov.** Kotúče určené pre väčšie elektrické nástroje nie sú vhodné pre vyššie rýchlosti menších nástrojov a môžu prasknúť.

Ďalšie bezpečnostné výstrahy pre operácie brúsenia a abrazívneho rozbrusovania:

- a) **Rozbrusovací kotúč nestláčajte ani naň neverývajte nadmerný tlak. Nepokúšajte sa rezať príliš hlboko.** Prílišné namáhanie kotúča zvyšuje zaťaženie a náchylnosť k stočeniu alebo zovretiu kotúča v reze a pravdepodobnosť spätného nárazu alebo zlomenia kotúča.
- b) **Nestavajte sa do jednej línie a za rotujúci kotúč.** Keď sa kotúč počas činnosti pohybuje smerom od vás, možný spätý náraz môže vrhnúť rotujúci kotúč a elektrický nástroj priamo na vás.
- c) **Keď sa kotúč zovrie alebo z nejakého dôvodu preruší rez, vypnite elektrický nástroj a držte ho bez pohybu, kým sa kotúč úplne nezastaví. Nikdy sa nepokúšajte odstrániť rozbrusovací kotúč z rezu, kým sa kotúč pohybuje, inak môže dôjsť k spätnému nárazu.** Zistite príčinu zvierania kotúča a vykonajte kroky na jej odstránenie.
- d) **Nezačínajte opätovne rezanie v obrobku. Nechajte kotúč dosiahnuť plné otáčky a opatrne ho znovu vložte do rezu.** Kotúč sa môže zovrieť, vystúpiť nahor alebo spôsobiť spätý náraz, ak elektrické náradie znovu spustíte v obrobku.
- e) **Panely a každý obrobok nadmernej veľkosti podprite, aby sa minimalizovalo riziko zovretia alebo spätného nárazu.** Veľké panely sa zvyknú prehýbať vlastnou váhou. Podpory treba umiestniť pod obrobok na obidvoch stranách do blízkosti línie rezu a do blízkosti okraja obrobku po oboch stranách kotúča.
- f) **Buďte zvlášť opatrní pri vytváraní "dutinového rezu" do existujúcich stien či iných neprehľadných povrchov.** Prečnievajúci kotúč môže zarezat' do plynových alebo vodovodných potrubí, elektrického vedenia alebo objektov, ktoré môžu zapríčiniť spätý náraz.

Bezpečnostné výstrahy špecifické pre operácie pískovania:

- a) **Nepoužívajte brúsne kotúčové papiere nadmernej veľkosti. Pri výbere brúsnych papierov dodržiavajte odporúčania výrobcov.** Väčšie brúsne papiere prečnievajúce mimo brúsnu podložku predstavuje riziko rozdrípania a môže zapríčiniť zadrhnutie, roztrhnutie disku alebo spätný náraz.

Bezpečnostné výstrahy špecifické pre brúsenie drôtenou kefou:

- a) **Myslite na to, že aj pri bežnej činnosti z kefy vyletujú drôtené štetiny. Drôty nadmerne nenamáhajte prílišným zaťažovaním na kefu.** Drôtené štetiny ľahko preniknú šatstvom a/alebo kožou.
- b) **Ak sa pre brúsenie drôtenou kefou odporúča ochranný kryt, dbajte na to, aby drôtený kotúč alebo kefa nezasahovali do ochranného krytu.** Drôtený kotúč alebo kefa sa vďaka pracovnému zaťaženiu a odstredivým silám môžu vo svojom priemere roztláhať.

Ďalšie bezpečnostné výstrahy:

16. **Pri použití brúsnych kotúčov so stlačeným stredom vždy používajte len kotúče vystužené sklenenými vláknamí.**
17. **V spojení s touto brúskou NIKDY NEPOUŽÍVAJTE kotúče na brúsenie kameňa kalichového typu.** Táto brúška nebola navrhnutá pre používanie týchto typov kotúčov a používanie takéhoto výrobku môže mať za následok vážne osobné poranenie.
18. **Nepoškodzujte vreteno, prírubu (najmä montážnu plochu) alebo uzamykacia maticu. Poškodenie týchto dielov by mohlo spôsobiť narušenie kotúča.**
19. **Skôr, ako zapnete spínač, skontrolujte, či sa kotúč nedotýka obrobku.**
20. **Predtým, ako použijete nástroj na konkrétnom obrobku, nechajte ho chvíľu bežať. Sledujte, či nedochádza k vibráciám alebo hádzaniu, ktoré by mohlo naznačovať nesprávnu montáž alebo nesprávne vyvážený kotúč.**
21. **Na brúsenie používajte určený povrch kotúča.**
22. **Nenechávajte nástroj bežať bez dozoru. Pracujte s ním, len keď ho držíte v rukách.**
23. **Nedotýkajte sa obrobku hneď po úkone; môže byť extrémne horúci a môže popáliť vašu pokožku.**
24. **Dodržiavajte pokyny výrobcu pre správnu montáž a používanie kotúčov. Kotúče používajte a skladujte s opatrnosťou.**
25. **Nepoužívajte samostatné redukčné zdierky alebo adaptéry na prispôsobenie brúsnym kotúčom s veľkým otvorom.**
26. **Používajte len príruby určené pre tento nástroj.**
27. **Pri nástrojoch určených na upevnenie pomocou kotúča so závitovým otvorom skontrolujte, či závit v kotúči je dostatočne dlhý pre dĺžku vretena.**
28. **Skontrolujte, či je obrobok správne podoprený.**
29. **Dávajte pozor na to, že kotúč sa ďalej točí aj po vypnutí nástroja.**

30. **Pri práci v extrémne horúcom a vlhkom prostredí alebo prostredí silne znečistenom vodivým prachom používajte skratový istič (30 mA) na zaistenie bezpečnosti obsluhy.**
31. **Nepoužívajte nástroj na materiáloch obsahujúcich azbest.**
32. **Pri použití rozbrusovacieho kotúča vždy pracujte s krytom kotúča na zber prachu podľa miestnych predpisov.**
33. **Kotúčové nože sa nesmú vystavovať priechnemu tlaku.**
34. **Počas prevádzky nepoužívajte látkové pracovné rukavice.** Vlákna z látkových rukavíc sa môžu dostať do náradia s následkom poškodenia náradia.

TIETO POKYNY USCHOVAJTE.

VAROVANIE: NIKDY nepripustíte, aby pohodlie a dobrá znalosť výrobku (získané opakovaným používaním) nahradili presné dodržiavanie bezpečnostných pravidiel pre náradie. NESPRÁVNE POUŽÍVANIE alebo nedodržiavanie bezpečnostných pokynov uvedených v tomto návode na obsluhu môže spôsobiť vážne poranenia osôb.

Dôležité bezpečnostné a prevádzkové pokyny pre akumulátor

1. **Pred použitím akumulátora si prečítajte všetky pokyny a výstavné označenia na (1) nabíjačke akumulátorov, (2) akumulátore a (3) produkte používajúcom akumulátor.**
2. **Akumulátor nerozoberajte.**
3. **Ak sa doba prevádzky príliš skráti, ihneď prerušte prácu. Môže nastať riziko prehriatia, možných popálení či dokonca explózie.**
4. **V prípade zasiahnutia oči elektrolytom ich vypláchnite čistou vodou a okamžite vyhľadajte lekársku pomoc. Môže dôjsť k strate zraku.**
5. **Akumulátor neskratujte:**
 - (1) **Nedotýkajte sa konektorov žiadnym vodivým materiálom.**
 - (2) **Neskladujte akumulátor v obale s inými kovovými predmetmi, napríklad klincami, mincami a pod.**
 - (3) **Akumulátor nevystavujte vode ani dažďu. Skrat akumulátora môže spôsobiť veľký tok prúdu, prehriatie, možné popáleniny či dokonca poruchu.**
6. **Neskladujte nástroj ani akumulátor na miestach s teplotou presahujúcou 50 °C (122 °F).**
7. **Akumulátor nespálujte, ani keď je vážne poškodený alebo úplne opotrebovaný. Akumulátor môže v ohni explodovať.**
8. **Dávajte pozor, aby akumulátor nespadol, a nevystavujte ho nárazom.**
9. **Nepoužívajte poškodený akumulátor.**

10. **Lítium-iónové akumulátory, ktoré sú súčasťou náradia, podliehajú požiadavkám legislatívy o nebezpečnom tovare.**

V prípade obchodnej prepravy, napr. dodanie tretími stranami či špeditérmi, sa musia dodržiavať špeciálne požiadavky na zabalenie a označenie. Pred prípravou položky na odoslanie sa vyžaduje konzultácia s odborníkom na nebezpečný materiál. Taktiež treba dodržiavať potenciálne podrobnejšie predpisy príslušnej krajiny. Prelepte alebo zakryte otvorené kontakty a zabaľte akumulátor tak, aby sa v balíku nemohol voľne pohybovať.

11. **Akumulátor zlikvidujte v súlade s miestnymi nariadeniami.**
12. **Akumulátory používajte iba s výrobkami uvedenými spoločnosťou Makita.** Inštalácia akumulátorov do nevyhovujúcich výrobkov môže spôsobiť požiar, nadmerné teplo, výbuch alebo únik elektrolytov.

TIETO POKYNY USCHOVAJTE.

⚠ POZOR: Používajte len originálne akumulátory od spoločnosti Makita. Používanie batérií, ktoré nie sú od spoločnosti Makita, alebo upravených batérií môže spôsobiť výbuch batérie a následný požiar, zranenie osôb alebo poškodeniu majetku. Následkom bude aj zrušenie záruky od spoločnosti Makita na nástroj a nabíjačku od spoločnosti Makita.

Rady na udržanie maximálnej životnosti akumulátora

1. **Akumulátor nabíjajte ešte predtým, ako sa úplne vybije. Vždy prerušte prácu s nástrojom a nabíjajte akumulátor, keď spozorujete nižší výkon nástroja.**
2. **Nikdy nenabíjajte plne nabitý akumulátor. Prebíjanie skracuje životnosť akumulátora.**
3. **Akumulátor nabíjajte pri izbovej teplote 10 °C – 40 °C (50 °F – 104 °F). Pred nabíjaním nechajte horúci akumulátor vychladnúť.**
4. **Lítium-iónový akumulátor nabíjajte, ak ste ho nepoužívali dlhšie ako šesť mesiacov.**

POPIS FUNKCIE

⚠ POZOR:

- Pred úpravou alebo kontrolou funkčnosti nástroja vždy skontrolujte, či je nástroj vypnutý a blok akumulátora je vybratý.

Inštalácia alebo demontáž kazety akumulátora

- **Obr.1:** 1. Tlačidlo 2. Červený indikátor 3. Kazeta akumulátora

⚠ POZOR:

- Pred inštaláciou alebo vybratím akumulátora náradie vždy vypnite.
- **Pri vkladaní alebo vyberaní akumulátora uchopte pevne náradie aj akumulátor.** Opomenutie pevne uchopiť náradie a akumulátor môže mať za následok ich vyšmyknutie z rúk s dôsledkom poškodenia náradia a batérie, ako aj osobných poranení.

Ak chcete vybrať akumulátor, vysuňte ho zo zariadenia, pričom posuňte tlačidlo na prednej strane akumulátora. Akumulátor vložte tak, že jazyk akumulátora nasmerujete na ryhu v kryte a zasuniete ju na miesto. Ztlačte ho úplne, kým zakliknutím nezapadne na miesto. Ak vidíte červený indikátor na hornej strane tlačidla, nie je správne zapadnutý.

⚠ POZOR:

- Akumulátor vždy nainštalujte úplne, až kým nie je vidieť červený indikátor. V opačnom prípade môže náhodne vypadnúť z náradia a ublížiť vám alebo osobám v okolí.
- Pri inštalovaní jednotky akumulátora nepoužívajte silu. Ak sa jednotka nedá zasunúť ľahko, nevkladajte ju správne.

Zapínanie

⚠ POZOR:

- Pred inštaláciou kazety akumulátora do prístroja vždy skontrolujte, či posuvný prepínač riadne funguje a vracia sa do polohy "OFF", keď je zatlačená zadná strana posuvného prepínača.
- Operátor môže počas dlhšieho používania zablokovat prepínač v polohe "ON", čo mu uľahčí prácu. Pri blokovaní nástroja v polohe "ON" buďte opatrní a nástroj pevne držte.

- **Obr.2:** 1. Posuvný prepínač

Náradie spustíte posunutím posuvného prepínača do polohy „I (ON)“ stlačením zadnej časti posuvného prepínača. Nepretržitý chod dosiahnete stlačením prednej strany posuvného prepínača a jeho zablokovaním. Náradie zastavíte stlačením zadnej strany posuvného prepínača a jeho následným posunutím do polohy „O (OFF)“.

Funkcia zabránenia náhodného opätovného spustenia

Aj keď je v náradí nainštalovaný akumulátor a posuvný prepínač je v polohe „I (ON)“, náradie sa nespustí. Prístroj spustíte posunutím prepínača najprv do polohy "O (OFF)" a potom do polohy "I (ON)".

Funkcia elektronickej regulácie krútiaceho momentu

Prístroj elektronickej zisťuje situácie, kedy by mohlo dôjsť k riziku ohnutia kotúča alebo príslušenstva. V takej situácii sa prístroj automaticky vypne s cieľom zabrániť ďalšiemu otáčaniu vretena (nezabraňuje spätnému nárazu).

Ak chcete prístroj reštartovať, najprv prístroj vypnite, odstráňte príčinu náhleho poklesu rýchlosti otáčania a potom prístroj zapnite.

Indikácia zvyšnej kapacity akumulátora

Len na akumulátory s indikátorom

► Obr.3: 1. Indikátory 2. Tlačidlo kontroly

Stlačením tlačidla kontroly na akumulátore zobrazíte zostávajúcu kapacitu akumulátora. Indikátory sa na niekoľko sekúnd rozsvietia.

Indikátory			Zostávajúca kapacita
Svieti	Nesvieti	Bliká	
■	□	◐	75 % až 100 %
■	■	□	50 % až 75 %
■	□	□	25 % až 50 %
■	□	□	0 % až 25 %
◐	□	□	Akumulátor nabíja.
■	□	□	Akumulátor je možno chybný.
□	□	■	

POZNÁMKA: V závislosti od podmienok používania a v závislosti od okolitej teploty sa môže zobrazenie mierne odlišovať od skutočnej kapacity.

Indikácia zostávajúcej kapacity akumulátora

(Špecifické pre danú krajinu)

► Obr.4: 1. Indikátor akumulátora

Po zapnutí prístroja bude indikátor akumulátora zobrazovať zostávajúcu kapacitu akumulátora. Zostávajúca kapacita akumulátora je zobrazená v nasledujúcej tabuľke.

Stav indikátora akumulátora	Zostávajúca kapacita akumulátora
◐ : Zapnuté □ : Vypnuté ◐ : Bliká	
	50 % – 100 %
	20 % – 50 %
	0 % – 20 %
	Akumulátor nabíja

Funkcia automatickej zmeny otáčok

► Obr.5: 1. Indikátor režimu

Stav indikátora režimu	Prevádzkový režim
	Režim vysokých otáčok
	Režim vysokého krútiaceho momentu

Tento prístroj je vybavený „režimom vysokých otáčok“ a „režimom vysokého krútiaceho momentu“. V závislosti na pracovnom zaťažení dôjde k automatickej zmene prevádzkového režimu. Keď sa počas prevádzky indikátor režimu rozsvieti, prístroj je v režime vysokého krútiaceho momentu.

Systém na ochranu náradia / akumulátora

Náradie je vybavené systémom ochrany náradia / akumulátora. Tento systém automaticky vypne napájanie motora s cieľom predíť životnosť náradia a akumulátora. Prístroj sa počas prevádzky automaticky zastaví v prípade, ak je prístroj alebo akumulátor v rámci jedenej z nasledovných podmienok. Indikátor sa v prípade niektorých podmienok rozsvieti.

Ochrana proti preťaženiu

Keď je náradie prevádzkované spôsobom, ktoré spôsobuje nadmerný odber prúdu náradím, náradie sa bez upozornenia automaticky vypne. V tejto situácii vypnite náradie a ukončíte aplikáciu, ktorá spôsobuje preťažovanie náradia. Potom náradie zapnutím znova spustíte.


Ochrana náradia pred prehrievaním

Keď sa prístroj prehrieva, prístroj sa automaticky zastaví a indikátor akumulátora bude indikovať nasledovný stav. V tejto situácii nechajte prístroj pred jeho opätovným spustením vychladnúť.

Indikátor akumulátora	◐ : Zapnuté □ : Vypnuté ◐ : Bliká
	Prístroj sa prehrieva

Uvoľnenie ochrannej poistky

Keď sa opakovane zapína systém na ochranu, prístroj sa zablokuje a indikátor akumulátora bude indikovať nasledovný stav.

Indikátor akumulátora	<input checked="" type="checkbox"/> : Zapnuté	<input type="checkbox"/> : Vypnuté	<input type="checkbox"/> : Bliká
	Ochranná poistka funguje		

V tejto situácii sa prístroj nespustí ani po vypnutí a zapnutí prístroja. Ak chcete uvoľniť ochrannú poistku, vyberte akumulátor, vložte ho do nabíjačky akumulátora a počkajte na dokončenie nabíjania.

Posúvačový uzáver

⚠ POZOR:

- Nikdy neuvádzajte posúvačový uzáver do činnosti, keď sa vreteno pohybuje. Nástroj sa môže poškodiť.

► **Obr.6:** 1. Posúvačový uzáver

Otáčaniu vretena pri montáži alebo demontáži príslušenstva zabránite stlačením posúvačového uzáveru.

MONTÁŽ

⚠ POZOR:

- Pred vykonaním akejkoľvek práce na nástroji vždy skontrolujte, či je nástroj vypnutý a kazeta akumulátora je vybraťa.

Inštalácia bočnej rukoväti (držadla)

⚠ POZOR:

- Dávajte pozor, aby bočná rukoväť bola vždy pred prácou pevne nainštalovaná.

► **Obr.7**

Bočnú rukoväť bezpečne priskrutkujte na nástroj, ako znázorňuje obrázok.

Inštalácia alebo demontáž ochranného krytu (pre plošký kotúč, multi disk / rozbrusovací kotúč, diamantový kotúč)

⚠ VAROVANIE:

- Pri použití ploškého kotúča na brúsenie hrotov/multi-disku, pružného kotúča, drôtenej kefy, rozbrusovacieho kotúča alebo diamantového kotúča je potrebné pripevniť kryt kotúča na prístroj tak, aby zatvorená strana krytu vždy smerovala k operátorovi.
- Pri použití rozbrusovacieho kotúča / diamantového kotúča vždy používajte len špeciálny ochranný kryt kotúča určený na použitie s rozbrusovacími kotúčmi. (V niektorých krajinách Európy sa pri použití diamantového kotúča môže používať štandardný ochranný kryt. Dodržiavajte nariadenia platné vo vašej krajine.)

Pre prístroj s krytom kotúča s upínacou pákou

► **Obr.8:** 1. Kryt kotúča 2. Skriňa ložiska 3. Skrutka 4. Páčka

Po uvoľnení skrutky uvoľnite páčku na ochrannom kryte kotúča. Namontujte ochranný kryt kotúča tak, aby bol výčnelok na remeni ochranného krytu kotúča zarovnaný s drážkou na ložiskovej skrinke. Následne otočte ochranným krytom kotúča do takého uhla, aby chránil obsluhu, a to podľa druhu vykonávanej práce.

► **Obr.9:** 1. Skrutka 2. Páčka 3. Kryt kotúča

Utiahnutím páčky utiahnite ochranný kryt kotúča. Ak je páčka príliš utiahnutá alebo príliš voľná na zaistenie ochranného krytu kotúča, uvoľnite alebo utiahnite skrutku nastavujúcu napnutie remeňa ochranného krytu kotúča.

Kryt kotúča vyberajte opačným postupom ako pri vkladaní.

Pre prístroje s krytom kotúča s píšnou skrutkou

► **Obr.10:** 1. Kryt kotúča 2. Skriňa ložiska 3. Skrutka

Namontujte ochranný kryt kotúča tak, aby boli výčnelky na remeni ochranného krytu kotúča zarovnané s drážkami na ložiskovej skrinke. Potom otočte kryt kotúča proti smeru hodinových ručičiek o 180°. Skrutku bezpečne dotiahnite.

Kryt kotúča vyberajte opačným postupom ako pri vkladaní.

Montáž alebo demontáž plošného brúsneho kotúča alebo lamelového kotúča (voliteľné príslušenstvo)

⚠ VAROVANIE:

- Pri použití plošného brúsneho kotúča alebo lamelového kotúča je potrebné na náradie namontovať ochranný kryt kotúča tak, aby uzatvorená strana krytu vždy smerovala k obsluhu.
- Posúvačový uzáver uvádzajte do činnosti len keď sa vreteno nepohybuje.

► **Obr.11:** 1. Uzamykacia matica 2. Plošný kotúč 3. Vnútornej obruča

Na vreteno namontujte vnútornú prírubu. Kotúč/disk pripevnite na vnútornú prírubu a na vreteno priskrutkujte závernú maticu.

► **Obr.12:** 1. Kľúč na uzamykáciu maticu 2. Posúvačový uzáver

Uzamykáciu maticu dotiahnete pevným stlačením posúvačového uzáveru tak, aby sa vreteno neotáčalo, potom ju kľúčom na uzamykáciu maticu bezpečne dotiahnite v smere hodinových ručičiek.

Kotúč vyberajte opačným postupom ako pri vkladaní.

Montáž alebo demontáž Ezynut (voliteľné príslušenstvo)

▲ POZOR:

- Nepoužívajte Ezynut so super prírubou alebo s uhlovou brúskou s písmenom „F“ na konci čísla modelu. Tieto príruby sú veľmi hrubé a hriadeľ nedokáže zachytiť celý závit.

► **Obr.13:** 1. Ezynut 2. Brúsny kotúč 3. Vnútorňa obruba 4. Vreteno

Vnútorňú prírubu, brúsny kotúč a maticu Ezynut namontujte na vreteno tak, aby logo spoločnosti Makita na matici Ezynut smerovalo von.

► **Obr.14:** 1. Posúvačový uzáver

Pevne stlačte vačkovú poistku a utiahnite maticu Ezynut otáčaním brúsneho kotúča v smere hodinových ručičiek až na doraz.

Uvoľnite otáčaním vonkajšieho prstenca matice Ezynut proti smeru hodinových ručičiek.

► **Obr.15:** 1. Šípka 2. Zárez

► **Obr.16**

POZNÁMKA:

- Maticu Ezynut uvoľnite rukou, a to dokiaľ šípka neukazuje na drážku. V opačnom prípade sa na uvoľnenie používa kľúč na poistnú maticu. Zasuňte jeden čap kľúča do otvoru a otočte maticou Ezynut proti smeru hodinových ručičiek.

Inštalácia alebo demontáž flexibilného kotúča

Voliteľné príslušenstvo

▲ VAROVANIE: Ak je flexibilný kotúč namontovaný na náradí, vždy používajte dodaný ochranný kryt. Kotúč sa môže počas používania roztrieštiť a kryt prispieva k zníženiu možnosti zranenia osôb.

► **Obr.17:** 1. Uzamykacia matica 2. Flexibilný kotúč 3. Oporná podložka 4. Vnútorňa prírubu

Dodržiavajte pokyny na používanie plošných brúsnych kotúčov, ale používajte aj opornú podložku nainštalovanú na kotúči. Poradie montáže nájdete v tomto návode, na strane venovanej príslušenstvu.

Montáž alebo demontáž brúsneho kotúča (voliteľné príslušenstvo)

► **Obr.18:** 1. Poistná matica pre pieskovanie 2. Brúsny kotúč 3. Gumová podložka

Na vreteno namontujte gumenú podložku. Kotúč pripevnite na gumovú podložku a na vreteno priskrutkujte poistnú maticu. Závernú maticu dotiahnete pevným stlačením posúvačového uzáveru tak, aby sa vreteno neotáčalo, potom ju kľúčom na závernú maticu bezpečne dotiahnite v smere hodinových ručičiek. Kotúč vyberajte opačným postupom ako pri vkladaní.

POZNÁMKA:

- Použite príslušenstvo brúsky, popísané v tejto príručke. Toto si musíte zakúpiť zvlášť.

PRÁCA

▲ VAROVANIE:

- Na prístroj sa nikdy nemá tlačiť. Váha prístroja vyvíja dostatočný tlak. Tlačenie a nadmerný tlak môžu spôsobiť nebezpečné narušenie kotúča.
- Kotúč vymeňte VŽDY keď prístroj počas brúsenia spadne.
- Pri práci brúsny diskom alebo kotúčom NIKDY nevrážajte ani neudierajte.
- Zabráňte odsakovaniu a zadrhávaniu kotúča, predovšetkým pri práci na rohoch, ostrých hranách atď. To môže spôsobiť stratu kontroly a nárazy.
- Prístroj nikdy nepoužívajte s rezacími čepeľami ani inými pilovými listami. Ak sa takéto čepele používajú na brúske, spôsobujú nárazy vedúce k zraneniu osôb.

▲ POZOR:

- Nástroj nikdy nezapínajte ak je v styku s obrobkom, mohlo by prísť k zraneniu obsluhujúceho.
- Pri práci vždy používajte ochranné okuliare alebo ochranný štít.
- Po prevádzke prístroj vždy vypnite a počkajte, kým sa kotúč úplne zastaví, potom prístroj odložte.

Brúsenie a pieskovanie

► **Obr.19**

Prístroj držte VŽDY pevne jednou rukou za kryt a druhou za bočnú rukoväť. Prístroj zapnite a potom priložte kotúč alebo disk k obrobku.

Všeobecne, hranu kotúča alebo disku držte približne v 15° uhle k povrchu obrobku.

Počas zapracovávania nového kotúča nepracujte brúskou v smere B, pretože zareže do obrobku. Ak sa hrana kotúča zaoblila používaním, kotúčom sa môže pracovať v smere A aj B.

Práca s abrazívnym rozbrusovacím kotúčom/diamantovým kotúčom

Voliteľné príslušenstvo

VAROVANIE: Pri použití abrazívneho rozbrusovacieho kotúča/diamantového kotúča vždy používajte len špeciálny ochranný kryt kotúča určený na použitie s rozbrusovacími kotúčmi.

(V niektorých krajinách Európy sa pri použití diamantového kotúča môže používať štandardný ochranný kryt. Dodržiavajte nariadenia platné vo vašej krajine.)

VAROVANIE: Nikdy **NEPOUŽÍVAJTE** rozbrusovací kotúč na priechne brúsenie.

VAROVANIE: Kotúč nestláčajte ani naň nevyvíjajte nadmerný tlak. **Nepokúšajte sa rezať príliš hlboko.** Prílišné namáhanie kotúča zvyšuje zaťaženie a náchylnosť k stočeniu alebo zovretiu kotúča v reze a pravdepodobnosť spätného nárazu, zlomenia kotúča alebo prehriatia motora.

VAROVANIE: Nezačínajte rezanie v obrobkú. **Nechajte kotúč dosiahnuť plnú rýchlosť a opatrne vstúpte do rezu, pričom pohybujte nástrojom dopredu nad povrchom obrobkú.** Kotúč sa môže zovrieť, vystúpiť nahor alebo naraziť späť, ak elektrický nástroj spustíte v obrobkú.

VAROVANIE: Počas rezania nikdy nemeňte uhol kotúča. Pri vyvíjaní bočného tlaku na rozbrusovací kotúč (ako pri brúsení) spôsobí prasknutie a zlomenie kotúča a následné vážne telesné poranenie.

VAROVANIE: **Diamantový kotúč sa bude používať v smere kolmo na rezaný materiál.**

- **Obr.20:** 1. Uzamykacia matica 2. Abrazívny rozbrusovací kotúč/diamantový kotúč 3. Vnútorňa príruha 4. Ochranný kryt abrazívneho rozbrusovacieho kotúča/diamantového kotúča

Instaláciu vykonajte podľa pokynov pre plošký kotúč. **Smer montáže uzamykacej matice a vnútornej príruby sa mení v závislosti od typu a hrúbky kotúča.** Pozrite si nasledujúce hodnoty.

Pre 100 mm (4") model

Pri inštalácii abrazívneho rozbrusovacieho kotúča:

- **Obr.21:** 1. Uzamykacia matica 2. Abrazívny rozbrusovací kotúč (tenší ako 4 mm (5/32")) 3. Abrazívny rozbrusovací kotúč (4 mm (5/32") alebo hrubší) 4. Vnútorňa príruha

Pri inštalácii diamantového kotúča:

- **Obr.22:** 1. Uzamykacia matica 2. Diamantový kotúč (tenší ako 4 mm (5/32")) 3. Diamantový kotúč (4 mm (5/32") alebo hrubší) 4. Vnútorňa príruha

Pre 115 mm (4 – 1/2")/125 mm (5") model

Pri inštalácii abrazívneho rozbrusovacieho kotúča:

- **Obr.23:** 1. Uzamykacia matica 2. Abrazívny rozbrusovací kotúč (tenší ako 4 mm (5/32")) 3. Abrazívny rozbrusovací kotúč (4 mm (5/32") alebo hrubší) 4. Vnútorňa príruha

Pri inštalácii diamantového kotúča:

- **Obr.24:** 1. Uzamykacia matica 2. Diamantový kotúč (tenší ako 4 mm (5/32")) 3. Diamantový kotúč (4 mm (5/32") alebo hrubší) 4. Vnútorňa príruha

Prevádzka s drôtenou kalichovou kefkou (voliteľné príslušenstvo)

POZOR:

- Činnosť kefy skontrolujte spustením náradia bez zaťaženia a zabezpečte pri tom, aby nikto nebol pred alebo v línii s kefkou.
- Kefku nepoužívajte pokiaľ je poškodená alebo pokiaľ nie je vyvážená. Používanie poškodenej kefy môže zvýšiť možnosť poranenia v dôsledku kontaktu so zlomenými drôti kefy.

- **Obr.25:** 1. Drôtená kalichová kefka

Z prístroja vyberte blok akumulátora a položte ho naopak, aby ste získali jednoduchý prístup k vretenu. Z vretena demontujte všetko príslušenstvo. Na vreteno naskrutkujte drôtenú kalichovú kefku a utiahnite dodávaným kľúčom. Pokiaľ používate kefku, vyhnite sa vyvíjaniu nadmerného tlaku, ktorý spôsobuje ohnutie drôtov, čo vedie k predčasnemu zlomeniu.

Prevádzka s drôtenou kotúčovou kefkou (voliteľné príslušenstvo)

POZOR:

- Činnosť drôtenej kotúčovej kefy skontrolujte spustením náradia bez zaťaženia a zabezpečte pri tom, aby nikto nebol pred alebo v línii s drôtenou kotúčovou kefkou.
- Drôtenú kotúčovú kefku nepoužívajte pokiaľ je poškodená alebo pokiaľ nie je vyvážená. Používanie poškodenej drôtenej kotúčovej kefy môže zvýšiť možnosť poranenia v dôsledku kontaktu so zlomenými drôti.
- V spojení s drôtenými kotúčovými kefkami **VŽDY** používajte ochranný kryt, a to taký, aby kotúč zapadol do ochranného krytu. Kotúč sa môže počas používania roztrieštiť a kryt prispeje k zníženiu možnosti zranenia osôb.

- **Obr.26:** 1. Drôtená kotúčová kefka

Z prístroja vyberte blok akumulátora a položte ho naopak, aby ste získali jednoduchý prístup k vretenu. Z vretena demontujte všetko príslušenstvo. Drôtenú kotúčovú kefku naskrutkujte na vreteno a utiahnite pomocou kľúčov. Pokiaľ používate drôtenú kotúčovú kefku, nevyvíjajte nadmerný tlak, ktorý spôsobuje nadmerné ohnutie drôtov s dôsledkom predčasného zlomenia.

ÚDRŽBA

⚠ POZOR:

- Pred vykonaním kontroly alebo údržby vždy skontrolujte, či je nástroj vypnutý a blok akumulátora je vybratý.
- Nepoužívajte benzín, riedidlo, alkohol ani nič podobné. Mohlo by to spôsobiť zmenu farby, deformácie alebo praskliny.

► Obr.27: 1. Odsávací prieduch 2. Nasávací prieduch

Nástroj a jeho prieduchy sa musia udržiavať čisté.

Vzduchové prieduchy nástroja čistíte pravidelne alebo vždy, keď je prieduch trochu upchatý.

► Obr.28: 1. Protiprachový kryt

Z otvoru na nasávanie vzduchu demontujte protiprachový kryt a vyčistite ho, aby sa dosiahlo plynulé prúdenie vzduchu.

POZNÁMKA:

- Protiprachový kryt vyčistite, ak je zanesený prachom alebo cudzími predmetmi. Pri ďalšej práci so zaneseným protiprachovým krytom sa prístroj poškodí.

Kvôli zachovaniu BEZPEČNOSTI a SPOLAHLIVOSTI výrobkov musia byť opravy a akákoľvek ďalšia údržba či nastavovanie robené autorizovanými servisnými strediskami firmy Makita a s použitím náhradných dielov Makita.

VOLITEĽNÉ PRÍSLUŠENSTVO

⚠ POZOR:

- Pre váš nástroj Makita, opísaný v tomto návode, doporučujeme používať toto príslušenstvo a nástavce. Pri použití iného príslušenstva či nástavcov môže hrozit' nebezpečenstvo zranenia osôb. Príslušenstvo a nástavce sa môžu používať len na účely pre ne stanovené.

Ak potrebujete bližšie informácie týkajúce sa tohoto príslušenstva, obráťte sa na vaše miestne servisné stredisko firmy Makita.

- Originálna batéria a nabíjačka Makita

► Obr.29

-	100 mm (4") model	115 mm (4 – 1/2") model	125 mm (5") model
1	Rukoväť 36		
2	Ochranný kryt kotúča (pre brúsny kotúč)		
3	Vnútoraná príruha	Vnútoraná príruha/super príruha *1*2	Vnútoraná príruha/super príruha
4	Ploský kotúč/lamelový disk		
5	Uzamykacia matica	Uzamykacia matica / Ezynut *1*2	Uzamykacia matica / Ezynut *2
6	Oporná podložka		
7	Flexibilný kotúč		
8	Gumová podložka 76	Gumová podložka 100	Gumová podložka 115
9	Brúsny disk		
10	Uzamykacia matica na pieskovanie		
11	Drôtená kotúčová kefa		
12	Drôtená kalichová kefa		
13	Ochranný kryt kotúča (pre rozbrusovací kotúč) *3		
14	Abrazívny rozbrusovací kotúč/diamantový kotúč		
-	Kľúč na uzamykaciu maticu		

POZNÁMKA: *1 Len pre náradie s vretenom so závitom M14.

POZNÁMKA: *2 Súčasne spolu nepoužívajte super príruhu a Ezynut.

POZNÁMKA: *3 V niektorých európskych krajinách sa pri používaní diamantového kotúča môže namiesto špeciálneho ochranného krytu zakrývajúceho obe strany kotúča používať obyčajný ochranný kryt. Dodržiavajte nariadenia platné vo vašej krajine.

POZNÁMKA:

- Niektoré položky zo zoznamu môžu byť súčasťou balenia náradia vo forme štandardného príslušenstva. Rozsah týchto položiek môže byť v každej krajine odlišný.

TECHNICKÉ ÚDAJE

Model		DGA404	DGA454	DGA504
Průměr kotouče		100 mm (4")	115 mm (4-1/2")	125 mm (5")
Max. tloušťka kotouče		6,4 mm (1/4")	6,4 mm (1/4")	6,4 mm (1/4")
Závit vřetena		M10	M14 nebo 5/8" (specifické pro danou zemi)	
Jmenovité otáčky (n) / otáčky bez zatížení (n ₀)		8 500 min ⁻¹		
Celková délka	S blokem akumulátoru BL1815N, BL1820, BL1820B	348 mm		
	S blokem akumulátoru BL1830, BL1830B, BL1840, BL1840B, BL1850, BL1850B, BL1860B	362 mm		
Hmotnost netto	S blokem akumulátoru BL1815N, BL1820, BL1820B	2,2 kg	2,3 kg	2,3 kg
	S blokem akumulátoru BL1830, BL1830B, BL1840, BL1840B, BL1850, BL1850B, BL1860B	2,4 kg	2,5 kg	2,5 kg
Jmenovité napětí		18 V DC		

- Vzhledem k neustálému výzkumu a vývoji zde uvedené technické údaje podléhají změnám bez upozornění.
- Technické údaje a blok akumulátoru se mohou v různých zemích lišit.
- Hmotnost s blokem akumulátoru dle EPTA – Procedure 01/2003

Určení nástroje

Nástroj je určen k broušení, jemnému broušení a řezání kovových materiálů a kamene bez použití vody.

Hlučnost

Typická vážená hladina hluku (A) určená podle normy EN60745:

Model DGA404

Hladina akustického tlaku (L_{PA}): 80 dB (A)
 Hladina akustického výkonu (L_{WA}): 91 dB (A)
 Nejistota (K): 3 dB (A)

Model DGA454, DGA504

Hladina akustického tlaku (L_{PA}): 79 dB (A)
 Nejistota (K): 3 dB (A)

Hladina hluku při práci může překročit hodnotu 80 dB (A).

Používejte ochranu sluchu

Vibrace

Celková hodnota vibrací (vektorový součet tří os) určená podle normy EN60745:

Model DGA404

Pracovní režim: obrušování ploch s normální boční rukojetí
 Emise vibrací (a_{h,AG}): 4,5 m/s²
 Nejistota (K): 1,5 m/s²
 Pracovní režim: obrušování ploch s antivibrační boční rukojetí
 Emise vibrací (a_{h,AG}): 4,0 m/s²
 Nejistota (K): 1,5 m/s²
 Pracovní režim: broušení kotoučem
 Emise vibrací (a_{h,DS}): 2,5 m/s² nebo méně
 Nejistota (K): 1,5 m/s²

Model DGA454, DGA504

Pracovní režim: obrušování ploch s normální boční rukojetí
 Emise vibrací (a_{h,AG}): 6,5 m/s²
 Nejistota (K): 1,5 m/s²

Pracovní režim: obrušování ploch s antivibrační boční rukojetí

Emise vibrací (a_{h,AG}): 6,0 m/s²

Nejistota (K): 1,5 m/s²

Pracovní režim: broušení kotoučem

Emise vibrací (a_{h,DS}): 2,5 m/s² nebo méně

Nejistota (K): 1,5 m/s²

POZNÁMKA: Deklarovaná hodnota emisí vibrací byla změřena v souladu se standardní testovací metodou a může být využita ke srovnávání nářadí mezi sebou.

POZNÁMKA: Deklarovanou hodnotu emisí vibrací lze rovněž využít k předběžnému posouzení vystavení jejich vlivu.

POZNÁMKA: Hodnota deklarovaných emisí vibrací se vztahuje na hlavní účel využití akumulátorového nářadí. Bude-li však nářadí použito k jiným účelům, může být hodnota emisí vibrací jiná.

VAROVÁNÍ: Emise vibrací během skutečného používání elektrického nářadí se mohou od deklarované hodnoty emisí vibrací lišit v závislosti na způsobu použití nářadí.

VAROVÁNÍ: Na základě odhadu vystavení účinkům vibrací v aktuálních podmínkách zajistěte bezpečnostní opatření k ochraně obsluhy (vezměte v úvahu všechny části pracovního cyklu, mezi něž patří kromě doby pracovního nasazení i doba, kdy je nářadí vypnuto nebo pracuje ve volnoběhu).

Pouze pro země Evropy

Prohlášení ES o shodě

Společnost Makita prohlašuje, že následující zařízení:

Popis zařízení:

Akumulátorová úhlová bruska

Č. modelu/typ: DGA404,DGA454,DGA504

A vyhovuje následujícím evropským směrnicím:

2006/42/EC

Zařízení bylo vyrobeno v souladu s následující normou

či normativními dokumenty:

EN60745

Technická dokumentace dle 2006/42/ES je k dispozici

na adrese:

Makita, Jan-Baptist Vinkstraat 2, 3070, Belgie

13.3.2014



Yasushi Fukaya

Ředitel

Makita, Jan-Baptist Vinkstraat 2, 3070, Belgie

Obecná bezpečnostní upozornění k elektrickému nářadí

⚠️ UPOZORNĚNÍ Přečtěte si všechna bezpečnostní upozornění a pokyny. Při nedodržení upozornění a pokynů může dojít k úrazu elektrickým proudem, požáru nebo vážnému zranění.

Všechna upozornění a pokyny si uschovejte pro budoucí potřebu.

BEZPEČNOSTNÍ UPOZORNĚNÍ K AKUMULÁTOROVÉ BRUSCE

Obecné bezpečnostní výstrahy pro broušení, smírkování a kartáčování a rozbrušování:

- 1. Tento elektrický nástroj je určen k broušení, jemnému broušení, kartáčování a rozbrušování. Přečtěte si bezpečnostní výstrahy, pokyny, ilustrace a technické údaje dodané s tímto elektrickým nástrojem. Nedodržení všech pokynů uvedených níže může způsobit úraz elektrickým proudem, požár a/nebo vážné poranění.**
- 2. Tento elektrický nástroj se nedoporučuje používat k operacím, jako je leštění. Budete-li pomocí tohoto nástroje provádět práce, pro které není nástroj určen, můžete se vystavit rizikům a možnosti poranění.**
- 3. Nepoužívejte příslušenství, které není speciálně určeno pro nástroj a doporučeno jeho výrobcem. Pouhá možnost upevnění příslušenství na elektrický nástroj nezaručuje jeho bezpečnou funkci.**
- 4. Jmenovité otáčky příslušenství nesmí překročit maximální otáčky vyznačené na elektrickém nástroji. Příslušenství pracující při vyšších než jmenovitých otáčkách se může roztrhnout a rozlétnout.**
- 5. Vnější průměr a tloušťka příslušenství musí odpovídat jmenovitým hodnotám určeným pro tento elektrický nástroj. Příslušenství nesprávné velikosti nelze řádně chránit či kontrolovat.**

- 6. Závit příslušenství musí odpovídat závitů vřetena brusky. U příslušenství montovaného použitím přírub musí upínací otvor příslušenství odpovídat rozměrům přírub. Příslušenství neodpovídající upevňovacímu mechanismu elektrického nářadí nebude vyvážené, způsobí nadměrné vibrace a může vyvolat ztrátu kontroly.**
- 7. Nepoužívejte poškozené příslušenství. Před každým použitím zkontrolujte příslušenství; např. brusné kotouče, zda nevykazují trhliny nebo znečištění třískami, opěrnou podložku, zda nevykazují trhliny, natržení nebo nadměrné opotřebení, nebo drátěný kartáč, zda neobsahuje uvolněné či popraskané dráty. Pokud jste nástroj nebo příslušenství upustili, ověřte, zda nedošlo ke škodám a případně poškozené příslušenství vyměňte. Po kontrole a instalaci příslušenství se postavte mimo rovinu otáčejícího se příslušenství (tento požadavek platí také pro jakékoliv okolostojící osoby) a nechejte elektrický nástroj jednu minutu běžet při maximálních otáčkách bez zatížení. Poškozené příslušenství se obvykle během této zkušební doby roztrhne.**
- 8. Používejte osobní ochranné prostředky. Pouze typu prováděné práce používejte obličejový štít nebo ochranné brýle. Podle potřeby používejte protiprachovou masku, ochranu sluchu, rukavice a pracovní zástěru, která je schopna zastavit malé kousky brusiva nebo části zpracovávaného dílu. Ochrana zraku musí odolávat odletujícím materiálům vznikajícím při různých činnostech. Protiprachová maska nebo respirátor musí filtrovat částice vznikající při prováděné práci. Prodloužené vystavení hluku vysoké intenzity může způsobit ztrátu sluchu.**
- 9. Zajistěte, aby okolostojící osoby dodržovaly bezpečnou vzdálenost od místa provádění práce. Všechny osoby vstupující na pracoviště musí používat osobní ochranné prostředky. Úlomky dílu nebo roztrženého příslušenství mohou odletovat a způsobit zranění i ve větší vzdálenosti od pracoviště.**
- 10. Při práci v místech, kde může dojít ke kontaktu nástroje se skrytým elektrickým vedením, držte elektrické nářadí pouze za izolované části držadel. Kontakt s vodičem pod napětím přenese proud do nechráněných kovových částí nářadí a obsluha může utrpět úraz elektrickým proudem.**
- 11. Elektrický nástroj nikdy nepokládejte před tím, než příslušenství dosáhne úplného klidu. Otáčející se příslušenství se může zachytit o povrch a způsobit ztrátu kontroly nad elektrickým nástrojem.**
- 12. Nikdy nástroj neuvádějte do chodu, pokud jej přenašíte po svém boku. Náhodný kontakt s otáčejícím se příslušenstvím by mohl zachytit vaši oděv a vtáhnout vás do nástroje.**
- 13. Pravidelně čistěte větrací otvory elektrického nástroje. Ventilátor motoru nasává dovnitř skříňné prach. Dojde-li k nadměrnému nahromadění kovového prachu, mohou vzniknout elektrická rizika.**
- 14. Neprovazujte elektrický nástroj v blízkosti hořlavých materiálů. Odletující jiskry by mohly tyto materiály zapálit.**
- 15. Nepoužívejte příslušenství vyžadující použití chladících kapalin. Použití vody nebo jiné chladicí kapaliny může vést k úmrtí nebo úrazu elektrickým proudem.**

Zpětný ráz a odpovídající výstrahy

Zpětný ráz je náhlá reakce na skřípnutí či zaseknutí otáčejícího se kotouče, opěrné podložky, kartáče nebo jiného příslušenství. Skřípnutí nebo zaseknutí způsobuje náhlé zastavení otáčejícího se příslušenství, což vede k nekontrolovanému vrhnutí elektrického nástroje ve směru opačném ke směru otáčení příslušenství v místě zachycení.

Pokud například dojde k zaseknutí nebo skřípnutí brusného kotouče v dílu, hrana kotouče vstupující do místa skřípnutí se může zakousnout do povrchu materiálu a to způsobí zvednutí kotouče nebo jeho vyhození. Kotouč může vyskočit buď směrem k pracovníkovi nebo od něj podle toho, v jakém směru se kotouč pohybuje v místě skřípnutí. Za těchto podmínek může také dojít k roztržení brusných kotoučů.

Zpětný ráz je důsledkem špatného použití a/nebo nesprávných pracovních postupů či podmínek. Lze se mu vyhnout přijetím odpovídajících opatření, která jsou uvedena níže.

a) **Elektrický nástroj pevně držte a své tělo a paže umístěte tak, abyste byli schopni odolat silám vznikajícím při zpětném rázu. Vždy používejte pomocné držadlo, je-li k dispozici, abyste získali maximální kontrolu nad zpětným rázem nebo reakcí na točivý moment během uvádění do chodu.** Pracovník je schopen kontrolovat reakce na točivý moment a síly vznikající při zpětném rázu, pokud přijme odpovídající opatření.

b) **Nikdy nedávejte ruce do blízkosti otáčejícího se příslušenství.** Příslušenství může odskočit zpět přes vaše ruce.

c) **Nemějte tělo na místě, na které se elektrický nástroj přesune v případě zpětného rázu.**

Zpětný ráz nástroj vystřelí ve směru opačném k pohybu kotouče v místě zachycení.

d) **Zvláštní opatnost zachovávejte při opracování rohů, ostrých hran, atd. Vyvarujte se narážení a skřípnutí příslušenství.** Rohy a ostré hrany mají tendenci zachycovat otáčející se příslušenství, což vede ke ztrátě kontroly nebo zpětnému rázu.

e) **Nepřipojujte článkový nebo ozubený pilový kotouč.** Takové kotouče často způsobují zpětné rázy a ztrátu kontroly.

Konkrétní bezpečnostní výstrahy pro broušení a rozbrušování:

a) **Používejte pouze kotouče doporučené pro váš elektrický nástroj a specifický kryt určený pro vybraný kotouč.** Kotouče, pro které nebyl elektrický nástroj určen, nelze odpovídajícím způsobem zabezpečit a představují proto riziko.

b) **Brusná plocha kotoučů s vypouklým středem musí být umístěna pod rovinou obruby krytu.** Nesprávně namontovaný kotouč vyčnívající nad rovinu obruby krytu nemůže být dostatečně chráněn.

c) **Kryt musí být k elektrickému nářadí bezpečně připevněn a vhodně ustaven k zajištění maximální bezpečnosti tak, aby byla směrem k obsluze otevřena co nejmenší část kotouče.** Kryt napomáhá chránit obsluhu před odletujícími úlomky rozbitého kotouče a nechtěným kontaktem s kotoučem či jiskrami, jež mohou zapálit oděv.

d) **Kotouče je povoleno používat pouze k doporučeným účelům.** Například: **Nebruste bokem rozbrušovacího kotouče.** Rozbrušovací kotouče jsou určeny k obvodovému broušení a působení bočních sil může způsobit jejich roztržení.

e) **Vždy používejte nepoškozené příruby, které mají správnou velikost a tvar odpovídající vybranému kotouči.** Správné příruby zajišťují podepření kotouče a omezují tak možnost jeho roztržení. Příruby pro rozbrušovací kotouče se mohou lišit od přírub určených pro brusné kotouče.

f) **Nepoužívejte opotřeбенé kotouče z větší elektrické nářadí.** Kotouč určený pro vyšší elektrické nářadí není vhodný pro vyšší otáčky menší jednotky a může se roztrhnout.

Doplňkové bezpečnostní výstrahy pro broušení a rozbrušování:

a) **Zamezte „zaseknutí“ rozbrušovacího kotouče a nevyvíjejte na něj příliš velký tlak.**

Nepokoušejte se o provedení řezu s příliš velkou hloubkou. Vyvinete-li na kotouč příliš velký tlak, zvyšuje se jeho zatížení a náchylnost ke kroucení nebo ohybu v řezu a tudíž možnost zpětného rázu nebo roztržení kotouče.

b) **Nestavějte se přímo za otáčející se kotouč.** Pokud se kotouč v místě operace posunuje směrem od vašeho těla, může potenciální zpětný ráz vystřelit otáčející se kotouč spolu s elektrickým nástrojem přímo na vás.

c) **Pokud kotouč vážne nebo z jakéhokoliv důvodu chcete přerušit řezání, vypněte nástroj a držte jej bez pohybu, dokud se kotouč úplně nezastaví.**

Nikdy se nepokoušejte vyťahovat rozbrušovací kotouč z řezu, je-li kotouč v pohybu, protože by mohlo dojít ke zpětnému rázu. Zjistěte příčinu vážnutí kotouče a přijměte odpovídající nápravná opatření.

d) **Neobnovujte řezání přímo v obrobku.** Nechte kotouč dosáhnout plné rychlosti a potom jej opatrně zaveďte zpět do řezu. Spustíte-li kotouč v obrobku, může dojít k jeho uváznutí, vyskočení nebo ke zpětnému rázu.

e) **Desky a jakékoliv díly nadměrné velikosti podepřete, abyste omezili na minimum riziko skřípnutí kotouče a zpětného rázu.** Velké díly mají tendenci prověšovat se svojí vlastní vahou. Podpěry je nutno umístit pod díl v blízkosti rysky řezu a u okrajů dílu, a to na obou stranách od kotouče.

f) **Při provádění „kapsovitého řezu“ do stávajících stěn nebo jiných uzavřených míst zachovávejte zvýšenou opatnost.** Vyčnívající kotouč může při zařazení do plynových, vodovodních či elektrických vedení nebo jiných objektů způsobit zpětný ráz.

Zvláštní bezpečnostní výstrahy pro smirkování:

a) **Nepoužívejte smirkový papír nadměrné velikosti.** Při výběru smirkového papíru **udržte údaje výrobce.** Smirkový papír přečnívající přes brusný talíř může způsobit poranění a rovněž zablokování, roztržení kotouče a zpětný ráz.

Zvláštní bezpečnostní výstrahy pro práci s drátěnými kartáči:

a) **Nezapomeňte, že drátěný kartáč i během běžného používání ztrácí kousky drátu.** **Nepřetěžujte dráty příliš vysokým tlakem na kartáč.** Odletající kousky drátu mohou velmi lehce proniknout skrz tenký oděv a/nebo pokožku.

b) **Je-li při kartáčování doporučen ochranný kryt, zabraňte vzájemnému kontaktu ochranného krytu a drátěného kotouče či kartáče.** Drátěný kotouč nebo kartáč může díky přítlaku a odstředivým silám zvětšit svůj průměr.

Dodatečná bezpečnostní upozornění:

16. **Při používání brusných kotoučů s vypouklým středem používejte pouze kotouče vyztužené sklolaminátem.**

17. **V této brusce NIKDY NEPOUŽÍVEJTE** brusící kotouče miskovitěho typu. Tato bruska není pro zmiňovaný typ kotoučů zkonstruována a používání podobných produktů může vést k vážným zraněním.

18. **Dávejte pozor, aby nedošlo k poškození vřetene, příruby (zejména instalačního povrchu) a pojistné matice.** Poškození těchto dílů může vést k roztržení kotouče.

19. **Před zapnutím spínače se přesvědčte, zda se kotouč nedotýká dílu.**

20. Před použitím nástroje na skutečném dílu jej nechejte na chvíli běžet. Sledujte, zda nevznikají vibrace nebo víklání, které by mohly signalizovat špatně nainstalovaný nebo nedostatečně vyvážený kotouč.
21. Při broušení používejte stanovený povrch kotouče.
22. Nenechávejte nástroj běžet bez dozoru. Pracujte s ním, jen když jej držíte v rukou.
23. Bezprostředně po ukončení práce se nedotýkejte nástroje; může dosahovat velmi vysokých teplot a popálit pokožku.
24. Dodržujte pokyny výrobce týkající se správné montáže a použití kotoučů. Při manipulaci a skladování kotoučů je nutno zachovávat opatrnost.
25. Nepoužívejte samostatná redukční pouzdra ani adaptéry k přizpůsobení brusných kotoučů s velkým otvorem.
26. Používejte pouze příruby určené pro tento nástroj.
27. U nástrojů, které jsou určeny k montáži kotoučů se závitovaným otvorem dbejte, aby byl závit kotouče dostatečně dlouhý vzhledem k délce vřetene.
28. Zkontrolujte, zda je díl řádně podepřen.
29. Nezapomeňte, že kotouč pokračuje v otáčení i po vypnutí nástroje.
30. Pokud se na pracovišti vyskytují velice vysoké teploty či vlhkost nebo je pracoviště znečištěno vodivým prachem, použijte k zajištění bezpečnosti obsluhy zkratový jistič (30 mA).
31. Nepoužívejte nástroj ke zpracování materiálů obsahujících azbest.
32. Používáte-li rozbrušovací kotouč, vždy pracujte s chráničem kotouče se sběrem prachu, který je požadován směrnicemi.
33. Rozbrušovací kotouče nesmí být vystaveny žádnému příčnému tlaku.
34. Při práci nepoužívejte látkové pracovní rukavice. Vlákna z rukavic mohou vniknout do nářadí, což může způsobit poruchu nářadí.
4. Budou-li vaše oči zasaženy elektrolytem, vypláchněte je čistou vodou a okamžitě vyhledejte lékařskou pomoc. Může dojít ke ztrátě zraku.
5. Akumulátor nezkratujte:
 - (1) Nedotýkejte se svorek žádným vodivým materiálem.
 - (2) Neskladujte akumulátor v nádobě s jinými kovovými předměty, jako jsou hřebíky, mince, apod.
 - (3) Nevystavujte akumulátor vodě a dešti. Zkrat akumulátoru může způsobit velký průtok proudu, přehřátí, možné popálení a dokonce i poruchu.
6. Neskladujte nářadí a akumulátor na místech, kde může teplota překročit 50 °C (122 °F).
7. Nespalujte akumulátor, ani když je vážně poškozen nebo úplně opotřeben. Akumulátor může v ohni vybuchnout.
8. Dávejte pozor, abyste akumulátor neupustili ani s ním nenaráželi.
9. Nepoužívejte poškozené akumulátory.
10. Obsažené lithium-iontové akumulátory podléhají právním požadavkům na nebezpečné zboží.

V případě komerční přepravy například externími dopravci je třeba dodržet zvláštní požadavky na balení a značení.

Pro přípravu zboží k přepravě je nutná konzultace s odborníkem na nebezpečný materiál. Dodržujte také případné podrobnější národní předpisy. Odkryté kontakty přelepte izolační páskou či jinak zakryjte a akumulátory zabalte tak, aby se v balení nemohly pohybovat.
11. Při likvidaci akumulátoru postupujte podle místních předpisů.
12. Akumulátor používejte pouze s výrobky specifikovanými společností Makita. Instalace akumulátoru do nevhovujících výrobků může způsobit požár, nadměrné zahřívání, explozi nebo únik elektrolytu.

TYTO POKYNY USCHOVEJTE.

VAROVÁNÍ: NEDOVOLTE, aby pohodlnost nebo pocit znalosti výrobku (získaný na základě opakovaného používání) vedly k zanedbání dodržování bezpečnostních pravidel platných pro tento výrobek. **NESPRÁVNÉ POUŽÍVÁNÍ** nebo nedodržení bezpečnostních pravidel uvedených v tomto návodu k obsluze může způsobit vážné zranění.

Důležitá bezpečnostní upozornění pro akumulátor

1. Před použitím akumulátoru si přečtěte všechny pokyny a varovné symboly na (1) nabíječe, (2) akumulátoru a (3) výrobku využívajícím akumulátor.
2. Akumulátor nerozebírejte.
3. Pokud se přilíží zkrátí provozní doba akumulátoru, přerušte okamžitě práci. V opačném případě existuje riziko přehřívání, popálení nebo dokonce výbuchu.
1. Akumulátor nabíjte dříve, než dojde k jeho úplnému vybití. Pokud si povšimnete sníženého výkonu nářadí, vždy jej zastavte a dobijte akumulátor.
2. Nikdy nenabíjete úplně nabitý akumulátor. Přebíjení zkracuje životnost akumulátoru.
3. Akumulátor dobíjejte při pokojové teplotě od 10 °C do 40 °C (50 °F až 104 °F). Před nabíjením nechejte horký akumulátor zchladnout.
4. Pokud se akumulátor delší dobu nepoužívá (déle než šest měsíců), je nutno jej dobít.

TYTO POKYNY USCHOVEJTE.

UPOZORNĚNÍ: Používejte pouze originální akumulátory Makita. Používání neoriginálních nebo upravených akumulátorů může způsobit explozi akumulátoru a následný požár, zranění a jiné poškození. Zaniká tím také záruka společnosti Makita na nářadí a nabíječku Makita.

Typy k zajištění maximální životnosti akumulátoru

POPIS FUNKCE

⚠ UPOZORNĚNÍ:

- Před nastavováním nástroje nebo kontrolou jeho funkce se vždy přesvědčte, zda je nástroj vypnutý a je odpojen jeho akumulátor.

Instalace a demontáž akumulátoru

- **Obr.1:** 1. Tlačítko 2. Červený indikátor
3. Akumulátor

⚠ UPOZORNĚNÍ:

- Před nasazením či sejmutím bloku akumulátoru nářadí vždy vypněte.
- **Při nasazování či snímání bloku akumulátoru pevně držte nářadí i akumulátor.** V opačném případě vám mohou nářadí nebo akumulátor vyklouznout z ruky a mohlo by dojít k jejich poškození či ke zranění.

Jestliže chcete blok akumulátoru vyjmout, vysuňte jej se současným přesunutím tlačítka na přední straně akumulátoru.

Při instalaci akumulátoru vyrovnejte jazýček na bloku akumulátoru s drážkou v krytu a zasuňte akumulátor na místo. Akumulátor zasuňte na doraz, až zacvakne na místo. Není-li tlačítko zcela zajištěno, uvidíte na jeho horní straně červený indikátor.

⚠ UPOZORNĚNÍ:

- Akumulátor zasunujte vždy zcela tak, aby nebyl červený indikátor vidět. Jinak by mohl akumulátor ze zařízení vypadnout a způsobit zranění obsluze či přihlížejícím osobám.
- Blok akumulátoru nenasazujte násilím. Nelze-li akumulátor zasunout snadno, nevkládáte jej správně.

Zapínání

⚠ UPOZORNĚNÍ:

- Před vložením akumulátoru do nářadí vždy zkontrolujte, zda posuvný spínač správně funguje a zda se po stisknutí v zadní části vrací do polohy „VYP.“
- Spínač lze zablokovat v poloze zapnuto. Pracovníkovi se tak usnadňuje práce prováděná po delší dobu. Zajištěte-li nástroj v poloze zapnuto, postupujte se zvýšenou opatrností a neustále nástroj pevně držte.

- **Obr.2:** 1. Posuvný spínač

Nářadí se spouští přesunutím posuvného spínače do polohy „I (ZAP.)“ zatlačením na jeho zadní stranu. Jestliže chcete zapnout trvalý provoz, zajištěte posuvný spínač zatlačením na jeho přední část. Chcete-li zařízení vypnout, stisknete zadní část posuvného spínače a přesuňte jej do polohy „O“ (VYP.).

Funkce prevence neúmyslného opětovného spuštění

Nářadí se nespustí ani ve chvíli, kdy je vložen blok akumulátoru a posuvný spínač je v poloze „I“. Chcete-li nástroj uvést do chodu, nejdříve přesuňte posuvný spínač do polohy vypnuto „O“ a poté do polohy zapnuto „I“.

Funkce elektronického řízení momentu















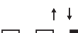


Nářadí elektronicky detekuje situace nebezpečí zaseknutí kotouče nebo příslušenství. V takové chvíli se nářadí automaticky vypne a zamezí dalšímu otáčení vřetena (nezbraňuje zpětnému rázu). Chcete-li nářadí znovu zapnout, musíte jej nejprve vypnout. Odstraňte příčinu náhlého poklesu otáček a pak nářadí zapněte.

Indikace zbývajících kapacity akumulátoru

Pouze pro akumulátory s diodovým ukazatelem

- **Obr.3:** 1. Kontrolky 2. Tlačítko kontroly

Stisknutím tlačítka kontroly na akumulátoru zjistíte zbývajících kapacitu akumulátoru. Kontrolky indikátoru se na několik sekund rozsvítí.

Kontrolky			Zbývajících kapacita
 Svítí	 Nesvítí	 Bliká	
			75 % až 100 %
			50 % až 75 %
			25 % až 50 %
			0 % až 25 %
			Nabíjete akumulátor.
			Došlo pravděpodobně k poruše akumulátoru.
			

POZNÁMKA: Kapacita udávaná indikátorem se může mírně lišit od skutečné kapacity v závislosti na podmínkách používání a teplotě prostředí.

Indikace zbývajících kapacity akumulátoru

(Specifický pro danou zemi)

- **Obr.4:** 1. Kontrolka akumulátoru

Indikátor akumulátoru zobrazí po zapnutí nářadí zbývajících kapacitu akumulátoru.

Zbývajících kapacita akumulátoru se zobrazuje tak, jak je uvedeno v následující tabulce.

Stav indikátoru akumulátoru	Zbývající kapacita akumulátoru
	50 % – 100 %
	20 % – 50 %
	0 % – 20 %
	Nabíjejte akumulátor

Funkce automatické změny otáček

► Obr.5: 1. Indikátor režimu

Stav indikátoru režimu	Provozní režim
	Režim vysokých otáček
	Režim vysokého točivého momentu

Nářadí nabízí „režim vysokých otáček“ a „režim vysokého točivého momentu“. Změna provozního režimu se přepíná automaticky podle pracovního zatížení. Jestliže se za provozu rozsvítí indikátor režimu, pracuje nářadí v režimu vysokého točivého momentu.

System ochrany nářadí a akumulátoru

Nářadí je vybaveno systémem ochrany nářadí a akumulátoru. Tento systém automaticky přeruší napájení motoru, aby se prodloužila životnost nářadí a akumulátoru.

Budou-li nářadí nebo akumulátor vystaveny některé z níže uvedených podmínek, nářadí se během provozu automaticky vypne. Za určitých podmínek se rozsvítí indikátor.

Ochrana proti přetížení

Pokud se s nářadím pracuje způsobem vyvolávajícím mimořádně vysoký odběr proudu, nářadí se automaticky a bez jakékoli signalizace vypne. V takové situaci nářadí vypněte a ukončete činnost, při níž došlo k přetížení nářadí. Potom nářadí zapněte a obnovte činnost.

Ochrana nářadí proti přehřátí

Při přehřátí se nářadí automaticky vypne a indikátor akumulátoru zobrazí následující stav. V takovém případě nechte nářadí před opětovným zapnutím vychladnout.

Kontrolka akumulátoru	ZAP	VYP	Bliká
Nářadí se přehřálo			

Deaktivace ochranného blokování

Po opakované aktivaci systému ochrany se nářadí zobrazuje a indikátor akumulátoru zobrazí následující stav.

Kontrolka akumulátoru	ZAP	VYP	Bliká
Je aktivováno ochranné blokování			

V takové situaci nelze nářadí spustit ani po jeho vypnutí a opětovném zapnutí. Ochranné blokování lze deaktivovat vyjmutím akumulátoru, vložením do nabíječky akumulátorů a vyčkáním na dokončení nabíjení.

Zámek hřídele

⚠️ UPOZORNĚNÍ:

- Nikdy neaktivujte zámek hřídele, pokud se pohybuje vřeteno. Může dojít k poškození nástroje.

► Obr.6: 1. Zámek hřídele

Při instalaci a demontáži příslušenství lze zámek hřídele použít jako prevenci otáčení vřetena.

MONTÁŽ

⚠️ UPOZORNĚNÍ:

- Před prováděním libovolných prací na nástroji se vždy přesvědčte, zda je nástroj vypnutý a je odpojen jeho akumulátor.

Instalace boční rukojeti (držadla)

⚠️ UPOZORNĚNÍ:

- Dávejte pozor, aby boční rukojeť byla vždy před prací pevně nainstalovaná.

► Obr.7

Pevně našroubujte boční rukojeť na místo nástroje, které je ilustrováno na obrázku.

Nasazení či sejmutí chrániče kotouče (pro kotouče s vypouklým středem, lamelové brusné kotouče/rozbrušovací kotouče, diamantové kotouče)

⚠️ VAROVÁNÍ:

- Při použití brusného kotouče s vypouklým středem/lamelového kotouče, prohnutého kotouče, drátěného kotouče nebo diamantového kotouče je nutno chránič kotouče umístit na nástroj tak, aby uzavřená strana chrániče vždy směřovala k pracovníkovi.
- Při použití rozbrušovacího/diamantového kotouče se ujistěte, zda používáte pouze speciální kryt kotouče zkonstruovaný k použití s rozbrušovacími kotouči. (V některých evropských zemích lze při práci s diamantovým kotoučem použít obvyklý kryt. Dodržujte směrnice platné ve vaší zemi.)

Nástroj s chráničem kotouče a upínací páčkou

- **Obr.8:** 1. Chránič kotouče 2. Ložisková skříň
3. Šroub 4. Páčka

Povolte šroub a uvolněte páčku na krytu kotouče. Namontujte kryt kotouče tak, aby byl výstupek na objímce krytu kotouče vyrovnán s výřezem na ložiskové skříni. Kryt kotouče pak natočte do úhlu, v němž bude podle prováděné práce chránit obsluhu.

- **Obr.9:** 1. Šroub 2. Páčka 3. Chránič kotouče

Dotazením páčky upevníte kryt kotouče. Jestliže je páčka k uchycení krytu kotouče příliš dotažená nebo příliš uvolněná, povolte nebo přitáhněte šroub k seřízení dotažení objímky krytu kotouče. Při demontáži chrániče kotouče použijte opačný postup montáže.

Nástroj s chráničem kotouče a závěrným šroubem

- **Obr.10:** 1. Chránič kotouče 2. Ložisková skříň
3. Šroub

Namontujte kryt kotouče tak, aby byly výstupky na obrouči krytu vyrovnány s výřezy na ložiskové skříni. Potom kryt kotouče otočte o 180° vlevo. Ujistěte se, zda jste pevně dotáhli šroub.

Při demontáži chrániče kotouče použijte opačný postup montáže.

Montáž a demontáž kotouče s vypouklým středem nebo lamelového kotouče (volitelné příslušenství)

VAROVÁNÍ:

- Při použití kotouče s vypouklým středem či lamelového kotouče musí být na nářadí nasažen kryt kotouče tak, aby byla uzavřená strana krytu vždy nasměrována k obsluze.
- Zámek hřídele aktivujte pouze pokud se nepohybuje vřetenem.

- **Obr.11:** 1. Pojistná matice 2. Kotouč s vypouklým středem 3. Vnitřní příruba

Namontujte na vřetenem vnitřní přírubu. Umístěte kotouč/disk na vnitřní přírubu a našroubujte na vřetenem pojistnou matici.

- **Obr.12:** 1. Klíč na pojistné matice 2. Zámek hřídele

Při utahování pojistné matice pevně stiskněte zámek hřídele tak, aby se vřetenem nemohlo otáčet, a poté ji pomocí klíče na pojistné matice pevně utáhněte ve směru hodinových ručiček. Při demontáži kotouče použijte opačný postup montáže.

Montáž a demontáž matice Ezynut (volitelné příslušenství)

UPOZORNĚNÍ:

- Matici Ezynut nepoužívejte se Super přírubou ani v úhlových bruskách s označením „F“ na konci čísla modelu. Tyto příruby jsou totiž tak silné, že vřetenem nezachytí celou délku závitů.

- **Obr.13:** 1. Matice Ezynut 2. Rozbrušovací kotouč 3. Vnitřní příruba 4. Vřetenem

Na vřetenem namontujte vnitřní přírubu, rozbrušovací kotouč a matici Ezynut s logem Makita směrem ven.

- **Obr.14:** 1. Zámek hřídele

Stiskněte pevně aretační tlačítko hřídele a matici Ezynut dotáhněte nadoraz otáčením rozbrušovacího kotouče vpravo.

Povolení provedete otočením vnějšího kroužku matice Ezynut vlevo.

- **Obr.15:** 1. Šipka 2. Zářez

- **Obr.16**

POZNÁMKA:

- Pokud je šipka nasměrována k zářezu, lze matici Ezynut povolit rukou. Jinak je k povolení zapotřebí klíč na pojistnou matici. Jeden z čepů klíče nasadíte do otvoru a pak matici otáčením vlevo povolíte.

Nasazení a sejmutí brousícího kotouče

Volitelné příslušenství

VAROVÁNÍ: Při nasazení brousícího kotouče vždy používejte dodaný chránič. Kotouč se může během provozu rozlétnout a chránič tak napomáhá omezit nebezpečí zranění.

- **Obr.17:** 1. Pojistná matice 2. Brousící kotouč 3. Opěrná podložka 4. Vnitřní příruba

Postupujte podle pokynů pro kotouče s vypouklým středem a také použijte opěrnou podložku ke kotouči. Pořadí montáže naleznete na stránce věnované příslušenství v tomto návodu.

Montáž a demontáž brusného kotouče (volitelné příslušenství)

- **Obr.18:** 1. Pojistná matice pro smírkování 2. Brusný kotouč 3. Pryžová podložka

Namontujte na vřetenem pryžovou podložku. Umístěte kotouč na pryžovou podložku a našroubujte na vřetenem pojistnou matici. Při utahování pojistné matice pevně stiskněte zámek hřídele tak, aby se vřetenem nemohlo otáčet, a poté ji pomocí klíče na pojistné matice pevně utáhněte ve směru hodinových ručiček.

Při demontáži kotouče použijte opačný postup montáže.

POZNÁMKA:

- Používejte příslušenství brusky uvedené v této příručce. Příslušenství je nutno zakoupit samostatně.

PRÁCE

⚠VAROVÁNÍ:

- Nikdy by neměla nastat potřeba vyvíjet na nástroj příliš velkou sílu. Dostatečný tlak je zajištěn hmotností samotného nástroje. Příliš velký tlak by mohl vést k nebezpečnému roztržení kotouče.
- Pokud nástroj při broušení upustíte, VŽDY vyměňte kotouč.
- NIKDY s brusným kotoučem nenarážejte do zpracovávaného materiálu.
- Vyvarujte se narážení a zaseknutí kotouče, a to zejména při opracování rohů, ostrých hran, apod. Mohlo by dojít ke ztrátě kontroly a zpětnému rázu.
- NIKDY nástroj nepoužívejte s řeznými kotouči určenými pro dřevo ani jinými pilovými listy. Při použití takových kotoučů na brusce často dochází k rázům a ztrátě kontroly, ze které vyplývají zranění.

⚠UPOZORNĚNÍ:

- Nikdy nástroj nezapínejte, pokud je v kontaktu se zpracovávaným dílem. Mohlo by dojít ke zranění.
- Při práci vždy používejte ochranné brýle nebo obličejový štít.
- Po ukončení práce vždy nástroj vypněte a před položením vždy vyčkejte, dokud se kotouč úplně nezastaví.

Hrubé a jemné broušení

► Obr.19

Nástroj VŽDY pevně držte jednou rukou na skříní a druhou rukou na bočním držadle. Zapněte nástroj a přiložte kotouč nebo disk na zpracovávaný díl. Obecně udržujte okraj kotouče nebo disku pod úhlem přibližně 15° k povrchu dílu. Při záběhu nového kotouče nepracujte s bruskou ve směru B. V opačném případě se bruska zařízne do zpracovávaného materiálu. Jakmile dojde provozem k zaoblení okraje kotouče, lze s kotoučem pracovat ve směru A i B.

Provoz s rozbrušovacím kotoučem / diamantovým kotoučem

Volitelné příslušenství

⚠VAROVÁNÍ: Při použití rozbrušovacího kotouče / diamantového kotouče se ujistěte, zda používáte pouze speciální chránič kotouče zkonstruovaný k použití s rozbrušovacími kotouči.

(V některých evropských zemích lze při práci s diamantovým kotoučem použít obvyklý chránič. Dodržujte směrnice platné ve vaší zemi.)

⚠VAROVÁNÍ: NIKDY nepoužívejte rozbrušovací kotouč k bočnímu broušení.

⚠VAROVÁNÍ: Zamezte zaseknutí kotouče a nevyvíjejte na něj přílišný tlak. Nepokoušejte se o provádění příliš hlubokých řezů. Vyvinete-li na kotouč příliš velký tlak, zvyšuje se jeho zatížení a náchylnost ke kroucení nebo ohybu v řezu a tudíž možnost zpětného rázu nebo roztržení kotouče.

⚠VAROVÁNÍ: Nezačínejte řezat s kotoučem v obrobku. Nechte kotouč dosáhnout plných otáček a pak jej opatrně ved'te do řezu: posouvejte nářadí vpřed přes povrch obrobku. Spustíte-li kotouč v obrobku, může dojít k jeho uváznutí, vyskočení nebo zpětnému rázu.

⚠VAROVÁNÍ: Během práce nikdy neměňte úhel kotouče. Vyvinete-li na rozbrušovací kotouč boční tlak (jako při broušení), dojde k popraskání a roztržení kotouče a vážnému zranění.

⚠VAROVÁNÍ: S diamantovým kotoučem je třeba řezat do opracovávaného materiálu vsle.

- Obr.20: 1. Pojistná matice 2. Rozbrušovací kotouč / diamantový kotouč 3. Vnitřní příruba 4. Chránič kotouče pro rozbrušovací kotouče / diamantové kotouče

Při instalaci postupujte podle pokynů pro kotouče s vypouklým středem.

Směr montáže pojistné matice a vnitřní příruby se liší podle typu a tloušťky kotouče.

Viz následující obrázky.

Pro model 100 mm (4")

Při montáži rozbrušovacího kotouče:

- Obr.21: 1. Pojistná matice 2. Rozbrušovací kotouč (s tloušťkou menší než 4 mm (5/32")) 3. Rozbrušovací kotouč (s tloušťkou 4 mm (5/32") nebo větší) 4. Vnitřní příruba

Při montáži diamantového kotouče:

- Obr.22: 1. Pojistná matice 2. Diamantový kotouč (s tloušťkou menší než 4 mm (5/32")) 3. Diamantový kotouč (s tloušťkou 4 mm (5/32") nebo větší) 4. Vnitřní příruba

Pro model 115 mm (4 – 1/2") / 125 mm (5")

Při montáži rozbrušovacího kotouče:

- **Obr.23:** 1. Pojistná matice 2. Rozbrušovací kotouč (s tloušťkou menší než 4 mm (5/32"))
3. Rozbrušovací kotouč (s tloušťkou 4 mm (5/32")) nebo větší 4. Vnitřní příruba

Při montáži diamantového kotouče:

- **Obr.24:** 1. Pojistná matice 2. Diamantový kotouč (s tloušťkou menší než 4 mm (5/32"))
3. Diamantový kotouč (s tloušťkou 4 mm (5/32")) nebo větší 4. Vnitřní příruba

Provoz s hrcovým drátěným kartáčem (volitelné příslušenství)

⚠ UPOZORNĚNÍ:

- Spuštěním nářadí naprázdno zkontrolujte funkci kartáče a ujistěte se přitom, zda před kartáčem nebo v jeho blízkosti nejsou žádné osoby.
- Nepoužívejte poškozené a nevyvážené kartáče. Používání poškozeného kartáče může zvýšit nebezpečí zranění kontaktem s dráty roztrženého kartáče.

► **Obr.25:** 1. Hrcový drátěný kartáč

Z nářadí vyjměte blok akumulátoru a položte jej kotoučem nahoru, abyste získali snadný přístup k vřetenu. Z vřetena sejměte veškeré příslušenství. Na vřeteno nasadte hrcový drátěný kartáč a dotáhněte jej dodaným klíčem. Při použití kartáče netlačte příliš silně, abyste dráty kartáče neohnuli, což by vedlo k jeho předčasnému zničení.

Provoz s kotoučovým drátěným kartáčem (volitelné příslušenství)

⚠ UPOZORNĚNÍ:

- Spuštěním nářadí naprázdno zkontrolujte funkci kotoučového drátěného kartáče a ujistěte se přitom, zda před ním či v jeho blízkosti nejsou žádné osoby.
- Nepoužívejte poškozené a nevyvážené kotoučové drátěné kartáče. Používání poškozeného kotoučového drátěného kartáče může zvýšit nebezpečí zranění kontaktem s roztrženým kartáčem.
- Při práci s kotoučovým drátěným kartáčem VŽDY používejte kryt - ujistěte se přitom, zda se průměr kotouče do krytu vejde. Kotouč se může během provozu rozlétnout a kryt tak napomáhá omezit nebezpečí zranění.

► **Obr.26:** 1. Kotoučový drátěný kartáč

Z nářadí vyjměte blok akumulátoru a položte jej kotoučem nahoru, abyste získali snadný přístup k vřetenu. Z vřetena sejměte veškeré příslušenství. Na vřeteno navlékněte kotoučový drátěný kartáč a dotáhněte jej klíčem. Při použití kotoučového drátěného kartáče netlačte příliš silně, abyste dráty kartáče neohnuli, což by vedlo k jeho předčasnému zničení.

ÚDRŽBA

⚠ UPOZORNĚNÍ:

- Před zahájením kontroly nebo údržby nástroje se vždy přesvědčte, zda je nástroj vypnutý a je odpojen akumulátor.
- Nikdy nepoužívejte benzín, benzen, ředidlo, alkohol či podobné prostředky. Mohlo by tak dojít ke změně barvy, deformacím či vzniku prasklin.

► **Obr.27:** 1. Výfukový otvor 2. Sací otvor

Nástroj a větrací otvory je nutno udržovat v čistotě. Větrací otvory nástroje čistěte pravidelně nebo kdykoliv dojde k jejich zablokování.

► **Obr.28:** 1. Protiprachový kryt

Z přísavacího otvoru sejměte protiprachový kryt a k zajištění hladké cirkulace vzduchu jej vyčistěte.

POZNÁMKA:

- Jestliže se protiprachový kryt ucpe prachem či jiným materiálem, vyčistěte jej. Pokud budete pokračovat v provozu s ucpaným protiprachovým krytem, může dojít k poškození nářadí.

Kvůli zachování BEZPEČNOSTI a SPOLEHLIVOSTI výrobku musí být opravy a veškerá další údržba či seřizování prováděny autorizovanými servisními středisky firmy Makita a s použitím náhradních dílů Makita.

VOLITELNÉ PŘÍSLUŠENSTVÍ

⚠ UPOZORNĚNÍ:

- Pro váš nástroj Makita, popsany v tomto návodu, doporučujeme používat toto příslušenství a nástavce. Při použití jiného příslušenství či nástavců může hrozit nebezpečí zranění osob. Příslušenství a nástavce lze používat pouze pro jejich stanovené účely.

Potřebujete-li bližší informace ohledně tohoto příslušenství, obraťte se na vaše místní servisní středisko firmy Makita.

- Originální akumulátor a nabíječka Makita

► Obr.29

-	Model 100 mm (4")	Model 115 mm (4 - 1/2")	Model 125 mm (5")
1	Rukojeť 36		
2	Chráníč kotouče (pro brusný kotouč)		
3	Vnitřní příruba	Vnitřní příruba / příruba Super *1*2	Vnitřní příruba / příruba Super
4	Kotouč s vypouklým středem / lamelový disk		
5	Pojistná matice	Pojistná matice / Ezynut *1*2	Pojistná matice / Ezynut *2
6	Opěrná podložka		
7	Brousící kotouč		
8	Pryžová podložka 76	Pryžová podložka 100	Pryžová podložka 115
9	brusný disk		
10	Pojistná matice pro smrkování		
11	Kotoučový drátěný kartáč		
12	Hrncový drátěný kartáč		
13	Chráníč kotouče (pro rozbrušovací kotouč) *3		
14	Rozbrušovací kotouč / diamantový kotouč		
-	Klíč na pojistné matice		

POZNÁMKA: *1 Pouze pro nářadí se závitem vřetena M14.

POZNÁMKA: *2 Nepoužívejte současně Super přírubu a matici Ezynut.

POZNÁMKA: *3 V některých evropských zemích lze při použití diamantových kotoučů použít obvyklý chráníč namísto speciálního chrániče zakrývajícího obě strany kotouče. Dodržujte směrnice platné ve vaší zemi.

POZNÁMKA:

- Některé položky seznamu mohou být k zařízením přibaleny jako standardní příslušenství. Přibalené příslušenství se může v různých zemích lišit.

Makita Europe N.V. Jan-Baptist Vinkstraat 2,
3070 Kortenberg, Belgium

Makita Corporation 3-11-8, Sumiyoshi-cho,
Anjo, Aichi 446-8502 Japan

www.makita.com

885376D977
EN, UK, PL, RO,
DE, HU, SK, CS
20180620