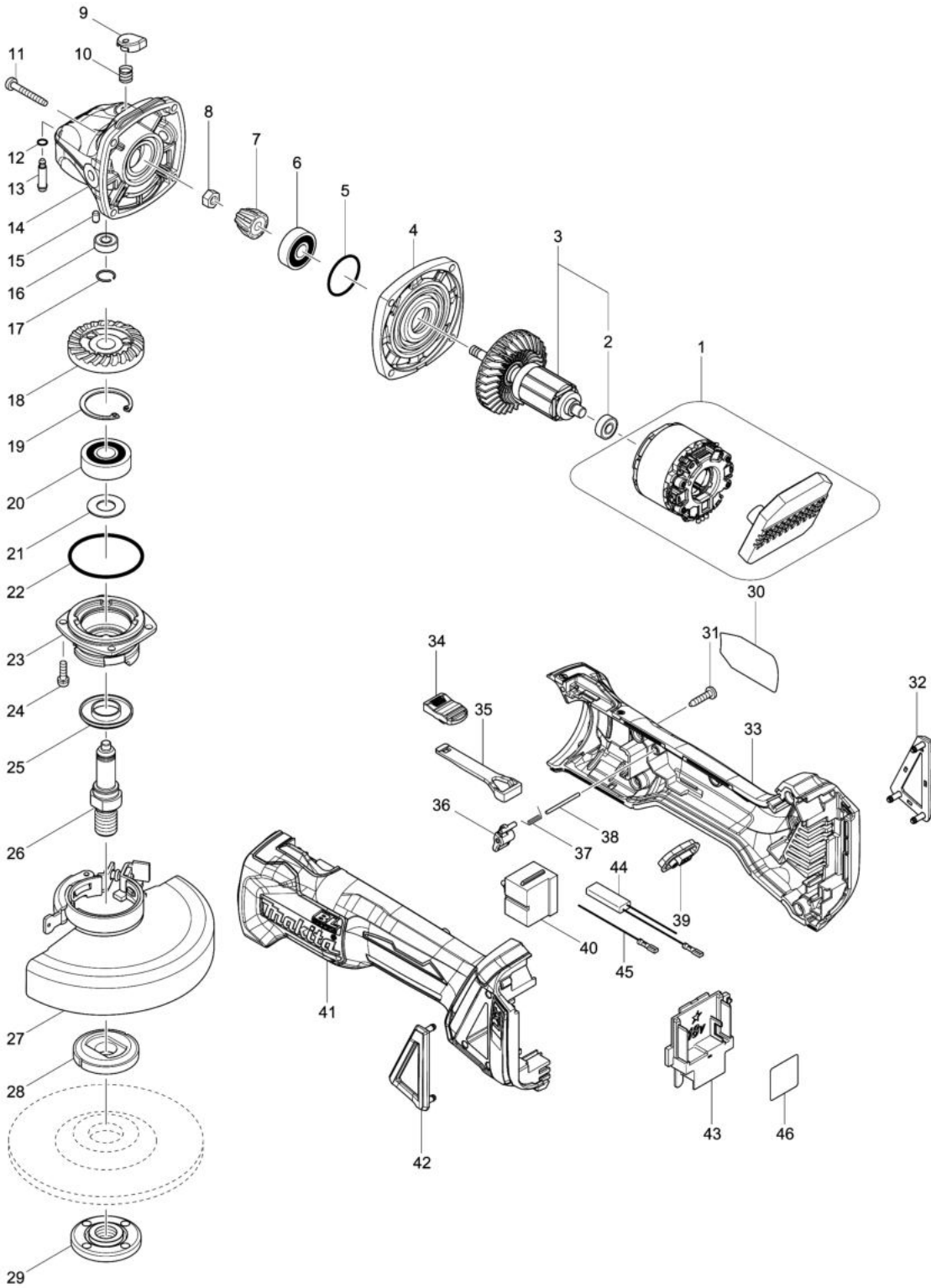


Model No.DGA504 125MM CORDLESS ANGLE GRINDER



Model No.DGA504 125MM CORDLESS ANGLE GRINDER

| Item | Parts No. | Description | I/C | Qty | New/Old | Opt. 1 | Opt. 2 | Note |
|--------|-----------|----------------------|-----|-----|---------|--------|--------|------|
| 001B | 629140-1 | STATOR COMPLETE | | 1 | * | | | |
| C10 | 688131-1 | LINE FILTER | | 1 | * | | | |
| 001C | 629140-1 | STATOR COMPLETE | | 1 | * | | | |
| C10 | 688131-1 | LINE FILTER | | 1 | * | | | |
| 001-1B | 629173-6 | STATOR COMPLETE | S | 1 | * | | | |
| 001-1C | 629173-6 | STATOR COMPLETE | S | 1 | * | | | |
| 001-1G | 629173-6 | STATOR COMPLETE | | 1 | * | | | |
| 001-2 | 629176-0 | STATOR COMPLETE | O | 1 | * | | | |
| 001-3 | 629173-6 | STATOR COMPLETE | O | 1 | | | | |
| 002 | 210034-7 | BALL BEARING 607LLB | | 1 | * | | | |
| 002-1 | 210169-4 | BALL BEARING 607LLB | < | 1 | | | | |
| 003B | 519354-9 | ROTOR ASS'Y | | 1 | * | | | |
| D10 | | INC. 2 | | | * | | | |
| 003C | 519354-9 | ROTOR ASS'Y | | 1 | * | | | |
| D10 | | INC. 2 | | | * | | | |
| 003-1B | 519378-5 | ROTOR ASS'Y | O | 1 | * | | | |
| D10 | | INC. 2 | | | * | | | |
| 003-1C | 519378-5 | ROTOR ASS'Y | O | 1 | * | | | |
| D10 | | INC. 2 | | | * | | | |
| 003-1G | 519378-5 | ROTOR ASS'Y | | 1 | * | | | |
| D10 | | INC. 2 | | | * | | | |
| 003-2 | 510329-1 | ROTOR ASS'Y | < | 1 | | | | |
| D10 | | INC. 2 | | | | | | |
| 004 | 319214-3 | GEAR HOUSING COVER | | 1 | | | | |
| 005 | 213445-5 | O-RING 26 | | 1 | * | | | |
| 005-1 | 213407-3 | O RING 26 | O | 1 | | | | |
| 006 | 210042-8 | BALL BEARING 629LLB | | 1 | | | | |
| 007 | 227541-3 | SPIRAL BEVEL GEAR 10 | | 1 | * | | | |
| 007-1 | 226861-2 | SPIRAL BEVEL GEAR 10 | S | 1 | | | | |
| 008 | 252186-8 | HEX. NUT M6 | | 1 | | | | |
| 009 | 417771-6 | PIN CAP | | 1 | | | | |
| 010 | 233072-2 | COMPRESSION SPRING 8 | | 1 | | | | |
| 011 | 266361-0 | TAPPING SCREW 4X30 | | 4 | | | | |
| 012 | 213960-9 | O RING 5 | | 1 | | | | |
| 013 | 256546-6 | SHOULDER PIN 4 | | 1 | | | | |
| 014 | 319213-5 | GEAR HOUSING | | 1 | | | | |
| 015 | 263002-9 | RUBBER PIN 4 | | 1 | | | | |
| 016 | 210033-9 | BALL BEARING 696ZZ | | 1 | | | | |
| 017 | 233950-6 | RING SPRING 11 | | 1 | | | | |
| 018 | 227641-9 | SPIRAL BEVEL GEAR 37 | | 1 | * | | | |
| 018-1 | 226862-0 | SPIRAL BEVEL GEAR 37 | S | 1 | | | | |
| 019 | 962151-6 | RETAINING RING R-32 | | 1 | | | | |

Please order the parts with part number.

Print Date 26/3/2020

Model No.DGA504 125MM CORDLESS ANGLE GRINDER

| Item | Parts No. | Description | I/C | Qty | New/Old | Opt. 1 | Opt. 2 | Note |
|-------|-----------|-----------------------------------|-----|-----|---------|--------|--------|------|
| 020 | 211129-9 | BALL BEARING 6201DDW | | 1 | | | | |
| 021 | 267113-2 | FLAT WASHER 12 | | 1 | | | | |
| 022 | 213622-9 | O RING 45 | | 1 | | | | |
| 023 | 318331-6 | BEARING BOX | | 1 | | | | |
| 024 | 911121-2 | PAN HEAD SCREW M4X14 | | 4 | | | | |
| 025 | 345464-4 | LABYRINTH RING | | 1 | | | | |
| 026 | 324954-0 | SPINDLE | | 1 | | | | |
| 027 | 123145-8 | TOOLLESS WHEELCOVER 125AK ASSY | | 1 | | | | |
| C10 | 213009-5 | O RING 4 | | 1 | | | | |
| C20 | 265180-1 | PAN HEAD SCREW M5X16 | | 1 | | | | |
| 028 | 224415-9 | INNER FLANGE 42 | | 1 | * | | | |
| 028-1 | 224490-5 | INNER FLANGE 14-45 | O | 1 | * | | | |
| 028-2 | 224415-9 | INNER FLANGE 42 | O | 1 | | | | |
| 029 | 224554-5 | LOCK NUT 14-45 | | 1 | | | | |
| 030 | 850J42-2 | DGA504 NAME PLATE | | 1 | | | | |
| 031 | 266326-2 | TAPPING SCREW 4X18 | | 5 | | | | |
| 032 | 455450-8 | DUST COVER R | | 1 | | | | |
| 033 | 187998-9 | MOTOR HOUSING SET | | 1 | | | | |
| C10 | 263005-3 | RUBBER PIN 6 | | 2 | | | | |
| D10 | | INC. 41 | | | | | | |
| 034 | 455447-7 | SWITCH KNOB | | 1 | | | | |
| 035 | 455446-9 | SWITCH LEVER | | 1 | | | | |
| 036 | 455448-5 | LEVER | | 1 | | | | |
| 037 | 231679-8 | TORSION SPRING 2 | | 1 | | | | |
| 038 | 268330-7 | PIN 2 | | 1 | | | | |
| 039 | 142901-7 | INDICATOR PANEL COMPLETE | | 1 | | | | |
| 040 | 650579-7 | SWITCH 1246.3223 | | 1 | | | | |
| 041 | 187998-9 | MOTOR HOUSING SET | | 1 | | | | |
| C10 | 263005-3 | RUBBER PIN 6 | | 2 | | | | |
| D10 | | INC. 33 | | | | | | |
| 042 | 455449-3 | DUST COVER L | | 1 | | | | |
| 043 | 643899-6 | TERMINAL | | 1 | | | | |
| 044B | 632E34-1 | RESISTOR UNIT | | 1 | * | | | |
| 044C | 632E34-1 | RESISTOR UNIT | | 1 | * | | | |
| 045B | 632E33-3 | LEAD UNIT | | 1 | * | | | |
| 045C | 632E33-3 | LEAD UNIT | | 1 | * | | | |
| 046 | 850J49-8 | DGA504 SERIAL NO. LABEL | | 1 | | | | |
| A01 | A-80656 | GRINDING WHEEL 125 WA36N | | 1 | | | | |
| A02 | 162258-0 | VIBRATION PROOF GRIP | | 1 | | | | |
| A03 | 782423-1 | LOCK NUT WRENCH 35 | | 1 | | | | |
| A04C | ***DC18RC | DC18RC FAST CHARGER | | 1 | | | | |
| A04G | ***DC18RC | DC18RC FAST CHARGER | | 1 | | | | |

Please order the parts with part number.

Print Date 26/3/2020

Model No.DGA504 125MM CORDLESS ANGLE GRINDER

| Item | Parts No. | Description | I/C | Qty | New/Old | Opt. 1 | Opt. 2 | Note |
|--------|-----------|-----------------------------------|-----|-----|---------|--------|--------|------|
| A05C | 196399-0 | BATTERY BL1840 SET | | 2 | * | | | |
| A05-1C | 196399-0 | BATTERY BL1840 SET | O | 2 | * | | | |
| A05-2C | 197265-4 | BATTERY BL1840B SET | < | 2 | * | | | |
| A05-2G | 197280-8 | BATTERY BL1850B SET | | 2 | * | | | |
| A05-3C | 197265-4 | BATTERY BL1840B SET | O | 2 | | | | |
| A05-3G | 197280-8 | BATTERY BL1850B SET | O | 2 | | | | |
| A06C | 450128-8 | BATTERY COVER | | 1 | | | | |
| A06G | 450128-8 | BATTERY COVER | | 1 | | | | |
| A07C | 821551-8 | CONNECTOR PLASTIC CASE (TYPE3) | | 1 | | | | |
| C10 | 453974-8 | LATCH | | 4 | | | | |
| A07G | 821551-8 | CONNECTOR PLASTIC CASE (TYPE3) | | 1 | | | | |
| C10 | 453974-8 | LATCH | | 4 | | | | |
| A08C | 838175-3 | INNER TRAY | | 1 | | | | |
| A08G | 838175-3 | INNER TRAY | | 1 | | | | |
| A09C | 805J11-8 | DGA504RMJ INDICATION LABEL | | 1 | | | | |
| A09G | 808E20-6 | DGA504RTJ INDICATION LABEL | | 1 | | | | |
| A10C | 805J12-6 | DGA504RMJ PLASTIC CASE LABEL | | 2 | | | | |
| A10G | 808E21-4 | DGA504RTJ PLASTIC CASE LABEL | | 2 | | | | |

Please order the parts with part number.

Print Date 26/3/2020