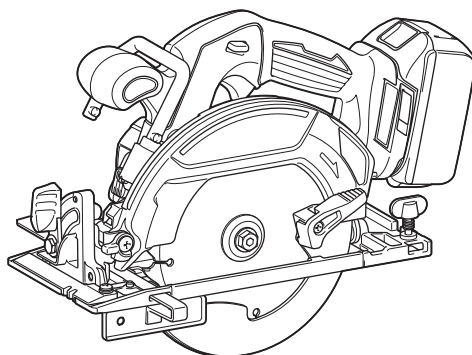




<b>EN</b>	<b>Cordless Circular Saw</b>	<b>INSTRUCTION MANUAL</b>	<b>6</b>
<b>UK</b>	<b>Бездротова циркулярна пила</b>	<b>ІНСТРУКЦІЯ З ЕКСПЛУАТАЦІЇ</b>	<b>14</b>
<b>PL</b>	<b>Akum. Ręczna pilarka tarczowa</b>	<b>INSTRUKCJA OBSŁUGI</b>	<b>23</b>
<b>RO</b>	<b>Ferăstrău circular cu acumulator</b>	<b>MANUAL DE INSTRUCȚIUNI</b>	<b>32</b>
<b>DE</b>	<b>Akku-Handkreissäge</b>	<b>BEDIENUNGSANLEITUNG</b>	<b>41</b>
<b>HU</b>	<b>Akkumulátoros körfűrész</b>	<b>HASZNÁLATI KÉZIKÖNYV</b>	<b>50</b>
<b>SK</b>	<b>Akkumulátorová kotúčová píla</b>	<b>NÁVOD NA OBSLUHU</b>	<b>59</b>
<b>CS</b>	<b>Akkumulátorová ruční okružní píla</b>	<b>NÁVOD K OBSLUZE</b>	<b>67</b>

## DHS680



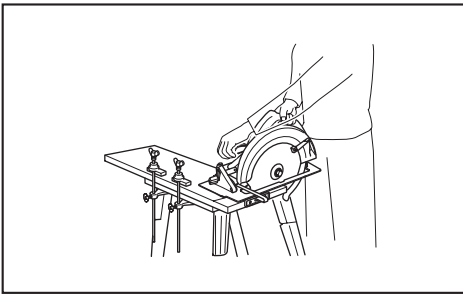


Fig.1

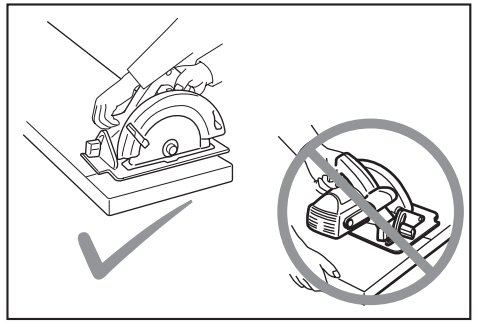


Fig.5

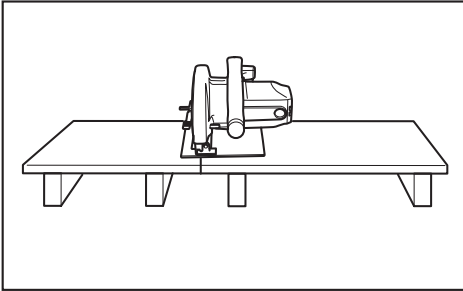


Fig.2

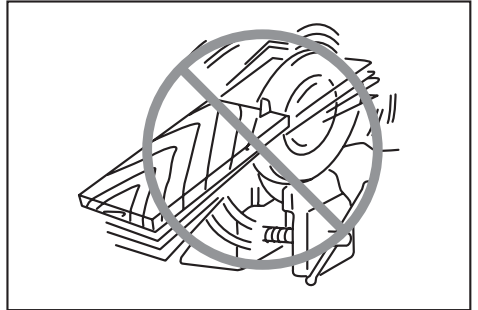


Fig.6

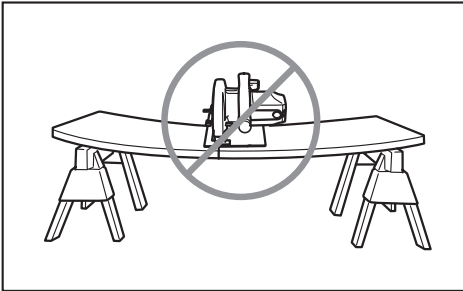


Fig.3

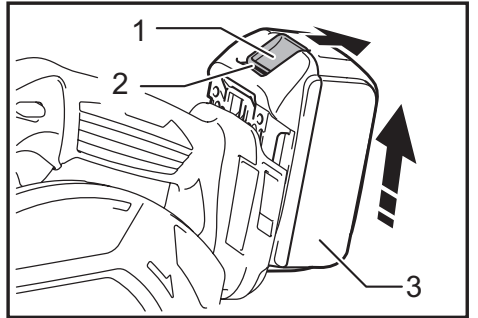


Fig.7

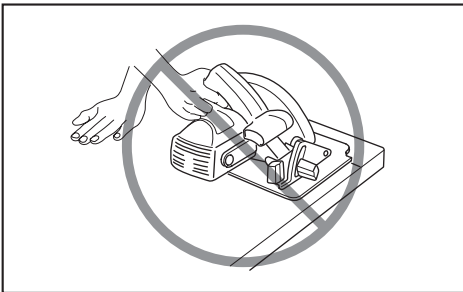


Fig.4

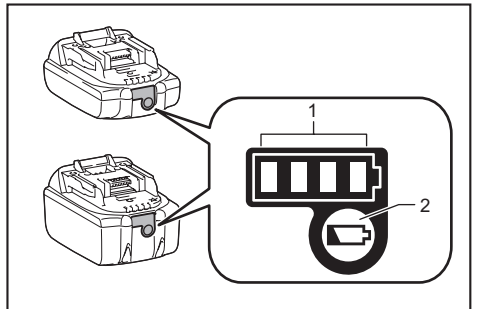


Fig.8

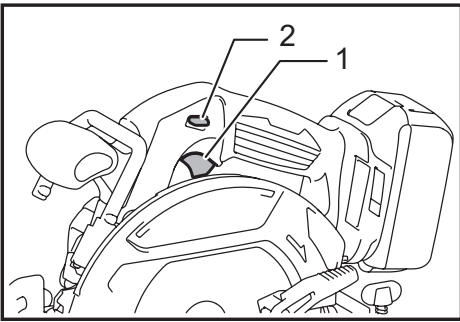


Fig.9

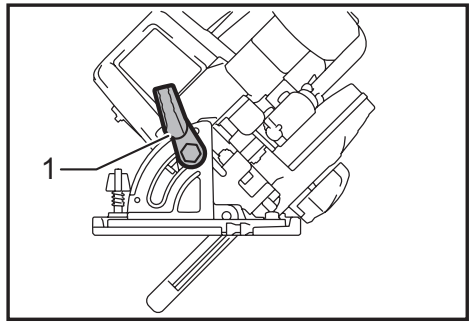


Fig.13

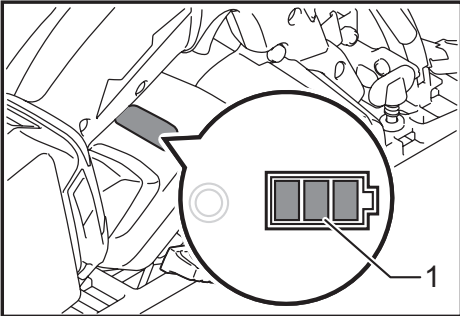


Fig.10

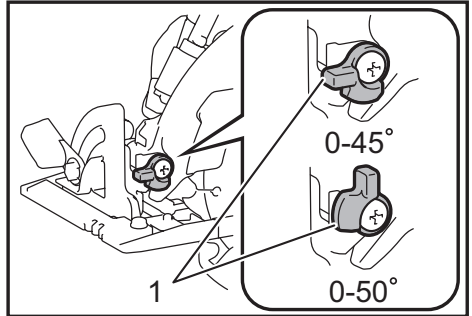


Fig.14

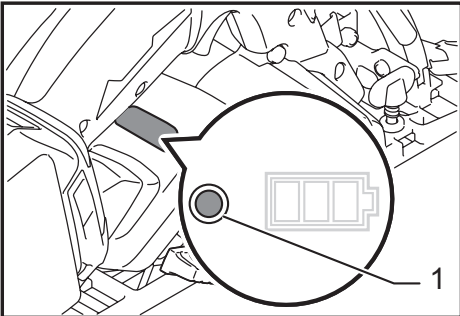


Fig.11

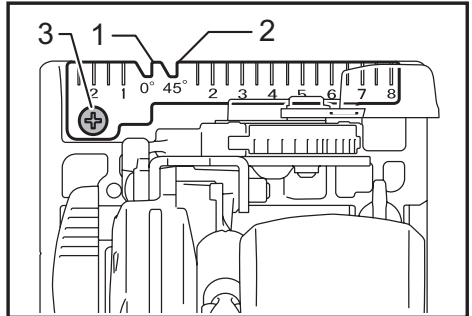


Fig.15

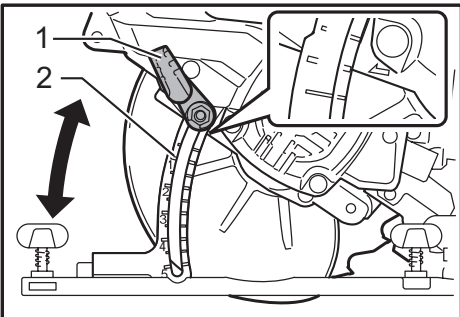


Fig.12

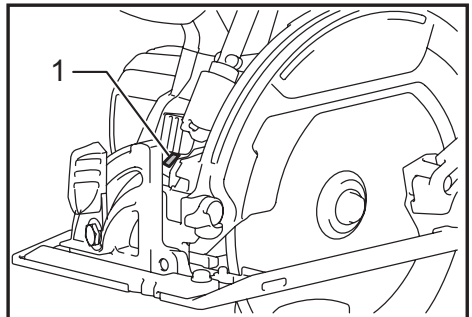


Fig.16

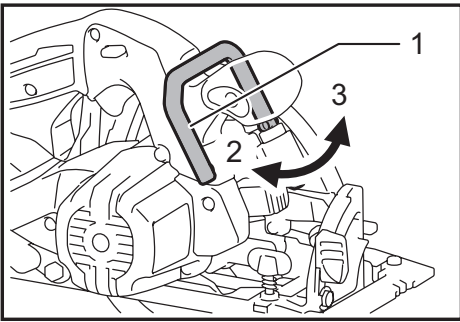


Fig.17

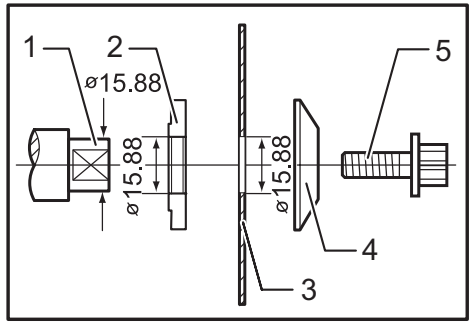


Fig.21

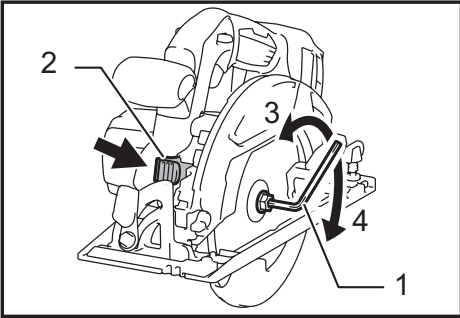


Fig.18

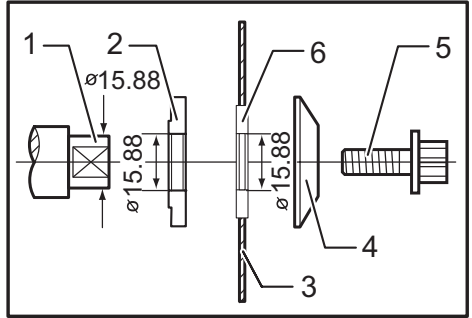


Fig.22

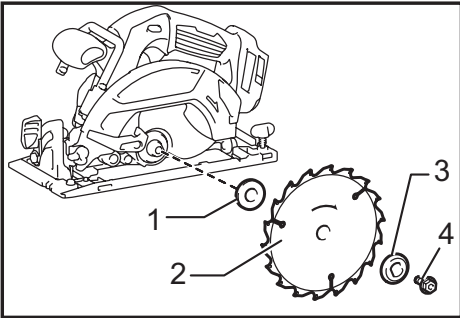


Fig.19

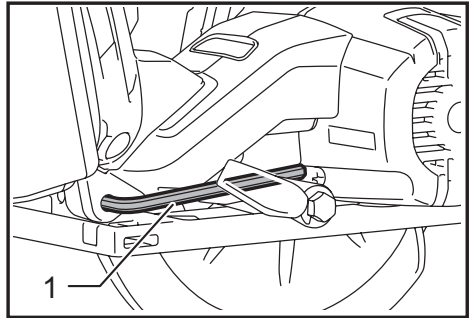


Fig.23

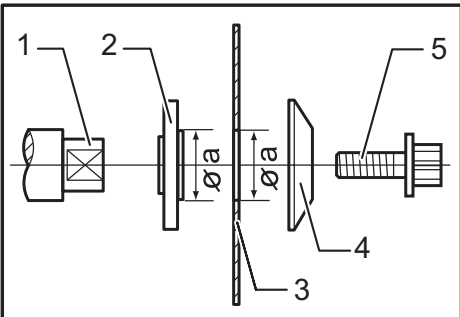


Fig.20

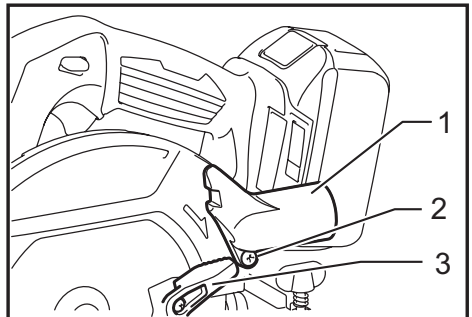


Fig.24

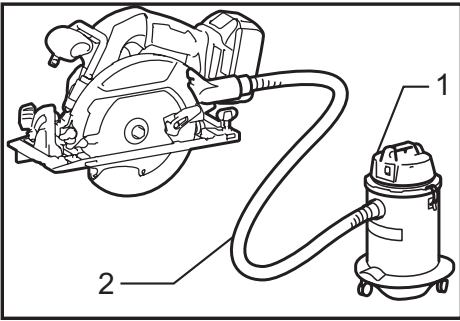


Fig.25

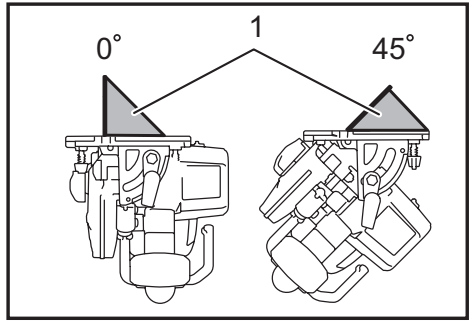


Fig.29

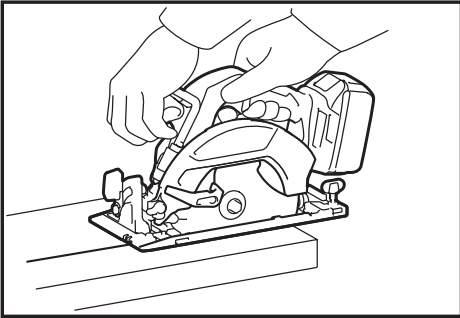


Fig.26

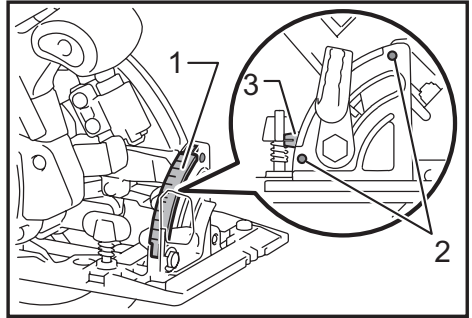


Fig.30

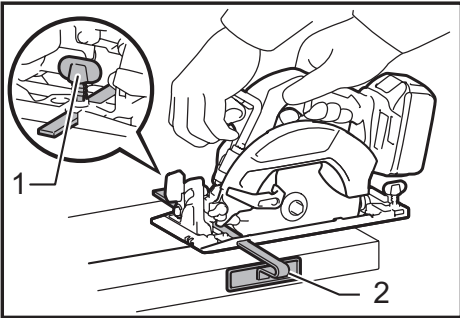


Fig.27

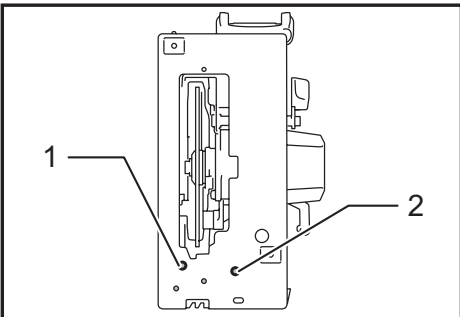


Fig.28

## SPECIFICATIONS

Model		DHS680
Blade diameter		165 mm
Max. cutting depth	at 0°	57 mm
	at 45°	41 mm
	at 50°	37 mm
No load speed		5,000 min <sup>-1</sup>
Overall length		350 mm
Net weight		3.0 - 3.3 kg
Rated voltage		D.C. 18 V

- Due to our continuing program of research and development, the specifications herein are subject to change without notice.
- Specifications may differ from country to country.
- The weight may differ depending on the attachment(s), including the battery cartridge. The lightest and heaviest combination, according to EPTA-Procedure 01/2014, are shown in the table.

### Applicable battery cartridge and charger

Battery cartridge	BL1815N / BL1820 / BL1820B / BL1830 / BL1830B / BL1840 / BL1840B / BL1850 / BL1850B / BL1860B
Charger	DC18RC / DC18RD / DC18RE / DC18SD / DC18SE / DC18SF

- Some of the battery cartridges and chargers listed above may not be available depending on your region of residence.

**⚠WARNING:** Only use the battery cartridges and chargers listed above. Use of any other battery cartridges and chargers may cause injury and/or fire.

#### Intended use

The tool is intended for performing lengthways and crossways straight cuts and mitre cuts with angles in wood while in firm contact with the workpiece. With appropriate Makita genuine saw blades, other materials can also be sawed.

#### Noise

The typical A-weighted noise level determined according to EN62841:

Sound pressure level ( $L_{pA}$ ): 94 dB (A)

Sound power level ( $L_{WA}$ ): 105 dB (A)

Uncertainty (K): 3 dB (A)

**NOTE:** The declared noise emission value(s) has been measured in accordance with a standard test method and may be used for comparing one tool with another.

**NOTE:** The declared noise emission value(s) may also be used in a preliminary assessment of exposure.

**⚠WARNING:** Wear ear protection.

**⚠WARNING:** The noise emission during actual use of the power tool can differ from the declared value(s) depending on the ways in which the tool is used especially what kind of workpiece is processed.

**⚠WARNING:** Be sure to identify safety measures to protect the operator that are based on an estimation of exposure in the actual conditions of use (taking account of all parts of the operating cycle such as the times when the tool is switched off and when it is running idle in addition to the trigger time).

#### Vibration

The vibration total value (tri-axial vector sum) determined according to EN62841:

Work mode: cutting wood

Vibration emission ( $a_{h,w}$ ): 2.5 m/s<sup>2</sup> or less

Uncertainty (K): 1.5 m/s<sup>2</sup>

**NOTE:** The declared vibration total value(s) has been measured in accordance with a standard test method and may be used for comparing one tool with another.

**NOTE:** The declared vibration total value(s) may also be used in a preliminary assessment of exposure.

**⚠ WARNING:** The vibration emission during actual use of the power tool can differ from the declared value(s) depending on the ways in which the tool is used especially what kind of workpiece is processed.

**⚠ WARNING:** Be sure to identify safety measures to protect the operator that are based on an estimation of exposure in the actual conditions of use (taking account of all parts of the operating cycle such as the times when the tool is switched off and when it is running idle in addition to the trigger time).

## EC Declaration of Conformity

### For European countries only

The EC declaration of conformity is included as Annex A to this instruction manual.

## General power tool safety warnings

**⚠ WARNING:** Read all safety warnings, instructions, illustrations and specifications provided with this power tool. Failure to follow all instructions listed below may result in electric shock, fire and/or serious injury.

## Save all warnings and instructions for future reference.

The term "power tool" in the warnings refers to your mains-operated (corded) power tool or battery-operated (cordless) power tool.

## Cordless circular saw safety warnings

### Cutting procedures

- ⚠ DANGER:** Keep hands away from cutting area and the blade. Keep your second hand on auxiliary handle, or motor housing. If both hands are holding the saw, they cannot be cut by the blade.
  - Do not reach underneath the workpiece.** The guard cannot protect you from the blade below the workpiece.
  - Adjust the cutting depth to the thickness of the workpiece.** Less than a full tooth of the blade teeth should be visible below the workpiece.
  - Never hold the workpiece in your hands or across your leg while cutting. Secure the workpiece to a stable platform.** It is important to support the work properly to minimise body exposure, blade binding, or loss of control.
- **Fig.1**
- Hold the power tool by insulated gripping surfaces, when performing an operation where the cutting tool may contact hidden wiring.** Contact with a "live" wire will also make exposed metal parts of the power tool "live" and could give the operator an electric shock.
  - When ripping, always use a rip fence or straight edge guide.** This improves the accuracy of cut and reduces the chance of blade binding.

- Always use blades with correct size and shape (diamond versus round) of arbour holes.** Blades that do not match the mounting hardware of the saw will run off-centre, causing loss of control.
- Never use damaged or incorrect blade washers or bolt.** The blade washers and bolt were specially designed for your saw, for optimum performance and safety of operation.

### Kickback causes and related warnings

- kickback is a sudden reaction to a pinched, jammed or misaligned saw blade, causing an uncontrolled saw to lift up and out of the workpiece toward the operator;
- when the blade is pinched or jammed tightly by the kerf closing down, the blade stalls and the motor reaction drives the unit rapidly back toward the operator;
- if the blade becomes twisted or misaligned in the cut, the teeth at the back edge of the blade can dig into the top surface of the wood causing the blade to climb out of the kerf and jump back toward the operator.

Kickback is the result of saw misuse and/or incorrect operating procedures or conditions and can be avoided by taking proper precautions as given below.

- Maintain a firm grip with both hands on the saw and position your arms to resist kickback forces. Position your body to either side of the blade, but not in line with the blade.** Kickback could cause the saw to jump backwards, but kickback forces can be controlled by the operator, if proper precautions are taken.
  - When blade is binding, or when interrupting a cut for any reason, release the trigger and hold the saw motionless in the material until the blade comes to a complete stop. Never attempt to remove the saw from the work or pull the saw backward while the blade is in motion or kickback may occur.** Investigate and take corrective actions to eliminate the cause of blade binding.
  - When restarting a saw in the workpiece, centre the saw blade in the kerf so that the saw teeth are not engaged into the material.** If a saw blade binds, it may walk up or kickback from the workpiece as the saw is restarted.
  - Support large panels to minimise the risk of blade pinching and kickback.** Large panels tend to sag under their own weight. Supports must be placed under the panel on both sides, near the line of cut and near the edge of the panel.
- **Fig.2**  
► **Fig.3**
- Do not use dull or damaged blades.** Unsharpened or improperly set blades produce narrow kerf causing excessive friction, blade binding and kickback.
  - Blade depth and bevel adjusting locking levers must be tight and secure before making the cut.** If blade adjustment shifts while cutting, it may cause binding and kickback.
  - Use extra caution when sawing into existing walls or other blind areas.** The protruding blade may cut objects that can cause kickback.

8. **ALWAYS** hold the tool firmly with both hands. **NEVER** place your hand, leg or any part of your body under the tool base or behind the saw, especially when making cross-cuts. If kickback occurs, the saw could easily jump backwards over your hand, leading to serious personal injury.

► Fig.4

9. **Never force the saw. Push the saw forward at a speed so that the blade cuts without slowing.** Forcing the saw can cause uneven cuts, loss of accuracy, and possible kickback.

#### Lower guard function

1. **Check the lower guard for proper closing before each use. Do not operate the saw if the lower guard does not move freely and close instantly. Never clamp or tie the lower guard into the open position.** If the saw is accidentally dropped, the lower guard may be bent. Raise the lower guard with the retracting handle and make sure it moves freely and does not touch the blade or any other part, in all angles and depths of cut.
2. **Check the operation of the lower guard spring. If the guard and the spring are not operating properly, they must be serviced before use.** Lower guard may operate sluggishly due to damaged parts, gummy deposits, or a build-up of debris.
3. **The lower guard may be retracted manually only for special cuts such as “plunge cuts” and “compound cuts”.** Raise the lower guard by the retracting handle and as soon as the blade enters the material, the lower guard must be released. For all other sawing, the lower guard should operate automatically.
4. **Always observe that the lower guard is covering the blade before placing the saw down on bench or floor.** An unprotected, coasting blade will cause the saw to walk backwards, cutting whatever is in its path. Be aware of the time it takes for the blade to stop after switch is released.
5. **To check lower guard, open lower guard by hand, then release and watch guard closure. Also check to see that retracting handle does not touch tool housing.** Leaving blade exposed is **VERY DANGEROUS** and can lead to serious personal injury.

#### Additional safety warnings

1. **Use extra caution when cutting damp wood, pressure treated lumber, or wood containing knots.** Maintain smooth advancement of tool without decrease in blade speed to avoid overheating the blade tips.
2. **Do not attempt to remove cut material when blade is moving. Wait until blade stops before grasping cut material.** Blades coast after turn off.
3. **Avoid cutting nails. Inspect for and remove all nails from lumber before cutting.**
4. **Place the wider portion of the saw base on that part of the workpiece which is solidly supported, not on the section that will fall off when the cut is made. If the workpiece is short or small, clamp it down. DO NOT TRY TO HOLD SHORT PIECES BY HAND!**

► Fig.5

5. **Before setting the tool down after completing a cut, be sure that the guard has closed and the blade has come to a complete stop.**
6. **Never attempt to saw with the circular saw held upside down in a vise. This is extremely dangerous and can lead to serious accidents.**

► Fig.6

7. **Some material contains chemicals which may be toxic. Take caution to prevent dust inhalation and skin contact. Follow material supplier safety data.**
8. **Do not stop the blades by lateral pressure on the saw blade.**
9. **Do not use any abrasive wheels.**
10. **Only use the saw blade with the diameter that is marked on the tool or specified in the manual.** Use of an incorrectly sized blade may affect the proper guarding of the blade or guard operation which could result in serious personal injury.
11. **Keep blade sharp and clean.** Gum and wood pitch hardened on blades slows saw and increases potential for kickback. Keep blade clean by first removing it from tool, then cleaning it with gum and pitch remover, hot water or kerosene. Never use gasoline.
12. **Wear a dust mask and hearing protection when use the tool.**
13. **Always use the saw blade intended for cutting the material that you are going to cut.**
14. **Only use the saw blades that are marked with a speed equal or higher than the speed marked on the tool.**
15. **(For European countries only)**  
Always use the blade which conforms to EN847-1.

## SAVE THESE INSTRUCTIONS.

**⚠WARNING:** DO NOT let comfort or familiarity with product (gained from repeated use) replace strict adherence to safety rules for the subject product. MISUSE or failure to follow the safety rules stated in this instruction manual may cause serious personal injury.

## Important safety instructions for battery cartridge

1. **Before using battery cartridge, read all instructions and cautionary markings on (1) battery charger, (2) battery, and (3) product using battery.**
2. **Do not disassemble battery cartridge.**
3. **If operating time has become excessively shorter, stop operating immediately. It may result in a risk of overheating, possible burns and even an explosion.**
4. **If electrolyte gets into your eyes, rinse them out with clear water and seek medical attention right away. It may result in loss of your eyesight.**



5. **Do not short the battery cartridge:**
  - (1) **Do not touch the terminals with any conductive material.**
  - (2) **Avoid storing battery cartridge in a container with other metal objects such as nails, coins, etc.**
  - (3) **Do not expose battery cartridge to water or rain.**

**A battery short can cause a large current flow, overheating, possible burns and even a breakdown.**

6. **Do not store the tool and battery cartridge in locations where the temperature may reach or exceed 50 °C (122 °F).**
7. **Do not incinerate the battery cartridge even if it is severely damaged or is completely worn out. The battery cartridge can explode in a fire.**
8. **Be careful not to drop or strike battery.**
9. **Do not use a damaged battery.**
10. **The contained lithium-ion batteries are subject to the Dangerous Goods Legislation requirements.**

For commercial transports e.g. by third parties, forwarding agents, special requirement on packaging and labeling must be observed.

For preparation of the item being shipped, consulting an expert for hazardous material is required. Please also observe possibly more detailed national regulations.

Tape or mask off open contacts and pack up the battery in such a manner that it cannot move around in the packaging.

11. **Follow your local regulations relating to disposal of battery.**
12. **Use the batteries only with the products specified by Makita.** Installing the batteries to non-compliant products may result in a fire, excessive heat, explosion, or leak of electrolyte.

## SAVE THESE INSTRUCTIONS.

**⚠ CAUTION:** Only use genuine Makita batteries. Use of non-genuine Makita batteries, or batteries that have been altered, may result in the battery bursting causing fires, personal injury and damage. It will also void the Makita warranty for the Makita tool and charger.

## Tips for maintaining maximum battery life

1. **Charge the battery cartridge before completely discharged. Always stop tool operation and charge the battery cartridge when you notice less tool power.**
2. **Never recharge a fully charged battery cartridge. Overcharging shortens the battery service life.**
3. **Charge the battery cartridge with room temperature at 10 °C - 40 °C (50 °F - 104 °F). Let a hot battery cartridge cool down before charging it.**
4. **Charge the battery cartridge if you do not use it for a long period (more than six months).**

## FUNCTIONAL DESCRIPTION

### ⚠ CAUTION:

- Always be sure that the tool is switched off and the battery cartridge is removed before adjusting or checking function on the tool.

## Installing or removing battery cartridge

► Fig.7: 1. Button 2. Red indicator 3. Battery cartridge

### ⚠ CAUTION:

- Always switch off the tool before installing or removing of the battery cartridge.
- **Hold the tool and the battery cartridge firmly when installing or removing battery cartridge.** Failure to hold the tool and the battery cartridge firmly may cause them to slip off your hands and result in damage to the tool and battery cartridge and a personal injury.

To remove the battery cartridge, slide it from the tool while sliding the button on the front of the cartridge. To install the battery cartridge, align the tongue on the battery cartridge with the groove in the housing and slip it into place. Insert it all the way until it locks in place with a little click. If you can see the red indicator on the upper side of the button, it is not locked completely.

### ⚠ CAUTION:

- Always install the battery cartridge fully until the red indicator cannot be seen. If not, it may accidentally fall out of the tool, causing injury to you or someone around you.
- Do not install the battery cartridge forcibly. If the cartridge does not slide in easily, it is not being inserted correctly.

### NOTE:










- When the battery cartridge is not removed easily, push it from the opposite side of the button and slide it.

## Indicating the remaining battery capacity

*Only for battery cartridges with the indicator*

► Fig.8: 1. Indicator lamps 2. Check button

Press the check button on the battery cartridge to indicate the remaining battery capacity. The indicator lamps light up for a few seconds.

Indicator lamps			Remaining capacity
 Lighted	 Off	 Blinking	
			75% to 100%
			50% to 75%
			25% to 50%
			0% to 25%
			Charge the battery.
			The battery may have malfunctioned.

**NOTE:** Depending on the conditions of use and the ambient temperature, the indication may differ slightly from the actual capacity.

## Switch action

### ⚠ CAUTION:

- Before installing the battery cartridge into the tool, always check to see that the switch trigger actuates properly and returns to the "OFF" position when released.
- Do not pull the switch trigger hard without pressing the lock-off lever. This can cause switch breakage.

► Fig.9: 1. Switch trigger 2. Lock-off lever

To prevent the switch trigger from being accidentally pulled, a lock-off lever is provided. To start the tool, press the lock-off lever and pull the switch trigger. Release the switch trigger to stop.

### ⚠ WARNING:








- For your safety, this tool is equipped with lock-off lever which prevents the tool from unintended starting. NEVER use the tool if it runs when you simply pull the switch trigger without pressing the lock-off lever. Return tool to a MAKITA service center for proper repairs BEFORE further usage.
- NEVER tape down or defeat purpose and function of lock-off lever.

## Indicating remaining battery capacity

### Country specific





► Fig.10: 1. Battery indicator

When you turn the tool on, the battery indicator shows the remaining battery capacity. The remaining battery capacity is shown as the following table.

Battery indicator status	Remaining battery capacity
 :On  :Off  :Blinking	
	50% - 100%
	20% - 50%
	0% - 20%
	Charge the battery

## Automatic speed change function

► Fig.11: 1. Mode indicator

Mode indicator status	Operation mode
 	High speed mode
 	High torque mode

This tool has "high speed mode" and "high torque mode". It automatically changes operation mode depending on the work load. When mode indicator lights up during operation, the tool is in high torque mode.

## Tool / battery protection system






The tool is equipped with a tool/battery protection system. This system automatically cuts off power to the motor to extend tool and battery life. The tool will automatically stop during operation if the tool or battery are placed under one of the following conditions. In some conditions, the indicator lights up.

### Overload protection

When the tool is operated in a manner that causes it to draw an abnormally high current, the tool automatically stops without any indications. In this situation, turn the tool off and stop the application that caused the tool to become overloaded. Then turn the tool on to restart.

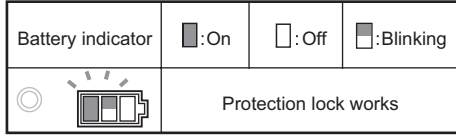
### Overheat protection for tool

When the tool is overheated, the tool stops automatically and the battery indicator shows following state. In this situation, let the tool cool before turning the tool on again.

Battery indicator	 :On	 :Off	 :Blinking
 	Tool is overheated		

## Releasing protection lock

When the protection system works repeatedly, the tool is locked and the battery indicator shows the following state.



In this situation, the tool does not start even if turning the tool off and on. To release the protection lock, remove the battery, set it to the battery charger and wait until the charging finishes.

## Adjusting depth of cut

### ⚠ CAUTION:

- After adjusting the depth of cut, always tighten the lever securely.

► **Fig.12:** 1. Lever 2. Depth guide

Loosen the lever on the side of the rear handle and move the base up or down. At the desired depth of cut, secure the base by tightening the lever.

For cleaner, safer cuts, set cut depth so that no more than one blade tooth projects below workpiece. Using proper cut depth helps to reduce potential for dangerous KICKBACKS which can cause personal injury.

## Bevel cutting

► **Fig.13:** 1. Front lever

Loosen the front lever. Set for the desired angle ( $0^{\circ}$  -  $50^{\circ}$ ) by tilting accordingly, then tighten the front lever securely.

► **Fig.14:** 1. Stopper

Use the  $45^{\circ}$  stopper when you do precise  $45^{\circ}$  angle cutting. Turn the stopper counterclockwise fully for bevel cut ( $0^{\circ}$  -  $45^{\circ}$ ) and turn it clockwise for  $0^{\circ}$  -  $50^{\circ}$  bevel cuts.

## Sighting

► **Fig.15:** 1. Cutting line ( $0^{\circ}$  position) 2. Cutting line ( $45^{\circ}$  position) 3. Screw

For straight cuts, align the  $0^{\circ}$  position on the front of the base with your cutting line. For  $45^{\circ}$  bevel cuts, align the  $45^{\circ}$  position with it. The position of the top guide is adjustable.

## Lighting the lamp

### ⚠ CAUTION:

- Do not look in the lamp or see the source of lamp directly.

► **Fig.16:** 1. Lamp

Only to turn on the lamp, pull the switch trigger without pressing the lock-off lever. To turn on the lamp and run the tool, press the lock-off lever and pull the switch trigger with pressing the lock-off lever. The lamp keeps on lighting while the switch trigger is being pulled. The lamp goes out 10 -15 seconds after releasing the trigger.

### NOTE:

- Use a dry cloth to wipe the dirt off the lens of lamp. Be careful not to scratch the lens of lamp, or it may lower the illumination.
- Do not use gasoline, thinner or the like to clean the lens of lamp. Using such substances will damage the lens.

## Hook

### ⚠ CAUTION:

- Always remove the battery when hanging the tool with the hook.
- Never hook the tool at high location or on potentially unstable surface.

► **Fig.17:** 1. Hook 2. Close 3. Open

The hook is convenient for hanging the tool temporarily. To use the hook, simply turn it until it snaps into the open position.

When not in use, always turn the hook until it snaps into the closed position.

## ASSEMBLY

### ⚠ CAUTION:

- Always be sure that the tool is switched off and the battery cartridge is removed before carrying out any work on the tool.

## Removing or installing saw blade

### ⚠ CAUTION:

- Be sure the blade is installed with teeth pointing up at the front of the tool.
- Use only the Makita wrench to install or remove the blade.

► **Fig.18:** 1. Hex wrench 2. Shaft lock 3. Tighten 4. Loosen

To remove the blade, press the shaft lock so that the blade cannot revolve and use the wrench to loosen the hex bolt clockwise. Then remove the hex bolt, outer flange and blade.

► **Fig.19:** 1. Inner flange 2. Saw blade 3. Outer flange 4. Hex bolt

To install the blade, follow the removal procedure in reverse. **BE SURE TO TIGHTEN THE HEX BOLT COUNTERCLOCKWISE SECURELY.**

When changing blade, make sure to also clean the upper and lower blade guards of accumulated sawdust as discussed in the Maintenance section. Such efforts do not replace the need to check lower guard operation before each use.

## For tool with the inner flange for other than 15.88 mm hole-diameter saw blade

### **CAUTION:**

- **Make sure that the protrusion "a" on the inner flange that is positioned outside fits into the saw blade hole "a" perfectly.** Mounting the blade on the wrong side can result in the dangerous vibration.

► **Fig.20:** 1. Mounting shaft 2. Inner flange 3. Saw blade 4. Outer flange 5. Hex bolt

The inner flange has a certain diameter protrusion on one side of it and a different diameter protrusion on the other side. Choose a correct side on which protrusion fits into the saw blade hole perfectly.

Next, mount the inner flange onto the mounting shaft so that the correct side of protrusion on the inner flange faces outward and then place saw blade and outer flange.

**BE SURE TO TIGHTEN THE HEX BOLT COUNTERCLOCKWISE SECURELY.**

## For tool with the inner flange for a 15.88 mm hole-diameter saw blade (country specific)

► **Fig.21:** 1. Mounting shaft 2. Inner flange 3. Saw blade 4. Outer flange 5. Hex bolt

► **Fig.22:** 1. Mounting shaft 2. Inner flange 3. Saw blade 4. Outer flange 5. Hex bolt 6. Ring

Mount the inner flange with its recessed side facing outward onto the mounting shaft and then place saw blade (with the ring attached if needed), outer flange and hex bolt.

**BE SURE TO TIGHTEN THE HEX BOLT COUNTERCLOCKWISE SECURELY.**

### **WARNING:**

- **Before mounting the blade onto the spindle, always be sure that the correct ring for the blade's arbor hole you intend to use is installed between the inner and the outer flanges.** Use of the incorrect arbor hole ring may result in the improper mounting of the blade causing blade movement and severe vibration resulting in possible loss of control during operation and in serious personal injury.

## Hex wrench storage

► **Fig.23:** 1. Hex wrench

When not in use, store the hex wrench as shown in the figure to keep it from being lost.

## Connecting a vacuum cleaner

*(Optional accessory in some countries)*

► **Fig.24:** 1. Dust nozzle 2. Screw 3. Lever

► **Fig.25:** 1. Vacuum cleaner 2. Hose

When you wish to perform clean cutting operation, connect a Makita vacuum cleaner to your tool. Install the dust nozzle on the tool using the screw. Then connect a hose of the vacuum cleaner to the dust nozzle as shown in the figure.

For tool without dust nozzle provided as a standard equipment, replace the lever fixed on the lower guard to the one supplied with the dust nozzle (optional accessory) at the same time when installing the dust nozzle. Otherwise you will not be able to make a cut because the lower guard movement is hindered by the dust nozzle.

## OPERATION

### **CAUTION:**

- **Wear dust mask when performing cutting operation.**
- Be sure to move the tool forward in a straight line gently. Forcing or twisting the tool will result in overheating the motor and dangerous kickback, possibly causing severe injury.
- Always use a front grip and rear handle and firmly hold the tool by both front grip and rear handle during operations.

► **Fig.26**

Hold the tool firmly. The tool is provided with both a front grip and rear handle. Use both to best grasp the tool. If both hands are holding saw, they cannot be cut by the blade. Set the base on the workpiece to be cut without the blade making any contact. Then turn the tool on and wait until the blade attains full speed. Now simply move the tool forward over the workpiece surface, keeping it flat and advancing smoothly until the sawing is completed.

To get clean cuts, keep your sawing line straight and your speed of advance uniform. If the cut fails to properly follow your intended cut line, do not attempt to turn or force the tool back to the cut line. Doing so may bind the blade and lead to dangerous kickback and possible serious injury. Release switch, wait for blade to stop and then withdraw tool. Realign tool on new cut line, and start cut again. Attempt to avoid positioning which exposes operator to chips and wood dust being ejected from saw. Use eye protection to help avoid injury.

## Rip fence (Guide rule) (optional accessory)

► **Fig.27:** 1. Clamping screw 2. Rip fence (Guide rule)

The handy rip fence allows you to do extra-accurate straight cuts. Simply slide the rip fence up snugly against the side of the workpiece and secure it in position with the clamping screw on the front of the base. It also makes repeated cuts of uniform width possible.

# MAINTENANCE

## **⚠ CAUTION:**

- Always be sure that the tool is switched off and the battery cartridge is removed before carrying out any work on the tool.
- **Clean out the upper and lower guards to ensure there is no accumulated sawdust which may impede the operation of the lower guarding system.** A dirty guarding system may limit the proper operation which could result in serious personal injury. The most effective way to accomplish this cleaning is with compressed air. **If the dust is being blown out of the guards be sure the proper eye and breathing protection is used.**
- Never use gasoline, benzene, thinner, alcohol or the like. Discoloration, deformation or cracks may result.

- Rule bar
- Dust nozzle
- Hex wrench
- Makita genuine battery and charger

## **NOTE:**

- Some items in the list may be included in the tool package as standard accessories. They may differ from country to country.

## Adjusting for accuracy of 0° and 45° cut (vertical and 45° cut)

► **Fig.28:** 1. Adjusting screw for 45° 2. Adjusting screw for 0°

► **Fig.29:** 1. Triangular rule

This adjustment has been made at the factory. But if it is off, adjust the adjusting screws with a hex wrench while inspecting 0° or 45° the blade with the base using a triangular rule or square rule, etc. Use the 45° stopper for adjusting 45° angle.

## Adjusting bevel guide

► **Fig.30:** 1. Bevel guide 2. Screw 3. Guide

The bevel guide has been factory adjusted. But if it is off, you can adjust it as the following procedure.

To adjust the bevel guide, loosen the two screws. Align the 0° line on the bevel guide with the guide on the base when the base is set to 0° angle.

To maintain product SAFETY and RELIABILITY, repairs, any other maintenance or adjustment should be performed by Makita Authorized Service Centers, always using Makita replacement parts.

# OPTIONAL ACCESSORIES

## **⚠ CAUTION:**

- These accessories or attachments are recommended for use with your Makita tool specified in this manual. The use of any other accessories or attachments might present a risk of injury to persons. Only use accessory or attachment for its stated purpose.

If you need any assistance for more details regarding these accessories, ask your local Makita Service Center.

- Saw blades
- Rip fence (Guide rule)
- Guide rail
- Guide rail adapter

## ТЕХНІЧНІ ХАРАКТЕРИСТИКИ

Модель		DHS680
Діаметр диску		165 мм
Макс. глибина різання	на 0°	57 мм
	на 45°	41 мм
	на 50°	37 мм
Швидкість без навантаження		5000 хв <sup>-1</sup>
Загальна довжина		350 мм
Чиста вага		3,0 - 3,3 кг
Номінальна напруга		18 В пост. струму

- Оскільки наша програма наукових досліджень і розробок триває безперервно, наведені тут технічні характеристики можуть бути змінені без попередження.
- У різних країнах технічні характеристики можуть бути різними.
- Вага може відрізнятися залежно від допоміжного обладнання, наприклад касети з акумулятором. Найлегші та найважчі комплекти, відповідно до стандарту ЕРТА (Європейська асоціація виробників електроінструменту) від січня 01/2014 року, представлено в таблиці.

### Застосовна касета з акумулятором і зарядний пристрій

Касета з акумулятором	BL1815N / BL1820 / BL1820B / BL1830 / BL1830B / BL1840 / BL1840B / BL1850 / BL1850B / BL1860B
Зарядний пристрій	DC18RC / DC18RD / DC18RE / DC18SD / DC18SE / DC18SF

- Деякі касети з акумулятором і зарядні пристрої, які вказано вище, можуть бути недоступними залежно від вашого регіону або місця перебування.

**▲ ПОПЕРЕДЖЕННЯ:** Використовуйте лише касети з акумулятором і зарядні пристрої, перелічені вище. Використання будь-яких інших касет з акумулятором і зарядних пристроїв може призвести до травмування й/або пожежі.

#### Використання за призначенням

Інструмент призначений для поздовжнього та поперечного різання за прямою лінією та різання під косим кутом по деревині у міцному контакті із деталлю. При використанні оригінального пильного полотна виробництва компанії Makita Ви також можете пиляти й інші матеріали.

#### Шум

Рівень шуму за шкалою А у типовому виконанні, визначений відповідно до EN62841:

Рівень звукового тиску ( $L_{pA}$ ): 94 дБ (А)

Рівень звукової потужності ( $L_{WA}$ ): 105 дБ (А)

Похибка (К): 3 дБ (А)

**ПРИМІТКА:** Заявлене значення шуму було виміряно відповідно до стандартних методів тестування й може використовуватися для порівняння одного інструмента з іншим.

**ПРИМІТКА:** Заявлене значення шуму може також використовуватися для попереднього оцінювання впливу.

**▲ ПОПЕРЕДЖЕННЯ:** Користуйтеся засобами захисту органів слуху.

**▲ ПОПЕРЕДЖЕННЯ:** Залежно від умов використання рівень шуму під час фактичної роботи електроінструмента може відрізнятися від заявленого значення вібрації; особливо сильно на це впливає тип деталі, що оброблюється.

**▲ ПОПЕРЕДЖЕННЯ:** Забезпечте належні запобіжні заходи для захисту оператора, що відповідають умовам використання інструмента (слід брати до уваги всі складові робочого циклу, як-от час, коли інструмент вимкнено та коли він починає працювати на холостому ході під час запуску).

#### Вібрація

Загальна величина вібрації (сума трьох векторів) визначена згідно з EN62841:

Режим роботи: пиляння деревини

Вібрація ( $a_{h,w}$ ): 2,5 м/с<sup>2</sup> або менше

Похибка (К): 1,5 м/с<sup>2</sup>

**ПРИМІТКА:** Заявлене загальне значення вібрації було виміряно відповідно до стандартних методів тестування й може використовуватися для порівняння одного інструмента з іншим.

**ПРИМІТКА:** Заявлене загальне значення вібрації може також використовуватися для попереднього оцінювання впливу.

**▲ПОПЕРЕДЖЕННЯ:** Залежно від умов використання вібрація під час фактичної роботи електроінструмента може відрізнятися від заявленого значення вібрації; особливо сильно на це впливає тип деталі, що оброблюється.

**▲ПОПЕРЕДЖЕННЯ:** Забезпечте належні запобіжні заходи для захисту оператора, що відповідатимуть умовам використання інструмента (слід брати до уваги всі складові робочого циклу, як-от час, коли інструмент вимкнено та коли він починає працювати на холостому ході під час запуску).

## Декларація про відповідність стандартам ЄС

### Тільки для країн Європи

Декларацію про відповідність стандартам ЄС наведено в Додатку А до цієї інструкції з експлуатації.

## Загальні застереження щодо техніки безпеки при роботі з електроінструментами

**▲ПОПЕРЕДЖЕННЯ:** Уважно ознайомтеся з усіма попередженнями про дотримання правил техніки безпеки, інструкціями, ілюстраціями та технічними характеристиками, що стосуються цього електроінструмента. Невиконання будь-яких інструкцій, перелічених нижче, може призвести до ураження електричним струмом, пожежі та/або тяжких травм.

## Збережіть усі інструкції з техніки безпеки та експлуатації на майбутнє.

Термін «електроінструмент», зазначений у інструкції з техніки безпеки, стосується електроінструмента, який функціонує від електромережі (електроінструмент з кабелем живлення), або електроінструмента з живленням від батареї (безпроводний електроінструмент).

## Попередження про небезпеку під час роботи з бездротовою циркулярною пилою.

### Порядок експлуатації

- ▲НЕБЕЗПЕЧНО!** Завжди тримайте руки на відстані від зони різання та полотна. Тримайте другу руку на допоміжній ручці або кожусі двигуна. Якщо тримати інструмент обома руками, їх неможливо буде порізати об полотно.
- Забороняється простягати руки нижче деталі.** Кожух не захищає від полотна внизу деталі.
- Необхідно відрегулювати глибину різання відповідно до товщини деталі.** Щонайменше один зубець полотна має бути повністю видно внизу деталі.

- Забороняється під час різання тримати деталь у руках або на колінах.** Необхідно закріпити деталь на стійкій поверхні. Дуже важливо забезпечити належну опору робочого місця, щоб звести до мінімуму вплив на тіло, заїдання полотна та втрату керування.

### ► Рис.1

- Тримайте електроприлад за ізольовані поверхні держака під час виконання дії, за якої різальний інструмент може зачепити сховану електропроводку.** Торкання дроту під напругою може призвести до передавання напруги до металевих частин електроінструмента й до ураження оператора електричним струмом.
- Під час поздовжнього пиляння обов'язково використовуйте напрямну планку або пряму лінійку.** Це покращить точність різання та зменшить імовірність заїдання полотна.
- Обов'язково використовуйте полотно зі шпindelними отворами відповідного розміру та форми (ромбічні або круглі).** Полотно, що не відповідає приладдью для кріплення пили, працюватимуть ексцентрично, що призведе до втрати контролю.
- Заборонено використовувати пошкоджені або невідповідні шайби та болти для полотна.** Шайби та болти полотна спеціально розроблені для цієї пили для забезпечення оптимальних робочих характеристик та безпечної експлуатації.

### Причини віддачі та відповідні попередження:

- Віддача — це несподівана реакція затиснутого, застряглого або зміщеного диска пили, що призводить до неконтрольованого вистрілювання пили вгору та з деталі в напрямку до оператора.
- Коли диск затиснуло або щільно заїло в пропили, він зупиняється, а працюючий двигун призводить до швидкого відкидання пристрою до оператора.
- Якщо полотно закрутилося або змістилося в прорізі, зубець заднього краю полотна може встромитися у верхню поверхню деревини, що в свою чергу призведе до виходу полотна із пропили та відсадування його до оператора.

Причинами віддачі є неправильне користування пилою та/або неправильний порядок або умови експлуатації. Її можна уникнути, дотримуючись запобіжних заходів, наведених нижче.

- Необхідно міцно обома руками тримати пилу за ручку та розмістити руки таким чином, щоб протистояти зусилля віддачі.** Необхідно зайняти положення з будь-якого боку полотна, але не на одній лінії з ним. У разі віддачі пила відскочить назад, але оператор зможе контролювати зусилля віддачі, якщо буде вжито всіх запобіжних заходів.
- У разі заїдання полотна або переривання різання з будь-яких причин потрібно відпустити курок та утримувати пилу в матеріалі нерухомо до повної зупинки полотна. Ні в якому разі не можна намагатися виняти пилу з деталі або витягти її під час руху полотна — це може спричинити віддачу.** Ретельно огляньте пилу та виконайте необхідні дії з усунення причин заїдання полотна.

3. Під час повторного встановлення пили на деталь необхідно відцентрувати диск пили в пропилі так, щоб зубці пили не зачепилися за матеріал. Якщо диск пили затиснуло, він може вийти або зіскочити з деталі під час повторного вмикнення пили.
4. Необхідно забезпечити опору великих панелей, щоб мінімізувати ризик защемлення полотна та віддачі. Великі панелі прогинаються під своєю вагою. Необхідно розташувати опору з обох боків панелі, біля лінії різання та біля краю панелі.

► Рис.2

► Рис.3

5. Не можна користуватися тупими або пошкодженими полотнами. Незагострені або неправильно встановлені полотна роблять вузький пропили, що призводить до надмірного тертя, заїдання полотна або віддачі.
6. Перед початком різання необхідно затягнути та закріпити затискні важелі регулювання глибини та нахилу полотна. Зміщення регулювання полотна під час різання може призвести до заїдання або віддачі.
7. Необхідна особлива обережність під час різання в наявні стіни або інші невідомі зони. Виступаюче полотно може зіткнутися з предметами, що спричинять віддачу.
8. **ОБОВ'ЯЗКОВО** міцно тримайте інструмент обома руками. **НІ В ЯКОМУ РАЗІ** не кладіть руку, ногу чи будь-яку частину тіла нижче основи інструмента або позаду пили, особливо під час поперечного різання. У разі віддачі пила може просто перескочити через руку та спричинити серйозну травму.

► Рис.4

9. Ні в якому разі не прикладайте силу до пили. Натискайте на пилу вперед із такою швидкістю, щоб полотно різало, не зменшуючи швидкості. Прикладання сили до пили може призвести до нерівного прорізу, втрати точності та можливої віддачі.

#### Функція захисного кожуха

1. Щораз перед початком роботи слід перевіряти належне закриття нижнього кожуху. Не слід починати роботу з пилою, якщо нижній захисний кожух не рухається вільно та одразу не закривається. Ніколи не слід затискати або затягувати нижній кожух у відкритому положенні. Якщо пила випадково впаде, нижній захисний кожух може погнути. Слід підняти нижній захисний кожух за допомогою ручки та переконатися, що він вільно пересувається та не торкається диску або іншої частини при будь-якому куті та глибині різання.
2. Слід перевірити функціонування пружини нижнього захисного кожуха. У разі неналежного функціонування захисного кожуха та пружини їх необхідно відремонтувати перед використанням. Нижній захисний кожух може повільно працювати при наявності пошкоджених частин, клейких відкладень або накопичення сміття.

3. Нижній захисний кожух можна відводити руками тільки при виконанні спеціальних прорізів, таких як «врізання» та «комбіноване різання». Підніміть нижній захисний кожух за допомогою ручки відведення та, як тільки диск пили увійде у матеріал, відпустіть нижній захисний кожух. Для решти видів різання нижній кожух повинен працювати автоматично.
4. Перед встановленням пили на верстат або підлогу слід завжди перевіряти, щоб нижній захисний кожух покривав диск. Незахищений диск, що рухається за інерцією, призведе до пересування пили назад, ріжучи будь-які предмети на своєму шляху. Слід пам'ятати, що після відпускання вмикача диску потрібен деякий час для повної зупинки.
5. Щоб перевірити нижній кожух, його слід відкрити вручну, а потім необхідно відпустити і подивитися, як він закривається. Також слід переконатися, що ручка відведення не торкається кожуха інструмента. Залишення ріжучого диска незахищеним є **ДУЖЕ НЕБЕЗПЕЧНИМ**, адже може призвести до серйозних травм.

#### Додаткові попередження про необхідну обережність

1. Виявляйте особливу обережність під час різання сирої деревини, лісоматеріалу, обробленого під тиском, або сучкуватої деревини. Плавню просувайте інструмент вперед, не зменшуючи швидкості полотна, щоб уникнути перегрівання зубців.
2. Не намагайтеся забирати відрізаний матеріал під час руху полотна. Зачекайте до зупинки полотна, перш ніж брати відрізаний матеріал. Полотна рухаються за інерцією після вимкнення.
3. Уникайте різання цвяхів. Перед початком роботи огляньте лісоматеріал та видаліть із нього всі цвяхи.
4. Розташуйте ширшу частину основи пили на тій частині деталі, що має надійну опору, а не на тій, яка віпаде після різання. Короткі або малі деталі необхідно притискати. **ЗАБОРОНЕНО ТРИМАТИ КОРОТКІ ДЕТАЛІ РУКАМИ!**

► Рис.5

5. Перед тим як відставляти інструмент після завершення різання, переконайтеся, що захисний кожух закритий і полотно повністю зупинилося.
6. Ні в якому разі не намагайтеся різати затиснутою леґатами перевернутою циркулярною пилою. Це дуже небезпечно та може призвести до тяжких нещасних випадків.

► Рис.6

7. Деякі матеріали містять токсичні хімічні речовини. Будьте обережні, щоб не допустити вдихання пилу та його контакту зі шкірою. Дотримуйтеся правил техніки безпеки виробника матеріалу.
8. Заборонено зупиняти полотно, прикладаючи боковий тиск до ріжучого полотна.
9. Заборонено використовувати абразивні диски.



10. Використовуйте тільки ріжуче полотно, що має діаметр, зазначений на інструменті або вказаний в інструкції з експлуатації. Використання полотна невідповідного розміру може завадити належному захисту полотна або функціонуванню захисного кожуха, що можуть призвести до серйозних травм.
11. Полотно має бути гострим та чистим. Деревний пек та смола, застигли на полотнах, сповільнюють пилу та збільшують ризик віддачі. Підтримуйте чистоту полотна. Для цього зніміть його з інструмента, а потім очистіть за допомогою засобу для видалення смоли, гарячої води або гасу. Використовувати бензин заборонено.
12. Під час користування інструментом використовуйте пилозахисну маску та засоби захисту органів слуху.
13. Завжди використовуйте диск пили, що призначений для різання саме того матеріалу, який ви збираєтеся різати.
14. Використовуйте тільки такі диски пили, на яких указана швидкість дорівнює швидкості, зазначеній на інструменті, або є більшою за неї.
15. (Тільки для країн Європи.) Завжди використовуйте диск, що відповідає стандарту EN847-1.

## ЗБЕРІГАЙТЕ ЦІ ВКАЗІВКИ.

**▲ ПОПЕРЕДЖЕННЯ:** НИКОЛИ НЕ втрачайте пильності та не розслабляйтеся під час користування виробом (що можливо при частому користуванні); обов'язково строго дотримуйтеся відповідних правил безпеки. **НЕНАЛЕЖНЕ ВИКОРИСТАННЯ** або недотримання правил безпеки, викладених у цій інструкції з експлуатації, може призвести до серйозних травм.

## Важливі інструкції з безпеки для касети з акумулятором

1. Перед тим як користуватися касетою з акумулятором, слід прочитати всі інструкції та застережні знаки щодо (1) зарядного пристрою акумулятора, (2) акумулятора та (3) виробів, що працюють від акумулятора.
2. Не слід розбирати касету з акумулятором.
3. Якщо період роботи дуже покоротав, слід негайно припинити користування. Це може призвести до виникнення ризику перегріву, опіку та навіть вибуху.
4. У разі потраплення електроліту в очі слід промити їх чистою водою та негайно звернутися до лікаря. Це може призвести до втрати зору.
5. Не закоротіть касету з акумулятором.
  - (1) Не слід торкатися клем будь-яким струмопровідним матеріалом.
  - (2) Не слід зберігати касету з акумулятором у ємності з іншими металевими предметами, такими як цвяхи, монети тощо.
  - (3) Не залишайте касету з акумулятором під дощем, запобігайте контакту з водою.

- Коротке замикання може призвести до появи значного струму, перегріву, можливих опіків та навіть виходу з ладу.
6. Не слід зберігати інструмент та касету з акумулятором в місцях, де температура може сягнути чи перевищити 50°C (122°F).
7. Не слід спалювати касету з акумулятором, навіть якщо вона була неодноразово пошкоджена або повністю спрацьована. Касета з акумулятором може вибухнути у вогні.
8. Не слід кидати або ударяти акумулятор.
9. Не слід використовувати пошкоджений акумулятор.
10. Літій-іонні акумулятори, що містяться в інструменті, мають відповідати вимогам законів про небезпечні товари. Під час транспортування за допомогою комерційних перевезень, наприклад із залученням третьої сторони та експедиторів, необхідно дотримуватись особливих вимог, вказаних на пакуванні й у маркуванні. Під час підготовки позиції до відправлення необхідно проконсультуватись зі спеціалістом з небезпечних матеріалів. Крім того, слід виконувати більш докладні національні настанови, якщо такі є. Заклейте відкриті контакти стрічкою або заховайте їх і запакуйте акумулятор таким чином, щоб він не міг рухатися в пакуванні.
11. Дотримуйтеся норм місцевого законодавства щодо утилізації акумуляторів.
12. Використовуйте акумулятори лише з виробами, указаними компанією Makita. Установлення акумуляторів у невідповідні виробу може призвести до пожежі, надмірного нагрівання, вибуху чи витоків електроліту.

## ЗБЕРІГАЙТЕ ЦІ ВКАЗІВКИ.

**▲ ОБЕРЕЖНО:** Використовуйте тільки акумулятори Makita. Використання акумуляторів, інших ніж оригінальні акумулятори Makita, або акумуляторів, конструкцію яких було змінено, може призвести до вибуху акумулятора і спричинити пожежу, травму або пошкодження. У зв'язку з цим також буде анульовано гарантію Makita на інструмент Makita і на зарядний пристрій.

## Поради з забезпечення максимального строку експлуатації акумулятора

1. Касету з акумулятором слід заряджати до того, як він розрядиться повністю. Завжди слід зупиняти роботу інструмента та зарядити акумулятор, якщо ви помітили зменшення потужності інструмента.
2. Ніколи не слід заряджати повторно повністю заряджену касету з акумулятором. Перезарядження скорочує строк експлуатації акумулятора.
3. Заряджайте касету з акумулятором при кімнатній температурі 10°C—40°C (50°F—104°F). Перед тим як заряджати касету з акумулятором, слід зачекати, доки вона охолоне.
4. Якщо касета з акумулятором не використовувалася тривалий час (понад шість місяців), її слід зарядити.

# ІНСТРУКЦІЯ З ВИКОРИСТАННЯ

## ⚠ ОБЕРЕЖНО:

- Завжди перевіряйте, щоб прилад був вимкнений, а касета з акумулятором була знята, перед регулюванням або перевіркою функціонування інструмента.

## Встановлення та зняття касети з акумулятором

► **Рис.7:** 1. Кнопка 2. Червоний індикатор 3. Касета з акумулятором

## ⚠ ОБЕРЕЖНО:

- Завжди вимикайте інструмент перед встановленням або зніманням касети з акумулятором.
- Під час встановлення або зняття касети з акумулятором надійно утримуйте інструмент і касету з акумулятором. Інакше інструмент або касета з акумулятором можуть вислизнути з рук, що може призвести до травм або пошкодження інструмента й касети з акумулятором.

Щоб зняти касету з акумулятором, слід витягнути її з інструмента, натиснувши на кнопку в передній частині касети.

Щоб установити касету з акумулятором, слід сумістити шпонку касети з акумулятором із пазом у корпусі та вставити касету на місце. Уставляйте її, доки не почуєте клацання. Якщо на верхній частині кнопки видно червоний індикатор, це означає, що вона заблокована не повністю.

## ⚠ ОБЕРЕЖНО:

- Завжди уставляйте касету повністю, аж поки червоний індикатор стане невидимим. Якщо цього не зробити, касета може випадково випасти з інструмента та завдати травми вам або людям, що знаходяться поруч.
- Не встановлюйте касету з акумулятором із зусиллям. Якщо касета не вставляється легко, то це означає, що Ви її невірно вставляєте.

## ПРИМІТКА:

- У разі виникнення труднощів із зніманням касети з акумулятором натисніть на неї із протилежного боку кнопки та зніміть.

## Відображення залишкового заряду акумулятора

Тільки для касет з акумулятором, які мають індикатори

► **Рис.8:** 1. Індикаторні лампи 2. Кнопка перевірки  
Натисніть кнопку перевірки на касеті з акумулятором для відображення залишкового ресурсу акумулятора. Індикаторні лампи загоряться на кілька секунд.

Індикаторні лампи			Залишковий ресурс
Горить	Вимк.	Блимає	
■ ■ ■ ■			від 75 до 100%
■ ■ ■ □			від 50 до 75%
■ ■ □ □			від 25 до 50%
■ □ □ □			від 0 до 25%
▬ □ □ □			Зарядіть акумулятор.
■ ■ □ □			Можливо, акумулятор вийшов з ладу.
□ □ ■ ■			

**ПРИМІТКА:** Залежно від умов використання та температури оточуючого середовища показання можуть незначним чином відрізнитися від дійсного ресурсу.

## Дія вимикача

### ⚠ ОБЕРЕЖНО:

- Перед тим як вставляти касету з акумулятором в інструмент, слід перевірити належну роботу курка вмикача, тобто щоб він повертався у положення "ВИМК.", коли його відпускають.
- Неможна із силою натискати на курок вмикача, якщо важіль блокування вимкненого положення не натиснутий. Це може зламати вмикач.

► **Рис.9:** 1. Курковий вмикач 2. Розчіплюючий важіль

Для того, щоб запобігти випадковому натисканню курка вмикача, передбачений важіль блокування вимкненого положення. Для того, щоб запустити інструмент, натисніть на важіль блокування вимкненого положення та натисніть на курок вимкненого положення. Для зупинення роботи курок слід відпустити.

### ⚠ ПОПЕРЕДЖЕННЯ:

- Із міркувань безпеки цей інструмент обладнаний важелем блокування вимкненого положення, що запобігає довільному запуску інструмента. ЗАБОРОНЕНО використовувати інструмент, якщо він запускається простим натисканням курка вмикача без натискання важеля блокування вимкненого положення. ПЕРЕД подальшим використанням інструмент слід відправити до сервісного центру MAKITA для проведення ремонту.
- ЗАБОРОНЕНО фіксувати скотчем або іншим чином відключати функцію важеля блокування вимкненого положення.

## Відображення залишкового заряду акумулятора

### Залежно від країни

► **Рис.10:** 1. Індикатор акумулятора

Коли Ви вмикаєте інструмент, індикатор акумулятора показує залишковий заряд акумулятора.

Залишковий заряд акумулятора відображається, як показано в наступній таблиці.

Стан індикатора акумулятора ■:ВМК. □:ВИМК. ▨:Мигає	Залишок заряду батареї
	50 % - 100 %
	20 % - 50 %
	0 % - 20 %
	Зарядіть акумулятор

## Функція автоматичної зміни швидкості

► **Рис.11:** 1. Індикатор режиму

Стан індикатора режиму	Режим роботи
	Режим високої швидкості
	Режим високого крутного моменту

Цей інструмент має "режим високої швидкості" та "режим високого крутного моменту". Він змінює режим роботи автоматично залежно від робочого навантаження. Якщо індикатор режиму горить під час роботи, інструмент працює у режимі високого крутного моменту.

## Система захисту інструмента/акумулятора

Інструмент оснащено системою захисту інструмента/акумулятора. Ця система автоматично вмикає живлення двигуна з метою збільшення терміну служби інструмента та акумулятора.

Інструмент автоматично зупиняється під час роботи, якщо він або акумулятор перебувають у зазначених нижче умовах. Під час перебування в певних умовах горить індикатор.

## Захист від перевантаження

Якщо інструмент використовується в умовах надмірного споживання струму, він автоматично вмикається без активування будь-яких індикаторів. У такому випадку відключіть інструмент та зупиніть роботу, під час виконання якої інструмент зазнав перевантаження. Щоб перезапустити інструмент, увімкніть його знову.

## Захист інструмента від перегріву

Якщо інструмент перегрівся, він автоматично зупиняється і індикатор акумулятора вказує на нижченаведений стан. У такому разі дозвольте інструменту охолонути, перш ніж знову його увімкнути.

Індикатор акумулятора	■:ВМК. □:ВИМК. ▨:Мигає	Інструмент перегрівся

## Знімання захисного блокування

Коли система захисту спрацює повторно, відбувається блокування інструмента й індикатор акумулятора вказує на такий стан.

Індикатор акумулятора	■:ВМК. □:ВИМК. ▨:Мигає	Спрацює захисне блокування

У такій ситуації інструмент не вмикається, навіть якщо його вимкнути і знову увімкнути. Для того щоб зняти захисне блокування, зніміть акумулятор, приєднайте його до заряджачого пристрою акумулятора та зачекайте, доки заряджання не закінчиться.

## Регулювання глибини різання

### ▲ ОБЕРЕЖНО:

- Після регулювання глибини різання слід завжди надійно затягнути важіль.

► **Рис.12:** 1. Важіль 2. Направляюча глибини

Послабте важіль збоку задньої ручки та пересуньте основу вгору або вниз. На необхідній глибині різання закріпіть основу, затягнувши важіль.

Для забезпечення рівнішого різання, слід відрегулювати глибину різання таким чином, щоб за межі деталі виходило не більше, ніж один зубець полотна. Використання вірної глибини різання допомагає знизити потенціальну небезпеку ВИДАЧІ, яка може призвести до поранень.

## Різнання під кутом

► **Рис.13:** 1. Передній важіль

Послабте передній важіль. Установіть необхідний кут (0° – 50°), відповідним чином його нахиливши, а потім надійно затягніть передній важіль.

► **Рис.14:** 1. Стопор

Для виконання точного різання під кутом 45° слід використовувати стопор для кута 45°. Повністю поверніть стопор проти годинникової стрілки для косої різання під кутом 0°–45°, а для косої різання під кутом 0°–50° поверніть його за годинниковою стрілкою.

## Виставляння

- **Рис.15:** 1. Лінія різання (положення 0°) 2. Лінія різання (положення 45°) 3. Гвинт

Для виконання прямих розрізів слід сумістити положення 0° у передній частині основи із лінією розрізу. Для косих розрізів під кутом 45° із лінією розрізу слід сумістити положення 45°. Положення верхньої напрямної можна відрегулювати.

## Увімкнення підсвічування

### ⚠ОБЕРЕЖНО:

- Не дивіться прямо на лампу або джерело світла.

- **Рис.16:** 1. Ліхтар

Для того щоб тільки увімкнути підсвічування, натисніть на курок вмикача, не натискаючи на важіль блокування вимкненого положення. Для того щоб увімкнути підсвічування та запустити інструмент, натисніть на важіль блокування вимкненого положення та натисніть на курок вмикача, тримаючи важіль блокування вимкненого положення натиснутим. Підсвічування горить, поки курок вмикача залишається натиснутим. Підсвічування гасне через 10–15 секунд після того, як курок вмикача був відпущений.

### ПРИМІТКА:

- Для видалення бруду з лінзи підсвітки користуйтеся сухою тканиною. Будьте обережні, щоб не подряпати лінзу підсвітки, тому що можна погіршити освітлювання.
- Для чищення скла ліхтаря підсвічування неможна використовувати бензин, розчинник або подібні матеріали. Використання таких речовин пошкодить скло.

## Скоба

### ⚠ОБЕРЕЖНО:

- Підвішуючи інструмент за скобу, завжди знімайте акумулятор.
- Ніколи не підвішуйте інструмент високо та не залишайте його на потенційно нестійкій поверхні.

- **Рис.17:** 1. Скоба 2. Закрито 3. Відкрито

Скоба є зручною для тимчасового підвішування інструмента. Щоб підвісити за скобу, просто поверніть її у повністю відкрите положення. Коли скоба не використовується, завжди повертайте її у повністю закрите положення.

## КОМПЛЕКТУВАННЯ

### ⚠ОБЕРЕЖНО:

- Завжди перевіряйте, щоб прилад був вимкнений, а касета з акумулятором була знята, перед тим, як проводити будь-які роботи на інструменті.

## Зняття та встановлення полотна пили

### ⚠ОБЕРЕЖНО:

- Перевірте, щоб полотно було встановлене так, щоб зубці були направлені вгору в напрямку передньої частини інструмента.
- Для встановлення або зняття полотна слід використовувати тільки ключ виробництва компанії Makita.

- **Рис.18:** 1. Шестигранний ключ 2. Фіксатор 3. Затягнути 4. Послабити

Для того, щоб зняти полотно, слід повністю натиснути замок вала таким чином, щоб полотно не могло обертатися, та за допомогою ключа послабити болт із шестигранною голівкою, повернувши його по годинниковій стрілці. Потім слід виїняти болт, зовнішній фланець та полотно.

- **Рис.19:** 1. Внутрішній фланець 2. Диск пили 3. Зовнішній фланець 4. Болт із шестигранною голівкою

Для того, щоб встановити полотно, виконайте процедуру його зняття у зворотному порядку. **ПЕРЕВІРТЕ, ЩОБ БОЛТ ІЗ ШЕСТИГРАННОЮ ГОЛІВКОЮ БУВ НАДІЙНО ЗАТЯГНУТИЙ ПРОТИ ГОДИННИКОВОЇ СТРІЛКИ.**

Під час заміни полотна обов'язково також чистьте верхній та нижній захисні кожухи полотна від тирси, що накопичилась, як зазначено в розділі "Технічне обслуговування". Однак такі дії не є заміною необхідної перевірки роботи нижнього захисного кожуха перед кожним використанням.

## Для інструмента із внутрішнім фланцем під полотно, діаметр отвору якого є іншим, ніж 15,88 мм

### ⚠ОБЕРЕЖНО:

- Переконайтеся, що виступ "а" на внутрішньому фланці, направлений назовні, точно підходить до отвору "а" полотна пили. Встановлення полотна на виступ іншого діаметра може призвести до небезпечної вібрації.

- **Рис.20:** 1. Вал кріплення 2. Внутрішній фланець 3. Диск пили 4. Зовнішній фланець 5. Болт із шестигранною голівкою

Внутрішній фланець має виступ певного діаметра з одного боку та виступ з діаметром, що відрізняється від попереднього, з іншого боку. Виберіть правильний бік, виступ якого точно підходить до отвору полотна.

Потім установіть внутрішній фланець на вал для кріплення таким чином, щоб правильна сторона виступу на внутрішньому фланці була спрямована назовні, після чого встановіть пильне полотно та зовнішній фланець.

**ОБОВ'ЯЗКОВО МІЦНО ЗАТЯГНІТЬ БОЛТ ІЗ ШЕСТИГРАННОЮ ГОЛІВКОЮ ПРОТИ ГОДИННИКОВОЇ СТРІЛКИ.**

## Для інструмента із внутрішнім фланцем під полотно, діаметр отвору якого становить 15,88 мм (залежить від країни)

- **Рис.21:** 1. Вал кріплення 2. Внутрішній фланець 3. Диск пили 4. Зовнішній фланець 5. Болт із шестигранною голівкою
- **Рис.22:** 1. Вал кріплення 2. Внутрішній фланець 3. Диск пили 4. Зовнішній фланець 5. Болт із шестигранною голівкою 6. Кільце

Установіть внутрішній фланець, направивши вито-чену частину назовні по відношенню до полотна, на вал для кріплення, потім установіть пильне полотно (у разі необхідності із прикріпленням кільцем), зовнішній фланець та болт із шестигранною голівкою. **ОБОВ'ЯЗКОВО МІЦНО ЗАТЯГНІТЬ БОЛТ ІЗ ШЕСТИГРАННОЮ ГОЛІВКОЮ ПРОТИ ГОДИННИКОВОЇ СТРІЛКИ.**

### ▲ ПОПЕРЕДЖЕННЯ:

- Перед встановленням полотна на шпиндель завжди перевіряйте, чи правильне кільце для шпindelного отвору полотна, яке Ви збираєтесь застосувати, було встановлено між внутрішнім та зовнішнім фланцями. Використання неправильного кільця для шпindelного отвору може призвести до неналежного кріплення полотна, його руху і сильної вібрації, що може спричинити втрату контролю над інструментом під час роботи і отримання серйозних травм.

## Зберігання шестигранного ключа

- **Рис.23:** 1. Шестигранний ключ

Коли шестигранний ключ не використовується, щоб він не загубився, його слід зберігати як показано на малюнку.

## Підключення пилососа

*(Додаткове приладдя в деяких країнах)*

- **Рис.24:** 1. Штуцер для пилу 2. Гвинт 3. Важіль
- **Рис.25:** 1. Пилосос 2. Шланг

Якщо Ви хочете виконати операції з різання із дотриманням чистоти, до інструмента слід підключити пилосос Makita.

Установіть наконечник для пилу на інструмент, використовуючи гвинт. Потім приєднайте шланг пилососа до наконечника для пилу, як показано на малюнку. В інструментах без наконечника для пилу, що входить до комплексу постачання як стандартне приладдя, під час встановлення наконечника для пилу необхідно замінити важіль, закріплений на нижньому захисному кожусі, важелем, що постачається разом із наконечником для пилу (додаткове приладдя). Інакше операцію з різання виконати буде неможливо, оскільки наконечник для пилу перешкоджає руху нижнього захисного кожуху.

## ЗАСТОСУВАННЯ

### ▲ ОБЕРЕЖНО:

- Під час різання надягайте респиратор.
- Інструмент слід плавно переміщати по прямій лінії. Докладання зусиль або перекручування інструмента можуть призвести до його перегріву та небезпечної віддачі, що в свою чергу може призвести до серйозних травм.
- Слід завжди використовувати задню й передню ручки та міцно тримати інструмент за обидві ручки під час роботи.

### ► Рис.26

Інструмент слід тримати міцно. На інструменті є як передня, так і задня ручка. Тримати інструмент слід за обидві ручки. Якщо пилу тримати обома руками, то вони не можуть бути порізані полотном. Встановіть основу на деталь, що різатиметься таким чином, щоб полотно її не торкалось. Потім увімкніть інструмент та заждіть, доки полотно набере повної швидкості. Тепер слід просто перемістити інструмент вперед по поверхні деталі, утримуючи його на площині та плавно просуваючи його, доки пилання не буде завершено.

Для точного різання слід дотримувати прямої лінії, та просувати пилу з однаковою швидкістю. Якщо під час різання напрям різання відхиляється від наміченого, неможна намагатись повернути або силою направити інструмент назад на лінію різання. Такі дії можуть призвести до заклинювання полотна та віддачі із подальшою тяжкою травмою. Відпустіть перемикач, зачекайте, доки полотно зупиниться, а потім заберіть інструмент. Виставте інструмент на нову лінію різання та почніть різання знов. Намагайтесь на займати таких положень, у яких би з-під пилу на оператора летіла тирса або тріски. Для запобігання травмам слід вдягати засоби захисту очей.

## Напрямна планка (реєстрова мітка) (додаткове приладдя)

- **Рис.27:** 1. Затискний гвинт 2. Напрямна планка (Реєстрова мітка)

Зручна напрямна планка дозволяє робити надзвичайно точні прямі розрізи. Слід просто пересунути напрямну планку впритул до краю робочої деталі та закріпити її у необхідному положенні за допомогою затискного гвинта в передній частині основи. Це також дозволяє багаторазово виконувати розрізи однакової ширини.

## ТЕХНІЧНЕ ОБСЛУГОВУВАННЯ

### ⚠ ОБЕРЕЖНО:

- Завжди перевіряйте, щоб прилад був вимкнений, а касета з акумулятором була знята, перед тим, як проводити будь-які роботи на інструменті.
- **Обов'язково чистьте верхній та нижній захисні кожухи полотна від тирси, що накопичилась, тому що вона може завадити роботі нижньої системи захисту.** Забруднена система захисту може завадити належній роботі і призвести до отримання серйозних травм. Найбільш ефективним способом такого чищення є стиснене повітря. **Під час виводу пилу з кожухів обов'язково використовуйте належні засоби захисту очей та дихальних шляхів.**
- Ніколи не використовуйте газолін, бензин, розріджувач, спирт та подібні речовини. Їх використання може призвести до зміни кольору, деформації та появи тріщин.

### Регулювання точності різання під кутом 0° та 45° (вертикальне різання та різання під кутом 45°)

► **Рис.28:** 1. Гвинт регулювання на 45° 2. Гвинт регулювання на 0°

► **Рис.29:** 1. Трикутна лінійка

Регулювання було виконано на заводі. Якщо регулювання збілося, слід відрегулювати гвинти регулювання за допомогою шестигранного ключа, перевіряючи кут полотна 0° або 45° відносно основи за допомогою трикутної лінійки, косинця тощо. Для регулювання кута 45° слід використовувати стопор для кута 45°.

### Регулювання напрямної кута нахилу

► **Рис.30:** 1. Напрямна кута нахилу 2. Гвинт 3. Напрямна

Регулювання напрямної кута нахилу було виконано на заводі. Якщо регулювання збілося, її слід відрегулювати наступним чином.

Для того щоб відрегулювати напрямну кута нахилу, послабте два гвинти. Сумістіть лінію 0° на напрямній кута нахилу із напрямною на основі, коли кут основи встановлений на 0°.

Для того, щоб підтримувати БЕЗПЕКУ та НАДІЙНІСТЬ, ремонт, технічне обслуговування або регулювання мають виконувати уповноважені центри обслуговування "Макіта", де використовуються лише стандартні запчастини "Макіта".

## ДОДАТКОВЕ ПРИЛАДДЯ

### ⚠ ОБЕРЕЖНО:

- Це оснащення або приладдя рекомендовано для використання з інструментами "Макіта", що описані в інструкції з експлуатації. Використання якогось іншого оснащення або приладдя може спричинити травмування. Оснащення або приладдя слід використовувати лише за призначенням.

У разі необхідності, отримати допомогу в більш детальному ознайомленні з оснащенням звертайтеся до місцевого Сервісного центру "Макіта".

- Полотна пили
- Напрямна планка (реєстрова мітка)
- Напрямна рейка
- Адаптер напрямної рейки
- Лінійка
- Наконечник для пилу
- Шестигранний ключ
- Оригінальний акумулятор та заряджаючий пристрій Makita

### ПРИМІТКА:

- Деякі елементи списку можуть входити до комплекту інструмента як стандартне приладдя. Вони можуть відрізнятися залежно від країни.

## SPECYFIKACJE

Model		DHS680
Średnica tarczy		165 mm
Maks. głębokość cięcia	przy kącie 0°	57 mm
	przy kącie 45°	41 mm
	przy kącie 50°	37 mm
Prędkość bez obciążenia		5 000 min <sup>-1</sup>
Długość całkowita		350 mm
Ciężar netto		3,0 - 3,3 kg
Napięcie znamionowe		Prąd stały 18 V

- W związku ze stale prowadzonym przez naszą firmę programem badawczo-rozwojowym niniejsze dane mogą ulec zmianom bez wcześniejszego powiadomienia.
- Dane techniczne mogą różnić się w zależności od kraju.
- Masa może być różna w zależności od osprzętu, w tym akumulatora. W tabeli przedstawiona jest najlżejsza i najcięższa konfiguracja, zgodnie z procedurą EPTA 01/2014.

## Kompatybilne akumulatory i ładowarki

Akumulator	BL1815N / BL1820 / BL1820B / BL1830 / BL1830B / BL1840 / BL1840B / BL1850 / BL1850B / BL1860B
Ładowarka	DC18RC / DC18RD / DC18RE / DC18SD / DC18SE / DC18SF

- Pewne z wymienionych powyżej akumulatorów i ładowarek mogą być niedostępne w regionie zamieszkania użytkownika.

**⚠ OSTRZEŻENIE:** Należy używać wyłącznie akumulatorów i ładowarek wymienionych powyżej. Używanie innych akumulatorów i ładowarek może stwarzać ryzyko wystąpienia obrażeń ciała lub pożaru.

### Przeznaczenie

Narzędzie przeznaczone jest do wykonywania wzdłużnych i poprzecznych cięć prostych oraz cięć pod kątem w drewnie, gdy spoczywa ono na obrabianym elemencie. Stosując odpowiednie części oryginalne firmy Makita, istnieje możliwość cięcia również innych materiałów.

### Hałas

Typowy równoważny poziom dźwięku A określony w oparciu o EN62841:

Poziom ciśnienia akustycznego ( $L_{pA}$ ): 94 dB (A)

Poziom mocy akustycznej ( $L_{WA}$ ): 105 dB (A)

Niepewność (K): 3 dB (A)

**WSKAZÓWKA:** Deklarowana wartość emisji hałasu została zmierzona zgodnie ze standardową metodą testową i można ją wykorzystać do porównywania narzędzi.

**WSKAZÓWKA:** Deklarowaną wartość emisji hałasu można także wykorzystać we wstępnej ocenie narażenia.

**⚠ OSTRZEŻENIE:** Nosić ochronniki słuchu.

**⚠ OSTRZEŻENIE:** Poziom hałasu wytwarzanego podczas rzeczywistego użytkowania elektronarzędzia może się różnić od wartości deklarowanej w zależności od sposobu użytkowania narzędzia, a w szczególności od rodzaju obrabianego elementu.

**⚠ OSTRZEŻENIE:** W oparciu o szacowane narażenie w rzeczywistych warunkach użytkowania należy określić środki bezpieczeństwa w celu zapewnienia ochrony operatora (uwzględniając wszystkie elementy cyklu działania, tj. czas, kiedy narzędzie jest wyłączone i kiedy pracuje na biegu jałowym, a także czas, kiedy jest włączone).

### Drgania

Całkowita wartość poziomu drgań (suma wektorów w 3 osiach) określona zgodnie z normą EN62841:

Tryb pracy: cięcie drewna

Emisja drgań ( $a_{h,w}$ ): 2,5 m/s<sup>2</sup> lub mniej

Niepewność (K): 1,5 m/s<sup>2</sup>

**WSKAZÓWKA:** Deklarowana wartość poziomu drgań została zmierzona zgodnie ze standardową metodą testową i można ją wykorzystać do porównywania narzędzi.

**WSKAZÓWKA:** Deklarowaną wartość poziomu drgań można także wykorzystać we wstępnej ocenie narażenia.

**⚠️ OSTRZEŻENIE:** Drgania wytwarzane podczas rzeczywistego użytkowania elektronarzędzia mogą się różnić od wartości deklarowanej w zależności od sposobu użytkowania narzędzia, a w szczególności od rodzaju obrabianego elementu.

**⚠️ OSTRZEŻENIE:** W oparciu o szacowane narażenie w rzeczywistych warunkach użytkowania należy określić środki bezpieczeństwa w celu zapewnienia ochrony operatora (uwzględniając wszystkie elementy cyklu działania, tj. czas, kiedy narzędzie jest wyłączone i kiedy pracuje na biegu jałowym, a także czas, kiedy jest włączone).

## Deklaracja zgodności WE

### Dotyczy tylko krajów europejskich

Deklaracja zgodności WE jest dołączona jako załącznik A do niniejszej instrukcji obsługi.

## Ogólne zasady bezpiecznej eksploatacji elektronarzędzi

**⚠️ OSTRZEŻENIE:** Należy zapoznać się z ostrzeżeniami dotyczącymi bezpieczeństwa, instrukcjami, ilustracjami i danymi technicznymi dołączonymi do tego elektronarzędzia. Niezastosowanie się do podanych poniżej instrukcji może prowadzić do porażenia prądem, pożaru i/lub poważnych obrażeń ciała.

## Wszystkie ostrzeżenia i instrukcje należy zachować do wykorzystania w przyszłości.

Pojęcie „elektonarzędzie”, występujące w wymienionych tu ostrzeżeniach, odnosi się do elektronarzędzia zasilanego z sieci elektrycznej (z przewodem zasilającym) lub do elektronarzędzia akumulatorowego (bez przewodu zasilającego).

## Ostrzeżenia dotyczące bezpieczeństwa dla akum. ręcznej pilarki tarczowej

### Procedury cięcia

- ⚠️ NIEBEZPIECZEŃSTWO:** Trzymać ręce z dala od obszaru cięcia oraz tarczy. Drugą dłoń trzymać na dodatkowym uchwycie lub na obudowie silnika. Jeśli obie dłonie trzymają pilarkę, nie mogą zostać przecięte przez tarczę.
- Nie wolno sięgać rękoma pod spód obrabianego elementu.** Osłona nie chroni użytkownika przed tarczą wychodzącą spod spodu obrabianego elementu.
- Głębokość cięcia należy dostosować do grubości obrabianego elementu.** Spod spodu obrabianego elementu może wystawać najwyżej niecały ząb tarczy.
- Obrabianego elementu nie wolno trzymać w rękach ani na nogach.** Obrabiany element należy przymocować do stabilnej podstawy. Prawidłowe podparcie elementu jest istotne, ponieważ minimalizuje zagrożenia dla operatora i ryzyko zakleszczenia się tarczy oraz utraty kontroli.

### ► Rys.1

- Trzymać elektronarzędzie za izolowane powierzchnie rękojeści podczas wykonywania prac, przy których narzędzie tnące może dotknąć niewidocznej instalacji elektrycznej. Zetknięcie z przewodem elektrycznym znajdującym się pod napięciem spowoduje, że odsłonięte metalowe elementy narzędzia również znajdą się pod napięciem, grożąc porażeniem operatora prądem elektrycznym.
- Podczas cięcia wzdłużnego należy zawsze stosować prowadnicę wzdłużną lub szynę prowadzącą. Zwiększa to dokładność cięcia i zmniejsza prawdopodobieństwo zakleszczenia tarczy.
- Zawsze należy używać tarcz o prawidłowym rozmiarze i kształcie (romb lub koło) otworu na wałek. Tarcze, które nie pasują do osprzętu do ich montażu w narzędziu, będą obracać się mimośrodkowo, powodując utratę kontroli.
- Nie wolno używać uszkodzonych ani niewłaściwych podkładek i śrub do mocowania tarczy. Podkładki i śruby do mocowania tarczy zostały zaprojektowane specjalnie dla opisywanego narzędzia w celu zapewnienia jego optymalnego działania i bezpieczeństwa obsługi.

### Przyczyny odrzutu i związane z tym ostrzeżenia:

- odrzut stanowi nagłą reakcję zakleszczonej, zablokowanej lub wygiętej tarczy, polegającą na niekontrolowanym uniesieniu pilarki w górę i wyrzuceniu jej z obrabianego elementu w kierunku operatora;
- gdy w skutek zaciskania się lub zablokowania materiału z obu stron rzazu tarcza zakleszczy się, wówczas reakcja silnika spowoduje gwałtowne wypchnięcie urządzenia w tył w kierunku operatora;
- jeśli podczas cięcia prowadzona w materiale tarcza zostanie skrzywiona lub wygięta, zęby znajdujące się na jej tylnej krawędzi mogą wkłuć się w górną powierzchnię drewna, wypychając tarczę z rzazu i powodując odskoczenie narzędzia do tyłu w kierunku operatora.

Odrzut jest wynikiem nieprawidłowego używania pilarki i/lub niewłaściwych procedur lub warunków jej obsługi. Można tego uniknąć, podejmując odpowiednie środki ostrożności, które podano poniżej.

- Przez cały czas pilarkę należy trzymać mocno oburącz, ustawiając ręce w taki sposób, aby przeciwdziałać siłom odrzutu. Nie wolno stawać na linii tarczy, lecz po jednej albo po drugiej jej stronie. Odrzut może spowodować odskoczenie pilarki w tył. Operator może jednak kontrolować siły odrzutu, jeśli zostaną podjęte odpowiednie środki ostrożności.
- W przypadku zakleszczenia się tarczy lub przerwania operacji cięcia z jakiegokolwiek powodu należy zwolnić spust przełącznika, trzymając pilarkę w materiale do momentu całkowitego zatrzymania się tarczy. Nie wolno wyciągać ani wycofywać pilarki z przecinanego elementu, gdy tarcza znajduje się w ruchu, bowiem w przeciwnym razie może wystąpić odrzut. Zbadać przyczynę zakleszczenia się tarczy i podjąć stosowne działanie, aby wyeliminować problem.



3. **Przed ponownym uruchomieniem pilarki znajdującej się w obrabianym elemencie należy ustawić tarczę tnącą w środku rzazu tak, żeby zęby tarczy nie były wbite w materiał.** Jeśli tarcza tnąca zablokuje się, wówczas w momencie uruchomienia pilarki może zostać wypchnięta ku górze albo wystąpi odrzut.
4. **Duże płyty należy podierać, aby zminimalizować ryzyko zakleszczania się tarczy i odrzutu.** Duże płyty mają tendencję do wyginania się pod własnym ciężarem. Podpory muszą być ustawione pod płytą w sąsiedztwie linii cięcia po obu jej stronach oraz w pobliżu końców płyty.

► Rys.2

► Rys.3

5. **Nie wolno używać tępych ani uszkodzonych tarcz.** Nienaostrome lub niewłaściwie założone tarcze dają wąski rżaz, który jest przyczyną nadmiernej tarcia, zakleszczania się tarczy i odrzutów.
6. **Dźwignie blokujące regulacji głębokości tarczy i kąta muszą być dobrze dokręcone i zaciśnięte przed przystąpieniem do cięcia.** Jeśli ustawienie tarczy zmienia się podczas cięcia, może spowodować zakleszczenie się tarczy i odrzut narzędzia.
7. **Należy zachować szczególną ostrożność w przypadku wykonywania cięcia w ścianach bądź innych zakrytych powierzchniach.** Wystająca tarcza może przeciąć niewidoczne elementy, które z kolei mogą wywołać odrzut.
8. **Narzędzie należy ZAWSZE trzymać mocno oburącz. Nie wolno NIGDY trzymać rąk, nóg ani innych części ciała pod podstawą narzędzia ani za nim, zwłaszcza podczas wykonywania cięć poprzecznych.** W przypadku wystąpienia odrzutu pilarka może z łatwością odskoczyć w tył, przesuując się po ręce, powodując poważne obrażenia.

► Rys.4

9. **Pilarkę należy prowadzić bez używania nadmiernej siły. Pilarkę należy popychać do przodu z prędkością, przy której tarcza nie zwalnia podczas cięcia.** Popychanie z nadmierną siłą może bowiem powodować powstawanie nierównych rżazów, prowadzić do utraty precyzji cięcia i stwarzać możliwość odrzutu.

#### Funkcja osłony

1. **Każdorazowo przed użyciem sprawdzić, czy dolna osłona prawidłowo się zamyka. Nie uruchamiać pilarki, jeśli dolna osłona nie przesuwa się swobodnie lub zamyka się z opóźnieniem. Nie wolno w żadnym wypadku przywierać dolnej osłony ani w inny sposób jej unieruchamiać w pozycji otwartej.** Jeśli narzędzie przypadkowo upadnie, dolna osłona może ulec wygięciu. W takim przypadku unieść dolną osłonę za pomocą uchwytu cofania i upewnić się, że osłona przesuwa się swobodnie i nie dotyka tarczy ani innego elementu przy wszystkich ustawieniach kąta i głębokości cięcia.
2. **Sprawdź działanie sprężyny dolnej osłony. Jeśli osłona i sprężyna nie działają prawidłowo, wówczas przed użyciem narzędzia należy zlecić ich naprawę.** Dolna osłona może przesuwać się z oporami wskutek uszkodzonych elementów, osadów żywicy oraz nagromadzonych zabrudzeń.

3. **Dolną osłonę wolno cofać ręcznie tylko w przypadku specjalnych cięć, takich jak „cięcia wgłębne” i „cięcia złożone”.** Unieść dolną osłonę za pomocą uchwytu cofania i, gdy tylko tarcza wejdzie w materiał, zwolnić ją. W przypadku pozostałych operacji cięcia dolna osłona powinna działać w sposób automatyczny.
4. **Przed odłożeniem narzędzia na stół lub podłogę należy zwrócić uwagę, czy dolna osłona zasłania tarczę.** Nieosłonięta tarcza, obracająca się siłą rozpędu, spowoduje ruch narzędzia do tyłu, które będzie cięło wszystko, co napotka na swojej drodze. Należy mieć świadomość, że od momentu zwolnienia przełącznika do chwili zatrzymania się tarczy upływa pewien czas.
5. **W celu skontrolowania dolnej osłony należy ją otworzyć ręką, a następnie zwolnić, obserwując, w jaki sposób się zamyka. Należy również sprawdzić, czy uchwyt cofania nie dotyka obudowy narzędzia.** Odsłonięta tarcza stanowi BARDZO DUŻE NIEBEZPIECZEŃSTWO i może prowadzić do poważnych obrażeń ciała.

#### Dodatkowe ostrzeżenia dotyczące bezpieczeństwa

1. **W przypadku cięcia wilgotnego drewna, impregnowanej ciśnieniowo tarcicy lub drewna z sękami należy zachować szczególną ostrożność.** Utrzymywać jednostajny ruch posuwisty narzędzia bez zmniejszania prędkości obrotowej tarczy w celu uniknięcia przegrzania się zębów piły.
2. **Nie wolno usuwać przeciętego materiału, gdy tarcza jest w ruchu. Przed chwyceniem przeciętego materiału należy odczekać, aż tarcza zatrzyma się.** Po wyłączeniu tarcze dalej obracają się siłą rozpędu.
3. **Należy unikać cięcia gwoździ. Przed przystąpieniem do cięcia należy skontrolować tarcicę i usunąć z niej wszystkie gwoździe.**
4. **Podstawę pilarki umieścić po tej stronie obrabianego elementu, która jest dobrze podparta, a nie po tej, która odpadnie w momencie przecięcia. Jeśli obrabiany element jest krótki lub ma niewielkie rozmiary, należy go unieruchomić. NIE WOLNO PRZYTRZYMYWAĆ KRÓTKICH ELEMENTÓW RĘKĄ!**

► Rys.5

5. **Przed odłożeniem narzędzia po zakończonej operacji cięcia należy upewnić się, czy osłona zamknęła się oraz czy tarcza całkowicie się zatrzymała.**
6. **Nie wolno podejmować prób cięcia pilarką zamocowaną do góry nogami w imadle. Jest to wyjątkowo niebezpieczne i może prowadzić do poważnych wypadków.**

► Rys.6

7. **Niektóre materiały zawierają substancje chemiczne, które mogą być toksyczne. Unikać wdychania pyłu i kontaktu ze skórą. Przestrzegać przepisów bezpieczeństwa podanych przez dostawcę materiałów.**
8. **Nie wolno zatrzymywać tarczy, wywierając na nią poprzeczny nacisk.**
9. **Nie wolno używać tarcz ściernych.**

10. **Używać wyłącznie tarczy o średnicy oznaczonej na narzędziu lub określonej w instrukcji.** Korzystanie z tarczy o nieodpowiednim rozmiarze może uniemożliwić prawidłowe zabezpieczenie tarczy lub zakłócić działanie osłony, co może skutkować odniesieniem poważnych obrażeń ciała.
11. **Tarcza powinna być zawsze naostrzona i czysta.** Stwardniała żywica i smoła drzewna na tarczach spowalnia ruch obrotowy pilarki i zwiększa ryzyko odrzutu. Tarcza powinna być zawsze czysta. W celu oczyszczenia tarczy należy ją najpierw zdjąć z narzędzia, następnie oczyścić zmywaczem do żywicy i smoły, gorącą wodą lub naftą. Nie wolno stosować benzyny.
12. **Do pracy należy zakładać maskę przeciwpyłową oraz ochronniki słuchu.**
13. **Zawsze używać tarczy tnącej przeznaczonej do cięcia materiału, który ma być cięty.**
14. **Stosować wyłącznie tarcze tnące z oznaczeniem prędkości równej lub wyższej niż wartość prędkości oznaczonej na narzędziu.**
15. **(Dotyczy tylko krajów europejskich). Zawsze używaj tarczy zgodnej z normą EN847-1.**
6. **Narzędzia i akumulatora nie wolno przechowywać w miejscach, w których temperatura osiąga bądź przekracza 50°C (122°F).**
7. **Akumulatorów nie wolno spalać, również tych poważnie uszkodzonych lub całkowicie zużytych. Akumulator może eksplodować w ogniu.**
8. **Chroń akumulator przed upadkiem i uderzeniami.**
9. **Nie wolno używać uszkodzonego akumulatora.**
10. **Stanowiące wyposażenie akumulatory litowo-jonowe podlegają przepisom dotyczącym produktów niebezpiecznych.** Na potrzeby transportu komercyjnego, np. świadczonoego przez firmy trzecie czy spedycyjne, należy przestrzegać specjalnych wymagań w zakresie pakowania i oznaczania etykietami. Przygotowanie produktu do wysyłki wymaga konsultowania się ze specjalistą ds. materiałów niebezpiecznych. Należy także przestrzegać przepisów krajowych, które mogą być bardziej szczegółowe. Zakleić taśmą lub zaślepić otwarte styki akumulatora oraz zabezpieczyć go, aby nie mógł się przesuwać w opakowaniu.

## ZACHOWAĆ NINIEJSZĄ INSTRUKCJĘ.

**⚠️ OSTRZEŻENIE:** NIE WOLNO pozwolić, aby wygoda lub rutyna (nabyta w wyniku wielokrotnego używania urządzenia) zastąpiły ściśle przestrzeganie zasad bezpieczeństwa obsługi. **NIEWŁAŚCIWE UŻYTKOWANIE** narzędzia lub niestosowanie się do zasad bezpieczeństwa podanych w niniejszej instrukcji obsługi może prowadzić do poważnych obrażeń ciała.

### Ważne zasady bezpieczeństwa dotyczące akumulatora

1. **Przed użyciem akumulatora zapoznać się ze wszystkimi instrukcjami i znakami ostrzegawczymi na (1) ładowarce, (2) akumulatorze i (3) produkcie, w którym będzie używany akumulator.**
  2. **Akumulatora nie wolno rozbierać.**
  3. **Jeśli czas działania uległ znacznemu skróceniu, należy natychmiast przerwać pracę. Może bowiem dojść do przegrzania, ewentualnych poparzeń, a nawet eksplozji.**
  4. **W przypadku przedostania się elektrolitu do oczu, przemyć je czystą wodą i niezwłocznie uzyskać pomoc lekarską. Może on bowiem spowodować utratę wzroku.**
  5. **Nie doprowadzać do zwarcia akumulatora:**
    - (1) **Nie dotykać styków materiałami przewodzącymi prąd.**
    - (2) **Unikać przechowywania akumulatora w pojemniku z metalowymi przedmiotami, takimi jak gwoździe, monety itp.**
    - (3) **Chrońć akumulator przed deszczem lub wodą.**
- Zwarcie prowadzi do przepływu prądu elektrycznego o dużym natężeniu i przegrzania akumulatora, co w konsekwencji może grozić poparzeniami a nawet awarią urządzenia.

11. **Postępować zgodnie z przepisami lokalnymi dotyczącymi usuwania akumulatorów.**
12. **Używać akumulatorów tylko z produktami określonymi przez firmę Makita.** Zastosowanie akumulatorów w niezgodnych produktach może spowodować pożar, przegrzanie, wybuch lub wyciek elektrolitu.

## ZACHOWAĆ NINIEJSZE INSTRUKCJE.

**⚠️ PRZESTROGA:** Używać wyłącznie oryginalnych akumulatorów firmy Makita. Używanie nieoryginalnych akumulatorów firm innych niż Makita lub akumulatorów, które zostały zmodyfikowane, może spowodować wybuch akumulatora i pożar, obrażenia ciała oraz zniszczenie mienia. Stanowi to również naruszenie warunków gwarancji firmy Makita dotyczących narzędzia i ładowarki.

## Wskazówki dotyczące zachowania maksymalnej trwałości akumulatora

1. **Akumulator należy naładować zanim zostanie do końca rozładowany. Po zauważeniu spadku mocy narzędzia należy przerwać pracę i naładować akumulator.**
2. **Nie wolno ładować powtórnie w pełni naładowanego akumulatora. Przeładowanie akumulatora skraca jego trwałość.**
3. **Akumulator należy ładować w temperaturze pokojowej w przedziale 10–40°C (50–104°F). W przypadku gorącego akumulatora przed przystąpieniem do ładowania należy poczekać, aż ostygnie.**
4. **Akumulatory niklowo-wodorkowe należy naładować po okresie długiego nieużytkowania (dłuższego niż sześć miesięcy).**

# OPIS DZIAŁANIA

## ⚠ PRZESTROGA:

- Przed przystąpieniem do regulacji lub przeglądu narzędzia upewnić się, czy jest ono wyłączone i czy został wyjęty akumulator.

## Wkładanie i wyjmowanie akumulatora

- **Rys.7:** 1. Przycisk 2. Czerwony wskaźnik  
3. Akumulator

## ⚠ PRZESTROGA:

- Przed montażem lub demontażem akumulatora należy wyłączyć narzędzie.
- **Podczas wkładania lub wyjmowania akumulatora należy mocno trzymać narzędzie i akumulator.** W przeciwnym razie mogą one wyslizgnąć się z rąk, powodując uszkodzenie narzędzia lub akumulatora i obrażenia ciała.

Aby wyjąć akumulator, należy przesunąć przycisk znajdujący się w przedniej jego części i wysunąć akumulator.

Aby zamontować akumulator, wystarczy wyrównać występ na akumulatorze z rowkiem w obudowie i wsunąć go na swoje miejsce. Akumulator należy wsuwać do oporu, aż się zablokuje, co jest sygnalizowane delikatnym kliknięciem. Jeśli jest widoczny czerwony wskaźnik w górnej części przycisku, akumulator nie został całkowicie zablokowany.

## ⚠ PRZESTROGA:

- Należy go zamontować całkowicie, tak aby czerwony wskaźnik nie był widoczny. W przeciwnym razie może przypadkowo wypaść z urządzenia, raniąc operatora lub osoby postronne.
- Nie montować akumulatora na siłę. Jeśli akumulator nie daje się swobodnie wsunąć, prawdopodobnie został włożony nieprawidłowo.

## WSKAZÓWKA:

- W przypadku problemów z wyjęciem akumulatora należy popchnąć go od dołu z drugiej strony i wysunąć.

## Wskazanie stanu naładowania akumulatora

*Tylko w przypadku akumulatorów ze wskaźnikiem*

- **Rys.8:** 1. Lampki wskaźnika 2. Przycisk kontrolny

Nacisnąć przycisk kontrolny na akumulatorze w celu wyświetlenia stanu naładowania akumulatora. Lampki wskaźnika zaświecą się przez kilka sekund.

Lampki wskaźnika			Pozostała energia akumulatora
Świeci się	Wyłączony	Miga	
■ ■ ■ ■			75–100%
■ ■ ■ □			50–75%
■ ■ □ □			25–50%
■ □ □ □			0–25%
▬ □ □ □			Naładować akumulator.
■ ■ □ □			Akumulator może nie działać poprawnie.
□ □ ■ ■			

**WSKAZÓWKA:** Zależnie od warunków użytkowania i temperatury otoczenia, wskazywany poziom może nieznacznie się różnić od rzeczywistego stanu naładowania akumulatora.

## Włączanie

### ⚠ PRZESTROGA:

- Przed montażem akumulatora do narzędzia zawsze sprawdź, czy język spustowy wyłącznika działa prawidłowo i po zwolnieniu powraca do położenia „OFF”.
- Nie należy ciągnąć na siłę za język spustowy przełącznika bez uprzedniego naciśnięcia dźwigni blokady. Można w ten sposób połamać przełącznik.

- **Rys.9:** 1. Spust przełącznika 2. Dźwignia wyłącznika blokady

Urządzenie wyposażone jest w dźwignię blokady, która zapobiega przypadkowemu pociągnięciu za język spustowy przełącznika. Aby uruchomić narzędzie, należy nacisnąć dźwignię blokady i pociągnąć za język spustowy przełącznika. W celu zatrzymania urządzenia wystarczy zwolnić język spustowy przełącznika.

### ⚠ OSTRZEŻENIE:

- Ze względów bezpieczeństwa urządzenie jest wyposażone w dźwignię blokady, która zapobiega przypadkowemu uruchomieniu narzędzia. NIGDY nie użytkować narzędzia, jeżeli można je uruchomić, pociągając tylko język spustowy przełącznika bez naciśnięcia dźwigni blokady. PRZED dalszym użytkowaniem narzędzia należy przekazać je do centrum serwisowego MAKITA w celu naprawy.
- NIE WOLNO zaklejać dźwigni blokady taśmą ani w inny sposób blokować jej działania.

## Wskazuje poziom naładowania akumulatora

### W zależności od kraju

► **Rys.10:** 1. Wskaźnik akumulatora

Po włączeniu narzędzia wskaźnik akumulatora wskazuje poziom naładowania akumulatora.

Poziom naładowania akumulatora jest wyświetlany, jak pokazano w poniższej tabeli.

Status wskaźnika akumulatora : WŁ (ON)   : WYŁ (OFF)   : Pulsuje	Pozostała pojemność akumulatora
	50 % - 100 %
	20 % - 50 %
	0 % - 20 %
	Naładować akumulator

## Funkcja automatycznej zmiany prędkości

► **Rys.11:** 1. Wskaźnik trybu

Status wskaźnika trybu	Tryb pracy
	Tryb dużej prędkości
	Tryb wysokiego momentu

Narzędzie to może pracować w „trybie dużej prędkości” oraz w „trybie wysokiego momentu”. Narzędzie zmienia automatycznie tryb pracy w zależności od jego obciążenia. Włączenie się wskaźnika trybu podczas pracy oznacza, że narzędzie pracuje w trybie wysokiego momentu.

## System ochrony narzędzia/akumulatora

Narzędzie jest wyposażone w system ochrony narzędzia/akumulatora. System ten automatycznie odcina dopływ prądu do silnika w celu wydłużenia żywotności narzędzia i akumulatora.

Narzędzie zostanie automatycznie zatrzymane podczas pracy w następujących sytuacjach związanych z narzędziem lub akumulatorem. Niektóre sytuacje zostaną wskazane poprzez zapalenie się odpowiedniego wskaźnika.

## Zabezpieczenie przed przeciążeniem

W przypadku obsługi narzędzia w sposób powodujący wytwarzanie wysokiego prądu odbiegającego od normy narzędzie to zostanie automatycznie zatrzymane bez żadnego wskazania za pomocą wskaźników. W takiej sytuacji należy wyłączyć narzędzie i zaprzestać wykonywania czynności powodującej przeciążenie narzędzia. Następnie należy włączyć urządzenie w celu jego ponownego uruchomienia.

## Zabezpieczenie przed przegrzaniem narzędzia

W przypadku przegrzania narzędzie zostanie automatycznie wyłączone, a wskaźnik akumulatora będzie wskazywał następujący stan. W takiej sytuacji należy odczekać, aż narzędzie ostygnie przed ponownym jego włączeniem.

Wskaźnik akumulatora	: WŁ (ON)	: WYŁ (OFF)	: Pulsuje
	Przegrzanie narzędzia		

## Zwalnianie blokady zabezpieczającej

W przypadku gdy system ochrony pracuje raz za razem narzędzie zostanie zablokowane, a wskaźnik akumulatora wskaże następujący stan.

Wskaźnik akumulatora	: WŁ (ON)	: WYŁ (OFF)	: Pulsuje
	Blokada zabezpieczająca załączona		

W takiej sytuacji nie można uruchomić narzędzia, nawet po jego wyłączeniu i ponownym włączeniu. Aby zwolnić blokadę zabezpieczającą, należy wyjąć akumulator, umieścić go w ładowarce i odczekać do momentu zakończenia procesu ładowania.

## Dostosowywanie głębokości cięcia

### ▲ PRZESTROGA:

- Po zakończeniu regulacji głębokości cięcia należy zawsze dobrze dokręcić dźwignię.

► **Rys.12:** 1. Dźwignia 2. Prowadnica głębokości

Poluzuj dźwignię z boku rękojeści tylnej i przesuń podstawę w górę lub w dół. Po ustawieniu wybranej głębokości cięcia zablokuj podstawę dokręcając dźwignię. Głębokość cięcia powinna być ustawiona w taki sposób, aby pod spodem przecinanego elementu tarcza nie wystawała więcej niż na wysokość jednego zęba, co zapewni czystsze i bezpieczniejsze cięcie. Stosowanie prawidłowego ustawienia głębokości cięcia zmniejsza ryzyko niebezpiecznych ODRZUTÓW, które grożą obrażeniami ciała.

## Cięcie pod kątem

### ► Rys.13: 1. Dźwignia przednia

Poluzować dźwignię przednią. Ustawić wybrany kąt (0° - 50°), przechylając odpowiednio narzędzie, a następnie dobrze dokręcić dźwignię przednią.

### ► Rys.14: 1. Ogranicznik

Do precyzyjnego cięcia pod kątem 45° służy ogranicznik kąta 45°. Obrócić ogranicznik do oporu przeciwnie do ruchu wskazówek zegara do cięcia pod kątem (0° - 45°) oraz zgodnie z ruchem wskazówek zegara do cięcia pod kątem 0° - 50°.

## Prowadzenie narzędzia wzdłuż zadanej linii

### ► Rys.15: 1. Linia cięcia (położenie 0°) 2. Linia cięcia (położenie 45°) 3. Wkręt

W przypadku cięć prostych wyrównać punkt 0° w przedniej części podstawy z linią cięcia. W przypadku cięć pod kątem 45°, należy wyrównać z nią punkt 45°. Położenie górnej prowadnicy posiada możliwość regulacji.

## Włączanie lampki

### ▲ PRZESTROGA:

- Nie wolno patrzeć na lampkę ani kierować wzroku bezpośrednio na źródło światła.

### ► Rys.16: 1. Lampka

Aby włączyć tylko lampkę, należy pociągnąć język spustowy przełącznika bez uprzedniego naciśnięcia dźwigni blokady. Aby włączyć lampkę i uruchomić narzędzie, należy nacisnąć dźwignię blokady i pociągnąć język spustowy przełącznika przy naciśniętej dźwigni blokady. Lampka świeci się dopóki język spustowy przełącznika jest naciśnięty. Lampka gaśnie po 10-15 sekundach od momentu zwolnienia języka spustowego.

### WSKAZÓWKA:

- Użyć suchej tkaniny aby zetrzeć zanieczyszczenia z osłony lampki. Uważać, aby nie zarysować osłony lampki, gdyż może to zmniejszyć natężenie oświetlenia.
- Do czyszczenia soczewki lampki nie wolno używać benzyny, rozcieńczalnika ani innych podobnych substancji. Stosując tego typu substancje można uszkodzić soczewkę.

## Zaczepek

### ▲ PRZESTROGA:

- Należy zawsze wyjmować akumulator w przypadku zawieszenia narzędzia na zaczepie.
- Nie wolno wieszć narzędzia wysoko lub na potencjalnie niestabilnej powierzchni.

### ► Rys.17: 1. Hak 2. Zamknij 3. Otwórz

Zaczepek jest wygodny, aby na chwilę zawiesić narzędzie. Aby skorzystać z zaczepu, należy po prostu obrócić go i przestawić w pozycję otwarcia.

Gdy zaczep nie jest używany, obrócić go i przestawić w pozycję zamknięcia.

## MONTAŻ

### ▲ PRZESTROGA:

- Przed przystąpieniem do jakichkolwiek czynności związanych z obsługą narzędzia należy koniecznie upewnić się, czy jest ono wyłączone i czy akumulator został wyjęty.

## Demontaż lub montaż tarczy

### ▲ PRZESTROGA:

- Tarczę należy montować w taki sposób, aby zęby znajdujące się w przedniej części narzędzia były skierowane ku górze.
- Do zakładania i zdejmowania tarczy należy używać wyłącznie klucza firmy Makita.

### ► Rys.18: 1. Klucz sześciokątny 2. Blokada wału 3. Dokręcić 4. Odkręcić

W celu ściągnięcia tarczy nacisnąć blokadę wałka, aby tarcza nie mogła się obracać, i odkręcić kluczem śrubę sześciokątną zgodnie z ruchem wskazówek zegara. Następnie wyciągnij śrubę sześciokątną i ściągnij kołnierz zewnętrzny oraz tarczę.

### ► Rys.19: 1. Kołnierz wewnętrzny 2. Tarcza 3. Kołnierz zewnętrzny 4. Śruba sześciokątna

Aby zainstalować tarczę, wykonaj w odwrotnej kolejności procedurę demontażu. ŚRUBĘ SZEŚCIOKĄTNĄ NALEŻY DOBRZE DOKRĘCIĆ PRZECIWNIE DO RUCHU WSKAZÓWEK ZĘGARA.

W przypadku wymiany tarczy należy koniecznie oczyścić górną i dolną osłonę tarczy z nagromadzonych trocin, zgodnie z opisem w rozdziale dot. konserwacji. Czynność ta nie może zastąpić kontroli poprawności działania osłony dolnej przed każdorazowym użyciem narzędzia.

## Dotyczy narzędzia z kołnierzem wewnętrznym dla tarczy tnącej z otworem o średnicy innej niż 15,88 mm

### ▲ PRZESTROGA:

- Upewnić się, że występ „a” na kołnierzu wewnętrznym ustawiony na zewnątrz idealnie pasuje do otworu „a” tarczy tnącej. Montaż tarczy tnącej złą stroną może spowodować niebezpieczne wibracje.

### ► Rys.20: 1. Wałek montażowy 2. Kołnierz wewnętrzny 3. Tarcza 4. Kołnierz zewnętrzny 5. Śruba sześciokątna

Po obu stronach kołnierza wewnętrznego znajdują się występy o różnej średnicy. Należy wybrać odpowiednią stronę, której występ idealnie pasuje do otworu tarczy tnącej.

Następnie zamontować kołnierz wewnętrzny na wałku montażowym, prawidłową stroną z występem kołnierza wewnętrznego skierowanym na zewnątrz, po czym założyć tarczę tnącą i kołnierz zewnętrzny. MOCNO DOKRĘCIĆ ŚRUBĘ SZEŚCIOKĄTNĄ W LEWO.

## Dotyczy narzędzia z kołnierzem wewnętrznym dla tarczy tnącej z otworem o średnicy 15,88 mm (w zależności od kraju)

► **Rys.21:** 1. Walek montażowy 2. Kołnierze wewnętrzny 3. Tarcza 4. Kołnierze zewnętrzny 5. Śruba sześciokątna

► **Rys.22:** 1. Walek montażowy 2. Kołnierze wewnętrzny 3. Tarcza 4. Kołnierze zewnętrzny 5. Śruba sześciokątna 6. Pierścień

Zamontować kołnierze wewnętrzny na wałku montażowym wewnętrznym wgłębieniem skierowanym na zewnątrz, a następnie zamocować tarczę tnącą (z zamocowanym pierścieniem, w razie potrzeby), kołnierze zewnętrzny i śrubę sześciokątną.

**MOCNO DOKRĘCIĆ ŚRUBĘ SZEŚCIOKĄTNĄ W LEWO.**

### **⚠ OSTRZEŻENIE:**

- **Przed zamocowaniem tarczy na wrzecionie zawsze upewnić się, czy pomiędzy kołnierzem zewnętrznym i wewnętrznym znajduje się pierścień dopasowany do otworu tarczy, która ma zostać użyta.** Korzystanie z pierścienia o nieprawidłowym otworze może skutkować nieprawidłowym montażem tarczy, powodując ruch tarczy oraz mocne drgania, co skutkuje możliwą utratą kontroli podczas pracy oraz odniesieniem poważnych obrażeń.

## Przechowywanie klucza sześciokątnego

► **Rys.23:** 1. Klucz sześciokątny

Klucz sześciokątny, gdy nie jest używany, należy przechowywać zgodnie z rysunkiem, aby nie zapodział się.

## Podłączenie odkurzacza

*(Akcesoria opcjonalne w niektórych krajach)*

► **Rys.24:** 1. Dysza odpylania 2. Wkręt 3. Dźwignia

► **Rys.25:** 1. Odkurzacz 2. Wąż

W celu zachowania czystości podczas operacji cięcia należy podłączyć do narzędzia odkurzacz firmy Makita. Zamocować dyszę odpylania na narzędziu przy użyciu wkrętu. Następnie do dyszy odpylania podłączyć wąż odkurzacza według rysunku.

W przypadku narzędzia bez dyszy odpylania dostarczonego jako wyposażenie standardowe wymienić dźwignię zamocowaną do dolnej osłony na dźwignię dostarczoną wraz z dyszą odpylania (akcesoria opcjonalne) podczas montażu dyszy odpylania. W przeciwnym wypadku nie będzie możliwe wykonanie cięcia, ponieważ ruch dolnej osłony będzie utrudniony przez dyszę odpylania.

## DZIAŁANIE

### **⚠ PRZESTROGA:**

- **Podczas cięcia należy nosić maskę przeciwpyłową.**
- Narzędzie należy prowadzić spokojnie wzdłuż linii prostej. Stosowanie nadmiernej siły lub zmiana kierunku prowadzenia narzędzia powoduje przegrzanie silnika i stwarza zagrożenie wystąpienia niebezpiecznego odrzutu, który może być przyczyną poważnych obrażeń.
- Należy zawsze używać uchwytu przedniego i rękojeści tylnej, a podczas pracy trzymać narzędzie zarówno za uchwyt, jak i rękojeść.

► **Rys.26**

Narzędzie trzymać mocno i pewnie. Narzędzie zaopatrzone jest zarówno w uchwyt przedni jak i rękojeść tylną. Należy używać obu wspomnianych elementów, aby zapewnić pewny chwyt. Jeżeli pilarka trzymana jest oburącz, nie ma możliwości pokaleczenia rąk przez tarczę. Ustaw podstawę narzędzia na elemencie do cięcia w taki sposób, aby tarcza nie stykała się z nim. Następnie włącz narzędzie i odczekaj, aż tarcza uzyska pełną prędkość. Następnie po prostu przesuwać narzędzie płynnie do przodu nad ciętym materiałem, trzymając je płasko, aż do zakończenia cięcia.

Aby uzyskać gładkie rzazy, staraj się ciąć w linii prostej i utrzymywać stałą prędkość posuwu. Jeżeli narzędzie zboczy z zamierzonej linii cięcia, nie próbuj skręcać narzędziem ani wracać do niej na siłę. Można bowiem w ten sposób zakleszczyć tarczę, zwiększając ryzyko niebezpiecznego odrzutu i ewentualnych poważnych obrażeń. Zwolnij przełącznik, odczekaj, aż tarcza zatrzyma się, a następnie wycofaj narzędzie. Ustaw narzędzie wzdłuż nowej linii cięcia i rozpocznij cięcie na nowo. Stań w taki sposób, aby wylatujące z pilarki wióry i trociny były skierowane w przeciwną stronę. Korzystaj z okularów ochronnych, aby zmniejszyć ryzyko zaprószenia.

## Prowadnica wzdłużna (akcesoria opcjonalne)

► **Rys.27:** 1. Śruba zaciskowa 2. Prowadnica wzdłużna

Poręczna prowadnica wzdłużna pozwala wykonywać wyjątkowo dokładne cięcia proste. Wystarczy tylko ciasno nasunąć prowadnicę wzdłużną na krawędź elementu do cięcia i zablokować ją w tym położeniu za pomocą śruby mocującej w przedniej części podstawy. Umożliwia ona również wykonywanie powtarzalnych cięć o tej samej szerokości.

## KONSERWACJA

### PRZESTROGA:

- Przed przystąpieniem do jakichkolwiek czynności związanych z obsługą narzędzia należy koniecznie upewnić się, czy jest ono wyłączone i czy akumulator został wyjęty.
- **Oczyszczyć górną i dolną osłonę tarczy, aby wykluczyć obecność nagromadzonych trocin, które mogą utrudniać działanie dolnego systemu zabezpieczającego.** Zabrudzony system zabezpieczający może ograniczać właściwe działanie, co może skutkować odniesieniem poważnych obrażeń. Najbardziej skutecznym sposobem czyszczenia jest użycie sprężonego powietrza. **W przypadku wydmuchiwania pyłu z osłon zapewnić stosowanie właściwej ochrony oczu i układu oddechowego.**
- Nie wolno używać benzyny, benzenu, rozpuszczalnika, alkoholu itp. Substancje takie mogą spowodować odbarwienia, odkształcenia lub pęknięcia.

## Regulacja dokładności cięcia 0° i 45° (w pionie i pod kątem 45°)

► **Rys.28:** 1. Śruba regulacyjna dla 45° 2. Śruba regulacyjna dla 0°

► **Rys.29:** 1. Ekiarka

Ta regulacja została przeprowadzona fabrycznie. Jeżeli występują jednak pewne odstępstwa, wyregulować za pomocą klucza sześciokątnego ustawienie śrub regulacyjnych, kontrolując równocześnie kąt 0° lub 45°, jaki tworzy tarcza z podstawą, wykorzystując w tym celu ekiarkę, przymiar kąta prostego, itp. Do precyzyjnego cięcia pod kątem 45° służy ogranicznik kąta 45°.

## Regulacja prowadnicy ukośnej

► **Rys.30:** 1. Prowadnica ukośna 2. Wkręt 3. Prowadnica

Prowadnica ukośna została wyregulowana fabrycznie. Jeśli występują jednak pewne odstępstwa, można ją wyregulować przy użyciu poniższej procedury.

W celu regulacji prowadnicy ukośnej poluzować dwa wkręty. Wyosiować linię 0° na prowadnicy ukośnej z prowadnicą podstawy przy ustawieniu podstawy pod kątem 0°.

Dla zachowania **BEZPIECZEŃSTWA** i **NIEZAWODNOŚCI** wyrobu, naprawy oraz prace konserwacyjne i regulacyjne powinny być wykonywane przez Autoryzowane Centra Serwisowe Makita, wyłącznie przy użyciu części zamiennych Makita.

## AKCESORIA OPCJONALNE

### PRZESTROGA:

- Zaleca się stosowanie wymienionych akcesoriów i dodatków razem z elektronarzędziem Makita opisanym w niniejszej instrukcji. Stosowanie jakichkolwiek innych akcesoriów i dodatków może stanowić ryzyko uszkodzenia ciała. Stosować akcesoria i dodatki w celach wyłącznie zgodnych z ich przeznaczeniem.

W razie potrzeby, wszelkiej pomocy i szczegółowych informacji na temat niniejszych akcesoriów udziela Państwu lokalne Centra Serwisowe Makita.

- Tarcze tnące
- Prowadnica wzdłużna
- Reling prowadzący
- Adapter relingu prowadzącego
- Śtupek miarkowy
- Dysza odpylania
- Klucz sześciokątny
- Oryginalny akumulator i ładowarka firmy Makita

### WSKAZÓWKI:

- Niektóre pozycje znajdujące się na liście mogą być dołączone do pakietu narzędziowego jako akcesoria standardowe. Mogą to być różne pozycje, w zależności od kraju.

## SPECIFICAȚII

Model		DHS680
Diametrul pânzei de ferăstrău		165 mm
Adâncime maximă de tăiere	la 0°	57 mm
	la 45°	41 mm
	la 50°	37 mm
Turație în gol		5.000 min <sup>-1</sup>
Lungime totală		350 mm
Greutate netă		3,0 - 3,3 kg
Tensiune nominală		18 V cc.

- Datorită programului nostru continuu de cercetare și dezvoltare, specificațiile pot fi modificate fără o notificare prealabilă.
- Specificațiile pot varia în funcție de țară.
- Greutatea poate diferi în funcție de accesoriu(ii), inclusiv cartușul acumulatorului. În tabel se prezintă combinația cea mai ușoară și cea mai grea, conform Procedurii EPTA 01/2014.

## Cartușul acumulatorului și încărcătorul aplicabile

Cartușul acumulatorului	BL1815N / BL1820 / BL1820B / BL1830 / BL1830B / BL1840 / BL1840B / BL1850 / BL1850B / BL1860B
Încărcător	DC18RC / DC18RD / DC18RE / DC18SD / DC18SE / DC18SF

- Este posibil ca unele cartușe ale acumulatorilor și încărcătoare menționate mai sus să nu fie disponibile în funcție de regiunea dvs. de reședință.

**⚠️AVERTIZARE:** Utilizați numai cartușele de acumulator și încărcătoarele enumerate mai sus. Utilizarea oricăror altor cartușe de acumulator și încărcătoare poate duce la rănire și/sau incendiu.

### Destinația de utilizare

Mașina este destinată executării tăierilor longitudinale și transversale, drepte și oblice, în lemn, menținând un contact ferm cu piesa de prelucrat. Cu pânze de ferăstrău Makita originale adecvate, pot fi tăiate și alte materiale.

### Zgomot

Nivelul de zgomot normal ponderat A determinat în conformitate cu EN62841:

Nivel de presiune acustică ( $L_{pA}$ ): 94 dB (A)

Nivel de putere acustică ( $L_{WA}$ ): 105 dB (A)

Marjă de eroare (K): 3 dB (A)

**NOTĂ:** Valoarea (valorile) totală(e) a (ale) emisiilor de zgomot declarate a(u) fost măsurată(e) în conformitate cu o metodă de test standard și poate (pot) fi utilizată(e) pentru compararea unei unelte cu alta.

**NOTĂ:** Valoarea (valorile) totală(e) a (ale) emisiilor de zgomot declarate poate (pot) fi, de asemenea, utilizată(e) într-o evaluare preliminară a expunerii.

**⚠️AVERTIZARE:** Purtați echipament de protecție pentru urechi.

**⚠️AVERTIZARE:** Emisiile de zgomot în timpul utilizării efective a unei unelte electrice poate diferi de valoarea (valorile) nivelului declarat, în funcție de modul în care unealta este utilizată, în special ce fel de piesă este prelucrată.

**⚠️AVERTIZARE:** Asigurați-vă că identificați măsurile de siguranță pentru a proteja operatorul, acestea fiind bazate pe o estimare a expunerii în condiții reale de utilizare (luând în considerare toate părțile ciclului de operare, precum timpii în care unealta a fost oprită, sau a funcționat în gol, pe lângă timpul de declanșare).

### Vibrații

Valoarea totală a vibrațiilor (suma vectorilor tri-axiali) determinată conform EN62841:

Mod de funcționare: tăierea lemnului

Emisie de vibrații ( $a_{h,w}$ ): 2,5 m/s<sup>2</sup> sau mai puțin

Marjă de eroare (K): 1,5 m/s<sup>2</sup>

**NOTĂ:** Valoarea (valorile) totală(e) a (ale) nivelului de vibrații declarat a (au) fost măsurată(e) în conformitate cu o metodă de test standard și poate (pot) fi utilizată(e) pentru compararea unei unelte cu alta.

**NOTĂ:** Valoarea (valorile) totală(e) a (ale) nivelului de vibrații declarat poate (pot) fi, de asemenea, utilizată(e) într-o evaluare preliminară a expunerii.



**⚠️ AVERTIZARE:** Nivelul de vibrații în timpul utilizării efective a unelei electrice poate diferi de valoarea (valorile) nivelului declarat, în funcție de modul în care unealta este utilizată, în special ce fel de piesă este prelucrată.

**⚠️ AVERTIZARE:** Asigurați-vă că identificați măsurile de siguranță pentru a proteja operatorul, acestea fiind bazate pe o estimare a expunerii în condiții reale de utilizare (luând în considerare toate părțile ciclului de operare, precum timpul în care unealta a fost oprită, sau a funcționat în gol, pe lângă timpul de declanșare).

## Declarație de conformitate CE

### Numai pentru țările europene

Declarația de conformitate CE este inclusă ca Anexa A în acest manual de instrucțiuni.

## Avertismente generale de siguranță pentru mașinile electrice

**⚠️ AVERTIZARE:** Citiți toate avertismentele privind siguranța, instrucțiunile, ilustrațiile și specificațiile furnizate cu această sculă electrică. Nerespectarea integrală a instrucțiunilor de mai jos poate cauza electrocutări, incendii și/sau vătămări corporale grave.

## Păstrați toate avertismentele și instrucțiunile pentru consultări ulterioare.

Termenul „mașină electrică” din avertizări se referă la mașinile dumneavoastră electrice acționate de la rețea (prin cablu) sau cu acumulator (fără cablu).

## Avertismente privind siguranța pentru ferăstrăul circular cu acumulator

### Proceduri de tăiere

- ⚠️ PERICOL:** Țineți mâinile la distanță de zona de tăiere și de pânda de ferăstrău. Țineți a doua mână pe mânerul auxiliar sau pe carcasa motorului. Dacă țineți ferăstrăul cu ambele mâini, acestea nu pot fi tăiate de pânda.
- Nu introduceți mâinile sub piesa prelucrată.** Apărătoarea nu vă poate proteja împotriva pânzei sub piesa prelucrată.
- Reglați adâncimea de tăiere la grosimea piesei de prelucrat.** Sub piesa de prelucrat trebuie să fie vizibil mai puțin decât un dinte complet al pânzei.
- Nu țineți niciodată piesa de lucru în mâini sau pe picioare în timpul tăierii.** Fixați piesa de lucru pe o platformă stabilă. Este important să sprijiniți piesa de lucru în mod corespunzător, pentru a minimiza expunerea corpului, riscul de înțepenire a pânzei sau de pierdere a controlului.

► Fig.1

- Țineți mașina electrică de suprafețele de prindere izolate atunci când executați o operație la care unealta de tăiere poate intra în contact cu cabluri ascunse.** Contactul cu un cablu aflat sub tensiune va pune sub tensiune și componentele metalice neizolate ale mașinii și ar putea duce la electrocutarea utilizatorului.
- Atunci când tăiați, folosiți întotdeauna un ghidaj opritor sau un ghidaj paralel.** Aceasta va crește acuratețea tăierii și reduce riscul de blocare a pânzei.
- Folosiți întotdeauna pânze cu găuri pentru arbore de dimensiuni și forme corecte (romboideale versus rotunde).** Pânzele care nu se potrivesc cu sistemul de montare al ferăstrăului vor funcționa excentric, provocând pierderea controlului.
- Nu folosiți niciodată șaibe sau șuruburi pentru pânda deteriorate sau necorespunzătoare.** Șaibele și șurubul pentru pânda au fost special concepute pentru acest ferăstrău, în vederea obținerii unei performanțe optime și a siguranței în exploatare.

### Cauze ale reculului și avertismente aferente

- reculul este o reacție bruscă la înțepenirea, blocarea sau abaterea de la coliniaritate a pânzei de ferăstrău și cauzează o deplasare necontrolată a ferăstrăului în sus și către operator;
- când pânda este înțepenită sau prinsă strâns de închiderea fantei, pânda se blochează și reacția motorului respinge rapid mașina către operator;
- dacă pânda se răsuțește sau nu mai este coliniară cu linia de tăiere, dinții de la marginea posterioară a pânzei se pot înfige în fața superioară a lemnului, cauzând ieșirea pânzei din fantă și saltul acesteia către operator.

Recul este rezultatul utilizării incorecte a ferăstrăului și/sau al procedurilor sau condițiilor de lucru necorespunzătoare, putând fi evitat prin adoptarea unor măsuri de precauție adecvate prezentate în continuare.

- Mențineți o priză fermă cu ambele mâini pe ferăstrău și poziționați-vă brațele astfel încât să contracarați forțele de recul. Poziționați-vă corpul de-o parte sau de cealaltă a pânzei, însă nu pe aceeași linie cu aceasta.** Reculul poate provoca un salt înapoi al ferăstrăului, însă forțele de recul pot fi controlate de operator, dacă se adoptă măsuri de precauție adecvate.
- Atunci când pânda se blochează sau atunci când întrerupeți tăierea indiferent de motiv, eliberați butonul declanșator și mențineți ferăstrăul nemișcat în material până când pânda se oprește complet. Nu încercați niciodată să scoateți ferăstrăul din piesa prelucrată sau să trageți ferăstrăul înapoi cu pânda aflată în mișcare deoarece există riscul de recul.** Investigați cauza blocării pânzei și luați măsuri de eliminare a acesteia.
- Atunci când reporniți ferăstrăul din piesa de lucru, centrați pânda de ferăstrău în fantă astfel ca dinții ferăstrăului să nu fie angrenați în material.** Dacă pânda de ferăstrău se blochează, aceasta poate urca pe piesa de lucru sau poate recula din aceasta la repornirea ferăstrăului.

4. **Sprînjîniți panourile mari pentru a minimiza riscul de înțepenire și reculare a pânzei.** Panourile mari tind să se încovoale sub propria greutate. Sub panou trebuie amplasate suporturi pe ambele laturi, lângă linia de tăiere și lângă marginea panoului.

► Fig.2

► Fig.3

5. **Nu folosiți pânze uzate sau deteriorate.** Pânzele neascuțite sau reglate necorespunzător generează o fantă îngustă care cauzează frecare excesivă, înțepenirea pânzei și recul.
6. **Pârghiile de reglare și blocare a adâncimii și înclinației de tăiere trebuie să fie strânse și fixate înainte de începerea tăierii.** Deplasarea reglajului pânzei în timpul tăierii poate cauza frecare și recul.
7. **Lucrați cu mare atenție atunci când executați o tăiere în pereții existenți sau în alte zone mascate.** Pânza poate tăia obiecte care pot provoca un recul.
8. **Țineți ÎNTOTDEAUNA mașina ferm cu ambele mâini. Nu vă poziționați NICIODATĂ mâna, piciorul sau orice parte a corpului sub talpa mașinii sau în spatele ferăstrăului, în special atunci când executați retezări.** Dacă apare un recul, ferăstrăul poate sări cu ușurință înapoi peste mâna dumneavoastră, provocând vătămări corporale grave.

► Fig.4

9. **Nu forțați niciodată ferăstrăul. Împingeți ferăstrăul înainte la o viteză care să permită pânzei să taie fără să încetinească.** Forțarea ferăstrăului poate genera tăieturi neuniforme, reducerea preciziei și posibile reculuri.

**Funcția apărătoare**

1. **Înainte de fiecare utilizare, verificați închiderea corectă a apărătorii inferioare. Nu folosiți ferăstrăul dacă apărătoarea inferioară nu se mișcă liber și nu se închide instantaneu. Nu blocați și nici nu legați niciodată apărătoarea inferioară în poziția deschisă.** Dacă scăpați accidental ferăstrăul, apărătoarea inferioară se poate îndoi. Ridicați apărătoarea inferioară cu maneta de retragere și asigurați-vă că aceasta se mișcă liber și nu atinge pânza sau orice altă piesă, la toate unghiurile și adâncimile de tăiere.
2. **Verificați funcționarea arcului apărătorii inferioare. Dacă apărătoarea și arcul nu funcționează corect, acestea trebuie reparate înainte de utilizare.** Apărătoarea inferioară ar putea funcționa anevoios din cauza unor piese defecte, acumulări cleioase sau depuneri de resturi.
3. **Apărătoarea inferioară trebuie retrasă manual numai pentru tăieri speciale, cum ar fi „decupările prin plonjare” și „tăierile combinate”. Ridicați apărătoarea inferioară cu maneta de retragere și eliberați-o imediat ce pânza pătrunde în material.** Pentru toate celelalte tipuri de tăiere, apărătoarea inferioară trebuie să funcționeze automat.

4. **Aveți grijă întotdeauna ca apărătoarea inferioară să acopere pânza înainte de a așeza ferăstrăul pe banc sau podea.** O pânză neprotectată, aflată în rotire liberă, va provoca deplasarea ferăstrăului înapoi, tăind orice obiecte din calea ei. Aveți în vedere timpul necesar pentru oprirea completă a pânzei după eliberarea comutatorului.
5. **Pentru a verifica apărătoarea inferioară, deschiideți-o cu mâna, apoi eliberați-o și urmăriți închiderea ei. Verificați, de asemenea, ca maneta de retragere să nu atingă carcasa mașinii.** Lăsarea pânzei expuse este FOARTE PERICULOASĂ și poate conduce la vătămări corporale grave.

**Avertismentele suplimentare privind siguranța**

1. **Lucrați cu mare atenție atunci când tăiați lemn umed, chereștea împregnată sub presiune sau lemn cu noduri.** Păstrați o viteză de avansare uniformă pentru mașină fără reducerea vitezei pânzei, pentru a evita supraîncălzirea dinților pânzei.
2. **Nu încercați să îndepărtați materialul tăiat în timp ce pânza se mișcă. Așteptați ca pânza să se oprească înainte de a apuca materialul tăiat.** Pânzele se rotesc liber după oprire.
3. **Evitați tăierea cuielei. Inspectați piesa de prelucrat și eliminați toate cuiele din chereștea înainte de tăiere.**
4. **Așezați porțiunea mai lată a tălpilor ferăstrăului pe acea porțiune a piesei de prelucrat care este sprijinită solid, și nu pe porțiunea care va cădea în urma tăierii.** Dacă piesa de prelucrat este scurtă sau mică, fixați-o. **NU ÎNCERCAȚI SĂ ȚINEȚI PIESELE SCURTE CU MÂNA!**

► Fig.5

5. **Înainte de a așeza mașina după finalizarea unei tăieri, asigurați-vă că apărătoarea inferioară s-a închis și că pânza s-a oprit complet.**
6. **Nu încercați niciodată să tăiați cu ferăstrăul circular fixat în poziție răsturnată într-o menghină. Acest mod de utilizare este extrem de periculos și poate duce la accidente grave.**

► Fig.6

7. **Unele materiale conțin substanțe chimice care pot fi toxice. Aveți grijă să nu inhalați praful și evitați contactul cu pielea. Respectați instrucțiunile de siguranță ale furnizorului.**
8. **Nu opriți pânzele aplicând o presiune laterală asupra pânzei de ferăstrău.**
9. **Nu folosiți discuri abrazive.**
10. **Utilizați numai pânze de ferăstrău cu diametrul marcat pe mașină sau specificat în manual.** Utilizarea unei pânze de altă mărime poate afecta protecția corespunzătoare a pânzei sau funcționarea apărătorii, putând rezulta accidente grave.
11. **Păstrați pânza ascuțită și curată.** Cleiul și rășina întărite pe pânze încetinesc ferăstrăul și măresc riscul de recul. Păstrați pânza curată prin demontarea de pe mașină și curățarea acesteia cu soluție de îndepărtat cleiul și rășina, apă fierbinte sau petrol lampant. Nu folosiți niciodată benzină.

12. Purtați o mască de protecție contra prafului și mijloace de protecție auditivă atunci când folosiți mașina.
13. Întotdeauna utilizați pânza de ferăstrău prevăzută pentru tăierea materialului pe care îl veți tăia.
14. Utilizați doar pânze de ferăstrău care sunt marcate cu o turație egală cu sau mai mare decât turația marcată pe mașină.
15. (Numai pentru țările europene) Întotdeauna utilizați lama care este conformă cu EN847-1.
10. **Acumulatorii Li-Ion încorporați se supun cerințelor Legislației privind substanțele periculoase.**  
 Pentru transporturi comerciale, efectuate de exemplu de către părți terțe, expeditori, trebuie respectate cerințele speciale de ambalare și etichetare.  
 Pentru pregătirea articolului care urmează să fie expeditat, este necesară consultarea unui expert în materiale periculoase. Vă rugăm să respectați, de asemenea, reglementările naționale, care pot fi mai detaliate.  
 Izolați sau acoperiți contactele deschise și împachetați acumulatorul în așa fel încât să nu se poată mișca în ambalaj.

## PĂSTRAȚI ACESTE INSTRUCȚIUNI.

**⚠️ AVERTIZARE:** NU permiteți comodității și familiarizării cu produsul (obținute prin utilizare repetată) să înlocuiască respectarea strictă a normelor de securitate pentru acest produs. **FOLOSIREA INCORECTĂ** sau nerespectarea normelor de securitate din acest manual de instrucțiuni poate provoca vătămări corporale grave.

### Instrucțiuni importante privind siguranța pentru cartușul acumulatorului

1. Înainte de a folosi cartușul acumulatorului, citiți toate instrucțiunile și atenționările de pe (1) încărcătorul acumulatorului, (2) acumulator și (3) produsul care folosește acumulatorul.
2. Nu dezmembrați cartușul acumulatorului.
3. Dacă timpul de funcționare s-a redus excesiv, întrerupeți imediat funcționarea. Aceasta poate prezenta risc de supraîncălzire, posibile arsuri și chiar explozie.
4. Dacă electrolitul pătrunde în ochi, clătiți bine ochii cu apă curată și consultați imediat un medic. Există risc de orbire.
5. Nu scurtcircuitați cartușul acumulatorului:
  - (1) Nu atingeți bornele cu niciun material conductor.
  - (2) Evitați depozitarea cartușului acumulatorului la un loc cu alte obiecte metalice cum ar fi cuie, monede etc.
  - (3) Nu expuneți cartușul acumulatorului la apă sau ploaie.

Un scurtcircuit al acumulatorului poate provoca un flux puternic de curent electric, supraîncălzire, posibile arsuri și chiar defectarea mașinii.
6. Nu depozitați mașina și cartușul acumulatorului în spații în care temperatura poate atinge sau depăși 50 °C (122 °F).
7. Nu incinerati cartușul acumulatorului chiar dacă acesta este grav deteriorat sau complet uzat. Cartușul acumulatorului poate exploda în foc.
8. Aveți grijă să nu scăpați sau să loviți acumulatorul.
9. Nu utilizați un acumulator deteriorat.

11. **Respectați normele naționale privind eliminarea la deșeurile a acumulatorului.**
12. **Utilizați acumuloarele numai cu produsele specificate de Makita.** Instalarea acumulatorilor în produse neconforme poate cauza incendii, căldură excesivă, explozii sau scurgeri de electrolit.

## PĂSTRAȚI ACESTE INSTRUCȚIUNI.

**⚠️ ATENȚIE:** Folosiți numai acumulatori Makita originali. Acumulatorii Makita care nu sunt originali și acumulatorii care au suferit modificări se pot aprinde, provocând incendii, leziuni corporale și daune. De asemenea, anulează garanția oferită de Makita pentru unele și încărcătorul Makita.

### Sfaturi pentru obținerea unei durate maxime de exploatare a acumulatorului

1. **Încărcați cartușul acumulatorului înainte de a se descărca complet.** Întrerupeți întotdeauna funcționarea mașinii și încărcați cartușul acumulatorului când observați o scădere a puterii mașinii.
2. **Nu reîncărcați niciodată un acumulator complet încărcat.** Supraîncărcarea va scurta durata de exploatare a acumulatorului.
3. **Încărcați cartușul acumulatorului la temperatura camerei, între 10 °C - 40 °C (50 °F - 104 °F).** Lăsați un acumulator fierbinte să se răcească înainte de a-l încărca.
4. **Încărcați cartușul acumulatorului în cazul în care nu a fost utilizat pe o perioadă mai lungă (mai mult de șase luni).**

# DESCRIERE FUNCȚIONALĂ

## ⚠️ ATENȚIE:

- Asigurați-vă întotdeauna că mașina este oprită și cartușul acumulatorului este scos înainte de a ajusta sau verifica funcționarea mașinii.

## Instalarea sau scoaterea cartușului acumulatorului

- Fig.7: 1. Buton 2. Indicator roșu 3. Cartușul acumulatorului

## ⚠️ ATENȚIE:

- Opriți întotdeauna unealta înainte de montarea sau demontarea cartușului de acumulator.
- **Țineți ferm mașina și cartușul acumulatorului la montarea sau demontarea cartușului.** În caz contrar, acestea vă pot aluneca din mâini, rezultând defectarea lor și posibilele accidentări.

Pentru a scoate cartușul acumulatorului, glisați-l din unealtă în timp ce glisați butonul de pe partea frontală a cartușului.

Pentru a instala cartușul acumulatorului, aliniați limba de pe cartușul acumulatorului cu canelura din carcasă și introduceți-l în locaș. Introduceți-l complet, până când se înclichetează în locaș. Dacă puteți vedea indicatorul roșu din partea superioară a butonului, acesta nu este blocat complet.

## ⚠️ ATENȚIE:

- Instalați întotdeauna cartușul acumulatorului complet, până când indicatorul roșu nu mai este vizibil. În caz contrar, acesta poate cădea accidental din mașină provocând rănirea dumneavoastră sau a persoanelor din jur.
- Nu forțați cartușul de acumulator la montare. Dacă acesta nu glisează ușor, înseamnă că a fost introdus incorect.

## NOTĂ:

- În cazul în care cartușul de acumulator nu poate fi scos cu ușurință, împingeți-l din partea opusă butonului și glisați-l.

## Indicarea capacității rămase a acumulatorului

**Numai pentru cartușe de acumulator cu indicator**

- Fig.8: 1. Lămpi indicatoare 2. Buton de verificare
- Apăsăți butonul de verificare de pe cartușul acumulatorului, astfel încât să se indice capacitățile rămase ale acumulatorului. Lămpile indicatorului vor lumina timp de câteva secunde.

Lămpi indicatoare			Capacitate rămasă
Iluminat	Oprit	Iluminare intermitentă	
■ ■ ■ ■			între 75% și 100%
■ ■ ■ □			între 50% și 75%
■ ■ □ □			între 25% și 50%
■ □ □ □			între 0% și 25%
▬ □ □ □			Încărcați acumulatorul.
■ ■ □ □			Este posibil ca acumulatorul să fie defect.
□ □ ■ ■			

**NOTĂ:** În funcție de condițiile de utilizare și temperatura ambientală, indicația poate fi ușor diferită de capacitatea reală.

## Aționarea întrerupătorului

### ⚠️ ATENȚIE:

- Înainte de a monta cartușul acumulatorului în unealtă, verificați întotdeauna dacă butonul declanșator funcționează corect și revine în poziția "OFF" (oprit) când este eliberat.
- Nu apăsați puternic butonul declanșator fără a apăsa pârghia de deblocare. Comutatorul se poate rupe.

- Fig.9: 1. Declanșator întrerupător 2. Levier de deblocare

Pentru a preveni acționarea accidentală a butonului declanșator, este prevăzută o pârghie de deblocare. Pentru a porni mașina, apăsați pârghia de deblocare și apăsați butonul declanșator. Eliberați butonul declanșator pentru a opri mașina.

### ⚠️ AVERTIZARE:

- Pentru siguranța dumneavoastră, această mașină este echipată cu o pârghie de deblocare care previne pornirea neintenționată a mașinii. Nu utilizați NICIODATĂ mașina dacă aceasta pornește la simpla apăsare a butonului declanșator, fără a apăsa pârghia de deblocare. Returnați mașina la un centru de service MAKITA pentru efectuarea reparațiilor corespunzătoare ÎNAINTE de a continua utilizarea acesteia.
- Nu blocați NICIODATĂ pârghia de deblocare cu bandă adezivă și nu dezactivați NICIODATĂ funcția acesteia.

## Indicarea capacității rămase a acumulatorului

### Diferă în funcție de țară

► Fig.10: 1. Indicator acumulator

Când porniți mașina, indicatorul de acumulator prezintă capacitatea rămasă a acumulatorului.

Nivelul de încărcare a acumulatorului este indicat precum în tabelul următor.

Stare indicator acumulator ■:PORNIT □:OPRIT ■:Iluminare intermitentă	Capacitatea rămasă a acumulatorului
	50 % - 100 %
	20 % - 50 %
	0 % - 20 %
	Încărcați acumulatorul

## Funcție de schimbare automată a turației

► Fig.11: 1. Indicator mod

Stare indicator mod	Mod de operare
	Mod turație ridicată
	Mod cuplu ridicat

Această mașină are un "mod de turație ridicată" și un "mod de cuplu ridicat". Schimbă automat modul de operare în funcție de sarcina de lucru. Când indicatorul de mod luminează în timpul operării, mașina este în modul de cuplu ridicat.

## Sistem de protecție mașină/acumulator

Mașina este prevăzută cu un sistem de protecție mașină/acumulator. Sistemul întrerupe automat alimentarea motorului pentru a extinde durata de viață a mașinii și acumulatorului.

Mașina se va opri automat în timpul funcționării când mașina sau acumulatorul se află într-una din situațiile următoare. În unele situații, indicatorul luminează.

### Protecție la suprasarcină

Când mașina este utilizată într-un mod care cauzează un consum de curent neobișnuit de ridicat, mașina se va opri automat fără nicio indicație. În această situație, opriți mașina și aplicația care a dus la supraîncărcarea mașinii. Apoi reporniți mașina.

### Protecție la supraîncălzire pentru mașină

Când mașina este supraîncălzită, mașina se oprește automat, iar indicatorul de acumulator indică starea următoare. În această situație, lăsați mașina să se răcească înainte de a o reporni.

Indicator acumulator	■:PORNIT □:OPRIT	■:Iluminare intermitentă
	Mașina este supraîncălzită	

### Eliberare blocaj de protecție

Când sistemul de protecție funcționează în mod repetat, mașina este blocată și indicatorul de acumulator indică starea următoare.

Indicator acumulator	■:PORNIT □:OPRIT	■:Iluminare intermitentă
	Blocajul de protecție funcționează	

În această situație, mașina nu pornește chiar dacă este oprită și repornită. Pentru a elibera blocajul de protecție, scoateți acumulatorul, poziționați-l pe încărcătorul de acumulator și așteptați finalizarea încărcării.

### Reglarea adâncimii de așchiere

#### ATENȚIE:

- După reglarea adâncimii de tăiere, strângeți întotdeauna ferm pârghia.

► Fig.12: 1. Pârghie 2. Ghidaj de reglare a adâncimii

Slăbiți pârghia din partea laterală a mânerului posterior și deplasați talpa în sus sau în jos. Fixați talpa la adâncimea de tăiere dorită prin strângerea pârghiei. Pentru tăieturi mai curate și mai sigure, reglați adâncimea de tăiere astfel încât sub piesa de prelucrat să nu fie proiectat mai mult de un singur dinte al pânzei. Utilizarea unei adâncimii de tăiere corecte ajută la reducerea potențialului de apariție a RECULULUI care poate provoca vătămări corporale.

### Tăierea înclinată

► Fig.13: 1. Pârghie frontală

Slăbiți pârghia frontală. Reglați unghiul dorit (0° - 50°) prin înclinarea corespunzătoare a mașinii, apoi strângeți ferm pârghia frontală.

► Fig.14: 1. Opritor

Folosii opritorul de 45° pentru a executa tăieri oblice precise în unghi de 45°. Rotiți complet opritorul în sens anti-orar pentru o tăiere înclinată la 0° - 45° și rotiți-l în sens orar pentru tăieri înclinate la 0° - 50°.

### Vizarea

► Fig.15: 1. Linie de tăiere (poziție de 0°) 2. Linie de tăiere (poziție de 45°) 3. Șurub

Pentru tăieri drepte, aliniați poziția de 0° din partea frontală a tălpii cu linia dumneavoastră de tăiere. Pentru tăieri înclinate la 45°, aliniați poziția de 45°. Poziția ghidajului superior este reglabilă.

## Aprinderea lămpii

### ⚠️ ATENȚIE:

- Nu priviți direct în lampă sau în sursa de lumină.

#### ► Fig.16: 1. Lampă

Pentru a aprinde doar lampa, apăsați butonul declanșator fără a apăsa pârghia de deblocare. Pentru a aprinde lampa și a porni mașina, apăsați pârghia de deblocare și trageți butonul declanșator apăsând pârghia de deblocare. Lampa continuă să lumineze atâta timp cât butonul declanșator este tras. Lampa se stinge la 10-15 secunde după eliberarea butonului declanșator.

### NOTĂ:

- Folosiți o cârpă curată pentru a șterge depunerile de pe lentila lămpii. Aveți grijă să nu zgâriați lentila lămpii, deoarece calitatea iluminării va fi afectată.
- Nu folosiți benzină, diluant sau alte substanțe asemănătoare pentru curățarea lentilei lămpii. Folosirea acestor substanțe va deteriora lentila.

## Agățătoare

### ⚠️ ATENȚIE:

- Scoateți întotdeauna acumulatorul atunci când agățați unealta de agățătoare.
- Nu agățați niciodată mașina în locații înalte sau pe suprafețe potențial instabile.

#### ► Fig.17: 1. Agățătoare 2. Închis 3. Deschis

Agățătoarea este utilă pentru agățarea temporară a mașinii. Pentru a utiliza agățătoarea, trebuie doar să o rotiți până când se deschide. Când nu o utilizați, rotiți agățătoarea până când aceasta ajunge în poziția închisă.

## MONTARE

### ⚠️ ATENȚIE:

- Asigurați-vă întotdeauna că mașina este oprită și cartușul acumulatorului este scos înainte de a executa orice lucrări la mașină.

## Demontarea sau montarea pânzei de ferăstrău

### ⚠️ ATENȚIE:

- Asigurați-vă că pânda este montată cu dinții îndreptați în sus în partea frontală a mașinii.
- Folosiți numai cheia Makita la montarea și demontarea pânzei.

#### ► Fig.18: 1. Cheie înbus 2. Pârghie de blocare a axului 3. Strângere 4. Deșurubați

Pentru a demonta pânda, apăsați pârghia de blocare a axului astfel încât pânda să nu se poată roti și folosiți cheia pentru a deșuruba șurubul cu cap hexagonal în sens orar. Apoi îndepărtați șurubul cu cap hexagonal, flanșă exterioră și pânda.

#### ► Fig.19: 1. Flanșă interioară 2. Pânză de ferăstrău 3. Flanșă exterioră 4. Șurub cu cap hexagonal

Pentru a monta pânda, executați în ordine inversă operațiile de demontare. ASIGURAȚI-VĂ CĂ AȚI STRÂNS BINE ȘURUBUL CU CAP HEXAGONAL ÎN SENS ANTI-ORAR.

La schimbarea pânzei, aveți grijă să curățați și rumegușul acumulat pe aparătoria superioară și inferioară a pânzei, conform secțiunii Întreținere. Această operație nu elimină necesitatea de a verifica funcționarea aparătoria inferioare înainte de fiecare utilizare.

## Pentru mașină cu flanșă interioară pentru o pânză de ferăstrău cu un orificiu diferit de orificiul cu diametru de 15,88 mm

### ⚠️ ATENȚIE:

- Asigurați-vă că proeminența "a" de pe flanșă interioară, poziționată în exterior, se încadrează perfect în orificiul "a" al pânzei de ferăstrău. Montarea pânzei pe partea incorectă poate duce la vibrații periculoase.

#### ► Fig.20: 1. Ax de montare 2. Flanșă interioară 3. Pânză de ferăstrău 4. Flanșă exterioră 5. Șurub cu cap hexagonal

Flanșă interioară are o proeminență cu un anumit diametru pe o parte și o proeminență cu un diametru diferit pe cealaltă parte. Alegeți partea corectă cu proeminența care se încadrează perfect în orificiul pânzei de ferăstrău.

Apoi, montați flanșă interioară pe axul de montare, astfel încât partea corectă a proeminenței de pe flanșă interioară să fie orientată în exterior și apoi instalați pânda de ferăstrău și flanșă exterioră.

ASIGURAȚI-VĂ CĂ STRÂNGEȚI FERM ȘURUBUL CU CAP HEXAGONAL, ÎN SENS INVERS ACELOR DE CEASORNIC.

## Pentru mașină cu flanșă interioară pentru o pânză de ferăstrău cu orificiul cu diametru de 15,88 mm (în funcție de țară)

#### ► Fig.21: 1. Ax de montare 2. Flanșă interioară 3. Pânză de ferăstrău 4. Flanșă exterioră 5. Șurub cu cap hexagonal

#### ► Fig.22: 1. Ax de montare 2. Flanșă interioară 3. Pânză de ferăstrău 4. Flanșă exterioră 5. Șurub cu cap hexagonal 6. Inel

Montați flanșă interioară cu cavitatea orientată în exterior spre axul de montare, apoi instalați pânda de ferăstrău (cu inelul atașat, dacă este necesar), flanșă exterioră și șurubul cu cap hexagonal.

ASIGURAȚI-VĂ CĂ STRÂNGEȚI FERM ȘURUBUL CU CAP HEXAGONAL, ÎN SENS INVERS ACELOR DE CEASORNIC.

## **⚠️ AVERTIZARE:**

- **Înainte de a monta pânda pe arbore, asigurați-vă întotdeauna că între flanșa interioară și cea exterioară este instalat inelul corect pentru orificiul de arbore al pânzei pe care intenționați să o folosiți.** Utilizarea unui inel incorect pentru orificiul de arbore poate duce la montarea incorectă a pânzei, cauzând mișcarea pânzei și vibrații puternice ce pot avea ca rezultat posibila pierdere a controlului în timpul utilizării și accidentări personale grave.

## **Depozitarea cheii inbus**

- **Fig.23:** 1. Cheie inbus

Atunci când nu este utilizată, depozitați cheia inbus după cum se vede în figură pentru a nu se pierde.

## **Conectarea unui aspirator**

*(Accesoriu opțional în unele țări)*

- **Fig.24:** 1. Duză de praf 2. Șurub 3. Pârghie

- **Fig.25:** 1. Aspirator 2. Furtun

Dacă doriți să executați operații de tăiere curate, conectați la mașina dumneavoastră un aspirator Makita. Instalați duza de praf la mașină folosind șurubul. Apoi conectați un furtun al aspiratorului la duza de praf în modul prezentat în figură.

Pentru unelte fără o duză de praf montată ca echipament standard, înlocuiți pârghia fixată pe apărătoarea inferioară cu cea furnizată cu duza de praf (accesoriu opțional) în același timp cu montarea duzei de praf. În caz contrar, nu veți putea efectua o tăiere deoarece mișcarea apărătorii inferioare este obstrucționată de duza de praf.

## **FUNCȚIONARE**

### **⚠️ ATENȚIE:**

- **Purtați o mască de protecție contra prafului atunci când executați operația de debitare.**
- Aveți grijă să deplasați mașina lent înainte, în linie dreaptă. Forțarea sau răsucirea mașinii vor avea ca efect supraîncălzirea motorului și reculuri periculoase, prezentând risc de vătămare gravă.
- Folosiți întotdeauna un mâner frontal și unul posterior și țineți mașina ferm de mânerul frontal și mânerul posterior în timpul lucrului.

- **Fig.26**

Țineți mașina ferm. Mașina este prevăzută cu un mâner frontal și unul posterior. Folosiți-le pe ambele pentru a apuca ferm mașina. Dacă ambele mâini sunt fixate pe ferăstrău, acestea nu pot fi tăiate de pândă. Așezați talpa pe piesa de prelucrat fără ca pânda să intre în contact cu aceasta. Apoi porniți mașina și așteptați ca pânda să atingă viteza maximă. Apoi deplasați pur și simplu mașina înainte pe suprafața piesei de prelucrat, menținând-o în poziție orizontală și avansând lent până la finalizarea tăierii. Pentru a obține tăieturi curate, mențineți o linie de tăiere dreaptă și o viteză de avans uniformă. Dacă nu reușiți să urmăriți corect linia de tăiere preconizată, nu

încercați să rotiți sau să forțați mașina înapoi către linia de tăiere. Această acțiune poate bloca pânda și poate provoca reculuri periculoase cu posibile vătămări grave. Eliberați butonul declanșator, așteptați ca pânda să se oprească și apoi retrageți mașina. Realiniați mașina cu noua linie de tăiere și reincepți tăierea. Încercați să evitați pozițiile care expun operatorul la așchiile și rumegușul aruncate de ferăstrău. Folosiți ochelari de protecție pentru a evita rănirile.

## **Riglă de ghidare (Regulă de ghidare) (accesoriu opțional)**

- **Fig.27:** 1. Șurub de strângere 2. Rigla de ghidare (Regulă de ghidare)

Rigla de ghidare practică vă permite să executați tăieri drepte extrem de precise. Glisiți pur și simplu rigla de ghidare pe latura piesei de prelucrat și fixați-o în poziție cu șurubul de strângere de la partea din față a tălpii. Aceasta permite, de asemenea, executarea tăierilor repetate cu lățime uniformă.

## **ÎNTREȚINERE**

### **⚠️ ATENȚIE:**

- Asigurați-vă întotdeauna că mașina este oprită și cartușul acumulatorului este scos înainte de a executa orice lucrări la mașină.
- **Curățați apărătoarea superioară și inferioară pentru a vă asigura că nu există rumeguș acumulat care ar putea afecta funcționarea sistemului de protecție inferior.** Un sistem de protecție murdar poate limita funcționarea corectă, rezultând accidentări personale grave. Cea mai eficientă metodă de efectuare a operației de curățare este folosind aer comprimat. **Dacă este suflat praf dinspre apărători, asigurați-vă că folosiți o protecție corespunzătoare pentru ochi și respirație.**
- Nu utilizați niciodată gazolină, benzină, diluant, alcool sau alte substanțe asemănătoare. În caz contrar, pot rezulta decolorări, deformări sau fisuri.

## **Reglarea preciziei de tăiere la 0° și 45° (tăiere verticală și la 45°)**

- **Fig.28:** 1. Șurub de reglare pentru 45° 2. Șurub de reglare pentru 0°

- **Fig.29:** 1. Echer

Acest reglaj este efectuat din fabrică. Dacă însă apare o dereglare, ajustați șuruburile de reglare cu o cheie inbus în timp ce verificați unghiul de 0° sau 45° al pânzei față de talpă folosind un echer sau un vinclu etc. Folosiți opritorul de 45° pentru reglarea unghiului de 45°.

## Reglarea ghidajului de tăieri oblice

► **Fig.30:** 1. Ghidaj de tăiere oblică 2. Șurub 3. Ghidaj

Ghidajul de tăieri oblice este reglat din fabrică. Dacă însă are loc o deplasare, îl puteți regla conform procedurii următoare.

Pentru a regla ghidajul de tăieri oblice, desfaceți cele două șuruburi. Aliniați linia de 0° de pe ghidajul de tăieri oblice cu ghidajul de pe talpă, atunci când talpa este poziționată la un unghi de 0°.

Pentru a menține siguranța și fiabilitatea mașinii, reparațiile și reglajele trebuie să fie efectuate numai la Centrele de service autorizat Makita, folosindu-se piese de schimb Makita.

## ACCESORII OPȚIONALE

### **⚠ ATENȚIE:**

- Folosiți accesoriile sau piesele auxiliare recomandate pentru mașina dumneavoastră în acest manual. Utilizarea oricăror alte accesorii sau piese auxiliare poate cauza vătămări. Folosiți accesoriile pentru operațiunea pentru care au fost concepute.

Dacă aveți nevoie de asistență sau de mai multe detalii referitoare la aceste accesorii, adresați-vă centrului local de service Makita.

- Pânze de ferăstrău
- Rigla de ghidare (Regulă de ghidare)
- Șină de ghidare
- Adaptor pentru șina de ghidare
- Riglă gradată
- Duză de praf
- Cheie inbus
- Acumulator și încărcător original Makita

### **NOTĂ:**

- Unele articole din listă pot fi incluse ca accesorii standard în ambalajul de scule. Acestea pot diferi în funcție de țară.



## TECHNISCHE DATEN

Modell		DHS680
Sägeblattdurchmesser		165 mm
Max. Schnitttiefe	0°	57 mm
	45°	41 mm
	50°	37 mm
Leerlaufdrehzahl		5.000 min <sup>-1</sup>
Gesamtlänge		350 mm
Netto-Gewicht		3,0 - 3,3 kg
Nennspannung		Gleichspannung 18 V

- Wir behalten uns vor, Änderungen der technischen Daten im Zuge der Entwicklung und des technischen Fortschritts ohne vorherige Ankündigung vorzunehmen.
- Die technischen Daten können von Land zu Land unterschiedlich sein.
- Das Gewicht kann abhängig von dem Aufsatz (den Aufsätzen), einschließlich des Akkus, unterschiedlich sein. Die leichteste und die schwerste Kombination, gemäß dem EPTA-Verfahren 01/2014, sind in der Tabelle angegeben.

### Zutreffende Akkus und Ladegeräte

Akku	BL1815N / BL1820 / BL1820B / BL1830 / BL1830B / BL1840 / BL1840B / BL1850 / BL1850B / BL1860B
Ladegerät	DC18RC / DC18RD / DC18RE / DC18SD / DC18SE / DC18SF

- Einige der oben aufgelisteten Akkus und Ladegeräte sind je nach Ihrem Wohngebiet eventuell nicht erhältlich.

**⚠️ WARNUNG:** Verwenden Sie nur die oben aufgeführten Akkus und Ladegeräte. Bei Verwendung irgendwelcher anderer Akkus und Ladegeräte besteht Verletzungs- und/oder Brandgefahr.

#### Verwendungszweck

Das Werkzeug wurde für Längs- und Querschnitte sowie Gehrungsschnitte mit Winkeln in Holz bei engem Kontakt mit dem Werkstück entwickelt. Mit geeigneten Original-Sägeblättern von Makita können auch andere Materialien gesägt werden.

#### Geräusch

Die typischen A-bewerteten Geräuschpegel, bestimmt gemäß EN62841:

- Schalldruckpegel ( $L_{pA}$ ): 94 dB (A)
- Schalleistungspegel ( $L_{WA}$ ): 105 dB (A)
- Abweichung (K): 3 dB (A)

#### HINWEIS: Der (Die) angegebene(n)

Schallemissionswert(e) wurde(n) im Einklang mit der Standardprüfmethode gemessen und kann (können) für den Vergleich zwischen Werkzeugen herangezogen werden.

#### HINWEIS: Der (Die) angegebene(n)

Schallemissionswert(e) kann (können) auch für eine Vorbewertung des Gefährdungsgrads verwendet werden.

**⚠️ WARNUNG:** Einen Gehörschutz tragen.

**⚠️ WARNUNG:** Die Schallemission während der tatsächlichen Benutzung des Elektrowerkzeugs kann je nach der Benutzungsweise des Werkzeugs, und speziell je nach der Art des bearbeiteten Werkstücks, von dem (den) angegebenen Wert(en) abweichen.

**⚠️ WARNUNG:** Identifizieren Sie Sicherheitsmaßnahmen zum Schutz des Benutzers anhand einer Schätzung des Gefährdungsgrads unter den tatsächlichen Benutzungsbedingungen (unter Berücksichtigung aller Phasen des Arbeitszyklus, wie z. B. Ausschalt- und Leerlaufzeiten des Werkzeugs zusätzlich zur Betriebszeit).

#### Schwingung

Schwingungsgesamtwerte (Vektorsumme dreier Achsen) nach EN62841:

- Arbeitsmodus: Schneiden von Holz
- Schwingungsbelastung ( $a_{h,w}$ ): 2,5 m/s<sup>2</sup> oder weniger
- Abweichung (K): 1,5 m/s<sup>2</sup>

#### HINWEIS: Der (Die) angegebene(n)

Vibrationsgesamtwert(e) wurde(n) im Einklang mit der Standardprüfmethode gemessen und kann (können) für den Vergleich zwischen Werkzeugen herangezogen werden.

#### HINWEIS: Der (Die) angegebene(n)

Vibrationsgesamtwert(e) kann (können) auch für eine Vorbewertung des Gefährdungsgrads verwendet werden.

**⚠️ WARNUNG:** Die Vibrationsemission während der tatsächlichen Benutzung des Elektrowerkzeugs kann je nach der Benutzungsweise des Werkzeugs, und speziell je nach der Art des bearbeiteten Werkstücks, von dem (den) angegebenen Emissionswert(en) abweichen.

**⚠️ WARNUNG:** Identifizieren Sie Sicherheitsmaßnahmen zum Schutz des Benutzers anhand einer Schätzung des Gefährdungsgrads unter den tatsächlichen Benutzungsbedingungen (unter Berücksichtigung aller Phasen des Arbeitszyklus, wie z. B. Ausschalt- und Leerlaufzeiten des Werkzeugs zusätzlich zur Betriebszeit).

## EG-Konformitätserklärung

### Nur für europäische Länder

Die EG-Konformitätserklärung ist als Anhang A in dieser Bedienungsanleitung enthalten.

## Allgemeine Sicherheitswarnungen für Elektrowerkzeuge

**⚠️ WARNUNG:** Lesen Sie alle mit diesem Elektrowerkzeug gelieferten Sicherheitswarnungen, Anweisungen, Abbildungen und technischen Daten durch. Eine Missachtung der unten aufgeführten Anweisungen kann zu einem elektrischen Schlag, Brand und/oder schweren Verletzungen führen.

## Bewahren Sie alle Warnungen und Anweisungen für spätere Bezugnahme auf.

Der Ausdruck „Elektrowerkzeug“ in den Warnhinweisen bezieht sich auf Ihr mit Netzstrom (mit Kabel) oder Akku (ohne Kabel) betriebenes Elektrowerkzeug.

## Sicherheitswarnungen für Akku-Handkreissäge

### Schneidverfahren

- ⚠️ GEFAHR:** Halten Sie Ihre Hände vom Schnittbereich und vom Sägeblatt fern. Halten Sie mit der zweiten Hand den Zusatzgriff oder das Motorgehäuse. Wenn beide Hände die Säge halten, können sie nicht durch das Sägeblatt verletzt werden.
- Fassen Sie nicht unter das Werkstück. Die Schutzhaube bietet keinen Schutz auf der Unterseite des Werkstücks.
- Stellen Sie die Schnitttiefe auf die Dicke des Werkstücks ein. Das Sägeblatt darf nicht mehr als eine Zahnlänge auf der Unterseite des Werkstücks überstehen.
- Halten Sie das Werkstück beim Schneiden niemals in Ihren Händen oder auf den Beinen. Sichern Sie das Werkstück auf einer stabilen Plattform. Es ist wichtig, das Werkstück sachgemäß abzustützen, um Körperaussetzung, Klemmen des Sägeblatts oder Verlust der Kontrolle auf ein Minimum zu reduzieren.

► Abb.1

- Halten Sie das Elektrowerkzeug an den isolierten Griffflächen, wenn Sie Arbeiten ausführen, bei denen die Gefahr besteht, dass das Schneidwerkzeug verborgene Kabel kontaktiert. Bei Kontakt mit einem Strom führenden Kabel werden die freiliegenden Metallteile des Elektrowerkzeugs ebenfalls Strom führend, so dass der Benutzer einen elektrischen Schlag erleiden kann.
- Verwenden Sie beim Längssägen stets einen Parallelanschlag oder ein Richtlineal. Dadurch wird die Schnittgenauigkeit verbessert und die Gefahr von Sägeblatt-Klemmen reduziert.
- Verwenden Sie stets Sägeblätter, deren Spindelbohrung die korrekte Größe und Form (rautenförmig oder rund) hat. Sägeblätter, die nicht genau auf den Montageflansch der Säge passen, rotieren exzentrisch und verursachen den Verlust der Kontrolle.
- Verwenden Sie niemals beschädigte oder falsche Sägeblattscheiben oder -schrauben. Die Sägeblattscheiben und -schrauben sind speziell für Ihre Säge vorgesehen, um optimale Leistung und Betriebssicherheit zu gewährleisten.

### Rückschlagursachen und damit zusammenhängende Warnungen

- Ein Rückschlag ist eine plötzliche Reaktion auf ein eingeklemmtes, blockiertes oder falsch ausgerichtetes Sägeblatt, der ein unkontrolliertes Anheben und Herausspringen der Säge aus dem Werkstück in Richtung der Bedienungsperson verursacht.
- Wenn das Sägeblatt durch den sich schließenden Sägeschlitz eingeklemmt oder blockiert wird, bleibt das Sägeblatt stehen, und die Motorreaktion drückt die Säge plötzlich in Richtung der Bedienungsperson zurück.
- Falls das Sägeblatt im Schnitt verdreht oder versetzt wird, können sich die Zähne an der Hinterkante des Sägeblatts in die Oberfläche des Holzstücks bohren, so dass sich das Sägeblatt aus dem Sägeschlitz heraushebt und in Richtung der Bedienungsperson zurückspringt.

Rückschlag ist das Resultat falscher Handhabung der Säge und/oder falscher Arbeitsverfahren oder -bedingungen und kann durch Anwendung der nachstehenden Vorsichtsmaßnahmen vermieden werden.

- Halten Sie die Säge mit beiden Händen fest, und positionieren Sie Ihre Arme so, dass sie die Rückschlagkräfte auffangen. Stellen Sie sich so, dass sich Ihr Körper seitlich vom Sägeblatt befindet, nicht auf gleicher Linie mit dem Sägeblatt. Rückschlag kann Zurückspringen der Säge verursachen; doch wenn geeignete Vorkehrungen getroffen werden, können die Rückschlagkräfte von der Bedienungsperson unter Kontrolle gehalten werden.
- Falls das Sägeblatt klemmt oder der Schnitt aus irgendeinem Grund unterbrochen wird, lassen Sie den Ein-Aus-Schalter los, und halten Sie die Säge bewegungslos im Werkstück, bis das Sägeblatt zum völligen Stillstand kommt. Versuchen Sie niemals, die Säge bei noch rotierendem Sägeblatt vom Werkstück abzunehmen oder zurückzuziehen, weil es sonst zu einem Rückschlag kommen kann. Nehmen Sie eine Überprüfung vor, und treffen Sie Abhilfemaßnahmen, um die Ursache von Sägeblatt-Klemmen zu beseitigen.

3. **Wenn Sie die Säge bei im Werkstück befindlichem Sägeblatt wieder einschalten, zentrieren Sie das Sägeblatt im Sägeschlitz, und vergewissern Sie sich, dass die Sägezähne nicht mit dem Werkstück im Eingriff sind.** Falls ein Sägeblatt klemmt, kann es beim Wiedereinschalten der Säge aus dem Werkstück herausschnellen oder zurückspringen.
4. **Stützen Sie große Platten ab, um die Gefahr von Klemmen und Rückschlagen des Sägeblatts auf ein Minimum zu reduzieren.** Große Platten neigen dazu, unter ihrem Eigengewicht durchzuhängen. Die Stützen müssen beidseitig der Schnittlinie und in der Nähe der Plattenkante unter der Platte platziert werden.
  - ▶ **Abb.2**
  - ▶ **Abb.3**
5. **Verwenden Sie keine stumpfen oder beschädigten Sägeblätter.** Unschärfe oder falsch angebrachte Sägeblätter erzeugen einen schmalen Sägeschlitz, der übermäßige Reibung, Sägeblatt-Klemmen und Rückschlag verursacht.
6. **Die Sägeblatttiefen- und Neigungseinstellungs-Arretierhebel müssen fest angezogen und gesichert sein, bevor der Schnitt ausgeführt wird.** Falls sich die Sägeblatteinstellung während des Sägens verstellt, kann es zu Klemmen und Rückschlag kommen.
7. **Lassen Sie beim Sägen in vorhandene Wände oder andere tote Winkel besondere Vorsicht walten.** Das vorstehende Sägeblatt kann Objekte durchschneiden, die Rückschlag verursachen können.
8. **Halten Sie das Werkzeug IMMER mit beiden Händen fest. Halten Sie NIEMALS Ihre Hand, Ihr Bein oder irgendeinen Körperteil unter die Werkzeugbasis oder hinter die Säge, insbesondere bei der Ausführung von Querschnitten.** Falls Rückschlag auftritt, besteht die Gefahr, dass die Säge über Ihre Hand zurückspringt und schwere Personenschäden verursacht.

▶ **Abb.4**

9. **Wenden Sie keine Gewalt auf die Säge an. Schieben Sie die Säge mit einer Geschwindigkeit vor, dass das Sägeblatt nicht abgebremst wird.** Gewaltanwendung kann ungleichmäßige Schnitte, Verlust der Genauigkeit und möglichen Rückschlag verursachen.

**Funktion der Schutzhaube**

1. **Überprüfen Sie die untere Schutzhaube vor jeder Benutzung auf einwandfreies Schließen.** Betreiben Sie die Säge nicht, falls sich die untere Schutzhaube nicht ungehindert bewegt und sofort schließt. Die untere Schutzhaube darf auf keinen Fall in der geöffneten Stellung festgeklemmt oder festgebunden werden. Wird die Säge versehentlich fallen gelassen, kann die untere Schutzhaube verbogen werden. Heben Sie die untere Schutzhaube mit dem Rückzuggriff an, und vergewissern Sie sich, dass sie sich ungehindert bewegt und bei allen Winkel- und Schnitttiefen-Einstellungen nicht mit dem Sägeblatt oder irgendeinem anderen Teil in Berührung kommt.

2. **Überprüfen Sie die Funktion der Feder der unteren Schutzhaube.** Falls Schutzhaube und Feder nicht einwandfrei funktionieren, müssen die Teile vor der Benutzung gewartet werden. Falls beschädigte Teile, klebrige Ablagerungen oder Schmutzansammlung vorhanden sind, kann die untere Schutzhaube schwergängig werden.
3. **Die untere Schutzhaube sollte nur für spezielle Schnitte, wie „Tauschnitte“ und „Doppelwinkelschnitte“, manuell zurückgezogen werden.** Heben Sie die untere Schutzhaube mit dem Rückzuggriff an, und sobald das Sägeblatt in das Werkstück eindringt, muss die untere Schutzhaube losgelassen werden. Für alle anderen Sägearbeiten sollte die untere Schutzhaube automatisch betätigt werden.
4. **Vergewissern Sie sich stets, dass die untere Schutzhaube das Sägeblatt verdeckt, bevor Sie die Säge auf der Werkbank oder dem Boden ablegen.** Ein ungeschützt auslaufendes Sägeblatt bewirkt Rückwärtskriechen der Säge und schneidet alles, was sich in seinem Weg befindet. Berücksichtigen Sie die Auslaufzeit des Sägeblatts bis zum Stillstand nach dem Loslassen des Schalters.
5. **Öffnen Sie die untere Schutzhaube probeweise von Hand, und achten Sie beim Loslassen darauf, dass sie sich einwandfrei schließt.** Vergewissern Sie sich auch, dass der Rückzuggriff nicht mit dem Werkzeuggehäuse in Berührung kommt. Die Bloßstellung des Sägeblatts ist SEHR GEFÄHRLICH und kann zu schweren Verletzungen führen.

**Zusätzliche Sicherheitswarnungen**

1. **Lassen Sie beim Schneiden von feuchtem Holz, druckbehandeltem Bauholz oder Astholz besondere Vorsicht walten.** Behalten Sie einen gleichmäßigen Vorschub des Werkzeugs bei, ohne dass sich die Sägeblattzahl verringert, um Überhitzen der Sägeblattzähne zu vermeiden.
2. **Versuchen Sie nicht, abgeschnittenes Material bei rotierendem Sägeblatt zu entfernen.** Warten Sie, bis das Sägeblatt zum Stillstand kommt, bevor Sie abgeschnittenes Material wegnehmen. Das Sägeblatt läuft nach dem Ausschalten noch nach.
3. **Vermeiden Sie das Schneiden von Nägeln.** Überprüfen Sie Bauholz vor dem Schneiden auf Nägel, und entfernen Sie etwaige Nägel.
4. **Setzen Sie den breiteren Teil der Grundplatte auf den fest abgestützten Teil des Werkstücks, nicht auf den Teil, der nach dem Schnitt herunterfällt.** Kurze oder kleine Werkstücke müssen eingespannt werden. **VERSUCHEN SIE NICHT, KURZE WERKSTÜCKE MIT DER HAND ZU HALTEN!**

▶ **Abb.5**

5. **Bevor Sie das Werkzeug nach Ausführung eines Schnitts absetzen, vergewissern Sie sich, dass sich die Schutzhaube geschlossen hat und das Sägeblatt zu vollständigem Stillstand gekommen ist.**
6. **Versuchen Sie niemals, die Kreissäge zum Sägen verkehrt herum in einen Schraubstock einzuspannen.** Dies ist sehr gefährlich und kann zu schweren Unfällen führen.

## ► Abb.6

7. Manche Materialien können giftige Chemikalien enthalten. Treffen Sie Vorsichtsmaßnahmen, um das Einatmen von Arbeitsstaub und Hautkontakt zu verhindern. Befolgen Sie die Sicherheitsdaten des Materiallieferanten.
8. Bremsen Sie die Säge nicht durch seitlichen Druck auf das Sägeblatt ab.
9. Verwenden Sie keine Schleifscheiben.
10. Verwenden Sie nur Sägeblätter mit einem Durchmesser, der am Werkzeug markiert oder im Handbuch angegeben ist. Die Verwendung eines Sägeblatts mit falscher Größe kann den einwandfreien Schutz des Sägeblatts oder den Schutzbetrieb beeinträchtigen, was ernsthaften Personenschaden zur Folge haben kann.
11. Halten Sie das Sägeblatt scharf und sauber. An den Sägeblättern hartendes und verhärtetes Gummi und Harz verlangsamen die Säge und erhöhen die Rückschlaggefahr. Halten Sie das Sägeblatt sauber, indem Sie es vom Werkzeug abmontieren und dann mit Gummi- und Harzentferner, heißem Wasser oder Petroleum reinigen. Verwenden Sie niemals Benzin.
12. Tragen Sie bei der Benutzung des Werkzeugs eine Staubmaske und einen Gehörschutz.
13. Verwenden Sie immer das zum Schneiden des jeweiligen Arbeitsmaterials vorgesehene Sägeblatt.
14. Verwenden Sie nur Sägeblätter, die mit einer Drehzahl markiert sind, die der am Werkzeug angegebenen Drehzahl entspricht oder diese übertrifft.
15. (Nur für europäische Länder)  
Verwenden Sie immer ein Sägeblatt, das EN847-1 entspricht.

## DIESE ANWEISUNGEN AUFBEWAHREN.

**⚠️ WARNUNG:** Lassen Sie sich NICHT durch Bequemlichkeit oder Vertrautheit mit dem Produkt (durch wiederholten Gebrauch erworben) von der strikten Einhaltung der Sicherheitsregeln für das vorliegende Produkt abhalten. MISSBRAUCH oder Missachtung der Sicherheitsvorschriften in dieser Anleitung können schwere Personenschäden verursachen.

## Wichtige Sicherheitsanweisungen für Akku

1. Lesen Sie vor der Benutzung des Akkus alle Anweisungen und Warnhinweise, die an (1) Ladegerät, (2) Akku und (3) Akkuwerkzeug angebracht sind.
2. Unterlassen Sie ein Zerlegen des Akkus.
3. Falls die Betriebszeit beträchtlich kürzer geworden ist, stellen Sie den Betrieb sofort ein. Anderenfalls besteht die Gefahr von Überhitzung, möglichen Verbrennungen und sogar einer Explosion.

4. Falls Elektrolyt in Ihre Augen gelangt, waschen Sie sie mit sauberem Wasser aus, und begeben Sie sich unverzüglich in ärztliche Behandlung. Anderenfalls können Sie Ihre Sehkraft verlieren.
5. Der Akku darf nicht kurzgeschlossen werden:
  - (1) Die Kontakte dürfen nicht mit leitfähigem Material berührt werden.
  - (2) Lagern Sie den Akku nicht in einem Behälter zusammen mit anderen Metallgegenständen, wie z. B. Nägel, Münzen usw.
  - (3) Setzen Sie den Akku weder Wasser noch Regen aus.

Ein Kurzschluss des Akkus verursacht starken Stromfluss, der Überhitzung, mögliche Verbrennungen und einen Defekt zur Folge haben kann.
6. Lagern Sie das Werkzeug und den Akku nicht an Orten, an denen die Temperatur 50 °C erreichen oder überschreiten kann.
7. Versuchen Sie niemals, den Akku zu verbrennen, selbst wenn er stark beschädigt oder vollkommen verbraucht ist. Der Akku kann im Feuer explodieren.
8. Achten Sie darauf, dass der Akku nicht fallen gelassen oder Stößen ausgesetzt wird.
9. Benutzen Sie keine beschädigten Akkus.
10. Die enthaltenen Lithium-Ionen-Akkus unterliegen den Anforderungen der Gefahrgut-Gesetzgebung.

Für kommerzielle Transporte, z. B. durch Dritte oder Spediteure, müssen besondere Anforderungen zu Verpackung und Etikettierung beachtet werden.

Zur Vorbereitung des zu transportierenden Artikels ist eine Beratung durch einen Experten für Gefahrgut erforderlich. Bitte beachten Sie möglicherweise ausführlichere nationale Vorschriften. Überleben oder verdecken Sie offene Kontakte, und verpacken Sie den Akku so, dass er sich in der Verpackung nicht umher bewegen kann.

11. Befolgen Sie die örtlichen Bestimmungen bezüglich der Entsorgung von Akkus.
12. Verwenden Sie die Akkus nur mit den von Makita angegebenen Produkten. Das Einsetzen der Akkus in nicht konforme Produkte kann zu einem Brand, übermäßiger Hitzebildung, einer Explosion oder Auslaufen von Elektrolyt führen.

## DIESE ANWEISUNGEN AUFBEWAHREN.

**⚠️ VORSICHT:** Verwenden Sie nur Original-Makita-Akkus. Die Verwendung von Nicht-Original-Makita-Akkus oder von Akkus, die abgeändert worden sind, kann zum Bersten des Akkus und daraus resultierenden Bränden, Personenschäden und Beschädigung führen. Außerdem wird dadurch die Makita-Garantie für das Makita-Werkzeug und -Ladegerät ungültig.

## Hinweise zur Aufrechterhaltung der maximalen Akku-Nutzungsdauer

1. Laden Sie den Akku, bevor er vollkommen erschöpft ist. Schalten Sie das Werkzeug stets aus, und laden Sie den Akku, wenn Sie ein Nachlassen der Werkzeugleistung feststellen.
2. Unterlassen Sie erneutes Laden eines voll aufgeladenen Akkus. Überladen führt zu einer Verkürzung der Nutzungsdauer des Akkus.
3. Laden Sie den Akku bei Raumtemperatur zwischen 10 – 40 °C. Lassen Sie einen heißen Akku abkühlen, bevor Sie ihn laden.
4. Der Akku muss geladen werden, wenn er lange Zeit (länger als sechs Monate) nicht benutzt wird.

## FUNKTIONSBESCHREIBUNG

### ⚠ VORSICHT:

- Schalten Sie das Werkzeug stets aus und entfernen Sie den Akkublock, bevor Sie Einstellungen oder eine Funktionsprüfung des Werkzeugs vornehmen.

## Montage und Demontage des Akkublocks

► **Abb.7:** 1. Taste 2. Rote Anzeige 3. Akkublock

### ⚠ VORSICHT:

- Schalten Sie das Werkzeug immer aus, bevor Sie den Akkublock einsetzen oder entnehmen.
- Halten Sie das Werkzeug und den Akkublock sicher fest, wenn Sie den Akkublock einsetzen oder herausnehmen. Andernfalls könnte Ihnen das Werkzeug oder der Akkublock aus den Händen fallen, sodass das Werkzeug oder der Akkublock beschädigt werden oder diese Verletzungen verursachen.

Zum Entnehmen des Akkublocks müssen Sie die Taste auf der Vorderseite des Akkublocks schieben und gleichzeitig den Akkublock aus dem Werkzeug herausziehen. Zum Einsetzen des Akkublocks müssen Sie die Zunge des Akkublocks an der Rille im Gehäuse ausrichten und in die gewünschte Position schieben. Setzen Sie den Akkublock ganz ein, bis er mit einem Klick einrastet. Wenn Sie den roten Bereich oben auf der Taste sehen können, ist der Akkublock nicht ganz eingerastet.

### ⚠ VORSICHT:

- Setzen Sie den Akkublock unbedingt ganz ein, bis der rote Bereich nicht mehr zu sehen ist. Andernfalls kann der Akkublock versehentlich aus dem Werkzeug fallen und Sie oder Personen in Ihrem Umfeld verletzen.
- Setzen Sie den Akkublock nicht mit Gewalt ein. Wenn der Akkublock nicht leicht hineingleitet, ist er nicht richtig angesetzt.

### HINWEIS:

- Wenn sich der Akkublock nicht leicht entfernen lässt, drücken Sie von der anderen Seite dagegen und schieben Sie ihn heraus.

## Anzeigen der Akku-Restkapazität

### Nur für Akkus mit Anzeige

► **Abb.8:** 1. Anzeigelampen 2. Prüftaste

Drücken Sie die Prüftaste am Akku, um die Akku-Restkapazität anzuzeigen. Die Anzeigelampen leuchten wenige Sekunden lang auf.

Anzeigelampen			Restkapazität
Erleuchtet	Aus	Blinkend	
■ ■ ■ ■			75% bis 100%
■ ■ ■ □			50% bis 75%
■ ■ □ □			25% bis 50%
■ □ □ □			0% bis 25%
▣ □ □ □			Den Akku aufladen.
■ ■ □ □			Möglicherweise liegt eine Funktionsstörung im Akku vor.
□ □ ■ ■			

**HINWEIS:** Abhängig von den Benutzungsbedingungen und der Umgebungstemperatur kann die Anzeige geringfügig von der tatsächlichen Kapazität abweichen.

## Einschalten

### ⚠ VORSICHT:

- Achten Sie vor dem Einsetzen des Akkublocks in das Werkzeug darauf, dass sich der Ein/Aus-Schalter korrekt bedienen lässt und beim Loslassen in die Position „OFF“ (AUS) zurückkehrt.
- Betätigen Sie niemals mit Gewalt die Auslöseschaltung, ohne dabei den Entsperrungshebel zu drücken. Dies kann zu einer Beschädigung des Schalters führen.

► **Abb.9:** 1. Griffschalter 2. Entblockungshebel

Um die versehentliche Betätigung der Auslöseschaltung zu verhindern, ist das Werkzeug mit einer Einchaltsperre ausgestattet. Um das Werkzeug zu starten, drücken Sie zuerst den Entsperrungshebel, und betätigen Sie den Auslöseschalter. Lassen Sie zum Ausschalten des Werkzeugs den Auslöseschalter los.

### ⚠ WARNUNG:

- Zu Ihrer Sicherheit ist das vorliegende Werkzeug mit einem Entsperrungshebel ausgestattet, um zu verhindern, dass das Werkzeug versehentlich gestartet wird. Verwenden Sie das Werkzeug NIEMALS, wenn es durch einfaches Betätigen des Auslöseschalters startet, ohne dass Sie dabei den Entsperrungshebel drücken. Geben Sie VOR dem weiteren Gebrauch das Werkzeug an ein Makita-Servicecenter, um es dort ordnungsgemäß reparieren zu lassen.
- Kleben Sie NIEMALS den Entsperrungshebel zu oder verändern diesen, so dass er seinen Zweck und seine Funktion nicht mehr erfüllt.

## Anzeigen der verbleibenden Akkuleistung

### Länderspezifisch

► **Abb.10:** 1. Anzeige Akkuladestatus

Wenn Sie das Werkzeug einschalten, zeigt die Akkuanzeige die verbleibende Akkuleistung an. Die verbleibende Akkuleistung wird gemäß der folgenden Tabelle angezeigt.

Status der Akkuanzeige ON (EIN) OFF (AUS) Blinkt	Verbleibende Akkuleistung
	50 % - 100 %
	20 % - 50 %
	0 % - 20 %
	Laden Sie den Akkublock auf

## Automatische Drehzahlumschaltung

► **Abb.11:** 1. Modusanzeige

Status der Modusanzeige	Betriebsmodus
	Drehzahlmodus
	Drehmomentmodus

Das Werkzeug verfügt über einen „Drehzahlmodus“ und einen „Drehmomentmodus“. Der Betriebsmodus wird je nach Arbeitslast automatisch umgeschaltet. Wenn die Modusanzeige während des Betriebs aufleuchtet, arbeitet das Werkzeug im Drehmomentmodus.

## Werkzeug-/Akku-Schutzsystem

Das Werkzeug ist mit einem Werkzeug-/Akku-Schutzsystem ausgestattet. Dieses System schaltet die Stromversorgung des Motors automatisch aus, um die Lebensdauer des Werkzeugs und des Akkus zu verlängern.

Unter folgenden Bedingungen des Werkzeugs und/oder des Akkus kann das Werkzeug während des Betriebs automatisch stoppen. Unter einigen dieser Bedingungen leuchtet die Anzeige auf.

## Überlastungsschutz

Wird das Werkzeug auf eine Weise betrieben, die zu einer abnormal hohen Stromaufnahme führt, stoppt das Werkzeug automatisch ohne jede Anzeige. Schalten Sie in dieser Situation das Werkzeug aus und beenden Sie die Arbeiten, die zu der Überlastung des Werkzeugs geführt haben. Schalten Sie dann das Werkzeug zum erneuten Starten wieder ein.

## Überhitzungsschutz für das Werkzeug

Ist das Werkzeug überhitzt, stoppt das Werkzeug automatisch und die Akkuanzeige zeigt folgenden Status an. Lassen Sie in dieser Situation das Werkzeug erst abkühlen, bevor Sie es wieder einschalten.

Anzeige Akkuladestatus	ON (EIN)	OFF (AUS)	Blinkt
	<input checked="" type="checkbox"/>	<input type="checkbox"/>	<input type="checkbox"/>
	Werkzeug ist überhitzt		

## Freigabe der Schutzsperre

Wenn das Schutzsystem wiederholt anspricht, wird das Werkzeug gesperrt und die Akkuanzeige zeigt folgenden Zustand an.

Anzeige Akkuladestatus	ON (EIN)	OFF (AUS)	Blinkt
	<input checked="" type="checkbox"/>	<input type="checkbox"/>	<input type="checkbox"/>
	Schutzsperre aktiviert		

In diesem Zustand lässt sich das Werkzeug nicht in Betrieb nehmen, selbst wenn es aus- und wieder eingeschaltet wird. Um die Schutzsperre freizugeben, entfernen Sie den Akku, setzen Sie ihn in das Akku-Ladegerät ein und warten Sie, bis der Ladevorgang beendet ist.

## Einstellen der Schnitttiefe

### ⚠ VORSICHT:

- Ziehen Sie den Hebel nach Einstellung der Schnitttiefe stets fest an.

► **Abb.12:** 1. Hebel 2. Tiefenführung

Lösen Sie den Hebel an der Tiefenführung und verstellen Sie den Gleitschuh nach oben oder unten. Arretieren Sie den Gleitschuh an der gewünschten Schnitttiefe durch Festziehen des Hebels. Für einen sauberen, sicheren Schnitt stellen Sie die Schnitttiefe so ein, dass nur maximal ein Sägeblattzahn unter dem Werkstück herausragt. Die Verwendung der richtigen Schnitttiefe minimiert die Gefahr von RÜCKSCHLÄGEN, die zu Personenschäden führen können.

## Gehrungsschnitt

► **Abb.13:** 1. Vorderer Hebel

Lösen Sie den vorderen Hebel. Neigen Sie das Werkzeug auf den gewünschten Winkel (0° bis 50°) und ziehen Sie anschließend den vorderen Hebel fest an.

► **Abb.14:** 1. Anschlag

Verwenden Sie für genaue 45°-Gehrungsschnitte den 45°-Anschlag. Drehen Sie den Anschlag für Gehrungsschnitte von 0° bis 45° entgegen dem Uhrzeigersinn und für Gehrungsschnitte von 0° bis 50° im Uhrzeigersinn.

## Schnittlinie

- **Abb.15:** 1. Schnittlinie (0°-Position) 2. Schnittlinie (45°-Position) 3. Schraube

Für Geradschnitte richten Sie die Position 0° an der Vorderseite des Gleitschuhs auf Ihre Schnittlinie aus. Für 45°-Gehrungsschnitte richten Sie die Position 45° an der Vorderseite des Gleitschuhs auf Ihre Schnittlinie aus. Die Position der oberen Führung ist einstellbar.

## Einschalten der Lampe

### ⚠ VORSICHT:

- Schauen Sie nicht direkt in die Lampe oder in die Lichtquelle.

- **Abb.16:** 1. Lampe

Wenn Sie nur die Lampe einschalten möchten, ziehen Sie den Ein/Aus-Schalter ohne den Entsperrungshebel zu drücken. Wenn Sie hingegen die Lampe einschalten und das Werkzeug in Betrieb nehmen möchten, drücken Sie den Entsperrungshebel, und ziehen Sie bei gedrücktem Entsperrungshebel den Ein/Aus-Schalter. Solange Sie den Ein/Aus-Schalter gedrückt halten, leuchtet die Lampe. Nach dem Loslassen des Ein/Aus-Schalters erlischt die Lampe nach 10 bis 15 Sekunden.

### HINWEIS:

- Verwenden Sie für das Abwischen der Unreinheiten von der Lichtlinse einen trockenen Lappen. Achten Sie darauf, dass Sie die Lichtlinse nicht zerkratzen, dadurch kann ihre Leuchtkraft verringert werden.
- Verwenden Sie zur Reinigung der Linse kein Benzin, keinen Verdünner oder Ähnliches. Die Verwendung solcher Flüssigkeiten beschädigt die Linse.

## Haken

### ⚠ VORSICHT:

- Ziehen Sie stets den Akkublock vom Werkzeug ab, wenn Sie das Werkzeug am Haken aufhängen.
- Haken Sie das Werkzeug niemals an erhöhten Orten oder an einer instabilen Oberflächen ein.

- **Abb.17:** 1. Haken 2. Schließen 3. Offen

Der Haken ist nützlich, wenn Sie das Werkzeug kurzzeitig aufhängen möchten. Zur Verwendung des Hakens drehen Sie einfach, bis er in der geöffneten Position einrastet.

Drehen Sie den Haken bei Nichtgebrauch stets nach unten drehen, bis er in der geschlossenen Position einrastet.

## MONTAGE

### ⚠ VORSICHT:

- Schalten Sie das Werkzeug stets aus, und entfernen Sie den Akkublock, bevor Sie Arbeiten am Werkzeug ausführen.

## Montage und Demontage des Sägeblatts

### ⚠ VORSICHT:

- Montieren Sie das Sägeblatt so, dass seine Zähne an der Vorderseite der Maschine nach oben zeigen.
- Verwenden Sie nur den mitgelieferten Makita-Schlüssel zum Demontieren oder Montieren des Sägeblatts.

- **Abb.18:** 1. Sechskantschlüssel 2. Spindelarreterung 3. Anziehen 4. Lösen

Zur Demontage des Sägeblatts drücken Sie die Spindelarreterung, um ein Drehen des Sägeblatts zu verhindern, und lösen Sie die Schraube durch Linksdrehung des Sechskantschlüssels. Nehmen Sie dann Sechskantschraube, Außenflansch und Sägeblatt ab.

- **Abb.19:** 1. Innenflansch 2. Sägeblatt 3. Außenflansch 4. Sechskantschraube

Zum Montieren des Sägeblatts befolgen Sie die Entnahmeprozedur rückwärts. DIE SCHRAUBE GEGEN DEN UHRZEIGERSINN FEST ANZIEHEN. Vergessen Sie beim Austausch des Sägeblatts nicht, das angefallene Sägemehl vom oberen und unteren Blattschutz zu entfernen, wie im Abschnitt „Wartung“ beschrieben. Dies ersetzt nicht die Überprüfung der Funktion der beweglichen Schutzhaube vor jeder Verwendung.

## Für Werkzeuge mit dem Innenflansch für ein Sägeblatt mit einem anderen Lochdurchmesser als 15,88 mm

### ⚠ VORSICHT:

- **Vergewissern Sie sich, dass der Vorsprung "a" am Innenflansch perfekt in das Sägeblattloch passt.** Das Anbringen des Blattes auf der falschen Seite kann zu gefährlichen Vibrationen führen.

- **Abb.20:** 1. Befestigungsschraube 2. Innenflansch 3. Sägeblatt 4. Außenflansch 5. Sechskantschraube

Der Innenflansch hat einen speziellen Durchmesser Vorsprung auf einer Seite und einen anderen Durchmesser Vorsprung auf der anderen Seite. Wählen Sie die richtige Seite, bei der der Vorsprung perfekt in das Sägeblattloch passt. Befestigen Sie nun den Innenflansch auf dem Montageflansch, so dass die richtige Seite mit dem Vorsprung am Innenflansch nach außen zeigt; setzen Sie anschließend Sägeblatt und Außenflansch ein. ZIEHEN SIE DIE SECHSKANTSCHRAUBE GEGEN DEN UHRZEIGERSINN FEST AN.

## Für Werkzeuge mit Innenflansch für ein Sägeblatt mit einem Lochdurchmesser von 15,88 mm (länderspezifisch)

- **Abb.21:** 1. Befestigungsschraube 2. Innenflansch 3. Sägeblatt 4. Außenflansch 5. Sechskantschraube
- **Abb.22:** 1. Befestigungsschraube 2. Innenflansch 3. Sägeblatt 4. Außenflansch 5. Sechskantschraube 6. Ring

Befestigen Sie den Innenflansch mit dem abgestuften Bereich nach außen "auf dem Montageschaft; setzen Sie anschließend Sägeblatt (bei Bedarf mit Ring), Außenflansch und Sechskantschraube ein. ZIEHEN SIE DIE SECHSSCHRAUBE GEGEN DEN UHRZEIGERSINN FEST AN.

### ⚠ **WARNUNG:**

- **Bevor Sie das Sägeblatt auf der Spindel anbringen, sollten Sie immer sicherstellen, dass der richtige Ring für das Spindelloch des Sägeblatts, das Sie verwenden möchten, zwischen dem Innen- und dem Außenflansch angebracht ist.** Die Verwendung eines Spindellockrings der falschen Größe führt zu einer fehlerhaften Montage des Sägeblatts und kann so eine Verschiebung des Sägeblatts und heftige Schwingungen verursachen, die zu einem möglichen Kontrollverlust während des Betriebs und schweren Verletzungen führen.

## Aufbewahrung des Sechskantschlüssels

- **Abb.23:** 1. Sechskantschlüssel

Wenn Sie den Sechskantschlüssel nicht verwenden, bewahren Sie ihn wie in der Abbildung dargestellt auf, damit er nicht verloren geht.

## Anschließen eines Staubsaugers

### (Sonderzubehör in einigen Ländern)

- **Abb.24:** 1. Absaugstutzen 2. Schraube 3. Hebel
- **Abb.25:** 1. Staubsauger 2. Schlauch

Für größere Sauberkeit bei der Arbeit schließen Sie einen Makita-Staubsauger an Ihr Werkzeug an. Montieren Sie den Absaugstutzen mit der Schraube am Werkzeug. Schließen Sie dann den Schlauch des Staubsaugers, wie in der Abbildung dargestellt, am Absaugstutzen an.

Ersetzen Sie bei Werkzeugen ohne standardmäßig mitgelieferten Absaugstutzen den an der beweglichen Schutzhaube befestigten Hebel gleichzeitig durch den mit dem Absaugstutzen (sonderzubehör) gelieferten, wenn Sie den Absaugstutzen anschließen. Andernfalls können Sie keine Schnitte durchführen, weil die Bewegung der beweglichen Schutzhaube durch den Absaugstutzen behindert wird.

## ARBEIT

### ⚠ **VORSICHT:**

- **Tragen Sie eine Staubmaske bei der Durchführung von Schneidarbeiten.**
- Schieben Sie das Werkzeug beim Schneiden stets sachte vor. Übermäßige Druckausübung oder Verdrehen des Werkzeugs bewirken eine Überhitzung des Motors und gefährliche Rückschläge, die möglicherweise zu schweren Verletzungen führen können.
- Verwenden Sie stets einen vorderen und hinteren Griff, und halten Sie während der Arbeit das Werkzeug am vorderen und hinteren Griff sicher fest.

- **Abb.26**

Halten Sie das Werkzeug mit festem Griff. Das Werkzeug verfügt sowohl über einen vorderen als auch einen hinteren Griff. Verwenden Sie beide Griffe, um so bestmöglich das Werkzeug zu umfassen. Wenn Sie die Säge mit beiden Händen festhalten, vermeiden Sie Verletzungen durch das Sägeblatt. Setzen Sie den Gleitschuh auf das zu schneidende Werkstück auf, ohne dass das Sägeblatt mit ihm in Berührung kommt. Schalten Sie anschließend das Werkzeug ein und warten Sie, bis das Sägeblatt die volle Drehzahl erreicht hat. Schieben Sie nun das Werkzeug flach und gleichmäßig über die Oberfläche des Werkstücks vor, bis der Schnitt vollendet ist.

Für saubere Schnitte halten Sie Ihre Schnittlinie gerade und die Geschwindigkeit gleichmäßig. Wenn der Schnitt nicht genau Ihrer beabsichtigten Schnittlinie folgt, versuchen Sie nicht, das Werkzeug zurück zur Schnittlinie zu drehen oder mit Gewalt zu schieben. Dies kann zum Einklemmen des Sägeblatts führen und somit zu einem gefährlichen Rückschlag und möglicherweise zu schweren Verletzungen. Betätigen Sie den Schalter, warten Sie auf den Stillstand des Sägeblatts und ziehen Sie dann das Werkzeug zurück. Setzen Sie das Werkzeug an der neuen Schnittlinie an und starten Sie den Sägevorgang erneut. Versuchen Sie dabei, Positionen zu vermeiden, in denen der Bediener den entstehenden Sägespänen und -staub ausgesetzt ist. Tragen Sie eine Schutzbrille, um Verletzungen zu vermeiden.

## Parallelanschlag (Führungsschiene) (Sonderzubehör)

- **Abb.27:** 1. Klemmschraube 2. Parallelanschlag (Führungsschiene)

Der praktische Parallelanschlag ermöglicht die Ausführung besonders genauer Geradschnitte. Schieben Sie den Parallelanschlag einfach satt anliegend gegen die Werkstückkante, und sichern Sie ihn mit der Feststellschraube an der Vorderseite des Gleitschuhs. Wiederholte Schnitte auf gleiche Breite sind ebenfalls möglich.



## WARTUNG

### ⚠ VORSICHT:

- Schalten Sie das Werkzeug stets aus, und entfernen Sie den Akkublock, bevor Sie Arbeiten am Werkzeug ausführen.
- **Reinigen Sie die oberen und unteren Schutzhauben, um sicherzustellen, dass sich kein Sägemehl ansammelt, das die Funktion der unteren Schutzeinrichtung beeinträchtigen könnte.** Eine verschmutzte Schutzeinrichtung kann in ihrer ordnungsgemäßen Funktion eingeschränkt sein, was zu schweren Verletzungen führen kann. Druckluft hat sich als effektivste Methode zur Reinigung erwiesen. **Wenn das Sägemehl aus den Schutzhauben geblasen wird, ist sicherzustellen, dass entsprechender Augen- und Atemschutz getragen wird.**
- Verwenden Sie zum Reinigen niemals Kraftstoffe, Benzin, Verdünnern, Alkohol oder ähnliches. Dies kann zu Verfärbungen, Verformungen oder Rissen führen.

## Einstellen der 0°- und 45°-Schnittgenauigkeit (Vertikal- und 45°-Schnitt)

- **Abb.28:** 1. Einstellschraube für 45°  
2. Einstellschraube für 0°

- **Abb.29:** 1. Einstelldreieck

Diese Einstellung wurde werkseitig vorgenommen. Sollte sie verstellt sein, müssen Sie die Einstellschrauben mit einem Innensechskantschlüssel nachjustieren, während das Sägeblatt mit Hilfe eines Einstelldreiecks, Anschlagwinkels etc. in den Winkel von 0° oder 45° gebracht wird. Verwenden Sie den 45°-Anschlag, um den Winkel von 45° einzustellen.

## Einstellen des Gehrungsanschlags

- **Abb.30:** 1. Gehrungsanschlag 2. Schraube  
3. Führung

Der Gehrungsanschlag wurde werkseitig eingestellt. Sollte er jedoch verstellt sein, kann er mit nachfolgend beschriebenem Verfahren eingestellt werden.

Lösen Sie zunächst die beiden Schrauben, um den Gehrungsanschlag einzustellen. Achten Sie darauf, dass der Gleitschuh auf einen Winkel von 0° eingestellt ist, und richten Sie die 0°-Linie am Gehrungsanschlag an der Führung am Gleitschuh aus.

Zur Aufrechterhaltung der SICHERHEIT und ZUVERLÄSSIGKEIT des Produkts müssen die Reparaturen und alle Wartungen und Einstellungen von den autorisierten Servicestellen der Firma Makita und unter Verwendung der Ersatzteile von Makita durchgeführt werden.

## SONDERZUBEHÖR

### ⚠ VORSICHT:

- Für Ihr Werkzeug Makita, das in dieser Anleitung beschrieben ist, empfehlen wir folgende Zubehörteile und Aufsätze zu verwenden. Bei der Verwendung anderer Zubehörteile oder Aufsätze kann die Verletzungsgefahr für Personen drohen. Die Zubehörteile und Aufsätze dürfen nur für ihre festgelegten Zwecke verwendet werden.

Wenn Sie nähere Informationen bezüglich dieses Zubehörs benötigen, wenden Sie sich bitte an Ihre örtliche Servicestelle der Firma Makita.

- Sägeblätter
- Parallelanschlag (Führungsschiene)
- Führungsschiene
- Führungsschienenadapter
- Messleiste
- Absaugstutzen
- Sechskantschlüssel
- Originalakku und Ladegerät von Makita

### HINWEIS:

- Einige der in der Liste aufgeführten Elemente sind dem Werkzeugpaket als Standardzubehör beigelegt. Diese können in den einzelnen Ländern voneinander abweichen.

## RÉSZLETES LEÍRÁS

Modell		DHS680
Fűrészlap átmérője		165 mm
Max. vágási mélység	0°-nál	57 mm
	45°-nál	41 mm
	50°-nál	37 mm
Üresjárat fordulatszám		5000 min <sup>-1</sup>
Teljes hossz		350 mm
Tiszta tömeg		3,0 - 3,3 kg
Névleges feszültség		18 V, egyenáram

- Folyamatos kutató- és fejlesztőprogramunk eredményeként az itt felsorolt tulajdonságok figyelmeztetés nélkül megváltozhatnak.
- A tulajdonságok országról országra különbözhetnek.
- A súly a felszerelt tartozékoktól függően változhat, az akkumulátort is beleértve. Az EPTA 01/2014 eljárás szerint meghatározott legnehezebb, illetve legkönnyebb kombináció a táblázatban látható.

### Alkalmazható akkumulátorok és töltők

Akkumulátor	BL1815N / BL1820 / BL1820B / BL1830 / BL1830B / BL1840 / BL1840B / BL1850 / BL1850B / BL1860B
Töltő	DC18RC / DC18RD / DC18RE / DC18SD / DC18SE / DC18SF

- Lakóhelyétől függően előfordulhat, hogy a fent felsorolt akkumulátorok és töltők nem érhetők el.

**▲ FIGYELMEZTETÉS:** Csak a fentiekben felsorolt akkumulátorokat és töltőket használja. Bármilyen más akkumulátor vagy töltő használata sérüléseket és/vagy tüzet okozhat.

#### Rendeltetésszerű használat

A szerszám hosszirányú és keresztirányú, ferde, egyenes és gérvágások végzésére használható faanyagokban, úgy, hogy közben szorosan érintkezik a munkadarabbal. A megfelelő eredeti Makita fűrészlapokkal egyéb anyagok is fűrészelvek.

#### Zaj

A tipikus A-súlyozású zajszint, a EN62841 szerint meghatározva:

Hangnyomásszint ( $L_{pA}$ ): 94 dB (A)

Hangteljesítményszint ( $L_{WA}$ ): 105 dB (A)

Tűrés (K): 3 dB (A)

**MEGJEGYZÉS:** A zajkibocsátás értéke a szabványos vizsgálati eljárásnak megfelelően lett mérve, és segítségével az elektromos kéziszerszámok összehasonlíthatók egymással.

**MEGJEGYZÉS:** A zajkibocsátás értékének segítségével előzetesen megbecsülhető a rezgésnek való kitétség mértéke.

**▲ FIGYELMEZTETÉS:** Viseljen fülvédőt!

**▲ FIGYELMEZTETÉS:** A szerszám zajkibocsátása egy adott alkalmazásnál eltérhet a megadott értéktől a használat módjától, különösen a feldolgozott munkadarab fajtájától függően.

**▲ FIGYELMEZTETÉS:** Határozza meg a kezelő védelmét szolgáló munkavédelmi lépéseket, melyek az adott munkafeltételek melletti vibrációs hatás becsült mértékén alapulnak (figyelembe véve a munkaciklus elemeit, mint például a gép leállításának és üresjáratának mennyiségét az elindítások száma mellett).

#### Vibráció

A vibráció teljes értéke (háromtengelyű vektorösszeg) EN62841 szerint meghatározva:

Működési mód: favágás

Rezgéskibocsátás ( $a_{h,w}$ ): 2,5 m/s<sup>2</sup> vagy kevesebb

Tűrés (K): 1,5 m/s<sup>2</sup>

**MEGJEGYZÉS:** A rezgés teljes értéke a szabványos vizsgálati eljárásnak megfelelően lett mérve, és segítségével az elektromos kéziszerszámok összehasonlíthatók egymással.

**MEGJEGYZÉS:** A rezgés teljes értékének segítségével előzetesen megbecsülhető a rezgésnek való kitétség mértéke.

**▲ FIGYELMEZTETÉS:** A szerszám rezgés kibocsátása egy adott alkalmazásnál eltérhet a megadott értéktől a használat módjától, különösen a feldolgozott munkadarab fajtájától függően.

**▲ FIGYELMEZTETÉS:** Határozza meg a kezelő védelmét szolgáló munkavédelmi lépéseket, melyek az adott munkafeltételek melletti vibrációs hatás becsült mértékén alapulnak (figyelembe véve a munkaciklus elemeit, mint például a gép leállításának és üresjáratának mennyiségét az elindítások száma mellett).

## EK Megfelelőségi nyilatkozat

*Csak európai országokra vonatkozóan*

Az EK-megfelelőségi nyilatkozat az útmutató „A” mellékletében található.

## A szerszámgepekre vonatkozó általános biztonsági figyelmeztetések

**▲ FIGYELMEZTETÉS:** Olvassa el a szerszámgéphez mellékelt összes biztonsági figyelmeztetést, utasítást, illusztrációt és a műszaki adatokat. A következőkben leírt utasítások figyelmen kívül hagyása elektromos áramütést, tüzet és/vagy súlyos sérülést eredményezhet.

## Őrizzen meg minden figyelmeztetést és utasítást a későbbi tájékozódás érdekében.

A figyelmeztetéseken szereplő "szerszámgép" kifejezés az Ön hálózatról (vezetékes) vagy akkumulátorról (vezeték nélküli) működtetett szerszámgépre vonatkozik.

## Az akkumulátoros körfűrészre vonatkozó biztonsági figyelmeztetések

Vágási eljárások

- ▲ VESZÉLY:** Tartsa kezét távol a fűrészlaptól és a vágás helyétől. Másik kezét tartsa a segédmarkolaton vagy a motorházon. Ha két kézzel tartja a fűrész, akkor a fűrészlap nem vághatja el a kezét.
- Ne nyúljon a munkadarab alá.** A védőburkolat nem tudja megvédeni Önt a fűrészlaptól a munkadarab alatt.
- Állítsa a vágási mélységet a munkadarab vastagságával megegyező értékre.** A munkadarab alatt a fűrészlapból egy teljes fognál kevesebbnek kel kilátszania.
- Vágás közben soha ne kézben tartsa, és soha ne fektesse az ölébe a munkadarabot. Rögzítse a munkadarabot egy szilárd padozaton.** Nagyon fontos a munkadarab megfelelő alátámasztása, hogy elkerülje a személyi sérüléseket, a fűrészlátrcsa meghajlását vagy a gép feletti irányítás elvesztését.

► Ábra1

- Az elektromos szerszámot kizárólag a szigetelt markolási felületeinél fogva tartsa, amikor olyan műveletet végez, melynek során a vágószerszám rejtett vezetékbe ütközhet.** Feszültség alatt lévő vezetékekkel való érintkezéskor a szerszám gép alkatrészei is feszültség alá kerülnek, és megrázhatók a kezelőt.
- Párhuzamos vágáskor mindig használja a párhuzamvezetőt vagy egy egyenes szélvezetőt.** Ez javítja a vágás pontosságát, és csökkenti a fűrészlap meghajlásának esélyét.
- Mindig csak megfelelő méretű és alakú (gyémánt vagy kerek) tengelyfurattal rendelkező fűrészlátrcsákat használjon.** Azok a fűrészlátrcsák, amelyek nem illeszkednek a rögzítő alkatrészekhez, forgás közben nem maradnak középen, ami irányíthatatlansághoz vezet.
- Soha ne használjon sérült vagy nem megfelelő alátétet vagy csavart a fűrészlaphoz.** A fűrészlap alátéteket és a fejescsavart speciálisan ehhez a szerszámhoz tervezték, az optimális teljesítmény és a biztonságos működés biztosítása érdekében.

## A visszarúgás okai és az ezzel kapcsolatos figyelmeztetések

- a visszarúgás a szerszám hirtelen reakciója beszorult, beakadt vagy rosszul álló fűrészlátrcsa esetén, amely az irányíthatatlan szerszám felemelkedését és kilökődését okozza a munkadarabról a kezelő irányába;
- amikor a fűrészlátrcsa beszorul vagy beakad az összeshárdo fűrészjáratban, a fűrészlátrcsa megáll, és a motor reakciója a gépet gyorsan a kezelő irányába lendíti;
- ha a fűrészlap megcsavarodik vagy nem áll megfelelően a vágatban, a fűrészlap fogai és hátsó széle belevájjja magát a munkadarab felső felületébe, miáltal a fűrészlap kiugrik a fűrészjáratból és a kezelő felé lendül.

A visszarúgás a szerszám helytelen használatának és/vagy a hibás megmunkálási eljárásnak az eredménye és az alább leírt óvintézkedések betartásával elkerülhető.

- Fogja stabilan a szerszámot mindkét kezével és tartsa úgy a karjait, hogy ellen tudjon állni a visszarúgáskor fellépő erőnek. Igazítsa a testét a fűrészlap valamelyik oldalára, de ne egy vonalba a fűrészlappal.** A visszarúgás a szerszám visszaugrását okozhatja, de a visszarúgáskor fellépő erőket a kezelő leküzdheti, ha a megfelelő óvintézkedéseket betartja.
- Amikor a fűrészlap meghajlott, vagy valamiért meg kell szakítania a vágási műveletet, engedje fel a kioldót és tartsa mozdulatlanul a fűrész az anyagban amíg teljesen meg nem áll. Soha ne próbálja eltávolítani a fűrész a munkadarabból vagy visszahúzni a fűrész amíg a fűrészlap mozgásban van, mert visszarúgás léphet fel.** Figyelje és korrigálja műveletekkel próbálja megelőzni a fűrészlap meghajlását.

3. **Amikor újra bekapcsolja a fűrészt a munkadarabban, állítsa középre a fűrésztárcsát a fűrészfáratban és győződjön meg róla, hogy a fűrészfogak nem kapaszkodnak az anyagba.** Ha a fűrésztárcsa meghajlik, az kijöhet vagy visszarughat a munkadarabból a szerszám újraindításakor.
4. **A nagyméretű falapokat támassza alá, hogy elkerülje a fűrészlapp beszorulását és a visszaruágást.** A nagyméretű falapok meghajolhatnak saját súlyuk alatt. Támasztékot a falap mindkét oldalára kell tenni, a vágóvonal közelébe és a lap szélétől nem messze.

► **Ábra2**

► **Ábra3**

5. **Ne használjon tompa vagy sérült fűrészlappokat!** A nem elég éles vagy rosszul beállított fűrészlapok keskeny fűrészfárat eredményeznek, amely túlzott súrlódáshoz, a fűrészlapp meghajlásához és visszaruágáshoz vezet.
6. **A fűrészlapp mélységének és a ferdevágás szögének beállítására szolgáló reteszelőkarokat meg kell húzni és a vágás megkezdése előtt rögzíteni kell.** Ha a fűrészlapp beállítása elmozdul a vágás alatt, akkor a fűrészlapp meghajolhat, ami visszaruágást eredményez.
7. **Különösen figyeljen oda, amikor meglévő falak vagy más beláthatatlan területek vágására használja a szerszámot.** A kiálló fűrészlapp olyan tárgyakba vághat bele, amik visszaruágást okozhatnak.
8. **MINDIG tartsa szilárdan a szerszámot mindkét kezével!** SOHA ne nyújtsa a kezét, lábát, vagy bármilyen más testrészét a szerszám alapeleme alá vagy a fűrészt mögé, különösen ha harántvágást végez! Ha visszaruágás történik, a fűrészt könnyen visszaugorhat a kezein át, komoly sérüléseket okozva.

► **Ábra4**

9. **Soha ne erőltesse a fűrészt!** Olyan sebességgel tolja előre a fűrészt, hogy a fűrészlapp lassulás nélkül vágjon. A fűrészt erőltetése egyenetlen vágásokat, a pontosság csökkenését és esetleg visszaruágást okozhat.

**Fűrészlappvédő funkció**

1. **Minden használat ellenőrizze, hogy az alsó fűrészlappvédő megfelelően zár-e.** Ne működtesse a fűrészt, ha az alsó fűrészlappvédő nem mozog akadálymentesen, és nem zár azonnal. Soha ne rögzítse vagy kösse ki az alsó fűrészlappvédőt nyitott állásban. Ha a fűrészt véletlenül leesik, akkor az alsó fűrészlappvédő elhajolhat. Emelje fel az alsó fűrészlappvédőt a visszahúzó fogantyúval és ellenőrizze, hogy az szabadon mozog, és nem ér a fűrészlaphoz vagy bármely más alkatrészhez, egyik vágási szögnél vagy vágási mélységnél sem.
2. **Ellenőrizze az alsó fűrészlappvédő rugójának működését.** Ha védő vagy a rugó nem működik megfelelően, azokat használat előtt meg kell javítani. Az alsó fűrészlappvédő lassan mozoghat sérült alkatrészek, gyantalerakódások vagy hulladék felhalmozódása miatt.

3. **Az alsó fűrészlappvédőt csak összetett vágásokhoz, mint pl. a „leszúró vágás” és a „kombinált vágás”, lehet kézzel felemelni.** Emelje fel az alsó fűrészlappvédőt a visszahúzó karral, majd amint a fűrészlapp behatolt az anyagba, az alsó fűrészlappvédőt el kell engedni. Minden más típusú vágáshoz az alsó védőelemeknek automatikusan kell működni.
4. **Mindig nézze meg, hogy az alsó fűrészlappvédő befedi a fűrészlappot, mielőtt leteszi a szerszámot az asztalra vagy a padlóra.** A védőtelen, szabadon forgó fűrészlapp miatt a szerszám elmozdulhat, átvágva az útjába kerülő tárgyakat. Ne feledje, hogy a fűrészlapp megállásáig valamennyi idő eltelik a kapcsoló felengedése után.
5. **Az alsó fűrészlappvédő ellenőrzéséhez kézzel nyissa ki az alsó fűrészlappvédőt, majd engedje el, és nézze meg, hogy megfelelően záródik-e.** Ellenőrizze azt is, hogy a visszahúzó fogantyú nem érintkezik-e az eszköz motorházával. A fűrészlappot szabadon hagyni NAGYON VESZÉLYES és súlyos személyi sérülést okozhat.

**További biztonsági figyelmeztetések**

1. **Különösen figyeljen oda nedves fa, nyoma alatt ragasztott faanyag vagy görcsös fa vágásakor.** Haladjon egyenesen előre a szerszámmal, a fűrészlapp sebességének csökkenése nélkül, hogy elkerülje a fűrészlapp fogainak túlmelegedését.
2. **Ne próbálja meg eltávolítani a levágott anyagot, amikor a fűrészlapp még mozog. Várja meg, amíg a fűrészlapp megáll, mielőtt megfogja a levágott darabot.** A fűrészlapp szabadon forog a kikapcsolás után.
3. **Kerülje a szegek átvágását.** A vágás megkezdése előtt ellenőrizze a fatörzset, és húzza ki belőle az összes szeg.
4. **Tegye a fűrészt alapelemének szélesebb részét a munkadarab azon részére, amely stabilan alá van támasztva, ne arra a részre, amelyik leesik a vágás végén.** Ha a munkadarab rövid vagy kicsi, le kell fogatni. **NE PRÓBÁLJA A RÖVID MUNKADARABOKAT KÉZBEN TARTANI!**

► **Ábra5**

5. **Mielőtt leteszi a szerszámot a vágás befejezése után, győződjön meg róla, hogy az alsó fűrészlappvédő bezáródott és a fűrészlapp teljesen megállt.**
6. **Soha ne próbáljon a körfűrészrel úgy vágni, hogy azt felfordítva befogja egy satuba!** Ez különösen veszélyes és komoly sérülésekhez vezethet.

► **Ábra6**

7. **Egyes anyagok mérgező vegyületet tartalmazhatnak.** Gondoskodjon a por belélegzése elleni és érintés elleni védelemről. Tartsa be az anyag szállítójának biztonsági utasításait.
8. **Ne állítsa meg a tárcsát úgy, hogy oldalirányú nyomást fejt ki a fűrészlappra.**
9. **Ne használjon köszörűtárcsákat.**

10. Csak a szerszámon jelzett vagy a kézikönyvben megadott átmérőjű fűrészlapokat használja. A nem megfelelő méretű fűrészlap miatt a fűrészlap vagy a védőburkolat nem fogja megfelelően ellátni a funkcióját, ami súlyos személyi sérüléshez is vezethet.
11. A fűrészlapokat tartsa élesen és tisztán. A fűrészlapokra keményedett kátrány és fagyanta lelassítja a fűrészelt és megnöveli a visszarúgás kockázatát. Tartsa tisztán a fűrészlapot úgy, hogy először leszereli azt a szerszámról, majd megtisztítja gyanta és kátrányeltávolítóval, forró vízzel vagy kerozinnal. Soha ne használjon benzint.
12. Viseljen pormaszkot és hallásvédőt a szerszám használatakor.
13. Mindig ahhoz az anyaghoz illő fűrészlárcsát használjon, amelyet vágni tervez.
14. Csak olyan fűrészlárcsákat használjon, amelyek jelzett fordulatszáma megegyezik a szerszámon jelzett fordulatszámmal, vagy nagyobb annál.
15. (Csak európai országokra vonatkozóan) Mindig az EN847-1 szabványnak megfelelő lárcsát használjon.
6. Ne tárolja a szerszámot vagy az akkumulátort olyan helyen, ahol a hőmérséklet elérheti vagy meghaladhatja az 50 °C-ot (122 °F).
7. Ne égesse el az akkumulátort még akkor sem, ha az komolyan megsérült vagy teljesen elhasználódott. Az akkumulátor a tűzben felrobbanhat.
8. Vigyázzon, nehogy leejtse vagy megüsse az akkumulátort.
9. Ne használjon sérült akkumulátort.
10. A készülékben található lítium-ion akkumulátorokra a veszélyes árukkal kapcsolatos előírások vonatkoznak.  
A termék pl. harmadik felek, fuvarozó cégek stb. által történő szállítása esetén minden esetben tartsa szem előtt a csomagoláson és a címkén található speciális követelményeket.  
A termék szállításra történő felkészítése esetén vegye fel a kapcsolatot egy veszélyes anyagokkal foglalkozó szakemberrel. Kérjük, hogy az esetlegesen szigorúbb nemzeti előírásokat is vegye figyelembe.  
Ragassza le a kiálló érintkezőket, illetve oly módon csomagolja be az akkumulátort, hogy az ne tudjon elmozdulni a csomagolásban.
11. Az akkumulátor ártalmatlanításakor tartsa be a helyi előírásokat.
12. Az akkumulátorokat csak a Makita által megjelölt termékekhez használja. Ha az akkumulátorokat azokkal nem kompatibilis termékekbe helyezi, az tűzhez, túlmelegedéshez, robbanás-hoz vagy elektrolitszivárgáshoz vezethet.

## ŐRIZZE MEG EZEKET AZ UTASÍTÁSOKAT.

**▲ FIGYELMEZTETÉS:** NE HAGYJA, hogy (a termék többszöri használatából eredő) kényelem és megszokás váltsa fel a termék biztonsági előírásainak szigorú betartását. A HELYTELEN HASZNÁLAT és a használati útmutatóban szereplő biztonsági előírások megszegése súlyos személyi sérülésekhez vezethet.

### Fontos biztonsági utasítások az akkumulátorra vonatkozóan

1. Az akkumulátor használata előtt tanulmányozza át az akkumulátortöltőn (1), az akkumulátoron (2) és az akkumulátorral működtetett terméken (3) olvasható összes utasítást és figyelmeztető jelzést.
2. Ne szerelje szét az akkumulátort.
3. Ha a működési idő nagyon lerövidült, azonnal hagyja abba a használatot. Ez a túlmelegedés, esetleges égések és akár robbanás veszélyével is járhat.
4. Ha elektrolit kerül a szemébe, mossa ki azt tiszta vízzel és azonnal kérjen orvosi segítséget. Ez a látásának elvesztését okozhatja.
5. Ne zárja rövidre az akkumulátort:
  - (1) Ne érjen az érintkezőkhöz elektromosan vezető anyagokkal.
  - (2) Ne tárolja az akkumulátort más fémtárgyakkal, mint pl. szegekkel, érmekkel, stb. egy helyen.
  - (3) Ne tegye ki az akkumulátort víznek vagy esőnek.

Az akkumulátor rövidzárlata nagy áramerősséget, túlmelegedést, égéseket, sőt akár meghibásodást is okozhat.

## ŐRIZZE MEG EZEKET AZ UTASÍTÁSOKAT.

**▲ VIGYÁZAT:** Csak eredeti Makita akkumulátorokat használjon. A nem eredeti Makita akkumulátorok vagy módosított akkumulátorok használata esetén az akkumulátor felrobbanhat, ami tüzet, személyi sérülést és anyagi kárt okozhat. A Makita szerszámra és töltőre vonatkozó Makita garanciát is érvénytelenítheti.

## Tipppek az akkumulátor maximális élettartamának eléréséhez

1. Töltse fel az akkumulátort, mielőtt teljesen lemerülne. Állítsa le a gépet, és töltsen fel az akkumulátort, ha a gép erejének csökkenését észleli.
2. Soha ne töltsen újra a teljesen feltöltött akkumulátort. A túltöltés csökkenti az akkumulátor élettartamát.
3. Töltse az akkumulátort szobahőmérsékleten, 10 °C - 40 °C (50 °F - 104 °F) között. Töltés előtt hagyja lehűlni a fölforrósodott akkumulátort.
4. Töltsen fel az akkumulátort, ha hosszabb ideje (több mint hat hónapja) nem használta azt.

# MŰKÖDÉSI LEÍRÁS

## ⚠ VIGYÁZAT:

- Minden esetben ellenőrizze, hogy a szerszám ki van kapcsolva és az akkumulátor eltávolításra került mielőtt beállít vagy ellenőriz valamilyen funkciót a szerszámon.

## Az akkumulátor behelyezése és eltávolítása

► **Ábra7:** 1. Gomb 2. Piros jelölés 3. Akkumulátor

## ⚠ VIGYÁZAT:

- Mindig kapcsolja ki az eszközt, mielőtt behelyezi vagy eltávolítja az akkumulátort.
- Az akkumulátort és a szerszámot tartsa erősen, amikor az akkumulátort a szerszáma helyére vagy eltávolítja arról.** Amennyiben nem így jár el, a szerszám vagy az akkumulátor a kezéből kicsúszhat és megsérülhet, illetve személyi sérülést okozhat.

Az akkumulátoregység kivételéhez nyomja be az akkumulátoregység elején található gombot, és tolja ki az egységet.

Az akkumulátor beszereléséhez illessze az akkumulátor nyelvét a burkolaton található vajatba és csúsztassa a helyére. Egészen addig tolja be, amíg egy kis kattánással a helyére nem ugrik. Ha látható a piros jelölés a gomb felső oldalán, akkor a gomb nem kattant be teljesen.

## ⚠ VIGYÁZAT:

- Mindig tolja be teljesen az akkumulátort, amíg a piros jelölés el nem tűnik. Ha ez nem történik meg, akkor az akkumulátor kieshet a szerszámból, és Önnek vagy a környezetében másnak sérülést okozhat.
- Ne erőltesse be az akkumulátort. Ha az akkumulátor nem csúszik be könnyedén, akkor nem megfelelően lett behelyezve.

## MEGJEGYZÉS:

- Ha az akkumulátor nem vehető ki könnyen, nyomja meg a gomb másik oldala felől, majd csúsztassa ki.

## Az akkumulátor töltöttségének jelzése

**Csak állapotjelzős akkumulátorok esetén**

► **Ábra8:** 1. Jelzőlámpák 2. Check (ellenőrzés) gomb

Nyomja meg az ellenőrzőgombot, hogy az akkumulátortöltöttség-jelző megmutassa a hátralévő akkumulátor-kapacitást. Ekkor a töltöttség-szint-jelző lámpák néhány másodpercre kigyulladnak.

Jelzőlámpák			Töltöttségi szint
Világító lámpa	KI	Villogó lámpa	
			75%-tól 100%-ig
			50%-tól 75%-ig
			25%-tól 50%-ig
			0%-tól 25%-ig
			Töltse fel az akkumulátort.
			Lehetséges, hogy az akkumulátor meghibásodott.

**MEGJEGYZÉS:** Az adott munkafeltételektől és a környezet hőmérsékletétől függően a jelzett töltöttségi szint némileg eltérhet a tényleges töltöttségi szinttől.

## A kapcsoló használata

### ⚠ VIGYÁZAT:

- Mielőtt beszerelné az akkumulátort a szerszámba, mindig ellenőrizze, hogy a kioldókapcsoló hibátlanul működik és az „OFF” állásba áll felengedéskor.
- Ne húzza túlzott erővel a kioldókapcsolót, ha nem nyomta be a kireteszelőkart. Ez a kapcsoló törését okozhatja.

► **Ábra9:** 1. Kioldókapcsoló 2. Bekapcsoló retesz

A kioldókapcsoló véletlen meghúzásának elkerülésére egy kireteszelőkar van felszerelve. A szerszám bekapcsolásához nyomja le a kireteszelőkart, majd húzza meg a kioldókapcsolót. Engedje fel a kioldókapcsolót a leállításához.

### ⚠ FIGYELMEZTETÉS:

- Az Ön biztonsága érdekében ez a szerszám egy kireteszelőkarral van felszerelve, amely meggátolja a szerszám véletlen beindulását. SOHA ne használja ezt a szerszámot, ha az akkor is beindul amikor Ön meghúzza a kioldókapcsolót de nem nyomja le a kireteszelőkart. A további használat ELŐTT vigye a szerszámot javításra egy MAKITA szervizközpontba.
- SOHA ne ragassza le a kireteszelőkart vagy iktassa ki annak funkcióját.

## A fennmaradó akkumulátortöltöttség jelzése

### Országfüggő

► **Ábra10:** 1. Akkumulátortöltöttség-jelző

A szerszámot bekapcsolva az akkumulátor-visszajelző megjeleníti a fennmaradó akkumulátortöltöttséget. A fennmaradó akkumulátortöltöttség az alábbi táblázatban található vázoltak szerint jelenik meg.

Az akkumulátor-visszajelző állapota	Hátralevő akkumulátor-kapacitás
:BE <input type="checkbox"/> :KI	
	50 % - 100 %
	20 % - 50 %
	0 % - 20 %
	Töltse fel az akkumulátort

## Automatikus sebességváltó funkció

► **Ábra11:** 1. Üzemmod jelzőfény

Az üzemmód-visszajelző állapota	Üzemmod
	Magas fordulatszámú mód
	Nagy nyomatékú mód

A szerszám „magas fordulatszámú móddal” és „nagy nyomatékú móddal” is képes működni. A használati terhelés függvényében automatikusan vált az üzemmódok között. Amikor az üzemmód-visszajelző üzem közben világít, akkor a szerszám nagy nyomatékú módban üzemel.

## Szerszám-/akkumulátorvédő rendszer

A szerszám szerszám-/akkumulátorvédő rendszerrel van felszerelve. A rendszer automatikusan kikapcsolja a motor áramellátását, így megnöveli a szerszám és az akkumulátor élettartamát.

A szerszám használat közben automatikusan leáll, ha a szerszám vagy az akkumulátor a következő állapotba kerül. Bizonyos állapotokban a jelzőfény világítani kezd.

## Túlterhelésvédelem

Ha a szerszámot úgy használják, hogy az rendellenesen nagy áramot vesz fel, akkor a szerszám mindenfajta jelzés nélkül leáll. Ilyenkor kapcsolja ki a szerszámot, és hagyjon fel azzal a használati móddal, amely a szerszám túlterhelődéséhez vezetett. Ezután kapcsolja be a szerszámot a munka újbóli megkezdéséhez.

## Szerszám-túlmelegedés elleni védelem

A szerszám túlhevülés esetén automatikusan leáll, az akkumulátor-visszajelző pedig az alábbi állapotot mutatja. Ilyenkor hagyja kihűlni a szerszámot, mielőtt ismét bekapcsolná.

Akkumulátortöltöttség-jelző	:BE	:KI	Villogó lámpa
	<input type="checkbox"/>	<input type="checkbox"/>	<input type="checkbox"/>
A szerszám túlhevült			

## A biztonsági zár nyitása

Amikor a biztonsági rendszer ismétlőműködést végez, a szerszám zárt állapotba kerül, és az akkumulátorjelző a következő állapotot mutatja:

Akkumulátortöltöttség-jelző	:BE	:KI	Villogó lámpa
	<input type="checkbox"/>	<input type="checkbox"/>	<input type="checkbox"/>
A biztonsági reteszelés működésbe lépett			

Ilyenkor a szerszám nem indul el, akkor sem, ha azt ki-majd bekapcsolja. A biztonsági zár nyitásához távolítsa el az akkumulátort, helyezze az akkumulátortöltőbe, majd várja meg amíg teljesen feltölt.

## A vágási mélység beállítása

### ▲ VIGYÁZAT:

- A vágási mélység beállítása után mindig húzza meg a szabályozókart.

► **Ábra12:** 1. Kar 2. Mélységvezető

Lazítsa meg a hátulsó markolat oldalán található szabályozókart és mozgassa a talplemezt felfelé vagy lefelé. A kívánt vágási mélység beállítása után rögzítse a talplemezt a szabályozókar meghúzásával. A tisztább és biztonságosabb vágás érdekében úgy állítsa be a vágási mélységet, hogy a fűrészlapnak legfeljebb egy foga nyúljon túl a munkadarabon. A megfelelően megválasztott vágási mélység elősegíti a veszélyes VISSZARÚGÁSOK veszélyének csökkentését, amelyek személyi sérüléseket okozhatnak.

## Ferdevágás

► **Ábra13:** 1. Elülős kar

Lazítsa meg az elülős kart. Állítsa be a kívánt szöget (0–50°) a megfelelő döntéssel, majd erősen húzza meg az elülős kart.

► **Ábra14:** 1. Ütköző

Használja a 45°-os ütközőt, ha pontosan 45°-os vágást szeretne végezni. Fordítsa el az ütközőt teljesen az óramutató járásával ellentétes irányba a ferdevágáshoz (0–45°), és fordítsa el az óramutató járásának irányába a 0–50° ferdevágásokhoz.

## Vezetés

► **Ábra15:** 1. Vágási vonal (0°-os helyzet) 2. Vágási vonal (45°-os helyzet) 3. Csavar

Egyenes vágásokhoz igazítsa a talplemez elején található 0°-os pozíciót a vágásvonalra. A 45°-os ferdevágáshoz igazítsa a 45°-os pozíciót a vágásvonalra. A fővezető pozíciója állítható.

## A lámpa bekapcsolása

### ▲ VIGYÁZAT:

- Ne nézzen a lámpába, vagy közvetlenül a fényforrásba.

► **Ábra16:** 1. Lámpa

Csak a lámpa bekapcsolásához húzza meg a kioldókapcsolót anélkül, hogy benyomná a kireteszelőkart. A lámpa bekapcsolásához és a szerszám beindításához nyomja be a kireteszelőkart, és húzza meg a kioldókapcsolót úgy, hogy a kireteszelőkart benyomva tartja. A lámpa addig világít, amíg a kioldókapcsoló be van húzva. A lámpa a kioldókapcsoló elengedése után 10–15 másodperccel alszlik ki.

#### MEGJEGYZÉS:

- Használjon száraz rongyot a lámpa lencséin lévő szennyeződés eltávolításához. Ügyeljen arra hogy ne karcolja meg a lámpa lencsét, ez csökkentheti a megvilágítás erősségét.
- Ne használjon benzint, hígítót és más hasonló anyagot a lámpa lencséjének tisztításához. Az ilyen anyagok károsítják a lencsét.

### Akasztó

#### ⚠ VIGYÁZAT:

- Mindig vegye ki az akkumulátort a gépből, amikor felakasztja azt az akasztóval.
- Soha ne akassza a szerszámot magas helyekre vagy nem teljesen stabil felületekre.

#### ▶ Ábra17: 1. Övtartó 2. Zárás 3. Nyitás

Az akasztó a szerszám ideiglenes felakasztására használható. Az akasztót a használatához csak fordítsa el nyitott helyzetbe.

Ha nem használja, mindig fordítsa az akasztót a zárt helyzetébe kattantásig.

## ÖSSZESZERELÉS

#### ⚠ VIGYÁZAT:

- Minden esetben ellenőrizze, hogy a szerszám ki van kapcsolva és az akkumulátor eltávolításra került mielőtt bármilyen műveletet végez a szerszámon.

### A fűrészlap eltávolítása és felhelyezése

#### ⚠ VIGYÁZAT:

- Ellenőrizze, hogy a fűrészlap úgy lett felszerelve, hogy a fogak a szerszám elejénél felfelé mutatnak.
- A fűrészlap felszereléséhez vagy eltávolításához csak a Makita kulcsot használja.

#### ▶ Ábra18: 1. Imbuszkulcs 2. Tengelyretesz 3. Rögzíteni 4. Lazítsa meg

A fűrészlap eltávolításához nyomja be a tengelyreteszt, hogy a fűrészlap ne tudjon elfordulni, és lazítsa meg a hatlapfejű csavart a kulccsal, azt az óramutató járásával ellentétes irányban forgatva. Ezután csavarja le a csavart, és vegye le a külső illesztőperemet és a fűrészlapot.

#### ▶ Ábra19: 1. Belső illesztőperem 2. Fűrészlap 3. Külső illesztőperem 4. Hatlapfejű csavar

A fűrészlap felszereléséhez kövesse a leszerelési eljárást fordított sorrendben. GYŐZŐDJÖN MEG RÓLA, HOGY A HATLAPFEJŰ CSAVART AZ ÓRAMUTATÓ JÁRÁSÁVAL ELLENTÉTES IRÁNYBAN ERŐSEN MEGHÚZTA.

A fűrészlap cseréjekor ügyeljen rá, hogy megtisztítsa a felső és alsó fűrészlapvédőt a lerakódott fűrészportól a Karbantartás fejezetben ismertetett módon. Ezek a műveletek ugyanakkor nem helyettesítik az alsó fűrészlapvédő működésének minden használat előtt szükséges ellenőrzését.

## A 15,88 mm-es belső furatátmérőtől eltérő belső illesztőperemmel rendelkező körfűrészlap esetén

#### ⚠ VIGYÁZAT:

- **Ügyeljen arra, hogy a kifele néző „a” kiemelkedés a belső illesztőperemen tökéletesen illeszkedjen a körfűrészlap „a” nyílásába.** Amennyiben a fűrészlapot a rossz oldalával szereli fel, veszélyes rezgés jöhet létre.

#### ▶ Ábra20: 1. Tartótengely 2. Belső illesztőperem 3. Fűrészlap 4. Külső illesztőperem 5. Hatlapfejű csavar

A belső illesztőperem bizonyos átmérőjű kiemelkedéssel rendelkezik az egyik oldalán, valamint egy eltérő átmérőjű kiemelkedéssel rendelkezik a másik oldalán. Válassza ki azt az oldalt, melynek kiemelkedése tökéletesen beillik a körfűrészlap nyílásába.

Ezután szerelje fel a belső illesztőperemet a tartótengelyre úgy, hogy a belső illesztőperem megfelelő kiemelkedéssel

rendelkező oldala kifele nézzen, majd helyezze fel a fűrészlapot és a külső illesztőperemet.

A HATLAPFEJŰ CSAVART HÚZZA MEG BIZTONSÁGOSAN AZ ÓRAMUTATÓ JÁRÁSÁVAL ELLENTÉTES IRÁNYBAN.

## 15,88 mm-es belső furatátmérővel rendelkező, belső illesztőperemet használó körfűrészlaphoz (az országra jellemző)

#### ▶ Ábra21: 1. Tartótengely 2. Belső illesztőperem 3. Fűrészlap 4. Külső illesztőperem 5. Hatlapfejű csavar

#### ▶ Ábra22: 1. Tartótengely 2. Belső illesztőperem 3. Fűrészlap 4. Külső illesztőperem 5. Hatlapfejű csavar 6. Gyűrű

Helyezze fel a hornyolt oldalával kifele néző belső illesztőperemet a tartótengelyre, majd helyezze fel a fűrészlapot (a mellékelt gyűrűvel, ha szükséges), a külső illesztőperemet és a hatlapfejű csavart. A HATLAPFEJŰ CSAVART AZ ÓRAMUTATÓ JÁRÁSÁVAL ELLENTÉTES IRÁNYBAN SZOROSAN HÚZZA MEG.

#### ⚠ FIGYELMEZTETÉS:

- **Mielőtt felszereli a fűrészlapot a tengelyre, mindig ellenőrizze, hogy a használni kívánt fűrészlap tengelyfuratának megfelelő gyűrű van a belső és külső illesztőperem közé helyezve.** A tengelyfuratnak nem megfelelő gyűrű használata esetén a fűrészlapot nem lehet megfelelően felszerelni, az elmozdulva jelentős rezgést kelthet, ami a szerszám feletti uralom elvesztésével és súlyos személyi sérülésekkel járhat.

### Az imbuszkulcs tárolása

#### ▶ Ábra23: 1. Imbuszkulcs

Amikor nem használja, tárolja az imbuszkulcsot az ábrán látható módon, nehogy elveszzen.



## Porszívó csatlakoztatása

(Opcionális kiegészítő egyes országokban)

► **Ábra24:** 1. Porkifűvő 2. Csavar 3. Kar

► **Ábra25:** 1. Porszívó 2. Cső

Ha tiszta vágást szeretne végezni, csatlakoztasson egy Makita porszívót a szerszámmoz.

Szerelje fel a porkifűvőt a szerszáma a csavarokkal. Ezt követően csatlakoztassa a porszívó csövét a porkifűvőhöz az ábrának megfelelően.

Standard tartozékként adott porkifűvő nélküli szerszámhoz, a porkifűvő felszerelések cserélje ki az alsó fűrészlapvédőhöz rögzített kart porkifűvővel felszereltre (opcionális kiegészítő). Máskülönb nem fog tudni vágni, mert a porkifűvő így akadályozza az alsó fűrészlapvédő mozgását.

## ÜZEMELTETÉS

### ⚠ VIGYÁZAT:

- **A vágási művelet végzésekor viseljen pormaszkot.**
- Figyeljen oda, hogy a szerszámot egyenes vonal mentén, folyamatosan tolja előre. A szerszám erőtlenítése vagy csavarása a motor túlmelegedéséhez vezet, valamint veszélyes visszarúgásokat eredményez, amelyek súlyos sérüléseket okozhatnak.
- Mindig használja az elülső markolatot és a hátsó fogantyút, és szilárdan tartsa a szerszámot az elülső markolatánál és a fő fogantyújánál fogva a munka során.

► **Ábra26**

Erősen fogja a szerszámot. A szerszám elülső fogantyúval és hátsó markolattal van ellátva.

Használja mindkettőt a szerszám fogásához. Ha mindkét kezével a fűrészt fogja, azokat nem vághatja meg a fűrészlap. Helyezze a talplemezt a vágni kívánt munkadarabra úgy, hogy a fűrészlap ne érjen semmihez.

Ezután kapcsolja be a szerszámot és várja meg, amíg a fűrészlap teljes fordulatszámon forog. Most egyszerűen mozgassa előre a szerszámot a munkadarab felületen, azt vízszintesen tartva és haladva előre a fűrészelés befejeződéséig.

A hibátlan vágásokhoz haladjon a fűrésszel egyenesen, egyenletes előrehaladási sebességgel. Ha vágás nem követi pontosan a tervezett vágóvonalat, ne próbálja a szerszámot visszaerőltetni vagy visszafordítani a vágóvonalhoz. Ha mégis így tesz, az a fűrészlap beszorulását okozhatja és veszélyes visszarúgásokhoz vezethet, amelyek komoly sérüléseket okozhatnak. Engedje fel a kapcsolót, várja meg, amíg a fűrészlap leáll, majd húzza ki a szerszámot. Igazítsa újra a szerszámot az új vágóvonalra és kezdje újra a vágást. Igyekezzon elkerülni, hogy olyan testhelyzetet vegyen fel, amelyben kiteszi magát a fűrészből kilépő forgácsoknak és fűrészpornak. Használjon védőszemüveget a sérülések megelőzése érdekében.

## Párhuzamvezető (vezetővonalzó) (választható tartozék)

► **Ábra27:** 1. Szorítócsavar 2. Párhuzamvezető (vezetővonalzó)

A praktikus párhuzamvezető extra pontos egyenes vágások elvégzését teszi lehetővé. Egyszerűen illessze a párhuzamvezetőt a munkadarab oldalához, és rögzítse azt a talplemez elején található szorítócsavarral. Ezzel lehetővé válik egymás után több azonos szélességű vágás elvégzése is.

## KARBANTARTÁS

### ⚠ VIGYÁZAT:

- Minden esetben ellenőrizze, hogy a szerszám ki van kapcsolva és az akkumulátor eltávolításra került mielőtt bármilyen műveletet végez a szerszámon.
- **Tisztítsa ki a felső és az alsó fűrészlapvédőt a felgyűlt fűrészpornól, amely gátolhatja az alsó védőrendszer megfelelő működését.** A szennyezett védőrendszer korlátozhatja a megfelelő működést, ami súlyos személyi sérüléshez vezethet. A tisztítást leghatékonyabban sűrített levegővel végezheti el. **Ha port fúvat ki a fűrészlapvédőből, viseljen megfelelő szem-és légzésvédő eszközt.**
- Soha ne használjon gázolajt, benzint, hígítót, alkoholt vagy hasonló anyagokat. Ezek elszíneződést, alakvesztést vagy repedést okozhatnak.

## A 0°-os és 45°-os vágások (függőleges és 45°-os vágások) pontosságának beállítása

► **Ábra28:** 1. Beállítócsavar 45°-hoz 2. Beállítócsavar 0°-hoz

► **Ábra29:** 1. Háromszögvonalzó

Ezt a beállítást a gyárban már elvégezték. Ha viszont elállítódott, akkor egy imbuszkulcs segítségével állítsa be a beállítócsavarokat, a fűrészlap és a talplemez közötti 0°-os vagy 45°-os szöget egy háromszögvonallal, derékszögű vonalzóval stb. ellenőrizve. A 45°-os szög beállításához használja a 45°-os ütközőt.

## A ferde megvezető beállítása

► **Ábra30:** 1. Ferde megvezető 2. Csavar 3. Vezető

A ferde megvezető beállítását már a gyárban elvégezték. Ha viszont elállítódott, az alábbi eljárással beállíthatja.

A ferde megvezető beállításához lazítsa meg a két csavart. Igazítsa a ferde megvezetőt található 0° jelzésű vonalra a 0° szögbe állított talphoz.

A termék BIZTONSÁGÁNAK és MEGBÍZHATÓSÁGÁNAK fenntartásához, a javításokat, bármilyen egyéb karbantartást vagy beszállítást a Makita Autorizált Szervizközpontoknak kell végrehajtaniuk, mindig Makita pótalkatrészek használatával.

# OPCIONÁLIS KIEGÉSZÍTŐK

## **⚠ VIGYÁZAT:**

- Ezek a tartozékok vagy kellékek ajánlottak az Önnek ebben a kézikönyvben leírt Makita szer számához. Bármely más tartozék vagy kellék használata személyes veszélyt vagy sérülést jelenthet. A tartozékot vagy kelléket használja csupán annak kifejezett rendeltetésére.

Ha bármilyen segítségre vagy további információra van szüksége ezekkel a tartozékokkal kapcsolatban, keresse fel a helyi Makita Szervizközpontot.

- Fűrészlapok
- Párhuzamvezető (vezetővonalzó)
- Vezetősín
- Vezetősín adapter
- Vezetőrúd
- Porkifúvó
- Imbuszkulcs
- Eredeti Makita akkumulátor és töltő

## **MEGJEGYZÉS:**

- A listán felsorolt néhány kiegészítő megtalálható az eszköz csomagolásában standard kiegészítőként. Ezek országonként eltérőek lehetnek.

# TECHNICKÉ ÚDAJE

Model		DHS680
Priemer ostria		165 mm
Maximálna hĺbka rezu	pri 0°	57 mm
	pri 45°	41 mm
	pri 50°	37 mm
Otáčky naprázdno		5000 min <sup>-1</sup>
Celková dĺžka		350 mm
Hmotnosť netto		3,0 - 3,3 kg
Menovité napätie		Jednosmerný prúd 18 V

- Vzhľadom k neustálemu výskumu a vývoju podliehajú technické údaje uvedené v tomto dokumente zmenám bez upozornenia.
- Technické údaje sa môžu pre rôzne krajiny líšiť.
- Hmotnosť sa môže líšiť v závislosti od nastavcov vrátane akumulátora. Najľahšia a najťažšia kombinácia v súlade s postupom EPTA 01/2014 je uvedená v tabuľke.

## Použiteľné akumulátory a nabíjačky

Akumulátor	BL1815N / BL1820 / BL1820B / BL1830 / BL1830B / BL1840 / BL1840B / BL1850 / BL1850B / BL1860B
Nabíjačka	DC18RC / DC18RD / DC18RE / DC18SD / DC18SE / DC18SF

- Niektoré vyššie uvedené akumulátory a nabíjačky môžu byť nedostupné v závislosti od miesta vášho bydliska.

**VAROVANIE:** Používajte iba akumulátory a nabíjačky zo zoznamu uvedeného vyššie. Používanie akýchkoľvek iných akumulátorov a nabíjačiek môže spôsobiť zranenie a/alebo požiar.

### Určené použitie

Náradie je určené na vykonávanie pozdĺžnych a priečnych priamych rezov a zrezávania v uhloch do dreva s pevným kontaktom s obrobkom. Pomocou správnych originálnych pilových čepelí Makita môžete rezať aj iné materiály.

### Hluk

Typická hladina akustického tlaku pri záťaži A určená podľa EN62841:

- Hladina akustického tlaku ( $L_{pA}$ ): 94 dB (A)
- Hladina akustického výkonu ( $L_{WA}$ ): 105 dB (A)
- Odchýlka (K): 3 dB (A)

**POZNÁMKA:** Deklarovaná hodnota emisií hluku bola meraná podľa štandardnej skúšobnej metódy a môže sa použiť na porovnanie jedného nástroja s druhým.

**POZNÁMKA:** Deklarovaná hodnota emisií hluku sa môže použiť aj na predbežné posúdenie vystavenia ich účinkom.

**VAROVANIE:** Používajte ochranu sluchu.

**VAROVANIE:** Emisie hluku sa môžu počas skutočného používania elektrického nástroja odlišovať od deklarovanej hodnoty, a to v závislosti od spôsobov používania náradia a najmä typu spracúvaného obrobku.

**VAROVANIE:** Nezabudnite označiť bezpečnostné opatrenia s cieľom chrániť obsluhu, a to tie, ktoré sa zakladajú na odhade vystavenia účinkom v rámci reálnych podmienok používania (berúc do úvahy všetky súčasti prevádzkového cyklu, ako sú doby, kedy je nástroj vypnutý a kedy beží bez zaťaženia, ako dodatok k dobe zapnutia).

### Vibrácie

Celková hodnota vibrácií (trojosový vektorový súčet) určená podľa normy EN62841:

- Pracovný režim: rezanie dreva
- Emisie vibrácií ( $a_{h,w}$ ): 2,5 m/s<sup>2</sup> alebo menej
- Odchýlka (K): 1,5 m/s<sup>2</sup>

**POZNÁMKA:** Deklarovaná celková hodnota vibrácií bola meraná podľa štandardnej skúšobnej metódy a môže sa použiť na porovnanie jedného nástroja s druhým.

**POZNÁMKA:** Deklarovaná celková hodnota vibrácií sa môže použiť aj na predbežné posúdenie vystavenia ich účinkom.

**VAROVANIE:** Emisie vibrácií sa môžu počas skutočného používania elektrického nástroja odlišovať od deklarovanej hodnoty, a to v závislosti od spôsobov používania náradia a najmä typu spracúvaného obrobku.

**VAROVANIE:** Nezabudnite označiť bezpečnostné opatrenia s cieľom chrániť obsluhu, a to tie, ktoré sa zakladajú na odhade vystavenia účinkom v rámci reálnych podmienok používania (berúc do úvahy všetky súčasti prevádzkového cyklu, ako sú doby, kedy je nástroj vypnutý a kedy beží bez zaťaženia, ako dodatok k dobe zapnutia).

## Vyhlasenie o zhode ES

### Len pre krajiny Európy

Vyhlasenie o zhode ES sa nachádza v prílohe A tohto návodu na obsluhu.

## Všeobecné bezpečnostné predpisy pre elektrické nástroje

**VAROVANIE:** Preštudujte si všetky bezpečnostné varovania, pokyny, vyobrazenia a technické špecifikácie určené pre tento elektrický nástroj. Pri nedodržaní všetkých nižšie uvedených pokynov môže dôjsť k úrazu elektrickým prúdom, požiaru alebo vážnemu zraneniu.

## Všetky výstrahy a pokyny si odložte pre prípad potreby v budúcnosti.

Pojem „elektrický nástroj“ sa vo výstrahách vzťahuje na elektricky napájané elektrické nástroje (s káblom) alebo batériu napájané elektrické nástroje (bez kábla).

## Bezpečnostné varovania pre akumulátorovú kotúčovú pílu

### Postupy rezania

- NEBEZPEČENSTVO:** Ruky držte mimo oblasti rezania a čepele. Druhou rukou držte na pomocnej rúčke alebo kryte motora. Ak držíte pílu oboma rukami, neporežete si ich čepeľou.
  - Nesiahajte pod obrobok. Kryt vás neochráni pred čepeľou pod obrobkom.
  - Hĺbku rezania prispôbte hrúbke obrobku. Čepeľ by nemala presahovať pod obrobok o viac ako celý zub čepele.
  - Počas rezania nikdy nedržte obrobok rukami ani križom cez nohu. Zaisťte obrobok k stabilnému povrchu. Je dôležité obrobok správne podprieť, aby sa minimalizovalo vystavenie tela, riziko zovretia ostria alebo strata kontroly.
- Obr.1
- Pri práci, pri ktorej by sa rezný nástroj mohol dostať do kontaktu so skrytým vedením, držte elektrický nástroj za izolované úchopné povrchy. Kontakt s vodičom pod napätím môže spôsobiť vedenie prúdu nechránenými kovovými časťami elektrického náradia a ohroziť tak obsluhu zásahom elektrickým prúdom.
  - Pri pozdĺžnom rezaní vždy používajte vodidlo na pozdĺžne rezanie alebo vodiaci prvok s rovným okrajom. Taktó vylepšíte presnosť rezu a znížite možnosť zaseknutia čepele.
  - Vždy používajte čepele so správnou veľkosťou a tvarom otvorov na hriadeľ (diamantový alebo okrúhly). Čepele, ktoré nezodpovedajú spôsobu uchytienia na píle, sa budú pohybovať excentricky a spôsobia stratu kontroly.
  - Nikdy nepoužívajte poškodené alebo nesprávne podložky alebo matovicové skrutky na čepeľ. Podložky alebo matovicové skrutky na čepeľ boli špeciálne vyrobené pre vašu pílu na dosiahnutie optimálneho výkonu a bezpečnej prevádzky.

### Príčiny spätného nárazu a príslušné varovania

- spätný náraz je náhla reakcia na zovretú, zaseknutú alebo vyosenú čepeľ píly, ktorá spôsobí nekontrolované nadvihnutie a odhodenie píly od obrobku smerom k obsluhujúcej osobe;
- keď sa čepeľ zovrie alebo tesne zablokuje zvierajúcim sa zárezom, čepeľ stratí rýchlosť a reakcia motora rýchlo odrazí jednotku dozadu smerom k obsluhujúcej osobe;
- ak sa čepeľ v reze skrúti alebo vyosí, zuby na zadnom okraji čepele sa môžu zarezat' do horného povrchu dreva a spôsobiť zdvihnutie čepele zo zárezu a dozadu smerom k obsluhujúcej osobe.

Spätný náraz je výsledok nesprávneho používania píly a/alebo nesprávnych prevádzkových postupov alebo podmienok a možno sa mu vyhnúť vykonaním príslušných protipatrení uvedených nižšie.

- Pílu držte pevne oboma rukami a ramená držte tak, aby ste odolali sile spätného nárazu. Postavte sa k čepeľi zboku, nestojte v línii čepele.** Spätný náraz by mohol spôsobiť odskočenie píly dozadu, ale spätý náraz môže obsluhujúca osoba zvládnuť, ak vykoná príslušné protipatrenia.
- Keď sa čepeľ zovrie alebo keď z nejakého dôvodu prerušíte rezanie, uvoľnite spínač a držte pílu bez pohnutia v materiáli, kým sa čepeľ úplne nezastaví. Nikdy nevyberajte pílu zo zárezu ani ju neťahajte dozadu, kým sa čepeľ píly pohybuje, inak môže dôjsť k spätnému nárazu.** Zistite a vykonajte nápravné kroky a eliminujte príčinu zvierania čepele.
- Pri opätovnom spúšťaní píly v obrobku vycen-trujte čepeľ píly v záreze a skontrolujte, či zuby píly nie sú vnorené do materiálu.** Ak je čepeľ píly zovretá, môže sa pri opätovnom spustení píly vysunúť zo zárezu alebo odraziť od obrobku.
- Veľké panely podoprite, aby sa minimalizovalo riziko zovretia alebo spätného nárazu čepele.** Veľké panely sa môžu prehýbať pod vlastnou váhou. Podpery treba umiestniť pod panel na oboch stranách do blízkosti línii rezu a do blízkosti okraja panela.

### ► Obr.2

### ► Obr.3

- Nepoužívajte tupé alebo poškodené čepele.** Nenaostrené alebo nesprávne pripravené čepele vytvárajú úzky zárez, čo spôsobuje nadmerné trenie, zovretie čepele a spätý náraz.
- Zaisťovacie páčky nastavenia hĺbky a skose-nia čepele musia byť pred rezaním utiahnuté a zaisťené.** Pohyb nastavenia čepele počas rezania môže viesť k zovretiu a spätnému nárazu.
- Pri reze do existujúcich stien alebo iných zakrytých plôch venujte práci maximálnu pozornosť.** Prenikajúca čepeľ môže prerzať predmety s dôsledkom spätného nárazu.
- Vždy držte nástroj pevne oboma rukami. NIKDY nedávajte ruku, nohu či ľubovoľnú časť tela pod základňu nástroja alebo za pílu, najmä pri vykonávaní priečnych rezov.** Ak dôjde k spätnému nárazu, píla by mohla ľahko odskočiť dozadu na vašu ruku, čo by mohlo spôsobiť vážne poranenie.

### ► Obr.4

9. Nikdy pílu neprítlačajte nasilu. Pílu tlačte dopredu takou rýchlosťou, aby ostrie rezalo bez spomalenia. Prítlačaním píly vznikne nerovnomerný rez, zníži sa presnosť a hrozí možný spätný náraz.

#### Funkcia krytu

1. **Pred každým použitím skontrolujte, či sa spodný kryt správne uzavrel. Pílu nepoužívajte, ak sa spodný kryt nepohybuje voľne a okamžite sa neuzavrie. Nikdy neupínajte ani neupevňujte spodný kryt v otvorenej polohe.** Ak vám píla náhodou spadne, spodný kryt sa môže ohnúť. Nadvihnite spodný kryt pomocou zaťahovacej rúčky a skontrolujte, či sa pohybuje voľne a nedotýka sa ostria ani žiadnej inej časti vo všetkých rezných uhloch a hĺbkach.
2. **Skontrolujte funkčnosť pružiny spodného krytu. Ak kryt a pružina nefungujú správne, pred použitím ich treba opraviť.** Spodný kryt sa môže pohybovať pomaly, keď má poškodené časti, je zalepený nahromadenými zvyškami alebo nánosmi.
3. **Spodný kryt treba zatiahnuť manuálne len pri špeciálnych rezoch, ako sú „zapichovacie rezy“ a „zložené rezy“.** Nadvihnite spodný kryt pomocou zaťahovacej rúčky a pri preniknutí čepele do materiálu kryt uvoľníte. Pri všetkých ostatných spôsoboch pílenia by sa mal spodný kryt pohybovať automaticky.
4. **Pred tým, ako pílu položíte na stôl alebo dĺžku, skontrolujte, či spodný kryt zakrýva ostrie.** Nechránená čepeľ v pohybe spôsobí spätný pohyb píly, pričom prereže všetko, čo jej bude stáť v ceste. Majte na pamäti, že Čepeľ trvá istý čas, kým sa po uvoľnení spinača zastaví.
5. **Ak chcete skontrolovať spodný kryt, otvorte ho rukou, potom ho uvoľnite a sledujte, ako sa uzavrie.** Skontrolujte aj to, či sa zaťahovacia rúčka nedotýka puzdra nástroja. Obnažené ostrie je **VELMI NEBEZPEČNÉ** a môže zapríčiniť vážne zranenie.

#### Doplňujúce bezpečnostné varovania

1. **Pri rezaní vlhkého dreva, tlakom upraveného stavebného dreva alebo dreva obsahujúceho hrče postupujte mimoriadne opatrne.** Zachovávajúte plynulý posuv nástroja bez znižovania rýchlosti čepele, aby ste predišli prehrievaniu hrotov čepele.
2. **Nepokúšajte sa odstraňovať rezaný materiál, kým sa čepeľ pohybuje. Než uchoptíte odrezaný materiál, počkajte, kým sa čepeľ zastaví.** Čepeľ sa po vypnutí zastavuje postupne.
3. **Nerezte klince. Pred rezaním skontrolujte, či na stavebnom dreve nie sú klince, a v prípade potreby ich odstráňte.**
4. **Širšiu časť základne píly položte na tú časť obrobku, ktorá je pevne podporená, nie na časť, ktorá odpadne po vykonaní rezu. Ak je obrobok krátky alebo malý, upnite ho svorkou.**

#### ► Obr.5

5. **Pred odtiahnutím nástroja po vykonaní rezu vždy počkajte, kým sa dolný kryt zatvorí a čepeľ sa úplne zastaví.**

6. **Nikdy sa nesnažte píliť s kotúčovou pílou uchytenu vo zveráku spodnou časťou nahor. Takýto postup je extrémne nebezpečný a môže spôsobiť závažné nehody.**

#### ► Obr.6

7. **Niektoré materiály obsahujú chemikálie, ktoré môžu byť jedovaté. Dávajú pozor, aby ste ich nevdychovali ani sa ich nedotýkali. Prečítajte si bezpečnostné informácie dodávateľa materiálu.**
8. **Čepele nezastavujte bočným tlakom na čepeľ píly.**
9. **Nepoužívajte žiadne brúsne kotúče.**
10. **Používajte čepeľ píly len s takým priemerom, aký je vyznačený na nástroji alebo aký je uvedený v návode.** Používanie čepele nesprávnej veľkosti môže negatívne ovplyvniť správnu ochranu čepele alebo činnosť krytu, v dôsledku čoho hrozí zranenie osôb.
11. **Čepeľ udržiavajte ostrú a čistú.** Guma a živica zatvrdnuté na čepeľi spomaľujú pílu a zvyšujú riziko spätného nárazu. Čepeľ udržiavajte čistú – vyberte ju z nástroja a potom ju vyčistíte látkou na odstránenie gumy a živice, horúcou vodou alebo petrolejom. Nikdy nepoužívajte benzín.
12. **Pri práci s nástrojom používajte protiprachovú masku a ochranu sluchu.**
13. **Vždy používajte čepeľ píly určenú na rezanie materiálu, ktorý idete rezať.**
14. **Používajte len čepele píly s vyznačenou maximálnou rýchlosťou, ktorá sa rovná alebo je vyššia ako rýchlosť vyznačená na nástroji.**
15. **Len pre krajiny Európy**  
**Vždy používajte čepeľ, ktorá zodpovedá norme EN847-1.**

## TIETO POKYNY USCHOVAJTE.

**VAROVANIE:** NIKDY NEPRIPUSTITE, ABY SEBAVEDOMIE A DOBRÁ ZNALOSŤ VÝROBKU (ZISKANÉ OPAKOVANÝM POUŽÍVANÍM) NAHRADILI PRESNÉ DODRŽIAVANIE BEZPEČNOSTNÝCH PRAVIDIEL PRI POUŽÍVANÍ NÁRÁDIA. **NESPRÁVNE POUŽÍVANIE** alebo nedodržiavanie bezpečnostných zásad uvedených v tomto návode môže viesť k vážnemu zraneniu.

## Dôležité bezpečnostné a prevádzkové pokyny pre akumulátor

1. **Pred použitím akumulátora si prečítajte všetky pokyny a výstažné označenia na (1) nabíjačke akumulátorov, (2) akumulátore a (3) produkte používajúcom akumulátor.**
2. **Akumulátor nerozoberajte.**
3. **Ak sa doba prevádzky príliš skráti, ihneď prerušte prácu. Môže nastať riziko prehriatia, možných popálením či dokonca explózie.**
4. **V prípade zasiahnutia očí elektrolytom ich vypláchnite čistou vodou a okamžite vyhľadajte lekársku pomoc. Môže dôjsť k strate zraku.**

5. **Akumulátor neskratujte:**
  - (1) **Nedotýkajte sa konektorov žiadnym vodičným materiálom.**
  - (2) **Neskladujte akumulátor v obale s inými kovovými predmetmi, napríklad klincami, mincami a pod.**
  - (3) **Akumulátor nevystavujte vode ani dažďu. Skrat akumulátora môže spôsobiť veľký tok prúdu, prehriate, možné popáleniny či dokonca poruchu.**
6. **Neskladujte nástroj ani akumulátor na miestach s teplotou presahujúcou 50 °C (122 °F).**
7. **Akumulátor nespáľujte, ani keď je vážne poškodený alebo úplne opotrebovaný. Akumulátor môže v ohni explodovať.**
8. **Dávajte pozor, aby akumulátor nespadol, a nevystavujte ho nárazom.**
9. **Nepoužívajte poškodený akumulátor.**
10. **Lítium-iónové akumulátory, ktoré sú súčasťou náradia, podliehajú požiadavkám legislatívy o nebezpečnom tovare.**

V prípade obchodnej prepravy, napr. dodanie tretími stranami či špeditéri, sa musia dodržiavať špeciálne požiadavky na zabalenie a označenie. Pred prípravou položky na odoslanie sa vyžaduje konzultácia s odborníkom na nebezpečný materiál. Taktiež treba dodržiavať potenciálne podrobnejšie predpisy príslušnej krajiny.

Prelepte alebo zakryte otvorené kontakty a zabaľte akumulátor tak, aby sa v balíku nemohol voľne pohybovať.

11. **Akumulátor zlikvidujte v súlade s miestnymi nariadeniami.**
12. **Akumulátory používajte iba s výrobkami uvedenými spoločnosťou Makita.** Inštalácia akumulátorov do nevyhovujúcich výrobkov môže spôsobiť požiar, nadmerné teplo, výbuch alebo únik elektrolytov.

## TIETO POKYNY USCHOVAJTE.

**⚠ POZOR:** Používajte len originálne akumulátory od spoločnosti Makita. Používanie batérií, ktoré nie sú od spoločnosti Makita, alebo upravených batérií môže spôsobiť výbuch batérie a následný požiar, zranenie osôb alebo poškodeniu majetku. Následkom bude aj zrušenie záruky od spoločnosti Makita na nástroj a nabíjačku od spoločnosti Makita.

## Rady na udržanie maximálnej životnosti akumulátora

1. **Akumulátor nabíjajte ešte predtým, ako sa úplne vybijie. Vždy prerušte prácu s nástrojom a nabíjajte akumulátor, keď spozorujete nižší výkon nástroja.**
2. **Nikdy nenabíjajte plne nabitý akumulátor. Prebíjanie skracuje životnosť akumulátora.**
3. **Akumulátor nabíjajte pri izbovej teplote 10 °C – 40 °C (50 °F – 104 °F). Pred nabíjaním nechajte horúci akumulátor vychladnúť.**
4. **Lítium-iónový akumulátor nabíjajte, ak ste ho nepoužívali dlhšie ako šesť mesiacov.**

## POPIS FUNKCIE

### ⚠ POZOR:

- Pred úpravou alebo kontrolou funkčnosti nástroja vždy skontrolujte, či je nástroj vypnutý a blok akumulátora je vybratý.

## Inštalácia alebo demontáž kazety akumulátora

► **Obr.7:** 1. Tlačidlo 2. Červený indikátor 3. Kazeta akumulátora

### ⚠ POZOR:

- Pred inštaláciou alebo vybratím akumulátora náradie vždy vypnite.
- **Pri vkladaní alebo vyberaní akumulátora uchopte pevne náradie aj akumulátor.** Opomenutie pevne uchopiť náradie a akumulátor môže mať za následok ich vyšmyknutie z rúk s dôsledkom poškodenia náradia a batérie, ako aj osobných poranení.

Ak chcete vybrať akumulátor, vysuňte ho zo zariadenia, pričom posuňte tlačidlo na prednej strane akumulátora. Akumulátor vložíte tak, že jazyk akumulátora nasmerujete na ryhu v kryte a zasuniete ju na miesto. Zatláče ho úplne, kým zakliknutím nezapadne na miesto. Ak vidíte červený indikátor na hornej strane tlačidla, nie je správne zapadnutý.

### ⚠ POZOR:

- Akumulátor vždy nainštalujte úplne, až kým nie je vidieť červený indikátor. V opačnom prípade môže náhodne vypadnúť z náradia a ublížiť vám alebo osobám v okolí.
- Pri inštalovaní jednotky akumulátora nepoužívajte silu. Ak sa jednotka nedá zasunúť ľahko, nevkladáte ju správne.

### POZNÁMKA:



















- Ak sa akumulátor nedá jednoducho vybrať, potlačte ho z opačnej strany tlačidla a vysuňte ho.

## Indikácia zvyšnej kapacity akumulátora

### Len na akumulátory s indikátorom

► **Obr.8:** 1. Indikátory 2. Tlačidlo kontroly

Stlačením tlačidla kontroly na akumulátore zobrazíte zostávajúcu kapacitu akumulátora. Indikátory sa na niekoľko sekúnd rozsvietia.

Indikátory			Zostávajúca kapacita
 Svieti	 Nesvieti	 Bliká	
			75 % až 100 %
			50 % až 75 %
			25 % až 50 %
			0 % až 25 %
			Akumulátor nabíjajte.

Indikátory			Zostávajúca kapacita
Svieti	Nesvieti	Bliká	
			Akumulátor je možno chybný.

**POZNÁMKA:** V závislosti od podmienok používania a v závislosti od okolitej teploty sa môže zobrazenie mierne odlišovať od skutočnej kapacity.

## Zapínanie

### ⚠️ POZOR:

- Pred inštaláciou bloku akumulátora do náradia sa vždy presvedčte, či vypínač funguje správne a po uvoľnení sa vráti do pozície „OFF“.
- Prepínač potiahnite len so súčasným stlačením poistnej páky. V opačnom prípade by sa mohlo poškodiť prepínanie.

### ► Obr.9: 1. Spínač 2. Odblokovacia páčka

Prepínač je pred náhodným potiahnutím chránený poistnou pákou. Nástroj sa spúšťa stlačením poistnej páky a potiahnutím spínača. Zastavuje sa uvoľnením spínača.

### ⚠️ VAROVANIE:

- Pre vašu bezpečnosť je náradie vybavené poistnou pákou, ktorá bráni neúmyselnému spusteniu náradia. Náradie NIKDY nepoužívajte tak, ak ste ho do prevádzky uviedli len potiahnutím prepínača a nestlačili ste poistnú páku. Náradie vráťte do servisného centra MAKITA, kde ho dôkladne opraví, PRED ďalším použitím.
- NIKDY nezrušte účel ani funkciu poistnej páky.

## Indikácia zostávajúcej kapacity akumulátora

### Špecifické pre konkrétnu krajinu

#### ► Obr.10: 1. Indikátor akumulátora

Po zapnutí prístroja bude indikátor akumulátora zobrazovať zostávajúcu kapacitu akumulátora. Zostávajúca kapacita akumulátora je zobrazená v nasledujúcej tabuľke.

Stav indikátora akumulátora	Zostávajúca kapacita akumulátora
: Zapnuté  : Vypnuté  : Bliká	
	50 % - 100 %
	20 % - 50 %
	0 % - 20 %
	Akumulátor nabíate

## Funkcia automatickej zmeny otáčok

### ► Obr.11: 1. Indikátor režimu

Stav indikátora režimu	Prevádzkový režim
	Režim vysokej rýchlosti
	Režim vysokého krútiaceho momentu

Tento prístroj je vybavený „režimom vysokých otáčok“ a „režimom vysokého krútiaceho momentu“. V závislosti na pracovnom zaťažení dôjde k automatickej zmene prevádzkového režimu. Keď sa počas prevádzky indikátor režimu rozsvieti, prístroj je v režime vysokého krútiaceho momentu.

## Systém na ochranu náradia / akumulátora

Náradie je vybavené systémom ochrany náradia / akumulátora. Tento systém automaticky vypne napájanie motora s cieľom predĺžiť životnosť náradia a akumulátora. Náradie sa počas prevádzky automaticky zastaví v prípade, ak náradie alebo akumulátor sú v rámci nasledovných podmienok. Indikátor sa v prípade niektorých podmienok rozsvieti.

### Ochrana proti preťaženiu

Keď je náradie prevádzkované spôsobom, ktoré spôsobuje nadmerný odtok prúdu náradím, náradie sa bez upozornenia automaticky vypne. V tejto situácii vypnite náradie a ukončíte aplikáciu, ktorá spôsobuje preťažovanie náradia. Potom náradie zapnutím znova spustíte.

### Ochrana náradia pred prehrievaním

Keď sa prístroj prehrieva, prístroj sa automaticky zastaví a indikátor akumulátora bude indikovať nasledovný stav. V tejto situácii nechajte prístroj pred jeho opätovným spustením vychladnúť.

Indikátor akumulátora	: Zapnuté  : Vypnuté  : Bliká
	Náradie sa prehrieva

### Uvoľnenie ochrannej poistky

Keď sa opakovane zapína systém na ochranu, prístroj sa zablokuje a indikátor akumulátora bude indikovať nasledovný stav.

Indikátor akumulátora	: Zapnuté  : Vypnuté  : Bliká
	Ochranná poistka funguje

V tejto situácii sa prístroj nespustí ani po vypnutí a zapnutí prístroja. Ak chcete uvoľniť ochrannú poistku, vyberte akumulátor, vložte ho do nabíjačky akumulátora a počkajte na dokončenie nabíjania.

## Nastavenie hĺbky rezu

### **⚠ POZOR:**

- Po nastavení hĺbky rezu vždy bezpečne dotiahnite páku.

#### ► Obr.12: 1. Páčka 2. Hĺbkový doraz

Páku na boku zadnej rukoväte uvoľnite a posuňte podložku nahor alebo nadol. Pri požadovanej hĺbke rezu zabezpečte podložku dotiahnutím páky.

Čistejšie a bezpečnejšie rezy dosiahnete takým nastavením hĺbky rezu, aby pod obrobkom prečnieval len jeden zub. Používanie správnej hĺbky rezu pomáha znížiť prípadné nebezpečné SPÄTNÉ NÁRAZY, ktoré môžu spôsobiť zranenie osôb.

## Skosené rezanie

#### ► Obr.13: 1. Predná páčka

Uvoľnite prednú páčku. Naklonením nastavte požadovaný uhol ( $0^\circ - 50^\circ$ ), potom prednú páčku bezpečne dotiahnite.

#### ► Obr.14: 1. Zarážka

Pri presnom  $45^\circ$  reze použite  $45^\circ$  doraz. Pre skosené rezanie ( $0^\circ - 45^\circ$ ) úplne otočte doraz proti smeru hodinových ručičiek a v smere hodinových ručičiek pre skosené rezanie  $0^\circ - 50^\circ$ .

## Zameriavanie

#### ► Obr.15: 1. Línia rezu (poloha $0^\circ$ ) 2. Línia rezu (poloha $45^\circ$ ) 3. Skrutka

Priame rezy dosiahnete vyrovnaním polohy  $0^\circ$  na prednej strane podložky s vašou líniou rezu. Úkosové rezy pod uhlom  $45^\circ$  dosiahnete vyrovnaním s polohou  $45^\circ$ . Poloha horného vodiaceho prvku je nastaviteľná.

## Zapnutie žiarovky

### **⚠ POZOR:**

- Nepozerajte sa priamo do svetla ani do zdroja svetla.

#### ► Obr.16: 1. Svetlo

Ak chcete len zapnúť svetlo, vytiahnite prepínač bez stlačenia poistnej páky. Svetlo sa zapína a náradie sa uvádza do chodu stlačením poistnej páky a potiahnutím prepínača pri súčasnom tláčení poistnej páky. Svetlo neustále svieti, kým ťaháte prepínač. Svetlo sa vypne 10 – 15 sekúnd po uvoľnení prepínača.

### **POZNÁMKA:**

- Na utretie nečistôt z šošovky svetla používajte suchú handričku. Dávajte pozor, aby ste šošovku svetla nepoškabali, môže sa tým zmenšiť jeho svietivosť.
- Na čistenie skla žiarovky nepoužívajte benzín, riedidlo ani podobné látky. Uvedené látky poškodia sklo žiarovky.

## Hák

### **⚠ POZOR:**

- Ak chcete náradie zavesiť pomocou háka, vždy z neho vyberte akumulátor.
- Nikdy nezaveste nástroj hákom do vysokej polohy alebo na potenciálne nestabilný povrch.

#### ► Obr.17: 1. Hák 2. Zatvoriť 3. Otvoriť

Hák je vhodný na dočasné zavesenie náradia. Ak chcete použiť hák, jednoducho ho tvorte, kým nezacvakne v otvorenej polohe.

Ak ho nebudete používať, vždy hák otočte do zatvorenej polohy, kým nezacvakne.

## MONTÁŽ

### **⚠ POZOR:**

- Pred vykonaním akejkoľvek práce na nástroji vždy skontrolujte, či je nástroj vypnutý a kazeta akumulátora je vybraná.

## Vybratie alebo vloženie pílového kotúča

### **⚠ POZOR:**

- Uistite sa, že kotúč je vložený tak, aby zuby smerovali k prednej časti nástroja.
- Na vloženie alebo vybratie kotúča používajte výhradne kľúče spoločnosti Makita.

#### ► Obr.18: 1. Šesthranný francúzsky kľúč 2. Posúvačový uzáver 3. Utiahnuť 4. Uvoľniť

Pri vyberaní kotúča stlačte posúvačový uzáver tak, aby sa kotúč nemohol otáčať a príslušným kľúčom uvoľnite skrutku so šesthrannou hlavou v smere hodinových ručičiek. Potom vyberte skrutku so šesthrannou hlavou, vonkajšiu prírubu a kotúč.

#### ► Obr.19: 1. Vnútorňa obruba 2. Čepel píly 3. Vonkajšia obruba 4. Šestboká skrutka

Pílový kotúč vkladajte opačným postupom ako pri vyberaní. **UISTITE SA, ŽE SKRUTKA SO ŠESTHRANNOU HLAVOU JE BEZPEČNE DOTIAHNUTÁ PROTI SMERU HODINOVÝCH RUČIČIEK.**

Pri výmene čepele je potrebné tiež vyčistiť horný a dolný kryt čepele od nahromadených pilín, ako sa uvádza v časti o údržbe. Okrem toho je potrebné pred každým použitím skontrolovať prevádzku dolného krytu.

## Pre náradie s vnútornou prírubou na reznú čepel s priemerom otvoru iným ako 15,88 mm

### **⚠ POZOR:**

- Dávajte pozor, aby výčnelok „a“ sa vnútornej príruby smerujúci von dosadol do otvoru „a“ na reznej čepeli. Namontovanie čepele na nesprávnu stranu môže mať za následok nebezpečné vibrácie.

#### ► Obr.20: 1. Montážny hriadeľ 2. Vnútorňa obruba 3. Čepel píly 4. Vonkajšia obruba 5. Šestboká skrutka



Vnútorná príruha má výčnelok určitého priemeru na svojej jednej strane a výčnelok iného priemeru na druhej strane. Vyberte správnu stranu kde výčnelok dobre zapadne do otvoru na reznej čepeľi. Potom namontujte vnútornú prírubu na montážny hriadeľ, a to tak, aby správna strana s výčnelkom na vnútornej príruhe smerovala von; následne nasadte čepeľ a vonkajšiu prírubu. SKRUTKU SO ŠEŠŤHRANNOU HLAVOU UTIAHNITE DÔKLADNE PROTI SMERU HODINOVÝCH RUČÍČIEK.

## Pre náradie s vnútornou prírubou na reznú čepeľ s priemerom otvoru 15,88 mm (špecifické pre danú krajinu)

► **Obr.21:** 1. Montážny hriadeľ 2. Vnútorná obruba 3. Čepeľ píly 4. Vonkajšia obruba 5. Šesťboká skrutka

► **Obr.22:** 1. Montážny hriadeľ 2. Vnútorná obruba 3. Čepeľ píly 4. Vonkajšia obruba 5. Šesťboká skrutka 6. Prstenec

Vnútornú prírubu namontujte na montážny hriadeľ tak, aby jej strana s preliačinou smerovala von a následne nasadte čepeľ (v prípade potreby nasadte krúžok), vonkajšiu prírubu a skrutku so šesťhrannou hlavou. SKRUTKU SO ŠEŠŤHRANNOU HLAVOU UTIAHNITE DÔKLADNE PROTI SMERU HODINOVÝCH RUČÍČIEK.

### VAROVANIE:

- **Pred namontovaním čepele na hriadeľ sa vždy uistite, že medzi vnútornou a vonkajšou prírubou je nainštalovaný správny krúžok pre hriadeľový otvor čepele, ktoré chcete použiť.** Použitie nesprávneho krúžku pre hriadeľový otvor môže mať za následok nesprávne namontovanie čepele s dôsledkom pohybu a vibrácií čepele s možnou stratou ovládania počas prevádzky a vážnych osobných poranení.

## Uskladnenie šesťhranného kľúča

► **Obr.23:** 1. Šesťhranný francúzsky kľúč

Ak šesťhranný kľúč nepoužívate, uskladnite ho podľa obrázkového návodu, aby sa nestratil.

## Pripojenie vysávača

*(Voliteľné príslušenstvo v niektorých krajinách)*

► **Obr.24:** 1. Otvor na prach 2. Skrutka 3. Páčka

► **Obr.25:** 1. Vysávač 2. Hadica

Ak chcete rezať bez prachu, k náradiu pripojte vysávač Makita.

Pomocou skrutky namontujte na náradie prachovú hubicu. Potom podľa obrázka pripojte k prachovej hubici hadicu vysávača.

V prípade náradia bez prachovej hubice dodávanej ako štandardné zariadenie vymeňte páku upevnenú na dolnom kryte za páku dodanú s prachovou hubicou (voliteľné príslušenstvo), a to naraz pri inštalácii prachovej hubice. V opačnom prípade nebudete môcť rezať, pretože pohybu dolného krytu bude brániť prachová hubica.

## PRÁCA

### POZOR:

- **Počas rezania noste ochrannú masku.**
- Nástroj pomaly posúvajte vpred v rovnej línii. Tlačením alebo krútením nástroja sa prehrej motor a vzniknú nebezpečné nárazy, ktoré môžu spôsobiť vážne zranenie.
- Vždy používajte prednú rukoväť a zadnú rukoväť a nástroj pri práci držte pevne oboma rukami za prednú i zadnú rukoväť.

► **Obr.26**

Nástroj držte pevne. Na nástroji je predné držadlo a zadná rukoväť. Nástroj sa drží najlepšie za obidve držadlá. Ak obidvomi rukami držíte pílu, nemôžete si ich porezať. Nastavte predložku na obrobok tak, aby sa pri rezaní nedotýkala kotúča. Potom zapnite nástroj a počkajte, kým kotúč nedosiahne plnú rýchlosť. Teraz nástroj len posúvajte vpred po povrchu obrobku, postupujte plynulo až do skončenia pílenia. Čistý rez dosiahnete, keď bude vaša línia rezu priama a rýchlosť rezania jednotná. Ak rez nedodržia vaša predpokladanú líniu rezu, nesnažte sa otočiť alebo tlačiť nástroj späť do línie rezu. Kotúč sa môže zadrieť a spôsobiť nebezpečné nárazy a prípadné vážne zranenie. Uvoľnite spínač, počkajte, kým sa kotúč zastaví a potom odiahnite nástroj. Znovu nasmerujte nástroj na novú líniu rezu a začnite rezať znovu. Snažte sa vyhnúť polohovaniu, ktoré spôsobí, že operátor je vystavený trieskam a pilinám odletujúcim z píly. Používajte ochranu očí, zvýši sa vaša ochrana pred zranením.

## Pravítko na pozdĺžne rezanie (vodiace pravítko) (voliteľné príslušenstvo)

► **Obr.27:** 1. Uťahovacia skrutka 2. Ochranné zariadenie na pozdĺžne rezanie (vodiaca linka)

Pravítko na pozdĺžne rezanie umožňuje vykonávať výnimočne presné priame rezy. Jednoducho posúvajte pravítko na pozdĺžne rezanie k strane obrobku a upínacou skrutkou na prednej strane podložky ho zaisťte v správnej polohe. Pomocou neho je možné urobiť opakované rezy s jednotnou šírkou.

## ÚDRŽBA

### POZOR:

- Pred vykonaním akejkoľvek práce na nástroji vždy skontrolujte, či je nástroj vypnutý a kazeta akumulátora je vybratá.
- **Horný a dolný kryt vyčistite, aby ste odstránili nahromadené piliny, ktoré môžu negatívne ovplyvniť fungovanie systému dolného krytu.** Špinavý systém krytu môže obmedziť správnu prevádzku, čo môže viesť k vážnym osobným poraneniam. Najúčinnnejším spôsobom čistenia je čistenie stlačeným vzduchom. **Ak je prach vyfukovaný mimo krytov, používajte správnu ochranu zraku a dýchacích orgánov.**
- Nepoužívajte benzín, riedidlo, alkohol ani nič podobné. Mohlo by to spôsobiť zmenu farby, deformácie alebo praskliny.

## Nastavenie presnosti rezu 0° a 45° (vertikálny a 45° rez)

- **Obr.28:** 1. Nastavovacia skrutka pre 45°  
2. Nastavovacia skrutka pre 0°

- **Obr.29:** 1. Trojuholníkové meradlo

Toto nastavenie bolo uskutočnené v závode. Ak je vypnuté, nastavte nastavovacie skrutky príslušným kľúčom pri kontrole 0° alebo 45° uhla čepele vzhľadom k podložke pomocou trojuholníkového pravítka, príložného uholníka atď. Na nastavenie 45° použite 45° doraz.

## Nastavenie vodiaceho prvku skosenia

- **Obr.30:** 1. Vodiaci prvok skosenia 2. Skrutka  
3. Vodiadlo

Vodiaci prvok skosenia bol nastavený v závode. Ak je vypnutý, môžete ho nastaviť nasledovne.

Ak chcete nastaviť vodiaci prvok skosenia, uvoľnite dve skrutky. Zarovnajte líniu 0° na vodiacom prvku skosenia s vodiacim prvkom na podložke pri nastavení podložky v 0° uhle.

Kvôli zachovaniu BEZPEČNOSTI a SPOLAHLIVOSTI výrobkov musia byť opravy a akákoľvek ďalšia údržba či nastavovanie robené autorizovanými servisnými strediskami firmy Makita a s použitím náhradných dielov Makita.

## VOLITEĽNÉ PRÍSLUŠENSTVO

### **▲POZOR:**

- Pre váš nástroj Makita, opísaný v tomto návode, doporučujeme používať toto príslušenstvo a nástavce. Pri použití iného príslušenstva či nástavcov môže hroziť nebezpečenstvo zranenia osôb. Príslušenstvo a nástavce sa môžu používať len na účely pre ne stanovené.

Ak potrebujete bližšie informácie týkajúce sa tohoto príslušenstva, obráťte sa na vaše miestne servisné stredisko firmy Makita.

- Pílové kotúče
- Pravítko na pozdĺžne rezanie (vodiaca linka)
- Vodiaca lišta
- Adaptér vodiacej lišty
- Lišta meradla
- Prachová hubica
- Šesťhranný francúzsky kľúč
- Originálna batéria a nabíjačka Makita

### **POZNÁMKA:**

- Niektoré položky zo zoznamu môžu byť súčasťou balenia náradia vo forme štandardného príslušenstva. Rozsah týchto položiek môže byť v každej krajine odlišný.

## TECHNICKÉ ÚDAJE

Model		DHS680
Průměr listu		165 mm
Max. hloubka řezu	pod úhlem 0°	57 mm
	pod úhlem 45°	41 mm
	pod úhlem 50°	37 mm
Otáčky bez zatížení		5 000 min <sup>-1</sup>
Celková délka		350 mm
Hmotnost netto		3,0 - 3,3 kg
Jmenovité napětí		18 V DC

- Vzhledem k neustálému výzkumu a vývoji zde uvedené technické údaje podléhají změnám bez upozornění.
- Specifikace se mohou pro různé země lišit.
- Hmotnost se může lišit v závislosti na nástavcích a přídatných zařízeních, včetně akumulátoru. Nejlehčí a nejtěžší kombinace, dle EPTA-Procedure 01/2014, jsou uvedeny v tabulce níže.

### Použitelný akumulátor a nabíječka

Akumulátor	BL1815N / BL1820 / BL1820B / BL1830 / BL1830B / BL1840 / BL1840B / BL1850 / BL1850B / BL1860B
Nabíječka	DC18RC / DC18RD / DC18RE / DC18SD / DC18SE / DC18SF

- V závislosti na regionu vašeho bydliště nemusí být některé akumulátory a nabíječky k dispozici.

**VAROVÁNÍ:** Používejte pouze výše uvedené akumulátory a nabíječky. Použití jiných akumulátorů a nabíječek může způsobit zranění a/nebo požár.

#### Účel použití

Nářadí je určeno k provádění podélných a příčných příčných řezů nebo úhlových pokosových řezů do dřeva při pevném kontaktu s obrobkem. S vhodnými originálními pilovými kotouči Makita lze řezat i jiné materiály.

#### Hlučnost

Typická vážená hladina hluku (A) určená podle normy EN62841:

- Hladina akustického tlaku ( $L_{pA}$ ): 94 dB (A)
- Hladina akustického výkonu ( $L_{WA}$ ): 105 dB (A)
- Nejistota (K): 3 dB (A)

**POZNÁMKA:** Celková(é) hodnota(y) emisí hluku byla(y) změřena(y) v souladu se standardní zkušební metodou a dá se použít k porovnání nářadí mezi sebou.

**POZNÁMKA:** Hodnotu(y) deklarovaných emisí hluku lze také použít k předběžnému posouzení míry expozice vibracím.

**VAROVÁNÍ:** Používejte ochranu sluchu.

**VAROVÁNÍ:** Emise hluku se při používání elektrického nářadí ve skutečnosti mohou od deklarované(ých) hodnot(y) lišit v závislosti na způsobech použití nářadí.

**VAROVÁNÍ:** Nezapomeňte stanovit bezpečnostní opatření na ochranu obsluhy podle odhadu expozice ve skutečných podmínkách použití. (Vezměte přitom v úvahu všechny části provozního cyklu, tj. kromě doby zátěže například doby, kdy je nářadí vypnuté a kdy běží naprázdno.)

#### Vibrace

Celková hodnota vibrací (vektorový součet tří os) určená podle normy EN62841:

- Pracovní režim: řezání dřeva
- Emise vibrací ( $a_{h,w}$ ): 2,5 m/s<sup>2</sup> nebo méně
- Nejistota (K): 1,5 m/s<sup>2</sup>

**POZNÁMKA:** Celková(é) hodnota(y) deklarovaných vibrací byla(y) změřena(y) v souladu se standardní zkušební metodou a dá se použít k porovnání nářadí mezi sebou.

**POZNÁMKA:** Celkovou(é) hodnotu(y) deklarovaných vibrací lze také použít k předběžnému posouzení míry expozice vibracím.

**VAROVÁNÍ:** Emise vibrací se při používání elektrického nářadí ve skutečnosti mohou od deklarované(ých) hodnot(y) lišit v závislosti na způsobech použití nářadí.

**VAROVÁNÍ:** Nezapomeňte stanovit bezpečnostní opatření na ochranu obsluhy podle odhadu expozice ve skutečných podmínkách použití. (Vezměte přitom v úvahu všechny části provozního cyklu, tj. kromě doby zátěže například doby, kdy je nářadí vypnuté a kdy běží naprázdno.)

### Prohlášení ES o shodě

#### Pouze pro evropské země

Prohlášení ES o shodě je obsaženo v Příloze A tohoto návodu k obsluze.

## Obecná bezpečnostní upozornění k elektrickému nářadí

**VAROVÁNÍ:** Přečtete si všechny bezpečnostní výstrahy i pokyny a prohlédněte si ilustrace a specifikace dodané k tomuto elektrickému nářadí. Nedodržení všech níže uvedených pokynů může vést k úrazu elektrickým proudem, požáru či vážnému zranění.

## Všechna upozornění a pokyny si uschovejte pro budoucí potřebu.

Pojem „elektrické nářadí“ v upozorněních označuje elektrické nářadí, které se zapojuje do elektrické sítě, nebo elektrické nářadí využívající akumulátory.

## Bezpečnostní upozornění k akumulátorové ruční okružní pile

### Postupy při řezání

- NEBEZPEČÍ:** Nepřibližujte ruce k oblasti řezání ani ke kotouči. Druhou ruku držte na pomocné rukojeti nebo krytu motoru. Budete-li pilu držet oběma rukama, nehrází riziko jejich pořezání.
  - Nevkládejte ruce pod obrobek. Kryt vás nechrání před kotoučem pod obrobkem.
  - Nastavte hloubku řezu na tloušťku obrobku. Pod obrobkem by měl být viditelný méně než jeden celý zub pilového kotouče.
  - Při řezání nikdy nedržte obrobek v rukou ani si jej nepokládejte na nohy. Uchyťte obrobek ke stabilní podložce. Je důležité zajistit řádné upevnění dílu, aby se minimalizovalo riziko ohrožení těla, zachycení kotouče nebo ztráty kontroly.
- Obr.1
- Při práci v místech, kde může dojít ke kontaktu nářadí se skrytým elektrickým vedením, držte elektrické nářadí za izolované části držadel. Kontakt s vodičem pod napětím přenesou proud do nechráněných kovových částí elektrického nářadí a obsluha může utrpět úraz elektrickým proudem.
  - Při podélném řezání vždy používejte podélné pravítko nebo přímé vodičko. Zvýšíte tak přesnost řezu a omezíte možnost ohnutí kotouče.
  - Vždy používejte kotouče správné velikosti a tvaru (diamantové versus kruhové) otvoru. Kotouče neodpovídající upínacímu systému pily se budou pohybovat mimo osu a způsobí ztrátu kontroly nad nářadím.
  - Nikdy nepoužívejte poškozené nebo nesprávné podložky nebo šroub kotouče. Podložky a šroub kotouče jsou navrženy speciálně pro tuto pilu a zajišťují optimální funkci a provozní bezpečnost.

### Zpětný ráz a související výstrahy

- Zpětný ráz je náhlá reakce na skřípnutí, zaseknutí nebo nesprávně seřízený pilový kotouč, která způsobuje nekontrolované zvednutí pily z obrobku a jeho vržení směrem k obsluze.

- Pokud se kotouč sevře nebo na pevnou zaseknutí o uzavření spáry, dojde k zastavení kotouče a reakce motoru vrhne jednotku s velkou rychlostí směrem k obsluze.
- Pokud se kotouč v řezu zkroutí nebo vychýlí, mohou se zuby na zadním okraji kotouče zafezat do horního povrchu dřeva, čímž dojde ke zvednutí kotouče ze spáry a rázu nářadí směrem k obsluze.

Zpětný ráz je důsledkem špatného použití pily nebo nesprávných pracovních postupů či podmínek. Lze se mu vyhnout zavedením odpovídajících opatření, která jsou uvedena níže.

- Pilu držte pevně oběma rukama. Paže umístěte tak, abyste byli schopni odolat silám vznikajícím při zpětném rázu. Tělo udržujte bokem od nářadí. Nestůjte přímo za kotoučem.** Zpětný ráz by mohl způsobit vrhnutí pily zpět. Pokud pracovník dodržuje odpovídající opatření, je schopen kontrolovat síly vznikající při zpětném rázu.
- Pokud kotouč vázne nebo z jakéhokoli důvodu chcete přerušit řezání, uvolněte spoušť a držte pilu bez pohybu v materiálu, dokud se kotouč úplně nezastaví. Nikdy pilu nevytahujte z materiálu ani ji netahejte směrem zpět, je-li kotouč v pohybu. V opačném případě může dojít ke zpětnému rázu.** Zjistěte příčinu váznutí kotouče a proveďte odpovídající nápravná opatření.
- Spouštěte-li pilu opakovaně v obrobku, umístěte pilový kotouč do středu drážky tak, aby zuby kotouče nebyly zachyceny v materiálu.** Pokud pilový kotouč uvízne, může se při opakovaném spuštění pily zvednout nebo vymrštit z obrobku.
- Velké desky podepřete, abyste minimalizovali riziko skřípnutí kotouče a zpětného rázu.** Velké desky mají tendenci prověšovat se svojí vlastní váhou. Podpěry je nutno umístit pod panel na obou stranách v blízkosti rysky řezu a okraje desky.

### ► Obr.2

### ► Obr.3

- Nepoužívejte tupé nebo poškozené kotouče.** Nenaostřené nebo nesprávně nastavené kotouče řezou úzkou drážku, čímž dochází k nadměrnému tření, váznutí kotouče a zpětnému rázu.
- Před zahájením řezání musí být dotaženy a zajištěny pojistné páčky nastavení hloubky a úkosu.** Dojde-li během řezání ke změně nastavení kotouče, kotouč může váznout a může vzniknout zpětný ráz.
- Při řezání do stávajících stěn či jiných nepřehledných míst dbejte zvýšené opatrnosti.** Vyčnívající kotouč se může zaříznout do předmětů, jež mohou způsobit zpětný ráz.
- Nářadí VŽDY držte pevně oběma rukama. NIKDY neumist'ujte ruce, nohy nebo jakoukoli jinou část těla pod základnu nářadí nebo za pilu, zejména při příčném řezání.** Dojde-li ke zpětnému rázu, může pila snadno odskočit směrem zpět přes vaše ruce a způsobit vám tak vážné poranění.

### ► Obr.4

- Nikdy na pilu nevyvíjejte příliš velkou sílu. Pilu tlačte vpřed tak, aby kotouč řezal bez zpomalování.** Příliš silný tlak může způsobit nerovné řezy, ztrátu přesnosti a vznik zpětného rázu.

## Funkce krytu

1. Před každým použitím zkontrolujte řádné uzavření dolního krytu. S pilou nepracujte, pokud se dolní kryt nepohybuje volně a okamžitě se neuzavře. Nikdy neupínajte ani neuchyčujte dolní kryt v otevřené poloze. Pokud pilu náhodně upustíte, může se dolní kryt ohnout. Zvedněte dolní kryt zatahovacího držadla a ujistěte se, zda se kryt volně pohybuje a zda se ve všech úhlech a hloubkách řezu nedotýká kotouče ani žádné jiné části nástroje.
2. Zkontrolujte funkci pružiny dolního krytu. Pokud kryt a pružina nepracují správně, musí být před zahájením provozu opraveny. Dolní kryt se může pohybovat pomalu z důvodu poškozených dílů, lepkavých usazenin nebo nahromadění odpadního materiálu.
3. Dolní kryt zatahujte ručně pouze při provádění speciálních řezů, jimiž jsou například „zapíchovací“ či „kombinované řezy“. Zatahovacím držadlem zvedněte dolní kryt, a jakmile kotouč vnikne do materiálu, je nutné dolní kryt uvolnit. Při všech jiných typech řezů má dolní kryt pracovat automaticky.
4. Před položením pily na pracovní stůl nebo podlahu se vždy přesvědčte, zda dolní kryt zakrývá kotouč. Nechráněný dobíhající kotouč způsobí pohyb nářadí směrem zpět, při kterém může dojít k pořezání. Nezapomeňte, že zastavení kotouče po uvolnění spinače trvá určitou dobu.
5. Při kontrole dolního krytu jej otevřete rukou, uvolněte a sledujte jeho zavírání. Dále zkontrolujte, zda se zatahovací držadlo nedotýká skříně nástroje. Ponechání kotouče v nechráněné poloze JE VELICE NEBEZPEČNÉ a může způsobit vážné zranění.

## Další bezpečnostní výstrahy

1. Při řezání vlhkého dřeva, tlakově impregnovaného dřeva nebo dřeva obsahujícího suky postupujte se zvýšenou opatrností. Nářadí vedle do řezu plynule, aby se pohyb kotouče nezpomaloval a nedocházelo k přehřívání břitů.
  2. Neodstraňujte odřezaný materiál, pokud se pohybuje kotouč. Před uchopením odřezaného materiálu počkejte, až se kotouč zastaví. Kotouče po vypnutí nářadí dobíhají.
  3. Neřežte hřebíky. Před zahájením řezání zkontrolujte a odstraňte ze dřeva všechny případné hřebíky.
  4. Širší stranu základny pily položte na tu část obrobku, která je pevně podepřena a nikoli na část, která po provedení řezu odpadne. Pokud je obrobek krátký nebo malý, upněte jej. NIKDY NEDRŽTE KRÁTKÉ DÍLY RUKOU!
- Obr.5
5. Před odložním nářadí po dokončení řezu se přesvědčte, zda se kryt zavřel a zda se kotouč úplně zastavil.
  6. Nikdy se nepokoušejte řezat okružní pilou uchycenou vzhůru nohama ve svěráku. Tento postup je mimořádně nebezpečný a může způsobit vážné nehody.
- Obr.6

7. Některé materiály obsahují chemikálie, které mohou být jedovaté. Dávejte pozor, abyste nevedchovali prach nebo nedocházelo ke kontaktu s kůží. Dodržujte bezpečnostní pokyny dodavatele materiálu.
8. Nezastavujte pilové kotouče vyvinutím postranního tlaku.
9. Nepoužívejte žádné brusné kotouče.
10. Používejte pouze pilové kotouče s průměrem vyznačeným na nářadí nebo specifikovaným v příručce. Použití kotouče nesprávných rozměrů může ovlivnit správné zakrytí kotouče nebo funkci krytu, což může mít za následek vážné zranění.
11. Udržujte kotouč ostrý a čistý. Smůla a pryskyřice zatvrdnutá na kotouči pilu zpomaluje a zvyšuje potenciální nebezpečí zpětného rázu. Při čištění kotouč nejprve vyjměte z nářadí a pak jej vyčistěte prostředkem k odstraňování smůly a pryskyřice, horkou vodou nebo petrolejem. Nikdy nepoužívejte benzín.
12. Při používání nářadí používejte protiprachovou masku a ochranu sluchu.
13. Vždy používejte takový pilový kotouč, který je určený pro řezání materiálů, který se chystáte řezat.
14. Používejte pouze pilové kotouče označené hodnotou otáček, jejichž hodnota se rovná či přesahuje hodnotu otáček vyznačenou na nářadí.
15. (Pouze pro evropské země)  
Vždy používejte kotouče, které odpovídají normě EN847-1.

## TYTO POKYNY USCHOVEJTE.

**VAROVÁNÍ:** NEDOVOLTE, aby pohodlnost nebo pocit znalosti výrobku (získaný na základě předchozího použití) vedl k zanedbání dodržování bezpečnostních pravidel platných pro tento výrobek. NESPRÁVNÉ POUŽÍVÁNÍ či nedodržení bezpečnostních pravidel uvedených v tomto návodu k obsluze může způsobit vážné zranění.

## Důležitá bezpečnostní upozornění pro akumulátor

1. Před použitím akumulátoru si přečtěte všechny pokyny a varovné symboly na (1) nabíječce, (2) akumulátoru a (3) výrobku využívajícím akumulátor.
2. Akumulátor nerozebírejte.
3. Pokud se příliš zkrátí provozní doba akumulátoru, přerušte okamžitě práci. V opačném případě existuje riziko přehřívání, popalení nebo dokonce výbuchu.
4. Budou-li vaše oči zasaženy elektrolytem, vypláchněte je čistou vodou a okamžitě vyhledejte lékařskou pomoc. Může dojít ke ztrátě zraku.
5. Akumulátor nezkratujte:
  - (1) Nedotýkejte se svorek žádným vodivým materiálem.
  - (2) Neskladujte akumulátor v nádobě s jinými kovovými předměty, jako jsou hřebíky, mince, apod.
  - (3) Nevystavujte akumulátor vodě a dešti.

Zkrat akumulátoru může způsobit velký průtok proudu, přehřátí, možné popálení a dokonce i poruchu.

- Neskladujte nářadí a akumulátor na místech, kde může teplota překročit 50 °C (122 °F).
- Nespalujte akumulátor, ani když je vážně poškozen nebo úplně opotřeben. Akumulátor může v ohni vybuchnout.
- Dávejte pozor, abyste akumulátor neupustili ani s ním nenarazili.
- Nepoužívejte poškozené akumulátory.
- Obsažené lithium-iontové akumulátory podléhají právním požadavkům na nebezpečné zboží.

V případě komerční přepravy například externími dopravci je třeba dodržet zvláštní požadavky na balení a značení.

Pro přípravu zboží k přepravě je nutná konzultace s odborníkem na nebezpečný materiál. Dodržujte také případné podrobnější národní předpisy.

Odkryté kontakty přelepte izolační páskou či jinak zakryjte a akumulátory zabalte tak, aby se v balení nemohly pohybovat.

- Při likvidaci akumulátoru postupujte podle místních předpisů.
- Akumulátor používejte pouze s výrobky specifikovanými společností Makita. Instalace akumulátoru do nevhovujících výrobků může způsobit požár, nadměrné zahřívání, explozi nebo únik elektrolytu.

## TYTO POKYNY USCHOVEJTE.

**⚠️ UPOZORNĚNÍ:** Používejte pouze originální akumulátory Makita. Používání neoriginálních nebo upravených akumulátorů může způsobit explozi akumulátoru a následný požár, zranění a jiné poškození. Zaniká tím také záruka společnosti Makita na nářadí a nabíječku Makita.

## Tipy k zajištění maximální životnosti akumulátoru

- Akumulátor nabijte dříve, než dojde k jeho úplnému vybití. Pokud si povšimnete sníženého výkonu nářadí, vždy jej zastavte a dobijte akumulátor.
- Nikdy nenabíjete úplně nabitý akumulátor. Přebíjení zkracuje životnost akumulátoru.
- Akumulátor dobíjete při pokojové teplotě od 10 °C do 40 °C (50 °F až 104 °F). Před nabíjením nechejte horký akumulátor zchladnout.
- Pokud se akumulátor delší dobu nepoužívá (déle než šest měsíců), je nutno jej dobít.

## POPIS FUNKCE

### ⚠️ UPOZORNĚNÍ:

- Před nastavováním nástroje nebo kontrolou jeho funkce se vždy přesvědčte, zda je nástroj vypnutý a je odpojen jeho akumulátor.

## Instalace a demontáž akumulátoru

- Obr.7: 1. Tlačítko 2. Červený indikátor  
3. Akumulátor

### ⚠️ UPOZORNĚNÍ:

- Před nasazením či sejmutím bloku akumulátoru nářadí vždy vypněte.
- Při nasazování či snímání bloku akumulátoru pevně držte nářadí i akumulátor.** V opačném případě vám mohou nářadí nebo akumulátor vyklouznout z ruky a mohlo by dojít k jejich poškození či ke zranění.

Jestliže chcete blok akumulátoru vyjmout, vysuňte jej se současným přesunutím tlačítka na přední straně akumulátoru. Při instalaci akumulátoru vyrovnejte jazyček na bloku akumulátoru s drážkou v krytu a zasuňte akumulátor na místo. Akumulátor zasuňte na doraz, až zacvakne na místo. Není-li tlačítko zcela zajištěno, uvidíte na jeho horní straně červený indikátor.

### ⚠️ UPOZORNĚNÍ:

- Akumulátor zasunujte vždy zcela tak, aby nebyl červený indikátor vidět. Jinak by mohl akumulátor ze zařízení vypadnout a způsobit zranění obsluze či přihlížejícím osobám.
- Blok akumulátoru nenasazujte násilím. Nelze-li akumulátor zasunout snadno, nevkládejte jej správně.

### POZNÁMKA:













- Jestliže blok akumulátoru nelze vyjmout snadno, zatlačte na něj z protější strany tlačítka a vysuňte jej.

## Indikace zbývajících kapacity akumulátoru

**Pouze pro akumulátory s diodovým ukazatelem**

- Obr.8: 1. Kontrolky 2. Tlačítko kontroly

Stisknutím tlačítka kontroly na akumulátoru zjistíte zbývajících kapacitu akumulátoru. Kontrolky indikátoru se na několik sekund rozsvítí.

Kontrolky			Zbývajících kapacita
 Svítí	 Nesvítí	 Bliká	
			75 % až 100 %
			50 % až 75 %
			25 % až 50 %
			0 % až 25 %
			Nabíjte akumulátor.

Kontrolky			Zbývající kapacita
Svítil	Nesvítil	Bliká	
			Došlo pravděpodobně k poruše akumulátoru.

**POZNÁMKA:** Kapacita udávaná indikátorem se může mírně lišit od skutečné kapacity v závislosti na podmínkách používání a teplotě prostředí.

## Zapínání

### ⚠ UPOZORNĚNÍ:

- Před instalací bloku akumulátoru do zařízení vždy zkontrolujte správnou funkci spouště a zda se spouští po uvolnění vrací do polohy „VYP“.
- Nepokoušejte se spouštět aktivovat silou bez stisknutí odjišťovací páčky. Mohlo by dojít ke zlomení spínače.

#### ► Obr.9: 1. Spínač 2. Odblokovací páčka

Jako prevence náhodného stisknutí spouště je k dispozici odjišťovací páčka. Chcete-li nástroj uvést do chodu, stiskněte odjišťovací páčku a poté spouštět. Chcete-li nástroj vypnout, uvolníte spouštět.

### ⚠ VAROVÁNÍ:

- K zajištění vaší bezpečnosti je nářadí vybaveno odjišťovací páčkou zamezující nechtěnému spuštění nářadí. NIKDY nepoužívejte nářadí, jež lze spustit pouhým stisknutím spouště bez použití odjišťovací páčky. Nářadí PŘED dalším použitím předejte servisnímu středisku Makita k náležité opravě.
- Odjišťovací páčku NIKDY neuchyptejte lepicí páskou v aktivní poloze ani jinak nepotlačujte její funkci.

## Indikace zbývající kapacity akumulátoru

### Specifické podle země

#### ► Obr.10: 1. Kontrolka akumulátoru

Indikátor akumulátoru zobrazí po zapnutí nářadí zbývající kapacitu akumulátoru. Zbývající kapacita akumulátoru se zobrazuje tak, jak je uvedeno v následující tabulce.

Stav indikátoru akumulátoru ■:ZAP □:VYP ■:Bliká	Zbývající kapacita akumulátoru
	50 % - 100 %
	20 % - 50 %
	0 % - 20 %
	Nabijte akumulátor

## Funkce automatické změny otáček

### ► Obr.11: 1. Indikátor režimu

Stav indikátoru režimu	Provozní režim
	Režim vysokých otáček
	Režim vysokého točivého momentu

Nářadí nabízí „režim vysokých otáček“ a „režim vysokého točivého momentu“. Změna provozního režimu se přepíná automaticky podle pracovního zatížení. Jestliže se za provozu rozsvítí indikátor režimu, pracuje nářadí v režimu vysokého točivého momentu.

## System ochrany nářadí a akumulátoru

Nářadí je vybaveno systémem ochrany nářadí a akumulátoru. Tento systém automaticky přeruší napájení motoru, aby se prodloužila životnost nářadí a akumulátoru.

Budou-li nářadí nebo akumulátor vystaveny některé z níže uvedených podmínek, nářadí se během provozu automaticky vypne: Za určitých podmínek se rozsvítí indikátor.

### Ochrana proti přetížení

Pokud se s nářadím pracuje způsobem vyvolávajícím mimořádně vysoký odběr proudu, nářadí se automaticky a bez jakékoli signalizace vypne. V takové situaci nářadí vypněte a ukončete činnost, při níž došlo k přetížení nářadí. Potom nářadí zapněte a obnovte činnost.

### Ochrana nářadí proti přehřátí

Při přehřátí se nářadí automaticky vypne a indikátor akumulátoru zobrazí následující stav. V takovém případě nechte nářadí před opětovným zapnutím vychladnout.

Kontrolka akumulátoru	■:ZAP □:VYP ■:Bliká
	Nářadí se přehřálo

### Deaktivace ochranného blokování

Po opakované aktivaci systému ochrany se nářadí zablokuje a indikátor akumulátoru zobrazí následující stav.

Kontrolka akumulátoru	■:ZAP □:VYP ■:Bliká
	Je aktivováno ochranné blokování

V takové situaci nelze nářadí spustit ani po jeho vypnutí a opětovném zapnutí. Ochranné blokování lze deaktivovat vyjmutím akumulátoru, vložením do nabíječky akumulátorů a vyčkáním na dokončení nabíjení.

## Nastavení hloubky řezu

### ⚠ UPOZORNĚNÍ:

- Po nastavení hloubky řezu vždy pevně dotáhněte páčku.

► **Obr.12:** 1. Páčka 2. Vodítko pro nastavení hloubky

Povolte páčku na boku zadního držadla a přesuňte základnu nahoru nebo dolů. Na požadované hloubce řezu základnu zajistíte utažením páčky.

Chcete-li dosáhnout čistších a bezpečnějších řezů, nastavte hloubku řezu tak, aby pod řezaný díl nevyčníval více než jeden zub listu. Použití správných hloubek řezu pomáhá omezovat nebezpečí ZPĚTNÝCH RÁZŮ, které mohou způsobit zranění.

## Šikmé řezání

► **Obr.13:** 1. Přední páčka

Povolte přední páčku. Sklopením nastavte požadovaný úhel (0–50°) a přední páčku pak opět pevně dotáhněte.

► **Obr.14:** 1. Doraz

Při provádění přesných řezů pod úhlem 45° použijte zarážku pro úhel 45°. Při provádění úkosového řezu (0–45°) otočte zarážku zcela vlevo a při úkosovém řezání v úhlu 0–50° ji otočte vlevo.

## Zaměřování

► **Obr.15:** 1. Ryska vyznačující řez (poloha 0°)  
2. Ryska vyznačující řez (poloha 45°)  
3. Šroub

Při přímých řezech vyrovnejte 0° polohu na přední straně základny s ryskou vyznačující řez. Při provádění úkosových 45° řezů vyrovnejte řez s 45° polohou. Poloha horního vodítka je nastavitelná.

## Rozsvícení světla

### ⚠ UPOZORNĚNÍ:

- Nedívejte se přímo do světla nebo jeho zdroje.

► **Obr.16:** 1. Světlo

Chcete-li pouze rozsvítit světlo, stiskněte spoušť bez stisknutí odjišťovací páčky. Pokud chcete rozsvítit světlo a spustit nářadí, stiskněte a přidržte odjišťovací páčku a stiskněte spoušť. Světlo svítí po celou dobu stisknutí spouště. Světlo zhasne za 10 až 15 sekund po uvolnění spouště.

### POZNÁMKA:

- K očištění nečistot z čočky světla používejte suchý hadřík. Dávejte pozor, abyste čočku světla nepoškrábali, může se tím zmenšit jeho svítivost.
- Při čištění skla světla nepoužívejte benzín, ředidlo ani žádnou podobnou látku. Použití takových látek sklo poškodí.

## Hák

### ⚠ UPOZORNĚNÍ:

- Při zavěšování nářadí za hák vždy vyjměte akumulátor.
- Nikdy nástroj nezavěšujte ve výšce nebo na potenciálně nestabilním povrchu.

► **Obr.17:** 1. Hák 2. Zavěno 3. Otevřeno

Hák je vhodný k dočasnému pověšení nářadí. Jestliže chcete hák použít, jednoduše jím otočte, až zacvakne do otevřené polohy.

Pokud hák nepoužíváte, vždy jím otočte, až zacvakne do zavěšené polohy.

## MONTÁŽ

### ⚠ UPOZORNĚNÍ:

- Před prováděním libovolných prací na nástroji se vždy přesvědčte, zda je nástroj vypnutý a je odpojen jeho akumulátor.

## Demontáž a instalace pilového kotouče

### ⚠ UPOZORNĚNÍ:

- Dbejte, aby byl list nainstalován tak, aby na přední straně nástroje směřovaly zuby nahoru.
- Při instalaci a demontáži listu použijte pouze klíč Makita.

► **Obr.18:** 1. Imbusový klíč 2. Zámek hřídele  
3. Utáhnout 4. Povolit

Při demontáži kotouče stiskněte zámek hřídele tak, aby se kotouč neotáčel, a poté pomocí klíče povolte ve směru hodinových ručiček šroub s šestihlannou hlavou.

Následně demontujte šroub s šestihlannou hlavou, vnější přírubu a kotouč.

► **Obr.19:** 1. Vnitřní příruba 2. Pilový list 3. Vnější příruba 4. Šroub s šestihlannou hlavou

Při instalaci kotouče použijte opačný postup demontáže. **DBEJTE NA ŘÁDNÉ DOTAŽENÍ ŠROUBU S ŠESTIHLANNOU HLAVOU PROTI SMĚRU HODINOVÝCH RUČIČEK.**

Při výměně kotouče rovněž nezapomeňte očistit horní a dolní kryt kotouče od usazených pilin podle pokynů v části Údržba. Provedení tohoto kroku nevyklučuje nutnost kontroly dolního krytu před každým použitím.

## Pro nářadí s vnitřní přírubou pro jiné pilové kotouče než s otvorem o průměru 15,88 mm

### ⚠ UPOZORNĚNÍ:

- Zajistěte, aby osazení „a“ vnitřní příruba umístěné směrem ven dokonale zapadlo do otvoru „a“ pilového kotouče. Nasazení kotouče na chybnou stranu může způsobit nebezpečné vibrace.

► **Obr.20:** 1. Hřídel 2. Vnitřní příruba 3. Pilový list  
4. Vnější příruba 5. Šroub s šestihlannou hlavou



Vnitřní příruba má na jedné straně osazení určitého průměru a na druhé straně osazení jiného průměru. Zvolte správnou stranu, jejíž osazení dokonale zapadne do otvoru pilového kotouče.

Potom vnitřní přírubu nasadte na hřídel tak, aby správná strana osazení vnitřní příruby směřovala ven a nasadte pilový kotouč s vnější přírubou. **NEZAPOMĚŇTE PEVNĚ SMĚREM VLEVO DOTÁHNOUT ŠROUB S ŠESTIHRANEM.**

## Pro nářadí s vnitřní přírubou pro pilové kotouče s průměrem otvoru 15,88 mm (specifické pro danou zemi)

► **Obr.21:** 1. Hřídel 2. Vnitřní příruba 3. Pilový list 4. Vnější příruba 5. Šroub s šestihrannou hlavou

► **Obr.22:** 1. Hřídel 2. Vnitřní příruba 3. Pilový list 4. Vnější příruba 5. Šroub s šestihrannou hlavou 6. Prstenec

Na hřídel nasadte vnitřní přírubu zapuštěnou částí směrem ven a pak nasadte pilový kotouč (pokud je třeba, s nasazeným kroužkem), vnější přírubu a šroub s šestihrannem.

**NEZAPOMĚŇTE PEVNĚ SMĚREM VLEVO DOTÁHNOUT ŠROUB S ŠESTIHRANEM.**

### VAROVÁNÍ:

- **Před nasazením kotouče na vřeteno se vždy ujistěte, zda je na vřetenu mezi vnitřní a vnější přírubou umístěn správný kroužek odpovídající otvoru v kotouči, který se chystáte použít.** Použití kroužku s nesprávným otvorem může vést k nesprávnému uchycení kotouče, jeho pohybu a silným vibračním s následnou možností ztráty kontroly za provozu, jež může způsobit vážné zranění.

## Uložení imbusového klíče

► **Obr.23:** 1. Imbusový klíč

Není-li používán, uložte imbusový klíč jak je ilustrováno na obrázku. Předejdete tak jeho ztrátě.

## Připojení odsavače prachu

*(Volitelné příslušenství v některých zemích)*

► **Obr.24:** 1. Prachová hubice 2. Šroub 3. Páčka

► **Obr.25:** 1. Odsavač prachu 2. Hadice

K zajištění čistoty během řezání připojte k nářadí vysavač Makita.

Pomocí šroubu k nářadí připevněte prachovou hubici. Potom k prachové hubici podle obrázku připojte hadici vysavače.

U zařízení bez prachové hubice dodané jako standardní vybavení nahraďte při instalaci prachové hubice páčku upevněnou na dolním krytu páčkou dodanou s prachovou hubicí (volitelné příslušenství). V opačném případě nebudete moci fezat, neboť prachová hubice bude bránit pohybu dolního krytu.

## PRÁCE

### ⚠️ UPOZORNĚNÍ:

- **Při řezání používejte protiprachovou masku.**
- Nástroj zlehka posunujte dopředu po přímé rýse. Pokud na nástroj budete tlačit nebo jej zkroutíte, dojde k přehřátí motoru a nebezpečnému zpětnému rázu s rizikem těžkého zranění.
- Vždy používejte přední držadlo i zadní rukojeť a při práci tímto způsobem nářadí pevně držte.

### ► Obr.26

Uchopte pevně nástroj. Nástroj je vybaven přední rukojeť a zadním držadlem. Použijte obojí k pevnému uchopení nástroje. Budete-li pilu držet oběma rukama, nemůžete si ruce pofezat kotoučem. Ustavte základnu na řezaný díl bez toho, aby došlo ke kontaktu s kotoučem. Poté nástroj zapněte a počkejte, dokud kotouč nedosáhne plných otáček. Nyní jednoduše posunujte nástroj dopředu po povrchu dílu. Udržujte jej rovně a pomalu posunujte až do ukončení řezu. Chcete-li dosáhnout čistých řezů, udržujte přímou dráhu řezu a rovnoměrnou rychlost posunu. Pokud řez nesleduje přesně dráhu zamýšleného řezu, nepokoušejte se o otočení nebo násilně přesunout nástroj zpět na rýsku řezu. V opačném případě by mohlo dojít k ohnutí kotouče, nebezpečnému zpětnému rázu a potenciálnímu vážnému poranění. Uvolněte spínač, počkejte na zastavení kotouče a poté nástroj vytáhněte. Ustavte nástroj na novou dráhu řezu a zahajte řez znovu. Pokuste se vyvarovat takového umístění nástroje, při kterém je obsluha vystavena třískám a pilinám vylétajícím z pily. Předejdete poranění použitím ochrany očí.

## Podélné pravítko (vodící pravítko) (volitelné příslušenství)

► **Obr.27:** 1. Upínací šroub 2. Podélné pravítko (Vodící pravítko)

Praktické podélné pravítko vám umožní provádět mimořádně přesné přímé řezy. Podélné pravítko jednoduše přesuňte až těsně ke straně obrubku a upínacím šroubem na přední části základny jej zajistíte v požadované poloze. Pravítko rovněž umožňuje opakované řezy stejné šířky.

## ÚDRŽBA

### ⚠️ UPOZORNĚNÍ:

- Před prováděním libovolných prací na nástroji se vždy přesvědčte, zda je nástroj vypnutý a je odpojen jeho akumulátor.
- **Očistěte horní a dolní kryty a zajistěte, aby zde nebyly žádné nahromaděné piliny, jež by mohly bránit funkci dolního krytového systému.** Znečištěný krytový systém může omezovat správnou funkčnost, což může mít za následek vážné zranění. Nejúčinnějším způsobem čištění je použití stlačeného vzduchu. **Při odstraňování pilin z krytů stlačeným vzduchem použijte správné prostředky k ochraně zraku a dýchacích cest.**
- Nikdy nepoužívejte benzín, benzen, ředidlo, alkohol či podobné prostředky. Mohlo by tak dojít ke změnám barvy, deformacím či vzniku prasklin.

## Nastavení přesnosti pro 0° a 45° řez (svislý 45° řez)

► **Obr.28:** 1. Seřizovací šroub pro 45° 2. Seřizovací šroub pro 0°

► **Obr.29:** 1. Trojúhelníkové pravítko

Toto nastavení bylo provedeno při výrobě. Pokud však není správné, otáčejte imbusovým klíčem stavěcími šrouby a přitom trojúhelníkovým pravítkem či příložným úhelníkem atp. kontrolujte 0° nebo 45° úhel kotouče vzhledem k základně. K nastavení 45° úhlu použijte 45° zarážku.

## Nastavení úkosového vodítka

► **Obr.30:** 1. Úkosové vodítko 2. Šroub 3. Vodítko

Úkosové vodítko bylo nastaveno při výrobě. Jestliže je však nastavení nesprávné, můžete je nastavit následujícím postupem.

K nastavení úkosového vodítka povolte dva šrouby. Vyrovnajte 0° linii na úkosovém vodítku s vodítkem na základně ve chvíli, kdy je základna nastavena na úhel 0°.

Kvůli zachování BEZPEČNOSTI a SPOLEHLIVOSTI výrobku musí být opravy a veškerá další údržba či seřizování prováděny autorizovanými servisními středisky firmy Makita a s použitím náhradních dílů Makita.

## VOLITELNÉ PŘÍSLUŠENSTVÍ

### **⚠ UPOZORNĚNÍ:**

- Pro váš nástroj Makita, popsáný v tomto návodu, doporučujeme používat toto příslušenství a nástavce. Při použití jiného příslušenství či nástavců může hrozit nebezpečí zranění osob. Příslušenství a nástavce lze používat pouze pro jejich stanovené účely.

Potřebujete-li bližší informace ohledně tohoto příslušenství, obraťte se na vaše místní servisní středisko firmy Makita.

- Pilové kotouče
- Podélné pravítko (Vodicí pravítko)
- Vodicí kolejnice
- Adaptér vodicí kolejnice
- Pravítko
- Prachová hubice
- Imbusový klíč
- Originální akumulátor a nabíječka Makita

### **POZNÁMKA:**

- Některé položky seznamu mohou být k zařízením přibaleny jako standardní příslušenství. Přibalené příslušenství se může v různých zemích lišit.



**Makita Europe N.V.** Jan-Baptist Vinkstraat 2,  
3070 Kortenberg, Belgium

**Makita Corporation** 3-11-8, Sumiyoshi-cho,  
Anjo, Aichi 446-8502 Japan

[www.makita.com](http://www.makita.com)

885374C971  
EN, UK, PL, RO,  
DE, HU, SK, CS  
20190228