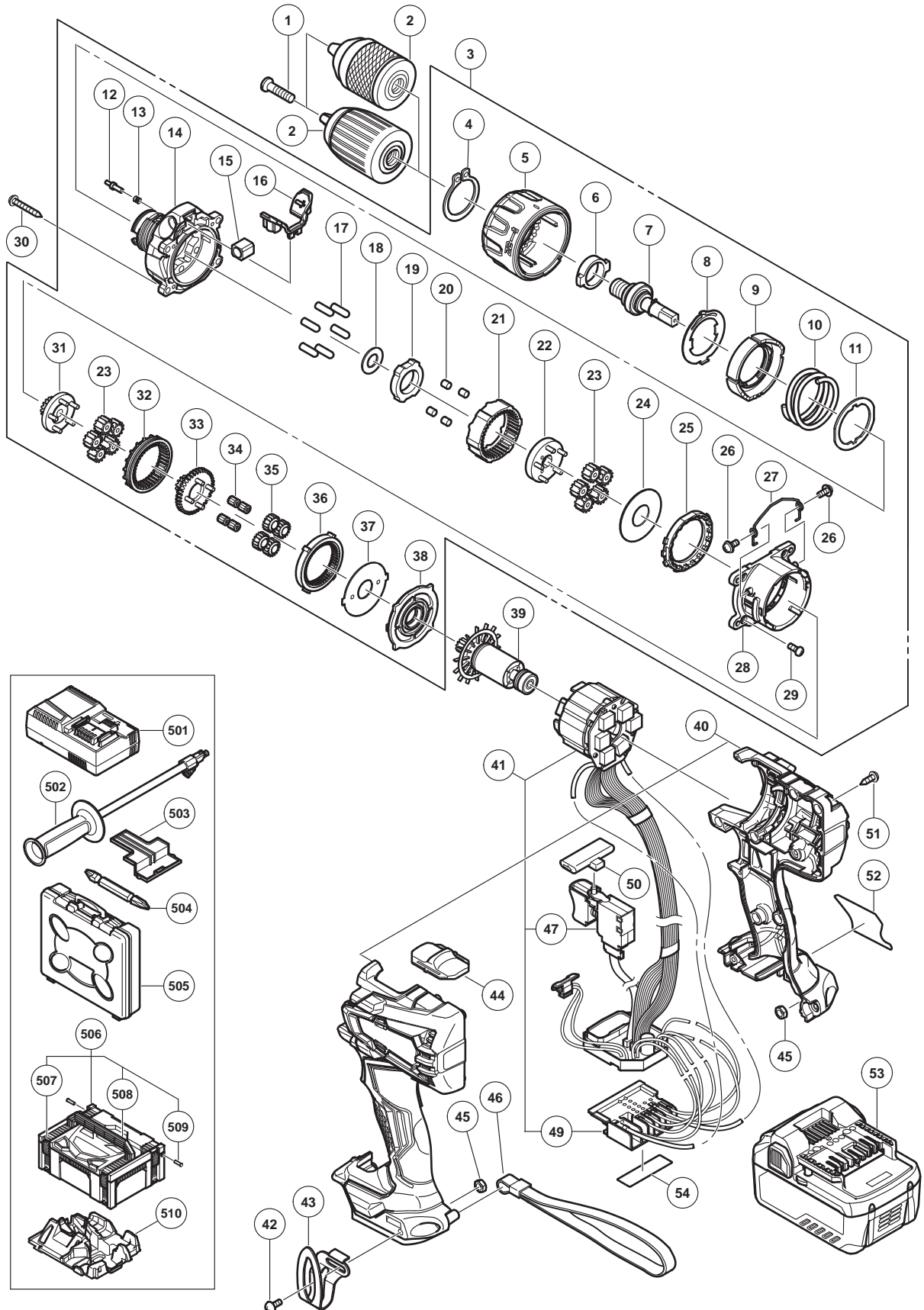


ELECTRIC TOOL PARTS LIST

■ CORDLESS DRIVER DRILL Model DS 36DA

2017-12-28

(E1)



PARTS

DS 36DA

ITEM NO.	CODE NO.	DESCRIPTION	NO. USED	REMARKS
1	370909	SEAL LOCK FLAT HD.SCREW (LEFT HAND) M6 X 25	1	
* 2	339721	DRILL CHUCK 13VLRX-N	1	
* 2	339723	DRILL CHUCK 13VLRX-N (W/O CHUCK WRENCH)	1	FOR EUROPE,RUS,AUS,NZL
* 2	339724	DRILL CHUCK 13VLRX-N (W/O CHUCK WRENCH)	1	FOR USA,CAN
3	372222	GEAR BOX ASS'Y	1	INCLUD.4-29,31-38
4	339736	RETAINING RING FOR D30 SHAFT	1	
5	339740	CLUTCH DIAL	1	
6	339741	METAL	1	
7	339743	SPINDLE	1	
8	339744	CLICK SPRING	1	
9	339745	NUT	1	
10	339746	SPRING	1	
11	339747	THRUST PLATE	1	
12	339748	STOPPER	2	
13	331886	STOPPER SPRING	2	
14	372224	FRONT CASE	1	
15	371796	SLEEVE NUT M8	1	
16	371795	SLEEVE CAP	1	
17	333539	PIN SET (6 PCS.)	6	
18	328717	WASHER (B)	1	
19	339752	LOCK RING	1	
20	319744	ROLLER	4	
21	339753	RING GEAR	1	
22	339754	CARRIER	1	
23	339774	PLANET GEAR (B) SET (5 PCS.)	10	
24	331892	WASHER (A)	1	
25	372226	SHIFT DOG	1	
26	331895	SCREW SET D2 (2 PCS.)	2	
27	339755	SHIFT ARM	1	
28	372225	REAR CASE	1	
29	320087	SCREW SET M3 X 12 (4 PCS.)	4	
30	305490	TAPPING SCREW (W/FLANGE) D4 X 30 (BLACK)	4	
31	339757	PINION (C)	1	
32	339758	SLIDE RING GEAR	1	
33	339759	PINION (B)	1	
34	331926	NEEDLE BEARING SET (4 PCS.)	4	
35	334441	PLANET GEAR (A) SET (4 PCS.)	4	
36	339760	FIRST RING GEAR	1	
37	339761	WASHER (B)	1	
38	339762	MOTOR SPACER	1	
39	361070	ROTOR PINION SET	1	
40	373160	HOUSING (A).(B) SET	1	
41	373161	WIRING ASS'Y	1	INCLUD.47,49
42	327001	TRUSS HD. SCREW M4 (BLACK)	1	
43	372229	HOOK	1	
44	334267	SHIFT KNOB	1	
45	327002	LOCK NUT M4 (BLACK)	2	
* 46	306952	STRAP (BLACK)	1	EXCEPT FOR USA,CAN
47	370151	DC-SPEED CONTROL SWITCH	1	
49	372228	BATTERY TERMINAL	1	

PARTS

DS 36DA

ITEM NO.	CODE NO.	DESCRIPTION	NO. USED	REMARKS
50	339768	PUSHING BUTTON	1	
51	313687	TAPPING SCREW (W/FLANGE) D3 X 16 (BLACK)	10	
52		NAME PLATE	1	
* 53	371750	BATTERY BSL 36A18 (EUROPE,AUS,NZL)	2	INCLUD.503
* 53	372118	BATTERY BSL 36A18 (THA)	2	INCLUD.503
* 53	372121	BATTERY BSL 36B18 (USA,CAN)	2	INCLUD.503
* 54	373221	CAUTION PLATE	1	FOR USA,CAN

STANDARD ACCESSORIES

ITEM NO.	CODE NO.	DESCRIPTION	NO. USED	REMARKS
501		CHARGER (MODEL UC 18YSL3)	1	
502	371797	SIDE HANDLE	1	
503	329897	BATTERY COVER	1	
504	983006	+ DRIVER BIT NO.2 65L	1	
* 505	339778	CASE	1	
* 506	336471	CASE ASS'Y (STACKABLE 2)	1	INCLUD.507-509
* 507	336472	LATCH	4	
* 508	336473	HANDLE	1	
* 509	336474	HINGE	2	
* 510	339776	INNER TRAY	1	

OPTIONAL ACCESSORIES

ITEM NO.	CODE NO.	DESCRIPTION	NO. USED	REMARKS
* 601	303709	DEPTH GAUGE	1	
* 601	310331	DEPTH GAUGE	1	FOR USA,CAN
602	370651	SCREW SET M4	1	