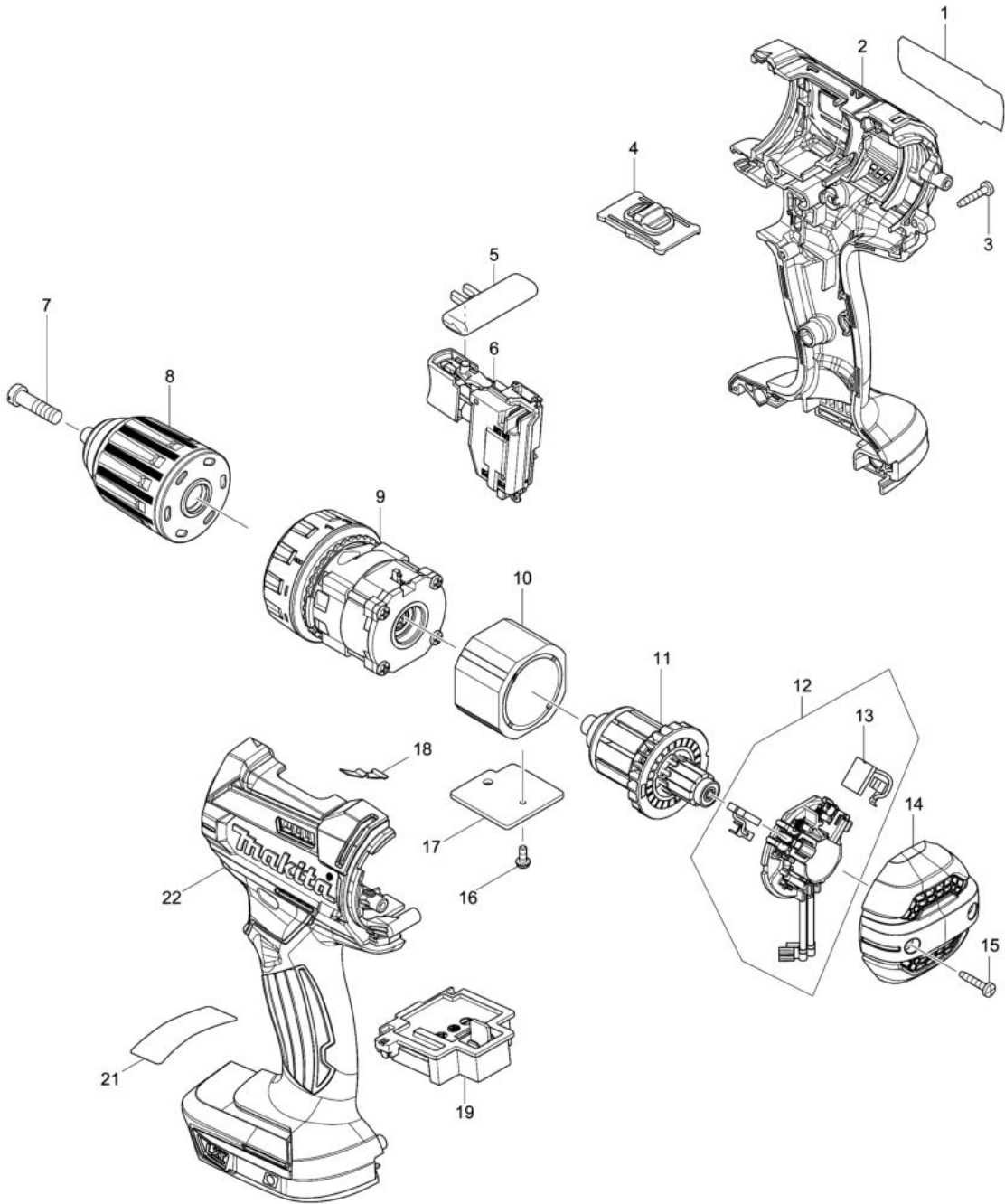


Model No.DDF482 CORDLESS DRIVER DRILL



Model No.DDF482 CORDLESS DRIVER DRILL

| Item | Parts No. | Description | I/C | Qty | New/Old | Opt. 1 | Opt. 2 | Note |
|--------|-----------|-----------------------------|-----|-----|---------|--------|--------|------|
| 001 | 851E35-2 | DDF482 NAME PLATE | | 1 | | | | |
| 002B | 183B65-0 | HOUSING SET | | 1 | | | | |
| 002C | 183B65-0 | HOUSING SET | | 1 | | | | |
| 002D | 183B65-0 | HOUSING SET | | 1 | | | | |
| 002E | 183G75-7 | HOUSING SET | | 1 | | | | |
| C10 | 263005-3 | RUBBER PIN 6 | | 2 | | | | |
| D10 | | INC. 22 | | | | | | |
| 003 | 266429-2 | TAPPING SCREW 3X16 | | 9 | * | | | |
| 003-1 | 266130-9 | TAPPING SCREW BIND PT 3X16 | O | 9 | | | | |
| 004 | 123442-2 | SPEED CHANGE LEVER ASSEMBLY | | 1 | | | | |
| C10 | 233438-6 | COMPRESSION SPRING 4 | | 2 | | | | |
| 005 | 419041-9 | F/R CHANGE LEVER | | 1 | | | | |
| 006 | 632F27-4 | SWITCH UNIT | | 1 | | | | |
| C10 | 620444-4 | LED CIRCUIT | | 1 | | | | |
| C20 | 688172-7 | LINE FILTER | | 1 | | | | |
| 007 | 251468-5 | - FLAT HEAD SCREW M6X22 | | 1 | | | | |
| 008 | 766027-7 | KEYLESS DRILL CHUCK 13 | | 1 | | | | |
| 009 | 123444-8 | GEAR ASSEMBLY | | 1 | * | | | |
| 009-1 | 127323-2 | GEAR ASSEMBLY | < | 1 | * | | | |
| 009-2 | 127511-1 | GEAR ASSEMBLY | < | 1 | | | | |
| 010B | 632F32-1 | YOKE UNIT | | 1 | * | | | |
| 010C | 632F32-1 | YOKE UNIT | | 1 | * | | | |
| 010D | 632F32-1 | YOKE UNIT | | 1 | * | | | |
| 010E | 632J70-7 | YOKE UNIT | | 1 | | | | |
| 010-1B | 632J70-7 | YOKE UNIT | < | 1 | | | | |
| 010-1C | 632J70-7 | YOKE UNIT | < | 1 | | | | |
| 010-1D | 632J70-7 | YOKE UNIT | < | 1 | | | | |
| 011 | 619380-9 | ARMATURE | | 1 | | | | |
| 012 | 632F21-6 | BRUSH HOLDER COMPLETE | | 1 | | | | |
| C10 | 688172-7 | LINE FILTER | | 1 | | | | |
| D10 | | INC. 13 | | | | | | |
| 013 | 194427-5 | CARBON BRUSH SET CB-440 | | 1 | | | | |
| 014B | 456099-7 | REAR COVER | | 1 | | | | |
| 014C | 456099-7 | REAR COVER | | 1 | | | | |
| 014D | 456099-7 | REAR COVER | | 1 | | | | |
| 014E | 457927-9 | REAR COVER | | 1 | | | | |
| 015 | 266429-2 | TAPPING SCREW 3X16 | | 2 | * | | | |
| 015-1 | 266130-9 | TAPPING SCREW BIND PT 3X16 | O | 2 | | | | |
| 016B | 911006-2 | PAN HEAD SCREW M3X8 | | 1 | * | | | |
| 016C | 911006-2 | PAN HEAD SCREW M3X8 | | 1 | * | | | |
| 016D | 911006-2 | PAN HEAD SCREW M3X8 | | 1 | * | | | |

Please order the parts with part number.

Print Date 23/6/2020

Model No.DDF482 CORDLESS DRIVER DRILL

| Item | Parts No. | Description | I/C | Qty | New/Old | Opt. 1 | Opt. 2 | Note |
|--------|-----------|--------------------------------|-----|-----|---------|--------|--------|------|
| 016-1B | 652066-2 | +PAN HEAD SCREW M3X9 WITH W | < | 1 | | | | |
| 016-1C | 652066-2 | +PAN HEAD SCREW M3X9 WITH W | < | 1 | | | | |
| 016-1D | 652066-2 | +PAN HEAD SCREW M3X9 WITH W | < | 1 | | | | |
| 016-1E | 652066-2 | +PAN HEAD SCREW M3X9 WITH W | | 1 | | | | |
| 017 | 689070-8 | HEAT SINK | | 1 | | | | |
| 018 | 232182-2 | LEAF SPRING | | 1 | | | | |
| 019 | 644808-8 | TERMINAL | | 1 | | | | |
| 022B | 183B65-0 | HOUSING SET | | 1 | | | | |
| 022C | 183B65-0 | HOUSING SET | | 1 | | | | |
| 022D | 183B65-0 | HOUSING SET | | 1 | | | | |
| 022E | 183G75-7 | HOUSING SET | | 1 | | | | |
| C10 | 263005-3 | RUBBER PIN 6 | | 2 | | | | |
| D10 | | INC. 2 | | | | | | |
| A01 | 251314-2 | + SCREW M4X12 | | 1 | | | | |
| A02 | 346317-0 | HOOK | | 1 | | | | |
| A03 | 784637-8 | +-- BIT 2-45 | | 1 | | | | |
| A04C | 821550-0 | CONNECTOR PLASTIC CASE (TYPE2) | | 1 | | | | |
| C10 | 453974-8 | LATCH | | 4 | | | | |
| A04D | 821550-0 | CONNECTOR PLASTIC CASE (TYPE2) | | 1 | | | | |
| C10 | 453974-8 | LATCH | | 4 | | | | |
| A04E | 141331-9 | PLASTIC CASE COMPLETE | | 1 | | | | |
| C10 | 324667-3 | SHAFT | | 1 | | | | |
| C20 | 417724-5 | LATCH | | 2 | | | | |
| C30 | 419216-0 | HANDLE | | 1 | | | | |
| C40 | 450830-3 | PLASTIC CASE LID | | 1 | | | | |
| C50 | 451028-5 | PLATE | | 5 | | | | |
| A05C | 450128-8 | BATTERY COVER | | 1 | | | | |
| A05D | 450128-8 | BATTERY COVER | | 1 | | | | |
| A05E | 450128-8 | BATTERY COVER | | 1 | | | | |
| A06C | ***DC18RC | DC18RC FAST CHARGER | | 1 | | | | |
| A06D | ***DC18RC | DC18RC FAST CHARGER | | 1 | | | | |
| A06E | ***DC18RC | DC18RC FAST CHARGER | | 1 | | | | |
| A07C | 197265-4 | BATTERY BL1840B SET | | 2 | * | | | |
| A07D | 197280-8 | BATTERY BL1850B SET | | 2 | * | | | |
| A07-1C | 197265-4 | BATTERY BL1840B SET | O | 2 | | | | |
| A07-1D | 197280-8 | BATTERY BL1850B SET | O | 2 | | | | |
| A07-1E | 197600-6 | BATTERY BL1830B SET | | 2 | * | | | |
| A07-2E | 197600-6 | BATTERY BL1830B SET | O | 2 | | | | |
| A08C | 837916-4 | INNER TRAY | | 1 | | | | |
| A08D | 837916-4 | INNER TRAY | | 1 | | | | |

Please order the parts with part number.

Print Date 23/6/2020

Model No.DDF482 CORDLESS DRIVER DRILL

| Item | Parts No. | Description | I/C | Qty | New/Old | Opt. 1 | Opt. 2 | Note |
|--------|-----------|-------------------------------|-----|-----|---------|--------|--------|------|
| A08E | 813C39-0 | DDF482RFEB PLASTIC CASE LABEL | | 1 | * | | | |
| A08-1E | 816F07-0 | DDF482RFEB PLASTIC CASE LABEL | X | 1 | | | | |
| A09C | 808J25-6 | DDF482RMJ INDICATION LABEL | | 1 | * | | | |
| A09D | 808V92-3 | DDF482RTJ INDICATION LABEL | | 1 | * | | | |
| A09-1C | 816F10-1 | DDF482RMJ INDICATION LABEL | O | 1 | | | | |
| A09-1D | 816F18-5 | DDF482RTJ INDICATION LABEL | O | 1 | | | | |
| A10C | 808J26-4 | DDF482RMJ PLASTIC CASE LABEL | | 2 | * | | | |
| A10D | 808V94-9 | DDF482RTJ PLASTIC CASE LABEL | | 2 | * | | | |
| A10-1C | 816F11-9 | DDF482RMJ PLASTIC CASE LABEL | X | 2 | | | | |
| A10-1D | 816F19-3 | DDF482RTJ PLASTIC CASE LABEL | X | 2 | * | | | |
| A10-2D | 816F20-8 | DDF482RTJ PLASTIC CASE LABEL | O | 2 | | | | |

Please order the parts with part number.

Print Date 23/6/2020