

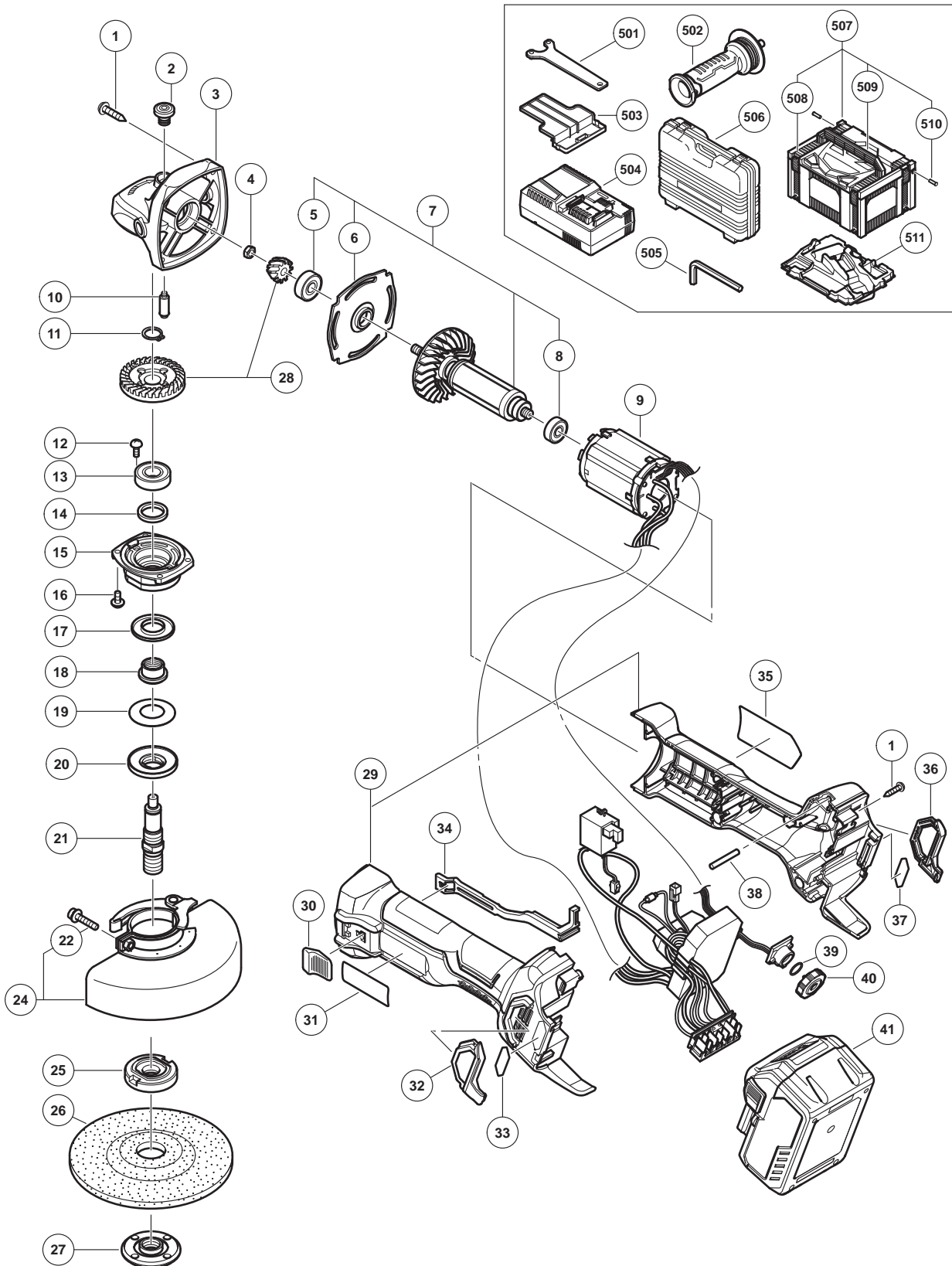
ELECTRIC TOOL PARTS LIST

■ CORDLESS DISC GRINDER

2017-12-22

Model G 3613DA

(E1)



PARTS

G 3613DA

ITEM NO.	CODE NO.	DESCRIPTION	NO. USED	REMARKS
1	328643	TAPPING SCREW (W/FLANGE) D4 X 23 (BLACK)	9	
2	301944	PUSHING BUTTON	1	
3	338332	GEAR COVER ASS'Y	1	INCLUD.2,10
4	309191	SPECIAL NUT M6	1	
5	338337	BALL BEARING 608SS	1	
6	334940	BEARING HOLDER	1	
7	361075	ROTOR ASS'Y	1	INCLUD.5,6,8
8	607VVC	BALL BEARING 607VV	1	
9	340986	WIRING SET	1	
10	301943	LOCK PIN	1	
11	939542	RETAINING RING FOR D12 SHAFT (10 PCS.)	1	
12	334942	SLOTTED HD. SCREW (SEAL LOCK) M4	2	
13	6001DD	BALL BEARING 6001DDCMPS2L	1	
14	372126	FELT PACKING	1	
15	372123	PACKING GLAND	1	
16	307127	SEAL LOCK SCREW (W/SP. WASHER) M4 X 12	4	
17	372183	FRINGER	1	
18	371672	SLEEVE (B)	1	
19	371673	BELLEVILLE SPRING (B)	1	
20	371674	SUPPORT BODY (B)	1	
21	373074	SPINDLE (C)	1	
22	316107	HEX. SOCKET HD. BOLT (W/WASHERS) M5 X 20	1	
24	337231	WHEEL GUARD ASS'Y (TOOLLESS TYPE)	1	INCLUD.22
25	371677	WHEEL WASHER (C)	1	
26	316822	D. C. WHEELS 125MM A36Q (25 PCS.)	1	
27	339579	WHEEL NUT M14	1	
28	338338	GEAR AND PINION SET	1	
29	372105	HOUSING (A).(B) SET	1	
30	314428	SLIDE KNOB	1	
31		BRAND LABEL	1	
32	372107	FILTER (A)	1	
33		MV LABEL (A)	1	
34	372106	SLIDE BAR	1	
35		NAME PLATE	1	
36	372108	FILTER (B)	1	
37		MV LABEL (B)	1	
38	338869	PIN	1	
39	987105	O-RING (S-10)	1	
40	372109	DIAL	1	
41	371750	BATTERY BSL 36A18 (EUROPE,AUS,NZL)	2	INCLUD.503

