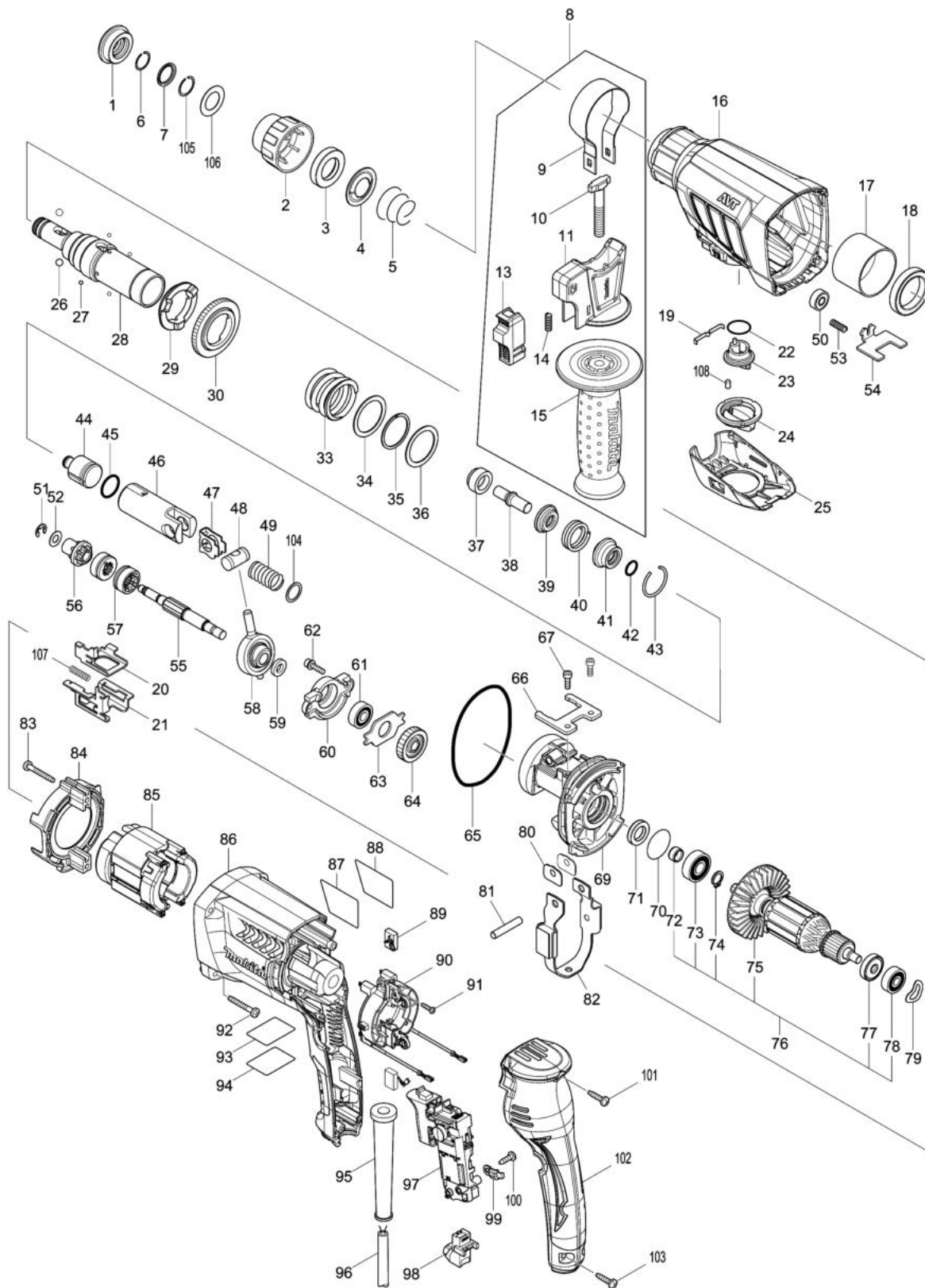


### Model No.HR2631F 26MM COMBINATION HAMMER





## Model No.HR2631F 26MM COMBINATION HAMMER

Item	Parts No.	Description	I/C	Qty	New/Old	Opt. 1	Opt. 2	Note
001	286288-8	CAP 35		1				
002	455393-4	CHUCK COVER		1				
003	325813-1	RING 21		1				
004	346177-0	GUIDE WASHER		1				
005	233916-6	CONICAL COMP. SPRING 21-29		1				
006	233989-9	RING SPRING 14		1				
007	346834-0	WASHER 16		1				
008	122878-2	GRIP ASSEMBLY		1				
D10		INC. 9-11,13-15						
009	346181-9	GRIP SPRING 50		1				
010	266349-0	SQUARE BOLT M8X50		1				
011	451539-0	GRIP BASE		1				
013	141765-6	LOCK BUTTON COMPLETE		1				
014	233360-7	COMPRESSION SPRING 4		1				
015	154935-8	GRIP 36 COMPLETE		1				
016	142970-8	GEAR HOUSING COMPLETE		1				
C10	213636-8	OIL SEAL 25		1				
017	331890-3	CUP SLEEVE		1				
018	211294-4	BALL BEARING 6806LLU		1				
019	232286-0	LEAF SPRING		1				
020	346833-2	CHANGE PLATE B		1				
021	346832-4	CHANGE PLATE A		1				
022	213278-8	O RING 17		1				
023	455392-6	CHANGE LEVER		1				
024	455394-2	CHANGE LEVER CAP		1				
025	455391-8	CHANGE LEVER COVER		1				
026	216022-2	STEEL BALL 7.0		2				
027	216019-1	STEEL BALL 3		4				
028	142972-4	TOOL HOLDER COMPLETE		1				
C10	213344-1	OIL SEAL 9		1				
029	332139-4	DRIVING FLANGE		1				
030	227360-7	SPUR GEAR 51		1				
033	234148-8	COMPRESSION SPRING 31		1				
034	267153-0	FLAT WASHER 30		1				
035	257932-4	SPIRO LOCK WASHER 30		1				
036	267153-0	FLAT WASHER 30		1				
037	325783-4	SLEEVE 9B		1				
038	325789-2	IMPACT BOLT A		1				
039	325792-3	WASHER 10		1				
040	234149-6	COMPRESSION SPRING 20		1				
041	325793-1	O-RING CASE B		1				
042	213073-6	O RING 9		1				

Please order the parts with part number.

Print Date 15/5/2019

## Model No.HR2631F 26MM COMBINATION HAMMER

Item	Parts No.	Description	I/C	Qty	New/Old	Opt. 1	Opt. 2	Note
043	233979-2	RING SPRING 28		1				
044	325784-2	STRIKER		1				
045	213258-4	O RING 17.5		1				
046	310345-1	PISTON CYLINDER		1				
047	346036-8	GUIDE PLATE		1				
048	324215-8	PISTON JOINT		1				
049	234098-7	COMPRESSION SPRING 14		1				
050	210028-2	BALL BEARING 606ZZ		1				
051	257336-0	STOP RING EXT U-6		1				
052	253186-1	FLAT WASHER 7		1				
053	233360-7	COMPRESSION SPRING 4		1				
054	346831-6	LOCK PLATE		1				
055	326448-1	CAM SHAFT		1				
056	227359-2	SPUR GEAR 10		1				
057	332125-5	CLUTCH CAM		2				
058	219023-9	SWASH BEARING 10		1				
059	257321-3	RING 8		1				
060	310344-3	BEARING BOX		1				
061	211032-4	BALL BEARING 608ZZ		1				
062	266437-3	HEX. SOCKET HEAD BOLT M4X16		2				
063	285735-6	BEARING RETAINER		1				
064	227719-8	HELICAL GEAR 26		1				
065	213728-3	O-RING 68		1				
066	346222-1	PLATE		1				
067	265353-6	HEX. SOCKET HEAD BOLT M4X12		2				
069	141573-5	INNER HOUSING COMPLETE		1				
C10	443153-6	FELT		1				
070	213407-3	O RING 26		1				
071	213678-2	OIL SEAL 12		1				
072	262569-4	SLEEVE 9		1				
073	211097-6	BALL BEARING 6000LLB		1				
074	961006-2	RETAINING RING S-10		1				
075	240121-8	FAN 65		1				
076	515359-7	ARMATURE ASSEMBLY 240V		1				
D10		INC. 72-75,77,78						
077	681652-2	INSULATION WASHER		1				
078	210023-2	BALL BEARING 627DDW		1				
079	267804-5	WAVE WASHER 15		1				
080	346180-1	WEIGHT HOLDER GUIDE		2				
081	256246-8	PIN 6		1				
082	165593-5	COUNTER WEIGHT		1				

Please order the parts with part number.

Print Date 15/5/2019

## Model No.HR2631F 26MM COMBINATION HAMMER

Item	Parts No.	Description	I/C	Qty	New/Old	Opt. 1	Opt. 2	Note
083	266361-0	TAPPING SCREW 4X30		2				
084	451527-7	BAFFLE PLATE		1				
085	626634-7	FIELD 240V		1				
086	451535-8	MOTOR HOUSING		1				
087	850L56-3	HR2631F NAME PLATE		1				
088	819390-8	CLEAR LABEL		1	*			
088-1	816R90-9	CLEAR LABEL	O	1	*			
089	194074-2	CARBON BRUSH CB-325		1				
090	638655-7	BRUSH HOLDER UNIT		1				
091	266556-5	TAPPING SCREW 3X12		2				
092	266361-0	TAPPING SCREW 4X30		4				
093	850L61-0	HR2631F SERIAL NO. LABEL		1				
094	819389-3	CLEAR LABEL		1	*			
094-1	816R89-4	CLEAR LABEL	O	1	*			
095	682566-8	CORD GUARD 10		1				
096	665890-4	POWER SUPPLY CORD 1.0-2-4.0		1				
097	650625-6	SWITCH		1	*			
097-1	651090-2	SWITCH TG853TB-3	O	1				
098	631937-6	LIGHT CIRCUIT		1				
099	687682-1	STRAIN RELIEF		1				
100	266385-6	TAPPING SCREW 4X14		1				
101	266326-2	TAPPING SCREW 4X18		1				
102	451528-5	HANDLE COVER		1				
103	266326-2	TAPPING SCREW 4X18		2				
104	267447-3	FLAT WASHER 14		1				
105	233992-0	RING SPRING 15		1				
106	267114-0	FLAT WASHER 17		1				
107	234343-0	COMPRESSION SPRING 5		1				
108	263005-3	RUBBER PIN 6		1				
A01	331886-4	DEPTH GAUGE		1				
A02	821550-0	CONNECTOR PLASTIC CASE (TYPE2)		1				
C10	453974-8	LATCH		4				
A03	805S52-8	HR2631FJ PLASTIC CASE LABEL		2	*			
A03-1	816T79-9	HR2631FJ PLASTIC CASE LABEL	X	2				
A04	805S51-0	HR2631FJ INDICATION LABEL		1	*			
A04-1	816T78-1	HR2631FJ INDICATION LABEL	O	1				
A05	837651-4	INNER TRAY		1				
A07	198993-4	GREASE VESSEL SET		1				

Please order the parts with part number.

Print Date 15/5/2019