



**FIELDMANN®**  
Home & Garden Performance



FDZN 4001

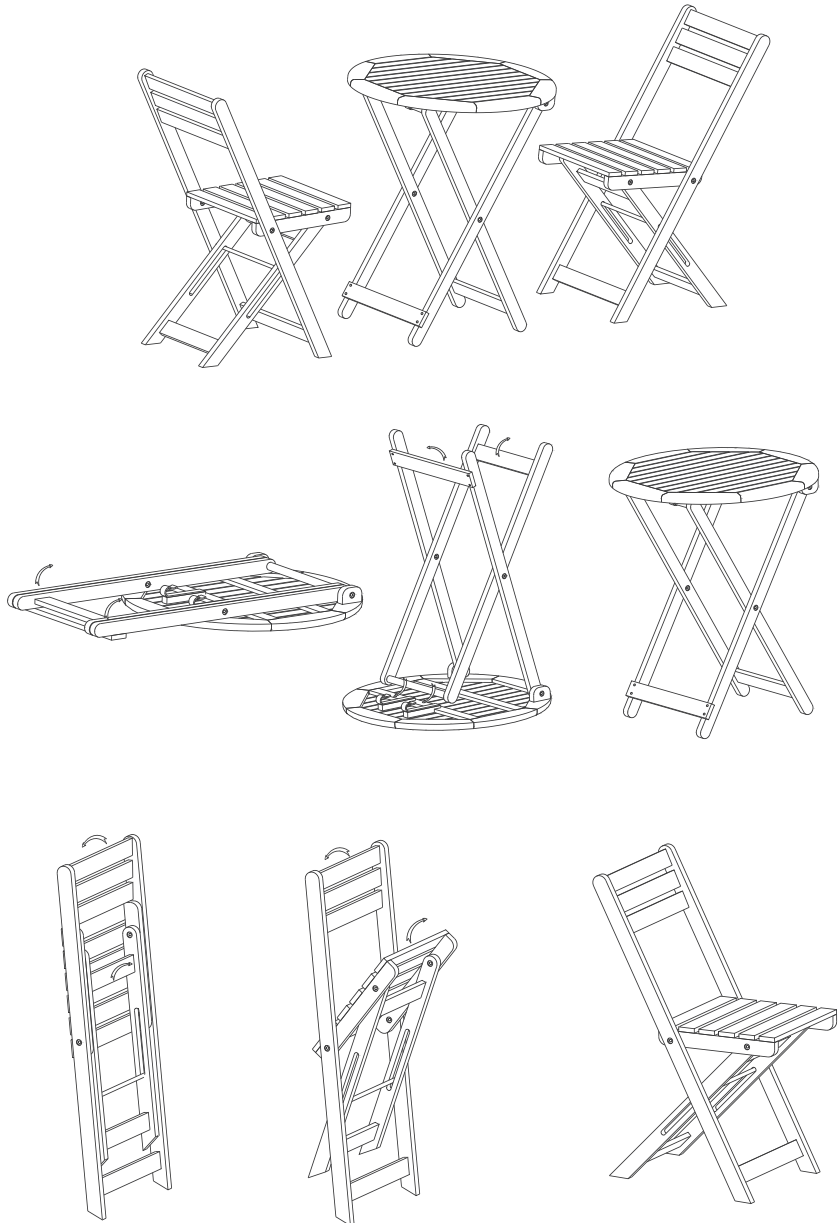


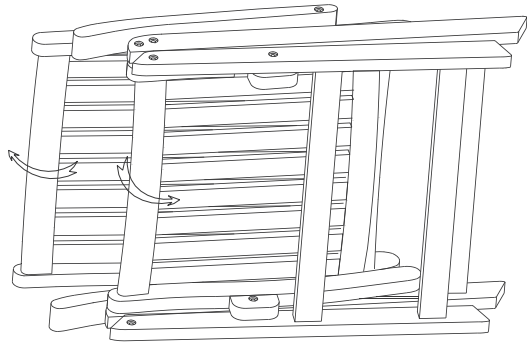
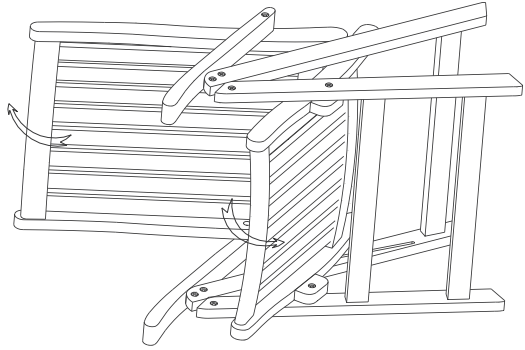
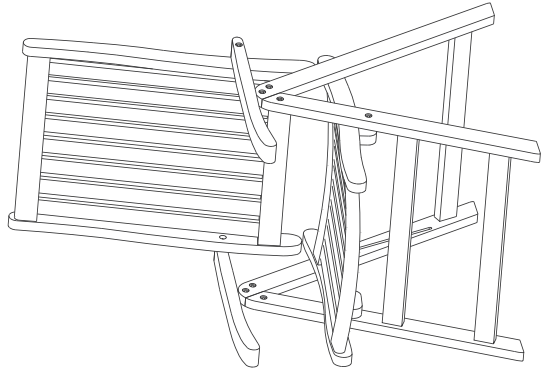
FDZN 4002



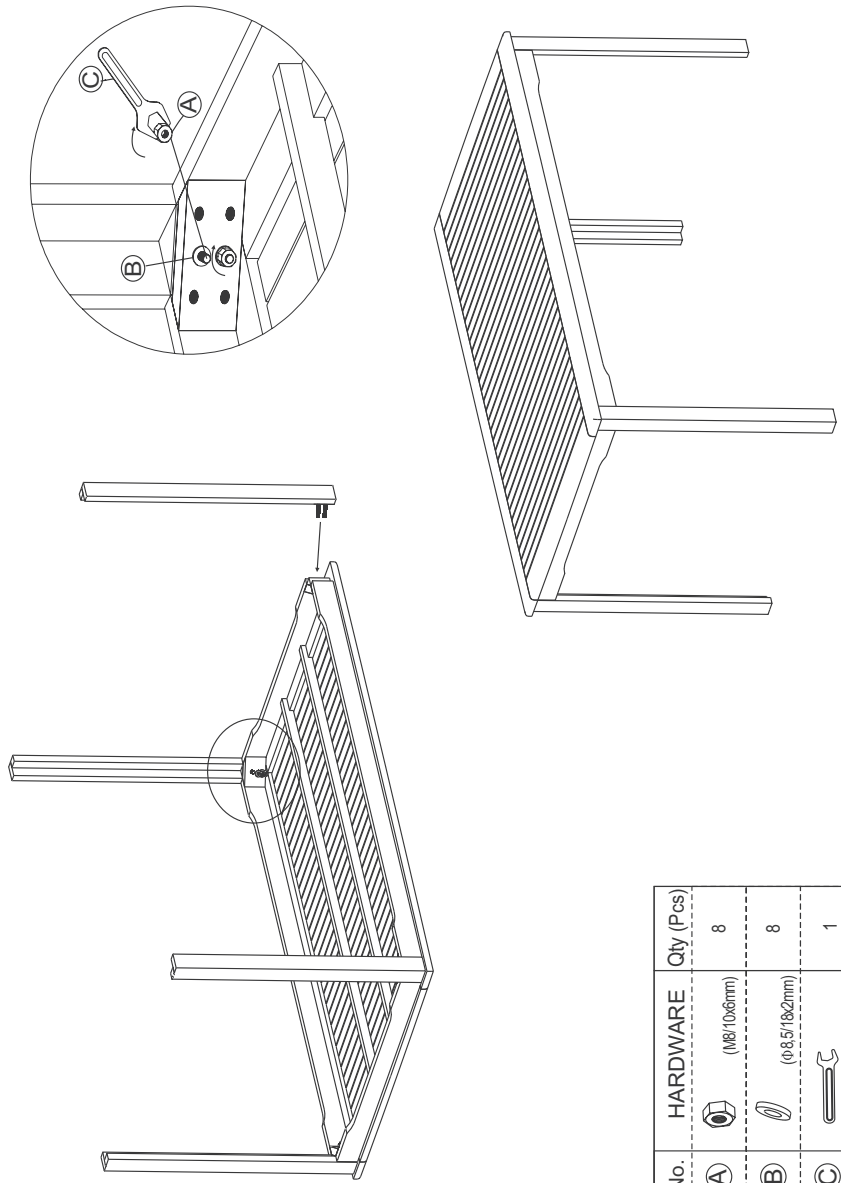
FDZN 4003




---





ASSEMBLY INSTRUCTION



No.	HARDWARE	Qty (Pcs)
A	 (M8*10x6mm)	8
B	 (φ8.5/18x2mm)	8
C		1



 **FIELDMANN**<sup>®</sup>  
Home & Garden Performance

