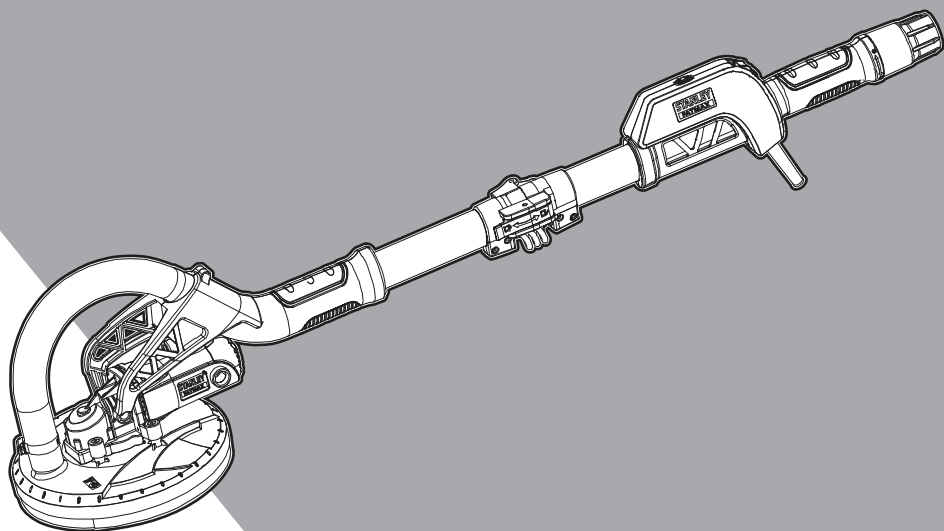


STANLEY®

FATMAX®



www.stanley.eu

SFMEE500

EN

DE

FR

IT

NL

ES

PT

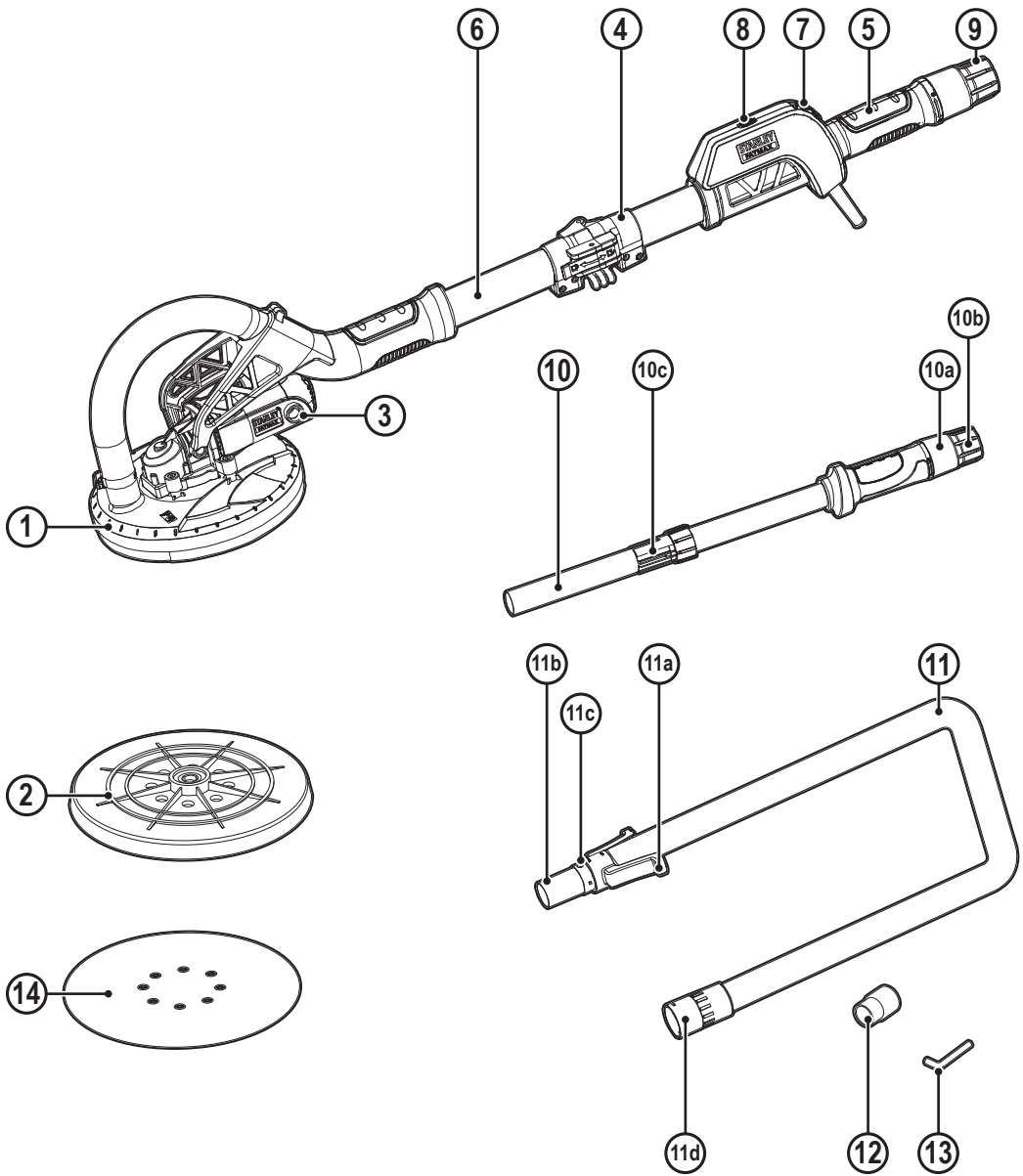
SV

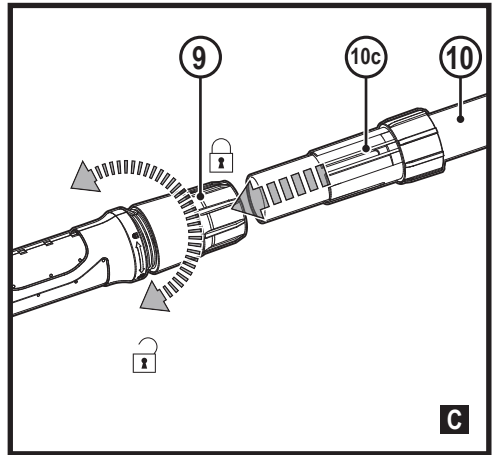
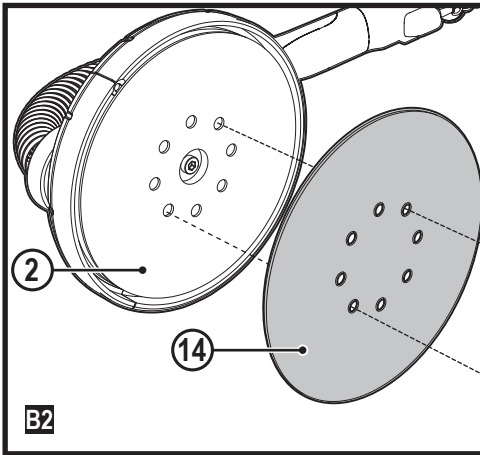
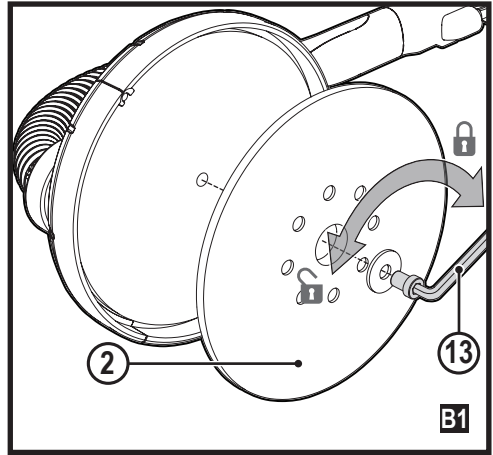
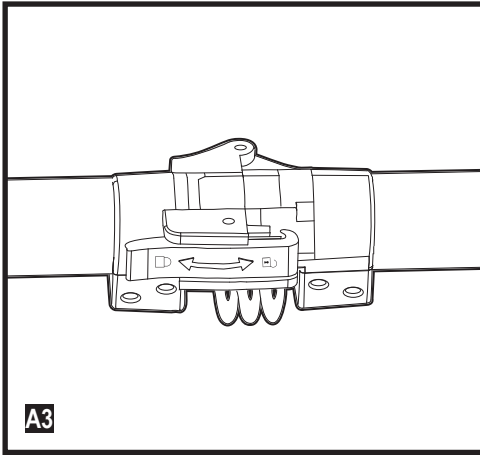
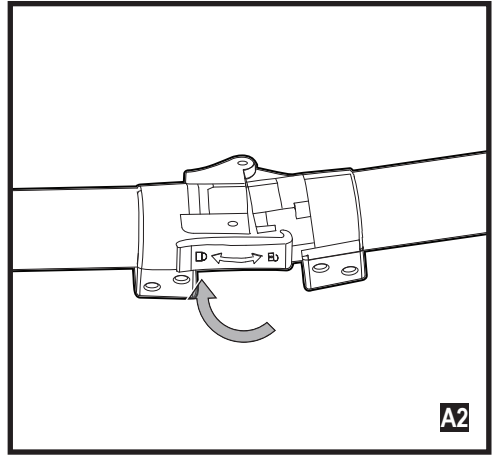
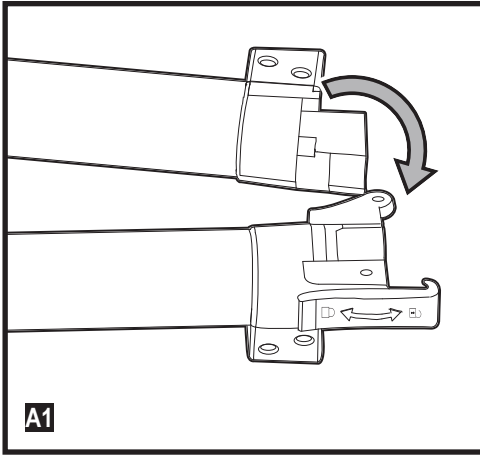
NO

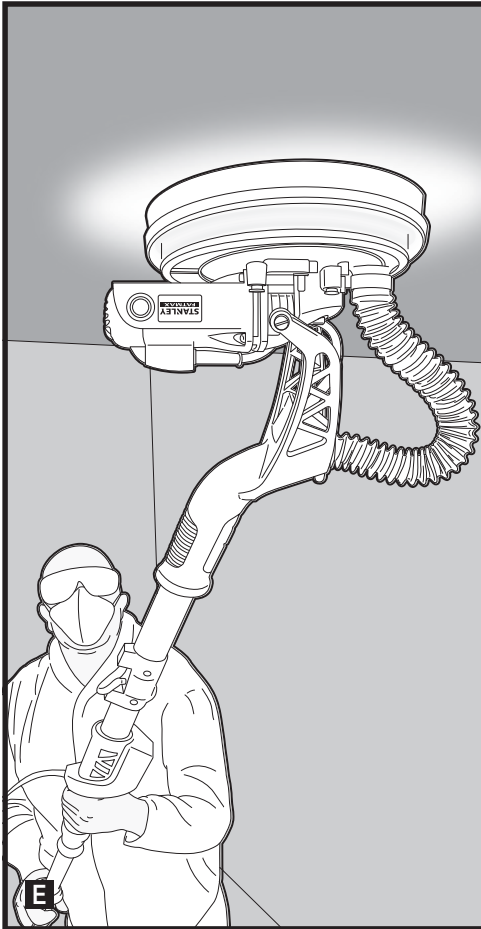
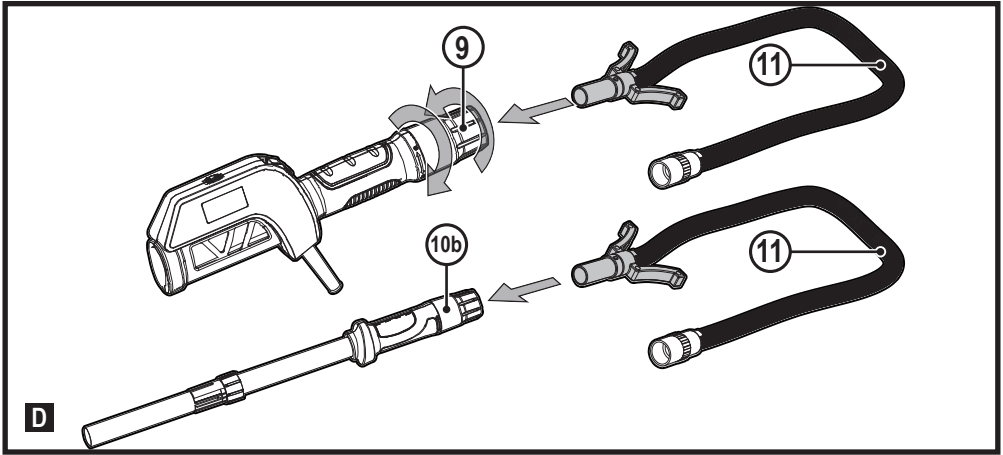
DK

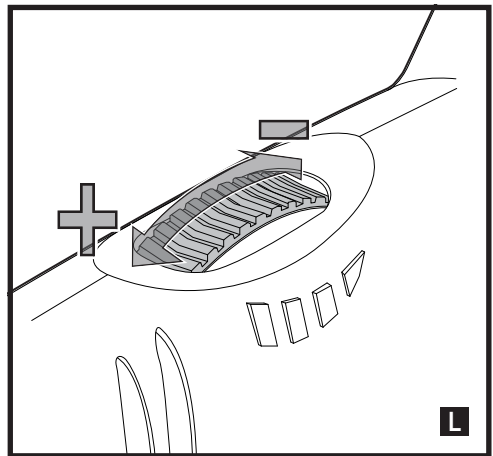
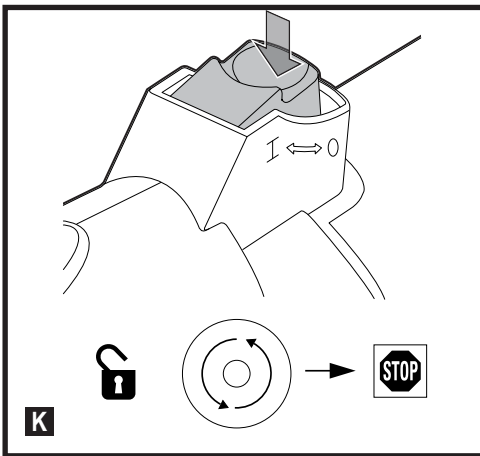
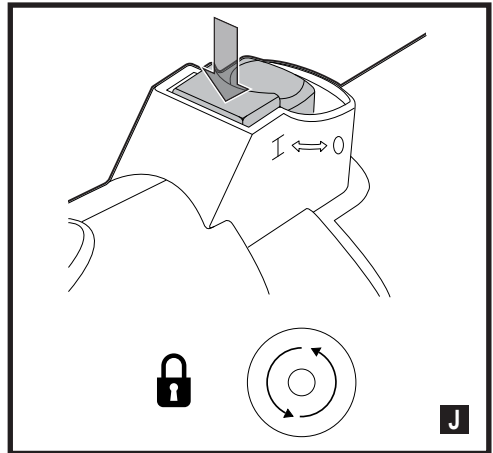
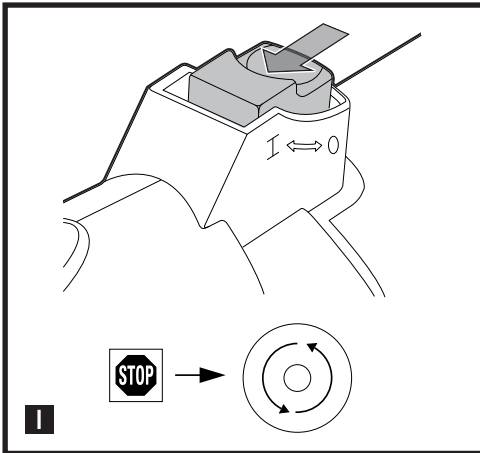
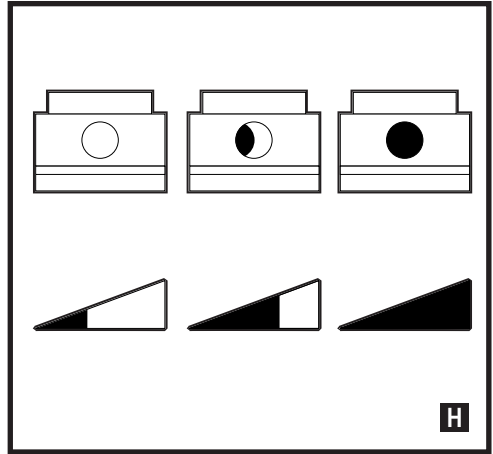
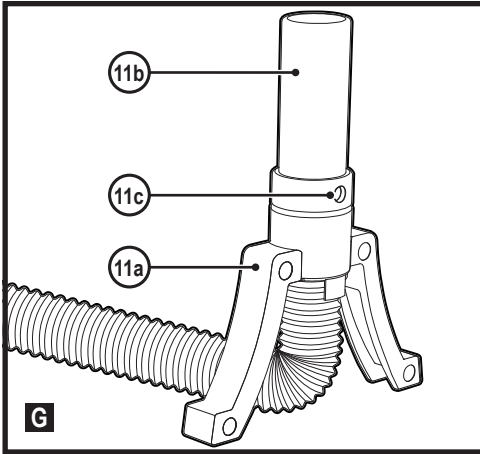
FI

EL









Intended use

Your STANLEY FAT MAX SFMEE500 wall sander has been designed for sanding walls and ceilings. This appliance is intended for professional and private, non professional users.

Safety instructions

General power tool safety warnings



Warning! Read all safety warnings, instructions, illustrations and specifications provided with this power tool. Failure to follow the warnings and instructions listed below may result in electric shock, fire and/or serious injury..

Save all warnings and instructions for future reference.

The term "power tool" in all of the warnings listed below refers to your mains operated (corded) power tool or battery operated (cordless) power tool.

1. **Work area safety**
 - a. **Keep work area clean and well lit.** Cluttered or dark areas invite accidents.
 - b. **Do not operate power tools in explosive atmospheres, such as in the presence of flammable liquids, gases or dust.** Power tools create sparks which may ignite the dust or fumes.
 - c. **Keep children and bystanders away while operating a power tool.** Distractions can cause you to lose control.
2. **Electrical safety**
 - a. **Power tool plugs must match the outlet. Never modify the plug in any way.**
Do not use any adapter plugs with earthed (grounded) power tools.
Unmodified plugs and matching outlets will reduce risk of electric shock.
 - b. **Avoid body contact with earthed or grounded surfaces such as pipes, radiators, ranges and refrigerators.** There is an increased risk of electric shock if your body is earthed or grounded.
 - c. **Do not expose power tools to rain or wet conditions.** Water entering a power tool will increase the risk of electric shock.
 - d. **Do not abuse the cord. Never use the cord for carrying, pulling or unplugging the power tool. Keep cord away from heat, oil, sharp edges or moving parts.** Damaged or entangled cords increase the risk of electric shock.
 - e. **When operating a power tool outdoors, use an extension cord suitable for outdoor use.** Use of a cord suitable for outdoor use reduces the risk of electric shock.
3. **Personal safety**
 - a. **Stay alert, watch what you are doing and use common sense when operating a power tool.**
Do not use a power tool while you are tired or under the influence of drugs, alcohol or medication. A moment of inattention while operating power tools may result in serious personal injury.
 - b. **Use personal protective equipment. Always wear eye protection.** Protective equipment such as dust mask, non-skid safety shoes, hard hat, or hearing protection used for appropriate conditions will reduce personal injuries.
 - c. **Prevent unintentional starting. Ensure the switch is in the off-position before connecting to power source and/or battery pack, picking up or carrying the tool.** Carrying power tools with your finger on the switch or energising power tools that have the switch on invites accidents.
 - d. **Remove any adjusting key or wrench before turning the power tool on.** A wrench or a key left attached to a rotating part of the power tool may result in personal injury.
 - e. **Do not overreach. Keep proper footing and balance at all times.** This enables better control of the power tool in unexpected situations.
 - f. **Dress properly. Do not wear loose clothing or jewellery. Keep your hair, clothing and gloves away from moving parts.** Loose clothes, jewellery or long hair can be caught in moving parts.
 - g. **If devices are provided for the connection of dust extraction and collection facilities, ensure these are connected and properly used.** Use of dust collection can reduce dust-related hazards.
 - h. **Do not let familiarity gained from frequent use of tools allow you to become complacent and ignore tool safety principles.** A careless action can cause severe injury within a fraction of a second.
4. **Power tool use and care**
 - a. **Do not force the power tool. Use the correct power tool for your application.**
The correct power tool will do the job better and safer at the rate for which it was designed.
 - b. **Do not use the power tool if the switch does not turn it on and off.** Any power tool that cannot be controlled with the switch is dangerous and must be repaired.
- f. **If operating a power tool in a damp location is unavoidable, use a residual current device (RCD) protected supply.** Use of an RCD reduces the risk of electric shock.

- c. **Disconnect the plug from the power source and/or the battery pack from the power tool before making any adjustments, changing accessories, or storing power tools.** Such preventive safety measures reduce the risk of starting the power tool accidentally.
- d. **Store idle power tools out of the reach of children and do not allow persons unfamiliar with the power tool or these instructions to operate the power tool.**

Power tools are dangerous in the hands of untrained users.

- e. **Maintain power tools and accessories. Check for misalignment or binding of moving parts, breakage of parts and any other condition that may affect the power tools operation. If damaged, have the power tool repaired before use.** Many accidents are caused by poorly maintained power tools.
- f. **Keep cutting tools sharp and clean.** Properly maintained cutting tools with sharp cutting edges are less likely to bind and are easier to control.
- g. **Use the power tool, accessories and tool bits etc. in accordance with these instructions, taking into account the working conditions and the work to be performed.**

Use of the power tool for operations different from those intended could result in a hazardous situation.

- h. **Keep handles and grasping surfaces dry, clean and free from oil and grease.** Slippery handles and grasping surfaces do not allow for safe handling and control of the tool in unexpected situations.

6. Service

- a. **Have your power tool serviced by a qualified repair person using only identical replacement parts.**

This will ensure that the safety of the power tool is maintained.

Additional power tool safety warnings



Warning! Additional safety warnings for wall sanders.

- ◆ **This power tool is intended to function as a sander. Read all safety warnings, instructions, illustrations and specifications provided with this power tool.** Failure to follow all instructions listed below may result in electric shock, fire and/or serious injury.
- ◆ **Operations such as grinding, wire brushing, polishing or cutting-off are not recommended to be performed with this power tool.** Operations for which the power tool was not designed may create a hazard and cause personal injury.
- ◆ **Do not use accessories which are not specifically designed and recommended by the tool manufacturer.**

Just because the accessory can be attached to your power tool, it does not assure safe operation.

- ◆ **The rated speed of the accessory must be at least equal to the maximum speed marked on the power tool.** Accessories running faster than their rated speed can break and fly apart.
- ◆ **The outside diameter and the thickness of your accessory must be within the capacity rating of your power tool.** Incorrectly sized accessories cannot be adequately guarded or controlled.
- ◆ **Threaded mounting of accessories must match the grinder spindle thread. For accessories mounted by flanges, the arbour hole of the accessory must fit the locating diameter of the flange.** Accessories that do not match the mounting hardware of the power tool will run out of balance, vibrate excessively and may cause loss of control.
- ◆ **Do not use a damaged accessory. Before each use inspect the accessory such as abrasive wheels for chips and cracks, backing pad for cracks, tear or excess wear, wire brush for loose or cracked wires. If the power tool or accessory is dropped, inspect for damage or install an undamaged accessory. After inspecting and installing an accessory, position yourself and bystanders away from the plane of the rotating accessory and run the power tool at maximum no load speed for one minute.** Damaged accessories will normally break apart during this test time.
- ◆ **Wear personal protective equipment .Depending on application, use face shield, safety goggles or safety glasses. As appropriate, wear dust mask, hearing protectors, gloves and shop apron capable of stopping small abrasive or workpiece fragments.** The eye protection must be capable of stopping flying debris generated by various operations. The dust mask or respirator must be capable of filtering particles generated by your operation. Prolonged exposure to high intensity noise may cause hearing loss.
- ◆ **Keep bystanders a safe distance away from work area. Anyone entering the work area must wear personal protective equipment.** Fragments of the workpiece or of a broken accessory may fly away and cause injury beyond the immediate area of operation.
- ◆ **Hold the power tool by insulated gripping surfaces only, when performing an operation where the cutting accessory may contact hidden wiring or its own cord.** Cutting accessory contacting a "live" wire may make exposed metal parts of the power tool "live" and could give the operator an electric shock.

- ◆ **Position the cord clear of the spinning accessory.** If you lose control, the cord may be cut or snagged and your hand or arm may be pulled into the spinning accessory.
- ◆ **Never lay the power tool down until the accessory has come to a complete stop.** The spinning accessory may grab the surface and pull the power tool out of your control.
- ◆ **Do not run the power tool while carrying it at your side.** Accidental contact with the spinning accessory could snag your clothing, pulling the accessory into your body.
- ◆ **Regularly clean the power tool's air vents.** The motor's fan will draw the dust inside the housing and excessive accumulation of powdered metal may cause electrical hazards.
- ◆ **Do not operate the power tool near flammable materials.** Sparks could ignite these materials.
- ◆ **Do not use accessories that require liquid coolants.** Using water or other liquid coolants may result in electrocution or shock.

Further safety instructions

Kickback and related warnings

Kickback is a sudden reaction to a pinched or snagged rotating wheel, backing pad, brush or any other accessory. Pinching or snagging causes rapid stalling of the rotating accessory which in turn causes the uncontrolled power tool to be forced in the direction opposite of the accessory's rotation at the point of the binding.

For example, if an abrasive wheel is snagged or pinched by the workpiece, the edge of the wheel that is entering into the pinch point can dig into the surface of the material causing the wheel to climb out or kick out. The wheel may either jump toward or away from the operator, depending on direction of the wheel's movement at the point of pinching. Abrasive wheels may also break under these conditions.

Kickback is the result of power tool misuse and/or incorrect operating procedures or conditions and can be avoided by taking proper precautions as given below.

- ◆ **Maintain a firm grip on the power tool and position your body and arm to allow you to resist kickback forces. Always use auxiliary handle, if provided, for maximum control over kickback or torque reaction during start-up.** The operator can control torque reactions or kickback forces, if proper precautions are taken.
- ◆ **Never place your hand near the rotating accessory.** Accessory may kickback over your hand.
- ◆ **Do not position your body in the area where power tool will move if kickback occurs.**

Kickback will propel the tool in direction opposite to the wheel's movement at the point of snagging.

- ◆ **Use special care when working corners, sharp edges etc. Avoid bouncing and snagging the accessory.** Corners, sharp edges or bouncing have a tendency to snag the rotating accessory and cause loss of control.
- ◆ **Do not attach a saw chain woodcarving blade or toothed saw blade.** Such blades create frequent kickback and loss of control.

Additional safety instructions for sanding operations

Safety Warnings Specific for Sanding Operations:

- ◆ **Do not use excessively oversized sanding disc paper. Follow manufacturers recommendations, when selecting sanding paper.** Larger sanding paper extending beyond the sanding pad presents a laceration hazard and may cause snagging, tearing of the disc or kickback.

Safety of others

- ◆ This tool is not intended for use by persons (including children) with reduced physical, sensory or mental capabilities, or lack of experience and knowledge, unless they have been given supervision or instruction concerning use of the appliance by a person responsible for their safety.
- ◆ Children should be supervised to ensure that they do not play with the appliance.

Residual risks

Additional residual risks may arise when using the tool which may not be included in the enclosed safety warnings. These risks can arise from misuse, prolonged use etc.

Even with the application of the relevant safety regulations and the implementation of safety devices, certain residual risks can not be avoided. These include:

- ◆ Injuries caused by touching any rotating/moving parts.
- ◆ Injuries caused when changing any parts, blades or accessories.
- ◆ Injuries caused by prolonged use of a tool. When using any tool for prolonged periods ensure you take regular breaks.
- ◆ Impairment of hearing.
- ◆ Health hazards caused by breathing dust developed when using your tool (example:- working with wood, especially oak, beech and MDF.)

Vibration

The declared vibration emission values stated in the technical data and the declaration of conformity have been measured in accordance with a standard test method provided by EN60745 and may be used for comparing one tool with another.

The declared vibration emission value may also be used in a preliminary assessment of exposure.

Warning! The vibration emission value during actual use of the power tool can differ from the declared value depending on the ways in which the tool is used. The vibration level may increase above the level stated.

When assessing vibration exposure to determine safety measures required by 2002/44/EC to protect persons regularly using power tools in employment, an estimation of vibration exposure should consider, the actual conditions of use and the way the tool is used, including taking account of all parts of the operating cycle such as the times when the tool is switched off and when it is running idle in addition to the trigger time.

Labels on tool

The following pictograms along with the date code are shown on the tool:



Warning! To reduce the risk of injury, the user must read the instruction manual.



Wear ear protectors with impact drills. Exposure to noise can cause hearing loss.



Wear safety glasses or goggles.



Wear a dust mask.

Electrical safety



This tool is double insulated; therefore no earth wire is required. Always check that the power supply corresponds to the voltage on the rating plate.

- ◆ If the supply cord is damaged, it must be replaced by the manufacturer or an authorised STANLEY FAT MAX Service Centre in order to avoid a hazard.

Features

This appliance includes some or all of the following features.

1. Round sanding head
2. Round sanding pad (hook & loop system)
3. Motor housing
4. Folding lock
5. Main handle

6. Shaft
7. On/ Off switch
8. Electronic speed control wheel
9. Dust extraction outlet (with locking sleeve)
10. Extension shaft
- 10a. Rear handle
- 10b. Dust extraction outlet (with locking sleeve)
- 10c. Sleeve
11. Vacuum hose
- 11a. Support adaptor
- 11b. Connector (pre-assembled) (38mm)
- 11c. Suction power adjustment ring
- 11d. Vacuum adaptor (pre-assembled) (47mm)
12. Vacuum adaptor (pre-assembled) (35mm)
13. Hex wrench
14. Round sanding disc

Use

Warning! Let the tool work at its own pace.

Do not overload.

- ◆ Before using the tool for the first time, it is recommended to receive practical information.
- ◆ Always check that the supply voltage is the same as the voltage indicated on the nameplate of the tool.
- ◆ Use suitable detectors to find hidden utility lines or call the local utility company for assistance (contact with electric lines can lead to fire or electrical shock; damaging a gas line can result in an explosion; penetrating a water pipe will cause property damage or an electrical shock).
- ◆ Do not work materials containing asbestos (asbestos is considered carcinogenic).
- ◆ Dust from material such as paint containing lead, some wood species, minerals and metal may be harmful (contact with or inhalation of the dust may cause allergic reactions and/or respiratory diseases to the operator or bystanders); wear a dust mask and work with a dust extraction device when connectable.
- ◆ Certain kinds of dust are classified as carcinogenic (such as oak and beech dust) especially in conjunction with additives for wood conditioning; wear a dust mask and work with a dust extraction device when connectable.
- ◆ Follow the dust-related national requirements for the materials you want to work with.
- ◆ Do not clamp the tool in a vice.
- ◆ Use completely unrolled and safe extension cords with a capacity of 16 Amps.

After use

- ◆ After switching off the tool, never stop the rotation of the accessory by a lateral force applied against it.

Assembly and adjustment

Warning! To reduce the risk of serious personal injury, turn tool off and disconnect tool from power source before making any adjustments or removing/installing attachments or accessories. Before reconnecting the tool, depress and release the trigger switch to ensure that the tool is off. An accidental start-up can cause injury.

Assemble foldable shaft (Fig. A1, A2, A3)

- ◆ Fully unfold the upper shaft and lower shaft (Fig. A1).
- ◆ Push the folding lock (4) to the right position and keep the tip adjacent to the handle (Fig. A2).
- ◆ Press down the folding lock (4) to lock the shaft (Fig. A3).
- ◆ Release the folding lock to fold the shaft.

Replace sanding pad (Fig. B1)

- ◆ Insert the hex wrench (13) (size 5) into the hexagonal screw bolt on the sanding block.
- ◆ Hold the sanding pad firmly, and then turn the wrench counter clockwise to dismount the pad.
- ◆ Install new sanding pad by tightening the bolt.

Attaching and changing sanding disc (Fig. B2)

- ◆ Place the sanding disc (14) in the center of the sanding pad (2) and press on. The holes in the sanding disc must be in alignment with the extraction holes in the sanding pad.
- ◆ For round sanding pad only: conduct a test run to check that the sanding disc is clamped in the centre.

The LED light

- ◆ 10W LED lights surrounding the pad lighten the cupped and raised spots on the wall or ceiling, enable you to work efficiently and deliver a better sanding result as shown in figures E and F.

Extension shaft (optional) (Fig. C)

- ◆ Use the extension shaft (10) according to the intended operation for higher work surface.
- ◆ Loosen the sleeve on the dust extraction outlet (9) of the shaft. Do not remove the sleeve from the outlet.
- ◆ Align the rear handle (10a) with the main handle (5) and insert the sleeve (10c) on the extension shaft (10) into the outlet (9) with a twist motion all the way to the top.
- ◆ Adjust the length of the extension shaft (10) if necessary. Pay attention to the marking "max 1.8m" on the extension shaft. Tighten the sleeve (9) after assembling/adjusting the extension shaft.

Dust suction (Fig. D)

- ◆ Loosen the sleeve on the dust extraction outlet (9) or (10b) by turning it in the direction of the unlocking symbol on the tool handle.

- ◆ Insert vacuum hose (11) into the end of the tool handle as illustrated.
- ◆ Tighten locking knob for length adjustment (9) by turning it in the direction of the locking symbol on the tool handle.
- ◆ Connect the vacuum hose with the Ø 47 mm adapter (11d) or with the Ø35mm adapter (12) directly to an industrial vacuum cleaner (remove vacuum cleaner hose first).
- ◆ You can also connect vacuum hose with one adapter to an industrial Vacuum cleaner without removing the vacuum cleaner hose.

Support adaptor/airflow control (Fig. G, H)

- ◆ Support adaptor (11a) protects the hose from damage when putting the tool aside during work breaks (Fig. G).
- ◆ Control the airflow by sliding suction power adjustment ring (11c) over the airvent in tool connector (11b).
- ◆ The vacuuming power is at its lowest level when the air vent is fully visible (Fig. H).

Switching the machine on and off (Fig. I, J, K)

- ◆ Turn the wall sander on/off using the switch (7).

Electronic speed control

- ◆ Adjust the speed by turning the speed wheel (8), user can choose different speed for different sanding surface.
- ◆ Keep the machine running at the same speed as selected. Do not overload by excessive pressure.

Sanding operations

- ◆ Once the machine and vacuum cleaner are set up and all safety measures and equipment are in place, begin by turning on the vacuum cleaner and then the machine. (If you are using a vacuum cleaner with integrated switching, then simply turn the machine on.)

Round sanding head

- ◆ Begin sanding and carefully contact the work surface as lightly as possible-just enough to keep the sanding head flat against the surface.
- ◆ The best technique is to use overlapping sweeps and keep the head in constant motion with appropriate lasting time. Never keep sanding too long in any one place or there will be swirl marks.
- ◆ Take the machine from the work surface before turning off.

Warning! Ensure that the sanding disc you are using is suited to the task. Overly coarse grit paper may remove material too quickly to control. While overly fine grit paper may not sand the surface quickly.

Warning! Take care to avoid sharp projections and nails, etc.

This will wipe out the sandpaper and probably damage the sponge pad as well.

Maintenance

Your STANLEY FAT MAX tool has been designed to operate over a long period of time with a minimum of maintenance. Continuous satisfactory operation depends upon proper tool care and regular cleaning.

Protecting the environment



Separate collection. Products and batteries marked with this symbol must not be disposed of with normal household waste.

Products and batteries contain materials that can be recovered or recycled reducing the demand for raw materials. Please recycle electrical products and batteries according to local provisions. Further information is available at www.2helpU.com

Technical data

		SFMEE500
Voltage	V _{AC}	220 - 240
Frequency	Hz	50 / 60
Power input	W	750
Rated speed	min ⁻¹	600 - 1700
Round sanding pad	mm	215
Spindle thread size		M6
Weight	kg	3.75

Level of sound pressure according to EN60745:	
Sound pressure (L _{PA})	89 dB(A), uncertainty (K) 3 dB(A)
Sound power (L _{WA})	100,5 dB(A), uncertainty (K) 3 dB(A)

Vibration total values (triax vector sum) according to EN60745:	
(a _v)	2,7 m/s ² , uncertainty (K) 1.5 m/s ²

EC declaration of conformity

MACHINERY DIRECTIVE



SFMEE500 - Wall sander

Stanley Fat Max declares that these products described under 2006/42/EC, EN 60745-1:2009 + A11:2010; EN 60745-2-3:2011 + A2:2013 + A11:2014 + A12:2014 + A13:2015

These products also comply with Directive 2014/30/EU and 2011/65/EU. For more information, please contact Black & Decker at the following address or refer to the back of the manual.

For more information, please contact Stanley Fat Max at the following address or refer to the back of the manual. The undersigned is responsible for compilation of the technical file and makes this declaration on behalf of Stanley Fat Max.

A.P. Smith
Technical Director

Stanley Fat Max Europe, Egide Walschaertsstraat14-18,
2800 Mechelen, Belgium
12/07/2019

Guarantee

Stanley Fat Max is confident of the quality of its products and offers consumers a 12 month guarantee from the date of purchase. This guarantee is in addition to and in no way prejudices your statutory rights. The guarantee is valid within the territories of the Member States of the European Union and the European Free Trade Area.

To claim on the guarantee, the claim must be in accordance with Stanley Fat Max Terms and Conditions and you will need to submit proof of purchase to the seller or an authorised repair agent. Terms and conditions of the Stanley Fat Max 1 year guarantee and the location of your nearest authorised repair agent can be obtained on the Internet at www.2helpU.com, or by contacting your local Stanley Fat Max office at the address indicated in this manual.

Please visit our website www.stanley.eu/3 to register your new Stanley Fat Max product and receive updates on new products and special offers.

(Übersetzung der ursprünglichen Anweisungen)

Verwendungszweck

Ihr STANLEY FAT MAX Wandschleifer SFE500 wurde zum Schleifen von Wänden und Decken entwickelt. Dieses Gerät ist für professionelle sowie für private, nicht professionelle Benutzer vorgesehen.

Sicherheitshinweise

Allgemeine Sicherheitswarnhinweise für Elektrowerkzeuge



Warnung! Machen Sie sich mit allen Sicherheitswarnungen, Anweisungen, Abbildungen und Spezifikationen vertraut, die mit diesem Elektrowerkzeug geliefert werden. Das Nichtbeachten der nachfolgenden Warnhinweise und Anweisungen kann zu elektrischem Schlag, Brand und/oder schweren Verletzungen führen.

Bewahren Sie alle Warnhinweise und alle Anweisungen auf. Der Begriff „Elektrowerkzeug“ in allen folgenden Warnhinweisen bezieht sich auf Ihr netzbetriebenes Elektrowerkzeug (mit Kabel) oder auf Ihr akkubetriebenes (kabelloses) Elektrowerkzeug.

1. Sicherheit im Arbeitsbereich

- a. **Halten Sie den Arbeitsbereich sauber und gut ausgeleuchtet.** Unaufgeräumte oder dunkle Bereiche begünstigen Unfälle.
- b. **Betreiben Sie das Elektrowerkzeug nicht in explosionsgefährdeten Umgebungen, in denen sich z. B. brennbare Flüssigkeiten, Gase oder Staub befinden.** Elektrowerkzeuge erzeugen Funken, die den Staub oder die Dämpfe entzünden können.
- c. **Halten Sie Kinder und Zuschauer fern, während Sie ein Elektrogerät betreiben.** Ablenkung kann dazu führen, dass Sie die Kontrolle über das Gerät verlieren.

2. Elektrische Sicherheit

- a. **Der Stecker des Elektrogerätes muss in die Steckdose passen. Ändern Sie niemals den Stecker in irgendeiner Form.**
Verwenden Sie keinerlei Adapterstecker an geerdeten Elektrogeräten.
Unveränderte Stecker und passende Steckdosen mindern die Gefahr eines elektrischen Schlages.
- b. **Vermeiden Sie Körperkontakt mit geerdeten Flächen, wie Rohren, Radiatoren, Herden und Kühlgeräten.** Es besteht eine erhöhte Gefahr für einen elektrischen Schlag, wenn Ihr Körper geerdet ist.
- c. **Setzen Sie Elektrogeräte keinem Regen oder feuchter Umgebung aus.** Wenn Wasser in das Elektrogerät eindringt, erhöht sich die Gefahr eines elektrischen Schlages.
- d. **Überlasten Sie das Kabel nicht. Verwenden Sie niemals das Kabel, um das Elektrogerät zu tragen oder durch Ziehen vom Netz zu trennen. Halten Sie das Kabel fern von Hitze, Öl, scharfen Kanten oder beweglichen Teilen.** Beschädigte oder verhedderte Kabel erhöhen die Gefahr eines elektrischen Schlages.
- e. **Wenn Sie ein Elektrogerät im Freien betreiben, verwenden Sie ein für den Außeneinsatz geeignetes Verlängerungskabel.**

Die Verwendung von für den Außeneinsatz geeigneten Kabeln mindert die Gefahr eines elektrischen Schlages.

- f. **Wenn der Betrieb eines Elektrogerätes in feuchter Umgebung unumgänglich ist, verwenden Sie eine durch einen Fehlerstromschutzschalter (FI-Schalter oder RCD) geschützte Stromversorgung.** Der Einsatz eines Fehlerstromschutzschalters mindert die Gefahr eines elektrischen Schlages.
- ### 3. Sicherheit von Personen
- a. **Seien Sie aufmerksam, achten Sie darauf, was Sie tun, und gehen Sie mit Vernunft an die Arbeit mit einem Elektrowerkzeug.**
Benutzen Sie kein Elektrowerkzeug, wenn Sie müde sind oder unter dem Einfluss von Drogen, Alkohol oder Medikamenten stehen. Ein Moment der Unachtsamkeit beim Betrieb eines Elektrogerätes kann zu schweren Verletzungen führen.
 - b. **Tragen Sie persönliche Schutzausrüstung. Tragen Sie Augenschutz.** Das Tragen persönlicher Schutzausrüstung, wie Staubmaske, rutschfeste Sicherheitsschuhe, Schutzhelm oder Gehörschutz, je nach Art und Einsatz des Elektrowerkzeuges, verringert das Risiko von Verletzungen.
 - c. **Vermeiden Sie unbeabsichtigtes Starten.**
Vergewissern Sie sich, dass der Schalter in der AUS-Position ist, bevor Sie das Gerät an die Stromversorgung und/oder an den Akku anschließen oder wenn Sie das Gerät aufnehmen oder tragen.
Wenn Sie beim Tragen des Elektrowerkzeuges den Finger am Schalter haben oder das Gerät eingeschaltet an die Stromversorgung anschließen, kann dies zu Unfällen führen.
 - d. **Entfernen Sie alle Einstellschlüssel oder Werkzeuge, bevor Sie das Elektrogerät einschalten.** Werkzeuge oder Schlüssel, die an rotierenden Teilen des Elektrogerätes angebracht sind, können zu Verletzungen führen.
 - e. **Vermeiden Sie eine anormale Körperhaltung. Sorgen Sie für einen sicheren Stand und halten Sie jederzeit das Gleichgewicht.** Dadurch können Sie das Elektrowerkzeug in unerwarteten Situationen besser kontrollieren.
 - f. **Tragen Sie geeignete Kleidung. Tragen Sie keine weite Kleidung und keinen Schmuck. Halten Sie Ihre Haare, Kleidung und Handschuhe von beweglichen Teilen fern.** Lose sitzende Kleidung, Schmuck oder lange Haare können sich in den beweglichen Teilen verfangen.
 - g. **Wenn Geräte für den Anschluss an eine Staubabsaugung und Staubsammlung vorgesehen sind, vergewissern Sie sich, dass diese richtig angeschlossen sind und verwendet werden.**

Der Einsatz von Staubsammlern kann staubbedingte Gefahren mindern.

- h. Werden Sie nicht durch häufigen Gebrauch von Werkzeugen nachlässig und ignorieren Sie keinesfalls die Prinzipien in Bezug auf sicheren Umgang mit Werkzeugen.** Eine unachtsame Handlung kann innerhalb von Sekundenbruchteilen zu schweren Verletzungen führen.

4. Verwendung und Pflege des Elektrogerätes

- a. Überlasten Sie das Werkzeug nicht. Verwenden Sie das für Ihre Arbeit passende Elektrogerät.**
Das richtige Gerät wird die Aufgabe besser und sicherer erledigen, wenn es bestimmungsgemäß verwendet wird.
- b. Benutzen Sie kein Elektrowerkzeug, dessen Schalter defekt ist.** Ein Elektrowerkzeug, das sich nicht mehr ein- oder ausschalten lässt, ist gefährlich und muss repariert werden.
- c. Trennen Sie den Stecker vom Netz und/oder die Akkus vom Elektrogerät, bevor Sie Einstellungen am Gerät vornehmen, Zubehör wechseln oder es aufbewahren.** Diese Vorbeugemaßnahmen mindern die Gefahr, dass das Elektrogerät unbeabsichtigt startet. Diese Vorbeugemaßnahmen mindern die Gefahr, dass das Elektrogerät unbeabsichtigt startet.
- d. Bewahren Sie nicht verwendete Elektrogeräte für Kinder unerreichbar auf und lassen Sie nicht zu, dass Personen ohne Erfahrung mit dem Elektrogerät oder mit diesen Anweisungen das Elektrogerät bedienen.** Elektrogeräte sind in den Händen nicht geschulter Personen gefährlich.
- e. Pflegen Sie Ihre Elektrogeräte und deren Zubehör. Prüfen Sie, ob bewegliche Teile verzogen oder ausgeschlagen, ob Teile gebrochen oder in einem Zustand sind, der den Betrieb des Elektrogerätes beeinträchtigen kann. Bei Beschädigungen lassen Sie das Elektrogerät reparieren, bevor Sie es verwenden.** Viele Unfälle entstehen wegen mangelnder Wartung der Elektrogeräte.
- f. Halten Sie Schneidwerkzeuge scharf und sauber.** Richtig gewartete Schneidwerkzeuge mit scharfen Klingen blockieren seltener und sind leichter unter Kontrolle zu halten.
- g. Verwenden Sie Elektrogeräte, Zubehör und Einsätze (Bits) usw. gemäß diesen Anweisungen und unter Berücksichtigung der Arbeitsbedingungen und der Aufgabe.**
Wenn Sie das Elektrogerät für Aufgaben verwenden, die nicht bestimmungsgemäß sind, kann dies zu gefährlichen Situationen führen.
- h. Halten Sie die Griffe und Greifflächen trocken, sauber und frei von Öl und Fett.**

Rutschige Griffe und Greifflächen verhindern die sichere Handhabung und Kontrolle des Werkzeugs in unerwarteten Situationen.

6. Service

- a. Lassen Sie Ihr Elektrowerkzeug nur von qualifiziertem Fachpersonal und nur mit Original-Ersatzteilen reparieren.** Damit wird sichergestellt, dass die Sicherheit des Gerätes erhalten bleibt.

Zusätzliche Sicherheitshinweise für Elektrowerkzeuge



Warnung! Zusätzliche Sicherheitshinweise für Wandschleifer.

- ◆ Dieses Elektrowerkzeug ist als Schleifmaschine zu verwenden. Machen Sie sich mit allen Sicherheitswarnungen, Anweisungen, Abbildungen und Spezifikationen vertraut, die mit diesem Elektrowerkzeug geliefert werden. Die Nichtbeachtung der unten aufgeführten Anweisungen kann in elektrischen Schlägen, Feuer und/oder schweren Verletzungen resultieren.
- ◆ **Arbeiten, wie beispielsweise Schmirgeln, Drahtbürsten, Polieren und Trennschleifen sollten mit diesem Elektrowerkzeug nicht durchgeführt werden.** Verwendungen, für die das Elektrowerkzeug nicht vorgesehen ist, können Gefährdungen und Verletzungen verursachen.
- ◆ **Verwenden Sie kein Zubehör, das vom Hersteller nicht speziell für dieses Elektrowerkzeug vorgesehen und empfohlen wurde.** Nur weil Sie das Zubehör an Ihrem Elektrowerkzeug befestigen können, garantiert das keine sichere Verwendung.
- ◆ **Die zulässige Drehzahl des Einsatzwerkzeugs muss mindestens so hoch sein wie die auf dem Elektrowerkzeug angegebene Höchstzahl.** Zubehör, das sich schneller als zulässig dreht, kann zerbrechen und umherfliegen.
- ◆ **Außendurchmesser und Dicke des Einsatzwerkzeugs müssen den Maßangaben Ihres Elektrowerkzeugs entsprechen.** Falsch bemessene Einsatzwerkzeuge können nicht ausreichend abgeschirmt oder kontrolliert werden.
- ◆ **Das Gewinde von Zubehörteilen muss mit dem Gewinde der Schleifmaschinenspindel übereinstimmen.** Bei Zubehör, das mit Flanschen montiert wird, muss die Aufnahmebohrung des Zubehörs mit dem Aufnahmedurchmesser des Flansches übereinstimmen. Zubehörteile, die nicht genau auf die Schleifspindel des Elektrowerkzeugs passen, drehen sich ungleichmäßig, vibrieren sehr stark und können zum Verlust der Kontrolle führen.
- ◆ **Verwenden Sie keine beschädigten Zubehörteile.**

Kontrollieren Sie vor jeder Verwendung Einsatzwerkzeuge wie Schleifscheiben auf Absplitterungen und Risse, Schleifteller auf Risse, Verschleiß oder starke Abnutzung, Drahtbürsten auf lose oder gebrochene Drähte. Wenn das Elektrowerkzeug oder das Einsatzwerkzeug herunterfällt, überprüfen Sie, ob es beschädigt ist, oder verwenden Sie ein unbeschädigtes Einsatzwerkzeug. Wenn Sie das Einsatzwerkzeug kontrolliert und eingesetzt haben, halten Sie und in der Nähe befindliche Personen sich außerhalb der Ebene des rotierenden Einsatzwerkzeugs und lassen Sie das Gerät eine Minute lang mit Höchstdrehzahl laufen. Beschädigte Einsatzwerkzeuge brechen meist in dieser Testzeit.

- ◆ Tragen Sie persönliche Schutzausrüstung. Verwenden Sie je nach Anwendung Vollgesichtsschutz, Augenschutz oder Schutzbrille. Soweit angemessen, tragen Sie Staubmaske, Gehörschutz, Schutzhandschuhe oder Werkstattschürze, die kleine Schleif- und Materialpartikel von Ihnen fernhält. Die Augen sollen vor herumfliegenden Fremdkörpern geschützt werden, die bei verschiedenen Anwendungen entstehen. Staub- oder Atemschutzmaske müssen den bei der Anwendung entstehenden Staub filtern. Wenn Sie lange lautem Lärm ausgesetzt sind, können Sie einen Hörverlust erleiden.
- ◆ Achten Sie bei anderen Personen auf sicheren Abstand zu Ihrem Arbeitsbereich. Jeder, der den Arbeitsbereich betritt, muss persönliche Schutzausrüstung tragen. Bruchstücke des Werkstücks oder gebrochener Einsatzwerkzeuge können wegfiegen und Verletzungen auch außerhalb des direkten Arbeitsbereichs verursachen.
- ◆ Halten Sie das Elektrowerkzeug nur an den isolierten Griffflächen, wenn Arbeiten durchgeführt werden, bei denen das Schneidwerkzeug versteckte Leitungen oder die eigene Anschlussleitung berühren könnte. Der Kontakt des Schneidwerkzeugs mit einer spannungsführenden Leitung kann auch metallene Geräteteile unter Spannung setzen und zu einem elektrischen Schlag führen.
- ◆ Halten Sie das Netzkabel von sich drehenden Einsatzwerkzeugen fern. Wenn Sie die Kontrolle über das Gerät verlieren, kann das Netzkabel durchtrennt oder erfasst werden und Ihre Hand oder Ihr Arm in das sich drehende Einsatzwerkzeug geraten.
- ◆ Legen Sie das Elektrowerkzeug niemals ab, bevor das Einsatzwerkzeug völlig zum Stillstand gekommen ist. Das sich drehende Einsatzwerkzeug kann in Kontakt mit der Ablagefläche geraten, wodurch Sie die Kontrolle über das Elektrowerkzeug verlieren können.
- ◆ Lassen Sie das Elektrowerkzeug nicht laufen, während Sie es tragen.

Ihre Kleidung kann durch zufälligen Kontakt mit dem sich drehenden Einsatzwerkzeug erfasst werden, und das Einsatzwerkzeug sich in Ihren Körper bohren.

- ◆ Reinigen Sie regelmäßig die Lüftungsschlitze Ihres Elektrowerkzeugs. Das Motorgebläse zieht Staub in das Gehäuse, und eine starke Ansammlung von Metallstaub kann elektrische Gefahren verursachen.
- ◆ Verwenden Sie das Elektrowerkzeug nicht in der Nähe brennbarer Materialien. Funken können diese Materialien entzünden.
- ◆ Verwenden Sie keine Einsatzwerkzeuge, die flüssige Kühlmittel erfordern. Die Verwendung von Wasser oder anderen flüssigen Kühlmitteln kann zu einem elektrischen Schlag führen.

Weitere Sicherheitshinweise

Rückschlag und verwandte Warnhinweise

Rückschlag ist die plötzliche Reaktion infolge eines hakenden oder blockierten drehenden Einsatzwerkzeugs, wie Schleifscheibe, Schleifteller, Drahtbürste usw. Verhaken oder Blockieren führt zu einem abrupten Stopp des rotierenden Einsatzwerkzeugs. Dadurch wird ein unkontrolliertes Elektrowerkzeug gegen die Drehrichtung des Einsatzwerkzeugs an der Blockierstelle beschleunigt.

Wenn z. B. eine Schleifscheibe im Werkstück hakt oder blockiert, kann sich die Kante der Schleifscheibe, die in das Werkstück eintaucht, verfangen und dadurch die Schleifscheibe ausbrechen oder einen Rückschlag verursachen. Die Schleifscheibe bewegt sich dann auf die Bedienperson zu oder von ihr weg, je nach Drehrichtung der Scheibe an der Blockierstelle. Hierbei können Schleifscheiben auch brechen. Ein Rückschlag ist die Folge eines falschen oder fehlerhaften Gebrauchs des Elektrowerkzeugs. Er kann durch geeignete Vorsichtsmaßnahmen, wie nachfolgend beschrieben, verhindert werden.

- ◆ Halten Sie das Elektrowerkzeug gut fest und bringen Sie Ihren Körper und Ihre Arme in eine Position, in der Sie die Rückschlagkräfte abfangen können. Verwenden Sie immer den Zusatzgriff, falls vorhanden, um die größtmögliche Kontrolle über Rückschlagkräfte oder Reaktionsmomente beim Hochlauf zu haben. Die Bedienperson kann durch geeignete Vorsichtsmaßnahmen die Rückschlag- und Reaktionskräfte beherrschen.
- ◆ Bringen Sie Ihre Hand nie in die Nähe sich drehender Einsatzwerkzeuge. Das Einsatzwerkzeug kann sich beim Rückschlag über Ihre Hand bewegen.
- ◆ Meiden Sie mit Ihrem Körper den Bereich, in den das Elektrowerkzeug bei einem Rückschlag bewegt wird. Der Rückschlag treibt das Elektrowerkzeug in die Richtung entgegengesetzt zur Bewegung der Schleifscheibe an der Blockierstelle.

- ◆ **Arbeiten Sie besonders vorsichtig im Bereich von Ecken, scharfen Kanten usw. Verhindern Sie, dass Einsatzwerkzeuge vom Werkstück zurückprallen und verklemmen.** Das rotierende Einsatzwerkzeug neigt bei Ecken, scharfen Kanten oder wenn es abprallt, dazu, sich zu verklemmen. Dies verursacht einen Kontrollverlust.
- ◆ **Verwenden Sie kein Ketten- oder gezähntes Sägeblatt.** Solche Einsatzwerkzeuge verursachen häufig einen Rückschlag oder den Verlust der Kontrolle über das Elektrowerkzeug.

Zusätzliche Sicherheitshinweise für Schleifarbeiten

Spezifische Sicherheitswarnhinweise für Schleifarbeiten:

- ◆ **Verwenden Sie kein übergroßes Schleifpapier. Befolgen Sie bei der Auswahl des Schleifpapiers die Empfehlungen des Herstellers.** Schleifblätter, die über den Schleifteller hinausragen, können Verletzungen verursachen sowie zum Blockieren, Zerreißen der Schleifblätter oder zum Rückschlag führen.

Sicherheit anderer Personen

- ◆ Dieses Werkzeug darf nicht von Personen (einschließlich Kindern) mit eingeschränkten physischen, sensorischen oder mentalen Fähigkeiten oder ohne ausreichende Erfahrung oder Kenntnisse verwendet werden, außer wenn diese Personen von einer Person, die für ihre Sicherheit verantwortlich ist, bei der Verwendung des Geräts beaufsichtigt oder mit ihm vertraut gemacht werden.
- ◆ Lassen Sie nicht zu, dass Kinder mit dem Gerät spielen.

Restrisiken

Beim Gebrauch dieses Geräts verbleiben zusätzliche Restrisiken, die möglicherweise nicht in den Sicherheitswarnungen genannt werden. Diese Risiken bestehen beispielsweise bei Missbrauch oder längerem Gebrauch.

Auch bei der Einhaltung der entsprechenden Sicherheitsvorschriften und der Verwendung aller Sicherheitsgeräte bestehen weiterhin bestimmte Restrisiken. Diese sind:

- ◆ Verletzungen, die durch das Berühren von sich drehenden/bewegenden Teilen verursacht werden.
- ◆ Verletzungen, die durch das Austauschen von Teilen, Sägeblättern oder Zubehör verursacht werden.
- ◆ Verletzungen, die durch längeren Gebrauch eines Geräts verursacht werden. Legen Sie bei längerem Gebrauch regelmäßige Pausen ein.
- ◆ Schwerhörigkeit.
- ◆ Gesundheitsrisiken durch das Einatmen von Staub beim Gebrauch des Geräts (beispielsweise bei Holzarbeiten, insbesondere Eiche, Buche und Pressspan)

Schwingung

Die in den technischen Daten und der Konformitätserklärung angegebenen Schwingungsemissionswerte wurden in Übereinstimmung mit einem Standard-Testverfahren gemäß EN60745 gemessen und können zum Vergleich einzelner Werkzeuge verwendet werden.

Der angegebene Schwingungsemissionswert kann auch in einer vorläufigen Beurteilung der Exposition verwendet werden.

Warnung! Der Schwingungsemissionswert, der während der tatsächlichen Benutzung des Elektrowerkzeugs erreicht wird, kann sich von dem angegebenen Wert unterscheiden, was von der Art und Weise abhängt, in der das Werkzeug verwendet wird. Der Schwingungspegel kann über den angegebenen Wert steigen.

Bei der Beurteilung der Schwingungsbelastung, um die gemäß 2002/44/EG vorgeschriebenen Sicherheitsmaßnahmen festzulegen, damit Personen geschützt werden, die regelmäßig mit Elektrowerkzeugen arbeiten, müssen in einer Bewertung der Schwingungsbelastung die tatsächlichen Einsatzbedingungen und die Art und Weise, wie das Werkzeug verwendet wird, berücksichtigt werden; dazu gehört neben der Dauer des Betriebs bei gedrücktem Auslöser auch die Berücksichtigung aller Bereiche des Betriebszyklus, beispielsweise die Häufigkeit des Abschaltens des Werkzeugs und wie lange es im Leerlauf betrieben wird.

Etiketten am Werkzeug

Auf dem Werkzeug werden die folgenden Piktogramme zusammen mit dem Datumscode angezeigt:



Warnung! Zur Reduzierung der Verletzungsfähigkeit muss der Benutzer die Betriebsanleitung lesen.



Tragen Sie bei der Verwendung von Schlagbohrern Ohrenschrützer. Lärm kann Gehörschäden verursachen.



Tragen Sie Augenschutz oder eine Schutzbrille.



Tragen Sie eine Staubmaske.

Elektrische Sicherheit



Das Werkzeug ist schutzisoliert, daher ist keine Erdung erforderlich. Überprüfen Sie immer, dass die Stromversorgung der Spannung auf dem Typenschild entspricht.

- ◆ Bei einer Beschädigung des Netzkabels muss dieses durch den Hersteller oder eine STANLEY FAT MAX Vertragswerkstatt ausgetauscht werden, um mögliche Gefahren zu vermeiden.

Merkmale

Dieses Gerät verfügt über einige oder alle der folgenden

Merkmale:

1. Runder Schleifkopf
2. Runder Schleifteller (Klett-System)
3. Motorgehäuse
4. Klappbare Verriegelung
5. Haupthandgriff
6. Stiel
7. Ein-/Ausschalter
8. Elektronischer Drehzahlregler
9. Staubabsaugauslass (mit Verriegelungsmanschette)
10. Verlängerungswelle
- 10a. Hinterer Griff
- 10b. Staubabsaugauslass (mit Verriegelungsmanschette)
- 10c. Manschette
11. Saugschlauch
- 11a. Stützadapter
- 11b. Verbindungsstück (vormontiert) (38mm)
- 11c. Einstellring für die Saugleistung
- 11d. Saugadapter (vormontiert) (47mm)
12. Saugadapter (vormontiert) (35mm)
13. Sechskantschlüssel
14. Runde Schleifscheibe

Verwendung

Warnung! Beschleunigen Sie den Arbeitsvorgang nicht mit Gewalt. Vermeiden Sie eine Überlastung.

- ◆ Vor der ersten Verwendung des Werkzeugs sollten praktische Informationen gesammelt werden.
- ◆ Immer überprüfen, ob die Versorgungsspannung mit der Spannung übereinstimmt, die auf dem Typenschild des Werkzeugs angegeben ist.
- ◆ Verwenden Sie geeignete Detektoren, um versteckte Versorgungsleitungen zu finden, oder wenden Sie sich an das örtliche Versorgungsunternehmen. (Der Kontakt mit elektrischen Leitungen kann zu Feuer oder Stromschlag führen; die Beschädigung einer Gasleitung kann zu einer Explosion führen; das Eindringen in eine Wasserleitung kann zu Sachschäden oder Stromschlag führen.)
- ◆ Keine asbesthaltigen Materialien bearbeiten (Asbest gilt als krebserzeugend).
- ◆ Staub von Materialien wie bleihaltiger Farbe, einigen Holzarten, Mineralien und Metall kann schädlich sein. (Der Kontakt mit oder das Einatmen des Staubes kann für den Bediener oder umstehende Personen allergische Reaktionen und/oder Atemwegserkrankungen hervorrufen.) Tragen Sie eine Staubmaske und arbeiten Sie mit einer Staubabsaugvorrichtung, wenn eine solche anschließbar ist.

- ◆ Bestimmte Stäube werden als krebserzeugend eingestuft (z.B. Staub von Eichen- und Buchenholz), insbesondere in Verbindung mit Zusatzstoffen zur Holzbehandlung. Tragen Sie eine Staubmaske und arbeiten Sie mit einer Staubabsaugvorrichtung, wenn eine solche anschließbar ist.
- ◆ Befolgen Sie für die Materialien, mit denen Sie arbeiten möchten, die nationalen Anforderungen in Bezug auf Staubentwicklung.
- ◆ Spannen Sie das Werkzeug nicht in einen Schraubstock ein.
- ◆ Verwenden Sie nur vollständig abgerollte und sichere Verlängerungskabel mit einer Kapazität von 16 Ampere.

Nach dem Gebrauch

- ◆ Stoppen Sie nach dem Ausschalten des Werkzeugs niemals die Drehung des Zubehörs durch seitliche Kräfteinwirkung.

Zusammenbauen und Einstellen

Warnung! Um die Gefahr schwerer Verletzungen zu mindern, schalten Sie das Gerät aus und trennen Sie es vom Netz, bevor Sie Einstellungen vornehmen oder Anbaugeräte oder Zubehör anbringen oder entfernen. Bevor Sie das Gerät wieder anschließen, drücken Sie den Auslöseschalter und lassen ihn wieder los, um sicherzustellen, dass das Gerät ausgeschaltet ist. Ungewolltes Anlaufen kann zu Verletzungen führen.

Anbringen der klappbaren Welle (Abb. A1, A2, A3)

- ◆ Klappen Sie die obere und untere Welle vollständig auseinander (Abb. A1).
- ◆ Schieben Sie die klappbare Verriegelung (4) in die richtige Position und halten Sie die Spitze neben den Griff (Abb. A2).
- ◆ Drücken Sie die klappbare Verriegelung (4) nach unten, um die Welle zu verriegeln (Abb. A3).
- ◆ Lösen Sie die klappbare Verriegelung, um die Welle zusammenzuklappen.

Ersetzen des Schleiftellers (Abb. B1)

- ◆ Setzen Sie den Sechskantschlüssel (13) (Größe 5) in die Sechskantschraube des Schleifblocks ein.
- ◆ Halten Sie den Schleifteller fest und drehen Sie den Schraubenschlüssel gegen den Uhrzeigersinn, um den Schleifteller abzunehmen.
- ◆ Bringen Sie den neuen Schleifteller an, indem Sie die Schraube festziehen.

Anbringen und Austauschen der Schleifscheibe (Abb. B2)

- ◆ Legen Sie die Schleifscheibe (14) in die Mitte des Schleiftellers (2) und drücken Sie sie darauf fest.

Die Löcher in der Schleifscheibe müssen bündig zu den Absauglöchern im Schleifteller liegen.

- ◆ Nur für runde Schleifteller: Führen Sie einen Testlauf durch, um sicherzustellen, dass die Schleifscheibe fest in der Mitte sitzt.

Die LED-Leuchten

- ◆ Die 10W-LED-Leuchten, die den Schleifteller umgeben, beleuchten tiefere und erhöhte Stellen an der Wand oder Decke. So können Sie effizient arbeiten und ein besseres Schleifergebnis erzielen, siehe Abbildung E und F.

Verlängerungswelle (optional) (Abb. C)

- ◆ Verwenden Sie bei einer höher liegenden Arbeitsfläche die dafür vorgesehene Verlängerungswelle (10).
- ◆ Lösen Sie die Manschette am Staubabsaugauslass (9) der Welle. Entfernen Sie die Manschette nicht ganz aus dem Auslass.
- ◆ Richten Sie den hinteren Griff (10a) an dem Haupthandgriff (5) aus und befestigen Sie die Manschette (10c) der Verlängerungswelle (10) mit einer Drehbewegung ganz nach oben im Auslass (9).
- ◆ Passen Sie die Länge der Verlängerungswelle (10) gegebenenfalls an. Beachten Sie die Markierung „max 1.8m“ auf der Verlängerungswelle. Ziehen Sie die Manschette (9) fest, nachdem Sie die Verlängerungswelle montiert bzw. ihre Länge angepasst haben.

Staubabsaugung (Abb. D)

- ◆ Lösen Sie die Manschette am Staubabsaugauslass (9) oder (10b), indem Sie sie in Richtung des Entriegelungssymbols am Werkzeuggriff drehen.
- ◆ Stecken Sie den Saugschlauch (11) wie abgebildet in das Ende des Werkzeuggriffs.
- ◆ Ziehen Sie den Verriegelungsknopf zur Längenanpassung (9) fest, indem Sie ihn in Richtung des Verriegelungssymbols am Werkzeuggriff drehen.
- ◆ Verbinden Sie den Saugschlauch mit dem Ø47-mm-Adapter (11d) oder mit dem Ø35-mm-Adapter (12) direkt mit einem Industriestaubsauger (dazu zuerst den Saugschlauch entfernen).
- ◆ Sie können den Saugschlauch auch mit einem Adapter an einen Industriestaubsauger anschließen, ohne den Saugschlauch abzunehmen.

Stützadapter/Luftstromregelung (Abb. G, H)

- ◆ Der Stützadapter (11a) schützt den Schlauch vor Beschädigungen, wenn das Werkzeug in Arbeitspausen beiseite gelegt wird (Abb. G).
- ◆ Regeln Sie den Luftstrom, indem Sie den Einstellring für die Saugleistung (11c) über den Lüftungsschlitz im Werkzeugsanschluss (11b) schieben.

- ◆ Die Saugleistung ist auf der niedrigsten Stufe, wenn der Lüftungsschlitz vollständig sichtbar ist (Abb. H).

Ein- und Ausschalten des Geräts (Abb. I, J, K)

- ◆ Schalten Sie den Wandschleifer mit dem Schalter (7) ein bzw. aus.

Elektronische Drehzahlregelung

- ◆ Passen Sie die Drehzahl an, indem Sie den Drehzahlregler (8) drehen; für verschiedene Schleifoberflächen sind unterschiedliche Drehzahlen wählbar.
- ◆ Lassen Sie die Maschine mit der ausgewählten Drehzahl laufen. Überlasten Sie sie nicht durch übermäßigen Druck.

Sandpapierschleifen

- ◆ Sobald das Gerät und der Staubsauger eingerichtet sind und alle Sicherheitsmaßnahmen und Ausrüstungen vorhanden sind, schalten Sie zuerst den Staubsauger und dann das Gerät ein. (Wenn Sie einen Staubsauger mit integrierter Umschaltung verwenden, schalten Sie einfach das Gerät ein.)

Runder Schleifkopf

- ◆ Beginnen Sie mit dem Schleifen und berühren Sie die Arbeitsfläche zunächst so leicht wie möglich, also gerade genug, um den Schleifkopf flach auf die Oberfläche aufzusetzen.
- ◆ Die beste Technik ist es, ständige überlappende Kreisbewegungen zu machen und den Schleifkopf jeweils angemessen lange an einer Stelle zu halten. Bleiben Sie niemals zu lange an einer Stelle, da sonst Wirbelspuren entstehen können.
- ◆ Nehmen Sie das Gerät von der Arbeitsfläche ab, bevor Sie sie ausschalten.

Warnung! Stellen Sie sicher, dass die verwendete Schleifscheibe für die jeweilige Aufgabe geeignet ist. Zu grobes Schleifpapier kann Material zu schnell und unkontrolliert entfernen. Feines Schleifpapier hingegen schleift die Oberfläche möglicherweise nicht effizient genug ab.

Warnung! Vermeiden Sie unbedingt scharfe Vorsprünge, Nägel und ähnliches. Anderenfalls kann das Schleifpapier und möglicherweise auch der Schleifteller beschädigt werden.

Wartung

Ihr STANLEY FAT MAX-Elektrowerkzeug wurde für langfristigen Betrieb mit minimalem Wartungsaufwand konstruiert. Ein dauerhafter, einwandfreier Betrieb setzt sorgfältige Pflege und regelmäßige Reinigung voraus.

Umweltschutz



Abfalltrennung. Produkte und Akkus mit diesem Symbol dürfen nicht mit dem normalen Hausmüll entsorgt werden.

Produkte und Akkus enthalten Materialien, die wiederverwertet werden können, um den Bedarf an Rohstoffen zu verringern. Bitte recyceln Sie Elektroprodukte und Akkus gemäß den lokalen Bestimmungen. Weitere Informationen finden Sie auf www.2helpU.com

Technische Daten

		SFMEE500
Spannung	V _{AC}	220 - 240
Frequenz	Hz	50 / 60
Leistungsaufnahme	W	750
Nenn Drehzahl	min ⁻¹	600 - 1700
Runder Schleifteller	mm	215
Spindelgewindegröße		M6
Gewicht	kg	3,75

Schalldruckpegel gemäß EN60745:

Schalldruck (L_{PA}) 89 dB(A), Unsicherheitsfaktor (K) 3 dB(A)

Schalleistung (L_{WA}) 100,5 dB(A), Unsicherheitsfaktor (K) 3 dB(A)

Gesamtvibrationswerte (Triax-Vektorsumme) gemäß EN60745:

(a_v) 2,7 m/s², Unsicherheitsfaktor (K) 1,5 m/s²

EU-Konformitätserklärung

MASCHINENRICHTLINIE



SFMEE500 - Wandschleifer

Stanley Fat Max erklärt, dass die beschriebenen Produkte 2006/42/EC, EN62841-1:2015, EN62841-2-2:2014 entsprechen.

Diese Produkte entsprechen außerdem den Richtlinien 2014/30/EU und 2011/65/EU. Weitere Informationen erhalten Sie von Black & Decker unter der folgenden Adresse. Diese befindet sich auch auf der Rückseite dieser Anleitung.

Weitere Informationen erhalten Sie von Stanley Fat Max unter der folgenden Adresse. Diese befindet sich auch auf der Rückseite dieser Anleitung.

Der Unterzeichnete ist verantwortlich für die Zusammenstellung des technischen Dossiers und gibt diese Erklärung im Namen von Stanley Fat Max ab.

A.P. Smith
Technical Director

Stanley Fat Max Europe, Egide Walschaertsstraat 14-18,
2800 Mechelen, Belgien
12/07/2019

Garantie

Stanley FatMax vertraut auf die Qualität der eigenen Geräte und bietet dem Käufer eine außergewöhnliche Garantie von 12 Monaten ab Kaufdatum. Diese Garantie versteht sich unbeschadet der gesetzlichen Gewährleistungsansprüche und schränkt diese keinesfalls ein. Diese Garantie gilt innerhalb der Staatsgebiete der Mitgliedstaaten der Europäischen Union und der Europäischen Freihandelszone.

Zur Inanspruchnahme dieser Garantie muss sie den allgemeinen Geschäftsbedingungen von Stanley FatMax entsprechen und dem Verkäufer bzw. der Vertragswerkstatt ist ein Kaufnachweis vorzulegen. Die Bedingungen für die 1-jährige Garantie von Stanley FatMax und den Standort Ihrer nächstgelegenen Vertragswerkstatt finden Sie im Internet unter www.2helpU.com oder indem Sie sich an die lokale Stanley FatMax-Niederlassung wenden, deren Adresse Sie in dieser Anleitung finden.

Ihr neues Stanley FatMax-Produkt können Sie auf unserer Website unter www.stanley.eu/3 registrieren. Dort erhalten Sie auch Informationen über neue Produkte und Sonderangebote.

(Traduction des instructions initiales)

FRANÇAIS

Utilisation prévue

Votre ponceuse murale STANLEY FAT MAX SFMEE500 a été conçue pour le ponçage des murs et des plafonds. Cet appareil est prévu pour les utilisateurs professionnels et non professionnels.

Consignes de sécurité

Avertissements de sécurité générale liés aux outils électriques



Avertissement ! Veuillez lire tous les avertissements de sécurité, toutes les instructions, toutes les illustrations et toutes les spécifications fournies avec cet outil électrique. Le non-respect des avertissements et des instructions listés ci-dessous peut entraîner des chocs électriques, des incendies et/ou de graves blessures.

Conservez tous les avertissements et toutes les instructions afin de pouvoir vous y référer dans le futur. Le terme "outil électrique" mentionné dans tous les avertissements listés ci-dessous fait référence à vos outils électriques branchés sur secteur (avec câble) ou fonctionnant sur pile ou batterie (sans fil).

1. Sécurité de la zone de travail

- a. **Maintenez la zone de travail propre et bien éclairée.**
Les zones sombres ou encombrées sont propices aux accidents.
- b. **N'utilisez pas d'outils électriques dans un environnement présentant des risques d'explosion ou en présence de liquides, gaz ou poussières inflammables.** Les outils électriques créent des étincelles qui peuvent enflammer les poussières et les fumées.
- c. **Maintenez les enfants et les autres personnes éloignés lorsqu'un outil électrique est en marche.**
Toute distraction peut vous faire perdre le contrôle de l'outil.

2. Sécurité électrique

- a. **Les prises des outils électriques doivent correspondre à la prise de courant murale. Ne modifiez jamais la prise d'aucune sorte. N'utilisez aucun adaptateur avec des outils électriques reliés à la terre.**
L'utilisation de prises d'origine et de prises murales appropriées permet de réduire le risque de choc électrique.
- b. **Évitez tout contact physique avec des surfaces reliées à la terre comme des tuyaux, des radiateurs, des fours et des réfrigérateurs par exemple.** Il y a sinon un risque accru de choc électrique si votre corps est lui-même relié à la terre.
- c. **N'exposez pas les outils électriques à la pluie, ni à l'humidité.** Le risque de choc électrique augmente si de l'eau pénètre dans un outil électrique.
- d. **Ne tirez pas sur le cordon d'alimentation. N'utilisez jamais le cordon pour transporter, tirer ou débrancher l'outil électrique. Maintenez le cordon éloigné de la chaleur, de substances grasses, de bords tranchants ou de pièces mobiles.** Les cordons endommagés ou emmêlés augmentent le risque de choc électrique.
- e. **Si vous utilisez un outil électrique à l'extérieur, utilisez une rallonge homologuée pour les travaux extérieurs.** L'utilisation d'une rallonge électrique homologuée pour les travaux en extérieur réduit le risque de choc électrique.
- f. **Si l'utilisation d'un outil électrique dans un endroit humide est inévitable, utilisez une alimentation électrique protégée par un disjoncteur différentiel à courant résiduel (DDR).** L'utilisation d'un DDR réduit le risque de choc électrique.

3. Sécurité des personnes

- a. **Restez vigilant, surveillez ce que vous faites et faites preuve de bon sens lorsque vous utilisez un outil électrique.**
N'utilisez pas d'outils électriques si vous êtes fatigué ou sous l'influence de drogue, d'alcool ou de médicaments. Tout moment d'inattention pendant l'utilisation d'un outil électrique peut engendrer de graves blessures.
- b. **Portez des équipements de protection individuelle. Portez toujours une protection oculaire.** Les équipements de protection comme les masques à poussière, les chaussures de sécurité antidérapantes, les casques ou les protections auditives, utilisés à bon escient, réduisent le risque de blessures.
- c. **Empêchez tout démarrage intempestif. Assurez-vous que l'interrupteur est en position Arrêt avant de raccorder l'outil à l'alimentation électrique et/ou au bloc-batterie ou avant de ramasser ou de transporter l'outil.** Le fait de transporter les outils électriques le doigt sur l'interrupteur ou d'alimenter les outils électriques dont l'interrupteur est déjà en position de marche augmente le risque d'accidents.
- d. **Retirez toutes les clés ou pinces de réglage avant de mettre l'outil en marche.** Une clé ou une pince restée fixée sur une pièce rotative de l'outil électrique peut engendrer des blessures.
- e. **Ne vous penchez pas. Gardez les pieds bien ancrés au sol et conservez votre équilibre en permanence.** Cela permet de mieux maîtriser l'outil électrique en cas de situations imprévues.
- f. **Portez des vêtements appropriés. Ne portez aucun vêtement ample ou bijou. Gardez vos cheveux, vos vêtements et vos gants éloignés des pièces mobiles.** Les vêtements amples, les bijoux ou les cheveux longs peuvent être happés par les pièces mobiles.
- g. **Si des dispositifs pour le raccordement d'un extracteur de poussières ou des installations pour la récupération sont présents, assurez-vous qu'ils sont correctement raccordés et utilisés.** L'utilisation de dispositifs récupérateurs de poussières réduit les risques liés aux poussières.
- h. **Ne pensez pas être familiarisé avec l'outil après l'avoir utilisé à de nombreuses reprises, au point de ne plus rester vigilant et d'en oublier les consignes de sécurité.** Toute action imprudente peut engendrer de graves blessures en une fraction de seconde.

4. Utilisation et entretien des outils électriques

- a. **Respectez la capacité de l'outil. Utilisez l'outil approprié en fonction du travail à réaliser.**
Un outil adapté fonctionne mieux, de façon plus sûre et à la cadence pour laquelle il a été conçu.

- b. **N'utilisez pas l'outil électrique si son interrupteur ne permet pas de l'allumer ou de l'éteindre.** Tout outil électrique qui ne peut plus être commandé par son interrupteur est dangereux et doit être réparé.
- c. **Débranchez la prise du secteur et/ou retirez le bloc-batterie de l'outil électrique avant d'effectuer tout réglage, de changer un accessoire ou de ranger l'outil électrique.** Ces mesures de sécurité préventives réduisent le risque de démarrage accidentel de l'outil électrique.
- d. **Rangez les outils électriques non utilisés hors de portée des enfants et ne laissez aucune personne ne connaissant pas ces outils ou leurs instructions d'utilisation les faire fonctionner.**
Les outils électriques peuvent être dangereux entre des mains inexpérimentées.
- e. **Entretenez vos outils électriques et leurs accessoires. Vérifiez que les pièces mobiles sont alignées correctement et qu'elles ne sont pas coincées. Vérifiez qu'aucune pièce n'est cassée et contrôlez l'absence de toute autre condition qui pourrait nuire au bon fonctionnement de l'outil. En cas de dommage, faites réparer l'outil électrique avant de l'utiliser.** De nombreux accidents sont provoqués par des outils électriques mal entretenus.
- f. **Maintenez les organes de coupe affûtés et propres.** Des organes de coupe bien entretenus et affûtés sont moins susceptibles de rester coincés et sont plus faciles à contrôler.
- g. **Utilisez l'outil électrique, les accessoires et les embouts d'outils conformément à ces instructions, en tenant compte des conditions de travail, ainsi que du travail à effectuer.**
L'utilisation d'un outil électrique à des fins autres que celles pour lesquelles il a été prévu engendre des situations dangereuses.
- h. **Veillez à ce que les poignées et les surfaces de préhension soient sèches et propres, sans trace d'huile ou de graisse.** Des poignées et des surfaces de préhension glissantes ne permettent pas de manipuler et de contrôler l'outil correctement en cas de situations inattendues.
6. **Réparation**
- a. **Faites réparer votre outil électrique par une personne qualifiée, n'utilisant que des pièces de rechange d'origine.** Cela permet de garantir la sûreté de l'outil électrique.



Avertissement ! Avertissements de sécurité supplémentaires liés aux ponceuses murales.

- ◆ Cet outil électrique est prévu pour être utilisé comme une ponceuse. Veuillez lire tous les avertissements de sécurité, toutes les instructions, toutes les illustrations et toutes les spécifications fournis avec cet outil électrique. Le non-respect des instructions listées ci-dessous peut conduire à des chocs électriques, des incendies et/ou de graves blessures.
- ◆ **Les opérations telles que le meulage, le brossage métallique, le polissage ou le tronçonnage ne sont pas recommandées avec cet outil électrique.** Les opérations pour lesquelles l'outil électrique n'a pas été conçu peuvent engendrer des risques et provoquer des blessures.
- ◆ **N'utilisez que les accessoires spécifiquement conçus et recommandés par le fabricant de l'outil.** Le fait que l'accessoire puisse être fixé à votre outil électrique ne veut pas forcément dire que son utilisation est sans risque.
- ◆ **La vitesse nominale des accessoires doit être au moins équivalente à la vitesse maximum indiquée sur l'outil électrique.** Les accessoires utilisés à des vitesses supérieures à leur vitesse nominale peuvent se casser et voler en éclats.
- ◆ **Le diamètre extérieur et l'épaisseur de votre accessoire doivent correspondre à la capacité nominale de votre outil électrique.** Des accessoires mal dimensionnés ne peuvent pas être correctement protégés et contrôlés.
- ◆ **Le filetage d'installation des accessoires doit correspondre à celui de l'axe de la meuleuse. Pour les accessoires montés avec des brides, l'alésage de l'accessoire doit correspondre au diamètre de positionnement de la bride.** Les accessoires qui ne correspondent pas au dispositif d'installation de l'outil électrique ne tournent pas de façon équilibrée, vibrent de façon excessive et peuvent provoquer la perte de contrôle de l'outil.
- ◆ **N'utilisez aucun accessoire endommagé. Avant toute utilisation, contrôlez sur tous les accessoires comme les disques abrasifs par exemple, l'absence d'ébréchures ou de fissures, l'absence de fissures ou d'usure excessive sur les patins-supports ou l'absence de fibres détachées ou cassées sur les brosses métalliques. Si l'outil en électrique et/ou un accessoire chutent, vérifiez l'absence de dommages ou installez un accessoire en bon état. Après avoir inspecté et installé un accessoire, éloignez-vous et toutes personnes présentes du plan de rotation de l'accessoire et laissez tourner l'outil électrique une minute à sa vitesse à vide maximale.**

Avertissements de sécurité supplémentaires liées aux outils électriques

Les accessoires endommagés se brisent généralement au cours de cette durée de test.

- ◆ **Portez des équipements de protection individuelle. En fonction de l'intervention, utilisez un écran facial ou des lunettes de sécurité. Si approprié, portez un masque anti-poussière, des protections auditives, des gants et un tablier d'atelier capables de stopper tout fragment abrasif ou provenant de la pièce à tronçonner.** La protection oculaire doit être capable d'arrêter les débris générés par les diverses opérations. Le masque anti-poussière ou le respirateur doivent pouvoir filtrer les particules générées par votre intervention. Les expositions prolongées à un niveau de bruit élevé peuvent provoquer une perte de l'ouïe.
- ◆ **Maintenez tous les spectateurs à une distance sûre de la zone d'intervention. Toute personne qui pénètre dans la zone de travail doit porter des équipements de protection individuelle.** Des débris provenant de l'ouvrage ou d'un accessoire cassé peuvent être éjectés et provoquer des blessures au-delà de la zone de travail immédiate.
- ◆ **Ne tenez l'outil que par ses surfaces de préhension isolées lorsque vous réalisez une opération pendant laquelle l'accessoire de coupe peut entrer en contact avec des câbles cachés ou son propre cordon électrique.** Tout contact de l'accessoire de coupe avec un fil sous tension peut mettre les parties métalliques exposées de l'outil sous tension et provoquer un choc électrique à l'utilisateur.
- ◆ **Maintenez le cordon électrique loin de l'accessoire en rotation.** En cas de perte de contrôle, le cordon peut être sectionné ou abîmé, et vos bras ou mains peuvent entrer en contact avec l'accessoire en rotation.
- ◆ **Ne reposez jamais l'outil électrique avant que l'accessoire ne soit complètement arrêté.** L'accessoire en rotation pourrait sinon accrocher la surface et vous faire perdre le contrôle de l'outil.
- ◆ **Ne faites pas fonctionner l'outil électrique en le tenant contre votre flan.** Tout contact accidentel avec l'accessoire en rotation peut accrocher vos vêtements et entraîner l'accessoire vers votre corps.
- ◆ **Nettoyez régulièrement les orifices d'aération de l'outil électrique.** Le ventilateur du moteur attire la poussière à l'intérieur du boîtier et une accumulation excessive de poussière métallique peut conduire à un risque électrique.
- ◆ **Ne faites pas fonctionner l'outil électrique à proximité de matières inflammables.** Des étincelles pourraient enflammer ces matières.
- ◆ **N'utilisez pas d'accessoires nécessitant l'utilisation de fluides de refroidissement.** L'utilisation d'eau ou de tout autre fluide de refroidissement peut provoquer une électrocution ou un choc électrique.

Consignes de sécurité supplémentaires

Rebond et avertissements liés

Les rebonds sont la conséquence du pincement ou du grippage d'un disque, d'un porte-patin, d'une brosse ou de tout autre accessoire en rotation. Le pincement ou le grippage provoque le blocage rapide de l'accessoire en rotation entraînant alors l'outil électrique non contrôlé dans la direction opposée au sens de rotation de l'accessoire au niveau du point de grippage.

Par exemple, si un disque abrasif reste grippé ou pincé dans l'ouvrage, le bord du disque engagé au point de grippage peut creuser la surface du matériau et provoquer le soulèvement ou le rebond du disque. Le disque peut être projeté vers l'utilisateur ou à l'opposé, selon le sens du mouvement du disque au point de pincement. Dans ces conditions, il peut aussi arriver que les disques abrasifs se brisent.

Les rebonds proviennent d'une utilisation inappropriée de l'outil électrique et/ou de conditions ou de procédures d'exécution incorrectes et ils peuvent être évités en prenant les précautions adéquates énoncées ci-dessous.

- ◆ **Maintenez fermement l'outil électrique en plaçant votre corps et votre bras de manière à pouvoir résister à la force d'un rebond. Utilisez toujours la poignée auxiliaire, si elle existe, pour un contrôle maximal de l'outil en cas de rebond ou de retour de couple au démarrage.** L'utilisateur peut contrôler les retours de couple ou la force des rebonds si des précautions adéquates sont prises.
- ◆ **Ne placez jamais votre main près de l'accessoire en rotation.** L'accessoire pourrait rebondir sur vos mains.
- ◆ **Ne placez pas votre corps dans la zone où l'outil pourrait se déplacer en cas de rebond.** Un rebond propulse l'outil dans la direction opposée au mouvement du disque au niveau du point de grippage.
- ◆ **Prenez les précautions nécessaires dans les coins, sur les arêtes, etc. Évitez de faire tressauter ou de faire accrocher l'accessoire.** Les coins, bords tranchants ou les tressautements ont tendance à faire accrocher l'accessoire en rotation et à provoquer la perte de contrôle.
- ◆ **N'installez pas de lame à sculpter le bois ou de lame dentée.** Ces lames provoquent de fréquents rebonds ou pertes de contrôle.

Consignes de sécurité supplémentaires liées aux opérations de ponçage

Consignes de sécurité spécifiques au ponçage :

- ◆ **N'utilisez pas de disques de papier abrasif surdimensionnés. Suivez les recommandations des fabricants pour sélectionner le papier abrasif.**

Les feuilles de papier abrasif de grande taille, dépassant du patin de ponçage, posent des risques de lacération et elles peuvent provoquer le grippage, le déchirement ou la casse du disque ou des rebonds.

Sécurité des personnes

- ◆ Cet outil ne peut pas être utilisé par des personnes (y compris des enfants) ayant des capacités mentales, sensorielles ou physiques réduites, ou celles manquant d'expérience et de connaissances, à moins qu'elles ne soient encadrées ou qu'elles n'aient été formées à l'utilisation de l'outil par une personne responsable de leur sécurité.
- ◆ Les enfants doivent être surveillés pour garantir qu'ils ne jouent pas avec l'appareil.

Risques résiduels

Certains risques résiduels autres que ceux mentionnés dans les avertissements sur la sécurité peuvent survenir en utilisant l'outil. Ces risques peuvent être provoqués par une utilisation incorrecte, prolongée, etc.

Malgré l'application des normes de sécurité pertinentes et la présence de dispositifs de sécurité, certains risques résiduels ne peuvent pas être évités. Ils comprennent :

- ◆ Les blessures dues au contact avec des pièces mobiles/ en rotation.
- ◆ Les blessures dues au changement de pièces, de lames ou d'accessoires.
- ◆ Les blessures dues à l'utilisation prolongée d'un outil. Lorsque l'outil est utilisé pendant de longues périodes, assurez-vous de faire des pauses régulières.
- ◆ Troubles de l'ouïe.
- ◆ Risques pour la santé dus à l'inhalation de poussières produites pendant l'utilisation de l'outil (exemple : travail avec du bois, surtout le chêne, le hêtre et les panneaux en MDF).

Vibrations

La valeur des émissions de vibrations déclarée dans les caractéristiques techniques et la déclaration de conformité a été mesurée conformément à la méthode de test normalisée établie par la norme EN60745 et elle peut être utilisée pour comparer un outil à un autre.

La valeur des émissions de vibrations déclarée peut aussi être utilisée pour une évaluation préliminaire de l'exposition.

Avertissement ! En fonction de la manière dont l'outil est utilisé, la valeur des émissions de vibrations réelles pendant l'utilisation de l'outil peut différer de la valeur déclarée. Le niveau des vibrations peut dépasser le niveau déclaré.

Quand l'exposition aux vibrations est évaluée afin de déterminer les mesures de sécurité requises par la norme 2002/44/CE pour protéger les personnes utilisant régulièrement des outils électriques, cette estimation doit tenir compte des conditions réelles d'utilisation et de la façon dont l'outil est utilisé. Il faut également tenir compte de toutes les composantes du cycle de fonctionnement comme la durée pendant laquelle l'outil est arrêté et quand il fonctionne au ralenti, ainsi que la durée du déclenchement.

Étiquettes apposées sur l'outil

Les pictogrammes suivants ainsi que le code date sont apposés sur l'outil :



Avertissement ! Afin de réduire le risque de blessures, l'utilisateur doit lire le manuel d'utilisation.



Portez des protections auditives pour utiliser une perceuse à percussion. L'exposition au bruit peut provoquer la perte de l'ouïe.



Portez des lunettes de protection.



Portez un masque anti-poussière.

Sécurité électrique



Cet outil est doublement isolé et ne nécessite donc aucun fil de liaison à la terre. Vérifiez toujours que l'alimentation électrique correspond à la tension indiquée sur la plaque signalétique.

- ◆ Si le câble d'alimentation est endommagé, il doit être remplacé par le fabricant ou par un centre d'assistance agréé STANLEY FAT MAX afin d'éviter les risques éventuels.

Caractéristiques

Cet appareil présente tout ou partie des caractéristiques suivantes.

1. Tête de ponçage ronde
2. Patin de ponçage rond (système à velcro)
3. Bloc-moteur
4. Système de verrouillage de l'articulation
5. Poignée principale
6. Tige
7. Interrupteur Marche/Arrêt
8. Molette, variateur de vitesse électronique
9. Sortie pour l'extraction de la poussière (avec bague de verrouillage)
10. Rallonge
- 10a. Poignée arrière
- 10b. Sortie pour l'extraction de la poussière (avec bague de verrouillage)

- 10c. Bague
11. Tuyau d'aspiration
- 11a. Adaptateur support
- 11b. Raccord (pré-assemblé) (38mm)
- 11c. Bague de réglage de la puissance d'aspiration
- 11d. Adaptateur pour aspirateur (pré-assemblé) (47mm)
12. Adaptateur pour aspirateur (pré-assemblé) (35mm)
13. Clé hexagonale
14. Disque de ponçage rond

Utilisation

Avertissement ! Laissez l'outil fonctionner à son propre rythme. Ne le poussez pas au-delà de sa limite.

- ◆ Avant d'utiliser l'outil pour la première fois, il est recommandé de recevoir quelques informations pratiques.
- ◆ Contrôlez toujours que la tension d'alimentation est la même que celle indiquée sur la plaque signalétique de l'outil.
- ◆ Utilisez des détecteurs adaptés afin de rechercher la présence de conduites ou faites appel à une société spécialisée pour obtenir leur aide. Tout contact avec des fils électriques peut conduire à un incendie ou à un choc électrique, l'endommagement d'une conduite de gaz peut provoquer une explosion et l'endommagement d'une canalisation d'eau peut provoquer des dégâts matériels et/ou un choc électrique).
- ◆ N'intervenez pas sur des éléments qui contiennent de l'amiante (l'amiante est cancérigène).
- ◆ La poussière provenant de matières comme la peinture au plomb, certaines espèces de bois, de minéraux et certains métaux peut être nocive (le contact ou l'inhalation de cette poussière peut provoquer des réactions allergiques et/ou des problèmes respiratoires à l'opérateur ou aux personnes à proximité) ; Portez un masque anti-poussière et raccordez autant que possible un système d'extraction des poussières.
- ◆ Certains types de poussières sont classés cancérigènes (c'est le cas pour la poussière de chêne et de hêtre) et particulièrement si elles sont combinées avec des additifs pour le traitement du bois ; Portez un masque anti-poussière et raccordez autant que possible un système d'extraction des poussières.
- ◆ Respectez les prescriptions nationales liées à la poussière pour les matières sur lesquelles vous travaillez.
- ◆ Ne fixez pas l'outil dans un état.
- ◆ N'utilisez que des rallonges homologuées, complètement déroulées, d'une capacité de 16 A.

Après utilisation

- ◆ Après avoir éteint l'outil, n'arrêtez jamais la rotation de l'accessoire en lui appliquant une force latérale.

Assemblage et réglages

Avertissement ! Afin de réduire tout risque de blessure, éteignez et débranchez l'outil de la source d'alimentation avant tout réglage ou avant de retirer ou d'installer un quelconque équipement ou accessoire. Avant de rebrancher l'outil, enfoncez et relâchez l'interrupteur à gâchette pour vous assurer que l'outil est bien éteint. Un démarrage accidentel peut provoquer des blessures.

Assembler la rallonge d'axe repliable (Fig. A1, A2, A3)

- ◆ Dépliez complètement l'axe supérieur et l'axe inférieur (Fig. A1).
- ◆ Enfoncez le bouton de verrouillage de l'articulation (4) vers la droite et gardez l'extrémité adjacente à la poignée (Fig. A2).
- ◆ Enfoncez le bouton de verrouillage de l'articulation (4) vers le bas pour verrouiller l'axe en place (Fig. A3).
- ◆ Relâchez le système de verrouillage de l'articulation pour replier l'axe.

Remplacer le patin de ponçage (Fig. B1)

- ◆ Insérez la clé à six pans (13) (taille 5) dans le boulon à six pans sur le bloc de ponçage.
- ◆ Tenez fermement le patin de ponçage puis tournez la clé dans le sens inverse des aiguilles d'une montre pour démonter le patin.
- ◆ Installez un patin de ponçage neuf en serrant le boulon.

Fixer et remplacer un disque de ponçage (Fig. B2)

- ◆ Placez le disque de ponçage (14) au centre du patin de ponçage (2) en appuyez dessus. Les trous du disque de ponçage doivent être alignés avec les trous d'évacuation du patin de ponçage.
- ◆ Pour les patin de ponçage ronds uniquement : procédez à un test pour contrôler que le disque de ponçage est correctement centré.

Éclairage à LED

- ◆ Les lampes LED 10W autour du patin éclairent les zones creuses et surélevées du mur et/ou du plafond pour vous permettre de travailler plus efficacement avec de meilleurs résultats de ponçage, comme illustré par les figures E et F.

Rallonge d'axe (en option) (Fig. C)

- ◆ Utilisez la rallonge d'axe (10) en fonction de l'utilisation prévue pour les surfaces de travail en hauteur.
- ◆ Desserrez la bague de la sortie pour l'extraction de la poussière (9) sur l'axe. Ne retirez la bague de la sortie.
- ◆ Alignez la poignée arrière (10a) avec la poignée principale (5) et insérez la bague (10c) sur la rallonge d'axe (10) dans la sortie (9) en la tournant jusqu'en haut.

- ◆ Réglez la longueur de la rallonge d'axe (10) au besoin. Faites attention au repère "max 1,8m" sur la rallonge d'axe. Serrez la bague (9) après voir assembler et régler la rallonge d'axe.

Aspiration de la poussière (Fig. D)

- ◆ Desserrez la bague sur la sortie pour l'extraction des poussières (9) ou (10b) en la tournant vers le symbole de déverrouillage sur la poignée de l'outil.
- ◆ Insérez le tube d'aspiration (11) dans l'extrémité de la poignée de l'outil, comme illustré.
- ◆ Serrez le bouton de verrouillage pour le réglage de la longueur (9) en le tournant vers le symbole de déverrouillage sur la poignée de l'outil.
- ◆ Raccordez le tuyau d'aspiration avec l'adaptateur Ø 47 mm (11d) ou l'adaptateur Ø35mm (12) directement dans un aspirateur industriel (retirez d'abord le tuyau de l'aspirateur).
- ◆ Vous pouvez également raccorder le tuyau d'aspiration avec un adaptateur dans un aspirateur industriel sans avoir à retirer le tuyau de l'aspirateur.

Adaptateur support/Contrôle du débit d'air (Fig. G, H)

- ◆ L'adaptateur support (11a) protège le tuyau des dommages quand l'outil est mis de côté pendant les pauses (Fig. G).
- ◆ Vous pouvez contrôler le débit d'air en glissant la bague de réglage de la puissance (11c) sur la grille d'aération du raccord de l'outil (11b).
- ◆ La puissance d'aspiration est au plus bas niveau lorsque la grille d'aération est complètement visible (Fig. H).

Mettre en marche et éteindre la machine (Fig. I, J, K)

- ◆ Vous pouvez allumer et éteindre la ponceuse murale à l'aide de l'interrupteur (7).

Contrôle électronique de la vitesse

- ◆ Vous pouvez régler la vitesse en tournant la molette régulateur de vitesse (8). L'utilisateur peut choisir des vitesses différentes en fonction de la surface à poncer.
- ◆ Faites fonctionner la machine tout du long à la même vitesse que celle sélectionnée. Ne sursollicitez pas l'outil par trop de pression.

Opérations de ponçage

- ◆ Une fois la machine et l'aspirateur correctement réglés et toutes les mesures et équipements de sécurité en place, commencez par allumer l'aspirateur puis la machine. (Si vous utilisez un aspirateur à allumage automatique, mettez simplement la machine en marche).

Tête de ponçage ronde

- ◆ Commencez le ponçage en mettant la machine en contact avec la surface de l'ouvrage aussi légèrement que possible, juste assez pour que la tête de ponçage reste à plat sur la surface.
- ◆ La meilleure technique est de procéder par des passes se chevauchant et de garder la tête constamment en mouvement pendant la bonne durée. Ne poncez jamais trop longtemps au même endroit pour éviter les marques.
- ◆ Retirez la machine de la surface de l'ouvrage avant de l'éteindre.

Avertissement ! Veillez à ce que le disque de ponçage que vous utilisez convient à la tâche que vous effectuez. Un papier à trop gros grain peut de la matière trop rapidement pour pouvoir conserver une bonne maîtrise. Alors que du papier à grain trop fin peut ne pas poncer la surface assez rapidement.

Avertissement ! Faites attention à éviter les arêtes, les clous, etc. Cela déchirerait le papier de verre et endommagerait très certainement le patin également.

Maintenance

Votre outil STANLEY FAT MAX a été conçu pour fonctionner pendant longtemps avec un minimum d'entretien. Le fonctionnement continu et satisfaisant de l'outil dépend de son bon entretien et de son nettoyage régulier.

Protection de l'environnement



Tri sélectif. Les produits et batteries marqués de ce symbole ne doivent pas être jetés avec les déchets ménagers.

Les produits et batteries contiennent des matières qui peuvent être récupérées et recyclées afin de réduire la demande en matières premières.

Veillez recycler les produits électriques et les batteries conformément aux dispositions locales en vigueur. Pour plus d'informations, consultez le site www.2helpU.com

Données techniques

		SFMEE500
Tension	V _{CA}	220 - 240
Fréquence	Hz	50 / 60
Puissance absorbée	W	750
Vitesse nominale	min ⁻¹	600 - 1700
Patin de ponçage rond	mm	215
Taille filetage de l'axe		M6
Poids	kg	3,75

Niveau de pression sonore selon la norme EN60745 :
Pression sonore (L_{pA}) 89 dB(A), incertitude (K) 3 dB(A)
Puissance sonore (L_{WA}) 100,5 dB(A), incertitude (K) 3 dB(A)
Valeurs totales des vibrations (somme vectorielle triaxiale) selon la norme EN60745 :
(a_w) 2,7 m/s ² , incertitude (K) 1,5 m/s ²

Déclaration de conformité CE

DIRECTIVES MACHINES



SFMEE500 - Ponceuse murale

Stanley Fat Max déclare que les produits décrits sont conformes aux normes 2006/42/CE, EN 60745-1:2009 + A11:2010; EN 60745-2-3:2011 + A2:2013 + A11:2014 + A12:2014 + A13:2015

Ces produits sont également conformes aux Directives 2014/30/UE et 2011/65/UE. Pour plus de détails, veuillez contacter Black & Decker à l'adresse suivante ou consultez la dernière page du manuel.

Pour plus de détails, veuillez contacter Stanley Fat Max à l'adresse suivante ou vous reporter au dos du manuel. Le soussigné est responsable de la compilation du dossier technique et fait cette déclaration au nom de Stanley Fat Max.

A.P. Smith
Directeur technique

Stanley Fat Max Europe, Egide Walschaertsstraat14-18,
2800 Mechelen, Belgique
12/07/2019

Garantie

Stanley Fat Max est sûr de la qualité de ses produits et offre une garantie de 12 mois à ses clients, à partir de la date d'achat. Cette garantie s'ajoute à vos droits légaux auxquels elle ne porte aucunement préjudice. La garantie est valable sur les territoires des états membres de l'Union européenne et la zone européenne de libre-échange.

Pour prétendre à la garantie, la réclamation doit être en conformité avec les conditions générales de Stanley Fat Max et vous devez fournir une preuve d'achat au vendeur ou au réparateur agréé. Les conditions générales de la garantie de 1 an Stanley Fat Max ainsi que l'adresse du réparateur agréé le plus proche sont disponibles sur le site Internet www.2helpU.com ou en contactant votre agence Stanley Fat Max locale à l'adresse indiquée dans ce manuel.

Veuillez consulter notre site Internet www.stanley.eu/3 pour enregistrer votre nouveau produit Stanley Fat Max et pour être tenu informé des nouveaux produits et offres spéciales.

Usò previsto

Questa levigatrice per muri STANLEY FAT MAX SFMEE500 è stata concepita per levigare muri e soffitti. Questo elettrotensile è destinato all'uso professionale e privato da parte di utilizzatori non professionisti.

Istruzioni di sicurezza

Avvertenze di sicurezza generali per gli elettrotensili



Avvertenza! Leggere attentamente tutte le avvertenze, istruzioni, illustrazioni e specifiche fornite con l'elettrotensile.

La mancata osservanza delle avvertenze e istruzioni elencate di seguito potrebbe dar luogo a scosse elettriche, incendi e/o lesioni personali gravi.

Conservare tutte le avvertenze e le istruzioni per consultazioni successive. Il termine "elettrotensile" che ricorre in tutte le avvertenze seguenti si riferisce a utensili elettrici alimentati attraverso la rete elettrica (con cavo) o a batteria (senza cavo).

1. Sicurezza nell'area di lavoro

- Mantenere pulita e bene illuminata l'area di lavoro.** Il disordine o la scarsa illuminazione possono essere causa d'incidenti.
- Evitare di usare gli elettrotensili in ambienti esposti a rischio di esplosione, ad esempio in presenza di liquidi, gas o polveri infiammabili.** Gli elettrotensili generano scintille che possono incendiare le polveri o i fumi.
- Tenere lontani bambini e altre persone presenti mentre si usa un elettrotensile.** Eventuali distrazioni possono provocare la perdita di controllo dello stesso.

2. Sicurezza elettrica

- Le spine elettriche degli elettrotensili devono essere adatte alla presa. Non modificare la spina in alcun modo.**
Non utilizzare spine con adattatore con gli elettrotensili dotati di messa a terra.
Per ridurre il rischio di scossa elettrica evitare di modificare le spine e utilizzare sempre le prese appropriate.
- Evitare il contatto fisico con superfici collegate a terra, quali tubi, radiatori, forni e frigoriferi.** Se il proprio corpo è collegato a terra, il rischio di scossa elettrica aumenta.
- Non esporre gli elettrotensili alla pioggia o all'umidità.** Se penetra dell'acqua all'interno dell'elettrotensile, il rischio di scosse elettriche aumenta.

- d. **Non utilizzare il cavo di alimentazione in modo improprio. Non spostare, tirare o scollegare mai l'elettrodomestico dalla presa tirandolo dal cavo. Tenere il cavo di alimentazione lontano da fonti di calore, olio, bordi taglienti o parti in movimento.** Se il cavo è danneggiato o impigliato, il rischio di scossa elettrica aumenta.
- e. **Se l'elettrodomestico viene utilizzato all'aperto, usare esclusivamente prolunghe omologate per l'impiego all'esterno.** L'uso di un cavo di alimentazione adatto per esterni riduce il rischio di scossa elettrica.
- f. **Se non è possibile evitare di lavorare in una zona umida, usare una rete elettrica protetta da un interruttore differenziale (RCD).** L'uso di un interruttore differenziale riduce il rischio di scossa elettrica.
- 3. Sicurezza delle persone**
- a. **È importante concentrarsi su ciò che si sta facendo e maneggiare con giudizio l'elettrodomestico. Non utilizzare un elettrodomestico quando si è stanchi o sotto l'effetto di droghe, alcool o medicinali.** Un solo attimo di distrazione durante l'uso dell'elettrodomestico potrebbe provocare gravi lesioni personali.
- b. **Usare dispositivi di protezione individuale. Indossare sempre dispositivi di sicurezza per gli occhi.** L'uso di dispositivi di protezione, quali mascherine antipolvere, scarpe antinfortistiche antiscivolo, elmetti o protezioni auricolari in condizioni opportune consente di ridurre le lesioni alle persone.
- c. **Impedire l'avviamento involontario. Accertarsi che l'interruttore di accensione sia nella posizione di spegnimento, prima di collegare l'elettrodomestico alla rete elettrica e/o alla batteria, di prenderlo in mano o di trasportarlo.** Per non esporri al rischio di incidenti, non trasportare l'elettrodomestico tenendo le dita sull'interruttore e non collegarlo a una fonte di alimentazione elettrica con l'interruttore acceso.
- d. **Prima di accendere un elettrodomestico, rimuovere gli utensili o chiavi di regolazione eventualmente presenti.** Un utensile di regolazione o una chiave inserito/a su una parte rotante dell'elettrodomestico può provocare lesioni a persone.
- e. **Non sbilanciarsi. Mantenere sempre un appoggio e un equilibrio adeguati.** In tal modo è possibile mantenere un migliore controllo dell'elettrodomestico nelle situazioni impreviste.
- f. **Vestirsi adeguatamente. Non indossare abiti lenti o gioielli. Tenere i capelli, i vestiti e i guanti lontano dalle parti mobili.** Abiti larghi, gioielli o capelli lunghi possono impigliarsi nelle parti in movimento.
- g. **Se gli elettrodomestici sono provvisti di attacchi per il collegamento di dispositivi di aspirazione o di raccolta delle polveri, assicurarsi che questi siano installati e utilizzati correttamente.** L'impiego di dispositivi per la raccolta delle polveri può ridurre i pericoli legati a queste ultime.
- h. **Non lasciare che la familiarità acquisita dall'uso frequente degli utensili induca a cedere alla tentazione di ignorare i principi di utilizzo sicuro degli stessi.** Un'azione imprudente potrebbe provocare lesioni gravi in una frazione di secondo.
- 4. Uso e cura dell'elettrodomestico**
- a. **Non sovraccaricare l'elettrodomestico. Utilizzare l'elettrodomestico adatto per il lavoro da eseguire.** L'elettrodomestico corretto funziona meglio e in modo più sicuro, se utilizzato alla velocità per cui è stato progettato.
- b. **Non utilizzare l'elettrodomestico se l'interruttore di accensione/spengimento è difettoso.** Qualsiasi elettrodomestico che non possa essere controllato tramite l'interruttore è pericoloso e deve essere riparato.
- c. **Scollegare la spina dalla presa di corrente e/o la batteria dall'elettrodomestico prima di regolarlo, sostituirne gli accessori o riporlo in magazzino.** Queste misure di sicurezza preventive riducono il rischio di azionare accidentalmente l'elettrodomestico.
- d. **Quando non vengono usati, gli elettrodomestici devono essere custoditi fuori dalla portata dei bambini. Non consentire l'uso dell'elettrodomestico a persone inesperte o che non abbiano letto queste istruzioni per l'uso.** Gli elettrodomestici sono pericolosi in mano a persone inesperte.
- e. **Sottoporre gli elettrodomestici e gli accessori a regolare manutenzione. Verificare che le parti mobili siano correttamente allineate e non inceppate, che non vi siano componenti rotti e che non sussistano altre condizioni che possono compromettere il funzionamento dell'elettrodomestico. Se l'elettrodomestico è danneggiato, farlo riparare prima dell'uso.** Molti incidenti sono provocati da elettrodomestici non sottoposti a corretta manutenzione.
- f. **Mantenere affilati e puliti gli utensili da taglio.** La manutenzione corretta degli utensili da taglio con bordi affilati riduce le probabilità di inceppamento e ne facilita il controllo.
- g. **Utilizzare l'elettrodomestico, gli accessori, le punte, ecc. in conformità alle presenti istruzioni, tenendo conto delle condizioni operative e del lavoro da eseguire.** L'utilizzo dell'elettrodomestico per impieghi diversi da quelli previsti può dare luogo a situazioni di pericolo.
- h. **Mantenere le impugnature e le superfici di presa asciutte, pulite e senza tracce di olio o grasso.**

Maniglie e superfici di presa scivolose non consentono di maneggiare e controllare in modo sicuro l'utensile nel caso di imprevisti.

6. Manutenzione

- a. **Fare riparare l'elettrotensile esclusivamente da personale specializzato e solo utilizzando ricambi originali.** In questo modo sarà possibile mantenere la sicurezza dell'elettrotensile.

Ulteriori avvertenze di sicurezza valide per gli elettrotensili



Avvertenza! Ulteriori avvertenze di sicurezza riguardanti le levigatrici per muri.

- ◆ Questo elettrotensile è concepito per l'uso come levigatrice. Leggere tutte le avvertenze, istruzioni, illustrazioni e specifiche fornite con l'elettrotensile. La mancata osservanza delle istruzioni seguenti può dar luogo a scosse elettriche, incendi e/o lesioni gravi.
- ◆ **Con questo elettrotensile non è consigliabile eseguire lavori di molatura, spazzolatura metallica, lucidatura o taglio abrasivo.** L'esecuzione di lavori per i quali l'elettrotensile non è stato progettato potrebbe comportare dei rischi e causare lesioni personali.
- ◆ **Non usare accessori che non sono stati progettati e consigliati in modo specifico dal fabbricante dell'elettrotensile.** Anche se un accessorio può essere collegato all'elettrotensile, questo fatto non ne garantisce la sicurezza di utilizzo.
- ◆ **La velocità nominale dell'accessorio deve essere almeno pari a quella massima riportata sull'elettrotensile.** Gli accessori che girano a una velocità maggiore rispetto alla loro velocità nominale possono rompersi e andare in mille pezzi.
- ◆ **Il diametro esterno e lo spessore dell'accessorio devono rientrare nel valore della capacità nominale dell'elettrotensile.** Gli accessori di dimensioni errate non possono essere protetti né controllati in modo adeguato.
- ◆ **L'attacco filettato degli accessori deve corrispondere alla filettatura dell'alberino della levigatrice. Per quanto riguarda gli accessori fissati tramite flange, il foro di sostegno dell'accessorio deve essere adatto al diametro di centraggio della flangia.** Gli accessori che non corrispondono alla struttura di montaggio dell'elettrotensile non mantengono l'equilibrio, vibrano eccessivamente e possono causare la perdita di controllo.
- ◆ **Non usare accessori danneggiati.** Prima di ogni utilizzo controllare gli accessori affinché sui dischi abrasivi non vi siano scheggiature e lesioni, non siano presenti crepe o segni eccessivi di usura sul platello, e le spazzole metalliche non abbiano filamenti metallici staccati o spezzati.
- ◆ **Se l'elettrotensile o l'accessorio dovessero cadere, ispezionarli per rilevare eventuali danni oppure installare un accessorio integro.** Dopo l'ispezione e l'installazione di un accessorio, allontanarsi o fare allontanare le persone presenti nelle vicinanze dal piano dell'accessorio rotante e azionare l'elettrotensile a vuoto alla massima velocità per un minuto. Normalmente durante questo tempo di prova gli eventuali accessori danneggiati si rompono.
- ◆ **Indossare dispositivi di protezione individuale.** A seconda del lavoro da svolgere, indossare uno schermo facciale, occhiali di sicurezza oppure occhiali con protezioni laterali. **Se del caso, indossare una maschera antipolvere, protezioni per l'udito, guanti e grembiuli da officina in grado di arrestare piccole particelle di abrasivo o piccoli frammenti del pezzo in lavorazione.** La protezione per gli occhi deve impedire ai detriti volanti generati durante le varie lavorazioni di raggiungere gli occhi. La maschera o il respiratore antipolvere deve essere in grado di filtrare la polvere che si genera mentre si lavora. L'esposizione prolungata a rumore molto intenso può provocare la perdita dell'udito.
- ◆ **Mantenere le altre persone presenti a distanza di sicurezza dall'area di lavoro. Chiunque acceda alla zona di lavoro deve indossare dispositivo di protezione individuale adeguati.** Frammenti del pezzo in lavorazione o di un accessorio rotto possono volare via e causare lesioni al di là dell'immediata area di lavoro.
- ◆ **Sostenere l'elettrotensile esclusivamente dalle superfici di presa isolanti quando si eseguono lavori in cui l'accessorio di taglio potrebbe toccare cavi elettrici nascosti o il cavo di alimentazione dell'elettrotensile stesso.** Gli accessori da taglio che vengono a contatto con un cavo sotto tensione trasmettono la corrente elettrica anche alle parti metalliche esposte dell'elettrotensile, con il pericolo di provocare la folgorazione dell'operatore.
- ◆ **Posizionare il cavo di alimentazione lontano dall'accessorio rotante.** In caso di perdita di controllo, il cavo può essere tagliato o impigliarsi e potrebbe avere una forza tale da trascinare la mano o il braccio dell'operatore verso l'accessorio rotante.
- ◆ **Non appoggiare mai un elettrotensile prima che si sia arrestato completamente.** L'accessorio rotante potrebbe fare presa sulla superficie e trascinare l'elettrotensile facendone perdere il controllo.
- ◆ **Non azionare l'elettrotensile mentre lo si trasporta tenendolo lungo il fianco.** Un contatto accidentale con l'accessorio rotante può farlo impigliare agli indumenti e trascinarlo verso il corpo dell'utilizzatore.
- ◆ **Pulire regolarmente gli sfii dell'aria dell'elettrotensile.**

La ventola del motore attira la polvere all'interno dell'alloggiamento e l'accumulo di metallo in polvere può causare rischi elettrici.

- ◆ **Non utilizzare l'elettrotensile in prossimità di materiali infiammabili.** Le scintille potrebbero incendiare i materiali.
- ◆ **Non utilizzare accessori che richiedono liquidi refrigeranti.** L'uso di acqua o altri liquidi refrigeranti possono provocare elettrocuzione o folgorazione.

Istruzioni di sicurezza aggiuntive

Contraccolpo e avvertenze correlate

Il contraccolpo è una reazione improvvisa provocata dal disco, dal platello, dalla spazzola o da qualsiasi altro accessorio in rotazione che si inceppi o rimanga impigliato. L'inceppamento o l'impigliamento causano il bloccaggio rapido dell'accessorio che ruota, il quale, a sua volta, spinge l'elettrotensile, non più controllato, in direzione opposta a quella di rotazione dell'accessorio nel punto in cui era rimasto inceppato.

Ad esempio, se un disco abrasivo si impiglia o si inceppa nel pezzo in lavorazione, il bordo del disco penetrato nel punto di inceppamento può scavare nel materiale e causare lo scavalcamento o il contraccolpo del disco. Il disco potrebbe saltare verso l'operatore o lontano dallo stesso, a seconda della direzione di rotazione del disco nel punto di inceppamento. In queste condizioni è possibile che i dischi abrasivi si rompano.

Un contraccolpo è la conseguenza di un uso non appropriato oppure non corretto dell'elettrotensile e può essere evitato solamente adottando le misure di sicurezza idonee, descritte di seguito.

- ◆ **Mantenere una presa salda sull'elettrotensile e posizionare il corpo e il braccio in un modo tale da poter resistere alle forze del contraccolpo. Utilizzare sempre l'impugnatura ausiliaria, se disponibile, per avere il massimo controllo su contraccolpi e coppie di reazione durante l'avvio.** Adottando le appropriate precauzioni l'operatore può essere in grado di controllare le forze di contraccolpo e di reazione.
- ◆ **Non avvicinare mai la mano all'accessorio rotante.** Nel corso dell'azione di contraccolpo l'accessorio potrebbe passare sulla mano.
- ◆ **Non posizionare il corpo nella zona verso la quale l'elettrotensile potrebbe spostarsi in caso di contraccolpo.** Il contraccolpo spinge l'elettrotensile nella direzione opposta al movimento del disco abrasivo nel punto di impigliamento.
- ◆ **Prestare particolare quando si lavora negli angoli, su bordi aguzzi e così via, evitando di far saltellare e di incastrare l'accessorio.** Angoli, estremità appuntite o rimbalzi tendono a fare impigliare l'accessorio rotante e a causare la perdita di controllo dell'elettrotensile.

- ◆ **Non montare una catena da sega, una lama da intaglio o una lama di sega dentata.** Tali lame creano spesso contraccolpi e perdita di controllo.

Istruzioni di sicurezza aggiuntive per le operazioni di levigatura

Avvertenze di sicurezza specifiche per le operazioni di levigatura:

- ◆ **Non usare carta vetrata sovradimensionata rispetto al disco abrasivo. Nello scegliere la carta vetrata seguire le raccomandazioni del produttore.** Una carta vetrata che sporga oltre il platello di sabbiatura presenta il rischio di lacerazioni e può restare impigliata, strappare il disco o rimbalzare.

Sicurezza altrui

- ◆ Questo elettrotensile non è destinato all'uso da parte di persone (compresi i bambini) con capacità fisiche, sensoriali o mentali ridotte, o prive di esperienza e conoscenze, a meno che non siano sottoposte a sorveglianza o ricevano istruzioni riguardo all'uso dell'elettrotensile da parte di una persona responsabile della loro sicurezza.
- ◆ I bambini devono essere sorvegliati per assicurarsi che non giochino con l'elettrotensile.

Rischi residui

L'utilizzo dell'apparecchio può comportare rischi residui non necessariamente riportati nelle presenti avvertenze di sicurezza. Tali rischi possono verificarsi a seguito di un uso prolungato o improprio, ecc.

Malgrado il rispetto delle norme di sicurezza pertinenti e l'implementazione di dispositivi di sicurezza, alcuni rischi residui non possono essere evitati. Tali rischi residui includono:

- ◆ lesioni causate o subite a seguito del contatto con parti rotanti/in movimento;
- ◆ lesioni causate o subite durante la sostituzione di parti, lame o accessori;
- ◆ lesioni causate dall'impiego prolungato di un elettrotensile (quando si utilizza qualsiasi apparecchio per lunghi periodi, accertarsi di fare regolarmente delle pause);
- ◆ menomazioni uditive;
- ◆ rischi per la salute causati dall'aspirazione di polvere generata dall'utilizzo dell'elettrotensile (ad esempio quando si lavora con il legno, in modo particolare quello di quercia, faggio o l'MDF).

Vibrazioni

I valori dichiarati delle emissioni di vibrazioni, indicati nei dati tecnici e nella dichiarazione di conformità del presente manuale, sono stati misurati in base al metodo di test standard previsto dalla normativa EN60745 e possono essere usati come paragone tra un attrezzo e un altro.

Il valore delle emissioni di vibrazioni dichiarato può anche essere usato come valutazione preliminare dell'esposizione.

Avvertenza! Il valore delle emissioni di vibrazioni durante l'impiego effettivo dell'elettrotensile può variare da quello dichiarato a seconda delle modalità d'uso. Il livello delle vibrazioni può aumentare oltre quello dichiarato.

Quando si valuta l'esposizione alle vibrazioni per determinare le misure di sicurezza richieste dalla normativa 2002/44/CE destinata alla protezione delle persone che utilizzano regolarmente elettrotensili per lo svolgimento delle proprie mansioni, è necessario prendere in considerazione le condizioni effettive di utilizzo e il modo in cui l'elettrotensile viene usato, oltre che tenere conto di tutte le componenti del ciclo operativo, vale a dire i periodi in cui l'elettrotensile rimane spento, quelli in cui è acceso ma fermo e quelli in cui viene effettivamente utilizzato.

Etichette sull'elettrotensile

Sull'elettrotensile compaiono i seguenti pittogrammi:



Avvertenza! Per ridurre il rischio di lesioni alle persone l'utilizzatore deve leggere il manuale di istruzioni.



Indossare protezioni acustiche quanto si effettuano lavori con trapani/avvitatori a percussione. L'esposizione al rumore può condurre alla perdita dell'udito.



Indossare occhiali di sicurezza.



Indossare una maschera antipolvere.

Sicurezza elettrica



Il doppio isolamento di cui è provvisto l'elettrotensile rende superfluo il filo di terra. Verificare sempre che la tensione della rete elettrica corrisponda alla tensione indicata sulla targhetta dei valori nominali.

- ◆ Per prevenire pericoli, i cavi di alimentazione danneggiati devono essere sostituiti dal produttore o da un centro di assistenza STANLEY FAT MAX.

Caratteristiche

Questo elettrotensile presenta alcune o tutte le seguenti caratteristiche.

1. Testa di levigatura tonda
2. Piattello tondo (con sistema a velcro)
3. Alloggiamento motore
4. Dispositivo di bloccaggio dell'asta ripiegabile
5. Impugnatura principale
6. Asta
7. Interruttore di accensione/spengimento
8. Selettore elettronico della velocità
9. Presa per aspirazione polveri (con manicotto di bloccaggio)
10. Asta di prolunga
- 10a. Impugnatura posteriore
- 10b. Presa per aspirazione delle polveri (con manicotto di bloccaggio)
- 10c. Manicotto
11. Tubo flessibile di aspirazione
- 11a. Adattatore di sostegno
- 11b. Connettore (pre-assemblato) (38 mm)
- 11c. Ghiera di regolazione potenza di aspirazione
- 11d. Adattatore per attacco aspirapolvere (pre-assemblato) (47mm)
12. Adattatore per attacco aspirapolvere (pre-assemblato) (35mm)
13. Chiave esagonale
14. Disco abrasivo tondo

Utilizzo

Avvertenza! Lasciare che l'elettrotensile funzioni al proprio ritmo. Non sovraccaricarlo.

- ◆ Prima di utilizzare l'elettrotensile la prima volta si raccomanda di ottenere indicazioni pratiche.
- ◆ Verificare sempre che la tensione di alimentazione corrisponda alla tensione riportata sulla targhetta dei valori nominali dell'elettrotensile.
- ◆ Utilizzare rilevatori appropriati per stabilire se sono presenti fili elettrici o tubature nascosti nell'area di lavoro oppure telefonare all'azienda di erogazione locale per richiedere assistenza (un contatto accidentale con un filo elettrico può provocare un incendio e una scossa elettrica; una tubatura del gas danneggiata può causare un'esplosione; la perforazione di un tubo dell'acqua provocherà danni materiali o il una scossa elettrica).
- ◆ Non lavorare su materiali contenenti amianto (l'amianto è considerato una sostanza cancerogena).
- ◆ Le polveri prodotte dalla lavorazione di materiali quali le vernici al piombo e alcune tipologie di legno, minerali e metalli, possono essere pericolose (il contatto o l'inalazione di tali polveri può provocare reazioni allergiche e/o malattie respiratorie all'operatore o alle altre persone presenti). Indossare una maschera antipolvere e utilizzare un dispositivo di aspirazione delle polveri, se collegabile.

- ◆ Alcuni tipi di polveri (come la polvere di legno di quercia e di faggio) sono classificati come cancerogeni, in particolare se associati ad additivi per il condizionamento del legno. Indossare una maschera antipolvere e utilizzare un dispositivo di aspirazione delle polveri, se collegabile.
- ◆ Attenersi ai requisiti connessi alle polveri delle normative nazionali per i materiali con cui si desidera lavorare.
- ◆ Non bloccare l'elettrotensile in una morsa.
- ◆ Utilizzare cavi di prolunga sicuri e completamente srotolati con una capacità di 16 Amp.

Dopo l'uso

- ◆ Dopo lo spegnimento dell'elettrotensile non arrestare mai la rotazione dell'accessorio applicando una forza laterale contro di esso.

Montaggio e regolazioni

Avvertenza! Per ridurre il rischio di gravi lesioni personali, spegnere l'elettrotensile e staccare la spina dalla presa di corrente prima di eseguire qualsiasi regolazione o rimozione/ installazione di dotazioni o accessori. Prima di ricollegare l'elettrotensile premere e rilasciare il grilletto di azionamento per assicurarsi che l'elettrotensile sia effettivamente spento. Un avvio accidentale potrebbe provocare lesioni.

Assemblaggio dell'asta ripiegabile (Figg. A1, A2 e A3)

- ◆ Distendere completamente la parte superiore e la parte inferiore dell'asta (Fig. A1).
- ◆ Spingere il dispositivo di bloccaggio dell'asta ripiegabile (4) nella posizione corretta e mantenere la punta adiacente all'impugnatura (Fig. A2).
- ◆ Premere in giù il dispositivo di bloccaggio dell'asta ripiegabile (4) per bloccare l'asta (Fig. A3).
- ◆ Rilasciare il dispositivo di bloccaggio dell'asta ripiegabile per ripiegare l'asta.

Sostituzione del platorello (Fig. B1)

- ◆ Inserire la chiave esagonale (13) (misura 5) nel bullone a testa esagonale sul blocco di levigatura.
- ◆ Tenere saldamente il platorello e ruotare la chiave in senso antiorario per smontarlo.
- ◆ Installare il nuovo platorello serrando il bullone.

Fissaggio e cambio del disco abrasivo (Fig. B2)

- ◆ Posizionare il disco abrasivo (14) al centro del platorello (2) e premerlo su di esso. I fori nel disco abrasivo devono essere allineati ai fori di estrazione nel platorello.
- ◆ Solo per il platorello tondo: avviare l'elettrotensile per fare una prova e verificare che il disco abrasivo sia fissato al centro.

Luci a LED

- ◆ Le luci a LED da 10 W che circondano il platorello illuminano i punti concavi o sollevati presenti sul muro o sul soffitto, consentendo di lavorare in maniera efficiente e di ottenere migliori risultati di levigatura, come illustrato nelle Figure E e F.

Asta di prolunga (opzionale) (Fig. C)

- ◆ Usare l'asta di prolunga (10) in base al suo utilizzo previsto per lavorare superfici poste più in alto.
- ◆ Allentare il manicotto sulla presa per aspirazione delle polveri (9) dell'asta. Non rimuovere il manicotto dalla presa.
- ◆ Allineare l'impugnatura posteriore (10a) all'impugnatura principale (5) e inserire il manicotto (10c) sull'asta di prolunga (10) nella presa (9) effettuando un movimento di torsione completo fino in alto.
- ◆ Se necessario, regolare la lunghezza dell'asta di prolunga (10). Prestare attenzione al segno "max 1.8m" (massimo 1,8 m) sull'asta di prolunga. Una volta assemblato/ regolato l'asta di prolunga serrare il manicotto (9).

Aspirazione delle polveri (Fig. D)

- ◆ Allentare il manicotto sulla presa per aspirazione delle polveri (9) o (10b) ruotandolo nella direzione del simbolo del lucchetto aperto sull'impugnatura dell'elettrotensile.
- ◆ Inserire il tubo flessibile di aspirazione (11) nell'estremità dell'impugnatura dell'elettrotensile, come illustrato.
- ◆ Stringere il manicotto sulla presa per aspirazione delle polveri (9) ruotandolo nella direzione del simbolo del lucchetto chiuso sull'impugnatura dell'elettrotensile.
- ◆ Collegare il tubo flessibile di aspirazione con l'adattatore di Ø 47 mm (11d) con l'adattatore di Ø 35 mm (12) direttamente a un aspirapolvere industriale (rimuovendo prima il tubo flessibile dell'aspirapolvere).
- ◆ È possibile anche collegare il tubo flessibile di aspirazione a un aspirapolvere industriale con un adattatore, per evitare di rimuovere il tubo flessibile dell'aspirapolvere.

Adattatore di sostegno/Controllo del flusso d'aria (Figg. G e H)

- ◆ L'adattatore di sostegno (11a) protegge il tubo flessibile dai danni quando l'elettrotensile viene messo via durante le pause dal lavoro (Fig. G).
- ◆ Controllare il flusso dell'aria facendo scorrere la ghiera di regolazione della potenza di aspirazione (11c) sopra il foro di sfogo dell'aria nel connettore dell'elettrotensile (11b).
- ◆ La potenza di aspirazione è minima quando il foro di sfogo dell'aria è visibile (Fig. H).

Accensione e spegnimento dell'elettrotensile (Figg. I, J e K)

- ◆ Accendere/Spegnere la levigatrice per muri agendo sull'interruttore (7).

Selettore elettronico della velocità

- ◆ Regolare la velocità ruotando il selettore della velocità (8). L'utilizzatore ha la possibilità di scegliere velocità diverse in base alla superficie da levigare.
- ◆ Mantenere la macchina in funzione sempre alla velocità selezionata. Non sovraccaricare l'elettrotensile esercitando una pressione eccessiva.

Operazioni di levigatura

- ◆ Una volta installati la levigatrice e l'aspirapolvere e messi in atto tutte le misure e i dispositivi di sicurezza, iniziare accendendo prima l'aspiratore e successivamente la levigatrice. (Se si sta utilizzando un aspirapolvere con sistema di accensione/spegnimento integrato nella levigatrice, accendere semplicemente quest'ultima.)

Testa di levigatura tonda

- ◆ Iniziare a lucidare passando sulla superficie di lavoro nel modo più delicato possibile, quanto basta per mantenere la testa di levigatura in piano rispetto alla superficie.
- ◆ La tecnica migliore consiste nell'eseguire passate sovrapposte e tenere la testa di levigatura costantemente in movimento per un tempo appropriato. Non soffermarsi troppo a lungo su un solo punto, altrimenti si formeranno dei segni circolari.
- ◆ Rimuovere l'elettrotensile dalla superficie di lavoro prima di spegnerlo.

Avvertenza! Assicurarsi che il disco abrasivo che si sta utilizzando sia adatto per il lavoro da svolgere. Una carta vetrata a grana troppo grossa può rimuovere il materiale in maniera eccessivamente rapida. Al contrario, una carta a grana troppo fine può non riuscire a levigare rapidamente la superficie.

Avvertenza! Accertarsi di evitare sporgenze appuntite e chiodi, ecc. al fine di non distruggere la carta vetrata e addirittura danneggiare il platorello in spugna.

Manutenzione

Questo elettrotensile STANLEY FAT MAX è stato concepito per funzionare per un lungo periodo con un minimo di manutenzione. Prestazioni sempre soddisfacenti dipendono da una cura appropriata e da una pulizia regolare.

Protezione dell'ambiente



Raccolta differenziata. I prodotti e le batterie contrassegnati con questo simbolo non devono essere smaltiti con i rifiuti domestici normali.

Essi contengono materiali che possono essere recuperati o riciclati riducendo la richiesta di materie prime.

Riciclare i prodotti elettrici e le batterie attenendosi alle disposizioni locali vigenti. Ulteriori informazioni sono disponibili all'indirizzo www.2helpU.com.

Dati tecnici

		SFMEE500
Tensione	V _{CA}	220 - 240
Frequenza	Hz	50 / 60
Potenza assorbita	L	750
Velocità nominale	min ⁻¹	600 - 1700
Platorello tondo	mm	215
Dimensione filettatura alberino		M6
Peso	kg	3,75

Livello di pressione sonora misurato in base a EN60745:

Pressione sonora (L_{pA}) 89 dB(A), incertezza (K) 3 dB(A)

Potenza sonora (L_{WA}) 100,5 dB(A), incertezza (K) 3 dB(A)

Valori di emissione totali di vibrazioni (somma vettoriale triassiale) in conformità alla norma EN60745:

(a_h) 2,7 m/s², incertezza (K) 1.5 m/s²

Dichiarazione di conformità CE

DIRETTIVA MACCHINE



SFMEE500 - Levigatrice per muri

Stanley Fat Max dichiara che i prodotti descritti al paragrafo "Dati tecnici" sono conformi alle seguenti normative: 2006/42/CE, EN 60745-1:2009 + A11:2010;

EN 60745-2-3:2011 + A2:2013 + A11:2014 + A12:2014 + A13:2015

Questi prodotti sono conformi alla Direttiva 2014/30/UE e 2011/65/UE. Per maggiori informazioni contattare Black & Decker al seguente indirizzo oppure consultare l'ultima di copertina del manuale.

Per maggiori informazioni contattare Stanley Fat Max al seguente indirizzo oppure consultare l'ultima di copertina del manuale.

Il firmatario è responsabile della compilazione del documento tecnico e rende questa dichiarazione per conto di Stanley Fat Max.

A.P. Smith

Direttore tecnico

Stanley Fat Max Europe, Egide Walschaertsstraat14-18,

2800 Mechelen, Belgio

12/07/2019

Garanzia

Stanley FatMax è sicura della qualità dei propri prodotti e offre ai consumatori una garanzia di 12 mesi dalla data di acquisto. Il presente certificato di garanzia è complementare ai diritti legali e non li pregiudica in alcun modo. La garanzia è valida entro i territori degli Stati membri dell'Unione Europea e entro i confini dell'area europea di libero scambio.

Per attivare la garanzia, il reclamo deve essere effettuato in accordo con i Termini e condizioni Stanley FatMax e sarà necessario presentare la prova di acquisto al venditore o all'agente riparatore autorizzato. I Termini e condizioni della garanzia Stanley FatMax di 1 anno e la sede del tecnico riparatore autorizzato più vicino sono consultabili online sul sito web www.2helpU.com oppure contattando la sede Stanley FatMax di zona all'indirizzo indicato in questo manuale. Visitare il nostro sito web www.stanley.eu/3 per registrare il prodotto Stanley FatMax appena acquistato e ricevere gli aggiornamenti su nuovi prodotti e offerte speciali.

NEDERLANDS

(Vertaling van de originele instructies)

Bedoeld gebruik

Uw STANLEY FAT MAX SFMEE500 wandschuurmachine is ontworpen voor het schuren van wanden en plafonds. Dit apparaat is geschikt voor zowel professionele gebruikers als niet-professionele gebruikers.

Veiligheidsinstructies

Algemene veiligheidswaarschuwingen voor elektrisch gereedschap



Waarschuwing! Lees alle veiligheidswaarschuwingen, instructies, illustraties en specificaties die bij dit gereedschap zijn meegeleverd. Wanneer de volgende waarschuwingen en voorschriften niet in acht worden genomen, kan dit een elektrische schok, brand of ernstig letsel tot gevolg hebben.

Bewaar alle waarschuwingen en instructies als referentiemateriaal. De hierna gebruikte term 'elektrisch gereedschap' in alle waarschuwingen die hieronder worden vermeld, heeft betrekking op elektrisch gereedschap voor gebruik op netspanning (met netsnoer) of met een accu (snoerloos).

1. Veilige werkomgeving

- a. **Houd uw werkomgeving schoon en goed verlicht.** Op rommelige of donkere plekken zullen sneller ongelukken gebeuren.

- b. **Werk niet met elektrisch gereedschap in een omgeving met explosiegevaar, zoals in de nabijheid van brandbare vloeistoffen, gassen of stof.** Elektrisch gereedschap veroorzaakt vonken die het stof of de dampen kunnen doen ontbranden.
- c. **Houd kinderen en omstanders tijdens het gebruik van elektrisch gereedschap op afstand.** Als u wordt afgeleid, kunt u de controle over het gereedschap verliezen.

2. Elektrische veiligheid

- a. **De netstekker van het gereedschap moet in het stopcontact passen. Pas de stekker nooit op enige manier aan.**
Gebruik geen adapterstekkers in combinatie met geaard elektrisch gereedschap.
Niet-aangepaste stekkers en passende contactdozen verminderen het risico van een elektrische schok.
 - b. **Vermijd aanraking van het lichaam met geaarde oppervlakken, bijvoorbeeld buizen, verwarmingen, fornuizen en koelkasten.** Er bestaat een verhoogd risico van een elektrische schok als uw lichaam contact heeft met aarde.
 - c. **Stel het gereedschap niet bloot aan regen en vocht.**
Als er water in een elektrisch gereedschap dringt, verhoogt dit het risico van een elektrische schok.
 - d. **Behandel het snoer voorzichtig. Gebruik het snoer nooit om het elektrische gereedschap te dragen of naar u toe te trekken, of de stekker uit het stopcontact te halen. Houd het snoer uit de buurt van warmtebronnen, olie, scherpe randen, of bewegende onderdelen.** Beschadigde snoeren of snoeren die in de war zijn geraakt, verhogen het risico van een elektrische schok.
 - e. **Gebruik, wanneer u buitenshuis met elektrisch gereedschap werkt, alleen verlengsnoeren die zijn goedgekeurd voor gebruik buitenshuis.** Het gebruik van een verlengsnoer dat geschikt is voor buiten vermindert het risico van een elektrische schok.
 - f. **Als u met elektrisch gereedschap werkt op een vochtige locatie, gebruik dan een aardlekschakelaar (RCD).** Het gebruik van een aardlekschakelaar vermindert het risico van een elektrische schok.
- #### 3. Persoonlijke veiligheid
- a. **Blijf alert, let goed op wat u doet en ga met verstand te werk bij het gebruik van elektrische gereedschappen.**
Gebruik het gereedschap niet als u vermoeid bent of onder de invloed van drugs, alcohol of medicatie bent.
Een moment van onoplettendheid tijdens het werken met elektrisch gereedschap kan leiden tot ernstig persoonlijk letsel.

- b. **Draag persoonlijke beschermende uitrusting. Draag altijd oogbescherming.** Beschermende uitrusting, zoals een stofmasker, antislip veiligheidsschoenen, een helm, of gehoorbescherming, gebruikt in de juiste omstandigheden, zal het risico op persoonlijk letsel verminderen.
- c. **Voorkom per ongeluk inschakelen. Controleer dat de schakelaar in de uit-stand staat voordat u het gereedschap aansluit op het stopcontact en/of de accu plaatst en voordat u het gereedschap optilt of gaat dragen.** Het dragen van elektrisch gereedschap met uw vinger op de schakelaar of het aanzetten van elektrisch gereedschap waarvan de schakelaar aan staat, kan leiden tot ongelukken.
- d. **Verwijder instelgereedschappen of schroefsleutels voordat u het gereedschap inschakelt.** Een steeksleutel of een inbussleutel in een draaiend deel van het gereedschap kan tot verwondingen leiden.
- e. **Reik niet buiten uw macht. Blijf altijd stevig en in balans op de grond staan.** Dit geeft u betere controle over het elektrisch gereedschap in onverwachte situaties.
- f. **Draag geschikte kleding. Draag geen loszittende kleding of sieraden. Houd uw haar, kleding en handschoenen uit de buurt van bewegende onderdelen.** Loszittende kleding, sieraden of lang haar kunnen door bewegende delen worden gegrepen.
- g. **Als voorzieningen voor stofafzuiging of stofopvang kunnen worden gemonteerd, controleer dan dat deze zijn aangesloten en op de juiste wijze worden gebruikt.** Het gebruik van stofafzuiging kan aan stof gerelateerde gevaren verminderen.
- h. **Word niet gemakzuchtig doordat u door veelvuldig gebruik vertrouwd bent geraakt met het gereedschap, en verlies niet de veiligheidsbeginselen uit het oog.** Een onvoorzichtige handeling kan in een fractie van een seconde ernstig letsel tot gevolg hebben.
4. **Gebruik en onderhoud van elektrisch gereedschap**
- a. **Overbelast het elektrisch gereedschap niet. Gebruik het juiste elektrisch gereedschap voor uw toepassing.** Met het juiste elektrische gereedschap kunt u de werkzaamheden waarvoor het gereedschap is ontworpen, beter en veiliger uitvoeren.
- b. **Gebruik het elektrisch gereedschap niet als de schakelaar niet goed werkt.** Ieder gereedschap dat niet met de schakelaar kan worden bediend, is gevaarlijk en moet worden gerepareerd.
- c. **Trek de stekker uit het stopcontact en/of de accu uit het elektrisch gereedschap voordat u het gereedschap instelt, toebehoren wisselt of het gereedschap opbergt.** Dergelijke preventieve veiligheidsmaatregelen verminderen het risico dat het elektrisch gereedschap per ongeluk wordt gestart.
- d. **Bewaar elektrisch gereedschap dat niet wordt gebruikt, buiten bereik van kinderen. Laat niet personen die er niet vertrouwd mee zijn en deze aanwijzingen niet hebben gelezen met het gereedschap werken.** Elektrisch gereedschap is gevaarlijk in handen van ongetrainde gebruikers.
- e. **Onderhoud elektrisch gereedschap en accessoires. Controleer dat bewegende delen van het gereedschap wel goed functioneren en niet klemmen, en dat er niet onderdelen zodanig zijn gebroken of beschadigd dat de werking van het gereedschap nadelig wordt beïnvloed. Laat het gereedschap voor gebruik repareren als het beschadigd is.** Veel ongelukken worden veroorzaakt door slecht onderhouden elektrisch gereedschap.
- f. **Houd zaag- en snijgereedschap scherp en schoon.** Goed onderhouden zaaggereedschap met scherpe snijvlakken loopt minder snel vast en is gemakkelijker onder controle te houden.
- g. **Gebruik elektrisch gereedschap, toebehoren, zaagjes en boortjes, enz., volgens deze aanwijzingen. Let daarbij op de arbeidsomstandigheden en de uit te voeren werkzaamheden.** Gebruik van het elektrisch gereedschap voor werkzaamheden die anders zijn dan bedoeld, kan leiden tot een gevaarlijke situatie.
- h. **Houd de handgrepen droog, schoon en vrij van olie en vet.** Gladde handgrepen en ruige oppervlakken maken het moeilijk het gereedschap veilig te hanteren en onder controle te houden in onverwachte situaties.
6. **Service**
- a. **Laat het gereedschap alleen repareren door gekwalificeerd en vakkundig personeel en alleen met originele vervangingsonderdelen.** De veiligheid van het gereedschap blijft dan gewaarborgd.

Aanvullende veiligheidswaarschuwingen voor elektrisch gereedschap



Waarschuwing! Aanvullende veiligheidswaarschuwingen voor wandschuurmachines.

- ◆ Dit elektrische gereedschap is bedoeld om als schuurmachine te worden gebruikt. Lees alle veiligheidswaarschuwingen, instructies, illustraties en specificaties die bij dit gereedschap zijn meegeleverd. Het niet opvolgen van alle onderstaande instructies kan leiden tot een elektrische schok, brand en/of ernstig persoonlijk letsel.
- ◆ **U kunt met dit elektrische gereedschap beter niet werkzaamheden zoals slijpen, draadborstelen, polijsten en afzagen uitvoeren.**

Werkzaamheden waarvoor het elektrisch gereedschap niet is ontworpen, kunnen leiden tot gevaarlijke situaties en lichamelijk letsel.

- ◆ **Gebruik geen accessoires die niet speciaal ontworpen en aanbevolen zijn door de fabrikant van het gereedschap.** Als u een accessoire op uw gereedschap kunt bevestigen, betekent dat nog niet dat u er gegarandeerd veilig mee kunt werken.
- ◆ **Het nominale toerental van het accessoire moet tenminste gelijk zijn aan het maximale toerental zoals dit op het gereedschap staat vermeld.** Accessoires die sneller draaien dan hun nominale toerental, kunnen in stukken breken en deze stukken kunnen worden weggeslingerd.
- ◆ **De buitendiameter en dikte van uw hulpstuk mogen niet groter zijn dan de maximale capaciteit van uw elektrische gereedschap.** Voor hulpstukken van onjuiste formaten zijn geen geschikte beschermkappen beschikbaar en dergelijke accessoires zijn moeilijk te hanteren.
- ◆ **Het bevestigen van hulpstukken met schroefdraad moet overeenkomen met het schroefdraad van de slijpspil. Voor accessoires die zijn gemonteerd door middel van flenzen moet het drevelgat van het accessoire passen bij de plaatsingsdiameter van de flens.** Accessoires die niet passen op de bevestigingshardware van het gereedschap zullen uit balans raken en/of extreem trillen en kunnen u de beheersing over het gereedschap doen verliezen.
- ◆ **Gebruik een hulpstuk niet als dit beschadigd is. Controleer accessoires zoals schuurwielen voor gebruik op schilfers en barstjes, steunkussens op barstjes, scheurtjes of excessieve slijtage, staalborstels op losse of gespleten draden. Als het gereedschap of het accessoire is gevallen, inspecteer het dan op schade of plaats een onbeschadigd accessoire. Na het controleren en plaatsen van een accessoire zorgt u ervoor dat u en omstanders uit de buurt van het bereik van het ronddraaiende accessoire blijft en zet u het gereedschap gedurende een minuut aan op maximale onbelaste snelheid.** Beschadigde accessoires breken gewoonlijk af tijdens deze testtijd.
- ◆ **Draag persoonlijke beschermingsmiddelen. Afhankelijk van de toepassing gebruikt u gezichtsbescherming of oogbescherming, zoals een veiligheidsbril. Draag indien nodig een stofmasker, gehoorbescherming, handschoenen en een werkschort die kleine afgeschuurde deeltjes of deeltjes van het werkstuk tegenhouden.** De bescherming van de ogen moet rondvliegende deeltjes die door de diverse werkzaamheden vrijkomen, tegen kunnen houden. Het stofmasker moet in staat zijn deeltjes die door uw werkzaamheden vrijkomen te filteren. Langdurige blootstelling aan intense geluiden kan gehoorverlies veroorzaken.

- ◆ **Houd omstanders op veilige afstand van de werkomgeving. Iedereen die het werkgebied betreedt, moet persoonlijke beschermende kleding dragen.** Brokstukken van het werkstuk of van een afgebroken accessoire kunnen wegvliegen en letsel buiten het directe werkgebied veroorzaken.
- ◆ **Houd het gereedschap alleen vast aan de geïsoleerde greepoppervlakken als u een handeling uitvoert waarbij het accessoire met onzichtbare draden of met het eigen snoer in aanraking kan komen.** Accessoires van zaaggereedschap die in contact komen met bedrading die onder stroom staat, kunnen metalen onderdelen van het gereedschap onder stroom zetten en de gebruiker een elektrische schok geven.
- ◆ **Plaats het netsnoer buiten het bereik van het ronddraaiende accessoire.** Als u de controle verliest, wordt het snoer mogelijk doorgesneden of gegrepen en kan uw hand of arm in het draaiende accessoire worden getrokken.
- ◆ **Leg het gereedschap nooit neer voordat het accessoire volledig tot stilstand is gekomen.** Het ronddraaiende accessoire kan mogelijk in contact met de oppervlakte komen waardoor u de controle over het gereedschap verliest.
- ◆ **Laat het gereedschap niet draaien terwijl u het aan uw zijde draagt.** Wanneer uw kleding per ongeluk bekneld raakt in het ronddraaiende accessoire, kan het accessoire tegen uw lichaam aan worden getrokken.
- ◆ **Maak de ventilatieopeningen van het gereedschap regelmatig schoon.** De ventilator van de motor zuigt het stof in de behuizing en extreme ophoping van metaaldeeltjes kan een elektrische schok veroorzaken.
- ◆ **Werk niet met het gereedschap in de buurt van ontvlambare materialen.** Vonken kunnen deze materialen doen ontbranden.
- ◆ **Gebruik geen accessoires waarvoor vloeibare koelmiddelen nodig zijn.** Het gebruik van water of andere vloeibare koelmiddelen kan een elektrische schok tot gevolg hebben.

Aanvullende Veiligheidsinstructies

Terugslag en daaraan gerelateerde waarschuwingen

Terugslag is een plotselinge reactie op een ronddraaiend wiel, steunkussen, borstel of ander accessoire dat bekneld of gegrepen wordt. Beknelling of grijpen zorgt voor het snel vastlopen van het ronddraaiende accessoire dat op zijn beurt zorgt dat het onbeheersbare gereedschap in de tegenovergestelde richting van de draaiing van het accessoire wordt gedwongen op het bevestigingspunt.

Als bijvoorbeeld een schuurschijf wordt gegrepen of bekneld raakt door het werkstuk, kan de rand van schijf die er bij het beknellingpunt ingaat in het oppervlak van het materiaal slaan waardoor de schijf naar buiten loopt of terugslaat.

Het wiel kan ofwel naar de operator toe of van hem vandaan springen, afhankelijk van de richting van de wielbeweging op het beknellingpunt. Schuurschijven kunnen onder deze omstandigheden ook afbreken.

Terugslag is het gevolg van verkeerd gebruik of onjuiste gebruiksomstandigheden van elektrisch gereedschap. Met geschikte voorzorgsmaatregelen, zoals hieronder zijn beschreven, kan terugslag worden voorkomen.

- ◆ **Blijf de het gereedschap stevig met beide handen vasthouden en plaats uw lichaam en armen zodanig dat u een eventuele terugslag kunt tegenhouden. Maak ook altijd gebruik van de hulphandgreep, indien bijgeleverd, voor maximale controle bij terugslag of torsiereactie tijdens het opstarten.** Met de juiste voorzorgsmaatregelen kunnen gebruikers torsiereactie of terugslagkrachten onder controle houden.
- ◆ **Houd uw handen uit de buurt van het draaiende accessoire.** Het accessoire kan over uw hand terugslaan.
- ◆ **Zorg ervoor dat uw lichaam zich niet op een positie bevindt waar het in aanraking zou kunnen komen in geval van terugslag.** Terugslag zorgt dat het gereedschap wegschiet in de tegenovergestelde richting van de wielbeweging op het beknellingpunt.
- ◆ **Wees extra voorzichtig bij het werken aan of in hoeken. Voorkom dat het gereedschap gaat 'springen' en bekneld raakt in het werkstuk.** Hoeken, scherpe randen en wegspringen van het gereedschap kunnen er vaak toe leiden dat het ronddraaiende accessoire blijft hangen wat verlies van controle of terugslag kan veroorzaken.
- ◆ **Gebruik dit gereedschap niet in combinatie met een cirkelzaagblad of andere getande zaagbladen.** Dergelijke zaagbladen kunnen herhaaldelijk terugslag en verlies van controle veroorzaken.

Aanvullende veiligheidsinstructies voor schuurwerkzaamheden

Veiligheidswaarschuwingen met betrekking tot schuurwerkzaamheden:

- ◆ **Gebruik het juiste formaat schuurpapier voor de schijf. Volg bij het selecteren van schuurpapier de richtlijnen van de fabrikant.** Groter schuurpapier dat buiten het schuurkussen steekt, veroorzaakt gevaar van schaaftwonden en kan beknelling of scheuren van de schijf of terugslag veroorzaken.

Veiligheid van anderen

- ◆ Dit gereedschap mag niet worden gebruikt door personen (waaronder kinderen) die lichamelijk of geestelijk mindervalide zijn of die geen ervaring met of kennis van dit gereedschap hebben, tenzij ze onder toezicht staan of instructies krijgen wat betreft het gebruik van het gereedschap van een persoon die verantwoordelijk is voor hun veiligheid.

- ◆ Er moet op worden toegezien dat kinderen niet met het apparaat spelen.

Overige risico's

Er kunnen zich bij het gebruik van dit gereedschap nog meer risico's voordoen, die mogelijk niet in de bijgesloten veiligheidswaarschuwingen worden beschreven. Deze risico's kunnen zich voordoen door onoordeelkundig gebruik, langdurig gebruik, enz.

Zelfs wanneer de veiligheidsvoorschriften in acht worden genomen en de veiligheidsvoorzieningen worden gebruikt, kunnen bepaalde risico's niet worden uitgesloten. Dit zijn onder meer:

- ◆ Verwondingen die worden veroorzaakt door het aanraken van draaiende of bewegende onderdelen.
- ◆ Verwondingen die worden veroorzaakt bij het vervangen van onderdelen, bladen of accessoires.
- ◆ Verwondingen die worden veroorzaakt door langdurig gebruik van het gereedschap. Wanneer u langere periodes met de machine werkt, kunt u het beste regelmatig een pauze nemen.
- ◆ Gehoorbeschadiging.
- ◆ Gezondheidsrisico's als gevolg van het inademen van stof dat door gebruik van het gereedschap wordt veroorzaakt (bijvoorbeeld tijdens het werken met hout, met name eiken, beuken en MDF).

Trillingen

De aangegeven waarden voor trillingsemmissie in de technische gegevens en de conformiteitverklaring, zijn gemeten conform een standaardtestmethode die door EN60745 wordt verstrekt. Hiermee kan het ene gereedschap met het andere worden vergeleken.

De aangegeven waarde voor trillingsemmissie kan ook worden gebruikt bij een voorlopige bepaling van blootstelling.

Waarschuwing! De waarde voor trillingsemmissie tijdens het werkelijke gebruik van het gereedschap kan verschillen van de aangegeven waarde afhankelijk van de manieren waarop het gereedschap wordt gebruikt. Het trillingsniveau kan toenemen tot boven het aangegeven niveau.

Bij beoordeling van de blootstelling aan trillingen met het doel vast te stellen welke veiligheidsmaatregelen 2002/44/EG vereist ter bescherming van personen die tijdens hun werk regelmatig elektrisch gereedschap gebruiken, moet bij een inschatting van de blootstelling aan trillingen rekening worden gehouden met de werkelijke gebruiksomstandigheden en de manier waarop het gereedschap wordt gebruikt. Daarbij moet ook rekening worden gehouden met alle onderdelen van de bedrijfscyclus, zoals wanneer het gereedschap wordt uitgeschakeld en wanneer het gereedschap stationair loopt en ook de aanlooptijd.

Etiketten op het gereedschap

De volgende pictogrammen worden met de datumcode op het gereedschap weergegeven:



Waarschuwing! De gebruiker moet de instructiehandleiding lezen zodat het risico van letsel wordt beperkt.



Draag gehoorbeschermers bij het werken met slagboormachines. Blootstelling aan lawaai kan gehoorverlies veroorzaken.



Draag een veiligheidsbril of oogbescherming.



Draag een stofmasker.

Elektrische veiligheid



Dit gereedschap is dubbel geïsoleerd, daarom is een aardeaansluiting niet vereist. Controleer altijd of de stroomvoorziening overeenkomt met het voltage op het typeplaatje.

- ◆ Als het netsnoer is beschadigd moet dit om ongelukken te voorkomen worden vervangen door de fabrikant of een geautoriseerd STANLEY FAT MAX servicecentrum.

Functies

Dit apparaat heeft enkele van de volgende functies of allemaal.

1. Ronde schuurkop
2. Rond schuurblok (kliittenband systeem)
3. Motorbehuizing
4. Inklapbare vergrendeling
5. Hoofdhandgreep
6. Steel
7. Aan/uit-schakelaar
8. Elektronische snelheidsregelaar
9. Stofafvoer (met vergrendelbare kraag)
10. Verlengstuk
- 10a. Achterste handgreep
- 10b. Stofafvoer (met vergrendelbare kraag)
- 10c. Kraag
11. Zuigslang
- 11a. Steun
- 11b. Connector (vooraf gemonteerd) (38mm)
- 11c. Zuigkracht afstelling
- 11d. Stofzuiger adapter (vooraf gemonteerd) (47mm)
12. Stofzuiger adapter (vooraf gemonteerd) (35mm)
13. Inbusseutel
14. Ronde schuurschijf

Gebruik van het apparaat

Waarschuwing! Laat het gereedschap op zijn eigen snelheid werken. Overbelast het gereedschap niet.

- ◆ Het is aan te raden om voordat u het apparaat voor de eerste keer gebruikt eerst praktische informatie op te zoeken.
- ◆ Controleer altijd of de spanning van de voeding overeenkomt met de spanning op de machineplaat van het apparaat.
- ◆ Gebruik geschikt meetapparatuur om verborgen leidingen op te zoeken, of neem contact op met uw lokale installateur voor assistentie (contact met elektrische bedrading kan brand of een elektrische schok veroorzaken, schade aan een gasleiding kan een explosie veroorzaken en schade aan een waterleiding kan eigendomsschade of een elektrische schok veroorzaken).
- ◆ Werk niet met materialen die asbest bevatten (asbest is kankerverwekkend).
- ◆ Stof van materialen zoals verf kunnen lood bevatten, sommige houtsoorten, mineralen en metalen kunnen schadelijk zijn voor uw gezondheid (contact of inademen van deze stoffen kan ernstige allergische reacties en/of ademhalingsproblemen veroorzaken bij de gebruiker of omstanders); draag een stofmasker en gebruik wanneer mogelijk een stofzuigsysteem.
- ◆ Sommige soorten stof zijn geklasseerd als kankerverwekkend (zoals stof van eiken- en beukenhout) in het bijzonder door toegevoegde chemicaliën voor houtbewerking; draag een stofmasker en gebruik wanneer mogelijk een stofzuigsysteem.
- ◆ Volg de landelijk geldende wetgeving met betrekking tot stof voor de materialen waar u mee werkt.
- ◆ Klem het apparaat nooit in een werkbank.
- ◆ Gebruik alleen volledig afgerolde verlengsnoeren met een capaciteit van 16 Ampère.

Na gebruik

- ◆ Houd het draaiende accessoire na het uitschakelen nooit tegen door er tegen te drukken.

Montage en aanpassingen

Waarschuwing! Om het gevaar op ernstig persoonlijk letsel te verminderen, zet u het gereedschap uit en ontkoppelt u het van de stroomvoorziening, voordat u enige aanpassing maakt of hulpstukken of accessoires verwijdt/installeert. Voordat u het gereedschap opnieuw aansluit, drukt u de trekkerschakelaar in en laat deze vrijkomen, om er zeker van te zijn dat het gereedschap uit staat. Wanneer de machine per ongeluk wordt gestart, kan dat leiden tot letsel.

Montage van de opvouwbare steel (Afb. A1, A2, A3)

- ◆ Vouw de bovenste en de onderste steel helemaal open (Afb. A1).
- ◆ Druk de inklapbare vergrendeling (4) op de juiste positie en houd de punt gelijk met de handgreep (Afb. A2).

- ◆ Druk de inklapbare vergrendeling (4) naar beneden om de steel (Afb. A3) te vergrendelen.
- ◆ Ontgrendel de inklapbare vergrendeling om de steel op te vouwen.

Het schuurblad vervangen (Afb. B1)

- ◆ Steek de inbusleutel (13) (maat 5) in de inbusbout van het schuurblad.
- ◆ Houd het schuurblad goed vast en draai de inbusleutel linksom tot het schuurblad loskomt.
- ◆ Plaats nu een nieuw schuurblad en draai de bout weer vast.

De schuurschijf bevestigen en vervangen (Afb. B2)

- ◆ Plaats de schuurschijf (14) in het midden van het schuurblad (2) en druk het goed vast. De gaten in de schuurschijf moeten op één lijn zitten met de gaten in het schuurblad.
- ◆ Alleen voor ronde schuurschijven: voer een test uit om te controleren of de schuurschijf goed in het midden vastzit.

De LED lamp

- ◆ 10W LED lampjes rond het schuurblad verlichten oneffenheden op de wand of het plafond waardoor u efficiënter kunt werken en betere resultaten behaalt, zoals afgebeeld in afbeeldingen E en F.

Verlengstuk (optioneel) (Afb. C)

- ◆ Gebruik het verlengstuk (10) volgens het bedoeld gebruik op hogere werkoppervlakken.
- ◆ Draai de kraag van de stofafvoer (9) op de steel los. Haal de kraag niet van de stofafvoer.
- ◆ Houd de achterste handgreep (10a) op één lijn met de hoofdhandgreep (5) en duw de kraag (10c) al draaiend op het verlengstuk (10) en in de stofafvoer (9) tot aan de bovenkant.
- ◆ Indien nodig kunt u de lengte van het verlengstuk (10) aanpassen. Let goed op de markering "max 1,8m" op het verlengstuk. Draai de kraag (9) vast nadat u het verlengstuk plaatst of aanpassingen maakt.

Stofafvoer (Afb. D)

- ◆ Draai de kraag van de stofafvoer (9) of (10b) door deze in de richting van het ontgrendelingsymbool op de handgreep te draaien.
- ◆ Plaats de zuigslang (11) in het uiteinde van de handgreep zoals afgebeeld.
- ◆ Draai de vergrendelingsknop van de lengte afstelling (9) door deze in de richting van het vergrendelingsymbool op de handgreep te draaien.
- ◆ Sluit de zuigslang met de Ø 47 mm adapter (11d) of de Ø35mm adapter (12) direct aan op een industriële stofzuiger (verwijder eerst de zuigslang van de stofzuiger).

- ◆ U kunt ook de zuigslang aansluiten op de zuigslang van een industriële stofzuiger door middel van een adapter, zodat u niet eerst de slang hoeft te verwijderen.

Steun/luchtstroom afstelling (Afb. G, H)

- ◆ De steun (11a) beschermt de slang tegen schade wanneer u het apparaat weglegt tijdens onderbrekingen (Afb. G).
- ◆ U kunt de luchtstroom afstellen door de zuigkracht afstelling (11c) over de luchtgaten in de connector (11b) te schuiven.
- ◆ De zuigkracht is het laagst wanneer alle gaten helemaal zichtbaar zijn (Afb. H).

De machine in- en uitschakelen (Afb. I, J, K)

- ◆ Schakel de wandschuurmachine in met de aan/uit-schakelaar (7).

Elektronische snelheidsregeling

- ◆ Stel de snelheid van de machine in door aan het wiel (8) te draaien, u kunt verschillende snelheden gebruiken voor verschillende oppervlakken.
- ◆ Laat de machine op de ingestelde snelheid draaien. U mag de machine niet overbelasten door hard te drukken.

Schuurwerkzaamheden

- ◆ Als de machine en de stofzuiger juist zijn opgesteld, alle veiligheidsmaatregelen zijn getroffen en u persoonlijke beschermingsmiddelen aan hebt, zet dan eerst de stofzuiger aan en dan pas de schuurmachine. (Wanneer u een stofzuiger gebruikt met parallelle schakelaar, schakel dan gewoon de machine aan.)

Ronde schuurkop

- ◆ Begin met schuren door de schuurkop zo voorzichtig mogelijk op het oppervlak te plaatsen, zodat de kop vlak op het oppervlak staat.
- ◆ De beste techniek voor het beste resultaat zijn overlappende slagen terwijl de u de kop constant beweegt maar toch lang genoeg op het oppervlak houdt. Schuur nooit te lang op één plek, dit kan lelijke schuurvlekken veroorzaken.
- ◆ Haal de machine van het oppervlak voordat u de machine uitschakelt.

Waarschuwing! Controleer dat de schuurschijf die u gebruikt geschikt is voor het oppervlak dat u wilt schuren. Te grof schuurpapier kan materiaal te snel weg schuren. Terwijl te fijn schuurpapier het oppervlak niet snel genoeg schuurt.

Waarschuwing! Let goed op dat u scherpe voorwerpen zoals spijkers etc. vermijdt. Deze voorwerpen beschadigen de schuurschijf en kunnen ook het schuurblad beschadigen.

Onderhoud

Uw STANLEY FAT MAX gereedschap is ontworpen om gedurende langere periode te functioneren met een minimum aan onderhoud.

Het continu naar tevredenheid functioneren hangt af van de juiste zorg voor het gereedschap en regelmatig schoonmaken.

Het milieu beschermen



Gescheiden afvalinzameling. Producten en accu's waarop dit symbool is aangebracht, mogen niet bij het normale huishoudafval worden weggegooid.

Producten en accu's bevatten materialen die kunnen worden teruggewonnen of gerecycled en dat doet de vraag naar grondstoffen afnemen.

Recycle elektrische producten en accu's volgens de ter plaatse geldende bepalingen. Nadere informatie is beschikbaar op www.2helpU.com

Technische gegevens

		SFMEE500
Spanning	V _{AC}	220 - 240
Frequentie	Hz	50 / 60
Vermogen	W	750
Nominaal toerental	min ⁻¹	600 - 1700
Rond schuurblad	mm	215
Asmaat		M6
Gewicht	kg	3,75

Geluidsdruk niveau, volgens EN60745:	
Geluidsdruk (L _{PA})	89 dB(A), meetonzekerheid (K) 3 dB(A)
Geluidsvermogen (L _{WA})	100,5 dB(A), meetonzekerheid (K) 3 dB(A)

Totale trillingswaarden (som triaxvector) volgens EN60745:	
(a _v)	2,7 m/s ² , meetonzekerheid (K) 1,5 m/s ²

EG conformiteitsverklaring

RICHTLIJN VOOR MACHINES



SFMEE500 - Wandschuurmachine

Stanley Fat Max verklaart hierbij dat deze producten voldoen aan 2006/42/EC, EN 60745-1:2009 + A11:2010;

EN 60745-2-3:2011 + A2:2013 + A11:2014 + A12:2014 + A13:2015

Deze producten voldoen tevens aan richtlijn 2014/30/EU en 2011/65/EU. Neem voor meer informatie contact op met Black & Decker op het volgende adres of raadpleeg de achterzijde van de handleiding.

Neem voor meer informatie contact op met Stanley Fat Max op het volgende adres of raadpleeg de achterzijde van de

handleiding.

De ondergetekende is verantwoordelijk voor de samenstelling van het technische bestand en legt deze verklaring af namens Stanley Fat Max.

A.P. Smith
Technical Director

Stanley Fat Max Europe, Egide Walschaertsstraat14-18,
2800 Mechelen, België
12/07/2019

Garantie

Stanley Fat Max heeft vertrouwen in zijn producten en biedt consumenten een garantie van 12 maanden vanaf de datum van aankoop. Deze garantie vormt een aanvulling op uw wettelijke rechten en beperken deze niet. De garantie is geldig op het grondgebied van de Lidstaten van de Europese Unie en de Europese Vrijhandelszone.

Voor een garantie-aanspraak moet uw aanspraak in overeenstemming zijn met de Voorwaarden en Condities van Stanley Fat Max en moet u een bewijs van aankoop overleggen aan de verkoper of aan een geautoriseerde reparatiemonteur.

Voorwaarden en condities van de 1-jarige garantie van Stanley Fat Max en het adres van de vestiging van het geautoriseerde reparatiecentrum bij u in de buurt, kunt u vinden op internet op www.2helpU.com, of door contact op te nemen met het Stanley Fat Max-kantoor ter plaatse, op het adres dat in deze handleiding wordt vermeld.

Bezoek onze website www.stanley.eu/3, waar u uw nieuwe Stanley Fat Max-product kunt registreren en informatie kunt vinden over nieuwe producten en speciale aanbiedingen.

(Traducción de las instrucciones originales)

ESPAÑOL

Usado previsto

La lijadora de paredes SFMEE500 de STANLEY FAT MAX ha sido diseñada para el lijado de paredes y techos. Este aparato está destinado a usuarios profesionales, particulares y no profesionales.

Instrucciones de seguridad

Advertencias de seguridad generales para herramientas eléctricas



¡Advertencia! Lea todas las advertencias de seguridad, instrucciones, ilustraciones y especificaciones suministradas con esta herramienta eléctrica. El incumplimiento de las advertencias e instrucciones indicadas a continuación puede provocar una descarga eléctrica, un incendio y/o lesiones graves.

Guarde todas las advertencias e instrucciones para poder consultarlas en el futuro. El término "herramienta eléctrica" que aparece en las advertencias se refiere a la herramienta eléctrica que funciona a través de la red eléctrica (con cable) o a la herramienta eléctrica que funciona con batería (sin cable).

1. Seguridad en la zona de trabajo

- a. **Mantenga su área de trabajo limpia y bien iluminada.** Las áreas desordenadas u oscuras pueden provocar accidentes.
- b. **No utilice herramientas eléctricas en atmósferas explosivas, como ambientes donde haya polvo, gases o líquidos inflamables.** Las herramientas eléctricas originan chispas que pueden inflamar el polvo o los gases.
- c. **Mantenga alejados a los niños y a las personas que estén cerca mientras utiliza una herramienta eléctrica.** Las distracciones pueden ocasionar que pierda el control.

2. Seguridad eléctrica

- a. **Los enchufes de las herramientas eléctricas deben corresponderse con la toma de corriente. No modifique nunca el enchufe de ninguna forma. No utilice ningún enchufe adaptador con herramientas eléctricas conectadas a tierra.** Los enchufes no modificados y las tomas de corriente correctas reducen el riesgo de descarga eléctrica.
- b. **Evite el contacto del cuerpo con superficies conectadas a tierra como tuberías, radiadores, cocinas económicas y frigoríficos.** Existe un mayor riesgo de descarga eléctrica si tiene el cuerpo conectado a tierra.
- c. **No exponga las herramientas eléctricas a la lluvia ni a la humedad.** Si entra agua en una herramienta eléctrica, aumenta el riesgo de descarga eléctrica.
- d. **No use el cable de alimentación en modo inapropiado. No use nunca el cable para transportar, tirar o desenchufar la herramienta eléctrica. Mantenga el cable alejado del calor, aceite, bordes afilados y piezas en movimiento.** Los cables dañados o enredados aumentan el riesgo de descarga eléctrica.
- e. **Cuando esté utilizando una herramienta eléctrica al aire libre, use un cable alargador adecuado para uso en exteriores.** La utilización de un cable adecuado para el uso en exteriores reduce el riesgo de descarga eléctrica.
- f. **Si no puede evitar utilizar una herramienta eléctrica en un lugar húmedo, use un suministro protegido con un dispositivo diferencial residual (DDR).** El uso de un dispositivo diferencial residual reduce el riesgo de descarga eléctrica.

3. Seguridad personal

- a. **Manténgase alerta, esté atento a lo que hace y use el sentido común cuando utilice una herramienta eléctrica.** **No utilice una herramienta eléctrica cuando esté cansado o bajo los efectos de drogas, medicamentos o alcohol.** Un momento de desatención cuando se utilizan herramientas eléctricas puede ocasionar lesiones personales graves.
- b. **Use un equipo protector personal. Utilice siempre protección ocular.** El uso de equipo protector como mascarillas antipolvo, calzado antideslizante, casco o protección auditiva para condiciones apropiadas reduce las lesiones personales.
- c. **Evite la puesta en funcionamiento involuntaria. Asegúrese de que el interruptor esté en posición de apagado antes de conectar la fuente de alimentación y/o la batería o de levantar o transportar la herramienta.** Transportar herramientas eléctricas con el dedo puesto en el interruptor o herramientas eléctricas activadoras que tengan el interruptor encendido puede provocar accidentes.
- d. **Saque cualquier llave de ajuste o llave inglesa antes de encender la herramienta eléctrica.** Una llave inglesa u otra llave que se deje puesta en una pieza en movimiento de la herramienta eléctrica pueden ocasionar lesiones personales.
- e. **No alargue demasiado los brazos. Mantenga un equilibrio adecuado y la estabilidad constantemente.** Esto permite un mejor control de la herramienta eléctrica en situaciones inesperadas.
- f. **Utilice la vestimenta adecuada. No lleve ropa suelta ni joyas. Mantenga el cabello, la ropa y los guantes alejados de las piezas en movimiento.** La ropa suelta, las joyas y el pelo largo pueden quedar atrapados en las piezas en movimiento.
- g. **Si se suministran dispositivos para la conexión del equipo de extracción y recogida de polvo, asegúrese de que estén conectados y de que se usen adecuadamente.** El uso de equipo de recogida de polvo puede reducir los riesgos relacionados con el polvo.
- h. **No permita que la familiaridad adquirida con el uso frecuente de las herramientas le haga confiarse demasiado e ignorar los principios de seguridad de las herramientas.** Una acción descuidada puede causar lesiones graves en una fracción de segundo.

4. Uso y cuidado de la herramienta eléctrica

- a. **No fuerce la herramienta eléctrica. Use la herramienta eléctrica correcta para su trabajo.** La herramienta eléctrica correcta funcionará mejor y con más seguridad si se utiliza de acuerdo con sus características técnicas.

- b. **No utilice la herramienta eléctrica si esta no puede encenderse y apagarse con el interruptor.** Cualquier herramienta eléctrica que no pueda controlarse con el interruptor es peligrosa y debe ser reparada.
- c. **Desconecte el enchufe de la fuente de alimentación y/o la batería de la herramienta eléctrica antes de realizar ajustes, cambiar accesorios o guardar las herramientas eléctricas.** Dichas medidas de seguridad preventivas reducen el riesgo de poner en marcha la herramienta eléctrica accidentalmente.
- d. **Guarde las herramientas eléctricas que no esté utilizando de forma que estén fuera del alcance de los niños y no permita que las personas que no estén familiarizadas con ella o con estas instrucciones utilicen la herramienta eléctrica.**

Las herramientas eléctricas son peligrosas en manos de personas no capacitadas.

- e. **Realice el mantenimiento de las herramientas eléctricas y los accesorios. Compruebe si las piezas móviles están desalineadas o bloqueadas, si hay piezas rotas u otras condiciones que puedan afectar al funcionamiento de la herramienta eléctrica. Si la herramienta eléctrica está dañada, llévela a reparar antes de utilizarla.** Muchos accidentes se producen por el escaso mantenimiento de las herramientas eléctricas.
- f. **Mantenga las herramientas afiladas y limpias.** Las herramientas de corte con bordes afilados correctamente mantenidas tienen menos probabilidad de bloquearse y son más fáciles de controlar.
- g. **Use la herramienta eléctrica, los accesorios y las brocas de la herramienta, etc., de acuerdo con estas instrucciones y teniendo en cuenta las condiciones de trabajo y el trabajo que vaya a realizar.**
El uso de la herramienta eléctrica para operaciones que no sean las previstas puede ocasionar una situación peligrosa.
- h. **Mantenga las manos y las superficies de agarre secas, limpias y libres de aceite y grasa.** Los mangos y las superficies de agarre resbaladizos impiden el manejo y el control seguros de la herramienta en situaciones inesperadas.

6. Servicio

- a. **Haga reparar su herramienta eléctrica por una persona cualificada para realizar las reparaciones y que utilice únicamente piezas de repuesto originales.** Así se asegurará que se mantenga la seguridad de la herramienta eléctrica.



¡Advertencia! Instrucciones de seguridad adicionales para lijadoras de paredes.

- ◆ Esta herramienta eléctrica ha sido concebida para usar como lijadora. Lea todas las advertencias de seguridad, instrucciones, ilustraciones y especificaciones suministradas con esta herramienta eléctrica. El incumplimiento de las instrucciones que se indican a continuación puede causar una descarga eléctrica, un incendio y/o lesiones graves.
- ◆ **Se recomienda no usar esta herramienta eléctrica para operaciones de amolado, cepillado, pulido y tronzado.** Su uso para operaciones para las que la herramienta no ha sido diseñada puede ocasionar peligro y lesiones personales.
- ◆ **No utilizar accesorios que no estén especialmente diseñados y sean recomendados por el fabricante de la herramienta.** El hecho de que el accesorio pueda acoplarse a la herramienta eléctrica no garantiza un funcionamiento sin riesgos.
- ◆ **La velocidad prevista del accesorio debe ser como mínimo igual a la velocidad máxima indicada en la herramienta eléctrica.** Los accesorios que funcionen más rápido que su velocidad prevista pueden romperse y salir volando.
- ◆ **El diámetro externo y el espesor del accesorio no deben exceder la capacidad de la herramienta eléctrica.** Los accesorios de tamaño incorrecto no pueden protegerse o controlarse adecuadamente.
- ◆ **El montaje roscado de los accesorios debe coincidir con la rosca del eje de la lijadora. Para los accesorios montados con bridas, el orificio del accesorio debe coincidir con el diámetro de colocación de la brida.** Los accesorios cuyo eje que no coincida con la pieza de montaje de la herramienta eléctrica se desequilibrarán, vibrarán excesivamente y pueden causar pérdida de control.
- ◆ **No utilice accesorios dañados. Antes de cada uso inspeccione los accesorios, como, por ejemplo, el disco abrasivo, para verificar si tiene muescas o grietas; la almohadilla portadiscos para verificar si tiene rajaduras o roturas o si está muy desgastados, y la escobilla de alambre, para comprobar si tiene alambres sueltos o rotos. En caso de caída de la herramienta eléctrica o de un accesorio, inspecciónelos para comprobar si están dañados y, en su caso, instale un accesorio no dañado. Después de inspeccionar e instalar un accesorio, colóquese usted y las personas presentes alejados del plano del accesorio en movimiento y ponga la herramienta eléctrica en funcionamiento a la velocidad máxima sin carga durante un minuto. Los accesorios dañados por lo general se rompen durante este periodo de prueba.**

Advertencias de seguridad adicionales para herramientas eléctricas

- ◆ **Utilice equipo de protección individual.** Dependiendo de la aplicación, use un protector facial y gafas protectoras. Si corresponde, póngase una mascarilla antipolvo, protectores para el oído, guantes y un delantal de trabajo que pueda detener pequeños fragmentos abrasivos u otros fragmentos. La protección ocular debe poder detener las partículas volantes generadas por las diferentes operaciones. La mascarilla antipolvo o el respirador deben poder filtrar las partículas generadas por la operación que esté realizando. La exposición prolongada al ruido de intensidad elevada puede causar pérdida auditiva.
- ◆ **Mantenga a las personas que estén cerca a una distancia de seguridad del área de trabajo. Todos los que entren al área de trabajo deben llevar puesto un equipo de protección personal.** Los fragmentos de una pieza de trabajo o de un accesorio roto pueden salir volando y ocasionar una lesión más allá del área inmediata de operación.
- ◆ **Sostenga la herramienta eléctrica solo por las superficies de agarre aisladas cuando realice una operación en la que el accesorio de corte pueda estar en contacto con un cable oculto o con su propio cable.** El contacto de los accesorios de corte con un cable cargado, puede cargar las partes metálicas expuestas de la herramienta eléctrica y producir una descarga eléctrica al operador.
- ◆ **Coloque el cable lejos del accesorio giratorio.** Si pierde el control, el cable puede cortarse o engancharse y puede arrastrar a la mano o el brazo hacia el accesorio giratorio.
- ◆ **Nunca apoye la herramienta eléctrica hasta que el accesorio se haya parado por completo.** El accesorio giratorio puede agarrarse a la superficie y hacer que usted pierda el control de la herramienta.
- ◆ **No ponga en funcionamiento la herramienta eléctrica mientras la transporte a su lado.** El contacto accidental con el accesorio giratorio puede hacer que se enganche la ropa, tirando el accesorio hacia su cuerpo.
- ◆ **Limpie periódicamente los orificios de ventilación de la herramienta eléctrica.** El ventilador del motor atrae el polvo dentro de la caja protectora, y la acumulación excesiva del metal en polvo puede ocasionar riesgos eléctricos.
- ◆ **No utilice la herramienta eléctrica cerca de materiales inflamables.** Las chispas pueden encender estos materiales.
- ◆ **No utilice accesorios que requieran líquidos refrigerantes.** Utilizar agua u otros refrigerantes líquidos puede ocasionar electrocución o descarga.

Contragolpes y advertencias relacionadas

El contragolpe es una reacción repentina al quedar enganchados o atrapados un disco giratorio, una almohadilla portadiscos, un cepillo u otro accesorio. Al engancharse o quedar presionado un accesorio en movimiento, este se detiene rápidamente y a su vez causa que la herramienta eléctrica no controlada quede forzada en dirección opuesta a la rotación del accesorio en el punto del trabado.

Por ejemplo, si un disco abrasivo se engancha o queda presionado por la pieza de trabajo, el borde del disco que entra en el punto de presión puede incrustarse en la superficie del material haciendo que el disco se salga o se trabe. El disco puede saltar hacia el operador o en sentido contrario, dependiendo de la dirección del movimiento del disco en el punto del pellizco. Los discos abrasivos pueden también romperse en estas condiciones.

El contragolpe es el resultado del mal uso de la herramienta o de procedimientos o condiciones de operación incorrectos y puede ser evitado si se toman las precauciones debidas que se indican a continuación.

- ◆ **Sujete firmemente la herramienta eléctrica y sitúe el cuerpo y el brazo de manera que puedan resistir a la fuerza del contragolpe. Para un máximo control del contragolpe o reacción del par motor durante la puesta en funcionamiento, utilice siempre la empuñadura auxiliar, si la hubiera.** El operador puede controlar la reacción del par motor o la fuerza del contragolpe si toma las precauciones adecuadas.
- ◆ **No ponga nunca la mano cerca del accesorio en movimiento.** El accesorio puede rebotarle en la mano.
- ◆ **No se sitúe en la parte hacia donde vaya a moverse la herramienta eléctrica si ocurriese un contragolpe.** El contragolpe impulsa a la herramienta en la dirección opuesta al movimiento del disco en el momento del enganche.
- ◆ **Tenga especial cuidado cuando trabaje esquinas, bordes afilados, etc. Evite hacer rebotar o enganchar el accesorio.** Las esquinas, los bordes afilados o los rebotes tienen tendencia a enganchar el accesorio en movimiento y ocasionar pérdida de control.
- ◆ **No acople una hoja de tallado de madera de sierra de cadena o una hoja de sierra dentada.** Dichas hojas ocasionan frecuentes contragolpes y pérdidas de control.

Instrucciones de seguridad adicionales para operaciones de lijado

Advertencias de seguridad específicas para operaciones de lijado:

- ◆ **No utilice papel de disco de lijado de un tamaño excesivamente grande.** Siga las recomendaciones del fabricante al seleccionar el papel de lijar.

Instrucciones de seguridad adicionales

El papel de lijar grande que sobresale del disco de lijado presenta riesgo de laceración y puede ocasionar el engancho o rotura del disco o un contragolpe.

Seguridad de otras personas

- ◆ Esta herramienta no está destinada al uso por parte de personas (incluyendo los niños) con capacidades físicas, sensoriales o mentales reducidas, o que carezcan de experiencia o del conocimiento necesario, a menos que estén supervisadas o reciban las instrucciones relativas al uso del aparato por una persona encargada de su seguridad.
- ◆ Los niños deberán estar siempre vigilados para asegurarse de que no jueguen con el aparato.

Riesgos residuales

Al utilizar la herramienta, podrían surgir riesgos residuales adicionales que no se incluyan en las advertencias de seguridad incluidas. Estos riesgos pueden surgir por un mal uso, un uso prolongado, etc.

Incluso al aplicar las normas de seguridad pertinentes y al usar los dispositivos de seguridad, existen determinados riesgos residuales que no pueden evitarse. Por ejemplo:

- ◆ Lesiones provocadas por el contacto con cualquier pieza giratoria/móvil.
- ◆ Lesiones provocadas al cambiar cualquier pieza, hoja o accesorio.
- ◆ Lesiones provocadas por el uso prolongado de una herramienta. Al usar cualquier herramienta durante periodos prolongados de tiempo, asegúrese de hacer descansos con regularidad.
- ◆ Deterioro auditivo.
- ◆ Daños a la salud provocados por la respiración del polvo desarrollado al utilizar la herramienta (por ejemplo, al trabajar con madera, especialmente haya, roble y MDF).

Vibración

Los valores declarados de emisión de vibraciones indicados en los datos técnicos y la declaración de conformidad han sido medidos de acuerdo con un método de prueba estándar suministrado por EN60745 y pueden utilizarse para comparar una herramienta con otra.

El valor declarado de emisión de vibraciones también puede utilizarse en una evaluación preliminar de exposición.

¡Advertencia! El valor de emisión de vibraciones durante el uso real de la herramienta eléctrica puede diferir del valor declarado dependiendo de la forma de uso de la herramienta. El nivel de vibración podría aumentar por encima del nivel indicado.

Al evaluar la exposición a las vibraciones para determinar las medidas de seguridad requeridas por la Directiva 2002/44/CE para la protección de las personas que utilizan habitualmente herramientas eléctricas en su trabajo, debe tenerse en cuenta un cálculo de la exposición a vibraciones, las condiciones reales de uso y la forma de utilización de la herramienta, incluyendo todas las partes del ciclo operativo como las veces que la herramienta está apagada, cuando funciona en vacío y el tiempo de activación.

Etiquetas en la herramienta

Los siguientes pictogramas se muestran en la herramienta, junto con el código de fecha:



¡Advertencia! Para reducir el riesgo de lesiones, el usuario debe leer el manual de instrucciones.



Lleve protección acústica cuando utilice taladradoras de impacto. La exposición ante ruidos puede provocar la pérdida de audición.



Utilice gafas o anteojos de seguridad.



Utilice una mascarilla antipolvo.

Seguridad eléctrica



Esta herramienta está doblemente aislada; por lo tanto, no es necesario ningún cable. Compruebe siempre que el voltaje suministrado corresponda al indicado en la placa de características.

- ◆ Si el cable de alimentación está dañado, debe ser sustituido por el fabricante o por un centro de reparación oficial de STANLEY FAT MAX, para evitar peligros.

Características

Esta herramienta incluye alguna de las siguientes características o todas ellas.

1. Cabezal de lijado redondo
2. Almohadilla de lijado redonda (sistema de velcro)
3. Carcasa del motor
4. Bloqueo de plegado
5. Empuñadura principal
6. Eje
7. Interruptor de encendido/apagado
8. Botón de control de velocidad electrónico
9. Salida de extracción de polvo (con casquillo de bloqueo)
10. Eje de extensión
- 10a. Mango trasero
- 10b. Salida de extracción de polvo (con casquillo de bloqueo)

- 10c. Manguito
- 11. Tubo de aspiración
- 11a. Adaptador de soporte
- 11b. Conector (premontado) (38 mm)
- 11c. Anillo de ajuste de potencia de aspiración
- 11d. Adaptador de aspiración (premontado) (47 mm)
- 12. Adaptador de aspiración (premontado) (35mm)
- 13. Llave hexagonal
- 14. Disco de lijado redondo

Uso

¡Advertencia! Deje que la herramienta trabaje a su propio ritmo. No la sobrecargue.

- ◆ Antes de utilizar la herramienta por primera vez, se recomienda buscar información práctica.
- ◆ Compruebe siempre que la tensión de alimentación sea la misma que la indicada en la placa de características de la herramienta.
- ◆ Use detectores adecuados para encontrar líneas de servicios ocultas o llame a la compañía de servicios local para solicitar información (el contacto con líneas eléctricas puede causar un incendio o una descarga eléctrica; el daño a la línea de gas puede causar una explosión; la penetración en un tubo de agua puede causar daños materiales o una descarga eléctrica).
- ◆ No trabaje con materiales que contengan amianto (el amianto se considera cancerígeno).
- ◆ El polvo de materiales como las pinturas que contengan plomo, algunas especies de madera, minerales y metales puede ser nocivo (el contacto o la inhalación del polvo puede causar reacciones alérgicas y/o enfermedades respiratorias al operador o a las personas que estén cerca); use máscara antipolvo y un dispositivo de extracción de polvo cuando sea posible conectarlo.
- ◆ Algunos tipos de polvos están clasificados como cancerígenos (como el polvo de roble y de haya), especialmente en combinación con aditivos acondicionadores de madera; utilice máscara antipolvo y un dispositivo de extracción de polvo cuando sea posible conectarlo.
- ◆ Siga las normas nacionales sobre el polvo de los materiales con los que vaya a trabajar.
- ◆ No sujete la herramienta con una mordaza.
- ◆ Utilice cables de extensión completamente desenrollados y seguros, con una capacidad de 16 amperios.

Después del uso

- ◆ Después de apagar la herramienta, nunca detenga la rotación del accesorio aplicando una fuerza lateral contra ella.

Ensamblaje y ajustes

Advertencia. Para disminuir el riesgo de lesiones personales graves, apague la herramienta y desconéctela de la fuente de alimentación antes de realizar ajuste alguno o de poner o quitar acoplamientos o accesorios. Antes de volver a conectar la herramienta, apriete y suelte el interruptor de puesta en marcha para comprobar que la herramienta esté apagada. El encendido accidental puede causar lesiones.

Montaje del eje plegable (Fig. A1, A2, A3)

- ◆ Despliegue completamente el eje superior y el eje inferior (Fig. A1).
- ◆ Empuje el bloqueo de plegado (4) hacia la posición correcta y mantenga la punta adyacente al mango. (Fig. A2).
- ◆ Apriete el bloqueo de plegado (4) para bloquear el eje (Fig. A3).
- ◆ Libere el bloqueo de plegado para plegar el eje.

Reemplazar la almohadilla de lijado (Fig. B1)

- ◆ Inserte la llave hexagonal (13) (tamaño 5) en el tornillo hexagonal del bloqueo de lijado.
- ◆ Sujete firmemente la almohadilla de lijado y gire la llave en sentido antihorario para desmontar la almohadilla.
- ◆ Instale una nueva almohadilla de lijado apretando el perno.

Fijar y cambiar el disco de lijado (Fig. B2)

- ◆ Coloque el disco de lijado (14) en el centro de la almohadilla de lijado (2) y presione. Los orificios del disco de lijado deben estar alineados con los orificios de extracción de la almohadilla de lijado.
- ◆ Solo para almohadilla de lijado redonda: realice una prueba para comprobar que el disco de lijado está fijado en el centro.

Luz de LED

- ◆ Las luces LED de 10 W que rodean la almohadilla iluminan los puntos ahuecados y elevados en la pared o el techo, lo que le permite trabajar de manera eficiente y obtener un mejor resultado de lijado, como se muestra en las figuras E y F.

Eje de extensión (opcional) (Fig. C)

- ◆ Utilice el eje de prolongación (10) si prevé trabajar en superficies de trabajo más altas.
- ◆ Afloje el manguito de la salida de aspiración (9) del eje. No retire el manguito de la salida.
- ◆ Alinee el mango trasero (10a) con el mango principal (5) e inserte el manguito (10c) en el eje de extensión (10) en la salida (9) con un movimiento de giro hasta la parte superior.

- ◆ Si es necesario, ajuste la longitud del eje de prolongación (10). Preste atención a la marca "max 1.8m" en el eje de extensión. Apriete el manguito (9) después de montar/ajustar el eje de extensión.

Aspiración de polvo (Fig. D)

- ◆ Afloje el manguito de la salida de aspiración (9) o (10b) girándolo en la dirección del símbolo de desbloqueo del mango de la herramienta.
- ◆ Inserte la manguera de aspiración (11) en el extremo del mango de la herramienta como se muestra en la ilustración.
- ◆ Apriete el botón de bloqueo de ajuste de longitud (9) girándolo en la dirección del símbolo de bloqueo del mango de la herramienta.
- ◆ Conecte la manguera de aspiración con el adaptador de Ø 47 mm (11d) o con el adaptador de Ø 35 mm (12) directamente a una aspiradora industrial (retire primero la manguera de aspiración).
- ◆ También puede conectar la manguera de la aspiradora con un adaptador a una aspiradora industrial sin quitar la manguera de la aspiradora.

Adaptador/control de flujo de aire de soporte (Fig. G, H)

- ◆ El adaptador de soporte (11a) protege la manguera de daños cuando no se usa la herramienta durante las pausas de trabajo (Fig. G).
- ◆ Controle el flujo de aire deslizando el anillo de ajuste de potencia de aspiración (11c) por el orificio de ventilación del conector de la herramienta (11b).
- ◆ La potencia de aspiración está en su nivel más bajo cuando el orificio de ventilación está totalmente visible (Fig. H).

Encendido y apagado de la máquina (Fig. I, J, K)

- ◆ Encienda y apague la lijadora de paredes con el interruptor (7).

Control de velocidad electrónico

- ◆ Ajuste la velocidad girando el botón velocidad (8), el usuario puede elegir una velocidad diferente según el tipo de lijado.
- ◆ Mantenga la máquina funcionando a la misma velocidad seleccionada. No la sobrecargue con una presión excesiva.

Operaciones de lijado

- ◆ Una vez que la máquina y la aspiradora estén configuradas y todas las protecciones y equipamiento estén colocados en su lugar, encienda la aspiradora y después la máquina. (Si utiliza una aspiradora con conmutación integrada, solo tiene que encender la máquina)

Cabezal de lijado redondo

- ◆ Comience a lijar tocando con cuidado la superficie de trabajo, lo más suavemente posible, solo lo suficiente para mantener el cabezal de lijado contra la superficie.
- ◆ La mejor técnica es dar pasadas sucesivas y mantener el cabezal en movimiento constante con una duración apropiada. Nunca siga lijando demasiado tiempo en un solo lugar pues se harán marcas de remolino.
- ◆ Retire la máquina de la superficie de trabajo antes de apagarla.

Advertencia. Asegúrese de que el disco de lijado que esté usando para el trabajo sea el adecuado, el papel de lijar demasiado grueso puede eliminar el material demasiado rápido para controlarlo. Mientras que el papel de lijar demasiado fino puede no lijar la superficie rápidamente.

Advertencia. Tenga cuidado de evitar salientes afiladas y clavos, etc. Pueden raspar el papel de lijar y probablemente dañarán también la almohadilla de esponja.

Mantenimiento

Su herramienta STANLEY FAT MAX ha sido diseñada para funcionar mucho tiempo con un mantenimiento mínimo. El funcionamiento satisfactorio continuo depende del buen cuidado de la herramienta y de una limpieza frecuente.

Protección del medioambiente



Recogida selectiva. Los productos y baterías marcadas con este símbolo no deben eliminarse con los residuos normales.

Los productos y las baterías contienen materiales que pueden ser recuperados o reciclados, reduciendo así el uso de materias primas.

Por favor, recicle los productos eléctricos y las baterías de acuerdo con la normativa local. Puede obtener más información en www.2helpU.com

Datos técnicos

		SFMEE500
Voltaje	V _{CA}	220 - 240
Frecuencia	Hz	50 / 60
Potencia absorbida	W	750
Velocidad nominal	min ⁻¹	600 - 1700
Almohadilla de lijado redonda	mm	215
Tamaño rosca del husillo		M6
Peso	kg	3.75

Visite nuestra página web www.stanley.eu/3 para registrar su nuevo producto Stanley Fat Max y recibir noticias de nuevos productos y ofertas especiales.

(Tradução das instruções originais)

Utilização pretendida

A lixadeira de parede STANLEY FAT MAX SFMEE500 foi concebida para lixar paredes e tectos. Esta ferramenta é concebida para utilizadores profissionais e privados, não profissionais.

Instruções de segurança

Avisos de segurança gerais relativos a ferramentas eléctricas



Atenção! Leia todos os avisos de segurança, instruções, ilustrações e especificações fornecidas com esta ferramenta eléctrica. O não cumprimento dos avisos e das instruções indicados abaixo pode resultar em choque eléctrico, incêndio e/ou ferimentos graves.

Guarde todos os avisos e instruções para futura referência. Em todos os avisos que se seguem, o termo "ferramenta eléctrica" refere-se à sua ferramenta alimentada pela rede eléctrica (com fios) ou por uma bateria (sem fios).

1. **Segurança na área de trabalho**
 - a. **Mantenha a área de trabalho limpa e bem iluminada.**
As áreas desorganizadas ou escuras são propensas a acidentes.
 - b. **Não utilize as ferramentas eléctricas em ambientes explosivos, como, por exemplo, na presença de líquidos, gases ou poeiras inflamáveis.** As ferramentas eléctricas criam faíscas que poderão inflamar estas poeiras ou vapores.
 - c. **Mantenha as crianças e outras pessoas à distância quando utilizar a ferramenta eléctrica.** As distrações podem causar perda do controlo da ferramenta.

2. Segurança eléctrica

- a. **As fichas das ferramentas eléctricas têm de ser compatíveis com a tomada de electricidade. Nunca modifique a ficha de forma alguma.**
Não utilize fichas adaptadoras com ferramentas eléctricas ligadas à terra.
As fichas não modificadas e as tomadas compatíveis reduzem o risco de choque eléctrico.

Nivel de presión acústica según EN60745:
Presión acústica (L _{pa}) 89 dB(A), incertidumbre (K) 3 dB(A)
Potencia acústica (L _{WA}) 100,5 dB(A), incertidumbre (K) 3 dB(A)
Valores totales de vibración (suma de vectores teniendo en cuenta los tres ejes) de acuerdo con la norma EN60745:
(a _v) 2,7 m/s ² , incertidumbre (K) 1,5 m/s ²

Declaración de conformidad CE

DIRECTIVA SOBRE MÁQUINAS



SFMEE500 - Lijadora de paredes

Stanley Fat Max declara que estos productos descritos en 2006/42/CE, EN 60745-1:2009 + A11:2010; EN 60745-2-3:2011 + A2:2013 + A11:2014 + A12:2014 + A13:2015

Estos productos también son conformes a las Directivas 2014/30/EU y 2011/65/EU. Si desea más información, póngase en contacto con Black & Decker en la dirección indicada a continuación o bien consulte la parte posterior de este manual.

Si desea más información, póngase en contacto con Stanley Fat Max en la dirección indicada a continuación o bien consulte la parte posterior de este manual.

El que suscribe es responsable de la compilación del archivo técnico y realiza esta declaración en nombre y representación de Stanley Fat Max.

A.P. Smith

Director técnico

Stanley Fat Max Europe, Egide Walschaertsstraat 14-18,
2800 Mechelen, Bélgica
12/07/2019

Garantía

Stanley Fat Max confía en la calidad de sus productos y ofrece a los consumidores una garantía de 12 meses a partir de la fecha de compra. Esta garantía es complementaria y en ningún caso afectará a sus derechos estatutarios. La garantía es válida dentro de los territorios de los Estados Miembros de la Unión Europea y del Área de Libre Comercio Europea. Para reclamar la garantía, la reclamación debe cumplir las Condiciones de Stanley Fat Max y usted deberá remitir el comprobante de la compra al vendedor o al centro oficial de reparación. Puede consultar las Condiciones de la garantía de 1 año de Stanley Fat Max y la ubicación más cercana de su centro oficial de reparación en www.2helpU.com o contactando con su oficina local de Stanley Fat Max en la dirección indicada en este manual.

- b. **Evite o contacto corporal com superfícies e equipamentos ligados à terra, como, por exemplo, tubagens, radiadores, fogões e frigoríficos.** Se o seu corpo estiver “ligado” à terra, o risco de choque eléctrico é maior.
- c. **Não exponha as ferramentas eléctricas à chuva ou a condições de humidade.** A entrada de água numa ferramenta eléctrica aumenta o risco de choque eléctrico.
- d. **Não aplique força excessiva no cabo. Nunca o utilize para transportar, puxar ou desligar a ferramenta eléctrica. Mantenha o cabo afastado de fontes de calor, substâncias oleosas, extremidades aguçadas ou peças móveis.** Os cabos danificados ou emaranhados aumentam o risco de choque eléctrico.
- e. **Ao utilizar uma ferramenta eléctrica no exterior, use uma extensão adequada para utilização ao ar livre.** A utilização de um cabo adequado para uso ao ar livre reduz o risco de choque eléctrico.
- f. **Se não for possível evitar trabalhar com uma ferramenta eléctrica num local húmido, utilize uma fonte de alimentação protegida por um dispositivo de corrente residual (DCR).** A utilização de um DCR reduz o risco de choque eléctrico.
3. **Segurança pessoal**
- a. **Mantenha-se atento, preste atenção ao que está a fazer e faça uso de bom senso ao operar uma ferramenta eléctrica.**
Não utilize a ferramenta eléctrica quando estiver cansado ou sob o efeito de drogas, álcool ou medicamentos. Um momento de distração durante a utilização de ferramentas eléctricas pode resultar em ferimentos graves.
- b. **Use equipamento de protecção pessoal. Use sempre protecção ocular.** O equipamento de protecção, como, por exemplo, uma máscara anti-poeira, sapatos de segurança antiderrapantes, um capacete de segurança ou uma protecção auditiva, usado nas condições apropriadas, reduz o risco de ferimentos.
- c. **Evite accionamentos acidentais. Certifique-se de que o interruptor da ferramenta está na posição de desligado antes de a ligar à tomada de electricidade e/ou inserir a bateria, ou antes de pegar ou transportar a ferramenta.** Se mantiver o dedo sobre o interruptor ao transportar ferramentas eléctricas ou se as ligar à fonte de alimentação com o interruptor ligado, poderá originar acidentes.
- d. **Retire qualquer chave de ajuste ou chave de porcas antes de ligar a ferramenta eléctrica.** Uma chave de porcas ou chave de ajuste deixada numa peça móvel da ferramenta poderá resultar em ferimentos.
- e. **Não se estique demasiado ao trabalhar com a ferramenta. Mantenha sempre os pés bem apoiados e um equilíbrio apropriado.** Desta forma, será mais fácil controlar a ferramenta eléctrica em situações inesperadas.
- f. **Use vestuário adequado. Não use roupa larga ou jóias. Mantenha o cabelo, a roupa e as luvas afastados das peças móveis.** As roupas largas, as jóias ou o cabelo comprido podem ficar presos nestas peças.
- g. **Se forem fornecidos acessórios para a ligação de equipamentos de extracção e recolha de partículas, certifique-se de que estes são ligados e utilizados correctamente.** A utilização de dispositivos de extracção de partículas pode reduzir os riscos relacionados com as mesmas.
- h. **Não permita que a familiaridade obtida pela utilização frequente das ferramentas faça com que seja complacente e ignore os princípios de segurança da ferramenta.** Uma acção irreflectida pode causar ferimentos graves numa fracção de segurança.
4. **Utilização e cuidados a ter com a ferramenta**
- a. **Não utilize a ferramenta eléctrica de forma forçada. Utilize a ferramenta eléctrica correcta para o seu trabalho.**
A ferramenta eléctrica adequada irá efectuar o trabalho de um modo mais eficiente e seguro se for utilizada de acordo com a capacidade para a qual foi concebida.
- b. **Não utilize a ferramenta eléctrica se o interruptor não a ligar e desligar.** Qualquer ferramenta eléctrica que não possa ser controlada através do interruptor de alimentação é perigosa e tem de ser reparada.
- c. **Retire a ficha da tomada de electricidade e/ou a bateria da ferramenta eléctrica antes de efectuar quaisquer ajustes, substituir acessórios ou guardar a ferramenta.** Estas medidas de segurança preventivas reduzem o risco de ligar a ferramenta eléctrica acidentalmente.
- d. **Guarde as ferramentas eléctricas que não estiverem a ser utilizadas fora do alcance de crianças e não permita que sejam utilizadas por pessoas não familiarizadas com as mesmas ou com estas instruções.**
As ferramentas eléctricas são perigosas nas mãos de pessoas que não possuam as qualificações necessárias para as manusear.
- e. **Faça a devida manutenção das ferramentas eléctricas e acessórios. Verifique se as peças móveis da ferramenta eléctrica estão alinhadas e não emperram, bem como se existem peças partidas ou danificadas ou quaisquer outras condições que possam afectar o funcionamento da mesma.**

Se a ferramenta eléctrica estiver danificada, esta não deve ser utilizada até que seja reparada. Muitos acidentes são causados por ferramentas eléctricas com uma manutenção insuficiente.

f. Mantenha as ferramentas de corte sempre afiadas e limpas. As ferramentas de corte sujeitas a uma manutenção adequada, com arestas de corte afiadas, emperram com menos frequência e são mais fáceis de controlar.

g. Utilize a ferramenta eléctrica, os acessórios, as brocas, etc., de acordo com estas instruções, tendo em conta as condições de trabalho e a tarefa a ser efectuada.

A utilização da ferramenta eléctrica para fins diferentes dos previstos poderá resultar em situações perigosas.

h. Mantenha os punhos e as superfícies de fixação secas, limpas e sem óleo ou massa lubrificante. Punhos escorregadios e superfícies de fixação não permitem um manuseamento e um controlo seguros da ferramenta em situações inesperadas.

6. Assistência

a. A ferramenta eléctrica só deve ser reparada por um técnico qualificado e só devem ser utilizadas peças sobresselentes originais. Desta forma, é garantida a segurança da ferramenta eléctrica.

Avisos de segurança adicionais para ferramentas eléctricas



Atenção! Instruções de segurança adicionais para lixadeiras de parede.

- ◆ Esta ferramenta eléctrica destina-se a ser utilizada como lixadeira. Leia todos os avisos de segurança, instruções, ilustrações e especificações fornecidas com esta ferramenta eléctrica. O não cumprimento de todas as instruções indicadas abaixo pode resultar em choque eléctrico, incêndio e/ou lesões graves.
- ◆ **A execução de operações tais como desbaste, polimento e corte não é recomendada com esta ferramenta eléctrica.** As operações para as quais a ferramenta eléctrica não foi concebida poderão criar perigo e causar ferimentos.
- ◆ **Não utilize acessórios que não tenham sido concebidos especificamente e recomendados pelo fabricante da ferramenta.** O facto de um acessório poder ser instalado na sua ferramenta eléctrica não garante um funcionamento seguro do mesmo.
- ◆ **A velocidade nominal do acessório deve ser, no mínimo, equivalente à velocidade máxima indicada na ferramenta eléctrica.** Os acessórios que forem utilizados a uma velocidade superior à respectiva velocidade nominal podem partir-se e projectar esses fragmentos.

- ◆ **O diâmetro exterior e a espessura do acessório têm de ser compatíveis com a capacidade nominal da sua ferramenta eléctrica.** Os acessórios com tamanho incorrecto não podem ser protegidos nem controlados de forma adequada.
- ◆ **A montagem em rosca dos acessórios deve corresponder à da rosca com veio da ferramenta de desbaste. No que respeita aos acessórios montados com flanges, o orifício de fixação do acessório deve encaixar no diâmetro de localização da flange.** Os acessórios que não correspondam ao material de montagem da ferramenta eléctrica irão funcionar de forma desequilibrada, vibrar de modo excessivo, podendo causar a perda do controlo da ferramenta.
- ◆ **Não utilize acessórios danificados. Antes de cada utilização, inspecione se o acessório apresenta rachas e fendas nos discos abrasivos, se o disco de suporte apresenta fendas, danos ou desgaste excessivo nos discos de suporte, se as escovas metálicas estão soltas ou partidas. Se deixar cair a ferramenta eléctrica ou o acessório, verifique se apresentam danos ou instale um acessório não danificado. Depois de inspecionar e instalar um acessório, coloque-se a si mesmo e quaisquer outras pessoas presentes no local numa posição afastada do ângulo de trabalho do acessório rotativo e ligue a ferramenta eléctrica à velocidade máxima em vazio durante um minuto.** Normalmente, os acessórios danificados partem-se durante este período de teste.
- ◆ **Use equipamento de protecção individual. Dependendo da operação, use uma viseira, óculos de protecção ou de segurança. De acordo com o necessário, use uma máscara anti-poeira, protectores auditivos, luvas e um avental de trabalho que o proteja contra pequenos fragmentos abrasivos ou da peça de trabalho.** A protecção ocular tem de ser capaz de o proteger contra a projecção de detritos resultantes de várias operações. A máscara anti-poeira (ou um filtro respiratório equivalente) tem de ser capaz de filtrar as partículas criadas pela utilização da ferramenta. A exposição prolongada a ruídos de elevada intensidade pode causar perda de audição.
- ◆ **Mantenha as outras pessoas presentes no local a uma distância segura da área de trabalho. Qualquer pessoa que entre no perímetro da área de trabalho tem de usar equipamento de protecção pessoal.** Pode dar-se o caso de fragmentos da peça de trabalho ou de um acessório partido serem projectados e causarem ferimentos fora da área de trabalho imediata.
- ◆ **Segure a ferramenta eléctrica apenas pelas superfícies de fixação isoladas quando efectuar uma operação em que o acessório de corte possa entrar em contacto com fios ocultos ou com o próprio cabo da ferramenta.**

O acessório de corte que entre em contacto com um fio com tensão eléctrica poderão fazer com que as peças de metal expostas da ferramenta conduzam electricidade e electrocudem o utilizador.

- ◆ **Afaste o cabo de alimentação do acessório rotativo.** Se perder o controlo da ferramenta, o cabo pode ser cortado ou ficar preso no acessório, puxando a sua mão ou o seu braço na direcção do acessório rotativo.
- ◆ **Nunca pouse a ferramenta eléctrica antes de o acessório parar por completo.** Caso contrário, o acessório rotativo pode ficar preso na superfície onde pousou a ferramenta eléctrica e puxá-la para longe das suas mãos, fazendo-o perder o controlo da mesma.
- ◆ **Não ligue a ferramenta eléctrica enquanto estiver a transportá-la ao seu lado.** O contacto accidental do acessório rotativo com a sua roupa pode prendê-la no mesmo, puxando o acessório na direcção do seu corpo.
- ◆ **Limpe regularmente as aberturas de ventilação da ferramenta eléctrica.** A ventoinha do motor irá puxar o pó para o interior da caixa da ferramenta e a acumulação excessiva de metal em pó pode causar perigos eléctricos.
- ◆ **Não utilize a ferramenta eléctrica perto de materiais inflamáveis.** Estes materiais podem ficar inflamados pelas faíscas da ferramenta.
- ◆ **Não utilize acessórios que necessitem de líquidos de refrigeração.** A utilização de água ou outros líquidos de refrigeração pode resultar em electrocussão ou choque eléctrico.

Instruções de segurança adicionais

Recuo e avisos relacionados

O efeito de recuo é uma reacção súbita resultante do aperto ou bloqueio de um disco rotativo, de um disco de suporte, escova ou de qualquer outro acessório. O aperto ou bloqueio causa uma paragem rápida do acessório rotativo, o que, por sua vez, faz com que a ferramenta eléctrica seja impelida na direcção oposta à rotação do acessório no ponto de bloqueio. Por exemplo, se um disco abrasivo ficar preso ou for apertado pela peça de trabalho, a extremidade do disco que estiver em contacto com o ponto de aperto pode penetrar na superfície do material, fazendo o disco subir ou saltar da peça. O disco pode saltar na direcção do utilizador ou para longe do mesmo, dependendo da direcção do movimento do disco no ponto de aperto. Os discos abrasivos podem também partir-se nestas condições.

O efeito de recuo é o resultado de uma utilização abusiva da ferramenta eléctrica e/ou de condições ou procedimentos de utilização incorrectos e pode ser evitado tomando as precauções indicadas abaixo:

- ◆ **Segure a ferramenta eléctrica com firmeza e posicione o seu corpo e o seu braço de forma a poder resistir ao efeito de recuo.**

Utilize sempre o punho auxiliar, caso este seja fornecido, para controlar ao máximo o efeito de recuo ou a reacção do binário durante o arranque da ferramenta. O utilizador pode controlar a reacção do binário ou o efeito de recuo se forem tomadas as devidas precauções.

- ◆ **Nunca coloque a sua mão perto do acessório rotativo.** O efeito de recuo pode fazer com que o acessório salte para cima da sua mão.
- ◆ **Não posicione o seu corpo na área para a qual a ferramenta eléctrica poderá saltar caso ocorra o efeito de recuo.** O efeito de recuo irá projectar a ferramenta na direcção oposta ao do movimento do disco no ponto de bloqueio.
- ◆ **Tenha especial cuidado ao utilizar a ferramenta em cantos, extremidades aguçadas, etc. Evite que o acessório salte ou fique preso na peça de trabalho.** Os cantos, as extremidades aguçadas ou o facto de o acessório rotativo saltar tendem a fazer com que fique preso na peça de trabalho e, consequentemente, causar a perda do controlo da ferramenta.
- ◆ **Não instale na ferramenta uma lâmina de corrente de serra para esculpir madeira ou uma lâmina de serra dentada.** Estas lâminas originam frequentemente o efeito de recuo e a perda do controlo da ferramenta.

Instruções de segurança adicionais para todas as operações de lixagem

Avisos de segurança específicos para operações de lixagem:

- ◆ **Não utilize uma lixa para discos abrasivos de tamanho excessivo. Quando escolher a lixa, siga as recomendações dos fabricantes.** Uma lixa de tamanho excessivo que ultrapasse o limite do patim de lixagem representa um risco de dilaceração e pode fazer com que o disco fique preso ou danificado, ou causar um efeito de recuo.

Segurança de terceiros

- ◆ Esta ferramenta não deve ser utilizada por pessoas (incluindo crianças) com capacidades físicas, sensoriais ou mentais reduzidas ou com falta de experiência e conhecimentos, a menos que sejam acompanhadas ou tenham recebido formação sobre a utilização deste equipamento por uma pessoa responsável pela sua segurança.
- ◆ As crianças devem ser vigiadas, para garantir que não brincam com o equipamento.

Riscos residuais

Quando utilizar a ferramenta, podem ocorrer riscos residuais adicionais que podem não estar incluídos nos avisos de segurança afixados.

Estes riscos podem resultar em caso de utilização indevida, uso prolongado, etc.

Mesmo com a aplicação dos regulamentos de segurança relevantes e da implementação de dispositivos de segurança, alguns riscos residuais não podem ser evitados. Estes incluem:

- ◆ Ferimentos causados quando toca nas partes rotativas/móveis.
- ◆ Ferimentos causados ao substituir as peças, lâminas ou acessórios.
- ◆ Ferimentos causados por utilização prolongada de uma ferramenta. Quando utilizar uma ferramenta durante períodos prolongados, faça pausas frequentes.
- ◆ Danos auditivos.
- ◆ Perigos para a saúde provocados pela inalação de poeiras produzidas quando utilizar a ferramenta (exemplo: trabalhos com madeira, especialmente carvalho, faia e placas de fibra de densidade média).

Vibração

Os valores declarados da emissão de vibração indicados nos dados técnicos e na declaração de conformidade foram medidos de acordo com um método de ensaio padrão fornecidos pela EN60745 e podem ser utilizados para a comparação de uma ferramenta com outra.

O valor da emissão de vibração declarado também pode ser utilizado para uma avaliação preliminar da exposição.

Atenção! O valor da emissão de vibração durante a utilização da ferramenta eléctrica pode ser diferente do valor declarado, dependendo da maneira como a ferramenta é utilizada. O nível de vibração pode ser superior ao nível indicado.

Quando avaliar a exposição à vibração para determinar as medidas de segurança exigidas pela 2002/44/CE com o intuito de proteger as pessoas que utilizam ferramentas eléctricas com regularidade para fins profissionais, deve considerar fazer uma estimativa da exposição à vibração. As condições de utilização e a maneira como a ferramenta é utilizada, tendo em conta todas as etapas do ciclo de funcionamento, como, por exemplo, quando a ferramenta é desligada e quando está a funcionar ao ralenti, além do tempo de activação.

Etiquetas colocadas na ferramenta

Os seguintes pictogramas junto ao código de data estão indicados na ferramenta:



Atenção! Para reduzir o risco de ferimentos, o utilizador deve ler o manual de instruções.



Use protecção auditiva quando utilizar perfuradoras de impacto. A exposição ao ruído pode causar perda auditiva.



Use óculos de segurança.



Utilize uma máscara anti-poeira.

Segurança eléctrica



Esta ferramenta tem isolamento duplo, por conseguinte não é necessário um fio de terra. Verifique sempre se a tensão da tomada de electricidade corresponde à tensão indicada na placa com os requisitos de alimentação da ferramenta.

- ◆ Se o cabo de alimentação estiver danificado, deve ser substituído pelo fabricante ou por um centro de assistência autorizado da STANLEY FAT MAX para evitar situações de risco.

Funções

Este equipamento inclui parte ou todas as funções que se seguem.

1. Cabeça de lixagem redonda
2. Patim de lixagem redondo (sistema de fecho em velcro)
3. Compartimento do motor
4. Ferrolho de dobragem
5. Punho principal
6. Haste
7. Interruptor de ligar/desligar
8. Botão rotativo de controlo electrónico da velocidade
9. Saída de extracção de poeira (com anel de bloqueio)
10. Haste extensível
- 10a. Punho traseiro
- 10b. Saída de extracção de poeira (com anel de bloqueio)
- 10c. Anel
11. Mangueira de vácuo
- 11a. Adaptador de suporte
- 11b. Conector (pré-montado) (38 mm)
- 11c. Anel de regulação da potência de aspiração
- 11d. Adaptador de sucção (pré-montado) (47 mm)
12. Adaptador de sucção (pré-montado) (35mm)
13. Chave hexagonal
14. Disco de lixagem redondo

Utilização

Atenção! Deixe a ferramenta funcionar ao seu próprio ritmo.

Não sobrecarregue a ferramenta.

- ◆ Antes de utilizar a ferramenta pela primeira vez, é recomendável receber informações práticas.
- ◆ Verifique sempre se a tensão de alimentação é igual à indicada na placa sinalética da ferramenta.
- ◆ Utilize detectores adequados para encontrar linhas de abastecimento de energia ocultas ou contacte a empresa de serviços públicos locais para obter assistência (o contacto com linhas eléctricas pode dar origem a um incêndio ou choque eléctrico, os danos numa conduta de gás podem resultar numa explosão. A perfuração de um tubo de água causa danos materiais ou choque eléctrico).
- ◆ Não trabalhe com materiais com amianto (é uma substância cancerígena).
- ◆ As poeiras produzidas por materiais como tinta que contenham chumbo, alguns tipos de madeira, minerais e metais podem ser nocivas (o contacto ou a inalação das poeiras podem causar reacções alérgicas e/ou doenças respiratórias no utilizador ou em pessoas que estejam próximas). Use uma máscara anti-poeira e trabalhe com um dispositivo de extracção de poeira, se for possível ligá-lo.
- ◆ Alguns tipos de poeira estão classificados como cancerígenos (por exemplo, serradura de carvalho e faia), em especial em conjunto com aditivos para condicionamento de madeira, use uma máscara anti-poeira e trabalhe com um dispositivo de extracção de poeira, se for possível ligá-lo.
- ◆ Siga os requisitos nacionais relacionados com poeira para os materiais com os quais pretende trabalhar.
- ◆ Não fixe a ferramenta num torno.
- ◆ Utilize extensões totalmente desenroladas e seguras com 16 amperes de capacidade.

Após a utilização

- ◆ Depois de desligar a ferramenta, nunca impeça a rotação do acessório com uma força lateral.

Montagem e ajuste

Atenção! Para reduzir o risco de ferimentos graves, desligue a ferramenta e retire a respectiva ficha da tomada de electricidade antes de efectuar quaisquer ajustes ou de retirar/instalar dispositivos complementares ou acessórios. Antes de voltar a ligar a ferramenta à tomada de electricidade, prima e solte o gatilho para se certificar de que a ferramenta está desligada. Um arranque acidental pode causar lesões.

Montagem da haste rebatível (Fig. A1, A2, A3)

- ◆ Desdobre por completo a haste superior e a haste inferior (Fig. A1).
- ◆ Empurre o bloqueio de dobragem (4) para a posição adequada e mantenha a ponta adjacente ao punho (Fig. A2).

- ◆ Pressione para baixo o bloqueio de dobragem (4) para bloquear a haste (Fig. A3).
- ◆ Liberte o bloqueio de dobragem para dobrar a haste.

Substituir o patim de lixagem (Fig. B1)

- ◆ Insira a chave hexagonal (13) (tamanho 5) no parafuso de cabeça hexagonal no bloco para lixar.
- ◆ Segure o patim de lixagem com firmeza e depois rode a contra-chave para a direita para desmontar o patim.
- ◆ Aperte o parafuso para montar o novo patim de lixagem.

Montar e substituir o disco de lixagem (Fig. B2)

- ◆ Coloque o disco de lixagem (14) no centro do patim de lixagem (2) e pressione-o. Os orifícios no disco de lixagem devem estar alinhados com os furos de extracção no patim de lixagem.
- ◆ Apenas para o patim de lixagem redondo: faça um teste para verificar se o disco de lixagem está fixado no centro.

Indicador LED

- ◆ Os indicadores LED de 10 W à volta do patim iluminam os pontos côncavos e levantados na parede ou no tecto permitem-lhe funcionar de maneira eficiente e proporcionam melhores resultados de lixagem, como indicado nas Figuras E e F.

Haste extensível (opcional) (Fig. C)

- ◆ Utilize a haste extensível (10) de acordo com o funcionamento pretendido para uma superfície de trabalho maior.
- ◆ Desaperte o anel na saída de extracção de poeiras (9) da haste. Não retire o anel da saída.
- ◆ Alinhe o punho traseiro (10a) com o punho principal (5) e insira o anel (10c) na haste extensível (10) na saída (9) com um movimento de torção completo até à parte superior.
- ◆ Ajuste o comprimento da haste extensível (10), se necessário. Preste atenção à marca "máx. de 1,8 m" na haste extensível. Aperte o anel (9) depois de montar/ajustar a haste extensível.

Aspiração de poeira (Fig. D)

- ◆ Desaperte o anel na saída de extracção de poeira (9) ou (10b) rodando-o na direcção do símbolo de desbloqueio no punho da ferramenta.
- ◆ Insira a mangueira de vácuo (11) na extremidade do punho da ferramenta, como indicado.
- ◆ Aperte o botão de bloqueio para ajustar o comprimento (9) rodando-o na direcção do símbolo de bloqueio no punho da ferramenta.

- ◆ Ligue a mangueira de vácuo com o adaptador de Ø 47 mm (11d) ou com um adaptador de Ø 35 mm (12) directamente num aspirador industrial (retire primeiro o tubo do aspirador).
- ◆ Pode também ligar a mangueira de vácuo com um adaptador a um aspirador industrial sem retirar o tubo do aspirador.

Adaptador de suporte/controlo do fluxo de ar (Fig. G, H)

- ◆ O adaptador de suporte (11a) protege o tubo contra danos quando colocar a ferramenta de parte durante as pausas de trabalho (Fig. G).
- ◆ Controle o fluxo de ar, deslizando o anel de regulação da potência de aspiração (11c) sobre a abertura de ar no conector da ferramenta (11b).
- ◆ A potência de aspiração atinge o valor mais baixo quando a entrada de ar está totalmente visível (Fig. H).

Ligar e desligar a ferramenta (Fig. I, J, K)

- ◆ Ligue/desligue a lixadeira de parede com o interruptor (7).

Controlo electrónico da velocidade

- ◆ Para regular a velocidade com o botão rotativo de velocidade (8), o utilizador pode escolher uma velocidade diferente para vários tipos de superfícies de lixagem.
- ◆ Mantenha a ferramenta em funcionamento à velocidade seleccionada. Não sobrecarregue a ferramenta com pressão excessiva.

Operações de lixagem

- ◆ Quando a ferramenta e o aspirador estiverem configurados e todas as medidas de segurança e equipamento estiverem implementados, ligue primeiro o aspirador e depois a ferramenta. (Se utilizar um aspirador com um sistema de comutação integrada, basta ligar a ferramenta.)

Cabeça de lixagem redonda

- ◆ Antes de começar a lixar, toque na superfície de trabalho da maneira mais ligeira possível, o suficiente para manter a cabeça de lixagem em contacto com a superfície.
- ◆ A melhor técnica é fazer movimentos deslizes sobrepostos e manter a cabeça em movimento constante com uma duração adequada. Não prolongue demasiado a lixagem num local, caso contrário podem ficar riscos.
- ◆ Retire a ferramenta da superfície de trabalho antes de desligá-la.

Atenção! Certifique-se de que o disco de lixagem que está a utilizar é adequado para a tarefa, uma lixa demasiado grossa pode remover o material de maneira demasiado rápida. Uma lixa demasiado fina pode não lixar a superfície rapidamente.

Atenção! Tenha cuidado para evitar a projecção de objectos afiados, pregos, etc. Se isto ocorrer, a lixa e provavelmente a almofada de esponja.

Manutenção

A ferramenta da STANLEY FAT MAX foi concebida para funcionar durante um longo período de tempo com uma manutenção mínima. Uma utilização continuamente satisfatória depende de uma manutenção apropriada da ferramenta e de uma limpeza regular.

Proteger o ambiente



Recolha selectiva. Os produtos e baterias assinalados com este símbolo não devem ser eliminados em conjunto com o lixo doméstico normal.

Os produtos e baterias contêm materiais que podem ser recuperados ou reciclados, reduzindo a procura de matéria-prima.

Recicle os produtos eléctricos e as baterias de acordo com as disposições locais. Estão disponíveis mais informações em www.2helpU.com

Dados técnicos

		SFMEE500
Tensão	V _{CA}	220 - 240
Frequência	Hz	50/60
Alimentação	W	750
Velocidade nominal	min ⁻¹	600 - 1700
Patim de lixagem redondo	mm	215
Tamanho da rosca com veio		M6
Peso	kg	3,75

Nível de pressão acústica de acordo com a EN60745:

Pressão acústica (L_{PA}) 89 dB(A), variabilidade (K) 3 dB(A)

Potência acústica (L_{WA}) 100,5 dB(A), variabilidade (K) 3 dB(A)

Valores totais de vibração (soma vectorial triaxial) em conformidade com a norma EN60745:

(a_h) 2,7 m/s², variabilidade (K) 1,5 m/s²

Declaração de conformidade da CE

DIRECTIVA "MÁQUINAS"



SFMEE500 - Lixadeira de parede

A Stanley Fat Max declara que os produtos descritos estão em conformidade com as normas 2006/42/CE, EN 60745-1:2009 + A11:2010; EN 60745-2-3:2011 + A2:2013 + A11:2014 + A12:2014 + A13:2015

Estes produtos estão também em conformidade com as directivas 2014/30/UE e 2011/65/UE. Para obter mais informações, contacte a Black & Decker através da morada indicada em seguida ou consulte o verso do manual.

Para obter mais informações, contacte a Stanley Fat Max através da morada indicada ou consulte o verso do manual. O abaixo assinado é responsável pela compilação do ficheiro técnico e faz esta declaração em nome da Stanley Fat Max.



A.P. Smith

Director técnico

Stanley Fat Max Europe, Egide Walschaertsstraat14-18,
2800 Mechelen, Bélgica
12/07/2019

Garantia

A Stanley Fat Max confia na qualidade dos seus produtos e oferece aos consumidores uma garantia de 12 meses a partir da data de compra. Esta garantia é um suplemento e não afecta de modo algum os seus direitos estatutários. A garantia é válida nos Estados-membros da União Europeia e nos países-membros da Zona Europeia de Comércio Livre.

Para reclamar a garantia, esta deve estar em conformidade com os termos e condições da Stanley Fat Max e terá de apresentar o comprovativo de compra ao revendedor ou a um técnico de reparação autorizado.

Os termos e condições da garantia de 1 ano da Stanley Fat Max e a localização do técnico de reparação autorizado mais próximo pode ser obtido na Internet em www.2helpU.com. Pode também contactar o seu escritório Stanley Fat Max local através da morada indicada neste manual.

Visite o nosso Website www.stanley.eu/3 para registar o seu novo produto Stanley Fat Max e receba actualizações sobre novos produtos e ofertas especiais.

Avsedd användning

Din STANLEY FAT MAX SFMEE500 väggslipmaskin har designats för slipning av väggar och tak. Denna apparat är avsedda för professionell och privat bruk, icke-professionella användare.

Säkerhetsinstruktioner

Allmänna säkerhetsvarningar för elverktyg



Varning! Läs igenom alla säkerhetsvarningar, instruktioner, illustrationer och specifikationer som medföljer detta elverktyg. Om inte varningarna och instruktionerna som listas nedan följs kan det resultera i elektriska stötar, brand och/eller allvarliga skador.

SPARA ALLA VARNINGAR OCH INSTRUKTIONER FÖR FRAMTIDA REFERENS. Termen "elverktyg" i all varningarna som listas nedan refererar till ditt eldrivna (sladdanslutna) elverktyg eller batteridrivna (sladdlösa) elverktyg.

1. Säkerhet på arbetsområdet

- Håll arbetsområdet rent och väl upplyst.** Belamrade och mörka området inbjuder till olyckor.
- Använd inte elverktyg i explosiv atmosfär, såsom i närheten av lättantändliga vätskor, gaser eller damm.** Verktyg skapar gnistor som kan antända damm eller ångor.
- Håll barn och åskådare borta medan ett elverktyg används.** Distraktioner kan göra att du förlorar kontrollen.

2. Elektrisk säkerhet

- Elverktygskontakter måste passa i eluttaget. Modifiera aldrig kontakten på något sätt.**
Använd inte någon adapterkontakt med jordade (jordanslutna) elverktyg.
Omodifierade kontakter och matchade uttag kommer att reducera risken för elektriska stötar.
- Undvik kroppskontakt med jordade eller jordanslutna ytor såsom rör, radiatorer, spisar och kylskåp.** Det finns en öka risk för elektriska stötar om kroppen är jodrad eller jordansluten.
- Utsätt inte elverktyg för regn eller våta förhållanden.** Vatten som kommer in i ett elverktyg kommer att öka risken för elektriska stötar.
- Misshandla inte sladden. Använd aldrig sladden för att bära, dra eller koppla ur elverktyget.** Håll sladden undan från hetta, olja, vassa kanter eller rörliga delar. Skadade eller trassliga sladdar ökar risken för elektriska stötar.
- När ett elverktyg används utomhus, använd en förlängningssladd som är lämplig för utomhusbruk.**

Användning av en sladd som är lämplig för utomhusbruk minskar risken för elektriska stötar.

- f. **Om användning av ett elverktyg i en fuktig miljö inte kan undvikas, använd en jordfelsbrytare (RCD) för att skydda strömanslutningen.** Användning av en RCD minskar risken för elektriska stötar.

3. Personlig säkerhet

- a. **Var uppmärksam, titta på vad du gör och använd sunt förnuft när ett elverktyg används.**

Använd inte ett elverktyg när du är trött eller påverkad av droger, alkohol eller mediciner. En ögonblicks ouppmärksamhet när elverktyget används kan resultera i allvarliga personskador.

- b. **Använd personlig skyddsutrustning. Använd alltid skyddsglasögon.** Skyddsutrustning såsom dammask, halkfria skor, hjälm eller hörselskydd som används när så är lämplig kommer att reducera personskador.
- c. **Förhindra oavsiktlig start. Se till att avtryckare är i avstängd position innan anslutning till strömkällan och/eller batteripaketet, verktyget lyfts upp eller bärs.** Att bära elverktyg med fingret på avtryckare eller strömsätta elverktyg som har strömbrytaren på inbjuder till olyckor.
- d. **Ta bort alla inställningsnycklar eller nycklar innan elverktyget slås på.** En skruvnyckel eller en nyckel som lämnas fäst på en roterande del av elverktyget kan resultera i personskador.
- e. **Sträck dig inte för långt. Ha bra fotfäste och balans hela tiden.** Detta ger bättre kontroll över elverktyget i oväntade situationer.
- f. **Bär lämpliga kläder. Bär inte löst sittande kläder eller smycken. Håll håret, kläder och handskar undan från rörliga delar.** Lösa kläder, smycken eller långt hår kan fastna i rörliga delar.
- g. **Om enheten är försedd med anslutning av dammsug och uppsamlingsmöjlighet, se till att dessa är anslutna och används korrekt.** Användning av dammuppsamling kan minska dammrelaterade faror.
- h. **Låt inte vanan som fått genom att regelbundet använda verktyg göra att du blir självbelåten och ignorerar verktygets säkerhetsprinciper.** En vårdslös handling kan orsaka allvarliga skador på bråkdelen av en sekund.
4. **Elverktyg användning och skötsel**
- a. **Tvinga inte elverktyget. Använd korrekt elverktyg för ditt arbete.**
Korrekt elverktyg kommer att göra arbetet bättre och säkrare vid den hastighet som det är designad för.
- b. **Använd inte elverktyget om strömbrytaren inte kan slå på eller stängas av.** Alla elverktyg som inte kan kontrolleras av strömbrytaren är farliga och måste repareras.

- c. **Dra ut kontakten från strömkällan och/eller batteripaketet från elverktyget innan några justeringar görs, tillbehör byts eller elverktyget förvaras.** Sådan preventiva säkerhetsåtgärder minskar risken att elverktyget startar oavsiktligt.
- d. **Förvara överksamma elektriska verktyg utom räckhåll för barn och låt inte personer som är obekanta med elverktyget eller dessa instruktioner verktyget.**
Elverktyg kan vara farliga i händerna på utbildade användare.
- e. **Underhålla elverktyg och tillbehör. Kontrollera om där finns felinriktningar eller rörliga delar som fastnat, trasiga delar eller andra förhållanden som kan påverka elverktygets drift. Vid skador reparera elverktyget innan användning.** Många olyckor orsakas av dåligt underhållna elverktyg.
- f. **Håll kapverktyg vassa och rena.** Korrekt underhållna kapverktyg med vassa kapkanter är mindre troliga att kärva och lättare att kontrollera.
- g. **Använd elverktyget, tillbehör och verktygsbits etc. i enlighet med dessa instruktion och tänk på arbetsförhållandena och arbetet som skall utföras.**
Elverktyg som används för arbeten andra än de som är avsedda kan resultera i farliga situationer.
- h. **Håll handtagen och greppytor torra, rena och fria från olja och fett.** Hala handtag och greppytor möjliggör inte en säker hantering och kontroll av verktyget i oväntade situationer.
6. **Service**
- a. **Låt en kvalificerad reparatör som använder identiska reservdelar utföra service på ditt elverktyg.** Detta garanterar att säkerheten hos elverktyget bibehålls.

Ytterligare säkerhetsvarningar för elverktyg



Varning! Ytterligare säkerhetsvarningar för väggslipmaskiner.

- ◆ Detta elverktyg är avsett att fungera som en slipmaskin. Läs igenom alla säkerhetsvarningar, instruktioner, illustrationer och specifikationer som medföljer detta elverktyg. Om inte alla instruktionerna som listas nedan följs kan det resultera i elektriska stötar, brand och/eller allvarliga skador.
- ◆ **Arbeten såsom vinkelslipning, trädborstning, polering eller kapning rekommenderas inte att utföras med detta elverktyg.** Arbeten som elverktyget inte skapats för kan skapa faror och orsaka personskador.
- ◆ **Arbeten inte tillbehör som inte specifikt designats och rekommenderas av verktygstillverkaren.** Bara för att tillbehöret kan fästas på ditt elverktyg betyder inte det att det är säkert att använda.

- ◆ **Märk hastigheten på tillbehöret måste vara minst lika med den maximala hastigheten som är märkt på elverktyget.** Tillbehör som körs snabbare är deras märkhastighet kan brytas sönder och flyga iväg.
- ◆ **Den yttre diametern och tjockleken på tillbehöret måste vara inom märkkapaciteten för ditt elverktyg.** Tillbehör av felaktig storlek kan inte skydds eller kontrolleras på ett tillfredsställande sätt.
- ◆ **Gångade monteringen av tillbehör måste matcha vinkelslipens spindelgånga. För tillbehör som monteras med flänsar måste spindelhålen på tillbehöret passa flänsens fixeringsdiameter.** Tillbehör som inte matchar monteringshårdvaran på elverktyget kommer att köras obalanserat, vibrera överdrivet och göra att kontrollen förloras.
- ◆ **Använd inte skadade tillbehör. Innan varje användning, inspektera tillbehöret såsom slipskivor om där finns flisor eller sprickor, sprickor i rondelltallrikar, överdrivet slitage, trådborstar om där finns lösa eller avbrutna trådar. Om elverktyget eller tillbehöret tappats, kontrollera om där finns skador eller installera ett oskadat tillbehör. Efter inspektion och installation av tillbehör, placera dig och åskådare undan från det roterande tillbehörets plan och kör elverktyget på maximal hastighet utan belastning i en minut. Skadade tillbehör kommer normalt att gå sönder under denna testperiod.**
- ◆ **Använd personlig skyddsutrustning, beroende på användning kan ansiktsskärm eller skyddsglasögon användas. Då så är lämpligt, används dammask, hörselskydd, handskar och verkstadsförkläde som klarar att stoppa små slipande fragment eller delar från arbetsstycket.** Ögonskydden måste kunna stoppa flygande skräp som genereras under olika arbetsmoment. Dammasken eller andningsmasken måste kunna filtrera partiklar som genereras under arbetet. Lång exponering för högintensivt buller kan orsaka hörselskador.
- ◆ **Håll åskådare på ett säkert avstånd från arbetsområdet. Alla som kommer in på arbetsområdet måste använda personlig skyddsutrustning.** Fragment från arbetsstycket eller från ett trasigt tillbehör kan flyga iväg och orsaka skador utanför det omedelbara arbetsområdet.
- ◆ **Håll endast elverktyget i de isolerade greppyrtorna vid arbete som utförs där kaptillbehöret kan komma kontakt med dolda ledningar eller dess egen sladd.** Kaptillbehör som kommer i kontakt med strömförande ledningar kan göra metalldelarna strömförande och ge operatören en elektrisk stöt.
- ◆ **Placera sladden fritt från det roterande tillbehöret.** Om du förlorar kontrollen kan sladden kapas eller dras in och din hand eller arm kan dras in i det roterande tillbehöret.

- ◆ **Lägg aldrig ned elverktyget innan tillbehöret stannat helt.** Det roterande tillbehöret kan ta tag i ytan och dra iväg elverktyget utanför din kontroll.
- ◆ **Kör inte elverktyget medan du bär det.** Oavsiktlig kontakt med det roterande tillbehöret kan ta tag i dina kläder och dra tillbehöret mot kroppen.
- ◆ **Rengör regelbundet elverktyget luftventiler.** Motorns fläkt kommer att dra in damm på insidan av höljet och överdriven ackumulering av pulvermetall kan utgöra en elektrisk risk.
- ◆ **Använd inte elverktyget nära lättantändliga material.** Gnistor kan antända dessa material.
- ◆ **Använd inte tillbehör som behöver vätskekyllning.** Användning av vatten eller annan vätskekyllmedel kan resultera i dödsfall av elektricitet eller elstöt.

Viktiga säkerhetsinstruktioner

Rekyl och relaterade varningar

Rekyl är en plötslig reaktion på en fastklämd eller fasthakad roterande skiva, rondelltallrik, borste eller annat tillbehör. Fastklämning eller fasthakning orsakar snabbt stopp av det roterande tillbehöret vilket i sin tur gör att det okontrollerade elverktyget tvingas i en motsatt riktning mot tillbehörets rotationsriktning vid den kärvande punkten. Exempelvis om en slipskiva kläms fast i arbetsstycket kan kanten på skivan som går in i klämpunkten gräva sig in i ytan på materialet vilket gör att skivan klättrar ut och får en rekyl. Skivan kan antingen hoppa mot eller bort från operatören, beroende på skivans rörelseriktning vid klämpunkten. Slipskivor kan också gå sönder under dessa förhållanden. Rekyl är ett resultat av att elverktyg missbrukas och/eller felaktiga arbetsprocedurer eller förhållanden som kan undvikas genom att vidta korrekta åtgärder såsom anges nedan.

- ◆ **Bibehåll ett fast grepp om elverktyget och placera kroppen och armen så att du kan stå emot rekylkrafterna. Använd alltid det extra handtaget, om sådant finns, för maximal kontroll över rekyl eller vridreaktioner under start.** Operatören kan kontrollera vridreaktioner eller rekylkrafter och korrekta försiktighetsåtgärder vidtagits.
- ◆ **Placera aldrig handen nära det roterande tillbehöret.** Tillbehöret kan få en rekyl över din hand.
- ◆ **Placera inte kroppen inom området där elverktyget kommer att förflytta sig om en rekyl uppstår.** Rekyl kommer att driva fram verktyget i motsatt riktning mot skivans rörelse vid klämpunkten.
- ◆ **Var särskilt försiktig vid arbeten i hörn, skarpa kanter etc. Undvik att studs eller klämma fast tillbehöret.** Hörn skarpa kanter eller studsning har en tendens att klämma fast det roterande tillbehöret vilket gör att kontrollen förloras.

- ♦ **Montera inte en träsnidesskiva eller en tandat sågskiva.** Sådana skivor skapar regelbundet rekyler och gör att kontrollen förloras.

Ytterligare säkerhetsinstruktioner för sliparbeten

Säkerhetsvarningar specifikt för sliparbeten:

- ♦ **Använd inte mycket för stora slippapper.** Följ tillverkarens rekommendationer vid val av slippapper. Stora slippapper som sticker ut utanför sliprondellen utgör en risk för sönderslitning och kan orsaka fastklämning, slitage på skiva eller orsaka rekyler.

Säkerhet för andra

- ♦ Detta verktyg är inte avsett att användas av personer (inklusive barn) med reducerad fysisk, sensorisk eller mental kapacitet eller som saknar erfarenhet och kunskap såvida inte de övervakas eller instruerats beträffande användningen av apparaten av en person som är ansvarig för deras säkerhet.
- ♦ Barn skall övervakas för att garantera att de inte leker med apparaten.

Kvarvarande risker

Ytterligare risker kan uppstå när verkget används vilka kanske inte är inkluderade i de medföljande säkerhetsvarningarna. Dessa risker kan uppstå vid missbruk, för lång användning etc.

Även vid användning av de relevanta säkerhetsbestämmelserna och implementering av säkerhetsenheter kan vissa kvarvarande risker inte undvikas.

Dessa inkluderar:

- ♦ Skador orsakade av att roterande/rörliga delar vidrörs.
- ♦ Skador orsakade när delar, skivor eller tillbehör byts.
- ♦ Skador orsakade av för lång användning av ett verktyg. När något verktyg används under lång tid se till att ta regelbunden paus.
- ♦ Hörselnedsättning.
- ♦ Hälsorisker orsakade av inandning av damm som uppstår när verktyget använd (exempelvis vid arbete med trä, särskilt ek, bok och MDF.)

Vibration

De deklarerade vibrationsvärdena som fastställts i de tekniska data och i deklarationen om överensstämmelse har uppmätts i enlighet med en standardtestmetod som tillhandahålls av EN60745 och kan användas för att jämföra ett verktyg med ett annat.

De deklarerade vibrationsvärdena kan också användas för en preliminär uppskattning av exponeringen.

Varning! Vibrationsvärdet under faktisk användning av elverktyg kan skilja sig från de deklarerade värdena beroende på hur verktyget används. Vibrationsnivån kan öka över det fastställda värdet.

Vid uppskattning av vibrationsexponering för att avgöra säkerhetsåtgärder som krävs av 2002/44/EG för att skydda personer som regelbundet använder elverktyg i arbetet bör en uppskattning av vibrationsexponeringen överväga de verkliga förhållanden för användningen och hur verktyget används, inklusive att alla delar av arbetet tas med i beräkningen av driftcykeln, såsom när verktyget stängs av och när det körs på tomgång förutom körtiden.

Etiketter på verktyget

Följande piktogram tillsammans med datumkoden visas på verktyget:



Varning! För att minska risken för skador måste användaren läsa bruksanvisningen.



Använd hörselskydd vid slagborring. Exponering för buller kan orsaka hörselskador.



Använd säkerhetsglasögon.



Använd dammask.

Elektrisk säkerhet



Detta verktyg är dubbelisolerat; därför behövs ingen jordanslutning. Kontrollera alltid att strömförsörjningen motsvarar spänningen på märkplattan.

- ♦ Om strömsladden är skadad måste den bytas av tillverkaren eller av ett auktoriserat STANLEY FAT MAX servicecenter för att undvika faror.

Funktioner

Denna apparat inkluderar vissa eller alla av följande funktioner.

1. Runt sliphuvud
2. Rund sliprondell (karborresystem)
3. Motorhölje
4. Viklås
5. Huvudhandtag
6. Skaft
7. Strömbrytare
8. Hjul för elektronisk hastighetskontroll
9. Dammutsugningsuttag (med låsmuff)
10. Förlängningsskaft
- 10a. Bakre handtag
- 10b. Dammutsugningsuttag (med låsmuff)
- 10c. Muff
11. Dammsugarslang
- 11a. Stödadapter
- 11b. Kontakt (förmonterad) (38mm)
- 11c. Justeringsring sugeffekt

- 11d. Dammsugaradapter (förmonterad) (47mm)
12. Dammsugaradapter (förmonterad) (35mm)
13. Insexnyckel
14. Rund slipskiva

Använd

Varning! Låt verktyget arbeta i egen takt. Överbelasta inte.

- ◆ Innan verktyget används första gången rekommenderas att du tar emot lite praktisk information.
- ◆ Kontrollera alltid att spänningen är samma som spänningen som anges på namnplattan på verktyget.
- ◆ Använd lämplig detektor för att hitta dolda ledningar eller ring leverantörsföretaget för hjälp (kontakt med elektriska ledningar kan leda till brand eller elstötar, skador på gasledningar kan leda till explosion, penetrering av en vattenledning kan orsaka egendomsskador eller elektrisk stöt).
- ◆ Arbeta inte med material som innehåller asbests (asbests kan vara cancerframkallande).
- ◆ Damm från material såsom färg som innehåller bly, vissa träarter, mineraler och metall kan vara skadliga (kontakt med eller inandning av dammet kan orsaka allergiska reaktioner och/eller andningssvårigheter för operatören eller åskådare); använd dammask och arbeta med en dammutsugningsenhet när sådan är anslutningsbar.
- ◆ Vissa typer av damm klassas som cancerframkallande (såsom ek- och björkdamm) särskilt i förening med tillsatser för träbehandling, använd dammask och arbeta med en dammutsugningsenhet när sådan är anslutningsbar.
- ◆ Följ de dammrelaterade kraven för materialet som du skall arbeta med.
- ◆ Kläm inte fast verktyget i ett städ.
- ◆ Använd helt utrullad och säker förlängningssladd med en kapacitet på 16 Amp.

Efter användning

- ◆ Efter att verktyget stängts av, stoppa inte det roterande tillbehöret genom att trycka på sidan av det.

Montering och justeringar

Varning! För att minska risken för allvarliga personskador, stäng av verktyget och koppla bort verktyget från strömkällan innan några justeringar eller borttagningar/installation av tillsatser eller tillbehör görs. Innan verktyget återansluts, tryck på och släpp avtryckaren för att garantera att verktyget är avstängt. En oavsiktlig start kan orsaka skador.

Montering av vikbart skaft (bild A1, A2, A3)

- ◆ Vik ut det övre skaftet och nedre skaftet helt (bild A1).
- ◆ Tryck på vikleaset (4) till den högra positionen och håll spetsen nära handtaget (bild A2).
- ◆ Tryck ned vikleaset (4) för att låsa skaftet (bild A3).

- ◆ Släpp vikleaset för att vika skaftet.

Byta sliprondell (bild B1)

- ◆ Sätt in insexnyckeln (13) (storlek 5) i den sexkantiga skruvbulten på slipblocket.
- ◆ Håll fast sliprondellen och vrid sedan m´nyckeln moturs för att demontera rondellen.
- ◆ Installera ny sliprondell och dra åt bulten.

Fästa och byta slipskiva (bild B2)

- ◆ Placera slipskivan (14) i mitten av sliprondellen (2) och tryck på. Hålen i slipskivan måste vara i linje med utsugningshålen i sliprondellen.
- ◆ Endast för runda sliprondeller: genomför ett test för att kontrollera att slipskivan är fastklämd i centrum.

LED-lampan

- ◆ 10W LED-lampor runt rondellen lyser upp de skålformade och upphöjda punkterna på väggen eller i taket vilket gör att du kan arbeta effektivt och få bättre slipresultat såsom visas i bilderna E och F.

Förlängningsskaft (tillval) (bild C)

- ◆ Använd förlängningsskaftet (10) för avsedda arbetet för att nå högre arbetsytor.
- ◆ Lossa hylsan på dammutsugningsuttaget (9) på skaftet. Ta inte bort hylsan från uttaget.
- ◆ Rikta in det bakre handtaget (10a) mot huvudhandtaget (5) och för in hylsan (10c) på förlängningsskaftet (10) i uttaget (9) med en vridande rörelse hela vägen upp.
- ◆ Justera längden på förlängningsskaftet (10) om så behövs. Uppmärksamma markeringen "max 1,8m" på förlängningsskaftet. Dra åt hylsan (9) efter monteringen/justeringen av förlängningsskaftet.

Dammutsugning (bild D)

- ◆ Lossa hylsan på dammutsugningsuttaget (9) eller (10b) genom att vrida i riktningen för upplåsningssymbolen på verktygshandtaget.
- ◆ Sätt in dammsugarlangen (11) i änden på verktygshandtaget såsom visas.
- ◆ Dra åt ratten för längdjusteringen (9) genom att vrida den i riktning för låssymbolen på verktygshandtaget.
- ◆ Anslut dammsugarlangen med Ø 47 mm adaptern (11d) eller med Ø35mm adaptern (12) direkt till en industridammsugare (ta bort dammsugarlangen först).
- ◆ Du kan också ansluta dammsugarlangen med en adapter till en industridammsugare utan att först ta dammsugarlangen.

Stödadapter/luffflödeskontroll (bild G, H)

- ◆ Stödadaptern (11a) skyddar slangen mot skador när verktyget läggs åt sidan vid avbrott i arbetet (bild G).

- ♦ Kontrollera luftflödet genom att skuta justeringsringen för sugeffekt (11c) över luftventilen i verktygsanslutningen (11b).
- ♦ Dammsugeffekten är i dess lägsta nivå när luftventilen är fullt synlig (bild H).

Återvinn elektriska produkter och batterier i enlighet med lokala bestämmelser. Ytterligare information finns tillgängligt på www.2helpU.com

Tekniska data

		SMEE500
Spänning	V _{AC}	220 - 240
Frekvens	Hz	50 - 60
Effektinmatning	W	750
Märkhastighet	min ⁻¹	600 - 1700
Rund slipondell	mm	215
Spindelgånga storlek		M6
Vikt	kg	3,75

Ljudtrycksnivå enligt EN60745:

Ljudtryck (L_{PA}) 89 dB(A), osäkerhet (K) 3 dB(A)

Ljudeffekt (L_{WA}) 100,5 dB(A), osäkerhet (K) 3 dB(A)

Vibration totalvärde (triax vektorsumma) enligt EN60745:

(a_h) 2,7 m/s², osäkerhet (K) 1,5 m/s²

Stänga av och slå på maskinen (bild I, J, K)

- ♦ Slå på/stäng av väggslipmaskinen med omkopplaren (7).

Elektronisk hastighetskontroll

- ♦ Justera hastigheten genom att vrida på hastighetshjulet (8), användare kan använda olika hastigheter för olika slipytor.
- ♦ Låt maskinen köra på samma hastighet som vanligt. Överbelasta inte med överdrivet tryck.

Sliparbeten

- ♦ När maskinen och dammsugaren är inställd och alla säkerhetsåtgärder och utrustning är på plats, börja med att slå på dammsugaren och sedan maskinen. (Om du använder en dammsugare med integrerad omkopplare, slå då bara på maskinen.)

Runt sliphuvud

- ♦ Börja slipa och ha försiktig kontakt med arbetsytan så lätt som möjligt, bara tillräckligt så att sliphuvudet ligger plant mot ytan.
- ♦ Den bästa tekniken är att använda överlappande svepningar och hålla huvudet i konstant rörelse under lämplig tidsrymd. Slipa aldrig alltför länge på en plats då det kan uppstå virvelmärken.
- ♦ Lyft bort maskinen från arbetsytan innan den stängs av.

Varning! Se till att slippkivan du använder är lämplig för uppgiften, alltför grovt slippapper kan ta bort material alltför snabbt för att kontrolleras. Medan alltför fint slippapper slipar inte ytan tillräckligt snabbt.

Varning! Var försiktig för att undvika vassa föremål och spikar etc. Dessa kommer att slita ut sandpappret och förmodligen även skada slipondellen.

Underhåll

Ditt STANLEY FAT MAX verktyg har designats att fungera under lång tid med minimalt underhåll. Fortsatt tillfredsställande drift beror korrekt verktygsvård och regelbunden rengöring.

Skydda miljön



Separat insamling. Produkter och batterier som är märkta med denna symbol får inte kastas i de vanliga hushållssoporna.

Produkter och batterier innehåller material som kan återvinnas och återanvändas vilket minskar behovet av råmaterial.

EG deklARATION om överensstämmelse

MASKINDIREKTIVET



SMEE500 - Väggslipmaskin

Stanley Fat Max deklarerar att dessa produkter som beskrivs under 2006/42/EG, EN 60745-1:2009 + A11:2010; EN 60745-2-3:2011 + A2:2013 + A11:2014 + A12:2014 + A13:2015

Dessa produkter uppfyller också direktiv 2014/30/EU och 2011/65/EU. För ytterligare information kontakta Black & Decker på följande adress eller se baksidan på denna manual.

För ytterligare information kontakta Stanley Fat Max på följande adress eller se baksidan på manualen.

Undertecknad ansvarig för kompilering av den tekniska filen och gör denna deklARATION på Stanley Fat Max vägnar.

A.P. Smith

A.P. Smith
Technical Director

Stanley Fat Max Europe, Egide Walschaertsstraat14-18,
2800 Mechelen, Belgien
12/07/2019

Garanti

Stanley Fat Max är säker på kvaliteten på deras produkter och erbjuder kunderna 12 månaders garanti från inköpsdatumet. Denna garanti är ett tillägg och påverkar inte i något hänseende dina lagstadgade rättigheter. Garantin gäller inom medlemsländernas territorium i Europeiska unionen och det Europeiska frihandelsområdet.

För garantibegäran måste begäran vara i enlighet med Stanley Fat Max villkor och du behöver skicka med ett bevis på köpet till säljaren eller en auktoriserad serviceagent. Villkoren i Stanley Fat Max ettåriga garanti och var din närmaste auktoriserade reparatör finns kan erhållas på internet på www.2helpU.com, eller genom att kontakta ditt lokala Stanley Fat Max kontor på adressen som anges i denna manual.

Besök vår webbsida www.stanley.eu/3 för att registrera din nya Stanley Fat Max produkt och få uppdateringar om nya produkter och specialerbjudanden.

Tiltent bruk

STANLEY FAT MAX SFMEE500 veggpusser er designet for pussing av vegger og tak. Dette apparatet er ment for profesjonelle og private, ikke-profesjonelle brukere.

Sikkerhetsinstruksjoner

Generelle sikkerhetsadvarsler for elektroverktøy



Advarsel! Les alle sikkerhetsadvarsler, instruksjoner, illustrasjoner og spesifikasjoner som følger med dette elektroverktøyet. Dersom du ikke følger advarslene og instruksjonene under, kan dette resultere i elektrisk støt, brann og/eller alvorlig personskade.

Ta vare på alle advarsler og instruksjoner for fremtidig bruk. Termen "elektroverktøy" i advarslene under viser til ditt strøm-drevne (med ledning) eller batteridrevne (trådløse) elektroverktøy.

1. Sikkerhet på arbeidsområdet

- Hold arbeidsområdet ryddig og godt opplyst.** Rotete eller mørke områder er en invitasjon til ulykker.
- Du skal ikke bruke elektroverktøy i eksplosive atmosfærer slik som hvor det finnes antennebare væsker, gasser eller støv.** Elektriske verktøy skaper gnister som kan antenne støvet eller gassene.
- Hold barn og tilskuere borte når du bruker elektroverktøyet.** Forstyrrelser kan føre til at du mister kontrollen over verktøyet.

2. Elektrisk sikkerhet

- Verktøyet støpsel må passe til stikkkontakten. Du skal ikke modifisere støpselet på noen måte. Du skal ikke bruke adapterstøpsler med jordede elektroverktøy.** Umodifiserte støpsler og passende stikkontakter vil redusere faren for elektrisk støt.
- Unngå kroppskontakt med jordede overflater slik som rør, radiatorer, komfyrer og kjøleskap.** Det er fare for elektrisk støt hvis kroppen din er jordnet.
- Ikke eksponer elektroverktøy for regn eller våte forhold.** Vann som kommer inn i et elektroverktøy vil øke faren for elektrisk støt.
- Ikke misbruk ledningen. Du skal aldri bruke ledningen til å bære, dra eller til å plugge ut elektroverktøyet. Hold ledningen unna varme, olje, skarpe kanter og bevegelige deler.** Ødelagte eller kveilede ledninger øker faren for elektrisk støt.
- Når du bruker elektroverktøyet utendørs skal du bruke en skjøteledning som er tiltent utendørs bruk.** Bruk av en skjøteledning som passer til utendørs bruk reduserer faren for elektrisk støt.
- Hvis det er uunngåelig å bruke verktøyet på et fuktig sted skal du bruke en jordfeilbryter (RCD).** Bruk av en RCD reduserer faren for elektrisk støt.

3. Personlig sikkerhet

- Vær oppmerksom, pass på hva du gjør og bruk sunn fornuft ved bruk av et elektroverktøy. Ikke bruk verktøyet når du er trett eller under påvirkning av rusmidler, alkohol eller medisiner.** Et øyeblikks uoppmerksomhet ved bruk av et elektroverktøy kan føre til alvorlig personskade.
- Bruk personlig verneutstyr. Du skal alltid bruke vernebriller.** Beskyttelsesutstyr slik som støvmaske, sklislire vernesko, hjelm eller hørselsvern som brukes under passende forhold reduserer faren for personskader.
- Unngå utilsiktet starting. Forsikre deg om at bryteren er i av-posisjon før du plugges i og/eller setter inn batteripakken, løfter eller bærer verktøyet.** Ved å bære elektroverktøy med fingeren på avtrekkeren eller ved å koble en energikilde til elektroverktøy som har bryteren på kan føre til ulykker.
- Fjern justeringsnøkkel før du skrur elektroverktøyet på.** En nøkkel som sitter på en roterende del av elektroverktøyet kan føre til personskade.
- Strek deg ikke for langt. Hold stadig grep med bena og ha god balanse hele tiden.** Dette gir bedre kontroll over elektroverktøyet i uventede situasjoner.
- Kle deg skikkelig. Ikke ha på løse klær eller smykker. Hold hår, klær og hansker unna bevegelige deler.** Løse klær, smykker eller langt hår kan sette seg fast i bevegelige deler.

- g. Hvis du har støvsuger og støvsamler, skal du forsikre deg om at de er festet skikkelig og brukes på riktig måte. Bruk av støvsuger kan redusere støvrelaterte farer.
- h. Ikke la kjennskap fra hyppig bruk la deg bli forrolig og ignorere verktøyets sikkerhetsprinsipper. En uforsiktig handling kan føre til alvorlig personskade innen brøkdelen av et sekund.
4. Bruk og vedlikehold av elektroverktøy
- a. Ikke bruk makt på elektroverktøyet. Bruk riktig elektroverktøy for ditt bruk.
Det riktige elektroverktøyet vil gjøre jobben bedre og sikrere i området det er designet for.
- b. Ikke bruk verktøyet dersom det ikke kan slås på og av ved hjelp av bryteren. Et verktøy som ikke kan kontrolleres med bryteren er farlig og må repareres.
- c. Koble kontakten fra strømkilden og/eller batteripakken fra elektroverktøyet før du utfører justeringer, endrer tilbehør eller lagrer elektroverktøy. Slike forebyggende sikkerhetstiltak reduserer faren for at elektroverktøyet starter ved et uhell.
- d. Oppbevar verktøy utenfor barns rekkevidde og ikke tillat personer som ikke er kjent med maskinen eller bruksanvisningen å håndtere verktøyet.
Elektroverktøy er farlige i hendene på brukere uten opplæring.
- e. Vedlikehold av elektroverktøy og tilbehør. Kontroller for skjevheter eller fastkjørte bevegelige deler, brukne deler og andre forhold som kan påvirke elektroverktøyets drift. Hvis det er skadet skal du få elektroverktøyet reparert før bruk. Mange ulykker oppstår på grunn av dårlig vedlikehold av elektroverktøy.
- f. Hold kutteverktøy skarpe og rene. Riktig vedlikeholdte kutteverktøy kjører seg ikke lett fast og er enklere å kontrollere.
- g. Bruk elektroverktøyet, tilbehøret og verktøybits etc. i samsvar med disse instruksjonene og ta hensyn til arbeidsforhold og arbeidet som skal utføres.
Bruk av elektroverktøyet til annen bruk enn den tiltenkte kan føre til farlige situasjoner.
- h. Hold håndtaket og gripeoverflater tørt, rent og fritt for olje og fett. Glatte håndtak og gripeoverflater kan føre til usikker håndtering og tap av kontroll av verktøyet i uventede situasjoner.
6. Service
- a. La elektroverktøyet få service av en kvalifisert reparatør og bruk kun identiske reservedeler. Dette sikrer at sikkerheten ved elektroverktøyet opprettholdes.
- ◆ Dette elektroverktøyet er tiltenkt å fungere som en pussemaskin. Les alle sikkerhetsadvarsler, instruksjoner, illustrasjoner og spesifikasjoner som følger med dette elektroverktøyet. Dersom du ikke følger advarslene og instruksjonene under, kan dette resultere i elektrisk støt, brann og/eller alvorlig personskade.
 - ◆ Arbeid som sliping, stålborsting, polering eller avkapping anbefales ikke å utføres med dette elektroverktøyet. Utførelse av arbeid som dette elektroverktøyet ikke er tiltenkt, kan føre til farer og føre til personskade.
 - ◆ Ikke bruk tilbehør som ikke spesifikt designet og anbefalt av verktøyprodusenten. Bare fordi tilbehøret kan festes til elektroverktøyet, sikrer det ikke trygt arbeid.
 - ◆ Den oppgitte hastigheten av tilbehøret må minst være lik maksimal hastighet angitt på elektroverktøyet. Tilbehør som går hurtigere enn oppgitt hastighet kan brekke og deler kan kastes gjennom luften.
 - ◆ Utvendig diameter og tykkelsen på ditt tilbehør må være innen kapasitetsområdet til elektroverktøyet. Tilbehør med feil størrelse kan ikke tilstrekkelig beskyttes eller kontrolleres.
 - ◆ Gjenget montering av tilbehør må matche slipemaskinens spindelgjenge. For tilbehør som monteres med flens, må festehullet passe lokaliseringsdiametere på flensen. Tilbehør som ikke passer monteringsmaskinvarren til elektroverktøyet vil komme ut av balanse, vibrere for kraftig og du kan miste kontroll.
 - ◆ Ikke bruk skadet tilbehør. For hver bruk skal du inspisere tilbehør som slipeskiver for skår og sprekker, bakstykke for sprekker, rifter eller overdreven slitasje, stålborste for løse eller sprukne ledninger. Dersom elektroverktøyet eller tilbehør er mistet i bakken, skal du inspisere for skade eller installere uskadet tilbehør. Etter inspeksjon og installering av tilbehør, plasser deg selv og tilskuere bort fra planet for det roterende tilbehøret, og kjør elektroverktøyet ved maksimal hastighet uten belastning i ett minutt. Skadet tilbehør vil vanligvis gå i stykker i løpet av denne testtiden.
 - ◆ Bruk personlig verneutstyr. Avhengig av bruken, bruk visir eller vernebriller. Ved behov bruk støvmaske, hørselsvern, hansker og arbeidsforkle som er i stand til å stoppe små slipespon eller arbeidsstykkefragmenter. Vernebriller må være i stand til å stoppe flygende biter generert av ulikt arbeid. Støvmasken eller pustemasken må være i stand til å filtrere partikler generert av ditt arbeid. Lang tids eksponering for høyintensiv støy kan forårsake hørselstap.
 - ◆ Hold tilskuere på trygg avstand fra arbeidsområdet. Alle som går inn arbeidsområdet må ha på seg personlig verneutstyr. Fragmenter av arbeidsstrykker eller skadet tilbehør kan fly gjennom luften og forårsake personskade utover det umiddelbare arbeidsområdet.

Ekstra sikkerhetsadvarsler for elektroverktøy



Advarsel! Ekstra sikkerhetsanvisninger for veggpussere.

- ◆ **Hold elektroverktøyet kun på de isolerte gripeoverflatene når du utfører arbeid hvor kuttetilbehøret kan komme i kontakt med skjulte ledninger eller sin egen ledning.** Kuttetilbehør som kommer i kontakt med strømførende ledninger gjør eksponerte metalldele av elektroverktøyet strømførende og kan gi brukeren elektrisk støt.
- ◆ **Plasser ledningen unna det roterende tilbehøret.** Dersom du mister kontrollen, kan ledningen kuttes eller vikles, og hånden eller armen kan dras inn i det roterende tilbehøret.
- ◆ **Aldri legg ned elektroverktøyet før tilbehøret har stoppet helt.** Det roterende tilbehøret kan gripe i overflaten og dra elektroverktøyet ut av kontroll.
- ◆ **Ikke la elektroverktøyet være i gang mens du bærer det på siden av kroppen.** Utilsiktet kontakt med det roterende tilbehøret kan vikle seg inn i klærne dine, og dra tilbehøret inn i kroppen din.
- ◆ **Rengjør regelmessig elektroverktøyets luftventiler.** Motorens vifte vil dra støv inn i huset og overdreven akkumulering av pulverisert metall kan føre til elektrisk fare.
- ◆ **Ikke bruk elektroverktøyet nær brennbare materialer.** Gnister kan antenne disse materialer.
- ◆ **Ikke bruk tilbehør som krever flytende kjølevæsker.** Bruk av vann og andre væsker kan føre til elektrisk støt.

Viktige sikkerhetsinstruksjoner

Tilbakeslag og relaterte advarsler

Tilbakeslag er en plutselig reaksjon på et klemt eller viklet roterende hjul, bakstykke, børste eller annet tilbehør. Klemming eller vikling fører til hurtig stagning av det roterende tilbehøret, som i sin tur tvinger det ukontrollerte elektroverktøyet i motsatt retning av tilbehørets rotering ved bindingspunktet. For eksempel, dersom slipehjulet er viklet eller klemt av arbeidsstykket, vil kanten av hjulet som går inn i klemmepunktet grave seg inn i overflaten av materialet og føre til at hjulet går ut eller kastes ut. Hjulet kan enten hoppe mot eller bort fra brukeren, avhengig av retningen av hjulets bevegelse ved klemmepunktet. Slipehjul kan også brenne under disse forholdene.

Tilbakeslag er resultat av misbruk av elektroverktøyet og/eller feil bruksprosedyrer eller forhold, og kan unngås ved å ta skikkelige forholdsregler som gitt under.

- ◆ **Oppretthold et fast grep på elektroverktøyet og plasser kroppen og armen slik at du motstår tilbakeslagskrefter. Bruk alltid hjelpehåndtaket, dersom det følger med, for maksimal kontroll over tilbakeslag og momentreaksjon under oppstart.** Brukeren kan kontrollere momentreaksjoner eller tilbakeslagskrefter dersom ordentlige forholdsregler følges.
- ◆ **Aldri plasser hånden din nær det roterende tilbehøret.** Tilbehør kan slå tilbake over hånden din.

- ◆ **Ikke plasser kroppen din i området der elektroverktøyet vil bevege seg dersom tilbakeslag oppstår.** Tilbakeslag vil drive verktøyet i motsatt retning av skivens bevegelse ved fastkjøringspunktet.
- ◆ **Utøv forsiktighet når du arbeider med hjørner, skarpe kanter etc. Unngå gynging og vikling av tilbehør.** Hjørner, skarpe kanter eller gynging har en tendens til å kjøre fast det roterende tilbehøret og forårsake tap av kontroll.
- ◆ **Ikke sett på motorsagblad eller tannet sagblad.** Slike blader skaper hyppige tilbakeslag og tap av kontroll.

Ekstra sikkerhetsinstruksjoner for pussearbeid

Sikkerhetsadvarsler spesifikke for pusseoperasjoner:

- ◆ **Ikke bruk overdrevent overdimensjonert pusseklippapir. Følg produsentens anbefalinger når du velger sandpapir.** Større sandpapir som går ut over pusseputen fører til fare for sårskader og kan forårsake fastkjøring, sprekker i skiven eller tilbakeslag.

Andres sikkerhet

- ◆ Dette verktøyet er ikke tiltenkt for bruk av personer (inkludert barn) med reduserte fysiske, sansemessige eller mentale evner, eller som ikke har erfaring og kunnskap, hvis de ikke holdes oppsyn med eller gitt instruksjon som angår bruk av verktøyet av en person som er ansvarlig for deres sikkerhet.
- ◆ Barn skal holdes oppsyn med for å forsikre at de ikke leker med verktøyet.

Restrisikoer

Restrisikoer kan oppstå når du bruker verktøyet, som ikke er inkludert i sikkerhetsadvarslene. Disse farene kan oppstå fra misbruk, langtidsbruk etc.

Selv ved overholdelse av de relevante sikkerhetsregler og implementering av sikkerhetsutstyr, kan visse restrisikoer ikke unngås. Disse inkluderer:

- ◆ Personskader forårsaket av roterende/bevegelige deler.
- ◆ Personskader som oppstår under skifte av deler, blader eller tilbehør.
- ◆ Personskader forårsaket av langtidsbruk av verktøyet. Når du bruker verktøyet over lang tid, må du forsikre at tar regelmessige pauser.
- ◆ Hørselskader.
- ◆ Helsefaren forårsaket av innpusting av støv som utvikler seg når du bruker verktøyet (for eksempel når du jobber med tre, spesielt eik, bok og MDF.)

Vibrasjon

De deklarerte vibrasjonsutslippsverdiene som angitt under tekniske data og samsvarserklæringen er målt i samsvar med en standard testmetode gitt av EN60745 og kan brukes til å sammenligne et verktøy med et annet.

De erklærte vibrasjonsutslippsverdiene kan også brukes i foreløpig vurdering av eksponering.

Advarsel! Vibrasjonsverdier under faktisk bruk av elektroverktøyet kan være ulikt fra de erklærte verdiene, avhengig av måten verktøyet blir brukt på. Vibrasjonsnivået kan øke over det angitte nivået.

Ved vurdering av vibrasjonseksponering for å fastsette sikkerhetstiltak i henhold til 2002/44/EU for beskyttelse av personer som regelmessig bruker elektroverktøy, skal estimatet av vibrasjonseksponeringen ta hensyn til de virkelige bruksforholdene og bruksmåten for verktøyet, inkludert å ta hensyn til alle deler av brukssyklusen så som tidsperioder der verktøyet er avslått og tomgangstider, i tillegg til virkelig aktiv bruk.

Merker på verktøyet

Følgende piktogrammer sammen med datokoden vises på verktøyet:



Advarsel! For å redusere risikoen for personskader, må brukeren lese bruksanvisningen.



Bruk hørselsvern når du bruker slagboremaskiner. Eksponering for støy kan føre til hørselstap.



Bruk vernebriller.



Bruk støvmaske.

Elektrisk sikkerhet



Dette verktøyet er dobbelisolert: derfor trengs ikke jording. Du skal alltid sjekke at strømforsyningen samsvarer med spenningen på områdeplaten.

- ◆ Hvis strømledningen er skadet, må den byttes av produsenten eller et autorisert STANLEY FAT MAX servicesenter for å unngå farer.

Egenskaper

Dette verktøyet har noen eller alle av disse egenskapene.

1. Rundt pussehode
2. Rund pussepute (borrelås-system)
3. Motorhus
4. Foldelås
5. Hovedhåndtak
6. Skaft
7. Av/ på bryter
8. Elektronisk hastighetskontrollhjul
9. Støvsugerutgang (med låsehylse)
10. Forlengingsskaft

- 10a. Bakhåndtak
- 10b. Støvsugerutgang (med låsehylse)
- 10c. Hylse
11. Vakuumslange
- 11a. Støttetadaptor
- 11b. Kobling (formontert) (38mm)
- 11c. Sugekraft justeringsring
- 11d. Vakuumadapter (formontert) (47mm)
12. Vakuumadapter (formontert) (35mm)
13. Unbrakonøkkel
14. Rund pusseskive

Bruk

Advarsel! La verktøyet jobbe i eget tempo. Ikke overbelast.

- ◆ Før du bruker verktøyet for første gang, anbefales det å få praktisk informasjon.
- ◆ Kontroller alltid at strømtilførselsspenningen er det samme som for spenningen som står på typeskiltet på verktøyet.
- ◆ Bruk passende detektorer for å finne skjulte strømledninger eller ring strømselskapet for assistanse (kontakt med elektriske ledninger kan føre til brann eller elektrisk støt, skade på gassledning kan føre til eksplosjon, hull på vannledning vil føre til materielle skader eller elektrisk støt).
- ◆ Ikke arbeid på materialer som inneholder asbest (asbest regnes for å være kreftfremkallende).
- ◆ Støv fra materialer som blyinnholdig maling, noen trearter, mineraler og metaller kan være helseskadelige (kontakt med eller innhalering av støv kan føre til allergiske reaksjoner og/eller respiratoriske sykdommer hos brukeren eller tilskuere) bruk støvmaske og arbeid med en støvutsugingsenhet når tilkoblet.
- ◆ Noen typer støv er klassifisert som kreftfremkallende (slik som eik og bøkkestøv) spesielt i forbindelse med tilsetningsstoffer for treimprønering. Bruk støvmaske og arbeid med en støvutsuger enhet dersom tilkoblet.
- ◆ Følg støvrelaterte nasjonale krav for materialene du skal arbeide med.
- ◆ Ikke klem verktøyet i en skrustikke.
- ◆ Bruk fullstendig utrullede og trygge skjøteledninger med kapasitet på 16 Amp.

Etter bruk

- ◆ Etter å ha slått av verktøyet, aldri stopp roteringen av tilbehøret med en lateral kraft anvendt på det.

Montering og justering

Advarsel! For å redusere faren for alvorlig personskade, skal du skru av verktøyet og koble fra strømmen før du gjør noen justeringer eller fjerner/installerer tilbehør. Før du kobler verktøyet til strømmen igjen, trykk ned og slipp avtrekkeren for å sikre av verktøyet er av. Utsikt oppstår kan føre til personskader.

Montere foldbart skaft (figur A1, A2 og A3)

- ◆ Fold ut det øvre og nedre skaftet helt (figur A1).
- ◆ Trykk foldelåsen (4) til høyre posisjon og hold tuppen ved siden av håndtaket (figur A2).
- ◆ trykk ned foldelåsen (4) for å låse skaftet (figur A3).
- ◆ Slipp foldelåsen for å folde skaftet.

Skifte pusseputen (figur B1)

- ◆ Sett inn sekskantnøkkelen (13) (størrelse 5) i den sekskantede skruebolten på pusseblokken.
- ◆ Hold pusseputen fast og skru nøkkelen mot klokken for å demontere puten.
- ◆ Installer ny pussepute ved å trekke til bolten.

Feste og skifte pusseskiver (figur B2)

- ◆ Plasser pusseskiven (14) i midten av pusseputen (2) og trykk på. Hullene i pusseskiven må være på linje med utsugingshullene i pusseputen.
- ◆ Kun for rund pussepute: Utfør en testkjøring for å sjekke om pusseskiven er klemt i midten.

LED-lyset

- ◆ 10W LED-lys som omgir puten lyser opp de konkave og konvekse områdene på veggen eller taket, og lar deg jobbe effektivt og fører til et bedre pusseresultat, som vist på figur E og F.

Forlengelseskraft (valgfritt) (figur C)

- ◆ Bruk forlengerskaftet (10) i henhold til den tiltenkte bruken for arbeidsflater i høyden.
- ◆ Løsne hylsen på støvsugerutgangen (9) på skaftet. Ikke fjern hylsen fra utgangen.
- ◆ Rett inn bakre håndtak (10a) med hovedhåndtaket (5) og sett inn hylsen (10c) på forlengerskaftet (10) i uttaket (9) med en skrubebevegelse hele veien opp.
- ◆ Juster lengden på forlengerskaftet (10) om nødvendig. Følg med på merkingen "maks 1,8m" på forlengelseskraftet. Trekk til hylsen (9) etter montering/justering av forlengerskaftet.

Støvsuging (figur D)

- ◆ Løsne hylsen på støvsugerutgangen (9) eller (10b) ved å vri det i retningen til ulåst-symbolet på verktøyhåndtaket.
- ◆ Sett inn vakuumslangen (11) i enden av verktøyhåndtaket som illustrert.
- ◆ Stram til knotten for lengdejustering (9) ved å vri den i retning av låsesymbolet på verktøyhåndtaket.
- ◆ Koble vakuumslangen med Ø 47 mm adapteren (11d) eller med Ø35mm adapteren (12) direkte til en industriell støvsuger (fjern støvsugerens slange først).
- ◆ Du kan også koble vakuumslangen med en adapter til en industriell støvsuger uten å fjerne støvsugerens slange.

Støtteadapter/luftflowkontroll (figur G og H)

- ◆ Støtteadapteren (11a) beskytter slangen fra skade når du setter fra deg verktøyet under pauser (figur G).
- ◆ Kontroller luftflow ved hjelp av en effektjusteringsringen (11c) over luftkanalen i verktøykoblingen (11b).
- ◆ Vakuumkreften er på sitt laveste nivå når luftviften er helt synlig (figur H).

Skru maskinen på og av (figur I, J og K)

- ◆ Skru veggpusseren på/av med bryteren (7).

Elektronisk hastighetskontroll

- ◆ Juster hastigheten ved å skru på hastighetshjulet (8), brukeren kan velge ulik hastighet for ulike pusseoverflater.
- ◆ Hold maskinen i gang ved samme hastighet som er valgt. Ikke overbelast ved overdrevent trykk.

Pussing

- ◆ Når maskinen og støvsugeren er montert og alle sikkerhetstiltak er satt i gang og utstyr er på plass, start med å skru på støvsugeren og deretter maskinen. (Dersom du bruker en støvsuger med integrert bryter, skru bare maskinen på.)

Rundt pussehode

- ◆ Start å pusse og forsiktig kom i kontakt med overflaten så lett som mulig for å holde pussehodet flatt mot overflaten.
- ◆ Den beste teknikken er å gjøre overlappende strøk og holde hodet i konstant bevegelse med passende tidsintervaller. Hold aldri pusseverktøyet for lenge på et sted, ellers blir det virvelmerker.
- ◆ Ta maskinen av arbeidsflaten før du skrur den av.

Advarsel! Sikre at pusseskivene du bruker er passende for oppgaven. For grovt sandpapir kan fjerne materiale for fort for å holde kontroll. Meget fint sandpapir pusser ikke overflaten hurtig nok.

Advarsel! Vær forsiktig for å unngå skarpe utstående gjenstander og spiker, etc. Dette vil skade sandpapiret og muligens skade pusseputen også.

Vedlikehold

Ditt STANLET FAT MAX -verktøy er designet for å brukes i en lang tidsperiode med et minimum av vedlikehold. Fortsett tilfredsstillende ytelse avhenger av skikkelig ivaretagelse av verktøyet og regelmessig rengjøring.

Miljøvern



Separat innsamling. Produkter og materialer som er merket med dette symbolet skal ikke kastes med vanlig husholdningsavfall.

Produkter og batterier inneholder materialer som kan resirkuleres og redusere etterspørselen for råmaterialer.

Resirkuler elektriske produkter og batterier i henhold til lover og regler. Ytterligere informasjon finner du på www.2helpU.com

Teknisk data

		SFMEE500
Spenning	V_{AC}	220 - 240
Frekvens	Hz	50 / 60
Inngangseffekt	W	750
Nominell hastighet	min^{-1}	600 - 1700
Rund pussepute	mm	215
Spindelgjengestørrelse		M6
Vekt	kg	3,75

Lydtrykksnivå i henhold til EN60745:

Lydtrykk (L_{pA}) 89 dB(A), usikkerhet (K) 3 dB(A)

Lydeffekt (L_{WA}) 100,5 dB(A), usikkerhet (K) 3 dB(A)

Vibrasjon totalverdier (triaks vektorsum) i henhold til EN60745:

(a_{hv}) 2,7 m/s^2 , usikkerhet (K) 1,5 m/s^2

EU-samsvarerklæring

MASKINDIREKTIV



SFMEE500 - Veggpusser

Stanley Fat Max erklærer at disse produktene beskrevet under 2006/42/EC, EN 60745-1:2009 + A11:2010; EN 60745-2-3:2011 + A2:2013 + A11:2014 + A12:2014 + A13:2015

Disse produktene samsvarer også med direktiv 2014/30/EU og 2011/65/EU. For mer informasjon, kontakt Black & Decker på følgende adresse eller se bakerst i bruksanvisningen. For mer informasjon, kontakt Stanley Fat Max på følgende adresse eller se bakerst i bruksanvisningen.

Undertegnede er ansvarlig for opprettelse av teknisk dokumentasjon og avgir denne erklæringen på vegne av Stanley Fat Max.

A.P. Smith

Technical Director

Stanley Fat Max Europe, Egide Walschaertsstraat14-18,

2800 Mechelen, Belgia

12/07/2019

Garanti

Stanley Fat Max er sikker på kvaliteten på sine produkter og tilbyr sine kunder en 12 måneders garanti fra kjøpsdato. Denne garantien kommer i tillegg til og kommer ikke i veien for dine lovbestemte rettigheter. Garantien er gyldig innen landområdene til medlemslandene i EU og i EØS. For å benytte deg av garantien, må kravet være i henhold til Stanley Fat Max vilkår og du må fremskaffe kjøpsbevis til forhandleren eller en autorisert reparasjonstekniker. Betingelser og vilkår av Stanley Fat Max 1 års garanti og hvor du finner din nærmeste autoriserte reparasjonstekniker kan du finne på www.2helpU.com, eller ved å kontakte ditt lokale Stanley Fat Max kontor på adressen i denne bruksanvisningen. Besøk vår nettside www.stanley.eu/3 for å registrere ditt nye Stanley Fat Max produkt og få oppdateringer om nye produkter og spesialtilbud.

(Oversættelse af de oprindelige instruksjoner)

DANSK

Tilsliget brug

Din STANLEY FAT MAX SFMEE500 vægsliber er beregnet til slibning af vægge og lofter. Dette værktøj er beregnet til professionelle brugere og private brugere, der ikke er professionelle.

Sikkerhedsinstruksjoner

Generelle sikkerhedsadvarsler for elværktøj



Advarsel! Læs alle sikkerhedsadvarsler, instruksjoner, illustrationer og specifikationer leveret med dette elværktøj. Hvis nedenstående advarsler og instruksjoner ikke følges, er der risiko for elektrisk stød, brand og/eller alvorlige kvæstelser.

Gem alle advarsler og instruksjoner til fremtidig reference.

Udtrykket "elværktøj" i alle advarslerne angivet herunder henviser til dit strømbejente (ledningsførte) elværktøj eller dit batteridrevne (ledningsfri) elværktøj.

1. Sikkerhed på arbejdsområdet

- Hold arbejdsområdet rent og godt belyst.** Rodede eller mørke områder giver anledning til ulykker.
- Brug ikke elværktøj i områder med eksplosionsfare som f.eks. nær letantændelige væsker, gasser eller støv.** Elektrisk værktøj danner gnister, som kan antænde støv eller dampe.
- Hold børn og tilskuere væk, mens du betjener et elværktøj.** Distraktioner kan få dig til at miste kontrol.

2. Elektrisk sikkerhed

- a. **Elværktøjsstik skal passe til stikkontakten. Stikket må på ingen måde modificeres. Brug ikke adapterstik med jordforbundne (tilsluttede) elværktøjer.**

Ikke-modificerede stik og tilsvarende stikkontakter reducerer risikoen for stød.

- b. **Undgå kropskontakt med jordforbundne overflader såsom rør, radiatorer, komfurer og køleskabe.** Der er en forøget risiko for elektrisk stød, hvis din krop får jordforbindelse.
- c. **Elværktøjer må ikke udsættes for regn eller fugt.** Vand, der trænger ind i et elværktøj, øger risikoen for stød.
- d. **Misbrug ikke ledningen. Ledningen må aldrig bruges til at bære, trække eller frakoble elværktøjet. Hold ledningen væk fra varme, olie, skarpe kanter eller dele i bevægelse.** Beskadigede eller sammenfiltrede ledninger øger risikoen for stød.
- e. **Under betjening af et elværktøj udendørs skal du bruge en forlængerledning, der er velegnet til udendørs brug.** Ved brug af en ledning, der er velegnet til udendørs brug, reduceres risikoen for elektrisk stød.
- f. **Brug en strømkilde med fejlstrømsrelæ, hvis det er nødvendigt at anvende elværktøj på fugtige steder.** Ved at benytte en fejlstrømsafbryder reduceres risikoen for elektrisk stød.

3. Personlig sikkerhed

- a. **Vær opmærksom, hold øje med hvad du gør, og brug almindelig sund fornuft, når du anvender et elværktøj. Brug ikke et elværktøj, når du er træt eller påvirket af stoffer, alkohol eller medicin.** Et øjeblik opmærksomhed under betjening af elværktøj kan forårsage alvorlige personskader.
- b. **Anvend personligt beskyttelsesudstyr. Anvend altid øjenbeskyttelse.** Beskyttelsesudstyr såsom støvmaske, skridsikre sikkerhedssko, hjelm eller høreværn, der bruges til passende forhold, reducerer personskader.
- c. **Undgå utilsigtet start. Sørg for, at kontakten er i sluk-position, inden du tilslutter strømkilden og/eller batteripakken, tager værktøjet op eller bærer det.** Hvis du bærer elværktøj med din finger på kontakten eller strømfører elværktøj, der har kontakten tændt, kan der nemt ske ulykker.
- d. **Fjern evt. justeringsnøgle, inden du tænder for elværktøjet.** En nøgle, der efterlades fastgjort til en roterende del af elværktøjet, kan resultere i personskade.
- e. **Ræk ikke for langt. Bevar altid et godt fodfæste og en god balance.** Dette giver bedre kontrol over elværktøjet i uventede situationer.
- f. **Klæd dig ordentligt på. Undlad at bære løstsiddende tøj eller smykker. Hold hår, tøj og handsker væk fra dele i bevægelse.**

Løstsiddende tøj, smykker eller langt hår kan blive fanget i bevægelige dele.

- g. **Hvis der leveres enheder til tilslutningen af støvudsugnings- og opsamlingsudstyr, skal du sørge for, at disse tilsluttes og anvendes korrekt.** Brug af støvopsamling kan reducere støvrelaterede farer.
- h. **Lad ikke kendskab opnået gennem hyppig brug af værktøjer lade dig blive for tilbagelænet og ignorere principper for værktøjsikkerhed.** En skodesløs handling kan forårsage personskade inden for en brøkdal af et sekund.

4. Brug og pleje af elværktøj

- a. **Tving ikke elværktøjet. Brug det korrekte elværktøj til dit arbejde.**
Det korrekte elværktøj vil udføre arbejdet bedre og mere sikkert i den hastighed, det blev udviklet til.
- b. **Brug ikke elværktøjet, hvis kontakten ikke tændes og slukkes.** Ethvert elværktøj, der ikke kan kontrolleres med kontakten, er farligt og skal repareres.
- c. **Tag stikket ud af strømkilden og/eller batteripakken ud af elværktøjet, inden du foretager justeringer, udskifter tilbehør eller opbevarer elværktøjer.** Disse forebyggende sikkerhedsforanstaltninger reducerer risikoen for at starte elværktøj ved et uheld.
- d. **Opbevar elektrisk værktøj uden for rækkevidde af børn, og tillad ikke personer, som ikke er bekendt med elværktøjet eller disse anvisninger, at betjene elværktøjet.**
Elværktøjer er farlige i hænderne på uøvede brugere.
- e. **Vedligehold elværktøj og tilbehør. Se efter fejlindstilling eller binding af dele i bevægelse, ødelæggelse af dele og andre tilstande, som kan påvirke elværktøjernes betjening. Hvis de beskadiges, skal elværktøjet repareres inden brug.** Mange ulykker skyldes dårligt vedligeholdte elværktøjer.
- f. **Hold skæreværktøjer skarpe og rene.** Korrekt vedligeholdte skæreværktøjer med skarpe skærekanter har mindre sandsynlighed for at binde og er nemmere at styre.
- g. **Brug elværktøjet, tilbehøret og værktøjsbor osv. i overensstemmelse med disse anvisninger, mens du tager hensyn til arbejdsforholdene og det arbejde, der skal udføres.**
Brug af elværktøjet til andre opgaver end de beregnede kan resultere i en farlig situation.
- h. **Hold håndtag og gribeblader tørre, rene og fri for olie og smørelse.** Glatte håndtag og gribeblader giver ikke mulighed for sikker håndtering og kontrol af værktøjet i uventede situationer.

6. Service

- a. Få en kvalificeret reparatør til at foretage service på dit elværktøj, udelukkende med identiske reservedele. Dette sikrer, at elværktøjets sikkerhed bevares.

Yderligere sikkerhedsadvarsler for elværktøj



Advarsel! Yderligere sikkerhedsadvarsler for vægslibere.

- ◆ Dette elværktøj er beregnet til at fungere som en slibemaskine. Læs alle sikkerhedsadvarsler, instruktioner, illustrationer og specifikationer leveret med dette elværktøj. Hvis alle nedenstående instruktioner ikke følges, er der risiko for elektrisk stød, brand og/eller alvorlige kvæstelser.
- ◆ **Det anbefales ikke at foretage handlinger såsom afslibning, stålborstning, polering eller afskæring med dette elværktøj.** Handlinger, som elværktøjet ikke er beregnet til, kan udgøre en fare og forårsage personskade.
- ◆ **Brug ikke tilbehør, som ikke er specifikt beregnet til det og anbefalet af værktøjsproducenten.** Bare fordi tilbehøret kan sættes fast på dit elværktøj, sikrer det ikke en sikker drift.
- ◆ **Tilbehørets nominelle hastighed skal være mindst lig med den maksimale hastighed markeret på elværktøjet.** Tilbehør, der kører hurtigere end deres nominelle hastighed, kan blive ødelagt og ryge flyve bort.
- ◆ **Den udvendige diameter og tykkelsen af dit tilbehør skal være inden for dit elværktøjs nominelle kapacitet.** Tilbehør med en forkert størrelse kan ikke afskærmes eller styres korrekt.
- ◆ **Tilbehørs gevindskæring skal stemme overens med slibespindelgevindtet. For tilbehør monteret af flanger skal tilbehørets dornhul passe til flangens lokaliseringsdiameter.** Tilbehør, der ikke passer til elværktøjets monteringsudstyr, mister balancen, vibrerer for meget og kan forårsage mistet kontrol.
- ◆ **Brug ikke et beskadiget tilbehør.** Inden hver brug skal du efterse tilbehøret såsom slibehjul for skår og revner, støttepude for revner og for kraftigt slid, stålborste for løse og revnede ståltråde. Hvis elværktøjet eller tilbehøret tabes, skal det efterses for skader, eller der skal installeres et ubeskadiget tilbehør. Efter inspektion og installation af et tilbehør skal du selv og omkringstående stå på afstand af det roterende tilbehørs plane flade, og du skal køre elværktøjet ved maksimal hastighed uden belastning i ét minut. Beskadiget tilbehør går normalt i stykker under denne testperiode.
- ◆ **Bær personligt beskyttelsesværn.** Afhængigt af anvendelsen skal du bruge ansigtsskærm og sikkerhedsbriller.

Bær efter behov støvmaske, høreværn, handsker og værktøjsforklæde, der kan stoppe små slibende fragmenter eller fragmenter fra arbejdsområdet.

Øjeværnet skal kunne stoppe flyvende rester produceret af forskellige handlinger. Støvmasken eller åndedrætsværnet skal kunne filtrere partikler produceret af din betjening. Langvarig udsættelse for støj af høj intensitet kan forårsage høretab.

- ◆ **Hold omkringstående på en sikker afstand væk fra arbejdsområdet. Alle, der bevæger sig ind i området, skal bære personligt beskyttelsesværn.** Fragmenter af arbejdsområdet eller af et ødelagt tilbehør kan flyve væk og forårsage personskade uden for det umiddelbare driftsområde.
- ◆ **Hold kun elværktøjet i de isolerede gribeblader, når du udfører en opgave, hvor skæretilbehøret kan komme i kontakt med skjulte ledninger eller dets egen ledning.** Hvis skæretilbehør kommer i kontakt med en strømførende ledning, kan det gøre blottede metaldele på værktøjet strømførende, hvilket kan give operatøren et elektrisk stød.
- ◆ **Placer ledningen væk fra det roterende tilbehør.** Hvis du mister kontrol, kan ledningen blive skåret over eller fanget, og din hånd eller arm kan blive trukket ind i det roterende tilbehør.
- ◆ **Læg aldrig elværktøjet ned, før tilbehøret er standset helt.** Det roterende tilbehør kan gribe fat i overfladen og trække elværktøjet ud af din kontrol.
- ◆ **Lad ikke elværktøjet køre, mens du bærer det ved siden af dig.** Utilsigtet kontakt med det roterende tilbehør kan gribe fat i dit tøj, så tilbehøret trækkes ind i din krop.
- ◆ **Rengør elværktøjets luftaftræk regelmæssigt.** Motorens blæser trækker støvet ind i huset, og en for høj akkumulering af metalpulver kan forårsage elektriske farer.
- ◆ **Betjen ikke elværktøjet i nærheden af brændbare materialer.** Gnister kan antænde disse materialer.
- ◆ **Brug ikke tilbehør, der kræver flydende kølemidler.** Brug af vand eller andre flydende kølemidler kan resultere i skade eller dødsfald ved elektrisk stød.

Yderligere sikkerhedsinstruktioner

Tilbageslag og relaterede advarsler

Tilbageslag er en pludselig reaktion på et roterende hjul, en støttepude, en børste eller andet tilbehør, der bliver klemt eller sætter sig fast. Når det bliver klemt eller sætter sig fast, forårsager det hurtigt standsning af det roterende tilbehør, hvilket til gengæld tvinger det ukontrollerede elværktøj i den modsatte retning af tilbehørets rotation i bindingspunktet.

Hvis et slibe hjul f.eks. bliver fanget eller klemt af arbejdsemnet, kan kanten af hjulet, der trænger ind i klumpunktet, grave sig ind i materialets overflade, hvilket får hjulet til at kravle ud eller slå tilbage. Hjulet kan enten springe hen imod eller væk fra operatøren, afhængigt af retningen af hjulets bevægelse ved klumpunktet. Slibehjul kan også gå i stykke under disse forhold.

Tilbageslag er resultatet af forkert anvendelse af elværktøjet og/eller forkerte betjeningsprocedurer eller forhold, og de kan undgås ved at træffe passende foranstaltninger som angivet herunder.

- ◆ **Bevar et fast greb på elværktøjet, og placer din krop og arm, så du kan modstå tilbageslagskræfter. Brug altid hjælpehåndtaget, hvis der er et, for maksimal kontrol over tilbageslag eller momentreaktion under opstart.** Operatøren kan kontrollere momentreaktioner eller tilbageslagskræfter, hvis der træffes de korrekte foranstaltninger.
- ◆ **Placer aldrig din hånd i nærheden af det roterende tilbehør.** Tilbehør kan slå tilbage over din hånd.
- ◆ **Placer ikke din krop i det område, hvor elværktøjet bevæger sig, hvis der opstår tilbageslag.** Tilbageslag skubber værktøjet i den modsatte retning af hjulets bevægelse ved fastklemningspunktet.
- ◆ **Vær især forsigtig, når du arbejder på hjørner, skarpe kanter osv. Undgå spring og fastklemning af tilbehør.** Hjørner, skarpe kanter eller spring har en tendens til gribe fat i det roterende tilbehør og forårsage tab af kontrol.
- ◆ **Fastgør ikke en savkæde, træskæringsklinge eller savklinge med tænder.** Sådanne klinger skaber hyppigt tilbageslag og tab af kontrol.

Yderligere sikkerhedsinstruktioner for slibeopgaver

Specifikke sikkerhedsadvarsler for slibeopgaver:

- ◆ **Brug ikke meget stort sandskivepapir. Følg producenters anbefalinger ved valg af sandpapir.** Større sandpapir, der strækker sig ud over slibeputen, udgør en fare for flænger og kan forårsage fastklemning, slid af skiven eller tilbageslag.

Andres sikkerhed

- ◆ Dette værktøj er ikke beregnet til at blive anvendt af personer (herunder børn) med reducerede fysiske, sansemæssige eller mentale evner, eller manglende erfaring og viden, med mindre de er under opsyn eller har fået vejledning i apparatets brug af en person, som er ansvarlig for deres sikkerhed.
- ◆ Børn bør holdes under opsyn for at sikre, at de ikke leger med apparatet.

Residualrisici

Yderligere residualrisici kan opstå, når værktøjet bruges, hvilket muligvis ikke er inkluderet i de medfølgende sikkerhedsadvarsler. Disse risici kan opstå i forbindelse med misbrug, længerevarende brug osv.

Selv med anvendelsen af de relevante sikkerhedsbestemmelser og implementeringen af sikkerhedsanordninger kan visse residualrisici ikke undgås. Disse omfatter:

- ◆ Personskader forårsaget ved berøring af roterende dele/dele i bevægelse.
- ◆ Personskader forårsaget ved udskiftning af dele, klinger eller tilbehør.
- ◆ Personskader forårsaget af længerevarende brug af et værktøj. Når du bruger et værktøj gennem længere perioder, bør du sørge for at tage regelmæssige pauser.
- ◆ Nedsat hørelse.
- ◆ Sundhedsfarer forårsaget af indånding af støv, der udvikles under brug af dit værktøj (f.eks.: -arbejde med træ, især eg, bøg og MDF.)

Vibration

De erklærede vibrationsemissionsværdier angivet i de tekniske data og overensstemmelseserklæringen er blevet målt i overensstemmelse med en standardtestmetode ifølge EN60745 og kan bruges til at sammenligne et værktøj med et andet.

Den erklærede vibrationsemissionsværdi kan også bruges i en indledende eksponeringsvurdering.

Advarsel! Vibrationsemissionsværdien under den reelle brug af elværktøjet kan variere fra den erklærede værdi, afhængigt af de måder værktøjet bruges på. Vibrationsniveauet kan stige til over det angivne niveau.

Under vurdering af vibrationseksponering for at afgøre sikkerhedsforanstaltninger, der kræves af 2002/44/EF for at beskytte personer, der bruger elværktøj regelmæssigt til arbejde, bør en estimering af vibrationseksponering tage hensyn til de reelle forhold, værktøjet bruges under, herunder alle dele af driftscyklussen, såsom de gange, værktøjet slukkes, og når det kører i tomgang ud over udløsertiden.

Mærkater på værktøjet

De følgende piktogrammer samt datokoden vises på værktøjet:



Advarsel! For at reducere risikoen for kvæstelser bør brugeren læse brugervejledningen.



Brug ørebeskyttere med slagboremaskiner. Eksponering for støj kan forårsage høretab.



Bær beskyttelsesbriller.



Bær en støvmaske.

Elektrisk sikkerhed



Dette værktøj er dobbelt isoleret, og der er derfor ikke brug for nogen jordleder. Kontrollér altid, at strømforsyningen stemmer overens med spændingen på ydelsesskiltet.

- ◆ Hvis forsyningsledningen er beskadiget, skal den udskiftes af producenten eller et autoriseret STANLEY FAT MAX-servicecenter for at undgå en fare.

Funktioner

Dette apparat indeholder nogle eller alle af følgende funktioner.

1. Rundt slibehoved
2. Rund slibepude (burrebåndsystem)
3. Motorhus
4. Foldelås
5. Hovedhåndtag
6. Skaft
7. Tænd/sluk-knap
8. Elektronisk hastighedskontrolhjul
9. Støvudsugningsudgang (med låserør)
10. Forlængerskaft
- 10a. Baghåndtag
- 10b. Støvudsugningsudgang (med låserør)
- 10c. Rør
11. Støvsugerlange
- 11a. Støteadapter
- 11b. Konnektor (forhåndsmonteret) (38 mm)
- 11c. Sugeeffektjusteringsring
- 11d. Støvsugeradapter (forhåndsmonteret) (47mm)
12. Støvsugeradapter (forhåndsmonteret) (35mm)
13. Hexnøgle
14. Rund slibeskive

Brug

Advarsel! Lad værktøjet arbejde i dets eget tempo.

Overbelast det ikke.

- ◆ Inden værktøjet bruges for første gang, anbefales det er modtage praktiske oplysninger.
- ◆ Kontrollér altid, at forsyningsspændingen er den samme som spændingen angivet på værktøjets mærkeskilt.
- ◆ Brug velegnede detektorer til at finde skjulte forsyningsledninger, eller ring til det lokale forsyningsværk for at få hjælp (kontakt med elektriske ledninger kan føre til brand eller elektrisk stød; beskadigelse af en gasledning kan resultere i en eksplosion; gennemtrængning af et vandrør forårsager ejendomsskade eller et elektrisk stød).

- ◆ Arbejd ikke med materialer, der indeholder asbest (asbest anses for at være kræftfremkaldende).
- ◆ Støv fra materiale såsom maling, der indeholder bly, nogle træarter, mineraler og metaller, kan være skadeligt (kontakt med eller indånding af støvet kan forårsage allergiske reaktioner og/eller åndedrætslidelser hos operatøren eller omkringstående); bær en støvmaske, og arbejd med en udsugningsenhed, når den kan tilsluttes.
- ◆ Visse typer støv er klassificeret som kræftfremkaldende (såsom ege- og bøgestøv), især sammen med tilsætningsstoffer til træopberedning; bær en støvmaske, og arbejd med en støvudsugningsenhed, når den kan tilsluttes.
- ◆ Følg de støvrelaterede nationale krav for de materialer, du vil arbejde med.
- ◆ Klem ikke værktøjet i en skruestik.
- ◆ Brug helt udrullede og sikre forlængerledninger med en kapacitet på 16 ampere.

Efter brug

- ◆ Når du har slukket for værktøjet, må du aldrig stoppe rotationen af tilbehøret ved at påføre det en sidevis kraft.

Samling og justering

Advarsel! For at mindske risikoen for alvorlige personskader, skal du slukke for værktøjet og koble værktøjet fra strømkilden, før du foretager justeringer eller fjerner/installerer tilbehør. Inden du gentilslutter værktøjet, skal du trykke ned på udløserkontakten for at sikre, at værktøjet er slukket. Start ved et uheld kan medføre skader.

Monter det foldbare skaft (fig. A1, A2, A3)

- ◆ Fold det øvre skaft helt ud, og sænk skaffet (fig. A1).
- ◆ Skub foldelåsen (4) til den højre position, og hold spidsen tilstødende til håndtaget (fig. A2).
- ◆ Tryk ned på foldelåsen (4) for at låse skaffet (fig. A3).
- ◆ Slip foldelåsen for at folde skaffet.

Udskift slibepuden (fig. B1)

- ◆ Indsæt hexnøglen (13) (str. 5) i sekskantskruebolten på slibeblokken.
- ◆ Hold slibepuden godt fast, og vend derefter nøglen mod uret for at demontere puden.
- ◆ Installer nye slibepuder ved at stramme boltten.

Fastgørelse og udskiftning af slibeskiver (fig. B2)

- ◆ Placer slibeskiven (14) i midten af slibepuden (2) og tryk den på. Hullerne i slibeskiven skal flugte med udsugningshullerne i slibepuden.
- ◆ Kun for rund slibepude: Udfør en testkørsel for at kontrollere, at slibeskiven er fastspændt i midten.

LED-lyset

- ◆ 10W LED-lys, der omgiver puden, oplyser de kopformede og hævede punkter på væggen eller i loftet, gør det muligt for dig at arbejde effektivt og giver et bedre sliberesultat, som vist i figur E og F.

Forlængerskaft (ekstraudstyr) (fig. C)

- ◆ Brug forlængerskaftet (10) i overensstemmelse med den beregnede drift for højere arbejdsoverflade.
- ◆ Løsn røret på rørets støvudsugningsudgang (9). Fjern ikke røret fra udgangen.
- ◆ Juster baghåndtaget (10a) med hovedhåndtaget (5), og indsæt røret (10c) på forlængerskaftet (10) i udgangen (9) med en drejebælgelse helt til toppen.
- ◆ Juster om nødvendigt længden af forlængerskaftet (10). Vær opmærksom på mærket "max 1.8m" (maks. 1,8 m) på forlængerskaftet. Stram røret (9) efter montering/justering af forlængerskaftet.

Støvsugning (fig. D)

- ◆ Løsn røret på støvudsugningsudgangen (9) eller (10b) ved at dreje det i retningen af oplåsningssymbolet på værktøjshåndtaget.
- ◆ Indsæt støvsugerslangen (11) for enden af værktøjshåndtaget som vist.
- ◆ Stram låsekappen til længdejustering (9) ved at dreje den i retningen af låsesymbolet på værktøjshåndtaget.
- ◆ Slut støvsugerslangen med Ø 47 mm adapteren (11d) eller med Ø 35 mm adapteren (12) direkte til en industriel støvsuger (fjern først støvsugerens slange).
- ◆ Du kan også slutte støvsugerslangen med en adapter til en industriel støvsuger uden at fjerne støvsugerens slange.

Støtteadapter/luftstrømkontrol (fig. G, H)

- ◆ Støtteadapter (11a) beskytter slangen mod skader, når værktøjets stilles til side i arbejdspauser (fig. G).
- ◆ Styr luftstrømmen ved at skubbe sugeseffektjusteringsringen (11c) over luftaftrækket i værktøjskonnetoren (11b).
- ◆ Sugeseffekten er på det højeste niveau, når luftaftrækket er helt synligt (fig. H).

Tænd og sluk maskinen (fig. I, J, K)

- ◆ Tænd/sluk for vægsliberen ved hjælp af knappen (7).

Elektronisk hastighedskontrol

- ◆ Juster hastigheden ved at dreje hastighedshjulet (8). Brugeren kan vælge forskellige hastigheder for forskellige slibeoverflader.
- ◆ Hold maskinen i drift ved den samme hastighed som valgt. Overbelast ikke ved at påføre for højt tryk.

Slibebetjening

- ◆ Når maskinen og støvsugeren er helt opsat, og alle sikkerhedsforanstaltninger og alt udstyr er på plads, begynder du ved at tænde for støvsugeren og derefter maskinen. (Hvis du bruger en støvsuger med indbygget tænd og sluk, skal du bare tænde for maskinen.)

Rundt slibehoved

- ◆ Begynd at slibe og kom forsigtigt i kontakt med overfladen så let som muligt - kun lige nok til at holde slibehovedet fladt mod overfladen.
- ◆ Den bedste teknik er at bruge overlappende fejebælgelser og holde hovedet i konstant bevægelse med passende varighed. Bliv aldrig ved med at slibe for længe på ét sted, da der ellers vil være hvirvelmærker.
- ◆ Tag maskinen fra arbejdsfladen, inden den slukkes.

Advarsel! Sørg for, at den slibeskive, du bruger, er velegnet til opgaven. Meget groft papir kan fjerne materiale for hurtigt til at kontrollere. Mens meget fint sandpapir muligvis ikke sliber overfladen hurtigt.

Advarsel! Sørg for at undgå skarpe projektioner og søm osv. Dette ødelægger sandpapiret fuldstændigt og beskadiger sandsynligvis også svampepuden.

Vedligeholdelse

Dit STANLEY FAT MAX-værktøj med eller uden ledninger er blevet udformet til at fungere gennem en lang periode med en minimal vedligeholdelse. Kontinuerlig tilfredsstillende drift afhænger af korrekt værktøjspleje og regelmæssig rengøring.

Beskyttelse af miljøet



Særligt indsamling af affald. Produkter og batterier markeret med dette symbol må ikke bortskaffes sammen med normalt husholdningsaffald.

Produkter og batterier indeholder materialer, der kan genindvindes eller genbruges, så behovet for råmaterialer reduceres.

Du bedes genbruge elektriske produkter og batterier i overensstemmelse med lokale bestemmelser. Yderligere oplysninger er tilgængelige på www.2helpU.com

Tekniske data

		SFMEE500
Spænding	V _{AC}	220 - 240
Frekvens	Hz	50 / 60
Strømindgang	W	750
Nominal hastighed	min ⁻¹	600 - 1700
Rund slibepude	mm	215
Spindelgevindstørrelse		M6
Vægt	kg	3,75

Niveau af lydtryk ifølge EN60745:
Lydtryk (L_{pA}) 89 dB(A), usikkerhed (K) 3 dB(A)
Lydeffekt (L_{WA}) 100,5 dB(A), usikkerhed (K) 3 dB(A)
Samlede vibrationsværdier (triaux vektor-sum) ifølge EN60745:
(a_{hv}) 2,7 m/s ² , usikkerhed (K) 1,5 m/s ²

EF-overensstemmelseserklæring

MASKINDIREKTIV



SFMEE500 - Vægsliber

Stanley Fat Max erklærer, at disse produkter beskrevet under 2006/42/EC, EN 60745-1:2009 + A11:2010; EN 60745-2-3:2011 + A2:2013 + A11:2014 + A12:2014 + A13:2015

Disse produkter er også i overensstemmelse med direktiv 2014/30/EU og 2011/65/EU. For yderligere oplysninger bedes du kontakte Black & Decker på følgende adresse eller se bagest i vejledningen.

For yderligere oplysninger bedes du kontakte Stanley Fat Max på følgende adresse eller se bagest i vejledningen.

Undertegnede er ansvarlig for kompileringen af den tekniske fil og foretager denne erklæring på vegne af Stanley Fat Max.

A.P. Smith

Teknisk direktør

Stanley Fat Max Europe, Egide Walschaertsstraat14-18,
2800 Mechelen, Belgien
12/07/2019

Garanti

Stanley Fat Max er sikker på kvaliteten af deres produkter og tilbyder forbrugere en garanti på 12 måneder fra købsdatoen. Denne garanti er en tilføjelse til dine lovbestemte rettigheder. Garantien er gyldig inden for medlemsstaterne af Den Europæiske Union og Det Europæiske Frihandelsområde. For at gøre krav på denne garanti skal kravet være i overensstemmelse med Stanley Fat Max' vilkår og betingelser, og du skal indsende bevis på købet til sælgeren eller en autoriseret reparationsrepræsentant. Vilkår og betingelser for Stanley Fat Max-garantien på 1 år og beliggenheden af din nærmeste autoriserede reparationsrepræsentant kan fås på internettet på adressen www.2helpU.com eller ved at kontakte dit lokale Stanley Fat Max-kontor på adressen, der er angivet i denne vejledning.

Gå ind på vores website www.stanley.eu/3 for at registrere dit nye Stanley Fat Max-produkt og modtage opdateringer om nye produkter og særtilbud.

Kyttötarkoitus

STANLEY FAT MAX SFMEE500 -seinähiomakone on tarkoitettu seinien ja kattojen hiomiseen. Tämä laite on tarkoitettu sekä ammatti- että yksityiskäyttöön.

Turvallisuushjeet

Sähkötyökalun yleiset turvaohjeet



Varoitus! Kaikki tämän sähkötyökalun varoitukset, ohjeet, kuvat ja tekniset tiedot tulee lukea. Mikäli alla annettuja varoituksia ja ohjeita ei noudateta, seurauksena voi olla sähköisku, tulipalo ja/tai vakava henkilövahinko..

Säilytä kaikki varoitukset ja ohjeet tulevia käyttökertoja varten. Kaikkien alla olevien varoitusten termi "sähkötyökalu" tarkoittaa verkkovirralla toimivia (johdollisia) sekä akkutoimisia (langattomat) sähkötyökaluja.

1. Työalueen turvallisuus

- Varmista työalueen puhtaus ja hyvä valaistus.**
Onnettomuuksia tapahtuu helpommin epäsiistissä tai huonosti valaistussa tilassa.
- Sähkötyökalua ei saa käyttää räjähdysalttiissa ympäristöissä, kuten syttyvien nesteiden, kaasun tai pölyn lähetyillä.** Sähkötyökaluista syntyy kipinöitä, jotka voivat sytyttää pölyn tai höyryt.
- Lapsia tai sivullisia ei saa päästää työalueelle sähkötyökalua käyttäessä.** Epähuomio voi aiheuttaa hallinnan menettämisen.

2. Sähköturvallisuus

- Sähkötyökalujen pistokkeiden on sovitava pistorasiaan. Pistoketta ei saa koskaan muuttaa millään tavalla.**
Maadoitettujen sähkötyökalujen kanssa ei saa käyttää sovitinpistokkeita.
Sähköiskun vaara on pienempi, kun pistokkeita ei ole muutettu mitenkään ja ne liitetään sopivaan pistorasiaan.
- Vältä koskettamasta maadoitettuihin pintoihin, kuten putkiin, lämpöpattereihin, liesiin ja jäähdyttimiin.**
Sähköiskun vaara on suurempi, jos kehosi on maadoitettu.
- Sähkötyökaluja ei saa käyttää sateessa tai märissä olosuhteissa.** Jos sähkötyökalun sisään pääsee vettä, olemassa on suurempi sähköiskun vaara.
- Virtajohtoa ei saa käyttää väärin. Älä koskaan kuljeta, vedä tai irrota laitetta pistorasiasta johdosta kiinni pitäen.** Suojaa johto lämmöltä, öljyltä, teräviltä reunoilta ja liikkuvilta osilta. Vaurioituneet tai kietoutuneet johdot lisäävät sähköiskun vaaraa.

- e. **Kun sähkötyökalua käytetään ulkona, käytä ulkokäyttöön sopivaa jatkojohtoa.** Ulkokäyttöön sopivan johdon käyttö vähentää sähköiskun vaaraa.
- f. **Jos sähkötyökalun käyttö on välttämätöntä kosteassa paikassa, käytä vikavirtasuojakytkimellä suojattua virtälähdettä.** Vikavirtasuojakytkin vähentää sähköiskun vaaraa.

3. Henkilöturvallisuus

- a. **Pysy valppaana, tarkkaile toimenpiteitäsi ja käytä sähkötyökalua terveellä maalaisjärjellä.** Älä käytä sähkötyökalua väsyneenä tai huumausaineiden, alkoholin tai lääkkeiden vaikutuksen alaisena. Hetkellisenkin epähuomio sähkötyökalun käytön aikana voi johtaa vakaviin henkilövahinkoihin.
- b. **Käytä henkilökohtaisia suojavarusteita.** Käytä aina suojalaseja. Käytä olosuhteiden mukaisia suojavarusteita (esim. pölynaamari, liukuesteiset turvajalkineet, kypärä tai kuulonsuojaimia) henkilövahinkojen välttämiseksi.
- c. **Vältä käynnistyminen vahingossa.** Varmista, että kytkin on Off-asennossa ennen työkalun liittämistä virtalähteeseen ja/tai akkuun, työkalun nostamista tai kuljettamista. Onnettomuuksia voi sattua, jos sähkötyökaluja kuljetetaan pitämällä sormeja kytkimellä tai ne käynnistetään kytkimen ollessa päällä.
- d. **Poista säätöavaimet tai avaimet ennen sähkötyökalun kytkemistä päälle.** Jos sähkötyökalun pyörittävään osaan on kiinnitetty jokin avain, seurauksena voivat olla henkilövahingot.
- e. **Älä kurkottele.** Varmista aina hyvä jalansija ja tasapaino. Täten varmistat sähkötyökalun paremman hallinnan odottamattomissa tilanteissa.
- f. **Pukeudu asianmukaisesti.** Älä käytä löysiä vaatteita tai koruja. Hiukset, vaatteet ja suojakäsineet on pidettävä poissa työkalun liikkuvista osista. Löysät vaatteet, korut tai pitkät hiukset voivat jäädä kiinni liikkuviin osiin.
- g. **Jos laitteessa on liitäntä pölynpoisto- tai pölynkeräysjärjestelmiä varten, varmista niiden oikeaoppinen liitäntä ja käyttö.** Pölynkeräysjärjestelmien käyttö voi vähentää pölyn aiheuttamia vaaroja.

- h. **Työkalun turvallisuusohjeet tulee lukea ja niitä tulee noudattaa, vaikka sinulla olisi huomattava kokemus työkalujen käytöstä.** Huolimattomat toimenpiteet voivat aiheuttaa vakavia henkilövahinkoja sekunnin murto-osassa.

4. Sähkötyökalujen käyttö ja ylläpito

- a. **Älä kohdista sähkötyökaluun voimaa.** Käytä käyttötarkoitukseen sopivaa sähkötyökalua.

Oikea sähkötyökalu suorittaa toimenpiteen paremmin ja turvallisemmin sen suunnitellulla käyttönopeudella.

- b. **Älä käytä sähkötyökalua, jos sen kytkin ei kytkä virtaa päälle ja pois päältä.** Sähkötyökalut, joita ei voida hallita kytkimellä, ovat vaarallisia ja ne on korjattava.
- c. **Irrota pistoke virtalähteestä ja/tai akku sähkötyökalusta ennen sähkötyökalun säätämistä, lisävarusteiden vaihtoa tai varastoimista.** Nämä ennakoivat varotoimenpiteet vähentävät sähkötyökalun odottamatonta käynnistymisvaaraa.
- d. **Säilytä käyttämättömiä työkaluja lasten ulottumattomissa.** Älä anna sellaisten henkilöiden käyttää sähkötyökalua, jotka eivät tunne sitä ja näitä käyttöohjeita.
- Sähkötyökalut ovat vaarallisia kouluttamattomien henkilöiden käsissä.
- e. **Sähkötyökalut ja lisävarusteet vaativat ylläpitoa.** Tarkista liikkuvat osat virheellisen kohdistumisen tai kiinnijuttumisen sekä osien vaurioiden varalta ja muut olosuhteet, jotka voivat vaikuttaa sähkötyökalun toimintaan. Jos sähkötyökalussa on vaurioita, se on korjattava ennen käyttöä. Monet onnettomuudet johtuvat huonosti ylläpidetyistä sähkötyökaluista.
- f. **Leikkausvälineet on pidettävä terävinä ja puhtaina.** Oikein ylläpidetyt leikkausvälineet terävillä leikkausreunoilla juuttuvat harvemmin kiinni ja niiden hallinta on helpompaa.
- g. **Käytä sähkötyökalua, lisävarusteita ja työkalun teriä jne. näiden ohjeiden mukaisesti huomioiden työskentelyolosuhteet sekä suoritettavat toimenpiteet.** Jos sähkötyökalua käytetään muihin kuin sen suunniteltuihin käyttötarkoituksiin, seurauksena voi olla vaaratilanne.
- h. **Pidä kahvat ja tartuntapinnat kuivina, puhtaina ja öljyttöminä/rasvattomina.** Liukkaat kahvat ja tartuntapinnat vaarantavat työkalun turvallisen käsittelyn ja hallinnan odottamattomissa tilanteissa.

6. Huolto

- a. **Anna pätevän korjaajan huoltaa sähkötyökalu alkuperäisiä varaosia käyttäen.** Täten taataan sähkötyökalun turvallisuus.

Sähkötyökalun lisäturvaohjeet



Varoitus! Seinähiomakoneiden lisäturvaohjeet.

- Tämä sähkötyökalu on tarkoitettu käytettäväksi hiomakoneena. Kaikki tämän sähkötyökalun varoitukset, ohjeet, kuvat ja tekniset tiedot tulee lukea. Mikäli kaikkia alla annettuja ohjeita ei noudateta, seurauksena voi olla sähköisku, tulipalo ja/tai vakava henkilövahinko.

- ◆ **Hiomista, lankaharjausta, kiillotusta tai leikkaamista ei suositella tällä sähkötyökalulla.** Jos sähkötyökalua käytetään muuhun kuin sen suunniteltuun käyttötarkoitukseen, seurauksena voi olla vaaratilanne ja henkilövahinko.
- ◆ **Älä käytä lisävarusteita, jotka eivät ole työkalun valmistajan suunnitteleimia ja suosittelomia.** Vaikka lisävaruste sopisikin sähkötyökaluun, se ei tarkoita sen turvallista toimintaa.
- ◆ **Lisävarusteen nimellinopeuden on oltava vähintään yhtä suuri kuin sähkötyökaluun merkitty maksiminopeus.** Nimellinopeutta suuremmalla nopeudella toimivat lisävarusteet voivat rikkoutua ja singota pois.
- ◆ **Lisävarusteen ulkoisen halkaisijan ja paksuuden tulee olla sähkötyökalun nimellisarvojen mukaisia.** Kooltaan virheelliset lisävarusteet heikentävät turvallisuutta ja hallintaa.
- ◆ **Lisävarusteiden kierteiden tulee sopiva hiomakoneen karan kierteisiin.** Kun lisävaruste asennetaan laipoilla, sen kiinnitysreiän tulee sopia laipan halkaisijaan. Jos lisävarusteet eivät sovi sähkötyökalun kiinnitysoosiin, työkalun tasapaino voi heikentyä, se voi tärähtää liiallisesti ja seurauksena voi olla hallinnan menetys.
- ◆ **Älä käytä vaurioituneita lisävarusteita.** Tarkista lisävaruste ennen käyttöä: esimerkiksi hiomalaikat halkeamien ja murtumien varalta, taustalevyt murtumien ja kulumisen varalta, teräsharja löystyneiden tai vaurioituneiden lankojen varalta. Jos sähkötyökalu tai lisävaruste pudotetaan, tarkista se vaurioiden varalta tai asenna ehjä lisävaruste. Kun lisävaruste on tarkistettu ja asennettu, käyttäjän ja sivullisten tulee siirtyä pois lisävarusteen kiertotasolta ja sähkötyökalua tulee käyttää kuormittamattomalla maksiminopeudella yhden minuutin ajan. Vaurioituneet lisävarusteet rikkoutuvat yleensä tämän testin aikana.
- ◆ **Käytä henkilösuojaimia, kuten suojavaamaria tai suojalaseja käyttötarkoituksesta riippuen.** Käytä tarpeen mukaan hengityssuojainta, kuulonsuojaimia, suojäkäsineitä ja suojaliinaa, joka suojaa pieniltä hiomaosilta tai työkalupaleen siruilta. Suojalasien tulee suojata käyttäjää toimenpiteiden aikana sinkoavilta roskilta. Hengityssuojaimen tulee suodattaa toimenpiteiden aikana syntyneet hiukkaset. Pitkäaikainen altistuminen voimakkaalle melulle voi aiheuttaa kuulovaurioita.
- ◆ **Varmista, että sivulliset pysyvät kaukana työalueelta.** Kaikkien työalueella olevien henkilöiden tulee käyttää henkilösuojaimia. Työkappaleesta tai rikkoutuneesta lisävarusteesta voi irrota pieniä siruja välittömän työalueen ulkopuolelle, jolloin seurauksena voivat olla henkilövahingot.

- ◆ **Pidä kiinni ainoastaan sähkötyökalun eristetyistä kahvoista, kun leikkauksiväline voi koskettaa piilossa oleviin johtoihin tai sen virtajohtoon toimenpiteen aikana.** Jos leikkauksiväline koskettaa jännitteenalaisia johtoja, jännite voi välittyä sähkötyökalun suojaamattomiin metalliosiin ja aiheuttaa sähköiskun.
- ◆ **Aseta johto kauas pyörivästä lisävarusteesta.** Hallinnan menetyksen seurauksena johto voi leikkautua tai juuttua kiinni, jolloin käsi tai käsivarsi voi siirtyä voimalla pyörivään lisävarusteeseen.
- ◆ **Älä koskaan aseta sähkötyökalua alas ennen kuin lisävaruste on pysähtynyt kokonaan.** Pyörivä lisävaruste voi juuttua pintaan ja vetää sähkötyökalua, jolloin sen hallinta menetetään.
- ◆ **Sähkötyökalua ei saa käynnistää, kun sitä kuljetetaan.** Jos pyörivään lisävarusteeseen kosketaan vahingossa, vaatteet voivat juuttua siihen kiinni, jolloin lisävaruste siirtyy voimalla kehoon.
- ◆ **Sähkötyökalun ilmanpoistoaukot tulee puhdistaa säännöllisesti.** Moottorin puhallin vetää pölyä kotolon sisälle ja liiallinen metallipöly voi aiheuttaa sähköiskuvaaran.
- ◆ **Sähkötyökalua ei saa käyttää syytyvien materiaalien lähellä.** Kipinät voivat syytyttää nämä materiaalit.
- ◆ **Älä käytä lisävarusteita, jotka vaativat jäähdytysnesteiden käyttöä.** Veden tai muiden jäähdytysnesteiden käyttö voi johtaa sähkötapaturmaan tai sähköiskuun.

Lisäturvallisuusohjeet

Takaisku ja siihen liittyvät varoitukset

Takaisku on kiinnijuuttuneen tai puristuksiin jääneen pyörivän laikan, taustalevyn, harjan tai muun lisävarusteen aiheuttama äkkinäinen reaktio. Kiinnijuuttumisen tai puristumisen seurauksena pyörivä lisävaruste pysähtyy äkkinäisesti, jolloin kontrolloimaton sähkötyökalu siirtyy kiinnittymiskohdassa voimalla lisävarusteen kiertoon nähdn vastakkaiseen suuntaan.

Jos hiomalaikka esimerkiksi juuttuu kiinni tai jää puristuksiin työkappaleeseen, laikan reuna voi mennä kiinnityskohdassa syvälle materiaaliin pintaan aiheuttaen laikan poistumisen tai iskeytymisen pois. Laikka voi joko hypähtää käyttäjään päin tai käyttäjästä poispäin riippuen laikan suunnasta kiinnityskohdassa. Hiomalaikat voivat myös rikkoutua näissä olosuhteissa.

Takaisku johtuu sähkötyökalun väärinkäytöstä ja/tai virheellisestä käytöstä tai virheellisistä olosuhteista ja ne voidaan välttää noudattamalla alla annettuja asianmukaisia varotoimia.

- ◆ **Varmista hyvä ote sähkötyökalusta ja aseta keho ja käsivarsi niin, että voit vastata takaiskun voimaan.** Käytä aina mahdollista lisäkahvaa takaiskun

tai momenttireaktion parasta hallintaa varten käynnistyksen yhteydessä. Käyttäjää voi hallita momenttireaktioita tai takaiskuja asianmukaisilla varotoimilla.

- ◆ **Älä koskaan aseta käsiä pyörivän lisävarusteen lähelle.** Lisävaruste voi iskeytyä taaksepäin käteen.
- ◆ **Älä aseta kehoa alueelle, johon sähkötyökalu siirtyä mahdollisen takaiskun tapahtuessa.** Takaisku sinkoaa työkalun kiinnityskohdassa laikan liikkeeseen nähdessä vastakkaiseen suuntaan.
- ◆ **Noudata erityistä varovaisuutta nurkkia, teräviä reunoja jne. työstäessä.** Vältä lisävarusteen joutumista puristuksiin ja ponnahduksia. Nurkat, terävät reunat tai ponnahdukset voivat aiheuttaa pyörivän lisävarusteen kiinnijoutumisen ja hallinnan menetyksen.
- ◆ **Laitteeseen ei saa kiinnittää sahaketjun kaiverrusteräjä tai hammastettua sahanterää.** Kyseiset terät aiheuttavat usein takaiskuja ja hallinnan menetyksen.

Hiomakoneen käyttöä koskevat lisäturvallisuusohjeet

Hiomakoneen käyttöä koskevat varoitukset:

- ◆ **Älä käytä liian suurta hiomalaikan paperia. Valitse hiomapaperi valmistajan suositusten mukaisesti.** Jos hiomapaperi ylittää hioma-alustan, vaarana on leikkautuminen ja kiinni juuttuminen, laikan vaurioituminen tai takaisku.

Muiden turvallisuus

- ◆ Tätä työkalua eivät saa käyttää henkilöt (mukaan lukien lapset), joilla on fyysisiä, aistillisia tai henkisiä puutteita tai puutteellinen kokemus ja tuntemus, ellei heidän turvallisuudestaan vastaava henkilö valvo tai ohjaa heitä laitteen käytössä.
- ◆ Lapsia on valvottava, jotta he eivät leikkisi laitteella.

Jäännösriskit

Muita jäännösriskejä voi olla olemassa käyttäessä työkalua, jota ei ole huomioitu annetuissa varoituksissa. Kyseiset riskit voivat liittyä väärinkäyttöön, pitkäaikaiseen käyttöön jne.

Joitakin jäännösriskejä ei voida välttää edes noudattamalla asiaankuuluvia turvamääräyksiä ja käyttämällä turvajärjestelmiä. Niihin kuuluvat seuraavat:

- ◆ Henkilövahingot, jotka johtuvat pyöriviin/liikkuviin osiin koskettamisesta.
- ◆ Henkilövahingot, jotka johtuvat vaihtaessa osia, teriä tai lisävarusteita.
- ◆ Henkilövahingot, jotka johtuvat työkalun pitkäaikaisesta käytöstä. Pidä säännöllisiä taukoja käyttäessä työkalua pitkiä aikajaksoja.
- ◆ Kuulon heikentyminen.

- ◆ Terveysvaarat, jotka aiheutuvat työkalun käytön aikana syntyvästä pölystä (esimerkki:- käsitellessä puuta, erityisesti tammea, pyökkää ja puolikovaa kuitulevyä).

Tärinä

Teknisissä tiedoissa ja vaatimustenmukaisuusvakuutuksessa annetut tärinäpäästöarvot on mitattu standardin EN60745 vakiotestimenetelmien mukaan ja niitä voidaan käyttää eri työkalujen vertaamiseen.

Annettua tärinäpäästöarvoa voidaan käyttää myös altistumisen alustavassa arvioinnissa.

Varoitus! Todellinen tärinäpäästöarvo sähkötyökalun käytön aikana voi poiketa annetusta arvosta työkalun käyttötavasta riippuen. Tärinätasoa voi nousta annetun tason yläpuolelle.

Kun altistumista tärinälle arvioidaan direktiivin 2002/44/EY vaatimien turvatoimien määrittämiseksi ja sähkötyökaluja säännöllisesti käyttävien käyttäjien suojaamiseksi, tärinälle altistumista arvioidessa on huomioitava todelliset käyttöolosuhteet sekä työkalun käyttötapa, mukaan lukien kaikki käyttöjaksen elementit (esim. työkalun sammutusajat sekä tyhjäkäyntiajat käyttöajan lisäksi).

Työkalun merkit

Työkalussa on seuraavat kuvakkeet ja päivämääräkoodi:



Varoitus! Käyttäjän on luettava ohjekirja henkilövahinkovaaran välttämiseksi.



Käytä kuulonsuojaimia iskuporaamisen aikana. Melu voi aiheuttaa kuulon heikentymistä.



Käytä suojalaseja.



Käytä hengityssuojaa.

Sähköturvallisuus



Tämä työkalu on kaksoiseristetty, se ei täten vaadi maadoitusjohtoa. Tarkista aina, että virtalähteen jännitearvo vastaa arvokilvessä annettua jännitettä.

- ◆ Jos virtajohto on vaurioitunut, vaaratilanteiden välttämiseksi se on vietävä valmistajalle tai valtuutettuun STANLEY FAT MAX-huoltopalveluun johdon vaihtoa varten.

Ominaisuudet

Tämä laite sisältää kaikki seuraavat ominaisuudet tai vain joitakin niistä.

1. Pyöreä hiomapäätä

2. Pyöreä hioma-alusta (koukku- ja silmukajärjestelmä)
3. Moottorikotelo
4. Taittuva lukitus
5. Pääkahva
6. Akseli
7. Virtakytin
8. Elektroninen nopeussäädin
9. Pölynpoistoaukko (lukittavalla laipalla)
10. Pidennysakseli
- 10a. Takakahva
- 10b. Pölynpoistoaukko (lukittavalla laipalla)
- 10c. Laippa
11. Imuletku
- 11a. Tukeva sovitin
- 11b. Liitin (esikoottu) (38 mm)
- 11c. Imutehon säätörengas
- 11d. Imusovitin (esikoottu) (47 mm)
12. Imusovitin (esikoottu) (35 mm)
13. Kuusiokoloavain
14. Pyöreä hiomalaikka

Käyttö

Varoitus! Anna työkalun käydä omaan tahtiin. Vältä sen ylikuormittamista.

- ◆ Tutustu käytännön tietoihin ennen työkalun käyttöönottamista.
- ◆ Tarkista aina, että syöttöjännite vastaa työkalun tyyppikilvessä annettua jännitettä.
- ◆ Käytä asianmukaisia paikannuslaitteita piilossa olevien sähkökaapeliin ja putkien paikantamiseksi tai ota yhteyttä sähköyhtiöön tuen saamiseksi (jos työkalu osuu sähkölinjoihin, seurauksena voi olla tulipalo tai sähköisku; kaasuputkien vaurioittaminen voi johtaa räjähdyksen; vesijohdon vaurioittaminen voi aiheuttaa omaisuusvahinkoja ja sähköiskun).
- ◆ Älä käsittele asbestia sisältäviä materiaaleja (asbestin on todettu aiheuttavan syöpää).
- ◆ Materiaaleista, kuten liijypohjaisesta maalista, joistakin puulaajeista, mineraaleista ja metallista syntyvä pöly voi olla haitallista (kosketus pölyyn tai sen hengitys voi aiheuttaa allergisia reaktioita ja/tai hengityssairauksia käyttäjälle ja sivullisille); käytä hengityssuojainta ja pölynpoistolaitetta, kun se on mahdollista.
- ◆ Jotkin pölytyypit on luokiteltu syöpää aiheuttaviksi (esim. tammen ja pyökin pöly) erityisesti silloin, kun niissä on puun käsittelyyn tarkoitettuja lisäaineita; käytä hengityssuojainta ja pölynpoistolaitetta, kun se on mahdollista.
- ◆ Noudata työstettäviin materiaaleihin soveltuvia maakohtaisia pölymääryksiä.
- ◆ Työkalua ei saa kiinnittää ruuvipenkkiin.
- ◆ Käytä kokonaan avattuina ja turvallisina jatkojohtoja, joiden kapasiteetti on 16 Amp.

Käytön jälkeen

- ◆ Kun työkalu on sammutettu, älä koskaan pysäytä lisävarustetta kohdistamalla siihen sivuvoimaa.

Kokoaminen ja säätäminen

Varoitus! Vakavan henkilövahingon välttämiseksi työkalu on sammutettava ja irrotettava virtalähteestä ennen säätämistä tai liitososien tai lisävarusteiden poistamista/asentamista. Paina liipaisimesta ja vapauta se varmistaaksesi, että työkalu on sammutettu ennen uudelleen liittämistä. Tahaton käynnistyminen aiheuttaa vahingon.

Taitettavan akselin kokoaminen (kuvat A1, A2, A3)

- ◆ Avaa ylä- ja ala-akseli kokonaan (kuva A1).
- ◆ Paina taittuva lukitus (4) oikeaan asentoon ja pidä kärki kahvan lähellä (kuva A2).
- ◆ Paina taittuva lukitus (4) alas akselin lukitsemiseksi (kuva A3).
- ◆ Vapauta taittuva lukitus akselin taittamiseksi.

Hioma-alustan vaihtaminen (kuva B1)

- ◆ Aseta kuusiokoloavain (13) (koko 5) hiomayksikön kuusiokoloruuviin.
- ◆ Pidä hyvin kiinni hioma-alustasta ja käännä avainta vastapäivään alustan irrottamiseksi.
- ◆ Asenna uusi hioma-alusta kiristämällä pultti.

Hiomalaikan kiinnittäminen ja vaihtaminen (kuva B2)

- ◆ Aseta hiomalaikka (14) hioma-alustan (2) keskelle ja paina se kiinni. Hiomalaikan reikiin tulee kohdistua hioma-alustassa oleviin poistoaukkoihin.
- ◆ Vain pyöreissä hioma-alustoissa: tarkista testin avulla, että hiomalaikka on kiinnittynyt keskelle.

LED-valo

- ◆ Alustan ympärillä olevat 10 W LED-valot syttyvät ja valaisevat seinän tai katon syvennykset tai kohoamat, jotta voitaisiin varmistaa tehokas työskentely ja parempi hiomatulos kuvien E ja F mukaisesti.

Pidennysakseli (lisävaruste) (kuva C)

- ◆ Käytä pidennysakselia (10) käyttötarkoituksen mukaan korkeamman pinnan käsittelemiseksi.
- ◆ Löysää akselin pölynpoistoaukon laippaa (9). Älä poista laippaa aukosta.
- ◆ Kohdista takakahva (10a) pääkahvaan (5) ja asenna laippa (10c) kokonaan yläasentoon pidennysakselin (10) poistoaukkoon (9) kiertoliikkeellä.
- ◆ Säädä tarvittaessa pidennysakselin (10) pituutta. Huomaa merkintä "maks. 1,8 m" pidennysakselissa. Kiristä laippa (9) pidennysakselin asentamisen/säätämisen jälkeen.

Pölynpoisto (kuva D)

- ◆ Löysää laippaa pölynpoistaukossa (9) tai (10b) kiertämällä sitä työkalun kahvassa olevaan avaussymbolin suuntaan.
- ◆ Liitä imuletku (11) työkalun kahvan päähän kuvan mukaisesti.
- ◆ Kiristä lukitusnappi pituuden säätämiseksi (9) kiertämällä sitä työkalun kahvassa olevaan lukitussymbolin suuntaan.
- ◆ Liitä imuletku Ø 47 mm sovittimella (11d) tai Ø 35 mm sovittimella (12) suoraan teollisuusluokan pölynimuriin (poista ensin pölynimurin letku).
- ◆ Imuletku voidaan liittää myös sovittimella teollisuusluokan pölynimuriin imurin letkua poistamatta.

Tukeva sovitin / ilmapvirtauksen hallinta (kuvat G, H)

- ◆ Tukeva sovitin (11a) suojaa letkua vaurioilta, kun työkalu asetetaan sivuun taukojen aikana (kuva G).
- ◆ Ilmapvirtausta voidaan hallita liu'uttamalla imutehon säätörengas (11c) työkalun liittimessä (11b) olevan ilma-aukon päälle.
- ◆ Imuteho on alhaisin, kun ilma-aukko on kokonaan näkyvissä (kuva H).

Laitteen kytkeminen päälle ja pois päältä (kuvat I, J, K)

- ◆ Kytke seinähiomakone päälle ja pois päältä kytkimellä (7).

Elektroninen nopeussäädin

- ◆ Säädä nopeutta kiertämällä nopeussäädintä (8), valittavissa on eri nopeuksia hiomapinnan mukaan.
- ◆ Säilytä valittu nopeus. Älä ylikuormita laitetta liiallisella paineella.

Hiominen

- ◆ Kun laite ja pölynimuri on asetettu ja kaikki turvalaitteet ja -varusteet ovat paikoillaan, aloita kytkemällä ensin imuri päälle ja sen jälkeen laite. (Jos käytät pölynimuria integroidulla kytkennällä, kytke laite päälle).

Pyöreä hiomapää

- ◆ Aloita hiominen ja kosketa työpintaa mahdollisimman kevyesti, jotta hiomapää on juuri ja juuri tasaisesti pintaa vasten.
- ◆ Paras tekniikka on käyttää limittäisiä vetoja ja pitää pää jatkuvasti liikkeessä riittävän aikaa. Älä koskaan hio yhtä kohtaa liian pitkään, muutoin pintaan jää pyöreitä jälkiä.
- ◆ Poista laite työpinnasta ennen sen sammuttamista.

Varoitus! Varmista, että hiomalaikka sopii käyttökorkoitukseen.

Liian karkea hiomapaperi voi poistaa materiaalia liian nopeasti. Liian hieno hiomapaperi taas ei välttämättä hio pintaa nopeasti.

Varoitus! Vältä teräviä kohteita ja nauvoja, jne.

Muutoin hiomapaperi voi irrota ja alusta voi vaurioitua.

Huolto

STANLEY FAT MAX-työkalu on tarkoitettu toimimaan pitkän aikajakson ajan minimaalisella ylläpidolla. Hyvä suorituskyky jatkuvassa käytössä riippuu työkalun ylläpidosta ja säännöllisestä puhdistamisesta.

Ympäristönsuojelu



Erilliskeräys. Tällä symbolilla merkityjä tuotteita ja akkuja ei saa hävittää normaalin kotitalousjätteen mukana.

Tuotteissa ja akuissa on materiaaleja, jotka voidaan kerätä talteen tai kierrättää raakamateriaalien käytön vähentämiseksi. Sähkölaitteet ja akut on kierrätettävä paikallisten määräysten mukaisesti. Lisätietoa on saatavilla osoitteessa www.2helpU.com

Tekniset tiedot

		SFMEE500
Jännite	V _{AC}	220 - 240
Taajuus	Hz	50 / 60
Ottoteho	W	750
Nimellisa nopeus	min ⁻¹	600 - 1700
Pyöreä hioma-alusta	mm	215
Karan kierteiden koko		M6
Paino	kg	3,75

Äänenpainetaso standardin EN60745 mukaisesti:

Äänenpaine (L_{PA}) 89 dB(A), epävarmuus (K) 3 dB(A)

Ääniteho (L_{WA}) 100,5 dB(A), epävarmuus (K) 3 dB(A)

Kokonaistärinäarvot (triax-vektorisumma) standardin EN60745 mukaisesti:

(a_H) 2,7 m/s², epävarmuus (K) 1,5 m/s²

EY-vaatimusten mukaisuusvakuutus

KONEDIREKTIIVI



SFMEE500 - Seinähiomakone

Stanley Fat Max vakuuttaa, että kohdassa kuvatut tuotteet 2006/42/EY, EN 60745-1:2009 + A11:2010;

EN 60745-2-3:2011 + A2:2013 + A11:2014 + A12:2014 + A13:2015

Nämä tuotteet täyttävät lisäksi direktiivien 2014/30/EY ja 2011/65/EY vaatimukset. Pyydä lisätietoa ottamalla yhteyttä Black & Deckeriin seuraavaan osoitteeseen tai katso ohjekirjan takaosa.

Pyydä lisätietoa ottamalla yhteyttä Stanley Fat Maxin seuraavaan osoitteeseen tai katso ohjekirjan takaosa. Allekirjoittanut henkilö vastaa teknisen asiakirjan tiedoista ja tekee tämän vakuutuksen seuraavaan yhtiön puolesta: Stanley Fat Max.



A.P. Smith

Tekninen johtaja

Stanley Fat Max Europe, Egide Walschaertsstraat 14-18,
2800 Mechelen, Belgium
12/07/2019

Takuu

Stanley Fat Max luottaa tuotteidensa laatuun ja tarjoaa kuluttajille 12 kuukauden takuun, joka astuu voimaan ostopäivänä. Tämä takuu ei vaikuta mitenkään laillisiin oikeuksiisi vaan se täydentää niitä. Takuu on voimassa Euroopan unionin jäsenmaissa ja Euroopan vapaakauppa-alueella.

Takuu edellyttää, että vaatimus täyttää Stanley Fat Max -yhtiön ehdot ja ostosote toimitetaan myyjälle tai valtuutettuun korjauspalveluun. Stanley Fat Max -yhtiön yhden vuoden takuun ehdot ja lähimmän valtuutetun huoltopalvelun tiedot ovat saatavilla verkko-osoitteessa www.2helpU.com tai ottamalla yhteyttä paikalliseen Stanley Fat Max -toimistoon tässä ohjekirjassa annettuja yhteystietoja käyttäen.

Osoitteessa www.stanley.eu/3 voit rekisteröidä uuden Stanley Fat Max -tuotteesi ja saada tietoa uusista tuotteista sekä erikoistarjouksia.

Προβλεπόμενη χρήση

To triβείο τοίχου STANLEY FAT MAX SFMEE500 έχει σχεδιαστεί για γυαλοχάρτισμα τοίχων και οροφών. Αυτή η συσκευή προορίζεται για επαγγελματίες καθώς και ιδιώτες, μη επαγγελματίες χρήστες.

Οδηγίες ασφαλείας

Γενικές προειδοποιήσεις ασφαλείας για ηλεκτρικά εργαλεία



Προειδοποίηση! Διαβάστε όλες τις προειδοποιήσεις ασφαλείας, τις οδηγίες, τις απεικονίσεις και τις προδιαγραφές που συνοδεύουν αυτό το ηλεκτρικό εργαλείο. Η μη τήρηση των προειδοποιήσεων και οδηγιών που αναφέρονται παρακάτω μπορεί να είναι αιτία ηλεκτροπληξίας, πυρκαγιάς και/ή σοβαρού τραυματισμού.

Φυλάξτε όλες τις προειδοποιήσεις και οδηγίες για μελλοντική αναφορά. Ο όρος "ηλεκτρικό εργαλείο" που χρησιμοποιείται σε όλες τις παρακάτω προειδοποιήσεις, αναφέρεται είτε σε εργαλείο που λειτουργεί με ρεύμα δικτύου (ρεύματος - με καλώδιο) είτε σε εργαλείο που λειτουργεί με μπαταρία (μπαταρίας - χωρίς καλώδιο).

1. Ασφάλεια στο χώρο εργασίας

- Διατηρείτε το χώρο εργασίας καθαρό και καλά φωτισμένο.** Η ακατάστατο ή σκοτεινό χώροι γίνονται αιτίες ατυχημάτων.
- Μη χρησιμοποιείτε ηλεκτρικά εργαλεία σε κερκηκτικά περιβάλλοντα, όπως με παρουσία εύφλεκτων υγρών, αερίων ή σκόνης.** Τα ηλεκτρικά εργαλεία παράγουν σπινθήρες οι οποίοι μπορούν να προκαλέσουν ανάφλεξη σκόνης ή αναθυμιάσεων.
- Κρατάτε παιδιά και παρευρισκόμενους μακριά όταν χρησιμοποιείτε ηλεκτρικό εργαλείο.** Παράγοντες που αποσπούν την προσοχή μπορεί να σας κάνουν να χάσετε τον έλεγχο.

2. Ασφάλεια χρήσης ηλεκτρικού ρεύματος

- Τα φως των ηλεκτρικών εργαλείων πρέπει να ταιριάζουν στην πρίζα. Ποτέ μην τροποποιήσετε το φως με κανέναν τρόπο.**
Μη χρησιμοποιήσετε οποιοδήποτε αντάπτορα φως με γειωμένα ηλεκτρικά εργαλεία.
Η χρήση μη τροποποιημένων φως και κατάλληλης πρίζας μειώνει τον κίνδυνο ηλεκτροπληξίας.
- Αποφεύγετε την επαφή του σώματος με γειωμένες επιφάνειες όπως σωληνώσεις, σώματα καλοριφέρ, συσκευές μαγειρέματος και ψυγεία.** Υπάρχει αυξημένος κίνδυνος ηλεκτροπληξίας αν το σώμα σας είναι γειωμένο.
- Μην εκθέτετε ηλεκτρικά εργαλεία σε βροχή ή υγρές συνθήκες.** Η διείσδυση νερού σε ένα ηλεκτρικό εργαλείο αυξάνει τον κίνδυνο ηλεκτροπληξίας.
- Μην κακομεταχειριζέστε το καλώδιο. Ποτέ μη χρησιμοποιήσετε το καλώδιο για να μεταφέρετε, να τραβήξετε ή να αποσυνδέσετε από την πρίζα το ηλεκτρικό εργαλείο. Κρατάτε το καλώδιο μακριά από θερμότητα, λάδι, αιχμηρές άκρες ή κινούμενα μέρη.** Τα καλώδια που έχουν υποστεί ζημιά ή είναι μπερδεμένα αυξάνουν τον κίνδυνο ηλεκτροπληξίας.

- ε. Όταν χρησιμοποιείτε ένα ηλεκτρικό εργαλείο σε εξωτερικό χώρο, χρησιμοποιείτε καλώδιο επέκτασης κατάλληλο για χρήση σε εξωτερικό χώρο. Η χρήση καλωδίου κατάλληλου για εργασία σε εξωτερικούς χώρους μειώνει τον κίνδυνο ηλεκτροπληξίας.
- στ. Αν είναι αναπόφευκτη η χρήση ηλεκτρικού εργαλείου σε υγρές συνθήκες, χρησιμοποιήστε παροχή ρεύματος που προστατεύεται από διάταξη προστασίας από διαρροή ρεύματος (ρελέ διαρροής - RCD). Η χρήση ρελέ διαρροής μειώνει τον κίνδυνο ηλεκτροπληξίας.
3. Ατομική ασφάλεια
- α. Να είστε πάντα σε εγρήγορση, να προσέχετε τι κάνετε και να χρησιμοποιείτε κοινή λογική όταν χρησιμοποιείτε ηλεκτρικό εργαλείο. **Μη χρησιμοποιείτε ηλεκτρικό εργαλείο όταν είστε κουρασμένος/ή ή υπό την επήρεια ναρκωτικών, οινοπνεύματος ή φαρμάκων.** Μια μόνο στιγμή απροσεξίας κατά τη χρήση ηλεκτρικών εργαλείων μπορεί να είναι αιτία σοβαρού τραυματισμού.
- β. Χρησιμοποιείτε εξοπλισμό ατομικής προστασίας. **Φοράτε πάντα προστασία ματιών.** Ο εξοπλισμός προστασίας όπως μάσκα σκόνης, αντιολισθητικά υποδήματα ασφαλείας, κράνος ή προστασία ακοής που χρησιμοποιείται για τις κατάλληλες συνθήκες μπορεί να μειώσει τις σωματικές βλάβες.
- γ. Αποτρέψτε αθέλητη έναρξη λειτουργίας. **Να βεβαιώνετε ότι ο διακόπτης είναι στη θέση απενεργοποίησης πριν συνδέσετε το εργαλείο στην πηγή ρεύματος και/ή στο πακέτο μπαταρίας, πριν πάρετε στα χέρια σας ή μεταφέρετε το εργαλείο.** Η μεταφορά ηλεκτρικών εργαλείων με το δάκτυλό σας στο διακόπτη ή η σύνδεση στο ρεύμα ηλεκτρικών εργαλείων που έχουν ενεργοποιημένο το διακόπτη αποτελούν πηγή ατυχημάτων.
- δ. Αφαιρείτε κάθε κλειδί ρύθμισης ή μηχανικό κλειδί πριν ενεργοποιήσετε το ηλεκτρικό εργαλείο. Αν έχει μείνει οποιοδήποτε κλειδί συνδεδεμένο σε περιστρεφόμενο μέρος του ηλεκτρικού εργαλείου, μπορεί να προκληθεί τραυματισμός.
- ε. Μην τεντώνετε υπερβολικά. Διατηρείτε πάντα καλή στήριξη με τα πόδια και καλή ισορροπία. Έτσι εξασφαλίζεται καλύτερος έλεγχος του ηλεκτρικού εργαλείου σε μη αναμενόμενες καταστάσεις.
- στ. Να είστε ενδεδυμένοι κατάλληλα. **Μη φοράτε ρούχα με χαλαρή εφαρμογή ή κοσμήματα.** Κρατάτε τα μαλλιά, τα ρούχα και τα γάντια σας μακριά από κινούμενα μέρη. Τα χαλαρά ρούχα, τα κοσμήματα ή τα μακριά μαλλιά μπορούν να πιαστούν σε κινούμενα μέρη.
- ζ. Αν παρέχονται διατάξεις για τη σύνδεση εξοπλισμού απομάκρυνσης και συλλογής της σκόνης, να βεβαιώνετε ότι αυτές έχουν συνδεθεί και χρησιμοποιούνται σωστά. Η χρήση εξοπλισμού συλλογής της σκόνης μπορεί να μειώσει τους κινδύνους από τη σκόνη.
- η. Μην αφήνετε την εξοικείωση που έχετε αποκτήσει από τη συχνή χρήση εργαλείων να σας επιτρέψει να εφησυχάσετε ώστε να αγνοείτε τις αρχές ασφαλούς χρήσης των εργαλείων. Μια απρόσεκτη ενέργεια μπορεί να προκαλέσει βαρύ τραυματισμό μέσα σε κλάσματα του δευτερολέπτου.
4. Χρήση και φροντίδα ηλεκτρικών εργαλείων
- α. Μην ασκείτε υπερβολική δύναμη στο εργαλείο. Χρησιμοποιείτε το σωστό εργαλείο για την εφαρμογή σας. Το σωστό ηλεκτρικό εργαλείο θα κάνει την εργασία καλύτερα και ασφαλέστερα, με το ρυθμό για τον οποίο σχεδιάστηκε.
- β. Μη χρησιμοποιήσετε το ηλεκτρικό εργαλείο αν ο διακόπτης δεν το ενεργοποιεί ή δεν το απενεργοποιεί. Οποιοδήποτε ηλεκτρικό εργαλείο δεν μπορεί να ελεγχθεί με το διακόπτη είναι επικίνδυνο και πρέπει να επισκευαστεί.
- γ. Αποσυνδέστε το φως από την πηγή ρεύματος και/ή το πακέτο μπαταρίας από το εργαλείο πριν κάνετε οποιαδήποτε ρύθμιση ή αλλαγή αξεσουάρ και πριν τη φύλαξη των ηλεκτρικών εργαλείων. Τέτοια προληπτικά μέτρα ασφαλείας μειώνουν τον κίνδυνο αθέλητης εκκίνησης του ηλεκτρικού εργαλείου.
- δ. Φυλάσσετε τα μη χρησιμοποιούμενα ηλεκτρικά εργαλεία μακριά από παιδιά και μην επιτρέπετε να χρησιμοποιούν το ηλεκτρικό εργαλείο πρόσωπα μη εξοικειωμένα με το ηλεκτρικό εργαλείο ή με αυτές τις οδηγίες. Τα ηλεκτρικά εργαλεία είναι επικίνδυνα στα χέρια ανεκπαίδευτων χρηστών.
- ε. Συντηρείτε τα ηλεκτρικά εργαλεία και αξεσουάρ. **Ελέγχετε για τυχόν κακή ευθυγράμμιση ή μάγκωμα των κινούμενων μερών, θραύση εξαρτημάτων και οποιαδήποτε άλλη συνθήκη μπορεί να επηρεάσει τη λειτουργία του ηλεκτρικού εργαλείου.** Αν το ηλεκτρικό εργαλείο υποστεί ζημιά, φροντίστε να επισκευαστεί πριν χρησιμοποιηθεί. Πολλά ατυχήματα προκαλούνται από κακοσυντηρημένα ηλεκτρικά εργαλεία.
- στ. Διατηρείτε τα εργαλεία κοπής κοφτερά και καθαρά. Τα σωστά συντηρημένα κοπτικά εργαλεία με αιχμηρές κοπτικές αιχμές έχουν μικρότερη πιθανότητα να μαγκώσουν και ελέγχονται ευκολότερα.

- ζ. Χρησιμοποιείτε το ηλεκτρικό εργαλείο, τα αξεσουάρ και τα κοπτικά εξαρτήματα του εργαλείου σύμφωνα με αυτές τις οδηγίες, λαμβάνοντας υπόψη τις συνθήκες εργασίας και την προς εκτέλεση εργασία.

Η χρήση του ηλεκτρικού εργαλείου για εργασίες διαφορετικές από τις προβλεπόμενες θα μπορούσε να προκαλέσει επικίνδυνη κατάσταση.

- η. Διατηρείτε τις λαβές και τις επιφάνειες κρατήματος στεγνές, καθαρές και απαλλαγμένες από λάδι και γράσο. Οι ολισθηρές λαβές και επιφάνειες κρατήματος δεν επιτρέπουν τον ασφαλή χειρισμό και έλεγχο του εργαλείου σε μη αναμενόμενες καταστάσεις.

6. Σέρβις

- α. Αναθέτετε το σέρβις του εργαλείου σας σε εξειδικευμένο τεχνικό επισκευής με χρήση μόνο γνήσιων ανταλλακτικών. Έτσι θα εξασφαλίσετε τη διατήρηση της ασφάλειας του ηλεκτρικού εργαλείου.

Πρόσθετες προειδοποιήσεις ασφαλείας για ηλεκτρικά εργαλεία



Προειδοποίηση! Πρόσθετες προειδοποιήσεις ασφαλείας για τριβεία τοίχου.

- ◆ Αυτό το ηλεκτρικό εργαλείο προορίζεται να λειτουργεί ως τριβείο. Διαβάστε όλες τις προειδοποιήσεις ασφαλείας, τις οδηγίες, τις απεικονίσεις και τις προδιαγραφές που συνοδεύουν αυτό το ηλεκτρικό εργαλείο. Η μη τήρηση όλων των οδηγιών που αναφέρονται πιο κάτω μπορεί να έχει ως αποτέλεσμα ηλεκτροπληξία, πυρκαγιά και/ή σοβαρό τραυματισμό.
 - ◆ Εργασίες όπως γυαλοχάρτισμα, χρήση συρματόβουρτσας, στίλβωση και κοπή δεν συνιστάται να εκτελούνται με αυτό το ηλεκτρικό εργαλείο. Οι εργασίες για τις οποίες δεν έχει σχεδιαστεί το εργαλείο μπορεί να δημιουργήσουν κίνδυνο και να προκαλέσουν σωματική βλάβη.
 - ◆ Μη χρησιμοποιείτε αξεσουάρ τα οποία δεν έχουν σχεδιαστεί ειδικά για αυτό το εργαλείο και δεν συνιστώνται από τον κατασκευαστή του εργαλείου. Απλά το γεγονός ότι ένα αξεσουάρ μπορεί να προσαρτηθεί στο ηλεκτρικό σας εργαλείο, δεν εξασφαλίζει την ασφαλή λειτουργία.
 - ◆ Η ονομαστική ταχύτητα του αξεσουάρ πρέπει να είναι τουλάχιστον ίση με τη μέγιστη ταχύτητα που αναφέρεται πάνω στο ηλεκτρικό εργαλείο. Αξεσουάρ που περιστρέφονται ταχύτερα από την ονομαστική τους ταχύτητα μπορεί να σπασούν και τα θραύσματά τους να εκτιναχτούν.
 - ◆ Η εξωτερική διάμετρος και το πάχος του αξεσουάρ πρέπει να βρίσκονται εντός των ορίων των ικανοτήτων του ηλεκτρικού σας εργαλείου.
- Δεν είναι εφικτή η επαρκής προφύλαξη ή έλεγχος για αξεσουάρ λανθασμένου μεγέθους.
- ◆ Η τοποθέτηση αξεσουάρ με σπείρωμα πρέπει να ταιριάζει στο σπείρωμα της ατράκτου του εξαρτήματος λείανσης. Για αξεσουάρ που στερεώνονται με φλάντζες, η οπή ατράκτου του αξεσουάρ πρέπει να ταιριάζει με τη διάμετρο της οπής τοποθέτησης της φλάντζας. Τα αξεσουάρ που δεν ταιριάζουν με τα υλικά στερέωσης που διαθέτει το ηλεκτρικό εργαλείο θα κινούνται εκτός ζυγοστάθμισης, θα δονούνται υπερβολικά και μπορεί να γίνουν αιτία απώλειας του ελέγχου.
 - ◆ Μη χρησιμοποιήσετε αξεσουάρ που έχει υποστεί ζημιά. Πριν από κάθε χρήση, επιθεωρείτε το αξεσουάρ, όπως τροχό λείανσης, για εκτεπίσειες και ρωγμές, την επιφάνεια στήριξης για ρωγμές, σχίσσιμο ή υπερβολική φθορά, τη συρματόβουρτσα για αποκολλημένα ή ραγισμένα σύρματα. Αν πέσει κάτω το ηλεκτρικό εργαλείο ή το αξεσουάρ, ελέγξτε το αξεσουάρ προσεκτικά για ζημιά ή εγκαταστήστε αξεσουάρ που δεν έχει υποστεί ζημιά. Μετά την επιθεώρηση και την εγκατάσταση ενός αξεσουάρ, εσείς και τυχόν παρευρισκόμενα άτομα πρέπει να πάρετε θέση μακριά από το επίπεδο περιστροφής του αξεσουάρ και να λειτουργήσετε το ηλεκτρικό εργαλείο στη μέγιστη ταχύτητα χωρίς φορτίο για ένα λεπτό. Τα αξεσουάρ που έχουν υποστεί ζημιά, κανονικά θα διαλυθούν στη διάρκεια αυτού του χρόνου δοκιμής.
 - ◆ Φοράτε εξοπλισμό ατομικής προστασίας. Ανάλογα με την εφαρμογή, χρησιμοποιείτε προστατευτικό πρόσωπο, ειδικά γυαλιά ασφαλείας ή ειδικά προστατευτικά γυαλιά. Φοράτε, όπως ενδείκνυται, μάσκα κατά της σκόνης, προστατευτικά ακοής, γάντια και ποδιά συνεργείου ικανή να σταματά θραύσματα από το υλικό λείανσης ή το αντικείμενο εργασίας. Τα προστατευτικά ματιών πρέπει να έχουν την ικανότητα να σταματούν εκτινασσόμενα σωματίδια που παράγονται από διάφορες εργασίες. Η μάσκα ή η αναπνευστική συσκευή κατά της σκόνης πρέπει να έχει την ικανότητα να φιλτράρει σωματίδια που παράγονται από την εργασία σας. Η παρατεταμένη έκθεση σε θόρυβο υψηλής έντασης μπορεί να προκαλέσει απώλεια ακοής.
 - ◆ Κρατάτε τους παρευρισκόμενους σε ασφαλή απόσταση από την περιοχή εργασίας. Οποιοδήποτε εισέρχεται στην περιοχή εργασίας πρέπει να φορά προστατευτικό εξοπλισμό. Θραύσματα του αντικείμενου εργασίας ή ένα σπασμένο αξεσουάρ μπορεί να εκσφενδονιστεί και να προκαλέσει τραυματισμούς πέρα από την άμεση περιοχή των εργασιών.
 - ◆ Κρατάτε το ηλεκτρικό εργαλείο μόνο από μονωμένες επιφάνειες λαβής όταν εκτελείτε μια εργασία όπου το αξεσουάρ κοπής μπορεί να έρθει σε επαφή με αθέατα καλώδια ή με το ίδιο του το καλώδιο.

Αν το αξεσουάρ κοπής έρθει σε επαφή με καλώδιο υπό τάση μπορεί να τεθούν υπό ηλεκτρική τάση και τα εκτεθειμένα μεταλλικά μέρη του ηλεκτρικού εργαλείου και να προκληθεί ηλεκτροπληξία στο χειριστή.

- ◆ **Τοποθετείτε το καλώδιο μακριά από το περιστρεφόμενο αξεσουάρ.** Αν χάσετε τον έλεγχο, το καλώδιο μπορεί να κοπεί ή να μπλεχτεί και το κάτω ή το πάνω τμήμα του χειριού σας μπορεί τραβηχτεί πάνω στο περιστρεφόμενο αξεσουάρ.
- ◆ **Ποτέ μην αφήνετε κάτω το ηλεκτρικό εργαλείο αν πρώτα δεν έχει σταματήσει τελείως να κινείται το αξεσουάρ.** Το περιστρεφόμενο αξεσουάρ μπορεί να έρθει σε επαφή με την επιφάνεια και να ακινητοποιηθεί σε αυτή, με αποτέλεσμα το ηλεκτρικό εργαλείο να τραβηχτεί εκτός ελέγχου σας.
- ◆ **Μην έχετε σε λειτουργία το ηλεκτρικό εργαλείο ενώ το μεταφέρετε στο πλευρό σας.** Τυχόν αθέλητη επαφή με το περιστρεφόμενο αξεσουάρ θα μπορούσε να πιάσει τα ρούχα σας, τραβώντας το αξεσουάρ προς το σώμα σας.
- ◆ **Καθαρίζετε τακτικά τα ανοίγματα αερισμού του ηλεκτρικού εργαλείου.** Ο ανεμιστήρας του μοτέρ θα τραβήξει τη σκόνη μέσα στο περιβλήμα και η υπερβολικά μεγάλη συγκέντρωση σκόνης μετάλλου μπορεί να προκαλέσει κινδύνους από το ηλεκτρικό ρεύμα.
- ◆ **Μη χρησιμοποιείτε το ηλεκτρικό εργαλείο κοντά σε εύφλεκτα υλικά.** Αυτά τα υλικά θα μπορούσαν να αναφλεγούν από σπινθήρες.
- ◆ **Μη χρησιμοποιείτε αξεσουάρ για τα οποία απαιτείται ψύξη με ψυκτικά υγρά.** Η χρήση νερού ή άλλων ψυκτικών υγρών μπορεί να προκαλέσει θάνατο από ηλεκτρικό ρεύμα ή ηλεκτροπληξία.

Περαιτέρω οδηγίες ασφαλείας

Ανάδραση και σχετικές προειδοποιήσεις

Η ανάδραση (κλώτσημα) είναι μια ξαφνική αντίδραση όταν ένας περιστρεφόμενος τροχός, πέλμα στήριξης γυαλόχαρτου, βούρτσα ή κάποιο άλλο αξεσουάρ σφηνώνει ή μάγκωσει. Το σφηνώμα ή μάγκωμα προκαλεί ταχεία ακινητοποίηση του περιστρεφόμενου αξεσουάρ που με τη σειρά της εξαναγκάζει το εκτός ελέγχου ηλεκτρικό εργαλείο να κινηθεί από το σημείο εμπλοκής προς την αντίθετη κατεύθυνση της περιστροφής του αξεσουάρ.

Για παράδειγμα, αν ένας τροχός λείανσης μπλοκάρει ή σφηνώσει στο αντικείμενο εργασίας, η ακμή του τροχού που εισέρχεται στο σημείο ενσφηνώσεως μπορεί να σκαλώσει στην επιφάνεια του υλικού κάνοντας τον τροχό να ανέβει ή να πιναχτεί προς τα έξω. Ο τροχός μπορεί να πιναχτεί είτε προς την κατεύθυνση του χειριστή είτε αντίθετα, ανάλογα με την κατεύθυνση κίνησης του τροχού στο σημείο της ακινητοποίησης. Επίσης, οι λειαντικοί τροχοί μπορεί να σπάσουν υπό αυτές τις συνθήκες.

Η ανάδραση είναι το αποτέλεσμα κακής χρήσης του ηλεκτρικού εργαλείου και/ή λανθασμένων διαδικασιών ή συνθηκών χειρισμού και μπορεί να αποφευχθεί με τη λήψη κατάλληλων μέτρων προφύλαξης, όπως αναφέρεται πιο κάτω.

- ◆ **Διατηρείτε σταθερό κράτημα του ηλεκτρικού εργαλείου και τοποθετείτε το σώμα και το χέρι σας έτσι ώστε να μπορείτε να αντισταθείτε στις δυνάμεις της ανάδρασης.** Πάντα χρησιμοποιείτε τη βοηθητική λαβή, εάν παρέχεται, για μέγιστο έλεγχο της ανάδρασης ή της αντίδρασης ροπής κατά την εκκίνηση. Ο χειριστής μπορεί να ελέγξει τις αντιδράσεις στη ροπή ή τις δυνάμεις ανάδρασης, αν λαμβάνονται κατάλληλα μέτρα προφύλαξης.
- ◆ **Ποτέ μην τοποθετείτε το χέρι σας κοντά στο περιστρεφόμενο αξεσουάρ.** Το αξεσουάρ μπορεί να κινηθεί κατά την ανάδραση να κινηθεί πάνω στο χέρι σας.
- ◆ **Μην τοποθετείτε το σώμα σας στην περιοχή όπου θα κινηθεί το ηλεκτρικό εργαλείο αν προκύψει ανάδραση.** Η ανάδραση θα κινήσει το εργαλείο σε κατεύθυνση αντίθετη με την κίνηση του τροχού στο σημείο της ακινητοποίησης.
- ◆ **Προσέχετε ιδιαίτερα όταν επεξεργάζεστε γωνίες, αιχμηρά άκρα κλπ. Αποφύγετε την αναπήδηση και το μάγκωμα του αξεσουάρ.** Οι γωνίες, τα αιχμηρά άκρα ή η αναπήδηση τείνουν να προκαλέσουν μάγκωμα του αξεσουάρ και να προκαλέσουν απώλεια του ελέγχου ή ανάδραση.
- ◆ **Μη συνδέσετε στο εργαλείο λεπίδα ξυλογλυπτικής με αλυσίδα ή οδοντωτή λεπίδα πριονιού.** Αυτού του είδους οι λεπίδες δημιουργούν συχνή ανάδραση και απώλεια του ελέγχου.

Πρόσθετες οδηγίες ασφαλείας για εργασίες γυαλοχαρτίσματος

Προειδοποιήσεις ασφαλείας ειδικά για εργασίες γυαλοχαρτίσματος:

- ◆ **Μη χρησιμοποιείτε υπερβολικά υπερμεγέθη γυαλόχαρτα δίσκου λείανσης.** Τηρείτε τις υποδείξεις του κατασκευαστή όταν επιλέγετε γυαλόχαρτο. Το μεγάλο γυαλόχαρτο που εκτείνεται πέρα από το πέλμα γυαλοχαρτίσματος δημιουργεί κίνδυνο κοψίματος και μπορεί να προκαλέσει μάγκωμα, σχίσσιμο του δίσκου ή ανάδραση.

Ασφάλεια των άλλων

- ◆ Αυτό το εργαλείο δεν προορίζεται για χρήση από άτομα (περιλαμβανομένων παιδιών) με μειωμένες σωματικές, αισθητηριακές ή πνευματικές ικανότητες, ή με έλλειψη εμπειρίας και γνώσης, εκτός αν σε αυτά έχει παρασχεθεί από άτομο υπεύθυνο για την ασφάλειά τους επίβλεψη ή εκπαίδευση σχετικά με τη χρήση της συσκευής.
- ◆ Τα παιδιά θα πρέπει να βρίσκονται υπό επίβλεψη ώστε να διασφαλίζεται ότι δεν παίζουν με τη συσκευή.

Υπολειπόμενοι κίνδυνοι

Πρόσθετοι υπολειπόμενοι κίνδυνοι μπορεί να προκύψουν κατά τη χρήση του εργαλείου που ενδεχομένως δεν περιλαμβάνεται στις εσωκλειόμενες προειδοποιήσεις ασφαλείας.

Αυτοί οι κίνδυνοι μπορούν να προκύψουν από κακή χρήση, παρατεταμένη χρήση κλπ.

Ακόμα και με την εφαρμογή των σχετικών κανονισμών ασφαλείας και την εφαρμογή διατάξεων ασφαλείας, ορισμένοι υπολειπόμενοι κίνδυνοι δεν μπορούν να αποφευχθούν. Σ' αυτούς περιλαμβάνονται:

- ◆ Τραυματισμοί λόγω επαφής με οποιαδήποτε περιστρεφόμενα/κινούμενα μέρη.
- ◆ Τραυματισμοί κατά την αλλαγή οποιωνδήποτε εξαρτημάτων, λεπίδων ή αξεσουάρ.
- ◆ Τραυματισμοί από παρατεταμένη χρήση ενός εργαλείου. Όταν χρησιμοποιείτε οποιοδήποτε εργαλείο για παρατεταμένες περιόδους, να βεβαιώνεστε ότι κάνετε τακτικά διαλείμματα.
- ◆ Βλάβη της ακοής.
- ◆ Κίνδυνοι για την υγεία προκαλούνται από την εισπνοή σκόνης που παράγεται κατά τη χρήση του εργαλείου (παράδειγμα:- εργασία με ξύλο, ειδικά βελανιδιάς, οξιάς και MDF).

Κραδασμοί

Οι δηλωθείσες τιμές εκπομπών κραδασμών που αναφέρονται στα τεχνικά δεδομένα και στη δήλωση συμμόρφωσης έχουν μετρηθεί σύμφωνα με τυποποιημένη μέθοδο δοκιμής που παρέχεται από το πρότυπο EN60745 και μπορεί να χρησιμοποιηθεί για σύγκριση ενός εργαλείου με ένα άλλο.

Η δηλωθείσα τιμή εκπομπής κραδασμών μπορεί να χρησιμοποιηθεί και σε προκαταρκτική αξιολόγηση της έκθεσης.

Προειδοποίηση! Η τιμή εκπομπής κραδασμών κατά τη χρήση του ηλεκτρικού εργαλείου στην πράξη μπορεί να διαφέρει από τη δηλωθείσα τιμή ανάλογα με τους τρόπους χρήσης του εργαλείου. Το επίπεδο κραδασμών μπορεί να αυξηθεί πάνω από το αναφερόμενο επίπεδο.

Κατά τον προσδιορισμό της έκθεσης σε κραδασμούς για τον καθορισμό των απαιτούμενων μέτρων ασφαλείας σύμφωνα με την οδηγία 2002/44/ΕΚ για την προστασία προσώπων που χρησιμοποιούν συχνά ηλεκτρικά εργαλεία στην εργασία τους, μια προσεγγιστική εκτίμηση της έκθεσης σε κραδασμούς πρέπει να λαμβάνει υπόψη τις πραγματικές συνθήκες χρήσης και τον τρόπο χρήσης του εργαλείου, συμπεριλαμβανομένων και όλων των επιμέρους τμημάτων του κύκλου εργασίας, όπως τα χρονικά διαστήματα που το εργαλείο ήταν εκτός λειτουργίας και τα διαστήματα λειτουργίας χωρίς φορτίο, επιπλέον του χρόνου πίεσης της σκανδάλης.

Ετικέτες πάνω στο εργαλείο

Τα εικονογράμματα που ακολουθούν μαζί με τον κωδικό ημερομηνίας εμφανίζονται πάνω στο εργαλείο:



Προειδοποίηση! Για να μειωθεί ο κίνδυνος τραυματισμού, ο χρήστης πρέπει να διαβάσει το εγχειρίδιο οδηγιών.



Φοράτε προστατευτικά ακοής κατά την εργασία με κρουστικά δράπανα. Η έκθεση σε θόρυβο μπορεί να προκαλέσει απώλεια ακοής.



Φοράτε γυαλιά ασφαλείας ή ειδικά προστατευτικά γυαλιά.



Φοράτε μάσκα προστασίας από σκόνη.

Ασφάλεια χρήσης ηλεκτρικού ρεύματος



Αυτό το εργαλείο φέρει διπλή μόνωση. Επομένως, δεν απαιτείται καλώδιο γείωσης. Ελέγχετε πάντα ότι η παροχή ρεύματος αντιστοιχεί στην τάση που αναφέρεται στην πινακίδα στοιχείων.

- ◆ Αν το καλώδιο ρεύματος έχει υποστεί ζημιά, πρέπει να αντικατασταθεί από τον κατασκευαστή ή από εξουσιοδοτημένο κέντρο σέρβις STANLEY FAT MAX, για την αποφυγή κινδύνων.

Χαρακτηριστικά

Αυτή η συσκευή διαθέτει μερικά από ή όλα τα παρακάτω χαρακτηριστικά.

1. Στρογγυλή κεφαλή γυαλοχαρτίσματος
2. Στρογγυλό πέλαμα γυαλοχαρτίσματος (σύστημα χριτς-χρατς)
3. Περιβλημα μοτέρ
4. Ασφάλεια κατά της αναδίπλωσης
5. Κύρια λαβή
6. Αξονας
7. Διακόπτης ενεργοποίησης/απενεργοποίησης (On/ Off)
8. Τροχός ηλεκτρονικής ρύθμισης της ταχύτητας
9. Έξοδος απομάκρυνσης σκόνης (με χιτώνιο ασφάλισης)
10. Αξονας επέκτασης
- 10a. Πίσω λαβή
- 10b. Έξοδος απομάκρυνσης σκόνης (με χιτώνιο ασφάλισης)
- 10c. Χιτώνιο
11. Εύκαμπος σωλήνας αναρρόφησης
- 11a. Προσαρμογέας υποστήριξης
- 11b. Σύνδεσμος (προ-εγκατεστημένος) (38 mm)
- 11c. Δακτύλιος ρύθμισης ισχύος αναρρόφησης
- 11d. Προσαρμογέας αναρρόφησης (προ-εγκατεστημένος) (47 mm)
12. Προσαρμογέας αναρρόφησης (προ-εγκατεστημένος) (35 mm)
13. Κλειδί Άλεν
14. Στρογγυλός δίσκος γυαλοχαρτίσματος

Χρήση

Προειδοποίηση! Αφήνετε το εργαλείο να λειτουργεί με το δικό του ρυθμό. Μην το υπερφορτώνετε.

- ◆ Πριν χρησιμοποιήσετε πρώτη φορά το εργαλείο, συνησάται να λάβετε πρακτική πληροφόρηση.
- ◆ Πάντα να ελέγχετε ότι η τάση τροφοδοσίας είναι ίδια με την τάση που αναφέρεται στην πινακίδα στοιχείων του εργαλείου.
- ◆ Χρησιμοποιήστε κατάλληλους ανιχνευτές για να εντοπίσετε κρυφούς αγωγούς παροχών κοινής ωφελείας ή καλέστε την τοπική εταιρεία κοινής ωφελείας για να σας παρέχει βοήθεια (η επαφή με ηλεκτρικούς αγωγούς μπορεί να γίνει αιτία φωτιάς ή ηλεκτροπληξίας, η πρόκληση ζημιάς σε έναν αγωγό αερίου μπορεί να γίνει αιτία έκρηξης, ενώ η διάτρηση ενός αγωγού νερού θα προκαλέσει υλική ζημιά ή ηλεκτροπληξία).
- ◆ Μην επεξεργάζεστε υλικά που περιέχουν αμιάντο (ο αμιάντος θεωρείται καρκινογόνο υλικό).
- ◆ Η σκόνη από υλικά όπως βαφή που περιέχει μόλυβδο, από ορισμένα είδη ξύλου, ορυκτά και μέταλλα μπορεί να είναι επιβλαβής (η επαφή με τη σκόνη ή τυχόν εισπνοή της μπορεί να προκαλέσει αλλεργικές αντιδράσεις και/ή αναπνευστικές παθήσεις στο χειριστή ή στους παρευρισκόμενους). Φοράτε μάσκα σκόνης και χρησιμοποιείτε συσκευή απομάκρυνσης σκόνης όπου υπάρχει η δυνατότητα σύνδεσης.
- ◆ Ορισμένα είδη σκόνης ταξινομούνται ως καρκινογόνα (όπως σκόνη από ξύλο βελανιδιάς και οξιάς) ειδικά σε συνδυασμό με πρόσθετα επεξεργασίας του ξύλου - φοράτε μάσκα προστασίας από σκόνη και χρησιμοποιείτε συσκευή απομάκρυνσης σκόνης όπου υπάρχει η δυνατότητα σύνδεσης.
- ◆ Τηρείτε τις εθνικά ισχύουσες απαιτήσεις σχετικά με τη σκόνη, για τα υλικά με τα οποία πρόκειται να εργαστείτε.
- ◆ Μη συσφίγγετε το εργαλείο σε μέγερνη.
- ◆ Χρησιμοποιείτε πλήρως ζετυλιγμένα και ασφαλή καλώδια επέκτασης με ονομαστική δυνατότητα ρεύματος 16 Αμπέρ.

Μετά τη χρήση

- ◆ Μετά την απενεργοποίηση του εργαλείου, ποτέ μη σταματήσετε την περιστροφή του αξεσουάρ ασκώντας πλευρική δύναμη στο αξεσουάρ.

Συναρμολόγηση και ρύθμιση

Προειδοποίηση! Για να μειώσετε τον κίνδυνο σοβαρού τραυματισμού, απενεργοποιήστε το εργαλείο και αποσυνδέστε το από την πηγή ρεύματος πριν κάνετε οποιοσδήποτε ρυθμίσεις ή πριν αφαιρέσετε/τοποθετήσετε προσαρτήματα ή αξεσουάρ. Προτού επανασυνδέσετε το εργαλείο, πιέστε και αφήστε τον διακόπτη σκανδάλης για να βεβαιωθείτε ότι το εργαλείο είναι απενεργοποιημένο. Μια αθέλητη εκκίνηση μπορεί να προκαλέσει τραυματισμό.

Συναρμολόγηση του αναδιπλούμενου άξονα (Εικ. A1, A2, A3)

- ◆ Ξεδιπλώστε πλήρως τον πάνω άξονα και κάτω άξονα (Εικ. A1).
- ◆ Σπρώξτε την ασφάλεια κατά της αναδίπλωσης (4) στη σωστή θέση και διατηρήστε την άκρη της κοντά στη λαβή (Εικ. A2).
- ◆ Πιέστε προς τα κάτω την ασφάλεια κατά της αναδίπλωσης (4) για να ασφαλίσετε τον άξονα (Εικ. A3).
- ◆ Απασφαλίστε την ασφάλεια κατά της αναδίπλωσης αν θέλετε να διπλώσετε τον άξονα.

Αντικατάσταση πέλματος γυαλοχαρτίσματος (Εικ. B1)

- ◆ Εισάγετε το κλειδί Άλεν (13) (μέγεθος 5) στη βίδα Άλεν πάνω στο πέλημα γυαλοχαρτίσματος.
- ◆ Κρατήστε σταθερά το πέλημα γυαλοχαρτίσματος, και κατόπιν περιστρέψτε το κλειδί αριστερόστροφα για να αφαιρέσετε το πέλημα.
- ◆ Εγκαταστήστε νέο πέλημα γυαλοχαρτίσματος συσφιγγοντας τη βίδα.

Σύνδεση και αλλαγή δίσκου γυαλοχαρτίσματος (Εικ. B2)

- ◆ Τοποθετήστε τον δίσκο γυαλοχαρτίσματος (14) στο κέντρο του πέλματος γυαλοχαρτίσματος (2) και πιέστε τον πάνω στο πέλημα. Οι οπές στον δίσκο γυαλοχαρτίσματος πρέπει να συμπίπτουν με τις οπές απομάκρυνσης σκόνης που υπάρχουν στο πέλημα γυαλοχαρτίσματος.
- ◆ Μόνο για στρογγυλό πέλημα γυαλοχαρτίσματος: κάντε μια δοκιμή για να ελέγξετε ότι ο δίσκος γυαλοχαρτίσματος είναι συσφιγμένος στο κέντρο.

Ο φωτισμός LED

- ◆ Λυχνίες LED ισχύος 10 W που περιβάλλουν το πέλημα φωτίζουν τα βαθουλώματα και τα εξογκώματα στον τοίχο ή στην οροφή, επιτρέποντάς σας να εργάζεστε αποτελεσματικά και να επιτυγχάνετε ένα καλύτερο αποτέλεσμα γυαλοχαρτίσματος όπως δείχνουν οι εικόνες E και F.

Άξονας επέκτασης (προαίρ.) (Εικ. C)

- ◆ Χρησιμοποιείτε τον άξονα επέκτασης (10) για εργασία σε επιφάνεια που βρίσκεται σε μεγαλύτερο ύψος.
- ◆ Λασκάρете το χιτώνιο στην έξοδο απομάκρυνσης σκόνης (9) του άξονα. Μην αφαιρέσετε το χιτώνιο από την έξοδο.
- ◆ Ευθυγραμμίστε την πίσω λαβή (10a) με την κύρια λαβή (5) και εισάγετε το χιτώνιο (10c) που βρίσκεται πάνω στον άξονα επέκτασης (10) μέσα στην έξοδο (9) με μια περιστροφική κίνηση ώστε να τερματίσει προς τα πάνω.
- ◆ Προσαρμόστε το μήκος του άξονα επέκτασης (10) αν χρειάζεται. Προσέξτε τη σήμανση "max 1.8m" (μέγ. 1,8 m) που υπάρχει πάνω στον άξονα επέκτασης.

Σφίξτε το χιτώνιο (9) μετά την τοποθέτηση/ρύθμιση του άξονα επέκτασης.

Αναρρόφηση σκόνης (Εικ. D)

- Λασκάρετε το χιτώνιο στην έξοδο απομάκρυνσης σκόνης (9) ή (10b) περιστρέφοντάς το στην κατεύθυνση του συμβόλου απασφάλισης στη λαβή του εργαλείου.
- Εισάγετε τον εύκαμπο σωλήνα αναρρόφησης (11) στο άκρο της λαβής του εργαλείου, όπως δείχνει η εικόνα.
- Σφίξτε τη λαβή ασφάλισης για τη ρύθμιση μήκους (9) περιστρέφοντάς την στην κατεύθυνση του συμβόλου ασφάλισης που υπάρχει στη λαβή του εργαλείου.
- Συνδέστε τον εύκαμπο σωλήνα αναρρόφησης Ø 47 mm (11d) ή τον προσαρμογέα Ø35mm (12) απευθείας σε μια βιομηχανικού τύπου ηλεκτρική σκούπα (αφαιρέστε πρώτα τον εύκαμπο σωλήνα της ηλεκτρικής σκούπας).
- Μπορείτε επίσης να συνδέσετε τον εύκαμπο σωλήνα με έναν προσαρμογέα, σε μια βιομηχανικού τύπου ηλεκτρική σκούπα χωρίς να αφαιρέσετε τον εύκαμπο σωλήνα της ηλεκτρικής σκούπας.

Προσαρμογέας υποστήριξης/σύστημα ελέγχου ροής αέρα (Εικ. G, H)

- Ο προσαρμογέας υποστήριξης (11a) προστατεύει τον εύκαμπο σωλήνα από ζημιά όταν αφήνετε το εργαλείο παρήμερα στη διάκριση των διαλειμμάτων της εργασίας (Εικ. G).
- Μπορείτε να ελέγξετε τη ροή αέρα μετακινώντας τον δακτύλιο ρύθμισης ισχύος αναρρόφησης (11c) πάνω από το άνοιγμα αέρα στον σύνδεσμο (11b) του εργαλείου.
- Η δύναμη αναρρόφησης είναι στο χαμηλότερο της επίπεδο όταν το άνοιγμα αέρα είναι πλήρως ορατό (Εικ. H).

Ενεργοποίηση και απενεργοποίηση του μηχανήματος (Εικ. I, J, K)

- Ενεργοποιείτε/ απενεργοποιείτε το τριβείο τοίχου χρησιμοποιώντας τον διακόπτη (7).

Ηλεκτρονική ρύθμιση της ταχύτητας

- Ρυθμίστε την ταχύτητα περιστρέφοντας τον τροχό ρύθμισης ταχύτητας (8), ο χρήστης μπορεί να επιλέξει διαφορετική ταχύτητα για γυαλοχάρτισμα διαφορετικών επιφανειών.
- Διατηρείτε τη λειτουργία του μηχανήματος στην ίδια ταχύτητα που επιλέξατε. Μην υπερφορτώνετε το μηχανήμα ασκώντας υπερβολική πίεση.

Εργασίες γυαλοχάρτισματος

- Αφού έχει γίνει η αρχική διαμόρφωση του μηχανήματος και της συνδεδεμένης ηλεκτρικής σκούπας και όλα τα μέτρα και ο εξοπλισμός ασφαλείας είναι στη θέση τους, αρχίστε ενεργοποιώντας πρώτα την ηλεκτρική σκούπα και μετά το μηχανήμα.

(Αν χρησιμοποιείτε ηλεκτρική σκούπα με ενσωματωμένο σύστημα μεταγωγής, τότε απλά ενεργοποιήστε το μηχανήμα.)

Στρογγυλή κεφαλή γυαλοχάρτισματος

- Ξεκινήστε το γυαλοχάρτισμα και προσεκτικά φέρτε το εργαλείο σε επαφή με την επιφάνεια εργασίας με τη μικρότερη δυνατή πίεση που είναι αρκετή για να διατηρείται η κεφαλή γυαλοχάρτισματος σε πλήρη επαφή με την επιφάνεια.
- Η καλύτερη τεχνική είναι να χρησιμοποιήσετε αλληλοεπικαλυπτόμενα περάσματα και να διατηρείτε την κεφαλή σε σταθερή κίνηση με τον κατάλληλο χρόνο παραμονής. Ποτέ μη διατηρείτε το γυαλοχάρτισμα για υπερβολικό διάστημα σε μία θέση, διαφορετικά θα δημιουργηθούν σημάδια από την κυκλική κίνηση πάνω στην επιφάνεια.
- Απομακρύνετε το μηχανήμα από την επιφάνεια εργασίας πριν το απενεργοποιήσετε.

Προειδοποίηση! Βεβαιωθείτε ότι ο δίσκος γυαλοχάρτισματος που χρησιμοποιείτε είναι κατάλληλος για την εργασία. Το γυαλόχαρτο υπερβολικά χονδρού κοκκώδους μπορεί να αφαιρέσει υπερβολικά γρήγορα και ανεξέλεγκτα υλικό από την επιφάνεια. Αντίθετα το υπερβολικά ψιλό γυαλόχαρτο μπορεί να μη γυαλοχάρτιζε την επιφάνεια αρκετά γρήγορα.

Προειδοποίηση! Προσέχετε αποφεύγετε αιχμηρές προεξοχές και καρφιά κλπ. Αυτά τα εμπόδια μπορούν να καταστρέψουν το γυαλόχαρτο και πιθανόν να προξενήσουν ζημιά και στο πέλαμα από αφρώδες υλικό.

Συντήρηση

Το συγκεκριμένο εργαλείο STANLEY FAT MAX έχει σχεδιαστεί ώστε να λειτουργεί για μεγάλη χρονική περίοδο με ελάχιστη συντήρηση. Η συνεχής ικανοποιητική λειτουργία εξαρτάται από τη σωστή φροντίδα και τον τακτικό καθαρισμό του εργαλείου.

Προστασία του περιβάλλοντος



Χωριστή συλλογή. Τα προϊόντα και οι μπαταρίες που επισημαίνονται με αυτό το σύμβολο δεν πρέπει να απορρίπτονται μαζί με τα κανονικά οικιακά απορρίμματα.

Τα προϊόντα και οι μπαταρίες περιέχουν υλικά που μπορούν να ανακτηθούν ή να ανακυκλωθούν ώστε να μειωθούν οι ανάγκες για πρώτες ύλες.

Παρακαλούμε να ανακυκλώνετε τα ηλεκτρικά προϊόντα και τις μπαταρίες σύμφωνα με τους τοπικούς κανονισμούς. Περισσότερες πληροφορίες διατίθενται στον ιστότοπο www.2helpU.com

Τεχνικά δεδομένα

		SFMEE500
Τάση	V _{AC}	220 - 240
Συχνότητα	Hz	50 / 60
Ισχύς εισόδου	W	750
Ονομαστική ταχύτητα	min ⁻¹	600 - 1700
Στρογγυλό πέλμα λείανσης	mm	215
Μέγεθος σπειρώματος ατράκτου		M6
Βάρος	kg	3,75

Στάθμη ηχητικής πίεσης σύμφωνα με το πρότυπο EN60745:

Ηχητική πίεση (L_{pA}) 89 dB(A), αβεβαιότητα (K) 3 dB(A)

Ηχητική ισχύς (L_{WA}) 100,5 dB(A), αβεβαιότητα (K) 3 dB(A)

Συνολικές τιμές κραδασμών (άθροισμα διανυσμάτων τριών αξόνων) σύμφωνα με το EN60745:

(a_n) 2,7 m/s², αβεβαιότητα (K) 1,5 m/s²

Δήλωση συμμόρφωσης ΕΚ

ΟΔΗΓΙΑ ΣΧΕΤΙΚΑ ΜΕ ΤΑ ΜΗΧΑΝΗΜΑΤΑ



SFMEE500 - Τριβείο τοίχου

Η Stanley Fat Max δηλώνει ότι αυτά τα προϊόντα που περιγράφονται στα "Τεχνικά δεδομένα" συμμορφώνονται με: 2006/42/EK, EN 60745-1:2009 + A11:2010; EN 60745-2-3:2011 + A2:2013 + A11:2014 + A12:2014 + A13:2015

Αυτά τα προϊόντα συμμορφώνονται και με την Οδηγία 2014/30/EE και 2011/65/EE. Για περισσότερες πληροφορίες, απευθυνθείτε στη Black & Decker στη διεύθυνση που ακολουθεί ή ανατρέξτε στο πίσω μέρος του εγχειριδίου.

Για περισσότερες πληροφορίες, απευθυνθείτε στη Stanley Fat Max στη διεύθυνση που ακολουθεί ή ανατρέξτε στο πίσω μέρος του εγχειριδίου.

Ο υπογράφων είναι υπεύθυνος για τη σύνταξη του τεχνικού φακέλου και υποβάλλει τη δήλωση για λογαριασμό της Stanley Fat Max.

A.P. Smith

Τεχνικός Διευθυντής

Stanley Fat Max Europe, Egide Walschaertsstraat14-18,
2800 Mechelen, Belgium (Βέλγιο)

12/07/2019

Εγγύηση

Η Stanley Fat Max είναι σίγουρη για την ποιότητα των προϊόντων της και προσφέρει στους καταναλωτές εγγύηση 12 μηνών από την ημερομηνία της αγοράς. Αυτή η εγγύηση συμπληρώνει και με κανένα τρόπο δεν παραβλάπτει τα νόμιμα δικαιώματά σας. Η εγγύηση ισχύει εντός της επικράτειας των χωρών μελών της Ευρωπαϊκής Ένωσης και της Ευρωπαϊκής Ζώνης Ελεύθερων Συναλλαγών.

Για να υποβάλετε αξίωση βάσει της εγγύησης, η αξίωση θα πρέπει να είναι σύμφωνη με τους Όρους και τις Προϋποθέσεις της Stanley Fat Max και θα χρειαστεί να υποβάλετε απόδειξη αγοράς στον πωλητή ή σε εξουσιοδοτημένο αντιπρόσωπο επισκευών. Μπορείτε να αποκτήσετε τους Όρους και προϋποθέσεις της εγγύησης 1 έτους της Stanley Fat Max και να μάθετε την τοποθεσία του πλησιέστερου εξουσιοδοτημένου αντιπροσώπου επισκευών στο Internet στο www.2helpU.com, ή επικοινωνώντας με το τοπικό σας γραφείο Stanley Fat Max στη διεύθυνση που υποδεικνύεται στο παρόν εγχειρίδιο.

Επισκεφθείτε τον ιστότοπό μας www.stanley.eu/3 για να καταχωρίσετε το καινούργιο προϊόν Stanley Fat Max που αποκτήσατε και για να λαμβάνετε ενημερώσεις σχετικά με νέα προϊόντα και ειδικές προσφορές.

België/Belgique	Stanley Fat Max E. Walschaertstraat 14-16 2800 Mechelen Belgium	De. Tel. +32 70 220 065 Fr. Tel. +32 70 220 066 Fax +32 15 473 799 www.stanleytools.eu Enduser.be@SBDinc.com
Danmark	Stanley Fat Max Farveland 1B 2600 Glostrup	Tel. 70 20 15 10 Fax 70 22 49 10 www.stanleyworks.dk
Deutschland	Stanley Fat Max Richard Klinger Str. 11, D - 65510 Idstein	Tel. 06126 21-1 Fax 06126 21-2770
Ελλάδα	Stanley Fat Max. Στράβωνος 7 & Λεωφ. Βουλιαγμένης 159 Γλυφάδα 166 74 - Αθήνα	Τηλ. +30 210 8981-616 Φαξ +30 210 8983-285 www.stanleyworks.gr
España	Stanley Fat Max. Parc de Negocis "Mas Blau" Edificio Muntadas, c/Bergadá, 1, Of. A6 08820 El Prat de Llobregat (Barcelona)	Tel. 934 797 400 Fax 934 797 419 respuesta.postventa@sbdinc.com www.stanleyworks.es
France	Stanley Fat Max 5 allée des Hêtres B.P. 30084 69579 Limonest Cédex	Tel. 04 72 20 39 20 Fax 04 72 20 39 00 www.stanleyouillage.fr
Helvetia	Stanley Fat Max In der Luberzen 40 8902 Urdorf	Tel. 01 730 67 47 Fax 01 730 70 67 www.stanleyworks.de
Italia	Stanley Fat Max EnergyPark-Building 03 sud, Via Monza 7/A 20871 Vimercate (MB)	Tel. 039-9590200 Fax 039-9590313 www.stanley.it
Nederland	Stanley Fat Max Joulehof 12, 4600 RG Bergen op Zoom	Tel. +31 164 283 065 Fax +31 164 283 200 Enduser.NL@SBDinc.com
Norge	Stanley Fat Max Postboks 4613, Nydalen 0405 Oslo	Tlf. 45 25 13 00 Fax 45 25 08 00
Österreich	Stanley Fat Max Oberlaaerstraße 248, A-1230 Wien	Tel. 01 66116-0 Fax 01 66116-614 www.stanleyworks.de
Portugal	Stanley Fat Max Centro de Escritórios de Sintra Avenida Almirante Gago Coutinho, 132/134, Edifício 142710-418 Sintra 2710-418 Lisboa	Tel. 214667500 Fax 214667575 resposta.posvenda@sbdinc.com
Suomi	Stanley Fat Max Tekniikkatie 12, 02150 Espoo	Puh. 010 400 430 Faksi 0800 411 340 www.stanleyworks.fi
Sverige	Stanley Fat Max Box 94, 431 22 Mölndal	Tel. 031-68 61 00 Fax 031-68 60 08
Türkiye	Stanley Fat Max KALE Hırdavat ve Makina A.Ş. Defterdar Mah. Savaklar Cad. No:15 Edirnekapı / Eyüp / İSTANBUL 34050	Puh. 0212 533 52 55 Faks 0212 533 10 05 www.stanleyworks.fi
United Kingdom	Stanley Fat Max 210 Bath Road Slough, Berkshire SL1 3YD	Tel. +44 (0)1753 511234 Fax +44 (0)1753 551155 www.stanleytools.co.uk
Middle East & Africa	Stanley Fat Max P.O.Box - 17164 Jebel Ali (South Zone), Dubai, UAE	Tel. +971 4 8127400 Fax +971 4 8127036 www.stanleyworks.ae