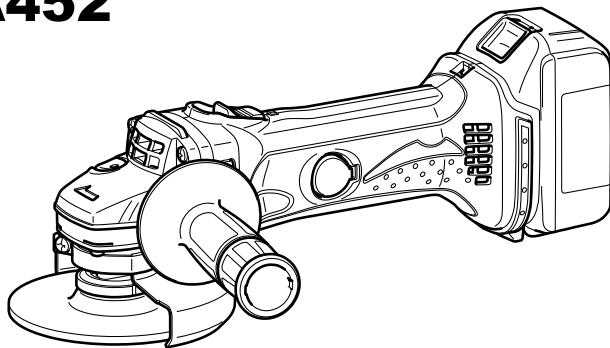




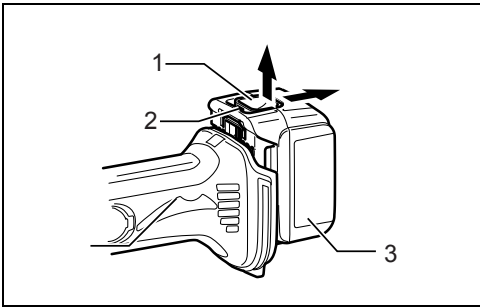
<b>GB</b>	<b>Cordless Angle Grinder</b>	<b>Instruction manual</b>
<b>F</b>	<b>Meuleuse d'angle sans fil</b>	<b>Manuel d'instructions</b>
<b>D</b>	<b>Akku-Winkelschleifer</b>	<b>Betriebsanleitung</b>
<b>I</b>	<b>Smerigliatrice angolare a batteria</b>	<b>Istruzioni per l'uso</b>
<b>NL</b>	<b>Accu haakse slijpmachine</b>	<b>Gebruiksaanwijzing</b>
<b>E</b>	<b>Esmeriladora angular inalámbrica</b>	<b>Manual de instrucciones</b>
<b>P</b>	<b>Esmerilhadeira angular a bateria</b>	<b>Manual de instruções</b>
<b>DK</b>	<b>Ledningsfri vinkelsliber</b>	<b>Brugsanvisning</b>
<b>GR</b>	<b>Φορητός γωνιακός τροχός</b>	<b>Οδηγίες χρήσης</b>

**DGA402**  
**DGA450**  
**DGA452**



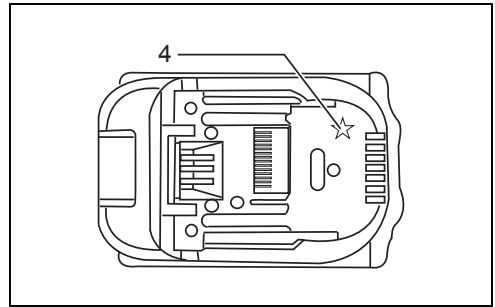
007214





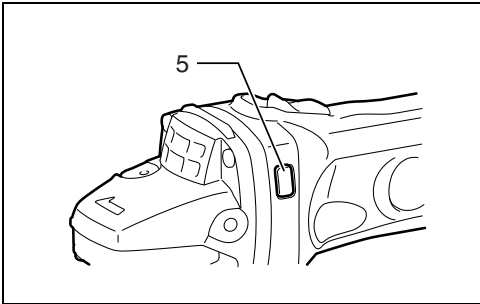
1

013993



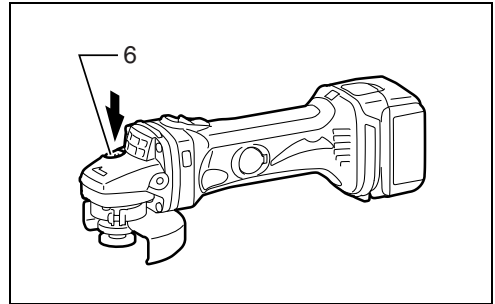
2

012128



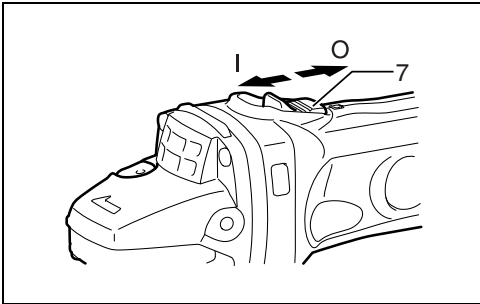
3

007224



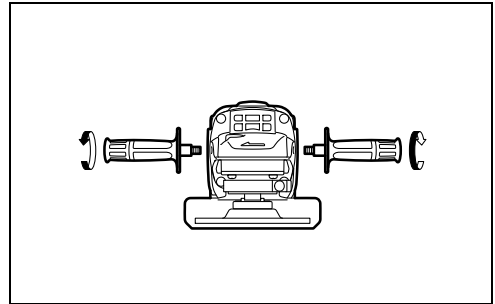
4

007216



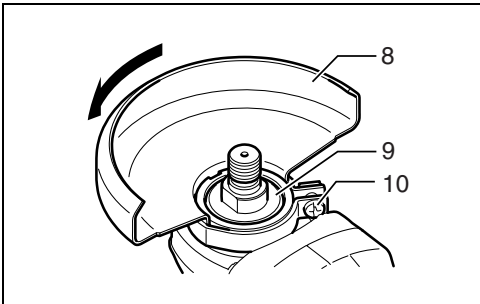
5

007217



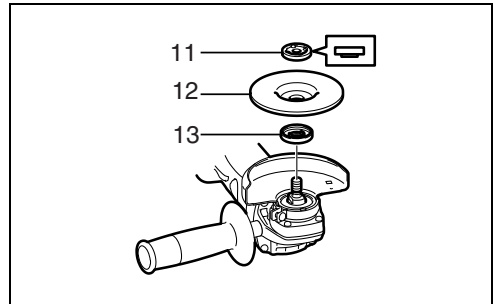
6

007225



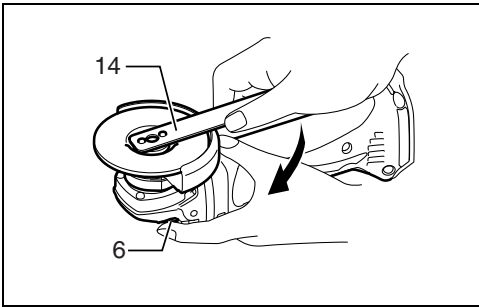
7

007218



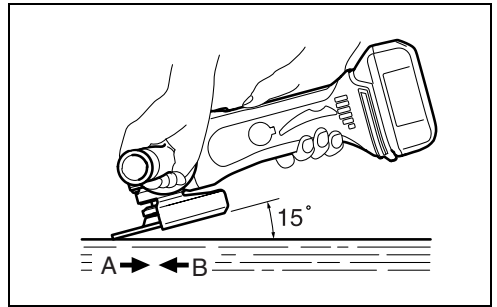
8

007219



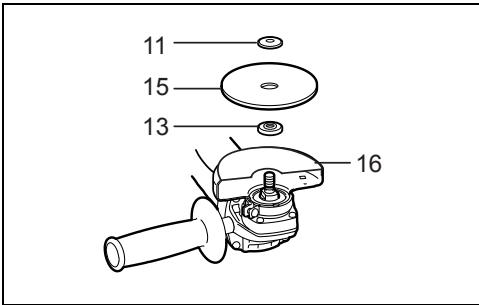
9

007220



10

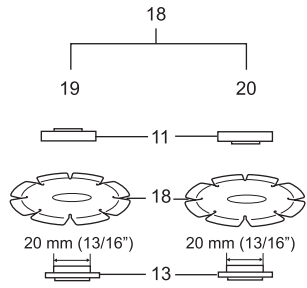
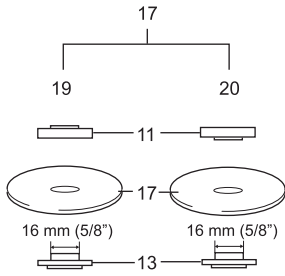
007221



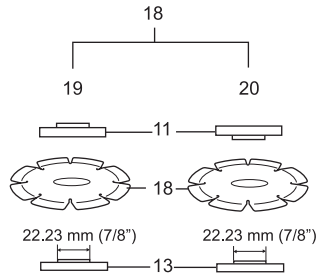
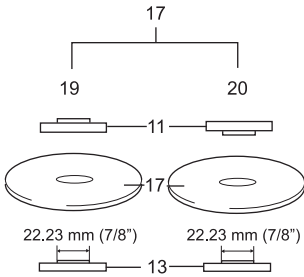
11

010855

100 mm (4")

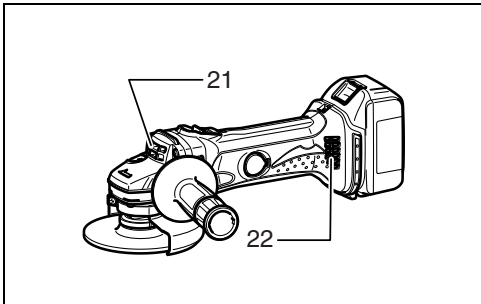


115 mm (4 - 1/2") / 125 mm (5")



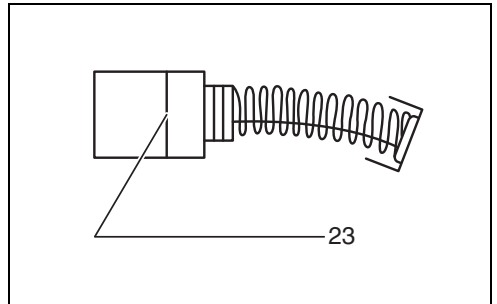
12

010848



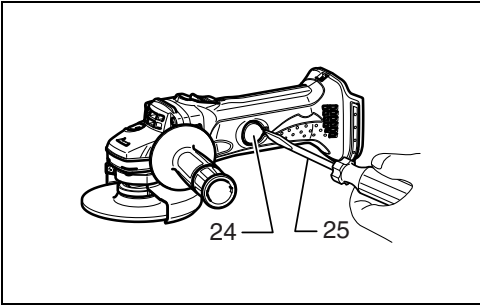
13

007222



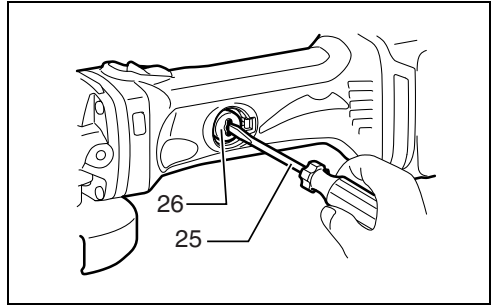
14

001145



**15**

007226



**16**

007223

## ENGLISH (Original instructions)

### Explanation of general view

- |                      |   |  |
|----------------------|---|--|
| 1. Button            | 11. Lock nut  | 18. Diamond wheel                        |
| 2. Red indicator     | 12. Depressed center grinding wheel/<br>Multi-disc          | 19. Thickness: Less than 4 mm<br>(5/32") |
| 3. Battery cartridge | 13. Inner flange  | 20. Thickness: 4 mm (5/32") or more      |
| 4. Star marking      | 14. Lock nut wrench   | 21. Exhaust vent                         |
| 5. Indication lamp   | 15. Abrasive cut-off wheel/diamond<br>wheel                 | 22. Inhalation vent                      |
| 6. Shaft lock        | 16. Wheel guard for abrasive cut-off<br>wheel/diamond wheel | 23. Limit mark                           |
| 7. Slide switch      | 17. Abrasive cut-off wheel                                  | 24. Holder cap cover                     |
| 8. Wheel guard       |   | 25. Screwdriver                          |
| 9. Bearing box       |   | 26. Brush holder cap                     |
| 10. Screw            |   |  |

## SPECIFICATIONS

Model	DGA402	DGA450	DGA452
Wheel diameter	100 mm	115 mm	
Max. wheel thickness	6.4 mm	6.4 mm	6.4 mm
Spindle thread	M10	M14 or 5/8" (country specific)	
Rated speed (n)/No load speed (n <sub>0</sub> )	11,000 min <sup>-1</sup>		
Overall length	317 mm		
Net weight	2.2 kg	2.2 kg	2.3 kg
Rated voltage	D.C. 18 V	D.C. 14.4 V	D.C. 18 V

- Due to our continuing program of research and development, the specifications herein are subject to change without notice.
- Specifications and battery cartridge may differ from country to country.
- Weight, with battery cartridge, according to EPTA-Procedure 01/2003

### Symbols

END221-4

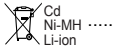
The following show the symbols used for the equipment. Be sure that you understand their meaning before use.



..... Read instruction manual.



..... Wear safety glasses.



..... Only for EU countries

Do not dispose of electric equipment or battery pack together with household waste material!

In observance of the European Directives, on Waste Electric and Electronic Equipment and Batteries and Accumulators and Waste Batteries and Accumulators and their implementation in accordance with national laws, electric equipment and batteries and battery pack(s) that have reached the end of their life must be collected separately and returned to an environmentally compatible recycling facility.

### Intended use

ENE048-1

The tool is intended for grinding, sanding and cutting of metal and stone materials without the use of water.

## General Power Tool Safety Warnings

GEA010-1

**⚠ WARNING** Read all safety warnings and all instructions. Failure to follow the warnings and instructions may result in electric shock, fire and/or serious injury.

**Save all warnings and instructions for future reference.**

## CORDLESS GRINDER SAFETY WARNINGS

GEB059-3

**Safety Warnings Common for Grinding, Sanding, Wire Brushing, or Abrasive Cutting-Off Operations:**

1. **This power tool is intended to function as a grinder, sander, wire brush or cut-off tool. Read all safety warnings, instructions, illustrations and specifications provided with this power tool.**  
Failure to follow all instructions listed below may result in electric shock, fire and/or serious injury.
2. **Operations such as polishing are not recommended to be performed with this power tool.** Operations for which the power tool was not designed may create a hazard and cause personal injury.
3. **Do not use accessories which are not specifically designed and recommended by the tool manufacturer.** Just because the accessory can be

attached to your power tool, it does not assure safe operation.

4. **The rated speed of the accessory must be at least equal to the maximum speed marked on the power tool.** Accessories running faster than their rated speed can break and fly apart.
5. **The outside diameter and the thickness of your accessory must be within the capacity rating of your power tool.** Incorrectly sized accessories cannot be adequately guarded or controlled.
6. **Threaded mounting of accessories must match the grinder spindle thread. For accessories mounted by flanges, the arbour hole of the accessory must fit the locating diameter of the flange.** Accessories that do not match the mounting hardware of the power tool will run out of balance, vibrate excessively and may cause loss of control.
7. **Do not use a damaged accessory. Before each use inspect the accessory such as abrasive wheels for chips and cracks, backing pad for cracks, tear or excess wear, wire brush for loose or cracked wires. If power tool or accessory is dropped, inspect for damage or install an undamaged accessory. After inspecting and installing an accessory, position yourself and bystanders away from the plane of the rotating accessory and run the power tool at maximum no-load speed for one minute.** Damaged accessories will normally break apart during this test time.
8. **Wear personal protective equipment. Depending on application, use face shield, safety goggles or safety glasses. As appropriate, wear dust mask, hearing protectors, gloves and workshop apron capable of stopping small abrasive or workpiece fragments.** The eye protection must be capable of stopping flying debris generated by various operations. The dust mask or respirator must be capable of filtrating particles generated by your operation. Prolonged exposure to high intensity noise may cause hearing loss.
9. **Keep bystanders a safe distance away from work area. Anyone entering the work area must wear personal protective equipment.** Fragments of workpiece or of a broken accessory may fly away and cause injury beyond immediate area of operation.
10. **Hold the power tool by insulated gripping surfaces only, when performing an operation where the cutting tool may contact hidden wiring.** Contact with a "live" wire will also make exposed metal parts of the power tool "live" and could give the operator an electric shock.
11. **Never lay the power tool down until the accessory has come to a complete stop.** The spinning accessory may grab the surface and pull the power tool out of your control.
12. **Do not run the power tool while carrying it at your side.** Accidental contact with the spinning accessory could snag your clothing, pulling the accessory into your body.
13. **Regularly clean the power tool's air vents.** The motor's fan will draw the dust inside the housing and excessive accumulation of powdered metal may cause electrical hazards.

14. **Do not operate the power tool near flammable materials.** Sparks could ignite these materials.
15. **Do not use accessories that require liquid coolants.** Using water or other liquid coolants may result in electrocution or shock.

#### **Kickback and Related Warnings**

Kickback is a sudden reaction to a pinched or snagged rotating wheel, backing pad, brush or any other accessory. Pinching or snagging causes rapid stalling of the rotating accessory which in turn causes the uncontrolled power tool to be forced in the direction opposite of the accessory's rotation at the point of the binding.

For example, if an abrasive wheel is snagged or pinched by the workpiece, the edge of the wheel that is entering into the pinch point can dig into the surface of the material causing the wheel to climb out or kick out. The wheel may either jump toward or away from the operator, depending on direction of the wheel's movement at the point of pinching. Abrasive wheels may also break under these conditions.

Kickback is the result of power tool misuse and/or incorrect operating procedures or conditions and can be avoided by taking proper precautions as given below.

- a) **Maintain a firm grip on the power tool and position your body and arm to allow you to resist kickback forces. Always use auxiliary handle, if provided, for maximum control over kickback or torque reaction during start-up.** The operator can control torque reactions or kickback forces, if proper precautions are taken.
- b) **Never place your hand near the rotating accessory.** Accessory may kickback over your hand.
- c) **Do not position your body in the area where power tool will move if kickback occurs.** Kickback will propel the tool in direction opposite to the wheel's movement at the point of snagging.
- d) **Use special care when working corners, sharp edges etc. Avoid bouncing and snagging the accessory.** Corners, sharp edges or bouncing have a tendency to snag the rotating accessory and cause loss of control or kickback.
- e) **Do not attach a saw chain woodcarving blade or toothed saw blade.** Such blades create frequent kickback and loss of control.

#### **Safety Warnings Specific for Grinding and Abrasive Cutting-Off Operations:**

- a) **Use only wheel types that are recommended for your power tool and the specific guard designed for the selected wheel.** Wheels for which the power tool was not designed cannot be adequately guarded and are unsafe.
- b) **The grinding surface of centre depressed wheels must be mounted below the plane of the guard lip.** An improperly mounted wheel that projects through the plane of the guard lip cannot be adequately protected.
- c) **The guard must be securely attached to the power tool and positioned for maximum safety, so the least amount of wheel is exposed towards the operator.** The guard helps to protect the operator from broken wheel fragments, accidental contact with wheel and sparks that could ignite clothing.

- d) **Wheels must be used only for recommended applications. For example: do not grind with the side of cut-off wheel.** Abrasive cut-off wheels are intended for peripheral grinding, side forces applied to these wheels may cause them to shatter.
- e) **Always use undamaged wheel flanges that are of correct size and shape for your selected wheel.** Proper wheel flanges support the wheel thus reducing the possibility of wheel breakage. Flanges for cut-off wheels may be different from grinding wheel flanges.
- f) **Do not use worn down wheels from larger power tools.** Wheel intended for larger power tool is not suitable for the higher speed of a smaller tool and may burst.

#### **Additional Safety Warnings Specific for Abrasive Cutting-Off Operations:**

- a) **Do not “jam” the cut-off wheel or apply excessive pressure. Do not attempt to make an excessive depth of cut.** Overstressing the wheel increases the loading and susceptibility to twisting or binding of the wheel in the cut and the possibility of kickback or wheel breakage.
- b) **Do not position your body in line with and behind the rotating wheel.** When the wheel, at the point of operation, is moving away from your body, the possible kickback may propel the spinning wheel and the power tool directly at you.
- c) **When wheel is binding or when interrupting a cut for any reason, switch off the power tool and hold the power tool motionless until the wheel comes to a complete stop. Never attempt to remove the cut-off wheel from the cut while the wheel is in motion otherwise kickback may occur.** Investigate and take corrective action to eliminate the cause of wheel binding.
- d) **Do not restart the cutting operation in the workpiece. Let the wheel reach full speed and carefully re-enter the cut.** The wheel may bind, walk up or kickback if the power tool is restarted in the workpiece.
- e) **Support panels or any oversized workpiece to minimize the risk of wheel pinching and kickback.** Large workpieces tend to sag under their own weight. Supports must be placed under the workpiece near the line of cut and near the edge of the workpiece on both sides of the wheel.
- f) **Use extra caution when making a “pocket cut” into existing walls or other blind areas.** The protruding wheel may cut gas or water pipes, electrical wiring or objects that can cause kickback.

#### **Safety Warnings Specific for Sanding Operations:**

- a) **Do not use excessively oversized sanding disc paper. Follow manufacturers recommendations, when selecting sanding paper.** Larger sanding paper extending beyond the sanding pad presents a laceration hazard and may cause snagging, tearing of the disc or kickback.

#### **Safety Warnings Specific for Wire Brushing Operations:**

- a) **Be aware that wire bristles are thrown by the brush even during ordinary operation. Do not overstress the wires by applying excessive load**

- to the brush.** The wire bristles can easily penetrate light clothing and/or skin.
- b) **If the use of a guard is recommended for wire brushing, do not allow interference of the wire wheel or brush with the guard.** Wire wheel or brush may expand in diameter due to work load and centrifugal forces.

#### **Additional Safety Warnings:**

16. **When using depressed centre grinding wheels, be sure to use only fiberglass-reinforced wheels.**
17. **NEVER USE Stone Cup type wheels with this grinder.** This grinder is not designed for these types of wheels and the use of such a product may result in serious personal injury.
18. **Be careful not to damage the spindle, the flange (especially the installing surface) or the lock nut. Damage to these parts could result in wheel breakage.**
19. **Make sure the wheel is not contacting the workpiece before the switch is turned on.**
20. **Before using the tool on an actual workpiece, let it run for a while. Watch for vibration or wobbling that could indicate poor installation or a poorly balanced wheel.**
21. **Use the specified surface of the wheel to perform the grinding.**
22. **Do not leave the tool running. Operate the tool only when hand-held.**
23. **Do not touch the workpiece immediately after operation; it may be extremely hot and could burn your skin.**
24. **Observe the instructions of the manufacturer for correct mounting and use of wheels. Handle and store wheels with care.**
25. **Do not use separate reducing bushings or adaptors to adapt large hole abrasive wheels.**
26. **Use only flanges specified for this tool.**
27. **For tools intended to be fitted with threaded hole wheel, ensure that the thread in the wheel is long enough to accept the spindle length.**
28. **Check that the workpiece is properly supported.**
29. **Pay attention that the wheel continues to rotate after the tool is switched off.**
30. **If working place is extremely hot and humid, or badly polluted by conductive dust, use a short-circuit breaker (30 mA) to assure operator safety.**
31. **Do not use the tool on any materials containing asbestos.**
32. **When use cut-off wheel, always work with the dust collecting wheel guard required by domestic regulation.**
33. **Cutting discs must not be subjected to any lateral pressure.**

## **SAVE THESE INSTRUCTIONS.**

**⚠ WARNING:**  
**DO NOT** let comfort or familiarity with product (gained from repeated use) replace strict adherence to safety rules for the subject product. **MISUSE** or failure to follow the safety rules stated in this instruction manual may cause serious personal injury.



# IMPORTANT SAFETY INSTRUCTIONS

ENC007-8

## FOR BATTERY CARTRIDGE

1. Before using battery cartridge, read all instructions and cautionary markings on (1) battery charger, (2) battery, and (3) product using battery.
2. Do not disassemble battery cartridge.
3. If operating time has become excessively shorter, stop operating immediately. It may result in a risk of overheating, possible burns and even an explosion.
4. If electrolyte gets into your eyes, rinse them out with clear water and seek medical attention right away. It may result in loss of your eyesight.
5. Do not short the battery cartridge:
  - (1) Do not touch the terminals with any conductive material.
  - (2) Avoid storing battery cartridge in a container with other metal objects such as nails, coins, etc.
  - (3) Do not expose battery cartridge to water or rain.

A battery short can cause a large current flow, overheating, possible burns and even a breakdown.
6. Do not store the tool and battery cartridge in locations where the temperature may reach or exceed 50°C (122°F).
7. Do not incinerate the battery cartridge even if it is severely damaged or is completely worn out. The battery cartridge can explode in a fire.
8. Be careful not to drop or strike battery.
9. Do not use a damaged battery.
10. Follow your local regulations relating to disposal of battery.

## SAVE THESE INSTRUCTIONS.

### Tips for maintaining maximum battery life

1. Charge the battery cartridge before completely discharged.  
Always stop tool operation and charge the battery cartridge when you notice less tool power.
2. Never recharge a fully charged battery cartridge.  
Overcharging shortens the battery service life.
3. Charge the battery cartridge with room temperature at 10°C - 40°C (50°F - 104°F). Let a hot battery cartridge cool down before charging it.
4. Charge the battery cartridge once in every six months if you do not use it for a long period of time.

## FUNCTIONAL DESCRIPTION

### CAUTION:

- Always be sure that the tool is switched off and the battery cartridge is removed before adjusting or checking function on the tool.

## Installing or removing battery cartridge (Fig. 1)

### ⚠ CAUTION:

- Always switch off the tool before installing or removing of the battery cartridge.
- **Hold the tool and the battery cartridge firmly when installing or removing battery cartridge.** Failure to hold the tool and the battery cartridge firmly may cause them to slip off your hands and result in damage to the tool and battery cartridge and a personal injury.

To remove the battery cartridge, slide it from the tool while sliding the button on the front of the cartridge.

To install the battery cartridge, align the tongue on the battery cartridge with the groove in the housing and slip it into place. Insert it all the way until it locks in place with a little click. If you can see the red indicator on the upper side of the button, it is not locked completely.

### ⚠ CAUTION:

- Always install the battery cartridge fully until the red indicator cannot be seen. If not, it may accidentally fall out of the tool, causing injury to you or someone around you.
- Do not install the battery cartridge forcibly. If the cartridge does not slide in easily, it is not being inserted correctly.

## Battery protection system

The tool is equipped with a battery protection system. This system automatically cuts off power to the motor to extend battery life.

The tool will automatically stop during operation if the tool and/or battery are placed under one of the following conditions:

- Overloaded:

The tool is operated in a manner that causes it to draw an abnormally high current.

In this situation, turn the tool off and stop the application that caused the tool to become overloaded. Then turn the tool on to restart. If the tool does not start, the battery is overheated. In this situation, let the battery cool before turning the tool on again.

- Low battery voltage:

The remaining battery capacity is too low and the tool will not operate. In this situation, remove and recharge the battery.

### NOTE:

The overheat protection works only with a battery cartridge with a star mark. (Fig. 2)

## Indication lamp with multi function (Fig. 3)

Indication lamps are located in two positions.

When the battery cartridge is inserted on the tool with the slide switch positioned in the "O (OFF)", the indication lamp flickers quickly for approximately one second. If it does not flicker so, the battery cartridge or indication lamp may be broken.

#### - Overload protection

- When the tool becomes overloaded, the indication lamp lights up. When the load on the tool is reduced, the lamp goes out.
- If the tool continues to be overloaded and the indication lamp continues to light up for approximately two seconds, the tool stops. This prevents the motor and its related parts from being damaged.
- In this situation, move the slide switch to the "O (OFF)" position once. And then move it to the "I (ON)" position again to restart.

#### - Battery cartridge replacing signal

- When the remaining battery capacity is low, the indicator lamp lights up during operation earlier than that of high battery capacity.

#### - Accidental re-start preventive function

- Even if the battery cartridge is inserted on the tool with the slide switch in the "I (ON)" position, the tool does not start. In this situation, the lamp flickers slowly. It indicates that the accidental re-start preventive function is at work.
- To start the tool, first slide the slide switch toward the "O (OFF)" position and then slide it toward the "I (ON)" position.

### Shaft lock (Fig. 4)

#### CAUTION:

- Never actuate the shaft lock when the spindle is moving. The tool may be damaged.
- Press the shaft lock to prevent spindle rotation when installing or removing accessories.

### Switch action (Fig. 5)

#### CAUTION:

- Before inserting the battery cartridge into the tool, always check to see that the slide switch actuates properly and returns to the "OFF" position when the rear of the slide switch is depressed.

To start the tool, slide the slide switch toward the "I (ON)" position. For continuous operation, press the front of the slide switch to lock it.

To stop the tool, press the rear of the slide switch, then slide it toward the "O (OFF)" position.

## ASSEMBLY

#### CAUTION:

- Always be sure that the tool is switched off and the battery cartridge is removed before carrying out any work on the tool.

### Installing side grip (handle) (Fig. 6)

#### CAUTION:

- Always be sure that the side grip is installed securely before operation.

Screw the side grip securely on the position of the tool as shown in the figure.

## Installing or removing wheel guard (For depressed center wheel, multi disc/ abrasive cut-off wheel, diamond wheel)

### For tool with locking screw type wheel guard (Fig. 7)

#### WARNING:

- When using a depressed center grinding wheel/Multi-disc, flex wheel, wire wheel brush, cut-off wheel or diamond wheel, the wheel guard must be fitted on the tool so that the closed side of the guard always points toward the operator.
- When using an abrasive cut-off/diamond wheel, be sure to use only the special wheel guard designed for use with cut-off wheels. (In European countries, when using a diamond wheel, the ordinary guard can be used.)

Mount the wheel guard with the protrusion on the wheel guard band aligned with the notch on the bearing box. Then rotate the wheel guard to such an angle that it can protect the operator according to work. Be sure to tighten the screw securely.

To remove wheel guard, follow the installation procedure in reverse.

### Installing or removing depressed center grinding wheel/Multi-disc (Fig. 8)

#### WARNING:

- Always use supplied guard when depressed center grinding wheel/Multi-disc is on tool. Wheel can shatter during use and guard helps to reduce chances of personal injury.

Mount the inner flange onto the spindle. Fit the wheel/disc on the inner flange and screw the lock nut onto the spindle.

To tighten the lock nut, press the shaft lock firmly so that the spindle cannot revolve, then use the lock nut wrench and securely tighten clockwise. (Fig. 9)

To remove the wheel, follow the installation procedure in reverse.

#### WARNING:

- Only actuate the shaft lock when the spindle is not moving.

## OPERATION

#### WARNING:

- It should never be necessary to force the tool. The weight of the tool applies adequate pressure. Forcing and excessive pressure could cause dangerous wheel breakage.
- ALWAYS replace wheel if tool is dropped while grinding.
- NEVER bang or hit grinding disc or wheel onto work.
- Avoid bouncing and snagging the wheel, especially when working corners, sharp edges etc. This can cause loss of control and kickback.
- NEVER use tool with wood cutting blades and other sawblades. Such blades when used on a grinder frequently kick and cause loss of control leading to personal injury.

### CAUTION:

- Make the depth of a single cut up to 5 mm. Adjust pressure on the tool so that the tool does not slow down during the operation.
- After operation, always switch off the tool and wait until the wheel has come to a complete stop before putting the tool down.
- If the tool is operated continuously until the battery cartridge has discharged, allow the tool to rest for 15 minutes before proceeding with a fresh battery.

### Grinding and sanding operation (Fig. 10)

ALWAYS hold the tool firmly with one hand on housing and the other on the side handle. Turn the tool on and then apply the wheel or disc to the workpiece. In general, keep the edge of the wheel or disc at an angle of about 15 degrees to the workpiece surface. During the break-in period with a new wheel, do not work the grinder in the B direction or it will cut into the workpiece. Once the edge of the wheel has been rounded off by use, the wheel may be worked in both A and B direction.

### Operation with abrasive cut-off/diamond wheel (optional accessory) (Fig. 11)

The direction for mounting the lock nut and the inner flange varies by wheel thickness. Refer to the table below. (Fig. 12)

#### WARNING:

- When using an abrasive cut-off/diamond wheel, be sure to use only the special wheel guard designed for use with cut-off wheels. (In European countries, when using a diamond wheel, the ordinary guard can be used.)
- NEVER use cut-off wheel for side grinding.
- Do not "jam" the wheel or apply excessive pressure. Do not attempt to make an excessive depth of cut. Overstressing the wheel increases the loading and susceptibility to twisting or binding of the wheel in the cut and the possibility of kickback, wheel breakage and overheating of the motor may occur.
- Do not start the cutting operation in the workpiece. Let the wheel reach full speed and carefully enter into the cut moving the tool forward over the workpiece surface. The wheel may bind, walk up or kickback if the power tool is started in the workpiece.
- During cutting operations, never change the angle of the wheel. Placing side pressure on the cut-off wheel (as in grinding) will cause the wheel to crack and break, causing serious personal injury.
- A diamond wheel shall be operated perpendicular to the material being cut.

## MAINTENANCE

### CAUTION:

- Always be sure that the tool is switched off and the battery cartridge is removed before attempting to perform inspection or maintenance.
- Never use gasoline, benzine, thinner, alcohol or the like. Discoloration, deformation or cracks may result. The tool and its air vents have to be kept clean. Regularly clean the tool's air vents or whenever the vents start to become obstructed. (Fig. 13)

### Replacing carbon brushes (Fig. 14)

Remove and check the carbon brushes regularly. Replace when they wear down to the limit mark. Keep the carbon brushes clean and free to slip in the holders. Both carbon brushes should be replaced at the same time. Use only identical carbon brushes.

Insert the top end of slotted bit screwdriver into the notch in the tool and remove the holder cap cover by lifting it up. (Fig. 15)

Use a screwdriver to remove the brush holder caps. Take out the worn carbon brushes, insert the new ones and secure the brush holder caps. (Fig. 16)

Reinstall the holder cap cover on the tool.

To maintain product SAFETY and RELIABILITY, repairs, any other maintenance or adjustment should be performed by Makita Authorized Service Centers, always using Makita replacement parts.

## OPTIONAL ACCESSORIES

### CAUTION:

- These accessories or attachments are recommended for use with your Makita tool specified in this manual. The use of any other accessories or attachments might present a risk of injury to persons. Only use accessory or attachment for its stated purpose.

If you need any assistance for more details regarding these accessories, ask your local Makita Service Center.

- Wheel guard (wheel cover) for depressed center wheel/multi disc
- Wheel guard (wheel cover) for abrasive cut-off wheel/diamond wheel
- Depressed center wheels
- Abrasive cut-off wheels
- Multi discs
- Diamond wheels
- Wire cup brushes
- Wire bevel brush 85
- Abrasive discs
- Inner flange
- Lock nut for depressed center wheel/abrasive cut-off wheel/multi disc/diamond wheel
- Lock nut for abrasive disc
- Lock nut wrench
- Side grip
- Makita genuine battery and charger

### NOTE:

- Some items in the list may be included in the tool package as standard accessories. They may differ from country to country.

### Noise

ENG905-1

The typical A-weighted noise level determined according to EN60745:

#### Model DGA450

Sound pressure level ( $L_{pA}$ ): 74 dB (A)

Uncertainty (K): 3 dB (A)

The noise level under working may exceed 80 dB (A).

#### Model DGA452

Sound pressure level ( $L_{pA}$ ): 76 dB (A)

Uncertainty (K): 3 dB (A)

The noise level under working may exceed 80 dB (A).

**Wear ear protection.**

## Vibration

ENG900-1

The vibration total value (tri-axial vector sum) determined according to EN60745:

### Model DGA450

Work mode: surface grinding

Vibration emission ( $a_{h,AG}$ ): 8.5 m/s<sup>2</sup>

Uncertainty (K): 1.5 m/s<sup>2</sup>

Work mode: disc sanding

Vibration emission ( $a_{h,DS}$ ): 2.5 m/s<sup>2</sup> or less

Uncertainty (K): 1.5 m/s<sup>2</sup>

### Model DGA452

Work mode: surface grinding

Vibration emission ( $a_{h,AG}$ ): 10.0 m/s<sup>2</sup>

Uncertainty (K): 1.5 m/s<sup>2</sup>

Work mode: disc sanding

Vibration emission ( $a_{h,DS}$ ): 2.5 m/s<sup>2</sup> or less

Uncertainty (K): 1.5 m/s<sup>2</sup>

ENG902-1

- The declared vibration emission value has been measured in accordance with the standard test method and may be used for comparing one tool with another.
- The declared vibration emission value may also be used in a preliminary assessment of exposure.
- The declared vibration emission value is used for main applications of the power tool. However if the power tool is used for other applications, the vibration emission value may be different.

### **WARNING:**

- The vibration emission during actual use of the power tool can differ from the declared emission value depending on the ways in which the tool is used.
- Be sure to identify safety measures to protect the operator that are based on an estimation of exposure in the actual conditions of use (taking account of all parts of the operating cycle such as the times when the tool is switched off and when it is running idle in addition to the trigger time).

## For European countries only

ENH101-17

### EC Declaration of Conformity

**Makita declares that the following Machine(s):**

Designation of Machine:

Cordless Angle Grinder

Model No./Type: DGA450, DGA452

**Conforms to the following European Directives:**

2006/42/EC

They are manufactured in accordance with the following Standard or standardized documents:

EN60745

The Technical file in accordance with 2006/42/EC is available from:

Makita, Jan-Baptist Vinkstraat 2, 3070, Belgium

31. 12. 2013



Yasushi Fukaya  
Director

Makita, Jan-Baptist Vinkstraat 2, 3070, Belgium

## FRANÇAIS (Instructions d'origine)

### Descriptif

- |                             |  |   |
|-----------------------------|--|---|
| 1. Bouton                   | 12. Meule à moyeu déporté/<br>multidisque        | 20. Épaisseur : 4 mm (5/32") au<br>moins  |
| 2. Voyant rouge             | 13. Flasque intérieur                            | 21. Sortie d'air                          |
| 3. Batterie                 | 14. Clé à contre-écrou                           | 22. Entrée d'air                          |
| 4. Étoile                   | 15. Meule à tronçonner/diamantée                 | 23. Marque de limite                      |
| 5. Voyant                   | 16. Carter pour meule à tronçonner/<br>diamantée | 24. Cache du bouchon de porte-<br>charbon |
| 6. Blocage de l'arbre       | 17. Meule à tronçonner                           | 25. Tournevis                             |
| 7. Interrupteur à glissière | 18. Meule diamantée                              | 26. Bouchon de porte-charbon              |
| 8. Carter de meule          | 19. Épaisseur : moins de 4 mm<br>(5/32")         |   |
| 9. Boîtier d'engrenage      |  |   |
| 10. Vis                     |  |   |
| 11. Contre-écrou            |  |   |

## SPÉCIFICATIONS

Modèle	DGA402	DGA450	DGA452
Diamètre de la meule	100 mm	115 mm	
Épaisseur maximale de la meule	6,4 mm	6,4 mm	6,4 mm
Filetage de l'axe	M10	M14 ou 5/8" (propre à chaque pays)	
Vitesse nominale (n)/Vitesse à vide (n <sub>0</sub> )	11 000 min <sup>-1</sup>		
Longueur totale	317 mm		
Poids net	2,2 kg	2,2 kg	2,3 kg
Tension nominale	C.C. 18 V	C.C. 14,4 V	C.C. 18 V

- Étant donné l'évolution constante de notre programme de recherche et de développement, les spécifications contenues dans ce manuel sont sujettes à des modifications sans préavis.
- Les spécifications et la batterie peuvent varier d'un pays à l'autre.
- Poids, batterie incluse, selon la procédure EPTA 01/2003

### Symboles

END221-4

Les symboles utilisés pour l'outil sont indiqués ci-dessous. Assurez-vous d'avoir bien compris leur signification avant d'utiliser l'outil.



..... Reportez-vous au manuel d'instructions.



..... Portez des lunettes de sécurité.



..... Pour les pays européens uniquement  
Ne pas jeter les appareils électriques et les bloc-batteries dans les ordures ménagères !  
Conformément aux directives européennes relatives aux déchets d'équipements électriques ou électroniques (DEEE) ainsi qu'aux batteries, aux accumulateurs et aux batteries et accumulateurs usagés et à leur transposition dans la législation nationale, les appareils électriques, les batteries et les bloc-batteries doivent être collectés à part et être soumis à un recyclage respectueux de l'environnement.

### Utilisations

ENE048-1

L'outil est conçu pour le meulage, le ponçage et la coupe des métaux et pierres sans utilisation d'eau.

## Consignes de sécurité générales des outils électriques

GEA010-1

**⚠ AVERTISSEMENT** Veuillez lire toutes les consignes de sécurité et les instructions. Il y a un risque de choc électrique, d'incendie et/ou de blessure grave si les consignes et les instructions ne sont pas toutes respectées.

## Conservez toutes les consignes et instructions pour référence ultérieure.

## AVERTISSEMENTS DE SÉCURITÉ CONCERNANT LA MEULEUSE SANS FIL

GEB059-3

**Consignes de sécurité pour des opérations de meulage, ponçage, brossage avec brosse métallique ou tronçonnage :**

1. **Cet outil électrique est prévu pour fonctionner comme un outil de meulage, ponçage, tronçonnage ou brossage à brosse métallique. Lisez tous les avertissements concernant la sécurité, les instructions, les illustrations et les caractéristiques fournis avec cet outil électrique.** Il y a un risque d'électrocution, d'incendie et/ou de blessures graves si les instructions énumérées ci-dessous ne sont pas respectées.

2. **Les opérations comme le polissage sont déconseillées avec cet outil électrique.** Les opérations pour lesquelles l'outil électrique n'a pas été conçu peuvent générer un danger et occasionner des blessures.
  3. **N'utilisez pas d'accessoires qui ne sont pas spécifiquement conçus et recommandés par le fabricant de l'outil.** Le simple fait que l'accessoire puisse être fixé à votre outil électrique ne signifie pas que le fonctionnement sera sécurisé.
  4. **La vitesse nominale de l'accessoire doit être au moins égale à la vitesse maximale indiquée sur l'outil électrique.** Les accessoires fonctionnant plus rapidement que leur vitesse nominale risquent de se casser et de voler en éclats.
  5. **Le diamètre externe et l'épaisseur de votre accessoire doivent correspondre à la puissance nominale de votre outil électrique.** Des accessoires aux dimensions inappropriées ne peuvent pas être protégés ou contrôlés correctement.
  6. **Le montage fileté des accessoires doit correspondre au filetage de l'axe de la meuleuse. Pour les accessoires montés à l'aide de flasques, l'orifice de tonnelle de l'accessoire doit correspondre au diamètre du flasque.** Les accessoires qui ne correspondent pas au matériel de montage de l'outil électrique seront déséquilibrés et subiront des vibrations excessives, susceptibles d'occasionner une perte de contrôle.
  7. **N'utilisez pas d'accessoire endommagé. Avant chaque utilisation, vérifiez que les accessoires, comme les meules tronçonneuses, ne comportent pas de copeaux et de fissures, que la semelle n'est pas fissurée, déchirée ou excessivement usée et que les fils de la brosse métallique ne sont pas lâches ou cassés. En cas de chute de l'outil électrique ou d'un accessoire, assurez-vous qu'il n'est pas endommagé et remplacez-le au besoin par un accessoire en bon état. Après avoir inspecté et installé un accessoire, positionnez-vous ainsi que les spectateurs à distance du plan de l'accessoire en rotation et faites fonctionner l'outil électrique à la vitesse maximale à vide pendant une minute.** Normalement, tout accessoire endommagé se brisera au cours de ce temps d'essai.
  8. **Portez un équipement de protection corporelle. En fonction du type de travail à effectuer, utilisez un écran facial, des lunettes étanches ou des lunettes de protection. Au besoin, portez un masque anti-poussières, des protège-tympans, des gants et un tablier d'atelier capable d'arrêter les petits fragments abrasifs ou des morceaux de la pièce à travailler.** La protection pour les yeux doit pouvoir stopper les projections de débris générées par diverses opérations. Le masque anti-poussières ou le masque filtrant doit pouvoir filtrer les particules générées lors des travaux. L'exposition prolongée à un bruit d'intensité élevée peut entraîner la surdité.
  9. **Gardez les spectateurs à une distance de sécurité de la zone de travail. Quiconque pénètre dans la zone de travail doit porter un équipement de protection corporelle.** Des fragments de la pièce à travailler ou d'un accessoire cassé peuvent être projetés hors de la zone de travail immédiate et entraîner des blessures.
  10. **Saisissez l'outil électrique par ses surfaces de poigne isolées uniquement, lorsque vous effectuez une opération au cours de laquelle l'outil tranchant peut entrer en contact avec des fils cachés.** Le contact avec un fil sous tension mettra également les parties métalliques exposées de l'outil sous tension, risquant ainsi de provoquer un choc électrique chez l'utilisateur.
  11. **Ne posez jamais l'outil électrique à terre tant que l'accessoire ne s'est pas complètement arrêté.** L'accessoire rotatif peut accrocher la surface et vous risquez de perdre le contrôle de l'outil électrique.
  12. **Ne faites pas tourner l'outil électrique si vous le transportez à côté de vous.** Un contact accidentel avec l'accessoire rotatif pourrait accrocher vos vêtements et attirer l'accessoire vers votre corps.
  13. **Nettoyez régulièrement les aérations de l'outil électrique.** Le ventilateur du moteur tirera la poussière à l'intérieur du logement et une accumulation excessive de poudre métallique peut entraîner des chocs électriques.
  14. **Ne faites pas fonctionner l'outil électrique à proximité de matériaux inflammables.** Les étincelles risquent d'enflammer ces matériaux.
  15. **N'utilisez pas d'accessoires qui nécessitent des liquides de refroidissement.** L'utilisation d'eau ou de liquides de refroidissement peut entraîner une électrocution ou un choc électrique.
- Rebond et avertissements afférents**
- Le rebond est une réaction soudaine suite à un pincement ou accrochage d'une meule en rotation, d'un patin de renfort, d'une brosse ou d'un autre accessoire. Un pincement ou un accrochage peut entraîner le calage rapide de l'accessoire rotatif, ce qui peut alors forcer l'outil électrique hors de contrôle à tourner dans la direction opposée au sens de rotation de l'accessoire, jusqu'à ce qu'ils se bloquent.
- Par exemple, si une meule est accrochée ou pincée par la pièce à travailler, le rebord de la meule qui pénètre dans le point de pincement peut creuser dans la surface du matériau, ce qui peut faire sortir la meule. La meule risque de sauter en direction de l'opérateur ou dans la direction opposée, en fonction du sens de rotation de la meule au niveau du point de pincement. Les meules peuvent également se casser dans certaines conditions.
- Le rebond est dû à une mauvaise utilisation de l'outil et/ou à des procédures ou conditions de travail inappropriées. Il peut être évité en prenant les mesures appropriées, telles que celles indiquées ci-dessous.
- a) **Maintenez une prise ferme sur l'outil électrique et positionnez votre corps et vos bras de façon à pouvoir résister aux forces du rebond. Utilisez toujours une poignée auxiliaire, le cas échéant, pour contrôler au maximum les rebonds ou la réaction du couple au démarrage.** L'opérateur peut contrôler les réactions du couple ou les forces du rebond s'il prend les précautions nécessaires.
  - b) **Ne placez jamais la main à proximité de l'accessoire rotatif.** L'accessoire risque de rebondir sur votre main.
  - c) **Ne positionnez pas votre corps dans la zone où l'outil électrique se déplacera en cas de rebond.**

Le rebond propulsera l'outil dans la direction opposée au mouvement de la meule, au point d'accrochage.

- d) **Soyez particulièrement prudent lorsque vous travaillez dans des recoins, sur des rebords tranchants, etc. Évitez de faire rebondir ou d'accrocher l'accessoire.** Les recoins, les rebords tranchants ou les rebonds ont tendance à accrocher l'accessoire rotatif et à provoquer une perte de contrôle ou un rebond.
- e) **Ne fixez pas une lame de sculpteur à chaîne coupante ou une lame de scie dentée.** De telles lames peuvent créer de fréquents rebonds et pertes de contrôle.

#### Consignes de sécurité spécifiques aux opérations de meulage et de tronçonnage :

- a) **N'utilisez que les types de meules qui sont recommandées pour votre outil électrique et le carter spécifique conçu pour la meule sélectionnée.** Les meules pour lesquelles l'outil électrique n'a pas été conçu ne peuvent pas être protégées de manière adéquate et ne sont pas sûres.
- b) **La surface de meulage des meules à moyeu déporté doit être montée sous le plan de la lèvre du carter.** Une meule mal montée qui se projette à travers le plan de la lèvre du carter ne peut pas être correctement protégée.
- c) **Pour une sécurité maximale, le carter doit être solidement fixé à l'outil électrique et positionné pour une sécurité optimale, de manière à exposer la meule au minimum en direction de l'opérateur.** Le carter contribue à protéger l'opérateur des fragments de meule brisée, du contact accidentel avec la meule et des étincelles susceptibles d'enflammer les vêtements.
- d) **Les meules doivent être utilisées uniquement pour les applications recommandées. Par exemple : ne pas meuler avec la face latérale de la meule à tronçonner.** Les meules à tronçonner sont conçues pour un meulage périphérique, les forces latérales appliquées à ces meules peuvent les briser.
- e) **Utilisez toujours des flasques de meule en bon état dont la taille et la forme sont adaptées à la meule que vous avez choisie.** Des flasques de meule appropriés soutiennent la meule, réduisant ainsi le risque de cassure de la meule. Les flasques pour les meules tronçonneuses peuvent être différents des flasques de meule ordinaire.
- f) **N'utilisez pas de meules usées issues d'outils électriques plus grands.** La meule conçue pour les outils électriques plus grands ne convient pas à la vitesse plus élevée d'un outil plus petit et elle risque d'exploser.

#### Consignes de sécurité supplémentaires spécifiques aux opérations de tronçonnage :

- a) **Ne bloquez pas la meule à tronçonner et n'appliquez pas de pression excessive. Ne tentez pas d'effectuer une découpe d'une profondeur excessive.** Une surcharge de la meule augmente la charge et la susceptibilité aux torsions ou coincements de la meule lors de la découpe ainsi que le risque de rebond ou de cassure de la meule.

b) **Ne positionnez pas votre corps en ligne avec et derrière la meule en mouvement.** Lorsque la meule en fonctionnement s'écarte de votre corps, le rebond éventuel peut propulser la meule en rotation et l'outil électrique directement sur vous.

c) **Lorsque la meule se coince ou lors de l'interruption d'une découpe, quelle qu'en soit la raison, éteignez l'outil électrique et maintenez-le immobile jusqu'à ce que la meule s'arrête complètement. Ne tentez jamais de retirer la meule à tronçonner de la coupe lorsque la meule est en mouvement, sans quoi un rebond risque de se produire.** Identifiez la cause du coincement de la lame et prenez les mesures correctives pour éliminer ladite cause.

d) **Ne reprenez pas l'opération de découpe dans la pièce à travailler. Laissez la meule atteindre sa vitesse pleine et rentrez à nouveau dans la coupe avec prudence.** La meule peut se coincer, retourner en arrière ou rebondir si l'outil électrique est redémarré dans la pièce à travailler.

e) **Soutenez les panneaux ou une pièce à travailler de taille excessive pour minimiser les risques de pincement et de rebond de la meule.** Les pièces à travailler de grande dimension ont tendance à s'affaisser sous leur propre poids. Des supports doivent être installés sous la pièce à travailler, près de la ligne de coupe et des rebords de la pièce à travailler, de chaque côté de la meule.

f) **Soyez extrêmement prudent lorsque vous effectuez une coupe en plongée dans un mur ou toute autre surface derrière laquelle peuvent se trouver des objets non visibles.** La meule en saillie peut couper des conduites de gaz ou d'eau, des fils électriques ou des objets qui peuvent provoquer un rebond.

#### Consignes de sécurité particulières aux opérations de ponçage :

- a) **N'utilisez pas de disque de ponçage aux dimensions excessives. Suivez les conseils des fabricants pour sélectionner le papier de verre.** Un papier de verre trop grand qui dépasse du patin de ponçage présente des risques de laceration et peut entraîner un accrochage ou un déchirement du disque ou un rebond.

#### Consignes de sécurité spécifiques aux opérations à la brosse métallique :

- a) **N'oubliez pas que la brosse rejette des fils métalliques, même lors d'un fonctionnement normal. Ne surchargez pas les fils en appliquant une charge excessive sur la brosse.** Les fils métalliques peuvent facilement transpercer des vêtements légers et/ou la peau.
- b) **S'il est conseillé d'utiliser un carter pour la brosse métallique, ne laissez pas la roue métallique ou la brosse interférer avec le carter.** Le diamètre de la roue métallique ou de la brosse peut s'agrandir en raison de la charge de travail et des forces centrifuges.

#### Autres avertissements de sécurité :

16. **Lors de l'utilisation de meules à moyeu déporté, assurez-vous d'utiliser exclusivement des meules renforcées de fibre de verre.**

17. **N'UTILISEZ JAMAIS de meule pour couper la pierre avec cette meuleuse.** Cette meuleuse n'est pas destinée à ce type de meule et l'utilisation de ce genre de produit peut entraîner de graves blessures corporelles.
18. **Prenez garde de ne pas endommager l'axe, le flasque (tout particulièrement la surface d'installation) ou le contre-écrou.** La meule risque de casser si ces pièces sont endommagées.
19. **Assurez-vous que la meule n'entre pas en contact avec la pièce à travailler avant de mettre l'outil sous tension.**
20. **Avant d'utiliser l'outil sur la pièce elle-même, laissez-le tourner un instant. Soyez attentif à toute vibration ou sautellement pouvant indiquer que la meule n'est pas bien installée ou qu'elle est mal équilibrée.**
21. **Utilisez la face spécifiée de la meule pour meuler.**
22. **N'abandonnez pas l'outil alors qu'il tourne. Ne faites fonctionner l'outil qu'une fois que vous l'avez bien en main.**
23. **Ne touchez jamais la pièce à travailler juste après l'opération ; elle peut être extrêmement chaude et vous risquez de vous brûler.**
24. **Pour installer et utiliser correctement la meule, veuillez suivre les instructions du fabricant. Manipulez les meules avec soin et rangez-les en lieu sûr.**
25. **N'utilisez aucun raccord de réduction ou adaptateur séparé pour adapter un trou de meule trop grand.**
26. **Utilisez exclusivement les flasques spécifiés pour cet outil.**
27. **Dans le cas des outils conçus pour l'utilisation avec une meule à trou fileté, assurez-vous que la longueur du filetage de la meule convient à la longueur de l'axe.**
28. **Assurez-vous que la pièce à travailler est correctement soutenue.**
29. **Gardez à l'esprit que la meule continue de tourner même une fois le contact coupé sur l'outil.**
30. **Si le site de travail est extrêmement chaud et humide ou s'il y a beaucoup de poussières conductrices dans l'air, utilisez un coupe-circuit (30 mA) pour assurer votre sécurité.**
31. **N'utilisez l'outil sur aucun matériau contenant de l'amiante.**
32. **Lorsque vous utilisez une meule à tronçonner, travaillez toujours avec le carter de collecte des poussières exigé par la réglementation locale.**
33. **Aucune pression latérale ne doit être appliquée sur le disque pendant la coupe.**

## CONSERVEZ CES INSTRUCTIONS.

### AVERTISSEMENT :

**NE vous laissez PAS tromper (au fil d'une utilisation répétée) par un sentiment d'aisance et de familiarité avec le produit, en négligeant le respect rigoureux des consignes de sécurité qui accompagnent l'outil. Une UTILISATION INCORRECTE de l'outil ou le non-respect des consignes de sécurité indiquées dans ce**

**manuel d'instructions peuvent causer des blessures graves.**

## CONSIGNES DE SÉCURITÉ IMPORTANTES

ENC007-8

### POUR LA BATTERIE

1. **Avant d'utiliser la batterie, veuillez lire toutes les instructions et tous les avertissements inscrits sur (1) le chargeur, (2) la batterie et (3) l'appareil alimenté par la batterie.**
2. **Ne démontez pas la batterie.**
3. **Cessez immédiatement d'utiliser l'outil si le temps de fonctionnement devient excessivement court. Il y a risque de surchauffe, de brûlures, voire d'explosion.**
4. **Si l'électrolyte pénètre dans vos yeux, rincez-les à l'eau claire et consultez immédiatement un médecin. Il y a risque de perte de la vue.**
5. **Évitez de court-circuiter la batterie :**
  - (1) **Ne touchez les bornes avec aucun matériau conducteur.**
  - (2) **Évitez de ranger la batterie dans un contenant où se trouvent d'autres objets métalliques tels que des clous, pièces de monnaie, etc.**
  - (3) **N'exposez pas la batterie à l'eau ou à la pluie. Un court-circuit de la batterie risque de provoquer un fort courant, une surchauffe, parfois des brûlures et même une panne.**
6. **Ne rangez pas l'outil ou la batterie dans des endroits où la température risque d'atteindre ou de dépasser 50°C (122°F).**
7. **Ne jetez pas la batterie au feu même si elle est sérieusement endommagée ou complètement épuisée. La batterie peut exploser au contact du feu.**
8. **Veillez à ne pas laisser tomber ou heurter la batterie.**
9. **N'utilisez pas de batterie endommagée.**
10. **Respectez les réglementations locales relatives à la mise au rebut des batteries.**

## CONSERVEZ CES INSTRUCTIONS.

### Conseils pour assurer la durée de vie optimale de la batterie

1. **Rechargez la batterie avant qu'elle ne soit complètement épuisée. Arrêtez toujours l'outil et rechargez la batterie quand vous constatez que la puissance de l'outil diminue.**
2. **Ne rechargez jamais une batterie complètement chargée. La surcharge réduit la durée de service de la batterie.**
3. **Chargez la batterie alors que la température de la pièce se trouve entre 10°C et 40°C (50°F et 104°F). Si une batterie est chaude, laissez-la refroidir avant de la charger.**



4. Si vous n'utilisez pas l'outil pendant une période prolongée, rechargez la batterie tous les six mois.

## DESCRIPTION DU FONCTIONNEMENT

### ATTENTION :

- Assurez-vous toujours que l'outil est hors tension et que sa batterie est retirée avant d'ajuster l'outil ou de vérifier son fonctionnement.

### Installation et retrait de la batterie (Fig. 1)

#### ⚠ ATTENTION :

- Éteignez toujours l'outil avant d'installer ou de déposer la batterie.
- Tenez fermement l'outil et la batterie lors de l'installation ou du retrait de la batterie. Si vous ne tenez pas fermement l'outil et la batterie, ils risquent de glisser et de s'abîmer ou de vous blesser.

Pour retirer la batterie, faites glisser le bouton à l'avant de la batterie et sortez la batterie.

Pour installer la batterie, alignez sa languette sur la rainure qui se trouve à l'intérieur du carter, puis glissez la batterie pour la mettre en place. Insérez-la bien à fond, jusqu'à ce qu'elle se verrouille en émettant un léger clic. Si vous pouvez voir le voyant rouge sur la face supérieure du bouton, la batterie n'est pas parfaitement verrouillée.

#### ⚠ ATTENTION :

- Installez toujours la batterie à fond, de sorte que le voyant rouge ne soit plus visible. Sinon, elle risque de tomber accidentellement de l'outil, en vous blessant ou en blessant une personne située près de vous.
- Ne forcez pas pour installer la batterie. Si la batterie ne glisse pas aisément, c'est qu'elle n'est pas insérée correctement.

### Système de protection de la batterie

L'outil est équipé d'un système de protection de la batterie. Ce système coupe automatiquement l'alimentation vers le moteur afin de prolonger la durée de vie de la batterie.

L'outil s'arrête automatiquement pendant le fonctionnement lorsqu'il et/ou la batterie se trouvent dans l'une des situations suivantes :

- Surchargé :  
L'outil fonctionne de manière à créer un courant anormalement élevé.  
Dans ce cas, éteignez l'outil et arrêtez l'application qui cause la surcharge de l'outil. Ensuite, allumez l'outil pour le redémarrer.  
Si l'outil ne démarre pas, la batterie est en surchauffe. Dans ce cas, laissez la batterie refroidir avant de rallumer l'outil.
- Faible tension de la batterie :  
L'autonomie restante est trop faible et l'outil ne fonctionnera pas. Dans ce cas, retirez la batterie et rechargez-la.

### REMARQUE :

La protection contre la surchauffe fonctionne uniquement avec une batterie comportant un symbole d'étoile. (Fig. 2)

### Voyant à fonctions multiples (Fig. 3)

Des voyants se trouvent en deux positions.

Si vous insérez la batterie dans l'outil alors que l'interrupteur à glissière se trouve en position « O » (ARRÊT), le voyant clignote rapidement pendant environ une seconde. S'il ne clignote pas, il est possible que la batterie ou le voyant ne fonctionnent pas.

#### - Protection contre la surcharge

- Le voyant s'allume lorsque l'outil est soumis à une surcharge. Le voyant s'éteint lorsque la charge de l'outil diminue.
- Si l'outil demeure soumis à une surcharge et que le voyant demeure allumé pendant environ deux secondes, l'outil s'arrête. Cela prévient l'endommagement du moteur et des pièces qui lui sont liées.
- Dans ce cas, déplacez l'interrupteur à glissière en position « O » (ARRÊT) une seule fois. Remplacez-le ensuite en position « I » (MARCHÉ) pour redémarrer l'outil.

#### - Signal de remplacement de la batterie

- Lorsque l'autonomie de la batterie est faible, le voyant s'allume plus tôt pendant l'utilisation de l'outil que lorsqu'elle est élevée.

#### - Fonction de prévention des redémarrages accidentels

- Même si la batterie est insérée dans l'outil alors que l'interrupteur à glissière se trouve en position « I » (MARCHÉ), l'outil ne démarre pas. Dans ce cas, le voyant clignote lentement. Cela indique que la fonction de prévention du redémarrage accidentel est activée.
- Pour démarrer l'outil, glissez d'abord l'interrupteur à glissière vers la position « O » (ARRÊT) puis glissez-le vers la position « I » (MARCHÉ).

### Blocage de l'arbre (Fig. 4)

#### ATTENTION :

- N'activez jamais le blocage de l'arbre alors que l'axe bouge. Vous pourriez endommager l'outil.
- Appuyez sur le blocage de l'arbre pour empêcher l'axe de tourner lors de l'installation ou du retrait des accessoires.

### Interrupteur (Fig. 5)

#### ATTENTION :

- Avant d'insérer la batterie dans l'outil, vérifiez toujours que la gâchette à glissière fonctionne bien et revient en position d'arrêt lorsque vous enfoncez sa partie arrière.
- Pour mettre l'outil en marche, glissez l'interrupteur à glissière sur la position « I » (ON). Pour une utilisation continue, appuyez sur la partie avant de l'interrupteur à glissière pour le verrouiller.
- Pour arrêter l'outil, appuyez sur la partie arrière de l'interrupteur à glissière, puis glissez ce dernier vers la position « O » (ARRÊT).

## ASSEMBLAGE

#### ATTENTION :

- Assurez-vous toujours que l'outil est hors tension et que la batterie est retirée avant d'effectuer toute intervention sur l'outil.

## Installation de la poignée latérale (manche) (Fig. 6)

### ATTENTION :

- Avant d'utiliser l'outil, assurez-vous toujours que la poignée latérale est installée de façon sûre.
- Vissez la poignée latérale à fond sur la position prévue à cet effet sur l'outil, comme illustré sur la figure.

## Installation ou retrait du carter de meule (pour meule à moyeu déporté, multi-disques/meule à tronçonner, meule diamantée)

### Pour les outils équipés d'un carter de meule de type à vis de verrouillage (Fig. 7)

#### ATTENTION :

- Lors de l'utilisation d'une meule à moyeu déportée/multidisque, d'une meule flexible, d'une brosse métallique à touret, d'une meule à tronçonner ou d'une meule diamantée, le carter de meule doit être ajusté sur l'outil de sorte que la partie de la meule qui se trouve du côté de l'utilisateur soit toujours recouverte par le carter.
- Lorsque vous utilisez une meule à tronçonner/meule diamantée, assurez-vous de n'utiliser que le carter de meule spécifique, conçu pour être utilisé avec des meules à tronçonner. (En Europe, en cas d'utilisation d'une meule diamantée, un carter classique peut être utilisé.)

Montez le carter de meule en alignant la partie saillante de la bande du carter sur l'entaille du boîtier d'engrenage. Faites ensuite pivoter le carter de meule selon un angle qui permette de protéger l'opérateur selon le travail à exécuter. Assurez-vous d'avoir serré la vis fermement. Pour retirer le carter de meule, suivez la procédure d'installation en ordre inverse.

## Pose ou dépose de la meule à moyeu déporté/multidisque (Fig. 8)

### AVERTISSEMENT :

- Utilisez toujours le carter de meule fourni lorsque la meule à moyeu déporté/multidisque est installée sur l'outil. Comme la meule peut se rompre pendant l'utilisation, le carter de meule réduit les risques de blessure.

Montez le flasque intérieur sur l'axe. Ajustez la meule/le disque sur le flasque intérieur et vissez le contre-écrou sur l'axe.

Pour serrer le contre-écrou, appuyez fermement sur le blocage de l'arbre pour empêcher l'axe de tourner, puis utilisez la clé à contre-écrou pour serrer fermement dans le sens des aiguilles d'une montre. (Fig. 9)

Pour retirer la meule, suivez la procédure d'installation dans l'ordre inverse.

### AVERTISSEMENT :

- N'activez le blocage de l'arbre que lorsque l'axe ne bouge pas.

## UTILISATION

### AVERTISSEMENT :

- Il n'est jamais nécessaire de forcer l'outil. Le poids de l'outil lui-même suffit à assurer une pression adéquate. En forçant l'outil ou en appliquant une pression excessive dessus vous courez le risque dangereux de casser la meule.
- Remplacez TOUJOURS la meule si l'outil vous échappe pendant le meulage.
- Ne frappez JAMAIS le disque de meulage ou la meule contre la pièce à travailler.
- Évitez de laisser la meule sautiller ou accrocher, tout spécialement lorsque vous travaillez dans les coins, sur les bords tranchants, etc. Cela peut causer une perte de contrôle et un choc en retour.
- N'utilisez JAMAIS cet outil avec des lames à bois et autres lames de scie. Les lames de ce type sautent fréquemment lorsqu'elles sont utilisées sur une meuleuse et risquent d'entraîner une perte de contrôle pouvant causer des blessures.

### ATTENTION :

- La profondeur maximale d'une coupe simple est de 5 mm. Ajustez votre pression sur l'outil de sorte qu'il ne ralentisse pas pendant l'utilisation.
- Après l'utilisation, mettez toujours l'outil hors tension et attendez l'arrêt complet de la meule avant de déposer l'outil.
- Si l'outil a fonctionné de façon continue jusqu'à ce que la batterie soit épuisée, laissez-le reposer pendant 15 minutes avant de recommencer avec une batterie fraîche.

## Meulage et ponçage (Fig. 10)

Tenez TOUJOURS l'outil fermement en posant une main sur le carter et l'autre main sur le manche latéral. Mettez l'outil en marche puis posez la meule ou le disque sur la pièce à travailler.

En général, vous devez maintenir le bord du disque ou de la meule sur un angle d'environ 15 degrés par rapport à la surface de la pièce à travailler.

Pendant la période de rodage d'une meule neuve, ne faites pas avancer la meuleuse dans le sens B, sinon elle risque de couper la pièce à travailler. Une fois le tranchant de la meule rodé, la meule peut être utilisée dans les sens A et B.

## Utilisation avec une meule à tronçonner/diamantée (accessoire en option) (Fig. 11)

Le sens d'installation du contre-écrou et du flasque intérieur varie selon l'épaisseur de la meule.

Reportez-vous au tableau suivant. (Fig. 12)

### ⚠ ATTENTION :

- Lorsque vous utilisez une meule à tronçonner/meule diamantée, assurez-vous de n'utiliser que le carter de meule spécifique, conçu pour être utilisé avec des meules à tronçonner. (En Europe, en cas d'utilisation d'une meule diamantée, un carter classique peut être utilisé.)
- N'utilisez JAMAIS pas de meule à tronçonner pour le meulage latéral.
- Ne coinciez pas la meule ou n'appliquez pas de pression excessive. Ne tentez pas d'effectuer une

- découpe d'une profondeur excessive. Une surcharge de la meule augmente la charge et la susceptibilité aux torsions ou coincements de la meule lors de la découpe et la possibilité d'un retour de choc, que la meule se casse et que le moteur surchauffe.
- Ne démarrez pas l'opération de découpe dans la pièce à travailler. Laissez la meule atteindre sa vitesse pleine et entrez prudemment dans la découpe en déplaçant l'outil vers l'avant sur la surface de la pièce à travailler. La meule peut se coincer, retourner en arrière ou rebondir si l'outil électrique est démarré dans la pièce à travailler.
  - Au cours d'opérations de découpe, ne changez jamais l'angle de la meule. Si vous appliquez une pression latérale sur la meule à tronçonner (dans un meulage), la meule se fêlera et se cassera, entraînant des blessures graves.
  - Les meules diamantées doivent être utilisées perpendiculairement au matériau à découper.

## MAINTENANCE

### ATTENTION :

- Assurez-vous toujours que l'outil est hors tension et que la batterie est retirée avant d'y effectuer tout travail d'inspection ou d'entretien.
- N'utilisez jamais d'essence, de benzine, de diluant, d'alcool ou de produit similaire. Ces produits risquent de provoquer des décolorations, des déformations ou des fissures.

L'outil et ses orifices d'aération doivent être maintenus propres. Nettoyez les orifices d'aération de l'outil régulièrement ou chaque fois qu'ils commencent à se boucher. (Fig. 13)

### Remplacement des charbons (Fig. 14)

Retirez et vérifiez les charbons régulièrement. Remplacez-les lorsqu'ils atteignent la marque de limite. Gardez les charbons propres et libres de glisser dans les porte-charbons. Il faut remplacer les deux charbons en même temps. Utilisez uniquement des charbons identiques.

Insérez le bout d'un tournevis à tête fendue dans l'entaille de l'outil et retirez le cache du bouchon de porte-charbon en le soulevant. (Fig. 15)

Retirez les bouchons de porte-charbon à l'aide d'un tournevis. Enlevez les charbons usés, insérez les neufs et remettez en place les bouchons de porte-charbon.

### (Fig. 16)

Remettez le cache de bouchon de porte-charbon en place sur l'outil.

Pour assurer la SÉCURITÉ et la FIABILITÉ du produit, toute réparation et tout travail d'entretien ou de réglage doivent être effectués par un Centre de service après-vente agréé Makita, avec des pièces de rechange Makita.

## ACCESSOIRES FOURNIS EN OPTION

### ⚠ ATTENTION :

- Ces accessoires ou pièces complémentaires sont recommandés pour être utilisés avec l'outil Makita spécifié dans ce mode d'emploi. L'utilisation de tout autre accessoire ou pièce complémentaire peut

comporter un risque de blessure. N'utilisez les accessoires ou pièces qu'aux fins auxquelles ils ont été conçus.

Pour obtenir plus de détails sur ces accessoires, contactez votre Centre de service local Makita.

- Carter de meule (enjoliveur) pour meule à moyen déporté/multi-disques
- Carter de meule (enjoliveur) pour meule à tronçonner/meule diamantée
- Meules à moyen déporté
- Meules à tronçonner
- Multi-disques
- Meules diamantées
- Brosses coupe métalliques
- Brosse métallique à biseau 85
- Disques abrasifs
- Flasque intérieur
- Contre-écrou pour meule à moyen déporté/meule à tronçonner/multi-disques/meule diamantée
- Contre-écrou pour disque abrasif
- Clé à contre-écrou
- Poignée latérale
- Batterie et chargeur Makita authentiques

### REMARQUE :

- Certains éléments de la liste peuvent être inclus en tant qu'accessoires standard dans le coffret de l'outil envoyé. Ils peuvent varier suivant les pays.

### Bruit

ENG905-1

Les niveaux de bruit pondéré A typiques ont été mesurés selon la norme EN60745 :

#### Modèle DGA450

Niveau de pression sonore ( $L_{pA}$ ) : 74 dB (A)

Incertitude (K) : 3 dB (A)

Le niveau de bruit peut dépasser 80 dB (A) lors de l'utilisation.

#### Modèle DGA452

Niveau de pression sonore ( $L_{pA}$ ) : 76 dB (A)

Incertitude (K) : 3 dB (A)

Le niveau de bruit peut dépasser 80 dB (A) lors de l'utilisation.

### Portez des protections auditives.

### Vibration

ENG900-1

La valeur totale de vibration (somme du vecteur triaxial) a été déterminée selon la norme EN60745 :

#### Modèle DGA450

Mode de fonctionnement : meulage de surface

Émission de vibrations ( $a_{h, AG}$ ) : 8,5 m/s<sup>2</sup>

Incertitude (K) : 1,5 m/s<sup>2</sup>

Mode de fonctionnement : ponçage au disque

Émission de vibrations ( $a_{h, DS}$ ) : 2,5 m/s<sup>2</sup> ou moins

Incertitude (K) : 1,5 m/s<sup>2</sup>

#### Modèle DGA452

Mode de fonctionnement : meulage de surface

Émission de vibrations ( $a_{h, AG}$ ) : 10,0 m/s<sup>2</sup>

Incertitude (K) : 1,5 m/s<sup>2</sup>

Mode de fonctionnement : ponçage au disque

Émission de vibrations ( $a_{h, DS}$ ) : 2,5 m/s<sup>2</sup> ou moins

Incertitude (K) : 1,5 m/s<sup>2</sup>

- La valeur de l'émission des vibrations déclarée a été mesurée conformément à la méthode de test standard et peut être utilisée afin de comparer des outils entre eux.
- La valeur de l'émission des vibrations déclarée peut également être utilisée lors d'une évaluation préliminaire de l'exposition.
- La valeur de l'émission des vibrations déclarée est utilisée pour les principales applications de l'outil électrique. Cependant, si l'outil est utilisé pour d'autres applications, la valeur de l'émission des vibrations peut être différente.

**⚠ AVERTISSEMENT :**

- Selon la manière dont l'outil est utilisé, il est possible que l'émission des vibrations pendant l'utilisation réelle de l'outil électrique diffère de la valeur de l'émission déclarée.
- Veuillez à identifier les mesures de sécurité destinées à protéger l'opérateur et établies à partir de l'estimation de l'exposition dans les conditions réelles d'utilisation (en prenant en compte toutes les étapes du cycle de fonctionnement, telles que les périodes de mise hors tension de l'outil, les périodes de fonctionnement au ralenti et les périodes de mise en route).

**Pour les pays d'Europe uniquement** ENH101-17  
**Déclaration de conformité CE**

**Makita déclare que la/les machine(s) suivante(s) :**

Nom de la machine :

Meuleuse d'angle sans fil

N° de modèle/Type : DGA450, DGA452

**sont conformes aux directives européennes suivantes :**

2006/42/CE

sont produites conformément aux normes ou documents de normalisation suivants :

EN60745

Le dossier technique conforme à la norme 2006/42/CE est disponible auprès de :

Makita, Jan-Baptist Vinkstraat 2, 3070, Belgique

31. 12. 2013



Yasushi Fukaya

Directeur

Makita, Jan-Baptist Vinkstraat 2, 3070, Belgique

# DEUTSCH (Originalanweisungen)

## Erklärung der Gesamtdarstellung

- |                      |   |                                     |
|----------------------|---|-------------------------------------|
| 1. Taste             | 11. Sicherungsmutter  | 17. Trennschleifscheibe             |
| 2. Roter Bereich     | 12. Gekröpfte Trennschleifscheibe/<br>Multischeibe            | 18. Diamantscheibe                  |
| 3. Akkublock         | 13. Innenflansch  | 19. Dicke: Weniger als 4 mm (5/32") |
| 4. Sternmarkierung   | 14. Sicherungsmutterschlüssel                                 | 20. Dicke: 4 mm (5/32") oder dicker |
| 5. Anzeigenleuchte   | 15. Trennschleifscheibe/<br>Diamantscheibe                    | 21. Auslassöffnung                  |
| 6. Spindelaretierung | 16. Schutzhaube für<br>Trennschleifscheibe/<br>Diamantscheibe | 22. Einlassöffnung                  |
| 7. Schiebeschalter   |   | 23. Verschleißgrenze                |
| 8. Schutzhaube       |   | 24. Halterkappenabdeckung           |
| 9. Lagergehäuse      |   | 25. Schraubendreher                 |
| 10. Schraube         |   | 26. Bürstenhalterkappe              |

## TECHNISCHE ANGABEN

Modell	DGA402	DGA450	DGA452
Scheibendurchmesser	100 mm	115 mm	
Max. Scheibendicke	6,4 mm	6,4 mm	6,4 mm
Spindelgewinde	M10	M14 und 5/8" (länderspezifisch)	
Nenn Drehzahl (n)/Leerlaufdrehzahl (n <sub>0</sub> )	11.000 min <sup>-1</sup>		
Gesamtlänge	317 mm		
Nettogewicht	2,2 kg	2,2 kg	2,3 kg
Nennspannung	Gleichspannung 18 V	Gleichspannung 14,4 V	Gleichspannung 18 V

- Aufgrund unserer beständigen Forschungen und Weiterentwicklungen sind Änderungen an den hier angegebenen Technischen Daten ohne Vorankündigung vorbehalten.
- Die Technischen Daten und der Akkublock können in den einzelnen Ländern Abweichungen aufweisen.
- Gewicht, mit Akkublock, ermittelt gemäß EPTA-Verfahren 01/2003

### Symbole

END221-4

Im Folgenden sind die im Zusammenhang mit diesem Werkzeug verwendeten Symbole dargestellt. Machen Sie sich vor der Benutzung des Werkzeugs unbedingt mit diesen Symbolen vertraut.



..... Lesen Sie die vorliegende Betriebsanleitung.



..... Tragen Sie eine Schutzbrille.



Nur für EU-Länder  
Entsorgen Sie Elektrowerkzeuge, Batterien und Akkus nicht über den Hausmüll!  
Gemäß der Europäischen Richtlinie über Elektro- und Elektronik- Altgeräte und über Batterien und Akkumulatoren sowie Altbatterien und Altkumulatoren und ihrer Umsetzung in nationales Recht müssen verbrauchte Elektrowerkzeuge sowie Altbatterien und Altkumulatoren getrennt gesammelt und einer umweltgerechten Wiederverwertung zugeführt werden.

### Verwendungszweck

ENE048-1

Das Werkzeug ist für das Schneiden und Schleifen von Metall- und Steinmaterial ohne Verwendung von Wasser vorgesehen.

## Allgemeine Sicherheitshinweise für Elektrowerkzeuge

GEA010-1

**⚠️ WARNUNG Lesen Sie alle Sicherheitshinweise und Anweisungen sorgfältig durch.** Wenn die Hinweise und Anweisungen nicht beachtet werden, besteht die Gefahr eines Stromschlags, Brands und/oder das Risiko von ernsthaften Verletzungen.

## Bewahren Sie alle Hinweise und Anweisungen zur späteren Referenz gut auf.

## SICHERHEITSHINWEISE FÜR AKKU-SCHLEIFER

GEB059-3

**Allgemeine Sicherheitshinweise für das Schleifen, Schmirgeln, Drahtbürsten oder Trennschleifen:**

1. **Dieses Werkzeug wurde für die Verwendung zum Schleifen, Schmirgeln, Drahtbürsten oder Trennen hergestellt. Lesen Sie alle Sicherheitshinweise, Anweisungen, Abbildungen und Spezifikationen durch, die mit diesem Elektrowerkzeug geliefert wurden.** Werden nicht alle der unten aufgeführten Anweisungen befolgt, besteht die Gefahr eines Stromschlags, Brands und/oder die Gefahr schwerer Verletzungen.
2. **Andere Arbeiten, wie zum Beispiel Polieren, sollten nicht mit diesem Elektrowerkzeug durchgeführt werden.** Bei Arbeiten, für die das

Elektrowerkzeug nicht vorgesehen ist, kann es zu gefährlichen Situationen und zu Verletzungen kommen.

3. **Verwenden Sie nur Zubehör, das vom Hersteller des Geräts entwickelt oder vom Hersteller ausdrücklich empfohlen wurde.** Nur weil Sie ein bestimmtes Zubehör am Werkzeug befestigen können, bedeutet dies nicht, dass die Verwendung gefahrlos möglich ist.
4. **Die Nenndrehzahl des Zubehörs muss mindestens der auf dem Elektrowerkzeug angegebenen Höchstdrehzahl entsprechen.** Zubehör, das mit einer höheren Drehzahl als der zulässigen Drehzahl betrieben wird, kann zerbersten, wobei Teile mit hoher Geschwindigkeit durch die Luft fliegen.
5. **Außendurchmesser und Dicke von Zubehör müssen innerhalb der Nennwerte des Elektrowerkzeugs liegen.** Zubehör in unzulässiger Größe kann nicht angemessen abgedeckt oder betrieben werden.
6. **Bei Gewindemontage muss das Zubehörteil auf das Gewinde der Schleifspindel passen. Bei Flanschmontage muss die Bohrung des Zubehörteils die richtige Größe für den Flansch besitzen.** Zubehörteile, die nicht den Montageteilen des Elektrowerkzeugs entsprechen, laufen exzentrisch, schwingen stark und führen zum Kontrollverlust.
7. **Verwenden Sie kein beschädigtes Zubehör. Überprüfen Sie vor jeder Verwendung das Zubehör, beispielsweise die Schleifscheiben auf Splitter und Risse, die Stützlager auf Risse, Abrisse oder übermäßigen Verschleiß, und die Drahtbürsten auf lose oder gebrochene Borsten. Wenn das Elektrowerkzeug oder ein Zubehör zu Boden gefallen sein sollte, überprüfen Sie Werkzeug bzw. Zubehör auf Beschädigungen und tauschen Sie ggf. beschädigte Teile gegen unbeschädigte Teile aus. Nachdem Sie das Zubehör überprüft und montiert haben, halten Sie und Umstehende Abstand vom rotierenden Zubehörteil, und lassen Sie das Elektrowerkzeug eine Minute mit maximaler Leerlaufdrehzahl laufen.** Möglicherweise beschädigtes Zubehör würde üblicherweise innerhalb dieser Testzeit zerbersten.
8. **Tragen Sie Schutzausrüstung. Tragen Sie je nach Arbeitsaufgabe einen Gesichtsschild oder eine Schutzbrille. Soweit angemessen, tragen Sie Staubmaske, Gehörschutz, Schutzhandschuhe oder Spezialschürze, um kleine Schleif- und Materialpartikel von Ihnen fernzuhalten.** Der Augenschutz muss umherfliegende Fremdkörper abhalten können, die bei verschiedenen Arbeiten auftreten können. Die Staub- oder Atemschutzmaske muss Partikel herausfiltern können, die bei verschiedenen Arbeiten entstehen. Lange und intensive Lärmwirkung kann zu Gehörverlust führen.
9. **Achten Sie darauf, dass Umstehende den Sicherheitsabstand zum Arbeitsbereich einhalten. Jeder, der den Arbeitsbereich betritt, muss einen Schutzausrüstung tragen.** Splitter des Werkstücks oder eines geborstenen Zubehörteils können

umherfliegen und auch außerhalb des eigentlichen Arbeitsbereichs noch zu Verletzungen führen.

10. **Halten Sie das Elektrowerkzeug ausschließlich an den isolierten Griffflächen, wenn Sie unter Bedingungen arbeiten, bei denen das Schneidwerkzeug verborgene Kabel berühren kann.** Bei Kontakt mit einem stromführenden Kabel wird der Strom an die Metallteile des Elektrowerkzeugs und dadurch an den Bediener weitergeleitet, und der Bediener erleidet einen Stromschlag.
11. **Legen Sie das Elektrowerkzeug erst ab, nachdem rotierendes Zubehör zum völligen Stillstand gekommen ist.** Das rotierende Zubehör könnte in Kontakt mit der Auflagefläche kommen, sodass Sie die Kontrolle über das Elektrowerkzeug verlieren.
12. **Lassen Sie das Elektrowerkzeug nicht in Betrieb, während Sie es tragen.** Ihre Kleidung könnte durch versehentlichen Kontakt mit dem sich drehenden Zubehör erfasst werden, wodurch sich das Zubehör in Ihren Körper bohren könnte.
13. **Reinigen Sie die Lüftungsschlitze des Elektrowerkzeugs regelmäßig.** Der Motorventilator zieht Staub in das Gehäuse hinein, wobei eine übermäßige Ansammlung von Metallspänen Gefahren durch elektrischen Strom verursachen kann.
14. **Betreiben Sie das Elektrowerkzeug nicht in der Nähe brennbarer Materialien.** Diese Materialien könnten durch Funken entflammt werden.
15. **Verwenden Sie keine Zubehöerteile, die flüssige Kühlmittel benötigen.** Bei Verwendung von Wasser oder anderen flüssigen Kühlmitteln könnten Sie einen Stromschlag erleiden.

#### **Rückschläge und entsprechende Warnhinweise**

Ein Rückschlag ist eine plötzliche Reaktion einer verklemmten oder verfangenen rotierenden Schleifscheibe, Stützscheibe, der Bürste oder anderen Zubehörs. Durch Verklemmen oder Verfangen kommt es zu einem plötzlichen Stillstand des rotierenden Zubehörs, sodass das Elektrowerkzeug am Punkt des Festfahrens in die der Rotationsrichtung des Zubehörs entgegengesetzte Richtung gezwungen wird.

Verklemmt sich beispielsweise eine Schleifscheibe im Werkstück, kann die Kante, die in den Punkt des Verklemmens eindringt, in die Oberfläche des Materials eindringen, sodass die Scheibe ausschlägt. Die Scheibe springt entweder in Richtung des Bedieners oder vom Bediener weg, dies hängt von der Richtung der Scheibenbewegung am Punkt der Blockade ab. Unter diesen Umständen können Schleifscheiben auch zerbersten.

Ein Rückschlag ist auf eine Zweckentfremdung bzw. inkorrekte Betriebsweise oder auf einen fehlerhaften Zustand des Elektrowerkzeugs zurückzuführen und kann durch die im Folgenden aufgeführten

Vorsichtsmaßnahmen verhindert werden.

- a) **Halten Sie das Elektrowerkzeug stets mit beiden Händen gut fest und halten Sie Ihren Körper und Ihre Arme so, dass Sie Rückschläge abfangen können. Verwenden Sie, sofern vorhanden, immer den Zusatzgriff, um größtmögliche Kontrolle über Rückschlagkräfte oder Reaktionsmomente beim Startvorgang zu haben.** Bei geeigneten Vorsichtsmaßnahmen

können Rückschlag- und Reaktionskräfte sicher von der Bedienperson beherrscht werden.

b) **Bringen Sie Ihre Hand nie in die Nähe von rotierendem Zubehör.** Das Zubehör könnte über Ihre Hand zurückschlagen.

c) **Meiden Sie mit Ihrem Körper den Bereich, in den sich das Elektrowerkzeug bei einem Rückschlag bewegen würde.** Das Elektrowerkzeug wird am Punkt der Blockade in die der Rotationsrichtung der Scheibe entgegengesetzte Richtung zurückgeschlagen.

d) **Arbeiten Sie im Bereich von Ecken, scharfen Kanten usw. besonders vorsichtig. Verhindern Sie, dass das Zubehör vom Werkstück zurückprallt und verklemt.** Das rotierende Zubehör neigt bei Ecken, scharfen Kanten oder beim Abprallen dazu, sich zu verklemmen. Dies verursacht einen Verlust der Kontrolle oder Rückschlag.

e) **Verwenden Sie kein Ketten- oder gezähntes Sägeblatt.** Derartige Blätter verursachen häufig ein Rückschlagen und führen zum Kontrollverlust.

#### **Besondere Warnhinweise zum Schneiden und Trennschleifen:**

a) **Verwenden Sie ausschließlich die für dieses Elektrowerkzeug zugelassenen Schleifkörper und die für diese Schleifkörper vorgesehene Schutzhaube.** Schleifkörper, die nicht für das Elektrowerkzeug vorgesehen sind, können nicht ausreichend abgeschirmt werden und stellen Gefahrenquellen dar.

b) **Die Schleifoberfläche von gekröpften Schleifscheiben muss unterhalb der Ebene der Schutzhaube montiert werden.** Ein unsachgemäß montierter Schleifkörper, der über die Ebene der Schutzhaube hinausragt, kann nicht ausreichend geschützt werden.

c) **Zur optimalen Sicherheit muss die Schutzhaube sicher am Elektrowerkzeug angebracht und positioniert sein, sodass der kleinstmögliche Teil des Schleifkörpers in Richtung Bedienperson frei liegt.** Die Schutzabdeckung soll die Bedienperson vor Bruchstücken und zufälligem Kontakt mit dem Schleifkörper und Funken, die die Kleidung entzünden könnten, schützen.

d) **Schleifscheiben dürfen ausschließlich für die vorgesehenen Arbeiten verwendet werden. Schleifen Sie beispielsweise nie mit der Seitenfläche einer Trennscheibe.** Trennscheiben sind zum Materialabtrag mit der Kante der Scheibe bestimmt. Bei seitlicher Krafteinwirkung auf diese Scheiben können sie zerbrechen.

e) **Verwenden Sie immer unbeschädigte Spannflansche in der richtigen Größe und Form für die von Ihnen gewählte Schleifscheibe.** Die richtigen Scheibenflansche unterstützen die Schleifscheibe, sodass die Gefahr des Scheibenbruchs vermindert wird. Flansche für Trennscheiben unterscheiden sich möglicherweise von Flanschen für Schleifscheiben.

f) **Verwenden Sie keine abgenutzten Schleifscheiben von größeren Elektrowerkzeugen.** Schleifscheiben für größere Elektrowerkzeuge sind nicht für die höheren

Drehzahlen von kleineren Elektrowerkzeugen ausgelegt und könnten bersten.

#### **Weitere Sicherheitshinweise für das Trennschleifen:**

a) **Klemmen Sie die Trennscheibe nicht fest und üben Sie keinen übermäßigen Druck aus. Führen Sie keine übermäßig tiefen Schnitte aus.** Eine Überlastung der Scheibe erhöht deren Beanspruchung und die Anfälligkeit zum Verkanten oder Blockieren und damit die Möglichkeit eines Rückschlags oder Schleifkörperbruchs.

b) **Meiden Sie den Bereich vor und hinter der rotierenden Trennscheibe.** Wenn sich die Scheibe während des Betriebs von Ihrem Körper wegbewegt, kann im Falle eines Rückschlags das Elektrowerkzeug mit der sich drehenden Scheibe direkt auf Sie zugeschleudert werden.

c) **Falls die Trennscheibe verklemt oder Sie die Arbeit unterbrechen, schalten Sie das Elektrowerkzeug aus und halten Sie es ruhig, bis die Scheibe zum Stillstand gekommen ist. Versuchen Sie nie, die noch laufende**

**Trennscheibe aus dem Schnitt zu ziehen, sonst kann ein Rückschlag erfolgen.** Überprüfen Sie die Ursache für das Verkanten der Scheibe und ergreifen Sie Korrekturmaßnahmen.

d) **Starten Sie den Schnittvorgang nicht im Werkstück. Lassen Sie die Trennscheibe erst ihre volle Drehzahl erreichen, bevor Sie den Schnitt vorsichtig fortsetzen.** Die Scheibe kann verkanten, hochspringen oder zurückschlagen, wenn das Werkzeug im Werkstück eingeschaltet wird.

e) **Stützen Sie Platten oder große Werkstücke ab, um das Risiko eines Rückschlags durch eine eingeklemmte Scheibe zu vermindern.** Große Werkstücke können sich unter ihrem eigenen Gewicht durchbiegen. Bringen Sie Stützen nahe der Schnittlinie und der Werkstückkante unter dem Werkstück zu beiden Seiten der Scheibe an.

f) **Seien Sie besonders vorsichtig, wenn Sie einen „Tauschnitt“ in Wände oder andere nicht einsehbare Bereiche ausführen.** Die eintauchende Trennscheibe kann in Gas- oder Wasserleitungen, elektrische Leitungen oder andere Objekte schneiden, wodurch es zu einem Rückschlag kommt.

#### **Spezifische Sicherheitshinweise für das Schleifen:**

a) **Verwenden Sie kein zu großes Schleifscheibenpapier. Befolgen Sie bei der Auswahl des Schleifpapiers die Empfehlungen der Hersteller.** Schleifblätter, die über den Schleifteller hinausragen, können Verletzungen verursachen sowie zum Blockieren, Zerreißen der Schleifblätter oder zum Rückschlag führen.

#### **Spezifische Sicherheitshinweise für das Drahtbürsten:**

a) **Beachten Sie, dass Drahtborsten auch während des normalen Betriebs aus der Bürste fallen. Überlasten Sie die Drähte nicht durch zu hohen Anpressdruck.** Die Drahtborsten können leicht in lockere Kleidung und/oder die Haut eindringen.

b) **Wird eine Schutzhaube empfohlen, so achten Sie darauf, dass sich Schutzhaube und Drahtbürste nicht berühren können.** Auf Grund der

Last und der Zentrifugalkräfte kann sich der Durchmesser der Drahtbürste vergrößern.

#### Zusätzliche Sicherheitshinweise:

16. Verwenden Sie nur glasfaserverstärkte Scheiben als gekröpfte Trennschleifscheiben.
17. Verwenden Sie mit diesem Schleifer NIEMALS Steinschleiftöpfe. Dieser Schleifer ist nicht für diese Scheibetypen ausgelegt und die Verwendung dieser Scheiben kann zu schweren Verletzungen führen.
18. Achten Sie sorgfältig darauf, dass Spindel, Flansch (insbesondere die Ansatzfläche) und Sicherungsmutter nicht beschädigt werden. Eine Beschädigung dieser Teile kann zu einem Scheibenbruch führen.
19. Stellen Sie vor dem Einschalten des Werkzeugs sicher, dass die Scheibe das Werkstück nicht berührt.
20. Bevor Sie das Werkzeug auf das zu bearbeitende Werkstück ansetzen, lassen Sie es einige Zeit ohne Last laufen. Achten Sie auf Vibrationen und Schlägen; beide Anzeichen können auf eine schlecht ausgewuchtete oder nicht fachgerecht eingebaute Schleifscheibe hindeuten.
21. Verwenden Sie für Schleifarbeiten ausschließlich die dafür vorgesehene Fläche der Schleifscheibe.
22. Lassen Sie das Werkzeug nicht unbeaufsichtigt eingeschaltet. Das Werkzeug darf nur dann in Betrieb sein, wenn es von Hand festgehalten wird.
23. Vermeiden Sie eine Berührung des Werkstücks unmittelbar nach der Bearbeitung, da es dann noch sehr heiß sein und somit Hautverbrennungen verursachen kann.
24. Befolgen Sie die Anweisungen des Herstellers zur korrekten Montage und Verwendung von Schleifscheiben. Behandeln und lagern Sie Schleifscheiben mit Sorgfalt.
25. Verwenden Sie keine separaten Reduzierbuchsen oder Adapter zur Anpassung von Schleifscheiben mit großem Durchmesser.
26. Verwenden Sie ausschließlich die für dieses Werkzeug vorgeschriebenen Flansche.
27. Wenn eine Trennscheibe mit Gewindebohrung am Werkzeug montiert werden soll, achten Sie darauf, dass ihr Gewinde tief genug für die Spindellänge ist.
28. Vergewissern Sie sich, dass das Werkstück sicher eingespannt ist.
29. Beachten Sie, dass sich die Schleifscheibe nach dem Ausschalten des Werkzeugs noch weiterdreht.
30. Falls der Arbeitsplatz sehr heiß, feucht oder durch leitfähigen Staub stark verschmutzt ist, verwenden Sie zum Schutz des Bedieners einen Kurzschlusschalter (30 mA).
31. Verwenden Sie dieses Werkzeug nicht zum Bearbeiten von asbesthaltigen Materialien.
32. Verwenden Sie bei Arbeiten mit der Trennscheibe immer eine gesetzlich vorgeschriebene Staubsammelhaube.
33. Die Trennscheiben dürfen keinem seitlichen Druck ausgesetzt werden.

## BEWAHREN SIE DIESE ANLEITUNG SORGFÄLTIG AUF.

### ⚠ WARNUNG:

Lassen Sie sich NIE durch Bequemlichkeit oder (aus fortwährendem Gebrauch gewonnener) Vertrautheit mit dem Werkzeug dazu verleiten, die Sicherheitsregeln für das Werkzeug zu missachten. Bei MISSBRÄUHLICHER Verwendung des Werkzeugs oder bei Missachtung der in diesem Handbuch enthaltenen Sicherheitshinweise kann es zu schweren Verletzungen kommen.

## WICHTIGE SICHERHEITSREGELN

ENC007-8

### FÜR AKKUBLOCK

1. Lesen Sie vor der Verwendung des Akkublocks alle Anweisungen und Sicherheitshinweise für das Akkuladegerät (1), den Akku (2) und das Produkt (3), für das der Akku verwendet wird, sorgfältig durch.
2. Der Akkublock darf nicht zerlegt werden.
3. Falls die Betriebsdauer erheblich kürzer wird, beenden Sie den Betrieb umgehend. Andernfalls besteht die Gefahr einer Überhitzung sowie das Risiko möglicher Verbrennungen und sogar einer Explosion.
4. Wenn Elektrolyt in Ihre Augen gerät, waschen Sie diese mit klarem Wasser aus und suchen Sie sofort einen Arzt auf. Andernfalls können Sie Ihre Sehfähigkeit verlieren.
5. Vermeiden Sie einen Kurzschluss des Akkublocks:
  - (1) Die Kontakte dürfen nicht mit leitendem Material in Berührung kommen.
  - (2) Der Akkublock darf nicht in einem Behälter aufbewahrt werden, in dem sich andere metallische Gegenstände wie beispielsweise Nägel, Münzen usw. befinden.
  - (3) Der Akkublock darf weder Feuchtigkeit noch Regen ausgesetzt werden.Ein Kurzschluss des Akkus kann zu hohem Kriechstrom, Überhitzung, möglichen Verbrennungen und sogar zu einer Zerstörung des Werkzeugs führen.
6. Werkzeug und Akkublock dürfen nicht an Orten aufbewahrt werden, an denen Temperaturen von 50°C oder darüber erreicht werden können.
7. Beschädigte oder verbrauchte Akkus dürfen nicht verbrannt werden. Der Akkublock kann in den Flammen explodieren.
8. Lassen Sie den Akku nicht fallen und vermeiden Sie Schläge gegen den Akku.
9. Verwenden Sie niemals einen beschädigten Akku.
10. Befolgen Sie die in Ihrem Land geltenden Bestimmungen bzgl. der Entsorgung von Akkus.

## BEWAHREN SIE DIESE ANLEITUNG SORGFÄLTIG AUF.



## Tipps für eine maximale Nutzungsdauer von Akku

1. **Laden Sie den Akkublock auf, bevor der Akku vollständig entladen ist.**  
**Sobald Sie eine verringerte Leistung des Werkzeugs bemerken, beenden Sie stets den Betrieb des Werkzeugs und laden Sie den Akkublock auf.**
2. **Ein voll aufgeladener Akkublock darf niemals erneut geladen werden.**  
**Durch Überladungen wird die Lebensdauer des Akkus verkürzt.**
3. **Laden Sie den Akkublock bei einer Zimmertemperatur von 10°C bis 40°C auf. Lassen Sie einen heißen Akkublock vor dem Aufladen abkühlen.**
4. **Laden Sie den Akkublock aller sechs Monate auf, wenn Sie diesen für längere Zeit nicht verwenden.**

## FUNKTIONSBESCHREIBUNG

### ACHTUNG:

- Schalten Sie das Werkzeug stets aus und entfernen Sie den Akkublock, bevor Sie Einstellungen oder eine Funktionsprüfung des Werkzeugs vornehmen.

### Montage und Demontage des Akkublocks (Abb. 1)

#### ⚠ ACHTUNG:

- Schalten Sie das Werkzeug stets aus, bevor Sie den Akkublock einsetzen oder abnehmen.
- **Halten Sie das Werkzeug und den Akkublock sicher fest, wenn Sie den Akkublock einsetzen oder herausnehmen.** Andernfalls könnte Ihnen das Werkzeug oder der Akkublock aus den Händen fallen, sodass das Werkzeug oder der Akkublock beschädigt werden oder diese Verletzungen verursachen.

Zum Abnehmen des Akkublocks müssen Sie die Taste auf der Vorderseite des Akkublocks schieben und gleichzeitig den Akkublock aus dem Gerät herausziehen. Zum Einsetzen des Akkublocks müssen Sie die Zunge des Akkublocks an der Rille im Gehäuse ausrichten und in die gewünschte Position schieben. Setzen Sie den Akkublock ganz ein, bis er mit einem Klick einrastet. Wenn Sie den roten Bereich oben auf der Taste sehen können, ist der Batterieadapter nicht ganz eingerastet.

#### ⚠ ACHTUNG:

- Setzen Sie den Akkublock unbedingt ganz ein, bis der rote Bereich nicht mehr zu sehen ist. Andernfalls kann der Akkublock versehentlich aus dem Werkzeug fallen und Sie oder umstehende Personen verletzen.
- Wenden Sie beim Einsetzen des Akkublocks keine Gewalt an. Wenn der Akkublock nicht leicht hineingleitet, ist er nicht richtig angesetzt.

### Akku-Schutzsystem

Das Werkzeug ist mit einem Akku-Schutzsystem ausgestattet. Dieses System schaltet die Stromversorgung des Motors automatisch aus, um die Lebensdauer des Akkus zu verlängern. Unter folgenden Bedingungen des Werkzeugs und/oder des Akkus kann das Werkzeug während des Betriebs automatisch stoppen:

- **Überlastet:**  
Das Werkzeug wird auf eine Weise betrieben, die zu einer abnormal hohen Stromaufnahme führt. Schalten Sie das Werkzeug in dieser Situation aus und beenden Sie die Arbeiten, die zu der Überlastung des Werkzeugs geführt haben. Schalten Sie das Werkzeug anschließend ein, um es wieder in Betrieb zu nehmen.  
Wenn das Werkzeug nicht startet, ist der Akku überhitzt. Lassen Sie in dieser Situation den Akku erst abkühlen, bevor Sie das Werkzeug wieder einschalten.
- **Spannung des Akkus zu niedrig:**  
Die noch vorhandene Akkuladung ist zu niedrig und das Werkzeug startet nicht. Nehmen Sie in dieser Situation den Akku ab und laden Sie den Akku wieder auf.

### HINWEIS:

Der Überhitzungsschutz arbeitet nur mit einem mit einer Sternmarkierung gekennzeichneten Akkublock. (Abb. 2)

### Kombinationsanzeigenleuchte (Abb. 3)

Die Anzeigenleuchten befinden sich an zwei Stellen. Wenn der Akkublock in das Werkzeug eingesetzt wird und der Schiebeschalter auf der Position „O (OFF)“ steht, leuchtet die Anzeigenleuchte etwa eine Sekunde lang kurz auf. Ist dies nicht der Fall, ist entweder der Akkublock oder die Anzeigenleuchte defekt.

#### - Überlastungsschutz

- Bei einer Überlastung des Werkzeugs leuchtet die Anzeigenleuchte auf. Sobald die Werkzeuglast verringert wird, erlischt die Leuchte.
- Wenn das Werkzeug weiterhin überlastet wird und die Anzeigenleuchte etwa zwei Sekunden lang leuchtet, wird das Werkzeug angehalten. Auf diese Weise wird eine Beschädigung des Motors sowie der zugehörigen Teile verhindert.
- Bewegen Sie in dieser Situation den Schiebeschalter einmalig in die Position „O (OFF)“. Bewegen Sie ihn dann zum Neustart in die Position „I (ON)“.

#### - Warnsignal für erforderlichen Akku-Austausch

- Wenn die Restladung des Akkus nur noch gering ist, leuchtet die Anzeigenleuchte während des Betriebs mit dem Akku frühzeitig auf.

#### - Funktion zur Vermeidung eines versehentlichen Neustarts

- Selbst wenn sich der Schiebeschalter auf der Position „I (ON)“ befindet und der Akkublock eingesetzt wurde, wird das Werkzeug nicht gestartet. In dieser Situation blinkt die Leuchte langsam. Dies zeigt an, dass die Funktion zum Verhindern eines versehentlichen Neustarts aktiv ist.
- Schieben Sie zum Start des Werkzeugs zunächst den Schiebeschalter in die Position „O (OFF)“ und anschließend in die Position „I (ON)“.

### Spindel-Arretiertaste (Abb. 4)

#### ACHTUNG:

- Betätigen Sie die Spindel-Arretiertaste niemals bei rotierender Spindel. Andernfalls kann das Werkzeug beschädigt werden.

Drücken Sie die Spindel-Arretiertaste, um die Spindel beim Montieren oder Demontieren von Zubehör zu blockieren.

## Bedienung des Schalters (Abb. 5)

### ACHTUNG:

- Achten Sie vor dem Einsetzen des Akkublocks in das Werkzeug darauf, dass sich der Schiebeschalter korrekt bedienen lässt und auf die Position „OFF“ (AUS) zurückkehrt, sobald das hintere Ende des Schiebeschalters nach unten gedrückt wird.

Um das Werkzeug einzuschalten, schieben Sie den Schiebeschalter auf die Position „I (ON)“. Zum Dauerbetrieb muss das vordere Ende des Schiebeschalters gedrückt werden, um den Schalter zu arretieren.

Wenn Sie das Werkzeug anhalten möchten, drücken Sie das hintere Ende des Schiebeschalters, und schieben Sie diesen dann in die Position „O (OFF)“.

## MONTAGE

### ACHTUNG:

- Schalten Sie das Werkzeug stets aus, und entfernen Sie den Akkublock, bevor Sie Arbeiten am Werkzeug ausführen.

## Einsetzen des Seitengriffs (Zusatzgriff) (Abb. 6)

### ACHTUNG:

- Vergewissern Sie sich vor dem Betrieb stets, dass der Seitengriff einwandfrei montiert ist.

Schrauben Sie den Seitengriff an der in der Abbildung gezeigten Position fest an die Maschine.

## Montage und Demontage der Schutzhaube (für gekröpfte Scheiben, Multi-Scheiben/Trennschleifscheiben, Diamantscheiben)

### Für Werkzeug mit Schutzhaube mit Sicherungsschraube (Abb. 7)

#### WARNUNG:

- Bei Verwendung einer gekröpften Trennschleifscheibe/Multischeibe, Flexscheibe, Drahrundbürste, Trennscheibe oder Diamantscheibe muss die Schutzhaube so am Werkzeug angebracht werden, dass die geschlossene Seite stets in Richtung Bediener zeigt.
- Vergewissern Sie sich bei Verwendung einer Trennschleifscheibe/Diamantscheibe, dass Sie die spezielle Schutzhaube für diese Trennscheiben verwenden. (In Europa: Bei Verwendung einer Diamantscheibe kann der gewöhnliche Schutz verwendet werden.)

Montieren Sie die Schutzhaube so, dass der Vorsprung am Schutzhaubenring auf die Nut im Lagergehäuse ausgerichtet ist. Drehen Sie anschließend die Schutzhaube in einen solchen Winkel, in dem der Bediener bei seiner Arbeit entsprechend geschützt wird. Achten Sie darauf, die Schraube fest anzuziehen.

Zum Demontieren der Schutzhaube müssen Sie die Einbauprozedur in umgekehrter Reihenfolge ausführen.

## Montage und Demontage der gekröpften Trennschleifscheibe/Multischeibe (Abb. 8)

### WARNUNG:

- Wenn die gekröpfte Trennschleifscheibe/Multischeibe am Werkzeug befestigt ist, muss stets die mitgelieferte Schutzhaube verwendet werden. Die Scheibe kann während ihres Einsatzes zerbrechen. Durch die Schutzhaube wird das Risiko von Verletzungen verringert.

Setzen Sie den Innenflansch auf die Spindel. Setzen Sie die Trenn-/Schleifscheibe auf den Innenflansch, und schrauben Sie die Sicherungsmutter auf die Spindel. Zum Anziehen der Sicherungsmutter die Spindelarretierung fest drücken, um die Spindel zu blockieren; dann die Mutter mit dem Sicherungsmutterschlüssel im Uhrzeigersinn anziehen. (Abb. 9)

Zum Entnehmen der Trennscheibe befolgen Sie die Einbauprozedur rückwärts.

### WARNUNG:

- Betätigen Sie die Spindel-Arretiertaste niemals bei rotierender Spindel.

## BETRIEB

### WARNUNG:

- Die Maschine darf auf keinen Fall gewaltsam angedrückt werden. Das Eigengewicht der Maschine übt ausreichenden Druck aus. Gewaltanwendung und übermäßiger Druck können zu einem gefährlichen Schleifscheibenbruch führen.
- Wechseln Sie die Schleifscheibe IMMER aus, falls die Maschine während der Arbeit fallen gelassen wurde.
- Eine Schleif- oder Trennscheibe darf NIEMALS gegen das Werkstück geschlagen oder gestoßen werden.
- Achten Sie besonders beim Bearbeiten von Ecken, scharfen Kanten usw. darauf, dass die Schleifscheibe nicht springt oder hängen bleibt. Dies könnte den Verlust der Kontrolle und Rückschläge verursachen.
- Verwenden Sie die Maschine NIEMALS mit Holz- oder anderen Sägeblättern. Solche Sägeblätter verursachen bei Verwendung an einer Schleifmaschine häufiges Rückschlagen und Verlust der Kontrolle, was zu Verletzungen führen kann.

### ACHTUNG:

- Die jeweilige Schnitttiefe kann bis zu 5 mm betragen. Drücken Sie das Werkzeug ein wenig an, sodass es während des Betriebs nicht langsamer wird.
- Schalten Sie die Maschine nach der Arbeit stets aus, und warten Sie, bis die Scheibe zum völligen Stillstand gekommen ist, bevor Sie die Maschine ablegen.
- Wenn das Werkzeug bis zur vollständigen Entladung des Akkus betrieben wurde, lassen Sie es 15 Minuten liegen, bevor Sie mit einem neuen Akku fortfahren.

## Schleifen und Schmirgeln (Abb. 10)

Halten Sie die Maschine IMMER mit einer Hand am Gehäuse und mit der anderen am Seitengriff fest.

Schalten Sie die Maschine ein, und setzen Sie dann die Trenn- oder Schleifscheibe an das Werkstück an. Halten Sie die Trenn- oder Schleifscheibe im Allgemeinen in einem Winkel von etwa 15 Grad zur Werkstückoberfläche.

Bewegen Sie die Schleifmaschine beim Einschleifen einer neuen Schleifscheibe in Richtung B, weil die Schleifscheibe sonst in das Werkstück einschneidet. Sobald die Schleifscheibenkante durch Gebrauch abgerundet ist, kann die Schleifscheibe sowohl in Richtung A als auch in Richtung B bewegt werden.

## **Betrieb mit einer Trennschleifscheibe/ Diamantscheibe (optionales Zubehör) (Abb. 11)**

Die Richtung für das Anbringen der Sicherungsmutter und des Innenflansches ist von der Dicke der Scheibe abhängig.

Informieren Sie sich in der folgenden Tabelle. (Abb. 12)

### **⚠️ WARNUNG:**

- Vergewissern Sie sich bei Verwendung einer Trennschleifscheibe/Diamantscheibe, dass Sie die spezielle Schutzhaube für diese Trennscheiben verwenden. (In Europa: Bei Verwendung einer Diamantscheibe kann der gewöhnliche Schutz verwendet werden.)
- Verwenden Sie eine Trennscheibe NIEMALS zum Schleifen von Flächen.
- Achten Sie darauf, dass die Scheibe nicht festklemmt, und üben Sie keinen übermäßigen Druck aus. Führen Sie keine übermäßig tiefen Schnitte aus. Eine Überlastung der Scheibe erhöht die Belastung und die Anfälligkeit zum Verwinden oder Verklemmen der Scheibe im Schnitt, aber auch die Möglichkeit des Rückschlagens oder eines Scheibenbruchs, oder es kommt zu einer Überhitzung des Motors.
- Starten Sie den Schnittvorgang nicht im Werkstück. Warten Sie, bis die Scheibe mit voller Drehzahl rotiert und führen Sie die Scheibe vorsichtig in den Schnitt ein, indem Sie das Werkzeug über die Werkstückoberfläche führen. Die Scheibe kann sich verkantet, hochspringen oder zurückschlagen, wenn das Werkzeug im Werkstück eingeschaltet wird.
- Ändern Sie während des Schnittvorgangs niemals den Winkel der Scheibe. Das Aufbringen eines seitlichen Drucks auf die Trennscheibe (wie beim Schleifen von Flächen) kann zum Bersten oder Brechen der Scheibe und dadurch zu schweren Verletzungen führen.
- Eine Diamantscheibe muss senkrecht zum zu schneidenden Material geführt werden.

## **WARTUNG**

### **ACHTUNG:**

- Schalten Sie das Werkzeug stets aus und entfernen Sie den Akkublock, bevor Sie Inspektionen oder Wartungsarbeiten am Werkzeug vornehmen.
- Verwenden Sie zum Reinigen niemals Kraftstoffe, Benzin, Verdünner, Alkohol oder ähnliches. Dies kann zu Verfärbungen, Verformungen oder Rissen führen. Halten Sie die Maschine und ihre Ventilationsöffnungen stets sauber. Reinigen Sie die Ventilationsöffnungen der

Maschine regelmäßig oder im Anfangsstadium einer Verstopfung. (Abb. 13)

## **Austausch der Kohlebürsten (Abb. 14)**

Entfernen und überprüfen Sie die Kohlebürsten in regelmäßigen Abständen. Ersetzen Sie diese, wenn sie bis zur Verschleißgrenze abgenutzt sind. Halten Sie die Kohlebürsten sauber und sorgen Sie dafür, dass sie locker in den Halterungen liegen. Beide Kohlebürsten sollten gleichzeitig ersetzt werden. Verwenden Sie nur identische Kohlebürsten.

Setzen Sie das obere Ende des Schlitzschraubendrehers in die Kerbe am Werkzeug, und entfernen Sie die Abdeckung der Halterkappe, indem Sie diese anheben. (Abb. 15)

Verwenden Sie einen Schraubendreher, um die Bürstenhalterkappen zu entfernen. Entnehmen Sie die verbrauchten Kohlebürsten, legen Sie die neuen ein und bringen Sie die Bürstenhalterkappen wieder fest an. (Abb. 16)

Befestigen Sie die Abdeckung der Halterkappe wieder am Gerät.

Um die SICHERHEIT und ZUVERLÄSSIGKEIT des Produkts zu gewährleisten, sollten Reparaturen, Wartungsarbeiten und Einstellungen nur durch von Makita autorisierte Servicecenter durchgeführt und immer Makita-Ersatzteile verwendet werden.

## **SONDERZUBEHÖR**

### **⚠️ ACHTUNG:**

- Für das in diesem Handbuch beschriebene Makita-Gerät werden die folgenden Zubehör- und Zusatzteile empfohlen. Bei Verwendung anderer Zubehör- und Zusatzteile kann es zu Verletzungen kommen. Verwenden Sie Zubehör- und Zusatzteile nur für den vorgesehenen Zweck.

Informationen zu diesem Zubehör erhalten Sie von Ihrem Makita-Servicecenter.

- Schutzhaube (Scheibenabdeckung) für gekröpfte Scheibe/Multi-Scheibe
- Schutzhaube (Scheibenabdeckung) für Trennschleifscheibe/Diamantscheibe
- Gekröpfte Trennschleifscheiben
- Trennschleifscheiben
- Multi-Scheiben
- Diamantscheiben
- Topfdrahtbürsten
- Kegeldrahtbürste 85
- Schleifscheiben
- Innenflansch
- Sicherungsmutter für gekröpfte Scheibe/  
Trennschleifscheibe/Multi-Scheibe/Diamantscheibe
- Sicherungsmutter für Schleifscheibe
- Sicherungsmutterschlüssel
- Seitengriff
- Originalakku und Ladegerät von Makita

### **HINWEIS:**

- Einige der in der Liste aufgeführten Elemente sind dem Werkzeugpaket als Standardzubehör beigelegt. Diese können in den einzelnen Ländern voneinander abweichen.

**Schall**

ENG905-1

Typischer A-bewerteter Schallpegel nach EN60745:

**Modell DGA450**Schalldruckpegel ( $L_{pA}$ ): 74 dB (A)

Abweichung (K): 3 dB (A)

Unter Arbeitsbedingungen kann der Schallpegel 80 dB (A) überschreiten.

**Modell DGA452**Schalldruckpegel ( $L_{pA}$ ): 76 dB (A)

Abweichung (K): 3 dB (A)

Unter Arbeitsbedingungen kann der Schallpegel 80 dB (A) überschreiten.

**Tragen Sie Gehörschutz.****Schwingung**

ENG900-1

Schwingungsgesamtwerte (Vektorsumme dreier Achsen) nach EN60745:

**Modell DGA450**

Arbeitsmodus: Planschleifen

Schwingungsbelastung ( $a_{h,AG}$ ): 8,5 m/s<sup>2</sup>Abweichung (K): 1,5 m/s<sup>2</sup>

Arbeitsmodus: Schleifen mit Tellerschleifer

Schwingungsbelastung ( $a_{h,DS}$ ): 2,5 m/s<sup>2</sup> oder

weniger

Abweichung (K): 1,5 m/s<sup>2</sup>**Modell DGA452**

Arbeitsmodus: Planschleifen

Schwingungsbelastung ( $a_{h,AG}$ ): 10,0 m/s<sup>2</sup>Abweichung (K): 1,5 m/s<sup>2</sup>

Arbeitsmodus: Schleifen mit Tellerschleifer

Schwingungsbelastung ( $a_{h,DS}$ ): 2,5 m/s<sup>2</sup> oder

weniger

Abweichung (K): 1,5 m/s<sup>2</sup>

ENG902-1

- Der hier angegebene Wert für die erzeugten Schwingungen wurde gemäß dem genormten Testverfahren ermittelt und kann als Vergleich zu anderen Werkzeugen herangezogen werden.
- Der angegebene Wert für die erzeugten Schwingungen ist außerdem für eine vorbeugende Bewertung der Belastung zu verwenden.
- Der angegebene Wert für die erzeugten Schwingungen gilt, wenn das Elektrowerkzeug für den vorgesehenen Zweck verwendet wird. Wenn das Werkzeug für andere Zwecke verwendet wird, kann der Wert für die Schwingungsbelastung jedoch von dem hier aufgeführten Wert abweichen.

**⚠️ WARNUNG:**

- Die Schwingungsbelastung kann bei tatsächlichem Gebrauch des Elektrowerkzeugs in Abhängigkeit von der Handhabung des Elektrowerkzeugs von dem hier aufgeführten Wert abweichen.
- Stellen Sie sicher, dass Schutzmaßnahmen für den Bediener getroffen werden, die auf den unter den tatsächlichen Arbeitsbedingungen zu erwartenden Belastungen beruhen (beziehen Sie alle Bestandteile des Arbeitsablaufs ein, also zusätzlich zu den Arbeitszeiten auch Zeiten, in denen das Werkzeug ausgeschaltet ist oder ohne Last läuft).

**Nur für europäische Länder**

ENH101-17

**EG-Konformitätserklärung****Makita erklärt, dass die nachfolgende(n) Maschine(n):**

Bezeichnung der Maschine(n):

Akku-Winkelschleifer

Nummer/Typ des Modells: DGA450, DGA452

**den folgenden Richtlinien der Europäischen Union****genügt/genügen:**

2006/42/EG

Sie werden gemäß den folgenden Standards oder

Normen gefertigt:

EN60745

Die technischen Unterlagen gemäß 2006/42/EG sind erhältlich von:

Makita, Jan-Baptist Vinkstraat 2, 3070, Belgien

31. 12. 2013



Yasushi Fukaya

Direktor

Makita, Jan-Baptist Vinkstraat 2, 3070, Belgien

## ITALIANO (Istruzioni originali)

### Spiegazione della vista generale

- |                                 |   |  |
|---------------------------------|---|--|
| 1. Pulsante                     | 11. Controdado  | 18. Disco diamantato                     |
| 2. Indicatore rosso             | 12. Disco con centro depresso/<br>multidisco                          | 19. Spessore: meno di 4 mm (5/32")       |
| 3. Batteria                     | 13. Flangia interna   | 20. Spessore: 4 mm (5/32") o<br>maggiore |
| 4. Contrassegno a stella        | 14. Chiavi controdati   | 21. Apertura di ventilazione             |
| 5. Spia luminosa                | 15. Disco da taglio abrasivo/disco<br>diamantato                      | 22. Apertura di aspirazione              |
| 6. Blocco dell'albero           | 16. Protezione disco per disco da<br>taglio abrasivo/disco diamantato | 23. Indicatore di limite                 |
| 7. Interruttore scorrevole      | 17. Disco da taglio abrasivo  | 24. Coperchio supporto                   |
| 8. Protezione disco             |   | 25. Cacciavite                           |
| 9. Alloggiamento del cuscinetto |   | 26. Coperchio portaspazzola              |
| 10. Vite                        |   |  |

## CARATTERISTICHE TECNICHE

Modello	DGA402	DGA450	DGA452
Diametro del disco	100 mm	115 mm	
Spessore massimo del disco	6,4 mm	6,4 mm	6,4 mm
Filettatura mandrino	M10	M14 o 5/8" (a seconda del Paese)	
Velocità nominale (n)/Velocità a vuoto (n <sub>0</sub> )	11.000 min <sup>-1</sup>		
Lunghezza totale	317 mm		
Peso netto	2,2 kg	2,2 kg	2,3 kg
Tensione nominale	18 V CC	14,4 V CC	18 V CC

- Le caratteristiche tecniche riportate di seguito sono soggette a modifiche senza preavviso in virtù del nostro programma continuo di ricerca e sviluppo.
- Le caratteristiche tecniche e le batterie possono differire da paese a paese.
- Peso, comprensivo di batterie, calcolato in base alla Procedura EPTA 01/2003

### Simboli

END221-4

Il seguente elenco riporta i simboli utilizzati per questo utensile. È importante comprenderne il significato prima di utilizzare l'utensile.



..... Leggere il manuale di istruzioni.



..... Indossare occhiali di protezione.



..... Solo per Paesi UE

Non gettare le apparecchiature elettriche o le batterie tra i rifiuti domestici.

Secondo le Direttive Europee sui rifiuti di apparecchiature elettriche ed elettroniche, su batterie e accumulatori e sui rifiuti di batterie e di accumulatori, e la sua attuazione in conformità alle norme nazionali, le apparecchiature elettriche e le batterie esauste devono essere raccolte separatamente, al fine di essere riciclate in modo eco-compatibile.

### Uso previsto

ENE048-1

L'utensile va usato per la smerigliatura, la carteggiatura e il taglio di metalli e pietre senza l'uso di acqua.

## Avvertenze generali di sicurezza per l'uso dell'utensile

GEA010-1

**⚠ AVVERTENZA Leggere attentamente tutte le avvertenze di sicurezza e le istruzioni.** La mancata osservanza delle istruzioni e delle avvertenze riportate di seguito potrebbe provocare scosse elettriche, incendi e/o lesioni gravi.

## Conservare le avvertenze e le istruzioni per riferimenti futuri.

## AVVERTENZE DI SICUREZZA PER LA SMERIGLIATRICE A BATTERIA

GEB059-3

**Avvertenze di sicurezza comuni per la smerigliatura, la carteggiatura, la spazzolatura metallica o le operazioni di taglio abrasivo:**

- Questo utensile va utilizzato come smerigliatrice, levigatrice, spazzola d'acciaio o strumento di taglio. Leggere tutti gli avvisi di sicurezza, le istruzioni, le illustrazioni e le caratteristiche tecniche fornite con questo utensile.** La mancata osservanza delle istruzioni riportate di seguito può provocare scosse elettriche, incendi e/o gravi infortuni.
- È sconsigliabile utilizzare questo utensile elettrico per eseguire operazioni quali la lucidatura. Le**

operazioni per cui l'utensile non è stato progettato possono creare un rischio e lesioni personali.

3. **Non utilizzare accessori non appositamente progettati e consigliati dal produttore dell'utensile.** Il semplice fissaggio dell'accessorio al proprio utensile non garantisce un funzionamento sicuro.
4. **La velocità nominale dell'accessorio deve essere almeno equivalente alla velocità massima indicata sull'utensile elettrico.** Gli accessori che funzionano più velocemente della velocità nominale possono rompersi in più pezzi.
5. **Il diametro esterno e lo spessore dell'accessorio devono corrispondere alla capacità nominale dell'utensile elettrico.** Gli accessori con dimensioni errate non possono essere custoditi o controllati adeguatamente.
6. **Il montaggio filettato degli accessori deve corrispondere alla filettatura del mandrino della smerigliatrice. Per gli accessori montati mediante flange, il foro dell'albero dell'accessorio deve corrispondere al diametro di posizionamento della flangia.** Gli accessori che non corrispondono alla ferramenta di montaggio dell'utensile elettrico risulteranno squilibrati, vibreranno eccessivamente e potrebbero causare la perdita di controllo.
7. **Non utilizzare un accessorio danneggiato. Controllare l'accessorio prima di ogni utilizzo, verificando ad esempio l'assenza di scheggiature e fessure nei dischi abrasivi, l'assenza di crepe, lacerazioni o segni eccessivi di usura sui cuscinetti di supporto e l'assenza di fili allentati o spezzati nelle spazzole metalliche. Se l'utensile elettrico o l'accessorio è caduto, verificare l'eventuale presenza di danni o montare un accessorio intatto. Dopo aver esaminato e installato un accessorio, scostarsi e allontanare eventuali persone presenti dal piano di rotazione dell'accessorio, quindi azionare l'utensile alla massima velocità a vuoto per un minuto.** Solitamente gli accessori danneggiati si rompono durante questa verifica.
8. **Indossare l'equipaggiamento di protezione individuale. Utilizzare uno schermo facciale, una maschera protettiva oppure degli occhiali di sicurezza in base all'applicazione da effettuare. Se necessario, indossare una maschera antipolvere, guanti e un grembiule da officina in grado di fermare frammenti piccoli o abrasivi del pezzo in lavorazione.** La protezione per gli occhi deve essere in grado di fermare i residui scagliati durante le varie operazioni. La maschera antipolvere o il respiratore deve essere in grado di filtrare le particelle generate dall'operazione. L'esposizione prolungata al rumore ad alta intensità può causare la perdita dell'udito.
9. **Mantenere gli astanti a distanza di sicurezza dall'area di lavoro. Tutte le persone che entrano nella zona di lavoro devono indossare l'equipaggiamento di protezione individuale.** I frammenti del pezzo in lavorazione o di un accessorio rotto possono essere scagliati e provocare infortuni anche oltre l'area dell'operazione.
10. **Se vengono eseguite operazioni in cui l'utensile di taglio può toccare fili nascosti, impugnare l'utensile solo dai punti di presa isolati.** In caso di

contatto con un filo percorso da corrente, le parti metalliche esposte dell'utensile si troveranno anch'esse sotto tensione e potrebbero provocare scosse elettriche all'operatore.

11. **Non appoggiare l'utensile elettrico a terra se l'accessorio non è completamente fermo.** L'accessorio rotante può agganciare la superficie causando la perdita di controllo dell'utensile.
12. **Non avviare l'utensile mentre lo si trasporta sul fianco.** In caso di contatto accidentale, l'accessorio rotante può impigliarsi nei vestiti provocando lesioni fisiche.
13. **Pulire regolarmente le aperture di ventilazione dell'utensile elettrico.** La ventola del motore attrarrà la polvere all'interno dell'alloggiamento e l'accumulo eccessivo di polvere metallica può causare pericoli elettrici.
14. **Non utilizzare l'utensile elettrico vicino a materiali infiammabili.** Le scintille possono provocare l'accensione di questi materiali.
15. **Non utilizzare accessori che richiedano refrigeranti liquidi.** L'utilizzo di acqua o altri refrigeranti liquidi può provocare elettrocuzione o scosse elettriche.

#### **Contraccolpi e relative avvertenze**

Il contraccolpo è una reazione improvvisa dovuta all'inceppamento di un disco in rotazione, di un cuscinetto di supporto, di una spazzola o di qualunque altro accessorio. L'inceppamento causa un improvviso stallo dell'accessorio rotante, che a sua volta spinge l'utensile elettrico privo di controllo nella direzione opposta al verso di rotazione dell'accessorio.

Ad esempio, se un disco abrasivo si incastra nel pezzo in lavorazione, il bordo del disco inceppato potrebbe attaccarsi alla superficie del materiale, causando l'innalzamento o l'espulsione del disco. Il disco potrebbe schizzare contro l'operatore o nella direzione opposta, a seconda della direzione di movimento del disco nel punto di inceppamento. In queste circostanze i dischi abrasivi possono anche rompersi.

Il contraccolpo è determinato dall'uso improprio dell'utensile elettrico e/o da procedure o condizioni operative errate; può essere evitato adottando le precauzioni specifiche illustrate di seguito.

- a) **Stringere con forza l'utensile posizionando il proprio corpo e il braccio in modo da resistere alla forza del contraccolpo. Utilizzare sempre la maniglia ausiliaria, se in dotazione, per il massimo controllo in caso di reazione contro la coppia di torsione o i contraccolpi in fase di avviamento.** Adottando le precauzioni adeguate, l'operatore può controllare le reazioni alla coppia di torsione o alla forza del contraccolpo.
- b) **Non avvicinare le mani all'accessorio rotante.** Potrebbe verificarsi un contraccolpo dell'accessorio contro la mano.
- c) **Se si verificano contraccolpi, non posizionare il corpo nel raggio di spostamento dell'utensile elettrico.** Il contraccolpo spingerà l'utensile nella direzione opposta al movimento del disco nel punto di inceppamento.
- d) **Prestare particolare attenzione durante le operazioni su spigoli, bordi appuntiti e così via. Evitare di fare rimbalzare o inceppare**

**l'accessorio.** Gli spigoli, i bordi appuntiti o i rimbalzi tendono a far inceppare l'accessorio rotante, provocando contraccolpi o perdite di controllo.

**e) Non utilizzare una lama per scolpire il legno munita di catena o una lama di taglio dentata.**

Queste lame tendono a creare frequenti contraccolpi e perdite di controllo.

**Avvertenze di sicurezza specifiche per le operazioni di smerigliatura e taglio abrasivo:**

**a) Utilizzare esclusivamente i tipi di dischi consigliati per l'utensile elettrico in uso e la protezione specifica progettata per il disco scelto.** I dischi non progettati per l'utensile elettrico in uso non possono essere controllati adeguatamente e sono pertanto pericolosi.

**b) La superficie di smerigliatura dei dischi a centro depresso deve essere montata sotto il piano del lembo della protezione.** Un disco montato in maniera impropria, che sporge attraverso il piano del lembo della protezione, non può essere protetto adeguatamente.

**c) La protezione deve essere saldamente fissata all'utensile elettrico e posizionata in modo da garantire la massima sicurezza, così che solo una minima parte del disco sia esposta verso l'operatore.** La protezione aiuta a proteggere l'operatore da frammenti di disco rotti e dal contatto accidentale con il disco e con le scintille che potrebbero incendiare gli abiti.

**d) I dischi devono essere utilizzati soltanto per le applicazioni consigliate. Ad esempio: non smerigliare con il lato del disco da taglio.** I dischi abrasivi da taglio devono essere utilizzati per la smerigliatura periferica, le forze laterali applicate a questi dischi possono causarne la frantumazione.

**e) Utilizzare sempre flange del disco intatte, con le dimensioni e la forma corrette per il disco scelto.** Le flange idonee sostengono il disco e riducono quindi la possibilità che si rompa. Le flange per i dischi di taglio possono essere diverse dalle flange per i dischi di smerigliatura.

**f) Non utilizzare dischi usurati di utensili elettrici con dimensioni maggiori.** I dischi destinati a utensili elettrici più grandi non sono adatti per le velocità più elevate di un utensile più piccolo e possono esplodere.

**Ulteriori avvertenze di sicurezza specifiche per le operazioni di taglio abrasivo:**

**a) Non "bloccare" il disco di taglio o applicare una pressione eccessiva. Non tentare di applicare una profondità di taglio eccessiva.** La sollecitazione eccessiva del disco aumenta il carico e la predisposizione all'avvitamento o al grippaggio del disco nel taglio e la possibilità di contraccolpi o rotture del disco.

**b) Non posizionare il corpo in linea e dietro al disco in rotazione.** Se il disco, nel punto di mobilità, si sposta lontano dal corpo, gli eventuali contraccolpi possono spingere il disco in rotazione e l'utensile elettrico direttamente verso l'operatore.

**c) Quando il disco sta grippando o interrompe un taglio per qualsiasi motivo, spegnere l'utensile e mantenere l'utensile fermo fino a quando il disco**

**si arresta completamente. Durante il taglio, non cercare mai di rimuovere il disco di taglio durante lo spostamento del disco, altrimenti possono verificarsi contraccolpi.** Esaminare le condizioni operative e adottare le misure necessarie per eliminare le cause del grippaggio del disco.

**d) Non ricominciare l'operazione di taglio sul pezzo in lavorazione. Attendere che il disco raggiunga la piena velocità e riprendere il taglio con la massima attenzione.** Se l'utensile elettrico viene riavviato sul pezzo in lavorazione, il disco può grippare, sollevarsi o causare un contraccolpo.

**e) Utilizzare supporti per sostenere i pannelli o eventuali pezzi in lavorazione sovradimensionati per ridurre al minimo il rischio di contraccolpi e incastramenti del disco.** I pezzi in lavorazione di grandi dimensioni tendono a flettersi sotto il loro stesso peso. Collocare i supporti al di sotto del pezzo in lavorazione, in prossimità della linea di taglio e del bordo del pezzo in lavorazione su entrambi i lati del disco.

**f) Prestare particolare attenzione nel caso sia necessario eseguire "tagli con cavità" in cui occorre inserire la lama in una parete esistente o in un'altra superficie chiusa.** Il disco sporgente può tagliare tubi dell'acqua o del gas, cavi elettrici e oggetti che possono causare il contraccolpo.

**Avvisi di sicurezza specifici per le operazioni di carteggiatura:**

**a) Non utilizzare una carta abrasiva eccessivamente sovradimensionata. Nel selezionare la carta abrasiva, seguire le raccomandazioni dei produttori.** Una carta abrasiva di dimensioni maggiori che si estende oltre il cuscinetto da smerigliatura presenta un rischio di lacerazione e può causare la sbavatura, l'usura del disco o contraccolpi.

**Avvisi di sicurezza specifici per le operazioni di spazzolatura:**

**a) Le setole di ferro cadono dalla spazzola persino durante le operazioni normali. Non sollecitare eccessivamente i fili applicando un carico eccessivo sulla spazzola.** Le setole di ferro possono penetrare facilmente nei vestiti leggeri e/o nella pelle.

**b) Se per la spazzola metallica è consigliato l'utilizzo di una protezione, non fare interferire il disco a raggi o la spazzola con il dispositivo di protezione.** Il diametro del disco a raggi o della spazzola può espandersi a causa del carico di lavoro e delle forze centrifughe.

**Avvertenze di sicurezza supplementari:**

**16. Se vengono utilizzati dischi con centro depresso, accertarsi che si tratti esclusivamente di dischi in fibra di vetro rinforzata.**

**17. NON UTILIZZARE MAI dischi a tazza in pietra con questa smerigliatrice.** La presente smerigliatrice non è progettata per questo tipo di dischi e l'uso di tale prodotto potrebbe causare gravi lesioni personali.

**18. Fare attenzione a non danneggiare il mandrino, la flangia (soprattutto la superficie di installazione) o il controdisco. Se queste parti vengono danneggiate, il disco potrebbe rompersi.**

19. Verificare che il disco non tocchi il pezzo in lavorazione prima di accendere l'interruttore.
  20. Prima di utilizzare l'utensile su un pezzo in lavorazione, lasciarlo funzionare a vuoto per qualche minuto. Prestare attenzione a vibrazioni e oscillazioni che potrebbero indicare difetti di installazione o il bilanciamento errato del disco.
  21. Per la smerigliatura, utilizzare la superficie specificata del disco.
  22. Non lasciare l'utensile acceso. Azionare l'utensile solo quando viene tenuto in mano.
  23. Non toccare il pezzo subito dopo il lavoro, poiché può raggiungere temperature elevate e provocare ustioni.
  24. Osservare le istruzioni del produttore per il corretto montaggio e utilizzo dei dischi. Maneggiare e conservare i dischi con cura.
  25. Non utilizzare boccole di riduzione o adattatori separati per montare dischi abrasivi con foro largo.
  26. Utilizzare soltanto flange specifiche per questo utensile.
  27. Se si utilizzano utensili su cui montare dischi con foro filettato, accertarsi che la filettatura del disco sia sufficientemente lunga da accettare la lunghezza del mandrino.
  28. Accertarsi che il pezzo in lavorazione sia fissato stabilmente nei supporti.
  29. Tenere presente che il disco continua a girare anche dopo aver spento l'utensile.
  30. Se l'ambiente di lavoro è estremamente caldo o umido, oppure contaminato da polvere conduttiva, utilizzare un salvavita (30 mA) per garantire la sicurezza dell'operatore.
  31. Non utilizzare l'utensile su materiali che contengono amianto.
  32. Quando si usano dischi diamantati, utilizzare sempre la protezione del disco per raccogliere la polvere, come previsto dalle normative in vigore nel paese.
  33. I dischi di taglio non devono essere soggetti ad alcuna pressione laterale.
3. Se il tempo di funzionamento è diventato eccessivamente breve, non utilizzare l'utensile. Potrebbero verificarsi surriscaldamenti, ustioni o esplosioni.
  4. In caso di contatto dell'elettrolita della batteria con gli occhi, sciacquare con acqua fresca e rivolgersi immediatamente a un medico. Potrebbero verificarsi danni permanenti alla funzionalità visiva.
  5. Non cortocircuitare la batteria:
    - (1) Non toccare i terminali della batteria con materiale in grado di condurre elettricità.
    - (2) Evitare di conservare la batteria a contatto con oggetti metallici quali chiodi, monete e così via.
    - (3) Non esporre le batterie all'acqua o alla pioggia.
 Un cortocircuito può provocare un elevato flusso di corrente, surriscaldamento, ustioni o rotture.
  6. Non conservare l'utensile e la batteria a una temperatura superiore a 50 °C.
  7. Evitare di smaltire le batterie danneggiate o esaurite bruciandole. Se esposte al fuoco, le batterie possono esplodere.
  8. Evitare di far cadere o di colpire la batteria.
  9. Non utilizzare batterie danneggiate.
  10. Attenersi alle normative della propria area geografica relative allo smaltimento delle batterie.

## CONSERVARE QUESTE ISTRUZIONI.

### Suggerimenti il prolungamento della durata della batteria

1. Caricare le batterie prima di scaricarle completamente. Se si nota una diminuzione di potenza dell'utensile, interrompere il lavoro e ricaricare la batteria.
2. Non ricaricare una batteria già completamente carica. In caso contrario, la durata operativa della batteria potrebbe ridursi.
3. Caricare la batteria in ambienti con temperatura compresa tra 10 °C e 40 °C. Prima di caricare una batteria surriscaldata, lasciarla raffreddare.
4. Caricare la batteria una volta ogni sei mesi se l'utensile rimane inutilizzato per lungo tempo.

## DESCRIZIONE FUNZIONALE

### ATTENZIONE:

- Prima di regolare o controllare le funzioni dell'utensile, verificare sempre di averlo spento e di aver rimosso la batteria.

### Installazione o rimozione della batteria (Fig. 1)

#### ⚠ ATTENZIONE:

- Prima di inserire o rimuovere la batteria, spegnere sempre l'utensile.

## CONSERVARE QUESTE ISTRUZIONI.

### ⚠ AVVERTENZA:

NON lasciare che la familiarità acquisita con il prodotto (dovuta all'uso ripetuto) provochi l'insosservanza delle norme di sicurezza. L'USO IMPROPRIO o la mancata osservanza delle norme di sicurezza indicate in questo manuale di istruzioni possono provocare gravi danni alla persona.

## ISTRUZIONI IMPORTANTI PER LA SICUREZZA

ENC007-8

## RELATIVE ALLA BATTERIA

1. Prima di utilizzare la batteria, leggere tutte le istruzioni e gli avvisi di sicurezza relativi a (1) caricabatteria, (2) batteria e (3) prodotto utilizzato con la batteria.
2. Non smontare la batteria.



- **Durante l'inserimento o la rimozione della batteria, tenere saldamente l'utensile e la batteria stessa.** In caso contrario potrebbero scivolare dalle mani, con conseguenti danni all'utensile, alla batteria e alla persona.

Per rimuovere la batteria è sufficiente estrarla dall'utensile facendo scorrere il pulsante sulla parte anteriore della batteria.

Per inserire la batteria, allineare la linguetta della batteria con la scanalatura nell'alloggiamento e farla scorrere in posizione. Inserire a fondo la batteria fino a bloccarla in posizione con uno scatto. Se è visibile l'indicatore rosso sul lato superiore del pulsante, significa che la batteria non è completamente inserita.

#### **ATTENZIONE:**

- inserire a fondo la batteria fino alla scomparsa dell'indicatore rosso. In caso contrario, la batteria potrebbe fuoriuscire accidentalmente dall'utensile, provocando danni all'operatore o a eventuali osservatori.
- Non forzare l'inserimento della batteria. Se la batteria non scorre agevolmente, significa che la manovra di inserimento non è corretta.

### **Sistema di protezione della batteria**

L'utensile è dotato di un sistema di protezione della batteria. Questo sistema interrompe automaticamente l'alimentazione del motore per prolungare la durata della batteria.

L'utensile si spegne automaticamente durante l'uso se l'utensile stesso e/o la batteria si trovano in una delle seguenti condizioni:

- **Sovraccarico:**  
La modalità d'uso dell'utensile provoca un assorbimento anomalo di corrente. In questa situazione, spegnere l'utensile e interrompere l'operazione che ha provocato il sovraccarico dell'utensile stesso. Quindi accendere l'utensile per ricominciare. Se l'utensile non si avvia, si è verificato un surriscaldamento della batteria. In questo caso, attendere che la batteria si raffreddi prima di accendere nuovamente l'utensile.
- **Bassa tensione della batteria:**  
La capacità residua della batteria è troppo bassa e non consente di utilizzare l'utensile. In questo caso, rimuovere e ricaricare la batteria.

#### **NOTA:**

La protezione contro il surriscaldamento funziona solo con batterie con contrassegno a stella. (Fig. 2)

### **Spia luminosa multifunzione (Fig. 3)**

Le spie luminose sono presenti in due posizioni. Quando la batteria è inserita nell'utensile e l'interruttore scorrevole si trova nella posizione "O (SPENTO)", la spia luminosa lampeggia rapidamente per circa un secondo. Se non lampeggia, significa che la batteria o la spia luminosa presenta un malfunzionamento.

#### **- Protezione dal sovraccarico**

- Se l'utensile è sovraccaricato, si accende la spia luminosa. La spia si spegne quando il carico sull'utensile viene ridotto.

- Se l'utensile continua ad essere sovraccaricato e la spia luminosa rimane accesa per circa due secondi, l'utensile si ferma per impedire danni al motore e ai componenti collegati.
- In questo caso, per riprendere l'utilizzo dell'utensile, spostare l'interruttore scorrevole prima nella posizione "O (SPENTO)", quindi nella posizione "I (ACCESO)".
- **Segnale di sostituzione della batteria**  
- Quando la capacità rimanente della batteria è bassa, la spia luminosa si accende durante il funzionamento se è ancora disponibile una carica della batteria sufficiente.
- **Funzione di prevenzione del riavvio accidentale**  
- Anche se la batteria è inserita nell'utensile con l'interruttore scorrevole nella posizione "I (ACCESO)", l'utensile non si accende. In questo caso, la spia lampeggia lentamente per indicare che è in uso la funzione di prevenzione del riavvio accidentale.  
- Per accendere l'utensile, portare l'interruttore scorrevole prima nella posizione "O (SPENTO)", quindi nella posizione "I (ACCESO)".

### **Blocco dell'albero (Fig. 4)**

#### **ATTENZIONE:**

- Non usare il blocco dell'albero mentre il mandrino è in funzione. L'uso in tali condizioni può danneggiare l'utensile.

Premere il blocco dell'albero per evitare la rotazione del mandrino durante l'installazione o la rimozione degli accessori.

### **Azionamento dell'interruttore (Fig. 5)**

#### **ATTENZIONE:**

- Prima di inserire la batteria nell'utensile, controllare se l'interruttore scorrevole funziona correttamente e ritorna alla posizione "SPENTO" quando viene premuta la parte posteriore dell'interruttore.

Per avviare l'utensile, portare l'interruttore scorrevole in posizione "I (ACCESO)". Per il funzionamento continuo, premere la parte anteriore dell'interruttore scorrevole per bloccarne la posizione.

Per fermare l'utensile, premere la parte posteriore dell'interruttore scorrevole, quindi portarlo nella posizione "O (SPENTO)".

## **MONTAGGIO**

#### **ATTENZIONE:**

- Prima di eseguire qualsiasi operazione sull'utensile, verificare sempre di averlo spento e di aver rimosso la batteria.

### **Installazione dell'impugnatura laterale (Fig. 6)**

#### **ATTENZIONE:**

- Accertarsi sempre che l'impugnatura laterale sia montata correttamente prima di far funzionare l'utensile.

Avvitare saldamente l'impugnatura sul punto dell'utensile mostrato in figura.

## Installazione e rimozione della protezione disco (per dischi con centro depresso, multidischi/dischi da taglio abrasivi, dischi diamantati)

Per utensili con protezione disco tipo chiusura con vite (Fig. 7)

### AVVERTENZA:

- Durante l'uso di un disco con centro depresso/multidisco, di un disco flessibile, di una spazzola metallica per dischi, di un disco per taglio o di un disco diamantato, la protezione disco deve essere montata sull'utensile in modo che il lato più vicino della protezione sia sempre rivolto verso l'operatore.
- Se si utilizza un disco da taglio abrasivo/disco diamantato, accertarsi di utilizzare solo l'apposita protezione speciale progettata per l'uso con i dischi da taglio. (Nei paesi europei, se si utilizza un disco diamantato è possibile usare la protezione normale.)

Montare la protezione disco con la sporgenza della banda di protezione disco allineata con la tacca presente sull'alloggiamento del cuscinetto. Quindi ruotare la protezione disco ad una angolazione tale da proteggere l'operatore, in base al tipo di lavoro. Serrare la vite fino in fondo.

Per rimuovere la protezione disco, attenersi alla procedura di installazione procedendo in senso inverso.

## Installazione o rimozione di un disco con centro depresso/multidisco (Fig. 8)

### AVVERTENZA:

- Utilizzare sempre la protezione in dotazione quando sull'utensile è in uso un disco con centro depresso/multidisco. Il disco può frantumarsi durante l'uso e la protezione aiuta a ridurre le possibilità di infortuni.

Montare la flangia interna sul mandrino. Montare il disco o la mola sulla flangia interna e avvitare il controdado sul mandrino.

Per serrare il controdado, premere saldamente il blocco dell'albero per evitare la rotazione del mandrino, quindi utilizzare l'apposita chiave per serrare il controdado girando in senso orario. (Fig. 9)

Per rimuovere il disco, attenersi alla procedura di installazione procedendo in senso inverso.

### AVVERTENZA:

- Utilizzare il blocco dell'albero solo mentre il mandrino non è in funzione.

## FUNZIONAMENTO

### AVVERTENZA:

- Non dovrebbe essere mai necessario forzare l'utensile. Il peso stesso dell'utensile esercita una pressione adeguata. Una forza o una pressione eccessiva possono provocare una pericolosa rottura del disco.
- Sostituire SEMPRE il disco se l'utensile è caduto durante la smerigliatura.
- MAI sbattere o far urtare il disco o la mola contro il pezzo.
- Evitare di far rimbalzare o urtare il disco, in particolare durante il lavoro negli angoli, sui bordi aguzzi e così

via. Ciò potrebbe causare la perdita di controllo e contraccolpi.

- MAI usare l'utensile con lame per il taglio del legno o altre seghe. Se utilizzate con le smerigliatrici, tali lame danno frequentemente dei contraccolpi causando perdite di controllo con pericolo di lesioni.

### ATTENZIONE:

- Limitare la profondità di un singolo taglio a 5 mm. Regolare la pressione sull'utensile in modo che non rallenti durante l'uso.
- Dopo l'uso, spegnere sempre l'utensile e attendere che il disco si sia fermato prima di riportarlo.
- Se si utilizza continuamente l'utensile fino al completo scaricamento della batteria, attendere 15 minuti prima di continuare a utilizzarlo con una nuova batteria.

## Smerigliatura e carteggiatura (Fig. 10)

Tenere SEMPRE saldamente l'utensile con una mano sull'alloggiamento e l'altra sull'impugnatura laterale. Accendere l'utensile e applicare il disco o la mola sul pezzo.

In generale, tenere il bordo del disco o della mola a un angolo di circa 15° rispetto alla superficie del pezzo. Durante il periodo di rodaggio di un nuovo disco, non spostare la smerigliatrice nella direzione B, poiché taglierebbe il pezzo. Una volta che il bordo del disco è stato arrotondato dall'uso, il disco può essere spostato in entrambe le direzioni A e B.

## Utilizzo con il disco da taglio abrasivo/diamantato (accessorio opzionale) (Fig. 11)

La direzione di fissaggio del controdado e della flangia interna varia in base allo spessore del disco.

Vedi tabella seguente. (Fig. 12)

### ⚠ AVVERTENZA:

- Se si utilizza un disco da taglio abrasivo/disco diamantato, accertarsi di utilizzare solo l'apposita protezione speciale progettata per l'uso con i dischi da taglio. (Nei paesi europei, se si utilizza un disco diamantato è possibile usare la protezione normale.)
- Non utilizzare MAI un disco di taglio per la smerigliatura laterale.
- Non "bloccare" il disco né applicare una pressione eccessiva. Non tentare di esercitare una forza di taglio eccessiva. Il sovraccarico del disco aumenta il caricamento e la predisposizione all'avvitamento o al grippaggio del disco nel taglio e la possibilità di contraccolpi, rotture del disco o il surriscaldamento del motore.
- Non avviare l'operazione di taglio nel pezzo in lavorazione. Fare raggiungere al disco la piena velocità e iniziare lentamente a tagliare spostando l'utensile in avanti sulla superficie del pezzo in lavorazione. Se l'utensile viene riavviato sul pezzo in lavorazione, il disco può grippare, sollevarsi o sobbalzare.
- Durante le operazioni di taglio, non modificare mai l'angolo del disco. Se al disco di taglio viene applicata la pressione laterale (analogamente alla smerigliatura), nel disco si creeranno crepe e rotture, provocando lesioni personali gravi.

- I dischi diamantati vanno utilizzati perpendicolarmente al materiale da tagliare.

## MANUTENZIONE

### ATTENZIONE:

- Prima di effettuare controlli o operazioni di manutenzione, verificare sempre di aver spento l'utensile e di aver rimosso la batteria.
- Evitare assolutamente di usare benzina, diluenti, solventi, alcol o sostanze simili. In caso contrario, potrebbero verificarsi scoloriture, deformazioni o incrinature.

L'utensile e le aperture di ventilazione devono essere mantenuti puliti. Pulire le aperture di ventilazione dell'utensile regolarmente o quando iniziano a essere ostruite. (Fig. 13)

### Sostituzione delle spazzole di carbone (Fig. 14)

Rimuovere e controllare periodicamente le spazzole di carbone. Sostituire le spazzole quando sono consumate fino all'indicatore di limite. Mantenere le spazzole di carbone pulite e libere di scorrere nei supporti. Entrambe le spazzole di carbone devono essere sostituite contemporaneamente. Utilizzare solo spazzole di carbone dello stesso tipo.

Inserire l'estremità superiore della punta del cacciavite nella tacca sull'utensile, quindi rimuovere il coperchio del supporto mediante sollevamento. (Fig. 15)

Rimuovere i coperchi dei portaspazzola con un cacciavite. Estrarre le spazzole di carbone consumate, inserire le nuove spazzole e fissare i coperchi dei portaspazzola. (Fig. 16)

Rimontare il coperchio del supporto sull'utensile. Per mantenere la SICUREZZA e l'AFFIDABILITÀ del prodotto, le riparazioni e qualsiasi altra operazione di manutenzione o regolazione devono essere eseguite dai centri di assistenza autorizzati Makita utilizzando sempre parti di ricambio Makita.

## ACCESSORI OPZIONALI

### ⚠ ATTENZIONE:

- Si consiglia l'uso dei seguenti accessori per l'utensile Makita descritto in questo manuale. L'uso di qualsiasi altro accessorio potrebbe provocare lesioni personali. Utilizzare gli accessori esclusivamente per l'uso dichiarato.

Per l'assistenza e per ulteriori informazioni su tali accessori, rivolgersi al centro assistenza Makita di zona.

- Protezione disco (coperchio disco) per disco con centro depresso/disco multiplo
- Protezione disco (coperchio disco) per disco da taglio abrasivo/disco diamantato
- Dischi con centro depresso
- Dischi da taglio abrasivi
- Dischi multipli
- Dischi diamantati
- Spazzole di ferro
- Spazzola di ferro 85
- Dischi abrasivi
- Flangia interna

- Controdado per disco con centro depresso/disco da taglio abrasivo/disco multiplo/disco diamantato
- Controdado per disco abrasivo
- Chiave controdado
- Impugnatura laterale
- Batteria e caricabatteria originali Makita

### NOTA:

- Alcuni degli accessori elencati potrebbero essere inclusi nella confezione dell'utensile come accessori standard. Gli accessori standard possono differire da paese a paese.

### Rumore

ENG905-1

Il tipico livello di rumore ponderato "A" è determinato in conformità con la norma EN60745:

#### Modello DGA450

Livello di pressione sonora ( $L_{pA}$ ): 74 dB (A)

Variazione (K): 3 dB (A)

Il livello acustico in funzionamento può superare 80 dB (A).

#### Modello DGA452

Livello di pressione sonora ( $L_{pA}$ ): 76 dB (A)

Variazione (K): 3 dB (A)

Il livello acustico in funzionamento può superare 80 dB (A).

#### Indossare una protezione acustica.

### Vibrazioni

ENG900-1

Il valore totale delle vibrazioni (somma vettoriale triassiale) è determinato in conformità con la norma EN60745:

#### Modello DGA450

Modalità di lavoro: smerigliatura della superficie

Emissione vibrazioni ( $a_{h,AG}$ ): 8,5 m/s<sup>2</sup>

Variazione (K): 1,5 m/s<sup>2</sup>

Modalità di lavoro: smerigliatura con disco

Emissione vibrazioni ( $a_{h,DS}$ ): 2,5 m/s<sup>2</sup> o inferiore

Variazione (K): 1,5 m/s<sup>2</sup>

#### Modello DGA452

Modalità di lavoro: smerigliatura della superficie

Emissione vibrazioni ( $a_{h,AG}$ ): 10,0 m/s<sup>2</sup>

Variazione (K): 1,5 m/s<sup>2</sup>

Modalità di lavoro: smerigliatura con disco

Emissione vibrazioni ( $a_{h,DS}$ ): 2,5 m/s<sup>2</sup> o inferiore

Variazione (K): 1,5 m/s<sup>2</sup>

ENG902-1

- Il valore di emissione delle vibrazioni dichiarato è stato misurato in conformità con il metodo di test standard e può essere utilizzato per confrontare tra loro diversi utensili.
- Il valore di emissione delle vibrazioni dichiarato può anche essere utilizzato per stime preliminari dell'esposizione.
- Il valore dell'emissione delle vibrazioni dichiarato è utilizzato per le applicazioni principali dello strumento. Tuttavia, se lo strumento viene utilizzato per altre applicazioni, il valore dell'emissione delle vibrazioni potrebbe essere diverso.

### ⚠ AVVERTENZA:

- L'emissione delle vibrazioni durante l'uso effettivo dell'utensile elettrico può risultare diversa rispetto al

valore dichiarato, in base alla modalità d'uso dell'utensile.

- Assicurarsi di individuare le necessarie misure di sicurezza per proteggere l'operatore in base a una stima dell'esposizione nelle condizioni reali di utilizzo (prendendo in considerazione tutte le fasi del ciclo operativo, come quante volte l'utensile viene spento e i periodi in cui rimane inattivo, oltre al tempo di avviamento).

**Solo per i paesi europei**

ENH101-17

**Dichiarazione di conformità CE**

**Makita dichiara che le macchine seguenti:**

Denominazione dell'utensile:

Smerigliatrice angolare a batteria

N. modello/Tipo: DGA450, DGA452

**sono conformi alle seguenti direttive europee:**

2006/42/EC

Sono prodotte in conformità agli standard o ai documenti standardizzati riportati di seguito:

EN60745

Il documento tecnico ai sensi della Direttiva europea 2006/42/EC è disponibile presso:

Makita, Jan-Baptist Vinkstraat 2, 3070, Belgio

31. 12. 2013



Yasushi Fukaya  
Direttore

Makita, Jan-Baptist Vinkstraat 2, 3070, Belgio

## NEDERLANDS (Originele instructies)

### Verklaring van het onderdelenoverzicht

1. Knop	11. Borgmoer	19. Dikte: minder dan 4 mm (5/32")
2. Rode deel	12. Slijpschijf/multischijf met verzonken middengat	20. Dikte: 4 mm (5/32") of meer
3. Accu		21. Luchtuitlaatopening
4. Ster-merkteken	13. Binnenflens	22. Luchtinlaatopening
5. Bedrijfslampje	14. Borgmoersleutel	23. Slijtgrensmarkering
6. Asvergrendeling	15. Doorslijpschijf of diamantschijf	24. Houderafdekking
7. Schuifknop	16. Beschermkap voor doorslijpschijf of diamantschijf	25. Schroevendraaier
8. Beschermkap	17. Doorslijpschijf	26. Koolborsteldop
9. Kussenblokkast	18. Diamantschijf	
10. Schroef		

## TECHNISCHE GEGEVENS

Model	DGA402	DGA450	DGA452
Schijfdiameter	100 mm	115 mm	
Max. schijfdikte	6,4 mm	6,4 mm	6,4 mm
Asschroefdraad	M10	M14 of 5/8" (afhankelijk van het land)	
Nominaal toerental (n)/Nullasttoerental (n <sub>0</sub> )	11.000 min <sup>-1</sup>		
Totale lengte	317 mm		
Netto gewicht	2,2 kg	2,2 kg	2,3 kg
Nominale spanning	18 V gelijkstroom	14,4 V gelijkstroom	18 V gelijkstroom

- Als gevolg van ons doorlopende onderzoeks- en ontwikkelingsprogramma, zijn de technische gegevens van dit gereedschap onderhevig aan veranderingen zonder voorafgaande kennisgeving.
- Specificaties en accu's kunnen van land tot land verschillen.
- Gewicht, inclusief de accu, volgens de EPTA-procedure 01/2003

### Symbolen

END221-4

Hieronder staan de symbolen die voor dit gereedschap worden gebruikt. Zorg ervoor dat u weet wat ze betekenen alvorens het gereedschap te gebruiken.



..... Lees de gebruiksaanwijzing.



..... Draag een veiligheidsbril.



..... Alleen voor EU-landen

Geef elektrisch gereedschap en accu's niet met het huisvuil mee!

Volgens de Europese richtlijn inzake oude elektrische en elektronische apparaten, en inzake batterijen en accu's en oude batterijen en accu's, en de toepassing daarvan binnen de nationale wetgeving, dienen elektrisch gereedschap, accu's en batterijen die het einde van hun levensduur hebben bereikt, gescheiden te worden ingezameld en te worden afgevoerd naar een recyclebedrijf dat voldoet aan de geldende milieu-eisen.

### Gebruiksdoelinden

ENE048-1

Het gereedschap is bedoeld voor het slijpen, schuren en snijden van metaal en steen zonder gebruik van water.

## Algemene veiligheidswaarschuwingen voor elektrisch gereedschap

GEA010-1

**⚠ WAARSCHUWING** Lees alle veiligheidswaarschuwingen en alle instructies. Het niet volgen van de waarschuwingen en instructies kan leiden tot elektrische schokken, brand en/of ernstig letsel.

## Bewaar alle waarschuwingen en instructies om in de toekomst te kunnen raadplegen.

## VEILIGHEIDSWAARSCHUWINGEN SPECIFIEK VOOR EEN ACCUSLIJPMACHINE

GEB059-3

**Gemeenschappelijke veiligheidswaarschuwingen voor slijp-, schuur-, draadborstel- en doorslijpwerkzaamheden:**

1. Dit elektrisch gereedschap is bedoeld voor gebruik als slijp-, schuur-, draadborstel- of doorslijpgereedschap. Lees alle veiligheidswaarschuwingen, instructies, afbeeldingen en technische gegevens die bij dit elektrisch gereedschap worden geleverd. Als u nalaat alle onderstaande instructies te volgen, kan dit leiden tot een elektrische schok, brand en/of ernstig letsel.

2. **Werkzaamheden zoals polijsten worden niet aanbevolen met dit elektrisch gereedschap.** Werkzaamheden waarvoor dit elektrisch gereedschap niet is bedoeld kunnen gevaarlijke situaties opleveren en tot persoonlijk letsel leiden.
3. **Gebruik geen accessoires die niet specifiek zijn ontworpen en aanbevolen door de fabrikant van het gereedschap.** Ook wanneer het accessoire kan worden bevestigd op uw elektrisch gereedschap, is een veilige werking niet gegarandeerd.
4. **Het nominaal toerental van het accessoire moet minstens gelijk zijn aan het maximumtoerental vermeld op het elektrisch gereedschap.** Accessoires die met een hoger toerental draaien dan hun nominaal toerental kunnen stuk breken en in het rond vliegen.
5. **De buitendiameter en de dikte van het accessoire moet binnen het capaciteitsbereik van het elektrisch gereedschap vallen.** Accessoires met verkeerde afmetingen kunnen niet afdoende worden afgeschermd of beheerst.
6. **Als accessoires met schroefdraadbevestiging worden aangebracht, moet de schroefdraad overeenkomen met de schroefdraad op de as van de slijpmachine. Als accessoires met flensbevestiging worden aangebracht, moet het asgat van het accessoire overeenkomen met de diameter van de pasrand op de flens.** Accessoires die niet overeenkomen met de bevestigingshardware van het elektrisch gereedschap, zullen niet gebalanceerd draaien en buitensporig trillen, en kunnen leiden tot verlies van controle over het gereedschap.
7. **Gebruik nooit een beschadigd accessoire. Inspecteer het accessoire vóór ieder gebruik, bijvoorbeeld een slijpschijf op ontbrekende schijfers en barsten; een rugschijf op barsten, scheuren of buitensporige slijtage; en een draadborstel op losse of gebarsten draden. Nadat het elektrisch gereedschap is gevallen, inspecteert u het op schade of monteert u een onbeschadigd accessoire. Na inspectie en montage van een accessoire, zorgt u ervoor dat u en omstanders niet in het rotatie vlak van het accessoire staan, en laat u het elektrisch gereedschap draaien op het maximaal, onbelast toerental gedurende één minuut.** Beschadigde accessoires breken normaal gesproken in stukken gedurende deze testduur.
8. **Gebruik persoonlijke veiligheidsmiddelen. Afhankelijk van de toepassing gebruikt u een spatscherm, een beschermende bril of een veiligheidsbril. Al naar gelang van toepassing draagt u een stofmasker, gehoorbeschermers, handschoenen en een werkschort die in staat zijn kleine stukjes slijpsel of werkstukfragmenten te weerstaan.** De oogbescherming moet in staat zijn rondvliegend afval te stoppen dat ontstaat bij de diverse werkzaamheden. Het stofmasker of ademhalingsapparaat moet in staat zijn deeltjes te filteren die ontstaan bij de werkzaamheden. Langdurige blootstelling aan zeer intens geluid kan leiden tot gehoorbeschadiging.
9. **Houd omstanders op veilige afstand van het werkgebied. Iedereen die zich binnen het werkgebied begeeft, moet persoonlijke veiligheidsmiddelen gebruiken.** Fragmenten van het werkstuk of van een uiteengevallen accessoire kunnen rondvliegen en letsel veroorzaken buiten de onmiddellijke werkomgeving.
10. **Houd het elektrisch gereedschap alleen vast aan het geïsoleerde oppervlak van de handgrepen wanneer u werkt op plaatsen waar het zaaggarnituur met verborgen bedrading in aanraking kan komen.** Door aanraking van onder spanning staande draden, zullen de niet-geïsoleerde metalen delen van het gereedschap onder spanning komen te staan zodat de gebruiker een elektrische schok kan krijgen.
11. **Leg het elektrisch gereedschap nooit neer voordat het accessoire volledig tot stilstand is gekomen.** Het ronddraaiende accessoire kan de ondergrond pakken zodat u de controle over het elektrisch gereedschap verliest.
12. **Laat het elektrisch gereedschap niet draaien terwijl u het naast u draagt.** Als het ronddraaiende accessoire u per ongeluk raakt, kan het verstrikt raken in uw kleding waardoor het accessoire in uw lichaam wordt getrokken.
13. **Maak de ventilatieopeningen van het gereedschap regelmatig schoon.** De ventilator van de motor zal het stof de behuizing in trekken, en een grote opeenhoping van metaalslijpsel kan leiden tot elektrisch gevaarlijke situaties.
14. **Gebruik het elektrisch gereedschap niet in de buurt van brandbare materialen.** Vonken kunnen deze materialen doen ontvlammen.
15. **Gebruik geen accessoires die met vloeistof moeten worden gekoeld.** Het gebruik van water of andere vloeibare koelmiddelen kan leiden tot elektrocutie of elektrische schokken.

#### **Terugslag en aanverwante waarschuwingen**

Terugslag is een plotselinge reactie op een beknelde of vastgelopen draaiende schijf, rugschijf, draadborstel of enig ander accessoire. Beknellen of vastlopen veroorzaakt een snelle stilstand van het draaiende accessoire dat op zijn beurt ertoe leidt dat het elektrisch gereedschap zich ongecontroleerd beweegt in de tegenovergestelde richting van de draairichting van het accessoire op het moment van vastlopen. Bijvoorbeeld, als een slijpschijf bekneld raakt of vastloopt in het werkstuk, kan de rand van de schijf die het beknellingspunt ingaat, zich invreten in het oppervlak van het materiaal waardoor de schijf eruit klimt of eruit slaat. De schijf kan daarbij naar de gebruiker toe of weg springen, afhankelijk van de draairichting van de schijf op het beknellingspunt. Slijpschijven kunnen in dergelijke situaties ook breken.

Terugslag is het gevolg van misbruik van het elektrisch gereedschap en/of onjuiste gebruiksprocedures of -omstandigheden, en kan worden voorkomen door goede voorzorgsmaatregelen te treffen, zoals hieronder vermeld:

- a) **Houd het gereedschap stevig vast en houdt uw armen en lichaam zodanig dat u in staat bent een terugslag op te vangen. Gebruik altijd de extra handgreep (indien aanwezig) voor een maximale controle over het gereedschap in geval van**

**terugslag en koppelreactie bij het starten.** De gebruiker kan een terugslag of de koppelreactie opvangen indien de juiste voorzorgsmaatregelen worden getroffen.

- b) **Plaats uw hand nooit in de buurt van het draaiende accessoire.** Het accessoire kan terugslaan over uw hand.
- c) **Plaats uw lichaam niet in het gebied waar het elektrisch gereedschap naar toe gaat wanneer een terugslag optreedt.** Een terugslag zal het gereedschap bewegen in de tegenovergestelde richting van de draairichting van de schijf op het moment van beknellen.
- d) **Wees bijzonder voorzichtig bij het werken met hoeken, scherpe randen, enz. Voorkom dat het accessoire springt of bekneld raakt.** Hoeken, scherpe randen of springen veroorzaken vaak beknellen van het draaiende accessoire wat leidt tot terugslag of verlies van controle over het gereedschap.
- e) **Bevestig geen houtbewerkingsblad van een zaagketting of getand zaagblad.** Dergelijke accessoires leiden vaak tot terugslag of verlies van controle over het gereedschap.

#### **Veiligheidswaarschuwingen specifiek voor slijp- en doorslijpwerkzaamheden:**

- a) **Gebruik uitsluitend schijven van het type aanbevolen voor uw elektrisch gereedschap en de specifieke beschermkap voor de te gebruiken schijf.** Schijven waarvoor het elektrisch gereedschap niet is ontworpen, kunnen niet goed worden afgeschermd en zijn niet veilig.
- b) **Het slijpvlak van slijpschijven met een verzonken middengat moet lager liggen dan het vlak van de lip op de beschermkap.** Een onjuist aangebrachte schijf die uitsteekt door het vlak van de lip op de beschermkap kan niet afdoende worden beschermd.
- c) **De beschermkap moet stevig worden vastgezet aan het elektrisch gereedschap en in de maximaal beschermende stand worden gezet zodat het kleinste mogelijke deel van de schijf is blootgesteld in de richting van de gebruiker.** De beschermkap helpt de gebruiker te beschermen tegen afgebroken stukjes van de schijf, het per ongeluk aanraken van de schijf en vonken die kleding kunnen doen ontvlammen.
- d) **De schijven mogen uitsluitend worden gebruikt voor de aanbevolen toepassingen. Bijvoorbeeld: u mag niet slijpen met de zijkant van een doorslijpschijf.** Doorslijpschijven zijn bedoeld voor slijpen met de rand. Krachten op het zijoppervlak kunnen deze schijven doen breken.
- e) **Gebruik altijd onbeschadigde schijfflenzen van de juiste afmetingen en vorm voor de te gebruiken schijf.** Een goede schijfflens ondersteunt de schijf en verkleint daarmee de kans op het breken van de schijf. Flenzen voor doorslijpschijven kunnen verschillen van flenzen voor slijpschijven.
- f) **Gebruik geen afgesleten schijven van grotere elektrische gereedschappen.** Schijven die zijn bedoeld voor grotere elektrische gereedschappen zijn niet geschikt voor de hogere snelheid van een

kleiner elektrisch gereedschap en kunnen in stukken breken.

#### **Aanvullende veiligheidswaarschuwingen specifiek voor doorslijpwerkzaamheden:**

- a) **Laat de doorslijpschijf niet vastlopen en oefen geen buitensporige druk uit. Probeer niet een buitensporig diepe snede te snijden.** Een te grote kracht op de schijf verhoogt de belasting en de kans dat de schijf in de snede verdraait of vastloopt, waardoor terugslag kan optreden of de schijf kan breken.
- b) **Plaats uw lichaam niet in één lijn achter de ronddraaiende schijf.** Wanneer de schijf, op het aangrijppunt in het werkstuk, zich van uw lichaam af beweegt, kunnen door de mogelijke terugslag de ronddraaiende schijf en het elektrisch gereedschap in uw richting worden geworpen.
- c) **Wanneer de schijf vastloopt of u het slijpen onderbreekt, schakelt u het elektrisch gereedschap uit en houdt u dit stil totdat de schijf volledig tot stilstand is gekomen. Probeer nooit de doorslijpschijf uit de snede te halen terwijl de schijf nog draait omdat hierdoor een terugslag kan optreden.** Onderzoek waarom de schijf is vastgelopen en tref afdoende maatregelen om de oorzaak ervan op te heffen.
- d) **Begin niet met doorslijpen terwijl de schijf al in het werkstuk steekt. Wacht totdat de schijf de volle snelheid heeft bereikt en breng daarna de schijf voorzichtig terug in de snede.** Wanneer het elektrisch gereedschap opnieuw wordt gestart terwijl de schijf al in het werkstuk steekt, kan de schijf vastlopen, omhoog lopen of terugslaan.
- e) **Ondersteun platen en grote werkstukken om de kans op het beknellen van de schijf en terugslag te minimaliseren.** Grote werkstukken neigen door te zakken onder hun eigen gewicht. U moet het werkstuk ondersteunen vlakbij de snijlijn en vlakbij de rand van het werkstuk aan beide kanten van de schijf.
- f) **Wees extra voorzichtig bij blind slijpen in bestaande wanden of op andere plaatsen.** De uitstekende schijf kan gas- of waterleidingen, elektrische bedrading of voorwerpen die terugslag veroorzaken raken.

#### **Veiligheidswaarschuwingen specifiek voor schuurwerkzaamheden:**

- a) **Gebruik geen veel te grote schuurpapierschijven. Volg de aanwijzingen van de fabrikant bij uw keuze van het schuurpapier.** Te groot schuurpapier dat uitsteekt tot voorbij de rand van het schuurkussen levert snijgevaar op en kan beknellen of scheuren van de schuurpapierschijf of terugslag veroorzaken.

#### **Veiligheidswaarschuwingen specifiek voor draadborstelwerkzaamheden:**

- a) **Wees erop bedacht dat ook tijdens normaal gebruik borstelraden door de draadborstel worden rondgeslingerd. Oefen niet te veel kracht uit op de borstelraden door een te hoge belasting van de draadborstel.** De borstelraden kunnen met gemak door dunne kleding en/of de huid dringen.

b) Als het gebruik van een beschermkap wordt aanbevolen voor draadborstelen, zorgt u ervoor dat de draadschijf of draadborstel niet in aanraking komt met de beschermkap. De draadschijf of draadborstel kan in diameter toenemen als gevolg van de werkbelasting en centrifugale krachten.

#### Aanvullende veiligheidswaarschuwingen:

16. Bij gebruik van een slijpschijf met een verzonken middengat, mag u uitsluitend met glasvezel versterkte schijven gebruiken.
17. **GEBRUIK NOOIT** een stenen komschijf op deze slijpmachine. Deze slijpmachine is niet ontworpen voor dit type schijven en het gebruik ervan kan leiden tot ernstig persoonlijk letsel.
18. Let erop dat u de as, de flens (met name de montagekant) en de borgmoer niet beschadigt. Als deze onderdelen beschadigd raken, kan de schijf breken.
19. Zorg ervoor dat de schijf niet in aanraking is met het werkstuk voordat u het gereedschap hebt ingeschakeld.
20. Laat het gereedschap een tijdje draaien voordat u het op het werkstuk gebruikt. Controleer op trillingen of schommelingen die op onjuiste montage of een slecht uitgebalanceerde schijf kunnen wijzen.
21. Gebruik de aangegeven kant van de schijf om mee te slijpen.
22. Laat het gereedschap niet ingeschakeld liggen. Bedien het gereedschap alleen wanneer u het vasthoudt.
23. Raak de schijf niet onmiddellijk na gebruik aan. Deze raak bijzonder heet zijn en brandwonden op uw huid veroorzaken.
24. Houd u aan de instructies van de fabrikant voor juiste montage en gebruik van de schijven. Behandel en bewaar de schijven zorgvuldig.
25. Gebruik geen afzonderlijke verkleinbussen of adapterringen om slijpschijven met een groot middengat te kunnen monteren.
26. Gebruik uitsluitend flenzen die geschikt zijn voor dit gereedschap.
27. Voor gereedschappen waarop schijven met schroefdraad in het middengat kunnen worden gemonteerd, controleert u dat de schroefdraad van de schijf lang genoeg is voor de lengte van de as.
28. Controleer of het werkstuk goed wordt ondersteund.
29. Wees erop bedacht dat de schijf blijft doordraaien nadat het gereedschap is uitgeschakeld.
30. Als de werkrimte bijzonder heet en vochtig is, of sterk vervuild is met geleidend stof, gebruik dan een kortsluitonderbreker (30 mA) om de veiligheid van de gebruiker te garanderen.
31. Gebruik het gereedschap niet op materiaal dat asbest bevat.
32. Bij gebruik van een doorslijpschijf, gebruikt u altijd de stofbeschermkap, zoals vereist door plaatselijke regelgeving.
33. Doorslijpschijven mogen niet worden blootgesteld aan enige laterale druk.

## BEWAAR DEZE INSTRUCTIES.



#### WAARSCHUWING:

Laat u NIET misleiden door een vals gevoel van comfort en bekendheid met het gereedschap (na veelvuldig gebruik) en neem alle veiligheidsvoorschriften van het betreffende product altijd strikt in acht. VERKEERD GEBRUIK of het niet volgen van de veiligheidsinstructies in deze gebruiksaanwijzing kan leiden tot ernstig persoonlijk letsel.

## BELANGRIJKE VEILIGHEIDSINSTRUCTIES ENC007-8

### VOOR ACCU'S

1. Alvorens de accu in gebruik te nemen, leest u eerst alle instructies en waarschuwingsofschriften op (1) de acculader, (2) de accu en (3) het apparaat waarin de accu wordt aangebracht.
2. Haal de accu niet uit elkaar.
3. Als de gebruikstijd aanzienlijk korter is geworden, stopt u onmiddellijk met het gebruik. Anders kan dit leiden tot kans op oververhitting, mogelijke brandwonden en zelfs een explosie.
4. Als de elektrolyt in uw ogen komt, wast u deze uit met schoon water en raadpleegt u onmiddellijk een arts. Dit kan leiden tot verlies van gezichtsvermogen.
5. Sluit de accu niet kort:
  - (1) Raak de accupolen niet aan met enig geleidend materiaal.
  - (2) Bewaar de accu niet op een plaats waar deze in aanraking kan komen met andere metalen voorwerpen, zoals spijkers, munten, enz.
  - (3) Stel de accu niet bloot aan water of regen. Kortsluiting van de accu kan leiden tot een hoge stroomsterkte, oververhitting, mogelijke brandwonden en zelfs een defect.
6. Bewaar het gereedschap en de accu niet op plaatsen waar de temperatuur kan oplopen tot 50 °C of hoger.
7. Werp de accu niet in een vuur, zelfs niet als deze al ernstig beschadigd of helemaal versleten is. De accu kan in een vuur exploderen.
8. Wees voorzichtig dat u de accu niet laat vallen of ergens tegenaan stoot.
9. Gebruik nooit een beschadigde accu.
10. Neem de plaatselijke regelgeving met betrekking tot het weggooiën van de accu in acht.

## BEWAAR DEZE INSTRUCTIES.

### Tips voor een lange levensduur van de accu

1. Laad de accu op voordat deze volledig leeg is. Wanneer u merkt dat het gereedschap minder vermogen heeft, stopt u met het gebruik ervan en laadt u eerst de accu op.



2. **Laad nooit een volledig opgeladen accu op. Te lang opladen verkort de levensduur van de accu.**
3. **Laad de accu op bij een omgevingstemperatuur van 10 °C tot 40 °C. Laat een warme accu eerst afkoelen voordat u deze oplaadt.**
4. **Laad de accu ieder half jaar op als u deze gedurende een lange tijd niet gebruikt.**

## BESCHRIJVING VAN DE FUNCTIES

### LET OP:

- Controleer altijd of het gereedschap is uitgeschakeld en de accu is verwijderd alvorens de functies van het gereedschap te controleren of af te stellen.

### De accu aanbrengen en verwijderen (zie afb. 1)

#### LET OP:

- Schakel het gereedschap altijd uit voordat u de accu aanbrengt of verwijderd.
- **Houd het gereedschap en de accu stevig vast tijdens het aanbrengen of verwijderen van de accu.** Als u het gereedschap en de accu niet stevig vasthoudt, kunnen deze uit uw handen glippen en beschadigd raken, of kan persoonlijk letsel worden veroorzaakt.

Om de accu te verwijderen verschuift u de knop aan de voorkant van de accu en schuift u tegelijkertijd de accu eraf.

Om de accu aan te brengen, lijnt u de lip op de accu uit met de groef in de behuizing en duwt u de accu op zijn plaats. Steek de accu zo ver mogelijk erin tot u een klinkgeluid hoort. Als u het rode deel aan de bovenkant van de knop kunt zien, is de accu niet goed aangebracht.

#### LET OP:

- Breng de accu altijd helemaal aan totdat het rode deel niet meer zichtbaar is. Als u dit niet doet, kan de accu per ongeluk uit het gereedschap vallen en u of anderen in uw omgeving verwonden.
- Breng de accu niet met kracht aan. Als de accu niet gemakkelijk erin kan worden geschoven, wordt deze niet goed aangebracht.

### Accubeveiligingssysteem

Het gereedschap is uitgerust met een accubeveiligingssysteem. Dit systeem schakelt automatisch de voeding naar de motor uit om de levensduur van de accu te verlengen.

Het gereedschap zal tijdens gebruik automatisch stoppen wanneer het gereedschap en/of de accu zich in een van de volgende omstandigheden bevinden:

- **Overbelasting:**  
Het gereedschap wordt gebruikt op een manier die ertoe leidt dat een abnormaal hoge stroomsterkte uit de accu wordt getrokken.  
Schakel in die situatie het gereedschap uit en stop het gebruik dat ertoe leidde dat het gereedschap overbelast werd. Schakel daarna opnieuw het gereedschap in om het opnieuw te starten.  
Als het gereedschap niet wordt ingeschakeld, is de accu oververhit. Laat in die situatie de accu eerst

afkoelen voordat u het gereedschap opnieuw inschakelt.

- **Lage accuspanning:**  
De resterende acculading is te laag en het gereedschap wordt niet ingeschakeld. Verwijder in die situatie de accu en laad hem op.

### OPMERKING:

De oververhittingsbeveiliging werkt alleen met een accu waarop het ster-merkteken staat (zie afb. 2).

### Bedrijfslampje met meerdere functies (zie afb. 3)

Er zijn twee bedrijfslampjes.

Wanneer u de accu in het gereedschap steekt terwijl de schuifknop in de stand O (OFF) staat, gaat het bedrijfslampje gedurende circa één seconde snel knipperen. Als het niet knippert, is de accu of het lampje kapot.

#### - **Overbelastingsbeveiliging**

- Bij overbelasting van het gereedschap gaat het bedrijfslampje branden. Als het gereedschap minder sterk wordt belast, gaat het lampje uit.
- Als de overbelasting van het gereedschap aanhoudt en het bedrijfslampje circa twee seconden blijft branden, stopt het gereedschap. Dit voorkomt schade aan de motor en daaraan gerelateerde onderdelen.
- In dat geval, zet u de schuifknop eerst in de stand O (OFF). En daarna weer in de stand I (ON) om het gereedschap weer in te schakelen.

#### - **Indicatielampje accu bijna leeg**

- Als de accu bijna leeg is, gaat het bedrijfslampje tijdens het gebruik eerder branden dan die van hoge acculading.

#### - **Beveiliging tegen onopzettelijk herstarten**

- Zelfs als de accu in het gereedschap is gestoken terwijl de schuifknop op de positie I (ON) staat, start het gereedschap niet. In dat geval knippert het lampje langzaam. Dit geeft aan dat de beveiliging tegen onopzettelijk herstarten actief is.
- Om het gereedschap te starten schuift u de schuifknop eerst naar de positie O (OFF) en vervolgens naar de positie I (ON).

### Asvergrendeling (zie afb. 4)

#### LET OP:

- Bedien de asvergrendeling nooit terwijl de as nog draait. Het gereedschap kan hierdoor worden beschadigd.

Druk op de asvergrendeling om te voorkomen dat de as kan draaien tijdens het monteren of verwijderen van schijven of accessoires.

### In- en uitschakelen (zie afb. 5)

#### LET OP:

- Controleer altijd, voordat u de accu in het gereedschap steekt, of de schuifknop op de juiste manier schakelt en weer terugkeert naar de uit-stand, wanneer achter op de schuifknop wordt gedrukt.

Om het gereedschap in te schakelen, schuift u de schuifknop naar de stand I (ON). Om het gereedschap continu te laten werken, drukt u op de voorkant van de schuifknop om deze te vergrendelen.

Om het gereedschap uit te schakelen drukt u op de achterkant van de schuifknop en schuift u de knop naar de positie O (OFF).

## ONDERDELEN AANBRENGEN/ VERWIJDEREN

### LET OP:

- Controleer altijd of het gereedschap is uitgeschakeld en de accu is verwijderd alvorens enige werkzaamheden aan het gereedschap te verrichten.

### De zijhandgreep monteren (handvat) (zie afb. 6)

#### LET OP:

- Controleer altijd voor gebruik of de zijhandgreep stevig vastzit.

Draai de zijhandgreep vast op het gereedschap in een van de standen aangegeven in de afbeelding.

### De beschermkap (accessoire) aanbrengen en verwijderen (voor schijf met een verzonken middengat, multischijf, doorslijpschijf, diamantschijf)

Voor gereedschap met een beschermkap met een borgschroef (zie afb. 7)

#### WAARSCHUWING:

- Bij gebruik van een slijpschijf/multischijf met een verzonken middengat, flexischijf, schijfvormige draadborstel, doorslijpschijf of diamantschijf, moet de beschermkap zodanig op het gereedschap worden gemonteerd dat de gesloten zijde van de kap altijd naar de gebruiker is gekeerd.
- Wanneer u een doorslijpschijf of diamantschijf gebruikt, moet u altijd een beschermkap gebruiken die speciaal ontworpen is voor gebruik met doorslijpschijven. (In Europese landen kan bij gebruik van een diamantschijf de normale beschermkap worden gebruikt.)

Monteer de beschermkap met het uitsteeksel op de beschermkap-band uitgelijnd met de inkeping in de kussenblokkast. Draai vervolgens de beschermkap naar een dusdanige hoek dat deze de gebruiker beschermt tijdens de werkzaamheden. Draai tenslotte de schroef stevig vast.

Om de beschermkap te verwijderen, volgt u de procedure in omgekeerde volgorde.

### Een slijpschijf/multischijf met een verzonken middengat aanbrengen of verwijderen (zie afb. 8)

#### WAARSCHUWING:

- Gebruik altijd de bijgeleverde beschermkap wanneer u met een slijpschijf/multischijf met een verzonken middengat werkt. De schijf kan tijdens het gebruik kapotslaan en de beschermkap helpt verwondingen voorkomen.

Breng de binnenflens aan op de as. Monteer de schijf op de binnenflens en schroef de borgmoer op de as.

Om de borgmoer vast te draaien, drukt u de asvergrendeling stevig in zodat de as niet kan draaien, en

gebruikt u vervolgens de borgmoersleutel om de borgmoer stevig rechtsom vast te draaien. (zie afb. 9)  
Om de schijf te verwijderen, volgt u de procedure in omgekeerde volgorde.

#### WAARSCHUWING:

- Bedien de asvergrendeling nooit terwijl de as nog draait.

## BEDIENING

#### WAARSCHUWING:

- Het moet nooit nodig zijn om grote kracht uit te oefenen op het gereedschap. Het gewicht van het gereedschap zorgt al voor voldoende druk op het werkstuk. Grote kracht en hoge druk uitoefenen kunnen ertoe leiden dat de schijf breekt. Dit is zeer gevaarlijk.
- Vervang de schijf ALTIJD als het gereedschap tijdens het slijpen is gevallen.
- Stoot of sla NOOIT met de slijpschijf tegen het werkstuk.
- Voorkom dat de schijf over het werkstuk huppelt of bekeld raakt tijdens het werken in hoeken, op scherpe randen, enz. Hierdoor kunt u de controle over het gereedschap verliezen of kan terugslag worden veroorzaakt.
- Gebruik het gereedschap NOOIT met zaagbladen en dergelijke. Als dergelijke zaagbladen op een slijpmachine worden gebruikt, springen ze veelal waardoor u de controle over het gereedschap verliest en persoonlijk letsel kan ontstaan.

#### LET OP:

- Maak per keer een inkeping van max. 5 mm diep. Druk slechts zo stevig op het gereedschap dat het tijdens het gebruik niet langzamer gaat draaien.
- Schakel het gereedschap na gebruik altijd uit en wacht totdat de schijf volledig tot stilstand is gekomen alvorens het gereedschap neer te leggen.
- Als het gereedschap continu wordt bediend totdat de accu leeg is, laat u het gereedschap gedurende 15 minuten liggen alvorens verder te werken met een volle accu.

### Gebruik als slijpmachine of schuurmachine (zie afb. 10)

Houd het gereedschap ALTIJD stevig vast met een hand op de behuizing en de andere hand aan de zijhandgreep. Schakel het gereedschap in en breng daarna de schijf in aanraking met het werkstuk.

In het algemeen geldt: houd de rand van de schijf onder een hoek van ongeveer 15 graden op het oppervlak van het werkstuk.

Tijdens de inlooperperiode van een nieuwe schijf, mag u de slijpmachine niet in de richting van pijl B gebruiken omdat de schijf dan in het werkstuk zal snijden. Nadat de rand van de schijf is afgerond door gebruik, kunt u de schijf in de richting van zowel pijl A als B gebruiken.

### Gebruik met doorslijpschijf of diamantschijf (los verkrijgbaar) (zie afb. 11)

De montagerichting van de borgmoer en binnenflens verschilt afhankelijk van de dikte van de schijf.

Raadpleeg het onderstaande overzicht. (zie afb. 12)

## **WAARSCHUWING:**

- Wanneer u een doorslijpschijf of diamantschijf gebruikt, moet u altijd een beschermkap gebruiken die speciaal ontworpen is voor gebruik met doorslijpschijven. (In Europese landen kan bij gebruik van een diamantschijf de normale beschermkap worden gebruikt.)
- Gebruik NOOIT een doorslijpschijf om zijdelings mee te slijpen.
- Laat de schijf niet vastlopen en oefen geen buitensporige druk uit. Probeer niet een buitensporig diepe snede te slijpen. Een te grote kracht op de schijf verhoogt de belasting en de kans dat de schijf in de snede verdraait of vastloopt, waardoor terugslag kan optreden, de schijf kan breken of de motor oververhit kan raken.
- Begin niet met doorslijpen terwijl de schijf al in het werkstuk steekt. Laat de schijf eerst de volle snelheid bereiken en breng daarna de schijf voorzichtig in de snede door het gereedschap naar voren over het werkstukoppervlak te bewegen. Wanneer het elektrisch gereedschap wordt gestart terwijl de schijf al in het werkstuk steekt, kan de schijf vastlopen, omhoog lopen of terugslaan.
- Tijdens het doorslijpen mag u nooit de hoek van de schijf veranderen. Door zijdelingse druk uit te oefenen op de schijf (zoals bij schuren), zal de schijf barsten en breken waardoor ernstig persoonlijk letsel wordt veroorzaakt.
- Een diamantschijf moet haaks op het door te slijpen werkstuk worden gebruikt.

## **ONDERHOUD**

### **LET OP:**

- Zorg er altijd voor dat de machine is uitgeschakeld en de accu is verwijderd, voordat u een inspectie of onderhoud uitvoert.
- Gebruik nooit benzine, wasbenzine, thinner, alcohol, enz. Dit kan leiden tot verkleuren, vervormen of barsten.

Het gereedschap en de ventilatieopeningen moeten schoon gehouden worden. Maak de ventilatieopeningen van het gereedschap regelmatig schoon of zodra de ventilatieopeningen verstopt dreigen te raken.

(zie afb. 13)

### **De koolborstels vervangen (zie afb. 14)**

Verwijder en controleer de koolborstels regelmatig. Vervang deze wanneer ze tot aan de slijtgrensmarkering zijn afgesleten. Houd de koolborstels schoon en zorg ervoor dat ze vrij kunnen bewegen in de houders. Beide koolborstels dienen tegelijkertijd te worden vervangen. Gebruik alleen identieke koolborstels.

Steek een platkopschroevendraaier in de inkeping in het gereedschap en verwijder de houderafdekking door deze omhoog te wippen. (zie afb. 15)

Gebruik een schroevendraaier om de koolborsteldoppen te verwijderen. Haal de versleten koolborstels eruit, plaats de nieuwe erin, en zet de koolborsteldoppen goed vast (zie afb. 16)

Plaats de houderafdekking terug op het gereedschap. Om de VEILIGHEID en BETROUWBAARHEID van het gereedschap te handhaven, dienen alle reparaties, onderhoud en afstellingen te worden uitgevoerd door een

erkend Makita-servicecentrum, en altijd met gebruikmaking van originele Makita- vervangingsonderdelen.

## **VERKRIJGBARE ACCESSOIRES**

### **LET OP:**

- Deze accessoires of hulpstukken worden aanbevolen voor gebruik met het Makita-gereedschap dat in deze gebruiksaanwijzing wordt beschreven. Het gebruik van andere accessoires of hulpstukken kan gevaar voor persoonlijk letsel opleveren. Gebruik de accessoires of hulpstukken uitsluitend voor de aangegeven gebruiksdoeleinden.

Mocht u meer informatie willen hebben over deze accessoires, dan kunt u contact opnemen met uw plaatselijke Makita-servicecentrum.

- Beschermkap (schijfkap) voor schijf met een verzonken middengat, multischijf
- Beschermkap (schijfkap) voor doorslijpschijf of diamantschijf
- Schijf met een verzonken middengat
- Doorslijpschijven
- Multischijven
- Diamantschijven
- Komvormige draadborstels
- Kegelvormige draadborstel 85
- Slijpschijven
- Binnenflens
- Borgmoer voor schijf met een verzonken middengat, doorslijpschijf, multischijf, diamantschijf
- Borgmoer voor schuur schijf
- Borgmoersleutel
- Zijhandgreep
- Originele Makita-accu en -lader

### **OPMERKING:**

- Sommige items op de lijst kunnen zijn inbegrepen in de doos van het gereedschap als standaard toebehoren. Zij kunnen van land tot land verschillen.

### **Geluid**

ENG905-1

De typische, A-gewogen geluidsniveaus zijn gemeten volgens EN60745:

#### **Model DGA450**

Geluidsdrukniveau ( $L_{pA}$ ): 74 dB (A)

Onzekerheid (K): 3 dB (A)

Het geluidsniveau kan tijdens gebruik hoger worden dan 80 dB (A).

#### **Model DGA452**

Geluidsdrukniveau ( $L_{pA}$ ): 76 dB (A)

Onzekerheid (K): 3 dB (A)

Het geluidsniveau kan tijdens gebruik hoger worden dan 80 dB (A).

#### **Draag gehoorbescherming.**

### **Trilling**

ENG900-1

De totale trillingswaarde (triaxiale vectorsom) zoals vastgesteld volgens EN60745:

#### **Model DGA450**

Gebruikstoepassing: slijpen van oppervlakken

Trillingsemmissie ( $a_{h,AG}$ ): 8,5 m/s<sup>2</sup>

Onzekerheid (K): 1,5 m/s<sup>2</sup>

Gebruikstoepassing: schuren met schijf  
Trillingsemismissie ( $a_{h,DS}$ ): 2,5 m/s<sup>2</sup> of minder  
Onzekerheid (K): 1,5 m/s<sup>2</sup>

#### **Model DGA452**

Gebruikstoepassing: slijpen van oppervlakken  
Trillingsemismissie ( $a_{h,AG}$ ): 10,0 m/s<sup>2</sup>  
Onzekerheid (K): 1,5 m/s<sup>2</sup>

Gebruikstoepassing: schuren met schijf  
Trillingsemismissie ( $a_{h,DS}$ ): 2,5 m/s<sup>2</sup> of minder  
Onzekerheid (K): 1,5 m/s<sup>2</sup>

ENG902-1

- De opgegeven trillingsemismissiewaarde is gemeten volgens de standaardtestmethode en kan worden gebruikt om dit gereedschap te vergelijken met andere gereedschappen.
- De opgegeven trillingsemismissiewaarde kan ook worden gebruikt voor een beoordeling vooraf van de blootstelling.
- De opgegeven trillingsemismissiewaarde wordt gebruikt bij veel toepassingen van het elektrisch gereedschap. Echter, indien het elektrisch gereedschap wordt gebruikt bij andere toepassingen, dan kan de trillingsemismissiewaarde anders zijn.

#### **⚠ WAARSCHUWING:**

- De trillingsemismissie tijdens het gebruik van het elektrisch gereedschap in de praktijk kan verschillen van de opgegeven trillingsemismissiewaarde afhankelijk van de manier waarop het gereedschap wordt gebruikt.
- Zorg ervoor dat veiligheidsmaatregelen worden getroffen ter bescherming van de operator die zijn gebaseerd op een schatting van de blootstelling onder praktijkomstandigheden (rekening houdend met alle fasen van de bedrijfscyclus, zoals de tijdsduur gedurende welke het gereedschap is uitgeschakeld en stationair draait, naast de ingeschakelde tijdsduur).

#### **Alleen voor Europese landen**

ENH101-17

#### **EU-verklaring van conformiteit**

#### **Makita verklaart dat de volgende machine(s):**

Aanduiding van de machine:

Accu haakse slijpmachine

Modelnr./Type: DGA450 en DGA452

#### **Voldoen aan de volgende Europese richtlijnen:**

2006/42/EG

Deze zijn gefabriceerd in overeenstemming met de volgende normen of genormaliseerde documenten:

EN60745

Het technische bestand volgens 2006/42/EG is

verkrijgbaar bij:

Makita, Jan-Baptist Vinkstraat 2, 3070, België

31. 12. 2013



Yasushi Fukaya

Directeur

Makita, Jan-Baptist Vinkstraat 2, 3070, België

# ESPAÑOL (Instrucciones originales)

## Explicación de los dibujos

- |                           |  |   |
|---------------------------|--|---|
| 1. Botón                  | 11. Contratuerca   | 18. Disco de diamante                         |
| 2. Indicador rojo         | 12. Disco de amolar de centro hundido/multidisco                       | 19. Grosor: menos de 4 mm (5/32")             |
| 3. Cartucho de la batería | 13. Brida interior   | 20. Grosor: 4 mm (5/32") o más                |
| 4. Marca de estrella      | 14. Llave de contratuerca  | 21. Abertura de salida de aire                |
| 5. Luz indicadora         | 15. Disco de corte abrasivo/disco de diamante                          | 22. Abertura de entrada de aire               |
| 6. Bloqueo del eje        | 16. Protector para disco del disco de corte abrasivo/disco de diamante | 23. Marca de límite                           |
| 7. Interruptor deslizable | 17. Disco de corte abrasivo  | 24. Cubierta de la tapa del portaherramientas |
| 8. Protector de disco     |  | 25. Destornillador                            |
| 9. Caja de cojinetes      |  | 26. Tapa del portaescobillas                  |
| 10. Tornillo              |  |   |

## ESPECIFICACIONES

Modelo	DGA402	DGA450	DGA452
Diámetro del disco	100 mm	115 mm	
Grosor máx. del disco	6,4 mm	6,4 mm	6,4 mm
Rosca del husillo	M10	M14 o 5/8" (específico por país)	
Velocidad nominal (n)/Velocidad en vacío (n <sub>0</sub> )	11.000 mín <sup>-1</sup>		
Longitud total	317 mm		
Peso neto	2,2 kg	2,2 kg	2,3 kg
Tensión nominal	CC de 18 V	CC de 14,4 V	CC de 18 V

- Debido a nuestro programa continuo de investigación y desarrollo, las especificaciones aquí descritas están sujetas a cambios sin previo aviso.
- Las especificaciones y el cartucho de la batería pueden variar de un país a otro.
- Peso, con el cartucho de la batería, de acuerdo con el procedimiento EPTA 01/2003

### Símbolos

END221-4

Se utilizan los siguientes símbolos para el equipo. Asegúrese de que comprende su significado antes del uso.



..... Lea el manual de instrucciones.



..... Utilice gafas de seguridad.



..... Sólo para países de la Unión Europea

¡No deseche el aparato eléctrico o la batería junto con los residuos domésticos!

De conformidad con la Directiva Europea sobre residuos de aparatos eléctricos y electrónicos, y sobre baterías y acumuladores y el desecho de baterías y acumuladores y su aplicación de acuerdo con la legislación nacional, la herramienta eléctrica y las baterías y paquetes de baterías cuya vida útil haya llegado a su fin se deberán recoger por separado y trasladar a una planta de reciclaje que cumpla con las exigencias ecológicas.

### Uso previsto

ENE048-1

Esta herramienta está pensada para pulir, lijar y cortar metales y piedras sin usar agua.

## Advertencias de seguridad generales para herramientas eléctricas

GEA010-1

**⚠ ADVERTENCIA** Lea todas las advertencias de seguridad y todas las instrucciones. La no observancia de las advertencias y las instrucciones puede provocar descargas eléctricas, incendios y/o lesiones graves.

## Guarde todas las advertencias e instrucciones para futuras consultas.

## ADVERTENCIAS DE SEGURIDAD DE LA ESMERILADORA INALÁMBRICA

GEB059-3

**Advertencias de seguridad generales para operaciones de esmerilado, lijado, cepillado con alambre o corte abrasivo:**

1. Esta herramienta eléctrica está pensada para ser utilizada como esmeriladora, lijadora, cepillo de alambre o cortadora. Lea todas las advertencias de seguridad, instrucciones, ilustraciones y especificaciones que acompañan a esta herramienta eléctrica. No seguir todas las instrucciones que se indican a continuación podría provocar una descarga eléctrica, incendio y/o heridas graves.

2. **No se recomienda utilizar esta herramienta para operaciones tales como pulir.** El uso de la herramienta eléctrica en aplicaciones para las cuales no ha sido diseñada puede generar peligros y ocasionar daños personales.
  3. **No utilice accesorios diferentes de aquellos que el fabricante haya diseñado o recomendado especialmente para esta herramienta.** El hecho de que el accesorio pueda montarse en la herramienta eléctrica no garantiza que sea seguro.
  4. **Las revoluciones nominales del accesorio deben ser como mínimo iguales a la velocidad máxima indicada en la herramienta eléctrica.** Si un accesorio se mueve a una velocidad mayor a la admisible, podría romperse y salir despedido.
  5. **El diámetro exterior y el grosor del accesorio deben encontrarse dentro de la capacidad de la herramienta eléctrica.** Los accesorios de tamaño incorrecto no pueden protegerse ni controlarse correctamente.
  6. **La rosca de los accesorios que se montan debe coincidir con la rosca del husillo de esmeriladora. Para accesorios montados mediante bridas, el agujero del eje del accesorio debe encajar en el diámetro de la brida.** Los accesorios que no se ajustan correctamente a las piezas de montaje de la herramienta giran descentrados, vibran en exceso y pueden hacer perder el control de la herramienta.
  7. **No utilice accesorios dañados. Antes de cada uso inspeccione los accesorios con el fin de detectar, por ejemplo, si un disco abrasivo está astillado o agrietado, si un plato lijador está agrietado, roto o desgastado en exceso, o si un cepillo de alambre contiene púas sueltas o rotas. Si se cae la herramienta eléctrica o el accesorio, compruebe si ha sufrido algún daño o monte un accesorio en buen estado. Una vez revisado y montado un accesorio, colóquese usted y las personas circundantes fuera del plano de rotación del accesorio y deje funcionar la herramienta eléctrica en vacío a velocidad máxima durante un minuto.** Por norma general, los accesorios que están dañados se rompen durante este tipo de prueba.
  8. **Utilice equipo de protección personal. Dependiendo del trabajo, utilice una careta, protección para los ojos o gafas de seguridad. Si fuera necesario, utilice una mascarilla antipolvo, protectores auditivos, guantes y un mandil adecuado para protegerse de los pequeños fragmentos que pudieran salir proyectados.** Las gafas de protección deberán ser indicadas para detener los pequeños fragmentos que pudieran salir proyectados al trabajar. La mascarilla antipolvo o respiratoria debe ser apta para filtrar las partículas producidas al trabajar. Una exposición prolongada al ruido puede producir pérdidas auditivas.
  9. **Encárguese de que todas las personas se mantengan a suficiente distancia de la zona de trabajo. Toda persona que acceda a la zona de trabajo deberá utilizar equipo de protección personal.** Podría sufrir daños, incluso fuera del área de trabajo inmediata, al salir proyectados fragmentos de la pieza de trabajo o del accesorio.
  10. **Sujete la herramienta solamente por las superficies de agarre aisladas al realizar una operación en que la herramienta de corte pueda entrar en contacto con cables ocultos.** Si entra en contacto con un cable con corriente, puede que las piezas metálicas expuestas de la herramienta eléctrica se carguen también de corriente y que el operario reciba una descarga.
  11. **Jamás deposite la herramienta eléctrica hasta que el accesorio se haya detenido por completo.** El accesorio en funcionamiento podría entrar en contacto con la superficie de apoyo y hacerle perder el control sobre la herramienta eléctrica.
  12. **No deje funcionar la herramienta eléctrica mientras la transporta.** El accesorio en funcionamiento podría ocasionarle daños personales al engancharse accidentalmente en su vestimenta.
  13. **Limpie periódicamente los orificios de ventilación de la herramienta.** El ventilador del motor aspira polvo hacia el interior de la carcasa y, en caso de acumularse un exceso de polvo metálico, podría provocar una descarga eléctrica.
  14. **No utilice la herramienta eléctrica cerca de materiales inflamables.** Las chispas podrían inflamarlos.
  15. **No emplee accesorios que requieran ser refrigerados con líquidos.** El uso de agua u otros refrigerantes líquidos puede provocar una descarga o electrocución.
- Contragolpes y advertencias al respecto**
- El contragolpe es una reacción brusca que se produce al atascarse o engancharse un disco de esmerilar, un plato lijador, un cepillo de alambre u otro accesorio. Al engancharse o pellizcarse el accesorio en funcionamiento, éste es frenado bruscamente y puede hacer perder el control sobre la herramienta eléctrica, impulsándola en la dirección opuesta al sentido de giro que tenía el accesorio en el momento de agarrotarse. Por ejemplo, si un disco de esmerilar se atasca o engancha en la pieza de trabajo, puede suceder que el borde del accesorio que entra en el material quede bloqueado, provocando la rotura del accesorio o un contragolpe. Según el sentido de giro del disco en el momento de bloquearse, puede que éste resulte despedido en dirección al operario o en sentido opuesto. En este caso también puede suceder que los discos abrasivos se rompan.
- El contragolpe es el resultado de un mal uso de la herramienta eléctrica o de condiciones o procedimientos de uso incorrectos y se puede evitar tomando las precauciones que se indican a continuación.
- a) **Sujete con firmeza la herramienta eléctrica y mantenga su cuerpo y brazos en una posición que le permita resistir los contragolpes. Si forma parte del equipo, utilice siempre la empuñadura auxiliar para poder controlar mejor las fuerzas derivadas del contragolpe o los pares de reacción durante la puesta en marcha.** El operario puede controlar los pares de reacción y las fuerzas derivadas del contragolpe si toma las medidas oportunas.
  - b) **Jamás aproxime la mano al accesorio en funcionamiento.** En caso de contragolpe el accesorio podría dañarle la mano.

- c) **No se coloque en el área hacia donde se movería la herramienta eléctrica en caso de contragolpe.** En caso de contragolpe la herramienta saldrá rechazada en sentido opuesto al movimiento del disco.
- d) **Preste especial atención al trabajar en esquinas, bordes afilados, etc. Evite que el accesorio rebote o se atasque.** En las esquinas, bordes afilados, o al rebotar, el accesorio en funcionamiento tiende a atascarse y puede provocar la pérdida de control o un contragolpe.
- e) **No utilice discos de sierra para maderas ni otros accesorios dentados.** Estos accesorios son propensos al contragolpe y pueden hacerle perder el control.

**Advertencias de seguridad específicas para operaciones de esmerilado y corte abrasivo:**

- a) **Utilice únicamente los tipos de discos recomendados para su herramienta eléctrica y el protector correcto para el disco en cuestión.** Los discos que no fueron diseñados para esta herramienta no pueden quedar suficientemente protegidos y suponen un peligro.
- b) **La superficie de esmerilado de los discos con el anillo central rebajado debe montarse debajo del plano de la lengüeta de protección.** Un disco montado incorrectamente que sobresalga del plano de la lengüeta de protección no se puede proteger adecuadamente.
- c) **Para obtener el nivel máximo de seguridad, el protector debe estar bien sujeto y colocado en la herramienta eléctrica, de forma que el operario esté expuesto a una parte mínima del disco.** El protector ayuda a proteger al operario de fragmentos de disco rotos, un contacto accidental con el disco y chispas que podrían prender fuego a la ropa.
- d) **Utilice el disco solamente en aquellos trabajos para los que fue concebido. Por ejemplo: no emplee las caras de un disco de corte para esmerilar.** Los discos de corte abrasivos están previstos para esmerilar utilizando su periferia; la aplicación de fuerzas en sus caras puede hacer que se rompan.
- e) **Utilice siempre bridas que estén en buen estado y que tengan las dimensiones y la forma correctas para el disco utilizado.** Una brida adecuada soporta correctamente el disco reduciendo así el peligro de rotura. Las bridas para discos de corte pueden ser diferentes de aquellas para los discos de esmerilar.
- f) **No utilice discos gastados de herramientas eléctricas de mayor tamaño.** Los discos destinados a una herramienta eléctrica más grande no son aptos para soportar la mayor velocidad de las herramientas más pequeñas y podrían romperse.

**Advertencias de seguridad adicionales específicas para operaciones de corte abrasivo:**

- a) **No haga demasiada fuerza ni aplique demasiada presión con el disco de corte. No intente hacer cortes de una profundidad excesiva.** Si el disco se somete a una fuerza excesiva, aumenta la carga y las posibilidades de

que se doble o se agarrote en el corte, así como de que se rompa o se produzca un contragolpe.

b) **No se coloque en línea ni detrás del disco en funcionamiento.** Cuando el disco está en funcionamiento y se mueve en dirección opuesta a usted, un contragolpe podría proyectar el disco y la herramienta en dirección a usted.

c) **Cuando la hoja esté agarrotada o se interrumpa la operación de corte, apague la herramienta eléctrica y manténgala en posición inmóvil hasta que el disco se detenga por completo. No intente extraer el disco del corte mientras esté en funcionamiento, ya que de lo contrario podría producirse un contragolpe.** Investigue y tome las acciones correctoras para eliminar la causa del agarrotamiento del disco.

d) **No reanude la operación de corte con la herramienta en la pieza de trabajo. Deje que el disco alcance la velocidad máxima y vuelva a introducirlo en el corte con cuidado.** Si la herramienta se vuelve a poner en marcha dentro de la pieza de trabajo, el disco podría doblarse, salirse o provocar un contragolpe.

e) **Apoye los paneles y otras piezas de trabajo de tamaño excesivo para reducir el peligro de que el disco se atasque o se produzca un contragolpe.** Las piezas de trabajo grandes tienden a hundirse bajo su propio peso. Deben colocarse soportes bajo la pieza de trabajo a ambos lados, cerca de la línea de corte y del borde de la pieza de trabajo.

f) **Tenga especial cuidado cuando realice un "corte de inmersión" en paredes u otras áreas ciegas.** Al salir por el otro lado, el disco podría cortar un tubo de gas o de agua, un cable eléctrico u otro objeto que podría provocar un contragolpe.

**Advertencias de seguridad específicas para operaciones de lijado:**

- a) **No utilice papel de lija de tamaño excesivo para el disco. Seleccione el papel de lija conforme a las recomendaciones del fabricante.** El exceso de papel de lija que sobresale del plato lijador supone un peligro de desgarro y puede provocar que el disco se enganche o se rompa o que se produzca un contragolpe.

**Advertencias de seguridad específicas para las operaciones de cepillado con alambre:**

- a) **Tenga en cuenta que el cepillo despidе cerdas de alambre incluso durante las operaciones más comunes. No sobrecargue los alambres aplicando una fuerza excesiva al cepillo.** Los alambres pueden penetrar con facilidad a través de una prenda delgada y / o la piel.
- b) **Si se recomienda utilizar un protector durante las operaciones de cepillado, impida que el disco o cepillo de alambre interfiera en el protector.** El diámetro del disco o cepillo de alambre puede aumentar a causa de la carga de trabajo y las fuerzas centrífugas.

**Advertencias de seguridad adicionales:**

16. **Cuando utilice discos de esmerilar con el centro hundido, asegúrese de emplear solamente discos reforzados con fibra de vidrio.**

17. **NUNCA UTILICE** discos de copa para piedra con esta esmeriladora. Esta esmeriladora no se ha diseñado para este tipo de discos y su uso puede provocar graves lesiones corporales.
18. Tenga cuidado de no dañar el husillo, la brida (especialmente la superficie de instalación) ni la contratuerca. Si se dañan estas piezas, el disco podría romperse.
19. Asegúrese de que el disco no esté tocando la pieza de trabajo antes de activar el interruptor.
20. Antes de utilizar la herramienta en la pieza de trabajo definitiva, déjala funcionar durante un rato. Esté atento por si se producen vibraciones u oscilaciones, lo que indicaría que el disco no se ha instalado correctamente o que está mal equilibrado.
21. Para realizar las tareas de esmerilado, use la superficie del disco especificada.
22. No deje la herramienta encendida. Póngala en marcha solamente cuando la tenga en las manos.
23. No toque la pieza de trabajo inmediatamente después de la tarea, ya que puede estar extremadamente caliente y producir quemaduras en la piel.
24. Observe las instrucciones del fabricante para montar y utilizar correctamente los discos. Maneje y guarde con cuidado los discos.
25. No utilice bujes de reducción ni adaptadores separados para adaptar discos abrasivos de orificio grande.
26. Utilice solo las bridas especificadas para esta herramienta.
27. En herramientas que vayan a ser utilizadas con discos de orificio roscado, asegúrese de que la rosca del disco sea lo suficientemente larga como para acomodar la longitud del eje.
28. Compruebe que la pieza de trabajo esté bien sujeta.
29. Tenga en cuenta que el disco continuará girando después de haber apagado la herramienta.
30. Si el lugar de trabajo es muy caluroso y húmedo, o si está muy contaminado con polvo conductor, utilice un disyuntor de cortocircuito (30 mA) para garantizar la seguridad del operario.
31. No utilice la herramienta con ningún material que contenga amianto.
32. Cuando utilice un disco de cortar, trabaje siempre con el protector de disco colector de polvo requerido por el reglamento de su país o región.
33. Los discos de cortar no deben ser sometidos a ninguna presión lateral.

## GUARDE ESTAS INSTRUCCIONES.

### ADVERTENCIA:

NO deje que la comodidad o la familiaridad con el producto (a base de utilizarlo repetidamente) sustituya la estricta observancia de las normas de seguridad del producto en cuestión. El MAL USO o la no observancia de las normas de seguridad expuestas en este manual de instrucciones pueden ocasionar graves daños corporales.

## INSTRUCCIONES DE SEGURIDAD IMPORTANTES

ENC007-8

### PARA EL CARTUCHO DE LA BATERÍA

1. Antes de utilizar el cartucho de la batería, lea todas las instrucciones y referencias de precaución que se encuentran en (1) el cargador de baterías, (2) la batería y (3) el producto que utiliza la batería.
2. No desmonte el cartucho de la batería.
3. Si el tiempo de funcionamiento es excesivamente corto, deje de utilizar la herramienta de inmediato. De lo contrario, existe el riesgo de sobrecalentamiento, quemaduras e incluso explosión.
4. Si se produce contacto ocular con electrolito, enjuáguese los ojos con agua limpia y acuda de urgencia al médico. Corre el riesgo de perder la visión.
5. No cortocircuite el cartucho de la batería:
  - (1) No toque los terminales con material conductor.
  - (2) Evite guardar el cartucho de la batería en un recipiente con otros objetos metálicos, como clavos, monedas, etc.
  - (3) No exponga el cartucho de la batería al agua o a la lluvia.

Un cortocircuito puede provocar un elevado flujo de corriente, sobrecalentamiento, quemaduras o incluso una avería.
6. No almacene la herramienta ni el cartucho de la batería en lugares donde la temperatura supere los 50°C (122°F).
7. No queme el cartucho de la batería aunque esté gravemente dañado o completamente gastado. El cartucho de la batería puede explotar si entra en contacto con fuego.
8. Procure que la batería no sufra golpes ni caídas.
9. No utilice una batería dañada.
10. Siga las normativas locales relativas al desecho de la batería.

## GUARDE ESTAS INSTRUCCIONES.

### Consejos para conseguir una mayor duración de la batería

1. Cargue la batería antes de que se descargue por completo. Cuando observe que la herramienta tiene menos potencia, deje de utilizarla y cargue el cartucho de la batería.
2. No recargue nunca un cartucho de batería completamente cargado. La sobrecarga acorta la vida útil de la batería.
3. Cargue el cartucho de la batería a una temperatura ambiente que oscile entre 10°C y 40°C (50°F - 104°F). Antes de cargar un cartucho de batería caliente, deje que se enfríe.



4. **Cargue la batería una vez cada seis meses si no la utiliza durante un periodo de tiempo prolongado.**

## DESCRIPCIÓN DEL FUNCIONAMIENTO

### PRECAUCIÓN:

- Asegúrese siempre de apagar la herramienta y extraer el cartucho de la batería antes de intentar realizar cualquier tipo de ajuste o comprobación en ella.

### Instalación o extracción del cartucho de la batería (Fig. 1)

#### ⚠ PRECAUCIÓN:

- Apague siempre la herramienta antes de instalar o extraer el cartucho de la batería.
- **Sujete la herramienta y el cartucho de la batería firmemente cuando instale o extraiga el cartucho de la batería.** Si no sujeta la herramienta y el cartucho de la batería firmemente, pueden resbalar de sus manos y pueden producirse daños en la herramienta o el cartucho de la batería, así como lesiones personales.

Para quitar el cartucho de la batería, mantenga pulsado el botón de la parte frontal del cartucho y retírelo.

Para instalar el cartucho de la batería, alinee la lengüeta situada en el cartucho de la batería con la ranura del alojamiento e insértela. Insértelo completamente hasta que quede firmemente encajado con un clic. Si puede ver el indicador rojo de la zona superior del botón, significa que el cartucho no está encajado completamente.

#### ⚠ PRECAUCIÓN:

- Instale siempre completamente el cartucho de la batería de forma que el indicador rojo quede oculto. De lo contrario, el cartucho puede desprenderse accidentalmente de la herramienta y causar lesiones al operario o a alguna persona que se encuentre cerca.
- No presione excesivamente el cartucho de la batería para instalarlo. Si el cartucho no entra con suavidad, significa que no lo está instalando correctamente.

### Sistema de protección de la batería

La herramienta está equipada con un sistema de protección de la batería. Este sistema corta automáticamente la alimentación al motor para ampliar la duración de la batería.

El funcionamiento de la herramienta se detendrá automáticamente si la herramienta y/o la batería están sometidas a las siguientes condiciones:

- **Sobrecarga:**  
La herramienta se utiliza de una forma que hace que consuma una cantidad anómalamente alta de corriente.  
En ese caso, apague la herramienta y detenga la aplicación que provocaba que la herramienta se sobrecargara. A continuación, encienda la herramienta para reanudar las operaciones.  
Si la herramienta no consigue ponerse en marcha, la batería se ha sobrecalentado. En tal caso, deje que la batería se enfríe antes de volver a encender la herramienta.

- Tensión de la batería baja:  
La capacidad restante de la batería es demasiado baja y la herramienta no funcionará. En ese caso, extraiga y recargue la batería.

### NOTA:

La protección contra el sobrecalentamiento solamente funciona con un cartucho de batería que tenga una marca de estrella. (Fig. 2)

### Luz indicadora multifunción (Fig. 3)

Las luces indicadoras se encuentran en dos posiciones. Cuando se inserta el cartucho de la batería en la herramienta con el interruptor deslizante en "O (Apagado)", la luz indicadora parpadea rápidamente durante un segundo aproximadamente. Si no parpadea así, el cartucho de la batería o la luz pueden estar estropeados.

#### - Protección de sobrecarga

- Cuando la herramienta se sobrecarga, se enciende la luz indicadora. Cuando se reduce la carga de la herramienta, se apaga la luz.
- Si la herramienta continúa sobrecargada y la luz indicadora sigue encendida durante aproximadamente dos segundos, la herramienta se detiene. Esto evita que el motor y las piezas relacionadas se dañen.
- En ese caso, mueva el interruptor deslizante hasta la posición "O (Apagado)" una vez. A continuación, muévelo de nuevo a la posición "I (Encendido)" para volver a poner en marcha la herramienta.

#### - Indicación de sustitución del cartucho de la batería

- Cuando la carga restante de la batería es baja, la luz indicadora se enciende mientras se usa la herramienta antes que la luz indicadora de la batería de alta capacidad.

#### - Función de prevención de puesta en marcha accidental

- Aunque el cartucho de la batería se inserte en la herramienta con el interruptor deslizante en la posición "I (Encendido)", la herramienta no se pone en marcha. En este caso, la luz parpadea lentamente. Esto indica que la función de prevención de nueva puesta en marcha accidental está funcionando.
- Para poner en marcha la herramienta, primero debe deslizar el interruptor deslizante hasta la posición "O (Apagado)" y después debe deslizarlo hasta la posición "I (Encendido)".

### Bloqueo del eje (Fig. 4)

#### PRECAUCIÓN:

- No accione nunca el bloqueo del eje cuando el eje se esté moviendo ya que, de lo contrario, la herramienta podría averiarse.

Al instalar o extraer los accesorios, presione el bloqueo del eje para evitar que gire el husillo.

### Funcionamiento del interruptor (Fig. 5)

#### PRECAUCIÓN:

- Antes de insertar el cartucho de la batería en la herramienta, asegúrese siempre de que el interruptor deslizante funcione como es debido y que vuelva a la

posición "OFF" (apagado) al ejercer presión sobre la parte posterior del interruptor deslizante.

Para poner la herramienta en marcha, deslice el interruptor deslizante hasta la posición "I (Encendido)".

Para un uso continuo, presione la parte delantera del interruptor deslizante para bloquearlo.

Para detener la herramienta, presione la parte posterior del interruptor deslizante y, a continuación, deslícelo hacia la posición "O (Apagado)".

## MONTAJE

### PRECAUCIÓN:

- Asegúrese siempre de apagar la herramienta y extraer el cartucho de la batería antes de intentar realizar cualquier tipo de operación en la herramienta.

### Instalación de la empuñadura lateral (mango) (Fig. 6)

#### PRECAUCIÓN:

- Antes de utilizar la herramienta, asegúrese siempre de que la empuñadura lateral está instalada firmemente. Atornille con firmeza la empuñadura lateral en la herramienta, tal como se muestra en la figura.

### Instalación o extracción del protector de disco (para disco de centro hundido, disco de corte abrasivo/multidisco, disco de diamante)

Para herramientas con protector de disco de tipo de tornillo de bloqueo (Fig. 7)

#### ADVERTENCIA:

- Cuando utilice un disco de amolar de centro hundido/multidisco, un disco flexible, un cepillo metálico, un disco de cortar o un disco de diamante, debe montarse en la herramienta el protector del disco de forma que el lado cerrado del protector siempre apunte hacia el operario.
- Cuando utilice un disco de corte abrasivo/disco de diamante, utilice exclusivamente el protector de disco especial diseñado para los discos de corte. (En países europeos, cuando se utilice un disco de diamante, se puede utilizar la protección normal.)

Monte el protector de forma que la protuberancia de la cinta del protector quede alineada con el alojamiento de cojinetes. A continuación, gire el protector del disco hasta un ángulo en el que pueda proteger al operario mientras realiza el trabajo. Asegúrese de que el tornillo esté bien apretado.

Para extraer el protector, siga el procedimiento de instalación en orden inverso.

### Montaje o extracción del disco de amolar de centro hundido/multidisco (Fig. 8)

#### ADVERTENCIA:

- Utilice siempre el protector suministrado cuando el disco de amolar de centro hundido/multidisco esté en la herramienta. El disco puede romperse durante el uso y el protector ayuda a reducir las posibilidades de lesiones personales.

Monte la brida interior en el husillo. Encaje el disco en la brida interior y enrosque la contratuerca en el husillo.

Para apretar la contratuerca, ejerza presión sobre el bloqueo del eje para que el husillo no pueda girar, y utilice la llave de la contratuerca para ajustarla con firmeza en el sentido de las agujas del reloj. (Fig. 9)

Para extraer el disco, siga el procedimiento de instalación en orden inverso.

#### ADVERTENCIA:

- No accione nunca el bloqueo del eje cuando el eje se esté moviendo

## MANEJO

#### ADVERTENCIA:

- No deberá ser nunca necesario forzar la herramienta. El peso de la herramienta ya aplica la presión adecuada. Si la fuerza y ejerce una presión excesiva, podría romperse el disco con el peligro que eso conlleva.
- Reemplace el disco SIEMPRE si se cae la herramienta durante el amolado.
- No golpee NUNCA el disco de amolar u otros discos contra la pieza de trabajo.
- Evite que el disco rebote o se enganche, especialmente cuando trabaje en esquinas, bordes afilados, etc. Podría ocasionar la pérdida del control y retrocesos bruscos.
- No utilice NUNCA esta herramienta con discos para cortar madera ni otros discos de sierra. Con estas sierras, la herramienta podría rebotar con fuerza y causarle lesiones.

#### PRECAUCIÓN:

- La profundidad de un solo corte puede ser de hasta 5 mm. Ajuste la presión en la herramienta para que la velocidad de la herramienta no se reduzca durante su uso.
- Después de finalizar la tarea, apague siempre la herramienta y espere hasta que el disco se haya parado completamente antes de dejar la herramienta.
- Si la herramienta se utiliza continuamente hasta que el cartucho de la batería se descarga, deje reposar la herramienta durante 15 minutos antes de continuar con una batería cargada.

### Amolado y lijado (Fig. 10)

Sujete SIEMPRE la herramienta firmemente con una mano en el cuerpo de la herramienta y otra mano en la empuñadura lateral. Enciéndala y aplique el disco a la pieza de trabajo.

Normalmente, mantenga el borde del disco en un ángulo de unos 15 grados. con respecto a la superficie de la pieza de trabajo.

Durante el período de funcionamiento inicial con un disco nuevo, no haga funcionar la pulidora en la dirección B porque cortaría la pieza de trabajo. Una vez que se haya redondeado el borde del disco, ya podrá utilizarlo en las direcciones A y B.

## Operaciones con el disco de corte abrasivo/disco de diamante (accesorio opcional) (Fig. 11)

La dirección de montaje de la contratuerca y la brida interior varía con el grosor del disco.

Consulte la tabla de más abajo. (Fig. 12)

### ADVERTENCIA:

- Cuando utilice un disco de corte abrasivo/disco de diamante, utilice exclusivamente el protector de disco especial diseñado para los discos de corte. (En países europeos, cuando se utilice un disco de diamante, se puede utilizar la protección normal.)
- No utilice NUNCA el disco de corte para operaciones de amolado lateral.
- No "bloquee" el disco ni le aplique una presión excesiva. No intente hacer cortes de una profundidad excesiva. Si el disco se somete a una fuerza excesiva aumenta la carga y las posibilidades de que se doble o se agarrote en el corte, así como de que se rompa, se produzca un contragolpe o se sobrecaliente el motor.
- No comience la operación de corte con la herramienta en la pieza de trabajo. Deje que el disco alcance la velocidad máxima e introduzcalo con cuidado en el corte desplazando la herramienta hacia delante por la superficie de la pieza de trabajo. Si la herramienta se enciende dentro de la pieza de trabajo, el disco podría doblarse, salirse o provocar un contragolpe.
- Nunca cambie el ángulo del disco durante las operaciones de corte. Si el disco de corte es sometido a presión lateral (como por ejemplo al amolar), se agrietará y se romperá pudiéndole causar daños personales graves.
- Un disco de diamante se debe utilizar perpendicular al material que se está cortando.

## MANTENIMIENTO

### PRECAUCIÓN:

- Asegúrese de apagar siempre la herramienta y extraer el cartucho de la batería antes de intentar realizar cualquier trabajo de inspección o mantenimiento en ella.
- Nunca utilice gasolina, benceno, disolvente, alcohol o un producto similar. Se puede provocar una decoloración, una deformación o grietas.

La herramienta y los orificios de ventilación deben mantenerse siempre limpios. Limpie los orificios de ventilación periódicamente o siempre que perciba cualquier obstrucción. (Fig. 13)

## Sustitución de las escobillas de carbón (Fig. 14)

Extraiga y compruebe las escobillas de carbón regularmente. Reemplácelas cuando se gasten hasta la marca de límite. Mantenga las escobillas de carbón limpias y de forma que entren libremente en los portaescobillas. Ambas escobillas de carbón deberán ser reemplazadas al mismo tiempo. Utilice únicamente escobillas de carbón idénticas.

Inserte el extremo superior del destornillador de punta plana en la muesca de la herramienta y extraiga la cubierta de la tapa del portaherramientas tirando hacia arriba de ella. (Fig. 15)

Utilice un destornillador para extraer las tapas de los portaescobillas. Saque las escobillas de carbón desgastadas, inserte las nuevas y cierre las tapas de los portaescobillas. (Fig. 16)

Vuelva a colocar la tapa del portaherramientas en la herramienta.

Para conservar la SEGURIDAD y la FIABILIDAD del producto, los trabajos de reparación y otros trabajos de mantenimiento y ajuste deberán ser realizados en centros de servicio autorizados de Makita, utilizando siempre repuestos Makita.

## ACCESORIOS OPCIONALES

### PRECAUCIÓN:

- Se recomienda el uso de estos accesorios o complementos con la herramienta Makita especificada en este manual. El uso de otros accesorios o complementos puede conllevar el riesgo de ocasionar daños corporales. Utilice los accesorios o complementos solamente para su fin establecido.

Si necesita cualquier ayuda para obtener más información relativa a estos accesorios, pregunte a su centro de servicio Makita local.

- Protector de disco (cubierta de disco) para el disco de centro hundido/multidisco
- Protector de disco (cubierta de disco) para disco de corte abrasivo/disco de diamante
- Discos de centro hundido
- Discos de corte abrasivo
- Multidiscos
- Discos de diamante
- Cepillos de copa de alambre
- Cepillo circular de alambre 85
- Discos abrasivos
- Brida interior
- Contratuerca para el disco de centro hundido/disco de corte abrasivo/multidisco/disco de diamante
- Contratuerca para disco abrasivo
- Llave de la contratuerca
- Mango lateral
- Batería y cargador originales de Makita

### NOTA:

- Algunos elementos de la lista se pueden incluir en el paquete de la herramienta como accesorios estándar. Pueden ser diferentes de un país a otro.

### Ruido

ENG905-1

Niveles típicos de ruido ponderado A determinados conforme a EN60745:

#### Modelo DGA450

Nivel de presión de sonido ( $L_{pA}$ ): 74 dB (A)

Incertidumbre (K): 3 dB (A)

El nivel de ruido durante el trabajo puede superar los 80 dB (A).

#### Modelo DGA452

Nivel de presión de sonido ( $L_{pA}$ ): 76 dB (A)

Incertidumbre (K): 3 dB (A)

El nivel de ruido durante el trabajo puede superar los 80 dB (A).

**Utilice protección para los oídos.**

## Vibración

ENG900-1

Valor total de la vibración (suma de vectores triaxiales) determinado según el estándar EN60745:

### Modelo DGA450

Modo de trabajo: amolado de superficies

Emisión de vibraciones ( $a_{h,AG}$ ): 8,5 m/s<sup>2</sup>

Incertidumbre (K): 1,5 m/s<sup>2</sup>

Modo de trabajo: lijado con disco

Emisión de vibraciones ( $a_{h,DS}$ ): 2,5 m/s<sup>2</sup> o menos

Incertidumbre (K): 1,5 m/s<sup>2</sup>

### Modelo DGA452

Modo de trabajo: amolado de superficies

Emisión de vibraciones ( $a_{h,AG}$ ): 10,0 m/s<sup>2</sup>

Incertidumbre (K): 1,5 m/s<sup>2</sup>

Modo de trabajo: lijado con disco

Emisión de vibraciones ( $a_{h,DS}$ ): 2,5 m/s<sup>2</sup> o menos

Incertidumbre (K): 1,5 m/s<sup>2</sup>

ENG902-1

- El valor de emisión de vibraciones se ha medido de acuerdo con el método de prueba estándar y se puede utilizar para comparar herramientas.
- El valor de emisión de vibraciones declarado también se puede usar en una evaluación preliminar de la exposición.
- El valor de emisión de vibraciones declarado se usa para las aplicaciones principales de la herramienta eléctrica. No obstante, si se utiliza la herramienta eléctrica para otras aplicaciones, el valor de emisión de vibraciones puede ser diferente.

### ADVERTENCIA:

- La emisión de vibraciones durante el uso de la herramienta eléctrica puede diferir del valor de emisiones declarado, dependiendo de las formas en que se utiliza la herramienta.
- Asegúrese de identificar las mediciones correctas para proteger al operario, que se basan en una estimación de la exposición en condiciones de uso reales (teniendo en cuenta todas las partes del ciclo de operaciones, como los momentos en los que la herramienta está apagada y cuando funciona al ralentí además del tiempo en que está activado el interruptor).

## Solo para países europeos

ENH101-17

### Declaración de conformidad de la CE

#### Makita declara que las siguientes máquinas:

Designación de la máquina:

Esmeriladora angular inalámbrica

Nº de modelo/Tipo: DGA450, DGA452

#### Cumplen con las siguientes Directivas europeas:

2006/42/CE

Se han fabricado de acuerdo con los siguientes estándares o documentos estandarizados:

EN60745

El archivo técnico de acuerdo con 2006/42/CE está disponible en:

Makita, Jan-Baptist Vinkstraat 2, 3070, Bélgica

31. 12. 2013



Yasushi Fukaya

Director

Makita, Jan-Baptist Vinkstraat 2, 3070, Bélgica

## PORTUGUÊS (Instruções de origem)

### Descrição geral

- |                           |  |   |
|---------------------------|--|---|
| 1. Botão                  | 12. Roda de afiar central com reentrância/multi-disco                    | 19. Espessura: Inferior a 4 mm (5/32")  |
| 2. Indicador vermelho     | 13. Flange interior  | 20. Espessura: 4 mm (5/32") ou mais     |
| 3. Bateria                | 14. Chave da porca de bloqueio   | 21. Ventilação de saída                 |
| 4. Marca de estrela       | 15. Disco de corte abrasivo/disco diamantado                             | 22. Ventilação de entrada               |
| 5. Luz indicadora         | 16. Protecção para o disco para disco de corte abrasivo/disco diamantado | 23. Marca limite                        |
| 6. Bloqueio do veio       | 17. Disco de corte abrasivo  | 24. Cobertura da tampa do porta-escovas |
| 7. Interruptor deslizante | 18. Disco diamantado   | 25. Chave de parafusos                  |
| 8. Protecção da roda      |  | 26. Tampa do porta-escovas              |
| 9. Caixa de rolamentos    |  |   |
| 10. Parafuso              |  |   |
| 11. Porca de bloqueio     |  |   |

## ESPECIFICAÇÕES

Modelo	DGA402	DGA450	DGA452
Diâmetro da roda	100 mm	115 mm	
Espessura máxima da roda	6,4 mm	6,4 mm	6,4 mm
Ranhura do fuso	M10	M14 ou 5/8" (especifico a cada país)	
Velocidade nominal (n)/Velocidade sem carga (n <sub>0</sub> )	11.000 mín. <sup>-1</sup>		
Comprimento total	317 mm		
Peso líquido	2,2 kg	2,2 kg	2,3 kg
Voltagem nominal	CC 18 V	CC 14,4 V	CC 18 V

- Devido à pesquisa e desenvolvimento constantes, estas especificações estão sujeitas a alteração sem aviso prévio.
- As especificações e o cartucho da bateria podem ser diferentes consoante o país.
- Peso, com a bateria, de acordo com o procedimento EPTA de 01/2003

### Símbolos

END221-4

Descrição dos símbolos utilizados no equipamento.  
Certifique-se de que compreende o seu significado, antes da utilização.



..... Ler o manual de instruções.



..... Use óculos de segurança.



Cd  
Ni-MH  
Li-Ion  
..... Apenas para países da UE  
Não deite equipamentos eléctricos ou a bateria no lixo doméstico!  
De acordo com as directivas europeias sobre ferramentas eléctricas e electrónicas usadas e baterias, acumuladores e baterias usadas e a sua aplicação para as leis nacionais, as ferramentas eléctricas, as baterias e conjuntos usados devem ser recolhidos em separado e encaminhados a uma instalação de reciclagem dos materiais ecológicos.

### Utilização prevista

ENE048-1

A ferramenta destina-se a afiar, lixar e cortar materiais em metal e pedra, sem a utilização de água.

## Avisos gerais de segurança para ferramentas eléctricas

GEA010-1

**⚠ AVISO** Leia todos os avisos de segurança e todas as instruções. O não cumprimento dos avisos e instruções pode resultar na ocorrência de choques eléctricos, incêndios e/ou ferimentos graves.

## Guarde todos os avisos e instruções para referência futura.

## AVISOS DE SEGURANÇA PARA A ESMERILHADEIRA A BATERIA

GEB059-3

**Avisos de Segurança Comuns para Afilar, Lixar, Escovar com arame ou para Operações de corte abrasivas:**

1. **Esta ferramenta serve como esmerilhadeira, lixadora, escovadora com arame e cortador. Leia todos os avisos, instruções, ilustrações e especificações de segurança fornecidos juntamente com a ferramenta.** Caso não siga todas as instruções indicadas em baixo, poderão ocorrer choques eléctricos, incêndios e/ou ferimentos graves.
2. **As operações, tais como polir, não devem ser desempenhadas com esta ferramenta.** Operações para as quais a ferramenta não foi concebida podem criar perigos e causar ferimentos pessoais.

3. **Não utilize acessórios que não sejam especificamente concebidos e recomendados pelo fabricante da ferramenta.** Mesmo que o acessório encaixe na ferramenta, isso não garante uma operação segura.
4. **A velocidade nominal do acessório deve ser no mínimo igual à velocidade máxima marcada na ferramenta.** Os acessórios a funcionar mais rapidamente do que a velocidade nominal podem quebrar e sair projectados.
5. **O diâmetro exterior e a espessura do acessório deve estar dentro da capacidade nominal da ferramenta.** Os acessórios com tamanhos incorrectos não podem ser guardados ou controlados adequadamente.
6. **A montagem rosçada de acessórios tem de corresponder à rosca do veio da esmerilhadeira. Para acessórios montados por flanges, o orifício de alojamento do acessório tem de corresponder ao diâmetro da flange.** Os acessórios que não correspondem ao hardware de instalação da ferramenta perderão o equilíbrio, vibrarão excessivamente e podem causar perda de controlo.
7. **Não utilize um acessório danificado. Antes de cada utilização, inspecione sempre o acessório, em busca de fissuras e fendas nos discos abrasivos, fendas, desgaste ou uso excessivo nos discos de apoio e arames partidos ou soltos na escova de arame. Se a ferramenta ou acessório cair, inspecione para a existência de danos ou instale um acessório não danificado. Depois de inspecionar e instalar um acessório, afaste-se e afaste outras pessoas na proximidade do plano do acessório rotativo e ligue a ferramenta eléctrica na velocidade máxima sem carga durante um minuto.** Normalmente, os acessórios danificados partem-se durante este teste.
8. **Use equipamento pessoal de protecção. Consoante a aplicação, use protecção para a cara ou óculos de segurança. Use máscara de pó, protectores auditivos, luvas e avental adequados, capazes de parar pequenos fragmentos abrasivos ou da peça de trabalho.** A protecção dos olhos deve ser capaz de parar detritos projectados gerados por várias utilizações. A máscara de pó ou respirador deve conseguir filtrar partículas geradas pela operação que estiver a efectuar. Uma exposição prolongada a ruído de alta intensidade pode causar perda de audição.
9. **Mantenha as pessoas presentes a uma distância segura da área de trabalho. Qualquer pessoa que entre na área de trabalho deve usar equipamento pessoal de protecção.** Os fragmentos da peça de trabalho ou de um acessório partido podem ser projectados e causar ferimentos para além da área imediata da operação.
10. **Quando executar operações em que a máquina de corte possa entrar em contacto com fios eléctricos ocultos, tenha o cuidado de tocar apenas nas superfícies isoladas da máquina.** Se entrar em contacto com um cabo sob tensão, as partes metálicas expostas da ferramenta eléctrica podem ficar igualmente sob tensão, podendo provocar um choque eléctrico no operador.
11. **Nunca pouse a ferramenta antes do acessório parar por completo.** O acessório rotativo pode apanhar a superfície e fazê-lo perder o controlo da ferramenta.
12. **Não ligue a ferramenta eléctrica enquanto a transporta perto do corpo.** O contacto accidental com o acessório rotativo pode arrancar a sua roupa, puxando o acessório para o corpo.
13. **Limpe regularmente as aberturas de ventilação da ferramenta.** A ventoinha do motor atrairá o pó para dentro da caixa e acumulação excessiva de metal em pó pode causar perigos eléctricos.
14. **Não utilizar a ferramenta perto de materiais inflamáveis.** As faíscas podem acender esses materiais.
15. **Não utilizar acessórios que requeiram arrefecedores líquidos.** Usar água ou outro líquido arrefecedor poderá resultar em electrocussão ou choque.

### Recuos e Avisos Relacionados

Um recuo é uma reacção repentina a um disco rotativo, disco de apoio, escova ou outro qualquer acessório encravado ou movimentado bruscamente. Pressionar ou mover bruscamente causa um rápido bloqueio do acessório rotativo, o que por sua vez faz com que a ferramenta descontrolada seja forçada na direcção oposta à da rotação do acessório ao ponto de empeno. Por exemplo, se um disco abrasivo for movimentado bruscamente ou encravado pela peça de trabalho, a ponta do disco que está entrar no ponto de encravamento pode perfurar a superfície do material, fazendo com que o disco salte fora ou ressalte. O disco pode saltar em direcção ao operador ou na direcção oposta, consoante o movimento no ponto de perfuração. Os discos abrasivos podem também quebrar nestas condições. O recuo é o resultado de uma má utilização da ferramenta e/ou procedimentos de funcionamento incorrectos e pode ser evitado tomando as devidas precauções, tal como indicado em baixo.

- a) **Segure firmemente na ferramenta e posicione o corpo e o braço de forma a resistir às forças do recuo. Se fornecida, utilize sempre uma pega auxiliar para um controlo máximo sobre o recuo ou reacção de força durante o início.** Se tomar medidas de precaução adequadas, o operador pode controlar as reacções de força ou de recuo.
- b) **Nunca posicione a mão perto do acessório rotativo.** O acessório pode recuar sobre a sua mão.
- c) **Não posicione o corpo na área para onde a ferramenta se moverá se ocorrer um recuo.** O recuo projectará a ferramenta na direcção oposta ao movimento do disco, no ponto de movimento brusco.
- d) **Tenha especial atenção ao trabalhar cantos, extremidades afiadas, etc. Evite fazer ressaltar e movimentar bruscamente o acessório.** Os cantos, extremidades afiadas ou ressaltos têm uma tendência de movimentar bruscamente o acessório rotativo e causam perda de controlo ou recuo.
- e) **Não colocar uma serra de cortar madeira ou uma serra dentada.** Tais lâminas criam recuos frequentes e perda de controlo.

## **Avisos de Segurança Específicos para Operações de Cortes Abrasivos e Afiar:**

- a) **Use apenas tipos de discos que são recomendados para a ferramenta e a protecção específica concebida para o disco seleccionado.** Discos para os quais a ferramenta não foi concebida não podem ser protegidos e não são seguros.
- b) **A superfície de afiar dos discos côncavos tem de ser montada abaixo do bordo da protecção.** Um disco montado incorrectamente que sobressai do plano do bordo da protecção não pode ser protegido correctamente.
- c) **A protecção deve estar encaixada de forma segura à ferramenta e posicionada para segurança máxima, para que o disco esteja minimamente exposto na direcção do operador.** A protecção ajuda a proteger o operador de fragmentos partidos do disco, contacto accidental com o disco e faíscas que podem incendiar a roupa.
- d) **Os discos devem ser usados apenas para as aplicações recomendadas. Por exemplo: não afie com o lado da roda de corte.** As rodas de corte abrasivas destinam-se a afiamento periférico e as forças laterais aplicadas a estas rodas podem fazer com que as mesmas se partam.
- e) **Use sempre flanges de discos não danificadas de tamanho e forma certos para o disco escolhido.** Flanges de rodas adequadas apoiam a roda, reduzindo assim a possibilidade da roda partir. As flanges para os discos de corte podem ser diferentes das flanges dos discos de afiar.
- f) **Não usar discos desgastados de ferramentas maiores.** Um disco destinado a ferramentas maiores não é apropriado à velocidade superior de uma ferramenta mais pequena, podendo rebentar.

## **Avisos de Segurança Específicos Adicionais para as Operações de Cortes Abrasivos:**

- a) **Não “encravar” o disco de corte ou aplicar pressão excessiva. Não tentar fazer um corte de profundidade excessiva.** Esforçar o disco aumenta o pressão e a susceptibilidade de girar ou empenar do disco no corte e a possibilidade de recuo ou do disco partir.
- b) **Não posicione o corpo alinhado e atrás do disco rotativo.** Quando o disco, aquando da utilização, está movimentar-se na direcção oposta do seu corpo, o recuo possível pode projectar o disco giratório e a ferramenta na sua direcção.
- c) **Quando o disco está a empenar ou quando interrompe um corte por qualquer razão, desligue a ferramenta e segure-a estaticamente até o disco parar por completo. Nunca tente remover o disco do corte enquanto o disco está em movimento, caso contrário pode ocorrer um recuo.** Investigue e tome acções correctivas para eliminar a causa do empeno da lâmina.
- d) **Não recomece a operação de corte na peça de trabalho. Deixe o disco atingir a velocidade máxima e reentre cuidadosamente no corte.** O disco pode empenar, subir ou recuar se a ferramenta for reiniciada na peça de trabalho.
- e) **Para minimizar o risco de recuo e de encravamento do disco, apoie convenientemente painéis ou qualquer peça de trabalho de grandes**

- dimensões.** Peças de trabalho de grandes dimensões tendem a abater sob o seu próprio peso. Os suportes devem ser colocados debaixo da peça de trabalho em ambos os lados do disco, perto da linha de corte e perto da margem da extremidade da peça de trabalho.
- f) **Utilize um cuidado adicional quando fizer um “corte a fundo” em paredes existentes ou outras zonas cegas.** O disco saliente pode cortar canos de gás e água, fios eléctricos ou objectos que podem causar um recuo.

## **Avisos de Segurança Específicos para Operações de Lixar:**

- a) **Não usar lixas excessivamente grandes. Siga as recomendações do fabricante, quando escolher a lixa.** Lixas maiores que o apoio de lixar representam um perigo de laceração e podem causar movimentos bruscos, destruição do disco ou recuo.

## **Avisos Específicos para Operações de Escovar com Arames:**

- a) **Tenha consciência de que fragmentos de arame são atirados pela escova, mesmo durante as operações normais. Não esforce os arames ao aplicar carga excessiva na escova.** Os fragmentos dos arames podem facilmente penetrar na roupa leve e/ou pele.
- b) **Se o uso de protecção é recomendado para escovar arames, não permita interferência do disco de arame ou escova com a protecção.** Disco ou escova de arame pode expandir em diâmetro devido à carga de trabalho e forças centrífugas.

## **Avisos de segurança adicionais:**

- 16. **Quando utilizar os discos de lixar centrais com reentrância, certifique-se de que utiliza apenas discos reforçadas com fibra de vidro.**
- 17. **NUNCA UTILIZE discos tipo taça de pedra com esta esmerilhadeira.** Esta esmerilhadeira não se destina a estes tipos de discos e a utilização de tal produto pode resultar em ferimentos pessoais graves.
- 18. **Não danifique o veio, a flange (especialmente a superfície de instalação) ou a porca de bloqueio.** Os danos nestas peças podem resultar em quebra dos discos.
- 19. **Certifique-se de que o disco não está em contacto com a peça de trabalho antes de ligar o interruptor.**
- 20. **Antes de utilizar a ferramenta numa peça de trabalho, deixe-a a trabalhar durante algum tempo. Procure a existência de vibrações ou oscilações que possam indicar uma má fixação ou um disco mal equilibrado.**
- 21. **Utilize a superfície especificada do disco para afiar.**
- 22. **Não abandone a ferramenta a funcionar. Ponha-a a funcionar apenas quando estiver a segurá-la.**
- 23. **Não toque na peça de trabalho logo após a operação, uma vez que pode estar demasiado quente e provocar queimaduras.**
- 24. **Cumpra as instruções do fabricante sobre a instalação e utilização correctas dos discos. Manuseie e guarde os discos com cuidado.**

25. Não utilize casquilhos de redução separados ou adaptadores para adaptar discos abrasivos com orifícios de grandes dimensões.
26. Utilize apenas as flanges especificadas para esta ferramenta.
27. Para ferramentas que sejam instaladas com o disco de orifício roscado, certifique-se de que a rosca no disco é suficientemente longa para aceitar o comprimento do fuso.
28. Verifique se a peça de trabalho está bem suportada.
29. Tome atenção uma vez que o disco continua a rodar após a ferramenta ser desligada.
30. Se o local de trabalho for extremamente quente e húmido ou muito poluído pelo pó, utilize um disjuntor (30 mA) para garantir a segurança do operador.
31. Não utilize a ferramenta ou quaisquer materiais que contenham amianto.
32. Quando utilizar o disco de corte, trabalhe sempre com a protecção do disco de recolha de pó exigida pelas normas nacionais.
33. Os discos de corte não devem ser sujeitos a qualquer pressão lateral.

## GUARDE ESTAS INSTRUÇÕES.

### AVISO:

NÃO deixe que o conforto ou familiaridade com o produto (obtida de uma utilização regular) substituam um cumprimento severo das regras de segurança do produto em causa. Uma UTILIZAÇÃO INCORRECTA ou não cumprimento das regras de segurança indicadas neste manual de instruções podem provocar ferimentos pessoais sérios.

## INSTRUÇÕES DE SEGURANÇA IMPORTANTES

ENC007-8

### RELATIVAS À BATERIA

1. Antes de utilizar a bateria, leia as instruções e chamadas de atenção de: (1) o carregador da bateria, (2) a bateria e (3) o produto que utiliza a bateria.
2. Não desmonte a bateria.
3. Se o tempo de utilização com a bateria se tornar demasiado curto, deve parar imediatamente. Se continuar, pode causar sobreaquecimento, incêndio e mesmo explosão.
4. Se o electrolito entrar em contacto com os olhos, enxágue-os com água limpa e consulte imediatamente um médico. Os riscos incluem perda de visão.
5. Não provoque um curto-circuito na bateria:
  - (1) Não deixe que quaisquer materiais condutores entrem em contacto com os terminais da bateria.
  - (2) Evite guardar a bateria juntamente com outros objectos de metal como pregos, moedas, etc.
  - (3) Não exponha a bateria a água ou chuva.

- Um curto-circuito na bateria pode criar uma grande carga eléctrica, sobreaquecimento, fogo e uma quebra da corrente.
6. Não guarde a ferramenta e a bateria em locais onde a temperatura possa atingir ou exceder 50°C (122°F).
7. Não incinere a bateria, nem mesmo se esta estiver irremediavelmente danificada ou completamente gasta. Pode explodir e causar um incêndio.
8. Não a deixe cair e evite o choque com outros objectos.
9. Não utilize uma bateria danificada.
10. Siga os regulamentos locais relacionados com a eliminação da bateria.

## GUARDE ESTAS INSTRUÇÕES.

### Sugestões para o máximo de tempo de vida da bateria

1. Não espere que a bateria se gaste completamente para voltar a carregá-la. Pare a ferramenta e carregue a bateria sempre que detectar um baixo nível de energia.
2. Nunca volte a carregar uma bateria já completamente carregada. O carregamento excessivo diminui o tempo de vida das baterias.
3. Carregue a bateria em locais onde a temperatura se situe entre 10°C e 40°C (50°F - 104°F). Se a bateria estiver quente, deixe-a arrefecer antes de iniciar o carregamento.
4. Carregue a bateria uma vez a cada seis meses se não a utilizar durante um longo período.

## DESCRIÇÃO DO FUNCIONAMENTO

### PRECAUÇÃO:

- Certifique-se sempre de que a ferramenta está desligada e que a bateria foi removida antes de proceder a ajustes ou testar acessórios.

### Inserir ou retirar a bateria (Fig. 1)

#### PRECAUÇÃO:

- Desligue sempre a ferramenta antes de instalar ou retirar a bateria.
- **Segure bem a ferramenta e a bateria quando instalar ou retirar a bateria.** Se não segurar bem a ferramenta e a bateria, pode fazer com que caiam das mãos e provoquem danos na ferramenta e na bateria e ferimentos pessoais.

Para retirar a bateria, mantenha premido o botão na frente da bateria e puxe.

Para colocar a bateria, alinhe a respectiva saliência com a calha do compartimento e encaixe-a suavemente. Insira-a completamente até fixar em posição com um clique. Se ainda estiver visível o indicador vermelho na parte superior do botão, não estará bem encaixado.

#### PRECAUÇÃO:

- Instale sempre a bateria completamente, até deixar de ver o indicador vermelho. Caso contrário, pode cair da ferramenta e causar ferimentos em si, ou em alguém que esteja perto de si.



- Não instale a bateria forçosamente. Se não encaixar facilmente é porque não está correctamente posicionada.

## Sistema de protecção da bateria

A ferramenta está equipada com um sistema de protecção da bateria. Este sistema corta automaticamente a alimentação para prolongar a vida útil da bateria.

A ferramenta pára automaticamente durante o funcionamento quando a ferramenta e/ou bateria são colocadas numa das condições seguintes:

- **Sobrecarregada:**
  - A ferramenta é utilizada de tal forma que atrai uma corrente involuntariamente alta.
  - Nesta situação, desligue a ferramenta e pare a aplicação que causou a sobrecarga. De seguida, ligue a ferramenta para reiniciar.
  - Se a ferramenta não ligar, a bateria está sobreaquecida. Nesta situação, deixe a bateria arrefecer antes de voltar a ligar a ferramenta.
- **Tensão baixa da bateria:**
  - A carga restante da bateria é demasiado baixa e a ferramenta não funciona. Nesta situação, retire e recarregue a bateria.

### NOTA:

A protecção contra o sobreaquecimento apenas funciona com uma bateria com uma marca de estrela. (Fig. 2)

## Luz indicadora com várias funções (Fig. 3)

As luzes indicadoras estão localizadas em duas posições. Quando a bateria é colocada na ferramenta com o interruptor deslizante em "O" (desligada), a luz indicadora pisca rapidamente durante cerca de um segundo. Se não piscar, a bateria ou luz indicadora pode estar avariada.

- **Protecção contra sobrecarga**
  - Sempre que a ferramenta estiver sobrecarregada, a luz indicadora acende-se. Sempre que a carga na ferramenta for reduzida, a luz apaga-se.
  - Se a ferramenta continuar com sobrecarga e a luz indicadora continuar a acender-se durante cerca de dois segundos, a ferramenta pára. Isto evita que o motor e respectivas peças fiquem danificadas.
  - Nesta situação, mova o interruptor deslizante para a posição "O" (desligada). E, de seguida, mova novamente para a posição "I" (ligada) para rearrancar.
- **Sinal de substituição da bateria**
  - Quando a capacidade restante da bateria é reduzida, a luz indicadora acende-se durante a utilização mais cedo do que com capacidade alta da bateria.
- **Função preventiva de arranque accidental**
  - Mesmo que a bateria esteja colocada na ferramenta com o interruptor deslizante na posição "I" (ligada), a ferramenta não liga. Nesta situação, a luz pisca lentamente. Indica que a função preventiva de rearranque accidental está em funcionamento.
  - Para ligar a ferramenta, mova o interruptor deslizante para a posição "O" (desligada) uma vez e, depois, para a posição "I" (ligada).

## Bloqueio do veio (Fig. 4)

### PRECAUÇÃO:

- Nunca accione o bloqueio do veio quando o fuso estiver em movimento. Pode avariar a ferramenta.
- Prima o bloqueio do veio para evitar a rotação do fuso quando instalar ou remover acessórios.

## Acção do interruptor (Fig. 5)

### PRECAUÇÃO:

- Antes de inserir a bateria na ferramenta, verifique sempre se o interruptor deslizante está a funcionar correctamente e se volta à posição "OFF" (desligada) quando é premida a parte de trás do interruptor deslizante.

Para ligar a ferramenta, mova o interruptor deslizante para a posição "I" (ligada). Para uma utilização contínua, prima a parte da frente do interruptor deslizante para o bloquear.

Para desligar a ferramenta, prima a parte de trás do interruptor deslizante, depois mova-o para a posição "O" (desligada).

## MONTAGEM

### PRECAUÇÃO:

- Certifique-se sempre de que a ferramenta está desligada e a bateria removida, antes de efectuar qualquer operação na ferramenta.

## Instalar a pega lateral (Fig. 6)

### PRECAUÇÃO:

- Certifique-se sempre de que a pega lateral está bem instalada antes de utilizar a ferramenta.

Aparafuse bem a pega lateral em posição na ferramenta, tal como indicado na ilustração.

## Instalar ou retirar a protecção do disco (Para disco central com reentrância, multi-discos/disco de corte abrasivo, disco diamantado)

Para ferramentas com protecção de disco do tipo parafuso de bloqueio (Fig. 7)

### AVISO:

- Quando utilizar a roda de afiar central com reentrância/multi-disco, roda flex, escova de roda de arame, roda de corte ou roda diamantada, a protecção da roda deve ser instalada na ferramenta, de forma a que o lado fechado da protecção aponte sempre na direcção do operador.
- Quando usar um disco de corte abrasivo/disco de diamante, use apenas a protecção do disco especial concebida para utilizar com discos de corte. (Nos países europeus, ao utilizar um disco de diamante, a protecção normal pode ser utilizada.)

Instale a protecção da roda com a saliência na banda da protecção da roda alinhada com o entalhe na caixa de rolamentos. De seguida, rode a protecção da roda para um ângulo em que possa proteger o operador durante o trabalho. Certifique-se de que aperta bem o parafuso. Para remover a protecção da roda, siga o procedimento inverso da instalação.

## Instalar ou remover a roda de afiar central com reentrância/multi-disco (Fig. 8)

### AVISO:

- Utilize sempre a protecção fornecida quando a roda de afiar central com reentrância/multi-disco estiver montada na ferramenta. A roda pode quebrar durante a utilização e a protecção ajuda a reduzir a ocorrência de ferimentos pessoais.

Instale a flange interior no fuso. Instale a roda/disco na flange interior e aparafuse a porca de bloqueio no fuso. Para apertar a porca de bloqueio, prima o bloqueio do veio firmemente, para evitar que o fuso rode, e utilize a chave da porca de bloqueio para a apertar com segurança no sentido dos ponteiros do relógio. (Fig. 9) Para remover a roda, siga o procedimento inverso de instalação.

### AVISO:

- Apenas accione o bloqueio do veio quando o fuso não estiver em movimento.

## FUNCIONAMENTO

### AVISO:

- Nunca deverá ser necessário forçar a ferramenta. O peso da ferramenta aplica pressão adequada. Forçar pressão excessiva poderão ser perigosos e quebrar a roda.
- Substitua SEMPRE a roda se deixar cair a ferramenta enquanto afia.
- NUNCA atire ou embata com o disco de afiar ou roda na peça de trabalho.
- Evite fazer ressaltar e movimentar bruscamente a roda, especialmente quando estiver a trabalhar cantos, extremidades afiadas, etc. Isto pode provocar a perda de controlo e ressaltos.
- NUNCA utilize a ferramenta com lâminas de cortar madeira e outras lâminas de serra. Tais lâminas, quando utilizadas numa afiadora, provocam com frequência ressaltos e perda de controlo, que podem provocar ferimentos pessoais.

### PRECAUÇÃO:

- Faça um corte com uma profundidade de até 5 mm. Adapte a pressão sobre a ferramenta de modo a que a velocidade desta não diminua durante a sua utilização.
- Após a utilização, desligue sempre a ferramenta e aguarde até que a roda pare completamente antes de pousar a ferramenta.
- Se mantiver a ferramenta a funcionar ininterruptamente até a bateria se gastar completamente, deixe-a em repouso durante 15 minutos antes de substituir a bateria.

## Afiar e lixar (Fig. 10)

Segure SEMPRE firmemente a ferramenta colocando uma mão sobre o respectivo corpo e a outra na pega lateral. Ligue a ferramenta e coloque a roda ou disco sobre a peça de trabalho. De maneira geral, mantenha a extremidade da roda ou do disco a um ângulo de cerca de 15 graus da superfície da peça de trabalho. Durante o período de rodagem de uma nova roda, não coloque a afiadora a funcionar na direcção B ou esta

cortará a peça de trabalho. Quando a extremidade da roda ficar arredondada pelo uso, a roda pode ser trabalhada nas direcções A e B.

## Funcionamento com disco de corte abrasivo/diamantado (acessório opcional) (Fig. 11)

A direcção para montar a porca de bloqueio e a flange interna varia conforme a espessura do disco. Consulte a tabela abaixo. (Fig. 12)

### ⚠ AVISO:

- Quando usar um disco de corte abrasivo/disco de diamante, use apenas a protecção do disco especial concebida para utilizar com discos de corte. (Nos países europeus, ao utilizar um disco de diamante, a protecção normal pode ser utilizada.)
- NUNCA utilize o disco de corte para afiar lateralmente.
- Não "obstrua" o disco nem aplique uma pressão excessiva. Não tentar fazer um corte de profundidade excessiva. Esforçar o disco aumenta a carga e susceptibilidade de girar ou empenar do disco no corte e a possibilidade de recuo, partir o disco e sobreaquecer o motor.
- Não recomece a operação de corte na peça de trabalho. Deixe o disco atingir a velocidade máxima e cuidadosamente entre no corte movendo a ferramenta para a frente, por cima da superfície da peça de trabalho. O disco pode empenar, subir ou recuar se a ferramenta for reiniciada na peça de trabalho.
- Durante as operações de corte, nunca mude o ângulo do disco. Fazer pressão lateral no disco de corte (como quando afia) fará com que o disco tenha fendas e quebre, causando ferimentos pessoais graves.
- Um disco diamantado deverá ser operado perpendicularmente ao material a ser cortado.

## MANUTENÇÃO

### PRECAUÇÃO:

- Certifique-se sempre de que a ferramenta está desligada e a bateria removida antes de efectuar operações de inspecção ou de manutenção.
- Nunca utilize gasolina, benzina, diluente, álcool ou semelhante. Podem formar-se descolorações, deformações ou fissuras.

A ferramenta e as respectivas aberturas de ventilação devem ser mantidas limpas. Limpe regularmente as aberturas de ventilação da ferramenta ou sempre que estas fiquem obstruídas. (Fig. 13)

## Substituição das escovas de carvão (Fig. 14)

Remova e verifique regularmente as escovas de carvão. Substitua-as quando o desgaste atingir a marca limite. Mantenha-as limpas para poderem deslizar no porta-escovas. Substitua as duas ao mesmo tempo. Utilize unicamente escovas de carvão idênticas. Insira a ponta de uma chave de parafusos fendada no entalhe da ferramenta e retire a cobertura da tampa do porta-escovas, levantando-a. (Fig. 15) Utilize uma chave de parafusos para remover as tampas do porta-escovas. Retire as escovas usadas, coloque umas novas e fixe as tampas do porta-escovas. (Fig. 16)

Volte a instalar a cobertura da tampa do porta-escovas na ferramenta.

Para manter os níveis de SEGURANÇA e FIABILIDADE definidos para este produto, as reparações e os procedimentos de manutenção ou ajustes devem ser executados por centros de assistência Makita autorizados, utilizando sempre peças de substituição Makita.

## ACESSÓRIOS OPCIONAIS

### PRECAUÇÃO:

- Os seguintes acessórios ou extensões são os recomendados para utilizar com a ferramenta Makita especificada neste manual. A utilização de quaisquer outros acessórios poderá representar um risco de ferimento para as pessoas. Apenas utilize o acessório para o fim indicado.

Se precisar de informações adicionais relativas aos acessórios, contacte o centro local de assistência Makita.

- Protecção para o disco (tampa do disco) para discos centrais com reentrância/multi-discos
- Protecção para o disco (tampa do disco) para disco de corte abrasivo/disco diamantado
- Discos centrais com reentrância
- Discos de corte abrasivos
- Multi-discos
- Discos diamantados
- Escovas de tampa de arame
- Escova cónica de arame 85
- Discos abrasivos
- Flange interior
- Porca de bloqueio para disco central com reentrância/disco de corte abrasivo/multi-discos/disco diamantado
- Porca de bloqueio para disco abrasivo
- Chave da porca de bloqueio
- Pega lateral
- Bateria e carregador genuínos da Makita

### NOTA:

- Alguns itens na lista podem estar incluídos no pacote de ferramentas como acessórios de série. Podem diferir de país para país.

### Ruído

ENG905-1

Os níveis acústicos ponderados A típicos foram determinados segundo a EN60745:

#### Modelo DGA450

Nível de pressão sonora ( $L_{pA}$ ): 74 dB (A)

Incerteza (K): 3 dB (A)

O nível de ruído quando em funcionamento pode exceder os 80 dB (A).

#### Modelo DGA452

Nível de pressão sonora ( $L_{pA}$ ): 76 dB (A)

Incerteza (K): 3 dB (A)

O nível de ruído quando em funcionamento pode exceder os 80 dB (A).

**Use protecção para os ouvidos.**

### Vibração

ENG900-1

O valor total da vibração (soma triaxial de vectores) foi determinado segundo a EN60745:

#### Modelo DGA450

Modo de trabalho: afiar à superfície

Emissão de vibração ( $a_{h,AG}$ ): 8,5 m/s<sup>2</sup>

Incerteza (K): 1,5 m/s<sup>2</sup>

Modo de trabalho: lixação excêntrica

Emissão de vibração ( $a_{h,DS}$ ): 2,5 m/s<sup>2</sup> ou menos

Incerteza (K): 1,5 m/s<sup>2</sup>

#### Modelo DGA452

Modo de trabalho: afiar à superfície

Emissão de vibração ( $a_{h,AG}$ ): 10,0 m/s<sup>2</sup>

Incerteza (K): 1,5 m/s<sup>2</sup>

Modo de trabalho: lixação excêntrica

Emissão de vibração ( $a_{h,DS}$ ): 2,5 m/s<sup>2</sup> ou menos

Incerteza (K): 1,5 m/s<sup>2</sup>

ENG902-1

- O valor da emissão de vibração declarado foi medido de acordo com o método de teste padrão e pode ser utilizado para comparar uma ferramenta com outra.
- O valor da emissão de vibração declarado pode também ser utilizado numa avaliação preliminar de exposição.
- O valor da emissão de vibração declarado é utilizado para as aplicações principais da ferramenta eléctrica. No entanto, se a ferramenta eléctrica for utilizada para outras aplicações, o valor da emissão de vibração pode ser diferente.

### AVISO:

- A emissão de vibração durante a utilização real da ferramenta eléctrica pode ser diferente do valor de emissão declarado, dependendo da forma como a ferramenta é utilizada.
- Certifique-se de que identifica medidas de segurança, para proteger o operador, que são baseadas numa estimativa de exposição nas condições reais de utilização (tendo em conta todas as partes do ciclo de funcionamento, como as vezes que a ferramenta é desligada e quando está a trabalhar ao ralenti, além do tempo de utilização).

### Apenas para países europeus

ENH101-17

#### Declaração de conformidade CE

#### A Makita declara que as máquinas:

Designação da máquina:

Esmerilhadeira angular a bateria

N.º de modelo/Tipo: DGA450, DGA452

#### Estão em conformidade com as Directivas Europeias seguintes:

2006/42/EC

São fabricadas de acordo com as normas e documentos padronizados seguintes:

EN60745

O ficheiro técnico em conformidade com a norma  
2006/42/EC está disponível a partir de:  
Makita, Jan-Baptist Vinkstraat 2, 3070, Bélgica

31. 12. 2013

A handwritten signature in black ink, appearing to read 'Yasushi Fukaya', written in a cursive style.

Yasushi Fukaya  
Director

Makita, Jan-Baptist Vinkstraat 2, 3070, Bélgica

## DANSK (Originalvejledning)

### Forklaring til generel oversigt

- |                      |   |                                       |
|----------------------|---|---------------------------------------|
| 1. Knap              | 11. Sikringsmøtrik                                    | 19. Tykkelse: Mindre end 4 mm (5/32") |
| 2. Rød indikator     | 12. Forsænket centerskive/Multidisk                   | 20. Tykkelse: 4 mm (5/32") eller mere |
| 3. Batteripakke      | 13. Indvendig flange                                  | 21. Udstødningsåbning                 |
| 4. Stjernemærkning   | 14. Skrueøgle til sikringsmøtrik                      | 22. Indsugningsåbning                 |
| 5. Indikatorlampe    | 15. Vinkelslibeske/diamantskive                       | 23. Slidgrænse                        |
| 6. Skæftlås          | 16. Beskyttelsesskærm til vinkelslibeske/diamantskive | 24. Holderdæksel                      |
| 7. Glidekontakt      | 17. Vinkelslibeske                                    | 25. Skruetrækker                      |
| 8. Beskyttelsesskærm | 18. Diamantskive                                      | 26. Kulholderdæksel                   |
| 9. Kuglelegeboks     |   |                                       |
| 10. Skrue            |   |                                       |

## SPECIFIKATIONER

Model	DGA402	DGA450	DGA452
Diameter af skive	100 mm	115 mm	
Maks. skivetykkelse	6,4 mm	6,4 mm	6,4 mm
Spindeltråd	M10	M14 eller 5/8" (landespecifik)	
Nominal hastighed (n)/hastighed uden belastning (n <sub>0</sub> )	11.000 min <sup>-1</sup>		
Længde i alt	317 mm		
Nettovægt	2,2 kg	2,2 kg	2,3 kg
Nominal spænding	18 V DC	14,4 V DC	18 V DC

- På grund af vores løbende forsknings- og udviklingsprogram kan specifikationerne heri ændres uden forudgående varsel.
- Specifikationerne og batteripakken kan variere fra land til land.
- Vægt, inklusive batteripakken, i henhold til EPTA-Procedure 01/2003

### Symboler

END221-4

Følgende viser de symboler, der benyttes til udstyret. Vær sikker på, at du forstår deres betydning, før du bruger værktøjet.



..... Læs brugsanvisningen.



..... Bær beskyttelsesbriller.

Cd  
Ni-MH  
Li-ion

..... Kun for EU-lande

Elektrisk udstyr eller batteripakke må ikke bortskaffes sammen med almindeligt affald!

I henhold til det europæiske direktiv om bortskaffelse af elektriske og elektroniske produkter og om batterier og akkumulatører og bortskaffelse af batterier og akkumulatører og deres implementering under gældende national lovgivning skal brugt elektrisk udstyr, batterier og batteripakke(r), der har udtjent deres levetid, indsamles separat og returneres til miljøgodkendt genindvinding.

### Tilsigtet brug

ENE048-1

Værktøjet er beregnet til afslibning, slibning og skæring i metal- og stenmaterialer uden brug af vand.

## Generelle sikkerhedsadvarsler for maskiner

GEA010-1

**⚠ ADVARSEL Læs alle sikkerhedsadvarsler og alle instruktioner.** Hvis De ikke følger alle advarsler og instruktioner, kan det medføre elektrisk stød, brand og/eller alvorlig personskade.

## Gem alle advarsler og instruktioner til senere reference.

## SIKKERHEDSADVARSLER FOR LEDNINGSFRI SLIBEMASKINE

GEB059-3

**Fælles sikkerhedsadvarsler for afslibning, sandslibning, trådbørstning og vinkelslibning:**

1. **Denne maskine er beregnet til brug som afsliber, sandsliber, trådbørste eller vinkelsliber. Læs alle sikkerhedsadvarsler, instruktioner, illustrationer og specifikationer, der følger med maskinen.** Hvis du ikke følger alle instruktionerne nedenfor, kan det medføre elektrisk stød, brand og/eller alvorlig personskade.
2. **Det anbefales ikke at benytte maskinen til formål som f.eks. polering.** Anvendelser, som maskinen ikke er beregnet til, kan udgøre en risiko og medføre personskade.
3. **Undlad at benytte tilbehør, som ikke er specielt udviklet og anbefalet af værktøjsproducenten.**

Selvom tilbehøret kan monteres på maskinen, er anvendelsen ikke nødvendigvis sikker.

4. **Tilbehørets nominelle hastighed skal være mindst lig med den maksimale hastighed, der er angivet på maskinen.** Tilbehør, der kører hurtigere end dets nominelle hastighed, kan gå i stykker og blive slynget bort.
5. **Tilbehørets udvendige diameter og tykkelse skal overholde maskinens kapacitet.** Tilbehør med for stort størrelse kan ikke fastgøres eller kontrolleres korrekt.
6. **Ved montering af tilbehør med gevind skal de passe til sliberens spindelgevind. Ved tilbehør, der monteres med flanger, skal akselhullet på tilbehøret passe til den modsvarende diameter på flangen.** Tilbehør, der ikke passer til monteringsudstyret på maskinen, vil komme ud af balance, vibrere voldsomt og kan medføre, at du mister kontrollen.
7. **Undlad brug af beskadiget tilbehør. Kontroller tilbehør som f.eks. slibeskiver, hver gang de bruges, for flænger og revner, bagpolstringer for revner, nedslidning eller kraftigt slid, trædbørster for løse eller knækkede tråde. Hvis du taber maskinen eller tilbehøret, skal du se efter for beskadigelser eller montere ubeskadiget tilbehør. Efter kontrol og montering af tilbehør skal du placere dig selv og tilskuere væk fra tilbehørets drejningsplan og lade maskinen køre ved maksimal hastighed uden belastning i et minut. Beskadiget tilbehør vil normalt gå i stykker inden for denne testperiode.**
8. **Bær personligt sikkerhedsudstyr. Afhængigt af anvendelsen skal du bære ansigtsskærm, beskyttelsesbriller eller sikkerhedsbriller. Bær en nødvendig støvmaske, hørevarer, handsker og arbejdsforklæde, der kan stoppe små slibningsstykker eller stumper af arbejdsemnet. Øjenbeskyttelsen skal kunne stoppe flyvende stumper, der frembringes ved forskellige anvendelser. Støvmasken eller åndedrætsbeskyttelsen skal kunne filtrere partikler, der frembringes ved anvendelsen. Længerevarende udsættelse for kraftig støj kan medføre høreskader.**
9. **Hold andre tilstedeværende på sikker afstand af arbejdsområdet. Alle, der kommer ind i arbejdsområdet, skal bære personligt sikkerhedsudstyr.** Dele af arbejdsemnet eller ødelagt tilbehør kan flyve væk og medføre personskade uden for det umiddelbare anvendelsesområde.
10. **Hold kun maskinen i de isolerede gribeblader, når du udfører arbejde, hvor skæreværktøjet kan komme i kontakt med skjulte ledninger.** Kontakt med en strømførende ledning gør også udsatte metaldele på maskinen strømførende, hvorved operatøren muligvis kan få elektrisk stød.
11. **Læg aldrig maskinen fra dig, før tilbehøret er stoppet helt.** Det roterende tilbehør kan gribe fat i overfladen og trække i maskinen, så du mister kontrollen.
12. **Lad ikke maskinen køre, mens du bærer den ved siden.** Hvis dit tøj kommer i kontakt med det roterende

tilbehør, kan det gribe fat i tøjet og trække tilbehøret ind imod kroppen på dig.

13. **Rengør regelmæssigt maskinens ventilationsåbninger.** Motorventilatoren trækker støvet ind i kabinettet, og koncentration af forstøvet metal kan medføre elektriske risici.
14. **Undlad at betjene maskinen i nærheden af brændbare materialer.** Gnister kan antænde disse materialer.
15. **Undlad at benytte tilbehør, der kræver flydende kølemidler.** Brug af vand eller andre flydende kølemidler kan medføre elektrisk stød eller chok.

#### **Tilbageslag og relaterede advarsler**

Tilbageslag er en pludselig reaktion på, at en roterende skive, bagpolstring, børste eller andet tilbehør sidder fast eller kommer i klemme. Hvis tilbehøret sidder fast eller kommer i klemme, går det roterende tilbehør pludselig i stå, hvorved den ikke-kontrollerede maskine tvinges i den modsatte retning af tilbehørets rotationsretning på det sted, hvor det sidder fast. Hvis en slibeskive f.eks. kommer i klemme eller sidder fast på arbejdsemnet, kan den kant på skiven, der sidder ind i fastklemningspunktet, skære sig ind i emnets overflade, så skiven klatter ud eller slås ud. Skiven kan enten springe mod eller bort fra operatøren, afhængigt af skivens bevægelse på det sted, hvor den sidder fast. Slibeskiver kan også gå i stykker under disse forhold. Tilbageslag skyldes forkert brug af maskinen og/eller forkerte betjeningsprocedurer eller forhold og kan undgås ved at træffe de nødvendige forsigtighedsregler som beskrevet nedenfor.

- a) **Hold godt fast i maskinen, og placer kroppen og armen, så du kan modstå tilbageslag. Benyt altid det ekstra håndtag, hvis det er tilgængeligt, for at opnå størst mulig kontrol med tilbageslag eller drejningsreaktion ved start.** Operatøren kan kontrollere drejningsreaktioner eller tilbageslag, hvis der træffes de rette forholdsregler.
- b) **Placer aldrig hånden i nærheden af roterende tilbehør.** Tilbehøret kan blive slået tilbage hen over hånden.
- c) **Placer ikke dig selv i det område, hvor maskinen vil bevæge sig, hvis der opstår tilbageslag.** Ved tilbageslag bliver maskinen slynget i modsat retning af skivens bevægelse på det sted, hvor den sidder fast.
- d) **Vær særligt forsigtig ved arbejde på hjørner, skarpe kanter osv. Undgå at støde og vride tilbehøret.** Hjørner, skarpe kanter og stød har tendens til at få det roterende tilbehør til at sidde fast og forårsage tab af kontrollen eller tilbageslag.
- e) **Montrér ikke en klinge til savning i træ eller en savklinge med tænder.** Sådanne klinger forårsager ofte tilbageslag og tab af kontrollen.

#### **Specifikke sikkerhedsadvarsler for afslibning og vinkelslibning:**

- a) **Anvend kun skivetyper, der anbefales til maskinen, og den specifikke beskyttelsesskærm, der er beregnet til den valgte skive.** Skiver, som maskinen ikke er beregnet til, kan ikke beskyttes ordentligt og er ikke sikre at bruge.
- b) **Slibeoverfladen på centerforsænkede skiver skal monteres nedenfor**

**beskyttelsesskærmkantens plan.** En forkeret monteret skive, som rager ud gennem beskyttelsesskærmkantens plan, kan ikke beskyttes tilstrækkeligt.

**c) Beskyttelsesskærmen skal sidde korrekt fast på maskinen og placeres med henblik på maksimal sikkerhed, så mindst muligt af skiven er blottet ud mod operatøren.**

Beskyttelsesskærmen hjælper med at beskytte operatøren mod dele af brækkede skiver, utilsigtet kontakt med skiven og gnister, der kan antænde tøjet.

**d) Skiver må kun benyttes til de anbefalede anvendelser. Eksempel: Undlad at bruge siden af en slibeskive til vinkelslibning.** Vinkelslibeskiver er beregnet til slibning i periferien. Hvis skiverne udsættes for kræfter fra siden, kan de gå i stykker.

**e) Anvend altid ubeskadigede skiveflanger af den korrekte størrelse og form til den valgte skive.** Korrekte skiveflanger understøtter skiven, så der er mindre risiko for, at den går i stykker. Flanger til vinkelslibeskiver kan være forskellige fra flanger til slibeskiver.

**f) Undlad at benytte nedslidte skiver fra større maskiner.** Skiver, der er beregnet til større maskiner, er ikke beregnet til en mindre maskines større hastigheder og kan gå i stykker.

#### **Specifikke sikkerhedsadvarsler for vinkelslibning:**

**a) Undlad at "låse" vinkelslibeskiven eller anvende unødigt pres. Undlad at skære for dybt.** Hvis skiven overbelastes, forøges belastningen og risikoen for at bøje skiven, eller at den sidder fast i snittet, hvilket øger risikoen for tilbageslag, eller at skiven går i stykker.

**b) Undlad at placere dig selv på linje med og bagved den roterende skive.** Når skiven på anvendelsesstedet bevæger sig bort fra dig selv, vil et eventuelt tilbageslag slynge den roterende skive og maskinen direkte tilbage mod dig selv.

**c) Hvis skiven sidder fast, eller hvis du af en eller anden grund afbryder et snit, skal du slukke for maskinen og holde den stille, indtil skiven er stoppet helt. Forsøg aldrig at fjerne vinkelslibeskiven fra snittet, mens skiven bevæger sig, da dette kan forårsage tilbageslag.** Se efter og tag modforholdsregler imod årsager til, at skiven binder.

**d) Start ikke snittet igen i arbejdsemnet. Lad skiven nå fuld hastighed, og sæt den forsigtigt tilbage i snittet.** Skiven kan binde, springe op eller forårsage tilbageslag, hvis maskinen genstartes i arbejdsemnet.

**e) Støt paneler eller store arbejdsemner for at reducere risikoen for, at skiven binder og forårsager tilbageslag.** Store arbejdsemner har tendens til at bøje under deres egen vægt. Der skal placeres støtter under arbejdsemnet i nærheden af skæringslinjen og nær arbejdsemnets kanter på begge sider af skiven.

**f) Vær ekstra forsigtig, når du foretager et "lommensnit" i eksisterende vægge eller andre områder, du ikke kan se.** Den fremstikkende skive kan skære i gas- eller vandrør, elektriske kabler eller genstande, der kan forårsage tilbageslag.

#### **Specifikke sikkerhedsadvarsler for sandslibning:**

**a) Anvend ikke en for stor størrelse sandpapir. Følg producentens anbefalinger ved valg af sandpapir.** Større sandpapir, der stikker ud over sandpladen, kan skære i personer og sidde fast, blive revet af disken eller forårsage tilbageslag.

#### **Specifikke sikkerhedsadvarsler for trådbørstning:**

**a) Vær opmærksom på, at tråde kan blive slynget af børsten selv ved normal betjening. Overbelast ikke trådene ved at belaste børsten for hårdt.** Trådene kan nemt gennemtrænge let beklædning og/eller huden.

**b) Hvis brug af en beskyttelsesskærm anbefales til trådbørstning, må du ikke lade trådskiven eller børsten støde mod skærmen.** Diameteren af trådskiven eller børsten kan blive større på grund af arbejdsbelastning eller centrifugalkræfter.

#### **Yderligere sikkerhedsadvarsler:**

- 16. Ved brug af forsænkede centerslibeskiver må du kun benytte fiberglasforstærkede skiver.**
- 17. BRUG ALDRIG stenskiver af koptypen til denne slibemaskine.** Denne slibemaskine er ikke designet til disse typer skiver og brugen af et sådan produkt kan muligvis resultere i alvorlig personskade.
- 18. Vær forsigtig med ikke at beskadige spindelen, flangen (især monteringsområdet) eller sikringsmøtrikken.** Beskadigelse af disse dele kan medføre beskadigelse af skiven.
- 19. Sørg for, at skiven ikke har kontakt med arbejdsemnet, før der tændes på kontakten.**
- 20. Lad maskinen køre et stykke tid, før den benyttes på et arbejdsemne. Hold øje med vibrationer eller svinger, der kan være tegn på en dårlig montering eller en dårligt afbalanceret skive.**
- 21. Anvend den tilsigtede overflade på skiven til at udføre slibningen.**
- 22. Gå ikke fra maskinen, mens den kører. Lad kun maskinen køre, mens du holder den i hænderne.**
- 23. Berør ikke arbejdsemnet umiddelbart efter arbejdet. Det kan være meget varmt og forårsage forbrændinger af huden.**
- 24. Overhold producentens instruktioner for korrekt montering og brug af skiver. Vær omhyggelig med håndteringen og opbevaringen af skiverne.**
- 25. Anvend ikke separate reduktionsbøsninger eller adaptere til tilpasning af slibeskiver med store huller.**
- 26. Brug kun flanger, der er beregnet til maskinen.**
- 27. For maskiner, der er beregnet til brug med skiver med gevind, skal du sikre dig, at gevindet i skiven er tilstrækkeligt langt til at modsvare længden af spindelen.**
- 28. Kontroller, at arbejdsemnet er korrekt understøttet.**
- 29. Vær opmærksom på, at skiven fortsætter med at rotere, efter at der slukkes for maskinen.**
- 30. Hvis arbejdspladsen er meget varm og fugtig, eller hvis den er kraftigt forurenet af ledende støv, skal du bruge en kortslutningsafbryder (30 mA) til at beskytte operatøren.**
- 31. Anvend ikke maskinen på materialer, der indeholder asbest.**

32. Ved brug af vinkelslibeskiver skal du altid benytte den beskyttelsesskærm til støvopsamling, som den lokale lovgivning foreskriver.
33. Slibeskiver må ikke udsættes for tryk fra siden.

## GEM DISSE INSTRUKTIONER.

### ⚠ ADVARSEL:

LAD IKKE tryghed eller kendskab til produktet (fra gentagen brug) føre til, at du ikke strengt overholder sikkerhedsreglerne for det gældende produkt.

**MISBRUG** eller manglende overholdelse af sikkerhedsreglerne i denne brugsanvisning kan medføre alvorlig personskade.

## VIGTIGE SIKKERHEDSINSTRUKTIONER

ENC007-8

### FOR BATTERIPAKKEN

1. Før brugen af batteripakken skal du læse alle instruktioner og advarsler på (1) batteriopladeren, (2) batteriet og (3) det produkt, som batteriet anvendes i.
2. Skil ikke batteripakken ad.
3. Hvis driftstiden bliver betydeligt kortere, skal du straks ophøre med brugen. Brug kan medføre risiko for overophedning, risiko for forbrændinger eller endog eksplosion.
4. Hvis du får elektrolyt i øjnene, skal du med det samme rense øjnene med rent vand og søge læge. Dette kan medføre tab af synet.
5. Kortslut ikke batteripakken:
  - (1) Undgå at røre ved terminalerne med ledende materiale.
  - (2) Undgå at opbevare batteripakken i en beholder med andre metalgenstande som f.eks. søm, mønter osv.
  - (3) Udsæt ikke batteripakken for vand eller regn. Hvis batteriet kortsluttes, kan det medføre voldsom strøm, overophedning, mulige forbrændinger og endog nedbrud.
6. Undgå at opbevare værktøjet og batteripakken på steder, hvor temperaturen kan komme op på eller overstige 50°C.
7. Sæt ikke ild til batteripakken, selvom den er alvorligt beskadiget eller helt udtjent. Batteripakken kan eksplodere ved brand.
8. Undgå at tabe eller slå på batteriet.
9. Undlad brug af et beskadiget batteri.
10. Følg de lokale bestemmelser med hensyn til bortskaffelse af batteri.

## GEM DISSE INSTRUKTIONER.

### Tips til, hvordan du forlænger batteriets levetid

1. Oplad batteripakken, før den bliver helt afladet. Ophør med at bruge værktøjet, og udskift batteripakken, hvis strømmen til værktøjet aftager.
2. Oplad aldrig en fuldt opladet batteripakke. Overopladning forkorter batteriets levetid.

3. Oplad batteripakken ved stuetemperatur på 10°C - 40°C. Lad batteripakken køle ned før den oplades, hvis den er varm.
4. Oplad batteripakken en gang hver sjette måned, hvis du ikke bruger det i lang tid.

## FUNKTIONSBESKRIVELSE

### FORSIGTIG:

- Sørg altid for, at værktøjet er slukket, og at batteripakken er taget ud, før De justerer værktøjet eller kontrollerer dets funktion.

### Montering eller afmontering af batteripakken (Fig. 1)

#### ⚠ FORSIGTIG:

- Sluk altid for værktøjet inden montering eller afmontering af batteripakken.
- **Hold godt fast i værktøjet og batteripakken, når du monterer eller afmonterer batteripakken.** Hvis maskinen og batteripakken ikke holdes ordentligt fast, kan de glide ud af hænderne og resultere i skader på maskinen og batteripakken samt personskade.

Afmonter batteripakken ved at holde ned på knappen foran på batteripakken og skubbe den af værktøjet. Ved montering af batteripakken justeres tungen på batteripakken med rillen i huset, hvorefter pakken skubbes på plads. Sæt den hele vejen ind, indtil den låses på plads med et lille klik. Hvis den røde indikator øverst på knappen er synlig, er batteripakken ikke låst helt fast.

#### ⚠ FORSIGTIG:

- Sæt altid batteripakken helt ind, indtil den røde indikator ikke længere er synlig. Ellers kan den falde ud af værktøjet og skade dig eller andre personer i nærheden.
- Anvend ikke kræfter ved monteringen af batteripakken. Hvis den ikke glider let ind, er den ikke indsat korrekt.

### Batteribeskyttelsessystem

Værktøjet er udstyret med et beskyttelsessystem. Dette system slukker automatisk for strømmen til motoren for at forlænge batterilevetiden.

Værktøjet stopper automatisk under anvendelsen, hvis værktøjet og/eller batteriet udsættes for en af de følgende situationer:

- Overbelastning:  
Værktøjet anvendes på en sådan måde, at det får det til at bruge unormalt meget strøm. I denne situation skal du slukke for værktøjet og stoppe den anvendelse, som gjorde værktøjet overbelastet. Tænd derefter for værktøjet for at starte igen.  
Hvis værktøjet ikke starter, er batteriet overbelastet. I denne situation skal du lade batteriet køle af, inden du tænder for værktøjet igen.
- Lav batterispænding:  
Den resterende batterikapacitet er for lav, og værktøjet kan ikke køre. I denne situation skal du afmontere og oplade batteriet.

### BEMÆRK:

Overophedningsbeskyttelsen fungerer kun med en batteripakke med en stjernemærkning. (Fig. 2)



## Indikatorlampe med multifunktion (Fig. 3)

Indikatorlamperne er placeret to steder.

Når batteripakken sættes i værktøjet med glidekontakten placeret på "O (OFF)", blinker indikatorlampen hurtigt i cirka et sekund. Hvis den ikke blinker, er batteripakken eller indikatorlampen muligvis defekt.

### - Overbelastningsbeskyttelse

- Indikatorlampen tændes, når værktøjet bliver overbelastet. Lampen slukkes igen, når belastningen af værktøjet reduceres.
- Hvis værktøjet forbliver overbelastet, og indikatorlampen er tændt i cirka to sekunder, stopper værktøjet. Dette forebygger beskadigelse af motoren og de tilhørende dele.
- I denne situation skal du flytte glidekontakten én gang hen i stillingen "O (OFF)". Flyt den derefter hen i stillingen "I (ON)" igen for at genstarte.

### - Signal for udskiftning af batteripakke

- Når den resterende batterikapacitet er lav, tændes indikatorlampen tidligere under brug, end når der er høj kapacitet.

### - Funktion til forhindring af genstart ved et uheld

- Værktøjet starter ikke, hvis batteripakken indsættes i værktøjet med glidekontakten i stillingen "I (ON)". I denne situation blinker lampen langsomt. Dette angiver, at den funktionen til forhindring af genstart ved et uheld fungerer.
- For at starte værktøjet skal De først skubbe glidekontakten til stillingen "O (OFF)" og derefter til stillingen "I (ON)".

## Skaftlås (Fig. 4)

### FORSIGTIG:

- Udløs aldrig skaftlåsen, mens spindelen bevæger sig. Dette kan beskadige værktøjet.

Tryk på skaftlåsen for at forhindre, at spindelen roterer, mens De monterer eller afmonterer tilbehør.

## Betjening af kontakt (Fig. 5)

### FORSIGTIG:

- Før batteripakken sættes i værktøjet, skal De altid kontrollere, at glidekontakten reagerer korrekt og vender tilbage i stillingen "OFF", når der trykkes bag på glidekontakten.

For at starte værktøjet skal De skubbe glidekontakten til stillingen "I (ON)". For kontinuerlig betjening skal De trykke foran på glidekontakten for at låse den fast.

Når De vil stoppe værktøjet, skal De trykke bag på glidekontakten og derefter trykke den mod stillingen "O (OFF)".

## MONTERING

### FORSIGTIG:

- Sørg altid for, at værktøjet er slukket, og at batteripakken er taget ud, før De udfører nogen form for arbejde på værktøjet.

## Montering af sidegreb (håndtag) (Fig. 6)

### FORSIGTIG:

- Sørg altid for, at sidegrebet er korrekt monteret før brugen.

Skru sidegrebene godt på plads på værktøjet som vist i figuren.

## Montering eller afmontering af beskyttelsesskærm (til forsænket centerskive, multidisk/vinkelslibeskive, diamantskive)

Til værktøjer med beskyttelsesskærm af låseskruetype (Fig. 7)

### ADVARSEL:

- Ved brug af en forsænket centerskive/multidisk, flexskive, trådslibeskive, vinkelslibeskive eller kantet skive skal beskyttelsesskærmen monteres på værktøjet, så den lukkede side af skærmen altid vender mod operatøren.
- Ved brug af en vinkelslibeskive/diamantskive skal du sørge for kun at benytte den særlige beskyttelsesskærm, der er beregnet til brug med libeskiver. (I europæiske lande kan den almindelige beskyttelsesskærm anvendes ved brug af en diamantskive.)

Monter beskyttelsesskærmen, så fremspringet på båndet på skærmen er justeret med mærket på kuglelejevoksen. Roter derefter beskyttelsesskærmen hen på en sådan vinkel at den kan beskytte operatøren i henhold til arbejdet. Sørg for at stramme skruen godt. Følg fremgangsmåden til montering i omvendt rækkefølge for at afmontere beskyttelsesskærmen.

## Montering eller afmontering af forsænket centerskive/multidisk (Fig. 8)

### ADVARSEL:

- Anvend altid den medfølgende beskyttelsesskærm, når en forsænket centerskive/multidisk er monteret på værktøjet. Skiven kan splintres under brug, og skærmen hjælper med at forebygge personskade.

Monter den indvendige flange på spindelen. Monter skiven/disken på den indvendige flange, og skru sikringsmøtrikken på spindelen.

For at stramme sikringsmøtrikken trykkes der fast på skaftlåsen, så spindelen ikke kan dreje rundt. Brug derefter skruenøglen til sikringsmøtrikken til at stramme godt mod uret. (Fig. 9)

Følg fremgangsmåden til montering i omvendt rækkefølge for at afmontere skiven.

### ADVARSEL:

- Udløs kun skaftlåsen, når spindelen ikke bevæger sig.

## BETJENING

### ADVARSEL:

- Det bør aldrig være nødvendigt at anvende magt på værktøjet. Værktøjets egen vægt sørger for det nødvendige tryk. Tvang og kraftigt tryk kan medføre farlig beskadigelse af skiven.
- Udskift ALTID skiven, hvis værktøjet tabes under slibning.
- Stød eller slå ALDRIG disken eller skiven mod arbejdsemnet.
- Undgå at støde og vride skiven, især ved arbejde på hjørner, skarpe kanter osv. Det kan medføre tab af kontrollen og tilbageslag.

- Anvend ALDRIG værktøjet med klinger til skæring i træ og andre savklinger. Ved brug på en vinkelsliber forårsager sådanne klinger ofte tilbageslag og tab af kontrollen, hvilket kan resultere i personskade.

#### FORSIGTIG:

- Dybden af et enkelt snit må være op til 5 mm. Regulér trykket på værktøjet, så værktøjet ikke kører langsommere under betjeningen.
- Efter brugen skal De altid slukke for værktøjet og vente, indtil skiven er stoppet helt, før De lægger værktøjet fra Dem.
- Hvis værktøjet betjenes konstant, indtil batteripakken er afladet, skal De lade værktøjet hvile i 15 minutter, før De fortsætter med et nyt batteri.

### Anvendelse til vinkelslibning og slibning (Fig. 10)

Hold ALTID godt fast i værktøjet med den ene hånd på motorhuset og den anden hånd på sidehåndtaget. Tænd for værktøjet, og sæt derefter skiven eller disken mod arbejdsemnet.

Skiven eller disken skal som regel holdes i en vinkel på cirka 15 grader mod overfladen af arbejdsemnet. Under indkøring af en ny skive må sliberen ikke anvendes i retningen B, da den ellers vil skære ned i arbejdsemnet. Når kanten af skiven er blevet rundet af ved brug, kan skiven benyttes i både A- og B-retningen.

### Anvendelse af vinkelslibeskive/ diamantskive (fås som tilbehør) (Fig. 11)

Monteringsretningen på sikringsmøtrikken og den indvendige flange varierer med skivetykkelsen.

Se tabellen nedenfor. (Fig. 12)

#### ⚠ ADVARSEL:

- Ved brug af en vinkelslibeskive/diamantskive skal du sørge for kun at benytte den særlige beskyttelsesskærm, der er beregnet til brug med slibeskiver. (I europæiske lande kan den almindelige beskyttelsesskærm anvendes ved brug af en diamantskive.)
- Brug ALDRIG vinkelslibeskiver til afslibning af sider.
- Undlad at "låse" skiven eller anvende unødigt pres. Undlad at skære for dybt. Hvis skiven overbelastes, forøges belastningen og risikoen for at bøjse skiven, eller at den sidder fast i snittet, hvilket øger risikoen for tilbageslag, eller at skiven går i stykker, og motoren kan blive overophedet.
- Start ikke snittet i arbejdsemnet. Lad skiven nå fuld hastighed, og sæt den forsigtigt ned i snittet ved at flytte værktøjet hen over overfladen på arbejdsemnet. Skiven kan binde, springe op eller slå tilbage, hvis maskinen startes i arbejdsemnet.
- Skift aldrig skivens vinkel under betjeningen. Hvis der øves tryk fra siden på vinkelslibeskiven (f.eks. ved afslibning), kan skiven revne eller brække, hvilket kan medføre alvorlig personskade.
- En diamantskive skal anvendes vinkelret på det materiale, der skæres.

## VEDLIGEHOJDELSE

#### FORSIGTIG:

- Sørg altid for, at værktøjet er slukket, og at batteripakken er taget ud, før De forsøger at udføre inspektion eller vedligeholdelse.
- Brug aldrig benzin, benzen, fortynder, alkohol eller lignende. Det kan muligvis medføre misfarvning, deformation eller revner.

Værktøjet og ventilationsåbningerne skal holdes rene. Rengør værktøjets ventilationsåbninger regelmæssigt, eller når åbningerne begynder at blive tilstoppede.

(Fig. 13)

### Udskiftning af kulbørster (Fig. 14)

Tag regelmæssigt kulbørsterne af, og efterse dem. Udskift dem, når de er nedslidt til slidgrænsen. Hold kulbørsterne rene og frie til at glide i holderne. Begge kulbørsterne skal udskiftes samtidig. Brug altid identiske kulbørster.

Sæt spidsen af skruetrækkeren med kærvspids ind i snittet i værktøjet, og fjern holderdækslet ved at løfte op i det. (Fig. 15)

Brug en skruetrækker til at fjerne kulholderdækslerne. Tag de udslidte kulbørster ud, monter de nye, og fastgør kulholderdækslerne. (Fig. 16)

Monter holderdækslet på værktøjet igen.

For at holde produktet SIKKERT og PÅLIDELIGT skal reparationer samt al anden vedligeholdelse eller justering udføres af autoriserede Makita-servicecentre, og der skal altid benyttes Makita-reservedele.

## EKSTRAUDSTYR

#### ⚠ FORSIGTIG:

- Dette tilbehør eller ekstraudstyr anbefales til brug med det Makita-værktøj, som er beskrevet i denne brugsanvisning. Brug af andet tilbehør eller ekstraudstyr kan forårsage personskade. Brug kun tilbehør eller ekstraudstyr til det formål, det er beregnet til.

Henvend dig til dit lokale Makita-servicecenter, hvis du har brug for hjælp eller yderligere oplysninger vedrørende tilbehøret.

- Beskyttelsesskærm (skivedæksel) til forsænket centerskive/multidisk
- Beskyttelsesskærm (skivedæksel) til vinkelslibeskive/ diamantskive
- Forsænkede centerskiver
- Vinkelslibeskiver
- Multidiske
- Diamantskiver
- Trådbørster
- Trådbørste 85
- Slibediske
- Indvendig flange
- Sikringsmøtrik til forsænket centerskive/ vinkelslibeskive/multidisk/diamantskive
- Sikringsmøtrik til slibediske
- Skruenøgle til sikringsmøtrik
- Sidegreb
- Originalt batteri og oplader fra Makita

**BEMÆRK:**

- Visse dele på listen er muligvis indeholdt maskinindpakningen som standardtilbehør. De kan variere fra land til land.

**Støj**

ENG905-1

Det typiske A-vægtede støjniveau bestemt i overensstemmelse med EN60745:

**Model DGA450**Lydtryksniveau ( $L_{pA}$ ): 74 dB (A)

Usikkerhed (K): 3 dB (A)

Støjniveauet under arbejdet kan være større end 80 dB (A).

**Model DGA452**Lydtryksniveau ( $L_{pA}$ ): 76 dB (A)

Usikkerhed (K): 3 dB (A)

Støjniveauet under arbejdet kan være større end 80 dB (A).

**Bær høreværn.****Vibration**

ENG900-1

Den samlede vibrationsværdi (treaksiel vektorsum) bestemt i overensstemmelse med EN60745:

**Model DGA450**

Arbejdstilstand: overfladeslibning

Vibrationsemission ( $a_{h,AG}$ ): 8,5 m/s<sup>2</sup>Usikkerhed (K): 1,5 m/s<sup>2</sup>

Arbejdstilstand: diskslibning

Vibrationsemission ( $a_{h,DS}$ ): 2,5 m/s<sup>2</sup> eller mindreUsikkerhed (K): 1,5 m/s<sup>2</sup>**Model DGA452**

Arbejdstilstand: overfladeslibning

Vibrationsemission ( $a_{h,AG}$ ): 10,0 m/s<sup>2</sup>Usikkerhed (K): 1,5 m/s<sup>2</sup>

Arbejdstilstand: diskslibning

Vibrationsemission ( $a_{h,DS}$ ): 2,5 m/s<sup>2</sup> eller mindreUsikkerhed (K): 1,5 m/s<sup>2</sup>

ENG902-1

- Den opgivne vibrationsemissionsværdi er målt i overensstemmelse med standardtestmetoden og kan bruges til at sammenligne et værktøj med et andet.
- Den opgivne vibrationsemissionsværdi kan muligvis også bruges til en indledende eksponeringsvurdering.
- Den opgivne vibrationsemissionsværdi gælder, når maskinen benyttes til dens hovedfunktioner. Men hvis maskinen bruges til andre formål, vil vibrationsemissionsværdien muligvis være en anden.

**⚠ ADVARSEL:**

- Vibrationsemissionen under den faktiske brug af maskinen kan afvige fra den opgivne emissionsværdi afhængigt af den måde, maskinen anvendes på.
- Sørg for at bestemme sikkerhedsforanstaltninger for beskyttelse af operatøren, som er baseret på en eksponeringsvurdering for brug under faktiske forhold (hvor alle anvendelsescyklussens dele inddrages, som f.eks. antal gange maskinen slukkes, og når den kører i tomgang ud over triggertiden).

**Kun for europæiske lande**

ENH101-17

**EF-overensstemmelseserklæring****Makita erklærer at følgende Makita-maskine(r):**

Maskinens betegnelse:

Ledningsfri vinkelsliber

Modelnummer/type: DGA450, DGA452

**Overholder følgende europæiske direktiver:**

2006/42/EF

De er produceret i overensstemmelse med den følgende standard eller standardiserede dokumenter:

EN60745

Den tekniske fil er i overensstemmelse med 2006/42/EF til rådighed fra:

Makita, Jan-Baptist Vinkstraat 2, 3070, Belgien

31. 12. 2013



Yasushi Fukaya

Direktør

Makita, Jan-Baptist Vinkstraat 2, 3070, Belgien

## ΕΛΛΗΝΙΚΑ (Πρωτογενείς οδηγίες)

### Περιγραφή γενικής όψης

- |                          |   |                                       |
|--------------------------|---|---------------------------------------|
| 1. Κουμπί                | 12. Τροχός τροχίσματος χαμηλωμένου κέντρου/ Πολυδίσκος        | 19. Πάχος: Λιγότερο από 4 mm (5/32")  |
| 2. Κόκκινη ένδειξη       | 13. Εσωτερική φλάντζα   | 20. Πάχος: 4 mm (5/32") ή περισσότερο |
| 3. Μπαταρία              | 14. Κλειδί παξιμαδιού κλειδώματος                             | 21. Ανοιγμα εξόδου αέρα               |
| 4. Ένδειξη άστρου        | 15. Λειαντικός τροχός κοπής/ διαμαντένιος τροχός              | 22. Ανοιγμα εισόδου αέρα              |
| 5. Ενδεικτική λυχνία     | 16. Προστατευτικό λειαντικού τροχού κοπής/διαμαντένιου τροχού | 23. Ένδειξη ορίου                     |
| 6. Κλειδώμα άξονα        | 17. Λειαντικός τροχός κοπής                                   | 24. Κάλυμμα καπακιού υποδοχής         |
| 7. Κυλιόμενος διακόπτης  | 18. Διαμαντένιος τροχός                                       | 25. Κατσαβίδι                         |
| 8. Προστατευτικό τροχού  |   | 26. Καπάκι υποδοχής για το καρβουνάκι |
| 9. Κιβώτιο ρουλεμάν      |   |                                       |
| 10. Βίδα                 |   |                                       |
| 11. Παξιμάδι κλειδώματος |   |                                       |

## ΤΕΧΝΙΚΑ ΧΑΡΑΚΤΗΡΙΣΤΙΚΑ

Μοντέλο	DGA402	DGA450	DGA452
Διάμετρος τροχού	100 χιλιοστά	115 χιλιοστά	
Μέγιστο πάχος τροχού	6,4 χιλιοστά	6,4 χιλιοστά	6,4 χιλιοστά
Σπείρωμα ατράκτου	M10	M14 ή 5/8" (Ειδικό για κάθε χώρα)	
Ονομαστική ταχύτητα (n)/Ταχύτητα χωρίς φορτίο (n <sub>0</sub> )	11.000 min <sup>-1</sup>		
Ολικό μήκος	317 χιλιοστά		
Καθαρό βάρος	2,2 κιλά	2,2 κιλά	2,3 κιλά
Ονομαστική τάση	D.C. 18 V	D.C. 14,4 V	D.C. 18 V

- Λόγω του συνεχόμενου προγράμματος που εφαρμόζουμε για έρευνα και ανάπτυξη, τα τεχνικά χαρακτηριστικά στο παρόν έντυπο υπόκεινται σε αλλαγή χωρίς προειδοποίηση.
- Τα τεχνικά χαρακτηριστικά και η μπαταρία ενδέχεται να διαφέρουν από χώρα σε χώρα.
- Βάρος μαζί με την μπαταρία σύμφωνα με τη διαδικασία της EPTA 01/2003

### Σύμβολα

END221-4

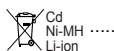
Παρακάτω παρουσιάζονται τα σύμβολα που χρησιμοποιούνται για τον εξοπλισμό. Βεβαιωθείτε ότι κατανοείτε τη σημασία τους πριν από τη χρήση.



..... Διαβάστε το εγχειρίδιο οδηγιών.



..... Να φοράτε γυαλιά προστασίας.



..... Μόνο για τις χώρες της ΕΕ  
Μην απορρίπτετε τον ηλεκτρικό εξοπλισμό ή την μπαταρία μαζί με τα οικιακά απορρίμματα!  
Σύμφωνα με την Ευρωπαϊκή Οδηγία περί απορριμμάτων ηλεκτρικών, ηλεκτρονικών συσκευών, μπαταριών και συσσωρευτών και των απορριμμάτων μπαταριών και συσσωρευτών και την ενσωμάτωσή τους στην εθνική νομοθεσία, οι ηλεκτρικές συσκευές, οι μπαταρίες και οι κασέτες μπαταριών, των οποίων έχει παρέλθει ο χρόνος ωφέλιμης ζωής τους, πρέπει να συλλέγονται ξεχωριστά και να επιστρέφονται σε εγκαταστάσεις περιβαλλοντικής ανακύκλωσης.

### Προοριζόμενη χρήση

ENE048-1

Το εργαλείο προορίζεται για τρόχισμα, λείανση και κόψιμο μεταλλικών και πέτρινων υλικών χωρίς τη χρήση νερού.

## Γενικές Προειδοποιήσεις Ασφαλείας Του Ηλεκτρικού Εργαλείου

GEA010-1

**⚠ ΠΡΟΕΙΔΟΠΟΙΗΣΗ** Διαβάστε όλες τις προειδοποιήσεις ασφαλείας και όλες τις οδηγίες. Αν δεν ακολουθήσετε όλες τις προειδοποιήσεις και τις οδηγίες, υπάρχει κίνδυνος ηλεκτροπληξίας, πυρκαγιάς ή/και σοβαρού τραυματισμού.

## Φυλάξτε όλες τις προειδοποιήσεις και τις οδηγίες για μελλοντική αναφορά.

## ΠΡΟΕΙΔΟΠΟΙΗΣΕΙΣ ΑΣΦΑΛΕΙΑΣ ΦΟΡΗΤΟΥ ΤΡΟΧΟΥ

GEB059-3

**Προειδοποιήσεις Ασφάλειας που Συνηθίζονται για Τρόχισμα, Λείανση, Χρήση Συρματόβουρτσας ή Λειαντικές Εργασίες Κοπής:**

1. Αυτό το ηλεκτρικό εργαλείο προορίζεται για να λειτουργεί ως εργαλείο τροχίσματος, λείανσης, συρματόβουρτσας ή κοπής. Διαβάστε όλες τις προειδοποιήσεις ασφαλείας, τις οδηγίες, τις εικόνες και τις προδιαγραφές που παρέχονται με

- αυτό το ηλεκτρικό εργαλείο.** Αν δεν ακολουθήσετε όλες τις οδηγίες που παρατηθενται παρακάτω, υπάρχει κίνδυνος ηλεκτροπληξίας, πυρκαγιάς ή/και σοβαρού τραυματισμού.
2. **Δεν συνιστάται η πραγματοποίηση εργασιών όπως το γυάλισμα με αυτό το ηλεκτρικό εργαλείο.** Αν χρησιμοποιηθεί το ηλεκτρικό εργαλείο για εργασίες για τις οποίες δεν έχει σχεδιαστεί, ενδεχομένως να προκληθεί κίνδυνος και προσωπικός τραυματισμός.
  3. **Μην χρησιμοποιείτε εξαρτήματα που δεν είναι ειδικά σχεδιασμένα από τον κατασκευαστή του εργαλείου και τα οποία δεν συνιστά ο κατασκευαστής του εργαλείου.** Αν και είναι δυνατό να προσαρτηθεί ένα εξάρτημα στο ηλεκτρικό εργαλείο σας, αυτό δεν σημαίνει ότι μπορεί να λειτουργεί με ασφάλεια.
  4. **Η ονομαστική ταχύτητα του εξαρτήματος πρέπει να είναι τουλάχιστον ίση με τη μέγιστη ταχύτητα που αναγράφεται στο ηλεκτρικό εργαλείο.** Τα εξαρτήματα που λειτουργούν με ταχύτητα υψηλότερη από την ονομαστική ταχύτητά τους μπορεί να σπασούν και να εκτιναχθούν τα μέρη τους.
  5. **Η εξωτερική διάμετρος και το πάχος του εξαρτήματος σας πρέπει να βρίσκονται εντός των δυνατοτήτων του ηλεκτρικού εργαλείου σας.** Τα εξαρτήματα με λανθασμένο μέγεθος δεν προστατεύονται ούτε ελέγχονται ικανοποιητικά.
  6. **Το σπείρωμα για τη στερέωση των εξαρτημάτων πρέπει να ταιριάζει με το σπείρωμα της αράκτου του τροχού.** Για εξαρτήματα που στερεώνονται με φλάντζες, η τρύπα του άξονα του εξαρτήματος πρέπει να ταιριάζει με τη διάμετρο έδρασης της φλάντζας. Τα εξαρτήματα που δεν ταιριάζουν με τον εξοπλισμό στερέωσης του ηλεκτρικού εργαλείου θα λειτουργούν ιδιόρρυθμα, προκαλώντας υπερβολικούς κραδασμούς και ενδεχομένως απώλεια ελέγχου.
  7. **Μην χρησιμοποιείτε εξαρτήματα που έχουν υποστεί βλάβη.** Πριν από κάθε χρήση να ελέγχετε τα εξαρτήματα, για παράδειγμα, τους λειαντικούς τροχούς για θραύσματα και ραγίσματα, τα επιθέματα στήριξης για ραγίσματα, σχισίματα ή υπερβολική φθορά, τη συρματοβούρτσα για χαλαρά ή ραγισμένα σύρματα. Αν το ηλεκτρικό εργαλείο ή ένα εξάρτημα πέσει κάτω, ελέγξτε για ζημιές ή εγκαταστήστε ένα εξάρτημα που δεν έχει υποστεί βλάβη. Μετά την εξέταση και την εγκατάσταση ενός εξαρτήματος, παραμείνετε σεσεί και οι παρευρισκόμενοι μακριά από το επίπεδο του περιστρεφόμενου εξαρτήματος και λειτουργήστε το ηλεκτρικό εργαλείο στη μέγιστη ταχύτητα χωρίς φορτίο για ένα λεπτό. Τα εξαρτήματα που έχουν υποστεί βλάβη, συνήθως σπάνε κατά τη διάρκεια αυτής της δοκιμής.
  8. **Να φοράτε προσωπικό προστατευτικό εξοπλισμό.** Ανάλογα με την εφαρμογή, να χρησιμοποιείτε προσωπίδα, προστατευτικά ματιών ή προστατευτικά γυαλιά. Αν είναι απαραίτητο, να φοράτε προσωπίδα κατά της σκόνης, γυαλιά, γάντια και φόρμα συνεργείου που έχουν τη δυνατότητα να σταματούν την κίνηση μικρών θραυσμάτων που προέρχονται από τη λείανση ή το τεμάχιο εργασίας. Ο προστατευτικός εξοπλισμός για τα μάτια πρέπει να έχει τη δυνατότητα να σταματά την κίνηση των εκτινασόμενων θραυσμάτων που δημιουργούνται από τις διάφορες εργασίες. Η προσωπίδα κατά της σκόνης ή ο αναπνευστήρας πρέπει να έχει τη δυνατότητα να φιλτράρει τα σωματίδια που δημιουργούνται από την εργασία που εκτελείται. Η παρατεταμένη έκθεση σε θόρυβο υψηλής έντασης μπορεί να προκαλέσει απώλεια ακοής.
  9. **Να απομακρύνετε τους μη έχοντες εργασία σε ασφαλή απόσταση από το χώρο εργασίας. Κάθε άτομο που εισέρχεται στο χώρο εργασίας πρέπει να φορά προσωπικό προστατευτικό εξοπλισμό.** Μπορεί να εκτιναχθούν θραύσματα από το τεμάχιο εργασίας ή από ένα σπασμένο εξάρτημα και να προκαλέσουν τραυματισμό σε άτομα που βρίσκονται μακριά από την άμεση περιοχή της εργασίας.
  10. **Να κρατάτε το ηλεκτρικό εργαλείο μόνο από τις μονωμένες λαβές όταν εκτελείτε εργασίες κατά τις οποίες το κοπτικό εργαλείο μπορεί να έρθει σε επαφή με κρυμμένα καλώδια.** Αν υπάρχει επαφή με κάποιο ηλεκτροφόρο καλώδιο, τα εκτεθειμένα μεταλλικά μέρη του ηλεκτρικού εργαλείου θα γίνουν κι αυτά ηλεκτροφόρα και μπορεί να προκληθεί ηλεκτροπληξία στο χειριστή.
  11. **Ποτέ να μην τοποθετείτε κάτω το ηλεκτρικό εργαλείο έως ότου το εξάρτημα σταματήσει τελείως.** Το περιστρεφόμενο εξάρτημα ενδεχομένως να πιστεί στην επιφάνεια και να χάσετε τον έλεγχο του ηλεκτρικού εργαλείου.
  12. **Μη λειτουργείτε το ηλεκτρικό εργαλείο όσο το μεταφέρετε στο πλάι σας.** Η τυχαία επαφή με το περιστρεφόμενο εξάρτημα μπορεί να έχει ως αποτέλεσμα να πιστούν τα ρούχα σας και το εξάρτημα να τραβηχτεί προς το σώμα σας.
  13. **Να καθαρίζετε τακτικά τα ανοίγματα εξαερισμού του ηλεκτρικού εργαλείου.** Ο ανεμιστήρας του μοτέρ τραβεί τη σκόνη στο εσωτερικό του περιβλήματος και η υπερβολική συσσώρευση μετάλλου σε μορφή σκόνης ενδεχομένως να προκαλέσει κίνδυνο ηλεκτροπληξίας.
  14. **Μην θέτε σε λειτουργία το ηλεκτρικό εργαλείο κοντά σε εύφλετα υλικά.** Οι σπινθήρες μπορούν να προκαλέσουν ανάφλεξη αυτών των υλικών.
  15. **Μην χρησιμοποιείτε εξαρτήματα που απαιτούν υγρά ψυκτικά.** Η χρήση νερού ή άλλων υγρών ψυκτικών μπορεί να έχει ως αποτέλεσμα την ηλεκτροπληξία.
- Κλώστση και σχετικές προειδοποιήσεις**  
 Το κλώστημα είναι μια ξαφνική αντίδραση όταν αποκοπεί ή σκαλώσει ο περιστρεφόμενος τροχός, το έπιθεμα στήριξης, η βούρτσα ή κάποιο άλλο εξάρτημα. Η αποκοπή ή το σκάλωμα προκαλεί την απότομη εμπλοκή του περιστρεφόμενου εξαρτήματος, το οποίο με τη σειρά του προκαλεί την κίνηση του ανεξέλεγκτου ηλεκτρικού εργαλείου προς την αντίθετη κατεύθυνση της περιστροφής του εξαρτήματος στο σημείο της εμπλοκής. Για παράδειγμα, αν ένας λειαντικός τροχός αποκοπεί ή σκαλώσει στο τεμάχιο εργασίας, το άκρο του τροχού που εισέρχεται στο σημείο αποκοπής μπορεί να σκάψει μέσα στην επιφάνεια του υλικού και να έχει ως αποτέλεσμα ο τροχός να εξέλθει από αυτό ή να κλωτσήσει. Ο τροχός μπορεί να πεταχτεί προς το χειριστή ή μακριά από αυτόν, ανάλογα με την κατεύθυνση κίνησης του τροχού στο σημείο της αποκοπής. Οι λειαντικοί τροχοί μπορεί και να σπασούν κάτω από αυτές τις συνθήκες.

Το κλώτσημα προκαλείται όταν το ηλεκτρικό εργαλείο χρησιμοποιείται λανθασμένα ή/και όταν οι διαδικασίες ή οι συνθήκες λειτουργίας είναι λανθασμένες, ενώ μπορεί να αποφευχθεί αν ληφθούν οι κατάλληλες προφυλάξεις που αναφέρονται παρακάτω.

- a) **Να κρατάτε το ηλεκτρικό εργαλείο γερά και να τοποθετείτε το σώμα και τους βραχιόνες σας έτσι ώστε να μπορείτε να αντισταθείτε στις δυνάμεις του κλωστήματος. Να χρησιμοποιείτε πάντα τη βοηθητική λαβή, αν παρέχεται, για μέγιστο έλεγχο κατά του κλωστήματος ή της αντίδρασης ροπής κατά την έναρξη της λειτουργίας.** Ο χειριστής μπορεί να ελέγχει τις αντιδράσεις ροπής ή τις δυνάμεις κλωστήματος αν λάβει τις κατάλληλες προφυλάξεις.
- b) **Μην τοποθετείτε ποτέ τα χέρια σας κοντά στο περιστρεφόμενο εξάρτημα.** Το εξάρτημα μπορεί να κλωστήσει επάνω από το χέρι σας.
- c) **Μην τοποθετείτε το σώμα σας στην περιοχή που θα κινηθεί το ηλεκτρικό εργαλείο στην περίπτωση που αυτό κλωστήσει.** Το κλώτσημα θα προωθήσει το εργαλείο προς την αντίθετη κατεύθυνση της κίνησης του τροχού στο σημείο του σκαλώματος.
- d) **Να είστε ιδιαίτερα προσεκτικοί όταν εργάζεστε σε γωνίες, αιχμηρές άκρες, κτλ. Να αποφεύγετε την αναπήδηση και το σκαλώνω του εξαρτήματος.** Οι γωνίες, οι αιχμηρές άκρες ή η αναπήδηση έχουν την τάση να σκαλώνουν το περιστρεφόμενο εξάρτημα και να προκαλούν την απώλεια ελέγχου ή το κλώτσημα.
- e) **Μην προσαρτάτε μια λάμα αλυσοπριονίου για ξύλο ή οδοντωτή λάμα.** Τέτοιες λάμες δημιουργούν συχνά κλώτσημα και απώλεια του ελέγχου.

#### **Ειδικές Προειδοποιήσεις Ασφάλειας για Τρόχισμα και Λειαντικές Εργασίες Κοπής:**

- a) **Να χρησιμοποιείτε μόνο είδη τροχών που συνιστώνται για το ηλεκτρικό εργαλείο σας και να χρησιμοποιείτε τον ειδικό προφυλακτήρα που έχει σχεδιαστεί για τον επιλεγμένο τροχό.** Οι τροχοί για τους οποίους δεν είναι σχεδιασμένο το ηλεκτρικό εργαλείο δεν μπορούν να προστατευτούν ικανοποιητικά και είναι ανασφαλείς.
- b) **Η λειαντική επιφάνεια των τροχών με χαμηλωμένο κέντρο πρέπει να στερεωθεί κάτω από το επίπεδο του άκρου του προφυλακτήρα.** Ένας λανθασμένα τοποθετημένος τροχός που προεξέχει από το επίπεδο του άκρου του προφυλακτήρα δεν μπορεί να προστατευθεί επαρκώς.
- c) **Ο προφυλακτήρας πρέπει να προσαρτηθεί με ασφάλεια στο ηλεκτρικό εργαλείο και να τοποθετηθεί ώστε να παρέχει μέγιστη ασφάλεια, με τρόπο ώστε ο χειριστής να είναι εκτεθειμένος σε όσο το δυνατό μικρότερο μέρος του τροχού.** Ο προφυλακτήρας βοηθά στην προστασία του χειριστή από σπασμένα τμήματα του τροχού, ακούσια επαφή με τον τροχό και από τους σπινθήρες που μπορούν να προκαλέσουν ανάφλεξη του ρουχισμού.
- d) **Πρέπει να χρησιμοποιείτε τους τροχούς μόνο για τις συνιστώμενες εφαρμογές. Για παράδειγμα: μην τροχίζετε με την πλευρά του τροχού κοπής.** Οι λειαντικοί τροχοί κοπής προορίζονται για περιφερειακό τρόχισμα, οι

πλευρικές δυνάμεις που ασκούνται σε αυτούς τους τροχούς ενδεχομένως να προκαλέσουν το θρυμματισμό τους.

- e) **Να χρησιμοποιείτε πάντα φλάντζες τροχού με το σωστό μέγεθος και σχήμα για τον επιλεγμένο τροχό σας, οι οποίες δεν έχουν υποστεί βλάβη.** Οι σωστές φλάντζες τροχού υποστηρίζουν τον τροχό μειώνοντας κατά αυτόν τον τρόπο την πιθανότητα σπασίματος του τροχού. Οι φλάντζες για τους τροχούς κοπής ενδεχομένως να διαφέρουν από τις φλάντζες λειαντικών τροχών.
- f) **Μη χρησιμοποιείτε φθαρμένους τροχούς από μεγαλύτερα ηλεκτρικά εργαλεία.** Ο τροχός που προορίζεται για μεγαλύτερα ηλεκτρικά εργαλεία δεν είναι κατάλληλος για την υψηλότερη ταχύτητα των μικρότερων εργαλείων και ενδεχομένως να σπάσει.

#### **Πρόσθετες Ειδικές Προειδοποιήσεις Ασφάλειας για Λειαντικές Εργασίες Κοπής:**

- a) **Μη “φρακάρετε” τον τροχό κοπής και μη ασκείτε υπερβολική πίεση σε αυτόν. Μη επιχειρήσετε να κάνετε υπερβολικά βαθιά κοπή.** Αν ασκείται υπερβολική πίεση στον τροχό αυξάνεται το φορτίο και η ευπάθεια στις δυνάμεις στρέψης και δέσμωσης του τροχού στην κοπή, ενώ αυξάνεται και η πιθανότητα κλωστήματος ή σπασίματος του τροχού.
- b) **Μην τοποθετείτε το σώμα σας στην ίδια ευθεία με τον περιστρεφόμενο τροχό ή πίσω από αυτόν.** Όταν ο τροχός μετακινείται μακριά από το σώμα σας, ένα πιθανό κλώτσημα ενδεχομένως να προωθήσει τον περιστρεφόμενο τροχό και το ηλεκτρικό εργαλείο κατευθείαν επάνω σας τη στιγμή που τον θέτετε σε λειτουργία.
- c) **Όταν εμποδίζεται η κίνηση του τροχού ή όταν διακόπεται η κοπή για οποιονδήποτε λόγο, σβήστε το ηλεκτρικό εργαλείο και κρατήστε το ακίνητο έως ότου ο τροχός σταματήσει να κινείται εντελώς. Μη επιχειρήσετε ποτέ να βγάλετε τον τροχό κοπής από την κοπή όταν ο τροχός κινείται, επειδή το εργαλείο μπορεί να κλωστήσει.** Διευρύνετε την αιτία λόγω της οποίας εμποδίζεται η κίνηση του τροχού και λάβετε διορθωτικά μέτρα.
- d) **Μην ξεκινάτε ξανά την εργασία κοπής στο τεμάχιο εργασίας. Αφήστε τον τροχό να αποκτήσει την πλήρη ταχύτητά του και εισάγετε τον ξανά στην κοπή προσεκτικά.** Αν θέσετε το ηλεκτρικό εργαλείο ξανά σε λειτουργία μέσα στο τεμάχιο εργασίας, μπορεί να εμποδιστεί η κίνηση του τροχού ή μπορεί ο τροχός να αναπηδήσει ή να κλωστήσει.
- e) **Πρέπει να στηρίζετε τις πλάκες και τα υπερμεγέθη τεμάχια εργασίας για να ελαχιστοποιείτε τον κίνδυνο αποκοπής και κλωστήματος του τροχού.** Τα μεγάλα τεμάχια εργασίας τείνουν να βαθουλώνουν από το ίδιο τους το βάρος. Πρέπει να τοποθετείτε στηρίγματα κάτω από το τεμάχιο εργασίας, κοντά στη γραμμή κοπής και κοντά στην άκρη του τεμαχίου εργασίας, και στις δύο πλευρές του τροχού.
- f) **Να είστε ιδιαίτερα προσεκτικοί όταν εκτελείτε “κοπές θύλακα” σε τοίχους ή άλλες περιοχές για τις οποίες δεν γνωρίζετε τι κρύβουν στο εσωτερικό τους.** Αν ο τροχός προεξέχει, μπορεί να

κόψει σωλήνες υγραερίου ή νερού, ηλεκτρικά καλώδια ή αντικείμενα που θα προκαλέσουν το κλώστημά του.

#### **Ειδικές Προειδοποιήσεις Ασφαλείας για τις Λειτουργίες Λειανσης:**

α) Μη χρησιμοποιείτε υπερβολικά υπερμεγέθη γυαλόχαρτα στο δίσκο. Να ακολουθείτε τις συστάσεις των κατασκευαστών, όταν επιλέγετε γυαλόχαρτο. Αν το γυαλόχαρτο προεξέχει από το επίπεδα του γυαλόχαρτου, υπάρχει κίνδυνος να σκιστεί και ενδεχομένως να προκαλέσει σκάλωμα και σκίαση του δίσκου ή κλώστημα.

#### **Ειδικές Προειδοποιήσεις Ασφάλειας για τις Εργασίες με Χρήση Συρματόβουρτσας:**

α) Να γνωρίζετε ότι οι συρματένιες τρίχες πετάγονται από τη βούρτσα ακόμα και κατά την κανονική λειτουργία. Μην πιέζετε υπερβολικά τα σύρματα ασκώντας υπερβολικό φορτίο στη βούρτσα. Οι συρματένιες τρίχες μπορούν εύκολα να διαπεράσουν τον ελαφρύ ρουχισμό ή/και το δέρμα.  
β) Αν συνιστάται η χρήση προφυλακτήρα κατά τη χρήση της συρματόβουρτσας, μην αφήνετε τον τροχό σύρματος ή τη συρματόβουρτσα να εμπλακεί στον προφυλακτήρα. Ενδεχομένως να μεγαλώσει η διάμετρος του τροχού του σύρματος ή της συρματόβουρτσας εξαιτίας του φόρτου εργασίας και των φυγοκεντρικών δυνάμεων.

#### **Επιπρόσθετες προειδοποιήσεις ασφαλείας:**

16. Όταν χρησιμοποιείτε τροχούς τροχίσματος με χαμηλωμένο κέντρο, βεβαιωθείτε να χρησιμοποιήσετε μόνο τροχούς ενισχυμένους με υαλοΐνες.
17. Μην χρησιμοποιείτε ΠΟΤΕ πέτρινους κυπελλοειδής τύπου τροχούς με αυτό το εργαλείο τροχίσματος. Αυτό το εργαλείο τροχίσματος δεν είναι σχεδιασμένο για τους τροχούς αυτού του τύπου και η χρήση ενός τέτοιου προϊόντος μπορεί να προκαλέσει σοβαρό προσωπικό τραυματισμό.
18. Να προσέχετε ώστε να μην καταστρέψετε την άτρακτο, τη φλάντζα (ειδικά την επιφάνεια τοποθέτησης) ή το ασφαλιστικό παξιμάδι. Αν τα εξαρτήματα αυτά είναι κατεστραμμένα, μπορεί να επέλθει ως αποτέλεσμα το σπάσιμο του τροχού.
19. Βεβαιωθείτε ότι ο τροχός δεν ακουμπά το τεμάχιο εργασίας πριν ενεργοποιήσετε το διακόπτη λειτουργίας.
20. Πριν χρησιμοποιήσετε το εργαλείο σε ένα πραγματικό τεμάχιο εργασίας, να το αφήνετε να λειτουργεί για λίγη ώρα. Να προσέχετε για κραδασμούς ή κινήσεις που θα μπορούσαν να υποδειξουν κακή τοποθέτηση ή κακή ισορροπία του τροχού.
21. Να χρησιμοποιείτε την καθορισμένη επιφάνεια του τροχού για την εκτέλεση του τροχίσματος.
22. Μην αφήνετε το εργαλείο σε λειτουργία. Το εργαλείο πρέπει να βρίσκεται σε λειτουργία μόνο όταν το κρατάτε.
23. Μην αγγίζετε το τεμάχιο εργασίας αμέσως μετά τη λειτουργία του εργαλείου. Μπορεί να είναι εξαιρετικά θερμό και να προκληθεί έγκαυμα στο δέρμα σας.
24. Να τηρείτε τις οδηγίες του κατασκευαστή όσον αφορά τη σωστή τοποθέτηση και χρήση των

τροχών. Να χειρίζεστε και να αποθηκεύετε τους τροχούς με προσοχή.

25. Μη χρησιμοποιείτε ξεχωριστές ροδέλες ή προσαρμογείς για να προσαρμόσετε λειαντικούς τροχούς με μεγάλη οπή.
26. Να χρησιμοποιείτε μόνο φλάντζες κατάλληλες για αυτό το εργαλείο.
27. Για εργασία στα οποία πρόκειται να τοποθετήσετε τροχό με οπή με σπείρωμα, να βεβαιώνετε ότι το σπείρωμα στον τροχό είναι αρκετά μακρύ για να δεχτεί το μήκος του άξονα.
28. Ελέγξτε ότι το τεμάχιο εργασίας υποστηρίζεται σωστά.
29. Να προσέχετε όταν ο τροχός συνεχίζει να περιστρέφεται ακόμη και αφού απενεργοποιήσετε το εργαλείο.
30. Εάν το περιβάλλον εργασίας είναι πολύ ζεστό και υγρό ή εάν υπάρχει υπερβολική αγωγιμη σκόνη, να χρησιμοποιείτε ασφάλεια βραχυκυκλώματος (30 mA) για να εξασφαλίσετε την ασφάλεια του χειριστή.
31. Μην χρησιμοποιείτε το εργαλείο σε κανένα υλικό που περιέχει αμίαντο.
32. Όταν χρησιμοποιείτε τροχό κοπής, να εργάζεστε πάντοτε με το προστατευτικό συλλογής σκόνης του τροχού όπως απαιτείται από τους τοπικούς κανονισμούς.
33. Οι δίσκοι κοπής δεν πρέπει να υφίστανται καμία πλευρική πίεση.

## **ΦΥΛΑΞΤΕ ΑΥΤΕΣ ΤΙΣ ΟΔΗΓΙΕΣ.**

### **⚠️ ΠΡΟΕΙΔΟΠΟΙΗΣΗ:**

ΜΗΝ επιτρέψετε στη βολικότητα ή στην εξοικειώσή σας με το προϊόν (που αποκτήθηκε από επανειλημμένη χρήση) να αντικαταστήσει την αυστηρή προσήλωση στους κανόνες ασφαλείας του εν λόγω προϊόντος. Η ΛΑΝΘΑΣΜΕΝΗ ΧΡΗΣΗ ή η μη τήρηση των κανόνων ασφαλείας που διατυπώνονται στο παρόν εγχειρίδιο οδηγίων μπορεί να προκαλέσει σοβαρό τραυματισμό.

## **ΣΗΜΑΝΤΙΚΕΣ ΟΔΗΓΙΕΣ ΑΣΦΑΛΕΙΑΣ**

ENC007-8

## **ΓΙΑ ΤΗΝ ΜΠΑΤΑΡΙΑ**

1. Πριν χρησιμοποιήσετε την μπαταρία, διαβάστε όλες τις οδηγίες και τις ενδείξεις προφύλαξης στο (1) φορτιστή μπαταρίας, (2) την μπαταρία και (3) το προϊόν στο οποίο χρησιμοποιείται η μπαταρία.
2. Μην αποσυρμαρμολογείτε την μπαταρία.
3. Αν ο χρόνος λειτουργίας της μπαταρίας είναι υπερβολικά σύντομος, διακόψτε αμέσως τη λειτουργία. Αν συνεχίσετε, μπορεί να έχει ως αποτέλεσμα τον κίνδυνο υπερθέρμανσης, πιθανών εκκαυμάτων και ακόμη έκρηξης.
4. Αν μπαί στα μάτια σας ηλεκτρολύτης, ξεπλύνετε με καθαρό νερό και αναζητήστε αμέσως ιατρική βοήθεια. Μπορεί να χάσετε την όρασή σας.
5. Μη βραχυκυκλώνετε την μπαταρία:  
(1) Μην αγγίζετε τους ακροδέκτες με αγωγίμο υλικό.

- (2) Μην αποθηκεύετε την μπαταρία σε δοχείο με άλλα μεταλλικά αντικείμενα, όπως καρφιά, νομίσματα, κτλ.
  - (3) Μην εκθέτετε την μπαταρία σε νερό ή βροχή. Αν βραχυκυκλωθεί η μπαταρία, μπορεί να προκληθεί μεγάλη ροή ηλεκτρικού ρεύματος, υπερθέρμανση, πιθανά εγκαύματα και ακόμη και καταστροφή της μπαταρίας.
6. Μην αποθηκεύετε το εργαλείο και την μπαταρία σε μέρη όπου η θερμοκρασία μπορεί να φτάσει ή να ξεπεράσει τους 50°C (122°F).
  7. Μην αποτεφρώνετε την μπαταρία ακόμη κι αν παρουσιάζει σοβαρή ζημιά ή είναι εντελώς φθαρμένη. Η μπαταρία μπορεί να εκραγεί σε φωτιά.
  8. Να προσέχετε να μη σας πέσει η μπαταρία και να μη συγκρουστεί με κάποιο αντικείμενο.
  9. Μη χρησιμοποιείτε μια μπαταρία που έχει υποστεί βλάβη.
  10. Ακολουθήστε τους τοπικούς κανονισμούς σχετικά με την απόρριψη της μπαταρίας.

## ΦΥΛΑΞΤΕ ΑΥΤΕΣ ΤΙΣ ΟΔΗΓΙΕΣ.

### Συμβουλές για τη διατήρηση της μέγιστης ζωής της μπαταρίας

1. Να φορτίζετε την μπαταρία πριν αποφορτιστεί εντελώς.  
Πάντοτε να διακόπτετε τη λειτουργία του εργαλείου και να φορτίζετε την μπαταρία όταν πατηθεί το μειωμένη ισχύ του εργαλείου.
2. Ποτέ μην επαναφορτίσετε μια πλήρως φορτισμένη μπαταρία.  
Αν υπερφορτίσετε την μπαταρία, μειώνεται η ωφέλιμη διάρκεια ζωής της.
3. Να φορτίζετε την μπαταρία σε θερμοκρασία δωματίου, δηλαδή στους 10°C έως 40°C (50°F έως 104°F). Αν η μπαταρία είναι θερμή, αφήστε την να ψυχθεί πριν τη φορτίσετε.
4. Να φορτίζετε την κασέτα μπαταρία μια φορά κάθε έξι μήνες όταν δεν τη χρησιμοποιείτε για μεγάλο χρονικό διάστημα.

## ΠΕΡΙΓΡΑΦΗ ΛΕΙΤΟΥΡΓΙΑΣ

### ΠΡΟΣΟΧΗ:

- Να βεβαιώνετε πάντοτε ότι είναι σβηστό το εργαλείο και αφαιρέσατε την μπαταρία πριν ρυθμίσετε ή ελέγξετε κάποια λειτουργία του εργαλείου.

### Τοποθέτηση ή αφαίρεση της μπαταρίας (Εικ. 1)

#### ▲ ΠΡΟΣΟΧΗ:

- Πάντοτε να απενεργοποιείτε το εργαλείο πριν από την τοποθέτηση ή την αφαίρεση της κασέτας μπαταρίας.
- Κρατήστε το εργαλείο και την κασέτα μπαταρίας γερά κατά την τοποθέτηση ή την αφαίρεση της κασέτας μπαταρίας. Εάν δεν κρατήσετε το εργαλείο και την μπαταρία καλά μπορεί να γλιστρήσουν από τα χέρια σας και να προκληθεί ζημιά στο εργαλείο και στη μπαταρία αλλά και προσωπικός τραυματισμός.

Για να βγάλετε την κασέτα μπαταρίας, σύρετε την από το εργαλείο ολισθαίνοντας το κουμπί στο μπροστινό μέρος της κασέτας.

Για να τοποθετήσετε την κασέτα μπαταρίας, ευθυγραμμίστε τη γλωττίδα της κασέτας μπαταρίας με την εγκοπή στο περίβλημα και ολισθήστε τη στη θέση της. Τοποθετήστε τη έως το τέρμα, δηλαδή έως ότου ασφαλίσει στη θέση και ακουστεί ένας χαρακτηριστικός ήχος "κλικ". Αν μπορείτε να δείτε την κόκκινη ένδειξη στην πάνω πλευρά του κουμπιού, η μπαταρία δεν είναι πλήρως ασφαλισμένη.

#### ▲ ΠΡΟΣΟΧΗ:

- Πάντοτε να τοποθετείτε πλήρως την κασέτα μπαταρίας για να μη φαίνεται η κόκκινη ένδειξη. Σε αντίθετη περίπτωση, μπορεί να πέσει κατά λάθος από το εργαλείο και να τραυματίσει εσάς ή κάποιον παρευρισκόμενο.
- Μην εισάγετε με τη βία την κασέτα μπαταρίας. Αν η κασέτα δεν ολισθαίνει με ευκολία, δεν την εισαγάγετε σωστά.

### Σύστημα προστασίας μπαταρίας

Το εργαλείο είναι εφοδιασμένο με ένα σύστημα προστασίας μπαταρίας. Αυτό το σύστημα διακόπτει αυτόματα το ρεύμα στον κινητήρα για να παρατείνεται η διάρκεια ζωής της μπαταρίας.

Το εργαλείο θα σταματήσει αυτόματα κατά τη λειτουργία όταν το εργαλείο και/ή η μπαταρία υποστούν τις παρακάτω συνθήκες:

- Υπερφόρτιση:  
Το εργαλείο λειτουργεί με τρόπο που προκαλεί την κατανάλωση ασυνήθιστα υψηλής ποσότητας ρεύματος.  
Στην περίπτωση αυτή, απενεργοποιήστε το εργαλείο και σταματήστε την εφαρμογή που προκάλεσε την υπερφόρτωση του εργαλείου. Στη συνέχεια, ενεργοποιήστε ξανά το εργαλείο για επανεκκίνηση. Εάν το εργαλείο δεν ξεκινά, η μπαταρία έχει υπερθερμανθεί. Στην περίπτωση αυτή, αφήστε την μπαταρία να κρυώσει πριν ενεργοποιήσετε ξανά το εργαλείο.
- Χαμηλή τάση μπαταρίας:  
Η εναπομένουσα ποσότητα ρεύματος της μπαταρίας είναι πολύ χαμηλή και το εργαλείο δεν θα λειτουργήσει. Σε αυτήν την περίπτωση, αφαιρέστε και επαναφορτίστε τη μπαταρία.

#### ΣΗΜΕΙΩΣΗ:

Η προστασία από την υπερθέρμανση λειτουργεί μόνο με μια κασέτα μπαταρίας που έχει ένδειξη άστρου. (Εικ. 2)

### Ενδεικτική λυχνία με πολλαπλή λειτουργία (Εικ. 3)

Οι ενδεικτικές λυχνίες είναι τοποθετημένες σε δύο θέσεις. Όταν εισάγετε την κασέτα μπαταρίας στο εργαλείο και ο κυλιόμενος διακόπτης βρίσκεται στη θέση "Ο (OFF)", η ενδεικτική λυχνία αναβοσβήνει γρήγορα για ένα περίπου δευτερόλεπτο. Αν δεν αναβοσβήσει με αυτόν τον τρόπο, η κασέτα μπαταρίας ή η ενδεικτική λυχνία μπορεί να είναι χαλασμένη.

#### - Προστασία υπερφόρτωσης

- Όταν το εργαλείο επεφορτωθεί, ανάβει η ενδεικτική λυχνία. Η ενδεικτική λυχνία θα σβήσει όταν μειωθεί το φορτίο στο εργαλείο.



- Αν το εργαλείο συνεχίζει να είναι υπερφορτωμένο και η ενδεικτική λυχνία συνεχίζει να είναι αναμμένη για δύο περίπου δευτερόλεπτα, θα διακοπεί η λειτουργία του εργαλείου. Με τον τρόπο αυτό αποφεύγεται η καταστροφή του μοτέρ και των εξαρτημάτων του.
- Στην περίπτωση αυτή μετακινήστε τον κυλιόμενο διακόπτη στη θέση "Ο (OFF)" μια φορά. Και στη συνέχεια μετακινήστε τον ξανά στη θέση "Ι (ON)" για επανεκκίνηση.

#### - Σήμα αλλαγής μπαταρίας

- Όταν είναι χαμηλή η εναπομένουσα ενέργεια της μπαταρίας, ανάβει νωρίτερα η ενδεικτική λυχνία κατά τη λειτουργία σε σχέση με μια μπαταρία που περιέχει μεγάλη ενέργεια.

#### - Λειτουργία αποφυγής τυχαίας επανεκκίνησης

- Ακόμα κι αν η μπαταρία έχει τοποθετηθεί στο εργαλείο και ο κυλιόμενος διακόπτης βρίσκεται στη θέση "Ι (ON)", η λειτουργία του εργαλείου δεν ξεκινά. Στην περίπτωση αυτή η λυχνία αναβοσβήνει αργά. Υποδηλώνει ότι είναι ενεργή η αποτρεπτική λειτουργία τυχαίας επανεκκίνησης.
- Για να ξεκινήσετε τη λειτουργία του εργαλείου, πρώτα ολισθήστε τον κυλιόμενο διακόπτη στη θέση "Ο (OFF)" και κατόπιν ολισθήστε τον στη θέση "Ι (ON)".

## Κλειδωμα άξονα (Εικ. 4)

### ΠΡΟΣΟΧΗ:

- Μην ενεργοποιείτε το κλειδωμα άξονα όταν κινείται η άτρακτος. Μπορεί να προκληθεί βλάβη στο εργαλείο. Να πιέζετε το κλειδωμα άξονα για να αποφεύγετε την περιστροφή της άτρακτου κατά την τοποθέτηση ή την αφαίρεση εξαρτημάτων.

## Δράση διακόπτη (Εικ. 5)

### ΠΡΟΣΟΧΗ:

- Πριν βάλετε την μπαταρία στο εργαλείο, πάντοτε να ελέγχετε ότι ο κυλιόμενος διακόπτης ενεργοποιείται σωστά και επιστρέφει στη θέση OFF όταν πιέζετε το πίσω μέρος του κυλιόμενου διακόπτη.

Για να ξεκινήσετε τη λειτουργία του εργαλείου, ολισθήστε τον κυλιόμενο διακόπτη στη θέση "Ι (ON)". Για συνεχόμενη λειτουργία, πιέστε το μπροστινό μέρος του κυλιόμενου διακόπτη για να τον ασφαλίσετε.

Για να διακόψετε τη λειτουργία του εργαλείου, πιέστε το πίσω μέρος του κυλιόμενου διακόπτη και κατόπιν ολισθήστε τον στη θέση "Ο (OFF)".

## ΣΥΝΑΡΜΟΛΟΓΗΣΗ

### ΠΡΟΣΟΧΗ:

- Να βεβαιώνετε πάντοτε ότι έχετε σβήσει το εργαλείο και έχετε βγάλει την μπαταρία πριν εκτελέσετε οποιαδήποτε εργασία σε αυτό.

## Τοποθέτηση πλαϊνής λαβής (χειρολαβή) (Εικ. 6)

### ΠΡΟΣΟΧΗ:

- Πριν από τη λειτουργία, να βεβαιώνετε πάντοτε ότι είναι τοποθετημένη με ασφάλεια η πλαϊνή λαβή. Να βιδώνετε με ασφάλεια την πλαϊνή λαβή στη θέση του εργαλείου όπως απεικονίζεται στην εικόνα.

## Τοποθέτηση ή αφαίρεση του προφυλακτήρα του τροχού (Για τροχό χαμηλωμένου κέντρου, πολυδίσκο/λειαντικό τροχό κοπής, διαμαντένιο τροχό)

Για εργαλείο με προστατευτικό του τροχού που ασφαλίζει με βίδα (Εικ. 7)

### ΠΡΟΕΙΔΟΠΟΙΗΣΗ:

- Όταν χρησιμοποιείτε τροχό τροχίσματος χαμηλωμένου κέντρου/πολυδίσκο, εύκαμπτο τροχό, συρματένιο τροχό, τροχό κοπής ή τροχό διαμαντιού, το προστατευτικό τροχού πρέπει να είναι προσαρμοσμένο στο εργαλείο με τρόπο ώστε η κλειστή πλευρά του προστατευτικού να είναι πάντοτε στραμμένη προς τη μεριά του χειριστή.
- Όταν χρησιμοποιείτε το λειαντικό τροχό κοπής/διαμαντένιο τροχό, βεβαιωθείτε να χρησιμοποιείτε μόνο το ειδικό προστατευτικό τροχού που έχει σχεδιαστεί για χρήση με τροχούς κοπής. (Στις Ευρωπαϊκές χώρες, κατά τη χρήση ενός διαμαντένιου τροχού, ο συνηθισμένος προφυλακτήρας μπορεί να χρησιμοποιηθεί.)

Τοποθετήστε το προστατευτικό τροχού με τρόπο ώστε η προεξοχή στη ζώνη προστατευτικού τροχού να είναι ευθυγραμμισμένη με την εγκοπή στο κιβώτιο τριβών. Στη συνέχεια περιστρέψτε τον προφυλακτήρα του τροχού σε τέτοια γωνία ώστε να προστατεύει το χειριστή ανάλογα με την εργασία. Βεβαιωθείτε να σφίξετε καλά τις βίδες. Για να βγάλετε το προστατευτικό τροχού, ακολουθήστε τη διαδικασία τοποθέτησης με αντίστροφη σειρά.

## Τοποθέτηση ή αφαίρεση τροχού τροχίσματος χαμηλωμένου κέντρου/πολυδίσκου (Εικ. 8)

### ΠΡΟΕΙΔΟΠΟΙΗΣΗ:

- Να χρησιμοποιείτε πάντα το προστατευτικό που παρέχεται όταν υπάρχει τροχός τροχίσματος χαμηλωμένου κέντρου/πολυδίσκος στο εργαλείο. Ο τροχός μπορεί να θρυμματιστεί κατά τη χρήση και το προστατευτικό βοηθάει ώστε να μειωθούν οι πιθανότητες για προσωπικό τραυματισμό.

Στερεώστε την εσωτερική φλάντζα στην άτρακτο. Προσαρμόστε τον τροχό/δίσκο στην εσωτερική φλάντζα και βιδώστε το παξιμάδι κλειδώματος στην άτρακτο. Για να σφίξετε το παξιμάδι κλειδώματος, πιέστε καλά το κλειδωμα άξονα ώστε να μην μπορεί να περιστρέφεται η άτρακτος. Κατόπιν, χρησιμοποιήστε το κλειδί παξιμαδιού κλειδώματος και σφίξτε καλά δεξιόστροφα. (Εικ. 9) Για να αφαιρέσετε τον τροχό, ακολουθήστε τη διαδικασία τοποθέτησης με αντίστροφη σειρά.

### ΠΡΟΕΙΔΟΠΟΙΗΣΗ:

- Να ενεργοποιείτε το κλειδωμα άξονα μόνο όταν η άτρακτος δεν κινείται.

## ΛΕΙΤΟΥΡΓΙΑ

### ΠΡΟΕΙΔΟΠΟΙΗΣΗ:

- Δεν θα πρέπει ποτέ να ασκείτε δύναμη στο εργαλείο. Το βάρος του εργαλείου εφαρμόζει αρκετή πίεση. Ο

εξαναγκασμός και η υπερβολική πίεση μπορεί να προκαλέσουν το σπάσιμο του τροχού.

- ΠΑΝΤΟΤΕ να αντικαθιστάτε τον τροχό αν το εργαλείο πέσει κάτω κατά το τρόχισμα.
- ΠΟΤΕ μη χτυπάτε το δίσκο ή τον τροχό τροχίσματος επάνω στο αντικείμενο εργασίας.
- Να αποφεύγετε την αναπήδηση και το σκάλωμα του τροχού, ιδιαίτερα όταν εργάζεστε σε γωνίες, αιχμηρές άκρες κτλ. Μπορεί να προκληθεί απώλεια του ελέγχου και κλότσημα.
- ΠΟΤΕ μη χρησιμοποιείτε το εργαλείο με λάμες κοπής ξύλου και λάμες άλλου είδους. Όταν χρησιμοποιούνται τέτοιες λάμες στον τροχό, προκαλείται συχνά κλότσημα και απώλεια του ελέγχου οδηγώντας σε προσωπικό τραυματισμό.

#### ΠΡΟΣΟΧΗ:

- Το βάθος μιας μονής κοπής δεν πρέπει να ξεπερνάει τα 5 χιλιοστά. Ρυθμίστε την πίεση στο εργαλείο έτσι ώστε το εργαλείο να μην επιβραδύνει κατά τη λειτουργία.
- Μετά τη λειτουργία, να σβήνετε πάντοτε το εργαλείο και να περιμένετε έως ότου ακινητοποιηθεί ο τροχός πριν αφήσετε το εργαλείο κάτω.
- Αν το εργαλείο λειτουργεί συνεχόμενα έως ότου αποφορτιστεί η μπαταρία, αφήστε το εργαλείο σβηστό για 15 λεπτά πριν συνεχίσετε την εργασία με καινούργια μπαταρία.

### Λειτουργία τροχίσματος και λείανσης (Εικ. 10)

Να κρατάτε ΠΑΝΤΟΤΕ το εργαλείο σταθερά με το ένα χέρι στο περιβλήμα και με το άλλο χέρι στην πλαϊνή λαβή. Θέστε το εργαλείο σε λειτουργία και κατόπιν τοποθετήστε τον τροχό ή το δίσκο επάνω στο τεμάχιο εργασίας. Σε γενικές γραμμές, να κρατάτε την άκρη του τροχού ή του δίσκου σε γωνία περίπου 15 μοιρών ως προς την επιφάνεια του τεμαχίου εργασίας.

Κατά τη διάρκεια της περιόδου στρωσίματος ενός καινούργιου τροχού, μη χειρίζεστε τον τροχό προς την κατεύθυνση Β επειδή θα κόψει το τεμάχιο εργασίας. Μόλις στογγυλοποιηθεί η άκρη του τροχού λόγω χρήσης, μπορείτε να χρησιμοποιήσετε τον τροχό και προς τις δύο κατευθύνσεις Α και Β.

### Λειτουργία με τον λειαντικό τροχό κοπής/ διαμαντένιο τροχό (προαιρετικό εξάρτημα) (Εικ. 11)

Η διεύθυνση για τη στερέωση του παξιμαδιού κλειδώματος και της εσωτερικής φλάντζας διαφέρει ανάλογα με το πάχος του τροχού.

Ανατρέξτε στο παρακάτω πίνακα. (Εικ. 12)

#### ΠΡΟΕΙΔΟΠΟΙΗΣΗ:

- Όταν χρησιμοποιείτε το λειαντικό τροχό κοπής/ διαμαντένιο τροχό, βεβαιωθείτε να χρησιμοποιείτε μόνο το ειδικό προστατευτικό τροχού που έχει σχεδιαστεί για χρήση με τροχούς κοπής. (Στις Ευρωπαϊκές χώρες, κατά τη χρήση ενός διαμαντένιου τροχού, ο συνθιτισμένος προφυλακτήρας μπορεί να χρησιμοποιηθεί.)
- Μη χρησιμοποιείτε ΠΟΤΕ τον τροχό κοπής για πλευρικό τρόχισμα.

- Μην “μπλοκάρετε” τον τροχό και μην ασκείτε υπερβολική πίεση. Μην επιχειρήσετε να κάνετε μια υπερβολικά βαθιά κοπή. Αν ασκείται υπερβολική πίεση στον τροχό αυξάνεται το φορτίο και η υπέρταση στις δυνάμεις στρώψης και δέσμευσης του τροχού στο κόψιμο, ενώ αυξάνεται και η πιθανότητα κλωστήματος ή στασίματος του τροχού και υπερθέρμανσης του μοτέρ.
- Μην ξεκινήσετε την εργασία κοπής στο τεμάχιο εργασίας. Αφήστε τον τροχό να αποκτήσει την πλήρη ταχύτητά του και εισάγετε τον προσεκτικά στην κοπή, μετακινώντας το εργαλείο προς τα εμπρός επάνω στην επιφάνεια του τεμαχίου εργασίας. Αν θέσετε το ηλεκτρικό εργαλείο σε λειτουργία μέσα στο τεμάχιο εργασίας, μπορεί να εμποδιστεί η κίνηση του τροχού ή μπορεί ο τροχός να αναπηδήσει ή να κλωστήσει.
- Μην αλλάζετε ποτέ τη γωνία του τροχού κατά τη διάρκεια εργασιών κοπής. Αν ασκείτε πλευρική πίεση στον τροχό κοπής (όπως και στο τρόχισμα), ο τροχός θα ραγίσει και θα σπάσει, προκαλώντας σοβαρό προσωπικό τραυματισμό.
- Πρέπει να χειρίζεστε το διαμαντένιο τροχό κατακόρυφα ως προς το υλικό που πρόκειται να κοπεί.

## ΣΥΝΤΗΡΗΣΗ

#### ΠΡΟΣΟΧΗ:

- Να βεβαιώνετε πάντοτε ότι το εργαλείο είναι σβηστό και αφαιρέσατε την μπαταρία πριν εκτελέσετε οποιαδήποτε εργασία ελέγχου ή συντήρησης σε αυτό.
- Μην χρησιμοποιήσετε βενζίνη, βενζόλη, διαλυτικό, αλκοόλη ή κάτι παρόμοιο. Μπορεί να προκληθεί αποχρωματισμός, παραμόρφωση ή ρωγμές.

Το εργαλείο και τα ανοίγματα εξερισμού του πρέπει να διατηρούνται καθαρά. Να καθαρίζετε τακτικά τα ανοίγματα εξερισμού του εργαλείου ή όταν αρχίσουν να φράσσονται. (Εικ. 13)

### Αλλαγή καρβουνακίων (Εικ. 14)

Να αφαιρείτε και να ελέγχετε τακτικά τα καρβουνάκια. Να αντικαθιστάτε τα καρβουνάκια όταν έχουν φθαρεί έως τη ένδειξη ορίου. Να διατηρείτε τα καρβουνάκια καθαρά και ελεύθερα για να γλιστρούν στις υποδοχές. Πρέπει να αλλάζετε ταυτόχρονα και τα δύο καρβουνάκια. Να χρησιμοποιείτε μόνο καρβουνάκια ίδιου τύπου. Τοποθετήστε την άκρη ενός πλακέ καταβιδιού μέσα στην εγκοπή του εργαλείου και σηκώστε το κάλυμμα κατακίου υποδοχής για να το βγάλετε. (Εικ. 15) Με τη βοήθεια ενός καταβιδιού, βγάλτε τα καπάκια της υποδοχής για τα καρβουνάκια. Βγάλτε τα φθαρμένα καρβουνάκια, τοποθετήστε τα καινούργια και ασφαλίστε τα καπάκια της υποδοχής για τα καρβουνάκια. (Εικ. 16) Τοποθετήστε ξανά το κάλυμμα κατακίου υποδοχής στο εργαλείο.

Για να διατηρείται η ΑΣΦΑΛΕΙΑ και η ΑΞΙΟΠΙΣΤΙΑ του προϊόντος, οι εργασίες επισκευής, καθώς και οποιαδήποτε άλλη εργασία συντήρησης ή ρύθμισης, θα πρέπει να εκτελούνται σε εξουσιοδοτημένα κέντρα εξυπηρέτησης της Makita, και πάντοτε με τη χρήση ανταλλακτικών της Makita.

# ΠΡΟΑΙΡΕΤΙΚΑ ΑΞΕΣΟΥΑΡ

## ⚠️ ΠΡΟΣΟΧΗ:

- Συνιστάται η χρήση αυτών των αξεσουάρ ή εξαρτημάτων με το εργαλείο της Makita, όπως περιγράφεται στο παρόν εγχειρίδιο. Αν χρησιμοποιήσετε άλλα αξεσουάρ ή εξαρτήματα μπορεί να παρουσιαστεί κίνδυνος για πρόκληση τραυματισμού προσώπων. Να χρησιμοποιείτε τα αξεσουάρ και τα εξαρτήματα μόνο για το σκοπό για τον οποίο προορίζονται.

Αν χρειάζεστε κάποια βοήθεια ή περισσότερες πληροφορίες σχετικά με τα αξεσουάρ αυτά, απευθυνθείτε στο πλησιέστερο κέντρο εξυπηρέτησης της Makita.

- Προφυλακτήρας τροχού (κάλυμμα τροχού) για τροχό χαμηλωμένου κέντρου/πολυδίσκο
- Προφυλακτήρας τροχού (κάλυμμα τροχού) για λειαντικό τροχό κοπής/διαμαντένιος τροχός
- Τροχοί χαμηλωμένου κέντρου
- Λειαντικοί τροχοί κοπής
- Πολυδίσκοι
- Διαμαντένιοι τροχοί
- Συρματένια καρβουνάκια
- Συρματένιο τροχό με κλίση 85
- Λειαντικοί δίσκοι
- Εσωτερική φλάντζα
- Παξιμάδι κλειδώματος για τροχό χαμηλωμένου κέντρου/λειαντικό τροχό κοπής/πολυδίσκο/διαμαντένιο τροχό
- Παξιμάδι κλειδώματος για λειαντικό δίσκο
- Κλειδί κλειδώματος παξιμαδιών
- Πλαϊνή λαβή
- Αυθεντική μπαταρία και φορτιστής της Makita

## ΣΗΜΕΙΩΣΗ:

- Ορισμένα από τα στοιχεία της λίστα μπορεί να περιέχονται στην συσκευασία του εργαλείου ως κανονικά αξεσουάρ. Αυτά ενδέχεται να διαφέρουν από χώρα σε χώρα.

## Θόρυβος

ENG905-1

Το σύνθετος σταθμισμένο επίπεδο θορύβου που έχει καθοριστεί σύμφωνα με την EN60745:

### Μοντέλο DGA450

Επίπεδο ηχητικής πίεσης ( $L_{pA}$ ): 74 dB (A)

Αβεβαιότητα (K): 3 dB (A)

Το επίπεδο θορύβου κατά τη λειτουργία ενδέχεται να υπερβεί τα 80 dB (A).

### Μοντέλο DGA452

Επίπεδο ηχητικής πίεσης ( $L_{pA}$ ): 76 dB (A)

Αβεβαιότητα (K): 3 dB (A)

Το επίπεδο θορύβου κατά τη λειτουργία ενδέχεται να υπερβεί τα 80 dB (A).

**Να φοράτε ωτοασπίδες.**

## Κραδασμός

ENG900-1

Η συνολική τιμή δόνησης (διανυσματικό άθροισμα τριών αξόνων) που έχει καθοριστεί σύμφωνα με την EN60745:

### Μοντέλο DGA450

Κατάσταση λειτουργίας: τρόχισμα επιφάνειας

Εκπομπή κραδασμού ( $a_{h,AG}$ ): 8,5 m/s<sup>2</sup>

Αβεβαιότητα (K): 1,5 m/s<sup>2</sup>

Κατάσταση λειτουργίας: λείανση με δίσκο

Εκπομπή κραδασμού ( $a_{h,DS}$ ): 2,5 m/s<sup>2</sup> ή λιγότερο

Αβεβαιότητα (K): 1,5 m/s<sup>2</sup>

### Μοντέλο DGA452

Κατάσταση λειτουργίας: τρόχισμα επιφάνειας

Εκπομπή κραδασμού ( $a_{h,AG}$ ): 10,0 m/s<sup>2</sup>

Αβεβαιότητα (K): 1,5 m/s<sup>2</sup>

Κατάσταση λειτουργίας: λείανση με δίσκο

Εκπομπή κραδασμού ( $a_{h,DS}$ ): 2,5 m/s<sup>2</sup> ή λιγότερο

Αβεβαιότητα (K): 1,5 m/s<sup>2</sup>

ENG902-1

- Η δηλωθείσα τιμή των παραγομένων κραδασμών έχει καταμετρηθεί σύμφωνα με την τυποποιημένη μέθοδο δοκιμασίας και μπορεί να χρησιμοποιηθεί για την σύγκριση ενός εργαλείου με ένα άλλο.
- Η δηλωθείσα τιμή των παραγομένων κραδασμών μπορεί επίσης να χρησιμοποιηθεί για μια προκαταρκτική αξιολόγηση της έκθεσης στους κραδασμούς.
- Η δηλωθείσα τιμή των παραγομένων κραδασμών χρησιμοποιείται για τις κύριες χρήσεις του ηλεκτρικού εργαλείου. Ωστόσο, εάν το ηλεκτρικό εργαλείο χρησιμοποιηθεί για άλλες εφαρμογές, η τιμή των παραγομένων κραδασμών μπορεί να είναι διαφορετική.

## ⚠️ ΠΡΟΕΙΔΟΠΟΙΗΣΗ:

- Η εκπομπή κραδασμών κατά τη διάρκεια της πραγματικής χρήσης του ηλεκτρικού εργαλείου μπορεί να διαφέρει από τη δηλωθείσα τιμή των εκπομπών, ανάλογα με τον τρόπο με τον οποίο χρησιμοποιείται το εργαλείο.
- Φροντίστε να λάβετε τα μέτρα ασφαλείας που απαιτούνται για την προστασία του χρήστη που βασίζονται σε μια εκτίμηση της έκθεσης σε πραγματικές συνθήκες χρήσης (λαμβάνοντας υπόψη όλα τα μέρη του κύκλου λειτουργίας, όπως είναι οι περιπτώσεις κατά τις οποίες το εργαλείο είναι απενεργοποιημένο και όταν λειτουργεί στο ρελαντί επιπροσθέτως του χρόνου κατά τον οποίο το εργαλείο βρίσκεται σε χρήση).

## Για τις ευρωπαϊκές χώρες μόνο

ENH101-17

### ΕΚ – Δήλωση συμμόρφωσης

**Η Makita δηλώνει ότι το παρακάτω μηχάνημα(τα):**

Όνομασία μηχανήματος:

Φορητός γωνιακός τροχός

Αρ. Μοντέλου/Τύπος: DGA450, DGA452

**Συμμορφώνονται με τις ακόλουθες Ευρωπαϊκές**

**Οδηγίες:**

2006/42/ΕΚ

Κατασκευάζονται σύμφωνα με το παρακάτω πρότυπο ή τυποποιημένα έγγραφα:

EN60745

Το τεχνικό αρχείο σύμφωνα με την 2006/42/EK είναι  
διαθέσιμο από:

Makita, Jan-Baptist Vinkstraat 2, 3070, Belgium

31. 12. 2013



Yasushi Fukaya

Διευθυντής

Makita, Jan-Baptist Vinkstraat 2, 3070, Belgium

**Makita** Jan-Baptist Vinkstraat 2, 3070, Belgium  
**Makita Corporation** Anjo, Aichi, Japan