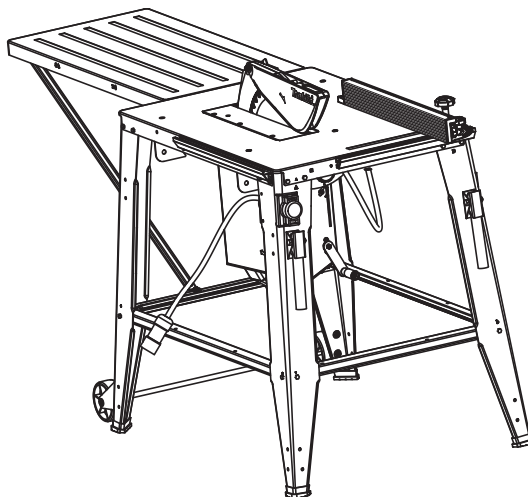




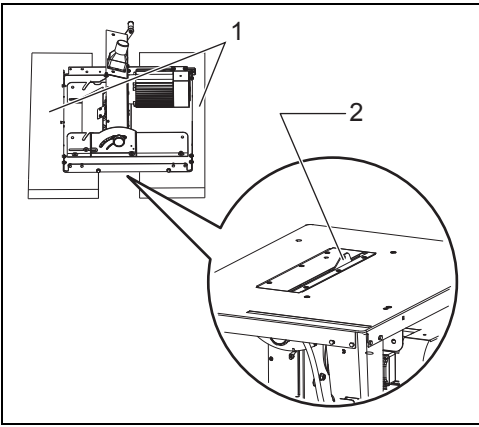
GB	Table Saw	Instruction manual
F	Scie Sur Table	Manuel d'instructions
D	Tischkreissäge	Betriebsanleitung
I	Banco sega	Istruzioni per l'uso
NL	Tafelcirkelzaag	Gebruiksaanwijzing
E	Sierra de Banco	Manual de instrucciones
P	Serra Circular de Bancada	Manual de instruções
DK	Bordsav	Brugsanvisning
GR	Επιτραπέζιο πριόνι	Οδηγίες χρήσης
TR	Tezgâhli testere	Kullanım kılavuzu

2712



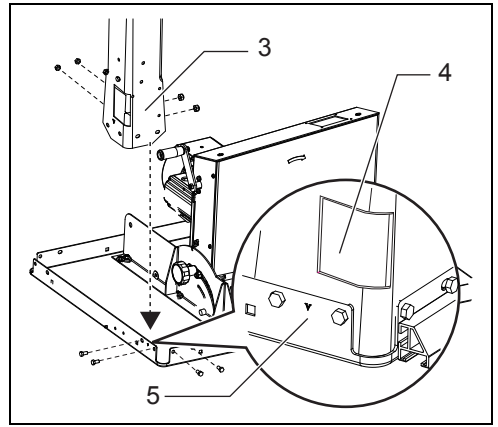
014518





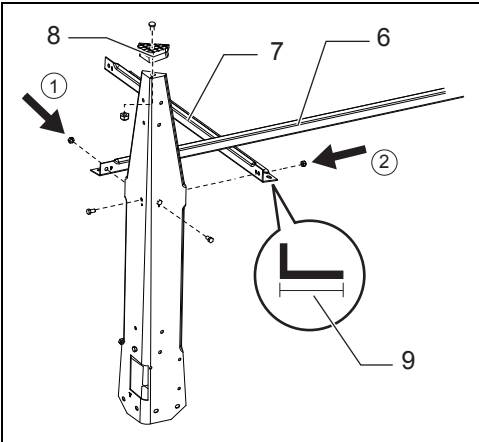
1

014597



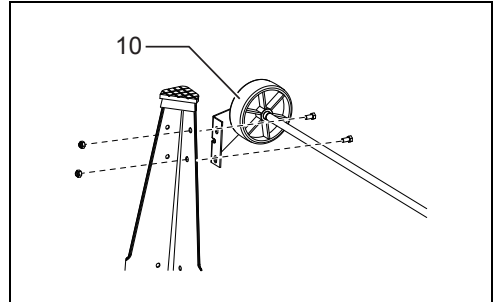
2

014566



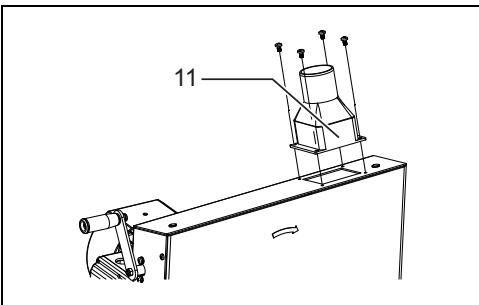
3

014567



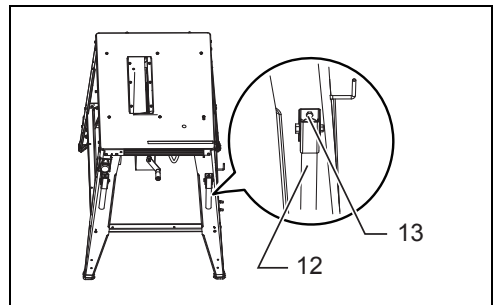
4

014568



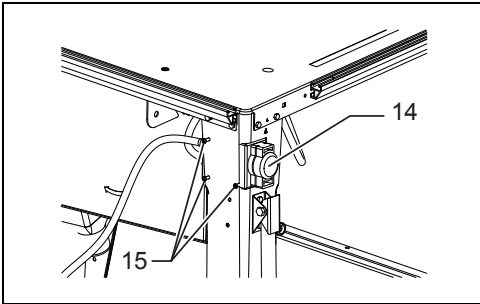
5

014569



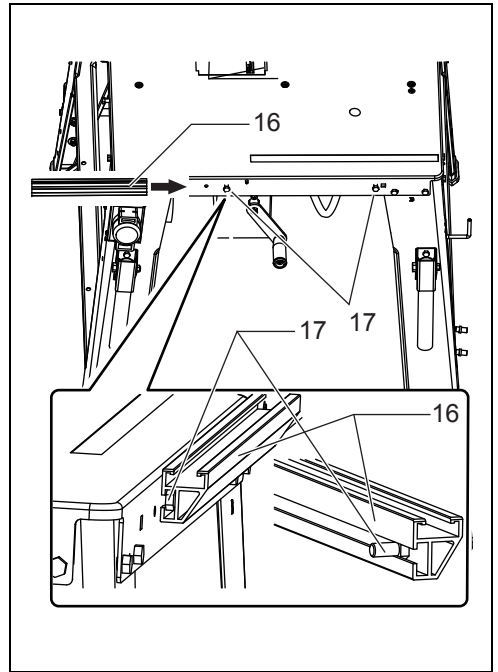
6

014570



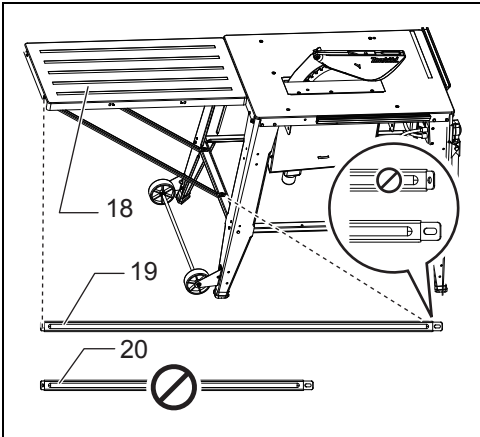
7

014571



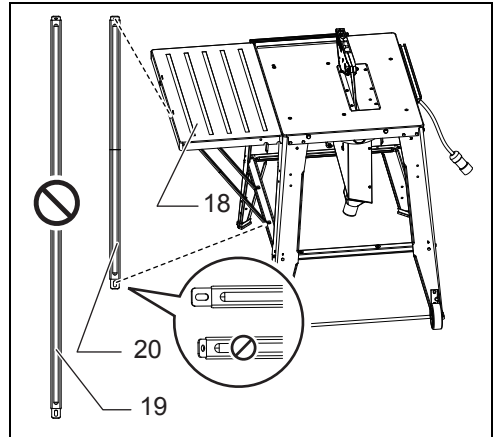
8

014572



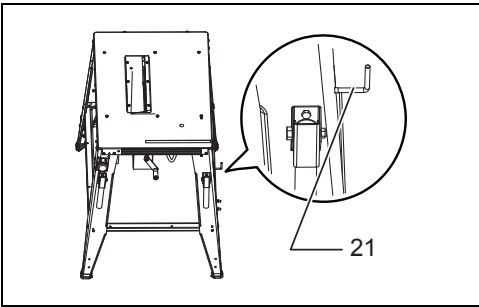
9

014573



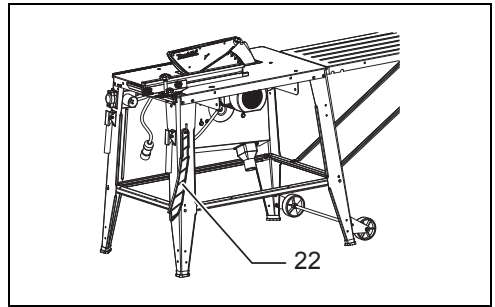
10

014574



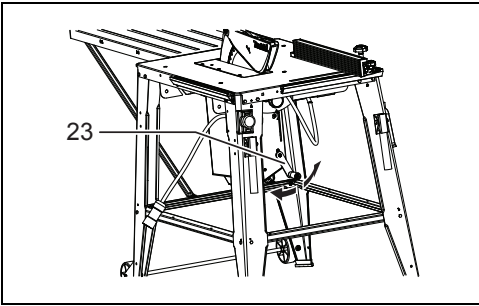
11

014575



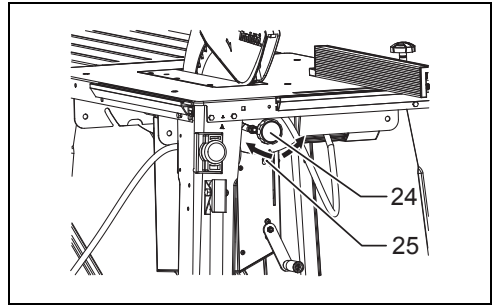
12

014519



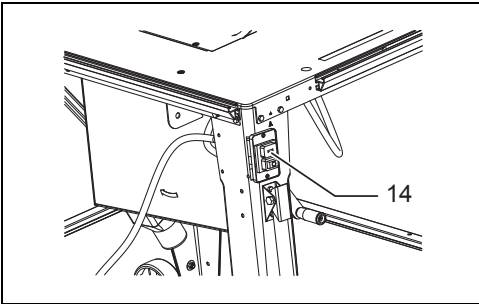
13

014520



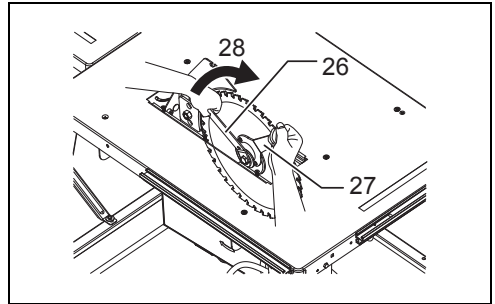
14

014521



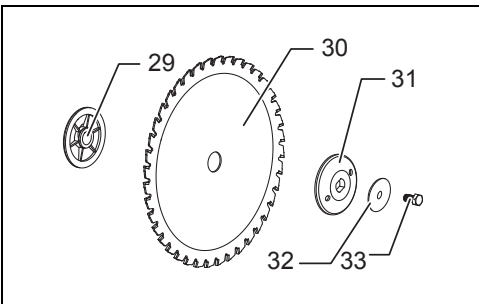
15

014522



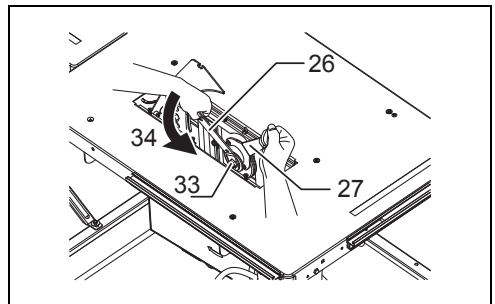
16

014525



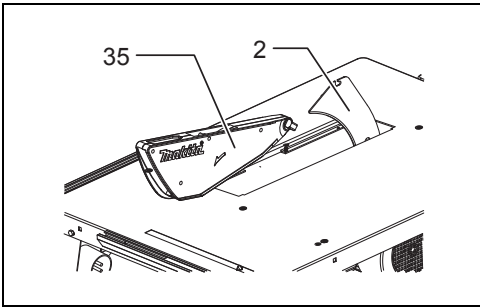
17

014524



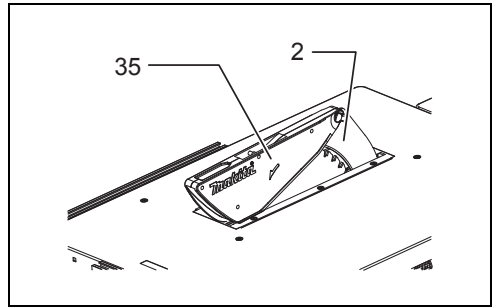
18

014523



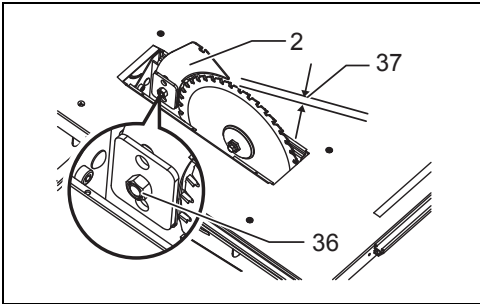
19

014526



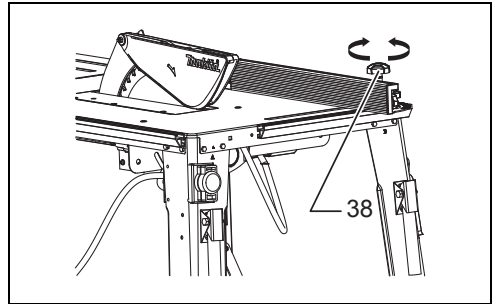
20

014527



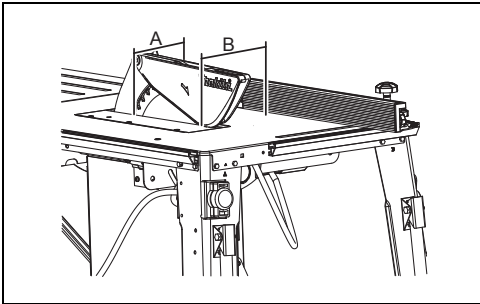
21

014547



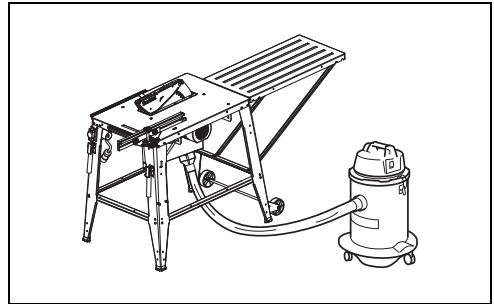
22

014529



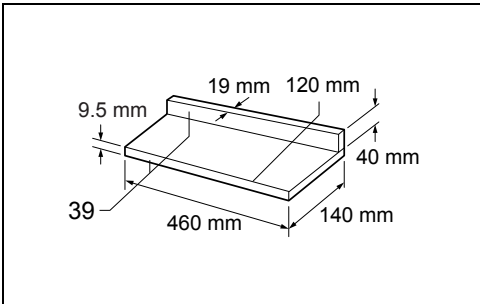
23

014530



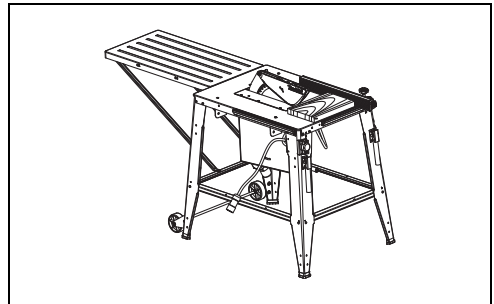
24

014531



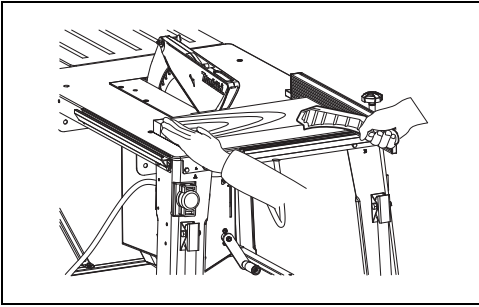
25

006210



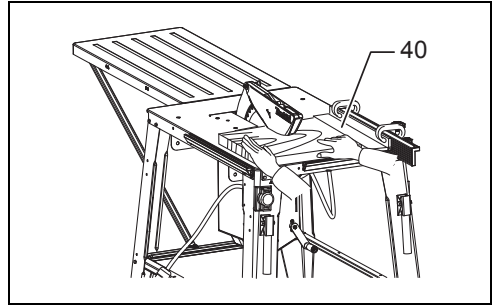
26

014533



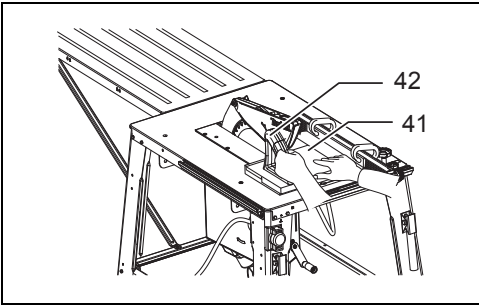
27

014535



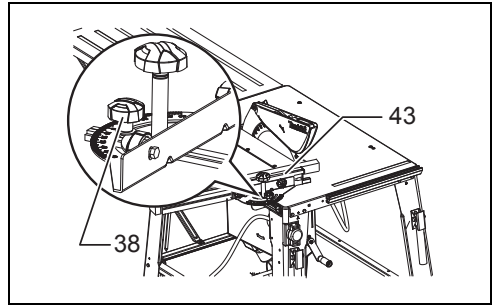
28

014536



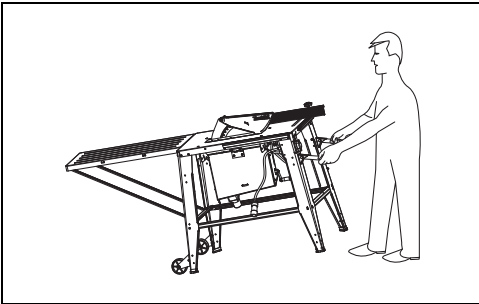
29

014537



30

014538



31

014539

ENGLISH (Original instructions)

Explanation of general view

1. Board	16. Guide rail	31. Outer flange
2. Riving knife	17. Square neck bolt	32. Washer
3. Leg	18. Sub table	33. Hex bolt
4. Switch hole	19. Stay (long)	34. Tighten
5. Sign A	20. Stay (short)	35. Blade guard
6. Leg support (long)	21. Hook	36. Hex nut
7. Leg support (short)	22. Push stick	37. Clearance between the riving knife and blade teeth
8. Foot	23. Handle	38. Knob
9. Wider side	24. Lock knob	39. Face/edge parallel
10. Tire complete	25. Arrow pointer	40. Auxiliary fence
11. Dust nozzle	26. Hex wrench	41. Workpiece
12. Carrying handle	27. Wrench	42. Push block
13. Screw	28. Loosen	43. Rip fence
14. Switch	29. Inner flange	
15. Tapping screw	30. Saw blade	

SPECIFICATIONS

Model		2712	
Arbor hole		30 mm	
Blade diameter		315 mm	
Blade body thickness		2 mm or less	
Max. cutting capacities	Thickness at 90°	85 mm	
	Thickness at 45°	58 mm	
	Width	1,600 mm	
No load speed		2,950 (min ⁻¹) (50 Hz)	3,400 (min ⁻¹) (60 Hz)
Table size (L x W)		550 mm x 1,600 mm with sub table (back)	
Net weight		52.9 kg	
Safety class		Class I	

- Due to our continuing program of research and development, the specifications herein are subject to change without notice.
- Specifications may differ from country to country.
- Weight according to EPTA-Procedure 01/2003

Symbols

END310-1

The following show the symbols used for the equipment. Be sure that you understand their meaning before use.



..... Read instruction manual.



..... Wear safety glasses.



..... Do not place hand or fingers close to the blade.



..... Only for EU countries

Do not dispose of electric equipment together with household waste material!

In observance of the European Directive, on Waste Electric and Electronic Equipment and its implementation in accordance with national law, electric equipment that have reached the end of their life must be collected separately and returned to

an environmentally compatible recycling facility.

Intended use

ENE003-1

The tool is intended for cutting in wood.

Power supply

ENF001-1

The tool should be connected only to a power supply of the same voltage as indicated on the nameplate, and can only be operated on single-phase AC supply. This tool should be grounded while in use to protect the operator from electric shock. Use only three-wire extension cords which have three-prong grounding-type plugs and three-pole receptacles which accept the tool's plug.

General Power Tool Safety Warnings

GEA010-1

⚠ WARNING Read all safety warnings and all instructions. Failure to follow the warnings and instructions may result in electric shock, fire and/or serious injury.

Save all warnings and instructions for future reference.

ADDITIONAL SAFETY RULES FOR TOOL

ENB122-1

SAVE THESE INSTRUCTIONS.

1. Wear eye protection.
2. Do not use the tool in presence of flammable liquids or gases.
3. NEVER use the tool with an abrasive cut-off wheel installed.
4. Check the blade carefully for cracks or damage before operation. Replace cracked or damaged blade immediately.
5. Use only saw blades recommended by the manufacturer and which conform to EN847-1, and observe that the riving knife must not be thicker than the width of the cut by the saw blade and not thinner than the body of the blade.
6. Always use accessories recommended in this manual. Use of improper accessories such as abrasive cut-off wheels may cause an injury.
7. Select the correct saw blade for the material to be cut.
8. Do not use saw blades manufactured from high speed steel.
9. To reduce the emitted noise, always be sure that the blade is sharp and clean.
10. Use correctly sharpened saw blades. Observe the maximum speed marked on the saw blade.
11. Clean the spindle, flanges (especially the installing surface) and hex nut before installing the blade. Poor installation may cause vibration/ wobbling or slippage of the blade.
12. Use saw-blade guard and riving knife for every operation for which it can be used, including all through sawing operations. Always install the blade guard following the instructions out-lined in this manual. Through sawing operations are those in which the blade cuts completely through the workpiece as in ripping or cross cutting. NEVER use the tool with a faulty blade guard or secure the blade guard with a rope, string, etc. Any irregular operation of the blade guard should be corrected immediately.
13. Immediately reattach the guard and riving knife after completing an operation which requires removal of the guard.
14. Do not cut metal objects such as nails and screws. Inspect for and remove all nails, screws and other foreign material from the workpiece before operation.
15. Remove wrenches, cut-off pieces, etc. from the table before the switch is turned on.
16. NEVER wear gloves during operation.
17. Keep hands out of the line of the saw blade.
18. NEVER stand or permit anyone else to stand in line with the path of the saw blade.
19. Make sure the blade is not contacting the riving knife or workpiece before the switch is turned on.
20. Before using the tool on an actual workpiece, let it run for a while. Watch for vibration or wobbling that could indicate poor installation or a poorly balanced blade.
21. The tool should not be used for slotting, rabbeting or grooving.
22. Replace table insert when worn.
23. NEVER make any adjustments while tool is running. Disconnect tool before making any adjustments.
24. Use a push stick when required. Push sticks MUST be used for ripping narrow workpieces to keep your hands and fingers well away from the blade.
25. Always store the push-stick when it is not in use.
26. Pay particular attention to instructions for reducing risk of KICKBACK. KICKBACK is a sudden reaction to a pinched, bound or misaligned saw blade. KICKBACK causes the ejection of the workpiece from the tool back towards the operator. KICKBACKS CAN LEAD TO SERIOUS PERSONAL INJURY. Avoid KICKBACKS by keeping the blade sharp, by keeping the rip fence parallel to the blade, by keeping the riving knife and blade guard in place and operating properly, by not releasing the workpiece until you have pushed it all the way past the blade, and by not ripping a workpiece that is twisted or warped or does not have a straight edge to guide along the fence.
27. Do not perform any operation freehand. Freehand means using your hands to support or guide the workpiece, in lieu of a rip fence or miter gauge.
28. NEVER reach around or over saw blade. NEVER reach for a workpiece until the saw blade has completely stopped.
29. Avoid abrupt, fast feeding. Feed as slowly as possible when cutting hard workpieces. Do not bend or twist workpiece while feeding. If you stall or jam the blade in the workpiece, turn the tool off immediately. Unplug the tool. Then clear the jam.
30. NEVER remove cut-off pieces near the blade or touch the blade guard while the blade is running.
31. Knock out any loose knots from workpiece BEFORE beginning to cut.
32. Do not abuse cord. Never yank cord to disconnect it from the receptacle. Keep cord away from heat, oil, water and sharp edges.
33. Some dust created from operation contains chemicals known to cause cancer, birth defects or other reproductive harm. Some examples of these chemicals are:
 - lead from lead-based-painted material and,
 - arsenic and chromium from chemically-treated lumber.
 - Your risk from these exposures varies, depending on how often you do this type of work. To reduce your exposure to these chemicals: work in a well ventilated area and work with approved safety equipment, such as those dust masks that are specially designed to filter out microscopic particles.
34. When using the tool indoors, always connect the tool to an external dust extraction system.

Switched on the dust extraction system before starting the tool.

35. The guard can be lifted during workpiece setup and for ease of cleaning. Always make sure that guard hood is down and flat against sawtable before plugging in the tool.
36. Wear gloves against the hazard of cutting when handling saw blades, feeding wood into the tool or doing maintenance.
37. Never try to remove chips while the saw blade is running or the tool is switched on.
38. Never try to use the tool unless all guards and other safety devices necessary for tool are in good working order.
39. Operators must be adequately trained in the assembly, adjustment and operation of the tool.
40. Never use the blades which maximum speed is lower than the no load speed of the tool.
41. Keep work area well lit.

SAVE THESE INSTRUCTIONS.

INSTALLATION

PREPARATION

Check contents of package for the following components. Please inform Makita service center of any part missing in the package immediately.

- Table saw (1 unit)
- Leg (4 pcs)
- Foot (4 pcs)
- Countersunk screw for foot (4 pcs)
- Hex nut for foot (4 pcs)
- Leg support (long) (2 pcs)
- Leg support (short) (2 pcs)
- Tire complete (1 pc)
- Dust nozzle (1 pc)
- Carrying handle (2 pcs)
- Square neck bolt for guide rail (4 pcs)
- Hex bolt for guide rail (4 pcs)
- Guide rail (long) (1 pc)
- Guide rail (short) (1 pc)
- Sub table (1 pc)
- Stay (long) (2 pc)
- Stay (short) (2 pc)
- Hook (1 pc)
- Blade guard (1 pct)
- Tapping screw (3 pcs)
- Hex bolt (38 pcs)
- Hex nut (38 pcs)
- Hex wrench (1 pc)
- Wrench (1 pc)
- Push stick (1 pc)
- Push block (1 pc)
- Fence (for Rip fence) (1 pc)
- Rip fence (1 pc)

Installing table saw

1. Overturn the table saw on two boards. Check the rising knife positions the space between two boards. (Fig. 1)
2. Attach the four legs to the inside of base edge. Attach the leg with the hole for the switch to the side with the

sign "A" on the base. Secure the four legs temporarily, do not tighten the screws firmly yet. (Fig. 2)

3. Attach the leg supports (long) to the legs and then attach the leg supports (short) to the legs. Secure the legs and leg supports with the screws firmly. Always check the direction of support legs.
4. Install the feet at the bottoms of the legs. Secure them with countersunk screws and hex nuts. (Fig. 3)
5. Install the tire complete to the legs and secure them with screws and hex nuts. (Fig. 4)
6. Install the dust nozzle.
7. Adjust the motor part to the 0° position and secure it by tightening the knob. Secure the power cord with the cord clamp. (Fig. 5)
8. Turn the table saw back and then attach the carrying handles. (Fig. 6)
9. Install the switch to the leg and secure it with the tapping screws. (Fig. 7)
10. Install the saw blade and blade guard. When installing them, refer to the Section "Removing or installing saw blade" and "Installing blade guard".
11. Install the guide rail (short) to the front side of the table saw and the guide rail (long) to the left side of the base. (Fig. 8)
12. Install the sub table to the base. Select the proper length stays depending on the position. (Fig. 9 & 10)
13. Install the hook to the leg. (Fig. 11)
14. Locate the table saw in a well lit and level area where you can maintain good footing and balance. It should be installed in an area that leaves enough room to easily handle the size of your workpieces. If there is any tendency for the table saw to tip over, slide or move during operation, the table saw should be secured to the floor.

Storing accessories (Fig. 12)

Push stick and wrenches can be stored on the right side of the tool.

FUNCTIONAL DESCRIPTION

⚠ CAUTION:

- Always be sure that the tool is switched off and unplugged before adjusting or checking function on the tool.

Adjusting the depth of cut (Fig. 13)

The depth of cut may be adjusted by turning the handle. Turn the handle counterclockwise to raise the blade or clockwise to lower it.

NOTE:

- Use a shallow depth setting when cutting thin materials in order to obtain a cleaner cut.

Adjusting the bevel angle (Fig. 14)

Loosen the lock knob counterclockwise and the desired angle (0° - 45°) is obtained. The arrow pointer indicates the bevel angle.

After obtaining the desired angle, tighten the lock knob clockwise to secure the adjustment.

⚠ CAUTION:

- After adjusting the bevel angle, be sure to tighten the lock knob securely.

Switch action

CAUTION:

- Remove workpiece from the table.
- Before plugging in the tool, always be sure that the tool is switched off. (Fig. 15)

To start the tool, press the ON (I) button.

To stop it, press the OFF (O) button or the switch cover.

ASSEMBLY

CAUTION:

- Always be sure that the tool is switched off and unplugged before carrying out any work on the tool.

The tool is shipped from the factory with the saw blade and blade guard not in the installed condition.

Removing or installing saw blade

CAUTION:

- Always be sure that the tool is switched off and unplugged before installing or removing the blade.
- Use only the Makita hex wrench provided to install or remove the blade. Failure to do so may result in overtightening or insufficient tightening of the hex bolt. This could cause an injury.
- Use the following saw blade. Do not use saw blades which do not comply with the characteristics specified in these instructions.

Model	Dia.	Blade thickness	Kerf
2712	315 mm	2 mm or more	2.8 mm or more

014540

To remove the saw blade, remove the table insert on the table. Hold the outer flange with the wrench and loosen the hex bolt clockwise with the hex wrench. Then remove the outer flange. (Fig. 16)

To install the saw blade, assemble the inner flange, saw blade, outer flange, washer and hex bolt onto the arbor. Make sure that the teeth of the blade are pointing down at the front of the table. (Fig. 17)

CAUTION:

- Keep the flange surface clean of dirt or other adhering matter; it could cause blade slippage. Be sure that the blade is installed so that the teeth are aligned in the cutting (turning) direction.

To secure the blade in place, hold the outer flange with the wrench, then tighten the hex bolt counterclockwise with the hex wrench. **BE SURE TO TIGHTEN THE HEX BOLT SECURELY.** (Fig. 18)

CAUTION:

- Be sure to hold the hex bolt carefully with the hex wrench. If your grip should slip, the hex wrench may come off the hex bolt, and your hand could strike the sharp blade edges.

Installing blade guard

CAUTION:

- Before installing the blade guard, adjust the depth of cut to its maximum elevation.

Place the blade guard into the groove on the riving knife. Secure the blade guard by pivoting the lever on the blade guard. (Fig. 19 & 20)

CAUTION:

- If the blade and riving knife are not aligned properly, a dangerous pinching condition may result during operation. Make sure they are properly aligned. You could suffer serious personal injury while using the tool without a properly aligned riving knife.
- If they are not aligned for any reasons, always have Makita authorized service center repair it.
- Don't remove the riving knife.

There must be a clearance of about 4 - 5 mm between the riving knife and the blade teeth. Adjust the riving knife accordingly and tighten the hex nut securely. Attach the table insert on the table, then check to see that the blade guard works smoothly before cutting. (Fig. 21)

Installing and adjusting rip fence (Fig. 22)

Install the rip fence on the table so that the rip fence holder engages with the guide rail. Tighten the knob of the rip fence firmly clockwise. (Fig. 23)

To check that the rip fence is parallel with the blade, secure the rip fence 2 - 3 mm from the blade. Raise the blade up to maximum elevation. Measure the distance (A) and (B) between the rip fence and blade. These two measurements should be identical.

If the rip fence is not parallel with the blade, proceed as follows;

1. Loosen the knob of the rip fence.
2. Adjust the rip fence until it becomes parallel with the blade.
3. Tighten the knob.

CAUTION:

- Make sure that the rip fence is parallel with the blade, or a dangerous kickback condition may occur.

Connecting to vacuum cleaner (Fig. 24)

Cleaner operations can be performed by connecting the tool to Makita vacuum cleaner or dust collector.

OPERATION

CAUTION:

- Always use "work helpers" such as push sticks and push blocks when there is a danger that your hands or fingers will come close to the blade.
- Always hold the workpiece firmly with the table and the rip fence or miter gauge. Do not bend or twist it while feeding. If the workpiece is bent or twisted, dangerous kickbacks may occur.
- NEVER withdraw the workpiece while the blade is running. If you must withdraw the workpiece before completing a cut, first switch the tool off while holding the workpiece firmly. Wait until the blade has come to a complete stop before withdrawing the workpiece. Failure to do so may cause dangerous kickbacks.
- NEVER remove cut-off material while the blade is running.
- NEVER place your hands or fingers in the path of the saw blade. Be especially careful with bevel cuts.
- Always secure the rip fence firmly, or dangerous kickbacks may occur.

- Always use “work helpers” such as push sticks and push blocks when cutting small or narrow workpieces.

Work helpers

Push sticks, push blocks or auxiliary fence are types of “work helpers”. Use them to make safe, sure cuts without the need for the operator to contact the blade with any part of the body.

Auxiliary fence (Fig. 25)

Make auxiliary fence from 9.5 mm and 19 mm plywood pieces.

Ripping

⚠ CAUTION:

- When cutting long or large workpieces, always provide adequate support behind the table. DO NOT allow a long board to move or shift on the table. This will cause the blade to bind and increase the possibility of kickback and personal injury. The support should be at the same height as the table. (Fig. 26)

1. Adjust the depth of cut a bit higher than the thickness of the workpiece.
2. Position the rip fence to the desired width of rip and secure it in place by tightening the knob.
3. Turn the tool on and gently feed the workpiece into the blade along with the rip fence.
 - (1) When the width of rip is 150 mm or wider, carefully use your right hand to feed the workpiece. Use your left hand to hold the workpiece in position against the rip fence.
 - (2) When the width of rip is 65 mm - 150 mm wide, use the push stick to feed the workpiece. (Fig. 27)
 - (3) When the width of rip is narrower than 65 mm, the push stick cannot be used because the push stick will strike the blade guard. Use the auxiliary fence and push block. Attach the auxiliary fence to the rip fence with two “C” clamps. (Fig. 28) Feed the workpiece by hand until the end is about 25 mm from the front edge of the table. Continue to feed using the push block on the top of the auxiliary fence until the cut is complete. (Fig. 29)

Cross cutting

⚠ CAUTION:

- When making a crosscut, remove the rip fence from the table.
- When cutting long or large workpieces, always provide adequate support to the sides of the table. The support should be at the same height as the table.
- Always keep hands away from path of blade.

Slide the rip fence into the rail on the table. Loosen the knob on the fence and align to desired angle (0° to 60°). Bring stock flush up against fence, secure it with the clamp on the rip fence and feed gently forward into the blade. (Fig. 30)

Carrying tool (Fig. 31)

Make sure that the tool is unplugged.

Carry the tool by holding the tool part shown in the figure.

⚠ CAUTION:

- Always secure all moving portions before carrying the tool.
- Always make sure that the blade guard is installed in place before carrying the tool.

MAINTENANCE

⚠ CAUTION:

- Always be sure that the tool is switched off and unplugged before attempting to perform inspection or maintenance.
- If the push block handle or push sticks is broken, contact Makita service center to get the replacement.

NOTICE:

- Never use gasoline, benzine, thinner, alcohol or the like. Discoloration, deformation or cracks may result.

Cleaning

Clean out sawdust and chips from time to time. Carefully clean the blade guard and moving parts inside the table saw.

OPTIONAL ACCESSORIES

⚠ CAUTION:

- These accessories or attachments are recommended for use with your Makita tool specified in this manual. The use of any other accessories or attachments might present a risk of injury to persons. Only use accessory or attachment for its stated purpose.

If you need any assistance for more details regarding these accessories, ask your local Makita Service Center.

- Rip fence
- Wrench
- Hex wrench

NOTE:

- Some items in the list may be included in the tool package as standard accessories. They may differ from country to country.

Noise

ENG905-1

The typical A-weighted noise level determined according to EN1870-1:

Sound pressure level (L_{pA}): 93 dB (A)

Sound power level (L_{WA}): 105 dB (A)

Uncertainty (K): 4 dB (A)

Wear ear protection.

⚠ WARNING:

The figures quoted are emission levels and are not necessarily safe working levels. Whilst there is a correlation between the emission and exposure levels, this cannot be used reliably to determine whether or not further precautions are required. Factors that influence the actual level of exposure of the workforce include the characteristics of the work room and the other sources of noise etc.i.e. the number of machines and other adjacent processes. Also the permissible exposure level can vary from country to country. This information, however, will enable the user of the machine to make a better evaluation of the hazard and risk.

For European countries only

ENH113-1

EC Declaration of Conformity

Makita declares that the following Machine(s):

Designation of Machine:

Table Saw

Model No./Type: 2712

Conforms to the following European Directives:

2006/42/EC, 2006/95/EC, 2004/108/EC

They are manufactured in accordance with the following
Standard or standardized documents:

EN1870-1, EN60204-1, EN55014-1, EN55014-2,
EN61000-3-2, EN61000-3-11

The EC Type-Examination Certificate No.

M6A.13.12.86528.002

**The EC Type-Examination per 2006/42/EC was
performed by:**

TÜV SÜD Product Service GmbH

Ridlerstraße 65. D-80339 München Germany

Identification No.0123

The Technical file in accordance with 2006/42/EC is
available from:

Makita, Jan-Baptist Vinkstraat 2, 3070, Belgium

20. 12. 2013



Yasushi Fukaya

Director

Makita, Jan-Baptist Vinkstraat 2, 3070, Belgium

FRANÇAIS (Instructions d'origine)

Descriptif

1. Planche	15. Vis taraudeuse	31. Flasque extérieur
2. Couteau diviseur	16. Rail de guidage	32. Rondelle
3. Montant	17. Boulon à collet carré	33. Boulon hexagonal
4. Orifice pour interrupteur	18. Sous-table	34. Serrer
5. Lettre A	19. Support (long)	35. Protège-lame
6. Barre de soutien des montants (longue)	20. Support (court)	36. Écrou hexagonal
7. Barre de soutien des montants (courte)	21. Crochet	37. Écart entre le couteau diviseur et les dents de la lame
8. Pied	22. Bâton-poussoir	38. Bouton
9. Côté plus large	24. Bouton de verrouillage	39. Face/bord parallèle
10. Roue complète	25. Pointeur flèche	40. Garde auxiliaire
11. Raccord à poussières	26. Clé hexagonale	41. Pièce à travailler
12. Poignée de transport	27. Clé	42. Bloc-poussoir
13. Vis	28. Desserrer	43. Guide de refend
14. Interrupteur	29. Flasque intérieur	
	30. Lame	

SPÉCIFICATIONS

Modèle		2712	
Trou d'arbre		30 mm	
Diamètre de la lame		315 mm	
Épaisseur du corps de lame		2 mm ou moins	
Capacités de coupe max.	Épaisseur à 90°	85 mm	
	Épaisseur à 45°	58 mm	
	Largeur	1 600 mm	
Vitesse à vide		2 950 (min ⁻¹) (50 Hz)	3 400 (min ⁻¹) (60 Hz)
Dimensions de la table (L x l)		550 mm x 1 600 mm avec la sous-table (arrière)	
Poids net		52,9 kg	
Niveau de sécurité		Niveau I	

- Étant donné l'évolution constante de notre programme de recherche et de développement, les spécifications contenues dans ce manuel sont sujettes à des modifications sans préavis.
- Les spécifications peuvent varier suivant les pays.
- Poids conforme à la procédure EPTA 01/2003

Symboles

END310-1

Les symboles utilisés pour l'appareil sont indiqués ci-dessous. Assurez-vous d'avoir bien compris leur signification avant d'utiliser l'appareil.



..... Reportez-vous au manuel d'instructions.



..... Portez des lunettes de sécurité.



..... N'approchez pas la main ou les doigts de la lame.



..... Pour les pays européens uniquement Ne pas jeter les appareils électriques dans les ordures ménagères ! Conformément à la directive européenne relative aux déchets d'équipements électriques et électroniques (DEEE), et à sa

transposition dans la législation nationale, les appareils électriques doivent être collectés à part et être soumis à un recyclage respectueux de l'environnement.

Utilisations

ENE003-1

L'outil est conçu pour couper du bois.

Alimentation

ENF001-1

L'outil ne doit être raccordé qu'à une alimentation de la même tension que celle figurant sur la plaque signalétique, et il ne peut fonctionner que sur un courant secteur monophasé. Vous devez mettre l'outil à la terre lors de son fonctionnement afin de vous protéger contre les chocs électriques. Utilisez uniquement des rallonges trifilaires munies de fiches de mise à la terre à trois broches et de socles tripolaires acceptant la fiche de l'outil.

Consignes de sécurité générales des outils électriques

GEA010-1

⚠ AVERTISSEMENT Veuillez lire toutes les consignes de sécurité et les instructions. Il y a un risque de choc électrique, d'incendie et/ou de blessure grave si les consignes et les instructions ne sont pas toutes respectées.

Conservez toutes les consignes et instructions pour référence ultérieure.

CONSIGNES DE SÉCURITÉ ADDITIONNELLES POUR L'OUTIL

ENB122-1

CONSERVEZ CES INSTRUCTIONS.

1. Portez des lunettes de protection.
2. N'utilisez pas l'outil en présence de gaz ou liquides inflammables.
3. N'utilisez JAMAIS l'outil sans y avoir installé une meule à tronçonner abrasive.
4. Avant de commencer votre travail, vérifiez soigneusement l'absence de fissures ou de dommages sur la lame. Remplacez immédiatement toute lame fissurée ou endommagée.
5. N'utilisez que des lames de scie recommandées par le fabricant et conformes à la norme EN847-1, et observez que le couteau diviseur ne doit pas être plus épais que la largeur de la coupe par la lame de scie et pas plus mince que le corps de la lame.
6. Utilisez toujours les accessoires spécifiés dans ce manuel. L'utilisation d'accessoires inadéquats, tels que des meules à tronçonner abrasives, peut causer une blessure.
7. Sélectionnez les lames de scie correctes en fonction du type de matériau à couper.
8. N'utilisez pas les lames de scie en acier haute vitesse.
9. Pour réduire l'émission de bruit, assurez-vous que la lame est bien aiguisée et propre.
10. Utilisez des lames bien aiguisées. Respectez la vitesse maximale indiquée sur la lame.
11. Nettoyez l'axe, les flasques (tout particulièrement la surface d'installation) ou l'écrou hexagonal avant de monter la lame. Une mauvaise installation peut entraîner des vibrations/sautillements ou le glissement de la lame.
12. Utilisez le protège-lame et le couteau diviseur pour chaque usage y compris lors des opérations de sciage. Suivez toujours les instructions mentionnées dans ce manuel pour installer le protège-lame. Les opérations de sciage sont celles où la lame traverse complètement la pièce lors par exemple des coupes en long et en travers. N'utilisez JAMAIS l'outil avec un protège-lame défectueux ou sécurisez-le secure avec une

- corde, ficelle, etc. Tout fonctionnement irrégulier du protège-lame doit être corrigé immédiatement.
13. Après un travail qui a nécessité le retrait du protège-lame remontez-le immédiatement ainsi que le couteau diviseur.
 14. Évitez de couper des pièces de métal telles que les clous et vis. Avant de procéder au travail, vérifiez la pièce pour en retirer les clous, vis et autres corps étrangers.
 15. Avant de mettre le contact, retirez de la table les clés, bouts de pièce sciés et autres objets etc.
 16. Ne portez JAMAIS de gants pendant l'utilisation de cet outil.
 17. Gardez les mains hors de la ligne de coupe de la lame.
 18. Ne vous placez JAMAIS dans la trajectoire de la lame et assurez-vous que personne ne s'y trouve.
 19. Assurez-vous que la lame ne touche pas le couteau diviseur ou la pièce à travailler avant de mettre le contact.
 20. Avant d'utiliser l'outil sur la pièce elle-même, laissez-le tourner un instant. Soyez attentif à toute vibration ou sautillement pouvant indiquer que la lame n'est pas bien installée ou qu'elle est mal équilibrée.
 21. L'outil ne doit pas être utilisé pour le mortaisage, le rabotage ou le rainurage.
 22. Remplacez l'insert de la table lorsqu'il est usé.
 23. N'effectuez JAMAIS de réglages pendant que l'outil tourne. Débranchez l'outil avant d'effectuer des réglages.
 24. Lorsque nécessaire, utilisez un bâton-poussoir. Vous DEVEZ utiliser un bâton-poussoir pour scier en long des pièces minces, de sorte que vous mains et doigts demeurent à l'écart de la lame.
 25. Quand vous n'utilisez pas le bâton-poussoir rangez-le.
 26. Prêtez une attention particulière aux instructions relatives à la réduction des risques de CHOC EN RETOUR. Le CHOC EN RETOUR est une réaction soudaine de l'outil provoquée par le coincement, le pincement ou le désalignement de la lame. Lors d'un CHOC EN RETOUR la pièce se trouve projetée vers l'utilisateur par l'outil. LES CHOCS EN RETOUR COMPORTENT UN RISQUE DE BLESSURE CORPORELLE GRAVE. Évitez les CHOCS EN RETOUR en maintenant la lame bien affûtée, le garde en position parallèle à la lame, le couteau diviseur et le protège-lame en place et en bon état de fonctionnement, en évitant de relâcher la pièce avant de l'avoir faite progresser complètement derrière la lame, et en évitant de scier en long dans une pièce tordue, déformée ou dont les bords inégaux ne permettent pas l'utilisation du guide.
 27. Ne sciez jamais à la volée. Le sciage à la volée consiste à utiliser les mains au lieu d'un garde parallèle ou d'un guide d'onglet pour soutenir ou guider la pièce.
 28. N'approchez JAMAIS autour ou au-dessus de la lame. NE JAMAIS passer la main près de la lame pour saisir une pièce avant que la lame ne soit complètement arrêtée.

29. Évitez de faire avancer l'outil de manière brusque ou rapide. Faites-le avancer le plus lentement possible lorsque vous sciez des pièces dures. Évitez de plier ou tordre la pièce pendant la progression de l'outil. Coupez immédiatement le contact de l'outil si la lame se bloque ou se coince dans la pièce. Débranchez l'outil. Dégagez la lame.
30. **NE JAMAIS** retirer les bouts de pièce coupés ni toucher le protège-lame pendant qu'elle tourne.
31. **AVANT** de commencer la coupe, arrachez tous les noeuds lâches non adhérents de la pièce.
32. **Ne maltraitez pas le cordon. Ne tirez jamais directement sur le cordon pour le débrancher de la prise de courant. Maintenez le cordon à l'écart de la chaleur, de l'huile et des objets à bord tranchant.**
33. Certaines poussières générées lors de l'utilisation peuvent contenir des produits chimiques pouvant causer le cancer, des anomalies congénitales ou autres problèmes de reproduction. Parmi ces produits chimiques figurent notamment :
 - le plomb des matériaux recouverts de peinture à base de plomb, ainsi que,
 - l'arsenic et le chrome du bois traité chimiquement.
 - Les risques entraînés par l'exposition à ces produits varient suivant la fréquence d'exécution de ce type de travaux. Pour réduire votre exposition à ces produits chimiques : travaillez dans une zone bien ventilée et avec l'équipement de sécurité approuvé, tel que les masques à poussière spécialement conçus pour filtrer les particules microscopiques.
34. Si vous utilisez l'outil en intérieur, raccordez-le toujours à un système d'extraction des poussières externe. Mettez le système d'extraction des poussières sous tension avant de démarrer l'outil.
35. Vous pouvez soulever le protège-lame pendant la mise en place de la pièce à travailler et pour faciliter le nettoyage. Assurez-vous toujours que le capot du protège-lame est abaissé et se trouve à plat contre la table à scier avant de brancher l'outil.
36. Portez des gants afin de vous protéger contre tout risque de coupure lors de la manipulation des lames, de l'avancement du bois dans l'outil ou de la réalisation de la maintenance.
37. N'essayez jamais de retirer les copeaux lorsque la lame tourne ou lorsque l'outil est sous tension.
38. N'essayez jamais d'utiliser l'outil si tous les carters et autres dispositifs de sécurité nécessaires à l'outil ne fonctionnent pas correctement.
39. Les utilisateurs doivent être correctement formés à l'assemblage, au réglage et au fonctionnement de l'outil.
40. N'utilisez jamais de lames dont la vitesse maximum est inférieure à la vitesse à vide de l'outil.
41. Maintenez un éclairage adéquat dans l'aire de travail.

CONSERVEZ CES INSTRUCTIONS.

INSTALLATION

PRÉPARATION

Vérifiez que l'emballage contient les composants suivants. Informez immédiatement le centre d'entretien Makita de toute pièce manquante dans l'emballage.

- Scie sur table (1 unité)
- Montant (4 pièces)
- Pied (4 pièces)
- Vis à tête fraisée plate pour pied (4 pièces)
- Écrou hexagonal pour pied (4 pièces)
- Barre de soutien des montants (longue) (2 pièces)
- Barre de soutien des montants (courte) (2 pièces)
- Roue complète (1 pièce)
- Raccord à poussières (1 pièce)
- Poignée de transport (2 pièces)
- Boulon à collet carré pour rail de guidage (4 pièces)
- Boulon hexagonal pour rail de guidage (4 pièces)
- Rail de guidage (long) (1 pièce)
- Rail de guidage (court) (1 pièce)
- Sous-table (1 pièce)
- Support (long) (2 pièces)
- Support (court) (2 pièces)
- Crochet (1 pièce)
- Protège-lame (1 pièce)
- Vis taraudeuse (3 pièces)
- Boulon hexagonal (38 pièces)
- Écrou hexagonal (38 pièces)
- Clé hexagonale (1 pièce)
- Clé (1 pièce)
- Bâton-poussoir (1 pièce)
- Bloc-poussoir (1 pièce)
- Garde (pour guide de refend) (1 pièce)
- Guide de refend (1 pièce)

Installation de la scie sur table

1. Retournez la scie sur table sur deux planches. Vérifiez que le couteau diviseur se positionne dans l'espace situé entre les deux planches. (Fig. 1)
2. Assemblez les quatre montants sur l'intérieur du bord de la base. Assemblez le montant comportant l'orifice pour l'interrupteur sur le côté où figure la lettre « A » sur la base. Fixez temporairement les quatre montants, ne serrez pas les vis à fond à ce stade. (Fig. 2)
3. Assemblez les barres de soutien des montants (longues) sur les montants, puis assemblez les barres de soutien des montants (courtes) sur les montants. Fixez solidement les montants et les barres de soutien des montants avec les vis. Vérifiez toujours le sens des montants de soutien.
4. Installez les pieds dans la partie inférieure des montants. Fixez-les avec les vis à tête fraisée et les écrous hexagonaux. (Fig. 3)
5. Installez la roue complète sur les montants et fixez ces derniers avec des vis et des écrous hexagonaux. (Fig. 4)
6. Installez le raccord à poussières.

7. Réglez la pièce du moteur en position 0° et bloquez-la en serrant le bouton. Attachez le cordon d'alimentation avec la bride du cordon. (Fig. 5)
8. Retournez la scie sur table, puis fixez les poignées de transport. (Fig. 6)
9. Installez l'interrupteur sur le montant et fixez-le avec les vis taraudeuses. (Fig. 7)
10. Installez la lame et le protège-lame. Pour l'installation, reportez-vous aux sections « Retrait ou pose de la lame » et « Installation du protège-lame ».
11. Installez le rail de guidage (court) sur la partie avant de la scie sur table et le rail de guidage (long) sur le côté gauche de la base. (Fig. 8)
12. Assemblez la sous-table et la base. Sélectionnez des supports de longueur correcte selon la position. (Fig. 9 et 10)
13. Installez le crochet sur le montant. (Fig. 11)
14. Placez la scie sur table dans un lieu bien éclairé et de niveau, où vous pourrez conserver une position stable et équilibrée. Elle doit être installée à un emplacement suffisamment spacieux pour manipuler aisément vos pièces à travailler.
Si la scie sur table a tendance à basculer, faites-la glisser ou déplacez-la pendant le fonctionnement, elle doit être parfaitement stable au sol.

Rangement des accessoires (Fig. 12)

Vous pouvez ranger le bâton-poussoir et les clés sur le côté droit de l'outil.

DESCRIPTION DU FONCTIONNEMENT

⚠ ATTENTION :

- Assurez-vous toujours que l'outil est éteint et débranché avant de le régler ou vérifier son fonctionnement.

Réglage de la profondeur de coupe (Fig. 13)

Pour régler la profondeur de coupe, tournez la poignée. Tournez la poignée dans le sens antihoraire pour élever la lame et dans le sens horaire pour l'abaisser.

REMARQUE :

- Réglez-la sur une faible profondeur lorsque vous coupez des matériaux minces, afin d'obtenir une coupe plus nette.

Réglage de l'angle de coupe en biseau (Fig. 14)

Pour desserrer le bouton de verrouillage, tournez-le dans le sens antihoraire jusqu'à obtention de l'angle désiré (0° - 45°). Le pointeur flèche indique l'angle de coupe en biseau.

Une fois que vous avez obtenu l'angle désiré, serrez le bouton de verrouillage en le tournant dans le sens horaire afin de conserver ce réglage.

⚠ ATTENTION :

- Une fois l'angle de coupe en biseau défini, n'oubliez pas de serrer à fond le bouton de verrouillage.

Interrupteurs

⚠ ATTENTION :

- Enlevez la pièce à travailler de la table.
- Avant de brancher l'outil, assurez-vous toujours qu'il est hors tension. (Fig. 15)

Pour démarrer l'outil, appuyez sur le bouton ON (MARCHE) (I).

Pour l'arrêter, appuyez sur le bouton OFF (ARRÊT) (O) ou sur le cache-interrupteur.

MONTAGE

⚠ ATTENTION :

- Avant d'effectuer toute intervention sur l'outil, assurez-vous toujours qu'il est hors tension et débranché.

À la sortie de l'usine, la lame et le protège-lame ne sont pas installés sur l'outil.

Retrait ou pose de la lame

⚠ ATTENTION :

- Assurez-vous toujours que l'outil est hors tension et débranché avant d'installer ou de retirer la lame.
- Utilisez exclusivement la clé hexagonale Makita fournie pour installer ou retirer la lame. Dans le cas contraire, vous risquez de serrer excessivement ou insuffisamment le boulon hexagonal. Cela comporte un risque de blessure.
- Utilisez la lame suivante. N'utilisez pas de lame non conformes aux caractéristiques spécifiées dans ces instructions.

Modèle	Diamètre	Épaisseur de la lame	Trait de scie
2712	315 mm	2 mm ou plus	2,8 mm ou plus

014540

Pour retirer la lame, enlevez l'insert de table situé sur la table. Immobilisez le flasque extérieur au moyen de la clé et desserrez le boulon hexagonal en tournant dans le sens horaire avec la clé hexagonale. Retirez ensuite le flasque extérieur. (Fig. 16)

Pour installer la lame, assemblez le flasque intérieur, la lame, le flasque extérieur, la rondelle et le boulon hexagonal sur l'arbre. Assurez-vous que les dents de la lame sont orientées vers le bas à l'avant de la table. (Fig. 17)

⚠ ATTENTION :

- Gardez la surface du flasque propre en essuyant les saletés ou autres matières adhérentes, qui risqueraient de faire glisser la lame. Assurez-vous que la lame est installée de sorte que les dents soient alignées dans le sens de la coupe (rotation).

Pour fixer la lame en place, immobilisez le flasque extérieur à l'aide de la clé, puis serrez le boulon hexagonal dans le sens antihoraire avec la clé hexagonale. ASSUREZ-VOUS D'AVOIR FERMEMENT SERRÉ LE BOULON HEXAGONAL. (Fig. 18)

⚠ ATTENTION :

- Vous devez tenir le boulon hexagonal avec précaution à l'aide de la clé hexagonale. Si vous perdiez prise, la clé risquerait de s'écarter du boulon hexagonal et votre main pourrait heurter les bord tranchant de la lame.

Installation du protège-lame

ATTENTION :

- Avant d'installer le protège-lame, réglez la profondeur de coupe sur la position la plus élevée.

Placez le protège-lame dans la rainure sur le couteau diviseur. Fixez le protège-lame en pivotant le levier sur le protège-lame. (Fig. 19 et 20)

ATTENTION :

- Si la lame et le couteau diviseur ne sont pas alignés correctement, un pincement dangereux risque de se produire lors du fonctionnement. Assurez-vous qu'ils sont correctement alignés. Vous risquez de vous blesser grièvement si vous utilisez l'outil alors que le couteau diviseur n'est pas aligné correctement.
- S'il n'est pas aligné pour une raison quelconque, faites-le toujours réparer par un centre d'entretien Makita approuvé.
- Ne retirez pas le couteau diviseur.

Un jeu d'environ 4 à 5 mm doit être présent entre le couteau diviseur et les dents de la lame. Réglez en conséquence le couteau diviseur et serrez fermement l'écrou hexagonal. Fixez l'insert de table sur la table, puis vérifiez que le protège-lame fonctionne sans à-coups avant de couper. (Fig. 21)

Installation et réglage du guide de refend (Fig. 22)

Installez le guide de refend sur la table, de sorte que le support du guide de refend s'enclenche dans le rail de guidage. Serrez à fond le bouton du guide de refend dans le sens horaire. (Fig. 23)

Pour vérifier que le guide de refend est parallèle à la lame, fixez-le à 2 ou 3 mm de la lame.

Soulevez la lame jusqu'à la hauteur maximale. Mesurez la distance (A) et la distance (B) entre le guide de refend et la lame. Ces deux mesures doivent être identiques.

Si le guide de refend n'est pas parallèle à la lame, procédez comme suit :

1. Desserrez le bouton du guide de refend.
2. Réglez le guide de refend jusqu'à ce qu'il soit parallèle à la lame.
3. Serrez le bouton.

ATTENTION :

- Veillez à ce que le guide de refend soit parallèle à la lame, afin d'éviter un dangereux choc en retour.

Raccordement à un aspirateur (Fig. 24)

Des opérations plus propres peuvent être mises en œuvre en raccordant l'outil à un aspirateur ou un collecteur de poussières Makita.

FONCTIONNEMENT

ATTENTION :

- Utilisez toujours des « dispositifs d'aide » tels que bâtons-poussoirs et blocs-poussoirs lorsque vos mains ou doigts courent le risque de se trouver près de la lame.
- Maintenez fermement la pièce à travailler avec la table et le guide de refend ou la jauge à onglets. Évitez de plier ou tordre la pièce pendant la progression de l'outil.

Si la pièce se plie ou se tort, il y a risque de choc en retour dangereux.

- NE retirez JAMAIS la pièce à travailler alors que la lame tourne. Si vous devez retirer la pièce à travailler avant d'avoir terminé la coupe, éteignez d'abord l'outil en tenant toujours fermement la pièce à travailler. Attendez que la lame se soit complètement arrêtée avant de retirer la pièce. Le non-respect de cette instruction peut provoquer de dangereux chocs en retour.
- NE retirez JAMAIS le matériau coupé pendant que la lame tourne.
- NE placez JAMAIS les doigts ou la main dans la trajectoire de la lame. Soyez particulièrement prudent lors des coupes en biseau.
- Immobilisez toujours le guide de refend pour éviter la survenance de chocs en retour.
- Utilisez toujours des « dispositifs d'aide » telles que des bâtons-poussoirs et des blocs-poussoirs lorsque vous coupez des pièces étroites ou petites.

Dispositifs d'aide

Les bâtons-poussoirs, les blocs-poussoirs et le garde auxiliaire sont autant de types de « dispositif d'aide ». Utilisez-les pour effectuer vos coupes de manière sûre et en toute sécurité, sans avoir à toucher la lame avec une partie quelconque du corps.

Garde auxiliaire (Fig. 25)

Réalisez un garde auxiliaire à partir de pièces en contreplaqué de 9,5 mm et 19 mm.

Sciage en long

ATTENTION :

- Lorsque vous coupez des pièces longues ou larges, installez toujours des dispositifs de soutien adéquats derrière la table. NE laissez PAS une longue planche se déplacer ou bouger librement sur la table. La lame se coincerait et les risques de choc en retour et de blessure augmenteraient. Le dispositif de soutien doit être de la même hauteur que la table. (Fig. 26)
1. Réglez la profondeur de coupe un peu plus haut que l'épaisseur de la pièce à travailler.
 2. Placez le guide de refend sur la largeur de coupe désirée et fixez-le en place en serrant le bouton.
 3. Mettez l'outil sous tension et faites avancer doucement la pièce vers la lame le long du guide de refend.
 - (1) Si la largeur de la coupe est de 150 mm ou plus, utilisez prudemment votre main droite pour faire progresser la pièce à travailler. Utilisez la main gauche pour maintenir la pièce appuyée contre le guide de refend.
 - (2) Si la largeur de coupe est comprise entre 65 mm et 150 mm, utilisez le bâton-poussoir pour faire avancer la pièce. (Fig. 27)
 - (3) Si la largeur de coupe est inférieure à 65 mm, il n'est pas possible d'utiliser le bâton-poussoir car il tapera contre le protège-lame. Utilisez le garde auxiliaire et le bloc-poussoir. Fixez le garde auxiliaire au guide de refend avec deux brides de serrage en « C ». (Fig. 28)

Faites avancer la pièce avec la main jusqu'à ce que l'extrémité se trouve à environ 25 mm du bord avant de la table. Continuez à la faire avancer avec le bloc-poussoir sur la partie supérieure du garde auxiliaire jusqu'à ce que la coupe soit terminée. (Fig. 29)

Coupe en travers

ATTENTION :

- Pour effectuer une coupe en travers, retirez le guide de refend de la table.
- Lorsque vous coupez des pièces longues ou larges, installez toujours des dispositifs de soutien adéquats des deux côtés de la table. Le dispositif de soutien doit être de la même hauteur que la table.
- Maintenez toujours les mains à l'écart de la trajectoire de la lame.

Faites glisser le guide de refend dans le rail sur la table. Desserrez le bouton du garde et alignez ce dernier sur l'angle désiré (0° à 60°). Alignez parfaitement le matériau contre le garde, fixez-le avec la bride sur le guide de refend et faites-le avancer doucement vers la lame.

(Fig. 30)

Transport de l'outil (Fig. 31)

Assurez-vous que l'appareil est débranché.

Transportez l'outil en le tenant par la partie indiquée sur l'illustration.

ATTENTION :

- Fixez toujours toutes les parties mobiles avant de transporter l'outil.
- Assurez-vous toujours que le protège-lame est bien en place avant de transporter l'outil.

ENTRETIEN

ATTENTION :

- Assurez-vous toujours que l'appareil est éteint et débranché avant d'effectuer tout travail d'inspection ou d'entretien.
- En cas de cassure de la poignée du bloc-poussoir ou des bâtons-poussoirs, contactez le centre de service après-vente Makita afin de procéder au remplacement.

NOTE :

- N'utilisez jamais d'essence, de benzine, de diluant, d'alcool ou de produit similaire. Ces produits risquent de provoquer des décolorations, des déformations ou des fissures.

Nettoyage

Débarrassez l'outil de la sciure et des copeaux de temps en temps. Nettoyez soigneusement le protège-lame et les parties mobiles à l'intérieur de la scie sur table.

ACCESSOIRES FOURNIS EN OPTION

ATTENTION :

- Ces accessoires ou pièces complémentaires sont recommandés pour être utilisés avec l'outil Makita spécifié dans ce mode d'emploi. L'utilisation de tout autre accessoire ou pièce complémentaire peut

comporter un risque de blessure. N'utilisez les accessoires ou pièces qu'aux fins auxquelles ils ont été conçus.

Pour obtenir plus de détails sur ces accessoires, contactez votre Centre de service local Makita.

- Guide de refend
- Clé
- Clé hexagonale

REMARQUE :

- Certains éléments de la liste peuvent être inclus en tant qu'accessoires standard dans le coffret de l'outil envoyé. Ils peuvent varier suivant les pays.

Bruit

ENG905-1

Les niveaux de bruit pondéré A typiques ont été mesurés selon la norme EN1870-1 :

Niveau de pression sonore (L_{pA}) : 93 dB (A)

Niveau de puissance sonore (L_{WA}) : 105 dB (A)

Incertitude (K) : 4 dB (A)

Portez des protections auditives.

AVERTISSEMENT :

Les chiffres indiqués sont des niveaux d'émission et ils ne correspondent pas nécessairement à des niveaux de fonctionnement sûr. Bien que les niveaux d'émission et d'exposition soient étroitement liés, ils ne permettent pas de déterminer de manière fiable si des précautions supplémentaires sont nécessaires ou non. Parmi les facteurs qui ont une influence sur le niveau d'exposition réel des employés, citons les caractéristiques de la pièce de travail, les autres sources de bruit, etc., c'est-à-dire le nombre de machines et d'autres processus à proximité. Le niveau d'exposition autorisé peut également varier d'un pays à l'autre. Toutefois, ces informations permettent à l'utilisateur de la machine de mieux évaluer les dangers et les risques.

Pour les pays d'Europe uniquement

ENH113-1

Déclaration de conformité CE

Makita déclare que la/les machine(s) suivante(s) :

Nom de la machine :

Scie Sur Table

N° de modèle/Type : 2712

sont conformes aux directives européennes suivantes :

2006/42/CE, 2006/95/CE, 2004/108/CE

sont produites conformément aux normes ou documents de normalisation suivants :

EN1870-1, EN60204-1, EN55014-1, EN55014-2,

EN61000-3-2, EN61000-3-11

N° de l'attestation d'inspection de type CE :

M6A.13.12.86528.002

L'inspection de type CE conformément à la norme 2006/42/CE a été réalisée par :

TÜV SÜD Product Service GmbH

Ridlerstraße 65. D-80339 München Allemagne

N° d'identification : 0123

Le dossier technique conforme à la norme 2006/42/CE
est disponible auprès de :

Makita, Jan-Baptist Vinkstraat 2, 3070, Belgique

20. 12. 2013

A handwritten signature in black ink, reading 'Yasushi Fukaya' in a cursive style.

Yasushi Fukaya
Directeur

Makita, Jan-Baptist Vinkstraat 2, 3070, Belgique

DEUTSCH (Originalanweisungen)

Erklärung der Gesamtdarstellung

- | | | |
|----------------------|-----------------------------|--|
| 1. Brett | 16. Führungsschiene | 31. Außenflansch |
| 2. Spaltkeil | 17. Vierkantbolzen | 32. Unterlegscheibe |
| 3. Bein | 18. Klapptisch | 33. Sechskantschraube |
| 4. Schalteröffnung | 19. Haltestange (lang) | 34. Festziehen |
| 5. Markierung A | 20. Haltestange (kurz) | 35. Sägeblattschutz |
| 6. Beinstütze (lang) | 21. Haken | 36. Sechskantmutter |
| 7. Beinstütze (kurz) | 22. Schiebestock | 37. Abstand zwischen Spaltkeil und Sägeblattzähnen |
| 8. Fuß | 23. Griff | 38. Knauf |
| 9. Breitere Seite | 24. Feststellknauf | 39. Fläche/Kante parallel |
| 10. Rolle | 25. Pfeilzeiger | 40. Hilfsanschlag |
| 11. Absaugstutzen | 26. Innensechskantschlüssel | 41. Werkstück |
| 12. Transportgriff | 27. Schraubenschlüssel | 42. Schubblock |
| 13. Schraube | 28. Lösen | 43. Parallelanschlag |
| 14. Schalter | 29. Innenflansch | |
| 15. Blechschaube | 30. Sägeblatt | |

TECHNISCHE DATEN

Modell		2712	
Spindel Loch		30 mm	
Durchmesser Sägeblatt		315 mm	
Dicke des Sägeblatt-Grundkörpers		Max. 2 mm	
Max. Sägeleistungen	Dicke bei 90°	85 mm	
	Dicke bei 45°	58 mm	
	Breite	1.600 mm	
Leerlaufdrehzahl		2.950 (min ⁻¹) (50 Hz)	3.400 (min ⁻¹) (60 Hz)
Tischgröße (L x B)		550 mm x 1.600 mm mit Klapptisch (Rückseite)	
Nettogewicht		52,9 kg	
Schutzklasse		Klasse I	

- Aufgrund unserer beständigen Forschungen und Weiterentwicklungen sind Änderungen an den hier angegebenen Technischen Daten ohne Vorankündigung vorbehalten.
- Die Technischen Daten können in den einzelnen Ländern voneinander abweichen.
- Gewicht entsprechend EPTA-Verfahren 01/2003

Symbole END310-1

Im Folgenden sind die im Zusammenhang mit diesem Gerät verwendeten Symbole dargestellt. Machen Sie sich vor der Benutzung des Geräts unbedingt mit diesen Symbolen vertraut!



..... Lesen Sie die Bedienungsanleitung!



..... Tragen Sie eine Schutzbrille!



..... Halten Sie Hände und Finger vom Sägeblatt fern.



..... Nur für EU-Länder
Werfen Sie Elektrowerkzeuge nicht in den Hausmüll!
Gemäß der Europäischen Richtlinie über Elektro- und Elektronik-Altgeräte und ihrer Umsetzung in nationales Recht müssen verbrauchte Elektrowerkzeuge getrennt gesammelt

und einer umweltgerechten Wiederverwertung zugeführt werden.

Verwendungszweck ENE003-1
Das Werkzeug wurde für das Sägen in Holz entwickelt.

Stromversorgung ENF001-1
Das Gerät darf nur an Einphasen-Wechselstrom mit der auf dem Typenschild angegebenen Spannung angeschlossen werden. Dieses Gerät ist an einem Schutzleiteranschluss zu betreiben, um den Bediener vor einem Stromschlag zu schützen. Verwenden Sie ausschließlich dreidradige Verlängerungskabel mit Schuko-Steckern und Schuko-Steckdosen, die dem Schuko-Stecker des Geräts entsprechen.

Allgemeine Sicherheitshinweise für Elektrowerkzeuge GEA010-1

⚠️ WARNUNG Lesen Sie alle Sicherheitshinweise und Anweisungen sorgfältig durch. Wenn die Hinweise und Anweisungen nicht beachtet werden, besteht die Gefahr eines Stromschlags, Brands und/oder das Risiko von ernsthaften Verletzungen.

Bewahren Sie alle Hinweise und Anweisungen zur späteren Referenz gut auf.

ZUSÄTZLICHE SICHERHEITSREGELN FÜR DAS WERKZEUG

ENB122-1

BEWAHREN SIE DIESE ANWEISUNGEN SORGFÄLTIG AUF.

1. Tragen Sie während der Arbeit stets eine Schutzbrille.
2. Betreiben Sie Werkzeuge nicht in der Nähe leicht entzündlicher Flüssigkeiten oder Gase.
3. Verwenden Sie das Werkzeug NIE mit einer Trennschleifscheibe.
4. Überprüfen Sie das Sägeblatt vor dessen Gebrauch sorgfältig auf Risse oder sonstige Beschädigungen. Wechseln Sie ein gesprungenes oder beschädigtes Sägeblatt unverzüglich aus.
5. Verwenden Sie ausschließlich die vom Hersteller empfohlenen Sägeblätter, die der Norm EN847-1 entsprechen, und beachten Sie, dass der Spaltkeil nicht dicker sein darf als die Schnittbreite des Sägeblatts und nicht dünner als der Körper des Blattes.
6. Verwenden Sie nur die in dieser Anleitung empfohlenen Zubehörteile. Die Verwendung ungeeigneter Zubehörteile, wie z.B. Trennschleifscheiben, kann zu Verletzungen führen.
7. Wählen Sie ein für das zu schneidenden Material geeignetes Sägeblatt aus.
8. Verwenden Sie keine Sägeblätter, die aus HSS-Stahl hergestellt wurden.
9. Achten Sie darauf, dass das Sägeblatt immer scharf und sauber ist, um den Geräuschpegel niedrig zu halten.
10. Verwenden Sie richtig geschliffene Sägeblätter. Beachten Sie die maximale Geschwindigkeit, die auf dem Sägeblatt angegeben ist.
11. Reinigen Sie vor der Anbringung des Blattes Spindel, Flansche (insbesondere deren Montageflächen) und Sechskantmutter. Eine schlechte Befestigung kann zu Vibrationen, Schlagen und Rutschen des Blattes führen.
12. Verwenden Sie den Sägeblattschutz und den Spaltkeil für jede Arbeit, bei der diese verwendet werden können, auch beim Durchsägen. Installieren Sie den Blattschutz gemäß den Anweisungen in diesem Handbuch. Durchsägen bedeutet, das bei Längs- oder Querschnitten das Blatt das Werkstück komplett durchschneidet. Verwenden Sie das Werkzeug NIE mit einem fehlerhaften Blattschutz, und befestigen Sie den Blattschutz nie mit einem Seil, Band usw. Etwaige Mängel des Blattschutzes müssen unverzüglich behoben werden.
13. Bringen Sie nach einer Arbeit, die ein Entfernen des Blattschutzes verlangt, den Blattschutz und den Spaltkeil sofort wieder an.
14. Schneiden Sie keine metallenen Gegenstände wie Nägel und Schrauben. Untersuchen Sie das Werkstück auf Nägel, Schrauben und andere Fremdmaterialien, und entfernen Sie diese ggf. vor Arbeitsbeginn.
15. Entfernen Sie Schlüssel, Abschnitte usw. vom Tisch, bevor Sie das Werkzeug einschalten.
16. Tragen Sie während des Betriebs NIEMALS Handschuhe.
17. Halten Sie die Hände vom Weg des Sägeblatts fern.
18. Stehen Sie NIEMALS in Richtung des Sägeblatts und halten Sie alle Personen aus diesem Bereich fern.
19. Achten Sie vor dem Einschalten des Werkzeugs darauf, dass das Messer den Spaltkeil oder das Werkstück nicht berührt.
20. Bevor Sie das Werkzeug auf das zu bearbeitende Werkstück ansetzen, lassen Sie es einige Zeit ohne Last laufen. Achten Sie auf Vibrationen und Schlagen; beides gibt Aufschluss über ein schlecht ausgewuchtetes Messer oder kann auf einen nicht fachgerechten Einbau deuten.
21. Das Werkzeug darf nicht zum Schneiden von Schlitzfen, Fugen und Nuten verwendet werden.
22. Tauschen Sie einen verschlissenen Tischeinsatz aus.
23. Nehmen Sie Einstellungen NIEMALS bei laufendem Werkzeug vor. Ziehen Sie den Stecker, bevor Sie Einstellungen vornehmen.
24. Verwenden Sie bei Bedarf einen Schubstock. Schubstöcke MÜSSEN bei Längsschnitten von schmalen Werkstücken verwendet werden, um zu vermeiden, dass Ihre Hände oder Finger zu nah ans Sägeblatt kommen.
25. Heben Sie bei Nichtverwendung den Schubstock gut auf.
26. Beachten Sie insbesondere die Anweisungen zur Minimierung des Risikos eines RÜCKSCHLAGS. Bei einem RÜCKSCHLAG handelt es sich um eine plötzliche Reaktion auf ein verklemmtes, verbogenes oder falsch angebrachtes Sägeblatt. Ein RÜCKSCHLAG führt dazu, dass das Werkstück rückwärts aus dem Werkzeug in Richtung Bediener ausgestoßen wird. RÜCKSCHLÄGE KÖNNEN ZU SCHWEREN VERLETZUNGEN FÜHREN. Vermeiden Sie RÜCKSCHLÄGE, indem Sie das Blatt scharf halten, den Parallelanschlag parallel zum Blatt einstellen, Spaltkeil und Blattschutz in Ordnung und an ihrer Position halten, das Werkstück nicht loslassen, bis es das Blatt vollständig passiert hat, und indem Sie keine Längsschnitte an einem Werkstück ausführen, das verbogen oder verdreht ist und keine gerade Kante hat, die sich am Anschlag entlang führen lässt.
27. Führen Sie keine Freihandarbeiten aus. Freihand bedeutet, dass Sie anstelle eines Parallelenschlags oder einer Gehrungsfugenlehre Ihre Hände dazu benutzen, das Werkstück abzustützen oder zu führen.

28. Greifen Sie NIE hinter oder über das Sägeblatt. Greifen Sie NIE nach einem Werkstück, wenn das Sägeblatt noch läuft.
29. Vermeiden Sie einen abrupten, schnellen Vorschub. Schieben Sie harte Werkstücke so langsam wie möglich vor. Sie dürfen das Werkstück während des Vorschubs weder biegen noch verdrehen. Wenn sich das Blatt im Werkstück verklemmt oder blockiert, schalten Sie das Werkzeug sofort aus. Ziehen Sie den Stecker. Beseitigen Sie die Blockade.
30. Entfernen Sie NIE abgeschnittene Stücke neben dem Blatt oder berühren den Blattschutz, während das Sägeblatt noch läuft.
31. Entfernen Sie lose Äste aus dem Werkstück, BEVOR Sie mit dem Sägen beginnen.
32. Verwenden Sie das Netzkabel ordnungsgemäß. Ziehen Sie niemals am Kabel, um das Gerät aus der Steckdose zu ziehen. Halten Sie das Kabel von Hitze, Öl, Wasser und scharfen Gegenständen und Kanten fern.
33. Bestimmter Staub, der beim Betrieb entsteht, enthält Chemikalien, die Krebs, Geburtsschäden und andere Fortpflanzungsschäden verursachen kann. Zu diesen Chemikalien gehören unter anderem:
 - Blei aus mit Bleifarben gestrichenen Materialien und
 - Arsen und Chrom aus chemisch behandelten Balken.
 - Ihr Risiko hängt davon ab, wie oft Sie sich diesen Arbeiten aussetzen. Reduzieren Sie die Häufigkeit, mit der Sie sich diesen Chemikalien aussetzen: Arbeiten Sie in einem gut belüfteten Bereich und arbeiten Sie mit den zugelassenen Schutzvorrichtungen, dazu gehören Staubmasken, die vor allem für die Filterung mikroskopischer Partikel vorgesehen sind.
34. Schließen Sie das Werkzeug bei Verwendung in Innenräumen immer an eine externe Staubabsaugung an. Schalten Sie die Staubabsaugung ein, bevor Sie das Werkzeug starten.
35. Die Schutzhaube kann beim Ansetzen des Werkstücks und zur einfacheren Reinigung angehoben werden. Stellen Sie immer sicher, dass die Schutzhaube unten ist und flach am Sägetisch anliegt, bevor Sie das Werkzeug an die Netzsteckdose anschließen.
36. Tragen Sie Handschuhe, um sich gegen die Gefahr von Schnitten zu schützen, wenn Sie mit Sägeblättern umgehen, Holz in das Werkzeug führen oder Wartungsarbeiten durchführen.
37. Versuchen Sie NIEMALS, Späne bei laufendem Sägeblatt oder eingeschaltetem Werkzeug zu entfernen.
38. Nehmen Sie das Werkzeug NUR dann in Betrieb, wenn alle notwendigen Schutzvorrichtungen in einwandfreiem Zustand sind.
39. Der Bediener muss in der Montage, der Einstellung und dem Betrieb des Werkzeugs ausreichend ausgebildet sein.
40. Verwenden Sie NIEMALS Sägeblätter, deren Höchstdrehzahl unter der Leerlaufdrehzahl des Werkzeugs liegt.

41. Achten Sie auf eine ausreichende Beleuchtung des Arbeitsbereichs.

BEWAHREN SIE DIESE ANWEISUNGEN SORGFÄLTIG AUF.

MONTAGE

VORBEREITUNG

Prüfen Sie den Inhalt des Pakets auf die folgenden Komponenten. Wenden Sie sich sofort an das Makita-Servicecenter, falls ein Teil des Pakets fehlt.

- Tischkreissäge (1 Einheit)
- Bein (4 Stk.)
- Fuß (4 Stk.)
- Senkkopfschraube für Fuß (4 Stk.)
- Sechskantmutter für Fuß (4 Stk.)
- Beinstütze (lang) (2 Stk.)
- Beinstütze (kurz) (2 Stk.)
- Rolle (1 Stk.)
- Absaugstutzen (1 Stk.)
- Transportgriff (2 Stk.)
- Vierkantbolzen für Führungsschiene (4 Stk.)
- Sechskantschraube für Führungsschiene (4 Stk.)
- Führungsschiene (lang) (1 Stk.)
- Führungsschiene (kurz) (1 Stk.)
- Klapptisch (1 Stk.)
- Haltestange (lang) (2 Stk.)
- Haltestange (kurz) (2 Stk.)
- Haken (1 Stk.)
- Sägeblattschutz (1 Stk.)
- Blechschraube (3 Stk.)
- Sechskantschraube (38 Stk.)
- Sechskantmutter (38 Stk.)
- Innensechskantschlüssel (1 Stk.)
- Schraubenschlüssel (1 Stk.)
- Schiebestock (1 Stk.)
- Schubblock (1 Stk.)
- Anschlag (für Parallelanschlag) (1 Stk.)
- Parallelanschlag (1 Stk.)

Montage der Tischkreissäge

1. Legen Sie die Tischkreissäge umgekehrt auf zwei Bretter. Vergewissern Sie sich, dass sich der Spaltkeil zwischen den beiden Brettern befindet. **(Abb. 1)**
2. Bringen Sie die vier Beine an der Innenseite der Basis an. Bringen Sie das Bein mit der Schalteröffnung an der Seite der Basis mit der Markierung „A“ an. Befestigen Sie die vier Beine provisorisch. Ziehen Sie die Schrauben noch nicht fest an. **(Abb. 2)**
3. Bringen Sie die Beinstützen (lang) and die Beine an und bringen Sie dann die Beinstützen (kurz) an die Beine an. Befestigen Sie die Beine und Beinstützen, indem Sie die Schrauben fest anziehen. Überprüfen Sie vor jedem Betrieb immer die Richtung der Beinstützen.
4. Montieren Sie die Füße an die Beinenden. Befestigen Sie diese mit Senkkopfschrauben und Sechskantmutter. **(Abb. 3)**

5. Befestigen Sie die Rollen an den Beinen und befestigen Sie diese mit Schrauben und Sechskantmutter. **(Abb. 4)**
6. Montieren Sie den Absaugstutzen.
7. Richten Sie den Motorteil auf die Position 0° aus und befestigen Sie ihn, indem Sie den Knauf festziehen. Befestigen Sie das Stromkabel mit der Kabelklemme. **(Abb. 5)**
8. Drehen Sie die Tischkreissäge wieder um und bringen Sie dann die Transportgriffe an. **(Abb. 6)**
9. Montieren Sie den Schalter am Bein und befestigen Sie ihn mit den Blechschrauben. **(Abb. 7)**
10. Montieren Sie das Sägeblatt und den Sägeblattschutz. Beachten Sie bei der Montage den Abschnitt „Demontieren oder Montieren des Sägeblatts“ und „Montieren des Sägeblattschutzes“.
11. Montieren Sie die Führungsschiene (kurz) an der Vorderseite der Tischkreissäge und die Führungsschiene (lang) an der linken Seite der Basis. **(Abb. 8)**
12. Montieren Sie den Klapp Tisch an die Basis. Wählen Sie je nach Position die passenden Haltestangen mit der richtigen Länge. **(Abb. 9 und 10)**
13. Montieren Sie den Haken an das Bein. **(Abb. 11)**
14. Stellen Sie die Tischkreissäge in einem gut beleuchteten und ebenen Bereich auf, auf der sicherer Stand und Balance möglich sind. Stellen Sie die Tischkreissäge in einem Bereich auf, der genug Raum für ein einfaches Handhaben der Werkstücke bietet. Wenn die Tischkreissäge während des Betriebs dazu neigt, zu kippen, zu rutschen oder sich zu bewegen, muss die Tischkreissäge am Fussboden gesichert werden.

Aufbewahrung des Zubehörs (Abb. 12)

Schiebestock und Schraubenschlüssel können auf der rechten Seite des Werkzeugs aufbewahrt werden.

FUNKTIONSBESCHREIBUNG

⚠️ ACHTUNG:

- Schalten Sie das Werkzeug stets aus und ziehen Sie den Stecker, bevor Sie Einstellungen oder eine Funktionsprüfung am Werkzeug vornehmen.

Einstellen der Schnitttiefe (Abb. 13)

Zum Einzustellen der Schnitttiefe drehen Sie den Griff. Drehen Sie den Griff entgegen dem Uhrzeigersinn, um das Blatt zu heben, und im Uhrzeigersinn, um es zu senken.

HINWEIS:

- Verwenden Sie für saubere Schnitte bei dünnen Materialien eine flache Tiefeneinstellung.

Einstellen des Gehrungswinkels (Abb. 14)

Lösen Sie den Feststellknauf gegen den Uhrzeigersinn und drehen Sie das Handrad, bis der gewünschte Winkel (0° bis 45°) erreicht ist. Der Pfeilzeiger zeigt den Gehrungswinkel an.

Wenn Sie den gewünschte Winkel eingestellt haben, ziehen Sie den Feststellknauf im Uhrzeigersinn fest, um die Einstellung zu sichern.

⚠️ ACHTUNG:

- Nach Einstellen des Gehrungswinkels muss der Feststellknauf fest angezogen werden.

Einschalten

⚠️ ACHTUNG:

- Entfernen Sie das Werkstück vom Tisch.
- Vergewissern Sie sich vor dem Anschließen des Werkzeugs an das Stromnetz stets, dass das Werkzeug ausgeschaltet ist. **(Abb. 15)**

Betätigen Sie den EIN-Schalter (I), um das Werkzeug zu starten.

Um das Werkzeug auszuschalten, betätigen Sie den AUS-Schalter (O) oder die Schalterabdeckung.

MONTAGE

⚠️ ACHTUNG:

- Schalten Sie das Werkzeug stets aus und ziehen Sie den Netzstecker, bevor Sie irgendwelche Arbeiten am Werkzeug durchführen.

Bei der Auslieferung des Werkzeugs sind Sägeblatt und Blattschutz nicht montiert.

Demontieren oder Montieren des Sägeblatts

⚠️ ACHTUNG:

- Schalten Sie das Werkzeug aus und ziehen Sie den Stecker, bevor Sie das Sägeblatt einsetzen oder entfernen.
- Verwenden Sie ausschließlich den mitgelieferten Innensechskantschlüssel von Makita zum Demontieren oder Montieren des Sägeblatts. Andernfalls besteht die Gefahr, dass die Sechskantschraube zu stark oder zu schwach angezogen wird. Dies kann zu Verletzungen führen.
- Verwenden Sie das folgende Sägeblatt. Verwenden Sie niemals Sägeblätter, die nicht den in diesen Anleitungen angegebenen Kenngrößen entsprechen.

Modell	Durchm.	Sägeblatt-Dicke	Schlitz
2712	315 mm	2 mm oder mehr	2,8 mm oder mehr

014540

Zum Demontieren des Sägeblatts entfernen Sie den Tischeinsatz aus dem Tisch. Halten Sie den Außenflansch mit dem Schraubenschlüssel, und lösen Sie die Sechskantschraube im Uhrzeigersinn mit dem Innensechskantschlüssel. Entfernen Sie dann den Außenflansch. **(Abb. 16)**

Montieren Sie zum Zusammenbau des Sägeblatts den Innenflansch, Sägeblatt, Außenflansch, Unterlegscheibe und Sechskantschraube auf das Wellenloch. Vergewissern Sie sich, dass die Sägeblattzähne an der Tischvorderseite nach unten zeigen. **(Abb. 17)**

⚠️ ACHTUNG:

- Halten Sie den Flansch sauber von Schmutz und anderer haftender Materialien; das Sägeblatt könnte ansonsten rutschen. Das Sägeblatt muss so angebracht sein, dass die Zähne in Schneiderichtung (Drehrichtung) zeigen.

Um das Sägeblatt in Position zu sichern, halten Sie den Außenflansch mit dem Schraubenschlüssel und ziehen die Sechskantschraube entgegen dem Uhrzeigersinn mit dem Innensechskantschlüssel an. ZIEHEN SIE DIE SECHSKANTSCHRAUBE FEST AN. (Abb. 18)

ACHTUNG:

- Halten Sie die Sechskantschraube auf jeden Fall sorgsam mit dem Innensechskantschlüssel fest. Wenn Sie Ihren Griff lösen, kann der Innensechskantschlüssel von der Sechskantschraube abrutschen, und Ihre Hand kann gegen die scharfen Sägeblattkanten schlagen.

Montieren des Sägeblattschutzes

ACHTUNG:

- Vor der Montage des Sägeblattschutzes stellen Sie die Schnitttiefe auf das Maximum ein. Bringen Sie den Sägeblattschutz in der Rille des Spaltkeils an. Sichern Sie den Sägeblattschutz durch Drehen des Hebels am Sägeblattschutz. (Abb. 19 und 20)

ACHTUNG:

- Wenn Sägeblatt und Spaltkeil nicht korrekt ausgerichtet sind, kann es während des Betriebs zu gefährlichen Verklebungssituationen kommen. Achten Sie auf eine korrekte Ausrichtung. Ohne einen korrekt ausgerichteten Spaltkeil kann es zu schweren Personenschäden kommen.
- Wenn die Ausrichtung aus irgendeinem Grund nicht korrekt ist, lassen Sie das Werkzeug von einem von Makita autorisierten Servicecenter reparieren.
- Entfernen Sie den Spaltkeil nicht.

Zwischen dem Spaltkeil und den Zähnen des Sägeblatts muss ein Abstand von 4 bis 5 mm sein. Stellen Sie den Spaltkeil entsprechend ein und ziehen Sie die Sechskantmutter ganz fest. Bringen Sie den Tischeinsatz am Tisch an und prüfen Sie vor dem Sägen, ob der Sägeblattschutz reibungslos funktioniert. (Abb. 21)

Montage und Einstellen des Parallelenschlags (Abb. 22)

Bringen Sie den Parallelenschlag so am Tisch an, dass der Parallelenschlagshalter an der Führungsschiene eingreift. Ziehen Sie Knauf am Parallelenschlag fest im Uhrzeigersinn an. (Abb. 23)

Um zu überprüfen, ob sich der Parallelenschlag parallel zum Sägeblatt befindet, sichern Sie den Parallelenschlag im Abstand von 2 - 3 mm zum Sägeblatt.

Heben Sie das Blatt so weit wie möglich an. Messen Sie den Abstand (A) und (B) zwischen Parallelenschlag und Sägeblatt. Die zwei Messungen müssen identisch sein. Wenn der Parallelenschlag nicht parallel zum Sägeblatt ist, gehen Sie wie folgt vor:

1. Lösen Sie den Knauf am Parallelenschlag.
2. Stellen Sie den Parallelenschlag ein, bis er parallel zum Sägeblatt liegt.
3. Ziehen Sie den Knauf fest.

ACHTUNG:

- Stellen Sie sicher, dass sich der Parallelenschlag parallel zum Sägeblatt befindet, da es ansonsten zu gefährlichen Rückschlägen kommen kann.

Anschließen eines Staubsaugers

(Abb. 24)

Wenn Sie einen Makita-Staubsauger oder Staubsammler an das Werkzeug anschließen, können Sie das Anfallen von zu viel Staub bei den Arbeiten vermeiden.

BETRIEB

ACHTUNG:

- Benutzen Sie immer Arbeitshilfen wie Schiebestöcke und Schubblöcke, wenn die Gefahr besteht, dass Ihre Hände oder Finger nahe an das Sägeblatt kommen.
- Halten Sie das Werkstück immer fest gegen den Tisch und den Parallelenschlag bzw. die Gehrungsfugenlehre. Sie dürfen es während des Vorschubs weder biegen noch verdrehen. Wenn das Werkstück verbogen oder verdreht wird, kann es zu gefährlichen Rückschlägen kommen.
- Ziehen Sie das Werkstück NIE bei laufendem Sägeblatt heraus. Wenn Sie das Werkstück vor Beendigung eines Schnittes herausziehen müssen, schalten Sie zuerst das Werkzeug aus und halten Sie das Werkstück fest. Warten Sie, bis sich das Blatt nicht mehr dreht, bevor Sie das Werkstück herausziehen. Zuwiderhandlungen können zu gefährlichen Rückschlägen führen.
- Entfernen Sie abgeschnittene Stücke NIE bei laufendem Sägeblatt.
- Halten Sie NIEMALS Ihre Hand oder Ihre Finger in den Weg des Sägeblatts. Gehen Sie bei Neigungsschnitten mit besonderer Vorsicht vor.
- Sichern Sie den Parallelenschlag immer ganz fest, ansonsten kann es zu gefährlichen Rückschlägen kommen.
- Verwenden Sie beim Sägen schmaler Werkstücke stets Arbeitshilfen, wie Schiebestöcke oder Schubblöcke.

Arbeitshilfen

Schiebestöcke, Schubblöcke und Hilfsanschläge sind Arbeitshilfen. Verwenden Sie diese für sichere und saubere Schnitte, ohne dass ein Körperteil in Kontakt mit dem Sägeblatt gerät.

Hilfsanschlag (Abb. 25)

Stellen Sie einen Hilfsanschlag aus 9,5 mm- und 19 mm-Sperrholzteilen her.

Längsschnitte

ACHTUNG:

- Sorgen Sie beim Sägen langer und großer Werkstücke immer für ausreichend Abstützung hinter dem Tisch. Lange Bretter dürfen auf dem Tisch NICHT rutschen oder sich bewegen. Dies kann zum Einklemmen des Sägeblatts führen und somit zu einem gefährlichen Rückschlag und zu schweren Verletzungen. Die Stütze muss genauso hoch sein wie der Tisch. (Abb. 26)
1. Stellen Sie die Schnitttiefe ein bisschen über der Stärke des Werkstücks ein.
 2. Stellen Sie den Parallelenschlag auf die gewünschte Schnittbreite, und sichern Sie ihn durch Anziehen des Knaufs.

3. Schalten Sie das Werkzeug ein und schieben Sie das Werkstück entlang dem Parallelanschlag in das Sägeblatt vor.

- (1) Bei einer Schnittbreite von 150 mm oder mehr schieben Sie das Werkstück vorsichtig mit der rechten Hand vor. Mit der linken Hand halten Sie das Werkstück in Position gegen den Parallelanschlag.
- (2) Bei einer Schnittbreite von 65 mm - 150 mm verwenden Sie den Schiebestock, um das Werkstück vorzuschieben. **(Abb. 27)**
- (3) Bei einer Schnittbreite von weniger als 65 mm kann der Schiebestock nicht verwendet werden, da er den Sägeblattschutz berührt. Verwenden Sie den Hilfsanschlag und den Schubblock. Bringen Sie den Hilfsanschlag am Parallelanschlag mit den beiden Klemmen „C“ an. **(Abb. 28)**
Schieben Sie das Werkstück per Hand vor, bis das Ende etwa 25 mm von der vorderen Kante des Tisches entfernt ist. Schieben Sie mit dem Schubblock oben auf dem Hilfsanschlag weiter vor, bis der Schnitt abgeschlossen ist. **(Abb. 29)**

Querschnitte

ACHTUNG:

- Entfernen Sie für Querschnitte den Parallelanschlag vom Tisch.
- Sorgen Sie beim Sägen langer und großer Werkstücke immer für ausreichend Abstützung an den Seiten des Tisches. Die Stütze muss genauso hoch sein wie der Tisch.
- Halten Sie die Hände immer vom Weg des Sägeblatts fern.

Schieben Sie den Parallelanschlag in die Schiene auf dem Tisch. Lösen Sie den Knauf am Anschlag und stellen Sie den gewünschten Winkel ein (0° bis 60°). Bringen Sie das Aufmaß bündig zum Anschlag an, befestigen Sie es mit der Klemme am Parallelanschlag und schieben Sie es langsam in das Sägeblatt vor. **(Abb. 30)**

Tragen der Maschine (Abb. 31)

Vergewissern Sie sich, dass der Netzstecker herausgezogen ist.

Tragen Sie das Werkzeug durch Halten an dem in der Abbildung gezeigten Werkzeuggesteil.

ACHTUNG:

- Sichern Sie vor dem Transportieren des Werkzeugs immer die beweglichen Teile.
- Stellen Sie immer sicher, dass der Sägeblattschutz angebracht ist, bevor Sie das Werkzeug transportieren.

WARTUNG

ACHTUNG:

- Schalten Sie das Gerät aus und ziehen Sie immer den Netzstecker, bevor Sie Inspektionen oder Wartungsarbeiten am Gerät vornehmen.
- Falls der Schubblockgriff oder Schiebestöcke defekt sind, setzen Sie sich mit Ihrem Makita-Servicecenter in Verbindung, um Ersatzteile zu erhalten.

HINWEIS:

- Verwenden Sie zum Reinigen niemals Kraftstoffe, Benzin, Verdünner, Alkohol oder ähnliches. Dies kann zu Verfärbungen, Verformungen oder Rissen führen.

Reinigung

Reinigen Sie das Werkzeug regelmäßig von Sägemehl und -spänen. Reinigen Sie sorgfältig den Blattschutz und die beweglichen Teile in der Tischkreissäge.

SONDERZUBEHÖR

ACHTUNG:

- Für das in diesem Handbuch beschriebene Makita-Gerät werden die folgenden Zubehör- und Zusatzteile empfohlen. Bei Verwendung anderer Zubehör- und Zusatzteile kann es zu Verletzungen kommen. Verwenden Sie Zubehör- und Zusatzteile nur für den vorgesehenen Zweck.

Informationen zu diesem Zubehör erhalten Sie von Ihrem Makita-Servicecenter.

- Parallelanschlag
- Schraubenschlüssel
- Innensechskantschlüssel

HINWEIS:

- Einige der in der Liste aufgeführten Elemente sind dem Werkzeuggpaket als Standardzubehör beigelegt. Diese können in den einzelnen Ländern voneinander abweichen.

Schallpegel

ENG905-1

Typischer A-bewerteter Schallpegel nach EN1870-1:

Schalldruckpegel (L_{pA}): 93 dB (A)

Schalleistungspegel (L_{WA}): 105 dB (A)

Abweichung (K): 4 dB (A)

Tragen Sie Gehörschutz.

WARNING:

Bei den angegebenen Werten handelt es sich um Lärmpegel und nicht notwendigerweise um sichere Arbeitspegel. Obwohl Lärmpegel und Expositionspegel miteinander in Verbindung stehen, können diese Werte nicht dazu verwendet werden, eine Aussage darüber zu treffen, ob weitere Vorsichtsmaßnahmen notwendig sind oder nicht. Faktoren, die den tatsächlichen Expositionspegel am Arbeitsplatz beeinflussen, sind u.a. die Beschaffenheit des Arbeitsbereichs und die anderen Lärmquellen, z.B. die Anzahl der Maschinen und anderer benachbarter Prozesse. Des Weiteren können sich die zulässigen Expositionspegel von Land zu Land unterscheiden. Anhand dieser Informationen kann der Anwender der Maschine die Gefahren und Risiken jedoch besser einschätzen.

Nur für europäische Länder

ENH113-1

EG-Konformitätserklärung

Makita erklärt, dass die nachfolgende(n) Maschine(n):

Bezeichnung der Maschine(n):

Tischkreissäge

Nummer/Typ des Modells: 2712

den folgenden Richtlinien der Europäischen Union genügt/genügen:

2006/42/EG, 2006/95/EG, 2004/108/EG

Sie werden gemäß den folgenden Standards oder Normen gefertigt:

EN1870-1, EN60204-1, EN55014-1, EN55014-2,
EN61000-3-2, EN61000-3-11

Nummer der EG-Baumusterprüfbescheinigung:
M6A.13.12.86528.002

Die EG-Baumusterprüfung nach 2006/42/EG wurde durchgeführt von:

TÜV SÜD Product Service GmbH
Ridlerstraße 65. D-80339 München Germany
Kennnummer der benannten Stelle: 0123

Die technischen Unterlagen gemäß 2006/42/EG sind erhältlich von:

Makita, Jan-Baptist Vinkstraat 2, 3070, Belgien

20. 12. 2013



Yasushi Fukaya
Direktor

Makita, Jan-Baptist Vinkstraat 2, 3070, Belgien

ITALIANO (Istruzioni originali)

Spiegazione della vista generale

1. Tavola	16. Binario guida	31. Flangia esterna
2. Coltello divisorio	17. Vite a gambo quadrato	32. Rondella
3. Gamba	18. Sottotavolo	33. Vite esagonale
4. Foro interruttore	19. Lunetta (lunga)	34. Serrare
5. Segno A	20. Lunetta (corta)	35. Coprilama
6. Supporto gamba (lungo)	21. Gancio	36. Dado esagonale
7. Supporto gamba (corto)	22. Bacchetta di spinta	37. Spazio tra il coltello divisorio e i denti della lama
8. Piedino	23. Maniglia	38. Manopola
9. Lato più ampio	24. Manopola di blocco	39. Faccia/parallela al lato
10. Pneumatico completo	25. Puntatore a freccia	40. Guida ausiliaria
11. Ugello antipolvere	26. Chiave esagonale	41. Pezzo in lavorazione
12. Maniglia di trasporto	27. Chiave	42. Blocco di spinta
13. Vite	28. Allentare	43. Guida di taglio
14. Interruttore	29. Flangia interna	
15. Vite autofilettante	30. Lama della sega	

SPECIFICHE TECNICHE

Modello		2712	
Foro dell'asta		30 mm	
Diametro lama		315 mm	
Spessore del corpo della lama		2 mm o meno	
Capacità massima di taglio	Spessore a 90°	85 mm	
	Spessore a 45°	58 mm	
	Larghezza	1.600 mm	
Velocità a vuoto		2.950 (min ⁻¹) (50 Hz)	3.400 (min ⁻¹) (60 Hz)
Dimensione banco (L x P)		550 mm x 1.600 mm con sottotavolo (retro)	
Peso netto		52,9 kg	
Classe di sicurezza		Classe I	



- Le caratteristiche tecniche riportate di seguito sono soggette a modifiche senza preavviso in virtù del nostro programma continuo di ricerca e sviluppo.
- Le caratteristiche tecniche possono differire da paese a paese.
- Peso determinato in conformità con la EPTA-Procedure 01/2003



Simboli


END310-1


separatamente, al fine di essere riciclate in modo eco-compatibile.

Di seguito sono riportati i simboli utilizzati per l'apparecchio. È importante comprenderne il significato prima dell'uso.

  Leggere le istruzioni per l'uso.

  Indossare gli occhiali di protezione.

 Evitare di porre le mani o le dita in prossimità della lama.

 Solo per Paesi UE
Non gettare le apparecchiature elettriche tra i rifiuti domestici.
Secondo la Direttiva Europea sui rifiuti di apparecchiature elettriche ed elettroniche e la sua attuazione in conformità alle norme nazionali, le apparecchiature elettriche esauste devono essere raccolte

Uso previsto

ENE003-1

L'utensile è progettato per il taglio del legno.


Alimentazione

ENF001-1

L'utensile deve essere collegato esclusivamente a una fonte di alimentazione con la stessa tensione di quella indicata sulla targhetta e può funzionare soltanto con corrente alternata monofase. Questo utensile deve essere dotato di messa a terra per proteggere l'operatore dal rischio di folgorazioni. Usare solo cavi di prolunga a 3 conduttori con spine a tre denti con messa a terra e prese a tre poli che si adattino alla spina dell'utensile.

Avvertenze generali di sicurezza per l'uso dell'utensile

GEA010-1

 **AVVERTENZA** Leggere attentamente tutte le avvertenze di sicurezza e le istruzioni. La mancata osservanza delle istruzioni e delle avvertenze riportate di seguito potrebbe provocare scosse elettriche, incendi e/o lesioni gravi.

Conservare le avvertenze e le istruzioni per riferimenti futuri.

REGOLE DI SICUREZZA AGGIUNTIVE PER L'UTENSILE

ENB122-1

CONSERVARE QUESTE ISTRUZIONI.

1. Indossare una protezione visiva.
2. Non utilizzare l'utensile in presenza di liquidi o gas infiammabili.
3. Non usare MAI l'utensile con una lama da taglio abrasiva installata.
4. Prima dell'uso verificare lo stato della lama, accertandosi che non vi siano crepe o danni. Sostituire immediatamente la lama che presenta crepe o danni.
5. Usare solo lame da taglio raccomandate dal fornitore e conformi alla norma EN847-1 e assicurarsi che il coltello divisorio non sia più spesso della larghezza del taglio della lama né più sottile del corpo della lama.
6. Utilizzare esclusivamente gli accessori indicati nel presente manuale. L'impiego di accessori non corretti, quali dischi da taglio abrasivi, può provocare infortuni.
7. Scegliere la lama corretta in relazione al materiale da tagliare.
8. Non utilizzare lame prodotte con acciaio rapido.
9. Per ridurre il rumore emesso, assicurarsi che la lama sia sempre affilata e pulita.
10. Utilizzare lame correttamente affilate. Rispettare la velocità massima indicata sulla lama.
11. Pulire l'albero, le flange (specialmente la superficie di installazione) e il dado esagonale prima di montare la lama. Un'installazione scorretta può causare vibrazioni, oscillazioni o lo slittamento della lama.
12. Usare il coprilama e il coltello divisorio per ogni lavorazione in cui possano essere usati, inclusi tutti i tagli passanti. Montare sempre il coprilama seguendo le istruzioni del presente manuale. Le lavorazioni di taglio passanti sono quelle in cui la lama passa completamente attraverso il pezzo in lavorazione, come nel taglio longitudinale e trasversale. Non usare MAI l'utensile con un coprilama danneggiato o fissato con una corda, uno spago, ecc. Ogni funzionamento anomalo del coprilama deve essere corretto immediatamente.
13. Rimontare immediatamente il coprilama e il coltello divisorio dopo ogni lavorazione che richieda la rimozione.
14. Non tagliare oggetti metallici come chiodi e viti. Prima della sessione di lavoro, controllare e rimuovere tutti i chiodi, le viti e altri materiali estranei dal pezzo in lavorazione.
15. Prima di avviare l'utensile rimuovere dal piano chiavi, pezzi tagliati, ecc.
16. Non indossare MAI guanti durante le lavorazioni.
17. Tenere le mani lontane dalla linea di taglio della lama.
18. Non sostare MAI, né permettere ad altri di sostare, allineati con il percorso della lama.
19. Verificare che la lama non tocchi il coltello divisorio o il pezzo in lavorazione prima che l'interruttore sia acceso.
20. Prima di usare l'utensile, lasciarlo funzionare a vuoto per qualche minuto. Prestare attenzione a vibrazioni e oscillazioni, che potrebbero indicare difetti di installazione o che la lama è mal bilanciata.
21. L'utensile non deve essere usato per lavorazioni di fenditura, tassellatura o scanalatura.
22. Sostituire l'insero del piano una volta usurato.
23. Non fare MAI regolazioni mentre l'utensile è in funzione. Prima di fare qualunque regolazione, scollegare l'utensile.
24. Usare uno spingipezzo quando necessario. Gli spingipezzo DEVONO essere usati nel taglio di piccoli pezzi, per mantenere mani e dita fuori dalla portata della lama.
25. Riporre sempre lo spingipezzo quando non viene utilizzato.
26. Porre particolare attenzione alle istruzioni per ridurre il rischio di CONTRACCOLPI. Il CONTRACCOLPO è una reazione improvvisa causata da una lama incastrata, bloccata o disallineata. Il CONTRACCOLPO causa l'espulsione del pezzo in lavorazione dall'utensile in direzione dell'operatore. I CONTRACCOLPI POSSONO CAUSARE GRAVI LESIONI PERSONALI. Evitare i CONTRACCOLPI mantenendo la lama affilata, tenendo la guida di taglio parallela alla lama, avendo cura che il coprilama e il coltello divisorio siano montati e correttamente funzionanti, non sbloccando il pezzo in lavorazione prima di averlo allontanato completamente dalla lama e non tagliando un pezzo che si presenti attorcigliato, deformato o che non abbia uno spigolo rettilineo per poterlo scorrere lungo la guida.
27. Non eseguire alcuna operazione a mani nude. A mani nude significa usare le mani per sostenere o guidare il pezzo in lavorazione, invece di una guida di taglio o per augnature.
28. Non rimanere MAI in prossimità o sopra la lama. Non toccare MAI il pezzo in lavorazione prima che la lama si sia arrestata completamente.
29. Evitare di procedere bruscamente o troppo velocemente. Procedere il più lentamente possibile durante il taglio di pezzi duri. Non piegare o torcere il pezzo durante la lavorazione. Nel caso in cui la lama si incastri o si blocchi nel pezzo, spegnere immediatamente l'utensile. Scollegare l'utensile, quindi risolvere il blocco.
30. Non rimuovere MAI i pezzi tagliati in prossimità della lama, né toccare il coprilama mentre la lama è in funzione.
31. Eliminare ogni nodo cascante dal pezzo in lavorazione PRIMA di iniziare il taglio.
32. Non torcere il cavo. Non stratonare il cavo per scollarlo dalla presa. Mantenere il cavo lontano da calore, olio, acqua e bordi taglienti.
33. Alcune polveri prodotte durante l'impiego contengono componenti chimici che provocano il

cancro, difetti di nascita e altri danni riproduttivi.

Tra tali sostanze rientrano:

- **Piombo derivante da materiali trattati con vernici al piombo.**
 - **Arsenico e cromo derivanti da legname trattato chimicamente.**
 - **Il rischio relativo a tali esposizioni varia in funzione della frequenza della specifica attività. Per ridurre l'esposizione a tali sostanze chimiche: lavorare in un'area ben ventilata utilizzando i dispositivi di sicurezza approvati, ad esempio le maschere antipolvere appositamente progettate per filtrare particelle microscopiche.**
34. **Durante l'uso dell'utensile al chiuso, collegare sempre l'utensile a un sistema esterno di estrazione della polvere. Accendere il sistema di estrazione della polvere prima di avviare l'utensile.**
 35. **Il coprilama può essere sollevato durante il fissaggio del pezzo in lavorazione e per agevolare le operazioni di pulizia. Prima di collegare l'utensile assicurarsi sempre che il coprilama sia abbassato e aderente al piano di taglio.**
 36. **Per evitare di tagliarsi, indossare i guanti quando si maneggiano le lame della sega, si introduce il legno nell'utensile o si effettua la manutenzione.**
 37. **Non tentare di rimuovere i trucioli mentre la lama della sega è in movimento o l'utensile è acceso.**
 38. **Non tentare di utilizzare lo strumento se tutte le protezioni e gli altri dispositivi di sicurezza necessari per l'utensile non sono in buone condizioni di funzionamento.**
 39. **Gli operatori devono sostenere un'adeguata formazione per il montaggio, la regolazione e l'uso dell'utensile.**
 40. **Non utilizzare lame la cui velocità massima è inferiore alla velocità a vuoto dell'utensile.**
 41. **Mantenere l'area di lavoro ben illuminata.**

CONSERVARE QUESTE ISTRUZIONI.

INSTALLAZIONE

PREPARAZIONE

Verificare che nella confezione siano contenuti i componenti indicati di seguito. Rivolgersi immediatamente al centro assistenza Makita in caso di mancanza di componenti nella confezione.

- Banco sega (1 unità)
- Gamba (4 pz.)
- Piedino (4 pz.)
- Vite a testa conica per piedino (4 pz.)
- Dado esagonale per piedino (4 pz.)
- Supporto gamba (lungo) (2 pz.)
- Supporto gamba (corto) (2 pz.)
- Pneumatico completo (1 pz.)
- Ugello antipolvere (1 pz.)
- Maniglia di trasporto (2 pz.)
- Vite a gambo quadrato per binario guida (4 pz.)
- Vite esagonale per binario guida (4 pz.)
- Binario guida (lungo) (1 pz.)
- Binario guida (corto) (1 pz.)

- Sottotavolo (1 pz.)
- Lunetta (lunga) (2 pz.)
- Lunetta (corta) (2 pz.)
- Gancio (1 pz.)
- Coprilama (1 pz.)
- Vite autofilettante (3 pz.)
- Vite esagonale (38 pz.)
- Dado esagonale (38 pz.)
- Chiave esagonale (1 pz.)
- Chiave (1 pz.)
- Bacchetta di spinta (1 pz.)
- Blocco di spinta (1 pz.)
- Guida (per guida di taglio) (1 pz.)
- Guida di taglio (1 pz.)

Installazione del banco sega

1. **Capovolgere il banco sega posandolo su due tavole. Verificare che il coltello divisorio si trovi nello spazio tra le due tavole. (Fig. 1)**
2. **Fissare le quattro gambe al bordo interno della base. Fissare la gamba con il foro per l'interruttore sul lato che riporta la dicitura "A" sulla base. Assicurare le quattro gambe temporaneamente, evitando di serrare saldamente le viti in questa fase. (Fig. 2)**
3. **Fissare alle gambe dapprima i supporti gamba (lunghi), quindi i supporti gamba (corti). Assicurare le gambe e i supporti gamba serrando le viti saldamente. Verificare sempre l'orientamento delle gambe di supporto.**
4. **Installare i piedini alle estremità inferiori delle gambe. Fissarli mediante le viti a testa conica e i dadi esagonali. (Fig. 3)**
5. **Installare sulle gambe il pneumatico completo e fissarlo mediante le viti e i dadi esagonali. (Fig. 4)**
6. **Installare l'ugello antipolvere.**
7. **Regolare la parte motore alla posizione 0° e fissarla serrando la manopola. Fissare il cavo di alimentazione mediante l'apposito morsetto. (Fig. 5)**
8. **Capovolgere nuovamente il banco sega riportandolo nella posizione normale, quindi installare le maniglie di trasporto. (Fig. 6)**
9. **Installare l'interruttore sulla gamba, quindi fissarlo mediante le viti autofilettanti. (Fig. 7)**
10. **Installare la lama della sega e il coprilama. Per queste operazioni, fare riferimento alle sezioni "Installazione o rimozione della lama della sega" e "Installazione del coprilama".**
11. **Installare il binario guida (corto) sul lato anteriore del banco sega e il binario guida (lungo) sul lato sinistro della base. (Fig. 8)**
12. **Installare il sottotavolo sulla base. Selezionare la lunghezza appropriata delle lunette in funzione della posizione. (Fig. 9 e 10)**
13. **Installare il gancio sulla gamba. (Fig. 11)**
14. **Collocare il banco sega su una superficie livellata e bene illuminata, in cui si possa mantenere una buona presa a terra e un buon equilibrio. Dovrebbe essere installata in una posizione in cui vi sia abbastanza spazio per maneggiare comodamente i pezzi in lavorazione.**
Se durante la lavorazione si osserva la tendenza del banco sega a rovesciarsi, scorrere o spostarsi, occorrerà fissare al pavimento il banco sega.

Sistemazione degli accessori (Fig. 12)

La bacchetta di spinta e le chiavi possono essere riposte sul lato destro dell'utensile.

DESCRIZIONE FUNZIONALE

⚠ ATTENZIONE:

- Prima di regolare o controllare le funzioni dell'utensile, verificare sempre di averlo spento e scollegato dall'alimentazione.

Regolazione della profondità di taglio (Fig. 13)

La profondità di taglio deve essere regolata ruotando la maniglia. Ruotare la maniglia in senso antiorario per sollevare la lama o in senso orario per abbassarla.

NOTA:

- Per ottenere un taglio più netto in materiali sottili, usare una regolazione poco profonda.

Regolazione dell'angolo di smusso (Fig. 14)

Allentare la manopola di blocco in senso antiorario fino a ottenere l'angolazione desiderata (fra 0 e 45°). Il puntatore a freccia indica l'angolazione di smussatura. Una volta ottenuta l'angolazione desiderata, serrare la manopola di blocco in senso orario per fissare la regolazione.

⚠ ATTENZIONE:

- Dopo avere regolato l'angolazione di smusso, assicurarsi di serrare saldamente la manopola di blocco.

Azionamento dell'interruttore

⚠ ATTENZIONE:

- Rimuovere il pezzo in lavorazione dal tavolo.
- Prima di collegare l'utensile alla presa di rete, verificare che sia spento. (Fig. 15)

Per avviare l'utensile, premere il pulsante di accensione (I).

Per arrestarlo, premere il pulsante di spegnimento (O) sul coperchio dell'interruttore.

MONTAGGIO

⚠ ATTENZIONE:

- Prima di iniziare qualsiasi operazione sull'utensile, verificare sempre di averlo spento e scollegato dall'alimentazione.

L'utensile viene consegnato con la lama e il coprilama non installati.

Installazione o rimozione della lama della sega

⚠ ATTENZIONE:

- Prima di installare o rimuovere la lama, accertarsi sempre che l'utensile sia spento e scollegato dalla presa di rete.
- Per installare o rimuovere la lama utilizzare esclusivamente la chiave esagonale Makita in

dotazione. In caso contrario il vite esagonale potrebbe risultare troppo stretto oppure allentato. Questa situazione può essere causa di infortuni.

- Utilizzare la lama seguente. Non utilizzare lame che non siano conformi alle caratteristiche specificate in queste istruzioni.

Modello	Dia.	Lama spessore	Taglio
2712	315 mm	2 mm o più	2,8 mm o più

014540

Per rimuovere la lama della sega, rimuovere l'inserto posto sul banco. Mantenere con la chiave la flangia esterna, quindi allentare la vite esagonale ruotandola in senso orario mediante la chiave esagonale. Rimuovere quindi la flangia esterna. (Fig. 16)

Per installare la lama della sega, assemblare la flangia interna, la lama della sega, la flangia esterna, la rondella e la vite esagonale sull'asta. Accertarsi che i denti della lama siano rivolti verso il basso sulla parte anteriore del banco. (Fig. 17)

⚠ ATTENZIONE:

- Mantenere la superficie della flangia libera da polvere o altri materiali aderenti, che potrebbero causare lo slittamento della lama. Assicurarsi che la lama sia installata in modo che i denti siano allineati alla direzione di taglio (rotazione).

Per fissare la lama in posizione, mantenere la flangia esterna con la chiave, quindi serrare la vite esagonale in senso antiorario mediante la chiave esagonale.

ACCERTARSI DI SERRARE SALDAMENTE LA VITE ESAGONALE. (Fig. 18)

⚠ ATTENZIONE:

- Accertarsi di mantenere saldamente la vite esagonale con la chiave esagonale. Se la presa dovesse mancare, la chiave esagonale potrebbe fuoriuscire dalla vite esagonale e la mano potrebbe urtare il bordo affilato della lama.

Installazione del coprilama

⚠ ATTENZIONE:

- Prima di installare il coprilama, regolare la profondità di taglio al valore massimo.

Porre il coprilama nella scanalatura sul coltello divisorio.

Fissare il coprilama girando la levetta sul coprilama stesso. (Fig. 19 e 20)

⚠ ATTENZIONE:

- Se la lama e il coltello non sono correttamente allineati, nel corso della lavorazione potrebbero verificarsi pericolose condizioni di pizzicamento. Assicurarsi che siano allineati correttamente. Il non corretto allineamento del coltello divisorio può essere causa di gravi lesioni personali durante l'uso dell'utensile.
- Se per qualsiasi motivo non risultassero allineati, rivolgersi a un centro di assistenza autorizzato Makita per la riparazione.
- Non rimuovere il coltello divisorio.

Fra il coltello divisorio e i denti della lama deve esistere uno spazio di circa 4-5 mm. Regolare il coltello divisorio di conseguenza e serrare saldamente il dado esagonale. Collegare l'inserto sul banco, quindi, prima di tagliare,

verificare che il coprilama funzioni correttamente.
(Fig. 21)

Installazione e regolazione della guida di taglio (Fig. 22)

Installare la guida di taglio sul banco in modo tale che il relativo sostegno si agganci al binario guida. Serrare saldamente la manopola della guida di taglio ruotandola in senso orario. (Fig. 23)

Per assicurarsi che la guida di taglio sia parallela alla lama, fissare la guida a una distanza di 2-3 mm dalla lama.

Sollevarla la lama fino all'altezza massima. Misurare la distanza (A) e (B) fra la guida di taglio e la lama. Queste due misure devono essere identiche.

Se la guida di taglio non è parallela alla lama, procedere come segue:

1. Allentare la manopola della guida di taglio.
2. Regolare la guida di taglio finché non è parallela alla lama.
3. Serrare la manopola.

⚠ ATTENZIONE:

- Assicurarsi di regolare la guida di taglio in modo che sia parallela alla lama, in caso contrario potrebbero verificarsi pericolosi contraccolpi.

Collegamento di un aspirapolvere (Fig. 24)

Le operazioni di pulizia possono essere effettuate collegando l'utensile a un aspirapolvere o un raccogliatore di polveri Makita.

USO

⚠ ATTENZIONE:

- Utilizzare sempre degli "ausili per il lavoro", quali bacchette di spinta o blocchi di spinta laddove sussista il pericolo di avvicinare mani o dita alla lama.
- Mantenere sempre saldamente il pezzo in lavorazione sul banco mediante la guida di taglio o la guida per agnatura. Non piegare o torcere il pezzo durante la lavorazione. Se il pezzo in lavorazione è piegato o distorto si possono verificare pericolosi contraccolpi.
- Non estrarre MAI il pezzo mentre la lama è in funzione. Se occorre estrarre il pezzo prima del termine di un taglio, spegnere prima l'utensile, trattenendo saldamente il pezzo. Prima di estrarre il pezzo attendere che la lama si sia arrestata completamente. La mancata osservanza di questa precauzione può causare pericolosi contraccolpi.
- Non rimuovere MAI il materiale tagliato mentre la lama è in funzione.
- Non porre MAI le mani o le dita lungo il percorso della lama. Prestare particolare attenzione nella lavorazione di smussature.
- Fissare sempre saldamente la guida di taglio, per evitare pericolosi contraccolpi.
- Utilizzare sempre "ausili per il lavoro", quali bacchette di spinta e blocchi di spinta nella lavorazione di pezzi stretti o di piccole dimensioni.

Ausili per il lavoro

Bacchette di spinta, blocchi di spinta o guide ausiliarie sono vari tipi di "ausili per il lavoro". Essi permettono di effettuare tagli in modo sicuro, impedendo che qualunque parte del corpo dell'operatore entri a contatto con la lama.

Guida ausiliaria (Fig. 25)

Realizzare una guida ausiliaria ricavandola da pezzi di compensato da 9,5 mm e 19 mm.

Taglio longitudinale

⚠ ATTENZIONE:

- Predisporre un supporto adeguato dietro il banco durante il taglio di pezzi lunghi o di grandi dimensioni. NON permettere a una tavola lunga di muoversi o scivolare sul banco. Questo causerà il blocco della lama e aumenterà la probabilità di contraccolpi e lesioni personali. Il supporto deve essere alla stessa altezza del banco. (Fig. 26)
1. Regolare la profondità di taglio a un valore un po' più grande dello spessore del pezzo in lavorazione.
 2. Posizionare la guida di taglio alla larghezza di taglio desiderata e fissarla in posizione serrando la manopola.
 3. Avviare l'utensile e spingere delicatamente il pezzo verso la lama, lungo la guida di taglio.
 - (1) Se la larghezza di taglio è di 150 mm o superiore, usare con cautela la mano destra per guidare il pezzo. Usare la mano sinistra per tenere in posizione il pezzo contro la guida di taglio.
 - (2) Se la larghezza di taglio è di 65 - 150 mm, utilizzare la bacchetta di spinta per spingere il pezzo in lavorazione. (Fig. 27)
 - (3) Se la larghezza di taglio è inferiore a 65 mm, non è possibile utilizzare la bacchetta di spinta poiché urterebbe il coprilama. Utilizzare invece la guida ausiliaria e il blocco di spinta. Fissare la guida ausiliaria alla guida di taglio mediante due morsetti a "C". (Fig. 28)
Spingere il pezzo a mano finché l'estremità non si trova a circa 25 mm dal bordo anteriore del banco. Continuare a spingere usando il blocco di spinta sopra la guida ausiliaria, fino al completamento del taglio. (Fig. 29)

Taglio trasversale

⚠ ATTENZIONE:

- Per effettuare tagli trasversali rimuovere la guida di taglio dal banco.
 - Predisporre un supporto adeguato ai lati del banco durante il taglio di pezzi lunghi o di grandi dimensioni. Il supporto deve essere alla stessa altezza del banco.
 - Tenere sempre le mani lontane dalla lama.
- Far scorrere la guida di taglio nel binario sul banco. Allentare la manopola sulla guida e allineare all'angolazione desiderata (tra 0° e 60°). Portare il pezzo a filo contro la guida, fissarlo mediante il morsetto sulla guida di taglio e sospingerlo lentamente verso la lama. (Fig. 30)

Trasporto dell'utensile (Fig. 31)

Accertarsi che l'utensile sia scollegato.

Trasportare l'utensile utilizzando la parte mostrata nella figura.

ATTENZIONE:

- Bloccare tutte le parti mobili prima di trasportare l'utensile.
- Assicurarsi che il coprilama sia montato correttamente prima di trasportare l'utensile.

MANUTENZIONE

ATTENZIONE:

- Prima di effettuare operazioni di ispezione e manutenzione sull'utensile, verificare sempre di averlo spento e scollegato dall'alimentazione.
- Se l'impugnatura del blocco di spinta o le bacchette di spinta sono rotte, rivolgersi al centro assistenza Makita per ottenere i ricambi.

AVVISO:

- Evitare assolutamente di usare benzina, diluenti, solventi, alcol o sostanze simili. In caso contrario, potrebbero verificarsi scoloriture, deformazioni o incrinature.

Pulizia

Eliminare la segatura e i trucioli periodicamente. Pulire con attenzione il coprilama e le parti mobili all'interno del banco sega.

ACCESSORI OPZIONALI

ATTENZIONE:

- Si consiglia l'uso dei seguenti accessori per l'utensile Makita descritto in questo manuale. L'uso di qualsiasi altro accessorio potrebbe provocare lesioni personali. Utilizzare gli accessori esclusivamente per l'uso dichiarato.

Per l'assistenza e per ulteriori informazioni su tali accessori, rivolgersi al centro assistenza Makita di zona.

- Guida di taglio
- Chiave
- Chiave esagonale

NOTA:

- Alcuni degli accessori elencati potrebbero essere inclusi nella confezione dell'utensile come accessori standard. Gli accessori standard possono differire da paese a paese.

Rumore

ENG905-1

Livello tipico di rumore ponderato "A", determinato in conformità a EN1870-1:

Livello di pressione sonora (L_{pA}): 93 dB (A)

Livello di potenza sonora (L_{WA}): 105 dB (A)

Variazione (K): 4 dB (A)

Indossare una protezione acustica.

AVVERTENZA:

I dati indicati corrispondono ai livelli di emissioni e non rappresentano necessariamente livelli operativi di sicurezza. Sebbene esista una correlazione tra i livelli di emissioni e di esposizione, questa non può essere utilizzata affidabilmente per determinare se siano necessarie ulteriori precauzioni. I fattori che influenzano il

livello effettivo di esposizione della forza lavoro comprendono le caratteristiche dell'ambiente di lavoro e le altre fonti di rumore o simili, vale a dire il numero di macchine e altri processi adiacenti. Inoltre, il livello di esposizione ammesso può variare da un paese all'altro. Queste informazioni, tuttavia, permetteranno all'utilizzatore della macchina di formulare una migliore valutazione di rischi e pericoli.

ENH113-1

Solo per i paesi europei

Dichiarazione di conformità CE

Makita dichiara che le macchine seguenti:

Denominazione dell'utensile:

Banco sega

N. modello/Tipo: 2712

sono conformi alle seguenti direttive europee:

2006/42/EC, 2006/95/EC, 2004/108/EC

Sono prodotte in conformità agli standard o ai documenti standardizzati riportati di seguito:

EN1870-1, EN60204-1, EN55014-1, EN55014-2,

EN61000-3-2, EN61000-3-11

N. della Certificazione CE: M6A.13.12.86528.002

La certificazione CE ai sensi della direttiva 2006/42/EC è stata eseguita da:

TÜV SÜD Product Service GmbH

Ridlerstraße 65. D-80339 München Germania

N. identificazione 0123

Il documento tecnico ai sensi della Direttiva europea 2006/42/EC è disponibile presso:

Makita, Jan-Baptist Vinkstraat 2, 3070, Belgio

20. 12. 2013



Yasushi Fukaya

Direttore

Makita, Jan-Baptist Vinkstraat 2, 3070, Belgio

NEDERLANDS (Originele instructies)

Verklaring van het onderdelenoverzicht

1. Plank	16. Geleiderail	31. Buitenflens
2. Spouwmes	17. Slotbout	32. Ring
3. Poot	18. Hulptafel	33. Zeskantbout
4. Opening voor schakelaar	19. Steun (lang)	34. Vastdraaien
5. Merkteken A	20. Steun (kort)	35. Beschermkap
6. Pootsteun (lang)	21. Haak	36. Zeskantmoer
7. Pootsteun (kort)	22. Duwstok	37. Speling tussen spouwmes en zaagtanden
8. Voet	23. Draaihendel	38. Knop
9. Brede zijde	24. Vergrendelknop	39. Bovenkant/onderkant parallel
10. Wiel, compleet	25. Pijl	40. Hulpgeleider
11. Stofafzuigaansluitmond	26. Ringsleutel	41. Werkstuk
12. Draaghandgreep	27. Sleutel	42. Duwblok
13. Bout	28. Losdraaien	43. Breedtegeleider
14. Schakelaar	29. Binnenflens	
15. Tapschroef	30. Zaagblad	

TECHNISCHE GEGEVENS

Model		2712	
Asgat		30 mm	
Diameter van zaagblad		315 mm	
Dikte van zaagblad		2 mm of minder	
Max. zaagdikte	Dikte bij 90°	85 mm	
	Dikte bij 45°	58 mm	
	Breedte	1.600 mm	
Onbelast toerental		2.950 (min ⁻¹) (50 Hz)	3.400 (min ⁻¹) (60 Hz)
Tafelafmetingen (l x b)		550 mm x 1.600 mm met hulptafel (achterkant)	
Nettogewicht		52,9 kg	
Veiligheidsklasse		Klasse I	

- Als gevolg van ons doorlopende onderzoeks- en ontwikkelingsprogramma, zijn de technische gegevens van dit gereedschap onderhevig aan veranderingen zonder voorafgaande kennisgeving.
- De technische gegevens kunnen van land tot land verschillen.
- Gewicht volgens EPTA-procedure 01/2003

Symbolen

END310-1

bedrijf dat voldoet aan de geldende milieu-eisen.

Hieronder staan de symbolen die voor het gereedschap worden gebruikt. Zorg ervoor dat u weet wat ze betekenen alvorens de accu te gebruiken.



..... Lees de gebruiksaanwijzing.



..... Draag een veiligheidsbril.



..... Houd handen en vingers uit de buurt van het zaagblad.



..... Alleen voor EU-landen
Geef elektrisch gereedschap niet met het huisvuil mee!

Volgens de Europese richtlijn inzake oude elektrische en elektronische apparaten en de toepassing daarvan binnen de nationale wetgeving, dient gebruikt elektrisch gereedschap gescheiden te worden ingezameld en te worden afgevoerd naar een recycle

Gebruiksdoelinden

ENE003-1

Het gereedschap is bedoeld om hout te zagen.

Voeding

ENF001-1

Het gereedschap mag uitsluitend worden aangesloten op een voeding met dezelfde spanning als aangegeven op het typeplaatje en werkt alleen op enkele-fase wisselstroom. Dit gereedschap moet tijdens gebruik zijn geaard om de gebruiker te beschermen tegen elektrische schokken. Gebruik uitsluitend verlengsnoeren met drie draden die zijn voorzien van geaarde stekkers en geaarde stopcontacten waarin de stekker van het gereedschap past.

Algemene veiligheidswaarschuwingen voor elektrisch gereedschap

GEA1010-1



WAARSCHUWING Lees alle veiligheidswaarschuwingen en alle instructies. Het

niet volgen van de waarschuwingen en instructies kan leiden tot elektrische schokken, brand en/of ernstig letsel.

Bewaar alle waarschuwingen en instructies om in de toekomst te kunnen raadplegen.

AANVULLENDE VEILIGHEIDSVORSCHRIFTEN VOOR GEREEDSCHAP

ENB122-1

BEWAAR DEZE INSTRUCTIES.

1. Draag oogbescherming.
2. Gebruik het gereedschap niet in de buurt van ontvlambare vloeistoffen of gassen.
3. Gebruik het gereedschap NOOIT met een doorslijpschijf erop gemonteerd.
4. Controleer vóór het gebruik het zaagblad zorgvuldig op barsten of beschadiging. Vervang een gebarsten of beschadigde zaagblad meteen.
5. Gebruik alleen zaagbladen die aanbevolen worden door de fabrikant en die voldoen aan de norm EN847-1, en let erop dat het spouwmes niet dikker is dan de zaagbreedte van het zaagblad en niet dunner is dan het zaagblad zelf.
6. Gebruik altijd de accessoires die in deze gebruiksaanwijzing aanbevolen worden. Gebruik van ongeschikte accessoires, zoals slijpschijven, kan tot letsel leiden.
7. Kies voor het materiaal, dat u wilt bewerken, het geschikte zaagblad.
8. Zaagbladen van hooggelegeerd snelstaal (HSS) mogen niet worden gebruikt.
9. Om het geluidsniveau te verlagen, zorgt u er altijd voor dat het zaagblad scherp en schoon is.
10. Gebruik een zaagblad dat op de juiste wijze geslepen is. Houd u aan de maximale snelheid aangegeven op het zaagblad.
11. Reinig de as, de flenzen (vooral het montagevlak) en de zeskantmoer voordat u het zaagblad monteert. Gebrekkige montage kan trilling/schommeling of slippen van het zaagblad veroorzaken.
12. Gebruik de beschermkap en het spouwmes voor elk soort werk waarvoor deze kunnen worden gebruikt, inclusief alle doorzaagactiviteiten. Monteer altijd de beschermkap volgens de instructies beschreven in deze gebruiksaanwijzing. Doorzaagactiviteiten zijn activiteiten waarbij het zaagblad het werkstuk helemaal doorzaagt, zoals bij schulpen of afkorten. Gebruik het gereedschap NOOIT met een defecte beschermkap en maak de beschermkap nooit vast door middel van een touw, een koord e.d. Elke abnormale werking van de beschermkap moet onmiddellijk worden gerepareerd.
13. Monteer onmiddellijk weer de beschermkap en het spouwmes, na het voltooiën van de activiteit waarvoor demontage van de beschermkap noodzakelijk was.
14. **Zaag niet in metalen voorwerpen zoals spijkers en schroeven. Inspecteer het werkstuk en verwijder alle spijkers, schroeven en andere dingen die er niet thuis horen, voordat u met het zagen begint.**
15. **Verwijder sleutels, afgezaagde stukken e.d. van het tafelblad voordat u het gereedschap inschakelt.**
16. **Draag NOOIT handschoenen tijdens het bedienen van het gereedschap.**
17. **Houd uw handen uit de buurt van de looplijn van het zaagblad.**
18. **Sta NOOIT in het verlengde van de zaaglijn van het zaagblad, en laat niet toe dat iemand anders daar gaat staan.**
19. **Zorg ervoor dat het zaagblad het spouwmes of het werkstuk niet raakt voordat u het gereedschap hebt ingeschakeld.**
20. **Laat het gereedschap een tijdje draaien voordat u het werkstuk gaat zagen. Controleer op trillingen of schommelingen die op onjuiste montage of een slecht uitgebalanceerd zaagblad kunnen wijzen.**
21. **Het gereedschap mag niet gebruikt worden voor het zagen van gleuven, het maken van rabatten of welke vorm van freeswerk dan ook.**
22. **Vervang het inzetstuk als deze gesleten is.**
23. **Verander NOOIT de instelling van het gereedschap als deze ingeschakeld is. Haal de stekker uit het stopcontact voordat u de instellingen verandert.**
24. **Gebruik indien nodig een duwstok. Een duwstok MOET worden gebruikt voor het schulpen van smalle werkstukken, zodat uw handen en vingers op veilige afstand van het zaagblad blijven.**
25. **Berg de duwstok altijd op als deze niet wordt gebruikt.**
26. **Schenk speciale aandacht aan de voorzorgsmaatregelen voor het voorkomen van TERUGSLAG. TERUGSLAG is een plotselinge reactie op een bekneld, vastgelopen of niet-uitgelijnd zaagblad. TERUGSLAG leidt ertoe dat het werkstuk van het gereedschap wordt weggeslingerd in de richting van de gebruiker. TERUGSLAG KAN LEIDEN TOT ERNSTIG PERSOONLIJK LETSEL. Voorkom TERUGSLAG door de volgende voorzorgsmaatregelen in acht te nemen: Gebruik altijd een goed aangescherpt zaagblad. Houd de breedtegeleider evenwijdig met het zaagblad. Houd het spouwmes, de vingers voor terugslagbeveiliging en de beschermkap op hun plaats gemonteerd en zorg ervoor dat deze naar behoren werken. Laat het werkstuk niet los totdat u het helemaal voorbij het zaagblad hebt geduwd. Schulp geen werkstuk dat verbogen of kromgetrokken is of geen rechte rand heeft die langs de geleider kan worden geplaatst.**
27. **Zaag nooit uit de vrije hand. "Uit de vrije hand" betekent dat in plaats van de verstekgeleider of de breedtegeleider u uw handen gebruikt om het werkstuk te ondersteunen of te geleiden.**
28. **Reik NOOIT rond of over het zaagblad. Reik NOOIT naar een werkstuk voordat het zaagblad volledig tot stilstand is gekomen.**
29. **Vermijd bruusk en snel aanvoeren van het werkstuk. Voer harde werkstukken zo langzaam**

mogelijk aan. Buig of verdraai het werkstuk niet tijdens het aanvoeren. Als het zaagblad in het werkstuk vast blijft zitten of blokkeert, moet u het gereedschap onmiddellijk uitschakelen. Haal de stekker uit het stopcontact. Maak het werkstuk vrij.

30. Verwijder **NOOIT** zaagafval dicht bij het zaagblad en raak de beschermkap nooit aan terwijl het zaagblad draait.
31. Verwijder elk loszittende houtknoest uit het werkstuk voordat u het begint te zagen.
32. Behandel het netsnoer voorzichtig. Ruk niet aan het snoer om zo de stekker uit het stopcontact te trekken. Houd het netsnoer uit de buurt van hitte, olie, water en scherpe randen.
33. Stof dat tijdens de werkzaamheden vrijkomt, kan chemische bestanddelen bevatten die kanker, geboortedefecten of andere voortplantingsschade kan (kunnen) verwekken. Enkele voorbeelden van deze chemische stoffen zijn:
 - lood van loodhoudende verfstoffen en
 - arsenicum en chroom van chemisch behandeld hout.
 - Het risico van deze blootstellingen varieert en hangt af van het feit hoe vaak u dit soort werkzaamheden uitvoert. Om blootstelling aan deze chemische bestanddelen te verminderen: moeten de werkzaamheden uitgevoerd worden in een goed geventileerde werkomgeving en gebruikmakend van goedgekeurd beschermende hulpmiddelen, zoals stofmaskers die ontworpen zijn om microscopisch kleine deeltjes te kunnen filteren.
34. Wanneer het gereedschap binnenshuis wordt gebruikt, sluit u het gereedschap altijd aan op een extern stofafzuigsysteem. Schakel het stofafzuigsysteem in voordat u het gereedschap inschakelt.
35. De beschermkap kan omhoog gezet worden om het werkstuk in positie te brengen en om het schoonmaken te vereenvoudigen. Zorg er altijd voor dat de beschermkap zich in de onderste stand vlak op de tafelcirkelzaag bevindt, voordat u de stekker in het stopcontact steekt.
36. Draag handschoenen tegen de kans op snijwonden wanneer u de zaagbladen hanteert, hout in het gereedschap voert of onderhoudswerkzaamheden uitvoert.
37. Probeer nooit houtsnippers te verwijderen terwijl het zaagblad draait of het gereedschap is ingeschakeld.
38. Probeer nooit het gereedschap te gebruiken wanneer niet alle beschermkappen en andere veiligheidsvoorzieningen van het gereedschap in goed werkende staat verkeren.
39. Gebruikers moeten voldoende getraind zijn in het monteren, afstellen en bedienen van het gereedschap.
40. Gebruik nooit zaagbladen waarvan het maximumtoerental lager is dan het nullastoerental van het gereedschap.
41. Zorg voor goede verlichting op uw werkplek.

BEWAAR DEZE INSTRUCTIES.

MONTEREN

VOORBEREIDINGEN

Controleer de inhoud van de verpakking op aanwezigheid van de volgende onderdelen. Neem onmiddellijk contact op met een Makita-servicecentrum in het geval enig onderdeel in de verpakking ontbreekt.

- Tafelcirkelzaag (1 stuk)
- Poot (4 stuks)
- Voet (4 stuks)
- Bout met verzonken kop voor voet (4 stuks)
- Zeskantmoer voor voet (4 stuks)
- Pootsteun (lang) (2 stuks)
- Pootsteun (kort) (2 stuks)
- Wiel, compleet (1 stuk)
- Stofafzuigaansluitmond (1 stuk)
- Draaghandgreep (2 stuks)
- Slotbout voor geleiderail (4 stuks)
- Zeskantbout voor geleiderail (4 stuks)
- Geleiderail (lang) (1 stuk)
- Geleiderail (kort) (1 stuk)
- Hulptafel (1 stuk)
- Steun (lang) (2 stuks)
- Steun (kort) (2 stuks)
- Haak (1 stuk)
- Beschermkap (1 stuk)
- Tapschroef (3 stuks)
- Zeskantbout (38 stuks)
- Zeskantmoer (38 stuks)
- Ringsleutel (1 stuk)
- Sleutel (1 stuk)
- Duwstok (1 stuk)
- Duwblok (1 stuk)
- Geleider (voor breedtegeleider) (1 stuk)
- Breedtegeleider (1 stuk)

De tafelcirkelzaag monteren

1. Leg de tafelcirkelzaag op zijn kop op twee planken. Controleer of het spouwmes tussen de twee planken valt (**zie afb. 1**).
2. Bevestig de vier poten aan de binnenkant van de tafelrand. Bevestig de poot waarin de opening voor de schakelaar zit aan de kant met het merkteken "A" op de tafelrand. Bevestig de vier poten, maar draai de bouten nog niet strak aan (**zie afb. 2**).
3. Bevestig de pootsteunen (lang) aan de poten en bevestig daarna de pootsteunen (kort) aan de poten. Monteer de poten en pootsteunen stevig met behulp van de bouten. Controleer altijd de richting van de pootsteunen.
4. Monteer de voeten aan de onderkant van de poten. Bevestig ze met de bouten met verzonken kop en de zeskantmoeren (**zie afb. 3**).
5. Monteer de complete wielen aan de poten en bevestig ze met de bouten en zeskantmoeren (**zie afb. 4**).
6. Monteer de stofafzuigaansluitmond.
7. Stel de motor af op de stand 0° en zet hem vast door de knop aan te draaien. Bevestig het netsnoer met behulp van de snoerklem (**zie afb. 5**).
8. Zet de tafelcirkelzaag rechtop en bevestig daarna de draaghandgrepen (**zie afb. 6**).

9. Monteer de schakelaar op de poot en zet hem vast met tapschroeven (zie afb. 7).
10. Monteer het zaagblad en de beschermkap. Voor montage, raadpleeg het tekstdeel "Het zaagblad aanbrengen en verwijderen" en "De beschermkap aanbrengen".
11. Monteer de geleiderail (kort) aan de voorkant van de tafelcirkelzaag en de geleiderail (lang) aan de linkerkant van de tafelcirkelzaag (zie afb. 8).
12. Monteer de hulptafel aan de tafelrand. Kies aan de hand van de montagepositie de juiste lengte van de steunen (zie afb. 9 en 10).
13. Monteer de haak aan de poot (zie afb. 11).
14. Stel de tafelcirkelzaag op een goed verlichte en horizontale plaats op, waar u goede steun voor uw voeten hebt en uw evenwicht niet kunt verliezen. Zorg ervoor dat er rond de tafelcirkelzaag voldoende ruimte is om uw werkstukken gemakkelijk te kunnen hanteren.
Als de tafelcirkelzaag tijdens gebruik neigt om te vallen, te verschuiven of te bewegen, moet de tafelcirkelzaag aan de vloer worden bevestigd.

Bewaarplaats voor accessoires (zie afb. 12)

Duwstokken en sleutels kunnen worden bewaard aan de rechterkant van het gereedschap.

BESCHRIJVING VAN DE WERKING

⚠ LET OP:

- Controleer altijd of het gereedschap is uitgeschakeld en de stekker uit het stopcontact is getrokken alvorens de werking van het gereedschap te controleren of af te stellen.

Instellen van de zaagdiepte (zie afb. 13)

De zaagdiepte kan worden ingesteld door de draaihendel linksom of rechtsom te draaien. Draai de draaihendel linksom om het zaagblad hoger te zetten, of rechtsom om het zaagblad lager te zetten.

OPMERKING:

- Om bij het zagen van dun materiaal een gladdere zaagsnede te verkrijgen moet u een geringe zaagdiepte gebruiken.

Instellen van de verstekhoek (zie afb. 14)

Draai de vergrendelknop linksom los om de gewenste hoek (0° - 45°) te krijgen. De pijl geeft de verstekhoek aan.

Nadat de gewenste hoek is ingesteld, draait u de vergrendelknop rechtsom vast om de instelling te vergrendelen.

⚠ LET OP:

- Zorg ervoor dat, na instelling van de verstekhoek, de vergrendelknop stevig wordt vastgezet.

Werkning van de aan-uitschakelaar

⚠ LET OP:

- Haal het werkstuk van het tafelblad af.

- Zorg ervoor dat het gereedschap is uitgeschakeld, voordat u de stekker in het stopcontact steekt (zie afb. 15).

Om het gereedschap in te schakelen, drukt u op de aan-knop (I).

Om het gereedschap te stoppen, drukt u op de uit-knop (O) of de knopafdekking.

ONDERDELEN AANBRENGEN EN VERWIJDEREN

⚠ LET OP:

- Controleer altijd of het gereedschap is uitgeschakeld en de stekker uit het stopcontact is getrokken alvorens enige werkzaamheden aan het gereedschap uit te voeren.

Bij verzending van het gereedschap uit de fabriek, zijn het zaagblad en de beschermkap niet op het gereedschap gemonteerd.

Het zaagblad aanbrengen en verwijderen

⚠ LET OP:

- Controleer altijd of het gereedschap is uitgeschakeld en de stekker uit het stopcontact is getrokken alvorens het zaagblad aan te brengen of te verwijderen.
- Gebruik uitsluitend de bijgeleverde Makita-ringsleutel voor het aanbrengen en verwijderen van het zaagblad. Als u dit nalaat, loopt u het risico dat de zeskantbout te vast of onvoldoende vast aangedraaid wordt. Hierdoor kan letsel worden veroorzaakt.
- Gebruik het hieronder gespecificeerde zaagblad. Gebruik geen zaagbladen die niet voldoen aan eigenschappen gespecificeerd in deze handleiding.

Model	Diameter	Dikte van zaagblad	Zaagsnede
2712	315 mm	2 mm of meer	2,8 mm of meer

014540

Om het zaagblad te verwijderen, verwijdert u eerst het inzetstuk vanaf de tafel. Houd de buitenflens vast met de sleutel en draai de zeskantbout rechtsom los met de ringsleutel. Verwijder vervolgens de buitenflens (zie afb. 16).

Om het zaagblad te monteren, monteert u de binnenflens, het zaagblad, de buitenflens, de ring en de zeskantbout op de as. Zorg ervoor dat de tanden van het zaagblad aan de voorkant van de tafel omlaag wijzen (zie afb. 17).

⚠ LET OP:

- Houd het flensoppervlak vrij van vuil en ander materiaal dat er zich op hecht omdat het anders slippen van het zaagblad kan veroorzaken. Zorg ervoor dat het zaagblad zodanig gemonteerd wordt dat de zaagtanden in de lijn van de zaag (draai)-richting staan.

Om het zaagblad vast te zetten, moet u de buitenflens met de sleutel vasthouden en de zeskantbout met de ringsleutel linksom vastdraaien. **ZORG ERVOOR DAT U DE ZESKANTBOUT STEVIG VASTDRAAIT (zie afb. 18).**

⚠ LET OP:

- Zorg ervoor dat de ringsleutel goed om de zeskantbout zit. Als u grip verliest, kan de ringsleutel losschieten

van de zeskantbout, en loopt u het risico dat uw hand in aanraking komt met de zaagtanden.

De beschermkap aanbrengen

LET OP:

- Voordat u de beschermkap aanbrengt, moet u de zaagdiepte in de maximale stand (hoogste stand) zetten.

Plaats de beschermkap in de groef op het spouwmes. Zet de beschermkap vast door de hendel op de beschermkap te kantelen (zie afb. 19 en 20).

LET OP:

- Als het zaagblad en het spouwmes niet goed uitgelijnd zijn, kunnen deze tijdens het gebruik gaan knellen, wat gevaarlijk is. Let daarom goed op de juiste uitlijning. Bij gebruik van het gereedschap zonder een goed uitgelijnd spouwmes, kunt u ernstig persoonlijk letsel oplopen.
- Als ze om welke reden dan ook niet uitgelijnd zijn, laat u dit altijd repareren door een erkend Makita-servicecentrum.
- Verwijder het spouwmes niet.

De speling tussen het spouwmes en de tanden van het zaagblad moet 4 tot 5 mm zijn. Stel het spouwmes dienovereenkomstig af en draai de zeskantmoer stevig vast. Monteer het inzetstuk op de tafelickeelzaag en controleer vervolgens of de beschermkap soepel werkt (zie afb. 21).

Aanbrengen en afstellen van de breedtegeleider (zie afb. 22)

Monteer de breedtegeleider zodanig op de tafel dat de breedtegeleiderhouder vastgrijpt in de geleiderail. Draai de knop van de breedtegeleider stevig rechtsom vast (zie afb. 23).

Om te controleren of de breedtegeleider parallel is met het zaagblad, zet u de breedtegeleider vast op 2 tot 3 mm van het zaagblad.

Breng het zaagblad tot in zijn hoogste positie omhoog. Meet afstanden (A) en (B) tussen de breedtegeleider en het zaagblad. Deze twee gemeten afstanden moeten exact hetzelfde zijn.

Ga als volgt te werk als de breedtegeleider niet parallel is met het zaagblad:

1. Draai de knop van de breedtegeleider los.
2. Stel de breedtegeleider af totdat deze parallel is met het zaagblad.
3. Draai knop vast.

LET OP:

- Zorg ervoor dat de breedtegeleider evenwijdig is met het zaagblad, omdat anders kans bestaat op gevaarlijke terugslag.

Aansluiten op een stofzuiger (zie afb. 24)

Door een Makita-stofzuiger of -stofvanger op het gereedschap aan te sluiten, kunt u nog schoner werken.

BEDIENING

LET OP:

- Gebruik altijd hulpmiddelen zoals duwstokken en duwblokken wanneer het gevaar bestaat dat uw handen of vingers dichtbij het zaagblad komen.
- Houd het werkstuk altijd goed vast op de tafelblad met behulp van de breedtegeleider en verstekgeleider. Buig of verdraai het werkstuk niet tijdens het aanvoeren. Als het werkstuk gebogen of verdraaid wordt, kan gevaarlijke terugslag optreden.
- Probeer NOOIT het werkstuk terug te nemen terwijl de zaag nog draait. Wanneer u het werkstuk wilt terugnemen voordat het volledig is gezaagd, moet u eerst het gereedschap uitschakelen terwijl u het werkstuk stevig vasthoudt. Wacht totdat het zaagblad volledig tot stilstand is gekomen en verwijder dan het werkstuk. Als u dat niet doet, kan gevaarlijke terugslag worden veroorzaakt.
- Verwijder NOOIT afgezaagd materiaal terwijl het zaagblad nog draait.
- Breng uw handen of vingers NOOIT in de zaaglijn van het zaagblad. Wees vooral voorzichtig tijdens verstekzagen.
- Zet de breedtegeleider altijd goed vast om gevaarlijke terugslag te voorkomen.
- Gebruik altijd hulpmiddelen, zoals duwstokken en duwblokken, wanneer u kleine of smalle werkstukken zaagt.

Hulpmiddelen

Duwstokken, duwblokken of een hulpgeleider zijn voorbeelden van hulpmiddelen. Gebruik ze om veilig zuivere zaagsneden te maken zonder dat de gebruiker met enig deel van zijn lichaam in aanraking komt met het zaagblad.

Hulpgeleider (zie afb. 25)

Maak een hulpgeleider van stukken multiplex van 9,5 mm en 19 mm dik.

Schulpen

LET OP:

- Wanneer u lange of brede werkstukken zaagt, zorgt u altijd voor voldoende ondersteuning achter de tafelickeelzaag. Zorg ervoor dat een lange plank NIET op het tafelblad kan bewegen of schuiven. Hierdoor zal het zaagblad worden vastgeklemd en de kans op terugslag en persoonlijk letsel toenemen. De steun moet even hoog zijn als het tafelblad (zie afb. 26).
1. Stel de zaagdiepte iets hoger in dan de dikte van het werkstuk.
 2. Plaats de breedtegeleider op de gewenste breedte van de schulp en klem hem stevig op zijn plaats door de knop vast te draaien.
 3. Schakel het gereedschap in en voer het werkstuk langzaam langs de breedtegeleider aan.
 - (1) Bij een schulpbreedte van 150 mm of meer, gebruikt u voorzichtig uw rechterhand om het werkstuk aan te voeren. Gebruik uw linkerhand om het werkstuk op zijn plaats tegen de breedtegeleider te houden.

- (2) Bij een schulpbreedte tussen 65 mm en 150 mm, gebruikt u de duwstok om het werkstuk aan te voeren (**zie afb. 27**).
- (3) Bij een schulpbreedte kleiner dan 65 mm kan de duwstok niet gebruikt worden omdat de duwstok dan in aanraking komt met de beschermkap. Gebruik een hulpgeleider en een duwblok. Bevestig de hulpgeleider aan de breedtegeleider met twee C-klemmen (**zie afb. 28**). Voer het werkstuk met de hand aan totdat het uiteinde circa 25 mm verwijderd is van de voorkant van het tafelblad. Ga door met het aanvoeren met behulp van een duwblok op de hulpgeleider totdat de zaagsnede voltooid is (**zie afb. 29**).

Afkorten

LET OP:

- Voor afkorten moet de breedtegeleider vanaf de tafelcirkelzaag worden verwijderd.
- Wanneer u lange of brede werkstukken zaagt, zorgt u altijd voor voldoende ondersteuning aan beide zijkanen van de tafelcirkelzaag. De steun moet even hoog zijn als het tafelblad.
- Houd uw handen uit de buurt van de zaaglijn van het zaagblad.

Schuif de breedtegeleider in de rail op de tafel. Draai de knop van de breedtegeleider los en lijk uit met de gewenste hoek (0° t/m 60°). Plaats het werkstuk glad langs de geleider, zet het vast met de klem op de breedtegeleider, en voer het werkstuk geleidelijk aan langs het zaagblad (**zie afb. 30**).

Transport van het gereedschap (**zie afb. 31**)

Zorg ervoor dat de stekker uit het stopcontact is getrokken.

Transporteer het gereedschap en houdt deze vast zoals aangegeven in de afbeelding.

LET OP:

- Zet altijd alle beweegbare delen vast voordat u het gereedschap transporteert.
- Zorg er altijd voor dat de beschermkap op het gereedschap is aangebracht voordat u het gereedschap transporteert.

ONDERHOUD

LET OP:

- Zorg er altijd voor dat het gereedschap is uitgeschakeld en de stekker uit het stopcontact is getrokken, voordat u een inspectie of onderhoud uitvoert.
- Als het handvat van het duwblok of de duwstok kapot is, neemt u contact op met Makita om hem te vervangen.

KENNISGEVING:

- Gebruik nooit benzine, wasbenzine, thinner, alcohol, enz. Dit kan leiden tot verkleuren, vervormen of barsten.

Schoonmaken

Verwijder af en toe zaagsel en spanen van het gereedschap. Maak vooral de beschermkap en de bewegende onderdelen in de tafelcirkelzaag goed schoon.

VERKRIJGBARE ACCESSOIRES

LET OP:

- Deze accessoires of hulpstukken worden aanbevolen voor gebruik met het Makita-gereedschap dat in deze gebruiksaanwijzing wordt beschreven. Het gebruik van andere accessoires of hulpstukken kan gevaar voor persoonlijk letsel opleveren. Gebruik de accessoires of hulpstukken uitsluitend voor de aangegeven gebruiksdoeleinden.

Mocht u meer informatie willen hebben over deze accessoires, dan kunt u contact opnemen met uw plaatselijke Makita-servicecentrum.

- Breedtegeleider
- Slutel
- Ringsleutel

OPMERKING:

- Sommige items op de lijst kunnen zijn inbegrepen in de doos van het gereedschap als standaard toebehoren. Zij kunnen van land tot land verschillen.

Geluid

ENG905-1

De typische, A-gewogen geluidsniveaus zijn gemeten volgens EN1870-1:

Geluidsdruk niveau (L_{pA}): 93 dB (A)

Geluidsvermogen niveau (L_{WA}): 105 dB (A)

Onzekerheid (K): 4 dB (A)

Draag gehoorbescherming.

WAARSCHUWING:

De vermelde waarden zijn emissieniveaus en niet noodzakelijkerwijs veilige bedrijfsniveaus. Ondanks dat er een correlatie bestaat tussen de emissie- en blootstellingsniveaus, kan dit niet betrouwbaar worden gebruikt om te bepalen of verdere voorzorgsmaatregelen noodzakelijk zijn. Factoren die het werkelijke niveau waaraan de werklui worden blootgesteld beïnvloeden, zijn onder andere de eigenschappen van het vertrek waarin wordt gewerkt en de andere geluidsbronnen en dergelijke, d.w.z. het aantal gereedschappen in gebruik en andere werkzaamheden in de buurt. Verder kan het toegestane blootstellingsniveau verschillen van land tot land. Deze informatie stelt de gebruiker van het gereedschap echter in staat om een betere afweging te maken van het gevaar en risico.

Alleen voor Europese landen

ENH113-1

EU-verklaring van conformiteit

Makita verklaart dat de volgende machine(s):

Aanduiding van de machine:

Tafelcirkelzaag

Modelnr./Type: 2712

Voldoen aan de volgende Europese richtlijnen:

2006/42/EG, 2006/95/EG, 2004/108/EG

Deze zijn gefabriceerd in overeenstemming met de volgende normen of genormaliseerde documenten:

EN1870-1, EN60204-1, EN55014-1, EN55014-2,
EN61000-3-2, EN61000-3-11

Het certificaatnummer van het EU-typeonderzoek is:
M6A.13.12.86528.002

De EU-typeonderzoek volgens 2006/42/EG werd uitgevoerd door:

TÜV SÜD Product Service GmbH,
Ridlerstraße 65. D-80339 München Duitsland
Identificatienr. 0123

Het technische bestand volgens 2006/42/EG is verkrijgbaar bij:

Makita, Jan-Baptist Vinkstraat 2, 3070, België

20. 12. 2013



Yasushi Fukaya
Directeur

Makita, Jan-Baptist Vinkstraat 2, 3070, België

ESPAÑOL (Instrucciones originales)

Explicación de los dibujos

- | | | |
|---------------------------------|------------------------------|---|
| 1. Tablero | 16. Carril de guía | 31. Brida exterior |
| 2. Doladera | 17. Perno de cuello cuadrado | 32. Arandela |
| 3. Pata | 18. Mesa de extensión | 33. Perno hexagonal |
| 4. Orificio para el interruptor | 19. Soporte (largo) | 34. Apretar |
| 5. Señal A | 20. Soporte (corto) | 35. Protector del disco |
| 6. Soporte para la pata (largo) | 21. Gancho | 36. Tuerca hexagonal |
| 7. Soporte para la pata (corto) | 22. Listón de empuje | 37. Holgura entre la doladera y los dientes del disco |
| 8. Pie | 23. Asa | 38. Pomo |
| 9. Lado más ancho | 24. Pomo de bloqueo | 39. Paralelo a la parte frontal/borde |
| 10. Conjunto de rueda | 25. Puntero de flecha | 40. Tope auxiliar |
| 11. Boquilla para el polvo | 26. Llave hexagonal | 41. Pieza de trabajo |
| 12. Asa de transporte | 27. Llave | 42. Bloque de empuje |
| 13. Tornillo | 28. Aflojar | 43. Tope lateral |
| 14. Interruptor | 29. Brida interior | |
| 15. Tornillo autorroscante | 30. Disco de sierra | |

ESPECIFICACIONES

Modelo		2712	
Orificio para el eje		30 mm	
Diámetro del disco		315 mm	
Grosor del cuerpo del disco		2 mm o menos	
Capacidad máxima de corte	Grosor a 90°	85 mm	
	Grosor a 45°	58 mm	
	Ancho	1.600 mm	
Velocidad en vacío		2.950 (min ⁻¹) (50 Hz)	3.400 (min ⁻¹) (60 Hz)
Tamaño del banco (Largo x Ancho)		550 mm x 1.600 mm con mesa de extensión (parte posterior)	
Peso neto		52,9 kg	
Clase de seguridad		Clase I	

- Debido a nuestro programa continuo de investigación y desarrollo, las especificaciones aquí descritas están sujetas a cambios sin previo aviso.
- Las especificaciones pueden ser diferentes de un país a otro.
- Peso de acuerdo con el procedimiento EPTA 01/2003

Símbolos

END310-1

Se utilizan los siguientes símbolos para el equipo. Asegúrese de que comprende su significado antes del uso.



..... Lea el manual de instrucciones.



..... Utilice gafas de seguridad.



..... Aleje las manos y los dedos del disco de corte.



..... Sólo para países de la Unión Europea ¡No deseche los aparatos eléctricos junto con los residuos domésticos! De conformidad con la Directiva Europea sobre residuos de aparatos eléctricos y electrónicos y su aplicación de acuerdo con la legislación nacional, las herramientas eléctricas cuya vida útil haya llegado a su fin se deberán

recoger por separado y trasladar a una planta de reciclaje que cumpla con las exigencias ecológicas.

Uso previsto

ENE003-1

La herramienta está diseñada para cortar madera.

Alimentación

ENF001-1

La herramienta debe conectarse solamente a una fuente de alimentación de la misma tensión que la indicada en la placa de características, y sólo puede funcionar con corriente alterna monofásica. Esta herramienta debe estar conectada a tierra (a masa) durante su uso para proteger al operario de descargas eléctricas. Utilice sólo cables prolongadores de tres hilos que tengan enchufes con conexión a tierra de tres clavijas y receptáculos de tres clavijas que admitan el enchufe de la herramienta.

Advertencias de seguridad generales para herramientas eléctricas

GEA010-1

⚠ ADVERTENCIA Lea todas las advertencias de seguridad y todas las instrucciones. La no observancia de las advertencias y las instrucciones puede provocar descargas eléctricas, incendios y/o lesiones graves.

Guarde todas las advertencias e instrucciones para futuras consultas.

REGLAS DE SEGURIDAD ADICIONALES PARA LA HERRAMIENTA

ENB122-1

GUARDE ESTAS INSTRUCCIONES.

1. Utilice protección para los ojos.
2. No utilice la herramienta cerca de líquidos o gases inflamables.
3. No utilice NUNCA la herramienta con un disco abrasivo de corte instalado en ella.
4. Antes de su uso, compruebe que la sierra no esté agrietada ni dañada. Una sierra agrietada o dañada debe sustituirse de inmediato.
5. Utilice sólo discos de sierra recomendados por el fabricante y que cumplan con EN847-1. Compruebe que la doladera no tenga un grosor superior al del corte del disco de sierra o inferior al cuerpo del disco.
6. Utilice siempre los accesorios recomendados en este manual. El uso de accesorios inadecuados, como discos de corte abrasivos, puede provocar lesiones.
7. Seleccione el disco adecuado para el material que va a cortar.
8. No utilice discos fabricados con acero de corte rápido.
9. Para reducir la emisión de ruido, asegúrese siempre de que el disco esté afilado y limpio.
10. Utilice discos afilados correctamente. Respete la velocidad máxima indicada en el disco de sierra.
11. Limpie el vástago, las bridas (especialmente la superficie de instalación) y la tuerca hexagonal antes de instalar el disco. Una mala instalación podrá causar vibraciones o alabeos o bien que el disco patine.
12. Utilice el protector de disco y la doladera para todas las operaciones en las que puedan utilizarse, incluidas todas las operaciones de corte a través. Instale siempre el protector de disco siguiendo las instrucciones que se proporcionan en este manual. Las operaciones de corte a través son aquellas en las que el disco corta completamente la pieza de trabajo de parte a parte como en los cortes al hilo o transversales. No utilice NUNCA la herramienta con un protector de disco que tenga algún defecto ni lo asegure con una soga, cuerda, etc. Cualquier uso irregular

del protector de disco debe corregirse inmediatamente.

13. Vuelva a montar inmediatamente el protector y la doladera tras completar una operación que requiera retirar la protección.
14. No corte objetos metálicos, tales como clavos y tornillos. Inspeccione la pieza de trabajo antes de la operación y extraiga todos los clavos, tornillos y otros objetos extraños.
15. Antes de conectar la alimentación, retire las llaves, piezas sobrantes, etc. de la mesa.
16. No utilice NUNCA guantes durante la operación.
17. Mantenga las manos alejadas de la línea del disco.
18. No se interponga NUNCA ni permita que nadie se interponga en la línea de la trayectoria del disco.
19. Antes de conectar la alimentación, asegúrese de que el disco no está en contacto con la doladera ni con la pieza de trabajo.
20. Antes de utilizar la herramienta en una pieza de trabajo, déjela en marcha durante unos instantes. Esté atento por si se producen vibraciones o alabeo, lo que indicaría que el disco no se ha instalado correctamente o que está mal equilibrado.
21. La herramienta no se debe usar para realizar muescas, ranuras o acanaladuras.
22. Reemplace el accesorio de inserción en la mesa cuando esté gastado.
23. NUNCA realice ajustes mientras la herramienta esté funcionando. Desconecte la herramienta antes de realizar ajustes.
24. Utilice un listón de empuje cuando sea necesario. Los listones de empuje DEBEN usarse para cortes al hilo de piezas de trabajo estrechas con el fin de mantener sus manos y dedos bien alejados del disco.
25. Almacene siempre el listón de empuje cuando no lo utilice.
26. Preste especial atención a las instrucciones para reducir el riesgo de CONTRAGOLPES. Un CONTRAGOLPE es una reacción repentina provocada por un disco mal alineado, alabeado o mellado. El CONTRAGOLPE provoca el retroceso hacia el operario de la pieza de trabajo al ser expulsada de la herramienta. LOS CONTRAGOLPES PUEDEN PROVOCAR LESIONES PERSONALES GRAVES. Puede evitar los CONTRAGOLPES manteniendo el disco afilado, el tope lateral paralelo al disco, la doladera y el protector de disco en su lugar y en correcto funcionamiento, no soltando la pieza de trabajo hasta que la haya empujado más allá del disco y no realizando cortes al hilo en una pieza de trabajo retorcida o alabeada o que no tenga un borde recto para guiarla a lo largo del tope lateral.
27. No realice ninguna operación a mano alzada. Con “a mano alzada” nos referimos a utilizar las manos para aguantar o guiar la pieza de trabajo en lugar de un tope lateral o un calibrador de ingleses.
28. No se incline NUNCA alrededor o por encima del disco. No coja NUNCA una pieza de trabajo hasta que el disco se haya detenido completamente.

29. Evite pasar la pieza de trabajo de forma brusca o rápida. Cuando corte piezas de trabajo duras, páselas lo más despacio posible. No incline ni tuerza la pieza de trabajo mientras la pasa. Si el disco se para o atasca en la pieza de trabajo, pare la herramienta inmediatamente. Desenchufe la herramienta. Despeje el atasco.
30. No retire NUNCA sobrantes próximos al disco ni toque el protector de disco mientras el disco esté girando.
31. Retire nudos sobrantes de la pieza de trabajo ANTES de iniciar el corte.
32. No maltrate el cable. Nunca tire del cable para desconectarlo de la toma de corriente. Mantenga el cable alejado del calor, aceite, agua y bordes cortantes.
33. El polvo que se forma durante el uso contiene sustancias químicas que pueden provocar cáncer, anomalías congénitas u otros daños reproductivos. Algunas de estas sustancias químicas son:
 - plomo de material con pintura con plomo y arsénico y cromo de madera tratada químicamente.
 - El riesgo de exposición varía en función de la frecuencia con la que realice este tipo de trabajo. Para reducir su exposición a estas sustancias químicas: trabaje en zonas bien ventiladas y con el equipo de seguridad aprobado como, por ejemplo, las mascarillas contra el polvo especialmente diseñadas para filtrar partículas microscópicas.
34. Cuando utilice la herramienta en interiores, conecte siempre la herramienta a un sistema de extracción de polvo externo. Encienda el sistema de extracción de polvo antes de poner en marcha la herramienta.
35. El protector se puede levantar durante el montaje de la pieza de trabajo y para facilitar la limpieza. Asegúrese siempre de que la tapa de protección esté bajada y totalmente plana sobre la mesa de la sierra antes de enchufar la herramienta.
36. Utilice guantes para protegerse del peligro de corte cuando maneje discos de sierra, haga avanzar madera hacia la herramienta o realice tareas de mantenimiento.
37. Nunca intente eliminar virutas mientras el disco de sierra esté girando o la herramienta esté encendida.
38. Nunca intente utilizar la herramienta a menos que todas las protecciones y otros dispositivos de seguridad necesarios para la herramienta estén en buen estado de funcionamiento.
39. Los operarios deben estar debidamente preparados para el montaje, el ajuste y la utilización de la herramienta.
40. Nunca utilice discos cuya máxima velocidad sea inferior a la velocidad en vacío de la herramienta.
41. Mantenga el área de trabajo bien iluminada.

GUARDE ESTAS INSTRUCCIONES.

INSTALACIÓN

PREPARATIVOS

Compruebe si el paquete contiene los siguientes componentes. Informe inmediatamente al centro de servicio de Makita si falta alguna pieza.

- Sierra de banco (1 unidad)
- Pata (4 piezas)
- Pie (4 piezas)
- Tornillo de cabeza avellanada para el pie (4 piezas)
- Tuerca hexagonal para el pie (4 piezas)
- Soporte para la pata (largo) (2 piezas)
- Soporte para la pata (corto) (2 piezas)
- Conjunto de rueda (1 pieza)
- Boquilla para el polvo (1 pieza)
- Asa de transporte (2 piezas)
- Perno de cuello cuadrado para el carril de guía (4 piezas)
- Perno hexagonal para el carril de guía (4 piezas)
- Carril de guía (largo) (1 pieza)
- Carril de guía (corto) (1 pieza)
- Mesa de extensión (1 pieza)
- Soporte (largo) (2 piezas)
- Soporte (corto) (2 piezas)
- Gancho (1 pieza)
- Protector del disco (1 pieza)
- Tornillo autorroscante (3 piezas)
- Perno hexagonal (38 piezas)
- Tuerca hexagonal (38 piezas)
- Llave hexagonal (1 pieza)
- Llave (1 pieza)
- Listón de empuje (1 pieza)
- Bloque de empuje (1 pieza)
- Tope (para el tope lateral) (1 pieza)
- Tope lateral (1 pieza)

Montaje de la sierra de banco

1. Vuelque la sierra de banco sobre dos tableros. Compruebe que la doladera se coloque en el espacio entre dos tableros. **(Fig. 1)**
2. Acople las cuatro patas al lado interior del borde de la base. Acople la pata con el orificio para el interruptor en el lado con el símbolo "A" de la base. Fije las cuatro patas temporalmente, no apriete los tornillos firmemente aún. **(Fig. 2)**
3. Acople los soportes de las patas (largos) a las patas y después acople los soportes de las patas (cortos) a las mismas. Fije las patas y los soportes para las patas con los tornillos firmemente. Compruebe siempre la dirección de los soporte de las patas.
4. Instale los pies en las partes inferiores de las patas. Fijelos con tornillos de cabeza avellanada y tuercas hexagonales. **(Fig. 3)**
5. Instale el conjunto de rueda en las patas y fjelo con tornillos y tuercas hexagonales. **(Fig. 4)**
6. Instale la boquilla para el polvo.
7. Ajuste la pieza del motor en la posición de 0° y fjela apretando el pomo. Fije el cable de alimentación con la abrazadera para el cable. **(Fig. 5)**

8. Enderece la sierra de banco y acople las asas de transporte. (Fig. 6)
9. Monte el interruptor en la pata y fijelo con los tornillos autorroscantes. (Fig. 7)
10. Monte el disco de sierra y el protector del disco. Cuando los instale, consulte la sección "Extracción o instalación del disco de sierra" e "Instalación del protector de disco".
11. Instale el carril de guía (corto) en el lado frontal de la sierra de banco y el carril de guía (largo) en el lado izquierdo de la base. (Fig. 8)
12. Instale la mesa de extensión en la base. Seleccione los soportes de la longitud adecuada, dependiendo de la posición. (Fig. 9 y 10)
13. Instale el gancho en la pata. (Fig. 11)
14. Coloque la sierra de banco en un lugar bien alumbrado y nivelado donde pueda pisar firmemente y mantener buen equilibrio. Debe instalarse en un lugar en el que haya espacio suficiente para manejar fácilmente las piezas de trabajo del tamaño que se quiera cortar.
Si nota que la sierra de banco tiene alguna tendencia a volcarse, deslizarse o moverse durante las operaciones, deberá fijar la sierra de banco al suelo.

Almacenamiento de accesorios (Fig. 12)

Los listones de empuje y las llaves se pueden almacenar en el lado derecho de la herramienta.

DESCRIPCIÓN DEL FUNCIONAMIENTO

⚠ PRECAUCIÓN:

- Asegúrese siempre de que la herramienta esté apagada y desenchufada antes de intentar realizar cualquier tipo de ajuste o comprobación en ella.

Ajuste de la profundidad de corte (Fig. 13)

La profundidad de corte puede ajustarse girando el asa. Gire el asa en el sentido contrario a las agujas del reloj para subir el disco o en el sentido de las agujas del reloj para bajarlo.

NOTA:

- Utilice poca profundidad cuando corte materiales finos para obtener un corte más limpio.

Ajuste del ángulo de bisel (Fig. 14)

Afloje el pomo de bloqueo en sentido contrario a las agujas del reloj hasta obtener el ángulo deseado (0° - 45°). El puntero de flecha indica el ángulo de bisel. Una vez obtenido el ángulo deseado, apriete el pomo de bloqueo en el sentido de las agujas del reloj para fijar el ajuste realizado.

⚠ PRECAUCIÓN:

- Tras ajustar el ángulo de bisel, asegúrese de apretar firmemente el pomo de bloqueo.

Acción del interruptor

⚠ PRECAUCIÓN:

- Retire la pieza de trabajo del banco.
- Antes de enchufar la herramienta, asegúrese de que esté apagada. (Fig. 15)

Para poner en marcha la herramienta, pulse el botón ON (I).

Para detenerla, pulse el botón OFF (O) o la tapa del interruptor.

MONTAJE

⚠ PRECAUCIÓN:

- Asegúrese siempre de que la herramienta esté apagada y desenchufada antes de intentar realizar cualquier trabajo en ella.

La herramienta sale de fábrica con el disco y protector de disco sin instalar.

Extracción o instalación del disco de sierra

⚠ PRECAUCIÓN:

- Asegúrese siempre de que la herramienta esté apagada y desenchufada antes de instalar o extraer el disco.
- Utilice sólo la llave hexagonal de Makita suministrada para instalar o extraer la hoja. De lo contrario, podría apretar demasiado o de forma insuficiente el perno hexagonal y provocar lesiones.
- Utilice uno de los discos siguientes. No utilice discos de sierra que no se ajusten a las características especificadas en estas instrucciones.

Modelo	Diámetro.	Grosor del disco	Entalladura
2712	315 mm	2 mm o más	2,8 mm o más

014540

Para extraer el disco de sierra, retire el accesorio de inserción del banco. Sujete la brida exterior con una llave y afloje el perno hexagonal en el sentido de las agujas del reloj con otra llave hexagonal. A continuación, extraiga la brida exterior. (Fig. 16)

Para instalar un disco de sierra, monte la brida interior, el disco de sierra, la brida exterior, la arandela y el perno hexagonal en el eje. Asegúrese de que los dientes del disco apunten hacia abajo en la parte frontal del banco. (Fig. 17)

⚠ PRECAUCIÓN:

- Mantenga la superficie de la brida libre de suciedad o de sustancias que se puedan adherir, ya que el disco podría patinar. Asegúrese de que el disco esté instalado de forma que los dientes estén alineados con la dirección de corte (giro).

Para fijar el disco en su sitio, sujete la brida exterior con la llave y, a continuación, apriete el perno hexagonal en el sentido contrario a las agujas del reloj con la llave hexagonal. **ASEGÚRESE DE APRETAR FIRMEMENTE EL PERNO HEXAGONAL.** (Fig. 18)

⚠ PRECAUCIÓN:

- Asegúrese de sujetar el perno hexagonal cuidadosamente con la llave hexagonal. Si la empuñadura resbala, la llave hexagonal puede salirse del perno hexagonal y su mano podría golpear el borde afilado del disco.

Instalación del protector de disco

PRECAUCIÓN:

- Antes de instalar el protector de disco, ajuste la profundidad del corte a su elevación máxima.

Coloque el protector de disco en la ranura de la doladera. Fije el protector de disco haciendo girar la palanca del protector de disco. (Fig. 19 y 20)

PRECAUCIÓN:

- Si el disco y la doladera no están alineados debidamente, podrá crearse una situación de mella peligrosa durante la operación. Asegúrese de que están correctamente alineados. Puede sufrir graves lesiones personales si utiliza la herramienta sin una doladera correctamente alineada.
- Si no están alineados por algún motivo, haga siempre que un centro de servicio autorizado de Makita lo repare.
- No extraiga la doladera.

Debe haber una holgura de unos 4 – 5 mm entre la doladera y los dientes del disco. Ajuste la doladera de acuerdo con las indicaciones y apriete la tuerca hexagonal firmemente. Coloque el accesorio de inserción en el banco, y luego compruebe que el protector de disco funciona suavemente antes de realizar el corte. (Fig. 21)

Instalación y ajuste del tope lateral (Fig. 22)

Instale el tope lateral en el banco de forma que el soporte del tope lateral encaje en el carril de guía. Apriete el pomo del tope lateral firmemente en el sentido de las agujas del reloj. (Fig. 23)

Para comprobar que el tope lateral está paralelo al disco, fije el tope lateral a una distancia de 2 -3 mm del disco. Levante el disco hasta la elevación máxima. Mida la distancia (A) y (B) entre el tope lateral y el disco. Esas dos mediciones deben ser idénticas.

Si el tope lateral no está paralelo al disco, siga el procedimiento siguiente:

1. Afloje el pomo del tope lateral.
2. Ajuste el tope lateral hasta que quede paralelo con el disco.
3. Apriete el pomo.

PRECAUCIÓN:

- Asegúrese de ajustar el tope lateral de forma que quede paralelo al disco, o de lo contrario podrá darse una condición de contragolpe peligrosa.

Conexión del aspirador (Fig. 24)

Se puede lograr un uso más limpio de la herramienta conectándola a una aspiradora o un recolector de polvo de Makita.

FUNCIONAMIENTO

PRECAUCIÓN:

- Utilice siempre “elementos de ayuda” tales como listones de empuje y bloques de empuje cuando exista peligro de acercar las manos o dedos al disco.
- Sujete siempre la pieza de trabajo firmemente con el banco y el tope lateral o calibrador de ingletes. No la incline ni la tuerca mientras la pasa. Si la inclina o la

tuerca mientras la pasa, podrá crear una situación de contragolpe peligrosa.

- No retire NUNCA la pieza de trabajo mientras el disco está girando. Si se ve forzado a retirarla antes de completar el corte, primero desconecte la herramienta mientras sujeta firmemente la pieza de trabajo. Espere hasta que el disco se haya parado completamente antes de retirar la pieza de trabajo. De lo contrario, se podrá producir un contragolpe peligroso.
- No retire NUNCA los sobrantes de material cuando el disco está girando.
- No coloque NUNCA sus manos ni sus dedos en la trayectoria del disco. Tenga especial cuidado con los cortes biselados.
- Sujete siempre firmemente el tope lateral, o podrán producirse peligrosos contragolpes.
- Utilice siempre “elementos de ayuda” tales como listones de empuje y bloques de empuje cuando corte piezas de trabajo pequeñas o estrechas.

Elementos de ayuda

Los listones de empuje, bloques de empuje o topes auxiliares son tipos de “elementos de ayuda”. Utilícelos para realizar cortes seguros sin necesidad de que el operario entre en contacto con el disco o con cualquier parte del cuerpo.

Tope auxiliar (Fig. 25)

Haga un tope auxiliar de piezas de contrachapado de 9,5 mm y 19 mm.

Corte al hilo

PRECAUCIÓN:

- Cuando corte piezas de trabajo largas o grandes, disponga siempre de un apoyo adecuado por detrás del banco. NO permita que un tablero largo se mueva o cambie de posición en el banco. Esto hará que el disco se trabe y aumentará la posibilidad de contragolpes y lesiones personales. El apoyo deberá ser de la misma altura que el banco. (Fig. 26)
1. Ajuste la profundidad de corte un poco por encima del grosor de la pieza de trabajo.
 2. Coloque el tope lateral en el ancho deseado del corte al hilo y encájelo apretando el pomo.
 3. Ponga en marcha la herramienta y haga pasar la pieza de trabajo por el disco suavemente, apoyándola a lo largo del tope lateral.
 - (1) Cuando el ancho de corte sea de 150 mm y superior, utilice con cuidado su mano derecha para hacer pasar la pieza de trabajo. Utilice su mano izquierda para sujetar la pieza de trabajo en posición contra el tope lateral.
 - (2) Cuando el ancho de corte sea de 65 mm - 150 mm de ancho, utilice el listón de empuje para hacer pasar la pieza de trabajo. (Fig. 27)
 - (3) Cuando el ancho de corte sea inferior a 65 mm, el listón de empuje no se podrá usar porque golpeará el protector del disco. Utilice el bloque de empuje y el tope auxiliar. Coloque el tope auxiliar en el tope lateral con dos mordazas “C”. (Fig. 28)
Haga pasar la pieza de trabajo a mano hasta que el extremo esté a unos 25 mm del extremo

frontal del banco. Siga avanzando con el bloque de empuje en la parte superior del tope auxiliar hasta que se complete el corte. (Fig. 29)

Corte transversal

⚠ PRECAUCIÓN:

- Cuando realice un corte transversal, quite el tope lateral del banco.
- Cuando corte piezas de trabajo largas o grandes, disponga siempre de apoyo adecuado a los lados del banco. El apoyo deberá ser de la misma altura que el banco.
- Mantenga siempre las manos alejadas de la trayectoria del disco.

Deslice el tope lateral hacia el carril del banco. Afloje el pomo del tope y alinéelo con el ángulo deseado (de 0° a 60°). Coloque la pieza de trabajo contra el tope, fijela con la abrazadera del tope lateral y hágala pasar con suavidad por el disco. (Fig. 30)

Transporte de la herramienta (Fig. 31)

Asegúrese de que la herramienta esté desenchufada. Transporte la herramienta sujetándola por la pieza que se muestra en la figura.

⚠ PRECAUCIÓN:

- Sujete siempre todas las partes móviles antes de transportar la herramienta.
- Asegúrese siempre de que el protector del disco esté instalado en su lugar antes de transportar la herramienta.

MANTENIMIENTO

⚠ PRECAUCIÓN:

- Asegúrese siempre de que la herramienta esté apagada y desenchufada antes de intentar realizar cualquier trabajo de inspección o mantenimiento en ella.
- Si el asa del bloque de empuje o los listones de empuje están rotos, póngase en contacto con el centro de servicio de Makita para su sustitución.

AVISO:

- Nunca utilice gasolina, benceno, disolvente, alcohol o un producto similar. Se puede provocar una decoloración, una deformación o grietas.

Limpieza

Limpie el serrín y los trozos sobrantes de vez en cuando. Limpie con cuidado el protector de disco y las partes móviles del interior de la sierra de banco.

ACCESORIOS OPCIONALES

⚠ PRECAUCIÓN:

- Se recomienda el uso de estos accesorios o complementos con la herramienta Makita especificada en este manual. El uso de otros accesorios o complementos puede conllevar el riesgo de ocasionar daños corporales. Utilice los accesorios o complementos solamente para su fin establecido.

Si necesita cualquier ayuda para obtener más información relativa a estos accesorios, pregunte a su centro de servicio Makita local.

- Tope lateral
- Llave
- Llave hexagonal

NOTA:

- Algunos elementos de la lista se pueden incluir en el paquete de la herramienta como accesorios estándar. Pueden ser diferentes de un país a otro.

Ruido

ENG905-1

Niveles típicos de ruido ponderado A determinados de conformidad con EN1870-1:

Nivel de presión de sonido (L_{pA}): 93 dB (A)

Nivel de potencia de sonido (L_{WA}): 105 dB (A)

Incertidumbre (K): 4 dB (A)

Utilice protección para los oídos.

⚠ ADVERTENCIA:

Las cifras que se mencionan son niveles de emisiones y no son necesariamente niveles de trabajo seguros. Aunque existe una correlación entre los niveles de emisiones y de exposición, no se pueden usar de forma fiable para determinar si se necesitan precauciones adicionales. Los factores que influyen en el nivel real de exposición de los trabajadores incluyen las características del espacio de trabajo y otras fuentes de ruido, por ejemplo, el número de máquinas y otros procesos adyacentes. Asimismo, el nivel de exposición permitido puede variar de un país a otro. No obstante, esta información permitirá al usuario de la máquina evaluar mejor los peligros y riesgos.

Sólo para países europeos

ENH113-1

Declaración de conformidad de la CE

Makita declara que las siguientes máquinas:

Designación de la máquina:

Sierra de Banco

Nº de modelo/Tipo: 2712

Cumplen con las siguientes Directivas europeas:

2006/42/CE, 2006/95/CE, 2004/108/CE

Se han fabricado de acuerdo con los siguientes estándares o documentos estandarizados:

EN1870-1, EN60204-1, EN55014-1, EN55014-2, EN61000-3-2, EN61000-3-11

Nº de certificado de examen de tipo CE:

M6A.13.12.86528.002

El examen de tipo CE conforme a 2006/42/CE fue realizado por:

TÜV SÜD Product Service GmbH

Ridlerstraße 65, D-80339 München Alemania

Nº de identificación 0123

El archivo técnico de acuerdo con 2006/42/CE está disponible en:

Makita, Jan-Baptist Vinkstraat 2, 3070, Bélgica

20. 12. 2013

Yasushi Fukaya
Director

Makita, Jan-Baptist Vinkstraat 2, 3070, Bélgica

PORTUGUÊS (Instruções de origem)

Descrição geral

1. Prancha	16. Carril de guia	31. Flange exterior
2. Lâmina separadora	17. Parafuso de cabeça quadrada	32. Anilha
3. Perna	18. Mesa secundária	33. Parafuso sextavado
4. Orifício do interruptor	19. Espia (longa)	34. Apertar
5. Sinal A	20. Espia (curta)	35. Protecção da lâmina
6. Suporte da perna (longo)	21. Gancho	36. Porca sextavada
7. Suporte da perna (curto)	22. Alavanca impulsora	37. Folga entre a lâmina separadora e os dentes da lâmina
8. Pé	23. Pega	38. Manipulo
9. Lado mais largo	24. Manipulo de bloqueio	39. Paralelo face/extremidade
10. Pneu completo	25. Ponteiro de seta	40. Vedação auxiliar
11. Bocal do pó	26. Chave sextavada	41. Peça de trabalho
12. Pega de transporte	27. Chave	42. Bloco impulsor
13. Parafuso	28. Desapertar	43. Vedação para escarificação
14. Interruptor	29. Flange interior	
15. Parafuso autorroscante	30. Lâmina da serra	

ESPECIFICAÇÕES

Modelo	2712	
Orifício do mandril	30 mm	
Diâmetro da lâmina	315 mm	
Espessura do corpo da lâmina	2 mm ou menos	
Capacidades máximas de corte	Espessura a 90°	85 mm
	Espessura a 45°	58 mm
	Largura	1.600 mm
Velocidade sem carga	2.950 (min ⁻¹) (50 Hz)	3.400 (min ⁻¹) (60 Hz)
Dimensão da mesa (C x L)	550 mm x 1.600 mm com mesa secundária (preta)	
Peso líquido	52,9 kg	
Classe de segurança	Classe I	

- Devido à pesquisa e desenvolvimento constantes, estas especificações estão sujeitas a alteração sem aviso prévio.
- Estas especificações podem diferir de país para país.
- Peso de acordo com procedimento EPTA de 01/2003

Símbolos

END310-1

Descrição dos símbolos utilizados no equipamento.

Certifique-se de que compreende o seu significado, antes da utilização.



..... Leia o manual de instruções.



..... Use óculos de segurança.



..... Não aproxime as mãos nem os dedos da lâmina.



..... Apenas para países da UE
Não deite equipamentos eléctricos no lixo doméstico!
De acordo com a directiva europeia sobre ferramentas eléctricas e electrónicas usadas e a sua aplicação para as leis nacionais, as ferramentas eléctricas usadas devem ser recolhidas em separado e encaminhadas a uma

instalação de reciclagem dos materiais ecológicos.

Utilização prevista

ENE003-1

A ferramenta destina-se a cortar madeira.

Fonte de alimentação

ENF001-1

A ferramenta apenas deve ser ligada a uma fonte de alimentação da mesma tensão que a indicada na chapa de especificações, e apenas pode funcionar com uma alimentação CA monofásica. Esta ferramenta deve ser ligada à terra quando em utilização, de forma a proteger o operador contra choques eléctricos. Utilize apenas cabos de extensão com três fios que tenham fichas de três pernos do tipo terra e tomadas de três entradas que aceitem a ficha da ferramenta.

Avisos gerais de segurança para ferramentas eléctricas

GEA010-1

⚠ AVISO Leia todos os avisos de segurança e todas as instruções. O não cumprimento dos avisos e instruções pode resultar na ocorrência de choques eléctricos, incêndios e/ou ferimentos graves.

Guarde todos os avisos e instruções para referência futura.

REGRAS ADICIONAIS DE SEGURANÇA PARA A FERRAMENTA

ENB122-1

GUARDE ESTAS INSTRUÇÕES.

1. Utilize protecção para os olhos.
2. Não utilize a ferramenta na presença de líquidos ou gases inflamáveis.
3. NUNCA utilize a ferramenta com um disco de corte abrasivo instalado.
4. Verifique cuidadosamente se a lâmina apresenta fissuras ou danos, antes de utilizar. Substitua imediatamente uma lâmina fissurada ou danificada.
5. Utilize apenas lâminas recomendadas pelo fabricante e em conformidade com EN847-1 e certifique-se de que a lâmina separadora não é mais grossa que a largura do corte feito pela lâmina nem mais fina que o corpo da lâmina.
6. Utilize sempre os acessórios recomendados neste manual. A utilização de acessórios inadequados como discos de corte abrasivos, pode causar ferimentos.
7. Seleccione a lâmina correcta para o material a cortar.
8. Não utilize lâminas fabricadas em aço para altas velocidades.
9. Para reduzir o nível de emissão de ruído, certifique-se sempre de que a lâmina está afiada e limpa.
10. Utilize correctamente as lâminas afiadas. Obedeça à velocidade máxima indicada na lâmina.
11. Limpe o fuso, as flanges (especialmente a superfície de instalação) e a porca sextavada antes de instalar a lâmina. Uma má instalação pode causar vibrações/oscilações ou deslizamento da lâmina.
12. Utilize a protecção da lâmina e a lâmina separadora em todas as operações possíveis, incluindo as operações de serragem completa. Instale sempre a protecção da lâmina de acordo com as instruções realçadas neste manual. Nas operações de serragem, a lâmina por vezes corta completamente a peça como na escarificação ou corte transversal. NUNCA utilize a ferramenta com uma protecção da lâmina defeituosa nem fixe a protecção da lâmina com uma corda, fio, etc. Qualquer operação irregular da protecção da lâmina deve ser corrigida imediatamente.
13. Encaixe imediatamente a protecção e a lâmina separadora depois de completar uma operação que exige a remoção da protecção.
14. Não corte objectos de metal como pregos e parafusos. Verifique a existência e retire todos os pregos, parafusos e outro material estranho da peça de trabalho, antes de utilizar a ferramenta.
15. Retire chaves, peças de corte, etc. da mesa antes de ligar o interruptor.
16. NUNCA utilize luvas durante a operação.
17. Mantenha as mãos afastadas do percurso da lâmina.
18. NUNCA se situe nem permita que alguém se situe no percurso da lâmina.
19. Certifique-se de que a lâmina não está em contacto com a lâmina separadora ou peça de trabalho antes de ligar o interruptor.
20. Antes de utilizar a ferramenta numa peça de trabalho, deixe-a a trabalhar durante algum tempo. Procure a existência de vibrações ou oscilações que possam indicar uma má fixação ou uma lâmina mal equilibrada.
21. A ferramenta não deve ser utilizada para realizar fendas, entalhes ou ranhuras.
22. Substitua a inserção da mesa quando estiver desgastada.
23. NUNCA faça ajustes com a ferramenta em funcionamento. Desligue a ferramenta antes de fazer quaisquer ajustes.
24. Utilize uma alavanca impulsora quando necessário. As alavancas de empurrar TÊM de ser utilizadas na escarificação de peças de trabalho estreitas de modo a manter as mãos e os dedos afastados da lâmina.
25. Guarde sempre a alavanca impulsora quando não está a ser utilizada.
26. Preste atenção particular às instruções para reduzir o risco de COICE. O COICE é uma reacção súbita a uma lâmina atracada, dobrada ou desalinhada. O COICE causa a ejeção da peça de trabalho da ferramenta em direcção ao operador. OS COICES PODEM CAUSAR FERIMENTOS PESSOAIS GRAVES. Evite os COICES ao manter a lâmina afiada, ao manter a vedação de escarificação paralela à lâmina, ao manter a lâmina separadora e a protecção da lâmina no lugar e em pleno funcionamento, não largando a peça de trabalho até esta passar completamente pela lâmina e não fazendo escarificação numa peça torcida ou deformada ou que não tenha uma extremidade a direito para guiar ao longo da vedação.
27. Não efectue qualquer operação à mão livre. Mão livre significa utilizar as mãos para suportar ou guiar a peça de trabalho, em vez de uma vedação de escarificação ou medidor do corte angular.
28. NUNCA coloque as mãos ou braços próximos ou sobre a lâmina para alcançar alguma coisa. NUNCA alcance uma peça de trabalho até a lâmina parar por completo.
29. Evite avanços rápidos e bruscos. Avance o mais lentamente possível quando cortar peças de trabalho duras. Não dobre nem torça a peça de trabalho à medida que avança. Se parar ou encravar a lâmina na peça de trabalho, desligue imediatamente a ferramenta. Desligue a ferramenta na corrente. De seguida, desencrave-a.
30. NUNCA retire as peças de corte perto da lâmina nem toque na protecção da lâmina enquanto a lâmina está a funcionar.
31. Retire quaisquer nós soltos da peça de trabalho ANTES de começar a cortar.
32. Não abuse do cabo de alimentação. Nunca puxe o cabo para desligá-lo da tomada. Mantenha o cabo

longe de fontes de calor, óleo, água ou pontas afiadas.

33. O pó resultante de determinadas operações contém químicos conhecidos como causadores de cancro, defeitos congénitos e outros efeitos negativos ao nível da reprodução. Seguem-se alguns exemplos desses químicos:
 - chumbo de materiais pintados com tinta à base de chumbo e,
 - arsénico e crómio de madeira tratada quimicamente.
 - O risco resultante da exposição a estes químicos varia, dependendo do número de vezes que faz este tipo de trabalho. Para reduzir a exposição a estes químicos: trabalhe numa área bem ventilada e utilizando equipamento de segurança aprovado como, por exemplo máscaras para o pó especialmente concebidas para filtrar partículas microscópicas.
34. Ao utilizar a ferramenta em espaços interiores, ligue sempre a ferramenta a um sistema externo de extracção de pó. Ligue o sistema de extracção de pó antes de ligar a ferramenta.
35. A protecção pode ser levantada durante a colocação da peça de trabalho e para limpar mais facilmente. Certifique-se sempre de que a protecção está para baixo e encostada à mesa da serra antes de ligar a ferramenta.
36. Use luvas contra o perigo de corte ao manusear lâminas de serra, ao introduzir madeira na ferramenta ou ao efectuar a manutenção.
37. Nunca tente remover aparas enquanto a lâmina da serra está em funcionamento ou a ferramenta está ligada.
38. Nunca tente utilizar a ferramenta se algum resguardo ou dispositivo de segurança necessário para a ferramenta não estiver em perfeitas condições de funcionamento.
39. Os operadores deverão ter formação adequada ao nível da montagem, ajuste e funcionamento da ferramenta.
40. Nunca utilize lâminas cuja velocidade máxima é inferior à velocidade sem carga da ferramenta.
41. Mantenha a área de trabalho bem iluminada.

GUARDE ESTAS INSTRUÇÕES.

INSTALAÇÃO

PREPARAÇÃO

Verifique o conteúdo da embalagem relativamente aos componentes que se seguem. No caso de ausência de qualquer peça na embalagem, informe imediatamente o centro de assistência Makita.

- Serra circular de bancada (1 unidade)
- Perna (4 unidades)
- Pé (4 unidades)
- Parafuso de cabeça escariada para o pé (4 unidades)
- Porca sextavada para o pé (4 unidades)
- Suporte da perna (longo) (2 unidades)
- Suporte da perna (curto) (2 unidades)
- Pneu completo (1 unidade)
- Bocal do pó (1 unidade)
- Pega de transporte (2 unidades)

- Parafuso de cabeça quadrada para o carril de guia (4 unidades)
- Parafuso sextavado para o carril de guia (4 unidades)
- Carril de guia (longo) (1 unidade)
- Carril de guia (curto) (1 unidade)
- Mesa secundária (1 unidade)
- Espia (longa) (2 unidades)
- Espia (curta) (2 unidades)
- Gancho (1 unidade)
- Protecção da lâmina (1 unidade)
- Parafuso autorroscante (3 unidades)
- Parafuso sextavado (38 unidades)
- Porca sextavada (38 unidades)
- Chave sextavada (1 unidade)
- Chave (1 unidade)
- Alavanca impulsora (1 unidade)
- Bloco impulsor (1 unidade)
- Vedação (para escarificação) (1 unidade)
- Vedação para escarificação (1 unidade)

Instalar a serra circular de bancada

1. Coloque a serra circular de bancada sobre duas pranchas. Verifique se a lâmina separadora se posiciona no espaço entre duas pranchas. (Fig. 1)
2. Fixe as quatro pernas à parte de dentro do rebordo da base. Fixe a perna com o orifício para o interruptor de lado com o sinal "A" na base. Fixe as quatro pernas temporariamente, ainda não aperte os parafusos firmemente. (Fig. 2)
3. Fixe os suportes das pernas (longos) às pernas e, de seguida, fixe os suportes das pernas (curtos) às pernas. Fixe firmemente as pernas e os suportes das pernas com os parafusos. Verifique sempre a direcção das pernas de suporte.
4. Instale os pés nas extremidades das pernas. Fixe-os com os parafusos de cabeça escariada e com as porcas sextavadas. (Fig. 3)
5. Instale o pneu completo nas pernas e fixe-as com os parafusos e as porcas sextavadas. (Fig. 4)
6. Instale o bocal do pó.
7. Ajuste a parte do motor para a posição de 0° e fixe-a apertando o manípulo. Fixe o cabo de alimentação com o grampo. (Fig. 5)
8. Vire a serra circular de bancada e fixe as pegas de transporte. (Fig. 6)
9. Instale o interruptor na perna e fixe-o com os parafusos autorroscantes. (Fig. 7)
10. Instale a lâmina da serra e a protecção da lâmina. Ao instalar estes elementos, consulte a Secção "Remover ou instalar a lâmina da serra" e "Instalar a protecção da lâmina".
11. Instale o carril de guia (curto) na parte da frente da serra circular de bancada e o carril de guia (longo) no lado esquerdo da base. (Fig. 8)
12. Instale a mesa secundária na base. Selecione as espias com o comprimento adequado, dependendo da posição. (Fig. 9 e 10)
13. Instale o gancho na perna. (Fig. 11)
14. Coloque a serra circular de bancada numa área bem iluminada e nivelada na qual tem um bom apoio de pés e equilíbrio. Deve ser instalada numa área com espaço suficiente para manusear facilmente a dimensão das peças de trabalho.

Se existir uma tendência da serra circular de bancada virar, deslizar ou deslocar-se durante a utilização, a serra circular de bancada deve ser fixa ao chão.

Acessórios de armazenamento (Fig. 12)

A alavanca impulsora e as chaves podem ser guardadas no lado direito da ferramenta.

DESCRIÇÃO DO FUNCIONAMENTO

⚠️ PRECAUÇÃO:

- Certifique-se sempre de que a ferramenta está desligada no interruptor e da tomada antes de proceder a ajustes ou testes à mesma.

Regular a profundidade de corte (Fig. 13)

A profundidade de corte pode ser regulada ao rodar a pega. Rode a pega no sentido contrário ao dos ponteiros do relógio para levantar a lâmina ou no sentido oposto para a baixar.

NOTA:

- Utilize uma definição de corte superficial quando cortar materiais finos de modo a obter um corte mais limpo.

Ajustar o ângulo de corte em bisel (Fig. 14)

Desaperte o manípulo de bloqueio no sentido contrário ao dos ponteiros do relógio até obter o ângulo pretendido (0° - 45°). O ponteiro de seta indica o ângulo de corte em bisel.

Após obter o ângulo pretendido, aperte o manípulo de bloqueio no sentido dos ponteiros do relógio para fixar a regulação.

⚠️ PRECAUÇÃO:

- Após obter o ângulo de corte em bisel, certifique-se de que aperta bem o manípulo de bloqueio.

Ação do interruptor

⚠️ PRECAUÇÃO:

- Retire a peça de trabalho da mesa.
- Antes de ligar a ferramenta à tomada, certifique-se sempre de que a mesma está desligada. (Fig. 15)

Para colocar a ferramenta em funcionamento, prima o botão ON (I).

Para parar a ferramenta, prima o botão OFF (O) ou a tampa do interruptor.

MONTAGEM

⚠️ PRECAUÇÃO:

- Certifique-se sempre de que a ferramenta está desligada no interruptor e da tomada antes de efectuar qualquer trabalho na mesma.

A ferramenta é enviada da fábrica com a lâmina da serra e a protecção da lâmina desinstaladas.

Remover ou instalar a lâmina da serra

⚠️ PRECAUÇÃO:

- Certifique-se sempre de que a ferramenta está desligada e com a ficha desligada da tomada antes de instalar ou remover a lâmina.
- Utilize apenas a chave sextavada Makita fornecida para instalar ou remover a lâmina. Caso contrário, poderá apertar em demasia ou insuficientemente o parafuso sextavado. Isto poderá causar ferimentos.
- Utilize a seguinte lâmina. Não utilize lâminas de serra que não estejam em conformidade com as características especificadas nestas instruções.

Modelo	Diâm.	Espessura da lâmina	Entalhe
2712	315 mm	2 mm ou mais	2,8 mm ou mais

014540

Para retirar a lâmina da serra, retire a inserção da mesa na mesa. Segure a flange exterior com a chave e desaperte o parafuso sextavado no sentido dos ponteiros do relógio com a chave sextavada. De seguida, retire a flange exterior. (Fig. 16)

Para instalar a lâmina da serra, monte a flange interior, a lâmina da serra, a flange exterior, a anilha e o parafuso sextavado no mandril. Certifique-se de que os dentes da lâmina estão a apontar para baixo na parte da frente da mesa. (Fig. 17)

⚠️ PRECAUÇÃO:

- Mantenha a superfície da flange isenta de sujidade ou outro material aderente; pode causar deslizamento da lâmina. Certifique-se de que a lâmina está instalada de modo a que os dentes estejam alinhados com a direcção de corte (rotação).

Para fixar a lâmina, segure a flange exterior com a chave e, de seguida, aperte o parafuso sextavado no sentido contrário ao dos ponteiros do relógio com a chave sextavada. **CERTIFIQUE-SE DE QUE APERTA BEM O PARAFUSO SEXTAVADO. (Fig. 18)**

⚠️ PRECAUÇÃO:

- Certifique-se de que segura o parafuso sextavado cuidadosamente com a chave sextavada. Se a mão escorregar, a chave sextavada pode sair do parafuso sextavado e a sua mão pode bater nas extremidades afiadas da lâmina.

Instalar a protecção da lâmina

⚠️ PRECAUÇÃO:

- Antes de instalar a protecção da lâmina, ajuste a profundidade de corte para o limite máximo.

Coloque a protecção da lâmina na ranhura na lâmina separadora. Segure a protecção da lâmina rodando a alavanca na protecção da lâmina. (Fig. 19 e 20)

⚠️ PRECAUÇÃO:

- Se a lâmina e a lâmina separadora não estiverem devidamente alinhadas, pode causar um estado atracado perigoso durante a operação. Certifique-se de que estão devidamente alinhadas. Pode sofrer ferimentos pessoais graves enquanto utiliza a ferramenta com uma lâmina separadora desalinhada.

- Se por algum motivo as lâminas não estiverem alinhadas, contacte sempre o centro de assistência autorizado Makita para proceder à reparação.
- Não retire a lâmina separadora.

Tem de existir uma folga de cerca de 4 - 5 mm entre a lâmina separadora e os dentes da lâmina. Ajuste adequadamente a lâmina separadora e aperte bem a porca sextavada. Encaixe a inserção da mesa na mesa, de seguida, certifique-se de que a protecção da lâmina funciona correctamente antes de cortar. (Fig. 21)

Instalar e ajustar a vedação de escarificação (Fig. 22)

Instale a vedação de escarificação na mesa para que o suporte da vedação de escarificação engate no carril de guia. Aperte o manípulo da vedação de escarificação firmemente no sentido dos ponteiros do relógio. (Fig. 23)

Para verificar se a vedação de escarificação está paralela à lâmina, fixe a vedação de escarificação a 2 -3 mm da lâmina.

Levante a lâmina ao máximo. Meça a distância (A) e (B) entre a vedação de escarificação e a lâmina. Estas duas medições devem ser iguais.

Se a vedação de escarificação não estiver paralela à lâmina, proceda da seguinte forma:

1. Desaperte o manípulo da vedação de escarificação.
2. Ajuste a vedação de escarificação até estar paralela à lâmina.
3. Aperte o manípulo.

⚠️ PRECAUÇÃO:

- Certifique-se de que a vedação de escarificação está paralela à lâmina, caso contrário pode ocorrer um coice perigoso.

Ligar ao aspirador (Fig. 24)

As operações de limpeza pode ser desempenhadas ao ligar a ferramenta ao aspirador ou colector de pó Makita.

FUNCIONAMENTO

⚠️ PRECAUÇÃO:

- Utilize sempre “ajudantes” como alavancas impulsoras e blocos impulsores quando existe o risco das mãos ou dedos se aproximarem da lâmina.
- Segure sempre bem a peça de trabalho com a mesa e a vedação de escarificação ou medidor de corte angular. Não a dobre nem torça à medida que avança. Se a peça de trabalho for dobrada ou torcida, podem ocorrer coices perigosos.
- NUNCA retire a peça de trabalho com a lâmina em funcionamento. Se tiver de retirar a peça de trabalho antes de completar um corte, desligue primeiro a ferramenta enquanto segura a peça de trabalho com firmeza. Aguarde até que a lâmina pare por completo antes de retirar a peça de trabalho. Caso contrário, poderá causar coices perigosos.
- NUNCA retire material de corte com a lâmina em funcionamento.
- NUNCA coloque as suas mãos ou dedos no percurso da lâmina da serra. Tenha muito cuidado com os cortes em bisel.
- Fixe sempre a vedação de escarificação, caso contrário podem ocorrer coices perigosos.

- Utilize sempre “ajudantes”, tais como alavancas impulsoras e blocos impulsores, quando utilizar peças de trabalho pequenas ou estreitas.

Ajudantes

Alavancas impulsoras, blocos impulsores ou vedação auxiliar são tipos de “ajudantes”. Utilize-os para fazer cortes seguros e certos sem a necessidade do operador entrar em contacto com a lâmina.

Vedação auxiliar (Fig. 25)

Produza a vedação auxiliar de peças de contraplacado de 9,5 mm e 19 mm.

Escarificar

⚠️ PRECAUÇÃO:

- Quando cortar peças de trabalho longas ou largas, proporcione sempre suporte adequado atrás da mesa. NÃO permita que uma prancha longa se desloque na mesa. Isto fará com que a lâmina dobra e aumenta a possibilidade de coice e ferimentos pessoais. O suporte deve estar à mesma altura da mesa. (Fig. 26)
1. Ajuste a profundidade de corte um pouco acima da espessura da peça de trabalho.
 2. Posicione a vedação de escarificação na largura pretendida e fixe-a no devido lugar apertando o manípulo.
 3. Rode a ferramenta e avance suavemente a peça de trabalho na lâmina juntamente com a vedação de escarificação.
 - (1) Quando a largura da escarificação for de 150 mm ou mais, utilize cuidadosamente a sua mão direita para avançar a peça de trabalho. Utilize a mão esquerda para segurar a peça de trabalho contra a vedação de escarificação.
 - (2) Quando a largura da escarificação for de 65 mm - 150 mm, utilize a alavanca impulsora para avançar a peça de trabalho. (Fig. 27)
 - (3) Quando a largura da escarificação for mais estreita que 65 mm, a alavanca impulsora não pode ser utilizada porque a alavanca impulsora embate na protecção da lâmina. Utilize a vedação auxiliar e o bloco impulsor. Engate a vedação auxiliar à vedação de escarificação com dois grampos “C”. (Fig. 28)
Avance a peça de trabalho à mão até o fim estar a cerca de 25 mm da extremidade frontal da mesa. Continue a avançar através do bloco impulsor sobre a vedação auxiliar até o corte estar completo. (Fig. 29)

Corte transversal

⚠️ PRECAUÇÃO:

- Quando fizer um corte transversal, retire a vedação de escarificação da mesa.
- Quando cortar peças de trabalho longas ou largas, proporcione sempre suporte adequado nos lados da mesa. O suporte deve estar à mesma altura da mesa.
- Mantenha sempre as mãos afastadas do percurso da lâmina.

Deslize a vedação de escarificação no carril da mesa. Desaperte o manípulo na vedação e alinhe para o ângulo

pretendido (0° a 60°). Encoste a peça à vedação, fixe-a com o grampo na vedação de escarificação e faça-a avançar suavemente para a lâmina. (Fig. 30)

Transportar a ferramenta (Fig. 31)

Certifique-se de que a ferramenta está desligada da tomada.

Transporte a ferramenta pegando pela parte da ferramenta ilustrada na figura.

⚠️ PRECAUÇÃO:

- Fixe sempre todas as peças móveis antes de transportar a ferramenta.
- Certifique-se sempre de que a protecção da lâmina está instalada antes de transportar a ferramenta.

MANUTENÇÃO

⚠️ PRECAUÇÃO:

- Certifique-se sempre de que a ferramenta está desligada no interruptor e da tomada antes de inspecionar ou fazer a manutenção da ferramenta.
- Se a pega do bloco impulsor ou as alavancas impulsoras estiverem quebradas, contacte um centro de assistência Makita para uma substituição.

ATENÇÃO:

- Nunca utilize gasolina, benzina, diluente, álcool ou semelhante. Podem formar-se descolorações, deformações ou fissuras.

Limpeza

Limpe o pó da serra e aparas periodicamente. Limpe cuidadosamente a protecção da lâmina e as peças móveis dentro da serra circular de bancada.

ACESSÓRIOS OPCIONAIS

⚠️ PRECAUÇÃO:

- Os seguintes acessórios ou extensões são os recomendados para utilizar com a ferramenta Makita especificada neste manual. A utilização de quaisquer outros acessórios poderá representar um risco de ferimento para as pessoas. Apenas utilize o acessório para o fim indicado.

Se precisar de informações adicionais relativas aos acessórios, contacte o centro local de assistência Makita.

- Vedação para escarificação
- Chave
- Chave sextavada

NOTA:

- Alguns itens na lista podem estar incluídos no pacote de ferramentas como acessórios de série. Podem diferir de país para país.

Ruído

ENG905-1

Os níveis acústicos ponderados A típicos foram determinados segundo a EN1870-1:

Nível de pressão sonora (L_{pA}): 93 dB (A)

Nível de potência sonora (L_{WA}): 105 dB (A)

Incerteza (K): 4 dB (A)

Use protecção ocular.

⚠️ AVISO:

Os valores apresentados são níveis de emissão e não são necessariamente níveis de trabalho seguros. Embora

haja uma correlação entre os níveis de emissão e de exposição, estes não podem ser utilizados de forma fiável para determinar se são ou não necessárias precauções. Os factores que influenciam o nível real de exposição da força de trabalho incluem as características da sala de trabalho e as outras fontes de ruído, ou seja, o número de máquinas e outros processos adjacentes. Além disso, o nível de exposição admissível pode variar consoante o país. No entanto, esta informação, irá permitir ao utilizador da máquina efectuar uma melhor avaliação dos perigos e riscos.

Apenas para países europeus

ENH113-1

Declaração de conformidade CE

A Makita declara que as máquinas:

Designação da máquina:

Serra Circular de Bancada

Nº/Tipo de modelo: 2712

Estão em conformidade com as directivas europeias seguintes:

2006/42/EC, 2006/95/EC, 2004/108/EC

São fabricadas de acordo com as normas e documentos padronizados seguintes:

EN1870-1, EN60204-1, EN55014-1, EN55014-2,
EN61000-3-2, EN61000-3-11

O certificado de exame tipo CE N.º M6A.13.12.86528.002

O exame tipo CE de acordo com a norma 2006/42/EC foi efectuado por:

TÜV SÜD Product Service GmbH

Ridlerstraße 65. D-80339 München Alemanha

N.º de identificação 0123

O ficheiro técnico em conformidade com a norma 2006/42/EC está disponível a partir de:

Makita, Jan-Baptist Vinkstraat 2, 3070, Bélgica

20. 12. 2013



Yasushi Fukaya

Director

Makita, Jan-Baptist Vinkstraat 2, 3070, Bélgica

DANSK (Originalvejledning)

Forklaring til generel oversigt

1. Plade	16. Styreskinne	31. Udvendig flange
2. Spaltekniv	17. Bræddebolt	32. Skive
3. Ben	18. Sidebord	33. Sekskantbolt
4. Hul til kontakt	19. Stiver (lang)	34. Stram
5. A-symbol	20. Stiver (kort)	35. Beskyttelsesskærm
6. Benstøtte (lang)	21. Krog	36. Sekskantmøtrik
7. Benstøtte (kort)	22. Skubbestok	37. Mellemrum mellem spaltekniven og klingertænderne
8. Fodstykke	23. Håndtag	38. Knap
9. Bredeste side	24. Låseknop	39. Forside/kant parallel
10. Komplet hjul	25. Pilemarkør	40. Hjælpeanslag
11. Støvdyse	26. Unbrakonøgle	41. Arbejdsemne
12. Bærehåndtag	27. Skruenøgle	42. Skubbeklods
13. Skrue	28. Løsn	43. Kløveanslag
14. Afbryderkontakt	29. Indvendig flange	
15. Selvskærende skrue	30. Savklinge	

SPECIFIKATIONER

Model		2712	
Spindelhul		30 mm	
Klingediameter		315 mm	
Klingetykkelse		2 mm eller mindre	
Maksimal skærekapacitet	Tykkelse ved 90°	85 mm	
	Tykkelse ved 45°	58 mm	
	Bredde	1.600 mm	
Hastighed uden belastning		2.950 (min ⁻¹) (50 Hz)	3.400 (min ⁻¹) (60 Hz)
Bordstørrelse (L x B)		550 mm x 1.600 mm med sidebord (back)	
Nettovægt		52,9 kg	
Sikkerhedsklasse		Klasse I	

- På grund af vores løbende forsknings- og udviklingsprogram kan specifikationerne heri ændres uden forudgående varsel.
- Specifikationerne kan variere fra land til land.
- Vægt i henhold til EPTA-procedure 01/2003

Symboler

END310-1

Her vises de symboler, der benyttes til udstyret. Vær sikker på, at du forstår deres betydning, før du bruger udstyret.



..... Læs brugsanvisningen.



..... Bær beskyttelsesbriller.



..... Placer ikke hånd eller fingre tæt på klingen.



..... Kun for EU-lande

Elektrisk udstyr må ikke bortskaffes som almindeligt affald!
I henhold til det europæiske direktiv om bortskaffelse af elektriske og elektroniske produkter og dets implementering i overensstemmelse med gældende national lovgivning skal brugt elektrisk udstyr, der har udtjent dets levetid, indsamles separat og

returneres til miljøgodkendt genindvinding.

Tilsigtet brug

ENE003-1

Maskinen er beregnet til skæring i træ.

Strømforsyning

ENF001-1

Maskinen bør kun sluttes til en strømforsyning med den spænding, der er angivet på mærkepladen, og den kan kun benyttes med enkeltfasnet vekselstrøm. Denne maskine bør være jordet under brug for at beskytte brugeren mod elektrisk stød. Brug kun tre-trådede forlængerledninger med tre-benede jordstik og stikkontakter til tre-benede stik, som passer til maskinens stik.

Generelle sikkerhedsadvarsler for maskiner

GEA010-1

⚠ ADVARSEL Læs alle sikkerhedsadvarsler og alle instruktioner. Hvis De ikke følger alle advarsler og instruktioner, kan det medføre elektrisk stød, brand og/eller alvorlig personskade.

Gem alle advarsler og instruktioner til senere reference.

YDERLIGERE SIKKERHEDSREGLER FOR VÆRKTØJET

ENB122-1

GEM DISSE INSTRUKTIONER.

1. Brug beskyttelsesbriller.
2. Brug ikke værktøjet i nærheden af brandbare væsker eller gasser.
3. BRUG ALDRIG værktøjet med en skæreskive påmonteret.
4. Efterse klingens omhyggeligt for revner eller beskadigelse før brugen. Udskift øjeblikkeligt revnede eller beskadigede klinger.
5. Brug kun savklinger der er anbefalet af producenten, og som overholder EN847-1, samt vær opmærksom på, at spaltekniven ikke må være tykkere end bredden på savklingens snit, og ikke tyndere end klingens.
6. Brug altid det tilbehør, der anbefales i denne brugsanvisning. Brug af forkert tilbehør som fx skæreskiver, kan medføre tilskadecomst.
7. Vælg den rigtige savklinge, som passer til det materiale, der skal skæres.
8. Brug ikke savklinger, der er fremstillet af hurtigtål.
9. For at reducere den afgivne støj, bør du sikre dig, at klingens altid er skarp og ren.
10. Brug altid korrekt skærpede savklinger. Observer den maksimale hastighed, som er anført på savklingen.
11. Rengør spindler, flanger (især monteringsoverfladen) og sekskantmøtrik inden montering af klingens. Dårlig montering kan føre til vibration/slør eller at klingens glider.
12. Brug altid beskyttelsesskærm og spaltekniv, hvis det er muligt, inklusiv ved alle gennemsavninger. Monter altid beskyttelsesskærmen i henhold til instruktionerne i denne brugsanvisning. Gennemsavninger er når klingens skærer helt igennem arbejdsemnet som fx ved kløvning og tværsnit. BRUG ALDRIG værktøjet med en defekt beskyttelsesskærm og forsøg aldrig at fastgøre beskyttelsesskærmen med et reb, snor eller lignende. Hvis beskyttelsesskærmen ikke fungerer normalt, skal den rettes med det samme.
13. Monter straks beskyttelsesskærmen og spaltekniven igen, efter du har fuldført et arbejde, hvor beskyttelsesskærmen har været taget af.
14. Skær ikke i genstande som fx søm og skruer. Se efter, og fjern alle søm, skruer og andre fremmedlegemer fra arbejdsemnet før arbejdet.
15. Fjern skruenøgler, afskårne dele osv. fra bordet inden der tændes på kontakten.
16. BRUG ALDRIG handsker under arbejdet.
17. Hold hænder væk fra savklingens skærelinje.
18. STÅ ALDRIG, eller tillad at andre står, på savklingens skærelinje.
19. Sørg for, at klingens ikke har kontakt med spaltekniven eller arbejdsemnet, før der tændes på kontakten.
20. Lad værktøjet køre et stykke tid, før det benyttes på et arbejdsemne. Hold øje med vibreringer eller svinger, der kan være tegn på en dårlig montering eller en dårligt afbalanceret klinge.
21. Værktøjet bør ikke bruges til notfræsning, falshøvling eller notning.
22. Udskift bordindsatsen når den er slidt.
23. FORETAG ALDRIG justeringer mens værktøjet kører. Frakob værktøjet inden du udfører justeringer.
24. Brug en skubbestok hvis nødvendigt. Skubbestokke SKAL bruges ved kløvning af smalle arbejdsemner for at holde dine hænder og fingre væk fra klingens.
25. Læg skubbestokken væk når den ikke bruges.
26. Vær særlig opmærksom på anvisningerne for, hvordan man reducerer TILBAGESLAG. TILBAGESLAG er en pludselig reaktion på en fastklemt, bundet eller skæv savklinge. TILBAGESLAG medfører, at arbejdsemnet slynges bort fra værktøjet i retning af operatøren. TILBAGESLAG KAN FØRE TIL ALVORLIG PERSONSKADE. Undgå TILBAGESLAG ved altid at holde klingens skarp, ved at holde kløveanslaget parallelt med klingens, ved at holde spaltekniven og beskyttelsesskærmen på plads og i korrekt funktionsstand, ved ikke at frigøre arbejdsemnet, før det er ført hele vejen forbi klingens, og ved ikke at kløve et arbejdsemne, som er bøjet eller skævt eller som ikke har en lige kant til føring langs anslaget.
27. Udfør intet arbejde på frihånd. Frihånd betyder, at du bruger dine hænder til at støtte eller styre arbejdsemnet i stedet for et kløveanslag eller en geringsskala.
28. RÆK ALDRIG rundt om eller over savklingen. RÆK ALDRIG ud efter et arbejdsemne før savklingen er helt stoppet.
29. Undgå abrupt og hurtig fremføring. Før arbejdsemnet frem så langsomt som muligt, når der skæres i hårde arbejdsemner. Lad være med at bøje eller vride arbejdsemnet under fremføringen. Hvis klingens går i stå eller sætter sig fast i arbejdsstykket, skal du øjeblikkeligt slukke for værktøjet. Tag værktøjet ud af forbindelse. Afhjælp derefter problemet.
30. FJERN ALDRIG afskårne stykker i nærheden af klingens eller rør ved beskyttelsesskærmen, mens klingens kører.
31. Fjern alle løse knaster fra arbejdsemnet, INDEN du starter med at skære.
32. Undgå misbrug af ledningen. Træk aldrig i ledningen når du frakobler den fra stikkontakten. Hold ledningen væk fra varme, olie, vand og skarpe kanter.
33. Støv, som er frembragt under anvendelsen, kan indeholde kemikalier, der er kendt for være kræftfremkaldende, give fødselsskader eller anden skade på forplantningsevnen. Nogle eksempler på disse kemikalier er:

- bly fra materialer, der er malet med blyholdig maling og
 - arsenik eller krom fra kemisk behandlet tømmer.
 - Din risiko i forbindelse med udsættelse for disse kemikalier afhænger af, hvor ofte du udfører denne type arbejde. For at reducere udsættelse for disse kemikalier: Udfør kun arbejde i veludluftede områder og med anvendelse af godkendt sikkerhedsudstyr, såsom støvmasker, der er specielt konstrueret til at filtrere mikroskopiske partikler.
34. Når værktøjet anvendes indendørs, skal du altid tilslutte værktøjet til et eksternt system til støvekstrahering. Tænd for systemet til støvekstrahering, inden du starter for værktøjet.
 35. Beskyttelseskærmen kan løftes op under opsætning af arbejdsemnet og for lette rengøringen. Sørg altid for, at beskyttelseskærmens hætte er nede og lægger fladt mod savbordet, inden du tilslutter værktøjet.
 36. Bær handsker så du ikke skærer dig ved håndtering af savklingen, fremføring af træ ind i værktøjet eller under vedligeholdelse.
 37. Forsøg aldrig at fjerne spåner, mens savklingen kører, eller værktøjet er tændt.
 38. Forsøg aldrig at anvende værktøjet med mindre alle afskærmninger og andre sikkerhedsanordninger nødvendige for værktøjet er i ordentlig funktionstilstand.
 39. Operatører skal være tilstrækkeligt uddannede i samling, justering og betjening af værktøjet.
 40. Brug aldrig klinger hvis maksimumhastighed er mindre end værktøjets hastighed uden belastning.
 41. Hold arbejdsområdet ordentligt oplyst.

GEM DISSE INSTRUKTIONER.

MONTERING

FORBEREDELSE

Kontroller pakkens indhold for de følgende komponenter. Informér straks Makita-servicecenteret, hvis der mangler nogen dele i pakken.

- Bordsav (1 enhed)
- Ben (4 stk.)
- Fodstykke (4 stk.)
- Forsænket skrue til fodstykke (4 stk.)
- Sekskantmøtrik til fodstykke (4 stk.)
- Benstøtte (lang) (2 stk.)
- Benstøtte (kort) (2 stk.)
- Komplet hjul (1 stk.)
- Støvdyse (1 stk.)
- Bærehåndtag (2 stk.)
- Brædebolt til styreskinne (4 stk.)
- Sekskantbolt til styreskinne (4 stk.)
- Styreskinne (lang) (1 stk.)
- Styreskinne (kort) (1 stk.)
- Sidebord (1 stk.)
- Stiver (lang) (2 stk.)
- Stiver (kort) (2 stk.)
- Krog (1 stk.)
- Beskyttelseskærm (1 stk.)
- Selvskærende skrue (3 stk.)
- Sekskantbolt (38 stk.)

- Sekskantmøtrik (38 stk.)
- Unbrakonøgle (1 stk.)
- Skruenøgle (1 stk.)
- Skubbestok (1 stk.)
- Skubbeklods (1 stk.)
- Anslag (til kløveanslag) (1 stk.)
- Kløveanslag (1 stk.)

Montering af bordsaven

1. Vend bordsaven på hovedet på to plader. Kontroller, at spaltekniiven er placeret i mellemrummet mellem de to plader. (Fig. 1)
2. Fastgør de fire ben til undersiden af bordpladens kant. Fastgør benet med hullet til kontakten til den side af bordpladen med "A"-symbolet. Fastgør de fire ben midlertidigt, og stram ikke skrueerne til endnu. (Fig. 2)
3. Fastgør benstøtterne (lange) til benene og fastgør derefter benstøtterne (korte) til benene. Fastgør benene og benstøtterne ordentligt med skrueerne. Kontroller altid retningen på støttebenene.
4. Monter fodstykkerne under benene. Fastgør dem med forsænkede skruer og sekskantmøtrikker. (Fig. 3)
5. Monter det komplette hjul på benene og fastgør dem med skruer og sekskantmøtrikker. (Fig. 4)
6. Monter støvdysen.
7. Juster motordelen til positionen 0° og fastgør den ved at stramme knappen. Fastgør strømledningen med ledningsklemmen. (Fig. 5)
8. Drej bordsaven tilbage og fastgør derefter bærehåndtagene. (Fig. 6)
9. Monter kontakten på benet og fastgør den med de selvskærende skruer. (Fig. 7)
10. Monter savklingen og beskyttelseskærmen. Når de monteres, skal du se afsnittet "Afmontning eller montering af savklingen" og "Montering af beskyttelseskærmen".
11. Monter styreskinne (kort) på den forreste side af bordsaven og styreskinne (lang) på den venstre side af bordpladen. (Fig. 8)
12. Monter sidebordet på bordpladen. Vælg den rigtige længde stiver afhængigt af positionen. (Fig. 9 og 10)
13. Monter krogen på benet. (Fig. 11)
14. Placer bordsaven på et oplyst og plant sted, hvor du har godt fodfæste og kan holde balancen. Den bør placeres på et sted, hvor der er tilstrækkelig med plads til at håndtere den størrelse arbejdsemner, du anvender.
Hvis der bare er en lille tendens til, at bordsaven kan tippe over, glide eller flytte sig under arbejdet, skal bordsaven fastgøres til gulvet.

Opbevaring af tilbehør (Fig. 12)

Skubbestok og skruenøgler kan opbevares på højre side af maskinen.

FUNKTIONSBESKRIVELSE

⚠ FORSIGTIG:

- Sørg altid for, at maskinen er slukket, og at stikket er taget ud af stikkontakten, før du justerer maskinen eller kontrollerer dens funktion.

Indstilling af skæredybden (Fig. 13)

Skæredybden kan justeres ved at dreje på håndtaget. Drej håndtaget mod urets retning for at løfte klingens og mod urets retning for at sænke den.

BEMÆRK:

- Brug en lille dybdeindstilling ved skæring i tynde materialer, således at der opnås et renere snit.

Justering af skråvinkel (Fig. 14)

Løsn låseknappen mod urets retning og der opnås den ønskede vinkel (0° - 45°). Pilemarkøren angiver skråvinklen.

Når den ønskede vinkel er opnået, strammes låseknappen i urets retning for at fastlåse justeringen.

⚠ FORSIGTIG:

- Efter justering af skråvinklen, skal du sørge for at stramme låseknappen ordentligt.

Betjening af kontakt

⚠ FORSIGTIG:

- Fjern arbejdssemnet fra bordet.
- Kontroller altid, at der er slukket for maskinen, før den sluttes til stikkontakten. (Fig. 15)

Tryk på TÆND-knappen (I) for at starte maskinen.

Tryk på SLUK-knappen (O) eller kontaktdækslet for at slukke for maskinen.

MONTERING

⚠ FORSIGTIG:

- Sørg altid for, at maskinen er slukket, og stikket er taget ud af stikkontakten, før du udfører nogen form for arbejde på maskinen.

Når maskinen leveres fra fabrikken, er savklingen og beskyttelsesskærmen ikke placeret i anvendelsestilstanden.

Afmontering eller montering af savklingen

⚠ FORSIGTIG:

- Sørg altid for, at maskinen er slukket, og stikket er taget ud af stikkontakten, før du monterer eller afmonterer savklingen.
- Anvend kun den medfølgende Makita-unbrakonøgle til at montere eller afmontere savklingen. Ellers kan det medføre, at sekskantboltene spændes enten for løst eller for stramt. Det kan føre til personskader.
- Brug den følgende savklinge. Brug ikke savklinger, som ikke er i overensstemmelse med de egenskaber, som er angivet i disse instruktioner.

Model	Dia.	Klingetykkelse	Savsnit
2712	315 mm	2 mm eller mere	2,8 mm eller mere

014540

For at fjerne savklingen skal du fjerne bordindsatsen fra bordet. Hold den udvendige flange med skruenøglen og løsn sekskantboltens i urets retning med unbrakonøglen. Tag den udvendige flange af. (Fig. 16)

For at montere savklingen skal du samle den indvendige flange, savklingen, udvendige flange, skiven og

sekskantboltens på spindelen. Sørg for at tænderne på klingens vender nedad på bordets forside. (Fig. 17)

⚠ FORSIGTIG:

- Hold flangeoverfladen fri for snavs eller andet klæbende stof, eftersom det kan forårsage, at klingens skrider. Sørg for, at klingens er monteret sådan, at tænderne er rettet ind på skære (dreje)-retningen.

For at fastgøre klingens på plads, skal du holde den udvendige flange med skruenøglen, og derefter stramme sekskantboltens mod urets retning med unbrakonøglen. SØRG FOR AT STRAMME SEKSANTBOLTENS ORDENTLIGT. (Fig. 18)

⚠ FORSIGTIG:

- Sørg for at holde sekskantboltens omhyggeligt med unbrakonøglen. Hvis du mister grebet, kan unbrakonøglen komme fri af sekskantboltens, og din hånd kan komme i kontakt med den skarpe klinge.

Montering af beskyttelsesskærmen

⚠ FORSIGTIG:

- Inden montering af beskyttelsesskærmen skal skæredybden justeres til dens maksimale højde. Placer beskyttelsesskærmen i rillen på spaltekniven. Fastgør beskyttelsesskærmen ved at dreje armen på beskyttelsesskærmen. (Fig. 19 og 20)

⚠ FORSIGTIG:

- Hvis klingens og spaltekniven ikke er korrekt rettet ind, kan der opstå en farlig fastklemning under savningen. Sørg for at de korrekt rettet ind. Du kan komme alvorligt til skade, hvis du bruger maskinen uden en korrekt rettet spaltekniv.
- Hvis de ikke er rettet ind af en eller anden grund, skal du altid få et autoriseret Makita-servicecenter til at reparere det.
- Fjern ikke spaltekniven.

Der skal være et mellemrum på cirka 4 - 5 mm mellem spaltekniven og klingetænderne. Juster spaltekniven i henhold hertil og stram sekskantmøtrikken ordentligt. Monter bordindsatsen på bordet, kontroller derefter at beskyttelsesskærmen fungerer ordentligt inden savning. (Fig. 21)

Montering og justering af kløveanslaget (Fig. 22)

Monter kløveanslaget på bordet således, at kløveanslagsholderen griber ind i styreskinnen. Stram knappen på kløveanslaget ordentligt til i urets retning. (Fig. 23)

For at kontrollere om kløveanslaget er parallelt med klingens, fastgøres kløveanslaget 2 - 3 mm fra klingens. Løft klingens op på dens maksimale højde. Mål afstanden (A) og (B) mellem kløveanslaget og klingens. Disse to målinger bør være ens.

Hvis kløveanslaget ikke er parallelt med klingens, skal du gøre som følger:

1. Løsn knappen på kløveanslaget.
2. Juster kløveanslaget indtil det er parallelt med klingens.
3. Stram knappen.

⚠ FORSIGTIG:

- Sørg for at kløveanslaget er parallelt med klingens, ellers kan der muligvis opstå et farligt tilbageslag.

Tilslutning til støvsuger (Fig. 24)

Rengøringsfunktioner kan udføres ved at slutte maskinen til en Makita-støvsuger eller støvopsamler.

BETJENING

FORSIGTIG:

- Anvend altid "hjælpeanordninger" som for eksempel skubbestokke og skubbeklodser, hvis der er fare for, at hænder og fingre kommer for tæt på klingens.
- Hold altid arbejdsemnet fast med bordet og kløveanslaget eller geringssskalaen. Lad være med at bøje eller vride arbejdsemnet under fremføringen. Hvis arbejdsemnet er bøjet eller skævt, kan der opstå farlige tilbageslag.
- TRÆK ALDRIG arbejdsemnet tilbage, mens klingens roterer. Hvis det er nødvendigt at trække arbejdsemnet tilbage, inden snittet er fuldført, skal du først slukke for maskinen, mens du holder godt fast i arbejdsemnet. Vent indtil klingens er stoppet fuldstændigt, før arbejdsemnet trækkes tilbage. Det kan ellers medføre farlige tilbageslag.
- FJERN ALDRIG fraskær, mens savklingen roterer.
- PLACER ALDRIG dine hænder eller fingre i savklingens bane. Vær især påpasselig med skrårkæringer.
- Fastspænd altid kløveanslaget forsvarligt, da der ellers kan opstå farlige tilbageslag.
- Brug altid "hjælpeanordninger" som f.eks. skubbestokke og skubbeklodser, når du saver små eller smalle arbejdsemner.

Hjælpeanordninger

Skubbestokke, skubbeklodser eller hjælpeanslag er forskellige typer "hjælpeanordninger". Anvend dem til at udføre sikkerhedsmæssigt forsvarlige snit, uden at operatøren behøver at komme i berøring med klingens med nogen del af kroppen.

Hjælpeanslag (Fig. 25)

Lav et hjælpeanslag ud fra krydsfiner på 9,5 mm og 19 mm.

Kløvning

FORSIGTIG:

- Når der skæres i lange eller store arbejdsemner, skal der altid sikres tilstrækkelig støtte bag bordet. TILLAD IKKE, at en lang plade flytter sig eller bevæger sig på bordet. Det resulterer i, at savklingen binder og øger derved risikoen for tilbageslag og personskade. Støtten bør være i samme højde som bordet. (Fig. 26)
1. Indstil dybden på snittet til en smule større end tykkelsen på arbejdsemnet.
 2. Anbring kløveanslaget til den ønskede kløvebredde og fastgør det ved at stramme knappen.
 3. Tænd for maskinen og før arbejdsemnet forsigtigt ind i savklingen langs kløveanslaget.
 - (1) Hvis kløvebredden er 150 mm eller bredere, skal du føre arbejdsemnet forsigtigt frem med din højre hånd. Brug din venstre hånd til at holde arbejdsemnet i stilling mod kløveanslaget.

- (2) Hvis kløvebredden er 65 mm - 150 mm bred, føres arbejdsemnet frem med skubbestokken. (Fig. 27)
- (3) Hvis kløvebredden er mindre end 65 mm, kan skubbestokken ikke anvendes, fordi skubbestokken rammer beskyttelseskærmen. Anvend hjælpeanslaget og skubbeklodsen. Monter hjælpeanslaget på kløveanslaget ved hjælp af to "C" skruevinger. (Fig. 28) Fremfør arbejdsemnet med hånden, indtil enden er omkring 25 mm fra forkanten af bordet. Fortsæt med at fremføre arbejdsemnet med skubbeklodsen øverst på hjælpeanslaget, indtil snittet er fuldført. (Fig. 29)

Tværsnit

FORSIGTIG:

- Når der udføres et tværsnit, skal kløveanslaget fjernes fra bordet.
 - Når der skæres i lange eller store arbejdsemner, skal der altid sikres tilstrækkelig støtte til bordets sider. Støtten bør være i samme højde som bordet.
 - Hold altid hænderne væk fra klingens bane.
- Skub kløveanslaget ind i skinnen på bordet. Løsn knappen på anslaget, og indstil til den ønskede vinkel (0° til 60°). Før blokken op mod anslaget, fastgør den med skruevingen på kløveanslaget og før den forsigtigt ind i klingens. (Fig. 30)

Transport af maskinen (Fig. 31)

Sørg for, at maskinen er taget ud af forbindelse. Transporter maskinen ved at holde maskindelen som vist i figuren.

FORSIGTIG:

- Fastgør altid alle bevægelige dele, inden maskinen transporteres.
- Sørg altid for, at beskyttelseskærmen er på plads, inden maskinen transporteres.

VEDLIGEHOLDELSE

FORSIGTIG:

- Sørg altid for, at maskinen er slukket, og at stikket er taget ud, før du udfører inspektion eller vedligeholdelse.
- Hvis skubbeklodshåndtaget eller skubbestokkene er i stykke, skal du kontakte Makita-servicecenteret for at få det udskiftet.

BEMÆRK:

- Brug aldrig benzin, benzen, fortynder, alkohol eller lignende. Det kan muligvis medføre misfarvning, deformation eller revner.

Rengøring

Rengør ind i mellem for savsmuld og spåner. Vær omhyggelig med rengøringen af beskyttelseskærmen og bevægelige dele inde i bordsaven.

EKSTRAUDSTYR

FORSIGTIG:

- Dette tilbehør eller ekstraudstyr anbefales til brug med det Makita-værktøj, som er beskrevet i denne brugsanvisning. Brug af andet tilbehør eller ekstraudstyr kan forårsage personskade. Brug kun tilbehør eller ekstraudstyr til det formål, det er beregnet til.

Henvend dig til dit lokale Makita-servicecenter, hvis du har brug for hjælp eller yderligere oplysninger vedrørende tilbehøret.

- Kløveanslag
- Skruenøgle
- Unbrakonøgle

BEMÆRK:

- Visse dele på listen er muligvis indeholdt maskinindpakningen som standardtilbehør. De kan variere fra land til land.

Støj

ENG905-1

Det typiske A-vægtede støjniveau bestemt i overensstemmelse med EN1870-1:

Lydtryksniveau (L_{pA}): 93 dB (A)

Lydeffektniveau (L_{WA}): 105 dB (A)

Usikkerhed (K): 4 dB (A)

Bær høreværn.

ADVARSEL:

De angivne tal er udledningsniveauer og er ikke nødvendige for sikre arbejdsniveauer. Mens der er en sammenhæng mellem udlednings- og eksponeringsniveauerne, kan dette ikke anvendes troværdigt til at bestemme, om der er behov for yderligere forholdsregler eller ej. Faktorer, som har indflydelse på det faktiske eksponeringsniveau for arbejdsstyrken inkluderer egenskaberne for arbejdsrummet og andre kilder til støj osv., det vil sige antallet af maskiner og andre processer i nærheden. Det tilladte eksponeringsniveau kan desuden variere fra land til land. Denne information vil dog gøre brugeren af maskinen i stand til at foretage en bedre evaluering af faren og risikoen.

Kun for europæiske lande

ENH113-1

EF-overensstemmelseserklæring

Makita erklærer at følgende Makita-maskine(r):

Maskinens betegnelse:

Bordsav

Modelnummer/type: 2712

Overholder følgende europæiske direktiver:

2006/42/EF, 2006/95/EF, 2004/108/EF

De er produceret i overensstemmelse med den følgende standard eller standardiserede dokumenter:

EN1870-1, EN60204-1, EN55014-1, EN55014-2,

EN61000-3-2, EN61000-3-11

Certifikatnummer for EF-typeafprøvning

M6A.13.12.86528.002

EF-typeafprøvningen blev pr. 2006/42/EF udført af:

TÜV SÜD Product Service GmbH

Ridlerstraße 65. D-80339 München Tyskland

Identificeringsnr. 0123

Den tekniske fil er i overensstemmelse med 2006/42/EF til rådighed fra:

Makita, Jan-Baptist Vinkstraat 2, 3070, Belgien

20. 12. 2013



Yasushi Fukaya

Direktør

Makita, Jan-Baptist Vinkstraat 2, 3070, Belgien

ΕΛΛΗΝΙΚΑ (Πρωτογενείς οδηγίες)

Περιγραφή γενικής όψης

- | | | |
|-------------------------------|-----------------------------|--|
| 1. Σανίδα | 16. Οδηγητική ράγα | 31. Εξωτερική φλάντζα |
| 2. Μαχαίρι σχισίματος | 17. Βίδα με τετράγωνο λαιμό | 32. Ροδέλα |
| 3. Πόδι | 18. Βοηθητικό τραπέζι | 33. Εξάγωνο μπουλόνι |
| 4. Τρύπα διακόπτη | 19. Στήριγμα (μακρύ) | 34. Σφίξτε |
| 5. Σημείο Α | 20. Στήριγμα (κοντό) | 35. Προφυλακτήρας δίσκου |
| 6. Στηρίγματα ποδιών (μακριά) | 21. Αγκιστρο | 36. Εξάγωνο παξιμάδι |
| 7. Στηρίγματα ποδιών (κοντά) | 22. Ράβδος ώθησης | 37. Διάκενο μεταξύ μαχαιριού σχισίματος και δοντιών του δίσκου |
| 8. Πέλμα | 23. Λαβή | 38. Κουμπί |
| 9. Ευρύτερη πλευρά | 24. Κουμπί ασφάλισης | 39. Παράλληλη πρόσωση/άκρη |
| 10. Πλήρες ελαστικό | 25. Τόξο | 40. Βοηθητική επένδυση |
| 11. Στόμιο σκόνης | 26. Εξάγωνο κλειδί | 41. Τεμάχιο εργασίας |
| 12. Λαβή μεταφοράς | 27. Κλειδί | 42. Τεμάχιο ώθησης |
| 13. Βίδα | 28. Ξεσφίξτε | 43. Οδηγός τεμαχίου |
| 14. Διακόπτης | 29. Εσωτερική φλάντζα | |
| 15. Λαμαρινόδιβα | 30. Δισκοπρίονο | |

ΠΡΟΔΙΑΓΡΑΦΕΣ

Μοντέλο	2712	
Οπή άξονα	30 mm	
Διάμετρος λάμας	315 mm	
Πάχος σώματος λάμας	2 mm ή λιγότερο	
Μέγιστες ικανότητες κοπής	Πάχος στις 90°	85 mm
	Πάχος στις 45°	58 mm
	Πλάτος	1.600 mm
Ταχύτητα χωρίς φορτίο	2.950 (min ⁻¹) (50 Hz)	3.400 (min ⁻¹) (60 Hz)
Μέγεθος πλάκας (Μ x Π)	550 mm x 1.600 mm με βοηθητικό τραπέζι (πίσω)	
Καθαρό βάρος	52,9 kg	
Τάξη ασφάλειας	Κατηγορία Ι	

- Λόγω του συνεχόμενου προγράμματος που εφαρμόζουμε για έρευνα και ανάπτυξη, τα τεχνικά χαρακτηριστικά στο παρόν έντυπο υπόκεινται σε αλλαγή χωρίς προειδοποίηση.
- Τα τεχνικά χαρακτηριστικά ενδέχεται να διαφέρουν ανάλογα με τη χώρα.
- Βάρος σύμφωνα με τη διαδικασία ΕΡΤΑ 01/2003

Σύμβολα

END310-1

Τα παρακάτω παρουσιάζουν τα σύμβολα που χρησιμοποιούνται για τον εξοπλισμό. Βεβαιωθείτε ότι κατανοείτε τη σημασία τους πριν από τη χρήση.



..... Διαβάστε το εγχειρίδιο οδηγιών.



..... Να φοράτε γυαλιά προστασίας.



..... Μην πλησιάζετε τα χέρια ή τα δάκτυλά σας κοντά στο δίσκο.



..... Μόνο για τις χώρες της ΕΕ
Μην απορρίπτετε ηλεκτρικές συσκευές στον κάδο οικιακών απορριμμάτων!
Σύμφωνα με την Ευρωπαϊκή Οδηγία περί των απορριμμάτων ηλεκτρικών και ηλεκτρονικών συσκευών και την ενσωμάτωση της στο εθνικό δίκαιο, οι ηλεκτρικές συσκευές, των οποίων έχει παρέλθει ο χρόνος ωφέλιμης ζωής τους, θα πρέπει να συλλέγονται

ξεχωριστά και να επιστρέφονται σε εγκαταστάσεις περιβαλλοντικής ανακύκλωσης.

ENE003-1

Προοριζόμενη χρήση

Το εργαλείο προορίζεται για την κοπή ξύλου.

Ηλεκτρική παροχή

ENF001-1

Το εργαλείο πρέπει να συνδέεται μόνο σε ηλεκτρική παροχή της ίδιας τάσης με αυτήν που αναγράφεται στην πινακίδα ονομαστικών τιμών και μπορεί να λειτουργήσει μόνο με εναλλασσόμενο μονοφασικό ρεύμα. Αυτό το εργαλείο πρέπει να είναι γειωμένο κατά τη χρήση του για την προστασία του χειριστή έναντι της ηλεκτροπληξίας. Χρησιμοποιήστε μόνο καλώδια προέκτασης τριών ακίδων τα οποία διαθέτουν βύσματα γείωσης με τρεις απολήξεις και πρίζες με τρεις οπές που να ταιριάζουν με το βύσμα του εργαλείου.

Γενικές Προειδοποιήσεις Ασφαλείας Του Ηλεκτρικού Εργαλείου

GEA010-1

⚠ ΠΡΟΕΙΔΟΠΟΙΗΣΗ Διαβάστε όλες τις προειδοποιήσεις ασφαλείας και όλες τις οδηγίες. Αν δεν ακολουθήσετε όλες τις προειδοποιήσεις και τις οδηγίες, υπάρχει κίνδυνος ηλεκτροπληξίας, πυρκαγιάς ή/και σοβαρού τραυματισμού.

Φυλάξτε όλες τις προειδοποιήσεις και τις οδηγίες για μελλοντική αναφορά.

ΠΡΟΣΘΕΤΟΙ ΚΑΝΟΝΕΣ ΑΣΦΑΛΕΙΑΣ ΓΙΑ ΤΟ ΕΡΓΑΛΕΙΟ

ENB122-1

ΦΥΛΑΞΤΕ ΑΥΤΕΣ ΤΙΣ ΟΔΗΓΙΕΣ.

1. Να φοράτε προστατευτικά ματιών.
2. Μη χρησιμοποιείτε το εργαλείο παρουσία εύφλεκτων υγρών ή αερίων.
3. ΠΟΤΕ να μην χρησιμοποιήσετε το εργαλείο με εγκαταστημένο ένα λειαντικό τροχό κοπής.
4. Πριν από τη λειτουργία, να ελέγχετε προσεκτικά τον δίσκο για ραγίσματα ή ζημιά. Να αντικαθιστάτε αμέσως ένα ραγισμένο ή κατεστραμμένο δίσκο.
5. Να χρησιμοποιείτε μόνο δίσκους που συνιστώνται από τον κατασκευαστή και οι οποίοι είναι εναρμονισμένοι με το EN847-1, και δώστε προσοχή ώστε το μαχαίρι σχισίματος να μην είναι πιο παχύ από το πλάτος της κοπής που γίνεται από το δισκοπρίονο και όχι πιο λεπτό από το σώμα του δίσκου.
6. Να χρησιμοποιείτε πάντοτε εξαρτήματα που συνιστώνται στο παρόν εγχειρίδιο. Αν χρησιμοποιείτε ακατάλληλα εξαρτήματα, όπως λειαντικό τροχό κοπής, μπορεί να προκληθεί τραυματισμός.
7. Επιλέξτε το σωστό δισκοπρίονο ανάλογα με το υλικό που πρόκειται να κοπεί.
8. Μη χρησιμοποιείτε δισκοπρίονα που είναι κατασκευασμένα από ταχυχάλυβα.
9. Για να μειώσετε το θόρυβο, να βεβαιώνετε πάντοτε ότι ο δίσκος είναι αιχμηρός και καθαρός.
10. Να χρησιμοποιείτε δισκοπρίονα που έχουν ακονιστεί σωστά. Να τηρείτε τη μέγιστη ταχύτητα που είναι σημειωμένη επάνω στο δισκοπρίονο.
11. Καθαρίστε την άτρακτο, τις φλάντζες (ιδιαίτερα την επιφάνεια εγκατάστασης) και το εξάγωνο παξιμάδι πριν την εγκατάσταση του δίσκου. Η κακή εγκατάσταση μπορεί να προκαλέσει δόνηση/τρεμοπαίξιμο ή γλίστρωση του δίσκου.
12. Χρησιμοποιήστε τον προφυλακτήρα του δισκοπρίονου και του μαχαριού σχισίματος για κάθε λειτουργία για την οποία μπορεί να χρησιμοποιηθεί, συμπεριλαμβανομένων και όλων των εργασιών πριονίσματος μέχρι τέλους. Πάντοτε να τοποθετείτε τον προφυλακτήρα του δίσκου ακολουθώντας τις οδηγίες που περιγράφονται σε αυτόν τον οδηγό. Οι εργασίες

- πριονίσματος μέχρι τέλους αφορούν αυτές κατά τις οποίες ο δίσκος κόβει τελείως το τεμάχιο εργασίας όπως αυτές της επιμήκους ή της εγκάρσιας τομής. ΠΟΤΕ να μην χρησιμοποιήσετε το εργαλείο με ένα ελαττωματικό προφυλακτήρα του δίσκου ή με στερεωμένο τον προφυλακτήρα του δίσκου με ένα σχοινί, κλωστή κτλ. Η οποιαδήποτε μη κανονική λειτουργία του προφυλακτήρα του δίσκου θα πρέπει να διορθώνεται αμέσως.
13. Επανασυνδέστε αμέσως τον προφυλακτήρα και το μαχαίρι σχισίματος μετά την ολοκλήρωση της εργασίας η οποία απαιτεί την αφαίρεση του προφυλακτήρα.
 14. Μην κόβετε μεταλλικά αντικείμενα όπως καρφιά και βίδες. Πριν από τη λειτουργία, ελέγξτε αν υπάρχουν και αφαιρέστε όλα τα καρφιά, τις βίδες και τα άλλα ξένα αντικείμενα από το τεμάχιο εργασίας.
 15. Αφαιρέστε όλα τα κλειδιά, τα αποκόμματα, κτλ. από την πλάκα πριν ανοίξετε το διακόπτη.
 16. ΠΟΤΕ να μην φοράτε γάντια κατά τη λειτουργία.
 17. Κρατήστε τα χέρια σας μακριά από την ευθεία του δισκοπρίονου.
 18. ΠΟΤΕ να μην στέκεστε ή να επιτρέψετε σε οποιονδήποτε να στέκεται στην ευθεία της τροχιάς του δισκοπρίονου.
 19. Να βεβαιώνετε ότι ο δίσκος δεν ακουμπάει το μαχαίρι σχισίματος ή το τεμάχιο εργασίας πριν ανοίξετε το διακόπτη λειτουργίας.
 20. Πριν χρησιμοποιήσετε το εργαλείο σε ένα πραγματικό τεμάχιο εργασίας, να αφήνετε να λειτουργεί για λίγη ώρα. Να προσέχετε για δόνησεις ή τρεμοπαίξιμο που θα μπορούσαν να υποδείξουν κακή τοποθέτηση ή κακή ισορροπία του δίσκου.
 21. Το εργαλείο δεν πρέπει να χρησιμοποιηθεί για σχισμές, γλύφανση ή αυλακώσεις.
 22. Αντικαταστήστε το πρόσθετο της πλάκας όταν φθαρεί.
 23. ΠΟΤΕ να μην κάνετε την οποιαδήποτε ρύθμιση όταν λειτουργεί το εργαλείο. Αποσυνδέστε το εργαλείο πριν κάνετε την οποιαδήποτε ρύθμιση.
 24. Χρησιμοποιήστε μια ράβδο ώθησης όταν απαιτείται. Οι ράβδοι ώθησης ΠΡΕΠΕΙ να χρησιμοποιούνται για την επιμήκη τομή των στενών τεμαχίων εργασίας για να κρατήσουν τα χέρια σας και τα δάχτυλα σας πολύ μακριά από το δίσκο.
 25. Πάντοτε να φυλάσσετε τη ράβδο ώθησης όταν δεν τη χρησιμοποιείτε.
 26. Δώστε ιδιαίτερη προσοχή στις οδηγίες για την ελάττωση του ρίσκου του ΟΠΙΣΘΟΛΑΚΤΙΣΜΑΤΟΣ. Το ΟΠΙΣΘΟΛΑΚΤΙΣΜΑ είναι μια ξαφνική αντίδραση ενός μαγκωμένου, περιορισμένου ή κακώς ευθυγραμμισμένου δισκοπρίονου. Το ΟΠΙΣΘΟΛΑΚΤΙΣΜΑ προκαλεί την εκτόξευση του τεμαχίου εργασίας από το εργαλείο προς τον χειριστή. ΤΑ ΟΠΙΣΘΟΛΑΚΤΙΣΜΑΤΑ ΜΠΟΡΟΥΝ ΝΑ ΠΡΟΚΑΛΕΣΟΥΝ ΣΟΒΑΡΟ ΠΡΩΝΟΠΙΚΟ ΤΡΑΥΜΑΤΙΣΜΟ. Αποφύγετε τα ΟΠΙΣΘΟΛΑΚΤΙΣΜΑΤΑ διατηρώντας το δίσκο κοφτερό, κρατώντας τον οδηγό του κομματιού παράλληλο με το δίσκο, κρατώντας το μαχαίρι

- σχισίματος και τον προφυλακτήρα του δίσκου στην θέση τους και σε σωστή λειτουργικότητα, μην αφήνοντας το τεμάχιο εργασίας έως ότου στρωχτεί και περάσει τελείως το δίσκο, και μην κόβοντας κατά μήκος ένα τεμάχιο εργασίας που έχει τρίψει ή στρεβλωθεί ή δεν έχει ίσια άκρη για να οδηγηθεί κατά μήκος του οδηγού.
27. Μην πραγματοποιείτε οποιαδήποτε εργασία με γυμνά χέρια. Γυμνά χέρια σημαίνει τη χρήση των χεριών σας για την υποστήριξη ή την οδήγηση του τεμαχίου εργασίας αντί του οδηγού του τεμαχίου ή του μετρητή απόκλισης.
28. ΠΟΤΕ να μην τεντώνετε κοντά ή πάνω στο δισκοπρίονο. ΠΟΤΕ να μην εκτείνετε για να πιάσετε ένα τεμάχιο εργασίας πριν σταματήσετε εντελώς το δισκοπρίονο.
29. Αποφύγετε την απότομη και γρήγορη τροφοδοσία. Τροφοδοτείτε όσο αργά είναι εφικτό κατά το κόψιμο σκληρών τεμαχίων εργασίας. Μην κάμψετε ή στρίψετε το αντικείμενο εργασίας κατά την τροφοδοσία. Εάν ακινητοποιήσετε ή μπλοκάρτε το δίσκο μέσα στο τεμάχιο εργασίας, θέστε αμέσως εκτός λειτουργίας το εργαλείο. Αποσυνδέστε το εργαλείο από την πρίζα. Μετά ξεμπλοκάρτε το.
30. ΠΟΤΕ να μην αφαιρείτε αποκόμματα κοντά στο δίσκο ή μην αγγίζετε τον προφυλακτήρα του δίσκου όταν ο δίσκος κινείται.
31. Αφαιρέστε όλους τους χαλαρούς ρόζους από το τεμάχιο εργασίας PIPIN αρχίσετε το κόψιμο.
32. Μην κακομεταχειρίζεστε το ηλεκτρικό καλώδιο. Ποτέ να μην τραβάτε το καλώδιο για να το αποσυνδέσετε από τη πρίζα. Να διατηρείτε το ηλεκτρικό καλώδιο μακριά από τη θερμότητα, τα λάδια και τις αιχμηρές άκρες.
33. Κάποια σωματίδια σκόνης που δημιουργούνται κατά τη λειτουργία περιέχουν χημικές ουσίες για τις οποίες είναι γνωστό ότι προκαλούν καρκίνο, γενετικές ανωμαλίες και άλλες αναπαραγωγικές βλάβες. Μερικά παραδείγματα τέτοιων χημικών ουσιών είναι:
- ο μόλυβδος από υλικά βαμμένα με χρώμα που έχει ως βάση το μόλυβδο,
 - το αρσενικό και το χρώμιο από ξυλεία που έχει υποστεί χημική επεξεργασία.
 - Ο κίνδυνος από την έκθεσή σας στα παραπάνω ποικίλλει ανάλογα με τη συχνότητα με την οποία εκτελείτε αυτού του είδους τις εργασίες. Για να μειώσετε την έκθεσή σας σε αυτές τις χημικές ουσίες: να εργάζεστε σε χώρο με καλό εξαερισμό και να εργάζεστε με εγκεκριμένο εξοπλισμό ασφαλείας, όπως προσωπίδα κατά της σκόνης που είναι ειδικά σχεδιασμένη να φιλτράρει μικροσκοπικά σωματίδια.
34. Όταν χρησιμοποιείτε το εργαλείο σε εξωτερικό χώρο, πάντοτε να συνδέετε το εργαλείο σε ένα εξωτερικό σύστημα εξαγωγής σκόνης. Ενεργοποιήστε το σύστημα εξαγωγής σκόνης πριν την εκκίνηση του εργαλείου.
35. Ο προφυλακτήρας μπορεί να ανασηκωθεί κατά την τοποθέτηση του τεμαχίου εργασίας και για ευκολία στον καθαρισμό. Πάντοτε να σιγουρεύεστε ότι η καλύπτρα του προφυλακτήρα βρίσκεται κάτω και είναι επίπεδη ενάντια στη

- πλάκα πριονισμού πριν συνδέσετε το εργαλείο στη πρίζα.
36. Να φοράτε γάντια για να προφυλαχτείτε από τον κίνδυνο να κοπείτε κατά την χειρισμό δισκοπριονίων, την τροφοδοσία ξύλου στο εργαλείο ή κατά τη συντήρηση.
37. Ποτέ μην προσπαθήσετε να αφαιρέσετε ροκανίδια όταν περιστρέφεται το δισκοπρίονο ή όταν είναι ενεργοποιημένο το εργαλείο.
38. Ποτέ μην προσπαθήσετε να χρησιμοποιήσετε το εργαλείο εκτός και αν βρίσκονται σε λειτουργική κατάσταση όλοι οι προφυλακτήρες και οι άλλες συσκευές ασφαλείας που απαιτούνται για το εργαλείο.
39. Ο χειριστής πρέπει να είναι κατάλληλα εκπαιδευμένος για τη συναρμολόγηση, ρύθμιση και λειτουργία του εργαλείου.
40. Ποτέ να μην χρησιμοποιήσετε λάμες των οποίων η μέγιστη ταχύτητα είναι χαμηλότερη από την ταχύτητα χωρίς φορτίο του εργαλείου.
41. Να διατηρείτε το χώρο εργασίας καλά φωτισμένο.

ΦΥΛΑΞΤΕ ΑΥΤΕΣ ΤΙΣ ΟΔΗΓΙΕΣ.

ΤΟΠΟΘΕΤΗΣΗ

ΠΡΟΕΤΟΙΜΑΣΙΑ

Ελέγξτε τα περιεχόμενα της συσκευασίας για τα ακόλουθα εξαρτήματα. Παρακαλούμε ενημερώστε αμέσως το κέντρο εξυπηρέτησης της Makita αν λείπει οποιοδήποτε εξάρτημα από τη συσκευασία.

- Επιτραπέζιο πρίονι (1 μονάδα)
- Πόδι (4 τεμάχια)
- Πέλημα (4 τεμάχια)
- Φρεζαρισμένη βίδα για το πέλημα (4 τεμάχια)
- Εξάγωνο παξιμάδι για το πέλημα (4 τεμάχια)
- Στηρίγματα ποδιών (μακριά) (2 τεμάχια)
- Στηρίγματα ποδιών (κοντά) (2 τεμάχια)
- Πλήρες ελαστικό (1 τεμάχιο)
- Στόμιο σκόνης (1 τεμάχιο)
- Λαβή μεταφοράς (2 τεμάχια)
- Βίδα με τετράγωνο λαϊμό για την οδηγητική ράγα (4 τεμάχια)
- Εξάγωνο μπουλόνι για την οδηγητική ράγα (4 τεμάχια)
- Οδηγητική ράγα (μακριά) (1 τεμάχιο)
- Οδηγητική ράγα (κοντή) (1 τεμάχιο)
- Βοηθητικό τραπέζι (1 τεμάχιο)
- Στήριγμα (μακρύ) (2 τεμάχια)
- Στήριγμα (κοντό) (2 τεμάχια)
- Άγκιστρο (1 τεμάχιο)
- Προφυλακτήρας δίσκου (1 τεμάχιο)
- Λαμαρινόβίδα (3 τεμάχια)
- Εξάγωνο μπουλόνι (38 τεμάχια)
- Εξάγωνο παξιμάδι (38 τεμάχια)
- Εξάγωνο κλειδί (1 τεμάχιο)
- Κλειδί (1 τεμάχιο)
- Ράβδος ώθησης (1 τεμάχιο)
- Τεμάχιο ώθησης (1 τεμάχιο)
- Φράχτης (για τον οδηγό τεμαχίου) (1 τεμάχιο)
- Οδηγός τεμαχίου (1 τεμάχιο)

Εγκατάσταση του επιτραπέζιου πριονιού

1. Αναποδογυρίστε το επιτραπέζιο πριόνι πάνω στις δυο σανίδες. Ελέγξτε ότι μαχαίρι σχισίματος βρίσκεται στο χώρο μεταξύ των δυο σανίδων. **(Εικ. 1)**
2. Συνδέστε τα τέσσερα πόδια στο εσωτερικό του άκρου της βάσης. Συνδέστε το πόδι με την τρύπα για τον διακόπτη στην πλευρά με το σήμα "A" στη βάση. Στερεώστε προσωρινά τα τέσσερα πόδια, μην σφίξετε γερά τις βίδες ακόμη. **(Εικ. 2)**
3. Συνδέστε τα στηρίγματα των ποδιών (μακριά) στα πόδια και στη συνέχεια συνδέστε τα στηρίγματα των ποδιών (κοντά) στα πόδια. Στερεώστε καλά τα πόδια και τα στηρίγματα των ποδιών με τις βίδες. Πάντοτε να ελέγχετε τη διεύθυνση των στηριγμάτων των ποδιών.
4. Εγκαταστήστε τα πέλαμα στις βάσεις των ποδιών. Στερεώστε τα με τις φρεζαρισμένες βίδες και τα εξάγωνα παξιμάδια. **(Εικ. 3)**
5. Εγκαταστήστε τα πλήρη ελαστικά στα πόδια και ασφαλίστε τα με τις βίδες και τα εξάγωνα παξιμάδια. **(Εικ. 4)**
6. Εγκαταστήστε το στόμιο σκόνης.
7. Προσαρμόστε το τμήμα του μοτέρ στη θέση 0° και ασφαλίστε το σφίγγοντας το κουμπί. Ασφαλίστε το καλώδιο του ρεύματος με το σφιγκτήρα του καλωδίου. **(Εικ. 5)**
8. Επαναφέρετε το επιτραπέζιο πριόνι στην κανονική του θέση και συνδέστε τις λαβές μεταφοράς. **(Εικ. 6)**
9. Εγκαταστήστε το διακόπτη στο πόδι και ασφαλίστε τον με τις λαμαρινόβιδες. **(Εικ. 7)**
10. Εγκαταστήστε το δισκοπρίονο και τον προφυλακτήρα του δίσκου. Κατά την εγκατάστασή τους, ανατρέξτε στην Ενότητα "Αφαίρεση και εγκατάσταση του δισκοπρίονου" και "Τοποθέτηση του προφυλακτήρα του δίσκου".
11. Εγκαταστήστε την οδηγητική ράγα (κοντή) στην μπροστινή πλευρά του επιτραπέζιου πριονιού και την οδηγητική ράγα (μακριά) στην αριστερή πλευρά της βάσης. **(Εικ. 8)**
12. Εγκαταστήστε το βοηθητικό τραπέζι στη βάση. Επιλέξτε το κατάλληλο μήκος στηριγμάτων ανάλογα με τη θέση. **(Εικ. 9 και 10)**
13. Εγκαταστήστε το άγκιστρο στο πόδι. **(Εικ. 11)**
14. Τοποθετήστε το επιτραπέζιο πριόνι σε μια επίπεδη και καλά φωτισμένη περιοχή όπου μπορείτε να διατηρήσετε μια καλή στάση και ισορροπία. Θα πρέπει να τοποθετηθεί σε μια περιοχή η οποία διαθέτει αρκετό χώρο, ανάλογο του μεγέθους των τεμαχίων εργασίας για τον εύκολο χειρισμό τους. Εάν κατά τη λειτουργία υπάρχει η οποιαδήποτε τάση για το επιτραπέζιο πριόνι να πέσει κάτω, να γλιστρήσει ή να μετακινηθεί, τότε το επιτραπέζιο πριόνι θα πρέπει να στερεωθεί στο δάπεδο.

Αποθήκευση εξαρτημάτων (Εικ. 12)

Η ράβδος ώθησης και τα κλειδιά μπορούν να αποθηκευτούν στην δεξιά πλευρά του εργαλείου.

ΠΕΡΙΓΡΑΦΗ ΛΕΙΤΟΥΡΓΙΑΣ

⚠️ ΠΡΟΣΟΧΗ:

- Να βεβαιώνετε πάντοτε ότι το εργαλείο είναι σβηστό και αποσυνδεδεμένο από το ηλεκτρικό ρεύμα πριν ρυθμίσετε ή ελέγξετε κάποια λειτουργία του.

Ρύθμιση του βάθους κοπής (Εικ. 13)

Το βάθος κοπής μπορεί να ρυθμιστεί περιστρέφοντας τη λαβή. Περιστρέψτε τη λαβή προς τα αριστερά για να ανυψώσετε το δίσκο και δεξιά για να τον χαμηλώσετε.

ΣΗΜΕΙΩΣΗ:

- Χρησιμοποιήστε μια μικρή ρύθμιση βάθους κατά την κοπή λεπτών υλικών για να εξασφαλίσετε μια καλύτερη κοπή.

Ρύθμιση της γωνίας κλίσης (Εικ. 14)

Ξεσφίξτε το κουμπί ασφάλισης προς τα αριστερά και αποκλιπτεί η επιθυμητή γωνία (0° - 45°). Το τόξο δείχνει την γωνία κλίσης.

Αφότου αποκλιπτείτε την επιθυμητή γωνία, σφίξτε το κουμπί ασφάλισης προς τα δεξιά για να σταθεροποιήσετε τη ρύθμιση.

⚠️ ΠΡΟΣΟΧΗ:

- Μετά τη ρύθμιση της γωνίας κλίσης, βεβαιωθείτε να σφίξετε γερά το κουμπί ασφάλισης.

Δράση διακόπτη

⚠️ ΠΡΟΣΟΧΗ:

- Αφαιρέστε το αντικείμενο εργασίας από το τραπέζι.
- Πριν συνδέσετε το εργαλείο στο ηλεκτρικό ρεύμα, να βεβαιώνετε πάντοτε ότι είναι απενεργοποιημένο. **(Εικ. 15)**

Για να ξεκινήσετε το εργαλείο πιέστε το κουμπί ON (I).

Για να το σταματήσετε, πιέστε το κουμπί OFF (O) ή το κάλυμμα του διακόπτη.

ΣΥΝΑΡΜΟΛΟΓΗΣΗ

⚠️ ΠΡΟΣΟΧΗ:

- Να βεβαιώνετε πάντοτε ότι το εργαλείο είναι σβηστό και αποσυνδεδεμένο από το ηλεκτρικό ρεύμα πριν εκτελέσετε οποιαδήποτε εργασία σε αυτό.

Το εργαλείο αποστέλλεται από το εργοστάσιο χωρίς να έχει γίνει εγκατάσταση του δισκοπρίονου και του προφυλακτήρα του δίσκου.

Αφαίρεση και εγκατάσταση του δισκοπρίονου

⚠️ ΠΡΟΣΟΧΗ:

- Να βεβαιώνετε πάντοτε ότι το εργαλείο είναι απενεργοποιημένο και αποσυνδεδεμένο από το ηλεκτρικό ρεύμα πριν τοποθετήσετε ή αφαιρέσετε το δίσκο.
- Να χρησιμοποιείτε μόνο το παρεχόμενο εξάγωνα κλειδί της Makita για να τοποθετήσετε ή για να αφαιρέσετε το δίσκο. Αν δεν το κάνετε αυτό, μπορεί να έχει ως αποτέλεσμα υπερβολικό ή ανεπαρκές σφίξιμο του εξάγωνα μπουλονιού. Αυτό μπορεί να προκαλέσει τραυματισμό.
- Χρησιμοποιήστε το παρακάτω δισκοπρίονο. Μη χρησιμοποιείτε δισκοπρίονα που δεν συμμορφώνονται

με τα χαρακτηριστικά που καθορίζονται σε αυτές τις οδηγίες.

Μοντέλο	Διάμετρος	Πάχος δίσκου	Εγκοπή
2712	315 mm	2 mm ή περισσότερο	2,8 mm ή περισσότερο

014540

Για να αφαιρέσετε το δισκοπρίονο, αφαιρέστε το ευρισκόμενο πάνω στην πλάκα πρόσθετο πλάκας. Κρατήστε την εξωτερική φλάντζα με το κλειδί και ξεσφίξτε το εξάγωνο μπουλόνι περιστρέφοντάς το προς τα δεξιά με το εξάγωνο κλειδί. Μετά αφαιρέστε την εξωτερική φλάντζα. **(Εικ. 16)**

Για να εγκαταστήσετε νέο δισκοπρίονο, συναρμολογήστε την εσωτερική φλάντζα, το δισκοπρίονο, την εξωτερική φλάντζα, τη ροδέλα και το εξάγωνο μπουλόνι πάνω στον άξονα. Βεβαιωθείτε ότι τα δόντια του δίσκου είναι στραμμένα προς τα κάτω στο μπροστινό μέρος του τραπεζιού. **(Εικ. 17)**

⚠ ΠΡΟΣΟΧΗ:

Διατηρήστε την επιφάνεια της φλάντζας καθαρή από βρωμιά ή από προσκολλούμενα υλικά, διότι μπορεί να προκαλέσει το γλιστρήμα του δίσκου. Βεβαιωθείτε ότι ο δίσκος είναι τοποθετημένος έτσι ώστε τα δόντια να είναι ευθυγραμμισμένα με την διεύθυνση κοπής (περιστροφής).

Για ασφαλίσετε το δίσκο στην θέση του, κρατήστε την εξωτερική φλάντζα με το κλειδί και μετά σφίξτε το εξάγωνο μπουλόνι προς τα αριστερά με το εξάγωνο κλειδί. **ΒΕΒΑΙΩΘΕΙΤΕ ΝΑ ΣΦΙΞΕΤΕ ΚΑΛΑ ΤΟ ΕΞΑΓΩΝΟ ΜΠΟΥΛΟΝΙ. (Εικ. 18)**

⚠ ΠΡΟΣΟΧΗ:

Βεβαιωθείτε να κρατήσετε το εξάγωνο μπουλόνι προσεκτικά με το εξάγωνο κλειδί. Εάν γλιστρήσει η λαβή σας, το εξάγωνο κλειδί μπορεί να πεταχτεί από το εξάγωνο μπουλόνι και το χέρι σας να χτυπήσει τις κοφτερές άκρες του δίσκου.

Τοποθέτηση του προφυλακτήρα του δίσκου

⚠ ΠΡΟΣΟΧΗ:

Πριν την τοποθέτηση του προφυλακτήρα του δίσκου, ρυθμίστε το βάθος της κοπής στην μέγιστη ανύψωση του.

Τοποθετήστε το προφυλακτήρα του δίσκου μέσα στην αυλάκωση πάνω στο μαχαίρι σχισίματος. Στερεώστε το προφυλακτήρα του δίσκου περιστρέφοντας το μοχλό πάνω στο προφυλακτήρα του δίσκου. **(Εικ. 19 και 20)**

⚠ ΠΡΟΣΟΧΗ:

Εάν ο δίσκος και το μαχαίρι σχισίματος δεν είναι κατάλληλα ευθυγραμμισμένα, μπορεί να προκληθεί μια επικίνδυνη κατάσταση μαγκώματος κατά τη λειτουργία. Βεβαιωθείτε ότι είναι κατάλληλα ευθυγραμμισμένα. Μπορεί να υποστείτε ένα επικίνδυνο προσωπικό τραυματισμό κατά τη χρήση του εργαλείου εάν το μαχαίρι σχισίματος δεν είναι κατάλληλα ευθυγραμμισμένο.

Εάν δεν είναι ευθυγραμμισμένο για οποιονδήποτε λόγο, πάντοτε να απευθύνεστε σε ένα

εξουσιοδοτημένο κέντρο εξυπηρέτησης της Makita για επίσκεψη.

Μην αφαιρέσετε το μαχαίρι σχισίματος.

Θα πρέπει να υπάρχει μια απόσταση περίπου 4 - 5 mm μεταξύ του μαχαίριου σχισίματος και των δοντιών του δίσκου. Ρυθμίστε το μαχαίρι σχισίματος κατάλληλα και σφίξτε καλά τα εξάγωνα παξιμάδια. Συνδέστε το πρόσθετο της πλάκας στην πλάκα και μετά ελέγξτε να δείτε εάν ο προφυλακτήρας του δίσκου λειτουργεί ομαλά πριν από την κοπή. **(Εικ. 21)**

Τοποθέτηση και ρύθμιση του οδηγού τεμαχίου (Εικ. 22)

Τοποθετήστε τον οδηγό τεμαχίου έτσι ώστε το στήριγμα του οδηγού να κομπλάρει με την οδηγητική ράγα. Σφίξτε δεξιάστροφα το κουμπί και τον οδηγό τεμαχίου γερά. **(Εικ. 23)**

Για να είστε σίγουροι ότι ο οδηγός του τεμαχίου είναι παράλληλος με το δίσκο, στερεώστε τον οδηγό τεμαχίου 2 - 3 mm από το δίσκο.

Ανυψώστε το δίσκο μέχρι το μέγιστο ύψος. Μετρήστε την απόσταση (Α) και (Β) μεταξύ του οδηγού τεμαχίου και του δίσκου. Αυτές οι δυο μετρήσεις θα πρέπει να είναι όμοιες. Εάν ο οδηγός τεμαχίου δεν είναι παράλληλος με το δίσκο, προχωρήστε ως ακολούθως:

1. Ξεσφίξτε το κουμπί του οδηγού τεμαχίου.
2. Ρυθμίστε τον οδηγό τεμαχίου έως ότου να γίνει παράλληλος με το δίσκο.
3. Σφίξτε το κουμπί.

⚠ ΠΡΟΣΟΧΗ:

Βεβαιωθείτε να ρυθμίσετε τον οδηγό τεμαχίου έτσι ώστε να είναι παράλληλος με το δίσκο, διαφορετικά μπορεί να συμβεί η επικίνδυνη κατάσταση του οπισθολακτίσματος.

Σύνδεση σε απορροφητική σκούπα (Εικ. 24)

Οι λειτουργίες καθαρισμού μπορούν να εκτελεστούν συνδέοντας το εργαλείο σε μια απορροφητική σκούπα της Makita ή σε ένα συλλογέα σκόνης.

ΛΕΙΤΟΥΡΓΙΑ

⚠ ΠΡΟΣΟΧΗ:

Πάντοτε να χρησιμοποιείτε βοηθήματα εργασίας όπως ράβδους ώθησης και τεμάχια ώθησης όταν υπάρχει κίνδυνος να βρεθούν τα χέρια σας ή τα δάχτυλα σας κοντά στο δίσκο.

Πάντοτε να κρατάτε το τεμάχιο εργασίας γερά με την πλάκα και τον οδηγό τεμαχίου ή τον μετρητή απόκλισης. Μην το κόμψετε ή το στρίψετε κατά την τροφοδοσία. Εάν το τεμάχιο εργασίας καμφθεί ή περιστραφεί, μπορεί να συμβεί ένα επικίνδυνο οπισθολάκτισμα.

ΠΟΤΕ να μην αποσύρετε το τεμάχιο εργασίας καθώς λειτουργεί ο δίσκος. Εάν πρέπει να αποσύρετε το τεμάχιο εργασίας πριν ολοκληρωθεί η κοπή, πρώτα απενεργοποιήστε το εργαλείο καθώς κρατάτε γερά το τεμάχιο εργασίας. Περιμένετε έως ότου ο δίσκος σταματήσει τελείως πριν αποσύρετε το τεμάχιο εργασίας. Αν δεν το κάνετε αυτό μπορεί να προκληθούν επικίνδυνα οπισθολακτίσματα.

- ΠΟΤΕ να μην αφαιρέσετε ένα αποκομμένο υλικό καθώς λειτουργεί ο δίσκος.
- ΠΟΤΕ να μην βάλετε τα χέρια σας ή τα δάχτυλα σας στην τροχιά του δισκοπρίνου. Δώστε προσοχή στις τομές υπό κλίση.
- Πάντοτε να στερεώνετε γερά τον οδηγό του τεμαχίου, διαφορετικά μπορούν να συμβούν επικίνδυνα οπισθολακτίσματα.
- Πάντοτε να χρησιμοποιείτε βοηθήματα εργασίας όπως ράβδους ώθησης και τεμάχια ώθησης όταν κόβετε μικρά ή στενά τεμάχια εργασίας.

Βοηθήματα εργασίας

Ράβδοι ώθησης, τεμάχια ώθησης ή βοηθητική επένδυση αποτελούν τύπους βοηθημάτων εργασίας.

Χρησιμοποιήστε τα για να κάνετε ασφαλή, σίγουρα κοψίματα χωρίς να υπάρχει η ανάγκη για το χειριστή να έρθει σε επαφή με το δίσκο με το οποιοδήποτε μέρος του σώματος.

Βοηθητική επένδυση (Εικ. 25)

Φτιάξτε μια βοηθητική επένδυση από κομμάτια κόντρα πλακέ διαστάσεων 9,5 mm και 19 mm.

Επιμήκης τομή

⚠ ΠΡΟΣΟΧΗ:

- Κατά την κοπή μακριών και μεγάλων τεμαχίων εργασίας, πάντοτε να παρέχετε επαρκή υποστήριξη πίσω από τη πλάκα. ΜΗΝ ΕΠΙΤΡΕΨΕΤΕ σε μια μακριά σανίδα να μετακινηθεί ή να αποκλίνει πάνω στη πλάκα. Αυτό θα προκαλέσει το μπλοκάρισμα του δίσκου και θα αυξήσει την πιθανότητα του οπισθολακτίσματος και του προσωπικού τραυματισμού. Το υποστήριγμα θα πρέπει να βρίσκεται στο ίδιο ύψος με την πλάκα. (Εικ. 26)

1. Ρυθμίστε το βάθος της κοπής λίγο υψηλότερα από το πάχος του τεμαχίου εργασίας.
2. Τοποθετήστε τον οδηγό του τεμαχίου στο επιθυμητό ύψος κοπής και ασφαλίστε τον στη θέση του περιστρέφοντας το κουμπί.
3. Θέστε σε λειτουργία το εργαλείο και τροφοδοτήστε με προσοχή το τεμάχιο εργασίας μέσα στο δίσκο μαζί με τον οδηγό του τεμαχίου.

(1) Όταν το πλάτος της επιμήκους κοπής είναι 150 mm ή πλατύτερο, χρησιμοποιήστε προσεκτικά το δεξιό σας χέρι για την τροφοδοσία του τεμαχίου εργασίας. Χρησιμοποιήστε το αριστερό σας χέρι για να κρατήσετε το τεμάχιο εργασίας σε θέση ενάντια στον οδηγό του τεμαχίου.

(2) Όταν το πλάτος της επιμήκους κοπής είναι 65 mm - 150 mm, χρησιμοποιήστε τη ράβδο ώθησης για να τροφοδοτήσετε το τεμάχιο εργασίας. (Εικ. 27)

(3) Όταν το πλάτος της επιμήκους τομής γίνει στενότερο από 65 mm, η ράβδος ώθησης δεν μπορεί να χρησιμοποιηθεί γιατί η ράβδος ώθησης θα κτυπήσει τον προφυλακτήρα του δίσκου. Χρησιμοποιήστε την βοηθητική επένδυση και το τεμάχιο ώθησης. Στερεώστε τη βοηθητική επένδυση στον οδηγό τεμαχίου με τους δυο σφικτήρες "C". (Εικ. 28)

Τροφοδοτήστε το τεμάχιο εργασίας με το χέρι έως ότου το άκρο του να βρίσκεται περίπου 25 mm από το μπροστινό άκρο της πλάκας. Συνεχίστε την τροφοδοσία χρησιμοποιώντας το τεμάχιο ώθησης στην κορυφή της βοηθητικής επένδυσης έως ότου να ολοκληρωθεί η τομή. (Εικ. 29)

Διαμήκης κοπή

⚠ ΠΡΟΣΟΧΗ:

- Όταν εκτελείτε μια διαμήκη κοπή, αφαιρέστε τον οδηγό τεμαχίου από την πλάκα.
- Κατά την κοπή μακριών και μεγάλων τεμαχίων εργασίας, πάντοτε να παρέχετε επαρκή υποστήριξη στις πλευρές της πλάκας. Το υποστήριγμα θα πρέπει να βρίσκεται στο ίδιο ύψος με την πλάκα.
- Πάντοτε να κρατάτε τα χέρια μακριά από τη τροχιά του δίσκου.

Ολισθήστε τον οδηγό τεμαχίου πάνω στην ράγα της πλάκας. Ξεσφίξτε το κουμπί στον οδηγό και ευθυγραμμίστε στην επιθυμητή γωνία (0° έως 60°). Φέρετε το κομμάτι χωρίς να προεξέχει στο ίδιο επίπεδο με το οδηγό, στερεώστε το με το σφικτήρα στον οδηγό του τεμαχίου και τροφοδοτήστε το με προσοχή προς τα εμπρός μέσα στο δίσκο. (Εικ. 30)

Μεταφορά εργαλείου (Εικ. 31)

Φροντίστε ώστε το εργαλείο να είναι αποσυνδεδεμένο από την ηλεκτρική παροχή.

Μεταφέρετε το εργαλείο κρατώντας το τμήμα του εργαλείου που απεικονίζεται στην εικόνα.

⚠ ΠΡΟΣΟΧΗ:

- Στερεώνετε πάντοτε όλα τα κινούμενα μέρη πριν τη μεταφορά του εργαλείου.
- Πάντοτε να διασφαρίζετε ότι ο προφυλακτήρας του δίσκου είναι τοποθετημένος στη θέση του πριν τη μεταφορά του εργαλείου.

ΣΥΝΤΗΡΗΣΗ

⚠ ΠΡΟΣΟΧΗ:

- Να βεβαιώνετε πάντοτε ότι το εργαλείο είναι απενεργοποιημένο και αποσυνδεδεμένο από το ηλεκτρικό ρεύμα πριν εκτελέσετε οποιαδήποτε εργασία ελέγχου ή συντήρησης σε αυτό.
- Αν η λαβή του τεμαχίου ώθησης ή οι ράβδοι ώθησης σπάσουν, επικοινωνήστε με το κέντρο σέρβις της Makita για να αντικατασταθούν.

ΕΙΔΟΠΟΙΗΣΗ:

- Μην χρησιμοποιήσετε βενζίνη, βενζόλη, διαλυτικό, αλκοόλη ή κάτι παρόμοιο. Μπορεί να προκληθεί αποχρωματισμός, παραμόρφωση ή ρωγμές.

Καθαρισμός

Καθαρίστε κατά διαστήματα την πριονόσκηνη και τα πριονίδια. Καθαρίστε προσεκτικά τον προφυλακτήρα του δίσκου και τα κινούμενα μέρη μέσα στο επιτραπέζιο πριόνι.

ΠΡΟΑΙΡΕΤΙΚΑ ΑΞΕΣΟΥΑΡ

ΠΡΟΣΟΧΗ:

- Συνιστάται η χρήση αυτών των αξεσουάρ ή εξαρτημάτων με το εργαλείο της Makita, όπως περιγράφεται στο παρόν εγχειρίδιο. Αν χρησιμοποιήσετε άλλα αξεσουάρ ή εξαρτήματα μπορεί να παρουσιαστεί κίνδυνος για πρόκληση τραυματισμού προσώπων. Να χρησιμοποιείτε τα αξεσουάρ και τα εξαρτήματα μόνο για το σκοπό για τον οποίο προορίζονται.

Αν χρειάζεστε κάποια βοήθεια ή περισσότερες πληροφορίες σχετικά με τα αξεσουάρ αυτά, απευθυνθείτε στο πλησιέστερο κέντρο εξυπηρέτησης της Makita.

- Οδηγός τεμαχίου
- Κλειδί
- Εξάγωνο κλειδί

ΣΗΜΕΙΩΣΗ:

- Ορισμένα από τα στοιχεία της λίστα μπορεί να περιέχονται στην συσκευασία του εργαλείου ως κανονικά αξεσουάρ. Αυτά ενδέχεται να διαφέρουν από χώρα σε χώρα.

Θόρυβος

ENG905-1

Το σύνθετος σταθμισμένο επίπεδο θορύβου που έχει καθοριστεί σύμφωνα με το EN1870-1:

Επίπεδο ηχητικής πίεσης (L_{pA}): 93 dB (A)

Επίπεδο ηχητικής ισχύος (L_{WA}): 105 dB (A)

Αβεβαιότητα (K): 4 dB (A)

Να φοράτε ωτοασπίδες.

ΠΡΟΕΙΔΟΠΟΙΗΣΗ:

Οι αναφερόμενοι αριθμοί αφορούν τα επίπεδα εκπομπών και δεν αποτελούν απαραίτητως τα ασφαλή επίπεδα εργασίας. Παρότι υπάρχει συσχέτιση μεταξύ των επιπέδων εκπομπής και έκθεσης, αυτή δεν μπορεί να χρησιμοποιηθεί αξιόπιστα για να αποφασιστεί αν απαιτούνται ή όχι επιπρόσθετες προφυλάξεις. Ανάμεσα στους παράγοντες που επηρεάζουν τα πραγματικά επίπεδα έκθεσης του εργατικού δυναμικού περιλαμβάνονται τα χαρακτηριστικά του δωματίου εργασίας και άλλες πηγές όπως π.χ. ο αριθμός μηχανημάτων και άλλες προσκείμενες διεργασίες. Επίσης το επιτρεπόμενο επίπεδο έκθεσης μπορεί να διαφέρει από χώρα σε χώρα. Ωστόσο αυτή η πληροφορία θα βοηθήσει το χρήστη του μηχανήματος να εκτιμήσει καλύτερα τον κίνδυνο και το ρίσκο.

Για τις ευρωπαϊκές χώρες μόνο

ENH113-1

EK – Δήλωση συμμόρφωσης

Η Makita δηλώνει ότι το παρακάτω μηχάνημα(τα):

Ονομασία μηχανήματος:

Επιτραπέζιο πρίονι

Αρ. Μοντέλου/Τύπος: 2712

Συμμορφώνονται με τις ακόλουθες Ευρωπαϊκές

Οδηγίες:

2006/42/EK, 2006/95/EK, 2004/108/EK

Κατασκευάζονται σύμφωνα με το παρακάτω πρότυπο ή τυποποιημένα έγγραφα:

EN1870-1, EN60204-1, EN55014-1, EN55014-2,

EN61000-3-2, EN61000-3-11

Αρ. Πιστοποιητικού για την Εξέταση Τύπου EK

M6A.13.12.86528.002

Η εξέταση τύπου EK σύμφωνα με την 2006/42/EK
ΕΚΤΕΛΕΣΤΗΚΕ από την:

TÜV SÜD Product Service GmbH

Ridlerstraße 65. D-80339 München Germany

Αναγνωριστικός Αρ.0123

Το τεχνικό αρχείο σύμφωνα με την 2006/42/EK είναι
διαθέσιμο από:

Makita, Jan-Baptist Vinkstraat 2, 3070, Belgium

20. 12. 2013



Yasushi Fukaya

Διευθυντής

Makita, Jan-Baptist Vinkstraat 2, 3070, Belgium

TÜRKÇE (Orijinal talimatlar)

Genel görünüm

1. Tabla
2. Yarma bıçağı
3. Bacak
4. Açma/kapama düğmesi deliği
5. A İşareti
6. Bacak desteği (uzun)
7. Bacak desteği (kısa)
8. Ayak
9. Geniş taraf
10. Tüm tekerlek
11. Toz nozülü
12. Taşıma kolu
13. Vida
14. Açma/kapama düğmesi
15. Tespit vidası
16. Kılavuz rayı
17. Kare boyunlu civata
18. Alt tezgah
19. Destek (uzun)
20. Destek (kısa)
21. Kanca
22. İttirme çubuğu
23. Kol
24. Kilitleme düğmesi
25. Oklu gösterge
26. Alyan anahtarı
27. Anahtar
28. Gevşer
29. İç flanş
30. Testere bıçağı
31. Dış flanş
32. Pul
33. Civata
34. Sıkılır
35. Bıçak muhafazası
36. Altı köşeli somun
37. Yarma bıçağı ile bıçak dişleri arasındaki boşluk
38. Topuz
39. Paralel yüzey/kenar
40. Yardımcı mesnet
41. İş parçası
42. İttirme bloğu
43. Kılavuz mesnedi

TEKNİK ÖZELLİKLER

Model	2712	
Mil deliği	30 mm	
Bıçak çapı	315 mm	
Bıçak gövdesi kalınlığı	2 mm ve altı	
Maks. kesme kapasiteleri	90°deki kalınlık	85 mm
	45°deki kalınlık	58 mm
	Genişlik	1.600 mm
Yüksüz hız	2.950 (dak ⁻¹) (50 Hz)	3.400 (dak ⁻¹) (60 Hz)
Tezgah boyutu (Y x G)	Alt tezgahla (geride) birlikte 550 mm x 1.600 mm	
Net ağırlık	52,9 kg	
Güvenlik sınıfı	Sınıf I	

- Sürekli yapılan araştırma ve geliştirmelerden dolayı, burada belirtilen özellikler önceden bildirilmeksizin değiştirilebilir.
- Özellikler ülkeden ülkeye farklılıklar gösterebilir.
- EPTA Prosedürü 01/2003 uyarınca ağırlık

Simgeler

END310-1

Makine için kullanılan simgeler aşağıda gösterilmiştir.

Makineyi kullanmaya başlamadan önce bu simgelerin ne anlama geldiğini öğrenin.



..... Kullanım kılavuzunu okuyun.



..... Koruyucu gözlük kullanın.



..... Elinizi veya parmaklarınızı bıçağa yaklaştırmayın.



..... Sadece AB ülkeleri için Elektrikli cihazları evdeki çöp kutusuna atmayın!

Kullanılmış elektrikli cihazları, Elektrikli ve Elektronik Cihaz Atıkları Hakkındaki Avrupa Yönergesine göre ve bu yönergeler ulusal hukuk kullarlarına göre uyarlanarak, ayrı olarak toplanmalı ve çevre şartlarına uygun bir

şekilde tekrar değerlendirmeye gönderilmelidir.

Amaçlanan kullanım

ENE003-1

Bu makine, ahşap malzemelerin kesilmesi için tasarlanmıştır.

Güç kaynağı

ENF001-1

Makine yalnızca üzerindeki etikette belirtilen gerilim değerlerine sahip, monofaze AC güç kaynaklarına bağlanmalıdır. Operatörün elektrik çarpmasına karşı korunması için bu makinenin kullanım sırasında topraklanması gerekir. Yalnızca üç çatalı topraklı tipte fişleri ve makinenin fişine uygun üç kutuplu prizleri olan üç telli uzatma kabloları kullanılmalıdır.

Genel Elektrikli Aletler Güvenlik Uyarıları

GEA010-1

⚠ UYARI Tüm güvenlik uyarılarını ve tüm talimatları okuyun. Verilen uyarılara ve talimatlara uyulmaması elektrik çarpmasına, yangına ve/veya ciddi yaralanmalara yol açabilir.

Tüm uyarıları ve talimatları ilerde baş vurmak üzere saklayın.

MAKİNE İÇİN EK GÜVENLİK KURALLARI

ENB122-1

BU TALİMATLARI SAKLAYIN.

1. Koruyucu kulaklık kullanın.
2. Aleti yanıcı sıvıların ya da gazların bulunduğu ortamlarda kullanmayın.
3. Makineyi KESİNLİKLE zımpara taşı takarak kullanmayın.
4. Kullanmadan önce bıçakta çatlak veya hasar olup olmadığını dikkatli bir şekilde kontrol edin. Çatlak veya hasarlı bıçakları derhal değiştirin.
5. Sadece üretici tarafından önerilen ve EN847-1'e uygun testere bıçaklarını kullanın ve yarma bıçağının, testere bıçağının kesme kalınlığından kalın ve bıçak gövdesinden ince olmamasını dikkat edin.
6. Sadece bu kılavuzda belirtilen aksesuarları kullanın. Zımpara taşı gibi uygun olmayan aksesuarların kullanılması yaralanmalara neden olabilir.
7. Kesilecek malzeme için uygun bir testere bıçağı seçilmelidir.
8. Yüksek hız çeliğinden üretilmiş testere bıçaklarını kullanmayın.
9. Çıkan gürültüyü azaltmak için bıçağın keskin ve temiz olduğundan emin olun.
10. Doğru şekilde bileylenmiş testere bıçaklarını kullanın. Testere bıçağı üzerinde belirtilen maksimum hızı geçmeyin.
11. Bıçağı takmadan önce mili, flanşları (özellikle de kurulum yüzeyini) ve altı köşeli somunu temizleyin. Düzgün takılmaması bıçağın titremesine/sallanmasına veya kaymasına neden olabilir.
12. Temiz bir kesim yapmak için testere bıçağı muhafazasını ve yarma bıçağı kullanın. Bıçak muhafazasını mutlaka bu kılavuzda belirtildiği şekilde takın. Temiz bir kesim için iş parçası tek bir düzlemde tamamen kesilmelidir. Bıçak muhafazası arızalı olan veya bıçak muhafazasının makineye ip, tel vs. ile tutturulduğu aletleri KESİNLİKLE kullanmayın. Bıçak muhafazası, işlevlerini doğru şekilde yerine getirmiyorsa derhal onarılmalı veya değiştirilmelidir.
13. Bıçağın çıkarılmasını gerektiren bir işlemden hemen sonra muhafazayı ve yarma bıçağını tekrar takın.
14. Çivi ve vida gibi metal malzemeleri kesmeyin. Kesme işlemine başlamadan önce çalışma parçası üzerinde çivi, vida ve herhangi bir yabancı madde olup olmadığını kontrol edin, varsa çıkartın.
15. Çalışma düğmesini açmadan önce tezgah üzerindeki anahtarları, bıçakları vs. kaldırın.
16. Çalışma sırasında KESİNLİKLE eldiven takmayın.
17. Ellerinizi testere bıçağının hareket alanından uzak tutun.
18. KESİNLİKLE testere bıçağının hareket alanında durmayın ve başkalarının da durmasına izin vermeyin.
19. Bıçağın makine çalıştırılmadan önce yarma bıçağıyla veya iş parçasıyla temas etmemesine dikkat edin.
20. Aleti gerçek bir iş parçası üzerinde kullanmadan önce bir süre boş çalıştırın. Titreşim ya da sarsıntı olup olmadığına dikkat edin. Titreşimler ve sarsıntılar, bıçağın yanlış takıldığına veya uygun şekilde dengelemediğinin göstergesidir.
21. Makine delme, yiv açma veya oluk açma işlemleri için kullanılmamalıdır.
22. Tezgah ara parçasını aşınmışsa değiştirin.
23. Makine çalışırken KESİNLİKLE herhangi bir ayar yapmayın. Herhangi bir ayar yapmadan önce makineyi fişten çekin.
24. Gerektiğinde bir itirme çubuğu kullanın. Ellerinizi ve parmaklarınızı bıçağa yaklaştırmadan dar iş parçalarını hareket ettirmek için MUTLAKA bir itirme çubuğu kullanın.
25. Kullanımda değilken itirme çubuğunu kaldırın.
26. GERİ TEPME riskinin azaltılmasına ilişkin verilen talimatları dikkatli bir şekilde uygulayın. GERİ TEPME sıkışan, bağlanan veya yanlış yerleştirilen testere bıçağına verilen ani bir tepkidir. GERİ TEPME, iş parçasının aletin arka kısmında operatöre doğru fırlamasına neden olur. GERİ TEPMELER CİDDİ YARALANMALARA NEDEN OLABİLİR. Bıçağın sürekli olarak bileyli kalmasını, kılavuz mesnedinin daima bıçak ile paralel durmasını ve yarma bıçağının ve bıçak muhafazasının her zaman yerinde kalmasını sağlayarak, iş parçasını bıçağı tamamen geçene kadar itirmeden bırakmayarak ve bükülmüş, sarılmış veya mesnede dayanabilecek düz bir kenarı olmayan iş parçasını alete beslemeyerek GERİ TEPME riskini azaltın.
27. Hiçbir işlemi doğrudan elinizle yapmayın. Burada iş parçasının desteklenmesi veya iş parçasına yön verilmesi için kılavuz mesnedi veya gönye mesnedi yerine ellerin kullanılmaması gerektiği ifade edilmektedir.
28. KESİNLİKLE testere bıçağı üzerine eğilmeyin ve uzanmayın. Testere bıçağı tamamen durana kadar iş parçasına KESİNLİKLE dokunmayın.
29. Aleti ani ve hızlı olarak beslemeyin. Sert iş parçalarının kesilmesi sırasında besleme işlemi mümkün olduğunca yavaş yapın. Besleme sırasında iş parçasını eğmeyin veya bükmeyin. Testerenin iş parçası ile sıkışması halinde aleti derhal durdurun. Aleti fişten çekin. Daha sonra sıkışıklığı giderin.
30. Bıçak dönyorken bıçağın yakınındaki kesilen parçalara veya bıçak muhafazasına KESİNLİKLE dokunmayın.
31. Kesme işlemine başlamadan ÖNCE çalışma parçası üzerindeki gevşek kısımları sökün.
32. Kabloyu amacı dışında kullanmayın. Fişi prizden çekmek için kesinlikle kabloyu kullanmayın. Kabloyu ısıdan, yağdan, sudan ve keskin kenarlardan uzak tutun.
33. Çalışma sırasında oluşan bazı tozlar kansere, sakat doğumlara veya üremeyle ilgili başka

zararlara neden olduğu bilinen kimyasallar içerir.

Bu kimyasallardan bazıları şunlardır;

- kurşun bazlı boya ile boyanmış malzemelerden gelen kurşun ve
- kimyasal olarak işlenmiş kerestelerden gelen arsenik ve krom.
- Maruziyetlerden kaynaklanan riskler, bu tip işleri ne sıklıkla yaptığınıza bağlı olarak değişmektedir. Bu kimyasallara maruziyetinizi azaltmak için: uygun şekilde havalandırılmış bir ortamda çalışın ve mikroskobik partiküllerin tutulması için özel olarak tasarlanmış toz maskeleri gibi kişisel güvenlik aksesuarları kullanın.

34. Makine kapalı yerlerde kullanılırken, makineyi daima bir harici toz toplama sistemine bağlayın. Toz toplama sistemini makineyi çalıştırmadan önce açın.
35. İş parçasının yerleştirilmesi sırasında ve kolay temizlenebilmesi için muhafaza kaldırılabilir. Aletin prize sokmadan önce muhafaza kapağının aşağıda ve testere tezgahı ile aynı hizada durduğundan emin olun.
36. Testere bıçaklarını taşıırken, makineye ahşap beslerken veya bakım çalışmaları yürütürken olası kesilmelere karşı koruyucu eldiven takın.
37. Testere bıçağı çalışırken veya makine açık konumdayken kesinlikle talaşları temizlemeye çalışmayın.
38. Tüm muhafazalar ve makine için gerekli diğer güvenlik cihazları iyi ve çalışır durumda olmadığı sürece makineyi kesinlikle çalıştırmayı denemeyin.
39. Operatörler mutlaka makinenin kurulumu, ayarlanması ve çalıştırılması konusunda uygun eğitimleri tamamlamalıdır.
40. Maksimum devri makinenin yüksüz devrinin üzerinde olan bıçakları kesinlikle kullanmayın.
41. Çalışma alanını iyi aydınlatın.

BU TALİMATLARI SAKLAYIN.

KURULUM

HAZIRLIK

Paketin aşağıdaki parçalarını içerdiğini kontrol edin. Paket içerisinde herhangi bir parça eksikse, derhal Makita servis merkezini bilgilendirin.

- Tezgahlı testere (1 ünite)
- Bacak (4 parça)
- Ayak (4 parça)
- Ayak için havşa başlı vida (4 parça)
- Ayak için altı köşeli somun (4 parça)
- Bacak desteği (uzun) (2 parça)
- Bacak desteği (kısa) (2 parça)
- Tüm tekerlek (1 parça)
- Toz nozülü (1 parça)
- Taşıma kolu (2 parça)
- Kılavuz rayı için kare boyunlu civata (4 parça)
- Kılavuz rayı için civata (4 parça)
- Kılavuz rayı (uzun) (1 parça)
- Kılavuz rayı (kısa) (1 parça)
- Alt tezgah (1 parça)

- Destek (uzun) (2 parça)
- Destek (kısa) (2 parça)
- Kanca (1 parça)
- Bıçak muhafazası (1 parça)
- Tespit vidası (3 parça)
- Cıvata (38 parça)
- Altı köşeli somun (38 parça)
- Alıyan anahtar (1 parça)
- Anahtar (1 parça)
- İltirime çubuğu (1 parça)
- İltirime bloğu (1 parça)
- Mesnet (Kılavuz mesnedi için) (1 parça)
- Kılavuz mesnedi (1 parça)

Tezgahlı testerenin montajı

1. Tezgahlı testereyi iki tablası üzerine ters çevirin. Yarma bıçaklarının iki tabla arasındaki boşluğa oturtulduğunu kontrol edin. **(Şekil 1)**
2. Dört adet bacağı taban kenarı içerisine takın. Açma/kapama düğmesinin bulunduğu bacağı tabanında "A" işareti bulunan tarafa takın. Dört adet vidayla geçici olarak sabitleyin, ancak vidaları henüz sonuna kadar sıkımayın. **(Şekil 2)**
3. Bacak desteklerini (uzun) ve ardından diğer bacak desteklerini (kısa) bacaklara takın. Bacakları ve bacak desteklerini vidalarla sağlam şekilde sabitleyin. Daima destek bacaklarını yönünü kontrol edin.
4. Ayakları bacakların alt kısımlarına takın. Bunları havşa başlı vidalar ve altı köşeli somunlar ile sabitleyin. **(Şekil 3)**
5. Tüm tekerleği bacaklara takın ve vidalar ve altı köşeli somunlar ile sabitleyin. **(Şekil 4)**
6. Toz nozülünü takın.
7. Motor bölümünü 0° konumuna ayarlayın ve topuzu sıkarak sabitleyin. Elektrik kablosunu kablo kelepçesiyle sabitleyin. **(Şekil 5)**
8. Tezgahlı testereyi düz çevirin ve ardından taşıma koşullarını takın. **(Şekil 6)**
9. Açma/kapama düğmesini bacağına takın ve tespit vidalarıyla sabitleyin. **(Şekil 7)**
10. Testere bıçağını ve bıçak muhafazasını takın. Bu parçaları takarken "Testere bıçağının sökülmesi ve takılması" ve "Bıçak muhafazasının takılması" bölümlerine bakın.
11. Kılavuz rayını (kısa) tezgahlı testerenin ön tarafına ve diğer kılavuz rayını (uzunu) tabanın sol tarafına takın. **(Şekil 8)**
12. Alt tezgahı tabana yerleştirin. Konuma dayalı olarak uygun uzunlukta destekler seçin. **(Şekil 9 ve 10)**
13. Kancayı bacağına takın. **(Şekil 11)**
14. Tezgahlı testereyi yanında yere sağlam şekilde basabileceğiniz ve dengede durabileceğiniz, uygun şekilde aydınlatılan düz bir alana yerleştirin. Etrafında kesilecek iş parçalarının kolayca makineye beslenip alınabilmesi için yeterli boşluk bulunmalıdır. Çalışma sırasında tezgahlı testere sallanıyor, kayıyor veya hareket ediyorsa, tezgahlı testere mutlaka zemine sabitlenmelidir.

Aksesuarların saklanması (Şekil 12)

İltirime çubuğu ve anahtarlar makinenin sağ tarafında saklanabilir.

KULLANIMA İLİŞKİN TANIMLAR

⚠ DİKKAT:

- Makine üzerinde herhangi bir ayar veya çalışma kontrolü yapmadan önce mutlaka makinenin kapalı ve fişinin çekili olduğundan emin olun.

Kesme derinliğinin ayarlanması (Şekil 13)

Kesme derinliği, kolun çevrilmesi ile ayarlanabilir. Bıçağı yükseltmek için kolu saat yönünün tersine ve alçaltmak için saat yönünde çevirin.

NOT:

- İnce malzemeleri keserken daha temiz bir kesim elde etmek için daha düşük bir derinlik ayarı kullanın.

Eğim açısının ayarlanması (Şekil 14)

Kilitleme düğmesini saat yönünün tersine çevirerek gevşetin ve ardından istenen açıyı (0° - 45°) ayarlayın. Oklu gösterge eğim açısını gösterir. İstenen açı elde edildikten sonra ayarı sabitlemek için kilitleme düğmesini saat yönünde çevirerek sıkın.

⚠ DİKKAT:

- Eğim açısını ayarladıktan sonra, kilitleme düğmesinin sağlam şekilde sıkıldığından emin olun.

Açma/kapama işlemi

⚠ DİKKAT:

- İş parçasını tezgahtan çıkartın.
 - Makineyi prize takmadan önce mutlaka makinenin kapalı olduğundan emin olun. (Şekil 15)
- Makineyi çalıştırmak için AÇMA (I) düğmesine basın. Makineyi durdurmak için ise KAPAMA (O) düğmesine veya düğme kapağına basın.

KURULUM

⚠ DİKKAT:

- Makine üzerinde herhangi bir işlem yapmadan önce mutlaka makinenin kapalı ve fişinin çekili olduğundan emin olun.

Makine fabrikadan testere bıçağı ve bıçak muhafazası takılmadan gönderilir.

Testere bıçağının sökülmesi ve takılması

⚠ DİKKAT:

- Bıçağı takmadan veya sökmeden önce mutlaka makinenin kapalı ve fişinin çekili olduğundan emin olun.
- Bıçağı takmak veya sökmek için yalnızca ürünle birlikte verilen Makita Alyan anahtarını kullanın. Aksi takdirde, civata aşırı ya da yetersiz sıkılabilir. Bu da yaralanmalara neden olabilir.
- Aşağıdaki testere bıçağını kullanın. Bu talimatlarda belirtilen özellikleri karşılamayan testere bıçaklarını kesinlikle kullanmayın.

Model	Çap	Bıçak kalınlığı	Çentik
2712	315 mm	2 mm ve üzeri	2,8 mm ve üzeri

Testere bıçağını çıkarmak için, tezgah üzerindeki tezgah desteğini sökün. Dış flanş anahtar ile tutun ve civatayı Alyan anahtarıyla saat yönüne çevirerek gevşetin.

Ardından dış flanş çıkartın. (Şekil 16)

Testere bıçağını takmak için iç flanş, testere bıçağını, dış flanş, pulu ve civatayı mil üzerine yerleştirin. Bıçak dişlerinin tezgahın altında aşağı doğru baktığından emin olun. (Şekil 17)

⚠ DİKKAT:

- Flanş yüzeyini temiz tutun ve üzerine yapışan kir ve yabancı maddeleri temizleyin, aksi takdirde bıçak kayabilir. Bıçağın, dişleri kesme (dönme) yönü ile aynı hizaya gelecek şekilde takıldığından emin olun.

Bıçağı yerine sabitlemek için dış flanş anahtar ile tutun ve ardından Alyan anahtarıyla saat yönünün tersine çevirerek civatayı sıkın. CIVATANIN SAĞLAM ŞEKİLDE SIKILDIĞINDAN EMİN OLUN. (Şekil 18)

⚠ DİKKAT:

- Civatayı Alyan anahtar ile dikkatli bir şekilde tuttuğunuzdan emin olun. Kullandığınız anahtarın sapının kayması halinde, Alyan anahtar civatadan kurtulabilir ve eliniz bıçağın keskin kenarlarına çarpabilir, bu nedenle bu işlem sırasında dikkatli olun.

Bıçak muhafazasının takılması

⚠ DİKKAT:

- Bıçak muhafazasını takmadan önce kesme derinliğinin maksimum yüksekliğe ayarlayın.

Bıçak muhafazasını, yarma bıçağının yivli kısmına yerleştirin. Kolu bıçak muhafazasına çevirerek bıçak muhafazasını sabitleyin. (Şekil 19 ve 20)

⚠ DİKKAT:

- Bıçağın ve yarma bıçağının uygun şekilde yerleştirilmemesi halinde çalıştırma sırasında bıçak tehlikeli biçimde sıkışabilir. Doğru şekilde hizalandığından emin olun. Yarma bıçağı uygun şekilde takılmayan bir makinenin kullanımı sırasında ciddi yaralanmalar meydana gelebilir.
- Herhangi bir nedenden dolayı bıçağın uygun şekilde yerleştirilmemiş olması halinde bıçağın mutlaka bir Makita yetkili servis merkezi tarafından onarılması gerekir.
- Yarma bıçağını çıkartmayın.

Yarma bıçağı ile bıçak dişleri arasında yaklaşık 4 - 5 mm'lik bir boşluk olmalıdır. Yarma bıçağını uygun şekilde ayarlayın ve ardından altı köşeli somunu sağlam şekilde sıkın. Tezgah desteğini tezgaha takın ve kesme işlemine başlamadan önce bıçak muhafazasının doğru şekilde çalıştığını kontrol edin. (Şekil 21)

Kılavuz mesnedinin takılması ve ayarlanması (Şekil 22)

Kılavuz mesnedini tabla üzerine kılavuz mesnedi yuvası kılavuz rayına tam olarak oturacak şekilde takın. Kılavuz mesnedinin topuzunu saat yönünde çevirerek iyice sıkın. (Şekil 23)

Kılavuz mesnedinin bıçak ile paralel olmasını sağlamak için kılavuz mesnedini bıçaktan 2 ila 3mm uzakta sabitleyin.

Bıçağı maksimum yüksekliğe ayarlayın. Kılavuz mesnedi ile bıçak arasındaki (A) ve (B) mesafelerini ölçün. Bu iki ölçüm birbirine eşit olmalıdır.

Kılavuz mesnedinin bıçağa paralel durmaması halinde şu adımları izleyin:

1. Kılavuz mesnedinin topuzunu gevşetin.
2. Kılavuz mesnedini, bıçakla paralel olacak şekilde ayarlayın.
3. Topuzu sıkın.

⚠ DİKKAT:

- Kılavuz mesnedini bıçak ile paralel duracak şekilde ayarladığınızdan emin olun, aksi takdirde tehlikeli geri tepme koşulları meydana gelebilir.

Elektrik süpürmesine bağlantı (Şekil 24)

Temizlik işlemleri, makineye bir Makita elektrik süpürgesi veya toz toplayıcı bağlanarak gerçekleştirilebilir.

ÇALIŞTIRMA

⚠ DİKKAT:

- Ellerinizi veya parmaklarınızın bıçağa yaklaşma riskinin olduğu durumlarda mutlaka itirme çubuğu ve itirme bloğu gibi "yardımcı ekipmanlar" kullanın.
- İş parçasını daima tezgah ve kılavuz mesnedi veya gönye mesnedi ile sağlam şekilde tutun. Besleme sırasında iş parçasını eğmeyin veya bükmeyin. İş parçasının eğilmesi veya bükülmesi halinde tehlikeli geri tepmeler meydana gelebilir.
- Bıçak dönerken iş parçasını KESİNLİKLE çekmeyin. Kesme işlemini tamamlamadan önce iş parçasını çekmek zorunda kalırsanız mutlaka iş parçasını sıkı bir şekilde tutarak makineyi kapalı konuma getirin. İş parçasını çekmeden önce mutlaka bıçak tamamen durana kadar bekleyin. Aksi takdirde tehlikeli geri tepmeler meydana gelebilir.
- Bıçak dönerken KESİNLİKLE kesilen malzemeyi çıkarmayın.
- Ellerinizi ya da parmaklarınızı KESİNLİKLE testere bıçağının hareket alanına yaklaştırmayın. Özellikle eğimli kesimler yaparken dikkatli olun.
- Kılavuz mesnedini sağlam şekilde sabitleyin, aksi takdirde tehlikeli geri tepmeler meydana gelebilir.
- Küçük veya dar iş parçalarını keserken daima itirme çubukları veya itirme blokları gibi "yardımcı ekipmanlar" kullanın.

Yardımcı ekipmanlar

İtirme çubukları, itirme blokları ve yardımcı mesnet "yardımcı ekipmanlara" örnek olarak gösterilebilir. Operatör bıçağa eliyle veya parmaklarıyla dokunmasına gerek kalmadan güvenli ve emniyetli bir kesim işlemi gerçekleştirmek için bu ekipmanları kullanılmalıdır.

Yardımcı mesnet (Şekil 25)

Yardımcı mesnedi kontrplak parçalarından 9,5 mm ile 19 mm uzakta tutun.

Oluk açma

⚠ DİKKAT:

- Uzun ya da büyük parçaları keserken mutlaka tezgahın arkasından yeterli desteği sağlayın. Uzun tahtaların tezgah üzerinde hareket etmesine ya da kaymasına İZİN VERMEYİN. Bu durum bıçağın sıkışmasına neden olacak ve geri tepme ve yaralanma riskini

arttıracaktır. Desteğin tezgah ile aynı yükseklikte olması gerekir. (Şekil 26)

1. Kesme derinliğini kesilecek parçanın kalınlığının bir miktar üzerinde ayarlayın.
2. Kılavuz mesnedini istenen kalınlığa göre yerleştirin ve topuzu sıkarak yerine sabitleyin.
3. Makineyi açık konuma getirin ve kesilecek parçayı bıçağa kılavuz mesnedi boyunca yavaşça besleyin.
 - (1) Mesnet kalınlığının 150 mm ve daha geniş olduğu durumlarda iş parçasını beslemek için sağ elinizi dikkatlice kullanın. Sol elinizi iş parçasının kılavuz mesnedine dayalı olarak tutulması için kullanın.
 - (2) Mesnet kalınlığının 65 mm ile 150 mm genişlikte olduğu durumlarda iş parçasını beslemek için bir itirme çubuğu kullanın. (Şekil 27)
 - (3) Mesnet kalınlığının 65 mm'den küçük olduğu durumlarda itirme çubuğu bıçak muhafazasına değeceğinden itirme çubuğu kullanılamaz. Bu gibi durumlarda yardımcı mesnet ve itirme bloğu kullanın. Yardımcı mesnedi kılavuz mesnedine iki adet "C" tipi kelepçe ile bağlayın. (Şekil 28) İş parçasını tezgahın ön kenarına yaklaşık olarak 25 mm kalana kadar elle besleyin. Besleme işlemine kesme işlemi tamamlanana kadar yardımcı mesnedin üstünden itirme bloğunu kullanarak devam edin. (Şekil 29)

Yatay kesme

⚠ DİKKAT:

- Yatay kesim işlemleri sırasında kılavuz mesnedini tezgahtan çıkartın.
- Uzun ya da büyük parçaları keserken mutlaka tezgahın yan taraflarından yeterli desteği sağlayın. Desteğin tezgah ile aynı yükseklikte olması gerekir.
- Ellerinizi bıçağın hareket alanından uzak tutun. Kılavuz mesnedini tezgah üzerindeki raya kaydırın. Mesnet üzerindeki topuzu gevşetin ve istediğiniz açıya (0° ile 60° arası) ayarlayın. İş parçasını mesnet ile aynı hizaya getirin, kılavuz mesnedi üzerindeki kelepçe ile sabitleyin ve ardından bıçağa doğru yavaşça ileri besleyin. (Şekil 30)

Makinenin taşınması (Şekil 31)

Makinenin fişinin çekili olduğundan emin olun.

Makineyi şekilde gösterilen parçalarından tutarak taşıyın.

⚠ DİKKAT:

- Makineyi taşımaya başlamadan önce tüm hareketli kısımları sabitleyin.
- Makineyi taşımadan önce bıçak muhafazasının takılı olduğundan emin olun.

BAKIM

⚠ DİKKAT:

- Makine üzerinde kontrol veya bakım işlemlerine başlamadan önce mutlaka makinenin kapalı ve fişinin çekili olduğundan emin olun.
- İtirme bloğu kolu veya itirme çubukları kırılırsa, yedek parça temini için Makita servis merkezine danışın.

İKAZ:

- Kesinlikle gazolin, benzin, tiner, alkol veya benzeri bir madde kullanmayın. Aksi takdirde renk bozulması, deformasyon veya çatlaklar meydana gelebilir.

Temizleme

Testere talaşlarını ve çapaklarını düzenli olarak temizleyin. Bıçak muhafazasını ve tezgahlı testere içerisindeki hareketli parçaları dikkatli bir şekilde temizleyin.

OPSİYONEL AKSESUARLAR

⚠ DİKKAT:

- Bu kullanım kılavuzunda tanıtılan Makita marka makineyle aşağıdaki aksesuarların ve parçaların kullanılması önerilir. Bunların dışında başka aksesuarların veya parçaların kullanılması yaralanmalara yol açabilir. Aksesuarlar ve parçalar doğru şekilde ve öngörülükleri işlevler için kullanılmalıdır.

Aksesuarlara ilişkin daha ayrıntılı bilgi almak için size en yakın yetkili Makita servisine başvurabilirsiniz.

- Kılavuz mesnedi
- Anahtar
- Alyan anahtarı

NOT:

- Listedeki bazı parçalar makineyle birlikte standart aksesuar olarak verilebilir. Ürünle verilen aksesuarlar ülkeden ülkeye farklılıklar gösterebilir.

Gürültü ENG905-1
EN1870-1 uyarınca belirlenen tipik A ağırlıklı gürültü seviyesi:

Ses basıncı seviyesi (L_{pA}): 93 dB (A)
Ses gücü seviyesi (L_{WA}): 105 dB (A)
Belirsizlik (K): 4 dB (A)

Koruyucu kulaklık takın.

⚠ UYARI:

Verilen değerler emisyon seviyeleridir güvenli çalışma seviyelerini temsil etmeyebilir. Emisyon ve maruziyet seviyeleri arasında bir ilişki vardır, ancak bu ilişki, daha fazla önlemin gerekli olup olmadığının güvenilir şekilde belirlenmesinde kullanılamaz. Çalışma odasının özellikleri ve makine sayısı ve yakındaki diğer işlemler vb. gibi diğer gürültü kaynakları personelin gerçek maruziyet seviyesini etkileyen faktörler arasındadır. Ayrıca, izin verilen maruziyet seviyesi ülkeden ülkeye farklılık gösterebilir. Buna karşılık, bu bilgi makine kullanıcısının tehlike ve riskleri daha iyi değerlendirebilmesine imkan tanır.

Yalnızca Avrupa ülkeleri için ENH113-1
AT Uygunluk Beyanı

Makita aşağıdaki Makine(ler) ile ilgili şu hususları beyan eder:

Makinenin Adı:

Tezgahlı Testere

Model Numarası/Tipi: 2712

Şu Avrupa Yönergelerine uygundur:

2006/42/EC, 2006/95/EC, 2004/108/EC

Şu Standartlara veya standartlaştırılmış belgelere uygun olarak üretilmiştir:

EN1870-1, EN60204-1, EN55014-1, EN55014-2,
EN61000-3-2, EN61000-3-11

AT Tipi Muayene Sertifikası Numarası
M6A.13.12.86528.002

2006/42/EC uyarınca AT Tip Muayenesi şu kurum tarafından gerçekleştirilmiştir:

TÜV SÜD Product Service GmbH
Ridlerstraße 65. D-80339 München Almanya
Tanım Numarası 0123

2006/42/EC'ye uygun Teknik dosyaya şu adresten ulaşılabilir:

Makita, Jan-Baptist Vinkstraat 2, 3070, Belçika

20. 12. 2013

Yasushi Fukaya
Müdür

Makita, Jan-Baptist Vinkstraat 2, 3070, Belçika

Makita Jan-Baptist Vinkstraat 2, 3070, Belgium
Makita Corporation Anjo, Aichi, Japan

JM27180008

www.makita.com

ALA