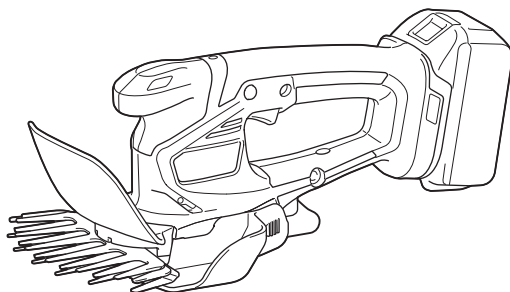




<b>EN</b>	Cordless Grass Shear	<b>INSTRUCTION MANUAL</b>	<b>10</b>
<b>FR</b>	Taille-Herbes sans Fil	<b>MANUEL D'INSTRUCTIONS</b>	<b>19</b>
<b>DE</b>	Akku-Grasschere	<b>BETRIEBSANLEITUNG</b>	<b>29</b>
<b>IT</b>	Cesoie tagliaerba a batteria	<b>ISTRUZIONI PER L'USO</b>	<b>39</b>
<b>NL</b>	Accugrasschaar	<b>GEBRUIKSAANWIJZING</b>	<b>49</b>
<b>ES</b>	Tijeras Inalámbricas para Hierba	<b>MANUAL DE INSTRUCCIONES</b>	<b>59</b>
<b>PT</b>	Tesoura para Grama a Bateria	<b>MANUAL DE INSTRUÇÕES</b>	<b>69</b>
<b>DA</b>	Akku græsklipper	<b>BRUGSANVISNING</b>	<b>79</b>
<b>EL</b>	Φορητό κουρευτικό γκαζόν	<b>ΕΓΧΕΙΡΙΔΙΟ ΟΔΗΓΙΩΝ</b>	<b>88</b>
<b>TR</b>	Akülü Çim Makası	<b>KULLANMA KILAVUZU</b>	<b>99</b>

## DUM604



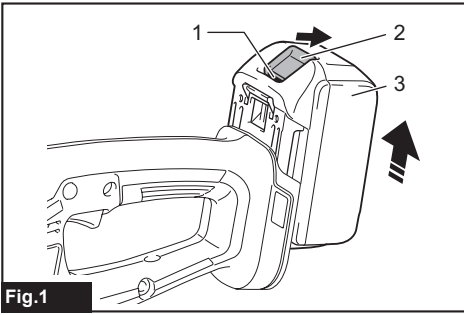


Fig.1

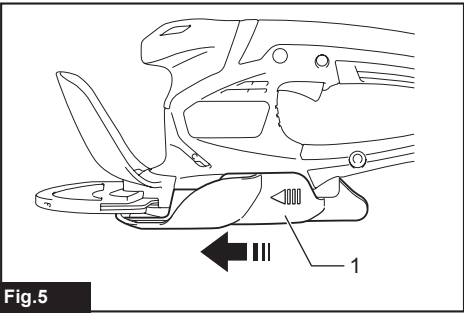


Fig.5

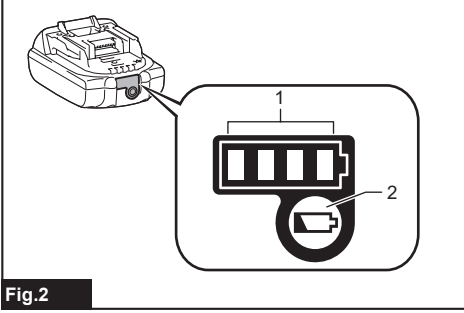


Fig.2

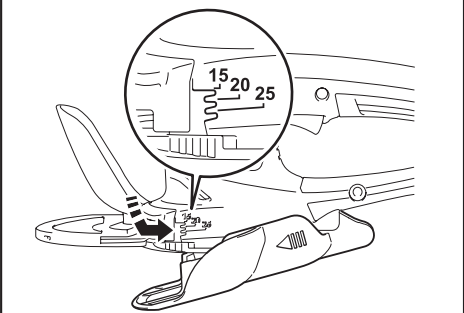


Fig.6

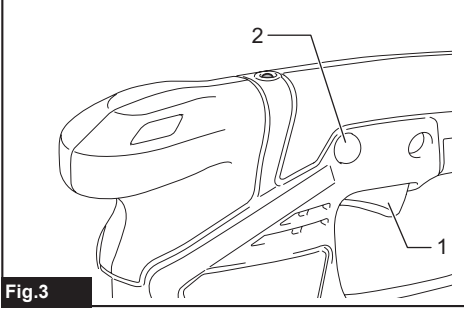


Fig.3

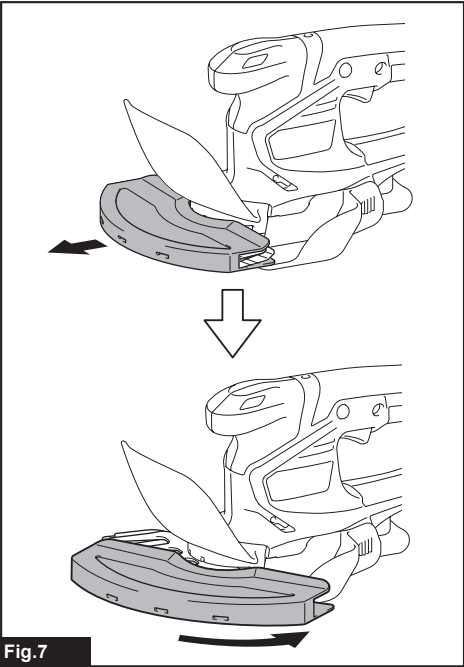


Fig.7

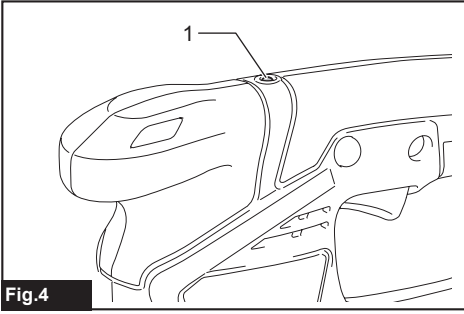
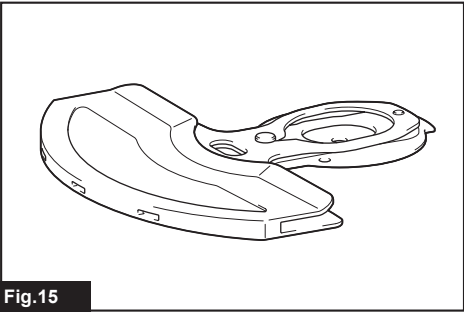
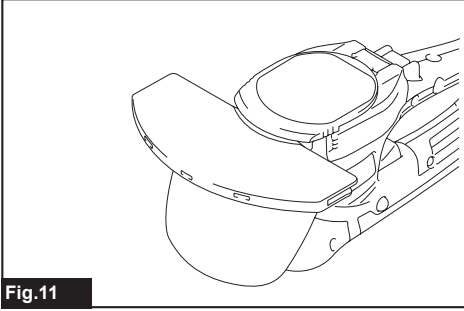
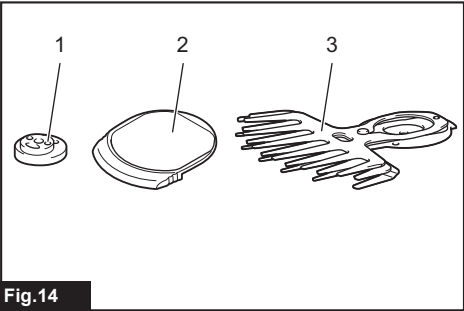
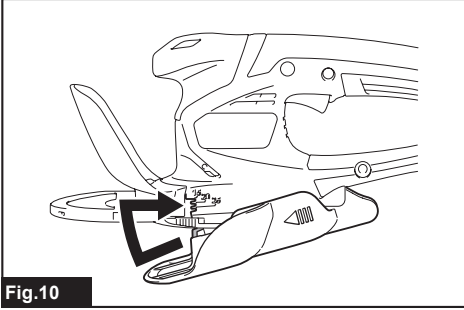
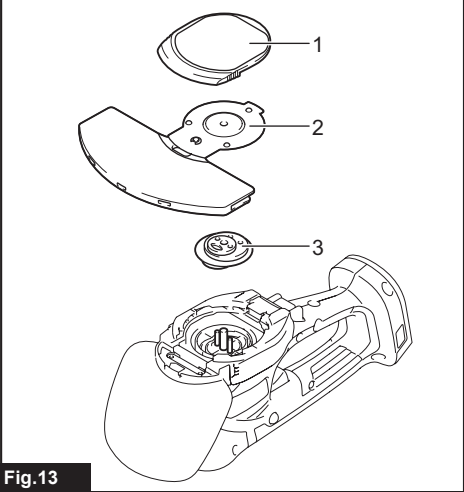
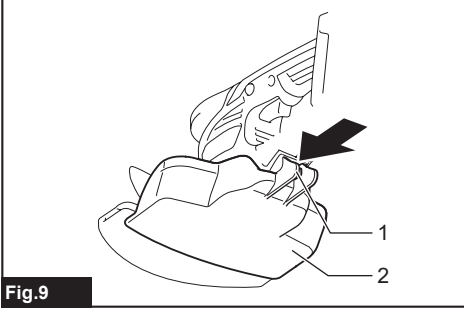
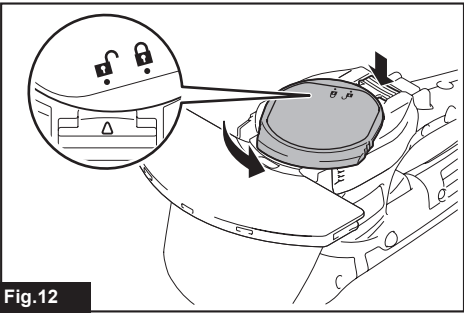
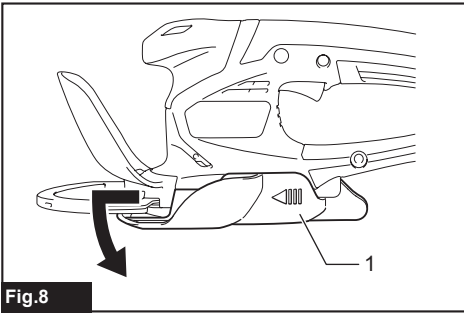


Fig.4



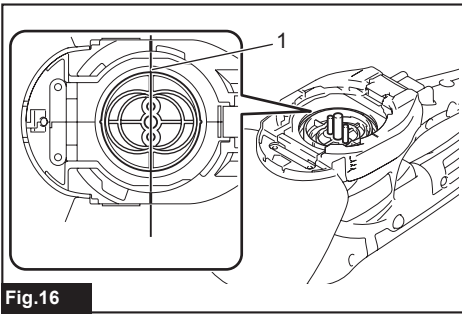


Fig.16

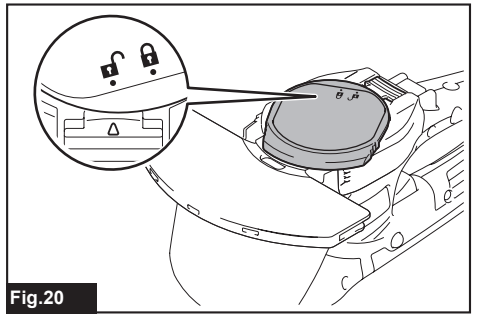


Fig.20

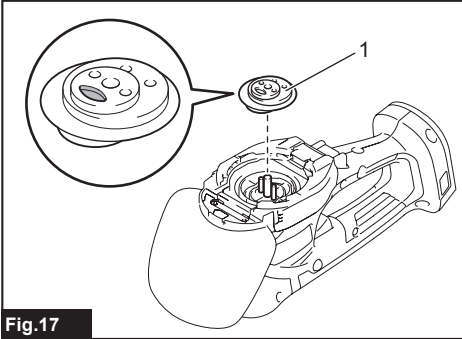


Fig.17

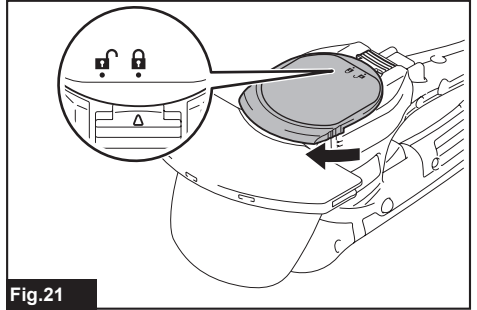


Fig.21

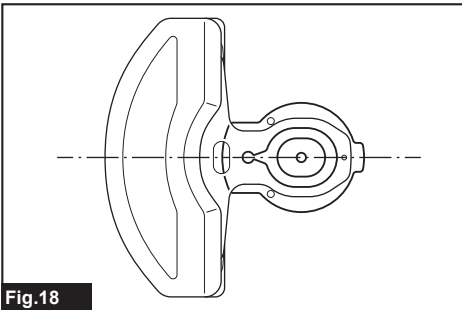


Fig.18

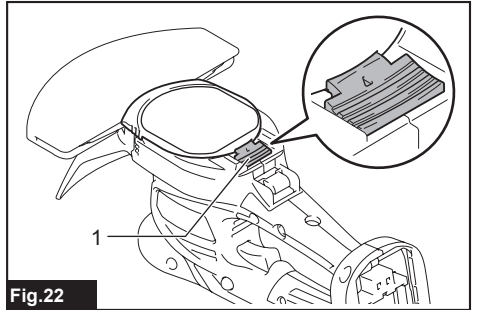


Fig.22

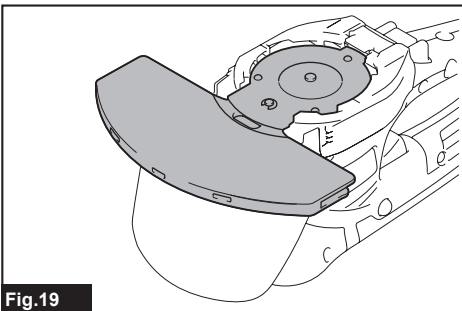


Fig.19

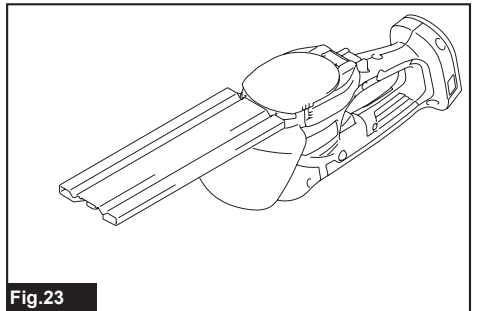
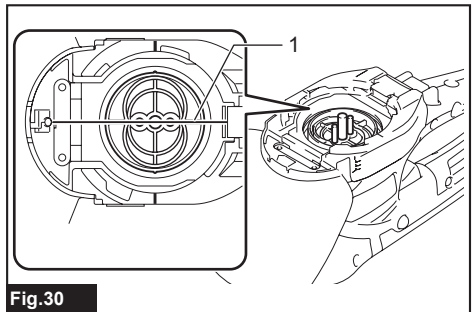
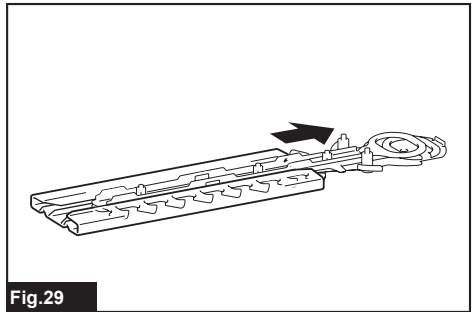
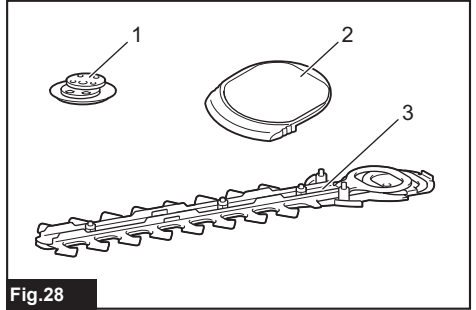
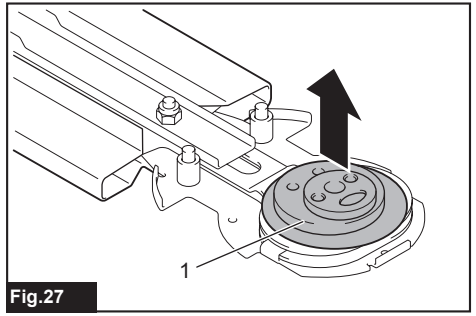
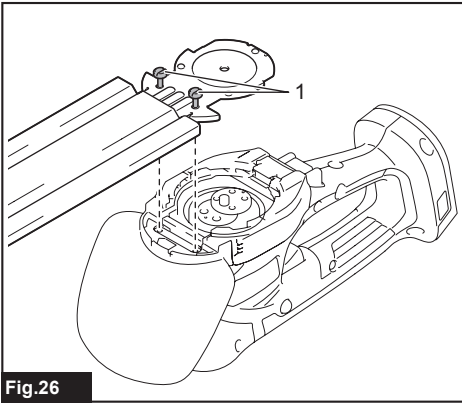
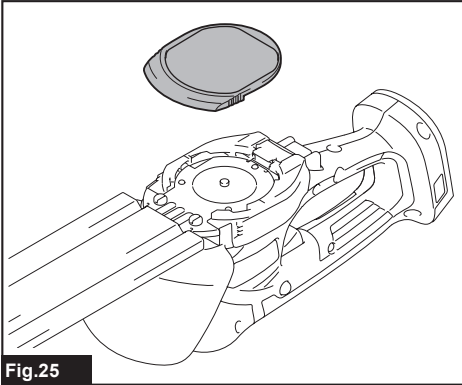
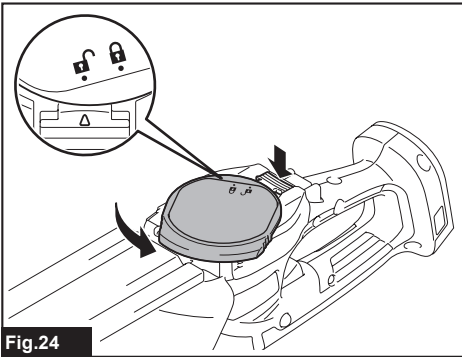
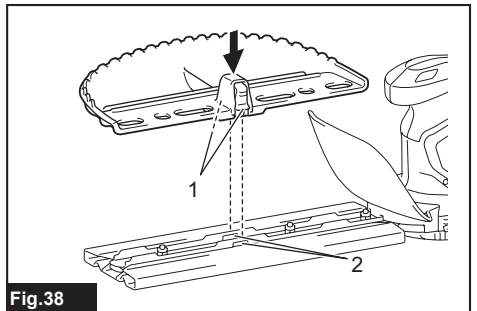
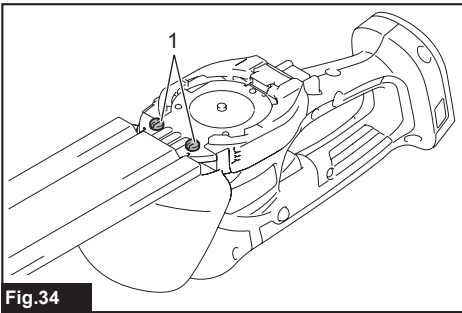
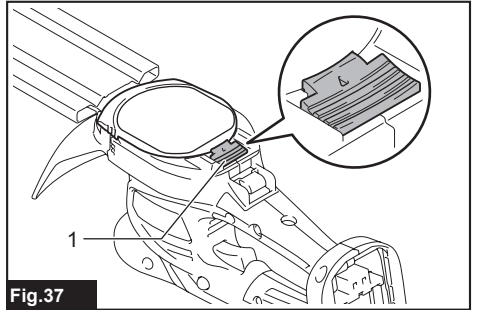
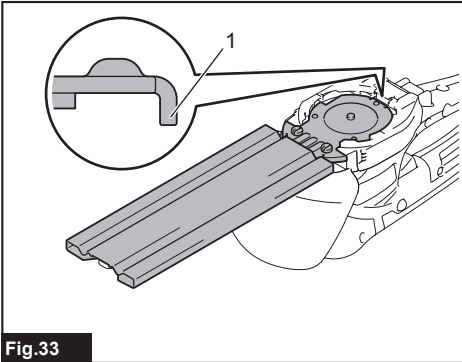
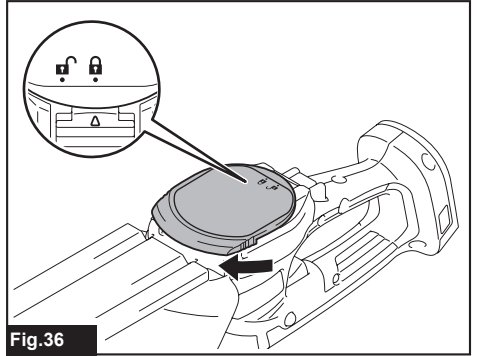
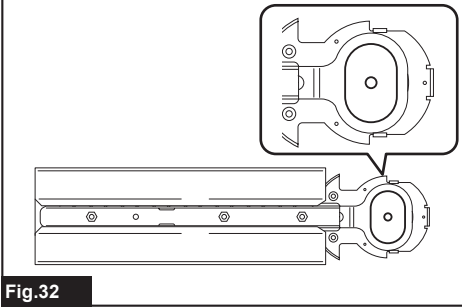
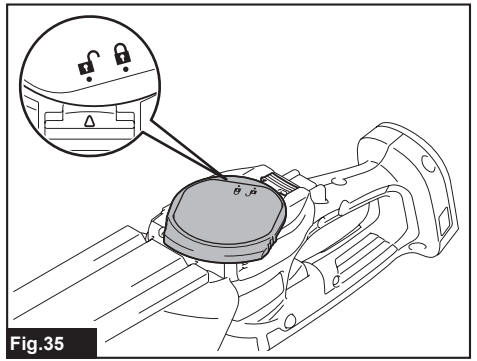
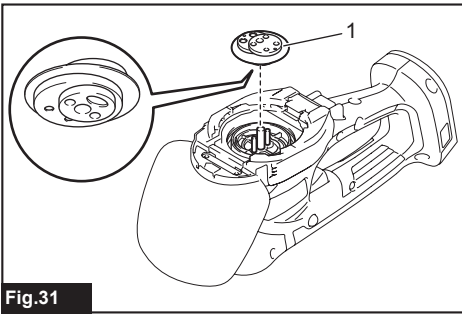


Fig.23





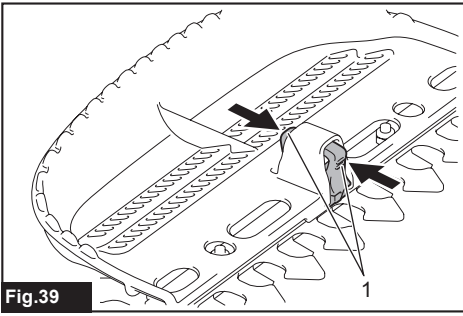


Fig.39

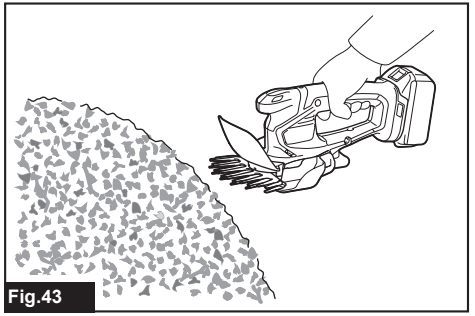


Fig.43



Fig.40

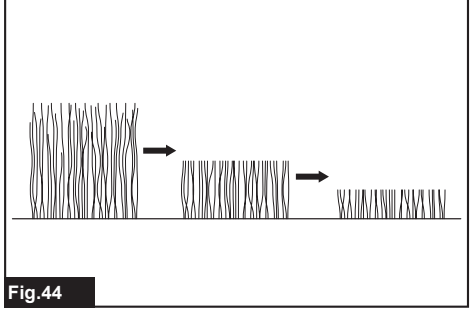


Fig.44

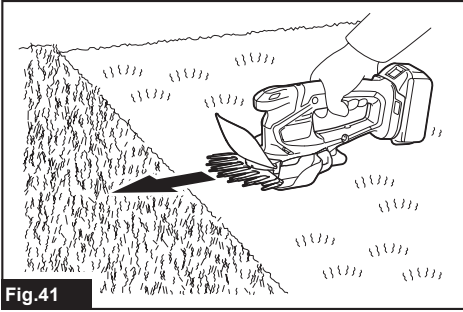


Fig.41

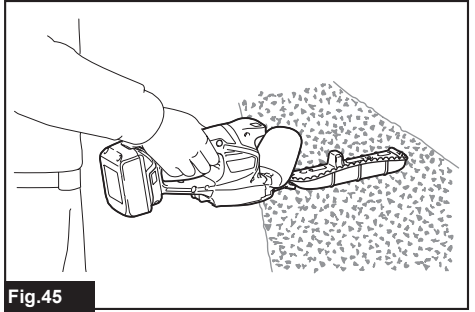


Fig.45

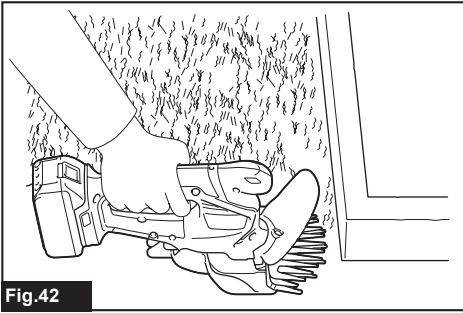


Fig.42

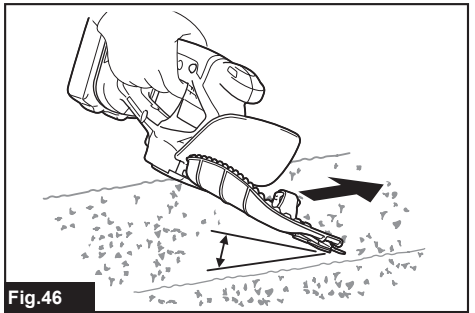
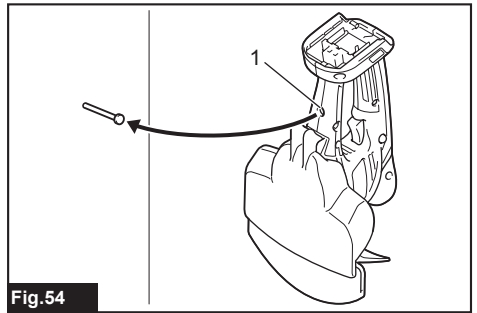
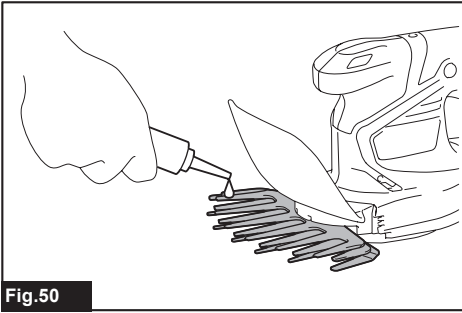
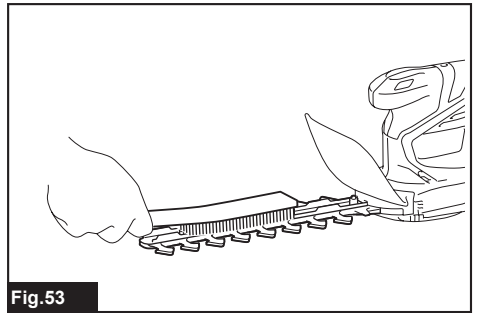
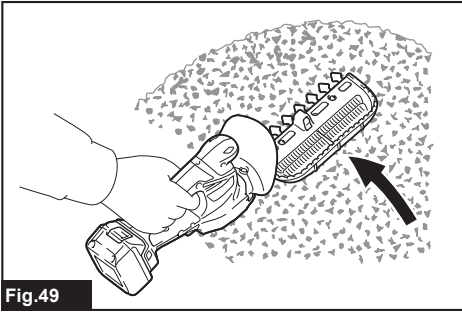
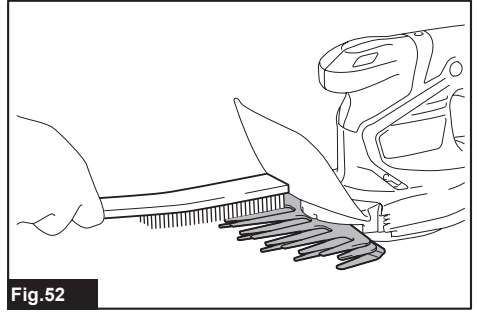
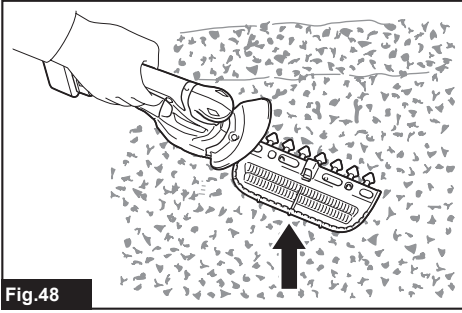
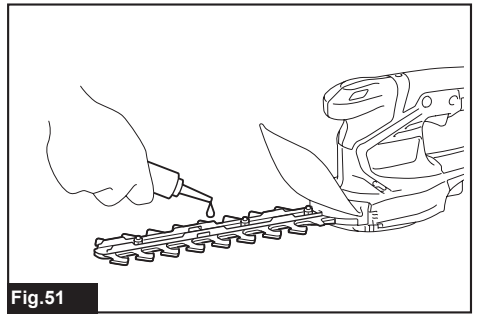
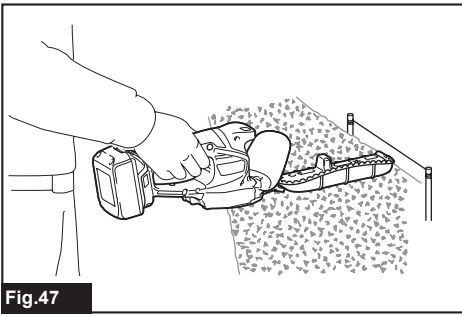
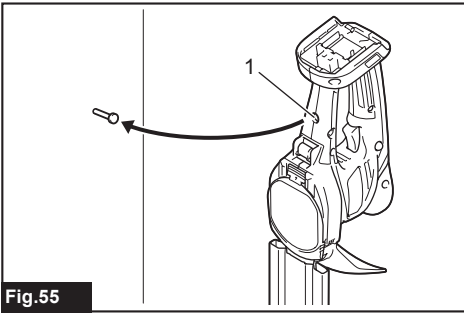


Fig.46







**Fig.55**


# SPECIFICATIONS

<b>Model:</b>	<b>DUM604</b>
Cutting width	160 mm
Strokes per minute	2,500 min <sup>-1</sup>
Dimensions (L x W x H)	353 mm x 177 mm x 131 mm
Rated voltage	D.C. 18 V
Battery cartridge	BL1815 / BL1815N / BL1820 / BL1820B / BL1830 / BL1830B / BL1840 / BL1840B / BL1850 / BL1850B / BL1860B
Net weight	1.4 - 1.8 kg

- Due to our continuing program of research and development, the specifications herein are subject to change without notice.
- Specifications and battery cartridge may differ from country to country.
- Weight, with battery cartridge, according to EPTA-Procedure 01/2003

## Symbols

The following show the symbols used for the equipment. Be sure that you understand their meaning before use.

	Take particular care and attention.
	Read instruction manual.
	Danger; be aware of thrown objects.
	Keep bystanders away.
	Cutting means continues to run after the motor is switched off.
	Do not expose to moisture.
	<p>Cd Ni-MH Li-Ion</p> <p>Only for EU countries Do not dispose of electric equipment or battery pack together with household waste material! In observance of the European Directives, on Waste Electric and Electronic Equipment and Batteries and Accumulators and Waste Batteries and Accumulators and their implementation in accordance with national laws, electric equipment and batteries and battery pack(s) that have reached the end of their life must be collected separately and returned to an environmentally compatible recycling facility.</p>

## Intended use

The tool is intended for cutting lawn edges or sprouts.

## Noise

The typical A-weighted noise level determined according to EN50636:

**DUM604 with shear blade for grass shear installed**  
Sound pressure level ( $L_{pA}$ ) : 76 dB(A)  
Uncertainty (K) : 0.98 dB(A)

The noise level under working may exceed 80 dB (A).

**WARNING: Wear ear protection.**

The typical A-weighted noise level determined according to EN60745:

**DUM604 with shear blade for hedge trimmer installed**  
Sound pressure level ( $L_{pA}$ ) : 74 dB(A)  
Uncertainty (K) : 3 dB(A)

The noise level under working may exceed 80 dB (A).

**WARNING: Wear ear protection.**

## Vibration

The vibration total value (tri-axial vector sum) determined according to EN50636:

**DUM604 with shear blade for grass shear installed**  
Vibration emission ( $a_h$ ) : 2.5 m/s<sup>2</sup> or less  
Uncertainty (K) : 1.5 m/s<sup>2</sup>

The vibration total value (tri-axial vector sum) determined according to EN60745:

**DUM604 with shear blade for hedge trimmer installed**  
Vibration emission ( $a_h$ ) : 2.5 m/s<sup>2</sup> or less  
Uncertainty (K) : 1.5 m/s<sup>2</sup>

**NOTE:** The declared vibration emission value has been measured in accordance with the standard test method and may be used for comparing one tool with another.

**NOTE:** The declared vibration emission value may also be used in a preliminary assessment of exposure.

**⚠WARNING:** The vibration emission during actual use of the power tool can differ from the declared emission value depending on the ways in which the tool is used.

**⚠WARNING:** Be sure to identify safety measures to protect the operator that are based on an estimation of exposure in the actual conditions of use (taking account of all parts of the operating cycle such as the times when the tool is switched off and when it is running idle in addition to the trigger time).

## EC Declaration of Conformity

### For European countries only

The EC declaration of conformity is included as Annex A to this instruction manual.

# SAFETY WARNINGS

## General power tool safety warnings

**⚠WARNING:** Read all safety warnings, instructions, illustrations and specifications provided with this power tool. Failure to follow all instructions listed below may result in electric shock, fire and/or serious injury.

## Save all warnings and instructions for future reference.

The term "power tool" in the warnings refers to your mains-operated (corded) power tool or battery-operated (cordless) power tool.

## Cordless Grass Shear Safety Warnings

### General instructions

1. To ensure correct operation, user has to read this instruction manual to make himself familiar with the handling of the equipment. Users insufficiently informed will risk danger to themselves as well as others due to improper handling.
2. Never allow children, persons with reduced physical, sensory or mental capabilities or lack of experience and knowledge or people unfamiliar with these instructions to use the machine, local regulations may restrict the age of the operator.
3. Use the equipment with the utmost care and attention.

4. Operate the equipment only if you are in good physical condition. Perform all work calmly and carefully. Use common sense and keep in mind that the operator or user is responsible for accidents or hazards occurring to other people or their property.
5. Never operate the machine while people, especially children, or pets are nearby.
6. The motor is to be switched off immediately in case that the equipment shows any problem or abnormal sign.
7. Switch off and remove the battery cartridge when resting and when leaving the equipment unattended, and place it in a safe location to prevent danger to others or damage to the equipment.
8. Avoid using the machine in bad weather conditions especially when there is a risk of lightning.

### Personal protective equipment

1. Wear eye protection and stout shoes at all times while operating the machine.
2. Always wear substantial footwear and long trousers while operating the machine.

### Starting up the equipment

1. Make sure that there are no children or other people nearby, also pay attention to any animals in the working vicinity. Otherwise stop using the equipment.
2. Before use always check that the equipment is safe for operation. Check the security of the cutting tool and the guard and the switch trigger/lever for easy and proper action. Check for clean and dry handles and test the function of the start/stop.
3. Check damaged parts before further use of the equipment. A guard or other part that is damaged should be carefully checked to determine that it will operate properly and perform its intended function. Check for alignment of moving parts, binding of moving parts, breakage of parts, mounting, and any other condition that may affect its operation. A guard or other part that is damaged should be properly repaired or replaced by our authorized service center unless indicated elsewhere in this manual.
4. Switch on the motor only when the hands and feet are away from the cutting tool.
5. Before starting make sure that the cutting tool has no contact with any objects.

### Method of operation

1. Only use the equipment in good light and visibility. During the winter season beware of slippery or wet areas, ice and snow (risk of slipping). Always ensure a safe footing on slopes and be sure to walk and never run.
2. Take care against injury to feet and hands from the cutting tool.
3. Never stand on a ladder and run the equipment.
4. Never climb up into trees to perform cutting operation with the equipment.

5. Never work on unstable surfaces.
6. Remove sand, stones, nails etc. found within the working range. Foreign particles may damage the cutting tool and can cause dangerous kick-backs.
7. Should the cutting tool hit stones or other hard objects, immediately switch off the motor and inspect the cutting tool.
8. Inspect the cutting tool at short regular intervals for damage (detection of hairline cracks by means of tapping-noise test).
9. Before commencing cutting, the cutting tool must have reached full working speed.
10. The cutting tool has to be equipped with the appropriate guard. Never run the equipment with damaged guards or without guards in place!
11. All protective installations and guards supplied with the equipment must be used during operation.
12. Always remove the battery cartridge from the equipment:
  - whenever leaving the equipment unattended;
  - before clearing a blockage;
  - before checking, cleaning or working on the equipment;
  - after striking a foreign object;
  - whenever the equipment starts vibrating abnormally.
13. Always ensure that the ventilation openings are kept clear of debris.
14. Cutting means continues to run after the motor is switched off.

#### Cutting Tools

Employ only the correct cutting tool for the job in hand.

#### Maintenance instructions

1. The condition of the equipment, in particular of the cutting tool of the protective devices must be checked before commencing work.
2. Turn off the motor and remove the battery cartridge before carrying out maintenance, replacing cutting tools or cleaning the equipment or cutting tool.
3. When not in use, store the equipment indoors in dry and high or locked-up place - out of the reach of children. Clean and maintain before storage.

## SAVE THESE INSTRUCTIONS.

**⚠ WARNING:** DO NOT let comfort or familiarity with product (gained from repeated use) replace strict adherence to safety rules for the subject product. MISUSE or failure to follow the safety rules stated in this instruction manual may cause serious personal injury.

## Cordless Hedge Trimmer Safety Warnings

1. Keep all parts of the body away from the cutter blade. Do not remove cut material or hold material to be cut when blades are moving. Make sure the switch is off when clearing jammed material. A moment of inattention while operating the hedge trimmer may result in serious personal injury.
2. Carry the hedge trimmer by the handle with the cutter blade stopped. When transporting or storing the hedge trimmer always fit the cutting device cover. Proper handling of the hedge trimmer will reduce possible personal injury from the cutter blades.
3. Hold the power tool by insulated gripping surfaces only, because the cutter blade may contact hidden wiring. Cutter blades contacting a "live" wire may make exposed metal parts of the power tool "live" and could give the operator an electric shock.
4. Do not use the hedge trimmer in the rain or in wet or very damp conditions. The electric motor is not waterproof.
5. First-time users should have an experienced hedge trimmer user show them how to use the trimmer.
6. The hedge trimmer must not be used by children or young persons under 18 years of age. Young persons over 16 years of age may be exempted from this restriction if they are undergoing training under the supervision of an expert.
7. Use the hedge trimmer only if you are in good physical condition. If you are tired, your attention will be reduced. Be especially careful at the end of a working day. Perform all work calmly and carefully. The user is responsible for all damages to third parties.
8. Never use the trimmer when under the influence of alcohol, drugs or medication.
9. Work gloves of stout leather are part of the basic equipment of the hedge trimmer and must always be worn when working with it. Also wear sturdy shoes with anti-skid soles.
10. Before starting work check to make sure that the trimmer is in good and safe working order. Ensure guards are fitted properly. The hedge trimmer must not be used unless fully assembled.
11. Make sure you have a secure footing before starting operation.
12. Hold the tool firmly when using the tool.
13. Do not operate the tool at no-load unnecessarily.
14. Immediately switch off the motor and remove the battery cartridge if the cutter should come into contact with a fence or other hard object. Check the cutter for damage, and if damaged repair immediately.
15. Before checking the cutter, taking care of faults, or removing material caught in the cutter, always switch off the trimmer and remove the battery cartridge.

16. Switch off the trimmer and remove the battery cartridge before doing any maintenance work.
17. When moving the hedge trimmer to another location, including during work, always remove the battery cartridge and put the blade cover on the cutter blades. Never carry or transport the trimmer with the cutter running. Never grasp the cutter with your hands.
18. Clean the hedge trimmer and especially the cutter after use, and before putting the trimmer into storage for extended periods. Lightly oil the cutter and put on the cover. The cover supplied with the unit can be hung on the wall, providing a safe and practical way to store the hedge trimmer.
19. Store the hedge trimmer with the cover on, in a dry room. Keep it out of reach of children. Never store the trimmer outdoors.
10. The contained lithium-ion batteries are subject to the Dangerous Goods Legislation requirements. For commercial transports e.g. by third parties, forwarding agents, special requirement on packaging and labeling must be observed. For preparation of the item being shipped, consulting an expert for hazardous material is required. Please also observe possibly more detailed national regulations. Tape or mask off open contacts and pack up the battery in such a manner that it cannot move around in the packaging.
11. Follow your local regulations relating to disposal of battery.

## SAVE THESE INSTRUCTIONS.

**⚠WARNING:** DO NOT let comfort or familiarity with product (gained from repeated use) replace strict adherence to safety rules for the subject product. MISUSE or failure to follow the safety rules stated in this instruction manual may cause serious personal injury.

### Important safety instructions for battery cartridge

1. Before using battery cartridge, read all instructions and cautionary markings on (1) battery charger, (2) battery, and (3) product using battery.
2. Do not disassemble battery cartridge.
3. If operating time has become excessively shorter, stop operating immediately. It may result in a risk of overheating, possible burns and even an explosion.
4. If electrolyte gets into your eyes, rinse them out with clear water and seek medical attention right away. It may result in loss of your eyesight.
5. Do not short the battery cartridge:
  - (1) Do not touch the terminals with any conductive material.
  - (2) Avoid storing battery cartridge in a container with other metal objects such as nails, coins, etc.
  - (3) Do not expose battery cartridge to water or rain.

A battery short can cause a large current flow, overheating, possible burns and even a breakdown.
6. Do not store the tool and battery cartridge in locations where the temperature may reach or exceed 50 °C (122 °F).
7. Do not incinerate the battery cartridge even if it is severely damaged or is completely worn out. The battery cartridge can explode in a fire.
8. Be careful not to drop or strike battery.
9. Do not use a damaged battery.

## SAVE THESE INSTRUCTIONS.

**⚠CAUTION:** Only use genuine Makita batteries. Use of non-genuine Makita batteries, or batteries that have been altered, may result in the battery bursting causing fires, personal injury and damage. It will also void the Makita warranty for the Makita tool and charger.

## Tips for maintaining maximum battery life

1. Charge the battery cartridge before completely discharged. Always stop tool operation and charge the battery cartridge when you notice less tool power.
2. Never recharge a fully charged battery cartridge. Overcharging shortens the battery service life.
3. Charge the battery cartridge with room temperature at 10 °C - 40 °C (50 °F - 104 °F). Let a hot battery cartridge cool down before charging it.
4. Charge the battery cartridge if you do not use it for a long period (more than six months).

# FUNCTIONAL DESCRIPTION

**CAUTION:** Always be sure that the tool is switched off and the battery cartridge is removed before adjusting or checking function on the tool.

## Using the tool as cordless hedge trimmer

This tool can be used as a cordless hedge trimmer by installing the shear blades for hedge trimmer (optional accessory).

## Installing or removing battery cartridge

**CAUTION:** Always switch off the tool before installing or removing of the battery cartridge.

**CAUTION:** Hold the tool and the battery cartridge firmly when installing or removing battery cartridge. Failure to hold the tool and the battery cartridge firmly may cause them to slip off your hands and result in damage to the tool and battery cartridge and a personal injury.

► **Fig.1:** 1. Red indicator 2. Button 3. Battery cartridge

To remove the battery cartridge, slide it from the tool while sliding the button on the front of the cartridge.

To install the battery cartridge, align the tongue on the battery cartridge with the groove in the housing and slip it into place. Insert it all the way until it locks in place with a little click. If you can see the red indicator on the upper side of the button, it is not locked completely.

**CAUTION:** Always install the battery cartridge fully until the red indicator cannot be seen. If not, it may accidentally fall out of the tool, causing injury to you or someone around you.















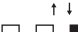



**CAUTION:** Do not install the battery cartridge forcibly. If the cartridge does not slide in easily, it is not being inserted correctly.

## Indicating the remaining battery capacity

*Only for battery cartridges with the indicator*

► **Fig.2:** 1. Indicator lamps 2. Check button

Press the check button on the battery cartridge to indicate the remaining battery capacity. The indicator lamps light up for few seconds.

Indicator lamps			Remaining capacity
 Lighted	 Off	 Blinking	
			75% to 100%
			50% to 75%
			25% to 50%
			0% to 25%
			Charge the battery.
			The battery may have malfunctioned.
			

**NOTE:** Depending on the conditions of use and the ambient temperature, the indication may differ slightly from the actual capacity.

## Tool / battery protection system

The tool is equipped with a tool/battery protection system. This system automatically cuts off power to the motor to extend tool and battery life. The tool will automatically stop during operation if the tool or battery is placed under one of the following conditions:

### Overload protection

When the battery is operated in a manner that causes it to draw an abnormally high current, the tool automatically stops. In this situation, turn the tool off and stop the application that caused the tool to become overloaded. Then turn the tool on to restart.

### Overheat protection

When the tool or battery is overheated, the tool stops automatically and the lamp blinks. In this case, let the tool and battery cool before turning the tool on again.

### Overdischarge protection

When the battery capacity is not enough, the tool stops automatically. In this case, remove the battery from the tool and charge the battery.

## Switch action

**WARNING:** Before installing the battery cartridge into the tool, always check to see that the switch trigger actuates properly and returns to the "OFF" position when released.

**WARNING:** For your safety, this tool is equipped with the lock-off button which prevents the tool from unintended starting. Never use the tool if it starts when you pull the switch trigger without pressing the lock-off button. Ask your local Makita Service Center for repairs.

**⚠ WARNING:** Never disable the lock function or tape down the lock-off button.

**NOTICE:** Do not pull the switch trigger forcibly without pressing the lock-off button. The switch may break.

► **Fig.3:** 1. Switch trigger 2. Lock-off button

To start the tool, depress the lock-off button and pull the switch trigger. Release the switch trigger to stop. The lock-off button can be pressed from either the right or left side.

## Indicator lamp

The indicator lamp blinks or lights up when the remaining battery capacity is low or empty. The indicator lamp also lights up when the tool becomes overloaded.

► **Fig.4:** 1. Indicator lamp

### Lamp status and action to be taken

Indicator lamp	Status	Action to be taken
The lamp blinks red.	The remaining battery capacity is low.	Charge the battery.
The lamp lights up red. *	The tool has stopped because the remaining battery capacity is empty.	Charge the battery.
	The tool has stopped due to overload.	Turn off the tool.

\* The time at which the indicator lamp lights up varies depending on the temperature around the work area and the battery cartridge conditions.

## Adjusting the shearing height (for grass shear)

**⚠ CAUTION:** When changing the shearing height, be sure to attach the blade cover and be careful not to trap fingers between the tool and grass receiver.

The shearing height can be set to three levels (15 mm, 20 mm, and 25 mm) by changing the fixed position of the grass receiver. The shearing height without the grass receiver is about 10 mm.

1. Slide the grass receiver toward the front of the tool.

► **Fig.5:** 1. Grass receiver

2. Change the fixed position of the grass receiver by moving it in the direction of the arrow.

► **Fig.6**

**NOTE:** The shearing height value is a guideline. The actual shearing height may vary depending on the condition of the lawn or the ground.

**NOTE:** Try a test shearing in a less conspicuous place to get your desired height.

## ASSEMBLY

**⚠ CAUTION:** Always be sure that the tool is switched off and the battery cartridge is removed before carrying out any work on the tool.

**⚠ CAUTION:** When replacing the shear blades, always wear gloves and attach the blade cover so that your hands and face do not directly contact the blades.

**NOTICE:** When replacing the shear blades, do not wipe off grease from the gear and crank.

## Installing or removing the blade cover

**⚠ CAUTION:** Be careful not to touch the blades when installing or removing the blade cover.

To remove the blade cover, pull it slightly, and then slide it sideways. To install the blade cover, perform the steps in reverse.

► **Fig.7**

## Installing or removing the grass receiver

**⚠ CAUTION:** When installing or removing the grass receiver, be sure to attach the blade cover and be careful not to trap your fingers between the tool and grass receiver.

### Removing the grass receiver

1. Release the protrusions on the grass receiver from the grooves on the tool while sliding the grass receiver toward the front of the tool.

► **Fig.8:** 1. Grass receiver

2. Release the hinge of the grass receiver from the tool.

### Installing the grass receiver

1. Hook the hinge of the grass receiver on the groove of the tool.

► **Fig.9:** 1. Hinge 2. Grass receiver



2. Align the protrusions on the grass receiver with the grooves on the tool by sliding the grass receiver toward the front of the tool and moving it in the direction of the arrow.

► **Fig.10**





**NOTICE:** Do not attach the hinge of the grass receiver to the tool forcibly after aligning the protrusions on the grass receiver with the grooves on the tool.

## Installing or removing the shear blades for grass shear

### Removing the shear blades

1. Remove the grass receiver and place the tool upside down.  
▶ Fig.11
2. While pressing the lock lever, turn the undercover counterclockwise until  on the undercover is aligned with  on the lock lever.  
▶ Fig.12
3. Remove the undercover, shear blades, and crank.  
▶ Fig.13: 1. Undercover 2. Shear blades 3. Crank

### Installing the shear blades

1. Prepare the crank, undercover, and new shear blades.  
▶ Fig.14: 1. Crank 2. Undercover 3. Shear blades
2. Remove the blade cover from the old shear blades, and then attach it to the new ones.  
▶ Fig.15
3. Adjust the three pins so that they are lined up on the alignment line.  
▶ Fig.16: 1. Alignment line
4. Apply a small amount of grease to the periphery of the crank. Attach the crank to the pins with the small and large rounds facing up.  
▶ Fig.17: 1. Crank
5. Adjust the blades and base plate so that the hole in the base plate and the two protrusions on the blades are lined up.  
▶ Fig.18
6. Turn the shear blades upside down and install them so that the pins on the tool fit in the hole on the base plate. Make sure that the shear blades are fixed securely in place.  
▶ Fig.19
7. Place the undercover so that  on the undercover is aligned with  on the lock lever.  
▶ Fig.20
8. While pressing the undercover, turn the undercover clockwise until  on the undercover is aligned with  on the lock lever.  
▶ Fig.21
9. Make sure that the lock lever fits in the groove on the undercover.  
▶ Fig.22: 1. Lock lever

**CAUTION:** Never use the tool without installing the undercover.

10. Remove the blade cover, and then turn on the tool to check that it works properly.



**NOTICE:** If the shear blades do not operate properly, the blades are not engaging the crank properly. Remove the blades and install them again.

## Installing or removing shear blades for hedge trimmer

### Optional accessory

**CAUTION:** Attach the blade cover before removing or installing the shear blades.

### Removing shear blades

1. Place the tool upside down.  
▶ Fig.23
  2. While pressing the lock lever, turn the undercover counterclockwise until  on the undercover is aligned with  on the lock lever.  
▶ Fig.24
  3. Remove the undercover.  
▶ Fig.25
  4. Loosen two screws with a screwdriver and remove the shear blades.  
▶ Fig.26: 1. Screws
5. Remove the crank from the shear blades.  
▶ Fig.27: 1. Crank

**NOTE:** The shear blades can be removed without removing the screws.

**NOTE:** The crank may remain in the tool.

**NOTE:** Attach the blade cover and the storage case to the removed shear blades, and then store the blades.

### Installing shear blades



1. Prepare the crank, undercover, and new shear blades.  
▶ Fig.28: 1. Crank 2. Undercover 3. Shear blades
2. Attach the blade cover to the shear blades.  
▶ Fig.29
3. Adjust the three pins so that they are lined up on the alignment line.  
▶ Fig.30: 1. Alignment line
4. Apply a small amount of grease to the periphery of the crank. Attach the crank to the pins with its small and large rounds facing down.  
▶ Fig.31: 1. Crank
5. Slide the shear blades so that the hole on the base plate is positioned at the center of the rings of blades.  
▶ Fig.32
6. Turn the shear blades upside down and install them so that the pin on the tool fits in the hole on the shear blades. Insert the claw of the base plate into the groove on the tool. Make sure that the shear blades are fixed securely in place.





► Fig.33: 1. Claw

7. Tighten the two screws firmly with a screwdriver.

► Fig.34: 1. Screws

8. Place the undercover so that  on the undercover is aligned with  on the lock lever.

► Fig.35

9. While pressing the undercover, turn the undercover clockwise until  on the undercover is aligned with  on the lock lever.

► Fig.36

10. Make sure that the lock lever fits in the groove on the undercover.

► Fig.37: 1. Lock lever

**CAUTION:** Never use the tool without installing the undercover.

11. Remove the blade cover, and then turn on the tool to check if the tool works properly.

**NOTICE:** If the shear blades do not operate properly, the blades are not engaging the crank properly. Remove the blades and install them again.

## Installing or removing the chip receiver

### Optional accessory

**CAUTION:** When installing or removing the chip receiver, always wear gloves and attach the blade cover so that your hands and face do not directly contact the blade.

The chip receiver gathers discarded leaves and makes clean-up afterward much easier. It can be installed on either side of the tool.

To install the chip receiver, press it against the shear blades so that the hooks fit into the holes of the shear blades.

► Fig.38: 1. Hooks 2. Holes

To remove the chip receiver, press the levers on both sides to release the hooks.

► Fig.39: 1. Levers

**NOTICE:** Never try to remove the chip receiver by an excessive force with its hooks locked in the holes of the blades.

## OPERATION

**WARNING:** Before shearing, clear away sticks and stones from the shearing area. Furthermore, clear away any weeds from the shearing area in advance.

► Fig.40

**WARNING:** Keep hands away from blades.

**CAUTION:** Avoid operating the tool in very hot weather as much as practicable. When operating the tool, be careful of your physical condition.

## Shearing (for grass shear)

Turn the tool on after adjusting the shearing height and hold it so that the bottom of the tool rests on the ground. Gently move the tool forward.

► Fig.41

When trimming around curbs, fences or trees, move the tool along them. Be careful that the blades do not come into contact with them.

► Fig.42

When trimming sprouts or foliage of a small tree, trim little by little.

► Fig.43

Trim large branches to the desired height using branch cutters before using this tool.

**NOTICE:** Do not use the tool in a way that causes the motor to stop or to rotate extremely slowly.

**NOTICE:** Do not attempt to cut thick branches.

**NOTICE:** Do not allow the shear blades to contact the ground during operation. The blades will be dulled, causing poor performance.

**NOTICE:** Do not trim the wet grass or foliage of small trees.

## Cutting long lawn

Do not try to cut long grass all at once. Instead, cut the lawn in steps. Leave a day or two between cuts until the lawn becomes evenly short.

► Fig.44

**NOTE:** Cutting long grass to a short length all at once may cause the grass to die.

## Trimming (for hedge trimmer)

**CAUTION:** Be careful not to accidentally contact a metal fence or other hard objects while trimming. The blades may break and cause an injury.

**CAUTION:** Be careful not to allow the shear blades to contact the ground. The tool may recoil and cause an injury.

**CAUTION:** Overreaching with a hedge trimmer, particularly from a ladder, is extremely dangerous. Do not work while standing on anything wobbly or infirm.

**NOTICE:** Do not attempt to cut branches thicker than 10 mm in diameter with the tool. Cut branches to the desired height using branch cutters before using the tool.

**NOTICE:** Do not cut down dead trees or similar hard objects. Doing so may damage the tool.

**NOTICE:** Do not trim the grass or weeds while using the shear blades. The blades may become tangled in the grass or weeds.

Hold the tool with one hand, pull the switch trigger while pressing the lock-off button, and then move it forward.

► Fig.45

For basic operation, tilt the blades toward the trimming direction and move it calmly and slowly at the speed rate of 3 to 4 seconds per meter.

► Fig.46

To tie a string at the desired height and to trim along it help you to cut a hedge top evenly.

► Fig.47

If the chip receiver is attached to the blades, it gathers discarded leaves and makes clean-up afterward much easier.

To cut a hedge side evenly, cut from the bottom to top.

► Fig.48

When trimming to make a round shape (trimming box-wood or rhododendron, etc.), trim from the root to the top for a beautiful finish.

► Fig.49

## MAINTENANCE

**CAUTION:** Always be sure that the tool is switched off and the battery cartridge is removed before attempting to perform inspection or maintenance.

To maintain product SAFETY and RELIABILITY, repairs, any other maintenance or adjustment should be performed by Makita Authorized or Factory Service Centers, always using Makita replacement parts.

### Cleaning the tool

Clean the tool by wiping off dust with a dry cloth or one dipped in soapy water and wrung out.

**NOTICE:** Never use gasoline, benzine, thinner, alcohol or the like. Discoloration, deformation or cracks may result.

### Blade maintenance

Before the operation or once per hour during operation, apply low-viscosity oil (machine oil, or spray-type lubricating oil) to the blades.

► Fig.50

► Fig.51

After operation, remove dust from both sides of the blades with a wired brush, wipe it off with a cloth and then apply low-viscosity oil (machine oil, or spray-type lubricating oil) to the blades.

► Fig.52

► Fig.53

**NOTICE:** Do not wash the blades in water. Doing so may cause rust or damage to the tool.

**NOTICE:** Dirt and corrosion cause excessive blade friction and shorten the operating time per battery charge.

### Storage

The hook hole in the tool bottom is convenient for hanging the tool from a nail or screw on the wall.

Attach the blade cover to the shear blades so that the blades are not exposed. Store the tool out of the reach of children. Store the tool in a place not exposed to moisture or rain.

► Fig.54: 1. Hole

► Fig.55: 1. Hole

## OPTIONAL ACCESSORIES

**CAUTION:** These accessories or attachments are recommended for use with your Makita tool specified in this manual. The use of any other accessories or attachments might present a risk of injury to persons. Only use accessory or attachment for its stated purpose.

If you need any assistance for more details regarding these accessories, ask your local Makita Service Center.

- Shear blade assembly (for grass shear use)
- Shear blade cover (for grass shear use)
- Grass receiver (for grass shear use)
- Long handle attachment (for grass shear use)
- Shear blade assembly (for hedge trimmer use)
- Shear blade cover (for hedge trimmer use)
- Chip receiver (for hedge trimmer use)
- Storage case
- Makita genuine battery and charger

**NOTE:** Some items in the list may be included in the tool package as standard accessories. They may differ from country to country.







## SPÉCIFICATIONS


Modèle :	DUM604
Largeur de coupe	160 mm
Nombre de courses par minute	2 500 min <sup>-1</sup>
Dimensions (L x l x H)	353 mm x 177 mm x 131 mm
Tension nominale	18 V CC
Batterie	BL1815 / BL1815N / BL1820 / BL1820B / BL1830 / BL1830B / BL1840 / BL1840B / BL1850 / BL1850B / BL1860B
Poids net	1,4 à 1,8 kg

- Étant donné l'évolution constante de notre programme de recherche et de développement, les spécifications contenues dans ce manuel sont sujettes à modification sans préavis.
- Les spécifications et la batterie peuvent être différentes suivant les pays.
- Poids, avec la batterie, conformément à la procédure EPTA-01/2003

## Symboles

Vous trouverez ci-dessous les symboles utilisés pour l'appareil. Veuillez à comprendre leur signification avant toute utilisation.

	Veuillez être prudent et rester attentif.
	Lire le mode d'emploi.
	Danger ; prendre garde aux projections d'objets.
	Tenez les personnes à l'écart.
	Les dispositifs de coupe continuent de tourner une fois le moteur coupé.
	Ne pas exposer à l'eau.

	Cd Ni-MH Li-Ion
	Pour les pays de l'Union européenne uniquement Ne jetez pas les appareils électriques ou les batteries avec vos ordures ménagères ! Conformément aux directives européennes relatives aux déchets d'équipements électriques et électroniques et aux piles et accumulateurs ainsi qu'aux déchets de piles et d'accumulateurs et leur mise en œuvre conformément aux lois nationales, les équipements électriques, les piles et les batteries en fin de vie doivent faire l'objet d'une collecte sélective et être confiés à une usine de recyclage respectueuse de l'environnement.

## Utilisations

L'outil est conçu pour couper les bords de pelouse ou les pousses.

## Bruit

Niveau de bruit pondéré A typique, déterminé selon EN50636 :

**DUM604 avec lame de cisaille pour taille-herbes installée**  
Niveau de pression sonore ( $L_{pA}$ ) : 76 dB (A)  
Incertitude (K) : 0,98 dB (A)

Le niveau de bruit en fonctionnement peut dépasser 80 dB (A).

**AVERTISSEMENT : Portez un serre-tête antibruit.**

Niveau de bruit pondéré A typique, déterminé selon EN60745 :

**DUM604 avec lame de cisaille pour taille-haie installée**  
Niveau de pression sonore ( $L_{pA}$ ) : 74 dB (A)  
Incertitude (K) : 3 dB (A)

Le niveau de bruit en fonctionnement peut dépasser 80 dB (A).

**AVERTISSEMENT : Portez un serre-tête antibruit.**

## Vibrations

Valeur totale de vibrations (somme de vecteur triaxial) déterminée selon EN50636 :

**DUM604 avec lame de cisaille pour taille-herbes installée**  
Émission de vibrations ( $a_{h1}$ ) : 2,5 m/s<sup>2</sup> ou moins  
Incertitude (K) : 1,5 m/s<sup>2</sup>

Valeur totale de vibrations (somme de vecteur triaxial) déterminée selon EN60745 :

**DUM604 avec lame de cisaille pour taille-haie installée**  
Émission de vibrations ( $a_{h1}$ ) : 2,5 m/s<sup>2</sup> ou moins  
Incertitude (K) : 1,5 m/s<sup>2</sup>

**NOTE** : La valeur d'émission de vibrations déclarée a été mesurée conformément à la méthode de test standard et peut être utilisée pour comparer les outils entre eux.

**NOTE** : La valeur d'émission de vibrations déclarée peut aussi être utilisée pour l'évaluation préliminaire de l'exposition.

**⚠️ AVERTISSEMENT** : L'émission de vibrations lors de l'usage réel de l'outil électrique peut être différente de la valeur d'émission déclarée, suivant la façon dont l'outil est utilisé.

**⚠️ AVERTISSEMENT** : Les mesures de sécurité à prendre pour protéger l'utilisateur doivent être basées sur une estimation de l'exposition dans des conditions réelles d'utilisation (en tenant compte de toutes les composantes du cycle d'utilisation, comme par exemple le moment de sa mise hors tension, lorsqu'il tourne à vide et le moment de son déclenchement).

## Déclaration de conformité CE

### *Pour les pays européens uniquement*

La déclaration de conformité CE est fournie en Annexe A à ce mode d'emploi.

## CONSIGNES DE SÉCURITÉ

### Consignes de sécurité générales pour outils électriques

**⚠️ AVERTISSEMENT** : Veuillez lire les consignes de sécurité, instructions, illustrations et spécifications qui accompagnent cet outil électrique. Le non-respect de toutes les instructions indiquées ci-dessous peut entraîner une électrocution, un incendie et/ou de graves blessures.

## Conservez toutes les mises en garde et instructions pour référence ultérieure.

Le terme « outil électrique » dans les avertissements fait référence à l'outil électrique alimenté par le secteur (avec cordon d'alimentation) ou à l'outil électrique fonctionnant sur batterie (sans cordon d'alimentation).

### Consignes de sécurité pour taille-herbes sans fil

#### Généralités

1. Pour garantir un fonctionnement correct, vous devez lire ce manuel d'instructions en vue de vous familiariser avec la manipulation de l'équipement. Les utilisateurs mal informés risquent, par des manipulations inappropriées, de se blesser ou de blesser leur entourage.
2. Ne laissez en aucun cas les enfants, les personnes aux facultés physiques, sensorielles ou mentales diminuées ou sans expérience ni expertise ou les personnes qui ne sont pas familiarisées avec ces instructions utiliser la machine. Les réglementations locales peuvent limiter l'âge de l'utilisateur.
3. Soyez toujours très prudent et attentif lorsque vous utilisez l'équipement.

4. N'utilisez l'équipement que si vous êtes en bonne condition physique. Travaillez toujours en faisant preuve de calme et de prudence. Faites preuve de bons sens et gardez à l'esprit que l'opérateur ou l'utilisateur est responsable des accidents ou risques encourus par les personnes ou leur propriété.
5. N'utilisez jamais la machine alors que des personnes — et tout particulièrement des enfants — ou des animaux domestiques se trouvent à proximité.
6. Vous devez immédiatement couper le moteur si l'équipement présente un problème ou une anomalie.
7. Éteignez et retirez la batterie lorsque vous faites une pause et lorsque vous laissez l'équipement sans surveillance, et rangez-le dans un endroit où il ne représentera un danger pour personne et ne risquera pas d'être endommagé.
8. Évitez d'utiliser la machine par mauvais temps, particulièrement en cas d'orage.

#### Équipement de protection individuelle

1. Portez toujours une protection oculaire et des chaussures solides pendant que vous utilisez la machine.
2. Portez toujours des chaussures adaptées et un pantalon long pendant l'utilisation de la machine.

#### Démarrage de l'équipement

1. Assurez-vous qu'il n'y a pas d'enfants ou d'autres personnes à proximité. Faites également attention aux animaux aux alentours. Autrement, arrêtez d'utiliser l'équipement.
2. Avant de l'utiliser, vérifiez toujours la sécurité de l'équipement. Vérifiez la sécurité de l'outil de coupe, du carter de protection et de la gâchette ou du levier pour un fonctionnement facile et correct. Assurez-vous que les poignées sont propres et sèches et vérifiez le fonctionnement de marche/arrêt.
3. Vérifiez qu'aucune pièce n'est endommagée avant de continuer à utiliser l'équipement. Vérifiez soigneusement le carter de protection ou toute autre pièce endommagés pour vous assurer qu'ils fonctionnent bien et remplissent leurs fonctions respectives. Assurez-vous que les pièces en mouvement ne sont pas désalignées ou coincées, qu'aucune pièce ou fixation n'est cassée ou la présence de toute autre condition pouvant affecter le bon fonctionnement. Si le carter de protection ou toute autre pièce sont endommagés, ils doivent être réparés ou remplacés de manière adéquate par notre centre de service après-vente agréé sauf indication contraire dans ce manuel.
4. Démarrez le moteur uniquement lorsque les mains et les pieds sont éloignés de l'outil de coupe.
5. Avant le démarrage, vérifiez que l'outil de coupe n'entre en contact avec aucun objet.

#### Utilisation

1. N'utilisez l'équipement qu'avec une bonne visibilité et un bon éclairage. En hiver, faites attention aux sols glissants ou aux zones humides, à la glace et à la neige (risque de glissade). Gardez toujours un bon appui au sol sur les terrains en pente et veillez toujours à marcher et à ne jamais courir.

2. Prenez garde de ne pas vous blesser les pieds et les mains avec l'outil de coupe.
3. N'utilisez jamais l'équipement en vous tenant sur une échelle.
4. Ne grimpez jamais dans un arbre pour effectuer une opération de coupe avec l'équipement.
5. Ne travaillez jamais sur des surfaces instables.
6. Enlevez le sable, les pierres, les clous ou autres se trouvant dans le rayon d'utilisation de l'outil. Les corps étrangers peuvent endommager l'outil de coupe et provoquer de dangereux chocs en retour.
7. Si l'outil de coupe heurte des pierres ou d'autres objets durs, coupez immédiatement le moteur et inspectez l'outil de coupe.
8. Vérifiez à intervalles courts et réguliers que l'outil de coupe n'est pas endommagé (détection de fines fissures grâce au test du bruit d'impact).
9. Attendez que l'outil de coupe atteigne sa pleine vitesse pour commencer la coupe.
10. Un carter de protection approprié doit être installé sur l'outil de coupe. Ne faites jamais tourner l'équipement si le carter de protection est endommagé ou n'est pas posé.
11. L'équipement doit être utilisé avec tous les dispositifs de protection et les carters de protection fournis installés.
12. Retirez toujours la batterie de l'équipement :
  - chaque fois que vous devez laisser l'équipement sans surveillance ;
  - avant de débloquer l'outil ;
  - avant d'effectuer la vérification, le nettoyage ou l'entretien de l'équipement ;
  - après avoir heurté un corps étranger ;
  - chaque fois que l'équipement se met à vibrer de manière inhabituelle.
13. Assurez-vous toujours que les bouches d'aération ne sont pas obstruées par des débris.
14. Les dispositifs de coupe continuent de tourner une fois le moteur coupé.

#### Outils de coupe

Utilisez uniquement l'outil de coupe correct pour la tâche réalisée.

#### Instructions d'entretien

1. Vérifiez l'état de l'équipement, en particulier de l'outil de coupe et des dispositifs de protection avant de commencer la tâche.
2. Coupez le moteur et retirez la batterie avant d'effectuer l'entretien, de remplacer les outils de coupe ou de nettoyer l'équipement ou l'outil de coupe.
3. Quand il n'est pas utilisé, l'équipement doit être rangé à l'intérieur dans un endroit sec et surélevé ou fermé à clef - hors de portée des enfants. Procédez au nettoyage et à l'entretien avant de le ranger.

## CONSERVEZ CES INSTRUCTIONS.

**⚠ AVERTISSEMENT : NE vous laissez PAS tromper (au fil d'une utilisation répétée) par un sentiment d'aisance et de familiarité avec le produit, en négligeant le respect rigoureux des consignes de sécurité qui accompagnent le produit en question. La MAUVAISE UTILISATION de l'outil ou l'ignorance des consignes de sécurité indiquées dans ce mode d'emploi peut entraîner de graves blessures.**

### Consignes de sécurité pour taille-haie sans fil

1. Prenez soin de n'approcher aucune partie du corps de la lame de coupe. Ne retirez pas le matériau coupé, ni ne tenez le matériau à couper lorsque les lames sont en mouvement. Assurez-vous que le commutateur est éteint lorsque vous dégagez un matériau bloqué. Un moment d'inattention en cours d'utilisation du taille-haie peut entraîner des blessures graves.
2. Transportez le taille-haie par la poignée avec la lame de coupe arrêtée. Lors du transport ou du rangement du taille-haie, mettez toujours en place le couvercle du dispositif de coupe. Une manipulation correcte du taille-haie réduira le risque de blessure présenté par les lames de coupe.
3. Tenez l'outil électrique uniquement par ses surfaces de prise isolées, car la lame de coupe pourrait entrer en contact avec le câblage caché. Le contact des lames de coupe avec un fil sous tension peut transmettre du courant dans les pièces métalliques exposées de l'outil électrique et électrocuter l'utilisateur.
4. N'utilisez pas le taille-haie sous la pluie ou dans des conditions mouillées ou très humides. Le moteur électrique n'est pas étanche.
5. Les utilisateurs novices doivent être formés par un utilisateur de taille-haie expérimenté pour leur montrer comment l'utiliser.
6. Le taille-haie ne doit pas être utilisé par des enfants ou des adolescents de moins de 18 ans. Cette restriction peut ne pas s'appliquer aux mineurs de plus de 16 ans s'ils sont en cours de formation sous la surveillance d'un expert.
7. N'utilisez le taille-haie que si vous êtes en bonne condition physique. Si vous êtes fatigué, votre attention sera réduite. Redoublez de précaution à la fin d'une journée de travail. Travaillez toujours en faisant preuve de calme et de prudence. L'utilisateur est responsable de tous les dommages causés à des tiers.
8. N'utilisez jamais le taille-haie lorsque vous êtes sous l'influence d'alcool, de drogues ou de médicaments.
9. Les gants de travail en cuir robuste font partie de l'équipement de base du taille-haie et leur port est obligatoire pendant que vous l'utilisez. Portez également des chaussures solides à semelles antidérapantes.
10. Avant de commencer la tâche, assurez-vous que le taille-haie est dans un bon état de marche sécuritaire. Assurez-vous que les carters de protection sont correctement installés. Le taille-haie ne doit pas être utilisé tant qu'il n'est pas complètement assemblé.

11. Assurez-vous que vous avez une bonne assise avant la mise en marche.
12. Tenez l'outil fermement lorsque vous l'utilisez.
13. Ne faites pas tourner l'outil à vide inutilement.
14. Coupez immédiatement le moteur et retirez la batterie si le coupoir entre en contact avec une clôture ou un autre objet dur. Vérifiez si le coupoir est endommagé et réparez-le sur-le-champ, le cas échéant.
15. Avant de vérifier le coupoir, de le dépanner ou de retirer les matériaux pris dedans, éteignez toujours la taille-haie et retirez la batterie.
16. Éteignez le taille-haie et retirez la batterie avant de procéder à l'entretien.
17. Lorsque vous déplacez le taille-haie dans un autre endroit, y compris pendant le travail, retirez toujours la batterie et placez le couvercle sur les lames de coupe. Ne transportez jamais le taille-haie avec le coupoir fonctionnant. Ne saisissez jamais le coupoir avec les mains.
18. Nettoyez le taille-haie et particulièrement le coupoir après utilisation et avant de le ranger pendant une période prolongée. Huilez légèrement le coupoir et mettez le couvercle en place. Le couvercle fourni avec l'appareil peut être accroché au mur, fournissant un moyen sûr et pratique pour ranger le taille-haie.
19. Rangez le taille-haie avec son couvercle en place dans une pièce sèche. Gardez-le hors de portée des enfants. Ne rangez jamais le taille-haie à l'extérieur.
- (2) Évitez de ranger la batterie dans un conteneur avec d'autres objets métalliques, par exemple des clous, des pièces de monnaie, etc.
- (3) N'exposez pas la batterie à l'eau ou à la pluie.

Un court-circuit de la batterie peut provoquer une intensité de courant élevée, une surchauffe, parfois des brûlures et même une panne.

6. Ne rangez pas l'outil et la batterie dans un endroit où la température risque d'atteindre ou de dépasser 50 °C.
7. Ne jetez pas la batterie au feu même si elle est sérieusement endommagée ou complètement épuisée. La batterie peut exploser au contact du feu.
8. Évitez de laisser tomber ou de cogner la batterie.
9. N'utilisez pas la batterie si elle est endommagée.
10. Les batteries au lithium-ion contenues sont soumises aux exigences de la législation sur les marchandises dangereuses.  
Lors du transport commercial par des tierces parties ou des transitaires par exemple, des exigences spécifiques en matière d'étiquetage et d'emballage doivent être respectées. Pour la préparation de l'article expédié, il est nécessaire de consulter un expert en matériau dangereux. Veuillez également respecter les réglementations nationales susceptibles d'être plus détaillées.  
Recouvrez les contacts exposés avec du ruban adhésif ou du ruban de masquage et emballez la batterie de telle sorte qu'elle ne puisse pas bouger dans l'emballage.
11. Suivez les réglementations locales en matière de mise au rebut des batteries.

## CONSERVEZ CES INSTRUCTIONS.

**⚠ AVERTISSEMENT :** NE vous laissez PAS tromper (au fil d'une utilisation répétée) par un sentiment d'aisance et de familiarité avec le produit, en négligeant le respect rigoureux des consignes de sécurité qui accompagnent le produit en question. La MAUVAISE UTILISATION de l'outil ou l'ignorance des consignes de sécurité indiquées dans ce mode d'emploi peut entraîner de graves blessures.

### Consignes de sécurité importantes pour la batterie

1. Avant d'utiliser la batterie, lisez toutes les instructions et précautions relatives (1) au chargeur de batterie, (2) à la batterie, et (3) au produit utilisant la batterie.
2. Ne démontez pas la batterie.
3. Cessez immédiatement l'utilisation si le temps de fonctionnement devient excessivement court. Il y a risque de surchauffe, de brûlures, voire d'explosion.
4. Si l'électrolyte pénètre dans vos yeux, rincez-les à l'eau claire et consultez immédiatement un médecin. Il y a risque de perte de la vue.
5. Ne court-circuitez pas la batterie :
  - (1) Ne touchez les bornes avec aucun matériau conducteur.

## CONSERVEZ CES INSTRUCTIONS.

**⚠ ATTENTION :** N'utilisez que des batteries Makita d'origine. L'utilisation de batteries de marque autre que Makita ou de batteries modifiées peut provoquer l'explosion des batteries, ce qui présente un risque d'incendie, de dommages matériels et corporels. Cela annulera également la garantie Makita pour l'outil et le chargeur Makita.

## Conseils pour assurer la durée de vie optimale de la batterie

1. Chargez la batterie avant qu'elle ne soit complètement déchargée. Arrêtez toujours l'outil et rechargez la batterie quand vous remarquez que la puissance de l'outil diminue.
2. Ne rechargez jamais une batterie complètement chargée. La surcharge réduit la durée de service de la batterie.
3. Chargez la batterie à une température ambiante comprise entre 10 °C et 40 °C. Avant de charger une batterie chaude, laissez-la refroidir.
4. Rechargez la batterie si elle est restée inutilisée pendant une période prolongée (plus de six mois).

# DESCRIPTION DU FONCTIONNEMENT

**ATTENTION** : Assurez-vous toujours que l'outil est hors tension et que sa batterie est retirée avant de l'ajuster ou de vérifier son fonctionnement.

## Utilisation de l'outil en tant que taille-haie sans fil

Cet outil peut être utilisé en tant que taille-haie sans fil en installant les lames de cisaille pour taille-haie (accessoire en option).

## Insertion ou retrait de la batterie

**ATTENTION** : Éteignez toujours l'outil avant de mettre en place ou de retirer la batterie.

**ATTENTION** : Tenez fermement l'outil et la batterie lors de la mise en place ou du retrait de la batterie. Si vous ne tenez pas fermement l'outil et la batterie, ils peuvent vous glisser des mains, et s'abîmer ou vous blesser.

► Fig.1: 1. Voyant rouge 2. Bouton 3. Batterie

Pour retirer la batterie, faites-la glisser hors de l'outil tout en faisant glisser le bouton à l'avant de la batterie.

Pour mettre en place la batterie, alignez la languette sur la batterie avec la rainure sur le compartiment et insérez-la. Insérez-la à fond jusqu'à ce qu'un léger dé clic se fasse entendre. Si le voyant rouge sur le dessus du bouton est visible, cela signifie qu'elle n'est pas bien verrouillée.

**ATTENTION** : Insérez toujours complètement la batterie jusqu'à ce que le voyant rouge ne soit plus visible. Sinon, elle pourrait tomber accidentellement de l'outil, au risque de vous blesser ou de blesser quelqu'un se trouvant près de vous.

**ATTENTION** : N'insérez pas la batterie de force. Si elle ne glisse pas facilement, c'est que vous ne l'insérez pas correctement.

## Indication de la charge restante de la batterie

*Uniquement pour les batteries avec voyant lumineux*

► Fig.2: 1. Témoins 2. Bouton de vérification

Appuyez sur le bouton de vérification sur la batterie pour indiquer la charge restante de la batterie. Les témoins s'allument pendant quelques secondes.

Témoins			Charge restante
Allumé	Éteint	Clignotant	
■ ■ ■ ■			75 % à 100 %
■ ■ ■ □			50 % à 75 %
■ ■ □ □			25 % à 50 %
■ □ □ □			0 % à 25 %
▣ □ □ □			Chargez la batterie.
■ ■ □ □			Anomalie possible de la batterie.
□ □ ■ ■			

**NOTE** : Selon les conditions d'utilisation et la température ambiante, l'indication peut être légèrement différente de la capacité réelle.

## Système de protection de l'outil/la batterie

L'outil est équipé d'un système de protection de l'outil/la batterie. Ce système coupe automatiquement l'alimentation vers le moteur pour prolonger la durée de vie de l'outil et de la batterie. Si l'outil ou la batterie se trouve dans l'une des situations suivantes, l'outil cessera automatiquement de fonctionner.

### Protection contre la surcharge

Lorsque la batterie est utilisée d'une manière provoquant un appel de courant anormalement élevé, l'outil s'arrête automatiquement. Dans ce cas, éteignez l'outil et arrêtez la tâche ayant provoqué la surcharge de l'outil. Puis rallumez l'outil pour reprendre la tâche.

### Protection contre la surchauffe

En cas de surchauffe de l'outil ou de la batterie, l'outil s'arrête automatiquement et la lampe clignote. Dans ce cas, laissez l'outil et la batterie refroidir avant de rallumer l'outil.

### Protection contre la décharge totale de la batterie

Lorsque la charge de la batterie est insuffisante, l'outil s'arrête automatiquement. Dans ce cas, retirez la batterie de l'outil et chargez-la.

## Fonctionnement de la gâchette

**AVERTISSEMENT** : Avant d'insérer la batterie dans l'outil, vérifiez toujours que la gâchette fonctionne bien et revient en position d'arrêt lorsque vous la relâchez.

**⚠ AVERTISSEMENT** : Pour assurer votre sécurité, cet outil est équipé d'un bouton de sécurité qui empêche le démarrage intempestif de l'outil. N'utilisez jamais l'outil s'il se met en marche lorsque vous enclenchez la gâchette sans avoir enfoncé le bouton de sécurité. Confiez les réparations à votre centre de service Makita.

**⚠ AVERTISSEMENT** : Ne désactivez jamais la fonction de verrouillage ni ne scotchez le bouton de sécurité.

**REMARQUE** : Évitez d'enclencher la gâchette avec force lorsque le bouton de sécurité n'est pas enfoncé. Le commutateur pourrait se casser.

► Fig.3: 1. Gâchette 2. Bouton de sécurité

Pour démarrer l'outil, enfoncez le bouton de sécurité puis enclenchez la gâchette. Pour l'arrêter, relâchez la gâchette. Le bouton de sécurité peut être enfoncé depuis la droite ou la gauche.

## Voyant lumineux

Le voyant lumineux clignote ou s'allume lorsque la capacité restante de la batterie est faible ou vide. Le voyant lumineux s'allume également en cas de surcharge de l'outil.

► Fig.4: 1. Voyant lumineux

### État du voyant et mesure à prendre

Voyant lumineux	État	Mesure à prendre
Le voyant clignote en rouge.	La capacité restante de la batterie est faible.	Chargez la batterie.
Le voyant s'allume en rouge. *	L'outil s'est arrêté parce que la capacité restante de la batterie est vide.	Chargez la batterie.
	L'outil s'est arrêté en raison d'une surcharge.	Mettez l'outil hors tension.

\* Le moment où le voyant lumineux s'allume dépend de la température autour de la zone de travail et de l'état de la batterie.

## Réglage de la hauteur de tonte (pour le taille-herbes)

**⚠ ATTENTION** : Lorsque vous modifiez la hauteur de tonte, veillez à fixer le couvre-lame et prenez soin de ne pas vous coincer les doigts entre l'outil et le collecteur d'herbes.

La hauteur de tonte peut être réglée sur trois niveaux (15 mm, 20 mm et 25 mm) en modifiant la position fixe du collecteur d'herbes. La hauteur de tonte sans le collecteur d'herbes est d'environ 10 mm.

1. Faites glisser le collecteur d'herbes vers l'avant de l'outil.

► Fig.5: 1. Collecteur d'herbes

2. Modifiez la position fixe du collecteur d'herbes en le déplaçant dans le sens de la flèche.

► Fig.6

**NOTE** : La valeur de la hauteur de tonte est donnée à titre indicatif. La hauteur de tonte réelle peut varier selon l'état de la pelouse ou du sol.

**NOTE** : Faites un essai de tonte en un point peu visible pour vérifier si vous obtenez la hauteur de tonte désirée.

## ASSEMBLAGE

**⚠ ATTENTION** : Assurez-vous toujours que l'outil est hors tension et que sa batterie est retirée avant d'effectuer toute tâche dessus.

**⚠ ATTENTION** : Lorsque vous remplacez les lames de cisaille, portez toujours des gants et fixez le couvre-lame de sorte que vos mains et votre visage n'entrent pas en contact direct avec les lames.

**REMARQUE** : Lorsque vous remplacez les lames de cisaille, ne retirez pas la graisse de l'engrenage et de la manivelle.

## Installation ou retrait du couvre-lame

**⚠ ATTENTION** : Veillez à ne pas toucher les lames lors de l'installation ou du retrait du couvre-lame.

Pour retirer le couvre-lame, tirez légèrement dessus, puis faites-le glisser latéralement. Pour installer le couvre-lame, procédez dans l'ordre inverse.

► Fig.7

## Installation ou retrait du collecteur d'herbes

**⚠ ATTENTION** : Lors de l'installation ou du retrait du collecteur d'herbes, veillez à fixer le couvre-lame et prenez soin de ne pas vous coincer les doigts entre l'outil et le collecteur d'herbes.

### Retrait du collecteur d'herbes

1. Libérez les parties saillantes sur le collecteur d'herbes des rainures sur l'outil tout en faisant glisser le collecteur d'herbes vers l'avant de l'outil.

► Fig.8: 1. Collecteur d'herbes

2. Libérez la charnière du collecteur d'herbes de l'outil.

### Installation du collecteur d'herbes

1. Accrochez la charnière du collecteur d'herbes sur la rainure de l'outil.

► Fig.9: 1. Charnière 2. Collecteur d'herbes

2. Alignez les parties saillantes sur le collecteur d'herbes avec les rainures sur l'outil en faisant glisser le collecteur d'herbes vers l'avant de l'outil et en le déplaçant dans le sens de la flèche.



► Fig.10







**REMARQUE : Ne forcez pas pour fixer la charnière du collecteur d'herbes sur l'outil après avoir aligné les parties saillantes sur le collecteur d'herbes avec les rainures sur l'outil.**

## Pose ou dépose des lames de cisaille pour taille-herbes

### Dépose des lames de cisaille

1. Retirez le collecteur d'herbes et placez l'outil à l'envers.  
► Fig.11
2. Tout en appuyant sur le levier de verrouillage, tournez le sous couvercle dans le sens inverse des aiguilles d'une montre jusqu'à ce que  sur le sous couvercle soit aligné avec  sur le levier de verrouillage.  
► Fig.12
3. Retirez le sous couvercle, les lames de cisaille et la manivelle.  
► Fig.13: 1. Sous couvercle 2. Lames de cisaille 3. Manivelle

### Pose des lames de cisaille

1. Préparez la manivelle, le sous couvercle et les lames de cisaille neuves.  
► Fig.14: 1. Manivelle 2. Sous couvercle 3. Lames de cisaille
2. Retirez le couvre-lame des anciennes lames de cisaille, puis fixez-le aux neuves.  
► Fig.15
3. Ajustez les trois goupilles de sorte qu'elles soient alignées sur la ligne d'alignement.  
► Fig.16: 1. Ligne d'alignement
4. Appliquez une petite quantité de graisse sur la périphérie de la manivelle. Fixez la manivelle aux goupilles avec les ronds petits et grands tournés vers le haut.  
► Fig.17: 1. Manivelle
5. Ajustez les lames et la plaque de base de sorte que le trou sur la plaque de base et les deux parties saillantes sur les lames soient alignés.  
► Fig.18
6. Tournez les lames de cisaille à l'envers et posez-les de sorte que les goupilles sur l'outil s'insèrent dans le trou sur la plaque de base. Assurez-vous que les lames de cisaille sont solidement fixées en place.  
► Fig.19
7. Placez le sous couvercle de sorte que  sur le sous couvercle soit aligné avec  sur le levier de verrouillage.  
► Fig.20
8. Tout en appuyant sur le sous couvercle, tournez-le dans le sens des aiguilles d'une montre jusqu'à ce que  sur le sous couvercle soit aligné avec  sur le levier de verrouillage.  
► Fig.21

9. Assurez-vous que le levier de verrouillage s'insère dans la rainure sur le sous couvercle.

► Fig.22: 1. Levier de verrouillage

**ATTENTION : N'utilisez jamais l'outil sans installer le sous couvercle.**

10. Retirez le couvre-lame, puis mettez l'outil sous tension pour vérifier qu'il fonctionne correctement.



**REMARQUE : Si les lames de cisaille ne fonctionnent pas correctement, les lames ne sont pas engagées correctement dans la manivelle. Retirez les lames, puis remettez-les en place.**

## Pose ou dépose des lames de cisaille pour taille-haie

### Accessoire en option

**ATTENTION : Fixez le couvre-lame avant de déposer ou poser les lames de cisaille.**

### Dépose des lames de cisaille

1. Placez l'outil à l'envers.  
► Fig.23
2. Tout en appuyant sur le levier de verrouillage, tournez le sous couvercle dans le sens inverse des aiguilles d'une montre jusqu'à ce que  sur le sous couvercle soit aligné avec  sur le levier de verrouillage.  
► Fig.24
3. Déposez le sous couvercle.  
► Fig.25
4. Desserrez les deux vis avec un tournevis et déposez les lames de cisaille.  
► Fig.26: 1. Vis

**NOTE : Les lames de cisaille peuvent être déposées sans retirer les vis.**

5. Retirez la manivelle des lames de cisaille.  
► Fig.27: 1. Manivelle

**NOTE : La manivelle peut rester dans l'outil.**

**NOTE : Fixez le couvre-lame et le boîtier de rangement sur les lames de cisaille déposées, puis rangez-les.**

### Pose des lames de cisaille

1. Préparez la manivelle, le sous couvercle et les lames de cisaille neuves.  
► Fig.28: 1. Manivelle 2. Sous couvercle 3. Lames de cisaille
2. Fixez le couvre-lame aux lames de cisaille.  
► Fig.29
3. Ajustez les trois goupilles de sorte qu'elles soient alignées sur la ligne d'alignement.  
► Fig.30: 1. Ligne d'alignement

4. Appliquez une petite quantité de graisse sur la périphérie de la manivelle. Fixez la manivelle aux goupilles avec ses ronds petits et grands tournés vers le bas.

► Fig.31: 1. Manivelle

5. Faites glisser les lames de cisaille de sorte que le trou sur la plaque de base soit placé au centre des anneaux des lames.



► Fig.32

6. Tournez les lames de cisaille à l'envers et posez-les de sorte que la goupille sur l'outil s'insère dans le trou sur les lames de cisaille. Insérez la griffe de la plaque de base dans la rainure sur l'outil. Assurez-vous que les lames de cisaille sont solidement fixées en place.



► Fig.33: 1. Griffes

7. Serrez solidement les deux vis avec un tournevis.

► Fig.34: 1. Vis

8. Placez le sous couvercle de sorte que  sur le sous couvercle soit aligné avec  sur le levier de verrouillage.

► Fig.35

9. Tout en appuyant sur le sous couvercle, tournez-le dans le sens des aiguilles d'une montre jusqu'à ce que  sur le sous couvercle soit aligné avec  sur le levier de verrouillage.

► Fig.36

10. Assurez-vous que le levier de verrouillage s'insère dans la rainure sur le sous couvercle.

► Fig.37: 1. Levier de verrouillage

**ATTENTION** : N'utilisez jamais l'outil sans installer le sous couvercle.

11. Retirez le couvre-lame, puis mettez l'outil sous tension pour vérifier s'il fonctionne correctement.

**REMARQUE** : Si les lames de cisaille ne fonctionnent pas correctement, les lames ne sont pas engagées correctement dans la manivelle. Retirez les lames, puis remettez-les en place.

## Installation ou retrait du collecteur de copeaux

### Accessoire en option

**ATTENTION** : Lorsque vous installez ou retirez le collecteur de copeaux, portez toujours des gants et fixez le couvre-lame de sorte que vos mains et votre visage n'entrent pas en contact direct avec la lame.

Le collecteur de copeaux rassemble les feuilles élaguées et facilite le nettoyage ultérieur. Il s'installe d'un côté comme de l'autre de l'outil.

Pour installer le collecteur de copeaux, poussez-le contre les lames de cisaille de sorte que les crochets s'insèrent dans les trous des lames de cisaille.

► Fig.38: 1. Crochets 2. Trous

Pour retirer le collecteur de copeaux, appuyez sur les leviers de chaque côté pour relâcher les crochets.

► Fig.39: 1. Leviers

**REMARQUE** : N'essayez jamais de retirer le collecteur de copeaux en exerçant une force excessive alors que les crochets sont verrouillés dans les trous des lames.

## UTILISATION

**AVERTISSEMENT** : Avant de commencer à tondre, enlevez les bouts de bois et les cailloux de la zone à tondre. Enlevez également les mauvaises herbes au préalable de la zone à tondre.

► Fig.40

**AVERTISSEMENT** : Gardez vos mains à l'écart des lames.

**ATTENTION** : Évitez autant que possible de faire fonctionner l'outil par temps très chaud. Lorsque vous utilisez l'outil, faites attention à votre condition physique.

## Tonte (pour le taille-herbes)

Mettez l'outil sous tension après avoir réglé la hauteur de tonte et tenez-le de sorte que le bas de l'outil repose sur le sol. Déplacez délicatement l'outil vers l'avant.

► Fig.41

Lorsque vous coupez autour de bordures, clôtures ou d'arbres, déplacez l'outil le long de ces obstacles. Assurez-vous que les lames n'entrent pas en contact avec eux.

► Fig.42

Lorsque vous coupez des pousses ou le feuillage d'un petit arbre, coupez progressivement.

► Fig.43

Coupez les grosses branches à la hauteur souhaitée au moyen d'un coupe-branches avant d'utiliser cet outil.

**REMARQUE** : N'utilisez pas l'outil d'une façon susceptible d'arrêter le moteur ou le faire tourner très lentement.

**REMARQUE** : N'essayez pas de couper des branches épaisses.

**REMARQUE** : Ne laissez pas les lames de cisaille entrer en contact avec le sol pendant le fonctionnement. Les lames seront émoussées, entraînant des performances médiocres.

**REMARQUE** : Ne coupez pas l'herbe mouillée ou le feuillage des arbustes.

## Tonte de pelouse haute

N'essayez pas de couper l'herbe haute d'un seul coup. Coupez plutôt la pelouse par étapes. Espacez les coupes d'un jour ou deux, jusqu'à ce que le gazon soit uniformément court.

► Fig.44

**NOTE** : L'herbe haute risque de s'étioler si vous la coupez très court d'un seul coup.

## Coupe (pour le taille-haie)

**ATTENTION** : Prenez soin de ne pas toucher accidentellement une clôture en métal ou d'autres objets durs pendant la coupe. Les lames pourraient casser et provoquer des blessures.

**ATTENTION** : Prenez soin de ne pas laisser les lames de cisaille entrer en contact avec le sol. L'outil pourrait avoir un mouvement de recul et provoquer des blessures.

**ATTENTION** : Il est très dangereux de se pencher trop loin avec un taille-haie, particulièrement depuis une échelle. Ne travaillez pas en vous tenant debout sur une surface bancale ou molle.

**REMARQUE** : N'essayez pas de couper avec l'outil des branches dont l'épaisseur dépasse 10 mm de diamètre. Coupez les branches à la hauteur souhaitée au moyen d'un coupe-branches avant d'utiliser l'outil.

**REMARQUE** : Ne coupez pas d'arbres morts ou d'objets durs semblables. Vous risqueriez d'endommager l'outil.

**REMARQUE** : Ne coupez pas l'herbe ou les mauvaises herbes pendant que vous utilisez les lames de cisaille. Les lames peuvent s'entortiller dans l'herbe ou les mauvaises herbes.

Tenez l'outil d'une main, enclenchez la gâchette tout en enfonçant le bouton de sécurité, puis avancez-le vers l'avant.

► Fig.45

Pour une utilisation élémentaire, inclinez les lames dans le sens de coupe et déplacez-le calmement et lentement à une vitesse de 3 à 4 secondes par mètre.

► Fig.46

Nouer une ficelle à la hauteur souhaitée et couper autour vous aide à couper uniformément le haut d'une haie.

► Fig.47

Si le collecteur de copeaux est fixé aux lames, il rassemble les feuilles élaguées et facilite le nettoyage ultérieur.

Pour couper uniformément le côté d'une haie, coupez de bas en haut.

► Fig.48

Pour tailler une forme ronde (taille de buis ou rhododendron, etc.), coupez depuis la racine jusqu'en haut pour obtenir un rendu magnifique.

► Fig.49

## ENTRETIEN

**ATTENTION** : Assurez-vous toujours que l'outil est hors tension et que la batterie est retirée avant d'y effectuer tout travail d'inspection ou d'entretien.

Pour assurer la SÉCURITÉ et la FIABILITÉ du produit, toute réparation, tout travail d'entretien ou de réglage doivent être effectués par un centre d'entretien Makita agréé, avec des pièces de rechange Makita.

## Nettoyage de l'outil

Nettoyez l'outil en essuyant la poussière avec un chiffon sec ou un chiffon imbibé d'eau savonneuse bien essoré.

**REMARQUE** : N'utilisez jamais d'essence, benzine, diluant, alcool ou autre produit similaire. Cela risquerait de provoquer la décoloration, la déformation ou la fissuration de l'outil.

## Entretien de la lame

Avant utilisation ou une fois toutes les heures pendant l'utilisation, appliquez de l'huile à faible viscosité (huile machine ou huile lubrifiante en vaporisateur) sur les lames.

► Fig.50

► Fig.51

Après utilisation, retirez la poussière des deux côtés des lames avec une brosse métallique, essuyez-la avec un chiffon, puis appliquez de l'huile à faible viscosité (huile machine ou huile lubrifiante en vaporisateur) sur les lames.

► Fig.52

► Fig.53

**REMARQUE** : Ne lavez pas les lames dans l'eau. Cela peut les corroder ou endommager l'outil.

**REMARQUE** : La saleté et la corrosion provoquent une friction excessive de la lame et réduisent la durée de fonctionnement par charge de batterie.

## Rangement

Le trou du crochet au bas de l'outil permet d'accrocher l'outil à un clou ou une vis au mur.

Fixez le couvre-lame aux lames de cisaille de sorte que les lames ne soient pas exposées. Rangez l'outil hors de portée des enfants. Rangez l'outil dans un endroit non exposé à l'humidité ou à la pluie.

► Fig.54: 1. Trou

► Fig.55: 1. Trou

# ACCESSOIRES EN OPTION

**⚠ ATTENTION** : Ces accessoires ou pièces complémentaires sont recommandés pour l'utilisation avec l'outil Makita spécifié dans ce mode d'emploi. L'utilisation de tout autre accessoire ou pièce complémentaire peut comporter un risque de blessure. N'utilisez les accessoires ou pièces complémentaires qu'aux fins auxquelles ils ont été conçus.

Pour obtenir plus de détails sur ces accessoires, contactez votre centre d'entretien local Makita.

- Ensemble de lame de cisaille (pour utilisation du taille-herbes)
- Couvre-lame de cisaille (pour utilisation du taille-herbes)
- Collecteur d'herbes (pour utilisation du taille-herbes)
- Accessoire poignée longue (pour utilisation du taille-herbes)
- Ensemble de lame de cisaille (pour utilisation du taille-haie)
- Couvre-lame de cisaille (pour utilisation du taille-haie)
- Collecteur de copeaux (pour utilisation du taille-haie)
- Boîtier de rangement
- Batterie et chargeur de marque Makita

**NOTE** : Il se peut que certains éléments de la liste soient compris dans l'emballage de l'outil en tant qu'accessoires standard. Ils peuvent varier d'un pays à l'autre.








## TECHNISCHE DATEN

Modell:	DUM604
Schnittbreite	160 mm
Hubzahl pro Minute	2.500 min <sup>-1</sup>
Abmessungen (L x B x H)	353 mm x 177 mm x 131 mm
Nennspannung	18 V Gleichstrom
Akku	BL1815 / BL1815N / BL1820 / BL1820B / BL1830 / BL1830B / BL1840 / BL1840B / BL1850 / BL1850B / BL1860B
Nettogewicht	1,4 - 1,8 kg

- Wir behalten uns vor, Änderungen der technischen Daten im Zuge der Entwicklung und des technischen Fortschritts ohne vorherige Ankündigung vorzunehmen.
- Die technischen Daten und der Akku können von Land zu Land unterschiedlich sein.
- Gewicht mit Akku nach EPTA-Verfahren 01/2003

## Symbole

Nachfolgend werden die für das Gerät verwendeten Symbole beschrieben. Machen Sie sich vor der Benutzung mit ihrer Bedeutung vertraut.

	Besondere Umsicht und Aufmerksamkeit erforderlich.
	Betriebsanleitung lesen.
	Gefahr durch herausgeschleuderte Objekte.
	Halten Sie Umstehende fern.
	Die Schneidelemente laufen nach dem Ausschalten des Motors noch weiter.
	Keiner Feuchtigkeit aussetzen.
	Nur für EU-Länder Werfen Sie Elektrogeräte oder Akkus nicht in den Hausmüll! Unter Einhaltung der Europäischen Richtlinie über Elektro- und Elektronik-Altgeräte, Batterien, Akkus sowie verbrauchte Batterien und Akkus und ihre Umsetzung gemäß den Landesgesetzen müssen Elektrogeräte und Batterien bzw. Akkus, die das Ende ihrer Lebensdauer erreicht haben, getrennt gesammelt und einer umweltgerechten Recycling-Einrichtung zugeführt werden.

## Vorgesehene Verwendung

Das Werkzeug ist zum Schneiden von Rasenkanten oder Trieben vorgesehen.

## Geräusch

Typischer A-bewerteter Geräuschpegel ermittelt gemäß EN50636:

### DUM604 mit montiertem Schermesser für Grasschere

Schalldruckpegel ( $L_{pA}$ ): 76 dB (A)  
Messunsicherheit (K): 0,98 dB (A)

Der Geräuschpegel kann während des Betriebs 80 dB (A) überschreiten.

**⚠️ WARNUNG: Einen Gehörschutz tragen.**

Typischer A-bewerteter Geräuschpegel ermittelt gemäß EN60745:

### DUM604 mit montiertem Schermesser für Heckenschere

Schalldruckpegel ( $L_{pA}$ ): 74 dB (A)  
Messunsicherheit (K): 3 dB (A)

Der Geräuschpegel kann während des Betriebs 80 dB (A) überschreiten.

**⚠️ WARNUNG: Einen Gehörschutz tragen.**

## Schwingungen

Schwingungsgesamtwert (Drei-Achsen-Vektorsumme) ermittelt gemäß EN50636:

### DUM604 mit montiertem Schermesser für Grasschere

Schwingungsemission ( $a_h$ ): 2,5 m/s<sup>2</sup> oder weniger  
Messunsicherheit (K): 1,5 m/s<sup>2</sup>

Schwingungsgesamtwert (Drei-Achsen-Vektorsumme) ermittelt gemäß EN60745:

### DUM604 mit montiertem Schermesser für Heckenschere

Schwingungsemission ( $a_h$ ): 2,5 m/s<sup>2</sup> oder weniger  
Messunsicherheit (K): 1,5 m/s<sup>2</sup>

**HINWEIS:** Der angegebene Schwingungsemissionswert wurde im Einklang mit der Standardprüfmethode gemessen und kann für den Vergleich zwischen Werkzeugen herangezogen werden.

**HINWEIS:** Der angegebene Schwingungsemissionswert kann auch für eine Vorbereitung des Gefährdungsgrads verwendet werden.

**⚠️ WARNUNG:** Die Schwingungsemission während der tatsächlichen Benutzung des Elektrowerkzeugs kann je nach der Benutzungsweise des Werkzeugs vom angegebenen Emissionswert abweichen.

**⚠️ WARNUNG:** Identifizieren Sie Sicherheitsmaßnahmen zum Schutz des Benutzers anhand einer Schätzung des Gefährdungsgrads unter den tatsächlichen Benutzungsbedingungen (unter Berücksichtigung aller Phasen des Arbeitszyklus, wie z. B. Ausschalt- und Leerlaufzeiten des Werkzeugs zusätzlich zur Betriebszeit).

## EG-Konformitätserklärung

### Nur für europäische Länder

Die EG-Konformitätserklärung ist als Anhang A in dieser Bedienungsanleitung enthalten.

## SICHERHEITSWARNUNGEN

### Allgemeine Sicherheitswarnungen für Elektrowerkzeuge

**⚠️ WARNUNG:** Lesen Sie alle mit diesem Elektrowerkzeug gelieferten Sicherheitswarnungen, Anweisungen, Abbildungen und technischen Daten durch. Eine Missachtung der unten aufgeführten Anweisungen kann zu einem elektrischen Schlag, Brand und/oder schweren Verletzungen führen.

### Bewahren Sie alle Warnungen und Anweisungen für spätere Bezugnahme auf.

Der Ausdruck „Elektrowerkzeug“ in den Warnhinweisen bezieht sich auf Ihr mit Netzstrom (mit Kabel) oder Akku (ohne Kabel) betriebenes Elektrowerkzeug.

### Sicherheitswarnungen für Akku-Grasschere

#### Allgemeine Anweisungen

1. Zur Gewährleistung der korrekten Bedienung muss der Benutzer diese Betriebsanleitung durchlesen, um sich mit der Handhabung des Gerätes vertraut zu machen. Unzureichend informierte Benutzer können sich und andere Personen durch unsachgemäßen Gebrauch gefährden.

2. Lassen Sie niemals zu, dass Kinder, Personen mit verminderten körperlichen, sensorischen oder geistigen Fähigkeiten oder Mangel an Erfahrung und Kenntnissen, oder Personen, die nicht mit diesen Anweisungen vertraut sind, das Werkzeug benutzen. Örtliche Vorschriften können das Alter der Bedienungsperson einschränken.
3. Benutzen Sie das Gerät mit äußerster Sorgfalt und Aufmerksamkeit.
4. Betreiben Sie das Gerät nur, wenn Sie sich in guter körperlicher Verfassung befinden. Führen Sie alle Arbeiten ruhig und sorgfältig durch. Lassen Sie gesunden Menschenverstand walten, und denken Sie daran, dass der Bediener oder Benutzer verantwortlich für Verletzungen oder Sachschäden ist, die an Personen oder ihrem Eigentum entstehen.
5. Betreiben Sie die Maschine keinesfalls, während sich Personen, besonders Kinder, oder Haustiere in der Nähe aufhalten.
6. Falls das Gerät irgendwelche Probleme oder anormale Zeichen zeigt, ist der Motor unverzüglich auszuschalten.
7. Schalten Sie den Motor aus, und nehmen Sie den Akku ab, wenn Sie das Gerät ablegen oder unbeaufsichtigt lassen, und legen Sie das Gerät an einen sicheren Ort, um die Gefährdung von Personen oder Beschädigung des Gerätes zu verhüten.
8. Vermeiden Sie die Benutzung der Maschine bei schlechten Witterungsverhältnissen, besonders bei Blitzschlaggefahr.

#### Persönliche Schutzausrüstung

1. Tragen Sie während der Benutzung der Maschine stets einen Augenschutz und robuste Schuhe.
2. Tragen Sie immer kräftiges Schuhwerk und lange Hosen während der Benutzung der Maschine.

#### Starten des Gerätes

1. Vergewissern Sie sich, dass sich keine Kinder oder andere Personen in der Nähe aufhalten, und achten Sie auch auf Tiere im Arbeitsbereich. Brechen Sie anderenfalls die Benutzung des Gerätes ab.
2. Prüfen Sie vor der Benutzung immer, ob das Gerät betriebs sicher ist. Überprüfen Sie die Sicherheit des Schneidwerkzeugs und der Schutzhaube, und prüfen Sie den Auslöseschalter/Hebel auf Leichtgängigkeit und einwandfreie Funktion. Vergewissern Sie sich, dass die Handgriffe sauber und trocken sind, und überprüfen Sie die Start/ Stopp-Funktion.
3. Überprüfen Sie das Gerät vor der Weiterbenutzung auf beschädigte Teile. Beschädigte Schutzvorrichtungen und Teile sind sorgfältig auf ihre Betriebsfähigkeit und Funktionstüchtigkeit hin zu überprüfen. Überprüfen Sie das Werkzeug auf Ausrichtung und Klemmen beweglicher Teile, Bruchstellen, Befestigungszustand und sonstige Mängel von Teilen, die ihren Betrieb beeinträchtigen

können. Beschädigte Schutzvorrichtungen oder Teile sollten von einem autorisierten Kundendienstzentrum ordnungsgemäß repariert oder ausgewechselt werden, wenn nicht anders in dieser Anleitung angegeben.

4. Schalten Sie den Motor nur ein, wenn Hände und Füße ausreichenden Abstand vom Schneidwerkzeug haben.
5. Vergewissern Sie sich vor dem Starten, dass das Schneidwerkzeug keinen Kontakt mit irgendwelchen Objekten hat.

#### Betriebsmethode

1. Benutzen Sie das Gerät nur bei guten Licht- und Sichtverhältnissen. Achten Sie während der kalten Jahreszeit auf schlüpfrige oder nasse Bereiche, Eis und Schnee (Rutschgefahr). Achten Sie auf Hängen immer auf sicheren Stand, und unterlassen Sie schnelles Laufen mit dem Gerät.
2. Hüten Sie sich vor Fuß- und Handverletzungen durch das Schneidwerkzeug.
3. Betreiben Sie das Gerät niemals auf einer Leiter stehend.
4. Klettern Sie niemals auf Bäume, um Schneidarbeiten mit dem Gerät auszuführen.
5. Arbeiten Sie niemals auf instabilen Flächen.
6. Entfernen Sie Sand, Steine, Nägel usw. aus dem Arbeitsbereich. Fremdkörper können das Schneidwerkzeug beschädigen und gefährliche Rückschläge verursachen.
7. Sollte das Schneidwerkzeug Steine oder andere harte Gegenstände treffen, schalten Sie sofort den Motor aus, und überprüfen Sie das Schneidwerkzeug.
8. Überprüfen Sie das Schneidwerkzeug in kurzen regelmäßigen Zeitabständen auf Beschädigung (Überprüfung auf Haarrisse durch Klopfest).
9. Vergewissern Sie sich vor Beginn der Schneidarbeit, dass das Schneidwerkzeug die volle Arbeitsdrehzahl erreicht hat.
10. Das Schneidwerkzeug muss mit einer geeigneten Schutzhaube ausgestattet sein. Betreiben Sie das Gerät niemals mit beschädigten oder fehlenden Schutzhauben!
11. Alle mit dem Gerät gelieferten Schutzteile und Schutzhauben müssen während des Betriebs benutzt werden.
12. Nehmen Sie immer den Akku vom Gerät ab:
  - wann immer Sie das Gerät unbeaufsichtigt lassen;
  - bevor Sie eine Blockierung beseitigen;
  - bevor Sie das Gerät überprüfen, reinigen oder daran arbeiten;
  - nachdem ein Fremdkörper berührt wurde;
  - wann immer das Gerät ungewöhnlich zu vibrieren beginnt.
13. Achten Sie stets darauf, dass die Belüftungsöffnungen frei von Unrat sind.
14. Die Schneidelemente laufen nach dem Ausschalten des Motors noch weiter.

#### Schneidwerkzeuge

Verwenden Sie nur das korrekte Schneidwerkzeug für die anstehende Arbeit.

#### Wartungsanweisungen

1. Überprüfen Sie immer den Zustand des Gerätes, insbesondere des Schneidwerkzeugs und der Schutzvorrichtungen, bevor Sie mit der Arbeit beginnen.
2. Schalten Sie den Motor aus, und nehmen Sie den Akku ab, bevor Sie Wartungsarbeiten ausführen, Schneidwerkzeuge auswechseln oder das Gerät oder das Schneidwerkzeug reinigen.
3. Bewahren Sie das Gerät bei Nichtgebrauch an einem trockenen, hochgelegenen oder abschließbaren Ort für Kinder unzugänglich auf. Führen Sie eine Reinigung und Wartung vor der Lagerung durch.

## DIESE ANWEISUNGEN AUFBEWAHREN.

**⚠️ WARNUNG:** Lassen Sie sich NICHT durch Bequemlichkeit oder Vertrautheit mit dem Produkt (durch wiederholten Gebrauch erworben) von der strikten Einhaltung der Sicherheitsregeln für das vorliegende Produkt abhalten. **MISSBRAUCH** oder Missachtung der Sicherheitsvorschriften in dieser Anleitung können schwere Verletzungen verursachen.

### Sicherheitswarnungen für Akku-Heckenschere

1. Halten Sie alle Körperteile vom Schneidmesser fern. Versuchen Sie nicht, abgeschnittenes Material zu entfernen oder zu schneidendes Material zu halten, während die Messer sich bewegen. Vergewissern Sie sich, dass der Schalter ausgeschaltet ist, wenn Sie gestautes Material ausräumen. Ein Augenblick der Unachtsamkeit während der Benutzung der Heckenschere kann zu schweren Personenschäden führen.
2. Tragen Sie die Heckenschere am Handgriff bei stillstehendem Schneidmesser. Bringen Sie beim Transportieren oder Lagern der Heckenschere immer die Schneidwerkabdeckung an. Sachgemäße Handhabung der Heckenschere verringert die Gefahr möglicher Personenschäden durch die Schneidmesser.
3. Halten Sie das Elektrowerkzeug nur an den isolierten Griffflächen, wenn die Gefahr besteht, dass das Schneidmesser verborgene Kabel kontaktiert. Wenn die Schneidmesser ein Strom führendes Kabel berühren, können die freiliegenden Metallteile des Elektrowerkzeugs ebenfalls Strom führend werden, so dass der Benutzer einen elektrischen Schlag erleiden kann.
4. Benutzen Sie die Heckenschere nicht bei Regen oder unter nassen oder sehr feuchten Bedingungen. Der Elektromotor ist nicht wasserdicht.

5. **Anfänger sollten sich von einem erfahrenen Heckenscherenbenutzer im Gebrauch der Schere unterweisen lassen.**
6. **Die Heckenschere darf nicht von Kindern oder Jugendlichen unter 18 Jahren benutzt werden.** Jugendliche über 16 Jahre können von dieser Einschränkung ausgenommen werden, wenn sie eine Schulung unter der Aufsicht eines Fachmanns durchmachen.
7. **Benutzen Sie die Heckenschere nur, wenn Sie sich in guter körperlicher Verfassung befinden.** Ermüdung führt zu verminderter Aufmerksamkeit. Besonders hohe Aufmerksamkeit ist am Ende eines Arbeitstages erforderlich. Führen Sie alle Arbeiten ruhig und sorgfältig durch. Der Benutzer ist für alle Schäden an Dritten verantwortlich.
8. **Benutzen Sie die Schere niemals unter dem Einfluss von Alkohol, Drogen oder Medikamenten.**
9. **Arbeitshandschuhe aus robustem Leder sind Teil der Grundausrüstung der Heckenschere und müssen bei der Arbeit immer getragen werden.** Tragen Sie auch robuste Schuhe mit rutschfesten Sohlen.
10. **Bevor Sie mit der Arbeit beginnen, vergewissern Sie sich, dass die Schere in gutem und sicherem Arbeitszustand ist.** Vergewissern Sie sich, dass Schutzhauben ordnungsgemäß angebracht sind. Die Heckenschere darf nur in vollständig montiertem Zustand benutzt werden.
11. **Achten Sie auf sicheren Stand, bevor Sie mit der Arbeit beginnen.**
12. **Halten Sie das Werkzeug während der Benutzung mit festem Griff.**
13. **Lassen Sie das Werkzeug nicht unnötig im Leerlauf laufen.**
14. **Schalten Sie sofort den Motor aus, und nehmen Sie den Akku ab, falls das Messer mit einem Zaun oder einem anderen harten Objekt in Berührung kommt.** Überprüfen Sie das Messer auf Beschädigung, und reparieren Sie es bei Bedarf unverzüglich.
15. **Bevor Sie das Messer überprüfen, Fehler beheben oder im Schneidglied verfangenes Material entfernen, schalten Sie immer die Schere aus, und nehmen Sie den Akku ab.**
16. **Schalten Sie die Schere aus, und nehmen Sie den Akku ab, bevor Sie irgendwelche Wartungsarbeiten ausführen.**
17. **Wenn Sie die Heckenschere zu einem anderen Ort transportieren, auch während der Arbeit, nehmen Sie immer den Akku ab, und setzen Sie die Messerabdeckung auf die Schneidmesser.** Die Schere darf auf keinen Fall mit laufendem Messer getragen oder transportiert werden. Ergreifen Sie das Messer niemals mit Ihren Händen.
18. **Reinigen Sie die Heckenschere und insbesondere das Messer nach jedem Gebrauch und vor längerer Lagerung der Schere.** Ölen Sie das Messer leicht ein, und bringen Sie die Abdeckung an. Die mit der Einheit gelieferte Abdeckung kann an die Wand gehängt werden und bietet somit eine sichere und praktische Aufbewahrungsart der Heckenschere.
19. **Lagern Sie die Heckenschere mit angebrachter Abdeckung in einem trockenen Raum.** Halten Sie sie außer Reichweite von Kindern. Lagern Sie die Schere niemals im Freien.

## **DIESE ANWEISUNGEN AUFBEWAHREN.**

**⚠️ WARNUNG:** Lassen Sie sich NICHT durch Bequemlichkeit oder Vertrautheit mit dem Produkt (durch wiederholten Gebrauch erworben) von der strikten Einhaltung der Sicherheitsregeln für das vorliegende Produkt abhalten. MISSBRAUCH oder Missachtung der Sicherheitsvorschriften in dieser Anleitung können schwere Verletzungen verursachen.

### **Wichtige Sicherheitsanweisungen für Akku**

1. **Lesen Sie vor der Benutzung des Akkus alle Anweisungen und Warnhinweise, die an (1) Ladegerät, (2) Akku und (3) Akkuwerkzeug angebracht sind.**
2. **Unterlassen Sie ein Zerlegen des Akkus.**
3. **Falls die Betriebszeit beträchtlich kürzer geworden ist, stellen Sie den Betrieb sofort ein.** Anderenfalls besteht die Gefahr von Überhitzung, möglichen Verbrennungen und sogar einer Explosion.
4. **Falls Elektrolyt in Ihre Augen gelangt, waschen Sie sie mit sauberem Wasser aus, und begeben Sie sich unverzüglich in ärztliche Behandlung.** Anderenfalls können Sie Ihre Sehkraft verlieren.
5. **Der Akku darf nicht kurzgeschlossen werden:**
  - (1) **Die Kontakte dürfen nicht mit leitfähigem Material berührt werden.**
  - (2) **Lagern Sie den Akku nicht in einem Behälter zusammen mit anderen Metallgegenständen, wie z. B. Nägel, Münzen usw.**
  - (3) **Setzen Sie den Akku weder Wasser noch Regen aus.**

Ein Kurzschluss des Akkus verursacht starken Stromfluss, der Überhitzung, mögliche Verbrennungen und einen Defekt zur Folge haben kann.
6. **Lagern Sie das Werkzeug und den Akku nicht an Orten, an denen die Temperatur 50 °C erreichen oder überschreiten kann.**
7. **Versuchen Sie niemals, den Akku zu verbrennen, selbst wenn er stark beschädigt oder vollkommen verbraucht ist.** Der Akku kann im Feuer explodieren.
8. **Achten Sie darauf, dass der Akku nicht fallen gelassen oder Stößen ausgesetzt wird.**
9. **Benutzen Sie keine beschädigten Akkus.**
10. **Die enthaltenen Lithium-Ionen-Akkus unterliegen den Anforderungen der Gefahrgut-Gesetzgebung.** Für kommerzielle Transporte, z. B. durch Dritte oder Spediteure, müssen besondere Anforderungen zu Verpackung und Etikettierung beachtet werden.



Zur Vorbereitung des zu transportierenden Artikels ist eine Beratung durch einen Experten für Gefahrengut erforderlich. Bitte beachten Sie möglicherweise ausführlichere nationale Vorschriften. Überkleben oder verdecken Sie offene Kontakte, und verpacken Sie den Akku so, dass er sich in der Verpackung nicht umher bewegen kann.

11. Befolgen Sie die örtlichen Bestimmungen bezüglich der Entsorgung von Akkus.

## DIESE ANWEISUNGEN AUFBEWAHREN.

**⚠VORSICHT:** Verwenden Sie nur Original-Makita-Akkus. Die Verwendung von Nicht-Original-Makita-Akkus oder von Akkus, die abgeändert worden sind, kann zum Bersten des Akkus und daraus resultierenden Bränden, Personenschäden und Beschädigung führen. Außerdem wird dadurch die Makita-Garantie für das Makita-Werkzeug und -Ladegerät ungültig.

## Hinweise zur Aufrechterhaltung der maximalen Akku-Nutzungsdauer

1. Laden Sie den Akku, bevor er vollkommen erschöpft ist. Schalten Sie das Werkzeug stets aus, und laden Sie den Akku, wenn Sie ein Nachlassen der Werkzeulleistung feststellen.
2. Unterlassen Sie erneutes Laden eines voll aufgeladenen Akkus. Überladen führt zu einer Verkürzung der Nutzungsdauer des Akkus.
3. Laden Sie den Akku bei Raumtemperatur zwischen 10 – 40 °C. Lassen Sie einen heißen Akku abkühlen, bevor Sie ihn laden.
4. Der Akku muss geladen werden, wenn er lange Zeit (länger als sechs Monate) nicht benutzt wird.

## FUNKTIONSBESCHREIBUNG

**⚠VORSICHT:** Vergewissern Sie sich vor der Durchführung von Einstellungen oder Funktionsprüfungen des Werkzeugs stets, dass das Werkzeug ausgeschaltet und der Akku abgenommen ist.

### Benutzung des Werkzeugs als Akku-Heckenschere

Dieses Werkzeug kann durch Montieren der Schermesser für die Heckenschere (Sonderzubehör) als Akku-Heckenschere verwendet werden.

### Anbringen und Abnehmen des Akkus

**⚠VORSICHT:** Schalten Sie das Werkzeug stets aus, bevor Sie den Akku anbringen oder abnehmen.

**⚠VORSICHT:** Halten Sie das Werkzeug und den Akku beim Anbringen oder Abnehmen des Akkus sicher fest. Wenn Sie das Werkzeug und den Akku nicht sicher festhalten, können sie Ihnen aus der Hand rutschen, was zu einer Beschädigung des Werkzeugs und des Akkus und zu Körperverletzungen führen kann.

► **Abb.1:** 1. Rote Anzeige 2. Knopf 3. Akku

Ziehen Sie den Akku zum Abnehmen vom Werkzeug ab, während Sie den Knopf an der Vorderseite des Akkus verschieben.

Richten Sie zum Anbringen des Akkus dessen Führungsfeder auf die Nut im Gehäuse aus, und schieben Sie den Akku hinein. Schieben Sie ihn vollständig ein, bis er mit einem hörbaren Klicken einrastet. Falls die rote Anzeige an der Oberseite des Knopfes sichtbar ist, ist der Akku nicht vollständig verriegelt.

**⚠VORSICHT:** Schieben Sie den Akku stets bis zum Anschlag ein, bis die rote Anzeige nicht mehr sichtbar ist. Anderenfalls kann er aus dem Werkzeug herausfallen und Sie oder umstehende Personen verletzen.

**⚠VORSICHT:** Unterlassen Sie Gewaltanwendung beim Anbringen des Akkus. Falls der Akku nicht reibungslos hineingleitet, ist er nicht richtig ausgerichtet.

### Anzeigen der Akku-Restkapazität

**Nur für Akkus mit Anzeige**

► **Abb.2:** 1. Anzeigelampen 2. Prüftaste

Drücken Sie die Prüftaste am Akku, um die Akku-Restkapazität anzuzeigen. Die Anzeigelampen leuchten wenige Sekunden lang auf.

Anzeigelampen			Restkapazität
Erleuchtet	Aus	Blinkend	
			75 % bis 100 %
			50% bis 75%
			25% bis 50%
			0% bis 25%
			Den Akku aufladen.
			Möglicherweise liegt eine Funktionsstörung im Akku vor.

**HINWEIS:** Abhängig von den Benutzungsbedingungen und der Umgebungstemperatur kann die Anzeige geringfügig von der tatsächlichen Kapazität abweichen.

## Werkzeug/Akku-Schutzsystem

Das Werkzeug ist mit einem Werkzeug/Akku-Schutzsystem ausgestattet. Dieses System schaltet die Stromversorgung des Motors automatisch ab, um die Lebensdauer von Werkzeug und Akku zu verlängern. Das Werkzeug bleibt während des Betriebs automatisch stehen, wenn das Werkzeug oder der Akku einer der folgenden Bedingungen unterliegt:

### Überlastschutz

Wird der Akku auf eine Weise benutzt, die eine ungewöhnlich hohe Stromaufnahme bewirkt, bleibt das Werkzeug automatisch stehen. Schalten Sie in dieser Situation das Werkzeug aus, und brechen Sie die Arbeit ab, die eine Überlastung des Werkzeugs verursacht hat. Schalten Sie dann das Werkzeug wieder ein, um es neu zu starten.

### Überhitzungsschutz

Wenn das Werkzeug oder der Akku überhitzt wird, bleibt das Werkzeug automatisch stehen, und die Lampe beginnt zu blinken. Lassen Sie das Werkzeug und den Akku in diesem Fall abkühlen, bevor Sie das Werkzeug wieder einschalten.

### Überentladungsschutz

Wenn die Akkukapazität unzureichend wird, bleibt das Werkzeug automatisch stehen. Nehmen Sie in diesem Fall den Akku vom Werkzeug ab, und laden Sie ihn auf.

## Schalterfunktion

**⚠️ WARNUNG:** Vergewissern Sie sich vor dem Einsetzen des Akkus in das Werkzeug stets, dass der Ein-Aus-Schalter ordnungsgemäß funktioniert und beim Loslassen in die AUS-Stellung zurückkehrt.

**⚠️ WARNUNG:** Aus Sicherheitsgründen ist dieses Werkzeug mit einem Einschaltsperrknopf ausgestattet, die versehentliches Starten des Werkzeugs verhütet. Betreiben Sie das Werkzeug niemals, wenn es durch bloße Betätigung des Auslöseschalters eingeschaltet werden kann, ohne den Einschaltsperrknopf zu drücken. Wenden Sie sich bezüglich einer Reparatur an Ihre örtliche Makita-Kundendienststelle.

**⚠️ WARNUNG:** Auf keinen Fall darf die Sperrfunktion deaktiviert oder der Einschaltsperrknopf mit Klebeband festgeklebt werden.

**ANMERKUNG:** Betätigen Sie den Auslöseschalter nicht gewaltsam, ohne den Einschaltsperrknopf zu drücken. Anderenfalls kann der Schalter beschädigt werden.

► **Abb.3:** 1. Ein-Aus-Schalter 2. Einschaltsperrknopf

Zum Starten des Werkzeugs drücken Sie erst den Einschaltsperrknopf und betätigen dann den Auslöseschalter. Zum Ausschalten lassen Sie den Auslöseschalter los. Der Einschaltsperrknopf kann entweder von rechts oder links gedrückt werden.

## Anzeigelampe

Die Anzeigelampe blinkt oder leuchtet auf, wenn die Akku-Restkapazität niedrig oder aufgebraucht ist. Die Anzeigelampe leuchtet auch auf, wenn das Werkzeug überlastet wird.

► **Abb.4:** 1. Anzeigelampe

### Lampenstatus und zu ergreifende Maßnahme

Anzeigelampe	Status	Zu ergreifende Maßnahme
Die Lampe blinkt rot.	Die Akku-Restkapazität ist niedrig.	Laden Sie den Akku auf.
Die Lampe leuchtet rot auf. *	Das Werkzeug ist stehen geblieben, weil der Akku erschöpft ist.	Laden Sie den Akku auf.
	Das Werkzeug ist wegen Überlastung stehen geblieben.	Schalten Sie das Werkzeug aus.

\* Der Zeitpunkt, zu dem die Anzeigelampe aufleuchtet, hängt von der Temperatur am Arbeitsplatz und dem Zustand des Akkus ab.

## Einstellen der Scherhöhe (für Grasschere)

**⚠ VORSICHT:** Wenn Sie die Scherhöhe ändern, bringen Sie unbedingt die Messerabdeckung an, und achten Sie darauf, dass Ihre Finger nicht zwischen dem Werkzeug und dem Grasfänger eingeklemmt werden.

Die Scherhöhe kann durch Ändern der festen Position des Grasfängers auf drei Stufen eingestellt werden (15 mm, 20 mm und 25 mm). Die Scherhöhe ohne den Grasfänger beträgt etwa 10 mm.

1. Schieben Sie den Grasfänger zur Vorderseite des Werkzeugs.

► **Abb.5:** 1. Grasfänger

2. Ändern Sie die feste Position des Grasfängers, indem Sie ihn in Pfeilrichtung schieben.

► **Abb.6**

**HINWEIS:** Der Scherhöhenwert ist eine Orientierungshilfe. Die tatsächliche Scherhöhe kann je nach dem Zustand des Rasens oder des Bodens schwanken.

**HINWEIS:** Machen Sie einen Schertest an einer unauffälligeren Stelle, um die gewünschte Höhe zu erhalten.

## MONTAGE

**⚠ VORSICHT:** Vergewissern Sie sich vor der Ausführung von Arbeiten am Werkzeug stets, dass das Werkzeug ausgeschaltet und der Akku abgenommen ist.

**⚠ VORSICHT:** Tragen Sie beim Auswechseln der Schermesser immer Handschuhe, und bringen Sie die Messerabdeckung an, damit Ihre Hände und Ihr Gesicht nicht direkt mit den Messern in Berührung kommen.

**ANMERKUNG:** Wischen Sie beim Auswechseln der Schermesser kein Schmierfett von Zahnrad und Kurbel ab.

## Montieren und Demontieren der Messerabdeckung

**⚠ VORSICHT:** Achten Sie beim Montieren oder Demontieren der Messerabdeckung darauf, dass Sie nicht mit den Messern in Berührung kommen.

Zum Entfernen der Messerabdeckung ziehen Sie leicht daran, und schieben Sie sie dann seitwärts. Zum Montieren der Messerabdeckung führen Sie die Schritte umgekehrt aus.

► **Abb.7**

## Montieren und Demontieren des Grasfängers

**⚠ VORSICHT:** Wenn Sie den Grasfänger montieren oder demontieren, bringen Sie unbedingt die Messerabdeckung an, und achten Sie darauf, dass Ihre Finger nicht zwischen dem Werkzeug und dem Grasfänger eingeklemmt werden.

### Demontieren des Grasfängers

1. Lösen Sie die Vorsprünge am Grasfänger aus den Nuten am Werkzeug, während Sie den Grasfänger zur Vorderseite des Werkzeugs schieben.

► **Abb.8:** 1. Grasfänger

2. Lösen Sie die Drehachse des Grasfängers vom Werkzeug.

### Montieren des Grasfängers

1. Hängen Sie die Drehachse des Grasfängers in die Nut des Werkzeugs ein.

► **Abb.9:** 1. Drehachse 2. Grasfänger

2. Richten Sie die Vorsprünge am Grasfänger auf die Nuten am Werkzeug aus, indem Sie den Grasfänger zur Vorderseite des Werkzeugs schieben und in Pfeilrichtung bewegen.

► **Abb.10**



**ANMERKUNG:** Bringen Sie die Drehachse des Grasfängers nicht gewaltsam am Werkzeug an, nachdem Sie die Vorsprünge am Grasfänger auf die Nuten am Werkzeug ausgerichtet haben.

## Montieren und Demontieren der Schermesser für die Grasschere

### Demontieren der Schermesser

1. Entfernen Sie den Grasfänger, und drehen Sie das Werkzeug um.

► **Abb.11**

2. Während Sie den Verriegelungshebel drücken, drehen Sie die Bodenabdeckung entgegen dem Uhrzeigersinn, bis  an der Bodenabdeckung auf  am Verriegelungshebel ausgerichtet ist.

► **Abb.12**

3. Demontieren von Bodenabdeckung, Schermessern und Kurbel.

► **Abb.13:** 1. Bodenabdeckung 2. Schermesser 3. Kurbel

### Montieren der Schermesser

1. Halten Sie die Kurbel, die Bodenabdeckung und neue Schermesser bereit.

► **Abb.14:** 1. Kurbel 2. Bodenabdeckung 3. Schermesser

2. Entfernen Sie die Messerabdeckung von den alten Schermessern, und bringen Sie sie dann an den neuen an.

► **Abb.15**

3. Stellen Sie die drei Stifte so ein, dass sie auf der Ausrichtlinie fluchten.

► **Abb.16:** 1. Ausrichtlinie

4. Tragen Sie ein wenig Schmierfett auf den Rand der Kurbel auf. Bringen Sie die Kurbel so an den Stiften an, dass der kleine und der große Ring nach oben weisen.



► **Abb.17:** 1. Kurbel

5. Stellen Sie die Messer und die Grundplatte so ein, dass die Öffnung in der Grundplatte und die beiden Vorsprünge an den Messern aufeinander ausgerichtet sind.



► **Abb.18**

6. Drehen Sie die Schermesser um, und montieren Sie sie so, dass die Stifte am Werkzeug in die Öffnung der Grundplatte passen. Vergewissern Sie sich, dass die Schermesser einwandfrei befestigt sind.

► **Abb.19**

7. Platzieren Sie die Bodenabdeckung so, dass  an der Bodenabdeckung auf  am Verriegelungshebel ausgerichtet ist.

► **Abb.20**

8. Während Sie die Bodenabdeckung drücken, drehen Sie die Bodenabdeckung im Uhrzeigersinn, bis  an der Bodenabdeckung auf  am Verriegelungshebel ausgerichtet ist.

► **Abb.21**

9. Vergewissern Sie sich, dass der Verriegelungshebel in der Nut der Bodenabdeckung sitzt.

► **Abb.22:** 1. Verriegelungshebel

**⚠ VORSICHT:** Benutzen Sie das Werkzeug niemals ohne die Bodenabdeckung.

10. Entfernen Sie die Messerabdeckung, und schalten Sie dann das Werkzeug ein, um zu prüfen, ob es ordnungsgemäß funktioniert.

**ANMERKUNG:** Falls die Schermesser nicht ordnungsgemäß funktionieren, stehen die Messer nicht richtig mit der Kurbel in Eingriff. Entfernen Sie die Messer, und montieren Sie sie wieder.

## Montieren und Demontieren der Schermesser für die Heckenschere



### Sonderzubehör

**⚠ VORSICHT:** Bringen Sie die Messerabdeckung an, bevor Sie die Schermesser demontieren oder montieren.

## Demontieren der Schermesser

1. Drehen Sie das Werkzeug um.

► **Abb.23**

2. Während Sie den Verriegelungshebel drücken, drehen Sie die Bodenabdeckung entgegen dem Uhrzeigersinn, bis  an der Bodenabdeckung auf  am Verriegelungshebel ausgerichtet ist.

► **Abb.24**

3. Entfernen Sie die Bodenabdeckung.

► **Abb.25**

4. Lösen Sie zwei Schrauben mit einem Schraubendreher, und entfernen Sie die Schermesser.

► **Abb.26:** 1. Schrauben

**HINWEIS:** Die Schermesser können abgenommen werden, ohne die Schrauben herauszudrehen.

5. Entfernen Sie die Kurbel von den Schermessern.

► **Abb.27:** 1. Kurbel

**HINWEIS:** Die Kurbel kann im Werkzeug verbleiben.

**HINWEIS:** Bringen Sie die Messerabdeckung und die Aufbewahrungsbox an den demontierten Schermessern an, und lagern Sie dann die Messer.

## Montieren der Schermesser

1. Halten Sie die Kurbel, die Bodenabdeckung und neue Schermesser bereit.

► **Abb.28:** 1. Kurbel 2. Bodenabdeckung  
3. Schermesser

2. Bringen Sie die Messerabdeckung an den Schermessern an.

► **Abb.29**

3. Stellen Sie die drei Stifte so ein, dass sie auf der Ausrichtlinie fluchten.

► **Abb.30:** 1. Ausrichtlinie

4. Tragen Sie ein wenig Schmierfett auf den Rand der Kurbel auf. Bringen Sie die Kurbel so an den Stiften an, dass der kleine und der große Ring nach unten weisen.

► **Abb.31:** 1. Kurbel

5. Verschieben Sie die Schermesser so, dass die Öffnung in der Grundplatte in der Mitte der Ringe der Messer positioniert ist.

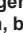

► **Abb.32**

6. Drehen Sie die Schermesser um, und montieren Sie sie so, dass der Stift am Werkzeug in die Öffnung der Schermesser passt. Führen Sie die Klaue der Grundplatte in die Nut des Werkzeugs ein. Vergewissern Sie sich, dass die Schermesser einwandfrei befestigt sind.



► **Abb.33:** 1. Klaue

7. Ziehen Sie die beiden Schrauben mit einem Schraubendreher fest an.

► **Abb.34:** 1. Schrauben

8. Platzieren Sie die Bodenabdeckung so, dass  an der Bodenabdeckung auf  am Verriegelungshebel ausgerichtet ist.

► **Abb.35**

9. Während Sie die Bodenabdeckung drücken, drehen Sie die Bodenabdeckung im Uhrzeigersinn, bis  an der Bodenabdeckung auf  am Verriegelungshebel ausgerichtet ist.

► **Abb.36**

10. Vergewissern Sie sich, dass der Verriegelungshebel in der Nut der Bodenabdeckung sitzt.

► **Abb.37:** 1. Verriegelungshebel

**⚠ VORSICHT:** Benutzen Sie das Werkzeug niemals ohne die Bodenabdeckung.

11. Entfernen Sie die Messerabdeckung, und schalten Sie dann das Werkzeug ein, um zu prüfen, ob es ordnungsgemäß funktioniert.

**ANMERKUNG:** Falls die Schermesser nicht ordnungsgemäß funktionieren, stehen die Messer nicht richtig mit der Kurbel in Eingriff. Entfernen Sie die Messer, und montieren Sie sie wieder.

## Montieren und Demontieren des Spänefängers

### Sonderzubehör

**⚠ VORSICHT:** Tragen Sie beim Montieren oder Demontieren des Spänefängers immer Handschuhe, und bringen Sie die Messerabdeckung an, damit Ihre Hände und Ihr Gesicht nicht direkt mit dem Messer in Berührung kommen.

Der Spänefänger sammelt ausgeworfene Blätter auf und erleichtert die Reinigung nach der Arbeit erheblich. Er kann auf beiden Seiten des Werkzeugs angebracht werden.

Zum Montieren des Spänefängers drücken Sie ihn gegen die Schermesser, so dass die Haken in den Öffnungen der Schermesser sitzen.

► **Abb.38:** 1. Haken 2. Öffnungen

Zum Demontieren des Spänefängers drücken Sie die Hebel auf beiden Seiten, um die Haken zu lösen.

► **Abb.39:** 1. Hebel

**ANMERKUNG:** Versuchen Sie niemals, den Spänefänger gewaltsam zu entfernen, solange die Haken in den Öffnungen der Messer eingerastet sind.

## BETRIEB

**⚠ WARNUNG:** Bevor Sie mit dem Scheren beginnen, entfernen Sie Äste und Steine vom Scherbereich. Beseitigen Sie vorher auch jegliches Unkraut im Scherbereich.

► **Abb.40**

**⚠ WARNUNG:** Halten Sie Ihre Hände von den Messern fern.

**⚠ VORSICHT:** Vermeiden Sie den Betrieb des Werkzeugs bei sehr heißem Wetter so weit wie praktikabel. Nehmen Sie beim Betreiben des Werkzeugs Rücksicht auf Ihre körperliche Verfassung.

## Scheren (für Grasschere)

Schalten Sie das Werkzeug ein, nachdem Sie die Scherhöhe eingestellt haben, und halten Sie es so, dass die Unterseite des Werkzeugs auf dem Boden aufliegt. Schieben Sie das Werkzeug sanft vorwärts.

► **Abb.41**

Wenn Sie um Bordsteine, Zäune oder Bäume herum schneiden, bewegen Sie das Werkzeug an ihnen entlang. Achten Sie darauf, dass die Messer nicht mit ihnen in Berührung kommen.

► **Abb.42**

Schneiden Sie Triebe oder Blätter eines kleinen Baumes Stück für Stück.

### ► **Abb.43**

Schneiden Sie große Äste vor Gebrauch dieses Werkzeugs mit Astschneidern auf die gewünschte Höhe.

**ANMERKUNG:** Benutzen Sie das Werkzeug nicht auf eine Weise, die Stoppen oder äußerst langsames Drehen des Motors verursacht.

**ANMERKUNG:** Versuchen Sie nicht, dicke Äste zu schneiden.

**ANMERKUNG:** Achten Sie während des Betriebs darauf, dass die Schermesser nicht den Boden berühren. Anderenfalls werden die Messer stumpf, so dass sich die Schnittleistung verschlechtert.

**ANMERKUNG:** Schneiden Sie kein nasses Gras oder Blätter von kleinen Bäumen.

## Schneiden von langem Gras

Versuchen Sie nicht, langes Gras in einem Durchgang zu schneiden. Schneiden Sie stattdessen den Rasen in mehreren Durchgängen. Lassen Sie ein oder zwei Tage zwischen den Schneiddurchgängen offen, bis der Rasen gleichmäßig kurz wird.

► **Abb.44**

**HINWEIS:** Der Versuch, langes Gras in einem Durchgang auf eine kurze Länge zu schneiden, kann dazu führen, dass das Gras abstirbt.

## Trimmen (für Heckenschere)

**⚠ VORSICHT:** Lassen Sie beim Trimmen Vorsicht walten, damit die Messer nicht versehentlich einen Metallzaun oder andere harte Gegenstände berühren. Anderenfalls können die Messer brechen und eine Verletzung verursachen.

**⚠ VORSICHT:** Achten Sie darauf, dass die Schermesser nicht den Boden berühren. Anderenfalls kann das Werkzeug zurückschnellen und eine Verletzung verursachen.

**⚠ VORSICHT:** Strecken Sie sich beim Schneiden mit einer Heckenschere, besonders auf einer Leiter, nicht zu weit nach vorn, da dies äußerst gefährlich ist. Schneiden Sie nicht, während Sie auf einer wackligen oder instabilen Unterlage stehen.

**ANMERKUNG:** Versuchen Sie nicht, Äste von mehr als 10 mm Durchmesser mit dem Werkzeug zu schneiden. Schneiden Sie Äste vor Gebrauch dieses Werkzeugs mit Astschneidern auf die gewünschte Höhe.

**ANMERKUNG:** Schneiden Sie keine toten Bäume oder ähnliche harte Objekte um. Dadurch kann das Werkzeug beschädigt werden.

**ANMERKUNG:** Schneiden Sie kein Gras oder Unkraut, während Sie die Schermesser benutzen. Gras oder Unkraut können sich in den Messern verheddern.

Halten Sie das Werkzeug mit einer Hand, betätigen Sie den Auslöseschalter, während Sie den Einschaltsperrknopf drücken, und bewegen Sie es dann vorwärts.

► **Abb.45**

Bei grundlegendem Betrieb neigen Sie die Messer in die Schneidrichtung, und bewegen Sie das Werkzeug ruhig und langsam mit einer Vorschubrate von 3 bis 4 Sekunden pro Meter vor.

► **Abb.46**

Anbinden einer Schnur an der gewünschten Höhe und Trimmen entlang der Schnur helfen Ihnen, die Oberseite einer Hecke gerade zu schneiden.

► **Abb.47**

Durch Anbringen des Spänefängers an den Messern werden ausgeworfene Blätter aufgesammelt und die Reinigung nach der Arbeit erheblich erleichtert.

Um eine gerade Seitenkante einer Hecke zu erhalten, schneiden Sie von unten nach oben.

► **Abb.48**

Wenn Sie eine runde Form schneiden wollen (Trimmen von Buchsbaum oder Rhododendron usw.), trimmen Sie von der Wurzel nach oben, um eine schöne Ausführung zu erhalten.

► **Abb.49**

Entfernen Sie nach der Arbeit Staub von beiden Seiten der Messer mit einer Drahtbürste, wischen Sie die Messer mit einem Tuch ab, und tragen Sie dann Öl von niedriger Viskosität (Maschinenöl oder Sprühschmieröl) auf die Messer auf.

► **Abb.52**

► **Abb.53**

**ANMERKUNG: Waschen Sie die Messer nicht in Wasser.** Dadurch kann Rostbildung gefördert oder eine Beschädigung des Werkzeugs verursacht werden.

**ANMERKUNG: Schmutz und Korrosion verursachen übermäßige Messerreibung und verkürzen die Betriebszeit pro Akkuladung.**

## Lagerung

Das Aufhängerloch im Unterteil des Werkzeugs ist praktisch, um das Werkzeug an einen Nagel oder eine Schraube an der Wand zu hängen.

Bringen Sie die Messerabdeckung an den Schermessern an, damit die Messer nicht ungeschützt sind. Lagern Sie das Werkzeug außer Reichweite von Kindern. Lagern Sie das Werkzeug an einem Ort, der weder Feuchtigkeit noch Regen ausgesetzt ist.

► **Abb.54:** 1. Loch

► **Abb.55:** 1. Loch

## WARTUNG

**⚠ VORSICHT:** Vergewissern Sie sich vor der Durchführung von Inspektions- oder Wartungsarbeiten stets, dass das Werkzeug ausgeschaltet und der Akku abgenommen ist.

Um die SICHERHEIT und ZUVERLÄSSIGKEIT dieses Produkts zu gewährleisten, sollten Reparaturen und andere Wartungs- oder Einstellarbeiten nur von Makita-Vertragswerkstätten oder Makita-Kundendienstzentren unter ausschließlicher Verwendung von Makita-Originalersatzteilen ausgeführt werden.

## Reinigen des Werkzeugs

Reinigen Sie das Werkzeug, indem Sie es mit einem trockenen oder einem in Seifenwasser getauchten und ausgewrungenen Tuch abwischen.

**ANMERKUNG: Verwenden Sie auf keinen Fall Benzin, Waschbenzin, Verdünnern, Alkohol oder dergleichen. Solche Mittel können Verfärbung, Verformung oder Rissbildung verursachen.**

## Messerwartung

Tragen Sie vor der Arbeit oder einmal pro Stunde während der Arbeit Öl von niedriger Viskosität (Maschinenöl oder Sprühschmieröl) auf die Messer auf.

► **Abb.50**

► **Abb.51**

## SONDERZUBEHÖR

**⚠ VORSICHT:** Die folgenden Zubehörteile oder Vorrichtungen werden für den Einsatz mit dem in dieser Anleitung beschriebenen Makita-Werkzeug empfohlen. Die Verwendung anderer Zubehörteile oder Vorrichtungen kann eine Verletzungsgefahr darstellen. Verwenden Sie Zubehörteile oder Vorrichtungen nur für ihren vorgesehenen Zweck.

Wenn Sie weitere Einzelheiten bezüglich dieser Zubehörteile benötigen, wenden Sie sich bitte an Ihre Makita-Kundendienststelle.

- Schermessereinheit (für Gebrauch mit Grasschere)
- Schermesserabdeckung (für Gebrauch mit Grasschere)
- Grasfänger (für Gebrauch mit Grasschere)
- Langgriffeinheit (für Gebrauch mit Grasschere)
- Schermessereinheit (für Gebrauch mit Heckenschere)
- Schermesserabdeckung (für Gebrauch mit Heckenschere)
- Spänefänger (für Gebrauch mit Heckenschere)
- Aufbewahrungsbox
- Original-Makita-Akku und -Ladegerät

**HINWEIS:** Manche Teile in der Liste können als Standardzubehör im Werkzeugsatz enthalten sein. Sie können von Land zu Land unterschiedlich sein.

**Makita Europe N.V.** Jan-Baptist Vinkstraat 2,  
3070 Kortenberg, Belgium

**Makita Corporation** 3-11-8, Sumiyoshi-cho,  
Anjo, Aichi 446-8502 Japan

[www.makita.com](http://www.makita.com)

885551-999  
EN, FR, DE, IT, NL,  
ES, PT, DA, EL, TR  
20161028