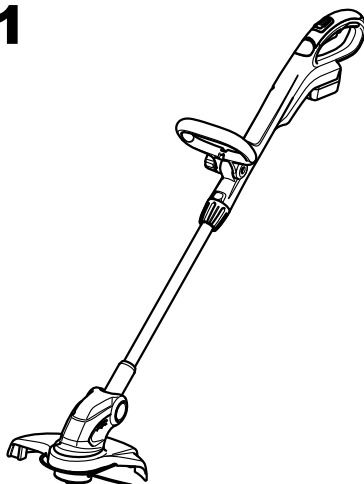




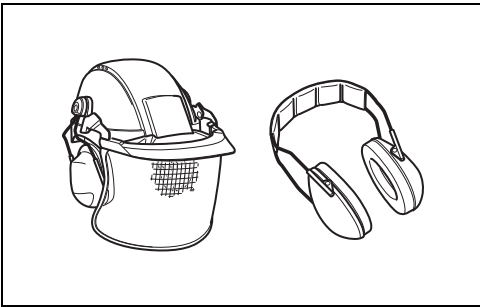
GB	Cordless String Trimmer	Instruction manual
F	Coupe herbe sans-fil	Manuel d'instructions
D	Akku-Rasentrimmer	Betriebsanleitung
I	Tagliabordi a batteria	Istruzioni per l'uso
NL	Accugraskantmaaier	Gebruiksaanwijzing
E	Desbrozadora Inalámbrica	Manual de instrucciones
P	Aparador de Grama a Bateria	Manual de instruções
DK	Batteridrevet græstrimmer	Brugsanvisning
GR	Χλοκοπτικό μπαταρίας με μεσινέζα	Οδηγίες χρήσης
TR	Akülü Misinalı Yan Tırpan	Kullanım kılavuzu

DUR141
DUR181



012390





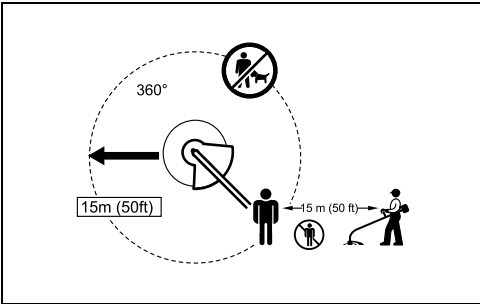
1

010820



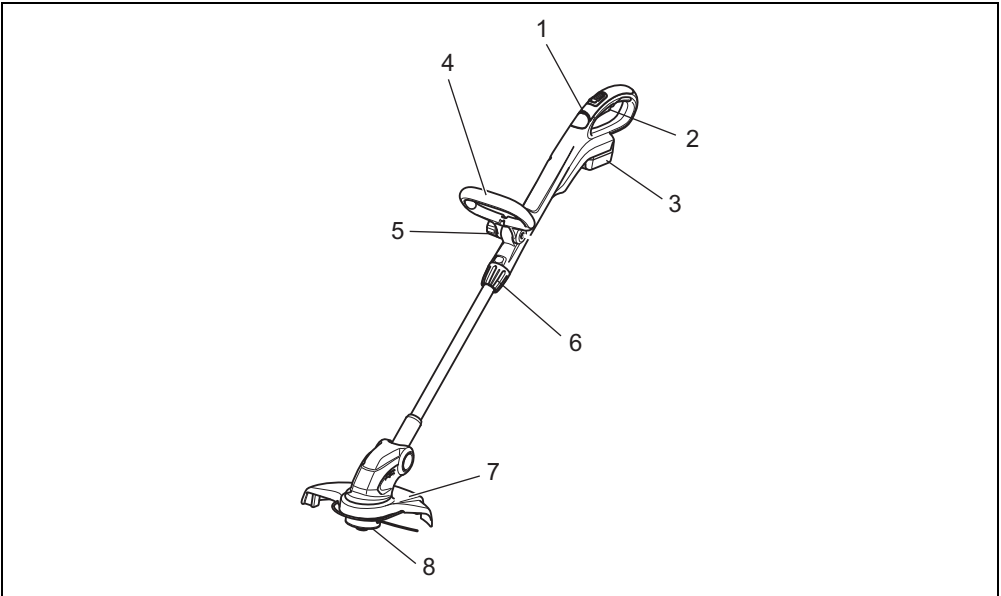
2

010821



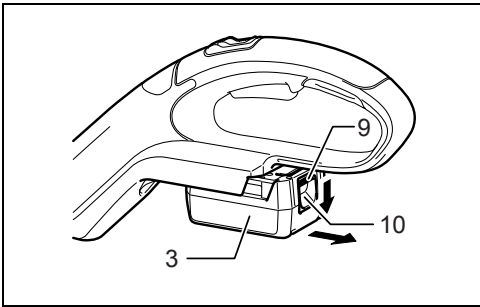
3

012858



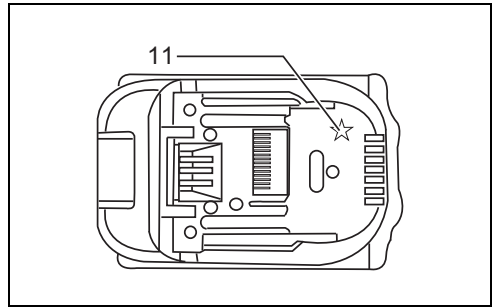
4

013641



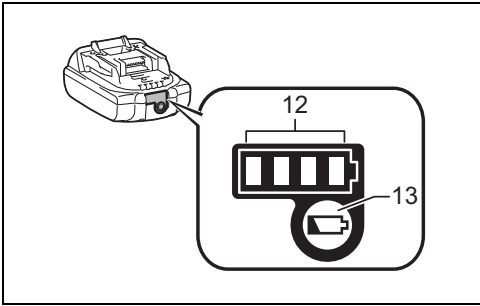
5

012391



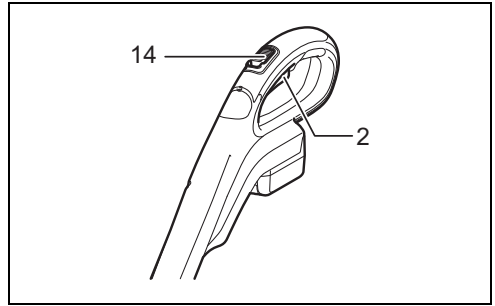
6

012128



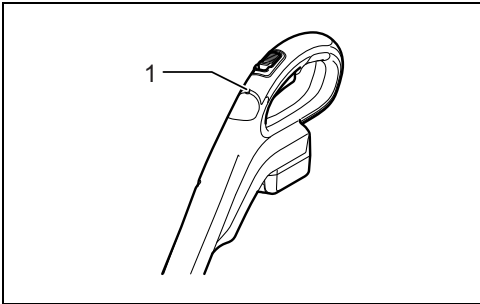
7

015659



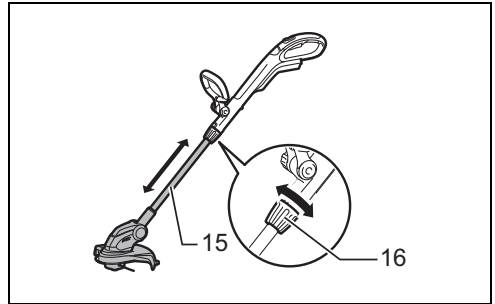
8

012397



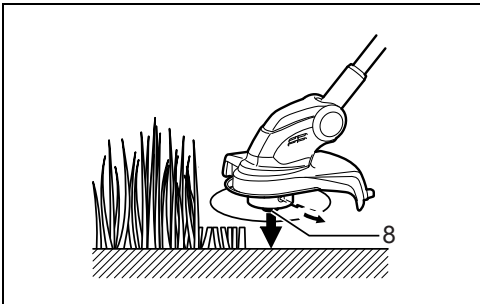
9

012441



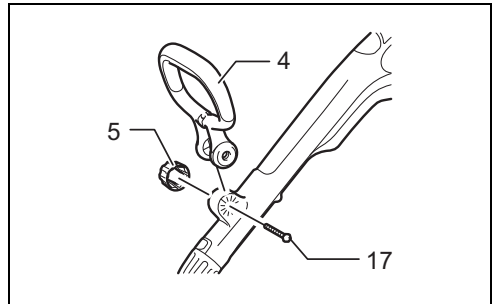
10

012396



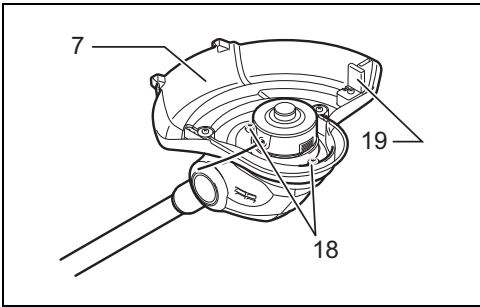
11

012404



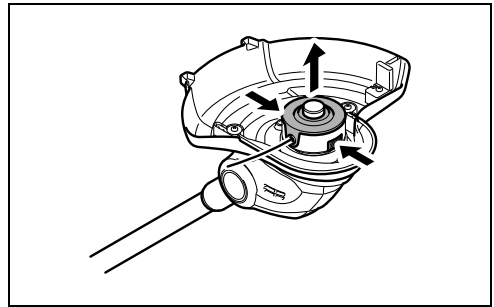
12

012394



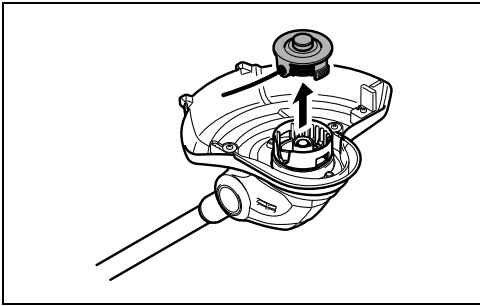
13

012393



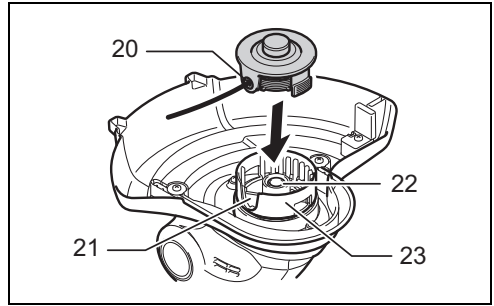
14

012408



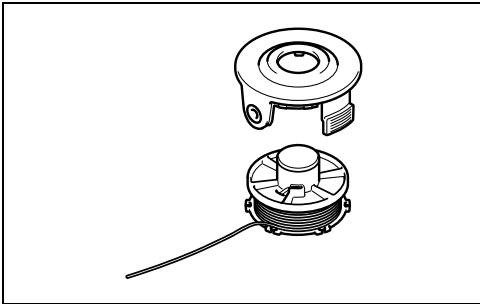
15

012409



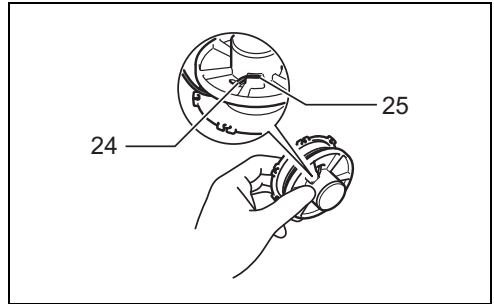
16

012440



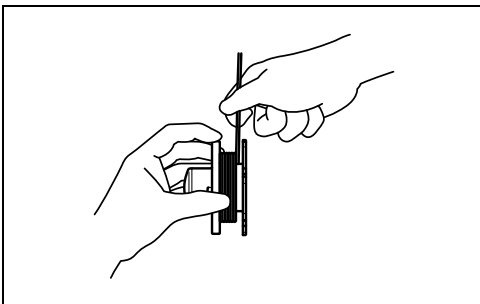
17

012412



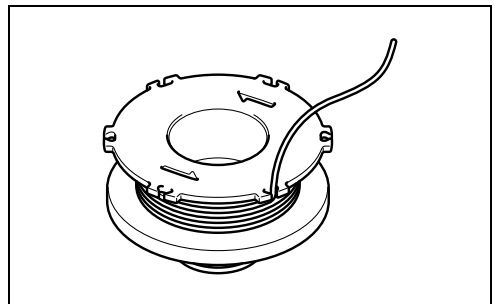
18

012413



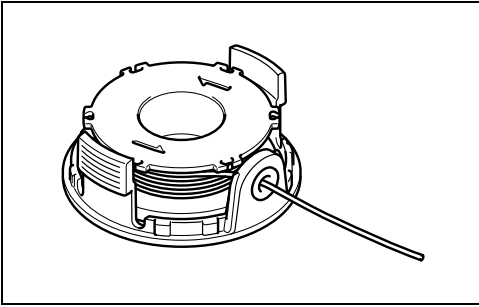
19

012414



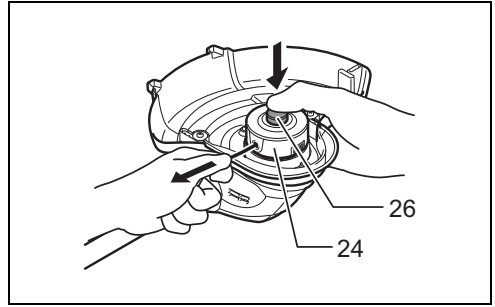
20

012415



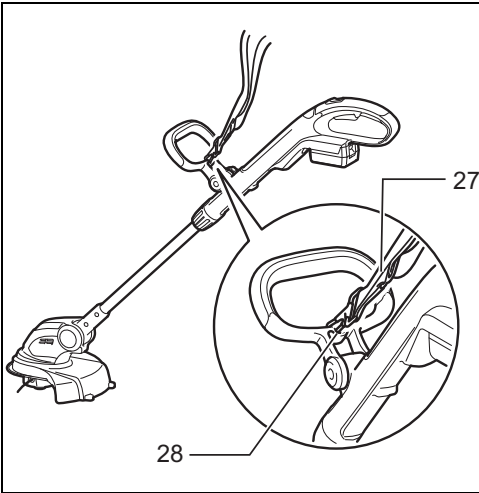
21

012416



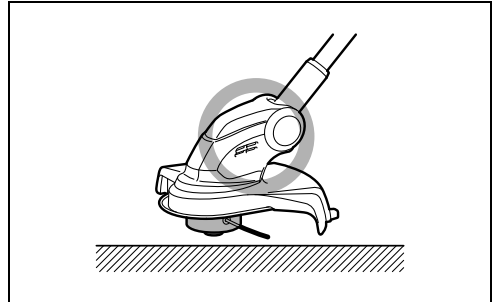
22

012417



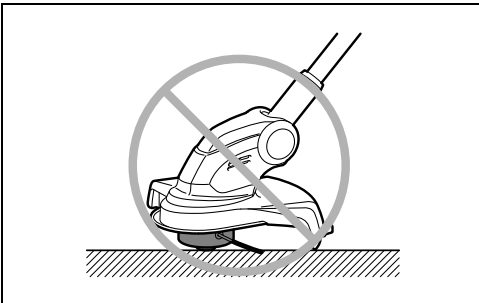
23

012395



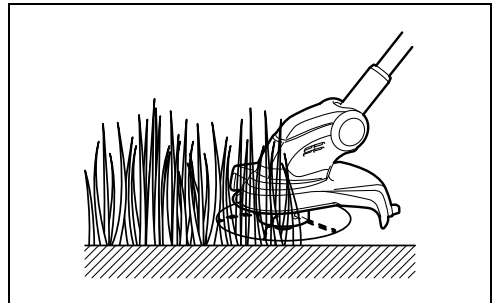
24

012399



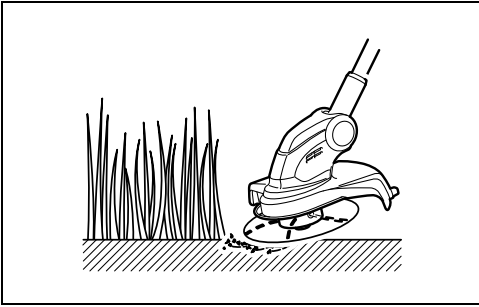
25

012400



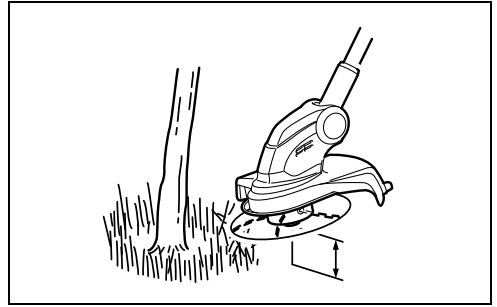
26

012401



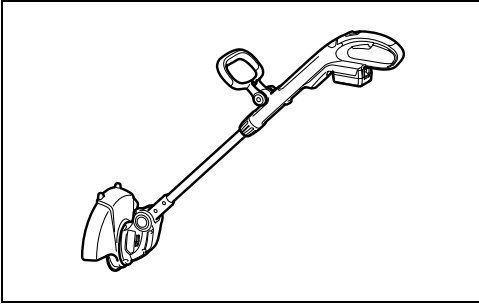
27

012402



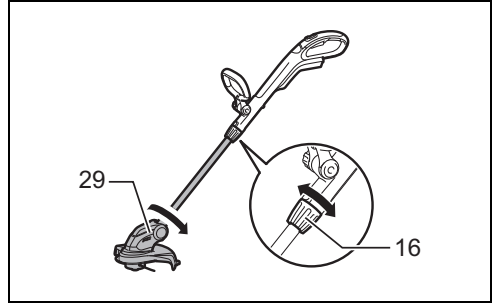
28

012403



29

012406



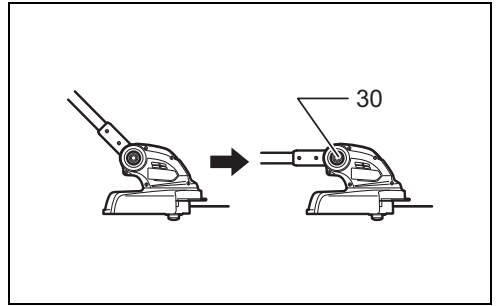
30

012405



31

012407



32

012398

ENGLISH (Original instructions)

Explanation of general view

- | | | |
|-----------------------|---|---------------------------------|
| 1. Indication lamp | 12. Indicator lamps | 22. Spring |
| 2. Switch trigger | 13. Check button | 23. Spool holder |
| 3. Battery cartridge | 14. Lock-off button | 24. Nylon cord |
| 4. Front grip | 15. Shaft | 25. Retainer for nylon cord end |
| 5. Clamping nut | 16. Grip | 26. Spool |
| 6. Lock grip | 17. Hex bolt | 27. Shoulder strap |
| 7. Guard | 18. Screws | 28. Hook |
| 8. Nylon cutting head | 19. Cutter cover | 29. Motor housing |
| 9. Red indicator | 20. Nylon cord eyehole | 30. Lock button |
| 10. Button | 21. Notch of the nylon cutting head installation port | |
| 11. Star marking | | |

SPECIFICATIONS














Model	DUR141		DUR181	
No load speed	6,000 min ⁻¹		7,800 min ⁻¹	
Overall length	1,229 mm - 1,433 mm		1,229 mm - 1,433 mm	
Cutting diameter with nylon cutting head	260 mm		260 mm	
Net weight	2.8 kg	3.0 kg	2.9 kg	3.1 kg
Rated voltage	D.C. 14.4 V		D.C. 18 V	
Standard battery cartridge(s) ⚠ Warning: Use only the battery cartridge(s) described.	BL 1415/ BL 1415N	BL 1430/ BL 1430B/ BL 1440/ BL 1450	BL 1815/ BL 1815N/ BL 1820/ BL 1820B	BL 1830/ BL 1830B/ BL 1840/ BL 1840B/ BL 1850/ BL 1850B/ BL 1860B

- Due to our continuing program of research and development, the specifications herein are subject to change without notice.
- Specifications and battery cartridge may differ from country to country.
- Weight, with battery cartridge, according to EPTA-Procedure 01/2003

Symbols

END017-4

The following show the symbols used for the equipment. Be sure that you understand their meaning before use.

- | | | | |
|--|---|---|--|
|  | Take particular care and attention. |  | Wear protective gloves. |
|  | Read instruction manual. |  | Wear sturdy boots with nonslip soles. Steeltoed safety boots are recommended. |
|  | Danger; be aware of thrown objects. |  | Do not expose to moisture. |
|  | The distance between the tool and bystanders must be at least 15 m. |  | Top permissible tool speed. |
|  | Keep bystanders away. |  | Only for EU countries |
|  | Keep distance at least 15 m. | | Do not dispose of electric equipment or battery pack together with household waste material! |
|  | Avoid kickback. | | In observance of the European Directives, on Waste Electric and Electronic Equipment and Batteries and Accumulators and Waste Batteries and Accumulators and their implementation in accordance with national laws, electric equipment and batteries and battery pack(s) that have reached the end of their life must be collected separately and returned to an |
|  | Wear a helmet, goggles and ear protection. | | |

IMPORTANT SAFETY INSTRUCTIONS

GEB092-5

⚠ WARNING! Read all safety warnings and all instructions. Failure to follow the warnings and instructions may result in electric shock, fire and/or serious injury.

Save all warnings and instructions for future reference.

1. Be familiar with the controls and proper use of the equipment.
2. Cutting elements continue to rotate after the motor is switched off.
3. Never allow children or people unfamiliar with the instructions to use the machine.
4. Stop using the machine while people, especially children, or pets are nearby.
5. Only use the machine in daylight or good artificial light.
6. Before using the machine and after any impact, check for signs of wear or damage and repair as necessary.
7. Take care against injury from any device fitted for trimming the filament line length. After extending new cutter line always return the machine to its normal operating position before switching on.
8. Never fit metal cutting elements.
9. This appliance is not intended for use by persons (including children) with reduced physical, sensory or mental capabilities, or lack of experience and knowledge, unless they have been given supervision or instruction concerning use of the appliance by a person responsible for their safety. Children should be supervised to ensure that they do not play with the appliance.
10. Use the tool with the utmost care and attention.
11. Operate the tool only if you are in good physical condition. Perform all work calmly and carefully. Use common sense and keep in mind that the operator or user is responsible for accidents or hazards occurring to other people or their property.
12. Never operate the tool when tired, feeling ill or under the influence of alcohol or drugs.
13. The tool should be switched off immediately if it shows any signs of unusual operation.

Intended use of the tool

1. Use right tool. The cordless string trimmer is only intended for cutting grass, light weeds. It should not be used for any other purpose such as hedge cutting as this may cause injury.

Personal protective equipment (Fig. 1 & 2)

1. Dress Properly. The clothing worn should be functional and appropriate, i.e. it should be tight-fitting but not cause hindrance. Do not wear either jewelry or clothing which could become entangled

with high grass. Wear protective hair covering to contain long hair.

2. When using the tool, always wear sturdy shoes with a non-slip sole. This protects against injuries and ensures a good footing.
3. Wear protective glasses or goggles.

Electrical and battery safety

1. Avoid dangerous environment. Don't use the tool in damp or wet locations or expose it to rain. Water entering the tool will increase the risk of electric shock.
2. Recharge only with the charger specified by the manufacturer. A charger that is suitable for one type of battery pack may create a risk of fire when used with another battery pack.
3. Use power tools only with specifically designated battery packs. Use of any other battery packs may create a risk of injury and fire.
4. Do not dispose of the battery(ies) in a fire. The cell may explode. Check with local codes for possible special disposal instructions.
5. Do not open or mutilate the battery(ies). Released electrolyte is corrosive and may cause damage to the eyes or skin. It may be toxic if swallowed.

Starting up the tool (Fig. 3)

1. Make sure that there are no children or other people within a working range of 15 meters (50 ft), also pay attention to any animals in the working vicinity. Otherwise stop using the tool.
2. Before use always check that the tool is safe for operation. Check the security of the cutting tool and the guard and the switch trigger/lever for easy and proper action. Check for clean and dry handles and test the on/off function of the switch.
3. Check damaged parts before further use of the tool. A guard or other part that is damaged should be carefully checked to determine that it will operate properly and perform its intended function. Check for alignment of moving parts, binding of moving parts, breakage of parts, mounting, and any other condition that may affect its operation. A guard or other part that is damaged should be properly repaired or replaced by our authorized service center unless indicated elsewhere in this manual.
4. Switch on the motor only when hands and feet are away from the cutting tool.
5. Before starting make sure that the cutting tool has no contact with hard objects such as branches, stones etc. as the cutting tool will revolve when starting.

Method of operation

1. Never operate the machine with damaged guards or without the guards in place.
2. Only use the tool in good light and visibility. During the winter season beware of slippery or wet areas, ice and snow (risk of slipping). Always ensure a safe footing.
3. Take care against injury to feet and hands from the cutting tool.

4. Keep hands and feet away from the cutting means at all times and especially when switching on the motor.
5. Never cut above waist height.
6. Never stand on a ladder and run the tool.
7. Never work on unstable surfaces.
8. Don't overreach. Keep proper footing and balance at all times.
9. Always be sure of your footing on slopes.
10. Walk, never run.
11. Remove sand, stones, nails etc. found within the working range. Foreign particles may damage the cutting tool and can cause to be thrown away, resulting in a serious injury.
12. Never touch moving hazardous parts before the machine is disconnected from the mains and the moving hazardous parts have come to a complete stop.
13. Should the cutting tool hit stones or other hard objects, immediately switch off the motor and inspect the cutting tool.
14. Before commencing cutting, the cutting tool must have reached full working speed.
15. During operation always hold the tool with both hands. Never hold the tool with one hand during use. Always ensure a safe footing.
16. All protective equipment such as guards supplied with the tool must be used during operation.
17. Except in case of emergency, never drop or cast the tool to the ground or this may severely damage the tool.
18. Never drag the tool on the ground when moving from place to place, the tool may become damaged if moved in this manner.
19. Always remove the battery cartridge from the tool:
 - whenever leaving the tool unattended;
 - before clearing a blockage;
 - before checking, cleaning or working on the tool;
 - before making any adjustments, changing accessories or storing;
 - whenever the tool starts vibrating unusually;
 - whenever transporting the tool.
20. Don't force the tool. It will do the job better and with less likelihood of a risk of injury at the rate for which it was designed.

7. Always ensure that ventilation openings are kept clear of debris.
8. Inspect and maintain the tool regularly, especially before/after use. Have the tool repaired only by our authorized service center.
9. Keep handles dry, clean and free from oil and grease.

Maintenance instructions

1. The condition of the cutting tool, protective devices must be checked before commencing work.
2. Turn off the motor and remove the battery cartridge before carrying out maintenance, replacing the cutting tool and cleaning the tool.
3. After use, disconnect the battery cartridge from the tool and check for damage.
4. Check for loose fasteners and damaged parts such as nearly halfway cut-off state in the cutting tool.
5. When not in use store the equipment in a dry location that is locked up or out of children's reach.
6. Use only the manufacturer's recommended replacement parts and accessories.

SAVE THESE INSTRUCTIONS.

WARNING:

DO NOT let comfort or familiarity with product (gained from repeated use) replace strict adherence to safety rules for the subject product. MISUSE or failure to follow the safety rules stated in this instruction manual may cause serious personal injury.

IMPORTANT SAFETY INSTRUCTIONS

ENC007-11

FOR BATTERY CARTRIDGE

1. Before using battery cartridge, read all instructions and cautionary markings on (1) battery charger, (2) battery, and (3) product using battery.
2. Do not disassemble battery cartridge.
3. If operating time has become excessively shorter, stop operating immediately. It may result in a risk of overheating, possible burns and even an explosion.
4. If electrolyte gets into your eyes, rinse them out with clear water and seek medical attention right away. It may result in loss of your eyesight.
5. Do not short the battery cartridge:
 - (1) Do not touch the terminals with any conductive material.
 - (2) Avoid storing battery cartridge in a container with other metal objects such as nails, coins, etc.
 - (3) Do not expose battery cartridge to water or rain.

A battery short can cause a large current flow, overheating, possible burns and even a breakdown.

6. Do not store the tool and battery cartridge in locations where the temperature may reach or exceed 50°C (122°F).
7. Do not incinerate the battery cartridge even if it is severely damaged or is completely worn out. The battery cartridge can explode in a fire.
8. Be careful not to drop or strike battery.
9. Do not use a damaged battery.
10. The contained lithium-ion batteries are subject to the Dangerous Goods Legislation requirements. For commercial transports e.g. by third parties, forwarding agents, special requirement on packaging and labeling must be observed. For preparation of the item being shipped, consulting an expert for hazardous material is required. Please also observe possibly more detailed national regulations.

Tape or mask off open contacts and pack up the battery in such a manner that it cannot move around in the packaging.

11. Follow your local regulations relating to disposal of battery.

SAVE THESE INSTRUCTIONS.

⚠ CAUTION: Only use genuine Makita batteries.
Use of non-genuine Makita batteries, or batteries that have been altered, may result in the battery bursting causing fires, personal injury and damage. It will also void the Makita warranty for the Makita tool and charger.

Tips for maintaining maximum battery life

1. Charge the battery cartridge before completely discharged.
Always stop tool operation and charge the battery cartridge when you notice less tool power.
2. Never recharge a fully charged battery cartridge.
Overcharging shortens the battery service life.
3. Charge the battery cartridge with room temperature at 10°C - 40°C (50°F - 104°F). Let a hot battery cartridge cool down before charging it.
4. Charge the battery cartridge if you do not use it for a long period (more than six months).

PARTS DESCRIPTION (Fig. 4)

FUNCTIONAL DESCRIPTION

⚠ WARNING:

- Always be sure that the tool is switched off and battery cartridge is removed before adjusting or checking function on the tool. Failure to switch off and remove the battery cartridge may result in serious personal injury from accidental start-up.

Installing or removing battery cartridge (Fig. 5)

⚠ CAUTION:

- Always switch off the tool before installing or removing of the battery cartridge.
- Hold the tool and the battery cartridge firmly when installing or removing battery cartridge. Failure to hold the tool and the battery cartridge firmly may cause them to slip off your hands and result in damage to the tool and battery cartridge and a personal injury.

To remove the battery cartridge, slide it from the tool while sliding the button on the front of the cartridge.

To install the battery cartridge, align the tongue on the battery cartridge with the groove in the housing and slip it into place. Insert it all the way until it locks in place with a little click. If you can see the red indicator on the upper side of the button, it is not locked completely.

⚠ CAUTION:

- Always install the battery cartridge fully until the red indicator cannot be seen. If not, it may accidentally fall out of the tool, causing injury to you or someone around you.

- Do not install the battery cartridge forcibly. If the cartridge does not slide in easily, it is not being inserted correctly.

Battery protection system (Lithium-ion battery with star marking) (Fig. 6)

Lithium-ion batteries with a star marking are equipped with a protection system. This system automatically cuts off power to the tool to extend battery life.

The tool will automatically stop during operation if the tool and/or battery are placed under one of the following conditions:

- Overloaded:
The tool is operated in a manner that causes it to draw an abnormally high current.
In this situation, release the switch trigger on the tool and stop the application that caused the tool to become overloaded. Then pull the switch trigger again to restart.
If the tool does not start, the battery is overheated. In this situation, let the battery cool before pulling the switch trigger again.
- Low battery voltage:
The remaining battery capacity is too low and the tool will not operate. In this situation, remove and recharge the battery.

Indicating the remaining battery capacity

(Only for battery cartridges with "B" at the end of the model number.) (Fig. 7)

Press the check button on the battery cartridge to indicate the remaining battery capacity. The indicator lamps light up for few seconds.

Indicator lamps			Remaining capacity
Lighted	Off	Blinking	
■	■	■	75% to 100%
■	■	□	50% to 75%
■	□	□	25% to 50%
■	□	□	0% to 25%
◐	□	□	Charge the battery.
■	□	□	The battery may have malfunctioned.
□	□	■	

015658

NOTE:

- Depending on the conditions of use and the ambient temperature, the indication may differ slightly from the actual capacity.

Power switch action

WARNING:

- Before inserting the battery cartridge in the tool, always check to see that the switch trigger actuates properly and returns to the “OFF” position when released. Do not pull the switch trigger hard without pressing in the lock-off button. This can cause switch breakage. Operating a tool with a switch that does not actuate properly can lead to loss of control and serious personal injury.

To prevent the switch trigger from being accidentally pulled, a lock-off button is provided.

Indication lamp	Status	Action to be taken
The lamp blinks in red.	This indicates the appropriate time to replace the battery cartridge when the battery power becomes low.	Recharge the battery cartridge as soon as possible.
The lamp lights up in red. (Note 1)	This function works when the battery power is almost used up. At this time, tool stops immediately.	Recharge the battery cartridge.
The lamp lights up in red. (Note 1)	Autostop due to overload.	Turn off the tool.

Note 1: The time at which the indication lamp lights up varies by the temperature around the work area and the battery cartridge conditions.

012443

Adjusting the shaft length

WARNING:

- Before adjusting the shaft length, release the switch trigger and remove the battery cartridge from the string trimmer. Failure to release the trigger and removing the battery cartridge may cause a personal injury.

To adjust the length of the shaft, turn the grip counterclockwise until the shaft is unlocked and pull out or push in to the desired length. (Fig. 10)

Nylon cutting head

NOTICE:

- The bump feed will not operate properly if the nylon cutting head is not rotating.

The nylon cutting head is a single string trimmer head provided with a bump & feed mechanism.

To cause the nylon cord to feed out, the cutting head should be bumped against the ground while the tool is running. As the nylon cord is feeding out it will automatically be cut to the proper length by the cutter on the guard. (Fig. 11)

NOTE:

- If the nylon cord does not feed out while bumping the head, rewind/replace the nylon cord by following the procedures described under “Installing or removing the nylon cutting head” and “Winding a new nylon cord on the spool.”
- Do not bump the tool to the concrete or asphalt surface. Bumping to this kind of objects may cause the tool damage.

To start the tool, move the lock-off button forward and pull the switch trigger. Release the switch trigger to stop. (Fig. 8)

Indication lamp (Fig. 9)

Running the tool allows the indication lamp to show the battery cartridge capacity status.

When the tool is also overloaded and has stopped during operation, the lamp lights up in red.

Refer to the following table for the status and action to be taken for the indication lamp.

ASSEMBLY

WARNING:

- **Always be sure that the tool is switched off and battery cartridge is removed before carrying out any work on the tool.** Failure to switch off and remove the battery cartridge may result in serious personal injury from accidental start-up.
- **Never start the tool unless it is completely assembled.** Operation of the tool in a partially assembled state may result in serious personal injury from accidental start-up.

Installing the front grip (Fig. 12)

Put the front grip on the front grip holder and secure it with a hex bolt and the clamping nut provided with the string trimmer as shown in the figure. At this time, the hex bolt needs to be installed from the side in which the hex bolt lock port is located and the clamping nut needs to be installed from the opposite side.

NOTE:

- The front grip has a edge-to-edge cut slit in its mounting area. Using this slit allows you to easily install the front grip on the front grip holder.

The front grip angle is adjustable. To adjust the front grip angle, loosen the clamping nut, set the front grip at an proper angle according to your work and then tighten the nut clockwise firmly.

Installing the guard

CAUTION:

- **While installing the guard, be careful not to contact the nylon cord cutter provided on the guard.**

Contact with the cutter could result in personal injury. Mount the guard by fitting it on to the motor housing so that the nylon cord is not pinched between the guard and

the motor housing, and then secure it with two screws. Before starting the trimmer, take away the cutter cover from the cord cutter. (Fig. 13)

Installing or removing the nylon cutting head

⚠ CAUTION:

- Before installing or removing the nylon cutting head (both spool cover and spool, and hereafter called this way), make sure that the tool is switched off and the battery cartridge is removed from the tool. Failure to switch off the tool and remove the battery cartridge may cause a personal injury.

⚠ CAUTION:

- While installing or removing the nylon cutting head, be careful not to contact the nylon cord cutter provided on the guard. Contact with the cutter could result in personal injury.

To remove the nylon cutting head (spool and spool cover) from the string trimmer, press in the latches forcefully on both sides of the spool cover and raise it. (Fig. 14 & 15)

NOTICE:

- Make sure that the spring is installed inside the spool holder.

To install a cord-newly-wound nylon cutting head (spool and spool cover) on the string trimmer, align the nylon cord eyehole with the notch of the nylon cutting head installation port on the trimmer and then press in it until a click is heard. (Fig. 16)

Winding a new nylon cord on the spool

Remove the spool from the spool cover and take off the remaining used nylon cord from the spool. (Fig. 17)

Insert a nylon cord to the retainer shown in the figure. (Fig. 18)

Wind it tightly flat around the spool in the direction of arrow on the spool so that the wound nylon cord surface appears uniform over the winding area. (Fig. 19)

Temporarily fix a nylon cord at the notch shown in the figure. (Fig. 20)

Bring the nylon cord through the nylon cord eyehole in the spool cover. (Fig. 21)

After installing the nylon cutting head, make sure that the nylon cord comes out by pressing the spool and pulling the nylon cord. (Fig. 22)

OPERATION

Attachment of shoulder strap (Fig. 23)

Hook the shoulder strap in a hole in the front grip.

Operation

⚠ CAUTION:

- Do not cut high grass at a time. Cutting high grass at a time near the root may cause the trimmer motor spindle to be entangled by grass which leads to the motor under overload, resulting in damage to the trimmer.

⚠ CAUTION:

- Use the trimmer without getting the spool into a contact with the ground surface. Using the spool contacting the ground surface may cause the motor under overload resulting in damage to the trimmer. (Fig. 24 & 25)

⚠ CAUTION:

- Do not force the trimmer in densely growing grass. (Fig. 26)

⚠ CAUTION:

- Do not use the trimmer as if you dig out the ground with it. (Fig. 27)

Cutting the grass near a tree, concrete block, brick or garden stone (Fig. 28)

Hold the trimmer tilting at a level so that it does not contact the ground surface and cut the grass using the nylon cord tip like knocking the ground. In this work, smooth feeding out is needed because the nylon cord wears more quickly than usual.

NOTE:

- Getting the trimmer too close to a tree, concrete block, brick or garden stone or the like during performing the edging work or such similar cutting work may cause the nylon cord to be cut off halfway inside the spool cover. At this time, take the spool out of the spool cover and then set the nylon cord again properly by referring to the section titled "Installing or removing the nylon cutting head" and "Winding a new nylon cord on the spool". Using the tip of the nylon cord during operation brings the best result of operation and therefore it is recommended to keep the tool more than 5 cm away from the tree, concrete block, brick or garden stone or the like.

Start the trimmer before getting close to the grass to be cut.

Cut the grass using the nylon cord tip by moving the trimmer from right to left and proceed slowly, keeping the trimmer tilted at the angle of about 30° in relation to the ground surface.

When cutting high grass, cut in layers always beginning from the top with each cut length short.

Using the tool as an edger

Using the tool as an edger allows the operator to cut along the edge of the concrete block, brick and the like. (Fig. 29)

For using the tool as an edger, hold the shaft of the trimmer with one hand and turn the grip counter clockwise to loosen the shaft. Rotate the shaft with the motor housing 180° and tighten the grip clockwise until it locks. (Fig. 30)

NOTE:

- Before rotating the shaft, it needs to be fully shortened or extended.
- After changing to the edger position, make sure that the motor housing and shaft are locked.

To obtain a good result of finish cutting, move parallel to the edge you are going to perform an edging work.

(Fig. 31)

Cutting the grass in a tight place or on a slope

WARNING:

- When cutting the grass on a slope, be careful of stones, grass and other foreign objects thrown from the cutting head area.
- When cutting the grass on a slope, make sure that you always keep a good and stable footing.

To ease the work in a tight place which restricts the height, such as cutting the grass under an outdoor wood deck and similars, push the lock button and then bend down the cutting head so that the shaft is parallel to the ground surface. Adjusting the cutting head angle properly in this way helps you cut the grass on a slope. (Fig. 32)

MAINTENANCE

WARNING:

- **Always be sure that the tool is switched off and battery cartridge is removed before attempting to perform inspection or maintenance on the tool.**

Failure to switch off and remove the battery cartridge may result in serious personal injury from accidental start-up.

NOTICE:

Never use gasoline, benzene, thinner, alcohol or the like. Discoloration, deformation or cracks may result. To maintain product SAFETY and RELIABILITY, repairs, any other maintenance or adjustment should be performed by Makita Authorized Service Centers, always using Makita replacement parts.

OPTIONAL ACCESSORIES

CAUTION:

- These accessories or attachments are recommended for use with your Makita tool specified in this manual. The use of any other accessories or attachments might present a risk of injury to persons. Only use accessory or attachment for its stated purpose.

If you need any assistance for more details regarding these accessories, ask your local Makita Service Center.

- Nylon cutting head
- Nylon cords
- Shoulder strap
- Goggles
- Makita genuine battery and charger

NOTE:

- Some items in the list may be included in the tool package as standard accessories. They may differ from country to country.

Model DUR181

Sound pressure level (L_{pA}): 82 dB (A)

Sound power level (L_{WA}): 88.5 dB (A)

Uncertainty (K): 2.5 dB (A)

Wear ear protection.

Vibration

ENG904-2

The vibration total value determined according to EN786:

Vibration emission (a_{h1}): 2.5 m/s² or less

Uncertainty (K): 1.5 m/s²

ENG901-1

- The declared vibration emission value has been measured in accordance with the standard test method and may be used for comparing one tool with another.
- The declared vibration emission value may also be used in a preliminary assessment of exposure.

WARNING:

- The vibration emission during actual use of the power tool can differ from the declared emission value depending on the ways in which the tool is used.
- Be sure to identify safety measures to protect the operator that are based on an estimation of exposure in the actual conditions of use (taking account of all parts of the operating cycle such as the times when the tool is switched off and when it is running idle in addition to the trigger time).

For European countries only

ENH219-3

EC Declaration of Conformity

Makita declares that the following Machine(s):

Designation of Machine:

Cordless String Trimmer

Model No./ Type: DUR141, DUR181

Specifications: see "SPECIFICATIONS" table.

Conforms to the following European Directives:

2000/14/EC, 2006/42/EC

They are manufactured in accordance with the following standard or standardized documents:

EN60745, EN60335, EN50636

The technical file in accordance with 2006/42/EC is available from:

Makita, Jan-Baptist Vinkstraat 2, 3070, Belgium

The conformity assessment procedure required by Directive 2000/14/EC was in Accordance with annex VI.

Notified Body:

TÜV Rheinland LGA Products GmbH

Tillystraße 2

90431 Nürnberg, Germany

Identification number 0197

Model DUR141

Measured Sound Power Level: 83.7 dB (A)

Guaranteed Sound Power Level: 85 dB (A)

Noise

ENG905-1

The typical A-weighted noise level determined according to EN786:

Model DUR141

Sound pressure level (L_{pA}): 75 dB (A)

Sound power level (L_{WA}): 83.7 dB (A)

Uncertainty (K): 2.5 dB (A)

Model DUR181

Measured Sound Power Level: 88.5 dB (A)

Guaranteed Sound Power Level: 91 dB (A)

1. 10. 2015

A handwritten signature in black ink, appearing to read 'Yasushi Fukaya'.

Yasushi Fukaya

Director

Makita, Jan-Baptist Vinkstraat 2, 3070, Belgium

FRANÇAIS (Instructions d'origine)

Descriptif

- | | | |
|----------------------------|---|---|
| 1. Voyant | 12. Voyants | 22. Ressort |
| 2. Gâchette | 13. Bouton de vérification | 23. Support de la bobine |
| 3. Batterie | 14. Bouton de sécurité | 24. Fil de nylon |
| 4. Poignée avant | 15. Arbre | 25. Retenue d'extrémité du fil de nylon |
| 5. Écrou de serrage | 16. Poignée | 26. Bobine |
| 6. Molette de verrouillage | 17. Boulon hexagonal | 27. Bandoulière |
| 7. Protège-lame | 18. Vis | 28. Crochet |
| 8. Tête à fils de nylon | 19. Couvre-lame | 29. Boîtier du moteur |
| 9. Voyant rouge | 20. Orifice du fil de nylon | 30. Bouton de verrouillage |
| 10. Bouton | 21. Encoche du port d'installation de la tête à fils de nylon | |
| 11. Étoile | | |

SPÉCIFICATIONS

Modèle	DUR141		DUR181	
Vitesse à vide	6 000 min ⁻¹		7 800 min ⁻¹	
Longueur totale	1 229 mm - 1 433 mm		1 229 mm - 1 433 mm	
Diamètre de coupe avec la tête à fils de nylon	260 mm		260 mm	
Poids net	2,8 kg	3,0 kg	2,9 kg	3,1 kg
Tension nominale	14,4 V CC		18 V CC	
Batterie(s) standard ⚠ Avertissement : n'utilisez que la ou les batteries indiquées.	BL1415/ BL1415N	BL1430/ BL1430B/ BL1440/ BL1450	BL1815/ BL1815N/ BL1820/ BL1820B	BL1830/ BL1830B/ BL1840/ BL1840B/ BL1850/ BL1850B/ BL1860B

- Étant donné l'évolution constante de notre programme de recherche et de développement, les spécifications contenues dans ce manuel sont sujettes à des modifications sans préavis.
- Les spécifications et la batterie peuvent varier d'un pays à l'autre.
- Poids, batterie incluse, selon la procédure EPTA 01/2003

Symboles

END017-4

Les symboles utilisés pour l'appareil sont indiqués ci-dessous. Assurez-vous d'avoir bien compris leur signification avant d'utiliser l'appareil.



Portez un casque protecteur, des lunettes de sécurité et des protections d'oreilles.



Portez des gants de protection.



Portez des bottes de sécurité avec des semelles antidérapantes. Les bottes de sécurité coquées sont recommandées.



Tenez l'appareil à l'abri de l'humidité.



Vitesse d'appareil maximale autorisée



Pour les pays européens uniquement
Ne pas jeter les appareils électriques et les bloc-batteries dans les ordures ménagères !



Conformément aux directives européennes relatives aux déchets d'équipements électriques ou électroniques (DEEE) ainsi qu'aux batteries, aux accumulateurs et aux batteries et accumulateurs usagés et à



Usez d'attention et de soins particuliers !



Reportez-vous au manuel d'instructions.



Danger ; faites attention au risque de projection d'objets.



La distance entre l'appareil et les spectateurs doit être d'au moins 15 m.



Éloignez les spectateurs.



Tenez-les à une distance d'au moins 15 m.



Évitez les chocs en retour.

leur transposition dans la législation nationale, les appareils électriques, les batteries et les bloc-batteries doivent être collectés à part et être soumis à un recyclage respectueux de l'environnement.

INSTRUCTIONS DE SÉCURITÉ IMPORTANTES

GEB092-5

⚠ AVERTISSEMENT ! Veuillez lire toutes les consignes de sécurité et les instructions. Le non-respect des mises en garde et instructions peut entraîner un choc électrique, un incendie et/ou des blessures graves.

Conservez toutes les mises en garde et instructions pour référence ultérieure.

1. Familiarisez-vous avec les commandes et l'utilisation correcte du matériel.
2. Les éléments coupants continuent à tourner après l'arrêt du moteur.
3. Ne laissez pas jamais des enfants ou des personnes ne connaissant pas ces instructions utiliser l'outil.
4. Cessez d'utiliser l'appareil lorsque des personnes, notamment des enfants, ou des animaux de compagnie se trouvent à proximité.
5. Utilisez l'appareil uniquement en journée ou sous une lumière artificielle correcte.
6. Avant d'utiliser l'appareil et après tout impact, recherchez d'éventuels signes d'usure ou de dommage et réparez-les au besoin.
7. Veillez à ne pas vous blesser sur les dispositifs installés pour couper la longueur du fil. Après avoir sorti un nouveau fil de coupe, remplacez toujours l'appareil en position de fonctionnement normal avant de le mettre sous tension.
8. N'installez jamais d'éléments de coupe en métal.
9. Cet appareil ne doit pas être utilisé par des personnes (notamment des enfants) dont les capacités physiques, sensorielles ou mentales sont réduites ou n'ayant aucune expérience ni compétence, à moins d'avoir reçu des instructions relatives à l'utilisation de l'appareil par une personne responsable de leur sécurité ou d'être sous la supervision de celle-ci. Les enfants doivent être surveillés car ils ne doivent pas jouer avec l'appareil.
10. N'utilisez l'outil qu'avec une précaution et une attention extrêmes.
11. Utilisez l'outil uniquement si vous êtes en bonne condition physique. Effectuez tout le travail avec calme et prudence. Faites preuve de bon sens et gardez à l'esprit que l'opérateur ou l'utilisateur est responsable des accidents ou blessures infligés à d'autres personnes ou à leurs biens.
12. N'utilisez jamais l'outil lorsque vous êtes fatigué(e), malade ou sous l'emprise de l'alcool ou de médicaments.
13. Vous devez immédiatement mettre l'outil hors tension si vous observez des signes de dysfonctionnement.

Utilisation prévue de l'outil

1. Utilisez le bon outil. Le coupe-herbe sans fil doit être utilisé exclusivement pour couper l'herbe et les mauvaises herbes de petite taille. Il n'est conçu pour aucune autre utilisation, telle que la coupe des haies, car cela comporte un risque de blessure.

Équipement de protection corporelle (Fig. 1 et 2)

1. Portez des vêtements adéquats. Les vêtements que vous portez doivent être fonctionnels et appropriés, c'est-à-dire qu'ils doivent être près du corps, sans pour autant gêner vos mouvements. Ne portez pas de bijoux ou de vêtements susceptibles d'être happés par l'appareil. Portez un filet de protection pour envelopper vos cheveux s'ils sont longs.
2. Lorsque vous utilisez l'outil, portez toujours des chaussures de sécurité munies d'une semelle antidérapante. Elles vous protégeront de blessures éventuelles et vous assureront une bonne stabilité.
3. Portez des lunettes ou un masque de protection.

Sécurité électrique et de la batterie

1. Évitez les environnements dangereux. N'utilisez pas l'outil dans des lieux humides et ne l'exposez pas aux intempéries. Le risque de choc électrique augmente lorsque de l'eau pénètre dans un outil électrique.
2. N'utilisez que le chargeur spécifié par le fabricant. Un chargeur adapté à un type de batterie peut créer un risque d'incendie s'il est utilisé avec un autre type de batterie.
3. Utilisez les outils électriques uniquement avec les batteries indiquées. L'utilisation d'autres types de batterie peut créer un risque de blessures et d'incendie.
4. Ne jetez pas les batteries au feu. Elles risqueraient d'exploser. Consultez la réglementation locale pour connaître les éventuelles consignes de mise au rebut spéciales.
5. N'ouvrez pas les batteries et n'essayez pas de les démonter. L'électrolyte libéré est corrosif et risquerait de blesser vos yeux ou votre peau. Si vous l'avez, il peut se révéler toxique.

Démarrage de l'outil (Fig. 3)

1. Assurez-vous qu'aucun enfant ou adulte ne se trouve à moins de 15 mètres de la zone de travail et veillez également aux animaux qui pourraient se trouver à proximité. Le cas échéant, cessez d'utiliser l'outil.
2. Avant l'utilisation, vérifiez toujours que l'outil ne présente aucun danger. Vérifiez la sécurité de l'outil de coupe et de son protège-lame, ainsi que le fonctionnement de la gâchette et du levier. Vérifiez que les poignées sont propres et sèches et testez le fonctionnement de l'interrupteur.
3. Recherchez les éventuelles pièces endommagées avant de continuer à utiliser l'outil. Un protège-lame ou une autre pièce endommagé(e) doit être inspecté(e) soigneusement pour déterminer s'il/si elle va fonctionner correctement. Assurez-vous que les pièces en mouvement sont alignées et se

déplacent librement, qu'aucune pièce n'est cassée, que les pièces sont correctement montées et qu'aucune anomalie ne risque d'affecter le fonctionnement de l'appareil. Un protège-lame ou toute autre pièce endommagée(e) doit être correctement réparé(e) ou remplacé(e) par un centre de service agréé, sauf indication contraire dans ce manuel.

4. Ne mettez le moteur sous tension que lorsque vos mains et vos pieds sont éloignés de l'outil de coupe.
5. Avant de démarrer, assurez-vous que l'outil de coupe n'est pas en contact avec des objets durs tels que des branches, des pierres, etc. et qu'il tournera au démarrage.

Mode d'emploi

1. N'utilisez jamais l'appareil si les protège-lames sont endommagés ou s'ils ne sont pas en place.
2. N'utilisez l'outil que dans des conditions d'éclairage et de luminosité suffisantes. En hiver, soyez attentif aux zones glissantes ou mouillées, au verglas et à la neige (risque de glissade). Assurez-vous toujours d'avoir une bonne stabilité.
3. Faites attention à ne pas vous blesser les pieds et les mains avec l'outil de coupe.
4. Maintenez constamment vos mains et vos pieds éloignés de la coupe, en particulier lors de la mise sous tension du moteur.
5. Ne coupez jamais à une hauteur supérieure aux épaules.
6. N'utilisez jamais l'outil sur une échelle.
7. Ne travaillez jamais sur des surfaces instables.
8. Ne tendez pas excessivement le bras. Assurez-vous d'avoir une bonne prise au sol et une bonne position d'équilibre à tout moment.
9. Assurez vos pas dans les pentes.
10. Marchez, ne courez jamais.
11. Enlevez le sable, les pierres, les clous etc., trouvés à l'intérieur du périmètre de travail. Des particules étrangères peuvent endommager l'outil de coupe ou être projetées et entraîner des dommages corporels.
12. Ne touchez jamais les pièces mobiles dangereuses avant que la machine soit débranchée du secteur et les pièces mobiles dangereuses complètement arrêtées.
13. Si l'outil de coupe heurte des pierres ou d'autres objets durs, éteignez immédiatement le moteur et examinez l'outil de coupe.
14. Avant de commencer à couper, l'outil de coupe doit avoir atteint sa vitesse de travail maximale.
15. Tenez toujours l'outil à deux mains. Ne le tenez jamais d'une seule main durant l'utilisation. Assurez-vous toujours d'avoir une bonne stabilité.
16. Tous les équipements de protection fournis avec l'outil, tels que le carter, doivent être utilisés pendant le fonctionnement de celui-ci.
17. Sauf en cas d'urgence, ne laissez jamais tomber l'outil et ne le jetez pas sur le sol, cela risquerait de l'endommager sérieusement.
18. Ne traînez jamais l'outil sur le sol lorsque vous le déplacez, cela pourrait l'endommager.
19. Retirez toujours la batterie de l'outil :

- toutes les fois où l'outil doit être laissé sans surveillance ;
 - avant toute opération de retrait d'obstruction ;
 - avant toute opération de vérification, nettoyage ou réparation de l'outil ;
 - avant d'effectuer des réglages, de changer des accessoires ou de ranger l'appareil ;
 - dès que l'outil commence à vibrer de manière anormale ;
 - lors du transport de l'outil.
20. N'utilisez pas l'appareil au-dessus des capacités pour lesquels il a été conçu. Cela pourrait nuire à la qualité du travail et provoquer un risque de blessures.

Instructions d'entretien

1. Vous devez vérifier l'état de l'outil de coupe ainsi que des dispositifs de protection avant chaque utilisation.
2. Avant d'effectuer une opération d'entretien, de remplacer l'outil de coupe ou de nettoyer l'outil, mettez le moteur hors tension et retirez la batterie.
3. Après utilisation, débranchez la batterie de l'outil et vérifiez qu'elle n'est pas endommagée.
4. Vérifiez que les dispositifs de fixation sont bien attachés et recherchez les éventuelles pièces endommagées, comme des fissures sur l'outil de coupe.
5. Lorsque vous ne l'utilisez pas, rangez l'appareil dans un endroit sec fermé à clé ou hors de portée des enfants.
6. N'utilisez que les pièces et accessoires de remplacement recommandés par le fabricant.
7. Assurez-vous toujours que les ouvertures de ventilation ne sont pas obstruées par des débris.
8. Inspectez et assurez régulièrement l'entretien de l'outil, particulièrement avant/après utilisation. Ne faites réparer l'outil que par notre centre de service agréé.
9. Maintenez les poignées de l'outil sèches, propres et exemptes d'huile ou de graisse.

CONSERVEZ CES INSTRUCTIONS.



AVERTISSEMENT :

NE vous laissez PAS tromper (au fil d'une utilisation répétée) par un sentiment d'aisance et de familiarité avec le produit, en négligeant le respect rigoureux des consignes de sécurité qui accompagnent l'outil. Une UTILISATION INCORRECTE de l'outil ou le non-respect des consignes de sécurité indiquées dans ce manuel d'instructions peuvent causer des blessures graves.

CONSIGNES DE SÉCURITÉ IMPORTANTES

ENC007-11

POUR LA BATTERIE

1. Avant d'utiliser la batterie, veuillez lire toutes les instructions et tous les avertissements inscrits sur (1) le chargeur, (2) la batterie et (3) l'appareil alimenté par la batterie.

2. **Ne démontez pas la batterie.**
3. **Cessez immédiatement d'utiliser l'outil si le temps de fonctionnement devient excessivement court. Il y a risque de surchauffe, de brûlures, voire d'explosion.**
4. **Si l'électrolyte pénètre dans vos yeux, rincez-les à l'eau claire et consultez immédiatement un médecin. Il y a risque de perte de la vue.**
5. **Évitez de court-circuiter la batterie :**
 - (1) **Ne touchez les bornes avec aucun matériau conducteur.**
 - (2) **Évitez de ranger la batterie dans un contenant où se trouvent d'autres objets métalliques tels que des clous, pièces de monnaie, etc.**
 - (3) **N'exposez pas la batterie à l'eau ou à la pluie. Un court-circuit de la batterie risque de provoquer un fort courant, une surchauffe, parfois des brûlures et même une panne.**
6. **Ne rangez pas l'outil ou la batterie dans des endroits où la température risque d'atteindre ou de dépasser 50 °C (122 °F).**
7. **Ne jetez pas la batterie au feu même si elle est sérieusement endommagée ou complètement épuisée. La batterie peut exploser au contact du feu.**
8. **Veillez à ne pas laisser tomber ou heurter la batterie.**
9. **N'utilisez pas de batterie endommagée.**
10. **Les batteries au lithium-ion contenues dans l'appareil sont soumises à la législation sur les marchandises dangereuses.**
 Pour les transports commerciaux réalisés par des transitaires tiers par exemple, les conditions spéciales figurant sur les emballages et les étiquettes doivent être respectées.
 Lors de la préparation de l'article à expédier, il est obligatoire de consulter un spécialiste en matières dangereuses. Respectez également les éventuelles réglementations nationales plus détaillées.
 Collez du ruban adhésif sur les contacts ouverts ou masquez-les et emballez la batterie de sorte qu'elle ne bouge pas dans le coffret.
11. **Respectez les réglementations locales relatives à la mise au rebut des batteries.**

CONSERVEZ CES INSTRUCTIONS.

⚠ ATTENTION : Utilisez uniquement des batteries **Makita d'origine**.

L'utilisation de batteries qui ne sont pas Makita d'origine ou de batteries qui ont été modifiées peut provoquer des explosions et entraîner des incendies, des blessures corporelles et des dégâts. Cela peut également invalider la garantie Makita pour l'outil et le chargeur Makita.

Conseils pour assurer la durée de vie optimale de la batterie

1. **Rechargez la batterie avant qu'elle ne soit complètement épuisée.**
Arrêtez toujours l'outil et rechargez la batterie

- quand vous constatez que la puissance de l'outil diminue.
2. **Ne rechargez jamais une batterie complètement chargée.**
 La surcharge réduit la durée de service de la batterie.
3. **Chargez la batterie alors que la température de la pièce se trouve entre 10 °C et 40 °C (50 °F et 104 °F). Si une batterie est chaude, laissez-la refroidir avant de la charger.**
4. **Chargez la batterie si vous ne l'avez pas utilisée pendant une période prolongée (plus de six mois).**

DESCRIPTION DES PIÈCES (Fig. 4)

DESCRIPTION DU FONCTIONNEMENT

⚠ AVERTISSEMENT :

- **Veillez toujours à ce que l'outil soit éteint et la batterie déposée avant d'effectuer des réglages ou de vérifier le fonctionnement de l'outil.** Si vous ne mettez pas l'outil hors tension et ne retirez pas la batterie, vous risquez de vous blesser gravement suite à un démarrage accidentel.

Installation ou retrait de la batterie (Fig. 5)

⚠ ATTENTION :

- Éteignez toujours l'outil avant d'installer ou de retirer la batterie.
- **Tenez fermement l'outil et la batterie lors de l'installation ou du retrait de la batterie.** Si vous ne tenez pas fermement l'outil et la batterie, ils risquent de glisser et de s'abîmer ou de vous blesser.

Pour retirer la batterie, faites glisser le bouton à l'avant de la batterie et sortez la batterie.

Pour installer la batterie, alignez sa languette sur la rainure qui se trouve à l'intérieur du carter, puis glissez la batterie pour la mettre en place. Insérez-la bien à fond, jusqu'à ce qu'elle se verrouille en émettant un léger clic. Si vous pouvez voir le voyant rouge sur la face supérieure du bouton, la batterie n'est pas parfaitement verrouillée.

⚠ ATTENTION :

- Installez toujours la batterie à fond, de sorte que le voyant rouge ne soit plus visible. Sinon, elle risque de tomber accidentellement de l'outil, en vous blessant ou en blessant une personne située près de vous.
- Ne forcez pas pour installer la batterie. Si la batterie ne glisse pas aisément, c'est qu'elle n'est pas insérée correctement.

Système de protection de la batterie (batterie au lithium-ion comportant une étoile) (Fig. 6)

Les batteries au lithium-ion comportant une étoile sont équipées d'un système de protection. Ce système coupe automatiquement l'alimentation en électricité vers l'outil afin de prolonger sa durée de vie.










L'outil s'arrête automatiquement pendant l'utilisation lorsqu'il et/ou la batterie se trouvent dans l'une des situations suivantes :

- **Surchargé :**
L'outil fonctionne de manière à créer un courant anormalement élevé.
Dans ce cas, relâchez la gâchette de l'outil et arrêtez l'application qui cause la surcharge de l'outil. Ensuite, appuyez à nouveau sur la gâchette pour redémarrer l'outil.
Si l'outil ne démarre pas, la batterie est en surchauffe. Dans ce cas, laissez la batterie refroidir avant de presser à nouveau la gâchette.
- **Basse tension :**
L'autonomie restante est trop basse et l'outil ne fonctionnera pas. Dans ce cas, retirez la batterie et rechargez-la.

Indication de l'autonomie restante de la batterie

(uniquement pour les batteries dont le numéro de modèle se termine par la lettre « B ».) (Fig. 7)

Appuyez sur le bouton de vérification pour indiquer l'autonomie restante de la batterie. Les voyants s'allument alors pendant quelques secondes.

Voyants			Autonomie restante
 Allumé	 Éteint	 Clignotant	
			75 % à 100 %
			50 % à 75 %
			25 % à 50 %
			0 % à 25 %
			Recharger la batterie.
			Il est possible que la batterie ait mal fonctionné.

015658

REMARQUE :

- Selon les conditions d'utilisation et la température ambiante, les indications peuvent différer légèrement de l'autonomie réelle restante.

Fonctionnement de l'interrupteur

AVERTISSEMENT :

- **Avant d'insérer la batterie dans l'outil, vérifiez toujours que la gâchette fonctionne bien et revient en position d'arrêt lorsqu'elle est relâchée. N'appuyez pas fortement sur la gâchette sans avoir d'abord enfoncé le bouton de sécurité. Vous risqueriez de casser la gâchette.** L'utilisation d'un outil dont la gâchette ne fonctionne pas correctement

risque de provoquer une perte de contrôle et de graves blessures corporelles.

Pour éviter tout déclenchement accidentel de la gâchette, l'outil est muni d'un bouton de sécurité.

Pour démarrer l'outil, enfoncez le bouton de sécurité puis appuyez sur la gâchette. Pour l'arrêter, relâchez la gâchette. (Fig. 8)

Voyant (Fig. 9)

Faites fonctionner l'outil pour que le voyant indique l'autonomie restante de la batterie.

Si l'outil est également surchargé et s'arrête pendant son fonctionnement, le voyant rouge s'allume.

Reportez-vous au tableau suivant pour connaître l'état de la batterie et la mesure à prendre concernant le voyant.

Voyant	État	Mesure à prendre
Le voyant rouge clignote.	Cela indique le bon moment pour remplacer la batterie lorsque son alimentation faiblit.	Rechargez la batterie dans les plus brefs délais.
Le voyant rouge s'allume. (Remarque 1)	Cette fonction peut être utilisée lorsque l'autonomie de la batterie est quasiment nulle. À ce stade, l'outil s'arrête immédiatement.	Rechargez la batterie.
Le voyant rouge s'allume. (Remarque 1)	Arrêt automatique en raison d'une surcharge.	Éteignez l'outil.

Remarque 1 : l'heure à laquelle le voyant s'allume varie selon la température de la zone de travail et l'état de la batterie.

012443

Réglage de la longueur de l'arbre

⚠ AVERTISSEMENT :

- Avant de régler la longueur de l'arbre, relâchez la gâchette et retirez la cartouche du coupe herbe. Si vous ne relâchez pas la gâchette ou ne retirez pas la batterie, vous risquez de vous blesser.

Pour régler la longueur de l'arbre, tournez la poignée dans le sens inverse des aiguilles d'une montre pour déverrouiller l'arbre puis tirez ou enfoncez-le jusqu'à obtention de la longueur voulue. (Fig. 10)

Tête à fils de nylon

NOTE :

- L'alimentation semi-automatique par frappe au sol ne fonctionnera pas correctement si la tête n'est pas en rotation.

La tête à fils de nylon est une tête de coupe herbe simple équipée d'un mécanisme d'alimentation semi-automatique par frappe au sol.

Pour faire sortir le fil de nylon, la tête à fils de nylon doit être frappée contre le sol lorsque l'outil est en marche. Lorsque le fil de nylon sort, il est automatiquement coupé à la longueur adéquate par le cutter du protège-lame. (Fig. 11)

REMARQUE :

- Si le fil de nylon ne sort pas alors que vous frappez la tête sur le sol, rebobinez/remplacez le fil de nylon en suivant les procédures décrites sous « Installation ou suppression de la tête à fils de nylon » et « Enrouler un nouveau fil de nylon sur la bobine ».
- Ne frappez pas l'outil contre une surface de béton ou de bitume. Vous risqueriez d'endommager l'appareil.

ASSEMBLAGE

⚠ AVERTISSEMENT :

- Assurez-vous toujours que l'outil est hors tension et la batterie retirée avant d'effectuer toute intervention sur l'outil.** Si vous ne mettez pas l'outil hors tension et ne retirez pas la batterie, vous risquez de vous blesser gravement suite à un démarrage accidentel.
- Ne démarrez jamais l'outil avant qu'il soit parfaitement assemblé.** Si vous le faites fonctionner alors qu'il n'est pas parfaitement assemblé, vous risquez de vous blesser gravement suite à un démarrage accidentel.

Installation de la poignée avant (Fig. 12)

Placez la poignée avant sur le support de poignée avant et fixez-la à l'aide d'un boulon hexagonal et de l'écrou de serrage fourni avec le coupe herbe, comme illustré par la figure. À ce moment, le boulon hexagonal doit être installé à partir du côté où le port de verrouillage du boulon hexagonal et l'écrou de serrage doit être installé du côté opposé.

REMARQUE :

- La poignée avant possède une rainure de bord à bord dans sa zone de montage. Cette rainure vous permet de fixer facilement la poignée avant au support de poignée avant.

L'angle de la poignée avant est réglable. Pour régler l'angle de la poignée avant, déverrouillez l'écrou de serrage, ajustez la poignée avant à l'angle qui vous convient, puis reverrouillez fermement l'écrou de serrage dans le sens des aiguilles d'une montre.

Installation du protège-lame

⚠ AVERTISSEMENT :

- En installant le protège-lame, veillez à ne pas toucher la lame acérée qui coupe le fil de nylon.** En cas de contact, vous risquez de vous blesser.

Installez le protège-lame en le montant au boîtier du moteur de sorte que le fil de nylon ne se coince pas entre le protège-lame et le boîtier, puis vissez-le en position à l'aide de deux vis. Avant de démarrer le coupe herbe, retirez le couvre-lame du coupe-fil. (Fig. 13)

Installation ou suppression de la tête à fils de nylon

⚠ ATTENTION :

- Avant d'installer ou de retirer la tête à fils de nylon (couvre-bobine et/ou bobine), veillez à ce que l'outil soit hors tension et que la batterie soit retirée.** Si vous ne mettez pas l'outil hors tension et ne retirez pas la batterie, vous risquez de vous blesser gravement.

⚠ ATTENTION :

- En installant ou en retirant la tête à fils de nylon, veillez à ne pas toucher le coupe-fil fourni sur le protège-lame.** En cas de contact, vous risquez de vous blesser.

Pour retirer la tête à fils de nylon (bobine et couvre-bobine) du coupe herbe, appuyez fermement sur les

loquets des deux côtés du couvre-bobine et soulevez-le. (Fig. 14 et 15)

NOTE :

- Assurez-vous que le ressort est installé à l'intérieur du support de la bobine.

Pour installer une tête à fils de nylon nouvellement enroulée (bobine et couvre-bobine) sur le coupe herbe, alignez l'orifice du fil de nylon et l'encoche du port d'installation de la tête à fils de nylon du coupe herbe, puis appuyez jusqu'à ce que vous entendiez un clic. (Fig. 16)

Enrouler un nouveau fil de nylon sur la bobine

Retirez la bobine du couvre-bobine et retirez le fil de nylon restant de la bobine. (Fig. 17)

Insérez un fil de nylon sur le dispositif de retenue illustré dans la figure. (Fig. 18)

Enroulez-le bien serré sur la bobine dans la direction de la flèche de sorte que la surface du fil de nylon enroulé soit uniforme. (Fig. 19)

Fixez provisoirement un fil de nylon à l'encoche, comme illustré dans la figure. (Fig. 20)

Faites passer le fil de nylon à travers l'orifice du fil de nylon du couvre-bobine. (Fig. 21)

Après avoir installé la tête à fils de nylon, veillez à ce que le fil ressorte en appuyant sur la bobine et en tirant sur le fil de nylon. (Fig. 22)

FONCTIONNEMENT

Installation de la bandoulière (Fig. 23)

Accrochez la bandoulière à un trou de la poignée avant.

Fonctionnement

⚠ ATTENTION :

- Ne coupez pas les herbes hautes en une seule fois.** Couper des herbes hautes en un seul passage au niveau des racines peut enrouler et emmêler les tiges autour de l'axe du moteur, entraîner sa surchauffe et endommager le coupe herbe.

⚠ ATTENTION :

- Utilisez le coupe herbe en veillant à ce que la bobine n'entre pas en contact avec la surface du sol.** Utiliser la bobine en la mettant en contact avec la surface du sol peut entraîner la surchauffe du moteur et endommager le coupe herbe. (Fig. 24 et 25)

⚠ ATTENTION :

- N'utilisez pas le coupe herbe pour tondre des zones d'herbes denses. (Fig. 26)

⚠ ATTENTION :

- N'utilisez pas le coupe herbe comme si vous cherchiez à creuser le sol. (Fig. 27)

Couper l'herbe à proximité d'un arbre, d'un bloc de béton, d'une brique ou d'une pierre (Fig. 28)

Tenez le coupe herbe en l'inclinant de sorte qu'il n'entre pas en contact avec la surface du sol et coupez l'herbe à l'aide de l'extrémité du fil de nylon comme si vous frappiez

le sol. Avec cette technique, il est important que le fil sorte librement car il s'use plus rapidement qu'à l'ordinaire.

REMARQUE :

- Si vous approchez trop le coupe herbe d'un arbre, d'un bloc de béton, d'une brique ou d'une pierre ou autre alors que vous taillez une haie ou effectuez un travail similaire, peut entraîner la rupture du fil à l'intérieur du couvre-bobine. Si cela se produit, retirez la bobine et réinstallez correctement le fil en suivant les instructions de la section « Installation ou suppression de la tête à fils de nylon » et « Enrouler un nouveau fil de nylon sur la bobine ». Vous obtiendrez de meilleurs résultats de coupe en utilisant l'extrémité du fil de nylon. IL est donc recommandé de maintenir l'outil à plus de 5 cm de l'arbre, du bloc de béton, de la brique, de la pierre ou autre objet de ce type.

Démarrez le coupe herbe avant de vous trouver à proximité de l'herbe à couper.

Pour couper l'herbe à l'aide de l'extrémité du fil de nylon, balancez le coupe herbe de droite à gauche en procédant lentement, et en conservant un angle de coupe d'environ 30° par rapport à la surface du sol.

Pour couper des herbes hautes, procédez par étages, en descendant progressivement.

Utilisation de l'outil comme d'un taille-haie

Utiliser l'outil comme un coupe-bordures permet à son opérateur de couper le long du bord du bloc de béton, de la brique ou autre. (Fig. 29)

Pour utiliser l'outil comme un coupe-bordures, tenez d'une main l'arbre de l'outil puis tournez la poignée dans le sens inverse des aiguilles d'une montre pour déverrouiller l'arbre. Faites pivoter à 180° l'arbre avec le boîtier du moteur et verrouillez la poignée dans le sens des aiguilles d'une montre jusqu'à ce qu'elle se bloque. (Fig. 30)

REMARQUE :

- Avant de faire pivoter l'arbre, il doit être entièrement raccourci ou étendu.
- Après être passé en position coupe-bordures, vérifiez que l'arbre et le boîtier du moteur sont verrouillés.

Pour obtenir de bons résultats de coupe, déplacez-vous parallèlement à la bordure le long de laquelle vous allez travailler. (Fig. 31)

Couper l'herbe dans un endroit étroit ou en pente

⚠ AVERTISSEMENT :

- Lorsque vous coupez de l'herbe sur une pente, faites attention aux pierres, brindilles et autres objets susceptibles d'être expulsés de la tête de coupe.
- Lorsque vous coupez de l'herbe sur une pente, veillez à toujours vous trouver en bon équilibre.

Pour travailler plus facilement dans un endroit étroit où la hauteur est réduite (sous un porche ou une terrasse, par exemple), enfoncez le bouton de verrouillage, puis abaissez la tête de coupe de sorte que l'arbre soit parallèle à la surface du sol. Ajuster l'angle de la tête de coupe de cette manière facilite la coupe d'herbe sur une pente. (Fig. 32)

ENTRETIEN

AVERTISSEMENT :

- Assurez-vous toujours que l'outil est hors tension et la batterie retirée avant d'effectuer toute opération d'inspection ou d'entretien sur l'outil. Si vous ne mettez pas l'outil hors tension et ne retirez pas la batterie, vous risquez de vous blesser gravement suite à un démarrage accidentel.

NOTE :

N'utilisez jamais d'essence, de benzine, de diluant, d'alcool ou de produit similaire. Ces produits risquent de provoquer des décolorations, des déformations ou des fissures.

Pour garantir la SÉCURITÉ et la FIABILITÉ du produit, les réparations ainsi que tout autre travail d'entretien ou de réglage doivent être effectués dans un centre d'entretien Makita agréé, exclusivement avec des pièces de rechange Makita.

ACCESSOIRES FOURNIS EN OPTION

ATTENTION :

- Ces accessoires ou pièces complémentaires sont recommandés pour être utilisés avec l'outil Makita spécifié dans ce mode d'emploi. L'utilisation de tout autre accessoire ou pièce complémentaire peut comporter un risque de blessure. N'utilisez les accessoires ou pièces qu'aux fins auxquelles ils ont été conçus.

Pour obtenir plus de détails sur ces accessoires, contactez votre Centre de service local Makita.

- Tête à fils de nylon
- Fils de nylon
- Bandoulière
- Lunettes
- Batterie et chargeur Makita d'origine

REMARQUE :

- Certains éléments de la liste peuvent être inclus en tant qu'accessoires standard dans le coffret de l'outil envoyé. Ils peuvent varier suivant les pays.

Bruit ENG905-1
Les niveaux de bruit pondéré A typiques ont été mesurés selon la norme EN786 :

Modèle DUR141

Niveau de pression sonore (L_{pA}) : 75 dB (A)
Niveau de puissance sonore (L_{WA}) : 83,7 dB (A)
Incertitude (K) : 2,5 dB (A)

Modèle DUR181

Niveau de pression sonore (L_{pA}) : 82 dB (A)
Niveau de puissance sonore (L_{WA}) : 88,5 dB (A)
Incertitude (K) : 2,5 dB (A)

Portez des protections auditives.

Vibrations ENG904-2
La valeur totale des vibrations a été mesurée selon la norme EN786 :

Émission des vibrations (a_h) : 2,5 m/s² ou moins
Incertitude (K) : 1,5 m/s²

ENG901-1

- La valeur de l'émission des vibrations déclarée a été mesurée conformément à la méthode de test standard

et peut être utilisée afin de comparer des outils entre eux.

- La valeur de l'émission des vibrations déclarée peut également être utilisée lors d'une évaluation préliminaire de l'exposition.

AVERTISSEMENT :

- Selon la manière dont l'outil est utilisé, il est possible que l'émission des vibrations pendant l'utilisation réelle de l'outil électrique diffère de la valeur de l'émission déclarée.
- Veillez à identifier les mesures de sécurité destinées à protéger l'opérateur et établies en fonction de l'estimation de l'exposition dans les conditions réelles d'utilisation (en prenant en compte toutes les étapes du cycle de fonctionnement, telles que les périodes de mise hors tension de l'outil, les périodes de fonctionnement au ralenti et les périodes de mise en route).

Pour les pays d'Europe uniquement ENH219-3

Déclaration de conformité CE

Makita déclare que la/les machine(s) suivante(s) :

Nom de la machine :

Coupe herbe sans-fil

N° de modèle/Type : DUR141, DUR181

Spécifications : voir table « SPÉCIFICATIONS ».

sont conformes aux directives européennes suivantes :

2000/14/CE, 2006/42/CE

sont produites conformément aux normes ou documents de normalisation suivants :

EN60745, EN60335, EN50636

Le dossier technique conforme à la norme 2006/42/CE est disponible auprès de :

Makita, Jan-Baptist Vinkstraat 2, 3070, Belgique

La procédure d'évaluation de la conformité requise par la directive 2000/14/CE est conforme à l'annexe VI.

Organisme notifié :

TÜV Rheinland LGA Products GmbH

Tillystraße 2

90431 Nürnberg, Allemagne

Numéro d'identification 0197

Modèle DUR141

Niveau de puissance sonore mesurée : 83,7 dB (A)

Niveau de puissance sonore garantie : 85 dB (A)

Modèle DUR181

Niveau de puissance sonore mesurée : 88,5 dB (A)

Niveau de puissance sonore garantie : 91 dB (A)

1. 10. 2015



Yasushi Fukaya

Directeur


Makita, Jan-Baptist Vinkstraat 2, 3070, Belgique

DEUTSCH (Originalanweisungen)

Erklärung der Gesamtdarstellung

- | | | |
|----------------------|---|---------------------------------|
| 1. Anzeige | 12. Anzeigenlampen | 22. Feder |
| 2. Ein/Aus-Schalter | 13. Akkuprüftaste | 23. Spulenhalter |
| 3. Akkublock | 14. Arretiertaste | 24. Nylonseil |
| 4. Vorderer Griff | 15. Schaft | 25. Halterung für Nylonseilende |
| 5. Klemmmutter | 16. Griff | 26. Spule |
| 6. Verschlussgriff | 17. Sechskantschraube | 27. Schultergurt |
| 7. Schutz | 18. Schrauben | 28. Haken |
| 8. Nylon-Schneidkopf | 19. Abschneiderabdeckung | 29. Motorgehäuse |
| 9. Roter Bereich | 20. Loch für Nylonseil | 30. Arretiertaste |
| 10. Taste | 21. Einkerbung in der Halterung für den Nylon-Schneidkopf | |
| 11. Sternmarkierung | | |

TECHNISCHE DATEN







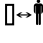






Modell	DUR141		DUR181	
Leerlauf-Drehzahl	6.000 min ⁻¹		7.800 min ⁻¹	
Gesamtlänge	1.229 bis 1.433 mm		1.229 bis 1.433 mm	
Schneiddurchmesser mit Nylon-Schneidkopf	260 mm		260 mm	
Nettogewicht	2,8 kg	3,0 kg	2,9 kg	3,1 kg
Nennspannung	14,4 V Gleichspannung		18 V Gleichspannung	
 Standard-Akkublock(s) ⚠️ Warnung: Verwenden Sie ausschließlich die angegebenen Akkublocks.	BL1415/ BL1415N	BL1430/ BL1430B/ BL1440/ BL1450	BL1815/ BL1815N/ BL1820/ BL1820B	BL1830/ BL1830B/ BL1840/ BL1840B/ BL1850/ BL1850B/ BL1860B

- Aufgrund unserer beständigen Forschungen und Weiterentwicklungen sind Änderungen an den hier angegebenen Technischen Daten ohne Vorankündigung vorbehalten.
- Die Technischen Daten und der Akkublock können in den einzelnen Ländern Abweichungen aufweisen.
- Gewicht, mit Akkublock, ermittelt gemäß EPTA-Verfahren 01/2003

Symbole

END017-4

Im Folgenden sind die im Zusammenhang mit diesem Gerät verwendeten Symbole dargestellt. Machen Sie sich vor der Benutzung des Geräts unbedingt mit diesen Symbolen vertraut!

- | | | | |
|--|--|---|---|
|  | Besondere Aufmerksamkeit erforderlich! |  | Tragen Sie stets Helm, Schutzbrille und Gehörschutz. |
|  | Lesen Sie die Bedienungsanleitung! |  | Tragen Sie Schutzhandschuhe. |
|  | Gefahr; achten Sie auf umherfliegende Gegenstände. |  | Tragen Sie festes Schuhwerk mit rutschfester Sohle. Empfohlen werden Arbeitsschutzschuhe mit Stahlkappen. |
|  | Der Abstand zwischen Werkzeug und Umstehenden muss mindestens 15 m betragen. |  | Setzen Sie das Werkzeug keiner Feuchtigkeit aus. |
|  | Halten Sie Umstehende fern. |  | Maximal zulässige Drehzahl des Werkzeugs |
|  | Halten Sie einen Abstand vom mindestens 15 m ein. |  | Nur für EU-Länder
Entsorgen Sie Elektrowerkzeuge, Batterien und Akkus nicht über den Hausmüll!
Gemäß der Europäischen Richtlinie über Elektro- und Elektronik- Altgeräte und über Batterien und Akkumulatoren sowie Altbatterien und Altkumulatoren und ihrer Umsetzung |
|  | Vermeiden Sie einen Rückschlag. | | |

in nationales Recht müssen verbrauchte Elektrowerkzeuge sowie Altbatterien und Altkumulatoren getrennt gesammelt und einer umweltgerechten Wiederverwertung zugeführt werden.

WICHTIGE SICHERHEITSREGELN

GEB092-5

⚠️ WARNUNG! Lesen Sie alle Sicherheitswarnungen und -anweisungen aufmerksam durch. Bei Nichtbeachten dieser Sicherheitshinweise und Anweisungen kann es zu einem Stromschlag, einem Brand und/oder schweren Verletzungen kommen.

Bewahren Sie alle Warnhinweise und Anweisungen zum späteren Nachschlagen gut auf.

1. **Machen Sie sich mit der Bedienung und der ordnungsgemäßen Verwendung des Werkzeugs vertraut.**
2. **Die Schneidelemente drehen sich nach dem Ausschalten des Motors eine gewisse Zeit weiter.**
3. **Erlauben Sie Kindern oder Erwachsenen, die diese Anleitungen nicht kennen, NIEMALS den Gebrauch dieses Werkzeugs.**
4. **Stoppen Sie dieses Werkzeug, wenn sich Personen, vor allem Kinder, oder Haustiere nähern.**
5. **Betreiben Sie dieses Werkzeug nur bei Tageslicht oder bei ausreichender künstlicher Beleuchtung.**
6. **Prüfen Sie das Werkzeug vor jeder Nutzung und nach jedem Zwischenfall auf Anzeichen von Verschleiß oder Schäden, und sorgen Sie ggf. für eine Reparatur.**
7. **Beachten Sie die Verletzungsgefahr, die von allen Mitteln zum Nachstellen der Länge des Faserseils ausgeht. Bringen Sie das Werkzeug nach dem Ausziehen des Schneidseils wieder in die normale Arbeitsposition, bevor Sie den Motor einschalten.**
8. **Setzen Sie niemals Schneidelemente aus Metall ein.**
9. **Dieses Gerät darf nicht von Personen (einschließlich Kindern) mit verminderten physischen, sensorischen oder psychischen Fähigkeiten, oder fehlenden Erfahrungen und Kenntnissen bedient werden, es sei denn, sie werden beaufsichtigt oder wurden in der Anwendung des Geräts von einem Sicherheitsverantwortlichen unterwiesen. Kleinkinder sind zu beaufsichtigen, um sicherzustellen, dass sie nicht mit diesem Gerät spielen.**
10. **Verwenden Sie das Werkzeug mit äußerster Aufmerksamkeit und Achtung.**
11. **Betreiben Sie das Werkzeug nur, wenn Sie in guter physischer Verfassung sind. Führen Sie alle Arbeiten ruhig und mit Vorsicht aus. Setzen Sie Ihren gesunden Menschenverstand ein und beachten Sie, dass der Benutzer für Unfälle oder Gefahren mit anderen Personen oder deren Eigentum verantwortlich ist.**

12. **Betreiben Sie das Werkzeug niemals, wenn Sie sich müde oder krank fühlen oder wenn Sie unter dem Einfluss von Alkohol oder Medikamenten stehen.**
13. **Schalten Sie das Werkzeug bei jedem Anzeichen eines ungewöhnlichen Verhaltens sofort aus.**

Verwendungszweck des Werkzeugs

1. **Verwenden Sie das richtige Werkzeug. Der Akku-Rasentrimmer ist ausschließlich zum Schneiden von Gras und leichtem Unkraut vorgesehen. Das Werkzeug darf nicht für andere Zwecke verwendet werden, beispielsweise zum Beschneiden von Hecken, da dies zu Verletzungen führen kann.**

Persönliche Schutzausrüstung (Abb. 1 u. 2)

1. **Tragen Sie geeignete Kleidung. Die Kleidung sollte funktional und geeignet sein, d. h. sie sollte eng anliegen, jedoch nicht behindern. Das Tragen von Schmuck und Kleidung, die sich in hohem Gras verfangen können, ist nicht zulässig. Tragen Sie langes Haar unter einer geeigneten Kopfbedeckung.**
2. **Tragen Sie beim Arbeiten mit dem Werkzeug stets feste Schuhe mit rutschfester Sohle. Derartige Schuhe schützen vor Verletzungen und geben einen sicheren Halt.**
3. **Tragen Sie eine Schutzbrille.**

Sicherheit bezüglich Elektrizität und Akkus

1. **Vermeiden Sie gefährliche Umgebungsbedingungen. Verwenden Sie das Werkzeug nicht an feuchten Standorten und setzen Sie es keinem Regen aus. Wenn Wasser in das Werkzeug eindringt, erhöht dies die Gefahr eines elektrischen Schlags.**
2. **Der Akku darf nur mit dem vom Hersteller vorgegebenen Ladegerät aufgeladen werden. Ein Ladegerät, das sich für den eigenen Akkutyp eignet, kann bei der Verwendung mit einem anderen Akku eine Brandgefahr darstellen.**
3. **Elektrowerkzeuge und Elektrogeräte dürfen nur mit dem speziell dafür vorgesehenen Akkus verwendet werden. Bei Verwendung anderer Akkus besteht Verletzungs- und Brandgefahr.**
4. **Verbrennen Sie niemals nicht mehr verwendbare Akkus. Die Akkuzelle kann explodieren. Beachten Sie die örtlichen Vorschriften bezüglich Sondervorschriften zur Entsorgung.**
5. **Öffnen oder beschädigen Sie die Akkus nicht. Austretender Elektrolyt ist ätzend und kann Verletzungen der Augen oder der Haut verursachen. Bei Verschlucken von Elektrolyt kann es zu Vergiftungen kommen.**

Starten des Werkzeugs (Abb. 3)

1. **Vergewissern Sie sich, dass sich in einem Arbeitsbereich von 15 m keine Kinder oder andere Personen aufhalten, achten Sie außerdem auf Tiere im Arbeitsbereich. Stoppen Sie andernfalls den Betrieb des Werkzeugs.**
2. **Überprüfen Sie vor jeder Verwendung, ob das Werkzeug betriebssicher ist. Prüfen Sie die Sicherheit des Schneidwerkzeugs und des Schutzes sowie den Ein/Aus-Schalter und Hebel**

auf Leichtigkeit und ordnungsgemäße Funktion. Stellen Sie sicher, dass die Griffe sauber und trocken sind und testen Sie die Funktion des Ein/Aus-Schalters.

3. Überprüfen Sie das Werkzeug vor der Verwendung auf beschädigte Teile. Beschädigte Schutzvorrichtungen oder sonstige beschädigte Teile müssen sorgfältig überprüft werden, um sicherzustellen, dass diese Teile noch ordnungsgemäß funktionieren und ihren beabsichtigten Zweck erfüllen. Überprüfen Sie die Ausrichtung beweglicher Teile, deren Verbindung und ob Teile beschädigt sind. Vergewissern Sie sich darüber hinaus, dass die Montage korrekt ist und keine Umstände vorliegen, die den ordnungsgemäßen Betrieb stören könnten. Sofern in dieser Bedienungsanleitung nicht anders angegeben, müssen beschädigte Schutzvorrichtungen und sonstige beschädigte Teile durch unser autorisiertes Fachpersonal ordnungsgemäß repariert oder ausgetauscht werden.
4. Schalten Sie den Motor nur ein, wenn Hände und Füße nicht in der Nähe des Schneidwerkzeugs sind.
5. Stellen Sie vor dem Starten sicher, dass das Schneidwerkzeug keine harten Gegenstände (Geäst, Steine usw.) berührt, da sich das Schneidwerkzeug beim Starten zu drehen beginnt.

Handhabung

1. Betreiben Sie das Werkzeug niemals ohne alle ordnungsgemäß befestigten oder mit beschädigten Schutzvorrichtungen.
2. Verwenden Sie das Werkzeug nur bei guten Licht- und Sichtverhältnissen. Achten Sie im Winter auf rutschige oder nasse Bereiche, z. B. auf vereiste oder schneebedeckte Flächen (Rutschgefahr). Sorgen Sie immer für einen sicheren Stand.
3. Beachten Sie die Verletzungsgefahr für Füße und Hände durch das Schneidwerkzeug.
4. Halten Sie Hände und Füße zu jeder Zeit von Schneidwerkzeugen fern, dies gilt insbesondere beim Starten des Motors.
5. Schneiden Sie niemals über Hüfthöhe.
6. Betreiben Sie das Werkzeug niemals auf einer Leiter stehend.
7. Arbeiten Sie niemals auf nicht stabilen Flächen.
8. Übernehmen Sie sich nicht. Achten Sie jederzeit auf sicheren Stand und sicheres Gleichgewicht.
9. Achten Sie auch an Hängen immer auf einen sicheren Stand.
10. Gehen Sie, rennen Sie niemals.
11. Entfernen Sie Sand, Steine, Nägel usw. aus dem Arbeitsbereich. Fremdkörper können das Schneidwerkzeug beschädigen oder davon geschleudert werden, wodurch es zu schweren Verletzungen kommen kann.
12. Berühren Sie niemals gefährlichen beweglichen Teile, bevor das Gerät vom Stromnetz getrennt wurde und die gefährlichen beweglichen Teile zum völligen Stillstand gekommen sind.
13. Sollte das Schneidwerkzeug durch Steine oder andere harte Gegenstände getroffen werden,

schalten Sie sofort den Motor aus und überprüfen Sie das Schneidwerkzeug.

14. Vergewissern Sie sich vor Beginn des Schnitts, dass das Schneidwerkzeug die volle Arbeitsdrehzahl erreicht hat.
15. Halten Sie das Werkzeug während des Betriebs stets mit beiden Händen. Halten Sie das Werkzeug während des Betriebs niemals mit nur einer Hand. Sorgen Sie immer für einen sicheren Stand.
16. Während des Betriebs müssen alle mit dem Werkzeug gelieferten Schutzvorrichtungen wie beispielsweise Abdeckungen ordnungsgemäß am Werkzeug befestigt sein.
17. Lassen Sie das Werkzeug niemals (außer in einem Notfall) auf den Boden fallen, da dadurch das Werkzeug beschädigt werden kann.
18. Ziehen Sie das Werkzeug beim Umsetzen an einen anderen Ort niemals über den Boden, da das Werkzeug bei dieser Art des Transports beschädigt werden kann.
19. Ziehen Sie in den folgenden Fällen stets den Akkublock vom Werkzeug ab:
 - wenn Sie das Werkzeug unbeaufsichtigt lassen,
 - bevor Sie eine Verstopfung beheben,
 - vor Überprüfen, Reinigen oder sonstigen Arbeiten am Werkzeug,
 - vor dem Vornehmen von Einstellungen, dem Wechseln von Zubehörteilen und dem Einlagern,
 - sobald Sie ungewöhnliche Vibrationen am Werkzeug bemerken,
 - beim Transportieren der Maschine.
20. Üben Sie keinen Druck auf das Werkzeug aus. So können Sie die Aufgaben besser und mit geringerem Verletzungsrisiko bei Auslegungsdrehzahl durchführen.

Wartungsanweisungen

1. Vor dem Beginn von Arbeiten müssen Sie den Zustand des Schneidwerkzeugs und der Schutzvorrichtungen überprüfen.
2. Schalten Sie den Motor aus und entfernen Sie den Akkublock, bevor Sie Wartungsarbeiten durchführen, das Schneidwerkzeug ersetzen oder das Werkzeug oder das Schneidwerkzeug reinigen.
3. Ziehen nach Gebrauch des Werkzeugs den Akkublock ab, und inspizieren Sie auf Schäden.
4. Prüfen Sie das Werkzeug auf lose Befestigungsteile und beschädigte Teile wie z. B. nahezu abgeschnittene Schneidseile im Schneidwerkzeug.
5. Wenn das Werkzeug nicht verwendet wird, lagern Sie das Werkzeug an einem trockenen Ort, der verschlossen oder sonst wie für Kinder unzugänglich ist.
6. Verwenden Sie ausschließlich vom Hersteller empfohlene Ersatz- und Zubehörteile.
7. Achten Sie stets darauf, dass Belüftungsöffnungen frei von Fremdkörpern sind.
8. Überprüfen und warten Sie das Werkzeug regelmäßig, insbesondere vor und nach der Verwendung. Lassen Sie das Werkzeug ausschließlich von unserem autorisierten Servicecenter reparieren.

9. Halten Sie Griffe trocken, sauber und frei von Öl und Schmiermitteln.

BEWAHREN SIE DIESE ANLEITUNG SORGFÄLTIG AUF.

⚠️ WARNUNG:

Lassen Sie sich NIE durch Bequemlichkeit oder (aus fortwährendem Gebrauch gewonnener) Vertrautheit mit dem Werkzeug dazu verleiten, die Sicherheitsregeln für das Werkzeug zu missachten. Bei MISSBRÄUHLICHER Verwendung des Werkzeugs oder Missachtung der in diesem Handbuch enthaltenen Sicherheitshinweise kann es zu schweren Verletzungen kommen.

WICHTIGE SICHERHEITSHINWEISE

ENC007-11

FÜR AKKUBLOCK

1. Lesen Sie vor der Verwendung des Akkublocks alle Anweisungen und Sicherheitshinweise für das Akkuladegerät (1), den Akku (2) und das Produkt (3), für das der Akku verwendet wird, sorgfältig durch.
2. Der Akkublock darf nicht zerlegt werden.
3. Falls die Betriebsdauer erheblich kürzer wird, beenden Sie den Betrieb umgehend. Andernfalls besteht die Gefahr einer Überhitzung sowie das Risiko möglicher Verbrennungen und sogar einer Explosion.
4. Wenn Elektrolyt in Ihre Augen gerät, waschen Sie diese mit klarem Wasser aus und suchen Sie sofort einen Arzt auf. Andernfalls können Sie Ihre Sehfähigkeit verlieren.
5. Vermeiden Sie einen Kurzschluss des Akkublocks:
 - (1) Die Kontakte dürfen nicht mit leitendem Material in Berührung kommen.
 - (2) Der Akkublock darf nicht in einem Behälter aufbewahrt werden, in dem sich andere metallische Gegenstände wie beispielsweise Nägel, Münzen usw. befinden.
 - (3) Der Akkublock darf weder Feuchtigkeit noch Regen ausgesetzt werden.Ein Kurzschluss des Akkus kann zu hohem Kriechstrom, Überhitzung, möglichen Verbrennungen und sogar zu einer Zerstörung des Werkzeugs führen.
6. Werkzeug und Akkublock dürfen nicht an Orten aufbewahrt werden, an denen Temperaturen von 50°C oder darüber erreicht werden können.
7. Beschädigte oder verbrauchte Akkus dürfen nicht verbrannt werden. Der Akkublock kann in den Flammen explodieren.
8. Lassen Sie den Akku nicht fallen und vermeiden Sie Schläge gegen den Akku.
9. Verwenden Sie niemals einen beschädigten Akku.
10. Die enthaltenen Lithium-Ionen-Akkus unterliegen den gesetzlichen Bestimmungen über Gefahrgüter.

Beim kommerziellen Transport durch Dritte, z. B. Speditionsunternehmen, sind die besonderen Verpackungs- und Kennzeichnungsvorschriften zu beachten.

Es ist unbedingt erforderlich, einen Fachmann für Gefahrstoffe bei der Vorbereitung der Ware für den Versand zu konsultieren. Bitte beachten Sie auch die geltenden nationalen Bestimmungen, die möglicherweise weitere Maßnahmen vorschreiben. Offene Kontakte müssen abgeklebt oder abgedeckt werden und der Akku muss so verpackt werden, dass er in der Verpackung nicht verrutschen kann.

11. Befolgen Sie die in Ihrem Land geltenden Bestimmungen bzgl. der Entsorgung von Akkus.

BEWAHREN SIE DIESE ANLEITUNG SORGFÄLTIG AUF.

⚠️ ACHTUNG: Verwenden Sie ausschließlich Originalakkus von Makita.

Die Verwendung von Akkus anderer Hersteller als Makita oder von abgeänderten Akkus kann zu einer Explosion der Akkus und in Konsequenz zu Feuer sowie Personen- und Sachschäden führen. Darüber hinaus verfällt die für das Werkzeug und Ladegerät von Makita gültige Makita-Garantie.

Tipps für eine maximale Nutzungsdauer von Akkus

1. Laden Sie den Akkublock auf, bevor der Akku vollständig entladen ist. Sobald Sie eine verringerte Leistung des Werkzeugs bemerken, beenden Sie stets den Betrieb des Werkzeugs und laden Sie den Akkublock auf.
2. Ein voll aufgeladener Akkublock darf niemals erneut geladen werden. Durch Überladungen wird die Lebensdauer des Akkus verkürzt.
3. Laden Sie den Akkublock bei einer Zimmertemperatur von 10°C bis 40°C auf. Lassen Sie einen heißen Akkublock vor dem Aufladen abkühlen.
4. Laden Sie den Akkublock auf, wenn Sie diesen für längere Zeit nicht verwenden (mehr als sechs Monate).

BESCHREIBUNG DER BAUTEILE (Abb. 4)

FUNKTIONSBESCHREIBUNG

⚠️ WARNUNG:

- Stellen Sie unbedingt sicher, dass das Werkzeug ausgeschaltet und der Akkublock abgezogen ist, bevor Sie Überprüfungen oder Einstellungen am Werkzeug vornehmen. Wenn Sie das Werkzeug nicht ausschalten und den Akkublock nicht entfernen, kann dies bei einem versehentlichen Starten zu schweren Verletzungen führen.

Einbauen und Ausbauen des Akkublocks (Abb. 5)

⚠️ ACHTUNG:

- Schalten Sie das Werkzeug stets aus, bevor Sie den Akkublock ein- oder ausbauen.
- **Halten Sie das Werkzeug und den Akkublock sicher fest, wenn Sie den Akkublock ein- oder ausbauen.** Andernfalls könnte Ihnen das Werkzeug oder der Akkublock aus den Händen fallen, sodass das Werkzeug oder der Akkublock beschädigt werden oder diese Verletzungen verursachen.

Zum Ausbauen des Akkublocks müssen Sie die Taste auf der Vorderseite des Akkublocks schieben und gleichzeitig den Akkublock aus dem Gerät herausziehen.

Zum Einsetzen des Akkublocks müssen Sie die Zunge des Akkublocks an der Rille im Gehäuse ausrichten und in die gewünschte Position schieben. Setzen Sie den Akkublock ganz ein, bis er mit einem Klick einrastet. Wenn Sie den roten Bereich oben auf der Taste sehen können, ist der Akkublock nicht ganz eingerastet.

⚠️ ACHTUNG:

- Setzen Sie den Akkublock unbedingt ganz ein, bis der rote Bereich nicht mehr zu sehen ist. Andernfalls kann der Akkublock versehentlich aus dem Werkzeug fallen und Sie oder umstehende Personen verletzen.
- Wenden Sie beim Einsetzen des Akkublocks keine Gewalt an. Wenn der Akkublock nicht leicht hineingleitet, ist er nicht richtig angesetzt.

Akku-Schutzsystem (Lithium-Ionen-Akku ist mit einem Stern gekennzeichnet) (Abb. 6)

Mit einem Stern gekennzeichnete Lithium-Ionen-Akkus verfügen über ein Schutzsystem. Dieses System schaltet die Stromversorgung des Werkzeugs automatisch aus, um die Lebensdauer des Akkus zu verlängern.

Unter folgenden Bedingungen des Werkzeugs und/oder des Akkus kann das Werkzeug während des Betriebs automatisch stoppen:

- Überlastet:
 - Das Werkzeug wird auf eine Weise betrieben, die zu einer anormal hohen Stromaufnahme führt.
 - Lassen Sie in dieser Situation den Ein/Aus-Schalter des Werkzeugs los und beenden Sie die Arbeiten, die zu der Überlastung des Werkzeugs geführt haben. Betätigen Sie anschließend den Ein/Aus-Schalter wieder, um das Werkzeug wieder in Betrieb zu nehmen.
 - Wenn das Werkzeug nicht startet, ist der Akku überhitzt. Lassen Sie in dieser Situation den Akku erst abkühlen, bevor Sie wieder den Ein/Aus-Schalter betätigen.
- Spannung des Akkus zu niedrig:
 - Die noch vorhandene Akkuladung ist zu niedrig, und das Werkzeug startet nicht. Entnehmen Sie in dieser Situation den Akku und laden Sie den Akku wieder auf.

Anzeigen der Restladung des Akkus

(Nur für Akkublöcke mit einem „B“ am Ende der Modellnummer.) (Abb. 7)

Drücken Sie zum Anzeigen der Restladung des Akkus die Akkuprüftaste. Die Anzeigelampen leuchten dann wenige Sekunden lang auf.

Anzeigelampen			Verbleibende Akkuladung
Leuchtet	Aus	Blinkt	
■	□	▬	75% bis 100%
■	■	□	50% bis 75%
■	■	□	25% bis 50%
■	□	□	0% bis 25%
▬	□	□	Laden Sie den Akku auf.
■	■	□	Möglicherweise liegt ein Defekt des Akkus vor.

015658

HINWEIS:

- In Abhängigkeit von den Bedingungen bei Gebrauch und von der Umgebungstemperatur kann der angezeigte Ladezustand geringfügig vom tatsächlichen Ladezustand abweichen.

Betätigung des Netzschalters

⚠️ WARNUNG:

- **Achten Sie vor dem Einsetzen des Akkublocks in das Werkzeug darauf, dass sich der Ein/Aus-Schalter korrekt bedienen lässt und beim Loslassen in die Position „OFF“ (AUS) zurückkehrt. Drücken Sie niemals mit Gewalt auf den Ein/Aus-Schalter, ohne dabei die Arretiertaste zu betätigen. Dadurch kann der Schalter beschädigt werden.** Der Betrieb eines Werkzeugs mit einem nicht ordnungsgemäß auslösenden Schalter kann zum Kontrollverlust und zu schweren Verletzungen führen.

Damit der Ein/Aus-Schalter nicht versehentlich betätigt wird, verfügt das Werkzeug über eine Arretiertaste. Zum Starten des Werkzeugs schieben Sie zuerst die Arretiertaste nach vorn und betätigen Sie dann den Ein/Aus-Schalter. Lassen Sie zum Ausschalten des Werkzeugs den Ein/Aus-Schalter los. (Abb. 8)

Anzeige (Abb. 9)

Bei eingeschaltetem Werkzeug zeigt die Anzeige den Ladezustand des Akkublocks an. Wenn das Werkzeug überlastet wurde und während des Betriebs ausgeschaltet hat, leuchtet die Anzeige rot. Die verschiedenen Anzeigen und die entsprechenden Vorgehensweisen finden Sie in der folgenden Tabelle:

Anzeige	Status	Auszuführende Maßnahme
Die Anzeige blinkt rot.	Dies bedeutet, dass der Akkublock nahezu entladen ist und ausgetauscht werden muss.	Laden Sie den Akkublock möglichst bald auf.
Die Anzeige leuchtet rot. (Hinweis 1)	Dies bedeutet, dass der Akkublock leer ist. Das Werkzeug wird dann sofort ausgeschaltet.	Laden Sie den Akkublock auf.
Die Anzeige leuchtet rot. (Hinweis 1)	Das Werkzeug hat sich wegen Überlastung automatisch ausgeschaltet.	Schalten Sie das Werkzeug aus.

Hinweis 1: Bei welchem Ladezustand die Anzeige aufleuchtet, ist von der Temperatur am Arbeitsort und vom Zustand des Akkublocks abhängig.

012443

Einstellen der Länge des Schafts

WARNUNG:

- Lassen Sie den Ein/Aus-Schalter los und nehmen Sie den Akkublock aus dem Werkzeug, bevor Sie die Länge des Schafts einstellen. Wenn Sie den Ein/Aus-Schalter nicht loslassen und den Akkublock nicht entnehmen, kann es zu schweren Verletzungen kommen.

Zum Einstellen der Länge des Schafts drehen Sie den Griff gegen die Uhrzeigerichtung, bis der Schaft nicht mehr arretiert ist, und drücken Sie den Schaft hinein bzw. ziehen Sie den Schaft heraus, bis die gewünschte Länge gegeben ist. **(Abb. 10)**

Nylon-Schneidkopf

HINWEIS:

- Bei stillstehendem Nylon-Schneidkopf funktioniert das Herausführen des Nylonseils durch Aufstoßen des Schneidkopfs nicht ordnungsgemäß.

Der Nylon-Schneidkopf ist ein Trimmerkopf mit einem einzelnen Nylonseil, das durch das Aufstoßen des Schneidkopfs weiter aus dem Schneidkopf heraustritt. Damit das Nylonseil weiter aus dem Kopf heraustritt, muss der Schneidkopf bei sich drehendem Schneidkopf auf den Boden aufgestoßen werden. Beim weiteren Heraustreten des Nylonseils wird das Nylonseil automatisch vom Abscheider am Schutz auf die richtige Länge geschnitten. **(Abb. 11)**

HINWEIS:

- Wenn das Nylonseil beim Aufstoßen des Schneidkopfs nicht herauskommt, muss das Nylonseil abgewickelt/ersetzt werden. Anleitungen finden Sie unter „Einbauen und Ausbauen des Nylon-Schneidkopfs“ und „Aufwickeln eines neuen Nylonseils auf die Spule“.
- Stoßen Sie das Werkzeug nicht auf Beton oder Asphalt auf. Durch das Aufstoßen auf derartige Flächen kann das Werkzeug beschädigt werden.

ZUSAMMENBAU

WARNUNG:

- **Stellen Sie unbedingt sicher, dass das Werkzeug ausgeschaltet und der Akkublock ausgebaut ist, bevor Sie Arbeiten am Werkzeug vornehmen.** Wenn Sie das Werkzeug nicht ausschalten und den Akkublock nicht entfernen, kann dies bei einem

versehentlichen Starten zu schweren Verletzungen führen.

- **Starten Sie niemals ein noch nicht vollständig zusammengebautes Werkzeug.** Bei Betrieb des Werkzeugs in teilweise zusammengebautem Zustand kann es durch versehentliches Einschalten des Werkzeugs zu schweren Verletzungen kommen.

Montieren des vorderen Griffs (Abb. 12)

Setzen Sie den vorderen Griff auf die Halterung für den vorderen Griff auf und befestigen Sie den Griff mit Hilfe der Sechskantschraube und der Klemmmutter (im Lieferumfang enthalten). Dabei muss die Sechskantschraube von der Seite mit der Arretierung für die Schraube eingesteckt und die Klemmmutter von der anderen Seite aufgeschraubt werden.

HINWEIS:

- Der vordere Griff verfügt am Befestigungspunkt über einen durchgehenden Einschnitt. Dadurch kann der vordere Griff problemlos an die Halterung für den vorderen Griff angebaut werden.

Der Winkel des vorderen Griffs ist einstellbar. Zum Einstellen des Winkels des vorderen Griffs lösen Sie die Klemmmutter, bringen Sie den vorderen Griff in den für die Arbeiten gewünschten Winkel und ziehen Sie die Klemmmutter wieder in Uhrzeigerichtung ordnungsgemäß fest.

Anbauen des Schutzes

ACHTUNG:

- **Achten Sie beim Anbauen des Schutzes darauf, dass Sie den am Schutz angebrachten Nylonseil-Abscheider nicht berühren.** Bei Berühren des Abscheiders kann es zu Verletzungen kommen.

Setzen Sie den Schutz so auf das Motorgehäuse auf, dass das Nylonseil nicht zwischen Schutz und Motorgehäuse eingeklemmt wird, und befestigen Sie den Schutz mit Hilfe von zwei Schrauben. Nehmen Sie die Abscheiderabdeckung vom Seilabscheider ab, bevor Sie den Rasentrimmer starten. **(Abb. 13)**

Einbauen und Ausbauen des Nylon-Schneidkopfs

WARNUNG:

- **Stellen Sie vor dem Einbauen oder Ausbauen des Nylon-Schneidkopfs (sowohl Spulenabdeckung als auch Spule, und im Folgenden so bezeichnet)**

sicher, dass das Werkzeug ausgeschaltet ist und der Akkublock entnommen wurde. Wenn Sie das Werkzeug nicht ausschalten und den Akkublock nicht ausbauen, kann es zu schweren Verletzungen kommen.

ACHTUNG:

- Achten Sie beim Einbauen oder Ausbauen des Nylon-Schneidkopfes darauf, dass Sie den am Schutz angebrachten Nylonseil-Abschneider nicht berühren. Bei Berühren des Abschneiders kann es zu Verletzungen kommen.

Zum Entnehmen des Nylon-Schneidkopfs (Spule und Spulenabdeckung) vom Rasentrimmer drücken Sie kraftvoll auf die Laschen an beiden Seiten der Spulenabdeckung und ziehen Sie den Schneidkopf nach oben ab. (Abb. 14 und 15)

HINWEIS:

- Stellen Sie sicher, dass sich die Feder im Inneren des Spulenhalters befindet.

Zum Einbauen eines Nylon-Schneidkopfs (Spule und Spulenabdeckung) mit neu aufgewickeltem Seil in den Rasentrimmer richten Sie das Loch für das Nylonseil mit der Einkerbung in der Halterung für den Nylon-Schneidkopf aus und drücken Sie den Nylon-Schneidkopf hinein, bis ein Klickgeräusch zu hören ist. (Abb. 16)

Aufwickeln eines neuen Nylonseils auf die Spule

Nehmen Sie die Spule aus der Spulenabdeckung und entfernen Sie die Reste des verbrauchten Nylonseils von der Spule. (Abb. 17)

Setzen Sie ein Nylonseil in die in der Abbildung dargestellte Halterung ein. (Abb. 18)

Wickeln Sie das Seil fest und gleichmäßig in Richtung des Pfeils auf die Spule. Die Oberfläche des aufgewickelten Nylonseils muss über den gesamten Wickel hinweg gleichmäßig aussehen. (Abb. 19)

Befestigen Sie das Nylonseil vorübergehend in der in der Abbildung dargestellten Kerbe. (Abb. 20)

Führen Sie das Nylonseil durch das Loch für das Nylonseil in der Spulenabdeckung. (Abb. 21)

Stellen Sie nach dem Einbauen des Nylon-Schneidkopfs sicher, dass sich das Nylonseil beim Drücken auf die Spule und Ziehen am Nylonseil abwickelt. (Abb. 22)

BETRIEB

Befestigen des Schultergurts (Abb. 23)

Haken Sie den Schultergurt in ein Loch im vorderen Griff ein.

Bedienung

ACHTUNG:

- Mähen Sie hohes Gras nicht in einem Stück. Beim Mähen von hohem Gras in einem Stück bis Wurzelhöhe kann sich Gras um die Welle des Motors des Rasentrimmers schlingen. Dadurch kann der Motor überlastet werden, wodurch der Rasentrimmer beschädigt werden kann.

ACHTUNG:

- Achten Sie bei Verwenden des Trimmers darauf, dass die Spule nicht mit dem Boden in Berührung kommt. Wenn die Spule mit dem Boden in Berührung kommt, kann der Motor überlastet werden, wodurch der Rasentrimmer beschädigt werden kann. (Abb. 24 und 25)

ACHTUNG:

- Bringen Sie den Rasentrimmer nicht mit Gewalt in dichtgewachsenes Gras. (Abb. 26)

ACHTUNG:

- Handhaben Sie den Rasentrimmer nicht, als würden Sie den Boden ausgraben wollen. (Abb. 27)

Mähen von Gras in der Nähe von Bäumen, Betonblöcken, Ziegeln oder Gartensteinen (Abb. 28)

Halten Sie den Rasentrimmer auf eine Höhe geneigt, in der der Rasentrimmer nicht den Boden berührt, und mähen Sie das Gras mit der Spitze des Nylonseils, als würden Sie auf den Boden tippen wollen. Bei derartigen Arbeiten muss das Nylonseil gleichmäßig abgewickelt werden, da sich das Nylonseil schneller als üblich abnutzt.

HINWEIS:

- Wenn der Rasentrimmer beim Mähen von Kanten oder dergleichen zu nah an Bäume, Betonblöcke, Ziegel oder Gartensteine oder ähnliches gelangt, kann es vorkommen, dass das Nylonseil auf der Hälfte in der Spulenabdeckung abgeschnitten wird. Nehmen Sie in diesem Fall die Spule aus der Spulenabdeckung und setzen Sie das Nylonseil ordnungsgemäß wieder ein, wie in den Abschnitten „Einbauen und Ausbauen des Nylon-Schneidkopfs“ und „Aufwickeln eines neuen Nylonseils auf die Spule“ erläutert. Ein Mähen mit der Spitze des Nylonseils führt zu den besten Ergebnissen; es wird daher empfohlen, das Werkzeug mehr als 5 cm entfernt von Bäumen, Betonblöcken, Ziegeln oder Gartensteinen zu halten.

Schalten Sie den Rasentrimmer ein, wenn Sie sich an der zu mähenden Stelle befinden.

Mähen Sie das Gras mit Hilfe der Spitze des Nylonseils. Bewegen Sie die Klemmmutter dabei von rechts nach links und gehen Sie langsam vor. Halten Sie den Rasentrimmer dabei in einem Winkel von ca. 30° zum Boden geneigt.

Mähen Sie bei hohem Gras das Gras schrittweise, beginnend von den Grasspitzen, in kleinen Längen.

Verwenden des Werkzeugs als Kantentrimmer

Bei Handhabung des Rasentrimmers als Kantentrimmer kann der Bediener entlang von Kanten von Betonblöcken, Ziegeln oder ähnlichem mähen. (Abb. 29)

Für die Verwendung des Werkzeugs als Kantentrimmer halten Sie den Rasentrimmer mit einer Hand am Schaft und drehen Sie den Griff gegen den Uhrzeigersinn, um den Schaft zu lösen. Drehen Sie den Schaft mit Motorgehäuse um 180° und drehen Sie den Griff im Uhrzeigersinn fest. (Abb. 30)

HINWEIS:

- Bevor der Schaft gedreht werden kann, muss der Schaft vollständig herausgezogen oder hineingeschoben werden.
- Stellen Sie nach dem Umbau in die Kantentrimmerposition sicher, dass Motorgehäuse und Schaft arretiert sind.

Für ein gutes Ergebnis beim Kantentrimmen bewegen Sie den Rasentrimmer parallel zur zu trimmenden Kante.

(Abb. 31)

Mähen von Gras an beengten Stellen oder Hängen

⚠️ WARNUNG:

- Achten Sie beim Mähen von Gras an Hängen auf Steine, Gras oder sonstige Fremdkörper, die aus dem Bereich des Schneidkopfs geschleudert werden.
- Achten Sie beim Mähen von Gras an Hängen immer auf einen festen und sicheren Stand.

Zur Erleichterung der Arbeit an beengten Stellen mit geringen Höhen, wie z. B. unter Verandaböden oder ähnlichem drücken Sie die Arretiertaste und biegen Sie anschließend den Schneidkopf so nach unten, dass der Schneidkopf parallel zum Schaft steht. Durch Einstellen des Schneidkopfs auf diese Weise auf einen geeigneten Winkel kann das Mähen von Gras an einem Hang erleichtert werden. (Abb. 32)

WARTUNG

⚠️ WARNUNG:

- **Stellen Sie unbedingt sicher, dass das Werkzeug ausgeschaltet und der Akkublock ausgebaut ist, bevor Sie Überprüfungen oder Wartungsarbeiten am Werkzeug vornehmen.** Wenn Sie das Werkzeug nicht ausschalten und den Akkublock nicht entfernen, kann dies bei einem versehentlichen Starten zu schweren Verletzungen führen.

HINWEIS:

Verwenden Sie zum Reinigen niemals Kraftstoffe, Benzin, Verdünner, Alkohol oder ähnliches. Dies kann zu Verfärbungen, Verformungen oder Rissen führen.

Zur Gewährleistung von SICHERHEIT und ZUVERLÄSSIGKEIT des Produkts sollten Reparaturen, Wartungsarbeiten und Einstellungen nur durch von Makita autorisierte Servicecenter durchgeführt und ausschließlich Makita-Ersatzteile verwendet werden.

SONDERZUBEHÖR

⚠️ ACHTUNG:

- Für das in diesem Handbuch beschriebene Makita-Gerät werden die folgenden Zubehör- und Zusatzteile empfohlen. Bei Verwendung anderer Zubehör- und Zusatzteile kann es zu Verletzungen kommen. Verwenden Sie Zubehör- und Zusatzteile nur für den vorgesehenen Zweck.

Informationen zu diesem Zubehör erhalten Sie von Ihrem Makita-Servicecenter.

- Nylon-Schneidkopf
- Nylonseile
- Schultergurt
- Schutzbrille
- Original-Akku und Original-Ladegerät von Makita

Schallpegel

ENG905-1

Typischer A-bewerteter Schallpegel nach EN786:

Modell DUR141

Schalldruckpegel (L_{pA}): 75 dB (A)
Schalleistungspegel (L_{WA}): 83,7 dB (A)
Abweichung (K): 2,5 dB (A)

Modell DUR181

Schalldruckpegel (L_{pA}): 82 dB (A)
Schalleistungspegel (L_{WA}): 88,5 dB (A)
Abweichung (K): 2,5 dB (A)

Tragen Sie Gehörschutz.

Schwingung

ENG904-2

Die Gesamtschwingungsbelastung wird gemäß EN786 bestimmt:

Schwingungsbelastung (a_h): 2,5 m/s² oder weniger
Abweichung (K): 1,5 m/s²

ENG901-1

- Der hier angegebene Wert für die erzeugten Schwingungen wurde gemäß dem genormten Testverfahren ermittelt und kann als Vergleich zu anderen Werkzeugen herangezogen werden.
- Der angegebene Wert für die erzeugten Schwingungen ist außerdem für eine vorbeugende Bewertung der Belastung zu verwenden.

⚠️ WARNUNG:

- Die Schwingungsbelastung kann bei tatsächlichem Gebrauch des Elektrowerkzeugs in Abhängigkeit von der Handhabung des Elektrowerkzeugs von dem hier aufgeführten Wert abweichen.
- Stellen Sie sicher, dass Schutzmaßnahmen für den Bediener getroffen werden, die auf den unter den tatsächlichen Arbeitsbedingungen zu erwartenden Belastungen beruhen (beziehen Sie alle Bestandteile des Arbeitsablaufs ein, also zusätzlich zu den Arbeitszeiten auch Zeiten, in denen das Werkzeug ausgeschaltet ist oder ohne Last läuft).

Nur für europäische Länder

ENH219-3

EG-Konformitätserklärung

Makita erklärt, dass die nachfolgende(n) Maschine(n):

Bezeichnung des Geräts/der Geräte:

Akku-Rasentrimmer

Nummer / Typ des Modells: DUR141, DUR181

Technische Daten: siehe Tabelle „TECHNISCHE DATEN“

den folgenden Richtlinien der Europäischen Union genügt/genügen:

2000/14/EG, 2006/42/EG

Sie werden gemäß den folgenden Standards oder Normen gefertigt:

EN60745, EN60335, EN50636

Die technischen Unterlagen gemäß 2006/42/EG sind erhältlich von:

Makita, Jan-Baptist Vinkstraat 2, 3070, Belgien

Das Verfahren der Konformitätsbewertung, das in der Richtlinie 2000/14/EG verlangt wird, wurde in Übereinstimmung mit Anhang VI durchgeführt.

Benannte Stelle:

TÜV Rheinland LGA Products GmbH

Tillystraße 2

90431 Nürnberg, Deutschland

Kennummer der benannten Stelle: 0197

Modell DUR141

Gemessener Schalleistungspegel: 83,7 dB (A)

Garantierter Schalleistungspegel: 85 dB (A)

Modell DUR181

Gemessener Schalleistungspegel: 88,5 dB (A)

Garantierter Schalleistungspegel: 91 dB (A)

1. 10. 2015

A handwritten signature in black ink, appearing to read 'Yasushi Fukaya'.

Yasushi Fukaya

Direktor

Makita, Jan-Baptist Vinkstraat 2, 3070, Belgien

ITALIANO (Istruzioni originali)

Spiegazione della vista generale

- | | | |
|-------------------------------|---|---|
| 1. Spia | 13. Pulsante di controllo | 23. Portarocchetto |
| 2. Interruttore di accensione | 14. Sicura di accensione | 24. Filo in nylon |
| 3. Batteria | 15. Albero | 25. Fermo per l'estremità del filo in nylon |
| 4. Punto di presa anteriore | 16. Punto di presa | 26. Rocchetto |
| 5. Dado di serraggio | 17. Bullone esagonale | 27. Tracolla |
| 6. Blocco impugnatura | 18. Viti | 28. Gancio |
| 7. Protezione | 19. Copertura della taglierina | 29. Alloggiamento del motore |
| 8. Testina di taglio in nylon | 20. Occhiello per il filo in nylon | 30. Pulsante di bloccaggio |
| 9. Indicatore rosso | 21. Tacca dell'apertura di installazione della testina di taglio in nylon | |
| 10. Pulsante | | |
| 11. Contrassegno a stella | | |
| 12. Spie luminose | 22. Molla | |

CARATTERISTICHE TECNICHE

Modello	DUR141		DUR181	
Velocità a vuoto	6.000 min ⁻¹		7.800 min ⁻¹	
Lunghezza complessiva	1.229 mm - 1.433 mm		1.229 mm - 1.433 mm	
Diametro di taglio con testina di taglio in nylon	260 mm		260 mm	
Peso netto	2,8 kg	3,0 kg	2,9 kg	3,1 kg
Tensione nominale	14,4 V CC		18 V CC	
Batterie standard ⚠ Avvertenza: utilizzare esclusivamente le batterie indicate.	BL1415/ BL1415N	BL1430/ BL1430B/ BL1440/ BL1450	BL1815/ BL1815N/ BL1820/ BL1820B	BL1830/ BL1830B/ BL1840/ BL1840B/ BL1850/ BL1850B/ BL1860B

- Le caratteristiche tecniche riportate di seguito sono soggette a modifiche senza preavviso in virtù del nostro programma continuo di ricerca e sviluppo.
- Le caratteristiche tecniche e le batterie possono differire da paese a paese.
- Peso, comprensivo di batterie, calcolato in base alla Procedura EPTA 01/2003

Simboli

END017-4

Di seguito sono riportati i simboli utilizzati per l'utensile. È importante comprenderne il significato prima dell'uso.



..... Indossare guanti di protezione.



..... Indossare calzature rinforzate con soles antiscivolo. Si consigliano calzature antinfortunistica con puntale in acciaio.



..... Evitare l'esposizione all'umidità.



..... Velocità massima ammessa per l'utensile.



..... Solo per Paesi UE

Non gettare le apparecchiature elettriche o le batterie tra i rifiuti domestici.

Secondo le Direttive Europee sui rifiuti di apparecchiature elettriche ed elettroniche, su batterie e accumulatori e sui rifiuti di batterie e di accumulatori, e la sua attuazione in conformità alle norme nazionali, le apparecchiature elettriche e le batterie esauste devono essere raccolte separatamente, al fine



..... Prestare particolare cura e attenzione.



..... Leggere il manuale di istruzioni.



..... Pericolo; attenzione agli oggetti scagliati.



..... La distanza tra l'utensile e gli astanti deve essere di almeno 15 m.



..... Tenere a distanza gli astanti.



..... Mantenere una distanza di almeno 15 m.



..... Evitare i contraccolpi.



..... Indossare un casco, gli occhiali di protezione e la protezione acustica.

di essere riciclate in modo eco-compatibile.

ISTRUZIONI IMPORTANTI PER LA SICUREZZA

GEB092-5

⚠ AVVERTENZA! Leggere attentamente tutte le avvertenze di sicurezza e le istruzioni. La mancata osservanza delle istruzioni e delle avvertenze riportate di seguito potrebbe provocare scosse elettriche, incendi e/o lesioni gravi.

Conservare tutte le avvertenze e le istruzioni per farvi riferimento in futuro.

1. Acquisire familiarità con i comandi e il corretto utilizzo del prodotto.
2. Gli elementi di taglio continuano a ruotare dopo lo spegnimento del motore.
3. Non permettere l'uso dell'utensile a bambini o persone che non abbiano dimestichezza con le presenti istruzioni.
4. Interrompere l'uso dell'utensile se nelle vicinanze sono presenti animali o persone, in particolare bambini.
5. Utilizzare l'utensile solo alla luce del giorno o in presenza di un'adeguata illuminazione artificiale.
6. Prima di utilizzare l'utensile, ma anche dopo qualsiasi urto, è necessario verificare la presenza di segni di usura o danni ed eventualmente provvedere agli interventi di riparazione necessari.
7. Prestare attenzione ai dispositivi per l'accorciamento del filo da taglio, in quanto possono causare infortuni. Dopo ogni estensione del filo, l'utensile deve essere riportato nella normale posizione operativa prima dell'accensione.
8. Non utilizzare elementi di taglio metallici.
9. Questo prodotto non è destinato all'uso da parte di persone (bambini inclusi) con ridotte capacità fisiche, sensoriali o mentali, o con scarsa esperienza e conoscenza del prodotto, a meno che non siano sotto supervisione o non ricevano istruzioni sull'uso della macchina da una persona responsabile della loro sicurezza. I bambini devono essere tenuti sotto controllo per evitare che giochino con la macchina.
10. Utilizzare l'utensile con la massima cura e attenzione.
11. L'utensile deve essere impiegato solo da persone in buone condizioni fisiche. Eseguire il lavoro con calma e attenzione. Adoperare il buon senso e tenere presente che l'operatore o l'utilizzatore è responsabile di eventuali incidenti o pericoli che possono riguardare altre persone o le loro proprietà.
12. Non utilizzare l'utensile se si è stanchi, ammalati o si è sotto l'influenza di alcool o droghe.
13. Spegnerne immediatamente l'utensile se si rilevano anomalie di funzionamento.

Uso previsto dell'utensile

1. Utilizzare l'utensile adeguato. Il tagliabordi a batteria è destinato esclusivamente al taglio di

erba ed erbacce leggere. Non deve essere utilizzato per alcun altro scopo, ad esempio la potatura di siepi, in quanto potrebbero verificarsi infortuni.

Dispositivi di protezione personale (Fig. 1 e 2)

1. Indossare un abbigliamento adeguato. Gli indumenti che si indossano devono essere funzionali e appropriati, ovvero aderenti ma senza causare impedimento. Non indossare gioielli o abiti che potrebbero impigliarsi nell'erba alta. Indossare una protezione per tenere raccolti i capelli lunghi.
2. Indossare sempre calzature rinforzate con suola antiscivolo durante l'uso dell'utensile. Consentono la protezione dagli infortuni e garantiscono un buon equilibrio.
3. Indossare gli occhiali di protezione.

Sicurezza elettrica e della batteria

1. Evitare gli ambienti pericolosi. Non utilizzare l'utensile in luoghi umidi e non esporlo alla pioggia. Eventuali infiltrazioni d'acqua nell'utensile aumentano il pericolo di folgorazione.
2. Effettuare la ricarica esclusivamente con il caricabatterie specificato dal produttore. Un caricabatterie adatto per uno specifico tipo di batteria potrebbe provocare un pericolo di incendio se utilizzato con un'altra batteria.
3. Utilizzare gli utensili elettrici solo con le batterie specificate. L'uso di batterie diverse può far sorgere il rischio di infortuni o incendi.
4. Non smaltire le batterie nel fuoco. La pila potrebbe esplodere. Fare riferimento alle normative locali per eventuali istruzioni speciali di smaltimento.
5. Non aprire e non menomare le batterie. La fuoriuscita di elettrolita corrosivo può provocare danni agli occhi e alla cute. Non ingerire: rischio di intossicazione.

Avvicinamento dell'utensile (Fig. 3)

1. Assicurarsi che non siano presenti bambini o altre persone in un raggio di 15 metri; prestare inoltre attenzione alla presenza di animali nelle vicinanze dell'area di lavoro. In tal caso, interrompere l'uso dell'utensile.
2. Prima dell'uso, controllare sempre che l'utensile non presenti fattori di rischio per la sicurezza. Controllare la sicurezza dell'utensile da taglio, del coprilama e della leva di comando dell'interruttore, verificando che funzionino in modo agevole e corretto. Controllare che le impugnature siano pulite e asciutte, quindi verificare la funzionalità dell'interruttore.
3. Verificare la presenza di parti danneggiate prima di utilizzare l'utensile. Sottoporre ad accurato controllo il coprilama o altri componenti danneggiati per stabilire se sono in grado di funzionare correttamente e per gli usi previsti. Verificare l'allineamento e il collegamento delle parti mobili, cercare eventuali componenti danneggiati, controllare il montaggio e verificare qualunque altra condizione che incide sul corretto funzionamento. I coprilama o altre parti danneggiate devono essere riparati o sostituiti da

centri assistenza autorizzati, salvo diversa indicazione nel presente manuale.

4. Accendere il motore solo quando le mani e i piedi si trovano a debita distanza dall'utensile di taglio.
5. Prima dell'avviamento, assicurarsi che l'utensile di taglio non sia a contatto con oggetti rigidi quali rami, pietre e così via, poiché all'avvio si verificherà una rotazione dell'utensile.

Modalità di funzionamento

1. Non utilizzare l'utensile se le protezioni sono danneggiate o assenti.
2. Utilizzare l'utensile solo in buone condizioni di luce e visibilità. Durante la stagione invernale prestare attenzione alle aree scivolose o umide, al ghiaccio e alla neve (pericolo di scivolamento). Assicurarsi sempre di avere una buona presa a terra.
3. Prestare attenzione ai possibili infortuni a mani e piedi causati dall'utensile di taglio.
4. Tenere sempre mani e piedi distanti dall'utensile di taglio, soprattutto all'accensione del motore.
5. Non eseguire tagli a un'altezza superiore a quella della vita.
6. Non utilizzare l'utensile mentre ci si trova su una scala.
7. Non lavorare su superfici instabili.
8. Non sporgersi eccessivamente. Mantenere sempre l'equilibrio e un punto d'appoggio adeguati.
9. Accertarsi sempre del proprio punto d'appoggio sui terreni in pendenza.
10. Camminare, senza correre.
11. Rimuovere sabbia, pietre, chiodi, ecc. dall'area di lavoro. I corpi estranei possono danneggiare l'utensile di taglio ed essere scagliati lontano, provocando gravi infortuni.
12. Non toccare le parti mobili pericolose prima di scollegare la macchina dall'alimentazione e prima che le parti mobili si siano completamente fermate.
13. Se l'utensile da taglio colpisce una pietra o un altro oggetto duro, spegnere immediatamente il motore e ispezionare l'utensile da taglio.
14. Prima del taglio è necessario che l'utensile da taglio abbia raggiunto la piena velocità operativa.
15. Reggere sempre l'utensile con entrambe le mani durante l'utilizzo. Non tenere l'utensile con una mano sola durante l'utilizzo. Assicurarsi sempre di avere una buona presa a terra.
16. Durante l'uso devono essere adoperati tutti i dispositivi di protezione forniti con l'utensile (ad esempio i coprilama).
17. Fatti salvi i casi di emergenza, non lasciar cadere o gettare l'utensile a terra: l'impatto potrebbe danneggiarlo gravemente.
18. Non trascinare l'utensile sul terreno durante gli spostamenti da un punto all'altro: l'attrito potrebbe danneggiare l'utensile.
19. Rimuovere sempre la batteria dall'utensile:
 - quando l'utensile rimane incustodito;
 - prima di rimuovere un'ostruzione;
 - prima di ispezionare, pulire o eseguire qualsiasi operazione sull'utensile;

- prima di effettuare regolazioni, cambiare gli accessori o riporre l'utensile;
 - se l'utensile inizia a vibrare in modo anomalo;
 - durante il trasporto dell'utensile.
20. Non forzare l'utensile. Il lavoro verrà svolto meglio e con minori rischi per la sicurezza personale rispettando la velocità per la quale è stato progettato.

Istruzioni per la manutenzione

1. Verificare le condizioni dell'utensile da taglio e dei dispositivi di protezione prima di iniziare il lavoro.
2. Spegnerne il motore e rimuovere la batteria prima di eseguire interventi di manutenzione, sostituzione e pulizia dell'utensile da taglio.
3. Rimuovere sempre la batteria dall'utensile e verificare la presenza di danni dopo ogni utilizzo.
4. Controllare che non vi siano dispositivi di fissaggio allentati o parti danneggiate, ad esempio crepe nell'utensile di taglio.
5. Quando l'utensile non è in uso, conservarlo in un luogo asciutto, chiuso a chiave o comunque fuori dalla portata dei bambini.
6. Utilizzare solamente parti e accessori di ricambio raccomandati dal produttore.
7. Assicurarsi sempre che le prese d'aria siano libere da detriti.
8. Ispezionare ed eseguire regolarmente la manutenzione dell'utensile, in particolare prima e dopo l'uso. Far riparare l'utensile solo presso un centro assistenza autorizzato.
9. Mantenere le impugnature asciutte, pulite e prive di olio e grasso.

CONSERVARE QUESTE ISTRUZIONI.

AVVERTENZA:

Non lasciare che la familiarità acquisita con il prodotto (dovuta all'uso ripetuto) provochi l'inosservanza delle norme di sicurezza. L'uso improprio o la mancata osservanza delle norme di sicurezza indicate in questo manuale possono provocare gravi lesioni personali.

ISTRUZIONI IMPORTANTI PER LA SICUREZZA

ENC007-11

RELATIVE ALLA BATTERIA

1. Prima di utilizzare la batteria, leggere tutte le istruzioni e gli avvisi di sicurezza relativi a (1) caricabatteria, (2) batteria e (3) prodotto utilizzato con la batteria.
2. Non smontare la batteria.
3. Se il tempo di funzionamento è diventato eccessivamente breve, non utilizzare l'utensile. Potrebbero verificarsi surriscaldamenti, ustioni o esplosioni.
4. In caso di contatto dell'elettrolita della batteria con gli occhi, sciacquare con acqua fresca e rivolgersi immediatamente a un medico. Potrebbero verificarsi danni permanenti alla funzionalità visiva.

5. **Non cortocircuitare la batteria:**
 - (1) **Non toccare i terminali della batteria con materiale in grado di condurre elettricità.**
 - (2) **Evitare di conservare la batteria a contatto con oggetti metallici quali chiodi, monete e così via.**
 - (3) **Non esporre le batterie all'acqua o alla pioggia.**

Un cortocircuito può provocare un elevato flusso di corrente, surriscaldamento, ustioni o rotture.
6. **Non conservare l'utensile e la batteria a una temperatura superiore a 50 °C.**
7. **Evitare di smaltire le batterie danneggiate o esaurite bruciandole. Se esposte al fuoco, le batterie possono esplodere.**
8. **Evitare di far cadere o di colpire la batteria.**
9. **Non utilizzare batterie danneggiate.**
10. **Le batterie agli ioni di litio contenute nel dispositivo sono soggette ai requisiti di legge relativi a merci pericolose.**

Per il trasporto commerciale, ad esempio da parte di terzi o di spedizionieri, si devono osservare requisiti speciali di imballaggio ed etichettatura. Durante la preparazione dell'articolo da spedire, è necessario consultare un esperto di materiali pericolosi. Si prega di osservare anche eventuali, ulteriori norme nazionali. Fissare con del nastro adesivo o nascondere i punti di contatto aperti, e imballare la batteria in modo tale che non possa muoversi all'interno dell'imballaggio.
11. **Attenersi alle normative della propria area geografica relative allo smaltimento delle batterie.**

CONSERVARE QUESTE ISTRUZIONI.

⚠ ATTENZIONE: Utilizzare esclusivamente batterie originali Makita.

L'utilizzo di batterie non originali Makita o di batterie modificate, potrebbe dare luogo all'esplosione della batteria, provocando incendi, lesioni personali e danni. Inoltre, tale utilizzo determina l'annullamento della garanzia Makita per l'utensile e il caricabatterie Makita.

Suggerimenti per il prolungamento della durata della batteria

1. **Caricare le batterie prima di scaricarle completamente.**
Se si nota una diminuzione di potenza dell'utensile, interrompere il lavoro e ricaricare la batteria.
2. **Non ricaricare una batteria già completamente carica.**
In caso contrario, la durata operativa della batteria potrebbe ridursi.
3. **Caricare la batteria in ambienti con temperatura compresa tra 10 °C e 40 °C. Prima di caricare una batteria surriscaldata, lasciarla raffreddare.**
4. **Caricare la batteria qualora non venga utilizzata per un lungo periodo (superiore a sei mesi).**

DESCRIZIONE DEI COMPONENTI (Fig. 4)

DESCRIZIONE FUNZIONALE

⚠ AVVERTENZA:

- **Prima di regolare o controllare la funzione dell'utensile, verificare sempre che sia spento e che la batteria sia stata rimossa.** Se l'utensile non è spento e privo di batteria potrebbero verificarsi gravi danni alla persona dovuti a un avviamento accidentale.

Inserimento e rimozione della batteria (Fig. 5)

⚠ ATTENZIONE:

- Spegnerne sempre l'utensile prima di inserire o rimuovere la batteria.
- **Tenere saldamente l'utensile e la batteria durante l'inserimento o la rimozione della batteria.** In caso contrario l'utensile e la batteria potrebbero scivolare dalle mani, causando danni all'utensile e alla batteria o danni alla persona.

Per rimuovere la batteria è sufficiente estrarla dall'utensile facendo scorrere il pulsante nella parte anteriore della batteria.

Per inserire la batteria, allineare la linguetta sulla batteria alla scanalatura nell'alloggiamento e far scorrere la batteria in posizione. Inserire a fondo la batteria fino a quando non si blocca in posizione con uno scatto. Se è visibile l'indicatore rosso sul lato superiore del pulsante significa che la batteria non è completamente inserita.

⚠ ATTENZIONE:

- Inserire a fondo la batteria fino a quando l'indicatore rosso non è più visibile. In caso contrario potrebbe fuoriuscire accidentalmente dall'utensile e provocare danni all'operatore o a eventuali astanti.
- Non forzare l'inserimento della batteria. Se la batteria non scorre agevolmente significa che la manovra di inserimento non è corretta.

Sistema di protezione della batteria (batteria agli ioni di litio con contrassegno a stella) (Fig. 6)

Le batterie agli ioni di litio con contrassegno a stella sono dotate di una sistema di protezione. Questo sistema interrompe automaticamente l'alimentazione dell'utensile per prolungare la durata della batteria.

L'utensile viene spento automaticamente durante l'uso se l'utensile stesso e/o la batteria vengono utilizzati in una delle condizioni riportate di seguito:

- **Sovraccarico:**
L'utensile viene utilizzato con modalità che provocano un anomalo assorbimento di corrente. In questa situazione occorre rilasciare l'interruttore di accensione dell'utensile e interrompere l'operazione che ha provocato il sovraccarico dell'utensile stesso. Azionare di nuovo l'interruttore di accensione per riavviare l'utensile.
Se l'utensile non si avvia si è verificato un surriscaldamento della batteria. In questa situazione occorre far raffreddare la batteria prima di azionare nuovamente l'interruttore di accensione.

- **Bassa tensione della batteria:**
La capacità rimanente della batteria è troppo bassa e non consente di utilizzare l'utensile. In questo caso occorre rimuovere e ricaricare la batteria.

Se l'utensile ha rilevato un carico eccessivo e ha interrotto il lavoro, la spia si illumina in rosso.

Fare riferimento alla seguente tabella per informazioni sullo stato e sull'azione da eseguire in merito alla spia.

Indicazione della capacità residua della batteria

(Solo per batterie il cui codice modello termina con "B").

(Fig. 7)

Premere il pulsante di controllo sulla batteria per visualizzare la capacità residua della batteria. Le spie luminose si illuminano per qualche secondo.

Spie luminose			Capacità residua
Accesa	Spenta	Lampeggiante	
■	□	◐	
■ ■ ■ ■			Dal 75% al 100%
■ ■ ■ □			Dal 50% al 75%
■ ■ □ □			Dal 25% al 50%
■ □ □ □			Dal 0% al 25%
◐ □ □ □			Caricare la batteria.
■ ■ □ □	↑ ↓	□ □ ■ ■	Probabile malfunzionamento della batteria.

015658

NOTA:

- Il valore indicato potrebbe variare leggermente dalla capacità effettiva in base alle condizioni di utilizzo e alla temperatura ambientale.

Azionamento dell'interruttore di accensione

⚠ AVVERTENZA:

- **Prima di inserire la batteria nell'utensile, controllare se l'interruttore di accensione funziona correttamente e ritorna nella posizione "OFF" una volta rilasciato. Non tirare con forza l'interruttore di accensione senza aver prima premuto la sicura di accensione. Si potrebbe causare la rottura dell'interruttore.** L'utilizzo di un utensile con un interruttore che non funziona correttamente può causare la perdita di controllo e infortuni gravi.

La sicura di accensione consente di evitare l'azionamento involontario dell'interruttore di accensione.

Per accendere l'utensile, spingere avanti la sicura di accensione e tirare l'interruttore di accensione. Rilasciare l'interruttore di accensione per spegnerlo. (Fig. 8)

Spia (Fig. 9)

Quando l'utensile è in funzione, la spia indica la capacità residua della batteria.

Spia	Stato	Intervento da eseguire
La spia lampeggia in rosso.	Indica che è il momento adatto per sostituire la batteria, poiché la sua carica è ormai limitata.	Ricaricare la batteria il più presto possibile.
La spia lampeggia in rosso (nota 1).	Questa funzione si attiva quando la batteria è quasi scarica. In questa situazione l'utensile si spegne immediatamente.	Ricaricare la batteria.
La spia lampeggia in rosso (nota 1).	Spegnimento automatico a seguito di sovraccarico.	Spegnere l'utensile.

Nota 1: Il momento di accensione della spia dipende dalla temperatura nell'area di lavoro e dalle condizioni della batteria.

012443

Regolazione della lunghezza dell'albero

⚠ AVVERTENZA:

- Prima di regolare la lunghezza dell'albero, rilasciare l'interruttore di accensione e rimuovere la batteria dai tagliabordi. Se l'interruttore non viene rilasciato e non si rimuove la batteria potrebbero verificarsi gravi danni alla persona.

Per regolare la lunghezza dell'albero, ruotare il punto di presa in senso antiorario fino a sbloccare l'albero e tirare o spingere fino a ottenere la lunghezza desiderata.

(Fig. 10)

Testina di taglio in nylon

AVVISO:

- L'avanzamento mediante battitura non funziona correttamente se la testina di taglio in nylon non è in rotazione.

La testina di taglio in nylon è una testina singola per tagliabordi munita di un meccanismo di avanzamento del filo a battitura.

Per provocare la fuoriuscita del filo in nylon, la testina di taglio deve essere battuta sul terreno con l'utensile acceso. A seguito della fuoriuscita, il filo in nylon viene tagliato automaticamente alla lunghezza corretta dalla tagliera sulla protezione. (Fig. 11)

NOTA:

- Se non si riesce ad estrarre il filo in nylon battendo la testina, riavvolgere o sostituire il filo in nylon seguendo le procedure descritte in "Montaggio o rimozione della testina di taglio in nylon" e "Avvolgimento di un nuovo filo in nylon sul rocchetto".
- Non battere l'utensile sul calcestruzzo o sull'asfalto. Potrebbero verificarsi danni all'utensile.

MONTAGGIO

⚠ AVVERTENZA:

- Prima di eseguire qualunque intervento sull'utensile, verificare sempre che sia spento e che la batteria sia stata rimossa. Se l'utensile non è spento e privo di batteria potrebbero verificarsi gravi danni alla persona dovuti a un avviamento accidentale.
- Non avviare l'utensile se non è stato interamente montato. L'uso di un utensile parzialmente montato può causare gravi danni alla persona dovuti a un avviamento accidentale.

Montaggio del punto di presa anteriore (Fig. 12)

Posizionare il punto di presa anteriore sull'apposito supporto e fissarla sia con un bullone esagonale sia con il dado di serraggio forniti con il tagliabordi, come mostrato nella figura. In questa fase il bullone esagonale deve essere montato dal lato della relativa apertura, mentre il dado di serraggio deve essere montato dal lato opposto.

NOTA:

- Il punto di presa anteriore presenta una scanalatura da bordo a bordo nella sua sede di montaggio. Questa scanalatura consente di montare facilmente il punto di presa anteriore sul relativo supporto.

L'angolo del punto di presa anteriore è regolabile. Per regolare l'angolo del punto di presa, allentare il dado di serraggio, inclinare il punto di presa anteriore in base al lavoro da svolgere e serrare il dado in senso orario.

Montaggio della protezione

⚠ ATTENZIONE:

- Durante il montaggio della protezione evitare il contatto con la tagliarina del filo in nylon presente sulla protezione. Il contatto con la tagliarina può causare danni alla persona.

Montare la protezione sull'alloggiamento del motore in modo che il filo in nylon non si impigli tra la protezione e l'alloggiamento, quindi fissarlo con due viti. Prima di avviare il tagliabordi, rimuovere la copertura della tagliarina dalla tagliarina del filo. (Fig. 13)

Montaggio o rimozione della testina di taglio in nylon

⚠ AVVERTENZA:

- Prima di installare o rimuovere la testina di taglio in nylon (sia la copertura del rocchetto che il rocchetto stesso), accertarsi che l'utensile sia spento e che la batteria sia stata rimossa. Se l'utensile non viene spento e non si rimuove la batteria potrebbero verificarsi gravi danni alla persona.

⚠ ATTENZIONE:

- Durante il montaggio o la rimozione della testina di taglio in nylon evitare il contatto con la tagliarina del filo in nylon presente sulla protezione. Il contatto con la tagliarina può causare danni alla persona.

Per rimuovere la testina di taglio in nylon (rocchetto e relativa copertura) dai tagliabordi, premere i dispositivi di fermo su entrambi i lati della copertura del rocchetto e sollevarli. (Fig. 14 e 15)

AVVISO:

- Assicurarsi che la molla sia montata all'interno del portarocchetto.

Per installare una testina di taglio in nylon nuova (rocchetto e relativa copertura) nei tagliabordi, allineare l'occhiello per il filo in nylon alla tacca dell'apertura di installazione della testina di taglio in nylon sui tagliabordi, quindi premerlo fino a udire uno scatto. (Fig. 16)

Avvolgimento di un nuovo filo in nylon sul rocchetto

Rimuovere il rocchetto dalla relativa copertura ed estrarre il filo in nylon rimanente dal rocchetto. (Fig. 17)

Inserire un filo in nylon sul fermo, come mostrato nella figura. (Fig. 18)

Avvolgerlo intorno al rocchetto nella direzione della freccia, in modo che la superficie del filo in nylon appaia uniforme in tutta l'area di avvolgimento. (Fig. 19)

Fissare temporaneamente il filo in nylon sulla tacca, come mostrato nella figura. (Fig. 20)

Infilare il filo in nylon nell'occhiello per il filo in nylon sulla copertura del rocchetto. (Fig. 21)

Dopo aver montato la testina di taglio in nylon, assicurarsi che il filo in nylon fuoriesca premendo il rocchetto e tirando il filo in nylon. (Fig. 22)

FUNZIONAMENTO

Fissaggio della tracolla (Fig. 23)

Agganciare la tracolla a un foro nel punto di presa anteriore.

Funzionamento

⚠ ATTENZIONE:

- **Non tagliare l'erba alta con una sola operazione.** Il taglio dell'erba alta con un solo passaggio in prossimità delle radici può causare il blocco del mandrino dei tagliabordi, causando un sovraccarico del motore e conseguenti danni ai tagliabordi.

⚠ ATTENZIONE:

- **Utilizzare i tagliabordi senza portare il rocchetto a contatto con il terreno.** Se il rocchetto entra a contatto con il terreno il motore può surriscaldarsi e causare danni ai tagliabordi. (Fig. 24 e 25)

⚠ ATTENZIONE:

- Non forzare il tagliabordi in presenza di erba molto fitta. (Fig. 26)

⚠ ATTENZIONE:

- Non utilizzare il tagliabordi con un movimento simile a quello di scavo. (Fig. 27)

Taglio dell'erba in prossimità di alberi, blocchi di calcestruzzo, mattoni o pietre da giardino (Fig. 28)

Inclinare il tagliabordi in modo che non entri a contatto con il terreno e tagliare l'erba utilizzando la punta del filo in

nylon, come se si dovesse colpire il terreno. Durante questa operazione è necessario alimentare più spesso il filo in nylon, che si usura più rapidamente del solito.

NOTA:

- Avvicinando troppo il tagliabordi a un albero, un blocco di calcestruzzo, un mattone o una pietra da giardino durante il lavoro di taglio, il filo in nylon potrebbe essere tagliato a metà all'interno della copertura del rocchetto. In questo caso, estrarre il rocchetto dalla relativa copertura e sistemarlo seguendo le procedure descritte in "Montaggio o rimozione della testina di taglio in nylon" e "Avvolgimento di un nuovo filo in nylon sul rocchetto". Utilizzando la punta del filo in nylon durante il lavoro si ottengono i migliori risultati; è quindi consigliabile tenere l'utensile ad almeno 5 cm dall'albero, dal blocco di calcestruzzo, dal mattone o dalla pietra da giardino.

Avviare il tagliabordi prima di avvicinarsi all'erba da tagliare.

Tagliare l'erba con la punta del filo in nylon spostando il tagliabordi da destra a sinistra e procedendo lentamente, mantenendo il tagliabordi inclinato di circa 30° rispetto al terreno.

Durante il taglio dell'erba alta, procedere per gradi partendo dall'alto e riducendo di volta in volta la lunghezza di taglio.

Uso dell'utensile come rifilatrice

L'uso dell'utensile come rifilatrice consente all'operatore di tagliare lungo il bordo di blocchi di calcestruzzo, mattoni e simili. (Fig. 29)

Per utilizzare l'utensile come rifilatrice è necessario afferrare l'albero dei tagliabordi con una mano e ruotare il punto di presa in senso antiorario per allentare l'albero. Ruotare l'albero con l'alloggiamento del motore di 180° e serrare il punto di presa in senso antiorario. (Fig. 30)

NOTA:

- Prima di ruotare l'albero è necessario estenderlo o accorciarlo completamente.
- Dopo il passaggio alla posizione di rifilatura occorre assicurarsi che l'alloggiamento del motore e l'albero siano bloccati.

Per ottenere buoni risultati di finitura procedere in parallelo al bordo da rifilare. (Fig. 31)

Taglio dell'erba in ambienti stretti o in pendenza

⚠ AVVERTENZA:

- Quando si taglia l'erba in pendenza è necessario prestare attenzione a pietre, erba e altri corpi estranei scagliati dalla testina di taglio.
- Durante il taglio dell'erba in pendenza è necessario verificare di avere un buon equilibrio.

Per facilitare il lavoro in ambienti stretti che limitano l'altezza, ad esempio sotto un patio in legno e simili, premere il pulsante di bloccaggio e piegare la testina di taglio in modo che l'albero sia parallelo al terreno. La regolazione corretta dell'angolo della testina di taglio facilita il taglio dell'erba in pendenza. (Fig. 32)

MANUTENZIONE

AVVERTENZA:

- Prima di effettuare operazioni di ispezione o manutenzione sull'utensile verificare sempre che sia spento e che la batteria sia stata rimossa. Se l'utensile non è spento e privo di batteria potrebbero verificarsi gravi danni alla persona dovuti a un avviamento accidentale.

AVVISO:

Evitare assolutamente di usare benzina, diluenti, solventi, alcol o sostanze simili. In caso contrario, potrebbero verificarsi scoloriture, deformazioni o incrinature.

Per mantenere la SICUREZZA e l'AFFIDABILITÀ del prodotto, le riparazioni e qualsiasi altra operazione di manutenzione o regolazione devono essere eseguite da un centro assistenza Makita autorizzato, sempre utilizzando ricambi Makita.

ACCESSORI OPZIONALI

ATTENZIONE:

- Si consiglia l'uso dei seguenti accessori per l'utensile Makita descritto in questo manuale. L'uso di qualsiasi altro accessorio potrebbe provocare lesioni personali. Utilizzare gli accessori esclusivamente per l'uso dichiarato.

Per l'assistenza e per ulteriori informazioni su tali accessori, rivolgersi al centro assistenza Makita di zona.

- Testina di taglio in nylon
- Fili in nylon
- Tracolla
- Occhiali di protezione
- Batteria e caricabatteria originali Makita

NOTA:

- Alcuni degli accessori elencati potrebbero essere inclusi nella confezione dell'utensile come accessori standard. Gli accessori standard possono differire da paese a paese.

Rumore ENG905-1

Il tipico livello di rumore ponderato A è determinato in conformità alla norma EN786:

Modello DUR141

Livello di pressione sonora (L_{pA}): 75 dB (A)
Livello di potenza sonora (L_{WA}): 83,7 dB (A)
Variazione (K): 2,5 dB (A)

Modello DUR181

Livello di pressione sonora (L_{pA}): 82 dB (A)
Livello di potenza sonora (L_{WA}): 88,5 dB (A)
Variazione (K): 2,5 dB (A)

Indossare una protezione acustica.

Vibrazioni ENG904-2

Il valore totale delle vibrazioni è determinato in conformità alla norma EN786:

Emissione di vibrazioni (a_h): 2,5 m/s² o inferiore
Variazione (K): 1,5 m/s²

ENG901-1

- Il valore di emissione delle vibrazioni dichiarato è stato misurato in conformità con il metodo di test standard e può essere utilizzato per confrontare tra loro diversi utensili.

- Il valore dell'emissione delle vibrazioni dichiarato può anche essere usato per stime preliminari dell'esposizione.

AVVERTENZA:

- L'emissione delle vibrazioni durante l'uso effettivo dell'utensile elettrico può risultare diversa rispetto al valore dichiarato, in base alla modalità d'uso dell'utensile.
- Assicurarsi di individuare le necessarie misure di sicurezza per proteggere l'operatore in base a una stima dell'esposizione nelle condizioni reali di utilizzo (prendendo in considerazione tutte le fasi del ciclo operativo, come quante volte l'utensile viene spento e i periodi in cui rimane inattivo, oltre al tempo di avviamento).

Solo per i paesi europei

Dichiarazione di conformità CE

ENH219-3

Makita dichiara che le macchine seguenti:

Designazione dell'utensile:
Tagliabordi a batteria
N. modello / Tipo: DUR141, DUR181
Caratteristiche tecniche: vedere la tabella "CARATTERISTICHE TECNICHE".

sono conformi alle seguenti direttive europee:

2000/14/EC, 2006/42/EC

Sono prodotte in conformità agli standard o ai documenti standardizzati riportati di seguito:

EN60745, EN60335, EN50636

Il documento tecnico ai sensi della Direttiva europea 2006/42/EC è disponibile presso:

Makita, Jan-Baptist Vinkstraat 2, 3070, Belgio

La procedura di valutazione della conformità richiesta dalla direttiva 2000/14/EC è stata effettuata secondo quanto specificato nell'allegato VI.

Ente competente:

TÜV Rheinland LGA Products GmbH
Tillystraße 2
90431 Nürnberg, Germania
Numero di identificazione 0197

Modello DUR141

Livello di potenza sonora misurato: 83,7 dB (A)

Livello di potenza sonora garantito: 85 dB (A)

Modello DUR181

Livello di potenza sonora misurato: 88,5 dB (A)

Livello di potenza sonora garantito: 91 dB (A)

1. 10. 2015



Yasushi Fukaya
Direttore

Makita, Jan-Baptist Vinkstraat 2, 3070, Belgio

NEDERLANDS (Originele instructies)

Verklaring van het onderdelenoverzicht

1. Bedrijfslampje	12. Indicatorlampjes	22. Veer
2. Aan/uit-schakelaar	13. Testknop	23. Spoelhouder
3. Accu	14. Uit-vergrendelknop	24. Nyldraad
4. Voorhandgreep	15. Schacht	25. Klem voor nyldraad
5. Klemmoer	16. Vergrendelring	26. Draadspool
6. Vergrendelring	17. Zeskantbout	27. Schouderriem
7. Beschermkap	18. Schroeven	28. Haak
8. Nyldraad-snijkop	19. Meskapje	29. Motorhuis
9. Rode deel	20. Nyldraadopening	30. Vergrendelknop
10. Knop	21. Uitsparing voor het uitsteeksel op de nyldraad-snijkop	
11. Ster-merkteken		

TECHNISCHE GEGEVENS


Model	DUR141		DUR181	
Onbelast toerental	6.000 min ⁻¹		7.800 min ⁻¹	
Totale lengte	1.229 mm - 1.433 mm		1.229 mm - 1.433 mm	
Maaidiameter met nyldraad-snijkop	260 mm		260 mm	
Nettogewicht	2,8 kg	3,0 kg	2,9 kg	3,1 kg
Nominale spanning	14,4 volt gelijkstroom		18 volt gelijkstroom	
Standaardaccu(s) ⚠ Waarschuwing: Gebruik uitsluitend de aangegeven accu(s).	BL 1415/ BL1415N	BL 1430/ BL1430B/ BL1440/ BL1450	BL 1815/ BL1815N/ BL1820/ BL1820B	BL 1830/ BL1830B/ BL1840/ BL1840B/ BL1850/ BL1850B/ BL1860B


- Als gevolg van ons doorlopende onderzoeks- en ontwikkelingsprogramma, zijn de technische gegevens van dit gereedschap onderhevig aan veranderingen zonder voorafgaande kennisgeving.
- Specificaties en accu's kunnen van land tot land verschillen.
- Gewicht, inclusief de accu, volgens de EPTA-procedure 01/2003


Symbolen


END017-4

Hieronder staan de symbolen die voor het gereedschap worden gebruikt. Zorg ervoor dat u weet wat ze betekenen alvorens de accu te gebruiken.


 Draag een veiligheidshelm, veiligheidsbril en gehoorbescherming.


 Draag veiligheidshandschoenen.


 Draag stevige schoenen met antislipzolen. Veiligheidsschoenen met stalen neuzen worden aanbevolen.


 Stel het gereedschap niet bloot aan vuur.


 Toegestaan maximumtoerental.


 Alleen voor EU-landen
Geef elektrisch gereedschap en accu's niet met het huisvuil mee!
Volgens de Europese richtlijn inzake oude elektrische en elektronische apparaten, en inzake batterijen en accu's en oude batterijen en accu's, en de toepassing daarvan binnen de nationale wetgeving, dienen elektrisch gereedschap, accu's en batterijen die het einde van hun levensduur hebben


 Besteed bijzondere zorg en aandacht!


 Lees de gebruiksaanwijzing.

 Gevaar: wees bedacht op opgeworpen voorwerpen.

 De afstand tussen het gereedschap en omstanders moet minstens 15 meter te zijn.

 Houd omstanders uit de buurt.

 Blijf minstens 15 meter uit de buurt.

 Voorkom terugslag.

bereikt, gescheiden te worden ingezameld en te worden afgevoerd naar een recyclebedrijf dat voldoet aan de geldende milieu-eisen.

BELANGRIJKE VEILIGHEIDSinSTRUCTIES GEB092-5

⚠ WAARSCHUWING! Lees alle veiligheidswaarschuwingen en alle instructies. Het niet volgen van de waarschuwingen en instructies kan leiden tot elektrische schokken, brand en/of ernstig letsel.

Bewaar alle waarschuwingen en instructies om in de toekomst te kunnen raadplegen.

1. Zorg dat u vertrouwd bent met de bedieningselementen en het juiste gebruik van het gereedschap.
2. Na het uitschakelen van de motor blijft het snijgarnituur nog even ronddraaien.
3. Laat in geen geval het gereedschap gebruiken door kinderen of personen die niet bekend zijn met de instructies.
4. Onderbreek het gebruik van het gereedschap wanneer andere personen, met name kinderen, of huisdieren in de buurt komen.
5. Gebruik het gereedschap alleen bij daglicht of voldoende kunstlicht.
6. Vóór gebruik van het gereedschap en na iedere botsing, controleert u op tekenen van slijtage of beschadiging, en repareert u het gereedschap zo nodig.
7. Wees voorzichtig dat u geen letsel oploopt door het mesje voor het op lengte afsnijden van de nylondraad. Nadat u de nylondraad hebt uitgetrokken, zet u het gereedschap altijd eerst terug rechtop voordat u hem inschakelt.
8. Monteer nooit een metalen snijgarnituur.
9. Dit gereedschap is niet geschikt voor gebruik door personen (waaronder kinderen) met een verminderd lichamelijk, zintuiglijk of geestelijk vermogen, of gebrek aan kennis en ervaring, behalve indien zij instructies hebben gehad en onder toezicht staan van een persoon die verantwoordelijk is voor hun veiligheid. Kinderen dienen onder toezicht te staan om ervoor te zorgen dat zij niet met het gereedschap spelen.
10. Gebruik het gereedschap met de hoogstmogelijke zorg en aandacht.
11. Gebruik het gereedschap alleen als u in goede lichamelijke conditie bent. Werk altijd rustig en voorzichtig. Gebruik uw gezond verstand en denk eraan dat de gebruiker van het gereedschap verantwoordelijk is voor ongelukken en gevaren die personen of hun eigendommen kunnen overkomen.
12. Bedien het gereedschap nooit wanneer u vermoeid bent, zich ziek voelt, of onder invloed bent van alcohol of drugs.
13. Het gereedschap moet onmiddellijk uitgeschakeld worden als tekenen van een ongebruikelijke werking merkbaar zijn.

Bedoeld gebruik van het gereedschap

1. Gebruik het juiste gereedschap. De accugraskantmaaier is uitsluitend bedoeld voor het maaien van gras en kleine onkruiden. Het mag niet worden gebruikt voor enig ander doel, zoals heggen snoeien, aangezien dit tot letsel kan leiden.

Persoonlijke-veiligheidsuitrusting (zie afb. 1 en 2)

1. Draag geschikte kleding. De te dragen kleding dient functioneel en geschikt te zijn, d.w.z. nauwsluitend zonder te hinderen. Draag geen juwelen of kleding die verstrikt kunnen raken in hoog gras. Draag een haarbedekking om lang haar uit de weg te houden.
2. Draag altijd stevige schoenen met een antislipzool wanneer u het gereedschap gebruikt. Dit beschermt u tegen letsel en garandeert dat u stevig staat.
3. Draag een veiligheidsbril of een spatscherm.

Elektrische veiligheid en accu

1. Vermijd gevaarlijke omgevingen. Gebruik het gereedschap niet op vochtige of natte plaatsen en stel het niet bloot aan regen. Als water binnendringt in het gereedschap, wordt de kans op een elektrische schok groter.
2. Laad alleen op met de acculader aanbevolen door de fabrikant. Een acculader die geschikt is voor een bepaald type accu, kan brandgevaar opleveren indien gebruikt met een ander type accu.
3. Gebruik het gereedschap uitsluitend met de daarvoor bestemde accu. Als u een andere accu erin gebruikt, kan dit leiden tot persoonlijk letsel of brand.
4. Werp de accu niet in een vuur. De accu kan exploderen. Raadpleeg de lokale regelgeving voor mogelijke speciale verwerkingsvereisten.
5. Open of vervorm de accu niet. Het elektrolyt is agressief en kan letsel toebrengen aan de ogen en huid. Het kan giftig zijn bij inslikken.

Het gereedschap inschakelen (zie afb. 3)

1. Controleer of er geen kinderen of andere mensen aanwezig zijn binnen een werkbereik van 15 meter en let ook op of er geen dieren in de werkomgeving zijn. Als dat het geval is, stopt u met het gebruik van het gereedschap.
2. Controleer voor gebruik altijd of het gereedschap veilig is om te gebruiken. Controleer de veiligheid van het snijgarnituur en de beschermkap, en controleer of de aan/uit-schakelaar goed werkt en gemakkelijk kan worden bediend. Controleer of de handgrepen schoon en droog zijn en test de werking van de aan/uit-schakelaar.
3. Controleer op beschadigde onderdelen voordat u het gereedschap verder gebruikt. Een beschermkap of ander onderdeel dat beschadigd is, moet nauwkeurig worden onderzocht om te bepalen of het goed werkt en zijn beoogde functie kan uitvoeren. Controleer of bewegende delen goed uitgelijnd zijn en niet vastgelopen zijn, of onderdelen niet kapot zijn en stevig gemonteerd zijn, en enige andere situatie die van

invloed kan zijn op de werking van het gereedschap. Een beschermkap of ander onderdeel dat beschadigd is, dient vakkundig te worden gerepareerd of vervangen door een erkend servicecentrum, behalve indien anders aangegeven in deze gebruiksaanwijzing.

- Schakel de motor alleen in wanneer de handen en voeten uit de buurt van het snijgarnituur zijn.
- Controleer vóór het starten of het snijgarnituur geen contact maakt met harde voorwerpen, zoals takken, stenen, enz., omdat tijdens het starten het snijgarnituur zal rondraaien.

Gebruiksmethode

- Gebruik het gereedschap nooit met beschadigde beschermkappen of zonder aangebrachte beschermkappen.
- Gebruik het gereedschap alleen bij goed licht en zicht. Wees in de winter bedacht op gladde of natte plaatsen, ijs en sneeuw (gevaar voor uitglijden). Zorg er altijd voor dat u stevig staat.
- Wees voorzichtig uw handen en voeten niet te verwonden aan het snijgarnituur.
- Houd altijd handen en voeten uit de buurt van het snijgarnituur, met name bij het inschakelen van de motor.
- Maai nooit boven heuphoogte.
- Sta nooit op een ladder met draaiend gereedschap.
- Werk nooit op onstabiele oppervlakken.
- Reik niet te ver. Zorg altijd voor een stevige stand en goede lichaamsbalans.
- Zorg er op een helling altijd voor dat u stevig staat.
- Loop rustig, nooit te snel.
- Verwijder zand, stenen, nagels, enz. die u binnen uw werkbereik vindt. Vreemde voorwerpen kunnen het snijgarnituur beschadigen en opgeworpen worden waardoor ernstig persoonlijk letsel kan worden veroorzaakt.
- Raak nooit gevaarlijke, bewegende delen aan voordat het gereedschap is losgekoppeld van de elektrische voeding, en de gevaarlijke, bewegende delen volledig tot stilstand zijn gekomen.
- Als het snijgarnituur stenen of andere harde voorwerpen raakt, moet u de motor onmiddellijk uitschakelen en het snijgarnituur controleren.
- Voordat u begint te maaien, moet het snijgarnituur op maximaal toerental draaien.
- Houd tijdens gebruik het gereedschap altijd met twee handen vast. Houd het gereedschap tijdens het gebruik nooit met slechts één hand vast. Zorg er altijd voor dat u stevig staat.
- De volledige veiligheidsuitrusting, zoals een beschermkap die bij het gereedschap wordt geleverd, moeten tijdens het werk worden gebruikt.
- Behalve in noodgevallen mag u het gereedschap nooit op de grond laten vallen of weggoien omdat hierdoor het gereedschap zwaar beschadigd kan raken.
- Sleep het gereedschap nooit over de grond wanneer u het wilt verplaatsen omdat hierdoor het gereedschap kan worden beschadigd.
- Verwijder altijd de accu uit het gereedschap:

- iedere keer als u het gereedschap onbeheerd achterlaat;
 - voordat u een verstopping opheft;
 - voordat u het gereedschap controleert, reinigt of er werkzaamheden aan gaat verrichten;
 - voordat u enige afstelling maakt, een accessoire vervangt of het gereedschap opbergt;
 - als het gereedschap op ongebruikelijke manier begint te trillen;
 - wanneer u het gereedschap gaat vervoeren.
- Forceer het gereedschap niet. Het gereedschap werkt beter en met een kleinere kans op letsel op de manier waarvoor het is ontworpen.

Onderhoudsinstructies

- De toestand van het snijgarnituur, de veiligheidsuitrusting moet worden gecontroleerd voor aanvang van de werkzaamheden.
- Schakel de motor uit en verwijder de accu voordat u onderhoudswerkzaamheden uitvoert, het snijgarnituur vervangt, of het gereedschap schoonmaakt.
- Verwijder na gebruik de accu van het gereedschap en controleer op beschadigingen.
- Controleer op loszittende bevestigingen en beschadigde onderdelen, zoals bijna half-doorgescheurd in het snijgarnituur.
- Wanneer het gereedschap niet wordt gebruikt, bergt u het op op een droge plaats die op slot kan of buiten bereik van kinderen ligt.
- Gebruik uitsluitend de door de fabrikant aanbevolen vervangingsonderdelen en accessoires.
- Zorg ervoor dat de ventilatieopeningen altijd vrij zijn van vuil.
- Inspecteer en onderhoud het gereedschap regelmatig, met name vóór en na gebruik. Laat het gereedschap alleen repareren door een erkend servicecentrum.
- Houd de handgrepen droog, schoon en vrij van olie en vetten.

BEWAAR DEZE INSTRUCTIES.



WAARSCHUWING:

Laat u NIET misleiden door een vals gevoel van comfort en bekendheid met het gereedschap (na veelvuldig gebruik) en neem alle veiligheidsvoorschriften van het betreffende product altijd strikt in acht. VERKEERD GEBRUIK of het niet volgen van de veiligheidsinstructies in deze gebruiksaanwijzing kan leiden tot ernstig persoonlijk letsel.

BELANGRIJKE VEILIGHEIDSinSTRUCTIES ENC007-11

VOOR ACCU'S

- Alvorens de accu in gebruik te nemen, leest u eerst alle instructies en waarschuwingsopdrachten op (1) de acculader, (2)

- de accu en (3) het apparaat waarin de accu wordt aangebracht.
2. Haal de accu niet uit elkaar.
 3. Als de gebruiktijd aanzienlijk korter is geworden, stopt u onmiddellijk met het gebruik. Anders kan dit leiden tot kans op oververhitting, mogelijke brandwonden en zelfs een explosie.
 4. Als de elektrolyt in uw ogen komt, wast u deze uit met schoon water en raadpleegt u onmiddellijk een arts. Dit kan leiden tot verlies van gezichtsvermogen.
 5. Sluit de accu niet kort:
 - (1) Raak de accupolen niet aan met enig geleidend materiaal.
 - (2) Bewaar de accu niet op een plaats waar deze in aanraking kan komen met andere metalen voorwerpen, zoals spijkers, munten, enz.
 - (3) Stel de accu niet bloot aan water of regen. Kortsluiting van de accu kan leiden tot een hoge stroomsterkte, oververhitting, mogelijke brandwonden en zelfs een defect.
 6. Bewaar het gereedschap en de accu niet op plaatsen waar de temperatuur kan oplopen tot 50 °C of hoger.
 7. Werp de accu niet in een vuur, zelfs niet als deze al ernstig beschadigd of helemaal versleten is. De accu kan in een vuur exploderen.
 8. Wees voorzichtig dat u de accu niet laat vallen of ergens tegenaan stoot.
 9. Gebruik nooit een beschadigde accu.
 10. De bijgeleverde lithium-ionbatterijen zijn onderhevig aan de vereisten in de wetgeving omtrent gevaarlijke stoffen.
Voor commercieel transport en dergelijke door derden en transporteurs moeten speciale vereisten ten aanzien van verpakking en etikettering worden nageleefd.
Als voorbereiding van het artikel dat wordt getransporteerd is het noodzakelijk een expert op het gebied van gevaarlijke stoffen te raadplegen. Houd u tevens aan mogelijk strengere nationale regelgeving. Blootliggende contactpunten moeten worden afgedekt met tape en de accu moet zodanig worden verpakt dat deze niet kan bewegen in de verpakking.
 11. **Neem de plaatselijke regelgeving met betrekking tot het weggoien van de accu in acht.**

BEWAAR DEZE INSTRUCTIES.

⚠ LET OP: Gebruik uitsluitend originele accu's van Makita.

Het gebruik van een andere accu dan een originele accu van Makita, of van een gewijzigde accu, kan ertoe leiden dat de accu barst en brand, persoonlijk letsel en schade veroorzaakt. Bovendien vervalt dan de garantie van Makita op het gereedschap en acculader van Makita.

Tips voor een lange levensduur van de accu

1. **Laad de accu op voordat deze volledig leeg is. Wanneer u merkt dat het gereedschap minder vermogen heeft, stopt u met het gebruik ervan en laadt u eerst de accu op.**

2. **Laad nooit een volledig opgeladen accu op. Te lang opladen verkort de levensduur van de accu.**
3. **Laad de accu op bij een omgevingstemperatuur van 10 °C tot 40 °C. Laat een warme accu eerst afkoelen voordat u deze oplaadt.**
4. **Als de accu gedurende een lange tijd (meer dan zes maanden) niet gebruikt, laadt u deze eerst op alvorens deze te gebruiken.**

BESCHRIJVING VAN DE ONDERDELEN (zie afb. 4)

BESCHRIJVING VAN DE FUNCTIES

⚠ WAARSCHUWING:

- **Zorg ervoor dat het gereedschap is uitgeschakeld en dat de accu is verwijderd voordat u de werking van het gereedschap aanpast of controleert.** Als het gereedschap niet wordt uitgeschakeld en de accu niet uit het gereedschap wordt verwijderd, kan dat na per ongeluk inschakelen leiden tot ernstig persoonlijk letsel.

De accu aanbrengen en verwijderen (zie afb. 5)

⚠ LET OP:

- Schakel het gereedschap altijd uit voordat u de accu aanbrengt of verwijdert.
- **Houd het gereedschap en de accu stevig vast tijdens het aanbrengen of verwijderen van de accu.** Als u het gereedschap en de accu niet stevig vasthoudt, kunnen deze uit uw handen glippen en beschadigd raken, of kan persoonlijk letsel worden veroorzaakt.

Om de accu te verwijderen verschuift u de knop aan de voorkant van de accu en schuift u tegelijkertijd de accu van het gereedschap af.

Om de accu aan te brengen, lijnt u de lip op de accu uit met de groef in de behuizing en duwt u de accu op zijn plaats. Steek de accu zo ver mogelijk erin tot u een klikgeluid hoort. Als u het rode deel aan de bovenkant van de knop kunt zien, is de accu niet goed aangebracht.

⚠ LET OP:

- Breng de accu altijd helemaal aan totdat het rode deel niet meer zichtbaar is. Als u dit niet doet, kan de accu per ongeluk uit het gereedschap vallen en u of anderen in uw omgeving verwonden.
- Breng de accu niet met kracht aan. Als de accu niet gemakkelijk erin kan worden geschoven, wordt deze niet goed aangebracht.

Accubeveiligingssysteem (lithiumionaccu met een ster-merkteken) (zie afb. 6)

Lithiumionaccu's met een ster-merkteken zijn uitgerust met een beveiligingssysteem. Dit systeem schakelt automatisch de voeding naar het gereedschap uit om de levensduur van de accu te verlengen.

Het gereedschap zal tijdens gebruik automatisch stoppen wanneer het gereedschap en/of de accu zich in een van de volgende omstandigheden bevinden:

- **Overbelasting:**
Het gereedschap wordt gebruikt op een manier die ertoe leidt dat een abnormaal hoge stroomsterkte uit de accu wordt getrokken.
Laat in die situatie de aan/uit-schakelaar van het gereedschap los en stop het gebruik dat ertoe leidde dat het gereedschap overbelast werd. Knijp daarna opnieuw de aan/uit-schakelaar in om het gereedschap weer in te schakelen.
Als het gereedschap niet wordt ingeschakeld, is de accu oververhit. In die situatie laat u de accu eerst afkoelen voordat u opnieuw de aan/uit-schakelaar inknijpt.
- **Lage accuspanning:**
De resterende acculading is te laag en het gereedschap wordt niet ingeschakeld. Verwijder in die situatie de accu en laad hem op.

vergrendelknop te bedienen. Hierdoor kan de aan/uit-schakelaar stuk gaan. Het gebruik van gereedschap met een schakelaar die niet goed werkt, kan leiden tot verlies van controle en ernstige verwondingen.

Om te voorkomen dat de aan/uit-schakelaar per ongeluk wordt bediend, is een uit-vergrendelknop aangebracht. Om het gereedschap te starten, schuift u de uit-vergrendelknop naar voren en knijpt u de aan/uit-schakelaar in. Laat de aan/uit-schakelaar los om het gereedschap te stoppen (**zie afb. 8**).









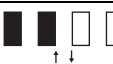

Bedrijfslampje (zie afb. 9)

Tijdens gebruik van het gereedschap geeft het bedrijfslampje de toestand van de acculading aan. In het geval het gereedschap overbelast is en tijdens gebruik is gestopt, brandt het bedrijfslampje rood. Raadpleeg onderstaande tabel voor de toestand van de accu en het gereedschap, alsmede de te nemen maatregelen voor iedere status van het bedrijfslampje.

Aanduiding van de resterende acculading

(Alleen voor accu's met een "B" aan het einde van het modelnummer.) (**zie afb. 7**)

Druk op de testknop op de accu om de resterende accucapaciteit af te lezen. De indicatorlampjes branden gedurende enkele seconden.

Indicatorlampjes			Resterende acculading
 Brandt	 Uit	 Knippert	
			75% tot 100%
			50% tot 75%
			25% tot 50%
			0% tot 25%
			Laad de accu op.
			Er kan een storing in de accu zijn opgetreden.
			

015658

OPMERKING:

- Afhankelijk van de gebruiksomstandigheden en de omgevingstemperatuur, is het mogelijk dat de aangegeven acculading verschilt van de werkelijke acculading.

In- en uitschakelen

WAARSCHUWING:

- **Controleer altijd, voordat u de accu in het gereedschap steekt, of de aan/uit-schakelaar op de juiste manier schakelt en weer terugkeert naar de uit-stand nadat deze is losgelaten. Knijp de aan/uit-schakelaar niet hard in zonder de uit-**

Bedrijfslampje	Toestand van accu/gereedschap	Te nemen maatregelen
Het bedrijfslampje knippert rood.	Dit geeft het juiste tijdstip aan om de accu te vervangen wanneer de accu bijna leeg is.	Laad de accu zo spoedig mogelijk op.
Het bedrijfslampje brandt rood. (Opmerking 1)	Deze functie treedt in werking wanneer de acculading bijna opgebruikt is. Op dat moment stopt het gereedschap onmiddellijk.	Laad de accu op.
Het bedrijfslampje brandt rood. (Opmerking 1)	Het gereedschap stopt automatisch als gevolg van overbelasting.	Schakel het gereedschap uit.

Opmerking 1: Het moment waarop het bedrijfslampje gaat branden varieert met de temperatuur in het werkgebied en de toestand van de accu.

012443

De schachtlengte afstellen

WAARSCHUWING:

- Laat voordat u de schachtlengte afstelt eerst de aan/uit-schakelaar los en verwijder de accu vanaf de graskantmaaier. Als u de aan/uit-schakelaar niet loslaat en de accu niet verwijdert, kan persoonlijk letsel worden veroorzaakt.

Om de lengte van de schacht af te stellen, draait u de vergrendeling linksom tot de as is ontgrendeld en trekt u de schacht uit of duwt u hem in tot de gewenste lengte (zie afb. 10).

Nylondraad-snijkop

KENNISGEVING:

- Het aanvoeren van nylondraad zal niet goed werken wanneer de nylondraad-snijkop niet draait.

De nylondraad-snijkop is een enkele-draadkop uitgerust met een stoot-aanvoermecanisme.

Om ervoor te zorgen dat de nylondraad aangevoerd wordt, moet de snijkop op de grond gestoten worden terwijl het gereedschap is ingeschakeld. Terwijl de nylondraad uit de snijkop komt wordt hij automatisch afgesneden op de juiste lengte door de mesjes in de beschermkap (zie afb. 11).

OPMERKING:

- Als de nylondraad niet automatisch wordt aangevoerd wanneer de snijkop op de grond wordt gestoten, volgt u de procedures die zijn beschreven onder "De nylondraad-snijkop aanbrengen of verwijderen" en "Een nieuwe nylondraad op de spoel wikkelen" om de nylondraad opnieuw op te wikkelen of te vervangen.
- Stoot het gereedschap niet tegen een betonnen of asfalt ondergrond. Als u tegen dergelijke ondergronden stoot, kan het gereedschap worden beschadigd.

DE ONDERDELEN MONTEREN

WAARSCHUWING:

- **Controleer altijd of het gereedschap is uitgeschakeld en de accu is verwijderd alvorens enige werkzaamheden aan het gereedschap te verrichten.** Als het gereedschap niet wordt uitgeschakeld en de accu niet uit het gereedschap wordt verwijderd, kan dat na per ongeluk inschakelen leiden tot ernstig persoonlijk letsel.
- **Start het gereedschap nooit voordat het op de juiste wijze is gemonteerd.** Door het gereedschap in

een gedeeltelijk gemonteerde toestand te laten werken, kan dat na per ongeluk inschakelen leiden tot ernstig persoonlijk letsel.

De voorhandgreep aanbrengen (zie afb. 12)

Plaats de voorhandgreep op de voorhandgreephouder en zet hem vast met een zeskantbout en de klemmoer die bij de graskantmaaier werden geleverd, zoals aangegeven in de afbeelding. Op dit moment moet de zeskantbout worden aangebracht vanaf de zijkant waar zich het boutkopvergrendelhuis bevindt, en moet de klemmoer worden aangebracht vanaf de tegenoverliggende zijkant.

OPMERKING:

- In het montagegebied van de voorhandgreep zit een sleuf van rand tot rand. Door deze sleuf kunt u gemakkelijk de voorhandgreep aanbrengen op de voorhandgreephouder.

De hoek van de voorhandgreep is verstelbaar. Om de hoek van de voorhandgreep te verstellen, draait u de klemmoer linksom los, plaatst u de voorhandgreep onder de gewenste hoek overeenkomstig uw werkzaamheden en draait u de klemmoer weer rechtsom vast.

De beschermkap aanbrengen

LET OP:

- **Wees tijdens het aanbrengen van de beschermkap voorzichtig het mesje voor het afsnijden van de nylondraad aan de binnenkant van de beschermkap niet aan te raken.** Aanraking van het mesje kan leiden tot persoonlijk letsel.

Breng de beschermkap aan door hem zodanig op het motorhuis te plaatsen dat de nylondraad niet bekend zit tussen de beschermkap en het motorhuis, en zet hem vervolgens vast met behulp van de twee schroeven.

Voordat u de graskantmaaier start, haalt u het meskapje van het mesje af (zie afb. 13).

De nylondraad-snijkop aanbrengen of verwijderen

WAARSCHUWING:

- **Voordat u de nylondraad-snijkop (d.w.z. het spoeldeksele en de spoel) aanbrengt of verwijdert, controleer u of het gereedschap is uitgeschakeld en de accu van het gereedschap is verwijderd.** Als het gereedschap niet wordt uitgeschakeld en de accu

niet uit het gereedschap wordt verwijderd, kan dat leiden tot persoonlijk letsel.

LET OP:

- **Bij het aanbrengen of verwijderen van de nylondraad-snijknop, let u erop niet het mesje in de beschermkap aan te raken.** Anraking van het mesje kan leiden tot persoonlijk letsel.

Om de nylondraad-snijknop (de spoel en het spoeldekseel) vanaf de graskantmaaier te verwijderen, duwt u met kracht de vergrendelknoppen aan beide zijanten van het spoeldekseel naar binnen en tilt u het spoeldekseel eraf (zie afb. 14 en 15).

KENNISGEVING:

- Zorg ervoor dat de veer is aangebracht in het spoelhouder.

Om een nylondraad-snijknop (de spoel en het spoeldekseel) met een nieuw gewikkelde nylondraad aan te brengen op de graskantmaaier, lijnt u de nylondraadopening uit met de uitsparing voor het uitsteeksel op de nylondraad-snijknop en drukt u hem erin tot een klik wordt gehoord (zie afb. 16).

Een nieuwe nylondraad op de spoel wikkelen

Verwijder de spoel vanaf het spoeldekseel en haal de resterende nylondraad van de spoel af (zie afb. 17). Steek een nylondraad in de klem, zoals aangegeven in de afbeelding (zie afb. 18).

Wikkel hem strak en vlak rond de spoel in de richting van de pijl op de spoel, zodat het oppervlak van de gewikkelde nylondraad uniform is over het hele wikkeloppervlak (zie afb. 19).

Zet de nylondraad tijdelijk vast in de inkeping aangegeven in de afbeelding (zie afb. 20).

Steek het uiteinde van de nylondraad door de nylondraadopening in het spoeldekseel (zie afb. 21).

Nadat de nylondraad-snijknop weer is aangebracht op de graskantmaaier, controleert u of de nylondraad wordt aangevoerd door op de spoel te duwen en aan de nylondraad te trekken (zie afb. 22).

BEDRIJF

De schouderriem bevestigen (zie afb. 23)

Haak de schouderriem in een gat in de voorhandgreep.

Bediening

LET OP:

- **Maai lang gras niet in één keer.** Als u lang gras in één keer vlak boven de wortels maait, kan het lange gras zich rond de as van de motor van de graskantmaaier wikkelen waardoor de motor overbelast wordt en de graskantmaaier wordt beschadigd.

LET OP:

- **Zorg ervoor dat tijdens gebruik de spoel van de graskantmaaier niet de grond raakt.** Als de spoel de grond raakt, kan de motor overbelast worden en de graskantmaaier worden beschadigd (zie afb. 24 en 25).

LET OP:

- Duw de graskantmaaier niet het dichtbegroeide gras in (zie afb. 26).

LET OP:

- Zorg ervoor dat de graskantmaaier niet de grond in maait (zie afb. 27).

Gras maaien naast een boom, betonblok, tuinmuur, siersteen of dergelijke (zie afb. 28)

Houd de graskantmaaier schuin zonder dat hij de grond raakt en maai het gras met de punt van de nylondraad die de grond raakt. Bij deze werkzaamheden is een soepele aanvoer van de nylondraad belangrijk omdat de nylondraad sneller slijt dan gebruikelijk.

OPMERKING:

- Als de graskantmaaier te dicht bij een boom, betonblok, tuinmuur, siersteen of dergelijke komt tijdens het maaien van grasranden of soortgelijke werkzaamheden, kan de nylondraad halverwege binnenin het spoeldekseel worden afgesneden. Als dat gebeurt verwijdert u de spoel uit het spoeldekseel en plaatst u de nylondraad opnieuw volgens de beschrijvingen onder "De nylondraad-snijknop aanbrengen of verwijderen" en "Een nieuwe nylondraad op de spoel wikkelen". Als u tijdens gebruik met de punt van de nylondraad maait, krijgt u de beste resultaten en daarom wordt het aangeraden om het gereedschap meer dan 5 cm verwijderd te houden van een boom, betonblok, tuinmuur, siersteen en dergelijke.

Schakel de graskantmaaier in voordat deze het te maaien gras raakt.

Maai het gras met de punt van de nylondraad door de graskantmaaier van rechts naar links te bewegen en langzaam vooruit te gaan, waarbij u de graskantmaaier onder een hoek van 30° ten opzichte van de grond houdt. Maai hoog gras in lagen en begin altijd bovenaan en werk stapsgewijs omlaag.

Het gereedschap gebruiken als een grasschaar

Door het gereedschap als een grasschaar te gebruiken kunt u langs de randen van een betonblok, stenen en dergelijke maaien (zie afb. 29).

Om het gereedschap als een grasschaar te gebruiken, houdt u de schacht van de graskantmaaier met één hand vast en draait u de vergrendelring linksom om de schacht te ontgrendelen. Draai de schacht met het motorhuis 180° en draai daarna de vergrendelring rechtsom vast tot hij de schacht vergrendelt (zie afb. 30).

OPMERKING:

- Voordat u de schacht draait moet u hem helemaal inschuiven of uitschuiven.
 - Nadat u het gereedschap in de grasschaar-stand hebt gezet, let u erop dat de schacht met het motorhuis goed zijn vergrendeld.
- Voor een goed afwerkresultaat beweegt u de snijknop parallel aan de rand waarlangs u wilt maaien (zie afb. 31).

Gras maaien in een krappe ruimte of op een helling

WAARSCHUWING:

- Let bij het maaien van gras op een helling goed op stenen, gras en andere vreemde voorwerpen die door de snijkop worden opgeworpen.
- Zorg ervoor dat u bij het maaien van gras op een helling altijd stevig en stabiel staat.

Om gemakkelijker te kunnen werken in een krappe ruimte met een beperkte hoogte, zoals bij het maaien van gras onder het dek van een veranda of iets dergelijks, drukt u de vergrendelknop in en kantelt u de snijkop omlaag zodat de schacht parallel aan de grond is. Door de hoek van de snijkop op deze manier goed af te stellen, kunt u gemakkelijker het gras op een helling maaien (zie afb. 32).

ONDERHOUD

WAARSCHUWING:

- **Zorg er altijd voor dat het gereedschap is uitgeschakeld en de accu is verwijderd, voordat u een inspectie of onderhoud aan het gereedschap uitvoert.** Als het gereedschap niet wordt uitgeschakeld en de accu niet uit het gereedschap wordt verwijderd, kan dat na per ongeluk inschakelen leiden tot ernstig persoonlijk letsel.

KENNISGEVING:

Gebruik nooit benzine, wasbenzine, thinner, alcohol, enz. Dit kan leiden tot verkleuren, vervormen of barsten.

Om de VEILIGHEID en BETROUWBAARHEID van het gereedschap te handhaven, dienen alle reparaties, onderhoud en afstellingen te worden uitgevoerd door een erkend Makita-servicecentrum, en altijd met gebruikmaking van originele Makita-ervangingsonderdelen.

VERKRIJGBARE ACCESSOIRES

LET OP:

- Deze accessoires of hulpstukken worden aanbevolen voor gebruik met het Makita-gereedschap dat in deze gebruiksaanwijzing wordt beschreven. Het gebruik van andere accessoires of hulpstukken kan gevaar voor persoonlijk letsel opleveren. Gebruik de accessoires of hulpstukken uitsluitend voor de aangegeven gebruiksdoeleinden.

Mocht u meer informatie willen hebben over deze accessoires, dan kunt u contact opnemen met uw plaatselijke Makita-servicecentrum.

- Nylondraad-snikkop
- Nylondraad
- Schouderriem
- Veiligheidsbril
- Originele Makita-accu en -lader

OPMERKING:

- Sommige items op de lijst kunnen zijn inbegrepen in de doos van het gereedschap als standaard toebehoren. Zij kunnen van land tot land verschillen.

Geluid

ENG905-1

De typische, A-gewogen geluidsniveaus zijn gemeten volgens EN786:

Modellen DUR141

Geluidsdrukniveau (L_{pA}): 75 dB (A)
Geluidsvermogensniveau (L_{WA}): 83,7 dB (A)
Onzekerheid (K): 2,5 dB (A)

Modellen DUR181

Geluidsdrukniveau (L_{pA}): 82 dB (A)
Geluidsvermogensniveau (L_{WA}): 88,5 dB (A)
Onzekerheid (K): 2,5 dB (A)

Draag gehoorbescherming.

Trilling

ENG904-2

De trillingstotaalwaarde is bepaald volgens EN786:

Trillingsemissie (a_{h1}): 2,5 m/s² of minder
Onzekerheid (K): 1,5 m/s²

ENG901-1

- De opgegeven trillingsemissiewaarde is gemeten volgens de standaardtestmethode en kan worden gebruikt om dit gereedschap te vergelijken met andere gereedschappen.
- De opgegeven trillingsemissiewaarde kan ook worden gebruikt voor een beoordeling vooraf van de blootstelling.

WAARSCHUWING:

- De trillingsemissie tijdens het gebruik van het elektrisch gereedschap in de praktijk kan verschillen van de opgegeven trillingsemissiewaarde afhankelijk van de manier waarop het gereedschap wordt gebruikt.
- Zorg ervoor dat veiligheidsmaatregelen worden getroffen ter bescherming van de operator die zijn gebaseerd op een schatting van de blootstelling onder praktijkomstandigheden (rekening houdend met alle fasen van de bedrijfscyclus, zoals de tijdsduur gedurende welke het gereedschap is uitgeschakeld en stationair draait, naast de ingeschakelde tijdsduur).

Alleen voor Europese landen

ENH219-3

EU-verklaring van conformiteit

Makita verklaart dat de volgende machine(s):

Aanduiding van de machine:
Accugraskantmaaier
Modelnr./Type: DUR141 en DUR181
Technische gegevens: zie de tabel "TECHNISCHE GEGEVENS".

Voldoen aan de volgende Europese richtlijnen:

2000/14/EG en 2006/42/EG

Deze zijn gefabriceerd in overeenstemming met de volgende normen of genormaliseerde documenten:
EN60745, EN60335, EN50636

Het technische bestand volgens 2006/42/EG is verkrijgbaar bij:

Makita, Jan-Baptist Vinkstraat 2, 3070, België

De conformiteitsbeoordelingsprocedure vereist door Richtlijn 2000/14/EC was is Overeenstemming met annex VI.

Officiële instantie:

TÜV Rheinland LGA Products GmbH
Tillystraße 2
90431 Nürnberg, Duitsland
Identificatienummer 0197

Modellen DUR141

Gemeten geluidsvermogensniveau: 83,7 dB (A)
Gegarandeerd geluidsvermogensniveau: 85 dB (A)

Modellen DUR181

Gemeten geluidsvermogeniveau: 88,5 dB (A)

Gegarandeerd geluidsvermogeniveau: 91 dB (A)

1. 10. 2015

A handwritten signature in black ink, appearing to read 'Yasushi Fukaya'.

Yasushi Fukaya

Directeur

Makita, Jan-Baptist Vinkstraat 2, 3070, België

ESPAÑOL (Instrucciones originales)

Explicación de los dibujos

- | | | |
|-------------------------------|---|---|
| 1. Luz indicadora | 12. Luces indicadoras | 22. Muelle |
| 2. Interruptor disparador | 13. Botón de comprobación | 23. Soporte del carrito |
| 3. Cartucho de la batería | 14. Botón de desbloqueo | 24. Hilo de nailon |
| 4. Empuñadura frontal | 15. Eje | 25. Retén para extremo del hilo de nailon |
| 5. Tuerca de fijación | 16. Empuñadura | 26. Carrete |
| 6. Empuñadura de bloqueo | 17. Perno de cabeza hexagonal | 27. Correa de bandolera |
| 7. Protección | 18. Tornillos | 28. Gancho |
| 8. Cabezal de corte de nailon | 19. Protección del elemento de corte | 29. Caja del motor |
| 9. Indicador rojo | 20. Orificio para el hilo de nailon | 30. Botón de bloqueo |
| 10. Botón | 21. Muesca del puerto de instalación del cabezal de corte de nailon | |
| 11. Marca de estrella | | |

ESPECIFICACIONES

Modelo	DUR141		DUR181	
Velocidad en vacío	6.000 min ⁻¹		7.800 min ⁻¹	
Longitud total	1.229 mm - 1.433 mm		1.229 mm - 1.433 mm	
Diámetro de corte con el cabezal de corte de nailon	260 mm		260 mm	
Peso neto	2,8 kg	3,0 kg	2,9 kg	3,1 kg
Tensión nominal	CC 14,4 V		CC 18 V	
Cartucho(s) de batería estándar ⚠ Advertencia: Utilice únicamente el/los cartucho(s) descrito(s).	BL 1415/ BL1415N	BL 1430/ BL1430B/ BL1440/ BL1450	BL 1815/ BL1815N/ BL1820/ BL1820B	BL 1830/ BL1830B/ BL1840/ BL1840B/ BL1850/ BL1850B/ BL1860B

- Debido a nuestro programa continuo de investigación y desarrollo, las especificaciones aquí descritas están sujetas a cambios sin previo aviso.
- Las especificaciones y el cartucho de la batería pueden variar de un país a otro.
- Peso, con el cartucho de la batería, de acuerdo con el procedimiento EPTA 01/2003

Símbolos

END017-4

Se utilizan los siguientes símbolos para el equipo.

Asegúrese de que comprende su significado antes del uso.

- | | | | |
|--|---|--|---|
| | Preste especial cuidado y atención. | | Lleve casco, gafas de seguridad y protección para los oídos. |
| | Lea el manual de instrucciones. | | Utilice guantes de protección. |
| | Peligro; esté atento a los objetos que salgan despedidos. | | Utilice botas robustas con suela antideslizante. Se recomienda utilizar botas de seguridad con puntera de acero. |
| | La distancia entre la herramienta y las personas circundantes debe ser de 15 m como mínimo. | | No la esponga a la lluvia. |
| | Mantenga alejadas a las personas circundantes. | | Máxima velocidad permitida de la herramienta. |
| | Mantenga una distancia de 15 m como mínimo. | | Sólo para países de la Unión Europea
¡No deseche el aparato eléctrico o la batería junto con los residuos domésticos!
De conformidad con la Directiva Europea sobre residuos de aparatos eléctricos y electrónicos, y sobre baterías y acumuladores y el desecho de baterías y acumuladores y su aplicación de acuerdo con la |
| | Evite los contragolpes. | | |

legislación nacional, la herramienta eléctrica y las baterías y paquetes de baterías cuya vida útil haya llegado a su fin se deberán recoger por separado y trasladar a una planta de reciclaje que cumpla con las exigencias ecológicas.

INSTRUCCIONES DE SEGURIDAD IMPORTANTES

GEB092-5

⚠ ¡ADVERTENCIA! Lea todas las advertencias de seguridad y todas las instrucciones. La no observancia de las advertencias y las instrucciones puede provocar descargas eléctricas, incendios y/o lesiones graves.

Guarde todas las advertencias e instrucciones para futuras consultas.

1. Familiarícese con los controles y el uso correcto del equipo.
2. Los elementos de corte siguen girando después de apagar el motor.
3. Nunca deje que los niños o personas que no estén familiarizadas con las instrucciones utilicen la máquina.
4. Deje de utilizar la máquina mientras haya cerca personas, especialmente niños, o animales.
5. Utilice la máquina solamente con luz diurna o con buena luz artificial.
6. Antes de utilizar la máquina y tras cualquier impacto, compruebe si hay señales de desgaste o daños y realice las reparaciones necesarias.
7. Tenga cuidado con las lesiones al ajustar la longitud de la línea de corte. Tras extender la nueva línea de corte, devuelva siempre la máquina a su posición de funcionamiento normal antes de encenderla.
8. Nunca monte elementos de corte de metal.
9. Este aparato no se ha diseñado para ser utilizado por personas (incluyendo niños) con capacidades mentales, sensoriales o físicas reducidas o con falta de experiencia y conocimientos, a menos que esas personas estén supervisadas o hayan recibido instrucciones de uso del aparato de una persona responsable de su seguridad. Se debe supervisar a los niños para asegurarse de que no juegan con el aparato.
10. Utilice la herramienta con el máximo cuidado y la máxima atención.
11. Utilice la herramienta solamente si se encuentra en buen estado físico. Realice todo el trabajo con calma y con cuidado. Use el sentido común y tenga en cuenta que el operario o el usuario es responsable de los accidentes o situaciones de peligro que se produzcan para otras personas o su propiedad.
12. Nunca utilice la herramienta cuando esté cansado, cuando se sienta indispuerto o cuando esté bajo la influencia del alcohol o medicamentos.
13. La herramienta debe apagarse inmediatamente si muestra síntomas de funcionamiento anómalo.

Uso previsto de la herramienta

1. Utilice la herramienta adecuada. La desbrozadora inalámbrica se ha diseñado solamente para cortar césped y malas hierbas. No se debe utilizar con ninguna otra finalidad, como cortado de setos, ya que se podrían causar lesiones.

Equipo de protección personal (Fig. 1 y 2)

1. Use la indumentaria apropiada. Debe llevarse ropa funcional y apropiada, es decir, debe ser ajustada pero sin que sea incómoda. No lleve joyas ni prendas que puedan engancharse en el césped alto. Lleve protección para el cabello para sujetar el cabello largo.
2. Cuando utilice la herramienta, utilice siempre zapatos robustos con una suela que no resbale. De esta manera se protegerá contra lesiones y se asegurará de que los pies estén en una posición firme.
3. Utilice siempre gafas de seguridad.

Seguridad eléctrica y de la batería

1. Evite entornos peligrosos. No utilice la herramienta en ubicaciones mojadas o húmedas ni la esponja a la lluvia. Si entra agua en la herramienta, aumenta el riesgo de sufrir una descarga eléctrica.
2. Recárguela solamente con el cargador especificado por el fabricante. Un cargador que es adecuado para un tipo de batería puede crear un riesgo de incendio cuando se usa con otra batería.
3. Utilice las herramientas eléctricas solamente con los paquetes de batería designados. El uso de cualquier otra batería puede crear un riesgo de lesiones e incendio.
4. No deseche las baterías en un fugo. Pueden explotar. Consulte en las normativas locales las posibles instrucciones de desecho.
5. No abra ni mutile las baterías. El electrolito que se desprende es corrosivo y puede causar daños a los ojos o la piel. Puede ser tóxico si se ingiere.

Puesta en marcha de la herramienta (Fig. 3)

1. Asegúrese de que no haya niños u otras personas en un área de trabajo de 15 metros (50 pies) y preste atención también a cualquier animal que pueda estar cerca del lugar de trabajo. De lo contrario, deje de usar la herramienta.
2. Antes del uso, compruebe que la herramienta permita realizar las operaciones con seguridad. Compruebe la seguridad de la herramienta de corte y el protector y que el interruptor disparador o la palanca funcionen correctamente y se accionen fácilmente. Compruebe que los asideros estén limpios y secos y pruebe la función de arranque/parada.
3. Compruebe si hay partes dañadas antes de utilizar la herramienta. Si un protector o cualquier otra parte de la herramienta se ha dañado, debe inspeccionarse con detenimiento para determinar si funcionará correctamente y si cumplirá con su finalidad. Compruebe la alineación de las partes móviles, el libre movimiento de las partes móviles, la rotura de piezas, el montaje y cualquier otra condición que pueda afectar a su funcionamiento.

- Los protectores, o cualquier otra pieza que esté dañada, deben repararse correctamente en nuestro centro de reparaciones autorizado a menos que se indique lo contrario en este manual.
4. Ponga en marcha el motor solamente cuando los pies y las manos estén alejados de la herramienta de corte.
 5. Antes de la puesta en marcha, asegúrese de que la herramienta de corte no esté en contacto con objetos duros tales como ramas, piedras, etc. ya que la herramienta de corte girará al poner en marcha la máquina.

Método de trabajo

1. Nunca utilice la máquina con las protecciones dañadas o sin utilizar protecciones.
2. Utilice la herramienta únicamente con buenas condiciones de iluminación y visibilidad. Durante el invierno tenga cuidado con las áreas húmedas o resbaladizas, hielo y nieve (riesgo de resbalar). Asegúrese siempre de que sus pies se encuentran en una posición segura.
3. Protéjase de las lesiones en los pies y las manos causadas por la herramienta de corte.
4. Mantenga las manos y los pies alejados de los dispositivos de corte en todo momento y especialmente al encender el motor.
5. No corte nunca por encima de la altura de la cintura.
6. No se suba nunca a una escalera mientras utilice la herramienta.
7. No trabaje nunca en superficies inestables.
8. No intente abarcar demasiada distancia. Mantenga la postura adecuada y el equilibrio en todo momento.
9. Asegúrese siempre de que mantiene un buen equilibrio en pendientes.
10. Camine, nunca corra.
11. Elimine la arena, piedras, clavos, etc. que se encuentren en el área de trabajo. Las partículas extrañas pueden dañar la herramienta de corte y pueden salir despedidas, lo que puede provocar lesiones graves.
12. Nunca toque piezas peligrosas antes de desconectar la máquina de la toma de corriente y de que las piezas peligrosas en movimiento se hayan detenido por completo.
13. Si la herramienta de corte golpea piedras u otros objetos duros, apague el motor inmediatamente e inspecciónela.
14. Antes de comenzar a cortar, la herramienta de corte debe alcanzar la velocidad de trabajo completa.
15. Durante las operaciones, sujete siempre la herramienta con ambas manos. Nunca sujete la herramienta con una mano durante el uso. Asegúrese siempre de que sus pies se encuentran en una posición segura.
16. Todo el equipo de protección, como las protecciones suministradas con la herramienta, debe utilizarse durante el funcionamiento.
17. Excepto en caso de emergencia, nunca deje caer ni lance la herramienta hacia el suelo, ya que esta se puede dañar gravemente.

18. Nunca arrastre la herramienta por el suelo cuando la desplace de un lugar a otro, ya que se puede dañar si se mueve de esta manera.
19. Extraiga siempre el cartucho de la batería de la herramienta:
 - cuando deje la herramienta desatendida;
 - antes de despejar un atasco;
 - antes de comprobar, limpiar o trabajar en la herramienta;
 - antes de realizar un ajuste, cambiar accesorios o guardarla;
 - cuando la herramienta empiece a vibrar de forma anómala;
 - cuando transporte la herramienta.
20. No fuerce la herramienta. Realizará el trabajo mejor y con menos probabilidad de un riesgo de lesiones a la velocidad para la que se diseñó.

Instrucciones de mantenimiento

1. Antes de iniciar el trabajo se debe comprobar el estado de la herramienta de corte y los dispositivos protectores.
2. Apague el motor y extraiga el cartucho de la batería antes de realizar tareas de mantenimiento, sustituir la herramienta de corte o limpiar la herramienta.
3. Tras su uso, desconecte el cartucho de la batería de la herramienta y compruebe si existen daños.
4. Compruebe si hay elementos de sujeción sueltos y partes dañadas, como cortes en el hilo de nylon de la herramienta de corte.
5. Cuando no utilice la herramienta, almacénela en una ubicación seca que esté cerrada con llave o lejos del alcance de los niños.
6. Utilice solamente accesorios y piezas de recambio recomendados por el fabricante.
7. Asegúrese siempre de que las aberturas de ventilación estén libres de residuos.
8. Inspeccione la herramienta y realice las tareas de mantenimiento regularmente, especialmente antes/después del uso. Haga que la herramienta se repare solamente en un centro de servicio autorizado.
9. Mantenga las empuñaduras secas, limpias y libres de aceite y grasa.

GUARDE ESTAS INSTRUCCIONES.

ADVERTENCIA:

NO deje que la comodidad o la familiaridad con el producto (a base de utilizarlo repetidamente) sustituya la estricta observancia de las normas de seguridad del producto en cuestión. El MAL USO o la no observancia de las normas de seguridad expuestas en este manual de instrucciones pueden ocasionar graves daños corporales.

INSTRUCCIONES IMPORTANTES DE SEGURIDAD

ENC007-11

PARA EL CARTUCHO DE LA BATERÍA

1. Antes de utilizar el cartucho de la batería, lea todas las instrucciones y referencias de precaución que se encuentran en (1) el cargador de baterías, (2) la batería y (3) el producto que utiliza la batería.
2. No desmonte el cartucho de la batería.
3. Si el tiempo de funcionamiento es excesivamente corto, deje de utilizar la herramienta de inmediato. De lo contrario, existe el riesgo de sobrecalentamiento, quemaduras e incluso explosión.
4. Si se produce contacto ocular con electrolito, enjuáguese los ojos con agua limpia y acuda de urgencia al médico. Corre el riesgo de perder la visión.
5. No cortocircuite el cartucho de la batería:
 - (1) No toque los terminales con material conductor.
 - (2) Evite guardar el cartucho de la batería en un recipiente con otros objetos metálicos, como clavos, monedas, etc.
 - (3) No exponga el cartucho de la batería al agua o a la lluvia.

Un cortocircuito puede provocar un elevado flujo de corriente, sobrecalentamiento, quemaduras o incluso una avería.

6. No almacene la herramienta ni el cartucho de la batería en lugares donde la temperatura supere los 50 °C (122 ° F).
7. No quemé el cartucho de la batería aunque esté gravemente dañado o completamente gastado. El cartucho de la batería puede explotar si entra en contacto con fuego.
8. Procure que la batería no sufra golpes ni caídas.
9. No utilice una batería dañada.
10. Las baterías de litio-ión están sujetas a los requisitos de la legislación sobre mercancías peligrosas.
Para transportes comerciales, p. ej., terceros, transportistas, se deben respetar los requisitos especiales sobre embalajes y etiquetado.
Para preparar el elemento para su transporte, debe consultarse con un experto en materiales peligrosos. Respete también cualquier posible normativa nacional.
Tape o cubra con cinta adhesiva los contactos abiertos y empaquete la batería de forma que no se pueda mover dentro del embalaje.
11. Siga las normativas locales relativas al desecho de la batería.

GUARDE ESTAS INSTRUCCIONES.

⚠ PRECAUCIÓN: Utilice solo baterías genuinas de Makita.

El uso de baterías no genuinas de Makita o baterías que se han modificado puede provocar una explosión de la batería y un incendio, lesiones personales y daños. También se invalidará la garantía de Makita para la herramienta y el cargador de Makita.

Consejos para conseguir una mayor duración de la batería

1. Cargue la batería antes de que se descargue por completo.
Cuando observe que la herramienta tiene menos potencia, deje de utilizarla y cargue el cartucho de la batería.
2. No recargue nunca un cartucho de batería completamente cargado.
La sobrecarga acorta la vida útil de la batería.
3. Cargue el cartucho de la batería a una temperatura ambiente que oscile entre 10 °C y 40 °C (50 °F - 104 °F). Antes de cargar un cartucho de batería caliente, deje que se enfríe.
4. Cargue el cartucho de la batería si no lo ha utilizado durante un periodo prolongado (más de seis meses).

DESCRIPCIÓN DE LAS PIEZAS (Fig. 4)

DESCRIPCIÓN DEL FUNCIONAMIENTO

⚠ ADVERTENCIA:

- Antes de ajustar o de comprobar la herramienta, asegúrese siempre de que está apagada y de que la batería ha sido extraída. Si no se apaga la herramienta o no se extrae el cartucho de la batería de la herramienta, se pueden provocar lesiones personales graves a causa de una puesta en marcha accidental.

Instalación o extracción del cartucho de la batería (Fig. 5)

⚠ PRECAUCIÓN:

- Apague siempre la herramienta antes de instalar o quitar el cartucho de la batería.
- **Sujete la herramienta y el cartucho de la batería firmemente cuando instale o extraiga el cartucho de la batería.** Si no sujeta la herramienta y el cartucho de la batería firmemente, pueden resbalar de sus manos y se pueden provocar daños en la herramienta y el cartucho de la batería y lesiones personales.

Para quitar el cartucho de la batería, mantenga pulsado el botón de la parte frontal del cartucho y retírelo.

Para instalar el cartucho de la batería, alinee la lengüeta situada en el cartucho de la batería con la ranura del alojamiento e insértela. Insértelo completamente hasta que quede firmemente encajado con un clic. Si puede ver el indicador rojo de la zona superior del botón, significa que el cartucho no está encajado completamente.

PRECAUCIÓN:

- Instale siempre completamente el cartucho de la batería de forma que el indicador rojo quede oculto. De lo contrario, el cartucho puede desprenderse accidentalmente de la herramienta y causar lesiones al operario o a alguna persona que se encuentre cerca.
- No presione excesivamente el cartucho de la batería para instalarlo. Si el cartucho no entra con suavidad, significa que no lo está instalando correctamente.

Sistema de protección de la batería (batería de iones de litio con una marca de estrella) (Fig. 6)


















Las baterías de iones de litio con una marca de estrella están equipadas con un sistema de protección. Este sistema corta automáticamente la alimentación a la herramienta para ampliar la duración de la batería. La herramienta se detendrá automáticamente durante el funcionamiento si la herramienta y/o la batería se someten a los siguientes estados.

- Sobrecarga:
 - La herramienta se utiliza de una forma que hace que consuma una cantidad anómalamente alta de corriente.
 - En ese caso, suelte el interruptor disparador de la herramienta y detenga la aplicación que provocaba que la herramienta se sobrecargara. A continuación, vuelva a accionar el interruptor disparador para reanudar las operaciones.
 - Si la herramienta no se pone en marcha, la batería está sobrecalentada. En tal caso, deje que la batería se enfríe antes de volver a accionar el interruptor disparador.
- Tensión de la batería baja:
 - La capacidad restante de la batería es demasiado baja y la herramienta no funcionará. En ese caso, extraiga y recargue la batería.

Indicación de la capacidad restante de la batería

(Solo para cartuchos de la batería con "B" al final del número de modelo.) (Fig. 7)

Pulse el botón de comprobación del cartucho de la batería para indicar la capacidad restante de la batería. Las luces indicadoras se encienden durante unos segundos.

Luces indicadoras			Capacidad restante
 Iluminada	 Apagado	 Parpadea	
			75% a 100%
			50% a 75%
			25% a 50%
			0% a 25%
			Cargue la batería.
 	 	 	Es posible que la batería se haya averiado.

015658

NOTA:

- En función de las condiciones de uso y de la temperatura ambiente, la indicación puede diferir ligeramente de la capacidad real.

Accionamiento del interruptor de encendido

ADVERTENCIA:

- Antes de insertar el cartucho de la batería en la herramienta, asegúrese siempre de que el interruptor disparador funciona como es debido y que vuelve a la posición "OFF" (apagado) al soltarlo. No apriete con fuerza el interruptor disparador sin presionar hacia dentro el botón de desbloqueo. Podría romper el interruptor. La utilización de una herramienta con un interruptor que no funciona correctamente puede provocar la pérdida del control y graves lesiones personales.

Para evitar que el interruptor disparador pueda ser apretado accidentalmente, se ha provisto un botón de desbloqueo.

Para poner en marcha la herramienta, mueva el botón de desbloqueo hacia adelante y tire del interruptor disparador. Suelte el interruptor disparador para detener la herramienta. (Fig. 8)

Luz indicadora (Fig. 9)

Mientras la herramienta está en funcionamiento la luz indicadora muestra el estado de capacidad del cartucho de la batería.

Quando la herramienta también está sobrecargada y se ha detenido durante el funcionamiento, la luz se enciende de color rojo.

Consulte en la siguiente tabla el estado y la acción que se debe tomar para la luz indicadora.

Luz indicadora	Estado	Acción que debe realizarse
La luz parpadea de color rojo.	Indica el tiempo aproximado para reemplazar el cartucho de la batería cuando la carga de la batería está baja.	Recargue el cartucho de la batería lo antes posible.
La luz se enciende de color rojo. (Nota 1)	Esta función se activa cuando la carga de la batería casi se ha agotado. En ese caso, la herramienta se detiene inmediatamente.	Recargue el cartucho de la batería.
La luz se enciende de color rojo. (Nota 1)	Parada automática causada por una sobrecarga.	Apague la herramienta.

Nota 1: El momento en el que se enciende la luz indicadora varía en función de la temperatura de la zona de trabajo y del estado del cartucho de la batería.

012443

Ajuste de la longitud del eje

⚠️ ADVERTENCIA:

- Antes de ajustar la longitud del eje, suelte el interruptor disparador y quite el cartucho de la batería de la desbrozadora. De no soltar el disparador y quitar el cartucho de la batería, se pueden producir lesiones personales.

Para ajustar la longitud del eje, gire la empuñadura hacia la izquierda hasta que el eje quede desbloqueado y tire o empuje hasta la longitud deseada. (Fig. 10)

Cabezal de corte de nailon

AVISO:

- El despliegue de hilo mediante sacudidas no funcionará correctamente si el cabezal de corte de nailon no está girando.

El cabezal de corte de nailon es un cabezal de corte de hilo simple con un mecanismo de sacudida y despliegue de hilo.

Para que se despliegue el hilo de nailon, el cabezal de corte debe golpearse hacia el suelo mientras la herramienta está en funcionamiento. A medida que el hilo de nailon se despliegue, se cortará automáticamente a la longitud adecuada mediante el elemento de corte de la protección. (Fig. 11)

NOTA:

- Si el hilo de nailon no se despliega cuando sacude el cabezal, siga los procedimientos que se describen en "Instalación o extracción del cabezal de corte de nailon" y "Enrollado de un nuevo hilo de nailon en el carrete" para enrollar/sustituir el hilo de nailon.
- No sacuda la herramienta contra una superficie de hormigón o asfalto. Las sacudidas contra este tipo de materiales puede provocar daños en la herramienta.

MONTAJE

⚠️ ADVERTENCIA:

- Asegúrese siempre de apagar la herramienta y extraer el cartucho de la batería antes de intentar realizar cualquier tipo de operación en la herramienta.** Si no se apaga la herramienta o no se extrae el cartucho de la batería de la herramienta, se pueden provocar lesiones personales graves a causa de una puesta en marcha accidental.

- Nunca ponga en marcha la herramienta a menos que se haya ensamblado completamente.** La utilización de la herramienta en un estado parcialmente ensamblado puede provocar lesiones personales graves a causa de una puesta en marcha accidental.

Montaje de la empuñadura frontal (Fig. 12)

Coloque la empuñadura frontal en el soporte de la empuñadura frontal y asegúrela con un perno de cabeza hexagonal y la tuerca de fijación que se entregan con la desbrozadora, según se muestra en la figura. En este momento, coloque el perno de cabeza hexagonal desde el lado en el que se encuentra el puerto de bloqueo del perno de cabeza hexagonal y coloque la tuerca de fijación desde el lado opuesto.

NOTA:

- La empuñadura frontal tiene una hendidura de borde a borde en el área de montaje. Esta hendidura le permite montar fácilmente la empuñadura frontal en el soporte de la empuñadura frontal.

El ángulo de la empuñadura frontal se puede ajustar. Para ajustar el ángulo de la empuñadura frontal, afloje la tuerca de fijación, ajuste la empuñadura frontal en el ángulo correcto según el trabajo y ajuste la tuerca con firmeza hacia la derecha.

Montaje de la protección

⚠️ PRECAUCIÓN:

- Cuando instale la protección, tenga cuidado de no tocar el elemento de corte del hilo de nailon que se proporciona con la protección.** El contacto con el elemento de corte puede provocar lesiones personales.

Para montar la protección, colóquela en la caja del motor de modo que el hilo de nailon no quede apretado entre la protección y la caja del motor y, luego, asegúrela con dos tornillos. Antes de poner en marcha la desbrozadora, quite del elemento de corte del hilo la protección del elemento de corte. (Fig. 13)

Instalación o extracción del cabezal de corte de nailon

⚠️ ADVERTENCIA:

- Antes de instalar o extraer el cabezal de corte de nailon (tanto la tapa del carrete como el carrete, en adelante llamados así), asegúrese de que la herramienta esté apagada y de haber extraído de la herramienta el cartucho de la batería. De no apagar la herramienta y quitar el cartucho de la batería, se pueden producir lesiones personales.

⚠️ PRECAUCIÓN:

- Cuando instale o extraiga el cabezal de corte de nailon, tenga cuidado de no tocar el elemento de corte del hilo de nailon que se proporciona con la protección. El contacto con el elemento de corte puede provocar lesiones personales.

Para quitar el cabezal de corte de nailon (carrete y tapa del carrete) de la desbrozadora, presione con fuerza los pestillos a ambos lados de la tapa del carrete y extráigalo hacia arriba. (Fig. 14 y 15)

AVISO:

- Asegúrese de que el muelle esté montado dentro del soporte del carrete.

Para colocar un cabezal de corte de nailon (carrete y tapa del carrete) con el hilo recién enrollado en la desbrozadora, alinee el orificio para el hilo de nailon con la muesca del puerto de instalación del cabezal de corte de nailon en la desbrozadora y presione hasta oír un chasquido. (Fig. 16)

Enrollado de un nuevo hilo de nailon en el carrete

Quite el carrete de la tapa del carrete y extraiga del carrete el hilo de nailon usado restante. (Fig. 17)

Introduzca un hilo de nailon en el retén que se muestra en la figura. (Fig. 18)

Enróllelo de manera que quede plano alrededor del carrete en la dirección de la flecha del carrete, de modo que la superficie del hilo de nailon enrollado quede uniforme en el área de enrollado. (Fig. 19)

Pase de manera provisional un hilo de nailon por la muesca que se muestra en la figura. (Fig. 20)

Pase el hilo de nailon por el orificio para el hilo de nailon en la tapa del carrete. (Fig. 21)

Después de instalar el cabezal de corte de nailon, presione el carrete y tire del hilo de nailon para asegurarse de que el hilo de nailon sobresalga. (Fig. 22)

FUNCIONAMIENTO

Acoplamiento de la correa de bandolera (Fig. 23)

Enganche la correa de bandolera en un orificio de la empuñadura frontal.

Funcionamiento

⚠️ PRECAUCIÓN:

- No corte el pasto alto de una sola vez. Cortar el pasto alto de una sola vez cerca de la raíz puede provocar que el vástago del motor de la desbrozadora

se enganche en el pasto, lo que puede provocar una carga excesiva en el motor y dañar la desbrozadora.

⚠️ PRECAUCIÓN:

- Utilice la desbrozadora sin que el carrete entre en contacto con la superficie del suelo. Si utiliza el carrete de modo que entre en contacto con la superficie del suelo, puede provocar una carga excesiva en el motor y dañar la desbrozadora. (Fig. 24 y 25)

⚠️ PRECAUCIÓN:

- No fuerce la desbrozadora en lugares con gran densidad de pasto. (Fig. 26)

⚠️ PRECAUCIÓN:

- No utilice la desbrozadora como si cavara en la tierra con ella. (Fig. 27)

Corte del pasto cerca de un árbol, bloque de hormigón, ladrillo o piedra (Fig. 28)

Sostenga la desbrozadora inclinada a un nivel que no entre en contacto con la superficie del suelo y corte el pasto con la punta del hilo de nailon como si diera golpes contra el suelo. En estos trabajos se necesita un despliegue al ras ya que el hilo de nailon se desgasta con mayor rapidez que lo habitual.

NOTA:

- Llevar la desbrozadora muy cerca de un árbol, bloque de hormigón, ladrillo, piedras o similares durante las tareas de canteado o tareas similares puede hacer que el hilo de nailon se corte por la mitad dentro de la tapa del carrete. En este caso, quite el carrete de la tapa del carrete y vuelva a ajustar el hilo de nailon, para ello consulte la sección "Instalación o extracción del cabezal de corte de nailon" y la sección "Enrollado de un nuevo hilo de nailon en el carrete". Si utiliza la punta del hilo de nailon durante estas tareas, obtendrá los mejores resultados y, por lo tanto, se recomienda mantener la herramienta alejada más de 5 cm del árbol, bloque de hormigón, ladrillo, piedra o similar.

Ponga en marcha la desbrozadora antes de acercarse al pasto que desea cortar.

Corte el pasto con la punta del hilo de nailon, moviendo la desbrozadora de derecha a izquierda con lentitud, con la desbrozadora inclinada un ángulo de 30° aproximadamente en relación con la superficie del suelo. Al cortar pasto alto, corte en capas de longitud pequeña, siempre a partir de la parte superior.

Utilización de la herramienta como cortabordes

Utilizar la herramienta como cortabordes permite que el operario corte a lo largo del borde de un bloque de hormigón, ladrillo o similares. (Fig. 29)

Para utilizar la herramienta como cortabordes, sostenga el eje de la desbrozadora con una mano y gire la empuñadura hacia la izquierda para aflojar el eje. Gire 180° el eje con la caja del motor y luego apriete la empuñadura hacia la derecha hasta que quede bloqueada. (Fig. 30)

NOTA:

- Antes de girar el eje, debe contraerlo o extenderlo por completo.

- Después de cambiar a la posición de cortabordes, asegúrese de que la caja del motor y el eje estén bloqueados.

Para obtener los mejores resultados de corte, muévase en dirección paralela al borde donde realizará las tareas de canteado. (Fig. 31)

Corte del pasto en lugares reducidos o en una pendiente

ADVERTENCIA:

- Cuando corte el pasto en una pendiente, tenga cuidado con las piedras, el pasto y demás objetos extraños que puedan salir despedidos del área del cabezal de corte.
- Cuando corte el pasto en una pendiente, asegúrese de mantener una posición firme y estable en todo momento.

Para facilitar el trabajo en un lugar reducido con poca altura, por ejemplo si corta el pasto en una plataforma exterior de madera o lugares similares, pulse el botón de bloqueo y baje el cabezal de corte de modo que el eje se encuentre paralelo a la superficie del suelo. Ajustar correctamente el ángulo del cabezal de corte de este modo ayuda a cortar el pasto en una pendiente. (Fig. 32)

MANTENIMIENTO

ADVERTENCIA:

- **Asegúrese de apagar siempre la herramienta y extraer el cartucho de la batería antes de intentar realizar cualquier trabajo de inspección o mantenimiento en ella.** Si no se apaga la herramienta o no se extrae el cartucho de la batería de la herramienta, se pueden provocar lesiones personales graves a causa de una puesta en marcha accidental.

AVISO:

Nunca utilice gasolina, benceno, disolvente, alcohol o un producto similar. Se puede provocar una decoloración, una deformación o grietas.

Para mantener la SEGURIDAD y la FIABILIDAD del producto, las reparaciones y cualquier otra tarea de mantenimiento o ajuste deberán ser realizadas en centros de servicio autorizados por Makita, utilizando siempre repuestos Makita.

ACCESORIOS OPCIONALES

PRECAUCIÓN:

- Se recomienda el uso de estos accesorios o complementos con la herramienta Makita especificada en este manual. El uso de otros accesorios o complementos puede conllevar el riesgo de ocasionar daños corporales. Utilice los accesorios o complementos solamente para su fin establecido.

Si necesita cualquier ayuda para obtener más información relativa a estos accesorios, pregunte a su centro de servicio Makita local.

- Cabezal de corte de nailon
- Hilos de nailon
- Correa de bandolera
- Gafas de seguridad
- Batería y cargador originales de Makita

NOTA:

- Algunos elementos de la lista se pueden incluir en el paquete de la herramienta como accesorios estándar. Pueden ser diferentes de un país a otro.

Ruido

ENG905-1

Niveles típicos de ruido ponderado A determinados conforme a EN786:

Modelo DUR141

Nivel de presión de sonido (L_{pA}): 75 dB (A)
 Nivel de potencia de sonido (L_{WA}): 83,7 dB (A)
 Incertidumbre (K): 2,5 dB (A)

Modelo DUR181

Nivel de presión de sonido (L_{pA}): 82 dB (A)
 Nivel de potencia de sonido (L_{WA}): 88,5 dB (A)
 Incertidumbre (K): 2,5 dB (A)

Utilice protección para los oídos.

Vibración

ENG904-2

Valor de total de vibraciones determinado de acuerdo con EN786:

Emisión de vibraciones (a_{h1}): 2,5 m/s² o menos
 Incertidumbre (K): 1,5 m/s²

ENG901-1

- El valor de emisión de vibraciones se ha medido de acuerdo con el método de prueba estándar y se puede utilizar para comparar herramientas.
- El valor de emisión de vibraciones declarado también se puede usar en una evaluación preliminar de la exposición.

ADVERTENCIA:

- La emisión de vibraciones durante el uso de la herramienta eléctrica puede diferir del valor de emisiones declarado, dependiendo de las formas en que se utiliza la herramienta.
- Asegúrese de identificar las mediciones correctas para proteger al operario, que se basan en una estimación de la exposición en condiciones de uso reales (teniendo en cuenta todas las partes del ciclo de operaciones, como los momentos en los que la herramienta está apagada y cuando funciona al ralentí además del tiempo en que está activado el interruptor).

Sólo para países europeos

ENH219-3

Declaración de conformidad de la CE

Makita declara que las siguientes máquinas:

Designación de la máquina:
 Desbrozadora Inalámbrica
 N.º de modelo/ Tipo: DUR141, DUR181
 Especificaciones: consulte la tabla "ESPECIFICACIONES".

Cumplen con las siguientes Directivas europeas:

2000/14/CE, 2006/42/CE

Se han fabricado de acuerdo con los siguientes estándares o documentos estandarizados:

EN60745, EN60335, EN50636

El archivo técnico de acuerdo con 2006/42/CE está disponible en:

Makita, Jan-Baptist Vinkstraat 2, 3070, Bélgica

Organismo notificado:

TÜV Rheinland LGA Products GmbH
 Tillystraße 2
 90431 Nürnberg, Alemania
 Número de identificación 0197

El procedimiento de evaluación de conformidad requerido por la Directiva 2000/14/CE se realizó de acuerdo con el anexo VI.

Modelo DUR141

Nivel de potencia sonora medido: 83,7 dB (A)

Nivel de potencia sonora garantizado: 85 dB (A)

Modelo DUR181

Nivel de potencia sonora medido: 88,5 dB (A)

Nivel de potencia sonora garantizado: 91 dB (A)

1. 10. 2015



Yasushi Fukaya
Director

Makita, Jan-Baptist Vinkstraat 2, 3070, Bélgica

PORTUGUÊS (Instruções de origem)

Descrição geral

1. Luz indicadora	12. Lâmpadas indicadoras	22. Mola
2. Gatilho	13. Botão de verificação	23. Suporte da bobina
3. Bateria	14. Botão de bloqueio	24. Fio de nylon
4. Pega frontal	15. Veio	25. Fixador para extremidade do fio de nylon
5. Porca de fixação	16. Pega	26. Bobina
6. Pega de bloqueio	17. Parafuso sextavado	27. Alça de ombro
7. Resguardo	18. Parafusos	28. Gancho
8. Cabeça de corte em nylon	19. Tampa da lâmina	29. Alojamento do motor
9. Indicador vermelho	20. Óculo do fio de nylon	30. Botão de bloqueio
10. Botão	21. Entalhe da porta de instalação da cabeça de corte em nylon	
11. Marca de estrela		

ESPECIFICAÇÕES

Modelo	DUR141		DUR181	
Velocidade sem carga	6.000 min ⁻¹		7.800 min ⁻¹	
Comprimento total	1.229 mm - 1.433 mm		1.229 mm - 1.433 mm	
Diâmetro de corte com cabeça de corte em nylon	260 mm		260 mm	
Peso líquido	2,8 kg	3,0 kg	2,9 kg	3,1 kg
Tensão nominal	C.C. 14,4 V		C.C. 18 V	
Bateria(s) padrão ⚠ Aviso: Utilize apenas a(s) bateria(s) descritas.	BL1415/ BL1415N	BL1430/ BL1430B/ BL1440/ BL1450	BL1815/ BL1815N/ BL1820/ BL1820B	BL1830/ BL1830B/ BL1840/ BL1840B/ BL1850/ BL1850B/ BL1860B

- Devido à pesquisa e desenvolvimento constantes, estas especificações estão sujeitas a alteração sem aviso prévio.
- As especificações e o cartucho da bateria podem ser diferentes consoante o país.
- Peso, com a bateria, de acordo com o procedimento EPTA de 01/2003

Símbolos

END017-4

Descrição dos símbolos utilizados no equipamento.
Certifique-se de que compreende o seu significado, antes da utilização.



..... Utilizar luvas de protecção.



..... Use botas resistentes com solas não derrapantes. Recomenda-se a utilização de botas de segurança com biqueira de aço.



..... Não exponha a extensão à humidade.



..... Velocidade máxima admissível da ferramenta.



..... Apenas para países da UE
Não deite equipamentos eléctricos ou a bateria no lixo doméstico!
De acordo com as directivas europeias sobre ferramentas eléctricas e electrónicas usadas e baterias, acumuladores e baterias usadas e a sua aplicação em conformidade com as leis nacionais, as ferramentas eléctricas, as baterias e conjuntos usados devem ser recolhidos em separado e encaminhados para uma instalação de reciclagem dos materiais ecológicos.



..... Tenha um cuidado e atenção especiais.



..... Leia o manual de instruções.



..... Cuidado; preste atenção aos objectos projectados.



..... A distância entre a ferramenta e as pessoas deve ser, no mínimo, 15 m.



..... Mantenha as pessoas afastadas.



..... Mantenha uma distância mínima de 15 m.



..... Evite recuos.



..... Usar um capacete, óculos e protecção para os ouvidos.

INSTRUÇÕES DE SEGURANÇA IMPORTANTES

GEB092-5

⚠️ AVISO! Leia todos os avisos de segurança e todas as instruções. O não cumprimento dos avisos e instruções pode resultar na ocorrência de choques eléctricos, incêndios e/ou ferimentos graves.

Guarde todos os avisos e instruções para referência futura.

1. Familiarize-se com os controlos e a utilização adequada do equipamento.
2. Os elementos de corte continuam a rodar após o motor ser desligado.
3. Nunca permita que crianças ou pessoas não familiarizadas com as instruções utilizem a máquina.
4. Para de utilizar a máquina com pessoas, especialmente, crianças ou animais por perto.
5. Utilize apenas a máquina com luz natural ou com luz artificial boa.
6. Antes de utilizar a máquina e após qualquer impacto, verifique por sinais de desgaste ou danos e, se necessário, repare.
7. Proteja-se contra ferimentos de qualquer dispositivo instalado para aparar o comprimento da linha filamento. Após alargar a linha do novo cortador, coloque sempre a máquina na posição de funcionamento normal antes de a ligar.
8. Nunca instale elementos de corte de metal.
9. Este aparelho não se destina à utilização por pessoas (incluindo crianças) com capacidades físicas, sensoriais ou mentais reduzidas ou falta de experiência e conhecimento, a menos que tenham sido supervisionadas ou formadas, relativamente à utilização do aparelho, por uma pessoa responsável pela sua segurança. As crianças devem ser supervisionadas para garantir que não brincam com o aparelho.
10. Utilize a ferramenta com o máximo de cuidado e atenção.
11. Opere a ferramenta apenas se estiver em boas condições físicas. Efectue todos os trabalhos com calma e cuidado. Tenha bom senso e lembre-se que o operador ou o utilizador é responsável pelos acidentes ou perigos que ocorrem a outras pessoas ou à sua propriedade.
12. Nunca utilize a ferramenta quando estiver cansado, doente ou sob a influência de álcool ou drogas.
13. A ferramenta deve ser desligada imediatamente se apresentar sinais de funcionamento anormal.

Utilização pretendida da ferramenta

1. Utilize a ferramenta correcta. O aparador de grama a bateria destina-se apenas a cortar relva, ervas daninhas. Não deve ser utilizado para outros fins como aparar sebes, uma vez que pode causar ferimentos.

Equipamento de protecção pessoal (Fig. 1 e 2)

1. Vista-se de forma adequada. Utilize sempre roupas que sejam funcionais e apropriadas ao seu trabalho, isto é, que fiquem justas mas não

demasiado apertadas ao ponto de causar um movimento desconfortável. Não use joalheria ou roupa que possa ficar presa com a relva alta. Caso tenha cabelo comprido utilize equipamento adequado para o prender.

2. Quando utilizar a ferramenta, use sempre sapatos resistentes com uma sola não derrapante. Estes sapatos protegem contra ferimentos e asseguram um bom apoio.
3. Use óculo de protecção.

Segurança eléctrica e de bateria

1. Evite ambientes perigosos. Não utilize a ferramenta em locais húmidos nem o exponha à chuva. A entrada de água na ferramenta aumentará o risco de choques eléctricos.
2. Recarregue apenas com o carregador especificado pelo fabricante. Um carregador adequado para um tipo de bateria pode criar um risco de incêndio quando utilizado com outra bateria.
3. Utilize ferramentas eléctricas apenas com baterias especificamente concebidas. A utilização de qualquer outra bateria pode criar um risco de ferimentos e incêndios.
4. Não elimine a(s) bateria(s) num incêndio. A célula pode explodir. Consulte os códigos locais para possíveis instruções de eliminação especiais.
5. Não abra nem desmonte a(s) bateria(s). O electrólito libertado é corrosivo e pode causar danos nos olhos ou na pele. Se engolido, pode ser tóxico.

Ligar a ferramenta (Fig. 3)

1. Certifique-se de que não há crianças ou outras pessoas a trabalhar num raio de 15 metros, tome também atenção a animais nas proximidades. Caso contrário, não utilize a ferramenta.
2. Antes da utilização, certifique-se sempre de que a ferramenta está segura. Verifique a segurança da ferramenta de corte, o resguardo e o gatilho/alavanca para uma acção fácil e adequada. Certifique-se de que as pegas estão limpas e secas e teste a função de ligar/desligar do interruptor.
3. Verifique as peças danificadas antes de nova utilização da ferramenta. Um resguardo ou outra peça danificada, verifique-o com cuidado para se certificar de que funciona correctamente. Verifique o alinhamento das peças móveis, união das peças móveis, se há peças partidas, a sua montagem e outras condições que possam afectar o funcionamento da ferramenta. Um resguardo ou outra peça danificada deve ser reparado convenientemente ou substituído pelo nosso agente autorizado a não ser que este manual indique o contrário.
4. Ligue o motor apenas quando as mãos e os pés estiverem afastados da ferramenta de corte.
5. Antes de arrancar, certifique-se de que a ferramenta de corte não está em contacto com objectos duros como ramos, pedras etc., uma vez que a ferramenta de corte irá rodar ao arrancar.

Método de funcionamento

1. Nunca utilize a máquina com resguardos danificados ou sem os resguardos instalados.
2. Utilize a ferramenta apenas com boa luz e visibilidade. Durante a época de Inverno, tenha cuidado com áreas escorregadias ou molhadas, gelo e neve (risco de escorregar). Certifique-se sempre de que tem um apoio seguro.
3. Previna-se contra ferimentos nos pés e nas mãos provocados pela ferramenta de corte.
4. Mantenha sempre as mãos e os pés afastados dos elementos de corte, especialmente ao ligar o motor.
5. Nunca corte acima da altura dos ombros.
6. Nunca utilize a ferramenta em cima de uma escada.
7. Nunca trabalhe em superfícies instáveis.
8. Não perca a postura correcta. Mantenha-se sempre bem equilibrado e apoiado.
9. Certifique-se de que tem sempre um bom apoio de pés nos declives.
10. Caminhe, nunca corra.
11. Remova areia, pedras, pregos etc encontrados na área de trabalho. As partículas estranhas podem danificar a ferramenta de corte e podem ser projectadas, resultando em ferimentos graves.
12. Nunca toque nas peças móveis perigosas antes da máquina ser desligada da rede e antes das peças móveis perigosas pararem por completo.
13. Caso a ferramenta de corte atinja pedras ou outros objectos duros, desligue imediatamente o motor e inspeccione a ferramenta de corte.
14. Antes de começar a cortar, certifique-se de que a ferramenta de corte atingiu a velocidade de funcionamento completa.
15. Durante o funcionamento, segure sempre a ferramenta com ambas as mãos. Nunca segure a ferramenta com uma mão durante a utilização. Certifique-se sempre de que tem um apoio seguro.
16. Todo o equipamento de protecção como resguardos, fornecidos com a ferramenta, devem ser usados durante o funcionamento.
17. Excepto em caso de emergência, nunca deixe cair nem atire a ferramenta ao chão uma vez que isto pode danificá-la gravemente.
18. Nunca arraste a ferramenta pelo chão quando a transportar, a ferramenta pode ficar danificada.
19. Retire sempre a bateria da ferramenta:
 - sempre que deixar a ferramenta sem supervisão;
 - antes de eliminar um bloqueio;
 - antes de verificar, limpar ou efectuar reparações na ferramenta;
 - antes de efectuar ajustes, alterar acessórios ou guardar;
 - sempre que a ferramenta começar a vibrar de forma estranha;
 - sempre que transportar a ferramenta.
20. Não force a ferramenta. Irá efectuar melhor o trabalho e com menos probabilidade de ferimentos à velocidade para a qual foi concebido.

Instruções de manutenção

1. O estado da ferramenta de corte e os dispositivos de protecção têm de ser verificados antes de iniciar a utilização.
2. Desligue o motor e retire a bateria antes de efectuar a manutenção, substituindo a ferramenta de corte e limpando a ferramenta.
3. Após a utilização, desligue a bateria da ferramenta e verifique por danos.
4. Verifique por fixadores soltos e peças danificadas, quase cortados, na ferramenta de corte.
5. Quando não utilizar, guarde o equipamento num local seco fechado ou fora do alcance das crianças.
6. Utilize apenas as peças e acessórios de substituição recomendados pelo fabricante.
7. Certifique-se sempre de que as aberturas de ventilações estão isentas de detritos.
8. Inspeccione e efectue a manutenção da ferramenta regularmente, especialmente antes/ depois da utilização. Efectue as reparações da ferramenta apenas num centro de assistência autorizado.
9. Mantenha as pegas secas, limpas e sem óleo ou gordura.

GUARDE ESTAS INSTRUÇÕES.

⚠ AVISO:

NÃO deixe que o conforto ou familiaridade com o produto (obtida de uma utilização regular) substituam um cumprimento severo das regras de segurança do produto em causa. Uma UTILIZAÇÃO INCORRECTA ou não cumprimento das regras de segurança indicadas neste manual de instruções podem provocar ferimentos pessoais sérios.

INSTRUÇÕES DE SEGURANÇA IMPORTANTES

ENC007-11

RELATIVAS À BATERIA

1. Antes de utilizar a bateria, leias as instruções e chamadas de atenção sobre: (1) o carregador da bateria, (2) a bateria e (3) o produto que utiliza a bateria.
2. Não desmonte a bateria.
3. Se o tempo de utilização com a bateria se tornar demasiado curto, deve parar imediatamente. Se continuar, pode causar sobreaquecimento, incêndio e mesmo explosão.
4. Se o electrólito entrar em contacto com os olhos, enxágue-os com água limpa e consulte imediatamente um médico. Os riscos incluem perda de visão.
5. Não provoque um curto-circuito na bateria:
 - (1) Não deixe que quaisquer materiais condutores entrem em contacto com os terminais da bateria.
 - (2) Evite guardar a bateria juntamente com outros objectos de metal como pregos, moedas, etc.
 - (3) Não exponha a bateria a água ou chuva.

Um curto-circuito na bateria pode criar uma grande carga eléctrica, sobreaquecimento, possíveis queimaduras e mesmo uma avaria.

6. Não guarde a ferramenta e a bateria em locais onde a temperatura possa atingir ou exceder 50°C (122°F).
7. Não incinere a bateria, nem mesmo se esta estiver irremediavelmente danificada ou completamente gasta. Pode explodir num incêndio.
8. Não a deixe cair e evite o choque com outros objectos.
9. Não utilize uma bateria danificada.
10. As baterias de íões de lítio estão sujeitas aos requisitos da legislação para mercadorias perigosas.
Para transportes comerciais, por exemplo, por terceiros ou despachantes, é necessário cumprir requisitos especiais na embalagem e etiquetagem. Para a preparação do item a enviar, é necessário consultar um especialista em materiais perigosos. Cumpra também os regulamentos nacionais mais detalhados.
Proteja os contactos abertos e embale a bateria de forma que não se possa mover dentro da embalagem.
11. Siga os regulamentos locais relacionados com a eliminação da bateria.

GUARDE ESTAS INSTRUÇÕES.

⚠ PRECAUÇÃO: Utilize apenas baterias genuínas da Makita.

A utilização de baterias não genuínas da Makita ou baterias que foram alteradas, pode resultar no rebentamento da bateria causando incêndios, ferimentos pessoais e danos. Também vai anular a garantia da Makita para a ferramenta e carregador da Makita.

Sugestões para o máximo de tempo de vida da bateria

1. Não espere que a bateria se gaste completamente para voltar a carregá-la.
Pare a ferramenta e carregue a bateria sempre que detectar um baixo nível de energia.
2. Nunca volte a carregar uma bateria já completamente carregada.
O carregamento excessivo diminui o tempo de vida das baterias.
3. Carregue a bateria em locais onde a temperatura se situe entre 10°C e 40°C (50°F - 104°F). Se a bateria estiver quente, deixe-a arrefecer antes de iniciar o carregamento.
4. Carregue a bateria em caso de inatividade durante um longo período de tempo (mais de seis meses).

DESCRIÇÃO DAS PEÇAS (Fig. 4)

DESCRIÇÃO DO FUNCIONAMENTO

⚠ AVISO:

- Certifique-se sempre de que a ferramenta está desligada e de que a bateria foi removida antes de ajustar ou verificar as funções da ferramenta. Caso

não desligue e retire a bateria, pode sofrer ferimentos pessoais graves devido a arranque accidental.

Instalar ou retirar a bateria (Fig. 5)

⚠ PRECAUÇÃO:

- Desligue sempre a ferramenta antes de colocar ou remover a bateria.
- **Segure bem a ferramenta e a bateria quando instalar ou retirar a bateria.** Se não segurar bem a ferramenta e a bateria, pode fazer com que caiam das mãos e provoquem danos na ferramenta e na bateria e ferimentos pessoais.

Para retirar a bateria, mantenha premido o botão na frente da bateria e puxe.

Para colocar a bateria, alinhe a respectiva saliência com a calha do compartimento e encaixe-a suavemente. Insira-a completamente até fixar em posição com um clique. Se ainda estiver visível o indicador vermelho na parte superior do botão, não estará bem encaixado.

⚠ PRECAUÇÃO:

- Instale sempre a bateria completamente, até deixar de ver o indicador vermelho. Caso contrário, pode cair da ferramenta e causar ferimentos em si, ou em alguém que esteja perto de si.
- Não instale a bateria forçosamente. Se não encaixar facilmente é porque não está correctamente posicionada.

Sistema de protecção da bateria (Bateria de íões de lítio com uma marca de estrela) (Fig. 6)

As baterias de íões de lítio com uma marca de estrela estão equipadas com um sistema de protecção. Este sistema corta automaticamente a alimentação para prolongar a vida útil da bateria.

A ferramenta pára automaticamente durante o funcionamento quando a ferramenta e/ou bateria são colocadas numa das condições seguintes:

- Sobrecarregada:
A ferramenta é utilizada de tal forma que atrai uma corrente involuntariamente alta.
Nesta situação, solte o gatilho da ferramenta e pare a aplicação que causou a sobrecarga. De seguida, prima novamente o gatilho para reiniciar.
Se a ferramenta não ligar, a bateria está sobreaquecida. Nesta situação, deixe a bateria arrefecer antes de premir novamente o gatilho.
- Tensão baixa da bateria:
A carga restante da bateria é demasiado baixa e a ferramenta não funciona. Nesta situação, retire e recarregue a bateria.

Indicar a carga restante da bateria

(Apenas para baterias com "B" no final do número de modelo.) (Fig. 7)

Prima o botão de verificação na bateria para indicar a carga restante da bateria. As lâmpadas indicadoras acendem-se durante alguns segundos.

Lâmpadas indicadoras			Carga restante
Acesa	Apagada	Intermitente	
■	□	▧	75% a 100%
■	■	■	
■	■	□	50% a 75%
■	■	□	25% a 50%
■	□	□	0% a 25%
▧	□	□	Carregue a bateria.
■	■	□	A bateria pode ter avariado.
□	□	■	

015658

NOTA:

- Consoante as condições de utilização e a temperatura ambiente, a indicação pode ser ligeiramente diferente da carga real.

Luz indicadora	Estado	Ação a efectuar
A luz pisca a vermelho.	Isto indica o tempo adequado para substituir a bateria quando a carga da bateria estiver fraca.	Recarregue a bateria assim que possível.
A luz acende-se a vermelho. (Nota 1)	Esta função é activada quando a carga da bateria está praticamente gasta. A este ponto, a ferramenta pára imediatamente.	Recarregue a bateria.
A luz acende-se a vermelho. (Nota 1)	Paragem automática devido a sobrecarga.	Desligue a ferramenta.

Nota 1: O momento em que a luz indicadora acende, varia de acordo com a temperatura em redor da área de trabalho e de acordo com as condições da bateria.

012443

Ajustar o comprimento do veio

⚠ AVISO:

- Antes de ajustar o comprimento do veio, solte o gatilho e remova a bateria do aparador de grama. Não soltar o gatilho nem remover a bateria pode causar ferimentos pessoais.

Para ajustar o comprimento do veio, rode a pega no sentido contrário aos ponteiros do relógio até o veio se desbloquear e puxe ou pressione até ao comprimento pretendido. (Fig. 10)

Cabeça de corte em nylon

AVISO:

- O avanço com ressalto não irá funcionar se a cabeça de corte em nylon não estiver a rodar.

A cabeça de corte em nylon é uma única cabeça de aparador de grama com mecanismo de ressalto e avanço.

Para fornecer o fio de nylon, a cabeça de corte deve ser ressaltada contra o chão enquanto a ferramenta está em

Ação do interruptor de alimentação

⚠ AVISO:

- Antes de inserir a pilha na ferramenta, verifique se o gatilho está a funcionar correctamente e se regressa à posição "OFF" quando o solta. Não puxe com força o gatilho sem premir o botão de bloqueio. Isto poderá quebrar o interruptor. Utilizar uma ferramenta com um interruptor que não funciona correctamente pode provocar uma perda de controlo e ferimentos pessoais graves.

Para evitar que o gatilho seja acidentalmente puxado, é fornecido botão de bloqueio.

Para iniciar a ferramenta, mova o botão de bloqueio para a frente e puxe o gatilho. Para parar a ferramenta, solte o gatilho. (Fig. 8)

Luz indicadora (Fig. 9)

Colocar a ferramenta em funcionamento permite à luz indicadora mostrar o estado de capacidade da bateria. Além disso, quando a ferramenta é sobrecarregada e parou durante o funcionamento, a luz acende-se a vermelho.

Consulte a tabela seguinte para o estado e acção a tomar relativamente à luz indicadora.

funcionamento. À medida que o fio de nylon é fornecido, será automaticamente cortado ao comprimento adequado pela lâmina no resguardo. (Fig. 11)

NOTA:

- Se o fio de nylon não for fornecido ao ressaltar a cabeça, enrole/substitua o fio de nylon ao seguir os procedimentos descritos em "Instalar ou remover a cabeça de corte em nylon" e "Enrolar um fio de nylon novo na bobina".
- Não ressalte a ferramenta numa superfície de cimento ou de asfalto. Ressaltar contra este tipo de objectos pode causar danos na ferramenta.

MONTAGEM

⚠ AVISO:

- Certifique-se sempre de que a ferramenta está desligada e a bateria removida, antes de efectuar qualquer operação na ferramenta. Caso não desligue e retire a bateria, pode sofrer ferimentos pessoais graves devido a arranque acidental.

- **Nunca ligue a ferramenta a menos que esteja completamente montada.** A utilização da ferramenta num estado parcialmente montado pode resultar em ferimentos pessoais graves devido a arranque acidental.

Instalar a pega frontal (Fig. 12)

Coloque a pega frontal no suporte de pega frontal e fixe-a com um parafuso sextavado e a porca de fixação fornecidos com o aparador de grama, conforme indicado na imagem. A este ponto, o parafuso sextavado necessita de ser instalado a partir do lado no qual a porta de bloqueio do parafuso sextavado está situada e a porca de fixação necessita de ser instalada a partir do lado oposto.

NOTA:

- A pega frontal possui uma abertura de corte de uma extremidade à outra na área de montagem. Utilizar esta abertura permite instalar facilmente a pega frontal no suporte da pega frontal.

O ângulo da pega frontal é ajustável. Para ajustar o ângulo da pega frontal, desaperte a porca de fixação, defina a pega frontal a um ângulo adequado ao seu trabalho e, de seguida, aperte bem a porca no sentido dos ponteiros do relógio.

Instalar o resguardo

⚠️ PRECAUÇÃO:

- **Ao instalar o resguardo, tenha cuidado para não entrar em contacto com a lâmina do fio de nylon, existente no resguardo.** O contacto com a lâmina pode resultar em ferimentos pessoais.

Instale o resguardo ao levantá-lo para o alojamento do motor para que o fio de nylon não fique preso entre o resguardo e o alojamento do motor e, de seguida, fixe-o com dois parafusos. Antes de ligar o aparador, retire a tampa da lâmina da lâmina de fio. (Fig. 13)

Instalar ou remover a cabeça de corte em nylon

⚠️ AVISO:

- **Antes de instalar ou remover a cabeça de corte em nylon (tampa da bobina e bobina e doravante denominadas assim), certifique-se de que a ferramenta está desligada e de que a bateria é removida da ferramenta.** Não desligar a ferramenta nem remover a bateria pode causar ferimentos pessoais.

⚠️ PRECAUÇÃO:

- **Ao instalar ou remover a cabeça de corte em nylon, tenha cuidado para não entrar em contacto com a lâmina do fio de nylon, existente no resguardo.** O contacto com a lâmina pode resultar em ferimentos pessoais.

Para remover a cabeça de corte em nylon (bobina e tampa da bobina) do aparador de grama, pressione os entalhes em ambos os lados da tampa da bobina e levante-a. (Fig. 14 e 15)

ATENÇÃO:

- Certifique-se de que a mola está instalada no interior do suporte da bobina.

Para instalar uma cabeça de corte em nylon com fio acabado de enrolar (bobina e tampa da bobina), alinhe o óculo do fio de nylon com o entalhe da porta de instalação da cabeça de corte em nylon no aparador e, de seguida, pressione até ouvir um estalido. (Fig. 16)

Enrolar um fio de nylon novo na bobina

Remova a bobina da tampa da bobina e retire o restante fio de nylon usado da bobina. (Fig. 17)

Introduza um fio de nylon no fixador mostrado na figura. (Fig. 18)

Enrole-o bem em torno da bobina na direcção da seta na bobina para que a superfície do fio de nylon enrolado apareça uniforme sobre a área de enrolamento. (Fig. 19) Fixe temporariamente um fio de nylon no entalhe mostrado na figura. (Fig. 20)

Passo o fio de nylon pelo óculo do fio de nylon na tampa da bobina. (Fig. 21)

Após instalar a cabeça de corte em nylon, certifique-se de que o fio de nylon sai ao pressionar a bobina e ao puxar o fio de nylon. (Fig. 22)

FUNCCIONAMENTO

Colocação da alça de ombro (Fig. 23)

Engate a alça de ombro num orifício na pega frontal.

Funcionamento

⚠️ PRECAUÇÃO:

- **Não corte relva alta de uma só vez.** Cortar relva alta perto da raiz pode fazer com que o veio do motor do aparador fique preso na relva, o que provoca a sobrecarga do motor, resultando em danos no aparador.

⚠️ PRECAUÇÃO:

- **Utilize o aparador sem deixar que a bobina entre em contacto com o solo.** Utilizar a bobina em contacto com o solo pode causar a sobrecarga do motor, resultando em danos no aparador. (Fig. 24 e 25)

⚠️ PRECAUÇÃO:

- Não force o aparador em relva densa. (Fig. 26)

⚠️ PRECAUÇÃO:

- Não utilize o aparador como se estivesse a escavar o solo. (Fig. 27)

Cortar a relva perto de uma árvore, bloco de cimento, tijolo ou pedra de jardim (Fig. 28)

Mantenha o aparador inclinado para que não entre em contacto com o solo e corte a relva utilizando a ponta do fio de nylon a tocar no solo. Neste trabalho, é necessário um fornecimento lento porque o fio de nylon desgasta-se mais rapidamente do que o normal.

NOTA:

- Colocar o aparador demasiado perto de uma árvore, bloco de cimento, tijolo, pedra de jardim ou algo semelhante durante os trabalhos de aparar sebes ou trabalhos de corte semelhantes pode fazer com que o fio de nylon seja cortado a meio no interior da tampa da

bobina. A este ponto, retire a bobina da tampa da bobina e, de seguida, coloque nova e correctamente o fio de nylon ao consultar a secção intitulada "Instalar ou remover a cabeça de corte em nylon" e "Enrolar um fio de nylon novo na bobina". Utilizar a ponta do fio de nylon durante a operação proporciona o melhor resultado e, por isso, é aconselhável manter a ferramenta a mais de 5 cm de distância da árvore, bloco de cimento, tijolo, pedra de jardim ou algo semelhante.

Ligue o aparador antes de se aproximar da relva a cortar. Corte a relva com a ponta do fio de nylon ao mover o aparador da direita para a esquerda e avance lentamente, mantendo o aparador inclinado a 30° em relação ao solo. Ao cortar relva alta, corte sempre por fases, começando por cima e efectuando cortes curtos.

Utilizar a ferramenta como um aparador de sebes

Utilizar a ferramenta como um aparador de sebes permite ao operador cortar ao longo da extremidade do bloco de cimento, tijolo e algo semelhante. (Fig. 29)

Para utilizar a ferramenta como um aparador de sebes, seguro o veio do aparador com uma mão e rode a pega no sentido contrário aos ponteiros do relógio para desapertar o veio. Rode o veio com o alojamento do motor em 180° e aperte a pega no sentido dos ponteiros do relógio até bloquear. (Fig. 30)

NOTA:

- Antes de rodar o veio, necessita de estar completamente recolhido ou expandido.
- Após mudar a posição do aparador de sebes, certifique-se de que o alojamento do motor e o veio estão bloqueados.

Para obter um bom resultado no corte final, mova paralelamente à extremidade onde irá efectuar o trabalho de aparar sebes. (Fig. 31)

Cortar a relva num local apertado ou num declive

⚠ AVISO:

- Ao cortar a relva num declive, tenha cuidado com as pedras, relva e outros objectos estranhos projectados a partir da área da cabeça de corte.
- Ao cortar relva num declive, certifique-se de que possui um apoio bom e estável.

Para facilitar o trabalho num local apertado que limita a altura, como cortar relva sob um pavimento de madeira exterior ou algo semelhante, prima o botão de bloqueio e, de seguida, dobre a cabeça de corte para que o veio esteja paralelo ao solo. Ajustar correctamente o ângulo da cabeça de corte desta forma ajuda a cortar a relva num declive. (Fig. 32)

MANUTENÇÃO

⚠ AVISO:

- **Certifique-se sempre de que a ferramenta está desligada e a bateria removida antes de efectuar operações de inspecção ou de manutenção na ferramenta.** Caso não desligue e retire a bateria, pode sofrer ferimentos pessoais graves devido a arranque acidental.

ATENÇÃO:

Nunca utilize gasolina, benzina, diluente, álcool ou semelhante. Podem formar-se descolorações, deformações ou fissuras.

Para manter os níveis de SEGURANÇA e FIABILIDADE definidos para este produto, as reparações e os procedimentos de manutenção ou ajustes devem ser executados por centros de assistência Makita autorizados, utilizando sempre peças de substituição Makita.

ACESSÓRIOS OPCIONAIS

⚠ PRECAUÇÃO:

- Os seguintes acessórios ou extensões são os recomendados para utilizar com a ferramenta Makita especificada neste manual. A utilização de quaisquer outros acessórios poderá representar um risco de ferimento para as pessoas. Apenas utilize o acessório para o fim indicado.

Se precisar de informações adicionais relativas aos acessórios, contacte o centro local de assistência Makita.

- Cabeça de corte em nylon
- Fios de nylon
- Alça de ombro
- Óculos
- Bateria e carregador genuínos da Makita

NOTA:

- Alguns itens na lista podem estar incluídos no pacote de ferramentas como acessórios de série. Podem diferir de país para país.

Ruído

ENG905-1

Os níveis acústicos ponderados A típicos foram determinados segundo a EN786:

Modelo DUR141

Nível de pressão sonora (L_{pA}): 75 dB (A)
Nível de potência sonora (L_{WA}): 83,7 dB (A)
Incerteza (K): 2,5 dB (A)

Modelo DUR181

Nível de pressão sonora (L_{pA}): 82 dB (A)
Nível de potência sonora (L_{WA}): 88,5 dB (A)
Incerteza (K): 2,5 dB (A)

Use protecção ocular.

Vibração

ENG904-2

O valor total das vibrações determinado de acordo com a EN786:

Emissão de vibrações (a_h): 2,5 m/s² ou menos
Incerteza (K): 1,5 m/s²

ENG901-1

- O valor da emissão de vibração declarado foi medido de acordo com o método de teste padrão e pode ser utilizado para comparar uma ferramenta com outra.
- O valor da emissão de vibração declarado pode também ser utilizado numa avaliação preliminar de exposição.

⚠ AVISO:

- A emissão de vibração durante a utilização real da ferramenta eléctrica pode ser diferente do valor de emissão declarado, dependendo da forma como a ferramenta é utilizada.
- Certifique-se de que identifica medidas de segurança, para proteger o operador, que são baseadas numa

estimativa de exposição nas condições reais de utilização (tendo em conta todas as partes do ciclo de funcionamento, como as vezes que a ferramenta é desligada e quando está a trabalhar ao ralenti, além do tempo de utilização).

Apenas para os países europeus

ENH219-3

Declaração de conformidade CE

A Makita declara que as máquinas:

Designação da máquina:

Aparador de Grama a Bateria

Nº/Tipo de modelo: DUR141, DUR181

Especificações: consulte a tabela

“ESPECIFICAÇÕES”.

Estão em conformidade com as directivas europeias seguintes:

2000/14/EC, 2006/42/EC

São fabricadas de acordo com as normas e documentos normalizados seguintes:

EN60745, EN60335, EN50636

A ficha técnica em conformidade com a norma

2006/42/EC está disponível a partir de:

Makita, Jan-Baptist Vinkstraat 2, 3070, Bélgica

O procedimento de avaliação da conformidade requisitado pela Directiva 2000/14/EC estava de acordo com o anexo VI.

Corpo notificado:

TÜV Rheinland LGA Products GmbH

Tillystraße 2

90431 Nürnberg, Alemanha

Número de identificação 0197

Modelo DUR141

Nível de potência sonora medida: 83,7 dB (A)

Nível de potência sonora garantida: 85 dB (A)

Modelo DUR181

Nível de potência sonora medida: 88,5 dB (A)

Nível de potência sonora garantida: 91 dB (A)

1. 10. 2015



Yasushi Fukaya

Director

Makita, Jan-Baptist Vinkstraat 2, 3070, Bélgica

DANSK (Originalvejledning)

Forklaring til generel oversigt

1. Indikatorlampe	12. Indikatorlamper	22. Fjeder
2. Afbryderkontakt	13. Kontrolknap	23. Spoleholder
3. Batteripakke	14. Sikringsknap	24. Nylonsnor
4. Forreste greb	15. Skaft	25. Holder til enden på nylonsnoren
5. Spændemøtrik	16. Greb	26. Spole
6. Låsegreb	17. Sekskantbolt	27. Bæresele
7. Skærm	18. Skruer	28. Krog
8. Nylontrimmerhoved	19. Knivdæksel	29. Motorhus
9. Rød indikator	20. Nylonsnorsøje	30. Låseknap
10. Knap	21. Indhak i nylontrimmerhovedets installationsport	
11. Stjernemærkning		

SPECIFIKATIONER

Model	DUR141		DUR181	
Hastighed uden belastning	6.000 min ⁻¹		7.800 min ⁻¹	
Overordnet længde	1.229 mm - 1.433 mm		1.229 mm - 1.433 mm	
Skærediameter med nylontrimmerhoved	260 mm		260 mm	
Nettovægt	2,8 kg	3,0 kg	2,9 kg	3,1 kg
Nominal spænding	14,4 V jævnstrøm		18 V jævnstrøm	
Standard batteripakke(r) ⚠ Advarsel: Brug kun den/de beskrevne batteripakke(r).	BL 1415/ BL1415N	BL 1430/ BL1430B/ BL1440/ BL1450	BL 1815/ BL1815N/ BL1820/ BL1820B	BL 1830/ BL1830B/ BL1840/ BL1840B/ BL1850/ BL1850B/ BL1860B

- På grund af vores løbende forsknings- og udviklingsprogram kan specifikationerne heri ændres uden forudgående varsel.
- Specifikationerne og batteripakken kan variere fra land til land.
- Vægt, inklusive batteripakken, i henhold til EPTA-Procedure 01/2003

Symboler

END017-4

Her vises de symboler, der benyttes til apparatet. Vær sikker på, at du forstår deres betydning, før du bruger apparatet.



..... Bær beskyttelseshandsker.



..... Anvend kraftige støvler med skridsikre såler. Sikkerhedssko med stål-næse anbefales.



..... Udsæt ikke maskinen for fugt.



..... Maksimal tilladelig hastighed for værktøj.



..... Kun for EU-lande
Elektrisk udstyr eller batteripakke må ikke bortskaffes sammen med almindeligt affald!
I henhold til det europæiske direktiv om bortskaffelse af elektriske og elektroniske produkter og om batterier og akkumulatører og deres implementering under gældende national lovgivning skal brugt elektrisk udstyr, batterier og batteripakke(r), der har udtjent deres levetid, indsamles

..... Vær særlig forsigtig og opmærksom.

..... Læs brugsanvisningen.

..... Fare; pas på udkastede genstande.

..... Afstanden mellem værktøjet og folk i nærheden skal være mindst 15 m.

..... Hold andre tilstedeværende på afstand.

..... Hold en afstand på mindst 15 m.

..... Undgå tilbageslag.

..... Bær hjelm, beskyttelsesbriller og høreværn.

VIGTIGE SIKKERHEDSINSTRUKTIONER

GEB092-5

⚠ ADVARSEL! Læs alle sikkerhedsadvarslerne og alle instruktionerne. Det kan medføre elektrisk stød, brand og/eller alvorlig personskade, hvis du ikke overholder advarslerne og følger instruktionerne.

Gem alle advarsler og instruktioner så du har dem til fremtidig brug.

1. Gør dig bekendt med betjeningen og den korrekte anvendelse af udstyret.
2. Skæreelementerne fortsætter med at dreje rundt, efter motoren er slukket.
3. Lad aldrig børn eller personer, som ikke har kendskab til disse instruktioner, anvende maskinen.
4. Stop brugen af maskinen når der er personer, især børn, eller kæledyr i nærheden.
5. Brug kun maskinen i dagslys eller under god kunstig belysning.
6. Du skal kontrollere for tegn på slid eller skader, samt udføre reparation efter behov, inden brug af maskinen og efter eventuelt stød.
7. Vær særlig opmærksom på skader fra udstyr der er påmonteret til afkortning af snorlængden. Efter der er trukket en ny skæresnor ud, skal maskinen altid sættes tilbage på dens normale anvendelsesposition, inden den tændes.
8. Påmonter aldrig skæreelementer af metal.
9. Dette apparat er ikke beregnet til brug af personer (inklusive børn) med reducerede fysiske, sensoriske eller mentale evner, eller personer med manglende erfaring og viden, medmindre de er under opsyn eller instrueres i brugen af apparatet af en person, der er ansvarlig for deres sikkerhed. Børn bør holdes under opsyn for at sikre, at de ikke leger med apparatet.
10. Anvend maskinen med allerstørste omhu og opmærksomhed.
11. Anvend kun maskinen, hvis du er i god fysik form. Udfør alt arbejde roligt og forsigtigt. Anvend sund fornuft og vær opmærksom på at operatøren eller brugeren er ansvarlig for ulykker eller farlige situationer, der måtte opstå mod andre personer eller deres ejendele.
12. Anvend aldrig maskinen når du er træt, utilpas eller under påvirkning af alkohol eller medicin.
13. Maskinen bør straks slukkes, hvis den viser tegn på unormal drift.

Beregnet brug af maskinen

1. Brug den rigtige maskine. Den batteridrevne græstrimmer er kun beregnet til klipning af græs og mindre ukrudt. Den skal ikke bruges til andre formål som f.eks. hækkeklipping, eftersom det kan medføre personskader.

Personligt sikkerhedsudstyr (Fig. 1 og 2)

1. Bær korrekt påklædning. Der skal bæres funktionelt og passende tøj, dvs. det bør sidde tæt, men ikke være til hindring. Bær ikke smykker eller tøj der kan sidde fast i højt græs. Anvend håret eller lignende så langt hår holdes på plads.
2. Anvend altid kraftige sko med skridsikre såler ved brug af maskinen. Dette beskytter mod personskader og sikrer et godt fodfæste.
3. Bær beskyttelsesbriller eller sikkerhedsbriller.

Elektrisk og batterisikkerhed

1. Undgå farlige omgivelser. Anvend ikke maskinen på fugtige eller våde steder, og udsæt den ikke for regn. Risikoen for elektrisk stød forøges, hvis der kommer vand ind i maskinen.
2. Genoplad kun med den oplader, der er specificeret af producenten. En oplader, der passer til én type batteripakke, kan medføre risiko for brand, hvis den anvendes med en anden batteripakke.
3. Anvend kun maskiner sammen med særligt designerede batteripakker. Brug af andre batteripakker kan muligvis medføre en risiko for personskader og brand.
4. Smid ikke batterier ind i et bål. Battericellen kan eksplodere. Se de lokale bestemmelser for eventuelle særlige bortskaffningsinstruktioner.
5. Åbn eller ødelæg ikke batterier. Den frigivne elektrolyt er ætsende og kan forårsage skade på øjne og hud. Den kan være giftig, hvis den indtages.

Start af maskinen (Fig. 3)

1. Sørg for, at der ikke er nogen børn eller andre personer indenfor et arbejdsområde på 15 meter, samt vær opmærksom på eventuelle dyr i nærheden af arbejdsområdet. Ellers skal brugen af maskinen stoppes.
2. Før arbejdet påbegyndes, kontrolleres det, at maskinen er klar til drift. Kontroller sikkerheden af skæreværktøjet og afskærmningen samt at afbryderkontakten/-armen aktiveres på nem og korrekt vis. Sørg for, at håndtagene er rene og tørre og test kontaktens tænd-/slukfunktion.
3. Kontroller for beskadigede dele inden videre brug af maskinen. En beskadiget afskærmning eller anden del bør omhyggeligt kontrolleres for at sikre, at den vil fungere ordentligt og kan udføre dens tilsigtede funktion. Kontroller for justering af bevægelige dele, stramning i bevægelige dele, beskadigelse af dele, montering eller andre forhold der kan påvirke funktionen. En beskadiget afskærmning eller anden del bør repareres på korrekt vis eller udskiftes af vores autoriserede servicecenter medmindre, der er angivet andet i denne brugsanvisning.
4. Start kun motoren, når hænder og fødder er væk fra skæreværktøjet.
5. Inden du starter, skal du sikre dig, at skæreværktøjet ikke er i kontakt med hårde objekter som f.eks. grene, sten eller lignende, eftersom skæreværktøjet drejer rundt, når du starter.

Betjeningsmetode

1. Anvend aldrig maskinen med beskadigede skærme eller uden skærmene på plads.
2. Brug kun maskinen i god belysning og med godt udsyn. I vintersæsonen skal du være på vagt overfor glatte eller våde områder, is og sne (der er risiko for at falde). Sørg altid for at have et godt fodfæste.
3. Pas på at fødder og hænder ikke kommer til skade på skæreværktøjet.
4. Hold altid hænder og fødder væk fra skæreværktøjet, især når du tænder for motoren.
5. Skær aldrig over hoftehøjde.
6. Stå aldrig på en stige, når du arbejder med maskinen.
7. Arbejd aldrig på ustabile overflader.
8. Stræk dig ikke for langt. Bevar fodfæstet og balancen til enhver tid.
9. Sørg altid for et godt fodfæste på skråninger.
10. Gå, løb aldrig.
11. Fjern sand, sten, søm m.v. som findes inden for arbejdsområdet. Fremmedpartikler kan beskadige skæreværktøjet og blive kastet af, hvilket kan resultere i en alvorlig personskade.
12. Rør aldrig ved farlige bevægelige dele før maskinens forbindelse til stikkontakten er afbrudt, og de farlige bevægelige dele er fuldstændigt stoppet.
13. Skulle skæreværktøjet ramme sten eller andre hårde objekter, skal du straks slukke for motoren og efterse skæreværktøjet.
14. Inden foretagelse af skærearbejde skal skæreværktøjet have nået op på fuld arbejds hastighed.
15. Maskinen skal altid holdes med begge hænder under anvendelsen. Hold aldrig maskinen med kun én hånd under brug. Sørg altid for at have et godt fodfæste.
16. Alt sikkerhedsudstyr som f.eks. skærme, der følger med maskinen, skal anvendes under betjeningen.
17. Undtagen i nødstilfælde må du aldrig tabe eller kaste maskinen ned på jorden, ellers kan dette beskadige maskinen alvorligt.
18. Træk aldrig maskinen hen over jorden når du går fra sted til sted, da maskinen kan tage skade, hvis den flyttes på denne måde.
19. Tag altid batteripakken ud af maskinen:
 - inden maskinen lades uden opsyn;
 - inden du fjerner en forhindring;
 - inden kontrol, rengøring eller arbejde på maskinen;
 - inden du foretager nogen justeringer, skifter tilbehør eller sætter den væk;
 - når maskinen begynder at vibrere unormalt;
 - ved transport af maskinen.
20. Anvend ikke kraft på maskinen. Den vil fungere bedre, og der er mindre sandsynlighed for skader, hvis den betjenes sådan, som den er beregnet til.

Vedligeholdelsesvejledning

1. Tilstanden af skæreværktøjet og beskyttelsesudstyr skal kontrolleres inden udførsel af arbejde.

2. Sluk for motoren og tag batteripakken ud inden der udføres vedligeholdelse, udskiftning af skæreværktøj eller rengøring af maskinen.
3. Efter brug afbrydes batteripakken fra maskinen, og den kontrolleres for skader.
4. Kontroller for løse fastgørelsesmidler og beskadigede dele som f.eks. halvvejs afskærne steder i skæreværktøjet.
5. Når maskinen ikke anvendes, skal udstyret opbevares på et tørt sted, som er aflåst eller uden for børns rækkevidde.
6. Anvend kun producentens anbefalede reservedele og tilbehør.
7. Sørg altid for, at ventilationsåbningerne holdes fri for afklippede materialer.
8. Efterse og vedligehold maskinen regelmæssigt, især før/efter brug. Få kun maskinen repareret af vores autoriserede servicecenter.
9. Hold håndtagene tørre, rene og fri for olie og fedtstoffer.

GEM DISSE INSTRUKTIONER.

⚠ ADVARSEL:

LAD IKKE trykthed eller kendskab til produktet (fra gentagen brug) føre til, at du ikke strengt overholder sikkerhedsreglerne for det gældende produkt. MISBRUG eller manglende overholdelse af sikkerhedsreglerne i denne brugsanvisning kan medføre alvorlig personskade.

VIGTIGE SIKKERHEDSINSTRUKTIONER

ENC007-11

FOR BATTERIPAKKEN

1. Før brugen af batteripakken skal du læse alle instruktioner og advarsler på (1) batteriopladeren, (2) batteriet og (3) det produkt, som batteriet anvendes i.
2. Skil ikke batteripakken ad.
3. Hvis driftstiden bliver betydeligt kortere, skal du straks ophøre med brugen. Brug kan medføre risiko for overophedning, risiko for forbrændinger eller endog eksplosion.
4. Hvis du får elektrolyt i øjnene, skal du med det samme rense øjnene med rent vand og søge læge. Dette kan medføre tab af synet.
5. Kortslut ikke batteripakken:
 - (1) Undgå at røre ved terminalerne med ledende materiale.
 - (2) Undgå at opbevare batteripakken i en beholder med andre metalgenstande som f.eks. søm, mønter osv.
 - (3) Udsæt ikke batteripakken for vand eller regn. Hvis batteriet kortsluttes, kan det medføre voldsom strøm, overophedning, mulige forbrændinger og endog nedbrud.
6. Undgå at opbevare værktøjet og batteripakken på steder, hvor temperaturen kan komme op på eller overstige 50°C.

7. **Sæt ikke ild til batteripakken, selvom den er alvorligt beskadiget eller helt udtjent. Batteripakken kan eksplodere ved brand.**
8. **Undgå at tabe eller slå på batteriet.**
9. **Undlad brug af et beskadiget batteri.**
10. **De indeholdte lithium-ion-batterier er underlagt betingelserne i lovgivningen vedrørende farligt gods.**

For kommercielle transportere fx af tredjeparter, speditører, skal særlige krav om indpakning og mærkning overholdes.

Det er nødvendigt ved forberedelsen af forsendelsen af emnet at konsultere en ekspert i farlige stoffer. Vær desuden også opmærksom på muligvis mere detaljerede nationale bestemmelser.

Tape eller tildæk åbne kontakter og pak batteriet ind på en sådan måde, at det ikke kan bevæge sig rundt inde i indpakningen.

11. **Følg de lokale bestemmelser med hensyn til bortskaffelse af batteri.**

GEM DISSE INSTRUKTIONER.

⚠ FORSIGTIG: Brug kun originale Makita-batterier. Brug af uoriginale Makita-batterier, eller batterier som er blevet ændret, kan muligvis medføre eksplosion af batteri med brand, personskade og beskadigelse til følge. Det vil også ugyldiggøre Makita-garantien for Makita-maskinen og -opladeren.

Tips til, hvordan du forlænger batteriets levetid

1. **Oplad batteripakken, før den bliver helt afladet. Ophør med at bruge værktøjet, og udskift batteripakken, hvis strømmen til værktøjet aftager.**
2. **Oplad aldrig en fuldt opladet batteripakke. Overopladning forkorter batteriets levetid.**
3. **Oplad batteripakken ved stuetemperatur på 10°C - 40°C. Lad batteripakken køle ned før den oplades, hvis den er varm.**
4. **Oplad batteripakken, hvis du ikke skal anvende den i en længere periode (mere end seks måneder).**

BESKRIVELSE AF DELE (Fig. 4) FUNKTIONSBESKRIVELSE

⚠ ADVARSEL:

- **Sørg altid for, at maskinen er slukket, og batteripakken er taget ud, før du justerer maskinen eller kontrollerer dens funktioner.** Hvis du ikke slukker og fjerner batteripakken, kan det medføre alvorlig personskade i tilfælde af utilsigtet start.

Montering eller afmontering af batteripakke (Fig. 5)

⚠ FORSIGTIG:

- Sluk altid for maskinen inden batteripakken monteres eller afmonteres.
- **Hold godt fast i maskinen og batteripakken, når du monterer eller afmonterer batteripakken.** Hvis maskinen og batteripakken ikke holdes ordentligt fast,

kan de glide ud af hænderne og resultere i skader på maskinen og batteripakken samt personskade. Afmonter batteripakken ved at holde ned på knappen foran på batteripakken og skubbe den af maskinen. Ved montering af batteripakken justeres tungen på batteripakken med rillen i huset, hvorefter pakken skubbes på plads. Sæt den hele vejen ind, indtil den låses på plads med et lille klik. Hvis den røde indikator øverst på knappen er synlig, er batteripakken ikke låst helt fast.

⚠ FORSIGTIG:

- Sæt altid batteripakken helt ind, indtil den røde indikator ikke længere er synlig. Ellers kan den falde ud af maskinen og skade dig eller andre personer i nærheden.
- Anvend ikke kræfter ved monteringen af batteripakken. Hvis den ikke glider let ind, er den ikke indsat korrekt.

Batteribeskyttelsessystem (lithium-ion-batteri med stjernemærkning) (Fig. 6)

Lithium-ion-batterier med en stjernemærkning er udstyret med et beskyttelsessystem. Dette system slukker automatisk for strømmen til maskinen for at forlænge batterilevetiden.

Maskinen stopper automatisk under anvendelsen, hvis maskinen og/eller batteriet udsættes for en af de følgende situationer:

- **Overbelastning:**
Maskinen anvendes på en sådan måde, at det får den til at bruge unormalt meget strøm. I denne situation skal du slippe afbryderkontakten på maskinen og stoppe den anvendelse, som gjorde maskinen overbelastet. Tryk derefter ind på afbryderkontakten for starte igen.
Hvis maskinen ikke starter, er batteriet overbelastet. I denne situation skal du lade batteriet køle af, inden du trykker ind på afbryderkontakten igen.
- **Lav batterispænding:**
Den resterende batterikapacitet er for lav, og maskinen kan ikke køre. I denne situation skal du afmontere og oplade batteriet.

Angivelse af den resterende batterikapacitet

(Kun for batteripakker med "B" til sidst i modelnummeret.) (Fig. 7)

Tryk på kontrolknappen på batteripakken for at få angivet den resterende batterikapacitet. Indikatorlamperne lyser i nogle få sekunder.

Indikatorlamper			Resterende kapacitet
Tændt	Slukket	Blinker	
■	□	◐	75% til 100%
■	■	□	50% til 75%
■	□	□	25% til 50%
■	□	□	0% til 25%
◐	□	□	Oplad batteriet.
■	■	□	Der opstod muligvis funktionsfejl på batteriet.
□	□	■	

015658

BEMÆRK:

- Afhængigt af anvendelsesforholdene og den omgivende temperatur, kan angivelsen muligvis afvige en smule fra den egentlige kapacitet.

Indikatorlampe	Status	Afhjælpning
Lampen blinker rødt.	Dette angiver det passende tidspunkt for udskiftning af batteripakken, når batteriets strømstyrke falder.	Genoplad batteripakken så hurtigt som muligt.
Lampen lyser rødt. (Bemærkning 1)	Denne funktion aktiveres, når strømmen på batteriet næsten er brugt op. På dette tidspunkt stopper maskinen øjeblikkeligt.	Genoplad batteripakken.
Lampen lyser rødt. (Bemærkning 1)	Automatisk stop pga. overbelastning.	Sluk for maskinen.

Bemærkning 1: Tidspunktet for hvornår indikatorlampen lyser varierer afhængigt af temperaturen på arbejdsstedet og batteripakkens tilstand.

012443

Justering af skaftlængden

⚠ ADVARSEL:

- Inden justering af skaftlængden skal du slippe afbryderkontakten og fjerne batteripakken fra græstrimmeren. Slipper du ikke afbryderkontakten og fjerner batteripakken, kan det muligvis forårsage en personskade.

For at justere længden på skaftet skal du dreje grebet mod urets retning, indtil skaftet låses op, og derefter trække det ud eller skubbe det ind til den ønskede længde. (Fig. 10)

Nylontrimmerhoved

BEMÆRK:

- Snorfremføring via bank i jorden fungerer ikke ordentligt, hvis nylontrimmerhovedet ikke roterer. Nylontrimmerhovedet er et græstrimmerhoved med én snor udstyret med en bank-fremføringsmekanisme. For at fremføre nylonsnoren skal trimmerhovedet bankes ned i jorden, mens maskinen kører. Efterhånden som

Betjening af afbryderkontakten

⚠ ADVARSEL:

- Før batteripakken sættes i maskinen, skal du altid kontrollere, at afbryderkontakten reagerer korrekt og vender tilbage i "OFF"-stillingen, når du slipper den. Træk ikke hårdt i afbryderkontakten uden at trykke sikringsknappen ind. Dette kan ødelægge kontakten. Anvendelse af en maskine med en afbryderkontakt, som ikke fungerer ordentligt, kan medføre tab af kontrol og alvorlig personskade.

En sikringsknop forhindrer, at afbryderkontakten trykkes ind ved et uheld.

Maskinen startes ved at trykke sikringsknappen fremad og trække i afbryderkontakten. Slip afbryderkontakten for at stoppe. (Fig. 8)

Indikatorlampe (Fig. 9)

Når maskinen kører, viser indikatorlampen batteripakkens kapacitetsstatus.

Når maskinen er overbelastet og stopper under arbejdet, lyser lampen rødt.

Se det følgende skema over indikatorlampens status og afhjælpning.

nylonsnoren fremføres, klippes den automatisk af i den rigtige længde af kniven på skærmen. (Fig. 11)

BEMÆRK:

- Hvis nylonsnoren ikke fremføres, når hovedet bankes ned i jorden, skal du oprulle/udskifte nylonsnoren ved hjælp af de procedurer, som er beskrevet under "Montering eller afmontering af nylontrimmerhovedet" og "Oprulning af en ny nylon snor på spolen".
- Bank ikke maskinen ned i en beton- eller asfaltoverflade. Bankes den ned i denne slags ting, kan maskinen blive beskadiget.

MONTERING

⚠ ADVARSEL:

- Sørg altid for, at maskinen er slukket, og batteripakken er taget ud, før du udfører nogen form for arbejde på maskinen. Hvis du ikke slukker og fjerner batteripakken, kan det medføre alvorlig personskade i tilfælde af utilsigtet start.
- Start aldrig maskinen medmindre den helt samlet. Anvendelse af maskinen i delvist samlet tilstand, kan

resultere i alvorlig personskade i tilfælde af utilsigtet start.

Montering af det forreste greb (Fig. 12)

Placer det forreste greb på holderen for det forreste greb og fastgør det med en sekskantbolt og den spændemøtrik, som fulgte med græstrimmeren, som vist på figuren. Sekskantbolten skal på dette tidspunkt monteres fra den side, hvor låseporten for sekskantbolten er placeret, og spændemøtrikken skal monteres fra den modsatte side.

BEMÆRK:

- Det forreste greb har en rille, der går fra kant til kant, i dens monteringsområde. Ved at bruge denne rille kan du nemt montere det forreste greb på holderen for det forreste greb.

Vinklen på det forreste greb er justerbart. For at justere vinklen på det forreste greb skal du løse spændemøtrikken, indstille det forreste greb på en vinkel, som passer til dit arbejde, og derefter stramme møtrikken ordentligt til i urets retning.

Montering af skærmen

⚠ FORSIGTIG:

- Ved montering af skærmen skal du passe på ikke at røre ved den nylon snorkniv, der sidder på skærmen. Berøring af kniven kan medføre personskade.

Monter skærmen ved at placere den på motorhuset, så nylon snoren ikke kommer i klemme mellem skærmen og motorhuset, og fastgør den derefter med to skruer. Inden du starter trimmeren, skal du fjerne knivdækslet fra snorkniven. (Fig. 13)

Montering eller afmontering af nylontrimmerhovedet

⚠ ADVARSEL:

- Inden montering eller afmontering af nylontrimmerhovedet (både spoledæksel og spole, og herefter kaldet sådan) skal du sørge for, at maskinen er slukket, og batteripakken er fjernet fra maskinen. Hvis du ikke slukker for maskinen og fjerner batteripakken, kan det muligvis forårsage en personskade.

⚠ FORSIGTIG:

- Ved montering eller afmontering af nylontrimmerhovedet skal du passe på ikke at røre ved den nylon snorkniv, der sidder på skærmen. Berøring af kniven kan medføre personskade.

For at fjerne nylontrimmerhovedet (spole og spoledæksel) fra græstrimmeren, skal du trykke hårdt ind på klemmemekanismerne på begge sider af spoledækslet og løfte det op. (Fig. 14 og 15)

BEMÆRK:

- Sørg for, at fjederen er monteret inde i spolederholderen. For at montere et nylontrimmerhoved med en ny snor rullet omkring (spole og spoledæksel) på græstrimmeren, skal du rette nylon snorsøjlet ind med indhakket i nylontrimmerhovedets installationsport på trimmeren og derefter trykke det ind, indtil du hører et klik. (Fig. 16)

Oprulning af en ny nylon snor på spolen

Fjern spolen fra spoledækslet og fjern den resterende brugte nylon snor fra spolen. (Fig. 17)

Indsæt en nylon snor i holderen som vist i figuren.

(Fig. 18)

Rul snoren tæt rundt om spolen i pilens retning på spolen, så overfladen af den oprullede nylon snor er ensartet over hele oprulningsområdet. (Fig. 19)

Fastgør midlertidigt nylon snoren i det indhak, som er vist på figuren. (Fig. 20)

Før nylon snoren igennem nylon snorsøjlet i spoledækslet. (Fig. 21)

Efter montering af nylontrimmerhovedet skal du kontrollere, at nylon snoren kommer ud ved tryk på spolen og træk i nylon snoren. (Fig. 22)

BETJENING

Montering af bæreselen (Fig. 23)

Hægt bæreselen i et hul i det forreste greb.

Betjening

⚠ FORSIGTIG:

- Klip ikke højt græs ned på én gang. Klippes højt græs ned på én gang i nærheden af roden, kan det medføre, at trimmermotorens spindel vinkles ind i græs, hvilket kan medvirke til, at motoren overbelastes, og der derved forårsages skader på trimmeren.

⚠ FORSIGTIG:

- Brug trimmeren således at spolen ikke kommer i kontakt med jordoverfladen. Anvendes den med spolen i kontakt med jordoverfladen, kan det medføre, at motoren overbelastes, og der derved forårsages skader på trimmeren. (Fig. 24 og 25)

⚠ FORSIGTIG:

- Tving ikke trimmeren ind i tæt græsbevoksning. (Fig. 26)

⚠ FORSIGTIG:

- Brug ikke trimmeren på en sådan måde, at du nærmest graver i jorden med den. (Fig. 27)

Klipning af græs i nærheden af et træ, en betonblok, mursten eller havesten (Fig. 28)

Hold trimmeren i en vinkel på et niveau så den ikke kommer i kontakt med jordoverfladen og klip græsset med spidsen af nylon snoren, som om den slår på jorden. Ved denne slags arbejde behøves der en jævn fremføring, da nylon snoren slides hurtigere end normalt.

BEMÆRK:

- Kommer trimmeren for tæt på et træ, en betonblok, mursten eller havesten eller lignende under udførelse af kantarbejde eller tilsvarende afklipningsarbejde, kan det medføre, at nylon snoren skæres af halvvejs inde i spoledækslet. På dette tidspunkt skal du tage spolen ud af spoledækslet og derefter sætte nylon snoren ordentligt på plads igen, som beskrevet i afsnittet "Montering eller afmontering af nylontrimmerhovedet" og "Oprulning af en ny nylon snor på spolen". Du får de bedste resultater ved at anvende spidsen af

nylonsnoren, og det anbefales derfor, at du holder maskinen mere end 5 cm væk fra træer, betonblokke, mursten eller havesten eller tilsvarende.

Start trimmeren inden den kommer for tæt på det græs, der skal klippes.

Klip græsset med nylonsnorens spids ved at flytte trimmeren fra højre til venstre og gå langsomt frem, mens du holder trimmeren i en vinkel på ca. 30° i forhold til jordoverfladen.

Når du klipper højt græs, skal du klippe det ned i lag og altid begynde øverst og klippe det kortere og kortere.

Brug af maskinen som en kantskærer

Bruges maskinen som en kantskærer, kan brugeren klippe langs kanten af betonblokken, murstenen eller tilsvarende. (Fig. 29)

For at anvende maskinen som en kantskærer skal du holde i skaftet på trimmeren med en hånd og dreje grebet mod urets retning for at løsne skaftet. Drej skaftet med motorhuset 180° rundt og stram grebet i urets retning, indtil det låses fast. (Fig. 30)

BEMÆRK:

- Inden du drejer skaftet, skal det skubbes helt ind eller trækkes helt ud.
- Efter du har skiftet til kantskærerposition, skal du kontrollere, at motorhuset og skaftet er låst.

For at opnå et godt resultat med den afsluttende klipning skal du klippe parallelt med den kant, du udfører kantarbejde på. (Fig. 31)

Klipning af græsset på et sted med ringe plads eller på en hældning

⚠ ADVARSEL:

- Når du klipper græsset på en hældning, skal du være opmærksom på sten, græs og andre fremmedlegemer, der kastes ud fra trimmerhovedet.
- Når du klipper græsset på en hældning, skal du sørge for, at du altid har et godt fodfæste.

For at lette arbejdet på et sted med ringe plads der begrænser højden, som f.eks. ved klipning af græs under en udendørs terrasse eller tilsvarende, skal du trykke på låseknappen og derefter bøje trimmerhovedet ned, så skaftet er parallelt med jordoverfladen. Korrekt justering af trimmerhovedvinklen på denne måde gør det nemmere at klippe græs på en hældning. (Fig. 32)

VEDLIGEHODELSE

⚠ ADVARSEL:

- **Sørg altid for, at maskinen er slukket, og batteripakken er taget ud, før du forsøger at udføre inspektion eller vedligeholdelse på maskinen.** Hvis du ikke slukker og fjerner batteripakken, kan det medføre alvorlig personskade i tilfælde af utilsigtet start.

BEMÆRK:

Brug aldrig benzin, benzen, fortynder, alkohol eller lignende. Det kan muligvis medføre misfarvning, deformation eller revner.

For at holde produktet SIKKERT og PÅLIDELIGT skal reparationer samt al anden vedligeholdelse eller justering

udføres af autoriserede Makita-servicecentre, og der skal altid benyttes Makita-reservedele.

EKSTRAUDSTYR

⚠ FORSIGTIG:

- Dette tilbehør eller ekstraudstyr anbefales til brug med det Makita-værktøj, som er beskrevet i denne brugsanvisning. Brug af andet tilbehør eller ekstraudstyr kan forårsage personskade. Brug kun tilbehør eller ekstraudstyr til det formål, det er beregnet til.

Henvend dig til dit lokale Makita-servicecenter, hvis du har brug for hjælp eller yderligere oplysninger vedrørende tilbehøret.

- Nylontrimmerhoved
- Nylonsnore
- Bæresele
- Beskyttelsesbriller
- Originalt batteri og oplader fra Makita

BEMÆRK:

- Visse dele på listen er muligvis indeholdt maskinindpakningen som standardtilbehør. De kan variere fra land til land.

Støj

ENG905-1

Det typiske A-vægtede støjniveau bestemt i overensstemmelse med EN786:

Model DUR141

Lydtryksniveau (L_{pA}): 75 dB (A)
Lydeffektniveau (L_{WA}): 83,7 dB (A)
Usikkerhed (K): 2,5 dB (A)

Model DUR181

Lydtryksniveau (L_{pA}): 82 dB (A)
Lydeffektniveau (L_{WA}): 88,5 dB (A)
Usikkerhed (K): 2,5 dB (A)

Bær høreværn.

Vibration

ENG904-2

Den samlede vibrationsemissionsværdi er bestemt i henhold til EN786:

Vibrationsemission (a_n): 2,5 m/s² eller mindre
Usikkerhed (K): 1,5 m/s²

ENG901-1

- Den opgivne vibrationsemissionsværdi er målt i overensstemmelse med standardtestmetoden og kan bruges til at sammenligne et værktøj med et andet.
- Den opgivne vibrationsemissionsværdi kan muligvis også bruges til en indledende eksponeringsvurdering.

⚠ ADVARSEL:

- Vibrationsemissionen under den faktiske brug af maskinen kan afvige fra den opgivne emissionsværdi afhængigt af den måde, maskinen anvendes på.
- Sørg for at bestemme sikkerhedsforanstaltninger for beskyttelse af operatøren, som er baseret på en eksponeringsvurdering for brug under faktiske forhold (hvor alle anvendelsescyklussens dele inddrages, som f.eks. antal gange maskinen slukkes, og når den kører i tomgang ud over triggertiden).

Kun for europæiske lande

ENH219-3

EF-overensstemmelseserklæring

Makita erklærer at følgende maskine(r):

Maskinens betegnelse:

Batteridrevet græstrimmer

Modelnummer/ type: DUR141, DUR181

Specifikationer: se tabellen "SPECIFIKATIONER".

Overholder følgende europæiske direktiver:

2000/14/EF, 2006/42/EF

De er produceret i overensstemmelse med den følgende standard eller standardiserede dokumenter:

EN60745, EN60335, EN50636

Den tekniske fil er i overensstemmelse med 2006/42/EF til rådighed fra:

Makita, Jan-Baptist Vinkstraat 2, 3070, Belgien

Den konformitetsvurderingsprocedure, der kræves af Direktiv 2000/14/EF, blev udført i henhold til appendiks VI.

Underrettet organ:

TÜV Rheinland LGA Products GmbH

Tillystraße 2

90431 Nürnberg, Tyskland

Identifikationsnummer 0197

Model DUR141

Målt lydeffektniveau: 83,7 dB (A)

Garanteret lydeffektniveau: 85 dB (A)

Model DUR181

Målt lydeffektniveau: 88,5 dB (A)

Garanteret lydeffektniveau: 91 dB (A)

1. 10. 2015



Yasushi Fukaya

Direktør

Makita, Jan-Baptist Vinkstraat 2, 3070, Belgien

ΕΛΛΗΝΙΚΑ (Πρωτογενείς οδηγίες)

Περιγραφή γενικής όψης

- | | | |
|------------------------|---|---|
| 1. Ενδεικτική λυχνία | 12. Ενδεικτικές λυχνίες | 22. Ελατήριο |
| 2. Σκανδάλη-διακόπτης | 13. Κουμπί ελέγχου | 23. Υποδοχή καρουλιού |
| 3. Κασέτα μπαταρίας | 14. Κουμπί ασφάλισης | 24. Νάιλον μεσινέζα |
| 4. Μπροστινή λαβή | 15. Άξονας | 25. Στήριγμα για το άκρο της νάιλον μεσινέζας |
| 5. Παξιμάδι σύσφιξης | 16. Λαβή | 26. Καρούλι |
| 6. Λαβή κλειδιώματος | 17. Εξάγωνο μπουλόνι | 27. Ιμάντας ώμου |
| 7. Προφυλακτήρας | 18. Βίδες | 28. Άγκιστρο |
| 8. Νάιλον κεφαλή κοπής | 19. Κάλυμμα κόφτη | 29. Κιβώτιο κινητήρα |
| 9. Κόκκινη ένδειξη | 20. Οφθαλμίδιο νάιλον μεσινέζας | 30. Κουμπί ασφάλισης |
| 10. Κουμπί | 21. Εγκοπτή της θύρας εγκατάστασης της νάιλον κεφαλής κοπής | |
| 11. Ένδειξη άστρου | | |

ΠΡΟΔΙΑΓΡΑΦΕΣ

Μοντέλο	DUR141		DUR181	
Ταχύτητα χωρίς φορτίο	6.000 min ⁻¹		7.800 min ⁻¹	
Ολικό μήκος	1.229 mm - 1.433 mm		1.229 mm - 1.433 mm	
Διάμετρος κοπής με νάιλον κεφαλή κοπής	260 mm		260 mm	
Καθαρό βάρος	2,8 kg	3,0 kg	2,9 kg	3,1 kg
Ονομαστική τιμή τάσης	D.C. 14,4 V		D.C. 18 V	
Κανονική κασέτα(-ες) μπαταρίας(-ων) ⚠ Προειδοποίηση: Χρησιμοποιήστε μόνο την μπαταρία(ες) που περιγράφονται.	BL 1415/ BL 1415N	BL 1430/ BL 1430B/ BL 1440/ BL 1450	BL 1815/ BL 1815N/ BL 1820/ BL 1820B	BL 1830/ BL 1830B/ BL 1840/ BL 1840B/ BL 1850/ BL 1850B/ BL 1860B

- Λόγω του συνεχόμενου προγράμματος που εφαρμόζουμε για έρευνα και ανάπτυξη, τα τεχνικά χαρακτηριστικά στο παρόν έντυπο υπόκεινται σε αλλαγή χωρίς προειδοποίηση.
- Τα τεχνικά χαρακτηριστικά και η μπαταρία ενδέχεται να διαφέρουν από χώρα σε χώρα.
- Βάρος μαζί με την μπαταρία σύμφωνα με τη διαδικασία της ΕΡΤΑ 01/2003

Σύμβολα

END017-4

Παρακάτω παρουσιάζονται τα σύμβολα που χρησιμοποιούνται για τον εξοπλισμό. Βεβαιωθείτε ότι κατανοείτε τη σημασία τους πριν από τη χρήση.



..... Να φοράτε κράνος ασφαλείας, προστατευτικά γυαλιά και ωτοασπίδες.



..... Να φοράτε προστατευτικά γάντια.



..... Φοράτε ανθεκτικές μπότες με αντιολισθητικές σόλες. Συνιστάνται μπότες ασφαλείας με ένισχυση στα άκρα των δακτύλων.



..... Μην το εκθέσετε στην υγρασία.



..... Ανώτατη επιτρεπτή ταχύτητα του εργαλείου.



..... Μόνο για τις χώρες της ΕΕ
Μην απορρίπτετε τον ηλεκτρικό εξοπλισμό ή την μπαταρία μαζί με τα οικιακά απορρίμματα!
Σύμφωνα με την Ευρωπαϊκή Οδηγία περί απορριμμάτων ηλεκτρικών, ηλεκτρονικών συσκευών, μπαταριών και συσσωρευτών και των απορριμμάτων μπαταριών και συσσωρευτών και την ενσωμάτωσή



..... Δώστε ιδιαίτερη φροντίδα και προσοχή.



..... Διαβάστε το εγχειρίδιο οδηγιών.



..... Κίνδυνος, δώστε προσοχή στα αντικείμενα που εκτινάσσονται.



..... Η απόσταση μεταξύ του εργαλείου και των παρευρισκομένων πρέπει να είναι τουλάχιστον 15 μέτρα.



..... Κρατήστε μακριά τους παρευρισκόμενους.



..... Διατηρήστε μια απόσταση τουλάχιστον 15 μέτρα.



..... Αποφύγετε το κλώτσημα.

τους στην εθνική νομοθεσία, οι ηλεκτρικές συσκευές, οι μπαταρίες και οι κασέτες μπαταριών, των οποίων έχει παρέλθει ο χρόνος ωφέλιμης ζωής τους, πρέπει να συλλέγονται ξεχωριστά και να επιστρέφονται σε εγκαταστάσεις περιβαλλοντικής ανακύκλωσης.

ΣΗΜΑΝΤΙΚΕΣ ΟΔΗΓΙΕΣ ΑΣΦΑΛΕΙΑΣ

GEB092-5

⚠ ΠΡΟΕΙΔΟΠΟΙΗΣΗ! Διαβάστε όλες τις προειδοποιήσεις ασφαλείας και όλες τις οδηγίες. Αν δεν ακολουθήσετε όλες τις προειδοποιήσεις και τις οδηγίες, υπάρχει κίνδυνος ηλεκτροπληξίας, πυρκαγιάς ή/και σοβαρού τραυματισμού.

Φυλάξτε όλες τις προειδοποιήσεις και τις οδηγίες για μελλοντική αναφορά.

1. Εξοικειωθείτε με τα χειριστήρια και τη σωστή χρήση του εξοπλισμού.
2. Τα κοπτικά στοιχεία συνεχίζουν να περιστρέφονται μετά την απενεργοποίηση του κινητήρα.
3. Ποτέ μην επιτρέψετε τη χρήση του μηχανήματος από παιδιά ή από άτομα που δεν γνωρίζουν αυτές τις οδηγίες.
4. Σταματήστε να χρησιμοποιείτε το μηχάνημα όταν βρίσκονται κοντά άλλα άτομα, ιδιαίτερα παιδιά ή κατοικίδια ζώα.
5. Χρησιμοποιήστε το μηχάνημα μόνο κατά τη διάρκεια της ημέρας ή όταν υπάρχει επαρκής τεχνητός φωτισμός.
6. Πριν τη χρήση του μηχανήματος μετά από οποιοδήποτε κτύπημα, ελέγξτε για την ύπαρξη σημαδιών φθοράς, ή βλάβης και επισκευάστε αν είναι απαραίτητο.
7. Δώστε προσοχή για την αποφυγή τραυματισμού από την οποιαδήποτε συσκευή που τοποθετείται για το κόψιμο κατά μήκος της μεσινέζας. Μετά την επέκταση μιας νέας κοπτικής μεσινέζας, πάντα να επιστρέψετε το μηχάνημα στην κανονική θέση λειτουργίας του πριν από την ενεργοποίηση.
8. Ποτέ μην τοποθετείτε μεταλλικά κοπτικά εργαλεία.
9. Αυτή η συσκευή δεν προορίζεται για χρήση από πρόσωπα (συμπεριλαμβανομένων των παιδιών) που παρουσιάζουν ελαττωμένες φυσικές, αισθητήριες ή διανοητικές ικανότητες ή δεν διαθέτουν εμπειρία και γνώσεις, εκτός και αν τους παρασχεθεί εποπτεία ή οδηγίες σχετικά με τη χρήση της συσκευής από ένα πρόσωπο που είναι υπεύθυνο για την ασφάλειά τους. Τα παιδιά θα πρέπει να εποπτεύονται ώστε να διασφαλιστεί ότι δεν παίζουν με τη συσκευή.
10. Χρησιμοποιείτε το εργαλείο με τη μεγαλύτερη δυνατή φροντίδα και προσοχή.
11. Να χρησιμοποιείτε το εργαλείο μόνο όταν βρίσκεστε σε καλή φυσική κατάσταση. Εκτελέστε όλες τις εργασίες με ηρεμία και προσοχή. Χρησιμοποιήστε την κοινή λογική και έχετε κατά νου ότι ο χρήστης ή ο χειριστής είναι υπεύθυνος για τα ατυχήματα ή τους κινδύνους που

προκαλούνται στα άλλα άτομα ή στην ιδιοκτησία τους.

12. Μην κάνετε χρήση αυτού του εργαλείου όταν είσατε κουρασμένοι, άρρωστοι ή κάτω από την επίδραση του αλκοόλ ή των φαρμάκων.
13. Το εργαλείο θα πρέπει να σβήσει αμέσως στην περίπτωση που εμφανίσει το οποιοδήποτε σήμα ασυνήθιστης λειτουργίας.

Προοριζόμενη χρήση του εργαλείου

1. Να χρησιμοποιείτε το σωστό εργαλείο. Το χλοκοπτικό μεσινέζας με μπαταρία προορίζεται μόνο για την κοπή γρασιδιού, κοντών χόρτων. Δεν θα πρέπει να χρησιμοποιηθεί για άλλους σκοπούς όπως κοπή άκρων των φρακτών επειδή μπορεί να προκαλέσει τραυματισμό.

Προσωπικός προστατευτικός εξοπλισμός (Εικ. 1 και 2)

1. Να ντύνεστε κατάλληλα. Ο ρουχισμός που φοράτε θα πρέπει να είναι λειτουργικός και κατάλληλος, δηλαδή να είναι εφαρμοστός αλλά να μην σας παρεμποδίζει. Μην φοράτε κοσμήματα ή ρούχα τα οποία μπορούν να πλεχθούν ανάμεσα στο υψηλό γρασίδι. Να φοράτε προστατευτικό κάλυμμα μαλλιών που να κρατά μαζεμένα τα μακριά μαλλιά.
2. Κατά τη χρήση του εργαλείου, πάντοτε να φοράτε ανθεκτικά παπούτσια με αντιολισθητικές σόλες. Αυτά προστατεύουν έναντι των τραυματισμών και διασφαλίζουν το καλό πάτημα.
3. Φοράτε προστατευτικά γυαλιά ή γυαλιά ασφαλείας.

Ηλεκτρική ασφάλεια και ασφάλεια μπαταρίας

1. Να αποφεύγετε τα επικίνδυνα περιβάλλοντα. Να μην χρησιμοποιήσετε το εργαλείο σε υγρές ή υγρότερές περιοχές και μην το εκθέτετε στη βροχή. Αν εισέλθει νερό στο εργαλείο, αυξάνεται ο κίνδυνος πρόκλησης ηλεκτροπληξίας.
2. Επαναφορτίστε μόνο με τον φορτιστή που καθορίζεται από τον κατασκευαστή. Ένας φορτιστής που είναι κατάλληλος για ένα τύπο κασέτας μπαταρίας μπορεί να προκαλέσει τον κίνδυνο φωτιάς εάν χρησιμοποιηθεί σε ένα άλλο τύπο κασέτας μπαταρίας.
3. Χρησιμοποιήστε τα ηλεκτρικά εργαλεία μόνο με ειδικά καθορισμένες κασέτες μπαταριών. Η χρήση οποιοδήποτε άλλων κασέτων μπαταριών μπορεί να δημιουργήσει τον κίνδυνο τραυματισμού και πυρκαγιάς.
4. Μην απορρίπτετε την μπαταρία(ες) σε εσθία φωτιάς. Το στοιχείο μπορεί να εκραγεί. Ελέγξτε τους τοπικούς κώδικες για πιθανές ειδικές οδηγίες απόρριψης.
5. Μην ανοίξετε ή κομματιάσετε τη μπαταρία(ες). Ο απευθερωμένος ηλεκτρολύτης προκαλεί διάβρωση και μπορεί να προκαλέσει βλάβη στα μάτια ή στο δέρμα. Μπορεί να είναι τοξικός σε περίπτωση κατάποσης.

Θέτοντας σε λειτουργία το εργαλείο (Εικ. 3)

1. Φροντίστε να μην υπάρχουν παιδιά ή άλλα άτομα μέσα σε μια απόσταση εργασίας 15 μέτρων (50 πόδια), επίσης δώστε προσοχή στα

- οποιαδήποτε ζώα μέσα στην περιοχή εργασίας. Διαφορετικά σταματήστε τη χρήση του εργαλείου.
2. Πριν από τη χρήση ελέγχετε πάντοτε ότι το εργαλείο είναι ασφαλές για εργασία. Ελέγξτε την ασφάλεια του κοπτικού εργαλείου και το προφυλακτήρα και το διακόπτη ενεργοποίησης/μοχλό για την εύκολη και σωστή λειτουργία του. Ελέγξτε τα χερούλια ώστε να είναι καθαρά και ξηρά και δοκιμάστε την λειτουργία της εκκίνησης/διακοπής του διακόπτη.
 3. Ελέγξτε για την ύπαρξη φθαρμένων μερών πριν από την περαιτέρω χρήση του εργαλείου. Θα πρέπει να ελέγξετε προσεκτικά για τυχόν ύπαρξη ζημιών στον προφυλακτήρα ή σε άλλα εξάρτημα για να καθορίσετε ότι θα λειτουργήσουν σωστά και να πραγματοποιήσουν την προοριζόμενη λειτουργία τους. Ελέγξτε την ευθυγράμμιση των κινούμενων μερών, την στερέωση των κινούμενων μερών, το πάσιμο εξαρτημάτων, τη στερέωση και οποιαδήποτε άλλη συνθήκη που ενδεχομένως να επηρεάσει τη λειτουργία του εργαλείου. Ένα προστατευτικό ή άλλο εξάρτημα με ζημία θα πρέπει να επισκευαστεί ή να αντικατασταθεί σε εξουσιοδοτημένο κέντρο σέρβις εκτός εάν δηλώνεται διαφορετικά στο παρόν εγχειρίδιο.
 4. Ενεργοποιήστε τον κινητήρα μόνο όταν τα χέρια και τα πόδια βρίσκονται μακριά από το κοπτικό εργαλείο.
 5. Πριν το ξεκίνημα, βεβαιωθείτε ότι το κοπτικό εργαλείο δεν βρίσκεται σε επαφή με σκληρά αντικείμενα όπως κλαδιά, πέτρες κτλ επειδή το κοπτικό εργαλείο θα περιστραφεί κατά την εκκίνηση.

Μέθοδος λειτουργίας

1. Ποτέ μη λειτουργείτε το μηχάνημα με προφυλακτήρες που έχουν φθαρεί ή αφαιρεθεί.
2. Χρησιμοποιείτε το εργαλείο μόνο σε συνθήκες καλού φωτισμού και ορατότητας. Κατά τη διάρκεια της εποχής του χειμώνα δώστε προσοχή στις περιοχές που είναι υγρές και γλιστρούν, πάγος και χιόνι (κίνδυνος ολισθηρότητας). Πάντοτε να έχετε ένα ασφαλές πάτημα.
3. Δώστε προσοχή ώστε να μην τραυματιστείτε στα χέρια ή στα πόδια από το κοπτικό εργαλείο.
4. Κρατάτε πάντοτε τα χέρια και τα πόδια σας μακριά από τα κοπτικά μέσα και ιδιαίτερα κατά την ενεργοποίηση του κινητήρα.
5. Ποτέ μην κόβετε επάνω από το ύψος της μέσης σας.
6. Ποτέ να μην λειτουργείτε το εργαλείο όταν είστε ανεβασμένοι πάνω σε σκάλα.
7. Ποτέ να μην εργάζεστε πάνω σε ασταθείς επιφάνειες.
8. Μην τεντώνεστε υπερβολικά. Να στέκεστε πάντοτε σταθερά και ισοροπημένα.
9. Πάντοτε να κρατάτε καλό βηματισμό στις πλαγιές.
10. Περιπατάτε, ποτέ να μην τρέχετε.
11. Αφαιρέστε την άμμο, τις πέτρες, τα καρφιά κτλ που βρίσκονται μέσα στο εύρος της περιοχής εργασίας. Ξένα σωματίδια μπορούν να προκαλέσουν βλάβη στο κοπτικό εργαλείο και η εκτόξευσή τους μπορεί να προκαλέσει σοβαρό τραυματισμό.

12. Ποτέ μην αγγίζετε επικίνδυνα εξαρτήματα πριν αποσυνδεθεί το μηχάνημα από την παροχή ρεύματος και πριν τα επικίνδυνα εξαρτήματα σταματήσουν εντελώς.
13. Εάν το κοπτικό εργαλείο χτυπήσει πέτρες ή άλλα σκληρά αντικείμενα, αμέσως κλείστε τον κινητήρα και επιθεωρήστε το κοπτικό εργαλείο.
14. Πριν το ξεκίνημα της κοπής, το κοπτικό εργαλείο θα πρέπει να έχει αποκτήσει την πλήρη ταχύτητα λειτουργίας.
15. Κατά την χρήση, πάντοτε να κρατάτε το εργαλείο γερά με τα δυο σας χέρια. Ποτέ να μην κρατάτε το εργαλείο με το ένα χέρι κατά τη χρήση. Πάντοτε να έχετε ένα ασφαλές πάτημα.
16. Όλος ο προστατευτικός εξοπλισμός όπως οι προφυλακτήρες που παρέχονται με το εργαλείο πρέπει να χρησιμοποιείται κατά τη λειτουργία.
17. Εκτός από την περίπτωση της έκτακτης ανάγκης, ποτέ μην ριζέτε ή πετάξετε το εργαλείο στο έδαφος επειδή αν το κάνετε αυτό μπορεί να προκληθεί σοβαρή ζημιά στο εργαλείο.
18. Ποτέ να μην σύρετε το εργαλείο στο έδαφος όταν μετακινήσετε από ένα μέρος στο άλλο, θα προκληθεί ζημιά στο εργαλείο αν μετακινηθεί με αυτόν τον τρόπο.
19. Πάντοτε να αφαιρείτε τη μπαταρία από το εργαλείο:
 - όποτε αφήνετε το εργαλείο χωρίς επίβλεψη,
 - πριν από το ξεμπλοκάρισμα,
 - πριν από τον έλεγχο, την συντήρηση ή την εκτέλεση εργασίας πάνω στο εργαλείο,
 - πριν κάνετε οποιαδήποτε προσαρμογή, αλλαγή εξαρτημάτων ή αποθήκευση,
 - όποτε το εργαλείο αρχίζει να δονείται με αφύσικο τρόπο,
 - όποτε μεταφέρετε το εργαλείο.
20. Μην ασκείτε δύναμη στο εργαλείο. Θα πραγματοποιήσει την εργασία καλύτερα και με μικρότερο ρίσκο τραυματισμού στο βαθμό για τον οποίο έχει σχεδιαστεί.

Οδηγίες συντήρησης

1. Η κατάσταση του κοπτικού εργαλείου και των προστατευτικών συσκευών θα πρέπει να ελέγχεται πριν από την έναρξη της εργασίας.
2. Κλείστε τον κινητήρα και αφαιρέστε την μπαταρία πριν την εκτέλεση της συντήρησης, κατά την αντικατάσταση του κοπτικού εργαλείου ή κατά τον καθαρισμό του εργαλείου.
3. Μετά τη χρήση, αποσυνδέστε την κασέτα μπαταρίας από το μηχάνημα και ελέγξτε για ύπαρξη τυχόν φθοράς.
4. Ελέγξτε για την ύπαρξη ξεσφιγμένων σφικτήρων και εξαρτημάτων που παρουσιάζουν φθορά όπως ρωγμές στο μέσον του κοπτικού εργαλείου.
5. Όταν δεν χρησιμοποιείτε το εργαλείο, θα πρέπει να το αποθηκεύετε σε ένα στεγνό μέρος που είναι κλειδωμένο ή μη προσβάσιμο στα παιδιά.
6. Χρησιμοποιήστε μόνο τα συσσωρευμένα από τον κατασκευαστή ανταλλακτικά και αξεσουάρ.
7. Πάντοτε να διασφαλίζετε ότι οι σπές εξαερισμού δεν είναι μπλοκαρισμένες από θραύσματα.
8. Επιθεωρείτε και συντηρείτε το εργαλείο τακτικά, ειδικά πριν/μετά την χρήση. Η επιδιόρθωση του

εργαλείου πρέπει να γίνεται μόνο από ένα εξουσιοδοτημένο κέντρο σέρβις.

9. Να διατηρείτε τα χερούλια στεγνά, καθαρά, χωρίς λάδι και γράσο.

ΦΥΛΑΞΤΕ ΑΥΤΕΣ ΤΙΣ ΟΔΗΓΙΕΣ.

⚠ ΠΡΟΕΙΔΟΠΟΙΗΣΗ:

ΜΗΝ επιτρέψετε στη βολικότητα ή στην εξοικείωσή σας με το προϊόν (που αποκτήθηκε από επανειλημμένη χρήση) να αντικαταστήσει την αυστηρή προσήλωση στους κανόνες ασφάλειας του εν λόγω προϊόντος. Η ΛΑΝΘΑΣΜΕΝΗ ΧΡΗΣΗ ή η μη τήρηση των κανόνων ασφαλείας που διατυπώνονται στο παρόν εγχειρίδιο οδηγιών μπορεί να προκαλέσει σοβαρό τραυματισμό.

ΣΗΜΑΝΤΙΚΕΣ ΟΔΗΓΙΕΣ ΑΣΦΑΛΕΙΑΣ

ENC007-11

ΓΙΑ ΤΗΝ ΜΠΑΤΑΡΙΑ

1. Πριν χρησιμοποιήσετε την μπαταρία, διαβάστε όλες τις οδηγίες και τις ενδείξεις προφύλαξης στο (1) φορτιστή μπαταρίας, (2) την μπαταρία και (3) το προϊόν στο οποίο χρησιμοποιείται η μπαταρία.
2. Μην αποσυναρμολογείτε την μπαταρία.
3. Αν ο χρόνος λειτουργίας της μπαταρίας είναι υπερβολικά σύντομος, διακόψτε αμέσως τη λειτουργία. Αν συνεχίσετε, μπορεί να έχει ως αποτέλεσμα τον κίνδυνο υπερθέρμανσης, πιθανών εγκαυμάτων και ακόμη έκρηξης.
4. Αν μπει στα μάτια σας ηλεκτρολύτης, ξεπλύνετε με καθαρό νερό και αναζητήστε αμέσως ιατρική βοήθεια. Μπορεί να χάσετε την όρασή σας. Μην βραχυκυκλώνετε την μπαταρία:
5. (1) Μην αγγίζετε τους ακροδέκτες με αγώγιμο υλικό.
(2) Μην αποθηκεύετε την μπαταρία σε δοχείο με άλλα μεταλλικά αντικείμενα, όπως καρφιά, νομίσματα, κτλ.
(3) Μην εκθέτετε την μπαταρία σε νερό ή βροχή. Αν βραχυκυκλωθεί η μπαταρία, μπορεί να προκληθεί μεγάλη ροή ηλεκτρικού ρεύματος, υπερθέρμανση, πιθανά εγκαυματα και ακόμη και καταστροφή της μπαταρίας.
6. Μην αποθηκεύετε το εργαλείο και την μπαταρία σε μέρη όπου η θερμοκρασία μπορεί να φτάσει ή να ξεπεράσει τους 50°C (122°F).
7. Μην αποπεφρώνετε την μπαταρία ακόμη κι αν παρουσιάζει σοβαρή ζημιά ή είναι εντελώς φθαρμένη. Η μπαταρία μπορεί να εκραγεί σε φωτιά.
8. Να προσέχετε να μη σας πέσει η μπαταρία και να μη συγκρουστεί με κάποιο αντικείμενο.
9. Μη χρησιμοποιείτε μια μπαταρία που έχει υποστεί βλάβη.
10. Οι περιεχόμενες μπαταρίες ιόντων λιθίου, υπόκεινται στις απαιτήσεις της νομοθεσίας περί επικίνδυνων εμπορευμάτων.

Για τις εμπορικές μεταφορές, π.χ. από τρίτους, μεταφορικές εταιρίες, θα πρέπει να τηρούνται οι ειδικές απαιτήσεις για τη συσκευασία και την

επισήμανση.

Απαιτείται η διαβούλευση με έναν εμπειρογνώμονα για επικίνδυνα υλικά για την προετοιμασία του αποστελλόμενου υλικού. Παρακαλείσθε επίσης να τηρήσετε τους ενδεχομένως πιο λεπτομερείς εθνικούς κανονισμούς.

Καλύψτε με ταινία ή άλλο κάλυμμα τις ανοικτές επαφές και συσκευάστε τη μπαταρία κατά τέτοιο τρόπο ώστε να μην μπορεί να μετακινηθεί μέσα στη συσκευασία.

11. Ακολουθήστε τους τοπικούς κανονισμούς σχετικά με την απόρριψη της μπαταρίας.

ΦΥΛΑΞΤΕ ΑΥΤΕΣ ΤΙΣ ΟΔΗΓΙΕΣ.

⚠ ΠΡΟΣΟΧΗ: Χρησιμοποιήστε μόνο αυθεντικές μπαταρίες της Makita.

Η χρήση μη αυθεντικών μπαταριών της Makita ή μπαταριών που έχουν τροποποιηθεί, μπορεί να οδηγήσει στην έκρηξη της μπαταρίας προκαλώντας πυρκαγιές, σωματική βλάβη και ζημιά. Θα ακυρώσει επίσης την εγγύηση της Makita για το εργαλείο και τον φορτιστή της Makita.

Συμβουλές για τη διατήρηση της μέγιστης ζωής της μπαταρίας

1. Να φορτίζετε την μπαταρία πριν αποφορτιστεί εντελώς.
Πάντοτε να διακόπτετε τη λειτουργία του εργαλείου και να φορτίζετε την μπαταρία όταν παρατηρείται μειωμένη ισχύ του εργαλείου.
2. Ποτέ μην επαναφορτίζετε μια πλήρως φορτισμένη μπαταρία.
Αν υπερφορτίσετε την μπαταρία, μειώνεται η ωφέλιμη διάρκεια ζωής της.
3. Να φορτίζετε την μπαταρία σε θερμοκρασία δωματίου, δηλαδή στους 10°C έως 40°C (50°F έως 104°F). Αν η μπαταρία είναι θερμή, αφήστε την να ψυχθεί πριν τη φορτίσετε.
4. Φορτίστε την κασέτα μπαταρίας εάν δεν πρόκειται να την χρησιμοποιήσετε για μεγάλη χρονική περίοδο (περισσότερους από έξι μήνες).

ΠΕΡΙΓΡΑΦΗ ΕΞΑΡΤΗΜΑΤΩΝ (Εικ. 4)

ΠΕΡΙΓΡΑΦΗ ΛΕΙΤΟΥΡΓΙΑΣ

⚠ ΠΡΟΕΙΔΟΠΟΙΗΣΗ:

- Να βεβαιώνετε πάντοτε ότι έχετε σβήσει το εργαλείο και έχετε βγάλει την μπαταρία πριν ρυθμίσετε ή ελέγξετε τις λειτουργίες του εργαλείου. Αν δεν σβήσετε το εργαλείο και δεν αφαιρέσετε την μπαταρία από το εργαλείο μπορεί να προκληθεί σοβαρός προσωπικός τραυματισμός από τυχαία εκκίνηση.

Τοποθέτηση ή αφαίρεση της μπαταρίας (Εικ. 5)

⚠ ΠΡΟΣΟΧΗ:

- Πάντοτε να απενεργοποιείτε το εργαλείο πριν από την τοποθέτηση ή την αφαίρεση της κασέτας μπαταρίας.

- **Κρατήστε το εργαλείο και την μπαταρία γερά κατά την τοποθέτηση ή την αφαίρεση της μπαταρίας.** Εάν δεν κρατήσετε το εργαλείο και την μπαταρία καλά μπορεί να γλιστρήσουν από τα χέρια σας και να προκληθεί ζημιά στο εργαλείο και στη μπαταρία αλλά και προσωπικός τραυματισμός.

Για να βγάλετε την κασέτα μπαταρίας, σύρετε την από το εργαλείο ολισθαίνοντας το κουμπί στο μπροστινό μέρος της κασέτας.

Για να τοποθετήσετε την κασέτα μπαταρίας, ευθυγραμμίστε τη γλωπτιδα της κασέτας μπαταρίας με την εγκοπή στο περίβλημα και ολισθήστε τη στη θέση της. Τοποθετήστε τη έως το τέρμα, δηλαδή έως όπου ασφαλίσει στη θέση και ακουστεί ένας χαρακτηριστικός ήχος «κλικ». Αν μπορείτε να δείτε την κόκκινη ένδειξη στην πάνω πλευρά του κουμπιού, η μπαταρία δεν είναι πλήρως ασφαλισμένη.

⚠️ ΠΡΟΣΟΧΗ:

- Πάντοτε να τοποθετείτε πλήρως τη μπαταρία για να μη φαίνεται η κόκκινη ένδειξη. Σε αντίθετη περίπτωση, μπορεί να πέσει κατά λάθος από το εργαλείο και να τραυματίσει εσάς ή κάποιον παρευρισκόμενο.
- Μην εισάγετε με τη βία την κασέτα μπαταρίας. Αν η κασέτα δεν ολισθαίνει με ευκολία, δεν την εισήγατε σωστά.

Σύστημα προστασίας μπαταρίας (Μπαταρία ιόντων λιθίου με την ένδειξη άστρου) (Εικ. 6)

Οι μπαταρίες ιόντων λιθίου με ένδειξη άστρου είναι εφοδιασμένες με ένα σύστημα προστασίας. Αυτό το σύστημα διακόπτει αυτόματα το ρεύμα στο εργαλείο για να παρατάνεται η διάρκεια ζωής της μπαταρίας. Το εργαλείο θα σταματήσει αυτόματα κατά τη λειτουργία όταν το εργαλείο και/ή η μπαταρία υποστούν τις παρακάτω συνθήκες.

- Υπερφόρτιση:
Το εργαλείο λειτουργεί με τρόπο που προκαλεί την κατανάλωση ασυνήθιστα υψηλής ποσότητας ρεύματος. Στην περίπτωση αυτή, ελευθερώστε τη σκανδάλη διακόπτης του εργαλείου και σταματήστε την εφαρμογή που προκάλεσε την υπερφόρτωση του εργαλείου. Στη συνέχεια, τραβήξτε τη σκανδάλη-διακόπτης ξανά για επανεκκίνηση. Εάν το εργαλείο δεν ξεκινά, η μπαταρία έχει υπερθερμανθεί. Στην περίπτωση αυτή, αφήστε την μπαταρία να κρυώσει πριν τραβήξετε τη σκανδάλη διακόπτη ξανά.
- Χαμηλή τάση της μπαταρίας:
Η εναπομένουσα ποσότητα ρεύματος της μπαταρίας είναι πολύ χαμηλή και το εργαλείο δεν θα λειτουργήσει. Σε αυτήν την περίπτωση, αφαιρέστε και επαναφορτίστε τη μπαταρία.

Ένδειξη της εναπομένουσας χωρητικότητας της μπαταρίας

(Μόνο για τις κασέτες μπαταρίας με "B" στο τέλος του αριθμού μοντέλου.) (Εικ. 7)

Πατήστε το κουμπί ελέγχου στην κασέτα μπαταρίας για να εμφανιστεί η υπολειπόμενη χωρητικότητα της μπαταρίας. Οι ενδεικτικές λυχνίες θα ανάψουν για μερικά δευτερόλεπτα.

Ενδεικτικές λυχνίες			Εναπομένουσα χωρητικότητα
■	□	▣	
Αναμμένες	Σβηστές	Αναβοσβήνουν	
■ ■ ■ ■			75% έως 100%
■ ■ ■ □			50% έως 75%
■ ■ □ □			25% έως 50%
■ □ □ □			0% έως 25%
▣ □ □ □			Φορτίστε τη μπαταρία.
■ ■ □ □	↑ ↓	□ □	Η μπαταρία μπορεί να δυσλειτουργεί.

015658

ΣΗΜΕΙΩΣΗ:

- Ανάλογα με τις συνθήκες χρήσης και τη θερμοκρασία περιβάλλοντος, η ένδειξη μπορεί να διαφέρει ελαφρώς από την πραγματική χωρητικότητα.

Δράση διακόπτη ρεύματος

⚠️ ΠΡΟΕΙΔΟΠΟΙΗΣΗ:

- **Πριν την τοποθέτηση της μπαταρίας στο εργαλείο, πάντοτε να ελέγχετε ότι η σκανδάλη-διακόπτης ενεργοποιείται κανονικά και επιστρέφει στη θέση "OFF" όταν την αφήνετε. Μην τραβάτε τη σκανδάλη-διακόπτης με βία χωρίς να πατάτε το κουμπί ασφάλισης. Αυτό μπορεί να προκαλέσει το σπάσιμο του διακόπτη.** Η λειτουργία ενός εργαλείου με ένα διακόπτη που δεν ενεργοποιείται σωστά μπορεί να οδηγήσει στην απώλεια του ελέγχου και το σοβαρό προσωπικό τραυματισμό.

Για να μην τραβιέται η σκανδάλη-διακόπτης κατά λάθος, παρέχεται ένα κουμπί ασφάλισης.

Για να ξεκινήσετε τη λειτουργία του εργαλείου, μετακινήστε προς τα εμπρός το κουμπί ασφάλισης και τραβήξτε τη σκανδάλη-διακόπτης. Για να σταματήσετε το εργαλείο, αφήστε τη σκανδάλη-διακόπτης. (Εικ. 8)

Ενδεικτική λυχνία (Εικ. 9)

Όταν λειτουργεί το εργαλείο η ενδεικτική λυχνία δείχνει την κατάσταση χωρητικότητας της μπαταρίας.

Όταν το εργαλείο υπερφορτωθεί και σταματήσει τη λειτουργία, η ενδεικτική λυχνία ανάβει στο κόκκινο. Ανατρέξτε στον παρακάτω πίνακα για την κατάσταση της ενδεικτικής λυχνίας και τις ενέργειες που πρέπει να γίνουν.

Ενδεικτική λυχνία	Κατάσταση	Ενέργεια που πρέπει να γίνει
Η λυχνία αναβοσβήνει στο κόκκινο.	Αυτό δείχνει τον κατάλληλο χρόνο για την αντικατάσταση της κασέτας μπαταρίας όταν αυτή εξασθενήσει.	Επιαναφορτίστε τη μπαταρία όσο το δυνατόν συντομότερα.
Η λυχνία ανάβει στο κόκκινο. (Σημείωση 1)	Αυτή η λειτουργία ενεργοποιείται όταν η ισχύς της μπαταρίας είναι σχεδόν εξαντλημένη. Τη στιγμή αυτή το εργαλείο σταματά αμέσως.	Επιαναφορτίστε τη μπαταρία.
Η λυχνία ανάβει στο κόκκινο. (Σημείωση 1)	Αυτόματη διακοπή λόγω υπερφόρτωσης.	Απενεργοποιήστε το εργαλείο.

Σημείωση 1: Ο χρόνος κατά τον οποίο ανάβει η ενδεικτική λυχνία διαφέρει από τη θερμοκρασία γύρω από το χώρο εργασίας και τις συνθήκες της μπαταρίας.

012443

Ρύθμιση του μήκους του άξονα

ΠΡΟΕΙΔΟΠΟΙΗΣΗ:

- Πριν ρυθμίσετε το μήκος του άξονα, αφήστε τη σκανδάλη-διακόπτης και αφαιρέστε την κασέτα μπαταρίας από το χλοοκοπτικό μεσινέζας. Μπορεί να προκληθεί τραυματισμός αν δεν αφήσετε τη σκανδάλη και δεν αφαιρέσετε την κασέτα μπαταρίας.

Για να προσαρμόσετε το μήκος του άξονα, γυρίστε τη λαβή αριστερόστροφα έως ότου να κλειδώσει ο άξονας και τραβήξτε προς τα έξω ή πιέστε προς τα μέσα στο επισημασμένο μήκος. (Εικ. 10)

Νάιλον κεφαλή κοπής

ΕΙΔΟΠΟΙΗΣΗ:

- Η τροφοδοσία με κτύπημα δεν θα λειτουργήσει σωστά εάν δεν περιστρέφεται η νάιλον κεφαλή κοπής. Η νάιλον κεφαλή κοπής είναι μια κεφαλή κοπής με μονή μεσινέζας με ένα μηχανισμό πρόσκρουσης & τροφοδοσίας.

Για να προκληθεί η τροφοδοσία της νάιλον μεσινέζας, η κεφαλή κοπής πρέπει να κτυπηθεί έναντι του εδάφους όταν το εργαλείο λειτουργεί στις χαμηλές στροφές. Καθώς τροφοδοτείται προς τα έξω η νάιλον μεσινέζα θα κοπεί αυτόματα στο κατάλληλο μήκος από τον κόφτη που βρίσκεται στον προφυλακτήρα. (Εικ. 11)

ΣΗΜΕΙΩΣΗ:

- Εάν η νάιλον μεσινέζα δεν τροφοδοτηθεί κατά την πρόσκρουση της κεφαλής, ξανατυλίξτε / αντικαταστήστε τη νάιλον μεσινέζα, ακολουθώντας τις διαδικασίες που περιγράφονται στην ενότητα "Τοποθέτηση ή αφαίρεση της νάιλον κεφαλής κοπής" και "Τύλιγμα μιας καινούργιας νάιλον μεσινέζας στο καρούλι".
- Μην χτυπήσετε το εργαλείο σε μια επιφάνεια τσιμέντου ή ασφάλτου. Η πρόσκρουση σε τέτοιου είδους αντικείμενα μπορεί να προκαλέσει ζημιά στο εργαλείο.

ΣΥΝΑΡΜΟΛΟΓΗΣΗ

ΠΡΟΕΙΔΟΠΟΙΗΣΗ:

- **Να βεβαιώνετε πάντοτε ότι έχετε σβήσει το εργαλείο και έχετε βγάλει την μπαταρία πριν εκτελέσετε οποιαδήποτε εργασία σε αυτό.** Αν δεν σβήσετε το εργαλείο και δεν αφαιρέσετε την μπαταρία από το εργαλείο μπορεί να προκληθεί σοβαρός προσωπικός τραυματισμός από τυχαία εκκίνηση.

- **Ποτέ να μην ξεκινάτε το εργαλείο εκτός και αν είναι πλήρως συναρμολογημένο.** Αν το εργαλείο είναι μερικώς συναρμολογημένο τότε μπορεί να προκληθεί σοβαρός προσωπικός τραυματισμός από τυχαία εκκίνηση.

Τοποθέτηση της μπροστινής λαβής (Εικ. 12)

Βάλτε την μπροστινή λαβή στο στήριγμα της μπροστινής λαβής και ασφαλίστε τη με ένα εξαγωνικό μπουλόνι και το παξιμάδι σύσφιξης που παρέχεται με το χλοοκοπτικό μεσινέζας, όπως φαίνεται στην εικόνα. Τη στιγμή αυτή, το εξάγωνο μπουλόνι πρέπει να εγκατασταθεί από την πλευρά στην οποία βρίσκεται η είσοδος της ασφάλειας του εξάγωνου μπουλονιού και το παξιμάδι σύσφιξης πρέπει να εγκατασταθεί από την αντίθετη πλευρά.

ΣΗΜΕΙΩΣΗ:

- Η μπροστινή λαβή έχει στην περιοχή στερέωσή της μια σχισμή από την μια άκρη στην άλλη. Η χρήση αυτή της σχισμής σας επιτρέπει να εγκαταστήσετε εύκολα τη μπροστινή λαβή στο στήριγμα της μπροστινής λαβής. Η γωνία της μπροστινής λαβής είναι ρυθμιζόμενη. Για να ρυθμίσετε την γωνία της μπροστινής λαβής, χαλαρώστε το παξιμάδι σύσφιξης, τοποθετήστε τη μπροστινή λαβή σε μια σωστή γωνία ανάλογα με την εργασία σας και στη συνέχεια σφίξτε δεξιόστροφα το παξιμάδι γερά.

Τοποθέτηση του προφυλακτήρα

ΠΡΟΣΟΧΗ:

- **Κατά την τοποθέτηση του προφυλακτήρα προσέξτε να μην έρθετε σε επαφή με τον κόφτη της νάιλον μεσινέζας που βρίσκεται πάνω στον προφυλακτήρα.** Η επαφή με τον κόφτη μπορεί να προκαλέσει σοβαρό τραυματισμό.

Στερεώστε τον προφυλακτήρα τοποθετώντας τον πάνω στο κάλυμμα του κινητήρα έτσι ώστε η νάιλον μεσινέζα να μην σφηνώσει μεταξύ του προφυλακτήρα και του κιβωτίου του κινητήρα, και στη συνέχεια στερεώστε τον με δύο βίδες. Πριν από την έναρξη της λειτουργίας του χλοοκοπτικού, αφαιρέστε το κάλυμμα του κόφτη από τον κόφτη της μεσινέζας. (Εικ. 13)

Τοποθέτηση ή αφαίρεση της νάιλον κεφαλής κοπής

⚠️ ΠΡΟΕΙΔΟΠΟΙΗΣΗ:

- Πριν από την τοποθέτηση ή την αφαίρεση της νάιλον κεφαλής κοπής (κάλυμμα του καρουλιού και καρούλι, και εφεξής ονομαζόμενα κατά αυτόν τον τρόπο), βεβαιωθείτε ότι το εργαλείο είναι απενεργοποιημένο και η κασέτα μπαταρίας έχει αφαιρεθεί από το εργαλείο. Αν δεν απενεργοποιήσετε το εργαλείο και δεν αφαιρέσετε την κασέτα μπαταρίας μπορεί να προκληθεί προσωπικός τραυματισμός.

⚠️ ΠΡΟΣΟΧΗ:

- Κατά την τοποθέτηση ή την αφαίρεση της νάιλον κεφαλής κοπής προσέξτε να μην έρθετε σε επαφή με τον κόφτη της νάιλον μεσινέζας που βρίσκεται πάνω στον προφυλακτήρα. Η επαφή με τον κόφτη μπορεί να προκαλέσει σοβαρό τραυματισμό.

Για να αφαιρέσετε τη νάιλον κεφαλή κοπής (καρούλι και κάλυμμα καρουλιού) από το χλοοκοπτικό μεσινέζας, πατήστε δυνατά τα μάνταλα και στις δύο πλευρές του καλύμματος του καρουλιού και σηκώστε το. (Εικ. 14 και 15)

ΕΙΔΟΠΟΙΗΣΗ:

- Βεβαιωθείτε ότι το ελατήριο είναι εγκαταστημένο μέσα στην υποδοχή του καρουλιού.

Για να εγκαταστήσετε μια καινούργια τυλιγμένη μεσινέζα πάνω στη νάιλον κεφαλή κοπής (καρούλι και κάλυμμα του καρουλιού) του χλοοκοπτικού μεσινέζας, ευθυγραμμίστε το οφθαλμίδιο της νάιλον μεσινέζας με την εγκοπή της καρουλιού εγκατάστασης της νάιλον κεφαλής κοπής στο χλοοκοπτικό και στη συνέχεια πατήστε τη μέχρι να ακουστεί ένα κλικ. (Εικ. 16)

Περιέλιξη μιας καινούργιας νάιλον μεσινέζας στο καρούλι

Αφαιρέστε το καρούλι από το κάλυμμα του καρουλιού και αφαιρέστε την υπόλοιπη χρησιμοποιημένη νάιλον μεσινέζα από το καρούλι. (Εικ. 17)

Τοποθετήστε μια νάιλον μεσινέζα στο στήριγμα που φαίνεται στην εικόνα. (Εικ. 18)

Περιστρέψτε την σφικτά γύρω από το καρούλι προς την κατεύθυνση του βέλους του καρουλιού, έτσι ώστε η περιελιγμένη επιφάνεια της νάιλον μεσινέζας να είναι ομοιόμορφη πάνω στην περιοχή περιέλιξης. (Εικ. 19) Στερεώστε προσωρινά μια νάιλον μεσινέζα στην εγκοπή που φαίνεται στην εικόνα. (Εικ. 20)

Περάστε τη νάιλον μεσινέζα μέσα από το οφθαλμίδιο της νάιλον μεσινέζας στο κάλυμμα του καρουλιού. (Εικ. 21) Μετά την εγκατάσταση της νάιλον κεφαλής κοπής, βεβαιωθείτε ότι η νάιλον μεσινέζα μπορεί να βγει προς τα έξω τραβώντας την και πατώντας το καρούλι. (Εικ. 22)

ΛΕΙΤΟΥΡΓΙΑ

Στερέωση του ιμάντα ώμου (Εικ. 23)

Αγκιστρώστε τον ιμάντα ώμου σε μια τρύπα στη μπροστινή λαβή.

Λειτουργία

⚠️ ΠΡΟΣΟΧΗ:

- Μην κόβετε υψηλή χλόη με ένα πέρασμα. Το κόψιμο υψηλής χλόης με ένα πέρασμα κοντά στη ρίζα μπορεί να προκαλέσει το μπλοκάρισμα της ατράκτου του κινητήρα από τη χλόη και να οδηγήσει στην υπερφόρτωση του κινητήρα και τη πρόκληση ζημιάς στο χλοοκοπτικό.

⚠️ ΠΡΟΣΟΧΗ:

- Χρησιμοποιήστε το χλοοκοπτικό χωρίς να φέρετε σε επαφή το καρούλι με την επιφάνεια του εδάφους. Η χρήση με το καρούλι να έρχεται σε επαφή με την επιφάνεια του εδάφους μπορεί να οδηγήσει στην υπερφόρτωση του κινητήρα με αποτέλεσμα την πρόκληση βλάβης στο χλοοκοπτικό. (Εικ. 24 και 25)

⚠️ ΠΡΟΣΟΧΗ:

- Μην πιέζετε το χλοοκοπτικό μέσα στην πυκνή βλάστηση. (Εικ. 26)

⚠️ ΠΡΟΣΟΧΗ:

- Μη χρησιμοποιείτε το χλοοκοπτικό με τέτοιο τρόπο σαν να προσπαθείτε να σκάψετε το έδαφος με αυτό. (Εικ. 27)

Κοπή χλόης κοντά σε ένα δέντρο, τσιμεντένιο μπλοκ, τούβλο ή σε πέτρα του κήπου (Εικ. 28)

Κρατήστε το χλοοκοπτικό υπό κλίση σε ένα επίπεδο έτσι ώστε να μην έρχεται σε επαφή με την επιφάνεια του εδάφους και κόψτε τη χλόη χρησιμοποιώντας την άκρη της νάιλον μεσινέζας σαν να χτυπάτε το έδαφος. Κατά την εργασία αυτή, είναι απαραίτητη η ομαλή τροφοδοσία προς τα έξω, διότι η νάιλον μεσινέζα φθείρεται πιο γρήγορα από ότι συνήθως.

ΣΗΜΕΙΩΣΗ:

- Έχοντας το χλοοκοπτικό πολύ κοντά σε ένα δέντρο, τσιμεντένιο μπλοκ, τούβλο ή πέτρα του κήπου ή παρόμοια υλικά κατά την εκτέλεση των εργασιών διαμόρφωσης άκρων ή παρόμοια τέτοια εργασία κοπής μπορεί να προκληθεί η κοπή στο μέσον της νάιλον μεσινέζας μέσα στο κάλυμμα του καρουλιού. Αν συμβεί αυτό, βγάλτε το καρούλι έξω από το κάλυμμα του καρουλιού και στη συνέχεια τοποθετήστε τη νάιλον μεσινέζα πάλι κανονικά ανατρέχοντας στην ενότητα με τίτλο “Τοποθέτηση ή αφαίρεση της νάιλον κεφαλής κοπής” και “Τύλιγμα μιας καινούργιας νάιλον μεσινέζας στο καρούλι”. Τα καλύτερα αποτελέσματα λειτουργίας επιτυγχάνονται με τη χρήση της άκρης της νάιλον μεσινέζας και ως εκ τούτου, συνιστάται να κρατάτε το εργαλείο για περισσότερα από 5 cm μακριά από το δέντρο, τσιμεντένιο μπλοκ, τούβλο ή πέτρα κήπου ή παρόμοια υλικά.

Εκκινήστε το χλοοκοπτικό πριν φτάσετε κοντά στο γρασίδι που πρόκειται να κοπεί.

Κόψτε τη χλόη με την άκρη της νάιλον μεσινέζας μετακινώντας το χλοοκοπτικό από δεξιά προς τα αριστερά και προχωρώντας αργά, κρατώντας το χλοοκοπτικό υπό κλίση σε γωνία περίπου 30° σε σχέση με την επιφάνεια του εδάφους.

Κατά την κοπή υψηλής χλόης, κόβετε κατά στρώματα που ξεκινούν πάντα από την κορυφή και με κοντό μήκος.

Χρήση του εργαλείου ως κόφτης άκρων

Η χρήση του εργαλείου ως κόφτης άκρων επιτρέπεται στον χειριστή να κόβει κατά μήκος των άκρων τσιμέντου, τούβλου και άλλων παρόμοιων υλικών. **(Εικ. 29)**
Κατά τη χρήση του εργαλείου ως κόφτη άκρων, κρατήστε τον άξονα του χλοοκοπτικού με το ένα χέρι και γυρίστε τη λαβή δεξιόστροφα για να ξεσφίξετε τον άξονα. Περιστρέψτε τον άξονα με το κάλυμμα του κινητήρα στις 180° και σφίξτε τη λαβή δεξιόστροφα μέχρι να ασφαλίσει. **(Εικ. 30)**

ΣΗΜΕΙΩΣΗ:

- Πριν περιστρέψετε τον άξονα, θα πρέπει να προεκταθεί η να συμπιυχθεί πλήρως.
- Μετά την αλλαγή στη θέση του κόφτη άκρων, βεβαιωθείτε ότι είναι κλειδωμένα το κάλυμμα του κινητήρα και ο άξονας.

Για να κάνετε ένα καλό τελείωμα της κοπής των άκρων, να κινήστε παράλληλα προς τα άκρα στα οποία πρόκειται να εκτελέσετε την εργασία κοπής. **(Εικ. 31)**

Κοπή χλόης σε ένα στενό χώρο ή σε μια πλαγιά

⚠️ ΠΡΟΕΙΔΟΠΟΙΗΣΗ:

- Όταν κόβετε τη χλόη σε μια πλαγιά, δώστε προσοχή στις πέτρες, χόρτα και άλλα ξένα αντικείμενα που πετιούνται από την περιοχή της κεφαλής κοπής.
- Όταν κόβετε τη χλόη σε μια πλαγιά, βεβαιωθείτε ότι έχετε πάντοτε ένα καλό και σταθερό πότημα.

Για να διευκολυνθεί η εργασία σε ένα στενό χώρο όπου υπάρχει περιορισμός του ύψους, όπως η κοπή του χόρτου κάτω από μια εξωτερική ξύλινη επιφάνεια ή παρόμοιους χώρους, πιέστε το κουμπί ασφάλισης και στη συνέχεια λυγίστε προς τα κάτω την κεφαλή κοπής, έτσι ώστε ο άξονας να είναι παράλληλος προς την επιφάνεια του εδάφους. Η σωστή ρύθμιση της γωνίας της κεφαλής κοπής με αυτό τον τρόπο σας βοηθά να κόψετε το γρασίδι σε μια πλαγιά. **(Εικ. 32)**

ΣΥΝΤΗΡΗΣΗ

⚠️ ΠΡΟΕΙΔΟΠΟΙΗΣΗ:

- **Να βεβαιώνεστε πάντοτε ότι έχετε σβήσει το εργαλείο και έχετε βγάλει την μπαταρία πριν εκτελέσετε οποιαδήποτε εργασία ελέγχου ή συντήρησης σε αυτό.** Αν δεν σβήσετε το εργαλείο και δεν αφαιρέσετε την μπαταρία από το εργαλείο μπορεί να προκληθεί σοβαρός προσωπικός τραυματισμός από τυχαία εκκίνηση.

ΕΙΔΟΠΟΙΗΣΗ:

Μην χρησιμοποιήσετε βενζίνη, βενζόλη, διαλυτικό, αλκοόλη ή κάτι παρόμοιο. Μπορεί να προκληθεί αποχρωματισμός, παραμόρφωση ή ρωγμές.
Για να διατηρείται η ΑΣΦΑΛΕΙΑ και η ΑΞΙΟΠΙΣΤΙΑ του προϊόντος, οι εργασίες επισκευής, καθώς και οποιαδήποτε άλλη εργασία συντήρησης ή ρύθμισης, θα πρέπει να εκτελούνται σε εξουσιοδοτημένα κέντρα εξυπηρέτησης της Makita, και πάντοτε με τη χρήση ανταλλακτικών της Makita.

ΠΡΟΑΙΡΕΤΙΚΑ ΑΞΕΣΟΥΑΡ

⚠️ ΠΡΟΣΟΧΗ:

- Συνιστάται η χρήση αυτών των αξεσουάρ ή εξαρτημάτων με το εργαλείο της Makita, όπως περιγράφεται στο παρόν εγχειρίδιο. Αν χρησιμοποιήσετε άλλα αξεσουάρ ή εξαρτήματα μπορεί να παρουσιαστεί κίνδυνος για πρόκληση τραυματισμού προσώπων. Να χρησιμοποιείτε τα αξεσουάρ και τα εξαρτήματα μόνο για το σκοπό για τον οποίο προορίζονται.

Αν χρειάζεστε κάποια βοήθεια ή περισσότερες πληροφορίες σχετικά με τα αξεσουάρ αυτά, απευθυνθείτε στο πλησιέστερο κέντρο εξυπηρέτησης της Makita.

- Νάilon κεφαλή κοπής
- Νάilon μεσινέζες
- Ιμάντας ώμου
- Προστατευτικά γυαλιά
- Αυθεντικά μπαταρία και φορτιστής της Makita

ΣΗΜΕΙΩΣΗ:

- Ορισμένα από τα στοιχεία της λίστα μπορεί να περιέχονται στην συσκευασία του εργαλείου ως κανονικά αξεσουάρ. Αυτά ενδέχεται να διαφέρουν από χώρα σε χώρα.

Θορύβος

ENG905-1

Το σύνθηρες σταθμισμένο επίπεδο θορύβου που έχει καθοριστεί σύμφωνα με το EN786:

Μοντέλο DUR141

Επίπεδο ηχητικής πίεσης (L_{pA}): 75 dB (A)
Επίπεδο ηχητικής ισχύος (L_{WA}): 83,7 dB (A)
Αβεβαιότητα (K): 2,5 dB (A)

Μοντέλο DUR181

Επίπεδο ηχητικής πίεσης (L_{pA}): 82 dB (A)
Επίπεδο ηχητικής ισχύος (L_{WA}): 88,5 dB (A)
Αβεβαιότητα (K): 2,5 dB (A)

Να φοράτε ωτοασπίδες.

Δόνηση

ENG904-2

Η συνολική τιμή δόνησης έχει καθοριστεί σύμφωνα με το EN786:

Εκπομπή δόνησης (a_h): 2,5 m/s² ή λιγότερο
Αβεβαιότητα (K): 1,5 m/s²

ENG901-1

- Η δηλωθείσα τιμή των παραγομένων κραδασμών έχει καταμετρηθεί σύμφωνα με την τυποποιημένη μέθοδο δοκιμασίας και μπορεί να χρησιμοποιηθεί για την σύγκριση ενός εργαλείου με ένα άλλο.
- Η δηλωθείσα τιμή των παραγομένων κραδασμών μπορεί επίσης να χρησιμοποιηθεί για μια προκαταρκτική αξιολόγηση της έκθεσης στους κραδασμούς.

⚠️ ΠΡΟΕΙΔΟΠΟΙΗΣΗ:

- Η εκπομπή κραδασμών κατά τη διάρκεια της πραγματικής χρήσης του ηλεκτρικού εργαλείου μπορεί να διαφέρει από τη δηλωθείσα τιμή των εκπομπών, ανάλογα με τον τρόπο με τον οποίο χρησιμοποιείται το εργαλείο.
- Φροντίστε να λάβετε τα μέτρα ασφαλείας που απαιτούνται για την προστασία του χρήστη που βασίζονται σε μια εκτίμηση της έκθεσης σε πραγματικές συνθήκες χρήσης (λαμβάνοντας υπόψη όλα τα μέρη του κύκλου λειτουργίας, όπως είναι οι περιπτώσεις κατά τις οποίες το εργαλείο είναι απενεργοποιημένο και

όταν λειτουργεί στο ρελαντί επιπροσθέτως του χρόνου κατά τον οποίο το εργαλείο βρίσκεται σε χρήση).

Για Ευρωπαϊκές χώρες μόνο ENH219-3

EK – Δήλωση συμμόρφωσης

Η Makita δηλώνει ότι το παρακάτω μηχάνημα(τα):

Όνομασία μηχανήματος:

Χλοοκοπτικό μπαταρίας με μεσινέζα

Αρ. Μοντέλου/ Τύπος: DUR141, DUR181

Προδιαγραφές: δείτε τον πίνακα "ΠΡΟΔΙΑΓΡΑΦΕΣ".

Συμμορφώνονται με τις ακόλουθες Ευρωπαϊκές

Οδηγίες:

2000/14/EK, 2006/42/EK

Κατασκευάζονται σύμφωνα με το παρακάτω πρότυπο ή τυποποιημένα έγγραφα:

EN60745, EN60335, EN50636

Το τεχνικό αρχείο σύμφωνα με την 2006/42/EK είναι διαθέσιμο από:

Makita, Jan-Baptist Vinkstraat 2, 3070, Belgium

Η διαδικασία εκτίμησης συμμόρφωσης που απαιτείται από την Οδηγία 2000/14/EC εκτελέστηκε σύμφωνα με το Παράρτημα VI.

Κοινοποιημένος Οργανισμός:

TÜV Rheinland LGA Products GmbH

Tillystraße 2

90431 Nürnberg, Germany

Αριθμός αναγνώρισης 0197

Μοντέλο DUR141

Μετρημένο Επίπεδο Ηχητικής Ισχύος: 83,7 dB (A)

Εγγυημένο Επίπεδο Ηχητικής Ισχύος: 85 dB (A)

Μοντέλο DUR181

Μετρημένο Επίπεδο Ηχητικής Ισχύος: 88,5 dB (A)

Εγγυημένο Επίπεδο Ηχητικής Ισχύος: 91 dB (A)

1. 10. 2015



Yasushi Fukaya

Διευθυντής

Makita, Jan-Baptist Vinkstraat 2, 3070, Belgium

TÜRKÇE (Orijinal talimatlar)

Genel görünüm

- | | | |
|---------------------------|--|-------------------------|
| 1. Gösterge lambası | 12. Gösterge lambaları | 22. Yay |
| 2. Açma/kapama düğmesi | 13. Kontrol düğmesi | 23. Makara yuvası |
| 3. Akü | 14. Kilitleme düğmesi | 24. Misina |
| 4. Ön sap | 15. Şaft | 25. Misina ucu tutucusu |
| 5. Sıkıştırma somunu | 16. Sap | 26. Makara |
| 6. Kilitleme halkası | 17. Altıgen cıvata | 27. Omuz askısı |
| 7. Muhafaza | 18. Vidalar | 28. Kanca |
| 8. Misinalı kesme başlığı | 19. Kesici kapağı | 29. Motor muhafazası |
| 9. Kırmızı gösterge | 20. Misina deliği | 30. Kilit düğmesi |
| 10. Düğme | 21. Misinalı kesme başlığı montaj yarığı | |
| 11. Yıldız işareti | | |

TEKNİK ÖZELLİKLER


Model	DUR141		DUR181	
Yüksüz hız	6.000 dak ⁻¹		7.800 dak ⁻¹	
Toplam uzunluk	1.229 mm - 1.433 mm		1.229 mm - 1.433 mm	
Misinalı kesme başlığı dahil kesme çapı	260 mm		260 mm	
Net ağırlık	2,8 kg	3,0 kg	2,9 kg	3,1 kg
Anma gerilimi	D.C. 14,4 V		D.C. 18 V	
Standart akü(ler) ⚠ Uyarı: Yalnızca belirtilen aküleri kullanın.	BL1415/ BL1415N	BL1430/ BL1430B/ BL1440/ BL1450	BL1815/ BL1815N/ BL1820/ BL1820B	BL1830/ BL1830B/ BL1840/ BL1840B/ BL1850/ BL1850B/ BL1860B


- Sürekli yapılan araştırma ve geliştirmelerden dolayı, burada belirtilen özellikler önceden bildirilmeksizin değiştirilebilir.
- Özellikler ve akü ülkeye göre farklılıklar gösterebilir.
- EPTA Prosedürü 01/2003 uyarınca ağırlık (akü dahil)


Simgeler


END017-4


Makine için kullanılan simgeler aşağıda gösterilmiştir. Makineyi kullanmaya başlamadan önce bu simgelerin ne anlama geldiğini öğrenin.


 Gerekli önlemleri alın ve dikkatli olun.


 Kullanım kılavuzunu okuyun.


 Tehlikeli! Sıçrayan yabancı maddelere karşı dikkatli olun.


 Makine ile çevredeki kişiler arasındaki mesafe en az 15 m olmalıdır.


 İnsanların yaklaşmasına izin vermeyin.


 En az 15 m mesafe bırakın.


 Geri tepmeye izin vermeyin.


 Koruyucu kask, gözlük ve kulaklık kullanın.

 Koruyucu eldiven takın.

 Altı kaymayan sağlam ayakkabılar giyin. Çelik uçlu koruyucu ayakkabılar tavsiye edilir.

 Neme maruz bırakmayın.

 İzin verilen maksimum makine devri.

 Sadece AB ülkeleri için Elektrik cihazları ve pilleri ev çöpüyle birlikte atmayın! Elektrikli ve Elektronik Cihaz Atıkları, Piller ve Aküler ve Pil ve Akü Atıkları Hakkındaki Avrupa Yönergeleri ve bunların ulusal kanunlara göre uygulanışı uyarınca kullanım ömrünü tamamlayan elektrikli cihazlar ve piller mutlaka ayrı olarak toplanmalı ve çevre şartlarına uygun bir geri dönüşüm tesisine gönderilmelidir.

ÖNEMLİ GÜVENLİK TALİMATLARI

GEB092-5

⚠ UYARI! Tüm güvenlik uyarılarını ve tüm talimatları okuyun. Verilen uyarılara ve talimatlara uyulmaması elektrik çarpmasına, yangına ve/veya ciddi yaralanmalara yol açabilir.

Tüm uyarıları ve talimatları ilerde başvurmak üzere saklayın.

1. Makinenin kontrolleri ve güvenli kullanımı hakkında bilgi sahibi olun.
2. Motor kapatıldıktan sonra kesici parçalar bir süre daha dönmeye devam eder.
3. Çocukların veya bu talimatları bilmeyen kişilerin bu makineyi kullanımına izin vermeyin.
4. Etrafta insanlar, özellikle de çocuklar ve evcil hayvanlar varken makineyi çalıştırmayın.
5. Makineyi yalnızca gün ışığında veya iyi bir aydınlatma altında kullanın.
6. Makineyi kullanmaya başlamadan önce ve herhangi bir darbe geldikten sonra, aşınma veya hasar belirtisi olup olmadığını kontrol edin ve gerekirse onarın.
7. Yaralanmamak için, misininin doğru uzunlukta kesilmesi için takılan kesici parçaya dikkat edin. Misinayı açtıktan sonra, makineyi çalıştırmadan önce mutlaka normal çalışma konumuna getirin.
8. Kesinlikle metal kesici parçalar takmayın.
9. Bu makine, makinenin güvenliğinden sorumlu personelin makinenin kullanımına ilişkin kontrol veya talimatları olmaksızın fiziksel, algısal veya zihinsel problemleri olan ve yeterli deneyime ve bilgiye sahip olmayan kişiler (çocuklar dahil) tarafından kullanılmamalıdır. Çocuklar, bu makine ile oynamamaları gerektiği konusunda uyarılmalıdır.
10. Bu makineyi çok hassas ve dikkatli bir şekilde kullanın.
11. Bu makineyi yalnızca fiziksel olarak iyi durumdayken çalıştırın. Tüm işlerinizi sakın ve dikkatli bir şekilde yürütün. Sağ duyurunuzu kullanın ve yaralanmalar veya mal kayıplarıyla sonuçlanan kazalardan veya tehlikelerden tek başına operatörün veya kullanıcının sorumlu olacağına dikkat edin.
12. Bu makineyi kesinlikle yorgunken, hastayken veya alkol, uyuşturucu madde veya ilaçların etkisi altındayken çalıştırmayın.
13. Normal çalışmadığına dair belirtiler görüldüğünde makine derhal kapatılmalıdır.

Makinenin kullanım amacı

1. Doğru makineyi kullanın. Akülü misinalı yan tırpan yalnızca çimlerin ve küçük yabani otların kesilmesi için tasarlanmıştır. Bu makine kesinlikle çit budama gibi başka bir amaçla kullanılmamalıdır, aksi takdirde yaralanmalar meydana gelebilir.

Kişisel koruyucu ekipmanlar (Şekil 1 ve 2)

1. İşe uygun giyinin. Makine çalıştırılırken giyilen kıyafetler işlevsel ve uygun olmalıdır, yani bol veya hareket kabiliyetini sınırlandıracak kadar dar olmamalıdır. Yüksek çimlere takılabileceğinden

takı kullanmayın ve bol kıyafetler giymeyin.

Saçlarınız uzunsa, saç filesi takın.

2. Makineyi kullanırken, daima altı kaymayan sağlam ayakkabılar giyin. Böylece, yere sağlam basabilir ve olası yaralanmaları önleyebilirsiniz.
3. Koruyucu gözlük takın.

Elektrik ve akü güvenliği

1. Tehlikeli ortamlardan kaçının. Makineyi nemli veya ıslak yerlerde kullanmayın ve yağmura maruz bırakmayın. Makinenin içine su girmesi, elektrik çarpması riskini arttıracaktır.
2. Yalnızca üretici tarafından önerilen şarj cihazlarını kullanın. Belirli bir akü tipi için uygun olan şarj cihazı, başka bir aküyle kullanıldığında yangın riski yaratabilir.
3. Elektrikli aletleri yalnızca öngörülen akülerle kullanın. Farklı akülerin kullanılması yaralanma ve yangın riskini artırır.
4. Aküyü (aküleri) ateşe atmayın. Hücresi patlayabilir. Olası özel bertaraf talimatları için ilgili yönetmeliklere başvurun.
5. Aküyü (aküleri) açmayın veya kurcalamayın. Sızan elektrolit koroziftir ve göz ve cilt yaralanmalarına neden olabilir. Yutulması halinde, zehirli olabilir.

Makinenin çalıştırılması (Şekil 3)

1. 15 metrelik (50 fit) çalışma alanında insanların ve özellikle de çocukların bulunmadığından emin olun. Ayrıca, çalışma alanının çevresindeki hayvanlara da dikkat edin. Buna engel bir durum varsa, makineyi kullanmayı bırakın.
2. Çalışmaya başlamadan önce, makinenin güvenli çalıştığını kontrol edin. Kesici parçanın ve muhafazanın güvenliğini kontrol edin ve kolay ve doğru çalıştığından emin olmak için açma/kapama düğmesini açıp kapatın. Sapların temiz ve kuru olduğunu ve açma/kapama düğmesinin işlevini doğru yerine getirdiğini kontrol edin.
3. Makineyi kullanmaya başlamadan önce hasarlı parça olup olmadığını kontrol edin. İşlevlerini gerektiği şekilde yerine getirdiklerinden emin olmak için muhafazanın veya diğer parçaların hasar görüp görmediğini kontrol edin. Hareketli parçalardaki ayar bozukluklarını, eğilmeleri, kırık parçaları ve makinenin işleyişini etkileyebilecek diğer durumları kontrol edin. Hasar gören muhafazalar ve diğer parçalar, bu kılavuzda aksi belirtilmediği sürece yetkili servis tarafından tamir edilmeli veya değiştirilmelidir.
4. Motoru kesinlikle ellerinizi ve ayaklarınızı kesici parçadan uzaklaştırmadan çalıştırmayın.
5. Makineyi kullanmaya başlamadan önce, kesici parçanın dal, taş vb. gibi sert cisimlere temas etmediğinden emin olun, aksi takdirde çalıştırma sırasında kesici parça dönecektir.

Çalıştırma yöntemi

1. Muhafazaları hasarlı veya takılı olmayan bir makineyi kesinlikle çalıştırmayın.
2. Makineyi yalnızca iyi aydınlatılan ve görüşün açık olduğu yerlerde kullanın. Kış mevsiminde kaygan veya ıslak alanlara, buz ve kara dikkat edin (kayma riski). Her zaman yere sağlam ve dengeli basın.

3. Kesici parçadan dolayı ellerinizin ve ayaklarınızın yaralanmamasına dikkat edin.
4. Hiçbir zaman, özellikle de motoru çalıştırırken ellerinizi ve ayaklarınızı kesici parçalara yaklaştırmayın.
5. Asla bel hizanızın üzerinde kesim yapmayın.
6. Makineyi kesinlikle merdiven üzerindeyken kullanmayın.
7. Dengesiz zeminler üzerinde kesinlikle çalışmayın.
8. Fazla ileriye uzanmaya çalışmayın. Her zaman yere sağlam basın ve dengeyi koruyun.
9. Eğimli yerlerde yere sağlam bastığınızdan emin olun.
10. Makineyi yürüyerek çalıştırın, kesinlikle koşmayın.
11. Çalışma alanı içerisinde bulunan kum, taş, çivi vs. gibi yabancı maddeleri temizleyin. Yabancı maddeler kesici parçaya zarar verebilir ve kesici parça tarafından fırlatılarak, ciddi yaralanmalara yol açabilir.
12. Makinenin güç kaynağıyla bağlantısını kesmeden ve tehlike arz edebilecek hareketli parçalar tamamen durmadan kesinlikle bu hareketli parçalara dokunmayın.
13. Kesici parçanın taşa veya benzeri sert bir cisme çarpması halinde, derhal motoru kapalı konuma getirin ve kesici parçayı kontrol edin.
14. Kesim işlemine başlamadan önce, kesici parçanın tam çalışma devrine ulaşmasını bekleyin.
15. Kullanım sırasında makineyi daima her iki elinizle tutun. Makineyi kesinlikle kullanım sırasında tek elle tutmayın. Her zaman yere sağlam ve dengeli basın.
16. Çalıştırma sırasında, makineyle birlikte verilen muhafaza da dahil tüm koruyucu ekipmanlar kullanılmalıdır.
17. Acil durumlar dışında makineyi kesinlikle yere atmayın veya bırakmayın; aksi takdirde makine ciddi şekilde hasar görebilir.
18. Makineyi bir yerden başka bir yere taşırken kesinlikle sürüklemeyin, aksi takdirde makine hasar görebilir.
19. Şu durumlarda aküyü mutlaka çıkartın:
 - makinenin başından ayrılacağınızda,
 - bir tıkanıklığı temizlemeye başlamadan önce,
 - makineyi kontrol etmeye, temizlemeye veya üzerinde herhangi bir işlem yapmaya başlamadan önce,
 - herhangi bir ayar yapmadan, aksesuarları değiştirmeden veya makineyi depoya kaldırmadan önce,
 - makine anormal şekilde titreşimli çalışmaya başladığında,
 - makineyi taşırken.
20. Makineyi zorlamayın. Makinenin, tasarlandığı devirde çalıştırılması durumunda amaçlanan işlem daha iyi gerçekleştirilir ve yaralanma riski azalır.

Bakım talimatları

1. Çalışmaya başlanmadan önce kesici parçanın ve koruyucu cihazların durumu kontrol edilmelidir.
2. Herhangi bir bakım çalışması gerçekleştirilmeden önce kesici parçayı değiştirmeden veya makineyi temizlemeye başlamadan önce mutlaka motoru kapalı konuma getirin ve aküyü çıkartın.

3. Her kullanımdan sonra, aküyü makineden çıkartın ve hasar olup olmadığını kontrol edin.
4. Gevşek bağlantı elemanları ve işlevini yitirmiş kesici parça gibi hasarlı parçalar olmadığını kontrol edin.
5. Kullanılmadığı zamanlarda makineyi kilitleti duran veya çocukların ulaşamayacakları, kuru bir yerde saklayın.
6. Yalnızca üretici tarafından önerilen yedek parçaları ve aksesuarları kullanın.
7. Havalandırma deliklerinin her zaman açık olduğundan emin olun.
8. Makineyi düzenli olarak, özellikle de her kullanım öncesi/sonrası kontrol edin ve gerekli bakım işlemlerini uygulayın. Makinenin yalnızca yetkili servis merkezleri tarafından onarıldığından emin olun.
9. Makinenin saplarını kuru ve temiz tutun ve saplara yağ veya gres bulaşmasına izin vermeyin.

BU TALİMATLARI SAKLAYIN.



UYARI:

Ürünü kullanırken defalarca kullanmanın getirdiği rahatlık ve tanıdıklık duygusunun, güvenlik kurallarına sıkı sıkıya bağlı kalmanızı önlemesine İZİN VERMEYİN. YANLIŞ KULLANIM veya bu kullanım kılavuzunda belirtilen güvenlik kurallarına uyulmaması ciddi yaralanmalara neden olabilir.

ÖNEMLİ GÜVENLİK TALİMATLARI

ENC007-11

AKÜ İÇİN

1. Aküyü kullanmaya başlamadan önce (1) akü şarj cihazı, (2) akü ve (3) akünün takıldığı ürüne ilişkin tüm talimatları ve uyarıları okuyun.
2. Aküyü sökmeye çalışmayın.
3. Çalışma süresinde önemli bir kısılma gözlerseniz, derhal çalışmayı bırakın. Bu durum aşırı ısınmaya, yangına ve hatta patlamaya yol açabilir.
4. Elektrolit (akü sıvısı) gözlerinize temas ederse, bol temiz suyla yıkayın ve derhal bir doktora başvurun. Elektrolit körlüğe neden olabilir.
5. Akünün kısa devre yapmasına izin vermeyin:
 - (1) Herhangi bir iletken nesne ile akü uçlarına dokunmayın.
 - (2) Aküyü çivi, madeni para vb. gibi metal nesnelerin bulunduğu yerlerde saklamayın.
 - (3) Aküyü suya veya yağmura maruz bırakmayın. Aküde oluşacak bir kısa devre büyük bir elektrik akımına, aşırı ısınmaya, yangına ve hatta arzalara yol açabilir.
6. Makineyi ve aküyü 50°C (122°F) sıcaklığa ulaşabilecek veya bu değeri aşabilecek ortamlarda saklamayın.
7. Önemli ölçüde hasar görmüş veya tümüyle tükenmiş olsa da aküyü kesinlikle yakarak imha etmeye çalışmayın. Akü ateşe atıldığında patlayabilir.
8. Akünün düşmemesine ve darbe almamasına dikkat edin.

9. **Hasarlı bir aküyü kesinlikle kullanmayın.**
10. **Ürünle gelen lityum piller Tehlikeli Malzemeler Mevzuatı gereksinimlerine tabidir.**
Üçüncü taraflarca, nakliye firmaları tarafından vb. gerçekleştirilen ticari nakliyatlar için, paketleme ve etiketlemeye ilişkin özel gereksinimler mutlaka karşılanmalıdır.
Gönderilecek ürünün hazırlanması için, tehlikeli malzemelere ilişkin bir uzmana danışılması gerekir.
Lütfen, daha ayrıntılı ulusal yönetmelikleri de dikkate alın.
Açık kontakları bantlayın veya maskeleyin ve aküyü, ambalaj içinde hareket etmeyecek şekilde yerleştirin.
11. **Akünün bertarafıyla ilgili yönetmelikleri dikkate alın.**

BU TALİMATLARI SAKLAYIN.

⚠ DİKKAT: Yalnızca orijinal Makita akülerini kullanın.

Orijinal Makita aküleri dışında akülerin kullanılması veya aküler üzerinde değişiklik yapılması durumunda akü patlayarak yangına, yaralanmalara ve maddi hasara neden olabilir. Ayrıca, Makita makine ve şarj cihazı için verilen Makita garantisi geçersiz kalacaktır.

Akünün öngörülen maksimum ömrü dolana kadar kullanılabilmesi için öneriler

1. **Aküyü tamamen boşalmasını beklemeden şarj edin.**
Makinenin çalışma gücünde bir azalma gördüğünüzde, mutlaka çalışmayı bırakıp, aküyü şarj edin.
2. **Tam olarak şarj edilmiş bir aküyü kesinlikle tekrar şarj etmeyin.**
Akünün normalden fazla şarj edilmesi ömrünün kısaltır.
3. **Aküyü 10°C - 40°C (50°F - 104°F) oda sıcaklığında şarj edin. Akü ısınmışsa, şarj etmeden önce soğumasını bekleyin.**
4. **Uzun (altı ayı aşkın) bir süredir kullanmıyorsanız aküyü şarj edin.**

PARÇALARIN TANIMI (Şekil 4)

KULLANIMA İLİŞKİN TANIMLAR

⚠ UYARI:

- **Makine üzerinde ayar veya başka bir kontrol işlemi yapmadan önce makinenin kapalı ve aküsünün çıkartılmış olduğundan emin olun.** Makinenin kapatılmaması ve aküsünün çıkartılmaması durumunda, makine istem dışı çalışabilir ve neticesinde ciddi yaralanmalar meydana gelebilir.

Akünün takılması ve çıkartılması (Şekil 5)

⚠ DİKKAT:

- Aküyü takmadan veya çıkarmadan önce mutlaka makineyi kapalı konuma getirin.
- **Aküyü takarken ve çıkartırken makineyi ve aküyü sıkıca tutun.** Aksi takdirde, makine ve akü ellerinizden

kayarak düşebilir ve neticesinde makine ve akü hasarları ve yaralanmalar meydana gelebilir.
Aküyü çıkarmak için akünün ön tarafında bulunan düğmeye bastırın ve aküyü çekerek makineden çıkartın.
Aküyü takmak için aküdeki dili makine gövdesindeki girintiyle aynı hizaya getirin ve aküyü iterek yerine oturmasını sağlayın. Akünün yerine tam olarak oturduğunu klik sesinden anlayabilirsiniz. Düğmenin üst tarafında bulunan kırmızı göstergeyi görürseniz, akü tam olarak kilitlememiştir.

⚠ DİKKAT:

- Kırmızı gösterge tamamen kayboluncaya kadar aküyü itin. Aksi takdirde, akü makineden kayıp düşebilir ve operatörün veya çevredeki kişilerin yaralanmasına neden olabilir.
- Aküyü zorlayarak takmaya çalışmayın. Akünün makineye rahatça takılamaması, yanlış takıldığını gösterir.

Akü koruma sistemi (Yıldız işaretli lityum akülerde) (Şekil 6)

Yıldız işaretli lityum akülerde koruma sistemi mevcuttur. Bu sistem, akü ömrünü uzatmak için makineye beslenen gücü otomatik olarak keser.

Makine ve/veya akü için aşağıda sıralanan durumlardan birinin geçerli olması halinde, makine çalışmasını otomatik olarak durdurur:

- Aşırı yüklenme:
Makine anormal yüksek akım çekecek şekilde çalışır. Böyle bir durumda, makine üzerindeki açma/kapama düğmesinden elinizi çekin ve makinenin aşırı yüklenmesine neden olan uygulamayı durdurun. Ardından, yeniden başlatmak için açma/kapama düğmesine tekrar basın.
Makine çalışmıyorsa, akü aşırı ısınmıştır. Böyle bir durumda, açma/kapama düğmesine tekrar basmadan önce akünün soğumasını bekleyin.
- Düşük akü gerilimi:
Kalan akü kapasitesi çok düşüktür ve makine çalışmıyordur. Böyle bir durumda, aküyü çıkartın ve şarj edin.

Kalan akü kapasitesinin kontrol edilmesi

(Yalnızca model numarasının sonunda "B" harfi içeren akülerde mevcuttur.) (Şekil 7)

Kalan akü kapasitesini görmek için akü üzerindeki kontrol düğmesine basın. Ardından, gösterge lambaları birkaç saniye yanar.

Gösterge lambaları			Kalan kapasite
Açık	Kapalı	Yanıp sönüyor	
■	□	▣	%75 ile %100 arası
■	■	■	
■	■	□	%50 ile %75 arası
■	■	□	%25 ile %50 arası
■	□	□	%0 ile %25 arası
▣	□	□	Aküyü şarj edin.
■	■	□	Akü bozulmuş olabilir.
□	□	■	

015658

NOT:

- Gösterilen kapasite seviyesi, kullanım koşullarına ve ortam sıcaklığına bağlı olarak gerçek seviyeden bir miktar farklı olabilir.

Gösterge lambası	Durumu	Alınacak önlem
Lamba kırmızı yanıp sönüyor.	Bu işlev, aküdeki güç azaldığında akünün değiştirilmesi gerektiğini gösterir.	Aküyü mümkün olan en kısa sürede şarj edin.
Lamba kırmızı sabit yanıyor. (Not 1)	Bu işlev, aküdeki güç tükenmek üzereyken devreye girer. Ardından makine hemen durur.	Aküyü şarj edin.
Lamba kırmızı sabit yanıyor. (Not 1)	Makine aşırı yüklenme nedeniyle durur.	Makineyi kapalı konuma getirin.

Not 1: Gösterge lambasının yandığı süre, çalışma alanındaki sıcaklığa ve akü koşullarına bağlı olarak değişir.

012443

Şaft uzunluğunun ayarlanması

⚠ UYARI:

- Şaft uzunluğunu ayarlamaya başlamadan önce, açma/kapama düğmesini kapalı konuma getirin ve aküyü misinalı yan tırpandan çıkartın. Açma/kapama düğmesi kapalı konuma getirilmez ve akü çıkartılmazsa yaralanmalar meydana gelebilir.

Şaft uzunluğunu ayarlamak için, şaft kilidi açılana kadar sapı saat yönünün tersine çevirin ve ardından şaftı istediğiniz uzunluğa ayarlamak için çekin veya itin.

(Şekil 10)

Misinalı kesme başlığı

İKAZ:

- Misinalı kesme başlığı dönmüyorsa, yere vurularak besleme doğru çalışmaz.

Misinalı kesme başlığı, yere çarpılarak besleme mekanizmasına sahip tek misinalı yan tırpandır. Misinalının açılması için, makine çalışırken kesme başlığının hafifçe yere çarpılması gerekir. Misina

Açma/kapama işlemi

⚠ UYARI:

- Aküyü makineye takmadan önce, açma/kapama düğmesinin kusursuz çalışıp çalışmadığını ve açma/kapama düğmesi bırakıldığında "OFF" (kapalı) konumuna dönme dönmediğini mutlaka kontrol edin. Kilitleme düğmesini basmadan önce açma/kapama düğmesini zorlamayın. Aksi takdirde, açma/kapama düğmesi kırılabilir. Açma/kapama düğmesi doğru şekilde çalışmayan bir makinenin kullanılması, kontrol kaybına ve neticesinde ciddi yaralanmalara neden olabilir.**

Açma/kapama düğmesine yanlışlıkla basılmasını önlemek için, makinede bir açma/kapama düğmesi bulunur.

Makineyi çalıştırmak için açma/kapama düğmesini ileri itin ve açma/kapama düğmesine basın. Makineyi durdurmak için parmağınızı açma/kapama düğmesinden çekin.

(Şekil 8)

Gösterge lambası (Şekil 9)

Makine çalışırken, gösterge lambası akünün kalan güç durumunu gösterir.

Lamba ayrıca makine aşırı yüklenildiğinde ve çalışma sırasında durduğunda da kırmızı yanar.

Gösterge lambasının durumu ve alınması gereken önlemler için aşağıdaki tabloya bakın.

açıldığında, muhafaza üzerindeki kesici sayesinde otomatik olarak doğru uzunlukta kesilir. (Şekil 11)

NOT:

- Başlık yere vurulduğunda misina açılmazsa, aşağıdaki "Misinalı kesme başlığının takılması ve çıkartılması" ve "Makaraya yeni misina sarılması" bölümlerinde açıklanan prosedürleri takip ederek misinayı sarın/ değiştirin.
- Makineyi beton veya asfalt yüzeylere çarpmayın. Bu tür yüzeylere çarpılması makinenin hasar görmesine yol açabilir.

KURULUM

⚠ UYARI:

- Makine üzerinde herhangi bir işlem yapmadan önce makinenin kapalı ve aküsünün çıkartılmış olduğundan emin olun.** Makinenin kapatılmaması ve aküsünün çıkartılmaması durumunda, makine istem dışı çalışabilir ve neticesinde ciddi yaralanmalar meydana gelebilir.

- **Tamamen kurulu olmadığı sürece makineyi kesinlikle çalıştırmayın.** Makinenin kısmen kurulu olduğu durumda çalıştırılması, makinenin yanlışlıkla çalıştırılması sonucu ciddi yaralanmalara yol açabilir.

Ön sapın takılması (Şekil 12)

Ön sapı ön sap yuvasına yerleştirin ve misinalı yan tırpanla birlikte verilen altıgen civata ve sıkıştırma somununu kullanarak aşağıdaki şekilde gösterildiği gibi sabitleyin. Bu işlem sırasında altıgen civatanın, altıgen civata kilit kısmının bulunduğu taraftan ve sıkıştırma somununun karşı taraftan takılması gerekir.

NOT:

- Ön sapın takılacağı tarafta bir kenardan diğer kenara kadar uzanan bir yarık bulunur. Bu yarığı kullanarak ön sapı kolayca ön sap yuvasına takabilirsiniz.
- Ön sap açısı ayarlanabilir. Ön sap açısını ayarlamak için, sıkıştırma somununu gevşetin, ön sapı çalışmanız için uygun bir açıya ayarlayın ve ardından somunu saat yönüne çevirerek sağlam şekilde sıkın.

Muhafazanın takılması

⚠ DİKKAT:

- **Muhafazayı takarken, muhafazayla birlikte gelen misina kesicisine dokunmamaya dikkat edin.** Kesiciye dokunulması, yaralanmalara yol açabilir.

Misininin, muhafaza ile motor muhafazası arasına sıkışmamasına dikkat ederek muhafazayı motor muhafazası üzerine yerleştirin ve ardından iki vidaya yerine sabitleyin. Misinalı yan tırpanı çalıştırmadan önce, misina kesicisinin kapağını çıkartın. (Şekil 13)

Misinalı kesme başlığının takılması ve çıkartılması

⚠ UYARI:

- **Misinalı kesme başlığını (makara kapağı ve makara, kılavuzun geri kalanında bu şekilde adlandırılacaktır) takmadan veya çıkarmadan önce, makinenin kapalı konuma getirildiğinden ve akünün makineden çıkartıldığından emin olun.** Makine kapalı konuma getirilmez ve akü çıkartılmazsa yaralanmalar meydana gelebilir.

⚠ DİKKAT:

- **Misinalı kesme başlığı takılırken veya çıkartılırken, muhafazayla birlikte gelen misina kesicisine dokunmamaya dikkat edin.** Kesiciye dokunulması, yaralanmalara yol açabilir.

Misinalı kesme başlığını (makara ve makara kapağı) misinalı yan tırpanın çıkarmak için, makara kapağının her iki tarafındaki kilitleri sağlam şekilde bastırarak çıkartın. (Şekil 14 ve 15)

İKAZ:

- Yayın makara yuvasına takıldığından emin olun. Misinalı yan tırpana yeni sarılmış bir misinalı kesme başlığı (makara ve makara kapağı) takmak için, misina deliği ile misinalı yan tırpan üzerindekisi misinalı kesme başlığı montaj yarığını aynı hizaya getirin ve ardından bir klik sesi duyuluncaya kadar bastırın. (Şekil 16)

Makaraya yeni misina sarılması

Makarayı makara kapağından çıkartın ve makaradaki kullanılmış misinaları temizleyin. (Şekil 17)

Misinalı şekilde gösterilen tutucuya takın. (Şekil 18)

Misinalı makara üzerinde gösterilen ok yönünde makaraya sağlam şekilde sarın ve sarılan misina yüzeyinin sargı alanı boyunca düzenli olmasına dikkat edin. (Şekil 19)

Misinalı geçici olarak şekilde gösterilen yarığa takın. (Şekil 20)

Misinalı makara kapağı üzerindeki misina deliğinden geçirin. (Şekil 21)

Misinalı kesme başlığını taktıktan sonra, makaraya bastırarak misinanın ucunun çıktığından emin olun ve ardından misinalı çekin. (Şekil 22)

KULLANIM

Omuz askısının takılması (Şekil 23)

Omuz askısını ön sap üzerindeki delikten geçirin.

Çalıştırma

⚠ DİKKAT:

- **Yüksek çimlere tek bir seferde kesmeye çalışmayın.** Köklerin yakınındaki yüksek çimlerin tek bir seferde kesilmesi, misinalı yan tırpanın motor milinin çimlere takılmasına ve neticesinde motorun aşırı yüklenmesine ve misinalı yan tırpanın hasar görmesine neden olabilir.

⚠ DİKKAT:

- **Misinalı yan tırpanı kullanırken makaranın zemine temas etmesine izin vermeyin.** Çalışma sırasında makara zemine temas ederse, motor aşırı yüklenebilir ve misinalı yan tırpan hasar görebilir. (Şekil 24 ve 25)

⚠ DİKKAT:

- Çimlerin yoğun olduğu alanlarda misinalı yan tırpanı zorlamayın. (Şekil 26)

⚠ DİKKAT:

- Misinalı yan tırpanı çapalama yapar gibi kullanmayın. (Şekil 27)

Ağaçlar, beton blok, tuğla veya bahçe taşları etrafındaki çimlerin kesilmesi (Şekil 28)

Misinalı yan tırpanı zemine temas etmeyecek bir seviyede tutun ve çimleri misina ucunu yere çarpar gibi yaparak kesin. Bu çalışma sırasında misina normalden daha hızlı aşınacağından misinanın sürekli olarak açılması gerekir.

NOT:

- Kenar kesimi veya benzer işlemler sırasında misinalı yan tırpanın ağaç, beton blok, tuğla veya bahçe taşlarına vb. çok fazla yaklaşılması misinanın makara kapağı içerisinde kesilmesine neden olabilir. Böyle bir durumda makarayı makara kapağından çıkartın ve ardından "Misinalı kesme başlığının takılması ve çıkartılması" ve "Makaraya yeni misina sarılması" bölümlerinde açıklandığı şekilde misinalı tekrar çalışır duruma getirin. Çalışma sırasında misinanın ucunun kullanılması, en iyi sonuçların elde edilmesini sağlar, bu nedenle makinenin ağaçlar, beton

bloklar, tuğlalar veya bahçe taşlarından vb. en az 5 cm uzakta tutulması önerilir.

Misinalı yan tırpanı tırpanlanacak çimlere yaklaştırdıktan sonra çalıştırın.

Çimleri misinalı yan tırpanı sağdan sola doğru yavaşça hareket ettirerek misinanın ucuyla kesin ve bu işlem sırasında misinalı yan tırpanı zeminle yaklaşık 30°'lik bir açı yapacak şekilde tutun.

Yüksek çimleri keserken, çimleri kısa kesim uzunlukları boyunca yukarıdan aşağı doğru katmanlar halinde tırpanlayın.

Makinenin kenar budama olarak kullanılması

Makinenin kenar budama olarak kullanılması, operatörün beton bloklar, tuğlalar ve benzeri engeller boyunca kenar kesimleri yapmasına olanak sağlar. (Şekil 29)

Makinenin kenar budama olarak kullanılması için, bir elinizle misinalı yan tırpanın şaftını tutun ve şaftı gevşetmek üzere sapı saat yönünün tersine çevirin. Şaftı motor muhafazası ile birlikte 180° çevirin ve ardından sapı kilitlenene kadar saat yönünde sıkın. (Şekil 30)

NOT:

- Şaftı döndürmeye başlamadan önce, tamamen kısıtılması veya uzatılması gerekir.
- Kenar budama konumuna getirildikten sonra, motor muhafazası ve şaftın kilitlendiğinden emin olun.

Nihai kesim işleminden iyi sonuçlar elde etmek için, misinalı yan tırpanı kenar kesimi yaptığınız kenara paralel şekilde hareket ettirin. (Şekil 31)

Sıkışık veya eğimli alanlardaki çimlerin kesilmesi

⚠ UYARI:

- Eğimli alanlardaki çimleri keserken, kesim başlığı alanından fırlayabilecek taşlara, çimlere ve diğer yabancı maddelere karşı dikkatli olun.
- Eğimli alanlardaki çimleri keserken, daima yere sağlam ve dengeli bastığınızdan emin olun.

Bahçe pergulesi vb. yerlerin altındaki çimlerin kesilmesi gibi yüksekliği kısıtlayan sıkışık alanlarda çalışmayı kolaylaştırmak için, kilit düğmesini itin ve ardından şaft, zemin yüzeyine paralel olacak şekilde kesme başlığını katlayın. Kesme başlığı açısının bu şekilde doğru ayarlanması, eğimli alanlardaki çimlerin kesilmesini kolaylaştırır. (Şekil 32)

BAKIM

⚠ UYARI:

- **Makinede herhangi bir kontrol veya bakım işlemine başlamadan önce makinenin kapalı ve aküsünün çıkarılmış olduğundan emin olun.** Makinenin kapatılmaması ve aküsünün çıkarılmaması durumunda, makine istem dışı çalışabilir ve neticesinde ciddi yaralanmalar meydana gelebilir.

İKAZ:

Kesinlikle gazolin, benzin, tiner, alkol veya benzeri bir madde kullanmayın. Aksi takdirde renk bozulması, deformasyon veya çatlaklar meydana gelebilir.

Ürünün EMNİYETLİ ve GÜVENİLİR durumda kalmasını sağlamak için tüm onarımlar, bakım ve ayarlar Makita

yetkili servisleri veya fabrika servis merkezleri tarafından Makita yedek parçaları kullanılarak yapılmalıdır.

OPSİYONEL AKSESUARLAR

⚠ DİKKAT:

- Bu kullanım kılavuzunda tanıtılan Makita marka makineyle aşağıdaki aksesuarların ve parçaların kullanılması önerilir. Bunların dışında başka aksesuarların veya parçaların kullanılması yaralanmalara yol açabilir. Aksesuarlar ve parçalar doğru şekilde ve öngörüldükleri işlevler için kullanılmalıdır.

Aksesuarlara ilişkin daha ayrıntılı bilgi almak için size en yakın yetkili Makita servisine başvurabilirsiniz.

- Misinalı kesme başlığı
- Misinalar
- Omuz askısı
- Gözlük
- Orijinal Makita akü ve şarj cihazı

NOT:

- Listedeki bazı parçalar makineyle birlikte standart aksesuar olarak verilebilir. Ürünle verilen aksesuarlar ülkeden ülkeye farklılıklar gösterebilir.

Gürültü

ENG905-1

EN786 uyarınca belirlenen tipik A ağırlıklı gürültü seviyesi:

DUR141 Modeli

Ses basıncı seviyesi (L_{pA}): 75 dB (A)

Ses gücü seviyesi (L_{WA}): 83,7 dB (A)

Belirsizlik (K): 2,5 dB (A)

DUR181 Modeli

Ses basıncı seviyesi (L_{pA}): 82 dB (A)

Ses gücü seviyesi (L_{WA}): 88,5 dB (A)

Belirsizlik (K): 2,5 dB (A)

Koruyucu kulaklık takın.

Titreşim

ENG904-2

EN786 uyarınca belirlenen toplam titreşim değeri:

Titreşim emisyonu (a_{h1}): 2,5 m/s² veya daha düşük
Belirsizlik (K): 1,5 m/s²

ENG901-1

- Belirtilen titreşim emisyonu değeri, standart test yöntemine göre ölçülmüştür ve makinenin diğer makinelerle karşılaştırılması için kullanılabilir.
- Belirtilen titreşim emisyonu değeri ayrıca maruziyetin ön değerlendirilmesinde de kullanılabilir.

⚠ UYARI:

- Elektrikli aletin gerçek kullanımı sırasında ortaya çıkacak titreşim emisyonu, aletin kullanıma şekline bağlı olarak belirtilen emisyon değerinden farklı olabilir.
- Gerçek kullanım koşullarındaki maruziyeti tahmin ederek (örneğin, aletin açılma süresine ek olarak kapalı konuma getirildiği ve rölatantide çalıştığı süreler gibi çalışma döngüsünün tüm bileşenlerini dikkate alın), kullanıcıyı korumak için gerekli güvenlik önlemlerinin alındığından emin olun.

AT Uygunluk Beyanı

Makita aşağıdaki Makine(ler) ile ilgili şu hususları beyan eder:

Makinenin Adı:
Akülü Misinalı Yan Tırpan
Model Numarası / Tipi: DUR141, DUR181
Teknik Özellikler: bkz. "TEKNİK ÖZELLİKLER"
tablosu.

Şu Avrupa Yönergelerine uygundur:

2000/14/EC, 2006/42/EC

Şu standartlara veya standartlaştırılmış belgelere uygun olarak üretilmiştir:

EN60745, EN60335, EN50636

2006/42/EC'ye uygun teknik dosyaya şu adresten ulaşılabilir:

Makita, Jan-Baptist Vinkstraat 2, 3070, Belçika

2000/14/EC sayılı Direktif tarafından istenen uygunluk değerlendirme prosedürü, Ek VI'e uygundur.

Onaylayan Kurum:

TÜV Rheinland LGA Products GmbH
Tillystraße 2
90431 Nürnberg, Almanya
Tanımlama numarası: 0197

DUR141 Modeli

Ölçülen Ses Gücü Düzeyi: 83,7 dB (A)

Garanti Edilen Ses Gücü Düzeyi: 85 dB (A)

DUR181 Modeli

Ölçülen Ses Gücü Düzeyi: 88,5 dB (A)

Garanti Edilen Ses Gücü Düzeyi: 91 dB (A)

1. 10. 2015



Yasushi Fukaya
Müdür

Makita, Jan-Baptist Vinkstraat 2, 3070, Belçika

Makita Jan-Baptist Vinkstraat 2, 3070, Belgium
Makita Corporation Anjo, Aichi, Japan

885314D993

www.makita.com

ALA