



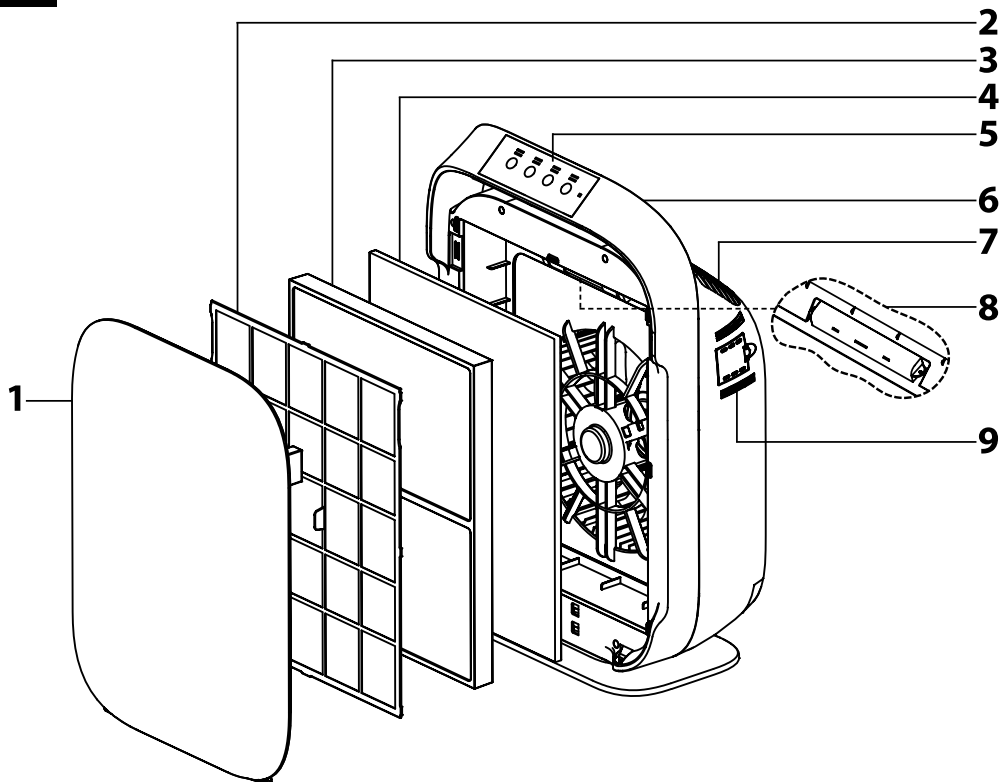
## EN ■ Air Purifier

### **READ CAREFULLY AND STORE FOR FUTURE USE.**

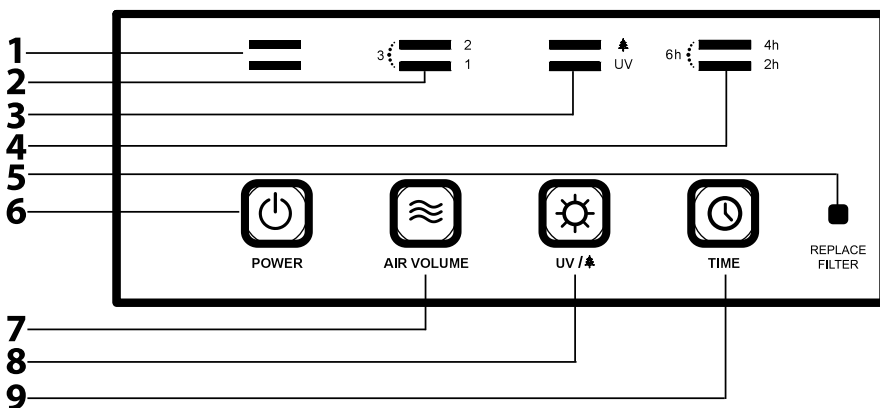
- Read all the instructions before using this appliance.
- This appliance may be used by children 8 years of age and older and by persons with physical or mental impairments or by inexperienced persons, if they are properly supervised or have been informed about how to use the appliance in a safe manner and understand the potential dangers. Children must not play with the appliance. Cleaning and maintenance performed by the user must not be performed by unsupervised children.
- If the power cord is damaged, it must be replaced by the manufacturer, its service technician or by a similarly qualified person, as this will prevent a dangerous situation from arising.
- This appliance is designed for household use only. Only use the appliance for the purpose for which it is intended and in the manner described in this user's manual. Any other use that is not recommended by the manufacturer may result in a fire, injury by electrical shock or injury to persons.
- Do not use this appliance outdoors.
- Only use the appliance on an even, clean, dry, rigid and stable surface.
- Do not place this appliance on a soft surface such as a bed or sofa as the appliance could be tipped over or the air inflow and outflow vents could be blocked.
- Never block the air inflow grille or the air outflow grille.
- Never throw or insert any items into the holes or vents of the appliance.
- To prevent the risk of fire or injury by electrical shock, connect this appliance directly to the correct type of alternating current (AC) power socket.
- Do not place any items on the appliance.
- Lead the power cord away from places with a lot of movement of people. Locate the power cord in places without any movement of people, where it cannot be tripped over.
- To prevent the risk of a fire, never place the power cord under carpets or in the vicinity of heating ducts, radiators, stoves or heaters.
- Do not cover the power cord with loose rugs, carpet runners or other similar accessories.
- Do not lead the power cord underneath furniture or the appliance itself.
- To prevent the risk of injury by electrical shock, do not submerge the appliance, power cord or power plug in water or another liquid. Do not use this appliance near water.

- Children are not capable of identifying risks associated with using electrical appliances. Therefore, always pay attention to children when they are in the vicinity of this appliance.
- This appliance is equipped with a fan.
- To reduce the risk of a fire or injury by electrical shock, do not use this fan with any speed regulator device.
- Always disconnect the appliance from the power socket when using it and before moving it, opening the grille, before replacing the filters, before cleaning it or other maintenance.
- Follow the instructions for cleaning and other maintenance performed by the user, which are included in this user's manual.
- Never look directly into a turned on UV-C lamp.
- Disconnect the appliance from the power socket by pulling the power plug out of the power socket. Do not disconnect the appliance from the power socket by pulling on the power cord.
- Do not use the appliance if the power cord or plug are damaged, if the fan motor is not rotating, when it is not working properly, if it has fallen on the floor or was damaged in any way. Send it to an authorised service centre for inspection or repair.
- Do not attempt to repair or adjust any electrical or mechanical functions of this appliance. This appliance does not contain any parts repairable by the user.
- In order to prevent a hazardous situation arising, do not repair the appliance yourself or modify it in any way. For all repairs, contact an authorised service centre. By tampering with the appliance, you risk voiding your legal rights arising from unsatisfactory performance or quality warranty.

A



B



- Prior to using this appliance, please read the user's manual thoroughly, even in cases, when one has already familiarised themselves with previous use of similar types of appliances. Only use the appliance in the manner described in this user's manual. Keep this user's manual in a safe place where it can be easily retrieved for future reference. In the event that you hand this appliance over to somebody else, make sure to also include this user's manual.
- We recommend saving the original cardboard box, packaging material, purchase receipt and responsibility statement of the vendor or warranty card for at least the duration of the legal liability for unsatisfactory performance or quality. In the event of transportation, we recommend that you pack the appliance in the original box from the manufacturer.

### DESCRIPTION OF THE AIR PURIFIER

<b>A1</b> Front cover	<b>A6</b> Carry handle
<b>A2</b> Inflow filter	<b>A7</b> Air outlet
<b>A3</b> HEPA filter	<b>A8</b> UV-C lamp
<b>A4</b> Carbon filter	<b>A9</b> Filter replacement button
<b>A5</b> Touch control panel	

### DESCRIPTION OF THE CONTROL PANEL

<b>B1</b> On / Off indicator lights	<b>B5</b> Filter replacement indicator light
<b>B2</b> Fan speed setting indicator lights	<b>B6</b> On/Off button
<b>B3</b> UV-C and sleep mode indicator lights	<b>B7</b> Fan speed setting button
<b>B4</b> Automatic shut-off indicator lights	<b>B8</b> UV-C / sleep mode button
	<b>B9</b> Automatic shut-off button

### AIR PURIFICATION SYSTEM

**Inflow filter:** Captures dust particles and allergens

**Carbon filter:** Absorbs formaldehyde, benzene and other harmful gases.

**HEPA filter:** Captures dust, smoke, pollen and other allergens.

**UV-C lamp:** Destroys microorganism such as microbes, viruses, bacteria and moulds (such as mould toxins).

**Negative ions:** Improve air quality. Negative ions are usually found in air especially near waterfalls or in forests. In this mode, negative ions give the air in the room its natural form.



**Note:**

Titanium dioxide is sprayed on to the cover of the UV-C lamp using a special method.

### BEFORE FIRST USE

Before first use, carefully take the air purifier out of the transport box and plastic bag. Before storing or disposing of the packaging materials, check that you have taken out all the accessories and parts of the air purifier.

### PUTTING THE PURIFIER INTO OPERATION

The purifier is supplied with the filters installed, however, these are wrapped in protective packaging for protection during transport. Before putting the purifier into operation, it is necessary to remove the protective packaging from the filters. Proceed as follows:

1. Insert your fingers into the recess along the sides of the purifier and carefully tilt open the top part of the front cover **A1** towards yourself. Then lift the front cover **A1** upwards so that the hooks on the underside of the cover are released from the bottom part of the purifier.
2. In sequence, remove the inflow filter **A2**, HEPA filter **A3** and carbon filter **A4**.
3. Remove the protective packaging from all the filters.
4. Now insert the filters back into the air purifier in the following order: carbon filter **A4** (the straps on the filter should point outwards), HEPA filter **A3** (straps on the filter should point outwards) and finally the inflow filter **A2** (the side with the rim should point outwards)
5. Attach the front cover **A1** by inserting the hooks at the bottom of the cover into the holes in the bottom part of the purifier and then push the top part of the front cover **A1** towards the purifier unit.

### USING THE AIR PURIFIER

Place the purifier on a stable, even, dry and firm surface within reach of a power socket. To ensure correct air circulation, the appliance should be at least 30 cm away from walls and furniture.

Check that no grille is blocked and that the air purifier is properly assembled with the filters correctly installed.

Connect the power cord to a power socket.



**Note:**

For carrying the air purifier, only use the carry handle **A6**.

#### 1. Turning the air purifier on/off.

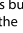
To turn the air purifier on and off, use the On/Off button **B6**.

#### 2. Setting fan speed

When the air purifier is running, use button **B7** to set the fan speed. Press button **B7** again to change the fan speed in the following order: 1 (low) – 2 (medium) – 3 (high).

Depending on the selected speed also the respective indicator light **B2** will be lit. If you select speed 3, both indicator lights will be lit.

#### 3. Turning the UV-C lamp and sleep mode on/off.

Repeatedly press button **B3** to turn the UV-C lamp on and off, and to turn the sleep mode on/off. If the UV indicator light is lit, the UV-C lamp will be turned on. If the indicator light next to the symbol  is lit, the sleep mode will be turned on. If both the indicator lights are lit, then both functions will be turned on. If no indicator light is lit, then both functions will be turned off.



**Note:**

When sleep mode is activated, only the control panel will be turned off. The appliance itself will remain turned on.

#### 4. Automatic shut-off function

Button **B9** serves to set the time interval of 2, 4 or 6 hours, after which the air purifier will automatically turn itself off. Select the time interval by repeatedly pressing button **B9**. Indicator lights **B4** indicate the remaining operating time. If you set the automatic shut-off of the purifier to 6 hours, both indicator lights will be lit. If you need to set non-stop operation, repeatedly press button **B9** until no indicator light is lit.

#### 5. Filter replacement indicator light

When the filter replacement indicator light **B5** is lit on the control panel **A5**, it is necessary to replace the HEPA filter **A3** and the carbon filter **A4**. Based on the frequency of use, the filter replacement indicator light **B5** will, as a rule, be lit after 4320 hours of operation (approx. 6 months). The HEPA filter **A3** and carbon filter **A4** have approximately the same lifetime, therefore always replace them at the same time. After replacing the filters, press the filter replacement button **A9** to reset the system. It is important that the filter replacement indicator light **B5** turns off.



**Note:**

When not using the air purifier for an extended period of time, disconnect the power cord from the power socket, clean the air purifier according to the instructions in part "Cleaning and maintenance" and store it in a dry and well ventilated place.

### CLEANING AND MAINTENANCE

#### Cleaning the outer surface

Before cleaning the purifier, turn it off and disconnect it from the power socket. Wipe the outer surface using a cloth lightly dampened in lukewarm water. Then wipe everything so that it is thoroughly dry. For cleaning, do not use abrasive cleaning products and solvents as this could damage the surface of the appliance.



**Warning:**

To prevent the risk of injury by electrical shock, do not submerge the appliance, power cord or power plug in water or another liquid.

#### Cleaning and maintenance of the inflow filter

To ensure the correct operation and effectiveness of the air purifier, it is important to regularly clean the inflow filter. The inflow filter must be cleaned every month. Depending on the operating conditions, it will be necessary to clean the filter more often.

Before cleaning the inflow filter, make sure that the air purifier is turned off and disconnected from the power socket. The inflow filter may be washed in clean lukewarm water. Then, allow it to dry naturally. Before reinserting it, check that the inflow filter is completely dry. Do not use sharp objects for cleaning, as this could cause damage. The lifetime of the inflow filter is approximately 2 years.

#### Cleaning and maintaining the HEPA filter and carbon filter

To ensure the correct operation and effectiveness of the air purifier, it is important to regularly clean the HEPA filter **A3** and carbon filter **A4**. Clean both filters at least once every 3 months. Before cleaning the filters, make sure that the air purifier is turned off and disconnected from the power socket.

Take them out of the purifier, place them on a soft mat in a dry place (may also be in the sun) and allow them to dry. To clean the filters, use a vacuum cleaner with an attached brush nozzle, which will enable dust and dirt to be removed quickly and easily. The HEPA filter **A3** and carbon filter **A4** have approximately the same lifetime, therefore always replace them at the same time.



**Attention:**

The carbon filter **A4** and HEPA filter **A3** are not washable!

#### Replacing the UV-C lamp

Before replacing the UV-C lamp **A8**, make sure that the air purifier is turned off and disconnected from the power socket. In order to replace the UV-C lamp **A8**, it is necessary to first open the front cover **A1** and to remove the filters. Using a screwdriver, open the cover of the UV-C lamp. Carefully unscrew the lamp from the holder. Screw a new UV-C lamp into the holder and attach the lamp cover. Insert the filters back in the correct order and then finally close the front cover **A1**.



**Attention:**

The carbon filter **A4** and HEPA filter **A3** are not washable!

### TROUBLESHOOTING



**Attention:**

Before performing any of the following checks, make sure that the air purifier is turned off and disconnected from the power socket.

Problem	Solution
<b>The purifier turned off suddenly, not working.</b>	Check that it is connected to a working power socket. Check that the filters are properly installed. Check that the motor switch is not damaged. Disconnect and reconnect the power cord into the power socket. Check that the control panel is correctly mounted on the purifier. If the problem persists, please contact an authorised service centre.
<b>Insufficient air flow</b>	Disconnect the power cord from the power socket and check the filters. Clean the filters as necessary. Replace the HEPA and carbon filter.
<b>Increased noise level</b>	Check that the filters are clean. Replace if necessary.
<b>The purifier is not removing unpleasant odours or smoke.</b>	Clean or replace the filters when they are excessively dirty.
<b>The air coming out of the purifier has an unpleasant odour.</b>	Check that the filters are clean. Replace if necessary. Air purifiers leave small traces of ozone, which may cause an unpleasant odour. The amount of ozone created by the ion generator is below the safe level, nevertheless this is not dangerous.

## TECHNICAL SPECIFICATIONS

Rated voltage.....	220–240 V~
Rated frequency.....	50–60 Hz
Rated power input.....	70 W
Noise level.....	29/45/62 dB(A)
CADR (clean air delivery rate).....	482 m <sup>3</sup> /h
UV-C lamp wave length.....	254 nm
Lifetime of UV-C lamp.....	approximately 10,000 hours
Recommended room area.....	approx. 50 m <sup>2</sup>
Weight.....	9.2 kg
Dimensions.....	445 × 238 × 680 mm (L × W × H)

The declared noise emission level of the appliance is 29/45/62 dB(A), which represents a level A of acoustic power with respect to a reference acoustic power of 1 pW.



Safety class for electrical shock protection:

Class II – Electrical shock protection is provided by double or heavy-duty insulation.

We reserve the right to change text and technical specifications.

## INSTRUCTIONS AND INFORMATION REGARDING THE DISPOSAL OF USED PACKAGING MATERIALS

Dispose of used packaging material at a site designated for waste in your municipality.

## DISPOSAL OF USED ELECTRICAL AND ELECTRONIC EQUIPMENT



This symbol on products or original documents means that used electric or electronic products must not be added to ordinary municipal waste. For proper disposal, renewal and recycling hand over these appliances to determined collection points. Alternatively, in some European Union states or other European countries you may return your appliances to the local retailer when buying an equivalent new appliance.

Correct disposal of this product helps save valuable natural resources and prevents potential negative effects on the environment and human health, which could result from improper waste disposal. Ask your local authorities or collection facility for more details.

In accordance with national regulations penalties may be imposed for the incorrect disposal of this type of waste.

### For business entities in European Union states

If you want to dispose of electric or electronic appliances, ask your retailer or supplier for the necessary information.

### Disposal in other countries outside the European Union.

This symbol is valid in the European Union. If you wish to dispose of this product, request the necessary information about the correct disposal method from the local council or from your retailer.



This product meets all the basic requirements of EU directives related to it.