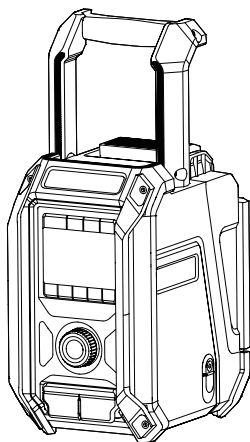
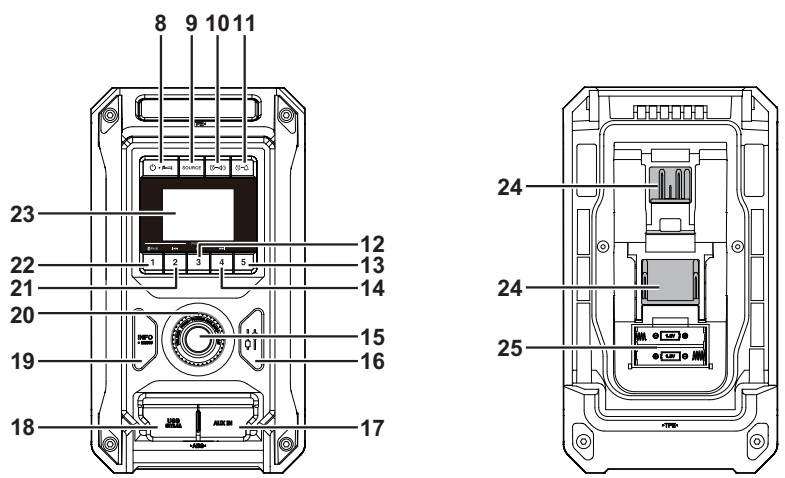
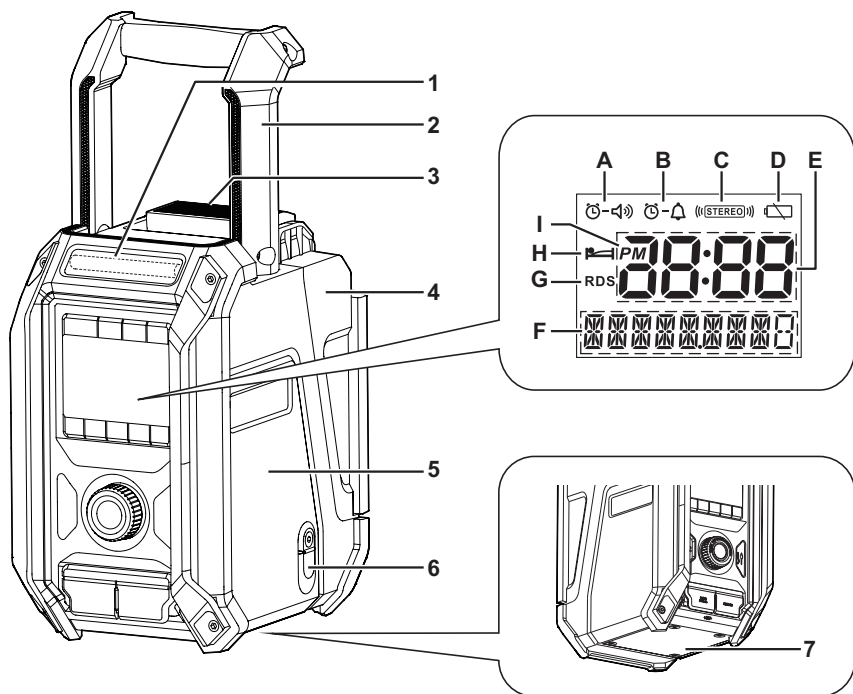


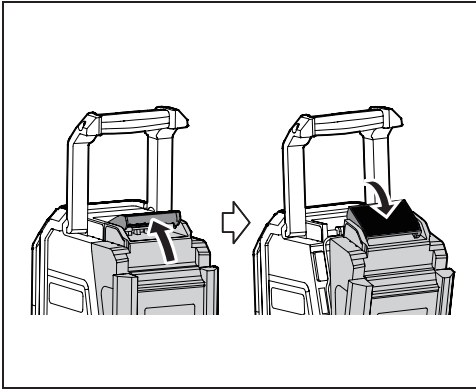


EN	Job Site Radio	Instruction manual	4
DE	Baustellenradio	Betriebsanleitung	14
PL	Akumulatorowy odbiornik radiowy	Instrukcja obsługi	24
HU	Munkahelyi rádió	Használati utasítás	34
SK	Pracovné rádio	Návod na obsluhu	44
CS	Pracovní rádio	Návod k obsluze	54
SL	Prenosni Radio	Navodila za uporabo	64
SQ	Radio për kantier pune	Manuali i përdorimit	74
BG	Радио за Работни Обекти	Упътване за	84
HR	Gradilišni Radio	Upute za uporabu	95
MK	Радио за работно место	Упатство за работа	105
SR	Radio za gradilište	Uputstvo za upotrebu	116
RO	Radio pentru locul de lucru	Manual de instrucțiuni	126
UK	Радіоприймач для використання на робочому місці	Інструкція з експлуатації	136
RU	Радиоприемник	Инструкция по эксплуатации	147

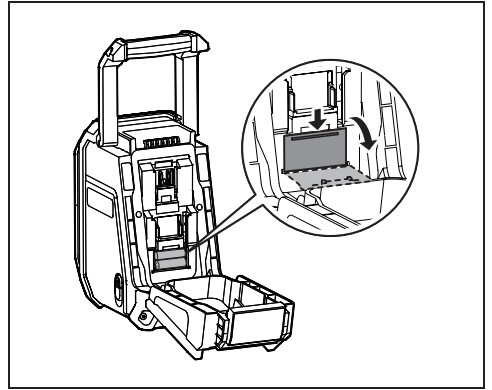
DMR114



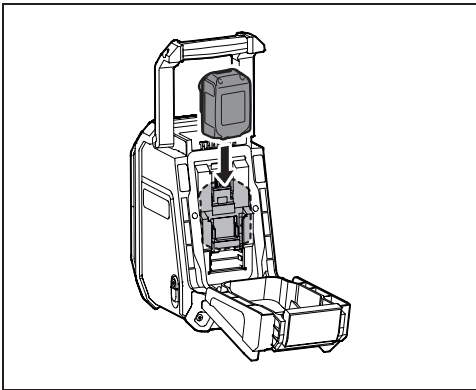




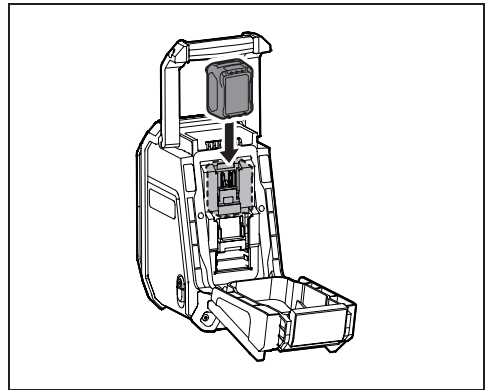
2



3



4



5

ENGLISH (Original instructions)

EXPLANATION OF GENERAL VIEW (Fig. 1)

1. Built-in antenna(AM)
2. Handle/Built-in antenna(FM)
3. Battery compartment locker
4. Battery compartment cover (covering battery cartridge)
5. Speaker
6. DC IN socket
7. Subwoofer
8. Power/Sleep timer button
9. Source button
10. Radio alarm button
11. Buzzer alarm button
12. Preset 3/Play/Pause button
13. Preset 5 button
14. Preset 4/Next track button
15. Volume/Tuning control/Select knob
16. EQ control button
17. AUX IN socket
18. USB power supply port
19. Menu/Info button
20. EQ mode LED indicator
21. Preset 2/Previous track button
22. Preset 1/Bluetooth pairing button
23. LCD display
24. Battery compartment
25. Back up batteries compartment

LCD DISPLAY

- A. Radio alarm
- B. Buzzer alarm
- B. Stereo symbol
- D. Low battery indicator
- E. Clock
- F. Frequency
- G. RDS (Radio data system)
- H. Sleep timer icon
- I. PM for clock

SYMBOLS

The following show the symbols used for the equipment. Be sure that you understand their meaning before use.



Read instruction manual.



Only for EU countries.

Do not dispose of electric equipment or battery pack together with household waste material! In observance of the European Directives, on Waste Electric and Electronic Equipment and Batteries and Accumulators and Waste Batteries and Accumulators and their implementation in accordance with national laws, electric equipment and batteries and battery pack(s) that have reached the end their life must be collected separately and returned to an environmentally compatible recycling facility.

IMPORTANT SAFETY INSTRUCTIONS

WARNING:

When using electric tools, basic safety precautions should always be followed to reduce the risk of fire, electric shock, and personal injury, including the following:

1. Read this instruction manual and the charger instruction manual carefully before use.
2. Clean only with dry cloth.
3. Do not install near any heat sources such as radiators, heat registers, stoves, or other apparatus (including amplifiers) that produce heat.
4. Only use attachments/accessories specified by the manufacturer.
5. Unplug this apparatus during lightning storms or when unused for long periods of time.
6. A battery operated radio with integral batteries or a separate battery pack must be recharged only with the specified charger for the battery. A charger that may be suitable for one type of battery may create a risk of fire when used with another battery.
7. Use battery operated radio only with specifically designated battery packs. Use of any other batteries may create a risk of fire.
8. When battery pack is not in use, keep it away from other metal objects like: paper clips, coins, keys, nails, screws, or other small metal objects that can make a connection from one terminal to another. Shorting the battery terminals together may cause sparks, burns, or a fire.
9. Avoid body contact with grounded surfaces such as pipes, radiators, ranges and refrigerators. There is an increased risk of electric shock if your body is grounded.
10. Under abusive conditions, liquid may be ejected from the battery; avoid contact. If contact accidentally occurs, flush with water. If liquid contacts eyes, additionally seek medical help. Liquid ejected from the battery may cause irritation or burns.

11. Do not use a battery pack or tool that is damaged or modified. Damaged or modified batteries may exhibit unpredictable behaviour resulting in fire, explosion or risk of injury.
 12. Do not expose a battery pack or tool to fire or excessive temperature. Exposure to fire or temperature above 130 °C(266°F) may cause explosion.
 13. Follow all charging instructions and do not charge the battery pack or tool outside the temperature range specified in the instructions. Charging improperly or at temperatures outside the specified range may damage the battery and increase the risk of fire.
 14. The MAINS plug is used as the disconnect device, and it shall remain readily operable.
 15. Do not use the product at a high volume for any extended period. To avoid hearing damage, use the product at moderate volume level.
 16. (For products with LCD display only) LCD displays include liquid which may cause irritation and poisoning. If the liquid enters the eyes, mouth or skin, rinse it with water and call a doctor.
 17. Do not expose the product to rain or wet conditions. Water entering the product will increase the risk of electric shock.
 18. This product is not intended for use by persons (including children) with reduced physical, sensory or mental capabilities, or lack of experience and knowledge, unless they have been given supervision or instruction concerning use of the product by a person responsible for their safety. Children should be supervised to ensure that they do not play with the product. Store the product out of the reach of children.
- flow, overheating, possible burns and even a breakdown.
 6. Do not store the tool and battery cartridge in locations where the temperature may reach or exceed 50°C (122°F).
 7. Do not incinerate the battery cartridge even if it is severely damaged or is completely worn out. The battery cartridge can explode in a fire.
 8. Be careful not to drop or strike battery.
 9. Do not use a damaged battery.
 10. To avoid risk, the manual of replaceable the battery should be read before use. And the max discharging current of the battery should be greater than or equal to 8A.
 11. The contained lithium-ion-batteries are subject to the Dangerous Goods Legislation requirements. For commercial transports e.g. by third parties, forwarding agents, special requirement on packaging and labeling must be observed.
For preparation of the item being shipped, consulting an expert for hazardous material is required. Please also observe possibly more detailed national regulations.
Tape or mask off open contacts and pack up the battery in such a manner that it cannot move around in the packaging.
 12. Follow your local regulations relating to disposal of battery.
 13. Use the batteries only with the products specified by Makita. Installing the batteries to non-compliant products may result in a fire, excessive heat, explosion, or leak of electrolyte.

⚠ CAUTION:

- **Danger of explosion if battery is incorrectly replaced.**
- **Replace only with the same or equivalent type.**
- **Only use genuine Makita batteries. Use of non-genuine Makita batteries, or batteries that have been altered, may result in the battery bursting causing fires, personal injury and damage. It will also void the Makita warranty for the Makita tool and charger.**

Tips for maintaining maximum battery life

1. Charge the battery cartridge before completely discharged. Always stop tool operation and charge the battery cartridge when you notice less tool power.
2. Never recharge a fully charged battery cartridge. Overcharging shortens the battery service life.
3. Charge the battery cartridge with room temperature at 10°C - 40°C (50°F - 104°F). Let a hot battery cartridge cool down before charging it.
4. Charge the battery cartridge if you do not use it for a long period (more than six months).

SAVE THESE INSTRUCTIONS

SPECIFIC SAFETY RULES

FOR BATTERY CARTRIDGE

1. Before using battery cartridge, read all instructions and cautionary markings on (1) battery charger, (2) battery, and (3) product using battery.
2. Do not disassemble battery cartridge.
3. If operating time has become excessively shorter, stop operating immediately. It may result in a risk of overheating, possible burns and even an explosion.
4. If electrolyte gets into your eyes, rinse them out with clear water and seek medical attention right away. It may result in loss of your eyesight.
5. Do not short the battery cartridge:
 - (1) Do not touch the terminals with any conductive material.
 - (2) Avoid storing battery cartridge in a container with other metal objects such as nails, coins, etc.
 - (3) Do not expose battery cartridge to water or rain. A battery short can cause a large current

OPERATING TIME

* The suitable battery packs for this radio listed as the following table.

* The following table indicates the operating time on a single charge.

Battery capacity	Battery cartridge voltage			AT SPEAKERS OUTPUT = 100mW Unit: Hour (Approximately)	
	10.8V – 12Vmax	14.4V	18V	In Radio or AUX	In Bluetooth +USB Charging
1.3 Ah		BL1415		3.5	0.7
			BL1815	4.0	1.0
1.5 Ah	BL1015 BL1016			6.0	0.8
		BL1415N BL1415NA		4.5	0.9
			BL1815N	5.0	1.2
2.0 Ah	BL1020B BL1021B			8.0	1.0
			BL1820 BL1820B	6.5	1.6
3.0 Ah		BL1430 BL1430B BL1430A		8.0	1.6
			BL1830 BL1830B	9.5	2.3
4.0 Ah	BL1040B BL1041B			16	2.1
		BL1440		13	2.5
			BL1840 BL1840B	13	3.2
5.0 Ah		BL1450		15	3.0
			BL1850 BL1850B	17	4.2
6.0 Ah		BL1460B BL1460A		17	3.3
			BL1860B	21	5.0

WARNING:

Only use the battery cartridges listed above. Use of any other battery cartridges may cause injury and/or fire.

NOTE:

- Table regarding to the battery operating time above is for reference.
- The actual operating time may differ with the type of the battery, charging condition, or usage environment.

INSTALLATION AND POWER SUPPLY

⚠ CAUTION:

- Be careful not to pinch your fingers when opening and closing the battery cover.
- Return the battery compartment locker to the original position, after installing or removing battery cartridge. If not, battery cartridge may accidentally fall out of the radio, causing injury to you or someone around you.
- Always close and lock the battery compartment locker before moving the radio.
- Always switch off the radio before installing or removing the battery cartridge.
- Be careful not to drop or strike the radio. Broken shell may slash your finger or stab your body. Damaged radio may exhibit unpredictable behaviour resulting in fire, explosion or risk of injury.

IMPORTANT:

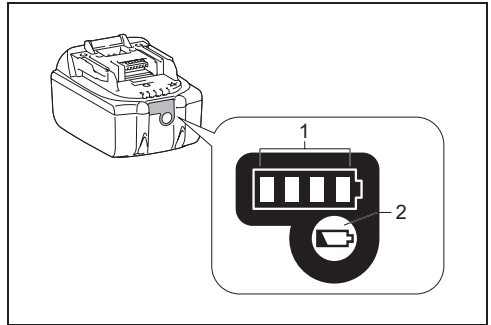
- Reduced power, distortion, “stuttering sound” or when both low battery indicator and “POWERFAIL” appear on the display are all the signs that the main battery pack needs to be replaced.
- When low battery indicator appears and an “EMPTY” keeps on flashing is the time to replace the back up batteries.
- The battery cartridge can't be charged via the supplied AC power adaptor.
- The battery cartridge is not included as standard accessories.

Installing or removing slide battery cartridge (Fig. 4 & 5)

- To install the battery cartridge, align the tongue on the battery cartridge with the groove in the housing and slide it into place. Always insert it all the way until it locks in place with a little click.
- If you can see the red indicator on the upper side of the button, it is not locked completely. Install it fully until the red indicator cannot be seen. If not, it may accidentally fall out of the radio, causing injury to you or someone around you.
- Do not use force when installing the battery cartridge. If the cartridge does not slide in easily, it is not being inserted correctly.
- To remove the battery cartridge, slide it from the radio while sliding the button on the front of the cartridge.

Indicating the remaining battery capacity

* Only for battery cartridges with “B” at the end of the model number.



➤ 1. Indicator lamps 2. Check button

Press the check button on the battery cartridge to indicate the remaining battery capacity. The indicator lamps light up for few seconds.

• 14.4V/18V batteries

Indicator or lamps			Remaining Capacity
Lighted	Off	Blinking	
■	■	■	75% ~ 100%
■	■	□	50% ~ 75%
■	□	□	25% ~ 50%
□	□	□	0% ~ 25%
◐	□	□	Charge the battery
■	□	□	The battery may have malfunctioned
□	□	■	

• 10.8V-12V max batteries

Indicator or lamps			Remaining Capacity
Lighted	Off	Blinking	
■	■	■	75% ~ 100%
■	■	□	50% ~ 75%
■	□	□	25% ~ 50%
□	□	□	0% ~ 25%

NOTE:

Depending on the conditions of use and the ambient temperature, the indication may differ slightly from the actual capacity.

Back up battery Installation (Fig. 2 & 3)

Keeping back up batteries inside the compartment prevent stored data in preset memories from being lost.

1. Pull out the battery compartment locker to release battery compartment. There are main battery pack compartment and back up battery compartment.
2. Remove back up battery compartment cover and insert 2 fresh UM-3 (AA sizes). Make sure the batteries are with correct polarity as shown inside the compartment. Replace the battery cover.
3. After back up batteries are inserted, insert the main battery pack to power radio.

Using supplied AC power adaptor

Remove the rubber protector and insert the adaptor plug into the DC socket on the right hand side of the radio. Plug the adaptor into a standard mains socket outlet. Whenever the adaptor is used, the battery pack is automatically disconnected.

⚠ CAUTION:

- **Always disconnected the AC power adapter completely before moving the radio. If the AC adapter is not removed, it may cause an electric shock.**
- **Never pull and/or drag the cord of the adapter. If not, the radio may accidentally fall down, causing injury to you or someone around you.**

IMPORTANT:

- The mains adaptor is used as the means of connecting the radio to the mains supply. The mains socket used for the radio must remain accessible during normal use.
- In order to disconnect the radio, the mains adaptor should be removed from the mains outlet completely.
- Use the AC power adaptor supplied with the product or specified by Makita only.
- Do not hold the power supply cable and plug by your mouth. Doing so might cause an electric shock.
- Do not touch the power plug with wet or greasy hands.
- Damaged or entangled cords increase the risk of electric shock. If the cord is damaged, have it replaced by our authorized service center in order to avoid a safety hazard. Do not use it before repair.
- After use, always store AC power adaptor out of the reach of children. If Children play with the cord, they may suffer injury.

Note:

When your radio has any interference in AM band by its adaptor, please move your radio away from its AC power adaptor over 30 cm.

Charging with USB power supply port

There is the USB port at the front side of the radio. You can charge USB device trough the USB port.

1. Connect the USB device, such as a MP3, or CD player, with USB cable available in the market.
2. Press the Power button to switch on your radio.
3. No matter if the radio is AC powered or battery powered, the radio can charge the USB device when the radio is switched on and in FM radio mode, or BT mode, or AUX mode, which is appeared when an external audio source is connected.

Note:

- You cannot charge USB devices during AM mode because radio signal reception becomes extremely poor when charging USB device.
- The maximum volume of the output power speaker will decrease when your USB is charging.
- The USB socket can provide max 5V/2.4A of electrical current.

IMPORTANT:

- Before connecting USB device to the charger, always backup your data of USB device. Otherwise your data may lose by any possibility.
- The charger may not supply power to some USB devices.
- When not using or after charging, remove the USB cable and close the cover.
- Do not connect power source to USB port. Otherwise there is risk of fire. The USB port is only intended for charging lower voltage device. Always place the cover onto the USB port when not charging the lower voltage device.
- Do not insert a nail, wire, etc. into USB power supply port. Otherwise a circuit short may cause smoke and fire.
- Do not connect this USB socket with your PC USB port, as it is highly possible that it may cause breakdown of the units.

LISTENING TO THE RADIO**Scan tuning AM/ FM****Note:**

The FM antenna is built into the handle. When operating the radio, please straighten the handle properly above the radio to get better reception. For the AM band, rotate the radio to get best signal as the AM antenna is built into the radio.

1. Press the Power button to switch on your radio.
2. Press the Source button to select AM or FM radio mode.
3. Press and hold the Tuning control knob to carry out an auto-tune. Your radio will scan up the AM/FM band from the currently displayed frequency and will stop scanning automatically when it finds a station of sufficient strength.

- After a few seconds the display will update. The display will show the frequency of the signal found.
- To find other station, press and hold the Tuning control knob as before.
- When the end of the waveband is reached your radio will recommence tuning from the opposite end of the waveband.
- Rotate the Tuning control knob to adjust the sound level as required.

Note:

- While adjusting the volume, make sure the FM/AM is NOT flashing on the screen.
 - If AM/FM is flashing on the screen, it allows you to tune the stations manually (see the section of "Manual tuning – AM/FM" for more detail).
 - The volume should not be too large. To prevent possible hearing damage, do not listen at high volume levels for long periods.
- To switch off your radio press the Power button.

Manual tuning – AM/FM

- Press the Power button to switch on your radio.
- Press the Source button to select AM or FM radio mode.
- Press the Tuning control knob and you will see the FM or AM is flashing on the display.

Note:

- FM/AM will flash approx. 10 seconds. Within this period, only manual tuning is allowed.
 - If volume adjustment is desired while FM/AM is flashing, press the Tuning control knob to stop the flash and you can rotate the Tuning control knob to adjust sound level.
- Rotate the Tuning control knob to tune to a station.
 - When the end of the waveband is reached your radio will recommence tuning from the opposite end of the waveband.
 - Rotate the Tuning control knob to adjust the sound level as required.

Presetting stations in AM/FM mode

There are 5 preset stations each for AM and FM radio. They are used in the same way for each waveband.

- Press the Power button to switch on your radio.
- Press the Source button to select the desired waveband. Tune to the required radio station as previously described.
- Press and hold the required Preset button (1 to 5) until the display shows "P4" for example after the frequency. The station will be stored using the preset number. Repeat this procedure for the remaining presets as you wish.
- Preset stations which have already been stored may be overwritten by following the above procedure if required.

Display modes – FM

Your radio has a range of display options for FM radio mode.

Repeatedly press the Menu/Info button to view the RDS information of the station you are listening to.

- | | |
|-----------------|--|
| a. Station name | Displays the name of the station being listened to. |
| b. Program type | Displays the type of station being listened to such as Pop, Classic, News, etc. |
| c. Radio text | Displays radio text message such as new items etc. |
| d. Year/Day | Displays the year and day of the week according to the date setting of your radio. |
| e. Date/Day | Displays the date and day of the week according to the date setting of your radio. |
| f. EQ mode | Displays the EQ mode of the FM for the station listened to. |
| g. Frequency | Displays the frequency of the FM for the station listened to. |

FM stereo (auto)/mono

If the FM radio station being listened to has a weak signal some hiss may be audible. It is possible to reduce this hiss by forcing the radio to play the station in mono rather than stereo.

- Press the Source button as needed to select the FM band and tune to the desired FM station as previously stated.
- Press and hold Menu/Info button to enter the menu setting.
- Rotate the Tuning control knob until the "FM AUTO (or MONO)" setting shows on the display. If the setting is Auto, press the Tuning control knob and then rotate the Tuning control knob to switch to Mono mode to reduce the hiss. Press the Tuning control knob to select the option.

Recalling a preset in AM/FM mode

- Press the Power button to switch on your radio.
- Press the Source button to select AM or FM radio mode
- Momentarily press the required Preset button to tune to your radio to one of the stations stored in the preset memory.

MISCELLANEOUS SETTINGS

Setting the time and date format

The clock display used in stand-by mode and on the playing mode screens can be set to different format. The selected format is then also used when setting the alarms.

1. Press and hold the Menu/Info button to enter the menu setting.
2. Rotate the Tuning control knob until "CLOCK xxH" appears on the display and press the Tuning control knob to enter the setting. You will see the time format begins to flash.
3. Rotate the Tuning control knob to select either 12 or 24 hour format. Press the Tuning control knob to confirm your choice of clock format.

Note:

If the 12 hour clock format is chosen, the radio will then use the 12 hour clock for the setting.

4. Press and hold the Menu/Info button to enter the menu setting.
5. Rotate the Tuning control knob until a date (e.g. THU APR 3) appears on the display and press the Tuning control knob to enter the setting. You will see the date format begins to flash.
6. Rotate the Tuning control knob to select the desired date format. Press the Tuning control knob to confirm your choice.

Setting the clock time and date

1. Press and hold the Menu/Info button.
2. Rotate the Tuning control knob until "CLOCK ADJ" appears on the display. Press the Tuning control knob to enter the setting.
3. The hour setting on the display will begin flashing. Rotate the Tuning control knob to select the desired hour, and press the Tuning control knob to confirm the setting. Then rotate the Tuning control knob to select the desired minute, and press the Tuning control knob to confirm the setting.
4. Rotate the Tuning control knob until "DATE ADJ" appears on the display. Press the Tuning control knob to enter the setting.
5. Rotate the Tuning control knob to select the desired year and press the Tuning control knob to confirm the setting. Then rotate the Tuning control knob to select the desired month, and press the Tuning control knob to confirm the setting. Then rotate the Tuning control knob to select the desired day and press the Tuning control knob to confirm the setting.

Radio Data System (RDS)

When you set the clock time using the RDS function, your radio will synchronize its clock time whenever it tunes to a radio station using RDS with CT signals.

1. When tuning to a station transmitting RDS data, the RDS symbol will be shown on the display. Press and hold the Menu/Info button.
2. Rotate the Tuning control knob until "RDS CT" and a clock symbol appear on the display. Press the Tuning control knob to enter the setting.
3. Rotate the Tuning control knob until "RDS CT" appears on the display. Press the Tuning control knob to confirm the setting. The clock time of the radio will set up automatically according to the RDS data received.

Note:

- The radio clock time will be valid for 5 days each time the radio time is synchronized with RDS CT.
- To disable the RDS CT function, go back to step 1 to 2 and then rotate the Tuning control knob to select "MANUAL" option. Press the Tuning control knob to confirm the setting.

Setting the alarm clock

Your radio has two alarms which can each be set to wake you to AM/FM radio or buzzer alarm. The alarms may be set while the unit is in standby mode or while playing.

Note:

Ensure that the time is set correctly before setting the alarms. If no buttons are pressed for 10 seconds, the radio will exit the alarm setup.

a. Setting radio alarm time:

1. The radio can be set either when radio is on or off.
2. Press and hold the radio alarm button, the radio alarm symbol and the display hour will flash along with a beep.
3. During radio alarm symbol flashes, rotate Tuning control knob to select the hour and press Tuning control knob again to confirm hour setting. Then rotate the Tuning control knob to select the minute and press Tuning control knob to confirm minute setting.
4. Rotate the Tuning control knob and the display will show the frequency options for the alarm. The alarm options are as follows:
ONCE – the alarm will sound once
DAILY – the alarm will sound everyday
WEEKDAY – the alarm will sound only on weekdays
WEEKEND – the alarm will sound only at weekends
Press the Tuning control knob to confirm the setting.
5. During radio alarm symbol is flashing, rotate Tuning control knob to select desired wake-up band and station, then press Tuning control knob to confirm the selection.
6. Rotate Tuning control knob to select the desired volume and press Tuning control knob to confirm the volume. Radio alarm setting is now completed.

Note:

- If new radio alarm station is not selected, it will select the last alarm station.
- If the selected AM/FM alarm station is not available when the alarm is sounding, the buzzer alarm will be used instead.

b. Setting HWS (Humane Wake System) buzzer alarm:

A beep tone will activate when selecting the HWS buzzer alarm.

The alarm beep will sound shorter every 15 seconds for one minute followed by one minute silence before repeating the cycle.

1. The buzzer alarm can be set either when the radio is on or off.
2. Press and hold the buzzer alarm button, the symbol and the display hour will flash along with a beep.
3. During buzzer alarm symbol flashes, rotate the Tuning control knob to select the hour and press the Tuning control knob again to confirm hour setting. Then rotate the Tuning control knob to select the minute and press Tuning control knob to confirm minute setting.
4. Rotate the Tuning control knob and the display will show the frequency options for the alarm.

The alarm options are as follows:

ONCE – the alarm will sound once

DAILY – the alarm will sound everyday

WEEKDAY – the alarm will sound only on weekdays

WEEKEND – the alarm will sound only at weekends.

Press the Tuning control knob to confirm the setting.

Note:

There is no volume adjustment for buzzer alarm.

Stopping the alarm sound

To cancel a sounding alarm, press the Power button.

Disable the alarm setting

To disable the alarm setting before the alarm sounds, press and hold the corresponding alarm button until alarm symbol disappears on the display.

Snooze

1. When the alarm sounds, press any button other than the Power button will silence the alarm for 5 minutes. "SNOOZE" will appear on the display.
2. To adjust the silence time for the snooze timer, press and hold the Menu/Info button to enter the menu setting.
3. Rotate the Tuning control knob until "SNOOZE X" appears on the display, then press the Tuning control knob to enter the setting. Rotate the Tuning control knob to adjust the silence time from 5, 10, 15 and 20 minutes for the snooze timer.
4. To cancel the snooze timer while the alarm is suspended, press the Power button.

Sleep timer

Your radio can be set to turn off automatically after a preset time has elapsed. The Sleep Timer setting can be adjusted between 60, 45, 30, 15, 120 and 90 minutes.

1. Press and hold the Power button to enter the Sleep Timer setting. "SLEEP XX" will show on the display.
2. Keep holding the Power button and the Sleep Timer options will start switching on the display. Stop until the desired Sleep Timer setting appears on the display. The setting will be saved and the LCD will return to normal display.
3. Your radio will switch off automatically after the preset Sleep Timer has elapsed. The Sleep Timer icon will be shown on the display indicating an active Sleep Timer.
4. To cancel the Sleep Timer function before the preset time has elapsed, simply press the Power button to turn the unit off manually.

Loudness

You can get compensation on lower and higher frequency for your radio by adjusting the loudness function.

1. Press and hold the Menu/Info button to enter the menu setting.
2. Rotate the Tuning control knob until "LOUD ON" or "LOUD OFF" appears on the display. Press the Tuning control knob to enter the setting.
3. Rotate the Tuning control knob to choose ON to turn on the loudness function, then press the Tuning control knob to confirm the setting.
4. To turn off the loudness function, select OFF and press the Tuning control knob to confirm the setting.

Equalizer function

There are 7 kinds of color LED indicators around the Tuning control knob to indicate different EQ modes.

1. Press the Power button to switch on your radio.
2. Press the EQ control button to enter the EQ setting menu.
3. Rotate the Tuning control knob to select your required mode. Then press the Tuning control knob to confirm the selection.

EQ mode	LED indicator
FLAT	White
JAZZ	Blue
ROCK	Red
CLASSIC	Brown
POP	Pink
NEWS	Yellow
MY EQ	Green

Set up My EQ profile

1. Press the EQ control button to enter the EQ setting menu.
2. Rotate the Tuning control knob to select "MY EQ".
Then press the Tuning control knob to enter the "BASS" setting.
3. Rotate the Tuning control knob to select your required bass level. Press the Tuning control knob to enter the "MIDDLE" setting.
4. Rotate the Tuning control knob to select your required middle level. Press the Tuning control knob to enter the "TREBLE" setting.
5. Rotate the Tuning control knob to select your required treble level. Press the Tuning control knob to confirm the setting.

Note:

- When using the equalizer to emphasize the bass and listening at high volume levels, it may cause sound cracking and distortion. In this case, adjust the radio volume appropriately.

LISTENING TO MUSIC VIA BLUETOOTH STREAMING

You need to pair your Bluetooth device with the radio before you can auto-link to play/stream Bluetooth music through the radio. Pairing creates a 'bond' so two devices can recognize each other.

Note:

- To have the better sound quality, we recommend setting the volume to more than two-thirds level on your Bluetooth device and then adjust the volume on the radio as required.
- The radio can memorize up to 8 sets of paired device, when the memory exceed this amount, the oldest pairing history will be over written.

Pairing your Bluetooth device for the first time

1. Press the Power button to turn on the radio. Press the Source button to select Bluetooth mode. The display will appear "BT PAIR" and "PAIR" will flash on the display.
2. Activate Bluetooth on your device according to the device's user manual to link to the radio. Locate the Bluetooth device list and select the device named 'DMR114' (With some mobiles which are equipped with earlier versions than BT2.1 Bluetooth device, you may need to input the pass code "0000").
3. Once connected, there will be a confirmation tone sound. "BLUETOOTH" will remain on the display and the backlight will be dim-out in 10 seconds. You can simply select and play any music from your source device. Volume control can be adjusted from your source device, or directly from the radio.

4. Use the controls on your Bluetooth-enabled device or on the radio to play/pause and navigate tracks.

Note:

- If 2 Bluetooth devices, pairing for the first time, both search for the radio, it will show its availability on both devices. However, if one device links with this unit first, then the other Bluetooth device won't find it on the list.
- If your Bluetooth device is temporarily disconnected to the radio, then you need to manually reconnect your device again to the radio.
- If 'DMR114' shows in your Bluetooth device list but your device cannot connect with it, please delete the item from your list and pair the device with the radio again following the steps described previously.
- Optimum Bluetooth streaming range is roughly 10 meters (30 feet) (line of sight) to the radio but distance up to 30 meters (100 feet) are possible.
- If Bluetooth connection is lost due to exceeding time of separation, exceeding the optimum distance, obstacles or otherwise, reconnecting your device with the radio may be necessary.
- Physical obstacles, other wireless devices or electromagnetic devices may affect the connection quality.
- Bluetooth connectivity performance may vary depending on the connected Bluetooth devices. Please refer to the Bluetooth capabilities of your device before connecting to the radio. All features may not be supported on some paired Bluetooth devices.

Playing audio files in Bluetooth mode

When you have successfully connected the radio with the chosen Bluetooth device you can start to play your music using the controls on your connected Bluetooth device.

1. Once playing has started adjust the volume to the required setting using the Volume knob on the radio or on your enabled Bluetooth device.
2. Use the controls on your Bluetooth source device to play/pause and navigate tracks. Alternatively, control the playback using Play/Pause, Next track, Previous track buttons on your radio.
3. Press and hold the Next track or Previous track button to move through the current track. Release the button when the desired point is reached.

Note:

- Some player applications or devices may not respond to all of these controls.
- Some mobile phones may temporarily disconnect from the radio when you make or receive calls. Some devices may temporarily mute their Bluetooth audio streaming when they receive text messages, emails or for other reasons unrelated to audio streaming. Such behaviour is a function of the connected device and does not indicate a fault with the radio.

Playing a previously-paired Bluetooth source device

If your Bluetooth device already paired with the radio previously, the unit will memorize your Bluetooth device and it attempts to reconnect with a device in memory which is last connected. If the last connected device is not available, the radio will be discoverable.

Disconnecting your Bluetooth device

Press and hold the Bluetooth pairing button for 2-3 seconds until "BT PAIR" is shown on the display or turn off Bluetooth on your Bluetooth device to disable the connection.

You can also press the Source button to select any mode other than Bluetooth mode to disable the connection.

Deleting Bluetooth paired device memory

To clear the memory of all paired devices, press and hold the Bluetooth pairing button more than 5 seconds until "CLEARING" shows on the display.

AUXILIARY INPUT SOCKET

A 3.5mm Auxiliary input socket is provided at the front of your radio to permit an audio signal to be fed into the unit from an external audio device such as a MP3 or CD player.

1. Connect an external audio source (for example, MP3 or CD player) to the AUX IN socket.
2. Press the Power button to switch on your radio.
3. Repeatedly press and release the Source button until "AUX IN" is displayed.
4. To have the better sound quality, we recommend setting the volume to more than two-thirds level on your audio device and then adjust the volume on the radio as required.

Note:

Audio cord is not included as standard accessories.

MAINTENANCE

⚠ CAUTION:

- Never use gasoline, benzine, thinner, alcohol or the like. Discoloration, deformation or cracks may result.
- Do not wash the radio with water.

SPECIFICATIONS

Power requirements	
AC power adaptor	DC 12V 2.5A, center pin positive
Battery	UM-3 (AA size) x2 for back up Slide battery: 10.8V - 18V
Frequency coverage	FM 87.50 - 108 MHz (0.05MHz/step) AM(MW)522-1,710 kHz (9 kHz/step)

Bluetooth®	
(The Bluetooth® word mark and logos are registered trademarks owned by Bluetooth SIG, Inc.)	
Bluetooth version	5.0 Certified
Bluetooth Profiles	A2DP / SCMS-T / AVRCP
Transmission Power	Power Class2
Transmission Range	Optimum: Max.10 meters (33 feet) Possible: Max.30 meters (100 feet) (varies according to usage conditions)
Supported codec	SBC
Compatible Bluetooth profile	A2DP / AVRCP
Maximum radio-frequency power	BT EDR: 3.91dBm
Operating Frequency	2402MHz~2480MHz

Circuit feature	
Loudspeaker	2.5 inches 8 ohm x2 4 inches 6 ohm x1
Output power	10.8V-12V max: 2W X2 +10W 14.4V: 3W X2 +15W 18V: 5W X2 + 25W
Input terminal	3.5 mm dia. (AUX IN)
Antenna system	FM: Built-in antenna AM: bar antenna
Dimensions(L x W x H)	268 x 164 x 295 mm
Weight	4.9 KG (without battery)

DEUTSCH (Originalanweisungen)



Nur für EU-Länder.

Entsorgen Sie Elektrowerkzeuge, Batterien und Akkus nicht über den Hausmüll! Gemäß der Europäischen Richtlinie über Elektro- und Elektronik- Altgeräte und über Batterien und Akkumulatoren sowie Altbatterien und Altkumulatoren und ihrer Umsetzung in nationales Recht müssen verbrauchte Elektrowerkzeuge sowie Altbatterien und Altkumulatoren getrennt gesammelt und einer umweltgerechten Wiederverwertung zugeführt werden.

Erläuterung der Gesamtdarstellung (Abb. 1)

1. Integrierte Antenne (MW)
2. Griff/Integrierte Antenne (UKW)
3. Verriegelung Batteriefach
4. Abdeckung Batteriefach (schützt Batteriehalterung)
5. Lautsprecher
6. DC-EINGANG
7. Subwoofer
8. Betrieb/Sleep-Timer
9. Quelle
10. Weckruf mit Radio
11. Weckruf mit Buzzer
12. Speicherplatz 3/Wiedergabe/Pause
13. Speicherplatz 5
14. Speicherplatz 4/Nächster Titel
15. Lautstärke/Tuning-Regler/Auswahltaсте
16. Equalizer
17. AUX-EINGANG
18. USB-Netzanschluss
19. Menü/Info
20. LED-Anzeige für Equalizer-Modus
21. Speicherplatz 2/Vorheriger Titel
22. Speicherplatz 1/Bluetooth-Kopplung
23. LCD-Bildschirm
24. Batteriefach
25. Fach für Reservebatterien

LCD-BILDSCHIRM

- A. Weckruf mit Radio
- B. Weckruf mit Buzzer
- C. Stereo-Icon
- D. Niedrige Batteriekapazität
- E. Uhrzeit
- F. Frequenz
- G. RDS (Radio Data System)
- H. Sleep-Timer
- I. PM-Anzeige (Uhrzeit nachmittags)

SYMBOLS

Im Folgenden sind die im Zusammenhang mit diesem Gerät verwendeten Symbole dargestellt. Machen Sie sich vor der Benutzung des Geräts unbedingt mit diesen Symbolen vertraut!



Lesen Sie die Betriebsanleitung.

WICHTIGE SICHERHEITSHINWEISE

WARNUNG:

Bei der Verwendung von Elektrogeräten müssen stets grundlegende Sicherheitsmaßnahmen befolgt werden, zu denen auch die im Folgenden genannten gehören, um die Gefahr von Verletzungen, Stromschlägen und Bränden zu verringern.

1. Lesen Sie vor der Verwendung des Geräts die vorliegende Betriebsanleitung sowie die Betriebsanleitung zum Ladegerät aufmerksam durch.
2. Reinigen Sie dieses Gerät lediglich mit einem trockenen Tuch.
3. Stellen Sie dieses Gerät nicht in der Nähe von Wärmequellen wie etwa Radiatoren, Heizregistern, Öfen oder anderen wärmeerzeugenden Apparaturen (einschließlich Verstärker) auf.
4. Verwenden Sie ausschließlich vom Hersteller vorgegebene Anbaugeräte bzw. Zubehörteile.
5. Ziehen Sie bei einem Gewitter, oder wenn Sie das Gerät für längere Zeit nicht verwenden, den Netzstecker dieses Geräts.
6. Ein akkubetriebenes Radio mit eingebauten Akkus oder einem herausnehmbaren Akkupack darf nur mit dem angegebenen Ladegerät geladen werden. Ein für einen bestimmten Akkutyp vorgesehenes Ladegerät kann Feuer verursachen, wenn es für andere Akkus verwendet wird.
7. Ein akkubetriebenes Radio darf nur mit den dafür speziell vorgesehenen Akkupacks verwendet werden. Bei Verwendung anderer Akku besteht Brandgefahr.
8. Wenn sich der Akkupack nicht im Werkzeug befindet, dann halten Sie ihn fern von metallenen Objekten, wie etwa: Büroklammern, Münzen, Schlüssel, Nägel, Schrauben oder anderen kleinen Metallgegenständen, die eine Verbindung zwischen den Akkuanschlüssen herstellen können. Ein Kurzschluss der Akkukontakte kann Funken oder Verbrennungen verursachen und stellt eine Brandgefahr dar.
9. Vermeiden Sie Körperkontakt mit geerdeten Flächen wie Rohren, Radiatoren, Herdplatten und Heiz- und Kühlelementen. Wenn Ihr Körper geerdet ist, besteht bei einem elektrischen Schlag eine erhöhte Gefahr.
10. Bei unsachgemäßem Gebrauch kann Flüssigkeit aus dem Akku austreten; vermeiden Sie in diesem Fall jeglichen Kontakt mit der Flüssigkeit. Wenn Sie versehentlich mit Flüssigkeit aus dem Akku in Berührung geraten, waschen Sie die betroffene Stelle gründlich mit Wasser ab. Wenn die Flüssigkeit in die Augen geraten

- ist, suchen Sie anschließen umgehend einen Arzt auf. Die aus dem Akku austretende Flüssigkeit kann Hautreizungen und Verbrennungen verursachen.
11. enden Sie Akkus oder Werkzeuge nicht, falls diese beschädigt sind. Mit beschädigten oder modifizierten Batterien können unvorhergesehene Situationen auftreten, die wiederum Explosionen oder Verletzungen verursachen könnten.
 12. Schützen Sie Akkus und Instrumente vor Feuer bzw. übermäßigen Temperaturen. Temperaturen über 130°C (266°F) können Explosionen verursachen.
 13. Befolgen Sie alle Anleitungen zum Aufladen; laden Sie den Akku oder das Instrument nicht außerhalb des vorgegebenen Temperaturbereichs auf. Falls Sie den Akku unsachgemäß oder außerhalb der richtigen Temperatur aufladen, besteht erhöhte Brandgefahr.
 14. Der NETZSTECKER ist die Trennvorrichtung und muss immer zugänglich sein.
 15. Verwenden Sie das Produkt nicht über längere Zeiträume mit hoher Lautstärke. Wählen Sie eine moderate Lautstärkeeinstellung, um Gehörschäden zu vermeiden.
 16. (Nur für Produkte mit LCD) LCD-Bildschirme enthalten Flüssigkeit, die Hautreizungen und Vergiftung verursachen kann. Falls die Flüssigkeit in Augen, Mund oder auf die Haut gelangt, spülen Sie die betroffenen Stellen mit Wasser ab und wenden Sie sich an einen Arzt.
 17. Schützen Sie das Produkt vor Regen oder Feuchtigkeit. Eindringendes Wasser kann die Gefahr von Stromschlägen erhöhen.
 18. Dieses Produkt ist nicht geeignet für Personen (einschließlich Kinder) mit eingeschränkten körperlichen, sensorischen oder geistigen Fähigkeiten, oder ohne Erfahrung und Wissen, es sei denn sie werden von einer für ihre Sicherheit zuständigen Person beaufsichtigt oder angeleitet. Kinder müssen beaufsichtigt werden, damit sie nicht mit dem Produkt spielen. Bewahren Sie das Produkt außer Reichweite von Kindern auf.
- (2) Der Akkublock darf nicht in einem Behälter aufbewahrt werden, in dem sich andere metallische Gegenstände wie beispielsweise Nägel, Münzen usw. befinden.
 - (3) Der Akkublock darf weder Feuchtigkeit noch Regen ausgesetzt werden. Ein Kurzschluss des Akkus kann zu hohem Kriechstrom, Überhitzung, möglichen Verbrennungen und sogar zu einer Zerstörung des Werkzeugs führen.
 6. Werkzeug und Akkublock dürfen nicht an Orten aufbewahrt werden, an denen Temperaturen von 50°C oder darüber erreicht werden können.
 7. Beschädigte oder verbrauchte Akkus dürfen nicht verbrannt werden. Der Akkublock kann in den Flammen explodieren.
 8. Lassen Sie den Akku nicht fallen und vermeiden Sie Schläge gegen den Akku.
 9. Verwenden Sie niemals einen beschädigten Akku.
 10. Lesen Sie die Anleitung zum Austauschen des Akkus sorgfältig durch, um Gefahren zu vermeiden. Und der max. Entladestrom des Akkus muss größer oder gleich 8 A sein.
 11. enthaltenen Lithium-Ion-Batterien unterliegen den Vorschriften des Gefahrgutrechts. Während des Transports, z.B. durch Dritte oder Spediteure, sind spezielle Anforderungen auf der Verpackung und den Etiketten zu beachten.
Vor dem Versand des Produkts muss ein Experte für Gefahrstoffe konsultiert werden. Beachten Sie außerdem national geltende Vorschriften. Kleben Sie freiliegende Kontakte ab und verpacken Sie die Batterie so, dass sie nicht in der Verpackung herumrutscht.
 12. hten Sie alle örtlich geltenden Vorschriften bzgl. der Entsorgung von Batterien.
 13. Verwenden Sie die Batterien nur mit den Makita vorgegebenen Produkten. Falls Sie die Batterien in nicht kompatiblen Produkten installieren, können Feuer, Überhitzung und Explosion verursacht werden oder Batterieflüssigkeit austreten.

⚠ ACHTUNG:

- Bei unsachgemäßer Verwendung von Ersatzakkus besteht Explosionsgefahr.
- Als Ersatzteile dürfen nur Akkus des gleichen Typs verwendet werden.
- Verwenden Sie nur echte Makita Batterien. Unechte Makita Batterien oder modifizierte Batterien können zum Zerplatzen der Batterie führen und dadurch Feuer, Verletzungen und Schäden verursachen. In solch einem Fall wird außerdem die Makita Garantie für Makita Instrumente und Ladegeräte nichtig.

DIESE BEDIENUNGSANLEITUNG AUFBEWAHREN

BESONDERE SICHERHEITSHINWEISE FÜR BATTERIEHALTERUNG

1. Lesen Sie vor der Verwendung des Akkublocks alle Anweisungen und Sicherheitshinweise für das Akkuladegerät (1), den Akku (2) und das Produkt (3), für das der Akku verwendet wird, sorgfältig durch.
2. Der Akkublock darf nicht zerlegt werden.
3. Falls die Betriebsdauer erheblich kürzer wird, beenden Sie den Betrieb umgehend. Andernfalls besteht die Gefahr einer Überhitzung sowie das Risiko möglicher Verbrennungen und sogar einer Explosion.
4. Wenn Elektrolyt in Ihre Augen gerät, waschen Sie diese mit klarem Wasser aus und suchen Sie sofort einen Arzt auf. Andernfalls können Sie Ihre Sehfähigkeit verlieren.
5. Vermeiden Sie einen Kurzschluss des Akkublocks:
 - (1) Die Kontakte dürfen nicht mit leitendem Material in Berührung kommen.

Tipps für eine maximale Nutzungsdauer der Batterie

1. Laden Sie die Batterie auf, bevor diese vollständig entladen ist. Beenden Sie den Betrieb und laden Sie die Batterie auf, wenn die Leistung des Geräts nachlässt.
2. Laden Sie eine vollständig geladene Batterie nicht weiter auf. Überladung verkürzt die Lebensdauer.
3. Laden Sie die Batterie bei einer Umgebungstemperatur von 10°C - 40°C (50°F - 104°F) auf. Lassen Sie ein heißes Batteriegehäuse vor dem Aufladen abkühlen.
4. Laden Sie die Batterie, falls Sie das Gerät längere Zeit (länger als 6 Monate) nicht verwenden werden.

BETRIEBSDAUER

* In der nachfolgenden Tabelle sind die für das Gerät geeigneten Batterien aufgelistet.

* Die nachfolgende Tabelle ist eine Übersicht mit der jeweiligen Betriebsdauer pro Batterieladung.

Akkuladung	Nennspannung des Akkublocks			BEI LAUTSPRECHERAUSGABE = 100mW Einheit: Stunden (Ca.)	
	10.8V – 12Vmax	14.4V	18V	Im Radiobetrieb oder über AUX- Buchse	Während Bluetooth +USB- Aufladung
1.3 Ah		BL1415		3.5	0.7
			BL1815	4.0	1.0
1.5 Ah	BL1015 BL1016			6.0	0.8
		BL1415N BL1415NA		4.5	0.9
			BL1815N	5.0	1.2
2.0 Ah	BL1020B BL1021B			8.0	1.0
			BL1820 BL1820B	6.5	1.6
3.0 Ah		BL1430 BL1430B BL1430A		8.0	1.6
			BL1830 BL1830B	9.5	2.3
4.0 Ah	BL1040B BL1041B			16	2.1
		BL1440		13	2.5
			BL1840 BL1840B	13	3.2
5.0 Ah		BL1450		15	3.0
			BL1850 BL1850B	17	4.2
6.0 Ah		BL1460B BL1460A		17	3.3
			BL1860B	21	5.0

WARNUNG:

Verwenden Sie nur die oben aufgeführten Batteriekarten. Die Verwendung anderer Batteriekarten kann Verletzungen und/oder Feuer verursachen.

Hinweis:

- Die Nutzungsdauern in der obigen Tabelle sind nur Richtwerte.
- Die tatsächliche Nutzungsdauer kann je nach Batterie-Typ, Ladebedingungen bzw. Gebrauchsumgebung variieren.

INSTALLATION UND STROMVERSORGUNG

⚠ VORSICHT:

- Achten Sie beim Öffnen und Schließen der Batteriefachabdeckung darauf, Ihre Finger nicht einzuklemmen.
- Bringen Sie die Verriegelung des Batteriefachs nach der Installation oder Entnahme der Batteriehalterung wieder zur Ausgangsposition zurück. Anderenfalls könnte die Batteriehalterung versehentlich aus dem Radio herausfallen und dadurch Verletzungen verursachen.
- Schließen und sichern Sie die Verriegelung des Batteriefachs, bevor Sie das Radio umstellen.
- Schalten Sie das Radio immer aus, bevor Sie die Batteriehalterung installieren oder entfernen.
- Lassen Sie das Radio nicht herunterfallen und schützen Sie es vor Aufprällen. Ein kaputtes Gehäuse könnte Verletzungen an Fingern und Körper verursachen. Ein beschädigtes Radio kann unvorhersehbar reagieren und als Folge Feuer, Explosionen oder Verletzungen verursachen.

WICHTIG:

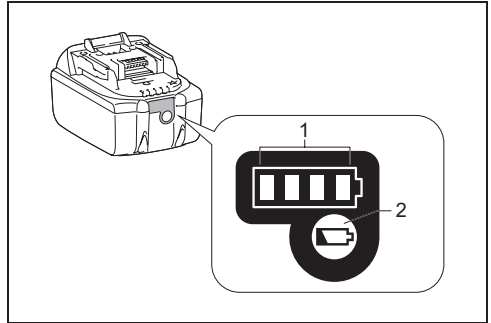
- Anzeigen dafür, dass die Hauptbatterie ersetzt werden muss, sind eine nachlassende Leistung, ein verzerrter oder „klappernder“ Sound, oder wenn beide Anzeigen für die niedrige Batteriekapazität aufleuchten und die Anzeige „POWERFAIL“ erscheint.
- Wenn die Anzeige für die niedrige Batteriekapazität aufleuchtet und im Display die Anzeige „EMPTY“ blinkt, müssen die Reservebatterien ersetzt werden.
- Die Batteriehalterung kann nicht über den mitgelieferten AC-Netzadapter aufgeladen werden.
- Die Batteriehalterung ist kein Standardzubehör des Produkts.

Einschubakku einsetzen bzw. entfernen (Abb. 4 & 5)

- Zum Einsetzen des Akkublocks müssen Sie die Akkublockzunge zur inneren Gehäusenut ausrichten und den Akkublock in Position schieben. Setzen Sie den Akkublock unbedingt vollständig ein, bis er mit einem Klick einrastet.
- Ist weiterhin der oben auf der Taste befindliche rote Bereich sichtbar, dann ist der Akkublock nicht ganz eingerastet. Setzen Sie den Akkublock vollständig ein, bis der rote Bereich nicht mehr sichtbar ist. Andernfalls kann der Block versehentlich aus dem Gerät fallen und Sie oder Personen in Ihrem Umfeld verletzen.
- Wenden Sie keine Gewalt beim Einsetzen des Akkublocks an. Wenn der Akkublock nicht leicht hineingleitet, dann haben Sie ihn nicht richtig ausgerichtet.
- Um die Batterie zu entfernen, schieben Sie diese aus dem Radio heraus, während Sie die Taste an der Vorderseite der Halterung verschieben.

Anzeigen der Restladung des Akkus

* Nur für Akkublöcke mit einem „B“ am Ende der Modellnummer.



➤ 1. Anzeigelampen 2. Test-Taste

Drücken Sie zum Anzeigen der Restladung des Akkus die Akkuprüftaste. Die Anzeigelampen leuchten dann wenige Sekunden lang auf.

• 14,4V/18V Batterien

Anzeigelampen			Verbleibende Kapazität
Leuchtet	Aus	Blinkt	
■	□	◐	75% ~ 100%
■	■	□	50% ~ 75%
■	□	□	25% ~ 50%
■	□	□	0% ~ 25%
◐	□	□	Batterie aufladen
■	□	□	Mögliche Fehlfunktion der Batterie
□	■	■	

• Max. 10,8V-12V Batterien

Anzeigelampen			Verbleibende Kapazität
Leuchtet	Aus	Blinkt	
■	■	■	75% ~ 100%
■	■	□	50% ~ 75%
■	□	□	25% ~ 50%
■	□	□	0% ~ 25%

HINWEIS:

Je nach Gebrauchsbedingungen und Umgebungstemperatur können die Anzeigen leicht von der tatsächlichen Kapazität abweichen.

Reservebatterien installieren (Abb. 2 & 3)

Die installierten Reservebatterien sorgen dafür, dass die auf den Speicherplätzen hinterlegten Informationen nicht verlorengehen.

1. Ziehen Sie die Verriegelung des Batteriefachs heraus, um das Batteriefach freizulegen. Das Gerät verfügt über ein Hauptbatteriefach und ein Reservebatteriefach.
2. Entfernen Sie die Abdeckung vom Reservebatteriefach und legen Sie 2 neue AA-Batterien (UM-3) ein. Beachten Sie dabei die Polaritätsmarkierungen im Inneren des Batteriefachs. Schließen Sie dann wieder die Abdeckung.
3. Installieren Sie nach dem Einlegen der Reservebatterien die Hauptbatterie für die Versorgung des Radios.

Betrieb mit mitgeliefertem Netzadapter

Entfernen Sie die Gummiabdeckung und schließen Sie den Adapterstecker an die DC-Buchse rechts am Radio an. Schließen Sie den Netzadapter an eine herkömmliche Steckdose an. Während des Gebrauchs des Netzadapters wird die Batterie automatisch getrennt.

⚠ VORSICHT:

- **Trennen Sie den AC-Netzadapter immer vollständig, bevor Sie das Radio umstellen. Andernfalls besteht Stromschlaggefahr.**
- **Ziehen Sie niemals am Kabel des Netzadapters. Andernfalls könnte das Radio herunterfallen und dadurch Verletzungen verursachen.**

WICHTIG:

- Der Netzadapter ist die Trennvorrichtung des Radios vom Netzstrom. Die verwendete Steckdose muss während des normalen Gebrauchs immer frei zugänglich sein.
- Ziehen Sie den Netzadapter vollständig aus der Steckdose heraus, um das Radio vom Netzstrom zu trennen.
- Verwenden Sie nur das im Lieferumfang enthaltene bzw. ein von Makita empfohlenes AC-Netzteil.
- Halten Sie weder das Netzkabel noch den Netzstecker an Ihren Mund. Es besteht Stromschlaggefahr.
- Berühren Sie den Netzstecker nicht mit nassen oder fettigen Händen.
- Beschädigte oder verhedderte Kabel erhöhen die Stromschlaggefahr. Falls das Kabel beschädigt ist, lassen sie es von einem autorisierten Kundendienst ersetzen, um Gefahrensituationen zu vermeiden. Benutzen Sie es erst wieder nach der Reparatur.
- Bewahren Sie das AC-Netzteil nach dem Gebrauch außer Reichweite von Kindern auf. Kinder können sich verletzen, falls sie mit dem Kabel spielen.

Hinweis:

Falls das Netzteil im MW-Modus Störungen des Radiobetriebs verursacht, stellen Sie das Radio mehr als 30 cm vom Netzteil entfernt auf.

Ladevorgang über USB-Stromversorgungsanschluss

Der USB-Port befindet sich an der Vorderseite des Radios. Sie können ein USB-Gerät über den USB-Port aufladen.

1. Schließen Sie das USB-Gerät, z. B. einen MP3- oder CD-Spieler, über ein handelsübliches USB-Kabel an.
2. Schalten Sie das Radio mit der Betriebstaste ein.
3. Das Radio ist sowohl im Netzbetrieb, als auch im Batteriebetrieb in der Lage, das USB-Gerät aufzuladen, sofern das Radio eingeschaltet ist und sich im FM-Modus, BT-Modus oder bei angeschlossener externer Audio-Quelle im AUX-Modus befindet.

Hinweis:

- Es ist nicht möglich, im MW-Modus externe USB-Geräte aufzuladen, da der Radioempfang im USB-Lademodus sehr schlecht ist.
- Beim aktiven USB-Ladevorgang steht nur eine eingeschränkte Lautsprecherleistung zur Verfügung.
- Der USB-Port kann max. 5V/2.4A zur Verfügung stellen.

Wichtig:

- Vor dem Anschluss Ihres USB-Geräts an den USB-Port müssen Sie immer ein Daten-Backup Ihres USB-Geräts ausführen! Ihre Daten könnten sonst möglicherweise durch unvorhersehbare Umstände verloren gehen.
- Das Radio kann möglicherweise einige USB-Geräte nicht mit Elektrizität versorgen.
- Schließen Sie die USB-Abdeckung und ziehen Sie das USB-Kabel ab, wenn Sie den USB-Port nicht benutzen.
- Schließen Sie am USB-Port keine Versorgungsspannung an! Es besteht ansonsten Brandgefahr! Der USB-Port ist ausschließlich zum Laden von Niederspannungsgeräten geeignet. Schließen Sie immer die Abdeckung des USB-Ports, wenn Sie kein Niederspannungsgerät laden.
- Niemals Fremdkörper (Nägel, Draht etc.) in den USB-Stromversorgungsanschluss einführen! Es könnte ein Kurzschluss entstehen und einen Brand mit Rauchentwicklung verursachen.
- Schließen Sie niemals den USB-Port des Radios am USB-Port eines PCs an, weil dadurch beide Geräte beschädigt werden können!

RADIO HÖREN

Suche nach MW-/UKW-Radiosendern

Hinweis:

Die UKW-Antenne ist im Griff integriert. Ziehen Sie den Griff während des Radiobetriebs entsprechend nach oben aus, um einen besseren Empfang zu gewährleisten. Im MW-Modus drehen Sie das Radio für einen optimalen Empfang, da sich die MW-Antenne im Inneren des Geräts befindet.

1. Schalten Sie das Radio mit der Betriebstaste ein.
2. Drücken Sie die Quelle-Taste zur Auswahl des MW- oder UKW-Modus.
3. Halten Sie den Tuning-Regler gedrückt, um die automatische Sendersuche durchzuführen. Das Radio sucht das MW-/UKW-Frequenzband von der aktuell angezeigten Frequenz beginnend ab und beendet

die Suche automatisch, sobald es einen Sender mit ausreichender Signalstärke gefunden hat.

- Einige Sekunden später wird das Display aktualisiert. Das Display zeigt die Frequenz des gefundenen Signals an.
- Halten Sie den Tuning-Regler erneut gedrückt, um weitere Sender zu suchen.
- Am Ende des Frequenzbands setzt das Radio die Sendersuche in entgegengesetzter Richtung des Frequenzbands fort.
- Drehen Sie den Tuning-Regler für die Einstellung der Lautstärke.

Hinweis:

- Achten Sie bei der Einstellung der Lautstärke darauf, dass die Anzeige AM/FM nicht im Display blinkt.
 - Falls die Anzeige AM/FM blinkt, können Sie Sender nur manuell einstellen (siehe Abschnitt „Manuelle Sendersuche – MW/UKW“).
 - Stellen Sie die Lautstärke nicht zu laut ein. Meiden Sie hohe Lautstärken über längere Zeiträume, da anderenfalls die Gefahr von Gehörschäden besteht.
- Drücken Sie die Betriebstaste zum Ausschalten des Radios.

Manuelle Sendersuche – MW/UKW

- Schalten Sie das Radio mit der Betriebstaste ein.
- Drücken Sie die Quelle-Taste zur Auswahl des MW- oder UKW-Radiomodus.
- Drücken Sie dann auf den Tuning-Regler; im Display blinkt die Anzeige AM bzw. FM.

Hinweis:

- AM bzw. FM blinkt ungefähr 10 Sekunden. Innerhalb dieser Zeit ist nur die manuelle Sendersuche möglich.
 - Falls Sie während der blinkenden Anzeige von AM bzw. FM die Lautstärke einstellen möchten, drücken Sie auf den Tuning-Regler; die Anzeige hört auf zu blinken. Drehen Sie dann den Tuning-Regler zur Einstellung der Lautstärke.
- Drehen Sie den Tuning-Regler zum Einschalten eines Radiosenders.
 - Am Ende des Frequenzbands setzt das Radio die Sendersuche in entgegengesetzter Richtung des Frequenzbands fort.
 - Drehen Sie den Tuning-Regler, um die Lautstärke entsprechend einzustellen.

Radiosender im MW-/UKW-Modus speichern

Das Gerät verfügt über 5 Speicherplätze für MW- und UKW-Sender. Die Speicherung von Radiosendern erfolgt für beide Frequenzbänder auf die gleiche Art und Weise.

- Schalten Sie das Radio mit der Betriebstaste ein.
- Drücken Sie die Quelle-Taste zur Auswahl des gewünschten Frequenzbands und schalten Sie dann wie weiter vorn beschrieben einen Radiosender ein.
- Halten Sie die gewünschte Speichertaste (1 bis 5) gedrückt, bis im Display hinter der Frequenz zum Beispiel die Anzeige „P4“ erscheint. Der Sender wird auf diesem Speicherplatz gespeichert. Wiederholen Sie diese Vorgehensweise, um weitere Sender zu speichern.

- Bereits gespeicherte Sender können anhand der oben genannten Vorgehensweise überschrieben werden.

Anzeigemodi – UKW

Ihr Radio verfügt im UKW-Radiomodus über unterschiedliche Anzeigooptionen.

Drücken Sie wiederholt die Taste Menü/Info, um die RDS-Daten des aktuell eingeschalteten Senders anzuzeigen.

- Sendername** Name des aktuell wiedergegebenen Radiosenders.
- Programmtyp** Art des Radiosenders, z.B. Pop, Klassische Musik, Nachrichten, usw.
- Radiotext** Textmitteilung, z.B. Nachrichten.
- Jahr/Tag** Jahr und Tag der aktuellen Woche (basierend auf den Datumseinstellungen des Radios).
- Datum/Tag** Datum und Tag der aktuellen Woche (basierend auf den Datumseinstellungen des Radios).
- EQ-Modus** EQ-Modus des aktuellen UKW-Senders.
- Frequenz** Frequenz des aktuellen UKW-Senders.

UKW Stereo (automatisch)/Mono

Bei sehr schwachem Signal eines aktuell wiedergegebenen UKW-Senders ist möglicherweise ein Rauschen zu hören. Dieses Rauschen kann unterdrückt werden, indem der Sender in Mono und nicht in Stereo wiedergegeben wird.

- Drücken Sie Quelle-Taste zur Auswahl des UKW-Bands und schalten Sie dann wie bereits weiter vorn beschrieben einen UKW-Radiosender ein.
- Halten Sie die Taste Menü/Info gedrückt, um die Menüeinstellungen aufzurufen.
- Drehen Sie den Tuning-Regler, bis im Display die Anzeige „FM AUTO“ (bzw. „FM MONO“) erscheint. Falls die automatische Einstellung aktiviert ist, drücken Sie auf den Tuning-Regler und drehen Sie ihn anschließend, um Mono einzuschalten und so das Rauschen zu unterdrücken. Drücken Sie erneut auf den Tuning-Regler, um Ihre Auswahl zu bestätigen.

Gespeicherte Radiosender im MW-/UKW-Modus aufrufen

- Schalten Sie das Radio mit der Betriebstaste ein.
- Drücken Sie die Quelle-Taste zur Auswahl des MW- oder UKW-Radiomodus.
- Drücken Sie kurz eine Speichertaste, um den darauf gespeicherten Radiosender einzuschalten.

MISCELLANEOUS SETTINGS

Uhrzeit- und Datumsformat einstellen

Für die im Standby-Modus und im Wiedergabemodus angezeigte Uhrzeit können unterschiedliche Formate eingestellt werden. Das eingestellte Format wird dann

auch bei der Einstellung der Weckrufe verwendet.

1. Halten Sie die Taste Menü/Info gedrückt, um die Menüeinstellungen zu öffnen.
2. Drehen Sie den Tuning-Regler, bis im Display die Anzeige „CLOCK xxH“ erscheint; drücken Sie auf den Tuning-Regler zum Bestätigen. Das Uhrzeitformat beginnt zu blinken.
3. Drehen Sie den Tuning-Regler zur Auswahl des 12- oder 24-Stundenformats und drücken Sie zum Bestätigen Ihrer Auswahl erneut auf den Tuning-Regler.

Hinweis:

Falls Sie das 12-Stundenformat auswählen, wird die Uhrzeit im 12-Stundenformat angezeigt.

4. Halten Sie die Taste Menü/Info gedrückt, um die Menüeinstellungen zu öffnen.
5. Drehen Sie den Tuning-Regler, bis im Display ein Datum (z.B. THU APR 3) angezeigt wird; drücken Sie auf den Tuning-Regler zum Bestätigen. Das Datumsformat beginnt zu blinken.
6. Drehen Sie den Tuning-Regler zur Auswahl des gewünschten Datumsformats und drücken Sie zum Bestätigen Ihrer Auswahl erneut auf den Tuning-Regler.

Uhrzeit und Datum einstellen

1. Halten Sie die Taste Menü/Info gedrückt.
2. Drehen Sie den Tuning-Regler, bis im Display die Anzeige „CLOCK ADJ“ erscheint und drücken Sie zum Bestätigen auf den Tuning-Regler.
3. Die Stundenanzeige beginnt zu blinken. Drehen Sie den Tuning-Regler zur Auswahl der gewünschten Stundeneinstellung und bestätigen Sie durch Drücken des Tuning-Reglers. Drehen Sie dann den Tuning-Regler zur Einstellung der Minuten und drücken Sie den Regler erneut, um die Einstellung zu bestätigen.
4. Drehen Sie den Tuning-Regler, bis im Display die Anzeige „DATE ADJ“ erscheint und drücken Sie zum Bestätigen auf den Tuning-Regler.
5. Drehen Sie den Tuning-Regler zur Auswahl des Jahres und bestätigen Sie durch Drücken des Reglers. Drehen Sie ihn erneut zur Auswahl des Monats und drücken Sie ihn dann zum Bestätigen. Drehen Sie den Regler dann zur Auswahl des Tages und bestätigen Sie die Einstellung durch Drücken des Reglers.

Radio Data System (RDS)

Wenn Sie die Uhrzeit mit der RDS-Funktion einstellen, synchronisiert Ihr Radio die Uhrzeit immer dann, wenn Sie einen Sender einstellen, der RDS mit CT-Signalen verwendet.

1. Wenn Sie einen Sender mit RDS-Daten einschalten, erscheint im Display das RDS-Icon. Halten Sie die Taste Menü/Info gedrückt.
2. Drehen Sie den Tuning-Regler, bis die Anzeige „RDS CT“ und ein Uhrzeit-Symbol erscheinen. Drücken Sie zum Bestätigen auf den Tuning-Regler.
3. Drehen Sie den Tuning-Regler, bis im Display die Anzeige „RDS CT“ erscheint und bestätigen Sie durch Drücken des Reglers. Die Uhrzeit des Radios wird dann automatisch anhand der empfangenen RDS-Daten eingestellt.

Hinweis:

- Die Uhrzeit bleibt jedes Mal 5 Tage gültig, nachdem sie via RDS CT synchronisiert wurde.
- Um die RDS CT-Funktion zu deaktivieren, wiederholen Sie die Schritte 1 bis 2 und drehen Sie dann den Tuning-Regler zur Auswahl der Option „MANUAL“; drücken Sie zum Bestätigen auf den Regler.

Weckruf einstellen

Ihr Radio unterstützt zwei Weckrufe, die beide jeweils mit MW-/UKW-Radio oder Buzzer als Weckrufmodus eingestellt werden können. Die Weckrufe können im Standby- oder im Wiedergabemodus eingestellt werden.

Hinweis:

Vergewissern Sie sich vor der Einstellung der Weckrufe, dass die Uhrzeit richtig eingestellt ist. Falls Sie 10 Sekunden lang keine Taste drücken, bricht das Radio die Weckrufeinstellungen ab.

a. Weckruf mit Radio:

1. Nehmen Sie die Einstellungen vor, wenn das Radio ein- oder ausgeschaltet ist.
2. Halten Sie die Radio-Weckruftaste gedrückt; im Display erscheint das Radio-Weckruficon, die Stundenanzeige blinkt, und es ertönt ein Piepton.
3. Während das Radio-Weckruficon blinkt, drehen Sie den Tuning-Regler zur Auswahl der Stundeneinstellung und drücken Sie zum Bestätigen auf den Regler. Drehen Sie dann den Tuning-Regler zum Einstellen der Minuten; bestätigen Sie durch Drücken des Tuning-Reglers.
4. Drehen Sie den Tuning-Regler, bis im Display die Häufigkeitseinstellungen für den Weckruf angezeigt werden.

Folgende Weckruffoptionen sind verfügbar:

ONCE – der Weckruf ertönt einmal
DAILY – der Weckruf ertönt jeden Tag
WEEKDAY – der Weckruf ertönt nur unter der Woche
WEEKEND – der Weckruf ertönt nur am Wochenende
Drücken Sie auf den Tuning-Regler, um die jeweilige Einstellung zu bestätigen.

5. Während das Radio-Weckruficon blinkt, drehen Sie den Tuning-Regler zur Auswahl der Frequenz und des Senders. Drücken Sie zum Bestätigen auf den Tuning-Regler.
6. Drehen Sie den Tuning-Regler zur Auswahl der gewünschten Lautstärke und bestätigen Sie durch Drücken des Reglers. Die Weckrufeinstellungen sind nun abgeschlossen.

Hinweis:

- Falls Sie keinen neuen Sender einstellen, wird der zuletzt eingestellte Radiosender verwendet.
- Falls der eingestellte MW-/UKW-Sender bei Auslösung des Weckrufs nicht verfügbar ist, aktiviert das Gerät den Buzzer.

b. HWS-Buzzer (Humane Wake System) einstellen:

Falls Sie den Buzzer als Weckruf auswählen, ertönt ein Piepton.

Für eine Minute ertönt alle 15 Sekunden ein immer kürzerer Piepton. Im Anschluss daran ertönt eine Minute lang kein Ton und dann wird der gleiche Zyklus wiederholt.

1. Der Buzzer-Weckruf kann sowohl bei ein- als auch bei ausgeschaltetem Radio eingestellt werden.
2. Halten Sie die Buzzer-Weckruf Taste gedrückt; das Icon und die Stundenanzeige blinken im Display und es ertönt ein Piepton.
3. Während das Buzzer-Weckruficon blinkt, drehen Sie den Tuning-Regler zur Auswahl der gewünschten Stundeneinstellung und drücken Sie den Regler zum Bestätigen. Drehen Sie den Regler erneut, um die Minuten einzustellen; bestätigen Sie durch Drücken des Tuning-Reglers.
4. Drehen Sie den Tuning-Regler, bis im Display die Häufigkeitseinstellungen für den Weckruf angezeigt werden.

Folgende Weckrufoptionen sind verfügbar:

ONCE – der Weckruf ertönt einmal

DAILY – der Weckruf ertönt jeden Tag

WEEKDAY – der Weckruf ertönt nur unter der Woche

WEEKEND – der Weckruf ertönt nur am Wochenende
Drücken Sie auf den Tuning-Regler, um die jeweilige Einstellung zu bestätigen.

Hinweis:

Die Lautstärke des Buzzer-Weckrufs kann nicht eingestellt werden.

Weckruf beenden

Drücken Sie die Betriebstaste, um einen ausgelösten Weckruf zu beenden.

Weckrufeinstellung deaktivieren

Um die Weckrufeinstellungen vor Auslösung des Weckrufs zu deaktivieren, halten Sie die entsprechende Weckruf Taste gedrückt, bis das dazugehörige Weckruficon aus dem Display verschwindet.

Schlummerfunktion

1. Wenn der Weckruf ertönt, drücken Sie eine beliebige Taste (außer der Betriebstaste), um den Weckruf für 5 Minuten auszuschalten. Im Display erscheint die Anzeige „SNOOZE“.
2. Sie können die Dauer dieser Schlummerzeit einstellen. Halten Sie dafür die Taste Menü/Info gedrückt, um die Menüeinstellungen aufzurufen.
3. Drehen Sie den Tuning-Regler, bis im Display die Anzeige „SNOOZE X“ erscheint und bestätigen Sie durch Drücken des Tuning-Reglers. Drehen Sie den Regler nun zur Einstellung der Schlummerdauer: 5, 10, 15 oder 20 Minuten.
4. Drücken Sie während der Schlummerzeit die Betriebstaste, um die Schlummerfunktion zu beenden.

Sleep-Timer

Sie können das Radio so programmieren, dass es sich nach Ablauf einer voreingestellten Zeit automatisch ausschaltet. Verfügbare Einstellungen: 60, 45, 30, 15, 120 und 90 Minuten.

1. Halten Sie die Betriebstaste gedrückt, um die Sleep-Timer-Einstellungen aufzurufen. Im Display erscheint die Anzeige „SLEEP XX“.

2. Halten Sie die Betriebstaste gedrückt, um durch die unterschiedlichen Timer-Einstellungen zu scrollen. Lassen Sie die Taste los, wenn die gewünschte Minuteneinstellung angezeigt wird. Das Gerät speichert die Einstellung und das LCD kehrt zur normalen Anzeige zurück.
3. Nach Ablauf des eingestellten Sleep-Timers wird sich das Radio automatisch ausschalten. Das Sleep-Timer-Icon erscheint im Display und weist somit auf den aktivierten Sleep-Timer hin.
4. Um den Sleep-Timer noch vor Ablauf der Zeit zu deaktivieren, schalten Sie das Radio ganz einfach manuell durch Drücken der Betriebstaste aus.

Lautheit

Sie können höhere oder tiefere Frequenzen des Radios durch Einstellung der Lautheit-Funktion entsprechend kompensieren.

1. Halten Sie die Taste Menü/Info gedrückt, um die Menüeinstellungen aufzurufen.
2. Drehen Sie den Tuning-Regler, bis im Display die Anzeige „LOUD ON“ bzw. „LOUD OFF“ erscheint. Bestätigen Sie die Einstellung durch Drücken des Tuning-Reglers.
3. Drehen Sie den Tuning-Regler zur Auswahl von ON (Lautheit-Funktion aktivieren) und drücken Sie zum Bestätigen auf den Regler.
4. Um die Lautheit-Funktion auszuschalten, wählen Sie OFF und drücken Sie zum Bestätigen auf den Tuning-Regler.

Equalizer-Funktion

Um den Tuning-Regler herum befinden sich 7 LED-Anzeigen, die jeweils auf unterschiedliche EQ-Modi hinweisen.

1. Schalten Sie das Radio mit der Betriebstaste ein.
2. Drücken Sie auf die EQ-Taste, um das EQ-Einstellungsmenü zu öffnen.
3. Drehen Sie den Tuning-Regler zur Auswahl des gewünschten Modus und drücken Sie zum Bestätigen auf den Tuning-Regler.

EQ-Modus	LED-Anzeige
FLAT	Weiß
JAZZ	Blau
ROCK	Rot
KLASSIK	Braun
POP	Pink
NACHRICHTEN	Gelb
BENUTZERDEF.	Grün

Eigenen EQ-Modus definieren

1. Drücken Sie auf die EQ-Taste, um das EQ-Einstellungsmenü zu öffnen.
2. Drehen Sie den Tuning-Regler zur Auswahl von „MY EQ“. Drücken Sie auf den Tuning-Regler, um die „BASS“-Einstellungen aufzurufen.
3. Drehen Sie den Tuning-Regler zur Auswahl der gewünschten Tiefeinstellung. Drücken Sie auf den

- Tuning-Regler, um die „MIDDLE“-Einstellungen zu öffnen.
4. Drehen Sie den Tuning-Regler zur Auswahl der gewünschten mittleren Toneinstellung. Drücken Sie auf den Tuning-Regler, um die „TREBLE“-Einstellungen zu öffnen.
 5. Drehen Sie den Tuning-Regler zur Auswahl der gewünschten Hochtoneinstellung. Drücken Sie auf den Tuning-Regler, um die Einstellungen zu bestätigen.

Hinweis:

- Falls Sie den Equalizer zur Hervorhebung des Basses verwenden und dann bei hohen Lautstärken Musik hören, kann der Sound abgebrochen oder verzerrt sein. Stellen Sie in solch einem Fall die Lautstärke entsprechend angemessen ein.

MUSIKWIEDERGABE VIA BLUETOOTH-ÜBERTRAGUNG

Sie müssen zunächst Ihr Bluetooth-Gerät mit dem radio koppeln, bevor Sie mit diesem radio Musik via Bluetooth abspielen/übertragen können. Durch die Kopplung entsteht eine "Verbindung", damit sich beide Geräte gegenseitig erkennen.

Hinweis:

- Für eine bessere Sound-Qualität empfehlen wir, die Lautstärke an Ihrem Bluetooth-Gerät mit einer Einstellung von zwei Dritteln und am radio je nach Bedarf einzustellen.
- Der radio kann bis zu 8 gekoppelte Geräte speichern. Bei Überschreitung der Anzahl dieses Speichers wird der älteste Speichereintrag überschrieben.

Erstmalige Kopplung mit Ihrem Bluetooth-Gerät

1. Schalten Sie das Radio mit der Betriebstaste ein. Drücken Sie die Quelle-Taste zur Auswahl des Bluetooth-Modus. Im Display erscheint „BT PAIR“ und die Anzeige „PAIR“ blinkt.
2. Aktivieren Sie an Ihrem externen Gerät gemäß dessen Bedienungsanleitung die Bluetooth-Funktion, um es mit dem radio zu koppeln. Öffnen Sie die Bluetooth-Geräteleiste und wählen Sie das Gerät „DMR114.“. (Einige Handys mit älteren Versionen als BT2.1 Bluetooth erfordern möglicherweise die Eingabe eines Passworts. Geben Sie in solch einem Fall „0000“ ein).
3. Nach der erfolgreichen Verbindung ertönt ein Bestätigungston. „BLUETOOTH“ erscheint weiterhin im Display und nach 10 Sekunden erlischt die Hintergrundbeleuchtung. Wählen Sie an Ihrem externen Gerät Inhalte für die Wiedergabe aus. Die Lautstärke können Sie sowohl am externen Gerät oder direkt am Radio einstellen.
4. Verwenden Sie die Tasten an Ihrem Bluetooth-fähigen Gerät oder am radio, um Titel abzuspielen/zu unterbrechen bzw. zu suchen.

Hinweis:

- Bei der erstmaligen Kopplung von 2 Bluetooth-Geräten suchen beide Geräte nach dem radio; an beiden Geräten wird dessen Verfügbarkeit angezeigt. Sobald jedoch ein

- Gerät mit dem radio verbunden ist, erscheint es nicht mehr in der Geräteleiste des zweiten Bluetooth-Geräts.
- Falls Ihr Bluetooth-Gerät vorübergehend vom radio getrennt ist, müssen Sie es erneut manuell mit dem radio verbinden.
- Falls „DMR114“ in der Geräteleiste Ihres Bluetooth-Geräts erscheint, jedoch nicht verbunden werden kann, löschen Sie es aus der Liste und führen Sie die Kopplung erneut anhand der vorher beschriebenen Vorgehensweise durch.
- Die optimale Bluetooth-Übertragungsbereichweite zum Radio beträgt ungefähr 10 Meter (30 Fuß) (Sichtlinie), wobei jedoch Reichweiten von bis zu 30 Metern (100 Fuß) möglich sein können.
- Falls die Bluetooth-Verbindung aufgrund einer zu lange andauernden Trennung, einer Überschreitung der optimalen Reichweite oder aufgrund von Hindernissen oder ähnlichem getrennt wurde, müssen das Gerät und das Radio möglicherweise erneut verbunden werden.
- Gegenstände, schnurlose Geräte oder elektromagnetische Geräte können die Verbindungsqualität beeinflussen.
- Bluetooth-Verbindungsfähigkeit kann je nach verbundenem Bluetooth-Gerät variieren. Informieren Sie sich über die Bluetooth-Fähigkeit Ihres externen Geräts, bevor Sie Ihr Radio verbinden. Einige gekoppelte Bluetooth-Geräte unterstützen möglicherweise nicht alle Funktionen.

Wiedergabe von Audiodateien im Bluetooth-Modus

Nachdem Sie Ihren radio erfolgreich mit einem Bluetooth-Gerät verbunden haben, können Sie Musik unter Verwendung der Tasten am verbundenen Bluetooth-Gerät abspielen.

1. Nach dem Start der Wiedergabe können Sie die Lautstärke mit den Lautstärketasten an Ihrem radio oder Ihrem aktivierten Bluetooth-Gerät einstellen.
2. Verwenden Sie die Tasten an Ihrem Bluetooth-Gerät, um die Wiedergabe zu starten bzw. zu unterbrechen oder um Titel zu überspringen. Alternativ dazu können Sie diese Funktionen mit den Tasten Wiedergabe/Pause/ Nächster Titel oder Vorheriger Titel am Radio ausführen.
3. Halten Sie die Taste Nächster Titel oder Vorheriger Titel gedrückt, um den aktuellen Titel im Schnelllauf zu durchsuchen. Lassen Sie die Taste los, wenn Sie die gewünschte Stelle gefunden haben.

Hinweis:

- Einige Player-Anwendungen oder Geräte sind möglicherweise nicht mit allen diesen Tasten kompatibel.
- Bei einigen Handys wird möglicherweise vorübergehend die Verbindung mit dem radio getrennt, während Sie Anrufe tätigen oder entgegennehmen. An einigen Geräten wird die Bluetooth-Übertragung stumm geschaltet, wenn Textnachrichten und E-Mails eingehen oder andere Gründe auftreten, die nicht im Zusammenhang mit der Audioübertragung stehen. Dies liegt am externen Gerät und ist keine Fehlfunktion Ihres radio.

Wiedergabe eines bereits früher gekoppelten Bluetooth-Geräts

Falls Ihr Bluetooth-Gerät bereits zu einem früheren Zeitpunkt mit dem Radio gekoppelt wurde, erkennt der Radio das Bluetooth-Gerät und wird immer versuchen, die Verbindung mit dem zuletzt verbundenen Gerät wieder herzustellen. Falls das zuletzt verbundene Gerät nicht verfügbar ist, ist der Radio nicht erkennbar.

Bluetooth-Gerät trennen

Halten Sie die Bluetooth-Kopplungstaste 2-3 Sekunden lang gedrückt, bis im Display die Anzeige „BT PAIR“ erscheint, oder schalten Sie an Ihrem externen Gerät die Bluetooth-Funktion aus, um die Verbindung zu trennen.

Sie können auch die Quelle-Taste drücken und einen anderen Modus auswählen, um die Verbindung deaktivieren.

Gekoppelte Bluetooth-Geräte löschen

Um alle gekoppelten Geräte aus dem Speicher zu löschen, halten Sie die Bluetooth-Kopplungstaste länger als 5 Sekunden gedrückt, bis im Display die Anzeige „CLEARING“ erscheint.

AUX-EINGANGSBUCHE

An der Vorderseite des Radios befindet sich ein 3,5 mm Aux-Eingang für den Anschluss und die Wiedergabe eines externen Audiogeräts, wie z.B. MP3- oder CD-Player.

1. Schließen Sie ein externes Audiogerät (z.B. MP3- oder CD-Player) an den AUX-Eingang an.
2. Schalten Sie das Radio mit der Betriebstaste ein.
3. Drücken Sie wiederholt die Quelle-Taste, bis im Display die Anzeige „AUX IN“ erscheint.
4. Im Hinblick auf eine bessere Soundqualität wird empfohlen, am Audiogerät die Lautstärke mit ungefähr zwei Dritteln und dann entsprechend am Radio einzustellen.

Hinweis:

Das Audiokabel ist kein Standardzubehör des Produkts.

WARTUNG

⚠ ACHTUNG:

- **Verwenden Sie zum Reinigen niemals Kraftstoffe, Benzin, Verdüner, Alkohol oder ähnliches. Dies kann zu Verfärbungen, Verformungen oder Rissen führen.**
- **Reinigen Sie das Radio nicht mit Wasser.**

Technische Daten

Technische Daten	
Netzadapter	Gleichspannung 12V 2.5A; mittlerer Stift Pluspol
Akku	2x UM-3 (AA) als Reserve Einschub-Batterie: 10,8V - 18V
Frequenzbereich	UKW 87,50-108MHz (0,05MHz Intervall) MW 522-1.710kHz (9 kHz Intervall)

Bluetooth®

(Die Bluetooth®-Wortmarke und die Bluetooth®-Logos sind eingetragene Marken von Bluetooth SIG, Inc.)

Bluetooth-Version	5.0 Zertifiziert
Bluetooth-Profil	A2DP/SCMS-T/AVRCP
Übertragungsleistung	Leistungsklasse 2
Übertragungsbereich	Optimum: Max. 10 Meter (33 Fuß) Möglich: Max. 30 Meter (100 Fuß) (abhängig von den Gebrauchsbedingungen)
Unterstützter Bluetooth-Codec	SBC
Kompatibles Bluetooth-Profil	A2DP/AVRCP
Maximale Radiofrequenzleistung:	BT EDR: 3.91dBm
Betriebsfrequenz	2402MHz~2480MHz

Elektrische Daten

Lautsprecher	2.5 Zoll, 8 Ohm x2 4 Zoll, 6 Ohm x1
Ausgangsleistung	10.8V-12Vmax: 2W x2 +10W 14.4V: 3W x2 +15W 18V: 5W x2 + 25W
Eingangsbuchse	Durchmesser 3,5 mm (AUX IN)
Antennensystem	UKW: Integrierte Antenne MW: Stabantenne
Abmessungen (L x B x H)	268 x 164 x 295 mm
Gewicht	4.9 KG (ohne Akku)

POLSKI (oryginalna instrukcja)

OBJAŚNIENIA DO WIDOKU OGÓLNEGO (Rys. 1)

1. Wbudowana antena (AM)
2. Uchwyt/Wbudowana antena (FM)
3. Blokada komory baterii
4. Osłona komory baterii (przykrywający kasetę baterii)
5. Głośnik
6. Gniazdo DC
7. Subwoofer
8. Przycisk zasilania / wyłącznika czasowego
9. Przycisk źródłowy
10. Przycisk alarmu radiowego
11. Przycisk alarmu dźwiękowego
12. Przycisk ustawień wstępnych 3/Odtwarzania/Pauzy
13. Przycisk ustawień wstępnych 5
14. Przycisk ustawień wstępnych 4/Następny utwór
15. Pokrętko Głośności/Kontroli strojenia/Wyboru
16. Przycisk kontrolny EQ
17. Gniazdo AUX
18. Port zasilania USB
19. Przycisk Menu/Info
20. Wskaźnik LED trybu EQ
21. Przycisk ustawień wstępnych 2/Poprzedni utwór
22. Przycisk ustawień wstępnych 1/Parowanie Bluetooth
23. Wyświetlacz LCD
24. Komora baterii
25. Komora baterii zapasowych

WYŚWIETLACZ LCD

- A. Alarm radiowy
- B. Alarm dźwiękowy
- C. Symbol stereo
- D. Wskaźnik niskiego poziomu baterii
- E. Zegar
- F. Częstotliwość
- G. RDS (System danych radiowych)
- H. Ikona wyłącznika czasowego
- I. Tryb zegara AM/PM

SYMBOLE

Poniżej przedstawiono symbole stosowane w przypadku omawianego urządzenia. Przed rozpoczęciem jego użytkowania należy upewnić się, że są one zrozumiałe.



Przeczytać instrukcję obsługi.



Tylko dla krajów UE.

Nie wyrzucać urządzeń elektrycznych lub baterii razem z odpadami domowymi! Mając na uwadze Dyrektywy europejskie dot. Odpadów elektrycznych, sprzętu elektronicznego, baterii, akumulatorów oraz zużytych baterii i akumulatorów oraz sposobów ich zastosowania, zgodnie z prawami krajowymi, sprzęt elektryczny oraz baterie, które zostały zużyte, muszą być wyrzucane oddzielnie i oddawane do zgodnych z przepisami o ochronie środowiska punktów recyklingowych.

WAŻNE ZASADY BEZPIECZEŃSTWA

⚠️ OSTRZEŻENIE:

Używając elektronarzędzi, należy zawsze przestrzegać podstawowych środków ostrożności w celu zmniejszenia ryzyka wystąpienia pożaru, porażenia prądem oraz uszkodzenia ciała, włączając poniższe:

1. Przed korzystaniem z urządzenia należy dokładnie zapoznać się z niniejszą instrukcją obsługi oraz instrukcją obsługi ładowarki.
2. Czyścić wyłącznie suchą szmatką.
3. Nie montować przy jakimkolwiek źródle ciepła, takim jak grzejniki, kratki wylotowe ciepłego powietrza, piece lub inne urządzenia (również wzmacniacze) wytwarzające ciepło.
4. Stosować wyłącznie przyrządy/akcesoria zalecane przez producenta.
5. Wyłączyć niniejsze urządzenie podczas burzy oraz w przypadku nieużywania przez dłuższy czas.
6. Akumulatorowy odbiornik radiowy z akumulatorem wbudowanym lub oddzielnym musi być ładowany wyłącznie za pomocą określonej ładowarki do akumulatora. Ładowarka przeznaczona do jednego typu akumulatora może stwarzać zagrożenie wystąpienia pożaru w przypadku stosowania jej do ładowania innego akumulatora.
7. Do zasilania akumulatorowego odbiornika radiowego należy używać tylko przeznaczonych do niego akumulatorów. Używanie innych akumulatorów może stwarzać ryzyko wystąpienia pożaru.
8. Gdy akumulator nie jest używany, należy zabezpieczyć go przed kontaktem z innymi metalowymi przedmiotami, takimi jak spinacze, monety, klucze, gwoździe, wkręty bądź inne małe przedmioty metalowe, które mogą powodować zwarcie styków akumulatora. Zwarcie styków akumulatora grozi pojawieniem się iskier, poparzeniami lub pożarem.
9. Należy unikać kontaktu ciała z przedmiotami uziemionymi, takimi jak rury, grzejniki, kuchenki czy lodówki. Gdy ciało człowieka jest uziemione, wzrasta ryzyko porażenia prądem elektrycznym.
10. W razie niewłaściwych warunków użytkowania może dojść do wycieku elektrolitu z akumulatora. Unikać kontaktu. W razie przypadkowego kontaktu, należy przemyć skażoną skórę wodą. W przypadku kontaktu elektrolitu z oczami należy dodatkowo zasięgnąć porady lekarza. Płyn z akumulatora może powodować

- podrażnienia lub poparzenia.
11. Nie używaj baterii lub narzędzia, gdy zostały uszkodzone bądź zmodyfikowane. Uszkodzone lub zmodyfikowane baterie mogą wykazywać nieprzewidywalne zachowanie skutkujące pożarem, wybuchem lub wystąpieniem ryzyka obrażeń.
 12. Nie wystawiaj baterii lub narzędzia na działanie ognia lub wysokiej temperatury. Narażenie na działanie ognia lub temperatury powyżej 130 °C(266°F) może spowodować wybuch.
 13. Postępuj zgodnie z wszystkimi instrukcjami dot. ładowania i nie ładuj baterii lub narzędzia poza wyznaczonym w instrukcji zakresem temperatur. Nieprawidłowe ładowanie lub ładowanie w temperaturze przekraczającej określony zakres może uszkodzić baterię i spowodować ryzyko wystąpienia pożaru.
 14. Wtyczka ZASILANIA jest używana do odłączania urządzenia od zasilania i powinna pozostać zawsze gotowa do użycia.
 15. Nie używaj produktu na najgłośniejszym ustawieniu przez dłuższy okres czasu. Aby uniknąć uszkodzenia słuchu, używaj produktu na umiarkowanej głośności.
 16. (Dla produktów wyposażonych tylko w wyświetlacz LCD) wyświetlacz LCD zawierają ciecz, która może powodować podrażnienia i zatrucie. Jeżeli ciecz dostanie się do oczu, ust lub na skórę spłucz wodą i skontaktuj się z lekarzem.
 17. Nie wystawiaj produktu na deszcz i wilgotne warunki. Gdy woda dostanie się do produktu, zwiększy to ryzyko porażenia prądem.
 18. Ten produkt nie jest przeznaczony do używania przez osoby (oraz dzieci) z ograniczoną poczytalnością lub ograniczeniami umysłowymi lub brakiem wiedzy i doświadczenia, chyba że pod nadzorem lub wskazówkami, dotyczącymi użytkowania produktu, osób odpowiedzialnych za ich bezpieczeństwo. Dzieci powinny być nadzorowane tak, aby nie mogły bawić się produktem. Przechowuj ten produkt poza zasięgiem dzieci.
- (1) Nie dotykaj styków przy pomocy przewodzących materiałów.
 - (2) Unikaj przechowywania baterii w pojemniku z innymi metalowymi przedmiotami, np. gwoździemi, monetami itp.
 - (3) Nie narażaj baterii na oddziaływanie wody lub deszczu. Zwarcie baterii może skutkować dużym przepływem napięcia, przegrzaniem, możliwymi oparzeniami i uszkodzeniem.
6. Nie przechowuj narzędzia i baterii w miejscach, gdzie temperatura może osiągać lub przekraczać 50°C (122°F).
 7. Nie spalaj baterii nawet, jeżeli są bardzo zniszczone lub kompletnie zużyte. Bateria może wybuchnąć w ogniu.
 8. Uważaj, aby nie upuścić lub uderzyć baterii.
 9. Nie używaj uszkodzonych baterii.
 10. Aby uniknąć ryzyka, należy zapoznać się z instrukcją obsługi baterii. Maksymalne natężenie wyładowania baterii powinno być większe lub równe 8A.
 11. Bateria litowo-jonowa podlega wymogom Prawodawstwa dot. towarów niebezpiecznych. Podczas transportu komercyjnego, np. za pośrednictwem zewnętrznej firmy, spedytora, należy przestrzegać specjalnych wymogów dot. pakowania oraz etykiety. Podczas przygotowywania produktu do transportu wymagana jest konsultacja z ekspertem w sprawie niebezpiecznych materiałów. Zwróć także uwagę na możliwe bardziej szczegółowe wytyczne regulacji krajowych. Zażądaj lub zamaskuj otwarte styki i spakuj baterie w taki sposób, aby nie mogły się przemieszczać w opakowaniu.
 12. Postępuj zgodnie z miejscowymi regulacjami dotyczącymi wyrzucania baterii.
 13. Używaj baterii wyłącznie z produktami określonymi przez firmę Makita. Instalacja baterii w produktach niezgodnych może skutkować pożarem, nadmiernym przegrzewaniem się lub wyciekami elektrolitu.

⚠️ OSTRZEŻENIE:

- Niebezpieczeństwo wybuchu, gdy bateria jest nieprawidłowo wymieniona.
- Wymieniaj tylko na ten sam typ lub jego ekwiwalent.
- Używaj wyłącznie oryginalnych baterii Makita. Używanie nieoryginalnych baterii Makita lub baterii, które zostały zmodyfikowane, może skutkować wybuchem baterii, a w rezultacie pożarem, obrażeniami ciała i uszkodzeniami. Spowoduje to także unieważnienie gwarancji Makity na narzędzie oraz ładowarkę.

ZACHOWAĆ INSTRUKCJĘ OBSŁUGI.

SZCZEGÓŁOWE ZASADY BEZPIECZEŃSTWA DOTYCZY AKUMULATORA

1. Przed użyciem baterii, przeczytaj wszystkie instrukcje oraz oznaczenia dot. uwag na (1) ładowarce do baterii, (2) bateriach oraz (3) produkcie korzystającym z baterii.
2. Nie rozmontowuj baterii.
3. Jeżeli czas używania znacząco się zmniejszył, natychmiast przestań korzystać z urządzenia. Może to skutkować przegrzaniem, powodować oparzenia, a nawet prowadzić do wybuchu.
4. Gdy elektrolit dostanie się do twoich oczu, przepłucz je czystą wodą i natychmiast skonsultuj się z lekarzem. Może to skutkować utratą wzroku.
5. Nie powoduj zwarcia baterii:

Wskazówki dot. maksymalnej żywności baterii

1. Ładuj baterię przed jej całkowitym rozładowaniem się. Zawsze zatrzymaj urządzenie i naładuj baterię, gdy zauważysz spadek mocy w narzędziu.
2. Nigdy nie ładuj w pełni naładowanych baterii. Nadmierne ładowanie skraca żywotność baterii.
3. Ładuj baterię w temperaturze pokojowej 10°C - 40°C (50°F - 104°F). Pozwól, aby gorąca bateria ostygła zanim rozpoczniesz jej ładowanie.
4. Naładuj baterię, jeżeli nie będziesz jej używać przez dłuższy okres czasu (więcej niż sześć miesięcy).

CZAS PRACY

* Odpowiednie zestawy baterii dla tego radia są wymienione w poniższej tabeli.

* Poniższa tabela przedstawia czas pracy na pojedynczym ładowaniu.

Pojemność baterii	Napięcie akumulatora			NA WYJŚCIU Z GŁOŚNIKA = 100 mW Jednostka: Godzina (około)	
	10.8V –maks. 12V	14.4V	18V	W trybie Radio lub AUX	Bluetooth + Ładowanie USB
1.3 Ah		BL1415		3.5	0.7
			BL1815	4.0	1.0
1.5 Ah	BL1015 BL1016			6.0	0.8
		BL1415N BL1415NA		4.5	0.9
			BL1815N	5.0	1.2
2.0 Ah	BL1020B BL1021B			8.0	1.0
			BL1820 BL1820B	6.5	1.6
3.0 Ah		BL1430 BL1430B BL1430A		8.0	1.6
			BL1830 BL1830B	9.5	2.3
4.0 Ah	BL1040B BL1041B			16	2.1
		BL1440		13	2.5
			BL1840 BL1840B	13	3.2
5.0 Ah		BL1450		15	3.0
			BL1850 BL1850B	17	4.2
6.0 Ah		BL1460B BL1460A		17	3.3
			BL1860B	21	5.0

⚠️ OSTRZEŻENIE:

Używaj wyłącznie baterii wymienionych powyżej. Korzystanie z jakichkolwiek innych baterii może powodować obrażenia lub pożar.

Uwaga:

- Tabela dotycząca czasu pracy na baterii powyżej jest tylko poglądowa.
- Faktyczny czas pracy baterii może się różnić w zależności od typu baterii, warunków ładowania oraz środowiska użytkowania.

INSTALACJA I ZASILANIE

⚠ UWAGA:

- Uważaj, aby nie przygnieść palców podczas otwierania i zamykania osłony na baterię.
- Po zainstalowaniu lub wyjęciu baterii, przesuń blokadę miejsca na baterie do oryginalnej pozycji. W przeciwnym razie bateria może przypadkowo wypaść z radia, spowodować obrażenia u Ciebie lub osób w Twoim otoczeniu.
- Zawsze zamykaj i blokuj miejsce na baterie zanim przeniesiesz radio.
- Zawsze wyłączaj radio przed instalowaniem lub wyjęciem baterii.
- Uważaj, aby nie upuścić lub uderzyć radia. Odłamek może rozciąć palce lub wbić się w ciało. Uszkodzone radio może wykazywać nieprzewidywalne zachowanie skutkujące pożarem, wybuchem lub wystąpieniem ryzyka obrażeń.

WAŻNE:

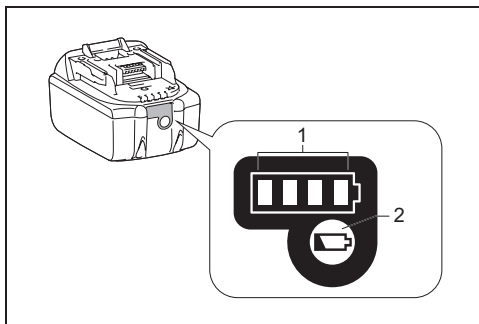
- Zmniejszona moc, zniekształcenie, czy „jąkający dźwięk” lub gdy na wyświetlaczu pojawią się oba wskaźniki niskiego poziomu naładowania baterii i „AWARIA ZASILANIA”, wskazują na to, że główny zestaw baterii musi zostać wymieniony.
- Gdy pojawia się wskaźnik niskiego poziomu naładowania baterii i miga napis „PUSTY”, to należy wymienić baterie zapasowe.
- Bateria nie może być naładowana przez dostarczony zasilacz AC.
- Bateria nie jest dołączona jako standardowe wyposażenie.

MONTAŻ LUB DEMONTAŻ AKUMULATORA WSUWANEGO (RYS. 4 i 5)

- Aby zamontować akumulator, należy wyrównać występ na akumulatorze z rowkiem w obudowie i wsunąć go na swoje miejsce. Akumulator należy zawsze wsunąć do oporu, do momentu jego zablokowania na miejscu, co jest sygnalizowane delikatnym kliknięciem.
- Jeśli czerwony wskaźnik w górnej części przycisku jest nadal widoczny, oznacza to, że nie został on całkowicie zablokowany. Należy go zamontować całkowicie, tak aby czerwony wskaźnik nie był widoczny. W przeciwnym razie akumulator może przypadkowo wysunąć się z odbiornika radiowego, raniąc operatora lub osoby postronne.
- Podczas montażu akumulatora nie używać nadmiernej siły. Jeśli nie można go swobodnie wsunąć, prawdopodobnie został on nieprawidłowo włożony.
- Aby wyjąć baterię, wysuń ją z radia przesuwając przycisk z przodu.

WSKAZUJE STAN NAŁADOWANIA AKUMULATORA

* Dotyczy wyłącznie akumulatorów z literą „B” na końcu numeru modelu.



➤ 1. Lampki wskaźnikowe 2. Przycisk kontrolny
Nacisnąć przycisk Check (Sprawdź) na akumulatorze, aby sprawdzić stan naładowania akumulatora. Na kilka sekund zaświecą się kontrolki

• Baterie 14,4V/18V

Lampki wskaźnikowe			Pozostało baterii
Zapalony	Wyłączony	Mruga	
■	□	▧	
■ ■ ■ ■			75% ~ 100%
■ ■ ■ □			50% ~ 75%
■ ■ □ □			25% ~ 50%
■ □ □ □			0% ~ 25%
▧ □ □ □			Naładuj baterię
■ ■ □ □	↑	↓	Bateria może nie działać prawidłowo

• Baterie 10,8V-12V maks.

Lampki wskaźnikowe			Pozostało baterii
Zapalony	Wyłączony	Mruga	
■	□	▧	
■ ■ ■ ■			75% ~ 100%
■ ■ ■ □			50% ~ 75%
■ ■ □ □			25% ~ 50%
■ □ □ □			0% ~ 25%

UWAGA:

W zależności od warunków używania oraz temperatury zewnętrznej, wskaźnik może się nieznacznie różnić od faktycznej pozostałej ilości zasilania.

Instalowanie baterii zapasowych (Rys. 2 i 3)

Trzymanie zapasowych baterii wewnątrz komory zapobiega utracie przechowywanych w pamięci danych.

1. Pociągnij blokadę komory baterii, aby uwolnić baterie.
Wbudowana jest komora baterii głównych i komora baterii zapasowych.
2. Usuń pokrywę komory baterii zapasowych i włóż 2 nowe baterie UM-3 (rozmiar AA). Upewnij się, że baterie włożone są zgodnie z biegunami zaznaczonymi wewnątrz komory. Załóż pokrywę komory baterii.
3. Po włożeniu baterii zapasowych, włóż również zestaw baterii głównych, aby uruchomić radio.

KORZYSTANIE Z ZASILACZA AC

Zdejmij gumową ochronę i włóż wtyczkę zasilacza do gniazda DC po prawej stronie radia.

Podłącz adapter do standardowego gniazdzka.

Kiedykolwiek używany jest adapter, bateria jest automatycznie odłączana.

⚠UWAGA:

- **Przed przeniesieniem radia zawsze odłączaj całkowicie zasilacz AC. Jeżeli zasilacz AC nie jest odłączony, może spowodować porażenie prądem.**
- **Nigdy nie ciągnij za przewód adaptera. W przeciwnym razie radio może przypadkowo wypaść, spowodować obrażenia u Ciebie lub osób w Twoim otoczeniu.**

WAŻNE:

- Zasilacz jest używany jako środek do podłączania radia do zasilania. Gniazdko dla radia musi pozostać dostępne podczas normalnego używania.
- Aby odłączyć radio całkowicie, zasilacz powinien być całkowicie wyjęty z gniazdzka elektrycznego.
- Używaj tylko adaptera AC dostarczonego z produktem lub określonym przez firmę Makita.
- Nie trzymaj kabla zasilającego ani wtyczki w ustach. Takie postępowanie może spowodować porażenie prądem.
- Nie dotykaj wtyczki mokrymi lub tłustymi rękami.
- Uszkodzone lub zaplątane przewody podnoszą ryzyko porażenia prądem. Jeżeli przewód jest uszkodzony, wymień go w autoryzowanym centrum serwisowym, aby uniknąć niebezpieczeństwa. Nie używaj przed naprawieniem.
- Po zakończeniu używania zawsze przechowuj adapter AC poza zasięgiem dzieci. Dzieci bawiące się przewodem są narażone na obrażenia.

UWAGA:

Jeśli radio wykazuje jakąkolwiek ingerencję pasma AM przez przejściówkę, to odsuń radio od zasilacza sieciowego o ponad 30 cm.

ŁADOWANIE ZA POMOCĄ PORTU ZASILAJĄCEGO USB

Z przodu odbiornika radiowego znajduje się port USB. Poprzez port USB istnieje możliwość ładowania urządzenia USB.

1. Podłączony urządzenie USB, takie jak MP3 lub odtwarzacz CD przy użyciu przewodu USB dostępnego na runku.
2. Naciśnij przycisk zasilania, aby włączyć radio.
3. Nie ma znaczenia, czy odbiornik radiowy jest zasilany prądem AC, czy na baterie, odbiornik radiowy może ładować urządzenie USB, gdy jest on włączony oraz jest w trybie FM, BT lub AUX, co jest wskazywane, gdy zewnętrzne źródło audio jest podłączone.

UWAGA:

- Nie można ładować urządzeń USB w trybie AM, ponieważ ładowanie przez USB sprawia, że odbiór sygnału radiowego staje się bardzo słaby.
- Maksymalna głośność głośnika zostanie zmniejszona w przypadku ładowania za pomocą USB.
- Wejście USB może zapewnić maksymalne zasilanie o natężeniu prądu 2.4A i napięciu 5 V.

WAŻNE:

- Przed podłączeniem urządzenia USB do portu USB należy zawsze utworzyć kopię zapasową danych znajdujących się na urządzeniu USB. W przeciwnym wypadku istnieje ryzyko utraty danych z jakichkolwiek przyczyn.
- Radio nie może zasilać niektórych urządzeń USB.
- W przypadku nieużywania lub po ładowaniu należy wyjąć przewód USB i zamknąć osłonę.
- Nie podłączać źródła zasilania do portu USB. W przeciwnym wypadku istnieje ryzyko pożaru. Port USB przeznaczony jest wyłącznie do ładowania urządzeń niskonapięciowych. Zawsze umieszczaj osłonę na porcie USB w przypadku braku ładowania urządzenia niskonapięciowego.
- Nie wsuwać żadnych gwoździ, przewodów itp. do portu zasilającego USB. W przeciwnym wypadku zwarcia elektryczne może spowodować wydostawanie się dymu lub pożar.
- Nie podłączaj wejścia USB do portu USB komputera, ponieważ istnieje duże prawdopodobieństwo uszkodzenia urządzeń.

SŁUCHANIE RADIA

Skanowanie stronienia AM/ FM

Uwaga:

Antena FM jest wbudowana w uchwyt. Podczas używania radia, odpowiednio wyprostuj uchwyt, aby uzyskać lepszy odbiór. Dla pasma AM, obracaj radem, aby uzyskać lepszy sygnał, ponieważ antena wbudowana jest w radio.

1. Naciśnij przycisk zasilania, aby włączyć radio.
2. Naciśnij przycisk Źródło, aby wybrać tryb radiowy AM lub FM.
3. Naciśnij i przytrzymaj pokrętkę kontroli strojenia, aby przeprowadzić automatyczne strojenie. Radio przeskanuje pasma AM/FM od aktualnej częstotliwości i zatrzyma skanowanie automatycznie, kiedy znajdzie stację o wystarczającej mocy.
4. Po kilku sekundach wyświetlacz zaktualizuje się. Wyświetlacz pokaże częstotliwość znalezionej sygnalu.
5. Aby wyszukać inną stację, naciśnij i przytrzymaj pokrętkę kontroli strojenia, jak wcześniej.
6. Po dotarciu do końca zakresu fal radio rozpocznie strojenie z przeciwnego końca zakresu fal.
7. Przekręć pokrętkę strojenia, aby dostosować poziom dźwięku według własnego uznania.

Uwaga:

- Podczas ustawiania poziomu głośności, upewnij się, że na wyświetlaczu NIE miga FM/AM.
 - Jeśli AM/FM miga na wyświetlaczu, to aktywne jest ręczne strojenie stacji (zobacz sekcję „Ręczne strojenie – AM/ FM”, aby uzyskać więcej informacji).
 - Głośność nie powinna być zbyt wysoka. Aby zapobiec możliwemu uszkodzeniu słuchu, nie słuchaj przy wysokim poziomie głośności przez długi czas.
8. Aby wyłączyć radio, naciśnij przycisk zasilania.

Ręczne strojenie – AM/FM

1. Naciśnij przycisk zasilania, aby włączyć radio.
2. Naciśnij przycisk Źródło, aby wybrać tryb radiowy AM lub FM.
3. Naciśnij pokrętkę kontroli strojenia i zobaczysz FM lub AM migające na wyświetlaczu.

Uwaga:

- FM/AM będzie migać przez ok. 10 sekund. Przez ten czas możliwe jest tylko strojenie ręczne.
 - Jeśli wymagane jest dostosowanie poziomu głośności, podczas gdy miga FM/AM, naciśnij pokrętkę kontroli strojenia, aby zatrzymać miganie i przekręć pokrętkę kontroli strojenia, aby dostosować poziom dźwięku.
4. Przekręć pokrętkę kontroli sterowania, aby dostroić stację.
 5. Po dotarciu do końca zakresu fal radio rozpocznie strojenie z przeciwnego końca zakresu fal.
 6. Przekręć pokrętkę strojenia, aby dostosować poziom dźwięku według własnego uznania.

Programowanie stacji w trybie AM / FM

Dostępnych jest 5 zaprogramowanych stacji dla radia AM i FM. Są one używane w taki sam sposób dla każdego zakresu fal.

1. Naciśnij przycisk zasilania, aby włączyć radio.

2. Naciśnij przycisk Źródło, aby wybrać żądany zakres fal. Ustaw żadaną stację radiową, jak opisano wyżej.
3. Naciśnij i przytrzymaj żądany przycisk ustawień wstępnych (od 1 do 5), do momentu, aż na wyświetlaczu pojawi się np. „P4” po częstotliwości. Stacja zostanie zapisana używając numeru ustawienia wstępnego. Powtórz tę procedurę dla pozostałych ustawień wstępnych, według uznania.
4. Zaprogramowane stacje, które zostały już zapisane, mogą zostać nadpisane przez wykonanie powyższej procedury, jeśli jest to wymagane.

Wyświetlanie trybów – FM

Twoje radio posiada zakres wyświetlanych opcji w trybie FM radia.

Naciśnij przycisk Menu/Info, aby zobaczyć informację stacji RDS, której w danej chwili słuchasz.

- | | |
|------------------|---|
| a. Nazwa stacji | Wyświetla nazwę słuchanej stacji. |
| b. Typ programu | Wyświetla typ słuchanej stacji, taki jak Pop, Classic, Wiadomości, itp. |
| c. Tekst radiowy | Wyświetla wiadomość radiową, taką jak nowe element, itp. |
| d. Rok/Dzień | Wyświetla rok i dzień tygodnia według ustawień daty radia. |
| e. Data/Dzień | Wyświetla datę i dzień tygodnia według ustawień daty radia. |
| f. Tryb EQ | Wyświetla tryb EQ w paśmie FM słuchanej stacji. |
| g. Częstotliwość | Wyświetla częstotliwość FM słuchanej stacji. |

Stereo FM (auto)/mono

Jeśli słuchana stacja radiowa FM ma słaby sygnał, to mogą być słyszane zakłócenia. Można zredukować te zakłócenia, odtwarzając radio w trybie mono, zamiast stereo.

1. Naciśnij przycisk Źródło, aby wybrać pasmo FM ustaw żadaną stację FM, jak wskazano wcześniej.
2. Naciśnij i przytrzymaj przycisk Menu/Info, aby uzyskać opcje menu.
3. Przekręcaj pokrętkę kontroli strojenia, aż na wyświetlaczu pojawią się ustawienia “FM AUTO (lub MONO)”. Jeśli ustawiony jest tryb Auto, to naciśnij pokrętkę kontroli strojenia i przekręć je, aby włączyć tryb Mono i zredukować zakłócenia. Naciśnij pokrętkę kontroli strojenia, aby wybrać żadaną opcję.

Przywracanie wstępnego trybu AM/FM

1. Naciśnij przycisk zasilania, aby włączyć radio.
2. Naciśnij przycisk Źródło, aby wybrać tryb AM lub FM.
3. Naciśnij wymagany przycisk ustawień wstępnych, aby ustawić wcześniej zapamiętaną stację radiową.

MISCELLANEOUS SETTINGS

Ustawienia formatu czasu i daty

Wyświetlanie zegara w trybie czuwania i odwarzania może być ustawione w różnym formacie. Wybrany format jest również zastosowany w ustawieniu alarmu.

1. Naciśnij i przytrzymaj przycisk Menu/Info, aby wejść w ustawienia menu.
2. Obracaj pokrętkę kontroli strojenia, aż na wyświetlaczu pojawi się "ZEGAR xxH" i naciśnij pokrętkę, aby przejść do ustawień. Pojawi się migający format czasu.
3. Przekręć pokrętkę kontroli sterowania, aby wybrać format 12- lub 24-godzinny. Naciśnij pokrętkę, aby zatwierdzić swój wybór formatu zegara.

Uwaga:

Jeśli wybrany został format 12-godzinny, to radio zastosuje zegar 12-godzinny w ustawieniach.

4. Naciśnij i przytrzymaj przycisk Menu/Info, aby przejść do ustawień menu.
5. Obracaj pokrętkę kontroli strojenia, aż data (np. CZW, 3 KWI) pojawi się na wyświetlaczu i naciśnij pokrętkę, aby przejść do ustawień. Pojawi się migający format daty.
6. Obracaj pokrętkę kontroli strojenia, aby wybrać żądany format daty. Naciśnij pokrętkę, aby zatwierdzić wybór.

Ustawienia czasu i daty

1. Naciśnij i przytrzymaj przycisk Menu/Info.
2. Obracaj pokrętkę kontroli strojenia, aż na wyświetlaczu pojawi się "UST ZEGARA". Naciśnij pokrętkę, aby przejść do ustawień.
3. Na wyświetlaczu zacznie migać ustawienie godzin. Obracaj pokrętkę kontroli strojenia, aby wybrać żądaną godzinę i naciśnij pokrętkę, aby zatwierdzić wybór. Następnie obracaj pokrętkę kontroli strojenia, aby wybrać żądane minuty i naciśnij pokrętkę, aby zatwierdzić wybór.
4. Obracaj pokrętkę kontroli sterowania, aż na wyświetlaczu pojawi się "UST DATY". Naciśnij pokrętkę, aby przejść do ustawień.
5. Obracaj pokrętkę kontroli strojenia, aby wybrać żądany rok i naciśnij pokrętkę, aby zatwierdzić wybór. Następnie obracaj pokrętkę kontroli strojenia, aby wybrać żądany miesiąc i naciśnij pokrętkę, aby zatwierdzić wybór. Ponownie obracaj pokrętkę kontroli strojenia, aby wybrać żądany dzień i naciśnij pokrętkę, aby zatwierdzić wybór.

System Danych Radiowych (RDS)

Jeśli ustawiasz zegar używając funkcji RDS, Twoje radio zsynchronizuje czas, zawsze wtedy gdy dostroi się do

sygnału CT.

1. Podczas strojenia stacji z transmisją danych RDS, symbol RDS pojawi się na wyświetlaczu. Naciśnij i przytrzymaj przycisk Menu/Info.
2. Obracaj pokrętkę kontroli sterowania, aż na wyświetlaczu pojawi się symbol "RDS CT" i zegar. Naciśnij pokrętkę, aby wejść w ustawienia.
3. Obracaj pokrętkę, aż na wyświetlaczu pojawi się "RDS CT". Naciśnij pokrętkę, aby zatwierdzić ustawienia. Czas radia zostanie ustawiony automatycznie według danych RDS.

Uwaga:

- Czas radia będzie aktywny przez 5 dni za każdym razem, gdy czas radia zsynchronizuje się z RDS CT.
- Aby wyłączyć funkcję RDS CT, wróć do kroku 1 i 2, a następnie przekręć pokrętkę do opcji "RZCZNEJ". Naciśnij pokrętkę, aby zatwierdzić ustawienia.

Ustawianie alarmu

Radio posiada dwa alarmy, które mogą obudzić Cię przez radio AM/FM lub sygnał dźwiękowy. Alarmy mogą zostać ustawione, kiedy radio jest w stanie czuwania lub odtwarzania.

Uwaga:

Upewnij się, że czas jest ustawiony poprawnie przed ustawieniem alarmu. Jeśli żadne przyciski nie zostaną naciśnięte przez 10 sekund, to radio wyjdzie z ustawień alarmu.

a. Ustawienia alarmu radiowego:

1. Alarm może zostać ustawiony kiedy radio jest włączone lub wyłączone.
2. Naciśnij i przytrzymaj przycisk alarmu radiowego. Symbol alarmu radiowego i wyświetlana godzina będą migać na wyświetlaczu razem z sygnałem dźwiękowym.
3. Kiedy symbol alarmu radiowego miga, to obróć pokrętkę, aby wybrać godzinę i naciśnij pokrętkę ponownie, aby zatwierdzić ustawioną godzinę. Następnie obracaj pokrętkę, aby wybrać minuty i naciśnij pokrętkę, aby zatwierdzić wybór.
4. Obracaj pokrętkę, aż na wyświetlaczu pojawią się opcje częstotliwości alarmu.
Opcje alarmu są następujące:
RAZ – alarm włączy się jednokrotnie
CODZIENNIE – alarm włączy się codziennie
DNI ROBOCZE – alarm włączy się tylko w dni robocze
WEEKEND – alarm włączy się tylko w weekendy
Naciśnij pokrętkę, aby zatwierdzić ustawienia.
5. Podczas gdy miga symbol alarmu radiowego, obracaj pokrętkę, aby wybrać żądane pasmo i stację radiową, następnie naciśnij pokrętkę, aby zatwierdzić wybór.
6. Obracaj pokrętkę, aby wybrać żądaną głośność i naciśnij pokrętkę, aby zatwierdzić wybór. Ustawienie alarmu radiowego jest zakończone.

Uwaga:

- Jeśli nowa stacja radiowa nie zostanie wybrana, to aktywowana zostanie ostatnio wybrana stacja.
- Jeśli wybrana stacja AM/FM nie jest dostępna, kiedy włączy się alarm, to w zamian zostanie uruchomiony alarm dźwiękowy.

b. Ustawienia alarmu dźwiękowego HWS (Humane Wake System):

Włączy się sygnał dźwiękowy, po wybraniu alarmu HWS. Sygnał dźwiękowy będzie odtwarzany coraz szybciej co 15 sekund przez minutę, po czym nastąpi 1 minutowa przerwa przed powtórzeniem całego cyklu.

1. Alarm może zostać ustawiony kiedy radio jest włączone lub wyłączone.
2. Naciśnij i przytrzymaj przycisk alarmu dźwiękowego. Symbol alarmu dźwiękowego i wyświetlana godzina będą migać na wyświetlaczu razem z sygnałem dźwiękowym.
3. Kiedy symbol alarmu dźwiękowego miga, to obróć pokrętkę, aby wybrać godzinę i naciśnij pokrętkę ponownie, aby zatwierdzić ustawioną godzinę. Następnie obracaj pokrętkę, aby wybrać minuty i naciśnij pokrętkę, aby zatwierdzić wybór.
4. Obracaj pokrętkę, aż na wyświetlaczu pojawią się opcje częstotliwości alarmu.

Opcje alarmu są następujące:

RAZ – alarm włączy się jednokrotnie

CODZIENNIE – alarm włączy się codziennie

DNI ROBOCZE – alarm włączy się tylko w dni robocze

WEEKEND – alarm włączy się tylko w weekendy

Naciśnij pokrętkę, aby zatwierdzić ustawienia.

Note:

Nie można ustawić poziomu głośności alarmu dźwiękowego.

Zatrzymanie dźwięku alarmu

Aby anulować dźwięk alarmu, naciśnij przycisk zasilania.

Wyłączanie ustawień alarmu

Aby wyłączyć ustawienia alarmu zanim się włączy, naciśnij i przytrzymaj odpowiedni przycisk alarmu, aż symbol alarmu zniknie z wyświetlacza.

Drzemka

1. Kiedy włączy się alarm, to naciśnięcie jakiegokolwiek przycisku wyjątkiem przycisku zasilania wyłączy alarm na 5 minut. Na wyświetlaczu pojawi się "DRZEMKA".
2. Aby ustawić czas drzemki, naciśnij i przytrzymaj przycisk Menu/Info, aby przejść do ustawień.
3. Obracaj pokrętkę aż na wyświetlaczu pojawi się "DRZEMKA X", a następnie naciśnij pokrętkę, aby przejść do ustawień. Obracaj pokrętkę, aby ustawić czas drzemki na 5, 10, 15 i 20 minut.

4. Aby anulować drzemkę, kiedy alarm jest wstrzymany, naciśnij przycisk zasilania.

Wyłącznik czasowy

Radio może wyłączyć się automatycznie, po osiągnięciu ustawionego czasu. Wyłącznik czasowy może zostać ustawiony na 60, 45, 30, 15, 120 i 90 minut.

1. Naciśnij i przytrzymaj przycisk zasilania, aby wejść w ustawienia wyłącznika czasowego. Na wyświetlaczu pojawi się "UŚPIENIE XX".
2. Przytrzymaj przycisk zasilania, aż na ekranie pojawią się opcje wyłącznika czasowego. Zatrzymaj w momencie, gdy na ekranie pojawią się żądane ustawienia wyłącznika czasowego. Ustawienia zostaną zachowane, a wyświetlacz LCD będzie wyświetlał się normalnie.
3. Radio wyłączy się automatycznie po osiągnięciu ustawionego czasu. Na wyświetlaczu pojawi się ikona wyłącznika czasowego wskazując, że wyłącznik czasowy jest aktywny.
4. Aby anulować funkcję wyłącznika czasowego przed osiągnięciem ustawionego czasu, naciśnij przycisk zasilania, aby ręcznie wyłączyć urządzenia.

Poziom głośności

Możesz uzyskać kompensację niższych i wyższych częstotliwości przez dostosowanie funkcji głośności.

1. Naciśnij i przytrzymaj przycisk Menu/Info, aby przejść do ustawień.
2. Przekręć pokrętkę, aż na ekranie pojawi się "GŁOŚNOŚĆ WŁ" or "GŁOŚNOŚĆ WYŁ". Naciśnij pokrętkę, aby przejść do ustawień.
3. Przekręć pokrętkę, aby wybrać WŁ i włączyć funkcję głośności, następnie naciśnij pokrętkę, aby zatwierdzić ustawienia.
4. Aby wyłączyć funkcję głośności, wybierz WYŁ i naciśnij pokrętkę, aby zatwierdzić ustawienia.

Funkcja korektora

Isniteje można 7 wskaźników LED przy pokrętkę, aby wyróżnić różne tryby EQ.

1. Naciśnij przycisk zasilania, aby włączyć radio.
2. Naciśnij przycisk kontroli EQ, aby przejść do ustawień EQ.
3. Obracaj pokrętkę, aby wybrać żądany tryb. Następnie naciśnij pokrętkę, aby zatwierdzić wybór.

Tryb EQ	Wskaźnik LED
PLASKI	Biały
JAZZ	Niebieski
ROCK	Czerwony
CLASSIC	Brązowy
POP	Różowy
WIADOMOŚCI	Żółty
MÓJ EQ	Zielony

Ustawienia Mojego Profilu My EQ

1. Naciśnij przycisk kontroli EQ, aby przejść do ustawień EQ.
2. Obracaj pokrętkę, aby wybrać „Moje EQ”. Następnie naciśnij pokrętkę, aby przejść do ustawień “BASS”.
3. Obracaj pokrętkę, aby uzyskać żądany poziom basu. Naciśnij pokrętkę, aby przejść do ustawień “POŚREDNICH”.
4. Obracaj pokrętkę, aby wybrać żądany poziom pośredni. Naciśnij pokrętkę, aby wejść w ustawienia Press the Tuning control knob to enter the “SOPRAN”.
5. Obracaj pokrętkę, aby wybrać żądany poziom sopranu. Naciśnij pokrętkę, aby zatwierdzić ustawienia.

Uwaga:

- Korzystanie z korektora w celu podkreślenia basów i słuchanie na wysokim poziomie głośność może spowodować pęknięcie i zniekształcenie dźwięku. W takim przypadku, dostosuj poziom głośności radia.

SŁUCHANIE MUZYKI POPRZEC STRUMIENIOWANIE BLUETOOTH

Musisz sparować swoje urządzenie Bluetooth z radiem zanim będziesz mógł automatycznie połączyć i odtwarzać/strumieniować muzykę poprzez radio. Parowanie tworzy „powiązanie”, które umożliwi rozpoznawanie się urządzeń.

UWAGA:

- Aby uzyskać lepszą jakość dźwięku, zalecamy ustawienie głośności na powyżej jedną trzecią poziomu na twoim urządzeniu Bluetooth, a następnie w miarę potrzeby dostosowanie głośności radia.
- Radio może zapamiętać do 8 zestawów sparowanych urządzeń, gdy pamięć przekroczy tą ilość, najstarsze sparowane urządzenie zostanie nadpisane.

PAROWANIE TWOJEGO URZĄDZENIA BLUETOOTH PO RAZ PIERWSZY

1. Naciśnij przycisk zasilania, aby włączyć radio. Naciśnij przycisk Źródło, aby wybrać tryb Bluetooth. Na wyświetlaczu pojawi się “PAROWANIE BT” i “PAROWANIE”.
2. Aktywuj Bluetooth na swoim urządzeniu zgodnie z instrukcją obsługi użytkownika urządzenia, aby połączyć się z radiem. Zlokalizuj listę urządzeń Bluetooth i wybierz urządzenie o nazwie „DMR114”; (przy niektórych telefonach komórkowych które mają wcześniejszą wersję niż Bluetooth 2.1, będziesz musiał wprowadzić kod „0000”).
3. Po potwierdzeniu pojawi się sygnał dźwiękowy. Na wyświetlaczu pozostanie “BLUETOOTH”, a podświetlenie wygaśnie po 10csekundach. Możesz wybrać i odtwarzać muzykę ze swojego urządzenia źródłowego. Poziom dźwięku może być ustawiony z poziomu twojego urządzenia źródłowego lub

bezpośrednio z radia.

4. Użyj kontrolerów na Twoim urządzeniu Bluetooth lub na radiu, aby odtwarzać/wstrzymać lub zmienić utwór.

UWAGA:

- Jeżeli 2 urządzenia Bluetooth parują się po raz pierwszy, oba wyszukają radio i oba będą wyświetlać jego dostępność. Jednakże, jeżeli jedno urządzenie połączy się z jednostką jako pierwsze, wtedy drugie urządzenie nie będzie w stanie znaleźć go na liście.
- Jeżeli Twoje urządzenie Bluetooth jest tymczasowo odłączone od radia, będziesz musiał ponownie połączyć się z radiem ręcznie.
- Jeżeli „DMR114” wyświetla się na Twojej liście urządzeń Bluetooth, ale urządzenie nie może się połączyć, usuń element z listy i sparuj urządzenie z radiem ponownie, postępując z zgodnie z krokami opisanymi wcześniej.
- Optymalny zakres strumieniowania Bluetooth to około 10 metrów (30 stóp) (w zasięgu wzroku) do radia, ale możliwa jest odległość do 30 metrów (100 stóp).
- Jeżeli połączenie Bluetooth jest utracone z powodu przekroczenia czasu rozłączenia, przekroczenia optymalnej odległości, przeszkód lub w inny sposób, może być konieczne ponowne połączenie urządzenia z radiem.
- Fizyczne przeszkody, inne bezprzewodowe urządzenia lub urządzenia elektromagnetyczne mogą wpływać na jakość połączenia.
- Wydajność połączenia Bluetooth może się różnić w zależności od podłączonego urządzenia Bluetooth. Zobacz wydajność swojego urządzenia Bluetooth zanim podłączysz go do radia. Wszystkie funkcje mogą nie być obsługiwane na sparowanych urządzeniach Bluetooth.

ODTWARZANIE PLIKÓW AUDIO W TRYBIE BLUETOOTH

Po pomyślnym podłączeniu do Twojego radia do wybranego urządzenia Bluetooth, możesz rozpocząć odtwarzanie muzyki używając kontrolerów na podłączonym urządzeniu Bluetooth.

1. Po rozpoczęciu odtwarzania, dostosuj głośność używając pokrętki głośności na radiu lub na urządzeniu Bluetooth.
2. Używaj przycisków kontrolnych na Twoim urządzeniu, aby odtwarzać/pauzować lub nawigować utwory. Można ewentualnie nawigować utwory używając przycisków Odtwarzanie/Pauza, Następny utwór, Poprzedni utwór na radiu.
3. Naciśnij i przytrzymaj przycisk lub “Poprzedni utwór” lub “Następny utwór”, aby poruszać się po aktualnie odtwarzanych utworach. Puść przycisk, kiedy zostanie uzyskany żądany utwór.

UWAGA:

- Niektóre aplikacje odtwarzające lub urządzenia mogą nie reagować na te komendy.
- Niektóre telefony komórkowe mogą tymczasowo odłączać się od Twojego radia, gdy wykonujesz lub odbierasz połączenie telefoniczne. Niektóre urządzenia

mogą tymczasowo wyciszać strumieniowanie audio poprzez Bluetooth, gdy otrzymują wiadomości tekstowe, e-maile lub z innych powodów nie związanych ze strumieniowaniem. Takie zachowanie jest funkcją podłączonego urządzenia i nie oznacza, że Twoje radio jest zepsute.

ODTWARZANIE WCZEŚNIEJ SPAROWANEGO URZĄDZENIA BLUETOOTH

Jeżeli Twoje urządzenie Bluetooth zostało wcześniej sparowane z radiem, jednostka zapamięta Twoje urządzenie i spróbuje się z nim połączyć, gdy połączenie zostanie utracone. Jeżeli poprzednio podłączone urządzenie nie jest dostępne, radio będzie wykrywalne.

ODŁĄCZANIE TWOJEGO URZĄDZENIA BLUETOOTH

Naciśnij i przytrzymaj przycisk parowania Bluetooth przez 2-3 sekundy, aż na ekranie pojawi się "PAOWANIE BT" lub wyłącz Bluetooth na swoim urządzeniu Bluetooth, aby rozłączyć. Możesz również nacisnąć przycisk Źródło, aby inny tryb niż Bluetooth, aby rozłączyć.

Deleting Bluetooth paired device memory

Aby wyczyścić pamięć wszystkich sparowanych urządzeń, naciśnij i przytrzymaj przycisk parowania Bluetooth przez więcej niż 5 sekund, aż na ekranie pojawi się "CZYSZCZENIE".

GNIAZDO WEJŚCIA AUDIO

Dodatkowe gniazdo wejściowe 3.5mm zostało udostępnione w przedniej części radia, aby umożliwić połączenie sygnału audio z zewnętrznymi urządzeniami audio, takimi jak MP3 i odtwarzacz CD.

1. Podłącz zewnętrzne źródło audio (np. MP3, odtwarzacz CD) do gniazda AUX.
2. Naciśnij przycisk zasilania, aby włączyć radio.
3. Naciśnij i puść kilkakrotnie przycisk Źródło, aż pojawi się "AUX IN".
4. Aby uzyskać lepszą jakość dźwięku, zalecamy ustawienie głośności na powyżej jedną trzecią poziomu na twoim urządzeniu audio, a następnie w miarę potrzeby dostosowanie głośności radia.

UWAGA:

Przewód audio nie jest dołączony jako standardowe wyposażenie.

KONSERWACJA

⚠️ UWAGA:

- Nie wolno używać benzyny, benzenu, rozpuszczalnika, alkoholu itp. Substancje takie mogą spowodować odbarwienia, odkształcenia lub pęknięcia.
- Nie należy myć radia wodą.

DANE TECHNICZNE

Dane dotyczące zasilania	
Zasilacz prądu zmiennego	12 V DC 2.5A, środkowy wtyk dodatni
Akumulator	UM-3 (Rozmiar AA) x2 dla baterii zapasowych Bateria wsuwana 10.8V - 18V
Zakres częstotliwości	FM 87.50-108MHz (0.05MHz/stopień) AM(MW) 522-1,710kHz (9 kHz/ stopień)

Bluetooth® (Znak słowny i logo Bluetooth® są zarejestrowanymi znakami towarowymi należącymi do Bluetooth SIG, Inc.)	
Wersja Bluetooth	5.0 Certyfikowany
Profile Bluetooth	A2DP / SCMS-T / AVRCP
Moc transmisji	Klasa mocy 2
Zakres transmisji	Optymalnie: maks. 10 metrów (33 stóp) Możliwe: maks. 30 metrów (100 stóp) (różni się w zależności od warunków)
Obsługiwany kodek	SBC
Kompatybilny profil Bluetooth	A2DP / AVRCP
Maksymalna moc częstotliwości radiowej:	BT EDR: 3.91dBm
Częstotliwość pracy	2402MHz~2480MHz

Charakterystyka obwodu	
Głośnik	2.5 cala, 8 omów x2 4 cala, 6 omów x1
Moc wyjściowa	10.8V-12V maks :2W x2 +10W 14.4V: 3W x2 +15W 18V: 5W x2 + 25W
Gniazdo wejścia	Śred. 3,5 mm (wejście AUX)
System antenowy	FM : wbudowana antena AM : antena barowa
Wymiary (dł. x szer. x wys.)	268 x 164 x 295 mm
Masa	4.9 KG (bez akumulatora)

MAGYAR

(Eredeti útmutató)

Az általános nézet részletezése (1. ábra)

1. Beépített antenna (AM)
2. Fogó/Beépített antenna (FM)
3. Az akkutartó rekesz zárja
4. Az akkutartó rekesz fedele (az akkukazetta fedője)
5. Hangszóró
6. DC IN bemenet
7. Mélynyomó
8. Bekapcsológomb/Kikapcsolási időzítő
9. Forrásválasztó gomb
10. Rádiós ébresztés gomb
11. Sípóló ébresztés gomb
12. Preset 3/Lejátszás/Szünet gomb
13. Preset 5 gomb
14. Preset 4 /Következő zeneszám gomb
15. Hangerőszabályzó/Hangoló/Kiválasztó gomb
16. Hangszínszabályzó gomb
17. AUX IN bemenet
18. USB áramellátási aljzat
19. Menü/Infó gomb
20. Hangszín mód - LED jelzőfény
21. Preset 2 /Előző zeneszám gomb
22. Preset 1 /Bluetooth párosítás gomb
23. LCD kijelző
24. Az akkumulátor tartórekesze
25. A segédelemek tartórekesze

LCD kijelző

- A. Rádiós ébresztés
- B. Sípóló ébresztés
- C. Sztereo szimbólum
- D. Az alacsony akkufeszültség jelzése
- E. Óra
- F. Frekvencia
- G. RDS (Rádiós adatsugárzás)
- H. Kikapcsolási időzítő ikon
- I. PM jelzés (délután)

SZIMBÓLUMOK

Az alábbiakban a készülékkel kapcsolatos szimbólumokról olvashat. Fontos, hogy használat előtt ezekkel tisztában legyen.



Olvassa el a használati útmutatót.



Csak az EU tagországaiban.

A elektromos készüléket és az akkumulátor-egységet ne helyezze a háztartási hulladékba! Az elektromos berendezésekre, elemekre és akkumulátorokra vonatkozó európai irányelveknek és azoknak az egyes országok jogrendszerébe történő beültetésének megfelelően az elektromos berendezéseket, elemeket és akkumulátorokat élettartamuk lejártakor elkülönítve kell begyűjteni és lejtatni egy környezetbarát újrahasznosítási pontra.

FONTOS BIZTONSÁGI UTASÍTÁSOK

FIGYELMEZTETÉS:

Elektromos eszközök használata során mindig tartsa be az alapvető biztonsági utasításokat, így csökkentheti a tüzesetek, áramütés és a személyi sérülések kockázatát. Ezek az alábbiak:

1. Használat előtt figyelmesen olvassa el ezt a használati útmutatót és a töltő utasításait.
2. A készüléket csak száraz ruhával tisztítsa.
3. A készüléket ne szerelje be hőforrások közelébe, pl. radiátorok, hőszugárzók, kályhák, erősítők stb., melyek hőt termelnek.
4. Kizárólag a gyártó által megadott csatlományokat és alkatrészeket és kellekeket használja.
5. Viharok esetén, illetve ha hosszabb ideig nem kívánja használni, a készülék elektromos csatlakozóját húzza ki a konnektorból.
6. A rádió beépített akkumulátorait és a különálló akkumulátort kizárólag a töltésükhöz előírt töltőkészülékkel szabad tölteni. Egy bizonyos akkumulátortípushoz használható töltő más akkumulátortípussal való használata tűzveszélyt idézhet elő.
7. Az akkumulátoros rádiót kizárólag a számára készített akkumulátorokkal használja. Bármely egyéb akkumulátor használata tűz kockázatával járhat.
8. Ha az akkumulátor-egységet nem használja, tartsa távol irodai kapszoktól, pénzérméktől, kulcsoktól, szögektől, csavaroktól és minden egyéb olyan tárgytól, mely a csatlópontokat összekötheti. Az akkumulátor csatlópontjának rövidzárlata következtében szikrák keletkezhetnek, illetve égési sérülésekkel és tüzesettel is járhat.
9. Ne kerüljön a testfelülete érintkezésbe olyan földelt felületekkel, mint például csövek, radiátorok, vízmelegítők vagy hűtőgépek. Az áramütés veszélye fokozottan fennáll, ha a teste földelve van.
10. Helytelen használat esetén az akkumulátorból folyadék távozhat; kerüljön ezzel minden érintkezéssel. Ha véletlenül érintkezésbe került a folyadékkal, öblítse le vízzel. Ha a folyadék a szembe jut, vegyen igénybe orvosi segítséget. Az akkumulátorból kiszivárgó folyadék irritációt és égési sérüléseket okozhat.
11. Ne használjon sérült vagy módosított akkumulátor-egységeket vagy eszközöket. A sérült vagy módosított akkumulátorok működése kiszámíthatatlan lehet, mely tüzeset, robbanáshoz és sérülésekhez vezethet.

12. Akkumulátor-egységeket, eszközöket ne tegyen ki nyílt lángnak vagy magas hőmérsékleteknek. A tűz vagy a 130 °C(266 °F) feletti hőmérséklet robbanást okozhat.
 13. Az akkumulátor-egységek vagy eszközök töltéséhez kövesse a töltésre vonatkozó utasításokat, és ne végezze a töltést az útmutatóban megadott hőmérsékleti tartományon kívül. A helytelen, vagy a megadott hőmérsékleti tartományon kívüli töltés kárt tehet az akkumulátorban, és fokozott tűzveszéllyel is járhat.
 14. A hálózati csatlakozó a készülék áramtalanítására szolgál, melynek működésképes állapotban kell maradnia.
 15. Ne használja a terméket túl nagy hangerőn hosszú időn keresztül. A halláskárosodás megelőzése érdekében a terméket mérsékelt hangerőn üzemeltesse.
 16. (Csak LCD kijelzővel rendelkező termékekhez) Az LCD kijelzők olyan folyadékot tartalmaznak, mely irritációt és mérgezést okozhat. Ha a folyadék a szembe, a szájba vagy a bőrre jut, öblítse le vízzel és forduljon orvoshoz.
 17. Ne tegye ki a terméket esőnek vagy nedvességnek. Ha a készülék belsőbe víz jut, az növeli az áramütés kockázatát.
 18. A készüléket akkor használhatják gyermekek és csökkentett fizikai, érzékszervi vagy szellemi képességű személyek, illetve olyanok, akik nem rendelkeznek a kellő tudással és tapasztalattal, ha egy, a biztonságukért felelős személy számukra felügyeletet biztosít és a készülék használatával kapcsolatban utasításokkal látja el őket. A gyermekek számára biztosítson felügyeletet, hogy azok ne játszassanak a termékkel. A terméket tárolja gyermekek számára nem elérhető helyen.
- túlhevüléssel járhat, gyulladást okozhat, vagy akár tönkre is mehet.
6. Ne tárolja az akkutartó rekeszt olyan helyeken, ahol a hőmérséklet meghaladhatja az 50°C (122°F) értéket.
 7. Ne próbálja elégetni az akkutartó rekeszt még akkor sem, ha az némileg sérült vagy már teljesen elhasználódott. Az akkutartó rekesz tűzben felrobbanhat.
 8. Ügyeljen arra, hogy ne ejtse le az akkumulátort, és azt ne érje erős ütés sem.
 9. Ne használja az akkumulátort, ha az sérült.
 10. A kockázatok elkerülése érdekében használat előtt olvassa el a cserélhető akkumulátor kezelési útmutatóját. Emellett az akkumulátor maximális kimenő árama 8A, vagy annál nagyobb legyen.
 11. A készülék lítium-ion akkumulátoraira a törvény szerint a veszélyes árukra vonatkozó követelmények vonatkoznak. Üzleti célú szállítás során, tehát harmadik feleknél, szállítócégeknél figyelembe kell venni a csomagoláson és a címkéken feltüntetett különleges előírásokat. A termék szállítása előtt igénybe kell venni egy veszélyes árukra specializálódott szakember tanácsát. Kérjük, részletesen tanulmányozza az országos szabályozásokat is. Ragasszon vagy takarjon le minden nyílt csatlakozási pontot. Az akkumulátort csomagolja be úgy, hogy az ne tudjon mozogni a csomagolásban.
 12. Az akkumulátor kiseleztezésével kapcsolatban kövesse a helyi szabályozásokat.
 13. Az akkumulátorokat csak a Makita által megadott termékekhez használja. Ha az akkumulátor nem vele kompatibilis termékbe kerül, az tüzesethet, túlhevüléhez, vagy az elektrolit szivárgásához vezethet.

⚠ FIGYELEM :

- **Az akkumulátor helytelen behelyezése robbanáshoz vezethet.**
- **Csak egyforma vagy annak megfelelő típusúra cserélje.**
- **Kizárólag eredeti Makita akkumulátorokat használjon. A nem eredeti, vagy módosított akkumulátorok felrobbanhatnak, tüzesetet, személyi sérüléseket és károkat okozhatnak. Emellett a Makita eszközre és a töltőre vonatkozó jótállás is érvényét veszti.**

Tipppek az akkumulátor élettartamának meghosszabbításához

1. Töltse fel az akkutartó rekeszt, mielőtt az teljes mértékben lemerülne. Minden esetben függessze fel a használatot és töltse fel az akkutartó rekeszt, amint észleli, hogy a készülék teljesítménye gyengül.
2. Soha ne töltse az akkutartó rekeszt, amikor az teljes mértékben fel van töltve. A túltöltés megrövidíti az akkumulátor élettartamát.
3. Az akkutartó rekesz töltését végezze, szobahőmérsékleten 10 °C - 40 °C (50 °F - 104 °F). Töltés előtt várja meg, míg az akkutartó rekesz lehül.
4. Töltse fel az akkutartó rekeszt, ha azt hosszabb ideig (hat hónapot meghaladó ideig) nem kívánja használni.

ŐRIZZE MEG EZT AZ ÚTMUTATÓT

TERMÉKSPECIFIKUS BIZTONSÁGI SZABÁLYOK AKKUTARTÓ REKESZ

1. Az akkutartó rekesz használatának megkezdése előtt olvasson el minden figyelmeztető jelzést az (1) akkutartó rekeszen,
2. Ne szerelje szét az akkutartó rekeszt.
3. Ha a működési idő túlzottan lerövidül, azonnal függessze fel a használatot. Ez túlhevülésveszéllyel járhat, gyulladást vagy robbanást okozhat.
4. Ha az akkumulátor folyadék a szemébe kerül, öblítse ki tiszta vízzel, majd azonnal forduljon orvoshoz. Ez vakságot is okozhat.
5. Ne zárja rövidre az akkutartó rekeszt:
 - (1) Ne érjen a csatlóponthoz semmilyen vezető anyaggal.
 - (2) Ne tárolja az akkutartó rekeszt egy tárolóban más fém tárgyakkal, például szögekkel, pénzérmékkel, stb.
 - (3) Ne tegye ki az akkutartó rekeszt víznek vagy esőnek. Az akkumulátor rövidzárlata nagymennyiségű elektromos áram átfolyásával és

MŰKÖDÉSI IDŐ

* A rádióhoz használható akkupakkok listája az alábbi táblázatban található.

* Az alábbi táblázaton látható a működési idő egy töltéssel.

Akkumulátor kapacitása	Akkumulátorház feszültsége			A HANGFAL KIMENETÉNÉL = 100mW (egység: Óra)(Megközelítőleg)	
	10.8V -12Vmax	14.4V	18V	Rádió- vagy AUX bemenet	Bluetooth-tal USB töltésnél
1.3 Ah		BL1415		3.5	0.7
			BL1815	4.0	1.0
1.5 Ah	BL1015 BL1016			6.0	0.8
		BL1415N BL1415NA		4.5	0.9
			BL1815N	5.0	1.2
2.0 Ah	BL1020B BL1021B			8.0	1.0
			BL1820 BL1820B	6.5	1.6
3.0 Ah		BL1430 BL1430B BL1430A		8.0	1.6
			BL1830 BL1830B	9.5	2.3
4.0 Ah	BL1040B BL1041B			16	2.1
		BL1440		13	2.5
			BL1840 BL1840B	13	3.2
5.0 Ah		BL1450		15	3.0
			BL1850 BL1850B	17	4.2
6.0 Ah		BL1460B BL1460A		17	3.3
			BL1860B	21	5.0

⚠ FIGYELEM :

Kizárólag a fent felsorolt akkukazettákat használja. Azoktól eltérő kazetták használata sérülésekhez és/vagy tüzesettséghez vezethet.

Megjegyzés:

- Az akkumulátorok készenléti idejét bemutató táblázat adatai tájékoztató jellegűek.
- A valós üzemidő függhet az akkumulátor típusától, a töltés feltételeitől és a használati környezettől is.

BEÜZEMELÉS ÉS ÁRAMELLÁTÁS

⚠ Figyelem:

- Vigyázzon arra, hogy ne csipje be az ujjait, amikor lezárja az akkumulátor rekeszének a fedelét.
- Az akkukazetta behelyezése és kivétele után állítsa vissza az eredeti állásba az akkumulátor rekeszének zárját. Ellenkező esetben az akkukazetta véletlenül kieshet a rádióból, sérülést okozva Önnek vagy a körülötte állóknak.
- A rádió szállítása előtt mindig zárja le az akkutartó rekesz zárját.
- A rádió beüzemelése vagy az akkukazetta kivétele előtt mindig kapcsolja ki a rádiót.
- Vigyázzon, hogy ne ejtse le vagy üsse meg a rádiót. A törött borítás megvághatja az ujjait vagy megütheti a testét. Ha a rádió megsérül, kiszámíthatatlanul viselkedhet és tüzesetet, robbanást vagy sérülést okozhat.

FONTOS:

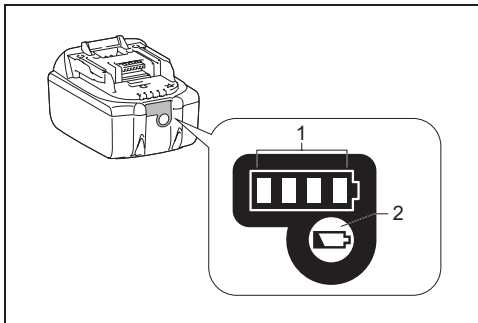
- Gyengülő áramellátás, működési zavarok, akadozó hang, illetve ha az alacsony akkufeszültség jelzése és a „POWERFAIL” felirat is megjelenik a kijelzőn, az arra utal, hogy a fő akkupakkot ki kell cserélni.
- Ha alacsony akkufeszültség jelzése megjelenik, valamint az „EMPTY” felirat villog a képernyőn, a segédelemeket ki kell cserélni.
- Az akkukazettát lem lehet a mellékelt hálózati adapteren keresztül feltölteni.
- Az akkukazetta nincs a standard tartozékok közt.

A becsúztatandó akkumulátorház behelyezése és eltávolítása (4. és 5. ábra)

- Az akkumulátorház beszereléséhez illeszze az akkumulátorház nyelvét a burkolaton található vágatba és csúsztassa a helyére. Egészen addig tolja be, amíg egy kis kattánással a helyére nem ugrik.
- Ha látható a piros rész a gomb felső oldalán, akkor a gomb nem kattant be teljesen. Helyezze be az akkumulátort teljesen, amíg a piros rész el nem tűnik. Ha ez nem történik meg, akkor az akkumulátor kieshet a rádióból, és sérülést okozhat Önnek vagy a környezetében lévő más személyeknek.
- Ne erőltesse az akkumulátorházat a behelyezéskor. Ha az akkumulátorház nem csúszik be könnyedén, akkor nem megfelelően lett behelyezve.
- Az akkukazetta kivételéhez csúsztassa azt ki a rádióból, ehhez a kazetta elején lévő gombot kell csúsztatni.

Az akkumulátor töltöttségének jelzése

* Kizárólag olyan akkumulátorokhoz, amelyek modellszáma „B”-re végződik.



➤ 1. Jelzőfény 2. Ellenőrző gomb

Nyomja meg a Check (Ellenőrzés) gombot az akkumulátoron annak töltöttségi szintjének megjelenítéséhez. A jelzőlámpák néhány másodpercre felvillannak.

• 14,4V/18V akkumulátorok

Jelzőfények			Maradék akkufeszültség
VilágítNem	Ég	Villog	
■ ■ ■ ■			75% ~ 100%
■ ■ ■ □			50% ~ 75%
■ ■ □ □			25% ~ 50%
■ □ □ □			0% ~ 25%
▧ □ □ □			Az akkumulátor töltése
■ ■ □ □	↑	↓	Az akkumulátor meghibásodhatott

• 10,8V-12V max akkumulátorok

Jelzőfények			Maradék akkufeszültség
VilágítNem	Ég	Villog	
■ ■ ■ ■			75% ~ 100%
■ ■ ■ □			50% ~ 75%
■ ■ □ □			25% ~ 50%
■ □ □ □			0% ~ 25%

MEGJEGYZÉS :

A külső hőmérsékleti viszonyoktól függően a jelzés kissé eltérhet a valós akkufeszültségtől.

A segédelemek behelyezése (2. és 3. ábra)

A rekesz belsejében tartott segédelemek segítenek megóvni a beállított memóriák tartalmát azok elvesztésétől.

1. Húzza ki az akkutartó rekesz zárját a rekesz kioldásához. Ott találja az akkupakk és a segédelem rekeszét is.
2. Vegye le a segédelemek rekeszének a fedelét és helyezzen be 2 db. új, UM-3 (AA méretű) elemet. Ügyeljen arra, hogy az elemeket a rekesz belsejében jelzett polarításoknak megfelelően helyezze be. Tegye vissza a rekesz fedelét.
3. Miután behelyezte a segédelemeket, tegye be a fő akkupakkot is a rádió áramellátásának biztosításához.

A mellékelt hálózati adapter használata

Vegye le a védőgumit, majd dugja be az adapter csatlakozóját a rádió job oldalán található aljzatba. Az adapter hálózati csatlakozóját dugja be egy szabványos konnektorba. Amikor az adapter használja, az akkucsomag automatikusan kikapcsol.

⚠ Vigyázat:

- A rádió szállítása előtt minden esetben szüntesse meg az adapter csatlakozását. Ha a csatlakozást nem szünteti meg, az áramütést okozhat.
- Soha ne húzza, rángassa az adapter vezetékét. Ennek következtében a rádió véletlenül leeshet és Ön vagy a körülötte állók megsérülhetnek.

FONTOS:

- A hálózati adapter a rádió hálózati áramellátására szolgál. A konnektor a normál használat során legyen mindig hozzáférhető.
- A rádió hálózati csatlakoztatásának megszüntetéséhez az adapter csatlakozóját teljesen ki kell húzni a konnektorból.
- Csak a termékhez mellékelt és a Makita által meghatározott AC hálózati adaptert használja.
- Ne tartsa és ne csatlakoztassa az elektromos vezetékét a szájával, mert az áramütéshez vezethet.
- Ne érjen az elektromos csatlakozóhoz nedves vagy zsíros kézzel.
- A sérült vagy összegubancolódott vezetékek áramütést okozhatnak. Ha a vezeték megsérült, a biztonsági kockázatok elkerülése érdekében azt egy arra jogosult szervizközpontban cseréltesse ki. Szereltesse meg, mielőtt használná.
- Használat után tárolja az AC hálózati adaptert gyermekek számára nem elérhető helyen. Ha a gyermekek a vezetékkel játszanak, megsérülhetnek.

Megjegyzés:

Ha a rádió adaptere az AM sáv vételében zavarokat okoz, vigye a rádiót az AC adaptertől 30 cm-nél nagyobb távolságra.

Töltés az USB tápellátó porton keresztül

A rádió elején egy USB-port található. Ezen az USB-porton keresztül tölthet USB-eszközöket.

1. A megvásárolható USB-kábel segítségével csatlakoztathat olyan USB-eszközöket, mint például az MP3- vagy a CD-lejátszó.
2. A rádió bekapcsolásához nyomja meg a bekapcsológombot.
3. Nem számít, hogy a rádiót tápcsatlakozóról vagy akkumulátorról működtetik, akkor is tölthető USB-eszköz vele, ha FM-rádió üzemmódban, BT módban vagy AUX módban bekapcsolják. Ez utóbbi mód akkor jelenik meg, ha külső hangforrást csatlakoztatnak.

Megjegyzés:

- AM módban nincs lehetősége USB-eszközök töltésére, ugyanis USB-eszközök töltése során a rádiójelek vétele rendkívüli mértékben legyengül.
- A hangszóró kimeneti teljesítménye, a maximális hangerő csökkenni fog az USB töltése közben.
- Az USB-aljzat maximum 2.4A -os és 5 V-os elektromos áramot biztosíthat.

Fontos:

- Mielőtt csatlakoztatja USB-eszközt az aljzathoz, mindig mentse le az USB-eszközön lévő adatokat. Ellenkező esetben az adatok bármikor elveszhetnek.
- A rádió egyes USB-eszközök számára nem tud áramot biztosítani.
- Ha nem használja, vagy töltés után, távolítsa el az USB kábelt és zárja be a fedelet.
- Ne csatlakoztasson áramforrást az USB-portba. Ellenkező esetben fennáll a tűz kockázata. Az USB-port kizárólag alacsonyabb feszültségű készülék töltésére használható. Mindig helyezze a fedelet az USB-portra, ha nem tölti az alacsonyabb feszültségű készüléket.
- Ne helyezzen el szőget, uzalt stb. az USB tápellátó portba. Ellenkező esetben rövidzárlat füstöt és tüzet okozhat.
- Ne csatlakoztassa ezt az USB aljzatot a PC USB-portjába, mivel akkor nagyon valószínű, hogy ez az egységek meghibásodását eredményezheti.

RÁDIÓ HALLGATÁSA

AM és FM állomáskeresés

Megjegyzés:

Az FM antenna be van építve a fogóba. A rádió használata során a jobb vétel érdekében húzza egyenesre a fogót megfelelően a rádió fölé. Az AM hullámsáv esetében a

AM és FM állomások tárolása

Összesen 5-5 állomást tárolhat el az AM illetve az FM módban. A használat az egyes hullámsávoknál megegyező.

1. A rádió bekapcsolásához nyomja meg a bekapcsológombot.
2. Nyomja meg a forrásválasztó gombot a kívánt hullámsáv kiválasztásához. Hangolja be a kívánt állomást a korábban leírtak szerint.
3. Tartsa lenyomva a Preset gombok egyikét (1 - 5) addig, amíg a kijelzőn a frekvencia száma után pl. a „P4” nem lesz látható. Az állomás tárolásra kerül a beállított számomban helyén. Kívánság szerint ismételve meg a műveletet a többi memóriahelyen is.
4. Ha szükséges, a fenti műveletnek megfelelően a tárolt állomást felül is írhatja.

Kijelzési módok - FM

Az FM rádió üzemmódhoz a rádió egy sor kijelzési móddal rendelkezik.

A Menü/Infó gomb többszöri megnyomásával megtekintheti az épp hallgatott rádióállomás RDS információit.

- | | |
|-----------------|--|
| a. Állomás neve | Kijelzi az épp hallgatott rádióállomás nevét. |
| b. Programtípus | Kijelzi az épp hallgatott rádióállomás típusát (pl. pop, klasszikus, hírek, stb.). |
| c. Rádiószöveg | Kijelzi a rádió szöveges üzeneteit, például az újdonságokat |
| d. Év/nap | Kijelzi az évet és a hét napját a rádióon beállítottak szerint. |
| e. Dátum/nap | Kijelzi a dátumot és a hét napját a rádióon beállítottak szerint. |
| f. Hangszín | Kijelzi az épp hallgatott FM állomáshoz beállított hangszínt. |
| g. Frekvencia | Kijelzi az épp hallgatott FM állomás frekvenciáját. |

FM sztereó (auto)/monó

Ha az épp hallgatott FM állomás jele gyenge, némi sisterség lesz hallható. Ez a sisterség csökkenthető, ha a rádiót arra készítjük, hogy az állomást sztereó helyzetű monó módban játssa le.

1. Ha szükséges, váltson az FM sávra a forrásválasztó gomb segítségével, majd hangolja a rádiót a kívánt FM állomáshoz az előzőekben leírtaknak megfelelően.
2. Lépjen be a menübeállításokhoz a Menü/Infó gomb nyomva tartásával.
3. Forgassa el a hangológombot addig, míg az "FM AUTO (vagy MONO)" nem lesz látható a kijelzőn. Ha a beállítás „AUTO”, nyomja meg a hangológombot, majd forgassa azt el és váltson Mono módra a sisterség csökkentéséhez. Az opció kiválasztásához nyomja meg a hangológombot.

jobb vételhez forgassa el a rádiót, ugyanis az AM antenna a rádió belsejébe van építve.

1. A rádió bekapcsolásához nyomja meg a bekapcsológombot.
2. Az AM vagy FM üzemmódot a forrásválasztó gomb segítségével választhatja ki.
3. Az automata hangoláshoz tartsa lenyomva a hangológombot. A rádió ekkor állomáskeresést végez az AM/FM sávon az aktuálisan megjelenő frekvenciától kezdve felfelé, és automatikusan leáll, ha elég erős jelű állomást talál.
4. Néhány másodpercen belül a kijelző frissül. A kijelző ekkor a talált jel frekvenciáját fogja mutatni.
5. Egy másik állomás kereséséhez ismét nyomja le és tartsa lenyomva a hangológombot, ahogy az előbb.
6. A hullámsáv végének elérése után a rádió újratekdi az állomáskeresést annak a másik végétől.
7. A hangolás gomb elforgatásával állíthatja a hangerőt a kívánt szintre.

Megjegyzés:

- A hangerő állítása során figyeljen arra, hogy akkor az FM/AM jelen NE villogjon a kijelzőn.
 - Ha a kijelzőn épp az AM/FM villog, az az állomások kézi hangolását teszi lehetővé (a részletekhez lásd az „AM/FM kézi hangolása” c. részt).
 - A hangerőt ne állítsa túl magasra. Az esetleges halláskárosodás megelőzése érdekében ne hallgasson zenét nagy hangerőn hosszú ideig.
8. A rádió kikapcsolásához nyomja meg a bekapcsológombot.

Az AM/FM kézi hangolása

1. A rádió bekapcsolásához nyomja meg a bekapcsológombot.
2. Az AM vagy FM üzemmódot a forrásválasztó gomb segítségével választhatja ki.
3. Nyomja meg a hangológombot, ekkor az FM vagy az AM felirat fog villogni a kijelzőn.

Megjegyzés:

- Az FM illetve az AM kb. 10 másodpercen keresztül fog villogni. Ezen idő alatt csak a kézi hangolásra van lehetőség.
 - Ha az FM vagy AM felirat villogása közben a hangerő állítására van szükség, előbb nyomja meg a hangológombot, ekkor a villogás leáll, és módosíthatja a hangerőt a hangológomb elforgatásával.
4. Egy állomás behangolásához forgassa el a hangológombot.
 5. A hullámsáv végének elérése után a rádió újratekdi az állomáskeresést annak a másik végétől.
 6. A hangolás gomb elforgatásával állíthatja a hangerőt a kívánt szintre.

A tárolt AM és FM állomások előhívása

1. A rádió bekapcsolásához nyomja meg a bekapcsológombot.
2. Válassza ki az AM vagy FM üzemmódot a forrásválasztó gomb segítségével.
3. Nyomja meg egyszer a kívánt Preset memóriahely gombját, és a rádió arra az állomásra kapcsol, melyet a memóriában eltárolt.

VEGYES BEÁLLÍTÁSOK

Idő- és dátumformátum beállítása

A készenléti mód pontos idő kijelzése és a lejátszási mód kijelzései különböző formátumban jeleníthetők meg. A kiválasztott formátum lesz használatos az ébresztések beállításakor is.

1. Lépjen be a menübeállításokhoz a Menü/Infó gomb nyomva tartásával.
2. Forgassa el a hangológombot, amíg a "CLOCK xxH" nem lesz látható a kijelzőn, a beállításba a hangológomb megnyomásával léphet be. Ekkor azt látja majd, hogy az időformátum villogni kezd.
3. A hangológomb elfordításával választhat a 12 és a 24 órás időformátum között. A választott időformátum jóváhagyásához nyomja meg a hangológombot.

Megjegyzés:

Amennyiben a 12 órás időkijelzést választotta, a rádió a 12 órás formátumot használja a beállításához.

4. Lépjen be a menübeállításokhoz a Menü/Infó gomb nyomva tartásával.
5. Forgassa el a hangológombot, amíg egy dátumot (pl. THU APR 3) nem lát a kijelzőn, a beállításba a hangológomb megnyomásával léphet be. Ekkor azt látja majd, hogy a dátumformátum villogni kezd.
6. A hangológomb elfordításával választhatja ki a kívánt dátumformátumot. A választott dátumformátum jóváhagyásához nyomja meg a hangológombot.

A pontos idő és a dátum beállítása

1. Tartsa lenyomva a Menü/Infó gombot.
2. Forgassa el a hangológombot addig, míg a "CLOCK ADJ" nem lesz látható a kijelzőn. A beállításba a hangológomb megnyomásával léphet be.
3. Az óra beállítása villogni kezd a kijelzőn. Forgassa el a hangológombot a kívánt óra megadásához, a beállítás jóváhagyásához nyomja le a hangológombot. Forgassa el a hangológombot a kívánt perc megadásához, a beállítás jóváhagyásához nyomja le a hangológombot.
4. Forgassa el a hangológombot addig, míg a "DATE ADJ" nem lesz látható a kijelzőn. A beállításba a hangológomb megnyomásával léphet be.
5. Forgassa el a hangológombot a kívánt év megadásához, a beállítás jóváhagyásához nyomja le a

hangológombot. Forgassa el a hangológombot a kívánt hónap megadásához, a beállítás jóváhagyásához nyomja le a hangológombot. Forgassa el a hangológombot a kívánt nap megadásához, a beállítás jóváhagyásához nyomja le a hangológombot.

Rádiós adatsugárzás (RDS)

Ha a pontos időt az RDS funkcióval állítja be, a pontos idő szinkronizálásra kerül, amint olyan állomásra kapcsol, mely RDS-t használ CT jelek segítségével.

1. Ha RDS-adatokat sugárzó állomásra kapcsol, a kijelzőn látható lesz az RDS jele. Tartsa lenyomva a Menü/Infó gombot.
2. Forgassa el a hangológombot addig, míg az "RDS CT" felirat és egy óra szimbóluma nem lesz látható a kijelzőn. A beállításba a hangológomb megnyomásával léphet be.
3. Forgassa el a hangológombot addig, míg a "RDS CT" nem lesz látható a kijelzőn. A beállítást a hangológomb megnyomásával hagyhatja jóvá. A rádió pontos ideje automatikusan a fogadott RDS-adatoknak megfelelően kerül beállításra.

Megjegyzés:

- A rádió pontos ideje 5 napig lesz érvényes minden alkalommal, amikor a rádió ideje az RDS CT segítségével kerül szinkronizálásra.
- Az RDS CT funkció letiltásához lépjen vissza az 1. és 2. lépéshez, majd fordítsa a hangológombot a „MANUAL” lehetőséghez. A beállítást a hangológomb megnyomásával hagyhatja jóvá.

Ébresztés beállítása

A rádióon két fajta ébresztés beállítására van lehetőség, melyek segítségével AM/FM rádióra vagy sípolásra is ébredhet. Az ébresztés készenléti üzemmódban és lejátszás alatt is beállítható.

Megjegyzés: Az ébresztések beállítása előtt győződjön meg arról, hogy a beállított pontos idő helyes. Ha 10 másodpercig nem nyom meg egy gombot sem, a rádió kilép az ébresztés beállítási módjából.

a. Az ébresztés idejének beállítása:

1. A rádió beállítható bekapcsolt és kikapcsolt állapotban is.
2. Tartsa lenyomva a rádiós ébresztés gombját, a rádiós ébresztés szimbóluma és az ébresztés órája villogni kezd, és közben sípoló hang hallható.
3. Amíg a rádiós ébresztés szimbóluma villog, fordítsa el a hangológombot az ébresztés órájának kiválasztásához, majd az órabeállítás jóváhagyásához nyomja meg a hangológombot. Forgassa el a hangológombot a perc megadásához, a beállítás jóváhagyásához nyomja le a hangológombot.
4. A hangológomb elforgatásával a kijelzőn láthatóak lesznek az ébresztési gyakoriság opciói.

Az ébresztési lehetőségek a következők:

ONCE - egyszeri ébresztés

DAILY - ébresztés minden nap

WEEKDAY – ébresztés csak munkanapokon

WEEKEND – ébresztés csak hétvégén

A beállítást a hangológomb megnyomásával hagyhatja jóvá.

- Amíg a rádiós ébresztés szimbóluma villog, fordítsa el a hangológombot a kívánt hullámsáv és állomás kiválasztásához, majd a kiválasztás jóváhagyásához nyomja meg a hangológombot.
- Forgassa el a hangológombot a kívánt hangerő beállításához, a beállítás jóváhagyásához nyomja le a hangológombot. A rádiós ébresztés beállítása ezzel befejeződik.

Megjegyzés:

- Ha az ébresztéshez nem állít be rádióállomást, akkor a legutóbbi ébresztés állomása kerül kiválasztásra.
- Ha az ébresztés idején a kiválasztott AM vagy FM állomás nem fogható, ahelyett a sípoló ébresztés lesz hallható.

b. A HWS (Humane Wake System) sípoló ébresztés beállítása:

Ha a hangológomb ébresztését választja, sípolás lesz hallható.

A sípoló hang minden 15 másodpercben rövidül egy percen keresztül, a ciklus egy perc csend után újraindul.

- A sípoló ébresztés beállítható bekapcsolt és kikapcsolt állapotban is.
- Tartsa lenyomva a sípoló ébresztés gombját, a szimbólum és az ébresztés órája villogni kezd, és közben sípoló hang hallható.
- Amíg a sípoló ébresztés szimbóluma villog, fordítsa el a hangológombot az ébresztés órájának kiválasztásához, majd az óra beállítás jóváhagyásához nyomja meg a hangológombot. Forgassa el a hangológombot a perc megadásához, a beállítás jóváhagyásához nyomja le a hangológombot.
- A hangológomb elforgatásával a kijelzőn láthatóak lesznek az ébresztési gyakoriság opciói.

Az ébresztési lehetőségek a következők:

ONCE - egyszeri ébresztés

DAILY - ébresztés minden nap

WEEKDAY – ébresztés csak munkanapokon

WEEKEND – ébresztés csak hétvégén.

A beállítást a hangológomb megnyomásával hagyhatja jóvá.

Megjegyzés:

A sípoló ébresztés hangereje nem módosítható.

Az ébresztőhang leállítása

Az ébresztőhang kikapcsolásához nyomja meg a bekapcsológombot.

Az ébresztés letiltása

Ha az ébresztés megszólalása előtt le szeretné tiltani a beállítást, tartsa lenyomva a megfelelő ébresztés gombját,

amíg az ébresztés szimbóluma el nem tűnik a kijelzőről.

Szundi

- Amikor az ébresztés megszólal, a bekapcsológombon kívül bármely gombot megnyomva az ébresztés 5 percre késleltetésre kerül. A kijelzőn a „SNOOZE” felirat lesz látható.
- A szundi késleltetési idejének beállításához tartsa lenyomva a Menü/Infó gombot a menübeállításokhoz.
- Forgassa el a hangológombot, amíg a “SNOOZE X” nem lesz látható a kijelzőn, a beállításba a hangológomb megnyomásával léphet be. A szundi időzítőjét a hangológomb elforgatásával állíthatja 5, 10, 15 és 20 perc között.
- A szundi kikapcsolásához az ébresztés szüneteltetése közben nyomja meg a bekapcsológombot.

Kikapcsolási időzítő

A rádió automatikusan kikapcsol a megadott idő letelte után. A kikapcsolási időzítő 60, 45, 30, 15, 120 és 90 perc között állítható be.

- A kikapcsolási időzítő beállításához tartsa lenyomva a bekapcsológombot. A kijelzőn a “SLEEP XX” felirat jelenik meg.
- A bekapcsológombot addig tartsa lenyomva, amíg a kikapcsolási időzítő opcióit nem látja váltakozni a kijelzőn. Amint a kívánt kikapcsolási időt látja a kijelzőn, állítsa le. A beállítás mentésre kerül, a kijelző pedig visszaáll normál állapotra.
- A rádió automatikusan kikapcsol, amint a beállított idő letelik. A kijelzőn a kikapcsolási időzítő ikonja jelzi, hogy az automatikus kikapcsolás aktív.
- Ha az automatikus kikapcsolást a megadott idő letelte előtt vissza kívánja vonni, egyszerűen kapcsolja ki a készüléket a bekapcsológomb segítségével.

Hangosság

Lehetőség van az alacsony és a magasabb frekvenciák kiegyenlítésére a rádióján a hangosság funkció állításával.

- Lépjén be a menübeállításokhoz a Menü/Infó gomb nyomva tartásával.
- Forgassa el a hangológombot addig, míg a “LOUD ON” vagy a “LOUD OFF” nem lesz látható a kijelzőn. A beállításba a hangológomb megnyomásával léphet be.
- Forgassa el a hangológombot az ON kiválasztásához a hangosság funkció bekapcsolásához, a beállítást a hangológomb megnyomásával hagyhatja jóvá.
- A hangosság funkció kikapcsolásához válassza az OFF lehetőséget, majd hagyja jóvá a beállítást a hangológomb megnyomásával.

Hangszínszabályzó funkció

A hangológomb körül 7 fajta LED jelzőfény foglal helyet, melyek az egyes hangszínmódokat jelenítik meg.

- A rádió bekapcsolásához nyomja meg a bekapcsológombot.

2. A hangszín beállítóménüjébe a hangszínszabályzó gomb megnyomásával léphet be.
3. A hangológomb elfordításával válassza ki a kívánt módot. Kiválasztását a hangológomb megnyomásával hagyhatja jóvá

Hangszín mód	LED fényjelzés
FLAT	Fehér
JAZZ	Kék
ROCK	Piros
CLASSIC	Barna
POP	Rózsaszín
NEWS	Sárga
MY EQ	Zöld

A My EQ (egyéni hangszín) beállítása

1. A hangszín beállítóménüjébe a hangszínszabályzó gomb megnyomásával léphet be.
2. A hangológomb elfordításával válassza ki a „MY EQ” opciót. A hangológomb megnyomásával lépjen be a „BASS” beállítóménüjébe.
3. A hangológomb elforgatásával állítsa be a mélyhang kívánt szintjét. A hangológomb megnyomásával lépjen be a „MIDDLE” beállítóménüjébe.
4. A hangológomb elforgatásával állítsa be a középhangok kívánt szintjét. A hangológomb megnyomásával lépjen be a „TREBLE” beállítóménüjébe.
5. A hangológomb elforgatásával állítsa be a magas hangok kívánt szintjét. A beállítást a hangológomb megnyomásával hagyhatja jóvá.

Megjegyzés:

- Ha a hangszín szabályzásával megemelte a mélyhangszintet és nagy hangerőt választott, az recsegő, zavart hangot eredményezhet. Ebben az esetben állítsa a hangerőt a megfelelő szintre.

ZENEHALLGATÁS BLUETOOTH-ON KERESZTÜL

Az automata kapcsolódáshoz és a rádióról Bluetooth-on keresztül történő zenehallgatáshoz először párosítania kell Bluetooth készülékét a rádióval. A párosítás egy kapcsot hoz létre a két készülék között, hogy meg tudja ismerni egymást.

MEGJEGYZÉS:

- A jobb hangminőség érdekében ajánlatos a Bluetooth eszköze hangerejét a kétharmadnál nagyobbra állítani, a hangerőt ezután a rádión módosíthatja.
- A rádió legfeljebb 8 párosított eszköz megjegyzésére képes, ha ezt a számot meghaladja, a legrégebbi párosítási előzmény felülírásra kerül.

Bluetooth-eszköze párosítása az első alkalomra

1. A bekapcsológomb megnyomásával kapcsolja be a rádiót. Válassza ki a Bluetooth módot a forrásválasztó gomb segítségével. A kijelzőn a "BT PAIR" felirat jelenik meg, a "PAIR" pedig villogni kezd.
2. A rádiót párosításához kapcsolja be a Bluetooth

funkciót a készüléke útmutatója szerint. Keresse meg a Bluetooth-eszközök listáját, majd válassza ki a listából "DMR114" (nevű eszközt A.BT.2.1 verziójánál korábbi Bluetooth eszközök esetén lehet, hogy meg kell adnia a "0000" jelkódot).

3. Sikeres csatlakozás esetén egy megerősítő hangjelzést fog hallani. A „BLUETOOTH” felirat a kijelzőn marad, a háttérfény pedig 10 másodperc múlva elsötétedik. Egyszerűen válassza ki és játssza le zenét a forráseszközéről. A hangerőt forráseszközén is állíthatja, vagy közvetlenül a rádión.
4. A műsorszámok közötti léptetésre, valamint a lejátszásra és a lejátszás megszakítására a Bluetooth-eszközön is közvetlenül a rádión is van lehetőség.

MEGJEGYZÉS:

- Ha 2 Bluetooth eszköz először kapcsolódik, mindkettő keresni kezdi a rádiót, az mindkettőn meg is fog jelenni. Az egyik eszközzel történő párosítást követően azonban a másik eszköz már nem fogja látni a rádiót.
- Ha a Bluetooth-eszköz csatlakozása a rádióhoz átmenetileg megszakad, a csatlakozást újra el kell végeznie manuálisan.
- Ha a "DMR114" látható a Bluetooth-eszköz listáján, de a csatlakozás sikertelen, törölje le az elemet a listáról, majd végezze el a párosítást az eszközzel az előzőekben ismertetett lépések szerint.
- A Bluetooth optimális hatósugara a rádiótól számítva körülbelül 10 méter (látótávolságban)
- Ha a Bluetooth kapcsolódás a leválasztási idő hosszúsága, a hatótávolság túllépése, akadályok vagy hasonló miatt megszakad, a csatlakozást lehet, hogy meg kell ismételn.
- A kapcsolat minőségét fizikai akadályok, más vezeték nélküli vagy elektromágneses eszközök is befolyásolhatják.
- A Bluetooth kapcsolódás minősége a párosított eszközöktől is függ. A rádióhoz való kapcsolódás előtt nézzon utána az eszköze Bluetooth kapacitásának. Egyes párosított eszközök nem támogatják az összes funkciót.

Hangfájlok lejátszása Bluetooth módban

Miután a rádió sikeresen kapcsolódott egy kiválasztott Bluetooth-eszközhöz, a lejátszást vezérelheti a kapcsolódó Bluetooth-eszköze segítségével.

1. Miután a lejátszás megkezdődött, a hangerőt a rádió hangerőszabályzó gombja vagy a Bluetooth-eszköz hangerőszabályzója segítségével állíthatja.
2. A lejátszás elindításához, szüneteltetéséhez, illetve a zeneszámok közti váltáshoz használja Bluetooth forráseszköze kezelőszerveit. Emellett a lejátszás irányítható a lejátszás/szünet, a következő zeneszám, előző zeneszám gombokkal is a rádión.
3. Tartsa lenyomva a következő vagy az előző zeneszám gombját az aktuális zeneszámon belüli gyorskereséshez. Amint elérte a kívánt helyet, engedje fel a gombot.

MEGJEGYZÉS:

- Egyes zenelejátszó alkalmazások és eszközök nem biztos, hogy reagálnak minden kezelési műveletre.

- Egyes mobiltelefonoknál hívások indításakor vagy fogadásakor a kapcsolat átmenetileg megszakadhat. Más eszközöknél a Bluetooth zenelejátszása szöveges üzenetek, e-mailek fogadásakor vagy más, a zenelejátszástól független okból egy rövid időre elnémulhat. Az ilyen viselkedés a csatlakoztatott eszköz funkciója, nem a rádió meghibásodására utal.

Lejátszás egy előzőleg párosított Bluetooth-forrásról

Amennyiben Bluetooth-eszközét már korábban párosította a rádióval, a készülék megjegyzi azt, és megpróbál kapcsolódni ahhoz az eszközhöz, amelyhez a legutóbb kapcsolódott. Ha a legutóbb kapcsolódott eszköz nem elérhető, a rádió felfedezhető állapotban marad.

Bluetooth-eszközök leválasztása

Tartsa lenyomva a Bluetooth párosítás gombját 2-3 másodpercig, amíg a "BT PAIR" feliratot nem látja a kijelzőn vagy kapcsolja ki a Bluetooth funkciót készülékén a csatlakozás megszüntetéséhez.

A csatlakozás megszüntethető úgy is, hogy a forrásválasztó gomb segítségével a Bluetooth üzemmódról bármely más módra vált.

A megjegyzett párosított eszközök törlése

A memóriában tárolt korábban párosított készülékeket kitörölheti a Bluetooth párosítás gombjának 5 másodpercig tartó nyomva tartásával, amíg a „CLEARING” felirat meg nem jelenik a kijelzőn.

AUX SEGÉDBEMENET

A készülék az előlő oldalán rendelkezik egy 3,5 mm-es AUX bemenettel is, mely lehetővé teszi egyes külső eszközökről például MP3- vagy CD-lejátszókról audiojelek továbbítását a készülékre.

1. Csatlakoztasson egy külső audioforrást (pl. MP3- vagy CD-lejátszót) az AUX IN bemenethez.
2. A rádió bekapcsolásához nyomja meg a bekapcsológombot.
3. Nyomja meg a forrásválasztó gombot többször egymás után addig, míg az „AUX IN” felirat meg nem jelenik a képernyőn.
4. A jobb hangminőség érdekében ajánlatos a Bluetooth eszköze hangerejét a kétharmadnál nagyobbra állítani, a hangerőt ezután a rádión módosíthatja.

Megjegyzés:

Audiókábel nincs a mellékelt tartozékok között.

KARBANTARTÁS

⚠ VIGYÁZAT :

- **Soha ne használjon gázolajt, benzint, hígítót, alkoholt vagy hasonló anyagokat. Ezek elszíneződést, alakvesztést vagy repedést okozhatnak.**
- **A rádiót ne mossa le vízzel.**

MŰSZAKI ADATOK

Elektromos tápellátás követelményei	
Váltóáramú tápegység	12 V egyenáram, 2.5A, pozitív pólus a központi tűn
Akkumulátor	UM-3 (AA méret) 2 db kisegítő elem Becsúszatható akkumulátor: 10,8V - 18V
Frekvenciatartomány	FM 87,50-108 MHz (0,05 MHz/lépés) AM (MW) 522-1,710kHz (9 kHz/lépés)

Bluetooth®	
(A Bluetooth® szövédjegy és emblémák a Bluetooth SIG, Inc. tulajdonában lévő bejegyzett védjegyek.)	
Bluetooth verzió	5.0 Tanúsítva
Bluetooth profilok	A2DP / SCMS-T / AVRCP
Átviteli teljesítmény	Power Class2
Átviteli tartomány	Optimális: Max. 10 méter Lehetséges: Max. 30 méter (függ a használati feltételektől)
Támogatott codec	SBC
Kompatibilis Bluetooth	A2DP / AVRCP
Maximális rádiófrekvencias teljesítmény:	BT EDR: 3.91dBm
Működési frekvencia	2402MHz~2480MHz

Áramköri tulajdonságok	
Hangszóró	2.5 hüvelyk, 8 ohm x2 4 hüvelyk, 6 ohm x1
Kimenő teljesítmény	10.8V-12Vmax: 2W x2 +10W 14.4V: 3W x2 +15W 18V: 5W x2 + 25W
Bemeneti csatlakozó	3,5 mm átm. (AUX IN)
Antenna rendszer	FM : Beépített antenna AM : rúdantenna
Méretek (H x Sz x M)	268 x 164 x 295 mm
Tömeg	4.9 KG (akkumulátor nélkül)

SLOVENČINA

(Pôvodné pokyny)

VYSVETLENIE HLAVNÉHO NÁHĽADU (Obr. 1)

1. Vstavaná anténa (AM)
2. Rukoväť / Vstavaná anténa (FM)
3. Skrinka na batérie
4. Kryt priestoru pre batérie (kryt akumulátora)
5. Reproduktor
6. Zásuvka DC IN
7. Subwoofer (sub-basová jednotka)
8. Tlačidlo napájania / časovača spánku
9. Tlačidlo Zdroj
10. Tlačidlo rádiového alarmu
11. Tlačidlo budíka
12. Prednastavené tlačidlo 3 / Prehrať / Pozastaviť
13. Tlačidlo predvoľby 5
14. Tlačidlo predvoľby 4 / Ďalšie skladby
15. Ovládač hlasitosti / ladenia / Vyberte gombík
16. Ovládacie tlačidlo EQ
17. Zásuvka AUX IN
18. Port USB pre napájanie
19. Tlačidlo Menu / Info
20. Indikátor LED režimu EQ
21. Tlačidlo predvoľby 2 / Predchádzajúca skladba
22. Tlačidlo predvoľby 1 / Bluetooth
23. LCD displej
24. Priestor batérie
25. Zálohujte batériový priestor

LCD DISPLEJ

- A. Rádiový budík
- B. zvukový alarm
- C. Stereo symbol
- D. Indikátor vybitia batérie
- E. Hodiny
- F. frekvencia
- G. RDS (Rádiový dátový systém)
- H. Ikona časovača spánku
- I. PM pre hodiny

SYMBOLY

Nasledujúci text zobrazuje symboly použité na zariadení. Uistite sa, že im pred použitím rozumiete.



Prečítajte si návod na použitie.



Len pre krajiny EÚ.

Nevyhadzujte elektrické zariadenia ani

batérie spolu s domovým odpadom! Dodržiavanie Európskych smerníc o Odpade z elektrických a elektronických zariadení a batérií a akumulátorov a Odpadových batérií a akumulátorov a ich implementácia v súlade s národnými zákonmi, elektrické zariadenia a batérie a batériové články, ktoré dosiahli koniec životnosti sa musia zbierať oddelene a vrátiť do životného prostredia kompatibilného recyklačného zariadenia.

DÔLEŽITÉ BEZPEČNOSTNÉ UPOZORNENIA

UPOZORNENIE :

Pri použití elektrických prístrojov je vždy dôležité dodržiavať bezpečnostné opatrenia- aby sa predišlo riziku vzniku ohňa, elektrickému šoku a osobným zraneniam- vrátane nasledujúcich:

1. Pred použitím si pozorne prečítajte tento návod na použitie a tiež návod na použitie pre nabíjačku.
2. Čistite len suchou handrou.
3. Neumiestňujte v blízkosti zdrojov tepla ako sú radiátory, tepelné registre, pece, a ďalších prístrojov (vrátane zosilňovačov), ktoré produkujú teplo.
4. Používajte len prípojky/príslušenstvo špecifikované výrobcom.
5. Vytiahnite zo zdroja počas búrok alebo ak zariadenie nevyužívate dlhšiu dobu.
6. Akumulátorom napájané rádio s integrovaným akumulátorom, alebo so samostatným akumulátorom sa smie nabíjať len vyšpecifikovanou nabíjačkou akumulátora. Nabíjačka vhodná pre jeden typ akumulátora môže pri inom type akumulátora spôsobiť riziko vzniku požiaru.
7. Rádio napájané akumulátorom používajte iba so špecifickým typom akumulátora. Použitie iného typu akumulátora môže spôsobiť riziko vzniku požiaru.
8. Ak akumulátor nepoužívate, držte ho mimo dosahu kovových predmetov ako sú: kancelárske sponky, mince, kľúče, klince, skrutky alebo ďalšie drobné kovové predmety, ktoré môžu nadviazať prepojenie z jedného pólu na druhý. Skratovaním kontaktov akumulátora môže dôjsť k iskreniu, popáleninám alebo požiaru.
9. Vyhnite sa kontaktu tela s uzemnenými povrchmi, ako sú potrubia, radiátory, sporáky a chladničky. Existuje zvýšené riziko úrazu elektrickým prúdom, ak vaše telo je uzemnené.
10. V nevhodných podmienkach môže kvapalina z akumulátora unikať; vyhnite sa kontaktu. Ak náhodou dôjde ku kontaktu, opláchnite vodou. Pri zasiahnutí očí, vyhľadajte lekársku pomoc. Unikajúca kvapalina z batérie môže spôsobiť podráždenie pokožky alebo

- popáleniny.
11. Nepoužívajte batériové články alebo nástroje, ktorý sú poškodené alebo upravené. Poškodené alebo upravené batérie môžu mať nepredvídateľné správanie, ktoré môže viesť k požiaru, explózii alebo riziku poranenia.
 12. Nevystavujte batériu alebo nástroj ohňu alebo nadmernej teplote. Vystavenie ohňu alebo teploty nad 130 °C(266°F) môže viesť k výbuchu.
 13. Riadťe sa všetkými inštrukciami pre nabíjanie a nenabíjajte batériu alebo nástroj mimo rozsah teplôt špecifikovaných v návode. Nesprávne nabíjanie, alebo pri teplotách mimo špecifikovaný rozsah, môže viesť k poškodeniu batérie a zvýšiť riziko ohňa.
 14. Sieťová zástrčka sa používa ako odpojacie zariadenie a musí byť ľahko prístupná.
 15. Nepoužívajte produkt dlhší čas pri vysokej hlasitosti. Aby ste predišli poškodeniu sluchu, používajte produkt na strednej úrovni hlasitosti.
 16. (Len pre výrobky s LCD displejom) LCD displeje obsahujú tekutinu, ktorá môže spôsobiť podráždenie i otravu. Ak kvapalina prenikne do očí, úst alebo pokožky, vypláchnite ju vodou a zavolajte lekára.
 17. Nevystavujte výrobok dažďu ani mokrému prostrediu. Vniknutie vody do výrobku zvyšuje riziko úrazu električkým prúdom.
 18. Tento výrobok nie je určený na použitie osobami (vrátane detí) so zníženými fyzickými, zmyslovými alebo duševnými schopnosťami alebo nedostatkom skúseností a vedomostí, pokiaľ nie sú pod dohľadom alebo počení o používaní výrobku osobou zodpovednou za ich bezpečnosť. Deti by mali byť pod dozorom, aby sa zamedzila ich hra s týmto výrobkom. Výrobok uchovávajte mimo dosahu detí.
- (3) Nevystavujte zásobník batérie vode a dažďu. Skrat batérie môže spôsobiť veľký prietok prúdu, prehrievanie, možné popáleniny a poruchu.
 6. Neskladujte prístroj a zásobník batérie na miestach, kde môže teplota dosiahnuť alebo prekročiť 50 ° C (122 ° F)
 7. Nespaľujte zásobník batérie, ani keď je vážne poškodený alebo celkom opotrebovaný. Zásobník batérie môže v ohni vybuchnúť.
 8. Dávajte pozor, aby ste batériu neupustili ani s ňou neudierali.
 9. Nepoužívajte poškodenú batériu.
 10. Pre vyhnutie sa riziku pri použití si prečítajte najprv manuál na výmenu batérie. A maximálny vybíjací prúd batérie by mal byť väčší alebo rovný 8A.
 11. Obsahované lítium-iónové batérie podliehajú požiadavkám právnych predpisov týkajúcich sa nebezpečného tovaru. Pre komerčnú prepravu, napr. tretími stranami, zasilateľmi, musí byť dodržané osobitné balenie a označenie. Pre prípravu odoslania položky musí byť konzultovaný expert na nebezpečný materiál. Dodržujte prosím aj možné podrobnejšie národné predpisy. Zalepte páskou alebo zakryte otvorené kontakty a zabaľte batériu tak, aby sa nemohla v balení pohybovať.
 12. Dodržujte miestne predpisy týkajúce sa likvidácie batérie.
 13. Používajte batérie iba s výrobkami špecifikovanými spoločnosťou Makita. Inštalácia batérií do nevyhovujúcich výrobkov môže viesť k vzniku požiaru, nadmernému teplu, výbuchu alebo úniku elektrolytu.

⚠ POZOR:

- **Nebezpečenstvo explózie ak je batéria vymenená nesprávne.**
- **Nahradiť iba za rovnaký alebo ekvivalentný typ.**
- **Používajte len originálne batérie Makita. Použitie neoriginálnych batérií alebo batérií, ktoré boli upravené, môže mať za následok výbuch batérie spôsobujúci požiar, zranenie a poškodenie. Tiež to povedie k zrušeniu záruky na výrobok a nabíjačku Makita.**

Tipy pre zachovanie maximálnej životnosti batérie

1. Nabite zásobník batérie pred úplným vybitím. Vždy najprv zastavte prístroj a dobite zásobník batérie, keď si všimnete jeho znížený výkonu.
2. Nikdy nenabíjajte úplne nabitý zásobník batérie. Prebíjanie skracuje životnosť batérie.
3. Nabíjajte zásobník batérie pri izbovej teplote 10 ° C - 40 ° C (50 ° F - 104 ° F). Nechajte horúci zásobník batérie vychladnúť pred nabíjaním.
4. Nabite zásobník batérie, ak ho neplánujete používať dlhšiu dobu (viac ako šesť mesiacov).

UCHOVAJTE SI Tieto POKYNY

ŠPECIFICKÉ BEZPEČNOSTNÉ PRAVIDLÁ PRE ZÁSBNÍK BATÉRIE

1. Pred použitím zásobníka batérie si prečítajte všetky pokyny a varovné symboly na (1) nabíjačke, (2) batérii a (3) výrobku využívajúceho batériu.
2. Nikdy zásobník batérie nerozoberajte.
3. Ak sa prevádzková doba príliš skrátala, prerušte okamžite prevádzku. Môže to mať za následok riziko vzniku prehrievania, popálenia alebo dokonca výbuchu.
4. Ak sa elektrolyt dostane do očí, vypláchnite ich čistou vodou a ihneď vyhľadajte lekársku pomoc.Môže to viesť k strate zraku.
5. Neskratujte zásobník batérie:
 - (1) Nedotýkajte sa pólom žiadnym vodivým materiálom.
 - (2) Zásobník batérie neskladujte v nádobe s inými kovovými predmetmi, ako sú klince, mince, a pod.

DOBA PREVÁDZKY

* Vhodné batérie pre toto rádio sú uvedené v nasledujúcej tabuľke.

* Nasledujúca tabuľka ukazuje dobu prevádzky na jedno nabitie.

Kapacita akumulátora	Napätie bloku akumulátora			AT VÝSTUP REPRODUKTORA = 100mW Jednotka: Hodina (približne)	
	10.8V -12Vmax	14.4V	18V	V režime rádio alebo v režime externého zariadenia (AUX)	V technológii Bluetooth + USB nabíjanie
1.3 Ah		BL1415		3.5	0.7
			BL1815	4.0	1.0
1.5 Ah	BL1015 BL1016			6.0	0.8
		BL1415N BL1415NA		4.5	0.9
			BL1815N	5.0	1.2
2.0 Ah	BL1020B BL1021B			8.0	1.0
			BL1820 BL1820B	6.5	1.6
3.0 Ah		BL1430 BL1430B BL1430A		8.0	1.6
			BL1830 BL1830B	9.5	2.3
4.0 Ah	BL1040B BL1041B			16	2.1
		BL1440		13	2.5
			BL1840 BL1840B	13	3.2
5.0 Ah		BL1450		15	3.0
			BL1850 BL1850B	17	4.2
6.0 Ah		BL1460B BL1460A		17	3.3
			BL1860B	21	5.0

⚠ UPOZORNENIE:

Používajte len kazety s batériami uvedené vyššie. Používanie akýchkoľvek iných kaziet s batériami môže spôsobiť zranenie a / alebo požiar.

Poznámka:

- Tabuľka týkajúca sa vyššie uvedenej doby prevádzky akumulátora je referenčná.
- Skutočná doba prevádzky sa môže líšiť v závislosti od typu batérie, stavu nabíjania alebo prostredia používania.

INŠTALÁCIA A NAPÁJANIE

⚠ VAROVANIE:

- Pri otvorení a zatvorení krytu priehradky na akumulátor si dávajte pozor na zranenie prstov.
- Po vložení alebo odobratí akumulátora z priehradky ju znovu zablokujte. V opačnom prípade môže akumulátor vypadnúť z rádia a poraniť Vás alebo druhých.
- Pred prenesením rádia vždy uzavrite a zablokujte priehradku na akumulátor.
- Pred inštaláciou alebo vybratím akumulátora vždy vypnite rádio.
- Dbajte na to, aby Vám rádio nepadlo alebo ste doň nevrazili. Rozbitý povrch Vás môže zraniť. Poškodené rádio môže fungovať nepredvídateľne a spôsobiť požiar, výbuch alebo nebezpečenstvo poranenia.

DÔLEŽITÉ:

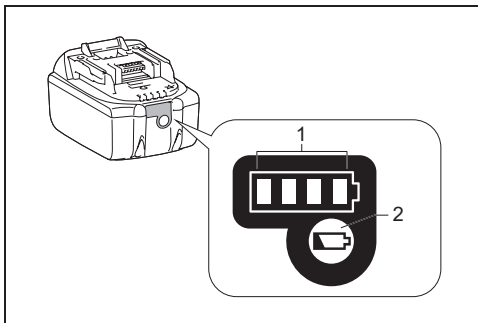
- Znížená spotreba energie, skreslenie, "stuttering sound" alebo ak sa na displeji objaví indikátor nízkej batérie "POWERFAIL", všetko naznačuje, že je potrebné vymeniť hlavnú batériu.
- Keď sa objaví indikátor vybitých batérií a indikátor "EMPTY" stále bliká, je čas na výmenu záložných batérií.
- Akumulátor nemôže byť nabíjaný pomocou dodaného sieťového adaptéra.
- Akumulátor nie je súčasťou štandardného balenia.

Inštalácia alebo vybratie bloku zásuvného akumulátora (Obr. 4 a 5)

- Akumulátor vložte tak, že jazyk na bloku akumulátora nasmerujete na ryhu v kryte a zasuniete ho na miesto. Vždy zatlačte úplne, kým kliknutím nezapadne v správnej polohe.
- Ak vidíte červený indikátor na hornej strane tlačidla, nie je správne zapadnutý. Nainštalujte ho teda úplne tak, aby tento červený indikátor nebolo vidieť. V opačnom prípade môže náhodne vypadnúť z rádia a ublížiť vám alebo osobám v okolí.
- Blok akumulátora nekladajte nasilu. Ak sa blok akumulátora nedá zasunúť ľahko, nekladáte ho správne..
- K odstráneniu bloku akumulátora ho vysuňte z rádia za súčasného vysúvania tlačidla na jeho prednej strane.

Indikácia zostávajúceho nabitia akumulátora

* Len akumulátory s označením „B“ na konci čísla modelu.



➤ 1. Kontrolky 2. Tlačidlo kontroly

Ak chcete zobraziť zostávajúce nabitie akumulátora, stlačte tlačidlo Check (Kontrola) na akumulátore. Na niekoľko sekúnd sa rozsvietia svetelné indikátory.

• 14.4V/18V batérie

Kontrolky			Zostávajúca kapacita
Rozsvietené	Vypnuté	Blikajúce	
■ ■ ■ ■			75% ~ 100%
■ ■ ■ □			50% ~ 75%
■ ■ □ □			25% ~ 50%
■ □ □ □			0% ~ 25%
▬ □ □ □			Nabíte batériu
■ ■ □ □	↑ ↓	■ ■	Batéria pravdepodobne zlyhala

• 10.8V-12V max batérie

Kontrolky			Zostávajúca kapacita
Rozsvietené	Vypnuté	Blikajúce	
■ ■ ■ ■			75% ~ 100%
■ ■ ■ □			50% ~ 75%
■ ■ □ □			25% ~ 50%
■ □ □ □			0% ~ 25%

POZNÁMKA :

V závislosti od podmienok použitia a okolitej teploty sa môže zobrazenie mierne líšiť od skutočnej kapacity.

Instalácia záložnej batérie (Obr. 2 a 3)

Udržiavanie záložných batérií vo vnútri priestoru zabraňuje strate uložených údajov v prednastavených pamätiach.

1. Vytiahnite kryt priestoru pre batérie a uvoľnite priestor pre batériu. K dispozícii je hlavná priehradka pre batérie a zálohovaný priestor pre batérie.
2. Odstráňte kryt priestoru pre batérie a vložte 2 nové batérie veľkosti UM-3 (veľkosť AA). Presvedčte sa, či sú batérie správne polarizované, ako je uvedené v priečniku. Vymeňte kryt batérie.
3. Po vložení záložných batérií vložte hlavnú batériu na napájanie rádia.

Použitie dodaného sieťového adaptéra.

Odstráňte gumovú ochranu a vložte zástrčku adaptéra do zásuvky na jednosmerné napätie na pravej strane rádia. Zastrčte adaptér do štandardnej sieťovej zásuvky. Keď je používaný adaptér, je akumulátorový blok automaticky odpojený.

⚠ VAROVANIE:

- **Pred prenesením rádia vždy sieťový adaptér vypojte. V opačnom prípade môže prísť k elektrickému šoku.**
- **Nikdy neťahajte za kábel sieťového adaptéra. Rádio by mohli padnúť a spôsobiť zranenie Vám alebo druhým.**

DÔLEŽITÉ:

- Adaptér je určený na zapojenie rádia do elektrickej siete. Počas používania rádia musí byť sieťová zásuvka prístupná.
- Pre vypojenie rádia vypojte adaptér zo zásuvky.
- Používajte napájací adaptér dodávaný spolu s výrobkom alebo špecifikovaný spoločnosťou Makita.
- Nedržte kábel napájania a zásuvku ústami. Mohlo by to spôsobiť zásah elektrickým prúdom.
- Nedoťkajte sa elektrickej zástrčky mokrymi alebo masťnými rukami.
- Poškodené alebo zamotané káble zvyšujú nebezpečenstvo zásahu elektrickým prúdom. Ak je kábel poškodený, nechajte ho vymeniť našim autorizovaným servisným strediskom, aby sa predišlo bezpečnostnému riziku. Nepoužívajte ho pred opravou.
- Po použití vždy uložte sieťový adaptér mimo dosahu detí. Ak sa deti hrajú s káblom, môžu utrpieť zranenie.

Poznámka:

Ak má rádio akékoľvek rušenie v pásme AM príčiním adaptéra, presuňte rádio od sieťového adaptéra na viac ako 30 cm.

Nabíjanie pomocou USB portu na napájanie

Na prednej strane rádia sa nachádza USB port.

Zariadenie s rozhraním USB môžete nabíjať pomocou USB portu.

1. Zariadenie s rozhraním USB, napr. prehrávač MP3 alebo prehrávač diskov CD pripojte pomocou USB kábla dostupného na trhu.
2. Stlačením tlačidla Napájanie zapnite rádio.
3. Bez ohľadu na to, či je rádio napájané striedavým prúdom alebo batériami, rádio môže nabíjať zariadenie s rozhraním USB, ak je rádio zapnuté, a je v režime FM rádia, režime rozhrania Bluetooth (BT) alebo v režime externého zariadenia (AUX), ktoré sa zobrazí po pripojení externého zdroja zvuku.

Poznámka:

- V režime AM nie je možné nabíjať zariadenia USB, pretože pri nabíjaní zariadenia USB je rádiový signál veľmi slabý.
- Počas nabíjania pomocou rozhrania USB sa maximálna hlasitosť na výstupe reproduktora zníži.
- Zásuvka dokáže zabezpečiť elektrický prúd maximálnej hodnoty 2.4A, 5 V.

Dôležité:

- Pred pripojením zariadenia s rozhraním USB do USB portu vždy vykonajte zálohovanie svojich údajov uložených v zariadení s rozhraním USB. V opačnom prípade môže dôjsť ku strate údajov.
- Radio nedokáže napájať niektoré zariadenia s rozhraním USB.
- Počas nepoužívania alebo po nabití odpojte USB kábel a zatvorte kryt.
- K USB portu nepripájajte zdroj napájania. V opačnom prípade môže dôjsť k riziku požiaru. USB port je určený len na nabíjanie nízkonapäťového zariadenia. Ak nebudete nízkonapäťové zariadenie nabíjať, vždy na USB port nasadte kryt.
- Do napájacieho USB portu nezasúvajte klinec, drôt a pod. V opačnom prípade môže dôjsť ku skratovaniu obvodu s následným dymením a vznikom požiaru.
- Túto USB zásuvku nepripájajte k USB portu na počítači, pretože je veľmi pravdepodobné, že dôjde k poškodeniu jednotiek.

POČÚVANIE RÁDIA

Ladenie skenovania AM / FM

Poznámka: FM anténa je zabudovaná do rukoväte. Pri obsluhu rádia narovnajte rukoväť správne nad rádiom, aby ste získali lepší príjem. Pre AM pásmo otočte rádio tak, aby ste získali čo najlepší signál, pretože AM anténa je zabudovaná do rádia.

1. Stlačením tlačidla Napájanie zapnite rádio.

2. Stlačením tlačidla Source (Zdroj) vyberte režim AM alebo FM rádio.
3. Stlačte a podržte gombík Ladenie a vykonajte automatické ladenie. Rádio vyhľadá pásmo AM / FM z aktuálne zobrazenej frekvencie a automaticky zastaví vyhľadávanie, keď nájde stanicu s dostatočnou silou.
4. Po niekoľkých sekundách sa displej aktualizuje. Na displeji sa zobrazí frekvencia nájdeného signálu.
5. Ak chcete nájsť ďalšiu stanicu, stlačte a podržte ovládač Ladenie ako predtým.
6. Keď sa dosiahne koniec vlnového pásma, vaše rádio znova spustí ladenie z opačného konca vlnového pásma.
7. Otočte ovládač ladenia, ak chcete nastaviť hladinu zvuku podľa potreby.

Poznámka:

- Pri nastavovaní hlasitosti sa uistite, že na obrazovke neblíkajú funkcia FM / AM.
 - Ak na obrazovke blíkajú indikátor AM / FM, umožňujú manuálne naladiť stanice (podrobnejšie informácie nájdete v časti "Manuálne ladenie - AM / FM").
 - Hlasitosť by nemala byť príliš vysoká. Aby ste predišli možnému poškodeniu sluchu, nepočúvajte na vysokej úrovni hlasitosti dlhšiu dobu.
8. Ak chcete vypnúť rádio, stlačte tlačidlo napájania.

Manuálne ladenie - AM / FM

1. Stlačením tlačidla Napájanie zapnite rádio.
2. Stlačením tlačidla Zdroj vyberte režim AM alebo FM rádio.
3. Stlačte ovládač Ladenie a uvidíte, že na displeji blíkajú FM alebo AM.

Poznámka:

- FM / AM bude blíkajú približne 10 sekúnd. Počas tohto obdobia je povolené iba manuálne ladenie.
 - Ak je požadované nastavenie úrovne hlasitosti počas blikania pásma FM / AM, stlačte ovládací gombík ladenia na zastavenie blikania a môžete otočiť ovládač ladenia pre nastavenie úrovne zvuku.
4. Otáčaním ovládacieho tlačidla ladenia naladíte stanicu.
 5. Keď sa dosiahne koniec vlnového pásma, vaše rádio znova spustí ladenie z opačného konca vlnového pásma.
 6. Otáčaním ovládacieho tlačidla Ladenie nastavte požadovanú hladinu zvuku.

Predvolené stanice v režime AM / FM

K dispozícii je 5 predvolieb pre AM a FM rádio. Používajú sa rovnakým spôsobom pre každé vlnové pásmo.

1. Stlačením tlačidla Napájanie zapnite rádio.
2. Stlačením tlačidla Source (Zdroj) vyberte požadované vlnové pásmo. Naladte požadovanú rozhlasovú stanicu, ako sme už vysvetlili predtým
3. Stlačte a podržte požadované tlačidlo predvolby (1

- až 5), kým sa na displeji nezobrazí napríklad "P4" po frekvencii. Stanica bude uložená pomocou čísla predvolby. Opakujte tento postup pre zostávajúce predvolby podľa vlastného želania.
4. Prednastavené stanice, ktoré už boli uložené, môžu byť v prípade potreby prepísané podľa vyššie uvedeného postupu.

Režimy zobrazenia - FM

Rádio má širokú škálu možností zobrazenia režimu FM rádia.

Opakovaným stlačením tlačidla Menu / Info zobrazíte informácie RDS stanice, ktorú počúvate.z.

- | | |
|-----------------|---|
| a. Station name | Zobrazuje názov stanice ktorú počúvate |
| b. Program type | Zobrazuje typ vysielanej stanice ako Pop, Klasik, Správy, atď. |
| c. Radio text | Zobrazuje rozhlasovú textovú správu, napríklad nové položky atď. |
| d. Year/Day | Zobrazuje rok a deň v týždni podľa nastavenia dátumu vášho rádia. |
| e. Date/Day | Zobrazuje dátum a deň v týždni podľa nastavenia dátumu vášho rádia. |
| f. EQ mode | Zobrazuje režim EQ z vysielania FM danej vysielanej stanice. |
| g. Frequency | Zobrazuje frekvenciu vysielanej FM stanice. |

FM stereo (auto)/mono

Ak vysielajú FM rozhlasová stanica má slabý signál, niektoré zvuky (napríklad šum) môžu byť počuteľné. Toto je možné znížiť tým, že nastavíme rádio hrať stanicu v mono ako v stereo režime.

1. Podľa potreby stlačte tlačidlo Source (Zdroj), aby ste vybrali pásmo FM a naladili sa na požadovanú FM stanicu, ako bolo uvedené vyššie.
2. Stlačte a podržte tlačidlo Menu / Info pre vstup do nastavenia ponuky.
3. Otočte ovládač ladenia, kým sa na displeji nezobrazí "FM AUTO (alebo MONO)". Ak je nastavenie automatické, stlačte ovládač ladenia a potom otočte ovládací gombík ladenia pre prepnutie do režimu Mono, aby sa znížil sklon. Stlačte ovládací gombík ladenia a vyberte možnosť.

Vyvolanie predvolby v režime AM / FM

1. Stlačením tlačidla Napájanie zapnite rádio.
2. Stlačením tlačidla Source (Zdroj) vyberte režim AM alebo FM rádio
3. Krátkodobou stlačením požadované tlačidlo predvolby, aby ste naladili rádio na jednu z staníc uložených v pamäti predvolieb.

MISCELLANEOUS SETTINGS

Nastavenie formátu času a dátumu

Zobrazenie hodín, ktoré sa používa v pohotovostnom režime a na obrazovkách režimu prehrávania, je možné nastaviť na iný formát. Zvolený formát sa potom použije aj pri nastavení alarmov.

1. Stlačte a podržte tlačidlo Menu / Info a vstúpte do nastavenia ponuky.
2. Otočte ovládací gombík ladenia, kým sa na displeji nezobrazí "CLOCK xxH" a stlačte ovládací gombík Tuning pre vstup do nastavenia. Uvidíte, že formát času začne blikať.
3. Otáčaním ovládacieho tlačidla Ladenie vyberte formát 12 alebo 24 hodín. Stlačením ovládacieho tlačidla Ladenie potvrdíte výber formátu hodín.

Poznámka:

Ak je zvolený 12-hodinový formát hodín, rádio potom použije 12-hodinové hodiny pre nastavenie.

4. Stlačte a podržte tlačidlo Menu / Info a vstúpte do nastavenia ponuky.
5. Otočte ovládačom ladenia, až kým sa na displeji nezobrazí dátum (napr. THU APR 3) a stlačte ovládací gombík Ladenie pre vstup do nastavenia. Uvidíte, že formát dátumu začne blikať.
6. Otočte ovládací gombík Ladenie a vyberte požadovaný formát dátumu. Stlačením ovládacieho tlačidla Ladenie potvrdíte výber

Nastavenie času a dátumu

1. Stlačte a podržte tlačidlo Menu / Info.
2. Otočte ovládač Ladenie, kým sa na displeji nezobrazí "CLOCK ADJ". Stlačte ovládací gombík Ladenie pre vstup do nastavenia.
3. Nastavenie hodín na displeji začne blikať. Otáčaním ovládacieho tlačidla Ladenie vyberte požadovanú hodinu a stlačením ovládacieho tlačidla Ladenie potvrdíte nastavenie. Potom otočte ovládací gombík Ladenie a zvolte požadovanú minútu a stlačením gombíka Ladenie potvrdíte nastavenie.
4. Otočte ovládač ladenia, kým sa na displeji nezobrazí "DATE ADJ". Stlačte ovládací gombík Ladenie pre vstup do nastavenia.
5. Otáčaním ovládača ladenia vyberte požadovaný rok a stlačením ovládacieho tlačidla Ladenie potvrdíte nastavenie. Potom otočte ovládač ladenia, aby ste si vybrali požadovaný mesiac a stlačte ovládač ladenia na potvrdenie nastavenia. Potom otočte ovládač ladenia pre výber požadovaného dátumu a stlačte ovládač Ladenie na potvrdenie nastavenia.

Rádiový dátový systém (RDS)

Keď nastavíte čas na hodinách pomocou funkcie RDS,

vaše rádio zosynchronizuje čas hodín kedykoľvek naladi na rozhlasovú stanicu pomocou signálu RDS s CT signálom.

1. Pri ladení na stanicu vysielajúcu údaje RDS sa na displeji zobrazí symbol RDS. Stlačte a podržte tlačidlo Menu / Info.
2. Otočte ovládač ladenia, kým sa na displeji nezobrazí symbol "RDS CT" a symbol hodín. Stlačte ovládací gombík Ladenie pre vstup do nastavenia.
3. Otočte ovládač ladenia, kým sa na displeji nezobrazí "RDS CT". Stlačením ovládacieho tlačidla Ladenie potvrdíte nastavenie. Čas hodín rádia sa nastaví automaticky podľa prijatých údajov RDS.

Poznámka:

- Čas rádia bude platný po dobu 5 dní pri každom synchronizovaní rádiového času s RDS CT.
- Ak chcete vypnúť funkciu RDS CT, vráťte sa na krok 1 až 2 a otočte ovládačom Ladenie a vyberte možnosť "MANUAL". Stlačením ovládacieho tlačidla Ladenie potvrdíte nastavenie.

Nastavenie budíka

Vaše rádio má dva alarmy, ktoré môžu byť nastavené tak, aby vás prebudili na rádio AM / FM alebo budík. Alarmy sa môžu nastaviť, keď je zariadenie v pohotovostnom režime alebo počas prehrávania.

Poznámka:

Pred nastavením alarmov sa uistite, či máte správne nastavený čas. Ak sa na 10 sekúnd nestlačí žiadne tlačidlo, rádio opustí nastavenie budíka.

a. Nastavenie času budenia rádia:

1. Rádio môžete nastaviť, keď je rádio zapnuté alebo vypnuté.
2. Stlačte a podržte tlačidlo budíka, rádiový signál budíka a hodina displeja bude blikať spolu s pípnutím.
3. Keď symbol rádiového alarmu bliká, otáčaním ovládača ladenia vyberte hodinu a opätovným stlačením tlačidla Ladenie nastavte potvrdenie o hodinách. Potom otočte ovládací gombík ladenia a zvolte minútu a stlačte gombík Ladenie na potvrdenie nastavenia minúty.
4. Otočte ovládač ladenia a na displeji sa zobrazia možnosti frekvencie alarmu.
Možnosti alarmu sú nasledovné:
ONCE - budík zaznie raz
DAILY - budík zaznie každý deň
WEEKDAY - budík zaznie iba v pracovných dňoch
WEEKEND - budík zaznie iba cez víkendy
Stlačením ovládacieho tlačidla Ladenie potvrdíte nastavenie.
5. Počas blikania symbolu rádiového alarmu otáčajte ovládačom Ladenie a vyberte požadované pásmo prebudenia a stlačením tlačidla Ladenie nastavte výber.
6. Otáčaním ovládača ladenia vyberte požadovanú

hlasitosť a stlačením tlačidla Ladenie nastavte hlasitosť. Nastavenie budíka je teraz dokončené.

Poznámka:

- If new radio alarm station is not selected, it will select the last alarm station.
- If the selected AM/FM alarm station is not available when the alarm is sounding, the buzzer alarm will be used instead.

b. Nastavenie budíka HWS (Humane Wake System):

Pri výbere budíka HWS sa aktivuje tón pípnutia.

Zvukové pípnutie bude znieť kratšie každých 15 sekúnd po dobu jednej minúty, po ktorej nasleduje jedna minúta ticha pred opakovaním cyklu.

1. Zvukový signál môže byť nastavený buď vtedy, keď je rádio zapnuté alebo vypnuté.
2. Stlačte a podržte tlačidlo budíka, symbol a hodina displeja bude blikať spolu s pípnutím.
3. Počas blikania symbolu alarmu bzučiaka otočte ovládač ladenia, aby ste zvolili hodinu a stlačte znovu tlačidlo ovládania ladenia na potvrdenie nastavenia hodín. Potom otočte ovládací gombík ladenia a zvolte minútu a stlačte gombík Ladenie na potvrdenie nastavenia minúty.
4. Otočte ovládač ladenia a na displeji sa zobrazia možnosti frekvencie alarmu.
Možnosti alarmu sú nasledovné:
ONCE - budík zaznie raz
DAILY - budík zaznie každý deň
WEEKDAY - budík zaznie iba v pracovných dňoch
WEEKEND - budík zaznie iba cez víkendy.
Stlačením ovládacieho tlačidla Ladenie potvrdíte nastavenie.

Poznámka:

Nie je tam nastavenie hlasitosti pre budík

Zastavenie zvuku budíka

Ak chcete zrušiť zvukový alarm, stlačte tlačidlo napájania.

Vypnutie nastavenie budíka

Ak chcete vypnúť nastavenie budíka pred zvukom budíka, stlačte a podržte príslušné tlačidlo budíka, kým na displeji nezmizne symbol budíka.

Snooze (oneskorenie budíka)

1. Keď zaznie budík, stlačením ľubovoľného tlačidla okrem tlačidla Napájania budík stíchne na 5 minút. Na displeji sa zobrazí "SNOOZE".
2. Ak chcete nastaviť čas ticha pre časovač oneskorenia, stlačte a podržte tlačidlo Menu / Info a vstúpte do nastavenia ponuky.
3. Otáčajte ovládačom ladenia, až kým sa na displeji neobjaví "SNOOZE X", potom stlačte ovládací gombík Tuning pre vstup do nastavenia. Otáčaním gombíka Ladenie nastavíte čas ticha od 5, 10, 15 a 20 minút pre

časovač oneskorenia.

4. Ak chcete pozastaviť budík, stlačte tlačidlo napájania.

Časovač vypnutia

Vaše rádio môže byť nastavené tak, aby sa po uplynutí predvoleného času automaticky vypol. Nastavenie časovača spánku môžete nastaviť medzi 60, 45, 30, 15, 120 a 90 minút

1. Stlačte a podržte tlačidlo napájania, aby ste vstúpili do režimu Časovač vypnutia. Na displeji sa zobrazí "SLEEP XX".
2. Držte stlačené tlačidlo napájania a režim Časovač vypnutia začne zapínať displej. Nezastavte, kým sa na displeji nezobrazí požadovaný časovač vypnutia. Nastavenie sa uloží a LCD sa vráti na normálny displej.
3. Po uplynutí nastaveného časovača vypnutia sa rádio automaticky vypne. Na displeji sa zobrazí ikona časovača vypnutia, ktorá indikuje aktívny časovač vypnutia.
4. Ak chcete funkciu Sleep Timer zrušiť pred uplynutím predvoleného času, jednoducho stlačte tlačidlo Napájanie, aby ste zariadenie vypli ručne.

Hlasitosť

Nastavením hlasitosti môžete získať vyváženie na nižšej a vyššej frekvencii pre vaše rádio.

1. Stlačte a podržte tlačidlo Menu / Info a vstúpte do nastavenia ponuky.
2. Otočte ovládač ladenia, kým sa na displeji nezobrazí "LOUD ON" alebo "LOUD OFF". Stlačte ovládací gombík Ladenie pre vstup do nastavenia.
3. Otočte ovládačom ladenia, aby ste zvolili ON, ak chcete zapnúť funkciu hlasitosti, a potom stlačte ovládač Ladenie, aby ste potvrdili nastavenie.
4. Ak chcete funkciu hlasitosti vypnúť, vyberte položku OFF a stlačením ovládača ladenia potvrdíte nastavenie.

Funkcia ekvalizéra

Existuje 7 druhov farebných LED indikátorov okolo ovládača ladenia, ktoré indikujú rôzne režimy EQ.

1. Stlačením tlačidla Napájanie zapnite rádio.
2. Stlačením ovládacieho tlačidla EQ vstúpite do menu nastavení EQ.
3. Otáčaním ovládacieho tlačidla Ladenie vyberte požadovaný režim. Potom potvrdíte voľbu stlačením gombíka Ladenie.

Režim EQ	LED indikátor
FLAT	White
JAZZ	Blue
ROCK	Red
CLASSIC	Brown
POP	Pink
NEWS	Yellow
MY EQ	Green

Nastavte si profil : Môj EQ

1. Stlačením ovládacieho tlačidla EQ vstúpite do menu nastavení EQ.
2. Otáčaním ovládača ladenia vyberte položku "MY EQ". Potom stlačte ovládaci gombík Ladenie a vstúpte do nastavenia "BASS".
3. Otáčaním gombíka Ladenie vyberte požadovanú úroveň basov. Stlačte ovládaci gombík Ladenie a vstúpte do nastavenia "MIDDLE".
4. Otáčaním ovládacieho gombíka Ladenie vyberte požadovanú strednú úroveň. Stlačte ovládaci gombík Ladenie a vstúpte do nastavenia "TREBLE".
5. Otočte ovládaci gombík Ladenie a zvolte požadovanú úroveň výšok. Stlačením ovládacieho tlačidla Ladenie potvrdíte nastavenie

Poznámka:

- Ak používate ekvalizér na zdôraznenie basov a počúvate pri vysokej hlasitosti, môže to spôsobiť praskanie a skreslenie zvuku. V tomto prípade nastavte správne hlasitosť rádia.

POČÚVANIE HUDBY CEZ BLUETOOTH STREAMING

K automatickému pripojeniu pre prehrávanie/streamovanie hudby Bluetooth cez rádio najprv potrebujete spárovať zariadenie s rádiom. Párovanie vytvorí "väzbu", na základe ktorej sa dve zariadenia budú poznať.

Poznámka:

- Pre lepšiu kvalitu zvuku odporúčame nastaviť hlasitosť na Vašom Bluetooth zariadení na viac ako 2/3 a následne prispôbiť hlasitosť na rádiu podľa potreby.
- Rádio si dokáže zapamätať až 8 spárovaných zariadení. Ak je zariadení viac, najstarší záznam bude vymazaný a nahradený.

Prvotné spárovanie Bluetooth zariadenia

1. Stlačením tlačidla Napájanie zapnite rádio. Stlačením tlačidla Zdroj vyberte režim Bluetooth. Na displeji sa zobrazí "BT PAIR" a "PAIR".
2. Aktivujte Bluetooth na Vašom zariadení. Vyhľadajte "DMR114" medzi dostupnými Bluetooth zariadeniami a pripojte sa. (Niektoré typy mobilných telefónov so staršími zariadeniami Bluetooth ako je BT 2.1 vyžadujú ešte zadanie kódu "0000").
3. Po pripojení sa zobrazí zvuk potvrdzujúceho tónu. Na displeji zostane "BLUETOOTH" a podsvietenie bude stmavené za 10 sekúnd. Môžete jednoducho vybrať a prehrať ľubovoľnú hudbu zo zdrojového zariadenia. Ovládanie hlasitosti môžete upraviť zo zdrojového zariadenia alebo priamo z rádia.
4. Pomocou Vášho Bluetooth zariadenia môžete spustiť/zastaviť hudbu a prechádzať jednotlivé nahrávky.

POZNÁMKA:

- Pokiaľ sa dve Bluetooth zariadenia spájajú v rovnakom čase, zobrazí sa rádio na oboch zariadeniach. Pokiaľ sa však jedno zo zariadení pripojí k rádiu ako prvé, druhé ho už na zozname nevidí.
- Pokiaľ bude Vaše Bluetooth zariadenie dočasne odpojené od rádia, budete ho musieť znova manuálne prepojiť.
- Ak je v zozname Vášho Bluetooth zariadenia "DMR114", no nemôžete sa naň napojiť, vymažte túto položku zo zoznamu a vykonajte spárovanie znova podľa vyššie uvedeného postupu.
- Optimálna vzdialenosť zariadenia od rádia je 10 metrov (čiara priamej viditeľnosti) ale možná je i vzdialenosť do 30 metrov.
- Ak príde k strate Bluetooth prepojenia, kvôli dlhému času bez pripojenia, prílišnej vzdialenosti zariadení, pôsobením vplyvu prekážok alebo iných vplyvov, budete musieť zariadenie znova pripojiť k rádiu.
- Fyzické prekážky alebo iné bezdrôtové a elektromagnetické zariadenia môžu ovplyvniť kvalitu pripojenia.
- Kvalita pripojenia sa môže líšiť vzhľadom na parametre pripojeného Bluetooth zariadenia. Pred pripojením na rádio sa oboznámte s Bluetooth vlastnosťami Vášho zariadenia. Niektoré Bluetooth zariadenia nemusia podporovať všetky funkcie.

Prehrávanie hudobných súborov v Bluetooth móde

Po úspešnom prepojení rádia s Bluetooth zariadením môžete začať s prehrávaním hudby pomocou Vášho Bluetooth zariadenia.

1. Po spustení prehrávania upravte hlasitosť pomocou tlačidla hlasitosti na rádiu alebo Bluetooth zariadení.
2. Použite ovládacie prvky na zariadení so zdrojom Bluetooth na prehrávanie / pozastavenie a prechádzanie skladieb. Prípadne môžete ovládať prehrávanie pomocou tlačidiel Prehrať / Pozastaviť, Nasledujúca skladba, Predchádzajúca skladba v režime rádio.
3. Stlačte a podržte tlačidlo Nasledujúca skladba alebo Predchádzajúca skladba, aby ste prešli cez aktuálnu stopu. Po dosiahnutí požadovaného bodu uvoľnite tlačidlo.

Poznámka:

- Niektoré aplikácie alebo zariadenia prehrávača nemusia reagovať na všetky tieto ovládacie prvky.
- Niektoré mobilné telefóny sa môžu dočasne odpojiť od rádia počas telefonických hovorov. Niektoré zariadenia môžu dočasne stlmiť prehrávanie cez Bluetooth v prípade prijatia SMS správy, emailov alebo iných príčin nesúvisiacich s prehrávaním hudby. Toto závisí od pripojeného zariadenia a nie je znakom poruchy rádia.

Prehrávanie z už spárovaného zariadenia Bluetooth

Ak bolo Vaše Bluetooth zariadenie v minulosti s rádiom prepojené, rádio si ho zapamätá, a automaticky sa bude snažiť znovu pripojiť na posledné zariadenie, s ktorým bolo prepojené. Ak toto zariadenie nie je dostupné, rádio bude vyhladateľné aj pre iné zariadenia.

Odpojenie Bluetooth zariadenia

Stlačte a podržte tlačidlo párovania Bluetooth na dobu 2-3 sekúnd, kým sa na displeji nezobrazí "BT PAIR" alebo vypnite funkciu Bluetooth na vašom zariadení Bluetooth. Môžete tiež stlačiť tlačidlo Zdroj, ak chcete vybrať ľubovoľný iný režim ako režim Bluetooth, aby ste pripojenie zakázali.

Vymazanie Bluetooth pamäte: spárovaných zariadení

Ak chcete vymazať pamäť všetkých spárovaných zariadení, stlačte a podržte tlačidlo párovania Bluetooth dlhšie ako 5 sekúnd, kým sa na displeji nezobrazí "CLEARING".

AUX KONEKTORY

Na prednej strane rádia je dodávaná zásuvka s 3,5 mm pomocným vstupom, ktorá umožňuje, aby zvukový signál bol vložený do zariadenia z externého zvukového zariadenia, ako napríklad MP3 alebo CD prehrávač.

1. Connect an external audio source (for example, MP3 or CD player) to the AUX IN socket.
2. Stlačením tlačidla Napájanie zapnite rádio.
3. Opakovane stláčajte a uvoľnite tlačidlo Zdroj, kým sa nezobrazí "AUX IN".
4. Pre lepšiu kvalitu zvuku odporúčame nastaviť hlasitosť na Vašom Bluetooth zariadení na viac ako 2/3 a následne prispôsobiť hlasitosť na rádio podľa potreby.

Poznámka:

Audio kábel nie je súčasťou balenia.

ÚDRŽBA

⚠ UPOZORNENIE :

- **Nepoužívajte benzín, riedidlo, alkohol ani nič podobné. Mohlo by to spôsobiť zmenu farby, deformácie alebo praskliny.**
- **Neumývajte rádio vodou.**

TECHNICKÉ ŠPECIFIKÁCIE

Požiadavky na napájanie	
Adaptér striedavého prúdu	DC 12 V 2.5A, kladný stredný kolík
Akumulátor	UM-3 (veľkosť AA) x2 na zálohovanie Vložená batéria: 10.8V - 18V
Frekvenčný rozsah	FM87.50-108MHz (0.05MHz/step) AM(MW)522-1,710kHz (9 kHz/step)

Rozhranie Bluetooth®	
(Názov Bluetooth®, označenie a logá sú registrované ochranné známky spoločnosti Bluetooth SIG, Inc.)	
Verzia rozhrania Bluetooth	5.0 Certified
Profily rozhrania Bluetooth	A2DP / SCMS-T / AVRCP
Prenosový výkon	Power Class2
Prenosový dosah	Optimálny: Max. 10 metrov Možný: Max. 30 metrov (závisí od podmienok používania)
Podporovaný kodek	SBC
Kompatibilný profil rozhrania Bluetooth	A2DP / AVRCP
Maximálna sila rádiových frekvencií:	BT EDR: 3.91dBm
Operačná frekvencia	2402MHz~2480MHz

Charakteristiky obvodu	
Reproduktor	2.5-palcový 8 ohmo x2 4-palcový 6ohmo x1
Výstupný výkon	10.8V-12Vmax: 2W x2 +10W 14.4V: 3W x2 +15W 18V: 5W x2 + 25W
Koncovka vstupu	3,5 mm priemer (AUX IN)
Systém antény	FM: Vstavaná anténa AM: tyčová anténa
Rozmery (D x Š x V)	268 x 164 x 295 mm
Hmotnosť	4.9 KG (bez akumulátora)

ČESKY

(Originální návod)

VYSVĚTLENÍ K CELKOVÉMU POHLEDU (Obr. 1)

1. Vestavěná anténa (AM)
2. Rukojeť / Vestavěná anténa (FM)
3. Zámek zásuvky baterie
4. Kryt zásuvky baterie (kryt baterie)
5. Reproduktor
6. Zásuvka DC IN
7. Subwoofer
8. Tlačítko napájení/časovač vypnutí
9. Tlačítko zdroje
10. Tlačítko rádiového alarmu
11. Tlačítko buzzer alarmu
12. Tlačítko předvolby 3 / přehrávání / pozastavení
13. Tlačítko předvolby 5
14. Tlačítko přednastavené 4 / další stopy
15. Ovládání hlasitosti / ladění / výběr knoflíku
16. Ovládací tlačítko EQ
17. Zásuvka AUX IN
18. Port napájení USB
19. Tlačítko Menu / Info
20. Indikátor LED režimu EQ
21. Tlačítko předvolby 2 / předchozí stopa
22. Tlačítko předvolby 1 / párování Bluetooth
23. LCD displej
24. Zásuvka baterie
25. Zálouhujte zásuvku baterií

LCD DISPLEJ

- A. Rádiový alarm
- B. Buzzer alarm
- C. Stereo symbol
- D. Indikátor vybité baterie
- E. Hodiny
- F. Frekvence
- G. RDS (Radio Data System)
- H. Ikona časovače vypnutí
- I. PM pro hodiny

SYMBOLY

Níže jsou zobrazeny symboly použité na zařízení. Před použitím se ujistěte, že rozumíte jejich významu.



Přečtěte si návod k obsluze.



Pouze pro země EU.
Nevyhazujte elektrické zařízení ani baterii společně s odpadem z

domácnosti! Ve vztahu k evropským směrnici o odpadních elektrických a elektronických zařízeních a bateriích a akumulátorech a odpadních bateriích a akumulátorech a jejich provedení v souladu s vnitrostátními právními předpisy, elektrická zařízení a baterie a akumulátory, které dosáhly konce své životnosti, jsou shromažďovány odděleně a vráceny do ekologicky kompatibilního recyklačního zařízení.

BEZPEČNOSTNÍ UPOZORNĚNÍ POKYNY

⚠ VAROVÁNÍ :

Při používání elektrického přístroje by měla být vždy dodržována základní bezpečnostní opatření, aby se snížilo riziko požáru, úrazu elektrickým proudem a zranění osob, včetně následujících pravidel:

1. Před použitím si pozorně přečtěte tento návod k použití a návod k použití nabíječky.
2. K čištění používejte pouze suchou tkaninu.
3. Rádio neumísťujte v blízkosti tepelných zdrojů, jimiž jsou například topná tělesa, vzduchové výstupy vytápění, sporáky či jiná zařízení (včetně zesilovačů) vytvářející teplo.
4. Používejte pouze nástavce a příslušenství určená výrobcem.
5. Při bouřkách nebo dlouhodobějším nepoužívání odpojte zařízení ze zásuvky.
6. Rádio na baterie s integrovanými akumulátory nebo samostatný blok akumulátoru je nutno nabíjet pouze v nabíječce určené pro daný typ akumulátorů. Nabíječka, jež může být vhodná pro jeden typ akumulátorů, by mohla při použití s jinými akumulátory vyvolat nebezpečí požáru.
7. V rádiu na akumulátory používejte pouze speciálně určené bloky akumulátorů. Použití jiných akumulátorů může vyvolat nebezpečí požáru.
8. Není-li blok akumulátoru používán, uložte jej v místě bez kovových předmětů, jimiž jsou například kancelářské sponky, mince, klíče, hřebíky, šrouby či jiné drobné kovové předměty, jež by mohly spojit kontakty. Zkratování kontaktů akumulátoru může způsobit jiskření, popáleniny či požár.
9. Vyvarujte se přímého kontaktu s uzemněnými předměty, např. potrubím, radiátory, sporáky či chladničkami. Uzemnění těla představuje zvýšené nebezpečí úrazu elektrickým proudem.
10. Při nesprávném zacházení může z akumulátoru uniknout kapalina – zamezte kontaktu s touto látkou. Dojde-li k nechtěnému kontaktu, omyjte zasažené místo vodou. Při zasažení očí omyjte místo vodou a

vyhledejte lékařskou pomoc. Kapalina z akumulátoru může způsobit podráždění či poleptání.

11. Nepoužívejte baterii nebo nářadí, které je poškozeno nebo upraveno. Poškozené nebo upravené baterie mohou vykazovat nepředvídatelné chování, které může vést k požáru, výbuchu nebo nebezpečí zranění.
12. Nevystavujte akumulátor ani nářadí ohni nebo nadměrné teplotě. Vystavení ohni nebo teplotě nad 130 °C (266 °F) může způsobit výbuch.
13. Dodržujte všechny pokyny pro nabíjení a nenabíjejte baterii nebo nářadí mimo rozsah teplot uvedených v pokynech. Nabíjení nesprávné nebo při teplotách mimo stanovený rozsah může poškodit akumulátor a zvýšit riziko požáru.
14. Síťová zástrčka se používá pro odpojení zařízení a musí být snadno přístupná.
15. Nepoužívejte výrobek při vysoké hlasitosti po delší dobu. Abyste zabránili poškození sluchu, používejte produkt ve střední úrovni hlasitosti.
16. (Pouze u výrobků s LCD displejem) LCD displeje zahrnují kapalinu, která může způsobit podráždění a otravu. Pokud kapalina vnikne do očí, úst nebo kůže, vypláchněte vodou a vyhledejte lékaře.
17. Nevystavujte výrobek dešti ani mokřým podmínkám. Vniknutí vody do výrobku zvýší riziko úrazu elektrickým proudem.
18. Tento výrobek není určen pro použití osobami (včetně dětí) se sníženými fyzickými, smyslovými nebo duševními schopnostmi nebo nedostatečnými zkušenostmi a znalostmi, ledaže by byl s osobou odpovědnou za jejich bezpečnost. Děti by měly být pod dohledem, aby jste se ujistili, že si s produktem nehrají. Výrobek uchovávejte mimo dosah dětí

USCHOVEJTE TENTO NÁVOD

KONKRÉTNÍ BEZPEČNOSTNÍ PRAVIDLA POKYNY K BLOKU AKUMULÁTORU PRO AKUMULÁTOR

1. Před použitím akumulátoru si přečtete všechny pokyny a varovné symboly na (1) nabíječce, (2) akumulátoru a (3) výrobku využívajícím akumulátor.
2. Akumulátor nerozebírejte.
3. Pokud se provozní doba příliš zkrátí, přerušte okamžitě provoz. Může dojít k přehřátí, popálení nebo dokonce výbuchu.
4. Když se elektrolyt dostane do očí, vypláchněte je čistou vodou a vyhledejte ihned lékařskou pomoc. Může dojít k oslepnutí.
5. Nezkratujte akumulátor:
(1) Nedotýkejte se vývodů žádným vodivým

předmětem.

- (2) Akumulátor neskladujte v nádobě s jinými kovovými předměty, jako jsou hřebíky, mince, apod.
- (3) Nevystavujte akumulátor vodě a dešti. Zkrat baterie může způsobit velký průtok proudu, přehřátí, popáleniny nebo dokonce i havárii.
6. Neskladujte přístroj a akumulátor na místech, kde může teplota dosáhnout nebo překročit 50 ° C (122 ° F).
7. Nespalujte akumulátor, ani když je vážně poškozen nebo zcela opotřeben. Akumulátor může v ohni vybuchnout.
8. Dávejte pozor, aby akumulátor nespadl na zem nebo nedošlo k nárazu.
9. Nepoužívejte poškozený akumulátor.
10. Abyste předešli riziku, měli byste před použitím přečíst návod k výměně baterie. Maximální výstupní proud baterie by neměl být větší nebo roven 8 A.
11. Lithium-iontové baterie, které jsou obsaženy, podléhají požadavkům ze zákona o nebezpečných látkách. Pro komerční přepravu, např. třetími stranami, dopravci, musí být dodrženy zvláštní požadavky na balení a označování. Pro přípravu přepravené zásilky je nutné konzultovat odborníka na nebezpečný materiál. Dodržujte prosím i podrobnější vnitrostátní předpisy. Opáskujte nebo zakryjte kontakty a vložte baterii tak, aby se nemohla pohybovat v obalu.
12. Dodržujte místní předpisy týkající se likvidace
13. Použijte pouze baterie s výrobky specifikovanými firmou Makita. Instalace baterií na nevyhovující výrobky může vést k požáru, nadměrnému teplu, výbuchu nebo úniku elektrolytu.

POZOR:

- **Nebezpečnost explózie ak je batéria vymenená nesprávne.**
- **Nahradte iba za rovnaký alebo ekvivalentný typ.**
- **Používajte len originálne batérie Makita. Použitie neoriginálnych batérií alebo batérií, ktoré boli upravené, môže mať za následok výbuch batérie spôsobujúci požiar, zranenie a poškodenie. Tiež to povedie k zrušeniu záruky na výrobok a nabíjačku Makita.**

Tipy pro zachování maximální životnosti akumulátoru

1. Nabíjejte akumulátor, když je zcela vybitý. Vždy vypněte přístroj a dobijte akumulátor, když si povšimnete sníženého výkonu přístroje.
2. Nikdy nenabíjejte úplně nabitý akumulátor. Přebíjení zkracuje životnost akumulátoru.
3. Nabíjejte akumulátoru při pokojové teplotě při 10 ° C - 40 ° C (50 ° F - 104 ° F). Nechejte horký akumulátor zchladnout před nabíjením.
4. Dobijte akumulátor, i když přístroj delší dobu nepoužíváte (více než šest měsíců).

PROVOZNÍ ČAS

* Vhodné baterie pro toto rádio jsou uvedeny v následující tabulce.

* Následující tabulka ukazuje dobu provozu na jedno nabití.

Kapacita baterie	Výstup voltů baterie			Výstup z reproduktoru = 100mW Jednotka : Hodina (Přibližně)	
	10.8V -12Vmax	14.4V	18V	V režimu rádia nebo AUX	V režimu Bluetooth + USB nabíjení
1.3 Ah		BL1415		3.5	0.7
			BL1815	4.0	1.0
1.5 Ah	BL1015 BL1016			6.0	0.8
		BL1415N BL1415NA		4.5	0.9
			BL1815N	5.0	1.2
2.0 Ah	BL1020B BL1021B			8.0	1.0
			BL1820 BL1820B	6.5	1.6
3.0 Ah		BL1430 BL1430B BL1430A		8.0	1.6
			BL1830 BL1830B	9.5	2.3
4.0 Ah	BL1040B BL1041B			16	2.1
		BL1440		13	2.5
			BL1840 BL1840B	13	3.2
5.0 Ah		BL1450		15	3.0
			BL1850 BL1850B	17	4.2
6.0 Ah		BL1460B BL1460A		17	3.3
			BL1860B	21	5.0

⚠ VAROVÁNÍ :

Používejte pouze kazety s bateriemi uvedené výše. Použití jiných bateriových kazet může způsobit zranění a / nebo požár.

Poznámka:

- Tabulka týkající se provozní doby baterie je uvedena výše.
- Skutečná doba provozu se může lišit podle typu baterie, stavu nabíjení nebo použití.

INSTALACE A NAPÁJENÍ

⚠ POZOR:

- Při otevírání a zavírání krytu baterie dbejte na to, abyste si neskřípli prsty.
- Po instalaci nebo vyjmutí kazety akumulátoru vraťte skříňku prostoru pro baterie do původní polohy. Pokud tak neučiníte, kazeta s akumulátorem může náhodně vypadnout z rádia a způsobit zranění vám nebo někomu kolem vás.
- Před přesunutím rádia vždy zavřete a uzamkněte skříňku prostoru baterie.
- Před instalací nebo vyjmutím kazety baterií vždy vypněte rádio.
- Dávejte pozor, aby vám rádio nespadlo, či nedošlo k úderu a následnému poškození. Zlomená skořápka těla rádia může pořezat prsty nebo poškrábat jinou část těla. Poškozené rádio může mít nepředvídatelné chování, které může vést k požáru, výbuchu nebo nebezpečí zranění.

DŮLEŽITÉ:

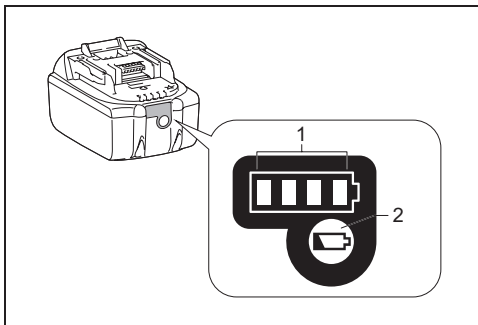
- Pokud je na displeji zobrazen snížený výkon, zkreslení, "stuttering sound" nebo když se na displeji zobrazí indikátor vybité baterie a "POWERFAIL", jsou všechny signály, že je třeba vyměnit hlavní baterii.
- Když se objeví indikátor vybití baterie a bliká "EMPTY", je čas vyměnit záložní baterie.
- Kazeta s bateriemi nelze nabíjet prostřednictvím dodaného napájecího adaptéru (AC).
- Kazeta pro baterie není dodávána jako standardní příslušenství.

Instalace a vyjmutí bloku zásuvného akumulátoru (Obr. 4 a 5)

- Při instalaci akumulátoru vyrovnejte jazyček na bloku akumulátoru s drážkou v krytu a zasuňte akumulátor na místo. Akumulátor zasunujte vždy nadoraz, až zacvakne na místo.
- Není-li tlačítko zcela zajištěno, uvidíte na jeho horní straně červený indikátor. Zasuňte akumulátor zcela tak, aby nebyl červený indikátor vidět. Jinak by mohl akumulátor z rádia vypadnout a způsobit zranění obsluze či přihlížejícím osobám.
- Při vkládání akumulátoru nepoužívejte přílišnou sílu. Nelze-li akumulátor zasunout snadno, nevkládáte jej správně.
- Chcete-li vyjmout kazetu baterie, vysuňte ji z rádia tím, že vysunete tlačítko na přední části kazety.

Indikace zbývajcí kapacity akumulátoru

* Platí pouze pro bloky akumulátorů označené písmenem „B“ na konci čísla modelu.



➤ 1. Kontrolky 2. Tlačítko test

Stisknutím kontrolního tlačítka Check na bloku akumulátoru zobrazíte zbývajcí kapacitu akumulátoru. Kontrolky se na několik sekund rozsvítí.

• 14.4V/18V baterie

Kontrolky			Zbývajcí kapacita
█ Svítí	□ Vypnuto	▬ Bliká	
█ █ █ █ █			75% ~ 100%
█ █ █ █ □			50% ~ 75%
█ █ █ □ □			25% ~ 50%
█ □ □ □ □			0% ~ 25%
▬ □ □ □ □			Nabíjte akumulátor.
█ █ █ █ █	↑ ↓		Akumulátor může selhat.

• 10.8V-12V max baterie

Kontrolky			Zbývajcí kapacita
█ Svítí	□ Vypnuto	▬ Bliká	
█ █ █ █ █			75% ~ 100%
█ █ █ █ □			50% ~ 75%
█ █ █ □ □			25% ~ 50%
█ □ □ □ □			0% ~ 25%

POZNÁMKA :

V závislosti na podmínkách použití a okolní teplotě, se může údaj mírně lišit od skutečné kapacity.

Zálohování baterie Instalace (obr. 2 a 3)

Při udržování záložních baterií uvnitř prostoru předejdete ztrátě uložených dat v přednastavené paměti.

1. Vyjměte skříň pro baterie, abyste uvolnili prostor pro baterie. K dispozici je hlavní prostor pro baterie a záložní prostor pro baterie.
2. Vyjměte kryt prostoru pro baterie a vložte 2 nové UM-3 baterie (velikosti AA). Ujistěte se, že jsou baterie správně polarizovány tak jak je uvedeno uvnitř oddílu. Vyměňte kryt baterie.
3. Po vložení záložních baterií vložte hlavní baterii do napájecího zdroje.

Použití přiloženého napájecího adaptéru

Odstaňte gumovou ochranu a zasuňte adaptér do zásuvky DC na pravé straně rádia. Připojte adaptér do zásuvky. Při použití adaptéru se baterie automaticky odpojí.

⚠ POZOR:

- **Vždy zcela odpojte napájecí adaptér před přesunutím rádia. Pokud není síťový adaptér odpojen, může dojít k úrazu elektrickým proudem.**
- **Nikdy netahejte a nepřesahujte kabel adaptéru. Pokud tomu tak není, rádio může náhodou spadnout a způsobit zranění vám nebo někoho kolem vás.**

DŮLEŽITÉ:

- Síťový adaptér se používá pro připojení rádia k síti. Síťová zásuvka používaná pro rádio musí zůstat přístupná během běžného používání.
- Chcete-li odpojit rádio, musí být síťový adaptér zcela odpojen od elektrické sítě.
- Používejte napájecí adaptér dodávaný s produktem nebo jen specifikovaný společností Makita.
- Nedržte kabel napájení a konektor ústy. Mohlo by dojít k úrazu elektrickým proudem.
- Nedotýkejte se síťové zástrčky vlhkými nebo mastnými rukami.
- Poškozené nebo zapletené šňůry zvyšují riziko úrazu elektrickým proudem. Pokud je kabel poškozen, nechte ho vyměnit autorizovaným servisním střediskem, aby nedošlo k ohrožení bezpečnosti. Nepoužívejte jej před opravou.
- Po skončení práce vždy ukládejte napájecí adaptér mimo dosah dětí. Pokud si děti hrají s kabelem, mohou utrpět zranění.

Poznámka:

Pokud je vaše rádio rušeno v pásmu AM adaptérem, přesuňte rádio od síťového adaptéru alespoň o 30 cm.

Nabíjení pomocí napájecího portu USB

Na čelní straně rádia se nachází port USB.

Prostřednictvím portu USB můžete nabíjet zařízení USB.

1. Běžně dostupným kabelem USB připojte zařízení USB, například přehrávač MP3 nebo CD přehrávač.
2. Stisknutím tlačítka napájení zapněte rádio.
3. Rádio, zapnuté v režimu FM, BT nebo AUX signalizovaném po připojení externího zvukového zdroje, umožňuje nabíjení zařízení USB při napájení ze sítě i za provozu na baterie.

Poznámka:

- Když je rádio v režimu AM nelze nabíjet zařízení pomocí USB, protože příjem rádiového signálu je při nabíjení zařízení USB extrémně špatný.
- Při nabíjení zařízení USB se sníží maximální výstupní výkon hlasitosti reproduktoru.
- Konektor USB může poskytnout proud s max. hodnotou 2.4A /5 V.

Důležité:

- Před připojením zařízení USB k nabíječce si vždy zálohujte data ze zařízení USB. Mohlo by dojít ke ztrátě dat.
- Je možné, že rádio neumožní napájení některých zařízení USB.
- Jestliže kabel USB nevyužíváte nebo pokud bylo nabíjení dokončeno, odpojte jej od konektoru a zavřete krytku.
- K portu USB nepřipojujte zdroj napájení. Mohlo by nastat nebezpečí vzniku požáru. Port USB slouží pouze k nabíjení nízkonapěťových zařízení. Jestliže žádné nízkonapěťové zařízení nenapájíte, nasadte vždy na port USB krytku.
- Do napájecího portu USB nestrkejte hřebíky, dráty atd. Mohlo by dojít ke zkratu a vzniku kouře či požáru.
- Konektor USB rádia nepropojte s portem USB počítače – existuje vysoká pravděpodobnost poškození jednotek.

POSLOUCHÁNÍ RÁDIA

Ladění rádia AM / FM

Poznámka:

FM anténa je zabudována do rukojeti. Při ovládání rádia zvedněte rukojeť správně nad rádio, abyste získali lepší příjem. Pro AM pásmo otočte rádio tak, abyste získali nejlepší signál, protože AM anténa je zabudována v rádiu.

1. Stisknutím tlačítka Napájení zapněte rádio.
2. Stisknutím tlačítka Source (Zdroj) vyberte režim AM nebo FM rádia.
3. Stiskněte a podržte ovládací knoflík Ladění pro automatické ladění. Rádio vyhledá pásmo AM / FM z aktuálně zobrazené frekvence a automaticky nastaví skenování, když zjistí stanici dostatečné síly.

4. Po několika sekundách se displej aktualizuje. Na displeji se zobrazí frekvence nalezeného signálu.
5. Chcete-li najít další stanici, stiskněte a podržte ovládací knoflík Ladění stejně jako v předchozím kroku.
6. Po dosažení konce vlnového pásma vaše rádio znovu zahájí ladění z opačné strany vlnového pásma (začátku).
7. Otočením knoflíku Ladění nastavte požadovanou hladinu zvuku.

Poznámka:

- Při nastavování hlasitosti zkontrolujte, zda na obrazovce neblíká indikátor FM / AM.
 - Pokud na obrazovce bliká indikátor AM / FM, umožňuje manuálně naladit stanici (podrobnější informace viz část "Manuální ladění - AM / FM").
 - Hlasitost by neměla být příliš velká. Abyste zabránili možnému poškození sluchu, neposlouchejte s vysokou hlasitostí po dlouhou dobu.
8. Chcete-li rádio vypnout, stiskněte tlačítko Napájení.

Manuální ladění - AM / FM

1. Stisknutím tlačítka Napájení zapnete rádio.
2. Stisknutím tlačítka Source (Zdroj) vyberte režim AM nebo FM rádio.
3. Stiskněte ovladač Ladění a uvidíte, že na displeji bliká indikátor FM nebo AM.

Poznámka:

- FM / AM bude blikat přibližně 10 sekund. Během tohoto chvíle je povoleno pouze ruční ladění.
 - Pokud je požadováno nastavení hlasitosti, když bliká FM / AM, stisknutím knoflíku Ladění zastavíte blesk a otáčením knoflíku Ladění nastavíte úroveň zvuku.
4. Otočením ovládacího kolečka ladění naladíte stanici.
 5. Po dosažení konce vlnového pásma vaše rádio znovu zahájí ladění z opačné části vlnového pásma.
 6. Otočte knoflíkem Ladění pro nastavení hlasitosti podle potřeby.

Přednastavení stanic v režimu AM / FM

K dispozici je 5 přednastavených stanic pro AM a FM rádio. Používají se stejným způsobem pro každé vlnové pásmo.

1. Stisknutím tlačítka Napájení zapnete rádio.
2. Stisknutím tlačítka Zdroj zvolíte požadované vlnové pásmo. Naladíte požadovanou rozhlasovou stanici, jak bylo popsáno výše.
3. Stiskněte a přidržte požadované tlačítko předvolby (1 až 5), dokud se na displeji nezobrazí například "P4" po frekvenci. Stanice bude uložena pomocí čísla předvolby. Opakujte tento postup pro zbývající přednastavení, jak chcete.
4. Uložené stanice, mohou být v případě potřeby přepsány výše uvedeným postupem.

Režim zobrazení - FM

Rádio má řadu možností zobrazení v režimu rádia FM. Opakovaným stisknutím tlačítka Menu/Info zobrazíte informace RDS stanice, kterou posloucháte.

- | | |
|------------------|---|
| a. Název stanice | zobrazí název vysílané stanice. |
| b. Typ programu | zobrazí typ vysílané stanice jako Pop, Classic, News atd. |
| c. Text rádia | zobrazí textovou zprávu, například nové položky atd. |
| d. Rok / den | zobrazí rok a den v týdnu podle nastavení vašeho rádia. |
| e. Datum / Den | zobrazí datum a den v týdnu podle nastavení vašeho rádia. |
| f. Režim EQ | zobrazí režim EQ FM vysílané stanice. |
| g. Frekvence | zobrazí frekvenci vysílané stanice FM. |

FM stereo (auto)/mono

Pokud má vysílaná FM stanice slabý signál, mohou být slyšitelné některé zvuky. Ty je možno omezit tím, že rádio přepnete do módu přehrávání mono spíše než stereo.

1. Stiskněte tlačítko Zdroj (Source) podle potřeby pro výběr pásma FM a naladíte požadovanou FM stanici, jak bylo uvedeno výše.
2. Stisknutím a přidržením tlačítka Menu/Info vstoupíte do nastavení nabídky.
3. Otočte ovladačem Ladění (Tuning), dokud se na displeji nezobrazí "FM AUTO (nebo MONO)". Je-li nastavení automatické, stiskněte ovladač Ladění a otočte ovladačem Ladění, abyste přepnuli do režimu Mono a omezily ruchy. Stisknutím knoflíku Ladění vyberte požadovanou volbu.

Vyvolání předvolby v režimu AM / FM

1. Stisknutím tlačítka Napájení zapnete rádio.
2. Stisknutím tlačítka Zdroj (Source) vyberte režim AM nebo FM rádia
3. Krátce stiskněte požadované tlačítko předvolby, chcete-li naladit rádio na jednu z stanic uložených v paměti předvoleb

MISCELLANEOUS SETTINGS

Nastavení formátu času a data

Zobrazení hodin používaných v pohotovostním režimu a na obrazovkách režimu přehrávání lze nastavit do různých formátů. Zvolený formát se pak používá také při nastavení alarmů.

1. Stisknutím a podržením tlačítka Menu/Info vstoupíte do nabídky nastavení.
2. Otáčejte knoflíkem Ladění (Tuning), dokud se na displeji nezobrazí "CLOCK xxH" a stisknutím ovladače Ladění zadejte nastavení. Uvidíte, jak začne blikat

formát času.

3. Otáčejte knoflíkem Ladění a vyberte 12 nebo 24 hodinový formát. Stisknutím knoflíku Ladění potvrďte výběr formátu hodin.

Poznámka:

Je-li vybrán 12hodinový formát hodin, rádio použije 12hodinové nastavení.

4. Stisknutím a podržením tlačítka Menu/Info vstoupíte do nabídky nastavení.
5. Otáčejte knoflíkem Ladění, dokud se na displeji nezobrazí datum (např. THU APR 3) a stisknutím ovládacího kolečka Ladění zadejte nastavení. Uvidíte, jak začne blikat formát data.
6. Otočením knoflíku Ladění vyberte požadovaný formát data. Stiskněte ovladač Ladění pro potvrzení volby.

Nastavení času a data

1. Stiskněte a podržte tlačítko Menu/Info.
2. Otáčejte ovladačem Ladění (Tuning), dokud se na displeji nezobrazí "CLOCK ADJ". Stisknutím ovladače Ladění zadejte nastavení.
3. Nastavení hodin na displeji začne blikat. Otočením knoflíku Ladění vyberte požadovanou hodinu a stisknutím knoflíku Ladění potvrďte nastavení. Poté otočte ovladačem Ladění a vyberte požadovanou minutu a stisknutím ovladače Ladění potvrďte nastavení.
4. Otáčejte knoflíkem Ladění, dokud se na displeji neobjeví "DATE ADJ". Stisknutím ovladače Ladění zadejte nastavení.
5. Otáčením knoflíku Ladění vyberte požadovaný rok a stisknutím knoflíku Ladění potvrďte nastavení. Poté otočte knoflíkem Ladění a vyberte požadovaný měsíc a stisknutím ovladače Ladění potvrďte nastavení. Poté otočte knoflíkem Ladění a vyberte požadované datum a stisknutím knoflíku Ladění potvrďte nastavení.

Radio Data System (RDS)

Když nastavíte čas pomocí funkce RDS, vaše rádio synchronizuje čas, kdykoli naladí na rozhlasovou stanici pomocí signálu RDS se signály CT.

1. Při ladění na stanici vysílající data RDS se na displeji zobrazí symbol RDS. Stiskněte a podržte tlačítko Menu/Info.
2. Otáčejte ovladačem Ladění (Tuning), dokud se na displeji neobjeví "RDS CT" a symbol hodin. Stisknutím ovladače Ladění zadejte nastavení.
3. Otáčejte ovladačem Ladění, dokud se na displeji nezobrazí "RDS CT". Stiskněte ovladač Ladění pro potvrzení nastavení. Čas hodin rádia se automaticky nastaví podle přijatých dat RDS.

Poznámka:

- Čas rádiového času bude platný po dobu 5 dní při každé synchronizaci rádiového času s RDS CT.

- Chcete-li vypnout funkci RDS CT, přejděte zpět ke krokům 1 až 2 a otočte knoflíkem Ladění a vyberte možnost "MANUAL". Stiskněte ovladač Ladění pro potvrzení nastavení.

Nastavení alarmu (budíku)

Vaše rádio má dva alarmy, které mohou být nastaveny tak, aby vás probudil rádiem AM / FM a nebo pípním. Alarmy mohou být nastaveny v době, kdy je přístroj v pohotovostním režimu nebo během přehrávání.

Poznámka: Před nastavením poplachů se ujistěte, že je správně nastaven čas. Není-li po dobu 10 sekund stisknuto žádné tlačítko, rádio ukončí nastavení alarmu.

a. Nastavení času budíku:

1. Rádio lze nastavit buď při zapnutém nebo vypnutém rádiu.
2. Stiskněte a podržte tlačítko rádiového poplachu, symbol budíku a hodin displeje bude blikat společně s pípnutím.
3. Během blikání symbolu alarmu rádia otočte ovladačem Ladění (Tuning) a vyberte hodinu a znovu stiskněte ovladač Ladění pro potvrzení nastavení hodin. Poté otočte knoflíkem Ladění pro volbu minuty a stisknutím ovladače Ladění potvrďte nastavení minut.
4. Otočte knoflíkem Ladění a na displeji se zobrazí možnosti frekvence alarmu.

Možnosti alarmu jsou následující:

ONCE - budík se ozve jednou
DAILY - budík bude znít každý den
WEEKDAY - budík zazní pouze ve všední dny
WEEKEND - budík zazní pouze o víkendech
Stiskněte ovladač Ladění pro potvrzení nastavení.

5. Během blikání symbolu rádia, otočte ovládacím knoflíkem Ladění a vyberte požadované pásmo pro buzení a stanici a potom stiskněte tlačítko Ladění pro potvrzení volby.
6. Otáčením ovladače Ladění vyberte požadovanou hlasitost a stisknutím ovladače Ladění nastavte hlasitost. Nastavení rádia budíku je nyní dokončeno.

Poznámka:

- Pokud není vybrána nová budicí stanice (alarm), bude vybrána poslední budicí stanice.
- Pokud není zvolená budicí stanice AM / FM k dispozici, když se ozve poplach, použije se místo toho budík (pípní).

b. Nastavení alarmu HWS (Human Wake System):

Během výběru budíku HWS se aktivuje tón pípnutí. Zvukové pípnutí bude znít kratší každých 15 sekund po dobu jedné minuty, po které bude následovat jedno minutové ticho před opakováním cyklu.

1. Bzučák může být nastaven buď při zapnutém nebo vypnutém rádiu.
2. Stiskněte a podržte tlačítko budíku, symbol a hodina displeje bude blikat společně s pípnutím.

- Během blikání symbolu alarmu buzučákem otáčejte knoflíkem Ladění (Tuning), abyste zvolili hodinu, a znovu stisknutím knoflíku Ladění potvrďte nastavení hodin. Poté otočte knoflíkem Ladění pro volbu minuty a stisknutím ovladače Ladění potvrďte nastavení minut.

- Otočte knoflíkem Ladění a na displeji se zobrazí možnosti frekvence alarmu.

Možnosti alarmu jsou následující:

ONCE - budík se ozve jednou

DAILY - budík bude znít každý den

WEEKDAY - budík zazní pouze ve všední dny

WEEKEND - budík zazní pouze o víkendech.

Stiskněte ovladač Ladění pro potvrzení nastavení.

Poznámka:

Pro buzučák není nastaveno žádné nastavení hlasitosti.

Zastavení zvuku budíku

Zrušení zvukového alarmu zrušíte stisknutím tlačítka Napájení (Power).

Vypnutí nastavení budíku

Chcete-li vypnout nastavení budíku předtím než budík zazvoní, stiskněte a podržte příslušné tlačítko upozornění, dokud nezmizí symbol alarmu na displeji.

Odložení budíku

- Když zazní budík, stisknutím libovolného tlačítka kromě tlačítka Napájení (Power) se tlumí budík po dobu 5 minut. Na displeji se objeví "SNOOZE".
- Chcete-li nastavit čas ticha pro časovač odložení, stiskněte a podržte tlačítko Menu/Info pro vstup do nastavení nabídky.
- Otáčejte knoflíkem Ladění (Tuning), dokud se na displeji neobjeví "SNOOZE X", a poté stisknutím ovladače Ladění zadejte nastavení. Otočením knoflíku Ladění nastavíte dobu ticha od 5, 10, 15 a 20 minut pro časovač odložení.
- Chcete-li zrušit časovač odložení, když je alarm pozastaven, stiskněte tlačítko Napájení.

Časovač vypnutí

Po uplynutí předem nastaveného času lze rádio nastavit tak, aby se automaticky vypnulo. Časovač vypnutí lze nastavit mezi 60, 45, 30, 15, 120 a 90 minutami.

- Stiskněte a podržte tlačítko Napájení pro vstup do režimu Časovač vypnutí (Sleep Timer). Na displeji se zobrazí zpráva "SLEEP XX".
- Držte stisknuté tlačítko Power (Napájení) a možnosti spánku se spustí na displeji. Zastavte, dokud se na displeji nezobrazí požadovaný časovač vypnutí. Nastavení se uloží a displej se vrátí na normální zobrazení.
- Po uplynutí nastaveného časovače vypnutí se vaše rádio automaticky vypne. Na displeji se zobrazí ikona

časovače vypnutí, která indikuje aktivní časovač vypnutí.

- Chcete-li funkci Sleep Timer (časovač vypnutí) zrušit před uplynutím nastavené doby, jednoduše stisknutím tlačítka Napájení (Power) a ručně vypněte přístro

Hlasitost

Můžete nastavit nižší a vyšší frekvence pro vaše rádio nastavením hlasitosti.

- Stisknutím a podržením tlačítka Menu/Info vstoupíte do nastavení nabídky.
- Otočte knoflíkem Ladění (Tuning), dokud se na displeji nezobrazí "LOUD ON" nebo "LOUD OFF". Stisknutím ovladače Ladění zadejte nastavení.
- Otáčejte knoflíkem Ladění, abyste zvolili ZAPNUTO (ON) pro zapnutí funkce hlasitosti, a pak stisknutím ovladače Ladění potvrďte nastavení.
- Chcete-li funkci hlasitosti vypnout, vyberte VYPNUTO (OFF) a stisknutím ovladače Ladění potvrďte nastavení.

Funkce ekvalizéru

Existuje 7 druhů barevných LED indikátorů kolem ovladače ladění, které indikují různé režimy ekvalizéru.

- Stisknutím tlačítka Napájení zapnete rádio.
- Stiskněte ovládací tlačítko EQ pro vstup do nabídky nastavení EQ.
- Otočením knoflíku Ladění (Tuning) vyberte požadovaný režim. Potom potvrďte výběr stisknutím ovladače Ladění.

EQ mód	LED indikátor
FLAT (ploché)	Bílá
JAZZ	Modrá
ROCK	Červená
CLASSIC	Hnědá
POP	Růžová
NEWS (zprávy)	Žlutá
MY EQ (můj EQ)	Zelená

Nastavte profil mého EQ

- Stiskněte ovládací tlačítko EQ pro vstup do nabídky nastavení EQ.
- Otáčením knoflíku Ladění (Tuning) vyberte "MY EQ". Poté stisknutím ovladače Ladění zadejte nastavení "BASS".
- Otočením knoflíku Ladění vyberte požadovanou úroveň basů. Stiskněte ovládací knoflík Ladění pro vstup do nastavení "MIDDLE".
- Otáčením knoflíku Ladění vyberte požadovanou střední úroveň. Stiskněte ovládací knoflík Ladění pro vstup do nastavení "TREBLE".
- Otáčením knoflíku Ladění nastavte požadovanou úroveň výšky. Stiskněte ovladač Ladění pro potvrzení nastavení.

Poznámka:

- Při použití ekvalizéru k zvýraznění basů a poslechu při vysokých úrovních hlasitosti může dojít k praskavým a zkrasleným zvukům. V takovém případě nastavte správnou hlasitost rádia.

POSLECH HUDBY PŘES BLUETOOTH STREAMING

Předem musíte spárovat zařízení Bluetooth s rádiem abyste mohli automaticky přehrávat / streamovat hudbu. Spárování vytváří vazbu, takže se mohou vzájemně rozpoznat dvě zařízení.

Poznámka:

- Chcete-li dosáhnout lepší kvality zvuku, doporučujeme nastavit hlasitost na zařízení Bluetooth na více než dvě třetiny a podle potřeby upravit hlasitost rádia.
- Vaše rádio umožňuje uložení až 8 sad spárovaných přístrojů, když je paměť plná, nejstarší historie párování bude přepsána.

První párování Bluetooth zařízení

1. Stisknutím tlačítka Napájení zapnete rádio. Stisknutím tlačítka Zdroj zvolíte režim Bluetooth. Na displeji se objeví "BT PAIR" a "PAIR".
2. Aktivujte Bluetooth ve vašem zařízení podle uživatelské příručky pro připojení rádia. Vyhledejte seznam zařízení Bluetooth a vyberte zařízení s názvem "DMR114." ("U některých mobilních telefonů které mají dřívějších verzí, než zařízení BT2.1 Bluetooth, budete možná muset zadat přístupový kód" 0000 ").
3. Jakmile se připojí, zazní zvuk potvrzujícího tónu. "BLUETOOTH" zůstane na displeji a podsvícení bude ztlumeno za 10 sekund. Můžete jednoduše vybrat a přehrát libovolnou hudbu ze zdrojového zařízení. Ovládání hlasitosti lze nastavit ze zdrojového zařízení nebo přímo z rádia.
4. Použijte ovládací prvky na vašem zařízení Bluetooth nebo na rádiu pro přehrávání / pauzu a hledání stop.

Poznámka:

- Jestliže se 2 Bluetooth zařízení párují poprvé, obě budou hledat rádio a na obou zařízeních se ukáže jeho dostupnost. Nicméně pokud se jedno zařízení nejdříve spojí s touto jednotkou, potom ho druhé zařízení Bluetooth nebude moci najít v seznamu.
- Je-li vaše zařízení Bluetooth dočasně odpojeno od rádia, pak znovu připojte zařízení k rádiu manuálně.
- Je-li "DMR114" zobrazeno v seznamu vašeho Bluetooth zařízení, ale přístroj se s ním nemůže spojit, prosím, vymažte položku ze seznamu a spárujte zařízení s rádiem znovu podle kroků popsanych výše.
- Optimální dosah Bluetooth je zhruba 10 metrů (viditelných) k radiovému zařízení, ale je možné dosáhnout vzdálenosti až 30 metrů.

- Pokud dojde ke ztrátě připojení Bluetooth z důvodu překročení optimálního dosahu na příliš dlouhou dobu, z důvodu překážek, aj., může být nutné znovu připojit zařízení k rádiu pomocí Bluetooth.
- Fyzické překážky, jiná bezdrátová zařízení nebo elektromagnetická zařízení mohou ovlivnit kvalitu připojení.
- Výkon Bluetooth připojení se může lišit v závislosti na připojeném zařízení Bluetooth. Podívejte se, prosím, na schopnosti Bluetooth přístroje před připojením k rádiu. Všechny funkce nemusí být podporovány na některých spárovaných zařízeních Bluetooth.

Přehrávání zvukových souborů v režimu Bluetooth

Pokud jste úspěšně spojili rádio s vybraným zařízením Bluetooth, můžete začít přehrávat hudbu pomocí ovladačů na vašem připojeném zařízení Bluetooth.

1. Když začne hrát, nastavte hlasitost na požadovanou úroveň pomocí tlačítek hlasitosti na rádiu nebo na vašem připojeném zařízení Bluetooth.
2. Pomocí ovládacích prvků na zařízení s rozhraním Bluetooth můžete přehrávat / pozastavit a navigovat skladby. Případně můžete ovládat přehrávání pomocí tlačítek Přehrát / Pauza, Další stopa, Předchozí skladba v rádiem.
3. Stisknutím a podržením tlačítka Další stopa nebo Předchozí stopa se můžete pohybovat po aktuální skladbě. Po dosažení požadovaného bodu uvolněte tlačítko.

Poznámka:

- Některé aplikace nebo zařízení přehrávače nemusí reagovat na všechny tyto ovládací prvky.
- Některé mobilní telefony se mohou dočasně odpojit od rádia při volání nebo přijímání hovoru. Některá zařízení mohou dočasně ztlumit Bluetooth audio přehrávání, když přijmou textovou zprávu, e-mail nebo z jiných důvodů nesouvisejících s audio přehráváním. Takové chování je funkcí připojeného zařízení, a nejedná se o poruchu rádia.

Přehrávání dříve spárovaného Bluetooth zařízení

Jestliže už bylo zařízení Bluetooth dříve spárované s rádiem, přístroj si zařízení Bluetooth pamatuje a snaží se znovu spojit se záznamem v paměti, které bylo posledním spojením. V případě, že poslední připojené zařízení není k dispozici, bude rádio možné znovu připojit.

Odpojení Bluetooth přístroje

Stiskněte a podržte tlačítko párování Bluetooth po dobu 2-3 vteřin, dokud se na displeji nezobrazí "BT PAIR" nebo vypnete Bluetooth v zařízení Bluetooth, čímž deaktivujete připojení.

Můžete také stisknout tlačítko Zdroj, chcete-li k připojení zakázat jiný režim než režim Bluetooth.

Smazání paměti spárovaného zařízení

Chcete-li vymazat paměť všech spárovaných zařízení, stiskněte a přidržte tlačítko párování Bluetooth po dobu delší než 5 sekund, dokud se na displeji neobjeví "CLEARING".

AUX VSTUP

Na přední straně rádia je umístěn vstup 3,5 mm, který umožňuje připojit externí zařízení, jako je přehrávač MP3 nebo CD.

1. Připojte externí zdroj zvuku (například MP3 nebo CD přehrávač) do zásuvky AUX IN.
2. Stisknutím tlačítka Napájení zapnete rádio.
3. Opakovaně stiskněte a uvolněte tlačítko Zdroj, dokud se nezobrazí "AUX IN".
4. Chcete-li dosáhnout lepší kvality zvuku, doporučujeme nastavit hlasitost zvuku na více než dvě třetiny a poté podle potřeby nastavit hlasitost v rádiu.

POZNÁMKA:

Audio kabel není součástí standardního příslušenství.

ÚDRŽBA

⚠ UPOZORNĚNÍ :

- Nikdy nepoužívejte benzín, benzen, ředidlo, alkohol či podobné prostředky. Mohlo by tak dojít ke změnám barvy, deformacím či vzniku prasklin.
- Neumývejte rádio vodou

TECHNICKÉ ÚDAJE

Požadavky na napájení	
Síťový adaptér	12 V ss 2.5A, kladný pól na středovém kolíku
Akumulátor	UM-3 (velikost AA) x 2 záložní baterie Posuňte baterii: 10,8V - 18V
Kmitočtový rozsah	FM87.50-108MHz (0.05MHz/krok) AM(MW)522-1,710kHz (9 kHz/krok)

Bluetooth®	
(Slovní ochranná známka Bluetooth® a příslušná loga jsou registrované ochranné známky vlastněné společností Bluetooth SIG, Inc.)	
Verze Bluetooth	5.0 certifikováno
Profil Bluetooth	A2DP / SCMS-T / AVRCP
Vysílací výkon	Třída výkonu 2
Dosah přenosu	Optimální: Max. 10 metrů (33 stop) Možné: Max. 30 metrů (100 stop) (liší se podle podmínek použití)
Podporovaný kodek	SBC
Kompatibilní profil Bluetooth	A2DP / AVRCP
Maximální výstup radiofrekvence	BT EDR: 3.91dBm
Provozní frekvence	2402MHz~2480MHz

Charakteristiky	
Reproduktor	2.5 palcový, 8 ohmů, x2 4 palcový, 6 ohmů, x1
Vstupní konektor	10.8V-12Vmax: 2W x2 +10W 14.4V: 3W x2 +15W 18V: 5W x2 + 25W
Vstupní terminál	Prům. 3,5 mm (AUX IN)
Anténní systém	FM: Vestavěná anténa AM: tyčová anténa
Rozměry (D×Š×V)	268 x 164 x 295 mm
Hmotnost	4.9 KG (bez akumulátoru)

SLOVENSKO

(Originalna navodila)

Az átalános nézet részletezése (1. ábra)

1. Vgrajena antena (AM)
2. Ročaj / vgrajena antena (FM)
3. Prostor za baterijo
4. Pokrov prostora za baterijo (pokriva akumulatorsko kartušo)
5. Zvočnik
6. Vtičnica DC IN
7. Nizkotonec
8. Gumb za vklop / izklop
9. Gumb Source
10. Gumb za radio alarm
11. Gumb zvočnega signala
12. Prednastavitev 3 / gumb predvajaj / premor
13. Gumb prednastavitev 5
14. Prednastavitev 4 / gumb za naslednjo skladbo
15. Nastavitev glasnosti / ugaševanje / gumb za izbor
16. Gumb za nadzor izenačevalnika
17. Vtičnica AUX IN
18. Vrata za polnjenje USB
19. Gumb za meni / informacije
20. LED indikator načina izenačevalnika
21. Gumb prednastavitev 2 / prejšnja skladba
22. Gumb prednastavitev 1 / seznanjanje Bluetooth
23. Zaslon LCD
24. Prostor za baterijo
25. Prostor za rezervne baterije

ZASLON LCD

- A. Alarm za radio
- B. Alarm z zvočnim signalom
- C. Stereo simbol
- D. Indikator prazne baterije
- E. Ura
- F. Frekvenca
- G. RDS (Radijski podatkovni sistem)
- H. Ikona časovnika za mirovanje
- I. POP za uro

Simboli

Prikaz simbolov za uporabo te opreme. Bodite sigurni v njihov pomen pred uporabo.



Preberite uporabniška navodila.



Samo za države EU

Električnih naprav ali baterij ne odlagajte

skupaj z gospodinjskim odpadnim materialom! V skladu z upoštevanjem evropskih direktiv o odpadni električni in elektronski opremi, ter baterijah in akumulatorjih in odpadnih baterijah in akumulatorjih je njihovo izvajanje v skladu z nacionalnimi zakoni. Električno opremo in baterije ter akumulatorje, ki so dosegli konec življenjske dobe je potrebno zbirati ločeno in vrniti v okoljsko varstveni, reciklrni objekt.

BEZPEČNOSTNÍ UPOZORNĚNÍ POKYNY

OPOZORILO :

Med uporabo električnih orodij, upoštevajte osnovna varnostna navodila, da zmanjšate nevarnost ognja, električnega šoka in telesne poškodbe, vključno z:

1. Pred uporabo preberite ta uporabniška navodila in navodila za polnjenje podrobno.
2. Čistite samo s suho krpo.
3. Ne nameščajte naprave blizu toplotnih virov, kot so radiatorji, grelna telesa, pečice, ali ostalih naprav (vključno z ojačevalniki) ki povzročajo vročino.
4. Uporabljajte samo dodatke/naprave, ki jih priporoča proizvajalec.
5. Izključite te naprave med nevihtami, ali ko jih ne uporabljate daljše obdobje.
6. Baterijski radio z vgrajenimi, ali ločenimi baterijami se mora napolniti samo s predpisanim polnilnikom za baterijo. Polnilnik, ki je primeren za en tip baterije, lahko povzroči požar, če ga uporabljate z drugo baterijo.
7. Baterijski radio uporabljajte samo z posebej določenimi baterijskimi paketi. Uporaba drugih baterij lahko povzroči požar.
8. Ko baterijski paket ni v uporabi, ga hranite stran od ostalih železnih predmetov kot so: sponke, kovanci, ključi, žebelji in ostali manjši železni objekti, ki lahko naredijo povezavo od ene postaje do druge. Krajšanje razdalj med baterijami lahko povzroči iskre, opekline ali ogenj.
9. Izogibajte se telesnemu stiku z prizemljenimi površinami kot so pipe, radiatorji, hladilniki in podobno. Če je vaše telo prizemljeno lahko pride po povečanega električnega šoka.
10. V kolikor se baterijo izpostavlja zlonamerni uporabi, se lahko iz nje izloči tekočina; izogibajte se kontaktu. Če se kontakt zgodi ponesreči, splaknite z vodo. Če tekočina pride v stik z očmi, poiščite zdravniško pomoč. Tekočina, ki se izloči iz baterije lahko povzroči iritacije ali opekline.
11. Ne uporabljajte baterij in baterijskih vložkov, ki

so poškodovani ali spremenjeni. Poškodovane ali spremenjene baterije so nepredvidljive, lahko povzročijo požar, eksplozijo in druge nevarne situacije.

12. Baterij in baterijskih vložkov ne izpostavljajte požaru ali visokim temperaturam. Izpostavljenost požaru ali temperaturi nad 130 °C(266°F) lahko povzroči eksplozijo.
13. Sledite navodilom in ne polnite baterij v temperaturnem prostoru, ki je nad opisanim v navodilih. Nepravilno polnjenje ali polnjenje pri temperaturah nad priporočenimi lahko poškoduje baterijo in poveča tveganje požara.
14. MAINS vtičnik se uporablja kot nepovazana naprava in mora biti pripravljena na uporabo
15. Izdelka ne uporabljajte daljše neprekinjeno obdobje. Da bi se izognili poškodbam sluha, uporabljajte izdelek na zmerni glasnosti.
16. (Samo za izdelke z LCD prikazom) LCD zasloni vključujejo tekočino, ki lahko povzroči draženje in zastrupitev. Če tekočina pride v stik z v očmi, usti ali kožo, jo sperite z vodo in pokličite zdravnika.
17. Izdelka ne izpostavljajte dežju ali vlažnim pogojem. Voda, ki bo vstopila v izdelek, bo povečala tveganje električnega udara.
18. Ta izdelek ni namenjen uporabi osebam (vključno z otroki) z zmanjšanimi fizičnimi, senzoričnimi ali duševnimi zmognostmi ali pomanjkanjem izkušenj in znanja. Razen če so pod nadzorom osebe, ki je odgovorna za njihovo varnost. Zagotoviti je potrebno, da se otroci s proizvodom ne igrajo. Izdelek shranjujte izven dosega otrok.

SHRANITE TA NAVODILA

POSEBNA VARNOSTNA NAVODILA UPORABA BATERIJSKE KARTUŠE

1. Pred uporabo baterijske kartuše, preberite vsa navodila in varnostne oznache na (1) baterijskem polnilcu, (2) bateriji in (3) proizvodu ki uporablja baterijo.
2. Ne razstavljajte baterijske kartuše.
3. Če je čas uporabe zelo kratek, prenehajte z uporabo takoj. Lahko namreč pride do rizika pregretja, možnih opeklin in celo eksplozij.
4. Če elektrolit pride v stik z očmi, jih umijte s čisto vodo in takoj poiščite zdravniško pomoč. Lahko pride do poškodb vida.
5. Ne krajšajte baterijske kartuše:
 - (1) Ne dotikajte se terminalov s kondukcijskim materialom.
 - (2) Izogibajte se shranjevanju baterijske kartuše v kontejnerju z ostalimi železnimi predmeti, kot so

žebliji, kovanci, ipd.

- (3) Ne izpostavljajte baterije vodi ali dežju. Skrajšana baterija lahko povzroči večji tok, pregrevanje, možne opekline ali celo uničenje baterije.,
6. Ne shranjujte kartuše orodja in baterije na lokacijah, kjer temperature lahko dosega ali presegajo 50 °C(122°F)
7. Ne sežigajte baterijske kartuše, tudi če je močno poškodovana ali izrabljena. Baterijska kartuša lahko v ognju eksplodira.
8. Bodite previdni da baterija ne pade ali da ne pride do udarca vanjo.
9. Ne uporabljajte poškodovane baterije.
10. Da bi se izognili tveganju, pred uporabo preberite navodila za zamenjavo baterije. Največji tok praznjenja akumulatorja mora biti večji ali enak 8A.
11. Za litijeve ionske baterije velja zahtevana zakonodaja o nevarnih izdelkih. Za komercialni prevoz, npr. s strani tretjih oseb, špediterjev, je potrebno ohraniti posebne zahteve glede pakiranja in označevanja. Za pripravo na pošiljanje, je potrebno posvetovanje s strokovnjakom za nevaren material. Prosimo, upoštevajte tudi morebitne podrobne nacionalne predpise.
Zalepite ali prekrijte odprte stike in baterijo zapakirajte tako, da se v embalaži ne more premikati.
12. Upoštevajte lokalne predpise v zvezi z reciklažo baterij.
13. Baterije uporabljajte samo z izdelki, ki jih je odobrila družba Makita. Nameščenje baterij na izdelke, ki niso skladni, lahko povzroči požar, prekomerno segrevanje, eksplozijo ali pomanjkanje elektrolitov.

⚠ POZOR:

- **Nevarnost eksplozije, če je baterija nepravilno zamenjana.**
- **Zamenjajte le z enako ali enakovredno vrsto.**
- **Uporabljajte samo originalne baterije Makita.**
Uporaba ponarejenih baterij Makita ali baterij, ki so bile spremenjene, lahko povzročijo okvaro. Lahko pride do požarov, telesnih poškodb in materialne škode. Izgubili boste tudi garancijo za proizvod in polnilec Makita.

Nasveti za vzdrževanje maksimalnega življenja baterije

1. Baterijsko kartušo napolnite, preden pride do popolne izpraznitve. Vedno prenehajte z uporabo in napolnite baterijsko kartušo, ko opazite manjšo moč naprave.
2. Nikoli ne napajajte polno napolnjene baterije. Dodatno napajanje lahko skrajša življenjski rok baterije.
3. Baterijsko kartuško napajajte pri sobni temperature pri 10 °C - 40 °C (50 °F - 104 °F). Vročo baterijsko kartuško pred ponovnim napajanjem najprej ohladite.
4. Baterijsko kartušo napolnite če je ne uporabljate dlje časa (več kot šest mesecev).

ČAS DELOVANJA

* Primerne baterije za ta radio so navedene v naslednji tabeli.

* Spodnja tabela prikazuje čas za posamezno napajanje.

Kapaciteta Baterije	Napetost baterijskega vložka			AT ZVOČNIK OUTPUT = 100mW Enota: ura (približno)	
	10.8V -12Vmax	14.4V	18V	v radio ali AUX	v Bluetooth + USB polnjenje
1.3 Ah		BL1415		3.5	0.7
			BL1815	4.0	1.0
1.5 Ah	BL1015 BL1016			6.0	0.8
		BL1415N BL1415NA		4.5	0.9
			BL1815N	5.0	1.2
2.0 Ah	BL1020B BL1021B			8.0	1.0
			BL1820 BL1820B	6.5	1.6
3.0 Ah		BL1430 BL1430B BL1430A		8.0	1.6
			BL1830 BL1830B	9.5	2.3
4.0 Ah	BL1040B BL1041B			16	2.1
		BL1440		13	2.5
			BL1840 BL1840B	13	3.2
5.0 Ah		BL1450		15	3.0
			BL1850 BL1850B	17	4.2
6.0 Ah		BL1460B BL1460A		17	3.3
			BL1860B	21	5.0

⚠ OPOZORILO :

Uporabljajte zgolj zgoraj naštete baterije. Uporaba drugih baterijskih vložkov lahko povzroči poškodbe in / ali požar.

Opomba:

- Tabela glede časa delovanja baterije je za referenco.
- Dejanski čas delovanja se lahko razlikuje glede na vrsto baterije, stanje polnjenja ali okolico uporabe.

NAMESTITEV IN NAPAJANJE

⚠ POZOR:

- Pazite, da ne boste priščipnili prstov, ko odpirate in zapirate pokrov baterije.
- Po namestitvi ali odstranitvi akumulatorske baterije nastavite predalček v prvotni položaj. V nasprotnem primeru lahko kartuša baterije pade iz radia in tako poškoduje vas ali nekoga, ki se nahaja v bližini.
- Preden premaknete radio, zaprite in zaklenite predalček za baterijo.
- Preden namestite ali odstranite baterijsko kartušo, vedno izklopite radio.
- Pazite, da radio ne pade ali ga udarite. Zlomljena lupina lahko ureže prst ali pa se zabode v telo. Poškodovani radio lahko deluje nepredvidljivo, ki lahko povzroči požar, eksplozijo ali nevarnost poškodb.

POMEMBNO:

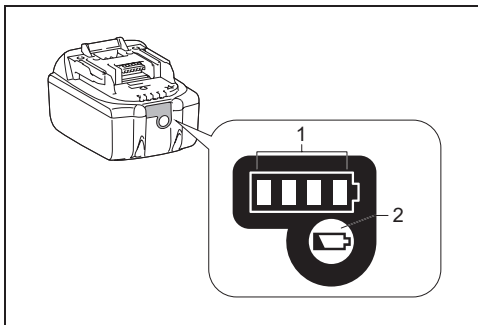
- Zmanjšana moč, popačenje, »trzajoč zvok«, ali ko se na zaslonu prikažejo tako indikator prazne baterije kot beseda »POWERFAIL«, so znaki, da je potrebno zamenjati glavno baterijo.
- Ko se prikaže indikator prazne baterije in beseda »EMPTY« še naprej utripa, je čas za zamenjavo rezervnih baterij.
- Baterijske kartuše ni mogoče polniti prek priloženega napajalnika.
- Baterijska kartuša ni priložena kot standardna oprema.

Nameščanje in odstranjevanje baterijske kartuše (fig. 4 & 5)

- Za nameščanje baterijske kartuše, poravnajte jezik baterijske kartuše na baterijsko kartušo z za to namenjenim orodjem ter jo namestite v proctor. Vedno jo namestite do konca, dokler se ne zaskoči.
- Če na zgornji strani gumba vidite rdeč indikator, le ta ni popolnoma zaklenjen. Namestite ga do konca, da rdeči indikator ne bo viden. V nasprotnem primeru lahko pade iz radia in poškoduje vas ali nekoga, ki se nahaja blizu.
- Ne uporabljajte sile ko nameščate baterijsko kartušo. Če kartuša ne zdrsne zlahka, pomeni da ni pravilno nameščena.
- Če želite odstraniti baterijsko kartušo, jo potisnite iz radia, medtem ko pritisnete gumb na sprednji strani kartuše.

Ocenjevanje preostale kapacitete baterije

* Samo za baterijsko kartušo z oznako "B" na koncu številke modela.



➤ 1. Indikatorji lučk 2. Gumb za preverjanje

Preverite gumb za preverjanje na kartuši baterije za indikacijo preostale kapacitete baterije. Lučka indikatorja bo zasvetila za nekaj sekund.

• 14.4V/18V baterije

Indikator lučk			Preostala kapaciteta
Prizgano	Izključeno	Utripajoče	
■	□	◐	75% ~ 100%
■	■	□	50% ~ 75%
■	□	□	25% ~ 50%
■	□	□	0% ~ 25%
◐	□	□	Napolnite baterijo
■	□	□	Baterija morda ne deluje pravilno
□	□	■	

• 10.8V-12V max baterije

Indikator lučk			Preostala kapaciteta
Prizgano	Izključeno	Utripajoče	
■	□	◐	75% ~ 100%
■	■	□	50% ~ 75%
■	□	□	25% ~ 50%
■	□	□	0% ~ 25%

OPOMBA :

Ovisno od pogojev uporabe in temperature okolju, lahko indikator prikazuje rahlo drugačen rezultat kot dejanska kapaciteta.

Namestitev rezervne baterije (Sliki 2 in 3)

Ohranjanje rezervnih baterij znotraj prostora za baterije, preprečuje izgubo shranjenih podatkov v pred nastavljenih spominih.

1. Izvlecite predalček za baterijo, da lahko namestite baterijo. V prostoru za baterijo sta glavni del in dodatni prostor za rezervno baterijo.
2. Odstranite pokrov prostora za baterijo in vstavite 2 napolnjeni bateriji UM-3 (velikosti AA). Prepričajte se, da so baterije pravilno polarizirane, kot je prikazano v notranjosti prostora. Namestite pokrov baterije.
3. Po vstavitvi rezervnih baterij, v radio vstavite še glavno baterijo.

Uporaba AC napajalnega adapterja

Odstranite gumijasto zaščito in vstavite vtič adapterja v DC vtičnico na desni strani radia. Adapter priključite v standardno omrežno vtičnico. Kadar uporabljate adapter, se baterija samodejno izključi.

⚠ POZOR:

- **Preden premaknete radio, vedno izključite napajalnik. Če napajalnik ni odstranjen, lahko to povzroči električni udar.**
- **Nikoli ne vlecite, ali povlecite kabla adapterja. V nasprotnem primeru lahko radio po nesreči pade in povzroči poškodbe vam ali nekomu, ki se nahaja blizu vas.**

VAŽNO:

- Omrežni adapter se uporablja kot sredstvo za priključitev radia na električno omrežje. Omrežna vtičnica, ki se uporablja za radio, mora biti dostopna med običajno uporabo.
- Če želite odklopiti radio, morate napajalnik popolnoma odstraniti iz omrežne vtičnice.
- Uporabljajte samo z napajalnikom, ki ste ga dobili z izdelkom ali ga je določilo podjetje Makita.
- Ne držite napajalnega kabla in ga vtikajte v usta. To lahko povzroči električni udar.
- Ne dotikajte se vtiča z mokrimi ali maslnimi rokami.
- Poškodovani ali zapleteni kabli povečujejo tveganje električnega udara. Če je kabel poškodovan, ga zamenjajte s pomočjo našega pooblaščenega servisa, da se izognete nevarnosti. Ne uporabljajte pred popravilom.
- Po uporabi vedno hranite omrežni napajalnik izven dosega otrok. Če se otroci igrajo z vrvcio, lahko utrpijo poškodbe.

Opomba:

Kadar ima vaš radio s svojim vmesnikom, motnje v

pasu AM, ga premaknite na razdaljo vsaj 30 cm od AC napajalnika.

Polnjenje z napajalnimi vrati USB

Na sprednji strani radia so vrata USB. Napravo lahko polnite skozi vrata USB.

1. Priključite USB naprave, kot sta MP3 ali CD predvajalnik, s kablom USB, ki ga lahko kupite v bližnji prodajalni.
2. Za vklop radia pritisnite gumb za vklop.
3. Ne glede na to, ali je radio priključen na izmenično napajanje ali na baterije, lahko radio napolni priključeno napravo USB, ko je radio vklopljen in v načinu FM radia ali v načinu BT ali AUX, ki se prikaže, ko je priključen zunanji zvočni vir.

Opomba:

- Naprave USB ne morete polniti med načinom AM, ker je sprejem radijskih signalov pri polnjenju naprave USB zelo slab.
- Maksimalna izhodna glasnost zvočnikov se bo zmanjšala, ko se USB polni.
- USB vtičnica lahko zagotovi največ 5V / 2.4A električnega toka.

POMEMBNO:

- Pred povezavo USB naprave in polnilca, vedno naredite varnostno kopijo podatkov na vaši USB napravi. Drugače se lahko podatki izgubijo.
- Napajanje ne duleje za nekatere USB naprave.
- Ko se ne uporablja, oziroma po končanem polnjenju, odstranite USB kabel in zaprite pokrov.
- Ne povežite napajalnih virov na USB port, ker obstaja nevarnost požara. USB port je namenjen samo polnjenju naprav z nizko napetostjo. Vedno pokrijte USB port, ko ne polnite naprave z nizko napetostjo.
- Ne vtikajte žeblja, žice in podobno v USB režo. Sicer lahko pride do stika, ki povzroči dim in ogenj.
- Ne povežite USB reže s PC USB režo, ker obstaja velika verjetnost da pride do okvare povezanih enot.

POSLUŠANJE RADIA

Iskanje postaj AM / FM

Opomba: FM antena je vgrajena v ročaj. Ko uporabljate radio, ročaj pravilno poravnajte nad radijskim sprejemnikom, da boste dobili boljši sprejem. Za frekvenčni pas AM zavrtite radio, da dobite najboljši signal, ker je AM antena vgrajena v radio.

1. Za vklop radia pritisnite gumb za vklop.
2. Pritisnite gumb Source, da izberete način AM ali FM radio.
3. Pritisnite in držite gumb za uravnavanje, da izvedete samodejno uglaševanje. Vaš radio bo skeniral frekvenčni pas AM / FM iz trenutno prikazane frekvence in samodejno ustavil optično branje, ko najde postajo z

zadostno močjo.

- Po nekaj sekundah se bo zaslon posodobil. Na zaslonu se bo prikazala frekvenca najdenega signala.
- Če želite poiskati drugo postajo, pritisnite in držite gumb za uravnavanje kot prej.
- Ko je konec valovnega območja dosežen, bo vaš radio ponovno začel z uglaševanjem z nasprotnega konca valovnega pasu.
- Zavrtite gumb za uravnavanje, da prilagodite raven zvoka, kot je potrebno.

Opomba:

- Med prilagajanjem glasnosti se prepričajte, da FM / AM na zaslonu ne utripa.
 - Če na zaslonu utripa AM / FM, vam to omogoča ročno nastavljanje postaj (za več podrobnosti glejte poglavje »Ročna nastavitve - AM / FM«).
 - Glasnost ne sme biti previsoka. Da bi preprečili morebitno poškodbo sluha, na daljša obdobja ne poslušajte radia na visoki glasnosti.
- Za izklop radia pritisnite gumb za izklop.

Ročna nastavitve – AM / FM

- Za vklop radia pritisnite gumb za vklop.
- Pritisnite gumb Source, da izberete način AM ali FM radio.
- Pritisnite gumb za uravnavanje in na zaslonu se prikaže FM ali AM.

Opomba:

- FM / AM utripa približno 10 sekund. V tem obdobju je dovoljena le ročna nastavitve.
 - Če želite prilagoditi glasnost, medtem ko utripa FM / AM, pritisnite gumb za nastavljanje glasnosti, da zaustavite bliskavico in s tem lahko gumb za nastavljanje zvoka zavrtite in prilagodite glasnost zvoka.
- Zavrtite gumb za uravnavanje, da izberete postajo.
 - Ko je konec valovnega območja dosežen, bo vaš radio ponovno začel z uglaševanjem z nasprotnega konca valovnega pasu.
 - Zavrtite gumb za uravnavanje, da prilagodite raven zvoka, kot je potrebno.

Prednastavitve postaj v načinu AM / FM

Na voljo je 5 prednastavljenih postaj za AM in FM radio. Uporabljajo se lahko na enak način za vsako valovno območje.

- Za vklop radia pritisnite gumb za vklop.
- Pritisnite gumb Source, da izberete zeleno valovno območje. Poiščite zeleno radijsko postajo, kot je opisano zgoraj.
- Pritisnite in držite gumb za prednastavitve (1 do 5), dokler se na zaslonu ne prikaže »P4«, (na primer) po frekvenci. Postaja se shrani s prednastavljeno številko. Ta postopek ponovite za preostale prednastavitve, kot

si želite.

- Prednastavljene postaje, ki so že shranjene, se lahko preprišajo po zgornjem postopku, če je to potrebno.

Načini prikaza – FM

Vaš radio ima razne možnosti prikaza za način FM radia. Večkrat pritisnite gumb za meni / informacije, da si ogledate RDS informacije postaje, ki jo poslušate.

- Ime postaje Prikaže ime postaje, ki jo poslušate.
- Vrsta programa Prikaže vrsto postaje, ki jo poslušate, na primer pop, klasika, novice, itd.
- Radio tekst Prikaže radijsko besedilno sporočilo, kot so nove postavke itd.
- Leto / dan Prikaže leto in dan v tednu glede na nastavitve datuma vašega radia.
- Datum / dan Prikaže datum in dan v tednu glede na nastavitve datuma vašega radia.
- Način EQ Prikaže način izenačevalnika FM za postajo, ki jo poslušate.
- Frekvenca Prikaže frekvenco FM za poslušano postajo.

FM stereo auto / mono

Če ima FM radijska postaja, ki jo poslušate, šibek signal, se lahko sliši nekaj šumenja. To šumenje lahko zmanjšate tako, da nastavite radio tako, da predvaja postajo v načinu mono in ne načinu stereo.

- Pritisnite gumb Source, kot je potrebno, da izberete frekvenčni pas FM in nastavite zeleno FM postajo, kot je bilo prej navedeno.
- Pritisnite in držite gumb meni / informacije, da vstopite v nastavitve menija.
- Obračajte gumb za uravnavanje, dokler se na zaslonu ne prikaže nastavitve »FM AUTO (ali MONO)«. Če je nastavitve auto (samodejno), pritisnite gumb za uravnavanje in ga nato zavrtite, da preklopite v način mono, da tako zmanjšate šumenje. Pritisnite gumb za uravnavanje, da izberete možnost.

Vklop prednastavitve v načinu AM / FM

- Za vklop radia pritisnite gumb za vklop.
- Pritisnite gumb Source, da izberete način AM ali FM radio.
- Za hiter vklop radia na eno od postaj, shranjenih v prednastavljenem pomnilniku, pritisnite gumb prednastavitve.

DRUGE NASTAVITVE

Nastavitve formata ure in datuma

Prikaz ure, ki se uporablja v stanju pripravljenosti in na zaslonih načina predvajanja, se lahko nastavi na drugačen format. Izbrana oblika se nato uporabi tudi pri nastavljanju

alarmov.

1. Pritisnite in držite gumb meni / informacije, da vstopite v nastavitveni meni.
2. Zavrtite gumb za uravnavanje, dokler se na zaslonu ne prikaže "CLOCK xxH". Nato pritisnite gumb za uravnavanje. Videli boste, da časovni format začne utripati.
3. Zavrtite krmilni gumb za nastavljanje, da izberete obliko prikaza 12 ali 24 ur. Pritisnite krmilni gumb za nastavljanje, da potrdite izbiro oblike prikaza ure.
Opomba:
Če izberete 12-urno obliko ure, bo radio nato uporabljal 12-urni zapis ure kot privzet.
4. Pritisnite in držite gumb meni / informacije, da vstopite v nastavitveni meni.
5. Zavrtite gumb za uravnavanje, dokler se na zaslonu ne prikaže datum (npr. THU APR 3). Nato pritisnite gumb za uravnavanje. Videli boste, da datumski format začne utripati.
6. Obrnite gumb za uravnavanje, da izberete želeni format datuma. Nato ga pritisnite, da potrdite izbiro.

Nastavitev ure in datuma

1. Pritisnite in držite gumb meni / informacije.
2. Obračajte gumb za uravnavanje, dokler se na zaslonu ne prikaže "CLOCK ADJ". Pritisnite gumb za uravnoveženje, da vstopite v nastavitve.
3. Nastavitev ure na zaslonu bo začela utripati. Obrnite gumb za uravnavanje in tako izberite želeno uro. Pritisnite gumb za uravnavanje, da potrdite nastavitve. Nato zavrtite gumb za uravnavanje, da izberete želeno minuto, in pritisnite gumb za uravnavanje, da potrdite nastavitve.
4. Zavrtite gumb za uravnavanje, dokler se na zaslonu ne prikaže "DATE ADJ". Nato pritisnite gumb za uravnavanje, da tako vstopite v nastavitve.
5. Obrnite gumb za uravnavanje, da izberete želeno leto, in ga pritisnite, da potrdite nastavitve. Nato zavrtite gumb za uravnavanje, da izberete želeni mesec, in ga pritisnite, da potrdite nastavitve. Nato zavrtite gumb za uravnavanje, da izberete želeni dan, in ga pritisnite, da potrdite nastavitve.

Radijski podatkovni sistem (RDS)

Ko nastavite uro z uporabo funkcije RDS, bo vaš radio sinhroniziral uro, kadarkoli se bo vklopil v radijsko postajo z RDS signalom.

1. Pri uglaševanju postaje, ki oddaja RDS podatke, se na zaslonu prikaže simbol RDS. Pritisnite in držite gumb meni / informacije.
2. Obrnite gumb za uravnavanje, dokler se na zaslonu ne prikaže »RDS CT« in simbol ure. Pritisnite ga, da vstopite v nastavitve.
3. Obrnite gumb za uravnavanje, dokler se na zaslonu ne

prikaže "RDS CT". Pritisnite ga za potrditev nastavitve. Ura se bo samodejno nastavila glede na prejete podatke RDS.

Opomba:

- Čas radijske ure bo veljal 5 dni od vsakokrat, ko bo radijski čas sinhroniziran z RDS CT.
- Če želite onemogočiti funkcijo RDS CT, se vrnite na korake 1 do 2 in nato zavrtite gumb za uravnavanje, in izberite možnost »ROČNO«. Pritisnite gumb za potrditev nastavitve.

Nastavljanje budilke

Vaš radio omogoča dva alarma, ki ju lahko nastavite.

Lahko vas prebudi AM / FM radio ali pa zvočni alarm. Alarmi se lahko nastavijo, ko je radio v stanju pripravljenosti ali med predvajanjem.

Opomba:

Preden nastavite alarm, preverite, ali je čas pravilno nastavljen. Če v 10 sekundah ne pritisnete nobenega gumba, bo radio zapustil nastavitve alarma.

a. Nastavitev časa za radijski alarm:

1. Radijski alarm lahko nastavite, ko je radio vklopljen ali izklopljen.
2. Pritisnite in držite gumb za radijski alarm, simbol radijskega alarma in ura na zaslonu boste utripali. Sledil bo zvočni signal.
3. Ko simbol za radijski alarm utripa, zavrtite gumb za uravnavanje, da izberete uro in ga pritisnite, da potrdite nastavitve ure. Nato ponovno zavrtite gumb za uravnavanje, da izberete minute in ga pritisnite, da potrdite nastavitve minut.
4. Zavrtite gumb za uravnavanje in na zaslonu se bodo prikazale možnosti pogostosti alarma. Možnosti alarma so naslednje:
ENKRAT – alarm se bo oglasil enkrat
DNEVNO – alarm se bo oglasil vsak dan
TEDENSKO – alarm se bo oglasil samo med tednom
MED VIKENDOM – alarm se bo oglasil le ob vikendih
Pritisnite gumb za uravnavanje, in tako potrdite nastavitve.
5. Ko simbol radijskega alarma utripa, zavrtite gumb za uravnavanje, da izberete želeno frekvenco in postajo za bujenje, nato pritisnite gumb za uravnavanje, da tako potrdite izbiro.
6. Z vrtenjem gumba za uravnavanje izberite želeno glasnost in ga pritisnite, da potrdite željeno glasnost. Nastavitev radijskega alarma je sedaj končana.

Opomba:

- Če nova postaja za radijski alarm ni izbrana, bo avtomatsko izbrana zadnja alarmna postaja.
- Če izbrana postaja za alarm AM / FM ni na voljo, ko se sproži alarm, se namesto radijskega uporabi zvočni alarm.

b. Nastavitev HWS (sistem humanega bujenja)

Zvočnega alarma:

Ko izberete HWS zvočni alarm, se bo aktiviral zvočni signal.

Alarmni pisk se bo kratko slišal vsakih 15 sekund slišal v času ene minute, nato pa se bo pred ponovitvijo cikla utišal za eno minuto.

1. Zvočni alarm lahko nastavite, ko je radio vklopljen ali izklopljen.
2. Pritisnite in držite gumb za zvočni alarm, simbol zvočnega alarma in ura na zaslonu boste utripali. Sledil bo zvočni signal.
3. Ko simbol za zvočni alarm utripa, zavrtite gumb za uravnavanje, da izberete uro in ga pritisnite, da potrdite nastavev ure. Nato ponovno zavrtite gumb za uravnavanje, da izberete minute in ga pritisnite, da potrdite nastavev minut.

4. Zavrtite gumb za uravnavanje in na zaslonu se bodo prikazale možnosti pogostosti alarma

Možnosti alarma so naslednje:

ENKRAT – alarm se bo oglasil enkrat

DNEVNO – alarm se bo oglasil vsak dan

TEDENSKO – alarm se bo oglasil samo med tednom

MED VIKENDOM – alarm se bo oglasil le ob vikendih

Pritisnite gumb za uravnavanje, in tako potrditev

nastavev.

Opomba:

Za zvočni alarm nastavev glasnosti ni mogoča.

Utišanje zvoka alarma

Če želite preklicati zvočni alarm, pritisnite gumb za vklop / izklop.

Onemogočite nastavev alarma

Če želite onemogočiti nastavev alarma, pritisnite in držite ustrezno tipko za alarm preden se oglosi alarm, dokler simbola alarma ne izgine z zaslona.

Dremež

1. Ko se oglosi alarm, pritisnite katerokoli tipko, razen gumba za vklop / izklop, da utišate alarm za 5 minut. Na zaslonu se prikaže beseda »DREMEŽ«.
2. Za nastavev časa mirovanja časovnika dremeža pritisnite in držite gumb meni / informacije, da vstopite v nastavev menija.
3. Zavrtite gumb za uravnavanje, dokler se na zaslonu ne prikaže "DREMEŽ X", pritisnite ga da vstopite v nastavev. Gumb za uravnavanje ponovno zavrtite, da nastavite čas mirovanja od 5, 10, 15 in 20 minut za časovnik dremeža.
4. Če želite preklicati časovnik dremeža, ko je alarm prekinjen, pritisnite gumb za vklop / izklop.

Časovnik samodejnega izklopa

Vaš radijski sprejemnik se lahko samodejno izklopi po določenem času. Nastavev časovnika za izklop lahko

izberete med 60, 45, 30, 15, 120 in 90 minutami.

1. Pritisnite in držite gumb za vklop / izklop, da vstopite v nastavev časovnika mirovanja. Na zaslonu se prikaže »SPANJE XX«.
2. Držite tipko za vklop / izklop in možnosti časovnika mirovanja se bodo prikazale na zaslonu. Ustavite se, dokler se na zaslonu ne prikaže zelena nastavev časovnika samodejnega izklopa. Nastavev se shrani in LCD se bo vrnil na običajen prikaz.
3. Vaš radio se bo samodejno izklopilo po preteku prednastavljenega časovnika samodejnega izklopa. Ikona časovnika izklopa se bo prikazala na zaslonu, kar označuje aktivni časovnik izklopa.
4. Če želite preklicati funkcijo časovnika za samodejni izklop, pred izklopom prednastavljenega časa, preprosto pritisnite gumb za vklop / izklop, da napravo izklopite ročno.

Glasnost

Nižje in višje frekvence za vaš radio lahko kompenzirate z prilagajanjem funkcije glasnosti.

1. Pritisnite in držite gumb za vklop / izklop, da vstopite v nastavev menija.
2. Obračajte gumb za uravnavanje, dokler se na zaslonu ne prikaže "GLASNOST VKLOPLJENA" ali "GLASNOST IZKLOPLJENA". Pritisnite gumb za uravnavanje, da vstopite v nastavev.
3. Zavrtite gumb za uravnavanje, in izberete VKLOPI, da vklopite funkcijo glasnosti, nato pritisnite gumb za uravnavanje, da to nastavev potrdite.
4. Za izklop funkcije glasnosti izberite IZKLOPI in pritisnite gumb za uravnavanje, da potrdite nastavev.

Funkcija izenačevalnika

Obstaja 7 vrst barvnih LED indikatorjev okoli gumba za uravnavanje, ki označujejo različne načine EQ.

1. Za vklop radia pritisnite gumb za vklop.
2. Pritisnite gumb za upravljanje EQ, da vstopite v meni za nastavev EQ.
3. Obrnite gumb za uravnavanje, da izberete želeni način. Nato ga pritisnite, da potrdite izbiro.

EQ način	LED indikator
RAVEN	Bela
JAZZ	Modra
ROCK	Rdeča
KLASIČNA	Rjava
POP	Roza
NOVICE	Rumena
MOJ EQ	Zelena

Nastavite svoj profil EQ

1. Pritisnite gumb za upravljanje EQ, da vstopite v meni za nastavev EQ.
2. Zavrtite gumb za uravnavanje in izberite "MOJ EQ".

- Nato ga pritisnite, da vstopite v nastavitve "BASS".
3. Zavrtite gumb za uravnavanje, da izberete želeno raven nizkih tonov. Pritisnite gumb za uravnavanje, da odprete nastavitve "NIZKA".
 4. Obrnite gumb za uravnavanje, da izberete želeno srednjo raven. Pritisnite gumb za uravnavanje, da odprete nastavitve "SREDNJA".
 5. Zavrtite gumb za uravnavanje, da izberete želeno raven visokih tonov. Pritisnite potrditveni gumb za potrditev nastavitve.

Opomba:

- Če uporabljate izenačevalnik za poudarjanje nizkih tonov in poslušanje pri visoki glasnosti, lahko to povzroči razpoke in popačenje zvoka. V tem primeru ustrezno prilagodite glasnost radia.

POSLUŠAJTE GLASBO VIA BLUETOOTH STREAMING

Napravo Bluetooth morate seznaniti z radiom, preden lahko samodejno vzpostavite povezavo za predvajanje glasbe po Bluetoothu prek radia. Seznanjanje ustvari "vez", tako da se lahko dve napravi medsebojno prepoznata.

Opomba:

- Za boljšo kakovost zvoka priporočamo, da na napravi Bluetooth nastavite glasnost na več kot dve tretjini, nato pa po potrebi prilagodite glasnost radia.
- Radio si lahko zapomni do 8 seznanjenih naprav. Ko pomnilnik preseže to številko, bo najstarejša seznanjena naprava pozabljena.

Prvo seznanjanje naprave z Bluetoothom

1. Pritisnite gumb za vklop, da vklopite radio. Pritisnite gumb Source, da izberete način Bluetooth. Na zaslonu se prikaže napis »BT SEZNAJANJE«, na zaslonu pa utripa »SEZNANI«.
2. V napravi vključite Bluetooth, kot je opisano v uporabniškem priročniku naprave za povezavo z radijem. Poiščite seznam naprav Bluetooth in izberite napravo z imenom »DMR114« (pri nekaterih mobilnih napravah, ki so opremljene s starejšimi različicami od naprave Bluetooth BT2.1, boste morda morali vnesti geslo "0000").
3. Ko se povežete, boste slišali zvok potrditvenega tona. Napis »BLUETOOTH« ostane na zaslonu in osvetlitev se bo zatemnila v 10 sekundah. Preprosto lahko izberete in predvajate glasbo iz izvorne naprave. Regulacijo glasnosti lahko nastavite iz izvorne naprave ali neposredno iz radia.
4. Uporabite kontrolno ploščo na napravi, ki podpira Bluetooth, ali na radiju, da predvajate / začasno ustavite in skačete po skladbah.

Opomba:

- Če dve Bluetooth napravi prvič iščeta radio, se bo

razpoložljivost prikazala na obeh napravah. Če pa se ena naprava najprej poveže z enoto, je druga Bluetooth naprava na seznamu ne bo našla.

- Če je vaša Bluetooth naprava začasno odključena od radia, morate napravo ponovno ročno priključiti na radio.
- Če se na seznamu naprav Bluetooth prikaže »DMR114«, vendar se naprava ne more povezati z njo, izbršite element s seznama in napravo ponovno seznanite z radijem, kot je bilo opisano prej.
- Optimalno območje delovanja Bluetootha je približno 10 metrov (30 čevljev) (vidno polje) od radia, vendar je možna razdalja delovanja do 30 metrov (100 čevljev).
- Če se izgubi povezava Bluetooth zaradi prekoračitve omejitve ločevanja, prekoračitve optimalne razdalje, ovir ali drugače, bo morda potrebna ponovna priključitev naprave na radio.
- Fizične ovire, druge brezžične naprave ali elektromagnetne naprave lahko vplivajo na kakovost povezave.
- Učinkovitost povezave Bluetooth se lahko razlikuje glede na priključene naprave Bluetooth. Preden se povežete z radijem, si oglejte zmožnosti naprave Bluetooth. Nekatere seznanjene naprave Bluetooth morda ne podpirajo vseh funkcij.

Predvajanje zvočnih datotek v načinu Bluetooth

Ko ste uspešno povezali radio z izbrano napravo Bluetooth, lahko začnete predvajati glasbo s kontrolno ploščo na povezani Bluetooth napravi.

1. Ko začnete predvajati nastavite glasnost na želeno raven z gumbom za glasnost na radiju, ali na omogočeni napravi Bluetooth.
2. Uporabite kontrolno ploščo na napravi z Bluetoothom za predvajanje / začasno ustavitev in preskakovanje skladb. Druga možnost za nadzor je predvajanje / začasna ustavitev, preskakovanje skladb s pomočjo gumbov radia.
3. Pritisnite in držite gumb naslednja skladba ali prejšnja skladba, da se premikate po seznamu skladb. Spustite tipko, ko dosežete želeno skladbo.

Opomba:

- Nekatere aplikacije ali naprave se morda ne bodo odzvale na vse ukaze.
- Nekateri mobilni telefoni se lahko med klicanjem ali sprejemanjem klicev začasno izključijo od radia. Nekatere naprave lahko začasno utišajo prenos zvoka preko Bluetootha, ko prejmejo besedilna sporočila, e-pošto ali iz drugih razlogov, ki niso povezani s pretakanjem zvoka. Takšno vedenje je funkcija priključene naprave in ne napaka radia.

Predvajanje predhodno seznanjene naprave Bluetooth

Če je vaša Bluetooth naprava že seznanjena z radijem, si jo bo vaš računalnik zapomnil in se bo poskušal samodejno povezati z njo. Če zadnja povezana naprava ni na voljo, potem bo radio povezava Bluetooth vidna napravi.

Prekinjanje povezave z napravo Bluetooth

Pritisnite in držite gumb za seznanjanje Bluetooth približno 2-3 sekunde, dokler se na zaslonu ne prikaže »BT SEZNANJANJE« ali izključite Bluetooth na napravi, da onemogočite povezavo.

Če želite onemogočiti povezavo, lahko pritisnete tudi gumb Source, da izberete kateri koli način, ki ni Bluetooth.

Brisanje pomnilnika seznanjene naprave Bluetooth

Če želite izbrisati pomnilnik vseh seznanjenih naprav, pritisnite in držite gumb za seznanjanje Bluetooth več kot 5 sekund, dokler se na zaslonu ne prikaže sporočilo »BRISANJE«.

POMOŽNA VHODNA VTIČNICA

Na sprednji strani radia je na voljo 3,5-milimetrska pomožna vhodna vtičnica, ki omogoča, da se avdio signal prenese v enoto iz zunanje avdio naprave, kot sta MP3 ali CD predvajalnik.

1. Priključite zunanji zvočni vir (na primer MP3 ali CD predvajalnik) v vtičnico AUX IN.
2. Za vklop radia pritisnite gumb za vklop.
3. Večkrat pritisnite in spustite gumb Source, dokler se ne prikaže »AUX IN«.
4. Za boljše kakovost zvoka priporočamo, da na vaši zvočni napravi nastavite glasnost na več kot dve tretjini, nato pa po potrebi prilagodite glasnost radia.

Opomba:

Avdio kabel ni vključen kot del standardne opreme.

VZDRŽEVANJE

⚠ POZOR:

- Nikoli ne uporabljajte bencina, benzene, alkohola in podobno, ker lahko pride do razbarvanja, ali se pojavijo razpoke na napravi.
- Radia ne umivajte z vodo.

SPECIFIKACIJE

Zahteve naprave	
AC napajalnik	DC 12V 2.5A, center pin pozitiven
Baterija	UM-3 (velikost AA) x2 za varnostno kopiranje Drсна baterija: 10.8V - 18V
Frekvenčno pokritost	FM87.50-108MHz (0,05 MHz / korak) AM(MW)522-1,710kHz (9 kHz / korak)

Bluetooth®	
(Besedna znamka Bluetooth® in logotipi so registrirane blagovne znamke v lasti družbe Bluetooth SIG, Inc.)	
Različica Bluetootha	5.0 Certificirana
Profili Bluetootha	A2DP / SCMS-T / AVRCP
Moč prenosa	Power Class2
Doseg prenosa	Optimalno: Največ 10 metrov (33 čevljev) Možno: Največ 30 metrov (100 čevljev) (odvisno od pogojev uporabe)
Podprt kodek	SBC
Združljiv profil Bluetooth	A2DP / AVRCP
Največja radijska frekvenca	BT EDR: 3.91dBm
Frekvenca delovanja	2402MHz~2480MHz

Funkcija vezja	
Zvočnik	2,5 palca 8 ohm x2 4 palce 6 ohm x1
Izhodna moč	10.8V-12Vmax: 2W x2 +10W 14.4V: 3W x2 +15W 18V: 5W x2 + 25W
Vhodni terminal	3,5 mm premera. (AUX IN)
Antenski sistem	FM: vgrajena antena AM: bar antena
Dimenzije (D x Š x V)	268 x 164 x 295 mm
Teža	4.9 KG (brez baterije)



Vetëm për shtetet e BE-së
Mos i hidhni pajisjet elektrike ose paketën e baterisë së bashku me mbeturinat e shtëpisë! Në përputhje me Direktivën Evropiane për mbetjet nga pajisjet elektrike dhe elektronike, për bateritë dhe akumulatorët dhe mbetjet nga bateritë dhe akumulatorët dhe implementimin e tyre në përputhje me legjislacionin kombëtar, pajisjet elektrike, bateritë dhe paketën(at) e baterisë që kanë arritur fundin e jetëgjatësisë së tyre duhet të mblidhen veçmas dhe të dorëzohen në një objekt riciklimi që nuk dëmton mjedisin.

Shpjegim i pamjes së përgjithshme (Fig. 1)

1. Antena e integruar (AM)
2. Doreza/Antena e integruar (FM)
3. Bllokuesi i folesë së baterisë
4. Kapaku i folesë së baterisë (që mbulon kutinë e baterisë)
5. Altoparlanti
6. Foleja DC IN
7. Nënvuferi
8. Butoni i energjisë/kohëmatësit të fjetjes
9. Butoni i burimit
10. Butoni i alarmit me radio
11. Butoni i alarmit me zile
12. Butoni me paravendosje 3/Butoni i luajtjes/pauzës
13. Butoni me paravendosje 5
14. Butoni me paravendosje 4/Butoni Kënga tjetër
15. Çelësi i volumit/kontrollit të sintonizimit/zgjedhjes
16. Butoni i kontrollit të balancuesit
17. Foleja AUX IN
18. Porta USB e furnizimit me energji
19. Butoni i menysë/informacionit
20. Treguesi LED i regjimit të balancuesit
21. Butoni me paravendosje 2/Butoni Kënga e mëparshme
22. Butoni me paravendosje 1/Butoni i çiftimit të Bluetooth-it
23. Ekran LCD
24. Foleja e baterisë
25. Foleja e baterive rezervë

EKRANI LCD

- A. Alarmi me radio
- B. Alarmi me zile
- C. Simboli stereo
- D. Treguesi i nivelit të ulët të baterisë
- E. Ora
- F. Frekuenca
- G. RDS (Sistemi i të dhënave radio)
- H. Ikona e kohëmatësit të fjetjes
- I. PM për orën

Simbolet

Pjesët në vazhdim tregojnë simbolet e përdorura për pajisjen. Sigurohuni që merrni vesh kuptimin e tyre përpara përdorimit.

UDHËZIME TË RËNDËSISHME TË SIGURISË

⚠️ PARALAJMËRIM:

1. Lexoni me kujdes këtë manual përdorimi dhe manualin e përdorimit të karikuesit përpara përdorimit.
2. Pastrojeni vetëm me pëlhurë të thatë.
3. Mos e instaloni pranë burimeve të nxehtësisë si radiatorët, regjistruarit e nxehtësisë, sobat apo aparatura të tjera (duke përfshirë amplifikatorët) që prodhojnë nxehtësi.
4. Përdorni vetëm aksesoret e specifikuar nga prodhuesi.
5. Shkëputeni këtë aparatë gjatë stuhive me rrufe ose kur nuk përdoret për një kohë të gjatë.
6. Radioja me bateri, me bateri integrale ose paketë baterie të veçantë, duhet të rikarikohet vetëm me karikuesin e specifikuar për baterinë. Karikuesit e përshtatshëm për një lloj baterie mund të paraqesin rrezik zjarri kur përdoren me një bateri tjetër.
7. Përdoreni radion me bateri vetëm me paketa baterie të projektuara posaçërisht. Përdorimi i baterive të tjera mund të paraqesë rrezik zjarri.
8. Kur paketa e baterisë nuk përdoret, mbajeni larg nga objektet e tjera metalike, si kapëset e letrave, monedhat, çelësat, gozhdët, vidat ose objektet e tjera metalike të vogla që mund të bëjnë lidhje nga njëri terminal tek tjetri. Krijimi i lidhjes së shkurtër ndërmjet terminaleve të baterisë mund të shkaktojë shkëndija, djegie ose zjarr.
9. Shmangni kontaktin e trupit me sipërfaqe të tokëzuara siç janë tubat, radiatorët, sobat dhe frigoriferët. Ka rrezik më të madh goditjeje elektrike nëse trupi juaj tokëzohet.
10. Në kushte sforcimi mund të dalë lëng nga bateria; shmangni kontaktin. Nëse aksidentalisht ndodh kontakt, shpëlani me ujë vendin e kontaktit. Nëse lëngu bie në kontakt me sytë, kërkoni edhe ndihmën e mjekut. Lëngu i dalë nga bateria mund të shkaktojë acarim ose djegie.

11. Mos e përdorni një kuti baterie apo vegël që është e dëmtuar ose e modifikuar. Bateritë e dëmtuara ose të modifikuara mund të shfaqin sjellje të paparashikueshme që rezultojnë në zjarr, shpërthime apo rrezik plagosjeje.
12. Mos e ekspozoni kutinë e baterisë ose veglën në zjarr ose ndaj temperaturave ekstreme. Ekspozimi ndaj zjarrit ose temperaturave mbi 130 °C(266°F) mund të shkaktojë shpërthim.
13. Ndiqni të gjitha udhëzimet e karikimit dhe mos e karikoni kutinë e baterisë ose veglën jashtë kufijve të temperaturës të specifikuar të udhëzimit. Karikimi i pasaktë ose në temperatura jashtë kufijve të specifikuar mund të dëmtojë baterinë dhe të rrisë rrezikun e zjarrit.
14. Priza e RRYMËS KRYESORE përdoret si pajisja shkëputëse dhe duhet të qëndrojë e gatshme për përdorim
15. Mos e përdorni produktin me volum të lartë për një periudhë të gjatë kohe. Për të shmangur dëmtimin e dëgjimit, përdoreni produktin me nivel volumi mesatar.
16. (Vetëm për produktet me ekran LCD) Ekranet LCD përbajnë lëngje që mund të shkaktojnë iritrim dhe helmim. Nëse lëngu ju bie në sy, shpëlajeni me ujë dhe telefononi mjekun.
17. Mos e ekspozoni produktin ndaj shiut ose kushteve me lagështirë. Uji që hyn në produkt mund të rrisë rrezikun e goditjeve elektrike.
18. Ky produkt nuk është prodhuar për t'u përdorur nga persona (duke përfshirë fëmijët) me aftësi të kufizuara fizike, ndijore ose mendore, ose të cilëve u mungon përvoja dhe njohuria, nëse nuk janë nën mbikëqyrje ose udhëzuar për përdorimin e këtij produkti nga një person përgjegjës për sigurinë e tyre. Fëmijët duhet të mbikëqyren për t'u siguruar se nuk luajnë me produktin. Ruajeni produktin larg fëmijëve.

RUAJINI KËTO UDHËZIME

RREGULLA SPECIFIKE SIGURIE PËR PAKETËN E BATERISË

1. Përpara se ta përdorni paketën e baterisë, lexoni të gjitha udhëzimet dhe shënimet e masave parandaluese të (1) karikuesit të baterisë, (2) bateria dhe (3) produktit që përdor baterinë.
2. Mos e hiqni paketën e baterisë.
3. Nëse koha e përdorimit është shkurtuar jashtë mase, ndalojeni punën menjëherë. Kjo mund të rezultojë në rrezik mbinxehjeje, djegie të mundshme, madje edhe shpërthim.
4. Nëse ju futen elektrolitë në sy, shpëlajini sytë me ujë të pastër dhe kërkoni ndihmë mjekësore menjëherë. Kjo gjë mund të rezultojë në humbje të shikimit.
5. Mos bëni lidhje të shkurtër me paketën e baterisë:
 - (1) Mos i prekni terminalët me materiale përcjellëse.
 - (2) Shmangni ruajtjen e paketës së baterisë në një kuti me objekte të tjera metalike, si gozhdë,

monedha etj.

- (3) Mos e ekspozoni paketën e baterisë në ujë ose shi. Qarku i shkurtër i baterisë mund të shkaktojë qarkullim të madh të rrymës elektrike, mbinxehje, djegie të mundshme dhe madje prishje.
 6. Mos e ruani pajisjen dhe paketën e baterisë në vende ku temperatura mund të arrijë ose tejkalojë 50 °C (122°F).
 7. Mos e digjni paketën e baterisë, edhe nëse është shumë e dëmtuar ose është konsumuar plotësisht. Paketa e baterisë mund të shpërthejë në zjarr.
 8. Bëni kujdes që të mos e rrëzoni ose ta godisni baterinë.
 9. Mos përdorni bateri të dëmtuar.
 10. Për së shmangur rrezikun, duhet të lexohet përpara përdorimit manuali i baterisë zëvendësuese. Dhe rryma maksimale e shkarkimit të baterisë duhet të jetë më e madhe ose e barabartë me 8A.
 11. Bateritë e përfshira të litiumit, iu nënshtrohen kërkesave të legjislacionit për mallrat e rrezikshme. Për transport tregtar p.sh. nga palë të treta, agjentët të ndërmjetëm, duhet të ndiqen kërkesa specifike mbi paketimin dhe etiketimin. Për përgatitjen e artikullit për transport, është i nevojshëm konsultimi i një eksperti për materiale të rrezikshme. Ju lutemi, ndiqni gjithashtu rregulloret me gjasë më të detajuara vendore. Mbuloni me ngjitëse ose maskoni kontaktet e zhveshura dhe paketojeni baterinë në mënyrë të tillë që të mos lëvizë në paketim.
 12. Zbatoni rregulloret lokale rreth asgjësimit të baterisë.
 13. Përdorini bateritë vetëm me produktet e specifikuara nga Makita. Instalimi i baterive në produkte të papajtueshme mund të rezultojë në zjarr, nxehtësi të lartë, shpërthim ose rrjedhje të elektroliteve.
- ⚠️ KUIDES:**
- Rrezik shpërthimi nëse bateria zëvendësohet në mënyrë të pasaktë.
 - Zëvendësojeni vetëm me një lloj të njëjtë ose të ngjashëm.
 - Përdorni vetëm bateri origjinale Makita. Përdorimi i baterive jo-origjinale Makita ose baterive që mund të jenë modifikuar, mund të rezultojë në marrjen e flakë të baterisë, lëndime personale apo dëmtime. Kjo do të anulojë gjithashtu edhe garancinë e Makita-s për veglën e Makita dhe karikuesin.

Këshilla për të ruajtur jetëgjatësinë maksimale të baterisë

1. Karikojeni baterinë përpara se të shkarkohet plotësisht. Gjithmonë ndaloni punën me pajisjen dhe karikojeni baterinë kur vëreni ulje të fuqisë së pajisjes.
2. Asnjëherë mos e rrikariki baterinë të karikuar plotësisht. Karikimi i tepërt shkurton jetëgjatësinë e baterisë.
3. Karikojeni baterinë në temperaturën e dhomës në 10 °C - 40 °C (50 °F - 104 °F). Lëreni paketën e nxehtë të baterisë të ftohet përpara se ta karikoni atë.
4. Karikojeni baterinë nëse nuk e përdorni për një kohë të gjatë (mbi gjashtë muaj).

KOHA E PËRDORIMIT

* Paketat e baterisë të përshtatshme për këtë radio janë të listuara si në tabelën vijuese.

* Tabela e mëposhtme tregon kohën e përdorimit me një karikim të vetëm.

Kapaciteti i baterisë	Tensioni i paketës së baterisë			NË DALJEN NGA ALTOPARLANTI = 100 mW Njësia: Orë (afërsisht)	
	10,8 V-12 V maks.	14.4V	18V	Në Radio ose AUX	Në Bluetooth +USB Charging
1.3 Ah		BL1415		3.5	0.7
			BL1815	4.0	1.0
1.5 Ah	BL1015 BL1016			6.0	0.8
		BL1415N BL1415NA		4.5	0.9
			BL1815N	5.0	1.2
2.0 Ah	BL1020B BL1021B			8.0	1.0
			BL1820 BL1820B	6.5	1.6
3.0 Ah		BL1430 BL1430B BL1430A		8.0	1.6
			BL1830 BL1830B	9.5	2.3
4.0 Ah	BL1040B BL1041B			16	2.1
		BL1440		13	2.5
			BL1840 BL1840B	13	3.2
5.0 Ah		BL1450		15	3.0
			BL1850 BL1850B	17	4.2
6.0 Ah		BL1460B BL1460A		17	3.3
			BL1860B	21	5.0

PARALAJMËRIM:

Përdorni vetëm kutitë e baterisë të listuara më lart. Përdorimi i kutive të tjera të baterisë mund të shkaktojë lëndim dhe/ose zjarr.

Shënim:

- Tabela në lidhje me kohën e funksionimit të baterisë më lart jepet për referencë.
- Koha aktuale e funksionimit mund të ndryshojë me llojin e baterisë, gjendjen e karikimit ose mjedisin e përdorimit

INSTALIMI DHE FURNIZIMI ME ENERGJI

⚠️ KUJDES:

- Bëni kujdes që të mos zini gishtat kur të hapni dhe mbyllni kapakun e baterisë.
- Kthejeni bllokuesin e folesë së baterisë në pozicion fillestar, pasi të instaloni ose të hiqni kutinë e baterisë. Në të kundërt, kutia e baterisë mund të bjerë aksidentalisht nga radioja, duke ju lënduar juve ose personin pranë jush.
- Gjithmonë mbylleni dhe kyçeni bllokuesin e folesë së baterisë përpara se të lëvizni radion.
- Fikeni gjithmonë radion përpara se të instaloni ose të hiqni kutinë e baterisë.
- Bëni kujdes që të mos e rrëzoni ose ta godisni radion. Kutia e thyer mund t'ju presë gishtin ose t'ju ngulet në trup. Radioja e dëmtuar mund të shfaqë sjellje të paparashikueshme që rezultojnë në zjarr, shpërthime apo rezik plagosjeje.

E RËNDËSISHME:

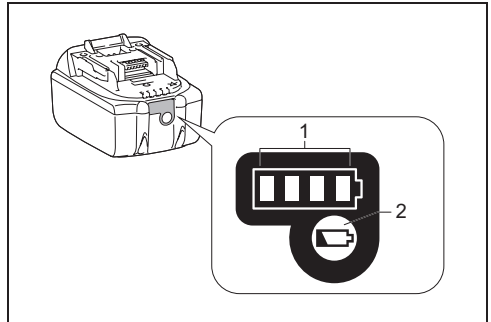
- Fuqia e reduktuar, distorsioni, "tingulli belbëzues" ose kur në ekran shfaqen treguesit e nivelit të ulët të baterisë dhe "POWERFAIL", janë të gjitha shenja se paketa e baterisë kryesore duhet të ndërrohet.
- Kur shfaqet treguesi i nivelit të ulët të baterisë dhe vazhdon të pulsojë një "EMPTY", ka ardhur koha të ndërrohen bateritë rezervë.
- Kutia e baterisë nuk mund të rikohet përmes përshtatësit të rrymës AC që keni marrë.
- Kutia e baterisë nuk është përfshirë si aksesori standard.

Montimi ose heqja e paketës me rrëshqitje të baterisë (fig. 4 & 5)

- Për të vendosur kutinë e baterisë, bashkërenditni gjuhëzën e kutisë së baterisë me kanalën e folesë dhe rrëshqiteni për ta futur. Futeni gjithmonë deri në fund, derisa të bllokohet në vend me një zhurmë kërcitëse.
- Nëse shikoni treguesin e kuq në anën e sipërme të butonit, ajo nuk është e bllokuar plotësisht. Instalojeni plotësisht derisa treguesi i kuq të mos shihet. Në të kundërt, ajo mund të bjerë aksidentalisht nga radioja duke ju lënduar juve ose personin pranë jush.
- Mos përdorni forcë gjatë instalimit të paketës së baterisë. Nëse paketa nuk hyn lehtë, nuk po e futni siç duhet.
- Për të hequr kutinë e baterisë, rrëshqiteni atë nga radioja ndërsa rrëshqitni butonin në pjesën e përparme të kutisë së baterisë.

Treguesi i kapacitetit të mbetur të baterive

* Vetëm për paketat e baterisë me "B" në fund të numrit të modelit.



➤ 1. Llambat treguese 2. Butoni i kontrollit

Shtypni butonin e kontrollit në kutinë e baterisë për të treguar kapacitetin e mbetur të baterisë. Llambat treguese ndizen për pak sekonda.

• Bateritë 14,4 V/18 V

Llambat treguese			Kapaciteti i mbetur i baterisë
E ndezur	E fikur	Pulsuese	
■	□	▧	75% ~ 100%
■	■	□	50% ~ 75%
■	□	□	25% ~ 50%
■	□	□	0% ~ 25%
▧	□	□	Karikojeni baterinë
■	■	□	Bateria mund të ketë keqfunksionuar.
□	□	■	

• Bateritë 10,8 V/12 V maks

Llambat treguese			Kapaciteti i mbetur i baterisë
E ndezur	E fikur	Pulsuese	
■	□	▧	75% ~ 100%
■	■	□	50% ~ 75%
■	□	□	25% ~ 50%
■	□	□	0% ~ 25%

SHËNIM:

Në varësi të kushteve të përdorimit dhe të temperaturës së ambientit, treguesi mund të ndryshojë paksa nga kapaciteti aktual.

Instalimi i baterisë rezervë (Fig. 2 dhe 3)

Mbajta e baterive rezervë brenda folesë të tyre parandalon humbjen e të dhënave të ruajtura në memoriet e paravendosura.

1. Tërhiqni bllokuesin e folesë së baterisë për të liruar folenë e baterisë. Ka fole për paketën e baterisë kryesore dhe fole për baterinë rezervë.
2. Hiqni kapakun e folesë së baterisë dhe futni 2 UM-3 të reja (madhësia AA). Sigurohuni që bateritë të jenë me polaritetin e duhur siç tregohet brenda folesë. Vëreni në vend kapakun e baterisë.
3. Pasi të futen bateritë rezervë, fusni paketën e baterisë kryesore për të ndezur radion.

Përdorimi i përshtatësit të dhënë të rrymës AC

Hiqni mbrojtësen prej gome dhe futeni fishën e përshtatësit në folenë DC në anën e djathtë të radios. Futeni përshtatësin në një dalje standarde prize. Sa herë që përdoret përshtatësi, paketa e baterisë shkëputet automatikisht.

⚠️ KUIDES:

- Gjithmonë shkëputeni plotësisht përshtatësin e rrymës përpara se të lëvizni radion. Nëse përshtatësi AC nuk është hequr, mund të shkaktojë goditje elektrike.
- Asnjëherë mos tërhiqni dhe/ose zvarrisni kordonin e përshtatësit. Në të kundërt, radioja mund të bjerë aksidentalisht, duke ju lënduar juve ose personin pranë jush.

E RËNDËSISHME:

- Përshtatësi i rrymës përdoret si mjete i lidhjes së radios me furnizimin me rrymë. Priza e rrymës e përdorur për radion duhet të mbetet e aksesueshme gjatë përdorimit normal.
- Për ta shkëputur radion, përshtatësi i rrymës duhet të hiqet krejtësisht nga priza e rrjetit.
- Përdorini vetëm përshtatësin e rrymës AC që keni marrë me produktin ose të specifikuar nga Makita.
- Mos e mbani kabllon e furnizimit me energji dhe spinën me gojë. Duke vepruar kështu mund të shkaktoni goditje elektrike.
- Mos e prekni prizën e rrymës me duar të lagura ose me yndyrë.
- Kordonët e dëmtuar ose të ngatërruar shtojnë rrezikun e goditjes elektrike. Nëse kordoni është i dëmtuar, kërkonti që ta zëvendësojë atë qendra jonë e autorizuar e shërbimit për të shmangur ndonjë rrezik ndaj sigurisë. Mos e përdorni atë para riparimit.
- Pas përdorimit, gjithmonë ruajeni përshtatësin e rrymës AC në një vend ku nuk arrihet nga fëmijët. Nëse fëmijët luajnë me kordonin, ata mund të lëndohen.

Shënim:

Kur radioja në bandën AM krijon interferencë me përshtatësin, ju lutemi lëvizni radion më shumë se 30 cm larg nga përshtatësi i rrymës AC.

Karikimi me portën USB të furnizimit me energji

Në pjesën e përparme të radios ndodhet porta USB. Pajisjen USB mund ta karikoni përmes portës USB.

1. Pajisjen USB, si p.sh. një lexues MP3 ose CD, lidhni me kablo USB që mund t'i gjeni në treg.
2. Shtypni butonin e energjisë për ta ndezur radion.
3. Pavarësisht nëse radioja është e furnizuar me AC ose me bateri, radioja mund ta karikojë pajisjen USB kur radioja është e ndezur dhe në regjimin e radios FM ose në regjimin BT, ose në regjimin AUX, që shfaqet kur lidhet një burim i jashtëm audio.

Shënim:

- Pajisjet USB nuk mund t'i karikoni gjatë regjimit AM sepse marrja e sinjalit të radios bëhet shumë e dobët gjatë karikimit të pajisjes USB.
- Volumi maksimal i altoparlantit do të ulet kur USB-ja është në karikim.
- Foleja e USB-së mund të ofrojë maksimumi 5 V/2,4 A rrymë elektrike.

E RËNDËSISHME:

- Përpara se të lidhni pajisjen USB me karikuesin, gjithmonë rezervoni të dhënat tuaja në pajisjen USB. Ndryshe, të dhënat ka mundësi të humbasin.
- Karikuesi mund të mos i furnizojë me rrymë disa pajisje USB.
- Kur nuk e përdorni apo pas karikimit, hiqeni kabllon e USB-së dhe mbyllni kapakun.
- Mos e lidhni burimin e rrymës me portën e USB-së. Ndryshe, ka rrezik zjarri. Porta e USB-së është prodhuar për t'u përdorur vetëm për karikimin e pajisjeve me tension të ulët. Gjithmonë vendoseni kapakun në portën e USB-së kur nuk karikoni pajisje me tension të ulët.
- Mos fusni brenda portës së furnizimit të USB-së me energji gozhdë, tela, etj. Ndryshe, qarku i shkurtër mund të shkaktojë tym dhe zjarr.
- Mos e lidhni këtë fole USB-je me portën e USB-së në kompjuter, sepse ka shumë të ngjarë të shkaktojë prishje të njësive.

PËR TË DËGJUAR RADION

Skanoni duke sintonizuar AM/ FM

Shënim:

Antena FM është e integruar te doreza. Kur përdorni radion, ju lutemi drejtojeni dorezën mirë mbi radio për të marrë sinjal më të mirë. Për bandën AM, rotullojeni radion për të marrë sinjalin më të mirë sepse antena AM është e integruar në radio.

1. Shtypni butonin e energjisë për ta ndezur radion.
2. Shtypni butonin e burimit për të zgjedhur regjimin e radios AM ose FM.
3. Shtyni dhe mbani shtypur çelësin e kontrollit të sintonizimit për të kryer një sintonizim automatik. Radioja do të skanojë lart bandën AM/FM nga frekuenca e shfaqur aktualisht dhe do të ndalojë skanimin automatikisht kur të gjejë një stacion me fuqi

të mjaftueshme.

4. Pas pak sekondash, ekrani do të përditësohet. Ekrani do të shfaqë frekuencën e tingullit të gjetur.
5. Për të gjetur një stacion tjetër, shtypni dhe mbani shtypur çelësin e kontrollit të sintonizuesit si më parë.
6. Kur arrihet fundi i brezit të valës, radioja do të rifillojë sintonizimin nga fundi i kundërt i bandës së valës.
7. Rrotulloni çelësin e kontrollit të sintonizimit për të rregulluar nivelin e tingullit sipas dëshirës.

Shënim:

- Gjatë përshtatjes së volumnit, sigurohuni që FM/AM të MOS pulsojë në ekran.
 - Nëse AM/FM pulson në ekran, ju lejon të sintonizoni stacionet manualisht (shikoni seksionin "Sintonizimi manual – AM/ FM" për më shumë detaje).
 - Volumi nuk duhet të jetë tepër i lartë. Për të parandaluar dëmtimin e mundshëm të dëgjimit, mos dëgjo në nivele të larta volumi për periudha të gjata.
8. Për ta fikur radion, shtypni butonin e energjisë.

Sintonizimi manual – AM/FM

1. Shtypni butonin e energjisë për ta ndezur radion.
2. Shtypni butonin e burimit për të zgjedhur regjimin e radios AM ose FM.
3. Shtypni çelësin e kontrollit të sintonizimit dhe do të shikoni se në ekran pulson FM ose AM.

Shënim:

- FM/AM do të pulsojë për rreth 10 sekonda. Brenda kësaj periudhe, lejohet vetëm sintonizimi manual.
 - Nëse dëshirohet përshtatja e volumnit ndërkohë që pulson FM/AM, shtypni çelësin e kontrollit të sintonizimit për të ndaluar pulsimin dhe mund të rrotulloni çelësin e kontrollit të sintonizimit për të rregulluar nivelin e tingullit.
4. Rregulloni çelësin e kontrollit të sintonizimit për t'u sintonizuar në një stacion.
 5. Kur arrihet fundi i brezit të valës, radioja do të rifillojë sintonizimin nga fundi i kundërt i bandës së valës.
 6. Rrotulloni çelësin e kontrollit të sintonizimit për të rregulluar nivelin e tingullit sipas dëshirës.

Paravendosja e stacioneve në regjimin AM/FM

Ka 5 stacione të paravendosura secili për radio AM dhe FM. Ato përdoren në të njëjtën mënyrë për secilën bandë vale.

1. Shtypni butonin e energjisë për ta ndezur radion.
2. Shtypni butonin e burimit për të zgjedhur bandën e valës të dëshiruar. Sintonizohuni në stacionin e kërkuar të radios siç është përshkruar më parë.
3. Shtypni dhe mbani shtypur butonin e paravendosur (1 deri 5) derisa ekrani të shfaqë "P4", për shembull pas frekuencës. Stacioni do të ruhet duke përdorur numrin e paravendosur. Përsëriteni këtë procedurë për paravendosjet e mbetura siç dëshironi.
4. Stacionet e paravendosura që janë ruajtur tashmë mund të mbishkruhen duke ndjekur procedurën e mësipërme, nëse nevojitet.

Regjimët e ekranit – FM

Radioja juaj ka një gamë opsionesh afishimi për regjimin e radios FM.

Shtypni në mënyrë të përsëritur butonin e menysë/ informacionit për të parë informacionin e RDS të stacionit që po dëgjoni.

- a. Emri i stacionit Shfaq emrin e stacionit që po dëgjoni.
- b. Lloji i programit Shfaq llojin e stacionit që po dëgjoni, si POP, CLASSIC, NEWS etj.
- c. Teksti i radios Shfaq mesazhet e tekstit të radios si p.sh. artikujt e rinj etj.
- d. Viti/Dita Shfaq vitin dhe ditën e javës sipas cilësimit të datës së radios.
- e. Data/Dita Shfaq datën dhe ditën e javës sipas cilësimit të datës së radios.
- f. Regjimi i balancuesit Shfaq regjimin e balancuesit të FM për stacionin që po dëgjoni.
- g. Frekuenca Shfaq regjimin frekuencën e FM për stacionin që po dëgjoni.

FM stereo (auto)/mono

Nëse stacioni FM i radios që po dëgjoni ka një sinjal të dobët mund të dëgjohej një fishkëllimë. Këtë fishkëllimë mund ta reduktoni duke e detyruar radion që ta luajë stacionin në mono në vend të stereos.

1. Shtypni butonin e burimit sipas nevojës për të zgjedhur bandën FM dhe sintonizohuni në stacionin FM si më lart.
2. Shtypni dhe mbani shtypur butonin e menysë/ informacionit për të hyrë në cilësimet e menysë.
3. Rrotulloni çelësin e kontrollit të sintonizimit derisa të shfaqet në ekran cilësimi "FM AUTO (ose MONO)". Nëse cilësimi është Auto, shtypni çelësin e kontrollit të sintonizimit dhe më pas rrotulloni çelësin e kontrollit të sintonizimit për të kaluar në regjimin Mono për të reduktuar fishkëllimën. Shtypni çelësin e kontrollit të sintonizimit për të zgjedhur opsionin.

Thirrja e paravendosjeje në regjimin AM/FM

1. Shtypni butonin e energjisë për ta ndezur radion.
2. Shtypni butonin e burimit për të zgjedhur regjimin e radios AM ose FM
3. Shtypni për një moment butonin e nevojshëm të paravendosur për të sintonizuar radion në një prej stacioneve të ruajtura në memorien e paravendosur.

CILËSIMET E NDRYSHME

Cilësimi i formatit të orës dhe datës

Ekranet e orës i përdorur në regjimin e gatishmërisë dhe në ekranet e regjimit të luajtjes mund të caktohen në format të ndryshëm. Formatet e zgjedhur përdoret gjithashtu kur caktohen alarmet.

1. Shtypni dhe mbani shtypur butonin e menysë/

- informacionit për të hyrë në cilësimet e menysë.
- Rrotulloni çelësin e kontrollit të sintonizimit derisa të shfaqet në ekran "CLOCK xxH" dhe shtypni çelësin e kontrollit të sintonizimit për të futur cilësimin. Do të shikoni që formati i orës fillon të pulsojë.
 - Rrotulloni çelësin e kontrollit të sintonizimit për të zgjedhur formatin 12 ose 24 orë. Shtypni çelësin e kontrollit të sintonizimit për të konfirmuar zgjedhjen tuaj të formatit të orës.

Shënim:

Nëse zgjidhet formati 12 orë, radioja më pas do të përdorë orën me 12 orë për cilësimin.

- Shtypni dhe mbani shtypur butonin e menysë/informacionit për të hyrë në cilësimet e menysë.
- Rrotulloni çelësin e kontrollit të sintonizimit derisa të shfaqet në ekran një datë (p.sh. THU APR 3) dhe shtypni çelësin e kontrollit të sintonizimit për të futur cilësimin. Do të shikoni që formati i datës fillon të pulsojë.
- Rrotulloni çelësin e kontrollit të sintonizimit për të zgjedhur formatin e dëshiruar të datës. Shtypni çelësin e kontrollit të sintonizimit për të konfirmuar zgjedhjen tuaj.

Cilësimi i orës dhe datës

- Shtypni dhe mbani shtypur butonin e menysë/informacionit.
- Rrotulloni çelësin e kontrollit të sintonizimit derisa të shfaqet në ekran "CLOCK ADJ". Shtypni çelësin e kontrollit të sintonizimit për të futur cilësimin.
- Cilësimi i orës në ekran do të fillojë të pulsojë. Rrotulloni çelësin e kontrollit të sintonizimit për të zgjedhur orën e dëshiruar dhe shtypni çelësin e kontrollit të sintonizimit për të konfirmuar cilësimin. Më pas rrotulloni çelësin e kontrollit të sintonizimit për të zgjedhur minutën e dëshiruar dhe shtypni çelësin e kontrollit të sintonizimit për të konfirmuar cilësimin.
- Rrotulloni çelësin e kontrollit të sintonizimit derisa të shfaqet në ekran "DATE ADJ". Shtypni çelësin e kontrollit të sintonizimit për të futur cilësimin.
- Rrotulloni çelësin e kontrollit të sintonizimit për të zgjedhur vitin e dëshiruar dhe shtypni çelësin e kontrollit të sintonizimit për të konfirmuar cilësimin. Më pas rrotulloni çelësin e kontrollit të sintonizimit për të zgjedhur muajin e dëshiruar dhe shtypni çelësin e kontrollit të sintonizimit për të konfirmuar cilësimin. Më pas rrotulloni çelësin e kontrollit të sintonizimit për të zgjedhur ditën e dëshiruar dhe shtypni çelësin e kontrollit të sintonizimit për të konfirmuar cilësimin.

Sistemi i të dhënave radio (RDS)

Kur cilësoni orën duke përdorur funksionin RDS, radioja juaj do të sinkronizojë orën sa herë që të sintonizohet te një stacion radioje duke përdorur RDS me sinjalet CT.

- Kur sintonizoheni në një stacion që transmeton të dhëna RDS, do të shfaqet në ekran simboli RDS. Shtypni dhe mbani shtypur butonin e menysë/informacionit.
- Rrotulloni çelësin e kontrollit të sintonizimit derisa të shfaqet në ekran "RDS CT" dhe një simbol ore. Shtypni

çelësin e kontrollit të sintonizimit për të futur cilësimin.

- Rrotulloni çelësin e kontrollit të sintonizimit derisa të shfaqet në ekran "RDS CT". Shtypni çelësin e kontrollit të sintonizimit për të konfirmuar cilësimin. Ora e radios do të konfigurohet automatikisht sipas të dhënave të marra të RDS.

Shënim:

- Ora e radios do të jetë e vlefshme për 5 ditë sa herë që ora e radios sinkronizohet me RDS CT.
- Për të çaktivizuar funksionin RDS CT, kthehuni te hapi 1 deri 2 dhe më pas rrotulloni çelësin e kontrollit të sintonizimit për të zgjedhur opsionin "MANUAL". Shtypni çelësin e kontrollit të sintonizimit për të konfirmuar cilësimin.

Cilësimi i orës me alarm

Radioja juaj ka dy alarme që mund të caktohen për t'ju zgjuar me radio AM/FM ose me alarmin me zile. Alarmet mund të vendosen ndërkohë që pajisja është në regjimin e gatishmërisë ose ndërkohë që luhet.

Shënim: Sigurohuni që ora të jetë vendosur saktë përpara se të vendosni alarmet. Nëse nuk është shtypur asnjë buton për 10 sekonda, radioja do të dalë nga konfigurimi i alarmit.

a. Vendosja e orës së alarmit me radio:

- Alarmi mund të vendoset kur radioja është e ndezur ose e fikur.
- Shtypni dhe mbani shtypur butonin e alarmit me radio, simboli i alarmit me radio dhe ora në ekran do të pulsojnë bashkë me një sinjal.
- Gjatë pulsimit të simbolit të alarmit me radio, rrotulloni çelësin e kontrollit të sintonizimit për të zgjedhur orën dhe shtypni çelësin e kontrollit të sintonizimit përsëri për të konfirmuar cilësimin e orës. Më pas rrotulloni çelësin e kontrollit të sintonizimit për të zgjedhur minutën dhe shtypni çelësin e kontrollit të sintonizimit për të konfirmuar cilësimin e minutës.
- Rrotulloni çelësin e kontrollit të sintonizimit dhe ekрани do të shfaqë opsionet e frekuencës për alarmin. Opsionet e alarmeve janë si më poshtë:
ONCE – alarmi do të bjerë një herë
DAILY – alarmi do të bjerë çdo ditë
WEEKDAY – alarmi do të bjerë vetëm gjatë ditëve të javës
WEEKEND – alarmi do të bjerë vetëm gjatë fundjavës
Shtypni çelësin e kontrollit të sintonizimit për të konfirmuar cilësimin.
- Gjatë pulsimit të simbolit të alarmit me radio, rrotulloni çelësin e kontrollit të sintonizimit për të zgjedhur bandën dhe stacionin e dëshiruar të zgjimit, më pas shtypni çelësin e kontrollit të sintonizimit për të konfirmuar zgjedhjen.
- Rrotulloni çelësin e kontrollit të sintonizimit për të zgjedhur volumin e dëshiruar dhe shtypni çelësin e kontrollit të sintonizimit për të konfirmuar volumin. Vendosja e alarmit me radio tani ka përfunduar.

Shënim:

- Nëse stacioni i ri i alarmit me radio nuk është zgjedhur, do të zgjedhë stacionin e fundit të alarmit.

- Nëse stacioni i zgjedhur i alarmit të AM/FM nuk është i disponueshëm kur bie alarmi, do të përdoret në vend të tij alarmi me zile.

b. Vendosja e alarmit me zile HWS (Humane Wake System):

Do të aktivizohet një sinjal kur zgjidhet alarmi me zile HWS.

Sinjali i alarmit do të jetë më i shkurtër çdo 15 sekonda për një minutë i ndjekur nga një minutë qetësie përpara se të përsëritet cikli.

1. Alarmi me zile mund të vendoset kur radioja është e ndezur ose e fikur.
2. Shtypni dhe mbani shtypur butonin e alarmit me zile, simboli dhe ora në ekran do të pulsojnë bashkë me një sinjal.
3. Gjatë pulsimit të simbolit të alarmit me zile, rrotulloni çelësin e kontrollit të sintonizimit për të zgjedhur orën dhe shtypni çelësin e kontrollit të sintonizimit përsëri për të konfirmuar cilësimin e orës. Më pas rrotulloni çelësin e kontrollit të sintonizimit për të zgjedhur minutën dhe shtypni çelësin e kontrollit të sintonizimit për të konfirmuar cilësimin e minutës.
4. Rrotulloni çelësin e kontrollit të sintonizimit dhe ekranin do të shfaqë opsionet e frekuencës për alarmin. Opsionet e alarmeve janë si më poshtë:
ONCE – alarmi do të bjerë një herë
DAILY – alarmi do të bjerë çdo ditë
WEEKDAY – alarmi do të bjerë vetëm gjatë ditëve të javës
WEEKEND – alarmi do të bjerë vetëm gjatë fundjavës.
Shtypni çelësin e kontrollit të sintonizimit për të konfirmuar cilësimin.

Shënim:

Për alarmin me zile nuk ka rregullim volumi.

Ndalimi i tingullit të alarmit

Për ta anuluar një alarm që bie, shtypni butonin e energjisë.

Çaktivizimi i cilësimit të alarmit

Për të çaktivizuar cilësimin e alarmit përpara se të bjerë alarmi, shtypni dhe mbani shtypur butonin korrespondues të alarmit derisa simboli i alarmit të zhduket nga ekranin.

Vënia në dremihtë

1. Kur bie alarmi, shtypja e çdo butoni përveç butonit të energjisë do të vendosë në heshtje alarmin për 5 minuta. Në ekran do të shfaqet "SNOOZE".
2. Për të rregulluar kohën e heshtjes për kohëmatësin e dremihtës, shtypni dhe mbani shtypur butonin e menysë/ informacionit për të hyrë në cilësimin e menysë.
3. Rrotulloni çelësin e kontrollit të sintonizimit derisa të shfaqet në ekran "SNOOZE X", më pas shtypni çelësin e kontrollit të sintonizimit për të futur cilësimin. Rrotulloni çelësin e kontrollit të sintonizimit për të rregulluar kohën e heshtjes nga 5, 10, 15 dhe 20 minuta për kohëmatësin e dremihtës.
4. Për të anuluar kohëmatësin e dremihtës ndërkohë që alarmi është pezulluar, shtypni butonin e energjisë.

Kohëmatësi i fjetjes

Radioja juaj mund të vendoset që të fiket automatikisht pasi kalon koha e paravendosur. Kohëmatësi i fjetjes mund të rregullohet mes 60, 45, 30, 15, 120 dhe 90 minutash.

1. Shtypni dhe mbani shtypur butonin e energjisë për të hyrë në cilësimet e kohëmatësit të fjetjes. Në ekran do të shfaqet "SLEEP XX".
2. Vazhdoni ta mbani shtypur butonin e energjisë dhe opsionet e kohëmatësit të fjetjes do të fillojnë të ndryshojnë në ekran. Ndaloni derisa në ekran të shfaqet cilësimi i dëshiruar i kohëmatësit të fjetjes. Cilësimi do të ruhet dhe ekranin LCD do të kthehet në ekranin normal.
3. Radioja juaj do të fiket automatikisht pasi të ketë kaluar kohëmatësi i paravendosur i fjetjes. Ikona e kohëmatësit të fjetjes do të shfaqet në ekranin që tregon një kohëmatës aktiv fjetjeje.
4. Për të anuluar funksionin e kohëmatësit të fjetjes përpara se të ketë kaluar koha e paravendosur, thjesht shtypni butonin e energjisë për të fikur njësinë manualisht.

Volumi i zërit

Mund të kompensoni frekuencën më të ulët dhe më të lartë për radion duke rregulluar funksionin e volumit të zërit.

1. Shtypni dhe mbani shtypur butonin e menysë/ informacionit për të hyrë në cilësimet e menysë.
2. Rrotulloni çelësin e kontrollit të sintonizimit derisa të shfaqet në ekran "LOUD ON" ose "LOUD OFF". Shtypni çelësin e kontrollit të sintonizimit për të futur cilësimin.
3. Rrotulloni çelësin e kontrollit të sintonizimit për të zgjedhur ON për të aktivizuar funksionin e volumit të zërit, më pas shtypni çelësin e kontrollit të sintonizimit për të konfirmuar cilësimin.
4. Për të çaktivizuar funksionin, zgjidhni OFF dhe shtypni çelësin e kontrollit të sintonizimit për të konfirmuar cilësimin.

Funksioni i balancuesit

Ka 7 lloje treguesish LED me ngjyra rreth çelësit të kontrollit të sintonizimit për të treguar regjimet e ndryshme të balancuesit.

1. Shtypni butonin e energjisë për ta ndezur radion.
2. Shtypni butonin e kontrollit të balancuesit për të hyrë në menyën e cilësimeve të balancuesit.
3. Rrotulloni çelësin e kontrollit të sintonizimit për të zgjedhur regjimin e dëshiruar. Më pas shtypni çelësin e kontrollit të sintonizimit për të konfirmuar përzgjedhjen.

Regjimi i balancuesit	Treguesi LED
FLAT	I bardhë
JAZZ	Blu
ROCK	I kuq
CLASSIC	Kaf
POP	Rozë
NEWS	I verdhë
MY EQ	I gjelbër

Konfigurimi i profilit MY EQ

1. Shtypni butonin e kontrollit të balancuesit për të hyrë në menyë e cilësimeve të balancuesit.
2. Rotulloni çelësin e kontrollit të sintonizimit për të zgjedhur "MY EQ". Më pas shtypni çelësin e kontrollit të sintonizimit për të futur cilësimin "BASS".
3. Rotulloni çelësin e kontrollit të sintonizimit për të zgjedhur nivelin e kërkuar të basit. Shtypni çelësin e kontrollit të sintonizimit për të futur cilësimin "MIDDLE".
4. Rotulloni çelësin e kontrollit të sintonizimit për të zgjedhur nivelin e kërkuar të mesëm. Shtypni çelësin e kontrollit të sintonizimit për të futur cilësimin "TREBLE".
5. Rotulloni çelësin e kontrollit të sintonizimit për të zgjedhur nivelin e kërkuar të dridhjes. Shtypni çelësin e kontrollit të sintonizimit për të konfirmuar cilësimin.

Shënim:

- Kur përdorni balancuesin për të theksuar basin dhe për të dëgjuar me volume të larta, mund të shkaktojë kërcitje dhe distorsion të tingullit. Në këtë rast, rregulloni përkatësisht volumnin e radios.

DËGJIMI I MUZIKËS PËRMES TRANSMETIMIT ME BLUETOOTH

Duhet ta çiftoni pajisjen me Bluetooth me radio përpara se të mund të lidheni automatikisht për të luajtur/transmetuar muzikë me Bluetooth përmes radios. Çiftimi krijon një "lidhje" në mënyrë që të dyja pajisjet të mund ta njohin njëra-tjetrën.

Shënim:

- Për të pasur cilësi më të mirë zëri, rekomandojmë vendosjen e volumnit në më shumë se dy të tretat e volumnit në pajisjen tuaj Bluetooth dhe më pas të rregulloni volumnin në radio siç kërkohet.
- Radioja mund të memorizojë deri në 8 sete pajisjesh të çiftuara, kur memoria e tejkalon këtë shumë, do të mbishkruhet historiku i çiftimit më të vjetër.

Çiftimi i pajisjes me Bluetooth për herë të parë

1. Shtypni butonin e energjisë për ta ndezur radion. Shtypni butonin e burimit për të zgjedhur regjimin e Bluetooth-it. Ekranin do të shfaqë "BT PAIR" dhe në ekran do të shfaqet "PAIR".
2. Aktivizoni Bluetooth-in në pajisjen tuaj sipas manualit të përdorimit të pajisjes për të lidhur radion. Gjeneroni listën e pajisjeve me Bluetooth dhe zgjidhni pajisjen e emërtuar "DMR114" (Me disa celularë të pajisur me versione më të vjetra sesa BT.2.1 Bluetooth, mund t'ju nevojitet të fusni kodin "0000").
3. Pasi të lidhet, do të bjerë një tingull konfirmimi. "BLUETOOTH" do të mbetet në ekran dhe drita e sfondit do të zbehet gradualisht për 10 sekonda. Thjesht mund të zgjidhni dhe të luani muzikë nga pajisja juaj burimore. Kontrolli i volumnit mund të rregullohet nga pajisja burimore ose direkt nga radioja.
4. Përdorni kontrollet në pajisjen e aktivizuar për

Bluetooth ose në radio për të luajtur/vendosur në pauzë dhe naviguar nëpër këngë.

Shënim:

- Nëse 2 pajisje me Bluetooth, që çiftohen për herë të parë, kërkojnë për radion, ajo do ta shfaqë disponueshmërinë e vet në të dyja pajisjet. Megjithatë, nëse njëra pajisje lidhet me këtë njësi në fillim, atëherë pajisja tjetër me Bluetooth nuk do ta gjejë atë në listë.
- Nëse pajisja juaj me Bluetooth shkëputet përkohësisht nga radioja, atëherë duhet ta rihidni manualisht pajisjen me radion.
- Nëse në listën e pajisjeve me Bluetooth shfaqet "DMR114", por pajisja juaj nuk arrin të lidhet me të, fshijeni artikullin nga lista juaj dhe çiftoheni sërish pajisjen me radion duke ndjekur hapat e përsëritur më parë.
- Gama optimale e transmetimit me Bluetooth është afërsisht 10 metra (30 këmbë) (në vijë të drejtë) nga radioja por janë të mundshme edhe distanca deri në 30 metra (100 këmbë).
- Nëse lidhja me Bluetooth humbet për shkak të tejkalimit të kohës së ndarjes, tejkalimit të distancës optimale, pengesave ose ndryshe, mund të jetë e nevojshme rihidhja e pajisjes suaj me radion.
- Pengesat fizike, pajisjet e tjera me valë ose pajisjet elektromagnetike mund të ndikojnë në cilësinë e lidhjes.
- Performanca e lidhjes me Bluetooth mund të ndryshojë në varësi të pajisjeve të lidhura me Bluetooth. Referojuni kapaciteteve të Bluetooth-it të pajisjes suaj përpara se ta lidhni me radion. Mund të mos mbështeten të gjitha funksionet në disa pajisje të çiftuara me Bluetooth.

Luajtja e skedarëve audio në regjimin e Bluetooth-it

Kur e keni lidhur me sukses radion me pajisjen e zgjedhur me Bluetooth, mund të filloni të luani muzikë duke përdorur kontrollet në pajisjen e lidhur me Bluetooth.

1. Pasi të ketë filluar luajtja, rregulloni volumnin në cilësimin e kërkuar duke përdorur çelësin e volumnit në radio ose në pajisjen e aktivizuar për Bluetooth.
2. Përdorni kontrollet në pajisjen tuaj me burim me Bluetooth për të luajtur/vendosur në pauzë dhe naviguar nëpër këngë. Ose, kontrolloni luajtjen duke përdorur butonat Luaj/Pauzë, Kënga tjetër, Kënga e mëparshme në radio.
3. Shtypni dhe mbani shtypur butonin Kënga tjetër ose Kënga e mëparshme për të lëvizur përpara ose prapa në këngën aktuale. Lëshojeni butonin kur të arrini pikën e dëshiruar.

Shënim:

1. Disa pajisje ose aplikacione lexuese mund të mos u përgjigjen të gjitha këtyre kontrolleve.
2. Disa telefona celularë mund të shkëputen përkohësisht nga radiojaku kryeni ose merrni telefonata. Disa pajisje mund ta vendosin përkohësisht në heshtje audion me Bluetooth kur marrin mesazhe, emaille ose për arsye të tjera që nuk lidhen me transmetimin audio. Kjo mënyrë veprimi është funksion i pajisjes së lidhur dhe nuk tregon se ka ndonjë defekt me radion.

Luajtja e një pajisjeje burimore me Bluetooth të lidhur më parë

Nëse pajisja juaj me Bluetooth është çiftuar më parë me radion, njësia do ta memorizojë pajisjen tuaj me Bluetooth dhe përpiqet të rilidhet me një pajisje në memorie të lidhur për herë të fundit. Nëse nuk është e disponueshme pajisja e fundit e lidhur, radioja do të bëhet e zbulueshme.

Shkëputja e pajisjes me Bluetooth

Shtypni dhe mbani shtypur butonin e çiftimit me Bluetooth për 2-3 sekonda derisa të shfaqet në ekran "BT PAIR" ose çaktivizoni Bluetooth-in në pajisjen me Bluetooth për të çaktivizuar lidhjen.

Ju mund të shtypni gjithashtu butonin e burimit për të zgjedhur një regjim tjetër ndryshe nga Bluetooth për të çaktivizuar lidhjen.

Fshirja e memories së pajisjes së çiftuar me Bluetooth

Për të pastruar memorien nga të gjitha pajisjet e çiftuara, mbani shtypur butonin e çiftimit të Bluetooth-it më shumë se 5 sekonda derisa në ekran të shfaqet "CLEARING".

FOLEJA E HYRJES DYTËSORE

Në pjesën e përparme të radios jepet një fole dytësore hyrjeje 3,5 mm për të lejuar ushqimin e një sinjali audio në njësi nga një pajisje audio e jashtme, si p.sh. iPod, lexues për MP3 ose CD.

1. Lidhni një burim audioje të jashtëm (për shembull, lexues MP3 ose CD) me folenë AUX IN.
2. Shtypni butonin e energjisë për ta ndezur radion.
3. Shtypni në mënyrë të përsëritur dhe lëshoni butonin e burimit derisa të shfaqet "AUX IN".
4. Për të pasur cilësi më të mirë zëri, rekomandojmë vendosjen e volumit në më shumë se dy të tretat e volumit në pajisjen tuaj audio dhe më pas të rregulloni volumnin në radio siç kërkohet.

Shënim:

Kordoni i audios nuk është përfshirë si aksesori standard.

MIRËMBAJTJA

⚠ KUJDES:

- Mos përdorni kurrë benzinë, benzinë pastrimi, hollues, alkool dhe të ngjashme. Mund të shkaktoni çngjyrosje, deformime ose krisje.
- Mos e lanë radion me ujë.

SPECIFIKIMET

Kërkesat për energji	
Përshtatësi i rrymës AC	DC 12 V 2,5 A, kunjji i qendrës pozitiv
Bateria	UM-3 (madhësia AA) x2 për rezervë Bateria me rrëshqitje: 10.8V - 18V
Mbulimi i frekuencës	FM 87.50-108 MHz (0.05 MHz/hap) AM (MW) 522-1710 kHz (9 kHz/hap)

Bluetooth®	
(Logoja dhe fjala e markës Bluetooth® janë marka tregtare të regjistruara të zotëruara nga Bluetooth SIG, Inc.)	
Versioni Bluetooth	5.0 Certified
Profilët Bluetooth	A2DP / SCMS-T / AVRCP
Fuqia e transmetimit	Klasi i fuqisë 2
Rrezja e transmetimit	Optimale: Maks. 10 metra (33 këmbë) E mundshme: Maks. 30 metra (100 këmbë) (varion sipas kushteve të përdorimit)
Kodeku i mbështetur	SBC
Profilin e përputhshëm i Bluetooth-it	A2DP / AVRCP
Fuqia maksimale e radiofrekuencës	BT EDR: 3.91dBm
Frekuenca e përdorimit	2402 MHz~2480 MHz

Funksioni i qarkut	
Altoparlanti	2,5 inç 8 om x2 4 inç 6 om x1
Fuqia në dalje	10,8 V-12 V maks.: 2 W x2 +10 W 14,4 V: 3 W x2 +15 W 18 V: 5 W x2 + 25 W
Terminali i hyrjes	Dia. 3,5 mm (AUX IN)
Sistemi i antenës	FM : Antena e integruar AM : antena shirit
Dimensionet (GJ x T x L)	268 x 164 x 295 mm
Pesha	4,9 kg (pa bateri)

Български (Упътване за употреба)

Обяснение на общия вид (Fig.1)

1. Вградена Антена (AM)
2. Дръжка/Вградена Антена (FM)
3. Отделение за батерията
4. Капак на отделението за батерия (покрива батерията)
5. Високоговорител
6. Вход DC IN
7. Субуфер
8. Включване/ Бутон за таймер за заспиване
9. Бутон за източник (Source)
10. Бутон за радио аларма
11. Бутон за аларма със зумер
12. Бутон за Настройка 3/ възпроизвеждане/пауза
13. Бутон за Настройка 5
14. Бутон Настройка 4/ Следваща песен
15. Копче за Сила на звука/Станции/Избиране
16. Бутон EQ контрол
17. Вход AUX IN
18. Вход за захранване чрез USB
19. Бутон за Меню/ Инфо (Menu/Info)
20. LED светлина за еквалайзер режим
21. Бутон за Настройка 2/Преदिшна песен
22. Бутон за Настройка 1/свързване с Bluetooth
23. LCD екран
24. Място за батерията
25. Място за резервна батерия

LCD ЕКРАН

- A. Радио аларма
- B. Зумер аларма
- C. Символ за стерео
- D. Индикатор за ниска батерия
- E. Часовник
- F. Честота
- G. RDS (Radio data system) система
- H. Иконка за таймер за заспиване
- I. PM (следобяд) настройка за часовника

СИМВОЛИ

Показани по-долу са символите, които са използвани по оборудването. Бъдете сигурни, че разбирате значението им преди употреба.



Прочетете упътването.



Само за страни от ЕС.
Не изхвърляйте електрическото

оборудване или батериите заедно с битовите отпадъци! При спазване на европейските директиви относно отпадъците от електрическо и електронно оборудване, батерии с акумулатори, отпадъчни батерии с акумулатори, и тяхното изпълнение в съответствие с националните закони, електрическото оборудване и батериите и касетите на батериите, които са достигнали края на своя живот, трябва да се събират отделно и да се предават в екологично съвместимо съоръжение за рециклиране.

ВАЖНИ ИНСТРУКЦИИ ЗА БЕЗОПАСНОСТ

⚠ ВНИМАНИЕ:

Винаги когато използвате електрически уреди, трябва да спазвате основни мерки за сигурност, за да се избегне риск от пожар, токов удар и телесни повреди, включително:

1. Внимателно прочетете това упътване за употреба и упътването за употреба на зарядното, преди да ги използвате.
2. Почиствайте само със суха кърпа.
3. Не инсталирайте до никакви източници на топлина, като радиатори, отвори на вентилационна система, печки, и други апарати, (включително усилватели) които отделят топлина.
4. Използвайте само аксесоари и допълнения, които са определени от производителя.
5. Изключвайте от мрежата уреда по време на светкавични бури или когато няма да се използва за дълго време.
6. Радио с вградени батерия или с отделна батерия трябва да се зарежда само със съответното зарядно за батерията. Зарядното устройство, което е подходящо за един тип батерия, може да създаде риск от пожар, когато се използва с друга батерия.
7. Използвайте радиото, захранвано с батерии, само със специално предназначения за него батерии. Използването на други батерии може да създаде риск от пожар.
8. Когато батерията не се използва, съхранявайте я далеч от метални предмети като: кламери, монети, ключове, пирони, винтове или други малки метални предмети, които могат да направят късо съединение. Късотото съединение на клемите на батерията може да причини искри, изгаряния или пожар.
9. Избягвайте телесен контакт със заземени повърхности, като тръби, радиатори или хладилници. Има повишен риск от токов удар, ако тялото ви е заземено.
10. При злоупотреба, от акумулаторната батерия може да изтече течност, избягвайте контакт с нея. Ако осъществите контакт, изплакнете обилно с вода. Ако течността попадне в очите ви, потърсете медицинска помощ. Течност, изтекла от акумулатора, може да предизвика раздразнения или изгаряния.
11. Не използвайте акумулатор или уред, който е

- повредене или е бил изменен. Акумулатори, които са повредени или с изменения, могат да се държат непредсказуемо и да предизвикат пожар, експлозия, или телесни повреди.
12. Не излагайте акумулатора или уреда на високи температури или огън. При излагане на огън или температури над 130 °C (266°F) има опасност от експлозия.
 13. Следвайте упътването за зареждане и не сменяйте акумулатора при температури извън посочения диапазон. Неправилно зареждане, или температури извън посочения диапазон, могат да повредят акумулатора и да повишат риска от пожар.
 14. Щепсела се използва за прекъсване от мрежата и трябва да бъде лесно достъпен по всяко време.
 15. Не използвайте оборудването с максимална сила на звука за дълги периоди от време. За да избегнете повреда на слуха, използвайте оборудването с умерена сила на звука.
 16. (Само за продукти с LCD дисплеи) LCD дисплеите съдържат течност, която може да предизвика раздразнения или отравяния. Ако течността попадне в очите, устата, или на кожата ви, изплакнете я с вода и потърсете лекарска помощ.
 17. Не излагайте уреда на дъжд или мокри условия. Ако попадне вода в уреда ще увеличи риска от токов удар.
 18. Този продукт не е предназначен за употреба от лица (включително деца) с намалени физически, сетивни или умствени способности или липса на опит и познания, освен ако не са под надзор или инструктирани относно употребата на продукта, от лице, отговарящо за безопасността им. Децата трябва да са под надзор, за да е сигурно, че няма да си играят с уреда. Съхранявайте оборудването далече от деца.
- (3) Не излагайте акумулатора на дъжд или контакт с вода. Късото съединение може да предизвика токов удар, прегряване, възможни изгаряния и повреда.
 6. Не съхранявайте уреда и акумулатора на места, където температурата може да достигне или надвиши 50 °C (122°F)
 7. Не изгаряйте акумулатора в огън, дори и да е сериозно повреден или напълно изтощен. Акумулаторната батерия може да избухне в огън.
 8. Бъдете внимателни да не изпуснете или ударите акумулатора.
 9. Не използвайте повреден акумулатор.
 10. За да избегнете риск, прочетете упътването за акумулатора преди употреба. Максималният разряден ток на акумулатора трябва да е по-голям или равен на 8A.
 11. Съдържащите се литиево-йонни батерии са предмет на изискванията за законодателство в областта на опасните стоки. За търговски превози, напр. от трети лица, като следители, трябва да се спазват специални изисквания за опаковане и етикетирание.
За подготовка на изпратения артикул се изисква консултация с експерт за опасни материали. Моля, спазвайте и националните разпоредби, които е възможно да са по-подробни.
Залепете или увийте отворените контакти и опаковайте акумулатора по такъв начин, че да не може да се движи в опаковката.
 12. Следвайте местните разпоредби относно изхвърлянето на батерии.
 13. Използвайте батериите само с продукти, специално предназначени за тях от Макита. Инсталирането на батериите в несъответстващи за тях уреди може да доведе до пожар, прегряване, експлозия или изтичане на електролитна течност.

⚠ ВНИМАНИЕ:

- Опасност от експлозия, ако батерията е сменена неправилно.
- Заменяйте батерията само със същата, или еквивалентен тип батерия.
- Използвайте само оригинални батерии Макита. Използването на неоригинални батерии Макита или батерии, които са били изменени, може да доведе до взривяване на акумулатора, и да причини пожар, телесни и материални повреди. Това също така ще анулира гаранцията от Макита за уреда Макита и зарядното устройство.

Съвети за поддържане на максимално дълъг живот на батерията

1. Сменяйте батерията преди да е напълно разредена. Винаги прекъсвайте работа и сменяйте батерията, когато забележите по-ниско подаване на енергия.
2. Никога не зареждайте вече заредена акумулаторна батерия. Презареждането скъсява живота на батерията.
3. Зареждайте батерията в помещения с температура между 10°C - 40°C (50°F - 104°F). Оставете зареяла акумулаторна батерия да се охлади преди да я заредите отново.
4. Заредете акумулаторната батерия, ако няма да я използвате за дълъг период от време (повече от шест месеца).

ЗАПАЗЕТЕ ТОВА УПЪТВАНЕ

ТОЧНИ ПРАВИЛА ЗА БЕЗОПАСНОСТ ЗА АКУМУЛАТОРНАТА БАТЕРИЯ

1. Преди употреба на акумулаторната батерия, прочетете всички инструкции и знаци по (1) зарядното, (2) акумулатора, and (3) уреда който използва акумулаторната батерия.
2. Не разглобявайте акумулатора.
3. Ако живота на батерията е станал значително по-кратък, прекратете всякаква употреба. Има риск от прегряване, възможни изгаряния и дори и експлозия.
4. Ако електролитна течност попадне в очите ви, изплакнете ги обилно с вода и моментално потърсете медицинска помощ. Има опасност от загуба на зрението.
5. Не предизвиквайте късо съединение на акумулатора:
 - (1) Не докосвайте терминалите с проводни материали.
 - (2) Избягвайте да съхранявате акумулатора на място с други метални обекти, като пирони, монети и други.

РАБОТНО ВРЕМЕ

* Подходящите батерии за радиото са изброени в следващата таблица.

* Следната таблица показва времето за употреба при едно зареждане.

Капацитет на батерията	Волтаж на батерията			При сила на звука = 100mW Мерна единица: Час (Приблизително)	
	10.8V -12Vmax	14.4V	18V	Режим Радио или AUX	Режим Bluetooth +USB Захранване
1.3 Ah		BL1415		3.5	0.7
			BL1815	4.0	1.0
1.5 Ah	BL1015 BL1016			6.0	0.8
		BL1415N BL1415NA		4.5	0.9
			BL1815N	5.0	1.2
2.0 Ah	BL1020B BL1021B			8.0	1.0
			BL1820 BL1820B	6.5	1.6
3.0 Ah		BL1430 BL1430B BL1430A		8.0	1.6
			BL1830 BL1830B	9.5	2.3
4.0 Ah	BL1040B BL1041B			16	2.1
		BL1440		13	2.5
			BL1840 BL1840B	13	3.2
5.0 Ah		BL1450		15	3.0
			BL1850 BL1850B	17	4.2
6.0 Ah		BL1460B BL1460A		17	3.3
			BL1860B	21	5.0

⚠ ВНИМАНИЕ:

Използвайте само батерии, посочени по-горе. Използването на друг тип батерии може да причини телесни повреди и/или пожар.

Забележка:

- Таблицата с времето е само за сведение.
- Реалното време на употреба може да варира според вида батерия, заряда, или условията на употреба.

ПОСТАВЯНЕ НА БАТЕРИИ И ЗАХРАНВАНЕ

⚠ ВНИМАНИЕ:

- Внимавайте да не защитепте пръстите си при отваряне и затваряне на капака на батерията.
- Върнете отделението за батерии в първоначалното му положение, след като поставите или извадите батерията. В противен случай батерията може случайно да изпадне от радиото, причинявайки нараняване на вас или на някой около вас.
- Върнете отделението за батерии в първоначалното му положение, след като поставите или извадите батерията. В противен случай батерията може случайно да изпадне от радиото, причинявайки нараняване на вас или на някой около вас.
- Винаги затваряйте и заключвайте за батерии, преди да местите радиото.
- Винаги изключвайте радиото, преди да поставите или изваждате батерии.
- Внимавайте да не изпуснете или ударите радиото. Счупения корпус може да пореже пръстите или нарани тялото ви. Повреденото радио може да работи по непредсказуем начин, което да доведе до пожар, експлозия или риск от нараняване

ВАЖНО:

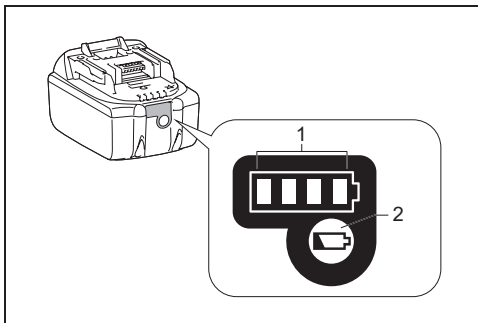
- Намалена мощност, изкривен или насечен звук, или когато на дисплея се появи "POWERFAIL" индикатор за ниска батерия, са знаци, че основният комплект батерии трябва да бъде сменен.
- Когато се появи индикатор за изтощена батерия и текста "EMPTY" мига на екрана, значи е време за смяна на резервните батерии.
- Батерията не може да се зарежда чрез приложения адаптер за променлив ток.
- Батерията не е включена като стандартен приложен аксесоар.

Поставяне и изваждане на плъзгащата се батерия (Fig. 4 & 5)

- За да поставите касетката с батерия, наложете езичето на батерията към вдлъбнатината на продукта, и следвайки я, плъзнете на място. Пъхнете напълно докато не щракне.
- Ако виждате червен индикатор на горната страна на бутона, значи батерията не е добре поставена. Пъхнете докрая, докато червеният индикатор изчезне. В противен случай батерията може да изпадне от радиото, причинявайки нараняване на вас или някой около вас.
- Не поставяйте батерията със сила. Ако не се плъзга лесно на място, значи не я поставяте правилно.
- За да извадите батерията, плъзнете я навън докато плъзгате и бутон отпред на касетката на батерията.

Показва оставащия заряд на батерията

* Само за акумулатори с "B" накрая на номера на модела



➤ 1. Индикаторна лампа 2. Бутон за проверка

Натиснете бутона за проверка на акумулатора за да се покаже оставащия заряд на батерията. Индикаторната лампичка може да свети за няколко секунди.

• 14.4V/18V батерии

Индикатор или лампи			Оставащ заряд
Светеща	Изключена	Мигаща	
■ ■ ■ ■			75% ~ 100%
■ ■ ■ □			50% ~ 75%
■ □ □ □			25% ~ 50%
■ □ □ □			0% ~ 25%
▣ □ □ □			Заредете батерията
■ ■ □ □	↑ ↓		Батерията може да е повредена

• Bateritë 10,8 V-12 V макс

Индикатор или лампи			Оставащ заряд
Светеща	Изключена	Мигаща	
■ ■ ■ ■			75% ~ 100%
■ ■ ■ □			50% ~ 75%
■ ■ □ □			25% ~ 50%
■ □ □ □			0% ~ 25%

Забележка:

В зависимост от условията на употреба и околната температура, показаното може да се различава от реалния заряд.

Поставяне на резервната батерия (Фиг. 2 и 3)

Поставянето на резервни батерии в отделението за батерии предотвратява загубата на съхранените данни в паметта.

1. Издърпайте отделението за батерии, за да отворите мястото за батерии. Има място за основната батерия и място за резервна батерия.
2. Свалете капака на отделението за резервна батерия и поставете 2 свежи UM-3 (размер AA) батерии. Уверете се, че батериите са поставени с правилна полярност, както е показано в самото отделение. Поставете обратно капака на отделението.
3. След като сте поставили резервни батерии, поставете и основната батерия за захранване на радиото.

Използване на приложения адаптор за АС захранване

Отстранете гумения протектор и пхнете щепсела на адаптора във входа за ток от дясната страна на радиото. Включете адаптера в стандартен електрически контакт. Когато използвате адаптора, батериите се изключва автоматично.

⚠ ВНИМАНИЕ:

- **Винаги изключвайте захранващия адаптор напълно, преди да преместите радиото. Ако адапторът за променлив ток не е изваден, това може да предизвика токов удар.**
- **Никога не дърпайте и / или влачете кабела на адаптора. Радиото може случайно да падне и да причини нараняване на вас или някой около вас.**

ВАЖНО:

- Адаптора за електрическата мрежа се използва за свързване на радиото към мрежата. Контактът, който се използва за радиото, трябва да остане достъпен при нормална употреба.
- За да изключите радиото, извадете захранващия адаптор от контакта.
- Използвайте приложения с уреда АС адаптор за захранване, или такъв специално посочен от Макита.
- Не дръжте кабела в уста и не се опитвайте да го включите с уста. Това може да причини токов удар.
- Не пипайте контакта с мокри или мазни ръце.
- Повредени или преплетени кабели може да повишат риска от токов удар. Ако кабела е повреден, предайте го за смяна в оторизиран сервизен център, за да избегнете опасност. Не го

използвайте без да е поправен.

- След употреба, винаги съхранявайте кабела далече от досега на деца. Ако деца си играят с кабела може да се наранят.

Бележка:

Когато радиото има някакви смущения в честотната лента на АМ причинени от адаптора за захранване, преместете радиото на повече от 30 см разстояние от адаптора.

Зареждане през порта за USB

На предната страна на радиото има USB порт. Можете да зареждате USB устройства през USB порта.

1. Свържете USB устройство, напр. MP3 или CD плейър, със стандартен USB кабел,
2. Натиснете бутон за захранване, за да включите радиото.
3. Независимо дали радиото е захранено с променлив ток или с батерия, радиото може да зарежда USB устройства, когато радиото е включено и е в режим FM радио или в режим BT, или в режим AUX, което е обозначено, когато е свързан външен източник на звук.

Бележка:

- Не можете да зареждате USB устройства по време на режим АМ радио, защото радиосигнала става изключително лош при зареждане на USB устройства.
- Максималната сила на звука на високоговорителите ще намалее, когато зареждате през USB.
- USB порта може да осигури максимум 5V / 2.4A електрически ток.

ВАЖНО:

- Преди да свържете USB устройства към акумулаторната батерия, винаги архивирайте информацията от USB устройството ви. Възможна е загуба на данни.
- Продукта може да не зарежда някои USB устройства.
- Когато не е в употреба, или след зареждане, махнете USB кабела и затворете капачето.
- Не свързвайте електрически кабел към USB входа. Има опасност от пожар. USB входа се използва само за зареждане на нисковолтажни устройства. Винаги поставяйте капачето на USB входа, когато не зареждате нисковолтажно устройство.
- Не пхайте пирони, скоби и прочие предмети в USB порта за захранване. Може да предизвикате късо съединение, пушек и искри.
- Не свързвайте този USB вход към вашия настолен компютър. Силно е възможно това да предизвика повреда и в двете устройства.

СЛУШАНЕ НА РАДИО

Сканиране на AM/ FM станции

Бележка:

FM антената е вградена в дръжката. Когато използвате радиото, изправете добре дръжката над радиото, за да получавате по-добър сигнал. За AM честоти, завъртете радиото докато получите добър сигнал, защото AM антената е вградена в корпуса.

1. Натиснете бутона за захранване, за да включите радиото.
2. Натиснете бутона Източник (Source), за да изберете режим AM или FM радио.
3. Натиснете и задръжте копчето за настройка, за да извършите автоматично сканиране и настройка. Вашето радио ще сканира AM/FM станции от текущо показаната честота и ще спре автоматично, когато намери станция с достатъчна сила.
4. След няколко секунди дисплеят ще се актуализира. Дисплеят ще покаже честотата на открития сигнал.
5. За да намерите друга станция, натиснете и задръжте копчето за настройка, както предишния път.
6. Когато се достигне края на вълновия обхват, радиото ще възобнови сканиране от противоположния край на вълновия обхват.
7. Завъртете копчето за настройка, за да регулирате нивото на звука по желание.

Бележка:

- Докато регулирате силата на звука, бъдете сигурни, че текста FM/AM не мига на екрана.
 - Ако AM / FM мига на екрана, това означава че можете да настроите станциите ръчно (за повече подробности вижте раздела "Ръчна настройка - FM/AM").
 - Силата на звука не трябва да е твърде голяма. За да избегнете възможни увреждания на слуха, не слушайте при голяма сила на звука за дълги периоди.
8. Натиснете бутона за захранване, за да изключите радиото

РЪЧНА НАСТРОЙКА - AM / FM

1. Натиснете бутона за захранване, за да включите радиото.
2. Натиснете бутона Източник (Source), за да изберете режим AM или FM радио.
3. Натиснете копчето за настройка и ще видите, че на дисплея мига текста FM/AM.

Бележка:

- FM/AM ще мига приблизително 10 секунди. В рамките на този период можете да правите само ръчно настройване.

- Ако желаете да регулирате силата на звука, докато мига FM/AM, натиснете копчето за настройка, за да спрете мигането на текста и тогава можете да го завъртите, за да регулирате нивото на звука.
4. Завъртете копчето за настройка, за да настроите станцията.
 5. Когато се достигне края на вълновия обхват, радиото ще възобнови настройката от противоположния край на вълновия обхват.
 6. Завъртете копчето за настройка, за да регулирате нивото на звука по желание.

Запаметяване на станции в AM/FM режим

Можете за запаметите по 5 станции за AM и FM радио. Начина е еднакъв и за двата вида вълни.

1. Натиснете бутона за захранване, за да включите радиото.
2. Натиснете бутона Източник (Source), за да изберете желаната тип вълни. Сканирайте до желаната станция, както е обяснено по-горе.
3. Натиснете и задръжте бутона Настройка (1 до 5) докато на дисплея не се покаже "P4" например, след показаната честота. Станцията ще бъде запаметена с това число. Повторете за настройка на останалите станции по желание.
4. При нужда, можете да запаметите нови станции вместо вече запаметените, следвайки описаните по-горе стъпки.

Режим на дисплея в FM

Вашето радио има набор от опции за дисплея в режим FM радио.

Натиснете неколккратно бутона Меню/Инфо (Menu/Info), за да видите RDS информацията за станцията, която слушате.

- | | |
|---------------------|---|
| a. Име на станцията | Показва името на станцията, която слушате. |
| b. Тип програма | Показва типа станция, която слушате – поп, рок, класическа, новини и т.н. |
| c. Радио текст | Показва радио текст съобщения. |
| d. Година/ден | Показва годината и деня от седмицата, според вашите настройки на радиото. |
| e. Дата/ден | Показва датата и деня от седмицата, според вашите настройки на радиото. |
| f. EQ режим | Показва EQ режима на FM станцията, която слушате. |
| g. Честота | Показва честотата на FM станцията, която слушате. |

FM стерео (автоматично)/моно

Ако сигнала на FM станцията, която слушате, е слаб, може да се чува шум. Възможно е да се намали този шум, като накарате радиото да възпроизведе станцията в моно, а не в стерео.

1. Натиснете бутоната Източник (Source), за да изберете FM вълни и отидете на желаната FM станция, както е описано по-горе.
2. Натиснете и задръжте бутоната Меню/Инфо (Menu/Info), за да влезете в менюто.
3. Завъртете копчето за настройка докато не видите текста "FM AUTO (or MONO)" на екрана. Ако настройката е била автоматична, натиснете копчето и го завъртете, за да превключите на Моно и да намалите шума. Натиснете копчето, за да потвърдите избора.

Използване на запазени станции в режим AM/FM

1. Натиснете бутоната за захранване, за да включите радиото.
2. Натиснете бутоната Източник (Source), за да изберете режим AM или FM радио.
3. Натиснете за кратко нужния бутон за настройка, за да отидете на станцията, която сте запазили за този бутон.

ДОПЪЛНИТЕЛНИ НАСТРОЙКИ

Настройка на формата на дата и час

Часовника, показван в режим на готовност и когато се възпроизвежда музика, може да бъде настроен на различни формати. Избраният формат се използва и при настройка на алармите.

1. Натиснете и задръжте бутоната Меню/Инфо (Menu/Info), за да влезете в менюто.
2. Завъртете копчето за настройка докато "CLOCK xxH" се покаже на екрана и натиснете копчето, за да влезете в настройката. Формата за часа ще започне да мига.
3. Завъртете копчето за настройка, за да изберете 12 или 24 часов формат. Натиснете копчето за настройка, за да потвърдите изборния формат.

Бележка:

Ако изберете 12 часов формат, радиото ще използва 12 часов формат.

4. Натиснете и задръжте бутоната Меню/Инфо (Menu/Info), за да влезете в менюто.
5. Завъртете копчето за настройка докато датата (напр. THU APR 3) се появи на натиснете копчето, за да влезете в настройката. Формата за дата ще започне да мига.

6. Завъртете копчето за настройка, за да изберете желания формат. Натиснете копчето за настройка, за да потвърдите изборния формат.

Настройка на час и дата на часовника

1. Натиснете и задръжте бутоната Меню/Инфо (Menu/Info), за да влезете в менюто.
2. Завъртете копчето за настройка докато "CLOCK ADJ" се появи на екрана. Натиснете копчето, за да влезете в настройката.
3. Показания час на екрана ще започне да мига. Завъртете копчето, за да изберете нужния час, и го натиснете, за да потвърдите избора. След това завъртете копчето, за да изберете минутите и го натиснете, за да потвърдите избора.
4. Завъртете копчето за настройка докато "DATE ADJ" се появи на екрана. Натиснете копчето, за да влезете в настройката.
5. Завъртете копчето, за да изберете нужната година, и го натиснете, за да потвърдите избора. Завъртете копчето, за да изберете нужния месец, и го натиснете, за да потвърдите избора. След това завъртете копчето, за да изберете ден и го натиснете, за да потвърдите избора.

RDS система

Когато настроите часовника чрез RDS функцията, радиото ще синхронизира времето всеки път, когато е настроено на станция, която има сигнал за сверяване на часовника (RDS CT).

1. Когато отидете на станция, предаваща RDS данни, на екрана ще се появи RDS символът. Натиснете и задръжте бутоната за меню/информация.
2. Завъртете копчето за настройка, докато на екрана се появи "RDS CT" и символ за часовник. Натиснете копчето, за да влезете в настройката.
3. Завъртете копчето за настройка, докато на дисплея се появи "RDS CT". Натиснете копчето, за да потвърдите настройката. Часовникът на радиото ще се настрои автоматично според получените RDS данни.

Бележка:

- След всяко синхронизиране с RDS CT, настроения час ще бъде валиден за 5 дни.
- За да деактивирате функцията RDS CT, повторете стъпки 1 и 2, и завъртете копчето, за да изберете РЪЧНО „MANUAL“ настройване.

Настройка на час за аларма

Вашето радио има две аларми, всяка от които може да бъде настроена да ви събуди с AM/FM радио или със зумер. Алармите могат да бъдат настроени, докато устройството е в режим на готовност или по време на възпроизвеждане.

Бележка:

Уверете се, че времето е правилно настроено, преди да зададете алармите. Ако в продължение на 10 секунди не се натискат никакви бутони, радиото автоматично ще излезе от настройката на алармата.

а. Задаване на час за радио аларма:

1. Радио алармата може да се настрои, когато радиото е включено или изключено.
2. Натиснете и задръжте бутона на радио аларма, символът на радио аларма и избрания час ще започнат да мигат, придружени от бипване.
3. Докато символа на радио аларма мига, завъртете копчето за настройка, за да изберете часа, и го натиснете, за да потвърдите избора. След това завъртете копчето за настройка, за да изберете минутите и го натиснете, за да потвърдите избора.
4. Завъртете копчето за настройка на екрана ще се покажат опциите за честота на алармата. Опциите за алармата са следните:
ONCE – алармата ще звучи ВЕДНЪЖ.
DAILY – алармата ще звучи ВСЕКИ ДЕН.
WEEKDAY – алармата ще звучи в РАБОТНИ ДНИ
WEEKEND – алармата ще звучи в СЪБОТА И НЕДЕЛЯ
Натиснете копчето за настройка, за да потвърдите избора.
5. Докато символа на радио аларма мига, завъртете копчето за настройка, за да изберете желаната станция за събуждане, и го натиснете, за да потвърдите избора.
6. Завъртете копчето за настройка за да изберете желаната сила на звука, и го натиснете, за да потвърдите избора на сила на звука. Настройката на радио аларма е завършена.

Бележка:

- Ако не изберете нова радио станция, предишно използваната станция ще бъде избрана автоматично.
- Ако избраната AM/FM станция за радио аларма не е налична, при включване на алармата, ще прозвучи зумер.

б. Настройка за зумер аларма HWS (Humane Wake System):

Когато активирате аларма с HWS зумер, ще се чуе бипване.

Звук на зумера ще звучи, скъсявайки се на всеки 15 секунди в продължение на една минута, и ще последва една минута тишина, преди да се повтори цикъла.

1. Зумер алармата HWS може да се настрои, когато радиото е включено или изключено.
2. Натиснете и задръжте бутона на зумер аларма, символът на зумер аларма и избрания час ще започнат да мигат, придружени от бипване.
3. Докато символа на зумер аларма мига, завъртете

копчето за настройка, за да изберете часа, и го натиснете, за да потвърдите избора. След това завъртете копчето за настройка, за да изберете минутите и го натиснете, за да потвърдите избора.

4. Завъртете копчето за настройка на екрана ще се покажат опциите за честота на алармата. Опциите за алармата са следните:
ONCE – алармата ще звучи ВЕДНЪЖ.
DAILY – алармата ще звучи ВСЕКИ ДЕН.
WEEKDAY – алармата ще звучи в РАБОТНИ ДНИ
WEEKEND – алармата ще звучи в СЪБОТА И НЕДЕЛЯ
Натиснете копчето за настройка, за да потвърдите избора.

Бележка:

Няма възможност за задаване на сила на звука при зумер аларма.

Спиране на звука на алармата

За да спрете звучаща аларма, натиснете бутона за захранване.

Деактивиране на зададена аларма

За да деактивирате зададена аларма, преди тя да прозвучи, натиснете и задръжте съответния бутон за алармата, докато символа за аларма изчезне от екрана.

Повтаряне на алармата

1. Докато алармата звучи, натискането на който и да е друг бутон, различен от бутона за захранване, ще преустанови алармата за 5 минути. Текста "SNOOZE" ще се появи на екрана.
2. За да промените времето за пауза преди повторение на алармата, натиснете и задръжте бутона Меню/Инфо (Menu/Info), за да влезете в менюто.
3. Завъртете копчето за настройка, докато текста "SNOOZE X" се появи на екрана, и натиснете копчето за да влезете в настройката. Завъртете копчето за да промените времето за пауза между 5, 10, 15 или 20 минути преди повтаряне.
4. За да деактивирате повтарянето, когато алармата е в пауза, натиснете бутона за захранване.

Таймер за заспиване (SLEEP)

Вашето радио може да бъде настроено да се изключва автоматично след изтичане на предварително зададено време. Настройката на таймера за заспиване може да се регулира между 60, 45, 30, 15, 120 и 90 минути.

1. Натиснете и задръжте бутона за захранване, за да влезете в настройката за таймер за заспиване. На екрана ще се покаже "SLEEP XX".

2. Задръжте бутона за захранване, и опциите на таймера за заспиване ще започнат да се сменят на екрана. Спрете, когато желаните настройки се покажат. Настройките ще бъдат запаменени, и екрана ще се върне към обичайния си вид.
3. Радиото ви ще се изключи автоматично след изтичане на предварително зададения таймер за заспиване. На екрана ще се появи иконка, показваща активен таймер за заспиване.
4. За да отмените функцията таймер за заспиване преди изтичане на предварително зададеното време, просто натиснете бутона за захранване, за да изключите уреда ръчно.

Усилване

Може да компенсирате за ниски или високи честоти на вашето радио, като настроите опцията за усилване.

1. Натиснете и задръжте бутона Меню/Инфо (Menu/Info), за да влезете в менюто.
2. Завъртете копчето за настройка, докато текста "LOUD ON" или "LOUD OFF" се покаже на екрана. Натиснете копчето за да влезете в настройката.
3. Завъртете копчето за настройка, за да изберете ON (ВКЛ), за да включите функцията за усилване на звука, след това натиснете копчето за настройка, за да потвърдите избора.
4. За да изключите функцията за усилване на звука, изберете OFF (ИЗКЛ) и натиснете копчето за настройка, за да потвърдите избора.

Еквалайзер

Има 7 вида цветни светлинни индикатори около копчето за настройка, които показват различни режими на еквалайзера.

1. Натиснете бутона за захранване, за да включите радиото.
2. Натиснете бутона за еквалайзера, за да влезете в менюто за настройка.
3. Завъртете копчето за настройка, за да изберете желания еквалайзер режим. След това натиснете копчето за настройка, за да потвърдите избора.

EQ режим	LED индикатор
FLAT (равно)	Бяло
JAZZ (джаз)	Синьо
ROCK (рок)	Червено
CLASSIC (класика)	Кафяво
POP (поп)	Розово
NEWS (новини)	Жълто
MY EQ (мой еквалайзер)	Зелено

Настройка на Мой Еквалайзер

1. Натиснете бутона за еквалайзер, за да влезете в менюто за настройка.
2. Завъртете копчето за настройка и изберете "MY EQ" (Мой Еквалайзер). След това натиснете копчето, за да влезете в настройките за бас "BASS".
3. Завъртете копчето за настройка за изберете желаното ниво на бас. Натиснете копчето, за да влезете в настройките за средни звуци "MIDDLE".
4. Завъртете копчето за настройка за изберете желаното ниво на средни звуци. Натиснете копчето, за да влезете в настройките за високи звуци "TREBLE".
5. Завъртете копчето за настройка за изберете желаното ниво на средни звуци. Натиснете копчето, за да потвърдите избора.

Бележка:

- Когато използвате еквалайзера, за да за да подчертаете баса и слушате при висока сила на звука, това може да доведе до пукане и изкривяване на звука. В такива случаи регулирайте силата на звука на радиото до подходящо ниво.

СЛУШАНЕ НА МУЗИКА С BLUETOOTH ПРЕДАВАНЕ

Трябва да сдвоите Bluetooth устройството си с радиото, преди да можете автоматично да се свързвате и да пускате / стриймвате Bluetooth музика през радиото. Сдвояването създава "връзка", така че две устройства могат да се разпознават взаимно.

Бележка:

- За да получите по-добро качество на звука, е препоръчително първо да настроите силата на звука на вашето Bluetooth устройство на повече от две трети, и след това да регулирате силата на звука от радиото до желаната.
- Радиото може да запамети до 8 сдвоени устройства, а когато числото им е надвишено, най-старите ще бъдат изтрети от паметта.

Сдвояване с Bluetooth за първи път

1. Натиснете бутона за захранване, за да включите радиото. Натиснете бутона Source (Източник), за да изберете Bluetooth режим. На екрана ще се появи текста "BT PAIR" и думата "PAIR" ще мига.
2. Активирайте Bluetooth на вашето устройство според неговото ръководството за употреба, за да се свържете с радиото. Намерете списъка с Bluetooth устройства и изберете устройството, наречено „DMR114“ (някои мобилни телефони, които са оборудвани с по-ранни версии от Bluetooth устройство BT2.1, може да изискат въвеждане на код „0000“).

3. След като се свържете, ще се чуе звуков сигнал за потвърждение. "BLUETOOTH" ще остане на екрана и подсветката ще намалее след 10 секунди. Вече можете просто да избирате и пускате музика от вашето устройство-източник. Силата на звука може да се регулира от източника или директно от радиото.
4. Използвайте контролите на вашето Bluetooth устройство или на радиото, за да пускате/ спирате на на пауза и сменате песни.

Бележка:

- Ако две Bluetooth устройства се опитват да се свържат едновременно за първи път с радиото, то ще се покаже в списъка и на двете. Ако едното устройство се свърже успешно, радиото няма вече да се вижда в списъка на намерени устройства на второто.
- Ако вашето Bluetooth устройство е временно разкачено от радиото, ще се наложи да го свържете ръчно отново.
- Ако 'DMR114' се покаже в списъка, но не можете да се свържете, изтрийте го от списъка, и повторете стъпките посочени по-горе.
- Най-подходящия обхват за Bluetooth стриймване е около 10 метра (30 фута) (по линия на погледа, без прегради) от радиото, но разстояния до 30 метра (100 фута) също са възможни.
- Ако Bluetooth връзката се разпадне, поради прекалено дълго време покой, или прекалено голямо разстояние, прегради, или друго, може да се наложи да се свържете отново с радиото.
- Прегради, други безжични или електромагнитни устройства може да повлияят на качеството на връзката.
- Качеството на Bluetooth връзката може да варира в зависимост от свързаните Bluetooth устройства. Моля, проверете възможностите за Bluetooth на вашето устройство, преди да се свържете с радиото. Не всички функции са поддържани от всички сдвоени Bluetooth устройства.

Възпроизвеждане на аудио файлове в Bluetooth режим

Когато успешно свържете радиото с избраното Bluetooth устройство, можете да започнете да възпроизвеждате музиката си, използвайки контролите на вашето свързано Bluetooth устройство.

1. След като пуснете музика, регулирайте силата на звука до желаното ниво, като използвате копчето за сила на звука на радиото или на Bluetooth устройството ви.
2. Използвайте контролите на вашето Bluetooth устройство за пускане / пауза и сменяне на песни. Също можете да използвате бутоните

за Възпроизвеждане/Пауза, Следваща песен и Предишна песен на радиото.

3. Натиснете и задръжте бутоните Следваща песен или Предишна песен, за да се придвижите през текущата песен. Пуснете бутона, когато се достигне желаното място.

Бележка:

- Някои приложения за пускане на музика, или устройства може да не реагират на тези контроли.
- Някои мобилни телефони могат временно да прекъснат връзката с радиото, когато правите или приемате обаждания. Някои устройства могат временно да заглушат Bluetooth аудио стрийминга, когато получават текстови съобщения, имейли или по други причини, несвързани с аудио стрийминг. Това поведение е функция на свързаното устройство и не означава повреда в радиото.

Пускане от предварително свързано Bluetooth устройство източник

Ако вашето Bluetooth устройство вече е било свързвано с радиото, радиото ще го запомни и ще се опита да се свърже отново с това устройство, което е последно свързано в паметта. Ако последното свързано устройство не е налично, радиото ще може да бъде открито в списък налични устройства.

Прекъсване на връзката с Bluetooth устройство

Натиснете и задръжте бутона за Bluetooth сдвояване за 2-3 секунди, докато на екрана се появи "BT PAIR" или изключете Bluetooth на вашето Bluetooth устройството, за да деактивирате връзката. Можете също да натиснете бутона Source (Източник), за да изберете друг режим, различен от Bluetooth, за да прекъснете връзката.

Изтриване на Bluetooth устройства от паметта

За да изчистите от паметта всички сдвоени устройства, натиснете и задръжте бутона за сдвояване на Bluetooth повече от 5 секунди, докато на дисплея се появи "CLEARING" (изчистване).

ВХОД ЗА AUX

В предната част на радиото се намира 3,5-мм вход, което дава възможност за подаване на звуков сигнал за възпроизвеждане от външно аудио устройство, например MP3 или CD плейър.

1. Свържете външния аудио източник (напр. MP3 или CD плейър) към входа AUX IN.
2. Натиснете бутона за захранване, за да включите радиото.
3. Натиснете кратко няколко пъти бутона за Source

- (източник), докато на екрана се покаже "AUX IN".
4. За по-добро качество на звука, е препоръчително първо да настроите силата на звука на устройството ви на повече от две трети, и след това при нужда да регулирате силата на звука от радиото.

Бележка:

Стандартните аксесоари не включват аудио кабел.

ПОДДРЪЖКА

⚠ ВНИМАНИЕ:

- Никога не използвайте газолин, бензин, разреждател, алкохол или други подобни. Възможно е да се получи обезцветяване, деформация или пукнатини.
- Не мийте радиото с вода.

ТЕХНИЧЕСКИ ХАРАКТЕРИСТИКИ

Изисквания към захранването	
Адаптор за променлив ток	DC 12V 2.5A, положителен централен щифт
Батерия	UM-3 (AA размер) x2 за резерва Плъзгаща батерия : 10.8V - 18V
Честотно покритие	FM87.50-108MHz (0.05MHz/стъпка) AM(MW)522-1,710kHz (9 kHz/стъпка)

Bluetooth®	
(Словната марка Bluetooth® и логото са регистрирани търговски марки, притежавани от Bluetooth SIG, Inc.)	
Bluetooth версия	5.0 Сертифициран
Bluetooth Профили	A2DP / SCMS-T / AVRCP
Сила на предаване	Power Class2
Обхват на предаване	Оптимален: Макс.10 метра (33 фута) Възможно: Макс.30 метра (100 фута) (според ситуацията)
Поддържан кодек	SBC
Въвместим Bluetooth профил	A2DP / AVRCP
Максимална радиочестотна мощност	BT EDR: 3.91dBm
Работна честота	2402MHz~2480MHz

Характеристики на веригите	
Високоговорител	2.5 инча 8 ohm x2 4 инча 6 ohm x1
Изходяща мощност	10.8V-12Vмакс: 2W x2 +10W 14.4V: 3W x2 +15W 18V: 5W x2 + 25W
Входен терминал	3.5 mm диаметър (AUX IN)
Анени	FM : вградена антена AM : антена пръчка
Размери (Дължина x Широчина x Височина)	268 x 164 x 295 mm
Тегло	4.9 кг (без батерия)

HRVATSKI

(Izvorne upute)

Objašnjenje općeg izleda (slika 1)

1. Ugrađena antena (AM)
2. Ručka / ugrađena antena (FM)
3. Spremnik odjeljka za bateriju
4. Poklopac odjeljka za bateriju (pokriva uložak baterije)
5. Zvučnik
6. DC IN utičnica
7. Subwoofer
8. Tipka Power / Sleep timer
9. Source tipka
10. Radio alarm tipka
11. Buzzer alarm tipka
12. Preset 3/Play/Pause tipka
13. Preset 5 tipka
14. Preset 4/Next track tipka
15. Kontrola glasnoće / Podešavanja / Odabir tipke
16. EQ kontrolna tipka
17. AUX IN utičnica
18. USB priključak za napajanje
19. Gumb Izbornik / Info
20. LED indikator načina rada EQ
21. Preset 2/ Tipka za prethodni zapis
22. Preset 1/ Tipka za Bluetooth uparivanje
23. LCD zaslon
24. Odjeljak za bateriju
25. Odjeljak za rezervne baterije

LCD ZASLON

- A. Radio alarm
- B. Zvučni signal alarma
- C. Stereo simbol
- D. Indikator prazne baterije
- E. Sat
- F. Frekvencija
- G. RDS (Radio data system)
- H. Ikona tajmera za spavanje
- I. PM za sat

Simboli

Pokazuju simbole koji se koriste za opremu. Budite sigurni da ste razumjeli njihovo značenje prije uporabe.



Pročitajte upute za uporabu.



Samo za zemlje EU

Nemojte odlagati električnu opremu ili

bateriju zajedno s otpadnim materijalom iz kućanstva! Sukladno s europskim direktivama o otpadu električne i elektroničke opreme, baterije i akumulatore te potrošene baterije i njihovu primjenu sukladno s nacionalnim zakonima, električna oprema, baterije i baterijski ulošci koji su došli do kraja trajanja moraju se odvojeno prikupiti i vratiti u ekološki prihvatljiv objekt za reciklažu.

VAŽNE SIGURNOSNE UPUTE

UPOZORENJE:

Kada koristite električne alate, uvijek treba slijediti osnovne mjere opreza kako bi se smanjio rizik od požara, strujnog udara i tjelesnih ozljeda, uključujući sljedeće:

1. Pročitajte ove upute i upute za uporabu punjača pažljivo prije uporabe.
2. Čistitesamosuhomkrpom.
3. Nemojte postavljati u blizini izvora topline poput radijatora, grijalica, peći i ostalih uređaja (uključujući i pojačala) kojom se zagrijava.
4. Koristite samo one dodatke / pribor koje je naveo proizvođač.
5. Iskopčajte ovaj uređaj iz mreže i ne upotrebljavajte dulje vrijeme.
6. Baterijski radio s integriranim baterijama ili zasebnom baterijom mora se puniti samo s navedenim punjačem za bateriju. Punjač koji može biti prikladan za jednu vrstu baterije može stvoriti rizik od požara kada se koristi s drugom baterijom.
7. Koristite radio na baterije samo s posebno određenim baterijama. Uporaba drugih baterija može uzrokovati požar.
8. Kada baterijama u uporabi, držite je podalje od metala i drugih objekata kao što su: spajalice, kovanice, ključevi, čavli, vijci, ili drugih malih metalnih predmeta koji mogu napraviti spoj između jednog kontakta do drugog. Kratki spoj između kontakata baterije može izazvati iskrenje, opekline ili požar.
9. Izbjegavajte dodir tijela s uzemljenim površinama kao što su sučijevi, radijatori, šporeti i hladnjaci. Posljedice povećane opasnosti od električnog udara ako je vaš tijelo uzemljeno.
10. Pod destruktivnim uvjetima, tekućina može biti izbačena iz baterija; izbjegavajte kontakt. Ako slučajno dođe do kontakta, isperite vodom. Ako tekućina dođe u kontakt sa očima, potražite liječničku pomoć. Tekućina izbačena iz baterija može izazvati iritaciju ili opekline.
11. Nemojte koristiti baterije ili alat koji je oštećen ili modificiran. Oštećene ili modificirane baterije mogu pokazivati nepredvidivo ponašanje koje može

- prouzročiti požar, eksploziju ili opasnost od ozljeda.
12. Nemojte izlagati bateriju ili alat pretjeranoj temperaturi. Izloženost vatri ili temperaturi iznad 130 °C (266 °F) može izazvati eksploziju.
 13. Slijedite sve upute za punjenje i nemojte puniti bateriju ili alat izvan raspona temperature navedene u uputama. Pogrešno punjenje ili temperature izvan navedenog raspona mogu oštetiti bateriju i povećati opasnost od požara.
 14. Glavni utikač se koristi kao uređaj za isključivanje, i treba biti spreman za rad
 15. Nemojte koristiti proizvod jako pojačan tijekom produženog razdoblja. Kako biste izbjegli oštećenje sluha, koristite uređaj na umjerenom glasnoći.
 16. (Samo za proizvode s LCD displejom) LCD displej sadrži tekućinu koja može izazvati iritaciju i trovanje. Ako tekućina dođe u kontakt sa očima, ustima ili kožom, isperite je vodom i nazovite liječnika.
 17. Ne izlažite proizvod kiši ili vlažnim uvjetima. Voda koja ulazi u proizvod povećava rizik od električnog udara.
 18. Ovaj proizvod nije namijenjen osobama (uključujući djecu) sa smanjenim tjelesnim, senzornim ili mentalnim sposobnostima ili nedostatkom iskustva i znanja, osim ako im je osoba koja je odgovorna za njihovu sigurnost dala nadzor ili uputu o upotrebi proizvoda. Djecu treba nadzirati kako bi se osiguralo da se ne igraju s proizvodom. Spremite proizvod izvan dohvata djece.
 6. Nemojte pohranjivati alat i uložak baterije namjestim gdje temperatura može dosegnuti ili premašiti 50 °C (122 °F)
 7. Nemojte spaljivati uložak baterije, čak i ako je ozbiljno oštećen ili je potpuno istošen. Uložak baterije može eksplodirati u vatri.
 8. Pazite da ne ispuštite ili udarite bateriju.
 9. Nemojte koristiti oštećenu bateriju.
 10. Kako biste izbjegli rizik, prije upotrebe pročitajte priručnik o zamjeni baterije. Maksimalna struja pražnjenja baterije bi trebala biti veća ili jednaka 8A.
 11. Sadržane litij-ionske baterije podliježu uvjetima o opasnim robama. Za komercijalne transporte, npr. moraju se poštovati posebni zahtjevi za pakiranje i označavanje. Za pripremu predmeta koji se isporučuje, potrebno je konzultirati stručnjaka za opasni materijal. Molimo također obratiti pozornost na moguće detaljnije nacionalne propise. Zalijepite ili maskirajte otvorene kontakte i zapakirajte bateriju na takav način da se ne može kretati u pakiranju.
 12. Slijedite lokalne propise koji se odnose na odlaganje baterije.
 13. Koristite baterije samo s proizvodima koje odredi Makita. Umetanje baterija u proizvode koji nisu sukladni može rezultirati požarom, prekomjernom toplinom, eksplozijom ili propuštanjem elektrolita.

⚠ OPREZ:

- **Opasnost od eksplozije ako se baterija neispravno zamijeni.**
- **Zamijenite samo sa istim ili jednakim tipom.**
- **Koristite samo originalne baterije Makita. Korištenje neoriginalnih baterija Makita ili izmijenjenih baterija može dovesti do pregrijavanja baterije koja može prouzročiti požare, osobne ozljede i oštećenja. Također će poništiti Makita jamstvo za Makita alat i punjač.**

SAČUVAJTE OVE UPUTE

POSEBNA SIGURNOSNA PRAVILA ZA ULOŽAK BATERIJE

1. Prije uporabe uložak baterije, pročitajte sve upute i mjere opreza (1) punjač baterije, (2) bateriji, i (3) proizvodima koji koriste baterije.
2. Nemojte rastavljati uložak baterije.
3. Ako se vrijeme adaptiranja skratilo, treba odmah prestati s radom. To može dovesti do rizika od pregrijavanja, mogućih opekline, pa čak i eksplozije.
4. Ako elektrolit dospije u oči, isperite ih čistom vodom i odmah potražite liječničku pomoć. To može rezultirati gubitkom vida.
5. Nemojte skraćivati uložak baterije:
 - (1) Nemojte dodirivati kontakte s bilo kakvim vodljivim materijalom.
 - (2) Ne pohranjujte uložak baterije u spremnik s drugim metalnim predmetima poput čavala, kovanica, itd
 - (3) Ne izlažite uložak baterije vodi ili kiši. Kratki spoj baterije može uzrokovati električni protok struje, pregrijavanje, moguću opekline, pa čak i razgradnju.

Savjeti za održavanje maksimalnog trajanja baterije

1. Puniti baterijski uložak prije nego se potpuno isprazni. Zaustavite rad alata i napunite baterijski uložak kada primijetite umanjeni rad alata.
2. Nikad nemojte ponovno puniti potpuno napunjeni baterijski uložak. Prekomjerno punjenje može skratiti vijek trajanja baterije.
3. Puniti baterijski uložak na sobnoj temperaturi od 10 °C - 40 °C (50 °F - 104 °F). Pustite da se baterijski uložak ohladi prije punjenja.
4. Puniti baterijski uložak, akoga ne koristite dulje vrijeme (više od šest mjeseci).

RADNO VRIJEME

* Odgovarajuće baterije za ovaj radio navedene su u sljedećoj tablici.

* Sljedećatablicapokazujevrijemeradanajednompunjenju.

Kapacitetbaterije	Napon akumulatora			KOD IZLAZA ZVUČNIKA = 100 mW Jedinica: Sat (približno)	
	10.8V -12Vmax	14.4V	18V	U načinu Radio ili AUX	U načinu Bluetooth +USB Punjenje
1.3 Ah		BL1415		3.5	0.7
			BL1815	4.0	1.0
1.5 Ah	BL1015 BL1016			6.0	0.8
		BL1415N BL1415NA		4.5	0.9
			BL1815N	5.0	1.2
2.0 Ah	BL1020B BL1021B			8.0	1.0
			BL1820 BL1820B	6.5	1.6
3.0 Ah		BL1430 BL1430B BL1430A		8.0	1.6
			BL1830 BL1830B	9.5	2.3
4.0 Ah	BL1040B BL1041B			16	2.1
		BL1440		13	2.5
			BL1840 BL1840B	13	3.2
5.0 Ah		BL1450		15	3.0
			BL1850 BL1850B	17	4.2
6.0 Ah		BL1460B BL1460A		17	3.3
			BL1860B	21	5.0

⚠ UPOZORENJE:

Koristite samo gore navedene baterije. Korištenje svih drugih baterija može uzrokovati ozljede i / ili požar.

Opaska:

- Tablica koja se odnosi na vrijeme rada baterije je samo za referencu.
- Stvarno vrijeme rada može se razlikovati od vrste baterije, stanja napunjenosti ili okoline uporabe.

INSTALACIJA I NAPAJANJE

⚠ OPREZ:

- Pazite da ne prignječite prste kada otvarate i zatvarate poklopac baterije.
- Vratite spremnik odjeljka za bateriju u izvorni položaj, nakon postavljanja ili uklanjanja spremnika za bateriju. U protivnom, spremnik za bateriju može slučajno ispasti iz radija, uzrokujući ozljede vama ili nekome oko vas.
- Prije premještanja radija uvijek zatvorite i zaključajte pretinac za bateriju.
- Prije instaliranja ili uklanjanja spremnika za bateriju uvijek isključite radio.
- Pazite da ne ispustite ili udarite radio. Polomljeni omotač može obrezati vaš prst ili vas ubosti. Oštećeni radio može pokazivati nepredvidljivo funkcioniranje koje može dovesti do požara, eksplozije ili ozljeda.

VAŽNO:

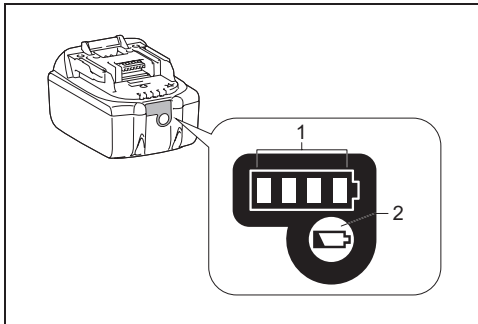
- Smanjena snaga, izobličenje, "mucanje" ili kada se na zaslonu pojavljuju indikator prazne baterije i "POWER FAIL" su znakovi da je potrebno zamijeniti glavnu bateriju.
- Kad se pojavi indikator prazne baterije i "EMPTY" treperi, vrijeme je za zamjenu rezervnih baterija.
- Uložak baterije se ne može puniti putem isporučenog AC adaptera.
- Uložak baterije nije uključen u standardni pribor.

Instaliranje ili uklanjanje lizećeg baterijskog uložka (sl. 4&5)

- Da biste instalirali baterijski uložak, poravnajte jezičak na baterijskom uložku s utorom na kućištu i uklizajte ga na namjesto. Umetnite ga sve dok ne sjedne na mjesto i čujete klik.
- Ako na gornjoj strani gumba vidite crveni indikator, to znači da nije potpuno zatvoren. Umetnite ga do kraja dok crveni indikator ne bude vidljiv. Ako ne, može slučajno pasti s radija i uzrokovati ozljede vama ili nekome oko vas.
- Ne koristite silu pri umetanju baterijskog uložka. Ako uložak ne ukliza lako, to znači da nije ispravno umetnut.
- Da biste uklonili spremnik za bateriju, izvucite ga iz radija dok pomičete gumb na prednjoj strani spremnika.

Pokazivanje preostalog kapaciteta baterije

- * Samozabaterijske uložke s oznakom "B" nakraj broja modela



- 1. Indikatorska lampica 2. Gumb provjere

Pritisnite gumb provjere na baterijskom uložku da bi vidjeli preostali kapacitet baterije.

Indikator svjetla će svijetliti nekoliko sekundi

● 14.4V/18V baterije

Indikatorska lampica			Preostali kapacitet
Osvijetljen	Isključeno	Treperenje	
■	□	▬	75% ~ 100%
■	■	□	50% ~ 75%
■	□	□	25% ~ 50%
■	□	□	0% ~ 25%
▬	□	□	Napunite bateriju
■	■	□	Baterija može imati kvar
□	□	■	

● 10.8V-12V max baterije

Indikatorska lampica			Preostali kapacitet
Osvijetljen	Isključeno	Treperenje	
■	□	▬	75% ~ 100%
■	■	□	50% ~ 75%
■	□	□	25% ~ 50%
■	□	□	0% ~ 25%

OPASKA:

Ovisno o uvjetima uporabe i temperaturi okoline, oznaka se može malo razlikovati od stvarnog kapaciteta.

Instaliranje rezervne baterije (Sl. 2 i 3)

Čuvanje rezervnih baterija unutar odjeljka sprječava gubitak pohranjenih podataka u unaprijed postavljenim memorijama.

1. Izvucite bravicu odjeljka za bateriju kako biste oslobodili odjeljak za bateriju. Postoje glavni odjeljak za bateriju i odjeljak za rezervnu bateriju.
2. Uklonite poklopac odjeljka za rezervnu bateriju i umetnite 2 nova UM-3 (veličine AA). Provjerite jesu li baterije ispravnog polariteta kao što je prikazano unutar odjeljka. Vratite poklopac baterije.
3. Nakon umetanja rezervnih baterija umetnite glavnu bateriju za napajanje radija.

Korištenjeisporučenog AC adapter

Uklonite gumeni štitičnik i umetnite utikač adaptera u DC utičnicu na desnoj strani radija. Uključite adapter u standardnu mrežnu utičnicu. Kad god se koristi adapter, baterija se automatski isključuje.

OPREZ:

- Uvijek odspojite AC adapter u potpunosti prije premještanja radija. Ako AC adapter nije uklonjen, to može uzrokovati strujni udar.
- Nikada ne vucite i / ili povlačite kabel adaptera. U protivnom, radio može slučajno pasti i uzrokovati ozljede vama ili osobama oko vas.

VAŽNO:

- Mrežni adapter se koristi kao sredstvo za povezivanje radija s mrežnim napajanjem. Mrežna utičnica koja se koristi za radio mora ostati dostupna tijekom normalne uporabe.
- Da biste isključili radio, mrežni adapter treba u potpunosti ukloniti iz utičnice.
- Koristite isporučeni mrežni adapter isporučen s proizvodom ili koji je odobren od Makita proizvođača.
- Nemojte držati kabel napajanja i priključak u ustaima. To može uzrokovati strujni udar.
- Nemojte dirati utikač mokrim ili masnim rukama.
- Oštećeni ili isprepleteni kabeli povećavaju rizik od električnog udara. Ako je kabel oštećen, zamijenite ga u našem ovlaštenom servisu kako biste izbjegli sigurnosne opasnosti. Nemojte ga koristiti prije popravke.
- Nakon uporabe uvijek držite mrežni adapter izvan dometa djece. Ako se djeca igraju s kabelom, mogu se povrijediti.

Opaska:

Ako vaš radio ima bilo kakve smetnje u AM pojasu uzrokovane od strane svog adaptera, udaljite ga od AC adaptera više od 30 cm.

Punjenje pomoću USB priključka za napajanje

Na prednjoj strani radija nalazi se USB priključak. USB uređaj možete napuniti putem USB priključka.

1. Spojite USB uređaj, kao što je MP3 ili CD player, s USB kabelom dostupnim na tržištu.
2. Pritisnite gumb za napajanje za uključivanje radija.
3. Bez obzira radi li se o izmjeničnom ili baterijskom napajanju, radio može puniti USB uređaj kad je radio uključen i nalazi se u načinu rada FM radio ili BT, ili AUX zvuku, koji se pojavljuje kad je spojen vanjski izvor zvuka,

Opaska:

- Ne možete puniti USB uređaje tijekom AM režima jer prijem radio signala postaje krajnje loš prilikom punjenja USB uređaja.
- Maksimalna glasnoća izlazne snage zvučnika smanjit će se tijekom USB punjenja.
- USB utičnica može dati maksimalnu struju od 5V / 2.4A.

VAŽNO:

- Prije spajanja USB uređaja na punjač, uvijek napravite rezervnu kopiju podataka sa USB uređaja. Inače Vaši podaci mogu biti izgubljeni pod raznim okolnostima.
- Punjač ne može napajati neke USB uređaje.
- Kad ne koristite ili nakon punjenja, odspojite USB kabel i zatvorite poklopac.
- Ne spajajte izvor napajanja na USB priključak. U protivnom postoji opasnost od požara. USB priključak namijenjen je samo za punjenje uređaja nižeg napona. Uvijek stavite poklopac na USB port, kada ne puniti uređaje nižeg napona.
- Nemojte umetati čavao, žicu, itd u USB priključak za napajanje. Inače kratki spoj može izazvati dim i vatru.
- Nemojte spajati USB priključak s USB portom računala, jer je vrlo moguće da to može izazvati kvar jedinica.

SLUŠANJE RADIJA

AM/ FM Ugađanje, pretraživanje

Opaska:

FM antena je ugrađena u ručku. Prilikom rada s radiom, ispravno uspravite ručicu iznad radija kako biste dobili bolji prijem. Za AM pojas, zakrenite radio kako biste dobili najbolji signal jer je AM antena ugrađena u radio.

1. Pritisnite gumb za napajanje za uključivanje radija.
2. Pritisnite gumb Source za odabir AM ili FM radija.
3. Pritisnite i držite upravljačku tipku za automatsko pretraživanje. Vaš radio će pretraživati AM / FM pojas s trenutno prikazane frekvencije i prestat će automatski pretraživati kad pronađe postaju dovoljne jačine.
4. Nakon nekoliko sekundi zaslon će se ažurirati. Na zaslonu će se prikazati frekvencija pronađenog signala.
5. Da biste pronašli drugu stanicu, pritisnite i držite tipku

- za pretraživanje kao i prije.
- Kada dostigne kraj valnog područja, vaš će radio započeti pretraživanje s suprotnog kraja valnog područja.
 - Okrećite regulator za ugađanje kako biste prilagodili razinu zvuka.

Opaska:

 - Tijekom podešavanja glasnoće, provjerite da FM / AM NE treperi na zaslonu.
 - Ako na zaslonu treperi AM / FM, moguće je ručno ugađanje postaja (za više detalja pogledajte odjeljak "Ručno ugađanje - AM / FM").
 - Glasnoća ne smije biti prevelika. Da biste spriječili moguće oštećenje sluha, nemojte dugo slušati na previše glasnom nivou.
 8. Za isključivanje radija pritisnite gumb za napajanje.

Ručno ugađanje – AM/FM

- Pritisnite gumb za napajanje za uključivanje radija.
- Pritisnite gumb Source za odabir AM ili FM radija.
- Pritisnite tipku za ugađanje I vidjećete da na zaslonu treperi FM ili AM.

Opaska:

 - FM/AM će treperiti približno 10 sekundi. Unutar tog razdoblja dopušteno je samo ručno ugađanje.
 - Ako želite podesiti jačinu zvuka dok treperi FM / AM, pritisnite tipku za ugađanje da biste zaustavili bljeskalicu i možete okrenuti regulator za ugađanje za podešavanje razine zvuka.
- Okrenite regulator za podešavanje za ugađanje stanice.
- Kada dođe do kraja valnog područja, vaš će radio ponovo pokrenuti ugađanje s suprotnog kraja valnog područja.
- Okrećite regulator za ugađanje kako biste prilagodili razinu zvuka.

Pohranjivanje postaja u AM/FM načinu

- Svaka postaja ima 5 postaja za pohranu za AM i FM radio. Koriste se na isti način za svako valno područje.
- Pritisnite gumb za napajanje za uključivanje radija.
 - Pritisnite gumb Source za odabir željenog valnog područja. Ugodite željenu radiopostaju kao što je prethodno opisano.
 - Pritisnite i držite pritisnutu tipku Preset (1 do 5) dok se na zaslonu ne prikaže "P4", primjerice nakon frekvencije. Postaja će biti pohranjena pomoću programskog broja. Ponovite ovaj postupak za preostale zadane postavke.
 - Pohranjene postaje koje su već pohranjene mogu se prebrisati prema gore navedenom postupku ako je potrebno.

Načini prikaza – FM

Vaš radio ima niz mogućnosti prikaza za FM radio mod. Nekoliko puta pritisnite gumb Menu / Info za pregled RDS informacija postaje koju slušate.

- Naziv postaje Prikazuje naziv postaje koja se sluša.
- Vrsta programa Prikazuje vrstu postaje koju slušate, kao što su Pop, Classic, News, itd.
- Radio tekst Prikazuje radijsku tekstualnu poruku, kao što su nove stavke itd.
- Godina/Dan Prikazuje godinu i dan u tjednu u skladu s postavkom datuma za vaš radio.
- Datum/Dan Prikazuje datum i dan u tjednu u skladu s postavkom datuma za vaš radio.
- EQ način rada Prikazuje EQ način rada FM-a za postaju koju slušate.
- Frekvencija Prikazuje frekvenciju FM-a za postaju koju slušate.

FM stereo (auto)/mono

Ako FM radio postaja koju slušate ima slab signal, može se čuti šum. Moguće je smanjiti ovo šištanje prisiljavajući radio da reproducira stanicu u mono, a ne stereo načinu rada.

- Pritisnite gumb Source po potrebi za odabir FM frekvencijskog pojasa i ugađanje željene FM postaje kao što je prethodno navedeno.
- Pritisnite i držite gumb Menu / Info za ulazak u postavku izbornika.
- Okrećite tuner dok se na zaslonu ne prikaže "FM AUTO (ili MONO)". Ako je postavka Auto, pritisnite tuner i okrećite kako biste se prebacili na Mono način i smanjili šum. Pritisnite tipku za ugađanje za odabir opcije..

Pozivanje preseta u AM/FM načinu rada

- Pritisnite gumb Power da uključite radio.
- Pritisnite gumb Source za odabir AM ili FM radio načina.
- Trenutačno pritisnite željenu tipku Preset za ugađanje radija na jednu od postaja pohranjenih u memoriji.

RAZNA PODEŠAVANJA

Podešavanje formata vremena i datuma

Prikaz sata koji se koristi u stanju čekanja (stand by) i na zaslonima za reprodukciju može se postaviti na drugi format. Odabrani format se tada koristi i za postavljanje alarma.

- Pritisnite i držite gumb Izbornik / Info za ulazak u postavku izbornika.
- Okrećite Tuner dok se na zaslonu ne pojavi "CLOCK xxH" i pritisnite Tuner kako biste ušli u postavku. Vidjet

ćete format vremena koji počinje bljeskati.

3. Okrenite Tuner kako biste odabrali 12 ili 24-časovni format. Pritisnite Tuner kako biste potvrdili izbor formata časovnika.

Opaska:

Ako je odabran format od 12 časova, radio će koristiti 12-časovni časovnik za podešavanje.

4. Pritisnite i držite gumb Izbornik / Info za ulazak u postavku izbornika.
5. Okrećite Tuner dok se na zaslonu ne pojavi datum (npr. THU APR 3) i pritisnite tuner kako biste ušli u postavku. Vidjet ćete format datuma koji počinje bljeskati.
6. Okrenite Tuner i odaberite željeni format datuma. Pritisnite Tuner kako biste potvrdili svoj izbor.

Podešavanje vremena i datuma

1. Pritisnite i držite gumb Izbornik / Info.
2. Okrećite Tuner dok se na zaslonu ne pojavi "CLOCK ADJ". Pritisnite gumb under za podešavanje.
3. Podešavanje časovnika na zaslonu će početi treptati. Okrenite Tuner za odabir željenog časa i pritisnite Tuner kako biste potvrdili postavku. Zatim okrenite Tuner za odabir željenog minuta i pritisnite Tuner za potvrdu postavke.
4. Okrećite gumb Tuner dok se na zaslonu ne pojavi "DATE ADJ". Pritisnite Tuner za podešavanje.
5. Okrenite Tuner za odabir željene godine i pritisnite kako biste potvrdili postavku. Zatim okrenite Tuner za odabir željenog mjeseca i pritisnite za potvrdu postavke. Zatim okrenite za odabir željenog dana i pritisnite za potvrdu postavke.

Sustav radio podataka (RDS)

Kad namjestite vrijeme pomoću RDS funkcije, vaš radio će sinkronizirati vrijeme časovnika kad god odaberete radio postaju koja koristi RDS sa CT signalima.

1. Prilikom odabiranja postaje koja prenosi RDS podatke, na zaslonu će se prikazati RDS simbol. Pritisnite i držite gumb Izbornik / Info.
2. Okrećite tuner dok se na zaslonu ne pojavi "RDS CT" i simbol časovnika. Pritisnite za podešavanje.
3. Okrećite tuner dok se na zaslonu ne pojavi "RDS CT". Pritisnite za potvrdu postavke. Vrijeme na radiju će se automatski podesiti prema RDS primljenim podacima.

Opaska:

- Vrijeme časovnika radija će vrijediti 5 dana svaki put kad se radio vrijeme sinkronizira s RDS CT-om.
- Da biste onemogućili funkciju RDS CT, vratite se na korake 1 do 2, a zatim okrenite tuner za odabir opcije "MANUAL". Pritisnite tuner za potvrdu postavke.

Podešavanje budilice/alarma

Vaš radio ima dva alarma, od kojih svaki može biti podešen da vas probudi putem AM/FM radia ili alarma.

Alarmi se mogu podesiti dok je uređaj u stanju pripravnosti ili tijekom reprodukcije.

Opaska:

Prije podešavanja alarma provjerite je li vrijeme točno podešeno. Ako se 10 sekundi ne pritisne niti jedan gumb, radio će izaći iz podešavanja alarma.

a. Podešavanje vremena radio alarma:

1. Radio alarm se može podesiti i kada je radio uključen ili isključen.
2. Pritisnite i držite gumb radio alarma, simbol radio alarma i časovnika prikaza će treptati zajedno sa zvučnim signalom.
3. Tijekom treperenja simbola radio alarma, okrenite tuner i odaberite časovnik i ponovno pritisnite tuner za potvrdu postavke časovnika. Zatim okrenite gumb za kako biste odabrali minute i pritisnite tuner za potvrdu podešavanja minuta.
4. Okrenite tuner i na zaslonu će se prikazati opcije frekvencije alarma. Opcije alarma su kao što slijedi:
ONCE – alarm će se oglasiti jednom
DAILY – alarm će se oglašavati svakog dana
WEEKDAY – alarm će se oglašavati samo tijekom radnih dana
WEEKEND – alarm će se oglašavati samo vikendima
Pritisnite tuner za potvrdu podešavanja.
5. Tijekom treperenje simbola alarma, Okrećite tuner kako biste odabrali radio postaju, a zatim pritisnite kako biste potvrdili podešavanje.
6. Okrećite Tuner kako biste odabrali željenu jačinu zvuka i zatim pritisnite kako biste potvrdili podešavanje. Podešavanje radio alarma je sada dovršeno.

Opaska:

- Ako nova alarm radio postaja nije odabrana, oglasit će se posljednja odabrana postaja.
- U slučaju da AM/FM alarm radio postaja nije dostupna, oglasit će se zvučni alarm.

b. Podešavanje HWS(HumaneWakeSystem) zujalice alarma:

Zvučni signal će se aktivirati prilikom odabira HWS alarma.

Zvučni signal alarma se oglašava kraće svakih 15 sekundi tijekom jedne minute, nakon čega slijedi jedna minuta tišine prije ponavljanja ciklusa.

1. Zujalica alarma može se podesiti bilo kad je radio uključen ili isključen.
2. Pritisnite i držite gumb alarma zujalice, simbol i časovničkog prikaza će treptati zajedno sa zvučnim signalom.
3. Tijekom podešavanja simbol alarma treperi, okrenite Tuner za odabir časovnika i ponovno pritisnite kako biste potvrdili postavku časovnika. Zatim okrenite Tuner kako biste odabrali minute i pritisnite Tuner za potvrdu podešavanja minuta.

4. Okrenite gumbTuner i na zaslonu će se prikazati opcije frekvencije za.

Opcije alarma su kao što slijedi:

ONCE – alarm će se oglasiti jednom

DAILY – alarm će se oglašavati svakog dana

WEEKDAY – alarm će se oglašavati samo tijekom radnih dana

WEEKEND – alarm će se oglašavati samo vikendima

Pritisnite tuner za potvrdu podešavanja.

Opaska:

Nije moguće podešavati jačinu zvuka za alarm.

Zaustavljanje zvuka alarma

Za poništavanje zvučnog alarma pritisnite gumb Power.

Onemogućavanje podešavanja alarma

Da biste onemogućili podešavanje alarma prije nego se oglosi alarm, pritisnite i držite odgovarajuću gumb alarma dok simbol alarma ne nestane na zaslonu.

Zujalica

1. Kada se alarm oglosi, pritisnite bilo koju gumb osim gumba za napajanje, utiшат ćete alarm na 5 minuta. Na zaslonu će se pojaviti "SNOOZE".
2. Da biste podesili vrijeme tišine za tajmer odgode, pritisnite i držite gumb Izbornik / Info za ulazak u postavku izbornika.
3. Okrećite gumbTuner dok se na zaslonu ne pojavi "SNOOZE X", a zatim pritisnite za podešavanje. Okrenite gumb za Tuner za podešavanje tišine od 5, 10, 15 i 20 minuta za tajmer odgode.
4. Za poništavanje vremenskog okidača dok je alarm isključen, pritisnite gumb Power.

Vrijeme mirovanja

Vaš radio se može podesiti tako da se automatski isključi nakon isteka određenog vremena. Postavka timera za isključivanje može se podesiti između 60, 45, 30, 15, 120 i 90 minuta.

1. Pritisnite i držite gumb Power kako biste ušli u postavku mjerača vremena mirovanja. Na zaslonu će se prikazati "SLEEP XX".
2. Držite tipku Power (Napajanje) i opcije Sleep Timer (mjerač vremena mirovanja) će početi uključivati zaslon. Zaustavite se kada se na zaslonu pojavi željena postavka mjerača vremena mirovanja. Postavka će biti spremljena i LCD će se vratiti na normalan prikaz.
3. Vaš radio će se automatski isključiti nakon isteka prethodno postavljenog mjerača vremena mirovanja. Ikonica „Sleep Timer“ će se prikazati na zaslonu koja označava aktivni Sleep Timer.
4. Da biste poništili funkciju „Sleep Timer“ prije isteka podešenog vremena, jednostavno pritisnite gumb Power kako biste ručno isključili uređaj.

Glasnoća

Kompenzaciju na nižoj i višoj frekvenciji za vaš radio možete dobiti podešavanjem funkcije glasnoće.

1. Pritisnite i držite gumb Menu / Info za ulazak u postavke izbornika.
2. Zakrenite Tuner dok se na zaslonu ne pojavi "LOUD ON" ili "LOUD OFF". Pritisnite Tuner za podešavanje.
3. Zakrenite Tuner kako biste odabrali ON kako biste uključili funkciju glasnoće, a zatim pritisnite Tuner za potvrdu postavke.
4. Za isključivanje funkcije glasnoće, odaberite OFF i pritisnite Tuner za potvrdu postavke.

Ekvilajzer funkcija

Postoji 7 vrsta LED indikatora u boji oko Tunera koji označavaju različite EQ načine rada.

- 1.Pritisnite Power gumb, kako biste uključili radio.
- 2.Pritisnite EQ kontrolnu tipku za ulaz u EQ postavke.
- 3.Okrenite tipku za podešavanje za odabir željenog načina. Zatim pritisnite tipku za ugađanje kako biste potvrdili odabir.

EQ mode	LED kontrolna lampica
FLAT	Bijelo
JAZZ	Plavo
ROCK	Crveno
CLASSIC	Braon
POP	Pink
NEWS	Žuto
MY EQ	Zeleno

Podešavanje EQ profila

1. Pritisnite EQ kontrolnu gumb za ulaz u EQ postavke.
2. OkreniteTuner i odaberite "MY EQ". Zatim pritisnite Tuner kako biste ušli u postavku "BASS".
3. Okrenite Tuner za odabir željene razine basova. Pritisnite Tuner kako biste ušli u postavku "MIDDLE".
4. Okrenite Tuner i odaberite željenu srednju razinu. Pritisnite Tuner kako biste ušli u postavku "TREBLE".
5. Okrenite gumb za podešavanje za odabir željene razine visokih tonova. Pritisnite tuner za potvrdu postavke.

OPASKA:

- Kada koristite ekvalizator za naglašavanje basova i slušanje pri visokoj glasnoći, to može uzrokovati pucanje i izobličenje zvuka. U tom slučaju, podesite glasnoću radija na odgovarajući način.

SLUŠANJE GLAZBE PUTEM BLUETOOTH VEZE

- Bluetooth uređaj morate upariti s radiom prije automatskog povezivanja za reprodukciju / reprodukciju Bluetooth glazbe putem radija. Uparivanje stvara "vezu"

tako da se dva uređaja mogu međusobno prepoznati

Opaska:

- Da biste postigli bolju kvalitetu zvuka, preporučujemo da na Bluetooth uređaju podesite glasnoću na više od dvije trećine razine, a zatim prilagodite glasnoću na radiju.
- Radio može zapamtiti do 8 skupova uparenih uređaja, kada memorija premaši taj iznos, najstarija povijest uparivanja bit će isbrisana.

Uparivanje Bluetooth uređaja prvi put

1. Pritisnite gumb Power za uključivanje radija. Pritisnite gumb Source za odabir Bluetooth načina. Na pokazivaču će se pojaviti oznaka "BT PAIR" i "PAIR".
2. Aktivirajte Bluetooth na svom uređaju u skladu s korisničkim priručnikom uređaja za povezivanje s radiom. Pronađite popis Bluetooth uređaja i odaberite uređaj s nazivom "DMR114" (kod nekih mobitela koji su opremljeni ranijim verzijama od BT2.1 Bluetooth uređaja, možda ćete morati unijeti šifru "0000").
3. Nakon povezivanja pojaviti će se zvuk potvrde. "BLUETOOTH" će ostati na zaslonu i pozadinsko osvjetljenje će se smanjiti za 10 sekundi. Možete jednostavno odabrati i reproducirati glazbu s izvornog uređaja. Kontrola glasnoće može se podesiti s uređaja izvora ili izravno na radiju.
4. Koristite kontrole na uređaju s omogućenom Bluetooth vezom ili na radiju da biste reproducirali / pauzirali pjesme i kretali se po njima.

Opaska:

- Ako 2 Bluetooth uređaja, prvi put uparujete, oba će tražiti radio, prikazat će se dostupnost na oba uređaja. Međutim, nakon što se jedan uređaj prvo poveže s ovom jedinicom, drugi Bluetooth uređaj neće je pronaći na popisu.
- Ako je vaš Bluetooth uređaj privremeno isključen s radija, tad morate ponovno spojiti uređaj s radiom.
- Ako se na popisu Bluetooth uređaja prikaže "DMR114", ali se uređaj ne može povezati s njim, izbrisajte stavku s popisa i ponovno uparite uređaj s radiom, slijedeći prethodno opisane korake.
- Optimalni raspon Bluetooth prijenosa je približno 10 metara (33 stope), ali je udaljenost do 30 metara (100 stopa) moguća.
- Ako se Bluetooth veza prekine zbog prekoračenja vremena razdvajanja, prekoračenja optimalne udaljenosti, prepreka ili na drugi način, možda će biti potrebno ponovno povezivanje uređaja s radiom.
- Fizičke prepreke, drugi bežični uređaji ili elektromagnetski uređaji mogu utjecati na kvalitetu veze.
- Performanse Bluetooth veze mogu se razlikovati ovisno o povezanim Bluetooth uređajima. Prije povezivanja s radiom pogledajte Bluetooth mogućnosti vašeg

uređaja. Na nekim uparenim Bluetooth uređajima sve značajke možda nisu podržane.

Reprodukcija audio datoteka u Bluetooth načinu rada

Kada uspješno povežete radio s odabranim Bluetooth uređajem, možete početi reproducirati glazbu pomoću kontrola na spojenom Bluetooth uređaju.

1. Nakon početka reprodukcije podesite glasnoću na željenu postavku pomoću gumba za glasnoću na radiju ili na omogućenom Bluetooth uređaju.
2. Koristite kontrole na Bluetooth uređaju za reprodukciju / pauziranje i kretanje po pjesmama. Alternativno, upravljajte reprodukcijom pomoću gumba Play/Pause, Next track, Previous na vašem radiju.
3. Pritisnite i držite gumb Next track or Previous track da biste se kretali kroz trenutnu pjesmu. Otpustite gumb kad se dostigne željena točka.

Opaska:

- Neke aplikacije ili uređaji za reprodukciju možda neće odgovoriti na sve ove kontrole.
- Neki mobilni telefoni mogu privremeno prekinuti vezu s radiom kada upućujete ili primate pozive. Neki uređaji mogu privremeno prigušiti Bluetooth audio prijenos kada primaju tekstualne poruke, e-poštu ili iz drugih razloga koji nisu povezani s prijenosom zvuka. Takvo ponašanje je funkcija spojenog uređaja i ne ukazuje na grešku na radiju.

Reprodukcija sa prethodno uparenog Bluetooth uređaja

Ako je vaš Bluetooth uređaj već uparen s radiom, uređaj će zapamtiti vaš Bluetooth uređaj i pokušat će se ponovno povezati s uređajem u memoriji koji je zadnji put spojen. Ako posljednji povezani uređaj nije dostupan, radio će biti vidljiv.

Isključivanje Bluetooth uređaja

Pritisnite i držite gumb za Bluetooth uparivanje u trajanju od 2-3 sekunde dok se na zaslonu ne prikaže "BT PAIR" ili isključite Bluetooth na Bluetooth uređaju kako biste onemogućili vezu.

Također možete pritisnuti gumb Izvor (Source) kako biste odabrali bilo koji način osim Bluetooth načina da biste onemogućili vezu.

Brisanje uparenog Bluetooth uređaja iz memorije

Da biste izbrisali iz memorije sve uparene uređaje, pritisnite i držite Bluetooth gumb za uparivanje u trajanju od najmanje 5 sekundi odnosno sve doke se na zaslonu ne prikaže poruka "CLEARING".

POMOĆNA ULAZNA UTIČNICA

3,5 mm ulazna utičnica nalazi se na prednjoj strani radija kako bi se omogućio ulaz audio signala u uređaj iz vanjskog audio uređaja kao što je MP3 ili CD player.

1. Spojite vanjski izvor zvuka (npr. MP3 ili CD player) na AUX IN priključnicu.
2. Pritisnite gumb napajanje (Power) za uključivanje radija.
3. Nekoliko puta pritisnite i otpustite gumb "Source" dok se ne prikaže "AUX IN".
4. Da biste postigli bolju kvalitetu zvuka, preporučujemo da postavite glasnoću na više od dvije trećine razine zvučnog uređaja, a zatim prilagodite glasnoću na radiju prema potrebi.

Opaska:

Audio kabel nije uključen kao standardni pribor.

ODRŽAVANJE

⚠ OPREZ:

- Nikada nemojte koristiti benzin, benzen, razrijeđivač, alkohol ili slično. To može rezultirati promjenama boje, deformacijama ili pukotinama.
- Ne perite radio vodom.

SPECIFIKACIJE

Potrebna snaga	
AC adapter	DC 12V 2.5A, centralni pin pozitivan
Baterija	UM-3 (AA veličina) x2 za podršku Punjavabaterija : 10.8V - 18V
Obuhvaćeni opseg frekvencije	FM87.50-108MHz (0.05MHz/step) AM(MW)522-1,710kHz (9 kHz/step)

Bluetooth®	
(The Bluetooth®robna marka i logo je su registrirani kao robne marke u vlasništvu Bluetooth SIG, Inc.)	
Bluetooth verzija	5.0 Certificirani
Bluetooth profili	A2DP / SCMS-T / AVRCP
Snaga emitiranja	Snaga Class2
Radni opseg	Optimalni : Max.10 metara (33 stope) Mogući : Max.30 metara (100 stopa) (u zavisnosti od uslova u kojima se koristi)
Podržani "codec"	SBC
Kompatibilnost Bluetooth priključka	A2DP / AVRCP
Maksimalna snaga radio-frekvencije	BT EDR: 3.91dBm
Opseg radne frekvencije	2402MHz-2480MHz

Karakteristike	
Zvučnik	2.5 inča8 ohm x2 4 inča 6 ohm x1
Izlazna snaga	10.8V-12Vmax : 2W x2 +10W 14.4V : 3W x2 +15W 18V : 5W x2 + 25W
Input terminal	3.5 mm dia. (AUX IN)
Antenski sistem	FM : Ugrašena antena AM : bar antena
Dimenzije (D xŠx V)	268 x 164 x 295 mm
Masa	4.9 KG(bez baterije)

МАКЕДОНСКИ (Оригинални упатства)

Објаснување на општ приказ (сл.1)

1. Вградена антена(AM)
2. Рачка/Вградена антена(FM)
3. Брава за заклучување на делот со батерија
4. Капак на делот за батерија (ја покрива батеријата)
5. Звучник
6. DC IN приклучок
7. Сабвуфер
8. Копче за напојување/Тајмер за спиење
9. Копче Извор
10. Копче за радио аларм
11. Копче за аларм со свонење
12. Предодредено 3/Копче Репродуцирај/Паузирај
13. Предодредено копче 5
14. Предодредено 4/Копче за следна нумера
15. Копче Јачина на звук/Контрола на бирање/Избери
16. Копче за контрола на EQ
17. Помошен влезен приклучок (AUX IN)
18. USB порта за електрично напојување
19. Копче Мени/Инфо
20. LED индикатор за EQ режим
21. Предодредено 2/Копче за претходна нумера
22. Предодредено 1/Копче за спарување со Bluetooth
23. ЛЦД дисплеј
24. Дел за батерија
25. Дел за резервни батерии

ЛЦД ДИСПЛЕЈ

- A. Радио аларм
- B. Аларм со свонење
- C. Символ за стерео
- D. Индикатор за ниско ниво на батерија
- E. Часовник
- F. Фреквенција
- G. RDS (Систем за радио податоци)
- H. Икона за тајмер за спиење
- I. PM за часовник

Симболи

Следното ќе ги прикаже симболите што се користат за опремата. Осигурете се дека сте го разбрале нивното значење пред употребата.



Прочитајте го упатството за работа.



Само за земји на ЕУ

Не фрлајте електрична опрема или батерии заедно со отпадот од домаќинството! Во склад со Европските директиви за потрошена електрична и електронска опрема и батерии и акумулатори и потрошени батерии и акумулатори и нивната примена во согласност со националните закони, електричната опрема и батериите и батериските пакувања што го достигнале крајот на нивниот работен век мора да се собираат издвоено и да се вратат во еколошки компатибилен капацитет за рециклирање.

ВАЖНИ УПАТСТВА ЗА БЕЗБЕДНОСТ

⚠ ПРЕДУПРЕДУВАЊЕ:

Кога користите електрични уреди, секогаш треба да се следат основните предупредувања за безбедност за да се намали ризикот од пожар, струен удар и лична повреда, вклучувајќи го следното:

1. Прочитајте го ова упатство за употреба и упатството за употреба на полначот внимателно пред употребата.
2. Чистете само со сува крпа.
3. Не инсталирајте го во близина на какви било извори на топлина како што се радијатори, уреди за централно греење, печки, или други апарати (вклучувајќи засилувачи) што создаваат топлина.
4. Користете само додатоци/приборпосочени од производителот.
5. Извадете го од приклучок апаратот при бури со молњи или кога не се користи долги временски периоди.
6. Радио што работи на батерии со вклучени батерии или издвоено батериско пакување мора да се полни само со посочениот полнач за батеријата. Полнач што може да биде соодветен за еден тип батерија може да предизвика ризик од пожар кога се користи со друга батерија.
7. Користете радио што работи на батерии само со конкретно одредените батерии. Користење на поинакви батерии може да предизвика ризик од пожар.
8. Кога батеријата не се користи, чувајте ја настрана од други метални предмети како што се: спојувалки за хартија, парички, клучеви, шајки, шрафови, или други мали метални предмети што може да предизвикаат поврзување на едниот пол на батеријата со другиот. Предизвикувањето на краток спој на двата пола на батеријата може да предизвикаат искрење, изгореници или пожар.
9. Избегнувајте телесен контакт со заземјени површини како цевки, радијатори, електрични шпорети и фрижидери. Постои зголемен ризик од струен удар ако вашето тело е заземјено.
10. Под насилни услови, може да дојде до истекување на течност од батеријата; избегнувајте контакт. Ако несакано дојде до контакт, исплакнете со вода. Ако течност дојде во контакт со очите, дополнително побарајте медицинска помош. Течноста што

истекла од батеријата може да предизвика иритација или изгореници.

11. Не користете батерија или алат што се оштетени или модификувани. Оштетени или модификувани батерији може да предизвикаат непредвидливо однесување што може да доведе до пожар, експлозија или ризик од повреда.
12. Не изложувајте ја батеријата или алатот на оган или на исклучително висока температура. Изложувањето на оган или температури над 130 °C (266 °F) може да предизвика експлозија.
13. Следете ги сите упатства за полнење и не полнете ја батеријата или алатот надвор од температурниот опсег наведен во упатствата. Несоодветното полнење или на температури надвор од наведениот опсег може да ја оштети батеријата и да го зголеми ризикот од пожар.
14. Приклучникот за напојување се користи како уред за исклучување и треба да биде постојано функционален.
15. Не користете го овој производ со силен звук подолг временски период. За да избегнете оштетување на слухот, користете го производот со умерено ниво на звук.
16. (Само за производи со LCD дисплеј) LCD дисплеите содржат течност што може да предизвика иритација и труење. Ако течноста навлезе во очите, устата или кожата, исплакнете со вода и јавете се на лекар.
17. Не изложувајте го производот на дожд или влажни услови. Водата што влегува во производот ќе го зголеми ризикот од струен удар.
18. Овој производ не е наменет за употреба од страна на лица (вклучувајќи деца) со намалени физички, сензорни или ментални способности, или со недостаток на искуство и знаење, освен ако истите не се под надзор или не им се дадени упатства во врска со употребата на производот од лице одговорно за нивната безбедност. Децата треба да бидат под надзор за да се осигури дека не играат со производот. Чувајте го производот подалеку од дофат на деца.

ЗАЧУВАЈТЕ ГИ ОВИЕ УПАТСТВА

КОНКРЕТНИ ПРАВИЛА ЗА БЕЗБЕДНОСТ НА БАТЕРИЈАТА

1. Пред да ја користите батеријата, прочитајте ги сите упатства и ознаки за внимателност на (1) полначот за батерија, (2) батеријата и (3) производот што ја користи батеријата.
2. Не расклопувајте ја батеријата.
3. Ако времето на работење стане значително пократко, веднаш престанете со работење. Тоа може да доведе до ризик од прегревање, можни изгореници па дури и експлозија.
4. Ако ви навлезе електролит во очите, исплакнете ги со чиста вода и веднаш побарајте медицинска помош. Тоа може да доведе до загуба на вашиот вид.
5. Не предизвикувајте краток спој на батеријата:
 - (1) Не допирајте ги половите со каков било материјал што е проводник.
 - (2) Избегнувајте чување на батеријата во сад со

други метални предмети како шајки, парички и сл.
(3) Не изложувајте ја батеријата на вода или дожд.

6. Не складирајте го алатот и батеријата на места каде што температурата може да достигне или надмине 50 °C (122 °F).
7. Не палете ја батеријата дури и ако е сериозно оштетена или е потполно истрошена. Батеријата може да експлодира во оган.
8. Внимавајте батеријата да не ви падне или да не ја удри.
9. Не употребувајте оштетена батерија.
10. За да се избегне ризикот, треба да се прочита упатството за замена на батеријата пред употребата. Исто така максималната струја на празнење на батеријата треба да биде поголема од или еднаква на 8A.
11. Литиум јонските батерии што се користат се подложни на барањата на легислативата за опасни стоки. За трговски транспорти како на пр. од други лица, шпедитери, мора да се следат посебни барања за поминат рок на пакувањето и означување.
За подготовка на производот за испорака, потребно е консултирање на експерт за опасни материјали. Ве молиме исто така следете ги веројатно подеталните национални прописи. Залепете ги со трака или изолирајте ги отворените полови и спакувајте ја батеријата на таков начин за да не може да се движи низ пакувањето.
12. Следете ги вашите локални прописи во врска со фрлањето на батеријата во отпад.
13. Користете ги батериите само со производите посочени од Makita. Инсталирањето на батериите на несоодветни производи може да предизвика пожар, прекумерна топлина, експлозија или истекување на електролити.

⚠ ВНИМАНИЕ:

- Опасност од експлозија ако батеријата е неправилно заменета.
- Менувајте само со ист или еквивалентен тип.
- Користете само оригинални батерии Makita. Користењето на неоригинални батерии Makita, или батерии што се изменети може да доведе до експлозија на батеријата предизвикувајќи пожар, лична повреда и штета. Тоа исто така ќе ја поништи гаранцијата на Makita за алатот и полначот Makita.

Совети за одржување на максимален век на траење на батеријата

1. Сменете ја батеријата пред потполно да се испразни. Секогаш запирајте со работа со алатот и сменете ја батеријата кога ќе забележите помала можност на алатот.
2. Никогаш не полнете целосно наполнета батерија. Прекумерното полнење го скратува работниот век на батеријата.
3. Полнете ја батеријата на собна температура на 10 °C - 40 °C (50 °F - 104 °F). Дозволете жешката батерија да се олади пред да ја полните.
4. Наполнете ја батеријата ако не ја користите долг период (повеќе од шест месеци).

ВРЕМЕ НА РАБОТЕЊЕ

* Соодветната батерија за ова радио е наведена во следнава табела.

* Следнава табела го покажува времето на работење со едно полнење

Капацитет на батерија	Напон на батерија			ИЗЛЕЗ ЗА АТ ЗВУЧНИК = 100mW Единица: Час (Приближно)	
	10.8V-12V макс.	14.4V	18V	Во Радио или AUX	Во Bluetooth +USB полнење
1.3 Ah		BL1415		3.5	0.7
			BL1815	4.0	1.0
1.5 Ah	BL1015 BL1016			6.0	0.8
		BL1415N BL1415NA		4.5	0.9
			BL1815N	5.0	1.2
2.0 Ah	BL1020B BL1021B			8.0	1.0
			BL1820 BL1820B	6.5	1.6
3.0 Ah		BL1430 BL1430B BL1430A		8.0	1.6
			BL1830 BL1830B	9.5	2.3
4.0 Ah	BL1040B BL1041B			16	2.1
		BL1440		13	2.5
			BL1840 BL1840B	13	3.2
5.0 Ah		BL1450		15	3.0
			BL1850 BL1850B	17	4.2
6.0 Ah		BL1460B BL1460A		17	3.3
			BL1860B	21	5.0

⚠ ПРЕДУПРЕДУВАЊЕ:

користете ги само батериите наведени погоре. Користење на какви било други батерии може да предизвика повреда и/или пожар.

Белешка:

- табелата што се однесува на времето на работење на батеријата е дадена како пример.
- Вистинското време на работење може да се разликува во зависност од типот на батеријата, условите при полнење или средината во која се користи.

ПОСТАВУВАЊЕ И ЕЛЕКТРИЧНО НАПОЈУВАЊЕ

⚠ ВНИМАНИЕ:

- Внимавајте да не си ги потфатите прстите кога го отворате и затворате капакот на батеријата.
- Вратете го заклучувањето на делот за батерија во првобитната положба, по поставување или вадење на батеријата. Ако не направите така, батеријата може случајно да падне од радиото и да ви предизвика повреда вам, или на некој околу вас.
- Секогаш затворајте го и заклучувајте го делот за батерија пред да го преместувате радиото.
- Секогаш исклучувајте го радиото пред да ја поставувате или вадите батеријата.
- Внимавајте да не го испуштите или удриете радиото. Скршено парче може да го исече вашиот прст или да ви го прободне телото. Оштетеното радио може да се однесува непредвидливо, што може да доведе до пожар, експлозија или ризик од повреда.

ВАЖНО:

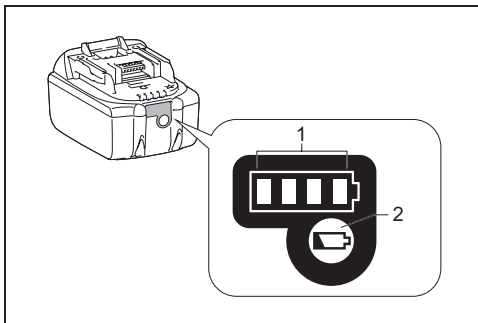
- Намалената моќност, дисторзијата, „испрекинатиот звук“ или кога индикатор за слаба батерија и „НЕУСПЕШНО НАПОЈУВАЊЕ“ ќе се појават на екранот претставуваат знаци дека главната батерија треба да се замени.
- Кога се појавува индикатор за слаба батерија и „ПРАЗНО“ продолжува да трепка цело време, време е да се заменат резервните батерии.
- Батеријата не може да се полни со испорачаниот адаптер за напојување.
- Батеријата не е вклучена како стандарден додаток.

Поставување или вадење на батеријата на лизгање (сл. 4 & 5)

- За да ја поставите батеријата, порамнете го јазичето на батеријата со жлебот во кукиштето и лизнете ја на своето место. Секогаш поставувајте ја до крај се додека не се заклучи на своето место со мало кликнување.
- Ако го гледате црвениот индикатор на горниот дел на копчето, таа не е целосно заклучена. Поставете ја до крај така да црвениот индикатор не може да се види. Ако не направите така, таа случајно може да испадне од радиото и да ви предизвика повреда вам или на некој околу вас.
- Не користете сила кога ја вметнувате батеријата. Ако батеријата не се лизга лесно, значи дека не е правилно поставена.
- За да ја извадите батеријата, лизгајте ја од радиото додека го лизгате копчето на предниот дел од батеријата.

Покажување на преостанат Капацитет на батерија

* Само за батерии со „B“ на крајот на бројот на модел



➤ 1. Ламбички на индикатор 2. Копче за проверка
Притиснете го копчето за проверка на батеријата за да се прикаже преостанатиот капацитет на батеријата. Ламбичките на индикаторот се вклучуваат на неколку секунди.

• 14.4V/18V батерии

Ламбички на индикатор			Преостанат капацитет
Осветлено	Исклучено	Трепка	
■ ■ ■ ■			75% ~ 100%
■ ■ ■ □			50% ~ 75%
■ ■ □ □			25% ~ 50%
■ □ □ □			0% ~ 25%
▣ □ □ □			Наполнете ја батеријата
■ ■ □ □	↑ ↓	■ ■	Батеријата може е неисправна

• 10.8V-12V макс. батерии

Ламбички на индикатор			Преостанат капацитет
Осветлено	Исклучено	Трепка	
■ ■ ■ ■			75% ~ 100%
■ ■ ■ □			50% ~ 75%
■ ■ □ □			25% ~ 50%
■ □ □ □			0% ~ 25%

ЗАБЕЛЕШКА:

Во зависност од условите на употреба и амбиенталната температура, прикажувањето може малку да се разликува од реалниот капацитет.

Поставување резервна батерија (сл. 2 и 3)

Поставувањето на резервните батерии внатре во делот за батерија спречува зачуваниите податоци во предодредените мемории да се загубат.

1. Повлечете го заклучувањето на делот за батерии за да го отворите делот за батерија. Има дел за главна батерија и дел за резервна батерија.
2. Извадете го капакот од делот за резервна батерија и ставете 2 полни батерии UM-3 (AA големина). Уверете се дека батериите се со точен поларитет како што е прикажано внатре во делот за батерија. Вратете го капакот за батерија.
3. Откако ќе се постават резервните батерии, ставете ја главната батерија за напојување на радиото.

Употреба на испорачаниот адаптер за напојување со наизменична струја

Извадете го гумениот штитник и поставете го приклучокот на адаптерот во приклучокот за еднонасочна струја на десната страна на радиото. Вклучете го адаптерот во стандардна приклучница за електрично напојување. Секогаш кога се користи адаптерот, батеријата автоматски се исклучува.

⚠ ВНИМАНИЕ:

- Секогаш исклучувајте го адаптерот за напојување со наизменична струја целосно пред да го преместувате радиото. Ако адаптерот за напојување со наизменична струја не се отстранени, тој може да предизвика струен удар.
- Никогаш не влечете го и/или не тегнете го кабелот на адаптерот. Ако не постапите така, радиото случајно може да падне предизвикувајќи ви повреда вам или на некој околу вас.

ВАЖНО:

- Адаптерот за електрично напојување се користи како средство за поврзување на радиото со електричното напојување. Приклучокот за напојување што се користи за радиото мора да остане достапен во текот на вообичаената употреба.
- За да се исклучи радиото, адаптерот за електрично напојување треба целосно да се исклучи од приклучницата за електрично напојување.
- Користете го само адаптерот за напојување со наизменична струја што е доставен со производот или посочен од Makita.
- Не држете го кабелот за електрично напојување и приклучокот со устата. Доколку направите така

може да дојде до струен удар.

- Не допирајте го приклучокот за напојување со влажни или масни раце.
- Оштетени или испреплетени кабли го зголемуваат ризикот од струен удар. Ако кабелот е оштетен, истиот да се замени од страна на нашиот овластен сервисен центар за да се избегне ризик по безбедноста. Не употребувајте го пред поправката.
- По употребата, секогаш чувајте го адаптерот за напојување со наизменична струја подалеку од дофат на деца. При играњето на децата со кабелот, може да настанат повреди.

Белешка:

Кога вашето радио има некакви пречки во AM фреквенцискиот опсег од својот адаптер, преместете го радиото повеќе од 30 см подалеку од неговиот адаптер за напојување со наизменична струја.

Полнење преку УСБ-порта за електрично напојување

На предната страна на радиото се наоѓа УСБ-порта. Може да полните УСБ-уред преку УСБ-порта.

1. Поврзете го УСБ-уредот, како што е MP3, или CD-репродуктор со УСБ-кабел достапен на пазарот.
2. Притиснете го копчето Напојување да го вклучите радиото.
3. Без оглед дали радиото е на наизменично електрично напојување или батерија, радиото може да го полни УСБ-уредот кога е вклучено и во FM радио режим, или BT режим или AUX режим, што се случува кога е поврзан надворешен аудиоизвор.

Белешка:

- Не може да полните УСБ-уреди во текот на AM режим бидејќи приемот на радиосигнал станува исклучително слаб кога се полни УСБ-уред.
- Максималната јачина на звук на излезниот звучник ќе се намали кога се полни вашиот УСБ.
- УСБ-приклучокот може да обезбеди електрична струја со максимум 5V/2,4A.

ВАЖНО:

- Пред поврзувањето на УСБ-уредот со полначот, секогаш направете резервна копија на вашите податоци од УСБ-уредот. Во спротивно може да дојде до загуба на вашите податоци.
- Полначот може да не доставува енергија до некои УСБ-уреди.
- Кога не се користи или по полнењето, отстранете го УСБ-кабелот и затворете го капакот.
- Не поврзувајте извор на енергија на УСБ-портата. Во спротивно постои ризик од пожар. УСБ-портата е наменета само за полнење на уреди со понизокнапон. Секогаш затворајте го капакот врз УСБ-портата кога не го полните уредот со понизокнапон.

- Не вметнувајте шајка, жица или слично во портата за напојување преку УСБ. Во спротивно краток контакт може да предизвика чад и пожар.
- Не поврзувајте го овој приклучок за УСБ со вашата УСБ-порта на компјутерот, бидејќи постои голема веројатност тоа да предизвика оштетување на уредите.

СЛУШАЊЕ РАДИО

Пребарување AM/ FM фреквенции

Белешка:

FM антената е вградена во рачката. Кога ракувате со радиото, исправете ја рачката правилно над радиото за да добиете подобар прием. За AM фреквенцискиот опсег, вртете го радиото да добиете најдобар сигнал бидејќи AM антената е вградена во радиото.

1. Притиснете го копчето Напојување за да го вклучите радиото.
2. Притиснете го копчето Извор да изберете AM или FM радио режим.
3. Притиснете го и задржете го копчето Контрола на бирање за да извршите автоматско бирање. Вашето радио ќе го скенира AM/FM фреквенцискиот опсег од тековно прикажаната фреквенција и автоматски ќе престане со скенирање кога ќе најде станица со доволна јачина.
4. По неколку секунди екранот ќе се ажурира. Екранот ќе ја прикажува фреквенцијата на најдениот сигнал.
5. За да најдете друга станица, притиснете го и задржете го контролното копче за Бирање како претходно.
6. Кога ќе се достигне крајот на фреквенцискиот опсег, вашето радио повторно ќе почне да бира од спротивниот крај на фреквенцискиот опсег.
7. Вртете го копчето за контрола на бирање за да го прилагодите нивото на звук како што е потребно.

Белешка:

- Додека ја прилагодувате јачината на звук, уверете се дека FM/AM НЕ трепка на екранот.
 - Ако AM/FM трепка на екранот, ви овозможува рачно да ги бирате станиците (видете го делот „Рачно бирање – AM/ FM“ за повеќе детали).
 - Јачината на звук не треба да биде преголема. За да спречите можно оштетување на слухот, не слушајте со голема јачина на звук долги периоди.
8. За да го исклучите радиото притиснете го копчето Напојување.

Рачно бирање – AM/FM

1. Притиснете го копчето Напојување за да го вклучите радиото.
2. Притиснете го копчето Извор да изберете AM или FM режим.
3. Притиснете го копчето за контрола на бирање и ќе видите како FM или AM трепка на екранот.

Белешка:

- FM/AM ќе трепка приближно 10 секунди. Во овој период дозволено е само рачно бирање.

- Ако сакате да ја прилагодите јачината на звук додека трепка FM/AM, притиснете го копчето за контрола на бирање да запре трепкањето и може да го вртите копчето за контрола на бирање да го прилагодувате нивото на звук.
4. Вртете го копчето за контрола на бирање да изберете станица.
 5. Кога ќе се достигне крајот на фреквенцискиот опсег, вашето радио повторно ќе почне да бира од спротивниот крај на фреквенцискиот опсег.
 6. Вртете го копчето за контрола на бирање да го прилагодите нивото на звук како што е потребно.

Предодредени станици во AM/FM режим

Има 5 предодредени станици, секоја за AM и FM радио. Тие се користат на истиот начин за секој фреквенциски опсег.

1. Притиснете го копчето Напојување да го вклучите радиото.
2. Притиснете го копчето Извор да го изберете посакуваниот фреквенциски опсег. Бирајте до посакуваната радио станица како што е претходно опишано.
3. Притиснете го и задржете го потребното копче Предодреди (1 до 5) се додека екранот не прикаже „P4“ на пример, по фреквенцијата. Станицата ќе биде зачувана со користењето на предодредениот број. Повторете ја оваа процедура за преостанатите предодредувања како што сакате.
4. Предодредените станици што веќе се зачувани може да бидат пребришани со следењето на постапката погоре доколку сакате.

Режими на прикажување – FM

Вашето радио има лепеза на опции на прикажување за FM радио режим.

Притиснете го неколку пати копчето Мени/Инфо за да ги видите RDS информациите за станицата што ја слушате.

- | | |
|-------------------|---|
| a. Име на станица | Го прикажува името на станицата која се слуша. |
| b. Тип програма | Го прикажува типот на станица што се слуша како поп, класика, вести и сл. |
| c. Радио текст | Прикажува порака со радио текст како што се нови ставки и сл. |
| d. Година/Ден | Ја прикажува годината и денот од неделата според поставката за датум на вашето радио. |
| e. Датум/Ден | Го прикажува датумот и денот од неделата според поставката за датум на вашето радио. |
| f. EQ режим | Го прикажува EQ режимот на FM за станицата што се слуша. |
| g. Фреквенција | Ја прикажува FM фреквенцијата на станицата што се слуша. |

FM стерео (автоматски)/моно

Ако FM радио станицата што се слуша има слаб сигнал, може да се слуша слабо крчење. Можно е да се намали ова крчење така што ќе се натера радиото да ја репродуцира станицата во моно наместо во стерео.

1. Притиснете го копчето Извор како што е потребно да го изберете FM фреквенцискиот опсег и одберете ја посакуваната FM станица како што е наведено претходно.
2. Притиснете го и задржете го копчето Мени/Инфо да влезете во поставката на менито.
3. Вртете го копчето за контрола на бирање се додека поставката „FM AUTO (или MONO)“ се прикажува на екранот. Ако поставката е Автоматски, притиснете го копчето за контрола на бирање, па потоа вртете го копчето за контрола на бирање да префрли на режим Моно за да се намали крчењето. Притиснете го копчето за контрола на бирање за да ја изберете опцијата.

Запаметување предодредена во AM/FM режим

1. Притиснете го копчето Напојување да го вклучите радиото.
2. Притиснете го копчето Извор да изберете AM или FM радио режим
3. Моментално притиснете го потребното копче Предодредено за да го подесите радиото на една од станиците зачувани во предодредената меморија.

РАЗЛИЧНИ ПОСТАВКИ

Поставување на форматот време и датум

Екранот на часовникот што се користи во режим на мирување и на екраните во режим на играње може да биде поставен во различен формат. Избраниот формат потоа исто така се користи при поставување аларми.

1. Притиснете го и задржете го копчето Мени/Инфо да влезете во поставката на менито.
2. Вртете го копчето за контрола на бирање се додека не се појави „CLOCK xxH“, на екранот и притиснете го копчето за контрола на бирање да влезете во поставката. Ќе видите како форматот за време започнува да трепка.
3. Вртете го копчето за контрола на бирање да изберете или 12 или 24 часовен формат. Притиснете го копчето за контрола на бирање да го потврдите изборот на формат на часовник.

Белешка:

ако е избран формат на часовник од 12 часа,

радиото тогаш ќе користи 12 часовен часовник за поставката.

4. Притиснете го и задржете го копчето Мени/Инфо да влезете во поставката на менито.
5. Вртете го копчето за контрола на бирање се додека не се покаже датум (пр. ЧЕТ АПР 3) на екранот и притиснете го копчето за контрола на бирање да влезете во поставката. Ќе видите како форматот на датум почнува да трепка.
6. Вртете го копчето за контрола на бирање да го изберете посакуваниот формат на датум. Притиснете го копчето за контрола на бирање да го потврдите вашиот избор.

Поставување на време и датум на часовникот

1. Притиснете го и задржете го копчето Мени/Инфо.
2. Вртете го копчето за контрола на бирање додека не се појави „CLOCK ADJ“ на екранот. Притиснете го копчето за контрола на бирање да влезете во поставката.
3. Поставката за час на екранот ќе започне да трепка. Вртете го копчето за контрола на бирање да го изберете посакуваниот час, минути и притиснете го копчето за контрола на бирање да ја потврдите поставката. Потоа вртете го копчето за контрола на бирање да ги изберете посакуваните минути, па притиснете го копчето за контрола на бирање за да ја потврдите поставката.
4. Вртете го копчето за контрола на бирање се додека не се појави „DATE ADJ“ на екранот. Притиснете го копчето за контрола на бирање да влезете во поставката.
5. Вртете го копчето за контрола на бирање да ја изберете саканата година и притиснете го копчето за контрола на бирање да ја потврдите поставката. Потоа вртете го копчето за контрола на бирање да го изберете посакуваниот месец, па притиснете го копчето за контрола на бирање за да ја потврдите поставката. Потоа вртете го копчето за контрола на бирање да го изберете посакуваниот ден, па притиснете го копчето за контрола на бирање за да ја потврдите поставката.

Систем на радио податоци (RDS)

Кога ќе го поставите времето на часовникот со користење на функцијата RDS, вашето радио ќе го синхронизира времето на часовникот секогаш кога ќе биде поставено на радио станица што користи RDS со СТ сигнали.

1. Кога бирате станица што пренесува RDS податоци, симболот RDS ќе се прикаже на екранот. Притиснете го и задржете го копчето Мени/Инфо.

2. Вртете го копчето за контрола на бирање се додека не се појави „RDS CT“ и симболот на часовник на екранот. Притиснете го копчето за контрола на бирање да влезете во поставката.
3. Вртете го копчето за контрола на бирање се додека не се појави „RDS CT“ на екранот. Притиснете го копчето за контрола на бирање да ја потврдите поставката. Времето на часовникот на радиото ќе се постави автоматски според примените RDS податоци.

Белешка:

- Времето на часовникот на радиото ќе биде важечко 5 дена секогаш кога времето на радиото ќе се синхронизира со RDS CT.
- За да ја оневозможите функцијата RDS CT, вратете се на чекор 1 до 2, па потоа вртете го копчето за контрола на бирање да ја изберете опцијата „РАЧНО“. Притиснете го копчето за контрола на бирање да ја потврдите поставката.

Поставување будилник

Вашето радио има два аларми од кои секој може да биде поставен да ве буди со AM/FM радио или со аларм со свонење. Алармите може да бидат поставени додека уредот е во режим на мирување или додека репродуцира.

Белешка: уверете се дека времето е точно поставено пред да ги поставите алармите. Ако не се притисне ниедно копче за 10 секунди, радиото ќе излезе од поставувањето будилник.

а. Поставување на време на будилникот на радиото:

1. Радиото може да се постави и кога радиото е вклучено и кога е исклучено.
2. Притиснете го и задржете го копчето за будилник на радио, симболот за радио будилник и часот на прикажување ќе трепкаат пропратени со свонење.
3. Додека трепка симболот за радио будилник, вртете го копчето за контрола на бирање да го изберете часот и повторно притиснете го копчето за контрола на будилник да ја потврдите поставката за часот. Потоа вртете го копчето за контрола на бирање да ги изберете минутите и притиснете го копчето за контрола на бирање да ја потврдите поставката за минути.
4. Вртете го копчето за контрола на бирање и екранот ќе ги прикаже опциите за фреквенција за алармот. Опциите за алармот се:
ЕДНАШ – алармот ќе се огласи еднаш
СЕКОЈДНЕВНО – алармот ќе се огласува секојдневно
РАБОТНИ ДЕНОВИ – алармот ќе се огласува само во работни денови
ВИКЕНД – алармот ќе се огласува само во викенд

Притиснете го копчето за контрола на бирање да ја потврдите поставката.

5. Додека трепка симболот за радио аларм, вртете го копчето за контрола на бирање да го изберете посакуваниот фреквентен опсег за буење и станицата, па притиснете го копчето за контрола на бирање да го потврдите изборот.
6. Вртете го копчето за контрола на бирање да ја изберете посакуваната јачина на звук и притиснете го копчето за контрола на бирање да ја потврдите јачината на звук. Поставката на радио алармот сега е целосна.

Белешка:

- Ако не е избрана нова станица за радио аларм, ќе се избере последната станица за аларм.
- Ако избраната AM/FM станица за аларм не е достапна кога ќе се огласи алармот, наместо неа ќе се користи алармот со свонење.

б. Поставување аларм со свонење со ХСБ (хуман систем на буење):

Ќе се активира тон на свонење кога ќе изберете аларм со свонење со ХСБ.

Свонењето на алармот ќе се огласува пократко секои 15 секунди за една минута следено со една минута тишина пред повторување на циклусот.

1. Алармот со свонење може да се постави и кога радиото е вклучено и кога е исклучено.
2. Притиснете го и задржете го копчето за алармот со свонење, симболот и часот на прикажување ќе трепкаат заедно со свонење.
3. Додека трепка симболот за алармот со свонење, вртете го копчето за контрола на бирање да го изберете часот и притиснете го повторно копчето за контрола на бирање да го потврдите поставувањето час. Потоа вртете го копчето за контрола на бирање да ги изберете минутите и притиснете го копчето за контрола на бирање да го потврдите поставувањето минути.
4. Вртете го копчето за контрола на бирање и екранот ќе ги прикаже опциите за фреквенција за алармот. Опциите за алармот се:
ЕДНАШ – алармот ќе се огласи еднаш
СЕКОЈДНЕВНО – алармот ќе се огласува секојдневно
РАБОТНИ ДЕНОВИ – алармот ќе се огласува само во работни денови
ВИКЕНД – алармот ќе се огласува само во викенд.
Притиснете го копчето за контрола на бирање да ја потврдите поставката.

Белешка:

нема прилагодување на јачината на звук за алармот со свонење.

Запирање на звукот на алармот

За да откажете аларм што се огласува, притиснете го копчето Напојување.

Оневозможување на поставката за аларм

Да ја оневозможите поставката за аларм пред да се огласи алармот, притиснете го и задржете го соодветното копче за аларм се додека симболот за аларм не исчезне од екранот.

Одложи

1. Кога ќе се огласи алармот, притискањето на кое било друго копче различно од копчето Напојување ќе го исклучи алармот 5 минути. „SNOOZE“ ќе се прикаже на екранот.
2. За да го прилагодите времето на тишина за тајмерот за одложување, притиснете го и задржете го копчето Мени/Инфо да влезете во поставката на менито.
3. Вртете го копчето за контрола на бирањето додека не се појави „SNOOZE X“ на екранот, па притиснете го копчето за контрола на бирање да влезете во поставката. Вртете го копчето за контрола на бирање да го прилагодите времето на тишина од 5, 10, 15 и 20 минути за тајмер за одложување.
4. За да го откажете тајмерот за одложување додека алармот е суспендиран, притиснете го копчето Напојување.

Тајмер за спиење

Вашето радио може да се намести да се исклучува автоматски откако ќе измине поставеното време. Поставката на Тајмерот за спиење може да се прилагоди помеѓу 60, 45, 30, 15, 120 и 90 минути.

1. Притиснете го и задржете го копчето Напојување да влезете во поставката на Тајмерот за спиење. На екранот ќе се појави „SLEEP XX“.
2. Продолжете да го држите копчето Напојување и опциите на Тајмерот за спиење ќе започнат да се менуваат на екранот. Не запирајте додека посакуваната поставка на Тајмерот за спиење не се појави на екранот. Поставката ќе биде зачувана и ЛЦД ќе се врати на вообичаен приказ.
3. Вашето радио автоматски ќе се исклучи откако ќе помине предодреденото време на Тајмерот за спиење. Иконата Тајмер за спиење ќе се прикажува на екранот покажувајќи активен Тајмер за спиење.
4. За да ја откажете функцијата на Тајмер за спиење пред да помине предодреденото време, едноставно притиснете го копчето напојување за рачно да го исклучите уредот.

Гласност

Kompenczaciju на nižoj i višoj frekvenciji za vaš radio možete dobiti podešavanjem funkcije glasnoće.

Може да добиете надополнување на ниските и високите фреквенции на вашето радио со прилагодување на функцијата за гласност.

1. Притиснете го и задржете го копчето Мени/Инфо да влезете во поставката за мени.
2. Вртете го копчето за контрола на бирањето се додека не се појави „LOUD ON“ или „LOUD OFF“ на екранот. Притиснете го копчето за контрола на бирање да влезете во поставката.
3. Вртете го копчето за контрола на бирањето да изберете ON (ВКЛУЧЕНО) за да ја вклучите функцијата на гласност, па вклучете го копчето за контрола на бирање да ја потврдите поставката.
4. За да ја исклучите функцијата на гласност, изберете OFF (ИСКЛУЧЕНО) и притиснете го копчето за контрола на бирање да ја потврдите поставката.

Функција на еквилајзер

Има 7 вида на ЛЕД индикатори во боја околу копчето за контрола на бирање да означат различни режими на еквилајзер.

1. Притиснете го копчето Напојување да го вклучите радиото.
2. Притиснете го копчето за контрола на EQ да влезете во менито за поставување EQ.
3. Вртете го копчето за контрола на бирање да го изберете вашиот посакуван режим. Потоа притиснете го копчето за контрола на бирање да го потврдите изборот.

EQ режим	ЛЕД индикатор
РАМЕН	Бел
ЏЕЗ	Син
РОК	Црвен
КЛАСИКА	Кафеав
ПОП	Розов
ВЕСТИ	Жолт
МОЈ EQ	Зелен

Поставување на профил Мој EQ

1. Притиснете го копчето за контрола на EQ да влезете во менито за поставување EQ.
2. Вртете го копчето за контрола на бирање да изберете „MY EQ“. Потоа притиснете го копчето за контрола на бирање да влезете во поставката „BASS“.
3. Вртете го копчето за контрола на бирање да го изберете вашето потребно ниво на бас. Притиснете го копчето за контрола на бирање да влезете во поставката „MIDDLE“.
4. Вртете го копчето за контрола на бирање да го

изберете вашето потребно ниво на средни тонови. Притиснете го копчето за контрола на бирање да влезете во поставката „TREBLE“.

5. Вртете го копчето за контрола на бирање да го изберете вашето потребно ниво на високи тонови. Притиснете го копчето за контрола на бирање да ја потврдите поставката.

Белешка:

- Кога го користите еквализерот да го нагласите басот и слушате со голема јачина на звук, тоа може да предизвика потпукнување и нарушување на звукот. Во овој случај соодветно прилагодете ја јачината на звукот на радиото.

СЛУШАЊЕ МУЗИКА СО ПРЕНЕСУВАЊЕ ПРЕКУ BLUETOOTH

Треба да го спарите вашиот Bluetooth уред со радиото пред автоматски да може да поврзете со репродукција/ пренесување музика преку Bluetooth на радиото.

Спарувањето создава „врска“ па двата уреда може да се препознаат еден со друг.

Белешка:

- За да имате подобар квалитет на звук, препорачуваме да ја поставите јачината на звук на ниво повисоко од две третини на вашиот Bluetooth, а потоа прилагодете ја јачината на звук на радиото како што е потребно.
- Радиото може да меморира до 8 пара спарени уреди, а кога меморијата ќе го надмине ова количество, најстарата историја за спарување ќе се пребрише.

Спарување на вашиот Bluetooth уред за прв пат

1. Притиснете го копчето Напојување да го вклучите радиото. Притиснете го копчето извор да изберете Bluetooth режим. Екранот ќе прикаже „BT PAIR“ и „PAIR“ ќе трепка на екранот.
2. Активирајте Bluetooth на вашиот уред според упатството за корисник на уредот за да поврзете со радиото. Лоцирајте го списокот на Bluetooth уреди и изберете го уредот именуван како „DMR114“ (кај некои мобилни на кои се наоѓаат постари верзии отколку уред со BT2.1 Bluetooth, може да е потребно да внесете лозинка „0000“).
3. Штом ќе се поврзе, ќе се огласи тон за потврда. „BLUETOOTH“ ќе остане на екранот и заднинското осветлување ќе се затемно 10 секунди. Може едноставно да изберете и репродуцирате каква било музика од вашиот изворен уред. Контролата на јачина на звук може да се прилагоди од вашиот изворен уред, или директно од радиото.
4. Користете ги контролите на вашиот уред со активиран Bluetooth или на радиото да репродуцирате/паузирајте и да се движите низ нумерите.

Белешка:

- Ако 2 Bluetooth уреда што се спаруваат за прв пат, и двата пребаруваат за радиото, тоа ќе ја прикаже својата достапност на двата уреда. Сепак, ако еден уред прво се поврзе со оваа единица, тогаш другиот Bluetooth уред нема да ја најде на списокот.
- Ако вашиот Bluetooth уред привремено се исклучи од радиото, тогаш ќе мора рачно повторно да го поврзете вашиот уред на радиото.
- Ако „DMR114“ се покажува на вашиот список со Bluetooth уреди, но вашиот уред не може да се поврзе со него, избришете ја ставката од списокот и повторно спарете го уредот со радиото следејќи ги чекорите опишани претходно.
- Оптималниот опсег за пренесување преку Bluetooth е приближно 10 метри (30 стапки) (оптичка видливост) до радиото, но и растојание до 30 метри (100 стапки) е можно.
- Ако Bluetooth поврзувањето се изгуби поради предолго време на раздвоеност, надминување на оптималното растојание, пречки или друго, повторно поврзување на вашиот уред со радиото може да биде неопходно.
- Физички пречки, други безжични уреди или електромагнетни уреди може да влијаат на квалитетот на поврзување.
- Резултатите од поврзувањето на Bluetooth може да се разликуваат во зависност од поврзаните Bluetooth уреди. Погледнете ги способностите за Bluetooth на вашиот уред пред да го поврзувате на радиото. Сите карактеристики може да не се поддржани на некои спарени Bluetooth уреди.

Репродуцирање аудиодатотеки во Bluetooth режим

Кога успешно сте го поврзале радиото со избраниот Bluetooth уред може да почнете да ја репродуцирате вашата музика користејќи ги контролите на вашиот поврзан Bluetooth уред.

1. Штом ќе започне репродукцијата прилагодете ја јачината на звук на потребната поставка користејќи го копчето Јачина на звук на радиото или на овозможениот Bluetooth уред.
2. Користете ги контролите на изворниот Bluetooth уред да репродуцирате/паузирајте и да се движите низ нумерите. Алтернативно, контролирајте ја репродукцијата со користење на копчињата Репродуцирај/Паузирај, Следна нумера, Претходна нумера на вашето радио.
3. Притиснете го и задржете го копчето Следна нумера или Претходна нумера за да се движите низ тековната нумера. Пуштете го копчето кога пасакуваната точка е достигната.

Белешка:

1. Некои апликации на репродуктор или уреди може да не реагираат на сите овие контроли.
2. Некои мобилни телефони може привремено да се исклучат од радиото кога привикате или кога одговарате на повици. Некои уреди може привремено да го исклучат звукот на пренесувањето аудио преку Bluetooth кога добиваат текстуални

пораки, е-пораки или поради други причини, неповрзани со пренесувањето аудио. Таквото однесување е функција на поврзаниот уред и не укажува на грешка кај радиото.

Репродукција на претходно спарен изворен Bluetooth уред

Ако вашиот Bluetooth уред претходно бил спарен со радиото, единицата ќе го запамети вашиот Bluetooth уред и ако се обиде да се поврзе со уред во меморија со кој е последно поврзан. Ако последниот поврзан уред не е достапен, радиото ќе биде видливо.

Исклучување на Bluetooth уред

Притиснете го и задржете го копчето за спарување преку Bluetooth 2-3 секунди додека не се прикаже „BT PAIR“ на екранот или исклучете Bluetooth на вашиот Bluetooth уред да го оневозможите поврзувањето. Исто така може да го притиснете копчето Извор да изберете кој било режим што не е Bluetooth режим за да го оневозможите поврзувањето.

Бришење на меморија на Bluetooth спарени уреди

За да ја избришете меморијата на сите спарени уреди, притиснете го и задржете го копчето за спарување преку Bluetooth подолго од 5 секунди додека на екранот не се прикаже „CLEARING“.

ПОМОШЕН ВЛЕЗЕН ПРИКЛУЧОК

Помошен влезен приклучок од 3,5mm се наоѓа на предниот дел од вашето радио за да овозможи внесување на аудиосигнал во единицата од надворешен аудиоуред како што е MP3 или CD репродуктор.

1. Поврзете надворешен аудиоизвор (на пример, MP3 или CD репродуктор) на влезниот приклучок AUX IN.
2. Притиснете го копчето Напојување да го вклучите радиото.
3. Неколку пати притиснете го и пуштете го копчето Извор додека не се прикаже „AUX IN“.
4. За да имате подобар квалитет на звук, препорачуваме да ја поставите јачината на звук на ниво повисоко од две третини на вашиот аудиоуред, а потоа прилагодете ја јачината на звук на радиото како што е потребно.

Белешка:

аудиокабелот не е вклучен како стандарден прибор.

ОДРЖУВАЊЕ

⚠ ВНИМАНИЕ:

- Никогаш не користете бензин, разредувач, алкохол или слични средства. Може да предизвикаат обезбојување, деформирање или пукнатини.
- Не мијте го радиото со вода.

СПЕЦИФИКАЦИИ

Барања за напојување	
Адаптер за напојување со наизменична струја	Со позитивен централен приклучок за еднонасочна струја 12V 2.5A
Батерија	UM-3 (AA големина) x2 за резерва Батерија на лизгање: 10.8V - 18V
Опфатена фреквенција	FM87.50-108MHz (0.05MHz/чекор) AM(MW)522-1,710kHz (9 kHz/чекор)

Bluetooth® (логотипот Bluetooth® и логоата се регистрирани заштитни знаци во сопственост на Bluetooth SIG, Inc.)	
Верзија на Bluetooth	5.0 сертифицирана
Профили на Bluetooth	A2DP / SCMS-T / AVRCP
Емитувана моќност	Енергетска класа2
Опсег на емитување	Оптimalно: Макс. 10 метри (33 стапки) Можно: Макс. 30 метри (100 стапки) (зависи од условите за употреба)
Поддржан кодек	SBC
Компатибилен Bluetooth профил	A2DP / AVRCP
Максимална радиофреквенциска моќност	BT EDR: 3.91dBm
Работна фреквенција	2402MHz~2480MHz

Карактеристики на струјно коло	
Звучник	2.5 инчи 8 ома x2 4 инчи 6 ома x1
Излезна моќност	10.8V-12Vмакс: 2W x2 + 10W 14.4V: 3W x2 + 15W 18V: 5W x2 + 25W
Влезен терминал	3.5 mm dia. (AUX IN)
Систем на антена	FM : вградена антена AM : решеткаста антена
Димензии (Д x Ш x В)	268 x 164 x 295 mm
Тежина	4,9 KG(без батерија)

SRPSKI (Originalna uputstva)

Objašnjenje opšteg pregleda (Sl.1)

1. Ugrađena antena (AM)
2. Ručka/Ugrađena antena (FM)
3. Pregradak za skladištenje baterije
4. Poklopac pregradka za bateriju (pokriva kertridž za bateriju)
5. Zvučnik
6. Priključak za struju
7. Niskotonac
8. Taster Napajanje/Tajmer za spavanje
9. Taster Izvor
10. Taster Radio alarm
11. Taster Alarm zvučnog signala
12. Taster Predložak 3/Reprodukcija/Pauza
13. Taster Predložak 5
14. Taster Predložak 4/Sledeća numera
15. Dugme Jačina zvuka/Kontrola podešavanja/Izaberi
16. Taster Kontrola ekvilajzera
17. Priključak za pomoćni ulaz
18. USB priključak za napajanje
19. Taster Meni/Info
20. LED indikator za režim ekvilajzera (EQ)
21. Taster Predložak 2/Prethodna numera
22. Taster Predložak 1/Bluetooth uparivanje
23. LCD ekran
24. Pregradak za bateriju
25. Pregradak za rezervne baterije

LCD EKRAN

- A. Radio alarm
- B. Alarm sa zvučnim signalom
- C. Stereo simbol
- D. Indikator za nisku bateriju
- E. Sat
- F. Frekvencija
- G. RDS (Radijski sistem podataka)
- H. Ikona tajmera za spavanje
- I. PM za sat

Simboli

U nastavku pogledajte simbole koji se koriste za opremu. Postarajte se da razumete njihovo značenje pre upotrebe.



Pročitajte uputstvo za upotrebu.



Samo za države članice EU.

Nemojte odlagati električnu opremu ili bateriju zajedno sa kućnim otpadom! U skladu sa evropskim direktivama o otpadnoj električnoj i elektronskoj opremi, baterijama i akumulatorima kao i otpadnim baterijama i akumulatorima, i njihovo sprovođenje u skladu sa nacionalnim zakonima, električna oprema, baterije i akumulatori koji su dostigli kraj životnog veka moraju se prikupiti zasebno i dostaviti ekološki prihvatljivom pogonu za reciklažu.

VAŽNA BEZBEDNOSNA UPUTSTVA

UPOZORENJE:

Kada koristite električne alate, uvek pratite osnovne mere predostrožnosti da biste smanjili rizik od požara, strujnog udara i drugih povreda, uključujući i sledeće:

1. Pre upotrebe pažljivo pročitajte uputstvo za upotrebu i uputstvo za upotrebu punjača.
2. Čistite samo suvom krpom.
3. Nemojte postavljati blizu bilo kojeg izvora toplotne energije kao što su radijatori, grejalice, šporeti ili drugih uređaja (uključujući pojačala) koji proizvode toplotu.
4. Koristite samo dodatke/pribor definisane od strane proizvođača.
5. Iskopčajte uređaj iz utičnice tokom grmljavina ili ako se ne koristi duži vremenski period.
6. Radio na baterije, sa integrisanim baterijama ili zasebnim baterijama, mora da se puni isključivo sa punjačem namenjenim za tu bateriju. Punjač koji može biti pogodan za jednu vrstu baterije može stvoriti opasnost od požara kada se koristi sa drugom baterijom.
7. Koristite radio na baterije isključivo sa posebno namenjenim baterijama. Upotreba bilo kojih drugih baterija može stvoriti opasnost od požara.
8. Kada baterija nije u upotrebi, držite je dalje od drugih metalnih predmeta kao što su: spajalice, novčići, ključevi, ekseri, šrafovi ili drugi mali metalni predmeti koji mogu da naprave vezu između terminala. Kratak spoj između terminala baterije može da izazove varnice, opekotine ili požar.
9. Izbegavajte kontakt sa prizemljenim površinama kao što su cevi, radijatori, šporeti i frižideri. Postoji rizik od strujnog udara ako je i vaše telo prizemljeno.
10. Pod nasilnim uslovima, baterija može da izbaci tečnost; izbegavajte kontakt. Ako ipak dođe do kontakta, isperite odmah vodom. Ako tečnost dođe u dodir sa očima, odmah potražite pomoć lekara. Tečnost iz baterije može da prouzrokuje iritacije ili opekotine.

11. Nemojte koristiti baterijski paket ili alatku koja je oštećena ili modifikovana. Oštećene ili modifikovane baterije mogu ispoljiti nepredvidljivo ponašanje koje može dovesti do požara, eksplozija ili rizika od povreda.
12. Nemojte izlagati baterijski paket ili alatku vatri ili prekomernim temperaturama. Izlaganje vatri ili temperaturi od preko 130°C (266°F) može izazvati eksploziju.
13. Pratite sva uputstva za punjenje i ne punitite baterijski paket ili alatku izvan opsega temperatura navedenih u uputstvima. Nepravilno punjenje ili punjenje na temperaturama izvan opsega može oštetiti bateriju i povećati rizik od požara.
14. Glavni utikač se koristi za prekid napajanja, i kao takav treba da ostane na dohvata ruke po potrebi.
15. Nemojte upotrebljavati proizvod na visokom nivou jačine zvuka ili na duži vremenski period. Da biste izbegli oštećenje sluha, upotrebite proizvod na umerenom nivou jačine zvuka.
16. (Samo za proizvode sa LCD ekranom) LCD ekrani sadrže tečnost koja može izazvati iritaciju i trovanje. Ako tečnost uđe u oči, usta ili kožu, isperite vodom i pozovite doktora.
17. Ne izlažite proizvod kiši ili vlažnim uslovima. Ako voda uđe u proizvod može povećati rizik od strujnog udara.
18. Ovaj proizvod nije namenjen za upotrebu od strane osoba (uključujući i decu) sa smanjenim fizičkim, čulnim ili mentalnim mogućnostima, ili nedostatkom iskustva i znanja, osim ako su dobili nadzor ili uputstva od osobe koja se brine za njihovu bezbednost i koja se odnose na upotrebu proizvoda. Deca treba da se nadgledaju kako bi se osiguralo da se ne igraju sa proizvodom. Držite proizvod van domašaja dece.
- (2) Izbegavajte odlaganje kertridža za bateriju u posudu sa drugim metalnim predmetima kao što su ekseri, novčići, itd.
- (3) Ne izlažite kertridž za bateriju vodi ili kiši. Kratak spoj baterije može da prouzrokuje veliki protok struje, pregrevanje, opekotine pa čak i kvar.
6. Ne odlazite alatku i kertridž za bateriju na mestima gde temperatura može dostići ili premašiti 50 °C (122°F).
7. Nemojte da spalite kertridž za bateriju čak iako je ozbiljno oštećen ili istrošen. Kertridž može da eksplodira u vatri.
8. Pazite da ne ispuštite ili udarite bateriju.
9. Nemojte da koristite oštećenu bateriju.
10. Da biste izbegli rizik, pre upotrebe, pročitajte priručnik o zamenljivoj bateriji. Maksimalna struja pražnjenja baterije treba da bude veća ili jednaka 8A.
11. Sadržane litijum-jonske baterije podležu zahtevima propisa o opasnim materijama. Za komercijalni transport, npr. od strane trećih strana, špeditera, moraju se poštovati posebni zahtevi za pakovanje i etiketiranje.

Za pripremu predmeta koji se isporučuje potrebno je konsultovanje stručnjaka za opasan materijal. Takođe, eventualno detaljnije, proverite i nacionalne propise. Zalepite ili maskirajte otvore i spakujte bateriju tako da se ne može pomerati u ambalaži.

12. Pratite lokalne propise u vezi sa odlaganjem baterije.
13. Koristite baterije samo sa proizvodima navedenim od strane Makita. Instaliranje baterije na proizvode koji nisu u skladu sa zahtevima može dovesti do požara, prekomerne toplote, eksplozija ili curenja elektrolita.

⚠ OPREZ:

- Postoji opasnost od eksplozije ako baterija nije pravilno zamenjena.
- Zamenite samo sa istim ili ekvivalentnim tipom.
- Koristite isključivo originalne Makita baterije. Korišćenje neoriginalnih Makita baterija ili baterija koje su izmenjene, može dovesti do pucanja baterije izazivajući požar, lične povrede ili oštećenja. To će takođe poništiti Makita garanciju za Makita alatku i punjač.

Saveti za održavanje maksimalnog veka trajanja baterije

1. Napunite kertridž za bateriju pre nego što se potpuno isprazni. Zaustavite rad alatke i napunite bateriju kada primetite da je kapacitet rada pri kraju.
2. Nikada nemojte puniti već napunjenu bateriju. Prekomerno punjenje skraćuje radni vek baterije.
3. Punitite bateriju na sobnoj temperaturi od 10 °C do 40 °C (50 °F - 104 °F). Dopustite da se vruć kertridž ohladi pre novog punjenja.
4. Napunite kertridž za bateriju ako ga niste koristili dugi vremenski period (više od šest meseci).

SAČUVAJTE OVA UPUTSTVA

POSEBNA BEZBEDNOSNA PRAVILA KERTRIDŽ ZA BATERIJU

1. Pre upotrebe kertridža za bateriju, pročitajte sva uputstva i oznake predostrožnosti na (1) punjaču za bateriju, (2) bateriji, i (3) uređaju koji koristi bateriju.
2. Nemojte da rastavljate kertridž za bateriju.
3. Ako vreme trajanja rada postane isuviše kratko, odmah prekinite sa radom. To može dovesti do rizika od pregrevanja, mogućih opekotina pa čak i eksplozije.
4. Ako vam elektrolit dospe u oči, isperite ih čistom vodom i odmah potražite pomoć lekara. Može da prouzrokuje gubitak vida.
5. Nemojte prouzrokovati kratak spoj sa kertridžom za bateriju:
 - (1) Ne dodirujte priključke sa bilo kojim provodnim materijalom.

VREME RADA

* Odgovarajuće baterije za ovaj radio su navedene na sledećoj tabeli.

* Sledeća tabela ukazuje na dužinu rada nakon jednog punjenja baterije.

Kapacitet baterije	Napon kertridža za bateriju			JAČINA ZVUČNIKA = 100mW Jedinica: Čas (približno)	
	10.8V-12V maks.	14.4V	18V	Na Radiju ili POM. ULAZU	Na Bluetooth-u + USB Punjenje
1.3 Ah		BL1415		3.5	0.7
			BL1815	4.0	1.0
1.5 Ah	BL1015 BL1016			6.0	0.8
		BL1415N BL1415NA		4.5	0.9
			BL1815N	5.0	1.2
2.0 Ah	BL1020B BL1021B			8.0	1.0
			BL1820 BL1820B	6.5	1.6
3.0 Ah		BL1430 BL1430B BL1430A		8.0	1.6
			BL1830 BL1830B	9.5	2.3
4.0 Ah	BL1040B BL1041B			16	2.1
		BL1440		13	2.5
			BL1840 BL1840B	13	3.2
5.0 Ah		BL1450		15	3.0
			BL1850 BL1850B	17	4.2
6.0 Ah		BL1460B BL1460A		17	3.3
			BL1860B	21	5.0

⚠ UPOZORENJE:

Upotrebljavajte isključivo gorepomenute baterije. Upotreba drugih baterija može prouzrokovati povrede i/ili požar.

Napomena:

- Tabela iznad, koja se odnosi na vreme radnog trajanja baterije, služi kao referenca.
- Pravo vreme rada može se razlikovati od vrste baterije, uslova punjenja ili okruženja u kojem se koristi.

INSTALACIJA I NAPAJANJE

⚠ OPREZ:

- Pazite da ne priključite prste prilikom otvaranja i zatvaranja poklopca za bateriju.
- Nakon instaliranja ili uklanjanja kertridža za bateriju, vratite pregradak za skladištenje baterije na prvobitni položaj. Ukoliko to ne uradite, kertridž za bateriju može slučajno da ispadne iz radija, uzrokujući povredu vama ili nekome pored vas.
- Uvek zatvorite i zaključajte pregradak za bateriju pre pomeranja radija.
- Uvek isključite radio pre instaliranja ili uklanjanja kertridža za bateriju.
- Budite oprezni da ne ispusite ili udarite radio. Slomljena školjka vam može poseći prst ili ubosti telo. Oštećeni radio može da ispolji nepredvidljivo ponašanje koje može dovesti do požara, eksplozije ili opasnosti od povreda.

VAŽNO:

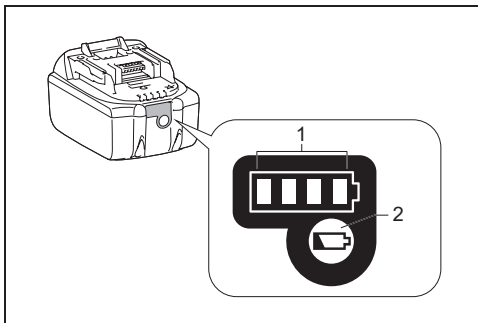
- Smanjena snaga, distorzija, zvuk „mucanja“ ili kad se indikator za nisku bateriju i „POWERFAIL“ pojave na ekranu, su sve znakovi da je potrebno zameniti glavnu bateriju.
- Kada se pojavi indikator za nisku bateriju i „EMPTY“ nastavlja treperi, vreme je da se zamene rezervne baterije.
- Kertridž za bateriju se ne može puniti preko isporučeno adaptera za naizmeničnu struju.
- Kertridž za bateriju nije uključen kao standardan pribor.

Instaliranje ili uklanjanje kertridža za slajd bateriju (sl. 4 & 5)

- Da biste postavili kertridž za bateriju, poravnajte jezik na kertridžu sa žlebom na kućištu i gurnite ga unutra. Postarajte se da je ubačen skroz do kraja, kada se čuje klik znači da je leglo na mesto.
- Ako vidite crveni indikator na gornjoj strani tastera, znači da nije u potpunosti zaključan. Instalirajte ga do kraja tako da se crveni indikator više ne vidi. Ukoliko to ne uradite, može slučajno da ispadne iz radija, uzrokujući povredu vama ili nekome pored vas.
- Nemojte ubacivati kertridž na silu. Ako kertridž ne sklizne unutra sa lakoćom znači da nije ispravno ubačen.
- Da biste uklonili baterijski kertridž, prevucite ga od radija dok prevlačite taster sa prednje strane kertridža.

Prikazivanje preostalog kapaciteta baterije

* Samo za kertridže za bateriju sa oznakom „B” na kraju broja modela.



➤ 1. Indikatori lampica 2. Dugme za potvrdu

Pritisnite dugme za potvrdu na kertridžu za bateriju da bi vam pokazalo preostali kapacitet baterije. Indikatori lampice zasvetle na par sekundi.

● Za baterije od 14.4V/18V

Indikatori lampica			Preostali kapacitet
Osvetljeno	Isključeno	Treptajuće	
■	□	◐	75% ~ 100%
■	■	■	
■	■	□	50% ~ 75%
■	□	□	25% ~ 50%
■	□	□	0% ~ 25%
◐	□	□	Napunite bateriju
■	■	□	Možda je došlo do kvara sa baterijom
□	□	■	

● 10.8V-12V макс. батерији

Indikatori lampica			Preostali kapacitet
Osvetljeno	Isključeno	Treptajuće	
■	□	◐	75% ~ 100%
■	■	■	
■	■	□	50% ~ 75%
■	□	□	25% ~ 50%
■	□	□	0% ~ 25%

NAPOMENA:

U zavisnosti od uslova korišćenja i temperature u okolini, indikator se može neznatno razlikovati od stvarnog kapaciteta.

Instalacija rezervne baterije (Sl. 2 & 3)

Čuvanje baterija unutar pregradka sprečava gubitak sačuvanih podataka u unapred određenim memorijama.

1. Izvucite pregradak za skladištenje baterije da bi pregradak za bateriju bio oslobođen. Postoji pregradak za glavnu bateriju i pregradak za rezervnu bateriju.
2. Uklonite poklopac pregradka za rezervnu bateriju i umetnite 2 nove UM-3 baterije (AA veličine). Uverite se da su baterije postavljene na ispravan polaritet kao što je prikazano unutar pregradka. Vratite poklopac pregradka.
3. Nakon što su rezervne baterije umetnute, ubacite glavnu bateriju za napajanje radija.

Korišćenje isporučenog AC adaptera za napajanje

Uklonite gumeni štitičnik i priključite utikač adaptera u utičnicu jednosmerne struje na desnoj strani radija. Priključite adapter u standardnu utičnicu za struju. Kad god se koristi adapter, baterija se automatski isključuje.

⚠ OPREZ:

- Uvek isključite adapter za naizmeničnu struju pre nego što premestite radio. Ukoliko adapter za naizmeničnu struju nije uklonjen, može doći do strujnog udara.
- Nikada ne vucite i/ili povlačite kabl adaptera. Ako to uradite, radio može slučajno da padne, uzrokujući povredu vama ili nekome pored vas.

VAŽNO:

- Adapter za električnu mrežu se koristi kao sredstvo za povezivanje radija sa glavnim izvorom električne energije. Utičnica koja se koristi za radio mora da ostane dostupna tokom normalne upotrebe.
- Da biste isključili radio, adapter se mora u potpunosti ukloniti iz glavne utičnice.
- Koristite AC adapter za napajanje dostavljen sa proizvodom ili navedenim od strane kompanije Makita.
- Nemojte držati kabl za napajanje i utikač blizu usta. To može dovesti do strujnog udara.
- Nemojte dodirivati utikač vlažnim ili masnim rukama.
- Oštećeni ili zamršeni kablovi povećavaju rizik od strujnog udara. Ako je kabl oštećen, zamenite ga u našem ovlašćenom servisnom centru da biste izbegli bezbednosnu opasnost. Nemojte ga koristiti pre popravke.
- Nakon upotrebe, čuvajte AC adapter za napajanje van domašaja dece. Ako se deca igraju sa kablom, mogu pretrpeti povredu.

Napomena:

Kada radio u AM opsegu ima bilo kakve smetnje od strane

adaptera, udaljite radio od AC adaptera za napajanje na preko 30cm.

Punjenje putem USB priključka za napajanje

USB priključak je na prednjoj strani radija. Možete puniti USB uređaj putem USB priključka.

1. Povežite USB uređaj, kao što su MP3 ili CD plejer, sa USB kablom dostupnim na tržištu.
2. Pritisnite taster Napajanje da biste uključili radio.
3. Bez obzira da li se radio napaja strujom ili na baterije, radio može da puni USB uređaj kada je uključen i u FM režimu, Bluetooth režimu ili režimu pomoćnog ulaza, koji se pojavljuje kada je povezan eksterni izvor audio signala.

Napomena:

- Ne možete puniti USB uređaje tokom AM režima jer prijem radio signala postaje izuzetno loš tokom punjenja USB uređaja.
- Maksimalna jačina zvuka izlazne snage zvučnika će se smanjiti tokom USB punjenja.
- USB priključak može da obezbedi maksimalnu struju od 5V / 2.4A.

VAŽNO:

- Pre povezivanja USB uređaja na punjač, uvek napravite rezervnu kopiju vaših podataka sa USB uređaja. U suprotnom, postoji mogućnost da podaci budu izgubljeni.
- Moguće je da punjač ne može da napuni određene USB uređaje.
- Kada nije u upotrebi ili nakon punjenja, uklonite USB kabl i zatvorite poklopac.
- Nemojte povezivati izvor napajanja na otvor za USB. U suprotnom, postoji opasnost od požara. Otvor za USB je namenjen samo za punjenje uređaja sa niskim naponom. Uvek vratite poklopac na otvor za USB kada se ne puni uređaj sa niskim naponom.
- Ne stavljajte ekser, žicu, itd. na USB otvor za napajanje. U suprotnom, kratak spoj može prouzrokovati dim ili požar.
- Nemojte povezivati ovaj USB priključak sa otvorom za USB na vašem računaru, jer je veoma moguće da bi to prouzrokovalo kvar na uređajima.

SLUŠANJE RADIJA

Podešavanje skeniranjem AM/FM

Napomena:

FM antena je ugrađena u ručku. Prilikom korišćenja radija, pravilno ispravite ručku iznad radija da biste imali bolji prijem. Za AM opseg, rotirajte radio da biste dobili najbolji signal jer je AM antena ugrađena u radio.

1. Pritisnite taster Napajanje da biste uključili radio.
2. Pritisnite taster Izvor da biste izabrali AM ili FM radio režim.

3. Pritisnite i držite dugme Kontrola podešavanja da bi se izvršilo automatsko podešavanje. Radio će skenirati AM/FM opseg trenutno prikazane frekvencije i automatski će prestati skeniranje kada pronađe stanicu sa dovoljno jakim signalom.
4. Nakon par sekundi ekran će se ažurirati. Na ekranu će se prikazati frekvencija pronađenog signala.
5. Da biste pronašli drugu stanicu, pritisnite i držite dugme Kontrola podešavanja kao i ranije.
6. Kada se dostigne kraj talasnog opsega, radio će ponovo pokrenuti podešavanje sa suprotnog kraja talasnog opsega.
7. Rotirajte dugme Kontrola podešavanja da biste podesili nivo zvuka po želji.

Napomena:

- Prilikom podešavanja jačine zvuka, postarajte se da na ekranu ne treperi AM/FM.
 - Ako AM/FM treperi na ekranu, omogućava vam da ručno podesite stanice (za više detalja pogledajte odeljak „Ručno podešavanje – AM/ FM“).
 - Jačina zvuka ne sme da bude prevelika. Da biste sprečili moguće oštećenje sluha, nemojte slušati na visokom nivou zvuka tokom dužeg vremenskog perioda.
8. Da biste isključili radio pritisnite taster Napajanje.

Ručno podešavanje – AM/FM

1. Pritisnite taster Napajanje da biste uključili radio.
2. Pritisnite taster Izvor da biste izabrali AM ili FM radio režim.
3. Pritisnite dugme Kontrola podešavanja i na ekranu ćete videti kako FM ili AM treperi.

Napomena:

- AM/FM će treperiti oko 10 sekundi. U tom periodu dozvoljeno je samo ručno podešavanje.
 - Ako želite da podesite jačinu zvuka dok AM/FM treperi, pritisnite dugme Kontrola podešavanja da biste zaustavili treperenje, zatim rotirajte dugme Kontrola podešavanja da biste podesili nivo zvuka.
4. Rotirajte dugme Kontrola podešavanja da biste podesili stanicu.
 5. Kada stigne do kraja talasnog opsega, radio će ponovo pokrenuti podešavanje sa suprotnog kraja talasnog opsega.
 6. Rotirajte dugme Kontrola podešavanja da biste podesili nivo zvuka po želji.

Podešavanje unapred određenih stanica u AM/FM režimu

Postoje 5 unapred određenih stanica za AM i FM radio, pojedinačno. Koriste se na isti način za svaki talasni opseg.

1. Pritisnite taster Napajanje da biste uključili radio.
2. Pritisnite taster Izvor da biste izabrali željeni talasni opseg. Podesite željenu stanicu kao što je prethodno

opisano.

3. Pritisnite i držite željeni taster Predložak (1 do 5) dok se na ekranu ne pojavi „P4“, na primer nakon frekvencije. Stanica će biti sačuvana na broju unapred određenog predložka. Ponovite proceduru po želji za preostale brojeve predložka.
4. Unapred određene stanice koje su već sačuvane mogu biti zamenjene po potrebi sledejući gore pomenutu proceduru.

Režimi prikaza – FM

Vaš radio ima niz opcija prikaza za FM radio režim.

Nekoliko puta pritisnite taster Meni/Info da biste videli RDS informacije za stanicu koju slušate.

- | | |
|----------------------|---|
| a. Ime stanice | Prikazuje ime stanice koju slušate. |
| b. Vrsta programa | Prikazuje vrstu stanice koju slušate kao što su Pop, Klasika, Vesti, itd. |
| c. Tekst radija | Prikazuje tekstualne poruke radija kao što su nove stavke, itd. |
| d. Godina/Dan | Prikazuje godinu i dan u nedelji u skladu sa podešavanjima datuma na radiju. |
| e. Datum/Dan | Prikazuje datum i dan u nedelji u skladu sa podešavanjima datuma na a radiju. |
| f. Režim ekvilajzera | Prikazuje režim ekvilajzera FM stanice koju slušate. |
| g. Frekvencija | Prikazuje frekvenciju FM stanice koju slušate. |

FM stereo (auto)/mono

Ako FM radio stanica koju slušate ima slab signal, možda će se čuti šum. Moguće je smanjiti šum tako što ćete forsirati radio da reprodukuje stanicu u mono režimu umesto stereo režimu.

1. Pritisnite taster Izvor po potrebi da biste izabrali FM opseg i podesili željenu FM stanicu kao što je prethodno navedeno.
2. Pritisnite i držite taster Meni/Info da biste ušli u meni podešavanja.
3. Rotirajte dugme Kontrola podešavanja dok se „FM AUTO (ili MONO)“ postavka ne pojavi na ekranu. Ako je postavka na Auto, pritisnite dugme Kontrola podešavanja i zatim ga rotirajte da biste se prebacili na Mono režim i tako smanjili šum. Pritisnite dugme Kontrola podešavanja da biste izabrali opciju.

Opozivanje predložka u AM/FM režimu

1. Pritisnite taster Napajanje da biste uključili radio.
2. Pritisnite taster Izvor da biste izabrali AM ili FM radio režim.
3. Odmah pritisnite željeni taster Predložak da biste podesili radio na jednu od stanica koje su unapred određene u memoriji.

RAZNA PODEŠAVANJA

Podešavanje formata za vreme i datum

Prikaz sata koji se koristi u režimu mirovanja i prikaz u režimu reprodukcije mogu biti podešeni na različite formate. Izabrani format se tada koristi i tokom postavljanja alarma.

1. Pritisnite i držite taster Meni/Info da biste ušli u meni podešavanja.
2. Rotirajte dugme Kontrola podešavanja dok se „CLOCK xxH“ ne pojavi na ekranu, zatim pritisnite dugme Kontrola podešavanja da biste ušli u postavku. Videćete da format za vreme počinje da treperi.
3. Rotirajte dugme Kontrola podešavanja da biste izabrali 12-časovni ili 24-časovni format. Pritisnite dugme Kontrola podešavanja da biste potvrdili izbor formata za sat.

Napomena:

Ako je izabran 12-časovni format za sat, radio će koristiti 12-časovni sat kao postavku.

4. Pritisnite i držite taster Meni/Info da biste ušli u meni podešavanja.
5. Rotirajte dugme Kontrola podešavanja dok se datum (npr. THU APR 3) ne pojavi na ekranu, zatim pritisnite dugme Kontrola podešavanja da biste ušli u postavku. Videćete da format datuma počinje da treperi.
6. Rotirajte dugme Kontrola podešavanja da biste izabrali željeni format datuma. Pritisnite dugme Kontrola podešavanja da biste potvrdili vaš izbor.

Podešavanje vremena i datuma

1. Pritisnite i držite taster Meni/Info.
2. Rotirajte dugme Kontrola podešavanja dok se „CLOCK ADJ“ ne pojavi na ekranu. Pritisnite dugme Kontrola podešavanja da biste ušli u postavku.
3. Na ekranu će početi da treperi postavka za sat. Rotirajte dugme Kontrola podešavanja da biste izabrali željeni sat i pritisnite dugme Kontrola podešavanja da biste potvrdili podešavanje. Zatim rotirajte dugme Kontrola podešavanja da biste izabrali željeni minut i pritisnite dugme Kontrola podešavanja da biste potvrdili podešavanje.
4. Rotirajte dugme Kontrola podešavanja dok se „DATE ADJ“ ne pojavi na ekranu. Pritisnite dugme Kontrola podešavanja da biste ušli u postavku.
5. Rotirajte dugme Kontrola podešavanja da biste izabrali željenu godinu i pritisnite dugme Kontrola podešavanja da biste potvrdili podešavanje. Zatim rotirajte dugme Kontrola podešavanja da biste izabrali željeni mesec i pritisnite dugme Kontrola podešavanja da biste potvrdili podešavanje. Na kraju rotirajte dugme Kontrola podešavanja da biste izabrali željeni dan i pritisnite dugme Kontrola podešavanja da biste potvrdili podešavanje.

Radijski Sistem Podataka (RDS)

Kada podesite vreme na satu koristeći RDS funkciju, radio će sinhronizovati vreme na satu svaki put kada se podesi na radio stanicu koja koristi RDS sa CT (vreme sata) signalima.

1. Kada se povezujete na stanicu koja prenosi RDS podatke, RDS simbol će se prikazati na ekranu. Pritisnite i držite taster Meni/Info.
2. Rotirajte dugme Kontrola podešavanja dok se na ekranu ne pojave „RDS CT“ i simbol za sat. Pritisnite dugme Kontrola podešavanja da biste ušli u postavku.
3. Rotirajte dugme Kontrola podešavanja dok se „RDS CT“ ne pojavi na ekranu. Pritisnite dugme Kontrola podešavanja da biste potvrdili podešavanje. Vreme sata na radiju će se automatski podesiti u skladu sa primljenim RDS podacima.

Napomena:

- Vreme sata na radiju će važiti 5 dana svaki put kada se vreme radija sinhronizuje sa „RDS CT“.
- Da biste onemogućili funkciju „RDS CT“, vratite se na korake 1 do 2, zatim rotirajte dugme Kontrola podešavanja da biste izabrali opciju „MANUAL“. Pritisnite dugme Kontrola podešavanja da biste potvrdili podešavanje.

Podešavanje alarma

Vaš radio ima dva alarma od kojih svaki može biti podešen da vas budi sa AM/FM radiom ili alarmom sa zvučnim signalom. Alarmi se mogu podesiti dok je jedinica u stanju pripravnosti ili tokom reprodukcije.

Napomena: Uverite se da je vreme ispravno podešeno pre nego što podesite alarme. Ako se za 10 sekundi ne pritisne nijedan taster, radio će izaći iz podešavanja alarma.

a. Podešavanje vremena radio alarma:

1. Radio može biti podešen bez obzira da li je uključen ili isključen.
2. Pritisnite i držite taster Radio alarm. Simbol radio alarma i sat na ekranu će zatreperiti uz zvučni signal.
3. Dok simbol radio alarma treperi, rotirajte dugme Kontrola podešavanja da biste izabrali sat i ponovo pritisnite dugme da biste potvrdili podešavanje sata. Nakon toga, rotirajte dugme Kontrola podešavanja da biste izabrali minute i ponovo pritisnite dugme da biste potvrdili podešavanje minuta.
4. Rotirajte dugme Kontrola podešavanja i ekran će prikazati opcije učestalosti za alarm. Opcije alarma su sledeće:
JEDNOM – alarm će se oglasiti jednom
SVAKODNEVNO – alarm će se oglašavati svakog dana
RADNI DANI – alarm će se oglašavati radnim danima
VIKEND – alarm će se oglašavati samo vikendom

Pritisnite dugme Kontrola podešavanja da biste potvrdili podešavanje.

5. Dok simbol radio alarma treperi, rotirajte dugme Kontrola podešavanje da biste izabrali željeni opseg i stanicu za buđenje, zatim pritisnite dugme Kontrola podešavanja da biste potvrdili izbor.
6. Rotirajte dugme Kontrola podešavanja da biste izabrali željenu jačinu zvuka, zatim ponovo pritisnite dugme da biste potvrdili jačinu zvuka. Podešavanje Radio alarma je sada završeno.

Napomena:

- Ako nije izabrana nova radio stanica za alarm, izabraće se stanica koja je korišćena za poslednji alarm.
- Ako izabrana AM/FM stanica za alarm nije dostupna kada se alarm oglasi, koristeći se alarm sa zvučnim signalom umesto nje.

b. Podešavanje HSB (Humanog Sistema Buđenja) alarma sa zvučnim signalom:

Aktiviraće se zvučni signal prilikom izbora HSB alarma sa zvučnim signalom.

Zvučni signal alarma će se oglašavati kraće svakih 15 sekundi tokom jedne minute, nakon čega sledi jedna minuta tišine pre ponavljanja ciklusa.

1. Alarm sa zvučnim signalom može da bude podešen bez obzira da li je radio uključen ili isključen.
2. Pritisnite i držite taster Alarm sa zvučnim signalom. Simbol i sat na ekranu će zatreperti uz zvučni signal.
3. Dok simbol alarma sa zvučnim signalom treperi, rotirajte dugme Kontrola podešavanja da biste izabrali sat, potom ponovo pritisnite dugme Kontrola podešavanja da biste potvrdili podešavanje sata. Nakon toga, rotirajte dugme Kontrola podešavanja da biste izabrali minute i ponovo pritisnite dugme da biste potvrdili podešavanje minuta.
4. Rotirajte dugme Kontrola podešavanja i ekran će prikazati opcije učestalosti za alarm. Opcije alarma su sledeće:
JEDNOM – alarm će se oglasiti jednom
SVAKODNEVNO – alarm će se oglašavati svakog dana
RADNI DANI – alarm će se oglašavati radnim danima
VIKEND – alarm će se oglašavati samo vikendom
Pritisnite dugme Kontrola podešavanja da biste potvrdili podešavanje.

Napomena:

Nema podešavanja jačine zvučnog signala za alarm.

Zaustavljanje zvuka alarma

Da biste poništili alarm koji zvoni, pritisnite taster Napajanje.

Onemogućavanje postavljenog alarma

Da biste onemogućili postavljeni alarm pre nego što se oglasi, pritisnite i držite odgovarajući taster za alarm dok ne nestane simbol alarma na ekranu.

Odlaganje

1. Kada se oglasi alarm, pritisnite bilo koji taster, osim tastera Napajanje, da biste utišali alarm na 5 minuta. Na ekranu će se pojaviti „SNOOZE“.
2. Da biste podesili vreme tišine za tajmer odlaganja, pritisnite i držite taster Meni/Info da biste ušli u meni podešavanja.
3. Rotirajte dugme Kontrola podešavanja dok se „SNOOZE X“ ne pojavi na ekranu, zatim pritisnite dugme Kontrola podešavanja da biste ušli u postavku. Rotirajte dugme Kontrola podešavanja da biste podesili vreme tišine na 5, 10, 15 ili 20 minuta za tajmer odlaganja.
4. Da biste otkazali tajmer odlaganja dok je alarm obustavljen, pritisnite taster Napajanje.

Tajmer za spavanje

Vaš radio može biti podešen da se automatski isključi nakon isteka unapred određenog vremena. Tajmer za spavanje može biti podešen između 15, 30, 45, 60, 90 i 120 minuta.

1. Pritisnite i držite taster Napajanje da biste ušli u podešavanje Tajmer za spavanje. Na ekranu će se pojaviti „SLEEP XX“.
2. Nastavite da držite taster Napajanje i na ekranu će početi da se razmenjuju opcije Tajmera za spavanje. Zaustavite se kada se na ekranu pojavi željena opcija Tajmera za spavanje. Podešavanje će biti sačuvano i LCD će se vratiti na normalan prikaz.
3. Radio će se automatski isključiti kada istekne unapred određeno vreme Tajmera za spavanje. Ikona Tajmer za spavanje će biti prikazana na ekranu, označavajući aktivni Tajmer za spavanje.
4. Da biste otkazali funkciju Tajmer za spavanje pre isteka unapred određenog vremena, jednostavno pritisnite taster Napajanje da biste ručno isključili jedinicu.

Glasnost

Podešavanjem funkcije glasnosti možete dobiti kompenzaciju na niže i više frekvencije vašeg radija.

1. Pritisnite i držite taster Meni/Info da biste ušli u meni podešavanja.
2. Rotirajte dugme Kontrola podešavanja dok se „LOUD ON“ ili „LOUD OFF“ ne pojave na ekranu. Pritisnite dugme Kontrola podešavanja da biste ušli u postavku.
3. Rotirajte dugme Kontrola podešavanja da biste izabrali ON za uključivanje funkcije glasnosti, zatim pritisnite dugme Kontrola podešavanja da biste potvrdili podešavanje.
4. Da biste isključili funkciju glasnosti, izaberite OFF i pritisnite dugme Kontrola podešavanja da biste potvrdili podešavanje.

Funkcija ekvilajzera

Oko dugmeta Kontrola podešavanja postoji 7 vrsta boja LED indikatora koji označavaju različite režime ekvilajzera.

1. Pritisnite taster Napajanje da biste uključili radio.
2. Pritisnite taster Kontrola ekvilajzera da biste ušli u meni podešavanja ekvilajzera.
3. Rotirajte dugme Kontrola podešavanja da biste izabrali željeni režim. Nakon toga, pritisnite dugme Kontrola podešavanja da biste potvrdili izbor.

Režim ekvilajzera	LED indikator
MONOTONO	Belo
DŽEZ	Plavo
ROK	Crveno
KLASIKA	Braon
POP	Ružičasto
VESTI	Žuto
MOJ EKVIJAJZER	Zeleno

Podesi moj profil ekvilajzera

1. Pritisnite taster Kontrola ekvilajzera da biste ušli u meni podešavanja ekvilajzera.
2. Rotirajte dugme Kontrola podešavanja da biste izabrali „MY EQ“. Zatim pritisnite dugme Kontrola podešavanja da biste ušli u postavke za „BASS“.
3. Rotirajte dugme Kontrola podešavanja da biste izabrali željeni nivo basa. Pritisnite dugme Kontrola podešavanja da biste ušli u postavke za „MIDDLE“.
4. Rotirajte dugme Kontrola podešavanja da biste izabrali željeni srednji nivo. Pritisnite dugme Kontrola podešavanja da biste ušli u postavke za „TREBLE“.
5. Rotirajte dugme Kontrola podešavanja da biste izabrali željeni nivo visokih tonova. Pritisnite dugme Kontrola podešavanja da biste potvrdili podešavanje.

Napomena:

- Kada koristite ekvilajzer da biste naglasili bas i slušali na visokim nivoima jačine zvuka, može doći do pucketanja i izobličenja samog zvuka. U tom slučaju, podesite jačinu zvuka radija na odgovarajući nivo.

SLUŠANJE MUZIKE PUTEM BLUETOOTH PROTOKA

Da biste reprodukovali/strimovali Bluetooth muziku na radiju putem automatskog povezivanja, potrebno je da prvo uparite vaš Bluetooth uređaj sa radiom. Uparivanje stvara "vezu" tako da oba uređaja mogu međusobno da se prepoznaju.

Napomena:

- Da biste imali bolji kvalitet zvuka, preporučujemo vam da podesite jačinu zvuka Bluetooth uređaja na nivo viši od dve trećine, a zatim podesite jačinu zvuka na radiju po potrebi.
- Radio može da memoriše do 8 skupova uparenih uređaja. Kada memorija premaši ovaj iznos, najstarija istorija uparivanja će biti zamenjena.

Prvo uparivanje Bluetooth uređaja

1. Pritisnite taster Napajanje da biste uključili radio. Pritisnite taster Izvor da biste izabrali Bluetooth režim. Na ekranu će se pojaviti „BT PAIR“ i „PAIR“ će početi da treperi.

2. Da biste se povezali sa radiom aktivirajte Bluetooth na vašem uređaju u skladu sa korisničkim uputstvom tog uređaja. Pronađite spisak Bluetooth uređaja i izaberite uređaj pod nazivom „DMR114“ (sa nekim mobilnim telefonima, koji su opremljeni starijim verzijama od BT.2.1 Bluetooth uređaja, ćete možda morati da unesete šifru „0000“).
3. Kada je uspešno povezan, čuće se zvuk potvrde. „BLUETOOTH“ će ostati na ekranu i pozadinsko osvetljenje će se zatamniti za 10 sekundi. Možete jednostavno da izaberete i reprodukujete bilo koju muziku sa izvornog uređaja. Kontrola jačine zvuka se može podesiti sa izvornog uređaja ili direktno sa radija.
4. Koristite kontrole na vašem Bluetooth uređaju ili na radiju da biste reprodukovali/pauzirali i upravljali numerama.

Napomena:

- Ako dva Bluetooth uređaja, koji se uparju po prvi put, traže radio, on će pokazati dostupnost na oba uređaja. Međutim, ako se jedan od uređaja prvi poveže sa jedinicom, onda se jedinica neće pojaviti na spisku drugog Bluetooth uređaja.
- Ako vaš Bluetooth uređaj privremeno izgubi vezu sa radiom, moraćete ponovo ručno da povežete uređaj sa radiom.
- Ako se „DMR114“ pojavljuje na spisku vašeg Bluetooth uređaja ali uređaj ne može da se poveže sa njim, izbrišite stavku sa spiska i ponovo uparite uređaj sa radiom prateći prethodno navedene korake.
- Optimalan domet Bluetooth protoka je približno 10 metara (30 stopa) (pravolinijski) od radija ali su moguće razdaljine i do 30 metara (100 stopa).
- Ako se izgubi Bluetooth veza usled prekoračenja vremenske razdvojenosti, prekoračenja optimalne razdaljine, prepreka ili drugo, možda će biti potrebno ponovno povezivanje uređaja sa radiom.
- Fizičke prepreke, drugi bežični uređaji ili elektromagnetni uređaji mogu da utiču na kvalitet veze.
- Performans Bluetooth veze može da varira u zavisnosti od povezanih Bluetooth uređaja. Proverite mogućnosti vašeg Bluetooth uređaja pre povezivanja sa radiom. Možda nisu podržane sve funkcije na nekim uparenim Bluetooth uređajima.

Reprodukovanje audio datoteka u Bluetooth režimu

Nakon uspešnog povezivanja radija sa izabranim Bluetooth uređajem, možete da počnete da reprodukujete muziku koristeći kontrole na povezanom Bluetooth uređaju.

1. Kada započne reprodukcija, podesite jačinu zvuka na željeno podešavanje koristeći dugme Jačina zvuka na radiju ili na omogućenom Bluetooth uređaju.
2. Koristite kontrole na izvornom Bluetooth uređaju da biste reprodukovali/pauzirali i upravljali numerama. Osim toga, možete da kontrolišete reprodukciju na radiju koristeći tastere Reprodukcija/Pauza, Sledeća numera, Prethodna numera.
3. Pritisnite i držite taster Sledeća numera ili Prethodna numera da biste preskakali kroz trenutnu numeru. Otpustite taster kada dođete do željene tačke.

Napomena:

- Neke aplikacije ili uređaji za reprodukciju možda neće

reagovati na sve ove kontrole.

- Neki mobilni telefoni mogu privremeno da prekinu vezu sa radiom prilikom upućivanja ili primanja poziva. Neki uređaji mogu privremeno da priguše zvuk Bluetooth audio strimovanja kada prime tekstualne poruke, e-poštu ili iz drugih razloga koji nisu povezani sa audio strimovanjem. Takvo ponašanje je funkcija povezanog uređaja i ne ukazuje na grešku sa radiom.

Reprodukcovanje prethodno povezanog Bluetooth izvornog uređaja

Ako je vaš Bluetooth uređaj već bio uparen sa radiom, radio će imati vaš Bluetooth uređaj zapamćen i pokušaći ponovo da se poveže sa uređajem iz memorije sa kojim je poslednji put bio povezan. Ako je poslednji povezani uređaj nedostupan, radio će biti vidljiv za novo uparivanje.

Prekidanje veze sa Bluetooth uređajem

Pritisnite i držite 2-3 sekunde taster za Bluetooth uparivanje dok se „BT PAIR“ ne pojavi na ekranu ili isključite Bluetooth na vašem Bluetooth uređaju da biste onemogućili vezu.

Takođe možete da pritisnete taster Izvor da biste izabrali bilo koji drugi režim osim Bluetooth režima i tako onemogućili vezu.

Brisanje Bluetooth memorije uparenih uređaja

Da biste obrisali memoriju svih uparenih uređaja, pritisnite i držite taster za Bluetooth uparivanje više od 5 sekundi dok se „CLEARING“ ne pojavi na ekranu.

PRIKLJUČAK ZA POMOĆNI ULAZ

Priključak za pomoćni ulaz od 3.5mm je snabdeven sa prednje strane radija kako bi se omogućio unos audio signala u jedinicu sa spoljnog audio uređaja kao što su MP3 ili CD plejer.

1. Povežite spoljni audio izvor (na primer, MP3 ili CD plejer) na priključak za pomoćni ulaz.
2. Pritisnite taster Napajanje da biste uključili radio.
3. Neprekidno pritisnite i otpustite taster Izvor dok se ne pojavi „AUX IN“.
4. Da biste imali bolji kvalitet zvuka, preporučujemo vam da podesite jačinu zvuka audio uređaja na nivo viši od dve trećine, a zatim podesite jačinu zvuka na radiju po potrebi.

Napomena:

Audio kabl nije uključen u standardni pribor.

ZA ODRŽAVANJE

⚠ OPREZ:

- Nikada ne koristite benzin, razređivač, alkohol ili slične proizvode. Može prouzrokovati promenu boje, deformacije ili pukotine.
- Ne perite radio vodom.

SPECIFIKACIJE

Zahtevi za napajanje	
Adapter naizmenične struje	DC 12V 2.5A, centralni pin pozitivan
Baterija	UM-3 (AA size) x2 za rezervu baterija: 10.8V - 18V
Pokrivenost frekvencije	FM87.50-108MHz (0.05MHz/step) AM(MW)522-1,710kHz (9 kHz/step)

Bluetooth®	
(Bluetooth® oznaka i logotipi su registrovani zaštitni znaci u vlasništvu Bluetooth SIG, Inc.)	
Bluetooth verzija	5.0 Certifikovano
Bluetooth Profili	A2DP / SCMS-T / AVRCP
Snaga prenosa	Power Class 2
Opseg prenosa	Optimalno: Maks.10 metara (33 stopa) Moguće: Maks.30 metara (100 stopa) (varira u zavisnosti od uslova korišćenja)
Podržani kodek	SBC
Kompatibilan Bluetooth profil	A2DP / AVRCP
Maksimalna snaga radio frekvencije	BT EDR: 3.91dBm
Radna Frekvencija	2402MHz~2480MHz

Druge odlike	
Zvučnik	2.5 inči 8 ohm x2 4 inči 6 ohm x1
Izlazna snaga	10.8V-12Vmaks: 2W x2 +10W 14.4V: 3W x2 +15W 18V: 5W x2 + 25W
Ulazni terminal	3.5 mm dia. (POMOĆNI ULAZ)
Sistem antena	FM: Ugrađena antena AM: bar antena
Dimenzije (D x Š x V)	268 x 164 x 295 mm
Težina	4.9 KG (bez baterije)

ROMÂNĂ

(Instrucțiuni originale)



Doar pentru țările UE.
Nu aruncați echipamentul electric sau acumulatorul împreună cu deșeurile menajere! În conformitate cu directivele europene, privind echipamentele electrice și electronice uzate, bateriile și acumulatorii și bateriile și acumulatorii uzați și implementarea acestora în conformitate cu legislația națională, echipamentele electrice și bateriile și acumulatorii care au atins durata de viață trebuie să fie colectate separat și returnate la un punct de reciclare compatibilă cu mediul.

EXPLICAȚII ALE VEDERII GENERALE (Fig. 1)

1. Antenă încorporată (AM)
2. Mâner / antenă încorporată (FM)
3. Element de blocare al compartimentul bateriei
4. Capacul compartimentului bateriei (care acoperă cartușul acumulatorului)
5. Difuzor
6. Mufă de intrare curent continuu (DC)
7. Subwoofer
8. Buton de pornire / temporizarea închiderii
9. Buton sursă
10. Buton de alarmă radio
11. Buton de alarmă cu sonerie
12. Buton presetat 3 / Redare / Pauză
13. Buton presetat 5
14. Buton presetat 4 / Următorul titlu
15. Buton pentru controlul volumului / reglajului / selectare
16. Buton de comandă EQ
17. Intrare auxiliară (AUX IN)
18. Port USB de alimentare
19. Buton Meniu / Info
20. Indicator LED pentru modul EQ
21. Buton presetat 2 / Titlu anterior
22. Buton presetat 1 / Asociere Bluetooth
23. Ecran LCD
24. Compartiment pentru baterie
25. Compartiment pentru bateria de rezervă

ECRAN LCD

- A. Alarmă radio
- B. Alarmă tip sonerie
- C. Simbol Stereo
- D. Indicator baterie la nivel scăzut
- E. Ceas
- F. Frecvență
- G. RDS (Radio data system) (Sistem de date radio)
- H. Pictograma temporizatorului de închidere
- I. Simbol PM pentru ceas

SIMBOLURI

Mai jos sunt prezentate simbolurile de pe echipament. Asigurați-vă că înțelegeți semnificația lor înainte de utilizare.



Citiți manualul de utilizare.

INSTRUCȚIUNI DE SIGURANȚĂ IMPORTANTE

⚠️ ATENȚIE:

Când utilizați scule electrice, trebuie luate întotdeauna măsuri de siguranță elementare pentru a reduce riscul de incendiu, șoc electric, vătămare corporală, incluzând următoarele:

1. Citiți acest manual de utilizare și manualul de utilizare al încărcătorului cu atenție înainte de folosire.
2. Curățați numai cu o cârpă uscată.
3. Nu instalați lângă surse de căldură, cum ar fi radiatoare, aeroterme, sobe sau alte aparate (inclusiv amplificatoare) care produc căldură.
4. Folosiți doar dispozitive atașate / accesorii recomandate de producător.
5. Deconectați acest aparat în timpul furtunilor cu fulgere sau când nu este utilizat pentru perioade lungi de timp.
6. Un radio pe acumuloare, prevăzut cu acumuloare integrate sau cu cartuș de acumulator separat, poate fi încărcat doar cu încărcătorul specificat pentru acumulatorul respectiv. Un încărcător potrivit pentru un tip acumulator poate provoca risc de incendii dacă este folosit pentru un alt tip de acumulator.
7. Folosiți radioul pe acumuloare numai cu cartușele de acumuloare indicate în mod specific. Utilizarea oricăror alți acumuloare poate crea un risc de incendiu.
8. Atunci când acumulatorul nu este utilizat, păstrați-l departe de alte obiecte metalice, cum ar fi: agrafe de birou, monede, chei, cuie, șuruburi sau alte obiecte metalice mici, care pot face o conexiune între bornele lui. Scurtcircuitarea bornelor acumulatorului poate provoca scântei, arsuri sau incendiu.
9. Evitați contactul corpului cu suprafețe împănate ca țevi, radiatoare, cuptoare și frigidere. Există un risc crescut de electrocutare în cazul în care corpul dvs. devine parte a sistemului de împănare.
10. În condiții abuzive, lichidul poate fi evacuat din acumulator; evitați contactul. Dacă se produce contactul în mod accidental, clătiți cu apă. Dacă lichidul intră în contact cu ochii, cereți, de asemenea, sfatul medicului. Lichidul evacuat din acumulator

- poate cauza iritații sau arsuri.
11. Nu utilizați un acumulator sau un instrument deteriorat sau modificat. Bateriile deteriorate sau modificate pot prezenta comportament imprevizibil care poate duce la incendiu, explozie sau risc de rănire.
 12. Nu expuneți un acumulator sau dispozitiv la foc sau la temperaturi excesive. Expunerea la foc sau la temperaturi de peste 130 °C(266°F) poate provoca explozie.
 13. Urmați toate instrucțiunile de încărcare și nu încărcați acumulatorul sau dispozitivul în afara domeniului de temperatură specificat în instrucțiuni. Încărcarea necorespunzătoare sau la temperaturi în afara domeniului specificat poate conduce la deteriorarea bateriei și la creșterea riscului de incendiu.
 14. Conectorul la rețea este utilizat ca dispozitiv de deconectare și trebuie să rămână ușor operabil.
 15. Nu utilizați produsul la un volum mare pentru o perioadă lungă de timp. Pentru a evita deteriorarea auzului, utilizați produsul la un nivel de volum moderat.
 16. (Doar pentru produsele cu afișaj LCD) Ecranele LCD includ lichide care pot provoca iritații și otrăviri. Dacă lichidul intră în ochi, gură sau piele, clătiți cu apă și sunați medicul.
 17. Nu expuneți produsul la ploaie sau umezeală. Apa care intră în produs va crește riscul de electrocutare.
 18. Acest produs nu este destinat utilizării de către persoane (inclusiv copii) cu capacități fizice, senzoriale sau mentale reduse sau lipsite de experiență și cunoștințe, cu excepția cazului în care au fost supravegheate sau instruite cu privire la utilizarea produsului de către o persoană responsabilă pentru siguranța lor. Copiii trebuie supravegheați pentru vă asigura că nu se joacă cu produsul. Nu depozitați produsul la îndemâna copiilor.
- (3) Nu expuneți acumulatorul cartuș la apă sau ploaie. Un scurtcircuit al lui poate provoca o scurgere de curent, supraîncălzire, posibile arsuri și chiar defectarea.
 6. Nu depozitați dispozitivul și acumulatorul cartuș în locuri în care temperatura poate atinge sau depăși 50 °C (122 °F)
 7. Nu incinerati acumulatorul cartuș chiar dacă acesta este grav deteriorat sau complet uzat. Acumulatorul cartuș poate exploda în foc.
 8. Aveți grijă să nu scăpați pe jos sau să loviți acumulatorul cartuș.
 9. Nu utilizați un acumulator deteriorat.
 10. Pentru a evita riscul, manualul despre înlocuirea bateriei trebuie citit înainte de utilizare. Curentul maxim de descărcare al bateriei trebuie să fie mai mare sau egal cu 8A.
 11. Bateriile litiu-ion conținute sunt supuse cerințelor legislației privind mărfurile periculoase. Pentru transporturile comerciale, de ex. de către terți, agenți de expediere, trebuie respectate cerințele speciale privind ambalarea și etichetarea. Pentru pregătirea articolului expedit, este necesară consultarea unui expert pentru materialele periculoase. Respectați, de asemenea, reglementările naționale mai detaliate.
 - Lipiți bandă adezivă sau izolați contactele și împachetați bateria astfel încât să nu se poată mișca în ambalaj.
 12. Respectați reglementările locale privind eliminarea bateriilor.
 13. Folosiți bateriile numai cu produsele specificate de Makita. Instalarea bateriilor la produse neconforme poate duce la incendiu, căldură excesivă, explozie sau scurgeri de electroliti.

⚠️ ATENȚIE:

- **Pericol de explozie dacă bateria este înlocuită incorect.**
- **Înlocuiți numai cu același tip sau echivalent.**
- **Utilizați numai baterii originale Makita. Utilizarea bateriilor Makita neoriginale sau a bateriilor care au fost modificate poate duce la spargerea bateriilor, provocând incendii, vătămări corporale și pagube. De asemenea, va anula garanția Makita pentru dispozitivul și încărcătorul Makita.**

SALVAȚI ACESTE INSTRUCȚIUNI

REGULI DE SIGURANȚĂ SPECIFICE PENTRU ACUMULATORUL CARTUȘ

1. Înainte de a utiliza acumulatorul cartuș, citiți toate instrucțiunile și atenționările de pe (1) încărcător, (2) acumulator și (3) produsul ce folosește acumulatorul.
2. Nu dezasamblați acumulatorul cartuș.
3. În cazul în care timpul de operare a devenit excesiv de scurt, opriți imedia folosirea. Aceasta poate conduce la risc de supraîncălzire, posibile arsuri și chiar explozie.
4. Dacă electrolitul intră în contact cu ochii, clătiți cu apă curată și consultați imediat medicul. Aceasta poate duce la pierderea vederii.
5. Nu scurtcircuitați acumulatorul cartuș:
 - (1) Nu atingeți bornele cu niciun material conductor.
 - (2) Evitați depozitarea acumulatorului cartuș într-un recipient cu alte obiecte metalice cum ar fi cuie, monede etc.

Sfaturi pentru a menține viață acumulatorului la maxim

1. Încărcați acumulatorul cartuș înainte de a fi descărcat complet. Opriți întotdeauna funcționarea dispozitivului și încărcați acumulatorul cartuș când observați o scădere a energiei neltei.
2. Niciodată nu reîncărcați un acumulator cartuș complet încărcat. Supraîncărcarea scurtează durata de viață a acumulatorului.
3. Încărcați acumulatorul cartuș la temperatura camerei la 10 °C - 40 °C (50 °F - 104 °F). Lăsați o acumulatorul cartuș prea cald se răcească înainte de încărcarea lui.
4. Încărcați acumulatorul cartuș dacă nu îl utilizați pentru o perioadă lungă de timp (mai mult de șase luni).

TIMPI DE FUNCȚIONARE

* Bateriile potrivite pentru acest radio sunt prezentate în tabelul următor.

* Următorul tabel indică timpul de funcționare pentru o singură încărcare.

Capacitate acumulator	Tensiune cartuș de acumulator			LA IEȘIREA DIFUZORULUI = 100mW (unitatea: oră) (aproximativ)	
	10.8V -12Vmax	14.4V	18V	La radio sau AUX	La Bluetooth + Încărcare USB
1.3 Ah		BL1415		3.5	0.7
			BL1815	4.0	1.0
1.5 Ah	BL1015 BL1016			6.0	0.8
		BL1415N BL1415NA		4.5	0.9
			BL1815N	5.0	1.2
2.0 Ah	BL1020B BL1021B			8.0	1.0
			BL1820 BL1820B	6.5	1.6
3.0 Ah		BL1430 BL1430B BL1430A		8.0	1.6
			BL1830 BL1830B	9.5	2.3
4.0 Ah	BL1040B BL1041B			16	2.1
		BL1440		13	2.5
			BL1840 BL1840B	13	3.2
5.0 Ah		BL1450		15	3.0
			BL1850 BL1850B	17	4.2
6.0 Ah		BL1460B BL1460A		17	3.3
			BL1860B	21	5.0

⚠ ATENȚIE:

Folosiți doar acumulatori prezentați mai sus. Folosirea altor acumulatori poate cauza vătămări și/sau incendiu.

Notă:

- Tabelul privind timpul de funcționare a bateriei este orientativ.
- Timpul de funcționare actual poate diferi în funcție de tipul bateriei, condițiile de încărcare sau mediul de folosire.

INSTALAREA ȘI ALIMENTAREA CU ENERGIE

⚠️ ATENȚIE:

- Aveți grijă să nu vă prindeți degetele când deschideți și închideți capacul bateriei.
- Întoarceți compartimentul bateriei în poziția inițială, după instalarea sau scoaterea cartușului acumulatorului. În caz contrar, cartușul acumulatorului poate cădea accidental afară din radio, cauzând vătămarea dvs. sau a persoanei de lângă dvs.
- Întotdeauna închideți și blocați compartimentul bateriei înainte de a muta radioul.
- Oprțiți întotdeauna radioul înainte de a instala sau scoate cartușul bateriei.
- Aveți grijă să nu scăpați sau să loviți radioul. Carcasa ruptă vă poate tăia degetul sau vă poate răni corpul. Radioul deteriorat poate prezenta comportament imprevizibil care poate duce la incendiu, explozie sau risc de rănire.

IMPORTANT:

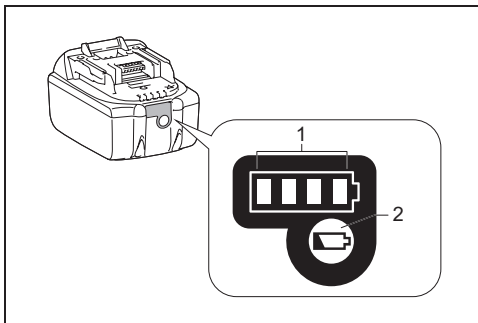
- Puterea redusă, distorsiunile, "sunetele sacadate" sau când apar atât indicatorul de baterie la nivel scăzut, cât și afișajul "PANĂ DE CURENT" pe ecran, sunt toate semne că bateria principală trebuie înlocuită.
- Atunci când indicatorul de baterie la nivel scăzut apare și mesaj "GOL" continuă să clipească, este timpul să înlocuiți bateriile de rezervă.
- Cartușul acumulatorului nu poate fi încărcat prin adaptorul de curent alternativ furnizat.
- Cartușul acumulatorului nu este inclus ca accesoriu standard.

Instalarea sau demontarea cartușului de acumulator cu introducere prin glisare (Fig. 4 & 5)

- Pentru a instala cartușul de acumulator, aliniați limba de pe cartușul de acumulator cu canelura din carcasă și introduceți-l în locaș. Introduceți-l întotdeauna complet, până când se fixează la poziție cu un declic.
- Dacă puteți vedea indicatorul roșu din partea superioară a butonului, acesta nu este blocat complet. Introduceți-l complet, până când indicatorul roșu nu mai este vizibil. În caz contrar, acesta poate cădea accidental din radio, provocând rănirea dumneavoastră sau a persoanelor din jur.
- Nu forțați introducerea cartușului de acumulator. Dacă acesta nu glisează ușor, înseamnă că a fost introdus incorect.
- Pentru a scoate cartușul acumulatorului, glisați-l din radio în timp ce glisați butonul din partea frontală a cartușului.

Indicarea capacității rămase a acumulatorului

* Doar pentru cartușe de acumulator cu "B" la sfârșitul numărului de model.



➤ 1. Lumini indicatoare 2. Buton de verificare

Apăsați butonul de verificare de pe cartușul de acumulator pentru indicarea capacității rămase a acumulatorului.

Lămpile indicatoare vor lumina timp de câteva secunde.

- Baterii 14,4V/18V

Indicator sau lumini			Capacitate rămasă
Pornit	Oprit	Intermitent	
■ ■ ■ ■			75% ~ 100%
■ ■ ■ □			50% ~ 75%
■ ■ □ □			25% ~ 50%
■ □ □ □			0% ~ 25%
◻ □ □ □	◻	◻	Încarcă acumulatorul
■ ■ □ □	◻	◻	Acumulatorul funcționează incorect

- 10.8V-12V max baterije

Indicator sau lumini			Capacitate rămasă
Pornit	Oprit	Intermitent	
■ ■ ■ ■			75% ~ 100%
■ ■ ■ □			50% ~ 75%
■ ■ □ □			25% ~ 50%
■ □ □ □			0% ~ 25%

NOTĂ:

În funcție de condițiile de utilizare și temperatura mediului ambiant, indicatorul poate diferi ușor de capacitatea reală.

Instalarea bateriilor de rezervă (Fig. 2 & 3)

Păstrarea bateriilor de rezervă în interiorul compartimentului împiedică pierderea datelor stocate în memoria presetată.

1. Trageți element de blocare al compartimentului bateriei pentru a elibera compartimentul bateriei. Există un compartiment pentru bateriile principale și un compartiment pentru bateriile de rezervă.
2. Îndepărtați capacul compartimentului bateriei de rezervă și introduceți 2 baterii UM-3 noi (dimensiuni AA). Asigurați-vă că bateriile sunt cu polaritatea corectă, așa cum se arată în interiorul compartimentului. Puneți înapoi capacul bateriei.
3. După introducerea bateriilor de rezervă, introduceți bateria principală pentru a alimenta radioul.

Utilizarea adaptorului de curent alternativ furnizat

Îndepărtați protecția de cauciuc și introduceți adaptorul în mufa DC (curent continuu) de pe partea dreaptă a radioului. Conectați adaptorul la o priză standard. Ori de câte ori se utilizează adaptorul, acumulatorul este deconectat automat.

⚠ **ATENȚIE:**

- Înainte de a muta radioul, deconectați întotdeauna complet adaptorul de curent alternativ. Dacă adaptorul de curent alternativ nu este îndepărtat, poate provoca un șoc electric.
- Nu trageți niciodată cablul adaptorului. În caz contrar, radioul poate cădea accidental, cauzând vătămarea dvs. sau a cuiva de lângă dvs.

IMPORTANT:

- Adaptorul de rețea este utilizat ca mijloc de conectare a radioului la rețeaua de alimentare. Priza de alimentare utilizată pentru radio trebuie să rămână accesibilă în timpul utilizării normale.
- Pentru a deconecta radioul, adaptorul de rețea trebuie să fie complet scos din priză.
- Utilizați doar adaptorul de curent alternativ furnizat cu produsul sau specificat de Makita.
- Nu țineți cablul de alimentare sau ștecherul în gură. Acest lucru poate provoca un șoc electric.
- Nu atingeți mufa de alimentare cu mâinile umede sau grase.
- Cablurile deteriorate sau încurcate cresc riscul de electrocutare. Dacă cablul este deteriorat, înlocuiți-l la centrul de service autorizat pentru a evita pericolul. Nu îl folosiți înainte de reparații.
- După utilizare, depozitați întotdeauna adaptorul de

curent alternativ departe de copii. Dacă copiii se joacă cu cablul, pot suferi vătămări.

Notă:

Atunci când radioul dvs. are interferențe în banda AM când folosiți adaptorul acestuia, vă rugăm să mutați radioul la mai mult de 30 cm de sursa de curent alternativ.

Încărcarea de la portul USB de alimentare electrică

Portul USB se află pe partea frontală a radioului. Puteți încărca dispozitivul USB prin portul USB.

1. Conectați dispozitivul USB, precum MP3, sau CD player, cu un cablu USB disponibil pe piață.
2. Apăsăți butonul de pornire pentru a porni radioul.
3. Indiferent dacă radioul este alimentat cu curent alternativ sau de la acumulator, radioul poate încărca dispozitivul USB când radioul este pornit și se află în modul radio FM, modul BT sau modul AUX, în funcție de care apare la conectarea unei surse audio externe.

Notă:

- Nu puteți încărca dispozitive USB în timpul modului AM, deoarece recepția semnalului radio devine extrem de slabă la încărcarea dispozitivului USB.
- Volumul maxim al difuzorului de ieșire va scădea la încărcarea prin USB.
- Mufa USB poate asigura un curent electric de max. 5 V, 2.4A.

Important:

- Înainte de conectarea dispozitivului USB la portul USB, realizați întotdeauna o copie de siguranță a datelor dumneavoastră de pe dispozitivul USB. În caz contrar, datele se pot pierde fără posibilitate de recuperare.
- Este posibil ca radioul să nu alimenteze cu energie electrică unele dispozitive USB.
- Când nu utilizați dispozitivul sau după încărcare, scoateți cablul USB și închideți capacul.
- Nu conectați sursa de alimentare la portul USB. În caz contrar, există pericol de incendiu. Portul USB este destinat strict încărcării dispozitivelor de joasă tensiune. Amplasați întotdeauna capacul pe portul USB atunci când nu încărcați dispozitivul de joasă tensiune.
- Nu introduceți cuie, cabluri etc. în portul USB de alimentare electrică. În caz contrar, un scurtcircuit poate cauza fum și incendii.
- Nu conectați această mufă USB în portul USB al PC-ului dumneavoastră, deoarece este foarte posibil să producă defectarea aparatului.

ASCULTAREA LA RADIO

Scanarea frecvențelor AM / FM

Notă:

Antena FM este încorporată în mâner. Când utilizați

radioul, vă rugăm să ridicați mânerul deasupra radioului pentru a obține o recepție mai bună. Pentru banda AM, rotiți radioul pentru a obține cel mai bun semnal, deoarece antena AM este încorporată în radio.

1. Apăsăți butonul de pornire pentru a porni radioul.
2. Apăsăți butonul Sursă pentru a selecta modul radio AM sau FM.
3. Apăsăți și țineți apăsat butonul de reglare pentru a efectua o auto-reglare. Radioul dvs. va scana banda AM / FM de la frecvența curentă afișată și va opri scanarea în mod automat atunci când găsește o stație de putere suficientă.
4. După câteva secunde, afișajul se va actualiza. Afișajul va arăta frecvența semnalului găsit.
5. Pentru a găsi o altă stație, apăsați și țineți apăsat butonul de reglare ca mai înainte.
6. Când se ajunge la sfârșitul benzii de frecvențe, radioul va reîncepe verificarea de la capătul opus al benzii de frecvențe.
7. Rotiți butonul de reglare pentru a regla nivelul de sunet așa cum doriți.

Notă:

- În timp ce reglați volumul, asigurați-vă că FM / AM NU clipește pe ecran.
 - Dacă pe ecran pâlpâie intermitent AM / FM, aceasta vă permite să reglați manual posturile (consultați secțiunea "Reglare manuală - AM / FM" pentru mai multe detalii).
 - Volumul sunetului nu trebuie să fie prea puternic. Pentru a preveni posibilele deteriorări ale auzului, nu ascultați la un nivel ridicat al sunetului pentru perioade lungi de timp.
8. Pentru a opri radioul, apăsați butonul de pornire.

Reglarea manuală – AM / FM

1. Apăsăți butonul de pornire pentru a porni radioul.
2. Apăsăți butonul Sursă pentru a selecta modul radio AM sau FM.
3. Apăsăți butonul de reglare și veți vedea că FM sau AM clipește pe afișaj.

Notă:

- FM / AM va clipi aproximativ 10 secunde. În acest interval de timp, este permisă numai acordarea manuală.
 - Dacă doriți modificarea volumului în timp ce FM / AM clipește, apăsați butonul de reglare pentru a opri clipirea FM / AM și puteți roti butonul de reglare a pentru a modifica nivelul sunetului.
4. Rotiți butonul de reglare pentru a acorda o stație.
 5. Când se ajunge la sfârșitul benzii de frecvență, radioul dvs. va relua reglarea de la capătul opus al benzii de frecvență.
 6. Rotiți butonul de reglare pentru a modifica nivelul de sunet, după cum este necesar.

Presetarea posturilor în modul AM / FM

Există câte 5 posturi presetate pentru radioul AM și FM. Ele sunt utilizate în același mod pentru fiecare bandă de frecvență.

1. Apăsăți butonul de pornire pentru a porni radioul.
2. Apăsăți butonul Sursă pentru a selecta banda de frecvență dorită. Reglați postul de radio necesar, așa cum a fost descris anterior.
3. Apăsăți și țineți apăsat butonul Presetare dorit (de la 1 până la 5), până când pe ecran apare "P4", de exemplu, după frecvență. Stația va fi memorată utilizând numărul presetat. Repetați această procedură pentru restul presetărilor după cum doriți.
4. Stațiile presetate care au fost deja memorate pot fi suprascrise urmând procedura de mai sus, dacă este necesar.

Moduri de afișare - FM

Radioul dvs. are o serie de opțiuni de afișare pentru modul radio FM.

Apăsăți repetat butonul Meniu / Info pentru a vizualiza informațiile RDS ale postului pe care îl ascultați.

- a. Numele stației Afișează numele postului ascultat.
- b. Tipul Afișează tipul postului ascultat, cum ar fi Pop, Clasic, Știri etc.
- c. Text radio Afișează mesaj de tip text radio, cum ar fi articole noi etc.
- d. An/Zi Afișează anul și ziua săptămânii în funcție de setarea datei radioului.
- e. Dată/Zi Afișează data și ziua săptămânii în funcție de setarea datei radioului.
- f. Mod EQ Afișează modul EQ pentru stația ascultată.
- g. Frecvență Afișează frecvența FM pentru stația ascultată.

FM stereo (auto)/mono

Dacă postul de radio FM ascultat are un semnal slab, pot fi auzite unele șuierături sau fășăituri. Este posibilă reducerea acestor șuierături prin forțarea radioului să redea postul în mono, și nu în stereo.

1. Apăsăți butonul de Sursă, selectați banda FM și reglați stația FM dorită, așa cum a fost menționat anterior.
2. Apăsăți și mențineți apăsat butonul Menu / Info pentru a intra în meniul de setare.
3. Rotiți butonul de reglare până când pe afișaj apare setarea "FM AUTO (sau MONO)". Dacă setarea este Auto, apăsați butonul de reglare și apoi rotiți-l pentru a comuta în modul Mono spre a reduce șuierăturile. Apăsăți butonul de reglare pentru a selecta opțiunea.

Folosirea unei presetări în modul AM / FM

1. Apăsăți butonul de pornire pentru a porni radioul.
2. Apăsăți butonul Sursă pentru a selecta modul radio AM sau FM.
3. Apăsăți scurt butonul Presetare dorit pentru a aduce radioul dvs. la unul din posturile memorate în memoria presetată.

MISCELLANEOUS SETTINGS

Setarea formatului orei și datei

Afișajul ceasului utilizat în modul stand-by și în ecranele modurilor de redare poate fi setat la un format diferit. Formatul selectat este utilizat și atunci când setați alarmele.

1. Apăsăți și mențineți apăsat butonul Meniu / Info pentru a intra în meniul de setări.
2. Rotiți butonul de reglare până când pe afișaj apare "CLOCK xxH" și apăsați butonul de reglare pentru a intra în setare. Veți vedea că formatul orei începe să clipească.
3. Rotiți butonul de reglare pentru a selecta fie formatul de 12 ore, fie cel de 24 de ore. Apăsăți butonul de reglare pentru a confirma alegerea formatului ceasului.

Notă:

Dacă este ales formatul ceasului de 12 ore, radioul va folosi ceasul de 12 ore pentru setare.

4. Apăsăți și mențineți apăsat butonul Meniu / Info pentru a intra în meniul de setări.
5. Rotiți butonul de reglare până când pe afișaj apare o dată (de exemplu, THU APR 3) și apăsați butonul de reglare pentru a intra în setare. Veți vedea că formatul datei începe să clipească.
6. Rotiți butonul de reglare pentru a selecta formatul de dată dorit. Apăsăți-l pentru a confirma alegerea dvs.

Setarea orei și datei

1. Apăsăți și mențineți apăsat butonul Meniu / Info.
2. Rotiți butonul de reglare până când pe afișaj apare "CLOCK ADJ.". Apăsăți-l pentru a intra în setare.
3. Setarea orei pe ecran va începe să clipească. Rotiți butonul de reglare pentru a selecta ora dorită și apăsați-l pentru a confirma setarea. Apoi, rotiți butonul de reglare pentru a selecta minutul dorit și apăsați-l pentru a confirma setarea.
4. Rotiți butonul de reglare până când pe afișaj apare "DATE ADJ.". Apăsăți-l pentru a intra în setare.
5. Rotiți butonul de reglare pentru a selecta anul dorit și apăsați-l pentru a confirma setarea. Apoi, rotiți butonul de reglare pentru a selecta luna dorită și apăsați-l pentru a confirma setarea. Apoi, rotiți butonul de reglare pentru a selecta ziua dorită și apăsați-l pentru a confirma setarea.

Radio Data System (RDS)

Când setați ceasul utilizând funcția RDS, radioul dvs. va sincroniza ceasul ori de câte ori se găsește la o stație radio ce ajustează ora prin RDS cu semnale CT.

1. La acordarea unui post care transmite date RDS, simbolul RDS va fi afișat pe ecran. Țineți apăsat butonul Meniu / Info.
2. Rotiți butonul de reglare până când pe ecran apare "RDS CT" și un simbol ceas. Apăsăți butonul de reglare pentru a intra în setare.
3. Rotiți butonul de reglare până când pe afișaj apare "RDS CT". Apăsăți-l pentru a confirma setarea. Timpul de la ceasul radioului va fi setat automat în funcție de datele RDS primite.

Notă:

- Timpul de la ceasul radioului va fi valabil timp de 5 zile de fiecare dată când ora radioului este sincronizată cu RDS CT.
- Pentru a dezactiva funcția RDS CT, reveniți la pașii 1 și 2 și apoi rotiți butonul de reglare pentru a selecta opțiunea "MANUAL". Apăsăți butonul de reglare pentru a confirma setarea.

Setarea alarmei

Radioul dvs. are două alarme, fiecare putând fi setată pentru a vă trezi cu radio AM / FM sau cu alarmă sonerie. Alarmele pot fi setate în timp ce aparatul este în modul de așteptare sau în timpul funcționării.

Notă: Asigurați-vă că ceasul este setat corect înainte de a seta alarmele. Dacă nu apăsați nici un buton timp de 10 secunde, radioul va ieși din setarea alarmei.

a. Setarea orei pentru alarma radio:

1. Alarma radio poate fi setată fie când radioul este pornit, fie când e oprit.
2. Apăsăți și țineți apăsat butonul de alarmă radio, simbolul pentru alarmă radio și ora de afișare vor clipi împreună cu un semnal sonor.
3. În timp ce simbolului alarmei radio clipește, rotiți butonul de reglare pentru a selecta ora și apăsați-l din nou pentru a confirma setarea orei. Apoi rotiți butonul de reglare pentru a selecta minutele și apăsați-l pentru a confirma setarea minutelor.
4. Rotiți butonul de reglare și ecranul va afișa opțiunile de frecvență pentru alarmă.
Opțiunile alarmei sunt următoarele:
ONCE - alarma va suna O DATĂ
DAILY - alarma va suna ZILNIC
WEEKDAY - alarma va suna numai în ZILELE LUCRĂTOARE
WEEKEND - alarma va suna numai la SFÂRȘIT DE SĂPTĂMÂNĂ
Apăsăți butonul de reglare pentru a confirma setarea.
5. În timp ce simbolul alarmei radio clipește, rotiți butonul de reglare pentru a selecta banda și stația dorite, apoi

apăsați-l pentru a confirma selecția.

6. Rotiți butonul de reglare pentru a selecta volumul dorit și apăsați-l pentru a confirma nivelul sunetului. Setarea alarmei radio este acum finalizată.

Notă:

- Dacă nu este selectat un nou post pentru alarma radio, va fi selectat ultimul post de alarmă.
- Dacă postul AM / FM selectat pentru alarmă nu este disponibil, atunci când sună alarma, va fi folosită alarma sonoră.

b. Setarea alarmei cu sonerie HWS (Humane Wake System) (Sistem de trezire blândă):

Când selectați alarma sonoră HWS, se va activa un semnal sonor.

Semnalul sonor al alarmei va fi din ce în ce mai intens la fiecare 15 secunde timp de un minut, urmat de un minut de tăcere înainte de repetarea ciclului.

1. Alarma cu sonerie poate fi setată când radioul este fie pornit, fie oprit.
2. Apăsând și țineți apăsat butonul alarmei cu soneriei, simbolul și ora de afișare vor clipi împreună cu un semnal sonor.
3. În timp ce simbolul alarmei cu sonerie clipește, rotiți butonul de reglare pentru a selecta ora și apăsați-l din nou pentru a confirma setarea orei. Apoi rotiți butonul de reglare pentru a selecta minutele și apăsați-l pentru a confirma setarea minutelor.
4. Rotiți butonul de reglare și pe ecran vor fi afișate opțiunile de frecvență pentru alarmă.

Opțiunile pentru alarmă sunt următoarele:

ONCE - alarma va suna O DATĂ

DAILY - alarma va suna ZILNIC

WEEKDAY - alarma va suna numai în ZILELE

LUCRĂTOARE

WEEKEND - alarma va suna numai la SFÂRȘIT DE SĂPTĂMÂNĂ

Apăsați butonul de reglare pentru a confirma setarea.

Notă:

Nu există o ajustare a volumului pentru alarma sonoră.

Oprirea sunetului alarmei

Pentru a opri o alarmă ce sună, apăsați butonul de pornire.

Dezactivarea alarmei setate

Pentru a dezactiva alarma setată înainte ca alarma să sune, apăsați și mențineți apăsat butonul de alarmă corespunzător până când simbolul de alarmă dispare pe afișaj.

Snooze (Înteruperea temporară a alarmei)

1. Când alarma sună, apăsați orice buton, altul decât butonul de pornire, el va opri alarma timp de 5 minute.

Pe ecran va apărea mesajul "SNOOZE".

2. Pentru a regla timpul de liniște pentru cronometrul întrerupător temporar al alarmei, apăsați și țineți apăsat butonul Meniu / Info pentru a intra în meniul cu setări.
3. Rotiți butonul de reglare până când pe afișaj apare "SNOOZE X", apoi apăsați-l pentru a intra în setare. Rotiți butonul de reglare pentru a regla timpul de liniște la 5, 10, 15 și 20 de minute pentru cronometrul întrerupător temporar al alarmei.
4. Pentru a anula cronometrul întrerupător temporar al alarmei în timp ce alarma este suspendată, apăsați butonul de pornire.

Temporizarea închiderii

Radioul dvs. poate fi setat să se închidă automat după ce a trecut un timp prestabil. Setarea temporizatorului poate fi ajustată între 60, 45, 30, 15, 120 și 90 de minute.

1. Apăsând și țineți apăsat butonul de alimentare pentru a intra în setarea Temporizarea închiderii (Sleep Timer). Pe ecran va apărea mesajul "SLEEP XX".
2. Țineți apăsat butonul de pornire și opțiunile temporizatorului vor începe să se modifice pe ecran. Opriți-vă când pe afișaj apare setarea de oprire dorită. Setarea va fi salvată și ecranul LCD va reveni la afișajul normal.
3. Radio-ul dvs. se va opri automat după ce a trecut timpul prestabilit. Pe ecran va fi afișată pictograma Sleep Timer (Temporizarea închiderii), indicând un temporizator de oprire activ.
4. Pentru a anula funcția de temporizare a închiderii înainte de trecerea timpului prestabilit, apăsați butonul de pornire pentru a opri aparatul manual.

Sonorizare acustică

Puteți compensa în frecvență mai mică și mai ridicată radioul dvs. prin ajustarea funcției de sonorizare.

1. Apăsând și mențineți apăsat butonul Meniu / Info pentru a intra în meniul cu setări.
2. Rotiți butonul de reglare până când pe afișaj apare "LOUD ON" sau "LOUD OFF". Apăsând-l pentru a intra în setare.
3. Rotiți butonul de reglare pentru a alege ON pentru a activa funcția de sonorizare, apoi apăsați-l pentru a confirma setarea.
4. Pentru a dezactiva funcția de sonorizare, selectați OFF și apăsați-l pentru a confirma setarea.

Funcția de egalizare

Există 7 tipuri de indicatoare LED colorate în jurul butonului de reglare pentru a indica diferite moduri EQ.

1. Apăsând butonul de pornire pentru a porni radioul.
2. Apăsând butonul EQ pentru a intra în meniul de setări EQ.
3. Rotiți butonul de reglare pentru a selecta modul dorit. Apoi apăsați-l pentru a confirma selecția.

Mod EQ	Indicator LED
FLAT	Alb
JAZZ	Albastru
ROCK	Roșu
CLASSIC	Maro
POP	Roz
NEWS	Galben
MY EQ	Verde

Setarea profilului My EQ

1. Apăsați butonul de control EQ pentru a intra în meniul de setări EQ.
2. Rotiți butonul de reglare pentru a selecta "EQ MY". Apoi apăsați-l pentru a intra în setarea "BASS".
3. Rotiți butonul de reglare pentru a selecta nivelul basului dorit. Apăsați-l pentru a intra în setarea "MIDDLE".
4. Rotiți butonul de reglare pentru a selecta nivelul mediu dorit. Apăsați-l pentru a intra în setarea "TREBLE".
5. Rotiți butonul de reglare pentru a selecta nivelul sunetelor înalte necesar. Apăsați-l pentru a confirma setarea.

Notă:

- Când utilizați egalizatorul pentru a accentua basul și pentru a asculta la niveluri ridicate de volum, această acțiune poate provoca pocnituri și distorsiuni ale sunetului. În acest caz, reglați în mod corespunzător volumul radioului

ASCULTAREA MUZICII PRIN TRANSMISIE PRIN BLUETOOTH

Trebuie să asociați dispozitivul Bluetooth cu radioul înainte de a vă putea conecta automat pentru a reda / transmite prin Bluetooth muzică prin radio. Asocierea creează o "legătură", astfel încât două dispozitive se pot recunoaște reciproc.

NOTĂ:

- Pentru a avea o calitate mai bună a sunetului, vă recomandăm să setați volumul la mai mult de două treimi de pe dispozitivul Bluetooth și apoi să reglați volumul la radio, după cum este necesar.
- Radioul poate memora până la 8 seturi de dispozitive asociate. Atunci când memoria depășește acest număr, va scrie peste cea mai veche asociere.

Asocierea dispozitivului Bluetooth pentru prima dată

1. Apăsați butonul de pornire pentru a porni radioul. Apăsați butonul Sursă pentru a selecta modul Bluetooth. Pe ecran va apărea "BT PAIR" și "PAIR" va clipi pe ecran.
2. Activați Bluetooth pe dispozitiv în conformitate cu manualul de utilizare al dispozitivului pentru a vă conecta la radio. Identificați lista dispozitivelor Bluetooth și selectați dispozitivul numit " DMR114". (La unele telefoane mobile care sunt echipate cu versiuni

- anterioare dispozitivelor Bluetooth BT2.1, poate fi necesar să introduceți codul de acces "0000").
3. Odată conectat, se va auzi un sunet de confirmare. "BLUETOOTH" va rămâne pe afișaj, iar lumina de fundal va scădea în intensitate după 10 secunde. Puteți selecta și reda orice muzică de pe dispozitivul sursă. Controlul volumului poate fi ajustat de la dispozitivul sursă sau direct de la radio.
 4. Utilizați comenzile de pe dispozitivul cu Bluetooth activat sau de pe radio pentru a reda / opri și naviga printre piese.

NOTĂ:

- Dacă 2 dispozitive Bluetooth, asociate pentru prima dată, caută radioul în același timp, acesta va afișa disponibilitatea pe ambele dispozitive. Cu toate acestea, dacă un dispozitiv se conectează mai întâi la această unitate, atunci celălalt dispozitiv Bluetooth nu îl va găsi pe listă.
- Dacă dispozitivul Bluetooth este deconectat temporar de la radio, atunci trebuie să reconectați manual dispozitivul din nou la radio.
- Dacă " DMR114" apare în lista de dispozitive Bluetooth, dar dispozitivul nu se poate conecta cu acesta, ștergeți articolul din listă și asociați din nou dispozitivul cu radioul, urmând pașii descriși anterior.
- Raza optimă de transmisie prin Bluetooth este de aproximativ 10 metri (linie dreaptă) până la radio, dar este posibilă o distanță de până la 30 de metri.
- Dacă se pierde conexiunea Bluetooth datorită depășirii timpului de separare, depășirii distanței optime, obstacolelor sau în alt mod, reconectarea dispozitivul la radio poate fi necesară.
- Obstacolele fizice, alte dispozitive fără fir sau dispozitive electromagnetice pot afecta calitatea conexiunii.
- Performanța conexiunii Bluetooth poate varia în funcție de dispozitivele Bluetooth conectate. Consultați capacitățile Bluetooth ale dispozitivului dvs. înainte de a vă conecta la radio. Este posibil ca nu toate funcțiile să fie acceptate pe unele dispozitive Bluetooth asociate.

Redarea fișierelor audio în mod Bluetooth

Când conectați cu succes radioul la dispozitivul Bluetooth ales, puteți începe să redați muzica utilizând comenzile de pe dispozitivul Bluetooth conectat.

1. Odată ce ați început redarea, reglați volumul la nivelul dorit utilizând butonul Volum de la radio sau de la dispozitivul Bluetooth activat.
2. Utilizați comenzile de pe dispozitivul dvs. sursă Bluetooth pentru a reda / întrerupe și naviga printre piese. Alternativ, controlați redarea utilizând butoanele Redare / Pauză, Următorul titlu, Titlu anterior de pe radioul dvs.
3. Apăsați și țineți apăsat butonul Următorul titlu sau Titlu anterior pentru a vă deplasa prin piesa curentă. Eliberați butonul când ajungeți în punctul dorit.

NOTĂ:

- Este posibil ca unele aplicații sau dispozitive de redare

să nu răspundă la toate aceste comenzi.

- Unele telefoane mobile se pot deconecta temporar de la radio când efectuați sau primiți apeluri. Unele dispozitive pot întrerupe temporar streaming-ul audio Bluetooth atunci când primesc mesaje text, e-mailuri sau din alte motive care nu au legătură cu streaming-ul audio. Acest comportament este o funcție a dispozitivului conectat și nu indică o defecțiune la radio.

Redarea unui dispozitiv sursă Bluetooth asociat anterior

Dacă dispozitivul Bluetooth a fost deja asociat anterior cu radioul, unitatea va memora dispozitivul Bluetooth și va încerca să se reconecteze la un dispozitiv din memorie la care a fost conectat ultima dată. Dacă ultimul dispozitiv conectat nu este disponibil, radioul va fi detectabil.

Deconectarea dispozitivului Bluetooth

Apăsați și țineți apăsat butonul de asociere Bluetooth timp de 2-3 secunde până când pe ecran este afișat mesajul "BT PAIR" sau dezactivați Bluetooth-ul de pe dispozitivul Bluetooth pentru a dezactiva conexiunea.

De asemenea, puteți apăsa butonul Sursă pentru a selecta orice alt mod decât modul Bluetooth pentru a dezactiva conexiunea.

Ștergerea memoriei cu dispozitivele asociate Bluetooth

Pentru a șterge din memorie toate dispozitivele asociate, apăsați și mențineți apăsat butonul de asociere Bluetooth mai mult de 5 secunde, până când pe ecran apare mesajul "CLEARING".

INTRĂRI AUXILIARE

O mufă de intrare auxiliară de 3,5 mm este prevăzută în partea frontală a radioului pentru a permite ca un semnal audio să fie introdus în unitate de la un dispozitiv audio extern, cum ar fi un MP3 player sau CD player.

1. Conectați o sursă audio externă (de exemplu, MP3 player sau CD player) la mufa AUX IN (Intrare auxiliară).
2. Apăsați butonul de pornire pentru a porni radioul.
3. Apăsați și eliberați repetat butonul Sursă până când este afișat "AUX IN" (Intrare auxiliară).
4. Pentru a avea o calitate mai bună a sunetului, vă recomandăm să setați volumul la mai mult de două treimi la nivelul dispozitivului dvs. audio și apoi să reglați volumul de la radio, după cum este necesar.

NOTĂ:

Cablul audio nu este inclus ca accesoriu standard.

ÎNȚREȚINERE

⚠ ATENȚIE:

- Nu utilizați niciodată gazolină, benzină, diluant, alcool sau alte substanțe asemănătoare. În caz contrar, pot rezulta decolorări, deformări sau fisuri.
- Nu spălați radioul cu apă

Specificații

Cerințe de alimentare	
Adaptor de alimentare	12 V c.c. 2.5A, pin central pozitiv
Acumulator	UM-3 (mărime AA) x2 pentru rezervă Baterie cu glisare: 10.8V - 18V
Domeniu de frecvență	FM87.50-108MHz (0.05MHz/pas) AM(MW)522-1,710kHz (9 kHz/pas)

Bluetooth®	
(Denumirea Bluetooth® și sigla sunt mărci comerciale înregistrate deținute de Bluetooth SIG, Inc.)	
Versiune Bluetooth	Certificat 5.0
Profiluri Bluetooth	A2DP / SCMS-T / AVRCP
Putere de transmisie	Putere Clasa2
Distanță de transmisie	Optim: Max. 10 metri (33 picioare) Posibil: Max. 30 metri (100 picioare) (variază în funcție de condițiile de utilizare)
Codec permis	SBC
Profil Bluetooth compatibil	A2DP / AVRCP
Putere maximă de radio frecvență:	BT EDR: 3.91dBm
Frecvența de operare	2402MHz~2480MHz

Caracteristici circuit	
Difuzor	2.5 inch 8 ohm x2 4 inch 6 ohm x1
Putere de ieșire	10.8V-12Vmax: 2W x2 +10W 14.4V: 3W x2 +15W 18V: 5W x2 + 25W
Terminal de intrare	3,5 mm diametru (AUX IN)
Sistem de antenă	FM : Antenă încorporată AM : Antenă bară
Dimensiune (L x l x h)	268 x 164 x 295 mm
Greutate	4.9 KG (fără acumulator)

УКРАЇНСЬКА (Оригінальні інструкції)

ЗОВНІШНІЙ ВИГЛЯД І РОЗТАШУВАННЯ КНОПОК (Мал. 1)

1. Вбудована висувна антена (AM)
2. Ручка/Вбудована антена (FM)
3. Замок акумуляторного відсіку
4. Кришка акумуляторного відсіку (закриває картридж)
5. Колонка
6. Гніздо DC-входу
7. Сабвуфер
8. Кнопка живлення /Таймер вимкнення
9. Кнопка перемикання джерела
10. Кнопка радіобудильнику
11. Кнопка дзвінка будильнику
12. Кнопка попереднього налаштування 3/ Відтворення/Пауза
13. Кнопка попереднього налаштування 5
14. Кнопка попереднього налаштування 4/Наступний трек
15. Ручка гучності/Налаштування/Вибір
16. Кнопка управління еквалайзером
17. Гніздо AUX-входу
18. USB-порт джерела живлення
19. Кнопка "Меню/Інформація"
20. Світлодіодний індикатор режиму еквалайзера
21. Кнопка попереднього налаштування 2/Попередній трек
22. Кнопка попереднього налаштування 1/Підключення блютузу
23. РК-дисплей
24. Акумуляторний відсік
25. Резервний акумуляторний відсік

РК-ДИСПЛЕЙ

- A. Радиобудильник
- B. Звичайний будильник
- C. Стереосимвол
- D. Індикація низького заряду акумулятора
- E. Годинник
- F. Частота
- G. RDS (система радіоданих)
- H. Значок таймеру відключення
- I. Значок другої половини дня - PM

СИМВОЛИ

Нижче наводяться символи, що використовуються

в обладнанні. Переконайтеся, що Ви розумієте їх значення, перш ніж приступати до використання.



Прочитайте інструкцію з використання.



Тільки для стран ЄС.

Не утилізуйте електричне обладнання та акумуляторів разом із іншим домашнім брудом! Згідно із європейськими директивами із утилізації електронного обладнання та акумуляторів і її імплементацією у відповідності з місцевим законодавством, електричне обладнання та акумулятори, що вичерпали свій ресурс, слід повертати до спеціалізованих центрів із утилізації.

ВАЖЛИВІ ВКАЗІВКИ БЕЗПЕКИ

⚠ ЗАСЕРЕЖЕННЯ:

Працюючи з електричним обладнанням, слід дотримуватися загальноприйнятих правил безпеки, щоб запобігти ризику виникнення пожежі, електричного шоку і травм. Для цього слід:

1. Уважно прочитати цю інструкцію, а також інструкцію до зарядного пристрою, перш ніж приступати до їх використання.
2. Для чищення використовувати тільки суху ганчірку.
3. Не встановлювати обладнання біля джерел тепла, наприклад, біля радіаторів, обігрівачів або інших пристроїв (у тому числі підсилювачі).
4. Використовуйте тільки ті пристосування / аксесуари, що рекомендовані виробником.
5. Вимикайте це обладнання від мережі під час грози або якщо Ви не плануєте його використовувати тривалий час.
6. Акумуляторний радіоприймач із убудованим акумулятором або окремим акумуляторним блоком необхідно перезаряджати, використовуючи лише рекомендований зарядний пристрій для акумуляторів. Зарядний пристрій, який підходить для акумуляторів одного типу, може призвести до пожежі у разі використання з акумуляторами іншого типу.
7. Використовуйте акумуляторний радіоприймач лише з рекомендованим типом акумуляторів. Використання будь-яких інших акумуляторів може створити небезпеку виникнення пожежі.
8. Якщо ви не використовуєте батареї, зберігайте їх далеко від виробів з металу, наприклад: скріпки, монети, ключі, цвяхи, гвинти або ін. дрібні металеві предмети, які можуть замкнути контакти батареї. Коротке замикання в контактах батареї може викликати іскру й стати причиною займання або пожежі.
9. Уникайте контакту тіла із заземленими поверхнями, такими як труби, радіатори, плити та холодильники, оскільки існує підвищений ризик ураження електричним струмом, якщо ваше тіло заземлено.
10. У випадку неправильного поводження батарея

- може потекти. Уникайте контакту з рідиною з батареї. При випадковому потрапленні на шкіру змийте водою. Якщо рідина потрапила в очі, негайно зверніться по медичну допомогу. Рідина з батареї може викликати роздратування або опіки.
11. Не користуйтеся пошкодженим або модифікованим акумуляторним блоком чи інструментом. Пошкоджені або модифіковані акумулятори можуть демонструвати непередбачувану поведінку, що може спричинити пожежу, вибух або ризик травмування.
 12. Не піддавайте акумулятора або пристрою впливу вогню та високих температур. Нагрівання вище ніж 130 °C (266°F) градусів може призвести до вибуху.
 13. Виконуйте всі інструкції із зарядки та не здійснюйте її за межами температурних умов, що зазначені у цій інструкції, бо це може призвести до ушкодження акумулятора та підвищити ризик пожежі.
 14. МЕРЕЖЕВИЙ штепсель використовується для відключення від мережі, а тому він повинен залишатися легко доступним.
 15. Не використовуйте пристрій на високому рівні гучності тривалий період часу. Щоб уникнути пошкодження слуху, використовуйте цей пристрій на помірному рівні гучності.
 16. (Для продуктів із РК-дисплеєм) РК-дисплеї містять рідину, яка може спричинити подразнення та отруєння. Якщо рідина потрапила в очі, рот або шкіру, промийте їх водою та зверніться до лікаря.
 17. Не утримуйте пристрій під дощем або у вологих умовах. Якщо вода потрапить у пристрій, виникне ризик ураження електричним струмом.
 18. Цей продукт не призначений для використання особами (включаючи дітей) з обмеженими фізичними, чуттєвими або розумовими здібностями або відсутністю досвіду та знань, крім випадків, коли вони знаходяться під наглядом або виконують вказівки особи, відповідальної за їхню безпеку, стосовно використання продукту. Стежте за тим, щоб діти не грали із пристроєм. Зберігайте пристрій у місцях, недоступних для дітей.

ЗБЕРЕЖІТЬ ЦЮ ІНСТРУКЦІЮ

СПЕЦІАЛЬНІ ПРАВИЛА БЕЗПЕКИ ДЛЯ АКУМУЛЯТОРНОГО КАРТРИДЖА

1. Перш ніж приступати до роботи з акумуляторним картриджем, прочитайте всі інструкції і попереджувачі зауваження, що стосуються (1) зарядного пристрою для батареї, (2) батареї (3) обладнання, що працює на батареях.
2. Не розбирайте акумулятори.
3. Якщо термін роботи батареї значно скоротився, негайно припиніть роботу, оскільки це може викликати перегрів, займання і навіть вибух.
4. Якщо Вам в очі потрапив електродіод, негайно промийте їх чистою водою та відразу ж зверніться по медичну допомогу, бо Ви можете втратити зір.
5. Не допускайте замикання контактів батареї, а саме:
(1) Не торкайтеся контактів ніякими матеріалами,

- які проводять струм.
 - (2) Не зберігайте батареї у контейнерах, де присутні інші металеві предмети, наприклад, цвяхи, монети та ін.
 - (3) Не допускайте попадання на батарею вологи і води. Це може призвести до замикання батареї, результатом чого може стати перенапруження, перенагрівання, займання або несправності.
 6. Не зберігайте обладнання та акумулятори в місцях, де температура може досягати або перевищувати 50° C (122° F).
 7. Не кидайте батареї у вогонь, навіть якщо вони сильно пошкоджені або повністю зношені, оскільки у вогні батареї можуть вибухнути.
 8. Не кидайте батареї та обертайте їх від механічного впливу та ударів.
 9. Не використовуйте пошкоджені батареї.
 10. Аби уникнути цих ризиків, слід спочатку ознайомитися з інструкцією. Максимальний розрядний струм акумулятора повинен бути більший або дорівнювати 8 А.
 11. Літєві акумулятори підлягають спеціальним правилам поводження із ними. Щодо їх транспортування та продажу третьою особою, утримання тощо, слід уважно ознайомитися із вимогами на етикетках. Для підготовки до транспортування слід отримати консультацію спеціаліста щодо шкідливості матеріалів, а також уважно ознайомитися із місцевими умовами стосовно безпеки.
- Зафіксуйте та заверніть акумулятор належним чином, щоб він не рухався усередині пакунку.
12. Виконуйте місцеві закони та правила стосовно утилізації акумуляторів.
 13. Використовуйте акумулятор тільки з пристроями, що були рекомендовані Makita. Використання акумулятора з іншими пристроями може спричинити пожежу, перегрівання, витікання електродіоду та навіть вибух.

⚠ ЗАСТЕРЕЖЕННЯ:

- Існує безпека, якщо неправильно встановити акумулятор.
- Для заміни використовуйте такий же самий тип акумулятора.
- Використовуйте тільки акумулятори Makita. Використання акумуляторів інших виробників може призвести до травм, пожежі та інших ушкоджень. У такому випадку компанія Makita знімає із себе гарантійну відповідальність за пристрій та зарядку.

Поради щодо забезпечення максимального терміну служби батареї

1. Заряджайте батарею до того, як вона повністю розрядилася. Як тільки Ви помітите, що обладнання працює із меншою потужністю, зупиніть роботу та поставте батарею на зарядку.
2. Не ставте на підзарядку батарею, яка повністю заряджена. Перезарядка скорочує термін служби батареї.
3. Заряджайте батареї у приміщеннях при температурі від 10° C до 40° C (50° F - 104° F). Якщо батарея нагрілася, охладіть її, перш ніж ставити на підзарядку.
4. Час від часу підзаряджайте батареї, якщо ви не використовуєте обладнання тривалий період (більш ніж шість місяців).

ЧАС УПРАВЛІННЯ

* Відповідні для даного радіоприймача батарейки вказані в таблиці нижче.

* У наступній таблиці наводиться час роботи після зарядки.

Ємність акумулятора	Напруга касетного акумулятора			ПРИ ВИХОДІ НА ДИНАМІКУ = 100 мВт Година (приблизно)	
	10,8 В - макс. 12 В	14.4V	18V	У режимі радіоприймача або AUX	в режимі блютузу +USB-зарядка
1.3 Ah		BL1415		3.5	0.7
			BL1815	4.0	1.0
1.5 Ah	BL1015 BL1016			6.0	0.8
		BL1415N BL1415NA		4.5	0.9
			BL1815N	5.0	1.2
2.0 Ah	BL1020B BL1021B			8.0	1.0
			BL1820 BL1820B	6.5	1.6
3.0 Ah		BL1430 BL1430B BL1430A		8.0	1.6
			BL1830 BL1830B	9.5	2.3
4.0 Ah	BL1040B BL1041B			16	2.1
		BL1440		13	2.5
			BL1840 BL1840B	13	3.2
5.0 Ah		BL1450		15	3.0
			BL1850 BL1850B	17	4.2
6.0 Ah		BL1460B BL1460A		17	3.3
			BL1860B	21	5.0

⚠ ПОПЕРЕДЖЕННЯ:

Використовуйте лише перелічені вище картриджі. Використання будь-яких інших картриджів може спричинити травми та / або пожежу.

Примітка:

- Таблиця вище щодо часу роботи акумулятору наведена для довідки.
- Фактичний час роботи може відрізнятися залежно від типу акумулятору, умов зарядки або середовища використання.

ВСТАНОВЛЕННЯ І ДЖЕРЕЛО ЖИВЛЕННЯ

⚠ УВАГА:

- Будьте обережні, щоб не затиснути пальці при відкритті та закритті кришки акумуляторного відсіку.
- Після установки або зняття картриджа поверніть акумуляторний відсік в початкове положення. В іншому випадку акумуляторний картридж може випадково випасти з радіоприймача, заподіявши шкоди Вам або кому-небудь іншому.
- Перед переміщенням радіоприймача завжди закривайте і блокуйте акумуляторний відсік.
- Завжди вимикайте радіо, перш ніж встановлювати або видаляти акумуляторний картридж.
- Будьте обережні, щоб не впустити приймач і не вдарити по ньому. Через пошкодження оболонки можна порізати палець або інші частини тіла. Пошкоджений приймач може призвести до пожежі, вибуху або стати причиною травм.

ВАЖЛИВО:

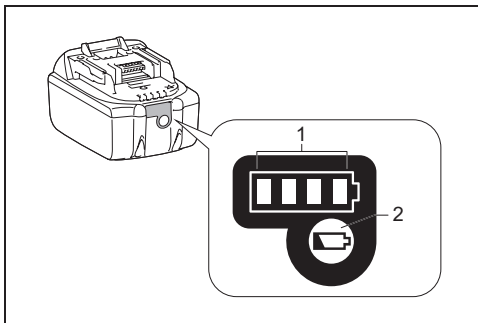
- Знижена потужність, спотворення звуку, преривчастий звук або коли на дисплеї з'являються індикатор низького рівню заряду батареї та «ЗБІЙ ЖИВЛЕННЯ» - все це є ознаками того, що батареї необхідно замінити.
- Якщо загорівся індикатор низького заряду батареї, а також заблимає повідомлення «ЗАРЯД ВИТРАЧЕНО», слід замінити батареї.
- Акумуляторний картридж неможливо зарядити за допомогою адаптеру змінного струму.
- Акумуляторний картридж не входить до комплекту поставки.

УСТАНОВЛЕННЯ ТА ЗНІМАННЯ ВИСУВНОЇ КАСЕТИ АКУМУЛЯТОРУ (Мал. 4 і 5)

- Щоб установити касету акумулятора, слід сумістити виступ на касеті акумулятора із пазом у корпусі та поставити касету на місце. Завжди вставляйте її до кінця, доки не почуєте клацання.
- Якщо на верхній частині кнопки помітний червоний індикатор, це означає, що касета акумулятора встановлена не до кінця. Уставляйте її повністю, аж поки червоний індикатор стане невидимим. Якщо цього не зробити, вона може випадково випасти з радіоприймача та завдати травми Вам або людям, що знаходяться поруч.
- Не застосовуйте силу, вставляючи касету акумулятора. Якщо касету вставити важко, це означає, що Ви її невірні вставляєте.
- Щоб витягнути акумуляторний картридж, виштовхніть його з радіоприймача, зсунувши кнопку на передній панелі картриджу.

ВІДОБРАЖЕННЯ ЗАЛИШКОВОГО РЕСУРСУ АКУМУЛЯТОРА

* Тільки для касет з акумулятором, що мають літеру "В" наприкінці номера моделі



➤ 1. Лампочки індикаторів 2. Кнопка контролю Натисніть на кнопку перевірки на касеті з акумулятором, щоб відобразити залишковий ресурс акумулятора. Індикаторні лампи загоряються на декілька секунд.

• Акумулятори 14,4В/18В

Лампочки індикаторів			Залишковий заряд
Горить	Вимк	Блимає	
■	□	▧	75% ~ 100%
■	■	□	50% ~ 75%
■	□	□	25% ~ 50%
□	□	□	0% ~ 25%
▧	□	□	Зарядіть батарею
■	■	□	Можливо, батарея вийшла з ладу
□	□	■	

• Акумулятори 10,8В-12В макс

Лампочки індикаторів			Залишковий заряд
Горить	Вимк	Блимає	
■	■	■	75% ~ 100%
■	■	□	50% ~ 75%
■	□	□	25% ~ 50%
□	□	□	0% ~ 25%

ПРИМІТКА:

Залежно від умов використання і температури навколишнього середовища результати можуть трохи відрізнятись від фактичної ємності батареї.

Встановлення резервних батарей (Мал. 2 и 3)

Наявність резервних батарей у відсіку необхідно для запобігання втрати збережених даних із запрограмованої пам'яті.

1. Витягніть фіксатор акумуляторного відсіку, щоб звільнити його. В акумуляторному відсіку є основний та резервний відділ.
2. Зніміть резервну кришку акумуляторного відсіку та вставте 2 нових батарейки UM-3 (розмір AA). Переконайтеся, що батарейки вставлені у відповідності до маркування полярності, що зазначено у середні відсіку. Встановіть кришку акумуляторного відсіку.
3. Після того, як Ви вставили резервні батарейки, вставте у радіоприймач основний блок акумулятору.

ВИКОРИСТАННЯ АС-АДАПТЕРУ ЖИВЛЕННЯ, ЩО ВХОДИТЬ ДО КОМПЛЕКТУ

Видаліть гумовий захист і вставте виделку адаптера в гніздо DC, розташоване праворуч на приймачі. Підключіть адаптер до стандартної розетки. Якщо використовується адаптер, акумуляторний картридж автоматично відключається.

⚠ УВАГА:

- Завжди відключайте адаптер живлення АС, перш ніж переміщати приймач. Якщо не від'єднати адаптер АС, це може викликати електричне замикання.
- Ніколи не тягніть адаптер за шнур. Інакше це може призвести до несподіваної уламки і травмувати Вас чи оточуючих.

ВАЖЛИВО:

- Мережевий адаптер використовується як засіб підключення радіоприймача до електромережі. Електрична розетка, яка використовується для радіо, повинна бути доступною і під час звичайного використання.
- Щоб відключити радіоприймач, мережевий адаптер слід повністю витягнути з електричної розетки.
- Використовуйте адаптер змінного струму АС, який постачається разом із виробом або той, що схвалений Makita.
- Не тримайте кабель живлення у роті та не намагайтеся закріпити його ротом. Це може призвести до ураження електричним струмом.
- Не торкайтеся розетки живлення мокрими або жирними руками.
- Пошкоджені або заплутані шнури збільшують ризик ураження електричним струмом. Якщо шнур

пошкоджено, його потрібно замінити у нашому авторизованому сервісному центрі, щоб уникнути небезпеки. Не використовуйте пристрій, доки його не буде відремонтовано.

- Після використання завжди зберігайте адаптер змінного струму в місцях, недоступних для дітей. Якщо діти будуть тягнути пристрій за шнур, вони можуть постраждати.

Примітка:

Якщо Ваш радіоприймач має будь-які перешкоди в діапазоні частот АМ від його адаптеру, будь ласка, відсуньте Ваш радіоприймач від адаптеру змінного струму більш ніж на 30 см.

ЗАРЯДЖАННЯ ЧЕРЕЗ USB-ПОРТ ЖИВЛЕННЯ

У передній частині радіоприймача знаходиться USB-порт. Через цей USB-порт Ви можете заряджати USB-пристрій.

1. Приєднайте USB-пристрій, наприклад MP3 або CD-плеєр, за допомогою доступного у продажу USB-кабелю.
2. Натисніть кнопку "Живлення", щоб увімкнути радіоприймач.
3. Незалежно від того, чи радіоприймач живиться від мережі змінного струму або від акумулятора, радіоприймач може заряджати USB-пристрій, коли радіоприймач увімкнений і перебуває у режимі FM - радіо, у режимі BT або у режимі AUX, коли підключене зовнішнє аудіоджерело.

Примітка:

- Зарядка USB-пристроїв у режимі АМ неможлива, оскільки приймання радіосигналу під час зарядки USB-пристроїв стає надто слабким.
- Під час здійснення заряджання через USB знижується максимальний рівень гучності динаміка.
- Гніздо USB видає електричний струм не більше 2.4А напругою 5 В.

Важливо:

- Перш ніж приєднувати USB-пристрій до USB-порту, завжди робіть резервні копії Ваших даних, що перебувають на USB-пристрої. Інакше існує ймовірність втрати цих даних.
- Радіо може не подавати живлення на деякі USB-пристрої.
- Якщо Ви не використовуєте USB-порт або закінчили заряджання, витягніть USB-кабель і закрийте кришку.
- Не приєднуйте джерело живлення до USB-порту. Інакше існує небезпека виникнення пожежі. USB-порт призначений для заряджання лише низьковольтних пристроїв. Коли Ви не здійснюєте заряджання низьковольтного пристрою, завжди приєднайте кришку до USB-порту.
- Не встромляйте цвяхи, дроти тощо у USB-порт живлення. Інакше коротке замикання може спричинити появу диму і вогню.
- Не з'єднуйте гніздо USB із USB-портом ПК, тому що

існує велика ймовірність того, що пристрої вийдуть з ладу.

ПРОСЛУХОВУВАННЯ РАДІО

Налаштування сканування AM/ FM

Увага:

Антену FM вбудована у ручку. Управляючи радіо, будь ласка, випряміть ручку над радіо, щоб домогтися кращого прийому. Щоб отримати кращий AM-сигнал, поверніть радіоприймач, тому що антена AM вбудована в нього.

1. Натисніть кнопку "Живлення", щоб увімкнути радіоприймач.
2. Натисніть кнопку "Джерело", щоб вибрати режим AM або FM.
3. Натисніть та утримуйте ручку налаштувань, щоб розпочати автоматичне налаштування. Ваш радіоприймач розпочне сканування частот AM/ FM від частоти, що вказана на дисплеї. Сканування автоматично завершиться, коли буде знайдено частоту з найбільш чітким сигналом.
4. Через кілька секунд дисплей оновиться. На дисплеї висвітлиться частота виявленого сигналу.
5. Щоб знайти іншу станцію, натисніть та утримуйте ручку налаштувань, як описано раніше.
6. Коли буде досягнуто кінець хвильового діапазону, Ваш радіоприймач відновить налаштування з протилежного кінця хвильового діапазону.
7. Поверніть ручку налаштувань, щоб відрегулювати рівень гучності.

Увага:

- Під час регулювання гучності переконайтеся, що на дисплеї НЕ блимає FM / AM.
 - Якщо на дисплеї блимає AM / FM, станції можна налаштувати вручну (більш детально див. розділ «Ручне налаштування - AM / FM»).
 - Не слід встановлювати надто високий рівень гучності. Щоб запобігти можливому пошкодженню слуху, не слухайте радіо на високій гучності протягом тривалого часу.
8. Щоб вимкнути радіоприймач, натисніть кнопку "Живлення".

Ручне налаштування — AM/FM

1. Натисніть кнопку "Живлення", щоб увімкнути радіоприймач.
2. Натисніть кнопку "Джерело", щоб вибрати радіорежим AM або FM.
3. Натисніть ручку налаштувань, після цього на дисплеї заблимає FM або AM.

Увага:

- FM/AM буде блимати приблизно 10 секунд. У цей час можливе тільки ручне налаштування.
- Якщо Вам потрібно вірегулювати гучність, коли блимає FM/AM, слід натиснути ручку

налаштувань, щоб зупинити блимання, після чого Ви можете вірегулювати рівень гучності, повертаючи ручку в той чи інший бік.

4. Поверніть ручку налаштувань, щоб налаштувати станцію.
5. Коли буде досягнуто кінець хвильового діапазону, Ваш радіоприймач відновить налаштування з протилежного кінця хвильового діапазону.
6. Повертайте ручку налаштувань, щоб відрегулювати рівень гучності.

Попереднє налаштування станцій у режимі AM/FM

Для радіочастот AM і FM є можливість запрограмувати по 5 станцій. Вони налаштовуються аналогічно для кожного діапазону хвиль.

1. Натисніть кнопку "Живлення", щоб увімкнути радіоприймач.
2. Натисніть кнопку "Джерело", щоб вибрати потрібний діапазон. Налаштуйте потрібну радіостанцію, як це було описано вище.
3. Натисніть та утримуйте одну з кнопок попередніх налаштувань (від 1 до 5), поки на дисплеї не з'явиться потрібний варіант, наприклад, "P4", після значка частоти. Станцію буде збережено на обраний номер попереднього налаштування станцій. Повторіть цю процедуру для решти попередніх налаштувань станцій за своїм бажанням.
4. У разі необхідності раніше збережені станції можна видалити, а замість них запрограмувати інші станції, для цього потрібно виконати описані вище кроки.

Режими відображень – FM

Ваш радіоприймач має певну кількість параметрів відображення для режиму FM-радіо. Кілька разів натисніть кнопку "Меню / Інформація", щоб подивитися інформацію про радіостанцію RDS, яку Ви слухаєте.

- | | |
|----------------------|---|
| a. Назва станції | З'являється назва станції, яку Ви слухаєте. |
| b. Тип програми | З'являється тип станції, яку Ви слухаєте, наприклад, поп, класика, новини і т. ін. |
| c. Радіотекст | З'являється текстові радіоповідомлення, наприклад, нові елементи і т. ін. |
| d. Рік/День | З'являється рік і день тижня у відповідності до дати налаштувань Вашого радіоприймача. |
| e. Дата/День | З'являється дата і день тижня у відповідності до дати налаштувань Вашого радіоприймача. |
| f. Режим еквалайзера | З'являється режим еквалайзера FM-станції, яку Ви слухаєте. |
| g. Частота | З'являється частота FM-станції, яку Ви слухаєте. |

FM-стерео (авто)/моно

Якщо FM-радіостанція має слабкий сигнал, можливі деякі шуми. Їх можна зменшити, перемикнувши відтворення радіостанції із стерео на моно.

1. Натисніть кнопку «Джерело», якщо потрібно вибрати частоту FM, та налаштуйте потрібну FM-станцію, як описано вище.
2. Натисніть і утримуйте кнопку "Меню/Інформація", щоб увійти у меню налаштувань.
3. Крутіть кнопку налаштувань, поки не з'являться налаштування "FM АВТО (або Моно)". Якщо встановлені автоналаштування, натисніть ручку налаштувань і поверніть її, щоб переключитися в режим моно і зменшити шуми. Натисніть кнопку налаштувань, щоб вибрати опцію.

Виклик попередніх налаштувань у режимі AM/FM

1. Натисніть кнопку "Живлення", щоб увімкнути радіоприймач.
2. Натисніть кнопку Джерела, щоб вибрати радіорежим AM або FM.
3. Коротко натисніть потрібну кнопку попередніх налаштувань, щоб налаштувати радіоприймач на одну з радіостанцій, збережених у пам'яті попередніх налаштувань.

MISCELLANEOUS SETTINGS

Налаштування формату годиннику й дати

Можна вибрати формат годиннику, що використовуватиметься у режимі очікування та в режимі відтворення. Потім обраний формат також використовуватиметься при налаштуванні будильника.

1. Натисніть та утримуйте кнопку "Меню/Інформація", щоб увійти в меню налаштувань.
2. Крутіть ручку налаштувань, поки на дисплеї не з'явиться "ГОДИННИК ххГ", і натисніть ручку налаштувань для входу до розділу налаштувань. Формат годиннику буде блимати.
3. Крутіть ручку налаштувань, щоб вибрати формат 12 або 24 години. Натисніть ручку налаштувань, щоб підтвердити свій вибір.

Увага:

- якщо вибрати формат 12 годин, для налаштувань у радіоприймачі буде використовуватися формат 12 годин.
4. Натисніть та утримуйте кнопку "Меню/Інформація", щоб увійти в меню налаштувань.
 5. Крутіть ручку налаштувань, поки на дисплеї не з'явиться дата (наприклад, Чт, 3 квітня), і натисніть ручку налаштувань, щоб увійти до налаштувань. Формат дати почне блимати.

6. Крутіть ручку налаштувань, щоб вибрати потрібний формат дати. Натисніть ручку налаштувань, щоб підтвердити свій вибір.

Налаштування часу й дати

1. Натисніть і утримуйте кнопку "Меню/Інформація".
2. Крутіть ручку налаштувань, щоб на дисплеї з'явилось "НАЛАШТУВАННЯ ЧАСУ". Натисніть ручку налаштувань, щоб підтвердити свій вибір.
3. На дисплеї почне блимати налаштування годин. Крутіть ручку налаштувань, щоб вибрати години, та натисніть ручку налаштувань, щоб підтвердити вибір. Потім поверніть ручку налаштувань, щоб вибрати хвилини, і натисніть ручку налаштувань, щоб підтвердити свій вибір.
4. Крутіть ручку налаштувань, щоб на дисплеї з'явилось "НАЛАШТУВАННЯ ДАТИ". Натисніть ручку налаштувань, щоб підтвердити свій вибір.
5. Крутіть ручку налаштувань, щоб вибрати рік, і натисніть ручку налаштувань для підтвердження свого вибору. Після цього поверніть ручку налаштувань, щоб вибрати місяць, та натисніть ручку налаштувань для підтвердження свого вибору. Потім поверніть ручку налаштувань, щоб вибрати дату, й натисніть ручку налаштувань для підтвердження свого вибору.

Система радіоданих (RDS)

Якщо налаштувати час на годиннику за допомогою функції системи радіоданих RDS, час на годиннику Вашого радіоприймача синхронізується за допомогою радіоданих RDS із СТ-сигналом.

1. Під час налаштування на станцію, яка транслює дані RDS, на дисплеї з'явиться символ RDS. Натисніть і утримуйте кнопку "Меню / Інформація".
2. Поверніть ручку налаштувань, щоб на дисплеї з'явилось "RDS СТ", а також значок годиннику. Натисніть ручку налаштувань, щоб увійти до налаштувань.
3. Поверніть ручку налаштувань, щоб на дисплеї з'явилось "RDS СТ". Натисніть ручку налаштувань, щоб підтвердити свій вибір. Час на радіоприймачі автоматично налаштується у відповідності до отриманих даних RDS.

Увага:

- Після кожної синхронізації із сигналом RDS СТ час на радіоприймачі буде діяти протягом 5 днів.
- Щоб деактивувати функцію RDS СТ, поверніться назад до пунктів 1 та 2, а потім поверніть ручку налаштувань, щоб вибрати опцію "ВРУЧНУ". Натисніть ручку налаштувань, щоб підтвердити свій вибір.

Налаштування будильника

У Вашому радіоприймачі є два будильники:

радіобудильник, налаштувавши який, Ви будете просинатися під звук радіо AM/FM, та звичайний будильник. Будильник можна налаштувати для спрацювання в режимі очікування та в режимі роботи. Увага: Переконайтеся, що час встановлений правильно, перш ніж налаштувати будильники. Якщо протягом 10 сек не натискати на жодну кнопку, радіоприймач вийде з налаштувань будильника.

a. Налаштування часу спрацювання радіобудильника:

1. Налаштування можна виконати в режимі увімкненого або вимкненого радіо.
2. Натисніть і утримуйте кнопку радіобудильника, на дисплеї з'явиться значок радіобудильника та час, а також пролунає гудок.
3. Поки блимає значок радіобудильника, поверніть ручку налаштувань, щоб вибрати години, та натисніть ручку налаштувань для підтвердження налаштування годин. Потім поверніть ручку налаштувань, щоб вибрати хвилини, та натисніть ручку налаштувань для підтвердження налаштування хвилини.
4. Поверніть ручку налаштувань, на дисплеї з'явиться режим спрацювання будильника. Існують такі варіанти спрацювання будильника: ОДИН РАЗ – будильник спрацює один раз ЩОДЕННО – будильник спрацює щодня РОБОЧИ ДНІ – будильник спрацює тільки в робочі дні ВИХІДНІ - будильник спрацює тільки у вихідні Натисніть ручку налаштувань, щоб підтвердити налаштування.
5. Поки блимає значок будильника, поверніть ручку налаштувань, щоб вибрати потрібну хвилю й станцію, а потім натисніть ручку налаштувань для підтвердження свого вибору.
6. Поверніть ручку налаштувань, щоб вибрати рівень гучності та натисніть ручку налаштувань для підтвердження. Налаштування радіобудильнику завершено.

Увага:

- Якщо Ви не вибрали радіостанцію, автоматично встановиться станція, яка була вибрана минулого разу.
- Якщо обранна для будильника станція AM/FM недоступна в момент спрацювання будильника, замість неї спрацює звичайний будильник.

b. Налаштування звичайного будильника HWS (звичайний режим):

Якщо активований будильник HWSA, буде спрацювати звичайний дзвінок будильника. Будильник буде видавати короткий гудок кожні 15 секунд протягом однієї хвилини, потім через одну хвилину тиші цикл гудків повториться.

1. Дзвінок будильнику можна встановити як при

увімкненому, так і при вимкненому радіо.

2. Натисніть і утримуйте кнопку будильника, на дисплеї з'явиться значок будильника і час, а також пролунає гудок.
3. Поки блимає значок будильника, поверніть ручку налаштувань, щоб вибрати години, й натисніть ручку налаштувань для підтвердження. Потім поверніть ручку налаштувань, щоб вибрати хвилини, й натисніть ручку налаштувань для підтвердження.
4. Поверніть ручку налаштувань, на дисплеї висвітлиться режим спрацювання будильника. Існують такі варіанти спрацювання будильника: ОДИН РАЗ – будильник спрацює один раз ЩОДЕННО – будильник спрацює щодня РОБОЧИ ДНІ – будильник спрацює тільки в робочі дні ВИХІДНІ - будильник спрацює тільки у вихідні Натисніть ручку налаштувань, щоб підтвердити налаштування.

Увага:

Гучність звичайного будильника неможна вірегулювати.

Зупинка дзвінка будильника

Щоб вимкнути звук будильника, натисніть на кнопку живлення.

Деактивувати налаштування будильника

Щоб деактивувати дзвінки будильника, що були встановлені раніше, натисніть і утримуйте кнопку відповідного будильника, поки значок будильника не зникне з дисплею.

Відстрочка будильника

1. Коли задзвонив будильник, натисніть будь-яку кнопку, крім кнопки живлення, в цьому випадку будильник задзвонить знову через 5 хвилин. На дисплеї з'явиться "ВІДСТРОЧКА".
2. Для того, щоб налаштувати час відстрочки будильника, натисніть і утримуйте кнопку "Меню / Інформація", щоб увійти в меню налаштувань.
3. Поверніть ручку налаштувань так, щоб на дисплеї з'явилося повідомлення "ВІДСТРОЧКА X", потім натисніть ручку налаштувань, щоб увійти до налаштувань. Поверніть ручку налаштувань так, щоб вибрати час відстрочки будильника 5, 10, 15 або 20 хвилин.
4. Щоб скасувати відстрочку будильника, коли він призупинений, натисніть кнопку живлення.

Таймер вимкнення

Ваш радіоприймач можна запрограмувати на автоматичне вимкнення після закінчення певного часу. Час автоматичного відключення може бути встановлено на 60, 45, 30, 15, 120 і 90 хвилин.

1. Натисніть та утримуйте ручку налаштувань, щоб увійти до налаштувань таймеру відключення. На дисплеї з'явиться "SLEEP XX".
2. Натисніть і утримуйте кнопку живлення, після чого на дисплеї почнуть по черзі змінюватися опції часу для відключення. Зупиніть, коли на дисплеї з'явиться потрібна Вам опція. Ця установка збережеться, а РК-дисплей повернеться до нормального режиму.
3. Ваше радіо автоматично вимкнеться після завершення встановленого часу. На дисплеї з'явиться значок таймеру, вказуючи на те, що таймер вимкнення активовано.
4. Щоб скасувати функцію таймера вимкнення до закінчення встановленого часу, просто натисніть кнопку живлення і вимкніть радіоприймач вручну.

Гучність

Ви можете отримати компенсацію на більш низькій або на більш високій частоті для Вашого радіоприймача, регулюючи функцію гучності.

1. Натисніть і утримуйте кнопку "Меню/Інформація", щоб увійти до меню налаштувань.
2. Поверніть ручку налаштувань, поки на дисплеї не з'явиться "ГУЧНО УВИМК" або "ГУЧНО ВИМК". Натисніть ручку налаштувань, щоб увійти до налаштувань.
3. Поверніть ручку налаштувань та виберіть УВИМК, щоб увімкнути функцію гучності, й натисніть ручку налаштувань для підтвердження налаштувань.
4. Для того, щоб вимкнути кнопку гучності, виберіть ВИМК й натисніть ручку налаштувань, щоб підтвердити налаштування.

Функція еквалайзера

Існує 7 варіантів світлодіодних індикаторів навколо ручки налаштувань, що вказують на різні варіанти режимів еквалайзера.

1. Натисніть кнопку "Живлення", щоб увімкнути радіоприймач.
2. Натисніть на кнопку управління еквалайзером, щоб увійти до меню налаштувань еквалайзера.
3. Поверніть ручку налаштувань, щоб вибрати потрібний режим. Після цього натисніть ручку налаштувань, щоб підтвердити свій вибір.

Режим еквалайзера	Світлодіодний індикатор
ЗВИЧАЙНИЙ	Білий
ДЖАЗ	Синій
РОК	Червоний
КЛАСИКА	Коричневий
ПОП	Рожевий
НОВИНИ	Жовтий
Мій еквалайзер	Зелений

Налаштувати профіль "Мій еквалайзер"

1. Натисніть кнопку управління еквалайзером, щоб увійти до меню налаштувань еквалайзера.
2. Поверніть ручку налаштувань, щоб вибрати "Мій еквалайзер". А потім натисніть ручку налаштувань для входу до налаштувань "БАСИ".
3. Поверніть ручку налаштувань, щоб вибрати потрібний Вам рівень басів. Натисніть ручку налаштувань для входу до налаштувань "СЕРЕДНІ".
4. Поверніть ручку налаштувань, щоб вибрати потрібний Вам середній рівень. Натисніть ручку налаштувань для входу до налаштувань "ВИСОКІ".
5. Поверніть ручку налаштувань, щоб вибрати потрібний Вам високий рівень. Після цього натисніть ручку налаштувань, щоб підтвердити свій вибір.

Увага:

- Під час використання еквалайзера для посилення низьких частот і прослуховування на високих рівнях гучності можуть з'являтися тріск і спотворення звуку. В цьому випадку відрегулюйте рівень гучності радіоприймача.

ПРОСЛУХОВУВАННЯ МУЗИКИ ЗА ДОПОМОГОЮ ПОТОКОВОГО ПЕРЕДАВАННЯ ЧЕРЕЗ БЛЮТУЗН

Слід з'єднати ваш блютуз-пристрій із радіо, перш ніж Ви зможете автоматично переходити до відтворення / стриму блютуз-музики за допомогою радіо. З'єднання встановлює «зв'язок», завдяки чому два пристрої можуть розпізнавати один одного.

ПРИМІТКА:

- Щоб поліпшити якість звуку, рекомендуємо встановити гучність на рівні понад дві третини на Вашому блютуз-пристрої, а потім відрегулювати гучність на радіо за своїм бажанням.
- Радіо здатне запам'ятати до 8 налаштувань з'єднаних пристроїв; якщо обсяг пам'яті досягає цієї кількості, найстаріший запис буде знищено та замінено новим.

ПЕРШЕ З'ЄДНАННЯ ВАШОГО БЛЮТУЗ-ПРИСТРОЮ

1. Натисніть кнопку "Живлення", щоб увімкнути радіоприймач. Натисніть кнопку "Джерело", щоб вибрати режим блютузу. На дисплеї з'явиться повідомлення "СПАРЮВАННЯ БТ", при цьому повідомлення "СПАРЮВАННЯ" буде блимати.

2. Увімкніть блютуз на своєму пристрої відповідно до інструкції користувача пристрою для підключення до радіо. Знайдіть список блютуз-пристроїв і виберіть пристрій із назвою "DMR114". (На деяких мобільних пристроях що обладнані попередніми версіями, ніж блютуз-пристрій BT2.1 може знадобитися ввести код "0000").
3. Щойно спарування відбулося, пролунає гудок. Повідомлення "блютуз" залишиться на дисплеї, а відслідчування через 10 сек поступово згасне. Ви зможете запускати відтворення музики зі свого джерела. Гучність Ви зможете відрегулювати або зі свого пристрою, або безпосередньо на радіоприймачеві.
4. Використовуйте елементи керування на пристрої із підтримкою блютузу або на радіо для відтворення / паузи та пошуку треків.

ПРИМІТКА:

- Якщо під час першого підключення два блютуз-пристрої одночасно знайдуть радіоприймач, він покаже свою доступність на обох пристроях. Однак, якщо один пристрій першим з'єднається з цим приймачем, інший блютуз-пристрій не знайде його в списку.
- Якщо Ваш блютуз-пристрій тимчасово відключений від радіо, необхідно його знову підключити.
- Якщо в списку блютуз-пристроїв відображається «DMR114», але Ваш пристрій не може підключитися до нього, видаліть елемент зі списку і знову підключіть пристрій до радіо, виконуючи інструкції, описані вище.
- Оптимальний діапазон поточної передачі блютузу становить близько 10 метрів (30 футів) до приймача (в межах видимості), але можлива відстань і до 30 метрів (100 футів).
- Якщо блютуз-з'єднання втрачено через перевищення оптимальної відстані або часу роз'єднання, перешкод або з іншої причини, може знадобитися повторне підключення Вашого пристрою до радіо.
- Фізичні перешкоди, інші бездротові пристрої або електромагнітні пристрої можуть вплинути на якість з'єднання.
- Ефективність блютуз-з'єднання може варіюватися в залежності від підключених блютуз-пристроїв. Перш ніж підключитися до радіо, перевірте функції блютузу Вашого пристрою. Не всі функції можуть підтримуватися на деяких підключених блютуз-пристроях.

ВІДТВОРЕННЯ АУДИОФАЙЛІВ У РЕЖИМІ БЛЮТУЗУ

Якщо Ви успішно підключили радіо до обраного блютуз-пристрою, Ви можете почати відтворювати

музику за допомогою елементів керування на підключеному блютуз-пристрої.

1. Після початку відтворення налаштувати гучність до потрібного рівня можна за допомогою регулятора гучності на радіо або на активному блютуз-пристрої.
2. Використовуйте кнопки управління на Вашому блютуз-пристрої, щоб вибирати пісні і запускати відтворення / паузу. Також можна управляти відтворенням за допомогою кнопок «Відтворення / Пауза», «Наступний трек», «Попередній трек» на радіоприймачі.
3. Натисніть і утримуйте кнопку «Наступний трек» або «Попередній трек» для переходу за списком відтворення в той чи інший бік. Відпустіть кнопку, коли досягнете потрібного треку.

ПРИМІТКА:

- Деякі додатки або пристрої можуть не реагувати на усі ці елементи управління.
- Деякі мобільні телефони можуть тимчасово відключатися від радіо, коли Ви робите або отримуєте дзвінки. Деякі пристрої можуть тимчасово вимкнути потокове передавання блютуз-звуку, коли вони отримують текстові повідомлення, електронні листи або з інших причин, не пов'язаних зі звуком. Така поведінка є функцією підключеного пристрою та не вказує на несправність радіо.

ВІДТВОРЕННЯ З ПОПЕРЕДНЬОГО БЛЮТУЗ-ПРИСТРОЮ

Якщо Ваш блютуз-пристрій вже було з'єднано із радіоприймачем, він запам'ятає Ваш блютуз-пристрій та намагатиметься відновити з'єднання із тим пристроєм, який було підключено востаннє. Якщо останній пристрій недоступний, радіо стане видимим і доступним для з'єднання.

ВІДКЛЮЧЕННЯ ВАШОГО БЛЮТУЗ-ПРИСТРОЮ

Натисніть і утримуйте кнопку спарування блютуза протягом 2-3 сек, поки не з'явиться повідомлення "СПАРЮВАННЯ БТ", або вимкніть блютуз на Вашому блютуз-пристрої, щоб розірвати з'єднання. Ви можете також натиснути кнопку "Джерело", щоб вибрати будь-який інший режим, крім режиму блютуза, і розірвати з'єднання.

Видалення з пам'яті збереженого блютуз-пристрою

Для того щоб знищити з пам'яті усі спаровані пристрої, натисніть й утримуйте кнопку блютуз-з'єднання більш ніж 5 секунд, поки на дисплеї не з'явиться повідомлення «ВИДАЛЕННЯ».

ГНІЗДО АУКСІАЛЬНОГО ВХОДУ

На передній панелі радіоприймача передбачений додатковий вхідний роз'єм 3,5 мм для подачі аудіосигналу в пристрій із зовнішнього аудіопристрою, такого як MP3 або CD-плеєр.

1. Підключіть зовнішнє аудіоджерело (наприклад, MP3 або CD-плеєр) до гнізда AUX.
2. Натисніть кнопку "Живлення", щоб увімкнути радіоприймач.
3. Декілька разів натискайте й випускайте кнопку джерела, поки на дисплеї не з'явиться «AUX IN».
4. Щоб мати кращу якість звуку, радимо обирати налаштування гучності на рівень більше двох третин на Вашому аудіопристрою, а потім регулювати рівень гучності на радіо за Вашим бажанням.

ПРИМІТКА:

Аудіошнур не входить до стандартної комплектації.

ТЕХНІЧНЕ ОБСЛУГОВУВАННЯ

⚠ ЗАСТЕРЕЖЕННЯ:

- Ніколи не використовуйте газолін, бензин, розріджувач, спирт та подібні речовини. Їх використання може призвести до зміни кольору, деформації та появи тріщин.
- Не мийте радіоприймач водою.

ТЕХНІЧНІ ХАРАКТЕРИСТИКИ

Вимоги до живлення	
Адаптер змінного струму	12 В постійного струму/ 2.5А, центральний вивід позитивний
Акумулятор	UM-3 (розмір AA) x2 резервні Акумулятор: 10.8В - 18В
Діапазон частот	FM87,50-108МГц (0,05МГц/крок) AM(MW)522-1,710кГц (9 кГц/крок)

Bluetooth® (Логотипи та словесна торговельна марка Bluetooth® є зареєстрованими торговельними марками компанії Bluetooth SIG, Inc.)	
Версія Bluetooth	Сертифікована 5,0
Профілі Bluetooth	A2DP / SCMS-T / AVRCP
Потужність передачі	Клас міцності 2
Радіус передачі	Опт.відстань: Макс.10 м (33 фути) Можливо: Макс. 30 м (100 футів) (залежить від умов використання)
Підтримуваний кодек	SBC
Сумісний профіль Bluetooth	A2DP / AVRCP
Максимальна потужність радіочастоти:	BT EDR: 3.91дБм
Робоча частота	2402 МГц~2480 МГц

Особливості конструкції	
Динамік	2.5" 8Ом x 2шт. 4 " 6Ом x 1шт.
Вихідна потужність	10.8В-12 В макс. : 2Вт x2 +10Вт 14.4В: 3Вт x2 +15Вт 18В: 5Вт x2 + 25Вт
Вхідне гніздо	Діам. 3,5 мм (AUX IN)
Антенa	FM : Вбудована антенa AM : Висувна антенa
Розміри (Д x Ш x В)	268 x 164 x 295мм
Вага	4.9 кг (без акумулятора)

РУССКИЙ (Оригинальные инструкции)

ВНЕШНИЙ ВИД И РАСПОЛОЖЕНИЕ КНОПОК (Рис. 1)

1. Встроенная выдвижная антенна (AM)
2. Ручка/Встроенная антенна (FM)
3. Замок аккумуляторного отсека
4. Крышка аккумуляторного отсека (закрывающая картридж)
5. Колонка
6. Гнездо DC-входа
7. Сабвуфер
8. Кнопка питания / Таймер выключения
9. Кнопка переключения источника
10. Кнопка радиобудильника
11. Кнопка звонка будильника
12. Кнопка предустановки 3/Воспроизведение/Пауза
13. Кнопка предустановки 5
14. Кнопка предустановки 4/Следующая дорожка
15. Ручка громкости/Настройка/Выбор
16. Кнопка управления эквалайзером
17. Гнездо AUX-входа
18. USB-порт источника питания
19. Кнопка "Меню/Информация"
20. Светодиодный индикатор режима эквалайзера
21. Кнопка предустановки 2/Предыдущая дорожка
22. Кнопка предустановки 1/Подключение блютуза
23. ЖК-дисплей
24. Аккумуляторный отсек
25. Резервный аккумуляторный отсек

ЖК-ДИСПЛЕЙ

- A. Радиобудильник
- B. Обычный будильник
- C. Стереосимвол
- D. Индикация низкого заряда аккумулятора
- E. Часы
- F. Частота
- G. RDS (система радиоданных)
- H. Значок таймера отключения
- I. Значок второй половины дня - PM

СИМВОЛЫ

Ниже приводятся символы, используемые в оборудовании. Убедитесь, что Вы понимаете их значение, прежде чем приступить к использованию.



Прочитайте руководство по использованию.



Применимо только к странам Евросоюза. Не выбрасывайте электрооборудование или аккумуляторы вместе с прочими бытовыми отходами! В целях соблюдения директив Евросоюза по утилизации электрооборудования, его компонентов, батарей, аккумуляторов и их компонентов, а также соблюдения связанных с ними государственных положений, все электрооборудование и элементы питания, вышедшие из эксплуатации, должны быть отдельно собраны и доставлены на предприятие по утилизации.

ВАЖНЫЕ ИНСТРУКЦИИ БЕЗОПАСНОСТИ

ПРЕДОСТЕРЕЖЕНИЕ:

При работе с электрическим оборудованием следует соблюдать общепринятые правила безопасности, чтобы предотвратить риск возникновения пожара, электрического шока и травм. Для этого следует:

1. Внимательно прочитать данное руководство, а также инструкцию к зарядному устройству, прежде чем приступить к их использованию.
2. Для чистки использовать только сухую тряпку.
3. Не устанавливать оборудование возле таких источников тепла, как, например, радиаторы, обогреватели, печи или др. устройства (включая усилители).
4. Используйте только те приспособления / аксессуары, которые рекомендованы производителем.
5. Отключайте данное оборудование от сети во время грозы или если Вы не планируете его использовать длительное время.
6. Радио с питанием от встроенного или внешнего аккумулятора следует заряжать только с помощью специального зарядного устройства. Зарядное устройство, подходящее для одного типа аккумуляторов, может привести к пожару при его использовании с другим аккумулятором.
7. Используйте радио только с рекомендованными аккумуляторными блоками. Использование других аккумуляторов может привести к пожару.
8. Если вы не используете батареи, храните их вдали от изделий из металла, например: скрепки, монеты, ключи, гвозди, винты или др. мелкие

металлические предметы, которые могут замкнуть контакты батареи. Короткое замыкание в контактах батареи может вызвать искру и стать причиной возгорания или пожара.

9. Избегайте контакта тела с заземлёнными поверхностями, такими как трубы, радиаторы, плиты и холодильники, поскольку существует повышенный риск поражения электрическим током, если ваше тело заземлено.
10. При неправильном обращении батарея может потечь. Избегайте контакта с жидкостью из батареи. При случайном попадании электролита на кожу смойте его водой. Если жидкость попала в глаза, немедленно обратитесь за медицинской помощью. Жидкость из батареи может вызвать раздражение или ожоги.
11. Не используйте для работы поврежденные или иным образом измененные батареи или компоненты устройства. Использование поврежденных или измененных батарей может привести к непредсказуемым последствиям, включая травмы, взрыв или возгорание.
12. Не подвергайте батарею воздействию открытого огня или высоких температур. Воздействие открытого огня или температуры свыше 130 °C (266 °F) может привести к взрыву батареи.
13. Внимательно следуйте инструкции по зарядке и не заряжайте батарею при температурах отличных от указанного в инструкции диапазона. Неверная зарядка батареи или зарядка при температурах отличных от указанного в инструкции диапазона может привести к повреждению батареи и возгоранию.
14. СЕТЕВОЙ штепсель используется для отключения от сети, а потому он должен оставаться легко доступным.
15. Не используйте устройство на большой громкости длительный период времени. Во избежание повреждения слуха используйте это устройство при умеренной громкости.
16. (Для продуктов с ЖК-дисплеем) ЖК-дисплей содержит жидкость, которая может вызвать раздражение и отравления. Если жидкость попала в глаза, рот или кожу, промойте их водой и обратитесь к врачу.
17. Не держите устройство под дождем или во влажных условиях. Если вода попадет в устройство, возможен риск поражения электрическим током.
18. Данный продукт не предназначен для использования лицами (включая детей) с ограниченными физическими, тактильными или

умственными способностями или отсутствием опыта и знаний, кроме случаев, когда они находятся под наблюдением или выполняют указания лица, ответственного за их безопасность, относительно использования продукта. Следите за тем, чтобы дети не играли с устройством. Храните устройство в недоступном для детей месте.

СОХРАНИТЕ ДАННОЕ РУКОВОДСТВО

СПЕЦИАЛЬНЫЕ ПРАВИЛА БЕЗОПАСНОСТИ ДЛЯ АККУМУЛЯТОРНОГО КАРТРИДЖА

1. Прежде чем приступить к работе с аккумуляторным картриджем, прочитайте все инструкции и предупреждающие замечания, касающиеся (1) зарядного устройства для батареи, (2) батареи (3) оборудования, работающего на батареях.
2. Не разбирайте батареи и аккумуляторы.
3. Если срок работы батареи значительно сократился, немедленно прекратите работу, поскольку это может вызвать перегрев, возгорание и даже взрыв.
4. Если Вам в глаза попал электролит, немедленно промойте их чистой водой и сразу же обратитесь за медицинской помощью. В противном случае Вы можете потерять зрение.
5. Не допускайте замыкания контактов батареи, а **именно:**
 - (1) Не прикасайтесь к контактам никакими материалами, проводящими ток.
 - (2) Не храните батареи в контейнерах, где присутствуют другие металлические предметы, например, гвозди, монеты и др.
 - (3) Не допускайте попадания на батарею влаги и воды. Это может привести к замыканию батареи, результатом чего может стать перенапряжение, перенагревание, возгорание или поломка.
6. Не храните оборудование и батареи в местах, где температура может достигать или превышать 50°C (122°F).
7. Не бросайте батареи в огонь, даже если они сильно повреждены или полностью изношены, поскольку в огне батареи могут взорваться.
8. Не роняйте батареи и не подвергайте их механическим воздействиям и ударам.
9. Не используйте поврежденные батареи.

10. Для минимизации подобных рисков перед использованием батареи внимательно изучите прилагаемую инструкцию. Максимальный ток разряда батареи должен быть равен или превышать 8А.
11. Содержащиеся в картридже литий-ионные батареи входят в класс вредных веществ, потому обращение с ними должно осуществляться в соответствии с применимыми законодательными нормами. В случае коммерческой транспортировки третьими лицами экспедитор является ответственным за соблюдение специальных требований к упаковке и маркировке перевозимого груза. Перед транспортировкой продукта необходима консультация эксперта по опасным материалам. Пожалуйста, перед транспортировкой ознакомьтесь с соответствующими законодательными нормами своего государства. Перед транспортировкой необходимо обеспечить фиксированное положение батареи внутри упаковки и изолировать ее контакты.
12. Для инструкции по утилизации отслуживших батарей обратитесь к соответствующим положениям местного законодательства.
13. Используйте батареи только с оборудованием, одобренным компанией-производителем «Makita». Установка батареи в иные устройства может привести к возгоранию, чрезмерному нагреву батареи, взрыву или утечке электролита.

⚠ ОСТОРОЖНО:

- **Риск взрыва при замене на неверный тип батареи.**
- **Заменить батарею можно только батареей того же или аналогичного типа.**
- **Используйте только оригинальные батареи от компании-производителя «Makita».**
Использование батарей отличных от оригинальных, произведенных компанией «Makita», может привести к возгоранию, травмам и повреждению имущества. Также это приведет к утрате гарантии компании «Makita» на приобретенное электрооборудование и прилагающееся зарядное устройство.

Советы по обеспечению максимального срока службы батарей

1. Заряжайте батарею до того, как она полностью разрядилась. Как только Вы заметите, что оборудование работает с меньшей мощностью, остановите работу и поставьте батарею на зарядку.
2. Не ставьте на подзарядку батарею, которая была полностью заряжена. Перезарядка сокращает срок

службы батареи.

3. Подзаряжайте батареи в помещениях при температуре от 10° C до 40° C (50° F - 104° F). Если батарея нагрелась, остудите её, прежде чем ставить на подзарядку.
4. Подзаряжайте батарейки время от времени, если вы не используете оборудование длительный период (более чем шесть месяцев).

ВРЕМЯ УПРАВЛЕНИЯ

* Подходящие для данного радиоприёмника батарейки указаны в таблице ниже.

* В следующей таблице приводится время работы после зарядки.

Емкость аккумулятора	Напряжение аккумуляторного блока			ПРИ ВЫХОДЕ НА ДИНАМИКЕ = 100 мВт Час (примерно)	
	10,8 В - макс. 12 В	14.4V	18V	В режиме радио или AUX	в режиме блютуза +USB- зарядка
1.3 Ah		BL1415		3.5	0.7
			BL1815	4.0	1.0
1.5 Ah	BL1015 BL1016			6.0	0.8
		BL1415N BL1415NA		4.5	0.9
			BL1815N	5.0	1.2
2.0 Ah	BL1020B BL1021B			8.0	1.0
			BL1820 BL1820B	6.5	1.6
3.0 Ah		BL1430 BL1430B BL1430A		8.0	1.6
			BL1830 BL1830B	9.5	2.3
4.0 Ah	BL1040B BL1041B			16	2.1
		BL1440		13	2.5
			BL1840 BL1840B	13	3.2
5.0 Ah		BL1450		15	3.0
			BL1850 BL1850B	17	4.2
6.0 Ah		BL1460B BL1460A		17	3.3
			BL1860B	21	5.0

⚠ ВНИМАНИЕ:

Используйте только перечисленные выше картриджи. Использование любых других картриджей может привести к травмам и / или пожару.

Примечание:

- Таблица времени работы аккумулятора даётся только для справки.
- Фактическое время работы может отличаться в зависимости от типа аккумулятора, условий зарядки или среды использования.

УСТАНОВКА И ИСТОЧНИК ПИТАНИЯ

⚠ ВНИМАНИЕ:

- Будьте осторожны, чтобы не прищипить пальцы при открывании и закрывании крышки отсека для батареи.
- После установки или снятия картриджа верните замок отсека для батареи в исходное положение. В противном случае батарейный картридж может случайно выпасть из радиоприёмника, причинив вред Вам или кому-либо другому.
- Перед перемещением радиоприёмника всегда закрывайте и блокируйте отсек для батареи.
- Всегда выключайте радио, прежде чем устанавливать или извлекать аккумуляторный картридж.
- Будьте осторожны, чтобы не уронить приёмник и не ударить по нему. О повреждённую оболочку можно прорезать палец или другие части тела. Повреждённый приёмник может привести к пожару, взрыву или стать причиной травм.

ВАЖНО:

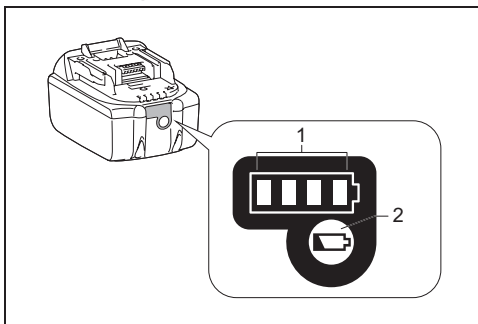
- Пониженная мощность, искажение звука, «заикающийся» звук или когда на дисплее появляются индикатор низкого заряда батареи и «СБОЙ ПИТАНИЯ» - всё это признаки того, что батарее необходимо заменить.
- Если загорелся индикатор низкого заряда батареи, а также замигала надпись «ЗАРЯД ИЗРАСХОДОВАН», следует заменить батарею.
- Батарейный картридж не заряжается через прилагаемый адаптер питания переменного тока.
- Батарейный картридж не входит в комплект поставки.

УСТАНОВКА ИЛИ СНЯТИЕ ВЫДВИЖНОГО АККУМУЛЯТОРНОГО БЛОКА(Рис. 4 и 5)

- Для установки аккумуляторного блока совместите выступ аккумуляторного блока с пазом в корпусе и задвиньте его на место. Всегда устанавливайте блок до упора так, чтобы он зафиксировался на месте с небольшим щелчком.
- Если вы можете видеть красный индикатор на верхней стороне кнопки, аккумулятор установлен на место не полностью. Установите его до конца так, чтобы красный индикатор был не виден. В противном случае он может выпасть из радио и нанести травму вам или другим людям.
- Не применяйте силу при установке аккумуляторного блока. Если блок не движется свободно, значит он вставлен неправильно.
- Чтобы извлечь батарейный картридж, вытолкните его из радио, переместив кнопку на передней части картриджа.

ИНДИКАЦИЯ ОСТАВШЕГОСЯ ЗАРЯДА АККУМУЛЯТОРА

* Только для аккумуляторных блоков с буквой "B" в конце номера модели



➤ 1. Лампочки индикаторов

2. Кнопка контроля

Нажмите кнопку проверки на аккумуляторном блоке для проверки оставшегося заряда. Индикаторы включатся на несколько секунд.

- Аккумуляторы 14,4В/18В

Лампочки индикаторов			Оставшийся заряд
Горит	Выкл	Мигает	
■ ■ ■ ■			75% ~ 100%
■ ■ ■ □			50% ~ 75%
■ ■ □ □			25% ~ 50%
■ □ □ □			0% ~ 25%
▣ □ □ □			Зарядите батарею
■ ■ □ □	↑ ↓	■ ■	Возможно, батарея вышла из строя

- 10.8V-12V max akud

Лампочки индикаторов			Оставшийся заряд
Горит	Выкл	Мигает	
■ ■ ■ ■			75% ~ 100%
■ ■ ■ □			50% ~ 75%
■ ■ □ □			25% ~ 50%
■ □ □ □			0% ~ 25%

ПРИМЕЧАНИЕ:

В зависимости от условий использования и температуры окружающей среды показания могут немного отличаться от фактической ёмкости батареи.

Установка резервных батарей (Рис. 2 и 3)

Наличие резервных батарей в отсеке необходимо для предотвращения потери сохранённых данных в запрограммированной памяти.

1. Выдвиньте фиксатор аккумуляторного отсека, чтобы освободить его. В аккумуляторном отсеке имеется основной и резервный отделы.
2. Снимите резервную крышку аккумуляторного отсека и вставьте 2 новых батарейки UM-3 (размер AA). Убедитесь, что батарейки вставлены в соответствии с маркировкой полярности, указанной внутри отсека. Установите крышку аккумуляторного отсека.
3. После того, как вставлены резервные батареи, вставьте в радиоприёмник основной блок батарей.

ИСПОЛЬЗОВАНИЕ ПРИЛАГАЕМОГО АДАПТЕРА ПИТАНИЯ AC

Удалите резиновую защиту и вставьте вилку адаптера в гнездо DC, расположенное справа на приёмнике.

Подключите адаптер к стандартной розетке. Если используется адаптер, батарейный картридж автоматически отключается.

⚠ **ВНИМАНИЕ:**

- **Всегда отсоединяйте адаптер питания AC, прежде чем перемещать приёмник. Если не отсоединить адаптер AC, это может вызвать электрическое замыкание.**
- **Никогда не тяните адаптер за шнур. В противном случае это может привести к неожиданной поломке и травмировать Вас или окружающих.**

ВАЖНО:

- Сетевой адаптер используется в качестве средства подключения радиоприёмника к электросети. Сетевая розетка, используемая для радио, должна оставаться доступной во время обычного использования.
- Чтобы отключить радиоприёмник, сетевой адаптер следует полностью извлечь из электрической розетки.
- Используйте адаптер переменного тока AC, который поставляется в комплекте с устройством или те адаптеры, которые одобрены Makita.
- Не держите кабель питания во рту и не пытайтесь закрепить его ртом. Это может привести к поражению электрическим током.
- Не касайтесь розетки питания мокрыми или жирными руками.
- Повреждённые или запутанные шнуры повышают

риск поражения электрическим током. Если шнур повреждён, его нужно заменить в нашем авторизованном сервисном центре, чтобы избежать опасности. Не используйте устройство, пока его не отремонтируете.

- После использования всегда храните адаптер переменного тока AC в местах, недоступных для детей. Если дети потянут устройство за шнур, они могут пострадать.

ПРИМЕЧАНИЕ:

Если Ваш радиоприёмник имеет какие-либо помехи в диапазоне частот AM от его адаптера, пожалуйста, отодвиньте Ваш радиоприёмник от адаптера переменного тока более чем на 30 см.

ЗАРЯДКА С ПОМОЩЬЮ ГНЕЗДА ПИТАНИЯ USB

На лицевой панели радио предусмотрено гнездо USB. Через гнездо USB можно заряжать устройство USB.

1. Подключите устройство USB, например MP3- или CD-плеер, с помощью кабеля USB, приобретаемого на рынке.
2. Нажмите кнопку питания, чтобы включить радиоприёмник.
3. Независимо от типа питания (от сети переменного тока или батарей) радиоприёмник можно использовать для зарядки устройства USB. Для этого радиоприёмник должен быть включен в режиме FM радио, BT или AUX, который отображается при подключении внешнего аудиисточника.

ПРИМЕЧАНИЕ:

- Зарядка USB-устройств в режиме AM невозможна, поскольку приём радиосигнала во время зарядки USB-устройств становится очень слабым.
- Во время зарядки через USB максимальный уровень выходной мощности динамика будет снижен.
- Максимальный уровень тока в гнезде USB составляет 2.4A 5 V.

ВАЖНАЯ ИНФОРМАЦИЯ:

- Перед подключением устройства USB к USB-порту обязательно выполните резервное копирование данных с устройства USB. В противном случае возможна потеря данных.
- Радиоприёмник может не подавать питание на некоторые устройства USB.
- Если функция не используется или после завершения зарядки извлеките кабель USB и закройте крышку.
- Не подключайте источник питания к гнезду USB. В противном случае существует риск возгорания. Гнездо USB предназначено только для зарядки устройств с более низким напряжением.

Ручная настройка — AM/FM

1. Нажмите кнопку питания, чтобы включить радиоприёмник.
2. Нажмите кнопку "Источник", чтобы выбрать радиорежим AM или FM.
3. Нажмите ручку настройки, после этого на дисплее замигает FM или AM.

Примечание:

- FM/AM будет мигать примерно 10 секунд. В это время возможна только ручная настройка.
 - Если Вам нужно отрегулировать громкость, когда мигает FM/AM, следует нажать ручку настройки, чтобы остановить мигание, после чего Вы можете отрегулировать уровень громкости, вращая ручку в ту или иную сторону.
4. Поверните ручку настройки, чтобы настроить станцию.
 5. Когда будет достигнут конец волнового диапазона, Ваш радиоприёмник возобновит настройку с противоположного конца волнового диапазона.
 6. Вращайте ручку настроек, чтобы отрегулировать уровень громкости.

Предварительная настройка станций в режиме AM/FM

Для радиочастот AM и FM имеется возможность запрограммировать по 5 станций. Они настраиваются аналогично для каждого диапазона волн.

1. Нажмите кнопку питания, чтобы включить радиоприёмник.
2. Нажмите кнопку "Источник", чтобы выбрать желаемый диапазон. Настройте нужную радиостанцию, как было описано выше.
3. Нажмите и удерживайте одну из кнопок предустановки (от 1 до 5), пока на дисплее не высветится нужный вариант, например "P4", после значка частоты. Станция будет сохранена на указанный номер предустановки станций. Повторите эту процедуру для оставшихся предустановок станций по своему желанию.
4. При желании ранее сохранённые станции могут быть удалены, а вместо них будут запрограммированы другие станции, для этого нужно выполнить описанные выше шаги.

Обязательно установите крышку на гнездо USB, когда не выполняется зарядка устройства с более низким напряжением.

- Не вставляйте гвоздь, провод и т. д. в гнездо питания USB. В противном случае короткое замыкание может стать причиной задымления и возгорания.
- Не подключайте гнездо USB к USB-порту ПК, поскольку в этом случае высока вероятность поломки устройств.

СЛУШАНИЕ РАДИО

Настройка сканирования AM/ FM

Примечание: Антенна FM встроена в ручку. Управляя радио, пожалуйста, выпрямите ручку над радио, чтобы добиться лучшего приёма. Чтобы получить лучший AM-сигнал, поверните радиоприёмник, так как антенна AM встроена в него.

1. Нажмите кнопку питания, чтобы включить радиоприёмник.
2. Нажмите кнопку "Источник", чтобы выбрать режим AM или FM.
3. Нажмите и удерживайте ручку настройки, чтобы запустить автоматическую настройку. На Вашем радиоприёмнике запустится сканирование частот AM/FM, начиная от указанной на дисплее частоты, сканирование автоматически завершится, когда будет обнаружена частота с наиболее чётким сигналом.
4. Через несколько секунд дисплей обновится. На дисплее высветится частота обнаруженного сигнала.
5. Чтобы найти другую станцию, нажмите и удерживайте ручку настройки, как описывалось раньше.
6. Когда будет достигнут конец волнового диапазона, Ваш радиоприёмник возобновит настройку с противоположного конца волнового диапазона.
7. Поверните ручку настройки, чтобы отрегулировать уровень громкости.

Примечание:

- Во время регулировки громкости убедитесь, что на дисплее НЕ мигает FM / AM.
 - Если на дисплее мигает AM / FM, станции можно настраивать вручную (более подробно см. Раздел «Ручная настройка - AM / FM»).
 - Не следует устанавливать слишком высокий уровень громкости. Чтобы предотвратить возможное повреждение слуха, не слушайте радио на высокой громкости в течение длительного времени.
8. Чтобы выключить радиоприёмник, нажмите кнопку питания.

Режимы отображений – FM

Ваш радиоприёмник имеет ряд параметров отображения для режима FM-радио.

Несколько раз нажмите кнопку меню / информация, чтобы просмотреть информацию о радиостанции RDS, которую слушаете.

- | | |
|----------------------|--|
| a. Название станции | Высвечивается название станции, которую Вы слушаете. |
| b. Тип программы | Высвечивается тип станции, которую Вы слушаете, например, поп, классика, новости и т. п. |
| c. Радиотекст | Высвечиваются текстовые радиосообщения, например, новые элементы и т. д. |
| d. Год/День | Высвечиваются год и день недели в соответствии с датой настройки Вашего радиоприёмника. |
| e. Дата/День | Высвечиваются дата и день недели в соответствии с датой настройки Вашего радиоприёмника. |
| f. Режим эквалайзера | Высвечивается режим эквалайзера прослушиваемой FM-станции. |
| g. Частота | Высвечивается частота прослушиваемой FM-станции. |

FM-стерео (авто)/моно

Если прослушиваемая FM-радиостанция имеет слабый сигнал, возможны некоторые шумы. Их можно уменьшить, переключив воспроизведение радиостанции со стерео на моно.

1. Нажмите кнопку «Источник», если нужно выбрать частоту FM, и настройте нужную станцию FM, как описано выше.
2. Нажмите и удерживайте кнопку "Меню/Информация", чтобы войти в меню настроек.
3. Поворачивайте кнопку настройки, пока на дисплее не высветятся настройки "FM АВТО (или МОНО)". Если установлена автонастройка, нажмите ручку настройки и поверните её, чтобы переключиться в режим моно и уменьшить шумы. Нажмите кнопку настройки, чтобы выбрать опцию.

Вызов предустановки в режиме AM/FM

1. Нажмите кнопку питания, чтобы включить радиоприёмник.
2. Нажмите кнопку источника, чтобы выбрать радиорежим AM или FM.
3. Коротко нажмите нужную кнопку предустановки, чтобы настроить радиоприёмник на одну из радиостанций, сохранённых в памяти предустановок.

MISCELLANEOUS SETTINGS

Установки формата часов и даты

Можно выбрать формат часов, используемый в режиме ожидания и в режиме воспроизведения. Затем выбранный формат также используется при настройке будильника.

1. Нажмите и удерживайте кнопку "Меню/Информация", чтобы войти в меню настроек.
2. Поворачивайте ручку настроек, пока на дисплее не высветится "ЧАСЫ ххЧ", и нажмите ручку настроек для входа в настройки. Формат часов будет мигать.
3. Поворачивайте ручку настроек, чтобы выбрать 12- или 24-часовой формат. Нажмите ручку настроек, чтобы подтвердить свой выбор.
Примечание: если выбрать 12-часовой формат, в радиоприёмнике будет использоваться 12-часовой формат для настроек.
4. Нажмите и удерживайте кнопку "Меню/Информация", чтобы войти в меню настроек.
5. Поверните ручку настройки, пока на дисплее не высветится дата (например, Чт, 3 апреля), и нажмите ручку настроек, чтобы войти в настройку. Формат даты начнёт мигать.
6. Поверните ручку настройки, чтобы выбрать нужный формат даты. Нажмите ручку настроек, чтобы подтвердить свой выбор.

Настройка времени и даты

1. Нажмите и удерживайте кнопку "Меню/Информация".
2. Поверните ручку настройки, чтобы на дисплее высветилось "НАСТРОЙКА ВРЕМЕНИ". Нажмите ручку настроек, чтобы подтвердить свой выбор.
3. На дисплее начнёт мигать настройка часов. Поверните ручку настройки, чтобы выбрать нужное значение часов, и нажмите ручку настроек для подтверждения своего выбора. Затем поверните ручку настройки, чтобы выбрать нужное значение минут, и нажмите ручку настроек для подтверждения своего выбора.
4. Поверните ручку настройки, чтобы на дисплее высветилось "НАСТРОЙКА ДАТЫ". Нажмите ручку настроек, чтобы подтвердить свой выбор.
5. Поверните ручку настройки, чтобы выбрать год, и нажмите ручку настроек для подтверждения своего выбора. Поверните ручку настройки, чтобы выбрать месяц, и нажмите ручку настроек для подтверждения своего выбора. Затем поверните ручку настройки, чтобы выбрать дату, и нажмите ручку настроек для подтверждения своего выбора.

Система радиоданных (RDS)

Если настроить время на часах с помощью функции системы радиоданных RDS, время на часах Вашего радиоприёмника синхронизируется с помощью радиоданных RDS с СТ-сигналом.

1. При настройке на станцию, передающую данные RDS, на дисплее высветится символ RDS. Нажмите и удерживайте кнопку "Меню / Информация".
2. Поверните ручку настройки, чтобы на дисплее появилась надпись "RDS CT", а также значок часов. Нажмите ручку настроек, чтобы войти в настройки.
3. Поверните ручку настройки, чтобы на дисплее появилась надпись "RDS CT". Нажмите ручку настроек, чтобы подтвердить свой выбор. Время на радиоприёмнике автоматически настроится в соответствии полученными данными RDS.

Примечание:

- После каждой синхронизации с сигналом RDS CT время на радиоприёмнике будет действительно в течение 5 дней.
- Чтобы деактивировать функцию RDS CT, вернитесь назад к пунктам 1 и 2, а затем поверните ручку настроек для выбора опции "ВРУЧНУЮ". Нажмите ручку настроек, чтобы подтвердить свой выбор.

Настройка будильника

В Вашем радиоприёмнике имеется два будильника: радиобудильник, настроив который, Вы будете просыпаться под звук радио AM/FM, и обычный будильник. Будильник можно настроить для срабатывания и в режиме ожидания, и в режиме работы.

Примечание: Убедитесь, что время установлено правильно, прежде чем настраивать будильники. Если в течение 10 сек не нажимать ни на какие кнопки, радиоприёмник выйдет из настроек будильника.

а. Настройка времени срабатывания радиобудильника:

1. Настройку можно выполнить в режиме включённого или выключенного радио.
2. Нажмите и удерживайте кнопку радиобудильника, на дисплее замигает значок радиобудильника и время, а также раздастся гудок.
3. Пока мигает значок радиобудильника, поверните ручку настроек, чтобы выбрать часы и нажмите ручку настроек для подтверждения настройки часов. Затем поверните ручку настроек, чтобы выбрать минуты, и нажмите ручку настроек для подтверждения настройки минут.
4. Поверните ручку настроек, на дисплее высветится режим срабатывания будильника.

Существуют следующие варианты срабатывания будильника:

- ОДИН РАЗ – будильник сработает один раз
- ЕЖЕДНЕВНО – будильник будет срабатывать

каждый день
РАБОЧИЕ ДНИ – будильник будет срабатывать только по рабочим дням
ВЫХОДНЫЕ – будильник будет срабатывать только по выходным
Нажмите ручку настроек, чтобы подтвердить настройку.

5. Пока мигает значок радиобудильника, поверните ручку настроек, чтобы выбрать желаемую волну и станцию, а затем нажмите ручку настроек для подтверждения своего выбора.
6. Поверните ручку настроек, чтобы выбрать желаемый уровень громкости и нажмите ручку настроек для подтверждения. Настройка радиобудильника завершена.

Примечание:

- Если Вы не выбрали радиостанцию, автоматически установится станция, которая была выбрана в прошлый раз.
- Если выбранная для будильника станция AM/FM недоступна в момент срабатывания будильника, вместо неё сработает обычный будильник.

б. Настройка обычного будильника HWS (привычный режим):

Если активирован будильник HWSA, будет срабатывать обычный звонок будильника.

Будильник будет издавать короткий гудок каждые 15 секунд в течение одной минуты, а затем после одной минуты молчания цикл гудков повторится.

1. Звонок будильника можно установить как при включённом, так и при выключенном радио.
2. Нажмите и удерживайте кнопку будильника, на дисплее замигает значок будильника и время, а также раздастся гудок.
3. Пока мигает значок будильника, поверните ручку настроек, чтобы выбрать часы и нажмите ручку настроек для подтверждения настройки часов. Затем поверните ручку настроек, чтобы выбрать минуты, и нажмите ручку настроек для подтверждения настройки минут.
4. Поверните ручку настроек, на дисплее высветится режим срабатывания будильника.

Существуют следующие варианты срабатывания будильника:

- ОДИН РАЗ – будильник сработает один раз
 - ЕЖЕДНЕВНО – будильник будет срабатывать каждый день
 - РАБОЧИЕ ДНИ – будильник будет срабатывать только по рабочим дням
 - ВЫХОДНЫЕ – будильник будет срабатывать только по выходным.
- Нажмите ручку настроек, чтобы подтвердить настройки.

Примечание:

Громкость обычного будильника нельзя отрегулировать.

Остановка звонка будильника

Чтобы отключить звук будильника, нажмите на кнопку питания.

Деактивировать настройки будильника

Чтобы деактивировать установленные ранее звонки будильника, нажмите и удерживайте кнопку соответствующего будильника, пока значок будильника не исчезнет с дисплея.

Отсрочка будильника

1. Когда зазвонил будильник, нажмите любую кнопку, кроме кнопки питания, в этом случае будильник зазвонит снова через 5 минут. На дисплее появится "ОТСРОЧКА".
2. Чтобы настроить время отсрочки будильника, нажмите и удерживайте кнопку "Меню / Информация", чтобы войти в меню настроек.
3. Поверните ручку настроек, чтобы на дисплее появилось сообщение "ОТСРОЧКА X", затем нажмите ручку настроек, чтобы войти в настройки. Поверните ручку настроек, чтобы выбрать время отсрочки будильника 5, 10, 15 или 20 минут.
4. Чтобы отменить отсрочку будильника, когда будильник приостановлен, нажмите кнопку питания.

Таймер выключения

Ваш радиоприёмник может быть запрограммирован на автоматическое отключение по истечении определённого времени. Время автоматического отключения может быть установлено на 60, 45, 30, 15, 120 и 90 минут.

1. Нажмите и удерживайте ручку настроек, чтобы войти в настройки таймера выключения. На дисплее высветится "SLEEP XX".
2. Нажмите и удерживайте кнопку питания, после чего на экране начнут поочередно сменяться опции времени для выключения. Остановите, когда на дисплее появится нужная Вам настройка. Данная настройка сохранится, а ЖК-дисплей вернётся в нормальный режим.
3. Ваше радио автоматически выключится по истечении установленного времени. На дисплее высветится значок таймера, указывая на то, что таймер выключения активирован.
4. Чтобы отменить функцию таймера выключения до истечения установленного времени, просто нажмите кнопку питания, и выключите радиоприёмник вручную.

Громкость

Вы можете получить компенсацию на более низкой и более высокой частоте для Вашего радиоприёмника, регулируя функцию громкости.

1. Нажмите и удерживайте кнопку "Меню/

Информация", чтобы войти в меню настроек.

2. Поверните ручку настройки, пока на дисплее не появится надпись "ГРОМКО ВКЛ" или "ГРОМКО ВЫКЛ". Нажмите ручку настроек, чтобы войти в настройки.
3. Поверните ручку настроек и выберите ВКЛ, чтобы включить функцию громкости, и нажмите ручку настроек для подтверждения.
4. Чтобы выключить кнопку громкости, выберите ВЫКЛ и нажмите ручку настроек для подтверждения.

Функция эквалайзера

Есть 7 вариантов светодиодных индикаторов вокруг ручки настроек, указывающих различные варианты режимов эквалайзера.

1. Нажмите кнопку питания, чтобы включить радиоприёмник.
2. Нажмите на кнопку управления эквалайзером, чтобы войти в меню настроек эквалайзера.
3. Поверните ручку настроек, чтобы выбрать нужный режим. После этого нажмите ручку настроек для подтверждения своего выбор.

Режим эквалайзера	Светодиодный индикатор
ОБЫЧНЫЙ	Белый
ДЖАЗ	Синий
РОК	Красный
КЛАССИКА	Коричневый
ПОП	Розовый
НОВОСТИ	Жёлтый
Мой эквалайзер	Зелёный

Настроить профиль "Мой эквалайзер"

1. Нажмите кнопку управления эквалайзером, чтобы войти в меню настроек эквалайзера.
2. Поверните ручку настроек, чтобы выбрать "Мой эквалайзер". А затем нажмите ручку настроек, чтобы войти в настройки "БАСЫ".
3. Поверните ручку настроек, чтобы выбрать нужный уровень басов. Нажмите ручку настроек, чтобы войти в настройки "СРЕДНИЕ".
4. Поверните ручку настроек, чтобы выбрать нужный Вам средний уровень. Нажмите ручку настроек, чтобы войти в настройки "ВЫСОКИЕ".
5. Поверните ручку настроек, чтобы выбрать нужный Вам высокий уровень. Нажмите ручку настроек, чтобы подтвердить настройки.

Примечание:

- При использовании эквалайзера для усиления низких частот и прослушивания на высоких уровнях громкости могут появляться треск и искажение звука. В этом случае отрегулируйте уровень громкости радиоприёмника.

ПРОСЛУШИВАНИЕ МУЗЫКИ ЧЕРЕЗ ПОТОКОВЫЙ БЛЮТУЗ

Вам необходимо соединить Ваше Bluetooth-устройство с радио, прежде чем Вы сможете автоматически переходить к воспроизведению / стриму музыки с помощью радио. Соединение устанавливает «связь», благодаря чему два устройства могут распознавать друг друга.

ПРИМЕЧАНИЕ:

- Чтобы улучшить качество звука, мы рекомендуем установить громкость на уровне более двух третей на Вашем Bluetooth-устройстве, а затем отрегулировать громкость на радио по своему желанию.
- Радиоприёмник способен запомнить 8 устройств. Когда достигается предел памяти, самая старая запись удаляется, освобождая место для новой записи.

ПЕРВОЕ ПОДКЛЮЧЕНИЕ БЛЮТУЗ-УСТРОЙСТВА

1. Нажмите кнопку питания, чтобы включить радиоприёмник. Нажмите кнопку Источник, чтобы выбрать режим блютуза. На дисплее высветится надпись «СПАРИВАНИЕ БТ», при этом надпись «СПАРИВАНИЕ» будет мигать.
2. Включите блютуз на своём устройстве в соответствии с руководством по эксплуатации устройства для подключения к радио. Найдите список блютуз-устройств и выберите устройство с именем «DMR114». (На некоторых мобильных телефонах которые оснащены более ранними версиями, чем блютуз-устройство BT2.1, может понадобиться ввести код доступа «0000»).
3. Как только спаривание произошло, раздастся гудок. Надпись «БЛЮТУЗ» останется на дисплее, а подсветка через 10 сек погаснет. Вы сможете включать воспроизведение музыки со своего источника. Громкость Вы сможете отрегулировать или со своего устройства, или непосредственно на радиоприёмнике.
4. Используйте элементы управления на Вашем блютуз-устройстве или на радио для запуска воспроизведения / паузы и навигации по трекам.

ПРИМЕЧАНИЕ:

- Если два блютуз-устройства, впервые подключившись, оба обнаруживают радио, оно покажет свою доступность на обоих устройствах. Однако, если одно устройство первым соединится с данным приёмником, другое блютуз-устройство не найдёт его в списке.
- Если Ваше блютуз-устройство временно отключено от радио, необходимо его снова подключить.
- Если в списке блютуз-устройств отображается «DMR114», но Ваше устройство не может подключиться к нему, удалите элемент из списка

и снова подключите устройство к радио, следуя инструкциям, описанным выше.

- Оптимальный диапазон потоковой передачи блютуза составляет около 10 метров (30 футов) до приёмника (в пределах видимости), но возможно расстояние и до 30 метров (100 футов).
- Если блютуз-соединение потеряно из-за превышения оптимального расстояния или времени разъединения, препятствия или по другой причине, может потребоваться повторное подключение Вашего устройства к радио.
- Физические препятствия, другие беспроводные устройства или электромагнитные устройства могут повлиять на качество соединения.
- Эффективность блютуз-соединения может варьироваться в зависимости от подключённых блютуз-устройств. Прежде чем подключаться к радио, проверьте функции блютуза Вашего устройства. Не все функции могут поддерживаться на некоторых подключённых блютуз-устройствах.

ВОСПРОИЗВЕДЕНИЕ АУДИОФАЙЛОВ В РЕЖИМЕ БЛЮТУЗА

Если Вы успешно подключили радио к выбранному блютуз-устройству, можно начать воспроизведение музыки с помощью элементов управления на подключённом блютуз-устройстве.

1. После начала воспроизведения отрегулируйте громкость до нужного уровня с помощью регулятора громкости на радио или на Вашем подключённом блютуз-устройстве.
2. Используйте кнопки управления на Вашем блютуз-устройстве, чтобы выбирать песни и включать воспроизведение/паузу. Также можно управлять воспроизведением с помощью кнопок «Воспроизведение / Пауза», «Следующая дорожка», «Предыдущая дорожка» на радиоприёмнике.
3. Нажмите и удерживайте кнопку «Следующая дорожка» или «Предыдущая дорожка» для перехода по списку воспроизведения в ту или другую сторону. Отпустите кнопку, когда достигнете нужного файла.

ПРИМЕЧАНИЕ:

- Некоторые приложения или устройства могут не реагировать на все эти элементы управления.
- Некоторые мобильные телефоны могут временно отключиться от радио, если Вы совершаете или принимаете звонки. Некоторые устройства могут временно отключить потоковое аудио через блютуз, когда поступают текстовые сообщения, электронные письма или по другим причинам, не связанным с потоковой передачей аудио. Такое поведение является функцией подключённого устройства и не свидетельствует о неисправности радиоприёмника.

ВОСПРОИЗВЕДЕНИЕ С РАННЕЕ ПОДКЛЮЧЁННОГО БЛЮТУЗ- ИСТОЧНИКА

Если Ваше блютуз-устройство уже было ранее

подключено к радиоприёмнику, он запомнит Ваше блютуз-устройство и выполнит подключение того устройства, которое было подключено к нему последним. Если последнее подключённое устройство недоступно, радио будет готово к обнаружению и подключению.

ОТКЛЮЧЕНИЕ ВАШЕГО БЛЮТУЗ-УСТРОЙСТВА

Нажмите и удерживайте кнопку спаривания блютуза в течение 2-3 сек, пока на дисплее не появится надпись «СПАРИВАНИЕ БТ», или выключите блютуз на Вашем блютуз-устройстве, чтобы разорвать соединение.

Вы можете также нажать кнопку Источник, чтобы выбрать любой другой режим, кроме режима блютуза, и разорвать соединение.

Удаление из памяти сохранённого блютуз-устройства

Чтобы очистить из памяти все спаренные устройства, нажмите и удерживайте кнопку блютуз-соединения более 5 секунд, пока на дисплее не появится надпись «УДАЛЕНИЕ».

ГНЕЗДО АУКСИАЛЬНОГО ВХОДА

На передней панели радиоприёмника предусмотрен дополнительный входной разъём 3,5 мм для подачи аудиосигнала в устройство с внешнего аудиоустройства, такого как МРЗ или CD-плеер.

1. Подключите внешний аудиоисточник (например, МРЗ или CD-плеер) к гнезду AUX.
2. Нажмите кнопку питания, чтобы включить радиоприёмник.
3. Несколько раз нажимайте и отпускайте кнопку источника, пока на дисплее не отобразится «AUX IN».
4. Чтобы добиться лучшего качества звука, рекомендуем настроить на Вашем устройстве громкость на более чем две трети мощности, а затем отрегулировать громкость на радио по своему желанию.

ПРИМЕЧАНИЕ:

Аудиошнур не входит в стандартный комплект.

ОБСЛУЖИВАНИЕ

⚠ ПРЕДУПРЕЖДЕНИЕ:

- Запрещается использовать бензин, лигроин, растворитель, спирт и т.п. Это может привести к изменению цвета, деформации и появлению трещин.
- Не мойте радиоприёмник водой.

ТЕХНИЧЕСКИЕ ХАРАКТЕРИСТИКИ

Требования к электропитанию	
Адаптер переменного тока	12 В пост. Тока 2.5А, центральный контакт положительный
Аккумулятор	UM-3 (размер AA) x2 резервные Аккумулятор: 10,8В - 18В
Диапазон частот	FM87,50-108МГц (0,05МГц/шаг) AM(MW)522-1,710кГц (9 кГц/шаг)

Bluetooth®	
(Словесный знак и логотипы Bluetooth® являются зарегистрированными товарными знаками компании Bluetooth SIG, Inc.)	
Версия Bluetooth	Сертифицированная 5,0
Конфигурации Bluetooth	A2DP / SCMS-T / AVRCP
Электропередача	Класс мощности 2
Диапазон передачи	Оптимальное расстояние: Макс. 10 м (33 фута) Возможно: Макс. 30 м (100 фута) (в зависимости от условий использования)
Поддерживаемый кодек	SBC
Совместимые конфигурации Bluetooth	A2DP / AVRCP
Максимальная мощность радиочастоты	BT EDR: 3.91дБм
Рабочая частота	2402 МГц~2480 МГц

Параметры контура	
Акустическая система	2.5 дюйма 8 Ом x2 4 дюйма 6 Ом x1
Выходная мощность	10.8 В -12 В макс.: 2Вт x2 +10Вт 14.4 В: 3 Вт x2 +15Вт 18 В: 5Вт x2 + 25Вт
Входной разъём диам	3,5 мм (AUX IN)
Антенная система	FM : Встроенная антенна AM : Выдвижная антенна
Размеры (Д x Ш x В)	268 x 164 x 295 мм
Масса	4.9 кг (без аккумулятора)

Makita Europe N.V. Jan-Baptist Vinkstraat 2,
3070 Kortenberg, Belgium

Makita Corporation 3-11-8, Sumiyoshi-cho,
Anjo, Aichi 446-8502 Japan

DMR114-AT15-1903
3A81d65Z50000

www.makita.com

SJN