


Bestway®



POWER STEEL™ RECTANGULAR POOLS OWNER'S MANUAL

www.bestwaycorp.com/support

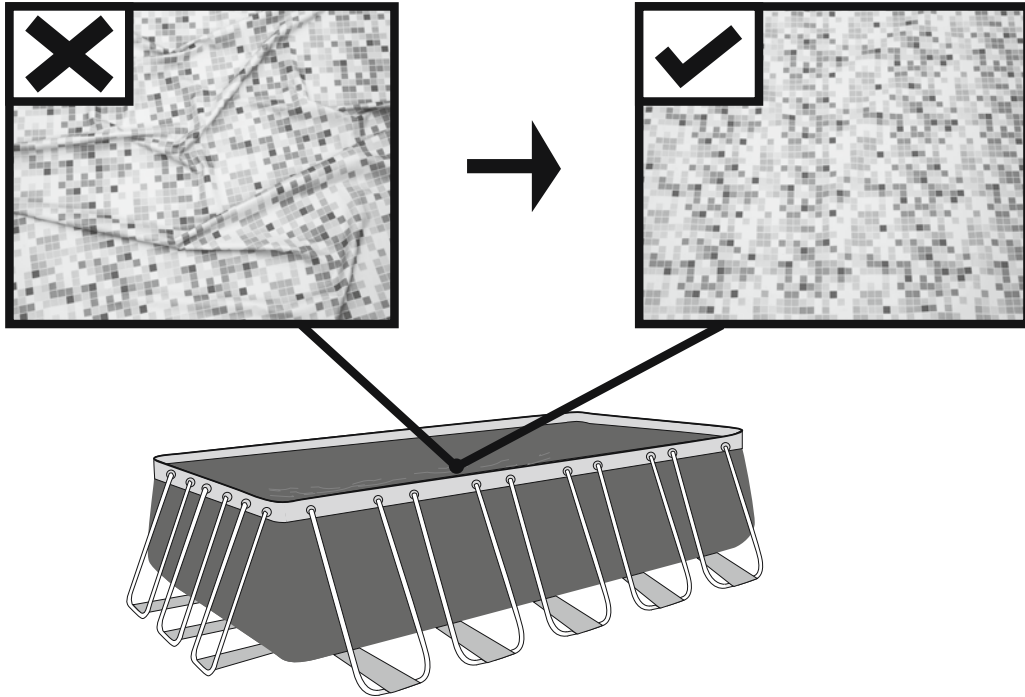
Visit Bestway YouTube channel 



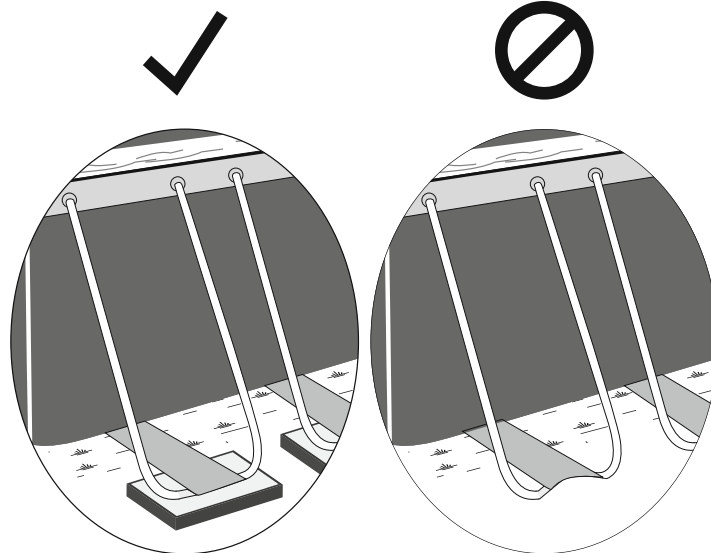


WARNING

smooth out the bottom



Put 1in. to 2in. water in the pool to cover the floor. Once pool floor is slightly covered, gently smooth out all wrinkles. Start in the center of the pool and work your way clockwise to the outside.



Do not assemble on soft lawn. If you must assemble the pool on a soft surface, timber boards must be placed under the feet of the vertical supports to spread the load.

WARNING

IMPORTANT SAFETY INSTRUCTIONS

Read and Follow All Safety Information and Instructions. Keep for future reference. Failure to follow these warnings and instructions can result in serious injury or death to users, especially children.

WARNING

Prevent Drowning



Children under 5 are at highest risk for drowning. Closely watch children who are *in or near* this pool.

WARNING


No Diving



You can break your neck and be paralyzed!

WARNING

Electrocution Risk



Keep all electrical lines, radios, speakers, and other electrical devices away from pool. Do not place pool near or under overhead electrical lines.

WARNING

Stay away from drains & suction fittings



If drain or suction outlet cover is missing or broken, your hair, body, and jewelry can get sucked into drain. You could be held under water & drown! Do not use pool if drain or suction outlet cover is missing or broken.

Prevent Young Children From Drowning:

Install fencing or approved barrier around all sides of pool.
State or local laws or codes may require fencing or other approved barriers.
Check state or local laws and codes before setting up pool.
Drowning occurs silently and quickly. Assign an adult to supervise pool and wear provided water watcher tag.
Keep children in your direct sight when they are in or near pool and when you are filling and emptying pool.
When searching for a missing child, check pool first, even if you think your child is in the house.
Pool presents a drowning hazard even during filling and draining of the pool. Maintain constant supervision of children and do not remove any safety barriers until the pool is completely empty and stowed away.
Refer to the list of barrier recommendations and guidelines as described in CPSC Publication No.362.
Assign an adult to be responsible for watching children in the pool. Give this person a "water watcher" tag and ask that they wear it the entire time they are in charge of supervising children in the pool. If they need to leave for any reason, ask this person to pass the "water watcher" tag and the supervision responsibility to another adult.
Locate pumps and filters in such a way that children cannot climb on them to gain access to pool.
If you have a ladder, refer to the ladder's manual for instructions.
If you have a pump, refer to the pump's manual for instructions.

Prevent Young Children From Gaining Access to Pool:

Remove pool ladders before leaving pool. Toddlers can climb ladder and get into pool.
Position furniture away from pool so that children cannot climb and gain access to pool.
When leaving pool, remove floats and toys from pool that might attract a child.

Be Prepared to Respond to an Emergency:

Keep a working phone and list of emergency numbers near pool.
Become certified in cardiopulmonary resuscitation (CPR) so you can respond to an emergency.

Electrocution Risk:

Keep all electrical lines, radios, speakers, and other electrical devices away from pool.
Do not place pool near or under overhead electrical lines.

Suction Risk:

Replacement pump should never exceed the maximum flow rate marked on the suction fitting.

For further safety tips check out the following websites:

www.homesafetycouncil.org
<http://www.safety-council.org/info/child/water.html>
www.safekids.org
www.nspi.org

Safety Barrier Guidelines for Residential Swimming Pool

Section I: Outdoor swimming pool

An outdoor swimming pool, including an inground, aboveground, or onground pool, hot tub, or spa, should be provided with a barrier which complies with the following:

- The top of the barrier should be at least 48 inches above grade measured on the side of the barrier which faces away from the swimming pool. The maximum vertical clearance between grade and the bottom of the barrier should be 4 inches measured on the side of the barrier which faces away from the swimming pool. Where the top of the pool structure is above grade, such as an aboveground pool, the barrier may be at ground level, such as the pool structure, or mounted on top of the pool structure. Where the barrier is mounted on top of the pool structure, the maximum vertical clearance between the top of the pool structure and the bottom of the barrier should be 4 inches.
- Openings in the barrier should not allow passage of a 4-inch diameter sphere.
- Solid barriers, which do not have openings, such as a masonry or stone wall, should not contain indentations or protrusions except for normal construction tolerances and tooled masonry joints.
- Where the barrier is composed of horizontal and vertical members and the distance between the tops of the horizontal members is less than 45 inches, the horizontal members should be located on the swimming pool side of the fence. Spacing between vertical members should not exceed 1-3/4 inches in width. Where there are decorative cutouts, spacing within the cutouts should not exceed 1-3/4 inches in width.
- Where the barrier is composed of horizontal and vertical members and the distance between the tops of the horizontal members is 45 inches or more, spacing between vertical members should not exceed 4 inches. Where there are decorative cutouts, spacing within the cutouts should not exceed 1-3/4 inches in width.
- Maximum mesh size for chain link fences should not exceed 1-3/4 inch square unless the fence is provided with slats fastened at the top or the bottom which reduce the openings to no more than 1-3/4 inches.
- Where the barrier is composed of diagonal members, such as a lattice fence, the maximum opening formed by the diagonal members should be no more than 1-3/4 inches.
- Access gates to the pool should comply with Section I, Paragraphs 1 through 7, and should be equipped to accommodate a locking device. Pedestrian access gates should open outward, away from the pool, and should be self-closing and have a self-latching device. Gates other than pedestrian access gates should have a self-latching device. Where the release mechanism of the self-latching device is located less than 54 inches from the bottom of the gate, (a) the release mechanism should be located on the pool side of the gate at least 3 inches below the top of the gate and (b) the gate and barrier should have no opening greater than 1/2 inch within 18 inches of the release mechanism.
- Where a wall of a dwelling serves as part of the barrier, one of the following should apply:
 - All doors with direct access to the pool through that wall should be equipped with an alarm which produces an audible warning when the door and its screen, if present, are opened. The alarm should sound continuously for a

minimum of 30 seconds within 7 seconds after the door is opened. Alarms should meet the requirements of UL2017 General-Purpose Signaling Devices and Systems, Section 77. The alarm should have a minimum sound pressure rating of 85 dBA at 10 feet and the sound of the alarm should be distinctive from other household sounds, such as smoke alarms, telephones, and door bells. The alarm should automatically reset under all conditions. The alarm should be equipped with manual means, such as touchpads or switches, to temporarily deactivate the alarm for a single opening of the door from either direction. Such deactivation should last for no more than 15 seconds. The deactivation touchpads or switches should be located at least 54 inches above the threshold of the door.
(b) The pool should be equipped with a power safety cover which complies with ASTM F1346-91 listed below.
(c) Other means of protection, such as self-closing doors with self-latching devices, are acceptable so long as the degree of protection afforded is not less than the protection afforded by (a) or (b) described above.


10. Where an aboveground pool structure is used as a barrier or where the barrier is mounted on top of the pool structure, and the means of access is a ladder or steps, then (a) the ladder to the pool or steps should be capable of being secured, locked or removed to prevent access, or (b) the ladder or steps should be surrounded by a barrier which meets Section I, Paragraphs 1 through 9. When the ladder or steps are secured, locked, or removed, any opening created should not allow the passage of a 4-inch diameter sphere.

Section II: Barrier Locations

Barriers should be located so as to prohibit permanent structures, equipment or similar objects from being used to climb the barriers.


WARNING

NO DIVING!
Shallow water.



You can be permanently injured.

PREVENT DROWNING



Watch children at all times.

Only for outdoor use.

Teach your children to swim.
Never dive, jump, or slide into the pool.
Adult supervision is always required.
Parents should learn CPR.

Never swim alone.

Keep all electrical radios, speakers and other appliances away from the swimming pool.

When you touch the filter, pump, or electrical parts, be sure the ground under your feet is "Bone Dry."
All electrical outlets should have a GFCI and connections should be a minimum of 5 feet (1.52 m) from the outside perimeter of the wall of the pool. From 5–10 feet (1.52–3.05 m), there should be either a fixed connection (outlet box) or twistlock connection with a GFCI.

Connect power cords to a 3-wire grounding-type outlet only.

Keep all breakable objects out of the pool area.

Alcohol consumption and pool activities do not mix. Never allow anyone to swim, dive or slide under the influence of alcohol or drugs.

Severe electrical shock could result if you install your pump or filter on a deck. The pump or filter could fall into the water, causing severe shock or electrocution. Do not install on a deck or other surface at, above, or slightly below the top rail of the pool.

Do not use the pool during severe weather conditions, i.e. electrical storms, tornadoes, etc.

Be aware of overhead power lines when vacuuming your pool or using a telescoping pole.

Do not allow diving, climbing, sitting, or standing on the top rails of the pools.

Do not allow roughhousing and horseplay.

Do not engage in extended breath holding activities underwater; you may black out and drown.

Install a pool ladder(s) or staircase for entry and exit from the pool.

Keep deck clean and clear of objects that may create a tripping hazard.

Check regularly for signs of wear or loose bolts that could make the deck unsafe.

Instruct pool users about the proper use of all pool ladder(s) and staircases.

Face ladder going up or down.

Allow only one person at a time on the ladder.

Check all nuts and bolts regularly to ensure that the ladder stays sturdy.

Remove or secure the ladder to prevent entry to pool when not in use.

Please contact pool site dealer or manufacturer for additional safety signs if deemed necessary.

For pool service, select a certified pool professional.

Any equipment connected to the circulation systems shall be positioned so as to prevent their being used as a means of access to the pool by young children.

The installation must comply with the codes of the authority having jurisdiction and may require permits for building, plumbing electrical, zoning, etc.

The pool shall be located a minimum distance of 6 ft. (1.83 m) from any electrical receptacle.

All 125 volt, 15 and 20 ampere receptacles located within 20 ft. (6.0 m) of the pool shall be protected by a ground fault circuit interrupter (GFCI). The 20 ft. (6 m) distance is measured via the shortest straight line distance the supply cord would follow without piercing a floor, wall, ceiling, doorway, window, or other permanent barrier.

Prior to use of the pool, the installer shall affix all no diving signs and safety signs in accordance with installation instructions so they can be easily visible.

A barrier is necessary to provide protection against potential drowning and near drowning and that barriers are not a substitute for the constant supervision of children.

A list of emergency telephone numbers shall be posted, such as the nearest available police, fire, ambulance, and/or rescue unit. These numbers are to be kept near the telephone that is closest to the pool.

Toys, chairs, tables, or similar objects that a young child could climb shall be at least 4 feet (1219 mm) from the pool.

If deck is used by the installer, it will need to comply with APSP-8.

Basic lifesaving equipment, including one of the following, shall be on hand at all times: a. A light, strong, rigid pole (shepherd's crook) not less than 12 ft. (3.66 m) long. b. A minimum 1/4 in. (6 mm) diameter rope as long as 1 1/2 times the maximum width of the pool or 50 feet (15.24 m), whichever is less, which has been firmly attached to a Coast Guard-approved ring buoy, or a similarly approved flotation devices.

The swimming pool cover is not designated as a safety barrier.

Please use artificial lighting during nighttime pool use, to illuminate all safety signs, ladders, steps, deck surfaces and walks. The pool is subject to wear and deterioration. If not maintained properly, certain types of excessive or accelerated deterioration can lead to failure of the pool structure that might release large quantities of water that could cause bodily harm and property damage.

The bottom of the pool shall be visible at all times from the outside perimeter of the pool.

The installer of the vinyl liner shall affix on the original or replacement liner, or on the pool structure, all safety signs in accordance with the manufacturer's instructions.

If you have a filter pump, refer to the pump's manual for instructions.

The ladder shall be located on a solid base and the ladder shall be installed per the ladder's instructions.

Publications are available that describe the risk of drowning, entrapment, and diving accidents. Available publications related to pool safety include the Association of Pool and Spa Professionals' (APSP) booklets entitled: The Sensible Way to Enjoy Your Aboveground/Onground Swimming Pool, Children Aren't Waterproof, Pool and Spa Emergency Procedures for Infants and Children, Layers of Protection, and the latest published edition of ANSI/APSP-8 Model Barrier Code for Residential Swimming Pools, Spas, and Hot Tubs.

For additional safety information, see www.APSP.org.

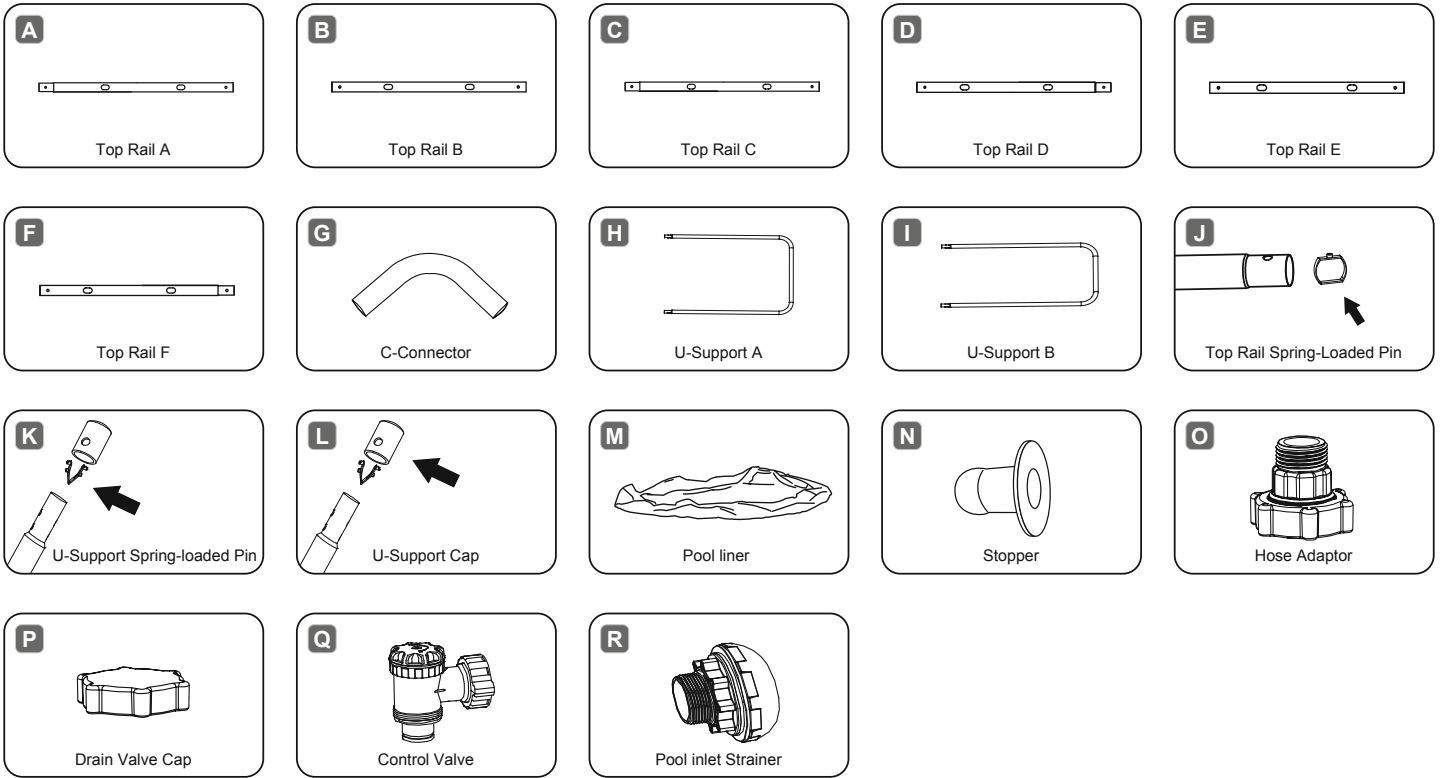
THIS PRODUCT IS COMPLIANT TO ANSI/APSP 4 AMERICAN NATIONAL STANDARD FOR ABOVEGROUND POOLS / ONGROUND RESIDENTIAL SWIMMING POOLS & INTERNATIONAL SWIMMING POOL & SPA CODE (ISPC)

(Only for USA & only for pools with a water depth of more than 36in.(914mm))

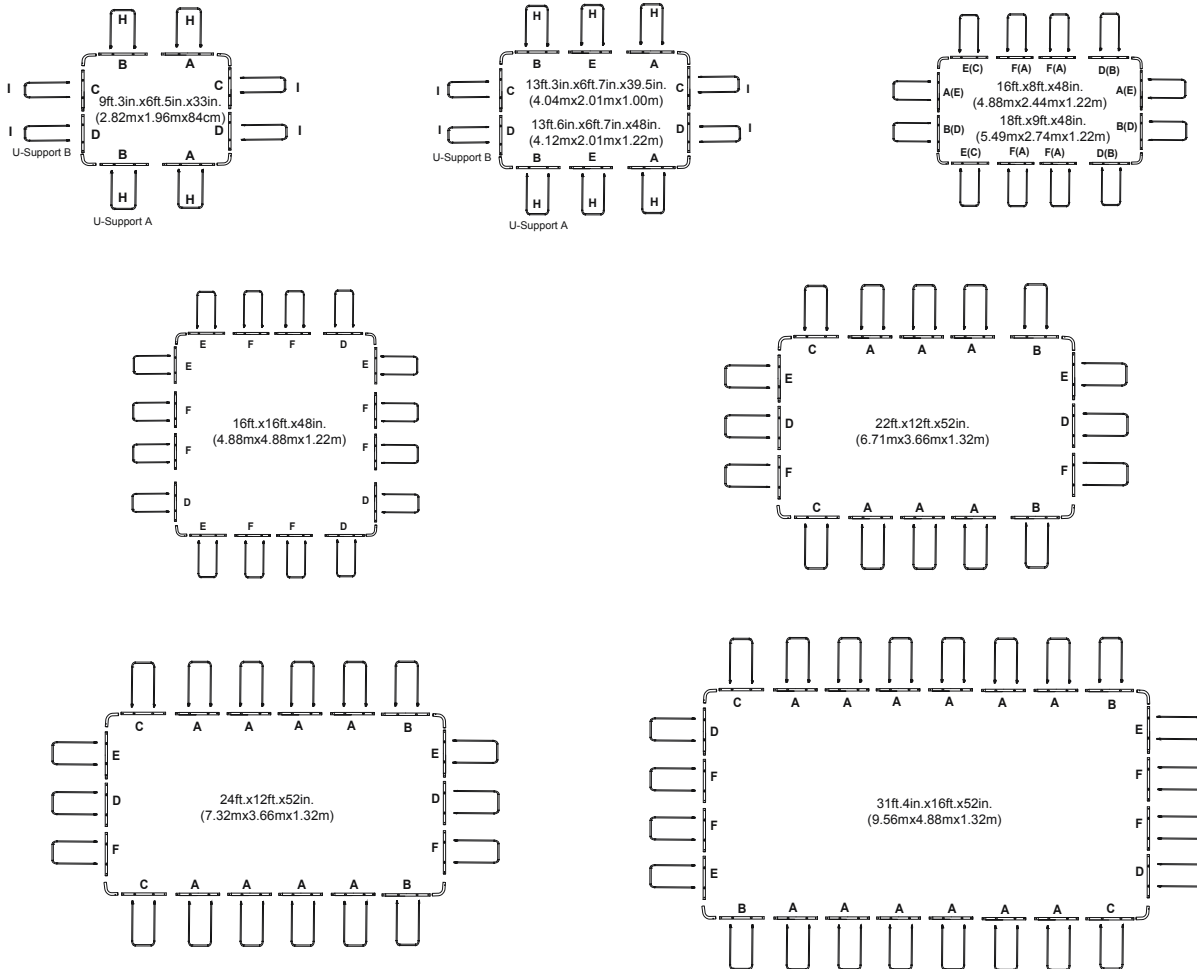
Please read carefully and keep for future reference

Installation usually takes approximately 20-30 minutes with 2-3 people excluding earthworks and filling.

NOTE: Some parts already have been installed on the pool.



NOTE: Drawing for illustration purpose only. May not reflect actual product. Not to scale.



PLEASE READ CAREFULLY AND RETAIN FOR FUTURE REFERENCE.

CHOOSE THE CORRECT LOCATION

NOTE: The pool must be set up on a completely flat and level surface. Please do not install the pool if the surface is inclined or sloped.

Correct conditions to set up the pool:

- The selected location has to be capable of uniformly supporting the weight for the entire time the pool is installed, moreover the location must be flat and must be cleared of all objects and debris including stones and twigs.
- We recommend positioning the pool away from any objects children could use to climb into the pool.

NOTE: Position the pool near an adequate drainage system to deal with overflow or to discharge the pool.

Incorrect conditions to set up the pool:

- On uneven ground the pool may collapse causing serious personal injury and/or damage to personal property and will void the warranty and prevent any service claims.
- Sand should not be used to create a level base; the ground must be dug out if necessary.
- Directly under overhead power lines or trees. Be sure the location does not contain underground utility pipes, lines or cables of any kind.
- Do not set up the pool on driveways, decks, platforms, gravel or asphalt surfaces. The selected location should be firm enough to withstand the pressure of the water; Mud, sand, soft / loose soil or tar are not suitable.
- Grass or other vegetation under the pool will die and may cause odors and slime to develop, therefore we recommend removing all grass from the selected pool location.
- Avoid areas prone to aggressive plant and weed species that may grow through the ground cloth or liner.

NOTE: Check with your local city council for by-laws relating to fencing, barriers, lighting and safety requirements and ensure you comply with all laws.

NOTE: If have a filter pump, refer to the pump's manual for instructions.

NOTE: The ladder must match the pool size and should be used only for entering and exiting the pool. It is forbidden to exceed the permitted payload of the ladder. Check regularly if the ladder is properly assembled.

Installation

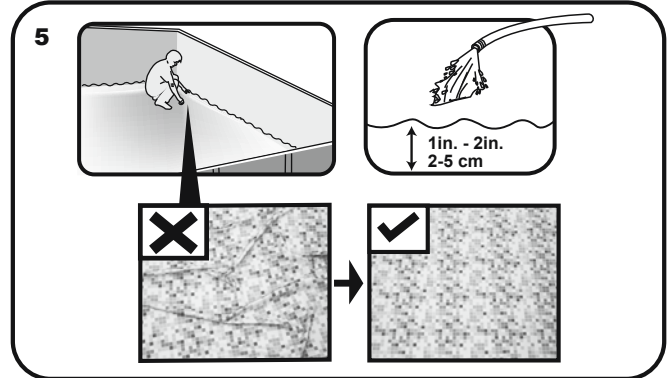
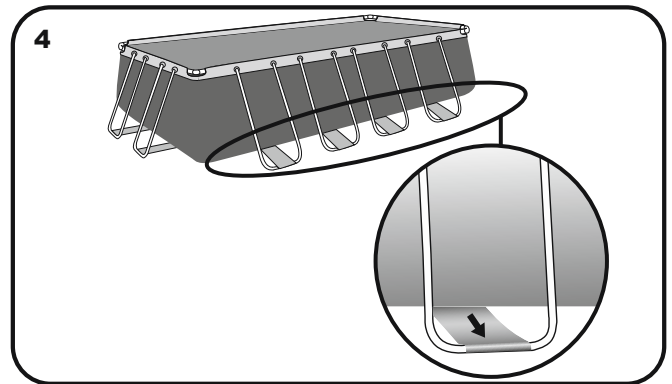
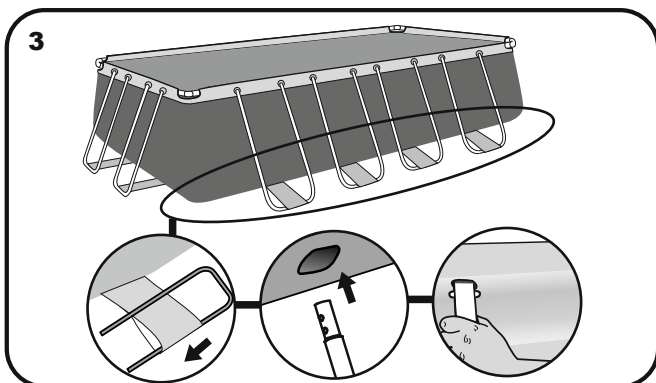
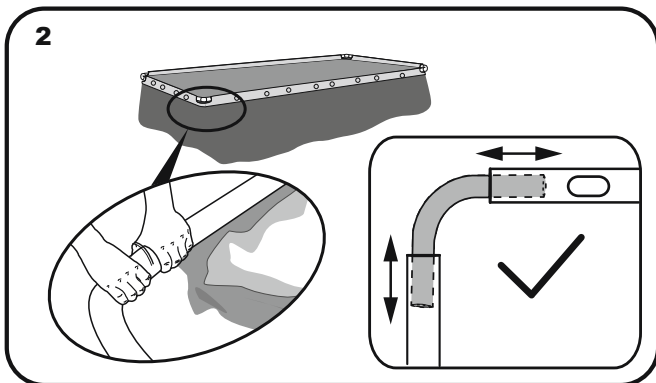
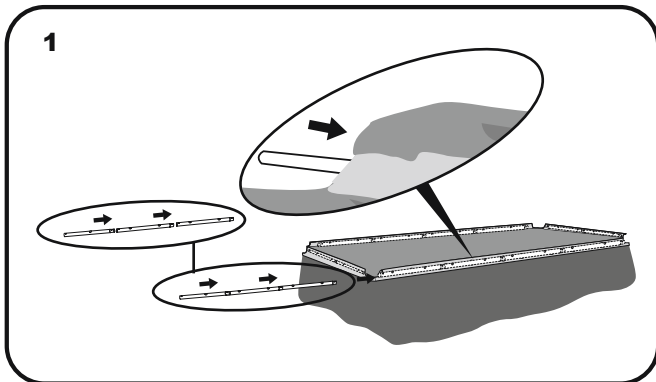
Assembly of the Rectangular Frame Pool can be completed without tools.

Bestway Inflatables will not be responsible for damage caused to the pool due to mishandling or failure to follow these instructions.

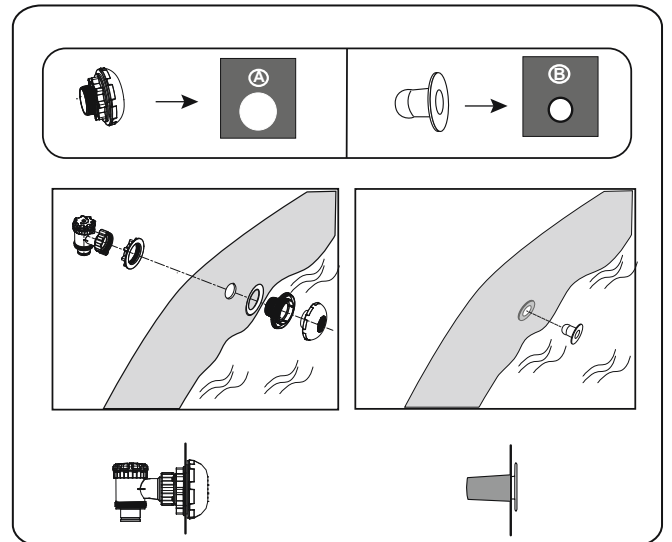
1. Lay out all parts and check that you have the correct quantities as listed in the components list. If you are missing any part do not assemble the pool, contact Bestway Customers Service.
2. Spread out the pool and make sure the pool is right side up, let it sit exposed to direct sunlight for 1 hour or more so that the pool is more flexible during set up.
3. Place the pool near an adequate drainage system to deal with overflow water and ensure the pool's inlet A and outlet B are correctly positioned to allow your filter pump to connect to a power source.

NOTE: Do not use extension power cords to power your pump.

ATTENTION: Do not drag the pool on the ground, this can damage the pool.



Connection Valve Assembly
For pool with connection valve



Filling Pool with Water

ATTENTION: Do not leave pool unattended while filling with water.

1. Fill pool until water capacity is 90%. DO NOT OVERFILL as this could cause the pool to collapse. In times of heavy rainfall you may need to empty some of the water to ensure the level is correct.
2. When filling the pool is completed, check that the water is not collecting on any side to ensure the pool is level.

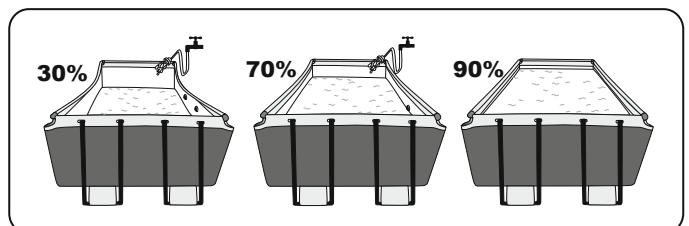
IMPORTANT: If pool is not level, drain water and re-level ground by digging out.

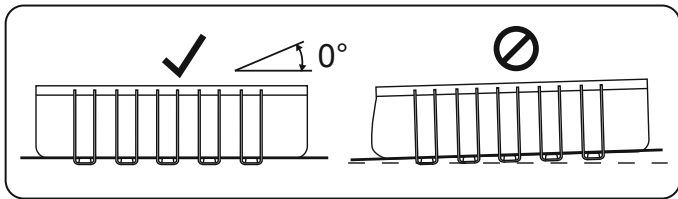
Never attempt to move the pool with water in it, serious personal injury or damage to the pool may result.

WARNING: Your pool may contain a great deal of pressure. If your pool has any bulge or uneven side then the pool is not level, the sides may burst and the water may discharge suddenly causing serious personal injury and/or damage to property.

3. Check pool for any leaks at valves or seams, check ground cloth for any evident water loss. Do not add chemicals until this has been done.

NOTE: In the event of a leak, patch your pool using the underwater adhesive repair patch provided. Refer to the FAQ's for further information.





Pool Maintenance

If you do not adhere to the maintenance guidelines below, your health might be at risk, especially that of your children.

IMPORTANT: If you don't respect the ideal values of the water chemicals the PVC can be damaged and become discolored.

The following table lists the sequence of the tests that should be carried out for the ideal values and possible actions. Regularly check the pH value and chlorine concentration weekly and adjust to the ideal values.

TEST	IDEAL VALUES
pH value	7.4– 7.6
Cyanuric acid	30 – 50 ppm
Free chlorine	2 – 4 ppm
Chlorine compound	0
Algae	None visible
Calcium hardness	200 – 400 ppm

To keep your pool clean:

1. Contact your local pool supply shop for advice and purchase of chemicals and pH kits. One of the most important factors to increase the life of the liner is to keep continuously clean and healthy water. Please strictly follow the instructions from professional technicians for the water treatment through the use of chemicals.
2. Locate a bucket of water next to pool to clean users' feet before entering pool.
3. Cover the pool when not in use.
4. Skim pool regularly to avoid settled dirt.
5. Check and wash the filter cartridge regularly.
6. Gently clean any scum from below the top ring with a clean cloth.
7. Please be careful in case of rain water, kindly check that the water level is not higher than the expected. If so, YOU HAVE TO DISCHARGE THE EXCESS WATER.

Proper maintenance can maximize the life of your pool.

During the season of use of the swimming pool, the filtration system must be necessarily put into service every day, enough time to assure at least a complete renewal of the volume of water.

ATTENTION: Do not use pump when pool is in use.

During the season of use of the swimming pool, the filtration system must be necessarily put into service every day, enough for a long time to assure at least a complete renewal of the volume of water.

Repair

Check pool for any leaks from valves or seams, check the ground cloth for any evident water loss. Do not add chemicals until this has been done.

NOTE: In the event of a leak, patch your pool using the underwater adhesive repair patch provided.

Refer to the FAQs for further information.

Dismantling

1. Unscrew the drain valve cap on the outside of the pool counter clockwise and remove.
2. Connect the adaptor to the hose and put the other end of the hose in the area where you are going to drain your pool. (Check local regulations for drainage by-laws).
3. Screw the control ring of the hose adaptor clockwise onto the drain valve. The drain valve will be open and water will start to drain automatically.

ATTENTION: Water flow can be controlled with the control ring.

4. When draining is finished, unscrew the control ring to close the valve.
5. Disconnect the hose.
6. Screw the cap back onto the drain valve.
7. Air dry pool.

ATTENTION: Do not leave the drained pool outside.

Storage and Winterization

1. Please remove all the accessories and spare parts of the pool and store them clean and dry.
2. Once pool is completely dry, sprinkle with talcum powder to prevent pool from sticking together, fold pool carefully. If pool is not completely dry, mold may result and will damage the pool liner.
3. Store liner and accessories in a dry place with a moderate temperature between 5°C / 41°F and 38°C / 100°F.
4. During the rainy season, pool and accessories should be stored as per above instructions also.
5. Improper draining of the pool might cause serious personal injury and/or damage to personal property.
6. We strongly recommend the pool is disassembled during the off season (winter months). Store in a dry location out of children's reach.

Bestway®



PISCINES RECTANGULAIRES POWER STEEL™ NOTICE D'UTILISATION

www.bestwaycorp.com/support

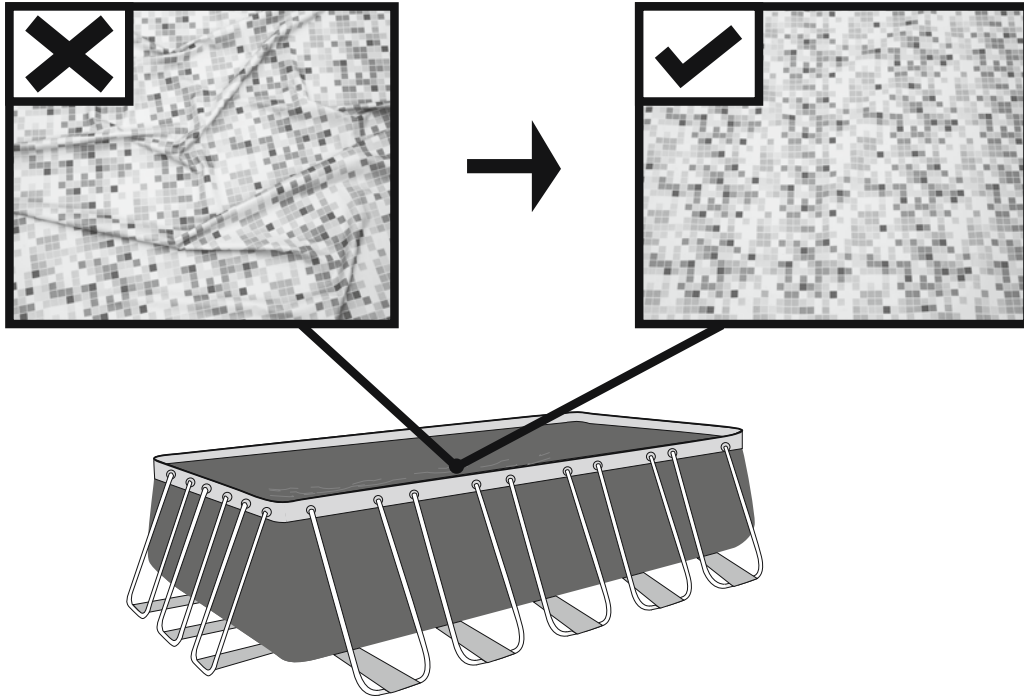
Visitez la chaîne YouTube de Bestway 



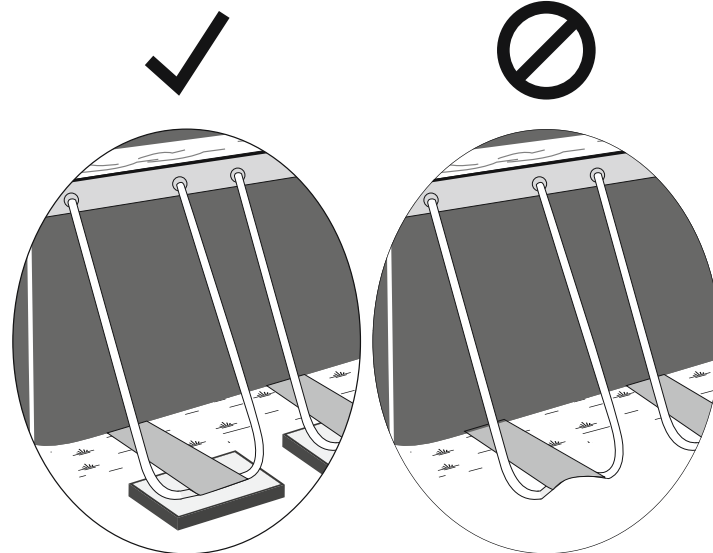


AVERTISSEMENT

lisser le fond



Mettez quelques centimètres d'eau dans la piscine pour couvrir le sol. Une fois que le sol de la piscine est légèrement recouvert, lissez tous les plis. Commencez par le centre de la piscine et continuez dans le sens des aiguilles d'une montre vers l'extérieur.



Ne montez pas la piscine sur une pelouse qui s'enfonce. Si vous devez monter la piscine sur une surface molle, il faut placer des planches en bois sous les pieds des supports verticaux pour répartir la charge.

AVERTISSEMENT

DIRECTIVES DE SÉCURITÉ IMPORTANTES

Veillez lire et vous conformer à toutes les directives et informations concernant la sécurité. Conserver pour de futures références. Le fait de ne pas suivre ces avertissements et ces instructions peut provoquer de graves blessures ou le décès d'utilisateurs, en particulier d'enfants.

AVERTISSEMENT

Évitez les noyades



Les enfants de moins de 5 ans courent un plus grand risque de se noyer. Surveillez attentivement les enfants se trouvant dans ou à proximité de cette piscine.

AVERTISSEMENT

Ne pas plonger



Vous pourriez vous casser le cou et être paralysé!

AVERTISSEMENT

Risque d'électrocution



Faites en sorte que toutes les lignes, enceintes, radios et autres appareils électriques soient toujours loin de la piscine. Ne placez pas la piscine à proximité ou sur des lignes électriques aériennes.

AVERTISSEMENT

Tenez-vous loin des drains et des accessoires de succion



Si le capuchon de sortie de vidange ou d'aspiration est manquant ou cassé, vos cheveux, votre corps ou des bijoux peuvent être entraînés dans le drain. Vous pourriez être retenu sous l'eau et vous noyer! Ne pas utiliser la piscine si le capuchon de sortie de vidange ou d'aspiration est manquant ou cassé.

Prévention de la noyade chez les jeunes enfants :

Installez des clôtures ou d'autres barrières agréées tout autour de la piscine. Les réglementations ou les règles nationales ou locales peuvent exiger des clôtures ou d'autres barrières agréées. Vérifiez vos réglementations ou règles locales ou nationales avant d'installer la piscine. Toute noyade se produit rapidement et silencieusement. Affectez un adulte à la surveillance de la piscine et portez l'étiquette fournie de surveillance de baignade. Gardez les enfants à portée de vue directe lorsqu'ils sont à l'intérieur ou à proximité de la piscine ou lorsque vous remplissez ou videz la piscine. Si vous recherchez un enfant disparu, commencez par vérifier la piscine, même si vous pensez que votre enfant est dans la maison. La piscine représente un risque de noyade même pendant le remplissage et la vidange de la piscine. Exercez une surveillance permanente des enfants et ne retirez pas les barrières de sécurité tant que la piscine n'est pas totalement vide et rangée à part. Référez-vous à la liste des recommandations et des directives en matière de barrières comme décrit dans la Publication CPSC n°362. Affectez un adulte responsable de la surveillance des enfants dans la piscine. Donnez à cette personne une étiquette de « surveillant de baignade » et demandez-lui de porter cette étiquette pendant toute la période où elle est en charge de la surveillance des enfants dans la piscine. Si elle a besoin de s'absenter pour une quelconque raison, demandez à cette personne de transmettre cette étiquette de « surveillant de baignade » et la responsabilité de la surveillance à un autre adulte. Installez les pompes et les filtres de telle manière que les enfants ne puissent pas grimper sur celles-ci pour accéder à la piscine. Si vous avez une échelle, reportez-vous à la notice d'instructions de l'échelle. Si vous avez une pompe, reportez-vous à la notice d'instructions de la pompe.

Prévention de l'accès des jeunes enfants à la piscine :

Retirez les échelles de piscine avant de quitter la piscine. Les tout-petits peuvent grimper sur les échelles et accéder à la piscine. Positionnez le mobilier à distance de la piscine de sorte que les enfants ne puissent pas grimper pour accéder à la piscine. Lorsque vous quittez la piscine, retirez de la piscine les flotteurs et jouets qui pourraient attirer un enfant.

Préparation à un appel d'urgence :

Conservez un téléphone en état de marche et une liste de numéros d'urgence à proximité de la piscine. Obtenez un certificat en réanimation cardiorespiratoire (RCR) de manière à pouvoir répondre à une urgence.

Risque d'électrocution :

Faites en sorte que toutes les lignes, enceintes, radios et autres appareils électriques soient toujours loin de la piscine. Ne placez pas la piscine à proximité ou sur des lignes électriques aériennes.

Risque d'aspiration :

La pompe de rechange ne doit jamais dépasser le débit maximal indiqué sur le raccord d'aspiration.

Pour plus de conseils de sécurité, consultez les sites web suivants :

www.homesafetycouncil.org
<http://www.safety-council.org/info/child/water.html>
www.safekids.org
www.nspi.org

Barrières de sécurité pour les piscines résidentielles

Section I : Piscine à l'extérieur

- Une piscine à l'extérieur, y compris une piscine creusée, hors sol ou semi-creusée, un bain chaud ou un spa, doit être équipée d'une barrière conforme aux points suivants :
- Le sommet de la barrière doit être à au moins 48 pouces (1,20m environ) du niveau du sol. La mesure étant effectuée sur le côté de la barrière tourné vers l'extérieur. La distance verticale maximale entre le niveau du sol et le bas de la barrière doit être de 4 pouces (10cm), la mesure étant effectuée sur le côté de la barrière tourné vers l'extérieur. Quand le sommet de la structure de la piscine est au-dessus du niveau du sol, comme pour une piscine hors sol, la barrière doit être au niveau du sol, comme la structure de la piscine, ou bien montée au sommet de la structure. Quand la barrière est montée sur le sommet de la structure de la piscine, la distance verticale maximale entre le sommet de la structure et le bas de la barrière doit être de 4 pouces (10cm).
 - Les ouvertures dans la barrière doivent empêcher le passage d'une sphère de 10cm (4 pouces) de diamètre.
 - Les barrières pleines, sans ouvertures, comme une paroi en pierre ou en maçonnerie, ne doivent pas présenter d'indentations ou de saillies, sauf dans les tolérances normales de construction et pour les joints de maçonnerie.
 - Quand la barrière est composée d'éléments horizontaux et verticaux, et la distance entre le sommet des éléments horizontaux est inférieure à 45 pouces (1,14m), les éléments horizontaux doivent être placés sur la clôture du côté de la piscine. L'espace entre les éléments verticaux ne doit pas dépasser 1-3/4 pouces (4cm) de largeur. En cas de présence de silhouettes de décoration, l'espace entre les silhouettes ne doit pas dépasser 1-3/4 pouces (4cm) de largeur.
 - Quand la barrière est composée d'éléments horizontaux et verticaux, et la distance entre le sommet des éléments horizontaux est de 45 pouces (1,14m) ou plus, l'espace entre les éléments verticaux ne doit pas dépasser 4 pouces (10cm). En cas de présence de silhouettes de décoration, l'espace entre les silhouettes ne doit pas dépasser 1-3/4 pouces (4cm) de largeur.
 - La dimension maximale des treillis pour les clôtures à mailles losangées ne doit pas dépasser 1-3/4 pouces carrés (4cm), à moins que la clôture ne soit équipée de traverses au sommet ou au bas qui réduisent les ouvertures à moins de 1-3/4 pouces (4cm).
 - Quand la barrière est composée d'éléments en diagonale, comme une clôture en lattes, l'ouverture maximale formée par les éléments en diagonale ne doit pas dépasser 1-3/4 pouces (4cm).
 - Les portes d'entrée à la piscine doivent être conformes à la Section I, Paragraphes 1 à 9, et doivent être équipées de systèmes de fermeture. Les portes d'accès doivent s'ouvrir vers l'extérieur, loin de la piscine et doivent être à

- ferme-porte et avoir un système à autodéclenchement. Les autres portes doivent avoir un système à autodéclenchement. Si le mécanisme de relâchement du système à autodéclenchement est placé à moins de 54 pouces (1,37m) du bas de la porte, (a) le mécanisme de relâchement doit être placé sur la porte du côté de la piscine à au moins 3 pouces (7cm) du sommet de la porte et (b) la porte et la barrière ne doivent pas avoir d'ouvertures de 1/2 pouce (1,5cm) à 18 pouces (45cm) du mécanisme de relâchement.
- Si un mur de l'habitation fait partie de la barrière, il faut appliquer un des points suivants:
 - Toutes les portes de ce mur avec un accès direct à la piscine doivent être équipées d'une alarme qui produit un avertissement sonore audible quand la porte, et la porte-écran si elle est présente, sont ouvertes. L'alarme doit sonner de manière continue pendant un minimum de 30 secondes dans les 7 secondes qui suivent l'ouverture de la porte. Les alarmes doivent être conformes aux conditions du "General-Purpose Signaling Devices and Systems" UL2017, Section 77. L'alarme doit avoir un niveau sonore minimum de 85 dBA à 10 pieds (3m) et le son de l'alarme doit se distinguer des autres sons de l'habitation, comme le détecteur de fumée, les téléphones et les sonnettes. L'alarme doit automatiquement se réarmer dans toutes les conditions. L'alarme doit être équipée d'un système manuel, comme un clavier ou un interrupteur, pour être temporairement désactivée pour une unique ouverture de la porte dans les deux directions. Cette désactivation ne doit pas durer plus de 15 secondes. Le clavier ou l'interrupteur de désactivation doit être placé à au moins 54 pouces (1,37m) au-dessus du seuil de la porte.
 - La piscine doit être équipée d'une bâche de sécurité conforme à ASTM F1346-91 dont ci-dessous.
 - Tout autre système de protection, comme des portes à ferme-porte à autodéclenchement, est acceptable tant que le niveau de protection fourni n'est pas inférieur à la protection fournie par les points (a) ou (b) décrits ci-dessus.
 - Si une piscine hors sol est utilisée comme barrière ou si la barrière est montée au sommet de la structure de la piscine, et si l'accès est une échelle ou des marches, (a) l'échelle de la piscine ou les marches doivent pouvoir être sécurisées, verrouillées ou enlevées pour éviter l'accès, ou (b) l'échelle ou les marches doivent être entourées d'une clôture conforme à la Section I, Paragraphes 1 à 9. Quand l'échelle ou les marches sont sécurisées, verrouillées ou enlevées, toute ouverture ne doit pas permettre le passage à une sphère d'un diamètre de 4 pouces (10cm).

Section II : Placement de la barrière

Les barrières doivent être placées de manière à empêcher que des structures permanentes, des appareils ou tout objet semblable ne puissent être utilisés pour enjambrer la barrière.

AVERTISSEMENT

NE PAS PLONGER!
Eau peu profonde.



Vous risquez des blessures graves.

EMPÊCHEZ LA NOYADE



Surveillez les enfants en tout temps.

À n'utiliser qu'à l'extérieur.

Apprenez à vos enfants à nager.

Ne plongez, sautez ou glissez jamais dans la piscine.

La surveillance d'un adulte est toujours requise.

Les parents devraient apprendre la RCP.

Ne nagez jamais seul.

Faites en sorte que toutes les enceintes, radios et autres appareils électriques soient toujours loin de la piscine. Quand vous touchez le filtre, la pompe ou des parties électriques, vérifiez que le sol sous vos pieds soit bien sec. Toutes les prises de courant doivent avoir un disjoncteur de fuite de terre et les raccordements doivent se trouver à au moins 5 pieds (1,52 m) du périmètre extérieur des parois de la piscine. À partir de 5-10 pieds (1,52-3,05 m), il doit y avoir soit un raccordement fixe (boîtier de raccordement) soit un raccordement avec verrou tournant équipé d'un disjoncteur de fuite de terre.

Branchez les cordons électriques uniquement sur une prise de terre à 3 fils.

Tous les objets pouvant se casser doivent rester loin de la zone de la piscine.

N mélangez pas consommation d'alcool et activités dans la piscine. Ne laissez jamais personne nager, plonger ou glisser sous l'influence d'alcool ou de drogues.

Il existe un grave risque d'électrocution si vous installez votre pompe ou votre filtre sur une terrasse. La pompe ou le filtre pourrait tomber dans l'eau en provoquant une électrocution ou un choc grave. Ne les installez pas sur une terrasse ou une autre surface, au-dessus ou légèrement en dessous du rail supérieur de la piscine.

N'utilisez pas la piscine quand les conditions météorologiques sont mauvaises, ex. tempêtes électriques, tornades, etc. Faites attention aux lignes de courant suspendues lorsque vous videz votre piscine ou que vous utilisez une tige télescopique.

N'autorisez personne à plonger, grimper, s'asseoir ou se tenir sur les rails supérieurs des piscines.

N'autorisez pas les bousculades et le chahut.

Ne faites pas d'apnée prolongée car vous pourriez vous sentir mal et vous noyer.

Installez une/des échelle(s) ou des escaliers pour entrer et sortir de la piscine.

La terrasse doit rester propre et libre d'objets qui pourraient vous faire trébucher.

Vérifiez régulièrement si la terrasse présente des signes d'usure ou de boulons dévissés car cela la rendrait dangereuse.

Expliquez aux utilisateurs de la piscine comme utiliser correctement la ou les échelles et les escaliers.

Montez ou descendez l'échelle de face.

N'autorisez qu'une seule personne à la fois sur l'échelle.

Contrôlez régulièrement tous les écrous et boulons pour être certain que l'échelle est bien solide.

Enlevez ou sécurisez l'échelle pour éviter que quelqu'un entre dans la piscine quand elle n'est pas utilisée.

Veillez contacter le concessionnaire ou le fabricant de la piscine pour obtenir des panneaux de sécurité supplémentaires si cela s'avère nécessaire.

Adressez-vous à un professionnel de piscine certifié pour l'entretien de la piscine.

Tout équipement raccordé aux systèmes de circulation doit être positionné de manière à éviter qu'il soit utilisé comme accès à la piscine par les enfants en bas âge.

L'installation doit être conforme aux codes de l'autorité en vigueur et peut nécessiter des permis pour la construction, la plomberie, l'électricité, la délimitation, etc.

La piscine doit être située à une distance minimale de 6 pieds (1,83 m) de toute prise électrique.

Toutes les prises de 125 volts, 15 et 20 A situées dans un rayon de 20 pieds (6,0 m) de la piscine doivent être protégées par un disjoncteur de fuite de terre. La distance de 20 pieds (6 m) est mesurée en tenant compte de la distance à vol d'oiseau la plus courte que le cordon suivrait sans traverser un plancher, mur, plafond, porte, fenêtre ou autre barrière permanente.

Avant d'utiliser la piscine, l'installateur doit apposer tous les panneaux d'interdiction de plonger et tous les panneaux de sécurité conformément à la notice d'installation afin qu'ils soient bien visibles.

Une barrière est nécessaire pour protéger contre une éventuelle noyade et une quasi-noyade mais les barrières ne remplacent pas la surveillance constante des enfants.

Il faut préparer une liste des numéros de téléphone de secours, comme le poste de police le plus proche, les pompiers, l'ambulance et/ou une unité de sauvetage. Ces numéros doivent se trouver à côté du téléphone le plus proche de la piscine.

Les jouets, chaises, tables ou objets similaires sur lesquels un enfant en bas âge pourrait monter doivent se trouver à au moins 4 pieds (1219 mm) de la piscine.

Si l'installateur utilise une terrasse, celle-ci doit être conforme à la norme APSP-8.

Un équipement de sauvetage basique, y compris l'un des suivants, doit toujours se trouver à portée de main : a. Une tige légère, résistante et rigide (bâton de berger) mesurant au moins 12 pieds (3,66 m). b. Une corde d'au moins 1/2 in. (6 mm) de diamètre et mesurant 1 fois 1/2 la largeur maximale de la piscine ou 50 pieds (15,24 m), en choisissant la mesure la plus petite, ayant été solidement attachée à une bouée agréée par les sauveteurs ou des dispositifs de flottaison agréés de même type.

La couverture de la piscine n'est pas conçue comme barrière de sécurité.

Veillez utiliser un éclairage artificiel quand vous utilisez la piscine la nuit, pour illuminer tous les panneaux de sécurité, les échelles, les marches, les terrasses et les parcours.

La piscine est susceptible de s'user et de s'abîmer. Si elle n'est pas entretenue correctement, certains types de détérioration excessive ou accélérée peuvent porter à une panne de la structure de la piscine qui pourrait libérer de grandes quantités d'eau susceptibles de provoquer des blessures ou des dégâts.

Il faut toujours pouvoir voir le fond de la piscine du périmètre extérieur de celle-ci.

L'installateur de la bâche en vinyle doit apposer sur la bâche d'origine ou celle de rechange, ou sur la structure de la piscine, tous les panneaux de sécurité conformément aux instructions du fabricant.

Si vous avez une pompe de filtration, reportez-vous à la notice d'instructions de la pompe.

L'échelle doit être placée sur une base solide et conformément au mode d'emploi de la piscine.

Il existe des publications qui décrivent le risque de se noyer et de rester coincé ainsi que les accidents de plongée.

Des publications sont disponibles au sujet de la sécurité dans les piscines, notamment les brochures de l'Association des professionnels de piscines et spas (APSP) intitulées : The Sensible Way to Enjoy Your Aboveground/Onground Swimming Pool, Children Aren't Waterproof, Pool and Spa Emergency Procedures for Infants and Children, Layers of Protection, et la toute dernière édition du Code des barrières du modèle ANSI/APSP-8 pour les piscines privées, les spas et les bains chauds.

Pour plus de conseils de sécurité, consultez le site www.APSP.org.

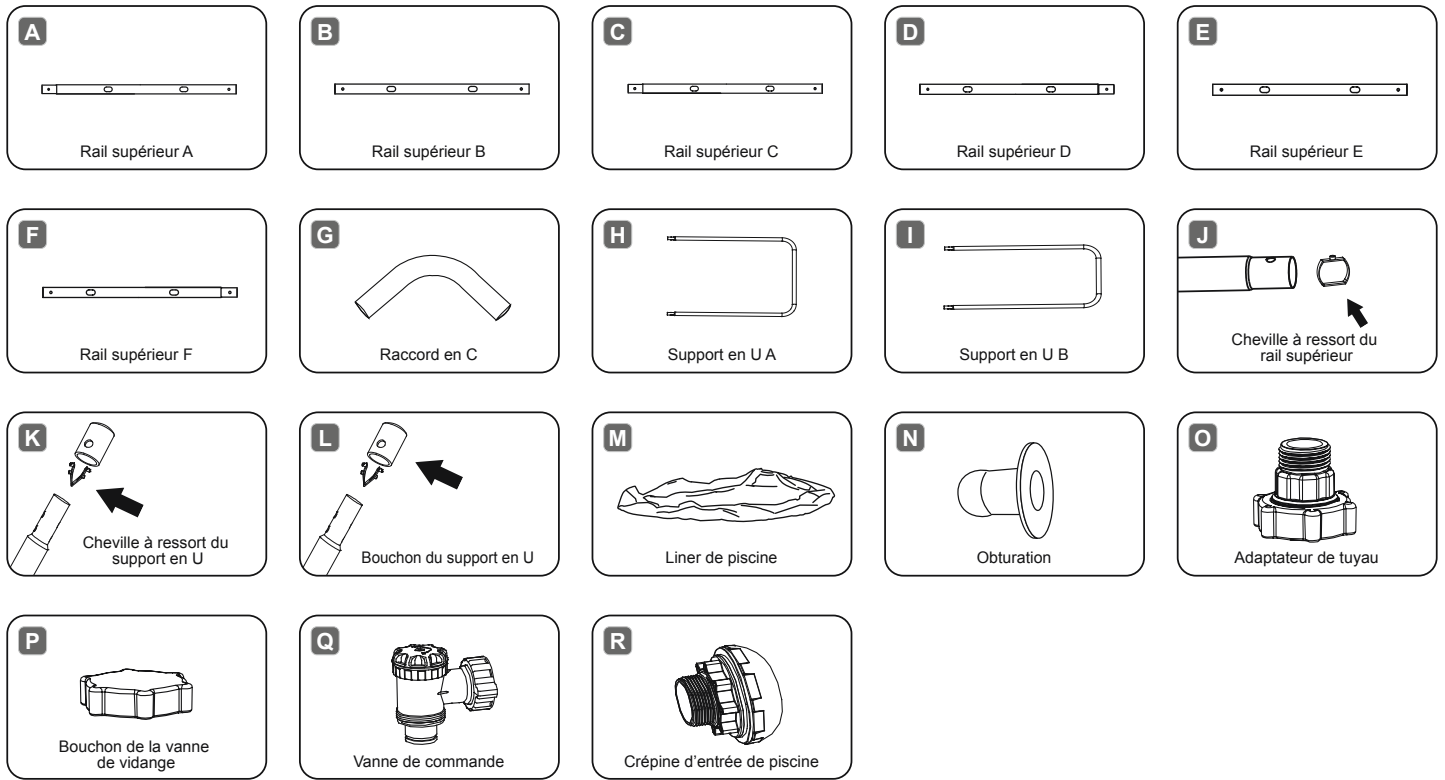
CE PRODUIT EST CONFORME À LA NORME NATIONALE AMÉRICAINE ANSI/APSP 4 POUR LES PISCINES RÉSIDUELLES HORS SOL / AU SOL AINSI QU'AU ISPC (CODE INTERNATIONAL POUR LES PISCINES ET LES SPAS)

(Uniquement pour les États-Unis et uniquement pour les piscines dont la profondeur d'eau dépasse 36 po. (914 mm))

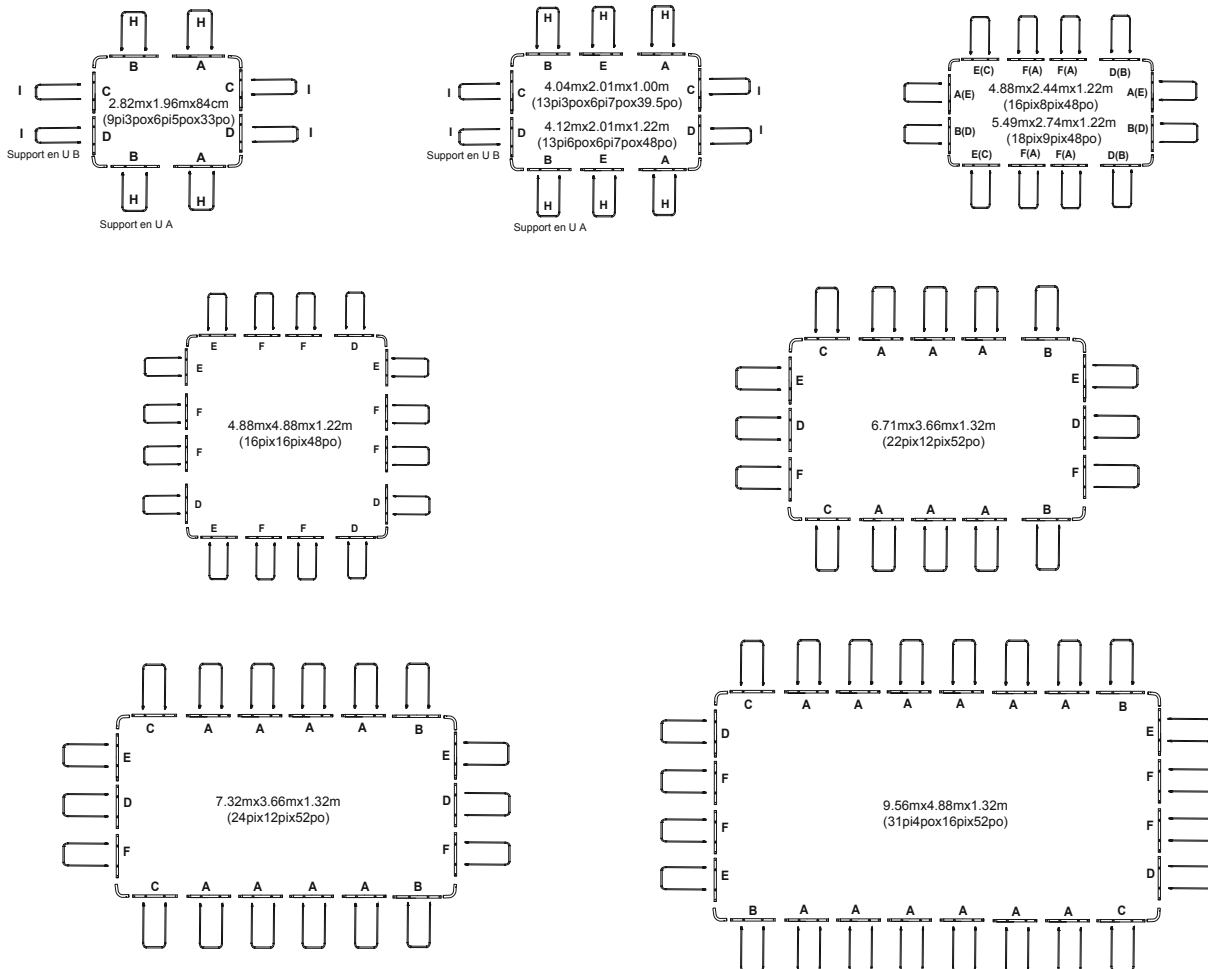
À lire attentivement et à conserver pour consultation ultérieure.

L'installation prend habituellement 20-30 minutes environ avec 2-3 personnes, à l'exclusion des ouvrages de terre et du remplissage.

REMARQUE: Certaines pièces ont déjà été installées sur la piscine.



REMARQUE: Les dessins ne sont qu'à titre d'illustration. Il peut arriver qu'ils ne reflètent pas le produit réel. Pas à l'échelle.



A LIRE ATTENTIVEMENT ET À CONSERVER POUR CONSULTATION ULTÉRIEURE.

CHOISIR L'EMPLACEMENT CORRECT

REMARQUE:

La piscine doit être montée sur une surface complètement plate et nivelée. N'installez pas SVP la piscine si la surface est inclinée ou en pente.

Condition correcte pour installer la piscine:

L'emplacement choisi doit pouvoir supporter uniformément le poids pendant toute la durée d'installation de la piscine, en outre, l'emplacement doit être plat et doit être dénué d'objets et débris, y compris des cailloux et des brindilles.

• Nous recommandons de positionner la piscine loin d'objets que les enfants pourraient utiliser pour grimper dans la piscine.

REMARQUE: Placer la piscine près d'un système d'évacuation adéquat pour traiter tout surplus ou pour vidanger la piscine.

Conditions incorrectes pour installer la piscine:

• Sur un sol irrégulier, la piscine pourrait s'affaisser provoquant de graves lésions personnelles et/ou des dommages aux biens personnels et cela annulerait la garantie et empêcherait toute réclamation.

• Ne pas utiliser de sable pour créer une base de niveau ; le sol doit être creusé si nécessaire.

• Directement sous des lignes électriques aériennes ou des arbres. Assurez-vous que l'emplacement ne contient pas de tuyaux souterrains, de lignes ou câbles de quelque sorte que ce soit.

• Ne pas installer la piscine sur des routes, des ponts, des plate-formes, des surfaces en graviers ou en asphalte.

L'emplacement choisi doit être suffisamment ferme pour résister à la pression de l'eau; boue, sable, sol mou ou goudron ne sont pas adaptés.

• L'herbe ou toute autre végétation sous la piscine mourra et est susceptible de provoquer des odeurs et le développement de boue, nous vous recommandons donc d'enlever toute l'herbe de l'emplacement choisi pour la piscine.

• Éviter les zones où des plantes agressives et des espèces de mauvaises herbes pouvant pousser à travers le revêtement posé au sol sont susceptibles de se développer.

REMARQUE: Vérifier avec votre conseil municipal les règlements liés aux barrières, enceintes, éclairage et dispositifs de sécurité et assurez-vous que vous conformez à toutes les lois.

REMARQUE: Si vous disposez d'une pompe filtrante, consultez le manuel de la pompe pour connaître les instructions.

REMARQUE: L'échelle doit être adaptée à la taille de la piscine et doit être utilisée uniquement pour entrer et sortir de la piscine. Il est interdit de dépasser la charge permise sur l'échelle. Vérifiez régulièrement si l'échelle est convenablement assemblée.

Installation

Le montage de la piscine à cadre rectangulaire peut se faire sans outil.

Bestway Inflatables n'est pas responsable pour les dommages causés à la piscine par une mauvaise manipulation ou par le non respect de ces instructions.

1. Disposez toutes les pièces et vérifiez que vous avez les quantités correctes comme énuméré dans la liste des pièces.

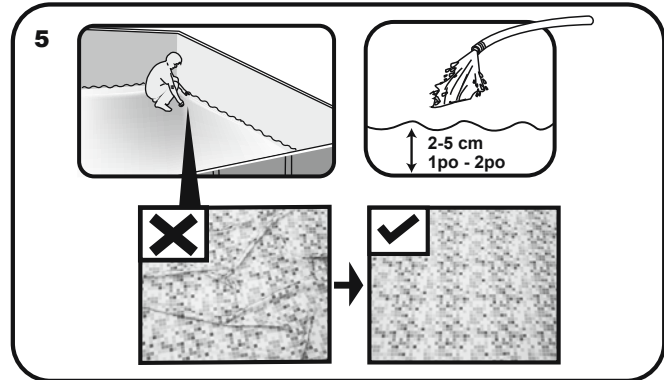
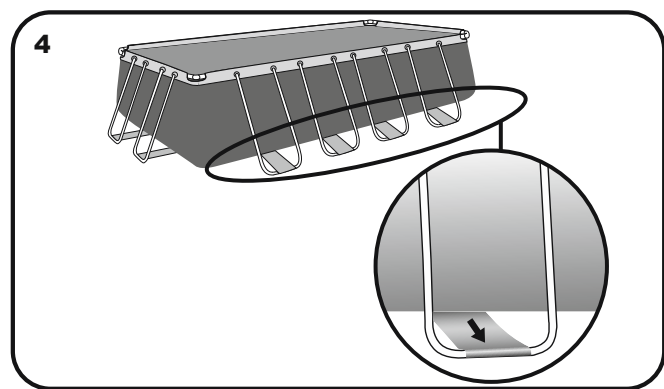
Si des pièces manquent, n'assemblez pas la piscine, contacter le service clients Bestway

2. Déployez la piscine et contrôlez qu'elle soit tournée dans le bon sens, laissez-la au soleil pendant 1 heure ou plus pour qu'elle soit plus flexible pendant le montage.

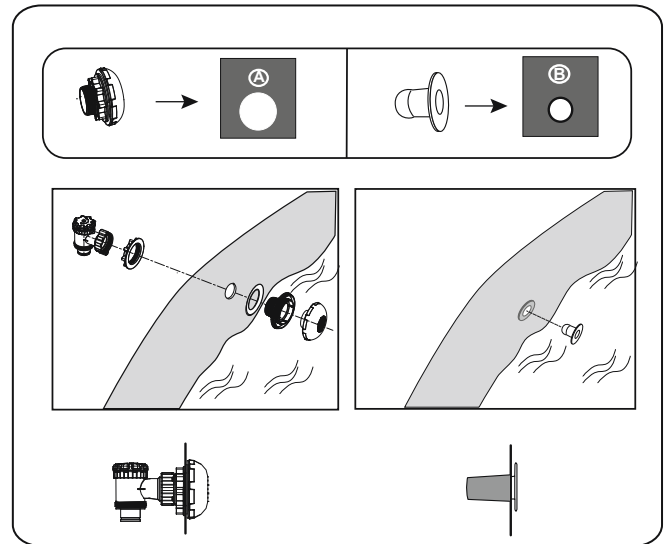
3. Placez la piscine près d'un système de vidange approprié pour gérer le débordement de l'eau et vérifiez que l'entrée A et la sortie B de la piscine sont correctement positionnées pour permettre à votre pompe de filtration d'être branchée sur une source de courant.

REMARQUE: N'utilisez pas de rallonge pour alimenter votre pompe.

ATTENTION: Ne traînez pas la piscine sur le sol car cela peut l'abîmer.



Montage de la vanne de communication
Pour les piscines avec vanne de communication



Remplir d'eau la Piscine

ATTENTION: Ne laissez pas la piscine sans surveillance quand vous la remplissez d'eau.

1. Remplissez la piscine à 90%. NE REMPLISSEZ PAS TROP car cela pourrait provoquer un effondrement de la piscine. En cas de fortes pluies, vous devez vider suffisamment la piscine pour que le niveau reste correct.

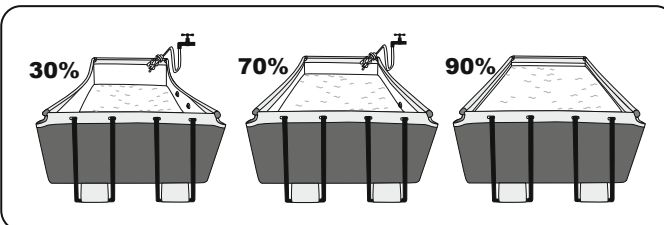
2. Lorsque le remplissage de la piscine est achevé, contrôlez que l'eau ne se rassemble pas d'un côté pour s'assurer que la piscine est bien nivelée.

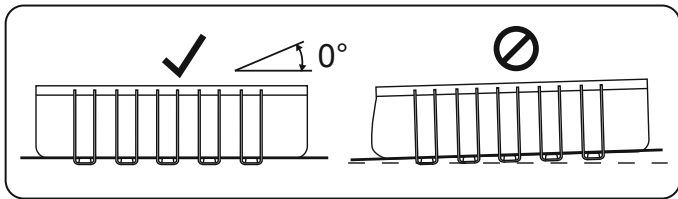
IMPORTANT: Si la piscine n'est pas nivelée, enlevez l'eau et nivelez de nouveau le sol en le creusant. N'essayez jamais de déplacer la piscine avec de l'eau à l'intérieur, cela pourrait provoquer de graves blessures ou endommager la piscine.

AVERTISSEMENT: Votre piscine peut contenir une forte pression. Si votre piscine est bombée ou présente un côté irrégulier cela veut dire qu'elle n'est pas à niveau, les côtés pourraient exploser et l'eau pourrait se vider à l'improviste en provoquant des blessures graves et/ou des dégâts matériels.

3. Contrôlez s'il y a des fuites au niveau des soupapes ou des coutures, contrôlez le tapis de sol pour vérifiez s'il y a d'évidentes pertes d'eau. N'ajoutez pas de produits chimiques avant ce contrôle.

REMARQUE: En cas de fuite, réparez votre piscine au moyen de la rustine résistante fournie. Reportez-vous aux FAQ pour de plus amples informations.





Entretien de la piscine

Si vous ne respectez pas les consignes d'entretien ci-dessous, vous mettez en danger votre santé, et en particulier celle de vos enfants.

IMPORTANT: Si vous ne respectez pas les valeurs idéales des produits chimiques pour l'eau, le PVC peut s'abîmer et se décolorer.

Le tableau suivant indique la séquence des tests à effectuer pour obtenir les valeurs idéales ainsi que les éventuelles actions. Contrôlez régulièrement le pH et la teneur en chlore chaque semaine et réglez-les sur les valeurs idéales.

TEST	VALEURS IDÉALES
Valeur de pH	7,4 – 7,6
Acide cyanurique	30 – 50 ppm
Chlore libre	2 – 4 ppm
Composé de chlore	0
Algues	Aucune visible
Dureté du calcium	200 – 400 ppm

Pour maintenir votre piscine propre :

1. Adressez-vous au magasin de produits de piscine le plus proche pour obtenir des conseils et acheter des produits chimiques et des kits pour mesurer le pH. L'un des facteurs les plus importants pour augmenter la durée de vie de la bache consiste à maintenir l'eau toujours propre et saine. Veuillez suivre scrupuleusement les instructions des techniciens professionnels pour le traitement de l'eau en utilisant des produits chimiques.
2. Placez un seau d'eau à côté de la piscine pour que les utilisateurs se lavent les pieds avant d'entrer dans la piscine.
3. Couvrez la piscine quand vous ne l'utilisez pas.
4. Écumez la piscine régulièrement pour éviter que la saleté s'installe.
5. Contrôlez et lavez régulièrement la cartouche du filtre.
6. Nettoyez délicatement la mousse sous le boudin du haut avec un chiffon propre.
7. Faites attention quand il pleut en vérifiant que l'eau ne dépasse pas le niveau prévu. Si c'est le cas, VOUS DEVEZ VIDANGER L'EXCÉDENT D'EAU.

Un bon entretien peut optimiser la durée de vie de votre piscine.

Durant la saison d'utilisation de la piscine, le système de filtration doit être nécessairement mis en service tous les jours pendant suffisamment longtemps pour garantir au moins un renouvellement complet du volume de l'eau.

ATTENTION: ne faites pas fonctionner la pompe quand vous utilisez la piscine. Durant la saison d'utilisation de la piscine, le système de filtration doit être nécessairement mis en service tous les jours pendant suffisamment longtemps pour garantir au moins un renouvellement complet du volume de l'eau.

Réparation

Vérifiez que la piscine ne présente aucune fuite au niveau des vannes ou des coutures, contrôlez que le tapis de sol ne présente aucune perte d'eau visible. N'ajoutez aucun produit chimique tant que cela n'a pas été fait.

REMARQUE: En cas de fuite, réparez votre piscine au moyen de la rustine résistante fournie. Reportez-vous aux FAQ pour de plus amples informations.

Démontage

1. Dévissez le capuchon de la vanne de vidange dans le sens contraire des aiguilles d'une montre et enlevez-le.
2. Raccordez l'adaptateur sur le tuyau et placez l'autre extrémité du tuyau dans la zone où vous souhaitez vidanger votre piscine. (consultez les règlements locaux pour connaître les lois en matière de vidange).
3. Vissez la rondelle de contrôle de l'adaptateur du tuyau sur la vanne de vidange dans le sens des aiguilles d'une montre. La vanne de vidange sera ouverte et l'eau commencera à se vider automatiquement.

ATTENTION: Le débit de l'eau peut être contrôlé avec la rondelle de contrôle.

4. Quand la vidange est terminée, dévissez la rondelle de contrôle pour fermer la vanne.
5. Débranchez le tuyau.
6. Revissez le capuchon sur la vanne de vidange.
7. Séchez la piscine.

ATTENTION: Ne laissez pas la piscine vide à l'extérieur.

Rangement et remisage

1. Enlevez tous les accessoires et toutes les pièces détachées de la piscine, puis rangez-les après les avoir lavés et séchés.
2. Une fois que la piscine est entièrement sèche, saupoudrez de talc afin d'éviter que la piscine colle et pliez-la soigneusement. Si la piscine n'est pas entièrement sèche, de la moisissure peut se former et endommager la bache de la piscine.
3. Rangez la bache et les accessoires au sec à une température modérée comprise entre 5 °C / 41 °F et 38 °C / 100 °F.
4. Pendant la saison des pluies, il faut ranger la piscine et ses accessoires comme cela est indiqué plus haut.
5. Une vidange incorrecte de la piscine peut provoquer des blessures graves et/ou des dégâts matériels.
6. Nous conseillons vivement de démonter la piscine hors saison (pendant l'hiver). Rangez-la au sec, hors de portée des enfants.



For support please visit us at:
www.bestwaycorp.com/support

©2018 Bestway Inflatables & Material Corp.

All rights reserved/Tous droits réservés/Todos los derechos reservados/Alle Rechte vorbehalten/Tutti i diritti riservati

®™ Trademarks used in some countries under license to/

Marques ®™ utilisées dans certains pays sous la licence de/

Marcas comerciales ®™ utilizadas en algunos países bajo la licencia de/

®™ Die Warenzeichen werden in einigen Ländern verwendet unter Lizenz der/

®™ Marchi utilizzati in alcuni paesi concessi in licenza a

Bestway Inflatables & Material Corp., No.3065 Cao An Road, Shanghai, 201812, China.

Manufactured, distributed and represented in the European Union by/

Fabriqué, distribué et représentés dans l'Union Européenne par/Fabricado, distribuido y representado en la Unión Europea por/

Hergestellt, vertrieben und in der Europäischen Union vertreten von/Prodotto, distribuito e rappresentato nell'Unione Europea da

Bestway (Europe) S.r.l., Via Resistenza, 5, 20098 San Giuliano Milanese (Milano), Italy

Distributed in North America by/Distribué en Amérique du Nord par/Distribuido en Norteamérica por

Bestway (USA) Inc., 3411 E. Harbour Drive, Phoenix, Arizona 85034, United States of America Tel:1-855-838-3888 (For U.S. and Canada)

Distributed in Latin America by/Distribué en Amérique latine par/Distribuido en Latinoamérica por/Distribuido na América Latina por

Bestway Central & South America Ltda, Salar Ascotan 1282, Parque Enea, Pudahuel, Santiago, Chile

Distributed in Australia & New Zealand by **Bestway Australia Pty Ltd, 98-104 Carnarvon Street, Silverwater, NSW 2128, Australia**

www.bestwaycorp.com

Made in China / Fabriqué en Chine / Fabricado en China / Hergestellt in China / Prodotto in Cina