

Bestway®



EN
PT
ES
DE
FI
NL
IT
FR
EL
RU
PL
HU
SV



bestwaycorp.com/support

Visit Bestway YouTube channel 

**EN WARNING****smooth out the bottom**

Put 1" to 2" water in the pool to cover the floor. Once pool floor is slightly covered, gently smooth out all wrinkles. Start in the center of the pool and work your way clockwise to the outside.

PT ATENÇÃO**suavizar o fundo**

Encher a piscina com uma quantidade de água suficiente para cobrir a superfície (de 2,5 a 5 cm). Uma vez que a superfície estiver levemente coberta, eliminar todas as dobras presentes, começando pelo centro da piscina e continuando, no sentido horário, em direcção à parte externa.

ES ADVERTENCIA**suavizar la parte inferior**

Ponga de 1" a 2" de agua en la piscina para cubrir el suelo. Cuando la piscina esté un poco cubierta, alise suavemente las arrugas. Comience desde el centro de la piscina y trabaje en sentido horario hacia el exterior.

DE ACHTUNG**glätten den Boden**

Füllen Sie 1" bis 2" Wasser in den Pool, so dass der Boden bedeckt ist. Glätten Sie vorsichtig alle Falten sobald der Poolboden leicht bedeckt ist. Beginnen Sie in der Mitte des Pools und arbeiten Sie im Uhrzeigersinn zur Außenseite.

FI VAROITUS**tasoittaa pohjaan**

Laita altaaseen 2,5 - 5cm:n kerros vettä pohjan peittämiseksi. Kun altaan pohja on peittynyt, siilitä varovasti kaikki rypyt. Aloita keskeltä ja etene myötäpäivään laidoille.

NL WAARSCHUWING**glad uit de bodem**

Doe 1" tot 2" water in het zwembad, net voldoende om de bodem onder water te zetten. Wanneer dit gebeurd is worden alle rimples voorzichtig gladgestreken. Begin in het midden van het zwembad en ga zo rechtsom naar de rand toe.

IT AVVERTENZA**appianare il fondo**

Riempire la piscina con una quantità d'acqua sufficiente a coprire la superficie (da 2,5 a 5cm) Una volta piscina verso l'esterno muovendosi in senso orario. eseguita questa operazione, eliminare tutte le pieghe presenti sulla superficie partendo dal centro della.

FR ATTENTION**lisser le fond**

Mettez quelques centimètres d'eau dans la piscine pour couvrir le sol. Une fois que le sol de la piscine est légèrement recouvert, lissez tous les plis. Commencez par le centre de la piscine et continuez dans le sens des aiguilles d'une montre vers l'extérieur.

EL ΠΡΟΕΙΔΟΠΟΙΗΣΗ**ΕΞΟΜΑΛΥΝΕΙ ΤΟ ΠΥΘΜΕΝΑ**

ΒΑΛΤΕ 1" ΕΩΣ 2" ΝΕΡΟ ΣΤΗΝ ΠΙΣΙΝΑ ΓΙΑ ΝΑ ΚΑΛΥΨΕΤΕ ΤΟ ΠΑΤΩΜΑ. ΜΟΛΙΣ ΚΑΛΥΨΘΕΙ ΕΛΑΦΡΑ ΤΟ ΠΑΤΩΜΑ ΤΗΣ ΠΙΣΙΝΑΣ, Ο ΕΓΚΑΤΑΣΤΑΤΗΣ ΠΡΕΠΕΙ ΝΑ ΙΣΙΩΣΕΙ ΟΛΕΣ ΤΙΣ ΠΤΥΧΕΣ. ΞΕΚΙΝΗΣΤΕ ΑΠΟ ΤΟ ΚΕΝΤΡΟ ΤΗΣ ΠΙΣΙΝΑΣ ΚΑΙ ΣΥΝΕΧΙΣΤΕ ΔΕΞΙΟΣΤΡΟΦΑ ΠΡΟΣ ΤΑ ΕΞΩ.

RU ВНИМАНИЕ**Расправьте дно**

Налейте немного воды в бассейн так, чтобы она покрывала дно на 2,5-5 сантиметров. Когда вода налита, аккуратно расправьте складки дна. Начиная с центра бассейна и двигайтесь к краям по часовой стрелке.

PL OSTRZEŻENIE**wygładzić dna**

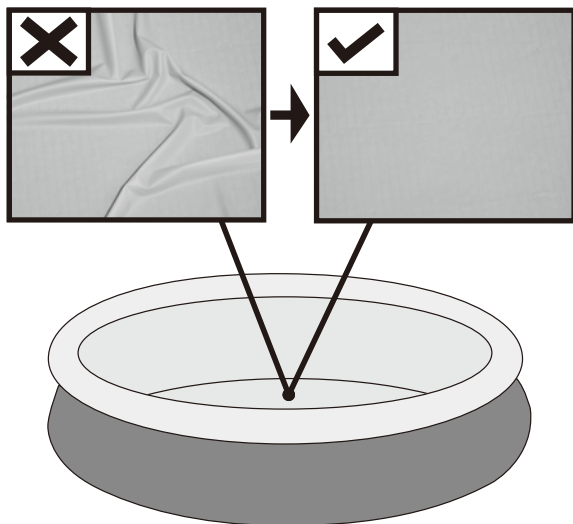
Puść wodę do basenu o głębokości 1" - 2", aby jej warstwa zakryła dno basenu. Jeśli dno basenu jest już trochę zakryte wodą, delikatnie wygładź wszystkie jego faldy. Zaczynij od środka basenu i idąc w kierunku zgodnym z ruchem wskazówek zegara, podążaj do brzegu basenu.

HU FIGYELMEZTETÉS**elsimítására az alsó**

A medencébe engedjen 1" - 2" mélységű vizet, hogy az a medence fenekét befedje. Ha a medence alján egy kis mennyiségű víz található, a gyűrődéseket finoman egyenesítse ki. A medence közepétől kezdje és az óramutató járásával megegyezően haladjon a medence széle felé.

SV VARNING**jämma ut botten**

Häll 1" till 2" vatten i poolen för att täcka golvet. Då poolgolvet är något täckt, ska du släta ut alla veck. Börja i mitten av poolen och arbeta dig medsols utåt.



EN COMPONENTS LIST

NOTE: Some parts already have been installed on the pool.

PT LISTA DE COMPONENTES

NOTA: Algumas peças já foram instaladas na piscina.

ES LISTA DE COMPONENTES

NOTA: Algunas partes ya han sido instaladas en la piscina.

DE STÜCKLISTE

HINWEIS: Einige Teile wurden bereits am Pool installiert.

FI KOMPONENTIDE LOEND

HUOMAA: Jotkin osat on jo asennettu altaaseen.

NL ONDERDELENLIJST

OPMERKING: Sommige delen werden al op het zwembad geïnstalleerd.

IT ELENCO COMPONENTI

NOTA: Alcune parti sono già state installate sulla piscina.

FR LISTE DES COMPOSANTS

REMARQUE : Certaines pièces ont déjà été installées sur la piscine.

EL ΛΙΣΤΑ ΕΞΑΡΤΗΜΑΤΩΝ

ΣΗΜΕΙΩΣΗ: ΟΡΙΣΜΕΝΑ ΕΞΑΡΤΗΜΑΤΑ ΕΧΟΥΝ ΗΔΗ ΕΓΚΑΤΑΣΤΑΘΕΙ ΣΤΗΝ ΠΙΣΙΝΑ.

RU СПЕЦИФИКАЦИЯ ДЕТАЛЕЙ

ПРИМЕЧАНИЕ. Некоторые детали уже установлены на бассейне.

PL LISTA ELEMENTÓW

UWAGA: Niektóre z części zostały już zamontowane do basenu.

HU TARTOZÉKLISTA

MEGJEGYZÉS: Néhány részegység eleve fel van szerelve a medencére.

SV KOMPONENTLISTA

OBS! Vissa delar redan har installerats på poolen.



FAST SET™	2.44 m x 61 cm (8' x 24")	2.44 m x 66 cm (8' x 26")	3.05 m x 66 cm (10' x 26")
		57448;57449; 57450	57265;57267; 57268
A	x1	x1	x1
B	x1	x1	x1
C	x1	x1	x1
D	x2	x2	x2

FAST SET™	3.05 m x 76 cm (10' x 30")	3.66 m x 76 cm (12' x 30")	3.96 m x 84 cm (13' x 33")
		57266;57269; 57270	57273;57274; 57275;57443; 57444;57445
A	x1	x1	x1
B	x1	x1	x1
C	x1	x1	x1
D	x2	x2	x2

FAST SET™	4.57 m x 84 cm (15' x 33")	4.57 m x 1.07 m (15' x 42")	4.57 m x 1.22 m (15' x 48")
		57313;57315	57371;57372
A	x1	x1	x1
B	x1	x1	x1
C	x1	x1	x1
D	x2	x2	x2



FAST SET™ POOLS OWNER'S MANUAL

WARNING

Carefully read, understand, and follow all information in this user manual before installing and using the swimming pool. These warnings, instructions, and safety guidelines address some common risks of water recreation, but they cannot cover all risks and dangers in all cases. Always use caution, common sense, and good judgment when enjoying any water activity. Retain this information for future use.

Non Swimmers safety

- Continuous, active, and vigilant supervision of weak swimmers and non-swimmers by a competent adult is required at all times (remembering that children under five are at the highest risk of drowning).
- Designate a competent adult to supervise the pool each time it is being used.
- Weak swimmers or non-swimmers should wear personal protection equipment when using the pool.
- When the pool is not in use, or unsupervised, remove all toys from the swimming pool and its surrounding to avoid attracting children to the pool.

Safety devices

- In order to prevent children from drowning, it is recommended to secure the access to the pool with a protection device. In order to prevent children climbing from the inlet and outlet valve, it is recommended to install a barrier (and secure all doors and windows, where applicable) to prevent unauthorized access to the swimming pool.
- Barriers, pool covers, pool alarms, or similar safety devices are helpful aids, but they are not substitutes for continuous and competent adult supervision.

Safety equipment

- It is recommended to keep rescue equipment (e.g. a ring buoy) by the pool.
- Keep a working phone and a list of emergency phone numbers near the pool.

Safe use of the pool

- Encourage all users especially children to learn how to swim.
- Learn Basic Life Support (Cardiopulmonary Resuscitation - CPR) and refresh this knowledge regularly. This can make a life-saving difference in the event of an emergency.
- Instruct all pool users, including children, what to do in case of an emergency.
- Never dive into any shallow body of water. This can lead to serious injury or death.
- Do not use the swimming pool when using alcohol or medication that may impair your ability to safely use the pool.
- When pool covers are used, remove them completely from the water surface before entering the pool.
- Protect pool occupants from water related illnesses by keeping the pool water treated and practicing good hygiene. Consult the water treatment guidelines in the user's manual.
- Store chemicals (e.g. water treatment, cleaning or disinfection products) out of the reach of children.

- Use the signage as outlined below. Signage is to be displayed in a prominent position within 2m of the pool.



Keep children under supervision in the aquatic environment. No diving.

- Removable ladders shall be placed on a horizontal surface.
- Irrespective of materials used for swimming pool construction, accessible surfaces have to be checked regularly to avoid injuries.
- Regularly monitor bolts and screws. Remove splinters or any sharp edges to avoid injuries.
- **ATTENTION:** Do not leave the drained pool outside. The empty pool is liable to become deformed and/or displaced due to wind.
- If you have a filter pump, refer to the pump's manual for instructions.
- **WARNING!** The pump cannot be used while people are inside the pool!
- If you have a ladder, refer to the ladder's manual for instructions.
- **WARNING!** The use of a swimming pool implies compliance with the safety instructions described in the operating and maintenance guide. In order to prevent drowning or other serious injuries, pay particular attention to the possibility of unexpected access to the swimming pool by children under 5 years by securing the access to it, and, during the bathing period, keep them under constant adult supervision.

Please read carefully and keep for future reference

CHOOSE THE CORRECT LOCATION

The surface chosen to install the pool must respect the following technical characteristics:

1. Because of the combined weight of the water inside the pool and the pool users, it is extremely important that the surface chosen to install the pool is capable of uniformly supporting the total weight for the entire time the pool is installed. When choosing the surface, take into consideration that water may come out of the pool when in use or in the rain. If the water softens the surface, it may lose its capability to support the pool weight.
2. We recommend positioning the pool away from any objects children could use to climb into the pool.
3. Position the pool near an adequate drainage system to deal with overflow or to discharge the pool.
4. The surface must be flat and smooth. If the surface is inclined or uneven, it can create an unbalanced loading on the structure of the pool. This situation can damage the welding point of the liner. In the worst cases, the pool can collapse, causing serious personal injury and/or damage to personal property.
5. The selected surface must be clear of any type of object. Due to the weight of the water, any object under the pool could damage or perforate the bottom of the pool.
6. The selected surface must be clear of aggressive plants and weed species. Those types of strong vegetation could grow through the liner and create water leakage. The grass or other vegetation that may cause odor or slime to develop have to be eliminated from the set-up location.

7. The selected location must not have overhead power lines or trees. Be sure the location does not contain underground utility pipes, lines or cables of any kind.
8. The selected position must be far from house entrance. Do not position any equipment or other furniture around the pool. The water that comes out of the pool during the use or due to a faulty product can damage the furniture inside the house or surrounding the pool.
9. The selected surface must be flat and without holes that can damage the material of the liner.

Follow the important instructions above to choose the correct surface and location to set up your pool. Damaged parts of the pool, due to the fact that the set-up surface and location does not match the instructions, will not be considered as manufacture defect and will avoid the warranty and any service claims.

Suggested set-up surfaces: grass, ground, concrete, and all other surfaces that respect the above set-up conditions.

Not suggested surfaces: mud, sand, gravel, deck, balcony, driveway, platform, soft/loose soil or other surface that does not meet the above set-up conditions.

NOTE: Check with your local city council for by-laws relating to fencing, barriers, lighting and safety requirements and ensure you comply with all laws.

NOTE: If have a filter pump, refer to the pump's manual for instructions.

NOTE: The ladder must match the pool size and should be used only for entering and exiting the pool. It is forbidden to exceed the permitted payload of the ladder. Check regularly if the ladder is properly assembled.

INSTALLATION

Installation usually takes approximately 10 minutes with 2-3 people excluding earthworks and filling.

Bestway will not be responsible for damage caused to the pool due to mishandling or failure to follow these instructions.

ATTENTION: Do not use a high pressure air hose or over-inflate the top ring, it should be slightly stiff to the touch.

NOTE: Do not use extension power cords to power your pump.

ATTENTION: Do not drag the pool on the ground, this can damage the pool.

NOTE: The base or bottom of the pool should be laid out properly (flat without wrinkles).

NOTE: Hot temperatures cause air to expand the ring and may cause damage. Leave some room for expansion. For assistance or FAQs, please visit the support section on our website, www.bestwaycorp.com.

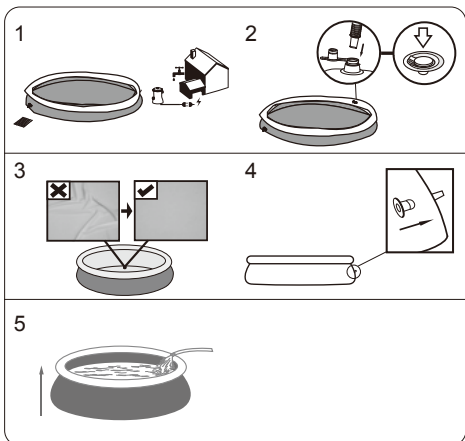
NOTE: Drawings for illustration purposes only. May not reflect actual product. Not to scale.

POOL MAINTENANCE

If you do not adhere to the maintenance guidelines below, your health might be at risk, especially that of your children.

Using chemical tablets (not included):

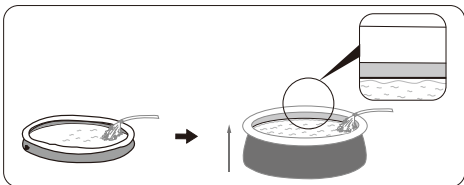
NOTE: Chemconnect or Chemical Floater must be used when you perform chemical maintenance with tablets. Your purchased item may not include any of those dispensers, in this case you can purchase it by visiting our website www.bestwaycorp.com or at the nearest pool dealer.



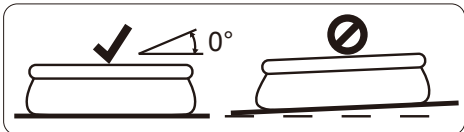
FILLING POOL WITH WATER

ATTENTION: Do not leave pool unattended while filling with water.

1. Fill the water until the wall is straight up, and the water reaches the welding line. **DO NOT OVERFILL** as this could cause the pool to collapse. In times of heavy rainfall you may need to empty some of the water to ensure the level is correct.

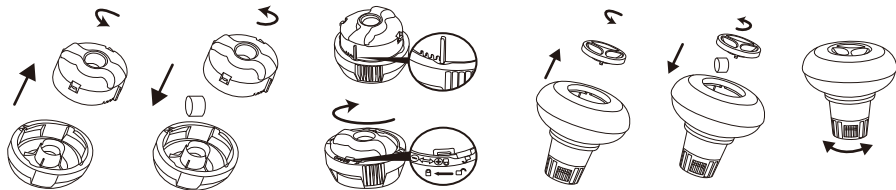


2. When filling the pool is completed, check that the water is not collecting on any side to ensure the pool is level.



IMPORTANT: If pool is not level, drain water and re-level ground by digging out. Never attempt to move the pool with water in it, serious personal injury or damage to the pool may result.

WARNING: Your pool may contain a great deal of pressure. If your pool has any bulge or uneven side, then the pool is not level, the sides may burst and the water may discharge suddenly causing serious personal injury and/or damage to property.



IMPORTANT: Don't use granulate tablets or throw the tablet directly in the water. The chemicals can deposit on the bottom, damage the material and discolor the PVC.

Using chemical liquid (not included):

IMPORTANT: Add chemical liquid in small doses and in the center of the pool to avoid direct contact between the chemicals and the PVC surface. Direct contact can damage the material and discolor the surface.

NOTE: Remove the chemical dispenser from pool when the pool is in use.

IMPORTANT: After performing chemical maintenance and before using the pool, use a test kit (not included) to test the water chemistry. We recommend maintaining your water according to the following table.

Parameters	Values
Water clarity	clear view of the pool bottom
Colour of the water	no colour should be observed
Turbidity in FNU/NTU	max. 1,5 (preferably less than 0,5)
Nitrate concentration above that of fill water in mg/l	max. 20
Total organic carbon (TOC) in mg/l	max. 4,0
Redox potential against Ag/AgCl 3,5 m KCl in mV	min. 650
pH value	6,8 to 7,6
Free active chlorine (without cyanuric acid) in mg/l	0,3 to 1,5
Free chlorine used in combination with cyanuric acid in mg/l	1,0 to 3,0
Cyanuric acid in mg/l	max. 100
Combined chlorine in mg/l	max. 0,5 (preferably close to 0,0 mg/l)

NOTE: Damage resulting from chemical imbalance is not covered by the warranty. Pool chemicals are potentially toxic and should be handled with care. There are serious health risks from chemical vapors and the incorrect labeling and storage of chemical containers. Please consult your local pool supply retailer for more information about chemical maintenance. Pay close attention to the chemical manufacturer's instructions. Pool damage resulting from misuse of chemicals and mismanagement of pool water is not covered by the warranty.

IMPORTANT: Over usage of chemicals can discolor the printing and all points of the pool material. It can also damage the structure of the pool liner.

To keep your pool clean:

1. Contact your local pool supply shop for advice and purchase of chemicals and pH kits. One of the most important factors to increase the life of the liner is to keep continuously clean and healthy water. Please strictly follow the instructions from professional technicians for the water treatment through the use of chemicals.
2. Locate a bucket of water next to pool to clean users' feet before entering pool.
3. Cover the pool when not in use.
4. Skim pool regularly to avoid settled dirt.
5. Check and wash the filter cartridge regularly.
6. Gently clean any scum from below the top ring with a clean cloth.
7. Please be careful in case of rain water, kindly check that the water level is not higher than the expected. If so, YOU HAVE TO DISCHARGE THE EXCESS WATER.
8. If it rains, check that the water level is not higher than the specified level. If water exceeds the specified levels, drain the pool to the specified level.

Proper maintenance can maximize the life of your pool.

During the season of use of the swimming pool, the filtration system must be necessarily put into service every day, enough time to assure at least a complete renewal of the volume of water.

NOTE: The pump is used to circulate the water and to filter small particles. In order to keep your pool water clean and hygienic, you must also add chemicals.

REPAIR

In the event of a leak, patch your pool using the underwater adhesive repair patch provided. You can find the instructions in FAQs on the support section of our website, www.bestwaycorp.com.

DISMANTLING

1. Unscrew the drain valve cap counter-clockwise and remove.
2. Connect the adaptor to the hose and put the other end of the hose in the area where you are going to drain your pool. (Check local regulations for drainage by-laws).
3. Screw the control ring of the hose adaptor clockwise onto the drain valve. The drain valve will be open and water will start to drain automatically. Open the drain valve to the maximum position.
4. Deflate the top ring by squeezing the air valve.
5. When the top ring is fully deflated, press the top ring down, and tilt it to drain the pool easily. Completely drain the water in the pool.
6. When draining is finished, unscrew the control ring to close the valve.
7. Disconnect the hose.
8. Screw the cap back onto the drain valve.
9. Air dry pool.

STORAGE

1. Please remove all the accessories and spare parts of the pool and store them clean and dry.
2. Once pool is completely dry, sprinkle with talcum powder to prevent pool from sticking together, fold pool carefully. If pool is not completely dry, mold may result and will damage the pool liner.
3. Store liner and accessories in a dry place with a moderate temperature between 5°C / 41°F and 38°C / 100°F.
4. During the rainy season, pool and accessories should be stored as per above instructions also.
5. Improper draining of the pool might cause serious personal injury and/or damage to personal property.
6. We strongly recommend the pool is disassembled during the off season (winter months). Store in a dry location out of children's reach.

PISCINAS FAST SET™ MANUAL DO PROPRIETÁRIO

Visite o canal da Bestway no YouTube 



ATENÇÃO

Leia atentamente, compreenda e siga todas as instruções contidas neste manual de utilizador antes de instalar e utilizar a piscina. Estes avisos, instruções e orientações de segurança visam alguns riscos comuns de divertimentos aquáticos, contudo não podem abranger todos os riscos e perigos em todos os casos. Sempre que desfrutar de uma actividade aquática, deve ter cuidado, senso comum e bom discernimento. Preserve esta informação para utilização futura.

Segurança dos Não-Nadadores

- É sempre necessária uma supervisão contínua, activa e vigilante dos nadadores mais vulneráveis e dos não-nadadores por um adulto competente (lembre-se que as crianças com idade inferior a cinco anos correm o risco mais elevado de afogamento).
- Nomeie um adulto competente para supervisionar a piscina sempre que esteja em utilização.
- Os nadadores mais vulneráveis ou não-nadadores devem utilizar equipamento de protecção pessoal sempre que utilizarem a piscina.
- Sempre que a piscina não estiver a ser utilizada ou sem supervisão, retire todos os brinquedos da piscina e dos seus arredores para evitar atrair crianças até à piscina.

Dispositivos de segurança

- De modo a prevenir que as crianças se afoguem, recomenda-se que proteja o acesso à piscina com um dispositivo de protecção. De modo a prevenir que as crianças subam pelas válvulas de entrada e saída, recomenda-se que instale uma barreira (e proteja todas as portas e janelas, sempre que aplicável) para prevenir o acesso não autorizado à piscina.
- Barreiras, coberturas de piscina, alarmes de piscina ou dispositivos de segurança semelhantes são auxiliares muito úteis, embora não substituam a supervisão contínua e competente por um adulto.

Equipamento de segurança

- Recomenda-se que mantenha equipamento de resgate (ex., uma bóia em anel) nas proximidades da piscina.
- Mantenha um telefone funcional e uma lista de telefones de emergência nas proximidades da piscina.

Utilização segura da piscina

- Encoraje todos os utilizadores, em especial as crianças, a aprender a nadar.
- Aprenda medidas de Suporte Básico de Vida (Ressuscitação Cardiopulmonar - RCP) e renove este conhecimento regularmente. Isto pode ajudar a salvar vidas em caso de emergência.
- Instrua todos os utilizadores da piscina, incluindo as crianças, acerca do que devem fazer em caso de emergência.
- Nunca mergulhe em corpos de água pouco profundos. Isto pode causar ferimentos graves ou morte.
- Não utilize a piscina quando ingerir álcool ou medicamentos que possam afectar a sua capacidade para desfrutar dela em segurança.
- Caso tenha uma cobertura de piscina, retire-a completamente

da superfície da água antes de entrar na piscina.

- Proteja os ocupantes da piscina de doenças relacionadas com a água, mantendo a água da piscina tratada e praticando uma boa higiene. Consulte as orientações de tratamento da água contidas no manual de utilizador.
- Armazene os químicos (ex., produtos de tratamento, limpeza e desinfecção da água) fora do alcance das crianças.
- Utilize a sinalização conforme indicado abaixo. A sinalização deve ser exibida numa posição proeminente a 2m da piscina.



Mantenha as crianças sob supervisão no meio aquático. Não mergulhe.

- As escadas amovíveis devem ser colocadas numa superfície horizontal.
- Independentemente dos materiais utilizados na construção da piscina, as superfícies acessíveis devem ser verificadas regularmente para evitar ferimentos.
- Monitore regularmente os parafusos e remova lascas ou quaisquer arestas afiadas para evitar ferimentos.
- **ATENÇÃO:** Não deixe a piscina drenada no exterior. Quando vazia, a piscina fica susceptível a sofrer deformações e/ou deslocamentos devido ao vento.
- Se tiver uma bomba de filtro, consulte o manual da bomba para obter instruções.
- **ATENÇÃO!** A bomba não pode ser utilizada enquanto a piscina estiver ocupada!
- Se tiver uma escada, consulte o manual da escada para obter instruções.
- **ATENÇÃO!** A utilização de uma piscina implica o cumprimento das instruções de segurança descritas no guia de funcionamento e manutenção. Para prevenir afogamentos ou outros ferimentos graves, preste especial atenção à possibilidade das crianças com idade inferior a 5 anos acederem à piscina de forma inesperada, através da protecção do acesso à mesma, e mantendo-as sob supervisão constante de um adulto durante o período de banhos.

Por favor leia cuidadosamente e guarde para referência futura.

SELECIONE O LOCALIZAÇÃO CORRETO

A superfície escolhida para instalação da piscina deve respeitar as seguintes características técnicas:

1. Devido ao peso combinado da água dentro da piscina e dos usuários da piscina, é extremamente importante que a superfície escolhida para instalar a piscina seja capaz de suportar uniformemente o peso total durante todo o tempo de instalação da piscina. Na hora de escolher a superfície, lembre-se que a água pode sair da piscina durante o uso ou na chuva. Se a água amolecer a superfície, pode perder a capacidade de suportar o peso da piscina.
2. Recomendamos colocar a piscina longe de qualquer coisa que as crianças possam usar para entrar na piscina.
3. Coloque a piscina perto de um sistema de drenagem adequado para lidar com um transbordamento ou para esvaziar a piscina.
4. A superfície deve ser plana e lisa. Se a superfície for inclinada ou irregular, pode criar uma carga desequilibrada na estrutura da piscina. Esta situação pode danificar o ponto de solda do revestimento e entortar a estrutura. Na pior das hipóteses, a piscina pode desabar, causando sérios ferimentos pessoais e / ou danos materiais.
5. A superfície seleccionada deve estar livre de qualquer tipo de objeto. Devido ao peso da água, qualquer coisa abaixo da piscina pode danificar ou furar o fundo da piscina.

- A superfície selecionada deve estar livre de plantas agressivas e espécies daninhas. Essa vegetação forte pode crescer através do tapume e criar vazamentos de água. Grama ou outra vegetação que possa causar odor ou formação de lama deve ser removida do local de instalação.
- O local selecionado não deve ter linhas de alta tensão ou árvores. Certifique-se de que o local não contenha tubos, linhas ou cabos subterrâneos de qualquer tipo.
- A posição selecionada deve ser longe da entrada da casa. Não coloque nenhum equipamento ou outro móvel ao redor da piscina. A água que sai da piscina durante o uso ou por efeito de um produto defeituoso pode danificar os móveis dentro da casa ou ao redor da piscina.
- A superfície selecionada deve ser plana e sem orifícios que possam danificar o material do revestimento.

Siga as instruções importantes acima para escolher a superfície e o local corretos para configurar sua piscina. As partes danificadas da piscina, devido à superfície de montagem e localização não condizente com as instruções, não serão consideradas defeito de fabricação e não serão cobertas pela garantia.

Superfícies de montagem sugeridas: grama, concreto e todas as outras superfícies que respeitem as condições de montagem acima.

Superfícies não sugeridas: lama, areia, cascalho, decks, varandas, calçada, deck, solo macio / solto ou outra superfície que não atenda às condições de configuração acima.

NOTA: Verifique com o conselho municipal local os estatutos relativos a cercas, barreiras, iluminação e requisitos de segurança e certifique-se de cumprir todas as leis.

NOTA: Se você tiver uma bomba de filtro, consulte o manual da bomba para obter instruções.

NOTA: A escada deve corresponder ao tamanho da piscina e deve ser usada apenas para entrar e sair da piscina. É proibido ultrapassar a carga útil permitida da escada. Verifique regularmente se a escada está montada corretamente.

INSTALAÇÃO

A instalação geralmente leva aproximadamente 10 minutos com 2-3 pessoas, excluindo terraplenagem e abastecimento de água. Bestway não será responsável de los danos causados a la piscina debido a un mal manejo o al incumplimiento de estas instrucciones.

ATENÇÃO: Não utilize uma mangueira de ar a alta pressão ou encha demasiado o anel superior, este deve estar ligeiramente rígido ao toque.

NOTA: Não utilize extensões para alimentar a sua bomba.

ATENÇÃO: Não arraste a piscina pelo chão, isto pode danificar a piscina.

NOTA: A base ou fundo da piscina deve ser estendido devidamente (plano sem rugas).

NOTA: As altas temperaturas fazem com que o ar expanda o anel e pode causar danos. Deixe algum espaço para expansão. Para obter ajuda ou perguntas frequentes, visite a seção de suporte em nosso site, www.bestwaycorp.com.

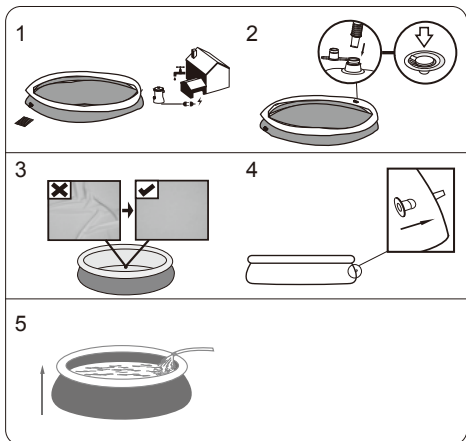
NOTA: Os desenhos servem apenas para fins ilustrativos. Pode não ilustrar o produto real. Não está à escala.

MANUTENÇÃO DA PISCINA

Se você não cumprir as diretrizes de manutenção detalhadas abaixo, sua saúde pode estar em risco, especialmente a de seus filhos.

Uso de comprimidos químicos (não incluídos):

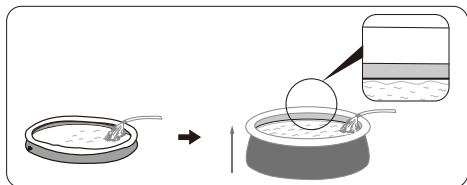
NOTA: O Chemconnect ou o Chemical Floater devem ser usados ao realizar manutenção química com os comprimidos. O item adquirido pode não incluir nenhum desses dispensadores; nesse caso, você pode comprá-lo visitando nosso site www.bestwaycorp.com ou o distribuidor de piscina mais próximo.



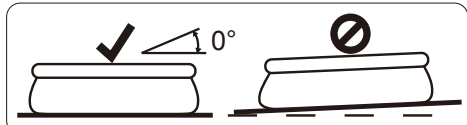
ENCHIMENTO DA PISCINA COM ÁGUA

ATENÇÃO: Supervisionar a piscina quando a mesma estiver a ser enchida.

- Encha de água até que a parede esteja alinhada, e a água chegue à linha de soldadura. **NÃO ENCHER EM EXCESSO**, pois isto poderia causar o colapso da piscina. Em tempos de chuva intensa pode ser necessário esvaziar um pouco da água para garantir que o nível está correto.

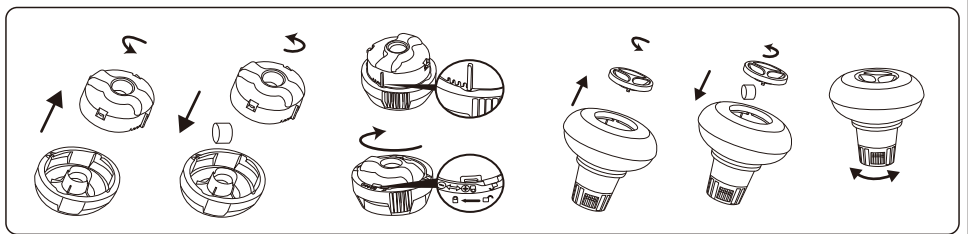


- Quando o enchimento da piscina estiver concluído, certificar-se de que a água não se esteja a acumular em de um lado; sinal de que a piscina não foi colocada sobre superfície plana.



IMPORTANTE: Se a piscina não estiver nivelada, escoar a água e nivelar o terreno. Não tentar, de modo algum, deslocar a piscina se a mesma estiver cheia, isto poderia causar sérios ferimentos e/ou danos à piscina!

ATENÇÃO: A sua piscina pode conter bastante pressão. Caso a sua piscina tenha qualquer protuberância ou lado desnivelado, então a piscina não está nivelada, os lados podem estourar e a água poderá ser descarregada subitamente causando ferimentos pessoais graves e/ou danos de propriedade.



IMPORTANTE: Não use comprimidos granulados ou jogue-o diretamente na água. Os produtos químicos podem assentar no fundo, danificar o material e descolorir o PVC.

Uso de líquido químico (não incluído):

IMPORTANTE: Adicione líquido químico em pequenas doses e no centro da piscina para evitar o contato direto entre os produtos químicos e a superfície do PVC. O contato direto pode danificar o material e descolorir a superfície.

NOTA: Remova o distribuidor de produtos químicos da piscina quando a piscina estiver em uso.

IMPORTANT: Após realizar a manutenção química e antes de usar a piscina, use um kit de teste (não incluído) para testar a química da água. Recomendamos manter a água de acordo com a tabela a seguir.

Parâmetros	Valores
Clareza da água	Visão clara do fundo da piscina
Cor de água	A cor não deve ser observada
Turvação em UNF / NTU	máx. 1,5 (preferencialmente menor que 0,5)
Concentração de nitrato superior à água em mg / l	max. 20
Carbono orgânico total (TOC) em mg / l	max. 4,0
Potencial redox contra Ag / AgCL 3,5 m KCl em mV	min. 650
Valor de pH	de 6,8 a 7,6
Cloro ativo livre (sem ácido cianúrico) em mg / l	de 0,3 a 1,5
Cloro livre usado em combinação com ácido cianúrico em mg / l	de 1,0 a 3,0
Ácido cianúrico em mg / l	max. 100
Cloro combinado em mg / l	máx. 0,5 (de preferência perto de 0,0 mg / l)

NOTA: Danos resultantes de desequilíbrio químico não são cobertos pela garantia. Os produtos químicos da piscina são potencialmente tóxicos e devem ser manuseados com cuidado. Existem sérios riscos para a saúde causados por vapores químicos e rotulagem e armazenamento inadequados de recipientes químicos. Consulte o seu distribuidor local de suprimentos para piscinas para obter mais informações sobre manutenção química. Preste muita atenção às instruções do fabricante de produtos químicos. A garantia não cobre danos causados pelo uso inadequado de produtos químicos e manuseio inadequado da água da piscina.

IMPORTANTE: O uso excessivo de produtos químicos pode descolorir a impressão e todos os pontos do material da piscina. Também pode danificar a estrutura do revestimento da piscina.

Para manter sua piscina limpa:

1. Entre em contato com a loja de suprimentos da piscina local para obter orientação e comprar produtos químicos e kits de pH. Um dos fatores mais importantes para aumentar a vida útil do revestimento é manter a água limpa e saudável continuamente. Siga rigorosamente as instruções de técnicos profissionais para tratamento de água usando produtos químicos.
2. Coloque um balde de água ao lado da piscina para limpar os pés dos usuários antes de entrar na piscina.
3. Cubra a piscina quando não estiver em uso.
4. Limpe a piscina regularmente para evitar acúmulo de sujeira.
5. Verifique e lave o cartucho do filtro regularmente.
6. Limpe cuidadosamente qualquer escória de baixo do anel superior com um pano limpo.
7. Tenha cuidado em caso de chuva, verifique se o nível da água não está acima do esperado. Nesse caso, você DEVE baixar o excesso de água.
8. Se chover, verifique se o nível da água não excede o nível especificado. Se a água exceder os níveis especificados, drene a piscina para o nível especificado.

A manutenção adequada pode maximizar a vida útil da sua piscina.

Durante a estação de uso da piscina, o sistema de filtragem deve necessariamente ser colocado em serviço todos os dias, tempo suficiente para garantir pelo menos uma renovação completa do volume de água.

NOTA: A bomba é usada para circular a água e filtrar pequenas partículas. Para manter a água da piscina limpa e higiênica, você também deve adicionar produtos químicos.

REPARAÇÃO

Em caso de vazamento, repare sua piscina usando o adesivo adesivo subaquático fornecido. Você pode encontrar as instruções em Perguntas frequentes na seção de suporte do nosso site, www.bestwaycorp.com.

DESMONTAGEM

1. Desaperte a tampa da válvula de drenagem em sentido anti-horário e remova.
2. Ligue o adaptador à mangueira e coloque a outra extremidade da mangueira na área onde vai drenar a sua piscina. (Verifique os regulamentos locais quanto à legislação sobre drenagens).
3. Aparafuse o anel de controlo do adaptador de mangueira em sentido horário na válvula de drenagem. A válvula de drenagem será aberta e a água começará a drenar automaticamente. Abra a válvula de drenagem na posição máxima.
4. Esvazie o anel superior, apertando a válvula de ar.
5. Quando o anel superior estiver totalmente esvaziado, pressione o anel superior para baixo, e incline-o para drenar a piscina com facilidade. Esvazie completamente a água da piscina.
6. Quando a drenagem estiver concluída, desaparafuse o anel de controlo para fechar a válvula.
7. Desligue a mangueira.
8. Aparafuse a tampa de volta na válvula de drenagem.
9. Seque a piscina ao ar.

CONSERVAÇÃO

1. Por favor remova todos os acessórios e peças sobresselentes da piscina e armazene-as limpas e secas.
2. Assim que a piscina estiver totalmente seca, polvilhe com pó de talco para evitar que a piscina cole, dobre a piscina cuidadosamente. Caso a piscina não estiver totalmente seca, podem surgir fungos que irão danificar o forro da piscina.
3. Armazene o forro e os acessórios num local seco com uma temperatura moderada entre 5°C / 41°F e 38°C / 100°F.
4. Durante a estação das chuvas, a piscina e os acessórios também devem ser armazenados consoante as instruções acima.
5. A drenagem inadequada da piscina pode causar ferimentos pessoais graves e/ou danos a propriedade.
6. Recomendamos fortemente que a piscina seja desmontada fora da estação (meses de inverno). Armazene num local seco fora do alcance das crianças.

PISCINAS FAST SET™ MANUAL DE INSTRUCCIONES

Visite el canal de YouTube de Bestway 



ADVERTENCIA

Lea atentamente, comprenda y siga toda la información contenida en este manual antes de instalar y utilizar la piscina. Estas advertencias, instrucciones y normas de seguridad abordan algunos de los riesgos más comunes relacionados con el ocio acuático, pero no cubren todos los riesgos y peligros en cualquier caso. Sea siempre prudente y utilice el sentido común y el buen juicio cuando disfrute de cualquier actividad acuática. Conserve esta información para un uso futuro.

Seguridad de los no nadadores

- Los nadadores principiantes y los no nadadores requieren de la supervisión continua, activa y atenta de un adulto competente en todo momento (recuerde que los menores de cinco años cuentan con el mayor riesgo de ahogamiento).
- Asigne a un adulto competente la tarea de supervisar la piscina cada vez que esta esté en uso.
- Los nadadores principiantes o los no nadadores deben llevar un equipo de protección personal cuando utilicen la piscina.
- Cuando no se esté utilizando la piscina, o no cuente con supervisión, retire todos los juguetes de ella y de sus alrededores para que no atraigan a los niños.

Dispositivos de seguridad

- Para prevenir el ahogamiento infantil, se recomienda asegurar el acceso a la piscina con algún dispositivo de seguridad. Para prevenir que los niños suban sobre las válvulas de entrada y de salida, se recomienda instalar una barrera (y asegurar todas las puertas y ventanas, donde sea necesario) para prevenir el acceso no autorizado a la piscina.
- Las barreras, cubiertas de piscina, alarmas de piscina o dispositivos de seguridad similares son ayudas útiles, pero no sustituyen la supervisión competente y constante de un adulto.

Equipos de seguridad

- Se recomienda tener los equipos de rescate (ej.: salvavidas) cerca de la piscina.
- Tenga un teléfono activo y una lista de números de emergencia cerca de la piscina.

Uso seguro de la piscina

- Anime a todos los usuarios, y especialmente a los niños, a aprender a nadar.
- Aprenda métodos de reanimación básica (reanimación cardiopulmonar - RCP) y repase este conocimiento regularmente. Esto puede marcar la diferencia en caso de emergencia.
- Enseñe a todos los usuarios de la piscina, niños incluidos, qué hacer en caso de emergencia.
- No se zambulla en aguas poco profundas. Esto podría causar graves daños o incluso muerte.
- No utilice la piscina cuando se encuentre bajo los efectos del alcohol o de medicamentos que puedan afectar a su capacidad de usar la piscina de manera segura.
- Cuando se utilizan las cubiertas de piscina, retírelas completamente de la superficie del agua antes de entrar en la piscina.
- Proteja a los usuarios de la piscina de enfermedades manteniendo el tratamiento del agua de la piscina y practicando buenos hábitos higiénicos. Consulte las directrices

- para el tratamiento del agua en el manual del usuario.
- Almacene los productos químicos (ej.: tratamientos para el agua, productos de limpieza o desinfección) fuera del alcance de los niños.
- Utilice la señalización como se especifica más abajo. La señalización se debe colocar en una posición visible y destacada dentro de un radio de 2 metros de la piscina.



Supervise a los niños en el entorno acuático. Prohibido tirarse de cabeza.

- Las escaleras extraíbles deben colocarse sobre una superficie horizontal.
- Independientemente del material utilizado para la construcción de la piscina, las superficies accesibles deben comprobarse regularmente para evitar lesiones.
- Compruebe regularmente los tornillos y tuercas; retire las astillas o cualquier borde afilado para evitar lesiones.
- **ATENCIÓN:** No deje la piscina vacía en el exterior. La piscina vacía podría deformarse y/o desplazarse debido al viento.
- Si cuenta con una bomba de filtrado, consulte el manual de instrucciones de la bomba.
- **¡ADVERTENCIA!** La bomba no se puede poner en marcha mientras haya personas en el interior de la piscina.
- Si tiene una escalera, consulte su correspondiente manual para las instrucciones.
- **¡ADVERTENCIA!** El uso de una piscina implica el cumplimiento de las instrucciones de seguridad descritas en el manual de uso y mantenimiento. Para evitar ahogamiento y otras lesiones graves, preste una especial atención a la posibilidad de acceso inesperado a la piscina de niños de menos de 5 años, tomando las medidas de seguridad necesarias y, durante el periodo del baño, téngales bajo la vigilancia constante de un adulto.

Lea detenidamente y conserve este documento para consultas futuras.

SELECCIONE LA UBICACIÓN CORRECTA

La superficie elegida para instalar la piscina debe respetar las siguientes características técnicas:

1. Debido al peso combinado del agua del interior de la piscina y los usuarios de la misma, es extremadamente importante que la superficie elegida para instalar la piscina sea capaz de soportar uniformemente el peso total durante todo el tiempo que la piscina esté instalada. Al elegir la superficie, tenga en cuenta que el agua puede salir de la piscina, cuando está en uso o bajo la lluvia. Si el agua ablanda la superficie, puede perder su capacidad para soportar el peso de la piscina.
2. Recomendamos colocar la piscina lejos de cualquier objeto que los niños puedan usar para meterse en la piscina.
3. Coloque la piscina cerca de un sistema de drenaje adecuado para hacer frente al desbordamiento o para vaciar la piscina.
4. La superficie debe ser plana y lisa. Si la superficie está inclinada o irregular, puede crear una carga desequilibrada en la estructura de la piscina. Esta situación puede dañar el punto de soldadura del liner y doblar la estructura. En el peor de los casos, la piscina puede colapsar, causando lesiones personales graves y / o daños a la propiedad.
5. La superficie seleccionada debe estar libre de cualquier tipo de objeto. Debido al peso del agua, cualquier objeto debajo de la piscina podría dañar o perforar el fondo de la piscina.
6. La superficie seleccionada debe estar libre de plantas agresivas y especies de malezas. Ese tipo de vegetación fuerte podría crecer a través del revestimiento y crear fugas de agua. La hierba u otra vegetación que pueda causar la formación de olores o lodos deben eliminarse del lugar de instalación.

- La ubicación seleccionada no debe tener líneas eléctricas aéreas ni árboles. Asegúrese de que la ubicación no contenga tuberías, líneas o cables subterráneos de servicios públicos de ningún tipo.
- La posición seleccionada debe estar lejos de la entrada de la casa. No coloque ningún equipo u otro mobiliario alrededor de la piscina. El agua que sale de la piscina durante el uso o por efecto de un producto defectuoso puede dañar los muebles del interior de la casa o del entorno de la piscina.
- La superficie seleccionada debe ser plana y sin agujeros que puedan dañar el material del liner.

Siga las importantes instrucciones anteriores para elegir la superficie y la ubicación correctas para configurar su piscina. Las piezas que puedan dañarse de la piscina, debido a que la superficie de montaje y la ubicación no coinciden con las instrucciones, no se considerarán defectos de fabricación y no tendrán cubierta la garantía no procediendo el reclamo de servicio posventa.

Superficies de montaje sugeridas: césped, hormigón y todas las demás superficies que respeten las condiciones de montaje anteriores.

Superficies no sugeridas: barro, arena, grava, terrazas, balcones, camino de entrada, plataforma, suelo blando / suelto u otra superficie que no cumpla con las condiciones de configuración anteriores.

NOTA: Consulte con su ayuntamiento local los estatutos relacionados con cercas, barreras, iluminación y requisitos de seguridad y asegúrese de cumplir con todas las leyes.

NOTA: Si tiene una bomba de filtrado, consulte el manual de la bomba para obtener instrucciones.

NOTA: La escalera debe coincidir con el tamaño de la piscina y debe usarse solo para entrar y salir de la piscina. Está prohibido exceder la carga útil permitida de la escalera. Compruebe con regularidad si la escalera está correctamente ensamblada.

INSTALACIÓN

La instalación generalmente toma aproximadamente 10 minutos de 2-3 personas excluyendo los movimientos de tierra y el llenado de agua.

Bestway no será responsable de los daños causados a la piscina debido a un mal manejo o al incumplimiento de estas instrucciones.

ATENCIÓN: No utilice una manguera de aire de alta presión ni infle en exceso el anillo superior, este debe quedar ligeramente rígido al tacto.

NOTA: No use cables de prolongación para conectar la bomba a la red eléctrica.

ATENCIÓN: No arrastre la piscina sobre el suelo, la piscina podría sufrir daños.

NOTA: La base o fondo de la piscina debe estar adecuadamente extendida (lisa y sin arrugas).

NOTA: Las altas temperaturas hacen que el aire expanda el anillo y puede causar daños. Deje algo de espacio para la expansión. Para obtener ayuda o preguntas frecuentes, visite la sección de soporte en nuestro sitio web, www.bestwaycorp.com.

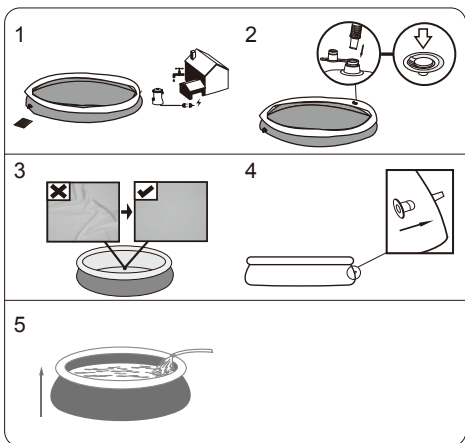
NOTA: Las ilustraciones se incluyen únicamente a título indicativo. Puede que no se correspondan con el producto real. No a escala.

MANTENIMIENTO DE PISCINAS

Si no cumple con las pautas de mantenimiento detalladas a continuación, su salud podría estar en riesgo, especialmente la de sus hijos.

Uso de tabletas químicas (no incluidas):

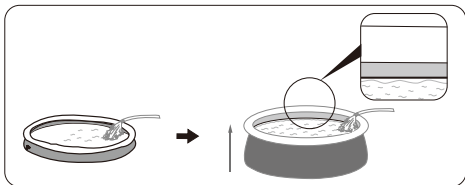
NOTA: Chemconnect o Chemical Floater deben usarse cuando realiza mantenimiento químico con tabletas. Su artículo comprado puede no incluir ninguno de esos dispensadores, en este caso puede comprarlo visitando nuestro sitio web www.bestwaycorp.com o en el distribuidor de piscinas más cercano.



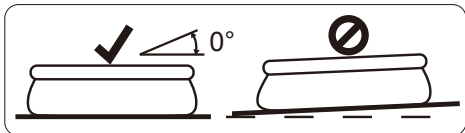
LLENADO DE LA PISCINA CON AGUA

ATENCIÓN: No deje la piscina sin vigilancia mientras la está llenando de agua.

- Llene el agua hasta que la pared esté recta y el agua llegue a la línea de soldadura. **NO LLENE DEMASIADO**, ya que esto podría provocar el colapso de la piscina. En tiempos de fuertes lluvias puede ser necesario vaciar parte del agua para asegurar el nivel correcto.

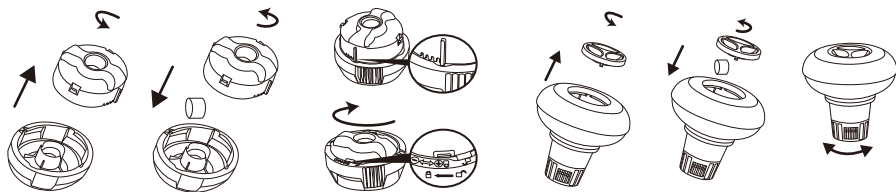


- Cuando la piscina se haya llenado por completo, compruebe que el agua no se acumula en ningún lado para que la piscina esté equilibrada.



IMPORTANTE: Si la piscina no está equilibrada, drene el agua y vuelva a equilibrar el suelo cavando. No intente nunca mover la piscina con agua dentro de lamisma, pueden provocarse graves daños personales o daños en la piscina.

ADVERTENCIA: Su piscina puede contener una gran cantidad de presión. Si su piscina presenta alguna protuberancia o lado irregular la piscina no está equilibrada, los lados podrían explotar y el agua podría derramarse repentinamente causando graves daños personales y/o materiales.



IMPORTANTE: No use tabletas granuladas ni la arroje directamente al agua. Los productos químicos pueden depositarse en el fondo, dañar el material y decolorar el PVC.

Uso de líquido químico (no incluido):

IMPORTANTE: Agregue líquido químico en pequeñas dosis y en el centro de la piscina para evitar el contacto directo entre los químicos y la superficie de PVC. El contacto directo puede dañar el material y decolorar la superficie.

NOTA: Retire el dispensador de químicos de la piscina cuando la piscina esté en uso.

IMPORTANTE: Después de realizar el mantenimiento químico y antes de usar la piscina, use un kit de prueba (no incluido) para probar la química del agua. Recomendamos mantener su agua de acuerdo con la siguiente tabla.

Parámetros	Valores
Claridad del agua	Vista clara del fondo de la piscina
Color del agua	No se debe observar color
Turbidez en FNU / NTU	max. 1,5 (preferiblemente menos de 0,5)
Concentración de nitrato superior a la del agua en mg / l	max. 20
Carbono orgánico total (TOC) en mg / l	max. 4,0
Potencial redox contra Ag / AgCL 3,5 m KCl en mV	min. 650
Valor de pH	de 6,8 a 7,6
Cloro activo libre (sin ácido cianúrico) en mg / l	de 0,3 a 1,5
Cloro libre usado en combinación con ácido cianúrico en mg / l	de 1,0 a 3,0
Ácido cianúrico en mg / l	max. 100
Cloro combinado en mg / l	max. 0,5 (preferiblemente cercano a 0,0 mg / l)

NOTA: El daño resultante del desequilibrio químico no está cubierto por la garantía. Los productos químicos para piscinas son potencialmente tóxicos y deben manejarse con cuidado. Existen graves riesgos para la salud por los vapores químicos y el etiquetado y almacenamiento incorrectos de los contenedores químicos. Consulte a su distribuidor local de suministros de piscinas para obtener más información sobre el mantenimiento químico. Preste mucha atención a las instrucciones del fabricante del químico. La garantía no cubre los daños causados por el uso indebido de productos químicos y el mal manejo del agua de la piscina.

IMPORTANTE: El uso excesivo de productos químicos puede decolorar la impresión y todos los puntos del material de la piscina. También puede dañar la estructura del revestimiento de la piscina.

Para mantener su piscina limpia:

1. Póngase en contacto con su tienda local de suministros de piscinas para obtener asesoramiento y comprar productos químicos y kits de pH. Uno de los factores más importantes para aumentar la vida útil del revestimiento es mantener continuamente agua limpia y saludable. Siga estrictamente las instrucciones de técnicos profesionales para el tratamiento del agua mediante el uso de productos químicos.
2. Coloque un cubo de agua al lado de la piscina para limpiar los pies de los usuarios antes de entrar a la piscina.
3. Tape la piscina cuando no esté en uso.
4. Limpie la piscina regularmente para evitar la acumulación de suciedad.
5. Revise y lave el cartucho del filtro regularmente.
6. Limpie suavemente cualquier escoria de debajo del anillo superior con un paño limpio.
7. Tenga cuidado en caso de lluvia, verifique que el nivel del agua no sea superior al esperado. Si es así, DEBE DESCARGAR EL EXCESO DE AGUA.
8. Si llueve, verifique que el nivel del agua no sea superior al nivel especificado. Si el agua excede los niveles especificados, drene la piscina al nivel especificado.

Un mantenimiento adecuado puede maximizar la vida útil de su piscina.

Durante la temporada de uso de la piscina, el sistema de filtración debe ponerse necesariamente en servicio todos los días, tiempo suficiente para asegurar al menos una renovación completa del volumen de agua.

NOTA: La bomba se usa para hacer circular el agua y para filtrar partículas pequeñas. Para mantener el agua de su piscina limpia e higiénica, también debe agregar productos químicos.

REPARACIÓN

En el caso de una fuga, repare su piscina usando el parche de reparación adhesivo subacuático provisto. Puede encontrar las

DESMONTAJE

1. Desenrosque el tapón de la válvula de drenaje girando en sentido antihorario y retírelo.
2. Conecte el adaptador a la manguera y coloque el otro extremo de la manguera en la zona donde va a vaciar la piscina. (Consulte las normativas locales para conocer las disposiciones en materia de drenaje).
3. Enrosque el anillo de control del adaptador de la manguera en la válvula de drenaje girando en sentido horario. La válvula de drenaje se abrirá y el agua empezará a fluir automáticamente. Abra la válvula de drenaje hasta su posición máxima.
4. Desinfe el anillo superior apretando la válvula de aire.
5. Cuando el anillo superior esté completamente desinflado, presiónelo hacia abajo e inclínelo para facilitar el vaciado. Vacíe completamente la piscina.
6. Una vez finalizado el vaciado, desenrosque el anillo de control para cerrar la válvula.
7. Desconecte la manguera.
8. Enrosque el tapón nuevamente en la válvula de drenaje.
9. Deje secar la piscina al aire.

ALMACENAMIENTO

1. Retire todos los accesorios y las piezas de repuesto de la piscina, guárdelos limpios y secos.
2. Cuando la piscina esté completamente seca, espolvoree con polvo de talco para evitar que las superficies de la piscina se adhieran entre sí y dóblela con cuidado. Si la piscina no está completamente seca, podría desarrollarse moho y dañar el revestimiento de la piscina.
3. Guarde el revestimiento y los accesorios en un lugar seco con una temperatura moderada, entre 5°C / 41°F y 38°C / 100°F.
4. Durante la estación lluviosa, la piscina y los accesorios deben almacenarse siguiendo las instrucciones anteriores.
5. Un drenaje inadecuado de la piscina podría provocar lesiones personales graves y/ o daños materiales.
6. Recomendamos encarecidamente desmontar la piscina fuera de temporada (los meses de invierno). Guárdelo en un lugar seco fuera del alcance de los niños.

¡Gracias por elegir Bestway!

ES

¡Amplía ahora gratis la garantía de tu compra!

Registra tu producto en un plazo de 30 días desde la fecha de compra y regálate 6 meses de ampliación gratuita de la garantía.

¡Visita **WWW.REGISTROBESTWAY.ES** y registra ya tu producto!

Esta garantía adicional cubre los siguientes países: España, Alemania, Belgica, Francia, Italia, Luxemburgo.

FAST SET™ - POOLS BENUTZERHANDBUCH

Besuchen Sie den YouTube-Kanal von Bestway 



ACHTUNG

Vor dem Bau und der Benutzung des Schwimmbeckens werden sämtliche Informationen in dieser Anleitung sorgfältig gelesen, verstanden und befolgt. Diese Warnhinweise, Anleitungen und Sicherheitsrichtlinien umfassen einige allgemeine Risiken in Bezug auf Freizeitbeschäftigung im Wasser, sie können jedoch nicht sämtliche Risiken und Gefährdungen in allen Fällen behandeln. Bei jeglicher Aktivität im Wasser wird Vorsicht, gesunder Menschenverstand und gutes Urteilsvermögen walten gelassen. Diese Angaben werden für die spätere Nutzung aufbewahrt.

Sicherheit von Nichtschwimmern

- Es ist jederzeit eine ständige, aktive und wachsame Beaufsichtigung schwacher Schwimmer und Nichtschwimmer durch eine sachkundige erwachsene Aufsichtsperson erforderlich (es wird daran erinnert, dass das größte Risiko des Ertrinkens bei Kindern unter 5 Jahren besteht).
- Es wird eine sachkundige erwachsene Person bestimmt, die das Becken überwacht, wenn es benutzt wird.
- Schwache Schwimmer oder Nichtschwimmer sollten persönliche Schutzausrüstung tragen, wenn sie ins Schwimmbecken gehen.
- Wenn das Schwimmbecken nicht benutzt oder überwacht wird, werden sämtliche Spielsachen aus dem Schwimmbecken und seiner Umgebung entfernt, um zu verhindern, dass Kinder davon angezogen werden.

Sicherheitsvorrichtungen

- Um das Ertrinken von Kindern zu verhindern, wird empfohlen, den Zugang zum Schwimmbecken mit einer Schutzvorrichtung zu sichern. Um Kinder vom Klettern über das Einlass- und Auslassventil abzuhalten, Es wird empfohlen, eine Absperrung zu errichten (und sämtliche Türen und Fenster zu sichern, sofern zutreffend), um unberechtigten Zutritt zum Schwimmbecken zu vermeiden.
- Absperrungen, Beckenabdeckungen, Alarmanlagen oder ähnliche Sicherheitsvorrichtungen sind sinnvolle Hilfsmittel, ersetzen jedoch keine ständige und sachkundige Überwachung durch erwachsene Personen.

Sicherheitsausrüstung

- Es wird empfohlen, Rettungsausrüstung (z. B. einen Rettungsring) in der Nähe des Beckens aufzubewahren.
- Ein funktionierendes Telefon und eine Liste von Notrufnummern werden in der Nähe des Schwimmbeckens aufbewahrt.

Sichere Nutzung des Schwimmbeckens

- Sämtliche Nutzer, insbesondere Kinder, werden dazu ermuntert, schwimmen zu lernen.
- Erste Hilfe (Herz-Lungen-Wiederbelebung) erlernen und diese Kenntnisse regelmäßig auffrischen. Das kann bei einem Notfall einen lebensrettenden Unterschied ausmachen.
- Sämtliche Beckenbenutzer, einschließlich Kinder, anweisen, was in einem Notfall zu tun ist.
- Niemals in flaches Wasser springen. Das kann zu schweren Verletzungen oder zum Tode führen.
- Das Schwimmbecken nicht benutzen, wenn man unter dem Einfluss von Alkohol oder Medikamenten steht, welche die Fähigkeit zur sicheren Nutzung des Beckens beeinträchtigen können.
- Beckenabdeckungen vor dem Betreten des Schwimmbeckens vollständig von der Wasseroberfläche entfernen, wenn sie verwendet werden.

- Die Nutzer des Schwimmbeckens werden vor durch das Wasser verbreiteten Krankheiten geschützt, indem das Wasser stets aufbereitet und hygienisch unbedenklich gehalten wird. Die Richtlinien zur Wasseraufbereitung in der Gebrauchsanleitung werden zu Rate gezogen.
- Chemikalien (z. B. Produkte für die Wasseraufbereitung, Reinigung oder Desinfektion) außerhalb der Reichweite von Kindern aufbewahren.
- Die nachstehenden Zeichen werden verwendet. Die Zeichen sind an einer gut sichtbaren Stelle innerhalb von 2 000 mm in der Nähe des Schwimmbeckens anzubringen.



Kindern im Wasser und der Wassermenge stets beaufsichtigen. Nicht springen.

- Abnehmbare Leitern sind auf einer waagrechten Fläche anzuordnen.
- Zugängliche Flächen müssen regelmäßig überprüft werden, um Verletzungen zu vermeiden, unabhängig von den für den Bau des Schwimmbeckens verwendeten Materialien.
- Prüfen Sie regelmäßig Bolzen und Schrauben; entfernen Sie Späne, Spreißel sowie sämtliche scharfen Kanten, um Verletzungen zu vermeiden.
- **ACHTUNG!** Lassen Sie den entleerten Pool nicht im Freien. Der leere Pool neigt dazu, durch den Wind verformt und/oder verschoben zu werden.
- Wenn Sie über eine Filterpumpe verfügen, beachten Sie die Anweisungen des Filterpumpen-Handbuchs.
- **ACHTUNG!** Die Pumpe darf nicht betrieben werden, wenn sich Menschen im Pool aufhalten!
- Wenn Sie über eine Leiter verfügen, beachten Sie die Anweisungen des Leiter-Handbuchs.
- **ACHTUNG!** Die Verwendung eines Schwimmbecken-Bausatzes setzt voraus, dass er mit den Sicherheitsvorschriften übereinstimmt, die in der Betriebs- und Wartungsanleitung beschrieben sind. Um ein Ertrinken oder andere ernsthafte Verletzungen zu verhindern, wird besondere Aufmerksamkeit darauf gerichtet, den Zugang zum Schwimmbecken zu sichern, da sich Kinder unter 5 Jahren unerwartet Zugang zum Schwimmbecken verschaffen können, und beim Baden werden die Kinder ununterbrochen von einer erwachsenen Aufsichtsperson beaufsichtigt.

Bitte sorgfältig lesen und für späteres Nachschlagen aufbewahren.

WÄHLEN SIE EINEN GEEIGNETEN ORT

Bevor der Pool aufgebaut wird, sollten folgende Aspekte berücksichtigt werden:

1. Aufgrund des Gesamtgewichts aus Wassermenge und Benutzer, ist es absolut notwendig, dass der gewählte Untergrund dieses während der gesamten Nutzungszeit problemlos tragen kann. Zudem sollte beachtet werden, dass der Boden durch überschwappendes Wasser oder Regen aufgeweicht und dessen Tragfähigkeit dadurch beeinträchtigt werden kann. Das Gewicht des Pools kann unter diesen Umständen eventuell nicht mehr ausreichend getragen werden.
2. Wir empfehlen den Pool nicht in der Nähe von Objekten, welche Kindern als Einstieg dienen können, aufzubauen.
3. Positionieren Sie den Pool in der Nähe einer geeigneten Ablaufstelle. Dies erleichtert den Umgang mit überschwappendem Wasser, sowie das Entleeren des Pools.
4. Die Oberfläche sollte eben und glatt sein. Befindet sich diese im Gefälle oder ist uneben, kann dies zu einer ungleichmäßigen Belastung des Rahmens führen. Dies kann die Schweißpunkte der Folie beschädigen sowie ein Verbiegen des Rahmens zur Folge haben. Im schlimmsten Fall können bei einem Zusammensturz ernsthafte

Verletzungen bei Personen sowie Schäden an persönlichem Eigentum entstehen.

- Die gewählte Oberfläche sollte frei von jeglichen Gegenständen sein. Durch das Gewicht des Wassers kann jedes sich unter dem Pool befindendes Objekt Löcher oder andere Schäden in und an der Poolfolie hervorrufen.
- Die gewählte Oberfläche sollte frei von aggressiven Pflanzen und Unkraut sein. Zu starke Vegetation kann in die Folie eindringen und zu einem Wasseraustritt führen. Geruchs- oder flüssigkeitserzeugende Vegetation sollte ebenfalls vor dem Aufbau entfernt werden.
- Es sollten sich keine Hochspannungsleitungen oder Bäume über der gewählten Oberfläche befinden. Stellen Sie zudem sicher, dass sich dort keine unterirdischen Versorgungsleitungen oder Kabel befinden.
- Der Pool sollte nicht in der Nähe von Hauseingängen platziert werden. Es wird zudem davon abgeraten, Möbel oder andere Einrichtung rund um den Pool herum aufzustellen. Wasser, welches während der Benutzung oder aufgrund einer defekten Komponente aus dem Pool dringt, kann Innen- sowie Außenrichtung erheblich beschädigen.
- Die gewählte Oberfläche sollte frei von Löchern sein.

Die oben genannten Punkte zum Aufbau des Pools sind in jedem Fall zu befolgen. Sollten entstandene Schäden auf ein nicht sachgemäßes Befolgen dieser Anweisungen zurückzuführen sein, können diese nicht als Folge eines Produktionsfehlers gewertet werden. Die Inanspruchnahme der Herstellergarantie ist in diesem Fall nicht möglich.

Empfohlene Oberflächen: grass, Boden, Beton oder andere Oberflächen, welche den vorab genannten Anweisungen entsprechen.

Nicht empfohlene Oberflächen: schlamm, Sand, Kies, Decke, Balkon, Einfahrt, Plattform, weicher/loser Boden oder andere Oberflächen, welche nicht den vorab genannten Anweisungen entsprechen.

BITTE BEACHTEN: Erkundigen Sie sich bei Ihrer zuständigen Stadtverwaltung über Gemeindeverordnungen bezüglich Einzäunung, Barrieren, Beleuchtung und Sicherheitsanforderungen.

BITTE BEACHTEN: Bezüglich einer vorhandenen Filterpumpe sei auf die entsprechende Gebrauchsanweisung verwiesen.

BITTE BEACHTEN: Die Leiter muss für die Höhe des Pools geeignet sein und sollte nur für dessen Betreten oder Verlassen verwendet werden. Die maximal zulässige Traglast darf in keinem Fall überschritten werden. Stellen Sie zu jeder Zeit den ordnungsgemäßen Aufbau der Leiter sicher.

AUFBAU

Für gewöhnlich nimmt der Aufbau – Erdarbeiten ausgenommen – mit 2-3 Personen voraussichtlich 10 Minuten in Anspruch. Bestway kann für Schäden, welche aufgrund einer unzureichenden Beachtung dieser Anweisungen entstanden sind, nicht verantwortlich gemacht werden.

ACHTUNG: Verwenden Sie keinen Hochdruckluftschlauch und blasen Sie den oberen Ring nicht übermäßig auf, er sollte sich ein bisschen fest anfühlen.

HINWEIS: Verwenden Sie keine Verlängerungskabel, um Ihre Pumpe anzuschließen.

ACHTUNG: Ziehen Sie den Pool nicht über den Boden, da dies den Pool beschädigen kann.

HINWEIS: Die Basis bzw. der Boden des Pools muss ordnungsgemäß ausgebreitet sein (flach und ohne Falten).

HINWEIS: Heiße Temperaturen führen zu einer Ausdehnung des Rings, was zu Beschädigungen führen kann. Lassen Sie etwas Raum für die Ausdehnung. Für Hilfestellung oder Fragen & Antworten besuchen Sie bitte den entsprechenden Abschnitt unserer Webseite, www.bestwaycorp.com.

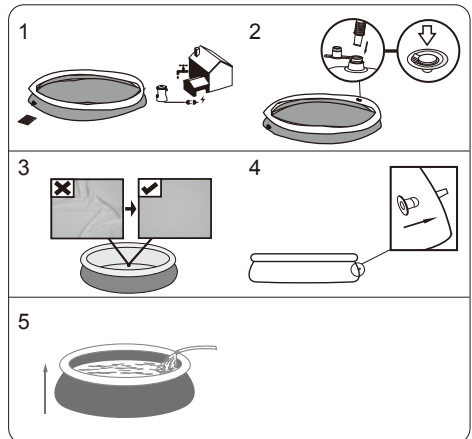
POOLWARTUNG

Bei Nichtbeachtung der unten stehenden Wartungsanweisungen besteht Gefahr für Ihre Gesundheit, vor allem für die Ihrer Kinder.

Einsatz von Chemikalien-Tabletten (nicht enthalten):

BITTE BEACHTEN: Warten Sie Ihren Pool mit Chemikalien in Tablettenform, verwenden Sie unbedingt einen Dosierschwimmer oder

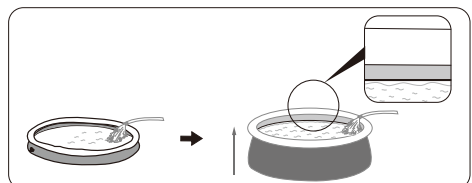
HINWEIS: Die Zeichnungen dienen lediglich Illustrationszwecken. Möglicherweise ist nicht das vorliegende Produkt dargestellt. Nicht maßstabsgetreu.



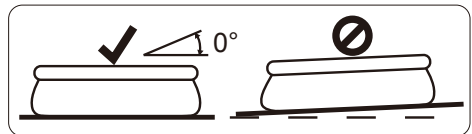
FÜLLEN DES POOLS MIT WASSER

ACHTUNG: Lassen Sie den Pool während des Einfüllens des Wassers nicht unbeaufsichtigt.

- Füllen Sie den Pool bis zur Schweißnaht auf und achten Sie darauf, dass sich die Seitenwände vollständig aufrichten. Der Pool darf nicht **NICHT ÜBERMÄSSIG** befüllt werden, da dies zu einem Einsturz führen kann. Im Falle starker Regenfälle muss ein Teil des Wassers möglicherweise wieder Sie möglicherweise abgelassen werden, um so ein Überschreiten der maximal zulässigen Füllmenge zu verhindern.



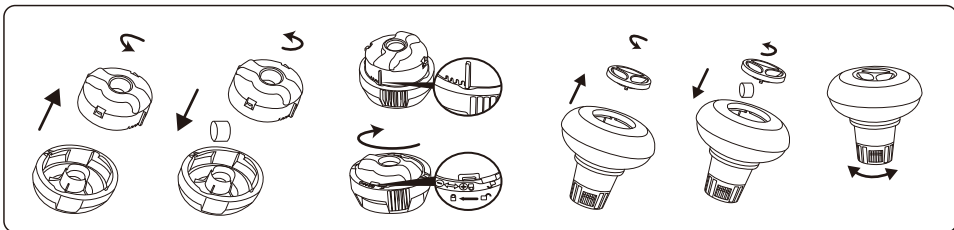
- Nachdem der Pool vollständig befüllt ist, prüfen Sie, dass sich das Wasser nicht auf einer Seite sammelt, um zu gewährleisten, dass der Pool eben ist.



WICHTIG: Lassen Sie, wenn der Pool nicht eben ist, das Wasser ab und nivellieren Sie den Boden durch Aushub. Versuchen Sie nicht, den Pool mit darin befindlichem Wasser zu bewegen. Dabei kann es zu schweren Verletzungen oder Schäden am Pool kommen.

ACHTUNG: Ihr Pool kann sehr viel Druck enthalten. Wenn Ihr Pool Wölbungen oder unebene Seiten aufweist, dann ist der Pool nicht eben, so dass die Seiten platzen können und das Wasser sich plötzlich entleeren kann. Es besteht die Gefahr von ernsthaften Personen- und/oder Sachschäden.

Chemconnect Chemikaliendosierer. Enthält der von Ihnen erworbene Artikel keinen solchen Dosierer, können Sie ihn über unsere Webseite www.bestwaycorp.com oder bei einem entsprechenden Fachhändler in Ihrer Nähe kaufen.



WICHTIG: Verwenden Sie keine Granulat-Tabletten und werfen Sie keine Tabletten direkt ins Wasser. Die Chemikalien können sich am Boden absetzen, das Material beschädigen und das PVC verfärben.

Einsatz von Flüssigchemikalien (nicht enthalten):

WICHTIG: Geben Sie Flüssigchemikalien in kleinen Mengen in die Mitte des Pools, um den direkten Kontakt von Chemikalien und PVC-Oberfläche zu vermeiden. Direkter Kontakt kann das Material beschädigen und die Oberfläche verfärben.

BITTE BEACHTEN: Entfernen Sie den Chemikaliendosierer aus dem Pool, während Sie den Pool verwenden.

WICHTIG: Nach der Wartung des Pools mit Chemikalien verwenden Sie ein Testset (nicht enthalten), um die chemische Zusammensetzung des Wassers zu testen, bevor Sie den Pool verwenden. Wir empfehlen die Pflege Ihres Poolwassers entsprechend der folgenden Tabelle.

Parameter	Werte
Klarheit des Wassers	Klare Sicht auf den Poolboden
Farbe des Wassers	Es sollte keine Färbung erkennbar sein
Trübung in FNU/NTU	max. 1,5 (möglichst geringer als 0,5)
Nitratkonzentration über der des Füllwassers in mg/l	max. 20
Gesamter organischer Kohlenstoff (TOC) in mg/l	max. 4,0
Redoxpotential gegen Ag/AgCl 3,5 m KCl in mV	min. 650
pH-Wert	6,8 bis 7,6
Freies, aktives Chlor (ohne Cyanursäure) in mg/l	0,3 bis 1,5
Freies Chlor in Kombination mit Cyanursäure in mg/l	1,0 bis 3,0
Cyanursäure in mg/l	max. 100
Gebundenes Chlor in mg/l	max. 0,5 (möglichst nahe 0,0 mg/l)

BITTE BEACHTEN: Schäden aus chemischem Ungleichgewicht sind von der Garantie nicht abgedeckt. Poolchemikalien sind potenziell giftig und sind mit Sorgfalt zu behandeln. Chemische Dämpfe sowie fehlerhafte Beschriftung und Lagerung von Chemikalienbehältern stellen ernsthafte Risiken für die Gesundheit dar. Bitte erkundigen Sie sich bei Ihrem örtlichen Fachhändler nach weiteren Informationen zur Anwendung von Poolchemikalien. Beachten Sie die Anweisungen des Chemikalienherstellers genau. Schäden am Pool aus Missbrauch von Chemikalien und falscher Behandlung des Poolwassers sind von der Garantie nicht abgedeckt. **WICHTIG:** Durch Überdosierung von Chemikalien können sich der Aufdruck und beliebige Stellen des Poolmaterials verfärben. Die Poolfolie kann auch strukturellen Schaden nehmen.

So halten Sie Ihren Pool sauber:

1. Kontaktieren Sie Ihren örtlichen Fachhändler für Hinweise und den Kauf von Chemikalien und pH-Sets. Um die Langlebigkeit der Poolfolie zu gewährleisten, ist es besonders wichtig, das Wasser jederzeit in sauberem und gesundem Zustand zu halten. Bitte befolgen Sie die Anweisungen zur Wasserbehandlung mit Chemikalien der Fachleute genau.
2. Halten Sie einen Eimer mit Wasser am Poolrand zum Reinigen der Füße vor der Benutzung des Pools bereit.
3. Wenn Sie den Pool nicht verwenden, decken Sie ihn ab.
4. Schöpfen Sie die Oberfläche des Poolwassers in regelmäßigen Abständen ab, um Schmutzablagerungen zu vermeiden.
5. Überprüfen und reinigen Sie die Filterkartusche in regelmäßigen Abständen.
6. Entfernen Sie vorsichtig Schaumablagerungen unterhalb des oberen Rings mit einem sauberen Tuch.
7. Lassen Sie bitte bezüglich Regenwasser Vorsicht walten und stellen Sie sicher, dass der Wasserstand nicht zu hoch ist. Ist dies der Fall, LASSEN SIE ÜBERSCHÜSSIGES WASSER AB.
8. Stellen Sie bei Regen sicher, dass der Wasserstand nicht höher als angegeben ist. Überschreitet der Wasserstand die Maximalanzeige, lassen Sie das Wasser bis zum angegebenen Füllstand ab.

Fachgerechte Wartung kann die Lebensdauer Ihres Pools verlängern.

Während der Poolsaison ist das Filtersystem täglich in Betrieb zu nehmen, und zwar so lange, bis das Poolwasser mindestens einmal zur Gänze erneuert ist.

BITTE BEACHTEN: Die Pumpe dient der Umwälzung des Wassers und dem Herausfiltern kleinerer Partikel. Damit das Poolwasser sauber und hygienisch einwandfrei bleibt, sind Chemikalien hinzuzufügen.

REPARATUR

Sollte ein Loch auftreten, reparieren Sie es mit dem mitgelieferten wasserfesten Reparaturflicken. Hinweise dazu entnehmen Sie den Fragen & Antworten auf unserer Webseite, www.bestwaycorp.com.

DEMONTAGE

1. Schrauben Sie die Kappe des Ablassventils gegen den Uhrzeigersinn ab und entfernen Sie die Kappe.
2. Verbinden Sie den Adapter mit dem Schlauch und bringen Sie das andere Ende in dem Bereich an, in den Sie das Poolwasser ableiten möchten. (Halten Sie sich an die örtlichen Bestimmungen und Verordnungen zur Wasserableitung).
3. Schrauben Sie den Steuerring des Schlauchadapters im Uhrzeigersinn auf das Ablassventil. Das Ablassventil öffnet sich und das Wasser wird automatisch abgelassen. Öffnen Sie das Ablassventil bis zur Maximalposition.
4. Lassen Sie die Luft aus dem oberen Ring ab, indem Sie das Luftventil zusammendrücken.
5. Wenn die Luft aus dem oberen Ring vollständig abgelassen ist, drücken Sie den oberen Ring herunter und halten Sie ihn geneigt, um das Wasser abzulassen. Lassen Sie das Wasser vollständig aus dem Pool ablaufen.
6. Schrauben Sie nach dem Ablassen des Wassers den Steuerring ab, um das Ventil zu schließen.
7. Entfernen Sie den Schlauch.
8. Schrauben Sie den Deckel wieder auf das Ablassventil.
9. Lassen Sie den Pool an der Luft trocknen.

LAGERUNG

1. Entfernen Sie sämtliches Zubehör und alle Ersatzteile vom Pool und lagern Sie diese sauber und trocken.
2. Ist der Pool vollständig getrocknet, bestäuben Sie ihn mit Talkumpuder, um ein Zusammenhaften zu vermeiden, und falten Sie den Pool vorsichtig zusammen. Ist der Pool nicht vollständig getrocknet, kann sich Schimmel bilden, der die Innenverkleidung des Pools beschädigt.
3. Lagern Sie die Innenverkleidung und das Zubehör an einem trockenen Ort bei gemäßigten Temperaturen zwischen 5 °C / 41 °F und 38 °C / 100 °F.
4. Während der Regenzeit müssen der Pool sowie alle Zubehörteile auch wie oben ausgeführt gelagert werden.
5. Eine unsachgemäße Entleerung des Pools kann zu ernsthaften Personen- und/oder Sachschäden führen.
6. Wir empfehlen dringend, den Pool außerhalb der Badesaison (während der Wintermonate) abzubauen. Lagern Sie ihn an einem trockenen Ort außerhalb der Reichweite von Kindern.

Vielen Dank für Ihren Kauf eines Bestway Produktes! (DE)

Verlängern Sie Jetzt **kostenlos** die Garantie Ihres Produktes!
Registrieren Sie Ihr Produkt innerhalb von 30 Tagen nach Kaufdatum und in nur wenigen Minuten erhalten Sie eine kostenlose Verlängerung der Herstellergarantie um 6 Monate!


Besuchen Sie sofort **WWW.BESTWAYREGISTRIERUNG.DE**

und registrieren Ihr Produkt!

Diese Möglichkeit der Garantieverlängerung gilt nur in folgenden Ländern:
Deutschland, Belgien, Frankreich, Italien, Luxemburg, Spanien.



FAST SET™ - UIMA - ALTAAT KÄYTTÖOPAS

Käy katsomassa Bestwayn YouTube-kanavaa 

VAROITUS

Lue huolellisesti, ymmärrä ja noudata kaikkia tämän käyttöoppaan tietoja ennen uima-altaan asennusta ja käyttöä. Nämä varoitukset, ohjeet ja turvallisuusohjeet koskevat yleisiä vedessä virkistäytymisen riskejä, mutta ne eivät pysty kattamaan kaikkia riskejä ja vaaroja kaikissa tapauksissa. Ole aina varovainen, käytä tervettä järkeä ja hyvää arvostelukykyä, kun olet vedessä. Säilytä nämä tiedot myöhemmä käyttöä varten.

Uimataidottomien turvallisuus

- Jatkuva, aktiivinen ja tarkkaavainen heikkojen uimareiden tai uimataidottomien valvonta pätevän aikuisen toimesta vaaditaan kaikkina aikoina (muistaen, että alle 5-vuotiaat lapset ovat suurimmassa hukkumisvaarassa).
- Määrää pätevä aikuinen valvomaan altaasta joka kerta, kun sitä käytetään.
- Heikkojen uimareiden tai uimataidottomien tulisi käyttää henkilönsuojauslaitteita altaassa.
- Kun allas ei ole käytössä tai se on vartioimaton, poista kaikki lelut altaasta ja sen ympäristöstä, jotta lapsilla ei olisi houkutusta mennä altaalle.

Turvallitteet

- Jotta lapsia estettäisiin hukkumasta, suosittelemme sulkemaan pääsyn altaalle suojalaitteella. Jotta lapsia estettäisiin kiipeämästä sisään- ja ulostuloventtiiliin, suosittelemme asentamaan esteen (ja lukitsemaan kaikki ovet ja ikkunat, kun sovellettavissa) luvattoman pääsyn estämiseksi altaaseen.
- Reunat, allaspeitteet, allashälyttimet tai vastaavat turvalaitteet ovat hyödyllisiä apuvälineitä, mutta ne eivät korvaa jatkuvaa ja pätevää aikuisen valvontaa.

Turvallitteisto

- Suosittelemme säilyttämään pelastuslaitteistoja (esim. pelastusrenkas) altaalla.
- Pidä toimiva puhelin ja luettelo hätäpuhelinnumeroista lähellä altaasta.

Altaan turvallinen käyttö

- Kannusta kaikkia käyttäjiä, erityisesti lapsia opettelemaan uimaan.
- Opi perusensiapu (paineluelvytys) ja päivitä tätä osaamista säännöllisesti. Tämä voi pelastaa elämän hätätilanteessa.
- Ohjeista kaikkia altaan käyttäjiä, lapset mukaan lukien, mitä tehdä hätätilanteessa.
- Älä koskaan sukella altaan matalaan osaan. Tämä voi aiheuttaa vakavan vamman tai kuoleman.
- Älä käytä uima-allasta, kun käytät alkoholia tai lääkitystä, jotka voivat heikentää kykyäsi käyttää allasta turvallisesti.
- Kun allaspeitteitä käytetään, poista ne kokonaan altaan pinnalta ennen altaaseen menoa.
- Suojaa altaan käyttäjiä veteen liittyviltä sairauksilta pitämällä altaan vesi käsiteltynä ja noudattamalla la hyviä hygieniakäytäntöjä. Katso vedenkäsittelyohjeita käyttöoppaasta.

- Säilytä kemikaalit (esim. vedenkäsittely-, puhdistus- tai desinfiointituotteet) poissa lasten ulottuvilta.
- Käytä alla esitettyjä opasteita. Opasteet on sijoitettava näkyvälle paikalle enintään 2 m altaasta.



Älä jätä lapsia ilman valvontaa, kun lähistöllä on vettä. Ei sukeltamista.

- Irrotettavat tikkaat on sijoitettava tasaiselle pinnalle.
- Riippumatta altaan rakentamiseen käytetyistä materiaaleista, käytettävissä olevat pinnat on tarkastettava säännöllisesti vammojen välttämiseksi.
- Tarkasta putlit ja ruuvit säännöllisesti. Poista tikut tai muut terävät reunat vammojen välttämiseksi.
- **HUOMIO:** Älä jätä tyhjennettyä allasta ulos. Tyhjä altaan muoto voi vääristyä ja/tai allas voi siirtyä paikaltaan tuulen vuoksi.
- Jos suodatinpumppu asennetaan, noudata pumpun ohjekirjan ohjeita.
- **VAROITUS!** Pumpua ei saa käyttää, kun altaassa on ihmisiä!
- Jos tikkaat asennetaan, noudata tikkaiden ohjekirjan ohjeita.
- **VAROITUS!** Uima-altaan käyttö viittaa käyttö- ja huolto-oppaassa kuvattujen turvallisuusohjeiden noudattamiseen. Hukkumisen tai muiden vakavien vammojen estämiseksi kiinnitä erityistä huomiota alle 5-vuotiaiden lasten odottamattoman pääsyn altaalle lukitsemalla pääsy sille, ja uinnin aikana pätevän aikuisen on valvottava heitä jatkuvasti.

Lue nämä tiedot huolellisesti ja säilytä mahdollista tulevaa tarvetta varten.

VALITSE SOPIVA PAIKKA

Altaan asennuspaikan pinnan on täytettävä seuraavat tekniset ominaisuudet:

1. Altaan sisältämän veden ja altaan käyttäjien yhteispainon vuoksi on äärimmäisen tärkeää, että altaalle valittu asennuspaikka kannattelee tasaisesti koko painon altaan koko asennusajan. Ota huomioon paikkaa valitessasi, että altaasta voi valua vesi vettä käytön tai sateen aikana. Jos vesi pehmentää pinnan, se ei ehkä enää pysty kannattelemaan altaan painoa.
2. Suosittelemme sijoittamaan altaan loitolle tavaroista, joita lapset voisivat käyttää altaaseen kiipeämiseen.
3. Sijoita uima-allas lähelle asianmukaista poistojärjestelmää ylivuotoja tai altaan tyhjennystä varten.
4. Pinnan on oltava tasainen ja sileä. Jos pinta on kalteva tai epätasainen, altaan rakenne voi kuormittua epätasapainoisesti. Tämä voi vahingoittaa vuorauksen hitsauskohtia ja taivuttaa runkoa. Pahimmassa tapauksessa allas voi romahtaa aiheuttaen vakavia henkilövahinkoja ja/tai vahinkoa omaisuudelle.
5. Valitulla pinnalla ei saa olla mitään tavaroita. Veden painon vuoksi altaan alla olevat esineet voivat vahingoittaa tai puhkaista altaan pohjan.
6. Valitulla pinnalla ei saa aggressiivisia kasveja tai ruohoja. Voimakas kasvillisuus voi kasvaa vuorauksen läpi ja aiheuttaa vesivuotoja. Ruoho ja muu kasvillisuus, joka voi synnyttää hajua tai liejuja, on poistettava asennuspaikalta.
7. Valitun kohdan yläpuolella ei saa olla voimainlojia tai puita. Varmista, että kohteessa ei ole maanalaisia putkia, linjoja tai

kaapeleita.

8. Valitun paikan on oltava kaukana talon sisäänkäynnistä. Älä laita altaan ympärille mitään laitteita tai muita kalusteita. Käytön aikana tai viallisesta tuotteesta ulos valuva vesi voi vahingoittaa talon sisällä tai altaan ympärillä olevia kalusteita.
9. Valitun pinnan on oltava tasainen, eikä siinä saa olla kuoppia, jotka voivat vahingoittaa vuorauksen materiaalia.

Valitse asianmukainen pinta ja altaan asennuspaikka noudattamalla yllä annettuja tärkeitä ohjeita. Altaan osien vahingoittumista, joka johtuu siitä, että asennuspinta ja paikka ei ole ohjeiden mukainen, ei katsota valmistusviaksi, takuu kata niitä eikä niille voi esittää huoltovaatteita.

Ehdotettu asennuspinta: nurmikko, maa, betoni ja kaikki muut pinnat, jotka vastaavat yllä annettuja asennusvaatimuksia.

Pinnat, joita ei suositella: muta, hiekka, sora, terassi, parveke, ajotie, taso, pehmeä/irtonainen maaperä tai muu pinta, joka ei täytä edellä mainittuja asennusolosuhteita.

HUOMAUTUS: Tarkista paikalliset aidoitukseen, esteisiin, valaistukseen ja turvatoimenpiteisiin liittyvät säädökset ja varmista, että noudatetaan kaikki asiaankuuluvia lakeja.

HUOMAUTUS: Jos suodatinpumppu asennetaan, noudata pumppun ohjekirjan ohjeita.

HUOMAUTUS: Tikkaiden on oltava sopivan kokoiset altaan kokoon nähden ja niitä tulee käyttää ainoastaan altaaseen menemiseen ja sieltä nousemiseen. Tikkaiden kantokykyä ei saa ylittää. Tarkista säännöllisesti, että tikkaat on koottu oikein.

ASENNUS

Asennus kestää yleensä noin 10 minuuttia, kun asennuksessa on mukana 2–3 henkilöä. Aikaan ei lueta maanmuokkausta ja altaan täyttämistä.

Bestway ei vastaa uima-altaalle koituneista vahingoista, jotka johtuvat väärästä käsittelystä tai näiden ohjeiden noudattamatta jättämisestä.

HUOMIO: Älä käytä korkeapaineista ilmaletkua tai ylitäytä ylärengasta. Sen tulisi olla hieman jäykkä kosketettaessa.

HUOMAA: Älä käytä jatkojohtoja pumppusi virransyöttöön.

HUOMIO: Älä raahaa allasta maata pitkin, sillä tämä voi vahingoittaa allasta.

HUOMAA: Altaan perusta tai pohja on levitettävä asianmukaisesti (tasaisesti ilman rypyjä).

HUOMAA: Kuuma lämpötila saa renkaan paisumaan, mikä voi aiheuttaa vahinkoa. Jätä hieman varaa paisumista varten. Apua tai usein kysyttyjä kysymyksiä varten käy verkkosivustomme tukisivulla osoitteessa www.bestwaycorp.com.

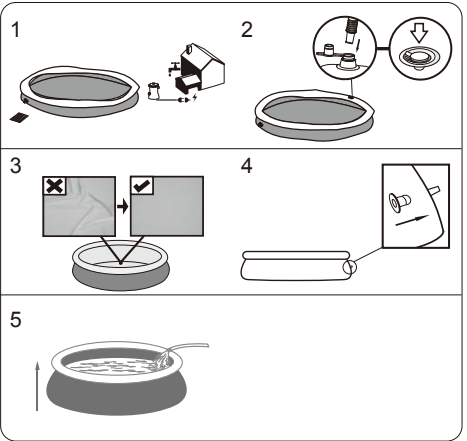
HUOMAA: Piirustukset ovat vain viitteeksi. Eivät välttämättä vastaa todellista tuotetta. Eivät ole mittakaavassa.

ALTAAN HUOLTO

Jos et noudata tässä annettuja kunnossapito-ohjeita, terveytesi ja erityisesti lapsiesi terveys voi vaarantua.

Kemikaalitablettien käyttäminen (eivät sisälly pakkaukseen)

HUOMAUTUS: Kun allasta huolletaan kemikaalisesti, on käytettävä Chemconnect- tai Chemical Floater -tuotetta. Ostamassasi tuotteessa ei ole välttämättä näitä annostelijoita. Siinä tapauksessa voit ostaa niitä verkkosivustoltamme www.bestwaycorp.com tai lähimmältä altaan jälleenmyyjältä.

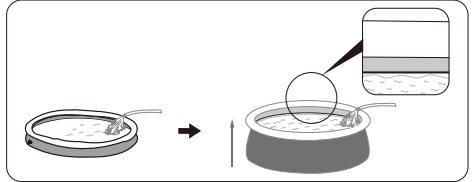


ALTAAN TÄYTTÄMINEN VEDELLÄ

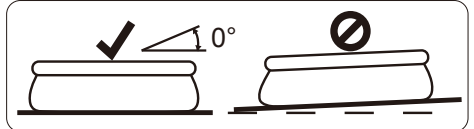
HUOMAA: Älä jätä allasta valvomatta täytön aikana.

1. Täytä, kunnes seinä on suora ja vesi ylittää hitsausviivan.

ÄLÄ YLITÄYTÄ, sillä se saattaa aiheuttaa uima-altaan romahtamisen. Erittäin sateisella säällä altaasta kannattaa tyhjentää vettä, jotta veden kokonaismäärä pysyy oikeana.

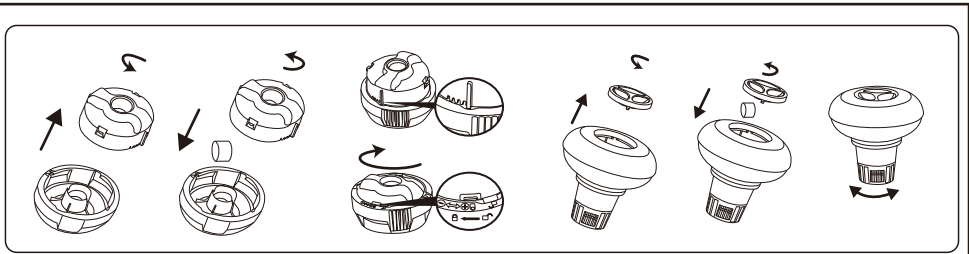


2. Kun altaan täyttö on valmis, tarkista, että vesi ei nouse enemmän jollain sivulla, jolloin allas ei ole suorassa.



TÄRKEÄÄ: Jos allas ei ole suorassa, tyhjä vesi ja tasaa alusta kaivamalla. Älä koskaan yritä siirtää allasta, jossa on vettä. Seurauksena voi olla vakava henkilövahinko tai altaan vahingoittuminen.

VAROITUS: Altaassasi voi olla suuri määrä painetta. Jos altaasi pullottaa tai sivu on epätasainen, niin allas ei ole vaakatasossa. Sivut voivat puhjeta ja vesi purkaantua äkillisesti aiheuttaen vakavan henkilövahinnan ja/tai omaisuusvahinkoja.



TÄRKEÄÄ: Älä käytä kided tabletteja tai heitä tabletteja suoraan veteen. Kemikaalit voivat asettaa pohjalle, vahingoittaa materiaalia ja haalistaa PVC-muovia.

Kemikaalinesteen käyttäminen (ei sisälly pakkaukseen):

TÄRKEÄÄ: Lisää kemikaalinestettä pienissä annoksissa ja altaan keskelle, jotta kemikaalit eivät kosketa suoraan PVC-muovin pintaa. Suora kosketus voi vahingoittaa materiaalia ja haalistaa pintaa.

HUOMAUTUS: Poista kemikaaliannostelija altaasta, kun allas on käytössä.

TÄRKEÄÄ: Testaa veden kemiallinen koostumus testisarjalla (ei sisälly toimitukseen), sen jälkeen kun kemikaaleja on lisätty veteen ja ennen kuin allasta käytetään. Suosittelemme pitämään veden kemiallisen koostumuksen seuraavan taulukon mukaan.

Parametrit	Arvot
Veden kirkkaus	selkeä näkyvyys altaan pohjaan
Veden väri	mitään väriä ei saisi havaita
Sameus FNU/NTU:ssa	maks 1,5 (mieluiten alle 0,5)
Nitraattipitoisuus enemmän kuin täyttöviedessä mg/l	maks. 20
Orgaanisen hiilen kokonaismäärä (TOC) mg/l	maks. 4,0
Redokspotentiaali vastaan Ag/AgCl 3,5 m KCl mV:ssä	väh. 650
pH-arvo	6,8 - 7,6
Vapaa aktiivinen kloori (ilman syanurihappoa) mg/l	0,3 - 1,5
Vapaa kloori käytettynä yhdessä syanuri-hapon kanssa mg/l	1,0 - 3,0
Syanurihappoa mg/l	maks. 100
Yhdistetty kloori mg/l	maks. 0,5 (mieluiten lähellä 0,0 mg/l)

HUOMAUTUS: Takuu ei kata kemiallisesta epätasapainosta aiheutuvia vahinkoja. Allaskemikaalit ovat periaatteessa myrkyllisiä ja niitä tulisi käsitellä varoen. Kemialliset kaasut ovat vakava terveysriski. Myös virheelliset etiketit ja kemiallisia aineita sisältävien säiliöiden virheellinen varastointi voivat olla vakavia terveysriskejä. Lisätietoja veden kemiallisen tasapainon ylläpitämisestä saat paikalliselta uima-allastuotteiden jälleenmyyjältä. Seuraa tarkasti kemikaalien valmistajan ohjeita. Takuu ei kata vahinkoja, jotka ovat aiheutuneet kemikaalien väärinkäytöstä ja altaan veden vääränlaisesta huollosta.

TÄRKEÄÄ: Kemikaalien liiallinen käyttö voi muuttaa painatuksen väriä ja kaikkia allasmateriaalin kohtia. Se voi myös vahingoittaa altaan vuorauksen rakennetta.

Altaan Pitäminen Puhtaana:

1. Kysy ohjeita paikalliselta allastuotteiden jälleenmyyjältä, jolta voit hankkia myös kemikaaleja ja pH-sarjoja. Yksi tärkeimmistä tekijöistä vuorauksen käyttöänsä pidentämiseksi on veden pitäminen puhtaana ja terveellisenä. Noudata tiukasti ammattilaisten ohjeita vedenkäsitteilyä kemikaalien avulla.
2. Laita vesiämpäri altaan viereen, jotta käyttäjät voivat puhdistaa jalkansa ennen altaaseen menoa.
3. Peitä allas, kun sitä ei käytetä.
4. Puhdista altaan pinta säännöllisesti, jotta likaa ei pääse kertymään.
5. Tarkista ja pese vesipatruuna säännöllisesti.
6. Puhdista hellävaraisesti yläreunaan alla mahdollisesti oleva vaahto puhtaalla liinalla.
7. Tarkkaile tiianetta huolellisesti vesisateen yhteydessä. Tarkista, että veden taso ei nouseta korkeammaksi. Jos näin käy, LIIKA VESI ON POISTETTAVA.
8. Jos sataa, tarkista, ettei veden pinta ole korkeammalla kuin ohjeiden mukaisella tasolla. Jos veden pinta ylittää ohjeiden mukaisen tason, tyhjennä allasta ohjeiden mukaiselle tasolle.

Asianmukainen huolto voi pidentää uima-altaan käyttöikä.

Uima-altaan käyttökauden aikana suodatusjärjestelmää on käytettävä päivittäin. Käytä sitä riittävän aikaa, jotta vesimäärä vaihtuu vähintään kerran kokonaan.

HUOMAUTUS: Pumpua käytetään kierrättämään vettä ja suodattamaan pienihiukkaset. Allas veden pitämiseksi puhtaana ja hygieniaisenä siihen on lisättävä kemikaaleja.

KORJAUS

Mikäli vuotoja on, paikkaa altaasi käyttämällä mukana toimitettua vedessä käytettävää korjauspaikkaa. Usein kysytyjä kysymyksiä löytyy verkkosivustomme www.bestwaycorp.com tukisivulta.

PURKAMINEN

1. Avaa tyhjennysventtiilin korkki vastapäivään ja poista.
2. Kytke liitin letkuun ja laita letkun pää alueelle, jonne aiot tyhjentää altaan. (Tarkasta paikalliset määräykset tyhjennystä koskevien sääntöjen varalta).
3. Ruuvaa letkun liittimen säätörengas myötäpäivään tyhjennysventtiiliin. Tyhjennysventtiili avautuu ja vesi alkaa tyhjentyä automaattisesti. Avaa tyhjennysventtiili suurimpaan asentoon.
4. Tyhjennä ylärengas puristamalla ilmaventtiiliä.
5. Kun ylärengas on täysin tyhjä, paina alarengas alas ja kallista sitä tyhjentääksesi altaan helposti. Tyhjennä vesi kokonaan pois altaasta.
6. Kun tyhjennys on tehty, avaa säätörengas sulkeaksesi venttiilin.
7. Irrota letku.
8. Ruuvaa korkki takaisin tyhjennysventtiiliin.
9. Anna altaan kuivua ilmassa.

SÄILYTYS

1. Poista kaikki lisävarusteet ja varaosat altaasta. Varastoi ne puhtaana ja kuivana.
2. Kun allas on täysin kuiva, ripottele talkkijauhetta estääksesi allasta liimautumasta yhteen. Taita allas varovaisesti. Jos allas ei ole täysin kuiva, hometta voi muodostua. Se vaurioittaa allasmuovia.
3. Varastoi allasmuovi ja lisävarusteet kuivassa paikassa kohtuullisessa lämpötilassa 5 °C / 41°F - 38 °C / 100 °F.
4. Sateisella säällä allas ja lisätarvikkeet on varastoitava yllä annettujen ohjeiden mukaisesti.
5. Altaan virheellinen tyhjennys voi aiheuttaa vakavia henkilövammoja ja/tai omaisuusvahinkoja.
6. Suosittelemme vahvasti altaan purkamista käyttösesongin ulkopuolella (talvikuukausiksi). Säilytä kuivassa paikassa poissa lasten ulottuvilta.



FAST SET™ ZWEMBADEN GEBRUIKERSHANDLEIDING

Bezoek het Bestway YouTube-kanaal 

WAARSCHUWING

Lees, begrijp en volg zorgvuldig alle informatie in deze gebruikershandleiding vooraleer het zwembad te installeren en te gebruiken. Deze waarschuwingen, instructies en veiligheidsrichtlijnen gaan over sommige courante risico's van waterrecreatie, maar ze omvatten niet alle risico's en gevaren in alle gevallen. Wees altijd voorzichtig en gebruik gezond verstand en beoordelingsvermogen wanneer u van wateractiviteiten geniet. Bewaar deze informatie voor toekomstig gebruik.

Veiligheid van niet-zwemmer

- Continu, actief en waakzaam toezicht van zwakke zwemmers en niet-zwemmers door een competente volwassene is altijd vereist (denk eraan dat kinderen onder de vijf jaar oud het hoogste risico op verdrinking lopen).
- Duid een competente volwassene aan om toezicht te houden op het zwembad telkens wanneer het gebruikt wordt.
- Zwakke zwemmers of niet-zwemmers zouden persoonlijke beschermingsuitrusting moeten dragen wanneer ze het zwembad gebruiken.
- Wanneer het zwembad niet in gebruik is of er geen toezicht is, verwijder alle speelgoed uit het zwembad en zijn omgeving om te vermijden kinderen aan te trekken naar het zwembad.

Veiligheidsmiddelen

- Ten einde verdrinking van kinderen te vermijden, is het aanbevolen om de toegang tot het zwembad te beveiligen met een beschermingselement. Ten einde te voorkomen dat kinderen van de invoer- en afvoerklappen klimmen, is het aanbevolen een barrière te installeren (en alle deuren en vensters waar van toepassing te beveiligen) om onbevoegde toegang tot het zwembad te voorkomen.
- Barrières, zwembadafdekkingen, zwembadalarmen of gelijkaardige veiligheidsmiddelen zijn nuttige hulpmiddelen, maar het zijn geen vervangingen voor een continu en competent toezicht door volwassenen.

Veiligheidsapparatuur

- Het is aanbevolen om reddingsapparatuur (bijv. een ring-boei) nabij het zwembad te hebben.
- Houd ook een werkende telefoon en een lijst met noodnummers nabij het zwembad.

Veilig gebruik van het zwembad

- Moedig alle gebruikers vooral kinderen aan om te leren zwemmen
- Leer om te reanimeren (cardiopulmonaire reanimatie - CPR) en vernieuw deze kennis regelmatig. Dit kan een levensreddend verschil uitmaken in een noodgeval.
- Onderricht alle zwembadgebruikers, inbegrepen kinderen, wat te doen in een noodgeval
- Duik nooit in ondiep water. Dit kan leiden tot ernstige verwondingen of tot de dood.
- Gebruik het zwembad niet wanneer u alcohol of medicatie gebruikt die uw vermogen om het zwembad veilig te gebruiken, zou kunnen aantasten.
- Wanneer zwembadafdekkingen gebruikt worden, verwijder deze volledig uit het wateroppervlak voor u in het zwembad gaat.
- Bescherm de zwembadgebruikers tegen met water verband houdende ziekten door het zwembadwater behandeld te houden en goede hygiëne in acht te nemen. Raadpleeg de richtlijnen voor waterbehandeling in de gebruikershandleiding.
- Bewaar chemicaliën (bijv. voor waterbehandeling of reinigings- en

- ontsmettingsproducten) buiten het bereik van kinderen.
- Gebruik de aanduidingsborden zoals hieronder aangegeven. Er moeten aanduidingsborden staan in een prominente positie binnen de 2m van het zwembad.



Houd de kinderen onder toezicht in de wateromgeving. Niet duiken.

- Er moeten verwijderbare ladders staan op een horizontaal oppervlak.
- Ongeacht de gebruikte materialen voor de zwembadconstructie, moeten de toegankelijke oppervlakken regelmatig gecontroleerd worden om verwondingen te vermijden.
- Controleer regelmatig bouten en schroeven, verwijder splinters of andere scherpe randen om verwondingen te vermijden.
- **AANDACHT:** Laat het leeggelopen zwembad niet buiten staan. Het lege zwembad kan vervormd en/of verplaatst worden omwille van de wind.
- Als u een filterpomp hebt, raadpleeg de handleiding van de pomp voor instructies.
- **WAARSCHUWING!** De pomp kan niet worden gebruikt wanneer er zich mensen in het zwembad bevinden!
- Als u een ladder hebt, raadpleeg de handleiding van de ladder voor instructies.
- **WAARSCHUWING!** Het gebruik van een zwembadkit impliceert het naleven van de veiligheidsinstructies beschreven in de gebruiks- en onderhoudshandleiding. Ten einde verdrinking of andere ernstige verwondingen te vermijden, moet u bijzondere aandacht verlenen aan de mogelijkheid van een onverwachte toegang tot het zwembad door kinderen jonger dan 5 jaar door de toegang ertoe te beveiligen en de kinderen tijdens het zwemmen voortdurend onder toezicht te houden van volwassenen.

Zorgvuldig lezen en bewaren voor toekomstige referentie.

KIES DE JUISTE LOCATIE

Het oppervlak dat is uitgekozen om het zwembad op neer te zetten, moet voldoen aan de volgende technische kenmerken:

1. Wanneer het gecombineerde gewicht van het water in het zwembad en de gebruikers van het zwembad, is het uiterst belangrijk dat het oppervlak dat is uitgekozen om het zwembad op neer te zetten in staat is om het totale gewicht gelijkmatig te dragen gedurende de gehele tijd dat het zwembad is geïnstalleerd. Houd er bij het kiezen van het oppervlak rekening mee dat er water uit het zwembad kan komen tijdens het gebruik of als het regent. Als het water het oppervlak zacht maakt, kan het niet meer in staat zijn om het gewicht van het zwembad te dragen.
2. We raden aan om het zwembad uit de buurt te plaatsen van objecten die kinderen kunnen gebruiken om in het zwembad te klimmen.
3. Plaats het zwembad in de buurt van een geschikt afvoersysteem om overlopend water te kunnen opvangen of het zwembad leeg te laten lopen.
4. Het oppervlak moet vlak en glad zijn. Als het oppervlak hellend of ongelijkmatig is, kan dat een ongelijkmatige belasting op de structuur van het zwembad veroorzaken. Die situatie kan het laspunt van de bekleding beschadigen en het frame doen verbuigen. In het slechtste geval kan het zwembad instorten en ernstig letsel en/of schade aan eigendommen veroorzaken.
5. Het geselecteerde oppervlak moet vrij zijn van alle soorten voorwerpen. Vanwege het gewicht van het water kan ieder voorwerp onder het zwembad de bodem van het zwembad beschadigen of perforeren.
6. Het geselecteerde oppervlak moet vrij zijn van woekerende planten en onkruid. Dat soort sterk groeiende vegetatie kan door de bekleding heen groeien en lekkage van water veroorzaken. Gras of andere planten die nare geuren of slijm

kunnen ontwikkelen, moeten worden verwijderd van de installatieplaats.

- De geselecteerde locatie mag niet onder hoogspanningsleidingen of bomen zijn. Controleer of er op die plaats geen ondergrondse buizen, leidingen of kabels lopen.
- De geselecteerde positie moet ver weg zijn van de ingang van het huis. Plaats geen apparatuur of meubels rondom het zwembad. Het water dat uit het zwembad komt tijdens het gebruik of vanwege een defect aan het product, kan de meubels in huis of rondom het zwembad beschadigen.
- Het geselecteerde oppervlak moet vlak en zonder gaten zijn die het materiaal of de bekleding kunnen beschadigen.

Volg de belangrijke instructies hierboven op om het juiste oppervlak en de juiste plaats te kiezen om uw zwembad op neer te zetten. Delen van het zwembad die beschadigd zijn omdat het oppervlak en de locatie van de installatie niet voldoen aan de instructies, worden niet beschouwd als fabricagefout en maken de garantie en alle eventuele reparatieclaims ongeldig.

Aanbevolen oppervlakken voor installatie: gras, aarde, beton en alle andere oppervlakken die voldoen aan de bovenstaande installatievoorwaarden.

Niet-aanbevolen oppervlakken: modder, zand, veranda, balkon, oprit, platform, zachte/losse aarde of andere oppervlakken die niet voldoen aan de bovenstaande installatievoorwaarden.

OPMERKING: Raadpleeg uw lokale regelgeving voor voorschriften betreffende omheiningen, barrières, verlichting en veiligheidsvereisten en zorg ervoor dat u aan de wetgeving voldoet.

OPMERKING: Als u een filterpomp hebt, raadpleeg dan de handleiding van de pomp voor instructies.

OPMERKING: Het trapje moet geschikt zijn voor de afmetingen van het zwembad en mag alleen worden gebruikt om het zwembad in en uit te gaan. Het is verboden om de toegestane belasting van het trapje te overschrijden. Controleer regelmatig of het trapje goed is bevestigd.

INSTALLATIE

De installatie duurt meestal ongeveer 10 minuten met 2-3 mensen exclusief grondwerken en vullen.

Bestway kan niet aansprakelijk worden gesteld voor schade aan het zwembad die is veroorzaakt door een verkeerd gebruik of doordat deze instructies niet zijn opgevolgd.

AANDACHT: Gebruik geen hogedruk-luchtslang of blaas de bovenste ring niet teveel op, deze moet lichtjes stijf zijn bij aanraking.

OPMERKING: Gebruik geen verlengsnoeren om uw pomp op de stroom aan te sluiten.

AANDACHT: Trek het zwembad niet over de grond, dit kan het zwembad beschadigen.

OPMERKING: De onderkant of bodem van het zwembad moet goed uitgespreid liggen (vlak zonder rimpels)

OPMERKING: Door hoge temperaturen zet de lucht in de ring uit en kan er schade worden veroorzaakt. Laat enige ruimte over voor uitzetting. Voor assistentie of FAQ's kunt u de supportafdeling op onze website bezoeken op www.bestwaycorp.com.

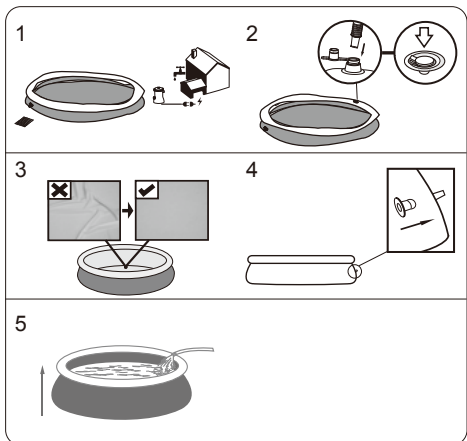
OPMERKING: Tekeningen enkel voor illustratiedoeleinden. Mogelijk geen weerspiegeling van het werkelijke product. Niet op schaal.

ZWEMBADONDERHOUD

Als u zich niet houdt aan de onderstaande onderhoudsrichtlijnen, kan uw gezondheid, en met name die van uw kinderen, gevaar lopen.

Gebruik van chemische tabletten (niet inbegrepen):

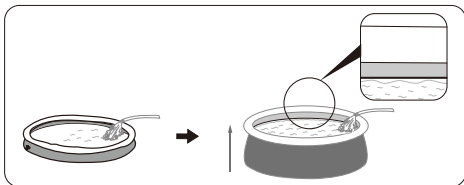
OPMERKING: Chemconnect of Chemical Floater moeten worden gebruikt wanneer u chemische onderhoud met tabletten uitvoert. Het door u aangekochte artikel mag geen van deze dispensers bevatten, in dit geval kunt u hem aanschaffen via onze website www.bestwaycorp.com of bij het dichtstbijzijnde zwembadverkooppunt.



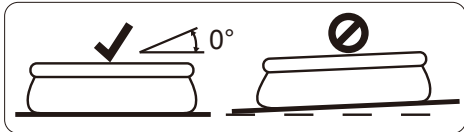
HET ZWEMBAD VULLEN MET WATER

OPGELET: Laat het zwembad niet zonder toezicht wanneer het gevuld wordt met water.

- Vul met water totdat de muur recht omhoog staat en het water de laslijn bereikt. **NIET OVERVULLEN**, aangezien dit ertoe kan leiden dat het zwembad instort. In tijden van hevige regenval kan het nodig zijn om een deel van het water te verwijderen om ervoor te zorgen dat het niveau correct is.

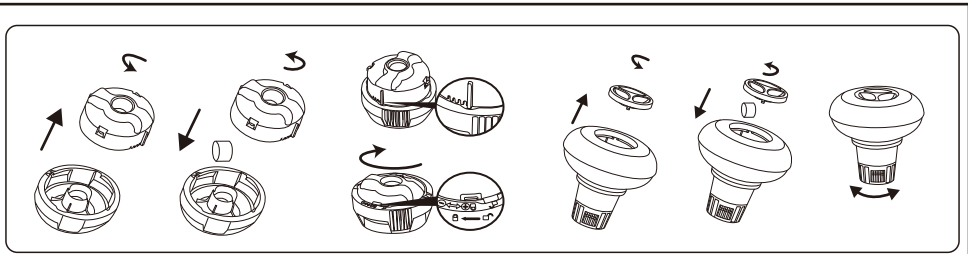


- Wanneer het zwembad gevuld is, controleer of het water niet hoger staat aan een zijde van het zwembad.



BELANGRIJK: Is het zwembad niet genivelleerd is, wordt het water afgevoerd en de ondergrond uitgegraven. Probeer het zwembad nooit te verplaatsen wanneer er water in zit, om persoonlijke letsels of schade aan het zwembad te vermijden.

WAARSCHUWING: Uw zwembad kan heel wat druk bevatten. Als uw zwembad een uitstulping of ongelijke kant heeft, is het zwembad niet waterpas. De zijkanen kunnen dan openbarsten en er kan plots water weglopen wat ernstig persoonlijk letsel en/of schade aan eigendom kan veroorzaken.



BELANGRIJK: Gebruik geen korreltabletten en gooi de tablet niet direct in het water. De chemicaliën kunnen op de bodem gaan zitten en het materiaal beschadigen en het PVC ontkleuren.

Gebruik van chemische vloeistoffen (niet inbegrepen):

BELANGRIJK: Voeg chemische vloeistof in kleine doses en in het midden van het zwembad toe om direct contact tussen chemicaliën en het PVC oppervlak te vermijden. Direct contact kan het materiaal beschadigen en het oppervlak ontkleuren.

OPMERKING: Verwijder de chemicaliëndoseerder uit het zwembad wanneer het zwembad in gebruik is.

BELANGRIJK: Na het uitvoeren van chemisch onderhoud en voor het gebruik van het zwembad, gebruik een testkit (niet inbegrepen) om de waterchemie te testen. Wij adviseren het water te behouden zoals in de onderstaande tabel.

Parameters	Waarden
Waterhelderheid	duidelijk zicht van de bodem van het zwembad
Kleur van het water	er mag geen kleur worden geobserveerd
Turbiditeit in FNU/NTU	max. 1,5 (bij voorkeur minder dan 0,5)
Nitratconcentratie boven die van vulwater in mg/l	max. 20
Totaal organische koolstof (TOC) in mg/l	max. 4,0
Redoxpotentiaal tegen Ag/AgCl 3,5 m KCl in mV	min. 650
pH-waarde	6,8 tot 7,6
Vrij werkzaam chloor (zonder cyanuurzuur) in mg/l	0,3 tot 1,5
Vrij werkzaam chloor in combinatie met cyanuurzuur in mg/l	1,0 tot 3,0
Cyanuurzuur in mg/l	max. 100
Gecombineerd chloor in mg/l	max. 0,5 (bij voorkeur dicht bij 0,0 mg/l)

OPMERKING: Schade tengevolge van chemische onevenwichtigheid is niet gedekt door de garantie. Zwembadchemicaliën zijn potentieel giftig en moeten met zorg gehanteerd worden. Er zijn ernstige gezondheidsrisico's van chemische dampen de het incorrecte labelen en bewaren van chemische containers. Consulteer uw plaatselijke zwembadleverancier voor meer informatie over chemisch onderhoud. Volg nauwgezet de instructies van de fabrikant van de chemicaliën. Schade aan het zwembad tengevolge van het verkeerd gebruik van chemicaliën en verkeerd beheer van het zwembadwater is niet gedekt door de garantie.

BELANGRIJK: Overgebruik van chemicaliën kan de print en alle punten van het zwembadmateriaal doen verkleuren. Het kan ook de structuur van de zwembadbekleding beschadigen.

HET ZWEMBAD SCHOON HOUDEN:

1. Neem contact op met uw plaatselijke zwembadverkooppunt voor advies en aankoop van chemicaliën en PH-kits. Een van de belangrijkste factoren om de levensduur van de bekleding te doen toenemen is het water steeds schoon en gezond te houden. Volg daarom de instructies van professionele technici strikt op voor de waterbehandeling middels het gebruik van chemicaliën.
2. Plaats een emmer water naast het zwembad om de voeten van de gebruikers mee te wassen voordat ze het zwembad in stappen.
3. Dek het zwembad af wanneer het niet in gebruik is.
4. Skim het oppervlak van het zwembadwater regelmatig om vuilafzetting te voorkomen.
5. Controleer en spoel het filterpatroon regelmatig.
6. Maak van onder de bovenste ring zachtjes schoon en haal eventueel vuil weg met een schone doek.
7. Wees voorzichtig in geval van regenwater, controleer of het waterniveau niet hoger is dan verwacht. Indien dit het geval is, HET OVERTOLLIGE WATER AFVOEREN.
8. Als het regent, controleer dat het waterniveau niet hoger is dan het opgegeven niveau. Als het waterniveau het opgegeven niveau overschrijdt, voer dan water af tot het opgegeven niveau bereikt is.

Correct onderhoud kan de levensduur van uw zwembad maximaliseren.

Tijdens het seizoen waarin het zwembad gebruikt wordt, moet het filtersysteem noodzakelijkerwijs elke dag worden gebruikt, lang genoeg om ten minste een complete verversing van het hele watervolume te garanderen.

OPMERKING: De pomp wordt gebruikt om het water te circuleren en om de kleine deeltjes te filteren. U moet ook chemicaliën toevoegen om uw water proper en hygiënisch te houden.

REPARATIE

In het geval van een lek, repareer uw zwembad met behulp van de bijgeleverde heavy-duty reparatiepatch voor onderwater. U kunt de instructies in de FAQ vinden in de supportafdeling van onze website, www.bestwaycorp.com.

DEMONTAGE

1. Schroef de afvoerlepdop tegen de klok in los en verwijder.
2. Sluit de adapter aan op de slang. Plaats het andere uiteinde van de slang in een gebied waar het water afgevoerd zal worden. (Controleer de plaatselijke regelgeving voor afvoerschriften).
3. Schroef de bedieningsring van de slangadapter met de klok mee op de afvoerlepdop. De afvoerlepdop zal open gaan en water zal automatisch afgevoerd worden. Open de afvoerlepdop naar de maximum positie.
4. Laat de lucht leegstromen uit de bovenste ring door op de luchtklep te drukken.
5. Wanneer de bovenste ring volledig leeg is, druk deze naar beneden en kantel voor een eenvoudige afvoer. Laat het water in het zwembad volledig weglopen.
6. Wanneer de afvoer voltooid is, schroef de bedieningsring los om de klep te sluiten.
7. Koppel de slang los.
8. Schroef de dop terug op de afvoerlepdop.
9. Laat het zwembad aan de lucht drogen.

OPBERGEN

1. Verwijder alle accessoires en reserveonderdelen van het zwembad en berg ze proper en droog op.
2. Wanneer het zwembad volledig droog is, besprenkel met talkpoeder om te vermijden dat het zwembad samenkleeft en vouw het zwembad dan zorgvuldig op. Als het zwembad niet volledig droog is, kan er schimmel ontstaan die de zwembadbekleding kan beschadigen.
3. Berg de bekleding en accessoires in een droge plaats op met een matige temperatuur tussen 5°C / 41°F and 38°C / 100°F.
4. Tijdens het regenseizoen moeten het zwembad en de accessoires ook volgens bovenstaande instructies worden opgeborgen.
5. Het zwembad op incorrecte wijze laten leeglopen kan ernstig persoonlijk letsel en/of schade aan persoonlijke eigendom veroorzaken.
6. We bevelen ten zeerste aan het zwembad te demonteren buiten het seizoen (tijdens de wintermaanden). Berg op in een droge plaats en buiten het bereik van kinderen.

Bedankt dat U voor Bestway hebt gekozen !

BE/NL

Ontvang onmiddellijk **gratis** de garantieverlenging voor uw aankoop !
Registreer uw product binnen de 30 dagen na de aankoopdatum en wij geven u 6 maanden gratis garantieverlenging.

Bezoek **WWW.REGISTREERBESTWAY.BE** en registreer direct uw product !
De territoriale uitbreiding van deze aanvullende garantie betreft de volgende landen : België, Luxemburg, Italië, Frankrijk, Duitsland en Spanje.

PISCINE FAST SET™ MANUALE D'USO

Visita il canale Bestway su YouTube 



AVVERTENZA

Leggere attentamente, comprendere e seguire tutte le informazioni in questo manuale prima di installare ed utilizzare la piscina. Queste avvertenze, istruzioni e linee guida di sicurezza trattano alcuni rischi comuni dello svago in acqua, ma non possono coprire tutti i rischi e pericoli in tutti i casi. Fare sempre attenzione e usare buon senso e giudizio durante i giochi in piscina. Conservare questo opuscolo per futuri riferimenti.

Sicurezza dei non nuotatori

- È necessaria la sorveglianza continua, attiva e vigile dei nuotatori poco esperti e non nuotatori da parte di un adulto competente (ricordando che i bambini sotto i cinque anni sono a più alto rischio di annegamento).
- Designare un adulto competente che sorvegli la piscina ad ogni utilizzo.
- I nuotatori poco esperti e i non nuotatori devono indossare dispositivi di protezione individuale durante l'uso della piscina.
- Quando la piscina è inutilizzata o non sorvegliata, rimuovere tutti i giocattoli dalla piscina e dai suoi dintorni per evitare di attirare i bambini verso la piscina.

Dispositivi di sicurezza

- Per evitare il rischio di annegamento dei bambini, si raccomanda di proteggere l'accesso alla piscina con un dispositivo di sicurezza. Al fine di evitare che i bambini si arrampichino dalla valvola di ingresso e di uscita, si raccomanda di installare una barriera (e proteggere tutte le porte e le finestre, se possibile) per impedire l'accesso non autorizzato alla piscina.
- Barriere, coperture e allarmi per piscine, o simili dispositivi di sicurezza sono utili, ma non possono sostituire la sorveglianza continua e competente di un adulto.

Attrezzatura di sicurezza

- Si raccomanda di tenere le attrezzature di sicurezza (ad es. galleggianti) in prossimità della piscina.
- Tenere un telefono funzionante e un elenco di numeri di emergenza vicino alla piscina.

Uso sicuro della piscina

- Incoraggiare tutti gli utenti e in particolare i bambini ad imparare a nuotare.
- Imparare le tecniche di primo soccorso (rianimazione cardiopolmonare - RCP) e aggiornare regolarmente le proprie conoscenze. Ciò può fare la differenza e salvare vite umane in caso di emergenza.
- Informare tutti gli utenti della piscina, compresi i bambini, delle procedure da adottare in caso di emergenza.
- Non tuffarsi in bacini d'acqua poco profondi. Ciò potrebbe causare lesioni gravi, anche fatali.
- Non usare la piscina se sono stati assunti alcol o farmaci che potrebbero compromettere la capacità di utilizzare in modo sicuro la piscina.
- Quando si utilizzano le coperture per piscina, rimuoverle completamente dalla superficie dell'acqua prima di entrare in piscina.
- Proteggere gli occupanti della piscina da malattie legate all'acqua, mantenendo l'acqua della piscina trattata e in buone condizioni igieniche. Consultare le linee guida per il trattamento dell'acqua contenute nel manuale utente.
- Conservare i prodotti chimici (es. trattamento dell'acqua,

prodotti per la pulizia e la disinfezione) fuori dalla portata dei bambini.

- Utilizzare la segnaletica come indicato di seguito. La segnaletica deve essere esposta in modo visibile entro il raggio di 2 m dalla piscina.



Quando i bambini sono in acqua, sorvegliarli continuamente. Non tuffarsi.

- Le scalette rimovibili devono essere collocate su una superficie orizzontale.
- Indipendentemente dai materiali utilizzati per la costruzione della piscina, le superfici accessibili devono essere controllate regolarmente per evitare infortuni.
- Controllare regolarmente i bulloni e le viti; rimuovere schegge o bordi appuntiti per evitare lesioni.
- **ATTENZIONE:** Non lasciare la piscina svuotata all'aperto. La piscina vuota rischia di deformarsi e/o di spostarsi a causa del vento.
- Se è presente una pompa filtrante, fare riferimento al relativo manuale di istruzioni.
- **AVVERTENZA!** Non adoperare la pompa quando le persone si trovano nella piscina!
- Se è presente una scaletta, fare riferimento al relativo manuale di istruzioni.
- **AVVERTENZA!** Per utilizzare la piscina è obbligatorio attenersi alle istruzioni relative alla sicurezza riportate nella guida per l'uso e la manutenzione. Al fine di prevenire l'annegamento o altre gravi lesioni, prestare particolare attenzione alla possibilità di accesso inatteso alla piscina da parte di bambini sotto i 5 anni rendendo sicuro l'accesso alla stessa e, durante il bagno, tenerli sotto la costante sorveglianza di un adulto.

Leggere attentamente e conservare per futuri riferimenti.

SCEGLI IL LUOGO GIUSTO

La superficie scelta per l'installazione della piscina deve rispettare le seguenti caratteristiche tecniche:

1. È estremamente importante che la superficie scelta per l'installazione della piscina sia in grado di sostenere uniformemente il carico totale dell'acqua e delle persone al suo interno per tutto il tempo in cui essa rimane installata. Al momento di scegliere la superficie di appoggio, si prega di tenere a mente che l'acqua della piscina potrebbe fuoriuscire durante l'utilizzo o quando piove. Qualora la superficie di installazione venisse ammorbidita dall'acqua, potrebbe perdere la capacità di sostenere il peso della piscina.
2. Si consiglia di posizionare la piscina lontano da qualsiasi oggetto che i bambini potrebbero usare per arrampicarsi in piscina.
3. Posizionare la piscina vicino a un sistema di scarico adeguato per far fronte ad un eventuale trabocco o per svuotare la piscina.
4. La superficie di appoggio deve essere piana e liscia. Se la superficie è inclinata o irregolare, si può creare un carico sbilanciato sulla struttura della piscina. Questa situazione potrebbe danneggiare il punto di saldatura del telo di rivestimento e far incurvare il telaio. Nel peggiore dei casi, la piscina potrebbe crollare, causando gravi lesioni a persone e/o seri danni a proprietà personali.
5. La superficie selezionata deve essere libera da qualsiasi ingombro. A causa del peso dell'acqua, qualsiasi oggetto sotto la piscina potrebbe danneggiarne il fondo o perforarlo.
6. La superficie selezionata deve risultare libera da piante invasive e altre specie erbacee infestanti. Questo tipo di vegetazione aggressiva potrebbe infatti crescere attraverso il

telo di rivestimento e causare delle perdite d'acqua. L'erba o qualsiasi altro tipo di vegetazione che potrebbe causare cattivi odori o che potrebbe favorire la formazione di melma deve essere estirpata dal luogo dove si intende collocare la piscina.

- Il luogo selezionato non deve trovarsi al di sotto di linee di alta tensione o alberi. Assicurarsi che il luogo in questione non presenti condotti, tubature o cavi sotterranei di alcun tipo.
- La posizione selezionata deve essere lontana dall'ingresso di casa. Non posizionare alcun tipo di attrezzatura o altri mobili intorno alla piscina. L'acqua fuoriuscita dalla piscina durante il normale utilizzo o a causa di un difetto del prodotto può danneggiare i mobili in casa e intorno alla piscina.
- La superficie selezionata deve essere piana e priva di buche che possano danneggiare il materiale del rivestimento.

Seguire le importanti istruzioni riportate sopra per scegliere la superficie corretta e il luogo giusto per installare la tua piscina. Le parti della piscina rimaste danneggiate come conseguenza del non aver seguito le istruzioni inerenti al luogo e alla superficie di installazione corretti non saranno considerate come difetti di fabbrica. Ciò renderà invalida la garanzia e precluderà la possibilità di fare qualsiasi richiesta di assistenza.

Superfici di installazione consigliate: erba, terreno, cemento e tutte le altre superfici che rispettano le condizioni di installazione di cui sopra.

Superfici non consigliate: fango, sabbia, ghiaia, pedana, balcone, vialetto, piattaforma, terreno soffice/non compatto o altra superficie che non soddisfi le condizioni di installazione di cui sopra.

NOTA: Verificare con l'amministrazione locale le norme relative all'installazione di recinti, barriere e segnalazioni luminose, nonché i requisiti di sicurezza, e assicurarsi di essere in regola con tutte le disposizioni di legge esistenti.

NOTA: Se si dispone di una pompa di filtraggio, fare riferimento al manuale di istruzioni relativo.

NOTA: La scaletta deve essere adeguata alle dimensioni della piscina e deve essere utilizzata esclusivamente per entrare e uscire dalla piscina. È vietato superare la portata massima consentita della scaletta. Controllare regolarmente che la scaletta sia montata in modo corretto.

INSTALLAZIONE

L'installazione, se eseguita da 2-3 persone, richiede solitamente circa 10 minuti, esclusi i lavori di sterrò e di riempimento.

Bestway non sarà responsabile dei danni causati alla piscina a causa di un utilizzo non corretto o non conforme a queste istruzioni.

ATTENZIONE: Non usare un tubo dell'aria ad alta pressione né gonfiare eccessivamente l'anello superiore, dovrebbe essere leggermente rigido al tatto.

NOTA: Non adoperare prolunghe elettriche per alimentare la pompa.

ATTENZIONE: Non trascinare la piscina sul terreno perché potrebbe danneggiarsi.

NOTA: Stendere correttamente la base o il fondo della piscina (piatto senza pieghe)

NOTA: A temperature elevate l'aria contenuta nell'anello potrebbe causarne l'espansione, con conseguente danneggiamento dei materiali. Si consiglia di non gonfiare eccessivamente l'anello, lasciando un po' di vuoto per tali evenienze. Per assistenza o domande frequenti, visitare l'area supporto tecnico sul nostro sito Web www.bestwaycorp.com.

NOTA: I disegni sono riportati solo a scopo illustrativo e potrebbero essere diversi dal prodotto. I disegni non sono in scala.

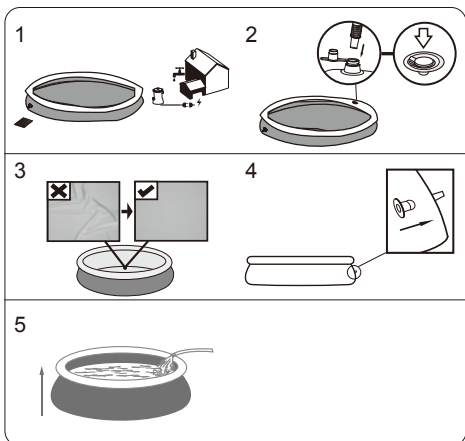
MANUTENZIONE DELLA PISCINA

Se non si rispettano le linee guida di manutenzione riportate di seguito, la salute potrebbe essere a rischio, in particolare quella dei propri figli.

Utilizzo di compresse chimiche (non include):

NOTA: Chemconnect o Chemical Floater devono essere utilizzati quando si esegue la manutenzione chimica con compresse.

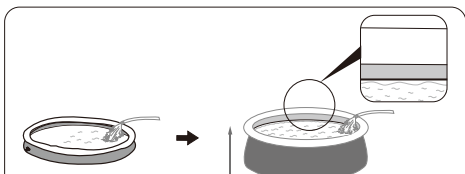
L'articolo acquistato potrebbe non includere nessuno di questi distributori, in questo caso è possibile acquistarlo visitando il nostro sito web www.bestwaycorp.com o presso il rivenditore di piscine più vicino.



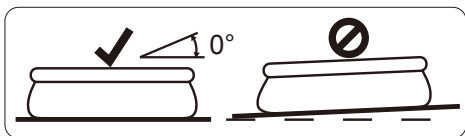
RIEMPIMENTO DELLA PISCINA CON ACQUA

ATTENZIONE: Sorvegliare la piscina durante la fase di riempimento.

- Riempire fino a quando la parete della piscina non risulta dritta e l'acqua raggiunge la linea di saldatura. **NON RIEMPIRE ECCESSIVAMENTE** poiché ciò potrebbe causare il collasso della piscina. In periodi di forti piogge potrebbe essere necessario drenare parte dell'acqua per mantenere il corretto livello.

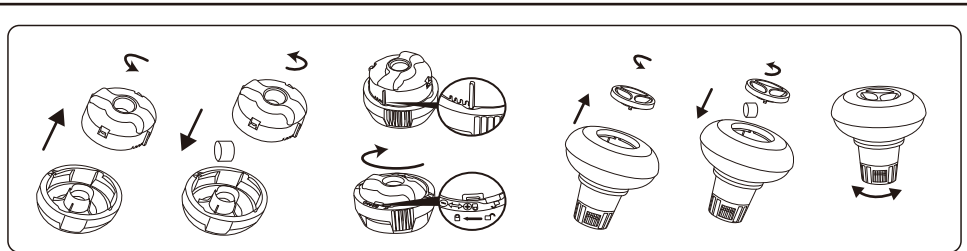


- Dopo aver riempito la piscina, verificare che l'acqua non si accumuli su un lato della piscina; in tal caso significa la piscina non è in piano.



IMPORTANTE: Se così fosse, far defluire l'acqua e livellare il terreno. Non cercare di spostare la piscina piena d'acqua - rischio di lesioni o danni alla piscina!

AVVERTENZA: La piscina potrebbe contenere una pressione elevata. Rigonfiamenti o lati irregolari indicano che la piscina non è collocata correttamente; in tal caso, i lati potrebbero scoppiare e l'acqua potrebbe rovesciarsi improvvisamente fuori, causando gravi danni a persone e/o danni materiali.



IMPORTANTE: Non utilizzare compresse di granulato o gettare la compressa direttamente nell'acqua. I prodotti chimici possono depositarsi sul fondo, danneggiare il materiale e scolorire il PVC.

Utilizzo di liquido chimico (non incluso):

IMPORTANTE: Aggiungere liquido chimico a piccole dosi e al centro della piscina per evitare il contatto diretto tra i prodotti chimici e la superficie del PVC. Il contatto diretto può danneggiare il materiale e scolorire la superficie.

NOTA: Rimuovere il distributore chimico dalla piscina quando la piscina è in uso.

IMPORTANTE: Dopo aver eseguito la manutenzione chimica e prima di utilizzare la piscina, utilizzare un kit di prova (non incluso) per testare la chimica dell'acqua. Raccomandiamo di mantenere l'acqua secondo la seguente tabella.

Parametri	Valori
Chiarezza dell'acqua	chiara visione del fondo della piscina
Colore dell'acqua	nessun colore dovrebbe essere osservato
Torbidità in FNU / NTU	max. 1,5 (preferibilmente inferiore a 0,5)
Concentrazione di nitrati superiore a quella dell'acqua di riempimento in mg / l	max. 20
Carbonio organico totale (TOC) in mg / l	max. 4,0
Potenziale redox contro Ag / AgCl 3,5 m KCl in mV	min. 650
Valore pH	da 6,8 a 7,6
Cloro attivo libero (senza acido cianurico) in mg / l	da 0,3 a 1,5
Cloro libero usato in combinazione con acido cianurico in mg / l	da 1,0 a 3,0
Acido cianurico in mg / l	max. 100
Cloro combinato in mg / l	max. 0,5 (preferibilmente vicino a 0,0 mg / l)

NOTA: I danni derivanti da uno squilibrio chimico non sono coperti dalla garanzia. I prodotti chimici per piscina sono potenzialmente tossici e devono essere maneggiati con cura. Esistono gravi rischi per la salute derivanti dai vapori chimici e dall'etichettatura e dallo stoccaggio errati dei contenitori di sostanze chimiche. Per ulteriori informazioni sulla manutenzione chimica, consultare il rivenditore locale di articoli da piscina. Prestare molta attenzione alle istruzioni del produttore del prodotto chimico. I danni alla piscina derivanti dall'uso improprio di sostanze chimiche e dalla cattiva gestione dell'acqua della piscina non sono coperti da garanzia.

IMPORTANTE: L'uso eccessivo di sostanze chimiche può scolorire la stampa e tutti i punti del materiale della piscina. Può anche danneggiare la struttura del rivestimento della piscina.

Per mantenere pulita la piscina:

1. Contattare il negozio di forniture per piscina locale per consulenza e acquisto di prodotti chimici e kit pH. Uno dei fattori più importanti per aumentare la durata del rivestimento è quello di mantenere costantemente acqua pulita e sana. Si prega di seguire rigorosamente le istruzioni dei tecnici professionisti per il trattamento dell'acqua attraverso l'uso di prodotti chimici.
2. Collocare un secchio d'acqua accanto alla piscina per pulire i piedi dei bagnanti prima di entrare nella piscina.
3. Coprire la piscina quando non in uso.
4. Scremare la piscina regolarmente per evitare lo sporco depositato.
5. Controllare e lavare regolarmente la cartuccia del filtro.
6. Pulire delicatamente la schiuma da sotto l'anello superiore con un panno pulito.
7. Si prega di fare attenzione in caso di acqua piovana, verificare gentilmente che il livello dell'acqua non sia superiore al previsto. In tal caso, **SCARICARE L'ACQUA IN ECCESSO.**
8. Se piove, verificare che il livello dell'acqua non sia superiore al livello specificato. Se l'acqua supera i livelli specificati, scaricare la piscina al livello specificato.

Una corretta manutenzione può massimizzare la durata della piscina.

Durante la stagione di utilizzo della piscina, il sistema di filtrazione deve essere necessariamente messo in servizio ogni giorno, tempo sufficiente per assicurare almeno un completo rinnovo del volume di acqua.

NOTA: La pompa viene utilizzata per far circolare l'acqua e per filtrare piccole particelle. Per mantenere l'acqua della piscina pulita e igienica, è necessario aggiungere anche sostanze chimiche.

RIPARAZIONE

In caso di perdite, rattoppare la piscina utilizzando la toppa di riparazione adesiva impermeabile fornita. Puoi trovare le istruzioni nella FAQ nella sezione di supporto del nostro sito Web, www.bestwaycorp.com.

SMONTAGGIO

1. Svitare in senso antiorario il cappuccio della valvola di scarico e rimuoverlo.
2. Collegare l'adattatore al tubo e collocare l'altra estremità del tubo nell'area in cui si desidera svuotare la piscina. (Verificare le normative locali per le regole in materia di svuotamento delle piscine).
3. Avvitare in senso orario l'anello di controllo dell'adattatore del tubo alla valvola di scarico. In tal modo, la valvola di scarico si apre e si avvia automaticamente lo scarico dell'acqua. Aprire completamente la valvola di scarico.
4. Sgonfiare l'anello superiore stringendo la valvola dell'aria.
5. Quando l'anello superiore è totalmente sgonfio, premerlo verso il basso e lasciarlo inclinare per facilitare lo scarico. Scaricare tutta l'acqua della piscina.
6. Quando la piscina è vuota, svitare l'anello di controllo per chiudere la valvola.
7. Scollegare il tubo.
8. Avvitare nuovamente il tappo alla valvola di scarico.
9. Lasciare asciugare all'aria la piscina.

CONSERVAZIONE

1. Rimuovere tutti gli accessori e i ricambi della piscina; pulirli e asciugarli prima di conservarli.
2. Quando la piscina è completamente asciutta, spargere polvere di talco per evitare che le pareti della piscina si incollino tra loro, quindi ripiegarla con cura. Se la piscina non è completamente asciutta, potrebbe ammuffirsi e il rivestimento della piscina potrebbe danneggiarsi.
3. Conservare il rivestimento e gli accessori in un luogo asciutto con una temperatura moderata tra 5°C/41°F e 38°C/100°F.
4. Durante i periodi piovosi, la piscina e i relativi accessori devono essere conservati attenendosi alle istruzioni sopra fornite.
5. Se la piscina non viene svuotata correttamente, potrebbero verificarsi gravi lesioni personali e/o danni a oggetti e beni.
6. Si consiglia vivamente di smontare la piscina durante la bassa stagione (mesi invernali). Conservare in un luogo asciutto e fuori dalla portata dei bambini.

Grazie per aver scelto Bestway!

IT

Estendi subito **gratuitamente** la garanzia del tuo acquisto!
Registra il tuo prodotto entro 30 giorni dall'acquisto e regalati 6 mesi di
estensione gratuita della garanzia.

Visita: **WWW.REGISTRAZIONEBESTWAY.IT** e registra subito il tuo prodotto.
La promozione è valida solo nei territori di Italia, Belgio, Francia, Germania,
Lussemburgo, Spagna.



PISCINES FAST SET™ NOTICE D'UTILISATION

Visitez la chaîne YouTube de Bestway 

ATTENTION

Avant d'installer et d'utiliser, la piscine, veuillez lire attentivement, assimiler et respecter toutes les informations contenues dans cette notice d'utilisation. Ces avertissements, instructions et consignes de sécurité portent sur certains des risques usuels associés aux loisirs aquatiques, mais ils ne peuvent pas couvrir la totalité des risques et dangers dans tous les cas. Faites toujours preuve de prudence, de discernement et de bon sens lors des activités aquatiques. Conservez ces informations afin de pouvoir vous y référer ultérieurement.

Sécurité des non-nageurs

- Une surveillance attentive, active et continue par un adulte compétent des enfants qui ne savent pas bien nager et des non-nageurs est requise en permanence (en gardant à l'esprit que le risque de noyade est le plus élevé pour les enfants de moins de cinq ans).
- Désignez un adulte compétent pour surveiller le bassin à chaque fois qu'il est utilisé.
- Il convient que les enfants qui ne savent pas bien nager et les non-nageurs portent des équipements de protection individuelle lorsqu'ils utilisent la piscine.
- Lorsque le bassin n'est pas utilisé ou est sans surveillance, retirez tous les jouets de la piscine et ses abords afin de ne pas attirer les enfants vers le bassin.

Dispositifs de sécurité

- Pour éviter toute noyade d'enfant, il est recommandé de sécuriser l'accès au bassin par un dispositif de protection. Pour éviter que les enfants montent par la vanne d'entrée et de sortie, il est recommandé d'installer une barrière (et de sécuriser toutes les portes et fenêtres, le cas échéant) afin d'empêcher tout accès non autorisé à la piscine.
- Les barrières, couvertures, alarmes de piscines ou dispositifs de sécurité similaires sont des aides utiles, mais ils ne remplacent pas la surveillance continue par un adulte compétent.

Équipements de sécurité

- Il est recommandé de garder du matériel de sauvetage (une bouée, par exemple) près du bassin.
- Gardez un téléphone en parfait état de marche et une liste de numéros d'urgence à proximité du bassin.

Sécurité d'emploi de la piscine

- Incitez tous les utilisateurs, en particulier les enfants, à apprendre à nager.
- Apprenez les gestes qui sauvent (réanimation cardiopulmonaire) et remettez régulièrement à jour vos connaissances. Ces gestes peuvent sauver une vie en cas d'urgence.
- Expliquez aux utilisateurs de la piscine, enfants inclus, la procédure à suivre en cas d'urgence.
- Ne plongez jamais dans un plan d'eau peu profond, sous peine de blessures graves ou mortelles.
- N'utilisez pas la piscine sous l'emprise d'alcool ou de médicaments susceptibles de réduire votre capacité à utiliser la piscine en toute sécurité.
- Si la piscine est recouverte d'une couverture, retirez-la entièrement de la surface de l'eau avant d'entrer dans le bassin.
- Traitez l'eau de votre piscine et instaurez de bonnes pratiques d'hygiène afin de protéger les utilisateurs des maladies liées à

l'eau. Consultez les consignes de traitement de l'eau données dans la notice d'utilisation.

- Stockez les produits chimiques (produits de traitement de l'eau, de nettoyage ou de désinfection, par exemple) hors de portée des enfants.
- Utilisez les pictogrammes décrits ci-dessous. Les pictogrammes doivent être affichés dans une position visible à moins de 2 000 mm de la piscine.



Garder les enfants sous surveillance dans l'environnement aquatique. Ne pas plonger.

- Placez les échelles amovibles sur une surface horizontale.
- Quels que soient les matériaux utilisés pour la construction de la piscine, les surfaces accessibles doivent être régulièrement contrôlées afin d'éviter les blessures.
- Vérifiez régulièrement les boulons et les vis ; éliminez les écailles ou toute arête vive pour éviter les blessures.
- **ATTENTION** : Ne laissez pas la piscine vide à l'extérieur. La piscine vide est susceptible de se déformer et/ou d'être emportée par le vent.
- Si vous avez une pompe de filtration, reportez-vous à la notice d'instructions de la pompe.
- **ATTENTION** ! Il est interdit d'utiliser la pompe quand des gens se trouvent à l'intérieur de la piscine !
- Si vous avez une échelle, reportez-vous à la notice d'instructions de l'échelle.
- **ATTENTION** ! L'utilisation d'une piscine implique le respect des consignes de sécurité décrites dans la notice d'entretien et d'utilisation. Pour prévenir toute noyade ou autres blessures graves, accordez une attention particulière à la sécurisation de l'accès à la piscine pour les enfants de moins de 5 ans et, pendant la période de baignade, les maintenir en permanence sous la surveillance d'un adulte.

À lire attentivement et à conserver pour consultation ultérieure.

CHOISISSEZ UN EMPLACEMENT CORRECT

La surface choisie pour installer la piscine doit respecter les caractéristiques techniques suivantes :

1. En raison du poids combiné de l'eau à l'intérieur de la piscine et des usagers de la piscine, il est extrêmement important que la surface choisie pour installer la piscine soit capable de supporter uniformément le poids total pendant tout le temps où la piscine sera installée. Lorsque vous choisissez la surface, tenez compte que de l'eau pourrait s'échapper de la piscine pendant l'utilisation ou en cas de pluie. Si l'eau ramollit la surface, celle-ci pourrait perdre sa capacité de soutenir le poids de la piscine.
2. Nous conseillons de positionner la piscine loin des objets que les enfants pourraient utiliser pour grimper dans la piscine.
3. Positionnez la piscine à proximité d'un système de drainage adéquat pour faire face à un éventuel débordement ou pour vider la piscine.
4. La surface doit être plane et lisse. Si la surface est inclinée ou irrégulière, la structure de la piscine pourrait se retrouver déséquilibrée par la charge. Cette situation peut endommager le point de soudure de la bache et tordre la structure. Dans les pires cas, la piscine peut s'effondrer, en provoquant des blessures graves et/ou des dégâts matériels.
5. La surface choisie doit être libérée de tout type d'objet. En raison du poids de l'eau, tout objet situé sous la piscine pourrait endommager et trouser le fond de la piscine.
6. La surface choisie doit être libérée des plantes agressives et des mauvaises herbes. Ces types de végétation résistante pourraient pousser à travers la bache et créer des fuites d'eau. L'herbe ou toute autre végétation qui pourrait provoquer la formation d'odeurs ou de vase doit être éliminée de l'emplacement choisi pour l'installation.

- Il ne doit pas y avoir de lignes de haute tension ni d'arbres au-dessus de l'emplacement choisi. Vérifiez que l'emplacement ne contienne pas de tuyaux, de lignes ou de câbles sous terre, quels qu'ils soient.
- La position choisie doit être éloignée de l'entrée de la maison. Ne placez aucun équipement ou autre meuble autour de la piscine. L'eau sortant de la piscine durant l'utilisation ou en raison d'un produit défectueux peut endommager le mobilier à l'intérieur de la maison ou autour de la piscine.
- La surface choisie doit être plane et dépourvue de trous qui peuvent endommager le matériau de la bache.

Suivez les consignes importantes ci-dessus pour choisir la bonne surface et le bon emplacement pour y installer votre piscine. Les parties endommagées de la piscine, en raison d'une surface d'installation et d'un emplacement ne correspondant pas aux instructions, ne seront pas considérées comme des vices de fabrication et rendront la garantie caduque et interdiront toute réclamation.

Surfaces d'installation conseillées : pelouse, terre, béton et toutes les autres surfaces qui respectent les conditions d'installation ci-dessus.

Surfaces déconseillées : boue, sable, gravier, terrasse en bois, balcon, sortie de garage, plateforme, terre meuble/friable ou autre surface ne correspondant pas aux conditions d'installation ci-dessus.

REMARQUE : Adressez-vous à votre mairie pour connaître les lois en vigueur en matière de clôtures, barrières, éclairage et exigences de sécurité, et vérifiez que vous respectez bien toutes ces lois.

REMARQUE : Si vous avez une pompe de filtration, reportez-vous à la notice d'instructions de la pompe.

REMARQUE : L'échelle doit être adaptée à la taille de la piscine et ne doit être utilisée que pour entrer et sortir de la piscine. Il est interdit de dépasser la charge admissible de l'échelle. Vérifiez régulièrement que l'échelle soit montée correctement.

INSTALLATION

L'installation prend habituellement 10 minutes environ avec 2-3 personnes, à l'exclusion des ouvrages de terre et du remplissage.

Bestway ne peut être tenue pour responsable des dégâts provoqués à la piscine suite à des erreurs de manipulation ou au non-respect de ces instructions.

ATTENTION : N'utilisez pas un tuyau d'air sous haute pression ou ne gonflez pas trop le boudin du haut, il doit être légèrement ferme au toucher.

REMARQUE : N'utilisez pas de rallonge pour alimenter votre pompe.

ATTENTION : Ne traînez pas la piscine sur le sol car cela peut l'abîmer.

REMARQUE : La base ou le fond de la piscine doit être étalé correctement (plat sans plis)

REMARQUE : Les températures élevées entraînent l'expansion du boudin à cause de l'air et cela peut provoquer des dégâts. Laissez de la place pour une éventuelle expansion. Si vous avez besoin d'aide ou si vous souhaitez consulter les FAQ, veuillez visiter la section assistance de notre site web, www.bestwaycorp.com.

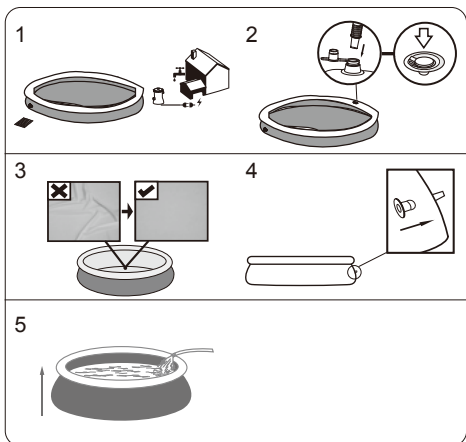
REMARQUE : Les dessins ne sont qu'à titre d'illustration. Il peut arriver qu'ils ne reflètent pas le produit réel. Pas à l'échelle.

ENTRETIEN DE LA PISCINE

Si vous ne respectez pas les consignes d'entretien ci-dessous, vous mettez en danger votre santé, et en particulier celle de vos enfants.

Utilisation de comprimés chimiques (non inclus) :

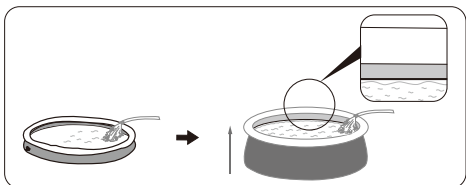
REMARQUE : Le diffuseur Chemconnect ou le flotteur chimique doit être utilisé lorsque vous effectuez l'entretien chimique avec des comprimés. L'article que vous avez acheté peut ne comprendre aucun de ces diffuseurs. Dans ce cas-là, vous devez l'acheter en visitant notre site web www.bestwaycorp.com ou chez le revendeur de piscines le plus proche.



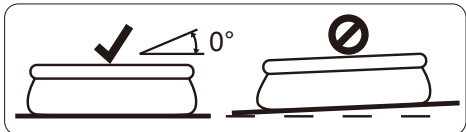
REMPLIR D'EAU LA PISCINE

ATTENTION : Ne laissez pas la piscine sans surveillance quand vous la remplissez d'eau.

- Remplissez l'eau jusqu'à ce que la paroi soit droite et que l'eau atteigne la ligne de soudure. **NE PAS TROP LA REMPLIR**, car la piscine pourrait s'effondrer. En cas de fortes pluies, vous devrez peut-être vider une partie de l'eau pour vous assurer que le niveau est correct.

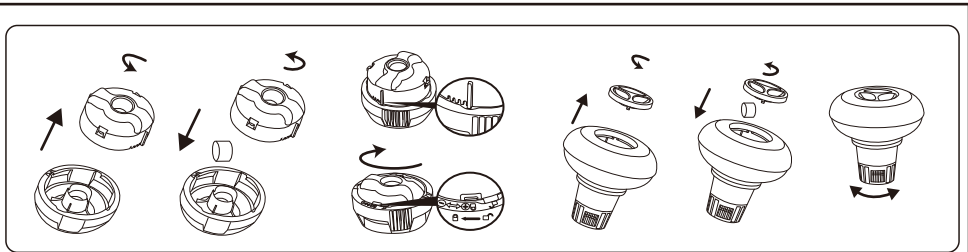


- Lorsque le remplissage de la piscine est achevé, contrôlez que l'eau ne se rassemble pas d'un côté pour s'assurer que la piscine est bien nivelée.



IMPORTANT : Si la piscine n'est pas nivelée, enlevez l'eau et nivelez de nouveau le sol en le creusant. N'essayez jamais de déplacer la piscine avec de l'eau à l'intérieur, cela pourrait provoquer de graves blessures ou endommager la piscine.

ATTENTION : Votre piscine peut contenir une forte pression. Si votre piscine est bombée ou présente un côté irrégulier cela veut dire qu'elle n'est pas à niveau, les côtés pourraient exploser et l'eau pourrait se vider à l'improviste en provoquant des blessures graves et/ou des dégâts matériels.



IMPORTANT : N'utilisez pas de comprimés en granulés et ne jetez pas le comprimé directement dans l'eau. Les produits chimiques peuvent se déposer au fond, endommager le matériau et décolorer le PVC.

Utilisation de liquide chimique (non inclus) :

IMPORTANT : Ajoutez le liquide chimique en petites doses et au centre de la piscine pour éviter tout contact direct entre le produit chimique et la surface du PVC. Tout contact direct peut endommager le matériau et décolorer la surface.

REMARQUE : Sortez le diffuseur de produits chimiques de la piscine lorsque vous utilisez la piscine.

IMPORTANT : Après avoir effectué le traitement chimique et avant d'utiliser la piscine, servez-vous d'un kit d'essai (non fourni avec) pour tester les propriétés chimiques de l'eau. Nous recommandons de maintenir l'eau conformément au tableau suivant.

Paramètres	Valeurs
Clarté de l'eau	le fond de la piscine est clairement visible
Couleur de l'eau	on ne doit remarquer aucune couleur de l'eau
Turbidité en FNU/NTU	1,5 maxi (de préférence inférieure à 0,5)
Concentration de nitrates supérieure à celle de l'eau de remplissage en mg/l	20 maxi
Carbone organique total (COT) en mg/l	4,0 maxi
Potentiel d'oxydo-réduction par rapport à Ag/AgCl 3,5 m KCl en mV	650 mini
Valeur du pH	de 6,8 à 7,6
Chlore actif libre (sans acide cyanurique) en mg/l	de 0,3 à 1,5
Chlore libre utilisé combiné avec de l'acide cyanurique en mg/l	de 1,0 à 3,0
Acide cyanurique en mg/l	100 maxi
Chlore combiné en mg/l	0,5 maxi (de préférence proche de 0,0 mg/l)

REMARQUE : La garantie ne couvre pas les dégâts provoqués par un déséquilibre chimique. Les produits chimiques pour piscine sont potentiellement toxiques et doivent être manipulés en faisant attention. Il existe des risques sérieux pour la santé dérivant des vapeurs chimiques ainsi que de l'étiquetage et du stockage incorrects des récipients chimiques. Veuillez vous adresser au concessionnaire de piscine le plus proche pour plus d'informations au sujet de la maintenance chimique. Lisez attentivement les instructions du producteur de produits chimiques. La garantie ne couvre pas les dégâts occasionnés à la piscine suite à une utilisation incorrecte des produits chimiques et à une mauvaise gestion de l'eau de la piscine.

IMPORTANT : L'utilisation excessive de produits chimiques peut décolorer l'imprimé et tous les points du matériau de la piscine. Elle peut également endommager la structure de la bache de piscine.

Pour maintenir votre piscine propre :

1. Adressez-vous au magasin de produits de piscine le plus proche pour obtenir des conseils et acheter des produits chimiques et des kits pour mesurer le pH. L'un des facteurs les plus importants pour augmenter la durée de vie de la bache consiste à maintenir l'eau toujours propre et saine. Veuillez suivre scrupuleusement les instructions des techniciens professionnels pour le traitement de l'eau en utilisant des produits chimiques.
2. Placez un seau d'eau à côté de la piscine pour que les utilisateurs se lavent les pieds avant d'entrer dans la piscine.
3. Couvrez la piscine quand vous ne l'utilisez pas.
4. Écumez la piscine régulièrement pour éviter que la saleté s'installe.
5. Contrôlez et lavez régulièrement la cartouche de filtration.
6. Nettoyez délicatement la mousse sous le boudin du haut avec un chiffon propre.
7. Faites attention quand il pleut en vérifiant que l'eau ne dépasse pas le niveau prévu. Si c'est le cas, VOUS DEVEZ VIDANGER L'EXCÉDENT D'EAU.
8. S'il pleut, vérifiez que le niveau de l'eau ne dépasse pas le niveau indiqué. Si l'eau dépasse les niveaux indiqués, vidangez la piscine jusqu'au niveau indiqué.

Un bon entretien peut optimiser la durée de vie de votre piscine.

Durant la saison d'utilisation de la piscine, le système de filtration doit être nécessairement mis en service tous les jours pendant suffisamment longtemps pour garantir au moins un renouvellement complet du volume de l'eau.

REMARQUE : La pompe sert à faire circuler l'eau et à filtrer les petites particules. Pour que l'eau de votre piscine reste propre et saine, vous devez également ajouter des produits chimiques.

RÉPARATION

En cas de fuite, réparez votre piscine au moyen de la rustine résistante fournie. Vous pouvez trouver les instructions dans les FAQ dans la section assistance de notre site web, www.bestwaycorp.com.

DÉMONTAGE

1. Dévissez le capuchon de la vanne de vidange dans le sens contraire des aiguilles d'une montre et enlevez-le.
2. Raccordez l'adaptateur sur le tuyau et placez l'autre extrémité du tuyau dans la zone où vous souhaitez vidanger votre piscine. (consultez les règlements locaux pour connaître les lois en matière de vidange).
3. Vissez la rondelle de contrôle de l'adaptateur du tuyau sur la vanne de vidange dans le sens des aiguilles d'une montre. La vanne de vidange sera ouverte et l'eau commencera à se vider automatiquement. Ouvrez la vanne de vidange sur la position maximale.
4. Dégonflez le boudin du haut en pinçant la vanne d'air.
5. Quand le boudin du haut est entièrement dégonflé, appuyez sur le boudin du haut et faites-le basculer pour vidanger aisément la piscine. Vidangez complètement l'eau de la piscine.
6. Quand la vidange est terminée, dévissez la rondelle de contrôle pour fermer la vanne.
7. Débranchez le tuyau.
8. Revissez le capuchon sur la vanne de vidange.
9. Séchez la piscine.

RANGEMENT

1. Enlevez tous les accessoires et toutes les pièces détachées de la piscine, puis rangez-les après les avoir lavés et séchés.
2. Une fois que la piscine est entièrement sèche, saupoudrez de talc afin d'éviter que la piscine colle et pliez-la soigneusement. Si la piscine n'est pas entièrement sèche, de la moisissure peut se former et endommager la bâche de la piscine.
3. Rangez la bâche et les accessoires au sec à une température modérée comprise entre 5 °C / 41 °F et 38 °C / 100 °F.
4. Pendant la saison des pluies, il faut ranger la piscine et ses accessoires comme cela est indiqué plus haut.
5. Une vidange incorrecte de la piscine peut provoquer des blessures graves et/ou des dégâts matériels.
6. Nous conseillons vivement de démonter la piscine hors saison (pendant l'hiver). Rangez-la au sec, hors de portée des enfants.



CONSIGNES POUVANT VARIER LOCALEMENT > WWW.CONSIGNESDETREFFR

Merci d'avoir choisi Bestway !

FR

Obtenez immédiatement et **gratuitement** l'extension de garantie de votre achat !
Enregistrez votre produit dans les 30 jours à compter de la date d'achat et nous vous offrons 6 mois d'extension gratuite de la garantie.

Visitez **WWW.ENREGISTREMENTBESTWAY.FR** et enregistrez immédiatement votre produit!

L'extension territoriale de la présente garantie supplémentaire concerne les pays suivants : France, Allemagne, Belgique, Espagne, Italie, Luxembourg.

Merci d'avoir choisi Bestway !

BE/FR

Obtenez immédiatement et **gratuitement** l'extension de garantie de votre achat !
Enregistrez votre produit dans les 30 jours à compter de la date d'achat et nous vous offrons 6 mois d'extension gratuite de la garantie.

Visitez **WWW.ENREGISTREMENTBESTWAY.BE** et enregistrez immédiatement votre produit!

L'extension territoriale de la présente garantie supplémentaire concerne les pays suivants : Belgique, France, Italie, Allemagne, Espagne.



ΠΙΣΙΝΕΣ FAST SET™ ΕΓΧΕΙΡΙΔΙΟ ΧΡΗΣΤΗ

ΕΠΙΣΚΕΦΤΕΙΤΕ ΤΟ ΚΑΝΑΛΙ ΤΗΣ BESTWAY ΣΤΟ YOUTUBE 

ΠΡΟΕΙΔΟΠΟΙΗΣΗ

ΔΙΑΒΑΣΤΕ ΠΡΟΣΕΚΤΙΚΑ, ΚΑΤΑΝΟΗΣΤΕ ΚΑΙ ΑΚΟΛΟΥΘΗΣΤΕ ΟΛΕΣ ΤΙΣ ΠΛΗΡΟΦΟΡΙΕΣ ΣΕ ΑΥΤΟ ΤΟ ΕΓΧΕΙΡΙΔΙΟ ΧΡΗΣΗΣ ΠΡΙΝ ΑΠΟ ΤΗΝ ΕΓΚΑΤΑΣΤΑΣΗ ΚΑΙ ΤΗ ΧΡΗΣΗ ΤΗΣ ΠΙΣΙΝΑΣ. ΑΥΤΕΣ ΟΙ ΠΡΟΕΙΔΟΠΟΙΗΣΕΙΣ, ΟΔΗΓΙΕΣ ΚΑΙ ΚΑΤΕΥΘΥΝΤΗΡΙΕΣ ΟΔΗΓΙΕΣ ΓΙΑ ΤΗΝ ΑΣΦΑΛΕΙΑ ΑΝΑΦΕΡΟΝΤΑΙ ΣΕ ΚΑΠΟΙΟΥΣ ΣΥΝΗΘΙΣΜΕΝΟΥΣ ΚΙΝΔΥΝΟΥΣ ΤΗΣ ΑΝΑΨΥΧΗΣ ΣΤΟ ΝΕΡΟ, ΑΛΛΑ ΔΕΝ ΜΠΟΡΟΥΝ ΝΑ ΚΑΛΥΨΟΥΝ ΟΛΟΥΣ ΤΟΥΣ ΚΙΝΔΥΝΟΥΣ ΣΕ ΟΛΕΣ ΤΙΣ ΠΕΡΙΠΤΩΣΕΙΣ. ΠΑΝΤΟΤΕ ΕΠΙΔΕΙΚΝΥΕΤΕ ΠΡΟΣΟΧΗ, ΚΟΙΝΗ ΛΟΓΙΚΗ ΚΑΙ ΚΑΛΗ ΚΡΙΣΗ ΟΤΑΝ ΑΠΟΛΑΜΒΑΝΕΤΕ ΟΠΟΙΔΗΝΟΤΕ ΔΡΑΣΤΗΡΙΟΤΗΤΑ ΣΤΟ ΝΕΡΟ. ΦΥΛΑΞΤΕ ΑΥΤΕΣ ΤΙΣ ΠΛΗΡΟΦΟΡΙΕΣ ΓΙΑ ΜΕΛΛΟΝΤΙΚΗ ΧΡΗΣΗ.

ΑΣΦΑΛΕΙΑ ΟΣΩΝ ΔΕΝ ΓΝΩΡΙΖΟΥΝ ΚΟΛΥΜΒΗΣΗ

- ΑΝΑ ΠΑΣΑ ΣΤΙΓΜΗ ΑΠΑΙΤΕΙΤΕ ΣΥΝΕΧΗ, ΕΝΕΡΓΗ, ΚΑΙ ΑΓΡΥΠΝΗ ΕΠΙΒΛΕΨΗ ΤΩΝ ΑΔΥΝΑΜΩΝ ΚΟΛΥΜΒΗΤΩΝ ΚΑΙ ΤΩΝ ΜΗ ΚΟΛΥΜΒΗΤΩΝ ΑΠΟ ΑΡΜΟΔΙΟ ΕΝΗΛΙΚΑ (ΕΝΘΥΜΟΥΜΕΝΟΙ ΟΤΙ ΤΑ ΠΑΙΔΙΑ ΚΑΤΩ ΤΩΝ ΠΕΝΤΕ ΕΤΩΝ ΔΙΑΤΡΕΧΟΥΝ ΤΩΝ ΨΗΛΟΤΕΡΟ ΚΙΝΔΥΝΟ ΠΝΙΓΜΟΥ).

- ΟΡΙΖΕΤΕ ΕΝΑΝ ΑΡΜΟΔΙΟ ΕΝΗΛΙΚΑ ΝΑ ΕΠΙΒΛΕΠΕΙ ΤΗΝ ΠΙΣΙΝΑ ΚΑΘΕ ΦΟΡΑ ΠΟΥ ΕΙΝΑΙ ΣΕ ΧΡΗΣΗ.

- ΟΙ ΑΔΥΝΑΜΟΙ ΚΟΛΥΜΒΗΤΕΣ Η ΟΙ ΜΗ ΓΝΩΡΙΖΟΝΤΕΣ ΚΟΛΥΜΒΗΣΗ ΘΑ ΠΡΕΠΕΙ ΝΑ ΦΟΡΟΥΝ ΕΞΟΠΛΙΣΜΟ ΑΤΟΜΙΚΗΣ ΠΡΟΣΤΑΣΙΑΣ ΚΑΤΑ ΤΗ ΧΡΗΣΗ ΤΗΣ ΠΙΣΙΝΑΣ.

- ΟΤΑΝ Η ΠΙΣΙΝΑ ΔΕΝ ΕΙΝΑΙ ΣΕ ΧΡΗΣΗ, Η ΕΙΝΑΙ ΧΩΡΙΣ ΕΠΙΒΛΕΨΗ, ΑΦΑΙΡΕΣΤΕ ΟΛΑ ΤΑ ΠΑΙΧΝΙΔΙΑ ΑΠΟ ΤΗΝ ΠΙΣΙΝΑ ΚΑΙ ΤΟΝ ΠΕΡΙΒΑΛΛΟΝΤΑ ΧΩΡΟ ΩΣΤΕ ΝΑ ΑΠΟΤΡΕΠΕΤΑΙ Η ΠΡΟΣΕΛΚΥΣΗ ΠΑΙΔΙΩΝ ΣΤΗΝ ΠΙΣΙΝΑ.

ΣΥΣΚΕΥΕΣ ΑΣΦΑΛΕΙΑΣ

- ΠΡΟΚΕΙΜΕΝΟ ΝΑ ΑΠΟΤΡΑΠΕΙ Ο ΠΝΙΓΜΟΣ ΠΑΙΔΙΩΝ, ΣΥΝΙΣΤΑΤΑΙ ΝΑ ΑΣΦΑΛΙΣΤΕ ΤΗΝ ΠΡΟΣΒΑΣΗ ΣΤΗΝ ΠΙΣΙΝΑ ΜΕ ΜΙΑ ΠΡΟΣΤΑΤΕΥΤΙΚΗ ΣΥΣΚΕΥΗ. ΠΡΟΚΕΙΜΕΝΟ ΝΑ ΑΠΟΤΡΑΠΟΥΝ ΤΑ ΠΑΙΔΙΑ ΑΠΟ ΤΟ ΝΑ ΣΚΑΡΦΑΛΩΣΟΥΝ ΑΠΟ ΤΗ ΒΑΛΒΙΔΑ ΕΙΣΟΔΟΥ ΚΑΙ ΕΞΟΔΟΥ, ΣΥΝΙΣΤΑΤΑΙ ΝΑ ΕΓΚΑΤΑΣΤΑΘΕΙ ΕΝΑ ΕΜΠΟΔΙΟ (ΚΑΙ ΝΑ ΑΣΦΑΛΙΣΤΕ ΟΛΕΣ ΤΙΣ ΠΟΡΤΕΣ ΚΑΙ ΤΑ ΠΑΡΑΘΥΡΑ, ΟΠΟΥ ΕΦΑΡΜΟΖΕΤΑΙ) ΓΙΑ ΝΑ ΑΠΟΤΡΕΨΕΤΕ ΤΗ ΜΗ ΕΞΟΥΣΙΟΔΟΤΗΜΕΝΗ ΠΡΟΣΒΑΣΗ ΣΤΗΝ ΠΙΣΙΝΑ.

- ΕΜΠΟΔΙΑ, ΚΑΛΥΜΜΑΤΑ ΠΙΣΙΝΑΣ, ΣΥΝΑΓΕΡΜΟΙ ΠΙΣΙΝΑΣ, Η ΠΑΡΟΜΟΙΕΣ ΣΥΣΚΕΥΕΣ ΑΣΦΑΛΕΙΑΣ ΕΙΝΑΙ ΧΡΗΣΙΜΑ ΒΟΗΘΗΜΑΤΑ, ΑΛΛΑ ΔΕΝ ΥΠΟΚΑΘΙΣΤΟΥΝ ΤΗ ΣΥΝΕΧΗ ΚΑΙ ΑΡΜΟΔΙΑ ΕΠΙΒΛΕΨΗ ΑΠΟ ΕΝΗΛΙΚΑ.

ΕΞΟΠΛΙΣΜΟΣ ΑΣΦΑΛΕΙΑΣ

- ΣΥΝΙΣΤΑΤΑΙ Ο ΕΞΟΠΛΙΣΜΟΣ ΔΙΑΣΩΣΗΣ (Π.Χ. ΔΑΚΤΥΛΙΟΕΙΔΕΙΣ ΣΗΜΑΔΟΥΡΑ) ΝΑ ΦΥΛΑΣΣΕΤΑΙ ΔΙΠΛΑ ΣΤΗΝ ΠΙΣΙΝΑ.

- ΔΙΑΤΗΡΕΙΤΕ ΜΙΑ ΛΕΙΤΟΥΡΓΙΚΗ ΣΥΣΚΕΥΗ ΘΛΑΦΕΦΟΝΟΥ ΚΑΙ ΜΙΑ ΛΙΣΤΑ ΤΩΝ ΘΛΑΦΕΦΩΝΩΝ ΕΚΤΑΚΤΗΣ ΑΝΑΓΚΗΣ ΚΟΝΤΑ ΣΤΗΝ ΠΙΣΙΝΑ.

ΑΣΦΑΛΗΣ ΧΡΗΣΗ ΤΗΣ ΠΙΣΙΝΑΣ

- ΕΝΘΑΡΡΥΝΕΤΕ ΟΛΟΥΣ ΤΟΥΣ ΧΡΗΣΤΕΣ ΚΑΙ ΙΔΙΑΙΤΕΡΑ ΤΑ ΠΑΙΔΙΑ ΝΑ ΜΑΘΟΥΝ ΚΟΛΥΜΒΗΣΗ.

- ΜΑΘΕΤΕ ΒΑΣΙΚΗ ΥΠΟΣΤΗΡΙΞΗ ΖΩΗΣ (ΚΑΡΔΙΟΑΝΑΠΝΕΥΣΤΙΚΗ ΑΝΑΝΗΨΗ - CPR) ΚΑΙ ΑΝΑΝΕΩΣΤΕ ΑΥΤΕΣ ΤΙΣ ΓΝΩΣΕΙΣ ΤΑΚΤΙΚΑ. ΣΕ ΠΕΡΙΠΤΩΣΗ ΕΚΤΑΚΤΗΣ ΑΝΑΓΚΗΣ ΑΥΤΟ ΜΠΟΡΕΙ ΝΑ ΚΑΝΕΙ ΤΗ ΔΙΑΦΟΡΑ ΔΙΑΣΩΣΗΣ ΜΙΑΣ ΖΩΗΣ.

- ΔΩΣΤΕ ΟΔΗΓΙΕΣ ΣΕ ΟΛΟΥΣ ΤΟΥΣ ΧΡΗΣΤΕΣ ΤΗΣ ΠΙΣΙΝΑΣ, ΣΥΜΠΕΡΙΛΑΜΒΑΝΟΜΕΝΩΝ ΤΩΝ ΠΑΙΔΙΩΝ, ΓΙΑ ΤΟ ΤΙ ΝΑ ΚΑΝΟΥΝ ΣΕ ΠΕΡΙΠΤΩΣΗ ΕΚΤΑΚΤΗΣ ΑΝΑΓΚΗΣ.

- ΠΟΤΕ ΜΗΝ ΚΑΤΑΔΥΣΕΤΕ ΣΕ ΟΠΟΙΔΗΝΟΤΕ ΡΗΧΑ ΝΕΡΑ. ΑΥΤΟ ΜΠΟΡΕΙ ΝΑ ΠΡΟΚΑΛΕΣΕΙ ΣΟΒΑΡΟ ΤΡΑΥΜΑΤΙΣΜΟ Η ΘΑΝΑΤΟ.

- ΜΗΝ ΧΡΗΣΙΜΟΠΟΙΕΙΤΕ ΤΗΝ ΠΙΣΙΝΑ ΟΤΑΝ ΚΑΝΕΤΕ ΧΡΗΣΗ ΑΛΚΟΟΛ Η ΦΑΡΜΑΚΩΝ ΠΟΥ ΜΠΟΡΕΙ ΝΑ ΕΠΗΡΕΑΣΟΥΝ ΤΗΝ ΙΚΑΝΟΤΗΤΑ ΣΑΣ ΝΑ ΧΡΗΣΙΜΟΠΟΙΕΙΤΕ ΜΕ ΑΣΦΑΛΕΙΑ ΤΗΝ ΠΙΣΙΝΑ.
- ΟΤΑΝ ΧΡΗΣΙΜΟΠΟΙΟΥΝΤΑΙ ΚΑΛΥΜΜΑΤΑ ΠΙΣΙΝΑΣ, ΑΦΑΙΡΕΙΤΕ ΤΑ ΕΝΤΕΛΩΣ ΑΠΟ ΤΗΝ ΕΠΙΦΑΝΕΙΑ ΤΟΥ ΝΕΡΟΥ ΠΡΙΝ ΑΠΟ ΤΗΝ ΕΙΣΟΔΟ ΣΤΗΝ ΠΙΣΙΝΑ.
- ΠΡΟΣΤΑΤΕΨΤΕ ΤΟΥΣ ΧΡΗΣΤΕΣ ΤΗΣ ΠΙΣΙΝΑΣ ΑΠΟ ΑΣΘΕΝΕΙΕΣ ΠΟΥ ΣΧΕΤΙΖΟΝΤΑΙ ΜΕ ΤΟ ΝΕΡΟ, ΔΙΑΤΗΡΩΝΤΑΣ ΤΟ ΝΕΡΟ ΤΗΣ ΠΙΣΙΝΑΣ ΕΠΕΞΕΡΓΑΣΜΕΝΟ ΚΑΙ ΤΗΡΩΝΤΑΣ ΚΑΛΗ ΥΓΙΕΙΝΗ. ΣΥΜΒΟΥΛΕΥΕΤΕ ΤΙΣ ΚΑΤΕΥΘΥΝΤΗΡΙΕΣ ΟΔΗΓΙΕΣ ΕΠΕΞΕΡΓΑΣΙΑΣ ΤΟΥ ΝΕΡΟΥ ΣΤΟ ΕΓΧΕΙΡΙΔΙΟ ΧΡΗΣΗΣ.
- ΑΠΟΘΗΚΕΥΤΕ ΤΑ ΧΗΜΙΚΑ (Π.Χ. ΠΡΟΪΟΝΤΑ ΕΠΕΞΕΡΓΑΣΙΑΣ ΝΕΡΟΥ, ΚΑΘΑΡΙΣΜΟΥ Η ΑΠΟΛΥΜΑΝΣΗΣ) ΜΑΚΡΙΑ ΑΠΟ ΠΑΙΔΙΑ.
- ΧΡΗΣΙΜΟΠΟΙΗΣΤΕ ΤΗ ΣΗΜΑΝΣΗ ΟΠΩΣ ΠΕΡΙΓΡΑΦΕΤΑΙ ΠΑΡΑΚΑΤΩ. Η ΣΗΜΑΝΣΗ ΠΡΕΠΕΙ ΝΑ ΑΝΑΡΤΑΤΑΙ ΣΕ ΕΜΦΑΝΗ ΘΕΣΗ ΕΝΤΟΣ 2μ. ΑΠΟ ΤΗΝ ΠΙΣΙΝΑ.



ΕΠΙΒΛΕΠΕΤΕ ΤΑ ΠΑΙΔΙΑ ΠΟΥ ΒΡΙΣΚΟΝΤΑΙ ΣΤΟ ΝΕΡΟ. ΑΠΑΓΟΡΕΥΟΝΤΑΙ ΟΙ ΒΟΥΤΙΕΣ.

- ΟΙ ΑΦΑΙΡΟΥΜΕΝΕΣ ΣΚΑΛΕΣ ΠΡΕΠΕΙ ΝΑ ΤΟΠΟΘΕΤΟΥΝΤΑΙ ΣΕ ΟΡΙΖΟΝΤΙΑ ΕΠΙΦΑΝΕΙΑ.

- ΑΝΕΞΑΡΤΗΤΑ ΤΩΝ ΥΛΙΚΩΝ ΠΟΥ ΧΡΗΣΙΜΟΠΟΙΟΥΝΤΑΙ ΓΙΑ ΤΗΝ ΚΑΤΑΣΚΕΥΗ ΤΗΣ ΠΙΣΙΝΑΣ, ΟΙ ΠΡΟΣΤΕΣ ΕΠΙΦΑΝΕΙΕΣ ΠΡΕΠΕΙ ΝΑ ΕΙΛΕΓΧΟΝΤΑΙ ΤΑΚΤΙΚΑ ΓΙΑ ΤΗΝ ΑΠΟΦΥΓΗ ΤΡΑΥΜΑΤΙΣΜΩΝ.

- ΕΠΙΘΕΡΕΙΤΕ ΤΑΚΤΙΚΑ ΤΑ ΜΠΟΥΛΟΝΙΑ ΚΑΙ ΒΙΔΕΣ, ΑΦΑΙΡΕΙΤΕ ΑΚΙΔΕΣ Η ΔΙΧΜΗΡΕΣ ΑΚΜΕΣ ΓΙΑ ΤΗΝ ΑΠΟΦΥΓΗ ΤΡΑΥΜΑΤΙΣΜΩΝ.

- **ΠΡΟΣΟΧΗ:** ΜΗΝ ΑΦΗΝΕΤΕ ΤΗΝ ΑΠΟΣΤΡΑΓΓΙΣΜΕΝΗ ΠΙΣΙΝΑ ΕΞΩ. Η ΑΔΕΙΑ ΠΙΣΙΝΑ ΕΙΝΑΙ ΠΙΘΑΝΟ ΝΑ ΠΑΡΑΜΟΡΦΩΘΕΙ ΚΑΙ/Η ΝΑ ΕΚΤΟΠΙΣΤΕΙ ΛΟΓΩ ΤΟΥ ΑΝΕΜΟΥ.

- ΕΑΝ ΔΙΑΘΕΤΕΤΕ ΜΙΑ ΑΝΤΛΙΑ ΦΙΛΤΡΟΥ, ΑΝΑΡΤΕΣΤΕ ΣΤΟ ΕΓΧΕΙΡΙΔΙΟ ΤΗΣ ΑΝΤΛΙΑΣ ΓΙΑ ΟΔΗΓΙΕΣ.

- **ΠΡΟΕΙΔΟΠΟΙΗΣΗ!** Η ΑΝΤΛΙΑ ΔΕΝ ΜΠΟΡΕΙ ΝΑ ΧΡΗΣΙΜΟΠΟΙΗΘΕΙ, ΕΝΩ ΥΠΑΡΧΟΥΝ ΑΝΘΡΩΠΟΙ ΜΕΣΑ ΣΤΗΝ ΠΙΣΙΝΑ!

- ΕΑΝ ΔΙΑΘΕΤΕΤΕ ΜΙΑ ΣΚΑΛΑ, ΑΝΑΡΤΕΣΤΕ ΣΤΟ ΕΓΧΕΙΡΙΔΙΟ ΤΗΣ ΣΚΑΛΑΣ ΓΙΑ ΟΔΗΓΙΕΣ.

- **ΠΡΟΕΙΔΟΠΟΙΗΣΗ!** Η ΧΡΗΣΗ ΤΗΣ ΠΙΣΙΝΑΣ ΠΡΟΫΠΟΘΕΤΙ ΣΥΜΜΟΡΦΩΣΗ ΜΕ ΤΙΣ ΟΔΗΓΙΕΣ ΑΣΦΑΛΕΙΑΣ ΠΟΥ ΠΕΡΙΓΡΑΦΟΝΤΑΙ ΣΤΙΣ ΟΔΗΓΙΕΣ ΛΕΙΤΟΥΡΓΙΑΣ ΚΑΙ ΣΥΝΤΗΡΗΣΗΣ. ΓΙΑ ΤΗΝ ΠΡΟΛΗΨΗ ΠΝΙΓΜΟΥ ΚΑΙ ΑΛΛΩΝ ΣΟΒΑΡΩΝ ΤΡΑΥΜΑΤΙΣΜΩΝ, ΔΩΣΤΕ ΙΔΙΑΙΤΕΡΗ ΠΡΟΣΟΧΗ ΣΤΗΝ ΠΙΘΑΝΟΤΗΤΑ ΑΠΡΟΣΔΟΚΗΤΗΣ ΠΡΟΣΒΑΣΗΣ ΣΤΗΝ ΠΙΣΙΝΑ ΑΠΟ ΠΑΙΔΙΑ ΚΑΤΩ ΤΩΝ 5 ΕΤΩΝ ΑΣΦΑΛΙΖΟΝΤΑΣ ΤΗΝ ΠΡΟΣΒΑΣΗ ΣΕ ΑΥΤΗΝ, ΚΑΙ, ΚΑΤΑ ΤΗ ΔΙΑΡΚΕΙΑ ΤΗΣ ΚΟΛΥΜΒΗΣΗΣ, ΔΙΑΤΗΡΗΣΤΕ ΤΑ ΥΠΟ ΤΗ ΣΥΝΕΧΗ ΕΠΙΤΗΡΗΣΗ ΕΝΗΛΙΚΑ.

ΠΑΡΑΚΑΛΟΥΜΕ ΔΙΑΒΑΣΤΕ ΠΡΟΣΕΚΤΙΚΑ ΚΑΙ ΦΥΛΑΞΤΕ ΓΙΑ ΜΕΛΛΟΝΤΙΚΗ ΑΝΑΦΟΡΑ.

ΕΠΙΛΕΞΤΕ ΤΗ ΣΩΣΤΗ ΤΟΠΟΘΕΣΙΑ

Η ΕΠΙΦΑΝΕΙΑ ΠΟΥ ΘΑ ΕΠΙΛΕΧΘΕΙ ΓΙΑ ΤΗΝ ΕΓΚΑΤΑΣΤΑΣΗ ΤΗΣ ΠΙΣΙΝΑΣ ΠΡΕΠΕΙ ΝΑ ΕΧΕΙ ΤΑ ΑΚΟΛΟΥΘΑ ΤΕΧΝΙΚΑ ΧΑΡΑΚΤΗΡΙΣΤΙΚΑ:

1. ΛΟΓΩ ΤΟΥ ΣΥΝΔΥΑΣΜΕΝΟΥ ΒΑΡΟΥΣ ΤΟΥ ΝΕΡΟΥ ΕΝΤΟΣ ΤΗΣ ΠΙΣΙΝΑΣ ΚΑΙ ΤΩΝ ΧΡΗΣΤΩΝ ΤΗΣ ΠΙΣΙΝΑΣ, ΕΙΝΑΙ ΕΞΑΙΡΕΤΙΚΑ ΣΗΜΑΝΤΙΚΟ Η ΕΠΙΦΑΝΕΙΑ ΠΟΥ ΘΑ ΕΠΙΛΕΧΘΕΙ ΓΙΑ ΤΗΝ ΕΓΚΑΤΑΣΤΑΣΗ ΤΗΣ ΠΙΣΙΝΑΣ ΝΑ ΜΠΟΡΕΙ ΝΑ ΥΠΟΣΤΗΡΙΞΕΙ ΟΜΟΙΟΜΟΡΦΑ ΤΟ ΣΥΝΟΛΙΚΟ ΒΑΡΟΣ ΓΙΑ ΟΛΗ ΤΗΝ ΩΡΑ ΠΟΥ Η ΠΙΣΙΝΑ ΘΑ ΕΙΝΑΙ ΕΓΚΑΤΕΣΤΗΜΕΝΗ. ΟΤΑΝ ΕΠΙΛΕΓΤΕ ΤΗΝ ΕΠΙΦΑΝΕΙΑ, ΛΑΒΕΤΕ ΥΠΟΨΗ ΣΑΣ ΟΤΙ ΤΟ ΝΕΡΟ ΜΠΟΡΕΙ ΝΑ ΒΓΑΙΝΕΙ ΑΠΟ ΤΗΝ ΠΙΣΙΝΑ ΟΤΑΝ ΑΥΤΗ ΧΡΗΣΙΜΟΠΟΙΕΙΤΑΙ Η ΟΤΑΝ ΒΡΕΧΕΙ. ΕΑΝ ΤΟ ΝΕΡΟ ΜΑΛΑΚΩΣΕΙ ΤΗΝ ΕΠΙΦΑΝΕΙΑ, ΑΥΤΗ ΜΠΟΡΕΙ ΝΑ ΧΑΞΕΙ ΤΗΝ ΙΚΑΝΟΤΗΤΑ ΤΗΣ ΝΑ ΥΠΟΣΤΗΡΙΞΕΙ ΤΟ ΒΑΡΟΣ ΤΗΣ ΠΙΣΙΝΑΣ.
2. ΣΥΝΙΣΤΟΥΜΕ Η ΠΙΣΙΝΑ ΝΑ ΕΙΝΑΙ ΜΑΚΡΙΑ ΑΠΟ ΚΑΘΕ ΕΙΔΟΥΣ ΑΝΤΙΚΕΙΜΕΝΑ ΠΟΥ ΜΠΟΡΟΥΝ ΝΑ ΧΡΗΣΙΜΟΠΟΙΗΣΟΥΝ ΤΑ ΠΑΙΔΙΑ ΓΙΑ ΝΑ ΑΝΕΒΟΥΝ ΣΤΗΝ ΠΙΣΙΝΑ.

3. ΤΟΠΟΘΕΤΗΣΤΕ ΤΗΝ ΠΙΣΙΝΑ ΚΟΝΤΑ ΣΕ ΕΝΑ ΕΠΑΡΚΕΣ ΣΥΣΤΗΜΑ ΑΠΟΣΤΡΑΓΓΙΣΗΣ ΩΣΤΕ ΝΑ ΑΝΤΙΜΕΤΩΡΙΖΕΤΕ ΩΣΤΑ ΤΗΝ ΟΠΟΙΑ ΥΠΕΡΧΕΙΛΙΣΗ Ή ΝΑ ΑΔΕΙΑΣΕΤΕ ΤΗΝ ΠΙΣΙΝΑ.
4. Η ΕΠΙΦΑΝΕΙΑ ΠΡΕΠΕΙ ΝΑ ΕΙΝΑΙ ΕΠΙΠΕΔΗ ΚΑΙ ΛΕΙΑ. ΕΑΝ Η ΕΠΙΦΑΝΕΙΑ ΕΙΝΑΙ ΚΕΚΛΙΜΕΝΗ Η ΑΝΩΜΑΛΗ, ΜΠΟΡΕΙ ΝΑ ΔΗΜΙΟΥΡΓΗΣΕΙ ΜΙΑ ΜΗ ΙΣΟΡΡΟΠΗΜΕΝΗ ΦΟΡΤΩΣΗ ΣΤΗ ΔΟΜΗ ΤΗΣ ΠΙΣΙΝΑΣ. ΑΥΤΗ Η ΚΑΤΑΣΤΑΣΗ ΕΝΔΕΧΟΜΕΝΩΣ ΝΑ ΚΑΤΑΣΤΡΕΦΕΙ ΤΑ ΣΗΜΕΙΑ ΣΥΓΚΟΛΛΗΣΗΣ ΤΗΣ ΕΠΕΝΔΥΣΗΣ ΚΑΙ ΝΑ ΚΑΜΦΕΙ ΤΟ ΠΛΑΙΣΙΟ. ΣΕ ΧΕΙΡΟΤΕΡΕΣ ΠΕΡΙΠΤΩΣΕΙΣ, Η ΠΙΣΙΝΑ ΜΠΟΡΕΙ ΝΑ ΚΑΤΑΡΕΥΣΕΙ, ΠΡΟΚΑΛΩΝΤΑΣ ΣΟΒΑΡΟ ΠΡΟΣΩΠΙΚΟ ΤΡΑΥΜΑΤΙΣΜΟ Ή/ΚΑΙ ΖΗΜΙΑ ΣΕ ΠΡΟΣΩΠΙΚΑ ΑΝΤΙΚΕΙΜΕΝΑ.
5. Η ΕΠΙΛΕΓΜΕΝΗ ΤΟΠΟΘΕΣΙΑ ΠΡΕΠΕΙ ΝΑ ΕΙΝΑΙ ΚΑΘΑΡΗ ΑΠΟ ΟΠΟΙΟΔΗΠΟΤΕ ΕΙΔΟΣ ΑΝΤΙΚΕΙΜΕΝΟΥ. ΛΟΓΩ ΤΟΥ ΒΑΡΟΥΣ ΤΟΥ ΝΕΡΟΥ, ΤΟ ΟΠΟΙΟΔΗΠΟΤΕ ΑΝΤΙΚΕΙΜΕΝΟ ΚΑΤΩ ΑΠΟ ΤΗΝ ΠΙΣΙΝΑ ΜΠΟΡΕΙ ΝΑ ΠΡΟΚΑΛΕΣΕΙ ΖΗΜΙΑ Η ΔΙΑΤΡΗΣΗ ΣΤΟ ΚΑΤΩ ΜΕΡΟΣ ΤΗΣ ΠΙΣΙΝΑΣ.
6. Η ΕΠΙΛΕΓΜΕΝΗ ΤΟΠΟΘΕΣΙΑ ΠΡΕΠΕΙ ΝΑ ΕΙΝΑΙ ΚΑΘΑΡΗ ΑΠΟ ΕΠΙΘΕΤΙΚΑ ΦΥΤΑ ΚΑΙ ΕΙΔΗ ΖΙΖΑΝΙΩΝ. ΑΥΤΟΙ ΟΙ ΤΥΠΟΙ ΙΣΧΥΡΗΣ (ΕΠΙΒΛΗΤΗΣ) ΒΛΑΣΤΗΣΗΣ ΕΝΔΕΧΟΜΕΝΩΣ ΝΑ ΜΠΟΡΟΥΝ ΝΑ ΑΝΑΠΤΥΧΘΟΥΝ ΜΕΣΩ ΤΗΣ ΕΠΕΝΔΥΣΗΣ ΚΑΙ ΝΑ ΔΗΜΙΟΥΡΓΗΣΟΥΝ ΔΙΑΡΡΟΗ ΝΕΡΟΥ. ΤΟ ΓΡΑΣΙΔΙ Η ΑΛΛΟΥ ΤΥΠΟΥ ΒΛΑΣΤΗΣΗ ΜΠΟΡΕΙ ΝΑ ΠΡΟΚΑΛΕΣΕΙ ΟΣΜΕΣ Η ΝΑ ΔΗΜΙΟΥΡΓΗΣΕΙ ΛΑΣΠΗ Η ΟΠΟΙΑ ΠΡΕΠΕΙ ΝΑ ΕΞΑΛΕΙΦΕΙ ΑΠΟ ΤΗ ΘΕΣΗ ΕΓΚΑΤΑΣΤΑΣΗΣ.
7. Η ΕΠΙΛΕΓΜΕΝΗ ΤΟΠΟΘΕΣΙΑ ΔΕΝ ΠΡΕΠΕΙ ΝΑ ΕΧΕΙ ΕΝΑΕΡΙΕΣ ΓΡΑΜΜΕΣ ΗΛΕΚΤΡΙΚΟΥ ΔΙΚΤΥΟΥ Η ΔΕΝΤΡΑ. ΒΕΒΑΙΩΘΕΙΤΕ ΟΤΙ Η ΤΟΠΟΘΕΣΙΑ ΔΕΝ ΠΕΡΙΛΑΜΒΑΝΕΙ ΥΠΟΓΕΙΕΣ ΣΩΛΗΝΟΣΕΙΣ, ΑΓΩΓΟΥΣ Ή ΚΑΛΩΔΙΑ ΟΠΟΙΟΔΗΠΟΤΕ ΕΙΔΟΥΣ.
8. Η ΕΠΙΛΕΓΜΕΝΗ ΤΟΠΟΘΕΣΙΑ ΠΡΕΠΕΙ ΝΑ ΑΠΕΧΕΙ ΠΟΛΥ ΑΠΟ ΤΗΝ ΕΙΣΟΔΟ ΤΟΥ ΣΠΙΤΙΟΥ. ΜΗΝ ΤΟΠΟΘΕΤΕΙΤΕ ΕΠΙΠΛΑ Ή ΑΛΛΟΝ ΕΞΟΦΛΙΣΜΟ ΓΥΡΩ ΑΠΟ ΤΗΝ ΠΙΣΙΝΑ. ΤΟ ΝΕΡΟ ΠΟΥ ΒΓΑΙΝΕΙ ΑΠΟ ΤΗΝ ΠΙΣΙΝΑ ΚΑΤΑ ΤΗ ΧΡΗΣΗ Η ΛΟΓΩ ΕΛΑΤΤΩΜΑΤΙΚΟΥ ΠΡΟΪΟΝΤΟΣ ΜΠΟΡΕΙ ΝΑ ΚΑΤΑΣΤΡΕΦΕΙ ΤΑ ΕΠΙΠΛΑ ΜΕΣΑ ΣΤΟ ΣΠΙΤΙ Ή ΓΥΡΩ ΑΠΟ ΤΗΝ ΠΙΣΙΝΑ.
9. Η ΕΠΙΛΕΓΜΕΝΗ ΕΠΙΦΑΝΕΙΑ ΠΡΕΠΕΙ ΝΑ ΕΙΝΑΙ ΕΠΙΠΕΔΗ ΚΑΙ ΧΩΡΙΣ ΤΡΥΠΕΣ ΟΙ ΟΠΟΙΕΣ ΜΠΟΡΕΙ ΝΑ ΚΑΤΑΣΤΡΕΦΟΥΝ ΤΟ ΥΛΙΚΟ ΤΗΣ ΕΠΕΝΔΥΣΗΣ.

ΑΚΟΛΟΥΘΗΣΤΕ ΤΙΣ ΠΑΡΑΠΑΝΩ ΣΗΜΑΝΤΙΚΕΣ ΟΔΗΓΙΕΣ ΩΣΤΕ ΝΑ ΕΠΙΛΕΞΕΤΕ ΤΗ ΣΩΣΤΗ ΕΠΙΦΑΝΕΙΑ ΚΑΙ ΤΟΠΟΘΕΣΙΑ ΓΙΑ ΝΑ ΕΓΚΑΤΑΣΤΗΣΕΤΕ ΤΗΝ ΠΙΣΙΝΑ ΣΑΣ. ΚΑΤΕΣΤΡΑΜΕΝΑ ΤΜΗΜΑΤΑ ΤΗΣ ΠΙΣΙΝΑΣ, ΛΟΓΩ ΤΟΥ ΓΕΓΟΝΟΤΟΣ ΟΤΙ Η ΕΠΙΦΑΝΕΙΑ ΚΑΙ Η ΤΟΠΟΘΕΣΙΑ ΤΗΣ ΕΓΚΑΤΑΣΤΑΣΗΣ ΔΕΝ ΤΑΙΡΙΑΖΟΥΝ ΜΕ ΤΙΣ ΟΔΗΓΙΕΣ, ΔΕΝ ΘΑ ΘΕΩΡΗΘΟΥΝ ΚΑΤΑΣΚΕΥΑΣΤΙΚΑ ΕΛΑΤΤΩΜΑΤΑ ΚΑΙ ΔΕΝ ΘΑ ΥΠΟΚΕΙΝΤΑΙ ΣΤΗΝ ΕΓΓΥΗΧΗ ΟΥΤΕ ΘΑ ΑΝΑΓΝΩΡΙΣΟΥΝ ΤΥΧΟΝ ΑΙΩΙΩΣΕΙΣ ΣΕΡΒΙΣ.

ΠΡΟΤΙΝΟΜΕΝΕΣ ΕΠΙΦΑΝΕΙΕΣ ΕΓΚΑΤΑΣΤΑΣΗΣ: ΓΡΑΣΙΔΙ, ΕΔΑΦΟΣ, ΣΚΥΡΟΔΕΜΑ ΚΑΙ ΟΛΕΣ ΤΙΣ ΑΛΛΕΣ ΕΠΙΦΑΝΕΙΕΣ ΠΟΥ ΤΗΡΟΥΝ ΤΙΣ ΠΑΡΑΠΑΝΩ ΣΥΝΘΗΚΕΣ ΕΓΚΑΤΑΣΤΑΣΗΣ.
ΜΗ ΠΡΟΤΙΝΟΜΕΝΕΣ ΕΠΙΦΑΝΕΙΕΣ: ΕΠΙΦΑΝΕΙΕΣ ΜΕ ΛΑΣΠΗ, ΑΙΜΜΟ, ΧΑΛΙΚΗ, ΧΑΛΛΑΡΟ ΠΑΤΩΜΑ, ΜΠΑΛΚΟΝΙ, ΕΠΙΦΑΝΕΙΑ ΜΕ ΜΑΛΑΚΟ/ΧΑΛΛΑΡΟ ΧΩΜΑ Η ΟΠΟΙΟΔΗΠΟΤΕ ΑΛΛΗ ΕΠΙΦΑΝΕΙΑ ΔΕΝ ΠΛΗΡΗ ΤΙΣ ΠΑΡΑΠΑΝΩ ΣΥΝΘΗΚΕΣ ΕΓΚΑΤΑΣΤΑΣΗΣ.

ΣΗΜΕΙΩΣΗ: ΕΛΕΓΞΤΕ ΜΕΣΩ ΤΩΝ ΤΟΠΙΚΩΝ ΑΡΜΟΔΙΩΝ ΔΗΜΟΤΙΚΩΝ ΑΡΧΩΝ ΤΗΣ ΠΕΡΙΟΧΗΣ ΣΑΣ ΓΙΑ ΤΟΥΣ ΣΧΕΤΙΚΟΥΣ ΝΟΜΟΥΣ ΚΑΙ ΚΑΝΟΝΙΣΜΟΥΣ ΟΙ ΟΠΟΙΟΙ ΑΦΟΡΟΥΝ ΣΤΗΝ ΠΕΡΙΦΡΑΣΗ, ΣΤΟΥΣ ΦΡΑΚΤΕΣ, ΣΤΙΣ ΑΠΑΙΤΗΣΕΙΣ ΦΩΤΙΣΜΟΥ ΚΑΙ ΑΣΦΑΛΕΙΑΣ, ΚΑΙ ΔΙΑΣΦΑΛΙΣΤΕ ΟΤΙ ΘΑ ΣΥΜΜΟΡΦΟΘΕΙΤΕ ΜΕ ΟΛΟΥΣ ΑΥΤΟΥΣ ΤΟΥΣ ΝΟΜΟΥΣ ΚΑΙ ΚΑΝΟΝΙΣΜΟΥΣ
ΣΗΜΕΙΩΣΗ: ΕΑΝ ΔΙΑΘΕΤΕΤΕ ΜΙΑ ΑΝΤΛΙΑ ΜΕ ΦΙΛΤΡΟ, ΑΝΑΤΡΕΣΤΕ ΣΤΟ ΣΧΕΤΙΚΟ ΕΓΧΕΙΡΙΔΙΟ ΧΡΗΣΗΣ ΤΗΣ ΑΝΤΛΙΑΣ ΓΙΑ ΟΔΗΓΙΕΣ.
ΣΗΜΕΙΩΣΗ: Η ΣΚΑΛΑ ΠΡΕΠΕΙ ΝΑ ΤΑΙΡΙΑΖΕΙ ΤΟ ΜΕΓΕΘΟΣ ΤΗΣ ΠΙΣΙΝΑΣ ΚΑΙ ΠΡΕΠΕΙ ΝΑ ΧΡΗΣΙΜΟΠΟΙΕΙΤΑΙ ΜΟΝΟ ΓΙΑ ΤΗΝ ΕΙΣΟΔΟ ΚΑΙ ΕΞΟΔΟ ΑΠΟ ΤΗΝ ΠΙΣΙΝΑ. ΑΠΑΓΟΡΕΥΕΤΑΙ Η ΥΠΕΡΒΑΣΗ ΤΟΥ ΕΠΙΤΡΕΠΟΜΕΝΟΥ ΩΦΕΛΙΜΟΥ ΦΟΡΤΙΟΥ ΤΗΣ ΣΚΑΛΑΣ. ΝΑ ΕΛΕΓΧΤΕ ΤΑΚΤΙΚΑ ΕΑΝ Η ΣΚΑΛΑ ΕΙΝΑΙ ΣΩΣΤΑ ΣΥΝΑΡΜΟΛΟΓΗΜΕΝΗ.

ΕΓΚΑΤΑΣΤΑΣΗ

Η ΕΓΚΑΤΑΣΤΑΣΗ ΣΥΝΗΘΩΣ ΑΠΑΙΤΕΙ ΠΕΡΙΠΟΥ 10 ΛΕΠΤΑ ΚΑΙ 2-3 ΑΤΟΜΑ ΕΞΑΙΡΩΝΤΑΣ ΤΙΣ ΧΩΜΑΤΟΥΡΓΙΚΕΣ ΕΡΓΑΣΙΕΣ ΚΑΙ ΤΗΝ ΠΛΗΡΩΣΗ.

Η BESTWAY ΔΕΝ ΘΑ ΕΙΝΑΙ ΥΠΕΥΘΥΝΗ ΓΙΑ ΖΗΜΙΕΣ ΠΟΥ

ΠΡΟΚΛΗΘΗΚΑΝ ΣΤΗΝ ΠΙΣΙΝΑ ΛΟΓΩ ΚΑΚΟΜΕΤΑΧΕΙΡΙΣΗΣ Ή ΛΟΓΩ ΜΗ ΣΥΜΜΟΡΦΩΣΗΣ ΜΕ ΑΥΤΕΣ ΤΙΣ ΟΔΗΓΙΕΣ.

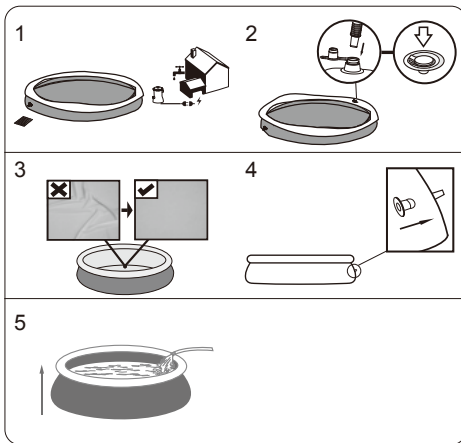
ΠΡΟΣΟΧΗ: ΜΗΝ ΧΡΗΣΙΜΟΠΟΙΕΙΤΕ ΕΥΚΑΜΠΤΟ ΣΩΛΗΝΑ ΑΕΡΑ ΥΨΗΛΗΣ ΠΙΕΣΗΣ ΚΑΙ ΜΗΝ ΠΑΡΑΦΟΥΣΚΟΝΕΤΕ ΤΟΝ ΕΠΑΝΩ ΔΑΚΤΥΛΙΟ, ΘΑ ΠΡΕΠΕΙ ΝΑ ΕΙΝΑΙ ΑΔΑΦΑΡΑ ΣΚΛΗΡΟΣ ΣΤΟ ΑΓΓΙΓΜΑ.
ΣΗΜΕΙΩΣΗ: ΜΗΝ ΧΡΗΣΙΜΟΠΟΙΕΙΤΕ ΕΠΕΚΤΑΣΕΙΣ ΚΑΛΩΔΙΩΝ ΤΡΟΦΟΔΟΣΙΑΣ ΓΙΑ ΤΗΝ ΑΝΤΛΙΑ.

ΠΡΟΣΟΧΗ: ΜΗΝ ΣΕΡΝΕΤΕ ΤΗΝ ΠΙΣΙΝΑ ΣΤΟ ΕΔΑΦΟΣ, ΑΥΤΟ ΜΠΟΡΕΙ ΝΑ ΠΡΟΚΑΛΕΣΕΙ ΒΛΑΒΗ ΣΤΗΝ ΠΙΣΙΝΑ.

ΣΗΜΕΙΩΣΗ: Η ΒΑΣΗ Η Ο ΠΥΘΜΕΝΑΣ ΤΗΣ ΠΙΣΙΝΑΣ ΠΡΕΠΕΙ ΝΑ ΑΠΛΩΝΕΤΑΙ ΣΩΣΤΑ (ΕΠΙΠΕΔΩΣ, ΧΩΡΙΣ ΖΑΡΕΣ)

ΣΗΜΕΙΩΣΗ: ΟΙ ΖΕΣΤΕΣ ΘΕΡΜΟΚΡΑΣΙΕΣ ΕΠΙΔΡΟΥΝ ΣΤΟΝ ΑΕΡΑ ΩΣΤΕ ΝΑ ΔΙΟΓΚΩΣΕΙ ΤΟΝ ΔΑΚΤΥΛΙΟ ΚΑΙ ΕΝΔΕΧΟΜΕΝΩΣ ΝΑ ΠΡΟΚΛΗΘΕΙ ΖΗΜΙΑ. ΑΦΗΣΤΕ ΧΩΡΟ ΓΙΑ ΕΠΕΚΤΑΣΗ. ΓΙΑ ΒΟΗΘΕΙΑ Ή ΣΥΧΝΕΣ ΕΡΩΤΗΣΕΙΣ, ΕΠΙΣΚΕΦΘΕΙΤΕ ΤΟΝ ΙΣΤΟΤΟΠΟ ΜΑΣ, www.bestwaycorp.com.

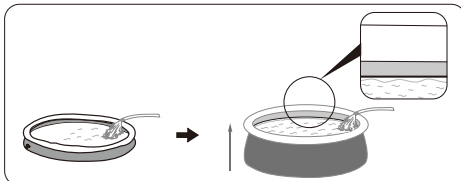
ΣΗΜΕΙΩΣΗ: ΤΑ ΣΧΕΔΙΑ ΕΙΝΑΙ ΜΟΝΟ ΓΙΑ ΛΟΓΟΥΣ ΑΠΕΙΚΟΝΙΣΗΣ. ΜΠΟΡΕΙ ΝΑ ΜΗΝ ΑΝΤΑΠΟΚΡΙΝΟΝΤΑΙ ΣΤΟ ΠΡΑΓΜΑΤΙΚΟ ΠΡΟΪΟΝ. ΔΕΝ ΕΙΝΑΙ ΥΠΟ ΚΛΙΜΑΚΑ.



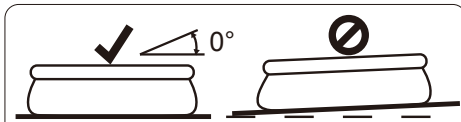
ΓΕΜΙΣΜΑ ΤΗΣ ΠΙΣΙΝΑΣ ΜΕ ΝΕΡΟ

ΠΡΟΣΟΧΗ: ΜΗΝ ΑΦΗΝΕΤΕ ΤΗΝ ΠΙΣΙΝΑ ΧΩΡΙΣ ΕΠΙΒΛΕΨΗ ΚΑΤΑ ΤΟ ΓΕΜΙΣΜΑ ΜΕ ΝΕΡΟ.

1. ΓΕΜΙΣΤΕ ΤΟ ΝΕΡΟ ΕΩΣ ΟΤΟΥ ΦΘΑΣΕΙ ΝΑ ΕΙΝΑΙ ΙΣΑ ΜΕ ΤΟ ΤΟΙΧΩΜΑ ΚΑΙ ΤΟ ΝΕΡΟ ΝΑ ΦΘΑΣΕΙ ΣΤΗ ΓΡΑΜΜΗ ΣΥΓΚΟΛΛΗΣΗΣ. **ΜΗΝ ΤΗΝ ΠΑΡΑΓΕΜΙΖΕΤΕ** ΚΑΘΩΣ ΑΥΤΟ ΜΠΟΡΕΙ ΝΑ ΠΡΟΚΑΛΕΣΕΙ ΤΗΝ ΚΑΤΑΡΕΥΣΗ ΤΗΣ ΠΙΣΙΝΑΣ. ΣΕ ΠΕΡΙΟΔΟΥΣ ΕΝΤΟΝΩΝ ΒΡΟΧΟΠΤΩΣΕΩΝ ΕΝΔΕΧΟΜΕΝΩΣ ΝΑ ΧΡΕΙΑΣΤΕΙ ΝΑ ΑΔΕΙΑΣΕΤΕ ΛΙΓΗ ΠΟΣΟΤΗΤΑ ΝΕΡΟΥ ΩΣΤΕ ΝΑ ΔΙΑΣΦΑΛΙΣΤΕΙ ΟΤΙ Η ΣΤΑΘΜΗ ΕΙΝΑΙ ΣΩΣΤΗ.



2. ΟΤΑΝ ΟΛΟΚΛΗΡΩΘΕΙ Η ΠΛΗΡΩΣΗ ΤΗΣ ΠΙΣΙΝΑΣ, ΕΛΕΓΞΤΕ ΟΤΙ ΤΟ ΝΕΡΟ ΔΕ ΜΑΖΕΥΕΤΑΙ ΣΕ ΟΠΟΙΟΔΗΠΟΤΕ ΠΛΕΥΡΑ ΓΙΑ ΝΑ ΒΕΒΑΙΩΘΕΙΤΕ ΟΤΙ Η ΠΙΣΙΝΑ ΕΙΝΑΙ ΕΠΙΠΕΔΗ.



ΣΗΜΑΝΤΙΚΟ: ΑΝ Η ΠΙΣΙΝΑ ΔΕΝ ΕΙΝΑΙ ΕΠΙΠΕΔΗ, ΠΑΡΟΧΕΤΕΥΣΤΕ ΤΟ ΝΕΡΟ ΚΑΙ ΕΠΑΝΙΣΤΩΣΤΕ ΤΟ ΕΔΑΦΟΣ ΜΕ ΕΚΣΚΑΦΗ. ΜΗΝ ΕΠΙΧΕΙΡΗΣΤΕ ΝΑ ΜΕΤΑΚΙΝΗΣΤΕ ΤΗΝ ΠΙΣΙΝΑ ΜΕ ΝΕΡΟ ΜΕΣΑ ΣΕ ΑΥΤΗΝ. ΜΠΟΡΕΙ ΝΑ ΠΡΟΚΛΗΘΕΙ ΣΟΒΑΡΟΣ ΑΤΟΜΙΚΟΣ ΤΡΑΥΜΑΤΙΣΜΟΣ Ή ΚΑΙ ΒΛΑΒΗ ΣΤΗΝ ΠΙΣΙΝΑ.

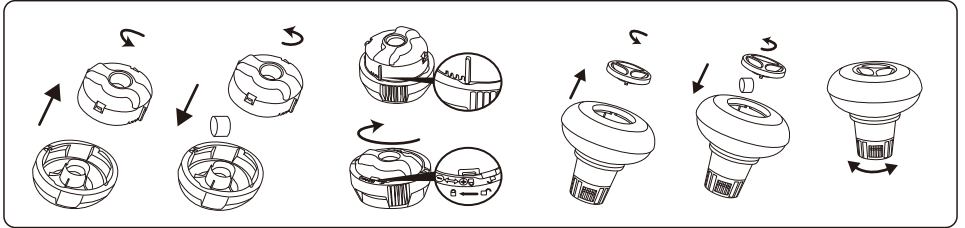
ΠΡΟΕΙΔΟΠΟΙΗΣΗ: Η ΠΙΣΙΝΑ ΣΑΣ ΜΠΟΡΕΙ ΝΑ ΠΕΡΙΚΛΕΙΕΙ ΜΕΓΑΛΗ ΠΙΕΣΗ. ΕΑΝ Η ΠΙΣΙΝΑ ΣΑΣ ΠΑΡΟΥΣΙΑΖΕΙ ΟΠΟΙΟΔΗΠΟΤΕ ΕΞΟΓΚΩΜΑ Η ΑΝΟΜΟΙΟΜΟΡΦΗ ΠΛΕΥΡΑ, ΤΟΤΕ Η ΠΙΣΙΝΑ ΔΕΝ ΕΙΝΑΙ ΟΡΙΖΟΝΤΙΑ, ΟΙ ΠΛΕΥΡΕΣ ΜΠΟΡΕΙ ΝΑ ΣΠΑΣΟΥΝ ΚΑΙ ΤΟ ΝΕΡΟ ΝΑ ΕΚΤΟΝΩΘΕΙ ΞΑΦΝΙΚΑ ΠΡΟΚΑΛΩΝΤΑΣ ΣΟΒΑΡΟ ΤΡΑΥΜΑΤΙΣΜΟ ΚΑΙ/Η ΥΛΙΚΕΣ ΖΗΜΙΕΣ.

ΣΥΝΤΗΡΗΣΗ ΠΙΣΙΝΑΣ

ΕΑΝ ΔΕΝ ΣΥΜΜΟΡΦΩΘΕΙΤΕ ΜΕ ΤΙΣ ΟΔΗΓΙΕΣ ΣΥΝΤΗΡΗΣΗΣ ΠΟΥ ΑΝΑΓΡΑΦΟΝΤΑΙ ΚΑΙ ΕΠΙΣΗΜΑΙΝΟΝΤΑΙ ΠΑΡΑΚΑΤΩ, Η ΥΓΕΙΑ ΣΑΣ ΜΠΟΡΕΙ ΝΑ ΤΕΘΕΙ ΣΕ ΚΙΝΔΥΝΟ, ΙΔΙΑΙΤΕΡΩΣ ΔΕ ΑΥΤΗ ΤΩΝ ΠΑΙΔΙΩΝ.

ΧΡΗΣΗ ΧΗΜΙΚΩΝ ΤΑΜΠΛΕΤΩΝ (ΔΕΝ ΠΕΡΙΛΑΜΒΑΝΟΝΤΑΙ)

ΣΗΜΕΙΩΣΗ: ΤΟ "Chemconnect" (ΧΗΜΙΚΟΣ ΣΥΝΔΕΤΗΡΑΣ) Ή ΤΟ "Chemical Floater" (ΧΗΜΙΚΟΣ ΠΛΩΤΗΡΑΣ) ΠΡΕΠΕΙ ΝΑ ΧΡΗΣΙΜΟΠΟΙΟΥΝΤΑΙ ΟΤΑΝ ΚΑΝΕΤΕ ΧΗΜΙΚΗ ΣΥΝΤΗΡΗΣΗ ΜΕ ΔΙΣΚΙΑ. ΤΟ ΣΤΟΙΧΕΙΟ ΠΟΥ ΑΓΟΡΑΖΑΤΕ ΜΠΟΡΕΙ ΝΑ ΜΗΝ ΠΕΡΙΛΑΜΒΑΝΕΙ ΚΑΝΕΝΑΝ ΑΠΟ ΑΥΤΟΥΣ ΤΟΥΣ ΔΙΑΝΕΜΗΤΕΣ, ΣΕ ΑΥΤΗ ΤΗ ΠΕΡΙΠΤΩΣΗ ΕΠΙΣΚΕΦΘΕΙΤΕ ΤΗΝ ΙΣΤΟΣΕΛΙΔΑ ΜΑΣ www.bestwaycorp.com Η ΤΟΝ ΠΛΗΣΙΕΣΤΕΡΟ ΑΝΤΙΠΡΟΣΩΠΟ ΤΗΣ ΠΙΣΙΝΑΣ.



ΣΗΜΑΝΤΙΚΟ: ΜΗΝ ΧΡΗΣΙΜΟΠΟΙΕΙΤΕ ΘΥΡΜΑΤΙΣΜΕΝΑ ΣΕ ΚΟΚΚΟΥΣ ΔΙΣΚΙΑ Η ΠΕΤΑΞΕ ΤΟ ΔΙΣΚΙΟ ΑΠΕΥΘΕΙΑΣ ΣΤΟ ΝΕΡΟ. ΟΙ ΧΗΜΙΚΕΣ ΟΥΣΙΕΣ ΜΠΟΡΕΙ ΝΑ ΕΝΑΠΟΤΕΘΟΥΝ ΣΤΟ ΚΑΤΩ ΜΕΡΟΣ, ΝΑ ΒΛΑΨΟΥΝ ΤΟ ΥΛΙΚΟ ΚΑΙ ΝΑ ΑΠΟΧΡΩΜΑΤΙΣΟΥΝ ΤΟ PVC.

ΧΡΗΣΗ ΧΗΜΙΚΟΥ ΥΓΡΟΥ (ΔΕΝ ΠΕΡΙΛΑΜΒΑΝΕΤΑΙ)

ΣΗΜΑΝΤΙΚΟ: ΠΡΟΣΘΕΤΕΣ ΧΗΜΙΚΟ ΥΓΡΟ ΣΕ ΜΙΚΡΕΣ ΔΟΣΕΙΣ ΚΑΙ ΣΤΟ ΚΕΝΤΡΟ ΤΗΣ ΠΙΣΙΝΑΣ ΩΣΤΕ ΝΑ ΑΠΟΦΥΓΕΤΕ ΤΗΝ ΑΜΕΣΗ ΕΠΑΦΗ ΤΩΝ ΧΗΜΙΚΩΝ ΟΥΣΙΩΝ ΜΕ ΤΗΝ ΕΠΙΦΑΝΕΙΑ PVC. Η ΑΜΕΣΗ ΕΠΑΦΗ ΜΠΟΡΕΙ ΝΑ ΚΑΤΑΣΤΡΕΦΕΙ ΤΟ ΥΛΙΚΟ ΚΑΙ ΝΑ ΑΠΟΧΡΩΜΑΤΙΣΕΙ ΤΗΝ ΕΠΙΦΑΝΕΙΑ.

ΣΗΜΕΙΩΣΗ: ΑΦΑΙΡΕΣΤΕ ΤΟΝ ΧΗΜΙΚΟ ΔΙΑΝΟΜΕΑ ΑΠΟ ΤΗΝ ΠΙΣΙΝΑ, ΟΤΑΝ Η ΠΙΣΙΝΑ ΕΙΝΑΙ ΣΕ ΧΡΗΣΗ.

ΣΗΜΑΝΤΙΚΟ: ΜΕΤΑ ΤΗΝ ΕΚΤΕΛΕΣΗ ΤΗΣ ΧΗΜΙΚΗΣ ΣΥΝΤΗΡΗΣΗΣ ΚΑΙ ΠΡΙΝ ΤΗ ΧΡΗΣΗ ΤΗΣ ΠΙΣΙΝΑΣ, ΧΡΗΣΙΜΟΠΟΙΗΣΤΕ ΕΝΑ ΚΙΤ ΔΟΚΙΜΗΣ (ΔΕΝ ΠΕΡΙΛΑΜΒΑΝΕΤΑΙ) ΩΣΤΕ ΝΑ ΔΟΚΙΜΑΣΕΤΕ ΤΗ ΧΗΜΕΙΑ ΤΟΥ ΝΕΡΟΥ. ΣΑΣ ΣΥΝΙΣΤΟΥΜΕ ΝΑ ΔΙΑΤΗΡΕΙΤΕ ΤΟ ΝΕΡΟ ΣΥΜΦΩΝΑ ΜΕ ΤΟΝ ΠΑΡΑΚΑΤΩ ΠΙΝΑΚΑ.

ΠΑΡΑΜΕΤΡΟΙ	ΤΙΜΕΣ
ΔΙΑΥΓΕΙΑ ΝΕΡΟΥ	ΚΑΘΑΡΗ ΘΕΑ ΤΟΥ ΠΥΘΜΕΝΑ ΤΗΣ ΠΙΣΙΝΑΣ
ΧΡΩΜΑ ΝΕΡΟΥ	ΔΕΝ ΠΡΕΠΕΙ ΝΑ ΠΑΡΗΤΗΡΕΙΤΑΙ ΧΡΩΜΑ
ΘΟΛΟΤΗΤΑ ΣΕ FNU / NTU	ΜΕΓΙΣΤΟ 1,5 (ΚΑΤΑ ΠΡΟΤΙΜΗΣΗ ΜΙΚΡΟΤΕΡΟ ΑΠΟ 0,5)
ΣΥΓΚΕΝΤΡΩΣΗ ΝΙΤΡΙΚΟΥ ΑΛΑΤΟΣ ΜΕΓΑΛΥΤΕΡΗ ΑΠΟ ΕΚΕΙΝΗ ΤΗΣ ΠΛΗΡΩΣΗΣ ΜΕ ΝΕΡΟ ΣΕ mg/l	ΜΕΓΙΣΤΟ 20
ΟΛΙΚΟΣ ΟΡΓΑΝΙΚΟΣ ΑΝΘΡΑΚΑΣ (ΤΟC) ΣΕ mg/l	ΜΕΓΙΣΤΟ 4,0
ΔΥΝΑΜΙΚΗ ΟΞΕΙΔΩΑΝΑΓΩΓΗ ΕΝΑΝΤΙ Ag/AgCl 3,5 ΜΕΤΡΑ ΚCl ΣΕ mV	ΕΛΑΧΙΣΤΟ 650
ΤΙΜΗ pH	6,8 ΕΩΣ 7,6
ΕΛΕΥΘΕΡΟ ΕΝΕΡΓΟ ΧΛΩΡΙΟ (ΧΩΡΙΣ ΚΥΑΝΟΥΡΙΚΟ ΟΞΥ) ΣΕ mg/l	0,3 ΕΩΣ 1,5
ΧΡΗΣΙΜΟΠΟΙΕΙΤΑΙ ΕΛΕΥΘΕΡΟ ΧΛΩΡΙΟ ΣΕ ΣΥΝΔΥΑΣΜΟ ΜΕ ΚΥΑΝΟΥΡΙΚΟ ΟΞΥ ΣΕ mg/l	1,0 ΕΩΣ 3,0
ΚΥΑΝΟΥΡΙΚΟ ΟΞΥ ΣΕ mg/l	ΜΕΓΙΣΤΟ 100
ΣΥΝΔΥΑΣΜΕΝΟ ΧΛΩΡΙΟ ΣΕ mg/l	ΜΕΓΙΣΤΟ 0,5 (ΚΑΤΑ ΠΡΟΤΙΜΗΣΗ ΚΟΝΤΑ ΣΤΟ 0,0 mg/l)

ΣΗΜΕΙΩΣΗ: ΖΗΜΙΕΣ ΠΟΥ ΠΡΟΚΥΠΤΟΥΝ ΑΠΟ ΧΗΜΙΚΗ ΑΝΙΣΟΡΡΟΠΙΑ ΔΕΝ ΚΑΛΥΠΤΟΝΤΑΙ ΑΠΟ ΤΗΝ ΕΓΓΥΗΣΗ. ΤΑ ΧΗΜΙΚΑ ΠΙΣΙΝΑΣ ΕΙΝΑΙ ΠΙΘΑΝΟΝ ΤΟΣΙΣΤΑ ΚΑΙ ΓΙ' ΑΥΤΟ ΘΑ ΠΡΕΠΕΙ ΝΑ ΧΕΙΡΙΖΟΝΤΑΙ ΜΕ ΠΡΟΣΟΧΗ. ΥΠΑΡΧΟΥΝ ΣΟΒΑΡΟΙ ΚΙΝΔΥΝΟΙ ΓΙΑ ΤΗΝ ΥΓΕΙΑ ΑΠΟ ΧΗΜΙΚΟΥΣ ΑΤΜΟΥΣ ΚΑΙ ΑΠΟ ΤΗΝ ΛΑΝΘΑΣΜΕΝΗ ΣΗΜΑΝΣΗ ΚΑΙ ΑΠΟΘΗΚΕΥΣΗ ΤΩΝ ΔΟΧΕΙΩΝ ΜΕ ΤΑ ΧΗΜΙΚΑ. ΠΑΡΑΚΑΛΩΜΕΝΑ ΝΑ ΣΥΜΒΟΥΛΕΥΘΕΙΤΕ ΤΟ ΤΟΠΙΚΟ ΚΑΤΑΣΤΗΜΑ ΠΩΛΗΣΗΣ ΥΛΙΚΩΝ ΠΙΣΙΝΑΣ ΓΙΑ ΠΕΡΙΣΣΟΤΕΡΕΣ ΠΛΗΡΟΦΟΡΙΕΣ ΣΧΕΤΙΚΑ ΜΕ ΤΗΝ ΧΗΜΙΚΗ ΣΥΝΤΗΡΗΣΗ. ΔΩΣΤΕ ΠΡΟΣΟΧΗ ΣΤΙΣ ΟΔΗΓΙΕΣ ΤΟΥ ΚΑΤΑΣΚΕΥΑΣΤΗ ΤΩΝ ΧΗΜΙΚΩΝ. ΖΗΜΙΕΣ ΣΤΗΝ ΠΙΣΙΝΑ ΠΟΥ ΠΡΟΚΥΠΤΟΥΝ ΑΠΟ ΛΑΝΘΑΣΜΕΝΗ ΧΡΗΣΗ ΤΩΝ ΧΗΜΙΚΩΝ ΚΑΙ ΚΑΚΗ ΔΙΑΧΕΙΡΙΣΗ ΤΟΥ ΝΕΡΟΥ ΤΗΣ ΠΙΣΙΝΑΣ ΔΕΝ ΚΑΛΥΠΤΟΝΤΑΙ ΑΠΟ ΤΗΝ ΕΓΓΥΗΣΗ.

ΣΗΜΑΝΤΙΚΟ: Η ΥΠΕΡΒΟΛΙΚΗ ΧΡΗΣΗ ΧΗΜΙΚΩΝ ΟΥΣΙΩΝ ΜΠΟΡΕΙ ΝΑ ΑΠΟΧΡΩΜΑΤΙΣΕΙ ΤΗΝ ΕΚΤΥΠΩΣΗ ΚΑΙ ΟΛΑ ΤΑ ΣΧΕΤΙΚΑ ΣΗΜΕΙΑ ΤΟΥ ΥΛΙΚΟΥ ΤΗΣ ΠΙΣΙΝΑΣ. ΜΠΟΡΕΙ ΕΠΙΣΗΣ ΝΑ ΚΑΤΑΣΤΡΕΦΕΙ ΤΗ ΔΟΜΗ ΤΗΣ ΕΠΕΝΔΥΣΗΣ ΤΗΣ ΠΙΣΙΝΑΣ.

ΓΙΑ ΝΑ ΔΙΑΤΗΡΕΙΤΕ ΤΗΝ ΠΙΣΙΝΑ ΚΑΘΑΡΗ:

1. ΕΠΙΚΟΙΝΩΝΗΣΤΕ ΜΕ ΤΟ ΤΟΠΙΚΟ ΚΑΤΑΣΤΗΜΑ ΤΗΣ ΠΙΣΙΝΑΣ ΓΙΑ ΣΥΜΒΟΥΛΕΣ ΚΑΙ ΑΓΟΡΑ ΧΗΜΙΚΩΝ ΚΑΙ ΚΙΤ pH. ΕΝΑΣ ΑΠΟ ΤΟΥΣ ΣΗΜΑΝΤΙΚΟΤΕΡΟΥΣ ΠΑΡΑΓΟΝΤΕΣ ΓΙΑ ΤΗΝ ΑΥΞΗΣΗ ΤΗΣ ΔΙΑΡΚΕΙΑΣ ΖΩΗΣ ΤΗΣ ΕΠΕΝΔΥΣΗΣ ΕΙΝΑΙ ΝΑ ΔΙΑΤΗΡΕΙΤΑΙ ΣΥΝΕΧΩΣ ΚΑΘΑΡΟ ΚΑΙ ΥΓΙΕΙΝΟ ΝΕΡΟ. ΑΚΟΛΟΥΘΗΣΤΕ ΑΥΣΗΤΗΡΑ ΤΙΣ ΣΧΕΤΙΚΕΣ ΟΔΗΓΙΕΣ ΑΠΟ ΕΠΑΓΓΕΛΜΑΤΙΕΣ ΤΕΧΝΙΚΟΥΣ ΓΙΑ ΤΗΝ ΕΠΕΞΕΡΓΑΣΙΑ ΤΟΥ

- ΝΕΡΟΥ ΜΕΣΩ ΤΗΣ ΧΡΗΣΗΣ ΧΗΜΙΚΩΝ ΟΥΣΙΩΝ.
2. ΤΟΠΟΘΕΤΗΣΤΕ ΕΝΑΝ ΚΑΔΟ ΜΕ ΝΕΡΟ ΔΙΠΛΑ ΣΤΗΝ ΠΙΣΙΝΑ ΩΣΤΕ ΟΙ ΧΡΗΣΤΕΣ ΝΑ ΚΑΘΑΡΙΖΟΥΝ ΤΑ ΠΟΔΙΑ ΤΟΥΣ ΠΡΙΝ ΜΠΟΥΝ ΣΤΗΝ ΠΙΣΙΝΑ.
 3. ΚΑΛΥΨΤΕ ΕΝΤΕΛΩΣ ΤΗΝ ΠΙΣΙΝΑ ΟΤΑΝ ΔΕΝ ΤΗ ΧΡΗΣΙΜΟΠΟΙΕΙΤΕ.
 4. ΑΔΕΙΑΖΕΤΕ ΤΑΚΤΙΚΑ ΤΗΝ ΠΙΣΙΝΑ ΩΣΤΕ ΝΑ ΑΠΟΦΥΓΕΤΕ ΤΗ ΡΥΠΑΝΣΗ.
 5. ΕΛΕΓΧΤΕ ΚΑΙ ΚΑΘΑΡΙΖΕΤΕ ΤΑΚΤΙΚΑ ΤΗΝ ΚΑΣΕΤΑ ΦΙΛΤΡΟΥ.
 6. ΚΑΘΑΡΙΣΤΕ ΑΠΑΛΑ ΑΠΟ ΚΑΤΩ ΕΩΣ ΤΟΝ ΕΠΙΑΝΩ ΔΑΚΤΥΛΙΟ ΜΕ ΕΝΑ ΚΑΘΑΡΟ ΠΑΝΙ ΑΠΟΜΑΚΡΥΝΟΝΤΑΣ ΟΠΟΙΟΔΗΠΟΤΕ ΞΕΝΟ ΣΩΜΑ ΥΠΑΡΧΕΙ.
 7. ΣΕ ΠΕΡΙΠΤΩΣΗ ΒΡΟΧΗΣ, ΝΑ ΕΛΕΓΞΕΤΕ ΠΡΟΣΕΚΤΙΚΑ ΟΤΙ Η ΣΤΑΘΜΗ ΤΟΥ ΝΕΡΟΥ ΔΕΝ ΕΙΝΑΙ ΥΨΗΛΟΤΕΡΗ ΑΠΟ ΤΗΝ ΑΝΑΜΕΝΟΜΕΝΗ. ΕΑΝ ΕΙΝΑΙ, ΤΟΤΕ ΠΡΕΠΕΙ ΝΑ ΑΔΕΙΑΖΕΤΕ ΤΟ ΠΛΕΟΝΑΖΩΝ ΝΕΡΟ.
 8. ΕΑΝ ΒΡΕΧΕΙ, ΕΛΕΓΞΤΕ ΟΤΙ Η ΣΤΑΘΜΗ ΤΟΥ ΝΕΡΟΥ ΔΕΝ ΕΙΝΑΙ ΥΨΗΛΟΤΕΡΗ ΑΠΟ ΤΟ ΚΑΘΟΡΙΣΜΕΝΟ ΕΠΙΠΕΔΟ. ΕΑΝ ΤΟ ΝΕΡΟ ΥΠΕΡΒΕΙ ΤΟ ΚΑΘΟΡΙΣΜΕΝΟ ΕΠΙΠΕΔΟ, ΑΠΟΣΤΡΑΓΓΙΣΤΕ ΤΟ ΠΛΕΟΝΑΖΩΝ ΩΣΤΕ Η ΠΙΣΙΝΑ ΝΑ ΕΧΕΙ ΝΕΡΟ ΜΕΧΡΙ ΤΟ ΚΑΘΟΡΙΣΜΕΝΟ ΕΠΙΠΕΔΟ.

Η ΣΩΣΤΗ ΣΥΝΤΗΡΗΣΗ ΜΠΟΡΕΙ ΝΑ ΜΕΓΙΣΤΟΠΟΙΗΣΕΙ ΤΗ ΔΙΑΡΚΕΙΑ ΖΩΗΣ ΤΗΣ ΠΙΣΙΝΑΣ ΣΑΣ.

ΚΑΤΑ ΤΗ ΔΙΑΡΚΕΙΑ ΤΗΣ ΧΡΗΣΗΣ ΤΗΣ ΠΙΣΙΝΑΣ, ΤΟ ΣΥΣΤΗΜΑ ΦΙΛΤΡΑΡΙΣΜΑΤΟΣ ΠΡΕΠΕΙ ΝΑ ΘΙΘΕΤΑΙ ΥΠΟΧΡΕΩΤΙΚΑ ΣΕ ΛΕΙΤΟΥΡΓΙΑ ΚΑΘΕ ΗΜΕΡΑ, ΑΡΚΕΤΟΣ ΧΡΟΝΟΣ ΩΣΤΕ ΝΑ ΕΞΑΣΦΑΛΙΣΤΕΙ ΤΟΥΛΑΧΙΣΤΟΝ ΜΙΑ ΠΛΗΡΗΣ ΑΝΑΝΕΩΣΗ ΤΟΥ ΟΓΚΟΥ ΤΟΥ ΝΕΡΟΥ.

ΣΗΜΕΙΩΣΗ: Η ΑΝΤΛΙΑ ΧΡΗΣΙΜΟΠΟΙΕΙΤΑΙ ΓΙΑ ΝΑ ΚΥΚΛΟΦΟΡΕΙ ΤΟ ΝΕΡΟ ΚΑΙ ΓΙΑ ΝΑ ΦΙΛΤΡΑΡΕΙ ΤΑ ΜΙΚΡΑ ΣΩΜΑΤΙΔΙΑ. ΓΙΑ ΝΑ ΔΙΑΤΗΡΗΣΕΤΕ ΤΟ ΝΕΡΟ ΤΗΣ ΠΙΣΙΝΑΣ ΚΑΘΑΡΟ ΚΑΙ ΥΓΙΕΙΝΟ, ΠΡΕΠΕΙ ΝΑ ΠΡΟΣΘΕΣΕΤΕ ΧΗΜΙΚΑ.

ΕΠΙΣΚΕΥΗ

ΣΕ ΠΕΡΙΠΤΩΣΗ ΔΙΑΡΡΟΗΣ, ΕΠΙΔΙΟΡΘΩΣΤΕ ΤΗΝ ΠΙΣΙΝΑ ΧΡΗΣΙΜΟΠΟΙΩΝΤΑΣ ΤΟ ΥΠΟΒΡΥΧΙΟ ΑΥΤΟΚΟΛΛΗΤΟ ΕΠΙΡΑΜΜΑ ΕΠΙΣΚΕΥΗΣ ΠΟΥ ΠΑΡΕΧΕΤΑΙ. ΜΠΟΡΕΙΤΕ ΝΑ ΒΡΕΙΤΕ ΤΙΣ ΟΔΗΓΙΕΣ ΣΤΟ ΠΕΔΙΟ «ΣΥΧΝΕΣ ΕΡΩΤΗΣΕΙΣ» ΣΤΗΝ ΕΝΟΤΗΤΑ ΥΠΟΣΤΗΡΙΞΗΣ ΤΗΣ ΙΣΤΟΣΕΛΙΔΑΣ ΜΑΣ, www.bestwaycorp.com.

ΑΠΟΣΥΝΑΡΜΟΛΟΓΗΣΗ


1. ΞΕΒΙΔΩΣΤΕ ΑΡΙΣΤΕΡΟΣΤΡΟΦΑ ΤΟ ΚΑΠΑΚΙ ΤΗΣ ΒΑΛΒΙΔΑΣ ΑΠΟΣΤΡΑΓΓΙΣΗΣ ΚΑΙ ΑΦΑΙΡΕΣΤΕ ΤΟ.
2. ΣΥΝΔΕΣΤΕ ΤΟΝ ΠΡΟΣΑΡΜΟΓΕΑ ΣΤΟΝ ΕΥΚΑΜΠΤΟ ΣΩΛΗΝΑ ΚΑΙ ΤΟΠΟΘΕΤΗΣΤΕ ΤΟ ΑΛΛΟ ΑΚΡΟ ΤΟΥ ΕΥΚΑΜΠΤΟΥ ΣΩΛΗΝΑ ΣΤΗΝ ΠΕΡΙΟΧΗ ΟΠΟΥ ΠΡΟΚΕΙΤΑΙ ΝΑ ΑΠΟΣΤΡΑΓΓΙΣΕΤΕ ΤΗΝ ΠΙΣΙΝΑ. (ΕΛΕΓΞΤΕ ΤΟΥΣ ΤΟΠΙΚΟΥΣ ΚΑΝΟΝΙΣΜΟΥΣ ΓΙΑ ΤΟΥΣ ΚΑΝΟΝΙΣΜΟΥΣ ΑΠΟΣΤΡΑΓΓΙΣΗΣ).
3. ΒΙΔΩΣΤΕ ΔΕΞΙΟΣΤΡΟΦΑ ΤΟ ΔΑΚΤΥΛΙΟ ΕΛΕΓΧΟΥ ΤΟΥ ΠΡΟΣΑΡΜΟΓΕΑ ΓΙΑ ΕΥΚΑΜΠΤΟΥΣ ΣΩΛΗΝΕΣ ΠΑΝΩ ΣΤΗ ΒΑΛΒΙΔΑ ΑΠΟΣΤΡΑΓΓΙΣΗΣ. Η ΒΑΛΒΙΔΑ ΑΠΟΣΤΡΑΓΓΙΣΗΣ ΘΑ ΑΝΟΙΞΕΙ ΚΑΙ ΤΟ ΝΕΡΟ ΘΑ ΑΡΧΙΣΕΙ ΝΑ ΑΠΟΣΤΡΑΓΓΙΖΕΤΑΙ ΑΥΤΟΜΑΤΑ. ΑΝΟΙΞΤΕ ΤΗ ΒΑΛΒΙΔΑ ΑΠΟΣΤΡΑΓΓΙΣΗΣ ΣΤΗ ΜΕΓΙΣΤΗ ΘΕΣΗ.
4. ΞΕΦΟΥΣΚΩΣΤΕ ΤΟΝ ΕΠΙΑΝΩ ΔΑΚΤΥΛΙΟ ΠΙΕΖΟΝΤΑΣ ΤΗ ΒΑΛΒΙΔΑ ΑΕΡΑ.
5. ΟΤΑΝ Ο ΕΠΙΑΝΩ ΔΑΚΤΥΛΙΟΣ ΕΧΕΙ ΞΕΦΟΥΣΚΩΣΕΙ ΕΝΤΕΛΩΣ, ΠΙΕΣΤΕ ΤΟΝ ΕΠΙΑΝΩ ΔΑΚΤΥΛΙΟ ΠΡΟΣ ΤΑ ΚΑΤΩ ΚΑΙ ΔΩΣΤΕ ΤΟΥ ΚΛΙΣΗ ΓΙΑ ΕΥΚΟΛΗ ΑΠΟΣΤΡΑΓΓΙΣΗ ΤΗΣ ΠΙΣΙΝΑΣ. ΑΠΟΣΤΡΑΓΓΙΣΤΕ ΕΝΤΕΛΩΣ ΤΟ ΝΕΡΟ ΣΤΗΝ ΠΙΣΙΝΑ.
6. ΟΤΑΝ ΟΛΟΚΛΗΡΩΘΕΙ Η ΑΠΟΣΤΡΑΓΓΙΣΗ, ΞΕΒΙΔΩΣΤΕ ΤΟ ΔΑΚΤΥΛΙΟ ΕΛΕΓΧΟΥ ΓΙΑ ΝΑ ΚΛΕΙΣΕΤΕ ΤΗ ΒΑΛΒΙΔΑ.
7. ΑΠΟΣΥΝΔΕΣΤΕ ΤΟΝ ΕΥΚΑΜΠΤΟ ΣΩΛΗΝΑ.
8. ΒΙΔΩΣΤΕ ΞΑΝΑ ΤΟ ΚΑΠΑΚΙ ΣΤΗ ΒΑΛΒΙΔΑ ΑΠΟΣΤΡΑΓΓΙΣΗΣ.
9. ΣΤΕΓΝΩΣΤΕ ΤΗΝ ΠΙΣΙΝΑ ΣΤΟΝ ΑΕΡΑ.

ΦΥΛΑΞΗ

1. ΠΑΡΑΚΑΛΟΥΜΕ ΑΦΑΙΡΕΣΤΕ ΟΛΑ ΤΑ ΕΞΑΡΤΗΜΑΤΑ ΚΑΙ ΑΝΤΑΛΛΑΚΤΙΚΑ ΑΠΟ ΤΗΝ ΠΙΣΙΝΑ ΚΑΙ ΑΠΟΘΗΚΕΥΣΤΕ ΤΑ ΚΑΘΑΡΑ ΚΑΙ ΣΤΕΓΝΑ.
2. ΜΟΛΙΣ Η ΠΙΣΙΝΑ ΣΤΕΓΝΩΣΕΙ ΕΝΤΕΛΩΣ, ΠΑΣΠΑΛΙΣΤΕ ΤΗΝ ΜΕ ΤΑΛΚ ΓΙΑ ΝΑ ΕΜΠΟΔΙΣΕΤΕ ΤΗΝ ΠΙΣΙΝΑ ΝΑ ΚΟΛΛΗΣΕΙ, ΔΙΠΛΩΣΤΕ ΠΡΟΣΕΚΤΙΚΑ ΤΗΝ ΠΙΣΙΝΑ. ΕΑΝ Η ΠΙΣΙΝΑ ΔΕΝ ΕΙΝΑΙ ΕΝΤΕΛΩΣ ΣΤΕΓΝΗ, ΜΠΟΡΕΙ ΝΑ ΕΜΦΑΝΙΣΤΕΙ ΜΟΥΧΛΑ Η ΟΠΟΙΑ ΘΑ ΚΑΤΑΣΤΡΕΨΕΙ ΤΗΝ ΕΠΕΝΔΥΣΗ ΤΗΣ ΠΙΣΙΝΑΣ.
3. ΑΠΟΘΗΚΕΥΣΤΕ ΤΗΝ ΕΠΕΝΔΥΣΗ ΚΑΙ ΤΑ ΑΞΕΣΟΥΑΡ ΣΕ ΣΤΕΓΝΟ ΧΩΡΟ ΜΕ ΜΙΑ ΜΕΤΡΙΑ ΘΕΡΜΟΚΡΑΣΙΑ ΜΕΤΑΞΥ 5°C ΚΑΙ 38°C.
4. ΚΑΤΑ ΤΗ ΒΡΟΧΕΡΗ ΠΕΡΙΟΔΟ, Η ΠΙΣΙΝΑ ΚΑΙ ΤΑ ΕΞΑΡΤΗΜΑΤΑ ΘΑ ΠΡΕΠΕΙ ΕΠΙΣΗΣ ΝΑ ΑΠΟΘΗΚΕΥΟΝΤΑΙ ΣΥΜΦΩΝΑ ΜΕ ΤΙΣ ΠΑΡΑΡΤΑΝΩ ΟΔΗΓΙΕΣ.
5. Η ΛΑΝΘΑΣΜΕΝΗ ΑΠΟΣΤΡΑΓΓΙΣΗ ΤΗΣ ΠΙΣΙΝΑΣ ΜΠΟΡΕΙ ΝΑ ΠΡΟΚΑΛΕΣΕΙ ΣΟΒΑΡΟ ΠΡΟΣΩΠΙΚΟ ΤΡΑΥΜΑΤΙΣΜΟ ΚΑΙ/Η ΖΗΜΙΑ ΣΕ ΠΡΟΣΩΠΙΚΗ ΠΕΡΙΟΥΣΙΑ.
6. ΣΑΣ ΣΥΝΙΣΤΟΥΜΕ Η ΠΙΣΙΝΑ ΝΑ ΑΠΟΣΥΝΑΡΜΟΛΟΓΕΙΤΑΙ ΚΑΤΑ ΤΗ ΔΙΑΡΚΕΙΑ ΤΗΣ ΕΚΤΟΣ ΧΡΗΣΗΣ ΠΕΡΙΟΔΟΥ (ΧΕΙΜΕΡΙΝΟΙ ΜΗΝΕΣ). ΑΠΟΘΗΚΕΥΣΤΕ ΣΕ ΞΗΡΟ ΧΩΡΟ ΜΑΚΡΙΑ ΑΠΟ ΠΛΙΔΙΑ.

БАСЕЙНЫ БЫСТРОЙ УСТАНОВКИ FAST SET™ РУКОВОДСТВО ДЛЯ ВЛАДЕЛЬЦА



Посетите канал Bestway на YouTube 

ВНИМАНИЕ

Внимательно прочитайте информацию в руководстве пользователя, убедитесь в том, что вам все понятно, и следуйте указаниям при установке и использовании бассейна. Эти предостережения, инструкции, меры предосторожности предупреждают о некоторых распространенных рисках отдыха и игр в воде, но не покрывают всех рисков и все возможные опасности. Будьте осторожны, рассудительны и разумны при отдыхе и играх в воде. Сохраните эту брошюру для дальнейшего использования в справочных целях.

Безопасность пользователей, не умеющих плавать

- Компетентный взрослый должен постоянно внимательно и активно присматривать за детьми, которые не умеют плавать или плавают не очень хорошо (помните, что наибольшему риску утонуть подвержены дети до пяти лет).
- Каждый раз при использовании бассейна поручайте наблюдение за детьми компетентному взрослому.
- Дети, которые не умеют плавать или плавают не очень хорошо, должны использовать специальное защитное снаряжение при использовании бассейна.
- Когда бассейн не используется, или когда за ним никто не присматривает, уберите все игрушки из бассейна и прилегающей зоны, чтобы дети не могли заинтересоваться ими и приблизиться к бассейну.

Устройства, обеспечивающие безопасность

- Чтобы предотвратить риск утопления детей, рекомендуется закрыть доступ в бассейн защитным ограждением. Чтобы помешать детям карабкаться на впускной и выпускной клапаны, рекомендуется установить ограждение (и блокировать все окна и двери, если они имеются), чтобы предотвратить доступ в бассейн без разрешения.
- Ограждения, покрытия бассейна, сигнализация в бассейне и прочие защитные устройства полезны, но они не могут заменить постоянное и компетентное наблюдение, осуществляемое взрослыми.

Оборудование, обеспечивающее безопасность

- Рекомендуется хранить спасательное оборудование (напр., спасательный круг) в непосредственной близости от бассейна.
- Держите работающий телефон и список номеров телефонов экстренной связи в непосредственной близости от бассейна.

Безопасное использование бассейна

- Посоветуйте всем пользователям, особенно детям, научиться плавать.
- Изучите базовые техники экстренной первой помощи (сердечно-легочная реанимация - СЛР) и регулярно освежайте ваши знания. Если произойдет несчастный случай, вы сможете спасти жизнь человека.
- Объясните все пользователям бассейна, особенно детям, что делать в случае чрезвычайного происшествия.
- Никогда не ныряйте на мелководье. Это может привести к серьезным травмам или смерти.
- Не используйте бассейн, если вы выпили алкогольный напиток или приняли лекарство, которое может негативно повлиять на вашу способность безопасно пользоваться бассейном.
- Если вы используете покрытие бассейна, полностью уберите его с поверхности воды перед тем, как использовать бассейн.
- Защищайте пользователей бассейна от болезней, которые могут передаваться через воду, регулярно очищая воду и следуя правилам гигиены. Следуйте инструкциям по очистке воды,

содержащимся в этом руководстве пользователя.

- Храните химикаты (напр., для очистки воды, чистящие и дезинфицирующие средства) в недоступном для детей месте.
- Используйте указанные ниже предупредительные знаки. Знаки должны быть установлены на видном месте на расстоянии 2 м от бассейна.



В воде дети должны находиться под присмотром взрослых. Нырять запрещается

- Съемные лестницы должны быть установлены на ровной поверхности.
- Независимо от материалов, из которых изготовлен бассейн, регулярно проверяйте доступные поверхности, чтобы избежать риска травм.
- Регулярно проверяйте болты и винты; удаляйте обломки и острые углы, чтобы избежать риска травм.
- **ВНИМАНИЕ:** Не оставляйте бассейн со слитой водой на улице. Пустой бассейн может деформироваться и/или опрокинуться от ветра.
- Если в комплект поставки входит фильтрующий насос, см. инструкции в руководстве пользователя насоса. см. инструкции в руководстве пользователя насоса.
- **ВНИМАНИЕ!** Запрещается пользоваться насосом, когда люди находятся в бассейне!
- Если в комплект поставки входит лестница, см. инструкции в руководстве пользователя лестницы.
- **ВНИМАНИЕ!** При использовании плавательным бассейном необходимо соблюдать инструкции по технике безопасности, содержащиеся в руководстве по эксплуатации и обслуживанию. Чтобы избежать опасности утопления или других серьезных травм, внимательно следите за тем, чтобы дети до 5 лет не попали в бассейн без разрешения. Оборудуйте доступ к бассейну защитными устройствами и постоянно держите детей под наблюдением взрослых во время использования бассейна.

Внимательно изучите инструкции и сохраните их для дальнейшего использования в справочных целях.

ВЫБЕРИТЕ ПРАВИЛЬНОЕ МЕСТО УСТАНОВКИ

Выбранная для установки бассейна поверхность должна отвечать следующим требованиям:

1. Из-за значительного суммарного веса воды в бассейне и пользователей в нем чрезвычайно важно, чтобы участок для установки бассейна был способен равномерно выдерживать общий вес установленного бассейна. При выборе участка принимайте во внимание, что вода может выливаться из бассейна во время его использования или дождя. Если вода приведет к размягчению поверхности участка, это может повлечь утрату участком способности выдерживать вес бассейна.
2. Рекомендуем устанавливать бассейн вдалеке от предметов, которые дети могут использовать для того, чтобы забраться в него.
3. Устанавливайте бассейн рядом с подходящей системой слива, чтобы, при необходимости, устранить переливание или опорожнить бассейн.
4. Поверхность должна быть плоской и гладкой. Если участок имеет уклон или неровный, это может привести к несбалансированной нагрузке на конструкцию бассейна. Такая ситуация может повлечь разрушение сварного шва лайнера и сгибание рамы. В худшем случае, бассейн может разрушиться, причинив серьезные травмы людям и (или) повреждение имущества.
5. Выбранный участок должен быть свободен от каких бы то ни было предметов. Из-за веса воды любой предмет, оказавшийся под бассейном, может повредить или проткнуть дно бассейна.
6. Выбранный участок должен быть свободен от агрессивных видов растений или сорняков. Эти растения, отличающиеся сильной вегетацией, могут прорости через лайнер и привести к

утечке воды. С участка необходимо удалить всю траву и другую растительность, которые после усадки могут привести к возникновению неприятных запахов и слизи.

- Над участком не должны проходить линии электропередачи и нависать ветки деревьев. Убедитесь в том, что на выбранном участке нет подземных коммуникаций, линий и кабелей.
- Выбранное месторасположение должно находиться далеко от входа в дом. Не располагайте какое-либо оборудование или мебель вокруг бассейна. Выливающаяся из бассейна вода во время его использования либо из-за его дефекта или повреждения может повредить мебель внутри дома или вокруг бассейна.
- Выбранный участок должен быть плоским и не иметь нор и ямок, поскольку они могут повредить материал лайнера.

Следуйте важным приведенным выше инструкциям для выбора правильного расположения и участка для установки бассейна. Повреждения деталей бассейна вследствие его расположения и установки на участке, не отвечающем данным инструкциям, не будут считаться производственным дефектом и не будут покрываться гарантией, по ним не будут приниматься никакие претензии по проведению ремонта или обслуживания.

Рекомендуемые поверхности для установки: трава, земля, бетон и другие поверхности, отвечающие вышеприведенным условиям для установки.

Не рекомендуемые поверхности для установки: грязь, песок, гравий, крыша, балкон, подъездная дорожка, помост, мягкий/рыхлый грунт и другие поверхности, не отвечающие вышеприведенным условиям для установки.

ПРИМЕЧАНИЕ. Обратитесь в городской совет за информацией о постановлениях, касающихся ограживания, барьеров, освещения, и нормах техники безопасности и неукоснительно их соблюдайте.

ПРИМЕЧАНИЕ. Если у вас фильтрующий насос, см. инструкции в руководстве пользователя насоса.

ПРИМЕЧАНИЕ. Лестница должна соответствовать размеру бассейна; пользуйтесь ею только для того, чтобы войти и выйти из бассейна. Запрещено превышать полезную нагрузку лестницы. Регулярно проверяйте, правильно ли собрана лестница.

УСТАНОВКА

Установка силами 2-3 человек обычно занимает приблизительно 10 минут, не считая земляных работ и наполнения бассейна водой. Компания Bestway не несет ответственности за причиненные бассейну повреждения вследствие неправильного обращения или несоблюдения настоящих инструкций.

ВНИМАНИЕ! Не используйте воздушный шланг под высоким давлением и не надуйте слишком сильно верхнее кольцо, оно должно быть лишь немного твердым на ощупь.

ПРИМЕЧАНИЕ: Не используйте удлинители для подключения насоса к источнику питания.

ВНИМАНИЕ! Не волочите бассейн по земле, это может привести к его повреждению.

ПРИМЕЧАНИЕ: Основание или дно бассейна должны быть тщательно и ровно разложены (плоско, без складок)

ПРИМЕЧАНИЕ: Высокие температуры могут привести к тому, что давление воздуха в кольце растает и повредит его. Оставьте немного места для возможного расширения кольца. Для получения помощи или ответов на часто задаваемые вопросы посетите раздел поддержки на нашем веб-сайте www.bestwaycorp.com.

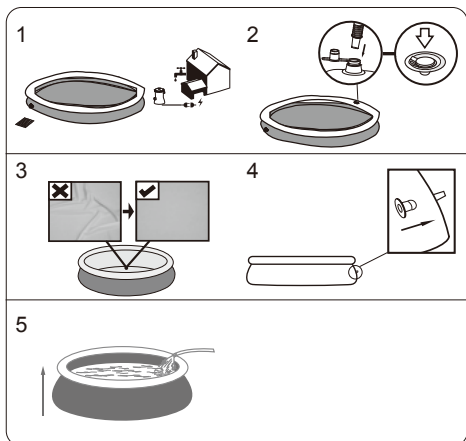
ПРИМЕЧАНИЕ: Схемы предназначены исключительно для целей иллюстрации. Они могут не отображать конкретное изделие. Схемы не отображают действительный масштаб.

ОБСЛУЖИВАНИЕ БАССЕЙНА

В случае невыполнения указанных рекомендаций по обслуживанию бассейна вы можете подвергнуть опасности свое здоровье, особенно здоровье своих детей.

Использование таблеток химических средств (в комплект не входят):

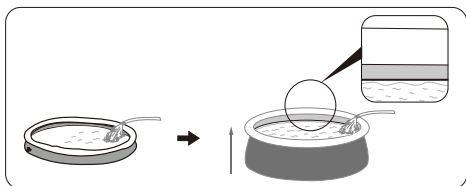
ПРИМЕЧАНИЕ. Дозатор Snetosnecst или поплавок для химических средств (Chemical Floater) следует использовать, если вы осуществляете обработку воды химическими веществами с помощью таблеток. В комплект приобретенного вами изделия может не входить ни один из этих дозаторов. В этом случае вы можете приобрести их, посетив наш веб-сайт www.bestwaycorp.com, или у ближайшего дилера по продаже бассейнов.



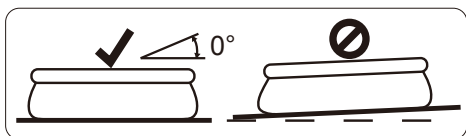
НАПОЛНЕНИЕ БАССЕЙНА ВОДОЙ

ВНИМАНИЕ: Не оставляйте бассейн без внимания, когда он наполняется водой.

- Наполните бассейн водой, пока стенка не выровняется, и вода не достигнет линии сварки. **НЕ НАЛИВАЙТЕ СЛИШКОМ МНОГО ВОДЫ.** так как бассейн теряет устойчивость и может перевернуться. В случае сильного дождя вам может потребоваться слить некоторое количество воды из бассейна, чтобы уровень воды не превысил допустимый предел.

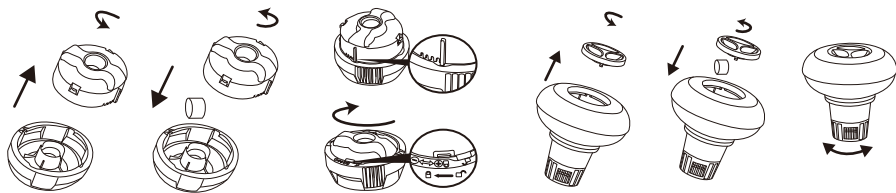


- По завершении наполнения бассейна, убедитесь в том, что бассейн установлен ровно, проверьте, не перетекает ли вода к одному краю.



ВАЖНО! Если бассейн установлен неровно, слейте воду и выровняйте площадку, подкопав землю. Никогда не пытайтесь передвигать бассейн с находящейся в нем водой, можно получить травму или повредить бассейн.

ВНИМАНИЕ: Внутри бассейна может накапливаться высокое давление. Если на поверхности бассейна присутствуют бугры или неровности, это означает, что давление внутри бассейна неравномерно или он установлен неровно, стенки бассейна могут внезапно прорваться и вода выльется из бассейна, становясь причиной серьезных травм и/или нанося материальный ущерб.



ВАЖНО! Не используйте гранулированные таблетки и не бросайте таблетки непосредственно в воду. Химикаты могут отложиться на дне, повредить материал и обесцветить ПВХ.

Использование растворов химических средств (в комплект не входят):

ВАЖНО! Добавляйте химический раствор небольшими дозами и в центре бассейна, во избежание непосредственного контакта между химикатами и поверхностью ПВХ. При непосредственном соприкосновении химикаты могут повредить материал и обесцветить поверхность.

ПРИМЕЧАНИЕ. На время пользования бассейном удаляйте из него дозатор химических средств.

ВАЖНО! После того как вы очистили воду с помощью химических средств, а также перед использованием бассейна, воспользуйтесь тестовым набором (не входит в комплект поставки), чтобы проверить химический состав воды. Мы рекомендуем поддерживать воду в рамках значений, указанных в следующей таблице.

Параметры	Значения
Прозрачность воды	Ясно видно дно бассейна
Цвет воды	Вода должна быть бесцветной
Мутность в FNU/NTU	макс. 1,5 (желательно менее 0,5)
Концентрация нитратов больше, чем в воде наполнения, в мг/л	макс. 20
Общее количество органического углерода (ООУ) в мг/л	макс. 4,0
Редокс-потенциал против Ag/AgCl 3,5 м KCl в мВ	мин. 650
значение pH	от 6,8 до 7,6
Свободный активный хлор (без циануровой кислоты) в мг/л	от 0,3 до 1,5
Свободный хлор, используемый в сочетании с циануровой кислотой в мг/л	от 1,0 до 3,0
Циануровая кислота в мг/л	макс. 100
Смешанный хлор в мг/л	макс. 0,5 (желательно ближе к 0,0 мг/л)

ПРИМЕЧАНИЕ. Гарантия не распространяется на ущерб, причиненный в результате химического дисбаланса. Химические средства для очистки воды в бассейне потенциально токсичны; следует обращаться с ними осторожно. Серьезную опасность для здоровья могут представлять собой испарения химических веществ, а также неправильно подписанные или неправильно хранящиеся контейнеры с химическими веществами. Обратитесь к своему местному продавцу бассейнов, чтобы получить более подробную информацию об обработке воды химическими средствами. Строго соблюдайте инструкции производителей химических средств. Повреждение бассейна, причиненное в результате неправильного применения химических средств и неправильным уходом за водой бассейна, не покрывается гарантией.

ВАЖНО! Чрезмерное применение химикатов может обесцветить рисунки и материал бассейна. Это может также повредить структуру чаши бассейна.

Чтобы содержать свой бассейн в чистоте:

1. Обратитесь в свой местный магазин по продаже бассейнов и приобретите химикаты и наборы pH. Постоянное поддержание воды в чистом и безопасном для здоровья состоянии является одним из важнейших факторов длительного срока службы чаши бассейна. Строго соблюдайте инструкции профессиональных специалистов по обработке воды с помощью химических средств.
2. Установите емкость с водой рядом с бассейном, чтобы пользователи могли промыть ноги перед входом в бассейн.
3. Накрывайте бассейн, когда он не используется.
4. Регулярно очищайте поверхность воды бассейна, не допуская осаждения загрязнений.
5. Регулярно проверяйте и промывайте картридж фильтра.
6. Чистой тканью аккуратно очищайте пену и грязь с нижней стороны верхнего кольца.
7. В случае дождя внимательно следите за тем, чтобы не был превышен заданный уровень воды. В противном случае **СЛЕДУЕТ СЛИТЬ ЛИШНЮЮ ВОДУ.**
8. Если идет дождь, следите, чтобы уровень воды в бассейне не превышал заданного значения. В случае превышения заданного уровня, слейте воду из бассейна до указанного уровня.

Надлежащий уход за бассейном может продлить срок его службы.

В сезон пользования плавательным бассейном фильтрационную систему необходимо включать каждый день на время, достаточное для того, чтобы обеспечить полное обновление объема воды.

ПРИМЕЧАНИЕ. Насос используется для циркуляции воды и фильтрации мелких частиц. Для поддержания чистоты и гигиены воды в бассейне также следует использовать химикаты.

РЕМОНТ

В случае протечки заклейте бассейн клеевой заплатой специально для ремонта поверхности, находящейся под водой (входит в комплект

поставки). Инструкции можно найти в часто задаваемых вопросах раздела поддержки на нашем веб-сайте www.bestwaycorp.com.

РАЗБОРКА

1. Отвинтите крышку сливного клапана против часовой стрелки и снимите ее.
2. Подсоедините переходник к шлангу и расположите другой конец шланга там, куда вы хотите сливать воду из бассейна. (Ознакомьтесь с местными нормами по сливу воды.)
3. Навинтите управляющее кольцо переходника шланга на сливной клапан по часовой стрелке. Сливной клапан откроется, и слив воды начнется автоматически. Откройте сливной клапан на максимум.
4. Выпустите воздух из верхнего кольца, сжимая воздушный клапан.
5. Когда воздух полностью выйдет из верхнего кольца, нажмите на верхнее кольцо и наклоните, чтобы облегчить слив. Полностью слейте воду из бассейна.
6. По завершении слива отвинтите регулирующее кольцо, чтобы закрыть клапан.
7. Отсоедините шланг.
8. Снова навинтите крышку на сливной клапан.
9. Выполните воздушную сушку бассейна.

ХРАНЕНИЕ

1. Уберите все аксессуары и запасные части бассейна и сложите их на хранение в чистом и сухом месте.
2. После полного просушивания бассейна посыпьте поверхности тальком, чтобы они не слипались, и аккуратно расправьте бассейн. Если не просушить бассейн полностью, может образоваться плесень и повредить ткань бассейна.
3. Храните чашу бассейна и его аксессуары в сухом месте при умеренной температуре от 5°C / 41°F до 38°C / 100°F.
4. В дождливое время года бассейн и принадлежности следует хранить, как указано выше.
5. Неправильный слив воды из бассейна может привести к серьезным травмам людей и/или повреждения имущества.
6. Вне сезона (в зимние месяцы) настоятельно рекомендуется разбирать бассейн. Храните в сухом месте, недоступном для детей.

BASENY FAST SET™ INSTRUKCJA OBSŁUGI



Odwiedź stronę Bestway na YouTube

OSTRZEŻENIE

Przed montażem i użyciem basenu przeczytaj dokładnie i ze zrozumieniem wszystkie informacje zawarte w instrukcji obsługi i postępuj zgodnie z nimi. Ostrzeżenia, instrukcje i wskazówki dotyczące bezpieczeństwa obejmują niektóre z zagrożeń powszechnych dla rekreacji wodnej, nie obejmują w żadnym razie wszystkich możliwych zagrożeń. Przy każdej zabawie w wodzie należy kierować się zdrowym rozsądkiem i oceną sytuacji. Zachowaj tę informację do późniejszego wglądu.

Bezpieczeństwo osób nie umiejących pływać

- Wymagany jest zawsze ciągły, aktywny i czujny nadzór kompetentnej osoby dorosłej jeśli w basenie znajdują się słabo pływające lub nieumiejące pływać (pamiętaj, że dzieci poniżej 5 roku życia są zagrożone w najwyższym stopniu utonięciem).
- Przed każdym użyciem basenu wyznacz kompetentną osobę dorosłą w celu jego nadzoru.
- Osoby słabo pływające lub nieumiejące pływać, podczas korzystania z basenu powinny zakładać środki ochrony indywidualnej.
- Kiedy basen nie jest używany lub pozostaje bez nadzoru, należy usunąć z niego i jego otoczenia wszystkie zabawki, aby w ten sposób nie przyciągać uwagi dzieci.

Środki ochrony osobistej

- Aby zapobiec utonięciu, zaleca się zabezpieczenie dostępu dzieci do basenu przy pomocy odpowiednich urządzeń ochronnych.
- Aby zapobiec wspinaniu się przez dzieci na zawór wlotowy i wylotowy, zalecane jest zamontowanie bariery (i zabezpieczenie w razie potrzeby wszystkich drzwi i okien) zapobiegającej nieupoważnionemu dostępowi do basenu.
- Bariery, pokrywki na basen lub podobne zabezpieczenia stanowią użyteczną pomoc, ale nie zastępują stałego i kompetentnego nadzoru przez dorosłych.

Sprzęt ratunkowy

- Zaleca się posiadanie sprzętu ratunkowego (np. koła ratunkowego) w pobliżu basenu.
- W pobliżu basenu należy mieć działający telefon oraz listę numerów telefonów ratunkowych.

Bezpieczne korzystanie z basenu

- Zachęcaj wszystkich użytkowników, a szczególnie dzieci do nauki pływania.
- Naucz się podstawowych technik ratowania życia (resuscytacji krążeniowo-oddechowej – CPR) i regularnie odświeżaj tę wiedzę. Może ona pomóc w uratowaniu życia w nagłym wypadku.
- Naucz wszystkich użytkowników basenu, w tym dzieci, co mają robić w razie niebezpieczeństwa.
- Nigdy nie wskazuj na główkę do płytkiej wody. Może to spowodować poważne obrażenia, a nawet śmierć.
- Nie korzystaj z basenu po spożyciu alkoholu lub leków, które mogą negatywnie wpływać na zdolność bezpiecznego korzystania z basenu.
- W przypadku używania pokryw na basen, przed wejściem do basenu zdejmij je całkowicie z powierzchni wody.
- Chroń użytkowników basenu przed chorobami związanymi z wodą udatniającą wodę do basenu i zachowuj zasady

pravidlowej higieny. Zapoznaj się z wytycznymi dotyczącymi uzdatniania wody w instrukcji obsługi.

- Chemikalia (np. środki do uzdatniania wody, czyszczące i dezynfekcyjne) trzymaj poza zasięgiem dzieci.
- Stosuj oznakowanie opisane poniżej. Oznakowanie należy ustawić w widocznym miejscu w odległości nie większej niż 2 m od basenu.



Nadzoruj dzieci w środowisku wodnym. Nie nurkować.

- Zdejmowane drabinki należy ustawiać na powierzchni poziomej.
- Aby uniknąć obrażeń, powierzchnie dostępne należy regularnie sprawdzać, niezależnie od materiałów konstrukcyjnych basenu.
- Należy regularnie sprawdzać śruby i wkrety. Aby uniknąć obrażeń należy usuwać odpryski i wszelkie ostre krawędzie.
- **UWAGA:** Po wypuszczeniu wody, nie pozostawiaj basenu na zewnątrz. Pusty basen może zostać okształcony i/lub przemieszczony przez wiatr.
- W przypadku montażu pompy filtrującej, dla uzyskania wskazówek należy zapoznać się z jej instrukcją obsługi.
- **OSTRZEŻENIE!** Pompy nie wolno używać, kiedy w basenie przebywają ludzie.
- W przypadku stosowania drabinki, dla uzyskania wskazówek należy zapoznać się z jej instrukcją obsługi.
- **OSTRZEŻENIE!** Używanie basenu jest równoznaczne z akceptacją i przestrzeganiem zasad bezpieczeństwa zamieszczonych w instrukcji obsługi i konserwacji. Aby uniknąć utonięć lub innych poważnych obrażeń, należy zwracać szczególną uwagę na możliwość niespodzianego wejścia do basenu przez dzieci w wieku poniżej 5 lat. Należy w tym celu zabezpieczyć wejście do basenu, a kąpiące się dzieci muszą być pod stałym nadzorem osoby dorosłej.

Prosimy o dokładne przeczytanie i zachowanie tego dokumentu do późniejszego wglądu.

WYBIERZ WŁAŚCIWĄ LOKALIZACJĘ

Powierzchnia wybrana do zainstalowania basenu musi spełniać następujące parametry techniczne:

1. Ze względu na łączny ciężar wody znajdującej się w basenie i użytkowników basenu niezwykle ważne jest, aby powierzchnia wybrana do zainstalowania basenu była w stanie równomiernie utrzymać całkowity ciężar przez cały czas instalacji basenu. Przy wyborze nawierzchni należy wziąć pod uwagę, że woda może wypływać z basenu podczas użytkowania lub podczas deszczu. Jeśli woda zmiękczy powierzchnię, może stracić zdolność utrzymywania ciężaru basenu.
2. Zalecamy umieszczenie basenu z dala od wszelkich przedmiotów, za pomocą których dzieci mogłyby się do niego wspiąć.
3. Ustaw basen w pobliżu odpowiedniego systemu odwadniającego, aby poradzić sobie z przelaniem lub opróżnieniem basenu.
4. Powierzchnia musi być płaska i gładka. Jeśli powierzchnia jest nachylona lub nierówna, może to spowodować niezrównoważone obciążenie konstrukcji basenu. Taka sytuacja może uszkodzić punkt zgrzewu poszycia i wygiąć ramę. W najgorszych przypadkach basen może się zawalić, powodując poważne obrażenia ciała i / lub uszkodzenie mienia osobistego.
5. Wybrana powierzchnia musi być wolna od jakichkolwiek obiektów. Ze względu na ciężar wody każdy przedmiot znajdujący się pod basenem może uszkodzić lub przebić dno basenu.
6. Wybrana powierzchnia musi być wolna od agresywnych gatunków roślin i chwastów. Te rodzaje silnej roślinności mogą rosnąć przez poszycie i powodować wycieki wody. Trawa lub

inna roślinność, która może powodować powstawanie przykrego zapachu lub szlamu, musi zostać usunięta z miejsca ustawienia.

- Wybrana lokalizacja nie może mieć napowietrznych linii energetycznych ani drzew. Upewnij się, że w miejscu nie ma żadnych podziemnych rur, przewodów ani kabli.
- Wybrana pozycja musi znajdować się daleko od wejścia do domu. Nie ustawiaj żadnego sprzętu ani innych mebli wokół basenu. Woda wypływająca z basenu podczas użytkowania lub z powodu wadliwego produktu może uszkodzić meble wewnątrz domu lub wokół basenu.
- Wybrana powierzchnia musi być płaska i bez otworów, które mogą uszkodzić materiał poszycia.

Postępuj zgodnie z ważnymi instrukcjami powyżej, aby wybrać odpowiednią powierzchnię i lokalizację do ustawienia basenu. Uszkodzone części basenu, ze względu na to, że powierzchnia ustawienia i lokalizacja nie są zgodne z instrukcją, nie będą traktowane jako wada fabryczna i pozwolą na unieważnienie gwarancji i wszelkich roszczeń serwisowych.

Sugerowane powierzchnie ustawienia: trawa, ziemia, beton i wszystkie inne powierzchnie, które spełniają powyższe warunki ustawienia.

Niezalecane nawierzchnie: błoto, piasek, żwir, piętrowy balkon, podjazd, pomost, miękka / luźna ziemia lub inna nawierzchnia niespełniająca powyższych warunków ustawienia.

UWAGA: Skontaktuj się z lokalną radą miejską, aby uzyskać informacje na temat przepisów dotyczących ogrodzeń, barier, oświetlenia i wymagań bezpieczeństwa oraz upewnij się, że przestrzegasz wszystkich przepisów.

UWAGA: Jeśli masz pompę filtrującą, zapoznaj się z instrukcją obsługi pompy w celu uzyskania informacji na temat jej użytkowania.

UWAGA: Drabina musi pasować do rozmiaru basenu i powinna być używana tylko do wchodzenia i wychodzenia z basenu. Zabrania się przekraczania dopuszczalnej nośności drabiny. Regularnie sprawdzaj, czy drabina jest prawidłowo zmontowana.

MONTAŻ

Montaż trwa zwykle około 10 minut, przy 2-3 osobach z wyłączeniem robót ziemnych i zasypywania. Bestway nie ponosi odpowiedzialności za szkody wyrządzone z basenem z powodu niewłaściwej obsługi lub nieprzestrzegania niniejszych instrukcji.

UWAGA: Nie należy używać węża wysokiego ciśnienia ani nie pompować w nadmiarze górnego pierścienia, nie powinien być twardy w dotyku.

UWAGA: Do zasilania pompy nie należy używać przedłużaczy.

UWAGA: Nie przeciągać basenu po ziemi, może to spowodować jego uszkodzenie.

UWAGA: Podstawa/dno basenu powinno być prawidłowo rozłożone (poziomo bez zmarszczek).

UWAGA: Wysoka temperatura powoduje rozszerzenie pierścienia przez powietrze i może spowodować jego uszkodzenie. Zostaw trochę przestrzeni na rozszerzenie. Aby uzyskać pomoc lub znaleźć odpowiedzi na najczęściej zadawane pytania, odwiedź sekcję pomocy w naszej witrynie internetowej www.bestwaycorp.com.

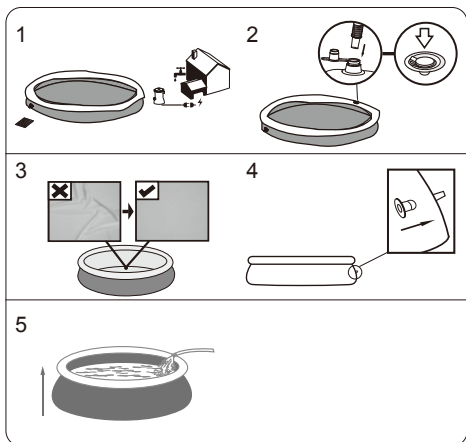
UWAGA: Rysunki zostały zamieszczone wyłącznie w celach ilustracyjnych. Mogą odbiegać one od rzeczywistego wyglądu produktu. Nie wykonane w skali.

KONSERWACJA BASENU

Jeśli nie zastosujesz się do poniższych wskazówek dotyczących utrzymania, Twoje zdrowie może być zagrożone, zwłaszcza zdrowie Twoich dzieci.

Używanie tabletek chemicznych (brak w zestawie):

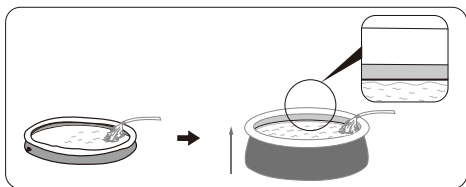
UWAGA: Podczas przeprowadzania konserwacji chemicznej za pomocą tabletek należy używać Chemconnect lub płynu do chemii. Zakupiony przedmiot może nie zawierać żadnego z tych dozwolonych, w takim przypadku możesz go kupić, odwiedzając naszą stronę internetową www.bestwaycorp.com lub w najbliższym punkcie sprzedaży basenów.



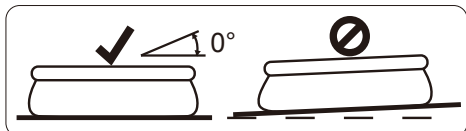
NAPEŁNIANIE BASENU

OSTRZEŻENIE: Podczas napełniania basenu wodą nie zostawiaj go bez nadzoru.

- Napełnij wodę, aż ściana będzie wyprostowana, a woda dotrze do linii zgrzewu. **NIE PRZEPEŁNIJAJ**, ponieważ może to spowodować zniszczenie się basenu. W czasie intensywnych opadów może być konieczne opróżnienie części wody, aby zachować prawidłowy poziom wody.

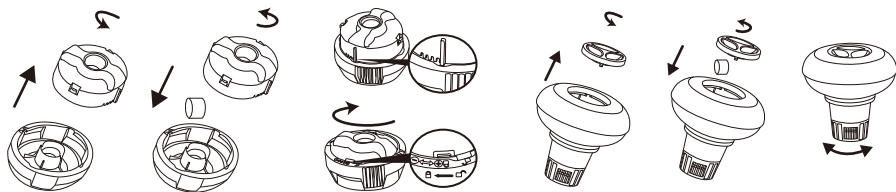


- Kiedy napełnianie basenu jest zakończone, sprawdź, czy woda nie zbiera się po bokach, co oznacza, że basen stoi równo. Jeżeli basen nie stoi równo, spuść wodę i wyrównaj ponownie podłoże, podkopując ziemię.



WAŻNE: Nigdy nie próbuj przesuwac basenu z wodą, ponieważ to grozi poważnymi obrażeniami ciała lub może spowodować uszkodzenie basenu.

OSTRZEŻENIE: Woda może wywierać na basen wysokie ciśnienie. Jeśli na powierzchni basenu występuje wyrzyszenie lub którakolwiek z jego ścian nie jest wyrównana z innymi, ściany mogą pęknąć co spowoduje gwałtowne wylanie się wody z basenu i może spowodować poważne obrażenia i/lub uszkodzenie mienia osobistego.



WAŻNE: Nie używaj tabletek granulowanych ani nie wrzucaj tabletek bezpośrednio do wody. Chemikalia mogą osadzać się na dnie, uszkadzać materiał i odbarwiać PVC.

Używanie cieczy chemicznej (brak w zestawie):

WAŻNE: Dodaj płyn chemiczny w małych dawkach i na środku basenu, aby uniknąć bezpośredniego kontaktu chemikaliów z powierzchnią PCV. Bezpośredni kontakt może uszkodzić materiał i odbarwić powierzchnię.

UWAGA: Wyjmij dozownik chemikaliów z basenu, gdy basen jest używany.

WAŻNE: Po przeprowadzeniu konserwacji chemicznej i przed użyciem basenu użyj zestawu testowego (brak w zestawie), aby przetestować chemię wody. Zalecamy utrzymanie wody zgodnie z poniższą tabelą.

Parametry	Wartości
Klarowność wody	wyraźny widok dna basenu
Kolor wody	powinien być zaobserwowany brak koloru
Zmętnienie w FNU / NTU	max. 1,5 (najlepiej mniej niż 0,5)
Stężenie azotanu powyżej stężenia wody wypełniającej w mg / l	max. 20
Całkowity węgiel organiczny (TOC) w mg / l	max. 4,0
Potencjał redoks w stosunku do Ag / AgCl 3,5 m KCl w mVl	min. 650
Wartość pH	6,8 do 7,6
Wolny aktywny chlor (bez kwasu cyjanurowego) w mg / l	0,3 do 1,5
Wolny chlor stosowany w połączeniu z kwasem cyjanurowym w mg / l	1,0 do 3,0
Kwas cyjanurowy w mg / l	max. 100
Połączony chlor w mg / l	max. 0,5 (najlepiej blisko 0,0 mg / l)

UWAGA: Uszkodzenia wynikające z braku równowagi chemicznej nie są objęte gwarancją. Chemikalia basenowe są potencjalnie toksyczne i należy się z nimi obchodzić ostrożnie. Istnieją poważne zagrożenia dla zdrowia spowodowane oparami chemikaliów oraz niewłaściwym etykietowaniem i przechowywaniem pojemników z chemikaliami. Aby uzyskać więcej informacji na temat konserwacji chemicznej, skontaktuj się z lokalnym sprzedawcą detalicznym. Zwróć szczególną uwagę na instrukcje producenta chemikaliów. Uszkodzenia basenu wynikające z niewłaściwego użycia chemikaliów i niewłaściwego zarządzania wodą w basenie nie są objęte gwarancją.

WAŻNE: Nadmierne użycie chemikaliów może odbarwić nadruk i wszystkie punkty materiału basenu. Może również uszkodzić strukturę niecki basenowej.

Aby utrzymać basen w czystości:

- Skontaktuj się z lokalnym sklepem z zaopatrzeniem dla basenów, aby uzyskać porady i zakup chemikaliów oraz zestawów do pomiaru pH. Jednym z najważniejszych czynników zwiększających żywotność niecki jest ciągłe utrzymywanie czystej i zdrowej wody. Należy ściśle przestrzegać instrukcji profesjonalnych techników dotyczących uzdatniania wody za pomocą chemikaliów.
- Postaw miskę z wodą obok basenu, aby oczyścić stopy użytkowników przed wejściem do basenu.
- Zakryj basen, gdy nie jest używany.
- Regularnie przeglądaj basen, aby uniknąć osadzania się brudu.
- Regularnie sprawdzaj i myj wkład filtra.
- Delikatnie wyczyść brud spod górnego pierścienia czystą szmatką.
- Należy zachować ostrożność w przypadku wody deszczowej, sprawdzić, czy poziom wody nie jest wyższy niż oczekiwany. Jeśli tak, MUSISZ opróżnić nadmiar wody
- Jeśli pada deszcz, sprawdź, czy poziom wody nie jest wyższy niż określony poziom. Jeśli woda przekroczy określone poziomy, opróżnij basen do określonego poziomu.

Właściwa konserwacja może zmaksymalizować żywotność basenu.

W sezonie korzystania z basenu system filtracji musi być koniecznie uruchamiany codziennie, wystarczająco długo, aby zapewnić co najmniej całkowitą wymianę objętości wody.

UWAGA: Pompa służy do cyrkulacji wody i filtrowania małych cząstek. Aby utrzymać czystość i higienę wody w basenie, musisz również dodać chemikalia.

NAPRAWA

W przypadku wycieku załataj basen za pomocą dostarczonej podwodnej łąty naprawczej. Instrukcje można znaleźć w często zadawanych pytaniach w sekcji pomocy na naszej stronie internetowej www.bestwaycorp.com.

DEMONTAŻ

1. Odkręć nakrętkę zaworu spustowego przekręcając ją w stronę zgodną z ruchem wskazówek zegara i zdejmij ją.
2. Podłącz adapter do węża i umieść drugi koniec węża w miejscu, w które masz zamiar wypuścić wodę z basenu. (Sprawdź lokalne przepisy dotyczące wypuszczania wody.)
3. Przykręć pierścień regulujący adaptera węża do zaworu spustowego, obracając pierścień w prawo. Zawór spustowy otworzy się, a woda zacznie automatycznie wypływać. Otwórz maksymalnie zawór spustowy.
4. Wypuść powietrze z górnego pierścienia ściskając zawór powietrza.
5. Jeśli górny pierścień jest już całkowicie opróżniony, naciśnij górny pierścień w dół i pozwól mu się przechylić dla ułatwienia odpływu wody. Wypuść całkowicie wodę z basenu.
6. Po zakończeniu opróżniania, odkręć pierścień regulujący w celu zamknięcia zaworu.
7. Odłącz wąż.
8. Przykręć z powrotem nasadkę na zawór odpływu.
9. Wyszuszyć basen na powietrzu.

PRZECHOWYWANIE

1. Odczep od basenu wszystkie akcesoria i części wymienne i przechowuj je czyste i suche.
2. Gdy basen jest już całkowicie suchy, posyp go talkiem, aby zapobiec jego sklejeniu się i ostrożnie zwini basen. Jeśli basen nie jest całkowicie suchy, może rozwinąć się pleśń, co uszkodzi wkładkę basenu.
3. Przechowuj wykładzinę i akcesoria w suchym miejscu o umiarkowanej temperaturze, pomiędzy 5°C / 41°F i 38°C / 100°F.
4. W okresach deszczowych basen i akcesoria powinny być przechowywane w wyżej opisany sposób.
5. Nieprawidłowe odprowadzanie wody z basenu może spowodować poważne obrażenia ciała i/lub uszkodzenia mienia osobistego.
6. Zalecamy demontaż basenu poza sezonem (podczas miesięcy zimowych). Przechowuj w chłodnym, suchym miejscu, poza zasięgiem dzieci.

FAST SET™ MEDENCÉK HASZNÁLATI ÚTMUTATÓ



Látogassa meg a Bestway YouTube-csatornáját

FIGYELMEZTETÉS

Az úszómedence telepítése és használata előtt gondosan olvassa el ezt a kézikönyvet, és értsen meg, valamint tartsa be a benne foglaltakat. Ezek a figyelmeztetések, utasítások és biztonsági irányelvek segítenek elhárítani a vízi rekreációval kapcsolatos néhány általános kockázatot, de nem tudják lefedni az összes kockázatot és veszélyt. A vízi tevékenységek végzése során mindig legyen óvatos, megfontolt, és jó ítélőképességű. Tegye félre ezt a kézikönyvet, hogy a jövőben bármikor belenézhesen.

Az úszni nem tudók biztonsága

- A gyengén úszóknak és úszni nem tudóknak mindig hozzáértő felnőtt általi folyamatos, aktív és éber felügyeletet kell biztosítani (vegye figyelembe, hogy az öt év alatti gyermekeknél a legnagyobb a fulladásveszély).
- A medence minden egyes használati alkalomával jelöljön ki hozzáértő felnőttet a medence felügyelőt.
- A gyengén úszóknak, illetve úszni nem tudóknak a medence használatokor egyéni védőfelszerelést kell viselniük.
- Ha az úszómedence nincs használatban, távolítsa el belőle és a környezetéből minden játékot, hogy azok a gyermekeket nehogy a medencébe csalogassák.

Biztonsági berendezések

- A gyermekek megfulladásának elkerülése érdekében ajánlatos a medencéhez való hozzáférést védőeszközzel korlátozni. Annak érdekében, hogy a gyermekek ne ugrálhassanak a bemeneti és kimeneti szelepekről, tanácsos kerítéssel (és adott esetben az ajtók és ablakok bezárásával) megakadályozni az illetéketlenek medencéhez való hozzáféréseit.
- A kerítések, medencefedelelek, medencerasztók, illetve hasonló biztonsági berendezések hasznos segítségék, de nem helyettesítik a hozzáértő felnőtt általi folyamatos felügyeletet.

Biztonsági berendezések

- A medence mellett tanácsos mentőfelszerelést (pl. mentőöv) tartani.
- Tartson működőképes telefont és a segélyhívószám-listát a medence mellett.

A medence biztonságos használata

- Biztasson minden felhasználót – különösen a gyermekeket – hogy tanuljanak meg úszni.
- Tanulja meg az alapszintű elsősegélynyújtást (újraélesztés – CPR), és rendszeresen frissítse ezen ismereteit. Ez vészhelyzetben életet menthet.
- Tájékozassa az összes medencehasználót, hogy mit kell csinálni vészhelyzet esetén.
- Soha ne ugorjon sekély vízbe. Ez súlyos sérüléshez vagy halálhoz vezethet.
- Ne használja az úszómedencét, ha alkohol vagy gyógyszer hatása alatt áll, amely hatás hátrányosan befolyásolhatja a medence biztonságos használatát.
- Medencefedél használatá esetén a medencébe való beszállás előtt teljesen távolítsa el azt a vízfelületről.
- A medencevíz kezelésével és jó higiéniai állapotának fenntartásával védje a medence használóit a vízen keresztül elkapható betegségektől. Tekintse meg a használati útmutatóban a vízkezelési irányelveket.

- A vegyszerek (pl. vízkezelő szerek, tisztító vagy fertőtlenítő termékek) a gyermekek számára hozzáférhetetlen helyen tartandók!
- Használja az alább leírt jelzést. A jelzést feltűnő helyen kell elhelyezni, a medence 2 méteres környezetében.



Ne hagyja a gyermekeket a vizes környezetben felügyelet nélkül. Merülni tilos!

- Az eltávolítható létrákat vízszintes felületre kell helyezni.
- Az úszómedencéhez használt anyagoktól függetlenül, a sérülések elkerülése érdekében a hozzáférhető felületeket rendszeresen ellenőrizni kell.
- A sérülések elkerülése érdekében rendszeresen ellenőrizze a csavarok állapotát, távolítsa el a sorjákat, illetve szüntesse meg az éles peremeket.
- **FIGYELEM!** Ne hagyja a lényített medencét a szabadban. A medence üres állapotban könnyen deformálódhat, illetve a medencét könnyen arrébb fújhatja a szél.
- Ha van szűrőszivattyúja, részletekért tekintse meg a szivattyú kézikönyvét.
- **FIGYELMEZTETÉS!** A szivattyú nem használható, ha ember van a medencében!
- Ha van létrája, részletekért tekintse meg a létra kézikönyvét.
- **FIGYELMEZTETÉS!** Az úszómedence használatára során tartsa be a használati és karbantartási útmutatójában foglalt biztonsági utasításokat. A fulladás, illetve egyéb súlyos sérülések megelőzése érdekében különösen figyeljen oda az úszómedence 5 éven aluli gyermekek általi nem várt hozzáféréseinek lehetőségére, és gondoskodjon arról, hogy a gyermekek ne férhessenek a medencéhez, valamint a fürdőzés ideje alatt folyamatosan felügyelje őket, vagy gondoskodjon felnőtt általi felügyeletükről.

Alaposan olvassa el, és tegye félre, hogy a jövőben bármikor belenézhesen.

MEGFELELŐ HELY KIVÁLASZTÁSA

A medence felállításához választott helynek elegendet kell tennie az alábbi műszaki jellemzőknek:

1. A medencében lévő víz és a felhasználók összterülete miatt különösen fontos, hogy a medence felállításához választott terület képes legyen megtámasztani egész felületén a medencét, elviselje annak teljes tömegét. A terület kiválasztásakor vegye figyelembe, hogy használat közben a medencéből víz távozhat, illetve eső is eshet. Ha víz megpuhítja a felületen, az elveszitheti a medencetömeg megtámasztásának a képességét.
2. Javasoljuk, hogy a medencét minden olyan tárgytól távol helyezze el, amelyeket a gyermekek a medencébe mászásra használhatják.
3. A medencét megfelelő vízelvezető rendszerhez közel helyezze el, amely képes a medence túlcserdulásakor vagy leeresztésekor jelentkező víz elvezetésére.
4. A felületnek egyenesnek és simának kell lennie. Egyenetlen vagy lejtős felület esetén a medence szerkezete egyenetlen terhelést kaphat. Ez károsíthatja a bevonat hegesztési pontjait, illetve elhajlíthatja a keretet. Legrosszabb esetben a medence összedőléséhez is vezethet, ami súlyos személyi sérülést és/vagy anyagi kárt eredményezhet.
5. A kiválasztott felületnek mentesnek kell lennie mindenféle tárgyaktól. A víz tömege miatt a medence alatt lévő bármilyen tárgy károsíthatja vagy átszúrhatja a medencepadlót.
6. A kiválasztott felületnek mentesnek kell lennie az agresszív növényektől és a fűféléktől. Ezek az életerős növények áthatolhatnak a burkolaton, és vízszivárgást eredményezhetnek. A fű és egyéb növényzet nyomán kellemetlen szagok vagy penész jelentkezhethet, ezért ezeket a növényeket el kell távolítani a felállítás helyéről.

- A kiválasztott hely fölött nem lehetnek villamos légvezetékek vagy lombkorona. Bizonyosodjon meg arról, hogy a kiválasztott helyszín alatt nem találhatók közműhálózati csövek, vezetékek vagy kábelek.
- A kiválasztott helynek távol kell lennie a ház bejáratától. Ne tegyen semmilyen berendezést vagy bútort a medence köré. A használat közben vagy termékhiba okán a medencéből távozó víz kárt tehet a bútorban, illetve a házban, vagy a medence mellett található berendezésekben.
- A kiválasztott helynek egyenesnek és lyukaktól mentesnek kell lennie, megelőzendő a burkolat anyagának a károsodását.

A medence felállításához megfelelő felület és hely kiválasztásához kövesse a fenti fontos utasításokat. A medence sérült elemei, amennyiben ezen sérülések a nem megfelelő összeszerelési felületnek és helynek tudhatók be, nem minősülnek gyártási hibának, következésképpen jótállási vagy javítási igény sem foganatosítható ezek vonatkozásában.

Javasolt felületek összeszereléshez: Fű, föld, beton, illetve minden egyéb felület, amely megfelel a fenti összeszerelési követelményeknek.

Összeszereléshez nem javasolt felületek: Sár, homok, murva, deszka, terasz, autóbahajtó, platform, puha/laza talaj vagy egyéb felület, amely nem felel meg a fenti összeszerelési követelményeknek.

MEGJEGYZÉS: Egyeztessen a helyi városi önkormányzattal a kerítésekre, korlátokra, világításokra és biztonságra vonatkozó követelmények ügyében, és bizonyosodjon meg arról, hogy elegendő az összes törvényi előírásnak.

MEGJEGYZÉS: Ha van szűrőszivattyúja, részletekért tekintse meg a szivattyú kézikönyvét.

MEGJEGYZÉS: A létrának a medenceméretre kell igazodnia, és kizárólag a medencébe való bemászáshoz és a medence elhagyásához használja. Tilos a létra megengedett terhelését meghaladni. Rendszeres időközönként bizonyosodjon meg a létra megfelelően összeszerelt állapotáról.

FELÁLLÍTÁS

A beszerelés általában 10 percet vesz igénybe, ha 2–3 ember végzi a földmunkákat és a feltöltést.

A Bestway nem vállal felelősséget a medence nem megfelelő kezeléséből vagy jelen utasítások figyelmen kívül hagyásából származó károkat.

FIGYELEM: Ne használjon sűrítettlevegő-tömítőt, illetve ne fújja túl a felső gyűrűt – annak érintésre enyhén feszesnek kell lennie.

MEGJEGYZÉS: Ne használjon hosszabbítót a szivattyú áramellátásának biztosításához.

FIGYELEM: Ne húzza a medencét a földön, mert az megsérülhet.

MEGJEGYZÉS: A medence alapját vagy alját megfelelően kell leteríteni (legyen sima, ráncok nélkül).

MEGJEGYZÉS: A forró hőmérséklet nyomán a gyűrűben található levegő kitágulhat, ami sérülést okozhat. Hagyjon teret a tágulásnak. Támogatás ügyében vagy GYIK kapcsán látogassa meg a www.bestwaycorp.com weboldalunk ügyféltámogatás részét.

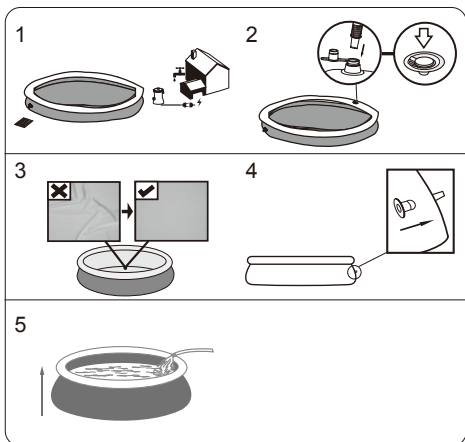
MEGJEGYZÉS: Az ábrák csak illusztrációként szolgálnak. Az ábrák nem feltétlenül a vonatkozó terméket mutatják. Az ábrák nem méretarányosak.

MEDENCE KARBANTARTÁSA

Az alábbi karbantartási utasítások be nem tartása veszélyezteti az Ön, és különösen az Ön gyermekeinek egészségét.

Vegyszertabletták használata (nincs mellékelve):

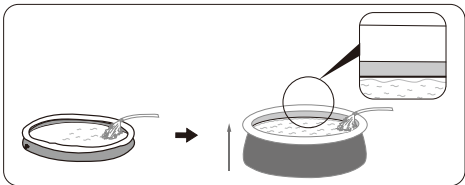
MEGJEGYZÉS: Kötelezően használja a Chemconnect egységet vagy úszó vegyszeradagolót tablettákkal végzett vegyi karbantartáskor. Előfordulhat, hogy a termék nem tartalmazza ezen adagolókat egyikét sem, ebben az esetben az egységeket megvásárolhatja a www.bestwaycorp.com webhelyünkön, illetve megkeresheti a legközelebbi medenceforgalmazót.



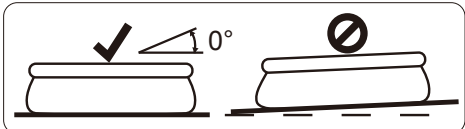
A MEDENCE FELTÖLTÉSE VÍZZEL

VIGYÁZAT: A víz töltése közben a medencét ne hagyja felülegelet nélkül.

- A vizet a fal teljes felegyenesedéséig töltsse, amíg a víz eléri a hegesztési vonalat. **NE TÖLTSE TÚL**, mivel ez a medence összedőlését okozhatja. Nagy esőzés idején előfordulhat, hogy némi vizet ki kell engednie a medencéből a helyes vízszint biztosításához.

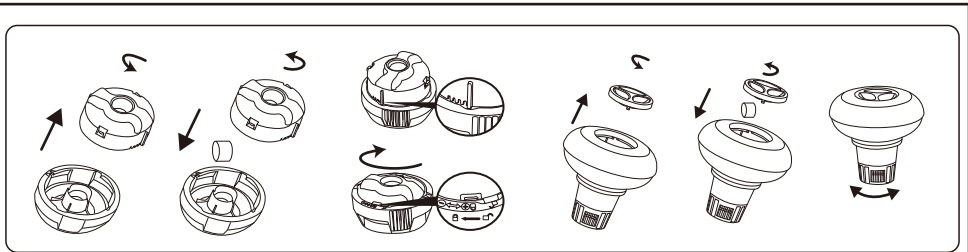


- Ha a végzett a medence feltöltésével, ellenőrizze, hogy a víz szintje a medenceben mindenhol egyenlő-e. Ha a víz szintje nem egyenlő, eressze le a vizet és egyenlegesse ki a talajt ásóval.



FONTOS: Sohasem próbálja a medencét arrébb vinni, ha abban víz van, mivel az testi sérülést vagy a medence károsodását okozhatja.

FIGYELMEZTETÉS: Az Ön medencéje nagy nyomást tartalmazhat. Ha a medence fala dudorodik vagy egyenetlen az oldala, az azt jelenti, hogy a medence nincs vízszintben. Ilyen esetben a medence oldalai kihasadhatnak, és a víz hirtelen kiáramolhat, ami súlyos személyi sérülést és/vagy tárgyi kárt okozhat.



FONTOS: Ne használjon granulátumtablettákat, illetve ne dobja a tablettát közvetlenül a vízbe. A vegyszerek lerakódhatnak a medence alján, így károsítva az anyagot, illetve elszínezve a PVC-t.

Vegyszerfolyadék használata (nincs mellékelve):

FONTOS: A vegyszerfolyadékot adja hozzá kicsi dózisekben és a medence közepénél, így elkerülve a közvetlen érintkezést a vegyszer és a PVC felület között. A közvetlen érintkezés károsíthatja az anyagot, illetve elszínezheti a felületet.

MEGJEGYZÉS: Ha a medence nincs használatban, vegye ki a vegyszeradagolót a medencéből.

FONTOS: A vegyi karbantartás elvégzését követően és a medence használata előtt tesztkészlettel (nincs mellékelve) ellenőrizze a víz vegyi tulajdonságait. Javasoljuk, hogy a víz karbantartását az alábbi táblázatban foglaltak szerint végezze.

Paraméterek	Értékek
Víz tisztaság	tisztán látni a medence alját
A víz színe	kifejezett szín nem tapasztalható
Zavarosság [FNU/NTU]	max. 1,5 (lehetőleg kevesebb mint 0,5)
A töltővíz értékét meghaladó nitrát koncentráció [mg/l]	max. 20
Összes szerves szén (TOC) [mg/l]	max. 4,0
Redoxpotenciál Ag/AgCl és 3,5 M KCl vizes oldatában [mV]	min. 650
pH-érték	6,8 ... 7,6
Szabad aktív klór (cianursav nélkül) [mg/l]	0,3 ... 1,5
Szabad klór cianursavval együtt használva [mg/l]	1,0 ... 3,0
Cianursav [mg/l]	max. 100
Kombinált klór [mg/l]	max. 0,5 (lehetőleg kevesebb mint 0,0 mg/l)

MEGJEGYZÉS: A kémiai egyensúly hiánya által okozott károokra nem vonatkozik a garancia. A medencében használt vegyszerek potenciálisan mérgezők, ezért óvatosan kezelendők. A vegyszergőzők és a vegyszertároló edények helytelen címkézése súlyos egészségügyi kockázatot jelentenek. A vegyi karbantartással kapcsolatos további információkért forduljon a legközelebbi medenceforgalmazóhoz. Szigorúan tartsa be a vegyszer gyártójának utasításait. A medencének a vegyszerek nem rendelkezészerű használatából és a medencevíz rossz kezeléséből eredő károsodására a jótállás nem érvényesíthető.

FONTOS: A vegyszerek túlzott használata elszínezheti a grafikát, illetve a medenceanyag teljes felületét. Továbbá károsíthatja a medencebevonat szerkezetét.

A medence tisztán tartása:

1. A vegyszerekre és pH készletekre vonatkozó tanácsadás és beszerzési csatornák tekintetében tájékozódjon a helyi, uszodakellékek forgalmazó boltjánál. A bevonat élettartama leghatékonyabban a víz folyamatosan tisztán és egészséges szinten tartásával hosszabbítható meg. A vegyszerekkel végzett vízkezelés ügyében szigorúan kövesse a szakemberek utasításait.
2. Helyezzen egy vödör vizet a medence mellé, amelyben a felhasználók leölthetik a lábukat, mielőtt a medencébe lépnének.
3. Fedje le a medencét, amikor nem használja.
4. A szennyeződések lerakódását megelőzendő szabályos időközönként tisztítsa meg a vízfelületet.
5. Szabályos időközönként ellenőrizze és mossa át a szűrőkazettát.
6. Óvatosan távolítsa el bármilyen szennyeződést a felső gyűrű alól egy tiszta törülköző segítségével.
7. Esőzés esetén figyeljen arra, hogy a vízszint ne legyen magasabb a javasoltnál. Ellenkező esetben TÁVOLÍTSA EL A VÍZFELESLEGET.
8. Eső esetén ellenőrizze, hogy a vízszint nincs-e magasabban a megadott szintnél. Ha a víz a megadott szint fölé megy, eressze le a medencét a megadott szintig.

A megfelelő karbantartás maximalizálhatja a medence élettartamát.

Az üszómedence használati évszakában a szűrőrendszert működtesse kötelezően napi rendszerességgel, illetve elég hosszan ahhoz, hogy a rendszer átforgassa legalább egyszer a teljes vízmennyiséget.

MEGJEGYZÉS: A szivattyú a víz keringtetésére és a kis részecskék kiszűrésére szolgál. A víz tiszta és higiénikus állapotának megtartása érdekében a vízhez vegyszereket is kell adnia.

JAVÍTÁS

Szivárgás esetén a mellékelt víz alatti öntapadós javítótapasz segítségével ragassza meg a medencét. Az utasítások megtalálhatók a www.bestwaycorp.com webhelyünk ügyféltámogatás részének GYIK oldalán.

SZÉTSZERELÉS

1. Óráiránnyal ellentétesen csavarozza le és vegye le a leeresztőszelep sapkáját.
2. Csatlakoztassa az adaptert a tömlőhöz, és illessze a tömlő másik végét arra a területre, ahová a medence leeresztendő vizét folytatni szeretné. (Ellenőrizze a vízvezetésre vonatkozó helyi előírásokat).
3. Óráirányban csavarja föl a tömlőadapter vezérlőgyűrűjét a leeresztőszelepre. A leeresztőszelep kinyit, a víz pedig automatikusan folytani kezd. A maximális állásig nyissa ki a leeresztőszelepet.
4. A légszelep összenyomásával eressze ki a felső gyűrűből a levegőt.
5. Ha a felső gyűrű teljesen leeresztett, nyomja lefelé a felső gyűrűt, és döntse meg, hogy megkönnyítse a leeresztést. Teljesen eressze le a medencében lévő vizet.
6. A leeresztés végén a szelep elzárásához csavarja le a vezérlőgyűrűt.
7. Válassza le a tömlőt.
8. Csavarja vissza a leeresztőszelep sapkáját.
9. Levegőn szárítsa ki a medencét.

TÁROLÁS

1. Távolítsa el a medence összes tartozékát és pótalkatrészét, majd tisztítás és szárítás után tegye el őket.
2. Ha a medence teljesen megszáradt, a medence részeinek egymáshoz ragadása ellen szórja be hintóporral, majd gondosan hajtogassa össze a medencét. Ha a medencét nem teljesen szárazon teszi el, a medencén penész jelenhet meg, ami tönkretelheti a medencebevonatot.
3. Tárolja a bevonatot és a tartozékokat száraz, 5 ... 38 °C (41 ... 100 °F) hőmérsékletű helyen.
4. Esős időszakban a medencét és annak tartozékait szintén a fenti utasítások szerint kell tárolni.
5. A medence nem megfelelő leürítése súlyos személyi sérülést és/vagy tárgyi kárt okozhat.
6. Nagyon javasoljuk, hogy a holt szezonban (téli hónapok) szerelje szét a medencét. Tárolja száraz, gyermekek számára hozzáférhetetlen helyen.

FAST SET™ POOLER ÅGARENS BRUKSANVISNING



Besök Bestway YouTube kanal 

VARNING

Läs noggrant, förstå, och följ all information i användarmanualen innan du installerar och använder swimmingpoolen. Dessa varningar, instruktioner och säkerhetsanvisningar handlar om några vanliga risker i samband med vattenlekar, men de täcker inte alla risker och faror för alla tillfällen. Var alltid försiktig, använd vanligt förnuft och gott omdöme när du njuter av aktiviteter i vattnet. Bevara den här informationen för framtida bruk.

Säkerhet för icke simkunniga

- För de personer som är dåliga på att simma eller inte är simkunniga (kom ihåg att barn under fem år lider största risken för drunkning) krävs det en ständig och aktiv övervakning av en vuxen person.
- Utse en vuxen person att övervaka poolen varje gång den används.
- Dåliga simmare eller ej simkunniga personer bör använd personlig räddningsutrustning när de använder poolen.
- När poolen inte används, eller om den är öovervakad, ta då bort alla leksaker från swimmingpoolen och runt omkring den för att undvika att barn dras till poolen.

Säkerhetsanordning

- För att undvika drunkningsolyckor med barn rekommenderar vi att säkra tillträdet till poolen med en skyddsanordning. För att undvika att barn klättrar från inloppsventilen och utloppsventilen rekommenderar vi att ett hinder installeras (och att säkra alla dörrar och fönster där det är möjligt) för att undvika att icke behöriga personer får tillträde till swimmingpoolen.
- Hinder, poolöverdrag, poolalarm, eller liknande säkerhetsanordningar är bra hjälpmedel, men de ersätter inte en ständig och kompetent övervakning av en vuxen person.

Säkerhetsutrustning

- Vi rekommenderar att ha räddningsutrustning (ex. livboj) bredvid poolen.
- Förvara en fungerande telefon och en lista på nödnummer bredvid poolen.

Säker användning av poolen

- Uppmuntra alla användarna, framförallt barnen, att lära sig att simma.
- Lär dig grundläggande livsupphållande åtgärder (hjärt- och lungräddning - CPR) och uppdatera denna kunskap regelmässigt. Detta kan utgöra skillnaden vid en livräddning i en nödsituation.
- Ge alla användarna, inklusive barnen, instruktioner om vad man ska göra i händelse av en nödsituation.
- Dyk aldrig i grunt vatten. Det kan leda till allvariga skador eller till döden.
- Gå inte i swimmingpoolen när du har druckit alkohol eller tagit medicin som kan försämma din förmåga att använda poolen på ett säkert sätt.
- Om poolöverdrag finns på poolen, ta då bort det fullständigt från vattentytan innan du går i poolen.
- Skydda poolanvändarna från vattenrelaterade sjukdomar genom att behandla poolvattnet och genom att praktisera en

god hygien. Läs i användarmanualen om riktlinjerna för vattenbehandlingar.

- Förvara kemikalier (t.ex. vattenbehandling, rengörings- och desinfektionsprodukter) oåtkomliga för barn.
- Använd nedanstående skyltar. Skyltarna ska finnas på en framträdande plats inte längre än 2 meter från poolen.



- Håll barnen under uppsikt i vattenområdet. Ingen dykning.
- Flyttbara stegar ska placeras på en horisontell yta.
- Oavsett det material som använts för tillverkning av poolen, måste alla tillgängliga ytor regelbundet kontrolleras för att undvika skador.
- Kontrollera regelbundet bultar och skruvar, ta bort flisor eller vassa kanter för att undvika skador.
- **VAR UPPMÄRKSAM PÅ:** Lämna inte den tömda poolen utomhus. Den tomma poolen riskerar att bli deformerad och/eller förflyttad pga. vinden.
- Om du har en filter pump, läs då i pumpmanualen för vidare instruktioner.
- **VARNING!** Pumpen får inte användas då det finns människor inuti poolen!
- Om du har en stega, läs då stegens manual för vidare instruktioner.
- **VARNING!** Användningen av en swimmingpool innebär samtycke till säkerhetsinstruktionerna som beskrivs i användar- och underhållsmanualen. För att undvika drunkning och andra allvariga händelser, måste man vara särskilt försiktig när det gäller risken att barn under 5 år får oförutsett tillträde till swimmingpoolen. Säkra tillträdet till poolen och håll barnen under konstant uppsikt av en vuxen under badtillfällena.

Läs noggrant och bevara för framtida behov.

VÄLJ RÄTT PLATS

Platsen som valts för uppställning måste vara i enlighet med följande tekniska egenskaper:

1. Det är viktigt att den plats där poolen ska ställas upp på kan stödja den totala vikten av vattenfylld pool men badare och under hela den tiden som poolen beräknas vara vara uppställd. När du väljer plats för poolen, tänk på att det kan hända att vatten rinner ut när den används eller när det regnar. Om vattnet gör underlaget mjukt kan det hända att poolens vikt inte stöds.
2. Vi råder att placera poolen på behörigt avstånd från alla föremål som barn kan använda för att klättra in i poolen.
3. Placera poolen nära ett lämpligt avloppssystem som tar hand om överflödesvatten eller dräneringsvatten.
4. Underlaget måste vara platt och jämnt. Om underlaget lutar eller är ojämnt blir det en obalanserad belastning på strukturen. En sådan situation kan skada dukens sammansvetsning och böja ramen. I värsta fall kollapsar poolen. Detta kan leda till allvariga personskador och/eller skada på personlig egendom.
5. Underlaget måste vara helt rent från föremål. På grund av vattenvikten kan alla föremål under poolen skada eller punktera poolbotten.
6. Underlaget måste vara helt fritt från aggressiva växter och ogräs. Den typen av växter kan växa igenom poolduken och skapa vattenläckage. Gräs eller annan vegetation som kan börja lukta eller blir till slem måste tas bort helt innan poolen monteras.
7. Det får inte finnas strömledningar eller träd över platsen. Var säker på att platsen inte innehåller underjordiska rörledningar

eller kablar av något slag.

- Platsen ska vara på långt avstånd från husingångar. Placera inte någon utrustning eller möbler runt poolen. Vatten som rinner ut ur poolen vid användning eller på grund av produktfel kan skada inomhusmöbler eller möbler placerade runt poolen.
- Underlaget måste vara platt och utan hål. Annars kan dukmaterialet skadas.

Följ de viktiga anvisningarna ovan för att välja korrekt underlag och plats när du monterar din pool. Delar som skadas på grund av att underlaget och placeringen inte överensstämmer med anvisningarna anses inte vara tillverkningsfel och ingår därför inte i garantin eller i eventuella serviceanmälningar.

Rekommenderade underlag: gräs, mark, betong, och alla andra underlag som respekterar ovanstående installationsförhållanden.

Ej rekommenderade underlag: lera, sand, grus, däck, balkong, uppfart, plattform, mjuk/lös mark eller andra underlag som inte uppfyller ovanstående installationsförhållanden.

OBS: Kontrollera med din lokala kommunfullmäktige om gällande stadgar för stängsel, barriärer, belysning och säkerhetskrav för att se till att du följer alla lagar.

OBS: Om det ingår en filterpump, hänvisa till bruksanvisningen om pumpar för ytterligare instruktioner.

OBS: Stegen ska passa poolstorleken och ska endast användas för att komma in och ut ur poolen. Det är förbjudet att överstiga stegens tillåtna nyttolast. Kontrollera regelbundet att stegen är korrekt monterad.

INSTALLATION

Installationen tar vanligtvis cirka 10 minuter. Detta med 2-3 personer som utför markarbeten och fyller på med vatten. Bestway kommer inte att ansvara för skador som uppstått på poolen vid inkorrekt behandling eller av att inte ha följt instruktionerna.

BEAKTA FÖLJANDE: Använd inte en högtrycksluftslang eller fyll inte den övre ringen med för mycket lyft. Den ska vara något hård vid beröring.

OBS! Använd inte förlängningssladdar för att förse din pump med elektricitet

BEAKTA FÖLJANDE: Dra inte poolen på gräsmattan, eftersom detta kan leda till skador på den.

OBS! Poolens bas eller botten ska läggas ut ordentligt (platt utan veck)

OBS! Het temperatur gör att luften i toptringen expanderas. Lämna lite expanderingsutrymme. För assistans eller "vanliga frågor och svar", besök hjälpaavdelningen på vår webbplats, www.bestwaycorp.com.

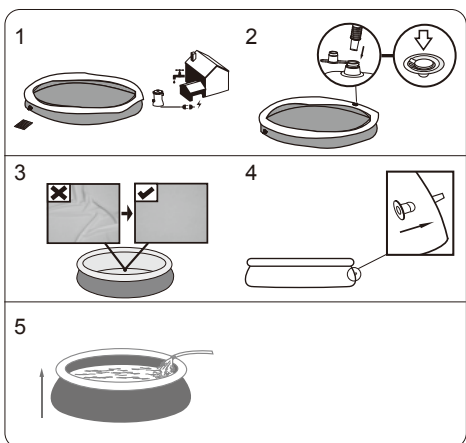
OBS! Bilderna är endast avsedda som förklaring. De kan skilja sig från den faktiska produkten. Bilderna är inte skaleniiga.

POOLSKÖTSEL

Om du inte följer de riktlinjer för underhåll som följer nedan, kan din hälsa vara i riskzonen och särskilt dina barns.

Att använda kemiska tabletter (ej inkluderade)

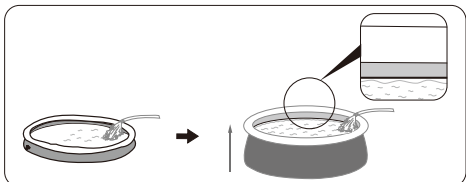
OBS! När du utför kemiskt underhåll med tabletter måste Chemconnect eller en kemisk flottör användas. Din köpta artikel kanske inte inkluderar Chemconnect eller kemisk flottör. I detta fall kan du köpa en dispenser genom att besöka vår webbplats www.bestwaycorp.com eller hos närmaste poolåterförsäljare.



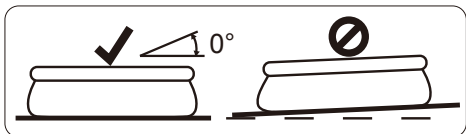
ATT FYLLA POOLEN MED VATTEN

OBS: Lämna inte poolen utan tillsyn då den är fylld med vatten.

- Fyll på med vatten tills väggen ställer sig upp och vattnet når till den sammansvetsade linjen. **FYLL INTE PÅ FÖR MYCKET** eftersom detta kan leda till att poolen kollapsar. Om det regnar mycket kan du behöva tömma ut lite av poolvattnet för att säkerställa korrekt vattennivå.

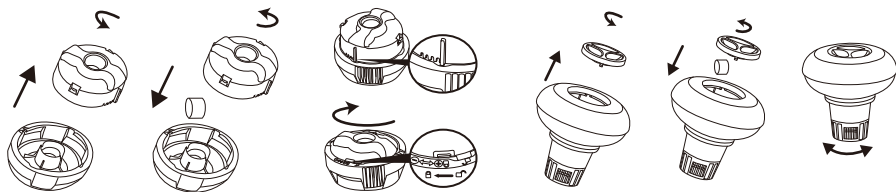


- När fyllningen av poolen avslutats, kontrollera att vattnet inte samlas på någon av sidorna för att se till att poolen är jämn.



VIKTIGT: Om poolen inte är jämn ska du tömma ut vattnet och göra marken jämn genom att gräva ut den. Försök aldrig flytta poolen om den innehåller vatten. Annars kan allvariga personskador eller materiella skador uppstå.

VARNING: Din pool kan innehålla en stor mängd tryck. Om din pool har någon utbuckling eller en ojämn sida, då är inte poolen nivellerad, sidorna kan brista och vattnet som rinner ut kan orsaka allvariga personliga skador och/eller egendomsskador.



VIKTIGT: Använd inte tabletter i granulerad form och kasta inte tablettens direkt i vattnet. Kemikalierna kan fastna på botten, skada materialet och missfärga PVC-materialet.

Att använda kemisk vätska (ej inkluderad)

VIKTIGT: Tillsätt kemisk vätska i små doser i mitten av poolen. På så sätt förhindras direkt kontakt mellan kemikalierna och PVC-ytan. Direkt kontakt kan skada materialet och missfärga ytan.

OBS! Ta bort den kemiska dispensern från poolen när poolen används.

VIKTIGT: Efter att ha utfört kemiskt underhåll och innan du använder poolen, använd ett testkit (ingår ej) för att testa vattenkemin. Vi rekommenderar att du håller ditt vatten enligt följande tabell.

Parametrar	Värden
Vattnets klarhet	Tydlig sikt över poolbotten
Vattnets färg	Vattnet ska vara genomskinligt
Turbiditet FNU/NTU	max. 1,5 (helst mindre än 0,5)
Koncentrationen av nitrat över fyllt vatten i mg/l	max. 20
Totalt organiskt kol (TOC) i mg/l	max. 4,0
Redoxpotential mot Ag/AgCl 3,5 m KCl i mV	min. 650
pH-värde	6,8 till 7,6
Fritt klor (utan cyanursyra) i mg/l	0,3 till 1,5
Fritt klor som används i kombination med cyanursyra i mg/l	1,0 till 3,0
Cyanursyra i mg/l	max. 100
Kombinerad klorin i mg/l	max. 0,5 (helst nära 0,0 mg/l)

OBS! Skador till följd av kemisk obalans täcks inte av garantin. Poolkemikalier är potentiellt giftiga och bör hanteras med försiktighet. Det finns allvarliga hälsorisker med kemiska ångor och felaktig märkning och lagring av kemiska behållare. Kontakta din lokala poolåterförsäljare för mer information om kemiskt underhåll. Ägna stor uppmärksamhet åt de instruktioner som tillverkaren av kemikalierna har givit. Poolskada till följd av felaktig användning av kemikalier och misskötsel av badvattnet täcks inte av garantin.

VIKTIGT: Överanvändning av kemikalier kan missfärga poolens interiör och själva poolmaterialet. Det kan också skada pooldukens struktur.

För att hålla ditt poolvatten rent

1. Kontakta din lokala poolåterförsäljare för rådgivning och köp av kemikalier och pH-satser. En av de viktigaste faktorerna för att öka livslängden av poolduken är att hålla vattnet kontinuerligt rent och friskt. Följ noggrant anvisningarna från professionella tekniker för vattenbehandling genom användning av kemikalier.
2. Ställ en hink med vatten bredvid poolen för att rengöra fötterna innan du går in i poolen.
3. Täck över poolen när den inte används.
4. Använd regelbundet skimmer för att undvika att smuts sätter sig fast.
5. Kontrollera och rengör regelbundet filterpatronen.
6. Använd en ren trasa och rengör försiktigt under toppringen för att ta bort allt skum.
7. Var noga med regnvatten, kontrollera alltid att vattennivån inte är högre än beräknat. Om så är fallet måste du tömma överflödigt vatten.
8. Om det regnar, kontrollera att vattennivån inte är högre än den angivna nivån. Om vattennivån överskrider de angivna nivåerna, töm poolen till den angivna nivån.

Korrekt underhåll kan göra att poolen håller längre.

Under badsäsongen måste filtersystemet vara igång dagligen, tillräckligt lång tid för att garantera att allt vatten byts ut.

OBS! Pumpen används för att cirkulera vattnet och filtrera bort små partiklar. För att hålla ditt poolvatten rent och hygieniskt måste du tillsätta kemikalier.

REPARATION

I händelse av läcka kan du lappa din pool med den medföljande lagningslappen för användning under vatten. Du kan hitta instruktionerna i vanliga frågor på hjälpaavdelningen på vår webbplats, www.bestwaycorp.com.

NEDMONTERING

1. Skruva loss locket på tömningsventilen motsols och ta bort.
2. Anslut adaptern till slangens andra änden och placera den andra änden av slangens där du kommer att tömma poolen. (Kontrollera lokala regelverk och förordningar för avtappning).
3. Skruva av regleringsringen från slangens adapter motsols och på tömningsventilen. Denna ventil kommer att vara öppen och vattnet kommer automatiskt att tappas ut. Öppna tömningsventilen maximalt.
4. Töm den övre ringen på luft genom att klämma luftventilerna.
5. När den övre ringen är fullständigt tömd på luft, tryck då ned den övre ringen och ställ poolen på kant för att lätt kunna tömma den. Töm poolen fullständigt på vatten.
6. När tömningen är avslutad ska regleringsringen skruvas loss och ventilerna stängas.
7. Koppla loss slangens.
8. Skruva tillbaka locket på tömningsventilen
9. Lufta torr pool.

FÖRVARING

1. Ta bort alla tillbehör och reservdelar på poolen och förvara dem rent och torrt.
2. När poolen är fullständigt torr, pudra över talkpuder för att undvika att poolen klistras samman. Vik poolen noggrant. Om poolen inte är fullständigt torr kan det resultera i mögel, vilket skadar poolinern.
3. Förvara linern och tillbehör på en torr plats med moderat temperatur mellan 5°C / 41°F och 38°C / 100°F.
4. Under den regniga årstiden, ska poolen och tillbehören också förvaras som ovan beskrivet.
5. Felaktig tömning av poolen kan orsaka allvariga personsador och/eller personliga egendomssador.
6. Vi rekommenderar absolut att poolen ska monteras ned under lågsäsongen (vintermånaderna). Förvaras på en torr plats utom räckhåll för barn.



For support please visit us at:
bestwaycorp.com/support

©2021 Bestway Inflatables & Material Corp.

All rights reserved/Tous droits réservés/Todos los derechos reservados/Alle Rechte vorbehalten/Tutti i diritti riservati

Trademarks used in some countries under license from/

Marques utilisées dans certains pays sous la licence de/

Marcas comerciales utilizadas en algunos países bajo la licencia de/

Die Warenzeichen werden in einigen Ländern verwendet unter Lizenz der/

Marchi utilizzati in alcuni paesi concessi in licenza a

Bestway Inflatables & Material Corp., Shanghai, China

Manufactured, distributed and represented in the European Union by/

Fabriqué, distribués et représentés dans l'Union Européenne par/Fabricado, distribuido y representado en la Unión Europea por/

Hergestellt, vertrieben und in der Europäischen Union vertreten von/Prodotto, distribuito e rappresentato nell'Unione Europea da

Bestway (Europe) S.r.l., Via Resistenza, 5, 20098 San Giuliano Milanese (Milano), Italy

Distributed in Latin America by/Distribué en Amérique latine par/Distribuido en Latinoamérica por/Distribuido na América Latina por

Bestway Central & South America Ltda, Salar Ascotan 1282, Parque Enea, Pudahuel, Santiago, Chile

Distributed in Australia & New Zealand by **Bestway Australia Pty Ltd, Unit 2/98-104 Carnarvon St Silverwater, NSW 2128, Australia**

Tel: Australia: (+61) 29 0371 388; New Zealand: 0800 142 101

Distributed in United Kingdom by **Bestway Corp UK Ltd, 8 Wentworth Road, Heathfield Industrial Estate, Newton Abbot, Devon, TQ12 6TL**

Exported by/Exporté par/Exportado por/Exportiert von/Esportato da

Bestway (Hong Kong) International Ltd./Bestway Enterprise Company Limited

Suite 713, 7/Floor, East Wing, Tsim Sha Tsui Centre, 66 Mody Road, Kowloon, Hong Kong

Tel: +86 21 69135588 (For U.S. and Canada)

www.bestwaycorp.com