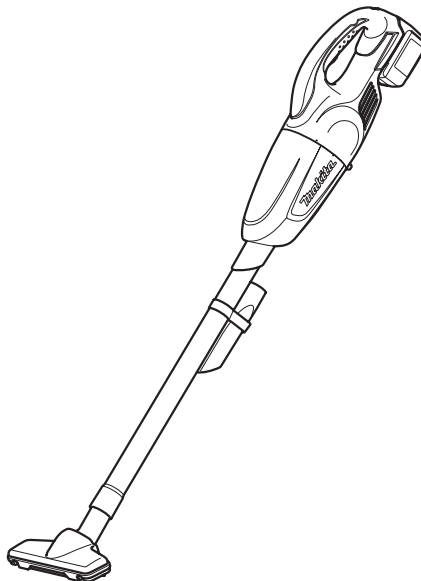
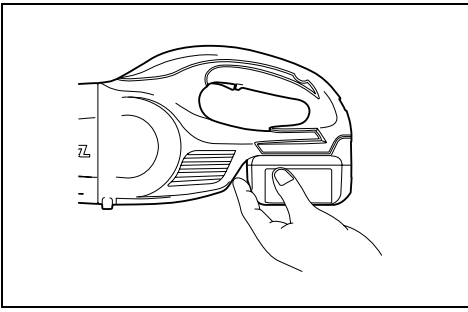




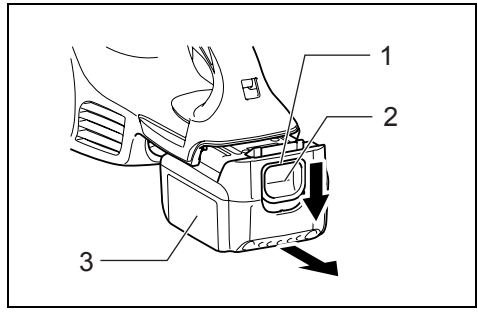
GB	Cordless Cleaner	Instruction Manual
F	Aspirateur sans fil	Manuel d'instructions
D	Akku-Staubsauger	Betriebsanleitung
I	Aspiratore a batteria	Istruzioni per l'uso
NL	Accustofzuiger	Gebruiksaanwijzing
E	Aspirador Inalámbrica	Manual de instrucciones
P	Aspirador de Pó a Bateria	Manual de instruções
DK	Akku-støvsuger	Brugsanvisning
GR	Ηλεκτρικό σκουπάκι χωρίς καλώδιο	Οδηγίες χρήσεως

DCL140
DCL180
DCL180F

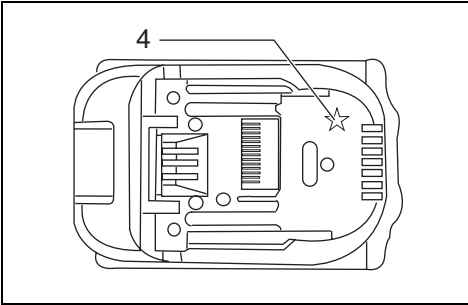




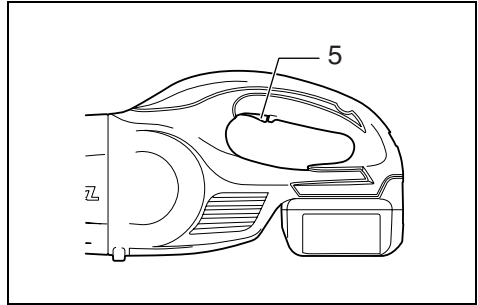
1 009984



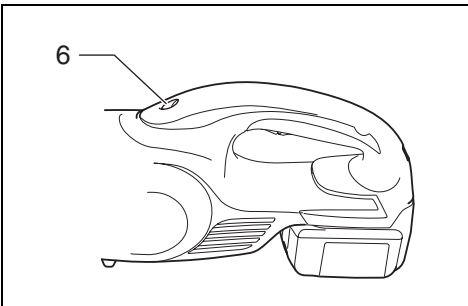
2 012129



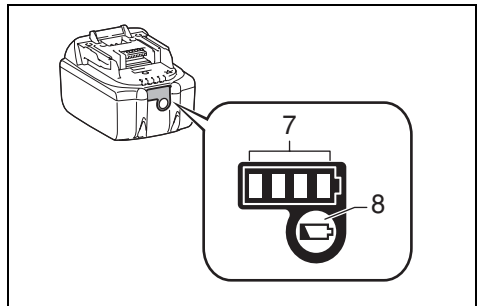
3 012128



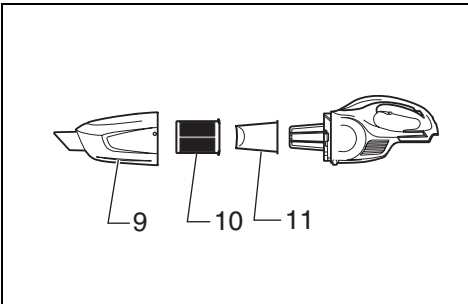
4 009986



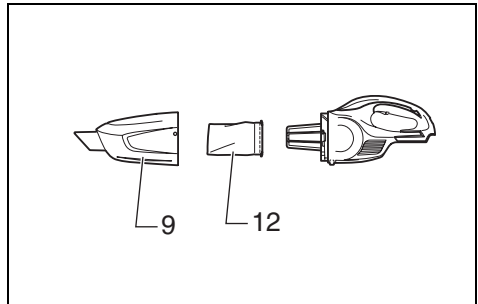
5 0966914



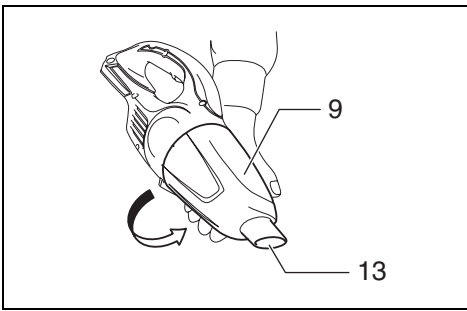
6 0966915



7 0966901

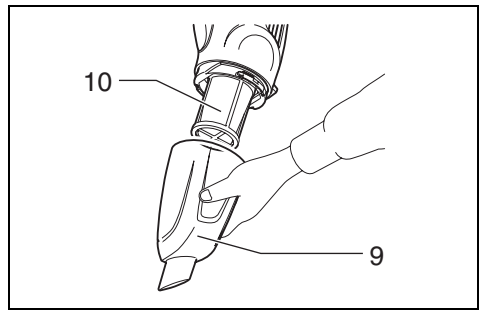


8 0966902



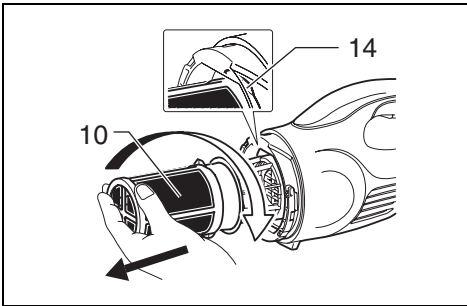
9

009993



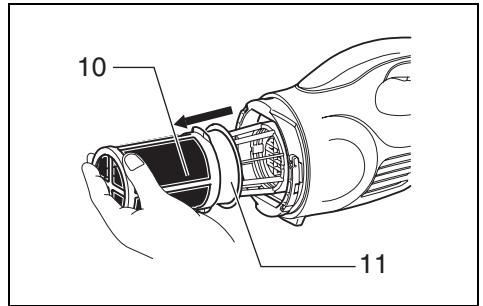
10

009994



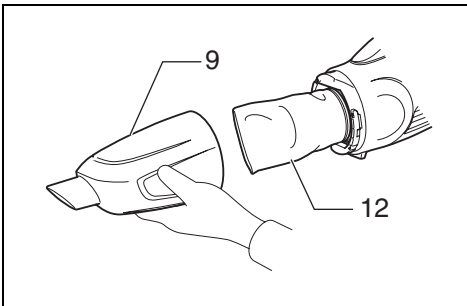
11

009995



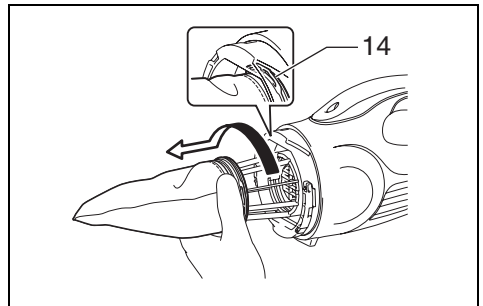
12

009996



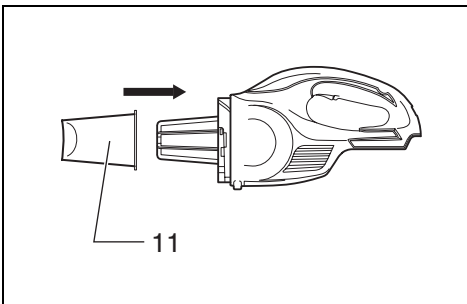
13

0966903



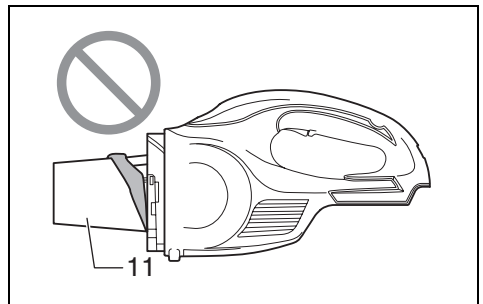
14

0966904



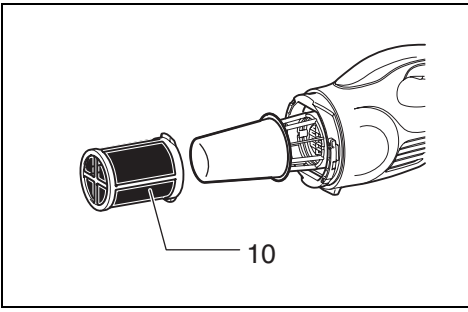
15

009997



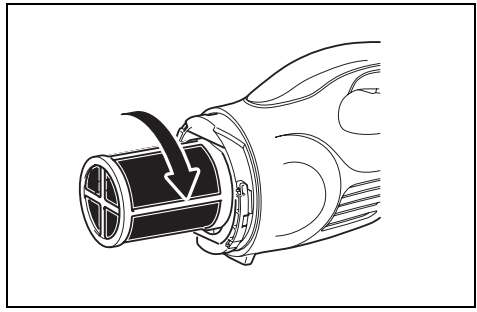
16

0966912



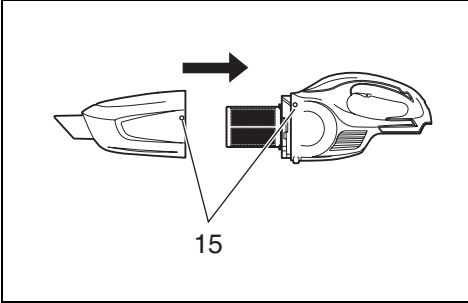
17

009999



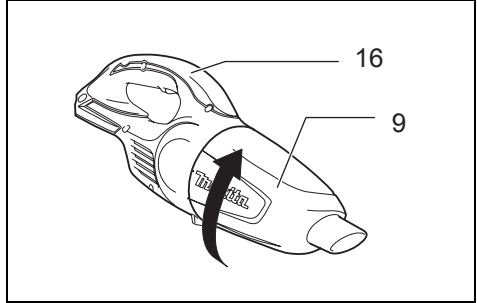
18

010000



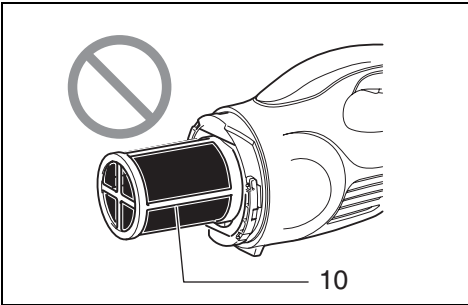
19

010001



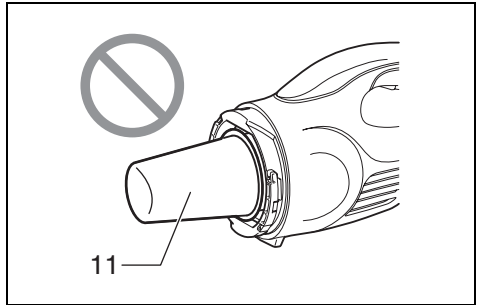
20

010002



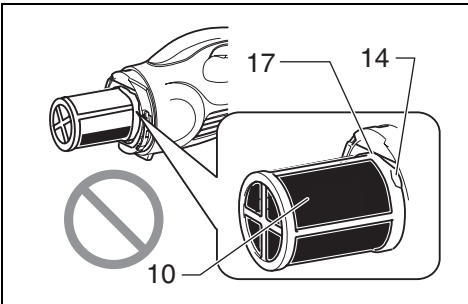
21

0966910



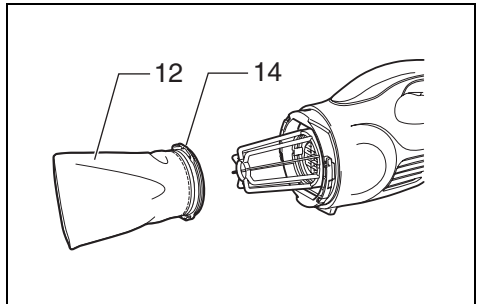
22

0966911



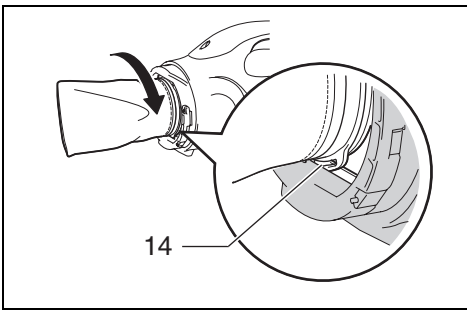
23

0966913



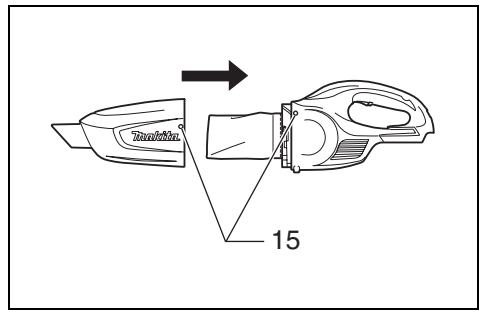
24

0966905



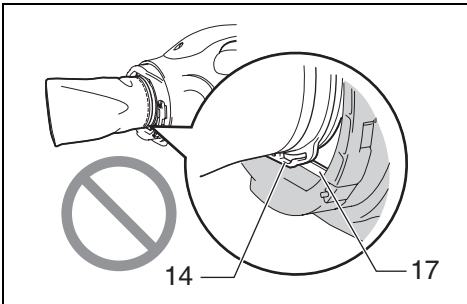
25

0966908



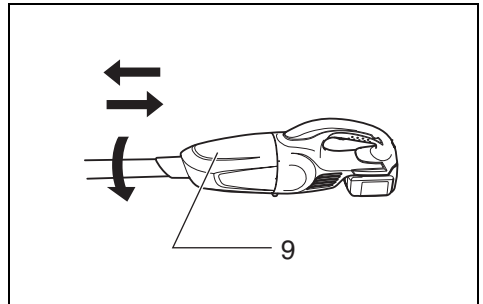
26

0966906



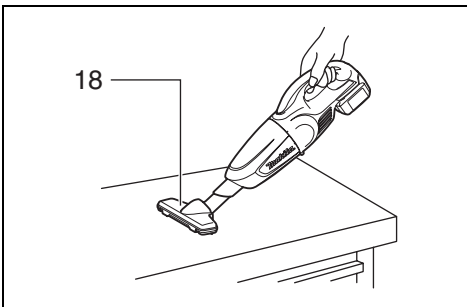
27

0966909



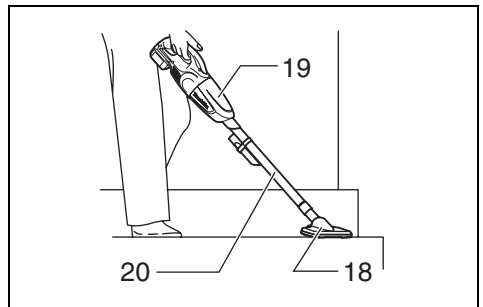
28

009987



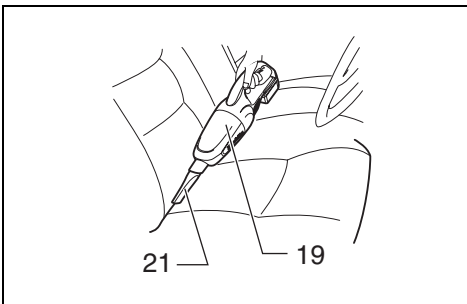
29

009988



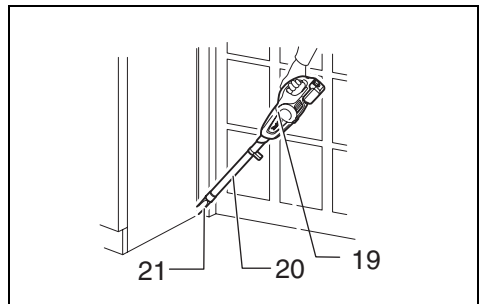
30

009989



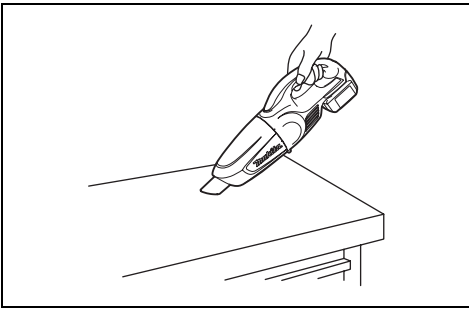
31

009990



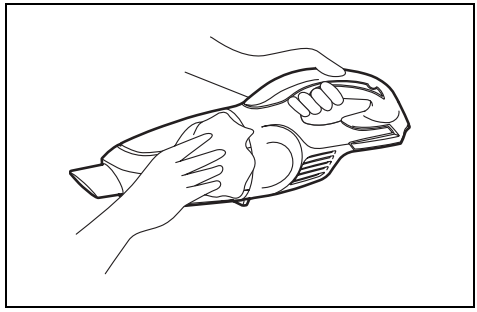
32

009991



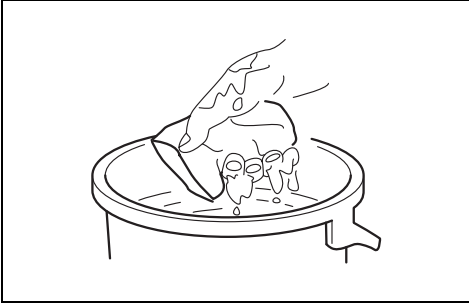
33

010052



34

010008



35

010009

WARNING: This appliance can be used by children aged from 8 years and above and persons with reduced physical, sensory or mental capabilities or lack of experience and knowledge if they have been given supervision or instruction concerning use of the appliance in a safe way and understand the hazards involved. Children shall not play with the appliance. Cleaning and user maintenance shall not be made by children without supervision.

Explanation of general view

1 Red indicator	8 Check button	15 O Mark
2 Button	9 Capsule	16 Handle
3 Battery cartridge	10 Prefilter	17 Groove of cleaner housing
4 Star marking	11 Filter	18 Nozzle
5 Switch trigger	12 High performance filter	19 Cleaner body
6 Lamp	13 Suction inlet	20 Extension wand
7 Indicator lamps	14 Securing lip	21 Corner nozzle

SPECIFICATIONS

Model	DCL140	DCL180	DCL180F
Capacity	650 mL		
Continuous use	Approx. 20 min.		
Overall length	981 mm	999 mm	
Net weight	1.2 kg		1.3 kg
Rated voltage	D.C. 14.4 V	D.C. 18 V	

- Due to our continuing program of research and development, the specifications herein are subject to change without notice.
- Specifications and battery cartridge may differ from country to country.
- Weight, with battery cartridge, according to EPTA-Procedure 01/2003

ENE017-1

Intended use

The tool is intended for collecting dry dust.

ENA007-1

Cordless cleaner safety warnings

WARNING – IMPORTANT! READ CAREFULLY all safety warnings and all instructions BEFORE USE. Failure to follow the warnings and instructions may result in electric shock, fire and/or serious injury.

1. Do not expose to rain. Store indoors.
2. Do not allow to be used as a toy. Close attention is necessary when used by or near children.
3. Use only as described in this manual. Use only manufacturer's recommended attachments.
4. Do not use with damaged battery. If appliance is not working as it should, has been dropped, damaged, left outdoors, or dropped into water, return it to a service center.
5. Do not handle appliance with wet hands.

6. Do not put any object into openings. Do not use with any opening blocked; keep free of dust, lint, hair, and anything that may reduce air flow.
7. Keep hair, loose clothing, fingers, and all parts of body away from openings and moving parts.
8. Turn off all controls before removing the battery.
9. Use extra care when cleaning on stairs.
10. Do not use to pick up flammable or combustible liquids, such as gasoline, or use in areas where they may be present.
11. Use only the charger supplied by the manufacturer to recharge.
12. Do not pick up anything that is burning or smoking, such as cigarettes, matches, or hot ashes.
13. Do not use without dust bag and/or filters in place.
14. Do not charge the battery outdoors.
15. Recharge only with the charger specified by the manufacturer. A charger that is suitable for one type of battery pack may create a risk of fire when used with another battery pack.
16. Use power tools only with specifically designated battery packs. Use of any other battery packs may create a risk of injury and fire.
17. When (the) battery pack is not in use, keep it away from other metal objects, like paper clips, coins, keys, nails, screws or other small metal objects, that can make a connection from one terminal to another.

- Under abusive conditions, liquid may be ejected from the battery; avoid contact. If contact accidentally occurs, flush with water.

SAVE THESE INSTRUCTIONS.

ENB127-1

ADDITIONAL SAFETY RULES

This appliance is intended for household use.

- Read this instruction manual and the charger instruction manual carefully before use.
- Do not pick up the following materials:
 - Hot materials such as lit cigarettes or spark/metal dust generated by grinding/cutting metal
 - Flammable materials such as gasoline, thinner, benzine, kerosene or paint
 - Explosive materials like nitroglycerin
 - Ignitable materials such as Aluminum, zinc, magnesium, titanium, phosphorus or celluloid
 - Wet dirt, water, oil or the like
 - Hard pieces with sharp edges, such as wood chips, metals, stones, glasses, nails, pins or razors
 - Powder to clot such as cement or toner
 - Conductive dust such as metal or carbon
 - Fine particle like concrete dust

Such action may cause fire, injury and/or property damage.

- Stop operation immediately if you notice anything abnormal.
- If you drop or strike the cleaner, check it carefully for cracks or damage before operation.
- Do not bring close to stoves or other heat sources.
- Do not block the intake hole or vent holes.

SAVE THESE INSTRUCTIONS.

ENC007-11

Important safety instructions for battery cartridge

- Before using battery cartridge, read all instructions and cautionary markings on (1) battery charger, (2) battery, and (3) product using battery.
- Do not disassemble battery cartridge.
- If operating time has become excessively shorter, stop operating immediately. It may result in a risk of overheating, possible burns and even an explosion.
- If electrolyte gets into your eyes, rinse them out with clear water and seek medical attention right away. It may result in loss of your eyesight.
- Do not short the battery cartridge:
 - Do not touch the terminals with any conductive material.
 - Avoid storing battery cartridge in a container with other metal objects such as nails, coins, etc.
 - Do not expose battery cartridge to water or rain.

A battery short can cause a large current flow, overheating, possible burns and even a breakdown.

- Do not store the tool and battery cartridge in locations where the temperature may reach or exceed 50°C (122°F).
- Do not incinerate the battery cartridge even if it is severely damaged or is completely worn out. The battery cartridge can explode in a fire.
- Be careful not to drop or strike battery.
- Do not use a damaged battery.
- The contained lithium-ion batteries are subject to the Dangerous Goods Legislation requirements.

For commercial transports e.g. by third parties, forwarding agents, special requirement on packaging and labeling must be observed. For preparation of the item being shipped, consulting an expert for hazardous material is required.

Please also observe possibly more detailed national regulations.

Tap or mask off open contacts and pack up the battery in such a manner that it cannot move around in the packaging.
- Follow your local regulations relating to disposal of battery.

SAVE THESE INSTRUCTIONS.

CAUTION – Only use genuine Makita batteries. Use of non-genuine Makita batteries, or batteries that have been altered, may result in the battery bursting causing fires, personal injury and damage. It will also void the Makita warranty for the Makita tool and charger.

Tips for maintaining maximum battery life

- Charge the battery cartridge before completely discharged.

Always stop tool operation and charge the battery cartridge when you notice less tool power.
- Never recharge a fully charged battery cartridge. Overcharging shortens the battery service life.
- Charge the battery cartridge with room temperature at 10°C – 40°C (50°F – 104°F). Let a hot battery cartridge cool down before charging it.
- Charge the battery cartridge if you do not use it for a long period (more than six months).

FUNCTIONAL DESCRIPTION

CAUTION:

- Always be sure that the tool is switched off and the battery cartridge is removed before adjusting or checking function on the tool.
- Take care not to trap finger(s) between cleaner and battery as shown in diagram when loading battery. Trapping finger(s) may cause injury. (Fig. 1)

Installing or removing battery cartridge (Fig. 2)

CAUTION:

- Always switch off the tool before installing or removing of the battery cartridge.
- Hold the tool and the battery cartridge firmly when installing or removing battery cartridge. Failure to hold the tool and the battery cartridge firmly may cause them to slip off your hands and result in damage to the tool and battery cartridge and a personal injury.

To remove the battery cartridge, slide it from the tool while sliding the button on the front of the cartridge.

To install the battery cartridge, align the tongue on the battery cartridge with the groove in the housing and slip it into place. Insert it all the way until it locks in place with a little click. If you can see the red indicator on the upper side of the button, it is not locked completely.

CAUTION:

- Always install the battery cartridge fully until the red indicator cannot be seen. If not, it may accidentally fall out of the tool, causing injury to you or someone around you.
- Do not install the battery cartridge forcibly. If the cartridge does not slide in easily, it is not being inserted correctly.

Battery protection system (Lithium-ion battery with star marking) (Fig. 3)

Lithium-ion batteries with a star marking are equipped with a protection system. This system automatically cuts off power to the tool to extend battery life.

The tool will automatically stop during operation if the tool and/or battery are placed under one of the following conditions:

- **Overloaded:**
The tool is operated in a manner that causes it to draw an abnormally high current.
In this situation, release the trigger switch on the tool and stop the application that caused the tool to become overloaded. Then pull the trigger switch again to restart.
If the tool does not start, the battery is overheated. In this situation, let the battery cool before pulling the trigger switch again.
- **Low battery voltage:**
The remaining battery capacity is too low and the tool will not operate. In this situation, remove and recharge the battery.

Switch action (Fig. 4)

CAUTION:

- Before inserting the battery cartridge into the tool, always check to see that the switch trigger actuates properly and returns to the "OFF" position when released.

To start the tool, simply pull the switch trigger. Release the switch trigger to stop.

Lighting the lamp

For Model DCL180F only

CAUTION:

- Never look into the light directly. Direct light causes damage to your eyes. (Fig. 5)

Pull the switch trigger to light up the lamp. Release the switch trigger to turn off.

Indicating the remaining battery capacity

Only for battery cartridges with the indicator (Fig. 6)

Press the check button on the battery cartridge to indicate the remaining battery capacity. The indicator lamps light up for few seconds.

Indicator lamps			Remaining capacity
Lighted	Off	Blinking	
■	■	■	75% to 100%
■	■	□	50% to 75%
■	■	□	25% to 50%
■	□	□	0% to 25%
◐	□	□	Charge the battery.
■	■	□	The battery may have malfunctioned.
□	□	■	

NOTE:

- Depending on the conditions of use and the ambient temperature, the indication may differ slightly from the actual capacity.

ASSEMBLY

CAUTION:

- Always be sure that the tool is switched off and the battery cartridge is removed before carrying out any work on the tool.

Type of filter

Normal filter (Fig. 7)

High performance filter (Fig. 8)

Disposing of dust

CAUTION:

- Empty the cleaner before it becomes too full, or the suction force weakens.
- Be sure to empty out the dust inside the cleaner itself. Failure to do so may cause the filter to be clogged or the motor to be damaged.

Disposing of dust for normal filter

In order to drop dust sticking on the filter in the capsule, tap the capsule 4 or 5 times with your hand.

Now point suction inlet downwards, turn capsule in direction of arrow in diagram, and disconnect capsule slowly and straight. (Fig. 9)

NOTE:

- Dust may spill out when capsule is opened, so be sure to set a garbage bag beneath capsule.

Remove accumulated dust from inside of capsule and off of prefilter. (Fig. 10)

Twist prefilter in direction of arrow to unfasten securing lip from cleaner unit and then pull off prefilter. (Fig. 11)

Clean out fine dust from prefilter. Next, remove filter, and lightly tap to dislodge dust. (Fig. 12)

Disposing of dust for high performance filter

In order to drop dust sticking on the filter in the capsule, tap the capsule 4 or 5 times with your hand.

Now point suction inlet downwards, turn capsule in direction of arrow in diagram, and disconnect capsule slowly and straight. (Fig. 9)

NOTE:

- Dust may spill out when capsule is opened, so be sure to set a garbage bag beneath capsule.

Remove accumulated dust from inside of capsule and off of high performance filter. (Fig. 13)

Twist high performance filter in direction of arrow to unfasten securing lip from cleaner unit and then pull off the filter. (Fig. 14)

Clean out the fine dust and lightly tap to dislodge dust from high performance filter.

Reassembly

Reassembly for normal filter

Put on filter until it is fully in position on the cleaner unit. (Fig. 15)

NOTE:

- Make sure filter is put on straight without being peeled back. If filter is put on incorrectly as shown in diagram, dust will get into motor housing, and cause motor failure. (Fig. 16)

Connect prefilter. At this time, make sure to twist prefilter so that securing lip is firmly locked into cleaner unit. (Fig. 17 & 18)

Connect capsule. Align O symbol on capsule with O symbol on handle and then firmly twist capsule in direction of arrow until it is secured. (Fig. 19 & 20)

NOTE:

- Always remove dust ahead of time, as suction power will be reduced if there is too much dust in cleaner.
- Always be sure to check that both filter and prefilter are loaded correctly prior to using cleaner. If they are not loaded correctly, dust will get into the motor housing, and cause motor failure.

If the following examples occur, filter and prefilter are not loaded correctly. Reload them correctly to rectify problem.

Problem Examples

Example 1: Only prefilter has been loaded (no filter) (Fig. 21)

Example 2: Only filter has been loaded (no prefilter) (Fig. 22)

Example 3: Filter has been loaded in a peeled back state (Fig. 16)

Example 4: Prefilter's securing lip is not firmly locked into groove of cleaner housing (Fig. 23)

Reassembly for high performance filter

Connect high performance filter. At this time, make sure to twist high performance filter so that securing lip is firmly locked into cleaner unit. (Fig. 24 & 25)

Connect capsule. Align O symbol on capsule with O symbol on handle and then firmly twist capsule in direction of arrow until it is secured. (Fig. 26 & 20)

NOTE:

- Always remove dust ahead of time, as suction power will be reduced if there is too much dust in cleaner.
 - Always be sure to check that high performance filter is loaded correctly prior to using cleaner. If they are not loaded correctly, dust will get into the motor housing, and cause motor failure.
- If the following examples occur, high performance filter is not loaded correctly. Reload them correctly to rectify problem.

Problem Examples

Securing lip of high performance filter is not firmly locked into groove of cleaner housing. (Fig. 27)

OPERATION

CAUTION:

- To connect attachments, such as nozzle, twist-insert attachment in direction of arrow to ensure secure connection during use. To disconnect attachment, twist-extract also in direction of arrow.
- If attachment is twisted in the opposite direction, when being connected or disconnected, capsule may become loose. (Fig. 28)

Cleaning (Suction)

Nozzle (Fig. 29)

Attach the nozzle to clean off tables, desks, furniture, etc. Nozzle slips on easily.

Nozzle + Extension wand (Straight pipe) (Fig. 30)

The extension wand fits in between the nozzle and the cleaner itself. This arrangement is convenient for cleaning a floor while standing erect.

Corner nozzle (Fig. 31)

Fit on the corner nozzle for cleaning corners and crevices of a car or furniture.

Corner nozzle + Extension wand (Straight pipe) (Fig. 32)

In tight quarters where the cleaner itself cannot squeeze in, or in high places hard to reach, use this arrangement.

Cleaning without nozzle (Fig. 33)

You can pick up powder and dust without nozzle.

MAINTENANCE

CAUTION:

- Always be sure that the tool is switched off before attempting to perform inspection or maintenance.

Cleaning

From time to time wipe off the outside (cleaner body) of the cleaner using a cloth dampened in soapy water. Clean out also the suction opening, dust bag/paper pack mounting area and the dust stopper. (Fig. 34)

CAUTION:

- Never use gasoline, benzene, thinner, alcohol or the like. Discoloration, deformation or cracks may result.

Wash the filter in soapy water when it is clogged with dust and the cleaner power becomes small. Dry it out thoroughly before use. An insufficiently dried filter may cause poor suction and shorten the service life of the motor. (Fig. 35)

Do not blow dust sticking on the cleaner by air duster. It brings dust into the housing and causes failure.

Things to Check Before Asking for Repairs

Symptom	Area to be investigated	Fixing method
Weak suction power	<ul style="list-style-type: none">• Is capsule full of dust?• Is filter clogged?• Is battery exhausted?	<ul style="list-style-type: none">• Empty dust from capsule.• Dust down or wash filter.• Recharge battery.
Not working	<ul style="list-style-type: none">• Is battery exhausted?	<ul style="list-style-type: none">• Recharge battery.

010051

NOTE:

- Do not attempt to repair cleaner by yourself.

To maintain product SAFETY and RELIABILITY, repairs, any other maintenance or adjustment should be performed by Makita Authorized Service Centers, always using Makita replacement parts.

OPTIONAL ACCESSORIES

CAUTION:

- These accessories or attachments are recommended for use with your Makita tool specified in this manual. The use of any other accessories or attachments might present a risk of injury to persons. Only use accessory or attachment for its stated purpose.

If you need any assistance for more details regarding these accessories, ask your local Makita Service Center.

- Extension wand (Straight pipe)
- Nozzle
- Nozzle for carpet
- Shelf brush
- Corner nozzle
- Round brush
- Flexible hose
- Filter
- Prefilter
- High performance filter
- Makita genuine battery and charger

NOTE:

- Some items in the list may be included in the tool package as standard accessories. They may differ from country to country.

AVERTISSEMENT : Cet appareil peut être utilisé par des enfants de 8 ans et plus, ainsi que par des personnes présentant des capacités physiques, sensorielles ou mentales réduites, ou par des personnes dénuées d'expérience et de connaissances s'ils ont pu faire l'objet d'une surveillance ou recevoir des instructions préalables concernant l'utilisation en toute sécurité de l'appareil et s'ils comprennent les risques associés. Ne laissez pas les enfants jouer avec l'appareil. Le nettoyage et l'entretien à la charge de l'utilisateur ne doivent pas être réalisés par des enfants sans surveillance.

Descriptif

1	Témoin rouge	8	Bouton de vérification	15	Repère O
2	Bouton	9	Capsule	16	Poignée
3	Batterie	10	Préfiltre	17	Rainure du carter de l'aspirateur
4	Marque étoilée	11	Filtre	18	Raccord
5	Gâchette	12	Filtre haute performance	19	Aspirateur
6	Lampe	13	Entrée d'aspiration	20	Tube prolongateur
7	Témoins	14	Onglet de blocage	21	Raccord pour coin

SPÉCIFICATIONS

Modèle	DCL140	DCL180	DCL180F
Capacité	650 mL		
Utilisation continue	Environ 20 min.		
Longueur totale	981 mm	999 mm	
Poids net	1,2 kg		1,3 kg
Tension nominale	C.c. 14,4 V		C.c. 18 V

- Étant donné l'évolution constante de notre programme de recherche et de développement, les spécifications contenues dans ce manuel sont sujettes à modification sans préavis.
- Les spécifications et la batterie peuvent être différentes suivant les pays.
- Poids, avec la batterie, conformément à la procédure EPTA-01/2003

ENEA017-1

Usage

L'outil est conçu pour la collecte des poussières sèches.

ENEA007-1

Consignes de sécurité pour aspirateur sans fil

AVERTISSEMENT – IMPORTANT ! LIRE ATTENTIVEMENT toutes les consignes de sécurité et toutes les instructions AVANT UTILISATION. Le non-respect des avertissements et des instructions peut entraîner une électrocution, un incendie et/ou de graves blessures.

1. Ne pas exposer à la pluie. Ranger à l'intérieur.
2. Ne pas laisser utiliser comme jouet. Une surveillance étroite est requise lors de l'utilisation par un enfant ou près d'un enfant.

3. **Utiliser uniquement de la façon décrite dans ce manuel. Utiliser uniquement les accessoires recommandés par le fabricant.**
4. **Ne pas utiliser avec une batterie endommagée. Si l'appareil ne fonctionne pas comme il devrait, s'il a été échappé, endommagé, laissé à l'extérieur ou échappé dans l'eau, le renvoyer à un centre de service après-vente.**
5. **Ne pas manipuler l'appareil avec les mains mouillées.**
6. **N'insérer aucun objet dans les ouvertures. Ne pas utiliser si l'une des ouvertures est bloquée ; toujours enlever les poussières, charpies, cheveux et autres corps étrangers pouvant affecter la circulation de l'air.**
7. **Garder les cheveux, vêtements amples, doigts et toute autre partie du corps à l'écart des ouvertures et des pièces en mouvement.**
8. **Désactiver toutes les commandes avant de retirer la batterie.**
9. **Être tout particulièrement prudent lorsque l'on passe l'aspirateur dans un escalier.**
10. **Ne pas utiliser pour collecter des liquides inflammables ou combustibles tels que l'essence, ou dans des zones où de tels liquides peuvent être présents.**

11. Pour charger la batterie, utiliser uniquement le chargeur fourni par le fabricant.
12. Ne collecter aucune substance enflammée ou qui dégage de la fumée, telles que cigarettes, allumettes ou cendres chaudes.
13. Ne pas utiliser sans avoir posé le sac à poussière et/ou les filtres.
14. Ne pas charger la batterie à l'extérieur.
15. Recharger la batterie uniquement avec le chargeur spécifié par le fabricant. Un chargeur prévu pour un type de batterie peut être à l'origine d'un incendie s'il est utilisé avec une autre batterie.
16. Utiliser l'outil électrique uniquement avec la batterie spécifiquement indiquée. L'utilisation de toute autre batterie peut présenter un risque de blessure et d'incendie.
17. Lorsque la batterie n'est pas utilisée, la tenir à l'écart des objets métalliques, comme des trombones, pièces de monnaie, clés, clous, vis ou autres petits objets métalliques, susceptibles de créer une connexion entre deux bornes.
18. Dans des conditions d'utilisation inadéquate, il peut y avoir une fuite de l'électrolyte de la batterie. Le cas échéant, éviter tout contact avec ce liquide. En cas de contact accidentel, rincer à l'eau.

CONSERVEZ CES INSTRUCTIONS.

ENB127-1

CONSIGNES DE SÉCURITÉ ADDITIONNELLES

Cet appareil est conçu pour l'utilisation à l'intérieur.

1. Lire attentivement ce manuel d'instructions et celui du chargeur avant l'utilisation.
2. Ne pas collecter les matériaux suivants :
 - Matériaux chauds tels que cigarettes allumées, étincelles ou poussières de métal générées par le meulage ou la coupe du métal
 - Matériaux inflammables tels que l'essence, les diluants, la benzine, le kérosène et la peinture
 - Matériaux explosifs tels que la nitroglycérine
 - Matériaux inflammables tels que l'aluminium, le zinc, le magnésium, le titane, le phosphore et le celluloid
 - Saletés mouillées, eau, huile, etc.
 - Pièces dures à bords tranchants, telles que copeaux de bois, pièces de métal, pierres, verres, clous, broches et lames de rasoir
 - Poudres telles que ciment en poudre ou encre en poudre
 - Poussière conductrice telle que poussière de métal ou de carbone
 - Particules fines telles que la poussière de ciment

La collecte de tels matériaux peut causer un incendie, une blessure ou des dommages à la propriété.
3. Cesser immédiatement l'utilisation en cas d'anomalie.
4. Si l'aspirateur est échappé ou heurté, vérifier attentivement l'absence de fissures ou de dommages avant l'utilisation.

5. Ne pas approcher des fourneaux ou autres sources de chaleur.
6. Ne pas bloquer les orifices d'entrée ou de sortie d'air.

CONSERVEZ CES INSTRUCTIONS.

ENC007-11

Consignes de sécurité importantes pour la batterie

1. Avant d'utiliser la batterie, lisez toutes les instructions et précautions relatives (1) au chargeur de batterie, (2) à la batterie, et (3) à l'outil utilisant la batterie.
2. Ne démontez pas la batterie.
3. Cessez immédiatement l'utilisation si le temps de fonctionnement devient excessivement court. Il y a un risque de surchauffe, de brûlures, voire d'explosion.
4. Si l'électrolyte pénètre dans vos yeux, rincez-les à l'eau claire et consultez immédiatement un médecin. Il y a un risque de perte de la vue.
5. Ne court-circuitez pas la batterie :
 - (1) Ne touchez les bornes avec aucun matériau conducteur.
 - (2) Évitez de ranger la batterie dans un conteneur avec d'autres objets métalliques, par exemple des clous, des pièces de monnaie, etc.
 - (3) N'exposez pas la batterie à l'eau ou à la pluie. Un court-circuit de la batterie pourrait provoquer un fort courant, une surchauffe, parfois des brûlures et même une panne.
6. Ne rangez pas l'outil ou la batterie dans des endroits où la température risque d'atteindre ou de dépasser 50°C.
7. Ne jetez pas la batterie au feu même si elle est sérieusement endommagée ou complètement épuisée. La batterie peut exploser au contact du feu.
8. Prenez garde d'échapper ou de heurter la batterie.
9. N'utilisez pas une batterie abîmée.
10. Les batteries au lithium-ion contenues sont soumises aux exigences de la législation sur les marchandises dangereuses. Lors du transport commercial par des tierces parties ou des transitaires par exemple, des exigences spécifiques en matière d'étiquetage et d'emballage doivent être respectées. Pour la préparation de l'article expédié, il est nécessaire de consulter un expert en matériau dangereux. Veuillez également respecter les réglementations nationales susceptibles d'être plus détaillées. Recouvrez les contacts exposés avec du ruban adhésif ou du ruban de masquage et emballez la batterie de telle sorte qu'elle ne puisse pas bouger dans l'emballage.
11. La batterie doit être éliminée conformément aux réglementations locales en vigueur.

CONSERVEZ CES INSTRUCTIONS.

ATTENTION – N'utilisez que des batteries Makita d'origine. L'utilisation de batteries de marque autre que Makita ou de batteries modifiées peut provoquer l'explosion des batteries, ce qui présente un risque d'incendie, de dommages matériels et corporels. Cela annulera également la garantie Makita pour l'outil et le chargeur Makita.

Conseils pour assurer la durée de vie optimale de la batterie

1. Rechargez la batterie avant qu'elle ne soit complètement déchargée. Arrêtez toujours l'outil et rechargez la batterie quand vous remarquez que la puissance de l'outil diminue.
2. Ne rechargez jamais une batterie complètement chargée. La surcharge réduit la durée de service de la batterie.
3. Chargez la batterie alors que la température de la pièce se trouve entre 10°C et 40°C. Avant de charger une batterie chaude, laissez-la refroidir.
4. Rechargez la batterie si elle est restée inutilisée pendant une période prolongée (plus de six mois).

DESCRIPTION DU FONCTIONNEMENT

ATTENTION :

- Assurez-vous toujours que l'outil est hors tension et que sa batterie est retirée avant de l'ajuster ou de vérifier son fonctionnement.
- Lors de la mise en place de la batterie, prenez garde de ne pas se coincer les doigts entre l'aspirateur et la batterie, tel qu'illustré sur le schéma. Il y a un risque de blessure en se coincant les doigts. (Fig. 1)

Installation ou retrait de la batterie (Fig. 2)

ATTENTION :

- Mettez toujours l'outil hors tension avant d'installer ou de retirer la batterie.
- Lorsque vous posez ou retirez la batterie, tenez fermement l'outil et la batterie. Si vous ne tenez pas fermement l'outil et la batterie, ils risquent de s'abîmer en vous glissant des mains, et vous courez un risque de blessure corporelle.

Pour retirer la batterie, faites-la glisser de l'outil tout en faisant glisser le bouton à l'avant de la batterie.

Pour installer la batterie, alignez la languette de la batterie avec la rainure située dans le carter, puis faites-la glisser en place. Insérez-la à fond, jusqu'à ce qu'elle se mette en place avec un léger déclic. Si le témoin rouge est visible sur la face supérieure du bouton, cela signifie que la batterie n'est pas parfaitement verrouillée.

ATTENTION :

- Insérez toujours la batterie à fond, jusqu'à ce que l'indicateur rouge ne soit plus visible. Sinon, elle pourrait tomber accidentellement de l'outil, au risque de vous blesser ou de blesser quelqu'un se trouvant près de vous.
- Ne forcez pas pour insérer la batterie. Si la batterie ne glisse pas aisément, c'est qu'elle n'est pas insérée correctement.

Dispositif de protection de la batterie (batterie au lithium-ion avec marque étoilée) (Fig. 3)

Les batteries au lithium-ion avec une marque étoilée sont dotées d'un dispositif de protection. Ce dispositif coupe automatiquement l'alimentation de l'outil pour prolonger la durée de service de la batterie.

Si l'outil et/ou la batterie se trouve dans l'une ou l'autre des situations suivantes, l'outil cessera automatiquement de fonctionner.

- Surchargé : L'outil est utilisé de manière telle qu'il consomme un courant anormalement élevé. Il faut alors libérer la gâchette de l'outil et cesser l'application qui cause la surcharge. Tirez ensuite de nouveau sur la gâchette pour redémarrer. Si l'outil ne démarre pas, cela signifie que la batterie est trop chaude. Il faut alors laisser refroidir la batterie avant de tirer de nouveau sur la gâchette.
- Faible tension de la batterie : La charge restante de la batterie étant trop faible, l'outil ne fonctionne pas. Il faut alors retirer la batterie et la recharger.

Interrupteur (Fig. 4)

ATTENTION :

- Avant d'insérer la batterie dans l'outil, vérifiez toujours que la gâchette fonctionne bien et revient en position d'arrêt lorsque relâchée.

Pour mettre l'outil en marche, appuyez simplement sur la gâchette. Pour l'arrêter, relâchez la gâchette.

Allumage de la lampe

Pour le modèle DCL180F uniquement

ATTENTION :

- Ne regardez jamais directement la lumière. La lumière directe peut provoquer des lésions oculaires. (Fig. 5)

Enclenchez la gâchette pour allumer la lampe. Pour l'éteindre, relâchez la gâchette.

Indication de la charge restante de la batterie

Uniquement pour les batteries avec voyant lumineux (Fig. 6)

Appuyez sur le bouton de vérification sur la batterie pour indiquer la charge restante de la batterie. Les témoins s'allument pendant quelques secondes.

Témoins			Charge restante
Allumé	Éteint	Clignotant	
■	□	◐	75 % à 100 %
■	■	□	50 % à 75 %
■	■	□	25 % à 50 %
■	□	□	0 % à 25 %
◐	□	□	Chargez la batterie.
■	■	□	Anomalie possible de la batterie.
□	□	■	

NOTE :

- Selon les conditions d'utilisation et la température ambiante, l'indication peut être légèrement différente de la capacité réelle.

ASSEMBLAGE**ATTENTION :**

- Assurez-vous toujours que l'outil est hors tension et que sa batterie est retirée avant d'effectuer tout travail dessus.

Type de filtre

Filtre normal (Fig. 7)

Filtre haute performance (Fig. 8)

Mise au rebut des poussières**ATTENTION :**

- Vider l'aspirateur avant qu'il ne soit trop plein, autrement sa puissance d'aspiration sera moindre.
- S'assurer qu'il n'y a plus de poussières à l'intérieur de l'aspirateur lui-même. Autrement le filtre risque de se boucher ou le moteur de subir des dommages.

Mise au rebut des poussières du filtre normal

Pour faire tomber dans la capsule la poussière qui adhère au filtre, taper 4 ou 5 fois sur la capsule avec la main.

Pointer ensuite l'entrée d'aspiration vers le bas, tourner la capsule dans le sens indiqué par la flèche sur le schéma, puis déconnecter la capsule en tirant lentement et bien droit. (Fig. 9)

NOTE :

- Penser à mettre un sac à ordures sous la capsule, car la poussière risque de s'échapper lors de l'ouverture de la capsule.

Retirer la poussière accumulée dans la capsule et sur le préfiltre. (Fig. 10)

Torsader le préfiltre dans le sens de la flèche pour desserrer le bec de blocage de l'aspirateur, puis retirer le préfiltre en tirant. (Fig. 11)

Enlever les fines poussières du préfiltre. Retirer ensuite le filtre, puis taper légèrement dessus pour dégager la poussière. (Fig. 12)

Mise au rebut des poussières du filtre haute performance

Pour faire tomber dans la capsule la poussière qui adhère au filtre, tapez 4 ou 5 fois sur la capsule avec la main.

À présent, dirigez l'entrée d'aspiration vers le bas, tournez la capsule dans le sens de la flèche sur le schéma et déconnectez la capsule en tirant lentement et bien droit. (Fig. 9)

NOTE :

- La poussière risquant de s'échapper lors de l'ouverture de la capsule, pensez à placer un sac-poubelle sous la capsule.

Retirez la poussière accumulée à l'intérieur de la capsule et sur le filtre haute performance. (Fig. 13)

Tournez le filtre haute performance dans le sens de la flèche pour desserrer l'onglet de blocage de l'aspirateur, puis retirez le filtre en tirant dessus. (Fig. 14)

Enlevez les poussières fines et tapez légèrement pour déloger la poussière du filtre haute performance.

Remontage**Remontage du filtre normal**

Poser le filtre en poussant jusqu'à ce qu'il soit parfaitement en position sur l'aspirateur. (Fig. 15)

NOTE :

- S'assurer que le filtre est posé bien droit et inséré à fond. Si le filtre est mal posé, tel qu'illustré sur le schéma, la poussière pénétrera dans le carter du moteur et causera une panne du moteur. (Fig. 16)

Connecter le préfiltre. Penser alors à tourner le préfiltre de sorte que le bec de blocage soit parfaitement verrouillé dans l'aspirateur. (Fig. 17 et 18)

Connecter la capsule. Aligner le symbole O de la capsule sur le symbole O de la poignée, puis tourner fermement la capsule dans le sens de la flèche jusqu'à ce qu'elle s'immobilise. (Fig. 19 et 20)

NOTE :

- Retirer toujours la poussière à l'avance, car la puissance d'aspiration diminuera s'il y a trop de poussière dans l'aspirateur.
- Avant d'utiliser l'aspirateur, ne jamais oublier de vérifier que le filtre et le préfiltre sont bien posés. S'ils ne sont pas bien posés, la poussière pénétrera dans le carter du moteur et causera une panne du moteur. Dans les cas suivants, le filtre et le préfiltre ne sont pas correctement posés. Les reposer correctement pour régler le problème.

Exemples de problème

Exemple 1 : seul le préfiltre a été posé (sans le filtre) (Fig. 21)

Exemple 2 : seul le filtre a été posé (sans le préfiltre) (Fig. 22)

Exemple 3 : le filtre est posé mais n'est pas inséré à fond (Fig. 16)

Exemple 4 : le bec de blocage du préfiltre n'est pas bien verrouillé dans la rainure du carter de l'aspirateur (Fig. 23)

Remontage du filtre haute performance

Connectez le filtre haute performance. Pensez alors à tourner le filtre haute performance de sorte que l'onglet de blocage soit fermement verrouillé dans l'aspirateur. (Fig. 24 et 25)

Connectez la capsule. Alignez le symbole O sur la capsule avec le symbole O sur la poignée, puis tournez fermement la capsule dans le sens de la flèche jusqu'à ce qu'elle soit verrouillée. (Fig. 26 et 20)

NOTE :

- Retirez toujours la poussière à l'avance, car la puissance d'aspiration diminuera s'il y a trop de poussière dans l'aspirateur.
- Avant d'utiliser l'aspirateur, vérifiez toujours que le filtre haute performance est bien posé. S'ils ne sont pas bien posés, la poussière pénétrera dans le carter du moteur entraînant une panne du moteur. Dans les exemples suivants, le filtre haute performance n'est pas correctement posé. Reposez-les correctement pour régler le problème.

Exemples de problème

L'onglet de blocage du filtre haute performance n'est pas bien verrouillé dans la rainure du carter de l'aspirateur. (Fig. 27)

OPERATION

ATTENTION :

- Pour connecter des accessoires tels qu'un raccord, les insérer en tournant dans le sens de la flèche pour assurer une connexion sûre pendant l'utilisation. Pour déconnecter l'accessoire, tirer en tournant aussi dans le sens de la flèche.

Si l'accessoire est tourné dans le sens contraire pour le connecter ou le déconnecter, la capsule risquera de se desserrer. (Fig. 28)

Nettoyage (aspiration)

Raccord (Fig. 29)

Fixer le raccord pour nettoyer les tables, bureaux, meubles, etc. Le raccord se glisse facilement en place.

Raccord + tube prolongateur (tuyau rectiligne)

(Fig. 30)

Le tube prolongateur s'installe entre le raccord et l'aspirateur. Il permet de passer l'aspirateur sur le plancher tout en restant debout.

Raccord pour coin (Fig. 31)

Installer le raccord pour coin lorsque l'on passe l'aspirateur dans les coins ou dans les interstices d'un véhicule ou d'un meuble.

Raccord pour coin + tube prolongateur (tuyau rectiligne) (Fig. 32)

Utiliser cette combinaison pour passer l'aspirateur dans les endroits étroits ou dans les endroits élevés difficiles à atteindre.

Points à vérifier avant de faire une demande de réparation

Symptôme	Point à vérifier	Méthode de réparation
Faible puissance d'aspiration	<ul style="list-style-type: none">• La capsule est-elle pleine de poussière ?• Le filtre est-il bloqué ?• La batterie est-elle épuisée ?	<ul style="list-style-type: none">• Enlever la poussière de la capsule.• Faire tomber la poussière ou laver le filtre.• Recharger la batterie.
Ne fonctionne pas	<ul style="list-style-type: none">• La batterie est-elle épuisée ?	<ul style="list-style-type: none">• Recharger la batterie.

010051

NOTE :

- Ne pas essayer de réparer l'aspirateur soi-même.

Pour maintenir la SÉCURITÉ et la FIABILITÉ du produit, les réparations, autres travaux d'entretien et réglages doivent être effectués dans un centre de service Makita agréé, exclusivement avec des pièces de rechange Makita.

ACCESSOIRES EN OPTION

ATTENTION :

- Ces accessoires ou pièces sont recommandés pour l'utilisation avec l'outil Makita spécifié dans ce manuel. L'utilisation de tout autre accessoire ou pièce peut comporter un risque de blessure. Utiliser uniquement l'accessoire ou la pièce pour le travail pour lequel il a été conçu.

Pour plus d'informations concernant ces accessoires, s'informer auprès du centre de service Makita le plus près.

- Tube prolongateur (tuyau rectiligne)
- Raccord
- Raccord pour tapis
- Brosse pour étagères
- Raccord pour coin

Nettoyage sans raccord (Fig. 33)

Le raccord n'est pas nécessaire pour collecter de la poudre ou des poussières.

ENTRETIEN

ATTENTION :

- Toujours s'assurer que l'outil est éteint avant d'effectuer son inspection ou son entretien.

Nettoyage

Essuyer de temps à autre la surface extérieure (le boîtier) de l'aspirateur à l'aide d'un chiffon humecté dans de l'eau savonneuse. Nettoyer également les ouvertures d'aspiration, les zones de montage du sac à poussières ou de l'ensemble papier et l'écran anti-poussières. (Fig. 34)

ATTENTION :

- N'utilisez jamais d'essence, benzine, diluant, alcool ou autre produit similaire. Cela risquerait de provoquer la décoloration, la déformation ou la fissuration de l'outil.

Lorsque le filtre est bouché et que la puissance de l'aspirateur s'en trouve affaiblie, laver le sac à poussières dans de l'eau savonneuse. Le faire sécher parfaitement avant l'utilisation. Si le filtre n'est pas assez sec la capacité d'aspiration sera considérablement affectée et cela réduira la durée de service du moteur. (Fig. 35)

Ne pas utiliser une bouteille d'air comprimé pour souffler les poussières qui adhèrent à l'aspirateur. Cela ferait pénétrer les poussières dans le carter et causerait une panne.

- Brosse ronde
- Boyau flexible
- Filtre
- Préfiltre
- Filtre haute performance
- Batterie et chargeur Makita authentiques

NOTE :

- Il se peut que certains éléments de la liste soient compris dans l'emballage de l'outil en tant qu'accessoires standard. Ils peuvent varier d'un pays à l'autre.

WARNUNG: Dieses Gerät kann von Kindern ab 8 Jahren und Personen mit verminderten körperlichen, sensorischen oder geistigen Fähigkeiten bzw. Mangel an Erfahrung und Kenntnissen benutzt werden, vorausgesetzt, dass sie beaufsichtigt werden oder Anweisungen zum sicheren Gebrauch des Gerätes erhalten haben und die damit verbundenen Gefahren verstehen. Kinder dürfen nicht mit dem Gerät spielen. Reinigung und Benutzerwartung dürfen nicht von Kindern ohne Beaufsichtigung durchgeführt werden.

Übersicht

1 Rote Anzeige	8 Prüftaste	15 Markierung O
2 Knopf	9 Kapsel	16 Handgriff
3 Akku	10 Vorfilter	17 Nut des Staubsaugergehäuses
4 Sternsymbol	11 Filter	18 Stutzen
5 Ein-Aus-Schalter	12 Hochleistungsfilter	19 Staubsauger
6 Lampe	13 Saugeinlass	20 Verlängerungsarm
7 Anzeigelampen	14 Sicherungslippe	21 Winkeldüse

TECHNISCHE DATEN

Modell	DCL140	DCL180	DCL180F
Kapazität	650 mL		
Dauerbetrieb	ca. 20 Min.		
Gesamtlänge	981 mm	999 mm	
Nettogewicht	1,2 kg		1,3 kg
Nennspannung	14,4 V Gleichstrom	18 V Gleichstrom	

- Aufgrund unseres Dauerprogramms der Forschung und Entwicklung unterliegen die hier angegebenen technischen Daten Änderung ohne Vorankündigung.
- Die technischen Daten und der Akku können von Land zu Land unterschiedlich sein.
- Gewicht mit Akku nach EPTA-Verfahren 01/2003

ENE017-1

Vorgesehene Verwendung

Die Maschine ist für das Absaugen von Trockenstaub vorgesehen.

ENA007-1

Sicherheitswarnungen für Akku-Staubsauger

WARNUNG – WICHTIG! Alle Sicherheitswarnungen und Anweisungen VOR GEBRAUCH AUFMERKSAM LESEN. Eine Missachtung der Warnungen und Anweisungen kann zu einem elektrischen Schlag, Brand und/oder schweren Verletzungen führen.

1. Das Gerät keinem Regen aussetzen. In Innenräumen aufbewahren.
2. Das Gerät darf nicht als Spielzeug benutzt werden. Wenn das Gerät von Kindern oder in deren Nähe benutzt wird, ist besondere Vorsicht geboten.

3. Nur gemäß der Beschreibung in dieser Anleitung benutzen. Nur vom Hersteller empfohlene Zusatzvorrichtungen verwenden.
4. Nicht mit beschädigtem Akku benutzen. Falls das Gerät nicht ordnungsgemäß funktioniert, fallen gelassen, beschädigt, im Freien liegen gelassen wurde oder ins Wasser gefallen ist, bringen Sie es zu einer Kundendienststelle.
5. Fassen Sie das Gerät nicht mit nassen Händen an.
6. Stecken Sie keine Gegenstände in die Öffnungen. Benutzen Sie das Gerät nicht mit einer blockierten Öffnung; halten Sie es frei von Staub, Fusseln, Haaren und Fremdkörpern, die den Luftstrom behindern können.
7. Halten Sie Haare, lose Kleidung, Finger und alle Körperteile von den Öffnungen und beweglichen Teilen fern.
8. Schalten Sie sämtliche Bedienelemente aus, bevor Sie den Akku abnehmen.
9. Lassen Sie bei der Reinigung von Treppen besondere Vorsicht walten.
10. Verwenden Sie das Gerät nicht zum Aufsaugen von brennbaren oder feuergefährlichen Flüssigkeiten, wie z. B. Benzin, und benutzen Sie es auch nicht in der Nähe solcher Flüssigkeiten.
11. Verwenden Sie nur das vom Hersteller gelieferte Ladegerät zum Aufladen.

12. Saugen Sie keine brennenden oder rauchenden Gegenstände auf, wie z. B. Zigaretten, Streichhölzer oder heiße Asche.
13. Benutzen Sie das Gerät nicht ohne angebrachten Staubsack und/oder Filter.
14. Laden Sie den Akku nicht im Freien.
15. Laden Sie den Akku nur mit dem vom Hersteller vorgeschriebenen Ladegerät. Ein Ladegerät, das für einen Akkutyp geeignet ist, kann bei Verwendung mit einem anderen Akku eine Brandgefahr darstellen.
16. Benutzen Sie Elektrowerkzeuge nur mit den ausdrücklich vorgeschriebenen Akkus. Bei Verwendung irgendwelcher anderer Akkus besteht Verletzungs- und Brandgefahr.
17. Bewahren Sie den Akku bei Nichtgebrauch nicht zusammen mit Metallgegenständen, wie Büroklammern, Münzen, Schlüsseln, Nägeln, Schrauben, und anderen kleinen Metallteilen auf, welche die Kontakte kurzschließen können.
18. Bei Missbrauch kann Flüssigkeit aus dem Akku austreten. Vermeiden Sie Kontakt mit dieser Flüssigkeit. Falls Sie versehentlich mit der Flüssigkeit in Berührung kommen, spülen Sie die betroffenen Stellen mit Wasser ab.

**BEWAHREN SIE DIESE HINWEISE
SORGFÄLTIG AUF.**

ENC127-1

ZUSÄTZLICHE SICHERHEITSGEGELN

Dieses Gerät ist für Haushaltsgebrauch vorgesehen.

1. Lesen Sie diese Gebrauchsanleitung und die Gebrauchsanleitung des Ladegerätes vor der Benutzung durch.
2. Unterlassen Sie das Aufsaugen der folgenden Materialien:
 - Heiße Materialien, wie z. B. brennende Zigaretten oder durch Schleifen/Schneiden von Metall erzeugte Funken/Metallstaub
 - Brennbare Materialien, wie z. B. Benzin, Verdünner, Benzol, Petroleum oder Lack
 - Explosive Materialien, wie Nitroglycerin
 - Zündfähige Materialien, wie z. B. Aluminium, Zink, Magnesium, Titan, Phosphor oder Celluloid
 - Nassen Schmutz, Wasser, Öl o. Ä.
 - Harte Gegenstände mit scharfen Kanten, wie z. B. Holzspäne, Metalle, Steine, Glas, Nägel, Nadeln oder Rasierklingen
 - Klumpen bildendes Pulver, wie z. B. Zement oder Toner
 - Leitfähiger Staub, wie z. B. Metall- oder Kohlenstaub
 - Feine Partikel, wie z. B. Betonstaub
 Solche Handlungen können einen Brand, Verletzungen und/oder Sachschäden verursachen.
3. Brechen Sie den Betrieb sofort ab, wenn Sie irgendetwas Ungewöhnliches bemerken.
4. Falls Sie den Staubsauger fallen lassen oder anstoßen, überprüfen Sie ihn vor der Benutzung sorgfältig auf Risse oder Beschädigung.
5. Bringen Sie das Gerät nicht in die Nähe von Öfen oder anderen Wärmequellen.

6. Blockieren Sie nicht die Einlassöffnung oder die Belüftungsöffnungen.

**BEWAHREN SIE DIESE HINWEISE
SORGFÄLTIG AUF.**

ENC007-11

Wichtige Sicherheitsanweisungen für Akku

1. Lesen Sie vor der Benutzung des Akkus alle Anweisungen und Warnhinweise, die an (1) Ladegerät, (2) Akku und (3) Akkuwerkzeug angebracht sind.
2. Unterlassen Sie ein Zerlegen des Akkus.
3. Falls die Betriebszeit beträchtlich kürzer geworden ist, stellen Sie den Betrieb sofort ein. Anderenfalls besteht die Gefahr von Überhitzung, möglichen Verbrennungen und sogar einer Explosion.
4. Falls Elektrolyt in Ihre Augen gelangt, waschen Sie sie mit sauberem Wasser aus, und begeben Sie sich unverzüglich in ärztliche Behandlung. Anderenfalls können Sie Ihre Sehkraft verlieren.
5. Der Akku darf nicht kurzgeschlossen werden:
 - (1) Die Kontakte dürfen nicht mit leitfähigem Material berührt werden.
 - (2) Lagern Sie den Akku nicht in einem Behälter zusammen mit anderen Metallgegenständen, wie z.B. Nägel, Münzen usw.
 - (3) Setzen Sie den Akku weder Wasser noch Regen aus.
 Ein Kurzschluss des Akkus verursacht starken Stromfluss, der Überhitzung, Verbrennungen und einen Defekt zur Folge haben kann.
6. Lagern Sie Maschine und Akku nicht an Orten, an denen die Temperatur 50°C erreichen oder überschreiten kann.
7. Versuchen Sie niemals, den Akku zu verbrennen, selbst wenn er stark beschädigt oder vollkommen verbraucht ist. Der Akku kann im Feuer explodieren.
8. Achten Sie darauf, dass der Akku nicht fallen gelassen oder Stößen ausgesetzt wird.
9. Benutzen Sie keine beschädigten Akkus.
10. Die enthaltenen Lithium-Ionen-Akkus unterliegen den Anforderungen der Gefahrengut-Gesetzgebung. Für kommerzielle Transporte, z. B. durch Dritte oder Spediteure, müssen besondere Anforderungen zu Verpackung und Etikettierung beachtet werden. Zur Vorbereitung des zu transportierenden Artikels ist eine Beratung durch einen Experten für Gefahrengut erforderlich. Bitte beachten Sie möglicherweise ausführlichere nationale Vorschriften. Überkleben oder verdecken Sie offene Kontakte, und verpacken Sie den Akku so, dass er sich in der Verpackung nicht umher bewegen kann.
11. Befolgen Sie die örtlichen Bestimmungen bezüglich der Entsorgung von Akkus.

**BEWAHREN SIE DIESE HINWEISE
SORGFÄLTIG AUF.**

VORSICHT – Verwenden Sie nur Original-Makita-Akkus. Die Verwendung von Nicht-Original-Makita-Akkus oder von Akkus, die abgeändert worden sind, kann zum Bersten des Akkus und daraus resultierenden Bränden, Personenschäden und Beschädigung führen. Außerdem wird dadurch die Makita-Garantie für das Makita-Werkzeug und -Ladegerät ungültig.

Hinweise zur Aufrechterhaltung der maximalen Akku-Nutzungsdauer

1. **Laden Sie den Akku, bevor er vollkommen erschöpft ist.**
Schalten Sie die Maschine stets aus, und laden Sie den Akku, wenn Sie ein Nachlassen der Maschinenleistung feststellen.
2. **Unterlassen Sie das erneute Laden eines voll aufgeladenen Akkus. Überladen führt zu einer Verkürzung der Nutzungsdauer des Akkus.**
3. **Laden Sie den Akku bei Raumtemperatur zwischen 10°C – 40°C. Lassen Sie einen heißen Akku abkühlen, bevor Sie ihn laden.**
4. **Der Akku muss geladen werden, wenn er lange Zeit (länger als sechs Monate) nicht benutzt wird.**

FUNKTIONSBESCHREIBUNG

VORSICHT:

- Vergewissern Sie sich vor der Durchführung von Einstellungen oder Funktionsprüfungen der Maschine stets, dass die Maschine ausgeschaltet und der Akku abgenommen ist.
- Achten Sie beim Einsetzen des Akkus darauf, dass Sie sich nicht die Finger zwischen Staubsauger und Akku klemmen, wie in der Abbildung gezeigt. Einklemmen von Fingern kann Verletzungen verursachen. (Abb. 1)

Anbringen und Abnehmen des Akkus (Abb. 2)

VORSICHT:

- Schalten Sie die Maschine stets aus, bevor Sie den Akku anbringen oder abnehmen.
- **Halten Sie Maschine und Akku beim Anbringen oder Abnehmen des Akkus sicher fest.** Wenn Sie Maschine und Akku nicht sicher festhalten, können sie Ihnen aus der Hand rutschen, was zu einer Beschädigung der Maschine und des Akkus und zu Körperverletzungen führen kann.

Schieben Sie den Akku zum Abnehmen von der Maschine ab, während Sie den Knopf an der Vorderseite des Akkus drücken.

Zum Einsetzen des Akkus richten Sie die Führungsfeder des Akkus auf die Nut im Werkzeuggehäuse aus und schieben den Akku hinein. Schieben Sie ihn vollständig ein, bis er mit einem hörbaren Klicken einrastet. Falls die rote Anzeige an der Oberseite des Knopfes sichtbar ist, ist der Akku nicht vollständig verriegelt.

VORSICHT:

- Schieben Sie den Akku stets bis zum Anschlag ein, bis die rote Anzeige nicht mehr sichtbar ist. Anderenfalls kann er aus der Maschine herausfallen und Sie oder umstehende Personen verletzen.
- Unterlassen Sie Gewaltanwendung beim Anbringen des Akkus. Falls der Akku nicht reibungslos hineingleitet, ist er nicht richtig ausgerichtet.

Akku-Schutzsystem (Lithium-Ionen-Akku mit Sternsymbol) (Abb. 3)

Lithium-Ionen-Akkus mit Sternsymbol sind mit einem Schutzsystem ausgestattet. Dieses System schaltet die Stromversorgung der Maschine automatisch ab, um die Akku-Lebensdauer zu verlängern.

Die Maschine schaltet sich während des Betriebs automatisch ab, wenn Maschine und/oder Akku einer der folgenden Bedingungen unterliegen:

- **Überlastung:**
Die Maschine wird auf eine Weise benutzt, die eine ungewöhnlich hohe Stromaufnahme bewirkt. Lassen Sie in dieser Situation den Ein-Aus-Schalter der Maschine los, und brechen Sie die Arbeit ab, die eine Überlastung der Maschine verursacht hat. Betätigen Sie dann den Ein-Aus-Schalter erneut, um die Maschine wieder zu starten.
Falls die Maschine nicht startet, ist der Akku überhitzt. Lassen Sie den Akku in dieser Situation abkühlen, bevor Sie den Ein-Aus-Schalter erneut betätigen.
- **Niedrige Akkuspannung:**
Die Akku-Restkapazität ist zu niedrig, und die Maschine funktioniert nicht. Nehmen Sie in dieser Situation den Akku ab, und laden Sie ihn auf.

Schalterfunktion (Abb. 4)

VORSICHT:

- Vergewissern Sie sich vor dem Einsetzen des Akkus in die Maschine stets, dass der Ein-Aus-Schalter ordnungsgemäß funktioniert und beim Loslassen in die AUS-Stellung zurückkehrt.

Zum Einschalten der Maschine einfach den Ein-Aus-Schalter drücken. Zum Ausschalten lassen Sie den Ein-Aus-Schalter los.

Einschalten der Lampe

Nur für Modell DCL180F

VORSICHT:











- **Blicken Sie niemals direkt in das Licht. Der direkte Lichtstrahl verursacht Sehschäden. (Abb. 5)**

Betätigen Sie den Auslöseschalter, um die Lampe einzuschalten. Lassen Sie zum Ausschalten den Auslöseschalter los.

Anzeigen der Akku-Restkapazität

Nur für Akkus mit Anzeige (Abb. 6)

Drücken Sie die Prüftaste am Akku, um die Akku-Restkapazität anzuzeigen. Die Anzeigelampen leuchten wenige Sekunden lang auf.

Anzeigelampen			Restkapazität
 Erleuchtet	 Aus	 Blinkend	
			75% bis 100%
			50% bis 75%
			25% bis 50%
			0% bis 25%
			Den Akku aufladen.
 ↑ ↓ 			Möglicherweise liegt eine Funktionsstörung im Akku vor.

HINWEIS:

- Abhängig von den Benutzungsbedingungen und der Umgebungstemperatur kann die Anzeige geringfügig von der tatsächlichen Kapazität abweichen.

MONTAGE

VORSICHT:

- Vergewissern Sie sich vor der Ausführung von Arbeiten an der Maschine stets, dass die Maschine ausgeschaltet und der Akku abgenommen ist.

Filtertyp

Normaler Filter (Abb. 7)

Hochleistungsfilter (Abb. 8)

Staubentleerung

VORSICHT:

- Leeren Sie den Staubsauger, bevor er voll wird oder die Saugleistung nachlässt.
- Entleeren Sie auch unbedingt den Staub im Staubsauger selbst. Andernfalls kann sich der Filter zusetzen, oder der Motor kann beschädigt werden.

Entsorgen von Staub für normalen Filter

Um den am Filter in der Kapsel haftenden Staub abzuschütteln, klopfen Sie 4- bis 5-mal mit Ihrer Hand auf die Kapsel.

Nun den Saugstutzen nach unten richten, dann die Kapsel in Richtung des Pfeils in der Abbildung drehen und langsam und gerade abziehen. (Abb. 9)

HINWEIS:

- Halten Sie einen Müllsack unter die Kapsel, da beim Öffnen der Kapsel Staub herausfallen kann.

Entfernen Sie den angesammelten Staub aus dem Kapsel-Innenraum und vom Vorfilter. (Abb. 10)

Drehen Sie den Vorfilter in Pfeilrichtung, um die Sicherungslippe von der Staubsaugereinheit zu lösen, und ziehen Sie dann den Vorfilter ab. (Abb. 11)

Feinstaub aus dem Vorfilter entleeren. Dann den Filter entfernen und leicht ausklopfen, um Staub zu lösen. (Abb. 12)

Entsorgen von Staub für Hochleistungsfilter

Um den am Filter in der Kapsel haftenden Staub abzuschütteln, klopfen Sie 4- bis 5-mal mit Ihrer Hand auf die Kapsel.

Richten Sie nun den Saugelass nach unten, drehen Sie die Kapsel in Richtung des Pfeils in der Abbildung, und ziehen Sie die Kapsel langsam und gerade ab. (Abb. 9)

HINWEIS:

- Halten Sie einen Müllsack unter die Kapsel, da beim Öffnen der Kapsel Staub herausfallen kann.

Entfernen Sie den angesammelten Staub aus dem Kapsel-Innenraum und vom Hochleistungsfilter. (Abb. 13)

Drehen Sie den Hochleistungsfilter in Pfeilrichtung, um die Sicherungslippe von der Staubsaugereinheit zu lösen, und ziehen Sie dann den Filter ab. (Abb. 14)

Entleeren Sie den Feinstaub, und klopfen Sie den Hochleistungsfilter leicht aus, um Staub abzuschütteln.

Zusammenbau

Zusammenbau für normalen Filter

Bringen Sie den Filter an der Staubsaugereinheit an, bis er einwandfrei sitzt. (Abb. 15)

HINWEIS:

- Achten Sie darauf, dass der Filter gerade aufgesetzt wird, ohne dass er zurückgezogen wird. Falls der Filter falsch aufgesetzt wird, wie in der Abbildung gezeigt, gelangt Staub in das Motorgehäuse und kann einen Motorausfall verursachen. (Abb. 16)

Den Vorfilter anschließen. Drehen Sie dabei den Vorfilter so, dass die Sicherungslippe fest in der Staubsaugereinheit verankert ist. (Abb. 17 und 18)

Die Kapsel anschließen. Richten Sie die Markierung O an der Kapsel auf die Markierung O am Griff aus, und drehen Sie dann die Kapsel fest in Pfeilrichtung, bis sie gesichert ist. (Abb. 19 und 20)

HINWEIS:

- Entfernen Sie den Staub stets rechtzeitig, da die Saugleistung verringert wird, wenn sich zu viel Staub im Staubsauger befindet.
- Vergewissern Sie sich vor der Benutzung des Staubsaugers stets, dass Filter und Vorfilter korrekt eingesetzt sind. Falls sie nicht korrekt eingesetzt sind, gelangt Staub in das Motorgehäuse und kann einen Motorausfall verursachen. Falls die in den folgenden Beispielen genannten Fälle eintreten, sind Filter und Vorfilter nicht korrekt eingesetzt. Setzen Sie die Filter korrekt ein, um das Problem zu beheben.

Problemeispiele

Beispiel 1: Nur der Vorfilter ist eingesetzt worden (kein Filter) (Abb. 21)

Beispiel 2: Nur der Filter ist eingesetzt worden (kein Vorfilter) (Abb. 22)

Beispiel 3: Der Filter ist im zurückgezogenen Zustand eingesetzt worden (Abb. 16)

Beispiel 4: Die Sicherungslippe des Vorfilters sitzt nicht fest in der Staubsaugereinheit (Abb. 23)

Zusammenbau für Hochleistungsfilter

Schließen Sie den Hochleistungsfilter an. Drehen Sie dabei den Hochleistungsfilter so, dass die Sicherungslippe fest in der Staubsaugereinheit verankert ist. **(Abb. 24 und 25)**

Schließen Sie die Kapsel an. Richten Sie die Markierung O an der Kapsel auf die Markierung O am Handgriff aus, und drehen Sie dann die Kapsel fest in Pfeilrichtung, bis sie gesichert ist. **(Abb. 26 und 20)**

HINWEIS:

- Entfernen Sie den Staub stets rechtzeitig, da die Saugleistung verringert wird, wenn sich zu viel Staub im Staubsauger befindet.
- Vergewissern Sie sich vor der Benutzung des Staubsaugers stets, dass der Hochleistungsfilter korrekt eingesetzt ist. Falls sich nicht korrekt eingesetzt sind, gelangt Staub in das Motorgehäuse und kann einen Motorausfall verursachen.

Falls die in den folgenden Beispielen genannten Fälle eintreten, ist der Hochleistungsfilter nicht korrekt eingesetzt. Setzen Sie sie korrekt ein, um das Problem zu beheben.

Problembeispiele

Die Sicherungslippe des Hochleistungsfilters ist nicht fest in der Nut des Staubsaugergehäuses verankert. **(Abb. 27)**

BETRIEB

VORSICHT:

- Um Vorrichtungen, wie z. B. eine Bürste, anzuschließen, führen Sie die Vorrichtung unter gleichzeitigem Drehen in Pfeilrichtung ein, um einwandfreie Verbindung während des Gebrauchs zu gewährleisten. Um die Vorrichtung abzutrennen, ziehen Sie sie unter gleichzeitigem Drehen in Pfeilrichtung ab. Wird die Vorrichtung beim Anschließen oder Abtrennen in entgegengesetzter Richtung gedreht, kann sich die Kapsel lösen. **(Abb. 28)**

Reinigen (Saugen)

Bürste (Abb. 29)

Bringen Sie die Bürste an, um Tische, Pulte, Möbelstücke usw. abzusaugen. Die Bürste lässt sich leicht aufstecken.

Prüfpunkte vor einer Reparaturanforderung

Symptom	Prüfbereich	Abhilfeverfahren
Schwache Saugkraft	<ul style="list-style-type: none">• Ist die Kapsel mit Staub gefüllt?• Ist der Filter verstopft?• Ist der Akku erschöpft?	<ul style="list-style-type: none">• Staub aus der Kapsel entleeren.• Den Filter abstauben oder waschen.• Den Akku aufladen.
Gerät funktioniert nicht	<ul style="list-style-type: none">• Ist der Akku erschöpft?	<ul style="list-style-type: none">• Den Akku aufladen.

010051

HINWEIS:

- Versuchen Sie nicht, den Staubsauger selbst zu reparieren.

Um die SICHERHEIT und ZUVERLÄSSIGKEIT dieses Produkts zu gewährleisten, sollten Reparaturen und andere Wartungs- oder Einstellarbeiten nur von Makita-Kundendienstzentren unter ausschließlicher Verwendung von Makita-Originalersatzteilen ausgeführt werden.

Bürste + Verlängerungsrohr (Gerades Rohr)

(Abb. 30)

Das Verlängerungsrohr wird zwischen Bürste und Staubsauger angebracht. Diese Anordnung ist praktisch, um den Fußboden im Stehen zu saugen.

Spitzdüse (Abb. 31)

Bringen Sie die Spitzdüse an, um die Ecken und Ritzen eines Autos oder Möbelstücks zu reinigen.

Spitzdüse + Verlängerungsrohr (Gerades Rohr)

(Abb. 32)

Benutzen Sie diese Anordnung in engen Zwischenräumen, in die der Staubsauger selbst nicht hineinpasst, oder an schwer erreichbaren hohen Orten.

Staubsaugen ohne Düse (Abb. 33)

Sie können Pulver und Staub ohne Düse aufsaugen.

WARTUNG

VORSICHT:

- Denken Sie vor der Durchführung von Überprüfungen oder Wartungsarbeiten stets daran, der Maschine auszuschalten.

Reinigen

Wischen Sie die Außenseite (Gehäuse) des Staubsaugers von Zeit zu Zeit mit einem mit Seifenwasser getränkten Tuch ab. Reinigen Sie auch die Saugöffnung, den Staubsack/Papierbeutel-Montagebereich und den Staubsackanschlag. **(Abb. 34)**

VORSICHT:

- Verwenden Sie auf keinen Fall Benzin, Benzol, Verdünner, Alkohol oder dergleichen. Solche Mittel können Verfärbung, Verformung oder Rissbildung verursachen.

Waschen Sie den Filter in Seifenwasser aus, wenn er mit Staub zugesetzt ist und die Saugleistung nachlässt. Lassen Sie ihn vor der Benutzung gründlich trocknen. Ein noch feuchter Filter kann schlechte Saugleistung verursachen und die Lebensdauer des Motors verkürzen. **(Abb. 35)**

Blasen Sie am Staubsauger haftenden Staub nicht mit einem Druckluftspray ab. Dadurch wird der Staub in das Gehäuse geblasen und ein Ausfall verursacht.

SONDERZUBEHÖR

VORSICHT:

- Die folgenden Zubehörteile oder Vorrichtungen werden für den Einsatz mit dem in dieser Anleitung beschriebenen Makita-Gerät empfohlen. Die Verwendung anderer Zubehörteile oder Vorrichtungen kann eine Verletzungsgefahr darstellen. Verwenden Sie Zubehörteile oder Vorrichtungen nur für ihren vorgesehenen Zweck.

Wenn Sie weitere Einzelheiten bezüglich dieser Zubehörteile benötigen, wenden Sie sich bitte an Ihre Makita-Kundendienststelle.

- Verlängerungsrohr (Gerades Rohr)
- Bürste
- Düse für Teppich
- Regalbürste
- Spitzdüse
- Rundbürste
- Flexibler Schlauch
- Filter
- Vorfilter
- Hochleistungsfilter
- Original-Makita-Akku und -Ladegerät

HINWEIS:

- Manche Teile in der Liste können als Standardzubehör im Werkzeugsatz enthalten sein. Sie können von Land zu Land unterschiedlich sein.

ATTENZIONE: Questo utensile può essere usato dai bambini di 8 anni e oltre, e dalle persone con capacità fisiche, sensoriali o mentali ridotte, o senza esperienza o conoscenza, se sono sotto la supervisione o hanno ricevuto le istruzioni per l'utilizzo sicuro dell'utensile e capiscono i rischi che comporta. I bambini non devono giocare con l'utensile. La pulizia e la manutenzione non devono essere fatte dai bambini senza supervisione.

Visione generale

- | | | |
|-------------------------------|-------------------------------|---|
| 1 Indicatore rosso | 8 Pulsante di controllo | 15 Simbolo O |
| 2 Bottone | 9 Capsula | 16 Maniglia |
| 3 Batteria | 10 Prefiltro | 17 Scanalatura dell'alloggiamento dell'aspiratore |
| 4 Marchio di stella | 11 Filtro | 18 Bocchetta |
| 5 Grilletto dell'interruttore | 12 Filtro ad alte prestazioni | 19 Aspiratore |
| 6 Lampada | 13 Presa di aspirazione | 20 Prolunga |
| 7 Indicatori luminosi | 14 Bordo di fissaggio | 21 Accessorio per fessure |

DATI TECNICI

Modello	DCL140	DCL180	DCL180F
Capacità	650 mL		
Utilizzo continuo	20 min. circa		
Lunghezza totale	981 mm	999 mm	
Peso netto	1,2 kg		1,3 kg
Tensione nominale	C.c. 14,4 V	C.c. 18 V	

- Per il nostro continuo programma di ricerca e sviluppo, queste specifiche sono soggette a modifiche senza avviso.
- I dati tecnici e la cartuccia batteria potrebbero differire da paese a paese.
- Peso, con batteria, secondo la Procedura EPTA 01/2003

ENE017-1

Utilizzo prefissato

Questo utensile è progettato per la raccolta della polvere.

ENA007-1

Avvertenze relative alla sicurezza dell'aspiratore a batteria

AVVERTIMENTO – IMPORTANTE! LEGGERE CON ATTENZIONE tutte le avvertenze di sicurezza e tutte le istruzioni PRIMA DELL'USO. La mancata osservanza delle avvertenze e delle istruzioni potrebbe risultare in scosse elettriche, incendi e/o gravi lesioni personali.

1. Non esporre questo elettrodomestico alla pioggia. Conservarlo in interni.
2. Non permettere che venga usato come giocattolo. È necessaria una stretta sorveglianza se viene usato da o vicino a bambini.
3. Usarlo soltanto come descritto in questo manuale. Usare soltanto gli accessori consigliati dal produttore.
4. **Non usarlo con una batteria danneggiata. Se questo elettrodomestico non funziona come dovrebbe, se è caduto, è danneggiato, è rimasto all'aperto o è caduto in acqua, portarlo a un centro di assistenza ai clienti.**
5. **Non maneggiare questo elettrodomestico con le mani bagnate.**
6. **Non inserire alcun oggetto nelle aperture. Non usarlo con una qualsiasi apertura bloccata. Mantenerlo esente da polvere, filacce, capelli e tutto ciò che potrebbe ridurre il flusso dell'aria.**
7. **Tenere i capelli, gli abiti ampi e tutte le parti del corpo lontani dalle aperture e dalle parti mobili.**
8. **Disattivare tutti i comandi prima di rimuovere la batteria.**
9. **Fare particolarmente attenzione durante la pulizia delle scale.**
10. **Questo elettrodomestico non deve essere usato per aspirare sostanze infiammabili o combustibili, come la benzina, o dove esse potrebbero essere presenti.**
11. **Per la ricarica, usare soltanto il caricatore fornito dal produttore.**
12. **Questo elettrodomestico non deve essere usato per aspirare oggetti che bruciano o fumanti, come le sigarette, i fiammiferi o le ceneri calde.**
13. **Non utilizzarlo senza il sacchetto polveri e/o i filtri installati.**
14. **Non caricare la batteria all'aperto.**

15. Ricaricarla esclusivamente con il caricabatterie specificato dal produttore. Un caricabatterie idoneo a un tipo di batteria potrebbe creare un rischio di incendio, laddove venga utilizzato con una batteria di tipo diverso.
16. Utilizzare gli utensili elettrici solo con le batterie specificamente designate. L'utilizzo di qualsiasi altra batteria potrebbe comportare il rischio di lesioni personali o incendi.
17. Quando la batteria non è in uso, tenerla lontana da oggetti metallici, quali graffette, monete, chiavi, chiodi, viti o altri piccoli oggetti metallici, che possono creare un contatto da un terminale all'altro.
18. In condizioni di uso improprio, dalla batteria potrebbe venire espulso del liquido; evitare il contatto con tale liquido. In caso di contatto accidentale con il liquido, lavare abbondantemente con acqua.

CONSERVARE QUESTE ISTRUZIONI.

ENB127-1

REGOLE ADDIZIONALI PER LA SICUREZZA

Questo elettrodomestico è progettato per l'utilizzo domestico.

1. Leggere attentamente questo manuale di istruzioni e il manuale di istruzioni del caricatore prima dell'uso.
2. Non raccogliere i materiali seguenti:
 - Materiali caldi, come le sigarette accese e/o scintille/polvere sprigionate dalla smerigliatura/taglio del metallo
 - Materiali infiammabili, come benzina, solventi, benzene, cherosene o vernici
 - Materiali esplosivi come nitroglicerina
 - Materiali infiammabili, come alluminio, zinco, magnesio, titanio, fosforo o celluloidi
 - Sporco bagnato, acqua, olio e simili
 - Pezzi duri con estremità affilate, come schegge di legno, metallo, pietra, vetro, chiodi, puntine o rasoi
 - Polveri da ostruire, come cemento o colorante
 - Polvere conduttiva, come quella di metallo o carbone
 - Particelle fini, come la polvere del cemento
 Tale azionamento potrebbe causare un incendio, lesioni e/o danni materiali.
3. Smettere immediatamente l'uso se si nota qualcosa di anormale.
4. Se si fa cadere o si sbatte l'aspiratore, controllare attentamente se ci sono crepe o danni prima di usarlo.
5. Non avvicinarlo a stufe o altre sorgenti di calore.
6. Non bloccare il foro di aspirazione o i fori di ventilazione.

CONSERVARE QUESTE ISTRUZIONI.

ENC007-11

Istruzioni di sicurezza importanti per la cartuccia della batteria

1. Prima di usare la cartuccia della batteria, leggere tutte le istruzioni e le avvertenze sul (1) carica-batteria, sulla (2) batteria e sul (3) prodotto che utilizza la batteria.

2. Non smontare la cartuccia della batteria.
3. Se il tempo di utilizzo è diventato molto corto, smettere immediatamente di usare l'utensile. Può risultare un rischio di surriscaldamento, possibili ustioni e addirittura un'esplosione.
4. Se l'elettrolita va negli occhi, risciacquarli con acqua pulita e rivolgersi immediatamente ad un medico. Può risultare la perdita della vista.
5. Non cortocircuitare la cartuccia della batteria:
 - (1) Non toccare i terminali con qualche metallo conduttivo.
 - (2) Evitare di conservare la cartuccia della batteria in un contenitore con altri oggetti metallici come i chiodi, le monete, ecc.
 - (3) Non esporre la cartuccia della batteria all'acqua o alla pioggia.

Un cortocircuito della batteria può causare un grande flusso di corrente, il surriscaldamento, possibili ustioni e addirittura un guasto.

6. Non conservare l'utensile e la cartuccia della batteria in luoghi in cui la temperatura può raggiungere o superare i 50°C.
7. Non incenerire la cartuccia della batteria anche se è gravemente danneggiata o è completamente esaurita. La cartuccia della batteria può esplodere e provocare un incendio.
8. Fare attenzione a non lasciar cadere o a colpire la batteria.
9. Non usare una batteria danneggiata.
10. Le batterie a ioni di litio contenute sono soggette ai requisiti del regolamento sul trasporto di merci pericolose (Dangerous Goods Legislation).
Per trasporti commerciali, ad esempio da parte di terzi o spedizionieri, è necessario osservare dei requisiti speciali sull'imballaggio e sull'etichetta. Per la preparazione dell'articolo da spedire, è richiesta la consulenza di un esperto in materiali pericolosi. Attenersi anche alle normative nazionali, che potrebbero essere più dettagliate. Nastrare o coprire i contatti aperti e imballare la batteria in modo tale che non si possa muovere liberamente all'interno dell'imballaggio.
11. Seguire le norme locali relative al modo di disfarsi della batteria.

CONSERVARE QUESTE ISTRUZIONI.

ATTENZIONE – Utilizzare solo batterie originali Makita. L'utilizzo di batterie Makita non originali, o di batterie che siano state alterate, potrebbe risultare nello scoppio della batteria, causando incendi, lesioni personali e danni. Inoltre, ciò potrebbe invalidare la garanzia Makita per l'utensile e il caricabatterie Makita.

Suggerimenti per mantenere la durata massima della batteria

1. Caricare la cartuccia della batteria prima che si scarichi completamente. Smettere sempre di usare l'utensile e caricare la cartuccia della batteria quando si nota che la potenza dell'utensile è diminuita.
2. Non ricaricare mai una cartuccia della batteria completamente carica. La sovraccarica riduce la durata della batteria.

3. **Caricare la cartuccia della batteria con la temperatura ambiente da 10°C a 40°C. Lasciar raffreddare una cartuccia della batteria calda prima di caricarla.**
4. **Caricare la cartuccia della batteria se non la si è utilizzata per un periodo di tempo prolungato (più di sei mesi).**

DESCRIZIONE FUNZIONALE

ATTENZIONE:

- Accertarsi sempre che l'utensile sia spento e che la batteria sia stata rimossa prima di regolare o di controllare il funzionamento dell'utensile.
- Montando la batteria, fare attenzione che le dita non rimangano incastrate tra l'aspiratore e la batteria, come mostrato nella illustrazione. C'è pericolo di lesioni se le dita rimangono incastrate. (Fig. 1)

Installazione o rimozione della batteria (Fig. 2)

ATTENZIONE:

- Spegnerne sempre l'utensile prima di inserire o di rimuovere la cartuccia batteria.
- **Tenere saldamente l'utensile e la batteria quando si installa o si rimuove la batteria.** Se non si tengono saldamente l'utensile e la batteria, potrebbero sfuggire di mano con conseguente danno dell'utensile e della batteria e un incidente.

Per rimuovere la cartuccia batteria, ritirla dall'utensile spingendo il bottone sulla parte anteriore della cartuccia batteria.

Per installare la cartuccia batteria, allineare l'appendice sulla cartuccia batteria con la scanalatura dell'alloggiamento e inserirla in posizione. Inserirla completamente finché si blocca in posizione con uno piccolo scatto. Se si vede l'indicatore rosso sulla parte superiore del bottone, vuol dire che non è bloccata completamente.

ATTENZIONE:

- Installare sempre completamente la batteria finché l'indicatore rosso non è più visibile. In caso contrario, potrebbe cadere dall'utensile con pericolo di ferite per l'operatore o per chi gli è vicino.
- Non installare forzatamente la batteria. Se la cartuccia batteria non entra facilmente, vuol dire che non viene inserita correttamente.

Sistema di protezione batteria (batteria agli ioni di litio con marchio di stella) (Fig. 3)

Le batterie agli ioni di litio con il marchio di una stella sono dotate di un sistema di protezione. Questo sistema interrompe automaticamente la corrente all'utensile per estendere la vita della batteria.

L'utensile si arresta automaticamente mentre funziona se esso o la batteria vengono a trovarsi in una delle condizioni seguenti:

• Sovraccarico:

L'utensile viene usato in un modo che causa un assorbimento di corrente anormalmente alto. In tal caso, rilasciare il grilletto dell'interruttore sull'utensile e interrompere l'applicazione che ha causato il sovraccarico. Schiacciare poi di nuovo il grilletto dell'interruttore per riavviare l'utensile. Se l'utensile non si avvia, vuol dire che la batteria è surriscaldata. In tal caso, lasciare raffreddare la batteria prima di schiacciare di nuovo il grilletto dell'interruttore.

• Bassa tensione della batteria:

La capacità restante della batteria è troppo bassa e l'utensile non funziona. In tal caso, rimuovere e ricaricare la batteria.

Funzionamento dell'interruttore (Fig. 4)

ATTENZIONE:

- Prima di inserire la batteria nell'utensile, controllare sempre che il grilletto dell'interruttore funzioni correttamente e torni sulla posizione "OFF" quando viene rilasciato.

Per avviare l'utensile, schiacciare semplicemente il grilletto dell'interruttore. Rilasciare il grilletto dell'interruttore per fermarlo.

Illuminazione della lampada

Solo per il modello DCL180F

ATTENZIONE:

- Non guardare mai la luce direttamente. La luce diretta causa danni agli occhi. (Fig. 5)

Premere l'interruttore a grilletto per far illuminare la lampada. Rilasciare l'interruttore a grilletto per spegnerla.

Indicazione della carica residua della batteria

Solo per cartucce delle batterie dotate di indicatore (Fig. 6)

Premere il pulsante di controllo sulla cartuccia della batteria per indicare la carica residua della batteria. Gli indicatori luminosi si illuminano per alcuni secondi.

Indicatori luminosi			Carica residua
■ Illuminato	□ Spento	◐ Lampeggiante	
■	■	■	Dal 75% al 100%
■	■	□	Dal 50% al 75%
■	□	□	Dal 25% al 50%
■	□	□	Dallo 0% al 25%
◐	□	□	Caricare la batteria.
■	■	□	La batteria potrebbe essersi guastata.
□	□	■	

NOTA:

- A seconda delle condizioni d'uso e della temperatura ambiente, l'indicazione potrebbe variare leggermente rispetto alla carica effettiva.

MONTAGGIO

ATTENZIONE:

- Accertarsi sempre che l'utensile sia spento e che la batteria sia stata rimossa prima di qualsiasi intervento sull'utensile.

Tipo di filtro

Filtro normale (Fig. 7)

Filtro ad alte prestazioni (Fig. 8)

Smaltimento della polvere

ATTENZIONE:

- Svuotare l'aspiratore prima che diventi troppo pieno, perché altrimenti la forza di aspirazione si riduce.
- Svuotare l'aspiratore della polvere all'interno. In caso contrario, il filtro potrebbe diventare intasato o si potrebbe danneggiare il motore.

Smaltimento delle polveri per il filtro normale

Per togliere la polvere attaccata al filtro nella capsula, dare 4 o 5 colpi leggeri alla capsula con la mano.

Rivolgere in basso l'ingresso di aspirazione, girare la capsula nella direzione della freccia nella illustrazione e staccare lentamente e dritta la capsula. (Fig. 9)

NOTA:

- Quando si apre la capsula, la polvere potrebbe cadere fuori, per cui aprire la capsula sopra il secchio della spazzatura.

Togliere la polvere accumulata dall'interno della capsula e dal prefiltro. (Fig. 10)

Girare il prefiltro nella direzione della freccia per sganciare il labbro di fissaggio dall'aspiratore, e tirare poi fuori il prefiltro. (Fig. 11)

Togliere la polvere fine dal prefiltro. Rimuovere poi il filtro e togliere la polvere dandogli dei colpetti leggeri. (Fig. 12)

Smaltimento delle polveri per il filtro ad alte prestazioni

Per far cadere la polvere attaccata al filtro nella capsula, dare 4 o 5 leggeri colpetti alla capsula con la mano.

Ora puntare verso il basso la presa di aspirazione, ruotare la capsula nella direzione della freccia come nella figura e scollegare la capsula lentamente e tenendola dritta. (Fig. 9)

NOTA:

- Le polveri potrebbero fuoriuscire quando si apre la capsula, pertanto accertarsi di posizionare un sacchetto dei rifiuti al di sotto della capsula.

Rimuovere le polveri accumulate dall'interno della capsula e dal filtro ad alte prestazioni. (Fig. 13)

Ruotare il filtro ad alte prestazioni nella direzione della freccia per sganciare il bordo di fissaggio dall'unità aspiratore, quindi rimuovere il filtro tirandolo. (Fig. 14)

Pulire le polveri fini e dare dei leggeri colpetti per far staccare le polveri dal filtro ad alte prestazioni.

Riasssemblaggio

Rimontaggio del filtro normale

Montare il filtro finché è completamente in posizione nell'aspiratore. (Fig. 15)

NOTA:

- Accertarsi di inserire il filtro dritto senza che si rovesci indietro. Se si monta il filtro in modo sbagliato, come mostrato nella illustrazione, la polvere entra nell'alloggiamento del motore causando un guasto del motore. (Fig. 16)

Collegare il prefiltro. A questo punto, ruotare il prefiltro in modo che il labbro di fissaggio sia agganciato saldamente all'aspiratore. (Fig. 17 e 18)

Collegare la capsula. Allineare il simbolo O sulla capsula sul simbolo O sul manico e ruotare poi decisamente la capsula nella direzione della freccia finché è fissata saldamente. (Fig. 19 e 20)

NOTA:

- Togliere sempre tempestivamente la polvere, perché la forza di aspirazione si riduce se nell'aspiratore c'è troppa polvere.
- Controllare sempre che entrambi il filtro e il prefiltro siano installati correttamente prima di usare l'aspiratore. Se non sono installati correttamente, la polvere entra nell'alloggiamento del motore causando un guasto del motore.

Il filtro e il prefiltro non sono installati correttamente se si verificano i problemi seguenti. Risistemarli correttamente per correggere il problema.

Esempi di problemi

Esempio 1: È stato installato soltanto il prefiltro (niente filtro) (Fig. 21)

Esempio 2: È stato installato soltanto il filtro (niente prefiltro) (Fig. 22)

Esempio 3: Il filtro è stato installato rovesciato (Fig. 16)

Esempio 4: Il labbro di fissaggio del prefiltro non è agganciato saldamente alla scanalatura dell'alloggiamento dell'aspiratore (Fig. 23)

Rimontaggio del filtro ad alte prestazioni

Collegare il filtro ad alte prestazioni. A questo punto, accertarsi di ruotare il filtro ad alte prestazioni in modo che il bordo di fissaggio sia saldamente bloccato nell'unità aspiratore. (Fig. 24 e 25)

Collegare la capsula. Allineare il simbolo O sulla capsula con il simbolo O sulla maniglia, quindi ruotare con decisione la capsula nella direzione indicata dalla freccia fino a fissarla. (Fig. 26 e 20)

NOTA:

- Rimuovere sempre anticipatamente le polveri, in quanto la forza di aspirazione si riduce, qualora nell'aspiratore sia presente un grande quantitativo di polveri.
- Accertarsi sempre che il filtro ad alte prestazioni sia installato correttamente, prima di utilizzare l'aspiratore. Qualora non siano installati correttamente, le polveri penetrano nell'alloggiamento del motore, causando un guasto di quest'ultimo. L'eventuale verificarsi delle situazioni di esempio seguenti denota un'installazione errata del filtro ad alte prestazioni. Reinstallarli correttamente per correggere il problema.

Esempi di problemi

Il bordo di fissaggio del filtro ad alte prestazioni non è agganciato saldamente alla scanalatura dell'alloggiamento dell'aspiratore. (Fig. 27)

OPERAZIONI

ATTENZIONE:

- Per collegare gli accessori, come la bocchetta, inserire l'accessorio girandolo nella direzione della freccia per accertarsi che il collegamento sia saldo durante l'utilizzo. Per scollegare l'accessorio, estrarlo ancora girandolo nella direzione della freccia. Se si gira l'accessorio nella direzione opposta quando lo si collega o lo si scollega, la capsula potrebbe aprirsi. (Fig. 28)

Pulizia (Aspirazione)

Bocchetta (Fig. 29)

Attaccare la bocchetta per pulire i tavoli, le scrivanie, i mobili, ecc. La bocchetta si attacca facilmente.

Bocchetta + Prolunga (tubo diritto) (Fig. 30)

La prolunga va montata tra la bocchetta e l'aspiratore stesso. Questa disposizione è comoda per pulire il pavimento stando eretti.

Accessorio per fessure (Fig. 31)

Montare l'accessorio per fessure per la pulizia degli angoli e delle fessure di un'automobile o mobile.

Accessorio per fessure + Prolunga (tubo diritto) (Fig. 32)

Usare questa disposizione per la pulizia dei posti dove la bocchetta non può entrare, o di quelli alti difficili da raggiungere.

Pulizia senza la bocchetta (Fig. 33)

La polvere può essere aspirata senza la bocchetta.

MANUTENZIONE

ATTENZIONE:

- Accertarsi sempre che l'utensile sia spento prima di procedere all'ispezione o alla manutenzione.

Pulizia

Pulire ogni tanto l'esterno (corpo aspiratore) usando un panno bagnato con acqua e sapone. Pulire anche l'apertura di aspirazione, l'area di montaggio del sacchetto polvere/pacco carta e il fermo polvere. (Fig. 34)

ATTENZIONE:

- Mai usare benzina, benzene, solventi, alcol e altre sostanze simili. Potrebbero causare scolorimenti, deformazioni o crepe.

Lavare il filtro in acqua e sapone quando è intasato di polvere e la potenza dell'aspiratore si riduce. Asciugarlo completamente prima dell'uso. Se il filtro polvere non è sufficientemente asciutto, potrebbe causare una scarsa aspirazione e ridurre la vita di servizio del motore. (Fig. 35)

Non togliere la polvere attaccata all'aspiratore usando uno spolverino. Esso fa entrare la polvere nell'alloggiamento causando un guasto.

Cosa controllare prima di chiamare il tecnico per la riparazione

Sintomo	Area da controllare	Metodo di correzione del problema
Forza di aspirazione debole	<ul style="list-style-type: none">• La capsula è piena di polvere?• Il filtro è intasato?• La batteria è scarica?	<ul style="list-style-type: none">• Vuotare la capsula dalla polvere.• Togliere la polvere dal filtro o lavarlo.• Ricaricare la batteria.
L'aspiratore non funziona	<ul style="list-style-type: none">• La batteria è scarica?	<ul style="list-style-type: none">• Ricaricare la batteria.

010051

NOTA:

- Non si deve cercare di riparare l'aspiratore da soli.

Per preservare la SICUREZZA e l'AFFIDABILITÀ del prodotto, le riparazioni, la manutenzione o la regolazione devono essere eseguite da un Centro Assistenza Makita autorizzato usando sempre ricambi Makita.

ACCESSORI OPZIONALI

ATTENZIONE:

- Si consigliano questi accessori o ricambi per l'uso con l'utensile Makita specificato in questo manuale. L'utilizzo di qualsiasi altro accessorio o ricambio potrebbe comportare il rischio di incidenti. Usare soltanto gli accessori o i ricambi per questo scopo prefissato.

Per maggiori dettagli riguardo a questi accessori, rivolgersi al Centro di Assistenza Makita locale.

- Prolunga (tubo diritto)
- Bocchetta
- Bocchetta per tappeti
- Spazzola per scaffali
- Accessorio per fessure
- Spazzola rotonda
- Manicotto flessibile
- Filtro
- Prefiltro
- Filtro ad alte prestazioni
- Batteria e caricatore genuini Makita

NOTA:

- Alcuni articoli nella lista potrebbero essere inclusi nell'imballo dell'utensile come accessori standard. Essi potrebbero differire da Paese a Paese.

WAARSCHUWING: Dit apparaat mag worden gebruikt door kinderen van 8 jaar en ouder of door personen met beperkte fysieke, zintuiglijke of verstandelijke vermogens of gebrek aan ervaring of kennis van zaken, maar alleen onder toezicht of na instructie in veilig gebruik van het apparaat, met begrip van de eventuele risico's. Kinderen mogen niet met het apparaat spelen. Reinigen en onderhoud van het apparaat mag niet door kinderen worden verricht, tenzij onder toezicht.

Verklaring van algemene gegevens

1 Rood aanduiding	8 Testknop	15 O-merkteken
2 Knop	9 Beker	16 Handgreep
3 Accu	10 Voorfilter	17 Gleuf in de behuizing van de stofzuiger
4 Stermarkering	11 Filter	18 Mondstuk
5 Trekschakelaar	12 Hoogwaardig filter	19 Stofzuiger
6 Lamp	13 Zuigmond	20 Verlengbuis
7 Indicatorlampjes	14 Bevestigingslip	21 Hoekmondstuk

TECHNISCHE GEGEVENS

Model	DCL140	DCL180	DCL180F
Inhoud	650 mL		
Ononderbroken gebruik	Ong. 20 min.		
Totale lengte	981 mm	999 mm	
Netto gewicht	1,2 kg		1,3 kg
Nominale spanning	14,4 V gelijkstroom	18 V gelijkstroom	

- In verband met ononderbroken research en ontwikkeling behouden wij ons het recht voor bovenstaande technische gegevens te wijzigen zonder voorafgaande kennisgeving.
- De technische gegevens de accu kunnen van land tot land verschillen.
- Gewicht, inclusief accu, volgens de EPTA-procedure 01/2003

ENE017-1

Gebruiksdoeleinden

Het gereedschap is bedoeld om droog stof te verzamelen.

ENA007-1

Veiligheidswaarschuwingen voor accustofzuigers

WAARSCHUWING – BELANGRIJK! LEES VÓÓR GEBRUIK alle veiligheidswaarschuwingen en alle instructies **ZORGVULDIG DOOR**. Het niet volgen van de waarschuwingen en instructies kan leiden tot elektrische schokken, brand en/of ernstig letsel.

1. Stel niet bloot aan regen. Bewaar binnenshuis.
2. Sta niet toe dat ermee gespeeld wordt. Let goed op bij gebruik in de buurt van kinderen.
3. Gebruik uitsluitend zoals beschreven in deze gebruiksaanwijzing. Gebruik uitsluitend hulpstukken aanbevolen door de fabrikant.

4. **Gebruik nooit met een beschadigde accu. Als het apparaat niet werkt zoals het zou moeten werken, is gevallen, is beschadigd buiten heeft gelegen of in het water is gevallen, stuurt u het terug naar een servicecentrum.**
5. **Hanteer het apparaat niet met natte handen.**
6. **Steek geen voorwerpen in de openingen. Gebruik het apparaat niet wanneer een opening verstopt zit, houd het apparaat vrij van stof, pluizen, haar en alles wat de luchtdoorstroming kan hinderen.**
7. **Houd haar, loshangende kleding, vingers en alle lichaamsdelen uit de buurt van de openingen en bewegende delen.**
8. **Schakel alle knoppen uit alvorens de accu eraf te halen.**
9. **Wees extra voorzichtig bij gebruik op een trap.**
10. **Zuig geen ontvlambare of brandbare vloeistoffen, zoals benzine, op en gebruik het niet op plaatsen waar deze aanwezig kunnen zijn.**
11. **Gebruik voor het opladen uitsluitend de acculader die door de fabrikant werd geleverd.**
12. **Zuig niets op dat brandt of rookt, zoals sigaretten, lucifers of hete as.**
13. **Gebruik het apparaat niet zonder dat de stofzak en/of filters zijn aangebracht.**

14. Laad de accu niet buitenshuis op.
15. Laad uitsluitend op met de acculader die wordt gespecificeerd door de fabrikant. Een acculader die geschikt is voor een bepaald type accu, kan brandgevaar opleveren indien gebruikt met een ander type accu.
16. Gebruik elektrisch gereedschap uitsluitend met de daarvoor bestemde accu. Gebruik van andere accu's kan gevaar voor letsel of brandgevaar opleveren.
17. Als de accu niet wordt gebruikt, houdt u deze uit de buurt van metalen voorwerpen zoals paperclips, muntgeld, sleutels, spijkers, schroeven en andere kleine metalen voorwerpen die een kortsluiting kunnen veroorzaken tussen de accupolen.
18. Onder zware gebruiksomstandigheden kan vloeistof uit de accu komen. Voorkom aanraking. Als aanraking per ongeluk zich voordoet, spoelt u met water.
2. Neem de accu niet uit elkaar.
3. Als de gebruikstijd van een opgeladen accu aanzienlijk korter is geworden, moet u het gebruik ervan onmiddellijk stopzetten. Voortgezet gebruik kan oververhitting, brandwonden en zelfs een ontploffing veroorzaken.
4. Als er elektrolyt in uw ogen is terechtgekomen, spoel dan uw ogen met schoon water en roep onmiddellijk de hulp van een dokter in. Elektrolyt in de ogen kan blindheid veroorzaken.
5. Voorkom kortsluiting van de accu:
 - (1) Raak de accuklemmen nooit aan met een geleidend materiaal.
 - (2) Bewaar de accu niet in een bak waarin andere metalen voorwerpen zoals spijkers, munten e.d. worden bewaard.
 - (3) Stel de accu niet bloot aan water of regen. Kortsluiting van de accu kan oorzaak zijn van een grote stroomafgifte, oververhitting, brandwonden, en zelfs defecten.
6. Bewaar het gereedschap en de accu niet op plaatsen waar de temperatuur kan oplopen tot 50°C of hoger.
7. Werp de accu nooit in het vuur, ook niet wanneer hij zwaar beschadigd of volledig versleten is. De accu kan namelijk ontploffen in het vuur.
8. Wees voorzichtig dat u de accu niet laat vallen en hem niet blootstelt aan schokken of stoten.
9. Gebruik nooit een beschadigde accu.
10. De bijgeleverde lithium-ionbatterijen zijn onderhevig aan de vereisten in de wetgeving omtrent gevaarlijke stoffen.

BEWAAR DEZE VOORSCHRIFTEN.

ENB127-1

AANVULLENDE VEILIGHEIDSVORSCHRIFTEN

Dit apparaat is bedoeld voor huishoudelijk gebruik.

1. Lees deze gebruiksaanwijzing en die van de acculader voor gebruik aandachtig door.
2. Zuig de volgende stoffen niet op:
 - Hete stoffen, zoals brandende sigaretten of gloeiend hete metaaldeeltjes veroorzaakt door het schuren/slijpen van metaal
 - Brandbare stoffen, zoals benzine, thinner, wasbenzine, kerosine of verf
 - Explosieve stoffen, zoals nitroglycerine
 - Ontvlambare stoffen, zoals aluminium, zink, magnesium, titanium, fosfor of celluloid
 - Nat vuil, water, olie en dergelijk
 - Harde stukjes met scherpe randen, zoals houtsnippers, metaaldeeltjes, steentjes, glasstukjes, spijkers, punaises of scheermesjes
 - Poeder dat klontert, zoals cement of toner
 - Geleidend stof, zoals metaalvazel of koolstofpoeder
 - Zeer fijn stof, zoals cementpoeder
 Een dergelijk gebruik kan leiden tot brand, persoonlijk letsel en/of materiële schade.
3. Stop onmiddellijk met het gebruik als u iets abnormaals opmerkt.
4. Als u de stofzuiger laat vallen of ergens tegenaan stoot, controleert u zorgvuldig op barsten of beschadigingen voordat u deze weer gebruikt.
5. Houd uit de buurt van fornuizen en verwarmingsbronnen.
6. Blokkeer de inlaatopening en de ventilatieopeningen niet.

BEWAAR DEZE VOORSCHRIFTEN.

ENC007-11

Belangrijke veiligheidsinstructies voor een accu

1. Lees alle voorschriften en waarschuwingen op (1) de acculader, (2) de accu, en (3) het product waarvoor de accu wordt gebruikt, aandachtig door alvorens de acculader in gebruik te nemen.

11. Volg bij het wegwerpen van de accu de plaatselijk geldende voorschriften.
- Voor commercieel transport en dergelijke doorden en transporteurs moeten speciale vereisten ten aanzien van verpakking en etikettering worden nageleefd.
- Als voorbereiding van het artikel dat wordt getransporteerd is het noodzakelijk een expert op het gebied van gevaarlijke stoffen te raadplegen. Houd u tevens aan mogelijk strengere nationale regelgeving.
- Blootliggende contactpunten moeten worden afgedekt met tape en de accu moet zodanig worden verpakt dat deze niet kan bewegen in de verpakking.

BEWAAR DEZE VOORSCHRIFTEN.

LET OP – Gebruik uitsluitend originele Makita accu's. Het gebruik van niet-originele accu's, of accu's die zijn gewijzigd, kan ertoe leiden dat de accu ontploft en brand, persoonlijk letsel en schade veroorzaakt. Ook vervalt daarmee de garantie van Makita op het gereedschap en de lader van Makita.

Tips voor een maximale levensduur van de accu

1. Laad de accu op voordat hij volledig ontladen is. Stop het gebruik van het gereedschap en laad de accu op telkens wanneer u vaststelt dat het vermogen van het gereedschap is afgenomen.
2. Laad een volledig opgeladen accu nooit opnieuw op. Als u de accu te veel oplaadt, zal hij minder lang meegaan.
3. Laad de accu op bij een kamertemperatuur tussen 10°C en 40°C. Laat een warme accu afkoelen alvorens hem op te laden.

4. Laad de accu op als u deze gedurende een lange tijd (meer dan zes maanden) niet gaat gebruiken.

BESCHRIJVING VAN DE FUNCTIES

LET OP:

- Zorg altijd dat het gereedschap is uitgeschakeld en de accu ervan is verwijderd alvorens de functies op het gereedschap af te stellen of te controleren.
- Wees voorzichtig dat uw vinger(s) niet bekneld raken tussen de stofzuiger en de accu tijdens het aanbrengen van de accu, zoals aangegeven in de afbeelding. Beknelde vingers kunnen tot letsel leiden. (Fig. 1)

Installeren of verwijderen van de accu (Fig. 2)

LET OP:

- Schakel het gereedschap altijd uit alvorens de accu te installeren of te verwijderen.
- Houd het gereedschap en de accu stevig vast wanneer u de accu aanbrengt of verwijdert. Als u het gereedschap en de accu niet stevig vasthoudt, zou er iets uit uw handen kunnen glippen, met gevaar voor schade aan het gereedschap of de accu en eventuele verwonding.

Om de accu uit het gereedschap te halen, verschuift u de knop op de voorkant van de accu en trekt u de accu eraf. Om de accu te installeren, doet u de tong op de accu overeenkomen met de groef in de behuizing en dan schuift u de accu erin. Schuif de accu er altijd volledig in totdat die op zijn plaats vast klikt. Als u de rode aanduiding boven de knop kunt zien, is ze niet volledig vergrendeld.

LET OP:

- Schuif de accu volledig erin totdat de rode indicator niet meer zichtbaar is. Als u dit niet doet, kan de accu per ongeluk eruit vallen en uzelf of andere personen in uw omgeving verwonden.
- Druk de accu er niet met kracht in. Als de accu er niet gemakkelijk ingaat, betekent dit dat u hem niet op de juiste wijze erin steekt.

Accubeveiligingssysteem (lithium-ionenaccu met een stermarkering) (Fig. 3)

Lithium-ionenaccu's met een stermarkering zijn voorzien van een beveiligingssysteem. Dat kan automatisch de stroomtoevoer afsluiten om de levensduur van de accu te verlengen.

Het gereedschap kan tijdens gebruik automatisch stoppen wanneer het gereedschap en/of de accu aan één van de volgende omstandigheden wordt blootgesteld:

- Overbelasting:
 - Als het gereedschap wordt gebruikt op een manier die een abnormaal hoge stroomsterkte vergt. In dat geval laat u de trekschakelaar van het gereedschap los en verhelpt u de oorzaak van de overbelasting. Vervolgens drukt u de trekschakelaar weer in om het gereedschap te herstarten.
 - Als het gereedschap niet start, kan de accu oververhit zijn. In dat geval laat u de accu even afkoelen voordat u de trekschakelaar opnieuw indrukt.
- Onvoldoende accuspanning:
 - Als de resterende accuspanning onvoldoende is, zal het gereedschap niet starten. In dat geval verwijdert u de accu en laadt u die opnieuw op.

Werking van de trekschakelaar (Fig. 4)

LET OP:

- Alvorens de accu in het gereedschap te plaatsen, moet u altijd controleren of de trekschakelaar goed werkt en bij het loslaten naar de "OFF" positie terugkeert.

Om het gereedschap te starten, drukt u gewoon de trekschakelaar in. Laat de schakelaar los om het gereedschap te stoppen.

De lamp inschakelen

Alleen voor model DCL180F

LET OP:














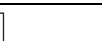


- Kijk nooit rechtstreeks in de lamp. Het rechtstreekse lamplicht kan schadelijk zijn voor uw ogen. (Fig. 5)

Krijp de trekkerschakelaar in om de lamp in te schakelen. Laat de trekkerschakelaar los om de lamp uit te schakelen.

De resterende acculading controleren

Alleen voor accu's met indicatorlampjes (Fig. 6)

Druk op de testknop op de accu om de resterende acculading te zien. De indicatorlampjes branden gedurende enkele seconden.

Indicatorlampjes			Resterende acculading
 Brandt	 Uit	 Knippert	
			75% tot 100%
			50% tot 75%
			25% tot 50%
			0% tot 25%
			Laad de accu op.
			Er kan een storing zijn opgetreden in de accu.
			

OPMERKING:

- Afhankelijk van de gebruiksomstandigheden en de omgevingstemperatuur, is het mogelijk dat de aangegeven acculading verschilt van de werkelijke acculading.

INEENZETTEN

LET OP:

- Controleer altijd of het gereedschap is uitgeschakeld en de accu ervan is verwijderd alvorens enig werk aan het gereedschap uit te voeren.

Type filter

Normaal filter (Fig. 7)

Hoogwaardig filter (Fig. 8)

Het stof weggooien

LET OP:

- Leeg de stofzuiger voordat deze te vol raakt omdat dan de zuigkracht afneemt.
- Vergeet niet het stof in de stofzuiger zelf weg te gooien. Als u dit nalaat, kan het filter verstopt raken of de motor beschadigd raken.

Stof weggooien uit een normaal filter

Om het stof dat aan het filter kleeft in de beker te laten vallen, tikt u met uw hand 4 of 5 keer tegen de beker.

Richt de zuigmond vervolgens omlaag, draai de beker in de richting van de pijl in de afbeelding, en haal de beker langzaam en recht eraf. (Fig. 9)

OPMERKING:

- Wanneer de beker eraf gehaald wordt, kan stof eruit vallen, zodat het handig is een vuilniszak onder de beker te houden.

Verwijder het verzamelde stof uit de beker en vanaf het voorfilter. (Fig. 10)

Verdraai het voorfilter in de richting van de pijl om de bevestigingslip los te maken van de behuizing van de stofzuiger, en trek vervolgens het voorfilter eraf. (Fig. 11)
Verwijder het fijne stof uit het voorfilter. Haal vervolgens het filter eraf en tik er voorzichtig tegen om het stof los te maken. (Fig. 12)

Stof weggooien uit een hoogwaardig filter

Om het stof dat aan het filter kleeft in de beker te laten vallen, tikt u met uw hand 4 of 5 keer tegen de beker.

Richt nu de zuigmond omlaag, draai de beker in de richting van de pijl zoals aangegeven in de afbeelding, en haal de beker langzaam en recht eraf. (Fig. 9)

OPMERKING:

- Wanneer de beker eraf wordt gehaald, kan het stof eruit vallen, dus plaatst u eerst een afvalzak onder de beker.

Verwijder het verzamelde stof uit de binnenkant van de beker en vanaf het hoogwaardige filter. (Fig. 13)

Verdraai het hoogwaardige filter in de richting van de pijl om de bevestigingslip los te maken van de behuizing van de stofzuiger, en trek vervolgens het hoogwaardige filter eraf. (Fig. 14)

Verwijder het fijne stof en tik er voorzichtig tegen om het stof los te maken uit het hoogwaardige filter.

In elkaar zetten

Het normale filter aanbrengen

Breng het filter aan tot deze volledig op zijn plaats zit op de behuizing van de stofzuiger. (Fig. 15)

OPMERKING:

- Zorg ervoor dat het filter er recht op aangebracht wordt zonder dubbelgevouwen te worden. Als het filter verkeerd erop aangebracht wordt, zoals aangegeven in de afbeelding, zal het stof binnendringen in het motorhuis en tot motorstoring leiden. (Fig. 16)

Breng het voorfilter aan. Let er daarbij op het voorfilter te verdraaien zodat de bevestigingslip goed vergrendeld wordt in de behuizing van de stofzuiger. (Fig. 17 en 18)

Breng de beker aan. Lijn het merkteken O op de beker uit met het merkteken O op de handgreep en verdraai de beker daarna stevig in de richting van de pijl tot hij wordt vergrendeld. (Fig. 19 en 20)

OPMERKING:

- Verwijder het stof altijd tijdig omdat de zuigkracht lager wordt wanneer er te veel stof in de stofzuiger zit.
- Controleer altijd of het filter en voorfilter correct zijn aangebracht voordat u de stofzuiger gaat gebruiken. Als deze niet correct zijn aangebracht, zal het stof binnendringen in het motorhuis en tot motorstoring leiden. In het geval de volgende situaties zich voordoen, zijn het filter en/of voorfilter niet correct aangebracht. Breng deze opnieuw en correct aan om het probleem op te lossen.

Voorbeelden van problemen

Voorbeeld 1: Alleen het voorfilter is aangebracht (geen filter) (Fig. 21)

Voorbeeld 2: Alleen het filter is aangebracht (geen voorfilter) (Fig. 22)

Voorbeeld 3: Het filter is aangebracht, maar is dubbelgevouwen (Fig. 16)

Voorbeeld 4: De bevestigingslip van het voorfilter is niet goed vergrendeld in de gleuf in de behuizing van de stofzuiger (Fig. 23)

Het hoogwaardig filter aanbrengen

Breng het hoogwaardig filter aan. Let er daarbij op het hoogwaardige filter te verdraaien zodat de bevestigingslip goed vergrendeld wordt in de behuizing van de stofzuiger. (Fig. 24 en 25)

Breng de beker aan. Lijn het O-merkteken op de beker uit met het O-merkteken op de handgreep en verdraai de beker daarna stevig in de richting van de pijl tot hij wordt vergrendeld. (Fig. 26 en 20)

OPMERKING:

- Verwijder het stof altijd tijdig omdat de zuigkracht lager wordt wanneer er te veel stof in de stofzuiger zit.
- Controleer altijd of het hoogwaardige filter correct is aangebracht voordat u de stofzuiger gaat gebruiken. Als deze niet correct zijn aangebracht, zal het stof binnendringen in het motorhuis en tot motorstoring leiden. In het geval de volgende situaties zich voordoen, is het hoogwaardige filter niet correct aangebracht. Breng deze opnieuw en correct aan om het probleem op te lossen.

Voorbeelden van problemen

De bevestigingslip van het hoogwaardige filter is niet goed vergrendeld in de gleuf in de behuizing van de stofzuiger. (Fig. 27)

BEDIENING

LET OP:

- Om een accessoire, zoals een mondstuk, aan te brengen, steekt u de accessoire in de zuigmond en verdraait u deze in de richting van de pijl om zeker te zijn van een stevige verbinding tijdens gebruik. Om de accessoire eraf te halen, verdraait u deze nogmaals in de richting van de pijl en trekt u de accessoire eraf. Als u de accessoire in de tegenovergestelde richting verdraait bij het aanbrengen of eraf halen, kan de beker los raken. (Fig. 28)

Schoonmaken (zuigen)

Mondstuk (Fig. 29)

Bevestig het mondstuk voor het schoonmaken van tafels, bureaus, meubels, enz. Het mondstuk kan eenvoudig op de stofzuiger worden geplaatst.

Mondstuk + verlengbuis (rechte buis) (Fig. 30)

De verlengbuis past tussen het mondstuk en de stofzuigermond. Deze werkwijze is handig bij het schoonmaken van de grond terwijl u rechtop staat.

Hoekmondstuk (Fig. 31)

Bevestig het hoekmondstuk voor het schoonmaken van hoeken en spleten van meubels of in auto's.

Hoekmondstuk + verlengbuis (rechte buis) (Fig. 32)

In kleine ruimten waar de stofzuiger zelf niet in past, of op hoge plaatsen die moeilijk te bereiken zijn, gebruikt u deze werkwijze.

Stofzuigen zonder mondstuk (Fig. 33)

U kunt poeder en stof opzuigen zonder een mondstuk.

ONDERHOUD

LET OP:

- Zorg er altijd voor dat het gereedschap is uitgeschakeld voordat u een inspectie of onderhoud uitvoert.

Schoonmaken

Veeg regelmatig de buitenkant (behuizing) van de stofzuiger schoon met een in zeepwater bevochtigde doek. Maak tevens de stofzuigermond, opening voor de stoffen/papieren stofzak en de stofstopper schoon. (Fig. 34)

LET OP:

- Gebruik nooit benzine, wasbenzine, thinner, alcohol en dergelijke. Hierdoor het verkleuring, vervormingen en barsten worden veroorzaakt.

Was het filter in zeepwater als deze verstopt zit met stof en de zuigkracht van de stofzuiger sterk is afgenomen. Droog het goed alvorens weer te gebruiken. Een onvoldoende droog filter kan leiden tot slecht zuigen en kan de levensduur van de motor verkorten. (Fig. 35) Vastkleeft niet weg met een luchtpistool. Hierdoor komt het stof in de behuizing en leidt tot storingen.

Controleer de onderstaande punten alvorens te laten repareren

Symptoom	Mogelijke oorzaak	Mogelijke oplossing
Geringe zuigkracht	<ul style="list-style-type: none">• Zit de beker vol stof?• Zit het filter verstopt?• Is de accu leeg?	<ul style="list-style-type: none">• Verwijder het stof uit de beker.• Maak het filter leeg of was het uit.• Laad de accu op.
Apparaat werkt niet	<ul style="list-style-type: none">• Is de accu leeg?	<ul style="list-style-type: none">• Laad de accu op.

010051

OPMERKING:

- Probeer de stofzuiger niet zelf te repareren.

Om de VEILIGHEID en BETROUWBAARHEID van het product te handhaven, dienen alle reparaties en alle andere onderhoudswerkzaamheden of afstellingen te worden uitgevoerd door een erkend Makita Servicecentrum, en dat uitsluitend met gebruik van Makita vervangingsonderdelen.

OPTIONELE ACCESSOIRES

LET OP:

- Deze accessoires of hulpstukken worden aanbevolen voor gebruik met het Makita-gereedschap dat in deze gebruiksaanwijzing wordt beschreven. Het gebruik van andere accessoires of hulpstukken kan gevaar op persoonlijk letsel opleveren. Gebruik de accessoires of hulpstukken uitsluitend voor de aangegeven gebruiksdoeleinden.

Mocht u meer informatie willen hebben over deze accessoires, dan kunt u contact opnemen met uw plaatselijke Makita-servicecentrum.

- Verlengbuis (rechte buis)
- Mondstuk
- Mondstuk voor tapijt
- Boekenplankborstel
- Hoekmondstuk
- Ronde borstel
- Flexibele slang
- Filter
- Voorfilter
- Hoogwaardig filter
- Originele Makita accu en acculader

OPMERKING:

- Sommige van de onderdelen in deze lijst kunnen bijgeleverd zijn als standaard-accessoires. Deze accessoires kunnen per land verschillend zijn.

ADVERTENCIA: Este aparato puede ser utilizado por niños de 8 o más años de edad y personas con capacidades físicas, sensoriales o mentales mermadas, o sin experiencia y conocimiento, si han recibido supervisión o instrucción para el uso del aparato de forma segura y son conscientes del peligro que implica. Los niños no deben jugar con el aparato. La limpieza y mantenimiento que debe hacer el usuario no deben ser realizados por niños sin supervisión.

Explicación de los dibujos

1 Indicador rojo	8 Botón de comprobación	15 Marca O
2 Botón	9 Cápsula	16 Empuñadura
3 Cartucho de batería	10 Prefiltro	17 Ranura de la carcasa de la aspiradora
4 Marca de estrella	11 Filtro	18 Boquilla
5 Gatillo interruptor	12 Filtro de alto rendimiento	19 Aspirador
6 Lámpara	13 Boca de succión	20 Tubo de extensión
7 Lámparas indicadoras	14 Pestaña de sujeción	21 Boquilla para esquinas

ESPECIFICACIONES

Modelo	DCL140	DCL180	DCL180F
Capacidad	650 mL		
Utilización continua	Aprox. 20 min.		
Longitud total	981 mm	999 mm	
Peso neto	1,2 kg		1,3 kg
Tensión nominal	CC 14,4 V	CC 18 V	

- Debido a nuestro continuo programa de investigación y desarrollo, las especificaciones en este manual están sujetas a cambio sin previo aviso.
- Las especificaciones y el cartucho de batería pueden diferir de país a país.
- Peso, con el cartucho de batería, de acuerdo con el procedimiento EPTA 01/2003

ENE017-1

Uso previsto

La herramienta ha sido prevista para recoger polvo seco.

ENA007-1

Advertencias de seguridad para la aspiradora inalámbrica

ADVERTENCIA – ¡IMPORTANTE! LEA CON ATENCIÓN todas las advertencias de seguridad y todas las instrucciones ANTES DE UTILIZAR. No seguir las advertencias e instrucciones puede resultar en una descarga eléctrica, un incendio y/o heridas graves.

1. No exponga el aparato a la lluvia. Almacene el aparato en interiores.
2. No permita que el aparato sea utilizado como juguete. Es necesario prestar mucha atención cuando el aparato es utilizado cerca de niños.
3. Utilice el aparato solamente de la forma descrita en este manual. Utilice solamente los accesorios recomendados por el fabricante.

4. No utilice el aparato con una batería dañada. Si el aparato no está funcionando como es debido, si se ha dejado caer, se ha dañado, se ha dejado en exteriores, o se ha caído al agua, llévelo a un centro de servicio.
5. No maneje el aparato con las manos mojadas.
6. No ponga ningún objeto dentro de las aberturas. No utilice el aparato con ninguna de sus aberturas bloqueada; manténgalo libre de polvo, hilachas, pelo, y cualquier cosa que pueda reducir la circulación del aire.
7. Mantenga el pelo, ropa holgada, dedos, y todas las partes del cuerpo alejadas de las aberturas y partes en movimiento.
8. Desactive todos los controles antes de extraer la batería.
9. Utilice cuidado especial cuando limpie en escaleras.
10. No utilice el aparato para recoger líquidos inflamables o combustibles, tal como gasolina, ni en áreas donde pueda haber tales líquidos.
11. Utilice solamente el cargador suministrado por el fabricante para recargar.
12. No recoja nada que esté quemándose o echando humo, tal como cigarrillos, cerillas, o cenizas calientes.
13. No utilice el aparato sin estar instalados la bolsa de polvo y/o los filtros.
14. No cargue la batería en exteriores.

15. Recargue solamente con el cargador especificado por el fabricante. Un cargador que es apropiado para un tipo de batería puede crear un riesgo de incendio cuando se utiliza con otra batería.
16. Utilice las herramientas eléctricas solamente con las baterías designadas específicamente para ellas. La utilización de cualquier otra batería puede crear un riesgo de heridas o incendio.
17. Cuando la batería no esté siendo utilizada, manténgala alejada de otros objetos metálicos, como sujetapapeles, monedas, llaves, clavos, tornillos u otros objetos metálicos pequeños, que puedan hacer conexión entre un terminal y otro.
18. En condiciones abusivas, es posible que salga expulsado líquido de la batería; evite el contacto con él. Si se produce un contacto accidental, enjuague con agua.

GUARDE ESTAS INSTRUCCIONES.

ENB127-1

NORMAS DE SEGURIDAD ADICIONALES

Este aparato ha sido previsto para ser utilizado en el hogar.

1. Lea este manual de instrucciones y el manual de instrucciones del cargador atentamente antes de utilizar el aparato.
2. No recoja los materiales siguientes:
 - Materiales calientes tales como cigarrillos encendidos o polvo de chispas/metales generado al cortar/amolar metales
 - Materiales inflamables tales como gasolina, disolvente, bencina, keroseno o pintura
 - Materiales explosivos como nitroglicerina
 - Materiales que puedan prenderse como aluminio, cinc, magnesio, titanio, fósforo o celuloide
 - Suciedad mojada, agua, aceite o similares
 - Piezas duras con bordes cortantes, tales como virutas de madera, metales, piedras, cristales, clavos, alfileres o cuchillas de afeitar
 - Polvo que cuaje tales como cemento o tóner
 - Polvo conductivo como metales o carbón
 - Partículas finas como polvo de cemento
 Tales acciones podrán causar un incendio, heridas y/o daños a la propiedad.
3. Detenga inmediatamente la operación si nota algo anormal.
4. Si deja caer o golpea el aspirador, compruebe atentamente si tiene grietas o algún daño antes de iniciar la operación.
5. No lo acerque a estufas u otras fuentes de calor.
6. No bloquee el orificio de admisión ni los orificios de ventilación.

GUARDE ESTAS INSTRUCCIONES.

ENC007-11

Instrucciones de seguridad importantes para el cartucho de batería

1. Antes de utilizar el cartucho de batería, lea todas las instrucciones e indicaciones de precaución sobre (1) el cargador de baterías, (2) la batería, y (3) el producto con el que se utiliza la batería.

2. No desarme el cartucho de batería.
3. Si el tiempo de uso del cartucho de batería se acorta demasiado, deje de usarlo inmediatamente. Podría resultar en un riesgo de recalentamiento, posibles quemaduras e incluso una explosión.
4. Si entra electrólito en sus ojos, aclárelos con agua limpia y vea a un médico inmediatamente. Existe el riesgo de poder perder la vista.
5. No cortocircuite el cartucho de batería:
 - (1) No toque los terminales con ningún material conductor.
 - (2) Evite guardar el cartucho de batería en un cajón junto con otros objetos metálicos, tales como clavos, monedas, etc.
 - (3) No exponga el cartucho de batería al agua ni a la lluvia.

Un cortocircuito en la batería puede producir una gran circulación de corriente, un recalentamiento, posibles quemaduras e incluso una rotura de la misma.

6. No guarde la herramienta ni el cartucho de batería en lugares donde la temperatura pueda alcanzar o exceder los 50°C.
7. Nunca incinere el cartucho de batería incluso en el caso de que esté dañado seriamente o ya no sirva en absoluto. El cartucho de batería puede explotar si se tira al fuego.
8. Tenga cuidado de no dejar caer ni golpear el cartucho de batería.
9. No utilice una batería dañada.
10. Las baterías de litio-ion contenidas están sujetas a los requisitos de la Legislación para Materiales Peligrosos.

Para transportes comerciales, p.ej., por terceras personas y agentes de transportes, se deberán observar requisitos especiales para el empaquetado y etiquetado.

Para la preparación del artículo que se va a enviar, se requiere consultar con un experto en materiales peligrosos. Por favor, observe también la posibilidad de reglamentos nacionales más detallados.

Cubra con cinta aislante o enmascare los contactos expuestos y empaquete la batería de tal manera que no se pueda mover alrededor dentro del embalaje.
11. Siga los reglamentos locales referentes al desecho de la batería.

GUARDE ESTAS INSTRUCCIONES.

PRECAUCIÓN – Utilice solamente baterías genuinas de Makita. La utilización de baterías no genuinas de Makita, o baterías que han sido alteradas, puede resultar en una explosión de la batería ocasionando incendios, heridas personales y daños. También anulará la garantía de Makita para la herramienta y el cargador de Makita.

Consejos para alargar al máximo la vida de servicio de la batería

1. Cargue el cartucho de batería antes de que se descargue completamente. Pare siempre la operación y cargue el cartucho de batería cuando note menos potencia en la herramienta.

2. **No cargue nunca un cartucho de batería que esté completamente cargado. La sobrecarga acortará la vida de servicio de la batería.**
3. **Cargue el cartucho de batería a temperatura ambiente de 10°C – 40°C. Si un cartucho de batería está caliente, déjelo enfriar antes de cargarlo.**
4. **Cargue el cartucho de batería si no lo utiliza durante un periodo de tiempo prolongado (más de seis meses).**

DESCRIPCIÓN DEL FUNCIONAMIENTO

PRECAUCIÓN:

- Asegúrese siempre de que la herramienta esté apagada y el cartucho de batería extraído antes de realizar cualquier ajuste o comprobación en la herramienta.
- Tenga cuidado de no pillarse el dedo(s) entre el aspirador y la batería como se muestra en el diagrama al instalar la batería. Si se pilla el dedo(s) podrá ocasionarse una herida. (Fig. 1)

Instalación o desmontaje del cartucho de batería (Fig. 2)

PRECAUCIÓN:

- Apague siempre la herramienta antes de instalar o extraer el cartucho de batería.
- **Sujete la herramienta y el cartucho de batería firmemente cuando instale o extraiga el cartucho de batería.** Si no sujeta la herramienta y el cartucho de batería firmemente podrán caérsele de las manos y resultar en daños a la herramienta y cartucho de batería y heridas personales.

Para extraer el cartucho de batería, deslícelo de la herramienta a la vez que desliza el botón de la parte frontal del cartucho.

Para instalar el cartucho de batería, alinee la lengüeta del cartucho de batería con la acanaladura del alojamiento y deslícelo hasta encajarlo en su sitio. Insértelo a tope hasta que se bloquee en su sitio produciendo un pequeño chasquido. Si puede ver el indicador rojo en el lado superior del botón, no estará bloqueado completamente.

PRECAUCIÓN:

- Instale siempre el cartucho de batería completamente hasta que no pueda verse el indicador rojo. De lo contrario, podrá caerse de la herramienta accidentalmente, pudiendo ocasionarle heridas a usted o a alguien cerca de usted.
- No instale el cartucho de batería empleando fuerza. Si el cartucho no se desliza al interior fácilmente, será porque no está siendo insertado correctamente.

Sistema de protección de la batería (Batería de litio-ión con marca de estrella) (Fig. 3)

Las baterías de litio-ión con marca de estrella están equipadas con un sistema de protección. Este sistema corta automáticamente la alimentación de la herramienta para alargar la vida útil de la batería.

La herramienta se detendrá automáticamente durante la operación si la herramienta y/o la batería son puestas en una de las condiciones siguientes:

- Sobrecargada:

La herramienta es utilizada de una manera que da lugar a que tenga que absorber una corriente anormalmente alta.

En esta situación, suelte el gatillo interruptor de la herramienta y detenga la tarea que ocasiona la sobrecarga de la herramienta. Después apriete el gatillo interruptor otra vez para volver a ponerla en marcha.

Si la herramienta no se pone en marcha, la batería estará recalentada. En esta situación, deje que la batería se enfríe antes de apretar el gatillo interruptor otra vez.

- Tensión baja en la batería:

La capacidad de batería restante es muy baja y la herramienta no funcionará. En esta situación, extraiga la batería y vuelva a cargarla.

Accionamiento del interruptor (Fig. 4)

PRECAUCIÓN:

- Antes de insertar el cartucho de batería en la herramienta, compruebe siempre para cerciorarse de que el gatillo interruptor se acciona debidamente y que vuelve a la posición "OFF" cuando lo suelta.

Para poner en marcha la herramienta, simplemente apriete el gatillo interruptor. Suelte el gatillo interruptor para parar.

Encendido de la lámpara

Para el modelo DCL180F solamente

PRECAUCIÓN:



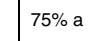


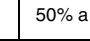

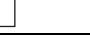
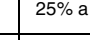

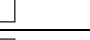
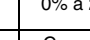

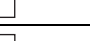
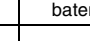


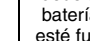
- No mire nunca a la luz directamente. La luz directa puede ocasionar daños a sus ojos. (Fig. 5)

Apriete el gatillo interruptor para encender la lámpara. Suelte el gatillo interruptor para apagar.

Modo de indicar la capacidad de batería restante

Solamente para cartuchos de batería con el indicador (Fig. 6)

Presione el botón de comprobación en el cartucho de batería para indicar la capacidad de batería restante. Las lámparas indicadoras se iluminan durante unos pocos segundos.

Lámparas indicadoras			Capacidad restante
Iluminada	Apagada	Parpadeando	
			75% a 100%
			50% a 75%
			25% a 50%
			0% a 25%
			Cargue la batería.
			Puede que la batería no esté funcionando bien.

NOTA:

- Dependiendo de las condiciones de utilización y de la temperatura ambiente, la indicación podrá variar ligeramente de la capacidad real.

MONTAJE

PRECAUCIÓN:

- Asegúrese siempre de que la herramienta esté apagada y el cartucho de batería extraído antes de realizar cualquier trabajo en la herramienta.

Tipo de filtro

Filtro normal (Fig. 7)

Filtro de alto rendimiento (Fig. 8)

Eliminación del polvo

PRECAUCIÓN:

- Vacíe el aspirador antes de que se llene demasiado, o la fuerza de succión se debilitará.
- Asegúrese de vaciar el polvo dentro del propio aspirador. De lo contrario, el filtro podrá obstruirse o dañarse el motor.

Para retirar el polvo para filtro normal

Para que el polvo adherido en el filtro caiga en la cápsula, golpee la cápsula 4 ó 5 veces con la mano.

Ahora oriente la boca de succión hacia abajo, gire la cápsula en la dirección de la flecha mostrada en el diagrama, y desconecte la cápsula despacio y en línea recta. (Fig. 9)

NOTA:

- Es posible que el polvo se derrame al abrir la cápsula, por lo que deberá asegurarse de colocar una bolsa de basura debajo de la cápsula.

Extraiga el polvo acumulado en el interior de la cápsula y del prefiltro. (Fig. 10)

Gire el prefiltro en la dirección de la flecha para soltar la pestaña de sujeción de la unidad del aspirador y después extraiga el prefiltro. (Fig. 11)

Quite el polvo fino que quede en el prefiltro. A continuación, extraiga el filtro, y golpéelo ligeramente para desprender el polvo. (Fig. 12)

Para retirar el polvo para filtro de alto rendimiento

Para que el polvo adherido en el filtro caiga en la cápsula, golpee la cápsula 4 o 5 veces con la mano.

Ahora oriente la boca de succión hacia abajo, gire la cápsula en la dirección de la flecha en el diagrama, y desconecte la cápsula despacio y en línea recta. (Fig. 9)

NOTA:

- El polvo se puede derramar cuando se abre la cápsula, por lo que asegúrese de poner una bolsa de basura debajo de la cápsula.

Retire el polvo acumulado del interior de la cápsula y del filtro de alto rendimiento. (Fig. 13)

Gire el filtro de alto rendimiento en la dirección de la flecha para soltar la pestaña de sujeción de la unidad de la aspiradora y después extraiga el filtro. (Fig. 14)

Quite el polvo fino y golpee ligeramente para remover el polvo del filtro de alto rendimiento.

Montaje

Montaje de nuevo para filtro normal

Coloque el filtro hasta que quede posicionado completamente en la unidad del aspirador. (Fig. 15)

NOTA:

- Asegúrese de poner el filtro en línea recta sin quedar doblado hacia atrás. Si el filtro es puesto incorrectamente como se muestra en el diagrama, el polvo entrará en la carcasa del motor, y ocasionará un fallo en el motor. (Fig. 16)

Conecte el prefiltro. Ahora, asegúrese de girar el prefiltro de forma que la pestaña de sujeción quede firmemente bloqueada en la unidad del aspirador. (Fig. 17 y 18)

Conecte la cápsula. Alinee el símbolo O de la cápsula con el símbolo O de la empuñadura y después gire la cápsula firmemente en la dirección de la flecha hasta que quede sujeta. (Fig. 19 y 20)

NOTA:

- Extraiga siempre el polvo a tiempo, ya que la potencia de succión se reducirá si hay demasiado polvo acumulado en el aspirador.
- Asegúrese siempre de comprobar que tanto el filtro como el prefiltro están colocados correctamente antes de utilizar el aspirador. Si no están colocados correctamente, el polvo entrará en la carcasa del motor, y ocasionará un fallo en el motor.
Si ocurren los ejemplos siguientes, será porque el filtro y el prefiltro no están colocados correctamente. Vuelva a colocarlos correctamente para rectificar el problema.

Ejemplos de problemas

Ejemplo 1: Sólo ha sido colocado el prefiltro (no el filtro) (Fig. 21)

Ejemplo 2: Sólo ha sido colocado el filtro (no el prefiltro) (Fig. 22)

Ejemplo 3: El filtro ha sido colocado quedando doblado hacia atrás (Fig. 16)

Ejemplo 4: La pestaña de sujeción del prefiltro no está bloqueada firmemente dentro de la ranura de la carcasa del aspirador. (Fig. 23)

Montaje de nuevo para filtro de alto rendimiento

Conecte el filtro de alto rendimiento. En este momento, asegúrese de girar el filtro de alto rendimiento de forma que la pestaña de sujeción quede bloqueada firmemente dentro de la unidad de la aspiradora. (Fig. 24 y 25)

Conecte la cápsula. Alinee el símbolo O de la cápsula con el símbolo O de la empuñadura y después gire la cápsula firmemente en la dirección de la flecha hasta que quede sujeta. (Fig. 26 y 20)

NOTA:

- Extraiga siempre el polvo con anticipación, ya que la potencia de succión se reducirá si hay demasiado polvo en la aspiradora.
- Asegúrese siempre de comprobar que el filtro de alto rendimiento está colocado correctamente antes de utilizar la aspiradora. Si no están colocados correctamente, el polvo entrará en el alojamiento del motor, y ocasionará un fallo de motor.
Si ocurren los ejemplos siguientes, el filtro de alto rendimiento no estará colocado correctamente. Vuelva a colocarlos correctamente para rectificar el problema.

Ejemplos de problemas

La pestaña de sujeción del filtro de alto rendimiento no está bloqueada firmemente dentro de la ranura de la carcasa de la aspiradora. (Fig. 27)

OPERACIÓN

PRECAUCIÓN:

- Para conectar accesorios, tales como boquillas, gire e inserte el accesorio en la dirección mostrada por la flecha para cerciorarse de que la conexión es segura durante la utilización. Para desconectar el accesorio, gire y extraiga también en la dirección mostrada por la flecha.

Si gira el accesorio en la dirección opuesta, cuando vaya a conectarlo o a desconectarlo, es posible que la cápsula se afloje. (Fig. 28)

Limpieza (Succión)

Boquilla (Fig. 29)

Coloque la boquilla para limpiar mesas, escritorios, muebles, etc. La boquilla se desliza fácilmente.

Boquilla + Tubo de extensión (Tubo recto) (Fig. 30)

El tubo de extensión se encaja entre la boquilla y el propio aspirador. Esta disposición resulta útil para limpiar un suelo estando de pie.

Boquilla para esquinas (Fig. 31)

Encaje la boquilla para esquinas para limpiar esquinas y resquicios de un automóvil o mueble.

Boquilla para esquinas + Tubo de extensión (Tubo recto) (Fig. 32)

En espacios reducidos donde el propio aspirador no puede entrar, o en lugares altos difíciles de alcanzar, utilice esta disposición.

Cosas a comprobar antes de solicitar reparación

Síntoma	Área a investigar	Método de fijación
Poca potencia de succión	<ul style="list-style-type: none">• ¿Está la cápsula llena de polvo?• ¿Está el filtro atascado?• ¿Está la batería agotada?	<ul style="list-style-type: none">• Vacíe la cápsula.• Retire el polvo o lave el filtro.• Cargue la batería.
No funciona	<ul style="list-style-type: none">• ¿Está la batería agotada?	<ul style="list-style-type: none">• Cargue la batería.

010051

NOTA:

- No intente reparar el aspirador usted mismo.

Para mantener la SEGURIDAD y la FIABILIDAD del producto, las reparaciones y cualquier otro mantenimiento o ajuste deberán ser realizados por los centros de servicio autorizado de Makita, siempre con piezas de repuesto de Makita.

ACCESORIOS OPCIONALES

PRECAUCIÓN:

- Estos accesorios o acoplamientos están recomendados para utilizar con la herramienta Makita especificada en este manual. La utilización de cualquier otro accesorio o acoplamiento podrá suponer un riesgo de sufrir heridas personales. Utilice los accesorios o acoplamientos solamente para el propósito que han sido diseñados.

Si necesita cualquier tipo de asistencia para más detalles en relación con estos accesorios, pregunte al centro de servicio Makita local.

Limpieza sin boquilla (Fig. 33)

Puede recoger partículas y polvo sin la boquilla.

MANTENIMIENTO

PRECAUCIÓN:

- Asegúrese siempre de que la herramienta está apagada antes de intentar realizar una inspección o mantenimiento.

Limpieza

De vez en cuando, limpie el exterior (cuerpo del aspirador) del aspirador utilizando un paño humedecido en agua jabonosa. Limpie también la abertura de succión, el área de montaje de la bolsa de polvo/paquete de papel y el tapón de polvo. (Fig. 34)

PRECAUCIÓN:

- No utilice nunca gasolina, bencina, disolvente, alcohol o similares. Podría producir descoloración, deformación o grietas.

Lave el filtro en agua jabonosa cuando esté obstruido con polvo y se reduzca la potencia del aspirador. Séquelo completamente antes de utilizarlo. Un filtro insuficientemente seco puede ocasionar una mala succión y acortar la vida de servicio del motor. (Fig. 35) No quite el polvo adherido al aspirador con un soplador. Si lo hace entrará polvo en la carcasa y ocasionará un fallo.

- Tubo de extensión (Tubo recto)
- Boquilla
- Boquilla para alfombra
- Cepillo para estanterías
- Boquilla para esquinas
- Cepillo redondo
- Manguera flexible
- Filtro
- Prefiltro
- Filtro de alto rendimiento
- Batería y cargador genuinos de Makita

NOTA:

- Algunos elementos de la lista podrán estar incluidos en el paquete de la herramienta como accesorios estándar. Pueden variar de un país a otro.

AVISO: Este aparelho pode ser utilizado por crianças com 8 anos e mais de idade e por pessoas com capacidades físicas, sensoriais ou mentais reduzidas ou com falta de experiência e conhecimento, se tiverem recebido supervisão ou instruções relativas à utilização segura do aparelho e conheçam os respetivos perigos. As crianças não devem brincar com o aparelho. A limpeza e manutenção pelo utilizador não devem ser realizadas por crianças sem supervisão.

Explicação geral

1	Indicador vermelho	8	Botão de verificação	15	Símbolo O
2	Botão	9	Cápsula	16	Cabo
3	Bateria	10	Pré-filtro	17	Ranhura da caixa do aspirador
4	Marca de estrela	11	Filtro	18	Bocal
5	Gatilho do interruptor	12	Filtro de elevado desempenho	19	Aspirador
6	Lâmpada	13	Bocal de sucção	20	Tubo extensor
7	Luzes indicadoras	14	Borda de fixação	21	Bocal para cantos

ESPECIFICAÇÕES

Modelo	DCL140	DCL180	DCL180F
Capacidade	650 mL		
Utilização contínua	Aprox. 20 min.		
Comprimento total	981 mm	999 mm	
Peso líquido	1,2 kg		1,3 kg
Tensão nominal	C.C. 14,4 V	C.C. 18 V	

- Devido ao nosso programa contínuo de pesquisa e desenvolvimento, estas especificações podem ser alteradas sem aviso prévio.
- As especificações e a bateria podem diferir de país para país.
- Peso, com a bateria, de acordo com o Procedimento 01/2003 da EPTA (European Power Tool Association)

ENE017-1

Utilização a que se destina

Este aspirador serve para colectar pó seco.

ENA007-1

Avisos de segurança do aspirador de pó a bateria

AVISO – IMPORTANTE! LEIA COM ATENÇÃO todos os avisos de segurança e todas as instruções ANTES DA UTILIZAÇÃO. Caso não siga os avisos e instruções, pode apanhar um choque elétrico, provocar um incêndio e/ou ferimentos graves.

1. Não exponha à chuva. Guarde dentro de casa.
2. Não permita que seja utilizado como brinquedo. Tenha cuidado especialmente quando o aparelho for utilizado por crianças ou próximo delas.
3. Utilize-o somente de acordo com as instruções deste manual. Utilize somente os acessórios recomendados pelo fabricante.

4. Não utilize com uma bateria danificada. Se o aparelho não funcionar correctamente, for derrubado, danificado, deixado ao ar livre ou cair na água, leve-o ao centro de assistência.
5. Não manuseie o aparelho com as mãos molhadas.
6. Não coloque nenhum objecto nas aberturas. Não o utilize com uma abertura bloqueada; mantenha-o limpo, sem poeira, pêlos, cabelos ou qualquer outra coisa que possa reduzir o fluxo de ar.
7. Mantenha os cabelos, roupas largas, dedos e outras partes do corpo afastadas das aberturas e das peças em movimento.
8. Desligue todos os controlos antes de retirar a bateria.
9. Tenha cuidado especialmente ao limpar escadas.
10. Não utilize para aspirar líquidos inflamáveis ou combustíveis, tal como gasolina, nem utilize em áreas onde esses produtos podem estar presentes.
11. Utilize somente o carregador fornecido pelo fabricante para recarregar.
12. Não utilize para aspirar algo que está a queimar ou a soltar fumo, tal como cigarros, fósforos ou cinzas quentes.
13. Não utilize sem o saco para pó e/ou os filtros devidamente instalados.

14. Não carregue a bateria ao ar livre.
15. Recarregue apenas com o carregador especificado pelo fabricante. Um carregador que é adequado para um tipo de conjunto de baterias poderá criar um risco de incêndio quando utilizado com outro conjunto de baterias.
16. Utilize ferramentas elétricas apenas com conjuntos de baterias especificamente concebidos. A utilização de quaisquer outros conjuntos de baterias poderá criar um risco de ferimentos e incêndio.
17. Quando (o) conjunto de baterias não estiver a ser utilizado, mantenha-o afastado de outros objetos de metal, tais como clipes de papel, moedas, chaves, pregos, parafusos ou outros objetos de metal pequenos que possam estabelecer ligação de um terminal a outro.
18. Mediante condições abusivas, o líquido poderá ser ejetado da bateria; evite o contacto. Caso ocorra o contacto acidentalmente, lavar com água.

GUARDE ESTAS INSTRUÇÕES.

ENB127-1

REGRAS DE SEGURANÇA ADICIONAIS

Este aparelho destina-se à utilização doméstica.

1. Antes de utilizar o aparelho, leia cuidadosamente este manual de instruções bem como o manual do carregador.
2. Não aspire os seguintes artigos:
 - Artigos quentes, tais como cigarros acesos ou faíscas/pó de metal produzidos ao esmerilar/cortar metal
 - Materiais inflamáveis, tais como gasolina, diluentes, benzeno, querosene ou tinta
 - Materiais explosivos como nitroglicerina
 - Materiais inflamáveis ou de auto-ignição, tais como alumínio, zinco, magnésio, titânio, fósforo ou celulósido
 - Sujidade húmida, água, óleo, etc.
 - Artigos rígidos com arestas cortantes, tais como aparas de madeira, metais, pedras, vidros, pregos, pinos e lâminas de barbear
 - Pó para solidificar, como cimento ou tóner
 - Pó condutivo, tal como metal ou carbono
 - Partículas minúsculas como de betão
 Isso pode provocar incêndio, ferimentos e/ou danos à propriedade.
3. Desligue o aspirador imediatamente se notar qualquer funcionamento anormal.
4. Se deixar cair ou bater o aspirador, inspeccione cuidadosamente para ver se há rachaduras ou danos antes de utilizar.
5. Não aproxime de fogões nem de outras fontes de calor.
6. Não bloqueie os orifícios de entrada e saída de ar.

GUARDE ESTAS INSTRUÇÕES.

Instruções de segurança importantes para a bateria

1. Antes de utilizar a bateria, leia todas as instruções e etiquetas de precaução no (1) carregador de bateria (2) bateria e (3) produto que utiliza a bateria.
2. Não abra a bateria.
3. Se o tempo de funcionamento se tornar excessivamente curto, pare o funcionamento imediatamente. Pode resultar em sobreaquecimento, possíveis queimaduras e mesmo explosão.
4. Se entrar electrólito nos seus olhos, lave-os com água e consulte imediatamente um médico. Pode resultar em perda de visão.
5. Não curta-circuite a bateria:
 - (1) Não toque nos terminais com qualquer material condutor.
 - (2) Evite guardar a bateria juntamente com outros objectos metálicos tais como pregos, moedas, etc.
 - (3) Não exponha a bateria à água ou chuva. Um curto-circuito pode ocasionar um enorme fluxo de corrente, sobreaquecimento, possíveis queimaduras e mesmo estragar-se.
6. Não guarde a ferramenta e a bateria em locais onde a temperatura pode atingir ou exceder 50°C.
7. Não queime a bateria mesmo que esteja estragada ou completamente gasta. A bateria pode explodir no fogo.
8. Tenha cuidado para não deixar cair ou dar pancadas na bateria.
9. Não utilize uma bateria danificada.
10. As baterias de iões de lítio contidas na ferramenta são sujeitas aos requisitos da DGL (Dangerous Goods Legislation - Legislação de bens perigosos). Para o transporte comercial, por exemplo, por terceiros ou agentes de expedição, têm de ser observados os requisitos referentes à embalagem e etiquetagem. Para preparação do artigo a ser expedido, é necessário consultar um perito em materiais perigosos. Tenha ainda em conta a possibilidade de existirem regulamentos nacionais mais detalhados. Coloque fita-cola ou tape os contactos abertos e embale a bateria de tal forma que não possa mover-se dentro da embalagem.
11. Siga os seus regulamentos locais relativos à eliminação da bateria.

GUARDE ESTAS INSTRUÇÕES.

PRECAUÇÃO – Utilize apenas baterias genuínas da Makita. A utilização de baterias não genuínas da Makita ou de baterias que foram alteradas, pode resultar no rebentamento da bateria provocando incêndios, ferimentos pessoais e danos. Além disso, anulará da garantia da Makita no que se refere à ferramenta e ao carregador Makita.

Conselhos para manter a máxima vida útil da bateria

1. Carregue a bateria antes que esteja completamente descarregada. Pare sempre o funcionamento da ferramenta e carregue a bateria quando notar menos poder na ferramenta.
2. Nunca carregue uma bateria completamente carregada. Carregamento excessivo diminui a vida útil da bateria.
3. Carregue a bateria à temperatura ambiente de 10°C – 40°C. Deixe que uma bateria quente arrefeça antes de a carregar.
4. Carregue a bateria se não a utilizar durante um longo período de tempo (mais de seis meses).

DESCRIÇÃO FUNCIONAL

PRECAUÇÃO:

- Certifique-se sempre de que a ferramenta está desligada e a bateria retirada antes de regular ou verificar qualquer função na ferramenta.
- Ao colocar a bateria, tome cuidado para não prender o(s) dedo(s) entre o aspirador e a bateria, como ilustrado no diagrama. Poderá sofrer ferimentos no(s) dedo(s). (Fig. 1)

Instalar ou retirar a bateria (Fig. 2)

PRECAUÇÃO:

- Desligue sempre a ferramenta antes de instalar ou retirar a bateria.
- **Segure firmemente na ferramenta e no cartucho da bateria quando instalar ou retirar o cartucho da bateria.** Se não segurar firmemente na ferramenta e no cartucho a bateria pode dar origem a que escorreguem das suas mãos e daí resultar danos para a ferramenta e para o cartucho da bateria e ferimentos corporais.

Para retirar a bateria, deslize-a da ferramenta deslizando o botão na parte da frente da bateria.

Para instalar a bateria, alinhe a lingueta na bateria com a ranhura na caixa e deslize-a para o seu lugar. Insira-o por completo até bloquear no lugar com um pequeno estalido. Se conseguir ver o indicador vermelho no lado superior do botão, não está completamente colocada.

PRECAUÇÃO:

- Instale sempre o cartucho da bateria por completo até o indicador vermelho não ser visto. Se assim não for, pode acidentalmente cair da ferramenta ferindo-o a si ou alguém próximo.
- Não instale o cartucho da bateria fazendo força. Se a bateria não deslizar facilmente é porque não foi colocada correctamente.

Sistema de protecção da bateria (Bateria de íon lítio com a marca de estrela) (Fig. 3)

As baterias de íon lítio com a marca de estrela são equipadas com um sistema de protecção. O sistema desliga a ferramenta automaticamente para prolongar a vida útil da bateria.

A ferramenta para automaticamente durante o funcionamento se a mesma e/ou bateria se encontrar em uma das seguintes circunstâncias.

- Sobrecarga:

A ferramenta funcionou de maneira que puxa corrente elevada demais.

Nesse caso, liberte o gatilho do interruptor da ferramenta para parar a operação que provocou a sobrecarga da ferramenta. A seguir, carregue no gatilho do interruptor outra vez para ligar.

Se a ferramenta não ligar, a bateria está superaquecida. Nesse caso, aguarde até a bateria arrefecer antes de carregar no gatilho do interruptor outra vez.

- Baixa tensão da bateria:

A carga restante da bateria está baixa demais e a ferramenta não funciona. Nesse caso, retire a bateria e recarregue-a.

Acção do interruptor (Fig. 4)

PRECAUÇÃO:

- Antes de colocar a bateria na ferramenta, verifique que o gatilho funciona correctamente e volta para a posição “OFF” quando libertado.

Para iniciar a ferramenta, carregue simplesmente no gatilho. Liberte o gatilho para parar.

Acender a lâmpada

Apenas para o modelo DCL180F

PRECAUÇÃO:








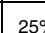

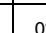

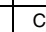

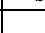


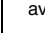
- Nunca olhe directamente para a luz. A luz directa provoca danos nos seus olhos. (Fig. 5)

Puxe o interruptor de gatilho para acender a lâmpada. Solte o interruptor de gatilho para a apagar.

Indicação da capacidade restante da bateria

Apenas para baterias com indicador (Fig. 6)

Prima o botão de verificação na bateria para indicar a capacidade restante da bateria. As luzes indicadoras acendem durante alguns segundos.

Luzes indicadoras			Capacidade restante
 Aceso	 Apagado	 A piscar	
			75% a 100%
			50% a 75%
			25% a 50%
			0% a 25%
			Carregar a bateria.
			A bateria pode estar avariada.
			

NOTA:

- Dependendo das condições de utilização e da temperatura ambiente, a indicação pode ser ligeiramente diferente da capacidade real.

ASSEMBLAGEM

PRECAUÇÃO:

- Certifique-se sempre de que a ferramenta está desligada e a bateria retirada antes de executar qualquer manutenção na ferramenta.

Tipo de filtro

Filtro normal (Fig. 7)

Filtro de elevado desempenho (Fig. 8)

Esvaziar

PRECAUÇÃO:

- Esvazie o aspirador antes que fique muito cheio, pois do contrário a força de sucção diminuirá.
- Certifique-se de limpar o pó de dentro do próprio aspirador. Se não limpar, o filtro pode ficar obstruído ou o motor pode ser danificado.

Eliminação de pó para o filtro normal

Para desalojar o pó grudado no filtro da cápsula, bata levemente com a mão na cápsula umas 4 ou 5 vezes.

Aponte o bocal de sucção para baixo, rode a cápsula no sentido da seta mostrada no diagrama e desprenda a cápsula devagar e em linha recta. (Fig. 9)

NOTA:

- Como o pó pode cair ao abrir a cápsula, lembre-se de o fazer sobre uma lata de lixo.

Retire o pó acumulado dentro da cápsula e no pré-filtro. (Fig. 10)

Rode o pré-filtro no sentido da seta para desapertar a borda de fixação do aspirador e retire o pré-filtro. (Fig. 11)

Limpe o pó fino do pré-filtro. Em seguida, remova o filtro e bata-o de leve para desalojar o pó. (Fig. 12)

Eliminação de pó para o filtro de elevado desempenho

Para desalojar o pó grudado no filtro na cápsula, bata levemente com a mão na cápsula umas 4 ou 5 vezes. Aponte agora o bocal de sucção para baixo, rode a cápsula no sentido da seta mostrada no diagrama e desprenda a cápsula devagar e em linha reta. (Fig. 9)

NOTA:

- O pó poderá ser derramado quando a cápsula estiver aberta, por isso, certifique-se de que instala um saco do lixo por baixo da cápsula.

Retire o pó acumulado do interior da cápsula e para fora do filtro de elevado desempenho. (Fig. 13)

Rode o filtro de elevado desempenho no sentido da seta para desapertar a borda de fixação da unidade do aspirador e retire o filtro. (Fig. 14)

Limpe o pó fino e bata-o de leve para desalojar o pó do filtro de elevado desempenho.

Montagem

Remontagem para o filtro normal

Instale o filtro correctamente no aspirador de pó. (Fig. 15)

NOTA:

- Assegure-se de que o filtro seja instalado direito, sem ficar dobrado para trás. Se o filtro for instalado incorrectamente, como ilustrado no diagrama, o pó entrará na caixa do motor e provocará a falha do motor. (Fig. 16)

Instale o pré-filtro. Rode o pré-filtro de forma que a borda de fixação se trave com firmeza no aspirador de pó. (Fig. 17 e 18)

Instale a cápsula. Alinhe o símbolo "O" na cápsula com o símbolo "O" no cabo e rode a cápsula com firmeza no sentido da seta até prender. (Fig. 19 e 20)

NOTA:

- Limpe o pó frequentemente, pois a capacidade de sucção será reduzida se houver muito pó no aspirador.
- Antes de utilizar o aspirador, verifique sempre se ambos o filtro e o pré-filtro estão instalados correctamente. Se forem instalados incorrectamente, entrará pó na caixa do motor e provocará a falha do motor. Se ocorrer os problemas seguintes, significa que o filtro e pré-filtro não estão instalados correctamente. Instale-os correctamente para resolver o problema.

Exemplos de problemas

Exemplo 1: Foi instalado apenas o pré-filtro (sem o filtro) (Fig. 21)

Exemplo 2: Foi instalado apenas o filtro (sem o pré-filtro) (Fig. 22)

Exemplo 3: O filtro foi instalado dobrado para trás (Fig. 16)

Exemplo 4: A borda de fixação do pré-filtro não está travada firmemente na ranhura da caixa do aspirador. (Fig. 23)

Remontagem para o filtro de elevado desempenho

Ligue o filtro de elevado desempenho. Agora, certifique-se de que roda o filtro de elevado desempenho de forma a que a borda de fixação fique firmemente bloqueada na unidade do aspirador. (Fig. 24 e 25)

Ligue a cápsula. Alinhe o símbolo O na cápsula com o símbolo O no cabo e rode a cápsula com firmeza no sentido da seta até prender. (Fig. 26 e 20)

NOTA:

- Limpe sempre o pó antecipadamente, pois a capacidade de sucção será reduzida se houver muito pó no aspirador.
- Antes de utilizar o aspirador, verifique sempre se o filtro de elevado desempenho está instalado correctamente. Se estiverem instalados incorrectamente, entrará pó na caixa do motor e provocará a falha do motor. Se ocorrerem os exemplos seguintes, o filtro de elevado desempenho não está instalado corretamente. Recarregue-os corretamente para resolver o problema.

Exemplos de problemas

A borda de fixação do filtro de elevado desempenho não está bloqueada firmemente na ranhura da caixa do aspirador. (Fig. 27)

OPERAÇÃO

PRECAUÇÃO:

- Para instalar os acessórios, tal como o bocal, coloque e gire o acessório no sentido da seta para que fique seguro durante a utilização. Para retirar o acessório, desenrosque-o no sentido da seta. Se rodar o acessório no sentido oposto ao ser instalado ou retirado, a cápsula pode se soltar. (Fig. 28)

Limpeza (Sucção)

Bocal (Fig. 29)

Instale o bocal para limpar mesas, secretárias, móveis, etc. O bocal encaixa com facilidade.

Bocal + Tubo extensor (Tubo recto) (Fig. 30)

O tubo extensor é conectado entre o bocal e o aspirador. Este arranjo é conveniente para manter uma boa postura ao fazer a limpeza de solos.

Bocal para cantos (Fig. 31)

Encaixe o bocal para cantos para limpeza de cantos e frestas de carros ou móveis.

Bocal para cantos + Tubo extensor (Tubo recto) (Fig. 32)

Utilize este arranjo para limpar em locais estreitos onde o aspirador não entra ou em locais altos.

Limpeza sem o bocal (Fig. 33)

É possível fazer a aspiração de pó sem o bocal.

MANUTENÇÃO

PRECAUÇÃO:

- Certifique-se sempre de que o aspirador esteja desligado antes de executar qualquer inspeção ou manutenção no mesmo.

Limpeza

Limpe periodicamente o exterior do aspirador (armação) com um pano humedecido em água e sabão. Limpe também a abertura de sucção, área de instalação do colector de pó/saco de papel e o protector de pó. (Fig. 34)

PRECAUÇÃO:

- Nunca utilize gasolina, benzina, diluente, álcool ou produtos semelhantes. Pode ocorrer a descoloração, deformação ou rachaduras.

Lave o filtro em água e sabão quando estiver obstruído com pó e quando houver redução da potência. Seque-o completamente antes de utilizar. Um filtro que não esteja bem seco pode prejudicar a sucção e diminuir a vida útil do motor. (Fig. 35)

Não assopre o pó grudado no aspirador com o assoprador de ar. O pó pode entrar na caixa e causar avarias.

Pontos a verificar antes de solicitar assistência técnica

Sintoma	Área a verificar	O que fazer
Potência de sucção fraca	<ul style="list-style-type: none">• A cápsula está cheia de pó?• O filtro está obstruído?• A bateria está descarregada?	<ul style="list-style-type: none">• Esvazie a cápsula.• Retire o pó ou lave o filtro.• Recarregue a bateria.
Não funciona	<ul style="list-style-type: none">• A bateria está descarregada?	<ul style="list-style-type: none">• Recarregue a bateria.

010051

NOTA:

- Não tente consertar o aspirador.

Para manter a SEGURANÇA e FIABILIDADE, as reparações e outras acções de manutenção ou ajustes devem ser executados pelos centros de assistência autorizados da Makita, utilizando sempre peças de substituição Makita.

NOTA:

- Alguns itens da lista podem estar incluídos na embalagem da ferramenta como acessórios padrão. Eles podem variar de país para país.

ACESSÓRIOS OPCIONAIS

PRECAUÇÃO:

- Estes acessórios ou conectores são recomendados para a utilização com o seu aspirador Makita especificado neste manual. A utilização de qualquer outro acessório ou conector pode apresentar riscos de ferimentos pessoais. Utilize o acessório ou conector apenas para o fim a que se destina.

Se desejar informações detalhadas acerca desses acessórios, solicite ao centro de assistência técnica Makita local.

- Tubo extensor (tubo recto)
- Bocal
- Bocal para tapete
- Escova para prateleiras
- Bocal para cantos
- Escova redonda
- Mangueira flexível
- Filtro
- Pré-filtro
- Filtro de elevado desempenho
- Bateria e carregador genuínos da Makita

ADVARSEL: Denne maskine kan bruges af børn på 8 år og derover og af personer med nedsatte fysiske, sensoriske eller mentale evner eller manglende erfaring eller viden, hvis de er under opsyn eller har modtaget instruktion i sikker anvendelse af maskinen og forstår de farer, der er involveret. Børn må ikke lege med maskinen. Rengøring og brugervedligeholdelse må ikke udføres af børn, der ikke er under opsyn.

Illustrationsoversigt

1 Rød indikator	8 Kontrolknap	15 O-mærke
2 Knap	9 Kapsel	16 Håndtag
3 Akku	10 Forfilter	17 Rille på støvsugerkabinat
4 Stjernemærke	11 Filter	18 Mundstykke
5 Afbryderknap	12 Højtydende filter	19 Støvsuger
6 Lampe	13 Sugeåbning	20 Forlængerstav
7 Indikatorlamper	14 Sikkerhedskant	21 Hjørnemundstykke

SPECIFIKATIONER

Model	DCL140	DCL180	DCL180F
Kapacitet	650 mL		
Kontinuerlig anvendelse	Ca. 20 min.		
Længde i alt	981 mm	999 mm	
Nettovægt	1,2 kg		1,3 kg
Mærkespænding	D.C. 14,4 V	D.C. 18 V	

- På grund af vores kontinuerlige forskningsprogrammer og udvikling, kan hosstående specifikationer blive ændret uden varsel.
- Specifikationer og akku kan variere fra land til land.
- Vægt inklusive akku, i henhold til EPTA-Procedure 01/2003

ENE017-1

Korrekt anvendelse

Denne støvsuger er beregnet til opugning af tørt støv.

ENA007-1

Sikkerhedsadvarsler for akku støvsuger

ADVARSEL – VIGTIGT! LÆS OMHYGGELIGT alle sikkerhedsadvarsler og alle instruktioner **FØR BRUGEN**. Hvis advarslerne og instruktionerne ikke overholdes, kan det medføre elektrisk stød, brand og/eller alvorlig personskade.

1. Udsæt ikke støvsugeren for regn. Opbevar støvsugeren inden døre.
2. Støvsugeren må ikke anvendes som legetøj. Nøje overvågning er nødvendig, hvis støvsugeren anvendes af eller i nærheden af børn.
3. Anvend kun støvsugeren som beskrevet i denne brugsvejledning. Anvend kun tilbehørsdele, som anbefales af fabrikanten.

4. **Anvend ikke støvsugeren med et beskadiget akku.** Hvis støvsugeren ikke virker som den skal, er blevet tabt, efterladt uden døre eller har været under vand, skal den indleveres til et servicecenter til eftersyn.
5. Rør ikke ved støvsugeren med våde hænder.
6. Stik ikke nogen genstande ind i åbningerne. Anvend ikke støvsugeren med blokerede åbninger. Hold den fri for støv, frug, hår og alt hvad der kan hindre luftstrømmen.
7. Hold hår, løse beklædningsgenstande og alle kroksdele på god afstand af åbningerne og de bevægende dele.
8. Deaktiver alle kontroller, inden akkuen tages ud.
9. Udvis ekstra forsigtighed ved rengøring på trapper.
10. Anvend ikke støvsugeren til at opsuge antændelige eller brændbare væsker, som for eksempel benzin, og anvend ikke støvsugeren på steder, hvor disse væsker kan forefindes.
11. Anvend kun den oplader, som leveres af fabrikanten til genopladning.
12. Opsug ikke noget, som brænder eller ryger, som for eksempel cigaretter, tændstikker eller varm aske.
13. Anvend ikke, uden at støvposen og/eller filtrene er sat på plads.
14. Oplad ikke akkuen uden døre.

15. Genoplad kun med den oplader, der er angivet af fabrikanten. En oplader, der er beregnet til én type akku, kan forårsage risiko for brand, hvis den bruges med en anden akku.
16. Brug kun maskiner sammen med de specifikt tilhørende akkuer. Brug af andre akkuer kan medføre risiko for personskade og brand.
17. Når akkuen ikke anvendes, skal du holde den på afstand af andre metalgenstande som f.eks. papirclips, mønter, nøgler, søm, skruer eller andre små metalgenstande, der kan skabe forbindelse fra én terminal til en anden.
18. Ved misbrug kan der sprøjte væske ud fra batteriet. Undgå kontakt. Skyl med vand i tilfælde af kontakt.

GEM DENNE BRUGSANVISNING.

ENB127-1

SUPPLERENDE SIKKERHEDSREGLER

Denne støvsuger er beregnet til husholdningsbrug.

1. Læs denne brugsvejledning og instruktionerne for opladning grundigt inden brugen.
2. Undlad at samle de følgende materialer op:
 - Varme materialer, som for eksempel tændte cigaretter eller gnister/metalstøv, som er frembragt ved slibning/skæring af metal
 - Brændbare materialer som for eksempel benzin, fortynder, rensbenzin, petroleum og maling
 - Eksplosive materialer som for eksempel nitroglycerin
 - Antændelige materialer som for eksempel aluminium, zink, magnesium, titan, fosfor eller celluloid
 - Vådt snavs, vand, olie og lignende
 - Hårde genstande med skarpe kanter, som for eksempel træspåner, metal, sten, glas, knappenåle søm og barberblade
 - Pulver, der størkner, som for eksempel cement og toner
 - Ledende støv som for eksempel metal eller kulfiber
 - Fine partikler som for eksempel betonstøv
 Dette kan være årsag til brand, tilskadekomst og/eller materiel skade.

3. Hold øjeblikkeligt op med at anvende støvsugeren, hvis noget unormalt registreres.
4. Hvis De kommer til at tabe eller støde til støvsugeren, skal De omhyggeligt efterse den for revner eller anden beskadigelse inden brugen.
5. Hold støvsugeren på god afstand af ovne og andre varmekilder.
6. Undlad at blokere indsugningsåbningen og ventilationshullerne.

GEM DENNE BRUGSANVISNING.

ENC007-11

Vigtige sikkerhedsinstruktioner for akkuen

1. Læs alle instruktioner og advarselmærkater på (1) akku opladeren, (2) akku og (3) produktet, som anvender akku.
2. Lad være med at skille akkuen ad.

3. Hold straks op med at anvende opladeren, hvis brugstiden er blevet stærkt afkortet. Fortsat anvendelse kan resultere i risiko for overophedning, forbrændinger og endog eksplosion.
4. Hvis du har fået elektrolytvæske i øjnene, skal du straks skylle den ud med rent vand og derefter øjeblikkeligt søge lægehjælp. I modsat fald kan resultatet blive, at du mister synet.
5. Vær påpasselig med ikke at komme til at kortslutte akkuen:
 - (1) Rør ikke ved terminalerne med noget ledende materiale.
 - (2) Undgå at opbevare akkuen i en beholder sammen med andre genstande af metal, som for eksempel søm, mønter og lignende.
 - (3) Udsæt ikke akkuen for vand eller regn. Kortslutning af akkuen kan være årsag til en kraftig øgning af strømmen, overophedning, mulige forbrændinger og endog maskinstop.
6. Opbevar ikke værktøj og akkuen på et sted, hvor temperaturen kan nå eller overstige 50°C.
7. Lad være med at brænde akkuen, selv ikke i tilfælde, hvor det har lidt alvorlig skade eller er fuldstændig udtjent. Akkuen kan eksplodere, hvis man forsøger at brænde den.
8. Lad være med at brænde akkuen eller udsætte det for stød.
9. Anvend ikke en beskadiget akku.
10. De indbyggede litium-ion-batterier er underlagt lovkrav vedrørende farligt gods. Ved kommerciel transport, f.eks. af tredjeparts transportselskaber, skal særlige krav til forpakning og mærkning overholdes. Ved forberedelse af udstyret til forsendelse skal du kontakte en ekspert i farligt gods. Overhold også eventuel mere detaljeret national lovgivning. Tape eller tildæk åbne kontakter, og pak batteriet på en måde, så det ikke kan flytte sig rundt i pakningen.
11. Følg de lokale regler angående bortskaffelse af akkuer.

GEM DENNE BRUGSANVISNING.

FORSIGTIG – Brug kun originale batterier fra Makita. Brug af uoriginale Makita-batterier, eller batterier som er blevet ændret, kan muligvis medføre brud på batteriet, hvilket kan forårsage brand, personskade eller beskadigelse. Det ugyldiggør også Makita-garantien for Makita-maskinen og opladeren.

Tips til opnåelse af maksimal akku-levetid

1. Oplad altid akkuen, inden den er helt afladet. Stop altid værktøj og oplad akkuen, hvis det bemærkes, at maskineffekten er dalende.
2. Genoplad aldrig en fuldt opladet akku. Overopladning vil afkorte akkuens levetid.
3. Oplad akkuen ved stuetemperatur ved 10°C – 40°C. Lad altid en varm akku få tid til at køle af, inden den oplades.
4. Oplad akkuen, hvis De ikke skal bruge den i længere tid (mere end seks måneder).

FUNKTIONSBESKRIVELSE

FORSIGTIG:

- Sørg altid for at maskinen er slukket, og at akkuen er taget ud, før der udføres justering eller kontrol af funktioner på maskinen.
- Vær påpasselig med ikke at få fingeren (fingerne) i klemme mellem støvsugeren og batteriet som vist på illustrationen, når De sætter batteriet i. Hvis De får fingeren (fingerne) i klemme, kan De komme til skade. (Fig. 1)

Isætning og udtagning af akku (Fig. 2)

FORSIGTIG:

- Sluk altid for maskinen, før akkuen installeres eller tages ud.
- **Hold godt fast i maskinen og akkuen, når akkuen installeres eller fjernes.** Forsømmelse af at holde godt fast i maskinen og akkuen, kan bevirke, at disse glider ud af hænderne på Dem, hvilket kan resultere i beskadigelse af maskinen og akkuen samt tilskadekomst.

Akkuen fjernes ved at man skyder den ud af maskinen, mens man skyder knappen foran på akkuen i stilling. Installer akkuen ved at rette dens tunge ind efter rillen i huset. Sæt den hele vejen ind, så den låses på plads med et lille klik. Hvis den røde indikator kan ses på den øverste side af knappen, er den ikke helt låst.

FORSIGTIG:

- Sæt altid akkuen helt ind, så den røde indikator ikke kan ses. Hvis akkuen ikke sættes i på denne måde, kan den ved et uheld falde ud af maskinen, og eventuelt forvolde personskade på Dem selv eller andre.
- Sæt ikke akkuen i med magt. Hvis ikke akkuen glider i uden besvær, er det fordi, at den vender forkert.

Akku-beskyttelsessystem (lithium-ion akku med et stjernemærke) (Fig. 3)

Lithium-ion akkuer med et stjernemærke er udstyret med et beskyttelsessystem. Dette system afbryder automatisk strømmen til maskinen, så akkuens levetid bliver længere.

Maskinen stopper automatisk under driften, hvis den og/eller akkuen kommer i en af følgende situationer:

- **Overbelastet:**
Maskinen anvendes på en måde, der bevirker, at den forbruger abnormt høj strøm.
Slip i denne situation afbryderknappen på maskinen og stop den anvendelse, der bevirkede, at maskinen blev overbelastet. Tryk derefter afbryderknappen ind igen for at starte igen.
Hvis maskinen ikke starter, er akkuen overophedet. Lad i dette tilfælde akkuen køle af, inden afbryderknappen trykkes ind igen.
- **Lav akku-spænding:**
Den tilbageværende akku-kapacitet er for lav, og maskinen vil ikke fungere. Fjern i denne situation akkuen fra maskinen og oplad den.

Afbryderbetjening (Fig. 4)

FORSIGTIG:

- Inden akkuen sættes i maskinen, bør De altid kontrollere, at afbryderen fungerer korrekt og returnerer til "OFF" positionen, når den slippes.

For at starte maskinen trykkes der blot på afbryderen. Slip afbryderen for at stoppe.

Tænding af lampen

Kun for model DCL180F

FORSIGTIG:
















- Se aldrig direkte ind i lyset. Direkte lys skader dine øjne. (Fig. 5)

Tryk på afbryderknappen for at tænde lampen. Slip afbryderknappen for at slukke.

Indikation af den resterende batteriladning

Kun til akkuer med indikatoren (Fig. 6)

Tryk på kontrolknappen på akkuen for at få vist den resterende batteriladning. Indikatorlampen lyser i nogle sekunder.

Indikatorlamper			Resterende ladning
 Tændt	 Slukket	 Blinker	
			75% til 100%
			50% til 75%
			25% til 50%
			0% til 25%
			Genoplad batteriet.
			Der er muligvis fejl i batteriet.

BEMÆRK:

- Afhængigt af brugsforholdene og den omgivende temperatur kan indikationen afvige en smule fra den faktiske ladning.

SAMLING

FORSIGTIG:

- Sørg altid for at maskinen er slukket, og at akkuen er taget ud, før der udføres noget arbejde på maskinen.

Type af filter

Normalt filter (Fig. 7)

Højtydende filter (Fig. 8)

Bortskaffelse af støv

FORSIGTIG:

- Tøm støvsugeren, inde den bliver for fuld ellers formindskes sugkraften.
- Husk altid at fjerne støvet inden i selve støvsugeren. Hvis dette ikke gøres, kan filteret blive tilstoppet eller motoren lide skade.

Fjernelse af støv for normalt filter

For ikke at tabe støv, der sidder fast på filteret i kapslen, skal man banke 4 eller 5 gange på det med hånden. Ret nu indsgningen nedad, drej kapslen i retningen vist med pilen og tag kapslen langsomt og lige af. (Fig. 9)

BEMÆRK:

- Der kan komme støv ud, når kapslen åbnes, så sørg for at anbringe affaldsposen under kapslen.

Fjern opsamlet støv fra indersiden af kapslen og fra forfilteret. (Fig. 10)

Drej forfilteret i retningen vist med pilen for at frigøre sikkerhedskanten fra støvsugerens og træk derefter forfilteret af. (Fig. 11)

Fjern det fine støv fra forfilteret. Tag derefter filteret af og bank let for at frigøre støvet. (Fig. 12)

Fjernelse af støv for højtydende filter

For at fjerne støv, der sidder fast på filteret i kapslen, skal du banke 4 eller 5 gange på den med hånden.

Ret nu sugeåbningen nedad, drej kapslen i retningen af pilen i diagrammet, og tag kapslen langsomt og lige af. (Fig. 9)

BEMÆRK:

- Der kan falde støv ud, når kapslen åbnes, så sørg for at stille en affaldspose under kapslen.

Fjern opsamlet støv fra indersiden af kapslen og fra det højtydende filter. (Fig. 13)

Drej det højtydende filter i pilens retning for at frigøre sikkerhedskanten fra støvsugerens, og træk derefter filteret af. (Fig. 14)

Fjern det fine støv, og bank let for at løsne støv fra det højtydende filter.

Genmontering

Genmontering af normalt filter

Sæt filteret på, så det sidder helt på plads på støvsugerens. (Fig. 15)

BEMÆRK:

- Sørg for, at filteret sættes lige på uden at det foldes tilbage. Hvis filteret sættes forkert på som vist på illustrationen, vil der trænge støv ind i motorhuset, hvilket vil bevirke, at motoren ikke fungerer. (Fig. 16)

Sæt forfilteret på. Sørg på dette tidspunkt for dreje forfilteret, så dets sikkerhedskant sidder godt fast på støvsugerens. (Fig. 17 og 18)

Sæt kapslen på. Sæt symbolet O på kapslen ud for symbolet O på håndtaget og drej derefter kapslen godt i retningen vist med pilen, indtil den sidder fast. (Fig. 19 og 20)

BEMÆRK:

- Fjern altid støv i tide, da sugekraften vil blive reduceret, hvis der er for meget støv i støvsugerens.
- Sørg altid for at kontrollere, at både filter og forfilter er sat korrekt i inden støvsugerens anvendes. Hvis filtrene ikke er sat korrekt i, vil der trænge støv ind i motorhuset, hvilket vil bevirke, at motoren ikke fungerer. Hvis de følgende eksempler opstår, er filteret og forfilteret ikke sat korrekt i. Sæt dem korrekt i for at udbedre problemet.

Eksempler på problemer

Eksempel 1: Kun forfilteret er sat i (intet filter) (Fig. 21)

Eksempel 2: Kun filteret er sat i (intet forfilter) (Fig. 22)

Eksempel 3: Filteret er isat i en tilbagefoldet tilstand. (Fig. 16)

Eksempel 4: Forfilterets sikkerhedskant sidder ikke ordentlig fast i rillen på støvsugerens. (Fig. 23)

Genmontering af højtydende filter

Tilslut højtydende filter. Sørg på dette tidspunkt for at dreje det højtydende filter, så sikkerhedskanten låses godt fast på støvsugerens. (Fig. 24 og 25)

Monter kapsel. Juster O-symbolet på kapslen i forhold til O-symbolet på håndtaget, og drej derefter kapslen fast i pilens retning, indtil den sidder fast. (Fig. 26 og 20)

BEMÆRK:

- Fjern altid støv i tide, da sugstyrken reduceres, hvis der er for meget støv i støvsugerens.
- Sørg altid for at kontrollere, at det højtydende filter er sat korrekt i, inden støvsugerens anvendes. Hvis de ikke er sat korrekt i, vil der trænge støv ind i motorhuset, hvilket vil medføre motorfejl. Hvis de følgende eksempler opstår, er det højtydende filter ikke sat korrekt i. Sæt dem korrekt i igen for at løse problemet.

Eksempler på problemer

Det højtydende filters sikkerhedskant er ikke ordentlig låst fast i rillen på støvsugerkabinetet. (Fig. 27)

ANVENDELSE

FORSIGTIG:

- For at tilslutte tilbehørsdele, som for eksempel mundstykket, skal man dreje og isætte tilbehørsdelen i retningen vist med pilen for at sikre, at den sidder fast under brugen. For at frigøre tilbehørsdelen, skal man ligeledes dreje og udtrække delen i retningen vist med pilen.

Hvis tilbehørsdelen drejes i den modsatte retning, når den tilsluttes eller frigøres, kan kapslen gå løs. (Fig. 28)

Rengøring (sugning)

Mundstykke (Fig. 29)

Sæt mundstykket på, når De vil rengøre borde, skriveborde, møbler og lignende. Mundstykket sættes nemt på.

Mundstykke + forlængerstav (lige rør) (Fig. 30)

Forlængerstaven kan sættes ind mellem mundstykket og selve støvsugerens. Dette arrangement er bekvemt ved rengøring af et gulv, så man ikke behøver bøje sig under støvsugningens.

Hjørnemundstykke (Fig. 31)

Monter hjørnemundstykket til rengøring af hjørner og sprækker i en bil eller møbler.

Hjørnemundstykke + forlængerstav (lige rør) (Fig. 32)

Anvend dette arrangement på trange steder, hvor selve støvsugerens ikke kan komme ind, eller i højden, hvor det er svært at nå op.

Rengøring uden mundstykke (Fig. 33)

Det er muligt at opsamle pulver og støv uden anvendelse af et mundstykke.

VEDLIGEHOLDELSE

FORSIGTIG:

- Sørg altid for, at der er slukket for støvsugerens, inden inspektion eller vedligeholdelse påbegyndes.

Rengøring

Aftør fra tid til anden ydersiden (støvsugerens ydre) af støvsugerens med en klud, som er fugtet med sæbevand. Rengør også sugeåbningen, støvposens/papirpakkens monteringsdel og støvstopperen. (Fig. 34)

FORSIGTIG:

- Anvend aldrig benzin, rensebenzin, fortynder, alkohol og lignende. Resultatet kan blive misfarvning, deformation eller revner.

Vask filtret med sæbevand, hvis den er tilstoppet af støv og støvsugerens kraft er formindsket. Tør den grundigt inden ibrugtagning. Et utilstrækkeligt tørt filter kan give dårlig sugning og afkorte motorens levetid. (Fig. 35)

Blæs ikke støv, som sidder på støvsugerens, bort med en luftrenser. Dette bevirker, at støv blæses ind i huset og fører til fejl.

Ting, der skal kontrolleres, inden man bestiller reparation

Symptom	Del, der skal undersøges	Fastgørelsesmetode
Svag sugekraft	<ul style="list-style-type: none"> • Er kapslen fuld af støv? • Er filteret tilstoppet? • Er batteriet udtjent? 	<ul style="list-style-type: none"> • Udtøm støv fra kapslen. • Støv filteret af eller vask det. • Oplad batteriet.
Fungerer ikke	<ul style="list-style-type: none"> • Er batteriet udtjent? 	<ul style="list-style-type: none"> • Oplad batteriet.

010051

BEMÆRK:

- Forsøg ikke selv at reparere støvsugerens.

For at opretholde produktets SIKKERHED og PÅLIDELIGHED bør reparation, vedligeholdelse og justering kun udføres af et Makita Service Center med anvendelse af originale Makita udskiftningsdele.

EKSTRAUDSTYR**FORSIGTIG:**

- Dette ekstraudstyr eller tilbehør anbefales til brug med Deres Makita-maskine, som specificeret i denne manual. Anvendelse af andet ekstraudstyr eller andre tilbehørsdele kan udgøre en risiko for personskade. Anvend kun ekstraudstyr eller tilbehørsdele til det beregnede formål.

Henvend Dem gerne til det lokale Makita-servicecenter, hvis De har behov for hjælp med hensyn til flere detaljer om disse tilbehørsdele.

- Forlængerstav (lige rør)
- Mundstykke
- Mundstykke til støvsugning af tæppe
- Børste til støvsugning af hylder
- Hjørnemundstykke
- Rund børste
- Fleksibel slange
- Filter
- Forfilter
- Højtydende filter
- Original Makita-akku og oplader

BEMÆRK:

- Nogle ting på denne liste kan være inkluderet i værktøjspakken som standardtilbehør. Det kan være forskellige fra land til land.

ΠΡΟΕΙΔΟΠΟΙΗΣΗ: Η συσκευή αυτή μπορεί να χρησιμοποιηθεί από παιδιά άνω των 8 ετών και άτομα με μειωμένες σωματικές, αισθητήριες ή διανοητικές ικανότητες ή που δεν έχουν πείρα και γνώσεις, εάν επιτηρούνται ή τους έχουν δοθεί οδηγίες για την ασφαλή χρήση της συσκευής και κατανοούν τους κινδύνους που εμπλέκονται. Τα παιδιά δεν πρέπει να παίζουν με τη συσκευή. Οι εργασίες καθαρισμού και συντήρησης από το χρήστη δεν θα πρέπει να γίνονται από παιδιά χωρίς επιτήρηση.

Περιγραφή γενικής άποψης

1 Κόκκινη ένδειξη	8 Κουμπί ελέγχου	15 Ένδειξη 0
2 Κουμπί	9 Κάψουλα	16 Λαβή
3 Κασέτα μπαταρίας	10 Προφίλτρο	17 Αύλακα περιβλήματος σκούπας
4 Ένδειξη αστεριού	11 Φίλτρο	18 Ακροφύσιο
5 Σκανδάλη διακόπτης	12 Φίλτρο υψηλής απόδοσης	19 Ηλεκτρικό σκουπάκι
6 Λάμπα	13 Εισαγωγή αναρρόφησης	20 Ράβδος προέκτασης
7 Ενδεικτικές λυχνίες	14 Χείλος ασφάλισης	21 Ακροφύσιο γωνιών

ΤΕΧΝΙΚΑ ΧΑΡΑΚΤΗΡΙΣΤΙΚΑ

Μοντέλο	DCL140	DCL180	DCL180F
Χωρητικότητα	650 mL		
Συνεχής χρήση	Περίπου 20 λεπτά		
Συνολικό μήκος	981 χιλ.	999 χιλ.	
Καθαρό βάρος	1,2 Χγρ		1,3 Χγρ
Ονομαστική τάση	DC 14,4 V	DC 18 V	

- Λόγω της συνέχισης του προγράμματός μας έρευνας και ανάπτυξης, οι εν λόγω προδιαγραφές υπόκεινται σε αλλαγές χωρίς προειδοποίηση.
- Τα τεχνικά χαρακτηριστικά και η κασέτα μπαταρίας μπορεί να διαφέρουν από χώρα σε χώρα.
- Βάρος, με κασέτα μπαταρίας, σύμφωνα με τη διαδικασία EPTA 01/2003

ENE017-1

Προοριζόμενη χρήση

Το εργαλείο προορίζεται για τη συλλογή ξηρής σκόνης.

ENA007-1

Προειδοποιήσεις ασφάλειας για τη φορητή σκούπα

ΠΡΟΕΙΔΟΠΟΙΗΣΗ – ΣΗΜΑΝΤΙΚΟ! ΔΙΑΒΑΣΤΕ ΠΡΟΣΕΚΤΙΚΑ όλες τις προειδοποιήσεις για την ασφάλεια και όλες τις οδηγίες ΠΡΙΝ ΑΠΟ ΤΗ ΧΡΗΣΗ. Η μη τήρηση των προειδοποιήσεων και οδηγιών μπορεί να καταλήξει σε ηλεκτροπληξία, πυρκαγιά ή/και σοβαρό τραυματισμό.

1. Να μην εκτίθεται σε βροχή. Να φυλάσσεται σε εσωτερικό χώρο.

2. Δεν επιτρέπεται η χρήση της ως παιχνίδι. Απαιτείται ιδιαίτερη προσοχή κατά τη χρήση από ή κοντά σε παιδιά.
3. Να χρησιμοποιείται μόνο σύμφωνα με τις οδηγίες του παρόντος εγχειριδίου. Να χρησιμοποιούνται μόνο τα παρελκόμενα που συνιστά ο κατασκευαστής.
4. Να μη χρησιμοποιείται με μπαταρία που έχει υποστεί βλάβη. Εάν η συσκευή δεν λειτουργεί όπως θα έπρεπε, έχει υποστεί πτώση ή βλάβη, έχει αφαιρεθεί σε εξωτερικό χώρο ή έχει πέσει μέσα σε νερό, να επιστραφεί σε κέντρο σέρβις. Μη χειρίζεστε τη συσκευή με βρεγμένα χέρια.
5. Μην τοποθετείτε κανένα αντικείμενο μέσα στις οπές. Μη την χρησιμοποιείτε εάν παρουσιαστεί έμφραξη κάποιου ανοίγματος, να την διατηρείτε χωρίς ίχνη σκόνης, χνούδια, τρίχες και οτιδήποτε ενδέχεται να προκαλέσει μείωση της ροής του αέρα.
7. Φροντίστε ώστε να μην πλησιάζετε τις οπές και τα κινούμενα εξαρτήματα της συσκευής σε μαλλιά, χαλαρά είδη ρουχισμού, δάχτυλα και όλα τα μέρη του σώματος.
8. Να απενεργοποιείτε όλα τα στοιχεία ελέγχου πριν από την αφαίρεση της μπαταρίας.

9. Να προσέχετε ιδιαίτερα, όταν καθαρίζετε σκαλοπάτια.
10. Να μη χρησιμοποιείται για τη συλλογή εύφλεκτων ή καύσιμων υγρών, όπως βενζίνη, ή να χρησιμοποιείται σε χώρους παρουσία αυτών.
11. Για επαναφόρτιση, να χρησιμοποιείται μόνο ο φορτιστής που παρέχεται από τον κατασκευαστή.
12. Να μη χρησιμοποιείται για τη συλλογή οποιουδήποτε αντικειμένου καίγεται ή αναδίδει καπνό, όπως τσιγάρα, σπίρτα ή θερμές στάχτες.
13. Να μην χρησιμοποιείται χωρίς τη σακούλα σκόνης ή/και τα φίλτρα.
14. Μη φορτίζετε τη μπαταρία σε εξωτερικό χώρο.
15. Να επαναφορτίζετε μόνο με το φορτιστή που καθορίζεται από τον κατασκευαστή. Ένας φορτιστής που είναι κατάλληλος για μια συγκεκριμένη κασέτα μπαταριών μπορεί να δημιουργήσει κίνδυνο πυρκαγιάς όταν χρησιμοποιείται με μια άλλη κασέτα μπαταριών.
16. Να χρησιμοποιείτε ηλεκτρικά εργαλεία μόνο με ειδικά καθορισμένες κασέτες μπαταριών. Η χρήση κάθε άλλης κασέτας μπαταριών μπορεί να δημιουργήσει κίνδυνο τραυματισμού ή πυρκαγιάς.
17. Όταν δεν χρησιμοποιείται η κασέτα μπαταριών, διατηρήστε τη μακριά από άλλα μεταλλικά αντικείμενα, όπως συνδετήρες, κέρματα, κλειδιά, καρφιά, βίδες ή άλλα μικρά μεταλλικά αντικείμενα, με τα οποία μπορεί να δημιουργηθεί σύνδεση από τον έναν ακροδέκτη στον άλλον.
18. Υπό συνθήκες κατάχρησης, μπορεί να εξαχθεί υγρό από την μπαταρία. Να αποφεύγετε την επαφή. Αν συμβεί επαφή κατά λάθος, εκπλύνετε με νερό.

ΦΥΛΑΞΤΕ ΤΙΣ ΟΔΗΓΙΕΣ ΑΥΤΕΣ.

ENB127-1

ΕΠΙΠΛΕΟΝ ΚΑΝΟΝΕΣ ΑΣΦΑΛΕΙΑΣ

Η συσκευή αυτή προορίζεται για οικιακή χρήση.

1. Διαβάστε προσεκτικά το παρόν εγχειρίδιο χρήσης όπως και το εγχειρίδιο χρήσης του φορτιστή πριν από τη χρήση.
2. Μην τα ακόλουθα υλικά:
 - Καυτά υλικά όπως αναμμένα τσιγάρα ή μεταλλική σκόνη/ρινίσματα που παράγονται από λείανση/κοπή μετάλλων
 - Εύφλεκτα υλικά όπως βενζίνη, διαλυτικό, πετρελαϊκό αιθέρα, κηροζίνη ή χρώματα
 - Εκρηκτικά υλικά όπως νιτρογλυκερίνη
 - Αναφλέξιμα υλικά όπως αλουμίνιο, ψευδάργυρο, μαγνήσιο, τιτάνιο, φώσφορο ή κινηματογραφικό φιλμ
 - Υγρές ακαθαρσίες, νερό, έλαιο ή παρόμοιες ουσίες
 - Αιχμηρά τεμάχια σκληρών υλικών, όπως ροκανίδια, μέταλλα, πέτρες, γυαλιά, καρφιά, πινέζες ή ξυραφάκια
 - Σκόνη η οποία σβωλιάζει όπως το τσιμέντο ή το τόνερ
 - Αγώγιμη σκόνη όπως μέταλλο ή άνθρακα
 - Μικρά σωματίδια όπως σκόνη σκυροδέματος

Αυτή η ενέργεια ενδέχεται να προκαλέσει πυρκαγιά, τραυματισμό ή/και ζημία στην σε περιουσιακά στοιχεία.

3. Διακόψτε τη λειτουργία αμέσως, μόλις παρατηρήσετε οτιδήποτε μη φυσιολογικό.
4. Σε περίπτωση που το ηλεκτρικό σκουπάκι υποστεί πτώση ή κτύπημα, ελέγξτε το προσεκτικά για ρωγμές ή βλάβη πριν από τη λειτουργία.
5. Μην πλησιάζετε σε θερμάστρες ή άλλες πηγές θερμότητας.
6. Μη φράσετε την οπή εισαγωγής ή τις οπές αερισμού.

ΦΥΛΑΞΤΕ ΤΙΣ ΟΔΗΓΙΕΣ ΑΥΤΕΣ.

ENC007-11

Σημαντικές οδηγίες ασφάλειας για κασέτα μπαταριών

1. Πριν χρησιμοποιήσετε την κασέτα μπαταρίας, διαβάστε όλες τις οδηγίες και σημειώσεις προφύλαξης (1) στον φορτιστή μπαταρίας, (2) στην μπαταρία και (3) στο προϊόν που χρησιμοποιεί την μπαταρία.
2. Μην αποσυαρμολογήσετε την κασέτα μπαταρίας.
3. Εάν ο χρόνος λειτουργίας έχει γίνει υπερβολικά βραχύς, σταματήστε την λειτουργία αμέσως. Αλλιώς, μπορεί να έχει ως αποτέλεσμα κίνδυνο υπερθέρμανσης, πιθανά εγκαύματα ή ακόμη και έκρηξη.
4. Εάν ηλεκτρολύτης μπει στα μάτια σας, ξεπλύνετε τα με καθαρό νερό και ζητήστε ιατρική φροντίδα αμέσως. Αλλιώς, μπορεί να έχει ως αποτέλεσμα απώλεια της όρασης σας.
5. Μη βραχυκυκλώνετε την κασέτα μπαταρίας:
 - (1) Μην αγγίζετε τους πόλους με οτιδήποτε αγώγιμο υλικό.
 - (2) Αποφεύγετε να αποθηκεύετε την κασέτα μπαταρίας μέσα σε ένα δοχείο μαζί με άλλα μεταλλικά αντικείμενα όπως καρφιά, νομίσματα, κλπ.
 - (3) Μην εκθέτε την κασέτα μπαταρίας στο νερό ή στη βροχή.
 Ένα βραχυκύκλωμα μπαταρίας μπορεί να προκαλέσει μεγάλη ροή ρεύματος, υπερθέρμανση, πιθανά εγκαύματα ακόμη και σοβαρή βλάβη.
6. Μην αποθηκεύετε το εργαλείο και την κασέτα μπαταρίας σε τοποθεσίες όπου η θερμοκρασία μπορεί να φτάσει ή να ξεπεράσει τους 50°C.
7. Μη καίτε την κασέτα μπαταρίας ακόμη και εάν έχει σοβαρή ζημία ή είναι εντελώς φθαρμένη. Η κασέτα μπαταρίας μπορεί να εκραγεί στην φωτιά.
8. Προσέχετε να μη ριζετε κάτω ή χτυπήσετε την μπαταρία.
9. Μην χρησιμοποιείτε μπαταρία που έχει υποστεί ζημία.

10. Οι μπαταρίες ιόντων λιθίου που περιέχονται υπόκεινται στις απαιτήσεις της νομοθεσίας για επικίνδυνα αγαθά.

Για εμπορικές μεταφορές, για παράδειγμα από τρίτα μέρη, πρέπει να τηρούνται οι διαμεταφορές, οι ειδικές απαιτήσεις στη συσκευασία και η επισήμανση.

Για προετοιμασία του στοιχείου που αποστέλλεται, είναι απαραίτητο να συμβουλευτείτε έναν ειδικό για επικίνδυνα υλικά. Επίσης, τηρήστε τους πιθανούς, πιο αναλυτικούς εθνικούς κανονισμούς.

Καλύψτε με αυτοκόλλητη ταινία ή κρύψτε τις ανοικτές επαφές και συσκευάστε την μπαταρία με τρόπο που να μην μπορεί να μετακινείται μέσα στη συσκευασία.

11. Τηρήστε τους τοπικούς κανονισμούς που σχετίζονται με τη διάθεση της μπαταρίας.

ΦΥΛΑΞΤΕ ΤΙΣ ΟΔΗΓΙΕΣ ΑΥΤΕΣ.

ΠΡΟΣΟΧΗ – Να χρησιμοποιείτε μόνο γνήσιες μπαταρίες της Makita. Η χρήση μη γνήσιων μπαταριών Makita, ή μπαταριών που έχουν τροποποιηθεί, μπορεί να έχει ως αποτέλεσμα τη ρήξη της μπαταρίας, προκαλώντας πυρκαγιά, προσωπικό τραυματισμό και βλάβη. Επίσης, θα ακυρωθεί η εγγύηση της Makita για το εργαλείο και φορτιστή Makita.

Συμβουλές για διατήρηση μέγιστης ζωής μπαταρίας

1. Φορτίστε την κασέτα μπαταρίας πριν από την πλήρη αποφόρτιση της. Πάντοτε σταματάτε την λειτουργία του εργαλείου και φορτίζετε την κασέτα μπαταρίας όταν παρατηρείτε μειωμένη ισχύ εργαλείου.
2. Ποτέ μην επαναφορτίζετε μία πλήρως φορτισμένη κασέτα μπαταρίας. Υπερφόρτιση μειώνει την ωφέλιμη ζωή της μπαταρίας.
3. Φορτίζετε την κασέτα μπαταρίας σε θερμοκρασία δωματίου 10°C – 40°C. Αφήστε μία θερμή κασέτα μπαταρίας να κρυώσει πριν την φορτίσετε.
4. Να φορτίζετε την κασέτα μπαταριών εάν δεν τη χρησιμοποιείτε για μεγάλη χρονική περίοδο (περισσότερο από έξι μήνες).

ΠΕΡΙΓΡΑΦΗ ΛΕΙΤΟΥΡΓΙΑΣ

ΠΡΟΣΟΧΗ:

- Πάντοτε βεβαιώνετε ότι το εργαλείο είναι σβηστό και η κασέτα μπαταρίας έχει αφαιρεθεί πριν ρυθμίσετε ή ελέγξετε κάποια λειτουργία στο εργαλείο.
- Φροντίστε ώστε να μην παγιδεύσετε δάκτυλο(α) στο χώρο μεταξύ σκοοπάκι και μπαταρίας, όπως υποδεικνύεται στο διάγραμμα, κατά τη φόρτωση της μπαταρίας. Η παγίδευση δακτύλων ενδέχεται να προκαλέσει τραυματισμό. (Εικ. 1)

Τοποθέτηση ή αφαίρεση της κασέτας μπαταρίας (Εικ. 2)

ΠΡΟΣΟΧΗ:

- Πάντοτε σβήνετε το εργαλείο πριν εγκαταστήσετε ή βγάλετε την κασέτα μπαταρίας.

- **Κρατήστε το εργαλείο και την κασέτα μπαταρίας σταθερά κατά την τοποθέτηση ή αφαίρεση της κασέτας μπαταρίας.** Αν δεν κρατάτε το εργαλείο και την κασέτα μπαταρίας σταθερά, μπορεί γλιστρήσουν από τα χέρια σας και να προκληθεί βλάβη στο εργαλείο και την κασέτα μπαταρίας και προσωπικός τραυματισμός.

Για να αφαιρέσετε την κασέτα μπαταρίας, βγάλτε την από το εργαλείο ενώ σύρετε το κουμπί στο εμπρόσθιο μέρος της κασέτας.

Για να εγκαταστήσετε την κασέτα μπαταρίας, ευθυγραμμίστε την γλώσσα στην κασέτα μπαταρίας με την αυλακία στην υποδοχή και τοποθετήστε την. Να την τοποθετείτε πλήρως μέχρι να ασφαλίσει στη θέση της, γεγονός που υποδεικνύεται με ένα χαρακτηριστικό ήχο. Εάν μπορείτε να δείτε την κόκκινη ένδειξη στην επάνω πλευρά του κουμπιού, δεν έχει κλειδώσει τελείως.

ΠΡΟΣΟΧΗ:

- Να τοποθετείτε πάντα την κασέτα μπαταρίας πλήρως μέχρι να μην βλέπετε την κόκκινη ένδειξη. Σε αντίθετη περίπτωση, ίσως πέσει κατά λάθος από το μηχανήμα, τραυματίζοντας εσάς ή κάποιον τρίγύρω σας.
- Μην τοποθετείτε την κασέτα μπαταρίας με βία. Εάν η κασέτα δεν γλιστράει μέσα εύκολα, δεν εισάγεται με τον σωστό τρόπο.

Σύστημα προστασίας μπαταρίας (μπαταρία ιόντων λιθίου με ένδειξη αστεριού) (Εικ. 3)

Οι μπαταρίες ιόντων λιθίου με ένδειξη αστεριού είναι εξοπλισμένες με σύστημα προστασίας. Αυτό το σύστημα αποκόπτει αυτόματα την ισχύ προς το εργαλείο για την παράταση της ζωής της μπαταρίας. Το εργαλείο σταματάει αυτόματα κατά τη διάρκεια της λειτουργίας εάν το εργαλείο ή/και η μπαταρία βρεθούν κάτω από τις παρακάτω συνθήκες:

- Υπερφόρτωση:
Το εργαλείο λειτουργεί με τρόπο ώστε να αναγκάζεται να καταναλώνει ασυνήθιστα υψηλό ρεύμα.
Σε αυτή την κατάσταση, αφήστε το διακόπτη σκανδάλης και διακόψτε την εφαρμογή που προκαλεί την υπερφόρτωση του εργαλείου. Μετά, τραβήξτε ξανά το διακόπτη σκανδάλης για επανεκκίνηση.
Εάν το εργαλείο δεν ξεκινάει, η μπαταρία έχει υπερθερμανθεί. Σε αυτή την κατάσταση, αφήστε την μπαταρία να ψυχθεί πριν τραβήξετε ξανά το διακόπτη σκανδάλης.
- Χαμηλή τάση μπαταρίας:
Η υπόλοιπη χωρητικότητα μπαταρίας είναι πολύ χαμηλή και το εργαλείο δεν λειτουργεί. Σε αυτή την κατάσταση, αφαιρέστε και επαναφορτίστε την μπαταρία.

Λειτουργία διακόπτη (Εικ. 4)

ΠΡΟΣΟΧΗ:

- Πριν βάλετε την κασέτα μπαταρίας μέσα στο εργαλείο, πάντοτε ελέγχετε να δείτε ότι η σκανδάλη διακόπτης ενεργοποιείται κανονικά και επιστρέφει στην θέση "OFF" όταν ελευθερώνεται.

Για να ξεκινήσετε το εργαλείο, απλώς τραβήχτε την σκανδάλη διακόπτη. Ελευθερώστε την σκανδάλη διακόπτη για να σταματήσει.

Αναμμα λάμπας

Μόνο για το μοντέλο DCL180F

ΠΡΟΣΟΧΗ:














- Μην κοιτάζετε ποτέ κατευθείαν στο φως. Το άμεσο φως προκαλεί βλάβη στα μάτια σας. (Εικ. 5)

Τραβήξτε τη σκανδάλη διακόπτη για να ανάψετε τη λάμπα. Ελευθερώστε τη σκανδάλη διακόπτη για να τη σβήσετε.

Εμφάνιση υπολειπόμενης χωρητικότητας μπαταρίας

Μόνο για κασέτες μπαταρίας με την ενδεικτική λυχνία (Εικ. 6)

Πιέστε το κουμπί ελέγχου στην κασέτα μπαταριών για να υποδείξετε την υπολειπόμενη χωρητικότητα μπαταρίας. Οι ενδεικτικές λυχνίες ανάβουν για λίγα δευτερόλεπτα.

Ενδεικτικές λυχνίες			Υπόλοιπη χωρητικότητα
 Αναμμένες	 Σβηστές	 Αναβο-σβήνει	
			75% έως 100%
			50% έως 75%
			25% έως 50%
			0% έως 25%
			Φορτίστε την μπαταρία.
 ↑ 	 ↓ 		Μπορεί να προέκυψε δυσλειτουργία στην μπαταρία.

ΠΑΡΑΤΗΡΗΣΗ:

- Ανάλογα με τις συνθήκες χρήσης και τη θερμοκρασία περιβάλλοντος, η ένδειξη μπορεί να διαφέρει λίγο από την πραγματική χωρητικότητα.

ΣΥΝΑΡΜΟΛΟΓΗΣΗ

ΠΡΟΣΟΧΗ:

- Πάντοτε βεβαιώνετε ότι το εργαλείο είναι σβηστό και η κασέτα μπαταρίας έχει αφαιρεθεί πριν εκτελέσετε κάποια εργασία στο εργαλείο.

Τύπος φίλτρου

Κανονικό φίλτρο (Εικ. 7)

Φίλτρο υψηλής απόδοσης (Εικ. 8)

Απόρριψη σκόνης

ΠΡΟΣΟΧΗ:

- Να αδειάζετε το ηλεκτρικό σκουπάκι πριν γεμίσει πλήρως, η εξασθενηθεί η δύναμη αναρρόφησης.

- Να φροντίζετε για το άδειασμα της σκόνης από το εσωτερικό της ίδιας της ηλεκτρικής σκούπας. Σε περίπτωση μη συμμόρφωσης ενδέχεται να προκληθεί έμφραξη του φίλτρου ή βλάβη του κινητήρα.

Απόρριψη της σκόνης για το κανονικό φίλτρο

Για να αφαιρέσετε τη σκόνη η οποία επικάθεται στο φίλτρο μέσα στην κάψουλα, κτυπήστε ελαφρά την κάψουλα 4 ή 5 φορές με το χέρι σας.

Τώρα στρέψτε την εισαγωγή αναρρόφησης προς τα κάτω, περιστρέψτε την κάψουλα προς την κατεύθυνση του βέλους στο διάγραμμα και αποσπάστε την κάψουλα με προσοχή ωθώντας ευθέως προς τα έξω. (Εικ. 9)

ΠΑΡΑΤΗΡΗΣΗ:

- Η σκόνη ενδέχεται να σκορπιστεί κατά το άνοιγμα της κάψουλας, για το λόγο αυτό φροντίστε να τοποθετήσετε μια σακούλα σκουπιδιών κάτω από την κάψουλα.

Αφαιρέστε τη συσσωρευμένη σκόνη από το εσωτερικό της κάψουλας και το προφίλτρο. (Εικ. 10) Περιστρέψτε το προφίλτρο προς την κατεύθυνση του βέλους ώστε να απασφαλίσετε το χείλος ασφάλισης από την μονάδα της σκούπας και στη συνέχεια αποσπάστε το προφίλτρο. (Εικ. 11)

Καθαρίστε την ψιλή σκόνη από το προφίλτρο. Στη συνέχεια, αφαιρέστε το φίλτρο και κτυπήστε το ελαφρά, ώστε να αποκολληθεί η σκόνη. (Εικ. 12)

Απόρριψη της σκόνης για το φίλτρο υψηλής απόδοσης

Για να αφαιρέσετε τη σκόνη η οποία επικάθεται στο φίλτρο μέσα στην κάψουλα, κτυπήστε ελαφρά την κάψουλα 4 ή 5 φορές με το χέρι σας.

Τώρα στρέψτε την είσοδο αναρρόφησης προς τα κάτω, περιστρέψτε την κάψουλα προς την κατεύθυνση του βέλους που απεικονίζεται στην εικόνα, και αποσπάστε την κάψουλα αργά και ευθεία. (Εικ. 9)

ΠΑΡΑΤΗΡΗΣΗ:

- Όταν ανοίξει η κάψουλα μπορεί να χυθεί σκόνη, για το λόγο αυτό φροντίστε να τοποθετήσετε μια σακούλα απορριμάτων κάτω από την κάψουλα.

Αφαιρέστε τη συσσωρευμένη σκόνη από το εσωτερικό της κάψουλας και από το φίλτρο υψηλής απόδοσης. (Εικ. 13)

Περιστρέψτε το φίλτρο υψηλής απόδοσης προς την κατεύθυνση του βέλους ώστε να απασφαλίσετε το χείλος ασφάλισης από τη μονάδα της σκούπας και στη συνέχεια αποσπάστε το φίλτρο. (Εικ. 14) Καθαρίστε την ψιλή σκόνη και κτυπήστε ελαφρά για να αποκολληθεί η σκόνη από το φίλτρο υψηλής απόδοσης.

Επανασυναρμολόγηση

Επανασυναρμολόγηση για το κανονικό φίλτρο

Τοποθετήστε το φίλτρο έως ότου επιτευχθεί πλήρης εφαρμογή στη μονάδα της σκούπας. (Εικ. 15)

ΠΑΡΑΤΗΡΗΣΗ:

- Φροντίστε ώστε το φίλτρο να τοποθετηθεί κατάλληλα χωρίς να διπλωθεί προς τα πίσω. Εάν το φίλτρο τοποθετηθεί εσφαλμένα όπως φαίνεται στο διάγραμμα, η σκόνη θα εισέλθει στο εσωτερικό του περιβλήματος του κινητήρα και θα προκαλέσει βλάβη του κινητήρα. (Εικ. 16)

Τοποθετήστε το προφίλτρο. Σε αυτήν τη φάση, φροντίστε να περιστρέψετε το προφίλτρο, ώστε το χείλος ασφάλισης να ασφαλιστεί πλήρως στη μονάδα της σκούπας. **(Εικ. 17 και 18)**

Τοποθετήστε την κάψουλα. Ευθυγραμμίστε το σύμβολο O της κάψουλας με το σύμβολο O της λαβής και στη συνέχεια περιστρέψτε την κάψουλα σταθερά προς την κατεύθυνση του βέλους, έως ότου ασφαλιστεί. **(Εικ. 19 και 20)**

ΠΑΡΑΤΗΡΗΣΗ:

- Να αφαιρείτε πάντα τη σκόνη εγκαίρως, διότι η ισχύς αναρρόφησης μειώνεται σημαντικά, εάν υπάρχει υπερβολική ποσότητα σκόνης στο εσωτερικό της σκούπας.
- Να ελέγχετε πάντα, εάν το φίλτρο και το προφίλτρο έχουν τοποθετηθεί κατάλληλα πριν από τη χρήση της σκούπας. Εάν δεν έχουν τοποθετηθεί κατάλληλα, η σκόνη θα εισέλθει στο εσωτερικό του περιβλήματος του κινητήρα και θα προκαλέσει βλάβη του κινητήρα. Σε περίπτωση που συμβούν τα κάτωθι, το φίλτρο και το προφίλτρο δεν έχουν τοποθετηθεί κατάλληλα. Τοποθετήστε τα κατάλληλα εκ νέου για να διορθώσετε το πρόβλημα.

Παραδείγματα προβλημάτων

Παράδειγμα 1: Μόνον το προφίλτρο έχει τοποθετηθεί (χωρίς φίλτρο) **(Εικ. 21)**

Παράδειγμα 2: Μόνον το φίλτρο έχει τοποθετηθεί (χωρίς προφίλτρο) **(Εικ. 22)**

Παράδειγμα 3: Το φίλτρο τοποθετήθηκε εσφαλμένα και έχει διπλωθεί προς τα πίσω **(Εικ. 16)**

Παράδειγμα 4: Το χείλος ασφάλισης του προφίλτρου δεν έχει ασφαλιστεί κατάλληλα στην αύλακα του περιβλήματος της σκούπας **(Εικ. 23)**

Επανασυναρμολόγηση για το φίλτρο υψηλής απόδοσης

Συνδέστε το φίλτρο υψηλής απόδοσης. Σε αυτή τη φάση, φροντίστε να περιστρέψετε το φίλτρο υψηλής απόδοσης, ώστε το χείλος ασφάλισης να ασφαλιστεί σταθερά μέσα στη μονάδα της σκούπας. **(Εικ. 24 και 25)**

Συνδέστε την κάψουλα. Ευθυγραμμίστε το σύμβολο O στην κάψουλα με το σύμβολο O στη λαβή και στη συνέχεια περιστρέψτε σταθερά την κάψουλα προς την κατεύθυνση του βέλους, έως ότου ασφαλιστεί. **(Εικ. 26 και 20)**

ΠΑΡΑΤΗΡΗΣΗ:

- Να αφαιρείτε πάντα τη σκόνη εγκαίρως, επειδή η ισχύς αναρρόφησης μειώνεται σημαντικά, αν υπάρχει υπερβολική ποσότητα σκόνης στο εσωτερικό της σκούπας.
- Να ελέγχετε πάντα αν το φίλτρο υψηλής απόδοσης έχει τοποθετηθεί σωστά πριν από τη χρήση της σκούπας. Αν δεν έχουν τοποθετηθεί κατάλληλα, θα εισέλθει σκόνη μέσα στο περιβλήμα του μοτέρ και θα προκαλέσει βλάβη του μοτέρ. Σε περίπτωση που συμβούν τα παρακάτω παραδείγματα, το φίλτρο υψηλής απόδοσης δεν έχει τοποθετηθεί σωστά. Τοποθετήστε τα κατάλληλα εκ νέου για να διορθώσετε το πρόβλημα.

Παραδείγματα προβλημάτων

Το χείλος ασφάλισης του φίλτρου υψηλής απόδοσης δεν έχει ασφαλιστεί σταθερά μέσα στην αύλακα του περιβλήματος σκούπας. **(Εικ. 27)**

ΛΕΙΤΟΥΡΓΙΑ

ΠΡΟΣΟΧΗ:

- Για να τοποθετήσετε διάφορα εξαρτήματα, όπως ένα ακροφύσιο, περιστρέψτε και εισάγετε το εξάρτημα προς την κατεύθυνση του βέλους, ώστε να διασφαλιστεί η ασφάλεια σύνδεσης στη διάρκεια της χρήσης. Για να αφαιρέσετε το εξάρτημα, περιστρέψτε και αποσπάστε πάλι προς την κατεύθυνση του βέλους. Εάν περιστρέψετε το εξάρτημα προς την αντίθετη κατεύθυνση, κατά την τοποθέτηση ή αφαίρεση, η κάψουλα ενδέχεται να αποσπαστεί. **(Εικ. 28)**

Καθαρισμός (Αναρρόφηση)

Ακροφύσιο (Εικ. 29)

Προσαρμόστε το ακροφύσιο για να καθαρίσετε τραπέζια, γραφεία, έπιπλα, κ.λπ. Το ακροφύσιο τοποθετείται εύκολα σύροντάς το.

Ακροφύσιο + Ράβδος προέκτασης (Ευθύς σωλήνας) (Εικ. 30)

Η ράβδος προέκτασης τοποθετείται μεταξύ ακροφυσίου και ηλεκτρικής σκούπας. Ο συνδυασμός αυτός διευκολύνει στον καθαρισμό ενός δαπέδου, ενώ ο χειριστής παραμένει σε όρθια θέση.

Ακροφύσιο γωνιών (Εικ. 31)

Τοποθετήστε το ακροφύσιο γωνιών για να καθαρίσετε γωνίες και χαραμάδες σε ένα αυτοκίνητο ή έπιπλα.

Ακροφύσιο γωνιών + Ράβδος προέκτασης (Ευθύς σωλήνας) (Εικ. 32)

Χρησιμοποιήστε αυτόν τον συνδυασμό σε περιορισμένους χώρους, όπου η ηλεκτρική σκούπα δεν χωρά, ή σε υψηλά σημεία όπου η πρόσβαση είναι δύσκολη.

Καθαρισμός χωρίς ακροφύσιο (Εικ. 33)

Μπορείτε να συλλέξετε σκόνη χωρίς το ακροφύσιο.

ΣΥΝΤΗΡΗΣΗ

ΠΡΟΣΟΧΗ:

- Να φροντίζετε πάντα για την απενεργοποίηση του εργαλείου πριν επιχειρήσετε οποιονδήποτε έλεγχο ή συντήρηση του εργαλείου.

Καθαρισμός

Περιστασιακά, καθαρίστε το εξωτερικό (σώμα ηλεκτρικής σκούπας) της σκούπας χρησιμοποιώντας ένα πανί που έχετε υγράνει με σαπουνόνερο. Καθαρίστε, επίσης, το άνοιγμα αναρρόφησης, το χώρο τοποθέτησης του σάκου/της χάρτινης σακούλας και τον αναστολέα σκόνης. **(Εικ. 34)**

ΠΡΟΣΟΧΗ:

- Μην χρησιμοποιείτε ποτέ βενζίνη, πετρελαϊκό αιθέρα, διαλυτικό, αλκοόλη ή παρόμοιες ουσίες. Ενδέχεται να προκληθεί αποχρωματισμός παραμόρφωση ή ρωγμές.

Πλύντε το φίλτρο σε σαπουνόνερο, όταν παρατηρηθεί έμφραξη λόγω σκόνης και μείωση της απορροφητικής ισχύος. Στεγνώστε πλήρως πριν από τη χρήση. Ένα φίλτρο που δεν είναι απολύτως στεγνό ενδέχεται να προκαλέσει κακή αναρρόφηση και μείωση της διάρκειας ζωής του μοτέρ. **(Εικ. 35)**

Μην επιχειρήσετε να αφαιρέσετε τη σκόνη που είναι προσκολλημένη πάνω στη σκούπα με εμφύσηση αέρα. Η σκόνη θα εισέλθει στο εσωτερικό του περιβλήματος και θα προκαλέσει βλάβη.

Τι θα πρέπει να ελέγξετε πριν ζητήσετε επισκευή

Σύμπτωμα	Περιοχή διερεύνησης	Μέθοδος επιδιόρθωσης
Ασθενής ισχύς αναρρόφησης	<ul style="list-style-type: none"> Είναι η κάψουλα γεμάτη σκόνη; Είναι το φίλτρο φραγμένο; Είναι η μπαταρία εξαντλημένη; 	<ul style="list-style-type: none"> Αδειάστε τη σκόνη από την κάψουλα. Ξεσκονίστε ή πλύνετε το φίλτρο. Επαναφορτίστε τη μπαταρία.
Δεν λειτουργεί	<ul style="list-style-type: none"> Είναι η μπαταρία εξαντλημένη; 	<ul style="list-style-type: none"> Επαναφορτίστε τη μπαταρία.

010051

ΠΑΡΑΤΗΡΗΣΗ:

- Μην επιχειρήσετε να επισκευάσετε τη σκούπα μόνοι σας.

Για την διατήρηση της ΑΣΦΑΛΕΙΑΣ και ΑΞΙΟΠΙΣΤΙΑΣ του προϊόντος, επισκευές, οποιαδήποτε άλλη συντήρηση ή ρύθμιση πρέπει να εκτελούνται από τα εξουσιοδοτημένα κέντρα εξυπηρέτησης της Makita, με χρήση πάντοτε ανταλλακτικών Makita.

ΠΡΟΑΙΡΕΤΙΚΑ ΕΞΑΡΤΗΜΑΤΑ

ΠΡΟΣΟΧΗ:

- Αυτά τα παρελκόμενα ή προσαρτήματα συνιστώνται για χρήση με το εργαλείο της Makita που περιγράφεται στο παρόν εγχειρίδιο. Η χρήση οποιουδήποτε άλλου παρελκόμενου ή προσαρτήματος ενέχει κίνδυνο τραυματισμού ατόμων. Το παρελκόμενο ή προσάρτημα να χρησιμοποιείται μόνο για την προοριζόμενη χρήση του.

Εάν χρειάζεστε βοήθεια όσον αφορά περαιτέρω λεπτομέρειες σχετικά με τα εν λόγω παρελκόμενα, απευθυνθείτε στο τοπικό κέντρο σέρβις της Makita.

- Ράβδος προέκτασης (Ευθύς σωλήνας)
- Ακροφύσιο
- Ακροφύσιο για μοκέτα
- Βούρτσα ραφιών
- Ακροφύσιο γωνιών
- Στρογγυλή βούρτσα
- Εύκαμπτος σωλήνας
- Φίλτρο
- Προφίλτρο
- Φίλτρο υψηλής απόδοσης
- Γνήσια μπαταρία και φορτιστής της Makita

ΠΑΡΑΤΗΡΗΣΗ:

- Μερικά στοιχεία στη λίστα μπορεί να συμπεριλαμβάνονται στη συσκευασία εργαλείου ως στάνταρ εξαρτήματα. Μπορεί να διαφέρουν ανάλογα με τη χώρα.

Makita Europe N.V. Jan-Baptist Vinkstraat 2,
3070 Kortenberg, Belgium

Makita Corporation 3-11-8, Sumiyoshi-cho,
Anjo, Aichi 446-8502 Japan