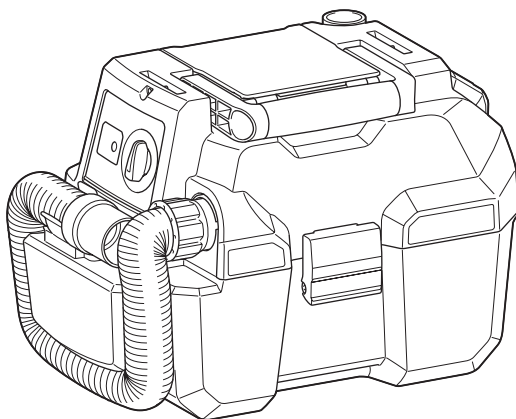




EN	Cordless Portable Vacuum Cleaner	INSTRUCTION MANUAL	6
FR	Aspirateur Portable Sans Fil	MANUEL D'INSTRUCTIONS	14
DE	Akku Staubsauger tragbar	BETRIEBSANLEITUNG	23
IT	Aspirapolvere portatile a batteria	ISTRUZIONI PER L'USO	32
NL	Draagbare accustofzuiger	GEBRUIKSAANWIJZING	41
ES	Aspiradora Inalámbrica Portátil	MANUAL DE INSTRUCCIONES	50
PT	Aspirador de Pó e Água a Bateria	MANUAL DE INSTRUÇÕES	59
DA	Akku bærbær støvsuger	BRUGSANVISNING	68
EL	Φορητή ηλεκτρική σκούπα με μπαταρία	ΕΓΧΕΙΡΙΔΙΟ ΟΔΗΓΙΩΝ	76
TR	Akülü Portatif Süpürge	KULLANMA KILAVUZU	85

DVC750L



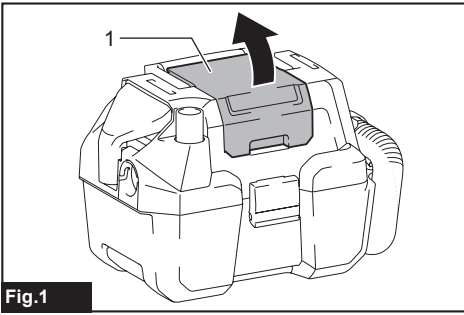


Fig.1

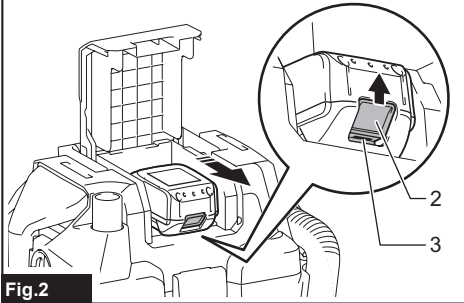
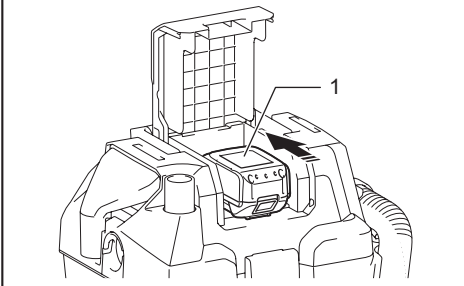


Fig.2

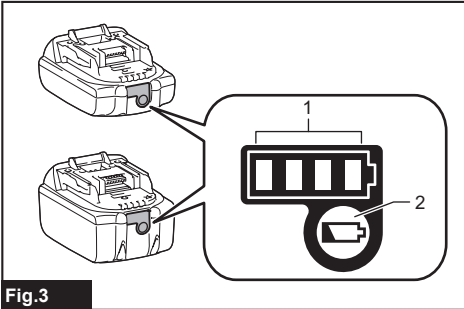


Fig.3

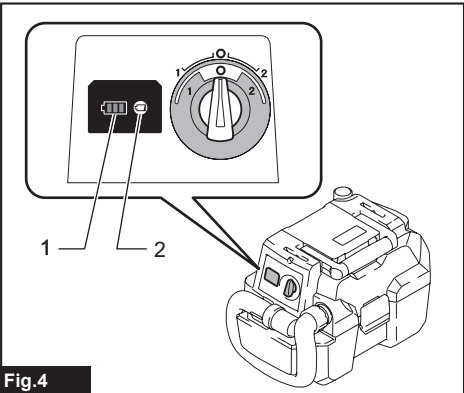


Fig.4

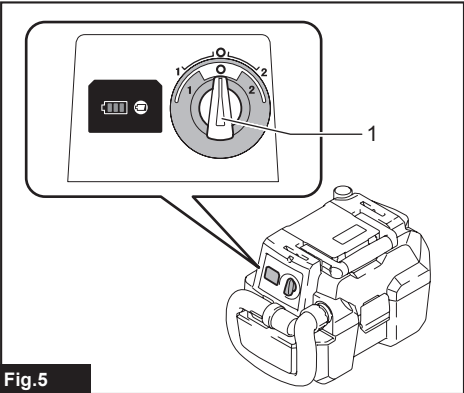


Fig.5

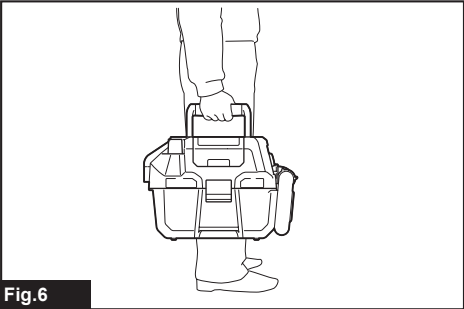
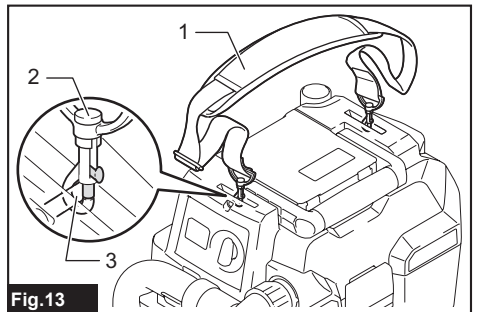
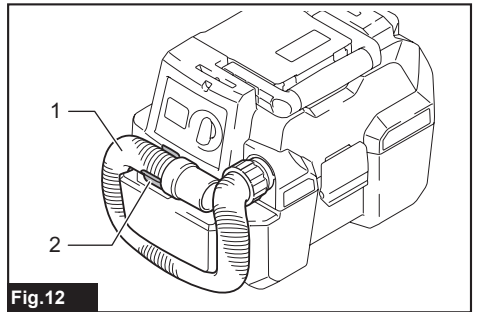
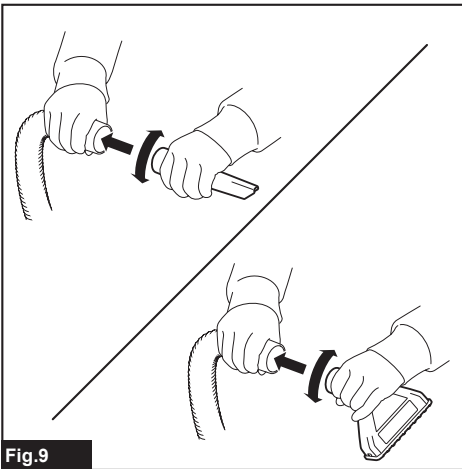
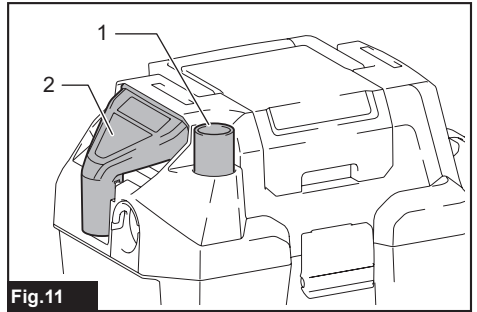
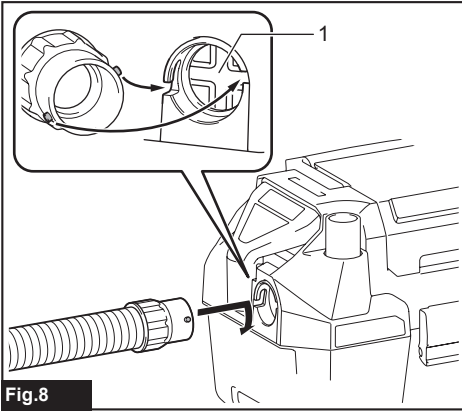
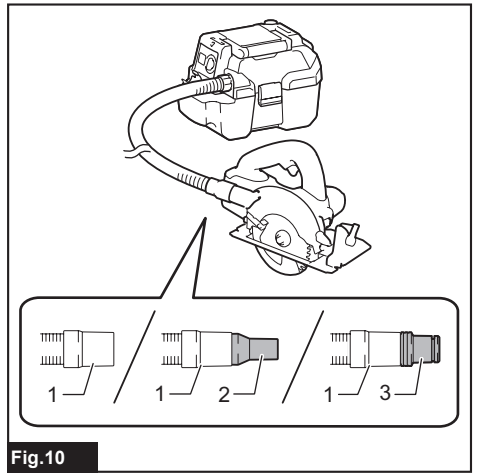
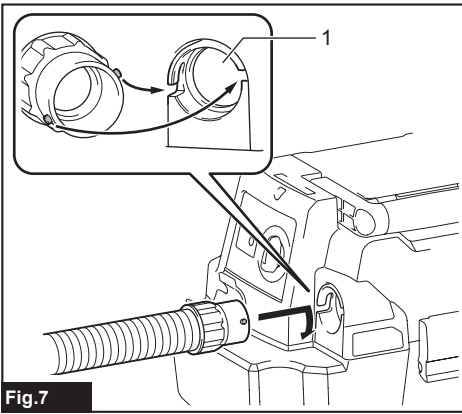
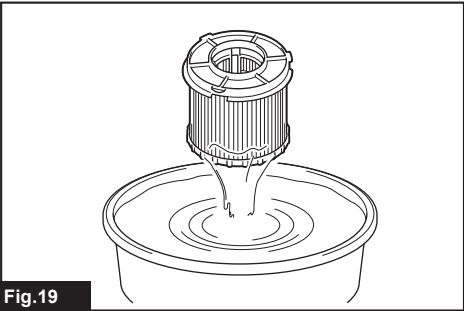
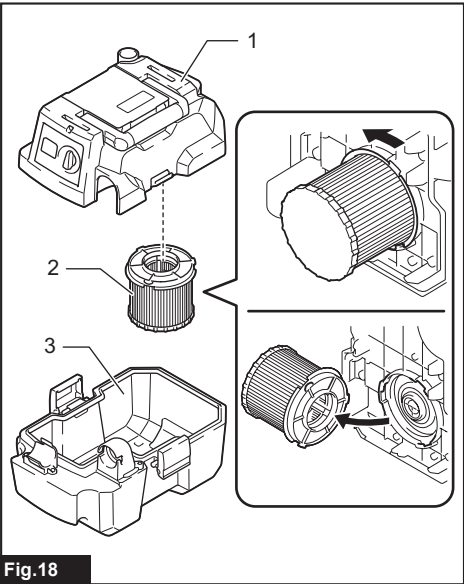
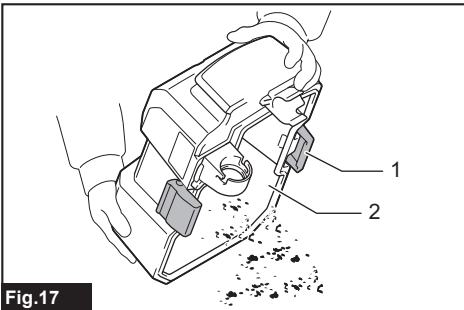
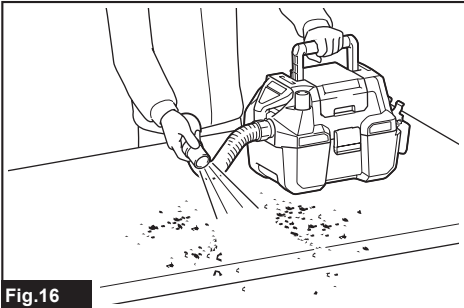
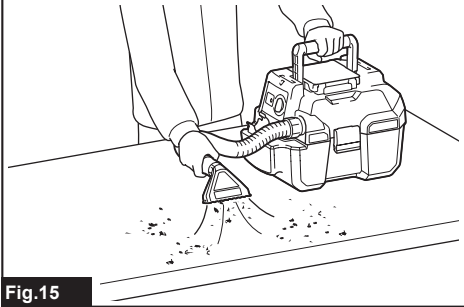
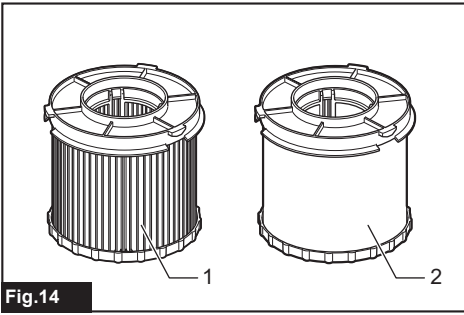


Fig.6





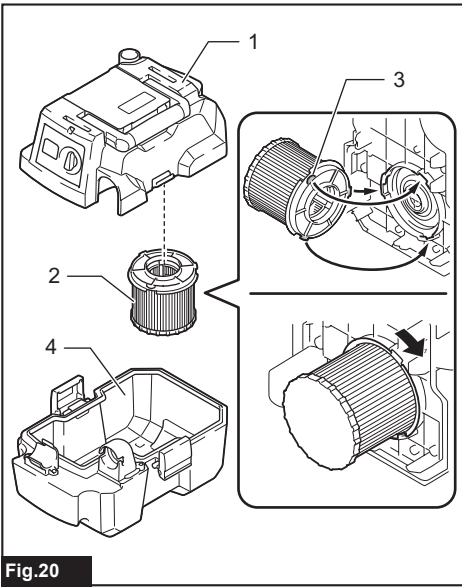


Fig.20

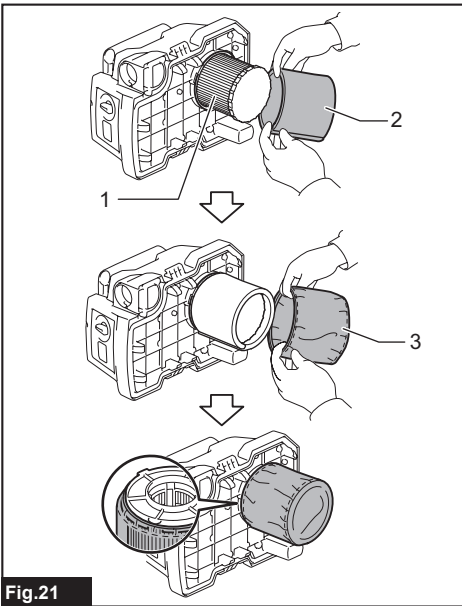


Fig.21

WARNING

- This machine is not intended for use by persons including children with reduced physical, sensory or mental capabilities, or lack of experience and knowledge.
- Children should be supervised to ensure that they do not play with the cleaner.
- See the chapter "SPECIFICATIONS" for the type reference of the battery.
- See the section "Installing or removing battery cartridge" for how to remove or install the battery.
- When disposing the battery cartridge, remove it from the tool and dispose of it in a safe place. Follow your local regulations relating to disposal of battery.
- If the tool is not used for a long period of time, the battery must be removed from the tool.
- Do not short the battery cartridge.
- See the chapter "MAINTENANCE" for the appropriate details of precautions during user maintenance.

SPECIFICATIONS

Model:		DVC750L
Maximum air volume	Normal (1)	1.3 m ³ /min
	High (2)	1.6 m ³ /min
Vacuum	Normal (1)	42 hPa
	High (2)	67 hPa
Nominal overpressure (when using as a blower)	Normal (1)	42 hPa
	High (2)	67 hPa
Recoverable capacity	Dust	7.5 L
	Water *	4.5 L
Dimensions (L x W x H)		418 mm x 251 mm x 278 mm
Rated voltage		D.C. 18 V
Net weight		4.2 - 4.6 kg
Protection degree		IPX4

- Due to our continuing program of research and development, the specifications herein are subject to change without notice.
- Specifications may differ from country to country.
- The weight includes accessories (Hose, Wide nozzle, Sash nozzle) and battery cartridge(s). The lightest and heaviest combination weight of the appliance and battery cartridge(s) are shown in the table.
- * The capacity of water depends on the condition of use.

Applicable battery cartridge and charger

Battery cartridge	BL1815N / BL1820B / BL1830B / BL1840B / BL1850B / BL1860B
Charger	DC18RC / DC18RD / DC18RE / DC18SD / DC18SE / DC18SF / DC18SH

- Some of the battery cartridges and chargers listed above may not be available depending on your region of residence.

⚠ WARNING: Only use the battery cartridges and chargers listed above. Use of any other battery cartridges and chargers may cause injury and/or fire.

Symbols

The followings show the symbols which may be used for the equipment. Be sure that you understand their meaning before use.



Read instruction manual.



Take particular care and attention.



Warning! The cleaner may contain hazardous dust.



Dust class L (light). The cleaners are capable of picking up dust class L. Follow your country's regulations relating to dusts and to occupational health and safety.



Only for EU countries
Due to the presence of hazardous components in the equipment, waste electrical and electronic equipment, accumulators and batteries may have a negative impact on the environment and human health. Do not dispose of electrical and electronic appliances or batteries with household waste!
In accordance with the European Directive on waste electrical and electronic equipment and on accumulators and batteries and waste accumulators and batteries, as well as their adaptation to national law, waste electrical equipment, batteries and accumulators should be stored separately and delivered to a separate collection point for municipal waste, operating in accordance with the regulations on environmental protection.
This is indicated by the symbol of the crossed-out wheeled bin placed on the equipment.

Intended use

The tool is intended for collecting both wet and dry dust. The tool is suitable for commercial use, for example in hotels, schools, hospitals, factories, shops, offices and rental businesses.

Noise

The typical A-weighted noise level determined according to IEC60335-2-69:
Sound pressure level (L_{pA}) : 76 dB(A)
Uncertainty (K) : 2.5 dB(A)

The noise level under working may exceed 80 dB (A).

NOTE: The declared noise emission value(s) has been measured in accordance with a standard test method and may be used for comparing one tool with another.

NOTE: The declared noise emission value(s) may also be used in a preliminary assessment of exposure.

⚠WARNING: Wear ear protection.

⚠WARNING: The noise emission during actual use of the power tool can differ from the declared value(s) depending on the ways in which the tool is used especially what kind of workpiece is processed.

⚠WARNING: Be sure to identify safety measures to protect the operator that are based on an estimation of exposure in the actual conditions of use (taking account of all parts of the operating cycle such as the times when the tool is switched off and when it is running idle in addition to the trigger time).

Vibration

The vibration total value (tri-axial vector sum) determined according to IEC60335-2-69:
Vibration emission ($a_{h,M}$) : 2.5 m/s^2 or less
Uncertainty (K) : 1.5 m/s^2

NOTE: The declared vibration total value(s) has been measured in accordance with a standard test method and may be used for comparing one tool with another.

NOTE: The declared vibration total value(s) may also be used in a preliminary assessment of exposure.

⚠WARNING: The vibration emission during actual use of the power tool can differ from the declared value(s) depending on the ways in which the tool is used especially what kind of workpiece is processed.

⚠WARNING: Be sure to identify safety measures to protect the operator that are based on an estimation of exposure in the actual conditions of use (taking account of all parts of the operating cycle such as the times when the tool is switched off and when it is running idle in addition to the trigger time).

EC Declaration of Conformity

For European countries only

The EC declaration of conformity is included as Annex A to this instruction manual.

SAFETY WARNINGS

Cordless vacuum cleaner safety warnings

⚠WARNING: IMPORTANT! READ CAREFULLY all safety warnings and all instructions BEFORE USE. Failure to follow the warnings and instructions may result in electric shock, fire and/or serious injury.

1. Before use, make sure that this cleaner must be used by people who have been adequately instructed on the use of this cleaner.
2. Before use, operators shall be provided with information, instruction and training for the use of the machine and the substances for which it is to be used, including the safe method of removal and disposal of the material collected.
3. If foam/liquid comes out, switch off immediately.
4. Clean the water level limiting device regularly and examine it for signs of damage.
5. Do not use the cleaner without the filter. Replace a damaged filter immediately.
6. AVOID UNINTENTIONAL STARTING. Be sure switch is OFF when installing battery(ies).
7. Do not attempt to pick up flammable materials, fire works, lighted cigarettes, hot ashes, hot metal chips, sharp materials such as razors, needles, broken glass or the like.

8. NEVER USE THE CLEANER IN THE VICINITY OF GASOLINE, GAS, PAINT, ADHESIVES OR OTHER HIGHLY EXPLOSIVE SUBSTANCES. The switch emits sparks when turned ON and OFF. And so does the motor commutator during operation. A dangerous explosion may result.
 9. Never vacuum up toxic, carcinogenic, combustible or other hazardous materials such as asbestos, arsenic, barium, beryllium, lead, pesticides, or other health endangering materials.
 10. Always place the cleaner on a horizontal flat surface to prevent it from falling or moving unintentionally.
 11. Never use the cleaner outdoors in the rain.
 12. For Finland, this machine is not to be used outdoors at low temperature.
 13. Do not use close to heat sources (stoves, etc.).
 14. If the exhaust air is returned to the room, it is necessary to provide for an adequate air change rate in the room. Reference to National regulations is necessary.
 15. Do not block suction inlet/outlet/cooling vents. These vents permit cooling of the motor. Blockage should be carefully avoided otherwise the motor will burn out due to a lack of ventilation.
 16. Keep proper footing and balance at all times.
 17. Do not fold, tug or step on the hose.
 18. Stop the cleaner immediately if you notice poor performance or anything abnormal during operation.
 19. REMOVE THE BATTERY(IES). When not in use, before servicing, and when changing accessories.
 20. Clean and service the cleaner immediately after each use to keep it in tiptop operating condition.
 21. MAINTAIN THE CLEANER WITH CARE. Keep the cleaner clean for better and safer performance. Follow instructions for changing accessories. Keep handles dry, clean, and free from oil and grease.
 22. CHECK DAMAGED PARTS. Before further use of the cleaner, a guard or other part that is damaged should be carefully checked to determine that it will operate properly and perform its intended function. Check for alignment of moving parts, binding of moving parts, breakage of parts, mounting, and any other conditions that may affect its operation. A guard or other part that is damaged should be properly repaired or replaced by an authorized service center unless otherwise indicated elsewhere in this instruction manual. Have defective switches replaced by authorized service center. Don't use the cleaner if switch does not turn it on and off.
 23. For user servicing, the machine shall be dismantled, cleaned and serviced, as far as is reasonably practicable, without causing risk to the maintenance staff and others.
 24. The machine should be technically inspected by the manufacturer, or an instructed person, at least annually, consisting of, for example, inspection of filters for damage, air tightness of the machine and proper function of the control mechanism.
 25. When carrying out service or repair operations, all contaminated items which cannot be satisfactorily cleaned are to be disposed of; such items shall be disposed of in impervious bags in accordance with any current regulation for the disposal of such waste.
 26. REPLACEMENT PARTS. When servicing, use only identical replacement parts.
 27. When not in use, always store the cleaner indoors.
 28. Wet filters and the interior part of the liquid container shall be dried before storage.
 29. Be kind to your cleaner. Rough handling can cause breakage of even the most sturdily built cleaner.
 30. Do not attempt to clean the exterior or interior with benzene, thinner or cleaning chemicals. Cracks and discoloration may be caused.
 31. Do not use cleaner in an enclosed space where flammable, explosive or toxic vapors are given off by oil-base paint, paint-thinner, gasoline, some mothproofing substances, etc., or in areas where flammable dust is present.
 32. Do not operate the cleaner or any tool while under the influence of drugs or alcohol.
 33. As a basic rule of safety, use safety goggles or safety glasses with side shields.
 34. Use a dust mask in dusty work conditions.
 35. This machine is not intended for use by persons including children with reduced physical, sensory or mental capabilities, or lack of experience and knowledge.
 36. Children should be supervised to ensure that they do not play with the cleaner.
 37. Never handle battery(ies) and cleaner with wet hands.
 38. Use extreme caution when cleaning on stairs.
 39. Do not use the cleaner as a stool or work bench. The machine may fall down and may result in personal injury.
- Battery tool use and care**
1. Recharge only with the charger specified by the manufacturer. A charger that is suitable for one type of battery pack may create a risk of fire when used with another battery pack.
 2. Use power tools only with specifically designated battery packs. Use of any other battery packs may create a risk of injury and fire.
 3. When battery pack is not in use, keep it away from other metal objects, like paper clips, coins, keys, nails, screws or other small metal objects, that can make a connection from one terminal to another. Shorting the battery terminals together may cause burns or a fire.
 4. Under abusive conditions, liquid may be ejected from the battery; avoid contact. If contact accidentally occurs, flush with water. If liquid contacts eyes, additionally seek medical help. Liquid ejected from the battery may cause irritation or burns.

5. **Do not use a battery pack or tool that is damaged or modified.** Damaged or modified batteries may exhibit unpredictable behaviour resulting in fire, explosion or risk of injury.
6. **Do not expose a battery pack or tool to fire or excessive temperature.** Exposure to fire or temperature above 130 °C may cause explosion.
7. **Follow all charging instructions and do not charge the battery pack or tool outside the temperature range specified in the instructions.** Charging improperly or at temperatures outside the specified range may damage the battery and increase the risk of fire.
10. **The contained lithium-ion batteries are subject to the Dangerous Goods Legislation requirements.**
For commercial transports e.g. by third parties, forwarding agents, special requirement on packaging and labeling must be observed.
For preparation of the item being shipped, consulting an expert for hazardous material is required. Please also observe possibly more detailed national regulations.
Tape or mask off open contacts and pack up the battery in such a manner that it cannot move around in the packaging.

SAVE THESE INSTRUCTIONS.

⚠WARNING: DO NOT let comfort or familiarity with product (gained from repeated use) replace strict adherence to safety rules for the subject product. MISUSE or failure to follow the safety rules stated in this instruction manual may cause serious personal injury.

Important safety instructions for battery cartridge

1. **Before using battery cartridge, read all instructions and cautionary markings on (1) battery charger, (2) battery, and (3) product using battery.**
2. **Do not disassemble or tamper with the battery cartridge.** It may result in a fire, excessive heat, or explosion.
3. **If operating time has become excessively shorter, stop operating immediately.** It may result in a risk of overheating, possible burns and even an explosion.
4. **If electrolyte gets into your eyes, rinse them out with clear water and seek medical attention right away.** It may result in loss of your eyesight.
5. **Do not short the battery cartridge:**
 - (1) **Do not touch the terminals with any conductive material.**
 - (2) **Avoid storing battery cartridge in a container with other metal objects such as nails, coins, etc.**
 - (3) **Do not expose battery cartridge to water or rain.**

A battery short can cause a large current flow, overheating, possible burns and even a breakdown.
6. **Do not store and use the tool and battery cartridge in locations where the temperature may reach or exceed 50 °C (122 °F).**
7. **Do not incinerate the battery cartridge even if it is severely damaged or is completely worn out.** The battery cartridge can explode in a fire.
8. **Do not nail, cut, crush, throw, drop the battery cartridge, or hit against a hard object to the battery cartridge.** Such conduct may result in a fire, excessive heat, or explosion.
9. **Do not use a damaged battery.**
11. **When disposing the battery cartridge, remove it from the tool and dispose of it in a safe place.** Follow your local regulations relating to disposal of battery.
12. **Use the batteries only with the products specified by Makita.** Installing the batteries to non-compliant products may result in a fire, excessive heat, explosion, or leak of electrolyte.
13. **If the tool is not used for a long period of time, the battery must be removed from the tool.**
14. **During and after use, the battery cartridge may take on heat which can cause burns or low temperature burns.** Pay attention to the handling of hot battery cartridges.
15. **Do not touch the terminal of the tool immediately after use as it may get hot enough to cause burns.**
16. **Do not allow chips, dust, or soil stuck into the terminals, holes, and grooves of the battery cartridge.** It may result in poor performance or breakdown of the tool or battery cartridge.
17. **Unless the tool supports the use near high-voltage electrical power lines, do not use the battery cartridge near high-voltage electrical power lines.** It may result in a malfunction or breakdown of the tool or battery cartridge.
18. **Keep the battery away from children.**

SAVE THESE INSTRUCTIONS.

⚠CAUTION: Only use genuine Makita batteries. Use of non-genuine Makita batteries, or batteries that have been altered, may result in the battery bursting causing fires, personal injury and damage. It will also void the Makita warranty for the Makita tool and charger.

Tips for maintaining maximum battery life

1. **Charge the battery cartridge before completely discharged.** Always stop tool operation and charge the battery cartridge when you notice less tool power.
2. **Never recharge a fully charged battery cartridge.** Overcharging shortens the battery service life.
3. **Charge the battery cartridge with room temperature at 10 °C - 40 °C (50 °F - 104 °F).** Let a hot battery cartridge cool down before charging it.
4. **When not using the battery cartridge, remove it from the tool or the charger.**
5. **Charge the battery cartridge if you do not use it for a long period (more than six months).**

FUNCTIONAL DESCRIPTION

CAUTION: Always be sure that the tool is switched off and the battery cartridge is removed before adjusting or checking function on the tool.

Installing or removing battery cartridge

CAUTION: Always switch off the tool before installing or removing of the battery cartridge.

CAUTION: Hold the tool and the battery cartridge firmly when installing or removing battery cartridge. Failure to hold the tool and the battery cartridge firmly may cause them to slip off your hands and result in damage to the tool and battery cartridge and a personal injury.

CAUTION: Be careful not to pinch your fingers when opening or closing the battery cover. Failure to do so may cause personal injury.

To install the battery cartridge, open the battery cover first and then insert the battery cartridge.

► **Fig.1:** 1. Battery cover

NOTE: The battery cover is locked when you open it up to the upright position.

Align the tongue on the battery cartridge with the groove in the housing and slip it into place. Insert it all the way until it locks in place with a little click. Then close the battery cover.

To remove the battery cartridge, slide it from the tool while sliding the button on the front of the cartridge.

► **Fig.2:** 1. Battery cartridge 2. Button 3. Red indicator

CAUTION: Always install the battery cartridge fully until the red indicator cannot be seen. If not, it may accidentally fall out of the tool, causing injury to you or someone around you.


















CAUTION: Do not install the battery cartridge forcibly. If the cartridge does not slide in easily, it is not being inserted correctly.

Indicating the remaining battery capacity

Only for battery cartridges with the indicator

► **Fig.3:** 1. Indicator lamps 2. Check button

Press the check button on the battery cartridge to indicate the remaining battery capacity. The indicator lamps light up for a few seconds.

Indicator lamps			Remaining capacity
 Lighted	 Off	 Blinking	
			75% to 100%
			50% to 75%
			25% to 50%
			0% to 25%
			Charge the battery.
			The battery may have malfunctioned.
			

NOTE: Depending on the conditions of use and the ambient temperature, the indication may differ slightly from the actual capacity.

NOTE: The first (far left) indicator lamp will blink when the battery protection system works.

Tool / battery protection system

The tool is equipped with a tool/battery protection system. This system automatically cuts off power to the motor to extend tool and battery life. The tool will automatically stop during operation if the tool or battery is placed under one of the following conditions.

Overload protection

When the tool is operated in a manner that causes it to draw an abnormally high current, the tool automatically stops without any indication. In this situation, turn the tool off and stop the application that caused the tool to become overloaded. Then turn the tool on to restart.

Overheat protection

When the tool is overheated, the tool stops automatically. Let the tool cool down before turning the tool on again.

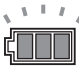
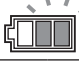

Overdischarge protection

When the battery capacity becomes low, the tool stops automatically. If the product does not operate even when the switches are operated, remove the batteries from the tool and charge the batteries.

Indicating the remaining battery capacity

► **Fig.4:** 1. Battery indicator 2. Check button

Press the check button to indicate the remaining battery capacities. The remaining battery capacity is shown as the following table.

Battery indicator status		Remaining battery capacity
On	Off	
		50% to 100%
		20% to 50%
		0% to 20%

Switch action

CAUTION: Before installing the battery cartridge into the tool, always check to see that the slide switch actuates properly and returns to the "OFF" position when the rear of the slide switch is depressed.

According to your work need, you can choose two types of the suction power; normal "1" or high "2".

To start the cleaner, set the switch lever to "1" or "2" side.

To turn off the cleaner, set the switch lever to "O" side.

► Fig.5: 1. Switch lever

Auto-suction stop during wet suction operation

WARNING: Do not use for a long time while the float is at work. Using the cleaner with its float at work for a long time can cause overheat, resulting in the cleaner deformation. In the worst case, it may lead to smoke emission or fire.

WARNING: Do not pick up foam or soapy liquid. Picking up foam or soapy liquid can cause foam to come out of air exit before the float works. Continuing to using in this condition may cause an electric shock and breakage of the cleaner.

The cleaner has a float mechanism that prevents water from immersing into the motor when picking up more than a certain amount of water. When the tank is full and the cleaner no longer picks up water, switch off the cleaner and empty the tank.

Carriage handle

When carrying the cleaner, carry it by holding the handle on the head. The handle is retractable at the head when not in use.

► Fig.6

NOTE: When water is in the tank, switch off the cleaner and empty the tank before carrying. The water inside may leak.

ASSEMBLY

CAUTION: Always be sure that the tool is switched off and the battery cartridge is removed before carrying out any work on the tool.

CAUTION: Always wear dust mask during assembly or maintenance.

Connecting the hose

NOTICE: Never force the hose for bending or stamp it. Never move the cleaner by a hose. Forcing, stamping and pulling the hose may cause a breakage or deformation of the hose.

NOTICE: Do not pick up large wastes such as planer carvings and concrete pieces. It may cause a hose stuffing and damage.

For vacuum cleaning

Insert the hose into the suction inlet and turn it clockwise until it clicks.

► Fig.7: 1. Suction inlet

For blowing

Insert the hose to blower outlet and turn it clockwise until it clicks.

► Fig.8: 1. Blower outlet

NOTE: This cleaner has the suction inlet and blower outlet separately. Connect the hose to the proper port depending on your work.

Connecting the nozzle

Attach the wide nozzle, sash nozzle, or other nozzles supplied as optional accessories depending on your purpose.

To attach the nozzle, twist and insert it to the end of the hose.

► Fig.9

Connecting the tool

Optional accessory

To connect the tool, connect the end of the hose to the tool's extraction outlet. Depending on the tool, you may need the optional joint 22-38 or the front cuff 24.

► Fig.10: 1. Hose 2. Joint 22-38 3. Front cuff 24

NOTE: When connecting the tool, always make sure that the hose is connected to the suction inlet on the cleaner.

Storage of hose and nozzles

The hose and nozzles can be stored on the tool as illustrated.

► Fig.11: 1. Sash nozzle 2. Wide nozzle

When storing the hose, loop it on the tool and fix it with the hook as illustrated.

► Fig.12: 1. Hose 2. Hook

Installing the shoulder strap

Optional accessory

Attach the hooks of the shoulder strap onto the mounts of the cleaner as shown in the figure.

► Fig.13: 1. Shoulder strap 2. Hook 3. Mount

OPERATION

Using as a vacuum cleaner

NOTICE: Use the HEPA filter when picking up dry dust.

NOTICE: If you continue to pick up water with the HEPA filter, the suction power may be reduced. In that case dry the HEPA filter. Use the wet filter (optional accessory) when picking up water repeatedly.

► Fig.14: 1. HEPA filter 2. Wet filter

1. Install the hose and nozzle onto the suction inlet and turn on the tool.
2. After vacuum cleaning, empty the tank before it becomes full.

► Fig.15

Using as a blower

CAUTION: Do not blow out muddy water such as pool and sand area. If foreign objects are blown into eyes, it may result in personal injury.

CAUTION: Do not operate as a blower against the wind. If foreign objects are blown into eyes, it may result in personal injury.

CAUTION: Always use protective goggles, a cap and mask while operating.

CAUTION: Never point the nozzle at anyone in the vicinity.

CAUTION: The operator or user is responsible for accidents or hazards occurring to other people or their property.

CAUTION: Do not use the tool for blowing air into objects, like rubber rafting, balls or other inflatable products. Increased motor revolution may cause dangerous fan breakage.

1. Install the hose into the blower outlet.
2. Point the hose tip to the object to be blown off and turn on the tool.

► Fig.16

NOTE: To clean narrow space, connecting the sash nozzle to the hose makes it easy.

MAINTENANCE

CAUTION: Always be sure that the tool is switched off and the battery cartridge is removed before attempting to perform inspection or maintenance.

CAUTION: To reduce the contact to the dust, use goggles and dust mask when emptying the tank or cleaning the filter.

NOTICE: Never use gasoline, benzine, thinner, alcohol or the like. Discoloration, deformation or cracks may result.

To maintain product SAFETY and RELIABILITY, repairs, any other maintenance or adjustment should be performed by Makita Authorized or Factory Service Centers, always using Makita replacement parts.

Emptying the tank

WARNING: Always make sure that the cleaner is switched off and the battery cartridge is removed before emptying the tank. Failure to do so may cause an electric shock and serious personal injury.

CAUTION: Do not apply a great impact on the tank. A great impact may cause deformation and damage to the parts.

CAUTION: Empty the tank at least once a day although this depends on picked-up dust volume in the tank. Or, the suction force will weaken and the motor may be broken.

CAUTION: Do not grab the hook when emptying the tank. Grabbing the hook may cause the hook to break.

Unhook and lift up the tank cover. Shake off the dust from the filter and then dispose of the dust from the tank.

► Fig.17: 1. Hook 2. Tank

Cleaning of HEPA filter/wet filter

NOTICE: Do not rub or scratch the HEPA filter/wet filter with hard objects such as a brush and a paddle.

Clogged HEPA filter/wet filter cause poor suction performance. Clean out the filter from time to time.

1. To remove the HEPA filter/wet filter, unlock and remove the tank cover.

2. Turn the HEPA filter/wet filter counterclockwise and pull out of the tank cover.

► Fig.18: 1. Tank cover 2. HEPA filter 3. Tank

3. To remove dust adhering to the HEPA filter/wet filter, shake the frame bottom quickly several times. Occasionally wash the HEPA filter/wet filter in water and rinse, and if HEPA filter, dry thoroughly in the shade before use. Never wash the filter in a washing machine.

► Fig.19

4. To install the HEPA filter/wet filter, place and twist it clockwise so that the securing lips are firmly locked in the tank cover.

► **Fig.20:** 1. Tank cover 2. HEPA filter 3. Securing lip
4. Tank

5. Mount the tank cover and lock it.

NOTE: The filter wear out in course of time. It is recommended to have some spares for them.

Installing prefilter set

Optional accessory

NOTE: Use the prefilter set only when picking up dry dust with HEPA filter. If you use the prefilter set for picking up water, the water suction capacity may be reduced.

The prefilter set, consisting of the prefilter and dumper, reduces dust clogging in the HEPA filter to keep the suction power.

1. Unlock and remove the tank cover.
2. Set the damper on the HEPA filter and cover it with the prefilter. Be sure to hook the rubber band of the prefilter onto the lip of the HEPA filter.

► **Fig.21:** 1. HEPA filter 2. Damper 3. Prefilter

3. Mount the tank cover and lock it.

OPTIONAL ACCESSORIES

⚠ CAUTION: These accessories or attachments are recommended for use with your Makita tool specified in this manual. The use of any other accessories or attachments might present a risk of injury to persons. Only use accessory or attachment for its stated purpose.

If you need any assistance for more details regarding these accessories, ask your local Makita Service Center.

- Hose
- Front cuff 24
- Joint 22-38
- Corner nozzle
- Round brush
- Shoulder strap
- Wet filter
- HEPA filter
- Prefilter set
- Makita genuine battery and charger

NOTE: Some items in the list may be included in the tool package as standard accessories. They may differ from country to country.

AVERTISSEMENT

- Cette machine n'est pas destinée à être utilisée par des personnes (y compris les enfants) aux facultés physiques, sensorielles ou mentales diminuées ou sans expérience ni expertise.
- Les enfants doivent être sous la surveillance d'un adulte afin de s'assurer qu'ils ne jouent pas avec l'aspirateur.
- Voir le chapitre « SPÉCIFICATIONS » pour la désignation de la batterie.
- Voir la section « Insertion ou retrait de la batterie » pour la méthode de retrait ou d'insertion de la batterie.
- Une fois la batterie arrivée en fin de vie, retirez-la de l'outil et déposez-la en lieu sûr. Respectez la réglementation locale en matière de mise au rebut des batteries.
- Lorsque vous n'utilisez pas l'outil pendant une période prolongée, la batterie doit être retirée de l'outil.
- Ne court-circuitez pas la batterie.
- Voir le chapitre « ENTRETIEN » pour des précautions détaillées pendant l'entretien à la charge de l'utilisateur.

SPÉCIFICATIONS

Modèle :		DVC750L
Volume d'air maximum	Normale (1)	1,3 m ³ /min
	Élevée (2)	1,6 m ³ /min
Vide	Normale (1)	42 hPa
	Élevée (2)	67 hPa
Surpression nominale (si utilisé en tant que souffleur)	Normale (1)	42 hPa
	Élevée (2)	67 hPa
Capacité de récupération	Poussière	7,5 L
	Eau *	4,5 L
Dimensions (L x P x H)		418 mm x 251 mm x 278 mm
Tension nominale		18 V CC
Poids net		4,2 - 4,6 kg
Degré de protection		IPX4

- Étant donné l'évolution constante de notre programme de recherche et de développement, les spécifications contenues dans ce manuel sont sujettes à modification sans préavis.
- Les spécifications peuvent varier suivant les pays.
- Le poids comprend les accessoires (tuyau, suceur large, suceur plat) et la ou les batteries. Le poids combiné le plus léger et le plus lourd de l'appareil et de la ou des batteries est indiqué dans le tableau.
- * La capacité de l'eau dépend des conditions d'utilisation.

Batterie et chargeur applicables

Batterie	BL1815N / BL1820B / BL1830B / BL1840B / BL1850B / BL1860B
Chargeur	DC18RC / DC18RD / DC18RE / DC18SD / DC18SE / DC18SF / DC18SH

- Certains chargeurs et batteries répertoriés ci-dessus peuvent ne pas être disponibles selon la région où vous résidez.

⚠ AVERTISSEMENT : N'utilisez que les batteries et les chargeurs répertoriés ci-dessus. L'utilisation d'autres batteries et chargeurs peut provoquer des blessures et/ou un incendie.

Symboles

Vous trouverez ci-dessous les symboles susceptibles d'être utilisés pour l'appareil. Veuillez à comprendre leur signification avant toute utilisation.



Lire le mode d'emploi.



Veillez être prudent et rester attentif.



Avertissement ! Il se peut que l'aspirateur contienne des poussières dangereuses.



Catégorie de poussière L (légère). Un aspirateur est capable de ramasser les poussières de catégorie L. Suivez les réglementations de votre pays concernant les poussières et la santé et la sécurité au travail.



Ni-MH
Li-Ion

Pour les pays de l'Union européenne uniquement En raison de la présence de composants dangereux dans l'équipement, les déchets d'équipements électriques et électroniques, les accumulateurs et les batteries peuvent avoir un impact négatif sur l'environnement et la santé humaine.

Ne jetez pas les appareils électriques et électroniques ou les batteries avec les ordures ménagères !

Conformément à la directive européenne relative aux déchets d'équipements électriques et électroniques et aux déchets d'accumulateurs et de batteries, ainsi qu'à son adaptation à la législation nationale, les déchets d'équipements électriques, les batteries et les accumulateurs doivent être collectés séparément et déposés dans un point de collecte distinct pour déchets urbains, conformément aux réglementations en matière de protection de l'environnement.

Cela est indiqué par le symbole de la poubelle à roulettes barrée sur l'équipement.

Utilisations

L'outil est conçu pour la collecte des poussières sèches et humides. L'outil est prévu pour un usage commercial, par exemple, dans les hôtels, écoles, hôpitaux, usines, magasins, bureaux et agences de location.

Bruit

Niveau de bruit pondéré A typique, déterminé selon IEC60335-2-69 :

Niveau de pression sonore (L_{pA}) : 76 dB (A)

Incertitude (K) : 2,5 dB (A)

Le niveau de bruit en fonctionnement peut dépasser 80 dB (A).

NOTE : La ou les valeurs d'émission de bruit déclarées ont été mesurées conformément à la méthode de test standard et peuvent être utilisées pour comparer les outils entre eux.

NOTE : La ou les valeurs d'émission de bruit déclarées peuvent aussi être utilisées pour l'évaluation préliminaire de l'exposition.

⚠ AVERTISSEMENT : Portez un serre-tête antibruit.

⚠ AVERTISSEMENT : L'émission de bruit lors de l'usage réel de l'outil électrique peut être différente de la ou des valeurs déclarées, suivant la façon dont l'outil est utilisé, particulièrement selon le type de pièce usinée.

⚠ AVERTISSEMENT : Les mesures de sécurité à prendre pour protéger l'utilisateur doivent être basées sur une estimation de l'exposition dans des conditions réelles d'utilisation (en tenant compte de toutes les composantes du cycle d'utilisation, comme par exemple le moment de sa mise hors tension, lorsqu'il tourne à vide et le moment de son déclenchement).

Vibrations

Valeur totale de vibrations (somme de vecteur triaxial) déterminée selon IEC60335-2-69 :

Émission de vibrations ($a_{h, M}$) : 2,5 m/s² ou moins

Incertitude (K) : 1,5 m/s²

NOTE : La ou les valeurs de vibration totales déclarées ont été mesurées conformément à la méthode de test standard et peuvent être utilisées pour comparer les outils entre eux.

NOTE : La ou les valeurs de vibration totales déclarées peuvent aussi être utilisées pour l'évaluation préliminaire de l'exposition.

⚠ AVERTISSEMENT : L'émission de vibrations lors de l'usage réel de l'outil électrique peut être différente de la ou des valeurs déclarées, suivant la façon dont l'outil est utilisé, particulièrement selon le type de pièce usinée.

⚠ AVERTISSEMENT : Les mesures de sécurité à prendre pour protéger l'utilisateur doivent être basées sur une estimation de l'exposition dans des conditions réelles d'utilisation (en tenant compte de toutes les composantes du cycle d'utilisation, comme par exemple le moment de sa mise hors tension, lorsqu'il tourne à vide et le moment de son déclenchement).

Déclaration de conformité CE

Pour les pays européens uniquement

La déclaration de conformité CE est fournie en Annexe A à ce mode d'emploi.

CONSIGNES DE SÉCURITÉ

Consignes de sécurité pour aspirateur sans fil

⚠ AVERTISSEMENT : IMPORTANT ! LIRE ATTENTIVEMENT toutes les consignes de sécurité et toutes les instructions AVANT UTILISATION. Le non-respect des avertissements et des instructions peut entraîner une électrocution, un incendie et/ou de graves blessures.

1. Avant l'utilisation, veillez à ce que l'aspirateur soit utilisé par des personnes ayant reçu des instructions adéquates quant à son utilisation.
2. Avant toute utilisation, les opérateurs doivent recevoir les informations, les instructions et la formation nécessaires à l'utilisation de la machine et sur les substances pour lesquelles elle est utilisée, notamment la méthode sûre pour retirer et jeter les matières collectées.
3. Si de la mousse ou un liquide sort, éteignez-le immédiatement.
4. Nettoyez régulièrement le dispositif limitant le niveau d'eau et vérifiez qu'il ne présente pas de signes de dommage.

5. N'utilisez pas l'aspirateur sans le filtre. Remplacez immédiatement le filtre s'il est endommagé.
6. **ÉVITEZ LES DÉMARRAGES INTEMPESTIFS.** Veillez à mettre l'outil hors tension lors de la mise en place de la ou des batteries.
7. N'essayez pas d'aspirer des matériaux inflammables, du matériel pyrotechnique, des cigarettes allumées, des cendres chaudes, des copeaux de métal chauds, des matériaux tranchants comme un rasoir, des aiguilles, des morceaux de verre, etc.
8. **N'UTILISEZ JAMAIS L'ASPIRATEUR À PROXIMITÉ D'ESSENCE, GAZ, PEINTURE, ADHÉSIFS OU AUTRES SUBSTANCES TRÈS EXPLOSIVES.** L'interrupteur émet des étincelles à la mise sous et hors tension. Tout comme le commutateur du moteur pendant le fonctionnement. Une dangereuse explosion peut survenir.
9. N'aspirez jamais des matériaux toxiques, cancérigènes, combustibles ou d'autres produits dangereux comme l'amiante, l'arsenic, le baryum, le béryllium, le plomb, les pesticides ou d'autres matières présentant un danger pour la santé.
10. Placez toujours l'aspirateur sur une surface plane et horizontale afin d'empêcher sa chute ou son déplacement accidentel.
11. N'utilisez jamais l'aspirateur à l'extérieur sous la pluie.
12. Pour la Finlande, cette machine ne doit pas être utilisée à l'extérieur à basse température.
13. N'utilisez pas l'aspirateur près de sources de chaleur (cuisinières, etc.).
14. Si l'air évacué est ramené dans la pièce, il est nécessaire de prévoir un taux de renouvellement d'air adéquat dans la pièce. Il est nécessaire de consulter les réglementations nationales.
15. Ne bloquez pas les fentes de l'entrée d'aspiration, de la sortie ou d'aération. Ces fentes permettent le refroidissement du moteur. Il faut éviter soigneusement de les bloquer sous peine de griller le moteur en raison d'un manque d'aération.
16. Maintenez constamment une bonne assise et un bon équilibre.
17. Ne pliez pas le tuyau, ni ne tirez ou marchez dessus.
18. Arrêtez immédiatement l'aspirateur si vous remarquez des performances médiocres ou toute autre anomalie pendant le fonctionnement.
19. **RETIREZ LA OU LES BATTERIES.** Lorsque vous n'utilisez pas l'aspirateur, avant de le réparer et lors du remplacement des accessoires.
20. Procédez au nettoyage et à l'entretien de l'aspirateur immédiatement après chaque utilisation pour le maintenir dans des conditions de fonctionnement optimales.
21. **ENTRETIENEZ SOIGNEUSEMENT L'ASPIRATEUR.** L'aspirateur doit toujours être propre pour améliorer la sécurité et les performances. Suivez les instructions pour remplacer les accessoires. Les poignées doivent toujours être sèches, propres et exemptes d'huile ou de graisse.
22. **VÉRIFIEZ LES PIÈCES ENDOMMAGÉES.** Avant toute nouvelle utilisation de l'aspirateur, vérifiez soigneusement un carter de protection ou toute autre pièce endommagée pour déterminer qu'ils fonctionnent bien et remplissent leurs fonctions respectives. Vérifiez l'alignement des pièces mobiles, le blocage des pièces mobiles, les pièces cassées, l'installation et tout autre état susceptible d'affecter le fonctionnement. Un carter de protection ou toute autre pièce endommagée doivent être réparés ou remplacés correctement par un centre de service après-vente agréé sauf indication contraire de ce mode d'emploi. Confiez le remplacement des interrupteurs défectueux à un centre de service après-vente agréé. N'utilisez pas l'aspirateur s'il ne peut pas être mis sous et hors tension au moyen de l'interrupteur.
23. Pour le dépannage utilisateur, la machine doit être démontée, nettoyée et dépannée, autant que raisonnablement possible, sans mettre en danger le personnel de maintenance et d'autres personnes.
24. La machine doit être inspectée sur le plan technique par le fabricant ou une personne formée, au moins une fois par an, et cette inspection doit comprendre, entre autres, la vérification des dommages des filtres, de l'étanchéité à l'air de la machine et du bon fonctionnement du mécanisme de contrôle.
25. Lors des tâches d'entretien ou de réparation, tous les éléments contaminés ne pouvant être nettoyés de manière satisfaisante doivent être mis au rebut. Ces éléments doivent être jetés dans des sacs étanches conformément aux réglementations actuelles en matière de mise au rebut de ce type de déchets.
26. **PIÈCES DE RECHANGE.** En cas de réparation, utilisez uniquement des pièces de rechange identiques.
27. **RANGÉZ L'ASPIRATEUR APRÈS UTILISATION.** Lorsque vous n'utilisez pas l'aspirateur, rangez-le à l'intérieur.
28. Les filtres humides et la partie intérieure du récipient de liquide doivent être séchés avant rangement.
29. Épargnez votre aspirateur. Une manipulation brutale peut entraîner la rupture de l'aspirateur le plus robuste.
30. Ne nettoyez pas l'extérieur ou l'intérieur avec du benzène, du diluant ou d'autres produits chimiques de nettoyage. Vous risqueriez de le fissurer ou de le décolorer.
31. N'utilisez pas l'aspirateur dans un endroit fermé où des vapeurs inflammables, explosives ou toxiques sont dégagées par de la peinture à base d'huile, du diluant pour peinture, de l'essence, certains produits antimites, etc., ou dans des endroits exposés à des poussières inflammables.
32. N'utilisez pas cet outil ou tout autre sous l'emprise de drogues, de médicaments ou d'alcool.
33. Par mesure de sécurité, utilisez des lunettes à coques ou des lunettes de sécurité avec écrans latéraux.

34. Utilisez un masque anti-poussière dans des conditions de travail poussiéreuses.
35. Cette machine n'est pas destinée à être utilisée par des personnes (y compris les enfants) aux facultés physiques, sensorielles ou mentales diminuées ou sans expérience ni expertise.
36. Les enfants doivent être sous la surveillance d'un adulte afin de s'assurer qu'ils ne jouent pas avec l'aspirateur.
37. Ne manipulez jamais la ou les batteries et l'aspirateur avec les mains mouillées.
38. Redoublez de précaution lorsque vous nettoyez des escaliers.
39. N'utilisez pas l'aspirateur comme marchepied ou établi. La machine pourrait tomber et provoquer des blessures corporelles.

Utilisation et entretien des outils fonctionnant sur batterie

1. **Rechargez la batterie uniquement avec le chargeur spécifié par le fabricant.** Un chargeur qui est adapté à un type spécifique de batterie peut présenter un risque d'incendie s'il est utilisé avec un autre type de batterie.
2. **Utilisez un outil électrique uniquement avec la batterie spécifiquement indiquée.** L'utilisation de toute autre batterie peut présenter un risque de blessure et d'incendie.
3. **Lorsque vous n'utilisez pas la batterie, tenez-la à l'écart des objets métalliques, comme des trombones, pièces de monnaie, clés, clous, vis ou autres petits objets métalliques, susceptibles de créer une connexion entre deux bornes.** Court-circuiter les bornes d'une batterie entre elles peut provoquer des brûlures ou un incendie.
4. **Dans des conditions d'utilisation inadéquate, il peut y avoir une fuite de l'électrolyte de la batterie. Le cas échéant, évitez tout contact avec ce liquide. En cas de contact accidentel, rincez à l'eau. Si le liquide pénètre dans les yeux, consultez par ailleurs un médecin.** Le liquide s'échappant de la batterie peut provoquer une irritation ou des brûlures.
5. **N'utilisez pas une batterie ou un outil s'ils sont endommagés ou modifiés.** Une batterie endommagée ou modifiée peut avoir un comportement imprévisible susceptible d'entraîner un incendie, une explosion ou des blessures.
6. **N'exposez pas la batterie ou l'outil au feu ou à une température excessive.** L'exposition au feu ou à une température supérieure à 130 °C peut provoquer une explosion.
7. **Respectez toutes les instructions de charge et ne chargez pas la batterie ou l'outil en dehors de la plage de température indiquée dans les instructions.** Une charge incorrecte ou à une température en dehors de la plage indiquée peut endommager la batterie et augmenter le risque d'incendie.

CONSERVEZ CES INSTRUCTIONS.

AVERTISSEMENT : NE vous laissez PAS tromper (au fil d'une utilisation répétée) par un sentiment d'aisance et de familiarité avec le produit, en négligeant le respect rigoureux des consignes de sécurité qui accompagnent le produit en question. La MAUVAISE UTILISATION de l'outil ou l'ignorance des consignes de sécurité indiquées dans ce mode d'emploi peut entraîner de graves blessures.

Consignes de sécurité importantes pour la batterie

1. **Avant d'utiliser la batterie, lisez toutes les instructions et précautions relatives (1) au chargeur de batterie, (2) à la batterie, et (3) au produit utilisant la batterie.**
2. **Ne désassemblez pas et ne modifiez pas la batterie.** Cela pourrait entraîner un incendie, une chaleur excessive ou une explosion.
3. **Cessez immédiatement l'utilisation si le temps de fonctionnement devient excessivement court. Il y a risque de surchauffe, de brûlures, voire d'explosion.**
4. **Si l'électrolyte pénètre dans vos yeux, rincez-les à l'eau claire et consultez immédiatement un médecin. Il y a risque de perte de la vue.**
5. **Ne court-circuitez pas la batterie :**
 - (1) **Ne touchez les bornes avec aucun matériau conducteur.**
 - (2) **Évitez de ranger la batterie dans un conteneur avec d'autres objets métalliques, par exemple des clous, des pièces de monnaie, etc.**
 - (3) **N'exposez pas la batterie à l'eau ou à la pluie. Un court-circuit de la batterie peut provoquer une intensité de courant élevée, une surchauffe, parfois des brûlures et même une panne.**
6. **Ne rangez ni n'utilisez l'outil et la batterie dans un endroit où la température risque d'atteindre ou de dépasser 50 °C.**
7. **Ne jetez pas la batterie au feu même si elle est sérieusement endommagée ou complètement épuisée. La batterie peut exploser au contact du feu.**
8. **Abstenez-vous de clouer, couper, écraser, jeter, laisser tomber la batterie, ou de la heurter contre un objet dur.** Cela pourrait entraîner un incendie, une chaleur excessive ou une explosion.
9. **N'utilisez pas la batterie si elle est endommagée.**
10. **Les batteries au lithium-ion contenues sont soumises aux exigences de la législation sur les marchandises dangereuses.**

Lors du transport commercial par des tierces parties ou des transitaires par exemple, des exigences spécifiques en matière d'étiquetage et d'emballage doivent être respectées.

Pour la préparation de l'article expédié, il est nécessaire de consulter un expert en matériau dangereux. Veuillez également respecter les réglementations nationales susceptibles d'être plus détaillées. Recouvrez les contacts exposés avec du ruban adhésif ou du ruban de masquage et emballez la batterie de telle sorte qu'elle ne puisse pas bouger dans l'emballage.

11. Lors de la mise au rebut de la batterie, retirez-la de l'outil et jetez-la en lieu sûr. Suivez les réglementations locales en matière de mise au rebut des batteries.
12. Utilisez les batteries uniquement avec les produits spécifiés par Makita. L'insertion de batteries dans des produits non conformes peut provoquer un incendie, une chaleur excessive, une explosion ou une fuite de l'électrolyte.
13. Lorsque vous n'utilisez pas l'outil pendant une période prolongée, la batterie doit être retirée de l'outil.
14. Pendant et après l'utilisation, la batterie peut chauffer, ce qui peut entraîner des brûlures, y compris en cas de température relativement basse. Manipulez les batteries chaudes avec précaution.
15. Ne touchez pas la borne de l'outil immédiatement après utilisation car elle peut être assez chaude pour provoquer des brûlures.
16. Évitez que des copeaux, de la poussière ou du sol adhèrent aux bornes, aux trous et aux rainures de la batterie. Cela pourrait réduire les performances ou casser l'outil ou la batterie.
17. À moins que l'outil prenne en charge un tel usage, n'utilisez pas la batterie à proximité de lignes électriques haute tension. Cela pourrait entraîner un dysfonctionnement ou casser l'outil ou la batterie.
18. Conservez la batterie hors de portée des enfants.

CONSERVEZ CES INSTRUCTIONS.

⚠ ATTENTION : N'utilisez que des batteries Makita d'origine. L'utilisation de batteries de marque autre que Makita ou de batteries modifiées peut provoquer l'explosion des batteries, ce qui présente un risque d'incendie, de dommages matériels et corporels. Cela annulera également la garantie Makita pour l'outil et le chargeur Makita.

Conseils pour assurer la durée de vie optimale de la batterie

1. Chargez la batterie avant qu'elle ne soit complètement déchargée. Arrêtez toujours l'outil et rechargez la batterie quand vous remarquez que la puissance de l'outil diminue.
2. Ne rechargez jamais une batterie complètement chargée. La surcharge réduit la durée de service de la batterie.
3. Chargez la batterie à une température ambiante comprise entre 10 °C et 40 °C. Avant de charger une batterie chaude, laissez-la refroidir.
4. Lorsque vous n'utilisez pas la batterie, retirez-la de l'outil ou du chargeur.
5. Rechargez la batterie si elle est restée inutilisée pendant une période prolongée (plus de six mois).

DESCRIPTION DU FONCTIONNEMENT

⚠ ATTENTION : Assurez-vous toujours que l'outil est hors tension et que sa batterie est retirée avant de l'ajuster ou de vérifier son fonctionnement.

Insertion ou retrait de la batterie

⚠ ATTENTION : Éteignez toujours l'outil avant de mettre en place ou de retirer la batterie.

⚠ ATTENTION : Tenez fermement l'outil et la batterie lors de la mise en place ou du retrait de la batterie. Si vous ne tenez pas fermement l'outil et la batterie, ils peuvent vous glisser des mains, et s'abîmer ou vous blesser.

⚠ ATTENTION : Veillez à ne pas vous pincer les doigts lors de l'ouverture ou de la fermeture du couvercle de batterie. Vous risqueriez autrement de vous blesser.

Pour mettre la batterie en place, ouvrez d'abord le couvercle de batterie, puis insérez la batterie.

► Fig.1: 1. Couvercle de batterie

NOTE : Le couvercle de batterie est verrouillé lorsque vous l'ouvrez à la verticale.

Alignez la languette sur la batterie avec la rainure sur le compartiment et insérez-la. Insérez-la à fond jusqu'à ce qu'un léger dé clic se fasse entendre. Refermez ensuite le couvercle de batterie.

Pour retirer la batterie, faites-la glisser hors de l'outil tout en faisant glisser le bouton à l'avant de la batterie.

► Fig.2: 1. Batterie 2. Bouton 3. Indicateur rouge

⚠ ATTENTION : Insérez toujours complètement la batterie jusqu'à ce que l'indicateur rouge ne soit plus visible. Sinon, elle pourrait tomber accidentellement de l'outil, au risque de vous blesser ou de blesser quelqu'un se trouvant près de vous.

⚠ ATTENTION : N'insérez pas la batterie de force. Si elle ne glisse pas facilement, c'est que vous ne l'insérez pas correctement.

Indication de la charge restante de la batterie

Uniquement pour les batteries avec voyant lumineux

► Fig.3: 1. Témoins 2. Bouton de vérification

Appuyez sur le bouton de vérification sur la batterie pour indiquer la charge restante de la batterie. Les témoins s'allument pendant quelques secondes.

Témoins			Charge restante
Allumé	Éteint	Clignotant	
			75 % à 100 %
			50 % à 75 %
			25 % à 50 %
			0 % à 25 %
			Chargez la batterie.
			Anomalie possible de la batterie.

NOTE : Selon les conditions d'utilisation et la température ambiante, l'indication peut être légèrement différente de la capacité réelle.

NOTE : Le premier témoin (complètement à gauche) clignotera pendant le fonctionnement du système de protection de la batterie.

Système de protection de l'outil/la batterie

L'outil est équipé d'un système de protection de l'outil/la batterie. Ce système coupe automatiquement l'alimentation vers le moteur pour prolonger la durée de vie de l'outil et de la batterie. Si l'outil ou la batterie se trouve dans l'une des situations suivantes, l'outil cessera automatiquement de fonctionner. Dans certaines situations, les témoins s'allument.

Protection contre la surcharge

Lorsque l'outil est utilisé d'une manière provoquant un appel de courant anormalement élevé, l'outil s'arrête automatiquement sans indication. Dans ce cas, éteignez l'outil et arrêtez la tâche ayant provoqué la surcharge de l'outil. Puis rallumez l'outil pour reprendre la tâche.

Protection contre la surchauffe

En cas de surchauffe de l'outil, celui-ci s'arrête automatiquement. Laissez l'outil refroidir avant de le rallumer.

Protection contre la décharge totale de la batterie

Lorsque la charge restante de la batterie devient très faible, l'outil s'arrête automatiquement. Si le produit ne fonctionne pas même en actionnant les boutons, retirez les batteries de l'outil et chargez-les.

Indication de la charge restante de la batterie

► **Fig.4:** 1. Témoin de la batterie 2. Bouton de vérification

Appuyez sur le bouton de vérification pour indiquer la charge restante de la batterie. La charge restante de la batterie est indiquée conformément au tableau ci-dessous.

Statut du témoin de la batterie		Charge restante de la batterie
Allumé	Éteint	
		50 % à 100 %
		20 % à 50 %
		0 % à 20 %

Fonctionnement de la gâchette

ATTENTION : Avant d'insérer la batterie dans l'outil, vérifiez toujours que l'interrupteur à glissière fonctionne correctement et revient sur la position « Arrêt » lorsque vous enfoncez l'arrière de l'interrupteur à glissière.

En fonction de vos besoins, vous pouvez choisir deux types de puissance d'aspiration : normale « 1 » ou élevée « 2 ».

Pour démarrer l'aspirateur, placez le levier interrupteur sur le côté « 1 » ou « 2 ».

Pour éteindre l'aspirateur, placez le levier interrupteur sur la position « 0 ».

► **Fig.5:** 1. Levier interrupteur

Arrêt automatique de l'aspiration pendant l'aspiration humide

AVERTISSEMENT : N'utilisez pas l'aspirateur pendant une période prolongée si le flotteur fonctionne. Si vous utilisez l'aspirateur avec son flotteur fonctionnant pendant une période prolongée, une surchauffe peut se produire et déformer l'aspirateur. Dans le pire des scénarios, cela peut déclencher une émission de fumée ou un incendie.

AVERTISSEMENT : Ne ramassez pas la mousse ou les liquides savonneux. Si vous ramassez de la mousse ou des liquides savonneux, la mousse peut s'échapper de la sortie d'air avant que le flotteur fonctionne. Si vous continuez à utiliser l'aspirateur dans cette condition, vous pourriez vous électrocuter ou l'aspirateur pourrait être cassé.

L'aspirateur est pourvu d'un système de flotteur qui empêche l'immersion de l'eau dans le moteur lors du ramassage d'une plus grande quantité d'eau. Lorsque le réservoir est plein et que l'aspirateur ne ramasse plus d'eau, mettez-le hors tension et videz le réservoir.

Poignée de transport

Transportez l'aspirateur en le tenant par la poignée située sur la tête. La poignée est rétractable sur la tête lorsqu'elle n'est pas utilisée.

► Fig.6

NOTE : Lorsqu'il y a de l'eau dans le réservoir, mettez l'aspirateur hors tension et videz le réservoir avant le transport. L'eau à l'intérieur peut fuir.

ASSEMBLAGE

⚠ ATTENTION : Assurez-vous toujours que l'outil est hors tension et que sa batterie est retirée avant d'effectuer toute tâche dessus.

⚠ ATTENTION : Portez toujours un masque anti-poussière pendant l'assemblage ou l'entretien.

Branchement du tuyau

REMARQUE : Ne pliez jamais de force le tuyau, ni ne le piétez. Ne déplacez jamais l'aspirateur par le tuyau. Si vous forcez sur le tuyau, le piétez ou tirez dessus, vous risquez de le rompre ou de le déformer.

REMARQUE : Ne ramassez pas de déchets de grande taille comme des débris de rabot ou des morceaux de béton. Cela pourrait boucher le tuyau et l'endommager.

Pour le nettoyage par aspiration

Insérez le tuyau dans l'entrée d'aspiration et tournez-le dans le sens des aiguilles d'une montre jusqu'au déclic.

► Fig.7: 1. Entrée d'aspiration

Pour le soufflage

Insérez le tuyau dans la sortie du souffleur et tournez-le dans le sens des aiguilles d'une montre jusqu'au déclic.

► Fig.8: 1. Sortie du souffleur

NOTE : Cet aspirateur comporte une entrée d'aspiration et une sortie de souffleur séparées. Raccordez le tuyau à l'orifice correspondant à la tâche que vous effectuerez.

Raccordement du suceur

Fixez le suceur large, le suceur plat ou d'autres suceurs fournis comme accessoires en option selon la tâche que vous effectuerez.

Pour fixer le suceur, insérez-le en tournant jusqu'à l'extrémité du tuyau.

► Fig.9

Raccordement de l'outil

Accessoire en option

Pour raccorder l'outil, connectez l'extrémité du tuyau à la bouche d'extraction de l'outil. Selon l'outil, vous pourriez avoir besoin du joint 22-38 ou du manchon avant 24 en option.

► Fig.10: 1. Tuyau 2. Joint 22-38 3. Manchon avant 24

NOTE : Lors du raccordement de l'outil, assurez-vous toujours que le tuyau est connecté à l'entrée d'aspiration sur l'aspirateur.

Rangement du tuyau et des suceurs

Le tuyau et les suceurs peuvent être rangés sur l'outil comme illustré.

► Fig.11: 1. Suceur plat 2. Suceur large

Lorsque vous rangez le tuyau, enroulez-le autour de l'outil et fixez-le avec le crochet comme illustré.

► Fig.12: 1. Tuyau 2. Crochet

Mise en place de la bandoulière

Accessoire en option

Fixez les crochets de la bandoulière sur les montures de l'aspirateur comme illustré sur la figure.

► Fig.13: 1. Bandoulière 2. Crochet 3. Monture

UTILISATION

Utilisation en tant qu'aspirateur

REMARQUE : Utilisez le filtre HEPA lorsque vous ramassez des poussières sèches.

REMARQUE : Si vous continuez à ramasser de l'eau avec le filtre HEPA, la puissance d'aspiration peut être réduite. Dans ce cas, séchez le filtre HEPA.

Utilisez le filtre humide (accessoire en option) lorsque vous ramassez de l'eau de manière répétée.

► Fig.14: 1. Filtre HEPA 2. Filtre humide

1. Installez le tuyau et le suceur sur l'entrée d'aspiration et mettez l'outil sous tension.

2. Après l'aspiration, videz le réservoir avant qu'il ne soit plein.

► Fig.15

Utilisation en tant que souffleur

⚠ ATTENTION : Ne soufflez pas d'eau boueuse comme une flaque et du sable. Si des corps étrangers sont soufflés dans les yeux, cela présente un risque de blessure.

⚠ ATTENTION : N'utilisez pas l'outil en tant que souffleur face au vent. Si des corps étrangers sont soufflés dans les yeux, cela présente un risque de blessure.

⚠ ATTENTION : Utilisez toujours des lunettes de protection, une casquette et un masque pendant le fonctionnement.

⚠ ATTENTION : Ne pointez jamais le suceur en direction d'une personne à proximité.

⚠ ATTENTION : L'opérateur ou l'utilisateur est responsable des accidents ou risques encourus par les personnes ou leur propriété.

⚠ ATTENTION : N'utilisez pas l'outil pour souffler de l'air dans des objets, comme des bateaux pneumatiques, des ballons ou d'autres produits gonflables. Si la révolution moteur augmente, le ventilateur risque de se casser dangereusement.

1. Installez le tuyau dans la sortie du souffleur.
2. Dirigez la pointe du tuyau vers l'objet à souffler et mettez l'outil sous tension.

► Fig.16

NOTE : Pour faciliter le nettoyage des espaces exigus, raccordez le suceur plat au tuyau.

ENTRETIEN

⚠ ATTENTION : Assurez-vous toujours que l'outil est hors tension et que la batterie est retirée avant d'y effectuer tout travail d'inspection ou d'entretien.

⚠ ATTENTION : Pour réduire le contact avec la poussière, utilisez des lunettes à coques et un masque anti-poussière lorsque vous videz le réservoir ou nettoyez le filtre.

REMARQUE : N'utilisez jamais d'essence, benzine, diluant, alcool ou autre produit similaire. Cela risquerait de provoquer la décoloration, la déformation ou la fissuration de l'outil.

Pour assurer la SÉCURITÉ et la FIABILITÉ du produit, toute réparation, tout travail d'entretien ou de réglage doivent être effectués par un centre d'entretien Makita agréé, avec des pièces de rechange Makita.

Comment vider le réservoir

⚠ AVERTISSEMENT : Assurez-vous toujours que l'aspirateur est hors tension et que la batterie est retirée avant de vider le réservoir. Vous pourriez autrement vous électrocuter et gravement vous blesser.

⚠ ATTENTION : N'exercez pas une force importante sur le réservoir. Une force importante pourrait déformer et endommager les pièces.

⚠ ATTENTION : Videz le réservoir au moins une fois par jour (toutefois cela dépend du volume de poussière ramassée dans le réservoir). Sinon, la puissance d'aspiration diminuera et le moteur risque de casser.

⚠ ATTENTION : Ne tenez pas le crochet lorsque vous videz le réservoir. Le crochet risque de se rompre si vous le tenez.

Décrochez et soulevez le couvercle du réservoir. Secouez la poussière du filtre, puis jetez la poussière du réservoir.

► Fig.17: 1. Crochet 2. Réservoir

Nettoyage du filtre HEPA/filtre humide

REMARQUE : Ne frottez, ni ne grattez le filtre HEPA/filtre humide avec des objets durs comme une brosse ou une spatule.

Un filtre HEPA/filtre humide bouché est à l'origine d'une médiocre performance d'aspiration. Nettoyez de temps à autre le filtre.

1. Pour retirer le filtre HEPA/filtre humide, déverrouillez et retirez le couvercle du réservoir.

2. Tournez le filtre HEPA/filtre humide dans le sens inverse des aiguilles d'une montre et tirez dessus pour le dégager du couvercle du réservoir.

► Fig.18: 1. Couvercle du réservoir 2. Filtre HEPA 3. Réservoir

3. Pour retirer les poussières collant au filtre HEPA/filtre humide, secouez le bas du cadre rapidement à plusieurs reprises.

Lavez à l'occasion le filtre HEPA/filtre humide dans l'eau et rincez-le ; et dans le cas du filtre HEPA, séchez-le bien à l'ombre avant de le réutiliser. Ne lavez jamais le filtre dans un lave-linge.

► Fig.19

4. Pour installer le filtre HEPA/filtre humide, placez-le en le tournant dans le sens des aiguilles d'une montre de sorte que les onglets de blocage soient fermement verrouillés sur le couvercle du réservoir.

► Fig.20: 1. Couvercle du réservoir 2. Filtre HEPA 3. Onglet de blocage 4. Réservoir

5. Montez le couvercle du réservoir et verrouillez-le.

NOTE : Le filtre s'use avec le temps. Il est recommandé d'avoir des filtres de rechange.

Installation de l'ensemble du préfiltre

Accessoire en option

NOTE : Utilisez l'ensemble du préfiltre lorsque vous ramassez des poussières sèches avec le filtre HEPA. Si vous utilisez l'ensemble du préfiltre pour ramasser de l'eau, la capacité d'aspiration de l'eau peut être réduite.

L'ensemble du préfiltre, composé du préfiltre et de l'amortisseur, réduit l'obstruction de poussière dans le filtre HEPA pour maintenir la puissance d'aspiration.

1. Déverrouillez et déposez le couvercle du réservoir.
2. Placez l'amortisseur sur le filtre HEPA et couvrez-le avec le préfiltre. Veillez à accrocher l'élastique du préfiltre sur la fente du filtre HEPA.
► **Fig.21**: 1. Filtre HEPA 2. Amortisseur 3. Préfiltre
3. Montez le couvercle du réservoir et verrouillez-le.

ACCESSOIRES EN OPTION

⚠ATTENTION : Ces accessoires ou pièces complémentaires sont recommandés pour l'utilisation avec l'outil Makita spécifié dans ce mode d'emploi. L'utilisation de tout autre accessoire ou pièce complémentaire peut comporter un risque de blessure. N'utilisez les accessoires ou pièces complémentaires qu'aux fins auxquelles ils ont été conçus.

Pour obtenir plus de détails sur ces accessoires, contactez votre centre d'entretien local Makita.

- Tuyau
- Manchon avant 24
- Joint 22-38
- Suceur plat
- Brosse ronde
- Bandoulière
- Filtre humide
- Filtre HEPA
- Ensemble du préfiltre
- Batterie et chargeur Makita d'origine

NOTE : Il se peut que certains éléments de la liste soient compris dans l'emballage de l'outil en tant qu'accessoires standard. Ils peuvent varier d'un pays à l'autre.

WARNUNG

- Diese Maschine sollte nicht von Personen (einschließlich Kindern) mit reduzierten körperlichen, sensorischen oder geistigen Fähigkeiten oder mangelnder Erfahrung und Kenntnis benutzt werden.
- Kinder sollten beaufsichtigt werden, um sicherzugehen, dass sie nicht mit dem Sauggerät spielen.
- Angaben zur Typenbezeichnung des Akkus finden Sie im Kapitel „TECHNISCHE DATEN“.
- Angaben zum Demontage- oder Installationsverfahren des Akkus finden Sie im Abschnitt „Installieren oder Demontieren des Akkus“.
- Entfernen Sie den Akku zum Entsorgen vom Werkzeug, und entsorgen Sie ihn an einem sicheren Ort. Befolgen Sie die örtlichen Vorschriften bezüglich der Entsorgung von Akkus.
- Soll das Werkzeug längere Zeit nicht benutzt werden, muss der Akku vom Werkzeug entfernt werden.
- Der Akku darf nicht kurzgeschlossen werden.
- Entsprechende Details der Vorsichtsmaßnahmen während der Benutzerwartung finden Sie im Kapitel „WARTUNG“.

TECHNISCHE DATEN

Modell:		DVC750L
Maximales Luftvolumen	Normal (1)	1,3 m ³ /min
	Hoch (2)	1,6 m ³ /min
Unterdruck	Normal (1)	42 hPa
	Hoch (2)	67 hPa
Nomineller Überdruck (bei Verwendung als Blasgerät)	Normal (1)	42 hPa
	Hoch (2)	67 hPa
Rückgewinnbare Kapazität	Staub	7,5 L
	Wasser *	4,5 L
Abmessungen (L x B x H)		418 mm x 251 mm x 278 mm
Nennspannung		18 V Gleichstrom
Nettogewicht		4,2 - 4,6 kg
Schutzgrad		IPX4

- Wir behalten uns vor, Änderungen der technischen Daten im Zuge der Entwicklung und des technischen Fortschritts ohne vorherige Ankündigung vorzunehmen.
- Die technischen Daten können von Land zu Land unterschiedlich sein.
- Das Gewicht schließt Zubehörteile (Schlauch, Breitschlitzdüse, Spitzdüse) und Akku(s) ein. Das niedrigste und höchste Kombinationsgewicht des Gerätes und der Akkus sind in der Tabelle angegeben.
- * Das Wasserfangvermögen hängt von den Benutzungsbedingungen ab.

Zutreffende Akkus und Ladegeräte

Akku	BL1815N / BL1820B / BL1830B / BL1840B / BL1850B / BL1860B
Ladegerät	DC18RC / DC18RD / DC18RE / DC18SD / DC18SE / DC18SF / DC18SH

- Einige der oben aufgelisteten Akkus und Ladegeräte sind je nach Ihrem Wohngebiet eventuell nicht erhältlich.

⚠️ WARNUNG: Verwenden Sie nur die oben aufgeführten Akkus und Ladegeräte. Bei Verwendung irgendwelcher anderer Akkus und Ladegeräte besteht Verletzungs- und/oder Brandgefahr.

Symbole

Nachfolgend werden Symbole beschrieben, die für das Gerät verwendet werden können. Machen Sie sich unbedingt vor der Benutzung mit ihrer Bedeutung vertraut.



Betriebsanleitung lesen.



Besondere Umsicht und Aufmerksamkeit erforderlich.



Warnung! Der Staubsauger kann gefährlichen Staub enthalten.



Staubklasse L (leicht). Die Staubsauger sind in der Lage, Staub der Staubklasse L aufzusaugen. Befolgen Sie die Vorschriften Ihres Landes in Bezug auf Stäube sowie Sicherheit und Gesundheitsschutz am Arbeitsplatz.



Ni-MH
Li-ion

Nur für EU-Länder
Aufgrund des Vorhandenseins gefährlicher Komponenten in der Ausrüstung können Elektro- und Elektronik-Altgeräte, Akkumulatoren und Batterien sich negativ auf die Umwelt und die menschliche Gesundheit auswirken.
Entsorgen Sie Elektro- und Elektronikgeräte oder Batterien nicht mit dem Hausmüll!
In Übereinstimmung mit der Europäischen Richtlinie über Elektro- und Elektronik-Altgeräte, Akkumulatoren und Batterien, verbrauchte Akkumulatoren und Batterien sowie ihrer Anpassung an nationales Recht sollten Elektro-Altgeräte, Batterien und Akkumulatoren gemäß den Umweltschutzbestimmungen getrennt gelagert und zu einer getrennten Sammelstelle für Siedlungsabfälle geliefert werden.
Dies wird durch das am Gerät angebrachte Symbol der durchgestrichenen Abfalltonne auf Rädern angezeigt.

Vorgesehene Verwendung

Das Werkzeug ist für das Absaugen von Nass- und Trockenstaub vorgesehen. Das Werkzeug eignet sich für kommerziellen Einsatz z. B. in Hotels, Schulen, Krankenhäusern, Fabriken, Läden, Büros und Mietunternehmen.

Geräusch

Typischer A-bewerteter Geräuschpegel ermittelt gemäß IEC60335-2-69:

Schalldruckpegel (L_{pA}): 76 dB (A)
Messunsicherheit (K): 2,5 dB (A)

Der Geräuschpegel kann während des Betriebs 80 dB (A) überschreiten.

HINWEIS: Der (Die) angegebene(n) Schallemissionswert(e) wurde(n) im Einklang mit der Standardprüfmethode gemessen und kann (können) für den Vergleich zwischen Werkzeugen herangezogen werden.

HINWEIS: Der (Die) angegebene(n) Schallemissionswert(e) kann (können) auch für eine Vorbewertung des Gefährdungsgrads verwendet werden.

⚠️ WARNUNG: Einen Gehörschutz tragen.

⚠️ WARNUNG: Die Schallemission während der tatsächlichen Benutzung des Elektrowerkzeugs kann je nach der Benutzungsweise des Werkzeugs, und speziell je nach der Art des bearbeiteten Werkstücks, von dem (den) angegebenen Wert(en) abweichen.

⚠️ WARNUNG: Identifizieren Sie Sicherheitsmaßnahmen zum Schutz des Benutzers anhand einer Schätzung des Gefährdungsgrads unter den tatsächlichen Benutzungsbedingungen (unter Berücksichtigung aller Phasen des Arbeitszyklus, wie z. B. Ausschalt- und Leerlaufzeiten des Werkzeugs zusätzlich zur Betriebszeit).

Schwingungen

Schwingungsgesamtwert (Drei-Achsen-Vektorsumme) ermittelt gemäß IEC60335-2-69:
Schwingungsemission ($a_{h,M}$): 2,5 m/s^2 oder weniger
Messunsicherheit (K): 1,5 m/s^2

HINWEIS: Der (Die) angegebene(n) Vibrationsgesamtwert(e) wurde(n) im Einklang mit der Standardprüfmethode gemessen und kann (können) für den Vergleich zwischen Werkzeugen herangezogen werden.

HINWEIS: Der (Die) angegebene(n) Vibrationsgesamtwert(e) kann (können) auch für eine Vorbewertung des Gefährdungsgrads verwendet werden.

⚠️ WARNUNG: Die Vibrationsemission während der tatsächlichen Benutzung des Elektrowerkzeugs kann je nach der Benutzungsweise des Werkzeugs, und speziell je nach der Art des bearbeiteten Werkstücks, von dem (den) angegebenen Emissionswert(en) abweichen.

⚠️ WARNUNG: Identifizieren Sie Sicherheitsmaßnahmen zum Schutz des Benutzers anhand einer Schätzung des Gefährdungsgrads unter den tatsächlichen Benutzungsbedingungen (unter Berücksichtigung aller Phasen des Arbeitszyklus, wie z. B. Ausschalt- und Leerlaufzeiten des Werkzeugs zusätzlich zur Betriebszeit).

EG-Konformitätserklärung

Nur für europäische Länder

Die EG-Konformitätserklärung ist als Anhang A in dieser Bedienungsanleitung enthalten.

SICHERHEITSWARNUNGEN

Sicherheitswarnungen für Akku-Sauggerät

⚠️ WARNUNG: WICHTIG! Alle Sicherheitswarnungen und Anweisungen VOR GEBRAUCH AUFMERKSAM LESEN. Eine Missachtung der Warnungen und Anweisungen kann zu einem elektrischen Schlag, Brand und/oder schweren Verletzungen führen.

1. Stellen Sie vor dem Gebrauch sicher, dass dieses Sauggerät nur von Personen benutzt wird, die im Gebrauch dieses Sauggeräts hinreichend unterrichtet worden sind.
2. Vor dem Gebrauch sollten Bediener Informationen, Anweisungen und Schulung im Gebrauch der Maschine und der Substanzen, für die sie zu benutzen ist, einschließlich der sicheren Methode zur Entnahme und Entsorgung des aufgesammelten Materials, erhalten.
3. Falls Schaum/Flüssigkeit herauskommt, schalten Sie das Gerät sofort aus.
4. Reinigen Sie die Wasserstand-Begrenzungsvorrichtung regelmäßig, und untersuchen Sie sie auf Anzeichen von Beschädigung.

5. Benutzen Sie das Sauggerät nicht ohne den Filter. Ersetzen Sie einen beschädigten Filter unverzüglich.
6. **UNBEABSICHTIGTES EINSCHALTEN VERMEIDEN.** Vergewissern Sie sich, dass der Schalter ausgeschaltet ist, wenn Sie einen oder mehrere Akku(s) einsetzen.
7. Versuchen Sie nicht, brennbare Materialien, Feuerwerk, brennende Zigaretten, heiße Asche, heiße Metallspäne, scharfe Gegenstände, wie etwa Rasierklingen, Nadeln, Glasscherben oder dergleichen aufzusaugen.
8. **BENUTZEN SIE DAS SAUGGERÄT NIEMALS IN DER NÄHE VON BENZIN, GAS, LACK, KLEBSTOFFEN ODER ANDEREN HOCH EXPLOSIVEN SUBSTANZEN.** Der Schalter erzeugt Funken beim Ein- und Ausschalten. Ebenso der Motorkollektor während des Betriebs. Es kann zu einer gefährlichen Explosion kommen.
9. Saugen Sie niemals giftige, krebserregende, brennbare oder andere Gefahrstoffe wie Asbest, Arsen, Barium, Beryllium, Blei, Pestizide oder sonstige gesundheitsgefährdende Materialien auf.
10. Stellen Sie das Sauggerät immer auf eine horizontale und ebene Fläche, um zu verhindern, dass es herunterfällt oder sich unbeabsichtigt bewegt.
11. Benutzen Sie das Sauggerät niemals im Freien bei Regen.
12. Für Finnland: Diese Maschine darf nicht im Freien bei niedrigen Temperaturen benutzt werden.
13. Benutzen Sie das Sauggerät nicht in der Nähe von Wärmequellen (Öfen usw.).
14. Wird die Abluft in den Raum zurückgeleitet, muss für eine angemessene Luftwechselrate im Raum gesorgt werden. Bezugnahme auf nationale Vorschriften ist notwendig.
15. Blockieren Sie nicht den Saugeinlass/den Gebläseauslass/die Kühlluftöffnungen. Diese Öffnungen gestatten eine Kühlung des Motors. Blockierung ist sorgfältig zu vermeiden, weil sonst der Motor wegen mangelnder Belüftung überhitzt.
16. Achten Sie stets auf sicheren Stand und gute Balance.
17. Vermeiden Sie Knicken, Ziehen oder Zertreten des Schlauchs.
18. Stellen Sie das Sauggerät sofort ab, wenn Sie während des Betriebs eine Leistungsver schlechterung oder etwas Ungewöhnliches bemerken.
19. **AKKU(S) ENTNEHMEN.** Bei Nichtgebrauch, vor der Wartung und beim Wechseln von Zubehör.
20. Reinigen und warten Sie das Sauggerät sofort nach jedem Gebrauch, um es in tadellosem Betriebszustand zu halten.
21. **SAUGGERÄT SORGFÄLTIG WARTEN.** Halten Sie das Sauggerät für bessere und sicherere Leistung sauber. Befolgen Sie die Anweisungen zum Auswechseln von Zubehör. Halten Sie die Handgriffe trocken, sauber und frei von Öl und Fett.
22. **GERÄT AUF BESCHÄDIGTE TEILE ÜBERPRÜFEN.** Bevor Sie das Sauggerät weiter benutzen, sollten Sie beschädigte Schutzvorrichtungen und Teile sorgfältig auf ihre Betriebsfähigkeit und Funktionstüchtigkeit hin überprüfen. Überprüfen Sie das Gerät auf Ausrichtung und Klemmen beweglicher Teile, Beschädigung von Teilen, Befestigungszustand und sonstige Mängel von Teilen, die seinen Betrieb beeinträchtigen können. Beschädigte Schutzvorrichtungen oder Teile sollten von einem autorisierten Service-Center ordnungsgemäß repariert oder ausgewechselt werden, wenn nicht anders in dieser Bedienungsanleitung angegeben. Lassen Sie defekte Schalter von einem autorisierten Service-Center auswechseln. Benutzen Sie das Sauggerät nicht, wenn es sich nicht mit dem Schalter ein- und ausschalten lässt.
23. Für Benutzerwartung muss die Maschine zerlegt, gereinigt und gewartet werden, soweit dies einigermaßen praktikabel ist, ohne ein Risiko für das Wartungspersonal und andere Personen zu verursachen.
24. Die Maschine ist mindestens einmal jährlich vom Hersteller oder einer unterwiesenen Person einer technischen Untersuchung zu unterziehen, die z. B. aus der Überprüfung der Filter auf Beschädigung, der Luftdichtigkeit der Maschine und der einwandfreien Funktion des Steuermechanismus besteht.
25. Wenn Wartungs- oder Reparaturarbeiten ausgeführt werden, sind alle verunreinigten Artikel, die nicht zufriedenstellend gereinigt werden können, zu entsorgen; solche Artikel sind in undurchlässigen Beuteln im Einklang mit der geltenden Verordnung für die Entsorgung solcher Abfälle zu entsorgen.
26. **ERSATZTEILE.** Verwenden Sie bei der Wartung nur identische Ersatzteile.
27. **UNBENUTZTES SAUGGERÄT LAGERN.** Bei Nichtgebrauch sollte das Sauggerät in einem Innenraum gelagert werden.
28. Nassfilter und das Innere des Flüssigkeitsbehälters müssen vor der Lagerung getrocknet werden.
29. Behandeln Sie Ihr Sauggerät mit Sorgfalt. Grobe Behandlung kann eine Beschädigung des Sauggerätes verursachen, selbst wenn es noch so robust gebaut ist.
30. Versuchen Sie nicht, die Außen- oder Innenseite mit Waschbenzin, Verdünnern oder Reinigungschemikalien zu reinigen. Dadurch können Risse und Verfärbung verursacht werden.
31. Benutzen Sie das Sauggerät nicht in einem geschlossenen Raum, wo brennbare, explosive oder giftige Dämpfe von Lack auf Ölbasis, Lackverdünner, Benzin, bestimmten Möttenschutzmitteln usw. abgegeben werden, oder in Bereichen, wo brennbarer Staub vorhanden ist.
32. Betreiben Sie weder dieses noch andere Werkzeuge unter dem Einfluss von Medikamenten oder Alkohol.
33. Als Grundregel der Sicherheit sollten Sie stets eine Schutzbrille oder eine Sicherheitsbrille mit Seitenschützern verwenden.
34. Verwenden Sie eine Staubmaske bei staubigen Arbeitsbedingungen.

35. Diese Maschine sollte nicht von Personen (einschließlich Kindern) mit reduzierten körperlichen, sensorischen oder geistigen Fähigkeiten oder mangelnder Erfahrung und Kenntnis benutzt werden.
36. Kinder sollten beaufsichtigt werden, um sicherzugehen, dass sie nicht mit dem Saugerät spielen.
37. Fassen Sie Akku(s) und den Staubsauger niemals mit nassen Händen an.
38. Lassen Sie bei der Reinigung auf Treppen äußerste Vorsicht walten.
39. Benutzen Sie das Saugerät nicht als Hocker oder Werkbank. Anderenfalls kann die Maschine herunterfallen und Personenschäden verursachen.

Gebrauch und Pflege von Akkuwerkzeugen

1. **Laden Sie den Akku nur mit dem vom Hersteller vorgeschriebenen Ladegerät.** Ein Ladegerät, das für einen Akkutyp geeignet ist, kann eine Brandgefahr darstellen, wenn es mit einem anderen Akku verwendet wird.
2. **Benutzen Sie Elektrowerkzeuge nur mit den ausdrücklich vorgeschriebenen Akkus.** Bei Verwendung irgendwelcher anderer Akkus besteht Verletzungs- und Brandgefahr.
3. **Halten Sie den Akku bei Nichtgebrauch von anderen Metallgegenständen, wie z. B. Büroklammern, Münzen, Schlüsseln, Nägeln, Schrauben oder anderen kleinen Metallgegenständen, fern, welche die Kontakte kurzschließen können.** Kurzschließen der Akkukontakte kann Verbrennungen oder einen Brand verursachen.
4. **Bei Missbrauch kann Flüssigkeit aus dem Akku austreten. Vermeiden Sie Kontakt mit dieser Flüssigkeit. Falls Sie versehentlich mit der Flüssigkeit in Berührung kommen, spülen Sie die betroffenen Stellen mit Wasser ab. Falls die Flüssigkeit in die Augen gelangt, suchen Sie zusätzlich ärztliche Hilfe auf.** Die vom Akku austretende Flüssigkeit kann Hautreizungen oder Verätzungen verursachen.
5. **Verwenden Sie keinen Akku und auch kein Werkzeug, der (das) beschädigt oder modifiziert ist.** Beschädigte oder modifizierte Akkus können unvorhersehbares Verhalten zeigen, das zu einem Brand, einer Explosion oder Verletzungsgefahr führen kann.
6. **Setzen Sie einen Akku oder ein Werkzeug nicht Feuer oder übermäßigen Temperaturen aus.** Bei Einwirkung von Feuer oder Temperaturen über 130 °C kann es zu einer Explosion kommen.
7. **Befolgen Sie alle Ladeanweisungen, und laden Sie den Akku bzw. das Werkzeug nicht außerhalb des in den Anweisungen angegebenen Temperaturbereichs.** Wird der Ladevorgang unsachgemäß oder bei Temperaturen außerhalb des angegebenen Bereichs durchgeführt, kann es zu einer Beschädigung des Akkus und erhöhter Brandgefahr kommen.

DIESE ANWEISUNGEN AUFBEWAHREN.

⚠️ WARNUNG: Lassen Sie sich NICHT durch Bequemlichkeit oder Vertrautheit mit dem Produkt (durch wiederholten Gebrauch erworben) von der strikten Einhaltung der Sicherheitsregeln für das vorliegende Produkt abhalten. MISSBRAUCH oder Missachtung der Sicherheitsvorschriften in dieser Anleitung können schwere Verletzungen verursachen.

Wichtige Sicherheitsanweisungen für Akku

1. **Lesen Sie vor der Benutzung des Akkus alle Anweisungen und Warnhinweise, die an (1) Ladegerät, (2) Akku und (3) Akkuwerkzeug angebracht sind.**
2. **Unterlassen Sie Zerlegen oder Manipulieren des Akkus.** Es kann sonst zu einem Brand, übermäßiger Hitzeentwicklung oder einer Explosion kommen.
3. **Falls die Betriebszeit beträchtlich kürzer geworden ist, stellen Sie den Betrieb sofort ein. Anderenfalls besteht die Gefahr von Überhitzung, möglichen Verbrennungen und sogar einer Explosion.**
4. **Falls Elektrolyt in Ihre Augen gelangt, waschen Sie sie mit sauberem Wasser aus, und begeben Sie sich unverzüglich in ärztliche Behandlung. Anderenfalls können Sie Ihre Sehkraft verlieren.**
5. **Der Akku darf nicht kurzgeschlossen werden:**
 - (1) **Die Kontakte dürfen nicht mit leitfähigem Material berührt werden.**
 - (2) **Lagern Sie den Akku nicht in einem Behälter zusammen mit anderen Metallgegenständen, wie z. B. Nägel, Münzen usw.**
 - (3) **Setzen Sie den Akku weder Wasser noch Regen aus.**

Ein Kurzschluss des Akkus verursacht starken Stromfluss, der Überhitzung, mögliche Verbrennungen und einen Defekt zur Folge haben kann.
6. **Lagern und benutzen Sie das Werkzeug und den Akku nicht an Orten, an denen die Temperatur 50 °C erreichen oder überschreiten kann.**
7. **Versuchen Sie niemals, den Akku zu verbrennen, selbst wenn er stark beschädigt oder vollkommen verbraucht ist. Der Akku kann im Feuer explodieren.**
8. **Unterlassen Sie Nägeln, Schneiden, Zerquetschen, Werfen, Fallenlassen des Akkus oder Schlagen des Akkus mit einem harten Gegenstand.** Eine solche Handlung kann zu einem Brand, übermäßiger Hitzeentwicklung oder einer Explosion führen.
9. **Benutzen Sie keine beschädigten Akkus.**
10. **Die enthaltenen Lithium-Ionen-Akkus unterliegen den Anforderungen der Gefahrgut-Gesetzgebung.** Für kommerzielle Transporte, z. B. durch Dritte oder Spediteure, müssen besondere Anforderungen zu Verpackung und Etikettierung beachtet werden. Zur Vorbereitung des zu transportierenden Artikels ist eine Beratung durch einen Experten für Gefahrgut erforderlich. Bitte beachten Sie möglicherweise ausführlichere nationale Vorschriften. Überkleben oder verdecken Sie offene Kontakte, und verpacken Sie den Akku so, dass er sich in der Verpackung nicht umher bewegen kann.

11. Entfernen Sie den Akku zum Entsorgen vom Werkzeug, und entsorgen Sie ihn an einem sicheren Ort. Befolgen Sie die örtlichen Vorschriften bezüglich der Entsorgung von Akkus.
12. Verwenden Sie die Akkus nur mit den von Makita angegebenen Produkten. Das Einsetzen der Akkus in nicht konforme Produkte kann zu einem Brand, übermäßiger Hitzebildung, einer Explosion oder Auslaufen von Elektrolyt führen.
13. Soll das Werkzeug längere Zeit nicht benutzt werden, muss der Akku vom Werkzeug entfernt werden.
14. Bei und nach dem Gebrauch kann der Akku heiß werden, was Verbrennungen oder Niedertemperaturverbrennungen verursachen kann. Beachten Sie die Handhabung von heißen Akkus.
15. Berühren Sie nicht den Anschlusskontakt des Werkzeugs unmittelbar nach dem Gebrauch, da er heiß genug werden kann, um Verbrennungen zu verursachen.
16. Achten Sie darauf, dass sich keine Späne, Staub oder Schmutz in den Anschlusskontakten, Löchern und Nuten des Akkus absetzen. Dies kann zu einer Leistungseinbuße oder Betriebsstörung des Werkzeugs oder des Akkus führen.
17. Wenn das Werkzeug den Einsatz in der Nähe einer Hochspannungs-Stromleitung nicht unterstützt, benutzen Sie den Akku nicht in der Nähe einer Hochspannungs-Stromleitung. Dies kann zu einer Funktionsstörung oder Betriebsstörung des Werkzeugs oder des Akkus führen.
18. Halten Sie die Batterie von Kindern fern.

DIESE ANWEISUNGEN AUFBEWAHREN.

⚠VORSICHT: Verwenden Sie nur Original-Makita-Akkus. Die Verwendung von Nicht-Original-Makita-Akkus oder von Akkus, die abgeändert worden sind, kann zum Bersten des Akkus und daraus resultierenden Bränden, Personenschäden und Beschädigung führen. Außerdem wird dadurch die Makita-Garantie für das Makita-Werkzeug und -Ladegerät ungültig.

Hinweise zur Aufrechterhaltung der maximalen Akku-Nutzungsdauer

1. Laden Sie den Akku, bevor er vollkommen erschöpft ist. Schalten Sie das Werkzeug stets aus, und laden Sie den Akku, wenn Sie ein Nachlassen der Werkzeugleistung feststellen.
2. Unterlassen Sie erneutes Laden eines voll aufgeladenen Akkus. Überladen führt zu einer Verkürzung der Nutzungsdauer des Akkus.
3. Laden Sie den Akku bei Raumtemperatur zwischen 10 – 40 °C. Lassen Sie einen heißen Akku abkühlen, bevor Sie ihn laden.
4. Wenn Sie den Akku nicht benutzen, nehmen Sie ihn vom Werkzeug oder Ladegerät ab.
5. Der Akku muss geladen werden, wenn er lange Zeit (länger als sechs Monate) nicht benutzt wird.

FUNKTIONSBESCHREIBUNG

⚠VORSICHT: Vergewissern Sie sich vor der Durchführung von Einstellungen oder Funktionsprüfungen des Werkzeugs stets, dass das Werkzeug ausgeschaltet und der Akku abgenommen ist.

Anbringen und Abnehmen des Akkus

⚠VORSICHT: Schalten Sie das Werkzeug stets aus, bevor Sie den Akku anbringen oder abnehmen.

⚠VORSICHT: Halten Sie das Werkzeug und den Akku beim Anbringen oder Abnehmen des Akkus sicher fest. Wenn Sie das Werkzeug und den Akku nicht sicher festhalten, können sie Ihnen aus der Hand rutschen, was zu einer Beschädigung des Werkzeugs und des Akkus und zu Körperverletzungen führen kann.

⚠VORSICHT: Achten Sie beim Öffnen oder Schließen der Akkuabdeckung darauf, dass Sie sich nicht die Finger klemmen. Anderenfalls kann es zu Personenschäden kommen.

Öffnen Sie zum Einsetzen des Akkus zuerst die Akkuabdeckung, und führen Sie dann den Akku ein.

► **Abb.1:** 1. Akkuabdeckung

HINWEIS: Die Akkuabdeckung rastet ein, wenn sie auf die aufrechte Stellung geöffnet wird.

Richten Sie die Führungsfeder des Akkus auf die Führungsnut im Gehäuse aus, und schieben Sie den Akku hinein. Schieben Sie ihn vollständig ein, bis er mit einem hörbaren Klicken einrastet. Schließen Sie dann die Akkuabdeckung.

Ziehen Sie den Akku zum Abnehmen vom Werkzeug ab, während Sie den Knopf an der Vorderseite des Akkus verschieben.

► **Abb.2:** 1. Akku 2. Knopf 3. Rote Anzeige

⚠VORSICHT: Schieben Sie den Akku stets bis zum Anschlag ein, bis die rote Anzeige nicht mehr sichtbar ist. Anderenfalls kann er aus dem Werkzeug herausfallen und Sie oder umstehende Personen verletzen.

⚠VORSICHT: Unterlassen Sie Gewaltanwendung beim Anbringen des Akkus. Falls der Akku nicht reibungslos hineingleitet, ist er nicht richtig ausgerichtet.

Anzeigen der Akku-Restkapazität

Nur für Akkus mit Anzeige

► **Abb.3:** 1. Anzeigelampen 2. Prüftaste

Drücken Sie die Prüftaste am Akku, um die Akku-Restkapazität anzuzeigen. Die Anzeigelampen leuchten wenige Sekunden lang auf.

Anzeigelampen			Restkapazität
Erleuchtet	Aus	Blinkend	
			75% bis 100%
			50% bis 75%
			25% bis 50%
			0% bis 25%
			Den Akku aufladen.
			Möglicherweise liegt eine Funktionsstörung im Akku vor.

HINWEIS: Abhängig von den Benutzungsbedingungen und der Umgebungstemperatur kann die Anzeige geringfügig von der tatsächlichen Kapazität abweichen.

HINWEIS: Die erste (äußerste linke) Anzeigelampe blinkt, wenn das Akku-Schutzsystem aktiv ist.

Werkzeug/Akku-Schutzsystem

Das Werkzeug ist mit einem Werkzeug/Akku-Schutzsystem ausgestattet. Dieses System schaltet die Stromversorgung des Motors automatisch ab, um die Lebensdauer von Werkzeug und Akku zu verlängern. Das Werkzeug bleibt während des Betriebs automatisch stehen, wenn das Werkzeug oder der Akku einer der folgenden Bedingungen unterliegt. Bei manchen Bedingungen leuchten die Anzeigen auf.

Überlastschutz

Wird das Werkzeug auf eine Weise benutzt, die eine ungewöhnlich hohe Stromaufnahme bewirkt, bleibt es ohne jegliche Anzeige automatisch stehen. Schalten Sie in dieser Situation das Werkzeug aus, und brechen Sie die Arbeit ab, die eine Überlastung des Werkzeugs verursacht hat. Schalten Sie dann das Werkzeug wieder ein, um neu zu starten.

Überhitzungsschutz

Wenn das Werkzeug überhitzt wird, bleibt es automatisch stehen. Lassen Sie das Werkzeug abkühlen, bevor Sie es wieder einschalten.

Überentladungsschutz

Wenn die Akkukapazität niedrig wird, schaltet sich das Werkzeug automatisch aus. Falls das Produkt trotz Betätigung der Schalter nicht funktioniert, entfernen Sie die Akkus vom Werkzeug, und laden Sie sie auf.

Anzeigen der Akku-Restkapazität

► **Abb.4:** 1. Akku-Anzeige 2. Prüftaste

Drücken Sie die Prüftaste, um die Akku-Restkapazität anzuzeigen. Die Akku-Restkapazität wird gemäß der nachstehenden Tabelle angezeigt.

Status der Akku-Anzeige		Akku-Restkapazität
Ein	Aus	
		50% bis 100%
		20% bis 50%
		0% bis 20%

Schalterfunktion

⚠ VORSICHT: Bevor Sie den Akku in das Werkzeug einsetzen, sollten Sie sich stets vergewissern, dass der Schiebeschalter ordnungsgemäß funktioniert und beim Drücken der Rückseite in die AUS-Stellung zurückkehrt.

Entsprechend dem Leistungsbedarf der jeweiligen Arbeit können Sie zwei Saugkraftstufen wählen: normal „1“ oder hoch „2“.

Zum Starten des Sauggerätes stellen Sie den Schalthebel auf die Seite „1“ oder „2“.

Zum Ausschalten des Sauggerätes stellen Sie den Schalthebel auf die Seite „0“.

► **Abb.5:** 1. Schalthebel

Saugstoppautomatik während des Nassaugbetriebs

⚠ WARNUNG: Benutzen Sie das Sauggerät nicht für längere Zeit, während der Schwimmer in Betrieb ist. Wird das Sauggerät längere Zeit benutzt, während der Schwimmer in Betrieb ist, kann es zu Überhitzung kommen, die in einer Verformung des Sauggerätes resultieren kann. Schlimmstenfalls kann es zu Rauchentwicklung oder einem Brand kommen.

⚠ WARNUNG: Saugen Sie keinen Schaum oder seifige Flüssigkeit auf. Das Aufsaugen von Schaum oder seifiger Flüssigkeit kann dazu führen, dass Schaum aus dem Luftauslass austritt, bevor der Schwimmer arbeitet. Fortgesetzter Betrieb in diesem Zustand kann einen elektrischen Schlag und Beschädigung des Staubsaugers verursachen.

Der Staubsauger besitzt einen Schwimmermechanismus, der Eindringen von Wasser in den Motor verhindert, wenn mehr als eine bestimmte Wassermenge aufgesaugt wird. Wenn der Tank voll ist und der Staubsauger kein Wasser mehr aufsaugt, schalten Sie den Staubsauger aus, und entleeren Sie den Tank.

Tragehandgriff

Halten Sie den Staubsauger beim Tragen an dem Handgriff am Kopf. Wenn er nicht benutzt wird, kann der Handgriff im Kopf versenkt werden.

► **Abb.6**

HINWEIS: Wenn sich Wasser im Tank befindet, schalten Sie das Sauggerät aus, und entleeren Sie den Tank vor dem Tragen. Anderenfalls kann das darin befindliche Wasser auslaufen.

MONTAGE

⚠ VORSICHT: Vergewissern Sie sich vor der Ausführung von Arbeiten am Werkzeug stets, dass das Werkzeug ausgeschaltet und der Akku abgenommen ist.

⚠ VORSICHT: Tragen Sie während der Montage oder Wartung immer eine Staubmaske.

Anschließen des Schlauchs

ANMERKUNG: Behandeln Sie den Schlauch niemals gewaltsam, und vermeiden Sie Biegen oder Stampfen. Ziehen Sie den Staubsauger niemals am Schlauch. Gewaltanwendung, Stampfen und Ziehen des Schlauchs können eine Beschädigung oder Verformung des Schlauchs verursachen.

ANMERKUNG: Saugen Sie keine großen Abfälle, wie z. B. Hobelspäne und Betonstücke, auf. Dies kann zu einer Verstopfung und Beschädigung des Schlauchs führen.

Für Saugbetrieb

Führen Sie den Schlauch in den Saugeinlass ein, und drehen Sie ihn im Uhrzeigersinn, bis er einrastet.

► **Abb.7:** 1. Saugeinlass

Für Blasbetrieb

Führen Sie den Schlauch in den Gebläseauslass ein, und drehen Sie ihn im Uhrzeigersinn, bis er einrastet.

► **Abb.8:** 1. Gebläseauslass

HINWEIS: Bei diesem Sauggerät sind Saugeinlass und Gebläseauslass getrennt angeordnet. Schließen Sie den Schlauch abhängig von Ihrer Arbeit an den korrekten Anschluss an.

Anschließen der Düse

Bringen Sie je nach Ihrem Verwendungszweck die Breitschlitzdüse, die Spitzdüse oder andere als Sonderzubehör erhältliche Düsen an. Um die Düse anzubringen, schieben Sie sie bei gleichzeitigem Drehen auf das Schlauchende.

► **Abb.9**

Anschließen des Werkzeugs

Sonderzubehör

Um das Werkzeug anzuschließen, verbinden Sie das Schlauchende mit dem Absaugstutzen des Werkzeugs. Je nach Werkzeug benötigen Sie eventuell das optionale Verbindungsstück 22-38 oder die Frontmanschette 24.

► **Abb.10:** 1. Schlauch 2. Verbindungsstück 22-38
3. Frontmanschette 24

HINWEIS: Vergewissern Sie sich beim Anschließen des Werkzeugs immer, dass der Schlauch an den Saugeinlass des Sauggerätes angeschlossen ist.

Aufbewahrung von Schlauch und Düsen

Schlauch und Düsen können wie dargestellt am Werkzeug aufbewahrt werden.

► **Abb.11:** 1. Spitzdüse 2. Breitschlitzdüse

Wickeln Sie den Schlauch zum Aufbewahren in einer Schleife um das Werkzeug, und fixieren Sie ihn mit der Klemme, wie dargestellt.

► **Abb.12:** 1. Schlauch 2. Klemme

Montieren des Schulterriemens

Sonderzubehör

Befestigen Sie die Haken des Schulterriemens an den Halterungen des Sauggerätes, wie in der Abbildung gezeigt.

► **Abb.13:** 1. Umhängerriemen 2. Haken 3. Halterung

BETRIEB

Verwendung als Sauggerät

ANMERKUNG: Verwenden Sie den HEPA-Filter, wenn Sie Trockenstaub aufsaugen.

ANMERKUNG: Wenn Sie fortwährend Wasser mit dem HEPA-Filter aufsaugen, kann die Saugkraft verringert werden. Trocknen Sie in diesem Fall den HEPA-Filter.

Verwenden Sie den Nassfilter (Sonderzubehör), wenn Sie wiederholt Wasser aufsaugen.

► **Abb.14:** 1. HEPA-Filter 2. Nassfilter

1. Montieren Sie den Schlauch mit der Düse am Saugeinlass, und schalten Sie das Werkzeug ein.
2. Entleeren Sie den Tank nach dem Saugbetrieb, bevor er voll wird.

► **Abb.15**

Verwendung als Blasergerät

⚠ VORSICHT: Blasen Sie kein schlammiges Wasser, z. B. aus einer Pfütze oder einem Sandbereich, aus. Falls Fremdkörper in die Augen von Personen oder Tieren geblasen werden, kann dies zu Verletzungen führen.

⚠ VORSICHT: Richten Sie das Gerät bei Blasbetrieb nicht gegen den Wind. Falls Fremdkörper in die Augen von Personen oder Tieren geblasen werden, kann dies zu Verletzungen führen.

⚠ VORSICHT: Tragen Sie bei der Arbeit stets eine Schutzbrille, Kappe und Maske.

⚠ VORSICHT: Richten Sie die Düse niemals auf Personen oder Tiere in der Umgebung.

⚠ VORSICHT: Der Bediener oder Benutzer ist verantwortlich für Verletzungen oder Sachschäden, die an Personen oder ihrem Eigentum entstehen.

⚠ VORSICHT: Verwenden Sie das Werkzeug nicht zum Aufblasen von Objekten, z. B. von Schlauchbooten, Bällen oder anderen aufblasbaren Produkten. Erhöhte Motordrehzahl kann gefährlichen Bruch des Gebläses verursachen.

1. Montieren Sie den Schlauch in den Gebläseauslass.
2. Richten Sie die Schlauchspitze auf das wegzublasende Objekt, und schalten Sie das Werkzeug ein.
▶ **Abb.16**

HINWEIS: Um das Reinigen von engen Stellen zu erleichtern, stecken Sie die Spitzdüse auf den Schlauch.

WARTUNG

⚠ VORSICHT: Vergewissern Sie sich vor der Durchführung von Inspektions- oder Wartungsarbeiten stets, dass das Werkzeug ausgeschaltet und der Akku abgenommen ist.

⚠ VORSICHT: Um Kontakt mit Staub zu verringern, tragen Sie eine Schutzbrille und eine Staubmaske beim Entleeren des Tanks oder Reinigen des Filters.

ANMERKUNG: Verwenden Sie auf keinen Fall Benzin, Waschbenzin, Verdüner, Alkohol oder dergleichen. Solche Mittel können Verfärbung, Verformung oder Rissbildung verursachen.

Um die SICHERHEIT und ZUVERLÄSSIGKEIT dieses Produkts zu gewährleisten, sollten Reparaturen und andere Wartungs- oder Einstellarbeiten nur von Makita-Vertragswerkstätten oder Makita-Kundendienstzentren unter ausschließlicher Verwendung von Makita-Originalersatzteilen ausgeführt werden.

Entleeren des Tanks

⚠ WARNUNG: Vergewissern Sie sich vor dem Entleeren des Tanks immer, dass das Sauggerät ausgeschaltet und der Akku abgenommen ist. Anderenfalls kann es zu einem elektrischen Schlag und schweren Personenschäden kommen.

⚠ VORSICHT: Schützen Sie den Tank vor starken Stößen. Starke Stöße können Verformung und Beschädigung der Teile verursachen.

⚠ VORSICHT: Entleeren Sie den Tank mindestens einmal pro Tag, obwohl dies von der im Tank angesammelten Staubmenge abhängt. Anderenfalls verschlechtert sich die Saugkraft, und der Motor kann beschädigt werden.

⚠ VORSICHT: Ergreifen Sie nicht den Haken beim Entleeren des Tanks. Durch Ergreifen des Hakens kann dieser beschädigt werden.

Haken Sie die Tankabdeckung aus, und heben Sie sie an.

Schütteln Sie den Staub vom Filter ab, und entsorgen Sie dann den Staub aus dem Tank.

▶ **Abb.17:** 1. Haken 2. Tank

Reinigen des HEPA-Filters/ Nassfilters

ANMERKUNG: Unterlassen Sie Abreiben oder Abkratzen des HEPA-Filters/Nassfilters mit harten Gegenständen, wie z. B. einer Bürste und einer Kratze.

Ein verstopfter HEPA-Filter/Nassfilter verursacht schlechte Saugleistung. Säubern Sie den Filter von Zeit zu Zeit.

1. Um den HEPA-Filter/Nassfilter zu entfernen, entriegeln und entfernen Sie die Tankabdeckung.
2. Drehen Sie den HEPA-Filter/Nassfilter entgegen dem Uhrzeigersinn, und ziehen Sie ihn aus der Tankabdeckung heraus.
▶ **Abb.18:** 1. Tankabdeckung 2. HEPA-Filter 3. Tank

3. Um am HEPA-Filter/Nassfilter haftenden Staub zu entfernen, schütteln Sie den Rahmenboden mehrmals schnell. Waschen Sie den HEPA-Filter/Nassfilter gelegentlich in Wasser aus, spülen Sie ihn ab, und lassen Sie den HEPA-Filter vor Gebrauch gründlich im Schatten trocknen. Waschen Sie den Filter niemals in einer Waschmaschine.

▶ **Abb.19**

4. Um den HEPA-Filter/Nassfilter zu installieren, bringen Sie ihn an, und drehen Sie ihn im Uhrzeigersinn, so dass die Sicherungslippen einwandfrei in der Tankabdeckung verriegelt sind.

▶ **Abb.20:** 1. Tankabdeckung 2. HEPA-Filter 3. Sicherungslippe 4. Tank

5. Montieren Sie die Tankabdeckung, und verriegeln Sie sie.

HINWEIS: Der Filter nutzt im Laufe der Zeit ab. Es ist empfehlenswert, Ersatzfilter bereitzuhalten.

Installieren des Vorfiltersatzes

Sonderzubehör

HINWEIS: Verwenden Sie den Vorfiltersatz nur, wenn Sie Trockenstaub mit dem HEPA-Filter aufsaugen. Wenn Sie den Vorfiltersatz zum Aufsaugen von Wasser verwenden, kann die Wassersaugkapazität verringert werden.

Der aus dem Vorfilter und Dämpfer bestehende Vorfiltersatz verringert Verstopfung des HEPA-Filters mit Staub, um die Saugkraft aufrechtzuerhalten.

1. Entriegeln und entfernen Sie die Tankabdeckung.
2. Setzen Sie den Dämpfer auf den HEPA-Filter, und decken Sie ihn mit dem Vorfilter ab. Hängen Sie das Gummiband des Vorfilters unbedingt an die Lippe des HEPA-Filters.

► **Abb.21:** 1. HEPA-Filter 2. Dämpfer 3. Vorfilter

3. Montieren Sie die Tankabdeckung, und verriegeln Sie sie.

SONDERZUBEHÖR

⚠ VORSICHT: Die folgenden Zubehörteile oder Vorrichtungen werden für den Einsatz mit dem in dieser Anleitung beschriebenen Makita-Werkzeug empfohlen. Die Verwendung anderer Zubehörteile oder Vorrichtungen kann eine Verletzungsgefahr darstellen. Verwenden Sie Zubehörteile oder Vorrichtungen nur für ihren vorgesehenen Zweck.

Wenn Sie weitere Einzelheiten bezüglich dieser Zubehörteile benötigen, wenden Sie sich bitte an Ihre Makita-Kundendienststelle.

- Schlauch
- Frontmanschette 24
- Verbindungsstück 22-38
- Spitzdüse
- Rundbürste
- Schulterriemen
- Nassfilter
- HEPA-Filter
- Vorfiltersatz
- Original-Makita-Akku und -Ladegerät

HINWEIS: Manche Teile in der Liste können als Standardzubehör im Werkzeugsatz enthalten sein. Sie können von Land zu Land unterschiedlich sein.

AVVERTENZA

- La presente macchina non è destinata all'utilizzo da parte di persone, inclusi i bambini, dalle capacità fisiche, sensoriali o mentali ridotte, o prive di esperienza e preparazione.
- I bambini vanno tenuti sotto controllo per accertarsi che non giochino con l'aspiratore.
- Per il riferimento sul tipo di batteria, vedere il capitolo "DATI TECNICI".
- Per istruzioni su come rimuovere o installare la batteria, vedere la sezione "Installazione o rimozione della cartuccia della batteria".
- Quando si intende smaltire la cartuccia della batteria, rimuoverla dall'utensile e smaltirla in un luogo sicuro. Attenersi alle normative locali relative allo smaltimento della batteria.
- Se l'utensile non viene utilizzato per un periodo di tempo prolungato, la batteria deve essere rimossa dall'utensile.
- Non cortocircuitare la cartuccia della batteria.
- Per i dettagli appropriati relativi alle precauzioni durante la manutenzione da parte dell'utente, vedere il capitolo "MANUTENZIONE".

DATI TECNICI

Modello:		DVC750L
Volume d'aria massimo	Normale (1)	1,3 m ³ /min
	Elevata (2)	1,6 m ³ /min
Potenza in aspirazione	Normale (1)	42 hPa
	Elevata (2)	67 hPa
Sovrappressione nominale (nell'utilizzo come soffiatore)	Normale (1)	42 hPa
	Elevata (2)	67 hPa
Capacità di recupero	Polveri	7,5 L
	Acqua*	4,5 L
Dimensioni (L x P x A)		418 mm x 251 mm x 278 mm
Tensione nominale		18 V C.C.
Peso netto		4,2 - 4,6 kg
Grado di protezione		IPX4

- A causa del nostro programma continuativo di ricerca e sviluppo, i dati tecnici sono soggetti a modifiche senza preavviso.
- I dati tecnici possono variare da una nazione all'altra.
- Il peso comprende gli accessori (tubo flessibile, bocchetta larga, bocchetta piatta) e la cartuccia della batteria o le cartucce delle batterie. Nella tabella sono indicati il peso combinato minimo e massimo dell'apparecchio insieme alla cartuccia della batteria o alle cartucce delle batterie.
- * La capacità dell'acqua dipende dalle condizioni d'uso.

Cartuccia della batteria e caricabatterie applicabili

Cartuccia della batteria	BL1815N / BL1820B / BL1830B / BL1840B / BL1850B / BL1860B
Caricabatterie	DC18RC / DC18RD / DC18RE / DC18SD / DC18SE / DC18SF / DC18SH

- Alcune cartucce delle batterie e alcuni caricabatterie elencati sopra potrebbero non essere disponibili a seconda della propria area geografica di residenza.

⚠AVVERTIMENTO: Utilizzare solo le cartucce delle batterie e i caricabatterie elencati sopra. L'utilizzo di altre cartucce delle batterie e di altri caricabatterie potrebbe causare lesioni personali e/o un incendio.

Simboli

Le figure seguenti mostrano i simboli utilizzati per l'apparecchio. Accertarsi di comprenderne il significato prima dell'uso.



Leggere il manuale d'uso.



Adottare cura e attenzione particolari.



Avvertenza! L'aspiratore potrebbe contenere polveri pericolose.



Classe di polveri L (leggere). Gli aspiratori sono in grado di raccogliere polveri di classe L. Attenersi alle normative della propria nazione relative alle polveri e alla salute e alla sicurezza sul lavoro.



Solo per le nazioni dell'EU
A causa della presenza di componenti pericolosi nelle apparecchiature, i rifiuti di apparecchiature elettriche ed elettroniche, accumulatori e batterie potrebbero produrre un impatto negativo sull'ambiente e sulla salute umana.
Non smaltire elettrodomestici elettrici ed elettronici o batterie insieme ai rifiuti domestici!
In conformità alla direttiva europea sui rifiuti di apparecchiature elettriche ed elettroniche (RAEE), sugli accumulatori e le batterie, nonché sui rifiuti di accumulatori e batterie, e al suo adattamento alle normative nazionali, i rifiuti di apparecchiature elettriche ed elettroniche, batterie e accumulatori vanno conservati separatamente e conferiti a un punto di raccolta separato per i rifiuti comunali, operando in conformità alle normative per la protezione dell'ambiente.
Tale requisito viene indicato mediante il simbolo del bidone della spazzatura con ruote barrato apposto sull'apparecchio.

Utilizzo previsto

Questo utensile è destinato alla raccolta sia di polveri umide che di polveri secche. L'utensile è idoneo all'uso commerciale, ad esempio in hotel, scuole, ospedali, fabbriche, negozi, uffici e noleggi.

Rumore

Livello tipico di rumore pesato A determinato in base allo standard IEC60335-2-69:

Livello di pressione sonora (L_{pA}): 76 dB (A)
Incertezza (K): 2,5 dB (A)

Il livello del rumore nelle condizioni di lavoro può superare gli 80 dB (A).

NOTA: Il valore o i valori dichiarati delle emissioni di rumori sono stati misurati in conformità a un metodo standard di verifica, e possono essere utilizzati per confrontare un utensile con un altro.

NOTA: Il valore o i valori dichiarati delle emissioni di rumori possono venire utilizzati anche per una valutazione preliminare dell'esposizione.

⚠AVVERTIMENTO: Indossare protezioni per le orecchie.

⚠AVVERTIMENTO: L'emissione di rumori durante l'utilizzo effettivo dell'utensile elettrico può variare rispetto al valore o ai valori dichiarati, a seconda dei modi in cui viene utilizzato l'utensile e specialmente a seconda di che tipo di pezzo venga lavorato.

⚠AVVERTIMENTO: Accertarsi di identificare misure di sicurezza per la protezione dell'operatore che siano basate su una stima dell'esposizione nelle condizioni effettive di utilizzo (tenendo conto di tutte le parti del ciclo operativo, ad esempio del numero di spegnimenti dell'utensile e di quando giri a vuoto, oltre al tempo di attivazione).

Vibrazioni

Valore totale delle vibrazioni (somma vettoriale triassiale) determinato in base allo standard IEC60335-2-69: Emissione di vibrazioni ($a_{h,M}$): 2,5 m/s² o inferiore
Incertezza (K): 1,5 m/s²

NOTA: Il valore o i valori complessivi delle vibrazioni dichiarati sono stati misurati in conformità a un metodo standard di verifica, e possono essere utilizzati per confrontare un utensile con un altro.

NOTA: Il valore o i valori complessivi delle vibrazioni dichiarati possono venire utilizzati anche per una valutazione preliminare dell'esposizione.

⚠AVVERTIMENTO: L'emissione delle vibrazioni durante l'utilizzo effettivo dell'utensile elettrico può variare rispetto al valore o ai valori dichiarati, a seconda dei modi in cui viene utilizzato l'utensile, specialmente a seconda di che tipo di pezzo venga lavorato.

⚠AVVERTIMENTO: Accertarsi di identificare misure di sicurezza per la protezione dell'operatore che siano basate su una stima dell'esposizione nelle condizioni effettive di utilizzo (tenendo conto di tutte le parti del ciclo operativo, ad esempio del numero di spegnimenti dell'utensile e di quando giri a vuoto, oltre al tempo di attivazione).

Dichiarazione di conformità CE

Solo per i paesi europei

La dichiarazione di conformità CE è inclusa nell'Allegato A al presente manuale di istruzioni.

AVVERTENZE DI SICUREZZA

Avvertenze di sicurezza dell'aspirapolvere a batteria

⚠AVVERTIMENTO: IMPORTANTE! LEGGERE CON ATTENZIONE tutte le avvertenze di sicurezza e tutte le istruzioni PRIMA DELL'USO. La mancata osservanza delle avvertenze e delle istruzioni potrebbe risultare in scosse elettriche, incendi e/o gravi lesioni personali.

1. Prima dell'uso, accertarsi che il presente aspiratore venga utilizzato esclusivamente da personale che sia stato istruito in modo adeguato sull'utilizzo del presente aspiratore.
2. Prima dell'uso, è necessario fornire agli operatori informazioni, istruzioni e addestramento sull'utilizzo della macchina e delle sostanze per le quali deve essere utilizzata, incluso il metodo sicuro di rimozione e smaltimento dei materiali raccolti.
3. In caso di fuoriuscita di schiuma/liquido, spegnere immediatamente l'apparecchio.
4. Pulire a intervalli regolari il dispositivo di limitazione del livello dell'acqua e ispezionarlo alla ricerca di segni di danneggiamento.
5. Non utilizzare l'aspiratore senza il filtro. Sostituire immediatamente un filtro danneggiato.
6. **EVITARE L'AVVIO ACCIDENTALE.** Accertarsi che l'interruttore sia in posizione OFF (spento) durante l'installazione della/delle batteria/e.
7. Non tentare di raccogliere materiali infiammabili, fuochi d'artificio, sigarette accese, ceneri calde, schegge di metallo roventi, materiali affilati quali rasoi, aghi, vetri rotti o simili.
8. **NON UTILIZZARE MAI L'ASPIRATORE IN PROSSIMITÀ DI BENZINA, GAS, VERNICI, ADESIVI O ALTRE SOSTANZE ALTAMENTE ESPLOSIVE.** L'interruttore emette delle scintille quando viene attivato e disattivato. Anche il commutatore del motore emette scintille durante l'uso. Di conseguenza, potrebbe verificarsi un'esplosione pericolosa.
9. Non aspirare mai materiali tossici, cancerogeni, combustibili o altri materiali pericolosi quali amianto, arsenico, bario, berillio, piombo, pesticidi o altri materiali nocivi.
10. Collocare sempre l'aspiratore su una superficie piana orizzontale, per evitarne la caduta o lo spostamento accidentali.
11. Non utilizzare mai l'aspiratore all'aperto sotto la pioggia.
12. Per la Finlandia, questa macchina non va utilizzata all'aperto a basse temperature.
13. Non utilizzare in prossimità di fonti di calore (cucine, e così via).
14. Qualora l'aria di scarico ritorni nella stanza, è necessario provvedere al ricambio dell'aria nella stanza con una frequenza adeguata. Se necessario, fare riferimento alle normative nazionali.
15. Non ostruire le feritoie della presa di aspirazione, dell'apertura di uscita o di raffreddamento. Tali feritoie consentono il raffreddamento del motore. Le ostruzioni vanno evitate con cura; in caso contrario, il motore si brucia a causa della mancanza di ventilazione.
16. Mantenere sempre un corretto appoggio sui piedi e l'equilibrio.
17. Non piegare, tirare o calpestare il tubo flessibile.
18. Arrestare immediatamente l'aspiratore qualora si notino prestazioni scadenti o qualsiasi anomalia durante l'uso.
19. **RIMUOVERE LA/LE BATTERIA/E** quando non si utilizza l'apparecchio, prima di interventi di assistenza e quando si intende sostituire gli accessori.
20. Pulire e sottoporre a manutenzione l'aspiratore subito dopo ciascun utilizzo per mantenerlo in condizioni operative ottimali.
21. **SOTTOPORRE A MANUTENZIONE L'ASPIRATORE CON CURA.** Mantenere l'aspiratore pulito per prestazioni migliori e più sicure. Seguire le istruzioni per la sostituzione degli accessori. Mantenere le maniglie pulite, asciutte e prive di olio e grasso.
22. **CONTROLLARE L'EVENTUALE PRESENZA DI PARTI DANNEGGIATE.** Prima di utilizzare ulteriormente l'aspiratore, controllare con cura protezioni o altre parti che siano danneggiate per accertarsi che funzionino correttamente e che svolgano la funzione a cui sono destinate. Controllare l'allineamento delle parti mobili, la presenza di eventuali inceppamenti delle parti mobili o rottura dei componenti, il montaggio ed eventuali altre condizioni che potrebbero influenzare il funzionamento. Una protezione o un'altra parte che siano danneggiate vanno riparate correttamente o sostituite da un centro di assistenza autorizzato, se non diversamente indicato altrove nel presente manuale di istruzioni. Far sostituire gli interruttori difettosi da un centro di assistenza autorizzato. Non utilizzare l'aspiratore qualora l'interruttore non consenta di accenderlo e spegnerlo.
23. Per la manutenzione eseguita dall'utente, la macchina va smantellata, pulita e sottoposta a manutenzione, entro i limiti ragionevolmente praticabili, senza causare rischi al personale di manutenzione e ad altri.
24. Almeno una volta all'anno, il produttore o una persona appositamente preparata devono sottoporre la macchina a un'ispezione tecnica che comprenda, ad esempio, l'ispezione dei filtri alla ricerca di eventuali danni, l'ermeticità della macchina e il funzionamento corretto del meccanismo di controllo.
25. Quando si intende eseguire operazioni di manutenzione o di riparazione, tutti gli elementi contaminati che non possano venire puliti in modo soddisfacente devono essere smaltiti; tali elementi vanno smaltiti in sacchetti impenetrabili, in conformità a qualsiasi normativa corrente relativa allo smaltimento di tali rifiuti.
26. **PEZZI DI RICAMBIO.** Quando si effettuano interventi di assistenza, utilizzare esclusivamente pezzi di ricambio identici.
27. **RIPORRE L'ASPIRATORE QUANDO NON VIENE UTILIZZATO.** Quando l'aspiratore non è in uso, dovrebbe venire riposto al chiuso.
28. I filtri per liquidi e la parte interna del contenitore per liquidi vanno asciugati prima di conservarli.
29. Maneggiare con delicatezza l'aspiratore. Anche l'aspiratore più robusto può rompersi a causa dell'incuria nel maneggiarlo.
30. Non tentare di pulire la superficie esterna o interna con benzina, solventi o prodotti chimici di pulizia. In caso contrario, si potrebbero causare spaccature e scolorimenti.
31. Non utilizzare l'aspiratore in spazi chiusi in cui siano presenti emissioni di vapori infiammabili, esplosivi o tossici dovute a vernici a olio, diluenti per vernici, benzina, alcune sostanze per trattamenti antitarmici, e così via, o in aree in cui siano presenti polveri infiammabili.

32. Non utilizzare questo utensile o altri utensili sotto l'effetto di droghe o alcolici.
33. Come regola di base per la sicurezza, utilizzare occhiali oppure occhiali di sicurezza con paraocchi laterali.
34. Utilizzare una maschera antipolvere in condizioni di lavoro che presentino polveri.
35. La presente macchina non è destinata all'utilizzo da parte di persone, inclusi i bambini, dalle capacità fisiche, sensoriali o mentali ridotte, o prive di esperienza e preparazione.
36. I bambini vanno tenuti sotto controllo per accertarsi che non giochino con l'aspiratore.
37. Non maneggiare mai la/le batteria/e e l'aspiratore con le mani bagnate.
38. Adottare estrema cautela durante la pulizia delle scale.
39. Non utilizzare l'aspiratore come sgabello o piano di lavoro. In caso contrario, la macchina potrebbe cadere, causando lesioni personali.

Uso e manutenzione degli strumenti a batterie

1. Ricaricare solo con il caricabatterie specificato dal produttore. Un caricabatterie appropriato per un tipo di batteria potrebbe creare un rischio di incendio, se utilizzato con un'altra batteria.
2. Utilizzare gli utensili elettrici solo con le batterie specificamente designate. L'uso di qualsiasi altra batteria potrebbe creare un rischio di lesioni personali e incendi.
3. Quando la batteria non è in uso, tenerla lontana da altri oggetti metallici, quali graffette, monete, chiavi, chiodi, viti o altri piccoli oggetti metallici, che potrebbero fare contatto tra terminali diversi. Il cortocircuito dei terminali della batteria può causare ustioni o incendi.
4. In condizioni di uso improprio, la batteria potrebbe emettere un liquido: evitare il contatto con tale liquido. Qualora si verifici un contatto accidentale con il liquido, lavare abbondantemente con acqua. Qualora il liquido entri in contatto con gli occhi, richiedere anche assistenza medica. Il liquido espulso dalla batteria può causare irritazioni o ustioni.
5. Non utilizzare una batteria o un utensile che siano danneggiati o che siano stati modificati. Batterie danneggiate o modificate potrebbero mostrare un comportamento imprevedibile che può risultare in incendi, esplosioni o nel rischio di lesioni personali.
6. Non esporre una batteria o un utensile al fuoco o a temperature eccessive. L'esposizione al fuoco o a temperature superiori ai 130 °C potrebbe causare un'esplosione.
7. Attenersi a tutte le istruzioni relative alla carica e non caricare la batteria o l'utensile al di fuori della gamma di temperature specificata nelle istruzioni. Una carica inappropriata o a temperature al di fuori della gamma specificata potrebbe danneggiare la batteria e incrementare il rischio di incendio.

CONSERVARE LE PRESENTI ISTRUZIONI.

AVVERTIMENTO: NON lasciare che la comodità o la familiarità d'uso con il prodotto (acquisita con l'uso ripetuto) sostituiscano la stretta osservanza delle norme di sicurezza. L'USO IMPROPRIO o la mancata osservanza delle norme di sicurezza riportate nel presente manuale manuale di istruzioni potrebbero causare lesioni personali gravi.

Istruzioni di sicurezza importanti per la cartuccia della batteria

1. Prima di utilizzare la cartuccia della batteria, leggere tutte le istruzioni e le avvertenze riportate (1) sul caricabatteria, (2) sulla batteria e (3) sul prodotto che utilizza la batteria.
2. Non smantellare né manomettere la cartuccia della batteria. In caso contrario, si potrebbe causare un incendio, calore eccessivo o un'esplosione.
3. Qualora il tempo di utilizzo si riduca eccessivamente, interrompere immediatamente l'utilizzo dell'utensile. In caso contrario, si può incorrere nel rischio di surriscaldamento, possibili ustioni e persino un'esplosione.
4. Qualora l'elettrolita entri in contatto con gli occhi, sciacquarli con acqua pulita e richiedere immediatamente assistenza medica. Questa eventualità può risultare nella perdita della vista.
5. Non cortocircuitare la cartuccia della batteria:
 - (1) Non toccare i terminali con alcun materiale conduttivo.
 - (2) Evitare di conservare la cartuccia della batteria in un contenitore insieme ad altri oggetti metallici quali chiodi, monete, e così via.
 - (3) Non esporre la cartuccia della batteria all'acqua o alla pioggia.
 Un cortocircuito della batteria può causare un grande flusso di corrente, un surriscaldamento, possibili ustioni e persino un guasto.
6. Non conservare e utilizzare l'utensile e la cartuccia della batteria in ubicazioni in cui la temperatura possa raggiungere o superare i 50°C.
7. Non incenerire la cartuccia della batteria anche qualora sia gravemente danneggiata o completamente esaurita. La cartuccia della batteria può esplodere se a contatto con il fuoco.
8. Non inchiodare, tagliare, schiacciare, lanciare o far cadere la cartuccia della batteria, né farla urtare con forza contro un oggetto duro. Questi comportamenti potrebbero risultare in un incendio, calore eccessivo o un'esplosione.
9. Non utilizzare una batteria danneggiata.
10. Le batterie a ioni di litio contenute sono soggette ai requisiti del regolamento sul trasporto di merci pericolose (Dangerous Goods Legislation). Per trasporti commerciali, ad esempio da parte di terzi o spedizionieri, è necessario osservare dei requisiti speciali sull'imballaggio e sull'etichetta. Per la preparazione dell'articolo da spedire, è richiesta la consulenza di un esperto in materiali pericolosi. Attenersi anche alle normative nazionali, che potrebbero essere più dettagliate. Nastrare o coprire i contatti aperti e imballare la batteria in modo tale che non si possa muovere liberamente all'interno dell'imballaggio.

11. Quando si intende smaltire la cartuccia della batteria, rimuoverla dall'utensile e smaltirla in un luogo sicuro. Attenersi alle normative locali relative allo smaltimento della batteria.
12. Utilizzare le batterie esclusivamente con i prodotti specificati da Makita. L'installazione delle batterie in prodotti non compatibili potrebbe risultare in incendi, calore eccessivo, esplosioni o perdite di liquido elettrolitico.
13. Se l'utensile non viene utilizzato per un periodo di tempo prolungato, la batteria deve essere rimossa dall'utensile.
14. Durante e dopo l'uso, la cartuccia della batteria potrebbe assorbire calore, che può causare ustioni o ustioni a bassa temperatura. Fare attenzione a come si maneggiano le cartucce delle batterie estremamente calde.
15. Non toccare i terminali dell'utensile subito dopo l'uso, in quanto potrebbero diventare estremamente caldi al punto da causare ustioni.
16. Evitare di far incastrare schegge, polveri o terreno nei terminali, nei fori e nelle scanalature della cartuccia della batteria. In caso contrario, si potrebbero causare prestazioni scadenti o la rottura dell'utensile o della cartuccia della batteria.
17. A meno che l'utensile supporti l'uso in prossimità di linee elettriche ad alta tensione, non utilizzare la cartuccia della batteria in prossimità di linee elettriche ad alta tensione. In caso contrario, si potrebbe causare un malfunzionamento o la rottura dell'utensile o della cartuccia della batteria.
18. Tenere la batteria lontana dai bambini.

CONSERVARE LE PRESENTI ISTRUZIONI.

ATTENZIONE: Utilizzare solo batterie originali Makita. L'utilizzo di batterie Makita non originali, o di batterie che siano state alterate, potrebbe risultare nello scoppio della batteria, causando incendi, lesioni personali e danni. Inoltre, ciò potrebbe invalidare la garanzia Makita per l'utensile e il caricabatterie Makita.

Suggerimenti per preservare la durata massima della batteria

1. Caricare la cartuccia della batteria prima che si scarichi completamente. Smettere sempre di utilizzare l'utensile e caricare la cartuccia della batteria quando si nota che la potenza dell'utensile è diminuita.
2. Non ricaricare mai una cartuccia della batteria completamente carica. La sovraccarica riduce la vita utile della batteria.
3. Caricare la cartuccia della batteria a una temperatura ambiente compresa tra 10 °C e 40 °C. Lasciar raffreddare una cartuccia della batteria prima di caricarla.
4. Quando non si utilizza la cartuccia della batteria, rimuoverla dall'utensile o dal caricabatterie.
5. Caricare la cartuccia della batteria se non la si è utilizzata per un periodo di tempo prolungato (più di sei mesi).

DESCRIZIONE DELLE FUNZIONI

ATTENZIONE: Accertarsi sempre che l'utensile sia spento e che la cartuccia della batteria sia stata rimossa prima di regolare o di controllare il funzionamento dell'utensile.

Installazione o rimozione della cartuccia della batteria

ATTENZIONE: Spegnerne sempre l'utensile prima di installare o rimuovere la cartuccia della batteria.

ATTENZIONE: Mantenere saldamente lo strumento e la batteria quando si intende installare o rimuovere la cartuccia della batteria. Qualora non si mantengano saldamente lo strumento e la cartuccia della batteria, questi ultimi potrebbero scivolare dalle mani, con la possibilità di causare un danneggiamento dello strumento e della cartuccia della batteria, nonché una lesione personale.

ATTENZIONE: Fare attenzione a non far restare incastrate le dita durante l'apertura o la chiusura dello sportellino delle batterie. In caso contrario, si potrebbero causare lesioni personali.

Per installare la cartuccia della batteria, aprire innanzitutto lo sportellino della batteria, quindi inserire la cartuccia della batteria.

► Fig.1: 1. Sportellino delle batterie

NOTA: Lo sportellino della batteria viene bloccato quando lo si apre in posizione verticale.

Allineare la linguetta sulla cartuccia della batteria con la scanalatura nell'alloggiamento, quindi far scivolare la batteria in sede. Inserirla completamente fino a quando si innesta in sede con un piccolo scatto. Quindi, chiudere lo sportellino della batteria.

Per rimuovere la cartuccia della batteria, farla scorrere via dall'utensile mentre si fa scorrere allo stesso tempo il pulsante sulla parte anteriore della cartuccia.

► Fig.2: 1. Cartuccia della batteria 2. Pulsante 3. Indicatore rosso

ATTENZIONE: Installare sempre fino in fondo la cartuccia della batteria, fino a quando l'indicatore rosso non è più visibile. In caso contrario, la batteria potrebbe cadere accidentalmente dall'utensile, causando lesioni personali all'operatore o a chi gli è vicino.

ATTENZIONE: Non installare forzatamente la cartuccia della batteria. Qualora la batteria non si inserisca scorrendo agevolmente, vuol dire che non viene inserita correttamente.

Indicazione della carica residua della batteria

Solo per cartucce delle batterie dotate di indicatore

► Fig.3: 1. Indicatori luminosi 2. Pulsante di controllo

Premere il pulsante di controllo sulla cartuccia della batteria per indicare la carica residua della batteria. Gli indicatori luminosi si illuminano per alcuni secondi.

Indicatori luminosi			Carica residua
■ Illuminato	□ Spento	◐ Lampeggiante	
■ ■ ■ ■			Dal 75% al 100%
■ ■ ■ □			Dal 50% al 75%
■ ■ □ □			Dal 25% al 50%
■ □ □ □			Dallo 0% al 25%
◐ □ □ □			Caricare la batteria.
■ ■ □ □			La batteria potrebbe essersi guastata.
□ □ ■ ■			

NOTA: A seconda delle condizioni d'uso e della temperatura ambiente, l'indicazione potrebbe variare leggermente rispetto alla carica effettiva.

NOTA: Il primo indicatore luminoso (all'estremità sinistra) lampeggia quando il sistema di protezione della batteria è in funzione.

Sistema di protezione strumento/batteria

Lo strumento è dotato di un sistema di protezione strumento/batteria. Questo sistema interrompe automaticamente l'alimentazione al motore, per prolungare la vita utile dello strumento e della batteria. L'utensile si arresta automaticamente durante il funzionamento, qualora l'utensile stesso o la batteria vengano a trovarsi in una delle condizioni seguenti: In alcune condizioni, gli indicatori si illuminano.

Protezione dal sovraccarico

Quando l'utensile viene utilizzato in un modo che causa un assorbimento di corrente elevato in modo anomalo, lo strumento si arresta automaticamente senza alcuna indicazione. In questa situazione, spegnere l'utensile e interrompere l'applicazione che ne ha causato il sovraccarico. Quindi, accendere l'utensile per ricominciare.

Protezione dal surriscaldamento

Quando l'utensile è surriscaldato, si arresta automaticamente. Lasciar raffreddare l'utensile prima di riaccenderlo.

Protezione dalla sovrascarica

Quando la carica della batteria diventa bassa, l'utensile si arresta automaticamente. Qualora il prodotto non funzioni anche quando si attivano gli interruttori, rimuovere le batterie dall'utensile e caricarle.

Indicazione della carica residua della batteria

► Fig.4: 1. Indicatore della batteria 2. Pulsante di controllo

Premere il pulsante di controllo per indicare la carica residua della batteria. La carica residua della batteria viene mostrata come indicato nella tabella seguente.

Stato dell'indicatore della batteria		Carica residua della batteria
■ Acceso	□ Spento	
		Dal 50% al 100%
		Dal 20% al 50%
		Dallo 0% al 20%

Funzionamento dell'interruttore

ATTENZIONE: Prima di installare la cartuccia della batteria nell'utensile, accertarsi sempre che l'interruttore scorrevole funzioni correttamente e che torni sulla posizione "OFF" quando si preme la parte posteriore dell'interruttore scorrevole.

In base alle proprie esigenze di lavoro, è possibile scegliere due tipi di potenza di aspirazione: normale, "1", o elevata, "2".

Per avviare l'aspiratore, disporre la leva dell'interruttore sul lato "1" o "2".

Per spegnere l'aspiratore, disporre la leva dell'interruttore sul lato "0".

► Fig.5: 1. Leva dell'interruttore

Arresto automatico dell'aspirazione durante il funzionamento con aspirazione a umido

AVVERTIMENTO: Non utilizzare per un periodo di tempo prolungato quando è in funzione il galleggiante. L'utilizzo dell'aspiratore quando il galleggiante è in funzione per un periodo di tempo prolungato può causare un surriscaldamento e, di conseguenza, la deformazione dell'aspiratore. Nel peggiore dei casi, tale evenienza potrebbe portare all'emissione di fumo o a un incendio.

AVVERTIMENTO: Non aspirare schiuma o liquidi saponosi. L'aspirazione di schiuma o liquidi saponosi può causare la fuoriuscita di schiuma dall'uscita dell'aria prima che il galleggiante entri in funzione. Il proseguimento dell'utilizzo in queste condizioni potrebbe causare scosse elettriche e il guasto dell'aspiratore.

L'aspiratore dispone di un meccanismo con galleggiante che impedisce la penetrazione dell'acqua nel motore quando si aspira più di una determinata quantità d'acqua. Quando il serbatoio è pieno e l'aspiratore non raccoglie più l'acqua, spegnere l'aspiratore e svuotare il serbatoio.

Maniglia da trasporto

Quando si intende trasportare l'aspiratore, trasportarlo afferrandolo per la maniglia sul lato superiore. La maniglia è retrattile sul lato superiore, quando non è in uso.

► Fig.6

NOTA: Quando nel serbatoio è presente acqua, spegnere l'aspiratore e svuotare il serbatoio prima di trasportare l'aspiratore. In caso contrario, l'acqua all'interno potrebbe fuoriuscire.

MONTAGGIO

⚠ATTENZIONE: Accertarsi sempre che l'utensile sia spento e che la cartuccia della batteria sia stata rimossa, prima di effettuare qualsiasi intervento sull'utensile.

⚠ATTENZIONE: Indossare sempre una mascherina antipolvere durante il montaggio o la manutenzione.

Collegamento del tubo flessibile

AVVISO: Non piegare mai forzatamente il tubo flessibile né calpestarlo. Non spostare mai l'aspiratore tirandolo per il tubo flessibile. Qualora si forzi, si calpesti o si tiri il tubo flessibile, si potrebbe causarne la rottura o la deformazione.

AVVISO: Non aspirare rifiuti di grandi dimensioni, ad esempio trucioli di pialle e pezzi di calcestruzzo. In caso contrario, si potrebbe causare l'ostruzione e il danneggiamento del tubo flessibile.

Per pulire con l'aspirapolvere

Inserire il tubo flessibile nella presa di aspirazione e ruotarlo in senso orario fino a sentire uno scatto.

► Fig.7: 1. Presa di aspirazione

Per soffiare

Inserire il tubo flessibile nell'apertura di uscita del soffiatore e ruotarlo in senso orario fino a sentire uno scatto.

► Fig.8: 1. Apertura di uscita del soffiatore

NOTA: In questo aspiratore la presa di aspirazione e l'apertura di uscita del soffiatore sono separate. Collegare il tubo flessibile all'apertura corretta a seconda del lavoro da eseguire.

Collegamento della bocchetta

Montare la bocchetta larga, la bocchetta piatta o altre bocchette fornite come accessori opzionali, a seconda delle proprie intenzioni.

Per montare la bocchetta, ruotarla e inserirla all'estremità del tubo flessibile.

► Fig.9

Collegamento dell'utensile

Accessorio opzionale

Per collegare l'utensile, collegare l'estremità del tubo flessibile allo scarico di estrazione dell'utensile. A seconda dell'utensile, potrebbero essere necessari il giunto 22-38 o il risvolto anteriore 24 opzionali.

► Fig.10: 1. Tubo flessibile 2. Giunto 22-38 3. Risvolto anteriore 24

NOTA: Durante il collegamento dell'utensile, accertarsi che il tubo flessibile sia collegato alla presa di aspirazione sull'aspiratore.

Conservazione del tubo flessibile e delle bocchette

È possibile conservare il tubo flessibile e le bocchette sull'utensile, come indicato nella figura.

► Fig.11: 1. Bocchetta piatta 2. Bocchetta larga

Quando si intende riporre il tubo flessibile, avvolgerlo sull'utensile e fissarlo con il gancio, come indicato nella figura.

► Fig.12: 1. Tubo flessibile 2. Gancio

Installazione della tracolla

Accessorio opzionale

Fissare i ganci della tracolla agli attacchi dell'aspiratore, come indicato nella figura.

► Fig.13: 1. Tracolla 2. Gancio 3. Attacco

FUNZIONAMENTO

Utilizzo come aspirapolvere

AVVISO: Utilizzare il filtro HEPA quando si intende raccogliere polveri asciutte.

AVVISO: Qualora si continui a raccogliere acqua con il filtro HEPA, la potenza di aspirazione potrebbe venire ridotta. In tal caso, far asciugare il filtro HEPA.

Quando si intende raccogliere ripetutamente acqua, utilizzare il filtro a umido (accessorio opzionale).

► Fig.14: 1. Filtro HEPA 2. Filtro a umido

1. Installare il tubo flessibile e la bocchetta sulla presa di aspirazione e accendere l'utensile.

2. Dopo la pulizia con l'aspirapolvere, svuotare il serbatoio prima che si riempia.

► Fig.15

Utilizzo come soffiatore

⚠ATTENZIONE: Non soffiare via acqua torbida, ad esempio quella di aree con pozzanghere o sabbia. Qualora dei corpi estranei vengano soffiati negli occhi, potrebbero causare lesioni personali.

⚠ATTENZIONE: Non far funzionare la macchina come soffiatore controvento. Qualora dei corpi estranei vengano soffiati negli occhi, potrebbero causare lesioni personali.

⚠ATTENZIONE: Utilizzare sempre occhiali protettivi, un berretto e una maschera durante l'uso.

⚠ATTENZIONE: Non puntare mai la bocchetta verso alcuna persona nelle vicinanze.

⚠ATTENZIONE: L'operatore o l'utente è responsabile per eventuali incidenti o pericoli che si verifichino nei confronti di altre persone o delle loro proprietà.

⚠ATTENZIONE: Non utilizzare l'utensile per soffiare aria all'interno di altri oggetti, ad esempio gommoni per rafting, palloni o altri prodotti gonfiabili. L'aumento dei giri del motore potrebbe causare pericolose rotture della ventola.

1. Installare il tubo flessibile nell'apertura di uscita del soffiatore.
 2. Orientare la punta del tubo flessibile verso l'oggetto da soffiare via, quindi accendere l'utensile.
- Fig.16

NOTA: Per la pulizia in spazi ristretti, il collegamento della bocchetta piatta al tubo flessibile semplifica l'operazione.

MANUTENZIONE

⚠ATTENZIONE: Accertarsi sempre che l'utensile sia spento e che la cartuccia della batteria sia stata rimossa prima di tentare di eseguire interventi di ispezione o manutenzione.

⚠ATTENZIONE: Per ridurre il contatto con le polveri, utilizzare occhiali e maschere antipolvere quando si intende svuotare il serbatoio o pulire il filtro.

AVVISO: Non utilizzare mai benzina, benzene, solventi, alcol o altre sostanze simili. In caso contrario, si potrebbero causare scolorimenti, deformazioni o crepe.

Per preservare la SICUREZZA e l'AFFIDABILITÀ del prodotto, le riparazioni e qualsiasi altro intervento di manutenzione e di regolazione devono essere eseguiti da un centro di assistenza autorizzato Makita, utilizzando sempre ricambi Makita.

Svuotamento del serbatoio

⚠AVVERTIMENTO: Prima di svuotare il serbatoio, accertarsi sempre che l'aspiratore sia spento e che la cartuccia della batteria sia stata rimossa. In caso contrario, si potrebbero causare scosse elettriche e gravi lesioni personali.

⚠ATTENZIONE: Evitare forti impatti sul serbatoio. Un forte impatto potrebbe causare la deformazione e il danneggiamento delle parti.

⚠ATTENZIONE: Svuotare il serbatoio almeno una volta al giorno, anche se la frequenza dipende dal volume delle polveri raccolte nel serbatoio. In caso contrario, la forza di aspirazione si riduce e il motore potrebbe rompersi.

⚠ATTENZIONE: Quando si intende svuotare il serbatoio, non afferrare il gancio. Qualora si afferrasse il gancio, si potrebbe causarne la rottura.

Sganciare e sollevare il coperchio del serbatoio. Scuotere via le polveri dal filtro, quindi smaltire le polveri contenute nel serbatoio.

► Fig.17: 1. Gancio 2. Serbatoio

Pulizia del filtro HEPA o del filtro a umido

AVVISO: Non strofinare né graffiare il filtro HEPA o il filtro a umido con oggetti duri, quali spazzole o spatole.

Un filtro HEPA o un filtro a umido ostruito causa prestazioni di aspirazione scadenti. Pulire il filtro di tanto in tanto.

1. Per rimuovere il filtro HEPA o il filtro a umido, sbloccare e rimuovere il coperchio del serbatoio.
 2. Girare il filtro HEPA o il filtro a umido in senso antiorario, quindi estrarlo dal coperchio del serbatoio.
- Fig.18: 1. Coperchio del serbatoio 2. Filtro HEPA 3. Serbatoio

3. Per rimuovere le polveri che aderiscono al filtro HEPA o al filtro a umido, scuotere rapidamente svariate volte la parte inferiore del telaio.

Di tanto in tanto, lavare il filtro HEPA o il filtro a umido in acqua, risciacquarlo e, nel caso del filtro HEPA, farlo asciugare completamente all'ombra prima dell'uso. Non lavare mai il filtro in lavatrice.

► Fig.19

4. Per installare il filtro HEPA o il filtro a umido, inserirlo e ruotarlo in senso orario, in modo che le labbra di fissaggio siano saldamente bloccate nel coperchio del serbatoio.

► Fig.20: 1. Coperchio del serbatoio 2. Filtro HEPA 3. Labbro di fissaggio 4. Serbatoio

5. Montare il coperchio del serbatoio e bloccarlo.

NOTA: Il filtro si usura con il passare del tempo. Si consiglia di avere a disposizione dei ricambi per i filtri.

Installazione del kit prefiltro

Accessorio opzionale

NOTA: Utilizzare il kit prefiltro solo quando si intende raccogliere polveri asciutte con il filtro HEPA. Qualora si utilizzi il kit prefiltro per raccogliere acqua, la capacità di aspirazione dell'acqua potrebbe venire ridotta.

Il kit prefiltro, che si compone di un prefiltro e di un filtro in spugna, riduce le polveri che intasano il filtro HEPA, per preservare la potenza di aspirazione.

1. Sbloccare e rimuovere il coperchio del serbatoio.
2. Inserire il filtro in spugna sul filtro HEPA e coprirlo con il prefiltro. Accertarsi di agganciare l'elastico del prefiltro sul bordo del filtro HEPA.

► **Fig.21:** 1. Filtro HEPA 2. Filtro in spugna 3. Prefiltro

3. Montare il coperchio del serbatoio e bloccarlo.

ACCESSORI OPZIONALI

⚠ATTENZIONE: Questi accessori o componenti aggiuntivi sono consigliati per l'uso con l'utensile Makita specificato nel presente manuale.

L'impiego di altri accessori o componenti aggiuntivi può costituire un rischio di lesioni alle persone.

Utilizzare gli accessori o i componenti aggiuntivi solo per il loro scopo prefissato.

Per ottenere ulteriori dettagli relativamente a questi accessori, rivolgersi a un centro di assistenza Makita.

- Tubo flessibile
- Risvolto anteriore 24
- Giunto 22-38
- Bocchetta per angoli
- Spazzola rotonda
- Tracolla
- Filtro a umido
- Filtro HEPA
- Kit prefiltro
- Batteria e caricatterie originali Makita

NOTA: Alcuni articoli nell'elenco potrebbero essere inclusi nell'imballaggio dell'utensile come accessori standard. Tali articoli potrebbero variare da nazione a nazione.

WAARSCHUWING

- Dit apparaat is niet bedoeld voor gebruik door personen, waaronder kinderen, met een verminderd lichamelijk, zintuiglijk of geestelijk vermogen, of gebrek aan kennis en ervaring.
- Kinderen dienen onder toezicht te staan om ervoor te zorgen dat zij niet met de stofzuiger spelen.
- Zie het hoofdstuk "TECHNISCHE GEGEVENS" voor de typeaanduiding van de accu.
- Zie het hoofdstuk "De accu aanbrengen en verwijderen" voor hoe u de accu kunt aanbrengen en verwijderen.
- Wanneer u de accu wilt weggoien, verwijdert u de accu vanaf het gereedschap en gooit u hem op een veilige manier weg. Volg bij het weggoien van de accu de plaatselijke voorschriften.
- Als u het gereedschap gedurende een lange tijd niet denkt te gaan gebruiken, moet de accu vanaf het gereedschap worden verwijderd.
- Voorkom kortsluiting van de accu.
- Zie het hoofdstuk "ONDERHOUD" voor de benodigde informatie over de voorzorgsmaatregelen tijdens onderhoud door de gebruiker.

TECHNISCHE GEGEVENS

Model:		DVC750L
Maximaal luchtvolume	Normaal (1)	1,3 m ³ /min
	Hoog (2)	1,6 m ³ /min
Vacuüm	Normaal (1)	42 hPa
	Hoog (2)	67 hPa
Nominale overdruk (bij gebruik als blazer)	Normaal (1)	42 hPa
	Hoog (2)	67 hPa
Opneembare inhoud	Stof	7,5 L
	Water*	4,5 L
Afmetingen (l x b x h)		418 mm x 251 mm x 278 mm
Nominale spanning		18 V gelijkspanning
Netto gewicht		4,2 - 4,6 kg
Beschermingsklasse		IPX4

- In verband met ononderbroken research en ontwikkeling, behouden wij ons het recht voor de bovenstaande technische gegevens zonder voorafgaande kennisgeving te wijzigen.
- De technische gegevens kunnen van land tot land verschillen.
- Het gewicht is inclusief accessoires (slang, brede mondstuk, plintmondstuk) en accu('s). Het laagste en hoogste gecombineerde gewicht van het apparaat en de accu('s) wordt vermeld in de tabel.
- * De inhoud voor water is afhankelijk van de gebruiksomstandigheden.

Toepasselijke accu's en laders

Accu	BL1815N / BL1820B / BL1830B / BL1840B / BL1850B / BL1860B
Lader	DC18RC / DC18RD / DC18RE / DC18SD / DC18SE / DC18SF / DC18SH

- Sommige van de hierboven vermelde accu's en laders zijn mogelijk niet leverbaar afhankelijk van waar u woont.

⚠ WAARSCHUWING: Gebruik uitsluitend de accu's en laders die hierboven worden genoemd. Gebruik van enige andere accu of lader kan leiden tot letsel en/of brand.

Symbolen

Hieronder staan de symbolen die voor het gereedschap kunnen worden gebruikt. Zorg ervoor dat u de betekenis ervan kent voordat u het gereedschap gaat gebruiken.



Lees de gebruiksaanwijzing.



Wees vooral voorzichtig en let goed op.



Waarschuwing: De stofzuiger kan schadelijk stof bevatten.



Stofklasse L (licht). De stofzuigers zijn in staat om stofklasse L op te zuigen. Houd u aan de nationale regelgeving met betrekking tot stof en veiligheid en gezondheid op de werkplek.



Alleen voor EU-landen
Als gevolg van de aanwezigheid van schadelijke componenten in het apparaat, kunnen oude elektrische en elektronische apparaten, accu's en batterijen negatieve gevolgen hebben voor het milieu en de gezondheid van mensen.
Gooi elektrische en elektronische apparaten en accu's niet met het huisvuil weg! In overeenstemming met de Europese richtlijn inzake oude elektrische en elektronische apparaten en inzake accu's en batterijen en oude accu's en batterijen, alsmede de toepassing daarvan binnen de nationale wetgeving, dienen oude elektrische apparaten, accu's en batterijen gescheiden te worden opgeslagen en te worden ingeleverd bij een apart inzamelingspunt voor huishoudelijk afval dat de milieubeschermingsvoorschriften in acht neemt. Dit wordt op het apparaat aangegeven door het symbool van een doorgekruste afvalcontainer.

Gebruiksdoelinden

Het gereedschap is bedoeld om zowel droog als nat stof te verzamelen. Het gereedschap is geschikt voor commercieel gebruik, bijvoorbeeld in hotels, scholen, ziekenhuizen, fabrieken, winkels, kantoren en verhuurbedrijven.

Geluidsniveau

De typische, A-gewogen geluidsniveaus zijn gemeten volgens IEC60335-2-69:

Geluidsdrukniveau (L_{pA}): 76 dB (A)
Onzekerheid (K): 2,5 dB (A)

Het geluidsniveau kan tijdens gebruik hoger worden dan 80 dB (A).

OPMERKING: De opgegeven geluidsemissiewaarde(n) is/zijn gemeten volgens een standaardtestmethode en kan/kunnen worden gebruikt om dit gereedschap te vergelijken met andere gereedschappen.

OPMERKING: De opgegeven geluidsemissiewaarde(n) kan/kunnen ook worden gebruikt voor een beoordeling vooraf van de blootstelling.

WAARSCHUWING: Draag gehoorbescherming.

WAARSCHUWING: De geluidsemissie tijdens het gebruik van het elektrisch gereedschap in de praktijk kan verschillen van de opgegeven waarde(n) afhankelijk van de manier waarop het gereedschap wordt gebruikt, met name van het soort werkstuk waarmee wordt gewerkt.

WAARSCHUWING: Zorg ervoor dat veiligheidsmaatregelen worden getroffen ter bescherming van de gebruiker die zijn gebaseerd op een schatting van de blootstelling onder praktijkomstandigheden (rekening houdend met alle fasen van de bedrijfscyclus, zoals de tijdsduur gedurende welke het gereedschap is uitgeschakeld en stationair draait, naast de ingeschakelde tijdsduur).

Trilling

De totale trillingswaarde (triaxiale vectorsom) zoals vastgesteld volgens IEC60335-2-69:
Trillingsemissie (a_{hM}): 2,5 m/s² of lager
Onzekerheid (K): 1,5 m/s²

OPMERKING: De totale trillingswaarde(n) is/zijn gemeten volgens een standaardtestmethode en kan/kunnen worden gebruikt om dit gereedschap te vergelijken met andere gereedschappen.

OPMERKING: De opgegeven totale trillingswaarde(n) kan/kunnen ook worden gebruikt voor een beoordeling vooraf van de blootstelling.

WAARSCHUWING: De trillingsemissie tijdens het gebruik van het elektrisch gereedschap in de praktijk kan verschillen van de opgegeven waarde(n) afhankelijk van de manier waarop het gereedschap wordt gebruikt, met name van het soort werkstuk waarmee wordt gewerkt.

WAARSCHUWING: Zorg ervoor dat veiligheidsmaatregelen worden getroffen ter bescherming van de gebruiker die zijn gebaseerd op een schatting van de blootstelling onder praktijkomstandigheden (rekening houdend met alle fasen van de bedrijfscyclus, zoals de tijdsduur gedurende welke het gereedschap is uitgeschakeld en stationair draait, naast de ingeschakelde tijdsduur).

EG-verklaring van conformiteit

Alleen voor Europese landen

De EG-verklaring van conformiteit is bijgevoegd als Bijlage A bij deze gebruiksaanwijzing.

VEILIGHEIDSWAARSCHUWINGEN

Veiligheidswaarschuwingen voor een accustofzuiger

WAARSCHUWING: BELANGRIJK! LEES VÓÓR GEBRUIK alle veiligheidswaarschuwingen en alle instructies ZORGVULDIG DOOR. Het niet volgen van de waarschuwingen en instructies kan leiden tot elektrische schokken, brand en/of ernstig letsel.

1. Bedenk vóór gebruik dat deze stofzuiger moet worden gebruikt door mensen die goed zijn geïnstrueerd in het gebruik van deze stofzuiger.
2. Vóór gebruik moeten gebruikers informatie, instructie en training krijgen over het gebruik van het apparaat en de materialen waarvoor het moet worden gebruikt, inclusief de veilige werkwijze voor het verwijderen en weggooien van het verzamelde materiaal.
3. Als er schuim of vloeistof uit komt, schakelt u hem onmiddellijk uit.

4. Maak de waterpeilbegrenzer regelmatig schoon en inspecteer hem op tekenen van beschadiging.
5. Gebruik de stofzuiger niet zonder het filter. Vervang een beschadigd filter onmiddellijk.
6. **VOORKOM ONBEDOELD STARTEN.** Verzeker u ervan dat de schakelaar in de uit-stand staat voordat u de accu('s) aanbrengt.
7. Probeer niet brandbare materialen, vuurwerk, brandende sigaretten, hete as, hete metaaldeeltjes, scherpe materialen, zoals scheermesjes, naalden, gebroken glas en dergelijke, op te zuigen.
8. **GEBRUIK DE STOFZUIGER NOOIT IN DE BUURT VAN BENZINE, GAS, VERF, LIJM OF ANDERE UITERST EXPLOSIEVE STOFFEN.** De schakelaar produceert vonken bij het in- en uitschakelen. En dat doet ook de collector in de motor tijdens gebruik. Hierdoor kan een gevaarlijke explosie worden veroorzaakt.
9. Zuig nooit giftige, kankerverwekkende, ontbrandbare of andere gevaarlijke stoffen op, zoals asbest, arsenicum, barium, beryllium, lood, pesticiden en andere gezondheidsbedreigende materialen.
10. Plaats de stofzuiger altijd op een horizontale en vlakke ondergrond om te voorkomen dat hij omvalt of onbedoeld beweegt.
11. Gebruik de stofzuiger nooit buitenshuis in de regen.
12. In Finland mag dit apparaat niet buitenshuis worden gebruikt bij lage temperaturen.
13. Gebruik hem niet dichtbij een warmtebron (fornuis, enz.).
14. Als de uitlaatlucht terugstroomt in het vertrek, is het noodzakelijk voor voldoende luchtverversing in het vertrek te zorgen. Raadpleeg hiervoor de nationale regelgeving.
15. **Blokkeer de aanzuigopening/uitlaat/koelventilatieopeningen niet.** Deze ventilatieopeningen zorgen voor de koeling van de motor. Blokkering ervan moet zorgvuldig worden voorkomen omdat anders de motor zal doorbranden als gevolg van gebrek aan ventilatie.
16. Zorg altijd voor een stevige stand en goede lichaamsbalans.
17. U mag de slang niet knikken, eraan trekken of erop gaan staan.
18. Schakel de stofzuiger onmiddellijk uit als u tijdens gebruik slechte prestaties of iets abnormaals opmerkt.
19. **VERWIJDER DE ACCU('S)** wanneer het gereedschap niet in gebruik is, u er onderhoud aan gaat plegen, en u accessoires verwisselt.
20. Reinig en onderhoud de stofzuiger onmiddellijk na elk gebruik om hem in optimale conditie te houden.
21. **ONDERHOUD DE STOFZUIGER GOED.** Houd de stofzuiger schoon om beter en veiliger te kunnen werken. Houdt u aan de instructies voor het verwisselen van de accessoires. Houd de handgrepen droog, schoon en vrij van olie en vetten.
22. **CONTROLEER BESCHADIGDE ONDERDELEN.** Zonder de stofzuiger verder te gebruiken, moet een beschermkap of ander onderdeel dat beschadigd is eerst goed worden onderzocht om te beoordelen of het goed werkt en zijn beoogde functie kan uitvoeren. Controleer of bewegende delen goed uitgelijnd zijn en niet vastgelopen zijn, of onderdelen niet kapot zijn en stevig gemonteerd zijn, en enige andere situatie die van invloed kan zijn op de werking ervan. Een beschermkap of ander onderdeel dat beschadigd is, dient vakkundig te worden gerepareerd of vervangen door een erkend servicecentrum, behalve indien anders aangegeven elders in deze gebruiksaanwijzing. Laat een kapotte schakelaar vervangen door een erkend servicecentrum. Gebruik de stofzuiger niet als hij niet kan worden in- en uitgeschakeld met de schakelaar.
23. Bij onderhoud door de gebruiker moet het apparaat worden gedemonteerd, gereinigd en onderhouden voor zover dat redelijkerwijs praktisch is zonder dat dit risico's oplevert voor het onderhoudspersoneel en anderen.
24. Het apparaat moet minimaal jaarlijks worden onderworpen aan een technische inspectie door de fabrikant of een opgeleid persoon, welke dient te bestaan uit, bijvoorbeeld, een inspectie van de filters op beschadigingen, de luchtdichtheid van het apparaat en de juiste werking van het bedieningsmechanisme.
25. Tijdens het uitvoeren van onderhouds- of reparatiewerkzaamheden moeten alle verontreinigde onderdelen die niet naar tevredenheid kunnen worden schoongemaakt, worden weggegooid. Dergelijke onderdelen moeten worden weggegooid in ondoordringbare zakken conform alle huidige regelgeving voor het weggooiën van dergelijk afval.
26. **VERVANGINGSONDERDELEN.** Gebruik tijdens reparaties uitsluitend identieke vervangingsonderdelen.
27. **BERG EEN STOFZUIGER DIE NIET WORDT GEBRUIKT VEILIG OP.** Wanneer de stofzuiger niet wordt gebruikt, dient hij binnenshuis te worden opgeborgen.
28. Natte filters en het binnenste deel van het vloeistofreservoir moeten worden gedroogd voordat ze worden opgeborgen.
29. Behandel uw stofzuiger voorzichtig. Een ruwe behandeling kan leiden tot een defect van zelfs de meest stevig gebouwde stofzuiger.
30. Probeer niet de buitenkant of binnenkant van de stofzuiger schoon te maken met wasbenzine, thinner of schoonmaakmiddelen. Hierdoor kunnen barsten en verkleuringen ontstaan.
31. Gebruik de stofzuiger niet in een afgesloten ruimte waarin brandbare, explosieve of giftige dampen worden afgegeven door verf op olie-basis, thinner, benzine, bepaalde motenbestrijdingsmiddelen, enz., of op plaatsen waar brandbaar stof aanwezig is.
32. Gebruik dit of enig ander gereedschap niet wanneer u onder invloed bent van drugs of alcohol.

33. Als basisveiligheidsmaatregel gebruikt u een beschermende bril of veiligheidsbril met zijkstukken.
34. Gebruik een stofmasker onder stoffige werkomstandigheden.
35. Dit apparaat is niet bedoeld voor gebruik door personen, waaronder kinderen, met een verminderd lichamelijk, zintuiglijk of geestelijk vermogen, of gebrek aan kennis en ervaring.
36. Kinderen dienen onder toezicht te staan om ervoor te zorgen dat zij niet met de stofzuiger spelen.
37. Hanteer de stofzuiger en accu('s) nooit met natte handen.
38. Wees bijzonder voorzichtig tijdens stofzuigen op een trap.
39. Gebruik de stofzuiger niet als een kruk of werkbank. Anders kan het apparaat vallen, waardoor persoonlijk letsel kan worden veroorzaakt.

Gebruik en verzorging van gereedschap dat op een accu werkt

1. **Laad alleen op met de acculader aanbevolen door de fabrikant.** Een acculader die geschikt is voor een bepaald type accu, kan brandgevaar opleveren indien gebruikt met een ander type accu.
2. **Gebruik elektrisch gereedschap uitsluitend met de daarvoor bestemde accu.** Gebruik van andere accu's kan gevaar voor letsel of brandgevaar opleveren.
3. **Als de accu niet wordt gebruikt, houdt u deze uit de buurt van metalen voorwerpen, zoals paperclips, muntgeld, sleutels, spijkers, schroeven en andere kleine metalen voorwerpen die een kortsluiting kunnen veroorzaken tussen de accupolen.** Kortsluiting tussen de accupolen kan leiden tot brandwonden of brand.
4. **Onder zware gebruiksomstandigheden kan vloeistof uit de accu komen. Voorkom aanraking!** Als u er per ongeluk mee in aanraking komt, spoelt u het er met water af. **Als de vloeistof in uw ogen komt, raadpleegt u tevens een arts.** Vloeistof uit de accu kan irritatie en brandwonden veroorzaken.
5. **Gebruik geen accu of gereedschap dat beschadigd of gewijzigd is.** Beschadigde of gewijzigde accu's kunnen onvoorspelbaar gedrag vertonen dat kan leiden tot brand, explosie of gevaar van letsel.
6. **Stel een accu of gereedschap niet bloot aan vuur of buitensporige temperaturen.** Blootstelling aan vuur of temperaturen hoger dan 130 °C kunnen een explosie veroorzaken.
7. **Volg alle oplaadinstructions en laad de accu of het gereedschap niet op buiten het temperatuurbereik opgegeven in de instructies.** Verkeerd opladen of bij een temperatuur buiten het opgegeven bereik kan de accu beschadigen en de kans op brand vergroten.

BEWAAR DEZE VOORSCHRIFTEN.

⚠WAARSCHUWING: Laat u NIET misleiden door een vals gevoel van comfort en bekendheid met het gereedschap (na veelvuldig gebruik) en neem alle veiligheidsvoorschriften van het betreffende gereedschap altijd strikt in acht. **VERKEERD GEBRUIK** of het niet naleven van de veiligheidsvoorschriften in deze gebruiksaanwijzing kan leiden tot ernstig letsel.

Belangrijke veiligheidsinstructies voor een accu

1. Lees alle voorschriften en waarschuwingen op (1) de acculader, (2) de accu, en (3) het product waarvoor de accu wordt gebruikt, alvorens de accu in gebruik te nemen.
2. Haal de accu niet uit elkaar en saboteer hem niet. Dit kan leiden tot brand, buitensporige hitte of een explosie.
3. **Als de gebruikstijd van een opgeladen accu aanzienlijk korter is geworden, moet u het gebruik ervan onmiddellijk stopzetten.** Voortgezet gebruik kan oververhitting, brandwonden en zelfs een ontploffing veroorzaken.
4. **Als elektrolyt in uw ogen is terechtgekomen, spoelt u uw ogen met schoon water en roept u onmiddellijk de hulp van een dokter in.** Elektrolyt in de ogen kan blindheid veroorzaken.
5. **Voorkom kortsluiting van de accu:**
 - (1) Raak de accuklemmen nooit aan met een geleidend materiaal.
 - (2) Bewaar de accu niet in een bak waarin andere metalen voorwerpen zoals spijkers, munten e.d. worden bewaard.
 - (3) Stel de accu niet bloot aan water of regen. Kortsluiting van de accu kan oorzaak zijn van een grote stroomafgifte, oververhitting, brandwonden, en zelfs defecten.
6. Bewaar en gebruik het gereedschap en de accu niet op plaatsen waar de temperatuur kan oplopen tot 50 °C of hoger.
7. Werp de accu nooit in het vuur, ook niet wanneer hij zwaar beschadigd of volledig versleten is. De accu kan ontploffen in het vuur.
8. Laat de accu niet vallen, sla er geen spijker in, snijd er niet in, gooi er niet mee en stoot hem niet tegen een hard voorwerp. Dergelijke handelingen kunnen leiden tot brand, buitensporige hitte of een explosie.
9. **Gebruik nooit een beschadigde accu.**
10. **De bijgeleverde lithium-ionbatterijen zijn onderhevig aan de vereisten in de wetgeving omtrent gevaarlijke stoffen.** Voor commercieel transport en dergelijke door derden en transporteurs moeten speciale vereisten ten aanzien van verpakking en etikettering worden nageleefd. Als voorbereiding van het artikel dat wordt getransporteerd is het noodzakelijk een expert op het gebied van gevaarlijke stoffen te raadplegen. Houd u tevens aan mogelijk strengere nationale regelgeving. Blootliggende contactpunten moeten worden afgedekt met tape en de accu moet zodanig worden verpakt dat deze niet kan bewegen in de verpakking.

11. Wanneer u de accu wilt weggooiden, verwijdert u de accu vanaf het gereedschap en gooit u hem op een veilige manier weg. Volg bij het weggooiden van de accu de plaatselijke voorschriften.
12. Gebruik de accu's uitsluitend met de gereedschappen die door Makita zijn aanbevolen. Als de accu's worden aangebracht in niet-compatibele gereedschappen, kan dat leiden tot brand, buitensporige warmteontwikkeling, een explosie of lekkage van elektrolyt.
13. Als u het gereedschap gedurende een lange tijd niet denkt te gaan gebruiken, moet de accu vanaf het gereedschap worden verwijderd.
14. Tijdens en na gebruik, kan de accu heet worden waardoor brandwonden of koude brandwonden kunnen worden veroorzaakt. Wees voorzichtig bij het hanteren van een hete accu.
15. Raak de aansluitpunten van het gereedschap niet onmiddellijk na gebruik aan omdat deze heet genoeg kunnen zijn om brandwonden te veroorzaken.
16. Zorg ervoor dat geen steenslag, stof of grond vast komt te zitten op/in de aansluitpunten, openingen en groeven van de accu. Dit kan leiden tot slechte prestaties of een defect van het gereedschap of de accu.
17. Behalve indien gebruik van het gereedschap is toegestaan in de buurt van hoogspanningsleidingen, mag u de accu niet gebruiken in de buurt van een hoogspanningsleiding. Dit kan leiden tot een storing of een defect van het gereedschap of de accu.
18. Houd de accu uit de buurt van kinderen.

BEWAAR DEZE INSTRUCTIES.

⚠ LET OP: Gebruik uitsluitend originele Makita accu's. Het gebruik van niet-originele accu's, of accu's die zijn gewijzigd, kan ertoe leiden dat de accu ontploft en brand, persoonlijk letsel en schade veroorzaakt. Ook vervalt daarmee de garantie van Makita op het gereedschap en de lader van Makita.

Tips voor een maximale levensduur van de accu

1. Laad de accu op voordat hij volledig ontladen is. Stop het gebruik van het gereedschap en laad de accu op telkens wanneer u vaststelt dat het vermogen van het gereedschap is afgenomen.
2. Laad een volledig opgeladen accu nooit opnieuw op. Te lang opladen verkort de levensduur van de accu.
3. Laad de accu op bij een omgevingstemperatuur tussen 10 °C en 40 °C. Laat een warme accu afkoelen alvorens hem op te laden.
4. Als de accu niet wordt gebruikt, verwijdert u hem vanaf het gereedschap of de lader.
5. Laad de accu op als u deze gedurende een lange tijd (meer dan zes maanden) niet gaat gebruiken.

BESCHRIJVING VAN DE FUNCTIES

⚠ LET OP: Zorg altijd dat het gereedschap is uitgeschakeld en de accu ervan is verwijderd alvorens de functies op het gereedschap af te stellen of te controleren.

De accu aanbrengen en verwijderen

⚠ LET OP: Schakel het gereedschap altijd uit voordat u de accu aanbrengt of verwijdert.

⚠ LET OP: Houd het gereedschap en de accu stevig vast tijdens het aanbrengen of verwijderen van de accu. Als u het gereedschap en de accu niet stevig vasthoudt, kunnen deze uit uw handen glijpen en het gereedschap of de accu beschadigen, of kan persoonlijk letsel worden veroorzaakt.

⚠ LET OP: Wees voorzichtig bij het sluiten of openen van het accudeksel dat uw vingers niet bekneld raken. Als u dit niet doet, kan persoonlijk letsel ontstaan.

Om de accu te plaatsen, opent u eerst het accudeksel en plaatst u vervolgens de accu.

► Fig.1: 1. Accudeksel

OPMERKING: Het accudeksel wordt vergrendeld wanneer u het opent totdat deze rechtop staat.

Lijn de lip op de accu uit met de groef in de behuizing en duw de accu op zijn plaats. Steek hem er helemaal in tot hij op zijn plaats wordt vergrendeld met een klikgeluid. Sluit daarna het accudeksel.

Om de accu te verwijderen, verschuift u de knop aan de voorkant van de accu en schuift u tegelijkertijd de accu uit het apparaat.

► Fig.2: 1. Accu 2. Knop 3. Rood deel

⚠ LET OP: Breng de accu altijd helemaal aan totdat het rode deel niet meer zichtbaar is. Als u dit niet doet, kan de accu per ongeluk uit het gereedschap vallen en u of anderen in uw omgeving verwonden.

⚠ LET OP: Breng de accu niet met kracht aan. Als de accu niet gemakkelijk in het gereedschap kan worden geschoven, wordt deze niet goed aangebracht.

De resterende acculading controleren

Alleen voor accu's met indicatorlampjes

► Fig.3: 1. Indicatorlampjes 2. Testknop

Druk op de testknop op de accu om de resterende acculading te zien. De indicatorlampjes branden gedurende enkele seconden.

Indicatorlampjes			Resterende acculading
Brandt	Uit	Knippert	
■	□	▩	75% tot 100%
■	■	■	
■	■	□	50% tot 75%
■	□	□	25% tot 50%
■	□	□	0% tot 25%
▩	□	□	Laad de accu op.
■	■	□	Er kan een storing zijn opgetreden in de accu.
□	□	■	

OPMERKING: Afhankelijk van de gebruiksomstandigheden en de omgevingstemperatuur, is het mogelijk dat de aangegeven acculading verschilt van de werkelijke acculading.

OPMERKING: Het eerste (meest linker) indicatorlampje knippert wanneer het accubeveiligingssysteem in werking is getreden.

Gereedschap-/accubeveiligingssysteem

Het gereedschap is uitgerust met een gereedschap-/accubeveiligingssysteem. Dit systeem kan automatisch de stroomtoevoer naar de motor afsluiten om de levensduur van het gereedschap en de accu te verlengen. Het gereedschap zal tijdens gebruik automatisch stoppen wanneer het gereedschap of de accu zich in een van de volgende omstandigheden bevindt: Onder bepaalde omstandigheden gaan de indicatorlampjes branden.

Overbelastingsbeveiliging

Wanneer het gereedschap wordt gebruikt op een manier die een abnormaal hoge stroomsterkte vergt, stopt het gereedschap automatisch zonder dat een indicatorlampje gaat branden. Schakel in dat geval het gereedschap uit en stop het gebruik dat ertoe leidde dat het gereedschap overbelast raakte. Schakel daarna het gereedschap weer in om verder te gaan.

Oververhittingsbeveiliging

Wanneer het gereedschap oververhit raakt, zal het gereedschap automatisch stoppen. Laat het gereedschap afkoelen, voordat u het gereedschap opnieuw inschakelt.

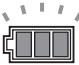

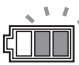

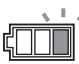

Beveiliging tegen te ver ontladen

Als de acculading laag is, stopt het gereedschap automatisch. Als het gereedschap niet werkt, ook niet wanneer de schakelaars worden bediend, verwijdert u de accu's vanaf het gereedschap en laadt u de accu's op.

De resterende acculading controleren

► **Fig.4:** 1. Accu-indicatorlampje 2. Testknop

Druk op de testknop om de resterende acculadingen te zien. De resterende acculading wordt aangegeven zoals in de onderstaande tabel.

Toestand van accu-indicator		Resterende acculading
Aan	Uit	
		50% tot 100%
		20% tot 50%
		0% tot 20%

De trekkerschakelaar gebruiken

⚠ALET OP: Controleer altijd, voordat u de accu in het gereedschap aanbrengt, of de schuifschakelaar op de juiste manier schakelt en weer terugkeert naar de uit-stand, wanneer achter op de schuifschakelaar wordt gedrukt.

Afhankelijk van de vereisten van uw werkzaamheden, kunt u kiezen uit twee typen zuigkracht: normaal "1" of hoog "2".

Om de stofzuiger in te schakelen, zet u de draaischakelaar in de stand "1" of "2".

Om de stofzuiger uit te schakelen, zet u de draaischakelaar in de stand "0".

► **Fig.5:** 1. Draaischakelaar

Automatische zuigonderbreking tijdens nat zuigen

⚠WAARSCHUWING: Gebruik niet langdurig terwijl de vlotter in werking is getreden. Als u de stofzuiger langdurig gebruikt terwijl de vlotter in werking is getreden, kan hij oververhit raken, waardoor de stofzuiger kan vervormen. In het ergste geval kan dat leiden tot rookvorming of brand.

⚠WAARSCHUWING: Zuig geen schuim of zepige vloeistoffen op. Door schuim of zepige vloeistoffen op te zuigen, kan schuim uit de luchtuitstroomopeningen komen voordat de vlotter in werking treedt. Aanhoudend gebruik in deze situatie kan leiden tot een elektrische schok en een defect van de stofzuiger.

De stofzuiger is uitgerust met een vlottermechanisme dat voorkomt dat water kan binnendringen in de motor wanneer meer dan een bepaalde hoeveelheid water wordt opgezogen. Wanneer de tank vol is en de stofzuiger geen water meer opzuigt, schakelt u de stofzuiger uit en maakt u de tank leeg.

Draaghandgreep

Wanneer u de stofzuiger draagt, draagt u deze aan de handgreep bovenop. Wanneer de handgreep niet in gebruik is, klapt u deze omlaag.

► Fig.6

OPMERKING: Wanneer er water in de tank zit, schakelt u de stofzuiger uit en maakt u de tank leeg voordat u hem draagt. Het water binnenin kan gaan lekken.

MONTAGE

⚠ LET OP: Zorg altijd dat het gereedschap is uitgeschakeld en de accu ervan is verwijderd alvorens enig werk aan het gereedschap uit te voeren.

⚠ LET OP: Draag altijd een stofmasker tijdens montage en onderhoud.

De slang aansluiten

KENNISGEVING: U mag de slang niet forceren of erop gaan staan. Trek de stofzuiger nooit mee aan de slang. Door de slang te forceren, erop te staan of eraan te trekken, kan hij kapot gaan of vervormen.

KENNISGEVING: Zuig geen groot afval op, zoals houtkrullen en stukjes beton. Hierdoor kan de slang verstopt raken en schade worden veroorzaakt.

Voor stofzuigen

Steek de slang in de aanzuigopening en draai hem rechtsom tot hij wordt vergrendeld.

► Fig.7: 1. Aanzuigopening

Voor blazen

Steek de slang in de uitblaasopening en draai hem rechtsom tot hij wordt vergrendeld.

► Fig.8: 1. Uitblaasopening

OPMERKING: Deze stofzuiger heeft een afzonderlijke aanzuigopening en uitblaasopening. Sluit de slang aan op de juiste opening, afhankelijk van uw werkzaamheden.

Het mondstuk aansluiten

Bevestig het brede mondstuk, het plintmondstuk of een ander mondstuk als optioneel accessoire, afhankelijk van uw werkzaamheden.

Om het mondstuk te bevestigen, steekt en draait u het op het uiteinde van de slang.

► Fig.9

Het gereedschap aansluiten

Optioneel accessoire

Om het gereedschap aan te sluiten, sluit het uiteinde van de slang aan op de stofafzuigmond van het gereedschap. Afhankelijk van het gereedschap hebt u mogelijk het optionele verloopstuk 22-38 of het voorste aansluitstuk 24 nodig.

► Fig.10: 1. Slang 2. Verloopstuk 22-38 3. Voorste aansluitstuk 24

OPMERKING: Wanneer u het gereedschap aansluit, controleert u altijd dat de slang is aangesloten op de aanzuigopening van de stofzuiger.

De slang en mondstukken opbergen

De slang en mondstukken kunnen op het apparaat worden opgeborgen, zoals aangegeven in de afbeelding.

► Fig.11: 1. Plintmondstuk 2. Brede mondstuk

Wanneer u de slang opbergt, wikkelt u hem om het apparaat en zet u hem vast met behulp van de haak, zoals aangegeven in de afbeelding.

► Fig.12: 1. Slang 2. Haak

De schouderriem bevestigen

Optioneel accessoire

Bevestig de haken van de schouderriem aan de bevestigingspunten op het gereedschap, zoals aangegeven in de afbeelding.

► Fig.13: 1. Schouderriem 2. Haak
3. Bevestigingspunt

BEDIENING

Gebruik als stofzuiger

KENNISGEVING: Gebruik het HEPA-filter bij het opzuigen van droog stof.

KENNISGEVING: Als u water blijft opzuigen met een HEPA-filter, kan de zuigkracht lager worden. Droog in dat geval het HEPA-filter. Gebruik een nat filter (optioneel accessoire) wanneer u herhaaldelijk water opzuigt.

► Fig.14: 1. HEPA-filter 2. Nat filter

1. Breng de slang en het mondstuk aan op de aanzuigopening en schakel het apparaat in.

2. Na het stofzuigen maakt u de tank leeg voordat deze vol raakt.

► Fig.15

Gebruik als blazer

⚠ LET OP: Blaas geen modderwater weg, bijvoorbeeld uit een plas of vanaf een zanderige ondergrond. Als vreemde voorwerpen in iemands ogen worden geblazen, kan dat leiden tot persoonlijk letsel.

⚠ LET OP: Gebruik niet als blazer tegen de wind in. Als vreemde voorwerpen in iemands ogen worden geblazen, kan dat leiden tot persoonlijk letsel.

⚠ LET OP: Gebruik altijd een veiligheidsbril, een pet en een masker tijdens het gebruik.

⚠ LET OP: Richt het mondstuk nooit op iemand in de buurt.

⚠ LET OP: De gebruiker is verantwoordelijk voor ongevallen en gevaren die andere personen of hun eigendommen kunnen overkomen.

⚠ LET OP: Gebruik het apparaat niet voor het opblazen van voorwerpen, zoals rubberboten, ballen of andere opblaasbare producten. Door een toegenomen motortoerental kan de ventilator gevaarlijk afbreken.

1. Breng de slang aan op de uitblaasopening.
2. Richt het uiteinde van de slang op het voorwerp dat u wilt wegblazen en schakel het apparaat in.

► Fig.16

OPMERKING: U kunt een smalle ruimte gemakkelijk schoonblazen door het plintmondstuk op de slang aan te brengen.

ONDERHOUD

⚠ LET OP: Zorg altijd dat het gereedschap is uitgeschakeld en de accu ervan is verwijderd alvorens te beginnen met onderhoud of inspectie.

⚠ LET OP: Om aanraking van het stof te verminderen, gebruikt u een veiligheidsbril en stofmasker wanneer u de tank leeggooit of het filter schoonmaakt.

KENNISGEVING: Gebruik nooit benzine, wasbenzine, thinner, alcohol en dergelijke. Hierdoor kunnen verkleuring, vervormingen en barsten worden veroorzaakt.

Om de VEILIGHEID en BETROUWBAARHEID van het gereedschap te handhaven, dienen alle reparaties, onderhoud of afstellingen te worden uitgevoerd bij een erkend Makita-servicecentrum of de Makita-fabriek, en altijd met gebruik van Makita-ervangingsonderdelen.

De tank leeggoien

⚠ WAARSCHUWING: Zorg er altijd voor dat de stofzuiger is uitgeschakeld en de accu is verwijderd voordat u de tank leeggooit. Als u dit niet doet, kunt u een elektrische schok krijgen en kan ernstig persoonlijk letsel ontstaan.

⚠ LET OP: Oefen geen sterke schokken uit op de tank. Een grote schok kan vervorming van en schade aan de onderdelen veroorzaken.

⚠ LET OP: Leeg de tank minstens eenmaal per dag, al is dit afhankelijk van de opgezogen hoeveelheid stof in de tank. Anders zal de zuigkracht afnemen en kan de motor defect raken.

⚠ LET OP: Pak de haak niet vast wanneer u de tank leegt. Als u de haak vastpakt, kan de haak afbreken.

Ontgrendel het tankdeksel en til hem op. Schud het stof van het filter af en gooi daarna het stof in de tank weg.

► Fig.17: 1. Haak 2. Tank

Het HEPA-filter/nat filter schoonmaken

KENNISGEVING: Schrob of kras het HEPA-filter/nat filter niet met harde voorwerpen, zoals een borstel of een schuurpons.

Een verstopt HEPA-filter/nat filter veroorzaakt slechte zuigprestaties. Maak het filter regelmatig schoon.

1. Om het HEPA-filter/nat filter te verwijderen, ontgrendel en verwijderd u het tankdeksel.
2. Draai het HEPA-filter/nat filter linksom en trek het uit het tankdeksel.

► Fig.18: 1. Tankdeksel 2. HEPA-filter 3. Tank

3. Om stof dat vastzit aan het HEPA-filter/nat filter te verwijderen, schudt u de onderrand van het frame meerdere keren snel heen en weer. Was af en toe het HEPA-filter/nat filter in water en spoel het uit, en in geval van het HEPA-filter laat u het goed drogen in de schaduw voordat u het weer gebruikt. Was het filter nooit in een wasmachine.

► Fig.19

4. Breng het HEPA-filter/nat filter weer aan door het te plaatsen en rechtsom te draaien zodat de bevestigingslippen stevig worden vergrendeld in het tankdeksel.

► Fig.20: 1. Tankdeksel 2. HEPA-filter
3. Bevestigingslip 4. Tank

5. Breng het tankdeksel aan en vergrendel het.

OPMERKING: Het filter verslijt na verloop van tijd. Wij adviseren u ze in reserve paraat te houden.

De voorfilterset aanbrengen

Optioneel accessoire

OPMERKING: Gebruik de voorfilterset alleen bij het opzuigen van droog stof met het HEPA-filter. Als u de voorfilterset gebruikt bij het opzuigen van water, kan de capaciteit voor het opzuigen van water lager worden.

De voorfilterset, bestaande uit het voorfilter en de demper, vermindert verstopping van het HEPA-filter met stof om de zuigkracht te behouden.

1. Ontgrendel en verwijder het tankdeksel.
2. Plaats de demper over het HEPA-filter en dek dit af met het voorfilter. Verzeker u ervan de rubber band van het voorfilter vast te haken aan de lip van het HEPA-filter.

► **Fig.21:** 1. HEPA-filter 2. Demper 3. Voorfilter

3. Breng het tankdeksel aan en vergrendel het.

OPTIONELE ACCESSOIRES

⚠ LET OP: Deze accessoires of hulpstukken worden aanbevolen voor gebruik met het Makita gereedschap dat in deze gebruiksaanwijzing is beschreven. Bij gebruik van andere accessoires of hulpstukken bestaat het gevaar van persoonlijke letsel. Gebruik de accessoires of hulpstukken uitsluitend voor hun bestemde doel.

Wenst u meer bijzonderheden over deze accessoires, neem dan contact op met het plaatselijke Makita-servicecentrum.

- Slang
- Voorste aansluitstuk 24
- Verloopstuk 22-38
- Hoekmondstuk
- Ronde borstel
- Schouderriem
- Nat filter
- HEPA-filter
- Voorfilterset
- Originele Makita accu's en acculaders

OPMERKING: Sommige items op de lijst kunnen zijn inbegrepen in de doos van het gereedschap als standaard toebehoren. Deze kunnen van land tot land verschillen.

ADVERTENCIA

- Esta máquina no ha sido prevista para ser utilizada por personas (incluidos niños) con capacidades físicas, sensoriales o mentales reducidas, o falta de experiencia y conocimiento.
- Los niños pequeños deberán ser supervisados para asegurarse de que no juegan con la aspiradora.
- Consulte el capítulo "ESPECIFICACIONES" para ver la referencia del tipo de batería.
- Consulte la sección "Instalación o extracción del cartucho de batería" para ver cómo retirar o instalar la batería.
- Para desechar el cartucho de batería, retírelo de la herramienta y deséchelo en un lugar seguro. Siga los reglamentos locales referentes al desecho de la batería.
- Si la herramienta no va a ser utilizada durante un periodo de tiempo largo, la batería deberá ser retirada de la herramienta.
- No cortocircuite el cartucho de batería.
- Consulte el capítulo "MANTENIMIENTO" para ver los detalles apropiados de las precauciones durante el mantenimiento hecho por el usuario.

ESPECIFICACIONES

Modelo:		DVC750L
Volumen máximo de aire	Normal (1)	1,3 m ³ /min
	Alta (2)	1,6 m ³ /min
Aspiración	Normal (1)	42 hPa
	Alta (2)	67 hPa
Superpresión nominal (cuando se usa como sopladora)	Normal (1)	42 hPa
	Alta (2)	67 hPa
Capacidad recuperable	Polvo	7,5 L
	Agua *	4,5 L
Dimensiones (La x An x Al)		418 mm x 251 mm x 278 mm
Tensión nominal		CC 18 V
Peso neto		4,2 - 4,6 kg
Grado de protección		IPX4

- Debido a nuestro continuado programa de investigación y desarrollo, las especificaciones aquí dadas están sujetas a cambios sin previo aviso.
- Las especificaciones pueden variar de un país a otro.
- El peso incluye accesorios (manguera, boquilla ancha, boquilla para bastidores) y cartucho(s) de batería. El peso de las combinaciones menos pesada y más pesada del aparato y cartucho(s) de batería se muestra en la tabla.
- * La capacidad de agua depende de la condición de utilización.

Cartucho de batería y cargador aplicables

Cartucho de batería	BL1815N / BL1820B / BL1830B / BL1840B / BL1850B / BL1860B
Cargador	DC18RC / DC18RD / DC18RE / DC18SD / DC18SE / DC18SF / DC18SH

- Algunos de los cartuchos de batería y cargadores indicados arriba puede que no estén disponibles dependiendo de su región de residencia.

⚠ ADVERTENCIA: Utilice solamente los cartuchos de batería y cargadores listados arriba. La utilización de cualquier otro cartucho de batería y cargador puede ocasionar heridas y/o un incendio.

Símbolos

A continuación se muestran los símbolos que pueden ser utilizados para el equipo. Asegúrese de que entienda su significado antes de utilizar.



Lea el manual de instrucciones.



Preste cuidado y atención especiales.



¡Advertencia! La aspiradora puede contener polvo peligroso.



Polvo de clase L (ligero). Las aspiradoras son capaces de recoger polvo de clase L. Siga los reglamentos de su país en relación con el polvo y la salud y seguridad laborales.



Sólo para países de la Unión Europea
Debido a la presencia de componentes peligrosos en el equipo, el equipo eléctrico y electrónico, los acumuladores y las baterías desechados pueden tener un impacto negativo para el medioambiente y la salud humana.
¡No tire los aparatos eléctricos y electrónicos ni las baterías junto con los residuos domésticos! De conformidad con las Directivas Europeas sobre residuos de aparatos eléctricos y electrónicos y sobre acumuladores y baterías y residuos de acumuladores y baterías, así como la adaptación de las mismas a la ley nacional, el equipo eléctrico, las baterías y los acumuladores desechados deberán ser almacenados por separado y trasladados a un punto distinto de recogida de desechos municipales, que cumpla con los reglamentos sobre protección medioambiental.
Esto se indica mediante el símbolo de cubo de basura tachado colocado en el equipo.

Uso previsto

La herramienta ha sido prevista para recoger tanto polvo seco como mojado. La herramienta es apropiada para uso comercial, por ejemplo, en hoteles, escuelas, hospitales, fábricas, tiendas, oficinas y negocios de alquiler.

Ruido

El nivel de ruido A-ponderado típico determinado de acuerdo con la norma IEC60335-2-69:

Nivel de presión sonora (L_{pA}) : 76 dB (A)

Error (K) : 2,5 dB (A)

El nivel de ruido en situación de trabajo puede exceder 80 dB (A).

NOTA: El valor (o los valores) de emisión de ruido declarado ha sido medido de acuerdo con un método de prueba estándar y se puede utilizar para comparar una herramienta con otra.

NOTA: El valor (o valores) de emisión de ruido declarado también se puede utilizar en una valoración preliminar de exposición.

⚠️ ADVERTENCIA: Póngase protectores para oídos.

⚠️ ADVERTENCIA: La emisión de ruido durante la utilización real de la herramienta eléctrica puede variar del valor (o los valores) de emisión declarado dependiendo de las formas en las que la herramienta sea utilizada, especialmente qué tipo de pieza de trabajo se procesa.

⚠️ ADVERTENCIA: Asegúrese de identificar medidas de seguridad para proteger al operario que estén basadas en una estimación de la exposición en las condiciones reales de utilización (teniendo en cuenta todas las partes del ciclo operativo como las veces cuando la herramienta está apagada y cuando está funcionando en vacío además del tiempo de gatillo).

Vibración

El valor total de la vibración (suma de vectores triaxiales) determinado de acuerdo con la norma IEC60335-2-69:

Emisión de vibración ($a_{h,M}$): 2,5 m/s² o menos

Error (K) : 1,5 m/s²

NOTA: El valor (o los valores) total de emisión de vibración declarado ha sido medido de acuerdo con un método de prueba estándar y se puede utilizar para comparar una herramienta con otra.

NOTA: El valor (o los valores) total de emisión de vibración declarado también se puede utilizar en una valoración preliminar de exposición.

⚠️ ADVERTENCIA: La emisión de vibración durante la utilización real de la herramienta eléctrica puede variar del valor (o los valores) de emisión declarado dependiendo de las formas en las que la herramienta sea utilizada, especialmente qué tipo de pieza de trabajo se procesa.

⚠️ ADVERTENCIA: Asegúrese de identificar medidas de seguridad para proteger al operario que estén basadas en una estimación de la exposición en las condiciones reales de utilización (teniendo en cuenta todas las partes del ciclo operativo como las veces cuando la herramienta está apagada y cuando está funcionando en vacío además del tiempo de gatillo).

Declaración CE de conformidad

Para países europeos solamente

La declaración CE de conformidad está incluida como Anexo A de esta manual de instrucciones.

ADVERTENCIAS DE SEGURIDAD

Advertencias de seguridad para la aspiradora a batería

⚠️ ADVERTENCIA: ¡IMPORTANTE! LEA CON ATENCIÓN todas las advertencias de seguridad y todas las instrucciones ANTES DE UTILIZAR. No seguir las advertencias e instrucciones puede resultar en una descarga eléctrica, un incendio y/o heridas graves.

1. Antes de utilizar, asegúrese de que esta aspiradora sea utilizada por personas que han sido instruidas adecuadamente sobre cómo usar esta aspiradora.
2. Antes de utilizar, a los operarios se les deberá proveer información, instrucciones y adiestramiento para la utilización de la máquina y las sustancias para las que se va a utilizar, incluyendo el método seguros de remoción y desecho del material recogido.
3. Si emerge espuma/liquido, apague inmediatamente.

4. Limpie el dispositivo de limitación del nivel de agua regularmente y examínelo por si hay señales de daños.
5. No utilice la aspiradora sin el filtro. Reemplace un filtro dañado inmediatamente.
6. **EVITE UNA PUESTA EN MARCHA INVOLUNTARIA.** Asegúrese de que el interruptor está desactivado cuando instale la batería(s).
7. No intente recoger materiales inflamables, fuegos de artificio, cigarrillos encendidos, cenizas calientes, virutas metálicas calientes, materiales cortantes como cuchillas de afeitar, agujas, cristales rotos o similares.
8. **NO UTILICE NUNCA LA ASPIRADORA CERCA DE GASOLINA, GAS, PINTURA, ADHESIVOS U OTRAS SUSTANCIAS ALTAMENTE EXPLOSIVAS.** El interruptor emite chispas cuando se activa y desactiva. Y también lo hace el conmutador del motor durante la operación. Puede resultar en una peligrosa explosión.
9. Nunca aspire materiales tóxicos, cancerígenos, combustibles u otros materiales peligrosos como asbestos, arsénico, bario, berilio, plomo, pesticidas, u otros materiales que puedan poner en peligro la salud.
10. Ponga siempre la aspiradora sobre una superficie horizontal plana para evitar que se caiga o se mueva accidentalmente.
11. No utilice nunca la aspiradora en exteriores bajo la lluvia.
12. Para Finlandia, esta máquina no es para ser usada en exteriores con temperatura baja.
13. No utilice cerca de fuentes de calor (estufas, etc.).
14. Si el aire expulsado es devuelto a la habitación, será necesario proveer un régimen adecuado de cambio de aire en la habitación. Consultar las normativas nacionales es necesario.
15. No bloquee las aberturas de la boca de succión/salida/ventilación. Estas aberturas permiten enfriar el motor. Deberá evitarse con cuidado que no se bloqueen, de lo contrario el motor se quemará debido a la falta de ventilación.
16. Mantenga los pies sobre suelo firme y el equilibrio en todo momento.
17. No doble, pise o tire con fuerza de la manguera.
18. Detenga la aspiradora inmediatamente si nota un mal rendimiento o algo anormal durante la operación.
19. **RETIRE LA BATERÍA(S).** Cuando no esté siendo utilizada, antes de realizar mantenimiento, y cuando cambie accesorios.
20. Limpie y haga el mantenimiento a la aspiradora inmediatamente después de cada utilización para mantenerla en las mejores condiciones de operación.
21. **MANTENGA LA ASPIRADORA CON CUIDADO.** Mantenga la aspiradora limpia para obtener un mejor y más seguro rendimiento. Siga las instrucciones cuando cambie accesorios. Mantenga los asideros secos, limpios y libres de aceite y grasa.
22. **COMPRUEBE LAS PARTES DAÑADAS.** Antes de seguir utilizando la aspiradora, un protector o cualquier otra parte que se haya dañado deberá inspeccionarse cuidadosamente para determinar que funcionará debidamente y que realizará la función para la que ha sido previsto. Compruebe la alineación de las partes móviles, la unión de las partes móviles, rotura de partes, montaje, y cualquier otra condición que pueda afectar a su operación. Un protector o cualquier otra parte que se haya dañado deberá repararse o reemplazarse debidamente en un centro de servicio autorizado a menos que se indique otra cosa en algún otro sitio en este manual de instrucciones. Pida a un centro de servicio autorizado que le reemplacen los interruptores defectuosos. No utilice la aspiradora si el interruptor no la enciende y apaga.
23. Para el servicio hecho por el usuario, hay que desmontar, limpiar y hacer el servicio a la máquina, hasta el punto que sea razonablemente factible, sin causar riesgo al personal de mantenimiento ni a otros.
24. La máquina deberá ser inspeccionada técnicamente por el fabricante, o una persona adiestrada, al menos una vez al año, consistiendo en, por ejemplo, inspección de los filtros por si están dañados, hermeticidad de la máquina y funcionamiento apropiado del mecanismo de control.
25. Cuando realice operaciones de servicio de mantenimiento o reparación, todos los elementos contaminados que no se puedan limpiar satisfactoriamente deberán ser desechados; tales elementos deberán ser desechados en bolsas impenetrables de acuerdo con cualquier reglamento actual para el desecho de dichos residuos.
26. **PIEZAS DE REPUESTO.** Cuando haga el mantenimiento, utilice solamente piezas de repuesto idénticas.
27. **GUARDE LA ASPIRADORA SI NO LA ESTÁ UTILIZANDO.** Cuando no esté siendo utilizada, la aspiradora deberá estar guardada en interiores.
28. Los filtros mojados y la parte interior del contenedor de líquido deberán ser secados antes de almacenar.
29. Sea amable con su aspiradora. Un manejo brusco puede ocasionar la rotura de incluso la aspiradora más robusta.
30. No intente limpiar el interior o exterior con bencina, diluyente o productos químicos de limpieza. Podrá ocasionar grietas o decoloración.
31. No utilice la aspiradora en un espacio cerrado donde puedan desprenderse vapores inflamables, explosivos o tóxicos de pintura a base de aceite, disolventes de pintura, gasolina, algunas sustancias contra las polillas, etc., o en áreas donde haya polvo inflamable.
32. No opere esta o cualquier otra herramienta bajo la influencia de drogas o alcohol.
33. Como norma básica de seguridad, utilice gafas de protección o gafas de seguridad con escudos laterales.

34. Utilice una máscara contra el polvo en condiciones de trabajo polvorientas.
35. Esta máquina no ha sido prevista para ser utilizada por personas (incluidos niños) con capacidades físicas, sensoriales o mentales reducidas, o falta de experiencia y conocimiento.
36. Los niños pequeños deberán ser supervisados para asegurarse de que no juegan con la aspiradora.
37. No maneje nunca la batería(s) y la aspiradora con las manos mojadas.
38. Tenga mucho cuidado cuando limpie en escaleras.
39. No utilice la aspiradora como taburete o mesa de trabajo. La máquina podrá caerse y resultar en heridas personales.

Utilización y cuidado de la herramienta a batería

1. Cargue la batería solamente con el cargador especificado por el fabricante. Un cargador que es apropiado para un tipo de batería puede crear un riesgo de incendio cuando se utiliza con otra batería.
2. Utilice las herramientas eléctricas solamente con las baterías designadas específicamente para ellas. La utilización de cualquier otra batería puede crear un riesgo de heridas o incendio.
3. Cuando la batería no esté siendo utilizada, guárdela alejada de otros objetos metálicos, como sujetapapeles, monedas, llaves, clavos, tornillos u otros objetos metálicos pequeños, que puedan hacer conexión entre un terminal y el otro. Si se cortocircuitan entre sí los terminales de la batería podrán producirse quemaduras o un incendio.
4. En condiciones abusivas, es posible que salga expulsado líquido de la batería; evite el contacto con él. Si se produce un contacto accidental, enjuague con agua. Si el líquido entra en los ojos, además de enjuagarlos, solicite asistencia médica. El líquido expulsado de la batería puede ocasionar irritación y quemaduras.
5. No utilice una batería o herramienta que esté dañada o modificada. Las baterías dañadas o modificadas pueden comportarse de forma impredecible resultando en un incendio, explosión o riesgo de heridas.
6. No exponga una batería o herramienta al fuego o a temperatura excesiva. La exposición al fuego o a una temperatura superior a los 130 °C puede ocasionar una explosión.
7. Siga todas las instrucciones de carga y no cargue la batería o la herramienta fuera del rango de temperatura especificado en las instrucciones. Cargar incorrectamente o a temperaturas fuera del rango especificado puede dañar la batería y aumentar el riesgo de incendio.

GUARDE ESTAS INSTRUCCIONES.

⚠ ADVERTENCIA: NO deje que la comodidad o familiaridad con el producto (a base de utilizarlo repetidamente) sustituya la estricta observancia de las normas de seguridad para el producto en cuestión. El MAL USO o el no seguir las normas de seguridad establecidas en este manual de instrucciones podrá ocasionar heridas personales graves.

Instrucciones de seguridad importantes para el cartucho de batería

1. Antes de utilizar el cartucho de batería, lea todas las instrucciones e indicaciones de precaución sobre (1) el cargador de baterías, (2) la batería, y (3) el producto con el que se utiliza la batería.
2. No desensamble ni manipule el cartucho de batería. Podrá resultar en un incendio, calor excesivo, o una explosión.
3. Si el tiempo de uso se acorta demasiado, cese la operación inmediatamente. Podría resultar en un riesgo de recalentamiento, posibles quemaduras e incluso una explosión.
4. Si entra electrólito en sus ojos, aclárelos con agua limpia y acuda a un médico inmediatamente. Existe el riesgo de poder perder la vista.
5. No cortocircuite el cartucho de batería:
 - (1) No toque los terminales con ningún material conductor.
 - (2) Evite guardar el cartucho de batería en un cajón junto con otros objetos metálicos, como clavos, monedas, etc.
 - (3) No exponga el cartucho de batería al agua ni a la lluvia.

Un cortocircuito en la batería puede producir una gran circulación de corriente, un recalentamiento, posibles quemaduras e incluso una rotura de la misma.
6. No guarde ni utilice la herramienta y el cartucho de batería en lugares donde la temperatura pueda alcanzar o exceder los 50 °C.
7. Nunca incinere el cartucho de batería incluso en el caso de que esté dañado seriamente o ya no sirva en absoluto. El cartucho de batería puede explotar si se tira al fuego.
8. No clave, corte, aplaste, lance, deje caer el cartucho de batería, ni golpee contra un objeto duro el cartucho de batería. Tal conducta podrá resultar en un incendio, calor excesivo, o una explosión.
9. No utilice una batería dañada.
10. Las baterías de litio-ion contenidas están sujetas a los requisitos de la Legislación para Materiales Peligrosos.

Para transportes comerciales, p.ej., por terceras personas y agentes de transportes, se deberán observar requisitos especiales para el empaquetado y etiquetado.

Para la preparación del artículo que se va a enviar, se requiere consultar con un experto en materiales peligrosos. Por favor, observe también la posibilidad de reglamentos nacionales más detallados. Cubra con cinta aislante o enmascare los contactos expuestos y empaquete la batería de tal manera que no se pueda mover alrededor dentro del embalaje.
11. Para desechar el cartucho de batería, retírelo de la herramienta y deséchelo en un lugar seguro. Siga los reglamentos locales referentes al desecho de la batería.

12. **Utilice las baterías solamente con los productos especificados por Makita.** La instalación de las baterías en productos no compatibles puede resultar en un incendio, calor excesivo, explosión, o fuga de electrolito.
13. **Si la herramienta no va a ser utilizada durante un periodo de tiempo largo, la batería deberá ser retirada de la herramienta.**
14. **Durante y después de la utilización, el cartucho de batería podrá acumular calor, lo cual puede ocasionar quemaduras o quemaduras de baja temperatura. Preste atención al manejo de cartuchos de batería calientes.**
15. **No toque el terminal de la herramienta inmediatamente después de utilizar, dado que puede calentarse lo suficiente como para ocasionar quemaduras.**
16. **No permita que virutas, polvo, o tierra se adhieran dentro de los terminales, orificios, y ranuras del cartucho de batería.** Podría resultar en un mal rendimiento o rotura de la herramienta o el cartucho de batería.
17. **A menos que la herramienta pueda utilizarse cerca de cables eléctricos de alta tensión, no utilice el cartucho de batería cerca de cables eléctricos de alta tensión.** Podrá resultar en un mal funcionamiento o rotura de la herramienta o el cartucho de batería.
18. **Mantenga la batería alejada de los niños.**

GUARDE ESTAS INSTRUCCIONES.

⚠PRECAUCIÓN: Utilice solamente baterías genuinas de Makita. La utilización de baterías no genuinas de Makita, o baterías que han sido alteradas, puede resultar en una explosión de la batería ocasionando incendios, heridas personales y daños. También anulará la garantía de Makita para la herramienta y el cargador de Makita.

Consejos para alargar al máximo la vida de servicio de la batería

1. **Cargue el cartucho de batería antes de que se descargue completamente. Detenga siempre la operación y cargue el cartucho de batería cuando note menos potencia en la herramienta.**
2. **No cargue nunca un cartucho de batería que esté completamente cargado. La sobrecarga acortará la vida de servicio de la batería.**
3. **Cargue el cartucho de batería a temperatura ambiente de 10 °C - 40 °C. Si un cartucho de batería está caliente, déjelo enfriar antes de cargarlo.**
4. **Cuando no esté utilizando el cartucho de batería, retírelo de la herramienta o del cargador.**
5. **Cargue el cartucho de batería si no lo utiliza durante un periodo de tiempo prolongado (más de seis meses).**

DESCRIPCIÓN DEL FUNCIONAMIENTO

⚠PRECAUCIÓN: Asegúrese siempre de que la herramienta está apagada y el cartucho de batería retirado antes de realizar cualquier ajuste o comprobación en la herramienta.

Instalación o extracción del cartucho de batería

⚠PRECAUCIÓN: Apague siempre la herramienta antes de instalar o retirar el cartucho de batería.

⚠PRECAUCIÓN: Sujete la herramienta y el cartucho de batería firmemente cuando instale o retire el cartucho de batería. Si no sujeta la herramienta y el cartucho de batería firmemente podrán caérsele de las manos y resultar en daños a la herramienta y al cartucho de batería y heridas personales.

⚠PRECAUCIÓN: Tenga cuidado de no pillarse los dedos cuando abra o cierre la tapa de la batería. En caso contrario podrán producirse heridas personales.

Para instalar el cartucho de batería, primero abra la tapa de la batería y después inserte el cartucho de batería.

► Fig.1: 1. Tapa de la batería

NOTA: La tapa de la batería se bloquea cuando se abre hacia arriba hasta la posición vertical.

Alinee la lengüeta del cartucho de batería con la acañaladura en el alojamiento y deslícelo al interior hasta encajarlo en su sitio. Insértelo a fondo hasta que se bloquee en su sitio con un leve chasquido. Después cierre la tapa de la batería.

Para retirar el cartucho de batería, deslícelo hacia afuera de la herramienta mientras desliza el botón de la parte delantera del cartucho.

► Fig.2: 1. Cartucho de batería 2. Botón 3. Indicador rojo

⚠PRECAUCIÓN: Instale siempre el cartucho de batería completamente hasta que no pueda verse el indicador rojo. En caso contrario, podrá caerse accidentalmente de la herramienta y ocasionar heridas a usted o a alguien que esté cerca de usted.

⚠PRECAUCIÓN: No instale el cartucho de batería empleando fuerza. Si el cartucho no se desliza al interior fácilmente, será porque no está siendo insertado correctamente.

Modo de indicar la capacidad de batería restante

Solamente para cartuchos de batería con el indicador

► Fig.3: 1. Lámparas indicadoras 2. Botón de comprobación

Presione el botón de comprobación en el cartucho de batería para indicar la capacidad de batería restante. Las lámparas indicadoras se iluminan durante unos pocos segundos.

Lámparas indicadoras			Capacidad restante
Iluminada	Apagada	Parpadeando	
			75% a 100%
			50% a 75%
			25% a 50%
			0% a 25%
			Cargue la batería.
			Puede que la batería no esté funcionando bien.

NOTA: Dependiendo de las condiciones de utilización y de la temperatura ambiente, la indicación podrá variar ligeramente de la capacidad real.

NOTA: La primera lámpara indicadora (extremo izquierdo) parpadeará cuando el sistema de protección de la batería esté funcionando.

Sistema de protección de la herramienta / batería

La herramienta está equipada con un sistema de protección de la herramienta/batería. Este sistema corta automáticamente la alimentación del motor para alargar la vida útil de la herramienta y la batería. La herramienta se detendrá automáticamente durante la operación si la herramienta o la batería es puesta en una de las condiciones siguientes. En algunas condiciones, los indicadores se iluminan.

Protección contra sobrecarga

Cuando la herramienta es utilizada de una manera que da lugar a que tenga que absorber una corriente anormalmente alta, la herramienta se detiene automáticamente sin ninguna indicación. En esta situación, apague la herramienta y detenga la tarea que ocasiona la sobrecarga de la herramienta. Después encienda la herramienta para volver a empezar.

Protección contra el recalentamiento

Cuando la herramienta se recalienta, la herramienta se detiene automáticamente. Deje que la herramienta se enfríe antes de encender la herramienta otra vez.

Protección contra descarga excesiva

Cuando la capacidad de la batería sea baja, la herramienta se detendrá automáticamente. Si el producto no funciona aun cuando los interruptores sean accionados, retire las baterías de la herramienta y cárguelas.

Modo de indicar la capacidad de batería restante

► **Fig.4:** 1. Indicador de batería 2. Botón de comprobación

Presione el botón de comprobación para indicar las capacidades de batería restantes. La capacidad de batería restante se muestra como en la tabla siguiente.

Estado del indicador de batería		Capacidad de batería restante
Encendido	Apagado	
		50% a 100%
		20% a 50%
		0% a 20%

Accionamiento del interruptor

⚠PRECAUCIÓN: Antes de instalar el cartucho de batería en la herramienta, compruebe siempre para ver que el interruptor deslizable se acciona debidamente y que vuelve a la posición “apagada” cuando se presiona la parte trasera del interruptor deslizable.

En función de las necesidades de su tarea, puede elegir dos tipos de potencia de succión; normal “1” o alta “2”.

Para poner en marcha la aspiradora, ajuste la palanca del interruptor en el lado de “1” o “2”.

Para apagar la aspiradora, ajuste la palanca del interruptor en el lado de “0”.

► **Fig.5:** 1. Palanca del interruptor

Parada de la succión automática durante la operación de succión en mojado

⚠ADVERTENCIA: No utilice durante largo tiempo mientras el flotador está funcionando.

La utilización de la aspiradora durante largo tiempo con su flotador funcionando puede ocasionar recalentamiento, resultando en una deformación de la aspiradora. En el peor de los casos, puede resultar en emisión de humo o en un incendio.

⚠ADVERTENCIA: No recoja espuma o líquido jabonoso. La recogida de espuma o líquido jabonoso puede ocasionar que emerja espuma por la salida de aire antes de que funcione el flotador. Si continúa utilizando en esta condición podrá ocasionar una descarga eléctrica y rotura de la aspiradora.

La aspiradora tiene un mecanismo de flotador que impide al agua entrar en el motor cuando se recoge más de cierta cantidad de agua. Cuando el depósito esté lleno y la aspiradora ya no recoja agua, apague la aspiradora y vacíe el depósito.

Empuñadura de transporte

Cuando transporte la aspiradora, transpórtela sujetándola por la empuñadura de la parte superior. La empuñadura se retracta en la parte superior cuando no se utiliza.

► Fig.6

NOTA: Cuando haya agua en el depósito, apague la aspiradora y vacíe el depósito antes de transportar. El agua de dentro se podrá fugar.

MONTAJE

⚠PRECAUCIÓN: Asegúrese siempre de que la herramienta está apagada y el cartucho de batería retirado antes de realizar cualquier trabajo en la herramienta.

⚠PRECAUCIÓN: Póngase siempre más-cara contra el polvo durante el montaje o el mantenimiento.

Conexión de la manguera

AVISO: No fuerce nunca la manguera para doblarla o estampearla. No mueva nunca la aspiradora tirando de la manguera. Forzar, estampar y tirar de la manguera podrá ocasionar una rotura o deformación de la manguera.

AVISO: No recoja residuos grandes tales como virutas de cepilladora y trozos de hormigón. Podrá ocasionar un relleno de la manguera y daños.

Para limpiar con la aspiradora

Inserte la manguera en la boca de succión y gírela hacia la derecha hasta que produzca un chasquido.

► Fig.7: 1. Boca de succión

Para soplar

Inserte la manguera en la salida del soplador y gírela hacia la derecha hasta que produzca un chasquido.

► Fig.8: 1. Salida del soplador

NOTA: Esta aspiradora tiene la boca de succión y la salida del soplador separadas. Conecte la manguera a la abertura apropiada en función de su tarea.

Conexión de la boquilla

Coloque la boquilla ancha, boquilla para bastidores, u otras boquillas suministradas como accesorios opcionales en función de su propósito.

Para colocar la boquilla, gírela e insértela en el extremo de la manguera.

► Fig.9

Conexión de la herramienta

Accesorios opcionales

Para conectar la herramienta, conecte el extremo de la manguera a la salida de extracción de la herramienta. Dependiendo de la herramienta, es posible que necesite el acoplador de 22-38 o el manguito delantero de 24 opcionales.

► Fig.10: 1. Manguera 2. Acoplador de 22-38
3. Manguito delantero de 24

NOTA: Cuando conecte la herramienta, asegúrese siempre de que la manguera está conectada a la boca de succión de la aspiradora.

Para guardar la manguera y las boquillas

La manguera y las boquillas se pueden guardar en la herramienta como se muestra en la ilustración.

► Fig.11: 1. Boquilla para bastidores 2. Boquilla ancha

Cuando guarde la manguera, arróllela en la herramienta y fíjela con el gancho como se muestra en la ilustración.

► Fig.12: 1. Manguera 2. Gancho

Instalación de la correa de hombro

Accesorios opcionales

Coloque los ganchos de la correa de hombro en los soportes de la aspiradora como se muestra en la figura.

► Fig.13: 1. Correa de hombro 2. Gancho 3. Soporte

OPERACIÓN

Utilización como aspiradora

AVISO: Utilice el filtro HEPA cuando recoja polvo seco.

AVISO: Si continúa recogiendo agua con el filtro HEPA, la potencia de succión podrá reducirse. En ese caso, seque el filtro HEPA.

Utilice el filtro mojado (accesorio opcional) cuando recoja agua repetidamente.

► Fig.14: 1. Filtro HEPA 2. Filtro mojado

1. Instale la manguera y la boquilla en la boca de succión y encienda la herramienta.

2. Después de limpiar con la aspiradora, vacíe el depósito antes de que se llene.

► Fig.15

Utilización como soplador

⚠️ PRECAUCIÓN: No sople agua enlodada tal como de charcos y zonas de arena. Si objetos extraños sopladados entran en sus ojos, podrá resultar en heridas personales.

⚠️ PRECAUCIÓN: No utilice como soplador con el viento de cara. Si objetos extraños sopladados entran en sus ojos, podrá resultar en heridas personales.

⚠️ PRECAUCIÓN: Utilice siempre gafas de protección, una gorra y máscara durante la operación.

⚠️ PRECAUCIÓN: No apunte nunca la boquilla hacia nadie en los alrededores.

⚠️ PRECAUCIÓN: El operario o usuario es el responsable de los accidentes o riesgos ocasionados a otras personas o a sus propiedades.

⚠️ PRECAUCIÓN: No utilice la herramienta para soplar aire al interior de objetos, tales como balsas de goma, balones u otros productos inflables. Un aumento de las revoluciones del motor puede ocasionar una peligrosa rotura del ventilador.

1. Instale la manguera en la salida del soplador.
2. Apunte la punta de la manguera hacia el objeto que quiere soplar y encienda la herramienta.

► Fig.16

NOTA: Para limpiar un espacio estrecho, será más fácil si conecta la boquilla para bastidores a la manguera.

MANTENIMIENTO

⚠️ PRECAUCIÓN: Asegúrese siempre de que la herramienta está apagada y de que el cartucho de batería está retirado antes de intentar hacer una inspección o mantenimiento.

⚠️ PRECAUCIÓN: Para reducir el contacto con el polvo, utilice gafas de protección y máscara contra el polvo cuando vacíe el depósito o limpie el filtro.

AVISO: No utilice nunca gasolina, bencina, disolvente, alcohol o similares. Podría producir descoloración, deformación o grietas.

Para mantener la SEGURIDAD y FIABILIDAD del producto, las reparaciones, y cualquier otra tarea de mantenimiento o ajuste deberán ser realizadas en centros de servicio o de fábrica autorizados por Makita, empleando siempre repuestos Makita.

Para vaciar el depósito

⚠️ ADVERTENCIA: Asegúrese siempre de que la aspiradora está apagada y el cartucho de batería está retirado antes de vaciar el depósito. En caso contrario podrá ocasionar una descarga eléctrica y heridas personales graves.

⚠️ PRECAUCIÓN: No aplique un impacto fuerte en el depósito. Un impacto fuerte podrá ocasionar deformación y daños a las partes.

⚠️ PRECAUCIÓN: Vacíe el depósito al menos una vez al día aunque esto dependerá del volumen de polvo recogido en el depósito. O, la fuerza de succión se debilitará y el motor podrá romperse.

⚠️ PRECAUCIÓN: No agarre el gancho cuando vacíe el depósito. Si agarra el gancho podrá ocasionar la rotura del gancho.

Desenganche y levante la tapa del depósito. Sacuda el polvo del filtro y después deseche el polvo del depósito.

► Fig.17: 1. Gancho 2. Depósito

Limpieza del filtro HEPA/filtro mojado

AVISO: No frote o rasque el filtro HEPA/filtro mojado con objetos duros tales como un cepillo y una paleta.

Un filtro HEPA/filtro mojado obstruido ocasionará un mal rendimiento de succión. Limpie el filtro de vez en cuando.

1. Para retirar el filtro HEPA/filtro mojado, desbloquee y retire la tapa del depósito.
2. Gire el filtro HEPA/filtro mojado hacia la izquierda y extraígallo de la tapa del depósito.

► Fig.18: 1. Tapa del depósito 2. Filtro HEPA 3. Depósito

3. Para retirar el polvo adherido al filtro HEPA/filtro mojado, agite la parte inferior del bastidor rápidamente varias veces. Lave ocasionalmente el filtro HEPA/filtro mojado en agua y aclárelo, y, en el caso del filtro HEPA, séquelo completamente en la sombra antes de utilizarlo. No lave nunca el filtro en una lavadora.

► Fig.19

4. Para instalar el filtro HEPA/filtro mojado, colóquelo y gírelo hacia la derecha de forma que las pestañas de sujeción queden bloqueadas firmemente en la tapa del depósito.

► Fig.20: 1. Tapa del depósito 2. Filtro HEPA 3. Pestaña de sujeción 4. Depósito

5. Monte la tapa del depósito y bloquéela.

NOTA: El filtro se gasta con el paso del tiempo. Se recomienda tener algunos repuestos para ellos.

Instalación del juego de prefiltro

Accesorios opcionales

NOTA: Utilice el juego de prefiltro solamente cuando recoja polvo seco con el filtro HEPA. Si utiliza el juego de prefiltro para recoger agua, la capacidad de succión de agua podrá reducirse.

El juego de prefiltro, que consiste en el prefiltro y el amortiguador, reduce los atascos por el polvo en el filtro HEPA para mantener la potencia de succión.

1. Desbloquee y retire la tapa del depósito.
2. Coloque el amortiguador en el filtro HEPA y cúbralo con el prefiltro. Asegúrese de enganchar la goma elástica del prefiltro en el reborde del filtro HEPA.

► **Fig.21:** 1. Filtro HEPA 2. Amortiguador 3. Prefiltro

3. Monte la tapa del depósito y bloquéela.

ACCESORIOS OPCIONALES

⚠PRECAUCIÓN: Estos accesorios o aditamentos están recomendados para su uso con la herramienta Makita especificada en este manual.

El uso de cualquier otro accesorio o aditamento puede suponer un riesgo de heridas personales. Utilice el accesorio o aditamento solamente con la finalidad indicada para el mismo.

Si necesita cualquier ayuda para más detalles en relación con estos accesorios, pregunte al centro de servicio Makita local.

- Manguera
- Manguito delantero de 24
- Acoplador de 22-38
- Boquilla para esquinas
- Cepillo redondo
- Correa de hombro
- Filtro mojado
- Filtro HEPA
- Juego de prefiltro
- Batería y cargador genuinos de Makita

NOTA: Algunos elementos de la lista podrán estar incluidos en el paquete de la herramienta como accesorios estándar. Pueden variar de un país a otro.

AVISO

- Esta máquina não deve ser utilizada por pessoas com capacidades físicas, sensoriais ou mentais reduzidas nem por crianças ou pessoas com falta de experiência ou conhecimentos.
- As crianças devem ser supervisionadas, de modo a assegurar que não brincam com o aspirador.
- Consulte o capítulo "ESPECIFICAÇÕES" para ficar a saber a referência de tipo da bateria.
- Consulte a secção "Instalar ou remover a bateria" para saber como remover ou instalar a bateria.
- Quando eliminar a bateria, remova-a da ferramenta e elimine-a num local seguro. Siga os regulamentos locais relacionados com a eliminação de baterias.
- Se a ferramenta não for utilizada durante um período de tempo prolongado, a bateria deve ser removida da ferramenta.
- Não coloque a bateria em curto-circuito.
- Consulte o capítulo "MANUTENÇÃO" para obter as informações adequadas sobre as precauções a ter durante a manutenção pelo utilizador.

ESPECIFICAÇÕES

Modelo:		DVC750L
Volume máximo de ar	Normal (1)	1,3 m ³ /min
	Alta (2)	1,6 m ³ /min
Vácuo	Normal (1)	42 hPa
	Alta (2)	67 hPa
Sobrepresão nominal (quando utilizar como soprador)	Normal (1)	42 hPa
	Alta (2)	67 hPa
Capacidade de recuperação	Pó	7,5 L
	Água *	4,5 L
Dimensões (C x L x A)		418 mm x 251 mm x 278 mm
Tensão nominal		CC 18 V
Peso líquido		4,2 - 4,6 kg
Grau de proteção		IPX4

- Devido a um programa contínuo de pesquisa e desenvolvimento, estas especificações estão sujeitas a alteração sem aviso prévio.
- As especificações podem diferir de país para país.
- O peso inclui os acessórios (mangueira, bocal amplo, bocal para caixilhos) e a(s) bateria(s). Os pesos combinados mais leve e mais pesado do aparelho e da(s) bateria(s) são indicados na tabela.
- * A capacidade da água depende das condições de utilização.

Bateria e carregador aplicável

Bateria	BL1815N / BL1820B / BL1830B / BL1840B / BL1850B / BL1860B
Carregador	DC18RC / DC18RD / DC18RE / DC18SD / DC18SE / DC18SF / DC18SH

- Algumas das baterias e carregadores listados acima poderão não estar disponíveis, dependendo da sua região de residência.

AVISO: Utilize apenas as baterias e carregadores listados acima. A utilização de quaisquer outras baterias e carregadores pode causar ferimentos e/ou um incêndio.

Símbolos

A seguir são apresentados os símbolos que podem ser utilizados para o equipamento. Certifique-se de que compreende o seu significado antes da utilização.



Leia o manual de instruções.



Tenha especial cuidado e atenção.



Aviso! O aspirador poderá conter pó perigoso.



Pó de classe L (leve). Os aspiradores são capazes de recolher pó de classe L. Siga os regulamentos do seu país relativos a pós e a higiene e segurança no trabalho.



Apenas para países da UE
Devido à presença de componentes perigosos no equipamento, os resíduos de equipamentos elétricos e eletrónicos, acumuladores e baterias podem ter um impacto negativo no meio ambiente e na saúde humana.
Não elimine aparelhos elétricos e eletrónicos ou baterias juntamente com resíduos domésticos!
De acordo com a Diretiva europeia relativa aos resíduos de equipamentos elétricos e eletrónicos, acumuladores e baterias, bem como a respetiva adaptação à legislação nacional, os resíduos de equipamentos elétricos e eletrónicos, acumuladores e baterias devem ser armazenados separadamente e entregues num ponto de recolha separado para resíduos municipais, que opere de acordo com os regulamentos de proteção ambiental.
Tal é indicado pelo símbolo de contentor de lixo com rodas barrado com uma cruz colocado no equipamento.

Utilização a que se destina

A ferramenta serve para recolher pó húmido e seco. A ferramenta é adequada para utilização comercial, por exemplo, em hotéis, escolas, hospitais, fábricas, lojas, escritórios e empresas de aluguer.

Ruído

A característica do nível de ruído A determinado de acordo com a IEC60335-2-69:

Nível de pressão acústica (L_{pA}): 76 dB (A)

Variabilidade (K): 2,5 dB (A)

O nível de ruído durante o funcionamento pode exceder 80 dB (A).

NOTA: O(s) valor(es) da emissão de ruído indicado(s) foi medido de acordo com um método de teste padrão e pode ser utilizado para comparar duas ferramentas.

NOTA: O(s) valor(es) da emissão de ruído indicado(s) pode também ser utilizado na avaliação preliminar da exposição.

AVISO: Utilize protetores auriculares.

AVISO: A emissão de ruído durante a utilização real da ferramenta elétrica pode diferir do(s) valor(es) indicado(s), dependendo das formas como a ferramenta é utilizada, especialmente o tipo de peça de trabalho que é processada.

AVISO: Certifique-se de identificar as medidas de segurança para proteção do operador que sejam baseadas em uma estimativa de exposição em condições reais de utilização (considerando todas as partes do ciclo de operação, tal como quando a ferramenta está desligada e quando está a funcionar em marcha lenta além do tempo de acionamento).

Vibração

Valor total da vibração (soma vetorial tri-axial) determinado de acordo com a IEC60335-2-69:

Emissão de vibração ($a_{h,M}$): 2,5 m/s² ou menos

Variabilidade (K): 1,5 m/s²

NOTA: O(s) valor(es) total(ais) de vibração indicado(s) foi medido de acordo com um método de teste padrão e pode ser utilizado para comparar duas ferramentas.

NOTA: O(s) valor(es) total(ais) de vibração indicado(s) pode também ser utilizado na avaliação preliminar da exposição.

AVISO: A emissão de vibração durante a utilização real da ferramenta elétrica pode diferir do(s) valor(es) indicado(s), dependendo das formas como a ferramenta é utilizada, especialmente o tipo de peça de trabalho que é processada.

AVISO: Certifique-se de identificar as medidas de segurança para proteção do operador que sejam baseadas em uma estimativa de exposição em condições reais de utilização (considerando todas as partes do ciclo de operação, tal como quando a ferramenta está desligada e quando está a funcionar em marcha lenta além do tempo de acionamento).

Declaração de conformidade da CE

Apenas para os países europeus

A declaração de conformidade da CE está incluída como Anexo A neste manual de instruções.

AVISOS DE SEGURANÇA

Avisos de segurança do aspirador a bateria

AVISO: IMPORTANTE! LEIA COM ATENÇÃO todos os avisos de segurança e todas as instruções ANTES DA UTILIZAÇÃO. Caso não siga os avisos e instruções, pode apanhar um choque elétrico, provocar um incêndio e/ou ferimentos graves.

1. Antes de utilizar, certifique-se de que este aspirador é utilizado por pessoas que tenham recebido instruções adequadas sobre a utilização deste aspirador.
2. Antes da utilização, devem ser fornecidas informações, instruções e formação aos operadores relativamente ao uso da máquina e às substâncias para as quais deve ser utilizada, incluindo o método seguro de remoção e eliminação do material recolhido.
3. Se sair espuma/líquido, desligue imediatamente.
4. Limpe o dispositivo de limitação do nível de água regularmente e inspecione-o quanto a sinais de danos.

5. Não utilize o aspirador sem o filtro. Substitua imediatamente o filtro danificado.
6. **EVITAR O ARRANQUE INVOLUNTÁRIO.** Assegure que o interruptor está desligado (OFF) quando instalar a(s) bateria(s).
7. Não tente aspirar materiais inflamáveis, fogo de artifício, cigarros acesos, cinzas quentes, aparas metálicas quentes, materiais aguçados como lâminas, agulhas, vidro partido ou outros do género.
8. **NUNCA UTILIZE O ASPIRADOR JUNTO DE GASOLINA, GÁS, TINTA, COLAS OU OUTRAS SUBSTÂNCIAS ALTAMENTE EXPLOSIVAS.** O interruptor emite faíscas quando se liga e desliga. O mesmo acontece com o comutador do motor durante o funcionamento. Pode resultar em explosão perigosa.
9. Nunca aspire produtos tóxicos, carcinogénicos, combustíveis ou outros materiais perigosos como amianto, arsénico, bário, berílio, chumbo, pesticidas ou outros materiais que ponham a saúde em perigo.
10. Coloque sempre o aspirador numa superfície plana horizontal para evitar a respetiva queda ou o respetivo movimento acidental.
11. Nunca utilize o aspirador no exterior, à chuva.
12. No caso da Finlândia, esta máquina não deve ser utilizada ao ar livre a baixa temperatura.
13. Não utilize junto de fontes de calor (fornos, etc.).
14. Se o ar de exaustão for retornado à divisão, é necessário providenciar uma taxa de mudança de ar adequada na divisão. É necessário consultar os regulamentos nacionais.
15. Não bloqueie o bocal de sucção/a saída/os ventiladores de arrefecimento. Estes ventiladores permitem arrefecer o motor. Os entupimentos devem ser cuidadosamente evitados, caso contrário, o motor queima por falta de ventilação.
16. Mantenha sempre o equilíbrio e os pés bem assentes no chão.
17. Não dobre, arraste nem pise a mangueira.
18. Desligue imediatamente o aspirador se notar qualquer falta de desempenho ou algo fora do normal durante o funcionamento.
19. **REMOVER A(S) BATERIA(S).** Quando não estiver a utilizar o aparelho, antes da assistência técnica e quando mudar de acessórios.
20. Limpe e faça a assistência ao aspirador imediatamente após cada utilização para o manter nas condições de funcionamento normal.
21. **CONSERVE O ASPIRADOR COM CUIDADO.** Mantenha o aspirador limpo para obter um desempenho melhor e mais seguro. Siga as instruções para mudar os acessórios. Mantenha as pegas secas, limpas e sem óleo e gordura.
22. **VERIFIQUE AS PEÇAS DANIFICADAS.** Antes de continuar a utilizar o aspirador deve verificar cuidadosamente se qualquer resguardo ou outra peça está danificado para determinar se o aspirador funcionará adequadamente e realizará a função pretendida. Verifique o alinhamento das peças móveis, a união das peças móveis, a quebra de peças, a montagem e quaisquer outras condições que possam afetar o seu funcionamento. Um resguardo ou outra peça danificado deve ser adequadamente reparado ou substituído por um centro de assistência autorizado, a menos que indicado o contrário em qualquer outro lugar neste manual. Peça a substituição de interruptores defeituosos junto de um centro de assistência autorizado. Não utilize o aspirador se o interruptor não o ligar ou desligar.
23. No caso de manutenção por parte do utilizador, a máquina deve ser desmontada, limpa e reparada, tanto quanto for razoavelmente possível, sem pôr em risco o pessoal de manutenção e outras pessoas.
24. A máquina deve ser inspecionada tecnicamente pelo fabricante ou por uma pessoa instruída, pelo menos anualmente, incluindo, por exemplo, a inspeção de filtros quanto a danos, estanquidade da máquina e funcionamento adequado do mecanismo de controlo.
25. Quando realizar operações de manutenção ou reparação, todos os itens contaminados que não possam ser limpos satisfatoriamente devem ser eliminados; tais itens devem ser eliminados em sacos impermeáveis, de acordo com quaisquer regulamentos atuais para a eliminação de tais resíduos.
26. **PEÇAS DE SUBSTITUIÇÃO.** Durante a assistência, utilize apenas peças de substituição idênticas.
27. **GUARDE O ASPIRADOR PARADO.** Quando não estiver a utilizar o aspirador, deve guardá-lo no interior.
28. Os filtros húmidos e a parte interior do recipiente de líquido devem ser secos antes de serem guardados.
29. Tenha cuidado com o aspirador. Um manuseamento severo pode provocar quebras até mesmo ao aspirador mais robusto.
30. Não tente limpar o exterior ou o interior com gasolina, diluente ou produtos químicos de limpeza. Pode provocar rachas ou descoloração.
31. Não utilize o aspirador num espaço fechado onde existam vapores inflamáveis, explosivos ou tóxicos devido a tintas à base de óleo, diluente de tinta, gasolina, algumas substâncias repelentes de traças, etc. ou em áreas onde estejam presentes poeiras inflamáveis.
32. Não opere esta ou qualquer ferramenta sob a influência de drogas ou álcool.
33. Utilize óculos de segurança ou de proteção com proteções laterais como medida básica de segurança.
34. Utilize uma máscara contra pó em condições de trabalho poeirentas.
35. Esta máquina não deve ser utilizada por pessoas com capacidades físicas, sensoriais ou mentais reduzidas nem por crianças ou pessoas com falta de experiência ou conhecimentos.
36. As crianças devem ser supervisionadas, de modo a assegurar que não brincam com o aspirador.

37. Nunca manuseie a(s) bateria(s) e o aspirador com as mãos molhadas.
38. Tenha extremo cuidado quando limpar escadas.
39. Não utilize o aspirador como banco ou bancada de trabalho. A máquina pode cair e resultar em ferimentos pessoais.

Utilização e cuidados com a ferramenta a bateria

1. **Recarregue apenas com o carregador especificado pelo fabricante.** Um carregador adequado para um tipo de bateria pode criar um risco de incêndio quando utilizado com outra bateria.
2. **Utilize as ferramentas elétricas apenas com as baterias especificamente designadas.** A utilização de uma bateria diferente pode criar um risco de ferimentos e de incêndio.
3. **Quando a bateria não está a ser utilizada, mantenha-a afastada de outros objetos metálicos, como cliques, moedas, chaves, pregos, parafusos ou outros objetos metálicos pequenos que possam fazer a ligação entre os dois terminais.** Colocar os terminais da bateria em curto-circuito um com o outro pode provocar queimaduras ou um incêndio.
4. **Em condições abusivas, o líquido pode ser ejetado da bateria; evite o contacto com o mesmo. Se ocorrer um contacto acidental, lave com água. Se o líquido entrar em contacto com os olhos, procure também assistência médica.** O líquido ejetado da bateria pode provocar irritações ou queimaduras.
5. **Não utilize um conjunto de baterias ou uma ferramenta que se encontrem danificados ou modificados.** As baterias danificadas ou modificadas poderão exibir um comportamento imprevisível, resultando em incêndio, explosão ou risco de lesão.
6. **Não exponha um conjunto de baterias ou uma ferramenta a incêndio ou temperatura excessiva.** A exposição a incêndio ou a uma temperatura superior a 130 °C poderá causar uma explosão.
7. **Siga todas as instruções de carregamento e não carregue o conjunto de baterias ou ferramenta fora da amplitude de temperaturas especificada nas instruções.** O carregamento impróprio ou a temperaturas fora da amplitude especificada poderá danificar a bateria e aumentar o risco de incêndio.

GUARDE ESTAS INSTRUÇÕES.

⚠️ AVISO: NÃO permita que conforto ou familiaridade com o produto (adquirido com o uso repetido) substitua a aderência estrita às regras de segurança da ferramenta. **MÁ INTERPRETAÇÃO** ou não seguimento das regras de segurança estabelecidas neste manual de instruções pode causar danos pessoais sérios.

Instruções de segurança importantes para a bateria

1. **Antes de utilizar a bateria, leia todas as instruções e etiquetas de precaução no (1) carregador de bateria (2) bateria e (3) produto que utiliza a bateria.**
2. **Não desmonte ou manipule a bateria.** Pode resultar num incêndio, em calor excessivo ou numa explosão.
3. **Se o tempo de funcionamento se tornar excessivamente curto, pare o funcionamento imediatamente.** Pode resultar em sobreaquecimento, possíveis queimaduras e mesmo explosão.
4. **Se entrar eletrólito nos seus olhos, lave-os com água e consulte imediatamente um médico.** Pode resultar em perda de visão.
5. **Não coloque a bateria em curto-circuito:**
 - (1) Não toque nos terminais com qualquer material condutor.
 - (2) Evite guardar a bateria juntamente com outros objetos metálicos tais como pregos, moedas, etc.
 - (3) Não exponha a bateria à água ou chuva. Um curto-circuito pode ocasionar um enorme fluxo de corrente, sobreaquecimento, possíveis queimaduras e mesmo estragar-se.
6. **Não guarde nem utilize a ferramenta e a bateria em locais onde a temperatura pode atingir ou exceder 50 °C.**
7. **Não queime a bateria mesmo que esteja estragada ou completamente gasta. A bateria pode explodir no fogo.**
8. **Não pregue, corte, esmague, atire, deixe cair a bateria, nem bata a bateria contra um objeto rijo.** Esta conduta pode resultar num incêndio, em calor excessivo ou numa explosão.
9. **Não utilize uma bateria danificada.**
10. **As baterias de íões de lítio contidas na ferramenta são sujeitas aos requisitos da DGL (Dangerous Goods Legislation - Legislação de bens perigosos).**

Para o transporte comercial, por exemplo, por terceiros ou agentes de expedição, têm de ser observados os requisitos referentes à embalagem e etiquetagem.

Para preparação do artigo a ser expedido, é necessário consultar um perito em materiais perigosos. Tenha ainda em conta a possibilidade de existirem regulamentos nacionais mais detalhados.

Coloque fita-cola ou tape os contactos abertos e embale a bateria de tal forma que não possa mover-se dentro da embalagem.
11. **Quando eliminar a bateria, remova-a da ferramenta e elimine-a num local seguro. Siga os regulamentos locais relacionados com a eliminação de baterias.**

12. **Utilize as baterias apenas com os produtos especificados pela Makita.** Instalar as baterias em produtos não-conformes poderá resultar num incêndio, calor excessivo, explosão ou fuga de eletrólito.
13. **Se a ferramenta não for utilizada durante um período de tempo prolongado, a bateria deve ser removida da ferramenta.**
14. **Durante e após a utilização, a bateria pode aquecer, o que pode provocar queimaduras ou queimaduras a baixa temperatura. Preste atenção ao manuseamento de baterias quentes.**
15. **Não toque no terminal da ferramenta imediatamente após a utilização, pois pode ficar suficientemente quente para provocar queimaduras.**
16. **Não permita a adesão de aparas, pó ou sujidade nos terminais, nos orifícios e nas ranhuras da bateria.** Pode resultar no fraco desempenho ou na avaria da ferramenta ou bateria.
17. **A menos que a ferramenta suporte a utilização perto de linhas elétricas de alta tensão, não utilize a bateria perto de linhas elétricas de alta tensão.** Pode resultar no mau funcionamento ou na avaria da ferramenta ou bateria.
18. **Mantenha a bateria afastada das crianças.**

GUARDE ESTAS INSTRUÇÕES.

⚠️PRECAUÇÃO: Utilize apenas baterias genuínas da Makita. A utilização de baterias não genuínas da Makita ou de baterias que foram alteradas, pode resultar no rebentamento da bateria provocando incêndios, ferimentos pessoais e danos. Além disso, anulará da garantia da Makita no que se refere à ferramenta e ao carregador Makita.

Conselhos para manter a máxima vida útil da bateria

1. **Carregue a bateria antes que esteja completamente descarregada. Pare sempre o funcionamento da ferramenta e carregue a bateria quando notar menos poder na ferramenta.**
2. **Nunca carregue uma bateria completamente carregada. Carregamento excessivo diminui a vida útil da bateria.**
3. **Carregue a bateria à temperatura ambiente de 10 °C – 40 °C. Deixe que uma bateria quente arrefeça antes de a carregar.**
4. **Quando não utilizar a bateria, remova-a da ferramenta ou do carregador.**
5. **Carregue a bateria se não a utilizar durante um longo período de tempo (mais de seis meses).**

DESCRIÇÃO FUNCIONAL

⚠️PRECAUÇÃO: Certifique-se sempre de que a ferramenta está desligada e a bateria foi retirada antes de regular ou verificar qualquer função na ferramenta.

Instalação ou remoção da bateria

⚠️PRECAUÇÃO: Desligue sempre a ferramenta antes de colocar ou retirar a bateria.

⚠️PRECAUÇÃO: Segure firmemente a ferramenta e a bateria quando instalar ou remover a bateria. Se não segurar firmemente a ferramenta e a bateria pode fazer com que escorreguem das suas mãos resultando em danos na ferramenta e na bateria e ferimentos pessoais.

⚠️PRECAUÇÃO: Tenha cuidado para não prende os dedos quando abrir ou fechar a tampa da bateria. Se não o fizer poderá causar lesões físicas.

Para instalar a bateria, abra primeiramente a tampa da bateria e insira-a seguidamente.

► Fig.1: 1. Tampa da bateria

NOTA: A tampa da bateria bloqueia quando a abre até à posição vertical.

Alinhe a lingueta na bateria com a ranhura no compartimento e deslize-a para a posição correta. Insira-a completamente até bloquear na posição correta com um pequeno clique. Em seguida, feche a tampa da bateria.

Para retirar a bateria, deslize-a para fora da ferramenta enquanto desliza o botão na frente da bateria.

► Fig.2: 1. Bateria 2. Botão 3. Indicador vermelho

⚠️PRECAUÇÃO: Instale sempre a bateria até ao fim, até deixar de ver o indicador vermelho.

Caso contrário, a bateria poderá cair da ferramenta acidentalmente e provocar ferimentos em si mesmo ou em alguém próximo.

⚠️PRECAUÇÃO: Não instale a bateria à força. Se a bateria não deslizar facilmente é porque não foi colocada corretamente.

Indicação da capacidade restante da bateria

Apenas para baterias com indicador

► Fig.3: 1. Luzes indicadoras 2. Botão de verificação

Prima o botão de verificação na bateria para indicar a capacidade restante da bateria. As luzes indicadoras acendem durante alguns segundos.

Luzes indicadoras			Capacidade restante
Aceso	Apagado	A piscar	
			75% a 100%
			50% a 75%
			25% a 50%
			0% a 25%
			Carregar a bateria.
			A bateria pode estar avariada.

NOTA: Dependendo das condições de utilização e da temperatura ambiente, a indicação pode ser ligeiramente diferente da capacidade real.

NOTA: A primeira luz indicadora (extremo esquerdo) pisca quando o sistema de proteção da bateria funciona.

Sistema de proteção da ferramenta/bateria

A ferramenta está equipada com um sistema de proteção da ferramenta/bateria. Este sistema corta automaticamente a corrente ao motor para prolongar a vida útil da ferramenta e da bateria. A ferramenta para automaticamente durante o funcionamento se a ferramenta ou a bateria se encontrarem numa das seguintes condições. Nalgumas condições, a luz indicadora acende.

Proteção contra sobrecarga

Quando a ferramenta é utilizada de tal forma que puxa uma corrente demasiado elevada, a ferramenta para automaticamente sem qualquer indicação. Nesta situação, desligue a ferramenta e pare a aplicação que provocou a sobrecarga da ferramenta. Depois, volte a ligar a ferramenta para voltar ao trabalho.

Proteção contra sobreaquecimento

Quando a ferramenta aquece demasiado, a ferramenta para automaticamente. Deixe a ferramenta arrefecer antes de tentar voltar a ligá-la.

Proteção contra descarga excessiva

Quando a capacidade da bateria é baixa, a ferramenta para automaticamente. Se o produto não funcionar mesmo quando os interruptores são acionados, retire as baterias da ferramenta e carregue-as.

Indicação da capacidade restante da bateria

► **Fig.4:** 1. Indicador da bateria 2. Botão de verificação

Prima o botão de verificação para indicar a capacidade restante das baterias. A capacidade restante da bateria é apresentada como na seguinte tabela.

Estado dos indicadores da bateria		Capacidade restante da bateria
Aceso	Apagado	
		50% a 100%
		20% a 50%
		0% a 20%

Ação do interruptor

⚠PRECAUÇÃO: Antes de instalar a bateria na ferramenta, verifique sempre se o interruptor deslizante funciona corretamente e regressa à posição de desligado quando se carrega na parte de trás do interruptor deslizante.

De acordo com a sua necessidade de trabalho, pode escolher dois tipos de potência de sucção; normal "1" ou alta "2".

Para efetuar o arranque do aspirador, coloque a alavanca do interruptor no lado "1" ou "2".

Para desligar o aspirador, coloque a alavanca do interruptor no lado "0".

► **Fig.5:** 1. Alavanca do interruptor

Paragem da sucção automática durante a operação de sucção a húmido

⚠AVISO: Não utilize durante um período prolongado enquanto o flutuador estiver a funcionar. Utilizar o aspirador com o respetivo flutuador em funcionamento por um período prolongado pode causar sobreaquecimento, resultando na deformação do aspirador. No pior caso, pode causar a emissão de fumo ou incêndio.

⚠AVISO: Não recolha espuma ou líquido com detergente. Recolher espuma ou líquido com detergente pode causar a saída de espuma da saída de ar antes de o flutuador estar em funcionamento. Continuar a usar o aspirador neste estado poderá causar um choque elétrico e a avaria do aspirador.

O aspirador possui um mecanismo de flutuador que evita que a água imerja no motor quando recolhe mais do que uma determinada quantidade de água. Quando o reservatório estiver cheio e o aspirador deixar de recolher água, desligue o aspirador e esvazie o reservatório.

Alça de transporte

Quando transportar o aspirador, transporte-o segurando na alça situada na cabeça. A alça é retrátil na cabeça quando não está a ser utilizada.

► Fig.6

NOTA: Quando o reservatório tiver água, desligue o aspirador e esvazie o reservatório antes de transportá-lo. A água pode verter.

MONTAGEM

⚠PRECAUÇÃO: Certifique-se sempre de que a ferramenta está desligada e a bateria retirada antes de executar qualquer trabalho na ferramenta.

⚠PRECAUÇÃO: Use sempre máscara anti-pó durante a montagem ou manutenção.

Ligar a mangueira

OBSERVAÇÃO: Nunca force a mangueira para curvÁ-la ou marcÁ-la. Nunca mova o aspirador através de uma mangueira. Forçar, marcar e puxar a mangueira poderá causar uma avaria ou deformação da mangueira.

OBSERVAÇÃO: Não apanhe resíduos grandes, tais como serragem de plainas e peças de betão. Estes podem causar o enchimento e danos da mangueira.

Para aspirar o pó

Insira a mangueira no bocal de sucção e rode-a para a direita até encaixar.

► Fig.7: 1. Bocal de sucção

Para soprar

Insira a mangueira na saída do soprador e rode-a para a direita até encaixar.

► Fig.8: 1. Saída do soprador

NOTA: Este aspirador tem o bocal de sucção e a saída do soprador separadamente. Ligue a mangueira à porta adequada em função do seu trabalho.

Ligar o bocal

Prenda o bocal amplo, o bocal para caixilhos ou outros bocais fornecidos como acessórios opcionais em função da sua finalidade.

Para prender o bocal, torça e insira-o na extremidade da mangueira.

► Fig.9

Ligar a ferramenta

Acessório opcional

Para ligar a ferramenta, ligue a extremidade da mangueira à saída de extração da ferramenta. Em função da ferramenta, pode necessitar da junta 22-38 ou da bainha frontal 24 opcionais.

► Fig.10: 1. Mangueira 2. Junta 22-38 3. Bainha frontal 24

NOTA: Quando ligar a ferramenta, certifique-se sempre de que a mangueira está ligada ao bocal de sucção no aspirador.

Armazenamento da mangueira e dos bocais

A mangueira e os bocais podem ser armazenados na ferramenta como ilustrado.

► Fig.11: 1. Bocal para caixilhos 2. Bocal amplo

Quando guardar a mangueira, enrole-a na ferramenta e fixe-a com o gancho, conforme ilustrado.

► Fig.12: 1. Mangueira 2. Gancho

Instalar a correia de ombro

Acessório opcional

Prenda os ganchos da correia de ombro nos suportes do aspirador, conforme apresentado na figura.

► Fig.13: 1. Correia de ombro 2. Gancho 3. Suporte

OPERAÇÃO

Utilizar como aspirador

OBSERVAÇÃO: Utilize o filtro HEPA quando recolher pó seco.

OBSERVAÇÃO: Se continuar a recolher água com o filtro HEPA, a potência de sucção pode ser reduzida. Nesse caso, seque o filtro HEPA. Utilize o filtro húmido (acessório opcional) quando recolher água repetidamente.

► Fig.14: 1. Filtro HEPA 2. Filtro húmido

1. Instale a mangueira e o bocal no bocal de sucção e ligue a ferramenta.

2. Após aspirar, esvazie o reservatório antes de ficar cheio.

► Fig.15

Utilizar como soprador

⚠️ PRECAUÇÃO: Não sopre água lamacenta, tal como poças e área com areia. Se objetos estranhos forem soprados para os olhos, pode resultar em ferimentos pessoais.

⚠️ PRECAUÇÃO: Não utilize como soprador na direção oposta à do vento. Se objetos estranhos forem soprados para os olhos, pode resultar em ferimentos pessoais.

⚠️ PRECAUÇÃO: Utilize sempre óculos de proteção, um boné e uma máscara enquanto trabalha.

⚠️ PRECAUÇÃO: Nunca aponte o bocal para ninguém que esteja nas proximidades.

⚠️ PRECAUÇÃO: O operador ou utilizador é responsável por acidentes ou perigos que ocorram a outras pessoas ou à respetiva propriedade.

⚠️ PRECAUÇÃO: Não utilize a ferramenta para inflar objetos, tais como jangadas de borracha, bolas ou outros produtos infláveis. O aumento de rotação do motor poderá causar a quebra perigosa do ventilador.

1. Instale a mangueira na saída do soprador.
 2. Aponte a ponta da mangueira para o objeto a soprar e ligue a ferramenta.
- Fig.16

NOTA: Para limpar um espaço estreito, é mais fácil ligar o bocal para caixilhas à mangueira.

MANUTENÇÃO

⚠️ PRECAUÇÃO: Certifique-se sempre de que a ferramenta se encontra desligada e de que a bateria foi retirada antes de executar qualquer inspeção ou manutenção.

⚠️ PRECAUÇÃO: Para reduzir o contacto com o pó, utilize óculos de proteção e máscara anti-pó quando esvaziar o reservatório ou limpar o filtro.

OBSERVAÇÃO: Nunca utilize gasolina, benzina, diluente, álcool ou produtos semelhantes. Pode ocorrer a descoloração, deformação ou rachaduras.

Para manter a SEGURANÇA e a FIABILIDADE do produto, as reparações e qualquer outra manutenção ou ajuste devem ser levados a cabo pelos centros de assistência Makita autorizados ou pelos centros de assistência de fábrica, utilizando sempre peças de substituição Makita.

Esvaziar o reservatório

⚠️ AVISO: Assegure sempre que o aspirador está desligado e que a bateria é removida antes de esvaziar o reservatório. Se não o fizer poderá causar choque elétrico e lesões físicas graves.

⚠️ PRECAUÇÃO: Não exerça um grande impacto no reservatório. Aplicar um grande impacto poderá causar a deformação e danos nas peças.

⚠️ PRECAUÇÃO: Esvazie o reservatório pelo menos uma vez por dia, embora isso dependa do volume de pó recolhido no reservatório. Ou, a força de sucção enfraquecerá e o motor poderá avariar.

⚠️ PRECAUÇÃO: Não agarre o gancho quando esvaziar o reservatório. Agarrar o gancho poderá causar a avaria do gancho.

Retire o gancho e levante a tampa do reservatório. Sacuda o pó do filtro e, em seguida, elimine o pó do reservatório.

► Fig.17: 1. Gancho 2. Reservatório

Limpar o filtro HEPA/filtro húmido

OBSERVAÇÃO: Não esfregue nem arranhe o filtro HEPA/filtro húmido com objetos duros tais como uma escova e uma palheta.

O filtro HEPA/filtro húmido entupido causa o fraco desempenho da sucção. Limpe o filtro esporadicamente.

1. Para remover o filtro HEPA/filtro húmido, desbloqueie e remova a tampa do reservatório.
2. Rode o filtro HEPA/filtro húmido para a esquerda e retire-o da tampa do reservatório.

► Fig.18: 1. Tampa do reservatório 2. Filtro HEPA 3. Reservatório

3. Para remover o pó aderente ao filtro HEPA/filtro húmido, sacuda rapidamente o fundo da estrutura diversas vezes.

Lave ocasionalmente o filtro HEPA/filtro húmido em água e enxague-o, e no caso de filtro HEPA, deixe-o secar bem à sombra antes de usar. Nunca lave o filtro numa máquina de lavar roupa.

► Fig.19

4. Para instalar o filtro HEPA/filtro húmido, coloque-o e torça-o para a direita, de modo que as bordas de fixação fiquem firmemente bloqueadas na tampa do reservatório.

► Fig.20: 1. Tampa do reservatório 2. Filtro HEPA 3. Borda de fixação 4. Reservatório

5. Monte a tampa do reservatório e bloqueie-a.

NOTA: O filtro sofre desgaste com o tempo. Recomenda-se ter algumas peças sobresselentes para estes.

Instalar o conjunto do pré-filtro

Acessório opcional

NOTA: Utilize o conjunto do pré-filtro apenas quando recolher pó seco com o filtro HEPA. Se utilizar o conjunto do pré-filtro para recolher água, a capacidade de sucção de água pode ser reduzida.

O conjunto do pré-filtro, composto pelo pré-filtro e amortecedor, reduz o entupimento de pó no filtro HEPA para manter a potência de sucção.

1. Desbloqueie e remova a tampa do reservatório.
2. Coloque o amortecedor no filtro HEPA e cubra-o com o pré-filtro. Certifique-se de que engancha a fita de borracha do pré-filtro na borda do filtro HEPA.

► **Fig.21:** 1. Filtro HEPA 2. Amortecedor 3. Pré-filtro

3. Monte a tampa do reservatório e bloqueie-a.

ACESSÓRIOS OPCIONAIS

⚠PRECAUÇÃO: Estes acessórios ou peças são recomendados para utilização com a ferramenta Makita especificada neste manual. A utilização de outros acessórios ou peças pode ser perigosa para as pessoas. Utilize apenas acessórios ou peças para os fins indicados.

Se necessitar de informações adicionais relativas a estes acessórios, solicite-as ao seu centro de assistência Makita.

- Mangueira
- Bainha frontal 24
- Junta 22-38
- Bocal para cantos
- Escova redonda
- Correia de ombro
- Filtro húmido
- Filtro HEPA
- Conjunto do pré-filtro
- Bateria e carregador genuínos da Makita

NOTA: Alguns itens da lista podem estar incluídos na embalagem da ferramenta como acessórios padrão. Eles podem variar de país para país.

ADVARSEL

- Denne maskine er ikke beregnet til brug af personer, herunder børn, med reducerede fysiske, sensoriske eller mentale færdigheder eller manglende erfaring og viden.
- Børn skal overvåges for at sikre, at de ikke leger med støvsugeren.
- Se kapitlet "SPECIFIKATIONER" for batteriets typereference.
- Se afsnittet "Installation eller fjernelse af akkuen" for at finde ud af, hvordan man fjerner eller installerer batteriet.
- Når du bortskaffer akkuen, skal du afmontere den fra maskinen og bortskaffe den på et sikkert sted. Følg dine lokale regler vedrørende bortskaffelse af batterier.
- Hvis maskinen ikke skal bruges i en længere periode, skal batteriet fjernes fra maskinen.
- Akkuen må ikke kortsluttes.
- Se kapitlet "VEDLIGEHOLDELSE" for at få de relevante oplysninger om forholdsregler under brugervedligeholdelse.

SPECIFIKATIONER

Model:		DVC750L
Maksimalt luftvolumen	Normal (1)	1,3 m ³ /min
	Høj (2)	1,6 m ³ /min
Vakuum	Normal (1)	42 hPa
	Høj (2)	67 hPa
Nominal overtryk (ved brug som blæser)	Normal (1)	42 hPa
	Høj (2)	67 hPa
Opsamlingskapacitet	Støv	7,5 L
	Vand *	4,5 L
Dimensioner (L x B x H)		418 mm x 251 mm x 278 mm
Nominal spænding		DC 18 V
Vægt		4,2 - 4,6 kg
Beskyttelsesgrad		IPX4

- På grund af vores kontinuerlige forsknings- og udviklingsprogrammer kan hosstående specifikationer blive ændret uden varsel.
- Specifikationer kan variere fra land til land.
- Vægten inkluderer tilbehør (slange, bredt mundstykke, fugemundstykke) samt akku(er). Vægten af den letteste og tungeste kombination af apparat og akku(er) er vist i tabellen.
- * Kapaciteten af vand afhænger af brugsforholdet.

Anvendelig akku og oplader

Akku	BL1815N / BL1820B / BL1830B / BL1840B / BL1850B / BL1860B
Oplader	DC18RC / DC18RD / DC18RE / DC18SD / DC18SE / DC18SF / DC18SH

- Nogle af de akkuer og opladere, der er angivet ovenfor, er muligvis ikke tilgængelige, afhængigt af hvilket område du bor i.

⚠ ADVARSEL: Brug kun de akkuer og opladere, der er angivet ovenfor. Brug af andre akkuer og opladere kan medføre personskade og/eller brand.

Symboler

Følgende viser de symboler, der muligvis anvendes til udstyret. Sørg for, at du forstår deres betydning før brugen.



Læs betjeningsvejledningen.



Udvis særlig forsigtighed og opmærksomhed.



Advarsel! Støvsugeren indeholder muligvis farligt støv.



Støvklasse L (let). Støvsugererne kan opsure støvklasse L. Følg lovgivningen i dit land vedrørende støv samt sundhed og sikkerhed på arbejdspladsen.



Kun for lande inden for EU
På grund af tilstedeværelsen af farlige komponenter i udstyret kan affald af elektrisk og elektronisk udstyr, akkumulatører og batterier have en negativ indvirkning på miljøet og folkesundheden.

Bortskaf ikke elektriske og elektroniske apparater eller batterier sammen med husholdningsaffald!
I overensstemmelse med EF-direktiv om affaldshåndtering af elektrisk og elektronisk udstyr og om akkumulatører og batterier og affaldsakkumulatører og -batterier, og i overensstemmelse med national lovgivning, skal brugt elektrisk udstyr, batterier og akkumulatører opbevares separat og leveres til et separat indsamlingssted for kommunalt affald, der er etableret i henhold til bestemmelserne om miljøbeskyttelse. Dette er angivet ved symbolet på den krydsede skraldespand, der er placeret på udstyret.

Tilsigtet anvendelse

Maskinen er beregnet til opugning af både vådt og tørt støv. Maskinen er egnet til kommerciel brug, for eksempel i hoteller, skoler, hospitaler, fabrikker, butikker, kontorer og udlejningsvirksomheder.

Støj

Det typiske A-vægtede støjniveau bestemt i overensstemmelse med IEC60335-2-69:
Lydtryksniveau (L_{pA}) : 76 dB (A)
Usikkerhed (K): 2,5 dB (A)

Støjniveauet under arbejdet kan overskride 80 dB (A).

BEMÆRK: De(n) angivne støjemissionsværdi(er) er målt i overensstemmelse med en standardtestmetode og kan anvendes til at sammenligne en maskine med en anden.

BEMÆRK: De(n) angivne støjemissionsværdi(er) kan også anvendes i en præliminær eksponeringsvurdering.

⚠ ADVARSEL: Bær høreværn.

⚠ ADVARSEL: Støjemissionen under den faktiske anvendelse af maskinen kan være forskellig fra de(n) angivne værdi(er), afhængigt af den måde hvorpå maskinen anvendes, især den type arbejdsområde der behandles.

⚠ ADVARSEL: Sørg for at identificere de sikkerhedsforskrifter til beskyttelse af operatøren, som er baseret på en vurdering af eksponering under de faktiske brugsforhold (med hensyntagen til alle dele i brugscyklussen, f.eks. de gange, hvor maskinen er slukket, og når den kører i tomgang i tilgift til afbrydertiden).

Vibration

Vibrationens totalværdi (tre-aksial vektorsum) bestemt i overensstemmelse med IEC60335-2-69:

Vibrationsafgivelse ($a_{h,M}$): 2,5 m/s² eller mindre
Usikkerhed (K): 1,5 m/s²

BEMÆRK: De(n) angivne totalværdi(er) for vibration er målt i overensstemmelse med en standardtestmetode og kan anvendes til at sammenligne en maskine med en anden.

BEMÆRK: De(n) angivne totalværdi(er) for vibration kan også anvendes i en præliminær eksponeringsvurdering.

⚠ ADVARSEL: Vibrationsemissionen under den faktiske anvendelse af maskinen kan være forskellig fra de(n) angivne værdi(er), afhængigt af den måde hvorpå maskinen anvendes, især den type arbejdsområde der behandles.

⚠ ADVARSEL: Sørg for at identificere de sikkerhedsforskrifter til beskyttelse af operatøren, som er baseret på en vurdering af eksponering under de faktiske brugsforhold (med hensyntagen til alle dele i brugscyklussen, f.eks. de gange, hvor maskinen er slukket, og når den kører i tomgang i tilgift til afbrydertiden).

EF-overensstemmelseserklæring

Kun for lande i Europa

EF-overensstemmelseserklæringen er inkluderet som Bilag A i denne brugsanvisning.

SIKKERHEDSADVARSLER

Sikkerhedsadvarsler for akku støvsuger

⚠ ADVARSEL: VIGTIGT! LÆS OMHYGGELIGT alle sikkerhedsadvarsler og alle instruktioner FØR BRUGEN. Hvis advarslerne og instruktionerne ikke overholdes, kan det medføre elektrisk stød, brand og/eller alvorlig personskade.

1. Før brugen skal du sørge for, at denne støvsuger anvendes af personer, der er tilstrækkeligt oplært i brugen af støvsugeren.
2. Før brugen skal operatører have oplysninger, instruktioner og oplæring i brugen af maskinen og de stoffer, den kan anvendes til, herunder den sikre metode til fjernelse og bortskaffelse af det opsamlende materiale.
3. Sluk med det samme, hvis der kommer skum/væske ud.
4. Rengør jævnligt enheden til begrænsning af vandstanden, og undersøg den for tegn på skader.
5. Anvend ikke støvsugeren uden filteret. Udskift øjeblikkeligt et beskadiget filter.
6. UINDGÅ, AT MASKINEN STARTER VED ET UHELD. Sørg for, at der er slukket på kontakten, ved montering af batteri(er).
7. Forsøg ikke at opsure brændbare materialer, fyrværkeri, tændte cigaretter, varm aske, varme metalspånere, skarpe genstande som f.eks. barberblade, nåle, glasskår eller lignende.

8. **BRUG ALDRIG STØVSUGEREN I NÆRHEDEDEN AF BENZIN, GAS, MALING, LIM ELLER ANDRE STÆRKT EKSPLOSIONSFARLIGE STOFFER.** Afbrøderen udsender gnister, når der tændes eller slukkes. Det samme gør motorkommutatoren under brugen. Det kan medføre farlig eksplosion.
 9. Støvsug aldrig giftstoffer, kræftfremkaldende stoffer, brændbare stoffer eller andre farlige materialer som f.eks. asbest, arsenik, barium, beryllium, bly, insektmidler eller andre sundhedsskadelige materialer.
 10. Placér altid støvsugeren på en horisontal plan overflade for at forhindre, at den falder eller flytter sig ved et uheld.
 11. Brug aldrig støvsugeren udenfor i regnvejr.
 12. I Finland er det ikke tilladt at benytte maskinen ved lave udendørstemperaturer.
 13. Brug ikke i nærheden af varmekilder (kømfurur og lignende).
 14. Hvis udstødningsluften sendes tilbage i rummet, er det nødvendigt at bruge passende luftudvekslingshastighed i rummet. Reference til nationale reguleringer er nødvendig.
 15. Bloker ikke sugeåbningen/udløbet/ventilationsåbningerne til afkøling. Disse ventilationsåbninger muliggør afkøling af motoren. Blokering skal undgås omhyggeligt, da motoren ellers vil brænde sammen på grund af en mangel på ventilation.
 16. Oprethold til enhver tid korrekt fodfæste og balance.
 17. Undlad at sammenfolde, rykke i eller træde på slangen.
 18. Stop med det samme støvsugeren, hvis du bliver opmærksom på dårlig ydelse eller noget unormalt under brugen.
 19. **FJERN BATTERIET ELLER BATTERIERNE.** Når maskinen ikke er i brug, før service, og når der skiftes tilbehør.
 20. Rengør og servicer støvsugeren umiddelbart efter hver brug for at holde den i tiptop funktionstilstand.
 21. **VEDLIGEHOLD STØVSUGEREN OMHYGGELIGT.** Hold støvsugeren ren for at opnå bedre og sikrere ydelse. Følg instruktionerne for udskiftning af tilbehør. Hold håndtagene tørre, rene og fri for olie og fedt.
 22. **KONTROLLER BESKADIGEDE DELE.** Før støvsugeren bruges igen, skal en beskyttelsesskærm eller anden del, som er beskadiget, kontrolleres omhyggeligt for at fastslå, om den vil fungere korrekt og udføre sin tilsigtede funktion. Kontroller for justeringen af bevægelige dele, binding af bevægelige dele, brud på dele, montering og alle andre forhold, der kan påvirke funktionaliteten. En beskyttelsesskærm eller anden del, der er beskadiget, skal repareres korrekt eller udskiftes af et autoriseret servicecenter, medmindre andet fremgår andetsteds i denne brugsanvisning. Få defekte afbrødere udskiftet hos et autoriseret servicecenter. Brug ikke støvsugeren, hvis afbrøderen ikke kan tænde eller slukke for den.
 23. For brugerservicering skal maskinen skilles ad, rengøres og serviceres så vidt muligt praktisk uden at udgøre en risiko for vedligeholdelsespersonalet og andre.
 24. Der skal foretages teknisk inspektion af maskinen af producenten eller en instrueret person mindst én gang om året, f.eks. bestående af inspektion af filtrene for skader, om maskinen er lufttæt, og om kontrolmekanismen fungerer korrekt.
 25. Ved udførelse af service- eller reparations-handlinger skal alle forurenede elementer, som ikke kan rengøres tilfredsstillende, bortskaffes i tætte poser i overensstemmelse med eventuel lovgivning vedrørende bortskaffelse af sådant affald.
 26. **RESERVEDELE.** Brug kun identiske reservedele i forbindelse med service.
 27. **OPBEVAR STØVSUGEREN, NÅR DEN IKKE BRUGES.** Når maskinen ikke er i brug, skal den opbevares indendørs.
 28. Våde filtre og den indvendige del af væskebeholderen skal tørres før opbevaring.
 29. Behandl din støvsuger godt. Hårdhændet behandling kan medføre, at selv den mest solidt byggede støvsuger går i stykker.
 30. Forsøg ikke at rengøre udvendigt eller indvendigt med benzen, fortynder eller kemiske rengøringsmidler. Dette kan medføre revner og misfarvning.
 31. Brug ikke støvsugeren i et aflukket lokale, hvor der afgives brændbare, eksplosive eller giftige dampe fra oliebaseret maling, malingsfortynder, benzin, visse mølmidler osv., eller på steder med brandfarligt støv.
 32. Anvend ikke denne eller andre maskiner, hvis du er påvirket af narkotika eller alkohol.
 33. Anvend som grundlæggende sikkerhedsregel beskyttelsesbriller eller sikkerhedsbriller med sideværn.
 34. Brug en støvmaske i støvede arbejdsforhold.
 35. Denne maskine er ikke beregnet til brug af personer, herunder børn, med reducerede fysiske, sensoriske eller mentale færdigheder eller manglende erfaring og viden.
 36. Børn skal overvåges for at sikre, at de ikke leger med støvsugeren.
 37. Håndter aldrig batteriet eller batterierne og støvsugeren med våde hænder.
 38. Vær ekstremt forsigtig ved rengøring på trapper.
 39. Anvend ikke støvsugeren som taburet eller arbejdsbænk. Maskinen kan falde ned og forårsage personskade.
- Brug og vedligeholdelse af batteriet**
1. **Oplad kun med den oplader, som producenten angiver** En oplader, der passer til én type batteri, kan forårsage brand, hvis den anvendes med et andet batteri.
 2. **Brug kun el-værktøjer sammen med de tilhørende batteripakker.** Brug af andre batteripakker kan forårsage personskade og brand.
 3. **Når batteripakker ikke anvendes, skal de holdes borte fra andre metalgenstande som papirclips, mønter, nøgler, søm, skruer og andre små metalgenstande, der kan skabe forbindelse mellem terminalerne.** Hvis batteriets terminaler kortsluttes, kan det forårsage brand.
 4. **I tilfælde af misbrug kan der sprøjte væske ud fra batteriet.** Undgå kontakt. Skyl med vand, hvis De kommer i kontakt med væsken. Søg læge, hvis De får væske i øjet. Væske, der sprøjter ud fra batteriet, kan medføre irritation eller forbrændinger.

5. **Undlad at bruge en akku eller maskine, der er beskadiget eller ændret.** Beskadigede eller ændrede batterier kan fungere uforudsigeligt og medføre brand, eksplosion eller risiko for personskade.
6. **Undlad at udsætte en akku eller maskine for brand eller høje temperaturer.** Udsættelse for brand eller temperaturer på over 130 °C kan medføre eksplosion.
7. **Følg alle instruktioner vedrørende opladning, og undlad at oplade akkuen eller maskinen under for det temperaturinterval, der er angivet i instruktionerne.** Opladning, der udføres forkert eller ved temperaturer uden for det angivne temperaturinterval, kan beskadige batteriet og medføre øget risiko for brand.
10. **De indbyggede litium-ion-batterier er underlagt lovkrav vedrørende farligt gods.** Ved kommerciel transport, f.eks. af tredjeparts transportselskaber, skal særlige krav til forpakning og mærkning overholdes. Ved forberedelse af udstyret til forsendelse skal du kontakte en ekspert i farligt gods. Overhold også eventuel mere detaljeret national lovgivning. Tape eller tildæk åbne kontakter, og pak batteriet på en måde, så det ikke kan flytte sig rundt i pakningen.
11. **Når akkuen bortskaffes, skal du fjerne den fra maskinen og bortskaffe den på et sikkert sted. Følg de lokale love vedrørende bortskaffelsen af batterier.**

GEM DENNE BRUGSANVISNING.

⚠ ADVARSEL: LAD IKKE bekvemmelighed eller kendskab til produktet (opnået gennem gentagen brug) forhindre, at sikkerhedsforskrifterne for produktet nøje overholdes. MISBRUG eller forsømmelse af at følge de i denne brugsvejledning givne sikkerhedsforskrifter kan føre til, at De kommer alvorligt til skade.

Vigtige sikkerhedsinstruktioner for akkuen

1. **Læs alle instruktioner og advarselmærkater på (1) akku-opladeren, (2) akkuen og (3) produktet, som anvender akku.**
2. **Adskil eller ændr ikke akkuen.** Det kan muligvis resultere i en brand, overdreven varme eller eksplosion.
3. **Hold straks op med anvendelsen, hvis brugstiden er blevet stærkt afkortet.** Fortsat anvendelse kan resultere i risiko for overophedning, forbrændinger og endog eksplosion.
4. **Hvis De har fået elektrolytvæske i øjnene, skal De straks skylle den ud med rent vand og derefter øjeblikkeligt søge lægehjælp.** I modsat fald kan De miste synet.
5. **Vær påpasselig med ikke at komme til at kortslutte akkuen:**
 - (1) **Rør ikke ved terminalerne med noget ledende materiale.**
 - (2) **Undgå at opbevare akkuen i en beholder sammen med andre genstande af metal, for eksempel søm, mønter og lignende.**
 - (3) **Udsæt ikke akkuen for vand eller regn.** Kortslutning af akkuen kan forårsage en kraftig øgning af strømmen, overophedning, mulige forbrændinger og endog værktøjstop.
6. **Opbevar og brug ikke maskinen og akkuen på steder, hvor temperaturen muligvis kan nå eller overstige 50 °C.**
7. **Lad være med at brænde akkuen, selv ikke i tilfælde, hvor den har lidt alvorlig skade eller er fuldstændig udtjent.** Akkuen kan eksplodere, hvis man forsøger at brænde den.
8. **Slå ikke søm i, skær ikke i, knus, kast, tab ikke akkuen og stød ikke akkuen mod en hård genstand.** Sådant adfærd kan muligvis resultere i en brand, overdreven varme eller eksplosion.
9. **Anvend ikke en beskadiget akku.**

11. **Brug kun batterierne med de produkter, som Makita specificerer.** Hvis batterierne installeres i ikke-kompatible produkter, kan det medføre brand, kraftig varme, eksplosion eller udsivning af elektrolyt.
13. **Hvis maskinen ikke skal bruges i længere tid ad gangen, skal du fjerne batteriet fra maskinen.**
14. **Akkuen kan muligvis under og efter brug være varm, hvilket kan forårsage forbrændinger eller lavtemperaturforbrændinger.** Vær påpasselig med håndtering af varme akkuer.
15. **Rør ikke terminalen på maskinen straks efter brug, da den bliver varm nok til at forårsage forbrændinger.**
16. **Sørg for at spåner, støv eller jord ikke sætter sig fast inde i terminalerne, hullerne og rillerne på akkuen.** Det kan muligvis medføre dårlig ydelse eller nedbrud af maskinen eller akkuen.
17. **Medmindre maskinen understøtter brugen i nærheden af elektriske højspændingsledninger, skal du ikke anvende akkuen i nærheden af elektriske højspændingsledninger.** Det kan muligvis medføre funktionsfejl på eller nedbrud af maskinen eller akkuen.
18. **Opbevar batteriet utilgængeligt for børn.**

GEM DENNE BRUGSANVISNING.

⚠ FORSIGTIG: Brug kun originale batterier fra Makita. Brug af uoriginale Makita-batterier, eller batterier som er blevet ændret, kan muligvis medføre brud på batteriet, hvilket kan forårsage brand, personskade eller beskadigelse. Det ugyldiggør også Makita-garantien for Makita-maskinen og opladeren.

Tips til opnåelse af maksimal akku-levetid

1. **Oplad akkuen, inden den er helt afladet. Stop altid værktøjet, og oplad akkuen, hvis De bemærker, at værktøjeffekten er aftagende.**
2. **Genoplad aldrig en fuldt opladet akku.** Overopladning vil afkorte akkuens levetid.
3. **Oplad akkuen ved stuetemperatur ved 10 °C - 40 °C.** Lad altid en varm akku få tid til at køle af, inden den oplades.
4. **Når du ikke anvender akkuen, skal du fjerne den fra maskinen eller opladeren.**
5. **Oplad akkuen, hvis De ikke skal bruge den i længere tid (mere end seks måneder).**

FUNKTIONSBESKRIVELSE

⚠️FORSIGTIG: Sørg altid for at maskinen er slukket, og at akkuen er taget ud, før der udføres justering eller kontrol af funktioner på maskinen.

Isætning eller fjernelse af akkuen

⚠️FORSIGTIG: Sluk altid for værktøjet, før De monterer eller fjerner akkuen.

⚠️FORSIGTIG: Hold værktøjet og akkuen fast ved montering eller fjernelse af akkuen. Hvis De ikke holder værktøjet og akkuen fast, kan de glide ud af hænderne på Dem og forårsage beskadigelse af værktøjet og akkuen eller personskade.

⚠️FORSIGTIG: Pas på ikke at få fingrene i klemme, når du åbner eller lukker batteridækslet. Hvis du ikke gør dette, kan det medføre personskade.

For at installere akkuen skal du først åbne batteridækslet og derefter indsætte akkuen.

► **Fig.1:** 1. Batteridæksel

BEMÆRK: Batteridækslet låses, når du åbner det til den øprejste position.

Juster tungen på akkuen med rillen i huset, og skub den på plads. Sæt den hele vejen ind, indtil den låses på plads med et lille klik. Luk derefter batteridækslet.

Akkuen fjernes ved, at du trækker den ud af maskinen, idet du skyder knappen på forsiden af akkuen i stilling.

► **Fig.2:** 1. Akku 2. Knap 3. Rød indikator

⚠️FORSIGTIG: Monter altid akkuen helt, indtil den røde indikator ikke længere er synlig. Hvis dette ikke gøres, kan den falde ud af værktøjet ved et uheld, hvorved De selv eller personer i nærheden kan komme til skade.

⚠️FORSIGTIG: Brug ikke magt ved montering af akkuen. Hvis akkuen ikke glider på plads uden problemer, betyder det, at den ikke sættes i på korrekt vis.

Indikation af den resterende batteriladning

Kun til akkuer med indikatoren

► **Fig.3:** 1. Indikatorlamper 2. Kontrolknap

Tryk på kontrolknappen på akkuen for at få vist den resterende batteriladning. Indikatorlampen lyser i nogle sekunder.

Indikatorlamper			Resterende ladning
Tændt	Slukket	Blinker	
■ ■ ■ ■			75% til 100%
■ ■ ■ □			50% til 75%
■ ■ □ □			25% til 50%
■ □ □ □			0% til 25%
▬ □ □ □			Genoplad batteriet.
■ ■ □ □			Der er muligvis fejl i batteriet.
□ □ ■ ■			

BEMÆRK: Afhængigt af brugsforholdene og den omgivende temperatur kan indikationen afvige en smule fra den faktiske ladning.

BEMÆRK: Den første indikatorlampe (længst mod venstre) vil blinke, når batteribeskyttelsessystemet aktiveres.

Beskyttelsessystem til værktøj/batteri

Værktøjet er forsynet med et beskyttelsessystem til værktøj/batteri. Dette system afbryder automatisk strømmen til motoren for at forlænge levetiden for værktøjet og batteriet. Værktøjet stopper automatisk under driften, hvis det eller batteriet kommer i en af følgende situationer. I nogle tilfælde lyser indikatorerne.

Overbelastningsbeskyttelse

Når værktøjet betjenes på en måde, der får den til at bruge unormalt meget strøm, stopper værktøjet automatisk uden indikation. Sluk i så fald for værktøjet, og stop den anvendelse, der bevirkede, at værktøjet blev overbelastet. Tænd derefter for værktøjet for at starte igen.

Beskyttelse mod overophedning

Hvis maskinen er overophedet, stopper maskinen automatisk. Lad maskinen køle ned, inden der igen tændes for maskinen.



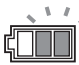

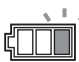

Beskyttelse mod afladning

Når batteriladningen bliver for lav, stopper værktøjet automatisk. Hvis produktet ikke fungerer, selvom kontakterne betjenes, skal De tage batterierne ud af værktøjet og lade batterierne op.

Indikation af den resterende batteriladning

► Fig.4: 1. Batteriindikator 2. Kontrolknop

Tryk på kontrolknappen for at få vist den resterende batteriladning. Den resterende batteriladning vises som i følgende tabel.

Status på batteriindikator		Resterende batteriladning
Tændt	Slukket	
		50% til 100%
		20% til 50%
		0% til 20%

Afbryderbetjening

⚠FORSIGTIG: Før akkuen indsættes i maskinen, skal det altid kontrolleres, at glidekontakten fungerer ordentligt og vender tilbage til "OFF"-stillingen, når bagsiden af glidekontakten trykkes ind.

Afhængigt af dit arbejdsbehov kan du vælge mellem to typer af sugekraft, normal "1" eller høj "2".

Flyt afbryderhåndtaget til "1"- eller "2"-siden for at starte støvsugeren.

Sæt afbryderhåndtaget til "O"-siden for at slukke for støvsugeren.

► Fig.5: 1. Afbryderhåndtag

Automatisk sugestop under våd sugefunktion

⚠ADVARSEL: Brug ikke i længere tid, mens flyderen fungerer. Brug af støvsugeren i længere tid, mens flyderen fungerer, kan medføre overophedning, så støvsugeren bliver deformeret. I værste tilfælde kan det medføre røgdannelse eller brand.

⚠ADVARSEL: Undlad at suge skum eller væske med sæbe op. Opsugning af skum eller væske med sæbe kan medføre, at der kommer skum ud af luftudgangen, før flyderen fungerer. Fortsat brug i denne tilstand kan medføre elektrisk stød, og at støvsugeren går i stykker.

Støvsugeren har en flydermekanisme, der forhindrer, at vand oversvømmer motoren, når der opsuges mere end en vis mængde vand. Når tanken er fuld, og støvsugeren ikke længere suger vand op, skal du slukke for støvsugeren og tømme tanken.

Bærehåndtag

Når du bærer støvsugeren, skal du bære den ved at holde i håndtaget oven på den. Håndtaget kan sættes tilbage i hovedet, når det ikke er i brug.

► Fig.6

BEMÆRK: Når der er vand i tanken, skal du slukke for støvsugeren og tømme tanken, før den bæres. Vandet inde i kan lække.

SAMLING

⚠FORSIGTIG: Sørg altid for at maskinen er slukket, og at akkuen er taget ud, før der udføres noget arbejde på maskinen.

⚠FORSIGTIG: Bær altid støvmaske under samling eller vedligeholdelse.

Tilslutning af slangen

BEMÆRKNING: Brug aldrig magt på slangen for at bøje den, og trød aldrig på den. Flyt aldrig støvsugeren ved at trække i slangen. Hvis du bruger magt på, træder på og trækker i slangen, kan slangen gå i stykker eller blive deformeret.

BEMÆRKNING: Undlad at samle store stykker affald op, f.eks. høvlspåner og betonstykker. Det kan medføre tilstopning og beskadigelse af slangen.

For støvsugning

Sæt slangen i sugeåbningen, og drej den i retningen med uret, indtil den klikker.

► Fig.7: 1. Sugeåbning

For blæsning

Sæt slangen i blæserudgangen, og drej den i retningen med uret, indtil den klikker.

► Fig.8: 1. Blæserudgang

BEMÆRK: Denne støvsuger har separat sugeåbning og blæserudgang. Sæt slangen i den rigtige åbning afhængigt af dit arbejde.

Montering af mundstykket

Monter det brede mundstykke, fugemundstykket eller andre mundstykker, der medfølger som ekstraudstyr, afhængigt af dit arbejdsformål.

For at montere mundstykket skal du dreje og indsætte det på enden af slangen.

► Fig.9

Tilslutning af maskinen

Ekstraudstyr

For at tilslutte maskinen sluttes enden af slangen til maskinens udtrækningsudgang. Afhængigt af maskinen skal du muligvis have den ekstra samling 22-38 eller den ekstra forreste manchete 24.

► **Fig.10:** 1. Slange 2. Samling 22-38 3. Forreste manchete 24

BEMÆRK: Ved tilslutning af maskinen skal det altid sikres, at slangen er sat i støvsugerens sugeåbning.

Opbevaring af slangen og mundstykkerne

Slangen og mundstykkerne kan opbevares på maskinen som vist.

► **Fig.11:** 1. Fugemundstykke 2. Bredt mundstykke

Ved opbevaring af slangen snos den om maskinen og fastgøres med krogen som vist.

► **Fig.12:** 1. Slange 2. Krog

Installation af skulderselen

Ekstraudstyr

Fastgør krogene på skulderselen til monteringerne på maskinen som vist på figuren.

► **Fig.13:** 1. Skuldersæle 2. Krog 3. Montering

ANVENDELSE

Brug som støvsuger

BEMÆRKNING: Brug HEPA-filteret, når du opsamler tørt støv.

BEMÆRKNING: Hvis du fortsætter med at opsamle vand med HEPA-filteret, kan sugkraften muligvis blive reduceret. I dette tilfælde skal du tørre HEPA-filteret.

Brug vådfilteret (ekstraudstyr), når du gentagne gange opsamler vand.

► **Fig.14:** 1. HEPA-filter 2. Vådfilter

1. Installer slangen og mundstykket på sugeåbningen, og tænd for maskinen.

2. Efter støvsugning skal du tømme tanken, før den bliver fuld.

► **Fig.15**

Brug som blæser

⚠FORSIGTIG: Blæs ikke mudret vand som f.eks. vandpytter og sandede områder. Hvis der blæses fremmedlegemer ind i øjnene, kan det medføre personskeade.

⚠FORSIGTIG: Undlad at bruge maskinen som en blæser mod vinden. Hvis der blæses fremmedlegemer ind i øjnene, kan det medføre personskeade.

⚠FORSIGTIG: Bær altid beskyttelsesbriller, en hætte og maske under brugen.

⚠FORSIGTIG: Ret aldrig mundstykket mod nogen i nærheden.

⚠FORSIGTIG: Operatøren eller brugeren er ansvarlig for ulykker eller farlige situationer, der sker på andre personer eller deres ejendom.

⚠FORSIGTIG: Brug ikke maskinen til at blæse luft ind i genstande, for eksempel gummibåde, bolde eller andre genstande, der kan pumpes op. De øgede motoromdrejninger kan resultere i farlige brud på ventilatoren.

1. Monter slangen i blæserudgangen.
 2. Ret slangespidsen mod det objekt, der skal blæses væk, og tænd for maskinen.
- **Fig.16**

BEMÆRK: Hvis du slutter fugemundstykket til slangen, er det nemt at rengøre snævre steder.

VEDLIGEHODELSE

⚠FORSIGTIG: Vær altid sikker på, at værktøjet er slukket, og at akkuen er taget ud, inden De begynder at udføre inspektion eller vedligeholdelse.

⚠FORSIGTIG: Hvis du vil reducere kontakt med støvet, skal du bruge beskyttelsesbriller og støvmaske, når du tømmer tanken eller rengør filteret.

BEMÆRKNING: Anvend aldrig benzin, rensebenzin, fortynder, alkohol og lignende. Det kan medføre misfarvning, deformation eller revner.

For at opretholde produktets SIKKERHED og PÅLIDELIGHED må reparation, vedligeholdelse eller justering kun udføres af et autoriseret Makita servicecenter eller fabrikksservicecenter med anvendelse af Makita reservedele.

Tømning af tanken

⚠ ADVARSEL: Sørg altid for, at der er slukket for støvsugeren, og at akkuen er fjernet, før du tømmer tanken. Hvis du ikke gør dette, kan det medføre elektrisk stød og alvorlig personskade.

⚠ FORSIGTIG: Slå ikke hårdt imod tanken. Et hårdt stød kan medføre deformation og beskadigelse af delene.

⚠ FORSIGTIG: Tøm tanken mindst én gang om dagen, selvom dette afhænger af mængden af opsuget støv i tanken. Ellers reduceres sugestyren, og motoren kan gå i stykker.

⚠ FORSIGTIG: Tag ikke fat i krogen, mens du tømmer tanken. Hvis du griber fat i krogen, kan det medføre, at krogen knækker.

Frigør krogen, og løft op i tankdækslet. Ryst støvet af filteret, og bortskaf derefter støvet fra tanken.

► Fig.17: 1. Krog 2. Tank

Rengøring af HEPA-filter/vådfilter

BEMÆRKNING: Undlad at gnubbe eller ridse HEPA-filteret/vådfilteret med hårde genstande som f.eks. en børste og et banketræ.

Et tilstoppet HEPA-filter/vådfilter medfører dårlig sugelyd. Rengør filteret fra tid til anden.

1. Lås tankdækslet op, og fjern det for at fjerne HEPA-filteret/vådfilteret.
2. Drej HEPA-filteret/vådfilteret i retningen mod uret, og træk det ud af tankdækslet.

► Fig.18: 1. Tankdæksel 2. HEPA-filter 3. Tank

3. For at fjerne støv, der klæber til HEPA-filteret/vådfilteret, skal du ryste bunden af rammen hurtigt nogle gange.

Vask af og til HEPA-filteret/vådfilteret i vand og skyl, og hvis det er et HEPA-filter, tør det grundigt i skyggen før brug. Vask aldrig filteret i en vaskemaskine.

► Fig.19

4. Du monterer HEPA-filteret/vådfilteret ved at placere det og dreje det i retningen med uret, så sikkerhedskanterne låses fast på tankdækslet.

► Fig.20: 1. Tankdæksel 2. HEPA-filter
3. Sikkerhedskant 4. Tank

5. Monter tankdækslet, og lås det fast.

BEMÆRK: Filteret slides op i tidens løb. Det anbefales at have reservefiltre liggende.

Montering af forfilter sæt

Ekstraudstyr

BEMÆRK: Brug kun forfiltersættet, når du opsamler tørt støv med HEPA-filteret. Hvis du bruger forfiltersættet til at opsamle vand, kan vandsugningskapaciteten muligvis blive reduceret.

Forfiltersættet bestående af forfilteret og dæmperen reducerer støvtilstopning i HEPA-filteret for at bevare sugekraften.

1. Frigør og fjern tankdækslet.
2. Indstil dæmperen på HEPA-filteret og tildæk den med forfilteret. Sørg for at sætte gummibåndet på forfilteret på kanten af HEPA-filteret.

► Fig.21: 1. HEPA-filter 2. Dæmper 3. Forfilter

3. Monter tankdækslet, og lås det fast.

EKSTRAUDSTYR

⚠ FORSIGTIG: Det følgende tilbehør og ekstraudstyr er anbefalet til brug med Deres Makita maskine, der er beskrevet i denne brugsanvisning. Anvendelse af andet tilbehør eller ekstraudstyr kan udgøre en risiko for personskade. Anvend kun tilbehør og ekstraudstyr til det beskrevne formål.

Hvis De behøver hjælp ved valg af tilbehør eller ønsker yderligere informationer, bedes De kontakte Deres lokale Makita servicecenter.

- Slange
- Forreste manchete 24
- Samling 22-38
- Hjørnemundstykke
- Rund børste
- Skuldersele
- Vådfilter
- HEPA-filter
- Forfilter sæt
- Original Makita-akku og oplader

BEMÆRK: Nogle ting på denne liste kan være inkluderet i værktøjsspakken som standardtilbehør. Det kan være forskellige fra land til land.

ΠΡΟΕΙΔΟΠΟΙΗΣΗ

- Το μηχάνημα αυτό δεν προορίζεται για χρήση από άτομα, συμπεριλαμβανομένων των παιδιών, με μειωμένες σωματικές, αισθητήριες ή διανοητικές ικανότητες, ή από άτομα που δεν έχουν πείρα και γνώσεις.
- Τα παιδιά θα πρέπει να επιτηρούνται για να εξασφαλιστεί ότι δεν παίζουν με τη μηχανή.
- Για την αναφορά του τύπου της μπαταρίας, δείτε το κεφάλαιο «ΠΡΟΔΙΑΓΡΑΦΕΣ».
- Για τον τρόπο αφαίρεσης ή τοποθέτησης της μπαταρίας, δείτε την ενότητα «Τοποθέτηση ή αφαίρεση της κασέτας μπαταριών».
- Όταν απορρίπτετε την κασέτα μπαταριών, αφαιρέστε την από το εργαλείο και διαθέστε την σε ένα ασφαλές μέρος. Τηρήστε τους τοπικούς κανονισμούς που σχετίζονται με τη διάθεση της μπαταρίας.
- Αν δεν χρησιμοποιείτε το εργαλείο για μεγάλο χρονικό διάστημα, πρέπει να βγάλετε την μπαταρία από το εργαλείο.
- Μη βραχυκυκλώνετε την κασέτα μπαταριών.
- Για τις κατάλληλες λεπτομέρειες των προφυλάξεων κατά τη διάρκεια της συντήρησης από τον χρήστη, δείτε το κεφάλαιο «ΣΥΝΤΗΡΗΣΗ».

ΠΡΟΔΙΑΓΡΑΦΕΣ

Μοντέλο:		DVC750L
Μέγιστος όγκος αέρα	Κανονική (1)	1,3 m ³ /min
	Υψηλή (2)	1,6 m ³ /min
Υποπίεση	Κανονική (1)	42 hPa
	Υψηλή (2)	67 hPa
Ονομαστική υπερπίεση (όταν χρησιμοποιείται ως φυστήρας)	Κανονική (1)	42 hPa
	Υψηλή (2)	67 hPa
Ανακτήσιμη χωρητικότητα	Σκόνη	7,5 L
	Νερό *	4,5 L
Διαστάσεις (Μ x Π x Υ)		418 mm x 251 mm x 278 mm
Ονομαστική τάση		D.C. 18 V
Καθαρό βάρος		4,2 - 4,6 kg
Βαθμός προστασίας		IPX4

- Λόγω του συνεχιζόμενου προγράμματος έρευνας και ανάπτυξης, οι προδιαγραφές αυτές υπόκεινται σε αλλαγές χωρίς προειδοποίηση.
- Οι προδιαγραφές μπορεί να διαφέρουν ανάλογα με τη χώρα.
- Το βάρος περιλαμβάνει εξαρτήματα (εύκαμπτο σωλήνα, πλατύ ακροφύσιο, κυλινδρικό ακροφύσιο) και κασέτα(ες) μπαταριών. Το μικρότερο και μεγαλύτερο βάρος των συνδυασμών της συσκευής και της(ων) κασέτα(ών) μπαταριών απεικονίζονται στον πίνακα.
- * Η χωρητικότητα του νερού εξαρτάται από τη συνθήκη χρήσης.

Ισχύουσα κασέτα μπαταριών και φορτιστής

Κασέτα μπαταρίας	BL1815N / BL1820B / BL1830B / BL1840B / BL1850B / BL1860B
Φορτιστής	DC18RC / DC18RD / DC18RE / DC18SD / DC18SE / DC18SF / DC18SH

- Ορισμένες από τις κασέτες και τους φορτιστές μπαταριών που αναγράφονται παραπάνω ίσως να μην είναι διαθέσιμοι, ανάλογα με την τοποθεσία κατοικίας σας.

⚠ ΠΡΟΕΙΔΟΠΟΙΗΣΗ: Να χρησιμοποιείτε μόνο τις κασέτες μπαταριών και τους φορτιστές που παρατίθενται ανωτέρω. Η χρήση οποιασδήποτε άλλης κασέτας μπαταριών ή φορτιστή μπορεί να προκαλέσει τραυματισμό ή/και πυρκαγιά.

Σύμβολα

Παρακάτω παρουσιάζονται τα σύμβολα που μπορούν να χρησιμοποιηθούν για τον εξοπλισμό. Βεβαιωθείτε ότι κατανοείτε τη σημασία τους πριν από τη χρήση.



Διαβάστε το εγχειρίδιο οδηγιών.



Απαιτούνται ιδιαίτερη φροντίδα και προσοχή.



Προειδοποίηση! Η σκούπα μπορεί να περιέχει επικίνδυνη σκόνη.



Σκόνη τάξης L (ελαφριά). Οι σκούπες αναρρόφησης έχουν τη δυνατότητα να συλλέγουν σκόνη τάξης L. Ακολουθήστε τους κανονισμούς της χώρας σας όσον αφορά τη σκόνη καθώς και την υγεία και ασφάλεια στο χώρο εργασίας.



Μόνο για τις χώρες της ΕΕ
Λόγω της παρουσίας των επικίνδυνων συστατικών μερών στον εξοπλισμό, ο απόβλητος ηλεκτρικός και ηλεκτρονικός εξοπλισμός, οι συσσωρευτές και οι μπαταρίες μπορεί να έχουν αρνητική επίδραση στο περιβάλλον και την ανθρώπινη υγεία. Μην απορρίπτετε τις ηλεκτρικές και ηλεκτρονικές συσκευές ή μπαταρίες μαζί με τα οικιακά απορρίμματα!
Σύμφωνα με την Ευρωπαϊκή Οδηγία για τον απόβλητο ηλεκτρικό και ηλεκτρονικό εξοπλισμό και για τους συσσωρευτές και μπαταρίες και τους απόβλητους συσσωρευτές και μπαταρίες, καθώς και την προσαρμογή τους στην εθνική νομοθεσία, ο απόβλητος ηλεκτρικός εξοπλισμός, οι μπαταρίες και οι συσσωρευτές θα πρέπει να αποθηκεύονται ξεχωριστά και να παραδίδονται σε ξεχωριστό σημείο συλλογής για δημοτικά απόβλητα, το οποίο λειτουργεί σύμφωνα με τους κανονισμούς για την προστασία του περιβάλλοντος.
Αυτό υποδεικνύεται από το σύμβολο του διαγραμμένου τροχοφόρου κάδου που βρίσκεται αναρτημένο επάνω στον εξοπλισμό.

Προοριζόμενη χρήση

Το εργαλείο προορίζεται για τη συλλογή υγρής και ξηρής σκόνης. Το εργαλείο είναι κατάλληλο για εμπορική χρήση, για παράδειγμα, σε ξενοδοχεία, σχολεία, νοσοκομεία, εργοστάσια, καταστήματα, γραφεία και επιχειρήσεις ενοικίασης.

Θόρυβος

Το τυπικό Α επίπεδο καταμετρημένου θορύβου καθορίζεται σύμφωνα με το IEC60335-2-69: Στάθμη ηχητικής πίεσης (L_{pA}): 76 dB (A)
Αβεβαιότητα (K): 2,5 dB (A)

Η ένταση θορύβου υπό συνθήκες εργασίας μπορεί να υπερβεί τα 80 dB (A).

ΠΑΡΑΤΗΡΗΣΗ: Η δηλωμένη τιμή(ές) εκπομπής θορύβου έχει μετρηθεί σύμφωνα με την πρότυπη μέθοδο δοκιμής και μπορεί να χρησιμοποιηθεί για τη σύγκριση ενός εργαλείου με κάποιο άλλο.

ΠΑΡΑΤΗΡΗΣΗ: Η δηλωμένη τιμή(ές) εκπομπής θορύβου μπορεί να χρησιμοποιηθεί και στην προκαταρκτική αξιολόγηση της έκθεσης.

▲ΠΡΟΕΙΔΟΠΟΙΗΣΗ: Να φοράτε υποασπίδες.

▲ΠΡΟΕΙΔΟΠΟΙΗΣΗ: Η εκπομπή θορύβου κατά τη χρήση του ηλεκτρικού εργαλείου σε πραγματικές συνθήκες μπορεί να διαφέρει από τη δηλωμένη τιμή(ές) ανάλογα με τους τρόπους χρήσης του εργαλείου, ιδιαίτερα το είδος του τεμαχίου εργασίας που υπόκειται επεξεργασία.

▲ΠΡΟΕΙΔΟΠΟΙΗΣΗ: Φροντίστε να λάβετε τα κατάλληλα μέτρα προστασίας του χειριστή βάσει ενός υπολογισμού της έκθεσης σε πραγματικές συνθήκες χρήσης (λαμβάνοντας υπόψη όλες τις συνιστώσες του κύκλου λειτουργίας όπως τους χρόνους που το εργαλείο είναι εκτός λειτουργίας και όταν βρίσκεται σε αδρανή λειτουργία πέραν του χρόνου ενεργοποίησης).

Κραδασμός

Η ολική τιμή δόνησης (άθροισμα τρι-αξονικού διανύσματος) καθορίζεται σύμφωνα με το IEC60335-2-69:

Εκπομπή δόνησης ($a_{h,m}$): 2,5 m/s^2 ή λιγότερο
Αβεβαιότητα (K): 1,5 m/s^2

ΠΑΡΑΤΗΡΗΣΗ: Η δηλωμένη τιμή(ές) συνολικών κραδασμών έχει μετρηθεί σύμφωνα με την πρότυπη μέθοδο δοκιμής και μπορεί να χρησιμοποιηθεί για τη σύγκριση ενός εργαλείου με κάποιο άλλο.

ΠΑΡΑΤΗΡΗΣΗ: Η δηλωμένη τιμή(ές) συνολικών κραδασμών μπορεί να χρησιμοποιηθεί και στην προκαταρκτική αξιολόγηση της έκθεσης.

▲ΠΡΟΕΙΔΟΠΟΙΗΣΗ: Η εκπομπή κραδασμών κατά τη χρήση του ηλεκτρικού εργαλείου σε πραγματικές συνθήκες μπορεί να διαφέρει από τη δηλωμένη τιμή(ές) εκπομπής ανάλογα με τους τρόπους χρήσης του εργαλείου, ιδιαίτερα το είδος του τεμαχίου εργασίας που υπόκειται επεξεργασία.

▲ΠΡΟΕΙΔΟΠΟΙΗΣΗ: Φροντίστε να λάβετε τα κατάλληλα μέτρα προστασίας του χειριστή βάσει ενός υπολογισμού της έκθεσης σε πραγματικές συνθήκες χρήσης (λαμβάνοντας υπόψη όλες τις συνιστώσες του κύκλου λειτουργίας όπως τους χρόνους που το εργαλείο είναι εκτός λειτουργίας και όταν βρίσκεται σε αδρανή λειτουργία πέραν του χρόνου ενεργοποίησης).

Δήλωση συμμόρφωσης ΕΚ

Μόνο για χώρες της Ευρώπης

Η δήλωση συμμόρφωσης ΕΚ περιλαμβάνεται ως Παράρτημα Α στο παρόν εγχειρίδιο οδηγιών.

ΠΡΟΕΙΔΟΠΟΙΗΣΕΙΣ ΑΣΦΑΛΕΙΑΣ

Προειδοποιήσεις ασφάλειας για τη φορητή μηχανή αναρρόφησης

⚠ ΠΡΟΕΙΔΟΠΟΙΗΣΗ: ΣΗΜΑΝΤΙΚΟΙ ΔΙΑΒΑΣΤΕ
ΠΡΟΣΕΚΤΙΚΑ όλες τις προειδοποιήσεις για την ασφάλεια και όλες τις οδηγίες ΠΡΙΝ ΑΠΟ ΤΗ ΧΡΗΣΗ. Η μη τήρηση των προειδοποιήσεων και οδηγιών μπορεί να καταλήξει σε ηλεκτροπληξία, πυρκαγιά ή/και σοβαρό τραυματισμό.

1. Πριν από τη χρήση, βεβαιωθείτε ότι αυτή η μηχανή θα χρησιμοποιηθεί από άτομα στα οποία έχουν δοθεί επαρκείς οδηγίες για τη χρήση αυτής της μηχανής.
2. Πριν τη χρήση, στους χειριστές θα δοθούν πληροφορίες, οδηγίες και εκπαίδευση για τη χρήση του μηχανήματος και των ουσιών με τις οποίες θα χρησιμοποιηθεί, συμπεριλαμβανομένης της ασφαλούς μεθόδου αφαίρεσης και διάθεσης του υλικού που συλλέχθηκε.
3. Αν βγει αφρός/υγρό, σβήστε αμέσως.
4. Να καθορίζετε τακτικά τη διάταξη περιορισμού της στάθμης νερού και να την εξετάζετε για ενδείξεις ζημιάς.
5. Μη χρησιμοποιείτε τη μηχανή χωρίς το φίλτρο. Αντικαταστήστε αμέσως ένα φίλτρο που έχει υποστεί ζημιά.
6. **ΝΑ ΑΠΟΦΕΥΓΕΤΕ ΤΗΝ ΑΘΕΛΗΤΗ ΕΝΕΡΓΟΠΟΙΗΣΗ.** Βεβαιωθείτε ότι ο διακόπτης είναι ΚΛΕΙΣΤΟΣ όταν τοποθετείτε την(τις) μπαταρία(ες).
7. Μην επιχειρήσετε να συλλέξετε εύφλεκτα υλικά, πυροτεχνήματα, αναμμένα τσιγάρα, καυτές στάχτες, ζεστά μεταλλικά θραύσματα, αιχμηρά αντικείμενα όπως ψυραφάκια, βελόνες, σπασμένο γυαλί ή παρόμοια αντικείμενα.
8. **ΜΗ ΧΡΗΣΙΜΟΠΟΙΕΙΤΕ ΠΟΤΕ ΤΗ ΜΗΧΑΝΗ ΚΟΝΤΑ ΣΕ ΒΕΝΖΙΝΗ, ΑΕΡΙΑ, ΜΠΟΓΙΑ, ΚΟΛΛΕΣ Ή ΑΛΛΕΣ ΥΨΗΛΑ ΕΚΡΗΚΤΙΚΕΣ ΟΥΣΙΕΣ.** Ο διακόπτης παράγει σπινθήρες όταν ενεργοποιείται και απενεργοποιείται. Το ίδιο και ο μετατροπέας μοτέρ κατά τη διάρκεια της λειτουργίας. Μπορεί να προκύψει επικίνδυνη έκρηξη.
9. Μην αναρροφάτε ποτέ τοξικά, καρκινογόνα, καύσιμα ή άλλα επικίνδυνα υλικά, όπως αμίαντο, αρσενικό, βάριο, βηρύλλιο, μόλυβδο, εντομοκτόνα ή άλλα υλικά που αποτελούν κίνδυνο για την υγεία.
10. Να τοποθετείτε πάντα τη σκούπα σε οριζόντια επίπεδη επιφάνεια, για να αποφευχθεί η πτώση ή η μετακίνησή της κατά λάθος.
11. Μη χρησιμοποιείτε ποτέ τη μηχανή σε εξωτερικό χώρο στη βροχή.
12. Για τη Φιλανδία, αυτό το μηχάνημα δεν πρέπει να χρησιμοποιηθεί σε εξωτερικούς χώρους σε χαμηλή θερμοκρασία.
13. Μη χρησιμοποιείτε κοντά σε πηγές θερμότητας (φούρνοι, κτλ.).
14. Αν ο αέρας εξαγωγής επιστρέφει στο δωμάτιο, είναι απαραίτητο να φροντίσετε για τον επαρκή ρυθμό αλλαγής του αέρα στο δωμάτιο. Είναι απαραίτητο να ανατρέξετε στους εθνικούς κανονισμούς.
15. Μην φράσσετε τα ανοίγματα εισόδου αναρρόφησης/εξόδου/ψύξης. Αυτά τα ανοίγματα επιτρέπουν την ψύξη του μοτέρ. Θα πρέπει να αποφευχθεί προσεκτικά το φράξιμο, διαφορετικά το μοτέρ θα καεί λόγω έλλειψης αερισμού.
16. Να στέκεστε πάντα σταθερά και ισορροπημένα.
17. Μη διπλώνετε, μην τραβάτε και μην πατάτε τον εύκαμπτο σωλήνα.
18. Διακόψτε αμέσως τη λειτουργία της μηχανής αν παρατηρήσετε ανεπαρκή απόδοση ή οτιδήποτε ασυνήθιστο κατά τη λειτουργία.
19. **ΒΓΑΛΤΕ ΤΗΝ(ΤΙΣ) ΜΠΑΤΑΡΙΑ(ΕΣ).** Όταν δεν χρησιμοποιείται, πριν από το σέρβις και όταν αλλάζετε αξεσουάρ.
20. Καθαρίστε και εκτελέστε σέρβις στη μηχανή αμέσως μετά από κάθε χρήση για να διατηρείται σε άριστη λειτουργική κατάσταση.
21. **ΔΙΑΤΗΡΕΙΤΕ ΤΗ ΜΗΧΑΝΗ ΜΕ ΠΡΟΣΟΧΗ.** Να διατηρείτε τη μηχανή καθαρή για την καλύτερη και ασφαλέστερη απόδοση. Να ακολουθείτε τις οδηγίες για την αλλαγή των αξεσουάρ. Να διατηρείτε τις λαβές στεγνές, καθαρές, χωρίς λάδι και γράσο.
22. **ΝΑ ΕΛΕΓΧΕΤΕ ΤΑ ΜΕΡΗ ΜΕ ΖΗΜΙΑ.** Πριν από την περαιτέρω χρήση της μηχανής, θα πρέπει να ελέγχετε προσεκτικά τυχόν προστατευτικά εξαρτήματα ή άλλα εξάρτημα με ζημιά για να καθορίσετε αν θα λειτουργήσουν σωστά και αν θα πραγματοποιήσουν την προοριζόμενη λειτουργία τους. Ελέγξτε την ευθυγράμμιση των κινούμενων μερών, την ελεύθερη κίνηση των κινούμενων μερών, το τυχόν σπάσιμο εξαρτημάτων, τη στερέωση και οποιοσδήποτε άλλες συνθήκες που μπορεί να επηρεάσουν τη λειτουργία του εργαλείου. Ένα προστατευτικό ή άλλο εξάρτημα με ζημιά θα πρέπει να επισκευαστεί ή να αντικατασταθεί σωστά σε εξουσιοδοτημένο κέντρο σέρβις εκτός αν δηλώνεται διαφορετικά στο παρόν εγχειρίδιο οδηγιών. Οι ελαττωματικοί διακόπτες πρέπει να αντικαθίστανται σε εξουσιοδοτημένο κέντρο σέρβις. Μη χρησιμοποιείτε τη μηχανή αν ο διακόπτης δεν την ενεργοποιεί και δεν την απενεργοποιεί.
23. Για τις εργασίες σέρβις από τον χρήστη, το μηχάνημα μπορεί να αποσυναρμολογηθεί, να καθαριστεί και να συντηρηθεί, όσο είναι εύλογα πρακτικό, χωρίς να προκληθεί κίνδυνος στο προσωπικό συντήρησης και σε άλλους.
24. Το μηχάνημα θα πρέπει να υπόκειται σε τεχνική επιθεώρηση από τον κατασκευαστή, ή από εντεταλμένο άτομο, τουλάχιστον ετησίως, περιλαμβάνοντας, για παράδειγμα, την επιθεώρηση των φίλτρων για ζημιά, την αεροστεγανότητα του μηχανήματος και τη σωστή λειτουργία του μηχανισμού ελέγχου.

25. Όταν διεξαγάγετε εργασίες σέρβις ή επισκευής, όλα τα μολυσμένα στοιχεία που δεν μπορούν να καθαριστούν σε ικανοποιητικό βαθμό πρέπει να διατεθούν. Αυτά τα στοιχεία πρέπει να διατεθούν μέσα σε αδιαπέραστες σακούλες σύμφωνα με οποιονδήποτε ισχύοντα κανονισμό για τη διάθεση τέτοιων αποβλήτων.
26. **ΑΝΤΑΛΛΑΚΤΙΚΑ.** Κατά το σέρβις, να χρησιμοποιείτε μόνο γνήσια ανταλλακτικά.
27. **ΝΑ ΑΠΟΗΚΕΥΕΤΕ ΤΗ ΜΗΧΑΝΗ ΟΤΑΝ ΔΕΝ ΤΗ ΧΡΗΣΙΜΟΠΟΙΕΙΤΕ.** Όταν δεν χρησιμοποιείται, η μηχανή θα πρέπει να αποθηκεύεται σε εσωτερικό χώρο.
28. Τα υγρά φίλτρα και το εσωτερικό μέρος του δοχείου υγρού πρέπει να στεγνώσουν πριν την αποθήκευση.
29. Να προσέχετε τη μηχανή. Ο σκληρός χειρισμός μπορεί να προκαλέσει το σπάσιμο ακόμη και της πιο καλοκατασκευασμένης μηχανής.
30. Μην επιχειρήσετε να καθαρίσετε το εξωτερικό ή το εσωτερικό με βενζίνη, νέφτι ή καθαριστικές χημικές ουσίες. Μπορεί να προκληθούν ρωγμές και αποχρωματισμός.
31. Μη χρησιμοποιείτε τη μηχανή σε κλειστό χώρο στον οποίο απελευθερώνονται εύφλεκτοι, εκρηκτικοί ή τοξικοί ατμοί από μπιγιές με βάση το λάδι, νέφτι, βενζίνη, μερικές ουσίες κατά της σκουριάς, κτλ., ή σε περιοχές όπου υπάρχει εύφλεκτη σκόνη.
32. Μη χρησιμοποιείτε αυτό το εργαλείο ή οποιοδήποτε άλλο εργαλείο υπό την επίρεια ναρκωτικών ουσιών ή αλκοόλ.
33. Ως βασικός κανόνας ασφάλειας, να χρησιμοποιείτε γυαλιά ασφαλείας ή γυαλιά με πλαϊνά προστατευτικά.
34. Να χρησιμοποιείτε μάσκα κατά της σκόνης σε συνθήκες με πολλή σκόνη.
35. Το μηχανήμα αυτό δεν προορίζεται για χρήση από άτομα, συμπεριλαμβανομένων των παιδιών, με μειωμένες σωματικές, αισθητήριες ή διανοητικές ικανότητες, ή από άτομα που δεν έχουν πείρα και γνώσεις.
36. Τα παιδιά θα πρέπει να επιτηρούνται για να εξασφαλιστεί ότι δεν παίζουν με τη μηχανή.
37. Μη χειρίζεστε ποτέ την(τις) μπαταρία(ες) και τη σκούπα με βρεγμένα χέρια.
38. Να προσέχετε ιδιαίτερα όταν καθαρίζετε σκαλοπάτια.
39. Μη χρησιμοποιείτε τη μηχανή για σκαμπό ή πάγκο εργασίας. Η μηχανή σκούπα μπορεί να πέσει και να προκαλέσει προσωπικό τραυματισμό.

Χρήση και φροντίδα μπαταριών

1. Να επαναφορτίζετε τις μπαταρίες μόνο με το φορτιστή που καθορίζεται από τον κατασκευαστή. Ένας φορτιστής που είναι κατάλληλος για μια συγκεκριμένη μπαταρία μπορεί να δημιουργήσει κίνδυνο πυρκαγιάς όταν χρησιμοποιείται με μια άλλη μπαταρία.
2. Να χρησιμοποιείτε ηλεκτρικά εργαλεία μόνο με ειδικά καθορισμένες μπαταρίες. Η χρήση κάθε άλλης μπαταρίας μπορεί να δημιουργήσει κίνδυνο τραυματισμού ή πυρκαγιάς.

3. Όταν δεν χρησιμοποιείται η κασέτα μπαταριών, διατηρήστε τη μακριά από άλλα μεταλλικά αντικείμενα, όπως συνδετήρες, κέρματα, κλειδιά, καρφιά, βίδες ή άλλα μικρά μεταλλικά αντικείμενα, με τα οποία μπορεί να δημιουργηθεί σύνδεση από τον έναν ακροδέκτη στον άλλον. Το βραχυκύκλωμα των ακροδεκτών της μπαταρίας μπορεί να προκαλέσει εγκαύματα ή πυρκαγιά.
4. Υπό συνθήκες κατάχρησης, μπορεί να εξαχθεί υγρό από την μπαταρία. Να αποφεύγετε την επαφή. Εάν συμβεί επαφή κατά λάθος, εκπλύνετε με νερό. Εάν το υγρό έρθει σε επαφή με τα μάτια, αναζητήστε και ιατρική βοήθεια. Το υγρό που εξάγεται από την μπαταρία μπορεί να προκαλέσει ερεθισμό ή εγκαύματα.
5. Μη χρησιμοποιείτε μια κασέτα μπαταριών ή εργαλείο που έχει καταστραφεί ή τροποποιηθεί. Οι καεστραμμένες ή τροποποιημένες μπαταρίες μπορεί να παρουσιάζουν απρόβλεπτη συμπεριφορά που έχει ως αποτέλεσμα πυρκαγιά, έκρηξη ή κίνδυνο τραυματισμού.
6. Μην εκθέτετε την κασέτα μπαταριών ή το εργαλείο σε πυρκαγιά ή υπερβολικά υψηλή θερμοκρασία. Η έκθεση στην πυρκαγιά ή στη θερμοκρασία άνω των 130 °C μπορεί να προκαλέσει έκρηξη.
7. Ακολουθήστε όλες τις οδηγίες φόρτισης και μην φορτίσετε την κασέτα μπαταριών ή το εργαλείο εκτός του θερμοκρασιακού εύρους που καθορίζεται στις οδηγίες. Η λανθασμένη φόρτιση ή η φόρτιση σε θερμοκρασίες εκτός του καθορισμένου εύρους μπορεί να προκαλέσει ζημιά στην μπαταρία και να αυξήσει τον κίνδυνο πυρκαγιάς.

ΦΥΛΑΞΤΕ ΤΙΣ ΟΔΗΓΙΕΣ ΑΥΤΕΣ.

▲ΠΡΟΕΙΔΟΠΟΙΗΣΗ: ΜΗΝ επιτρέψετε το βαθμό άνεσης ή εξοικείωσης με το προϊόν (λόγω επανειλημμένης χρήσης) να αντικαταστήσει την αυστηρή τήρηση των κανόνων ασφαλείας του παρόντος εργαλείου. Η **ΛΑΝΘΑΣΜΕΝΗ ΧΡΗΣΗ** ή η αμέλεια να ακολουθήσετε τους κανόνες ασφαλείας που διατυπώνονται στο παρόν εγχειρίδιο οδηγιών μπορεί να προκαλέσει σοβαρό προσωπικό τραυματισμό.

Σημαντικές οδηγίες ασφάλειας για κασέτα μπαταριών

1. Πριν χρησιμοποιήσετε την κασέτα μπαταριών, διαβάστε όλες τις οδηγίες και σημειώσεις προφύλαξης (1) στον φορτιστή μπαταριών, (2) στην μπαταρία και (3) στο προϊόν που χρησιμοποιεί την μπαταρία.
2. Μην αποσυναρμολογήσετε ή παραβιάσετε την κασέτα μπαταριών. Μπορεί να έχει ως αποτέλεσμα πυρκαγιά, υπερθέρμανση ή έκρηξη.
3. Εάν ο χρόνος λειτουργίας έχει γίνει υπερβολικά βραχύς, σταματήστε τη λειτουργία αμέσως. Αλλιώς, μπορεί να έχει ως αποτέλεσμα κίνδυνο υπερθέρμανσης, πιθανά εγκαύματα ή ακόμη και έκρηξη.

4. Εάν ηλεκτρολύτης μπει στα μάτια σας, ξεπλύνετέ τα με καθαρό νερό και ζητήστε ιατρική φροντίδα αμέσως. Αλλιώς, μπορεί να έχει ως αποτέλεσμα απώλεια της όρασης σας.
 5. Μην βραχυκυκλώνετε την κασέτα μπαταριών:
 - (1) Μην αγγίζετε τους πόλους με οτιδήποτε αγώγιμο υλικό.
 - (2) Αποφεύγετε να αποθηκεύετε την κασέτα μπαταριών μέσα σε ένα δοχείο μαζί με άλλα μεταλλικά αντικείμενα όπως καρφιά, νομίσματα, κλπ.
 - (3) Μην εκθέτετε την κασέτα μπαταριών στο νερό ή στη βροχή.
- Ένα βραχυκύκλωμα μπαταρίας μπορεί να προκαλέσει μεγάλη ροή ρεύματος, υπερθέρμανση, πιθανά εγκαύματα ακόμη και σοβαρή βλάβη.
6. Μην αποθηκεύετε και μην χρησιμοποιείτε το εργαλείο και την κασέτα μπαταριών σε τοποθεσίες όπου η θερμοκρασία μπορεί να φτάσει ή να ξεπεράσει τους 50°C.
 7. Μην καίτε την κασέτα μπαταριών ακόμη και εάν έχει σοβαρή ζημιά ή είναι εντελώς φθαρμένη. Η κασέτα μπαταριών μπορεί να εκραγεί στη φωτιά.
 8. Μην καρφώσετε, κόψετε, συνθλίψετε, πετάξετε ή ρίξετε κάτω την κασέτα μπαταριών, ούτε να χτυπήσετε ένα σκληρό αντικείμενο επάνω στην κασέτα μπαταριών. Τέτοια συμπεριφορά μπορεί να έχει ως αποτέλεσμα πυρκαγιά, υπερθέρμανση ή έκρηξη.
 9. Μην χρησιμοποιείτε μπαταρία που έχει υποστεί ζημιά.
 10. Οι μπαταρίες ιόντων λιθίου που περιέχονται υπόκεινται στις απαιτήσεις της νομοθεσίας για επικίνδυνα αγαθά.

Για εμπορικές μεταφορές, για παράδειγμα από τρίτα μέρη, πρέπει να τηρούνται οι διαμεταφορές, οι ειδικές απαιτήσεις στη συσκευασία και η επισήμανση.

Για προετοιμασία του στοιχείου που αποστέλλεται, είναι απαραίτητο να συμβουλευτείτε έναν ειδικό για επικίνδυνα υλικά. Επίσης, τηρήστε τους πιθανούς, πιο αναλυτικούς εθνικούς κανονισμούς. Καλύψτε με αυτοκόλλητη ταινία ή κρύψτε τις ανοικτές επαφές και συσκευάστε την μπαταρία με τρόπο που να μην μπορεί να μετακινείται μέσα στη συσκευασία.

11. Όταν απορρίπτετε την κασέτα μπαταριών, αφαιρέστε την από το εργαλείο και διαθέστε την σε ένα ασφαλές μέρος. Τηρήστε τους τοπικούς κανονισμούς που σχετίζονται με τη διάθεση της μπαταρίας.
12. Χρησιμοποιήστε τις μπαταρίες μόνο με τα προϊόντα που καθορίζει η Makita. Αν τοποθετήσετε τις μπαταρίες σε μη συμβατά προϊόντα μπορεί να έχει ως αποτέλεσμα πυρκαγιά, υπερβολική θερμότητα, έκρηξη ή διαρροή ηλεκτρολύτη.
13. Αν δεν χρησιμοποιείτε το εργαλείο για μεγάλο χρονικό διάστημα, πρέπει να βγάλετε την μπαταρία από το εργαλείο.
14. Κατά τη διάρκεια και μετά τη χρήση, η κασέτα μπαταριών μπορεί να θερμανθεί, γεγονός που μπορεί να προκαλέσει εγκαύματα ή εγκαύματα από χαμηλή θερμοκρασία. Προσέχετε το χειρισμό των ζεστών κασετών μπαταριών.
15. Μην αγγίζετε τον ακροδέκτη του εργαλείου ζεστά μετά τη χρήση επειδή μπορεί να έχει σταθεί αρκετά για να προκαλέσει εγκαύματα.
16. Μην αφήνετε θραύσματα, σκόνη ή βρομιά να κολλήσει στους ακροδέκτες, τις σπές και τις εγχοτές της κασετάς μπαταριών. Μπορεί να έχει ως αποτέλεσμα κακή απόδοση ή σπάσιμο του εργαλείου ή της κασετάς μπαταριών.
17. Εκτός αν το εργαλείο υποστηρίζει τη χρήση κοντά σε ηλεκτρικές γραμμές υψηλής τάσης, μην χρησιμοποιείτε την κασέτα μπαταριών κοντά σε ηλεκτρικές γραμμές υψηλής τάσης. Μπορεί να έχει ως αποτέλεσμα δυσλειτουργία ή σπάσιμο του εργαλείου ή της κασετάς μπαταριών.
18. ΚρΦυλάξτε την μπαταρία μακριά από παιδιά.

ΦΥΛΑΞΤΕ ΤΙΣ ΟΔΗΓΙΕΣ ΑΥΤΕΣ.

▲ΠΡΟΣΟΧΗ: Να χρησιμοποιείτε μόνο γνήσιες μπαταρίες της Makita. Η χρήση μη γνήσιων μπαταριών Makita, ή μπαταριών που έχουν τροποποιηθεί, μπορεί να έχει ως αποτέλεσμα τη ρήξη της μπαταρίας, προκαλώντας πυρκαγιά, προσωπικό τραυματισμό και βλάβη. Επίσης, θα ακυρωθεί η εγγύηση της Makita για το εργαλείο και φορτιστή Makita.

Συμβουλές για τη διατήρηση της μέγιστης ζωής μπαταρίας

1. Φορτίζετε την κασέτα μπαταριών πριν από την πλήρη αποφόρτίσή της. Πάντοτε να σταματάτε τη λειτουργία του εργαλείου και να φορτίζετε την κασέτα μπαταριών όταν παρατηρείτε μειωμένη ισχύ εργαλείου.
2. Ποτέ μην επαναφορτίζετε μια πλήρως φορτισμένη κασέτα μπαταριών. Η υπερφόρτιση μειώνει την ωφέλιμη ζωή της μπαταρίας.
3. Να φορτίζετε την κασέτα μπαταριών σε θερμοκρασία δωματίου, δηλαδή στους 10 °C έως 40 °C. Αφήστε μια θερμή κασέτα μπαταριών να κρψεί πριν την φορτίσετε.
4. Όταν δεν χρησιμοποιείτε την κασέτα μπαταριών, αφαιρέστε την από το εργαλείο ή τον φορτιστή.
5. Να φορτίζετε την κασέτα μπαταριών εάν δεν τη χρησιμοποιείτε για μεγάλη χρονική περίοδο (περισσότερο από έξι μήνες).

ΠΕΡΙΓΡΑΦΗ ΛΕΙΤΟΥΡΓΙΑΣ

▲ ΠΡΟΣΟΧΗ: Να φροντίζετε πάντα για την απενεργοποίηση του εργαλείου και την αφαίρεση της κασέτας μπαταρίας, πριν από οποιαδήποτε ρύθμιση ή έλεγχο της λειτουργίας του.

Τοποθέτηση ή αφαίρεση της κασέτας μπαταριών

▲ ΠΡΟΣΟΧΗ: Να σβήνετε πάντα το εργαλείο πριν τοποθετήσετε ή αφαιρέσετε την κασέτα μπαταριών.

▲ ΠΡΟΣΟΧΗ: Κρατήστε το εργαλείο και την κασέτα μπαταριών σταθερά κατά την τοποθέτηση ή αφαίρεση της κασέτας μπαταριών. Εάν δεν κρατάτε το εργαλείο και την κασέτα μπαταριών σταθερά μπορεί να γλιστρήσουν από τα χέρια σας και να προκληθεί βλάβη στο εργαλείο και την κασέτα μπαταριών και προσωπικός τραυματισμός.

▲ ΠΡΟΣΟΧΗ: Προσέχετε να μην πιάσετε τα δάχτυλά σας όταν ανοίγετε ή κλείνετε το κάλυμμα μπαταριών. Αν δεν το κάνετε αυτό, μπορεί να προκληθεί ατομικός τραυματισμός.

Για να τοποθετήσετε την κασέτα μπαταριών, ανοίξτε πρώτα το κάλυμμα μπαταριών και μετά εισαγάγετε την κασέτα μπαταριών.

► **Εικ.1:** 1. Κάλυμμα μπαταριών

ΠΑΡΑΤΗΡΗΣΗ: Το κάλυμμα μπαταριών είναι κλειδωμένο όταν το ανοίξετε στην όρθια θέση.

Ευθυγραμμίστε τη γλωττίδα στην κασέτα μπαταριών με την εγκοπή στο περίβλημα και σύρετέ τη στη θέση της. Να την εισαγάγετε μέχρι τέρμα ώστε να ασφαλίσει στη θέση της, γεγονός που υποδεικνύεται με ένα χαρακτηριστικό ήχο. Μετά, κλείστε το κάλυμμα μπαταριών. Για να αφαιρέσετε την κασέτα μπαταριών, σύρετέ την από το εργαλείο ενώ σύρετε το κουμπί στο μπροστινό μέρος της κασέτας.

► **Εικ.2:** 1. Κασέτα μπαταριών 2. Κουμπί 3. Κόκκινος δείκτης

▲ ΠΡΟΣΟΧΗ: Να τοποθετείτε πάντα την κασέτα μπαταριών πλήρως μέχρι να μη βλέπετε τον κόκκινο δείκτη. Εάν δεν ασφαλιστεί, μπορεί να πέσει από το εργαλείο τυχαία, προκαλώντας σωματική βλάβη σε εσάς ή κάποιον άλλο γύρω σας.

▲ ΠΡΟΣΟΧΗ: Μην τοποθετείτε την κασέτα μπαταριών με βία. Εάν η κασέτα δεν ολισθαίνει με ευκολία, τότε δεν έχει τοποθετηθεί κατάλληλα.

Εμφάνιση υπολειπόμενης χωρητικότητας μπαταρίας

Μόνο για κασέτες μπαταρίας με την ενδεικτική λυχνία

► **Εικ.3:** 1. Ενδεικτικές λυχνίες 2. Κουμπί ελέγχου

Πίστετε το κουμπί ελέγχου στην κασέτα μπαταριών για να υποδείξετε την υπολειπόμενη χωρητικότητα μπαταρίας. Οι ενδεικτικές λυχνίες ανάβουν για λίγα δευτερόλεπτα.

Ενδεικτικές λυχνίες			Υπολειπόμενη χωρητικότητα
■ Αναμμένες	□ Σβηστές	▲ Αναβοσβήνουν	
■ ■ ■ ■			75% έως 100%
■ ■ ■ □			50% έως 75%
■ ■ □ □			25% έως 50%
■ □ □ □			0% έως 25%
▲ □ □ □			Φορτίστε την μπαταρία.
■ ■ □ □			Μπορεί να προέκυψε δυσλειτουργία στην μπαταρία.
□ □ ■ ■			

ΠΑΡΑΤΗΡΗΣΗ: Ανάλογα με τις συνθήκες χρήσης και τη θερμοκρασία περιβάλλοντος, η ένδειξη μπορεί να διαφέρει λίγο από την πραγματική χωρητικότητα.

ΠΑΡΑΤΗΡΗΣΗ: Η πρώτη (τέρμα αριστερά) ενδεικτική λυχνία θα αναβοσβήνει όταν λειτουργεί το σύστημα προστασίας μπαταρίας.

Σύστημα προστασίας εργαλείου/ μπαταρίας

Το εργαλείο είναι εξοπλισμένο με σύστημα προστασίας εργαλείου/μπαταρίας. Αυτό το σύστημα αποκόπτει αυτόματα την ισχύ προς το μοτέρ για να παραταθεί η διάρκεια λειτουργίας του εργαλείου και της μπαταρίας. Το εργαλείο σταματάει αυτόματα κατά τη διάρκεια της λειτουργίας εάν το εργαλείο ή η μπαταρία βρεθούν κάτω από τις παρακάτω συνθήκες. Σε μερικές συνθήκες, οι ενδείξεις ανάβουν.

Προστασία υπερφόρτωσης

Όταν το εργαλείο λειτουργεί με τρόπο ώστε να αναγκάζεται να καταναλώνει ασυνήθιστα υψηλό ρεύμα, το εργαλείο σταματάει αυτόματα χωρίς καμία ένδειξη. Σε αυτή την κατάσταση, σβήστε το εργαλείο και διακόψτε την εφαρμογή που προκαλεί την υπερφόρτωση του εργαλείου. Μετά, επνεργοποιήστε το εργαλείο για επανεκκίνηση.

Προστασία υπερθέρμανσης

Όταν το εργαλείο υπερθερμαίνεται, το εργαλείο σταματάει αυτόματα. Αφήστε το εργαλείο να ψυχθεί πριν επνεργοποιήσετε ξανά το εργαλείο.







Προστασία υπερβολικής αποφόρτισης

Όταν μειωθεί η χωρητικότητα μπαταρίας, το εργαλείο σταματάει αυτόματα. Εάν το προϊόν δεν τίθεται σε λειτουργία ακόμα και όταν πραγματοποιείται χειρισμός των διακοπών, βγάλτε τις μπαταρίες από το εργαλείο και φορτίστε τις.

Υπόδειξη υπόλοιπης χωρητικότητας μπαταρίας

► Εικ.4: 1. Ένδειξη μπαταρίας 2. Κουμπί ελέγχου

Πατήστε το κουμπί ελέγχου για να εμφανιστεί η υπόλοιπη χωρητικότητα της μπαταρίας. Η υπόλοιπη χωρητικότητα της μπαταρίας εμφανίζεται σύμφωνα με τον ακόλουθο πίνακα.

Κατάσταση ένδειξης μπαταρίας		Υπολειπόμενη χωρητικότητα μπαταρίας
Αναμμένες	Σβηστές	
		50% έως 100%
		20% έως 50%
		0% έως 20%

Δράση διακοπτή

▲ ΠΡΟΣΟΧΗ: Πριν τοποθετήτε την κασέτα μπαταριών στο εργαλείο, να ελέγχετε πάντα ότι ο κυλιόμενος διακοπτής ενεργοποιείται σωστά και επιστρέφει στη θέση «ΑΝΕΝΕΡΓΟ» όταν πιάζετε το πίσω μέρος του κυλιόμενου διακοπτή.

Ανάλογα με τις ανάγκες της εργασίας σας, μπορείτε να επιλέξετε δύο τύπους ισχύος αναρρόφησης: κανονική «1» ή υψηλή «2».

Για να ξεκινήσετε τη σκούπα, θέστε το μοχλό-διακοπτή στην πλευρά «1» ή «2».

Για να σβήσετε τη σκούπα, θέστε το μοχλό-διακοπτή στην πλευρά «0».

► Εικ.5: 1. Μοχλός-διακοπτής

Αυτόματη διακοπή αναρρόφησης κατά τη λειτουργία υγρής αναρρόφησης

▲ ΠΡΟΕΙΔΟΠΟΙΗΣΗ: Μη χρησιμοποιείτε για πολύ χρόνο ενώ ο πλωτήρας βρίσκεται σε λειτουργία. Αν χρησιμοποιήσετε τη σκούπα με τον πλωτήρα σε λειτουργία για πολύ χρόνο, μπορεί να προκληθεί υπερθέρμανση, έχοντας ως αποτέλεσμα την παραμόρφωση της σκούπας. Στη χειρότερη περίπτωση, μπορεί να οδηγήσει σε εκπομπή καπνού ή πυρκαγιά.

▲ ΠΡΟΕΙΔΟΠΟΙΗΣΗ: Μην συλλέγετε αφρό ή σαπουνώδες υγρό. Αν συλλέξετε αφρό ή σαπουνώδες υγρό, μπορεί να εξέλθει αφρός από την έξοδο αέρα πριν λειτουργήσει ο πλωτήρας. Αν συνεχίσετε να χρησιμοποιείτε τη σκούπα σε αυτή την κατάσταση, μπορεί να προκληθεί ηλεκτροπληξία και καταστροφή της σκούπας.

Η σκούπα διαθέτει ένα μηχανισμό πλωτήρα που εμποδίζει την είσοδο του νερού στο μοτέρ κατά τη συλλογή μιας ορισμένης ποσότητας νερού και άνω. Όταν η δεξαμενή είναι γεμάτη και η σκούπα δεν συλλέγει πλέον νερό, σβήστε τη σκούπα και αδειάστε τη δεξαμενή.

Λαβή μεταφοράς

Όταν μεταφέρετε τη σκούπα, να την κρατάτε από τη λαβή στην κεφαλή. Η λαβή είναι ανασυρόμενη στην κεφαλή όταν δεν χρησιμοποιείται.

► Εικ.6

ΠΑΡΑΤΗΡΗΣΗ: Όταν υπάρχει νερό στη δεξαμενή, απενεργοποιήστε τη σκούπα και αδειάστε τη δεξαμενή πριν τη μεταφορά. Το νερό στο εσωτερικό μπορεί να διαρρεύσει.

ΣΥΝΑΡΜΟΛΟΓΗΣΗ

▲ ΠΡΟΣΟΧΗ: Να βεβαιώνετε πάντα ότι το εργαλείο είναι σβηστό και η κασέτα μπαταρίας έχει αφαιρεθεί πριν εκτελέσετε κάποια εργασία στο εργαλείο.

▲ ΠΡΟΣΟΧΗ: Να φοράτε πάντα μάσκα σκόνης κατά τη συναρμολόγηση ή συντήρηση.

Σύνδεση του εύκαμπτου σωλήνα

ΕΙΔΟΠΟΙΗΣΗ: Αποφύγετε την άσκηση καμπτικής ή συνθλιπτικής δύναμης στον εύκαμπτο σωλήνα. Μη μετακινείτε ποτέ τη σκούπα από τον εύκαμπτο σωλήνα. Η άσκηση δύναμης, η σύνθλιψη και το τράβηγμα του εύκαμπτου σωλήνα μπορεί να προκαλέσει σπάσιμο ή παραμόρφωση του εύκαμπτου σωλήνα.

ΕΙΔΟΠΟΙΗΣΗ: Μη συλλέγετε μεγάλα απόβλητα όπως ρινίσματα πλάνης και τσιμεντένια κομμάτια. Μπορεί να προκληθεί φράξιμο και ζημιά του εύκαμπτου σωλήνα.

Για χρήση ως ηλεκτρική σκούπα

Εισαγάγετε τον εύκαμπτο σωλήνα μέσα στην είσοδο αναρρόφησης και περιστρέψτε τον δεξιόστροφα μέχρι να ασφαλίσει.

► Εικ.7: 1. Είσοδος αναρρόφησης

Για φύσημα

Εισαγάγετε τον εύκαμπτο σωλήνα στην έξοδο φυσητήρα και περιστρέψτε τον δεξιόστροφα μέχρι να ασφαλίσει.

► Εικ.8: 1. Έξοδος φυσητήρα

ΠΑΡΑΤΗΡΗΣΗ: Σε αυτή τη σκούπα, η είσοδος αναρρόφησης και η έξοδος φυσητήρα είναι ξεχωριστές. Συνδέστε τον εύκαμπτο σωλήνα στη σωστή θύρα, ανάλογα με την εργασία σας.

Σύνδεση του ακροφυσίου

Συνδέστε το πλατύ ακροφύσιο, το κυλινδρικό ακροφύσιο ή τα άλλα ακροφύσια που παρέχονται ως προαιρετικά εξαρτήματα, ανάλογα με το σκοπό σας. Για να συνδέσετε το ακροφύσιο, περιστρέψτε και εισαγάγετε το στο άκρο του εύκαμπτου σωλήνα.

► Εικ.9

Σύνδεση του εργαλείου

Προαιρετικό εξάρτημα

Για να συνδέσετε το εργαλείο, συνδέστε το άκρο του εύκαμπτου σωλήνα με την έξοδο απαγωγής του εργαλείου. Ανάλογα με το εργαλείο, μπορεί να χρειαστείτε τον προαιρετικό σύνδεσμο 22-38 ή το προαιρετικό μπροστινό στόμιο 24.

- **Εικ.10:** 1. Εύκαμπτος σωλήνας 2. Σύνδεσμος 22-38
3. Μπροστινό στόμιο 24

ΠΑΡΑΤΗΡΗΣΗ: Όταν συνδέετε το εργαλείο, να βεβαιώσετε πάντα ότι ο εύκαμπτος σωλήνας είναι συνδεδεμένος στην είσοδο αναρρόφησης στη σκούπα.

Αποθήκευση του εύκαμπτου σωλήνα και των ακροφυσίων

Ο εύκαμπτος σωλήνας και τα ακροφύσια μπορούν να αποθηκευτούν επάνω στο εργαλείο όπως απεικονίζεται.

- **Εικ.11:** 1. Κυλινδρικό ακροφύσιο 2. Πλατύ ακροφύσιο

Όταν αποθηκεύετε τον εύκαμπτο σωλήνα, τυλίξτε τον στο εργαλείο και στερεώστε τον στο γάντζο όπως απεικονίζεται.

- **Εικ.12:** 1. Εύκαμπτος σωλήνας 2. Γάντζος

Τοποθέτηση του ιμάντα ώμου

Προαιρετικό εξάρτημα

Συνδέστε τους γάντζους του ιμάντα ώμου στις στηρίξεις της σκούπας όπως απεικονίζεται στην εικόνα.

- **Εικ.13:** 1. Ιμάντας ώμου 2. Γάντζος 3. Στήριξη

ΛΕΙΤΟΥΡΓΙΑ

Χρήση ως ηλεκτρική σκούπα

ΕΙΔΟΠΟΙΗΣΗ: Χρησιμοποιήστε το φίλτρο HEPA όταν συλλέγετε ξηρή σκόνη.

ΕΙΔΟΠΟΙΗΣΗ: Αν συνεχίσετε να συλλέγετε νερό με το φίλτρο HEPA, η ισχύς αναρρόφησης μπορεί να μειωθεί. Σε αυτή την περίπτωση, στεγνώστε το φίλτρο HEPA.

Χρησιμοποιήστε το υγρό φίλτρο (προαιρετικό εξάρτημα) όταν συλλέγετε επανειλημμένα νερό.

- **Εικ.14:** 1. Φίλτρο HEPA 2. Υγρό φίλτρο

1. Τοποθετήστε τον εύκαμπτο σωλήνα και το ακροφύσιο στην είσοδο αναρρόφησης και ενεργοποιήστε το εργαλείο.

2. Μετά το καθάρισμα με ηλεκτρική σκούπα, αδειάστε τη δεξαμενή πριν γεμίσει εντελώς.

- **Εικ.15**

Λειτουργία ως φυσητήρα

ΠΡΟΣΟΧΗ: Μη φυσάτε λασπώδη νερά, όπως σε περιοχές με λακκούβες ή άμμο. Αν φυσήξετε ξένα αντικείμενα μέσα στα μάτια, μπορεί να έχει ως αποτέλεσμα προσωπικό τραυματισμό.

ΠΡΟΣΟΧΗ: Μη θέτετε σε λειτουργία ως φυσητήρα αντίθετα από τον αέρα. Αν φυσήξετε ξένα αντικείμενα μέσα στα μάτια, μπορεί να έχει ως αποτέλεσμα προσωπικό τραυματισμό.

ΠΡΟΣΟΧΗ: Κατά τη λειτουργία, να χρησιμοποιείτε πάντα προστατευτικά γυαλιά, κάλυμμα κεφαλής και μάσκα.

ΠΡΟΣΟΧΗ: Μη στρέψετε ποτέ το ακροφύσιο προς κανένα άτομο που βρίσκεται κοντά.

ΠΡΟΣΟΧΗ: Ο χειριστής ή ο χρήστης είναι υπεύθυνος για ατυχήματα ή κινδύνους που υφίστανται άλλα άτομα ή η ιδιοκτησία τους.

ΠΡΟΣΟΧΗ: Μη χρησιμοποιείτε το εργαλείο για φύσημα αέρα μέσα σε αντικείμενα, όπως φουσκωτές βαρκές, μπάλες ή άλλα φουσκωτά προϊόντα. Οι αυξημένες στροφές του μοτέρ μπορεί να προκαλέσουν επικίνδυνο σπάσιμο του ανεμιστήρα.

1. Τοποθετήστε τον εύκαμπτο σωλήνα μέσα στην έξοδο φυσητήρα.
2. Στρέψτε το άκρο του εύκαμπτου σωλήνα προς το αντικείμενο που θα φυσήξετε και ενεργοποιήστε το εργαλείο.

- **Εικ.16**

ΠΑΡΑΤΗΡΗΣΗ: Για να καθαρίσετε ένα στενό χώρο, συνδέστε το κυλινδρικό ακροφύσιο με τον εύκαμπτο σωλήνα για διευκόλυνση.

ΣΥΝΤΗΡΗΣΗ

ΠΡΟΣΟΧΗ: Πριν την εκτέλεση εργασιών επιθεώρησης ή συντήρησης, πάντοτε να βεβαιώνετε ότι η συσκευή απενεργοποιήθηκε και η κασέτα μπαταριών έχει αφαιρεθεί.

ΠΡΟΣΟΧΗ: Για να μειώσετε την επαφή με τη σκόνη, χρησιμοποιήστε προστατευτικά γυαλιά και μάσκα σκόνης όταν αδειάζετε τη δεξαμενή ή καθαρίζετε το φίλτρο.

ΕΙΔΟΠΟΙΗΣΗ: Μην χρησιμοποιείτε ποτέ βενζίνη, πετρελαϊκό αιθέρα, διαλυτικό, αλκοόλη ή παρόμοιες ουσίες. Μπορεί να προκληθεί αποχρωματισμός, παραμόρφωση ή ρωγμές.

Για τη διατήρηση της ΑΣΦΑΛΕΙΑΣ και ΑΞΙΟΠΙΣΤΙΑΣ του προϊόντος, οι επισκευές και οποιαδήποτε άλλη εργασία συντήρησης ή ρύθμισης πρέπει να εκτελούνται από εξουσιοδοτημένα ή εργοστασιακά κέντρα εξυπηρέτησης της Makita, χρησιμοποιώντας πάντοτε ανταλλακτικά της Makita.

Αδειασμα της δεξαμενής

▲ ΠΡΟΕΙΔΟΠΟΙΗΣΗ: Να βεβαιώνετε πάντα ότι η σκούπα είναι απενεργοποιημένη και η κασέτα μπαταριών έχει αφαιρεθεί πριν αδειάσετε τη δεξαμενή. Αν δεν το κάνετε αυτό, μπορεί να προκληθεί ηλεκτροπληξία και σοβαρός ατομικός τραυματισμός.

▲ ΠΡΟΣΟΧΗ: Μην ασκείτε μεγάλη δύναμη στη δεξαμενή. Αν ασκήσετε μεγάλη δύναμη, μπορεί να προκληθεί παραμόρφωση και ζημιά στα εξαρτήματα.

▲ ΠΡΟΣΟΧΗ: Να αδειάζετε τη δεξαμενή τουλάχιστον μία φορά την ημέρα, αν και αυτό εξαρτάται από τον όγκο της σκόνης που έχετε συλλέξει στη δεξαμενή. Διαφορετικά, η ισχύς αναρρόφησης θα μειωθεί και το μοτέρ θα σπάσει.

▲ ΠΡΟΣΟΧΗ: Μην αρπάζετε τον γάντζο όταν αδειάζετε τη δεξαμενή. Αν αρπάζετε τον γάντζο, μπορεί να προκληθεί σπάσιμο του γάντζου.

Απαγκιστρώστε και σηκώστε το κάλυμμα δεξαμενής. Τινάξτε τη σκόνη από το φίλτρο και μετά απορρίψτε τη σκόνη από τη δεξαμενή.

► **Εικ.17:** 1. Γάντζος 2. Δεξαμενή

Καθαρισμός του φίλτρου HEPA/υγρού φίλτρου

ΕΙΔΟΠΟΙΗΣΗ: Μην τρίβετε ή γρατζουνάτε το φίλτρο HEPA/υγρό φίλτρο με σκληρά αντικείμενα όπως βούρτσα ή σπάτουλα.

Ένα φραγμένο φίλτρο HEPA/υγρό φίλτρο προκαλεί ανεπαρκή απόδοση αναρρόφησης. Να καθαρίζετε περιστασιακά το φίλτρο.

1. Για να αφαιρέσετε το φίλτρο HEPA/υγρό φίλτρο, ξεκλειδώστε και αφαιρέστε το κάλυμμα της δεξαμενής.

2. Περιστρέψτε το φίλτρο HEPA/υγρό φίλτρο αριστερόστροφα και τραβήξτε το από το κάλυμμα της δεξαμενής.

► **Εικ.18:** 1. Κάλυμμα δεξαμενής 2. Φίλτρο HEPA 3. Δεξαμενή

3. Για να αφαιρέσετε τη σκόνη που είναι προσκολλημένη στο φίλτρο HEPA/υγρό φίλτρο, ανακινήστε το κάτω μέρος του πλαισίου αρκετές φορές γρήγορα. Περιστασιακά, να πλένετε το φίλτρο HEPA/υγρό φίλτρο με νερό και να το ξεπλένετε και, εάν πρόκειται για φίλτρο HEPA, στεγνώστε το πολύ καλά στη σκιά πριν από τη χρήση. Μην πλένετε ποτέ το φίλτρο στο πλυντήριο.

► **Εικ.19**

4. Για να τοποθετήσετε το φίλτρο HEPA/υγρό φίλτρο, τοποθετήστε και περιστρέψτε το δεξιόστροφα με τρόπο ώστε τα χείλη ασφάλισης να ασφαλισουν καλά στο κάλυμμα δεξαμενής.

► **Εικ.20:** 1. Κάλυμμα δεξαμενής 2. Φίλτρο HEPA 3. Χείλος ασφάλισης 4. Δεξαμενή

5. Στερεώστε το κάλυμμα δεξαμενής και κλειδώστε το.

ΠΑΡΑΤΗΡΗΣΗ: Το φίλτρο φθείρεται με το πέρασμα του χρόνου. Συνιστάται να έχετε ανταλλακτικά.

Τοποθέτηση του σετ προφίλτρου

Προαιρετικό εξάρτημα

ΠΑΡΑΤΗΡΗΣΗ: Χρησιμοποιήστε το σετ προφίλτρου όταν συλλέγετε ξηρή σκόνη με το φίλτρο HEPA. Αν χρησιμοποιήσετε το σετ προφίλτρου για τη συλλογή νερού, η ικανότητα αναρρόφησης νερού μπορεί να μειωθεί.

Το σετ προφίλτρου, το οποίο αποτελείται από το προφίλτρο και αποσβεστήρα, μειώνει το φράξιμο σκόνης στο φίλτρο HEPA για να διατηρείται η ισχύς αναρρόφησης.

1. Απασφαλίστε και αφαιρέστε το κάλυμμα δεξαμενής.

2. Τοποθετήστε τον αποσβεστήρα στο φίλτρο HEPA και καλύψτε τον με το προφίλτρο. Βεβαιωθείτε να αγκιστρώσετε το λαστιχάκι του προφίλτρου στο χείλος του φίλτρου HEPA.

► **Εικ.21:** 1. Φίλτρο HEPA 2. Αποσβεστήρας 3. Προφίλτρο

3. Στερεώστε το κάλυμμα δεξαμενής και κλειδώστε το.

ΠΡΟΑΙΡΕΤΙΚΑ ΕΞΑΡΤΗΜΑΤΑ

▲ ΠΡΟΣΟΧΗ: Αυτά τα εξαρτήματα ή προσαρτήματα συνιστώνται για χρήση με το εργαλείο Makita που περιγράφηκε στις οδηγίες αυτές. Η χρήση οποιωνδήποτε άλλων εξαρτημάτων ή προσαρτημάτων μπορεί να προκαλέσει κίνδυνο τραυματισμού σε άτομα. Να χρησιμοποιείτε τα εξαρτήματα ή προσαρτήματα μόνο για την χρήση που προορίζονται.

Εάν χρειάζεστε οποιαδήποτε βοήθεια για περισσότερες πληροφορίες σε σχέση με αυτά τα εξαρτήματα, απαντηθείτε στο τοπικό σας κέντρο εξυπηρέτησης Makita.

- Εύκαμπτος σωλήνας
- Μπροστινό στόμιο 24
- Σύνδεσμος 22-38
- Ακροφύσιο γωνιών
- Στρογγυλή βούρτσα
- Ιμάντας ώμου
- Υγρό φίλτρο
- Φίλτρο HEPA
- Σετ προφίλτρου
- Γνήσια μπαταρία και φορτιστής της Makita

ΠΑΡΑΤΗΡΗΣΗ: Μερικά στοιχεία στη λίστα μπορεί να συμπεριλαμβάνονται στη συσκευασία εργαλείου ως στάνταρ εξαρτήματα. Μπορεί να διαφέρουν ανάλογα με τη χώρα.

TÜRKÇE (Orijinal talimatlar)

UYARI

- Bu makine fiziksel, duyuşsal ya da zihinsel yetenekleri kısıtlı olan veya deneyim ya da bilgileri olmayan kişiler ve çocuklar tarafından kullanıma uygun deęildir.
- Süpürge ile oynamadıklarından emin olmak için çocuklar kontrol altında bulundurulmalıdır.
- Bataryanın tip referansı için "TEKNİK ÖZELLİKLER" bölümüne bakın.
- Bataryanın nasıl çıkarılacağı veya takılacağı ile ilgili olarak "Batarya kartuşunun takılması veya çıkartılması" kısmına bakın.
- Batarya kartuşunu bertaraf ederken aletten çıkarın ve güvenli bir yerde bertaraf edin. Bataryanın bertaraf edilmesi ile ilgili yerel düzenlemelere uyun.
- Alet uzun süre kullanılmıyacaksa batarya aletten çıkarılmalıdır.
- Batarya kartuşunu kısa devre yapmayın.
- Kullanıcı bakımı sırasındaki uygun önlem bilgileri için "BAKIM" bölümüne bakın.

TEKNİK ÖZELLİKLER

Model:	DVC750L	
Maksimum hava hacmi	Normal (1)	1,3 m ³ /min
	Yüksek (2)	1,6 m ³ /min
Vakum	Normal (1)	42 hPa
	Yüksek (2)	67 hPa
Nominal aşırı basınç (üfleyici olarak kullanırken)	Normal (1)	42 hPa
	Yüksek (2)	67 hPa
Elde edilebilir kapasite	Toz	7,5 L
	Su *	4,5 L
Ebat (U x G x Y)	418 mm x 251 mm x 278 mm	
Nominal voltaj	D.C. 18 V	
Net ağırlık	4,2 - 4,6 kg	
Koruma sınıfı	IPX4	

- Sürekli yapılan araştırma ve geliştirmelerden dolayı, burada belirtilen özellikler önceden bildirilmeksizin deęiştirilebilir.
- Teknik özellikler ülkeden ülkeye farklılık gösterebilir.
- Ağırlık, aksesuarları (hortum, geniş emme başlığı, kenar köşe emme başlığı) ve batarya kartuşu/kartuşlarının içerir. Cihazın ve batarya kartuşunun/kartuşlarının en hafif ve en ağır birleşik ağırlığı tabloda gösterilmiştir.
- * Su kapasitesi kullanım durumuna baęlıdır.

Geçerli batarya kartuşu ve şarj aleti

Batarya kartuşu	BL1815N / BL1820B / BL1830B / BL1840B / BL1850B / BL1860B
Şarj aleti	DC18RC / DC18RD / DC18RE / DC18SD / DC18SE / DC18SF / DC18SH

- Yukarıda listelenen batarya kartuşlarının ve şarj aletlerinin bazıları yaşadığınız bölgeye baęlı olarak mevcut olmayabilir.

UYARI: Sadece yukarıda listelenen batarya kartuşlarını ve şarj aletlerini kullanın. Başka batarya kartuşlarının ve şarj aletlerinin kullanılması yaralanma ve/veya yangına neden olabilir.

Semboller

Ekipmanı için kullanılabilecek semboller aşağıda gösterilmiştir. Kullanmadan önce anlamlarını anladığınızdan emin olun.



El kitabını okuyun.



Çok özenli ve dikkatli kullanın.



Uyarı! Süpürge tehlikeli tozlar içerebilir.



Toz sınıfı: L (hafif); Süpürgeler, L sınıfı tozları toplamak içindir. Tozlara ve mesleki tehlikelere ve güvenliğe ilişkin olarak ülkenizdeki yönetmeliklere uyun.



Sadece AB ülkeleri için
Ekipmanda tehlikeli bileşenler bulunduğundan dolayı atık elektrikli ve elektronik ekipmanlar, aküler ve bataryalar çevre ve insan sağlığı üzerinde olumsuz etkiye yol açabilir. Elektrikli ve elektronik cihazları veya bataryaları evsel atıklarla birlikte atmayın!
Atık elektrikli ve elektronik ekipmanlar ile akümülatörler ve bataryalar hakkındaki Avrupa Direktifi ve söz konusu direktifin ulusal yasalara uyarlanması gereğince atık elektrikli ekipmanlar, bataryalar ve akümülatörler ayrı olarak depolanmalı ve çevre koruma hakkındaki mevzuata uygun olarak faaliyet gösteren ayrı bir kentsel atık toplama noktasına teslim edilmelidir. Bu husus, ekipmanın üzerine yerleştirilmiş üzerinde çarpı işareti bulunan tekerlekli çöp kovası simgesi ile belirtilmiştir.

Kullanım amacı

Bu alet ıslak ve kuru tozları toplamak amacıyla kullanılır. Alet; oteller, okullar, hastaneler, fabrikalar, dükkanlar, ofisler ve kiralama hizmetleri gibi ticari kullanımlar için uygundur.

Gürültü

Tipik A-ağırlıklı gürültü düzeyi (IEC60335-2-69 standardına göre belirlenen):
Ses basınç seviyesi (L_{pA}): 76 dB (A)
Belirsizlik (K): 2,5 dB (A)

İşlem sırasında gürültü seviyesi 80 dB (A)'yi geçebilir.

NOT: Beyan edilen gürültü emisyonu değer(ler)i bir standart test yöntemine uygun şekilde ölçülmüştür ve bir aleti bir başkasıyla karşılaştırmak için kullanılabilir.

NOT: Beyan edilen gürültü emisyonu değer(ler)i bir ön maruz kalma değerlendirmesi olarak da kullanılabilir.

UYARI: Kulak koruyucuları takın.

UYARI: Elektrikli aletin gerçek kullanımı sırasındaki gürültü emisyonu, aletin kullanım biçimlerine, özellikle işlenen iş parçasının türüne bağlı olarak beyan edilen değer(ler)den farklı olabilir.

UYARI: Gerçek kullanım koşullarındaki tahmini maruziyeti baz alan, operatörü koruyacak güvenlik önlemlerini mutlaka belirleyin (çalışma döngüsü içerisinde aletin kapalı olduğu ve aktif durumda olmasının yanı sıra boşta çalıştığı zamanlar gibi, bütün zaman dilimleri göz önünde bulundurarak).

Titreşim

Titreşim toplam değeri (üç eksenli vektör toplamı) (IEC60335-2-69 standardına göre hesaplanan):
Titreşim emisyonu (a_{hM}): 2,5 m/s²'den az
Belirsizlik (K) : 1,5 m/s²

NOT: Beyan edilen titreşim toplam değer(ler)i bir standart test yöntemine uygun şekilde ölçülmüştür ve bir aleti bir başkasıyla karşılaştırmak için kullanılabilir.

NOT: Beyan edilen titreşim toplam değer(ler)i bir ön maruz kalma değerlendirmesi olarak da kullanılabilir.

UYARI: Elektrikli aletin gerçek kullanımı sırasındaki titreşim emisyonu, aletin kullanım biçimlerine, özellikle işlenen iş parçasının türüne bağlı olarak beyan edilen değer(ler)den farklı olabilir.

UYARI: Gerçek kullanım koşullarındaki tahmini maruziyeti baz alan, operatörü koruyacak güvenli önlemlerini mutlaka belirleyin (çalışma döngüsü içerisinde aletin kapalı olduğu ve aktif durumda olmasının yanı sıra boşta çalıştığı zamanlar gibi, bütün zaman dilimleri göz önünde bulundurarak).

EC Uygunluk Beyanı

Sadece Avrupa ülkeleri için

EC uygunluk beyanı bu kullanım kılavuzuna Ek A olarak eklenmiştir.

GÜVENLİK UYARILARI

Akülü süpürgesi güvenlik uyarıları

UYARI: ÖNEMLİ! KULLANMADAN ÖNCE tüm güvenlik uyarılarını ve tüm talimatları DİKKATLE OKUYUN. Uyarılara ve talimatlara uyulmaması elektrik şoku, yangın ve/veya ciddi yaralanmalar ile sonuçlanabilir.

1. Kullanmadan önce, bu süpürgeyi kullanacak kişilerin bu süpürgeyi kullanımı konusunda yeterince bilgilendirildiğinden emin olun.
2. Kullanmadan önce operatörlere, makinenin kullanımı ve hangi maddeler için kullanılacağına ilişkin, toplanan materyali güvenli çıkarma ve atma yöntemi de dahil olmak üzere bilgi, talimat ve eğitim verilmelidir.
3. Köpük ya da sıvı çıkıyorsa aleti derhal kapatın.
4. Su seviyesi sınırlama cihazını düzenli olarak temizleyin ve hasar belirtilerine karşı inceleyin.
5. Süpürgeyi filtresiz kullanmayın. Hasarlı filtreyi hemen değiştirin.
6. İSTEM DIŞI BAŞLATMAYI ÖNLEYİN. Bataryayı/bataryaları takarken anahtarın KAPALI konumunda olduğundan emin olun.
7. Yanıcı maddeleri, havai fişekleri, yanan sigaraları, sıcak külleri, sıcak metal parçaları; jilet, iğne, kırık cam vb. keskin maddeleri süpürgeyle çekmeye çalışmayın.
8. SÜPÜRGEYİ ASLA BENZİN, GAZ, BOYA, YAPIŞTIRICILAR YA DA DİĞER YÜKSEK ORANDA PATLAYICI ÖZELLİĞİ OLAN MADDELERİN YAKININDA KULLANMAYIN. AÇMA ve KAPAMA sırasında anahtardan kıvılcım çıkar. Kullanım sırasında motor kolektöründen de kıvılcım çıkar. Ciddi bir patlama meydana gelebilir.
9. Asbest, arsenik, baryum, berilyum, kurşun, pestisitler gibi zehirli, kanserojen, yanıcı veya diğer tehlikeli maddeleri veya sağlığa zararlı maddeleri süpürgeyle çekmeyin.
10. Düşmesini veya kazara hareket etmesini engellemek için süpürgeyi her zaman yatay düz bir yüzeye yerleştirin.

11. Süpürgeyi yağmurlu havalarda dışarıda asla kullanmayın.
 12. Finlandiya için bu makine düşük sıcaklıkta dış mekanlarda kullanılmamalıdır.
 13. Isı kaynaklarının yakınında kullanmayın (ocak vb.).
 14. Egzoz havası odaya geri dönerse odada yeterli bir hava değişim oranı sağlamak gereklidir. Gerekirse ulusal mevzuata başvurun.
 15. Emme ağız/çıkış/soğutma kanallarını kapatmayın. Bu kanallar motorun soğumasını sağlar. Kanalların kapatılmasında dikkatle kaçınılmalıdır, aksi takdirde yetersiz havalandırma nedeniyle motor yanar.
 16. Her zaman yere sağlam basın ve dengeyi koruyun.
 17. Hortumu katlamayın, çekiştirmeyin veya üzerine basmayın.
 18. Kullanım sırasında performansta zayıflama ya da normal olmayan herhangi bir durum tespit ettiğinizde süpürgeyi derhal durdurun.
 19. **BATARYAYI/BATARYALARI ÇIKARIN.** Kullanılmadığında, servis işlemlerinden önce ve aksesuarları değiştirirken.
 20. Süpürgeyi en iyi kullanım koşullarında tutmak için her kullanımdan sonra süpürgeyi derhal temizleyin ve bakımını yapın.
 21. **SÜPÜRGENİN BAKIMINI DİKKATLİ BİR ŞEKİLDE YAPIN.** Daha iyi ve güvenli performans için süpürgeyi temiz tutun. Aksesuarların değiştirilmesi için talimatlara uyun. Tutamakları kuru, temiz ve yağ ve gres bulaşmamış halde bulundurun.
 22. **HASARLI PARÇALARI KONTROL EDİN.** Süpürgeyi kullanmaya devam etmeden önce, hasar görmüş siper ya da başka bir parça, uygun şekilde çalışıp çalışmayacağını ve amaçlanan işlevi görüp göremeyeceğini belirlemek amacıyla, dikkatli bir şekilde kontrol edilmelidir. Hareketli parçaların hizalanmalarını, bağlantılarını, parçalarındaki kırıkları, montajlarını ve işleyişi etkileyebilecek başka durumları kontrol edin. Hasar görmüş siper ya da başka bir parça, bu kullanım kılavuzunda başka bir yer belirtilmediği sürece yetkili bir servis merkezi tarafından onarılmalı ya da değiştirilmelidir. Arızalı anahtarları yetkili servis merkezinde değiştirin. Anahtar süpürgeyi açıp kapatmıyorsa süpürgeyi kullanmayın.
 23. Kullanıcı bakımı için makine, bakım personelinin ve diğerlerini riske atmadan makul şekilde uygulanabilir ölçüde sökülmeli, temizlenmeli ve bakımı yapılmalıdır.
 24. Makine, üretici firma veya eğitimli bir personel tarafından yılda en az bir kez teknik olarak muayene edilmelidir; bu muayene örneğin filtrelerin hasara karşı kontrol edilmesini, makinenin hava geçirmezliğini ve kontrol mekanizmasının düzgün çalışıp çalışmadığını içermelidir.
 25. Bakım veya onarım işlemleri yaparken tatminkar düzeyde temizlenemeyen yüksek elemanlar atılmalıdır; söz konusu elemanlar, bu tür atıkların atılması ile ilgili mevcut tüm mevzuata uygun olarak sızdırmaz torbalarda atılmalıdır.
 26. **YEDEK PARÇALAR.** Servis için sadece aynı yedek parçaları kullanın.
 27. **SÜPÜRGENİN KULLANILMADIĞI ZAMAN SAKLANMASI.** Kullanılmadığında, süpürgeyi iç mekanlarda saklayın.
 28. Islak filtreler ve sıvı kabının iç kısmı depolanmadan önce kurutulmalıdır.
 29. Süpürgenizi özenle kullanın. Kaba kullanım en sağlam yapı süpürgenin bile kırılmasına neden olabilir.
 30. İçini ya da dışını benzin, tiner veya temizleyici kimyasallarla temizlemeye çalışmayın. Çatlaklar ya da renk değişiklikleri oluşabilir.
 31. Yağ bazlı boya, boya ıceltici, benzin, bazı güve yemez maddeler vb.den yanıcı, patlayıcı veya zehirli buharlar çıkan kapalı ortamlarda veya yanıcı tozların mevcut olduğu alanlarda süpürgeyi kullanmayın.
 32. Bu aleti ya da diğer aletleri alkol veya ilaçların etkisi altında kullanmayın.
 33. Temel bir güvenlik kuralı olarak güvenlik gözlükleri veya kenar siperli güvenlik gözlükleri kullanın.
 34. Tozlu çalışma koşullarında bir toz maskesi kullanın.
 35. Bu makine fiziksel, duyuusal ya da zihinsel yetenekleri kısıtlı olan veya deneyim ya da bilgileri olmayan kişiler ve çocuklar tarafından kullanıma uygun değildir.
 36. Süpürge ile oynamadıklarından emin olmak için çocuklar kontrol altında bulundurulmalıdır.
 37. Bataryayı/bataryaları ve süpürgeyi asla ıslak elle ellemeyin.
 38. Merdivenlerde temizlik yaparken çok dikkatli olun.
 39. Süpürgeyi basamak ya da çalışma tezgahı olarak kullanmayın. Makine devrilebilir ve kişisel yaralanmaya neden olabilir.
- Bataryalı aletin kullanımı ve bakımı**
1. **Sadece üretici tarafından belirtilen şarj aleti ile şarj edin.** Bir batarya kutusu için uygun olan şarj cihazı başka bir batarya kutusu ile kullanıldığında yangın riski oluşturabilir.
 2. **Elektrikli aletleri sadece özel olarak belirtilen batarya kutuları ile kullanın.** Başka batarya kutularının kullanımı yaralanma ve yangın riski oluşturabilir.
 3. **Batarya kutusu kullanılmadığında; iki terminal arasında bağlantı kurulmasına sebep olabilecek ataç, bozuk para, anahtar, çivi, vida gibi metal nesnelere ya da küçük metal objelere uzak tutun.** Batarya terminallerine kısa devre yaptırmak yangınlara ya da yangına yol açabilir.
 4. **Kötü koşullarda bataryadan sıvı sızabilir; bu sıvıya temas etmeyin.** Eğer istemeden bir temas olursa suyla yıkayın. Sıvı göze temas ederse, suyla yıkadiktan sonra tıbbi yardım alın. Bataryadan çıkan sıvı tahrişe ya da yangınlara neden olabilir.
 5. **Batarya kutusu ya da alet hasar görmüşse ya da üzerinde değişiklik yapılmışsa batarya kutusunu kullanmayın.** Hasar görmüş ya da üzerinde değişiklik yapılmış batarya kutuları yangın, patlama ya da yaralanma riski ile sonuçlanan beklenmedik davranışlar sergileyebilir.
 6. **Batarya kutusunu veya aleti ateşe ya da aşırı sıcaklıklara maruz bırakmayın.** Ateşe ya da 130 °C'nin üzerindeki sıcaklıklara maruz bırakmak patlamaya neden olabilir.

7. Tüm şarj talimatlarına uyun ve batarya kutusunu ya da aleti yönergelerde belirtilen sıcaklık aralığının dışındaki sıcaklıklarda şarj etmeyin. Uygun olmayan bir şekilde ya da belirtilen sıcaklık aralığının dışında şarj etmek bataryaya zarar verebilir ve yangın riskini artırabilir.

BU TALİMATLARI SAKLAYIN.

⚠UYARI: Ürünü kullanırken (defalarca kullanınca kazanılan) rahatlık ve tanıdıklık duygusunun ilgili ürünün güvenli kurallarına sıkı sıkıya bağlı kalmanın yerine geçmesine İZİN VERMEYİN. YANLIŞ KULLANIM veya bu kullanma kılavuzunda belirtilen emniyet kurallarına uymama ciddi yaralanmaya neden olabilir.

Batarya kartuşu hakkında önemli güvenlik talimatları

1. Batarya kartuşunu kullanmadan önce, tüm talimatları ve (1) batarya kartuşu, (2) batarya ve (3) ürün üzerindeki tüm uyarı işaretlerini okuyun.
2. Batarya kartuşunu parçalarına ayırmayın veya kurcalamayın. Yangın, aşırı ısı veya patlamaya neden olabilir.
3. Çalışma süresi aşırı derecede kısalmışsa kullanmayı derhal bırakın. Aşırı ısınma, yanma riski hatta patlamaya neden olabilir.
4. Gözünüze elektrolit kaçarsa, gözlerinizi temiz suyla durulayın ve hemen tıbbi yardım alın. Görme kaybına yol açabilir.
5. Batarya kartuşuna kısa devre yaptırmayın:
 - (1) Terminallere herhangi bir iletken madde değdirmeyin.
 - (2) Batarya kartuşunu çiviler, madeni paralar, vb. gibi başka metal nesnelere aynı kaba koymaktan kaçının.
 - (3) Batarya kartuşunu yağmura ya da suya maruz bırakmayın.

Kısa devre, büyük bir akım akışına, aşırı ısınmaya, olası yanıklara hatta bataryanın bozulmasına yol açabilir.

6. Aleti ve batarya kartuşunu sıcaklığın 50°C ya da daha yükseğe ulaştığı yerlerde saklamayın ve kullanmayın.
7. Aşırı derecede hasar görmüş ya da tamamen kullanılmaz durumda olsa bile batarya kartuşunu yakmayın. Batarya kartuşu ateşe atılırsa patlayabilir.
8. Batarya kartuşunu çivilemeyin, kesmeyin, ezmeyin, fırlatmayın, düşürmeyin ya da batarya kartuşuna sert bir nesne ile vurmuyun. Bu eylemler yangın, aşırı ısı veya patlamaya neden olabilir.
9. Hasarlı bataryayı kullanmayın.
10. Aletin içerdiği lityum-iyon bataryalar Tehlikeli Eşyalar Yönetmeliğinin gereksinimlerine tabidir. Ticari nakliye işlemleri için, örneğin üçüncü taraflar, nakliye acenteleri tarafından yapılan nakliyelerde, paketleme ve etiketleme gereksinimlerine uyulmalıdır. Nakliyesi yapılacak ürünün hazırlanması için, tehlikeli maddeler konusunda uzman bir kişiye danışın. Lütfen muhtemelen daha ayrıntılı olan ulusal yönetmeliklere de uyun. Açık kontakları bantlayın ya da maskeleyin ve bataryayı paketin içinde hareket etmeyecek şekilde paketleyin.

11. Batarya kartuşunu bertaraf ederken aletten çıkarın ve güvenli bir yerde bertaraf edin. Bataryanın bertaraf edilmesi ile ilgili yerel düzenlemelere uyunuz.
12. Bataryaları sadece Makita tarafından belirtilen ürünlerle kullanın. Bataryaların uyumsuz ürünlere takılması; yangın, aşırı ısınma, patlama ya da elektrolit sızıntısına neden olabilir.
13. Alet uzun süre kullanılmıyacaksa batarya aletten çıkarılmalıdır.
14. Kullanma sırasında ve sonrasında batarya kartuşu sıyrarak yanıklara veya düşük sıcaklık yanıklarına yol açabilir. Sıcak batarya kartuşları ile işlem yaparken dikkat edin.
15. Yanıklara neden olabilecek kadar sıcak olabileceğinden kullandıktan hemen sonra aletin terminaline dokunmayın.
16. Batarya kartuşunun terminallerine, deliklerine ve kanallarına mıcır, toz veya toprak girmesine izin vermeyin. Aletin veya batarya kartuşunun zayıf performans göstermesine veya bozulmasına neden olabilir.
17. Alet yüksek gerilim elektrik güç hatlarında kullanımı desteklemediği sürece batarya kartuşunu yüksek gerilim elektrik güç hatlarının yakınında kullanmayın. Aletin veya batarya kartuşunun arızalanmasına veya bozulmasına neden olabilir.
18. Bataryayı çocuklardan uzak tutun.

BU TALİMATLARI MUHAFAZA EDİNİZ.

⚠DİKKAT: Sadece orijinal Makita bataryalarını kullanın. Orijinal olmayan Makita bataryaları ya da üzerine değişiklik yapılmış bataryaların kullanımı bataryanın patlamasına ve sonuç olarak yangın, kişisel yaralanma ve hasara neden olabilir. Ayrıca Makita aleti ve şarj aletinin Makita tarafından sunulan garantisi de geçersiz olur.

Maksimum batarya ömrü için ipuçları

1. Batarya kartuşunu tamamen boşalmadan önce şarj edin. Aletin gücünün zayıflamaya başladığını fark ettiğinizde aleti durdurun ve batarya kartuşunu şarj edin.
2. Tam dolu bir batarya kartuşunu asla yeniden şarj etmeyin. Aşırı şarj etme bataryanın hizmet ömrünü kısaltır.
3. Batarya kartuşunu 10 °C - 40 °C oda sıcaklığında şarj edin. Sıcak bir batarya kartuşunu şarj etmeden önce soğumasını bekleyin.
4. Batarya kartuşunu kullanılmıyorken aletten veya şarj aletinden çıkarın.
5. Uzun bir süre (altı aydan daha fazla) kullanmadığınız durumlarda batarya kartuşunu şarj edin.

İŞLEVSEL NİTELİKLER

⚠️ DİKKAT: Alet üzerinde ayarlama veya işleyiş kontrolü yapmadan önce aletin kapalı ve batarya kartuşunun ayrılmış olduğundan daima emin olun.

Batarya kartuşunun takılması ve çıkarılması

⚠️ DİKKAT: Batarya kartuşunu takmadan ya da çıkarmadan önce aleti daima kapatın.

⚠️ DİKKAT: Batarya kartuşunu takarken veya çıkarırken aleti ve batarya kartuşunu sıkıca tutun. Aletin ve batarya kartuşunun sıkıca tutulmaması bunların düşürülmesine sebep olabilir ve alet ve batarya kartuşunun zarar görmesine ya da ciddi yaralanmasına yol açabilir.

⚠️ DİKKAT: Batarya kapağını açıp kapatırken parmaklarınızı sıkıştırmamaya dikkat edin. Bunun yapılmaması kişisel yaralanmalara sebep olabilir.

Batarya kartuşunu takmak için önce batarya kapağını açın ve ardından batarya kartuşunu yerleştirin.

► **Şek.1:** 1. Batarya kapağı

NOT: Batarya kapağı, açılarak dik konuma alındığında kilitletir.

Batarya kartuşu üstündeki dili yuvadaki oklukla hizalayın ve yerine kaydırın. Hafif bir tık sesi duyulana kadar itip yerine tam oturmasını sağlayın. Ardından, batarya kapağını kapatın.

Batarya kartuşunu çıkarmak için, kartuşun ön tarafında bulunan düğmeyi kaydırarak batarya kartuşunu aletten çekerek ayırın.

► **Şek.2:** 1. Batarya kartuşu 2. Düğme 3. Kırmızı gösterge

⚠️ DİKKAT: Batarya kartuşunu daima kırmızı gösterge görünmeyecek şekilde tam olarak takın. Yerine tam oturmazsa, aletten yanlışlıkla düşebilir, sizin ya da çevrenizdeki kişilerin yaralanmasına neden olabilir.

⚠️ DİKKAT: Batarya kartuşunu zorlayarak takmayın. Kartuş kolay bir şekilde kaymıyorsa doğru yerleştirilmemiş demektir.

Kalan batarya kapasitesinin gösterilmesi

Sadece göstergeli batarya kartuşları için

► **Şek.3:** 1. Gösterge lambaları 2. Kontrol düğmesi

Kalan batarya kapasitesini göstermesi için batarya kartuşu üzerindeki kontrol düğmesine basın. Gösterge lambaları birkaç saniye yanar.

Gösterge lambaları			Kalan kapasite
Yanıyor	Kapalı	Yanıp sönüyor	
■	□	▬	%75 ila %100
■	■	□	%50 ila %75
■	■	□	%25 ila %50
■	□	□	%0 ila %25
▬	□	□	Bataryayı şarj edin.
■	■	□	Batarya arızalanmış olabilir.
□	□	■	

NOT: Kullanım koşullarına ve ortam sıcaklığına bağlı olarak, gösterilen değer gerçek kapasiteden biraz farklılık gösterebilir.

NOT: İlk (en soldaki) gösterge lambası, batarya koruma sistemi çalıştığında yanıp söner.

Alet/batarya koruma sistemi

Bu alet bir alet/batarya koruma sistemi ile donatılmıştır. Bu sistem motora giden gücü otomatik olarak keserek uzun alet ve batarya ömrü sağlar. Alet veya batarya için aşağıdaki durumlardan biri söz konusu olduğunda aletin işleyişi otomatik olarak durur. Bazı durumlarda göstergeler yanar.

Aşırı yük koruması

Alet, anormal derecede yüksek akım çekmesine neden olacak şekilde kullanıldığında, alet hiçbir belirti vermeden otomatik olarak durur. Bu durumda, aleti kapatın ve aletin aşırı yüklenmesine neden olan uygulamayı durdurun. Daha sonra aleti yeniden başlaması için çalıştırın.

Aşırı ısınma koruması

Alet aşırı ısındığında otomatik olarak durur. Tekrar çalıştırmadan önce aletin soğumasını bekleyin.

Aşırı deşarj koruması

Batarya kapasitesi düştüğünde, alet otomatik olarak durur. Anahtarlar devredeyken bile ürün çalışmıyorsa, bataryaları aletten çıkarıp şarj edin.

Kalan batarya kapasitesinin gösterilmesi

► **Şek.4:** 1. Batarya göstergesi 2. Kontrol düğmesi

Kalan batarya kapasitesini göstermesi için kontrol düğmesine basın. Kalan batarya kapasitesi aşağıdaki tablodaki gibi gösterilir.

Batarya göstergesi durumu		Kalan pil kapasitesi
Açık	Kapalı	
		%50 ila %100
		%20 ila %50
		%0 ila %20

Anahtar işlemi

⚠️ DİKKAT: Batarya kartuşunu alete takmadan önce, sürgülü anahtarın doğru çalıştığından ve anahtarın arka tarafı alçaldığında “OFF” (kapalı) konumuna geldiğinden emin olun.

İşinizin ihtiyaçlarına göre iki emiş gücü türü seçebilirsiniz; normal “1” veya yüksek “2”.

Süpürgeyi başlatmak için anahtar kolunu “1” veya “2” tarafına alın.

Süpürgeyi kapatmak için anahtar kolunu “0” tarafına alın.

► **Şek.5:** 1. Anahtar kolu

Islak emme işlemi sırasında otomatik emiş durdurma işlevi

⚠️ UYARI: Şamandıra çalışırken uzun süre boyunca kullanmayın. Şamandıra çalışırken süpürgeyi uzun bir süre kullanmak aşırı ısınmaya neden olabilir, bu da süpürgeyi deforme olması ile sonuçlanır. En kötü durumda duman emisyonu veya yangına yol açabilir.

⚠️ UYARI: Köpük veya sabunlu sıvıları süpürgeye çekmeyin. Köpük veya sabunlu sıvıları çekmek şamandıra çalışmadan önce hava çıkışından köpük çıkmasına neden olabilir. Bu şekilde kullanmaya devam etmek elektrik çarpmasına ve süpürgeyi bozulmasına neden olabilir.

Süpürgeyi, belli bir miktarın üzerinde su çekildiğinde motorun içine su girmesini önleyen bir şamandıra mekanizması vardır. Hazne dolduğunda ve süpürge daha fazla su alamaz duruma geldiğinde, süpürgeyi kapatın ve hazneyi boşaltın.

Taşıma sapı

Süpürgeyi taşıırken, baş kısımdaki sapından tutarak taşıyın. Kullanılmadığı zaman bu sap geri çekilebilir.

► **Şek.6**

NOT: Haznede su varsa süpürgeyi kapatın ve taşımadan önce hazneyi boşaltın. İçerideki su sızabilir.

MONTAJ

⚠️ DİKKAT: Alet üzerinde herhangi bir iş yapmadan önce aletin kapalı ve batarya kartuşunun ayrıldığı olduğundan daima emin olun.

⚠️ DİKKAT: Montaj veya bakım sırasında daima toz maskesi takın.

Hortumun bağlanması

ÖNEMLİ NOT: Hortumu zorlayarak bükmeye veya ezme çalışmayın. Süpürgeyi hortumundan tutarak taşımayın. Hortumu zorlamak, ezme veya çekmek hortumun kırılmasına veya deforme olmasına neden olabilir.

ÖNEMLİ NOT: Planya döküntüleri ve beton parçaları gibi büyük atıkları çekmeyin. Hortumun tıkanmasına ve hasara neden olabilir.

Emerek süpürmek için

Hortumu emme ağzına takın ve tık sesi çıkana dek saat yönünde döndürün.

► **Şek.7:** 1. Emme ağzı

Üfleme için

Hortumu üfleyci çıkışına takın ve tık sesi çıkana dek saat yönünde döndürün.

► **Şek.8:** 1. Üfleyci çıkışı

NOT: Bu süpürge emme ağzı ve üfleyci çıkışı ayrı yerlerde bulunur. İşinize bağlı olarak hortumu uygun deliğe bağlayın.

Emme başlığının takılması

Amacınıza bağlı olarak geniş emme başlığı, kenar köşe emme başlığı veya isteğe bağlı aksesuar olarak temin edilen diğer emme başlıklarını takın. Emme başlığını takmak için başlığı hortumun ucuna çevirerek sokun.

► **Şek.9**

Aletin bağlanması

İsteğe bağlı aksesuar

Aleti bağlamak için hortumun ucunu aletin toz çekme çıkışına bağlayın. Alete bağlı olarak isteğe bağlı rakor 22-38 veya ön manşet 24'e ihtiyacınız olabilir.

► **Şek.10:** 1. Hortum 2. Rakor 22-38 3. Ön manşet 24

NOT: Aleti bağlarken hortumun, süpürge üzerindeki emme ağzına bağlandığından daima emin olun.

Hortumun ve emme başlıklarının saklanması

Hortum ve emme başlıkları, şekilde gösterildiği gibi aletin üzerinde saklanabilir.

► **Şek.11:** 1. Kenar köşe emme başlığı 2. Geniş emme başlığı

Hortumu saklarken hortumu şekilde gösterildiği gibi aletin üzerine dolayarak kanca ile sabitleyin.

► **Şek.12:** 1. Hortum 2. Kanca

Omuz askısının takılması

İsteğe bağlı aksesuar

Omuz askısının kancalarını şekilde gösterildiği gibi süpürge'nin kulaklarına takın.

► **Şek.13:** 1. Omuz askısı 2. Kanca 3. Kulak

KULLANIM

Elektrikli süpürge olarak kullanılması

ÖNEMLİ NOT: Kuru tozları çekerken HEPA filtreyi kullanın.

ÖNEMLİ NOT: HEPA filtre ile su çekmeye devam ederseniz emiş gücü düşebilir. Bu durumda HEPA filtreyi kurutun.

Tekrar tekrar su çekerken ıslak filtreyi (isteğe bağlı aksesuar) kullanın.

► **Şek.14:** 1. HEPA filtre 2. Islak filtre

1. Hortumu ve emme başlığını emme ağzına takın ve aleti açın.
2. Emerek süpürme yaptıktan sonra hazneyi, dolmadan önce boşaltın.

► **Şek.15**

Üfleyci olarak kullanılması

⚠DİKKAT: Su birikintisi ve kumlu alan gibi çamurlu suyu üfleme. Gözlere yabancı maddeler girerse yaralanmaya neden olabilir.

⚠DİKKAT: Rüzgara karşı üfleyci olarak kullanmayın. Gözlere yabancı maddeler girerse yaralanmaya neden olabilir.

⚠DİKKAT: Çalışma boyunca daima koruyucu gözlük, başlık ve maske kullanın.

⚠DİKKAT: Emme başlığını asla civardaki insanlara yöneltmeyin.

⚠DİKKAT: Diğer insanlara ya da mallarına gelecek zararlardan ve kazalardan operatör ya da kullanıcının sorumlu olduğunu unutmayın.

⚠DİKKAT: Aleti plastik rafting botu, top veya diğer şişirilebilir ürünler gibi eşyalara hava basmak için kullanmayın. Yüksek motor devri, fanın tehlikeli bir şekilde kopmasına yol açabilir.

1. Hortumu üfleyci çıkışına takın.
 2. Hortumun ucunu üflenecek maddeye doğrultarak aleti açın.
- **Şek.16**

NOT: Hortuma kenar köşe emme başlığının takılması dar alanları temizlemeyi kolaylaştırır.

BAKIM

⚠DİKKAT: Muayene ya da bakım yapmadan önce aletin kapalı ve batarya kartuşunun çıkartılmış olduğundan daima emin olun.

⚠DİKKAT: Tozla teması azaltmak için hazneyi boşaltırken veya filtreyi temizlerken koruyucu gözlük ve toz maskesi kullanın.

ÖNEMLİ NOT: Benzin, tiner, alkol ve benzeri maddeleri kesinlikle kullanmayın. Renk değişimi, deformasyon veya çatlaklar oluşabilir.

Aleti EMNİYETLİ ve ÇALIŞMAYA HAZIR durumda tutmak için onarımlar, başka her türlü bakım ve ayarlamalar daima Makita yedek parçaları kullanılarak Makita yetkili servis merkezleri veya Fabrikanın Servis Merkezleri tarafından yapılmalıdır.

Haznenin boşaltılması

⚠UYARI: Hazneyi boşaltmadan önce süpürge'nin kapalı ve batarya kartuşunun çıkartılmış olduğundan daima emin olun. Bu kontrolün yapılması elektrik çarpmasına ve ciddi kişisel yaralanmalara sebep olabilir.

⚠DİKKAT: Hazneye çok fazla kuvvet uygulayın. Çok fazla kuvvet, parçaların deforme olmasına ve zarar görmesine neden olabilir.

⚠DİKKAT: Hazneyi en azından günde bir kez boşaltın, yine de bu durum hazne biriken toz miktarına bağlı olarak değişebilir. Aksi takdirde emiş gücü azalabilir ve motor bozulabilir.

⚠DİKKAT: Hazneyi boşaltırken kancasından tutmayın. Kancadan tutmak kancanın kırılmasına neden olabilir.

Kancadan çıkarın ve hazne kapağını kaldırın. Filtrenin tozunu sallayarak giderin, ardından haznedeki tozu atın.

► **Şek.17:** 1. Kanca 2. Hazne

HEPA filtre/ıslak filtrenin temizlenmesi

ÖNEMLİ NOT: HEPA filtre/ıslak filtreyi fırça veya kürek gibi sert nesnelere ovmayın veya çizmeyin.

HEPA filtre/ıslak filtrenin tıkanması emme performansında düşüşe neden olur. Filtreyi belli aralıklarla temizleyin.

1. HEPA filtre/ıslak filtreyi çıkarmak için hazne kapağını açarak çıkarın.
 2. HEPA filtre/ıslak filtreyi saatin aksi yönünde çevirin ve hazne kapağından çekerek çıkarın.
- **Şek.18:** 1. Hazne kapağı 2. HEPA filtre 3. Hazne

3. HEPA filtre/ıslak filtreye yapışan tozu gidermek için, filtrenin çerçeve tabanını hızlı bir şekilde bir kaç kez sallayın. HEPA filtre/ıslak filtreyi belirli aralıklarla suyla yıkayıp durulayın ve kullanmadan önce gölgede tamamen kurutun. Filtreyi asla çamaşır makinesinde yıkamayın.
- **Şek.19**

4. HEPA filtre/ıslak filtreyi takmak için filtreyi yerleştirin ve tespit dudakları hazne kapağına kilitlemeye kadar saat yönünde çevirin.

► **Şek.20:** 1. Hazne kapağı 2. HEPA filtre 3. Tespit dudağı 4. Hazne

5. Hazne kapağını takın ve kilitleyin.

NOT: Filtre zamanla aşınır. Yedeklerinin bulundurulması tavsiye edilir.

Ön filtre setinin takılması

İsteğe bağlı aksesuar

NOT: Ön filtre setini yalnızca HEPA filtre ile kuru tozları çekerken kullanın. Ön filtre setini su çekmek için kullanırsanız su emiş kapasitesi düşebilir.

Ön filtre ve tampondan oluşan ön filtre seti emiş gücünü korumak için HEPA filtredeki toz tıkanıklığını azaltır.

1. Hazne kapağının kilidini açın ve çıkarın.
2. HEPA filtrenin üzerine tamponu geçirin ve ön filtre ile üzerini kapatın. Ön filtrenin kauçuk bandını HEPA filtrenin kenarına mutlaka takın.

► **Şek.21:** 1. HEPA filtre 2. Tampon 3. Ön filtre

3. Hazne kapağını takın ve kilitleyin.

İSTEĞE BAĞLI AKSESUARLAR

⚠ DİKKAT: Bu aksesuarlar ve ek parçalar bu el kitabında belirtilen Makita aletiniz ile kullanılmak için tavsiye edilmektedir. Herhangi başka bir aksesuar ya da ek parça kullanılması insanlar için bir yaralanma riski getirebilir. Aksesuarları ya da ek parçaları yalnızca belirtilmiş olan kullanım amaçlarına uygun olarak kullanın.

Bu aksesuarlarla ilgili daha fazla bilgiye ihtiyaç duyarsanız bulunduğunuz yerdeki yetkili Makita servisine başvurun.

- Hortum
- Ön manşet 24
- Rakor 22-38
- Köşe emme başlığı
- Yuvarlak fırça
- Omuz askısı
- Islak filtre
- HEPA filtre
- Ön filtre seti
- Orijinal Makita batarya ve şarj aleti

NOT: Listedeki parçaların bazıları alet paketi içerisinde standart aksesuar olarak dahil edilmiş olabilir. Bunlar ülkeden ülkeye farklılık gösterebilir.

Makita Europe N.V.

Jan-Baptist Vinkstraat 2,
3070 Kortenberg, Belgium

Makita Corporation

3-11-8, Sumiyoshi-cho,
Anjo, Aichi 446-8502 Japan

www.makita.com

885666D992
EN, FR, DE, IT, NL,
ES, PT, DA, EL, TR
20201225