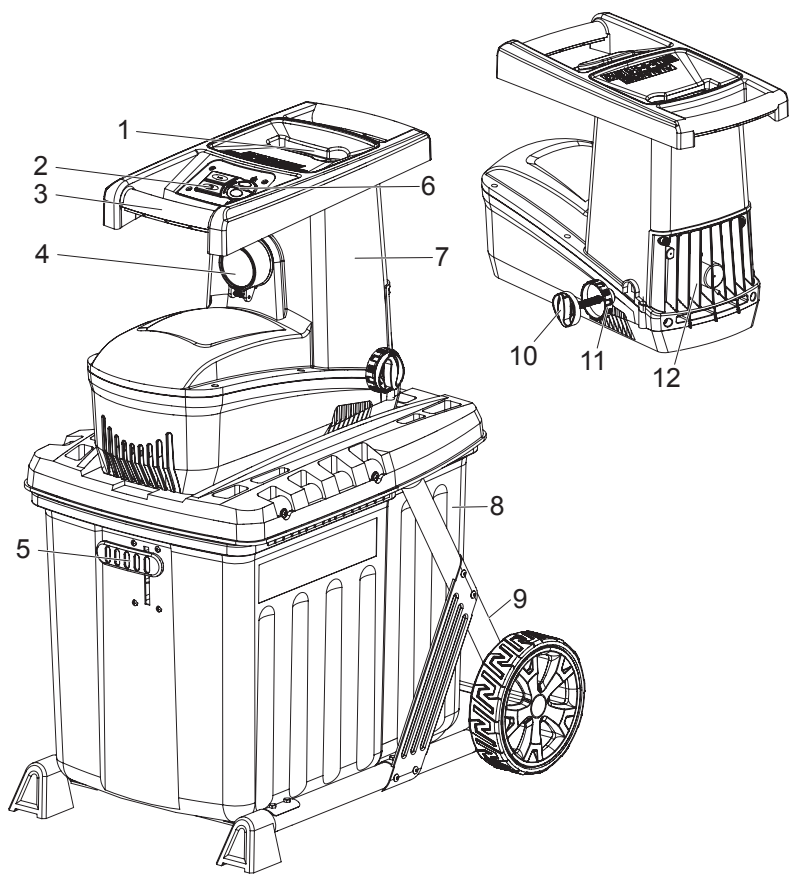
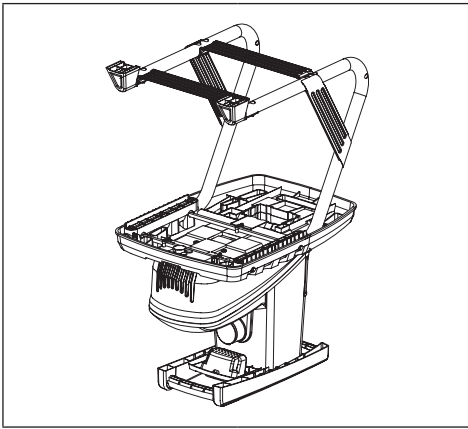


GB	Electric Shredder	Original Instruction Manual
F	Broyeur Electrique	Manuel d'instructions original
D	Flüsterhäcksler	Original-Bedienungsanleitung
I	Trituratore elettrico	Manuale di istruzioni originale
NL	Elektrische versnipperaar	Oorspronkelijke instructiehand- leiding
E	Trituradora Eléctrica	Manual de instrucciones original
P	Triturador Eléctrico	Manual de Instruções Originais
DK	Elektrisk flishugger	Original brugsanvisning
GR	Ηλεκτρικός τεμαχιστής	Πρωτότυπο εγχειρίδιο οδηγιών
TR	Elektrikli Öğütücü	Orijinal Kullanım Kılavuzu
S	Elektrisk kompostkvarn	Originalbruksanvisning
N	Elektrisk kvern	Original instruksjonshåndbok
FIN	Sähkösilppuri	Alkuperäinen käyttöohje
LV	Elektriskais zaru smalcinātājs	Tulkojums no rokasgrāmatas oriģinālvalodā
LT	Elektrinis smulkintuvas	Originali naudojimo instrukcija
EE	Elektriline oksapurustaja	Tõlgitud kasutusjuhend
PL	Elektryczny Rozdrabniacz Do Gałęzi	Oryginalna instrukcja obsługi
HU	Elektromos kerti hulladékaprító	Eredeti kezelői kézikönyv
SK	Elektrický drvič	Pôvodný návod na obsluhu
CZ	Elektrická drtička	Původní návod k použití
RO	Tocător electric	Manual de instrucțiuni original
RUS	Электрический Садовый Измельчитель	Оригинальная инструкция по эксплуатации
UA	Електричний подрібнювач	Оригінальний посібник з експлуатації

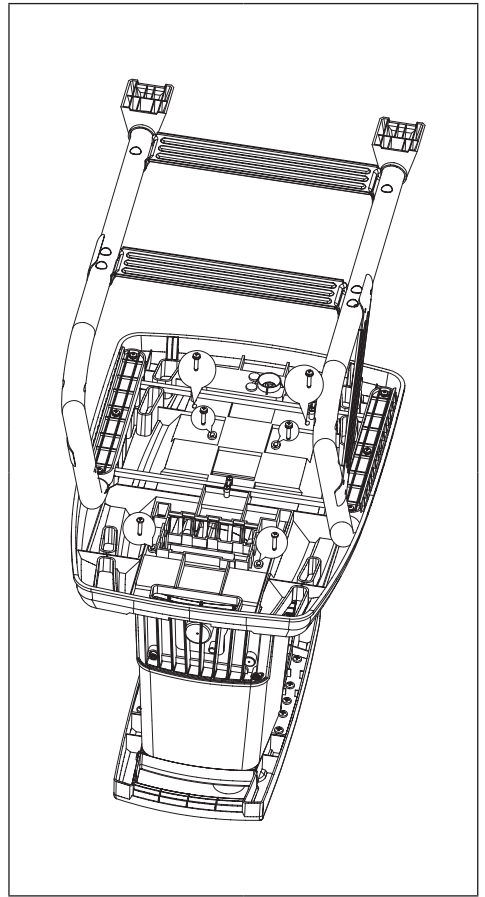




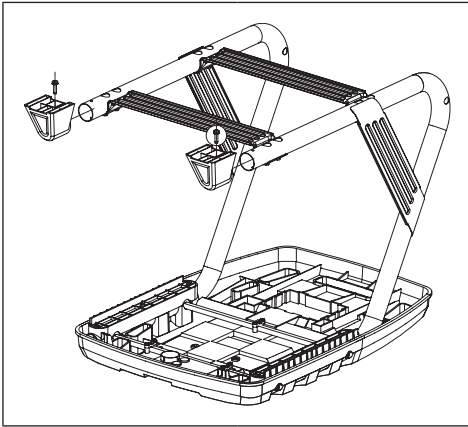
1



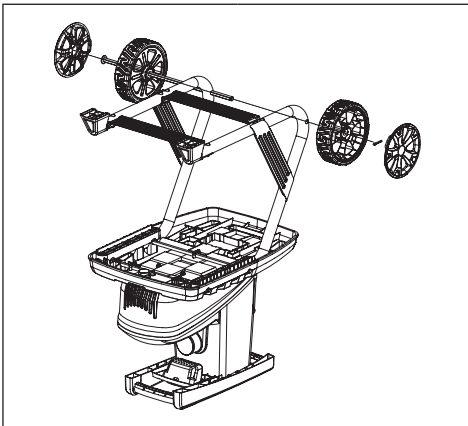
2



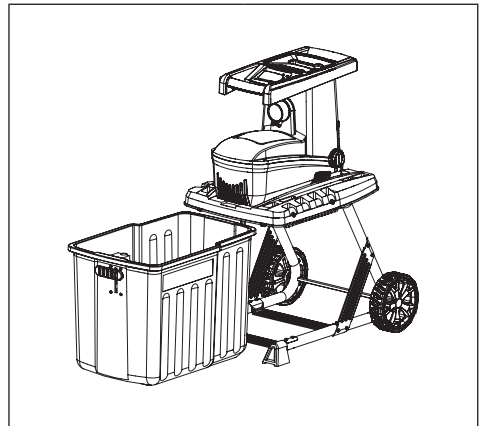
3



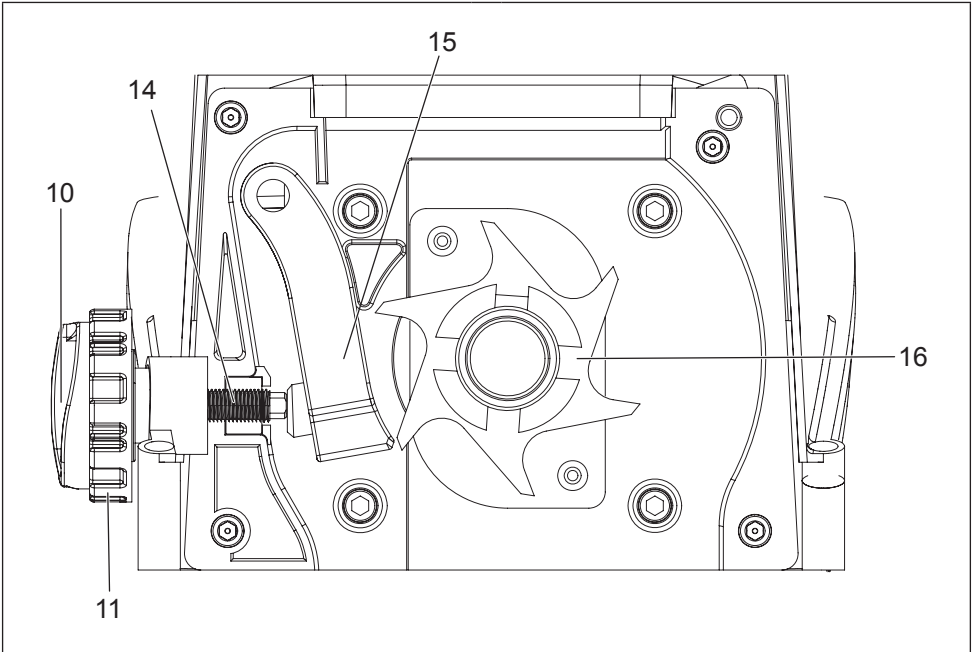
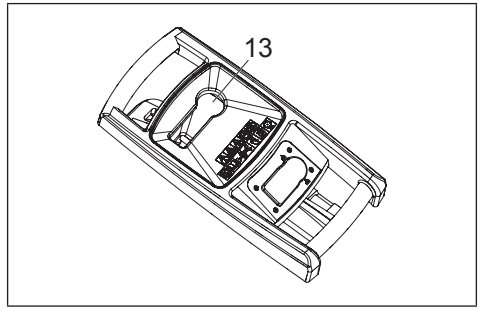
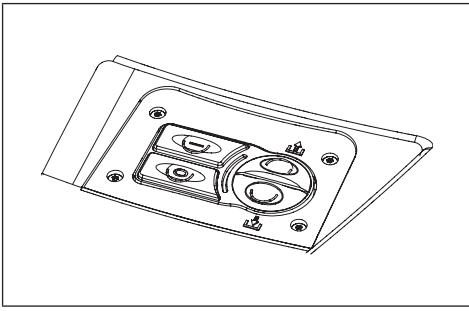
4



5



6



WARNING: This appliance can be used by children aged from 8 years and above and persons with reduced physical, sensory or mental capabilities or lack of experience and knowledge if they have been given supervision or instruction concerning use of the appliance in a safe way and understand the hazards involved. Children shall not play with the appliance. Cleaning and user maintenance shall not be made by children without supervision.

DESIGNATION OF PARTS

1	Filling hopper	7	Upper enclosure	13	Feed side
2	Power switch	8	Retaining basket	14	Screw
3	Handle	9	Base frame	15	Counter blade
4	Power supply plug	10	Adjusting knob	16	Cutting roller
5	Lock lever	11	Fixing knob		
6	Forward / Reverse switch	12	Blade cover		

TECHNICAL DATA

Model	UD2500
Name	Electric Shredder
Motor	AC-Motor 230-240V~50Hz
Motor rating P40	2,500W
Motor rating P1 S1	2,000W
Rotational speed cutting roller	40 min ⁻¹
Power switch with	overload protection; cutting and reverse function, zero-voltage initiator
Weight	27.6 kg
Max. branch diameter (only for freshly cut wood)	Max. 45 mm
Safety class	I
Protection class	IP X4

NOISE DATA

Sound pressure level	74.88 dB (A), K= 2.50 dB (A)
Sound pressure level at operator's ear	84.4 dB (A), K= 3 dB (A)
Measured sound power level	93.49 dB (A), K= 3.97 dB (A)
Guaranteed sound power level	97 dB (A)

The sound intensity level for operator may exceed 80 dB (A). Wear ear protection.

SYMBOLS

The following show the symbols used for the machine. Be sure that you understand their meaning before use.



- Read instruction manual.



- Take particular care and attention.



- Switch off the motor and unplugged before servicing, cleaning, maintenance or repairing.



- Objects may be thrown out at high speed.



- Keep bystanders and pets away from danger area.



- Danger — Rotating blades. Keep hands and feet out of openings while machine is running.



- Danger — Rotating blades. Keep hands and feet out of openings while machine is running.



- Wear eye and ear protection.



- Wear protective gloves.



- Do not expose to rain or moisture.



- Turn the knob clockwise for narrower clearance / turn the knob counterclockwise for wider clearance



- Open the blade cover to replace the blade or to service.



- Wait until all the machine parts stop completely.



- Do not use the machine as a step.



- Only for EU countries
Do not dispose of electric equipment or battery pack together with household waste material! In observance of European Directive 2002/96/EC on waste electric and electronic equipment, 2006/66/EC on batteries and accumulators and their implementation in accordance with national laws, electric equipment and battery pack that have reached the end of their life must be collected separately and returned to an environmentally compatible recycling facility.

SAFETY WARNINGS

READ CAREFULLY BEFORE USE KEEP INSTRUCTION MANUAL FOR FUTURE REFERENCE



Do not start to operate the machine until you have read these operating instructions. Observe all the instructions given, and install the machine as described.

Intended use of the machine

- The garden shredder is intended for shredding following items:
 - All types of branches up to maximum diameter of the machine's capacity (depending on the type and condition of wood)
 - Garden refuse such as withered plants or wet weed which has been laid some days (Feed them alternating with branches.)
- The garden shredder is intended for private use only, and not for commercial use. Do not use it in public places either.

For public low-voltage distribution systems of between 220 V and 250 V.

Switching operations of electric apparatus cause voltage fluctuations. The operation of this device under unfavorable mains conditions can have adverse effects to the operation of other equipment. With a mains impedance equal or less than 0.45 Ohms it can be presumed that there will be no negative effects. The mains socket used for this device must be protected with a fuse or protective circuit breaker having slow tripping characteristics.

General Instructions

- Read this instruction manual to become familiar with handling of the machine. Users insufficiently informed will risk danger to themselves as well as others due to improper handling.
- Do not lend the machine to people who have unproven to be experienced.
- When lending the machine, always attach this instruction manual.
- The electric shredder is not intended for use by persons with reduced physical, sensory or mental capabilities, or lack of experience and knowledge. Young children should be supervised to ensure that they do not play with the machine. Do not allow children to operate this equipment.
- Operate only if you are in good physical condition. Perform all work calmly and carefully. The user is responsible for all safety of persons and damages around the operating area.
- Never use this machine after consumption of alcohol or drugs, or if feeling tired or ill.
- Use the machine in accordance with these instructions, considering the working conditions and the application. Unintended use of the machine could result in a hazardous situation.
- Never alter the machine, including safety devices such as interlock device. This will endanger your safety.
- National or local regulation can restrict the handling of the machine.
- Stay alert. Watch what you are doing. Use common sense. Do not operate machine when you are tired.

Personal protective equipment

- Dress Properly. The clothing worn should be functional and appropriate, i.e. it should be tight-fitting but not cause hindrance. Do not wear either jewelry or clothing which could become entangled in to machine. Wear protecting hair covering to contain long hair.
- Always wear ear protections to avoid hearing loss.
- Wear protective glasses or goggles to protect eyes from debris thrown from the filling hopper.
- Wear protective groves to prevent injury to fingers.
- Wear face mask when the dust is substantive, such as shredding dry branches, hedges with leaves.
- When using the machine, always wear sturdy shoes with a non-slip sole. This protects against injuries and ensures a good footing.

Work area safety

- Keep children and bystanders away while operating the machine.
- Operate the machine in open space on a firm, level surface. Do not operate the machine close to a wall or other objects.
- Do not operate machine in explosive atmospheres, such as in the presence of flammable liquids, gases or dust. The machine creates sparks which may ignite the dust or fumes.
- Do not operate the machine on a paved or gravel surface where ejected material may result in injury.
- Keep work area clean and well lit. Cluttered or dark areas invite accidents.
- Do not expose the machine to rain or wet conditions. Water entering the machine may increase the risk of electric shock.

Starting up the machine

- Before connect the plug or switch on the machine:
 - Check all the screws, nuts and other fasteners are properly secured.
 - Check guards, deflectors and screens are in place and good working condition.
 - Replace damaged or unreadable labels.
 - Make sure the filling hopper is empty.
 - Make sure the inlet and discharge opening are guarded properly.
 - Check all the parts of the machine carefully to determine if it operates properly and performs its intended function. Especially, never use the machine if the switch does not work normally.
- If the supply cord is damaged, ask Makita authorized service center, always using genuine replacement parts, to replace it.

Electrical safety

WARNING:

- This appliance is Class I appliance. Connect with a supply socket with earth terminal. Improper earth may cause electric shock and death. Use only three-wire extension cords which have three-prong grounding-type plugs and three-pole receptacles which accept the tool's plug.
- Avoid body contact with earthed or grounded surfaces (e.g. pipes, radiators) during operation.

- Use only IEC60245 (H07RN-F) extension cable for outdoor use with splash-proofed connector. Its cross-section must be at least 1.5 mm² for cable lengths up to 25 m, and 2.5 mm² for cable lengths over 25 m.
- Voltage drop may happen when using long thin cable. If it happens the power of the machine may be reduced.
- When using the extension cable, make sure that it does not interfere, is not squeezed or bended, and the plug does not get wet.
- When using a cable reel, wind the cable completely off the reel.
- Do not abuse the cord. Never use the cord for carrying, pulling or unplugging the machine. Keep cord away from heat, oil, sharp edges or moving parts. Damaged or entangled cords increase the risk of electric shock.
- Check the extension cable regularly for damage to the insulation. Replace it if damaged.
- If the connecting cable is damaged, withdraw the mains plug immediately. A damaged cable may cause contact with live parts and electric shock.
- Never use damaged cables.
- Only plug the machine into sockets in tested electrical circuits. Check that the system voltage matches that on the rating plate.
- Never deactivate or bypass the protective devices.
- When using the machine outdoors, always use a residual current-operated circuit-breaker (RCD) with an operating current of 30 mA or less.

Operation

- Keep your face and body away from the inlet opening.
- Never let your hands or other part of the body or clothing place inside the inlet and discharge opening, or near moving parts. It may result in serious injury.
- Do not overreach. Keep proper footing and balance at all times. This enables better control of the machine in unexpected situations. Do not stand at higher level than the base of the machine when feeding material into it.
- Always keep distance from the discharge opening during operation.
- Observe regional regulations for noise protection.
- Do not feed rock, a piece of metal, bottles or other foreign matter. Pay attention that those foreign objects are not included when you feed.
- Immediately switch off the motor and unplugged if the blade strike a foreign object or the machine starts vibrating or making noise unusually. Check the shredder for damage, and tighten any loose parts. Ask an authorized service center to repair the machine.
- Do not let the processed material accumulated in discharge opening. Otherwise it may result in kickback of material through the inlet opening.
- Switch off the motor and unplugged before:
 - Whenever leaving the machine unattended
 - Before clearing a blockage or any fault
 - Before checking, cleaning or working on the machine
 - Before making any adjustments, changing accessories or storing
 - Whenever the machine starts vibrating or making noise unusually
 - Clearing inlet or discharge opening
 - Attaching or removing retaining basket
 - Transporting.

- Do not tilt the machine during operation.
- Keep abundant distance when you put long material. It may spring back and may result in personal injury.
- Do not operate without the filling hopper.
- Do not force the machine. It does the job better and safer at the rate for which it was designed. Frequent overload may cause motor damage or fire.
- Use the right appliance. Do not use appliances for purposes not intended. Never intend to feed metal parts, glasses, stones, ceramics, plastics, thicker branches, hard wood or thick wood plates, etc.

Maintenance instructions

- Have your machine serviced by our authorized service center, always using only genuine replacement parts. Incorrect repair and poor maintenance can shorten the life of the machine and increase the risk of accidents.
- Before servicing, inspection, adjustment, storage, or to change an accessory, take following steps:
 - Shut off the power source
 - Disconnect the machine from power supply
 - Make sure that all moving parts have come to a complete stop
 - Allow the machine to cool.
- Inspect on the machine for possible damage:
 - Whether safety devices works properly for its intended function
 - Whether all the moving parts work smoothly and adequately
 - Whether all parts are not damaged and properly installed
 - Replace or repair by our authorized service center if there are any damaged parts.
- Pay extreme attention when servicing cutter. The cutter is able to move manually tough interlock feature of the guard functions.
- Do not clean the device with water. It may cause electrical shock.
- Wear protective gloves during maintenance or assembly work to prevent injury to fingers.
- Do not carry out maintenance or repair work other than that described in this instruction manual. Any other work must be carried out by Makita authorized service center.
- Only use original Makita replacement parts and accessories intended for your machine. Otherwise it may result in personal injury or damage on the machine.
- Store the machine in a dry room. Keep it out of reach of children. Never store the machine outdoors.

ASSEMBLY

CAUTION:

- Always be sure that the machine is switched off and unplugged before carrying out any work on the tool.
1. Place the upper enclosure upside down on the flat floor. And then put the base frame on it. Be careful about the direction of the part. (Fig. 2)
 2. Fasten each part by tightening screws. Make sure they become perfectly stable. (Fig. 3)
 3. Attach the stoppers by screw. Make sure they are fastened tightly. (Fig. 4)

4. Attach wheels as follows: (Fig. 5)

- Attach the axis on one of the wheel.
- Pass the axis through the holes on the leg.
- Attach the other wheel to the axis by passing the pin through the hole on the axis. Fasten the wheel by bending the pin.
- Attach the covers on the wheels.

5. Attach the retaining basket. And then raise the lock lever. (Fig. 6)

FUNCTIONAL DESCRIPTION

WARNING:

Before plugging the machine, always make sure that the machine is switched off. Plugging the machine with the switch on may cause an unexpected start resulting in serious personal injury.

Power Switch (Fig. 7)

CAUTION:

Do not use the machine if the switch does not turn it on and off. Have defective switches replaced by Makita authorized service center.

To turn on the machine, push the green button.

To turn off the machine, push the red button.

LED light

The LED light indicates the status of the machine as follows:

RED color: When the machine is connected to the power supply and the machine is switched off.

GREEN color: When machine is switched on.

Flickering GREEN color constantly: When the machine is blocked during operation.

Flickering RED color: When the machine can not recover automatically. Clear the problem manually when it happens.

Unintentional restart proof

The machine switches off automatically when power failure happens. To restart, push the green button again.

Overload protection

The motor is equipped with an overload protection. When overloaded, the machine acts as follows:

- The blade runs reverse for two or three seconds to try to push the shredded material back out.
- The blade runs forward again.
- If the material is still clogged after this attempt for three times, the machine stops with LED light flickering in red.

When it happens perform the following steps:

- Turn off the machine.
- Wait until the blades stop completely.
- Remove the clogged material.
- Turn the shredder on again after about 5 minutes, and feed easier material.
- If you cannot turn on the machine after this waiting time, refer to “Trouble shooting”.

Forward / Reverse switch

CAUTION:


Switch off the shredder before changing the forward / reverse switch.

Position

The blades rotate in forward direction.

Position

The blades rotate in reverse direction to release jammed material.

When you change the direction into  (reverse), keep pushing the green button of the power switch to rotate the blades. The shredder automatically stops when you release the power switch.

NOTE:

- Several repetitions of reverse and forward operations may be required to shred a large object.

CAUTION:

- Always use a hook or a stick to remove jammed objects to prevent accidents.
- Always wait until the shredder stops completely before restart.

Retaining basket

CAUTION:

- Switch off and unplug the machine before attaching or removing the retaining basket.
- Check the functionality of the interlock feature every two hours for safe operation.
- Never attempt to override the interlock feature of guarding.

Lock lever:

Upper position → Retaining basket is locked.

Lower position → Retaining basket is unlocked.

The device does not switch on because of safety function.

The machine is not switched on if the lock lever is unlock position. The machine automatically stops if the retaining basket is unlocked during operation.

Blade cover

CAUTION:

- Make sure that the machine is switched off and unplugged before opening the blade cover.
- Wear protective gloves before opening the blade cover.
- The cutter does not stop immediately after switch off. Wait until all the parts stop.

In case the material clogs badly in the upper enclosure, remove them by opening the blade cover.

OPERATION

Set up the machine:

- On a flat, horizontal surface. Do not place the machine on paved or graveled ground.
- With a safe distance (at least 2 m) away from walls or other objects.

Before starting, make sure that:

- The connection cables are not damaged. If there is cuts or tears, stop operation and replace it immediately.
- There is no damage on the machine, and all screws are tight.
- The machine is assembled completely and correctly.

Check the mains connection:

- Make sure that the mains voltage matches the rated voltage on the nameplate and the machine is properly grounded.
- Use only extension cords with sufficient core cross-section.

The material which the shredder can process

The shredder can process following types of material:

- All types of branches up to the maximum diameter of the machine's capacity, depending on type and condition of wood
- Garden refuses such as withered plants or wet weed which has been laid some days (Feed them alternating with branches.)

The shredder can NOT process following types of material:

- Glass, metal, plastic, stones, ceramics, thicker branches, hard wood, thick wood plates, cloth, plastic bags, roots with soil.
- Garbage which is almost liquid state, e.g. kitchen garbage.

Operation: (Fig. 8)

- Feed the material into the filling hopper from the right side.
- In case of branches, twigs and wood, shred them just after they are cut. They may get very hard as they become dry.
- Remove any side shoots from branches if they are not easy to feed.
- Turn off the motor and disconnect the machine from the mains power supply before cleaning ejection opening.
- Do not let the shredded material accumulated in ejection opening. Otherwise those shredded material may block the ejection opening. Empty the retaining basket regularly.
- Do not feed material which is more than the maximum branch diameter specified in Technical data. Depending on the wood's freshness and condition, the maximum branch diameter may be smaller.
- Shredding wet garden waste results in a clog. To prevent the machine from clogging, alternate waste with wood containing material.
- Soft material or wet branches may be torn instead of being cut. Worn counter blade may also cause this problem.
- If the machine becomes clogged at the inlet opening or discharge chute, switch off the motor and unplugged before clearing debris in the inlet opening or discharge chute. Keep the power source clear of debris and other accumulations to prevent damage to the power source or possible fire.

Adjusting the blade clearance (Fig. 9)

For an effective operation, adjust the clearance between the counter blade and cutting roller.

Setting the clearance:

- Switch on the device.
- Turn the fixing knob counterclockwise to release the adjusting knob.
- Turn the adjusting knob clockwise slowly to place the counter blade closer to the cutting roller. Turn it until fine aluminum chips are falling from the ejection opening.

- Turn the fixing knob clockwise to lock the adjusting knob.

- Never use gasoline, benzine, thinner, alcohol or the like. Discoloration, deformation or cracks may result. To clean the machine, use only moist cloth and soft brush.
- Do not hose or clean the machine with high pressured water.

MAINTENANCE

⚠ CAUTION:

- Always be sure that the machine is switched off and unplugged before performing inspection or maintenance.
- Wear protective groves before performing inspection or maintenance.
- The cutter does not stop immediately after switch off. Wait until all the parts stop before performing any maintenance work.
- Make sure that all the tools are removed after maintenance work.

- After each operation, perform the following maintenance:
- Check whether all the locking screws are tight (tighten if necessary).
 - Lubricate metal parts to protect them against corrosion.
 - Keep the vents clean and free from dust.

The cutting roller and counter blade wears out in course of time. Ask your nearest authorized service center for replacement when it is necessary.

TROUBLE SHOOTING

WARNING: Before solving troubles, switch off the machine, pull out the mains plug, and wait until the machine stops completely.

Trouble	Possible cause	Remedy
Motor does not start	No power supply	Check mains supply.
	Mains cable defective	Ask authorized service center for checking.
	Overload protection is activated	Wait until the machine cools down and press the green button.
	Safety cut-out device of the retaining basket (Retaining basket is unlocked)	Check and lock the retaining basket.
Motor sounds but does not start	Cutting roller is blocked	Turn off the device. Switch the forward/reverse switch into reverse direction. Switch on the machine until the jam has been cleared. Switch the machine off again. Turn back the direction of forward rotation.
	Capacitor fault	Bring machine to authorized service center for repairing.
Shredding material is not drawn into the shredder	Reverse rotation.	Switch off device and switch over direction of rotation selector switch.
	Shredding material caught in filling hopper	Switch off device. Switch the forward/reverse switch into reverse direction. Switch on device to release the material to be shredded, remove any foreign matter. Switch device off again. Turn back the direction of forward rotation.
	Shredding material too soft or wet	Push down with a branch
	Cutting roller worn	Adjust fixed counter blade as described under "Adjusting the blade clearance". If the cutting roller is severely worn, replace it.
Shredding material is not cut cleanly	Fixed counter blade is not adequately adjusted	Adjust the counter blade.
Device starts but blocked by even slight load, and switches off by protective motor switch soon.	Extension cable is too long or cross-section too thin. Socket is too far from mains supply or cross-section of mains cable too thin	Check the extension cable is at least 1.5 mm ² , maximum 25 m long. If using longer cable, minimum cross-section is 2.5 mm ²

EC DECLARATION OF CONFORMITY

For European countries only
The EC declaration of conformity is included as Annex A to this instruction manual.

AVERTISSEMENT : Cet appareil peut être utilisé par des enfants de 8 ans et plus, ainsi que par des personnes présentant des capacités physiques, sensorielles ou mentales réduites, ou par des personnes dénuées d'expérience et de connaissances s'ils ont pu faire l'objet d'une surveillance ou recevoir des instructions préalables concernant l'utilisation en toute sécurité de l'appareil et s'ils comprennent les risques associés. Ne laissez pas les enfants jouer avec l'appareil. Le nettoyage et l'entretien à la charge de l'utilisateur ne doivent pas être réalisés par des enfants sans surveillance.

DÉSIGNATION DES PIÈCES

1	Trémie de remplissage	7	Enceinte supérieure	14	Vis
2	Interrupteur d'alimentation	8	Bac de récupération	15	Contre-lame
3	Poignée	9	Cadre de base	16	Cylindre de coupe
4	Fiche d'alimentation	10	Bouton de réglage		
5	Levier de verrouillage	11	Bouton de fixation		
6	Commutateur de marche avant/ arrière	12	Couvercle de lame		
		13	Côté alimentation		

DONNÉES TECHNIQUES

Modèle	UD2500
Nom	Broyeur Electrique
Moteur	Moteur C.A. 230-240 V~50 Hz
Puissance du moteur P40	2 500 W
Puissance du moteur P1 S1	2 000 W
Vitesse de rotation du cylindre de coupe	40 min ⁻¹
Interrupteur d'alimentation à	protection contre la surcharge, dispositif de coupe et inverseur, déclencheur tension zéro
Poids	27,6 kg
Diamètre de branche max. (uniquement pour le bois fraîchement coupé)	45 mm max.
Classe de sécurité	I
Classe de protection	IP X4

DONNÉES DE BRUIT

Niveau de pression acoustique	74,88 dB (A), K= 2,50 dB (A)
Niveau de pression acoustique aux oreilles de l'utilisateur	84,4 dB (A), K= 3 dB (A)
Niveau de puissance sonore mesuré	93,49 dB (A), K= 3,97 dB (A)
Niveau de puissance sonore garanti	97 dB (A)

Le niveau d'intensité sonore pour l'utilisateur peut dépasser 80 dB (A). Portez des protections d'oreilles.

SYMBOLES

Les symboles utilisés pour la machine sont indiqués ci-dessous. Vous devez en avoir compris le sens avant l'utilisation.



- Consultez le manuel d'instructions.



- Soyez très prudent et attentif.



- Coupez le moteur et débranchez la machine avant d'effectuer l'entretien, le nettoyage, la maintenance ou la réparation.



- Des objets peuvent être éjectés à grande vitesse.



- Ne laissez pas les badauds et animaux domestiques approcher de la zone de danger.



- Danger — Lames en rotation. Gardez les mains et les pieds à l'écart des ouvertures pendant que la machine tourne.



- Danger — Lames en rotation. Gardez les mains et les pieds à l'écart des ouvertures pendant que la machine tourne.



- Portez des protections pour les yeux et pour les oreilles.



- Portez des gants de protection.



- N'exposez pas la machine à la pluie ou à l'humidité.



- Tournez le boulon en sens horaire pour moins de jeu, ou en sens antihoraire pour plus de jeu



- Ouvrez le capot de protection de la lame pour remplacer la lame ou pour procéder à l'entretien.



- Attendez l'arrêt complet de toutes les pièces de la machine.



- Ne montez pas sur la machine.



- Uniquement pour les pays de l'UE
Ne pas jeter les appareils électriques et les batteries avec les ordures ménagères ! Conformément aux directives européennes 2002/96/CE (relative aux déchets d'équipements électriques et électroniques) et 2006/66/CE (relative aux piles et accumulateurs ainsi qu'aux déchets de piles et accumulateurs), ainsi qu'à leur application en conformité avec les lois nationales, les appareils électriques et batteries qui ont atteint la fin de leur durée de service doivent être collectés séparément et renvoyés à un établissement de recyclage respectueux de l'environnement.

CONSIGNES DE SÉCURITÉ

LISEZ ATTENTIVEMENT CECI AVANT L'UTILISATION CONSERVEZ CE MANUEL D'INSTRUCTIONS POUR CONSULTATION ULTÉRIEURE



Ne commencez l'utilisation de la machine qu'après avoir lu les présentes instructions d'utilisation. Respectez toutes les instructions, et installez la machine tel que décrit.

Usage pour lequel la machine a été conçue

- Le broyeur de jardin est conçu pour le broyage des éléments suivants :
 - Tout type de branche dont le diamètre ne dépasse pas la capacité maximale de la machine (cela varie suivant le type de bois et son état)
 - Résidus de jardin tels que plantes flétries ou mauvaises herbes humides laissées au sol pendant quelques jours (insérez-les dans le broyeur en alternant avec des branches).
- Le broyeur de jardin est conçu exclusivement pour un usage privé, et non à des fins commerciales. Ne l'utilisez pas dans les lieux publics.

Pour les systèmes d'alimentation à basse tension, de 220 V à 250 V.

La mise sous/hors tension des appareils électriques entraîne des fluctuations de la tension. L'utilisation de cet appareil sur une source d'alimentation inadéquate peut affecter le fonctionnement d'autres appareils. On peut considérer qu'il n'aura pas d'effets négatifs si l'impédance de la source d'alimentation est inférieure ou égale à 0,45 Ohms. La prise de courant utilisée pour cet appareil doit être protégée par un fusible ou un disjoncteur de protection à déclenchement lent.

Instructions générales

- Veuillez lire ce manuel d'instructions pour vous familiariser avec le maniement de la machine. Les utilisateurs mal renseignés risquent de se blesser ou de blesser quelqu'un d'autre par un maniement inadéquat.
- Ne prêtez pas la machine aux personnes sans expérience.
- Lorsque vous prêtez la machine, joignez toujours le présent manuel d'instructions.
- Le broyeur électrique n'est pas conçu pour être utilisé par des personnes atteintes d'un handicap physique, sensoriel ou mental, ainsi que par des personnes ne possédant pas l'expérience et les connaissances nécessaires. Les jeunes enfants doivent être surveillés pour s'assurer qu'ils ne jouent pas avec la machine. Ne laissez pas les enfants utiliser cet équipement.
- N'utilisez la machine que si vous êtes en bonne condition physique. Effectuez tout travail calmement et prudemment. L'utilisateur est responsable de la sécurité des personnes en présence et des dommages causés dans sa zone de travail.
- N'utilisez jamais cette machine après avoir consommé de l'alcool ou un médicament, ni lorsque vous êtes fatigué ou malade.
- Utilisez la machine conformément aux présentes instructions, en tenant compte des conditions de travail et du travail à effectuer. Utiliser la machine pour des travaux autres que ceux pour lesquels elle a été conçue peut entraîner une situation dangereuse.

- Ne modifiez jamais la machine, y compris les dispositifs de sécurité (dispositif de verrouillage, etc.). Cela compromettrait votre sécurité.
- La réglementation nationale ou locale peut imposer des restrictions au maniement de la machine.
- Soyez vigilant. Prêtez attention à vos propres gestes. Faites preuve de bon sens. N'utilisez pas la machine lorsque vous êtes fatigué.
- Vérifiez soigneusement toutes les pièces de la machine, pour vous assurer qu'elles fonctionnent bien et remplissent leurs fonctions respectives. Surtout, n'utilisez jamais la machine si son interrupteur ne fonctionne pas bien.
- Si le cordon d'alimentation est endommagé, demandez à un centre toujours de service après-vente Makita agréé de le remplacer à l'aide de pièces de rechange authentiques.

Dispositifs de protection personnelle

- Portez des vêtements adéquats. Les vêtements portés doivent être fonctionnels et adéquats, c'est-à-dire moulants sans être toutefois gênants. Ne portez ni bijou ni vêtements susceptibles de s'enchevêtrer dans la machine. Recouvrez les cheveux longs d'un filet à cheveux ou d'une coiffure similaire.
- Portez toujours des protections d'oreilles pour éviter la perte d'audition.
- Portez des lunettes de protection ou des lunettes à coques pour protéger vos yeux contre les débris rejetés par la trémie de remplissage.
- Portez des gants de protection pour protéger vos doigts contre les blessures.
- Portez un masque protecteur quand il y a beaucoup de poussières, comme lorsque vous broyez des branches sèches ou des haies feuillues.
- Lorsque vous utilisez la machine, portez toujours des chaussures robustes à semelle antidérapante. Cela vous protégera contre les blessures et assurera un bon appui au sol.

Sécurité de la zone de travail

- Ne laissez approcher ni enfants ni badauds pendant vous utilisez la machine.
- Utilisez la machine dans un espace ouvert, sur une surface ferme et non inclinée. N'utilisez pas la machine près des murs ou autres objets.
- N'utilisez pas la machine dans les atmosphères explosives, par exemple en présence de liquides, gaz ou poussières inflammables. La machine produit des étincelles qui peuvent enflammer les poussières ou émanations.
- N'utilisez pas la machine sur une surface pavée ou recouverte de gravier ; les matières éjectées peuvent causer une blessure.
- Gardez la zone de travail propre et bien éclairée. Les zones de travail encombrées ou sombres ouvrent la porte aux accidents.
- N'exposez pas la machine à la pluie ou à des emplacements mouillés. En pénétrant dans la machine, l'eau peut augmenter les risques de choc électrique.

Faire démarrer la machine

- Avant de brancher ou d'allumer la machine :
 - Assurez-vous que les vis, écrous et autres dispositifs de fixation sont tous bien serrés.
 - Assurez-vous que les carters de protection, déflecteurs et écrans de protection sont posés et en bon état de fonctionnement.
 - Remplacez les étiquettes abîmées ou illisibles.
 - Assurez-vous que la trémie de remplissage est vide.
 - Assurez-vous que les ouvertures d'entrée et d'évacuation sont bien protégées.

Sécurité électrique

AVERTISSEMENT :

- Cet appareil est un appareil de Classe I. Branchez-le sur une prise de courant dotée d'une borne de terre. Une mise à la terre inadéquate comporte un risque de choc électrique et de décès. Utilisez exclusivement des cordons prolongateurs dotés d'une prise à trois broches, dont une pour la mise à la terre, et des prises de courant adaptées à la fiche de l'outil.
- Pendant l'utilisation, évitez tout contact corporel avec les surfaces mises à la terre (ex. : tuyaux, radiateurs, etc.).
- Utilisez uniquement un cordon prolongateur IEC60245 (H07RN-F) conçu pour l'usage extérieur et doté d'un connecteur étanche aux éclaboussures. La section transversale doit être d'au moins 1,5 mm² pour un cordon de 25 mètres ou moins, et de 2,5 mm² pour un cordon de plus de 25 mètres.
- Il y a risque de baisse de tension si un cordon long et mince est utilisé. Le cas échéant, cela peut affecter la puissance de la machine.
- Lorsque vous utilisez un cordon prolongateur, assurez-vous qu'il ne gêne pas, qu'il n'est ni écrasé ni plié, et que sa fiche n'est pas mouillée.
- Lorsque vous utilisez un enrouleur, déroulez complètement le cordon.
- Ne maltraitez pas le cordon. Ne transportez jamais la machine par son cordon, et ne tirez pas sur le cordon pour déplacer ou débrancher la machine. Gardez le cordon à l'écart de la chaleur, de l'huile, des bords tranchants et des pièces en mouvement. Les cordons endommagés ou enchevêtrés augmentent les risques de choc électrique.
- Vérifiez régulièrement la gaine isolante du cordon prolongateur. Si le cordon est abîmé, faites-le remplacer.
- Si le câble de connexion est endommagé, débranchez immédiatement la fiche réseau. Un câble endommagé peut causer un choc électrique au contact des pièces sous tension.
- N'utilisez jamais de câbles endommagés.
- Ne branchez la machine que sur les prises des circuits électriques contrôlés. Assurez-vous que la tension du système d'alimentation correspond à celle de la plaque signalétique de la machine.

- Vous ne devez, en aucun cas, désactiver ou contourner les dispositifs de protection.
- Lorsque vous utilisez la machine à l'extérieur, utilisez toujours un interrupteur à courant différentiel résiduel dont le courant de fonctionnement est de 30 mA ou moins.

Utilisation

- Gardez le visage et le corps à l'écart de l'ouverture d'entrée.

- Ne laissez jamais vos mains, toute autre partie du corps ou vêtement à l'intérieur de l'ouverture d'entrée ou de l'ouverture d'évacuation, ou près des pièces en mouvement. Cela comporte un risque de blessure grave.
- Ne présumez pas de vos forces. Assurez-vous d'un bon appui au sol et d'une bonne position d'équilibre en tout temps. Vous aurez ainsi un meilleur contrôle de la machine dans les situations imprévues. Pour insérer des matières dans la machine, ne vous placez pas plus haut que la base de la machine.
- Pendant l'utilisation, restez toujours à une bonne distance de l'ouverture d'évacuation.
- Respectez la réglementation locale en matière de protection contre le bruit.
- N'insérez pas de cailloux, pièces de métal, bouteilles ou autres corps étrangers. Lorsque vous insérez des objets dans la machine, assurez-vous qu'ils ne contiennent pas de tels corps étrangers.
- Si la lame heurte un corps étranger, ou si la machine se met à vibrer ou à émettre un bruit anormal, coupez immédiatement le moteur et débranchez la machine. Assurez-vous que le broyeur n'est pas endommagé, et resserrez les pièces desserrées. Faites réparer la machine dans un centre de service après-vente agréé.
- Ne laissez pas les matières traitées s'accumuler dans l'ouverture d'évacuation. Autrement des matières risquent d'être rejetées par l'ouverture d'entrée.
- Coupez le moteur et débranchez la machine dans les cas suivants :
 - Chaque fois que vous devez laisser la machine sans surveillance
 - Avant de débloquer la machine ou de vérifier la cause d'une panne
 - Avant d'effectuer la vérification, le nettoyage ou l'entretien de la machine
 - Avant d'effectuer tout réglage, de remplacer des accessoires ou de ranger la machine
 - Chaque fois que la machine se met à vibrer ou à émettre un bruit anormal
 - Pour nettoyer l'ouverture d'entrée ou d'évacuation
 - Pour poser ou retirer le bac de récupération
 - Pour transporter la machine.
- N'inclinez pas la machine pendant l'utilisation.
- Lorsque vous insérez des matières longues, restez à une bonne distance de la machine. Il y a risque de blessure si les matières sont rejetées.
- N'utilisez pas la machine sans sa trémie de remplissage.
- Ne forcez pas la machine. Elle effectuera un travail de meilleure qualité, et de manière plus sûre, si vous l'utilisez au régime pour lequel elle a été conçue. Les surcharges fréquentes peuvent endommager le moteur ou entraîner un incendie.
- Utilisez le bon appareil. N'utilisez pas les appareils à des fins pour lesquelles ils ne sont pas conçus. N'essayez jamais d'insérer dans la machine des objets de métal, de verre, de pierre, de céramique, de plastique, ou des branches épaisses, du bois dur, des planches de bois épaisses, etc.

Instructions de maintenance

- Confiez toujours votre machine à un centre de service après-vente agréé, qui n'utilise que des pièces de rechange authentiques. Une réparation incorrecte ou une mauvaise maintenance peuvent raccourcir la durée de service de la machine et augmentent les risques d'accident.
- Avant de faire l'entretien, l'inspection ou le réglage de la machine, et avant de la ranger ou de remplacer un accessoire, suivez les étapes ci-dessous :
 - Coupez le courant de la source d'alimentation
 - Débranchez la machine de la source d'alimentation
 - Assurez-vous que toutes les pièces mobiles sont parfaitement arrêtées
 - Laissez refroidir la machine.
- Inspectez la machine pour détecter d'éventuels dommages :
 - Vérifiez si les dispositifs de sécurité remplissent adéquatement la fonction pour laquelle ils sont conçus
 - Vérifiez si les pièces mobiles fonctionnent de manière fluide et adéquate
 - Vérifiez qu'aucune pièce n'est endommagée et qu'elles sont toutes bien posées
 - S'il y a des pièces endommagées, faites-les remplacer ou réparer dans un centre de service après-vente agréé.
- Soyez très prudent pendant l'entretien du couteau. Le couteau peut être déplacé manuellement même s'il est verrouillé par le dispositif de protection.
- Ne nettoyez pas l'appareil avec de l'eau. Cela comporte un risque de choc électrique.
- Portez des gants de protection pendant la maintenance ou le travail de montage, pour éviter toute blessure aux doigts.
- N'effectuez aucun travail de maintenance ou de réparation non décrit dans le présent manuel d'instructions. Tout autre travail doit être effectué par un centre de service après-vente Makita agréé.
- Utilisez uniquement les pièces de rechange et accessoires originaux Makita conçus pour votre machine. Autrement vous risquez de vous blesser ou d'endommager la machine.
- Rangez la machine dans une pièce sèche. Gardez hors de portée des enfants. Ne rangez jamais la machine à l'extérieur.

ASSEMBLAGE

⚠ ATTENTION :

- Avant toute intervention sur la machine, assurez-vous toujours qu'elle est éteinte et débranchée.
1. Mettez l'enceinte supérieure à l'envers sur un plancher plat. Mettez ensuite le cadre de base dessus. Vérifiez soigneusement le sens de la pièce. **(Fig. 2)**
 2. Serrez chaque pièce à l'aide des vis. Assurez-vous qu'elles sont parfaitement stables. **(Fig. 3)**
 3. Fixez les butées à l'aide des vis. Assurez-vous qu'elles sont bien serrées. **(Fig. 4)**
 4. Posez les roues comme suit : **(Fig. 5)**
 - Fixez l'axe à l'une des roues.
 - Faites passer l'axe dans les orifices de la patte.

- Fixez l'autre roue à l'axe en faisant passer la broche dans l'orifice de l'axe. Serrez la roue en pliant la broche.
- Posez les couvercles sur les roues.

5. Fixez le bac de récupération. Soulevez ensuite le levier de verrouillage. (Fig. 6)

DESCRIPTION DU FONCTIONNEMENT

⚠ AVERTISSEMENT :

Avant de brancher la machine, assurez-vous toujours qu'elle est éteinte. Il y a risque de démarrage inattendu et de blessure grave si l'on branche la machine alors que l'interrupteur est en position de marche.

Interrupteur d'alimentation (Fig. 7)

⚠ ATTENTION :

N'utilisez pas la machine si son interrupteur est défectueux. Faites remplacer les interrupteurs défectueux dans un centre de service après-vente Makita agréé.

Pour allumer la machine, appuyez sur le bouton vert.

Pour éteindre la machine, appuyez sur le bouton rouge.

Lumière à DEL

La lumière à DEL indique l'état de la machine comme suit :

Couleur ROUGE : Lorsque l'on éteint la machine alors qu'elle est branchée sur la source d'alimentation.

Couleur VERTE : Lorsque l'on allume la machine.

Clignotement VERT continu : Lorsque la machine se bloque en cours d'utilisation.

Clignotement ROUGE : Lorsque la machine ne peut se remettre en marche automatiquement. Le cas échéant, réglez le problème manuellement.

Protection contre le redémarrage involontaire

Le moteur s'éteint automatiquement (l'interrupteur se met en position d'arrêt) en cas de panne d'alimentation. Pour redémarrer, appuyez de nouveau sur le bouton vert.

Protection contre la surcharge

Le moteur est doté d'une protection contre la surcharge. Lorsqu'elle est surchargée, la machine effectue les opérations suivantes :

- La lame tourne en sens inverse pendant deux ou trois secondes pour essayer de rejeter la matière à broyer.
- La lame repart vers l'avant.
- Si la matière est toujours coincée après trois de ces essais, la machine s'arrête et la lumière à DEL clignote en rouge.

Le cas échéant, suivez les étapes ci-dessous :

- Éteignez la machine.
- Attendez l'arrêt complet des lames.
- Retirez la matière coincée.
- Rallumez le broyeur au bout d'environ 5 minutes, et insérez de la matière plus facile à broyer.
- S'il n'est pas possible d'allumer la machine après ce temps d'attente, reportez-vous à la section « Dépannage ».

Commutateur de marche avant/arrière

⚠ ATTENTION :

Éteignez le broyeur avant de modifier la position du commutateur de marche avant/arrière.

Position ↓

Les lames tournent vers l'avant.

Position ↑

Les lames tournent en sens inverse pour libérer la matière coincée.

Lorsque vous permutez la machine dans le sens ↑ (inverse), maintenez la pression sur le bouton vert de l'interrupteur d'alimentation pour faire tourner les lames. Le broyeur s'arrêtera automatiquement dès que vous libérez l'interrupteur d'alimentation.

NOTE :

- Il se peut que plusieurs opérations vers l'arrière et l'avant soient nécessaires pour broyer un gros objet.

⚠ ATTENTION :

- Pour éviter les accidents, retirez toujours les objets coincés à l'aide d'un crochet ou d'un bâton.
- Attendez toujours l'arrêt complet du broyeur avant de le faire redémarrer.

Bac de récupération

⚠ ATTENTION :

- Avant de poser ou de retirer le bac de récupération, éteignez et débranchez la machine.
- Par mesure de sécurité, vérifiez toutes les deux heures que le dispositif de verrouillage fonctionne bien.
- N'essayez jamais de contourner le dispositif de verrouillage de protection.

Levier de verrouillage :

Position supérieure → Le bac de récupération est verrouillé.

Position inférieure → Le bac de récupération est déverrouillé.

Le dispositif de sécurité empêche l'appareil de s'allumer.

La machine ne s'allume pas si le levier de verrouillage est en position de déverrouillage. La machine s'arrête automatiquement si l'on déverrouille le bac de récupération pendant l'utilisation.

Couvre-lame

⚠ ATTENTION :

- Avant d'ouvrir le couvre-lame, assurez-vous que la machine est éteinte et débranchée.
- Avant d'ouvrir le couvre-lame, mettez des gants de protection.
- Le couteau ne s'arrête pas immédiatement après la mise hors tension. Attendez que toutes les pièces se soient arrêtées.

Si de la matière obstrue beaucoup l'enceinte supérieure, enlevez-la en ouvrant le couvre-lame.

UTILISATION

Installez la machine :

- Sur une surface plane et horizontale. Ne mettez pas la machine sur un sol pavé ou recouvert de gravier.
- À une distance sûre (au moins 2 m) des murs et autres objets.

Avant le démarrage, assurez-vous que :

- Les câbles de connexion ne sont pas endommagés. S'il y a des entailles ou des accrocs sur un câble, cessez l'utilisation et remplacez-le immédiatement.
- La machine n'a subi aucun dommage et toutes ses vis sont bien serrées.
- La machine est complètement et parfaitement montée.

Vérifiez la connexion réseau :

- Assurez-vous que la tension réseau correspond à la tension nominale indiquée sur la plaque signalétique, et que la machine est adéquatement mise à la terre.
- Utilisez uniquement des cordons prolongateurs dont la section transversale de conducteur est suffisante.

Les matériaux que le broyeur peut traiter

Le broyeur peut traiter les types de matériaux suivants :

- Tout type de branche dont le diamètre ne dépasse pas la capacité maximale de la machine, en tenant toutefois compte du type de bois et de son état
- Résidus de jardin tels que plantes flétries ou mauvaises herbes humides laissées au sol pendant quelques jours (insérez-les dans le broyeur en alternant avec des branches).

Le broyeur NE peut PAS traiter les types de matériaux suivants :

- Verre, métal, plastique, pierre, céramique, branches épaisses, bois dur, planches de bois épaisses, tissus, sacs de plastique et racines recouvertes de terre.
- Déchets presque à l'état liquide, p. ex. les déchets de cuisine.

Utilisation : (Fig. 8)

- Insérez la matière dans le trémie de remplissage par le côté droit.
- Les branches, les brindilles et le bois doivent être broyés juste après la coupe. Ils peuvent devenir très durs en séchant.
- Si les branches sont difficiles à insérer, enlevez les pousses secondaires de la branche.
- Coupez le moteur et débranchez la machine avant de nettoyer l'ouverture d'éjection.
- Ne laissez pas la matière broyée s'accumuler dans l'ouverture d'éjection. Autrement la matière broyée risque d'obstruer l'ouverture d'éjection. Videz régulièrement le bac de récupération.
- N'insérez pas de matière dont le diamètre est supérieur au diamètre de branche maximum spécifié dans les Données techniques. Suivant la fraîcheur et l'état du bois, il se peut que le diamètre de branche maximum soit plus petit.
- Le broyage de résidus de jardin mouillés obstrue la machine. Pour éviter d'obstruer la machine, insérez en alternance les résidus et de la matière qui contient du bois.
- Il se peut que les matières molles ou les branches mouillées soient tordues au lieu d'être coupées. Une contre-lame usée peut aussi causer ce problème.
- Si les ouvertures d'entrée ou d'évacuation sont obstruées, arrêtez le moteur et débranchez l'appareil avant d'enlever les débris coincés dans les ouvertures. Maintenez la source d'alimentation électrique exempte de débris et autres accumulations de matières pour la protéger des risques de détérioration et d'incendie.

Ajuster le jeu de la lame (Fig. 9)

Pour un fonctionnement efficace, ajustez le jeu entre la contre-lame et le cylindre de coupe.

Régler le jeu :

- Allumez l'appareil.
- Tournez le bouton de fixation en sens antihoraire pour libérer le bouton de réglage.
- Tournez lentement le bouton de réglage en sens horaire pour rapprocher la contre-lame du cylindre de coupe. Tournez-le jusqu'à ce que de fins copeaux d'aluminium tombent par l'ouverture d'éjection.
- Tournez le bouton de fixation en sens horaire pour verrouiller le bouton de réglage.

ENTRETIEN

⚠ ATTENTION :

- Avant d'effectuer l'inspection ou la maintenance, assurez-vous toujours que la machine est éteinte et débranchée.
- Avant d'effectuer l'inspection ou la maintenance, mettez des gants de protection.
- Le couteau ne s'arrête pas immédiatement après la mise hors tension. Avant d'effectuer tout travail de maintenance, attendez l'arrêt de toutes les pièces.
- Après le travail de maintenance, assurez-vous d'avoir retiré tous les outils.
- N'utilisez jamais d'essence, benzine, diluant, alcool ou autre produit similaire. Cela risquerait de provoquer la décoloration, la déformation ou la fissuration de l'outil. Pour nettoyer la machine, utilisez uniquement un chiffon humide et une brosse douce.
- N'arrosez pas ou ne nettoyez pas la machine avec de l'eau sous pression élevée.

Après chaque utilisation, effectuez la maintenance suivante :

- Vérifiez si toutes les vis de verrouillage sont bien serrées (serrez-les si nécessaire).
- Lubrifiez les parties métalliques pour les protéger contre la corrosion.
- Gardez les orifices d'aération propres et exempts de poussières.

Le cylindre de coupe et la contre-lame s'usent avec le temps. Lorsque nécessaire, demandez au centre de service après-vente agréé le plus près de les remplacer.

DÉPANNAGE

AVERTISSEMENT : Avant de dépanner la machine, éteignez-la, débranchez-la et attendez son arrêt complet.

Problème	Cause possible	Solution
Le moteur ne démarre pas.	Pas de courant	Vérifiez la source d'alimentation.
	Cordon d'alimentation défectueux	Faites-le vérifier dans un centre de service après-vente agréé.
	La protection contre la surcharge s'est déclenchée.	Laissez refroidir la machine, puis appuyez sur le bouton vert.
	Dispositif coupe-circuit de sécurité du bac de récupération (le bac de récupération est déverrouillé)	Vérifiez et verrouillez le bac de récupération.
Le moteur émet un bruit mais ne démarre pas.	Le cylindre de coupe est bloqué.	Éteignez l'appareil. Permutez le commutateur de marche avant/arrière sur la marche arrière. Allumez la machine jusqu'à ce que la matière coincée soit retirée. Éteignez de nouveau la machine. Remettez la machine en mode de rotation avant.
	Condensateur défectueux	Faites réparer la machine dans un centre de service après-vente agréé.
	La matière à broyer n'est pas entraînée dans le broyeur.	Inversez le sens de rotation.
La matière à broyer n'est pas bien coupée.	Matière à broyer coincée dans la trémie de remplissage	Éteignez l'appareil. Permutez le commutateur de marche avant/arrière sur la marche arrière. Allumez l'appareil pour libérer la matière à broyer et retirer les corps étrangers. Éteignez de nouveau l'appareil. Remettez la machine en mode de rotation avant.
	La matière à broyer est trop molle ou mouillée.	Poussez vers le bas avec une branche.
	Cylindre de coupe usé	Ajustez la contre-lame fixe, tel que décrit sous « Ajuster le jeu de la lame ». Si le cylindre de coupe est très usé, remplacez-le.
	La contre-lame fixe n'est pas bien ajustée.	Ajustez la contre-lame.
L'appareil démarre, mais il se bloque même sous une charge légère et peu après le dispositif de protection du moteur éteint la machine.	Le cordon prolongateur est trop long, ou sa section transversale trop mince. La prise de la machine est trop éloignée de la source d'alimentation, ou la section transversale du cordon d'alimentation est trop mince.	Assurez-vous que le cordon prolongateur a une section transversale d'au moins 1,5 mm ² , et qu'il n'est pas plus long que 25 m. Si vous utilisez un cordon plus long, la section transversale minimale est de 2,5 mm ² .

DÉCLARATION DE CONFORMITÉ CE

Pour les pays d'Europe uniquement

La déclaration de conformité CE est fournie en Annexe A à ce mode d'emploi.

WARNUNG: Dieses Gerät kann von Kindern ab 8 Jahren und Personen mit verminderten körperlichen, sensorischen oder geistigen Fähigkeiten bzw. Mangel an Erfahrung und Kenntnissen benutzt werden, vorausgesetzt, dass sie beaufsichtigt werden oder Anweisungen zum sicheren Gebrauch des Gerätes erhalten haben und die damit verbundenen Gefahren verstehen. Kinder dürfen nicht mit dem Gerät spielen. Reinigung und Benutzerwartung dürfen nicht von Kindern ohne Beaufsichtigung durchgeführt werden.

BEZEICHNUNG DER TEILE

1 Fülltrichter	7 Oberes Gehäuse	13 Beschickungsseite
2 Netzschalter	8 Auffangkorb	14 Schraube
3 Handgriff	9 Grundrahmen	15 Gegenmesser
4 Stromversorgungsstecker	10 Einstellknopf	16 Schneidwalze
5 Verriegelungshebel	11 Feststellknopf	
6 Vorlauf-/Rücklaufschalter	12 Messerabdeckung	

TECHNISCHE DATEN

Modell	UD2500
Bezeichnung	Flüsterhäcksler
Motor	Wechselstrommotor 230-240 V~50 Hz
Motorleistung P40	2.500 W
Motorleistung P1 S1	2.000 W
Schneidwalzen-Drehzahl	40 min ⁻¹
Netzschalter mit	Überlastschutz; Vor- und Rücklauf Funktion, Null-Spannungsanzeige
Gewicht	27,6 kg
Max. Astdurchmesser (nur für frisch geschnittenes Holz)	Max. 45 mm
Schutzart	I
Schutzklasse	IP X4

LÄRM DATEN

Schalldruckpegel	74,88 dB (A), K= 2,50 dB (A)
Schalldruckpegel am Ohr des Bedieners	84,4 dB (A), K= 3 dB (A)
Gemessener Schalleistungspegel	93,49 dB (A), K= 3,97 dB (A)
Garantierter Schalleistungspegel	97 dB (A)

Der Schalldruckpegel für den Bediener kann 80 dB (A) überschreiten. Tragen Sie einen Gehörschutz.


SYMBOLS

Im Folgenden werden die für die Maschine verwendeten Symbole beschrieben. Machen Sie sich vor der Benutzung mit ihrer Bedeutung vertraut.

-  • Gebrauchsanleitung lesen.
-  • Besondere Umsicht und Aufmerksamkeit erforderlich.
-  • Vor Wartung, Reinigung, Instandhaltung oder Reparatur Motor ausschalten und Stecker abziehen.
-  • Objekte können mit hoher Geschwindigkeit herausgeschleudert werden.
-  • Umstehende und Haustiere vom Gefahrenbereich fern halten.
-  • Gefahr — Rotierende Messer. Hände und Füße aus Öffnungen fern halten, während die Maschine läuft.
-  • Gefahr — Rotierende Messer. Hände und Füße aus Öffnungen fern halten, während die Maschine läuft.
-  • Augen- und Gehörschutz tragen.
-  • Schutzhandschuhe tragen.
-  • Das Gerät weder Regen noch Feuchtigkeit aussetzen.
-  • Zum Verkleinern des Abstands Knopf im Uhrzeigersinn drehen / Zum Vergrößern des Abstands Knopf entgegen dem Uhrzeigersinn drehen.
-  • Öffnen Sie die Messerabdeckung, um das Messer auszutauschen oder zu warten.
-  • Warten, bis alle Maschinenteile vollkommen still stehen.
-  • Benutzen Sie die Maschine nicht als Trittbrett.
-  • Nur für EG-Länder
Werfen Sie Elektrogeräte oder Akkus nicht in den Hausmüll! Gemäß der Europäischen Richtlinie 2002/96/EG über Elektro- und Elektronik-Altgeräte, 2006/66/EG über Batterien, Akkus sowie verbrauchte Batterien und Akkus und ihre Umsetzung gemäß den Landesgesetzen müssen Elektrogeräte und Akkus, die das Ende ihrer Lebensdauer erreicht haben, getrennt gesammelt und einer umweltgerechten Recycling-Einrichtung zugeführt werden.

SICHERHEITSHINWEISE

VOR GEBRAUCH SORGFÄLTIG LESEN BEDIENUNGSANLEITUNG FÜR SPÄTERE BEZUGNAHME AUFBEWAHREN

 Nehmen Sie die Maschine erst in Betrieb, nachdem Sie diese Bedienungsanleitung gelesen haben. Befolgen Sie alle enthaltenen Anweisungen, und installieren Sie die Maschine wie beschrieben.

Verwendungszweck der Maschine

- Der Gartenhäcksler ist zum Zerkleinern folgender Gegenstände vorgesehen:
 - Alle Arten von Ästen bis zum Maximaldurchmesser der Maschinenkapazität (abhängig von Art und Zustand des Holzes)
 - Gartenabfälle, wie z. B. verwelkte Pflanzen oder nasses Unkraut, das einige Tage lang gelegen hat (Diese abwechselnd mit Ästen zuführen.)
- Der Gartenhäcksler ist nur für privaten Gebrauch, nicht für kommerziellen Einsatz, vorgesehen. Benutzen Sie ihn auch nicht an öffentlichen Orten.

Für öffentliche Niederspannungs- Versorgungssysteme mit einer Spannung zwischen 220 V und 250 V.

Schaltvorgänge von Elektrogeräten verursachen Spannungsschwankungen. Der Betrieb dieses Gerätes unter ungünstigen Netzstrombedingungen kann sich nachteilig auf den Betrieb anderer Geräte auswirken. Bei einer Netzstromimpedanz von 0,45 Ohm oder weniger ist anzunehmen, dass keine negativen Effekte auftreten. Die für dieses Gerät verwendete Netzsteckdose muss durch eine Sicherung oder einen Schutzschalter mit trägen Auslöseeigenschaften geschützt sein.

Allgemeine Vorschriften

- Lesen Sie diese Bedienungsanleitung durch, um sich mit der Handhabung der Maschine vertraut zu machen. Unzureichend informierte Benutzer können sich und andere Personen durch unsachgemäßen Gebrauch gefährden.
- Verleihen Sie die Maschine nicht an Personen, die keine einschlägige Erfahrung haben.
- Fügen Sie beim Verleihen der Maschine immer diese Bedienungsanleitung bei.
- Der Flüsterhäcksler sollte nicht von Personen mit reduzierten körperlichen, sensorischen oder geistigen Fähigkeiten oder mangelnder Erfahrung und Kenntnis benutzt werden. Kleine Kinder sollten beaufsichtigt werden, um sicherzugehen, dass sie nicht mit der Maschine spielen. Lassen Sie nicht zu, dass Kinder dieses Gerät benutzen.
- Betreiben Sie die Maschine nur, wenn Sie sich in guter körperlicher Verfassung befinden. Führen Sie alle Arbeiten ruhig und sorgfältig durch. Der Benutzer ist für die Sicherheit von Personen und Schäden im Betriebsbereich verantwortlich.
- Benutzen Sie diese Maschine niemals nach der Einnahme von Alkohol oder Drogen, oder wenn Sie sich müde oder krank fühlen.

- Benutzen Sie die Maschine im Einklang mit dieser Anleitung unter Berücksichtigung der Arbeitsbedingungen und der Anwendung. Unbeabsichtigter Gebrauch der Maschine kann zu einer Gefahrensituation führen.
- Unterlassen Sie jegliche Abänderung der Maschine, einschließlich der Sicherheitseinrichtungen, wie z. B. der Sperrvorrichtung. Dies gefährdet Ihre Sicherheit.
- Die Handhabung der Maschine kann durch staatliche oder lokale Bestimmungen eingeschränkt sein.
- Bleiben Sie wachsam. Lassen Sie bei der Arbeit Vorsicht walten. Seien Sie vernünftig. Benutzen Sie die Maschine nicht, wenn Sie müde sind.

Persönliche Schutzausrüstung

- Zweckmäßige Kleidung tragen. Die Kleidung soll zweckmäßig und angemessen, d. h. eng anliegend, aber nicht hinderlich sein. Tragen Sie keine Schmuckgegenstände oder Kleidung, die sich an der Maschine verfangen können. Tragen Sie eine schützende Kopfbedeckung, um langes Haar zu raffen.
- Tragen Sie stets Gehörschützer, um Gehörschäden zu verhüten.
- Tragen Sie eine Schutzbrille, um Ihre Augen vor Bruchstücken zu schützen, die aus dem Fülltrichter herausgeschleudert werden.
- Tragen Sie Schutzhandschuhe, um Verletzungen der Finger zu verhüten.
- Tragen Sie eine Gesichtsmaske, wenn die Staubmenge erheblich ist, z. B. beim zerkleinern trockener Äste, Hecken mit Blättern.
- Tragen Sie bei Gebrauch der Maschine stets festes Schuhwerk mit rutschfester Sohle. Dies schützt vor Verletzungen und gewährleistet guten Stand.

Sicherheit im Arbeitsbereich

- Halten Sie Kinder und Umstehende während der Benutzung der Maschine vom Arbeitsbereich fern.
- Betreiben Sie die Maschine in einem offenen Raum auf einer festen, waagerechten Fläche. Betreiben Sie die Maschine nicht in der Nähe einer Wand oder anderer Objekte.
- Betreiben Sie die Maschine nicht in explosiven Umgebungen, wie z. B. in Gegenwart von brennbaren Flüssigkeiten, Gasen oder Staub. Die Maschine erzeugt Funken, die den Staub oder die Dämpfe entzünden können.
- Betreiben Sie die Maschine nicht auf einer gepflasterten oder geschotterten Fläche, wo ausgeworfenes Material zu Verletzungen führen kann.
- Halten Sie den Arbeitsbereich sauber und gut beleuchtet. Unaufgeräumte oder dunkle Bereiche führen zu Unfällen.
- Setzen Sie die Maschine keinem Regen oder Nässe aus. In die Maschine eindringendes Wasser kann die Gefahr eines elektrischen Schlags erhöhen.

Starten der Maschine

- Bevor Sie den Stecker anschließen oder die Maschine einschalten:
 - Prüfen Sie, ob alle Schrauben, Muttern und andere Befestigungselemente einwandfrei festgezogen sind.
 - Prüfen Sie, ob Schutzvorrichtungen, Abweiser und Schirme angebracht und in gutem Betriebszustand sind.

- Ersetzen Sie beschädigte oder unlesbare Aufkleber.
- Vergewissern Sie sich, dass der Fülltrichter leer ist.
- Vergewissern Sie sich, dass die Ein- und Auslassöffnungen einwandfrei geschützt sind.
- Überprüfen Sie alle Teile der Maschine sorgfältig, um festzustellen, ob sie einwandfrei funktionieren und ihren vorgesehenen Zweck erfüllt. Benutzen Sie die Maschine insbesondere dann nicht, wenn der Schalter nicht normal funktioniert.
- Falls das Versorgungskabel beschädigt ist, wenden Sie sich an eine autorisierte Makita-Kundendienststelle, um es durch ein Original-Ersatzteil ersetzen zu lassen.

Elektrische Sicherheit

WARNUNG:

- Dieses Gerät ist ein Gerät der Klasse I. Schließen Sie es an eine Steckdose mit Erdungskontakt an. Unsachgemäße Erdung kann einen elektrischen Schlag und Tod verursachen. Verwenden Sie nur Dreileiter-Verlängerungskabel mit Dreistift-Schutzkontaktsteckern und Dreipol-Steckdosen, in die der Stecker der Maschine passt.
- Vermeiden Sie Körperkontakt mit geerdeten Gegenständen (z. B. Rohre, Kühler) während des Betriebs.
- Verwenden Sie nur ein Verlängerungskabel IEC60245 (H07RN-F) für Freiluftbenutzung mit spritzwassergeschütztem Stecker. Der Kabelquerschnitt muss mindestens 1,5 mm² für Kabellängen bis zu 25 m, und 2,5 mm² für Kabellängen über 25 m betragen.
- Bei Verwendung eines langen, dünnen Kabels kann ein Spannungsabfall auftreten. Sollte dies eintreten, kann das eine Leistungseinbuße der Maschine zur Folge haben.
- Wenn Sie das Verlängerungskabel verwenden, achten Sie darauf, dass es nicht stört, nicht eingequetscht oder verbogen wird, und dass der Stecker nicht nass wird.
- Wenn Sie eine Kabelrolle verwenden, wickeln Sie das Kabel vollständig von der Rolle ab.
- Missbrauch des Kabels unterlassen. Benutzen Sie das Kabel niemals zum Tragen, Ziehen oder Abtrennen der Maschine. Halten Sie das Kabel von Hitze, Öl, scharfen Kanten oder beweglichen Teilen fern. Ein beschädigtes oder verheddertes Kabel erhöht die Stromschlaggefahr.
- Überprüfen Sie das Verlängerungskabel regelmäßig auf Beschädigung der Isolierung. Ersetzen Sie es bei Beschädigung.
- Falls das Verbindungskabel beschädigt wird, ziehen Sie sofort den Netzstecker ab. Ein beschädigtes Kabel kann Kontakt mit Strom führenden Teilen und einen elektrischen Schlag verursachen.
- Niemals beschädigte Kabel verwenden.
- Schließen Sie die Maschine nur an Steckdosen in geprüften Stromkreisen an. Stellen Sie sicher, dass die Systemspannung mit der Angabe auf dem Typenschild übereinstimmt.
- Die Schutzvorrichtungen dürfen auf keinen Fall deaktiviert oder umgangen werden.
- Wenn Sie die Maschine im Freien benutzen, verwenden Sie immer einen Fehlerstrom-Schutzschalter (RCD) mit einem Betriebsstrom von maximal 30 mA.

Betrieb

- Halten Sie Gesicht und Körper von der Einlassöffnung fern.
- Achten Sie stets darauf, dass Ihre Hände, andere Körperteile oder Kleidungsstücke nicht in die Einlass- und Auswurföffnung oder in die Nähe von beweglichen Teilen geraten. Es könnte sonst zu ernsthaften Verletzungen kommen.
- Übernehmen Sie sich nicht. Achten Sie stets auf sicheren Stand und gute Balance. Sie haben dann in unerwarteten Situationen eine bessere Kontrolle über die Maschine. Stehen Sie nicht auf einer höheren Ebene als die Basis der Maschine, wenn Sie Material zuführen.
- Halten Sie während des Betriebs immer ausreichenden Abstand von der Auswurföffnung.
- Befolgen Sie regionale Lärmschutzvorschriften.
- Führen Sie keine Steine, Metallteile, Flaschen oder andere Fremdkörper zu. Achten Sie bei der Beschickung darauf, dass solche Fremdkörper nicht im Material enthalten sind.
- Schalten Sie sofort den Motor aus, und ziehen Sie den Stecker ab, falls das Messer auf einen Fremdkörper stößt oder die Maschine zu vibrieren beginnt oder ungewöhnliche Geräusche erzeugt. Überprüfen Sie den Häcksler auf Beschädigung, und ziehen Sie lose Teile fest. Lassen Sie die Maschine von einer autorisierten Kundendienststelle reparieren.
- Achten Sie darauf, dass sich kein zerkleinertes Material in der Auswurföffnung ansammelt. Anderenfalls kann es zu Rückstoß von Material durch die Einlassöffnung kommen.
- Schalten Sie den Motor aus, und ziehen Sie den Stecker ab, bevor:
 - Wann immer Sie die Maschine unbeaufsichtigt lassen
 - Bevor Sie eine Blockierung oder einen Fehler beseitigen
 - Bevor Sie die Maschine überprüfen, reinigen oder daran arbeiten
 - Bevor Sie Einstellungen vornehmen, Zubehör wechseln oder die Maschine lagern
 - Wann immer die Maschine zu vibrieren beginnt oder ungewöhnliche Geräusche erzeugt
 - Säubern der Einlass- oder Auswurföffnung
 - Anbringen oder Abnehmen des Auffangkorbs
 - Transportieren.
- Kippen Sie die Maschine nicht während des Betriebs.
- Halten Sie ausreichenden Abstand, wenn Sie langes Material zuführen. Es könnte zurückspringen und Verletzungen verursachen.
- Betreiben Sie die Maschine nicht ohne den Fülltrichter.
- Üben Sie keinen übermäßigen Druck auf die Maschine aus. Die Maschine kann ihren Zweck besser und sicherer erfüllen, wenn sie sachgemäß gehandhabt wird. Häufige Überlastung kann eine Beschädigung des Motors oder einen Brand verursachen.
- Sachgerechte Vorrichtungen benutzen. Verwenden Sie Vorrichtungen nicht für sachfremde Zwecke. Versuchen Sie niemals, Metallteile, Glas, Steine, Keramik, Kunststoff, dickere Äste, Hartholz oder dicke Holzplatten usw. zuzuführen.

Wartungsvorschriften

- Lassen Sie Ihre Maschine immer von einer unserer autorisierten Kundendienststellen unter Verwendung von Original-Ersatzteilen warten. Unsachgemäße Reparatur und schlechte Wartung können die Lebensdauer der Maschine verkürzen und die Unfallgefahr erhöhen.
- Vor Wartung, Inspektion, Einstellung, Lagerung oder Austausch eines Zubehörs sind die folgenden Maßnahmen zu treffen:
 - Die Stromquelle abschalten
 - Die Maschine von der Stromversorgung trennen
 - Vergewissern Sie sich, dass alle beweglichen Teile zum vollständigen Stillstand gekommen sind
 - Lassen Sie die Maschine abkühlen.
- Überprüfen Sie die Maschine auf mögliche Beschädigung:
 - Ob die Schutzvorrichtungen ihre bestimmungsgemäße Funktion erfüllen
 - Ab alle beweglichen Teile reibungslos und angemessen funktionieren
 - Ob alle Teile unbeschädigt und korrekt eingebaut sind
 - Lassen Sie beschädigte Teile von einer unserer autorisierten Kundendienststellen austauschen oder reparieren.
- Lassen Sie bei der Wartung des Schneidwerks äußerste Vorsicht walten. Das Schneidwerk kann durch die Verriegelungsfunktion der Schutzeinrichtungen manuell bewegt werden.
- Reinigen Sie das Gerät nicht mit Wasser. Dies kann einen elektrischen Schlag verursachen.
- Tragen Sie Schutzhandschuhe während der Wartungs- oder Montagearbeit, um Verletzungen der Finger zu verhindern.
- Führen Sie außer den in dieser Bedienungsanleitung beschriebenen Wartungs- oder Reparaturarbeiten keine anderen Arbeiten aus. Darüber hinausgehende Arbeiten müssen von einer autorisierten Makita-Kundendienststelle ausgeführt werden.
- Verwenden Sie nur für Ihre Maschine vorgesehene Original-Makita-Ersatz- und Zubehörteile. Anderenfalls kann es zu Verletzungen oder Beschädigung der Maschine kommen.
- Lagern Sie die Maschine in einem trockenen Raum. Halten Sie sie außer Reichweite von Kindern. Lagern Sie die Maschine keinesfalls im Freien.

MONTAGE

⚠ VORSICHT:

- Vergewissern Sie sich vor der Ausführung von Arbeiten an der Maschine stets, dass sie ausgeschaltet und vom Stromnetz getrennt ist.
1. Das obere Gehäuse auf ebenen Boden legen. Dann den Grundrahmen darauf setzen. Auf die Richtung des Teils achten. **(Abb. 2)**
 2. Alle Teile durch Anziehen der Schrauben befestigen. Sicherstellen, dass sie vollkommen stabil sind. **(Abb. 3)**
 3. Die Stopper mit Schrauben anbringen. Sicherstellen, dass sie fest angezogen sind. **(Abb. 4)**
 4. Die Räder wie folgt anbringen: **(Abb. 5)**

- Die Achse an einem der Räder anbringen.
 - Die Achse durch die Löcher im Bein schieben.
 - Das andere Rad an der Achse anbringen, indem der Stift durch das Loch in der Achse geschoben wird. Das Rad durch Biegen des Stifts sichern.
 - Die Abdeckungen an den Rädern anbringen.
5. Den Auffangkorb anbringen. Dann den Verriegelungshebel anheben. (Abb. 6)

- Falls sich die Maschine nach dieser Wartezeit nicht einschalten lässt, nehmen Sie auf „Fehlersuche“ Bezug.

Vorlauf-/Rücklaufschalter

⚠ VORSICHT:

Schalten Sie den Häcksler aus, bevor Sie den Vorlauf-/Rücklaufschalter umschalten.

Position ⇅

Die Messer drehen sich in Vorwärtsrichtung.

Position ⇅

Die Messer drehen sich in Rückwärtsrichtung, um gestautes Material zu lösen.

Wenn Sie die Richtung auf ⇅ (rückwärts) umschalten, halten Sie den grünen Knopf des Netzschalters gedrückt, um die Messer zu drehen. Der Häcksler bleibt automatisch stehen, sobald Sie den Netzschalter loslassen.

HINWEIS:

- Mehrmaliges Wiederholen des Rück- und Vorlaufbetriebs kann notwendig sein, um ein großes Objekt zu zerkleinern.

⚠ VORSICHT:

- Entfernen Sie festsitzende Objekte immer mit einem Haken oder Stock, um Unfälle zu verhüten.
- Warten Sie immer, bis der Häcksler vollkommen still steht, bevor Sie ihn wieder starten.

Auffangkorb

⚠ VORSICHT:

- Schalten Sie die Maschine aus, und ziehen Sie den Stecker ab, bevor Sie den Auffangkorb anbringen oder abnehmen.
- Überprüfen Sie die Funktionstüchtigkeit der Verriegelungsfunktion alle zwei Stunden, um sicheren Betrieb zu gewährleisten.
- Versuchen Sie niemals, die Verriegelungsfunktion der Schutzvorrichtung aufzuheben.

Verriegelungshebel:

Obere Position → Auffangkorb ist verriegelt.

Untere Position → Auffangkorb ist entriegelt.

Das Gerät lässt sich wegen der Sicherheitsfunktion nicht einschalten.

Die Maschine kann nicht eingeschaltet werden, wenn sich der Verriegelungshebel in der Entriegelungsposition befindet. Die Maschine bleibt automatisch stehen, wenn der Auffangkorb während des Betriebs entriegelt wird.

Messerabdeckung

⚠ VORSICHT:

- Vergewissern Sie sich, dass die Maschine ausgeschaltet und vom Stromnetz getrennt ist, bevor Sie die Messerabdeckung öffnen.
- Ziehen Sie Schutzhandschuhe an, bevor Sie die Messerabdeckung öffnen.
- Das Schneidwerk bleibt nicht sofort nach dem Ausschalten stehen. Warten Sie, bis alle Teile still stehen.

Falls das obere Gehäuse schwer mit Material verstopft ist, entfernen Sie das Material durch Öffnen der Messerabdeckung.

FUNKTIONSBESCHREIBUNG

⚠ WARNUNG:

Vergewissern Sie sich immer, dass die Maschine ausgeschaltet ist, bevor Sie sie ans Stromnetz anschließen. Wird die Maschine bei eingeschaltetem Schalter angeschlossen, kann sie plötzlich anlaufen und schwere Verletzungen verursachen.

Netzschalter (Abb. 7)

⚠ VORSICHT:

Benutzen Sie die Maschine nicht, wenn sie sich nicht mit dem Netzschalter ein- und ausschalten lässt. Lassen Sie fehlerhafte Schalter von einer autorisierten Makita-Kundendienststelle auswechseln.

Zum Einschalten der Maschine den grünen Knopf drücken.

Zum Ausschalten der Maschine den roten Knopf drücken.

LED-Lampe

Die LED-Lampe zeigt den Zustand der Maschine wie folgt an:

ROT: Wenn die Maschine mit der Stromversorgung verbunden und ausgeschaltet ist.

GRÜN: Wenn die Maschine eingeschaltet ist.

Ständiges Blinken in GRÜN: Wenn die Maschine während des Betriebs blockiert ist.

Blinken in ROT: Wenn die Maschine sich nicht automatisch wiederherstellen kann. Beseitigen Sie die Störung in diesem Fall manuell.

Schutz vor ungewolltem Neustart

Bei einem Stromausfall schaltet sich die Maschine automatisch aus. Um sie wieder zu starten, drücken Sie den grünen Knopf erneut.

Überlastschutz

Der Motor ist mit einem Überlastschutz ausgestattet. Bei Überlastung verhält sich die Maschine wie folgt:

- Das Messer läuft für zwei bis drei Sekunden rückwärts, um zu versuchen, das zerkleinerte Material zurückzuschieben.
- Das Messer läuft wieder vorwärts.
- Falls das Material nach dreimaliger Wiederholung dieses Vorgangs noch immer festsitzt, bleibt die Maschine stehen, wobei die LED-Lampe in Rot blinkt.

Wenn dies eintritt, führen Sie die folgenden Schritte aus:

- Schalten Sie die Maschine aus.
- Warten Sie, bis das Messer vollkommen still steht.
- Entfernen Sie das festsitzende Material.
- Schalten Sie den Häcksler nach etwa 5 Minuten wieder ein, und führen Sie leichteres Material zu.

BETRIEB

Stellen Sie die Maschine auf:

- Auf einer flachen, horizontalen Fläche. Stellen Sie die Maschine nicht auf gepflasterten oder geschotterten Boden.
- In sicherem Abstand (mindestens 2 m) von Wänden oder anderen Objekten.

Stellen Sie vor dem Starten Folgendes sicher:

- die Verbindungskabel unbeschädigt sind. Falls sie Schnitte oder Risse aufweisen, brechen Sie sofort den Betrieb ab, und ersetzen Sie die Kabel.
- Die Maschine ist unbeschädigt, und alle Schrauben sind festgezogen.
- Die Maschine ist vollständig und korrekt zusammengebaut.

Überprüfen Sie den Netzanschluss:

- Vergewissern Sie sich, dass die Netzspannung mit der Nennspannung auf dem Typenschild übereinstimmt und die Maschine ordnungsgemäß geerdet ist.
- Verwenden Sie nur Verlängerungskabel mit ausreichendem Kernquerschnitt.

Material, das der Häcksler zerkleinern kann

Der Häcksler kann folgende Materialarten zerkleinern:

- Alle Arten von Ästen bis zum Maximaldurchmesser der Maschinenkapazität, abhängig von Art und Zustand des Holzes
- Gartenabfälle, wie z. B. verwelkte Pflanzen oder nasses Unkraut, das einige Tage lang gelegen hat (Diese abwechselnd mit Ästen zuführen.)

Der Häcksler kann folgende Materialarten NICHT zerkleinern:

- Glas, Metall, Kunststoff, Steine, Keramik, dickere Äste, Hartholz, dicke Holzplatten, Stoff, Plastiktüten, Wurzeln mit Erde.
- Nahezu flüssige Abfälle, wie z. B. Küchenabfälle.

Betrieb: (Abb. 8)

- Führen Sie das Material von der rechten Seite in den Fülltrichter ein.
- Äste, Zweige und Holz sind unmittelbar nach dem Schneiden zu zerkleinern. Wenn sie trocken werden, können sie sehr hart werden.
- Entfernen Sie jegliche Seitentriebe von Ästen, wenn sie nicht leicht zuführbar sind.
- Schalten Sie den Motor aus, und trennen Sie die Maschine vom Stromnetz, bevor Sie die Auswurföffnung reinigen.
- Achten Sie darauf, dass sich kein zerkleinertes Material in der Auswurföffnung ansammelt. Anderenfalls kann dieses zerkleinerte Material die Auswurföffnung blockieren. Leeren Sie den Auffangkorb regelmäßig.
- Führen Sie kein Material zu, das dicker als der in den Technischen Daten angegebene maximale Astdurchmesser ist. Abhängig von der Frische und dem Zustand des Holzes kann der maximale Astdurchmesser kleiner sein.
- Zerkleinern von nassen Gartenabfällen führt zu Verstopfung. Um Verstopfung der Maschine zu verhindern, führen Sie abwechselnd Abfälle und Holzmaterial zu.

- Weiches Material oder nasse Äste werden möglicherweise zerrissen, statt geschnitten zu werden. Ein abgenutztes Gegenmesser kann ebenfalls dieses Problem verursachen.
- Falls die Maschine an der Einlassöffnung oder am Auswurfkanal verstopft wird, schalten Sie den Motor aus, und ziehen Sie den Netzstecker ab, bevor Sie Unrat in der Einlassöffnung oder im Auswurfkanal beseitigen. Halten Sie die Stromquelle frei von Unrat und anderen Ablagerungen, um eine Beschädigung der Stromquelle oder einen möglichen Brand zu verhindern.

Einstellen des Messerabstands (Abb. 9)

Um effektiven Betrieb zu erzielen, muss der Abstand zwischen Gegenmesser und Schneidwalze eingestellt werden.

Einstellen des Abstands:

- Schalten Sie das Gerät ein.
- Drehen Sie den Feststellknopf entgegen dem Uhrzeigersinn, um den Einstellknopf freizugeben.
- Drehen Sie den Einstellknopf langsam im Uhrzeigersinn, um das Gegenmesser an die Schneidwalze anzunähern. Drehen Sie den Knopf so weit, bis feine Aluminiumspäne aus der Auswurföffnung herausfallen.
- Drehen Sie den Feststellknopf im Uhrzeigersinn, um den Einstellknopf zu verriegeln.

WARTUNG

⚠ VORSICHT:

- Vergewissern Sie sich stets, dass die Maschine ausgeschaltet und vom Stromnetz getrennt ist, bevor Sie Inspektions- oder Wartungsarbeiten durchführen.
- Ziehen Sie Schutzhandschuhe an, bevor Sie Inspektions- oder Wartungsarbeiten durchführen.
- Das Schneidwerk bleibt nicht sofort nach dem Ausschalten stehen. Warten Sie, bis alle Teile still stehen, bevor Sie Wartungsarbeiten durchführen.
- Vergewissern Sie sich nach der Wartungsarbeit, dass alle Werkzeuge entfernt worden sind.
- Verwenden Sie auf keinen Fall Benzin, Benzol, Verdünnern, Alkohol oder dergleichen. Solche Mittel können Verfärbung, Verformung oder Rissbildung verursachen. Verwenden Sie ein feuchtes Tuch und eine weiche Bürste zum Reinigen der Maschine.
- Verwenden Sie keinen Wasserschlauch oder Hochdruckwascher zum Reinigen der Maschine.

Führen Sie nach jedem Betrieb die folgenden Wartungsarbeiten durch:

- Prüfen Sie nach, ob alle Sicherungsschrauben fest sitzen (nötigenfalls anziehen).
- Schmieren Sie Metallteile zum Schutz vor Korrosion.
- Halten Sie die Lüftungsöffnungen sauber und staubfrei.

Schneidwalze und Gegenmesser nutzen im Laufe der Zeit ab. Lassen Sie die Teile bei Bedarf von der nächsten autorisierten Kundendienststelle austauschen.

FEHLERSUCHE

WARNUNG: Bevor Sie mit der Störungsbehebung beginnen, sollten Sie die Maschine ausschalten, den Netzstecker abziehen und warten, bis die Maschine vollkommen still steht.

Störung	Mögliche Ursache	Abhilfemaßnahme
Der Motor startet nicht.	Keine Stromversorgung	Netzanschluss überprüfen.
	Netzkabel defekt	Von autorisierter Kundendienststelle überprüfen lassen.
	Überlastschutz wurde aktiviert	Warten, bis die Maschine abgekühlt ist, und dann den grünen Knopf drücken.
	Sicherheitsabschaltvorrichtung des Auffangkorb (Auffangkorb ist entriegelt)	Den Auffangkorb überprüfen und verriegeln.
Motor erzeugt Geräusch, startet aber nicht.	Schneidwalze ist blockiert.	Gerät ausschalten. Den Vorlauf-/Rücklaufschalter auf Rückwärtsrichtung umschalten. Die Maschine einschalten, bis der Stau beseitigt worden ist. Die Maschine wieder ausschalten. Die Drehrichtung wieder auf Vorwärtsdrehung umschalten.
	Kondensatordefekt	Die Maschine von einer autorisierten Kundendienststelle reparieren lassen.
	Rückwärtsdrehung.	Das Gerät ausschalten, und den Drehrichtungs-Wahlschalter umschalten.
Das Häckselmaterial wird nicht in den Häcksler eingezogen.	Häckselmaterial sitzt im Fülltrichter fest.	Das Gerät ausschalten. Den Vorlauf-/Rücklaufschalter auf Rückwärtsrichtung umschalten. Das Gerät einschalten, um das zu zerkleinernde Material zu lösen, und etwaige Fremdkörper entfernen. Das Gerät wieder ausschalten. Die Drehrichtung wieder auf Vorwärtsdrehung umschalten.
	Das Häckselmaterial ist zu weich oder nass.	Mit einem Ast niederdrücken
	Schneidwalze abgenutzt.	Feststehendes Gegenmesser gemäß Beschreibung unter „Einstellen des Messerabstands“ einstellen. Die Schneidwalze austauschen, wenn sie stark abgenutzt ist.
	Das feststehende Gegenmesser ist nicht angemessen eingestellt.	Das Gegenmesser einstellen.
Häckselmaterial wird nicht sauber geschnitten	Das Verlängerungskabel ist zu lang, oder der Querschnitt ist zu dünn. Die Steckdose ist zu weit vom Stromnetz entfernt, oder der Querschnitt des Netzkabels ist zu dünn.	Sicherstellen, dass das Verlängerungskabel einen Querschnitt von mindestens 1,5 mm ² hat und maximal 25 m lang ist. Wird ein längeres Kabel verwendet, muss es einen Querschnitt von mindestens 2,5 mm ² haben.

EG-KONFORMITÄTSERKLÄRUNG

Nur für europäische Länder

Die EG-Konformitätserklärung ist als Anhang A in dieser Bedienungsanleitung enthalten.

AVVERTIMENTO: Questo utensile può essere usato dai bambini di 8 anni e oltre, e dalle persone con capacità fisiche, sensoriali o mentali ridotte, o senza esperienza o conoscenza, se sono sotto la supervisione o hanno ricevuto le istruzioni per l'utilizzo sicuro dell'utensile e capiscono i rischi che comporta. I bambini non devono giocare con l'utensile. La pulizia e la manutenzione non devono essere fatte dai bambini senza supervisione.

DESIGNAZIONE DELLE PARTI

1	Tramoggia di carico	7	Contenitore superiore	13	Lato di caricamento
2	Interruttore di alimentazione	8	Contenitore di raccolta	14	Vite
3	Impugnatura	9	Telaio di base	15	Controlama
4	Spina di alimentazione	10	Manopola di regolazione	16	Rullo di taglio
5	Leva di bloccaggio	11	Manopola di fissaggio		
6	Interruttore	12	Coprilama		

DATI TECNICI

Modello	UD2500
Nome	Trituratore elettrico
Motore	Motore CA 230-240 V~50 Hz
Potenza motore P40	2.500 W
Potenza motore P1 S1	2.000 W
Velocità di rotazione rullo di taglio	40 min ⁻¹
Interruttore di alimentazione con	salvamotore; funzione di taglio e inversione del movimento, interruttore di minima tensione
Peso	27,6 kg
Diametro massimo dei rami (solo legno appena tagliato)	Max. 45 mm
Classe di sicurezza	I
Classe di protezione	IP X4

RUMOROSITÀ

Livello di pressione sonora	74,88 dB (A), K= 2,50 dB (A)
Livello di pressione sonora all'orecchio dell'operatore	84,4 dB (A), K= 3 dB (A)
Livello di potenza sonora misurato	93,49 dB (A), K= 3,97 dB (A)
Livello di potenza sonora garantito	97 dB (A)

Il livello di intensità sonora per l'operatore può superare gli 80 dB (A). Indossare protezioni per le orecchie.

SIMBOLI

Per la macchina vengono utilizzati i seguenti simboli. Assicurarsi di comprenderne il significato prima dell'uso.



- Leggere il manuale di istruzioni.



- Prestare particolare attenzione.



- Spegnerne il motore e scollegare la spina di alimentazione prima di eseguire interventi di controllo pulizia, manutenzione o riparazione.



- Pericolo di espulsione di oggetti ad alta velocità.



- Tenere persone e animali lontano dalla zona di pericolo.



- Pericolo — Lame rotanti. Tenere le mani e i piedi lontano dalle aperture mentre la macchina è in funzione.



- Pericolo — Lame rotanti. Tenere le mani e i piedi lontano dalle aperture mentre la macchina è in funzione.



- Indossare protezioni per gli occhi e le orecchie.



- Indossare guanti di protezione.



- Non esporre a pioggia o umidità.



- Ruotare la manopola in senso orario per ridurre la distanza / ruotare la manopola in senso antiorario per aumentare la distanza.



- Aprire il coperchio della lama per sostituire la lama o per un intervento sull'utensile.



- Attendere l'arresto completo di tutte le parti della macchina.



- Non montare sulla macchina.



- Soltanto per i Paesi dell'unione europea Questo apparecchio elettrico o la batteria non devono essere gettati via con i rifiuti domestici. In osservanza alla Direttiva Europea 2002/96/CE sugli apparecchi elettrici ed elettronici di scarto, 2006/66/CE sulle batterie e gli accumulatori, e sulle batterie e gli accumulatori esausti, e la sua implementazione secondo le leggi locali, gli apparecchi elettrici e le batterie che hanno raggiunto la fine della loro vita di servizio devono essere raccolti separatamente e portati in un centro di smaltimento ecocompatibile.

AVVERTENZE DI SICUREZZA

LEGGERE ATTENTAMENTE PRIMA DELL'USO CONSERVARE IL MANUALE DI ISTRUZIONI PER RIFERIMENTO FUTURO



Prima di mettere in funzione la macchina, leggere queste istruzioni per l'uso. Osservare tutte le istruzioni fornite e montare la macchina come descritto.

Uso previsto della macchina

- Il trituratore da giardino è inteso per la triturazione di seguenti elementi:
 - Rami di ogni tipo, fino al diametro massimo consentito dalla capacità della macchina (in base al tipo e alle condizioni del legno)
 - Rifiuti di giardinaggio come piante appassite, erba appena tagliata o secca (introdurre alternativamente con rami).
- Il trituratore da giardino è inteso esclusivamente per l'uso privato, e non commerciale. Non utilizzare neppure in luoghi pubblici.

Per reti elettriche a bassa tensione tra 220V e 250V.

L'accensione e lo spegnimento di apparecchiature elettriche provoca oscillazioni della tensione. Il funzionamento del presente dispositivo in condizioni diverse da quelle consigliate può provocare interferenze nel funzionamento di altre apparecchiature. Non dovrebbero presentarsi problemi con un'impedenza di rete pari o inferiore a 0,45 Ohm. La presa di corrente a cui viene collegato il presente dispositivo deve essere protetta da un fusibile o interruttore di protezione avente un ritardo di scatto lento.

Istruzioni generali

- Leggere il presente manuale di istruzioni per acquisire dimestichezza con l'uso della macchina. Una conoscenza insufficiente della macchina comporta rischi sia per l'operatore che per le altre persone.
- Non prestare la macchina a persone senza provata esperienza.
- Quando si presta la macchina, accludere sempre anche il presente manuale di istruzioni.
- Il trituratore elettrico non è inteso per l'uso da parte di persone con ridotte capacità fisiche, sensoriali o mentali, o prive dell'esperienza e delle conoscenze. Sorvegliare i bambini per evitare che giochino con la macchina. Non consentire ai bambini di mettere in funzione la macchina.
- Utilizzare solamente se si è in buone condizioni fisiche. Lavorare sempre con calma e attenzione. L'operatore è responsabile della sicurezza delle altre persone e dei danni nella zona di utilizzo.
- Non utilizzare mai la macchina dopo l'uso di alcool o droghe, oppure se si è stanchi o malati.
- Utilizzare la macchina in conformità con le presenti istruzioni, tenendo in considerazione le condizioni di lavoro e l'impiego previsto. L'uso imprevisto della macchina può comportare situazioni pericolose.
- Non modificare mai la macchina e i suoi dispositivi di sicurezza, quali il dispositivo di interblocco. Ciò può compromettere la sicurezza dell'operatore.
- Normative nazionali o locali potrebbero porre limitazioni all'uso della macchina.

- Operare sempre con la massima attenzione, vigilanza e cautela. Non azionare la macchina quando si è stanchi.

Dispositivi di protezione personale

- Indossare un abbigliamento adeguato, con indumenti pratici e attillati, ma non tanto da ostacolare i movimenti. Non indossare gioielli o indumenti che possano impigliarsi nella macchina. Proteggere i capelli, raccogliendoli e coprendoli adeguatamente se sono lunghi.
- Indossare sempre protezioni per le orecchie per evitare danni all'udito.
- Indossare occhiali o maschera di protezione per proteggere gli occhi dai detriti espulsi dalla tramoggia di carico.
- Indossare guanti di protezione per prevenire ferite alle dita.
- Quando la triturazione risulta particolarmente polverosa, come nel caso di rami secchi o siepi con foglie, indossare una visiera.
- Durante l'uso della macchina, indossare sempre scarpe robuste con suola antiscivolo, per proteggersi dalle lesioni e garantire la corretta stabilità.

Sicurezza dell'area di lavoro

- Durante l'uso della macchina, tenere bambini e altre persone lontani dalla zona di lavoro.
- Azionare la macchina in uno spazio aperto, su una superficie solida e piana. Non azionare la macchina vicino a pareti o altri oggetti.
- Non azionare la macchina in atmosfera esplosiva, come ad esempio in presenza di liquidi, gas o polveri infiammabili. La macchina genera scintille che possono causare l'accensione delle polveri o dei fumi.
- Non azionare la macchina su superfici lastricate o ghiaia, dove il materiale espulso potrebbe causare lesioni.
- Mantenere l'area di lavoro pulita e ben illuminata. Condizioni di disordine e scarsa luminosità favoriscono gli incidenti.
- Non esporre la macchina a pioggia o umidità. L'ingresso di acqua nella macchina può aumentare il rischio di scosse elettriche.

Avviamento della macchina

- Prima di collegare la spia di alimentazione o accendere la macchina:
 - Controllare che tutte le viti, i dadi e altri dispositivi di fissaggio siano serrati saldamente.
 - Controllare che protezioni, deflettori e schermi siano in posizione e in buone condizioni.
 - Sostituire le etichette danneggiate o non leggibili.
 - Accertare che la tramoggia di carico sia vuota.
 - Accertare che le aperture di carico e di scarico siano munite di protezioni adeguate.
 - Controllare attentamente tutte le parti della macchina, verificandone il corretto funzionamento. In particolare, non utilizzare mai la macchina se l'interruttore non funziona normalmente.
- Se il cavo di alimentazione è danneggiato, per la sostituzione rivolgersi a un centro di assistenza autorizzato Makita e utilizzare sempre ricambi originali.

Sicurezza elettrica

⚠ AVVERTIMENTO:

- La macchina è un dispositivo di Classe I. Collegare a una presa elettrica dotata di terminale di terra. Una messa a terra inadeguata può provocare scosse elettriche e la morte. Utilizzare solamente prolunghie tripolari con spina e presa tripolari dotate di messa a terra a cui collegare la spina dell'apparecchio.
- Durante il funzionamento, evitare il contatto del corpo con superfici collegate a terra (p.es. tubi, radiatori).
- Utilizzare solamente prolunghie per esterni IEC60245 (H07RN-F) con connettori antispruzzo. La sezione deve essere di almeno 1,5 mm² per cavi di lunghezza fino a 25 m, e 2,5 mm² per cavi di lunghezza superiore a 25 m.
- L'uso di cavi lunghi sottili può causare cadute di tensione. Ciò può ridurre la potenza della macchina.
- Quando si usa una prolunga, assicurarsi che non si impigli, che non sia schiacciata o piegata e che la spina non si possa bagnare.
- Quando si utilizza una prolunga avvolgibile, svolgerla completamente.
- Non sottoporre il cavo a sollecitazioni eccessive. Non utilizzare mai il cavo per trasportare o tirare la macchina, né per scollegare la spina. Tenere il cavo lontano da fonti di calore, olio, bordi affilati o parti in movimento. Cavi danneggiati o attorcigliati aumentano il rischio di scosse elettriche.
- Controllare regolarmente la prolunga, verificando che l'isolamento non sia danneggiato. Se sono presenti danni, sostituire la prolunga.
- Se il cavo di collegamento è danneggiato, estrarre immediatamente la spina dalla presa elettrica. Un cavo danneggiato può causare il contatto con parti sotto tensione e scosse elettriche.
- Non utilizzare mai cavi danneggiati.
- Collegare la macchina solo alle prese di circuiti elettrici testati. Accertare che la tensione di sistema corrisponda a quella riportata sulla targhetta della macchina.
- Non disattivare mai né escludere i dispositivi di sicurezza.
- Quando si usa la macchina all'esterno, impiegare sempre un interruttore differenziale (RCD) da 30 mA o meno.

Funzionamento

- Tenere il viso e il corpo lontani dall'apertura di carico.
- Non introdurre mai le mani, altre parti del corpo o gli indumenti nelle aperture di carico e di scarico, né avvicinarsi a parti in movimento. Ciò può causare lesioni gravi.
- Non sporgersi eccessivamente. Rimanere sempre in posizione stabile e ben bilanciata, in modo da avere un migliore controllo della macchina nel caso di situazioni impreviste. Non stare a un livello superiore a quello della base della macchina durante l'introduzione del materiale nella stessa.
- Durante il funzionamento, mantenersi sempre a distanza dall'apertura di scarico.
- Attenersi alle normative locali in merito di protezione acustica.
- Non introdurre sassi, un pezzo di metallo, bottiglie o altri materiali estranei. Fare attenzione a non introdurre accidentalmente materiali diversi da quelli previsti.

- Se la lama colpisce un oggetto in materiale inadeguato, o se la macchina inizia a vibrare o emettere rumori anomali, spegnere immediatamente il motore e scollegare la spina di alimentazione. Controllare il trituratore verificando che non sia danneggiato e serrare le parti allentate. In caso di danni, per la riparazione della macchina rivolgersi a un centro di assistenza autorizzato.
- Non consentire l'accumulo del materiale tritato nell'apertura di scarico. Ciò può provocare il ritorno del materiale attraverso l'apertura di carico.
- Nelle seguenti situazioni, spegnere il motore e scollegare la spina di alimentazione:
 - Prima di allontanarsi dalla macchina lasciandola incustodita
 - Prima di rimuovere un'ostruzione o riparare un guasto
 - Prima di eseguire operazioni di controllo, pulizia o altri interventi sulla macchina
 - Prima di effettuare regolazioni, sostituire accessori o riporre la macchina
 - Quando la macchina inizia a vibrare o emettere rumori anomali
 - Pulire le aperture di carico e scarico
 - Montaggio e smontaggio del contenitore di raccolta
 - Trasporto.
- Non inclinare la macchina durante il funzionamento.
- Tenersi a debita distanza durante l'introduzione di materiali di lunghezza elevata. Potrebbero rinculare causando lesioni personali.
- Non utilizzare la macchina senza la tramoggia di carico.
- Non sovraccaricare la macchina. L'impiego al carico previsto assicura un funzionamento migliore e più sicuro. Frequenti sovraccarichi possono provocare danni al motore o incendio.
- Utilizzare la macchina in modo corretto e secondo l'uso previsto. Non introdurre mai oggetti in metallo, vetro, pietra, ceramica, plastica, rami troppo grossi, legno duro o pannelli in legno di spessore eccessivo, ecc.

Istruzioni di manutenzione

- Rivolgersi sempre a un nostro centro di assistenza autorizzato e utilizzare esclusivamente ricambi originali. Riparazioni errate e manutenzione inadeguata possono ridurre la durata della macchina e aumentare il rischio di incidenti.
- Prima di eseguire interventi di manutenzione, ispezione, regolazione, sostituzione di accessori e di riporre la macchina, procedere come segue:
 - Spegnerla la macchina
 - Scollegare la macchina dall'alimentazione elettrica
 - Accertare l'arresto completo di tutte le parti in movimento
 - Lasciar raffreddare la macchina.
- Ispezionare la macchina verificando la presenza di eventuali danni:
 - Accertare il corretto funzionamento dei dispositivi di sicurezza per la loro funzione intesa
 - Controllare il corretto funzionamento di tutte le parti in movimento
 - Controllare l'integrità e il corretto montaggio di tutte le parti della macchina

- In caso di danni, per la riparazione o sostituzione rivolgersi a un nostro centro di assistenza autorizzato.

- Prestare la massima attenzione nella manutenzione dell'utensile di taglio. L'utensile di taglio può essere mosso manualmente grazie all'interblocco delle funzioni di protezione.
- Non pulire il dispositivo con acqua. Ciò può causare scosse elettriche.
- Durante le operazioni di manutenzione o montaggio, indossare guanti di protezione per prevenire ferite alle dita.
- Non eseguire interventi di manutenzione o riparazione diversi da quelli descritti nel presente manuale di istruzioni. Qualsiasi altro intervento deve essere eseguito da un centro di assistenza autorizzato Makita.
- Per evitare lesioni personali o danni alla macchina, utilizzare solamente ricambi originali Makita e gli accessori appositamente previsti per la macchina.
- Riporre la macchina in un ambiente asciutto. Tenere fuori dalla portata dei bambini. Non riporre mai la macchina all'esterno.

MONTAGGIO

⚠ ATTENZIONE:

• Prima di eseguire qualsiasi intervento sull'utensile, accertare sempre che la macchina sia spento e scollegato dall'alimentazione elettrica.

1. Posizionare il contenitore superiore capovolto su una superficie piana. Quindi posizionarvi sopra il telaio di base. Prestare attenzione alla direzione della parte. **(Fig. 2)**
2. Fissare ciascuna parte serrando le viti. Assicurarsi che siano perfettamente stabili. **(Fig. 3)**
3. Montare i fermi con le viti. Assicurarsi che siano fissati saldamente. **(Fig. 4)**
4. Montare le ruote procedendo come segue: **(Fig. 5)**
 - Fissare l'asse a una delle ruote.
 - Far passare l'asse attraverso i fori nella gamba.
 - Fissare l'altra ruota all'asse facendo passare il perno nel foro sull'asse. Fissare la ruota piegando il perno.
 - Fissare i copriruota sulle ruote.
5. Montare il contenitore di raccolta. Sollevare poi la leva di bloccaggio. **(Fig. 6)**

DESCRIZIONE DELLE FUNZIONI

⚠ AVVERTIMENTO:

Prima di collegare la macchina alla presa elettrica, accertare sempre che sia spenta. Se si collega con l'interruttore acceso, la macchina si può accendere in modo imprevisto, causando gravi lesioni personali.

Interruttore di alimentazione (Fig. 7)

⚠ ATTENZIONE:

Non utilizzare la macchina se l'interruttore non si accende e spegne. Se l'interruttore è danneggiato, per la sostituzione rivolgersi a un centro di assistenza autorizzato Makita.

Per accedere la macchina, premere il pulsante verde. Per spegnere la macchina, premere il pulsante rosso.

Luce LED

La luce LED indica lo stato della macchina come segue:

Colore **ROSSO**: La macchina è collegata all'alimentazione ed è spenta.

Colore **VERDE**: La macchina è accesa.

Colore **VERDE lampeggiante**: La macchina si è bloccata durante il funzionamento.

Colore **ROSSO lampeggiante**: La macchina non può ripristinarsi automaticamente. Se si verifica questa situazione, risolvere il problema manualmente.

Protezione contro il riavvio non intenzionale

Se si verifica una mancanza di corrente, la macchina si spegne automaticamente. Per riavviarla, premere nuovamente il pulsante verde.

Salvamatore

Il motore è dotato di un salvamatore che lo protegge dal sovraccarico. In caso di sovraccarico, la macchina si comporta come segue:

- La lama ruota all'indietro per due o tre secondi per tentare di rimuovere il materiale triturato.
- La lama torna a ruotare in avanti.
- Se, dopo tre di questi tentativi, il materiale è ancora bloccato, la macchina si arresta con la luce LED lampeggiante in rosso.

Al verificarsi di questa situazione, procedere come segue:

- Spegnerla la macchina.
- Attendere l'arresto completo delle lame.
- Rimuovere il materiale bloccato.
- Attendere per circa 5 minuti, quindi riaccendere la macchina, e introdurre materiale più facile da tritare.
- Se dopo tale attesa non è possibile accendere la macchina, fare riferimento alla sezione "Risoluzione dei problemi".

Interruttore avanti/indietro

⚠ ATTENZIONE:

Prima di agire sull'interruttore avanti/indietro, spegnere il trituratore.

Posizione ⇅

Le lame ruotano in avanti.

Posizione ⇅

Le lame ruotano all'indietro per sbloccare il materiale bloccato.

Quando si cambia la direzione a ⇅ (indietro), tenere premuto il pulsante verde dell'interruttore di alimentazione per far ruotare le lame. Rilasciando l'interruttore di alimentazione, il trituratore si arresta automaticamente.

NOTA:

- Per tritare un oggetto di grandi dimensioni, può essere necessario invertire più volte la direzione delle lame.

⚠ ATTENZIONE:

- Per prevenire incidenti, usare sempre un gancio o un bastone per rimuovere gli oggetti bloccati.
- Prima di riaccendere il trituratore, attendere sempre che si arresti completamente.

Contenitore di raccolta

⚠ ATTENZIONE:

- Prima di montare o smontare il contenitore di raccolta, spegnere la macchina e scollegarla dall'alimentazione.

- Ai fini della sicurezza, verificare il corretto funzionamento dell'interblocco ogni due ore.
- Non tentare di escludere la funzione di interblocco delle protezioni.

Leva di bloccaggio:

In alto → Il contenitore di raccolta è bloccato.

In basso → Il contenitore di raccolta è sbloccato.

Una funzione di sicurezza impedisce l'accensione della macchina.

Se la leva di bloccaggio è in posizione di sblocco, la macchina non si accende. Se il contenitore di raccolta viene sbloccato durante il funzionamento, la macchina si arresta automaticamente.

Coprilama

⚠ ATTENZIONE:

- Prima di aprire il coprilama, accertare che la macchina sia spenta e scollegata dall'alimentazione elettrica.
- Prima di aprire il coprilama, indossare guanti di protezione.
- L'utensile di taglio non si arresta immediatamente dopo lo spegnimento. Attendere l'arresto completo di tutte le parti.

Se il materiale si inceppa malamente nel contenitore superiore, rimuoverlo aprendo il coprilama.

FUNZIONAMENTO

Posizionamento della macchina:

- Posizionare la macchina su una superficie piana orizzontale. Non posizionare la macchina su superfici lustrate o ghiaia.
- Posizionare la macchina a una distanza sicura (almeno 2 m) da pareti o altri oggetti.

Prima di avviare la macchina, verificare quanto segue:

- Controllare che i cavi di collegamento non siano danneggiati. Se sono presenti tagli o lacerazioni, arrestare il funzionamento e sostituire immediatamente.
- Controllare che la macchina non presenti danni e che tutte le viti siano serrate.
- Controllare che la macchina sia montata completamente e in modo corretto.

Controllare il collegamento alla rete elettrica:

- Accertare che la tensione di rete corrisponda a quella riportata sulla targhetta della macchina e verificare la corretta messa a terra della macchina.
- Utilizzare solamente prolunghe di sezione sufficiente.

Materiali triturabili

La macchina può tritare i seguenti tipi di materiali:

- Rami di ogni tipo, fino al diametro massimo consentito dalla capacità della macchina, in base al tipo e alle condizioni del legno
- Rifiuti di giardinaggio come piante appassite, erba appena tagliata o secca (introdurre alternativamente con rami.)

La macchina NON può tritare i seguenti tipi di materiali:

- Vetro, metallo, plastica, pietre, ceramica, rami molto grossi, legno duro, pannelli in legno di spessore eccessivo, stoffa, sacchetti di plastica, radici con terra.
- Rifiuti senza consistenza solida, come ad esempio rifiuti di cucina.

Funzionamento: (Fig. 8)

- Introdurre il materiale nella tramoggia di carico dal lato destro.
- Triturare rami, ramoscelli e legno subito dopo averli tagliati. Questi materiali, seccandosi, possono diventare molto duri.
- Se i rami sono tanto ramificati da renderne difficile l'introduzione nella macchina, rimuovere i getti laterali.
- Prima di pulire l'apertura di espulsione, spegnere il motore e scollegare la macchina dall'alimentazione elettrica.
- Non consentire l'accumulo del materiale tritato nell'apertura di espulsione, per evitare che la possa ostruire. Svuotare regolarmente il contenitore di raccolta.
- Non introdurre materiale di diametro superiore a quello massimo specificato nei Dati tecnici. A seconda della freschezza e delle condizioni del legno, il diametro massimo dei rami potrebbe essere inferiore.
- La triturazione di rifiuti di giardinaggio bagnati causa intasamento. Per evitare l'intasamento della macchina, alternare tali rifiuti con materiale contenente legno.
- Il materiale molle o i rami bagnati possono venire strappati invece che tagliati. Questo problema si può verificare anche quando la controlama è usurata.
- Se la macchina diventa intasata all'apertura di carico o allo scivolo di scarico, spegnere il motore e staccare la spina del cavo di alimentazione prima di togliere i frammenti nell'apertura di carico o nello scivolo di scarico. Mantenere la fonte di alimentazione libera dai frammenti e altre accumulazioni per evitare di danneggiarla o un possibile incendio.

Regolazione della distanza delle lame (Fig. 9)

Per un funzionamento efficace, regolare adeguatamente la distanza tra la controlama e il rullo di taglio.

Regolazione della distanza:

- Accendere la macchina.
- Ruotare la manopola di fissaggio in senso antiorario per sbloccare la manopola di regolazione.
- Ruotare lentamente la manopola di regolazione in senso orario per avvicinare la controlama al rullo di taglio. Ruotare finché dall'apertura di espulsione non fuoriescono dei piccoli trucioli di alluminio.
- Ruotare la manopola di fissaggio in senso orario per bloccare la manopola di regolazione.

- Mai usare benzina, benzene, solventi, alcol e altre sostanze simili. Potrebbero causare scolorimenti, deformazioni o crepe. Per pulire la macchina, utilizzare solo un panno umido e una spazzola morbida.
- Non lavare la macchina con acqua corrente o idropulitrici.

Dopo ogni utilizzo, eseguire la seguente manutenzione:

- Controllare che tutte le viti di fissaggio siano serrate (se necessario serrarle).
- Lubrificare le parti in metallo per proteggerle dalla corrosione.
- Pulire le aperture di ventilazione dalla polvere e assicurarsi che non siano ostruite.

Con il tempo il rullo di taglio e la controlama sono soggetti a usura. Quando necessario, rivolgersi a un centro di assistenza autorizzato per la sostituzione.

MANUTENZIONE

⚠ ATTENZIONE:

- Prima di eseguire interventi di ispezione o manutenzione, accertare sempre che la macchina sia spenta e scollegata dall'alimentazione elettrica.
- Prima di eseguire interventi di ispezione o manutenzione, indossare guanti di protezione.
- L'utensile di taglio non si arresta immediatamente dopo lo spegnimento. Prima di eseguire interventi di manutenzione, attendere l'arresto completo di tutte le parti.
- Una volta completati gli interventi di manutenzione, assicurarsi di rimuovere tutti gli utensili impiegati.

RISOLUZIONE DEI PROBLEMI

AVVERTIMENTO: Prima di procedere alla risoluzione dei problemi, spegnere la macchina, scollegarla dall'alimentazione elettrica e attendere che si arresti completamente.

Problema	Possibile causa	Soluzione
Il motore non si avvia	Manca l'alimentazione elettrica	Controllare l'alimentazione di rete.
	Il cavo di rete è difettoso	Rivolgersi a un centro di assistenza autorizzato per un controllo.
	È intervenuto il salvamotore	Attendere il raffreddamento della macchina, quindi premere il pulsante verde.
	È intervenuto il dispositivo di sicurezza del contenitore di raccolta (il contenitore di raccolta è sbloccato)	Controllare e bloccare il contenitore di raccolta.
Il motore ronza ma non si avvia	Il rullo di taglio è bloccato	Spegnere la macchina. Portare il interruttore avanti/indietro in direzione inversa. Azionare la macchina fino a rimuovere l'inceppamento. Spegnere nuovamente la macchina. Ripristinare la direzione di rotazione in avanti.
	Il condensatore è difettoso	Rivolgersi a un centro di assistenza autorizzato per la riparazione.
Il materiale da tritare non viene portato nel trituratore	La rotazione è inversa.	Spegnere la macchina e cambiare la posizione del selettore di rotazione.
	Del materiale da tritare è incastrato nella tramoggia di carico	Spegnere la macchina. Portare il interruttore avanti/indietro in direzione inversa. Azionare la macchina per rilasciare il materiale da tritare, quindi rimuovere il materiale estraneo. Spegnere nuovamente la macchina. Ripristinare la direzione di rotazione in avanti.
	Il materiale da tritare è troppo molle o bagnato	Farlo scendere introducendo un ramo
	Rullo di taglio usurato	Regolare la controlama fissa come descritto nella sezione "Regolazione della distanza delle lame". Se il rullo di taglio è molto usurato, sostituirlo.
Il materiale da tritare non viene tagliato nettamente	La controlama fissa non è regolata correttamente	Regolare la controlama.
La macchina si avvia ma si blocca anche al minimo carico e si spegne per intervento precoce del salvamotore.	La prolunga è troppo lunga o la sezione è insufficiente. La presa è troppo lontana dall'alimentazione di rete principale o la sezione del cavo di rete è insufficiente.	Accertare che la sezione della prolunga sia di almeno 1,5 mm ² , per una lunghezza massima di 25 m. Se si usa una prolunga di lunghezza maggiore, la sezione minima è di 2,5 mm ²

DICHIARAZIONE DI CONFORMITÀ CE

Solo per i paesi europei

La dichiarazione di conformità CE è inclusa come Allegato A al presente manuale di istruzioni.

WAARSCHUWING: Dit apparaat mag worden gebruikt door kinderen van 8 jaar en ouder of door personen met beperkte fysieke, zintuiglijke of verstandelijke vermogens of gebrek aan ervaring of kennis van zaken, maar alleen onder toezicht of na instructie in veilig gebruik van het apparaat, met begrip van de eventuele risico's. Kinderen mogen niet met het apparaat spelen. Reinigen en onderhoud van het apparaat mag niet door kinderen worden verricht, tenzij onder toezicht.

AANDUIDING VAN ONDERDELEN

1	Vultrechter	7	Bovenkast	14	Schroef
2	Aan/uit-schakelaar	8	Opvangbak	15	Conframes
3	Handgreep	9	Onderstel	16	Snijrol
4	Stekkeraansluiting	10	Afstelknop		
5	Vergrendeling	11	Borgknop		
6	Schakelaar voor vooruit/achteruit	12	Meskap		
		13	Invoerzijde		

TECHNISCHE GEGEVENS

Model	UD2500
Naam	Elektrische versnipperaar
Motor	Wisselstroommotor 230-240 V-50 Hz
Nominaal motorvermogen P40	2 500 W
Nominaal motorvermogen P1 S1	2 000 W
Rotatiesnelheid snijrol	40 min ⁻¹
Aan/uit-schakelaar met	overbelastingsbeveiliging; snij- en achteruitdraaifunctie, nulspanningsontsteking
Gewicht	27,6 kg
Max. takdiameter (alleen voor versgesnoeid hout)	Max. 45 mm
Veiligheidsklasse	I
Beschermingsklasse	IP X4

GELUIDSGEGEVENS

Geluidsdrukniveau	74,88 dB (A), K= 2,50 dB (A)
Geluidsdrukniveau bij oor gebruiker	84,4 dB (A), K= 3 dB (A)
Gemeten geluidsstrekte niveau	93,49 dB (A), K= 3,97 dB (A)
Gegarandeerd geluidsstrekte niveau	97 dB (A)

De geluidintensiteit voor de gebruiker kan 80 dB (A) overschrijden. Draag oorbescherming.

SYMBOLEN

Hieronder worden de symbolen weergegeven die voor de machine worden gebruikt. Zorg dat u weet wat ze betekenen voordat u de machine gaat gebruiken.



- Lees de instructiehandleiding.



- Ga aandachtig en zorgvuldig te werk.



- Schakel de motor uit en haal de stekker uit het stopcontact voordat u service, reiniging, onderhoud of reparaties uitvoert.



- Objecten kunnen op hoge snelheid worden uitgeworpen.



- Houd omstanders en huisdieren uit de buurt van het risicogebied.



- Gevaar – Draaiende messen. Houd uw handen en voeten uit openingen terwijl de machine in bedrijf is.



- Gevaar – Draaiende messen. Houd uw handen en voeten uit openingen terwijl de machine in bedrijf is.



- Draag oog- en oorbescherming.



- Draag beschermingshandschoenen.



- Stel de machine niet bloot aan regen of vocht.



- Draai de knop met de klok mee voor minder speling/draai de knop tegen de klok in voor meer speling



- Open de meskap om het mes te vervangen of inwendig onderhoud te verrichten.



- Wacht totdat alle onderdelen van de machine helemaal tot stilstand zijn gekomen.



- Gebruik de machine niet als opstapje.



- Alleen voor EU-landen
Geef elektrisch gereedschap of accu's niet met het huisvuil mee! Volgens de Europese richtlijn 2002/96/EC inzake oude elektrische en elektronische apparaten, richtlijn 2006/66/EC inzake batterijen en accu's en wegwerpbatterijen, en de toepassing daarvan binnen de nationale wetgeving, dienen gebruikte elektrische apparaten en accu's die het einde van hun levensduur hebben bereikt, gescheiden te worden ingezameld en te worden afgevoerd naar een recyclebedrijf dat voldoet aan de geldende milieu-eisen.

VEILIGHEIDSWAARSCHUWINGEN

LEES DIT ZORGVULDIG DOOR VÓÓR GEBRUIK BEWAAR DE INSTRUCTIEHANDLEIDING OM DEZE LATER TE KUNNEN RAADPLEGEN



Lees eerst deze bedieningshandleiding door voordat u de machine gaat gebruiken. Houd u aan alle gegeven instructies en installeer de machine zoals beschreven.

Bedoeld gebruik van de machine

- De tuinversnipperaar is bedoeld voor het versnipperen van:
 - Alle soorten takken tot de maximumdiameter van de capaciteit van de machine (afhankelijk van het soort en de staat van het hout)
 - Tuinafval zoals verdorpe planten of nat onkruid dat enkele dagen heeft gelegen (wissel dit af met takken).
- De tuinversnipperaar is uitsluitend bedoeld voor persoonlijk gebruik, niet voor commercieel gebruik. Gebruik hem ook niet op openbare plaatsen.

Voor het openbare laagspanningnet van 220 V t/m 250 V.

Het in- en uitschakelen van elektrische apparatuur veroorzaakt spanningsfluctuaties. Het gebruik van dit gereedschap terwijl het elektriciteitsnet in een slechte toestand verkeert, kan de werking van andere apparatuur nadelig beïnvloeden. Als de netweerstand lager is dan 0,45 ohm, mag u ervan uitgaan dat geen nadelige effecten optreden. Het stopcontact waarop dit gereedschap is aangesloten moet zijn beveiligd met een zekering of veiligheidsstroomonderbreker met trage uitschakeling.

Algemene instructies

- Lees deze instructiehandleiding, zodat u bekend raakt met het gebruik van de machine. Gebruikers die onvolgende op de hoogte zijn, kunnen zichzelf en anderen in gevaar brengen als gevolg van onjuist gebruik van de machine.
- Leen de machine niet uit aan personen van wie u niet weet of ze er ervaring mee hebben.
- Voeg altijd deze instructiehandleiding bij als u de machine uitleent.
- De elektrische versnipperaar is niet bedoeld voor gebruik door personen met verminderde lichamelijke, zintuiglijke of geestelijke vermogens, of gebrek aan ervaring en kennis. Jonge kinderen moeten onder toezicht gehouden worden om ervoor te zorgen dat ze niet met de machine spelen. Laat deze apparatuur niet bedienen door kinderen.
- Gebruik de machine alleen als u in goede lichamelijke conditie verkeert. Voer alle werkzaamheden rustig en zorgvuldig uit. De gebruiker is verantwoordelijk voor de veiligheid van alle personen en voor alle schade rond het gebruiksgebied.
- Gebruik deze machine nooit nadat u alcohol of drugs hebt gebruikt of wanneer u zich moe of ziek voelt.
- Gebruik de machine in overeenstemming met deze instructies, rekening houdend met de werkomstandigheden en de toepassing. Onbedoeld gebruik van de machine zou tot een gevaarlijke situatie kunnen leiden.

- Breng nooit aanpassingen aan de machine aan, ook niet aan veiligheidsvoorzieningen zoals de vergrendeling. Uw veiligheid is dan niet gegarandeerd.
- Door landelijke of plaatselijke wetgeving kunnen beperkingen op het gebruik van de machine worden gelegd.
- Blijf alert. Let op wat u doet. Gebruik uw gezond verstand. Gebruik de machine niet als u moe bent.

Persoonlijke beschermingsmiddelen

- Draag de juiste kleding. Draag functionele en geschikte kleding, dus kleding die goed aansluit, maar u niet belemmert. Draag geen sieraden of kleren die in de machine verstrikt kunnen raken. Bedek lang haar met een kapje.
- Draag altijd oorbescherming om gehoorbeschadiging te voorkomen.
- Draag een beschermingsbril om uw ogen te beschermen tegen afval dat uit de vultrechter wordt geworpen.
- Draag beschermingshandschoenen om vingerletsel te voorkomen.
- Draag een gezichtsmasker in geval van grote hoeveelheden stof, zoals bij het vernippen van droge takken of heggen met bladeren.
- Draag bij het gebruik van de machine altijd stevige schoenen met een antislipzool. Zo beschermt u uzelf tegen letsel en zorgt u ervoor dat u stevig staat.

Veilige werkomgeving

- Houd kinderen en omstanders uit de buurt terwijl u de machine gebruikt.
- Gebruik de machine in een open ruimte op een stevig, vlak oppervlak. Gebruik de machine niet vlak bij een muur of ander objecten.
- Gebruik de machine niet in explosieve atmosferen, zoals in de aanwezigheid van ontvlambare vloeistoffen, gassen of stof. De machine wekt vonken op die het stof of de dampen kunnen aansteken.
- Gebruik de machine niet op bestrating of grind waar uitgeworpen materiaal tot letsel kan leiden.
- Houd de werkomgeving schoon en goed verlicht. Rommelige of donkere omgevingen vragen om ongelukken.
- Stel de machine niet bloot aan regen of vochtige omstandigheden. Als er water in de machine komt, kan de kans op elektrische schokken toenemen.

De machine opstarten

- Voordat u de stekker aansluit of de machine inschakelt:
 - Controleer of alle schroeven, moeren en andere bevestigingsmiddelen stevig vastzitten.
 - Controleer of afschermingen, stootplaten en schermen aanwezig zijn en in goede staat verkeren.
 - Vervang beschadigde of onleesbare etiketten.
 - Zorg dat de vultrechter leeg is.
 - Zorg dat de invoer- en uitwerpopening goed zijn afgeschermd.
 - Controleer alle onderdelen van de machine zorgvuldig om vast te stellen of de machine goed functioneert en de bedoelde functie uitvoert. Gebruik de machine vooral nooit als de schakelaar niet goed werkt.

- Neem als het netsnoer beschadigd is, contact op met een erkend Makita onderhoudscentrum. Vervang het snoer altijd door oorspronkelijke reserveonderdelen.

Elektrische veiligheid

WAARSCHUWING:

- Dit is een apparaat van Klasse I. Sluit het aan op een geaard stopcontact. Onjuiste aarding kan elektrische schokken en overlijden veroorzaken. Sluit de stekker van de machine alleen aan op driedraads verlengsnoeren met driepolige geaarde stekkers en driepolige stopcontacten.
 - Vermijd lichaamscontact met geaarde oppervlakken (bijvoorbeeld leidingen, radiators) tijdens gebruik.
 - Gebruik alleen een verlengkabel met de specificatie IEC60245 (H07RN-F) voor gebruik buitenshuis, met een spatbestendige aansluiting. De doorsnede van deze kabel moet ten minste 1,5 mm² bedragen voor kabellengtes tot 25 m en 2,5 mm² voor kabellengtes langer dan 25 m.
 - Wanneer u een lange, dunne kabel gebruikt, kan spanningsverlies optreden. In dat geval kan het vermogen van de machine afnemen.
 - Zorg wanneer u een verlengkabel gebruikt, dat deze u niet belemmert, deze niet bekneld of verbogen raakt en dat de stekker niet nat wordt.
 - Als u een kabelhaspel gebruikt, dient u de haspel helemaal af te wikkelen.
 - Ga voorzichtig om met het snoer. Draag of trek de machine nooit aan het snoer en trek ook niet aan het snoer om de stekker uit het stopcontact te halen. Houd het snoer uit de buurt van hitte, olie, scherpe randen of bewegende onderdelen. Door beschadigde of in de knoop geraakte snoeren neemt de kans op elektrische schokken toe.
 - Controleer de verlengkabel regelmatig op schade aan de isolatie. Vervang deze bij beschadiging.
 - Haal direct de stekker uit het stopcontact als de aansluitkabel beschadigd is. Door een beschadigde kabel kunt u in aanraking komen met onderdelen onder spanning en een elektrische schok krijgen.
 - Gebruik nooit beschadigde kabels.
 - Sluit de machine alleen aan op stopcontacten in geteste stroomketens. Controleer of de systeemspanning overeenkomt met die op het typeplaatje.
 - U mag de beschermingsvoorzieningen nooit uitschakelen of omzeilen.
 - Gebruik wanneer u de machine buitenshuis gebruikt, altijd een aardlekschakelaar met een werkstroom van 30 mA of minder.
- ### Gebruik
- Houd uw gezicht en lichaam uit de buurt van de invoeropening.
 - Houd uw handen of andere lichaamsdelen of kleding nooit in de invoer- of uitwerpopening of in de buurt van bewegende onderdelen. Dit kan tot ernstig letsel leiden.
 - Reik niet boven uw macht. Zorg dat u altijd stevig en evenwichtig staat. Zo kunt u de machine beter bedienen in onverwachte situaties. Ga niet hoger staan dan het onderstel van de machine wanneer u er materiaal in stopt.
 - Blijf tijdens gebruik altijd op afstand van de uitwerpopening.

- Houd u aan de plaatselijke wetgeving met betrekking tot bescherming tegen lawaai.
 - Stop geen steen, stukken metaal, flessen of andere ongewenste voorwerpen in de machine. Let op dat er geen ongewenste voorwerpen tussen het tuinafval zitten dat u in de machine stopt.
 - Schakel de motor direct uit en haal de stekker uit het stopcontact als het mes tegen een ongewenst voorwerp komt of de machine begint te trillen of ongewoon geluiden maakt. Controleer de versnipperaar op schade en zet losse onderdelen vast. Vraag een erkend onderhoudscentrum om de machine te repareren.
 - Zorg dat verwerkt materiaal zich niet ophoopt in de uitwerpopening. Anders kan dit leiden tot terugstoten van materiaal via de invoeropening.
 - Schakel de motor uit en haal de stekker uit het stopcontact:
 - Wanneer u de machine onbeheerd achterlaat
 - Voordat u een blokkade verwijdert of een storing verhelpt
 - Voordat u de machine controleert, reinigt of onderhoudt
 - Voordat u afstellingen verricht, accessoires verwisselt of de machine opbergt
 - Wanneer de machine begint te trillen of ongewoon geluiden maakt
 - Bij het vrij maken van de invoer- of uitwerpopening
 - Bij bevestiging of verwijdering van de opvangbak
 - Tijdens vervoer.
 - Kantel de machine niet tijdens gebruik.
 - Houd voldoende afstand wanneer u lang materiaal in de machine stopt. Het kan terugveren en tot persoonlijk letsel leiden.
 - Gebruik de machine niet zonder de vultrechter.
 - Forceer niets door de machine. De machine werkt beter en veiliger op het tempo waarvoor deze is ontworpen. Regelmatige overbelasting kan schade aan de motor of brand veroorzaken.
 - Gebruik het juiste hulpstuk. Gebruik geen hulpstukken voor doeleinden waarvoor ze niet zijn bestemd. Voer nooit stukken metaal, glazen, stenen, keramiek, plastic, dikkere takken, hardhout of dikke houten platen enzovoort door de machine.
- Onderhoudsinstructies**
- Laat onderhoud aan de machine uitvoeren door een erkend Makita onderhoudscentrum. Gebruik altijd alleen originele reserveonderdelen. Onjuiste reparaties en slecht onderhoud kunnen de levensduur van de machine verkorten en de kans op ongelukken vergroten.
 - Neem de volgende stappen voordat u onderhoud, inspecties of afstellingen verricht, de machine opbergt of een accessoire verwisselt:
 - Schakel de machine uit
 - Haal de stekker van de machine uit het stopcontact
 - Controleer of alle bewegende onderdelen volledig tot stilstand zijn gekomen
 - Laat de machine afkoelen.
 - Inspecteer de machine op mogelijke schade:
 - Of veiligheidsvoorzieningen naar behoren werken voor het doel waarvoor ze zijn bestemd
 - Of alle bewegende onderdelen soepel en naar behoren werken
 - Of er geen onderdelen beschadigd zijn en alle onderdelen correct zijn geïnstalleerd
 - Laat eventuele beschadigde onderdelen vervangen of repareren door een erkend Makita onderhoudscentrum.
 - Let zeer goed op bij onderhoud aan het mes. Het mes kan als u het met de hand bedient, de vergrendeling van de afschermingsfuncties verschuiven.
 - Reinig de machine niet met water. Dit kan elektrische schokken veroorzaken.
 - Draag beschermingshandschoenen tijdens onderhouds- of assemblagewerkzaamheden om vingerletsel te voorkomen.
 - Voer geen andere onderhouds- of reparatiewerkzaamheden uit dan beschreven in deze instructiehandleiding. Andere werkzaamheden moeten worden uitgevoerd door een erkend Makita onderhoudscentrum.
 - Gebruik alleen oorspronkelijke Makita reserveonderdelen en accessoires die voor uw machine bedoeld zijn. Anders kan dit leiden tot persoonlijk letsel of schade aan de machine.
 - Berg de machine op in een droge ruimte. Houd hem buiten bereik van kinderen. Berg de machine nooit buiten op.

INEENZETTEN

⚠ LET OP:

- Controleer altijd of de machine uitgeschakeld is en de stekker uit het stopcontact verwijderd is voordat u er werkzaamheden aan uitvoert.

1. Leg de bovenkast ondersteboven op de vlakke vloer. Leg het onderstel er vervolgens bovenop. Zorg dat het onderdeel in de goede richting ligt. (Fig. 2)
2. Zet elk onderdeel vast door de schroeven aan te draaien. Zorg dat de onderdelen helemaal stabiel zijn. (Fig. 3)
3. Zet de aanslagen met schroeven vast. Zorg dat ze stevig vastzitten. (Fig. 4)
4. Bevestig de wielen als volgt: (Fig. 5)
 - Bevestig de as aan een van de wielen.
 - Leid de as door de gaten in de poot.
 - Bevestig het andere wiel aan de as door de pen door het gat in de as te leiden. Zet het wiel vast door de pen om te buigen.
 - Bevestig de doppen op de wielen.
5. Bevestig de opvangbak. Schuif vervolgens de vergrendeling omhoog. (Fig. 6)

BESCHRIJVING VAN DE FUNCTIES

⚠ WAARSCHUWING:

Controleer voordat u de machine op het stopcontact aansluit altijd of de machine uitgeschakeld is. Als u de machine op het stopcontact aansluit en de schakelaar aan staat, kan deze onverwacht starten, wat tot ernstig persoonlijk letsel kan leiden.

Aan/uit-schakelaar (Fig. 7)

⚠ LET OP:

Gebruik de machine niet als u deze niet met de schakelaar aan en uit kunt zetten. Laat defecte schakelaars door een erkend Makita onderhoudscentrum vervangen. Druk op de groene knop om de machine in te schakelen. Druk op de rode knop om de machine uit te schakelen.

Led-lampje

Het led-lampje geeft de status van de machine als volgt weer:

ROOD: wanneer de machine op de elektriciteit is aangesloten en uitgeschakeld is.

GROEN: wanneer de machine ingeschakeld is.

GROEN knipperend (continu): wanneer de machine tijdens gebruik geblokkeerd is.

ROOD knipperend: wanneer de machine niet automatisch kan worden hersteld. Los in dit geval het probleem met de hand op.

Bescherming tegen onbedoeld opstarten

De machine wordt automatisch uitgeschakeld in geval van een stroomuitval. Druk opnieuw op de groene knop om de machine opnieuw op te starten.

Overbelastingsbeveiliging

De motor is uitgerust met een overbelastingsbeveiliging. Bij overbelasting reageert de machine als volgt:

- Het mes loopt twee of drie seconden achteruit om te proberen het versnipperde materiaal weer naar buiten te duwen.
- Het mes loopt weer vooruit.
- Als het materiaal na drie zulke pogingen nog steeds vastzit, stopt de machine en knippert het LED-lampje rood.

Voer als dit gebeurt de volgende stappen uit:

- Schakel de machine uit.
- Wacht totdat de messen helemaal tot stilstand zijn gekomen.
- Verwijder het vastzittende materiaal.
- Schakel de versnipperaar na ongeveer 5 minuten weer in en doe er gemakkelijker te verwerken materiaal in.
- Als u de machine na deze wachttijd niet in kunt schakelen, raadpleegt u "Problemen oplossen".

Schakelaar voor vooruit/achteruit

⚠ LET OP:

Schakel de versnipperaar uit voordat u de schakelaar voor vooruit/achteruit omschakelt.

Stand ↓

De messen draaien vooruit.

Stand ↑

De messen draaien achteruit om vastzittend materiaal los te maken.

Blijf wanneer u de richting verandert in ↑ (achteruit), op de groene knop van de aan/uit-schakelaar drukken om de messen te laten draaien. De versnipperaar stopt automatisch wanneer u de aan/uit-schakelaar loslaat.

OPMERKING:

- U moet mogelijk enkele keren vooruit en achteruit schakelen als u een groot voorwerp wilt versnipperen.

⚠ LET OP:

- Verwijder vastzittende voorwerpen altijd met een haak of een stok om ongelukken te voorkomen.
- Wacht altijd totdat de versnipperaar helemaal tot stilstand is gekomen voordat u hem opnieuw opstart.

Opvangbak

⚠ LET OP:

- Schakel de machine uit en haal de stekker uit het stopcontact voordat u de opvangbak bevestigt of verwijdert.
- Controleer voor een veilig gebruik elke twee uur het functioneren van de vergrendeling.
- Probeer de vergrendeling van de afscherming nooit te omzeilen.

Vergrendeling:

Bovenste stand → opvangbak is vergrendeld.

Onderste stand → opvangbak is niet vergrendeld.

De machine wordt niet ingeschakeld als gevolg van de beveiligingsfunctie.

De machine wordt niet ingeschakeld als de vergrendeling in de niet-vergrendelde stand staat. De machine stopt automatisch als de opvangbak tijdens gebruik wordt ontgrendeld.

Meskap

⚠ LET OP:

- Controleer of de machine uitgeschakeld is en de stekker uit het stopcontact verwijderd is voordat u de meskap opent.
- Draag beschermingshandschoenen voordat u de meskap opent.
- Het mes stopt niet direct nadat de machine is uitgeschakeld. Wacht totdat alle onderdelen tot stilstand zijn gekomen.

Wanneer er veel materiaal in de bovenkast vastzit, verwijdert u dit door de meskap te openen.

BEDIENING

Stel de machine op:

- Op een vlak, horizontaal oppervlak. Zet de machine niet op bestrating of grind.
- Op een veilige afstand (ten minste 2 m) van muren of andere objecten.

Controleer voordat u start of:

- De aansluitkabels niet beschadigd zijn. In geval van kabelbreuk of scheuren stopt u het gebruik van de machine en vervangt u de kabel direct.
- De machine niet beschadigd is en alle schroeven goed vastzitten.
- De machine juist en volledig geassembleerd is.

Controleer de netspanningsaansluiting:

- Controleer of de netspanning overeenkomt met de nominale spanning op het typeplaatje en of de machine naar behoren geaard is.
- Gebruik uitsluitend verlengsnoeren waarvan de doorsnede van de kern groot genoeg is.

Het materiaal dat de versnipperaar kan verwerken De versnipperaar kan de volgende soorten materiaal verwerken:

- Alle soorten takken tot de maximumdiameter van de capaciteit van de machine, afhankelijk van het soort en de staat van het hout
- Tuinafval zoals verdroorde planten of nat onkruid dat enkele dagen heeft gelegen (wissel dit af met takken)

De versnipperaar kan de volgende soorten materiaal NIET verwerken:

- Glas, metaal, plastic, stenen, keramiek, dikkere takken, hardhout, dikke houten platen, stof, plastic zakken, wortels met kluiten aarde.
- Afval in bijna vloeibare staat, bijvoorbeeld keukenafval.

Bediening: (Fig. 8)

- Voer het materiaal vanaf de rechterkant in de vultrechter.
- Versnipper takken, twijgjes en hout direct na het snoeien. Als ze drogen, kunnen ze heel hard worden.
- Haal de zijscheuten van de takken als u ze niet gemakkelijk in de machine kunt stoppen.
- Schakel de motor uit en haal de stekker van de machine uit het stopcontact voordat u de uitwerpopening reinigt.
- Zorg dat het versnipperde materiaal zich niet ophoopt in de uitwerpopening. Anders zou dit versnipperde materiaal de uitwerpopening kunnen blokkeren. Maak de opvangbak regelmatig leeg.
- Voer geen materiaal in met een grotere dan de maximale takdiameter die onder 'Technische specificaties' wordt vermeld. Afhankelijk van de versheid en de staat van het hout kan de maximumdiameter van takken kleiner zijn.
- Het versnipperen van nat tuinafval leidt tot verstopping. Wissel tuinafval af met hout om te voorkomen dat de machine verstopt raakt.
- Zacht materiaal of natte takken kunnen scheuren in plaats van versnipperen. Dit probleem kan ook door een versleten contrames worden veroorzaakt.
- Als de machine verstopt raakt bij de invoeropening of de uitlaatpoort, schakelt u de motor uit en trekt u de stekker uit het stopcontact voordat u de invoeropening of de uitlaatpoort vrijmaakt. Zorg vooral dat de stroombron vrij blijft van snippers en andere resten, om schade aan de stroombron en mogelijk brandgevaar te voorkomen.

De speling van het mes aanpassen (Fig. 9)

Pas voor een effectieve werking de speling tussen het contrames en de snijrol aan.

De speling instellen:

- Schakel de machine in.
- Draai de borgknop tegen de klok in om de afstelknop te ontgrendelen.
- Draai de afstelknop langzaam met de klok mee om het contrames dichter bij de snijrol te plaatsen. Draai totdat kleine aluminiumsplinters uit de uitwerpopening vallen.
- Draai de borgknop met de klok mee om de afstelknop te vergrendelen.

ONDERHOUD

⚠ LET OP:

- Controleer altijd of de machine uitgeschakeld is en de stekker uit het stopcontact verwijderd is voordat u inspecties of onderhoud verricht.
- Draag beschermingshandschoenen voordat u inspecties of onderhoud verricht.
- Het mes stopt niet direct nadat de machine is uitgeschakeld. Wacht totdat alle onderdelen tot stilstand zijn gekomen voordat u onderhoudswerkzaamheden verricht.
- Ruim alle gereedschappen op nadat u onderhoudswerkzaamheden hebt verricht.
- Gebruik nooit benzine, wasbenzine, thinner, alcohol en dergelijke. Hierdoor kunnen verkleuring, vervormingen en barsten worden veroorzaakt. Reinig de machine uitsluitend met een vochtige doek en een zachte borstel.
- Reinig de machine niet met een tuinslang of hogedrukreiniger.

Voer na elk gebruik het volgende onderhoud uit:

- Controleer of alle borgschroeven goed vastzitten (draai ze indien nodig aan).
- Smeer metalen onderdelen om ze tegen corrosie te beschermen.
- Houd de ventilatieopeningen schoon en stofvrij.

Na verloop van tijd slijten de snijrol en het contrames. Vraag indien nodig het dichtstbijzijnde erkende onderhoudscentrum om een vervanging.

PROBLEMEN OPLOSSEN

WAARSCHUWING: schakel de machine uit, haal de stekker uit het stopcontact en wacht totdat de machine volledig tot stilstand is gekomen voordat u problemen gaat oplossen.

Probleem	Mogelijke oorzaak	Oplossing
Motor start niet	Geen stroom	Controleer de netspanning.
	Netsnoer defect	Laat de machine bij een erkend onderhoudscentrum controleren.
	Overbelastingsbeveiliging is geactiveerd	Wacht totdat de machine afgekoeld is en druk op de groene knop.
	Veiligheidsschakelaar van de opvangbak (opvangbak is ontgrendeld)	Controleer en vergrendel de opvangbak.
Motor maakt geluid, maar start niet	Snijrol is geblokkeerd	Schakel de machine uit. Zet de schakelaar voor vooruit/achteruit in de stand achteruit. Zet de machine aan totdat de blokkade is verwijderd. Zet de machine weer uit. Zet de schakelaar weer in de stand vooruit.
	Condensatorstoring	Breng de machine naar een erkend onderhoudscentrum ter reparatie.
Te versnipperen materiaal wordt niet in de versnipperaar getrokken	De snijrol draait achteruit.	Schakel de machine uit en zet de keuzeschakelaar voor de draairichting in de andere stand.
	Te versnipperen materiaal zit vast in vultrechter	Schakel de machine uit. Zet de schakelaar voor vooruit/achteruit in de stand achteruit. Zet de machine aan om het te versnipperen materiaal los te laten komen en verwijder ongewenst materiaal. Schakel de machine weer uit. Zet de schakelaar weer in de stand vooruit.
	Te versnipperen materiaal te zacht of nat	Duw het omlaag met een tak
	Snijrol versleten	Stel het vastgezette conframes af zoals beschreven onder "De speling van het mes aanpassen". Als de snijrol erg versleten is, dient u deze te vervangen.
Te versnipperen materiaal wordt niet goed versnipperd	Vastgezet conframes is niet goed afgesteld	Stel het conframes af.
Machine start, maar raakt al bij een kleine lading geblokkeerd en de motorbeveiligingsschakelaar schakelt de motor te snel uit.	Verlengkabel is te lang of heeft een te kleine doorsnede. Het stopcontact bevindt zich te ver van de netspanning of de netspanningskabel heeft een te kleine doorsnede.	Controleer of de verlengkabel ten minste 1,5 mm ² is en maximaal 25 m lang. Als u een langere kabel gebruikt, is de minimale doorsnede 2,5 mm ² .

EG-VERKLARING VAN CONFORMITEIT

Alleen voor Europese landen

De EG-verklaring van conformiteit is bijgesloten als Aanhangsel A bij deze gebruiksaanwijzing.

ADVERTENCIA: Este aparato puede ser utilizado por niños de 8 o más años de edad y personas con capacidades físicas, sensoriales o mentales mermadas, o sin experiencia y conocimiento, si han recibido supervisión o instrucción para el uso del aparato de forma segura y son conscientes del peligro que implica. Los niños no deben jugar con el aparato. La limpieza y mantenimiento que debe hacer el usuario no deben ser realizados por niños sin supervisión.

DESIGNACIÓN DE PARTES

1	Tolva de carga	6	Interruptor de avance / retroceso	12	Cubierta de la cuchilla
2	Interruptor de alimentación	7	Envase superior	13	Lado de introducción
3	Asa	8	Canasta recogedora	14	Tornillo
4	Enchufe de suministro de alimentación	9	Bastidor de la base	15	Contracuchilla
5	Palanca de bloqueo	10	Pomo de regulación	16	Rodillo cortador
		11	Pomo de fijación		

DATOS TÉCNICOS

Modelo	UD2500
Nombre	Trituradora Eléctrica
Motor	Motor de CA 230-240 V~50 Hz
Potencia de motor P40	2.500 W
Potencia de motor P1 S1	2.000 W
Velocidad de giro del rodillo cortador	40 min ⁻¹
Interruptor de alimentación con	protección contra sobrecarga; función de corte retroceso, iniciador de tensión cero
Peso	27,6 kg
Diámetro de rama máximo (solamente para madera recién cortada)	Máx. 45 mm
Clase de seguridad	I
Clase de protección	IP X4

DATOS SOBRE RUIDO

Nivel de presión de sonido	74,88 dB (A), K= 2,50 dB (A)
Nivel de presión de sonido en los oídos del operario	84,4 dB (A), K= 3 dB (A)
Nivel de potencia de sonido medido	93,49 dB (A), K= 3,97 dB (A)
Nivel de potencia de sonido garantizado	97 dB (A)

El nivel de la intensidad del sonido para el operario puede superar los 80 dB (A). Póngase protección para oídos.

SÍMBOLOS

A continuación se muestran los símbolos utilizados para la máquina. Asegúrese de que entiende lo que significan antes de usar la máquina.



- Lea el manual de instrucciones.



- Preste especial cuidado y atención.



- Apague el motor y desenchufe la máquina antes de realizar el servicio, limpieza, mantenimiento o reparación.



- Objetos podrán salir lanzados a gran velocidad.



- Mantenga a transeúntes y animales de compañía alejados del área de peligro.



- Peligro — Cuchillas rotantes Mantenga las manos y los pies alejados de las aberturas mientras la máquina esté en marcha.



- Peligro — Cuchillas rotantes Mantenga las manos y los pies alejados de las aberturas mientras la máquina esté en marcha.



- Póngase protección para ojos y oídos.



- Póngase guantes protectores.



- No exponga la máquina a la lluvia ni a la humedad.



- Gire el pomo en dirección de las agujas del reloj para reducir la holgura / gire el pomo en sentido contrario a las agujas del reloj para aumentar la holgura.



- Abra la cubierta de la cuchilla para reemplazar la cuchilla o para hacerle el servicio.



- Espere hasta que todas las partes de la máquina se detengan completamente.



- No utilice la máquina como peldaño.



- Sólo para países de la Unión Europea ¡No tire aparatos eléctricos ni baterías a la basura con los residuos domésticos! En conformidad con la Directiva Europea 2002/96/CE sobre residuos de aparatos eléctricos y electrónicos y la Directiva Europea 2006/66/CE sobre baterías y acumuladores y residuos de baterías y de acumuladores y su aplicación de acuerdo con la legislación nacional, los aparatos eléctricos y las baterías cuya vida útil haya llegado a su fin se deberán recoger por separado y trasladar a una planta de reciclaje que cumpla con las exigencias ecológicas.

ADVERTENCIAS DE SEGURIDAD

LEA ESTO ATENTAMENTE ANTES DE UTILIZAR LA MÁQUINA

GUARDE EL MANUAL DE INSTRUCCIONES PARA FUTURAS REFERENCIAS



No comience a utilizar la máquina hasta que haya leído estas instrucciones de funcionamiento. Observe todas las instrucciones ofrecidas, e instale la máquina como se describe.

Uso previsto para la máquina

- La trituradora para jardín ha sido prevista para triturar los objetos siguientes:
 - Todos los tipos de ramas hasta el diámetro máximo de la capacidad de la máquina (dependiendo del tipo y condición de la madera)
 - Residuos de jardín tales como plantas marchitas o hierba húmeda que han sido dejados al raso varios días (Introdúzcalos alternándolos con ramas.)
- La trituradora para jardín ha sido prevista para uso privado solamente, y no para uso comercial. Tampoco la utilice en lugares públicos.

En sistemas públicos de distribución de baja tensión, entre 220 V y 250 V.

Cambiar de operaciones en los aparatos eléctricos puede provocar fluctuaciones de tensión. El funcionamiento de esta herramienta en condiciones desfavorables de alimentación eléctrica puede afectar negativamente al funcionamiento de otros equipos. Con una impedancia eléctrica igual o inferior a 0,45 ohmios, se puede prever que no habrá ningún efecto negativo. La toma de corriente que se utilice para esta herramienta debe estar protegida con un fusible o disyuntor de protección con características de disyunción lenta.

Instrucciones generales

- Lea este manual de instrucciones para familiarizarse con el manejo de la máquina. Las personas insuficientemente informadas se pondrán en riesgo de peligro a sí mismas además de a otras debido a un manejo incorrecto.
- No preste la máquina a gente que no haya demostrado tener experiencia.
- Cuando preste la máquina, adjunte siempre este manual de instrucciones.
- La trituradora eléctrica no ha sido prevista para ser utilizada por personas con capacidades físicas, sensoriales o mentales reducidas, o con falta de experiencia y conocimiento. Los niños pequeños deberán ser supervisados para asegurarse de que no juegan con la máquina. No permita que los niños utilicen este equipo.
- Utilice la máquina solamente si usted está en buenas condiciones físicas. Realice todo el trabajo con calma y cuidado. El operario será responsable de toda la seguridad de las personas y daños alrededor del área de utilización.
- No utilice nunca esta máquina después de haber consumido alcohol o drogas, ni si se siente cansado o enfermo.

- Utilice la máquina de acuerdo con estas instrucciones, considerando las condiciones de trabajo y la aplicación. Un uso no intencionado de la máquina podrá resultar en una situación de peligro.
 - No altere nunca la máquina, incluidos los dispositivos de seguridad tales como el dispositivo de inmovilización. Ello pondrá en peligro su seguridad.
 - Los reglamentos nacionales o locales podrán restringir el manejo de la máquina.
 - Esté atento. Observe lo que está haciendo. Utilice el sentido común. No utilice la máquina cuando esté cansado.
- Compruebe todas las partes de la máquina con cuidado para determinar si funcionan debidamente y realizan su función prevista. Especialmente, no utilice nunca la máquina si el interruptor no funciona normalmente.

- Si el cable de alimentación está dañado, pida al centro de servicio autorizado de Makita, utilizando siempre piezas de repuesto genuinas, que se lo reemplace.

Seguridad eléctrica

⚠ ADVERTENCIA:

- Este aparato es un aparato de Clase I. Conecte a una toma de corriente con terminal a tierra. Una puesta a tierra incorrecta podrá ocasionar una descarga eléctrica y la muerte. Utilice solamente cables de extensión de tres hilos que tengan enchufes de tres clavijas de tipo con toma a tierra y tomas de corriente de tres polos que admitan el enchufe de la máquina.
- Evite tocar con el cuerpo superficies conectadas o puestas a tierra (por ejemplo, tuberías, radiadores) durante la operación.
- Utilice solamente el cable de extensión IEC60245 (H07RN-F) para uso en exteriores con conector a prueba de salpicaduras. Su sección transversal deberá ser de al menos 1,5 mm² para una longitud de cable de hasta 25 m, y de 2,5 mm² para una longitud de cable de más de 25 m.
- Si se utiliza una cable largo y fino puede producirse una caída de tensión. Si ocurre esto, la potencia de la máquina podrá reducirse.
- Cuando utilice el cable de extensión, asegúrese de que no interfiera, no esté estrojado o torcido, y que el enchufe no se moje.
- Cuando utilice un carrete de cable, desenrolle el cable completamente del carrete.
- No abuse del cable. No utilice nunca el cable para transportar, tirar de o desenchufar la máquina. Mantenga el cable alejado del calor, aceite, bordes cortantes o partes en movimiento. Los cables dañados o enredados aumentan el riesgo de una descarga eléctrica.
- Compruebe el cable de extensión regularmente para ver si el aislante está dañado. Reemplácelo si está dañado.
- Si el cable de conexión está dañado, retire el enchufe de alimentación inmediatamente. Un cable dañado puede ocasionar un contacto con partes con corriente y una descarga eléctrica.
- No utilice nunca cables dañados.
- Enchufe la máquina solamente en tomas de corriente de circuitos eléctricos comprobados. Compruebe que la tensión de la red eléctrica coincide con el de la placa de características.
- No desactive nunca ni salte los dispositivos de protección.
- Cuando utilice la máquina en exteriores, utilice siempre un disyuntor por corriente diferencial (RCD) con una corriente de régimen de 30 mA o menos.

Funcionamiento

- Mantenga su cara y cuerpo alejados de la abertura de admisión.
- No ponga nunca las manos u otras partes del cuerpo o ropas dentro de las aberturas de admisión y descarga ni cerca de partes en movimiento. Puede resultar en heridas graves.

Equipo de protección personal

- Vístase apropiadamente. Las ropas que se ponga deberán ser funcionales y apropiadas, es decir, deberán ser ceñidas pero sin causarle estorbos. No se ponga joyas ni ropas que puedan enredarse en la máquina. Póngase protección para el pelo que le cubra y recoja el pelo largo.
- Póngase siempre protección para oídos para evitar pérdida auditiva.
- Póngase gafas protectoras o antiparras para proteger los ojos de los restos lanzados desde la tolva de carga.
- Póngase guantes protectores para evitar herirse los dedos.
- Póngase máscara facial cuando el polvo sea notable, tal como cuando triture ramas secas, setos con hojas, etc.
- Cuando utilice la máquina, póngase siempre calzado robusto con suela antideslizante. Ello le protegerá contra heridas y le asegurará una buena estabilidad.

Seguridad en el área de trabajo

- Mantenga a los niños y transeúntes alejados mientras utiliza la máquina.
- Utilice la máquina en un espacio abierto sobre una superficie firme y nivelada. No utilice la máquina cerca de una pared u otros objetos.
- No utilice la máquina en atmósferas explosivas, tal como en presencia de líquidos, gases o polvo inflamables. La máquina crea chispas que pueden inflamar el polvo o los humos.
- No utilice la máquina sobre una superficie pavimentada o cubierta con grava donde material eyectado pueda resultar en heridas.
- Mantenga el área de trabajo limpia y bien iluminada. Las áreas atestadas u oscuras son una invitación a accidentes.
- No exponga la máquina a la lluvia ni a condiciones húmedas. Si entra agua en la máquina podrá aumentar el riesgo de una descarga eléctrica.

Puesta en marcha de la máquina

- Antes de conectar el enchufe o encender la máquina:
 - Compruebe que todos los tornillos, tuercas y otras fijaciones están debidamente sujetos.
 - Compruebe que los protectores, deflectores y pantallas están en su sitio y en buenas condiciones de trabajo.
 - Reemplace las etiquetas dañadas o ilegibles.
 - Asegúrese de que la tolva de carga está vacía.
 - Asegúrese de que las aberturas de admisión y descarga están protegidas debidamente.

- No se acerque demasiado. Mantenga una estabilidad y equilibrio apropiados en todo momento. Esto le permitirá un mejor control de la máquina en situaciones inesperadas. No se ponga a un nivel más alto que el de la base de la máquina cuando introduzca material en ella.
 - Manténgase siempre alejado de la abertura de descarga durante la operación.
 - Observe los reglamentos nacionales para la protección contra el ruido.
 - No introduzca en la máquina piedras, trozos de metal, botellas ni otras materias extrañas. Preste atención para no incluir esos objetos extraños cuando introduzca material.
 - Apague inmediatamente el motor y desenchufe la máquina si la cuchilla golpea un objeto extraño o la máquina comienza a vibrar o a hacer ruido raro. Compruebe la trituradora para ver si está dañada, y apriete cualquier parte floja. Pida a un centro de servicio autorizado que le reparen la máquina.
 - No deje que el material procesado se acumule en la abertura de descarga. De lo contrario, podrá resultar en un retroceso brusco de material a través de la abertura de admisión.
 - Apague el motor y desenchufe la máquina:
 - Siempre que vaya a dejar la máquina desatendida
 - Antes de despejar una obstrucción o cualquier fallo
 - Antes de comprobar, limpiar o realizar algún trabajo en la máquina
 - Antes de hacer cualquier ajuste, cambiar accesorios o almacenar la máquina
 - Siempre que la máquina comience a vibrar o a hacer ruido raro
 - Antes de despejar la abertura de admisión o descarga
 - Antes de colocar o quitar la canasta recogedora
 - Antes de transportarla.
 - No incline la máquina durante la operación.
 - Mantenga una distancia respetable cuando introduzca material largo. Podrá saltar hacia atrás y resultar en heridas personales.
 - No utilice la máquina sin la tolva de carga.
 - No fuerce la máquina. Ésta realizará mejor el trabajo y de forma más segura a la velocidad para la que ha sido diseñada. Una sobrecarga frecuente podrá ocasionar daños al motor o un incendio.
 - Utilice el aparato correcto. No utilice aparatos para propósitos no previstos. No intente nunca introducir en la máquina trozos de metal, cristales, piedras, cerámicas, plásticos, ramas más gruesas, madera dura o placas de madera gruesa, etc.
- Apague la fuente de alimentación
 - Desconecte la máquina del suministro de alimentación
 - Asegúrese de que todas las partes en movimiento se han detenido completamente
 - Deje que la máquina se enfríe.
- Inspeccione la máquina para detectar daños posibles:
 - Si los dispositivos de seguridad realizan debidamente la función prevista
 - Si todas las partes en movimiento funcionan suave y adecuadamente
 - Si todas las partes están sin daños y debidamente instaladas
 - Reemplace o repare en nuestro centro de servicio autorizado si hay alguna parte dañada.
 - Preste mucha atención cuando haga el servicio al cortador. El cortador puede moverse manualmente pese a que tiene la característica de inmovilización de las funciones del protector.
 - No limpie el dispositivo con agua. Podrá ocasionar una descarga eléctrica.
 - Póngase guantes protectores durante el trabajo de mantenimiento o montaje para evitar herirse los dedos.
 - No realice trabajo de mantenimiento o reparación aparte del descrito en este manual de instrucciones. Cualquier otro trabajo deberá ser realizado por un centro de servicio autorizado de Makita.
 - Utilice solamente piezas de repuesto y accesorios de Makita originales previstos para la máquina. De lo contrario, podrá resultar en heridas personales o daños a la máquina.
 - Almacene la máquina en un cuarto seco. Manténgala fuera del alcance de los niños. No almacene nunca la máquina en exteriores.

MONTAJE

PRECAUCIÓN:

- Asegúrese siempre de que la máquina está apagada y desenchufada antes de realizar cualquier trabajo en ella.
1. Coloque el envase superior con la parte de arriba hacia abajo sobre un suelo plano. Y después ponga el bastidor de la base encima de él. Tenga cuidado sobre la dirección de la pieza. **(Fig. 2)**
 2. Sujete cada pieza apretando los tornillos. Asegúrese de que están perfectamente estables. **(Fig. 3)**
 3. Coloque los retenedores con tornillo. Asegúrese de que se encuentran bien apretados. **(Fig. 4)**
 4. Coloque las ruedas como se indica a continuación: **(Fig. 5)**
 - Coloque el eje en una de las ruedas.
 - Pase el eje a través de los agujeros de la pata.
 - Coloque la otra rueda en el eje pasando el pasador a través del agujero del eje. Sujete la rueda doblando el pasador.
 - Coloque las cubiertas sobre las ruedas.
 5. Coloque la canasta recogedora. Y después suba la palanca de bloqueo. **(Fig. 6)**

Instrucciones de mantenimiento

- Haga que su máquina sea servida por nuestro centro de servicio autorizado, utilizando siempre solamente piezas de repuesto genuinas. Una reparación incorrecta y un mal mantenimiento pueden acortar la vida útil de la máquina e incrementar el riesgo de accidentes.
- Antes de realizar el servicio, inspección, ajuste, almacenaje, o cambiar un accesorio, siga los pasos siguientes:

DESCRIPCIÓN DE FUNCIONAMIENTO

⚠ ADVERTENCIA:

Antes de enchufar la máquina, asegúrese siempre de que la máquina está apagada. Si enchufa la máquina con el interruptor activado podrá ocasionar una puesta en marcha inesperada resultando en heridas personales graves.

Interruptor de alimentación (Fig. 7)

⚠ PRECAUCIÓN:

No utilice la máquina si el interruptor no la enciende y apaga. Haga que el centro de servicio autorizado de Makita reemplace el interruptor defectuoso.

Para encender la máquina, presione el botón verde.

Para apagar la máquina, presione el botón rojo.

Luz de LED

La luz de LED indica el estado de la máquina de la forma siguiente:

Color **ROJO**: Cuando la máquina está conectada al suministro de alimentación y está apagada.

Color **VERDE**: Cuando la máquina está encendida.

Color **VERDE parpadeando** constantemente: Cuando la máquina está bloqueada durante la operación.

Color **ROJO parpadeando**: Cuando la máquina no puede recuperarse automáticamente. Despeje el problema manualmente cuando ocurra esto.

A prueba de reencendido involuntario

La máquina se apaga automáticamente cuando ocurre un fallo de alimentación. Para volver a encenderla, presione el botón verde otra vez.

Protección contra sobrecarga

El motor está equipado con una protección contra sobrecarga. Cuando se sobrecarga, la máquina actúa de la forma siguiente:

- La cuchilla gira hacia atrás durante dos o tres segundos para intentar empujar hacia afuera el material triturado.
- La cuchilla gira en dirección de avance otra vez.
- Si el material sigue atascado después de este intento durante tres veces, la máquina se detiene con la luz de LED parpadeando en rojo.

Cuando ocurra esto, realice los pasos siguientes:

- Apague la máquina.
- Espere hasta que las cuchillas se detengan completamente.
- Retire el material atascado.
- Encienda la trituradora otra vez después de unos 5 minutos, e introduzca material más fácil de triturar.
- Si no puede encender la máquina después de este tiempo de espera, consulte la sección "Solución de problemas".

Interruptor de avance / retroceso

⚠ PRECAUCIÓN:

Apague la trituradora antes de cambiar la posición del interruptor de avance / retroceso.

Posición ↓

Las cuchillas giran en dirección de avance.

Posición ↑

Las cuchillas giran en dirección de retroceso para liberar el material atascado.

Cuando cambie la dirección a ↑ (retroceso), siga presionando el botón verde del interruptor de alimentación para hacer girar las cuchillas. La trituradora se detendrá automáticamente cuando suelte el interruptor de alimentación.

NOTA:

- Es posible que para triturar objetos grandes se requieran varias repeticiones de las operaciones de retroceso y avance.

⚠ PRECAUCIÓN:

- Para evitar accidentes, utilice siempre un gancho o un palo para retirar objetos atascados.
- Espere siempre hasta que la trituradora se haya detenido completamente antes de volver a empezar.

Canasta recogedora

⚠ PRECAUCIÓN:

- Apague y desenchufe la máquina antes de colocar o quitar la canasta recogedora.
- Compruebe la funcionalidad de la característica de inmovilización cada dos horas para garantizar una operación segura.
- No intente nunca anular la característica de inmovilización de protección.

Palanca de bloqueo:

Posición superior → La canasta recogedora está bloqueada.

Posición inferior → La canasta recogedora está desbloqueada.

El dispositivo no se enciende debido a la función de seguridad.

La máquina no se enciende si la palanca de bloqueo está en posición desbloqueada. Si la canasta recogedora se desbloquea durante la operación la máquina se detiene automáticamente.

Cubierta de la cuchilla

⚠ PRECAUCIÓN:

- Asegúrese de que la máquina está apagada y desenchufada antes de abrir la cubierta de la cuchilla.
- Póngase guantes protectores antes de abrir la cubierta de la cuchilla.
- El cortador no se detiene inmediatamente después de apagarlo. Espere hasta que se detengan todas las partes.

En caso de que el material se atasque seriamente en el envase superior, retírelo abriendo la cubierta de la cuchilla.

OPERACIÓN

Instale la máquina:

- Sobre una superficie plana y horizontal. No ponga la máquina sobre suelo pavimentado o cubierto de grava.
- Alejada de paredes y otros objetos a una distancia segura (al menos 2 m).

Antes de comenzar, asegúrese de que:

- Los cables de conexión no están dañados. Si hay cortes o desgarros, detenga la operación y reemplácelo inmediatamente.
- No hay ningún daño en la máquina, y todos los tornillos están apretados.
- La máquina está montada completa y correctamente.

Compruebe la conexión a la red eléctrica:

- Asegúrese de que la tensión de la red eléctrica coincide con la tensión nominal indicada en la placa de características y que la máquina está conectada a tierra debidamente.
- Utilice solamente cables de extensión con suficiente sección transversal del núcleo.

El material que la trituradora puede procesar

La trituradora puede procesar los siguientes tipos de material:

- Todos los tipos de ramas hasta el diámetro máximo de la capacidad de la máquina, dependiendo del tipo y condición de la madera
- Residuos de jardín tales como plantas marchitas o hierba húmeda que han sido dejados al raso varios días (Introdúzcalos alternándolos con ramas.)

La trituradora NO puede procesar los siguientes tipos de material:

- Cristal, metal, plástico, piedras, cerámicas, ramas más gruesas, madera dura, placas de madera gruesa, ropa, bolsas de plástico, raíces con tierra.
- Basura que esté en estado casi líquido, por ejemplo, basura de cocina.

Operación: (Fig. 8)

- Introduzca el material al interior de la tolva de carga desde el lado derecho.
- En caso de ramas, leña menuda y madera, trítúrelas poco después de cortarlas. Podrán volverse muy duras a medida que se vayan secando.
- Quite los brotes laterales de las ramas si no resultan fáciles de introducir.
- Apague el motor y desconecte la máquina del suministro de alimentación de la red eléctrica antes de limpiar la abertura de eyección.
- No deje que el material triturado se acumule en la abertura de eyección. De lo contrario ese material triturado podrá bloquear la abertura de eyección. Vacíe la canasta recogedora regularmente.
- No introduzca material que sea más grueso que el diámetro de rama máximo especificado en la tabla de Datos técnicos. Dependiendo de frescor y la condición de la madera, el diámetro de rama máximo podrá ser más pequeño.
- La trituración de residuos de jardín húmedos resultará en atascos. Para evitar que la máquina se atasque, alterne residuos con material que contenga madera.
- El material blando o ramas húmedas podrá ser rasgado en lugar de cortado. Una contracuchilla desgastada también podrá ocasionar este problema.
- Si la máquina se atasca en la abertura de admisión o en la tolva de descarga, apague el motor y desenchufe la máquina antes de limpiar los restos en la abertura de admisión o en la tolva de descarga. Mantenga la fuente de alimentación despejada de restos y otras acumulaciones para evitar daños a la fuente de alimentación o un posible incendio.

Ajuste de la holgura de la cuchilla (Fig. 9)

Para una operación eficaz, ajuste la holgura entre la contracuchilla y el rodillo cortador.

Ajuste de la holgura:

- Encienda el dispositivo.
- Gire el pomo de fijación en sentido contrario a las agujas del reloj para liberar el pomo de regulación.
- Gire el pomo de regulación en sentido de las agujas del reloj lentamente para colocar la contracuchilla más cerca del rodillo cortador. Gírelo hasta que caigan virutas de aluminio finas por la abertura de eyección.
- Gire el pomo de fijación en sentido de las agujas del reloj para bloquear el pomo de regulación.

MANTENIMIENTO

⚠ PRECAUCIÓN:

- Asegúrese siempre de que la máquina está apagada y desenchufada antes de realizar la inspección o el mantenimiento.
- Póngase guantes protectores antes de realizar la inspección o el mantenimiento.
- El cortador no se detiene inmediatamente después de apagarlo. Espere hasta que se detengan todas las partes antes de realizar cualquier trabajo de mantenimiento.
- Asegúrese de que ha retirado todas las herramientas después de realizar el trabajo de mantenimiento.
- No utilice nunca gasolina, bencina, disolvente, alcohol o similares. Podría producir descoloración, deformación o grietas. Para limpiar la máquina, utilice solamente un paño húmedo y un cepillo suave.
- No rocíe ni limpie la máquina con una manguera con agua a mucha presión.

Después de cada operación, realice el mantenimiento siguiente:

- Compruebe si todos los tornillos de fijación están apretados (apriételos si es necesario).
- Lubrique las partes metálicas para protegerlas contra la oxidación.
- Mantenga los orificios de ventilación limpios y libres de polvo.

El rodillo cortador y la contracuchilla se desgastan con el paso del tiempo. Pida al centro de servicio autorizado más cercano que se los reemplace cuando sea necesario.

SOLUCIÓN DE PROBLEMAS

ADVERTENCIA: Antes de resolver problemas, apague la máquina, retire el enchufe de alimentación, y espere hasta que la máquina se haya detenido completamente.

Problema	Causa posible	Remedio
El motor no se pone en marcha	No hay suministro de alimentación	Compruebe el suministro de la red eléctrica.
	El cable de alimentación está defectuoso	Pida al centro de servicio autorizado que se lo inspeccione.
	Se ha activado la protección contra sobrecarga	Espere hasta que la máquina se enfríe y presione el botón verde.
	Dispositivo de parada de seguridad de la canasta recogedora (La canasta recogedora está desbloqueada)	Compruebe y bloquee la canasta recogedora.
El motor suena pero no se pone en marcha	El rodillo cortador está bloqueado	Apague el dispositivo. Ponga el interruptor de avance/retroceso en dirección de retroceso. Encienda la máquina hasta que el atasco haya sido despejado. Apague la máquina otra vez. Vuelva a poner la dirección de giro en avance.
	Fallo del condensador	Lleve la máquina al centro de servicio autorizado para que la reparen.
El material para triturar no es conducido al interior de la trituradora	Invierta el giro.	Apague la máquina y vuelva a cambiar la dirección de giro con el interruptor de avance/retroceso.
	Hay material para triturar atrapado en la tolva de carga	Apague el dispositivo. Ponga el interruptor de avance/retroceso en dirección de retroceso. Encienda la máquina para liberar el material a triturar, retire cualquier materia extraña. Apague la máquina otra vez. Vuelva a poner la dirección de giro en avance.
	El material para triturar es demasiado blando o húmedo	Empújelo hacia abajo con una rama
	El rodillo cortador está gastado	Ajuste la contracuchilla fija como se describe en la sección "Ajuste de la holgura de la cuchilla". Si el rodillo cortador está muy gastado, reemplácelo.
El material para triturar no es cortado limpiamente	La contracuchilla fija no está adecuadamente ajustada	Ajuste la contracuchilla.
El dispositivo se pone en marcha pero se bloquea incluso con una carga ligera, y se apaga enseguida mediante el interruptor de protección del motor.	El cable de extensión es demasiado largo o la sección transversal demasiado fina. La toma de corriente está demasiado alejada del suministro de la red eléctrica o la sección transversal del cable de alimentación es demasiado fina.	Compruebe que el cable de extensión es de al menos 1,5 mm ² , y 25 m de largo como máximo. Si está utilizando un cable más largo, la sección transversal mínima deberá ser de 2,5 mm ² .

DECLARACIÓN CE DE CONFORMIDAD

Sólo para países europeos

La declaración CE de conformidad está incluida como Anexo A de este manual de instrucciones.

AVISO: Este aparelho pode ser utilizado por crianças com 8 anos e mais de idade e por pessoas com capacidades físicas, sensoriais ou mentais reduzidas ou com falta de experiência e conhecimento, se tiverem recebido supervisão ou instruções relativas à utilização segura do aparelho e conheçam os respetivos perigos. As crianças não devem brincar com o aparelho. A limpeza e manutenção pelo utilizador não devem ser realizadas por crianças sem supervisão.

DESIGNAÇÃO DAS PEÇAS

1	Tremonha de enchimento	7	Caixa superior	13	Lado de alimentação
2	Interruptor de alimentação	8	Cesto de retenção	14	Parafuso
3	Pega	9	Armação da base	15	Contra-lâmina
4	Ficha da fonte de alimentação	10	Botão de regulação	16	Rolo de corte
5	Alavanca de bloqueio	11	Botão de fixação		
6	Interruptor de avanço / inversão	12	Tampa da lâmina		

DADOS TÉCNICOS

Modelo	UD2500
Nome	Triturador Elétrico
Motor	Motor CA 230-240 V~50 Hz
Classificação do motor P40	2.500 W
Classificação do motor P1 S1	2.000 W
Velocidade de rotação do rolo de corte	40 min ⁻¹
Interruptor de alimentação com	proteção contra sobrecarga; função de corte e inversão, iniciador de tensão zero
Peso	27,6 kg
Diâmetro máximo do ramo (apenas para madeira cortada recentemente)	Máx. 45 mm
Classe de segurança	I
Classe de proteção	IP X4

DADOS SOBRE O RUÍDO

Nível de pressão sonora	74,88 dB (A), K= 2,50 dB (A)
Nível de pressão sonora no ouvido do operador	84,4 dB (A), K= 3 dB (A)
Nível de potência sonora medido	93,49 dB (A), K= 3,97 dB (A)
Nível de potência sonora garantido	97 dB (A)

O nível de intensidade sonora para o operador pode exceder os 80 dB (A). Use proteção para os ouvidos.

SÍMBOLOS

O que se segue mostra os símbolos usados para a máquina. Certifique-se de que compreende o seu significado antes da utilização.



- Leia o manual de instruções.



- Tome particular cuidado e atenção.



- Desligue o motor e retire da tomada antes da assistência, limpeza, manutenção ou reparação.



- Os objetos podem ser lançados a alta velocidade.



- Mantenha as outras pessoas presentes e animais de estimação afastados da área de perigo.



- Perigo — Lâminas rotativas. Mantenha as mãos e os pés afastados das aberturas enquanto a máquina estiver a funcionar.



- Perigo — Lâminas rotativas. Mantenha as mãos e os pés afastados das aberturas enquanto a máquina estiver a funcionar.



- Use proteção para os olhos e ouvidos.



- Use luvas de proteção.



- Não exponha à chuva nem à humidade.



- Rode o botão para a direita para menor folga / rode o botão para a esquerda para maior folga



- Abra a tampa da lâmina para substituir ou realizar a manutenção à lâmina.



- Espere até todas as peças da máquina pararem completamente.



- Não use a máquina como um degrau.



- Apenas para os países da União Europeia. Não deite equipamentos eléctricos nem baterias no lixo doméstico!

De acordo com as directivas europeias 2002/96/CE sobre ferramentas eléctricas e electrónicas usadas e 2006/66/CE sobre baterias e acumuladores e respectivos resíduos e a implementação dessas directivas conforme a lei nacional, as ferramentas eléctricas e as baterias que atingem o fim de sua vida útil devem ser recolhidas em separado e encaminhadas a uma instalação de reciclagem compatível com os regulamentos sobre o meio ambiente.

AVISOS DE SEGURANÇA

LEIA CUIDADOSAMENTE ANTES DA UTILIZAÇÃO MANTENHA O MANUAL DE INSTRUÇÕES PARA FUTURA REFERÊNCIA



Não comece a operar a máquina antes de ler estas instruções de funcionamento. Observe todas as instruções dadas e instale a máquina como descrito.

Utilização prevista da máquina

- O triturador de jardim destina-se a triturar o seguinte:
 - Todos os tipos de ramos até ao diâmetro máximo da capacidade da máquina (dependendo do tipo e condição da madeira)
 - Restos de jardim como plantas murchas ou erva molhada aí deixada há já alguns dias (introduza-as alternando com ramos).
- O triturador de jardim destina-se somente para uso pessoal e não para uso comercial. Também não o utilize em locais públicos.

Para sistemas públicos de distribuição de corrente de entre 220 V e 250 V.

As operações de mudança dos aparelhos eléctricos podem provocar variações de tensão. O funcionamento deste aparelho em condições de corrente eléctrica desfavoráveis pode causar efeitos adversos no funcionamento de outros equipamentos. Com uma impedância da corrente eléctrica de 0,45 Ohms, poderá presumir-se que não existam efeitos negativos. A tomada utilizada para este dispositivo deve estar protegida com um fusível ou disjuntor de protecção com características de accionamento baixas.

Instruções Gerais

- Leia este manual de instruções para se familiarizar com o manuseamento da máquina. Os utilizadores insuficientemente informados arriscam colocar em perigo a si próprios bem como aos outros devido ao manuseamento inadequado.
- Não empreste a máquina a pessoas que comprovadamente não tenham experiência.
- Quando emprestar a máquina, junte sempre este manual de instruções.
- O triturador eléctrico não se destina a ser usado por pessoas com capacidades físicas, sensoriais ou mentais reduzidas ou com falta de experiência e conhecimento. As crianças jovens devem ser supervisionadas para assegurar que não brincam com a máquina. Não permita que crianças operem este equipamento.
- Opere somente se estiver em boas condições físicas. Execute todo o trabalho com calma e cuidadosamente. O utilizador é responsável por toda a segurança das pessoas e pelos danos em torno da área de operação.
- Nunca utilize esta máquina após o consumo de álcool ou drogas ou se sentir cansado ou doente.
- Utilize a máquina em conformidade com estas instruções, considerando as condições de trabalho e a aplicação. A utilização não intencional da máquina pode resultar numa situação perigosa.
- Nunca altere a máquina, incluindo os dispositivos de segurança como o dispositivo de bloqueio. Isso colocará em risco a sua segurança.

- Os regulamentos nacionais ou locais podem limitar o manuseamento da máquina.
- Esteja alerta. Esteja atento ao que estiver a fazer. Utilize o senso comum. Não opere a máquina quando estiver cansado.

Equipamento de proteção individual

- Vista-se adequadamente. O vestuário usado deve ser funcional e apropriado, ou seja deve ser justo ao corpo mas não provocar impedimento de movimentos. Não use joalharia nem vestuário que se possa emaranhar na máquina. Use proteção para cobrir o cabelo para conter o cabelo comprido.
- Use sempre proteções para os ouvidos para evitar perda auditiva.
- Use óculos de proteção ou segurança para proteger os olhos de detritos lançados da tremonha de enchimento.
- Use luvas de proteção para evitar ferimento nos dedos.
- Use máscara quando a poeira for substancial, tal como acontece na trituração de ramos secos, sebes com folhas.
- Quando utilizar a máquina, use sempre sapatos robustos com uma sola antiderrapante. Isso protege dos ferimentos e assegura um bom apoio para os pés.

Segurança da área de trabalho

- Mantenha as crianças e outras pessoas presentes afastados enquanto opera a máquina.
- Opere a máquina num espaço aberto numa superfície firme e nivelada. Não opere a máquina perto de uma parede ou de outros objetos.
- Não opere a máquina em atmosferas explosivas, tais como na presença de líquidos, gases ou poeira inflamáveis. A máquina gera faíscas que podem inflamar a poeira ou os gases.
- Não opere a máquina numa superfície pavimentada ou com cascalho onde o material ejetado pode resultar em ferimento.
- Mantenha a área de trabalho limpa e bem iluminada. As áreas desarrumadas ou escuras são propensas a acidentes.
- Não exponha a máquina à chuva nem a condições de humidade. A água que entre na máquina pode aumentar o risco de choque elétrico.

Arranque da máquina

- Antes de ligar a ficha ou interruptor na máquina:
 - Verifique se todos os parafusos, porcas e outros fixadores estão devidamente seguros.
 - Verifique se as proteções, defletores e anteparos estão no lugar e em boas condições de funcionamento.
 - Substitua os rótulos danificados ou ilegíveis.
 - Certifique-se de que a tremonha de enchimento está vazia.
 - Certifique-se de que as aberturas de admissão e descarga estão devidamente protegidas.
 - Verifique cuidadosamente todas as peças da máquina para determinar se ela funciona devidamente e executa a sua função prevista. Sobretudo nunca utilize a máquina se o interruptor não funcionar normalmente.

- Se o cabo de alimentação estiver danificado, peça a sua substituição ao centro de assistência autorizado Makita, usando sempre peças de substituição genuínas.

Segurança elétrica

⚠ AVISO:

- Este aparelho é o aparelho de Classe I. Ligue a uma tomada de alimentação com borne de terra. A ligação incorreta à terra pode provocar choque elétrico e a morte. Use apenas extensões com 3 fios que tenham fichas de 3 pinos do tipo de ligação à terra e recetáculos de 3 polos que aceitem a ficha da ferramenta.
- Evite o contacto do corpo com superfícies ligadas à terra (por exemplo, tubos, radiadores) durante a operação.
- Use apenas extensão conforme IEC60245 (H07RN-F) para uso no exterior com conector protegido contra projeções de água. A sua secção transversal deve ter no mínimo 1,5 mm² para comprimentos de cabo até 25 m, e 2,5 mm² para comprimentos de cabo superiores a 25 m.
- Pode ocorrer quebra de tensão quando usar um cabo fino comprido. Se isso acontecer a potência da máquina pode ser reduzida.
- Quando usar a extensão, certifique-se de que ela não faz interferência, não é comprimida nem dobrada e a ficha não fica molhada.
- Quando usar uma bobina para cabos, enrole completamente o cabo fora da bobina.
- Não maltrate o fio. Nunca use o fio para transportar, puxar ou desligar a máquina da tomada. Mantenha o fio afastado do calor do óleo, de pontas afiadas ou peças móveis. Os fios danificados ou emaranhados aumentam o risco de choque elétrico.
- Verifique a extensão regularmente para ver se existem danos ao isolamento. Substitua-a se estiver danificada.
- Se o cabo de ligação estiver danificado, retire imediatamente a ficha da rede. Um cabo danificado pode provocar contacto com as partes condutoras e choque elétrico.
- Nunca utilize cabos danificados.
- Ligue a máquina somente a tomadas em circuitos elétricos testados. Verifique se a tensão do sistema corresponde à da placa sinalética.
- Nunca desative nem faça derivações aos dispositivos de proteção.
- Quando utilizar a máquina em exteriores, use sempre um disjuntor de corrente residual (RCD) com uma corrente de funcionamento de 30 mA ou menos.

Operação

- Mantenha a sua cara e corpo afastados da abertura de admissão.
- Nunca coloque as suas mãos ou outra parte do corpo ou vestuário no interior da abertura de admissão e descarga, nem perto das peças móveis. Isso pode resultar em ferimento grave.
- Não se estique demasiado. Mantenha sempre apoio e equilíbrio adequados. Isso permite o melhor controlo da máquina em situações inesperadas. Não se coloque de pé a um nível superior ao da base da máquina quando introduzir material nela.

- Mantenha sempre distância da abertura de descarga durante a operação.
 - Observe os regulamentos regionais relativos à proteção contra o ruído.
 - Não introduza pedra, um pedaço de metal, garrafas ou outras matérias estranhas. Tome atenção que estes objetos estranhos não estão incluídos quando introduzir materiais.
 - Desligue imediatamente o motor e retire da tomada se a lâmina atingir um objeto estranho ou a máquina começar a vibrar ou emitir um ruído invulgar. Verifique se o triturador está danificado e aperte quaisquer peças soltas. Peça a um centro de assistência autorizado para reparar a máquina.
 - Não deixe que o material processado se acumule na abertura de descarga. Caso contrário, isso pode resultar em ricochete do material através da abertura de admissão.
 - Desligue o motor e retire da tomada:
 - Sempre que deixar a máquina sozinha
 - Antes de eliminar uma obstrução ou qualquer falha
 - Antes de verificar, limpar ou trabalhar na máquina
 - Antes de efetuar quaisquer ajustamentos, mudar acessórios ou guardar a máquina
 - Sempre que a máquina começar a vibrar ou emitir um ruído invulgar
 - Antes de limpar a abertura de admissão ou descarga
 - Antes de prender ou remover o cesto de retenção
 - Antes do transporte.
 - Não incline a máquina durante a operação.
 - Mantenha uma grande distância quando colocar material comprido. Este pode saltar e resultar em ferimento pessoal.
 - Não opere sem a tremonha de enchimento.
 - Não force a máquina. Ela executa melhor o trabalho e de forma mais segura ao ritmo para que foi concebida. A sobrecarga frequente pode danificar o motor ou provocar incêndio.
 - Utilize o acessório correto. Não utilize acessórios para finalidades a que não se destinam. Nunca introduza peças metálicas, vidros, pedras, cerâmica, plásticos, ramos mais espessos, madeira dura ou placas de madeira espessas, etc.
- Instruções de manutenção**
- Mande a sua máquina para ser assistida pelo nosso centro de assistência autorizado, usando sempre apenas peças de substituição genuínas. A reparação incorreta e má manutenção podem encurtar a vida da máquina e aumentar o risco de acidentes.
 - Antes da assistência, inspeção, ajustamento, armazenamento, ou para mudar um acessório, tome as seguintes medidas:
 - Desligue a fonte de alimentação
 - Desligue a máquina da fonte de alimentação
 - Certifique-se de que todas as peças móveis param por completo
 - Deixe a máquina arrefecer.
 - Inspeccione a máquina para ver possíveis danos:
 - Quer os dispositivos de segurança funcionem corretamente para a sua função prevista
 - Quer todas as peças móveis funcionem de forma suave e adequada
 - Quer todas as peças não estejam danificadas e estejam devidamente instaladas
 - O nosso centro de assistência autorizado deve substituir e reparar se houver peças danificadas.
- Tome muita atenção quando reparar o cortador. O cortador pode deslocar-se manualmente embora funcione o bloqueio da proteção.
 - Não limpe o dispositivo com água. Pode causar choque elétrico.
 - Use luvas de proteção durante o trabalho de manutenção ou montagem para evitar ferimento nos dedos.
 - Não execute trabalho de manutenção ou reparação para além daquele descrito neste manual de instruções. Qualquer outro trabalho deve ser executado pelo centro de assistência autorizado Makita.
 - Use somente peças de substituição e acessórios originais da Makita destinados à sua máquina. Caso contrário, isso pode resultar em ferimento pessoal ou danos à máquina.
 - Guarde a máquina num lugar seco. Mantenha longe do alcance das crianças. Nunca guarde a máquina no exterior.

ASSEMBLAGEM

⚠ PRECAUÇÃO:

- Certifique-se sempre de que a máquina está desligada e retirada da tomada antes de executar qualquer trabalho na ferramenta.
1. Vire ao contrário a caixa superior sobre um piso plano. E depois coloque a armação da base sobre ele. Tenha cuidado quanto à direção da peça. **(Fig. 2)**
 2. Prenda cada uma das peças apertando os parafusos. Certifique-se de que ficam perfeitamente estáveis. **(Fig. 3)**
 3. Prenda as buchas ao parafuso. Certifique-se de que são muito bem apertados. **(Fig. 4)**
 4. Prenda as rodas como se segue: **(Fig. 5)**
 - Prenda o eixo a uma das rodas.
 - Passe o eixo através dos orifícios na perna.
 - Prenda a outra roda ao eixo passando a cavilha através do orifício no eixo. Aperte a roda dobrando a cavilha.
 - Prenda as tampas nas rodas.
 5. Prenda o cesto de retenção. E depois levante a alavanca de bloqueio. **(Fig. 6)**

DESCRIÇÃO FUNCIONAL

⚠ AVISO:

Antes de ligar a máquina à tomada, certifique-se sempre de que ela está desligada. Ligar a máquina com o interruptor ligado pode provocar um arranque inesperado resultando em ferimento pessoal grave.

Interruptor de alimentação (Fig. 7)

⚠ PRECAUÇÃO:

Não utilize a máquina se o interruptor não a liga e desliga. Os interruptores com defeito devem ser substituídos pelo centro de assistência autorizado Makita.

Para ligar a máquina, carregue no botão verde.
Para desligar a máquina, carregue no botão vermelho.

Luz LED

A luz LED indica o estado da máquina como se segue:
Cor **VERMELHA**: Quando a máquina estiver ligada à fonte de alimentação e estiver desligada.
Cor **VERDE**: Quando a máquina estiver ligada.
Cor **VERDE intermitente** constantemente: Quando a máquina estiver bloqueada durante a operação.
Cor **VERMELHA intermitente**: Quando a máquina não puder recuperar automaticamente. Solucione o problema manualmente quando isso acontecer.

À prova de reaquecimento não intencional

A máquina desliga automaticamente quando ocorrer falha de energia. Para reiniciar, volte a carregar no botão verde.

Proteção contra sobrecarga

O motor está equipado com uma proteção contra sobrecarga. Quando for sobrecarregada, a máquina comporta-se da seguinte forma:

- A lâmina anda ao contrário durante dois a três segundos para tentar expelir o material triturado.
- A lâmina volta a andar para a frente.
- Se o material ainda estiver obstruído após esta tentativa durante três vezes, a máquina para com a luz LED intermitente a vermelho.

Quando isso acontecer execute os seguintes passos:

- Desligue a máquina.
- Espere até que as lâminas parem completamente.
- Retire o material obstruído.
- Volte a ligar o triturador após cerca de 5 minutos e introduza material mais simples.
- Se não conseguir ligar a máquina após este tempo de espera, consulte a "Resolução de Problemas".

Interruptor de avanço / inversão

⚠ PRECAUÇÃO:
Desligue o triturador antes de mudar o interruptor de avanço / inversão.

Posição ↓

As lâminas giram na direção de avanço.

Posição ↑

As lâminas giram na direção inversa para libertar o material entupido.

Quando muda a direção para ↑ (inversa), continue a carregar no botão verde do interruptor de alimentação para girar as lâminas. O triturador para automaticamente quando solta o interruptor de alimentação.

NOTA:

• Podem ser necessárias várias repetições das operações de inversão e avanço para triturar um objeto grande.

⚠ PRECAUÇÃO:

- Use sempre um gancho ou um pau para retirar objetos entupidos para evitar acidentes.
- Espere sempre até o triturador parar completamente antes de reiniciar.

Cesto de retenção

⚠ PRECAUÇÃO:

- Desligue a máquina e retire da tomada antes de prender ou remover o cesto de retenção.
- Verifique a funcionalidade da função de bloqueio a cada duas horas para operação segura.
- Nunca tente anular a função de bloqueio da proteção.

Alavanca de bloqueio:

Posição superior → Cesto de retenção está bloqueado.

Posição inferior → Cesto de retenção está desbloqueado.

O dispositivo não liga por causa da função de segurança.

A máquina não é ligada se a alavanca de bloqueio estiver na posição de desbloqueio. A máquina para automaticamente se o cesto de retenção for desbloqueado durante a operação.

Tampa da lâmina

⚠ PRECAUÇÃO:

- Certifique-se de que a máquina está desligada e retirada da tomada antes de abrir a tampa da lâmina.
- Use luvas de proteção antes de abrir a tampa da lâmina.
- O cortador não para imediatamente após desligar. Espere até todas as peças pararem.

No caso de o material obstruir bastante na caixa superior, retire-o abrindo a tampa da lâmina.

OPERAÇÃO

Instalar a máquina:

- Numa superfície lisa e horizontal. Não coloque a máquina em terreno pavimentado ou com cascalho.
- A uma distância segura (pelo menos 2 m) das paredes ou outros objetos.

Antes de iniciar, certifique-se de que:

- Os cabos de ligação não estão danificados. Se houver cortes ou rasgos, pare a operação e substitua-os imediatamente.
- Não existem danos na máquina e todos os parafusos estão apertados.
- A máquina está completamente montada e de modo correto.

Verifique a ligação de rede:

- Certifique-se de que a tensão de rede corresponde à tensão nominal na placa sinalética e a máquina está corretamente ligada à terra.
- Use apenas extensões com suficiente secção transversal do núcleo.

O material que o triturador consegue processar
O triturador consegue processar os seguintes tipos de material:

- Todos os tipos de ramos até ao diâmetro máximo da capacidade da máquina, dependendo do tipo e condição da madeira
- Restos de jardim como plantas murchas ou erva molhada aí deixada há já alguns dias (introduza-as alternando com ramos).

O triturador NÃO consegue processar os seguintes tipos de material:

- Vidro, metal, plástico, pedras, cerâmica, ramos mais grossos, madeira dura, placas de madeira espessa, tecido, sacos de plástico, raízes com terra.
- Lixo que esteja praticamente no estado líquido, por exemplo lixo de cozinha.

Operação: (Fig. 8)

- Introduza o material na tremonha de enchimento a partir do lado direito.
- No caso de ramos, galhos e madeira, triture-os depois de serem cortados. Podem ficar muito duros depois de secarem.
- Retire quaisquer rebentos laterais dos ramos se dificultarem a sua introdução na máquina.
- Desligue o motor e desligue a máquina da fonte de alimentação da rede elétrica antes de limpar a abertura de ejeção.
- Não deixe que o material triturado se acumule na abertura de ejeção. Caso contrário, esse material triturado pode bloquear a abertura de ejeção. Esvazie regularmente o cesto de retenção.
- Não introduza material que exceda o diâmetro máximo do ramo especificado nos dados técnicos. Dependendo da frescura e condição da madeira, o diâmetro máximo do ramo pode ser mais pequeno.
- A trituração de lixo de jardim molhado resulta em obstrução. Para evitar que haja obstrução na máquina, alterne material com lixo e material com madeira.
- Material mole ou ramos molhados podem ser despedaçados em vez de cortados. A contra-lâmina gasta pode também causar este problema.
- Se a máquina ficar entupida na abertura de admissão ou na saída de descarga, desligue o motor e retire a ficha da tomada antes de limpar os resíduos na abertura de admissão ou na saída de descarga. Mantenha a fonte de alimentação limpa, sem resíduos e outras acumulações para evitar danificar a fonte de alimentação ou evitar a possibilidade de incêndios.

Regular a folga da lâmina (Fig. 9)

Para uma operação eficaz, regule a folga entre a contra-lâmina e o rolo de corte.

Definição da folga:

- Ligue o dispositivo.
- Rode o botão de fixação para a esquerda para soltar o botão de regulação.
- Rode lentamente o botão de regulação para a direita para colocar a contra-lâmina mais perto do rolo de corte. Rode-o até caírem da abertura de ejeção lascas finas de alumínio.
- Rode o botão de fixação para a direita para bloquear o botão de regulação.

MANUTENÇÃO

⚠ PRECAUÇÃO:

- Certifique-se sempre de que a máquina está desligada e retirada da tomada antes de executar a inspeção ou manutenção.
- Use luvas de proteção antes de executar a inspeção ou manutenção.
- O cortador não para imediatamente após desligar. Espere até todas as peças pararem antes de executar qualquer trabalho de manutenção.
- Certifique-se de que todas as ferramentas são removidas após o trabalho de manutenção.
- Nunca utilize gasolina, benzina, diluente, álcool ou produtos semelhantes. Pode ocorrer a descoloração, deformação ou rachaduras. Para limpar a máquina, use apenas um pano húmido e escova macia.
- Não passe mangueira nem limpe a máquina com água a alta pressão.

Após cada operação, execute a seguinte manutenção:

- Verifique se todos os parafusos de aperto estão apertados (aperte se necessário).
- Lubrifique as peças de metal para as proteger contra a corrosão.
- Mantenha as ventilações limpas e livres de poeira.

O rolo de corte e contra-lâmina desgastam-se com o decorrer do tempo. Peça ao seu centro de assistência autorizado mais próximo que efetue a substituição quando for necessária.

RESOLUÇÃO DE PROBLEMAS

AVISO: Antes de solucionar problemas, desligue a máquina, retire a ficha da rede e espere até a máquina parar completamente.

Problema	Possível causa	Solução
O motor não arranca	Sem fonte de alimentação	Verifique a alimentação.
	Cabo de rede com defeito	Peça a centro de assistência autorizado para verificar.
	Proteção contra sobrecarga está ativada	Espere até a máquina arrefecer e carregue no botão verde.
	Dispositivo de segurança por corte do cesto de retenção (cesto de retenção está desbloqueado)	Verifique e bloqueie o cesto de retenção.
Motor faz barulho mas não arranca	O rolo de corte está bloqueado	Desligue o dispositivo. Comute o interruptor de avanço/inversão para a direção inversa. Ligue a máquina até a obstrução ter sido eliminada. Volte a ligar a máquina. Inverta a direção da rotação de avanço.
	Falha do condensador	Leve a máquina a um centro de assistência autorizado para reparação.
O material de trituração não é puxado para o triturador	Rotação inversa.	Desligue o dispositivo e comute a direção do botão seletor de rotação.
	Material de trituração aprisionado na tremonha de enchimento	Desligue o dispositivo. Comute o interruptor de avanço/inversão para a direção inversa. Ligue o dispositivo para soltar o material a ser triturado, remova qualquer matéria estranha. Volte a desligar o dispositivo. Inverta a direção da rotação de avanço.
	O material de trituração está demasiado mole ou molhado	Empurre com um ramo
	Rolo de corte gasto	Regule a contra-lâmina fixa como descrito em "Regular a folga da lâmina". Se o rolo de corte estiver muito gasto, substitua-o.
O material de trituração não é cortado perfeito	A contra-lâmina fixa não está regulada corretamente	Regule a contra-lâmina.
O dispositivo arranca mas fica bloqueado pela mais ligeira carga e o interruptor de proteção do motor desliga-o pouco depois.	A extensão é demasiado comprida ou a secção transversal demasiado fina. A tomada está muito longe da rede de alimentação ou a secção transversal do cabo de rede é demasiado fina.	Verifique se a extensão tem pelo menos 1,5 mm ² , máximo de 25 m de comprimento. Se usar um cabo mais comprido, a secção transversal mínima é de 2,5 mm ² .

DECLARAÇÃO DE CONFORMIDADE CE

Apenas para países europeus

A declaração de conformidade da CE está incluída no Anexo A deste manual de instruções.

ADVARSEL: Denne maskine kan bruges af børn på 8 år og derover og af personer med nedsatte fysiske, sensoriske eller mentale evner eller manglende erfaring eller viden, hvis de er under opsyn eller har modtaget instruktion i sikker anvendelse af maskinen og forstår de farer, der er involveret. Børn må ikke lege med maskinen. Rengøring og brugervedligeholdelse må ikke udføres af børn, der ikke er under opsyn.

DELENES BETEGNELSER

1	Påfyldningstragt	7	Øverste kabinet	13	Føderside
2	Afbryder	8	Opbevaringskurv	14	Skrue
3	Håndtag	9	Basisramme	15	Modklinge
4	Strømforsyningsstik	10	Justeringshåndtag	16	Fræsehjul
5	Låsehåndtag	11	Fastgøringshåndtag		
6	Frem-/tilbagekontakt	12	Klingebeskytter		

TEKNISKE DATA

Model	UD2500
Navn	Elektrisk flishugger
Motor	Vekselstrømsmotor 230-240 V~50 Hz
Motordimensionering P40	2 500 W
Motordimensionering P1 S1	2 000 W
Rotationshastighed af fræsehjulet	40 min ⁻¹
Afbryder med	overbelastningsbeskyttelse; skære- og bakfunktion, nulspændingsinitiator
Vægt	27,6 kg
Maks. grendiameter (kun for friskskåret træ)	Maks. 45 mm
Sikkerhedsklasse	I
Beskyttelsesklasse	IP X4

STØJDATA

Lydtryksniveau	74,88 dB (A), K= 2,50 dB (A)
Lydtryksniveau ved operatørens øre	84,4 dB (A), K= 3 dB (A)
Målt lydeffektniveau	93,49 dB (A), K= 3,97 dB (A)
Garanteret lydeffektniveau	97 dB (A)

Lydstyrken for operatøren kan overskride 80 dB (A). Bær høreværn.

SYMBOLER

Nedenstående symboler er anvendt i forbindelse med denne maskine. Vær sikker på, at De har forstået symbolernes betydning, før maskinen anvendes.



- Læs brugsanvisningen.



- Vær særligt forsigtig og opmærksom.



- Sluk for motoren, og tag den ud af forbindelse, før der udføres service, rengøring, vedligeholdelse eller reparation.



- Genstande kan blive slynget ud med høj hastighed.



- Hold tilskuere og kæledyr væk fra risikoområdet.



- Fare – roterende klinger. Hold hænder og fødder ude fra åbningerne, når maskinen kører.



- Fare – roterende klinger. Hold hænder og fødder ude fra åbningerne, når maskinen kører.



- Bær beskyttelsesbriller og høreværn.



- Bær arbejdshandsker.



- Udsæt ikke maskinen for regn eller fugt.



- Drej håndtaget med uret for mindre frigang/ drej håndtaget mod uret for større frigang



- Åbn klingedækslet, hvis klingens skal skiftes ud eller serviceres.



- Vent, til alle maskinens dele er stoppet helt.



- Stå ikke på maskinen.



- Gælder kun lande i EU
Undlad at bortskaffe elektrisk udstyr eller akkuer sammen med almindeligt husholdningsaffald! I henhold til EU-direktiv 2002/96/EF angående brugt elektrisk og elektronisk udstyr, 2006/66/EF angående batterier og akkumulatører og brugte batterier og akkumulatører i overensstemmelse med nationale love, skal elektrisk udstyr og akkuer, der har nået slutningen af deres levetid, indsamles separat og afhændes til en genbrugsfacilitet, som er miljømæssigt kompatibel.

SIKKERHEDSADVARSLER

LÆS OMHYGGE LIGT FØR BRUG GEM BRUGSANVISNINGEN TIL SENERE REFERENCE



Du må ikke begynde at bruge maskinen, før du har læst disse betjeningsinstruktioner. Overhold alle de angivne instruktioner, og sæt maskinen op som beskrevet.

Tilsigtet brug af maskinen

- Havefishuggeren er beregnet til at skære følgende emner:
 - Alle typer grene op til en maksimal diameter på maskinens kapacitet (afhængigt af træets type og tilstand)
 - Haveaffald som f.eks. visne planter eller vådt ukrudt, der har ligget i nogle dage (indfør skiftevis med grene).
- Havefishuggeren er kun beregnet til privat brug, ikke til kommerciel brug. Den må heller ikke anvendes på offentlige steder.

Til offentlige lavspændingsforsyninger på mellem 220 V og 250 V.

Når der tændes og slukkes for elektriske apparater, medfører det spændingsudsving. Anvendelse af dette udstyr under dårlige strømforsyningsforhold kan have negativ indflydelse på anvendelsen af andet udstyr. Ved en strømforsyningsimpedans på eller under 0,45 Ohm vil der sandsynligvis ikke være negative effekter. Den stikkontakt, der benyttes til udstyret, skal være beskyttet med en sikring eller beskyttende kortslutningsafbryder med langsom udløsning.

Generelle instruktioner

- Læs denne brugsanvisning så du bliver bekendt med betjeningen af maskinen. Brugere, der ikke er tilstrækkeligt informeret, risikerer at udsætte sig selv og andre for fare på grund af forkert betjening.
- Udlån ikke maskinen til personer, hvis du ikke har viden om deres fornødne erfaring.
- Overdrag også altid brugsanvisningen, når du låner maskinen ud.
- Den elektriske fishugger er ikke beregnet til brug af personer med nedsatte fysiske, følelsesmæssige eller mentale evner eller personer med utilstrækkelig erfaring og viden. Hold øje med små børn for at sikre dig, at de ikke leger med maskinen. Undlad at lade børn betjene dette udstyr.
- Anvend kun maskinen, hvis du er i god fysisk form. Udfør alt arbejde roligt og forsigtigt. Brugeren er ansvarlig for alle personers sikkerhed samt for skader i nærheden af brugsstedet.
- Brug aldrig maskinen, hvis du er påvirket af alkohol eller narkotika, eller hvis du føler dig træt eller syg.
- Brug maskinen i overensstemmelse med disse instruktioner, og tag højde for arbejdsforholdene og anvendelsesformålet. Forkert brug af maskinen kan medføre farlige situationer.
- Du må aldrig ændre på maskinen, herunder dens sikkerhedsudstyr som f.eks. låseanordningen. Dette bringer din sikkerhed i fare.
- National eller lokal lovgivning kan begrænse brugen af maskinen.

- Vær opmærksom. Hold øje med det, du foretager dig. Brug din sunde fornuft. Betjen ikke maskinen, når du er trætt.

Personligt beskyttelsesudstyr

- Bær korrekt påklædning. Det tøj, du bærer, skal være praktisk og passende, dvs. det skal sidde tæt, men ikke være hæmmende. Undlad at bære smykker eller tøj, der kan vikle sig ind i maskinen. Bær håret eller tørklæde for at dække langt hår.
- Bær altid høreværn for at undgå høreskader.
- Bær sikkerheds- eller beskyttelsesbriller for at beskytte øjnene mod stumper, der slynges ud fra påfyldningstragten.
- Bær sikkerhedshandsker for at undgå at komme til skade med fingrene.
- Bær ansigtsmaske, hvis der er meget støv, for eksempel hvis du skærer tørre grene eller hække med blade.
- Bær altid solide sko med glidefri såler, når du bruger maskinen. Dette beskytter mod personskader og sikrer et godt fodfæste.

Sikkerhed i arbejdsområdet

- Hold børn og tilskuere på afstand ved betjeningen af maskinen.
- Brug maskinen i et åbent område på en solid og jævn overflade. Undgå at bruge maskinen i nærheden af vægge eller andre genstande.
- Brug ikke maskinen i eksplosive atmosfærer, for eksempel ved tilstedeværelse af brændbare væsker, gasser eller støv. Maskinen udsender gnister, der kan antænde støv eller dampe.
- Brug ikke maskinen på en fliselagt eller grusbelagt flade, hvor det materiale, der slynges ud, kan medføre personskade.
- Hold arbejdsområdet rent og oplyst. Rodele eller mørke arbejdsområder medfører uheld.
- Udsæt ikke maskinen for regn eller våde omgivelser. Hvis der kommer vand ind i maskinen, kan det øge risikoen for elektrisk støv.

Start af maskinen

- Før du sætter stikket i stikkontakten eller tænder for maskinen:
 - Kontroller, at alle skruer, møtrikker og andre fastgørmingsmekanismer er strammet ordentligt.
 - Kontroller værn, beskyttere og skærme er monteret og i god stand.
 - Udskift beskadigede eller ulæselige mærkater.
 - Sørg for, at påfyldningstragten er tom.
 - Kontroller, at indgangs- og udgangsåbningerne er korrekt afskærmet.
 - Kontroller alle dele af maskinen omhyggeligt for at sikre dig, at de fungerer korrekt og udfører deres tilsigtede funktioner. Du må især ikke bruge maskinen, hvis kontakten ikke fungerer korrekt.
- Henvend dig til et autoriseret Makita-servicecenter, hvis netledningen er beskadiget. Brug altid originale reservedele til at udskifte den.

Elektrisk sikkerhed

⚠ ADVARSEL:

- Dette apparat er et Klasse I-apparat. Tilslut det til en stikkontakt med jordforbindelse. Forkert jordforbindelse kan medføre elektrisk støv og dødsfald. Brug kun trepolede forlængerledninger, hvor stikkene har tre stikben og er jordforbundne, og trepolede stikdåser, som passer til værktøjets stik.
- Undgå kropskontakt med jordforbundne flader (f.eks. rør, radiatorer) under brugen.
- Brug kun en IEC60245 (H07RN-F)-forlængerledning til udendørs brug med drypøst stik. Ledningens tværsnit skal være mindst 1,5 mm² for kabellængder op til 25 m og 2,5 mm² for kabellængder over 25 m.
- Der kan være spændingsfald ved brug af en lang, tynd ledning. Hvis det sker, kan maskinens styrke blive reduceret.
- Ved brug af forlængerledning skal du sikre dig, at den ikke ligger i vejen, at den ikke klemmes eller bøjes, og at stikket ikke bliver vådt.
- Hvis der anvendes et kabelhjul, skal ledningen rulles helt af hjulet.
- Belast ikke ledningen. Brug aldrig ledningen til at bære eller trække maskinen eller til at tage stikket ud af stikkontakten. Udsæt ikke ledningen for varme, olie, skarpe kanter eller bevægelige dele. Beskadigede eller sammentvirkede ledninger øger risikoen for elektrisk støv.
- Kontroller regelmæssigt forlængerledningen for, om isoleringen er beskadiget. Udskift den, hvis den er beskadiget.
- Tag med det samme stikket ud af stikkontakten, hvis netledningen bliver beskadiget. En beskadiget ledning kan komme i kontakt med strømførende dele og medføre elektrisk støv.
- Brug aldrig beskadigede ledninger.
- Tilslut kun maskinen til stikkontakter i testede elektriske kredsløb. Kontroller, at spændingen svarer til den, der er angivet på mærkepladen.
- Du må aldrig deaktivere eller omgå beskyttelsesanordninger.
- Når maskinen anvendes udendørs, skal der altid benyttes en strømdrevet afledningskortslutningsafbryder (RCD) med en driftsstrøm på 30 mA eller mindre.

Betjening

- Hold hovedet og kroppen på afstand af indgangsåbningen.
- Lad aldrig hænderne eller andre dele af kroppen eller tøjtet komme ind i indgangs- og udgangsåbningerne eller i nærheden af dele i bevægelse. Dette kan medføre alvorlige personskader.
- Stræk dig ikke for langt. Bevar til enhver tid fodfæstet og balancen. Det giver bedre kontrol med maskinen i uventede situationer. Stå ikke på et højere niveau end maskinens basis, når der føres materiale ind i den.
- Hold altid afstand fra udgangsåbningen under brug.
- Overhold den lokale lovgivning vedrørende støjværn.
- Indfør ikke sten, metalstykker, flasker eller andre fremmedlegemer. Hold øje med, at sådanne fremmedlegemer ikke ligger gemt i det, der indføres.

- Sluk med det samme for motoren, og tag ledningen ud, hvis klingens rammer et fremmedlegeme, eller maskinen begynder at vibrere eller udsende unormal støj. Kontroller flishuggeren for beskadigelse, og stram eventuelle løse dele. Få et autoriseret servicecenter til at reparere maskinen.
- Undgå, at det behandlede materiale samles i udgangsåbningen. Ellers kan det medføre, at materiale slynges tilbage ud af indgangsåbningen.
- Sluk for motoren, og tag ledningen ud af forbindelse:
 - Når maskinen efterlades uden opsyn
 - Før du fjerner en blokering eller udbedrer en fejl
 - Før du kontrollerer, rengør eller udfører arbejde på maskinen
 - Før du foretager justeringer, ændrer tilbehør eller opbevarer maskinen
 - Når maskinen begynder at vibrere eller udsende unormal støj
 - Ved rengøring af indgangs- eller udgangsåbningen
 - Ved montering eller fjernelse af opbevaringskurven
 - Ved transport.
- Vip ikke maskinen under brug.
- Hold god afstand, når der indføres lange emner. De kan blive slynget tilbage og medføre personskaade.
- Brug ikke maskinen uden påfyldningstragten.
- Brug ikke magt på maskinen. Den fungerer bedre og sikrere ved den hastighed, den er designet til. Hyppig overbelastning kan beskadige motoren eller forårsage brand.
- Brug det rigtige udstyr. Brug ikke udstyr til formål, det ikke er beregnet til. Forsøg aldrig at indføre metalstykker, glas, sten, keramik, plastik, tykke grene, hårdt træ eller tykke træplader osv.

Vedligeholdelsesvejledning

- Få maskinen efterset på vores autoriserede servicecenter, og brug kun originale reservedele. Forkert reparation og dårlig vedligeholdelse kan forkorte maskinens levetid og øge risikoen for uheld.
- Udfør følgende før service, inspektion, justering, opbevaring eller ændring af tilbehør:
 - Sluk for strømtilførslen
 - Tag maskinen ud af forbindelse
 - Sørg for, at alle bevægelige dele er helt stoppet
 - Lad maskinen køle af.
- Inspicer maskinen for mulig beskadigelse:
 - Om sikkerhedsudstyr fungerer korrekt til det beregnede formål
 - Om alle dele i bevægelse fungerer ubesværet og tilfredsstillende
 - Om alle dele er ubeskadigede og monteret korrekt
 - Få eventuelle beskadigede dele udskiftet eller repareret hos vores autoriserede servicecenter.
- Vær særligt opmærksom, når der udføres service på klingens. Klingens kan flyttes manuelt gennem låseanordningen på afskærmningen.
- Undgå at rengøre apparatet i vand. Dette kan medføre elektrisk stød.
- Bær arbejdshandsker under vedligeholdelse eller samling for at undgå at komme til skade med fingrene.
- Undlad at udføre anden vedligeholdelse eller reparation end det, der er beskrevet i denne brugsanvisning.

Alt andet arbejde skal udføres hos et autoriseret Makita-servicecenter.

- Anvend kun originale Makita-reservedele og tilbehør, der er beregnet til maskinen. Ellers kan det medføre personskaade eller beskadigelse af maskinen.
- Opbevar maskinen i et tørt værelse. Sørg for, at børn ikke kan komme til den. Opbevar aldrig maskinen uendørs.

SAMLING

⚠ FORSIGTIG:

- Sørg altid for, at maskinen er slukket og taget ud af stikkontakten, før du udfører nogen form for arbejde på værktøjet.

1. Placer det øverste kabinet med bunden i vejret på et fladt gulv. Stil derefter basisrammen oven på det. Vær opmærksom på delens retning. (**Fig. 2**)
2. Fastgør hver enkelt del ved at stramme skrueerne. Sørg for, at de sidder helt fast. (**Fig. 3**)
3. Monter stopanordningerne med skrue. Sørg for, at de er strammet helt. (**Fig. 4**)
4. Monter hjulene på følgende måde: (**Fig. 5**)
 - Sæt akslen på det ene hjul.
 - Før akslen gennem hullerne i foden.
 - Sæt det andet hjul på akslen ved at føre stiften gennem hullet i akslen. Fastgør hjulet ved at bøje stiften.
 - Monter skærmene på hjulene.
5. Monter opbevaringskurven. Løft derefter låsehåndtaget. (**Fig. 6**)

FUNKTIONSBEKRIVELSE

⚠ ADVARSEL:

Sørg altid for, at der er slukket for maskinen, før den slutes til stikkontakten. Hvis maskinen slutes til stikkontakten, mens der er tændt på afbryderen, kan det medføre uventet start og alvorlig personskaade.

Afbryder (Fig. 7)

⚠ FORSIGTIG:

Brug ikke maskinen, hvis der ikke kan tændes og slukkes på afbryderen. Få defekte afbrydere udskiftet hos et autoriseret Makita-servicecenter.

Tryk på den grønne knap for at tænde for maskinen.

Tryk på den røde knap for at slukke for maskinen.

LED-lampe

LED-lampen viser maskinens status på følgende måde:

RØD farve: Når der er strøm til maskinen, og der er slukket for maskinen.

GRØN farve: Når der er tændt for maskinen.

Konstant **blinkende GRØN** farve: Når maskinen er blokeret under drift.

Blinkende RØD farve: Når maskinen ikke automatisk kan genstarte driften. Løs problemet manuelt, når dette sker.

Sikring mod utilsigtet genstart

Der slukkes automatisk for maskinen i tilfælde af strømsvigt. Tryk på den grønne knap igen for at genstarte den.

Overbelastningsbeskyttelse

Motoren er udstyret med overbelastningsbeskyttelse. Ved overbelastning fungerer maskinen på følgende måde:

- Klingen kører baglæns i to til tre sekunder for at forsøge at skubbe det skårne materiale ud igen.
- Klingen kører forlæns igen.
- Hvis materialet stadig sidder fast, efter at dette er forsøgt tre gange, stopper maskinen, og LED-lampen blinker rødt.

Gør følgende, hvis dette sker:

- Sluk for maskinen.
- Vent, til klingerne er helt stoppet.
- Fjern det fastklemt materiale.
- Tænd for fliHughgeren igen efter cirka 5 minutter, og tilfør materiale, der er lettere at skære.
- Se under "Fejlfinding", hvis det ikke er muligt at tænde for maskinen efter denne periode.

Frem-/tilbagekontakt

⚠ FORSIGTIG:

Sluk for fliHughgeren, før du flytter frem-/tilbagekontakten.

Position ↓

Klingerne kører forlæns.

Position ↑

Klingerne kører baglæns for at frigøre fastklemt materiale.

Når du ændrer retningen til ↑ (baglæns), skal du blive ved med at trykke på den grønne knap på afbryderen, for at rotere klingerne. FliHughgeren stopper automatisk, når du slipper afbryderen.

BEMÆRK:

• Der kan kræves flere skift mellem baglæns og forlæns drift for at skære en stor genstand.

⚠ FORSIGTIG:

- Brug altid en krog eller kæp til at fjerne fastklemt genstande for at undgå uheld.
- Vent altid, til fliHughgeren er stoppet helt, før du starter den igen.

Opbevaringskurv

⚠ FORSIGTIG:

- Sluk for maskinen, og tag den ud af forbindelse, før du monterer eller fjerner opbevaringskurven.
- Kontroller låseanordningens funktion hver anden time for sikker drift.
- Forsøg aldrig at omgå låseanordningens beskyttelsesfunktion.

Låsehåndtag:

Øverste position → Opbevaringskurven er låst fast.

Nederste position → Opbevaringskurven er ikke låst fast.
Apparatet tændes ikke pga. sikkerhedsfunktionen.

Maskinen tændes ikke, hvis låsehåndtaget er i ulåst position. Maskinen stopper automatisk, hvis opbevaringskurven låses op under brugen.

Klingebeskytter

⚠ FORSIGTIG:

- Sørg for, at maskinen er slukket og taget ud af forbindelse, før klingebeskytteren åbnes.

- Bær arbejdshandsker, når du åbner klingebeskytteren.
- FliHughgeren stopper ikke med det samme, når der slukkes for den. Vent, til alle dele er stoppet.

Hvis materialet sætter sig fast i det øverste kabinet, skal du fjerne det ved at åbne klingebeskytteren.

BETJENING

Opsætning af maskinen:

- På en flad, vandret overflade. Placer ikke maskinen på et fliselag eller grusbeklægt underlag.
- Med sikker afstand (mindst 2 meter) fra vægge og andre genstande.

Kontroller følgende før start:

- At tilslutningskablerne ikke er beskadiget. Stop brugen, og udskift dem med det samme, hvis der er revner eller flænger.
- At der ikke er skader på maskinen, og at alle skrue sidder stramt.
- At maskinen er samlet fuldstændigt og korrekt.

Kontroller forbindelsen til lysnettet:

- Kontroller, at netspændingen svarer til den nominelle spænding på typeskiltet, og at maskinen er korrekt jordforbundet.
- Brug kun forlængerledninger, hvor lederen har et tilstrækkeligt tværsnit.

Materiale, som fliHughgeren kan behandle

FliHughgeren kan behandle følgende materialetyper:

- Alle typer grene op til en maksimal diameter på maskinens kapacitet, afhængigt af træets type og tilstand
- Haveaffald som f.eks. visne planter eller vådt ukrudt, der har ligget i nogle dage (indfør skiftevis med grene).

FliHughgeren kan IKKE skære følgende materialetyper:

- Glas, metal, plastik, sten, keramik, tykkere grene, hårdt træ, tykke træplader, tøj, plastikposer, rødder med jord.
- Affald i næsten flydende tilstand som f.eks. køkkenaffald.

Betjening: (Fig. 8)

- Indfør materialet i påfyldningstragten fra højre side.
- Skær grene, kviste og træ, lige efter at de er savet af. De kan blive meget hårde, når de tørrer.
- Fjern alle sideskud fra grene, hvis de ikke er nemme at indføre.
- Sluk for motoren, og afbryd strømforsyningen til maskinen, før du rengør udgangsåbningen.
- Undgå, at det skårne materiale samles i udgangsåbningen. Ellers kan dette materiale blokere udgangen. Tøm opbevaringskurven regelmæssigt.
- Indfør ikke materiale, der overskrider den maksimale grendiameter, som er angivet under Tekniske data. Afhængigt af træets friskhed og tilstand kan den maksimale grendiameter være mindre.
- Skæring af vådt haveaffald medfører tilstopning. Skift mellem affald og materiale, der indeholder træ, for at undgå tilstopning.
- Blødt materiale eller våde grene kan blive revet i stedet for at blive skåret. En slidt modklinge kan også medføre dette problem.

- Hvis maskinen bliver tilstoppet ved indgangsåbningen eller udledningsbanen, skal man slukke for motoren og tage maskinen ud af forbindelse, inden affald fjernes fra indgangsåbningen eller udledningsbanen. Hold strømkilden fri for affald eller andre ansamlinger for at forhindre beskadigelse af strømkilden eller risiko for brand.

Justering af klingefastheden (Fig. 9)

Du opnår effektiv drift ved at justere frigangen mellem modklingen og fræsehjulet.

Indstilling af frigangen:

- Tænd for apparatet.
- Drej fastgøringshåndtaget mod uret for at frigøre justeringshåndtaget.
- Drej justeringshåndtaget langsomt med uret for at føre modklingen tættere på fræsehjulet. Drej den, indtil der kommer tynde aluminiumsflis ud fra udgangsåbningen.
- Drej fastgøringshåndtaget med uret for at låse justeringshåndtaget.

VEDLIGEHOLDELSE

⚠ FORSIGTIG:

- Sørg altid for, at der er slukket for maskinen, og at stikket er taget ud, før du udfører inspektion eller vedligeholdelse.
- Bær arbejdshandsker, før du udfører inspektion eller vedligeholdelse.
- Flishuggeren stopper ikke med det samme, når der slukkes for den. Vent, til alle dele er stoppet, før der udføres vedligeholdelsesarbejde.
- Sørg for, at alle værktøjer er fjernet efter vedligeholdelsesarbejdet.
- Anvend aldrig benzin, rensbenzin, fortynder, alkohol og lignende. Resultatet kan blive misfarvning, deformation eller revner. Brug kun en fugtig klud og en blød børste til at rengøre maskinen.
- Undgå at bruge en slange eller at rengøre maskinen med vand under højtryk.

Udfør følgende vedligeholdelse, hver gang maskinen har været brugt:

- Kontroller, at alle låseskruer sidder stramt (efterstram dem, hvis det er nødvendigt).
- Smør metaldele for at beskytte dem mod rust.
- Hold ventilationsåbningerne rene og fri for støv.

Fræsehjulet og modklingen bliver slidte med tiden. Få dem skiftet hos et autoriseret servicecenter, når det er nødvendigt.

FEJLFINDING

ADVARSEL: Før du løser problemer, skal du slukke for maskinen, tage ledningen ud af stikkontakten og vente, til maskinen er stoppet helt.

Problem	Mulig årsag	Afhjælpning
Motoren starter ikke	Ingen strømforsyning	Kontroller netstrømforsyningen.
	Netledningen er defekt	Få den kontrolleret på et autoriseret servicecenter.
	Overbelastningsbeskyttelsen er aktiveret	Vent, til maskinen er kølet ned, og tryk på den grønne knap.
Motoren udsender lyd, men starter ikke	Sikkerhedsafbryderen på opbevaringskurven (opbevaringskurven er ikke låst)	Kontroller og lås opbevaringskurven.
	Fræsehjulet er blokeret	Sluk for apparatet. Sæt frem-/tilbagekontakten til baglæns retning. Tænd for maskinen, indtil det fastklemte materiale er fjernet. Sluk for maskinen igen. Sæt retningen tilbage til forlæns rotation.
	Fejl i kapacitor	Indlever maskinen til reparation på et autoriseret servicecenter.
Materialet, der skal skæres, bliver ikke trukket ind i flishuggeren	Baglæns rotation	Sluk for apparatet, og skift rotationsretningen på valgkontakten.
	Materialet, der skal skæres, sidder fast i påfyldningstragten	Sluk for apparatet. Sæt frem-/tilbagekontakten til baglæns retning. Tænd for apparatet for at frigøre det materiale, der skal skæres, og fjern eventuelle fremmedlegemer. Sluk for apparatet igen. Stil retningen tilbage til forlæns rotation.
	Materialet, der skal skæres, er for blødt eller vådt	Skub det nedad med en gren.
	Fræsehjulet er slidt	Juster den faste modklinge som beskrevet under "Justerings af klingeafstanden". Udskift fræsehjulet, hvis det er meget slidt.
Materialet, der skal skæres, bliver ikke skåret rent	Den faste modklinge er ikke justeret korrekt	Juster modklingen.
Apparatet starter, men blokeres selv ved let belastning og slukkes hurtigt af motorbeskyttelsen.	Forlængerledningen er for lang, eller tværsnittet er for lille. Stikket er for langt fra strømforsyningen, eller netledningens tværsnit er for lille	Kontroller, at forlængerledningen er mindst 1,5 mm ² i tværsnit og højst 25 meter lang. Hvis der benyttes en længere ledning, er det mindste tværsnit 2,5 mm ² .

EF-KONFORMITETSERKLÆRING

Kun for lande i Europa

EF-konformitetserklæringen er inkluderet som Tillæg A til denne instruktionsvejledning.

ΠΡΟΕΙΔΟΠΟΙΗΣΗ: Η συσκευή αυτή μπορεί να χρησιμοποιηθεί από παιδιά άνω των 8 ετών και άτομα με μειωμένες σωματικές, αισθητήριες ή διανοητικές ικανότητες ή που δεν έχουν πείρα και γνώσεις, εάν επιτηρούνται ή τους έχουν δοθεί οδηγίες για την ασφαλή χρήση της συσκευής και κατανοούν τους κινδύνους που εμπλέκονται. Τα παιδιά δεν πρέπει να παίζουν με τη συσκευή. Οι εργασίες καθαρισμού και συντήρησης από το χρήστη δεν θα πρέπει να γίνονται από παιδιά χωρίς επιτήρηση.

ΠΡΟΣΔΙΟΡΙΣΜΟΣ ΜΕΡΩΝ

1	Χοάνη πλήρωσης	7	Άνω περίβλημα	14	Βίδα
2	Διακόπτης τροφοδοσίας	8	Καλάθι περισυλλογής	15	Αντίστροφη λεπίδα
3	Λαβή	9	Πλαίσιο βάσης	16	Κύλινδρος κοπής
4	Βύσμα παροχής ρεύματος	10	Ρυθμιστικό κουμπί		
5	Μοχλός κλειδώματος	11	Κουμπί στερέωσης		
6	Διακόπτης εμπρός / αντίστροφής	12	Κάλυμμα λεπίδας		
		13	Πλευρά τροφοδοσίας		

ΤΕΧΝΙΚΑ ΣΤΟΙΧΕΙΑ

Μοντέλο	UD2500
Όνομα	Ηλεκτρικός τεμαχιστής
Μοτέρ	AC-Motor 230-240 V~50 Hz
Ονομαστική ικανότητα μοτέρ P40	2.500 W
Ονομαστική ικανότητα μοτέρ P1 S1	2.000 W
Κύλινδρος κοπής περιστροφικής ταχύτητας	40 λεπ ⁻¹
Διακόπτης τροφοδοσίας με	προστασία υπερφόρτωσης; λειτουργία κοπής και αντίστροφης κίνησης, ένδειξη μηδενικής τάσης
Βάρος	27,6 κιλά
Μέγ. διάμετρο κλαριών (μόνο για φρεσκοκομμένο ξύλο)	Μέγ. 45 χιλ
Τάξη ασφάλειας	I
Τάξη προστασίας	IP X4

ΔΕΔΟΜΕΝΑ ΘΟΡΥΒΟΥ

Επίπεδο ηχητικής πίεσης	74,88 dB (A), K= 2,50 dB (A)
Επίπεδο ηχητικής πίεσης στο αυτί του χειριστή	84,4 dB (A), K= 3 dB (A)
Μετρούμενο επίπεδο ηχητικής ισχύος	93,49 dB (A), K= 3,97 dB (A)
Εγγυημένο επίπεδο ηχητικής ισχύος	97 dB (A)

Το επίπεδο ηχητικής έντασης για το χειριστή ενδέχεται να υπερβεί τα 80 dB (A). Να φοράτε ωτοασπίδες.

Παρακάτω παρουσιάζονται τα σύμβολα που χρησιμοποιούνται για το μηχάνημα. Βεβαιωθείτε ότι κατανοείτε τη σημασία τους πριν από τη χρήση.



• Διαβάστε το εγχειρίδιο οδηγιών.



• Απαιτείται ιδιαίτερη φροντίδα και προσοχή.



• Σβήστε το μοτέρ και αποσυνδέστε το μηχάνημα από το ηλεκτρικό ρεύμα πριν από τις εργασίες σέρβις, καθαρισμού, συντήρησης ή επισκευής.



• Ενδέχεται να εκτοξευτούν αντικείμενα σε υψηλή ταχύτητα.



• Φροντίστε ώστε οι παρευρισκόμενοι και τα κατοικίδια να βρίσκονται μακριά από την περιοχή κινδύνου.



• Κίνδυνος — Περιστρεφόμενες λεπίδες. Κρατήστε τα χέρια και τα πόδια σας μακριά από τα ανοίγματα ενώ το μηχάνημα λειτουργεί.



• Κίνδυνος — Περιστρεφόμενες λεπίδες. Κρατήστε τα χέρια και τα πόδια σας μακριά από τα ανοίγματα ενώ το μηχάνημα λειτουργεί.



• Να φοράτε προστασία ματιών και ωτοασπίδες.



• Να φοράτε προστατευτικά γάντια.



• Να μην εκθέτετε σε βροχή ή υγρασία.



• Περιστρέψτε το κουμπί δεξιόστροφα για πιο μικρό διάκενο / περιστρέψτε το κουμπί αριστερόστροφα για μεγαλύτερο διάκενο.



• Ανοίξτε το κάλυμμα λεπίδας για να αντικαταστήσετε τη λεπίδα ή για σέρβις.



• Περιμένετε μέχρι να σταματήσουν τελείως όλα τα μέρη του μηχανήματος.



• Μην χρησιμοποιείτε το μηχάνημα ως σκαλοπάτι.



• Μόνο για τις χώρες της ΕΕ
Μην απορρίπτετε τον ηλεκτρικό εξοπλισμό ή την μπαταρία μαζί με τα οικιακά απορρίμματα! Σύμφωνα με την Ευρωπαϊκή Οδηγία 2002/96/ΕΚ για τον ηλεκτρικό και ηλεκτρονικό εξοπλισμό, την Οδηγία 2006/66/ΕΚ για τις μπαταρίες και συσσωρευτές και τα απόβλητα μπαταριών και συσσωρευτών και την ενσωμάτωση τους σύμφωνα με την εθνική νομοθεσία, ο ηλεκτρικός εξοπλισμός και η μπαταρία που έχουν φτάσει το τέλος ζωής τους πρέπει να συλλέγονται ξεχωριστά και να επιστρέφονται σε εγκαταστάσεις περιβαλλοντικής ανακύκλωσης.

ΔΙΑΒΑΣΤΕ ΠΡΟΣΕΚΤΙΚΑ ΠΡΙΝ ΑΠΟ ΤΗ ΧΡΗΣΗ ΦΥΛΑΞΤΕ ΤΟ ΕΓΧΕΙΡΙΔΙΟ ΟΔΗΓΙΩΝ ΓΙΑ ΜΕΛΛΟΝΤΙΚΗ ΑΝΑΦΟΡΑ



Μην θέσετε σε λειτουργία το μηχάνημα μέχρι να διαβάσετε αυτές τις οδηγίες λειτουργίας. Τηρήστε όλες τις οδηγίες που δίνονται και εγκαταστήστε το μηχάνημα, όπως περιγράφεται.

Προοριζόμενη χρήση του μηχανήματος

- Ο τεμαχιστής κήπου προορίζεται για τον τεμαχισμό των ακόλουθων αντικειμένων:
 - Όλους τους τύπους κλαριών έως τη μέγιστη διάμετρο της χωρητικότητας του μηχανήματος (ανάλογα με τον τύπο και την κατάσταση του ξύλου)
 - Απορρίμματα του κήπου, όπως ξεραμένα φυτά ή βρεγμένα ζιζάνια που έχετε ξεριζώσει πριν από μερικές ημέρες (τροφοδοτήστε εναλλάξ με κλαριά.)
- Ο τεμαχιστής κήπου προορίζεται μόνο για προσωπική χρήση και όχι για εμπορική χρήση. Να μην χρησιμοποιείται ούτε σε δημόσιους χώρους.

Για δημόσια συστήματα διανομής χαμηλής τάσης μεταξύ 220 V και 250 V.

Η εναλλαγή της λειτουργίας των ηλεκτρικών συσκευών προκαλεί διακυμάνσεις ηλεκτρικής τάσης. Η λειτουργία αυτής της συσκευής κάτω από δυσμενείς συνθήκες κεντρικής ηλεκτρικής παροχής μπορεί να επιδράσει αρνητικά στη λειτουργία άλλου εξοπλισμού. Όταν η αντίσταση κεντρικού ηλεκτρικού ρεύματος είναι ίση ή μικρότερη από 0,45Ω, μπορεί να θεωρηθεί ότι δεν θα υπάρξουν αρνητικές επιδράσεις. Η πρίζα της κεντρικής ηλεκτρικής παροχής που θα χρησιμοποιηθεί για αυτήν τη συσκευή θα πρέπει να προστατεύεται με τη χρήση ασφάλειας ή προστατευτικού διακόπτη κυκλώματος με χαρακτηριστικά αργής ενεργοποίησης.

Γενικές οδηγίες

- Διαβάστε αυτό το εγχειρίδιο οδηγιών για να εξοικειωθείτε με το χειρισμό του μηχανήματος. Οι χρήστες με ανεπαρκή πληροφόρηση αποτελούν κίνδυνο για τον εαυτό τους αλλά και για τους άλλους εξαιτίας λανθασμένου χειρισμού.
- Μην δανείτε το μηχάνημα σε άτομα που δεν έχουν αποδεδειγμένη πείρα.
- Όταν δανείτε σε κάποιον το μηχάνημα, πάντα να προσαρτάτε αυτό το εγχειρίδιο οδηγιών.
- Ο ηλεκτρικός τεμαχιστής δεν προορίζεται για χρήση από άτομα με μειωμένες σωματικές, αισθητήριες ή διανοητικές ικανότητες, ή από άτομα που δεν έχουν πείρα και γνώσεις. Τα μικρά παιδιά θα πρέπει να επιβλέπονται προκειμένου να διασφαλιστεί ότι δεν παίζουν με το μηχάνημα. Μην επιτρέπετε στα παιδιά να χειρίζονται αυτόν τον εξοπλισμό.
- Να χειρίζεστε το μηχάνημα μόνο εάν βρίσκεστε σε καλή σωματική κατάσταση. Να διεξαγάγετε κάθε εργασία με φρεμία και προσοχή. Ο χρήστης είναι υπεύθυνος για την ασφάλεια των ατόμων που βρίσκονται γύρω από την περιοχή λειτουργίας και για ζημιές σε αυτή την περιοχή.

- Μη χρησιμοποιείτε ποτέ αυτό το μηχάνημα μετά την κατανάλωση αλκοόλ ή φαρμάκων, ή εάν αισθάνεστε κουρασμένοι ή αδιάθετοι.
- Να χρησιμοποιείτε το μηχάνημα σύμφωνα με αυτές τις οδηγίες, λαμβάνοντας υπόψη τις συνθήκες εργασίας και την εφαρμογή. Η ακούσια χρήση του μηχανήματος μπορεί να προκαλέσει επικίνδυνη κατάσταση.
- Μην τροποποιείτε ποτέ το μηχάνημα, περιλαμβάνοντας τις διατάξεις ασφαλείας, όπως τη διάταξη αλληλασφάλισης. Αυτό θα θέσει σε κίνδυνο την ασφάλειά σας.
- Ο χειρισμός του μηχανήματος μπορεί να περιορίζεται από εθνικούς ή τοπικούς κανονισμούς.
- Να είσαστε σε ετοιμότητα. Να προσέχετε τι κάνετε. Να χρησιμοποιείτε κοινή λογική. Μη χειρίζεστε το μηχάνημα όταν είστε κουρασμένοι.
- Ελέγξτε εάν τα προστατευτικά, οι διατάξεις παρεκτροπής και οι στήτες βρίσκονται στη θέση τους και σε καλή λειτουργική κατάσταση.
- Αντικαταστήστε τις κατεστραμμένες ή δυσανάχτως ετικέτες.
- Βεβαιωθείτε ότι η χόανη πλήρωσης είναι άδεια.
- Βεβαιωθείτε ότι το άνοιγμα εισόδου και εκκένωσης προστατεύονται σωστά.
- Ελέγξτε προσεκτικά όλα τα μέρη του μηχανήματος για να καθορίσετε εάν λειτουργεί σωστά και εκτελεί τον προοριζόμενο σκοπό του. Ιδιαίτερα σημαντικό είναι να μην χρησιμοποιείτε ποτέ το μηχάνημα εάν ο διακόπτης δεν λειτουργεί κανονικά.
- Εάν το ηλεκτρικό καλώδιο έχει υποστεί ζημιά, ζητήστε από ένα εξουσιοδοτημένο κέντρο εξυπηρέτησης της Makita να σας το αντικαταστήσει, χρησιμοποιώντας πάντα γνήσια ανταλλακτικά εξαρτήματα.

Προσωπικός προστατευτικός εξοπλισμός

- Να ντύνεστε κατάλληλα. Τα ρούχα που φοράτε πρέπει να είναι λειτουργικά και κατάλληλα, δηλ. πρέπει να είναι εφαρμοστά αλλά να μην σας εμποδίζουν. Μην φοράτε κοσμήματα ή ρούχα τα οποία μπορούν να μπλεχτούν στο μηχάνημα. Να φοράτε προστατευτικό κάλυμμα μαλλιών που να κρατάει μαζεμένα τα μακριά μαλλιά.
- Πάντα να φοράτε ωτοασπίδες για την αποφυγή της απώλειας ακοής.
- Να φοράτε προστατευτικά γυαλιά για την προστασία των ματιών από θραύσματα που πετάνονται από τη χόανη πλήρωσης.
- Να φοράτε προστατευτικά γάντια για την αποφυγή τραυματισμού στα δάκτυλα.
- Να φοράτε προσωπίδα όταν υπάρχει σημαντική ποσότητα σκόνης, όπως κατά τον τεμαχισμό ξερών κλαριών, θάμνων με φύλλα, κτλ.
- Όταν χρησιμοποιείτε το μηχάνημα, πάντα να φοράτε ανθεκτικά παπούτσια με αντιολισθητική σόλα. Αυτά προστατεύουν από τραυματισμούς και διασφαλίζουν καλό πάτημα.

Ασφάλεια στο χώρο εργασίας

- Να απομακρύνετε τα παιδιά και τους μη έχοντες εργασία όταν χειρίζεστε το μηχάνημα.
- Να χειρίζεστε το μηχάνημα σε ανοικτό χώρο σε σταθερή και επίπεδη επιφάνεια. Μη χειρίζεστε το μηχάνημα κοντά σε τοίχο ή σε άλλα αντικείμενα.
- Μη χειρίζεστε το μηχάνημα σε εκρηκτικές ατμόσφαιρες, όπως παρουσία εύφλεκτων υγρών, αερίων ή σκόνης. Το μηχάνημα δημιουργεί σπινθήρες που μπορεί να προκαλέσουν ανάφλεξη της σκόνης ή των ατμών.
- Μη χειρίζεστε το μηχάνημα σε πλακόστρωτη επιφάνεια ή σε επιφάνεια με χαλίκια όπου εκπαισσομένα υλικά μπορεί να έχουν ως αποτέλεσμα την πρόκληση τραυματισμού.
- Να διατηρείτε το χώρο εργασίας καθαρό και καλά φωτισμένο. Σε ακατάστατους ή σκοτεινούς χώρους προκαλούνται ατυχήματα.
- Μην εκθέτετε το μηχάνημα στη βροχή ή σε υγρές συνθήκες. Η είσοδος νερού στο μηχάνημα μπορεί να αυξήσει τον κίνδυνο πρόκλησης ηλεκτροπληξίας.

Εκκίνηση του μηχανήματος

- Πριν τη σύνδεση του φως στην πρίζα ή την ενεργοποίηση του μηχανήματος:
 - Ελέγξτε εάν όλες οι βίδες, τα παξιμάδια και οι άλλες συνδέσεις είναι κατάλληλα ασφαλισμένα.

Ηλεκτρική ασφάλεια

⚠ ΠΡΟΕΙΔΟΠΟΙΗΣΗ:

- Η συσκευή αυτή είναι μια συσκευή Τάξης I. Συνδέστε με πρίζα τροφοδοσίας με ακροδέκτη γείωσης. Η ακατάλληλη γείωση μπορεί να προκαλέσει ηλεκτροπληξία και θάνατο. Να χρησιμοποιείτε μόνο τριπλά καλώδια επέκτασης με φως τριών ακροδεκτών με γείωση και πρίζες τριών ακροδεκτών που δέχονται το φως του εργαλείου.
- Αποφεύγετε την επαφή του σώματος με γειωμένες επιφάνειες, (π.χ. σωληνες, καλοριφέρ) κατά τη διάρκεια της λειτουργίας.
- Να χρησιμοποιείτε μόνο καλώδιο επέκτασης (μπαλαντέζα) IEC60245 (H07RN-F) για εξωτερική χρήση με σύνδεση κατά των παφλασμών. Η διατομή του πρέπει να είναι τουλάχιστον 1,5 χιλ² για μήκη καλωδίων έως 25 m, και 2,5 χιλ² για μήκη καλωδίων άνω των 25 m.
- Μπορεί να προκύψει πτώση τάσης όταν χρησιμοποιείται λεπτό καλώδιο μεγάλου μήκους. Εάν συμβεί αυτό η ισχύς του μηχανήματος εμμένει να είναι μειωμένη.
- Όταν χρησιμοποιείτε καλώδιο επέκτασης, βεβαιωθείτε ότι δεν παρεμβάινει, ότι δεν είναι συμπίεσμένο ούτε λυγισμένο, και ότι το φως δεν βρέχεται.
- Όταν χρησιμοποιείτε καρούλι ηλεκτρικού καλωδίου, να ξετυλίγετε το ηλεκτρικό καλώδιο εντελώς από το καρούλι.
- Μην κακομεταχειρίζεστε το ηλεκτρικό καλώδιο. Μη χρησιμοποιείτε ποτέ το ηλεκτρικό καλώδιο για να μεταφέρετε ή να τραβήξετε το μηχάνημα, αλλά ούτε για να βγάλετε το φως του ηλεκτρικού εργαλείου από την πρίζα. Να διατηρείτε το ηλεκτρικό καλώδιο μακριά από τη θερμότητα, τα λάδια, τα αιχμηρά αντικείμενα και τα κινούμενα μέρη. Τα ηλεκτρικά καλώδια που έχουν υποστεί βλάβες και τα μπλεγμένα ηλεκτρικά καλώδια αυξάνουν τον κίνδυνο πρόκλησης ηλεκτροπληξίας.
- Να ελέγχετε τακτικά το καλώδιο επέκτασης για φθορές στη μόνωση. Αντικαταστήστε το εάν έχει υποστεί ζημιά.
- Εάν το καλώδιο σύνδεσης έχει υποστεί βλάβη, βγάλτε αμέσως το φως του ηλεκτρικού καλωδίου από την πρίζα της κεντρικής ηλεκτρικής παροχής. Ένα καλώδιο που έχει υποστεί βλάβη μπορεί να προκαλέσει επαφή με ηλεκτροφόρα μέρη και ηλεκτροπληξία.
- Μη χρησιμοποιείτε ποτέ καλώδια που έχουν υποστεί βλάβη.

- Να συνδέετε το μηχάνημα μόνο με πρίζες σε δοκιμασμένα ηλεκτρικά κυκλώματα. Ελέγξτε ότι η τάση του συστήματος αντιστοιχεί σε αυτή που αναγράφεται στην πινακίδα ονομαστικών τιμών.
- Μην απενεργοποιείτε ποτέ ούτε να παρακάμψετε τις προστατευτικές διατάξεις.
- Όταν χρησιμοποιείτε το μηχάνημα σε εξωτερικό χώρο, πάντα να χρησιμοποιείτε ασφάλεια κυκλώματος που λειτουργεί με παραμένον ηλεκτρικό ρεύμα, με λειτουργικό ηλεκτρικό ρεύμα που δεν υπερβαίνει τα 30 mA.
- Μη θέτετε το μηχάνημα σε λειτουργία χωρίς τη χοάνη πλήρωσης.
- Μην ασκείτε δύναμη στο μηχάνημα. Το μηχάνημα θα πραγματοποιήσει την εργασία καλύτερα και ασφαλέστερα στο ρυθμό για τον οποίο προορίζεται. Η συχνή υπερφόρτωση μπορεί να προκαλέσει ζημιά στο μοτέρ ή πυρκαγιά.
- Να χρησιμοποιείτε τη σωστή συσκευή. Μη χρησιμοποιείτε συσκευές για σκοπούς για τους οποίους δεν προορίζονται. Μην τροφοδοτείτε ποτέ μεταλλικά μέρη, γυαλιά, πέτρες, κεραμικά, πλαστικά, κλαριά πιο μεγάλο πάχους, σκληρά ξύλα ή ξύλινες πλάκες μεγάλου πάχους, κτλ.

Λειτουργία

- Να διατηρείτε το πρόσωπο και το σώμα σας μακριά από το άνοιγμα εισόδου.
- Μην τοποθετείτε ποτέ τα χέρια σας ή άλλο μέρος του σώματος ή ρουχισμό μέσα στο άνοιγμα εισόδου ή εκκένωσης, ή κοντά σε κινούμενα μέρη. Μπορεί να έχει ως αποτέλεσμα σοβαρό τραυματισμό.
- Μην τεντώνετε υπερβολικά. Να στέκεστε πάντοτε σταθερά και ισορροπημένα. Έτσι, θα έχετε καλύτερο έλεγχο του μηχανήματος σε απρόσμενες καταστάσεις. Μην στέκεστε σε υψηλότερο επίπεδο από τη βάση του μηχανήματος όταν τροφοδοτείτε υλικό μέσα σε αυτό.
- Πάντα να διατηρείτε μια απόσταση από το άνοιγμα εκκένωσης κατά τη λειτουργία.
- Να τηρείτε τους τοπικούς κανονισμούς για την προστασία θορύβου.
- Μην τροφοδοτείτε πέτρες, κομμάτι μετάλλου, μπουκάλια ή άλλο ξένο υλικό. Προσέχετε να μην περιλαμβάνονται αυτά τα ξένα υλικά στο αλικό που τροφοδοτείται.
- Απενεργοποιήστε αμέσως το μοτέρ και αποσυνδέστε το μηχάνημα από το ηλεκτρικό ρεύμα εάν η λεπίδα χτυπήσει ένα ξένο αντικείμενο ή εάν το μηχάνημα αρχίσει να δονείται ή να κάνει ασυνήθιστο θόρυβο. Ελέγξτε τον τεμαχιστή για πρόκληση ζημιάς και σφίξτε τυχόν χαλαρά μέρη. Ζητήστε από εξουσιοδοτημένο κέντρο σέρβις να επισκευάσει το μηχάνημα.
- Μην αφήνετε το επεξεργασμένο υλικό να συσσωρευτεί στο άνοιγμα εκκένωσης. Διαφορετικά ενδέχεται να προκαλέσει κλότσημα του υλικού μέσω του ανοίγματος εισόδου.
- Σβήστε το μοτέρ και αποσυνδέστε το μηχάνημα από το ηλεκτρικό ρεύμα πριν από τα εξής:
 - Κάθε φορά που αφήνετε το μηχάνημα χωρίς επιτήρηση
 - Πριν καθαρίσετε ένα εμπόδιο ή τυχόν βλάβη
 - Πριν ελέγξετε, καθαρίσετε το μηχάνημα ή εκτελέσετε εργασίες σε αυτό
 - Πριν πραγματοποιήσετε τυχόν ρυθμίσεις, αλλάξετε εξαρτήματα ή αποθηκεύσετε το μηχάνημα
 - Όποτε το μηχάνημα αρχίσει να δονείται ή να κάνει ασυνήθιστο θόρυβο
 - Καθαρισμός ανοίγματος εισόδου ή εκκένωσης
 - Σύνδεση ή αφαίρεση του καθαθιού περισυλλογής
 - Μεταφορά.
- Μην γέρνετε το μηχάνημα κατά τη διάρκεια της λειτουργίας.
- Να κρατάτε αρκετή απόσταση όταν τροφοδοτείτε υλικό μεγάλου μήκους. Μπορεί να αναπηδήσει προς τα πίσω με αποτέλεσμα να προκληθεί προσωπικός τραυματισμός.

Οδηγίες συντήρησης

- Φροντίστε για το σέρβις του μηχανήματός σας από εξουσιοδοτημένο κέντρο σέρβις, χρησιμοποιώντας πάντα μόνο γνήσια ανταλλακτικά εξαρτήματα. Η λανθασμένη επισκευή και η κακή συντήρηση μπορεί να μειώσουν τη διάρκεια ζωής του μηχανήματος και να αυξήσουν τον κίνδυνο ατυχημάτων.
- Πριν από το σέρβις, την επιθεώρηση, τη ρύθμιση, την αποθήκευση ή την αλλαγή ενός εξαρτήματος, εκτελέστε τα ακόλουθα βήματα:
 - Απενεργοποιήστε την πηγή τροφοδοσίας
 - Αποσυνδέστε το μηχάνημα από την ηλεκτρική τροφοδοσία
 - Βεβαιωθείτε ότι όλα τα κινούμενα μέρη έχουν ακινητοποιηθεί πλήρως
 - Αφήστε το μηχάνημα να κρυώσει.
- Επιθεωρήστε το μηχάνημα για τυχόν ζημιά:
 - Εάν οι διατάξεις ασφαλείας λειτουργούν σωστά για την προοριζόμενη λειτουργία τους
 - Εάν όλα τα κινούμενα μέρη λειτουργούν ομαλά και επαρκώς
 - Εάν όλα τα μέρη δεν έχουν υποστεί ζημιά και είναι σωστά τοποθετημένα
 - Εκτελέστε αντικατάσταση ή επισκευή στο εξουσιοδοτημένο κέντρο σέρβις εάν υπάρχουν τυχόν μέρη που έχουν υποστεί ζημιά.
- Προσέχετε ιδιαίτερα κατά την εκτέλεση εργασιών σέρβις στον κόπτη. Ο κόπτης μπορεί να κινείται χειροκίνητα μέσω της δυνατότητας αλληλασφάλισης των προστατευτικών λειτουργιών.
- Μην καθαρίζετε τη συσκευή με νερό. Μπορεί να προκληθεί ηλεκτροπληξία.
- Να φοράτε προστατευτικά γάντια κατά τη διάρκεια εργασιών συντήρησης ή συναρμολόγησης για την αποφυγή τραυματισμού στα δάκτυλα.
- Μην εκτελείτε εργασίες συντήρησης ή επισκευής διαφορετικές από αυτές που περιγράφονται στο παρόν εγχειρίδιο οδηγιών. Οποιοσδήποτε άλλες εργασίες πρέπει να εκτελούνται από εξουσιοδοτημένο κέντρο σέρβις της Makita.
- Να χρησιμοποιείτε μόνο γνήσια ανταλλακτικά και εξαρτήματα της Makita που προορίζονται για το μηχάνημά σας. Διαφορετικά, ενδέχεται να προκληθεί προσωπικός τραυματισμός ή ζημιά στο μηχάνημα.
- Αποθηκεύστε το μηχάνημα σε στεγνό δωμάτιο. Φυλάξτε το μακριά από παιδιά. Μην αποθηκεύετε ποτέ το μηχάνημα σε εξωτερικό χώρο.

ΣΥΝΑΡΜΟΛΟΓΗΣΗ

⚠ ΠΡΟΣΟΧΗ:

- Να βεβαιώνετε πάντοτε ότι το μηχάνημα είναι σβηστό και αποσυνδεδεμένο από το ηλεκτρικό ρεύμα πριν εκτελέσετε οποιαδήποτε εργασία στο εργαλείο.
1. Τοποθετήστε το άνω περιβλήμα ανάποδα σε επίπεδο δάπεδο. Κατόπιν τοποθετήστε το πλαίσιο βάσης επάνω σε αυτό. Προσέξτε την κατεύθυνση του εξαρτήματος. **(Εικ. 2)**
 2. Σφίξτε τις βίδες για να στερεώσετε κάθε τμήμα. Βεβαιωθείτε ότι είναι τελειώς σταθερά. **(Εικ. 3)**
 3. Σφίξτε τους αναστολείς με τη βίδα. Βεβαιωθείτε ότι είναι καλά σφιγμένοι. **(Εικ. 4)**
 4. Συνδέστε τους τροχούς ως εξής: **(Εικ. 5)**
 - Συνδέστε τον άξονα σε έναν από τους τροχούς.
 - Περάστε τον άξονα μέσα από τις οπές στο στηρίγμα.
 - Στερεώστε τον άλλο τροχό στον άξονα περνώντας τον πείρο μέσα από την οπή στον άξονα. Στερεώστε τον τροχό λυγίζοντας τον πείρο.
 - Συνδέστε τα καλύμματα στους τροχούς.
 5. Συνδέστε το καλάθι περισυλλογής. Μετά ανυψώστε το μοχλό κλειδώματος. **(Εικ. 6)**

ΠΕΡΙΓΡΑΦΗ ΛΕΙΤΟΥΡΓΙΑΣ

⚠ ΠΡΟΕΙΔΟΠΟΙΗΣΗ:

Πριν συνδέετε το μηχάνημα στο ηλεκτρικό ρεύμα, να βεβαιώνετε πάντα ότι είναι σβηστό. Η σύνδεση του μηχανήματος στο ηλεκτρικό ρεύμα με αναμμένο το διακόπτη μπορεί να προκαλέσει αναπάντεχη εκκίνηση με αποτέλεσμα την πρόκληση σοβαρού προσωπικού τραυματισμού.

Διακόπτης τροφοδοσίας (Εικ. 7)

⚠ ΠΡΟΣΟΧΗ:

Μη χρησιμοποιείτε το μηχάνημα εάν ο διακόπτης δεν το ενεργοποιεί και δεν το απενεργοποιεί. Στείλετε το μηχάνημα σε εξουσιοδοτημένο κέντρο σέρβις της Makita για να αντικαταστήσει ελαττωματικούς διακόπτες.

Για να ανάψετε το μηχάνημα, πατήστε το πράσινο κουμπί.

Για να σβήσετε το μηχάνημα, πατήστε το κόκκινο κουμπί.

Λυχνία LED

Η λυχνία LED υποδεικνύει την κατάσταση του μηχανήματος ως εξής:

ΚΟΚΚΙΝΟ χρώμα: Όταν το μηχάνημα είναι συνδεδεμένο στην ηλεκτρική τροφοδοσία και είναι σβηστό.

ΠΡΑΣΙΝΟ χρώμα: Όταν το μηχάνημα είναι αναμμένο.

ΠΡΑΣΙΝΟ χρώμα που αναβοσβήνει συνεχώς: Όταν το μηχάνημα έχει φράξει κατά τη λειτουργία.

ΚΟΚΚΙΝΟ χρώμα που αναβοσβήνει: Όταν το μηχάνημα δεν μπορεί να εκτελέσει αυτόματα ανάκτηση. Επιλύστε το πρόβλημα χειροκίνητα όταν προκύψει.

Έλεγχος ακούσιας επανεκκίνησης

Το μηχάνημα απενεργοποιείται αυτόματα όταν προκύψει διακοπή ρεύματος. Για επανεκκίνηση, πατήστε ξανά το πράσινο κουμπί.

Προστασία υπερφόρτωσης

Το μοτέρ είναι εξοπλισμένο με προστασία υπερφόρτωσης. Όταν υπερφορτωθεί, το μηχάνημα ενεργεί ως εξής:

- Η λεπίδα κινείται αντίστροφα για δύο ή τρία δευτερόλεπτα για να προσπαθήσει να απωρμήσει το τεμαχισμένο υλικό προς τα έξω.
- Η λεπίδα κινείται ξανά προς τα εμπρός.
- Εάν το υλικό παραμένει ακόμα φραγμένο μετά από τρεις τέτοιες προσπάθειες, το μηχάνημα σταματάει και η λυχνία LED αναβοσβήνει με κόκκινο χρώμα.

Όταν συμβεί αυτό εκτελέστε τα ακόλουθα βήματα:

- Απενεργοποιήστε το μηχάνημα.
- Περιμένετε μέχρι οι λεπίδες να σταματήσουν να κινούνται τελειώς.
- Αφαιρέστε το φραγμένο υλικό.
- Ενεργοποιήστε ξανά τον τεμαχιστή μετά από περίπου 5 λεπτά και τροφοδοτήστε πιο εύκολο υλικό.
- Εάν δεν είναι δυνατή η ενεργοποίηση του μηχανήματος μετά από αυτό το χρόνο αναμονής, ανατρέξτε στην παράγραφο «Αντιμετώπιση προβλημάτων».

Διακόπτης εμπρός / αντιστροφής

⚠ ΠΡΟΣΟΧΗ:

Απενεργοποιήστε τον τεμαχιστή πριν αλλάξετε το διακόπτη εμπρός / αντιστροφής.

Θέση ↓

Οι λεπίδες περιστρέφονται σε εμπρόσθια κατεύθυνση.

Θέση ↑

Οι λεπίδες περιστρέφονται σε αντίστροφη κατεύθυνση για την απελευθέρωση του φραγμένου υλικού.

Όταν αλλάξετε την κατεύθυνση σε ↑ (αντίστροφα), συνεχίστε να πατάτε το πράσινο κουμπί του διακόπτη τροφοδοσίας για να περιστρέψετε τις λεπίδες. Ο τεμαχιστής σταματάει αυτόματα όταν αφήσετε το διακόπτη τροφοδοσίας.

ΠΑΡΑΤΗΡΗΣΗ:

- Μπορεί να απαιτηθούν αρκετές επαναλήψεις της λειτουργίας αντιστροφής και εμπρόσθιας κίνησης για τον τεμαχισμό ενός μεγάλου αντικειμένου.

⚠ ΠΡΟΣΟΧΗ:

- Να χρησιμοποιείτε πάντα ένα γάντζο ή ξύλο για να αφαιρέσετε φραγμένα αντικείμενα για την αποφυγή ατυχημάτων.
- Πάντα να περιμένετε μέχρι ο τεμαχιστής να σταματήσει τελειώς πριν την επανεκκίνηση.

Καλάθι περισυλλογής

⚠ ΠΡΟΣΟΧΗ:

- Απενεργοποιήστε το μηχάνημα και αποσυνδέστε το από το ηλεκτρικό ρεύμα πριν συνδέσετε ή αφαιρέσετε το καλάθι περισυλλογής.
- Να ελέγχετε τη λειτουργικότητα του χαρακτηριστικού αλληλασφάλισης κάθε δύο ώρες για ασφαλή λειτουργία.

- Μην επιχειρήσετε ποτέ να παρακάμψετε το χαρακτηριστικό αλληλασφάλισης της προστασίας.

Μοχλός κλειδώματος:

- Άνω θέση → Το καλάθι περισυλλογής είναι κλειδωμένο.
 Κάτω θέση → Το καλάθι περισυλλογής είναι ξεκλειδωτό.
 Η συσκευή δεν ενεργοποιείται λόγω της λειτουργίας ασφάλειας.

Το μηχάνημα δεν ενεργοποιείται εάν ο μοχλός κλειδώματος βρίσκεται στη θέση ξεκλειδώματος. Το μηχάνημα σταματάει αυτόματα εάν το καλάθι περισυλλογής είναι ξεκλειδωτό κατά τη διάρκεια της λειτουργίας.

Κάλυμμα λεπίδας

⚠ ΠΡΟΣΟΧΗ:

- Να βεβαιώνετε ότι το μηχάνημα είναι σβηστό και αποσυνδεδεμένο από το ρεύμα πριν ανοίξετε το κάλυμμα λεπίδας.
- Να φοράτε προστατευτικά γάντια πριν ανοίξετε το κάλυμμα λεπίδας.
- Ο κόπτης δεν σταματάει αμέσως μετά την απενεργοποίηση. Περιμένετε μέχρι να σταματήσουν όλα τα μέρη.

Σε περίπτωση σημαντικού φραξίματος υλικού στο άνω περίβλημα, ανοίξτε το κάλυμμα λεπίδας για να το αφαιρέσετε.

ΛΕΙΤΟΥΡΓΙΑ

Ρύθμιση του μηχανήματος:

- Σε μια επίπεδη, οριζόντια επιφάνεια. Μην τοποθετείτε το μηχάνημα σε πλακόστρωτη επιφάνεια ή σε επιφάνεια με χαλίκια.
- Σε ασφαλή απόσταση (τουλάχιστον 2 m) από τοίχους ή άλλα αντικείμενα.

Πριν την έναρξη, βεβαιωθείτε ότι:

- Τα καλώδια σύνδεσης δεν έχουν υποστεί ζημιά. Εάν υπάρχουν κομμάτια ή σχισίματα, σταματήστε τη λειτουργία και αντικαταστήστε τα αμέσως.
- Το μηχάνημα δεν έχει υποστεί καμία ζημιά και όλες οι βίδες είναι σφιγμένες.
- Το μηχάνημα είναι συναρμολογημένο πλήρως και σωστά.

Ελέγξτε τη σύνδεση της κεντρικής ηλεκτρικής παροχής:

- Βεβαιωθείτε ότι η τάση της κεντρικής ηλεκτρικής παροχής ταιριάζει με την ονομαστική τάση στην πινακίδα ονομαστικών τιμών και ότι το μηχάνημα είναι γειωμένο σωστά.
- Χρησιμοποιήστε μόνο καλώδια επέκτασης με επαρκή διατομή πυρήνα.

Το υλικό που μπορεί να επεξεργαστεί ο τεμαχιστής

Ο τεμαχιστής μπορεί να επεξεργαστεί τους ακόλουθους τύπους υλικών:

- Όλους τους τύπους κλαριών έως τη μέγιστη διάμετρο της χωρητικότητας του μηχανήματος ανάλογα με τον τύπο και την κατάσταση του ξύλου
- Απορρίμματα του κήπου, όπως ξεραμένα φυτά ή βρεγμένα ζιζάνια που έχετε ξεριζώσει πριν από μερικές ημέρες (τροφοδοτήστε εναλλάξ με κλαριά.)

Ο τεμαχιστής ΔΕΝ μπορεί να επεξεργαστεί τους ακόλουθους τύπους υλικών:

- Γυαλί, μέταλλο, πλαστικό, πέτρες, κεραμικά, κλαδιά πιο μεγάλου πάχους, σκληρά ξύλα, ξύλινες πλάκες μεγάλου πάχους, ύφασμα, πλαστικές σακούλες, ριζές με χρώμα.
- Απορρίμματα που είναι σχεδόν σε υγρή κατάσταση, π.χ. απορρίμματα της κουζίνας.

Λειτουργία: (Εικ. 8)

- Τροφοδοτήστε το υλικό στη χοάνη πλήρωσης από τη δεξιά πλευρά.
- Για κλαδιά, κλαράκια και ξύλο, τεμαχίστε τα αμέσως μόλις κοπούν. Μπορεί να γίνουν πολύ σκληρά καθώς στεγνώνουν.
- Αφαιρέστε τυχόν πλαινά βλαστάρια από τα κλαδιά εάν δεν είναι εύκολο να τα τροφοδοτήσετε.
- Απενεργοποιήστε το μοτέρ και αποσυνδέστε το μηχάνημα από την κεντρική ηλεκτρική τροφοδοσία πριν καθαρίσετε το άνοιγμα εκτίναξης.
- Μην αφήνετε το τεμαχισμένο υλικό να συσσωρευτεί στο άνοιγμα εκτίναξης. Διαφορετικά, αυτό το τεμαχισμένο υλικό μπορεί να φράξει το άνοιγμα εκτίναξης. Να αδειάζετε το καλάθι περισυλλογής τακτικά.
- Μην τροφοδοτείτε υλικό που είναι μεγαλύτερο από τη μέγιστη διάμετρο κλαριών που καθορίζεται στα Τεχνικά στοιχεία. Ανάλογα με τη φρεσκάδα και την κατάσταση του ξύλου, η μέγιστη διάμετρο κλαριών μπορεί να είναι μικρότερη.
- Ο τεμαχισμός υγρών αποβλήτων κήπου μπορεί να έχει ως αποτέλεσμα φράξιμο. Για την αποφυγή φραξίματος του μηχανήματος, τροφοδοτήστε αποβλήτα εναλλάξ με υλικό που περιέχει ξύλο.
- Το μαλακό υλικό ή τα βρεγμένα κλαριά μπορεί να σκιστούν αντί να κοπούν. Η φθαρμένη αντίστροφη λεπίδα μπορεί επίσης να προκαλέσει αυτό το πρόβλημα.
- Αν το μηχάνημα παρουσιάσει φράξιμο στο άνοιγμα εισόδου ή στο στόμιο εκφόρτισης, σβήστε το μοτέρ και αποσυνδέστε το από την πρίζα πριν καθαρίσετε τα υπολείμματα στο άνοιγμα εισόδου ή στο στόμιο εκφόρτισης. Διατηρήστε την ηλεκτρική παροχή χωρίς υπολείμματα και άλλες συσσωρεύσεις για να αποτρέψετε την πρόκληση ζημιάς στην ηλεκτρική παροχή ή την πρόκληση πιθανής πυρκαγιάς.

Ρύθμιση του διάκενου της λεπίδας (Εικ. 9)

Για αποτελεσματική λειτουργία, ρυθμίστε το διάκενο μεταξύ της αντίστροφης λεπίδας και του κυλίνδρου κοπής.

Ρύθμιση του διάκενου:

- Ανάψτε τη συσκευή.
- Περιστρέψτε αριστερόστροφα το κουμπί στερέωσης για να χαλαρώσετε το ρυθμιστικό κουμπί.
- Περιστρέψτε αργά το ρυθμιστικό κουμπί δεξιόστροφα για να τοποθετήσετε την αντίστροφη λεπίδα πιο κοντά στον κύλινδρο κοπής. Περιστρέψτε το μέχρι να πέφτουν λεπτά τεμάχια αλουμινίου από το άνοιγμα εκτίναξης.
- Περιστρέψτε δεξιόστροφα το κουμπί στερέωσης για να ασφαλίσετε το ρυθμιστικό κουμπί.

ΠΡΟΣΟΧΗ:

- Να βεβαιώνετε πάντοτε ότι το μηχάνημα είναι σβηστό και αποσυνδεδεμένο από το ηλεκτρικό ρεύμα πριν εκτελέσετε εργασίες επιθεώρησης ή συντήρησης.
- Να φοράτε προστατευτικά γάντια πριν εκτελέσετε εργασίες επιθεώρησης ή συντήρησης.
- Ο κόπτης δεν σταματάει αμέσως μετά την απενεργοποίηση. Περιμένετε μέχρι να σταματήσουν όλα τα μέρη πριν την εκτέλεση εργασιών συντήρησης.
- Βεβαιωθείτε ότι έχετε αφαιρέσει όλα τα εργαλεία μετά τις εργασίες συντήρησης.
- Μην χρησιμοποιείτε ποτέ βενζίνη, πετρελαϊκό αιθέρα, διαλυτικό, αλκοόλη ή παρόμοιες ουσίες. Ενδέχεται να προκληθεί αποχρωματισμός παραμόρφωση ή ρωγμές. Για να καθαρίσετε το μηχάνημα, χρησιμοποιήστε μόνο ένα υγρό πανί και μια μαλακή βούρτσα.
- Μην καθαρίζετε το μηχάνημα με λάστιχο νερού ή νερό υψηλής πίεσης.

Μετά από κάθε λειτουργία, εκτελέστε τις εξής εργασίες συντήρησης:

- Ελέγξτε εάν όλες οι βίδες κλειδώματος είναι σφιγμένες (σφίξτε εάν απαιτείται).
- Λιπάνετε τα μεταλλικά μέρη για να τα προστατεύσετε από τη διάβρωση.
- Διατηρείτε τα ανοίγματα καθαρά και χωρίς σκόνη.

Ο κύλινδρος κοπής και η αντίστροφη λεπίδα φθείρονται με το πέρασμα του χρόνου. Ζητήστε από το πλησιέστερο εξουσιοδοτημένο κέντρο σέρβις να σας τα αντικαταστήσει όταν είναι απαραίτητο.

ΑΝΤΙΜΕΤΩΠΙΣΗ ΠΡΟΒΛΗΜΑΤΩΝ

ΠΡΟΕΙΔΟΠΟΙΗΣΗ: Πριν από την επίλυση προβλημάτων, σβήστε το μηχάνημα, βγάλτε το φως του ηλεκτρικού καλωδίου από την πρίζα της κεντρικής ηλεκτρικής παροχής και περιμένετε μέχρι το μηχάνημα να σταματήσει τελείως.

Πρόβλημα	Πιθανή αιτία	Επίλυση
Το μοτέρ δεν ενεργοποιείται	Δεν υπάρχει παροχή ρεύματος	Ελέγξτε την κεντρική ηλεκτρική τροφοδοσία.
	Το καλώδιο κεντρικής τροφοδοσίας είναι ελαττωματικό	Ζητήστε από εξουσιοδοτημένο κέντρο σέρβις να σας κάνει έλεγχο.
	Η προστασία υπερφόρτωσης είναι ενεργοποιημένη	Περιμένετε μέχρι να κρυώσει το μηχάνημα και πατήστε το πράσινο κουμπί.
	Συσκευή αποσύνδεσης ασφάλειας του καλαθιού περισυλλογής (το καλάθι περισυλλογής είναι ξεκλειδωτό)	Ελέγξτε και ασφαλίστε το καλάθι περισυλλογής.
Το μοτέρ ακούγεται αλλά δεν ενεργοποιείται	Ο κύλινδρος κοπής είναι φραγμένος	Σβήστε τη συσκευή. Θέστε το διακόπτη εμπρός / αντιστροφής στην αντίστροφη κατεύθυνση. Ενεργοποιήστε το μηχάνημα μέχρι να καθαρίσει το φράξιμο. Σβήστε ξανά το μηχάνημα.
	Βλάβη πυκνωτή	Θέστε ξανά την κατεύθυνση της εμπρόσθιας περιστροφής. Φέρτε το μηχάνημα σε εξουσιοδοτημένο κέντρο σέρβις για επισκευή.
	Αντιστρέψτε την περιστροφή.	Σβήστε τη συσκευή και αλλάξτε την κατεύθυνση του διακόπτη επιλογής περιστροφής.
Το υλικό τεμαχισμού δεν αναρροφάται στον τεμαχιστή	Το υλικό τεμαχισμού έχει πιαστεί στην χοάνη πλήρωσης	Σβήστε τη συσκευή. Θέστε το διακόπτη εμπρός / αντιστροφής στην αντίστροφη κατεύθυνση. Ενεργοποιήστε τη συσκευή για να απελευθερώσετε το υλικό που θα τεμαχιστεί, αφαιρέστε τυχόν ξένα υλικά. Σβήστε ξανά τη συσκευή. Θέστε ξανά την κατεύθυνση της εμπρόσθιας περιστροφής.
	Το υλικό τεμαχισμού είναι πολύ μαλακό ή βρεγμένο	Σπρώξτε το προς τα κάτω με ένα κλαρί
	Φθαρμένος κύλινδρος κοπής	Ρυθμίστε την αντίστροφη λεπίδα όπως περιγράφεται στην παράγραφο «Ρύθμιση του διάκενου της λεπίδας». Εάν ο κύλινδρος κοπής είναι σημαντικά φθαρμένος, αντικαταστήστε τον.
	Η σταθερή αντίστροφη λεπίδα δεν είναι κατάλληλα ρυθμισμένη	Ρυθμίστε την αντίστροφη λεπίδα.
Η συσκευή ενεργοποιείται αλλά φράσσει ακόμη και με ελαφρύ φορτίο και απενεργοποιείται σύντομα από το προστατευτικό διακόπτη μοτέρ.	Το καλώδιο επέκτασης είναι πολύ μακρύ ή η διατομή είναι πολύ λεπτή. Η πρίζα είναι πολύ μακριά από την κεντρική ηλεκτρική παροχή ή η διατομή του καλωδίου κεντρικής τροφοδοσίας είναι πολύ λεπτή	Ελέγξτε ότι το καλώδιο επέκτασης έχει διατομή τουλάχιστον 1,5 mm ² , και μήκος 25 m το μέγιστο. Εάν χρησιμοποιείται καλώδιο με μεγαλύτερο μήκος, η ελάχιστη διατομή είναι 2,5 mm ² .

ΔΗΛΩΣΗ ΣΥΜΜΟΡΦΩΣΗΣ ΕΚ

Για τις ευρωπαϊκές χώρες μόνο

Η δήλωση συμμόρφωσης ΕΚ περιλαμβάνεται ως Παράρτημα Α σε αυτό το εγχειρίδιο οδηγιών.

UYARI: Bu aletin 8 yaş ve üzeri çocuklar ile fiziksel, duyuşsal ya da zihinsel yetenekleri kısıtlı olan veya deneyim ya da bilgileri olmayan kişiler tarafından kullanılması, ancak gözetim altında olmaları veya kendilerine aletin güvenli bir şekilde kullanılmasına yönelik talimatlar verilmesi ve bu aletin kullanımına ilişkin tehlikeleri anlamaları halinde mümkündür. Çocuklar aletle oynamamalıdır. Temizlik ve kullanıcı bakımları gözetimsiz olarak çocuklar tarafından yapılmamalıdır.

PARÇA ADLARI

1 Doldurma hunisi	7 Üst gövde	13 Doldurma tarafı
2 Güç anahtarı	8 Toplama sepeti	14 Vida
3 Tutamak	9 Ana gövde	15 Karşı bıçak
4 Güç kaynağı fiş	10 Ayarlama düğmesi	16 Bıçaklı silindir
5 Kilitleme kolu	11 Sabitleme düğmesi	
6 İleri / Geri anahtarı	12 Bıçak kapağı	

TEKNİK VERİLER

Model	UD2500
Adı	Elektrikli Öğütücü
Motor	AC-Motoru 230-240 V~50 Hz
Motor anma değeri P40	2.500 W
Motor anma değeri P1 S1	2.000 W
Bıçaklı silindirin dönüş hızı	40 dak ⁻¹
Güç anahtarı	aşırı yüklenme koruması; kesme ve ters işleme fonksiyonu, sıfır voltajda akım kesme özellikli
Ağırlık	27,6 kg
Maks. dal çapı (sadece yeni kesilmiş tahta)	Maks. 45 mm
Emniyet sınıfı	I
Koruma sınıfı	IP X4

GÜRÜLTÜ VERİLERİ

Ses basınç düzeyi	74,88 dB (A), K= 2,50 dB (A)
Operatörün kulak seviyesindeki ses basınç düzeyi	84,4 dB (A), K= 3 dB (A)
Ölçülen Ses Güç Seviyesi	93,49 dB (A), K= 3,97 dB (A)
Beklenen Ses Güç Seviyesi	97 dB (A)

Operatör için verilen ses yoğunluğu seviyeleri 80 dB (A) değerini aşabilir. Koruyucu kulaklık takın.

SEMBOLLER

Makinede kullanılan semboller aşağıda verilmiştir. Kullanmaya başlamadan önce bunların anlamlarını iyice anladığınızdan emin olun.



- El kitabını okuyun.



- Çok dikkatli kullanın.



- Servis, temizlik, bakım ve tamir işlemlerinden önce motoru kapatıp fişi çekin.



- Nesnelere yüksek bir hızda sıçrayabilir.



- Etrafınızdaki diğer kişileri ve hayvanları tehlikeli alandan uzak tutun.



- Tehlike — Dönen bıçaklar. Alet çalışırken ellerinizi veya ayaklarınızı deliklere yaklaştırmayın.



- Tehlike — Dönen bıçaklar. Alet çalışırken ellerinizi veya ayaklarınızı deliklere yaklaştırmayın.



- Koruyucu gözlük ve kulaklık takın.



- Koruyucu eldiven takın.



- Yağmura veya neme maruz bırakmayın.



- Daha az açıklık için düğmeyi saat yönünde çevirin / daha geniş bir açıklık için düğmeyi saatin aksi yönde çevirin



- Bıçağı değiştirmek veya bakım yapmak için bıçak kapağını açın.



- Makinenin tüm parçaları durana kadar bekleyin.



- Makineyi basamak olarak kullanmayın.



- Sadece AB ülkeleri için Elektrik donanımını ve akü kutusunu evsel atıklarla birlikte bertaraf etmeyiniz! Atık elektrik ve elektronik donanımlar ile ilgili 2002/96/AT sayılı Avrupa Direktifi ile atık pil ve akümülatörlerle ilgili 2006/66/AT sayılı Avrupa Direktifi ulusal yasalarda bu Direktifin uygulanmasına yönelik düzenlemeler uyarınca, elektrik donanımı ayrı olarak toplanıp tekrar kullanılmak üzere çevreye uyumlu bir yeniden işleme tesisine gönderilmelidir.

GÜVENLİK UYARILARI

KULLANMADAN ÖNCE DİKKATLİCE OKUYUN KULLANIM KILAVUZUNU İLERİDE BAŞVURMAK ÜZERE SAKLAYIN



Bu kullanım talimatlarını okudandıktan sonra makineyi kullanmaya başlamayın. Verilen tüm talimatlara uyun ve makineyi açıldığında gibi monte edin.

Makinenin kullanım amacı

- Bahçe öğütücüsü şu maddeleri öğütmek üzere tasarlanmıştır:
 - Makine kapasitesinin izin verdiği maksimum çapa kadar olan her tür dal (tahtanın türü ve durumuna bağlı olarak).
 - Çürümüş veya nemli ve birkaç gün beklemiş bahçe artıkları (Dallarla dönüşümlü olarak öğütün.)
- Bahçe öğütücüsü sadece bireysel kullanım içindir, ticari kullanım için tasarlanmamıştır. Halka açık alanlarda da kullanılmamalıdır.

220 V ila 250 V arası alçak gerilimli elektrik dağıtım şebekesi için öngörülüdür.

Elektrikli aleti açıp kapatma gerilimin dalgalanmasına yol açar. Elektrik tesisatı koşullarının yetersiz olduğu durumlarda aletin çalıştırılması, diğer aletlerin çalışmasını olumsuz etkileyebilir. Elektrik direncinin 0,45 Ohm'a eşit veya bu değerin altında olduğu durumlarda olumsuz bir etkinin yaşanmayacağı varsayılabilir. Aletin takılacağı elektrik prizinin yüksek tolerans özelliklerine sahip bir sigortayla korunması veya bir koruyucu devre kesicisiyle donatılmış olması gerekir.

Genel Talimatlar

- Makinenin kullanımını hakkında bilgi sahibi olmak için bu kullanım kılavuzunu okuyun. Yeterli bilgiye sahip olmayan kullanıcılar hatalı kullanımdan dolayı hem kendilerine hem de başkalarına zarar verebilirler.
- Makineyi deneyimli olduğundan emin olmadığınız kişilere ödünç vermeyin.
- Makineyi ödünç verirken, kullanım kılavuzunu da mutlaka verin.
- Elektrikli öğütücü fiziksel, duyuşsal ya da zihinsel yetenekleri kısıtlı olan veya deneyim ya da bilgileri olmayan kişiler tarafından kullanıma uygun değildir. Küçük çocuklar makineyle oynamamaları için gözetilmelidir. Çocukların bu cihazı kullanmasına izin vermeyin.
- Sadece fiziksel durumunuz iyiye kullanın. İşin sakın ve dikkatli bir şekilde yapın. Çalışma alanının çevresinde bulunan tüm kişilerin güvenliğinden ve oluşabilecek zararlardan kullanıcı sorumludur.
- Alkol veya ilaç aldıktan sonra ya da yorgun veya hasta hissettiğinizde bu makineyi kullanmayın.
- Makineyi bu talimatlara uygun olarak, çalışma koşulları ve uygulamaları göz önünde bulundurarak kullanın. Makinenin amacı dışında kullanılması tehlikeli durumlara sebep olabilir.
- Makine üzerinde ve akım kesme cihazı gibi güvenlik aygıtlarında değişiklik yapmayın. Bu, güvenliğinizi tehlikeye atabilir.
- Ulusal veya yerel düzenlemeler makinenin kullanımına sınırlandırmalar getirebilir.

- Aleti kullanırken tetikte olun. Ne yaptığınıza dikkat edin. Sağduyunuzu kullanın. Yorgunken makineyi kullanmayın.

Kişisel koruyucu ekipman

- İşe Uygun Giyinin. Giyilen kıyafet işlevsel ve uygun olmalı, çalışmanıza engel teşkil etmeyecek ölçüde dar olmalıdır. Makineye takılabilecek aksesuarlar ya da bol giysiler kullanmayın. Saçınız uzunsu saç kapatacak bir koruyucu örtü takın.
- İşitme kaybını önlemek için daima koruyucu kulaklık takın.
- Doldurma hunisinden sıçrayabilecek parçalardan gözlerinizi korumak için koruyucu gözlük takın.
- Parmakların yaralanmasını önlemek için koruyucu eldiven takın.
- Kuru dalları ya da yapraklı çitleri öğütürken aşırı miktarda toz olduğunda yüzünüze maske takın.
- Makineyi kullanırken, altı kaymayan sağlam ayakkabılar giyin. Bu, yaralanmaları önler ve sağlam basmanızı sağlar.

Çalışma alanı güvenliği

- Çocukların ve çevredeki kişilerin makineyi kullanırken uzakta bulunmalarını sağlayın.
- Makineyi yeterli genişlikteki bir alanda ve düz, sağlam bir zeminde kullanın. Makineyi duvarların veya diğer nesnelerin yakınında kullanmayın.
- Makineyi çabuk tutuşan sıvıların, gazların ya da tozların bulunduğu yerler gibi patlayıcı ortamlarda çalıştırmayın. Makine tozları ya da dumanları tutuşturabilecek kıvılcımlar çıkarır.
- Makineyi çakıllı veya stabilize malzemesi dökülmüş zeminde kullanmayın. Fırlayan malzeme yaralanmalara neden olabilir.
- Çalışma alanını temiz tutun ve iyi aydınlatın. Dağınık veya karanlık alanlar kazalara davetiye çıkarır.
- Makineyi yağmura ve ıslak koşullara maruz bırakmayın. Makinenin içine su girmesi elektrik şoku riskini artırır.

Makinenin başlatılması

- Fişi takmadan veya makineyi açmadan önce:
 - Vida, somun ve diğer tespit elemanlarının yerlerinde sıkı biçimde durup durmadığını kontrol edin.
 - Bütün koruyucu tertibatların, kapakların ve siperlerin takılı olup olmadıklarını ve çalışıp çalışmadıklarını kontrol edin.
 - Hasar görmüş ve okunmayan etiketleri yenileyin.
 - Doldurma hunisinin boş olduğundan emin olun.
 - Doldurma ve boşaltma ağızlarının düzgün bir şekilde koruma tertibatlarıyla güvenlik altına alındığından emin olun.
 - Makinenin tüm parçalarının düzgün çalışıp çalışmadığını ve kullanım amacını yerine getirip getirmediğini kontrol edin. Özellikle düğmenin normal çalışmaması durumunda makineyi kesinlikle kullanmayın.
- Güç kaynağı kablosu hasar görmüşse, Makita yetkili servis merkezinden isteyin, daima orijinal yedek parçalarla değişim yapın.

Elektrik güvenliği

⚠ UYARI:

- Bu alet I. Sınıf bir alettir. Toprak ucu olan bir prize bağlayın. Yanlış yapılan topraklama elektrik çarpmasına ve ölüme neden olabilir. Sadece üç uçlu topraklı tip fişi olan üç telli uzatma kabloları ve aletin fişine uyan üç kutuplu priz kullanın.
- Çalıştırma sırasında vücudunuzun toprak hattıyla (örn. boru, radyatör) temas etmesini önleyin.
- Sadece sıçrama korumalı konektörüne sahip, dışarıda kullanıma uygun IEC60245 (H07RN-F) uzatma kablosu kullanın. 25 m'ye kadar uzunluğa sahip kablolar için iletken kesiti en az 1,5 mm², 25 m'den fazla uzunluğa sahip kablolar için ise 2,5 mm² olmalıdır.
- Uzun ve ince kabloların kullanılması voltajın düşmesine neden olabilir. Bu durumda makinenin gücü azalır.
- Uzatma kablosu kullanırken, dolaşmadığından, ezilmediğinden veya bükülmediğinden ve fişin ıslanmadığından emin olun.
- Kablo makarası kullanırken, kabloyu makaradan tamamen açıp kullanın.
- Kordonu kötü kullanmayın. Makineyi taşımak, çekmek ya da fişten çekmek için asla kordonunu kullanmayın. Kordonu ısıdan, yağdan, keskin kenarlardan ya da hareketli parçalardan uzak tutun. Hasar görmüş ya da dolaşık kordonlar elektrik şoku riskini artırır.
- Uzatma kablosunun yalıtımında hasar olup olmadığını düzenli olarak kontrol edin. Hasar görmüşse yenisiyle değiştirin.
- Bağlantı kablosu hasar görmüşse, hemen fişten çekin. Hasar görmüş kablo akımlı kısımlarla temas edilmesine ve elektrik çarpmasına neden olabilir.
- Hasar görmüş kabloları asla kullanmayın.
- Makinenin fişini sadece test edilmiş elektrik devrelerindeki prizlere takın. Sistem voltajının anma değerleri plakasında yer alan değerlerle eşleşip eşleşmediğini kontrol edin.
- Koruma aygıtlarını asla kapatmayın ve devre dışı bırakmayın.
- Makineyi dışarıda kullanırken, daima 30 mA veya daha düşük bir sınır değere sahip bir kaçak akım rölesi (RCD) kullanın.

İşleyiş

- Yüzünüzü ve bedeninizi doldurma ağızından uzak tutun.
- Ellerinizin, bedeninizin diğer kısımlarının veya giysinizin doldurma ve boşaltma ağızına girmesine veya hareketli parçalara çok yaklaşmasına asla izin vermeyin. Ciddi yaralanmalara sebep olabilir.
- Fazla ıleriye uzanmaya çalışmayın. Her zaman yere sağlam basın ve dengeyi koruyun. Bu, beklenmedik durumlarda makineyi daha iyi kontrol etmenizi sağlar. Doldurma işlemi sırasında makinenin ayağından daha yüksekte durmayın.
- Çalışma sırasında boşaltma ağızı ile aranızdaki mesafeyi koruyun.
- Gürültü koruma ile ilgili bölgesel düzenlemelere uyun.
- Taş, metal parçası, şişeler veya başka yabancı cisimleri alete doldurmayın. Alete doldurduğunuz malzeme içinde bu yabancı cisimlerin olmamasına çok dikkat edin.

- Bıçak yabancı bir cisme çarpar veya makine titremeye ya da tuhaf sesler çıkarmaya başlarsa hemen motoru kapatıp fişi çekin. Ögütücüde bir hasar olup olmadığını kontrol edin ve gevşek parça varsa sıkılayın. Makineyi tamir etmesi için yetkili bir servis merkezine başvurun.
- İşlenen malzemenin boşaltma ağzında birikmemesine dikkat edin. Aksi takdirde doldurma ağzında geri tepme kuvveti oluşabilir.
- Şunları yapmadan önce motoru kapatıp fişi çekin:
 - Makineyi gözetimsiz olarak bırakırken
 - Tıkanmaları temizlemeden ya da arızaları gidermeden önce
 - Kontrol etmeden, temizlemeden ve makine üzerinde çalışmadan önce,
 - Herhangi bir ayarlama yapmadan, aksesuar değiştirmeden ya da aleti saklamadan önce
 - Makine titremeye ya da tuhaf sesler çıkarmaya başlarsa
 - Doldurma veya boşaltma ağzılarını temizlerken
 - Toplama sepetini takarken veya çıkarırken
 - Nakliye sırasında.
- Çalışma sırasında makineyi eğmeyin.
- Uzun bir malzemeyi yerleştirirken yeterli uzaklıkta durun. Geri fırlayarak yaralanmalara sebep olabilir.
- Doldurma hunisini takmadan kullanmayın.
- Makineyi zorlamayın. Tasarlandığı hızda kullanılması işin daha iyi ve daha güvenli yapılmasını sağlar. Sık sık aşırı yüklenme yapılması motorun hasar görmesine ve yangın çıkmasına neden olabilir.
- Doğru aleti kullanın. Aletleri amacı dışında kullanmayın. Aletin içine metal parçaları, camları, taşları, seramikleri, plastikleri, kalın dalları, sert tahtaları veya kalın tahta plakaları v.b. malzemeleri asla atmayın.

Bakım talimatları

- Makinenizin tamirini yetkili servis merkezimizde yaptırın ve daima orijinal yedek parçalar kullanın. Hatalı tamir işlemleri ya da yetersiz bakım makinenin ömrünü kısaltabilir ve kaza riskini artırabilir.
- Tamir, kontrol, ayarlama, saklama veya aksesuar değişimi yapmadan önce, aşağıdakileri yapın:
 - Güç kaynağını kapatın
 - Makinenin güç kaynağıyla olan bağlantısını kesin
 - Bütün hareketli parçaların tam olarak durduğundan emin olun
 - Makineyi soğumaya bırakın.
- Makinede hasar olup olmadığını dikkatlice kontrol edin:
 - Güvenlik aygıtlarının amaçlanan işlevlerini doğru bir şekilde yerine getirip getirmediğini kontrol edin
 - Hareketli parçaların tamamının düzgün ve gerektiği şekilde çalışıp çalışmadığını kontrol edin
 - Tüm parçaların hasarsız olup olmadığını ve düzgün bir şekilde takılıp takılmadıklarını kontrol edin
 - Hasarlı bir parça varsa yetkili servis merkezimize başvurarak tamir ettirin veya yenisiyle değiştirin.
- Kesicinin bakımı sırasında çok dikkatli olun. Koruma işlevlerinin akımı kesme özelliğine rağmen kesici hareket edebilir.
- Aleti suyla temizlemeyin. Aletin suyla temizlenmesi elektrik çarpmasına neden olabilir.

- Bakım veya montaj sırasında parmaklarını yaralanmasını önlemek için koruyucu eldiven takın.
- Bu kullanım kılavuzunda açıklananın dışında bir bakım veya tamir işlemi gerçekleştirmeyin. Diğer tüm işlemler Makita yetkili servis merkezinde gerçekleştirilmelidir.
- Sadece makineniz için tasarlanmış orijinal Makita yedek parça ve aksesuarları kullanın. Aksi takdirde kişisel yaralanmalar veya makine üzerinde hasar meydana gelebilir.
- Makineyi kuru bir yerde saklayın. Çocukların ulaşamayacağı yerlerde saklayın. Makineyi dışarıda saklamayın.

MONTAJ

⚠ DİKKAT:

- Makine üzerinde herhangi bir iş yapmadan önce aletin kapalı ve fişinin çekili olduğundan daima emin olun.
1. Üst gövdeyi düz bir zemin üzerine baş aşağı yerleştirin. Ardından ana gövdeyi onun üzerine koyun. Parçanın yönüne dikkat edin. (**Şek. 2**)
 2. Vidaları sıkarak her parçayı sıkılayın. Tamamen sabit olduğundan emin olun. (**Şek. 3**)
 3. Stoperleri vida ile takın. İyice sıkıştırıldıklarından emin olun. (**Şek. 4**)
 4. Tekerlekleri şu şekilde takın: (**Şek. 5**)
 - Mili tekerleklerden birine takın.
 - Mili ayaktaki deliklerden geçirin.
 - Pimi mil üzerindeki delikten geçirerek diğer tekerleği mile takın. Pimi bükerek tekerleği sıkılayın.
 - Kapakları tekerleklerin üzerine takın.
 5. Toplama sepetini takın. Ardından, kilitleme kolunu kaldırın. (**Şek. 6**)

İŞLEVSEL AÇIKLAMALAR

⚠ UYARI:

Makineyi fişe takmadan önce, makinenin çalıştırma anahtarının kapalı olduğundan mutlaka emin olun. Çalıştırma anahtarı açıkken makine fişe takılırsa makinenin beklenmedik şekilde çalışmaya başlaması ciddi kişisel yaralanmalara neden olabilir.

Güç Anahtarı (Şek. 7)

⚠ DİKKAT:

Anahtar makineyi açıp kapamıyorsa makineyi kullanmayın. Arızalı anahtarları Makita yetkili servis merkezinde değiştirin. Makineyi çalıştırmak için, yeşil düğmeyi itin. Makineyi kapatmak için, kırmızı düğmeyi itin.

LED lamba

LED lamba makinenin durumunu aşağıda açıkladığı şekilde belirtir:

KIRMIZI renk: Makine güç kaynağına bağlı ve çalıştırma anahtarı kapalı konumunda olduğunda.

YEŞİL renk: Makine açık konumunda olduğunda. Sürekli olarak **yanıp sönen YEŞİL** renk: Makine çalıştırma sırasında tıkanmış olduğunda.

Yanıp sönen KIRMIZI renk: Makine otomatik olarak düzelmediğinde. Bu durumda problemi manüel olarak gidirin.

İstenmeyen yeniden başlatma koruması

Elektrik arızası yaşandığında makine otomatik olarak kapanır. Yeniden başlatmak için, yeşil düğmeye yeniden basılır.

Aşırı yük koruması

Motor bir aşırı yük koruması ile donatılmıştır. Aşırı yüklenildiğinde, makine şu şekilde hareket eder:

- Bıçak iki - üç saniye için geri yönde dönerek öğütülen malzemeyi geri atmaya çalışır.
- Bıçak tekrar ileri doğru çalışır.
- Üç girişimin ardından malzeme hala tıkanıklığa yol açıyorsa, makine durur ve LED lamba kırmızı renkte yanıp sönmeye başlar.

Bu durumda aşağıdaki adımları yerine getirin:

- Makineyi kapatın.
- Bıçaklar tamamen durana kadar bekleyin.
- Tıkanıklığa yol açan malzemeyi çıkarın.
- 5 dakika beledikten sonra öğütücüyü tekrar çalıştırın ve içine daha kolay öğütülebilecek malzemeler atın.
- Bu bekleme süresinin ardından makineyi çalıştıramazsanız, "Sorun giderme" bölümüne bakın.

İleri / Geri anahtarı

⚠ DİKKAT:

İleri / geri anahtarını kullanmadan önce öğütücüyü kapatın.

↕ konumu

Bıçak ileri yönde hareket eder.

↕ konumu

Bıçak sıkışan malzemeyi çıkarabilmek için geri yönde hareket eder.

Çalışma yönünü ↕ (geri) konumuna getirdiğinizde, bıçakları döndürmek için güç anahtarının yeşil düğmesine sürekli olarak basın. Güç anahtarına basmayı bıraktığınızda öğütücü otomatik olarak durur.

NOT:

• Büyük bir nesneyi öğütmek için ileri ve geri hareket işlemlerinin birkaç kez tekrar edilmesi gerekebilir.

⚠ DİKKAT:

- Kazaları önlemek için, sıkışan nesnelere çıkarırken daima bir kanca veya sopa kullanın.
- Yeniden başlatmadan önce daima öğütücünün tamamen durmasını bekleyin.

Toplama sepeti

⚠ DİKKAT:

- Toplama torbasını takmadan veya çıkarmadan önce aleti kapatın ve fişini çekin.
- Güvenli işleyiş için, akım kesme özelliğinin işlevselliğini iki saatte bir kontrol edin.
- Koruma sisteminin akım kesme özelliğini devreden çıkarmayı hiçbir zaman denemeyin.

Kilitleme kolu:

Üst konum → Toplama sepeti kilitlidir.

Alt konum → Toplama sepetinin kilidi açıktır.

Cihaz güvenlik nedeniyle çalışmaz.

Kilitleme kolu açık konumdaysa makine çalışmaz. Çalışma sırasında toplama sepetinin kilidi açılırsa makine otomatik olarak durur.

Bıçak kapağı

⚠ DİKKAT:

- Bıçak kapağını açmadan önce makinenin kapalı ve fişinin çekili olduğundan daima emin olun.
- Bıçak kapağını açmadan önce koruyucu eldiven takın.
- Makine kapatıldıktan sonra kesici hemen durmaz. Tüm parçalar durana kadar bekleyin.

Üst gövde içinde malzeme kötü bir şekilde sıkışırsa, bıçak kapağını açarak sıkışan malzemeyi çıkarın.

KULLANIM

Makinenin montajı:

- Düz, yatay bir yüzey üzerine. Makineyi çakıllı veya stabilize malzemesi dökülmüş zemine koymayın.
- Duvarlara veya diğer nesnelere güvenli bir mesafede (en az 2 m) kullanın.

Başlamadan önce, şunlardan emin olun:

- Bağlantı kablolarının hasarlı olmadığından. Kesik ya da yırtık varsa, çalışmayı durdurun ve kabloyu hemen değiştirin.
- Makinede hiçbir hasar olmadığından ve tüm vidaların sıkı olduğundan.
- Makinenin tam olarak ve doğru bir şekilde monte edilmiş olduğundan.

Şebeke bağlantısını kontrol edin:

- Şebeke voltajının anma voltajı plakasında yazan değere uygun olduğundan ve makinenin düzgün bir şekilde topraklandığından emin olun.
- Sadece uygun iletken kesiti değerine sahip uzatma kablolarını kullanın.

Öğütücünün işleyebildiği malzemeler

Öğütücü aşağıdaki malzeme türlerini işleyebilir:

- Tahtanın türü ve durumuna bağlı olarak, makine kapasitesinin izin verdiği maksimum çapa kadar olan her tür dal.
- Çürümüş veya nemli ve birkaç gün beklemiş bahçe artıkları (Dallarla dönüşümlü olarak öğütün.)
- Öğütücü aşağıdaki malzeme türlerini İŞLEYEMEZ:
 - Cam, metal, plastik, taş, seramik, kalın dallar, sert tahtalar, kalın ahşap tabakalar, kumaş, plastik poşet, topraklı kökler.
 - Neredeyse sıvı durumdaki çöpler, örn. mutfak artıkları.

Kullanım: (Şek. 8)

- Malzemeleri sağ taraftan doldurma hunisinin içine atın.
- Dal, çalı ve odun parçalarını kesildikten hemen sonra öğütün. Bu malzemeler kurudukça sertleşebilir.
- Makinenin içine atılmasını zorlaştırıyorsa dallardaki yan budakları kesin.
- Boşaltma ağızını temizlemeden önce motoru kapatın ve makinenin şebeke hattıyla olan bağlantısını kesin.
- İşlenen malzemenin boşaltma ağızında birikmemesine dikkat edin. Aksi takdirde, öğütülen malzemeler boşaltma ağızını tıkayabilir. Toplama sepetini düzenli aralıklarla boşaltın.
- Teknik verilerde belirtilen maksimum dal çapından daha büyük malzemeleri makinenin içine atmayın. Tahtanın tazeliliğine ve koşullarına bağlı olarak, işlenebilen maksimum dal çapı daha küçük olabilir.
- Islak bahçe artıklarını öğütmek tıkanmaya sebep olabilir. Makinenin tıkanmasını önlemek için, atıklarla tahta malzemeleri dönüşümlü olarak öğütün.

- Yumuşak malzemeler ve ıslak dallar kesilmek yerine yırtılabilir. Aşınmış bir karşı bıçak da bu soruna neden olabilir.
- Makinenin doldurma ağızı ya da deşarj oluğu tıkanırsa, doldurma ağızı ya da deşarj oluğundaki kalıntıları gidermeden önce motoru kapatın ve makineyi fişten çekin. Güç kaynağında hasar oluşmasını ve yangın olasılığını önlemek için, güç kaynağındaki kalıntıları ve diğer maddeleri temizleyin.

Bıçak açıklığının ayarlanması (Şek. 9)

Daha verimli bir çalışma için, karşı bıçak ile bıçaklı silindir arasındaki açıklığı ayarlayın.

Açıklığın ayarlanması:

- Makineyi çalıştırın.
- Ayarlama düğmesini serbest bırakmak için sabitleme düğmesini saatin aksi yönde çevirin.
- Karşı bıçağı bıçaklı silindire yaklaştırmak için ayarlama düğmesini yavaşça saat yönünde döndürün. Boşaltma ağızından ince alüminyum parçacıklar düşene kadar döndürün.
- Ayarlama düğmesini kilitlemek için sabitleme düğmesini saat yönünde çevirin.

BAKIM

⚠ DİKKAT:

- Kontrol veya bakım yapmadan önce makinenin kapalı ve fişinin çekili olduğundan daima emin olun.
- Kontrol veya bakım işlemi yapmadan önce koruyucu eldiven takın.
- Makine kapatıldıktan sonra kesici hemen durmaz. Herhangi bir bakım işlemi yapmadan önce tüm parçalar durana kadar bekleyin.
- Bakım işleminden sonra tüm aletlerin kaldırıldığından emin olun.
- Benzin, tiner, alkol ve benzeri maddeleri kesinlikle kullanmayın. Renk değişimi, deformasyon veya çatlaklar oluşabilir. Makineyi temizlemek için, sadece nemli bez ve yumuşak fırça kullanın.
- Makineyi yüksek basınçlı suyla yıkamayın ve temizlemeyin.

Her çalışmadan sonra aşağıdaki bakım işlemlerini yerine getirin:

- Tüm kilitleme vidalarının sıkı olup olmadığını kontrol edin (gerekirse sıkılayın).
- Metal parçaları korozyona karşı korumak için yağlayın.
- Havalandırma deliklerini temiz tutun ve tozlanmasına izin vermeyin.

Bıçaklı silindir ve karşı bıçak zamanla aşınır. Gerekliğinde, değişim için en yakınınızdaki yetkili servis merkezine danışın.

SORUN GİDERME

UYARI: Sorunları çözmeden önce, makineyi kapatın, fişi prizden çekin ve makine tamamen durana kadar bekleyin.

Sorun	Olası nedeni	Çözüm
Motor çalışmıyor	Güç kaynağı yok	Şebeke hattını kontrol edin.
	Şebeke kablosu hasarlı	Yerel yetkili servis merkezinden kontrol etmelerini isteyin.
	Aşırı yük koruması etkin	Makine soğuyana kadar bekleyin ve yeşil düğmeye basın.
	Toplama sepetinin otomatik emniyet şalteri (Toplama sepeti kilitleli değil)	Toplama sepetini kontrol edin ve kilitleyin.
Motordan ses geliyor fakat başlatılmıyor	Bıçaklı silindir bloke olmuş	Makineyi kapatın. İleri/geri anahtarını geri konumuna getirin. Tıkanma açılana kadar makineyi çalıştırın. Makineyi tekrar kapatın. Dönüş yönünü tekrar ileri konuma getirin.
	Kapasitör arızası	Makineyi tamir ettirmek için yetkili servis merkezine getirin.
Öğütülen malzeme öğütücünün içine girmiyor	Dönüş yönü geri konuma ayarlanmış.	Makineyi kapatın ve dönüş yönünü seçme anahtarıyla değiştirin.
	Öğütülecek malzeme doldurma hunisine sıkışmıştır	Makineyi kapatın. İleri/geri anahtarını geri konumuna getirin. Öğütülen malzemenin sıkıştığı yerden çıkması ve herhangi bir yabancı maddenin atılması için makineyi çalıştırın. Makineyi tekrar kapatın. Dönüş yönünü tekrar ileri konuma getirin.
	Öğütülen malzeme çok yumuşak ya da ıslak	Bir dal yardımıyla aşağı doğru itin
Öğütülen malzeme düzgün bir biçimde kesilmiyor.	Sabit karşı bıçak düzgün şekilde ayarlanmamıştır	Sabit karşı bıçağı "Bıçak açıklığının ayarlanması" bölümünde anlatıldığı şekilde ayarlayın. Bıçaklı silindir ciddi şekilde aşınmışsa, yenisiyle değiştirin.
	Makine çalışmaya başlıyor fakat en küçük bir yükte bloke oluyor ve koruyucu motor şalteri ile kapatılıyor.	Uzatma kablosu çok uzun veya iletken kesiti çok ince. Priz şebeke hattından çok uzakta veya şebeke kablosunun iletken kesiti çok ince.

AT UYGUNLUK BEYANI

Sadece Avrupa ülkeleri için
AT uygunluk beyanı bu kullanım kılavuzuna Ek A olarak eklenmiştir.

WARNING: Den här apparaten kan användas av barn över 8 år och personer med fysisk eller psykisk funktionsnedsättning eller nedsatt sinnesförmåga, eller som saknar erfarenhet och kunskap, under förutsättning att de har fått handledning eller instruktioner i hur apparaten används på ett säkert sätt och förstår riskerna som medföljer användningen. Barn får inte leka med apparaten. Rengöring och användarunderhåll får inte utföras av barn utan översikt.

DEL BETECKNING

1 Inmatningsträtt	7 Övre kåpa	13 Inmatningssida
2 Strömbrytare	8 Uppsamlingsbehållare	14 Skruv
3 Handtag	9 Underrede	15 Knivblad
4 Nätkontakt	10 Justeringsvred	16 Skär cylindern
5 Låsreglage	11 Låsvred	
6 Framåt/bakåt-knapp	12 Skyddskåpa för bladet	

TEKNISKA DATA

Modell	UD2500
Namn	Elektrisk kompostkvarn
Motor	AC-Motor 230-240 V~50 Hz
Motoreffekt P40	2 500 W
Motoreffekt P1 S1	2 000 W
Skär cylinderns rotationshastighet	40 min ⁻¹
Strömbrytare med	överbelastningsskydd; matning och omvänd körning, nollspänningsutlösare
Vikt	27,6 kg
Max. grendiameter (endast för färskt, nyskuret trä)	Max. 45 mm
Säkerhetsklass	I
Skyddsklass	IP X4

LJUDDATA

Ljudtrycksnivå	74,88 dB (A), K= 2,50 dB (A)
Viktad ljudeffektnivå	84,4 dB (A), K= 3 dB (A)
Uppmätt ljudeffektnivå	93,49 dB (A), K= 3,97 dB (A)
Garanterad ljudeffektnivå	97 dB (A)

Ljudnivån för användaren kan överstiga 80 dB (A). Använd hörselskydd.

SYMBOLER

Följande symboler används för den här maskinen. Se till att du förstår symbolernas innebörd innan du använder den.



- Läs bruksanvisningen.



- Var särskilt försiktig och uppmärksam.



- Stäng av motorn och dra ut kontakten innan du utför service, rengöring, underhåll eller reparation.



- Föremål kan slungas ut med hög hastighet.



- Håll andra personer och husdjur på avstånd från riskområdet.



- Fara – Roterande blad. Håll händer och fötter borta från öppningar medan maskinen är igång.



- Fara – Roterande blad. Håll händer och fötter borta från öppningar medan maskinen är igång.



- Använd ögon- och öronskydd.



- Använd skyddshandskar.



- Utsätt inte för regn eller fukt.



- Vrid vredet medurs för närmare avstånd / vrid vredet moturs för längre avstånd



- Öppna skyddskåpan för bladet när du byter ut bladet eller vid reparation.



- Vänta tills alla delar i maskinen har stannat helt.



- Stå inte på maskinen och använd den inte som steg.



- Endast för EU-länder
Släng inte elektrisk utrustning eller batterier tillsammans med hushållsoppor! I enlighet med det europeiska direktivet 2002/96/EG om avfall som utgörs av elektrisk eller elektronisk utrustning samt 2006/66/EG om batterier och ackumulatörer och förbrukade batterier och ackumulatörer och uppfyllandet av dessa i enlighet med nationella lagar, måste utjänt elektrisk utrustning och utjänta batterier samlas in separat och återlämnas till en miljöstation.

SÄKERHETSVARNINGAR

LÄS NOGGRANT FÖRE ANVÄNDNING BEHÅLL BRUKSANVISNINGEN FÖR FRAMTIDA BRUK



Börja inte använda maskinen förrän du har läst den här bruksanvisningen. Observera alla anvisningar och montera maskinen enligt beskrivningen.

Maskinens avsedda användning

- Kompostkvarnen är endast avsedd för finfördelning av följande:
 - Alla typer av grenar upp till den maximala diametern för maskinens kapacitet (beroende på träets typ och skick)
 - Trädgårdsavfall som vissna planter eller fuktigt ogräs som har legat några dagar (Mata in väx-elvis med grenar.)
- Kompostkvarnen är endast avsedd för privatbruk och inte för kommersiellt bruk. Använd den inte heller på offentliga platser.

Avsedd för elnät med 220 - 250 V.

Att starta och stänga av elektriska apparater medför spänningsfluktuationer. Om denna maskin används under ogynnsamma förhållanden kan funktioner hos annan utrustning påverkas negativt. I elnät med ett motstånd på högst 0,45 Ohm är det rimligt att anta att negativa effekter inte förekommer. Näuttaget för den här enheten måste vara försett med trög säkring eller skydds brytare.

Allmänna anvisningar

- Läs den här bruksanvisningen så att du lär dig hur du ska hantera maskinen. Användare som inte är tillräckligt informerade riskerar att utsätta sig själva och andra personer för fara till följd av felaktig hantering.
- Låna inte ut maskinen till personer som du inte vet med säkerhet kan hantera den.
- Bifoga alltid den här bruksanvisningen när du lånar ut maskinen.
- Kompostkvarnen är inte avsedd att användas av personer med fysisk eller psykisk funktionsnedsättning eller nedsatt sinnesförmåga, eller som saknar erfarenhet och kunskap. Håll uppsikt över barn så att de inte leker med maskinen. Låt inte barn använda den här utrustningen.
- Använd endast maskinen om du är i fullgott fysiskt skick. Utför allt arbete lugnt och med försiktighet. Användaren ansvarar för säkerheten för personer och skador omkring användningsområdet.
- Använd aldrig maskinen om du har brukat alkohol eller droger eller om du känner dig trött eller sjuk.
- Använd maskinen i enlighet med dessa anvisningar och ta hänsyn till arbetsförhållanden och omständigheter. Oavsedd användning av maskinen kan leda till en riskfylld situation.
- Gör aldrig några ändringar på maskinen, inklusive anordningar som spärrlåset eller liknande. Detta kan riskera din säkerhet.
- Hanteringen av maskinen kan begränsas av nationella eller lokala regler och föreskrifter.
- Var uppmärksam. Håll uppsikt över vad du gör. Använd sunt förnuft. Använd inte maskinen när du är trött.

Personlig skyddsutrustning

- Klä dig på ett lämpligt sätt. Kläderna ska vara funktionella och lämpliga, d.v.s. åtsittande men utan att vara hindrande. Använd inte smycken eller kläder som kan snärjas in i maskinen. Använd täckande hårskydd om du har långt hår.
- Använd alltid hörselskydd för att inte skada din hörsel.
- Använd skyddsglasögon för att skydda ögonen mot flis och splitter som kan slungas ut från inmatningstratten.
- Använd skyddshandskar för att förhindra att fingrarna skadas.
- Använd ansiktsskydd vid arbete som ger mycket damm, till exempel vid finfördelning av torra kvistar och häckar med löv.
- Använd alltid kraftiga skor med halkfri sula när du använder maskinen. Detta skyddar mot skador och ger bra fotfäste.

Säkerhet på arbetsplatsen

- Håll barn och andra personer på avstånd när du använder maskinen.
- Använd maskinen på en öppen plats med stadig och jämn yta. Använd inte maskinen i närheten av en vägg eller andra föremål.
- Använd inte maskinen i explosiva miljöer, till exempel i närheten av lättantändliga vätskor, gaser eller stoft av något slag. Maskinen kan skapa gnistor som kan antända stoffet eller ögorna.
- Använd inte maskinen på en stenlagd eller gruslagd yta där utslungat material kan orsaka skador.
- Se till att arbetsplatsen är ren och väl upplyst. Olyckor kan lätt ske på stökiga eller mörka platser.
- Utsätt inte maskinen för regn eller väta. Vatten som tränger in i maskinen kan öka risken för elektriska stötar.

Starta maskinen

- Innan du ansluter kontakten eller slår på maskinen:
 - Kontrollera att alla skruvar, muttrar och andra fästaneländningar sitter säkert.
 - Kontrollera att skyddsanordningar, kåpor och skärmar sitter på plats och är i gott skick.
 - Ersätt skadade eller oläsbara etiketter.
 - Se till att inmatningstratten är tom.
 - Se till att inmatnings- och utloppsöppningen är ordentligt skyddade.
 - Kontrollera maskinens alla delar noggrant för att avgöra om de fungerar ordentligt och enligt den avsedda funktionen. Använd framförallt aldrig maskinen om strömbrytaren inte fungerar normalt.
- Om nåttsladden är skadad vänder du dig till ett Makita- auktoriserat servicecenter som endast använder äkta reservdelar för att ersätta den.

Elssäkerhet

VARNING:

- Den här apparaten är en Klass I-apparat. Anslut till ett jordat nätuttag. Felaktig jordning kan orsaka elektriska stötar och dödsfall. Använd endast förlängningskabel med tre ledare och jordade stickproppar samt jordade uttag som maskinens kontakt passar till.
- Undvik kroppskontakt med jordade ytor (t.ex. rör eller radiatorer) under användning.

- Använd endast en förlängningskabel av typen IEC60245 (H07RN-F) för utomhusanvändning med stänkskyddad kontakt. Tvärsnittet måste vara minst 1,5 mm² för kablar upp till 25 m och 2,5 mm² för kablar över 25 m.
- Spänningsfall kan inträffa om en lång och tunn kabel används. Om detta inträffar kan maskinens effektivitet försämrars.
- Om du använder en förlängningskabel ska du se till att den inte ligger i vägen och inte pressas eller böjs och att kontakten inte blir våt.
- Om du använder en kabelvinda måste kabeln lindas av helt från vindan.
- Använd inte sladden på ett felaktigt sätt. Använd aldrig sladden för att bära, dra eller koppla loss maskinen från eluttaget. Håll sladden borta från värme, olja, skarpa kanter eller rörliga delar. Skadade eller trassliga sladdar kan öka risken för elektriska stötar.
- Kontrollera förlängningskabeln regelbundet så att inte isoleringen har skadats. Ersätt den om den är skadad.
- Om anslutningskabeln skadas ska du dra ut strömkontakten omedelbart. En skadad kabel kan komma i kontakt med strömförande delar och orsaka elektriska stötar.
- Använd aldrig skadade kablar.
- Koppla endast in maskinen i uttag med testade elektriska kretsar. Kontrollera att systemspänningen överensstämmer med spänningen på märkplåten.
- Deaktivera eller förbikoppla aldrig skyddsanordningarna.
- När maskinen används utomhus ska du alltid använda en jordfelsbrytare med en felström på 30 mA eller lägre.

Användning

- Håll ansiktet och kroppen på avstånd från inmatningsöppningen.
- Låt aldrig händer eller andra delar av kroppen eller kläder hamna inuti inmatnings- eller utloppsöppningen eller i närheten av rörliga delar. Det kan leda till allvarliga skador.
- Sträck dig inte för långt. Stå alltid med bra fotfäste och balans. Det ger dig bättre kontroll över maskinen i oväntade situationer. Stå inte på en plats som är högre än maskinens bas när du matar in material i den.
- Håll alltid avstånd till utloppsöppningen under användning.
- Observera regionala föreskrifter för ljudnivåer och bullerskydd.
- Mata inte in stenar, metalldelar, flaskor eller annat främmande material. Se till att du inte matar in några främmande föremål av misstag under inmatningen.
- Stäng av motorn omedelbart och dra ut kontakten om bladet träffar ett främmande föremål eller om maskinen börjar vibrera eller låta ovanligt. Kontrollera att kvarnen inte är skadad och dra åt eventuella lösa delar. Be ett auktoriserat servicecenter reparera maskinen.
- Låt inte det bearbetade materialet ansamlas i utloppsöppningen. Det kan leda till att materialet slungas ut igen från inmatningsöppningen.
- Stäng av motorn och dra ut kontakten innan:
 - Varje gång du lämnar maskinen utan uppsikt
 - Innan du åtgärdar grenar som fastnat eller något annat fel

MONTERING

⚠ VAR FÖRSIKTIG:

- Se alltid till att maskinen är avstängd och kontakten utdragen innan något arbete utförs på maskinen.

1. Placera den övre kåpan upp och ned på ett plant golv. Montera sedan underredet på den. Se till att delen monteras i rätt riktning. (Fig. 2)
2. Dra åt skruvarna så att alla delar sitter ordentligt. Se till att de är helt stadiga och stabila. (Fig. 3)
3. Fäst fötterna med skruvarna. Se till att de är ordentligt åtdragna. (Fig. 4)
4. Fäst hjulen enligt följande: (Fig. 5)
 - Fäst axeln på ett av hjulen.
 - För axeln genom hålen på benet.
 - Fäst det andra hjulet på axeln genom att föra in sprinten genom hålet på axeln. Fäst hjulet genom att böja sprinten.
 - Sätt fast kapslarna på hjulen.
5. Montera uppsamlingsbehållaren. Och dra sedan upp låsreglaget. (Fig. 6)

FUNKTIONSBSKRIVNING

⚠ WARNING:

Se till att maskinen är avstängd innan du kopplar in den. Om du kopplar in maskinen med strömbrytaren på kan det orsaka en oavsiktlig start, vilket kan leda till allvariga personskador.

Strömbrytare (Fig. 7)

⚠ VAR FÖRSIKTIG:

Använd inte maskinen om det inte går att starta och stänga av den med strömbrytaren. Ersätt defekta strömbrytare hos ett Makita-auktoriserat servicecenter. Tryck på den gröna knappen för att starta maskinen. Tryck på den röda knappen för att stänga av maskinen.

LED-lampa

LED-lampan indikerar maskinens status på följande sätt:
RÖD färg: När maskinen är ansluten till nätuttaget och maskinen är avstängd.

GRÖN färg: När maskinen är påslagen.

Blinkande GRÖN färg konstant: När det har uppstått ett stopp i maskinen under användning.

Blinkande RÖD färg: När maskinen inte kan återuppta arbetet automatiskt. Åtgärda problemet manuellt när detta inträffar.

Skydd mot oavsiktlig omstart

Maskinen stängs av automatiskt om ett elavbrott skulle inträffa. Starta om den genom att trycka på den gröna knappen igen.

Överbelastningsskydd

Motorn är utrustad med ett överbelastningsskydd. När maskinen överbelastas agerar den på följande sätt:

- Bladet körs baklänges under två till tre sekunder för att försöka putta ut det inmatade materialet.
- Sedan körs bladet framlänges igen.
- Om materialet fortfarande sitter fast efter tre sådana försök stannar maskinen och LED-lampan blinkar rött.

- Innan du kontrollerar, rengör eller arbetar på maskinen
- Innan du gör några justeringar, byter tillbehörsdelar eller förvarar maskinen
- Varje gång maskinen börjar vibrera eller låta ovanligt
 - Rensar inmatnings- och utloppsöppningen
 - Monterar eller tar bort uppsamlingsbehållaren
 - Transporterar maskinen.
- Luta inte maskinen under användning.
- Håll ordentligt avstånd när du lägger in långt material. Det kan slungas tillbaka och orsaka personskada.
- Använd inte utan inmatningstratten.
- Forcera inte maskinen. Den gör jobbet bättre och säkrare vid den frekvens som den har utformats för. Frekvent överbelastning kan leda till motorskador eller brand.
- Använd maskinen rätt. Använd inte maskinen för syften som den inte är avsedd för. Försök aldrig mata in metalldelar, glas, stenar, keramik, plast, tjockare grenar, hårda träslag eller tjocka träskivor m.m.

Anvisningar för underhåll

- Lämna in maskinen på service hos ett auktoriserat servicecenter som endast använder äkta reservdelar. Felaktiga reparationer och dåligt underhåll kan förkorta maskinens livstid och öka risken för olyckor.
- Följ anvisningarna nedan innan du utför service, kontroll, justering, förvaring eller byter tillbehörsdelar:
 - Stäng av strömkällan
 - Koppla från maskinen från nätuttaget
 - Se till att alla rörliga delar har stannat fullständigt
 - Låt maskinen svalna.
- Kontrollera maskinen så att den inte är skadad:
 - Att säkerhetsanordningar fungerar ordentligt enligt den avsedda funktionen
 - Att alla rörliga delar fungerar som de ska och rör sig fritt
 - Att alla delar är oskadade och ordentligt monterade
 - Ersätt eller reparera eventuellt skadade delar genom vårt auktoriserade servicecenter.
- Var extremt försiktig när du underhåller skär cylindern. Skär cylindern kan röra sig manuellt även om spärrlåset är låst via skyddsfunktionerna.
- Rengör inte enheten med vatten. Det kan orsaka elektriska stötar.
- Använd skyddshandskar vid underhåll eller montering för att förhindra att fingrarna skadas.
- Utför inte annan typ av underhåll eller reparation än vad som beskrivs i den här bruksanvisningen. Allt annat arbete måste utföras av ett Makita-auktoriserat servicecenter.
- Använd endast reservdelar och tillbehör i original från Makita som är avsedda för den här maskinen. Det kan annars leda till personskador eller skador på maskinen.
- Förvara maskinen i ett torrt rum. Förvara utom räckhåll för barn. Förvara aldrig maskinen utomhus.

När det händer följer du anvisningarna nedan:

- Stäng av maskinen.
- Vänta tills bladen har stannat helt.
- Ta bort det material som sitter fast.
- Starta kvarnen igen efter cirka 5 minuter och mata in mer lättfördelat material.
- Om det inte går att starta maskinen efter den här väntetiden går du till avsnittet "Felsökning".

Framåt/bakåt-knapp

⚠ VAR FÖRSIKTIG:

Stäng av kvarnen innan du använder framåt/bakåt-knappen.

Position ⇅

Bladen roterar i framlänges riktning.

Position ⇅

Bladen roterar i omvänd riktning för att lösgöra material som fastnat.

När du ändrar riktningen till ⇅ (omvänd) håller du in den gröna strömbrytarknappen för att rotera bladen. Kvarnen stannar automatiskt när du släpper strömbrytaren.

OBS:

- Det kan krävas flera repetitioner av omvänd och framlänges körning för att finfördela ett större objekt.

⚠ VAR FÖRSIKTIG:

- För att förhindra olyckor ska du alltid använda en krok eller en pinne för att ta bort föremål som fastnat.
- Vänta alltid tills kvarnen har stannat helt innan du startar om den.

Uppsamlingsbehållare

⚠ VAR FÖRSIKTIG:

- Stäng av och koppla ur maskinen innan du monterar eller tar bort uppsamlingsbehållaren.
- Kontrollera varannan timme att spärrlåset fungerar ordentligt för säkrare användning.
- Försök aldrig åsidosätta spärrlåsets skyddsfunktion.

Låsreglage:

Övre position → Uppsamlingsbehållaren är låst.

Undre position → Uppsamlingsbehållaren är oläst. Enheten går inte att starta på grund av säkerhetsfunktionen.

Maskinen startar inte om låsreglaget är i den olästa positionen. Maskinen stannar automatiskt om uppsamlingsbehållaren läses upp under användning.

Skyddskåpa för bladet

⚠ VAR FÖRSIKTIG:

- Se till att maskinen är avstängd och kontakten utdragen innan du öppnar skyddskåpan för bladet.
- Använd skyddshandskar innan du öppnar skyddskåpan för bladet.
- Skär cylindern stannar inte omedelbart efter avstängning. Vänta tills alla delar har stannat.

Om materialet har fastnat och täppt igen den övre kåpan kan du ta bort det genom att öppna skyddskåpan för bladet.

ANVÄNDNING

Ställ maskinen:

- På en plan, horisontell yta. Placera inte maskinen på en stenlagd eller gruslagd yta.

- På ett säkert avstånd (minst 2 m) från väggar eller andra föremål.

Innan du startar maskinen kontrollerar du att:

- Anslutningskablarna inte är skadade. Om det finns skårer eller revor på kabeln stannar du maskinen och ersätter kabeln omedelbart.
- Det inte finns några skador på maskinen och att alla skruvar är åtdragna.
- Maskinen är fullständigt och korrekt monterad.

Kontrollera nätslutningen:

- Kontrollera att nätspänningen överensstämmer med märkspänningen på märkplåten och att maskinen är ordentligt jordad.
- Använd endast förlängningssladdar som har ett tillräckligt tvärsnitt.

Material som kvarnen kan bearbeta

Kvarnen kan bearbeta följande typer av material:

- Alla typer av grenar upp till den maximala diametern för maskinens kapacitet, beroende på träets typ och skick
- Trädgårdsavfall som vissa planter eller fuktigt ogräs som har legat några dagar (Mata in växelvis med grenar.)

Kvarnen kan INTE bearbeta följande typer av material:

- Glas, metall, plast, stenar, keramik, tjockare grenar, hårda träslag, tjocka träskivor, tyg, plastpåsar, jordiga rötter.
- Avfall som mer eller mindre är i flytande tillstånd, t.ex. köksavfall.

Användning: (Fig. 8)

- Mata in materialet i inmatningstratten från höger sida.
- Grenar, kvistar och trä ska matas in medan de fortfarande är nyskurna. De kan bli väldigt hårda när de torkar.
- Ta bort eventuella sidoskott från grenarna om det är svårt att mata in dem.
- Stäng av motorn och koppla ur maskinen från nätuttaget innan du rengör utloppsöppningen.
- Låt inte det finfördelade materialet ansamlas i utloppsöppningen. Det finfördelade materialet kan annars täppa igen utloppsöppningen. Töm uppsamlingsbehållaren regelbundet.
- Mata inte in material som överstiger den maximala grendiametern som anges i maskinens tekniska data. Beroende på träets färskhetsgrad och tillstånd kan den maximala grendiametern vara mindre.
- Om du matar in blött trädgårdsavfall kan maskinen täppas igen. Förhindra att maskinen täpps igen genom att mata in avfallet växelvis med material som innehåller trä.
- Mjukt material eller våta grenar kan slitas av i stället för att skäras itu. Detta problem kan också uppstå om knivbladet är slitet.
- Om maskinen blir igentäppt vid inmatningsöppningen eller utkastrännan ska du stänga av motorn och koppla från maskinen innan du rensar inmatningsöppningen eller utkastrännan från skräp. Håll skräp och andra föremål borta från strömkällan för att förhindra skador på strömkällan eller risk för brand.

Justera bladavståndet (Fig. 9)

För effektiv användning, justera avståndet mellan knivbladet och skär cylindern.

Ställa in avståndet:

- Starta enheten.
- Vrid läsvredet moturs för att lösgöra justeringsvredet.
- Vrid justeringsvredet långsamt medurs för att placera knivbladet närmare skär cylindern. Vrid tills tunna aluminiumspån faller från utloppsöppningen.
- Vrid läsvredet medurs för att låsa justeringsvredet.

UNDERHÅLL

⚠ VAR FÖRSIKTIG:

- Förvissa dig alltid om att maskinen är avstängd och att nätkabeln har dragits ut innan du utför kontroll eller underhåll på maskinen.
- Använd skyddshandskar innan du utför kontroll eller underhåll.
- Skär cylindern stannar inte omedelbart efter avstängning. Vänta tills alla delar har stannat innan du utför kontroll eller underhållsarbete.

- Se till att alla verktyg har avlägsnats efter att du har utfört underhållsarbete.
- Använd aldrig bensen, ren bensen, thinner, alkohol eller liknande. Det kan resultera i missfärgning, deformation eller sprickor. Använd endast en fuktig trasa och en mjuk borste när du rengör maskinen.
- Spruta inte på eller rengör maskinen med en högtryckstvätt.

Utför följande underhåll efter varje användning:

- Kontrollera att alla låsskruvar är ordentligt åtdragna (dra åt dem om det behövs).
- Smörj metalldelar för att skydda dem mot rost.
- Håll ventilerna rena och dammfria.

Skär cylindern och knivbladet slits ut efter en tid. Kontakta närmaste auktoriserade servicecenter om du behöver byta ut dem.

FELSÖKNING

WARNING: Stäng av maskinen, dra ut nätkontakten och vänta tills maskinen har stannat helt innan du löser några problem på den.

Fel	Möjlig orsak	Åtgärd
Motorn startar inte	Ingen strömförsörjning	Kontrollera nätanslutningen.
	Nätkabeln är defekt	Kontakta ett auktoriserat servicecenter för kontroll.
	Överbelastningsskyddet har aktiverats	Vänta tills maskinen svalnat och tryck på den gröna knappen.
	Säkerhetsspärren på uppsamlingsbehållaren (Uppsamlingsbehållaren är oläst)	Kontrollera och läs uppsamlingsbehållaren.
Motorn låter, men startar inte	Skär cylindern har blockerats	Stäng av enheten. Vrid framåt/bakåt-knappen till omvänd riktning. Kör maskinen tills materialet som fastnat har frigjorts. Stäng av maskinen igen. Vrid tillbaka riktningen till framlänges rotation.
	Kondensatorfel	Ta med maskinen till ett auktoriserat servicecenter för reparation.
	Materialet matas inte in i kvarnen	Stäng av enheten och byt rotationsriktning med rotationsomkopplaren.
Materialet har fastnat i inmatningstratten	Omvänd rotation.	Stäng av enheten. Vrid framåt/bakåt-knappen till omvänd riktning. Starta enheten för att frigöra materialet som ska finfördelas och ta bort eventuella främmande föremål. Stäng av enheten igen. Vrid tillbaka riktningen till framlänges rotation.
	Materialet är för mjukt eller för blött	Tryck ner med en gren
	Skär cylindern är sliten	Justera det lästa knivbladet enligt beskrivningen i "Justera bladavståndet". Ersätt skär cylindern när den är utsliten.
Materialet finfördelas inte jämnt	Det lästa knivbladet är inte justerat korrekt	Justera knivbladet.
Enheter startar men blockeras av minsta belastning och motorn stängs av direkt.	Förlängningskabeln är för lång eller tvärsnittet för litet. Uttaget är för långt ifrån nätanslutningen eller tvärsnittet på nätkabeln är för litet	Kontrollera att förlängningskabeln är minst 1,5 mm ² och högst 25 m lång. Om du använder en längre kabel är det minsta tvärsnittet 2,5 mm ² .

EG-FÖRSÄKRAN OM ÖVERENSSTÄMMELSE

Gäller endast Europa

EG-försäkran om överensstämmelse finns bifogad i Bilaga A till denna bruksanvisning.

ADVARSEL: Dette redskapet kan brukes av barn som er eldre enn 8 år, og av personer med redusert fysisk, sanselig eller mental kapasitet eller som har mangel på erfaring og kunnskap, hvis de er under oppsyn eller har fått opplæring i sikker bruk av redskapet og forstår farene som er involvert. Barn skal ikke leke med apparatet. Rengjøring og vedlikehold skal ikke utføres av barn uten tilsyn.

DELEBETEGNELSE

1 Fyllmagasin	7 Øvre avlukke	13 Innmaterside
2 Strømbryter	8 Samlekurv	14 Skrue
3 Håndtak	9 Bunnramme	15 Motblad
4 Strømtilførselsplugg	10 Justeringsknast	16 Skjærehjul
5 Låsespak	11 Festeknast	
6 Forover/revers-bryter	12 Bladdeksel	

TEKNISKE DATA

Modell	UD2500
Navn	Elektrisk kvern
Motor	Vekselstrømsmotor 230-240 V ~ 50 Hz
Nominell motoreffekt P40	2 500 W
Nominell motoreffekt P1 S1	2 000 W
Rotasjonshastighet på skjærehjul	40 min ⁻¹
Strømbryter med	overbelastningsvern; kutte- og reversfunksjon, nullspenningsbryter
Vekt	27,6 kg
Maks. grendiameter (kun for nykuttet tre)	Maks. 45 mm
Sikkerhetsklasse	I
Beskyttelsesklasse	IP X4

STØYDATA

Lydtrykknivå	74,88 dB (A), K= 2,50 dB (A)
Lydtrykknivå ved operatørens øre	84,4 dB (A), K= 3 dB (A)
Målt lydeffektnivå	93,49 dB (A), K= 3,97 dB (A)
Garantert lydeffektnivå	97 dB (A)

Lydintensitetsnivået for operatøren kan overstige 80 dB (A). Bruk hørselvern.

SYMBOLER

Følgende viser symbolene som brukes for maskinen. Sørg for at du forstår hva de betyr før bruk.



- Les bruksanvisningen.



- Vær ytterst forsiktig og oppmerksom.



- Slå av motoren og plugg fra før service, rengjøring, vedlikehold og reparasjon.



- Gjenstander kan bli slynget ut i stor hastighet.



- Hold tilskuere og kjæledyr unna fareområdet.



- Fare – Roterende blader. Hold hender og føtter unna åpninger mens maskinen er i drift.



- Fare – Roterende blader. Hold hender og føtter unna åpninger mens maskinen er i drift.



- Bruk vernebriller og hørselvern.



- Bruk vernehansker.



- Må ikke utsettes for regn eller fuktighet.



- Drei knasten medurs for smalere klaring / drei knasten moturs for bredere klaring



- Åpne bladdekslet for å skifte ut bladet eller utføre service.



- Vent til alle delene i maskinen har stoppet helt.



- Ikke bruk maskinen som stigtrinn.



- Kun for EU-land
Ikke kast elektrisk utstyr eller batteripakken sammen med husholdningsavfall! I henhold til EU-direktiv 2002/96/EC om avhending av elektrisk og elektronisk utstyr, 2006/66/EC om batterier og akkumulatører og avhending av batterier og akkumulatører, og deres implementasjon i henhold til nasjonal lovgivning, må elektrisk utstyr og batteripakker som har nådd slutten av sin levetid, samles inn separat og leveres til et miljømessig ansvarlig resirkuleringsanlegg.

SIKKERHETSADVARSLER

LES GRUNDIG FØR BRUK TA VARE PÅ INSTRUKSJONSHÅNDBOKEN FOR FREMTIDIG REFERANSE



Ikke begynn å bruke maskinen før du har lest disse bruksanvisningene. Følg alle anvisningene som er gitt, og installer maskinen som beskrevet.

Tiltentk bruk av maskinen

- Hagekvernen er beregnet for skjæring av følgende gjenstander:
 - Alle typer grener opptil en maksimum diameter etter maskinens kapasitet (avhengig av treets type og forfatning)
 - Hageavfall, så som visne planter eller vått ugress som har ligget i noen dager (mat dem inn alternerende med grener).
- Hagekvernen er beregnet kun for privat bruk og er ikke for kommersiell bruk. Bruk den heller ikke på offentlige steder.

For offentlige lavspenningsnett på mellom 220 V og 250 V.

Inn- og utkobling av elektriske apparater forårsaker spenningsvariasjoner. Bruken av dette apparatet under uheldige forhold i strømmettet kan ha negative virkninger på bruken av annet utstyr. Når strømmettimpedansen er lik eller lavere enn 0,45 ohm, er det grunn til å anta at ingen negative virkninger vil oppstå. Nettuttaket som brukes til dette apparatet må være beskyttet av en treg sikring eller et tregt overlastvern.

Generelle instruksjoner

- Les denne instruksjonshåndboken for å gjøre deg kjent med hvordan du håndterer maskinen. Brukere som ikke er tilstrekkelig informert, vil risikere fare for seg selv og andre på grunn av feil håndtering.
- Ikke lån ut maskinen til personer som ikke har vist å ha erfaring med den.
- Når du låner ut maskinen, må du alltid legge ved denne instruksjonshåndboken.
- Den elektriske kvernen er ikke beregnet for bruk av personer med redusert fysisk, sanselig eller mental kapasitet eller mangel på erfaring og kunnskap. Små barn må holdes under oppsyn for å sikre at de ikke leker med maskinen. Ikke la barn betjene dette utstyret.
- Bruk den bare hvis du er i god fysisk form. Utfør alt arbeid rolig og forsiktig. Brukeren er ansvarlig for all sikkerhet for personer og skader rundt bruksområdet.
- Aldri bruk denne maskinen etter å ha nytt alkohol eller narkotika, eller hvis du føler deg trett eller syk.
- Bruk maskinen i samsvar med disse instruksjonene, og under vurdering av arbeidsforholdene og bruksområdet. Ikke tiltentk bruk av maskinen kan føre til en farlig situasjon.
- Aldri modifier maskinen, inkludert sikkerhetsanordninger så som sperreanordningen. Dette vil sette sikkerheten din i fare.
- Nasjonale eller lokale forskrifter kan begrense håndteringen av maskinen.
- Vær oppmerksom. Følg med på hva du gjør. Bruk sunn fornuft. Ikke bruk maskinen når du er trett.

Personlig verneutstyr

- Kle deg skikkelig. Klærne du har på skal være praktiske og hensiktsmessige, dvs. de skal være tettstittende, men ikke være til hinder. Ikke bruk smykker eller klær som kan bli viklet inn i maskinen. Dekk over langt hår med et beskyttende plagg.
- Bruk alltid hørselvern for å unngå hørselstap.
- Bruk vernebriller for å beskytte øynene mot avfall som slynges fra fyllmagasinet.
- Bruk vernehansker for å unngå å skade fingrene.
- Bruk ansiktsmaske ved betydelig mørke, som når du skjærer tørre grener eller hekker med løv.
- Bruk alltid solid fottøy med glisike såler når du bruker maskinen. Dette beskytter mot skader og sørger for godt fotfeste.

Sikkerhet på arbeidsområdet

- Hold barn og tilskuere unna mens maskinen benyttes.
- Bruk maskinen på åpne steder på et solid og jevnt underlag. Ikke bruk maskinen i nærheten av en vegg eller andre gjenstander.
- Ikke bruk maskinen i eksplosjonsfarlige omgivelser, for eksempel i nærheten av brennbare væsker, gasser eller støv. Maskinen danner gnister som kan antenne støv eller damp.
- Ikke bruk maskinen på et underlag med asfalt eller grus der materialer som slynges ut kan føre til personskaide.
- Hold arbeidsområdet rent og godt belyst. Rotete eller mørke områder kan føre til ulykker.
- Ikke utsett maskinen for regn eller våte omgivelser. Vann som kommer inn i maskinen, kan øke faren for elektrisk støt.

Starte maskinen

- Før du kobler til pluggen eller slår på maskinen:
 - Kontroller at alle skruer, muttere og andre feste-anordninger sitter godt fast.
 - Kontroller at vern, avvisere og skjermer er på plass og i god stand.
 - Bytt etiketter som er skadet eller uleselige.
 - Påse at fyllmagasinet er tomt.
 - Påse at innmatings- og utmatingsåpningene er ordentlig vernet.
 - Kontroller alle delene på maskinen nøye for å finne ut om de fungerer og utfører den tiltenkte funksjonen. Bruk aldri maskinen hvis ikke bryteren fungerer normalt.
- Hvis strømledningen er skadet, ta kontakt med et autorisert Makita-servicesenter, og bytt alltid ut med originale reservedeler.

Elektrisitetssikkerhet

ADVARSEL:

- Dette apparatet er et apparat i Klasse I. Koble til en jordet stikkontakt. Feil jording kan føre til elektrisk støt og død. Bruk bare jordede skjøteledninger med plugg for jording og stikkontakter der denne typen plugg kan settes i.
- Unngå kroppskontakt med jordede flater (f.eks. rør, radiatorer) under bruk.
- Bare bruk IEC60245 (H07RN-F) skjøteledning til utendørs bruk med sprutsikkert koblingsstykke. Tverrsnittet må være minst 1,5 mm² for kabellengder opptil 25 m, og 2,5 mm² for kabellengder over 25 m.

- Spenningsfall kan finne sted hvis du bruker en lang, tynn ledning. Hvis dette skjer, kan maskinens effekt bli redusert.
- Når du bruker skjøteledning, må du passe på at den ikke kommer i veien og ikke klemmes eller bøyes, og at pluggen ikke blir våt.
- Når du bruker en kabelspole, må du vikle kabelen fullstendig av spolen.
- Ikke misbruk ledningen. Aldri bruk ledningen til å bære, trekke eller plukke fra maskinen. Hold ledningen unna varme, olje, skarpe kanter og deler i bevegelse. En ledning som er skadet eller heftet, kan øke faren for elektrisk støt.
- Kontroller skjøteledningen med jevne mellomrom med henblikk på skade på isolasjonen. Bytt ut dersom den er skadet.
- Hvis tilkoblingsledningen er skadet, må du trekke ut strømpluggen med en gang. En skadet ledning kan føre til kontakt med strømførende deler og gi elektrisk støt.
- Aldri bruk ledninger som er skadet.
- Bare plugg maskinen til stikkontakter i elektriske kretser som er testet. Kontroller at systemspenningen samsvarer med den som står på typeskiltet.
- Aldri deaktivert eller forbikople verneanordningene.
- Når du bruker maskinen utendørs, må du alltid bruke en reststrømstyrt skillebryter (RCD) med en driftsstrøm på 30 mA eller mindre.

Bruk

- Hold ansiktet og kroppen unna innmateråpningen.
- Aldri stikk hendene eller noen annen del av kroppen eller klærne innenfor innmater- og utmateråpningene eller nær deler i bevegelse. Det kan resultere i alvorlig personskaide.
- Ikke strekk deg for langt. Ha godt fotfeste og balanse til enhver tid. Dette gir bedre kontroll over maskinen i uventede situasjoner. Ikke stå høyere enn bunnen på maskinen når du mater materiale inn i den.
- Hold deg alltid unna utmateråpningen under bruk.
- Følg regionale forskrifter for støvbeskyttelse.
- Ikke mat inn stein, metallstykker, flasker eller andre fremmedlegemer. Følg med på at ikke slike følger med i innmatningen.
- Slå med en gang motoren av og plugg fra maskinen hvis bladet slår borti en fremmedgjenstand eller maskinen begynner å vibrere eller lage unormal støv. Kontroller om skjæreanordningen er skadet og stram eventuelle løse deler. Be et autorisert servicesenter om å reparere maskinen.
- Ikke la det behandlede materialet hope seg opp i utmateråpningen. Ellers kan det føre til tilbakeslag av materialet gjennom innmateråpningen.
- Slå av motoren og plugg fra maskinen i følgende situasjoner:
 - Du forlater maskinen uten tilsyn
 - Før du klarer en blokkering eller feil
 - Før du kontrollerer, rengjør eller arbeider på maskinen
 - Før du foretar justeringer, bytter tilbehør eller lagrer maskinen
 - Når maskinen begynner å vibrere eller lage unormal støv
 - Når du rensker innmater- og utmateråpningene
 - Når du fester eller fjerner samlekurven
 - Under transport.

- Ikke vipp maskinen under bruk.
- Hold god avstand når du legger inn lange materialer. De kan slå tilbake og føre til personskade.
- Ikke bruk maskinen uten fyllmagasinet.
- Ikke tving maskinen. Den gjør jobben bedre og tryggere på den måten den ble laget for. Hyppig overbelastning kan føre til skade eller brann i motoren.
- Bruk det riktige apparatet. Ikke bruk apparater til andre ting enn de er beregnet for. Aldri prøv å mate inn metalldele, glass, stener, keramikk, plast, tykke grener, hardved eller tykke treplater e.l.

Vedlikeholdsinstruksjoner

- Få maskinen reparert av vårt autoriserte servicesenter og bruk alltid originale reservedeler. Feil reparasjon og dårlig vedlikehold kan forkorte levetiden til maskinen og øke faren for ulykker.
- Utfør følgende trinn før service, inspeksjon, justering, lagring eller skifte av tilbehør:
 - Slå av strømkilden
 - Koble maskinen fra strømtilførselen
 - Kontroller at alle bevegelige deler har stoppet helt
 - La maskinen kjøles av.
- Inspiser maskinen for mulig skade:
 - Sjekk at sikkerhetsanordningene fungerer som de skal
 - Sjekk at alle bevegelige deler går jevnt og riktig
 - Sjekk at alle deler ikke er skadet og er riktig montert
 - La vårt autoriserte servicesenter bytte ut eller reparere dersom det er defekte deler.
- Vær ytterst oppmerksom ved service på skjæreanordningen. Skjæreanordningen kan bevegges manuelt gjennom sperrefunksjonen til vernefunksjonene.
- Ikke rengjør enheten med vann. Det kan føre til elektrisk støt.
- Bruk vernehansker under vedlikeholds- og monteringsarbeid for å unngå fingerskade.
- Ikke utfør annet vedlikeholds- eller reparasjonsarbeid enn det som er beskrevet i denne instruksjonshåndboken. Alt annet arbeid må utføres av et autorisert Makita-servicesenter.
- Bruk bare originale reservedeler fra Makita samt tilbehør som er beregnet for din maskin. Ellers kan det forekomme personskade eller skade på maskinen.
- Lagre maskinen i et tørt rom. Hold den utliggjelig for barn. Aldri lagre maskinen utendørs.

MONTERING

⚠ FORSIKTIG:

- Vær alltid sikker på at maskinen er slått av og plugged fra før arbeid på verktøyet utføres.
1. Plasser det øvre avlukkede opp-ned på et flatt gulv. Sett deretter bunnrammen på det. Vær oppmerksom på orienteringen av delen. (Fig. 2)
 2. Fest hver del ved å stramme skruene. Kontroller at de er helt stabile. (Fig. 3)
 3. Fest stopperne med skrue. Kontroller at de er godt festet. (Fig. 4)
 4. Fest hjulene slik: (Fig. 5)
 - Monter akselen på ett av hjulene.
 - Før akselen gjennom åpningene på benet.

- Monter det andre hjulet på akselen ved å føre stifen gjennom åpningen på akselen. Fest hjulet ved å bøye stifen.
- Monter dekslene på hjulene.

5. Monter samlekurven. Og hev deretter låsespaken. (Fig. 6)

FUNKSJONSBEKRIVELSE

⚠ ADVARSEL:

Før du plugger til maskinen må du alltid kontrollere at maskinen er slått av. Hvis maskinen plugges til med bryteren på, kan den starte uventet og føre til alvorlig personskade.

Strømbryter (Fig. 7)

⚠ FORSIKTIG:

Ikke bruk maskinen hvis ikke bryteren kan slås på og av. La et autorisert Makita-servicesenter bytte ut defekte brytere.

Trykk på den grønne knappen for å slå på maskinen. Trykk på den røde knappen for å slå av maskinen.

LED-lampe

LED-lampen indikerer maskinens status slik:

RØD farge: Når maskinen er koblet til strømforsyning og maskinen er slått av.

GRØNN farge: Når maskinen er slått på.

Konstant **blinkende GRØNN** farge: Når maskinen er blokkert under bruk.

Blinkende RØD farge: Når maskinen ikke kan gå tilbake til normal tilstand automatisk. Klarer problemet manuelt når det oppstår.

Indikasjon på utilsiktet omstart

Maskinen slås av automatisk når det oppstår strømbrudd. Trykk på den grønne knappen igjen for å starte på nytt.

Overbelastningsvern

Motoren er utstyrt med et overbelastningsvern. Når den er overbelastet, fungerer maskinen som følger:

- Bladet går i revers i to eller tre sekunder for å prøve å presse det skårete materialet tilbake ut.
- Bladet går fremover igjen.
- Hvis materialet fortsatt er tilstoppet etter at dette er forsøkt tre ganger, stopper maskinen og LED-lampen blinker rødt.

Utfør følgende trinn når dette skjer:

- Slå av maskinen.
- Vent til bladene har stoppet helt.
- Fjern det tilstoppede materialet.
- Slå på kvernen igjen etter ca. 5 minutter, og mat inn enklere materiale.
- Hvis du ikke kan slå på maskinen etter denne ventetiden, se "Feilsøking".

Forover/revers-bryter

⚠ FORSIKTIG:

Slå av kvernen før du endrer på forover/revers-bryteren.

Posisjon ↴

Bladene roterer forover.

Posisjon ↵

Bladene roterer bakover for å løsne fastkilt materiale.

Når du skifter retningen til ↕ (revers), fortsetter du å trykke på den grønne knappen på strømbryteren for å rotere bladene. Kvernen stopper automatisk når du slipper strømbryteren.

MERKNAD:

- Flere gjentatte forover- og bakoveroperasjoner kan være nødvendig for å skjære en stor gjenstand.

⚠ FORSIKTIG:

- Bruk alltid en krok eller en pinne til å fjerne fastkilte gjenstander, for å unngå ulykker.
- Vent alltid til kvernen stopper helt før du starter på nytt.

Samlekurv

⚠ FORSIKTIG:

- Slå av og plugg fra maskinen før du setter på eller fjerner samlekurven.
- Sjekk annenhver time at sperrefunksjonen fungerer som den skal, for sikker drift.
- Prøv aldri å overstyre sperrefunksjonen.

Låsespak:

Øvre posisjon → Samlekurven er låst.

Nedre posisjon → Samlekurven er ulåst.

Sikkerhetsfunksjonen gjør at enheten ikke slås på.

Maskinen slås ikke på hvis låsespaken er i ulåst posisjon. Maskinen stopper automatisk hvis samlekurven er ulåst under bruk.

Bladdeksel

⚠ FORSIKTIG:

- Kontroller at maskinen er slått av og plagget fra før du åpner bladdekslet.
- Ta på vernehansker før du åpner bladdekslet.
- Kvernen stopper ikke umiddelbart etter at den er slått av. Vent til alle delene har stoppet.

Hvis materialet blir kraftig tilstoppet i øvre avlukke, fjerner du det ved å åpne bladdekslet.

BRUK

Sett opp maskinen:

- På et flatt, vannrett underlag. Ikke sett maskinen på et underlag som er asfaltert eller grusbeltet.
- Med en trygg avstand (minst 2 m) fra vegger og andre gjenstander.

Før du starter, kontroller at:

- Tilkoblingsledningene ikke er skadet. Hvis det er kutt eller revner, stopp driften og bytt ut umiddelbart.
- Det ikke er noe skade på maskinen og alle skruene er stramme.
- Maskinen er fullstendig og korrekt satt sammen.

Kontroller strømtilkoblingen:

- Kontroller at hovedspenningen samsvarer med den nominelle spenningen på typeskiltet og at maskinen er ordentlig jordat.
- Bruk bare skjæteledninger med tilstrekkelig tverrsnitt.

Materiale som kvernen kan behandle

Kvernen kan behandle følgende typer materialer:

- Alle typer grener opptil en maksimum diameter etter maskinens kapasitet, avhengig av treets type og forfatning

- Hageavfall, så som visne planter eller vått ugress som har ligget i noen dager (mat dem inn alternerende med grener).

Kvernen kan IKKE behandle følgende typer materialer:

- Glass, metall, plast, stener, keramikk, tykkere grener, hardved, tykke treplater, tøy, plastposer, røtter med jord.
- Avfall som er nesten i væsketilstand, f.eks. kjøkkenavfall.

Bruk: (Fig. 8)

- Mat materialet inn i fyllmagasinet fra høyre side.
- Skjær grener, kvister og tre like etter at de er kuttet. De kan bli svært harde når de blir tørre.
- Fjern alle utvekster fra grenene hvis de ikke er enkle å mate inn.
- Slå av motoren og koble maskinen fra hovedstrømtilførsel før du rengjør utmateråpningen.
- Ikke la det skårete materialet hope seg opp i utmateråpningen. Ellers kan det skårete materialet blokkere utmateråpningen. Tøm samlekurven med jevne mellomrom.
- Ikke mat inn materiale som er tykkere enn den maksimale grendiameteren som er spesifisert under tekniske data. Avhengig av hvor ferskt treet er og dets forfatning, kan den maksimale grendiameteren være mindre.
- Skjæring av vått hageavfall fører til tilstopping. Du kan hindre at maskinen tilstoppes ved å alternere avfallet med materiale som inneholder tre.
- Mykt materiale eller våte grener kan rives i stedet for kuttes. Et slitt motblad kan også forårsake dette problemet.
- Hvis maskinen blir tilstoppet ved innmateråpningen eller avløpssjakten, må du slå av motoren og dra ut kontakten før du tar bort rusk fra innmateråpningen eller avløpssjakten. Hold strømkilden fri for rusk og andre opphopninger for å forhindre at strømkilden blir skadet, eller mulig brann.

Justere bladklaringen (Fig. 9)

For effektiv drift, juster klaringen mellom motbladet og skjærehjulet.

Stille inn klaringen:

- Slå på anordningen.
- Drei festeknasten moturs for å løsne justeringsknasten.
- Drei justeringsknasten sakte medurs for å plassere motbladet nærmere skjærehjulet. Drei til det faller fine aluminiumsspon fra utmateråpningen.
- Drei festeknasten medurs for å låse justeringsknasten.

VEDLIKEHOLD

⚠ FORSIKTIG:

- Forsikre deg alltid om at maskinen er slått av og plagget fra før du utfører inspeksjon eller vedlikehold.
- Ha på vernehansker før du utfører inspeksjon eller vedlikehold.
- Skjæreanordningen stopper ikke umiddelbart etter at den er slått av. Vent til alle delene har stoppet før du utfører vedlikeholdsarbeid.
- Kontroller at alle verktøyene er fjernet etter vedlikeholdsarbeid.

- Bruk aldri bensin, rensbensin, tynner, alkohol eller lignende. Det kan føre til misfarging, deformasjon eller sprekkdannelse. Bruk bare fuktet klut og myk børste til rengjøring av maskinen.
- Ikke bruk slange eller rengjør maskinen med høytrykksspyler.

Utfør følgende vedlikehold etter hver bruk:

- Kontroller at alle låseskruene er stramme (ettertrekk hvis nødvendig).
- Smør metalldelene for å beskytte dem mot korrosjon.
- Hold ventilene rene og frie for støv.

Skjærehjulet og motbladet slites over tid. Spør nærmeste autoriserte servicesenter for reservedeler når dette kreves.

FEILSØKING

ADVARSEL: Før du undersøker problemer, slå av maskinen, trekk ut strømpluggen og vent til maskinen har stoppet helt.

Problem	Mulig årsak	Løsning
Motoren starter ikke	Ingen strømforsyning	Sjekk hovedstrømmen.
	Defekt strømedning	Be et autorisert servicesenter om å kontrollere.
	Overbelastningsvernet er aktivert	Vent til maskinen kjøles av og trykk så på den grønne knappen.
	Sikkerhetsutkobling for samlekurven (samlekurven er ulåst)	Sjekk og lås samlekurven.
Motoren høres, men starter ikke	Skjærehjulet er blokkert	Slå av enheten. Sett forover/revers-bryteren i revers retning. Slå på maskinen til tilstoppingen er klarert. Slå av maskinen igjen. Slå på foroverrotasjon igjen.
	Defekt kondensator	Ta maskinen til et autorisert servicesenter for reparasjon.
	Revers rotasjon.	Slå av enheten og bytt retning på rotasjonsvalgbyrteren.
Materialet for skjæring trekkes ikke inn i kvernen	Materialet for skjæring sitter fast i fyllmagasinet	Slå av enheten. Sett forover/revers-bryteren i revers retning. Slå på enheten for å løsne materialet som skal skjæres, og fjern alt fremmedmateriale. Slå av enheten igjen. Slå på foroverrotasjon igjen.
	Materialet for skjæring er for mykt eller vått	Press ned med en gren
	Skjærehjulet er slitt	Juster det faste motbladet som beskrevet under "Juster bladklaringen". Hvis skjærehjulet er meget slitt, må det skiftes.
	Det faste motbladet er ikke riktig justert	Juster motbladet.
Materialet for skjæring er ikke jevnt kuttet	Skjøteledningen er for lang eller tverrsnittet for lite. Sokkelen er for langt unna strømforsyningen eller tverrsnittet på strømedningen er for lite	Sjekk at skjøteledningen er minst 1,5 mm ² , maks. 25 m lang. Hvis du bruker en lengre ledning, er minste tverrsnitt 2,5 mm ² .

EF-SAMSVARSERKLÆRING

Gjelder kun land i Europa

EF-samsvarserklæringen er inkludert i tillegg A til denne instruksjonsboken.

VAROITUS: Laitetta voivat käyttää vähintään 8-vuotiaat lapset ja henkilöt, joilla on heikentyneitä fyysisiä, aisti- tai henkisiä kykyjä tai joilla puuttuu kokemus ja tieto, jos he ovat saaneet valvontaa tai opastusta laitteen turvallisesta käytöstä ja ymmärtävät laitteen käyttöön liittyvät vaarat. Lapset eivät saa leikkiä laitteella. Lapset eivät saa suorittaa puhdistamista ja käyttäjän kunnossapitotoimia ilman valvontaa.

OSIEN NIMET

1 Täyttösuppilo	7 Yläkotelo	13 Syöttöpuoli
2 Virtakytkin	8 Säilytyskori	14 Ruuvi
3 Kahva	9 Alustarunko	15 Vastaterä
4 Virtapistoke	10 Säätonuppi	16 Leikkaustela
5 Lukitusvipu	11 Kiinnitysnpippi	
6 Pyörimissuunnan vaihtokytkin	12 Terän suojuus	

TEKNISET TIEDOT

Malli	UD2500
Nimi	Sähkösilppuri
Moottori	AC-moottori 230-240 V~50 Hz
Moottorin arvo P40	2 500 W
Moottorin arvo P1 S1	2 000 W
Leikkaustelan pyörimisnopeus	40 min ⁻¹
Virtakytkin, jossa on	ylikuormitussuoja, leikkaus ja peruutustoiminto, nol-lajännitekäynnistäjä
Paino	27,6 kg
Oksan maksimihalkaisija (vain vasta katkaistu puu)	Maks. 45 mm
Turvallisuusluokka	I
Suojausluokka	IP X4

MELUTIEDOT

Äänenpainetaso	74,88 dB (A), K= 2,50 dB (A)
Äänenpainetaso käyttäjän korvan kohdalla	84,4 dB (A), K= 3 dB (A)
Mitattu äänitehotaso	93,49 dB (A), K= 3,97 dB (A)
Taattu äänitehotaso	97 dB (A)

Työskentelyn aikana melutaso voi ylittää 80 dB (A). Käytä kuulosuojaimia.

SYMBOLIT

Laitteessa on käytetty seuraavia symboleja. Varmista ennen käyttöä, että ymmärrät niiden merkityksen.



- Lue käyttöohje.



- Noudata erityistä varovaisuutta.



- Sammuta moottori ja irrota pistoke ennen huoltoa, puhdistusta, kunnossapitoa tai korjausta.



- Esineitä voi sinkoutua ulos suurella nopeudella.



- Pidä sivustakatsojat ja lemmikit loitolla vaara-alueelta.



- Vaara – pyöriäviä teriä. Pidä kädet ja jalat etäällä aukoista, kun laite on käynnissä.



- Vaara – pyöriäviä teriä. Pidä kädet ja jalat etäällä aukoista, kun laite on käynnissä.



- Käytä suojalaseja ja kuulosuojaimia.



- Käytä suojakäsineitä.



- Älä altista laitetta sateelle tai kosteudelle.



- Pienennä välystä kääntämällä nuppia myötäpäivään / suureнна välystä kääntämällä nuppia vastapäivään



- Avaa terän suojuus, kun haluat vaihtaa terän tai huoltaa sitä.



- Odota, kunnes kaikki laitteen osat ovat pysähtyneet.



- Älä käytä laitetta askelmana.



- Vain EU-maat
Älä hävitä sähkölaitteita tai akkua tavallisen kotitalousjätteen mukana! Vanhoja sähkö- ja elektroniikkalaitteita koskevan EU-direktiivin 2002/96/EY ja paristoja ja akkuja koskevan direktiivin 2006/66/EY ja niiden maakohtaisten sovellusten mukaisesti käytetyt sähkölaitteet ja akut on toimitettava ongelmajätteiden keräyspisteeseen ja ohjattava ympäristöystävälliseen kierrätykseen.

TURVALLISUUSOHJEET

LUE HUOLELLISESTI ENNEN KÄYTTÖÄ SÄILYÄ KÄYTTÖOPAS MYÖHEMPÄÄ TARVETTA VARTEN



Älä aloita koneen käyttöä, ennen kuin olet lukenut nämä käyttöohjeet. Noudata kaikkia annettuja ohjeita ja asenna laite kuvatulla tavalla.

Koneen käyttötarkoitus

- Puutarhasilppuri on tarkoitettu seuraavien silppuamiseen:
 - Kaikenlaiset oksat laitteen kapasiteetin maksimihalkaisijaan asti (puun tyyppiin ja tilan mukaan)
 - Puutarhajätteet, kuten kuhtuneet kasvit tai märkä rikkaruoho, joka on seissyt muutaman päivän. (Syötä niitä vuorotellen oksien kanssa.)
- Silppuri on tarkoitettu vain yksityiseen käyttöön, ei kaupalliseen käyttöön. Älä myöskään käytä sitä julkisissa paikoissa.

220 ja 250 voltin matalajännitteiset jakeluverkot.

Sähkölaitteiden käynnistyks ja sammutus aiheuttavat jännitevaihteluita. Tämän laitteen käyttö epävakaa verkossa saattaa haitata muiden laitteiden toimintaa. Haittavaikutuksia ei ole odotettavissa, jos verkon impedanssi on enintään 0,45 ohmia. Verkkopistokkeessa, johon tämä laite kytketään, on oltava sulake tai hidas vikavirtasuojaus.

Yleisohjeet

- Lue tämä käyttöopas perehtyäksesi laitteen käsittelyyn. Tottumattomat käyttäjät vaarantavat itsensä ja muut virheellisen käsittelyn takia.
- Älä lainaa laitetta henkilöille, joilla ei ole kokemusta sen käytöstä.
- Jos lainaat laitetta, anna aina tämä käyttöopas mukaan.
- Silppuria ei ole tarkoitettu sellaisten henkilöiden käyttöön, joilla on heikentyneitä fyysisiä, aisti- tai henkisiä kykyjä tai joilta puuttuu kokemus ja tieto. Pieniä lapsia täytyy valvoa, jotta he eivät pääse leikkimään laitteella. Älä anna lasten käyttää tätä laitteistoa.
- Käytä laitetta vain, jos terveydentilasi on hyvä. Tee kaikki työt rauhallisesti ja huolellisesti. Käyttäjällä on vastuussa kaikkien henkilöiden turvallisuudesta ja vahingoista käyttöalueen ympärillä.
- Älä koskaan käytä laitetta, jos olet käyttänyt alkoholia tai huumeita tai jos olet väsynyt tai sairas.
- Käytä laitetta näiden ohjeiden mukaisesti ottaen työskentelyolosuhteet ja käyttötarkoituksen huomioon. Laitteen käyttäminen vahingossa voi aiheuttaa vaaratilanteen.
- Älä koskaan muuta laitetta, mukaan lukien turvalaitteet kuten lukituslaite. Se vaarantaisi turvallisuutesi.
- Kansalliset tai paikalliset määräykset voivat rajoittaa laitteen käsittelyä.
- Pysy valppaana. Katso mitä teet. Käytä tervettä järkeä. Älä käytä laitetta, kun olet väsynyt.

Henkilösuojaimet

- Pukeudu asianmukaisesti. Käytettävien vaatteiden täytyy olla toimivia ja asianmukaisia. Niiden tulee olla työkoistuvia, mutta ne eivät saa haitata. Älä käytä koruja tai vaatteita, jotka voisivat sotkeutua laitteeseen. Suojaa pitkät hiukset.
- Käytä aina kuulosuojaimia kuulonäköalenneman välttämiseksi.
- Käytä suojalaseja silmien suojaamiseksi täyttösuppiolista lentäviltä roskilta.
- Käytä suojakäsineitä sormivammojen estämiseksi.
- Käytä kasvosuojusta, kun pölyä on paljon (esimerkiksi silputtaessa kuivia oksia tai pensasaitoja, joissa on lehtiä).
- Kun käytät laitetta, käytä aina tukevia kenkiä, joissa on luistamaton pohja. Ne suojaavat vammoilta ja varmistavat hyvän jalansijan.

Työtilan turvallisuus

- Pidä lapset ja katselijat loitolla, kun käytät laitetta.
- Käytä laitetta avoimessa tilassa tukevalla, tasaisella pinnalla. Älä käytä laitetta seinän tai muiden esineiden lähellä.
- Älä käytä laitetta tiloissa, joissa on räjähdyksivaara (esimerkiksi palavia nesteitä, kaasuja tai pölyä). Laite synnyttää kipinöitä, jotka voivat sytyttää pölyn tai kaasun.
- Älä käytä laitetta kivettyllä tai sorapinnalla, jossa poistuva materiaali voi aiheuttaa vammoja.
- Pidä työtila puhtaana ja hyvin valaistuna. Sotkuisissa tai pimeissä tiloissa sattuu helposti onnettomuuksia.
- Älä altista laitetta sateelle tai kosteille olosuhteille. Laitteeseen päässyt vesi voi suurentaa sähköiskun vaaraa.

Laitteen käynnistäminen

- Ennen pistokkeen liittämistä tai laitteen käynnistämistä:
 - Tarkista, että kaikki ruuvit, mutterit ja muut kiinnikkeet on kiristetty kunnolla.
 - Tarkista, että suojukset, ohjauslevyt ja sihdit ovat paikallaan ja hyvässä toimintakunnossa.
 - Vaihda tarrat, jotka ovat vahingoittuneet tai joita ei voi lukea.
 - Varmista, että täyttösuppiolo on tyhjä.
 - Varmista, että syöttö- ja poistoaukot on suojattu asianmukaisesti.
 - Tarkista kaikki laitteen osat huolellisesti ja varmista, että se toimii oikein ja tarkoituksenmukaisesti. Älä koskaan käytä laitetta, jos kytkin ei toimi normaalisti.
- Jos virtajohto on vaurioitunut, pyydä Makitan valtuutettua huoltokeskusta vaihtamaan se alkuperäisiä varaosia käyttäen.

Sähköturvallisuus

VAROITUS:

- Tämä on luokan I laite. Liitä se maadoitettuun pistorasiaan. Puutteellinen maadoitus voi aiheuttaa sähköiskun ja kuoleman. Käytä vain kolmejohtimisia jatkojohtoja, joissa on kolminapaiset pistotulpat ja pistorasiat, joihin työkalun pistotulppa sopii.
- Vältä vartaloa kosketusta maadoitettuihin pintoihin (esim. putkiin, lämpöpattereihin) käytön aikana.

- Käytä ulkikäytössä vain IEC60245 (H07RN-F) -jatkokaapelia, jossa on roiskesuojattu pistoke. Sen poikkileikkauksen täytyy olla vähintään 1,5 mm², kun kaapeli on enintään 25 m pitkä, ja 2,5 mm², kun kaapeli on yli 25 m pitkä.
- Pitkää ohutta kaapelia käytettäessä jännite saattaa laskea. Jos näin tapahtuu, laitteen teho voi laskea.
- Jatkojohtoa käytettäessä varmista, että se ei ole tiellä, puristuksissa tai mutkalla ja että pistoke ei pääse kastumaan.
- Jos käytät kaapelikelaa, vedä johto kokonaan kelalta.
- Älä käsittele virtajohtoa huonosti. Älä koskaan kannata tai vedä laitetta virtajohdosta tai irrota sitä pistorasiasta johdosta vetämällä. Suojaa virtajohto kuumuudelta, öljyltä, teräviltä reunoilta ja liikkuvilta osilta. Vahingoittunut tai kiinni tarttunut virtajohto suurentaa sähköiskun vaaraa.
- Tarkista jatkojohdon eristeen kunto säännöllisesti. Vaihda, jos se on vaurioitunut.
- Jos liitosjohto vaurioituu, irrota se heti verkkopistokkeesta. Vaurioitunut johto voi aiheuttaa kontaktin jännitteisiin osiin ja sähköiskun.
- Älä koskaan käytä vaurioituneita johtoja.
- Liitä laite vain luotettavaan sähköpiiriin kytkettyyn pistorasiaan. Varmista, että verkkovirran jännite vastaa arvokilven jännitettä.
- Älä koskaan poista käytöstä tai ohita suojalaitteita.
- Kun laitetta käytetään ulkona, käytä aina vikavirtakatkaisinta, jonka laukaisuvirta on enintään 30 mA.

Käyttö

- Pidä kasvat ja vartalo etäällä tuloaukosta.
- Älä anna koskaan käsien, muiden kehonosien tai vaatteiden joutua tulo- ja poistoaukkojen sisään tai liikkuvien osien lähelle. Muuten seurauksena voi olla vakava vamma.
- Älä kurkota. Säilytä aina tukeva jalansija ja tasapaino. Näin säilytät paremmin laitteen hallinnan odottamattomissa tilanteissa. Älä seiso laitteen jalustaa korkeammalla tasolla, kun syötät siihen materiaalia.
- Pysy etäällä poistoaukosta käytön aikana.
- Noudata paikallisia melusuojausmääräyksiä.
- Älä syötä kiviä, metallia, pulloja tai muita vieraita aineita. Huolehdi siitä, että vieraita aineita ei ole mukana, kun syötät.
- Sammuuta moottori välittömästi ja irrota pistoke, jos terä osuu vieraaseen esineeseen tai laite alkaa tärähtää tai tuottaa epätavallista ääntä. Tarkista silppuri vaurioiden varalta ja kiristä löysät osat. Pyydä valtuutettua huoltokeskusta korjaamaan laite.
- Älä anna käsitellyn materiaalin kerääntyä poistoaukkoon. Muuten seurauksena voi olla materiaalin takapotku tuloaukon kautta.
- Sammuuta moottori ja irrota pistoke ennen seuraavia toimia:
 - Aina kun laite jätetään ilman valvontaa
 - Ennen tukoksen tai muun vian poistamista
 - Ennen laitteen tarkistusta, puhdistusta tai sen parissa työskentelyä
 - Ennen säätöjen tekemistä, tarvikkeiden vaihtamista tai varastointia
 - Aina, kun laite alkaa tärähtää tai tuottaa epätavallista ääntä
 - Tulo- tai poistoaukon puhdistaminen
 - Säilytyskorin kiinnitys tai irrotus
 - Kuljetus.

- Älä kallista laitetta käytön aikana.
- Pysy riittävän etäällä, kun syötät pitkää materiaalia. Se voi ponnahtaa takaisin ja aiheuttaa vammoja.
- Älä käytä ilman täyttösuppilaa.
- Älä käytä laitetta väkisin. Se tekee työn paremmin ja turvallisemmin nopeudella, jolle se on suunniteltu. Toistuva yliuormitus voi aiheuttaa moottoririkon tai tulipalon.
- Käytä oikeaa laitetta. Älä käytä laitteita tarkoitukseen, johon niitä ei ole tarkoitettu. Älä koskaan syötä metalleja, lasia, kiviä, keramiikkaa, muovivia, paksuja oksia, kovapuuta, paksuja puulevyjä tms.

Huolto-ohjeet

- Anna valtuutetun huoltokeskuksen huoltaa laite käyttäen aina alkuperäisiä varaosia. Virheellinen huolto ja puutteellinen kunnossapito voi lyhentää laitteen käyttöikä ja lisätä tapaturmien vaaraa.
- Toimi seuraavasti ennen huoltoa, tarkastusta, säätöä, varastointia tai tarvikkeen vaihtoa:
 - Katkaise virta
 - Irrota laite virtalähteestä
 - Varmista, että kaikki liikkuvat osat ovat pysähtyneet kokonaan
 - Anna laitteen jäähtyä.
- Tarkasta laite mahdollisten vaurioiden varalta:
 - Toimivatko turvalaitteet tarkoituksenmukaisesti
 - Toimivatko kaikki liikkuvat osat pehmeästi ja riittävästi
 - Ovatko kaikki osat vahingoittumattomia ja oikein asennettuja
 - Jos vahingoittuneita osia on, anna valtuutetun huoltokeskuksen vaihtaa tai korjata ne.
- Ole hyvin varovainen huoltaessasi leikkuria. Leikkuria voidaan liikuttaa käsin suojaustoimintojen lukitusominaisuudesta huolimatta.
- Älä puhdista laitetta vedellä. Seurauksena voi olla sähköiskut.
- Käytä suojakäsineitä huolto- tai kokoonpanotehtävien aikana sormien suojaamiseksi.
- Älä koskaan tee muita kuin tässä ohjeessa kuvattuja huolto- tai korjaustöitä. Muut työt on teetettävä Makitan valtuutetussa huoltokeskuksessa.
- Käytä vain alkuperäisiä, kyseiseen malliin tarkoitettuja Makita-varaosia ja lisävarusteita. Muuten seurauksena voi olla vammoja tai laitteen vaurioituminen.
- Säilytä laitetta kuivassa huoneessa. Pidä se pois lasten ulottuvilta. Älä koskaan säilytä laitetta ulkona.

KOKOAMINEN

HUOMIO:

- Varmista aina ennen laitteelle tehtävien toimenpiteiden suorittamista, että kone on sammutettu ja irrotettu pistorasiasta.
1. Aseta yläkotelo ylösalaisin tasaiselle lattialle. Aseta sitten alustarunko sen päälle. Huomaa osan suunta. **(Kuva 2)**
 2. Kiinnitä kaikki osat kiristämällä ruuvit. Varmista, että ne ovat täysin tukevat. **(Kuva 3)**
 3. Kiinnitä pysäyttimet ruuveilla. Varmista, että ne on kiristetty kunnolla. **(Kuva 4)**

4. Kiinnitä pyörät seuraavasti: **(Kuva 5)**
 - Kiinnitä akseli yhteen pyörään.
 - Vie akseli jalan reikiin läpi.
 - Kiinnitä toinen pyörä akseliin viemällä tappi akselin reian läpi. Kiinnitä pyörä taivuttamalla tappia.
 - Kiinnitä suojukset pyöriin.
5. Kiinnitä säilytyskori. Nosta sitten lukitusvipu ylös. **(Kuva 6)**

TOIMINTOJEN KUVAUS

VAROITUS:

Tarkasta, että laitteen virtakytkin ei ole päällä, ennen kuin kytket laitteen verkkovirtaan. Laitteen kytkeminen kytkin päällä voi aiheuttaa odottamattoman käynnistymisen, josta voi seurata vakavia henkilövahinkoja.

Virtakytkin (Kuva 7)

HUOMIO:

Älä käytä laitetta, jos se ei käynnisty ja sammuu kytkimestä. Anna Makitan valtuutetun huoltokeskuksen vaihtaa vialliset kytkimet. Kytke laite päälle painamalla vihreää painiketta. Sammuta laite painamalla punaista painiketta.

LED-valo

LED-valo osoittaa laitteen tilan seuraavasti:

PUNAINEN väri: Laite on kytketty virtalähteeseen, ja laite on sammutettu.

VIHREÄ väri: Laite on käynnistetty.

Viilkuva VIHREÄ väri jatkuvasti: Laite on tukkeutunut käytön aikana.

Viilkuva PUNAINEN väri: Laite ei voi palautua automaattisesti. Jos näin tapahtuu, poista ongelma käsin.

Tahattoman uudelleenkäynnistykseen esto

Laite sammuu automaattisesti, jos sähkötkatkeavat. Käynnistä uudelleen painamalla vihreää painiketta uudelleen.

Yliuormitussuoja

Moottorissa on yliuormitussuoja. Yliuormitettuna laite toimii seuraavalla tavalla:

- Terä käy taaksepäin kaksi tai kolme sekuntia ja yrittää työntää silputun materiaalin takaisin ulos.
- Sitten terä käy taas eteenpäin.
- Jos tukkeutunutta materiaalia on jäljellä kolmen yrityksen jälkeen, laite pysähtyy ja LED-valo vilkkuu punaisena.

Jos näin tapahtuu, toimi seuraavasti:

- Sammuta laite.
- Odota, kunnes terät ovat täysin pysähtyneet.
- Poista tukkeutunut materiaali.
- Kytke silppuri takaisin päälle noin 5 minuutin kuluttua ja syötä helpompaa materiaalia.
- Jos laitetta ei voi käynnistää tämän odotusajan jälkeen, katso kohta Vianmääritys.

Pyörimissuunnan vaihtokytkin

⚠ HUOMIO:

Sammuta silppuri ennen pyörimissuunnan vaihtokytkimen vaihtamista.

Asento ↕

Terät pyörivät eteenpäin.

Asento ↕

Terät pyörivät taaksepäin tukkeutuneen materiaalin vapauttamiseksi.

Kun vaihdat suunnaksi ↕ (taaksepäin), pidä virtakytkimen vihreä painike painettuna terien pyörittämiseksi. Silppuri pysähtyy automaattisesti, kun virtakytkin vapautetaan.

HUOMAUTUS:

Suuren kappaleen silppuaminen voi vaatia suunnan vaihtamista useita kertoja.

⚠ HUOMIO:

- Tapaturmien välttämiseksi käytä aina koukkuja tai tikkuja tukkeutuneiden kappaleiden poistamiseen.
- Odota aina ennen uudelleenkäynnistystä, että silppuri pysähtyy kokonaan.

Säilytyskori

⚠ HUOMIO:

- Sammuuta laite ja irrota se pistorasiasta ennen säilytyskorin kiinnittämistä tai irrottamista.
- Tarkista turvallisen käytön vuoksi lukitusominaisuuden toimivuus kahden tunnin välein.
- Älä koskaan yritä ohittaa suojuksen lukitusominaisuutta.

Lukitusvipu:

Yläasento → Säilytyskori on lukittu.

Ala-asento → Säilytyskori ei ole lukittu.

Laite ei käynnisty turvatoiminnon takia.

Laite ei käynnisty, jos lukitusvipu on ei lukittu -asennossa. Laite pysähtyy automaattisesti, jos säilytyskorin lukitus avataan käytön aikana.

Terän suojuksen

⚠ HUOMIO:

- Varmista ennen terän suojuksen avaamista, että laite on sammutettu ja irrotettu pistorasiasta.
- Käytä suojakäsineitä, kun avaat terän suojuksen.
- Leikkuri ei pysähdy välittömästi virran katkaisemisen jälkeen. Odota, kunnes kaikki osat ovat pysähtyneet.

Jos materiaalia tukkeutuu pahasti yläkoteloon, poista se avaamalla terän suojuksen.

KÄYTTÖ

Laitteen asennus:

- Tasaisella, suoralla pinnalla. Älä aseta laitetta kivetulle tai sorapinnalle.
- Turvallisella etäisyydellä (vähintään 2 m) seinistä ja muista esineistä.

Varmista ennen käynnistämistä, että:

- Liitäntäkaapelit eivät ole vaurioituneet. Jos viiltoja tai repeämiä on, lopeta käyttö ja vaihda se välittömästi.
- Laitteessa ei ole vaurioita, ja kaikki ruuvit ovat tiukassa.
- Laite on kokoonpantu täydellisesti ja oikein.

Tarkista virtaliitäntä:

- Varmista, että verkkojännite vastaa nimikilven nimelliskäynnittämistä ja että laite on maadoitettu asianmukaisesti.
- Käytä vain jatkojohtoja, joiden poikkipinta-ala on riittävä.

Materiaalit, joita silppurilla voidaan käsitellä

Silppuri voi käsitellä seuraaventyypisiä materiaaleja:

- Kaikenlaiset oksat laitteen kapasiteetin maksimihalkaisijaan asti (puun tyyppiin ja tilan mukaan)
- Puutarhajätteet, kuten kuhtuneet kasvit tai märkä rikkaruoho, joka on seissyt muutaman päivän. (Syötä niitä vuorotellen oksien kanssa.)

Silppuri EI voi käsitellä seuraaventyypisiä materiaaleja:

- Lasi, metalli, muovi, kivet, keramiikka, paksut oksat, kovapuu, paksut puulevyt, kangas, muovipussit, muuttiset juuret.
- Lähes nestemäinen jäte, esim. biojäte.

Käyttö: (Kuva 8)

- Syötä materiaalia täyttösuppiloon oikealta puolelta.
- Oksat, risut ja puu: silppua ne heti leikkaamisen jälkeen. Kuivueessaan niistä voi tulla hyvin kovia.
- Poista oksista sivuhaarat, jos niitä ei ole helppo syöttää.
- Sammuuta moottori ja irrota laite virtalähteestä ennen poistoaukon puhdistamista.
- Älä anna silputun materiaalin kerääntyä poistoaukoon. Muuten silputtu materiaali voi tukkia poistoaukon. Tyhjennä säilytyskori säännöllisesti.
- Älä syötä materiaalia, jonka oksan halkaisija on teknisissä tiedoissa määritetty suurempi. Puun tuoreuden ja tilan mukaan oksan maksimihalkaisija voi olla pienempi.
- Märän puutarhajätteen silppuaminen aiheuttaa tukoksen. Estä laitteen tukkeutuminen vuorottelemalla jätettä ja puuta sisältävää materiaalia.
- Pehmeä materiaali tai märät oksat voivat repeytyä leikkautumisen sijasta. Myös kulunut vastaterä voi aiheuttaa tämän ongelman.
- Jos koneen tuloaukko tai poistokouru menee tukkoon, kytke moottori pois päältä ja irrota verkkovirta ennen kuin puhdistat roskat tuloaukosta tai poistokourusta. Pidä virtalähde puhtaana roskista ja muista kertymistä, jotta estät virtalähteen vaurioitumisen tai mahdollisen tulipalon.

Terän välilyönnin säätäminen (Kuva 9)

Säädä tehokasta käyttöä varten vastaterän ja leikkaustelan välilyönnin.

Välilyönnin asettaminen:

- Käynnistä laite.
- Vapauta säätönuppi kääntämällä kiinnitysruuvia vastapäivään.
- Aseta vastaterä lähemmäs leikkaustelaa kääntämällä säätönuppi hitaasti myötäpäivään. Käännä sitä, kunnes poistoaukosta putoaa pieniä alumiinisiruja.
- Lukitse säätönuppi kääntämällä kiinnitysruuvia myötäpäivään.

HUOLTO

⚠ HUOMIO:

- Varmista aina ennen tarkastuksia tai kunnossapitotoita, että laite on sammutettu ja irrotettu pistorasiasta.
- Käytä suojakäsineitä tarkastusta tai huoltoa suoritettaessa.
- Leikkuri ei pysähdy välittömästi virran katkaisemisen jälkeen. Odota ennen huoltotoimenpiteiden suorittamista, että kaikki osat ovat pysähtyneet.
- Varmista huollon jälkeen, että kaikki työkalut on poistettu.

- Älä koskaan käytä bensiiniä, bentseeniä, tinneriä, alkoholia tai vastaavaa. Seurauksena voi olla värinmuutoksia, muodonmuutoksia tai murtumia. Puhdista laite käyttämällä vain kosteaa liinaa ja pehmeää harjaa.
- Älä pese tai puhdista laitetta korkeapaineisella vedellä.

Tee seuraavat huoltotoimenpiteet jokaisen käytön jälkeen:

- Tarkista, ovatko kaikki lukitusruuvit tiukassa (kiristä tarvittaessa).
- Voitele metalliosat niiden suojaamiseksi korroosiolta.
- Pidä tuuletusaukot puhtaina ja pölyttöminä.

Leikkaustela ja vastaterä kuluvat ajan myötä. Pyydä lähintä valtuutettua huoltokeskusta vaihtamaan ne tarvittaessa.

VIANMÄÄRITYS

VAROITUS: Ennen ongelmien ratkaisemista sammuta laite, irrota virtapistoke ja odota, kunnes laite on täysin pysähtynyt.

Ongelma	Mahdollinen syy	Korjaus
Moottori ei käynnisty	Ei virransyöttöä	Tarkista virtalähde.
	Virtakaapeli viallinen	Pyydä valtuutettua huoltokeskusta tarkistamaan.
	Ylikuormitusuoja on aktivoitunut	Odota, kunnes laite on jäähtynyt, ja paina vihreää painiketta.
	Säilytyskorin turvakatkaisulaite (säilytyskoria ei ole lukittu)	Tarkista ja lukitse säilytyskori.
Moottorin ääni kuuluu mutta moottori ei käynnisty	Leikkaustela on tukkeutunut	Sammuta laite. Käännä pyörimissuunnan vaihtokytkin peruutussuuntaan. Käynnistä laitetta, kunnes tukos on poistettu. Sammuta laite uudelleen. Käännä pyörimissuunta takaisin eteenpäin.
	Kondensaattorivika	Vie laite valtuutettuun huoltokeskukseen korjausta varten.
Silputtavaa materiaalia ei vedetä silppuriin	Väärä pyörimissuunta.	Sammuta laite ja vaihda pyörimissuunnan vaihtokytkimen suunta.
	Silputtavaa materiaalia tarttuu täyttösippiloon	Sammuta laite. Käännä pyörimissuunnan vaihtokytkin peruutussuuntaan. Käynnistä laite silputtavan materiaalin vapauttamiseksi ja poista kaikki vieras aine. Sammuta laite uudelleen. Käännä pyörimissuunta takaisin eteenpäin.
	Silputtava materiaali liian pehmeää tai märkää	Paina alas oksalla
	Leikkaustela kulunut	Säädä kiinteää vastaterää kohdan "Terän välyksen säätäminen" ohjeiden mukaan. Jos leikkaustela on hyvin kulunut, vaihda se.
Silputtavaa materiaalia ei leikata siististi	Kiinteää vastaterää ei ole säädetty oikein	Säädä vastaterä.
Laite käynnistyy, mutta pienikin kuorma saa moottorin suojakytkimen sammuttamaan sen.	Jatkojohto on liian pitkä tai halkaisija liian pieni.	Tarkista, että jatkojohto on vähintään 1,5 mm ² , enintään 25 m pitkä. Pidempää johtoa käytettäessä läpimitan täytyy olla vähintään 2,5 mm ² .
	Pistorasia on liian kaukana virtalähteestä tai virtajohdon halkaisija on liian pieni	

EY-VAATIMUSTENMUKAISUUSVAKUUTUS

Koskee vain Euroopan maita

EY-vaatimustenmukaisuusvakuutus sisältyy tämän käyttöoppaan liitteeseen A.

BRĪDINĀJUMS! Šo instrumentu var ekspluatēt bērni vecumā no 8 gadiem un personas, kam ir ierobežotas fiziskās, sensorās vai psihiskās spējas vai trūkst pieredzes un zināšanu, ja šīs personas vai bērni tiek uzraudzīti vai apmācīti instrumenta drošā lietošanā un ja viņi izprot visus riskus saistībā ar to. Nedrīkst ļaut bērniem spēlēties ar instrumentu. Bērni drīkst tīrīt instrumentu un veikt tam apkopi tikai pieaugušo uzraudzībā.

DETAĻU APZĪMĒJUMI

1	Padeves tilpne	7	Augšējais korpuss	13	Padeves puse
2	Barošanas slēdzis	8	Savākšanas tvertne	14	Skrūve
3	Rokturis	9	Pamatnes rāmis	15	Pretasmens
4	Barošanas ligzda	10	Regulēšanas poga	16	Griezējveltnis
5	Bloķēšanas svira	11	Fiksēšanas poga		
6	Turpgaitas/atpakaļgaitas slēdzis	12	Asmens aizsargs		

TEHNISKIE DATI

Modelis	UD2500
Nosaukums	Elektriskais zaru smalcinātājs
Motors	Mainstr. motors, 230-240 V ~ 50 Hz
Motora nominālā jauda P40	2 500 W
Motora nominālā jauda P1 S1	2 000 W
Griezējveltna rotācijas ātrums	40 min ⁻¹
Barošanas slēdzis	aprīkots ar aizsardzību pret pārslodzi; turpgaitas un atpakaļgaitas funkcija, nulles sprieguma atbrīvošana
Svars	27,6 kg
Zaru maks. diametrs (tikai svaigi zāgētai koksnei)	Maks. 45 mm
Drošības klase	I
Aizsardzības klase	IP X4

DATI PAR TROKSNĪ

Skaņas spiediena līmenis	74,88 dB (A), K= 2,50 dB (A)
Skaņas spiediena līmenis pie operatora auss	84,4 dB (A), K= 3 dB (A)
Novērtētais skaņas jaudas līmenis	93,49 dB (A), K= 3,97 dB (A)
Garantētais skaņas jaudas līmenis	97 dB (A)

Operatoru ietekmējošās skaņas intensitātes līmenis var pārsniegt 80 dB (A). Valkājiet ausu aizsargus.

APZĪMĒJUMI

Šai iekārtai tiek izmantoti šādi apzīmējumi. Pirms ekspluatācijas ir jāizprot to nozīme.



- Izlasiet rokasgrāmatu.



- Ievērojiet īpašu uzmanību un piesardzību.



- Pirms pārbaudes, tīrīšanas, apkopes vai remonta darbiem izslēdziet motoru un atvienojiet no barošanas avota.



- Priekšmeti var tikt izsviesti ar lielu ātrumu.



- Neļaujiet nepiederošām personām un dzīvniekiem atrasties darba zonā.



- Bīstami! Rotējoši asmeņi. Netuviniet rokas un kājas atverēm, ja iekārta darbojas.



- Bīstami! Rotējoši asmeņi. Netuviniet rokas un kājas atverēm, ja iekārta darbojas.



- Valkājiet acu un ausu aizsargus.



- Valkājiet aizsargcimdus.



- Nepakļaujiet iekārtu lietus un mitruma iedarbībai.



- Grieziet pogu pulksteņrādītāja virzienā, lai samazinātu atstatumu / grieziet pogu pretēji pulksteņrādītāja virzienam, lai palielinātu atstatumu.



- Atveriet asmens aizsargu, lai nomaiņītu asmeni vai veiktu tam apkopi.



- Nogaidiet, līdz visas iekārtas detaļas ir pilnībā apstājušas.



- Neizmantojiet iekārtu tam, lai uz tās pakāptos.



- Tikai ES valstīm
Neizmetiet elektriskās iekārtas un akumulatorus kopā ar māsaimniecības atkritumiem! Ievērojot Eiropas Direktīvu 2002/96/EK par elektrisko un elektronisko iekārtu atkritumiem un Direktīvu 2006/66/EK par baterijām un akumulatoriem, un bateriju un akumulatoru atkritumiem, kā arī īstenojot tās saskaņā ar valsts tiesību aktiem, visas elektriskās iekārtas, kam beidzies ekspluatācijas laiks, jāsavāc daļti un jānodod videi nekaitīgā pārstrādes iekārtā.

DROŠĪBAS BRĪDINĀJUMI

PIRMS LIETOŠANAS TOS RŪPĪGI IZLASIET SAGLABĀJIET ŠO ROKASGRĀMATU TURPMĀKĀM UZVIŅĀM



Nesāciet ekspluatēt iekārtu, kamēr neesat izlasījis šo rokasgrāmatu. Ievērojiet visus šeit minētos norādījumus un uzstādiat iekārtu, kā norādīts.

Iekārtas paredzētā lietošana

- Zaru smalcinātājs paredzēts šādu dārza atkritumu smalcināšanai:
 - visu veidu zari, kas nepārsniedz iekārtas jaudai atbilstošu maksimālo diametru (atkarībā no koksnes veida un stāvokļa);
 - dārza atkritumi, piemēram, sažuvuši augi vai slapja zāle, kas nostāvējušies dažas dienas (smalciniet tos pamīšus ar zariem).
- Zaru smalcinātājs paredzēts tikai individuālai lietošanai, ne komerciālai. Tāpat neekspluatējiet to sabiedriskās vietās.

Ir paredzēts barošanai no zemsprieguma elektrības tīkliem ar spriegumu no 220 V līdz 250 V.

Ieslēdzot elektriskās ierīces rodas sprieguma fluktuācija. Šīs ierīces darbināšana nelabvēlīgajos elektropadeves apstākļos var pasliktināt citu iekārtu darbību. Ja barošanas tīkla pilnā pretestība ir mazāka par 0,45 Ohmiem, var uzskatīt, ka negatīvu efektu nebūs. Elektroītīkla kontakttīgzdai, kurai ir pievienota šī ierīce, jābūt aizsargātai ar drošinātāju vai slēgiekārtu ar iedarbošanās aizkavi.

Vispārīgi noteikumi

- Izlasiet šo rokasgrāmatu, lai iepazītos ar šīs iekārtas lietošanas principiem. Lietotāji, kas nav pietiekami labi informēti, apdraud gan sevi, gan arī citus, jo neprot pareizi rīkoties ar iekārtu.
- Nenododiet iekārtu tādu personu rokās, kam nav pieredzes to rīkoties.
- Iekārta jānodod citas personas lietošanā tikai kopā ar šo rokasgrāmatu.
- Elektrisko zaru smalcinātāju nav paredzēts ekspluatēt personām, kam ir ierobežotas fiziskās, sensorās vai psihiskās spējas vai trūkst pieredzes un zināšanu. Bērni jāuzrauga, lai viņi nespēlētos ar iekārtu. Neļaujiet bērniem strādāt ar šo iekārtu.
- Strādājiet ar iekārtu tikai tad, ja esat labā fiziskā stāvoklī. Veiciet darbu mierīgi un uzmanīgi. Operators atbild par visu apkārtnējo personu drošību un nodarītajiem bojājumiem darba zonā.
- Neekspluatējiet iekārtu, ja esat alkohola reibumā vai narkotiku ietekmē vai ja jūtaties noguris vai sasirdzis.
- Ekspluatējiet iekārtu saskaņā ar šiem noteikumiem, ņemot vērā darba apstākļus un veicamā darba specifiku. Lietojot iekārtu tā, kā nav paredzēts, var rasties bīstami a situācija.
- Iekārtu, tostarp drošības ierīces, piemēram, bloķēšanas ierīci, nedrīkst pārveidot, citādi tiek apdraudēta jūsu drošība.
- Valsts vai vietējos tiesību aktos var būt noteikti ierobežojumi attiecībā uz iekārtas lietošanu.
- Saglabājiet modrību. Skatieties, ko jūs darāt. Esiet saprātīgi. Nestrādājiet ar iekārtu, ja esat noguris.

Personīgais aizsargaprīkojums

- Valkājiet piemērotu apģērbu. Valkātajam apģērbam jābūt funkcionālam un piemērotam, t.i., tam jābūt cieši pieguļošam, taču tas nedrīkst ierobežot kustības. Nevalkājiet tādas rotaslietas vai apģērbu, kas var iekerties iekārtā. Valkājiet piemērotu galvassegu, lai apsegtu garus matus.
- Vienmēr valkājiet ausu aizsargus, lai nebojātu dzirdi.
- Valkājiet aizsargbrilles, lai pasargātu acis no netīrumiem, kas atlec no padeves tīlnes.
- Valkājiet aizsargcimdus, lai nesavainotu pirkstus.
- Valkājiet sejas masku, ja gaisā nonāk daudz putekļu, piemēram, smalcinot sausus zarus, dzīvzogus ar lapām u.c.
- Eksploatējot iekārtu, jāvalkā izturīgi apavi ar neslīdošu zoli. Tie nodrošina stabilu stāju un mazina risku gūt ievainojumus.

Darba zonas drošība

- Strādājot ar iekārtu, neļaujiet tuvumā atrasties bērniem un nepiederošām personām.
- Eksploatējiet iekārtu atklātā vietā uz cietas, līdzenas virsmas. Nestrādājiet ar iekārtu tuvu sienām vai citiem priekšmetiem.
- Iekārtu nedrīkst darbināt sprādzienbīstamā vidē, piemēram, viegli uzliesmojošu šķidrums, gāzu vai putekļu tuvumā. Iekārta rada dzirksteles, kas var aizdedzināt putekļus vai izgarojumus.
- Neeksploatējiet iekārtu uz bruģētas vai grantētas virsmas, jo izvadītais materiāls var izraisīt ievainojumus.
- Rūpējieties, lai darba zona būtu tīra un labi apgaismota. Nesakārtotā un vāji apgaismotā darba zonā var rasties negadījumi.
- Nepakļaujiet iekārtu lietus vai mitru laika apstākļu iedarbībai. Ūdenim iekļūstot iekārtā, palielināsies elektriskās strāvas trieciena risks.

Iekārtas iedarbināšana

- Pirms spraudņa pievienošanas ligzdai vai iekārtas ieslēgšanas:
 - pārbaudiet, vai visas skrūves, uzgriežņi un citi stiprinājumi ir cieši nostiprināti;
 - pārbaudiet, vai aizsargi, novirzītāji un sieti ir uzstādīti un ir labā darba stāvoklī;
 - nomainiet bojātas vai nesalasāmas uzlīmes;
 - pārliecinieties, vai padeves tīlnē ir tukšas;
 - pārbaudiet, vai ir uzstādīta aizsardzība padeves izvades atverei;
 - rūpīgi pārbaudiet visas iekārtas sastāvdaļas, vai tās darbojas pareizi un veic tām paredzētās funkcijas. It īpaši, ja slēdzis nedarbojas pareizi, šo iekārtu nedrīkst eksploatēt.
- Ja ir bojāts barošanas vads, vērsieties Makita pilnvarotā apkopes centrā, kur izmanto tikai oriģinālās rezerves daļas, lai vadu nomainītu pret jaunu.

Elektrodrošība

BRĪDINĀJUMS!

- Šī ir I klases iekārta. Pievienojiet to kontaktligzdai ar zemēšanas spaili. Nepareizs zemējums var izraisīt elektriskās strāvas triecienu un nāvi. Lietojiet tikai trīs vadu pagarinājuma kabelus, kam ir iezemētas kontaktdakšas ar trīs zariem un kontaktligzdas ar trīs kontaktiem, kurās var iespraust iekārtas kontaktdakšu.
- Darba laikā nepieskarieties iezemētām virsmām (piemēram, caurulēm un radiatoriem).

- Lietojiet tikai pagarinājuma kabeli IEC60245 (H07RN-F), kas paredzēts lietošanai ārpus telpām un kam ir ūdensizturīga kontaktligzda. Mazāk nekā 25 m gara kabeļa šķērsriezuma jābūt vismaz 1,5 mm², bet vairāk nekā 25 m gara kabeļa šķērsriezums — vismaz 2,5 mm².
- Ja garš kabelis ir pārāk tievs, var zust spriegums. Šādā gadījumā samazinās iekārtas jauda.
- Lietojot pagarinājuma kabeli, jāraugās, lai tas netraucētu un netiktu saspiests vai saliekts, turklāt kontaktdakša jātur sausumā.
- Ja lietojat kabeļa rulli, notiniet kabeli no tā pilnībā nost.
- Lietojiet vadu pareizi. Nekad nepārnēsājiet, nevelciet vai neatvienojiet iekārtu no kontaktligzdas, turot to aiz vada. Netuviniet vadu karstuma avotiem, eļļai, asām šķautnēm vai kustīgām detaļām. Ja vads ir bojāts vai sapinies, pastāv lielāks elektriskās strāvas trieciena risks.
- Regulāri pārbaudiet, vai nav bojāta pagarinājuma kabeļa izolācija. Bojājuma gadījumā nomainiet pret jaunu.
- Ja savienojuma kabelis ir bojāts, nekavējoties atvienojiet kontaktdakšu no ligzdas. Bojāts kabelis var saskarties ar detaļām, kurās ir strāva, un izraisīt elektriskās strāvas triecienu.
- Nedrīkst lietot bojātus kabelus.
- Pievienojiet iekārtu tikai pārbaudītu elektrisko ķēžu kontaktligzdām. Pārbaudiet, vai sistēmas spriegums atbilst spriegumam, kas norādīts uz kategorijas plāksnītes.
- Aizsargierīces nedrīkst atvienot vai apiet.
- Eksploatējot iekārtu ārpus telpām, tā jāpievieno noplūdstrāvas aizsargierīces jaudas slēdzim, kura darbības jauda nepārsniedz 30 mA.

Eksploatācija

- Netuviniet seju un ķermeni padeves atverei.
- Nekādā gadījumā neturiet rokas, citas ķermeņa daļas un apģērbu ne padeves, ne izvades atverē, ne arī kustīgo detaļu tuvumā, jo tādējādi var gūt smagus ievainojumus.
- Nesniedzieties pārāk tālu. Vienmēr cieši stāviet uz piemērota atbalsta un saglabājiet līdzsvaru. Tādējādi neparedzētās situācijās daudz labāk varēsiet saglabāt kontroli pār iekārtu. Nestāviet augstāk par iekārtas pamatni, kamēr padodat tajā smalcināmo materiālu.
- Darba laikā jāstāv drošā attālumā no izvades atveres.
- Ievērojiet vietējos noteikumus par aizsardzību pret troksni.
- Nelietojiet iekārtu akmens, metāla, stikla un citu nepiemērotu priekšmetu smalcināšanai. Tāpat raugieties, lai zari būtu atfīrīti no tamlīdzīgiem priekšmetiem.
- Ja asmens atduras pret tamlīdzīgu nepiemērotu priekšmetu, iekārta sāk vibrēt vai no tās dzirdams neparasts troksnis, nekavējoties izslēdziet motoru un atvienojiet no barošanas avota. Pārbaudiet, vai smalcinātājs nav bojāts, un pievelciet vaļīgās detaļas. Vērsieties pilnvarotā apkopes centrā, lai salabotu iekārtu.
- Raugieties, lai sasmalcinātais materiāls nenosprototu izvades atveri, citādi tas var tikt ar spēku atsviests atpakaļ pa padeves atveri.
- Izslēdziet motoru un atvienojiet no barošanas avota šādos gadījumos:
 - ikreiz, atstājot iekārtu bez uzraudzības;

- pirms materiāla nosprostojuma attīrīšanas vai bojājuma novēršanas;
 - pirms iekārtas pārbaudes, tīrīšanas vai apkopes;
 - pirms regulēšanas, piederumu maiņas vai iekārtas novietošanas glabāšanā;
 - ja iekārta sāk vibrēt vai no tās dzirdams neparasts trokšnis;
 - pirms padeves un izvades atveres attīrīšanas;
 - pirms savākšanas tvertnes piestiprināšanas vai noņemšanas;
 - transportēšanas laikā.
- Darba laikā iekārta nedrīkst būt sagāzta vai noliekta.
 - Padodotiekārtā garus zarus, stāvietpietiekamā attālumā. Tie var atlēkt atpakaļ un izraisīt ievainojumus.
 - Iekārta nedrīkst ekspluatēt, ja nav uzstādīta padeves tilpne.
 - Nelietojiet iekārta ar spēku. Darbinot iekārta noteiktajās efektivitātes robežās, tā paveic darbu daudz labāk un drošāk. Bieža pārslodze var izraisīt motora bojājumus vai aizdegšanos.
 - Lietojiet pareizo iekārta. Neizmantojiet iekārta nolūkiem, kam tās nav paredzētas. Ar to nedrīkst smalcināt metālu, stiklu, akmeni, keramiku, plastmasu, resnus zarus, cietkoksni, biezus koka dēļus u.c.

Norādījumi par apkopi

- Lai veiktu apkopi, vērsieties Makita pilnvarotā apkopes centrā, kur izmanto tikai oriģinālās rezerves daļas. Nepareizs remonts un nepietiekama apkope var saīsināt iekārtas kalpošanas laiku un palielināt negadījumu risku.
- Pirms iekārtas apkopes, pārbaudes, regulēšanas, glabāšanas vai piederumu maiņas rīkojieties šādi:
 - izslēdziet barošanu;
 - atvienojiet iekārta no barošanas avota;
 - pārliecinieties, vai kustīgās detaļas ir pilnībā apstājušās;
 - nogaidiet, līdz iekārta atdziest.
- Pārbaudiet iekārta, vai nav šādu bojājumu:
 - drošības ierīces darbojas pareizi un veic tām paredzētās funkcijas;
 - visas kustīgās detaļas darbojas vienmērīgi un pareizi;
 - visas detaļas ir pareizi uzstādītas un nav bojātas;
 - vērsieties pilnvarotā apkopes centrā, lai nomaiņītu vai salabotu bojātās detaļas.
- Rīkojieties ļoti piesardzīgi, veicot apkopi griezējveltnim. To var manuāli izkustināt, kaut arī ir aktivizēta aizsarga bloķēšanas funkcija.
- Netīriet iekārta ar ūdeni, jo tādējādi var gūt elektriskās strāvas triecienu.
- Apkopes vai iekārtas salikšanas laikā valkājiet aizsargcimdus, lai nesavainotu pirkstus.
- Veiciet tikai tādas apkopes vai remonta darbus, kas ir minēti šajā rokasgrāmatā. Visi pārējie darbi jāveic Makita pilnvarotam apkopes centram.
- Lietojiet tikai oriģinālos Makita piederumus un rezerves daļas, kas paredzēti šai iekārta, citādi var gūt ievainojumus vai sabojāt iekārta.
- Glabājiet iekārta sausā telpā. Glabājiet to bērniem neaizsargjamā vietā. Iekārta nedrīkst glabāt ārpus telpām.

SALIKŠANA

⚠ UZMANĪBU!

- Pirms rīkošanās ar iekārta vienmēr pārbaudiet, vai iekārta ir izslēgta un atvienota no barošanas avota.
1. Apvērsiet augšējo korpusu otrādi un novietojiet uz līdzenas grīdas. Tad novietojiet uz tā pamatnes rāmi. Raugieties, lai detaļa būtu uz pareizo pusī. **(2. att.)**
 2. Pievelciet skrūves, lai nostiprinātu detaļas. Pārbaudiet, vai konstrukcija ir stabila. **(3. att.)**
 3. Pieskrūvējiet aizturus. Pārbaudiet, vai tie ir cieši pievilkti. **(4. att.)**
 4. Piestipriniet riteņus šādi: **(5. att.)**
 - pie ass piestipriniet vienu no riteņiem;
 - izveriet asi caur atverēm pamatnes rāmī;
 - pie ass piestipriniet otru riteņi, izverot tapu caur atveri asi. Salieciet tapu un nofiksējiet riteņi;
 - uzlieciet riteņiem dekoratīvos diskus.
 5. Piestipriniet savākšanas tvertni. Tad paceliet augšup bloķēšanas sviru. **(6. att.)**

FUNKCIJU RAKSTUROJUMS

⚠ BRĪDINĀJUMS!

Pirms iekārtas pievienošanas barošanas avotam jāpārbauda, vai iekārta ir izslēgta. Ja barošanas avotam pievieno ieslēgtu iekārta, tā var negaidot sākt darboties, tādējādi izraisot smagus ievainojumus.

Barošanas slēdzis (7. att.)

⚠ UZMANĪBU!

Iekārta nedrīkst ekspluatēt, ja to ar slēdzi nevar ne ieslēgt, ne izslēgt. Bojāti slēdži ir jānomaina Makita pilnvarotam apkopes centram.

Lai ieslēgtu iekārta, nospiediet zaļo pogu.

Lai izslēgtu iekārta, nospiediet sarkano pogu.

Dižo lampiņa

Dižo lampiņa liecina par iekārtas statusu, un tai ir šādas nozīmes.

SARKANĀ krāsā: iekārta ir pievienota barošanas avotam un ir izslēgtā stāvoklī.

ZALĀ krāsā: iekārta ir ieslēgtā stāvoklī.

Nepārtraukti **mirgo ZALĀ** krāsā: iekārta ekspluatācijas laikā ir bloķēta.

Mirgo SARKANĀ krāsā: iekārta nevar automātiski atjaunot darbību. Šajā gadījumā problēma jānovērš manuāli.

Aizsardzība pret nejašu iedarbināšanu no jauna

Elektropadeves traucējumu gadījumā iekārta automātiski izslēdzas. Lai to no jauna iedarbinātu, nospiediet zaļo pogu.

Aizsardzība pret pārslodzi

Motorā ir iestrādāta aizsardzība pret pārslodzi. Pārslodzes gadījumā iekārta darbojas šādi:

- divas vai trīs sekundes asmens griežas atpakaļgaitas virzienā, cenšoties atstumt sasmalcināto materiālu atpakaļ;
- tad asmens no jauna griežas turpgaitas virzienā;
- šis process tiek veikts trīs reizes, un, ja materiāls joprojām ir iestrēdzis, iekārta izslēdzas un diodes lampiņa mirgo sarkanā krāsā.

Ja tā notiek, rīkojieties šādi:

- izslēdziet iekārtu;
- nogaidiet, līdz asmens ir pilnībā apstājies;
- iztīriet iestrēgušo materiālu;
- aptuveni pēc 5 minūtēm no jauna ieslēdziet smalcinātāju un padodiet tajā mazāk materiāla;
- ja pēc noteiktā gaidīšanas laika iekārtu nevar ieslēgt, skatiet sadaļu „Problēmu novēršana”.

Turpgaitas/atpakalgaitas slēdzis

⚠ UZMANĪBU!

Izslēdziet smalcinātāju un tikai tad mainiet turpgaitas/atpakalgaitas virzienu.

Pozīcija ↓

Asmens griežas turpgaitas virzienā.

Pozīcija ↑

Asmens griežas atpakalgaitas virzienā, lai atbrīvotu iestrēgušo materiālu.

Mainot virzienu uz ↑ (atpakalgaita), turiet nospiestu barošanas slēdža zaļo pogu, lai asmens grieztos. Atlaižot barošanas slēdzi, smalcinātājs automātiski pārstāj darboties.

PIEZĪME.

• Lai sasmalcinātu lielākus zarus, var nākties vairākkārt darbināt asmeni turpgaitā un atpakalgaitā.

⚠ UZMANĪBU!

- Ar āķi vai stieni jāiztīra iestrēgušais materiāls, lai izvairītos no negadījumiem.
- Pirms atkārtotas iedarbināšanas jānogaida, līdz smalcinātājs pilnībā pārstāj darboties.

Savākšanas tvertne

⚠ UZMANĪBU!

- Pirms savākšanas tvertnes piestiprināšanas vai noņemšanas izslēdziet iekārtu un atvienojiet no barošanas avota.
- Drošas ekspluatācijas nolūkā ik pēc divām stundām pārbaudiet, vai darbojas bloķēšanas funkciju.
- Aizsardzības bloķēšanas funkciju nedrīkst apiet.

Bloķēšanas svira:

Augšējā pozīcija → savākšanas tvertne ir bloķēta.

Apakšējā pozīcija → savākšanas tvertne ir atbloķēta.

Iekārtu nevar ieslēgt, jo ir aktivizēta drošības funkcija.

Ja bloķēšanas svira ir atbloķētā pozīcijā, iekārtu nevar ieslēgt. Ja darba laikā savākšanas tvertne tiek atbloķēta, iekārta automātiski pārstāj darboties.

Asmens aizsargs

⚠ UZMANĪBU!

- Pirms asmens aizsarga atvēršanas pārbaudiet, vai iekārta ir izslēgta un atvienota no barošanas avota.
- Valkājiet aizsargcimdus, atverot asmens aizsargu.
- Kad iekārta ir izslēgta, griezējveltnis netiek uzreiz apturēts. Nogaidiet, līdz visas detaļas ir pilnībā apstājušās.

Gadījumā, ja materiāls pamatīgi iestrēgst augšējā korpusā, atveriet asmens aizsargu un iztīriet materiālu.

EKSPLUATĀCIJA

Uzstādiet iekārtu šādi:

- uz līdzenas, horizontālas virsmas. Nenovietojiet iekārtu uz bruģētas vai grantētas virsmas;
- drošā attālumā (vismaz 2 m) no sienām un citiem priekšmetiem.

Pirms iedarbināšanas pārbaudiet:

- vai savienojuma kabeli nav bojāti. Ja tie ir ieplaisājuši vai sagriezti, nekavējoties pārtrauciet darbu un noņemiet pret jauniem;
- vai iekārta nav bojāta un vai visas skrūves ir cieši pievilkta;
- vai iekārta ir pareizi un pilnībā samontēta.

Pārbaudiet savienojumu ar elektroflīklu:

- pārbaudiet, vai elektrotīkla spriegums atbilst kategorijas plāksnītē norādītajam un vai iekārta ir pareizi iezemēta;
- lietojiet tikai tādu pagarinājuma kabeli, kura šķērsgriezums ir pietiekami liels.

Materiāls, kam paredzēts zaru smalcinātājs

Zaru smalcinātājs ir paredzēts šāda materiāla smalcināšanai:

- visu veidu zari, kas nepārsniedz iekārtas jaudai atbilstošo maksimālo diametru (atkarībā no koksnes veida un stāvokļa);
- dārza atkritumi, piemēram, sažuvuši augi vai slapja zāle, kas nostāvējušies dažas dienas (smalciniet tos pamišus ar zariem).

Zaru smalcinātājs NAV paredzēts šāda materiāla smalcināšanai:

- stikls, metāls, plastmasa, akmens, keramika, resni zari, cietkoksne, biezi koka dēļi, lupatas, plastmasas maisiņi, koku saknes ar zemi u.tml.;
- atkritumi, kas ir gandrīz šķidrā veidā, piemēram, virtuves atkritumi.

Darbība (8. att.)

- Ievietojiet materiālu padeves tilpnē no labās puses.
- Zari, žaģari un krūmi jāsamalcina uzreiz, tikko ir nocirsti. Izzūstot tie var kļūt ļoti cieti.
- Atdaliet no zariem sānu dzinumus, ja kopā ar tiem nevar padot smalcinātājā.
- Pirms izvades atveres atīrīšanas izslēdziet motoru un atvienojiet iekārtu no barošanas avota.
- Raugieties, lai sasmalcinātais materiāls neuzkrātos izvades atverē, citādi tas var nosprostot atveri. Regulāri iztukšojiet savākšanas tvertni.
- Nesmalciniet tādus zarus, kuru diametrs pārsniedz tehniskajos datos norādīto zaru maksimālo diametru. Zaru maksimālais diametrs var būt arī mazāks atkarībā no tā, vai koksne ir svaigi cirsta, un no tās stāvokļa.
- Slapji dārza atkritumi nosprosto iekārtas izvades atveri. Lai tā nenotiktu, smalciniet šos atkritumus pamišus ar zariem un citu koksnes materiālu.
- Mīksts materiāls vai slapji zari var netikt sasmalcināti, bet gan sarauti gabalos. Šāda problēma var rasties arī tad, ja pretasmens ir nodilis.
- Ja ir nosprostota instrumenta padeves vai izvades atvere, vispirms izslēdziet dzinēju un atvienojiet instrumentu no barošanas avota, tad iztīriet atveri. Rūpējieties, lai barošanas avotā nebūtu neffrumu un nosēdumu, lai nesabojātu barošanas avotu vai neizraisītu aizdegšanos.

Asmens atstatuma noregulēšana (9. att.)

Lai iekārta darbotos pareizi, noregulējiet atstatumu starp pretasmeni un griezējveltni.

Atstatuma noregulēšana:

- ieslēdziet iekārtu;
- grieziet fiksēšanas pogu pretēji pulksteņrādītāja virzienam, lai atbrīvotu regulēšanas pogu;
- lēnām grieziet regulēšanas pogu pulksteņrādītāja virzienā, lai pretasmeni noregulētu tuvāk griezējveltnim. Grieziet to tiktāl, līdz izvades atverē parādās alumīnija skaidas;
- grieziet fiksēšanas pogu pulksteņrādītāja virzienā, lai nofiksētu regulēšanas pogu.

APKOPE

⚠ UZMANĪBU!

- Pirms pārbaudes vai apkopes veikšanas jāpārbauda, vai iekārta ir izslēgta un atvienota no barošanas avota.
- Veicot pārbaudi vai apkopi, valkājiet aizsargcimdus.
- Kad iekārta ir izslēgta, griezējveltnis netiek uzreiz apturēts. Pirms apkopes veikšanas nogaidiet, līdz visas detaļas ir pilnībā apstājušās.
- Pārbaudiet, vai pēc apkopes veikšanas ir noņemti visi darbarīki.
- Nekad nelietojiet benzīnu, šķīdinātāju, spirtu vai tam līdzīgus līdzekļus. To ietekmē instruments var zaudēt krāsu, deformēties vai saplaisāt. Tīriet iekārtu tikai ar mitru lupatiņu un mīkstu birsti.
- Netīriet un neskalojiet iekārtu ar augsta spiediena ūdens strūklu.

Ikreiz, kad darbs ir pabeigts, veiciet šādu apkopi:

- pārbaudiet, vai visas fiksējošās skrūves ir cieši pievilktas (pēc vajadzības pievelciet);
- ieeļļojiet metāla detaļas, lai aizsargātu pret rūsū;
- rūpējieties, lai ventilācijas atveres būtu tīras un iztīriet no tām putekļus.

Griezējveltnis un pretasmens laika gaitā nolietojas. Vērsieties vietējā pilnvarotā apkopes centrā, lai tos nomainītu pret jauniem, kad vajadzīgs.

PROBLĒMU NOVĒRŠANA

BRĪDINĀJUMS! Pirms problēmu novēršanas izslēdziet iekārtu, atvienojiet no barošanas avota un nogaidiet, līdz iekārta pilnībā pārstāj darboties.

Problēma	Iespējamais cēlonis	Risinājums
Motoru nevar iedarbināt	Nav barošanas	Pārbaudiet barošanas avotu.
	Bojāts barošanas kabelis	Vērsieties pilnvarotā apkopes centrā, lai to pārbauda.
	Aktivizēta aizsardzība pret pārslodzi	Nogaidiet, līdz iekārta atdziest, tad nospiediet zaļo pogu.
	Savākšanas tvertnes drošības slēdzis (savākšanas tvertne ir atbloķēta)	Pārbaudiet un nobloķējiet savākšanas tvertni.
No motora dzirdama skaņa, bet to nevar iedarbināt	Griežējveltnis ir iestrēdzis	Izslēdziet iekārtu. Ieslēdziet turpgaitas/atpakaļgaitas slēdzi atpakaļgaitas pozīcijā. Ieslēdziet iekārtu un darbiniet, līdz griežējveltnis ir atbrīvots. No jauna izslēdziet iekārtu. Ieslēdziet slēdzi turpgaitas pozīcijā.
	Kondensators ir bojāts	Nododiet iekārtu pilnvarotā apkopes centrā, lai to salabotu.
Smalcināmais materiāls netiek padots smalcinātājā	Atpakaļgaitas rotācija	Izslēdziet iekārtu un ieslēdziet slēdzi turpgaitas pozīcijā.
	Smalcināmais materiāls iestrēdzis padeves tilpnē	Izslēdziet iekārtu. Ieslēdziet turpgaitas/atpakaļgaitas slēdzi atpakaļgaitas pozīcijā. Ieslēdziet un darbiniet iekārtu, lai atbrīvotu smalcināmo materiālu. Atbrīvojiet no nepiemērotiem priekšmetiem. No jauna izslēdziet iekārtu. Ieslēdziet slēdzi turpgaitas pozīcijā.
	Smalcināmais materiāls ir pārāk mīksts vai slapjš	Ar zara palīdzību iestumiet to dziļāk
	Griežējveltnis ir nolietojies	Noregulējiet nekustīgo pretasmeni, kā minēts sadaļā „Asmens atstatuma noregulēšana”. Ja griežējveltnis ir pilnībā nolietojies, nomainiet to pret jaunu.
Materiāls netiek pietiekami labi smalcināts	Nekustīgais pretasmens nav pareizi noregulēts	Noregulējiet pretasmeni.
iekārta darbojas, taču pie mazākās slodzes nobloķējas, un drīz vien motora aizsargfunkcija to izslēdz	Pagarinājuma kabelis ir pārāk garš vai tā šķērsgriezums — pārāk mazs. Starp līgzdu un barošanas avotu ir pārāk garš barošanas vads vai tā šķērsgriezums ir pārāk mazs	Pagarinājuma kabeļa šķērsgriezumam jābūt vismaz 1,5 mm ² un maks. garumam — 25 m. Ja kabelis ir garāks, šķērsgriezumam jābūt vismaz 2,5 mm ² .

EK ATBILSTĪBAS DEKLARĀCIJA

Tikai Eiropas valstīm

EK atbilstības deklarācija ir iekļauta šīs lietošanas rokasgrāmatas A. pielikumā.

ĮSPĖJIMAS! Šį prietaisą gali naudoti 8 metų ir vyresni vaikai ir asmenys, turintys fizinę, sensorinę arba protinę negalią, taip pat asmenys, neturintys pakankamai patirties ir žinių, jei yra prižiūrimi arba apmokyti saugiai naudoti prietaisą ir supranta galimą pavojų. Vaikams negalima žaisti su šiuo prietaisu. Vaikus būtina prižiūrėti jiems valant prietaisą arba atliekant naudotojo priežiūrą.

DETALIŲ ŽYMĖJIMAS

1	Piltuvai	7	Viršutinioji talpa	13	Tiekimo šonas
2	Maitinimo jungiklis	8	Krepšys	14	Varžtas
3	Rankena	9	Pagrindo rėmas	15	Priešpriešinis peilis
4	Maitinimo šaltinio kištukas	10	Reguliuojamo rankenėlė	16	Rulono pjovimas
5	Užrakto svirtelė	11	Fiksavimo rankenėlė		
6	Pirmyn / atgal jungiklis	12	Peilio dangtis		

TECHNINIAI DUOMENYS

Modelis	UD2500
Pavadinimas	Elektrinis smulkintuvas
Variklis	Kint. sr. variklis, 230-240 V~50 Hz
Variklio vardinė galia P40	2 500 W
Variklio vardinė galia P1 S1	2 000 W
Rotacinis greitai besisukantis pjovimo volas	40 min ⁻¹
Maitinimo jungiklis su	apsauga nuo perkrovos; pjovimo ir atbuline funkcija, nulinės įtampos iniciatorius
Svoris	27,6 kg
Maks. šakų skersmuo (tik naujai nupjautoms)	Maks. 45 mm
Saugos klasė	I
Apsaugos klasė	IP X4

DUOMENYS APIE TRIUKŠMĄ

Garso slėgis	74,88 dB (A), K= 2,50 dB (A)
Garso slėgis ties operatoriaus ausimi	84,4 dB (A), K= 3 dB (A)
Išmatuota garso galia	93,49 dB (A), K= 3,97 dB (A)
Garantuojama garso galia	97 dB (A)

Garso stiprumo lygis operatoriui gali viršyti 80 dB (A). Dėvėkite ausų apsaugas.

SYMBOLIAI

Toliau parodyti šiai įrangai aprašyti naudojami simboliai. Įsitikinkite, kad viską supratote prieš naudodami įrangą.



- Perskaitykite naudojimo instrukciją.



- Būkite ypač atidūs ir dėmesingi.



- Išjunkite variklį ir ištraukite kištuką prieš atlikdami priežiūros, valymo, techninę priežiūros arba remonto darbus.



- Daiktai gali būti išmesti dideliu greičiu.



- Neleiskite stebėtojams ir gyvūnams būti arti pavojingos srities.



- Pavojus! Besisukantys peiliai. Aparatui veikiant laikykite rankas ir kojas toliau nuo angų.



- Pavojus! Besisukantys peiliai. Aparatui veikiant laikykite rankas ir kojas toliau nuo angų.



- Dėvėkite akių ir ausų apsaugas.



- Dėvėkite apsaugines pirštines.



- Neleiskite, kad ant aparato lytų ar jis drėktų.



- Pasukite rankenėlę pagal laikrodžio rodyklę, kad sumažintumėte tarpą / sukite rankenėlę prieš laikrodžio rodyklę, kad padidintumėte tarpą.



- Prireikus pakeisti peilį ar atlikti jo techninės priežiūros darbus, atidarykite peilio dangtį.



- Palaukite, kol visos aparato dalys visiškai sustos.



- Nenaudokite aparato norėdami pasilypti.



- Tik ES šalims
Neišmeskite elektros įrangos arba akumuliatorių kartu su buitėmis šiukšlėmis! Laikantis Europos direktyvos 2002/96/EB dėl elektros ir elektroninės įrangos atliek, 2006/66/EB dėl maitinimo elementų ir akumuliatorių bei j taikymo pagal vietinius įstatymus, elektros įranga ir akumuliatoriai, pasibaigus j eksploatacijos laikui, privalo būti atskirai surenkami ir gražinami perdirbti į perdirbimo gamyklą.

SAUGOS ĮSPĖJIMAI

ATIDŽIAI PERSKAITYKITE PRIEŠ NAUDODAMIESI SAUGOKITE NAUDOJIMO INSTRUKCIJĄ, KAD VĒLIAU GALĖTUMĖTE JA PASINAUDOTI



Nejunkite ir nenaudokite šios įrangos, kol neperskaitysite šios naudojimo instrukcijos. Laikykitės visų pateiktų nurodymų ir įdiekite kaip nurodyta.

Įrenginio paskirtis

- Sodo smulkintuvas yra skirtas smulkinti:
 - visų rūšių šakas (kurių skersmuo neviršija šio įrenginio maksimaliai leidžiamo pagal medienos rūšį ir būklę),
 - Sodo atliekas, pvz., sudžiūvusius augalus arba šlapias žoles, kurios gulėjo keletą dienų (kiškite jas pakaitomis su šakomis.)
- Sodo smulkintuvas yra skirtas naudoti tik asmeniniams, ne komerciniams tikslais. Nenaudokite viešosiose vietose.

Skirtas viešosioms skirstomosioms žemos įtampos sistemoms tarp 220 V ir 250 V.

Elektrinių įrenginių įjungimas sukelia įtampos svyravimus. Šio įrenginio naudojimas nepalankiomis elektros tinklo sąlygomis gali daryti įtaką kitos įrangos darbui. Kai pilnutinė įėjimo varža yra lygi ar mažesnė negu 0,45 omų, galima manyti, kad nebus jokio neigiamo poveikio. Šiam įrankiui naudojamas elektros tinklo lizdas turi būti apsaugotas saugikliu arba apsauginiu grandinės nutraukikliu su lėto suveikimo charakteristika.

Bendrosios instrukcijos

- Perskaitykite šią naudojimo instrukciją, kad susipažintumėte su šio įrenginio valdymu. Nepakankamai susipažinę naudotojams kyla rizika susižeisti ir sužaloti kitus dėl netinkamo naudojimo.
- Neduokite įrenginio žmonėms, kurie neturi žinomos patirties.
- Kai kam nors duodate įrenginį, visada pridėkite šią naudojimo instrukciją.
- Elektrinio smulkintuvo neturi naudoti žmonės su mažesniais fiziniiais, jutimaisiais arba protiniais gebėjimais, arba kuriems trūksta žinių ir patirties. Mažus vaikus reikia prižiūrėti, kad nežaistų su įrenginiu. Neleiskite vaikams naudoti šios įrangos.
- Naudokite tik tada, kai esate geros fizinės formos. Visus darbus atlikite ramiai ir atidžiai. Naudotojui tenka atsakomybė už darbo vietoje esančių žmonių saugumą ir padarytą žalą.
- Niekada naudokite šio įrenginio išgėrę alkoholio, psichiką veikiančių medžiagų, jausdamiesi pavargę ar sergantys.
- Naudokite aparatą pagal šias instrukcijas, atsižvelgdami į darbo sąlygas ir taikymą. Naudojant įrenginį ne pagal paskirtį gali kilti pavojinga situacija.
- Niekada nemodifikuokite įrenginio, įskaitant saugumo įtaisus, pvz., blokuotę. Tai yra pavojinga.
- Valstybiniai arba vietiniai teisės aktai gali riboti šio įrenginio naudojimą.
- Būkite budrūs. Dirbkite atidžiai. Vadovaukitės sveika nuovoka. Nedirbkite su įrenginiu, jei esate pavargę.

Asmeninės apsaugos priemonės

- Tinkamai renkitės. Dėvimi drabužiai turi būti funkcionalūs ir tinkami, t.y. turi būti glaudūs, bet nevaržyti judesį. Nedėvėkite juvelyrinių dirbinių ar rūbų, kurie galėtų įsipainioti įrenginyje. Dėvėkite apsauginį plaukų apdangalą, kad apsaugotumėte ilgus plaukus.
- Visada užsidėkite ausų apsaugas, kad apsaugotumėte klausą.
- Nešiokite apsauginius akinius, kad apsaugotumėte akis nuo nuolaužų, išmestų iš piltuvo.
- Dėvėkite apsaugines pirštines, kad apsaugotumėte pirštus nuo sužeidimų.
- Dėvėkite veido kaukę, kai daug dulkių, pvz., smulkinant sausas šakas, krūmus su lapais.
- Dirbdami su įrenginiu visada avėkite stabiliais batais su neslidžiais padais. Tai apsaugos nuo sužeidimų ir užtikrins tvirtą pagrindą stovint.

Darbo vietos sauga

- Neleiskite arti būti vaikams ir pašaliniais asmenims, kai dirbate su įrenginiu.
- Su įrenginiu dirbkite atviroje erdvėje ant tvirto, lygus paviršiaus. Nedirbkite su įrenginiu arti sienos ar kitų objektų.
- Nedirbkite su šiuo įrenginiu sprogyje aplinkoje, pvz., kur yra degių skysčių, dujų arba dulkių. Įrenginys kibirkščiuoja, todėl gali uždegti dulkes arba garus.
- Nedirbkite su įrenginiu ant grįsto ar žvyruoto paviršiaus, kur išmesta medžiaga gali sužeisti.
- Darbo vieta turi būti švari ir gerai apšviesta. Dėl netvarkingų arba tamsių sričių gali įvykti nelaimingi atsitikimai.
- Neleiskite įrenginiui būti lietuje ar šlapioje aplinkoje. Į įrenginį patekęs vanduo gali padidinti elektros smūgio riziką.

Įrenginio įjungimas

- Prieš jungiant kištuką ar įjungiant įrenginį:
 - Patikrinkite visus varžtus ir kitas jungiamąsias dalis, ar neatsilaisvino.
 - Patikrinkite apsaugas, kreipiklius ir skydus, ar yra savo vietose ir geros darbinės būklės.
 - Pakeiskite pažeistus ar neįskaitomus užrašus.
 - Įsitinkite, kad piltuvai yra tuščias.
 - Įsitinkite, kad įėjimo ir išėjimo angos yra tinkamai apsaugotos.
 - Atidžiai patikrinkite visas įrenginio dalis, kad nustatytumėte, ar įrenginys dirba ir atlieka savo funkciją tinkamai. Ypač niekada nenaudokite įrenginio, jei jungiklis normaliai neveikia.
- Jei maitinimo laidas yra pažeistas, kreipkitės į „Makita“ įgaliotą aptarnavimo centrą; keitimui visada naudokite originalias atsargines dalis.

Elektros sauga

⚠ ĮSPĖJIMAS!

- Šis aparatas yra Class I aparatas. Junkite prie elektros tinklo lizdo su žeminiu. Dėl netinkamo žemiminimo galima patirti elektros šoką ir mirtį. Naudokite tik trijų gijų ilgutuvus su trijų kontaktų kištukais ir trijų kontaktų lizdais, į kuriuos galima kišti šio įrankio kištuką.
- Darbo metu venkite liestis su žemintais paviršiais, pvz., vamzdžiais, radiatoriais.
- Naudokite tik IEC60245 (H07RN-F) ilgutuvą naudojimui lauke su nuo aptaškymo apsaugota jungtimi.

Skerspjuvis turi būti ne mažesnis negu 1,5 mm², kai laido ilgis iki 25 m, ir 2,5 mm², kai laidas yra ilgesnis negu 25 m.

- Įtampa gali kristi, kai naudojamas ilgas ir plonas laidas. Jei taip atsitinka, gali sumažėti aparato galia.
- Naudodami ilgutuvą įsitinkite, kad jis netrukdo, nesuspaustas ir nesulenktas, o kištukas nesuslėpęs.
- Kai naudojate ilgutuvo ritinį, išvyniokite visą laidą.
- Tinkamai elkitės su laidu. Niekada neneškite, netraukite ir neatjunkite paėmę už laido. Neleiskite laidui kaisti, išsitemti, saugokite nuo aštrių briaunų ar judančių dalių. Pažeisti ir supainioti laidai padidina elektros smūgio riziką.
- Reguliariai tikrinkite ilgutuvą, ar neatsirado izoliacijos pažeidimų. Pakeiskite kitu, jei pažeistas.
- Jei jungiamasis laidas pažeistas, nedelsdami ištraukite kištuką. Pažeistas laidas gali sukurti kontaktą su dalimis ir sukelti elektros šoką.
- Niekada nenaudokite pažeistų laidų.
- Aparatą junkite tik į patikrintų elektros linijų lizdus. Patikrinkite, ar sistemos įtampa atitinka nurodytą ant nominalinės plokštelės.
- Niekada neišjunkite ir neapeikite apsauginių įtaisų.
- Kai aparatą naudojate lauke, visada naudokite likutinės srovės grandinės pertraukiklį (RCD), kurio darbinė srovė yra 30 mA ar mažiau.

Darbas

- Stenkitės, kad jūsų veidas ir kūnas nebūtų arti įėjimo angos.
- Niekada nelaikykite rankų ar kitos kūno dalies, rūbų įėjimo ar išėjimo angoje ar arti judančių dalių. Yra rimtų sužalojimų pavojus.
- Nepersiverkite. Visada išlaikykite tvirtą stovėseną ir balansą. Tai leidžia geriau valdyti aparatą netikėtose situacijose. Kai kišate į aparatą, nestovėkite aukščiau negu aparato pagrindas.
- Darbo metu visuomet laikykitės atstumo nuo išėjimo angos.
- Laikykitės vietinių taisyklių, susijusių su apsauga nuo triukšmo.
- Nekiškite akmenų, metalinių daiktų, butelių ar kitų pašalinių medžiagų. Stebėkite, kad šios pašalinės medžiagos nepakliūtų tarp kitų dedamų.
- Nedelsdami išjunkite variklį ir ištraukite kištuką, jei peilis užkabino pašalinį daiktą arba aparatas pradeda nejprastai vibruoti ar triukšmauti. Patikrinkite, ar nepažeistas smulkintuvas, ir sustvirtinkite visas atsilaisvusias dalis. Kreipkitės į įgaliotąsias serviso dirbtuves, kad suremontuotų.
- Neleiskite apdorotai medžiagai kauptis išmetimo angoje. Kitaip medžiagos gali būti išmestos atgal per įėjimo angą.
- Išjunkite variklį ir ištraukite kištuką:
 - kai paliekate aparatą be priežiūros,
 - prieš valydami užsikibusias medžiagas ar kitaip tvarkydami,
 - prieš tikrindami, valydami ar tvarkydami aparatą,
 - prieš reguliuodami, keisdami priedus ar sandėliuodami,
 - kai aparatas pradeda nejprastai vibruoti ar triukšmauti,
 - prieš valydami įėjimo ar išmetimo angas,
 - prieš uždedami ar nuimdami krepšį,
 - prieš transportuodami.

- Darbo metu nekelkite aparatą.
- Laikykitės didesnio atstumo, kai kišate ilgą daiktą. Jis gali atšokti atgal ir sužeisti.
- Nedirbkite be piltuvo.
- Dirbdami nenaudokite jėgos. Aparatas geriau ir saugiau dirba tokiu tempu, kuriam jis buvo sukurtas. Dėl dažnų perkrovų variklis gali būti pažeistas ar užsidegti.
- Naudokite tinkamą įrangą. Nenaudokite įrangos ne pagal paskirtį. Niekada nedėkite metalinių dalių, stiklų, akmenų, keramikos, plastikų, storų šaku, kietos medienos ar storų medinių gabalų ir t.t.

Techninės priežiūros instrukcijos

- Aparato techninę priežiūrą ir remontą turi atlikti mūsų įgaliotosios serviso dirbtuvės, naudojamos tik originalias atsargines dalis. Netinkamas remontas ir prasta priežiūra gali sutrumpinti aparato eksploatacijos trukmę ir padidinti nelaimingų atsitikimų riziką.
- Prieš techninę priežiūrą, patikrinimą, reguliavimą, sandėliavimą ar priedų keitimą atlikite toliau nurodytus veiksmus.
 - Išjunkite maitinimo šaltinį.
 - Atjunkite aparatą nuo maitinimo šaltinio.
 - Įsitikinkite, kad visos judančios dalys visiškai sustojo.
 - Leiskite aparatui atvėsti.
- Patikrinkite aparatą, ar nėra pažeidimų:
 - ar saugos įtaisai tinkamai veikia pagal savo paskirtį,
 - ar visos judančios dalys juda sklandžiai ir tinkamai,
 - ar visos dalys sveikos ir nepažeistos bei tinkamai sumontuotos.
 - Pakeiskite arba remontuokite mūsų įgaliotame serviso centre, jei yra pažeistų dalių.
- Būkite ypatingai atsargūs atlikdami smulkintuvo peilio priežiūrą. Peilį galima pajudinti rankiniu būdu per apsauginę blokuotę.
- Nevalykite aparato vandeniu. Galite patirti elektros smūgį.
- Dėvėkite apsaugines pirštines atlikdami priežiūros ir surinkimo darbus, kad apsaugotumėte pirštus nuo sužeidimų.
- Neatlikite jokių kitų priežiūros ar remonto darbų, kurie nėra aprašyti šioje instrukcijoje. Visus kitus darbus turi atlikti „Igaliotasis „Makita“ serviso centras“.
- Naudokite tik originalias „Makita“ atsargines dalis ir priedus, skirtus jūsų aparatui. Kitaip galima susižeisti ir pažeisti aparatą.
- Laikykite aparatą sausoje patalpoje. Laikykite vaikams nepasiekiamoje vietoje. Niekada nelaikykite aparato lauke.

SURINKIMAS

⚠️ ATSARGIAI!

- Visada įsitikinkite, kad įrankis yra išjungtas ir kištukas ištrauktas prieš kaip nors tvarkydami įrankį.
1. Viršutinąją talpą apverskite ir padėkite ant lygių grindų. Tuomet ant jos uždėkite pagrindo rėmą. Būkite atidūs ir laikykitės dalies krypties. **(2 pav.)**
 2. Priveržkite visas dalis varžtais. Įsitikinkite, kad jos visiškai stabilios. **(3 pav.)**

3. Varžtų pritvirtinkite stabdiklius. Įsitikinkite, kad jie tvirtai pritvirtinti. **(4 pav.)**
4. Uždėkite ratus kaip parodyta: **(5 pav.)**
 - Uždėkite ašį ant vieno iš ratų.
 - Perkiškite ašį per skylės vienoje kojoje.
 - Uždėkite kitą ratą ant ašies perkišdami kaištuką per ašies skylutę. Pritvirtinkite ratą užlenkdami kaištuką.
 - Uždėkite dangtelius ant ratų.
5. Uždėkite krepšį. Tada pakelkite fiksavimo svirtį. **(6 pav.)**

FUNKCINIS APRAŠAS

⚠️ ĮSPĖJIMAS!

Prieš prijungdami aparato maitinimo kištuką visada įsitikinkite, kad aparatas yra išjungtas. Prijungus kištuką, kai aparatas yra įjungtas, jis gali netikėtai pradėti veikti ir rimtai sužaloti.

Maitinimo jungiklis (7 pav.)

⚠️ ATSARGIAI!

Nenaudokite aparato, jei jungiklis jo neįjungia ir neišjungia. Sugedusius jungiklius turi keisti įgaliotasis „Makita“ serviso centras.

Aparatui įjungti paspauskite žalią mygtuką.

Aparatui išjungti paspauskite raudoną mygtuką.

Šviesos diodas

Šviesos diodo nurodomos aparato būsenos:

RAUDONA: Kai aparatas yra prijungtas prie maitinimo šaltinio ir aparatas yra išjungtas.

ŽALIA: Kai aparatas yra įjungtas.

Mirksinti ŽALIA: Kai aparatas užsiblokuoja darbo metu.

Mirksinti RAUDONA: Kai aparatas negali automatiškai atsistatyti. Rankiniu būdu pašalinkite problemą, kai ji atsiranda.

Apsaugotas nuo atsitiktinio pakartotinio įjungimo

Aparatas automatiškai išsijungia, kai dingta elektros maitinimas. Jei norite iš naujo įjungti, paspauskite žalią mygtuką.

Apsauga nuo perkrovos

Variklis turi apsaugą nuo perkrovos. Atsiradus perkrovai variklis:

- peilis sukasi atgal dvi ar tris sekundes, bandant atgal išstumti smulkinamą medžiagą.
- Tada peilis vėl pradeda sukuti pirmyn.
- Jei medžiaga vis dar yra užsikibusi po trijų bandymų, aparatas sustoja ir mirksi raudonas šviesos diodas.

Kai tai atsitinka, atlikite toliau nurodytus veiksmus:

- Išjunkite aparatą.
- Palaukite, kol peiliai visiškai sustos.
- Išimkite užsikibusią medžiagą.
- Įjunkite smulkintuvą po maždaug 5 minučių ir dėkite lengvesnę medžiagą.
- Jei palaukę vistiek negalite įjungti aparato, žr. „Triukšų diagnostika ir sprendimas“.

Pirmyn / atgal jungiklis

⚠️ **ATSARGIAI!**

Išjunkite smulkintuvą prieš pakeisdami pirmyn / atgal jungiklį.

Padėtis ↓

Peiliai sukasi pirmyn.

Padėtis ↑

Peiliai sukasi atgal, kad atlaisvintų įstrigusias medžiagas.

Kai pakeičiate kryptį į ↑ (atgal), laikykite nuspaudę žalią maitinimo mygtuką, kad suktųsi peiliai. Smulkintuvą automatiškai sustoja atleidus maitinimo jungiklį.

PASTABA.

- Dideliam daiktui susmulkinti gali reikėti kelis kartus keisti sukimosi kryptį.

⚠️ **ATSARGIAI!**

- Visuomet naudokitės kabliu ar šaka, kad pašalintumėte įstrigusius objektus ir išvengtumėte nelaimių.
- Visada palaukite, kol smulkintuvą visiškai sustos prieš paleisdami iš naujo.

Krepšys

⚠️ **ATSARGIAI!**

- Išjunkite ir atjunkite mašiną prieš uždėdami arba nuimdami krepšį.
- Patikrinkite blokuotės funkcionalumą kas dvi valandas, kad užtikrintumėte saugų darbą.
- Niekada nemėginkite apeiti apsauginę blokuotę.

Užrakto svirtelė:

Viršutinioji padėtis → Krepšys yra užrakintas.

Apatinioji padėtis → Krepšys yra neužrakintas.

Aparatas neįsijungia dėl saugumo funkcijos.

Mašina neįsijungia, jei užrakto svirtelė yra neužrakintoje padėtyje. Aparatas automatiškai sustoja, jeigu krepšys atrakinamas darbo metu.

Peilio dangtis

⚠️ **ATSARGIAI!**

- Prieš atidengdami peilį įsitikinkite, kad aparatas yra išjungtas ir kištukas ištrauktas iš lizdo.
- Dėvėkite apsaugines pirštines prieš atidengdami peilio dangtį.
- Smulkintuvą iškart nesustoja po išjungimo. Palaukite, kol jo dalys sustos judėti.

Jei medžiaga įstringa viršutinėje talpoje, išimkite nuėmę peilio dangtį.

DARBAS

Aparato paruošimas:

- Ant lygaus, horizontalaus paviršiaus. Nedėkite aparato ant grįstov ar žvyruoto paviršiaus.
- Turi stovėti saugiu atstumu (2 m) nuo sienų ar kitų objektų.

Prieš pradėdami įsitikinkite, kad:

- jungimo laidai yra nepažeisti. Jei yra įpjovų ar įplyšimų, sustabdykite darbą ir nedelsdami pakeiskite;
- kad aparatas nepažeistas ir visi varžtai gerai priveržti;
- aparatas iki galo ir teisingai surinktas.

Patikrinkite maitinimą:

- įsitikinkite, kad maitinimo šaltinio įtampa atitinka vardinę, nurodytą ant plokštelės, ir aparatas yra tinkamai įžemintas.
- Naudokite tik ilgutuvus, kurių laidų skerspjūvis yra pakankamas.

Medžiagos, kurias gali apdoroti smulkintuvas Smulkintuvas gali apdoroti šias medžiagas:

- visų rūšių šakas, kurių skersmuo neviršija aparato leidžiamo maksimalaus, priklausomai nuo rūšies ir medienos būklės,
- sodo atliekas, pvz., sudžiūvusius augalus arba šlapias žoles, kurios gulėjo keletą dienų (kiškite jas pakaitomis su šakomis.)

Smulkintuvas **NEGALI** apdoroti šių medžiagų:

- stiklo, metalo, plastmasės, akmens, keramikos, storų šakų, kietos medienos, storų lentų, audinių, plastikinių maišų, šaknų su žemėmis,
- šiukšlių, kurios yra beveik skystos, pvz., virtuvės atliekų.

Darbas: (8 pav.)

- Tiekite medžiagą į piltuvą iš dešinės pusės.
- Jei tai yra šakos, vytelės ir mediena, susmulkinkite jas iškart po to, kai nupjaunate. Jos gali labai sukietėti, kai išdžiūsta.
- Pašalinkite šonines šakų atžalas, jei sunku sukišti.
- Išjunkite variklį ir atjunkite aparatą nuo maitinimo šaltinio prieš valydami išmetimo angą.
- Neleiskite susmulkintai medžiagai kauptis išmetimo angoje. Kitaip susmulkinta medžiaga gali užkimšti išmetimo angą. Reguliariai ištuštinkite krepšį.
- Nekiškite medžiagų, kurių skersmuo didesnis negu techniniuose duomenyse nurodytas maksimalus šakų skersmuo. Priklausomai nuo medienos šviežumo ir būklės, maksimalus šakų skersmuo gali būti ir mažesnis.
- Aparatas užsikemša smulkinant sodo atliekas. Kad aparatas neužsikimštų, pakaitomis dėkite medienos turinčių medžiagų.
- Minkštos medžiagos ar šlapios šakos gali būti plėšomos, ne supjaustomos. Susidėvėjęs priešpriešinis peilis taip pat gali būti to priežastis.
- Jei užsikimšo įrenginio įleidimo anga arba išleidimo latakas, išjunkite variklį ir atjunkite įrenginį nuo maitinimo šaltinio, tada išvalykite šiukšles iš įleidimo angos arba išleidimo latako. Pasirūpinkite, kad maitinimo šaltinis nebūtų užterštas šiukšlėmis ir kitomis sankaupomis, nes kitaip jis gali būti apgadintas arba gali kilti gaisras.

Peilio tarpo reguliavimas (9 pav.)

Kad efektyviai dirbtų, sureguliuokite tarpą tarp priešpriešinio peilio ir pjovimo volo.

Tarpo reguliavimas:

- Įjunkite aparatą.
- Pasukite fiksavimo rankenėlę prieš laikrodžio rodyklę, kad atlaisvintumėte reguliavimo rankenėlę.
- Lėtai pasukite reguliavimo rankenėlę pagal laikrodžio rodyklę, kad priešpriešinis peilis atsидurtų arčiau pjovimo volo. Sukite, kol iš išmetimo angos pradės kristi maži aliuminio gabaliukai.
- Pasukite fiksavimo rankenėlę pagal laikrodžio rodyklę, kad užfiksuotumėte reguliavimo rankenėlę.

TECHNINĖ PRIEŽIŪRA

⚠️ ATSARGIAI!

- Visada įsitikinkite, kad aparatas yra išjungtas ir kištukas ištrauktas prieš kaip nors tvarkydami ar tikrindami aparatą.
- Dėvėkite apsaugines pirštines prieš tikrindami ar atlikdami priežiūros darbus.
- Smulkintuvas iškart nesustoja po išjungimo. Palaukite, kol visos dalis nustos judėti prieš atlikdami bet kokius priežiūros darbus.
- Įsitikinkite, kad visi įrankiai yra pašalinti po priežiūros darbų.
- Niekada nenaudokite benzino, skiediklio, alkoholio ir pan. Gali pasikeisti spalva, forma ar atsirasti įtrūkimų. Aparatui valyti naudokite tik drėgną audinį ir minkštą šepetį.

- Aparato nelaistykite žarna ar aukšto spaudimo vandens srove.

Po kiekvieno darbo atlikite toliau nurodytus priežiūros darbus:

- Patikrinkite, ar visi fiksavimo varžtai yra gerai priveržti (priveržkite, jei reikia).
- Sutepkite metalines dalis, kad apsaugotumėte nuo korozijos.
- Angas laikykite švarias ir nedulkėtas.

Pjovimo volas ir priešpriešinis peilis dėviasi einant laikui. Kreipkitės į artimiausią įgaliotąjį serviso centrą atsarginių dalių, jeigu reikia.

TRIKČIŲ DIAGNOSTIKA IR SPRENDIMAS

ĮSPĖJIMAS! Prieš sprendami problemas išjunkite aparatą, ištraukite kištuką iš elektros šaltinio ir palaukite, kol aparatas visiškai sustos.

Sutrikimas	Galima priežastis	Sprendimas
Variklis neužsiveda.	Nėra elektros maitinimo.	Patikrinkite maitinimo šaltinį.
	Blogas maitinimo laidas.	Kreipkitės į įgaliotąjį serviso centrą, kad patikrintų.
	Suveikė apsauga nuo perkrovos.	Palaukite, kol aparatas atvės ir paspauskite žalią mygtuką.
	Apsauginis krepšio atjungimo įtaisas (atlaisvintas krepšys).	Patikrinkite ir užrakinkite krepšį.
Girdimas variklio keliamas triukšmas, tačiau jis neužsiveda.	Pjovimo volas užblokuotas.	Išjunkite aparatą. Perjunkite pirmyn / atgal eigos jungiklį į atbulinės eigos padėtį. Įjunkite aparatą, kol atsilaisvins. Vėl išjunkite aparatą. Vėl įjunkite sukimosi eigą pirmyn.
	Kondensatoriaus gedimas	Vežkite aparatą į įgaliotąjį serviso centrą, kad patikrintų.
Smulkinama medžiaga neištraukiama iš smulkintuvą.	Pakeiskite sukimosi kryptį.	Išjunkite aparatą ir perjunkite kryptį sukimosi selektooriaus jungikliu.
	Smulkinama medžiaga įstrigo piltuve.	Išjunkite aparatą. Perjunkite pirmyn / atgal eigos jungiklį į atbulinės eigos padėtį. Įjunkite įrenginį, kad atlaisvintumėte norimą smulkinti medžiagą ir pašalintumėte pašalines medžiagas. Vėl išjunkite aparatą. Vėl įjunkite sukimosi eigą pirmyn.
	Smulkinama medžiaga yra per minkšta arba šlapia.	Pagrūskite šaka.
Smulkinama medžiaga nenujauinama švariai.	Pjovimo volas susidėvėjo.	Sureguliuokite fiksuotą priešpriešinį peilį, kaip aprašyta „Peilio tarpo reguliavimas“. Jei pjovimo volas yra stipriai susidėvėjęs, pakeiskite jį.
	Fiksuotas priešpriešinis peilis nėra tinkamai sureguliuotas.	Sureguliuokite priešpriešinį peilį.
Aparatas pradeda veikti, tačiau jį užblokuoja net maža apkrova ir jį greitai išjungia apsauginis variklio jungiklis.	Ilgintuvo laidas yra per ilgas arba jo skerspjūvis yra per mažas. Lizdas yra per toli nuo elektros šaltinio arba maitinimo laido skerspjūvis yra per mažas.	Patikrinkite, ar ilgintuvo laidas skerspjūvis yra bent 1,5 mm ² ir ne ilgesnis kaip 25 m. Jei naudojate ilgesnį laidą, minimalus skerspjūvis yra 2,5 mm ² .

EB ATITIKTIES DEKLARACIJA

Tik Europos šalims

EB atitikties deklaracija į šią naudojimo instrukciją įtraukta A priede.

HOIATUS! Seadet tohivad kasutada 8-aastased ja vanemad lapsed ning vähenenud füüsilise, meelelise või vaimse võimekusega isikud või asjakohaste kogemuste ja teadmisteta isikud, kui nad töötavad järelevalve all või neid on juhendatud seadme ohutu kasutamise osas ja nad mõistavad seotud ohte. Lastel ei tohi lasta seadmega mängida. Seadet ei tohi puhastada ega hooldada lapsed ilma järelevalveta.

DETAILILDE TÄHISTUS

1 Punker	7 Ülemine korpus	13 Sissesöödu pool
2 Toitelüliti	8 Mahuti	14 Kruvi
3 Käepide	9 Alusraam	15 Vastulaba
4 Toitepistik	10 Reguleerimisnupp	16 Lõikur
5 Lukustushoob	11 Kinnitusnupp	
6 Edasi/tagasi lüliti	12 Laba kate	

TEHNILISED ANDMED

Mudel	UD2500
Nimetus	Elektriline oksapurustaja
Mootor	Vahelduvvoolumootor 230-240 V~50 Hz
Mootori võimsus P40	2 500 W
Mootori võimsus P1 S1	2 000 W
Lõikuri pöörlemiskiirus	40 min ⁻¹
Toitelüliti koos	ülekoormuse kaitsega; lõikamis- ja vastupidise suuna funktsiooniga, nullpinge käivitiga
Kaal	27,6 kg
Oksa maksimaalne läbimõõt (ainult värskest lõigatud puidu korral)	Max 45 mm
Turvaklass	I
Kaitseklass	IP X4

MÜRA PUUDUTAVAD ANDMED

Helirõhu tase	74,88 dB (A), K= 2,50 dB (A)
Helirõhu tase käitaja kõrva juures	84,4 dB (A), K= 3 dB (A)
Mõõdetud helivõimsuse tase	93,49 dB (A), K= 3,97 dB (A)
Garanteeritud helivõimsuse tase	97 dB (A)

Käitajale mõjuv helitugevuse tase võib ületada 80 dB (A). Kandke kuulmiskaitsmeid.

SÜMBOLID

Järgnevalt on toodud masinaga seotud sümbolid. Enne masina kasutamist veenduge, et teate kõigi sümbolite tähendust.



- Lugege kasutusjuhendit.



- Olge eriti hoolikas ja tähelepanelik.



- Lülitage mootor välja ja eemaldage toitepistik enne hooldus-, puhastus- ja parandustööde alustamist.



- Esemed võivad suurel kiirusel välja paiskuda.



- Hoidke kõrvalseisjad ja lemmikloomad ohualast eemal.



- Oht – pöörlevad labad. Hoidke käed ja jalad masina töötamise ajal avadest eemal.



- Oht – pöörlevad labad. Hoidke käed ja jalad masina töötamise ajal avadest eemal.



- Kandke silma- ja kuulmiskaitsmeid.



- Kandke kaitsekindaid.



- Vältige kokkupuudet vihma ja niiskusega.



- Keerake nuppu päripäeva vahekauguse vähendamiseks / keerake nuppu vastupäeva vahekauguse suurendamiseks.



- Tera vahetamiseks või hoolduseks avage tera kate.



- Oodake, kuni kõik masina detailid on täielikult seiskunud.



- Ärge kasutage masinat astmena.



- Ainult ELi riikidele
Ärge visake elektriseadmeid ega akusid olmeprügi hulka! Järgides Euroopa Liidu direktiivi 2002/96/EÜ elektri- ja elektroonikaseadmete jäätmete kohta, direktiivi 2006/66/EÜ, mis käsitleb patareisid ja akusid ning patarei- ja akujäätmehid, ja nende rakendamist vastavalt siseriiklikule õigusele, tuleb oma kasutusea lõpule jõudnud elektriseadmed ja akud eraldi kokku koguda ning tagastada taaskäitlusega tegelevatele keskkonnahoidlikele asutustele.

OHUTUSEGA SEOTUD HOIATUSED

LUGEGE ENNE KASUTAMIST HOOLIKALT LÄBI HOIDKE KASUTUSJUHEND ALLES



Ärge alustage masina kasutamist enne, kui olete kasutusjuhendi läbi lugenud. Järgige kõiki suuniseid ja paigaldage masin vastavalt kirjeldusele.

Masina kasutusotstarve

- Oksapurustaja on ette nähtud järgneva purustamiseks:
 - igat liiki oksad kuni masina mahutavuse maksimaalse läbimõõdueni (oleneb puidu liigist ja seisukorrast);
 - aiajäätmehid, näiteks paar päeva seisnud närbumud taimed või märg rohi (sisestage vaheldumisi okstega).
- Oksapurustaja on ette nähtud ainult isiklikuks ja mitteäriks kasutamiseks. Ärge kasutage masinat avalikes kohtades.

Üldise madalpinge süsteemide 220 V ja 250 V kohta.

Elektriaparatuuri lülitustoimingud põhjustavad voolu kõikumisi. Käesoleva seadme töö ebasobivas vooluvõrgus võivad olla kahjustavad mõjud teiste seadmete tööle. Kui toiteliini näivtakistus on võrdne või väiksem kui 0,45 oomi, võib oletada, et negatiivsed mõjud puuduvad. Käesoleva seadme juures kasutatud toiteliini pesa on kaitstud kaitsme või aeglaselt rakenduva kaitselülitiga.

Üldised suunised

- Lugege läbi käesolev kasutusjuhend, et tutvuda masina käsitsemise põhimõtetega. Ebapiisavalt informeeritud kasutajad võivad ohustada valede käsitsemisvõtetele nii iseennast kui teisi inimesi.
- Ärge laenake masinat isikutele, kelle kogemustes ja teadmistes te ei ole kindel.
- Masina laenamisel pange alati kaasa käesolev kasutusjuhend.
- Elektriline oksapurustaja ei ole ette nähtud kasutamiseks piiratud füüsiliste, sensoorsete või vaimsete võimete ja puudulike kogemuste ja teadmistega isikutele. Lapsi tuleb jälgida, veendumaks, et nad ei mängi masinaga. Ärge lubage lastel seadet käitada.
- Kasutage masinat ainult siis, kui olete heas füüsilises seisundis. Töötage alati rahulikult ja ettevaatlikult. Kasutaja vastutab täielikult tööala läheduses asuvate isikute ohutuse ja vara mittekahjustamise eest.
- Ärge kasutage seda masinat kunagi alkoholi või narkootikumide tarvitamise järel ega väsinuna või haigena.
- Kasutage masinat vastavalt käesolevatele suunistele, arvestades konkreetsete töötingimuste ja rakenduse asjaoludega. Masina mittesihotstarbeline kasutamine võib tekitada ohtliku olukorra.
- Ärge modifitseerige masinat, sh selle ohutusseadmeid, näiteks lukustusseadet. See ohustab teie turvalisust.
- Riiklikud või kohalikud eeskirjad võivad piirata masina käsitsemist.
- Olge tähelepanelik. Keskenduge sellele, mida teete. Kasutage tervet mõistust. Ärge käsitsege masinat väsinuna.

Isikukaitsevarustus

- Riietuge asjakohaselt. Kantavad rõivad peavad olema funktsionaalsed ja asjakohased, s.t hästiistuvad, kuid mitte liikumist takistavad. Ärge kandke ehteid ega selliseid rõivaid, mis võivad masina liikuvate osade vahele takerduda. Pikkade juuste korral kandke juukseid katvat peakatet.
- Kuulmiskahjustuste vältimiseks kandke alati kuulmiskaitsemeid.
- Kandke kaitseprille, et vältida punkrist välja paiskuvat prügi sattumist silma.
- Kandke kaitsekindaid, et vältida sõrmede vigastamist.
- Kui tolmu kogus on suur (näiteks kuivade okste või heki purustamisel), kandke näomaski.
- Masina kasutamisel kandke alati tugevaid mittelibiseva tallaga jalatseid. See kaitseb vigastuste eest ja tagab jalgadele kindla toetuspinna.

Tööala ohutus

- Masina kasutamise ajal hoidke lapsed ja kõrvalised isikud eemal.
- Käituge masinat lagedal alal ja kindlal, tasasel pinnal. Ärge käituge masinat seinas, müüri või muude objektide läheduses.
- Ärge käituge masinat plahvatusohtlikus keskkonnas, näiteks tuleohtlike vedelike, gaaside või tolmu läheduses. Masin tekitab sädemeid, mis võivad tolmu või auru süüdata.
- Ärge käituge masinat sillutatud või kruusaga pinnal, kus õhku paiskuvad esemed võivad põhjustada vigastusi.
- Hoidke tööala puhta ja hästi valgustatuna. Segamini või hämarad alad soodustavad õnnetuste teket.
- Vältige masina väärast vihma kätte või muul moel kokkupuudet vedelikega. Masinasse sattuv vesi võib suurendada elektrilöögiohtu.

Masina käivitamine

- Enne masina pistiku ühendamist või lüliti rakendamist toimige järgmiselt.
 - Kontrollige, kas kõik kruvid, mutrid ja muud kinnitid on korralikult kinni.
 - Kontrollige, kas kaitsepiirded, deflektorid ja varjed on oma kohal ja heas töökorras.
 - Asendage kahjustatud või loetamatusid.
 - Veenduge, et punker on tühi.
 - Veenduge, et sissesöödu- ja väljutusavad on korralikult varjestatud.
 - Vaadake hoolikalt üle masina iga detail, et määrata, kas see töötab korralikult ja täidab ettenähtud ülesannet. Eriti oluline on mitte kasutada masinat siis, kui lüliti ei tööta tavapärasel moel.
- Kui toitejuhe on kahjustatud, paluge see asendada Makita volitatud hoolduskeskusel, kus kasutatakse alati originaalvaruosi.

Elektriohutus

⚠ HOIATUS!

- Tegemist on I klassi kuuluva seadmega. Ühendage maandusklemmiga pistikupesasse. Vale maandus võib põhjustada elektrilöögi ja surma. Kasutage ainult kolme traadiga pikendusjuhtmeid, millel on kolme haruga maandatud pistik ja kolme poolusega pistikupesa, mis sobib masina pistikuga.
- Vältige masina kasutamise ajal kehalist kokkupuudet maandatud pindadega (nt torud, radiaatorid).

- Kasutage ainult välitingimusteks ette nähtud püri- mekindla ühendusega pikenduskaablit IEC60245 (H07RN-F). Selle ristlõige peab olema kuni 25 m pikkuste kaablite puhul vähemalt 1,5 mm² ja üle 25 m pikkuste kaablite puhul 2,5 mm².
- Pika peenikese kaabli kasutamine võib põhjustada pingelangust. Sellisel juhul võib masina võimsus väheneda.
- Pikenduskaabli kasutamisel tagage, et see ei hakka tööd takistama, ei jää surve alla ega väändu ning et pistik ei saa märjaks.
- Kaabli rulli kasutamisel kerige kaabel täies pikkuses rullilt maha.
- Ärge väärkasutage juhett. Ärge kasutage juhett kunagi masina kandmiseks, tõmbamiseks või pistiku eemaldamiseks vooluvõrgust. Hoidke juhe eemal kuumusest, õldest, teravatest servadest ja liikuvatest osadest. Kahjustatud või takerdunud juhtmed suurendavad elektrilöögiohtu.
- Kontrollige regulaarselt, ega pikenduskaabli ei esine isolatsioonikahjustusi. Vahetage kahjustatud kaabel välja.
- Kui ühenduskaabel on kahjustatud, eemaldage toitepistik koheselt pistikupesast. Kahjustatud kaabel võib põhjustada kokkupuute pingele all olevate detailidega ja elektrilöögi.
- Ärge kasutage kunagi kahjustatud kaableid.
- Ühendage masin ainult testitud vooluahelaga pistikupesadesse. Kontrollige, kas süsteemi pingele vastab andmesildil toodule.
- Ärge kunagi inaktiveerige ega tõkestage kaitseseadmeid.
- Masina käitamisel välitingimustes kasutage alati diferentsiaalvoolu kaitselüliti talitlusvooluga 30 mA või vähem.

Käitamine

- Hoidke nägu ja keha sissesööduvast eemal.
- Ärge laske kätel, muudel kehaosadel või rõivastel sattuda kunagi sissesöödu- ja väljutusava sisse või liikuvate detailide lähedusse. See võib põhjustada raske kehavigastuse.
- Ärge küünitage üle. Hoidke kogu aeg kindlat jalgealust ja head tasakaalu. See tagab ootamatutes olukordades parema kontrolli masina üle. Masinasse materjali sissesöötmisel ärge seiske masina alusraamist kõrgemal tasapinnal.
- Töötamise ajal olge alati eemal masina väljutusavast.
- Järgige kohalikke mürakaitse eeskirju.
- Ärge sisestage masinasse kive, metallitükke, pudeleid ega muid võõrkehi. Sissesöötmisel olge tähelepanelik, et muu materjali hulgas ei oleks nimetatud võõrkehi.
- Kui laba pörkab vastu võõrkeha või masin hakkab ebatavaliselt vibreerima või müra tegema, lülitage mootor koheselt välja ja eemaldage toitepistik. Kontrollige oksapurustaja võimalike kahjustuste olemasolu ja kinnitage lahtised detailid. Laske masin volitatud hoolduskeskuses parandada.
- Vältige käideldud materjali kogunemist väljutusavas. Vastasel juhul võib materjal läbi sissesööduava tagasi paiskuda.
- Lülitage mootor välja ja eemaldage toitepistik alati:
 - enne masina jätmist järelevalveta;
 - enne ummistuse eemaldamist või rikke kõrvaldamist;

- enne masina kontrollimist, puhastamist või masina juures tööde alustamist;
 - enne reguleerimistoimingute teostamist, tarvikute vahetamist või masina hoiule panemist;
 - kui masin hakkab ebatavaliselt vibreerima või müra tegema;
 - enne sissesöödu- ja väljutusava puhastamist;
 - enne mahuti kinnitamist või eemaldamist;
 - enne transportimist.
- Ärge kallutage masinat töötamise ajal.
 - Pikkade esemete sissesöötmisel hoidke piisavat vahemaad. Pikemad esemed võivad tagasi paiskuda ja põhjustada kehavigastusi.
 - Ärge käituge masinat ilma punkrita.
 - Ärge kasutage masina käitamisel jõudu. Masin töötab paremini ja ohutumalt ette nähtud kiirusel. Sage ülekoormus võib põhjustada mootori kahjustusi või tulekahju.
 - Kasutage õiget seadet. Ärge kasutage seadmeid mittesihotstarbeks. Masin ei ole ette nähtud metall-esemete, klaasi, kivide, keraamika, plastdetailide, jämedate okste, lehtpuupuidu, paksude puitplaatide jms sissesöötmiseks.

Hooldussuunised

- Laske masinat hooldada meie volitatud hoolduskeskuses, kus kasutatakse ainult originaalvaruosi. Vale parandamine ja kehv hooldus võib lühendada masina eluiga ja suurendada õnnetuste ohtu.
- Enne hooldustööde, ülevaatuste, reguleerimiste, hoiule panemise või tarvikute vahetamise alustamist tehke järgmist:
 - Lülitage toide välja.
 - Ühendage masin toiteallikast lahti.
 - Veenduge, et kõik liikuvad detailid on täielikult seiskunud.
 - Laske masinal maha jahtuda.
- Kontrollige masinat võimalike kahjustuste osas:
 - kas ohutusseadmed töötavad korralikult, täites ettenähtud ülesandeid;
 - kas kõik liikuvad detailid töötavad sujuvalt ja õigesti;
 - kas kõik detailid on kahjustamata ja õigesti paigaldatud;
 - laske kahjustatud detailid vahetada või parandada meie volitatud hoolduskeskuses.
- Olge löikuri hooldamisel äärmiselt tähelepanelik. Löikurit saab liigutada käsitsi läbi kaitsepiirete lukustusfunktsiooni.
- Ärge puhastage seadet veega. See võib põhjustada elektrilöögi.
- Kandke hooldus- ja paigaldustööde ajal sõrmede vigastamise vältimiseks kaitsekindaid.
- Teostage ainult neid hooldus- ja parandustöid, mida kirjeldatakse käesolevas kasutusjuhendis. Mis tahes muud tööd peab teostama Makita volitatud hoolduskeskus.
- Kasutage ainult teie masinale ette nähtud originaalseid Makita varuosi ja tarvikuid. Vastasel juhul võib tagajärjeks olla kehavigastus või masina kahjustus.
- Hoidke masinat kuivas ruumis. Hoidke masinat lastele kättesaamatus kohas. Ärge hoidke masinat kunagi õues.

PAIGALDUS

⚠ ETTEVAATUST!

- Enne masina juures tööde alustamist veenduge alati, et masin on välja lülitatud ja toitepistik volulüüvrgust eemaldatud.

1. Asetage ülemine korpus tagurpidi tasasele põrandale. Seejärel asetage sellele alusraam. Jälgige hoolikalt detaili suunda. **(Joon. 2)**
2. Kinnitage iga detail kinnituskruidudega. Veenduge, et need on täiesti stabiilsed. **(Joon. 3)**
3. Kinnitage tükised kruviga. Veenduge, et need on tugevalt kinni. **(Joon. 4)**
4. Paigaldage rattad, toimides järgmiselt. **(Joon. 5)**
 - Kinnitage telg ühe ratta külge.
 - Suunake telg läbi tugijala avade.
 - Kinnitage telje külge teine ratas, juhtides tihti läbi teljes oleva ava. Kinnitage ratas, väänates tihti.
 - Paigaldage ratastele katted.
5. Paigaldage mahuti. Seejärel tõstke lukustushoob üles. **(Joon. 6)**

FUNKTSIOONIDE KIRJELDUS

⚠ HOIATUS!

Enne masina toitepistiku ühendamist veenduge alati, et masin on välja lülitatud. Toitepistiku ühendamine siis, kui masin on sisse lülitatud, võib põhjustada ootamatut käivitumist, mis võib tekitada raske kehavigastuse.

Toitelüliti (Joon. 7)

⚠ ETTEVAATUST!

Ärge kasutage masinat, kui lüliti ei lülita seda sisse ega välja. Laske defektnel lüliti Makita volitatud hoolduskeskuses asendada.

Masina sisselülitamiseks vajutage rohelist nuppu. Masina väljalülitamiseks vajutage punast nuppu.

LED-tuli

LED-tuli näitab masina olekut järgmiselt:

PUNANE: masin on ühendatud toiteallikaga ja välja lülitatud.

ROHELINE: masin on sisse lülitatud.

Pidevalt **vilkvu ROHELINE:** masin on töötamise ajal ummistunud.

Vilkvu PUNANE: masin ei suuda automaatselt taastuda. Sellisel juhul eemaldage probleem käsitsi.

Tahtmatu taaskäivitamise tõke

Toitekatkestuse korral lülitub masin automaatselt välja. Taaskäivitamiseks vajutage uuesti rohelist nuppu.

Ülekoormuse kaitse

Mootorile on paigaldatud ülekoormuse kaitse. Ülekoormuse korral käitub masin järgmiselt:

- Laba pöörleb kaks-kolm sekundit vastupidises suunas, püüdes purustatavat materjali tagasi välja suruda.
- Laba pöörleb uuesti õiges suunas.
- Kui pärast selle toimingut teostamist kolmel korral ummistab materjal endiselt masinat, siis masin seiskub ja vilkuma hakkab punane LED-tuli.

Sellisel juhul teostage järgmised sammud:

- Lülitage masin välja.
- Oodake, kuni labad seiskuvad täielikult.
- Eemaldage ummistuse tekitaja.
- Lülitage oksapurustaja umbes 5 minuti pärast uuesti sisse ja sisestage kergemat materjali.
- Kui pärast ooteaja möödumist ei saa masinat sisse lülitada, vaadake peatükki „Veatsing“.

Edasi/tagasi lüliti

⚠ ETTEVAATUST!

Enne edasi/tagasi lüliti asendi muutmist lülitage oksapurustaja välja.

Asend ↓

Labad pöörlevad edasisuunas.

Asend ↑

Labad pöörlevad tagasisuunas, et vabastada kinnikiilunud materjal.

Valides asendiks ↑ (tagasisuund), hoidke labade pöörlemiseks all toitelüliti rohelist nuppu. Toitelüliti vabastamisel seiskub oksapurustaja automaatselt.

MÄRKUS.

- Suure eseme purustamiseks võib kuluda mitu tagasi- ja edasipöörlemise tsüklit.

⚠ ETTEVAATUST!

- Õnnetuste vältimiseks kasutage ummistust põhjustanud esemete eemaldamiseks alati konksu või pulka.
- Enne taaskäivitamist oodake alati, kuni oksapurustaja on täielikult seiskunud.

Mahuti

⚠ ETTEVAATUST!

- Enne mahuti paigaldamist või eemaldamist lülitage masin välja ja ühendage lahti toitepistik.
- Ohutu töötamise tagamiseks kontrollige iga kahe tunni järel lukustusfunktsiooni funktsionaalsust.
- Ärge püüdke kunagi kaitsepiirete lukustusfunktsiooni blokeerida.

Lukustushoob:

Ülemine asend → mahuti on lukustatud.

Alumine asend → mahuti on lukustamata.

Seade ei lülitu ohutusfunktsiooni tõttu sisse.

Kui lukustushoob on lukustamata asendis, siis ei lülitu masin sisse. Kui mahuti avatakse töötamise ajal lukust, siis masin seiskub automaatselt.

Labakate

⚠ ETTEVAATUST!

- Enne labakatte avamist veenduge, et masin on välja lülitatud ja toitepistik eemaldatud.
- Enne labakatte avamist pange kätte kaitsekindad.
- Lõikur ei seisku koheselt pärast masina väljalülitamist. Oodake, kuni kõik detailid on seiskunud.

Kui materjal tekitab ülemises korpuses tugeva ummistuse, avage selle eemaldamiseks labakate.

KÄITAMINE

Seadke masin tööasendisse.

- Paigutage masin tasasele horisontaalsele pinnale. Ärge asetage masinat sillutatud või kruusaga pinnale.

- Asetage masin ohutusse kaugusesse (vähemalt 2 m) seintest, müüridest või muudest objektidest.

Enne käivitamist veenduge järgmises:

- Ühenduskaablid ei ole kahjustatud. Lõigete või rebendite korral peatage töö ja asendage kaabel kohe.
- Masinal ei ole kahjustusi ja kõik kruvid on korralikult kinni.
- Masin on täielikult ja õigesti kokku pandud.

Kontrollige toiteühendust:

- Veenduge, kas toitepinge vastab andmesildil toodud nimipingele ja kas masin on korralikult maandatud.
- Kasutage ainult piisava südamikuga ristlõikega pikendusjuhtmeid.

Materjalid, mida saab oksapurustajaga purustada Oksapurustajaga saab purustada järgmisi materjale:

- iga liiki oksad kuni masina mahutavuse maksimaalse läbimõõduni olenevalt puidu liigist ja seisukorrast;
 - aiajäätmed, näiteks paar päeva seisnud närbunud taimed või märg rohi (sisestage vaheldumisi okstega).
- ### Oksapurustajaga EI SAA purustada järgmisi materjale:
- klaas, metall, plast, kivid, keraamika, jämedad oksad, lehtpuupuit, paksud puitplaadid, rie, kilekotid, mullaga juured;
 - peaaegu vedelas olekus prügi, näiteks köögijäätmed.

Käitamine (Joon. 8)

- Söötke materjal punkrisse paremalt poolelt.
- Okste, võrsete ja puidu puhul söötke need masinasse vahetult pärast mahalõikamist. Kuivades võivad need muutuda väga kõvaks.
- Kui okste sissesöötmine on raskendatud, eemaldage neilt kõik väiksemad külgvõrsed.
- Enne väljutusava puhastamist lülitage mootor välja ja ühendage masin toiteallikast lahti.
- Vältige purustatud materjali kogunemist väljutusavas. Vastasel juhul võib purustatud materjal väljutusava ummistada. Tühjendage mahutit korrapäraselt.
- Ärge söötke sisse materjali, mis ületab tehniliste andmete peatükis toodud oksa maksimaalset läbimõõtu. Olenevalt puidu vanusest ja seisukorrast võib oksa maksimaalne läbimõõt väheneda.
- Märja aiaprügi söötmine purustajasse põhjustab ummistuse. Et vältida masina ummistumist, söötke masinasse jäätmetega vaheldumisi puitu sisaldavat materjali.
- Pehme materjali või märjad oksad võib masin katki lõikamise asemel rebestada. Sama võib põhjustada ka kulunud vastulaba.
- Kui masin ummistub sisselaskeava või väljutuskanali juures, lülitage mootor välja ja eemaldage vooluvõrgust, enne kui puhastate prahi sisselaskeavast või väljutuskanalist. Hoidke toiteallikas prahist ja teistest jääkidest puhas, et vältida toiteallika kahjustamist või võimalikku tulekahju.

Labavahekauguse reguleerimine (Joon. 9)

Tõhusa töö tagamiseks tuleb reguleerida vastulaba ja lõikuri vahekaugust.

Vahekauguse määramine:

- Lülitage seade sisse.
- Keerake kinnituspuppu vastupäeva, et vabastada reguleerimisnupp.

- Keerake reguleerimisnupp aeglaselt päripäeva, et viia vastulaba lõikurile lähemale. Keerake seni, kuni väljutusavast hakkavad kukkuma peened alumiiniumilaastud.
- Keerake kinnitusnupp päripäeva, et lukustada reguleerimisnupp.

HOOLDUS

⚠ ETTEVAATUST!

- Enne ülevaatuustoimingute või hooldustööde alustamist veenduge alati, et masin on välja lülitatud ja toitepistik eemaldatud.
- Enne ülevaatuustoimingute või hooldustööde alustamist pange kätte kaitsekindad.
- Lõikur ei seisku koheselt pärast masina väljalülitamist. Enne hooldustööde alustamist oodake, kuni kõik detailid on seiskunud.

- Pärast hooldustööde lõpetamist veenduge, et masinast on eemaldatud kõik tööriistad.
- Ärge kasutage kunagi bensiini, lahusteid, alkoholi ega teisi sarnaseid aineid. See võib põhjustada värvi koorumist, deformeerumist või pragude tekkimist. Kasutage masina puhastamiseks ainult niisket riidelappi ja pehmet harja.
- Ärge puhastage masinat tavalise vooliku või kõrgsurvega veejoaga.

Iga kasutuskorra järel teostage järgmised hooldustööd:

- Kontrollige, kas kõik lukustuskrivid on korralikult kinni (vajadusel pinguldage).
- Määrige metallidetaile, et kaitsta neid korrosiooni eest.
- Hoidke ventilatorid puhtad ja tolmuvabad.

Aja jooksul lõikur ja vastulaba kuluvad. Vajadusel küsige lähimast volitatud hoolduskeskusest asendusdetaile.

VEAOTSING

HOIATUS! Enne vea likvideerimise asumist lülitage masin välja, tõmmake välja toitepistik ja oodake, kuni masin on täielikult seiskunud.

Viga	Võimalik põhjus	Lahendus
Mootor ei käivitu	Puudub toide	Kontrollige ühendust toiteallikaga.
	Toitekaabel on defektne	Laske kontrollida volitatud hoolduskeskuses.
	Ülekoormuse kaitse on rakendunud	Oodake, kuni masin jahtub maha, ja vajutage siis rohelist nupp.
Mootorist kostab heli, kuid mootor ei käivitu	Mahuti turvakatkestusseade (mahuti on lukustamata)	Kontrollige mahutit ja lukustage see.
	Lõikur on ummistunud	Lülitage seade välja. Lülitage edasi/tagasi lüliti tagasi-asendisse. Lülitage masin sisse ja laske sel töötada, kuni ummistus on kõrvaldatud. Lülitage masin uuesti välja. Viige edasi/tagasi lüliti uuesti edasi-asendisse.
	Kondensaatori rike	Viige masin parandamiseks volitatud hoolduskeskusesse.
Purustatav materjal ei liigu oksapurustaja sisse	Tagurpidi pöörlemine.	Lülitage seade välja ja vahetage pöörlemisuuna valimise lüliti asendit.
	Purustatav materjal takerdub punkrisse	Lülitage seade välja. Lülitage edasi/tagasi lüliti tagasi-asendisse. Lülitage seade sisse, et vabastada purustatav materjal, ning eemaldage võimalikud võõrkehad. Lülitage seade uuesti välja. Viige edasi/tagasi lüliti uuesti edasi-asendisse.
	Purustatav materjal on liiga pehme või märg	Suruge oksa abil alla.
	Lõikur on kulunud	Reguleerige vastulaba, järgides kirjeldust peatükis „Laba vähekauguse reguleerimine”. Kui lõikur on väga kulunud, siis asendage see uuega.
Purustatavat materjali ei lõigata korralikult tükideks	Vastulaba ei ole õigesti reguleeritud	Reguleerige vastulaba.
Seade käivitub, kuid ummistub ka vähesel koormusega ja seiskub peagi mootori kaitseüliti rakendamisel.	Pikenduskaabel on liiga pikk või liiga väikese ristlõikega. Pistikupesa on toiteallikast liiga kaugel või toitekaabli ristlõige on liiga väike.	Kontrollige, kas pikenduskaabli ristlõige on vähemalt 1,5 mm ² ja pikkus maksimaalselt 25 m. Pikema kaabli kasutamisel on minimaalne ristlõige 2,5 mm ² .

EÜ VASTAVUSDEKLARATSIOON

Ainult Euroopa riigid

EÜ vastavusdeklaratsioon on sellele kasutusjuhendile lisatud kui Lisa A.

OSTRZEŻENIE: Urządzenie może być użytkowane przez dzieci powyżej 8 roku życia lub przez osoby niebędące w pełni władz fizycznych, poznawczych lub umysłowych, bądź nieposiadające odpowiedniej wiedzy i doświadczenia, o ile jest nad nimi roztoczony nadzór lub jeśli otrzymały one odpowiednie instrukcje dotyczące bezpiecznego użytkowania urządzenia i rozumieją związane z tym niebezpieczeństwo. Nie wolno pozwalać, aby dzieci bawiły się urządzeniem. Dzieci bez nadzoru nie mogą czyścić urządzenia ani wykonywać czynności konserwacyjnych.

OPIS CZĘŚCI

1 Kosz załadowniczy	7 Górna obudowa	14 Śruba
2 Włącznik zasilania	8 Kosz zbiorczy	15 Ostrze nieruchome
3 Uchwyt	9 Rama	16 Walek tnący
4 Wtyczka zasilania	10 Pokrętło regulacji	
5 Dźwignia blokady	11 Pokrętło mocujące	
6 Przełącznik kierunku przód / wstecz	12 Oslona noża	
	13 Strona ładowania	

DANE TECHNICZNE

Model	UD2500
Nazwa	Elektryczny Rozdrabniacz Do Gałęzi
Silnik	Silnik na prąd zmienny 230-240 V~50 Hz
Moc znamionowa P40	2 500 W
Moc znamionowa P1 S1	2 000 W
Prędkość obrotowa wałka tnącego	40 min ⁻¹
Z włącznik zasilania	z zabezpieczeniem przed przeciążeniem; cięcie i funkcja pracy wstecz, rozrusznik działający przy napięciu zerowym
Ciężar	27,6 kg
Maks. średnica gałęzi (dotyczy tylko świeżo ściętego drewna)	Maks. 45 mm
Klasa zabezpieczeń	I
Klasa ochrony	IP X4

DANE DOTYCZĄCE HAŁASU

Poziom ciśnienia akustycznego	74,88 dB (A), K= 2,50 dB (A)
Poziom ciśnienia akustycznego przy uchu operatora	84,4 dB (A), K= 3 dB (A)
Mierzony poziom mocy akustycznej	93,49 dB (A), K= 3,97 dB (A)
Gwarantowany poziom mocy akustycznej	97 dB (A)

Poziom natężenia dźwięku dla operatora może przekraczać 80 dB (A). Należy nosić środki ochrony słuchu.

SYMBOLE

Poniżej przedstawiono symbole stosowane w przypadku opisywanego urządzenia. Przed rozpoczęciem jego użytkowania należy się upewnić, że są one zrozumiałe.



- Należy przeczytać instrukcję obsługi.



- Należy zachować szczególną ostrożność.



- Należy wyłączyć silnik i odłączyć zasilanie przed serwisowaniem, czyszczeniem, konserwacją lub naprawą.



- Może wyrzucać materiał z dużą prędkością.



- Nie dopuszczaj osób postronnych i zwierząt do obszaru zagrożenia.



- Niebezpieczeństwo – wirujące ostrza. Nie wolno zbliżać rąk i stóp do otworów, gdy urządzenie pracuje.



- Niebezpieczeństwo – wirujące ostrza. Nie wolno zbliżać rąk i stóp do otworów, gdy urządzenie pracuje.



- Nosić okulary ochronne i stosować odpowiednią ochronę słuchu.



- Nosić rękawice ochronne.



- Nie wystawiać na działanie deszczu czy wilgoci.



- Przekręcić pokrętkę w prawo, aby zmniejszyć prześwit / przekręcić pokrętkę w lewo, aby zwiększyć prześwit



- Wymiana noża lub czynności serwisowe wymagają otwarcia osłony noża.



- Należy poczekać, aż wszystkie części urządzenia zatrzymają się.



- Nie wykorzystywać urządzenia jako podestu.



- Dotyczy tylko państw UE
Nie wyrzucać urządzeń elektrycznych ani akumulatorów wraz z odpadami z gospodarstwa domowego! Zgodnie z dyrektywami 2002/96/WE w sprawie zużytego sprzętu elektrycznego i elektronicznego oraz 2006/66/WE, dotyczącą akumulatorów i baterii oraz zużytych akumulatorów i baterii, oraz dostosowaniem ich do prawa krajowego, zużyte urządzenia elektryczne należy segregować i przekazywać do odpowiedniego punktu zbiórki odpadów.

OSTRZEŻENIA DOTYCZĄCE BEZPIECZEŃSTWA

PRZECZYTAĆ UWAGNIE PRZED ROZPOCZĘCIEM UŻYTKOWANIA INSTRUKCJĘ OBSŁUGI NALEŻY ZACHOWAĆ DO WGLĄDU



Urządzenie można uruchomić dopiero po przeczytaniu instrukcji obsługi. Należy przestrzegać wszystkich podanych instrukcji i zamontować urządzenie zgodnie z opisem.

Przeznaczenie urządzenia

- Rozdrabniacz ogrodowy przeznaczony jest do rozdrabniania następujących materiałów:
 - Wszystkie rodzaje gałęzi do średnicy zgodnej ze specyfikacją urządzenia (w zależności od rodzaju i stanu drewna)
 - Odpady ogrodowe, takie jak uschnięte rośliny lub wilgotne chwasty, które leżały kilka dni (należy je rozdrabniać na przemian z gałęziami).
- Rozdrabniacz ogrodowy przeznaczony jest do użytku osobistego, a nie komercyjnego. Nie należy go używać w miejscach publicznych.

W przypadku niskonapięciowych sieci elektroenergetycznych o napięciu pomiędzy 220 V a 250 V.

Włączanie i wyłączanie urządzeń elektrycznych powoduje wahania napięcia. Posługiwanie się urządzeniem przy niesprzyjających parametrach zasilania może mieć niekorzystny wpływ na działanie innych urządzeń. Przy impedancji sieci zasilającej mniejszej lub równej 0,45 Ohm można założyć, że niekorzystne efekty nie wystąpią. Gniazdo zasilające używane do podłączenia tego urządzenia powinno być zabezpieczone bezpiecznikiem topikowym lub automatycznym o zwłocznej charakterystyce wyłączania.

Ogólne instrukcje

- Należy przeczytać instrukcję, aby zapoznać się ze sposobem obsługi urządzenia. Użytkownicy posiadający niewystarczającą wiedzę w zakresie obsługi urządzenia stwarzają zagrożenie zarówno dla siebie samych, jak i dla innych osób.
- Nie należy używać urządzenia osobom, których doświadczenie nie zostało potwierdzone.
- Używając urządzenie, należy zawsze dołączyć instrukcję obsługi.
- Elektryczny rozdrabniacz do nie jest przeznaczony do użytkowania przez osoby niebędące w pełni władz fizycznych, poznawczych lub umysłowych, bądź nieposiadające odpowiedniej wiedzy i doświadczenia. Należy uważać, aby małe dzieci nie miały dostępu do urządzenia i nie mogły się nim bawić. Nie należy pozwalać dzieciom na użytkowanie urządzenia.
- Urządzenie powinno być używane tylko przez osoby w odpowiedniej formie fizycznej. Wszelkie czynności powinny być wykonywane spokojnie i ostrożnie. Użytkownik jest odpowiedzialny za bezpieczeństwo osób i mienia w pobliżu miejsca użytkowania urządzenia.
- Nie wolno używać urządzenia, będąc pod wpływem alkoholu lub narkotyków, albo gdy jest się zmęczonym lub chorym.

- Urządzenie należy użytkować zgodnie z niniejszą instrukcją, mając na uwadze warunki pracy i jego zastosowanie. Użycie urządzenia w sposób niezgodny z jego przeznaczeniem może stwarzać zagrożenie.
- Nie wolno modyfikować urządzenia, nawet jeśli chodzi o montaż zabezpieczeń, takich jak automatyczny wyłącznik. Może to zagrazać bezpieczeństwu.
- Przepisy krajowe lub lokalne mogą ograniczać wykorzystanie tego urządzenia.
- Należy zachować czujność. Zwracać uwagę na wykonywane czynności. Postępować zgodnie ze zdrowym rozsądkiem. Nie używać urządzenia, gdy jest się zmęczonym.
- Upewnić się, że kosz załadowczy jest pusty.
- Sprawdzić, czy otwór wlotowy i otwór wylotowy są odpowiednio zabezpieczone.
- Dokładnie sprawdzić wszystkie części urządzenia, aby mieć pewność, że działa ono prawidłowo i spełnia swoją funkcję. Zwłaszcza nie wolno nigdy użytkować urządzenia, którego przełącznik nie działa prawidłowo.
- Jeśli przewód zasilania jest uszkodzony, należy zwrócić się do autoryzowanego punktu serwisowego Makita o jego wymianę, zawsze z użyciem oryginalnych części.

Zasady bezpieczeństwa dotyczące urządzeń elektrycznych

⚠️ BACZNOŚĆ:

Sprzęt ochrony osobistej

- Należy się właściwie ubrać. Odzież noszona podczas pracy powinna być funkcjonalna i odpowiednia, tzn. powinna przylegać do ciała, ale nie może krępować ruchów. Nie nosić biżuterii lub odzieży, która mogłaby się zaplątać w urządzeniu. Długie włosy należy schować pod odpowiednim nakryciem głowy.
- Należy nosić środki ochrony słuchu, aby zapobiec utracie słuchu.
- Należy nosić okulary lub gogle ochronne, aby chronić oczy przed odpadkami wyrzucanymi z kosza załadowczego.
- Należy nosić rękawice ochronne, aby zapobiec urazom dłoni.
- Jeśli występuje dużo pyłu, np. przy rozdrabnianiu suchych gałęzi lub części żywopłotów z liśćmi, należy nosić maskę na twarz.
- Podczas pracy z urządzeniem należy zawsze nosić wytrzymałe obuwie na podszwie antypoślizgowej. Takie obuwie chroni przed obrażeniami i zapewnia stabilne oparcie.

Bezpieczeństwo w miejscu pracy

- Podczas pracy urządzenia nie można dopuszczać w pobliżu dzieci oraz osób postronnych.
- Urządzenie należy uruchamiać na otwartej przestrzeni i na równej, twardej powierzchni. Nie wolno uruchamiać urządzenia w pobliżu ściany lub innych przeszkód.
- Urządzenia nie wolno używać w miejscach zagrożonych wybuchem, na przykład w pobliżu łatwopalnych cieczy, gazów lub pyłów. Urządzenie wytwarza iskry, które mogą spowodować zapalenie się pyłu lub oparów.
- Nie wolno uruchamiać urządzenia na powierzchni brukowanej lub żwirowej, gdzie wyrzucany materiał mógłby spowodować obrażenia.
- W miejscu pracy należy utrzymywać czystość i zadbać o dobre oświetlenie. Nieporządek bądź słabe oświetlenie sprzyjają wypadkom.
- Urządzenie należy chronić przed deszczem i wilgocią. Woda, która dostanie się do wnętrza urządzenia, zwiększa ryzyko porażenia prądem elektrycznym.

Uruchamianie urządzenia

- Przed podłączeniem wtyczki zasilania lub włączeniem urządzenia:
 - Sprawdzić, czy wszystkie śruby, nakrętki i inne elementy mocujące są prawidłowo dokręcone.
 - Sprawdzić czy osłony, zabezpieczenia i siatki są prawidłowo umocowane i w dobrym stanie technicznym.
 - Wymienić uszkodzone lub nieczytelne etykiety informacyjne.

- Opisywane urządzenie to urządzenie klasy I. Należy je przyłączyć do gniazda zasilania z uziemieniem. Nieprawidłowe uziemienie może być przyczyną porażenia prądem elektrycznym i śmierci. Należy stosować tylko trzyżyłowe przewody przedłużeniowe, które posiadają wtyczki i gniazda z trzema stykami, które będą pasować do wtyczki narzędzia.
- Unikać kontaktu z uziemionymi powierzchniami (np. rury, grzejniki) podczas pracy urządzeniem.
- Do pracy na wolnym powietrzu należy stosować tylko przewód przedłużeniowy IEC60245 (H07RN-F) z przyłączem odpornym na rozpryski. Jego przekrój musi wynosić co najmniej 1,5 mm² w przypadku przewodu o długości do 25 m oraz 2,5 mm² w przypadku długości przewodu ponad 25 m.
- Jeśli stosowany jest długi, cienki przewód, może to powodować spadki napięcia. Jeśli tak się stanie, moc urządzenia będzie mniejsza.
- Jeśli stosowany jest przewód przedłużeniowy, należy upewnić się, że nie przeszkadza on w pracy, nie jest ściśnięty lub zagięty oraz że jego wtyczka nie ulegnie zamoczeniu.
- Jeśli stosowana jest szpula, należy przewód całkowicie rozwinąć ze szpuli.
- Należy zachować ostrożność w postępowaniu z przewodem. Nie wolno wykorzystywać go do przenoszenia lub przeciągania urządzenia, ani do wyciągania wtyczki z gniazda elektrycznego. Przewód należy trzymać z dala od źródeł ciepła, olejów, ostrych krawędzi lub ruchomych części. Uszkodzone lub splątane przewody zasilające zwiększają ryzyko porażenia prądem elektrycznym.
- Należy regularnie sprawdzać przewód przedłużeniowy pod względem uszkodzeń izolacji. W razie uszkodzeń należy przewód wymienić.
- Jeśli przewód zasilający jest uszkodzony, należy natychmiast wyciągnąć wtyczkę z gniazda zasilania. Uszkodzony przewód może spowodować zetknięcie z częściami pod napięciem i porażenie elektryczne.
- Nie wolno używać uszkodzonych przewodów.
- Urządzenie wolno podłączać wyłącznie do gniazdek w sprawdzonych obwodach elektrycznych. Należy sprawdzić, czy napięcie sieci jest zgodne z napięciem na tabliczce znamionowej.
- Nie wolno wyłączać lub omijać zabezpieczeń.
- Jeśli urządzenie jest używane na wolnym powietrzu, należy zawsze stosować wyłącznik różnicowo-prądowy o prądzie złączającym nie większym niż 30 mA.

Użytkowanie

- Nie zbliżać twarzy ani innych części ciała do otworu wlotowego.
- Nie wolno dopuścić, aby dłonie lub inne części ciała lub odzieży znalazły się w otworze wlotowym lub wylotowym albo w pobliżu ruchomych części. Może to być przyczyną poważnych obrażeń ciała.
- Nie wolno wychylać się zbyt daleko. Należy stać pewnie, aby nie stracić równowagi. Taka postawa gwarantuje lepsze opanowanie urządzenia w niespodziewanych sytuacjach. Podczas ładowania nie można stać wyżej niż podstawa urządzenia.
- Podczas pracy urządzenia należy zawsze stać z dala od otworu wlotowego.
- Należy przestrzegać krajowych przepisów dotyczących ochrony przed hałasem.
- Nie wolno ładować do urządzenia kamieni, elementów metalowych, butelek lub innych ciał obcych. Należy uważać, aby żadne ciała obce nie dostały się do urządzenia wraz z ładowanym materiałem.
- Jeśli ostre uderzy w ciało obce lub jeśli urządzenie zaczyna drgać lub wydawać nietypowe odgłosy, należy natychmiast wyłączyć silnik. Sprawdzić, czy rozdrabniacz nie uległ uszkodzeniu i dokręcić poluzowane części. Gdy niezbędna jest naprawa, należy zwrócić się do lokalnego autoryzowanego punktu serwisowego.
- Nie można dopuścić do gromadzenia się rozdrobnionego materiału w otworze wlotowym. W przeciwnym wypadku ładowany materiał może być odrzucany przez otwór wlotowy.
- Należy wyłączyć silnik i odłączyć zasilanie w następujących przypadkach:
 - Zawsze, gdy urządzenie pozostaje bez nadzoru
 - Przed udrożnieniem lub usunięciem usterki
 - Przed sprawdzeniem, czyszczeniem lub konserwacją urządzenia
 - Przed regulacją, wymianą akcesoriów lub przechowywaniem
 - Gdy urządzenie zaczyna nietypowo drgać lub zaczyna wydawać nietypowe odgłosy
 - Przed oczyszczeniem otworu wlotowego lub wylotowego
 - Przed założeniem lub zdjęciem kosza zbiorczego
 - Przed transportem.
- Nie przechylać urządzenia podczas użytkowania.
- Przy ładowaniu długich gałęzi należy zachować odpowiednią odległość. Mogą one zostać odrzucone, co grozi obrażeniami ciała.
- Nie wolno używać urządzenia bez kosza załadowanego.
- Nie przeciążać urządzenia. Praca w przewidzianym tempie pozwoli wykonać zadanie lepiej i bezpieczniej. Częste przeciążanie może spowodować uszkodzenie silnika lub pożar.
- Należy stosować urządzenie odpowiednio do zadania. Nie wolno używać urządzenia niezgodnie z przeznaczeniem. Nigdy nie łądować do urządzenia metalowych części, szkła, kamieni, elementów ceramicznych, części z tworzywa, zbyt grubych gałęzi, wyschniętego drewna, grubych płyt drewnianych itp.

Instrukcja konserwacji

- Urządzenie powinno być serwisowane przez autoryzowany punkt serwisowy, zawsze przy użyciu oryginalnych części zamiennych. Niewłaściwie przeprowadzone naprawy i nieodpowiednia konserwacja mogą skrócić okres użytkowania urządzenia i zwiększyć ryzyko wypadku.
- Przed serwisowaniem, oględzinami, regulacją, przechowywaniem lub wymianą akcesoriów należy wykonać następujące czynności:
 - Wyłączyć źródło zasilania
 - Odłączyć urządzenie od zasilania
 - Upewnić się, że wszystkie części ruchome przestały się poruszać
 - Pozostawić urządzenie do ostygnięcia.
- Sprawdzić ewentualne uszkodzenia urządzenia:
 - Czy zabezpieczenia działają prawidłowo i zgodnie z przeznaczeniem
 - Czy wszystkie ruchome części pracują płynnie i prawidłowo
 - Czy wszystkie części są nieszkodzone i prawidłowo zamontowane
 - Jeśli jakieś części są uszkodzone, powinny zostać wymienione lub naprawione przez autoryzowany punkt serwisowy.
- Przy serwisowaniu wałka tnącego należy zachować szczególną ostrożność. Wałek tnący może być poruszony ręcznie, mimo załączonej blokady zabezpieczającej.
- Nie wolno czyścić urządzenia wodą. Grozi to porażeniem prądem elektrycznym.
- Należy nosić rękawice ochronne podczas prac konserwacyjnych lub montażowych, aby zapobiec urazom palców.
- Nie wolno przeprowadzać czynności konserwacyjnych bądź napraw innych niż opisane w niniejszej instrukcji obsługi. Wszelkie inne czynności powinny być wykonywane przez autoryzowany punkt serwisowy Makita.
- Należy stosować wyłącznie oryginalne części zamienne i akcesoria firmy Makita przeznaczone do danego urządzenia. W przeciwnym wypadku istnieje zagrożenie obrażeniami ciała lub uszkodzeniem urządzenia.
- Urządzenie należy przechowywać w suchym pomieszczeniu. Trzymać z dala od dzieci. Nie przechowywać urządzenia na wolnym powietrzu.

MONTAŻ

⚠ OSTROŻNIE:

- Przed rozpoczęciem prac na urządzeniu należy je wyłączyć i odłączyć zasilanie.
1. Umieścić górną obudowę do góry nogami na płaskim podłożu. Następnie umieścić na niej ramę. Należy zwrócić uwagę na kierunek części. **(Rys. 2)**
 2. Dokręcić każdą część śrubami mocującymi. Upewnić się, że części są nieruchome. **(Rys. 3)**
 3. Zamocować blokady śrubami. Sprawdzić, czy są mocno dokręcone. **(Rys. 4)**
 4. Dokręcić koła w następujący sposób: **(Rys. 5)**
 - Zamontować oś na jednym z kół.
 - Przełożyć oś przez otwory w podstawie.
 - Zamocować drugie koło na osi, przekładając zawleczkę przez otwór w osi. Umocować koło, zaginając zawleczkę.

- Założyć pokrywę na koła.

5. Zamocować kosz zbiorczy. Następnie podnieść dźwignię blokady. (Rys. 6)

OPIS DZIAŁANIA

⚠ BACZNOŚĆ:

Przed podłączeniem urządzenia do zasilania upewnić się, że urządzenie jest wyłączone. Podłączenie urządzenia do zasilania, gdy jest ono włączone, może spowodować jego nieoczekiwane uruchomienie, co grozi poważnymi obrażeniami ciała.

Włącznik zasilania (Rys. 7)

⚠ OSTROŻNIE:

Nie wolno używać urządzenia z uszkodzonym włącznikiem zasilania. Wymianę wadliwie działającego włącznika powinien przeprowadzić autoryzowany punkt serwisowy firmy Makita.

Aby włączyć urządzenie, należy nacisnąć zielony przycisk.

Aby wyłączyć urządzenie, wcisnąć czerwony przycisk.

Wskaźnik diodowy

Wskaźnik diodowy informuje o stanie urządzenia w następujący sposób:

Kolor **CZERWONY**: Gdy urządzenie jest podłączone do źródła zasilania i jest wyłączone.

Kolor **ZIELONY**: Gdy urządzenie jest włączone.

Stale migający kolor **ZIELONY**: Gdy nastąpi blokada urządzenia podczas pracy.

Migający kolor **CZERWONY**: Gdy urządzenie nie może samoczynnie powrócić do pracy. Gdy tak się stanie, należy ręcznie usunąć problem.

Zabezpieczenie przed niepożądanym ponownym uruchomieniem

Jeśli nastąpi przerwa zasilania, urządzenie automatycznie się wyłącza. Aby uruchomić je ponownie, należy nacisnąć zielony przycisk.

Zabezpieczenie przed przecięciem

Silnik urządzenia jest wyposażony w zabezpieczenie przed przecięciem. W przypadku przecięcia urządzenie reaguje następująco:

- Ostrze działa we wstecznym kierunku przez dwie lub trzy sekundy, aby wypchnąć rozdrobniony materiał z powrotem na zewnątrz.
- Następnie ostrza ponownie zaczynają obracać się w przód.
- Jeśli urządzenie jest cały czas zablokowane po trzykrotnej próbie odblokowania, zatrzymuje się ono, a wskaźnik diodowy zaczyna migać na czerwono.

Gdy tak się stanie, należy wykonać następujące czynności:

- Wyłączyć urządzenie.
- Poczekać, aż ostrza całkowicie się zatrzymają.
- Usunąć materiał blokujący urządzenie.
- Po około 5 minutach ponownie włączyć rozdrabniacz i załadować do niego łatwiejszy do rozdrobnienia materiał.
- Jeśli po tym czasie urządzenie nie daje się włączyć, należy zapoznać się z punktem „Rozwiązywanie problemów”.

Przełącznik kierunku przód / wstecz

⚠ OSTROŻNIE:

Przed zmianą przełącznika kierunku przód / wstecz należy wyłączyć rozdrabniacz.

Pozycja ↓

Ostrza obracają się w przód.

Pozycja ↑

Ostrza obracają się wstecz, aby usunąć zablokowany materiał.

Po zmianie kierunku obrotów na ↑ (wstecz), należy przytrzymać zielony przycisk włącznika zasilania, aby ostrza się obracały. Po zwolnieniu włącznika zasilania urządzenie automatycznie się zatrzymuje.

UWAGA:

- Rozdrobnienie dużego elementu może wymagać kilkukrotnej zmiany kierunku obrotów wstecz i w przód.

⚠ OSTROŻNIE:

- Do usuwania zablokowanego materiału należy zawsze używać haczyka lub kija.
- Przed ponownym uruchomieniem urządzenia należy poczekać, aż ostrza całkowicie się zatrzymają.

Kosz zbiorczy

⚠ OSTROŻNIE:

- Przed założeniem lub zdjęciem kosza zbiorczego należy wyłączyć urządzenie i odłączyć od zasilania.
- Aby zapewnić bezpieczną pracę co dwie godziny należy sprawdzać, czy blokada działa prawidłowo.
- Nie wolno omijać blokad i zabezpieczeń.

Dźwignia blokady:

Górne położenie → Kosz zbiorczy jest zablokowany.

Dolne położenie → Kosz zbiorczy jest odblokowany.

Urządzenie nie włącza się z powodu zabezpieczenia.

Urządzenia nie można włączyć, jeśli dźwignia blokady jest w położeniu odblokowanym. Urządzenie automatycznie wyłącza się, jeśli kosz zbiorczy zostanie odblokowany podczas pracy.

Osłona noża

⚠ OSTROŻNIE:

- Przed otwarciem osłony noża upewnić się, że urządzenie jest wyłączone i odłączone od zasilania.
- Przy otwieraniu osłony noża należy mieć na rękach rękawice ochronne.
- Ostrze nie zatrzymuje się natychmiast po wyłączeniu urządzenia. Należy poczekać, aż wszystkie części zatrzymają się.

Jeśli materiał całkowicie zablokuje górną obudowę, należy go usunąć po otwarciu osłony noża.

OBŚLUGA

Przygotowanie urządzenia:

- Ustawić urządzenie na płaskiej poziomej powierzchni. Nie ustawiać urządzenia na powierzchni brukowanej lub żwirowej.
- Należy pozostawić bezpieczną odległość (co najmniej 2 m) od ścian i innych przeszkód.

Przed uruchomieniem upewnić się, że:

- Przewody przyłączeniowe nie są uszkodzone. Jeśli widać ślady przecięcia lub przetarcia, należy przerwać pracę i natychmiast je wymienić.
- Urządzenie nie jest uszkodzone i wszystkie śruby są dokręcone.
- Urządzenie jest całkowicie i prawidłowo zmontowane.

Sprawdzić podłączenie zasilania:

- Upewnić się, że napięcie zasilania odpowiada napięciu na tabliczce znamionowej oraz że urządzenie jest prawidłowo uziemione.
- Stosować przewody przedłużeniowe o odpowiedniej grubości.

Materiały, które mogą być rozdrabniane

Rozdrabniacz może przyjmować następujące rodzaje materiałów:

- Wszystkie rodzaje gałęzi do średnicy zgodnej ze specyfikacją urządzenia, w zależności od rodzaju i stanu drewna
- Odpady ogrodowe, takie jak uschnięte rośliny lub wilgotne chwasty, które leżały kilka dni (należy je rozdrabniać na przemian z gałęziami).

Rozdrabniacz NIE może przyjmować następujących materiałów:

- Szkło, metal, tworzywo sztuczne, kamienie, ceramika, grubsze gałęzie, wyschnięte drewno, grube płyty drewniane, tkanina, worki plastikowe, korzenie z glebą.
- Odpadki o niemal płynnej konsystencji, np. odpadki kuchenne.

Obsługa: (Rys. 8)

- Ładować materiał do kosza załadowczego z prawej strony.
- W przypadku gałęzi, gałązek i konarów należy je rozdrabniać tuż po ścięciu. W miarę wysychania mogą one stać się bardzo twarde.
- Jeśli ładowanie gałęzi jest utrudnione, należy poobcinać boczne odrosty.
- Przed oczyszczeniem otworu wylotowego należy wyłączyć silnik i odłączyć urządzenie od zasilania.
- Nie dopuszczać do gromadzenia się rozdrobnionego materiału w otworze wylotowym. W przeciwnym wypadku materiał może zablokować otwór. Kosz zbiorczy należy regularnie opróżniać.
- Nie ładować gałęzi, których średnica przekracza średnicę maksymalną podaną w specyfikacji technicznej. W zależności od stanu i wysuszenia drewna średnica maksymalna może być mniejsza.
- Rozdrabnianie wilgotnych odpadów ogrodowych może prowadzić do zapchania urządzenia. Aby temu zapobiec, należy ładować na przemian odpady z gałęziami.
- Miękki materiał lub mokre gałęzie mogą zostać rozdarte, a nie pocięte. Problem ten może występować również wtedy, gdy ostrze nieruchome jest zużyte.
- W przypadku wystąpienia zatoru w otworze wlotowym lub wyrzutniku, przed przystąpieniem do jego usuwania należy wyłączyć silnik i odłączyć urządzenie od zasilania. Nie należy dopuszczać do gromadzenia się śmieci i innych zanieczyszczeń w strefie źródła zasilania, aby nie doszło do uszkodzenia źródła zasilania lub pożaru.

Regulacja prześwitu ostrza (Rys. 9)

Aby zapewnić optymalną pracę urządzenia, należy ustawić prześwit pomiędzy ostrzem nieruchomym a wałkiem tnącym.

Ustawienie prześwitu:

- Włączyć urządzenie.
- Przekręcić pokrętko mocujące w lewo, aby zwolnić pokrętko regulacji.
- Powoli przekręcać pokrętko regulacji w prawo, aby zbliżyć ostrze nieruchome do wałka tnącego. Przekręcać tak długo, aż z otworu wylotowego zaczyna wypadać opłuki aluminium.
- Przekręcić pokrętko mocujące w prawo, aby zablokować pokrętko regulacji.

KONSERWACJA

⚠ OSTROŻNIE:

- Przed przystąpieniem do oględzin urządzenia lub jego konserwacji należy zawsze upewnić się, czy zostało wyłączone i odłączone od zasilania.
- Przed rozpoczęciem oględzin lub prac konserwacyjnych należy założyć rękawice ochronne.
- Ostrze nie zatrzymuje się natychmiast po wyłączeniu urządzenia. Przed rozpoczęciem prac konserwacyjnych należy poczekać, aż wszystkie części zatrzymają się.
- Po zakończeniu prac konserwacyjnych upewnić się, że wszystkie narzędzia zostały zabrane.
- Nie wolno stosować benzyny, oleju benzyna, rozpuszczalników, alkoholu itp. środków. Substancje te mogą spowodować odbarwienia, odkształcenia lub pęknięcia. Do czyszczenia urządzenia stosować tylko wilgotną szmatkę i miękką szczotkę.
- Nie używać węża z wodą i nie czyścić urządzenia strumieniem wody pod ciśnieniem.

Po każdym użyciu urządzenia wykonać następujące czynności konserwacyjne:

- Sprawdzić, czy wszystkie śruby mocujące są dokręcone (w razie potrzeby dokręcić).
- Przesmarować części metalowe, aby zabezpieczyć je przed korozją.
- Wyloty powietrza utrzymywać w czystości i chronić przed kurzem.

Wałek tnący i ostrze nieruchome zużywają się z czasem. Jeśli konieczna jest ich wymiana, należy zwrócić się do najbliższego autoryzowanego punktu serwisowego.

ROZWIĄZYWANIE PROBLEMÓW

BACZNOŚĆ: Przed usunięciem usterki należy wyłączyć urządzenie, wyciągnąć wtyczkę z gniazda zasilania i poczekać, aż urządzenie zatrzyma się całkowicie.

Problem	Możliwa przyczyna	Rozwiązanie
Silnik nie uruchamia się	Brak zasilania	Sprawdzić zasilanie sieciowe.
	Uszkodzony przewód zasilający	Zlecić kontrolę w autoryzowanym punkcie serwisowym.
	Włącza się zabezpieczenie przed przeciążeniem	Poczekać, aż urządzenie ostygnie, a następnie nacisnąć zielony przycisk.
	Zabezpieczenie odcinające kosza zbiorczego (kosz zbiorczy jest odblokowany)	Sprawdzić i zablokować kosz zbiorczy.
Słychać pracę silnika, ale urządzenie nie uruchamia się	Walek tnący jest zablokowany	Wyłączyć urządzenie. Przełączyć przełącznik kierunku przód/wstecz na obrót wstecz. Włączyć urządzenie aż do usunięcia blokady. Ponownie wyłączyć urządzenie. Zmienić kierunek obrotów na obroty w przód.
	Usterka kondensatora	Zlecić naprawę w lokalnym autoryzowanym punkcie serwisowym.
	Zmieniono kierunek obrotów.	Wyłączyć urządzenie i przełączyć kierunek obrotów.
Materiał nie jest wciągany do rozdrabniacza	Materiał blokuje się w koszu załadowniczym	Wyłączyć urządzenie. Przełączyć przełącznik kierunku przód/wstecz na obrót wstecz. Włączyć urządzenie, aby usunąć materiał do rozdrabnienia, usunąć ciała obce. Ponownie wyłączyć urządzenie. Zmienić kierunek obrotów na obroty w przód.
	Materiał do rozdrabnienia zbyt miękki lub wilgotny	Dopchnąć gałęzią
	Zużyty walek tnący	Ustawić ostrze nieruchome zgodnie z punktem „Regulacja prześwitu ostrza”. Jeśli walek tnący jest mocno zużyty, wymienić go.
	Nieprawidłowe ustawienie ostrza	Ustawić ostrze nieruchome.
Materiał nie jest dokładnie rozdrabniany	Nieprawidłowe ustawienie ostrza	Ustawić ostrze nieruchome.
Urządzenie uruchamia się, ale blokuje się nawet przy niewielkim obciążeniu i wyłącza się z powodu obciążenia.	Przewód przedłużeniowy zbyt długi lub zbyt cienki.	Sprawdzić, czy przekrój przewodu przedłużeniowego wynosi co najmniej 1,5 mm ² , z długością maksymalną 25 m. Jeśli przewód jest dłuższy, to minimalny przekrój wynosi 2,5 mm ² .
	Gniazdo położone zbyt daleko od źródła zasilania lub zbyt mały przekrój przewodu zasilającego	

DEKLARACJA ZGODNOŚCI WE

Dotyczy tylko krajów europejskich

Deklaracja zgodności WE jest dołączona w formie Aneksu A do niniejszej instrukcji obsługi.

VIGYÁZAT! Ezt a készüléket 8 éves vagy annál idősebb gyermekek és csökkent fizikai, érzékelési vagy mentális képességű, tapasztalatlan vagy ismeretekkel nem rendelkező személyek csak felügyelet mellett vagy azzal a feltétellel használhatják, hogy megértették a biztonságos alkalmazásra vonatkozó utasításokat és a kapcsolódó kockázatokat. Ne engedje, hogy gyermekek játsszanak a készülékkel. A készülék tisztítását és felhasználói karbantartását nem végezhetik gyermekek felügyelet nélkül.

AZ ALKATRÉSZEK ELNEVEZÉSE

1 Adagolótorok	7 Felső burkolat	14 Csavar
2 Tápkapcsoló	8 Gyűjtőkosár	15 Ellenpenge
3 Fogantyú	9 Főkeret	16 Vágókerék
4 Tápcsatlakozó aljzat	10 Beállítógomb	
5 Reteszelő kar	11 Rögzítógomb	
6 Előremeneti / hátrameneti irányváltó	12 Penge fedőlemeze	
	13 Adagoló oldal	

MŰSZAKI ADATOK

Modell	UD2500
Elnevezés	Elektromos kerti hulladékaprító
Motor	Váltakozó áramú elektromotor, 230-240 V ~ 50 Hz
P40 besorolású motor	2 500 W
P1 S1 besorolású motor	2 000 W
Vágókerék fordulatszáma	40 perc ⁻¹
Tápkapcsoló	túlterhelés elleni védelemmel; vágó és ellenkező irányban való forgatási funkció, feszültséghiány jelzése
Súly	27,6 kg
Ágak max. átmérője (csak frissen vágott fa)	Max. 45 mm
Biztonsági besorolás	I
Védettségi besorolás	IP X4

A ZAJSZINTRE VONATKOZÓ ADATOK

Hangnyomásszint	74,88 dB (A), K= 2,50 dB (A)
Kezelő fülénél tapasztalható hangnyomásszint	84,4 dB (A), K= 3 dB (A)
Mért zajszint	93,49 dB (A), K= 3,97 dB (A)
Garantált zajszint	97 dB (A)

A kezelő által tapasztalható zajszint túllépheti a 80 dB (A) értéket. Viseljen fülvédőt.

A következőkben a gépen használt szimbólumokat mutatjuk be. Használat előtt ismerkedjen meg ezek jelentésével.



- Olvassa el a kezelői kézikönyvet.



- Különös gondossággal és odafigyeléssel járjon el.



- A gép szervizelése, tisztítása, karbantartása vagy javítása előtt a motort kapcsolja ki, a tápkábelt pedig húzza ki az aljzatból.



- A gép nagy sebességgel repülő tárgyakat vethet ki magából.



- A veszélyes területtől tartsa távol a személyeket és a háziállatokat.



- Veszély – Forgó pengék! Tartsa távol kezét és lábát a nyílásoktól a gép működése közben.



- Veszély – Forgó pengék! Tartsa távol kezét és lábát a nyílásoktól a gép működése közben.



- Viseljen megfelelő szem- és fülvédőt.



- Viseljen védőkesztyűt.



- Ne tegye kis esőnek vagy nedvességnak.



- A gombot az óramutató járásával egyező irányba forgatva a hézag szűkül, a másik irányba forgatva nagyobb lesz.



- A penge cseréjéhez vagy karbantartásához nyissa ki a penge fedőlemezt.



- Várja meg, amíg a gép összes alkatrésze leáll.



- Ne használja a gépet létraként.



- Csak az EU országaira vonatkozik

Ne dobja az elektromos eszközöket és az akkumulátort háztartási hulladék közé! Az elektromos és elektronikus berendezések hulladékaira vonatkozó 2002/96/EK európai irányelv és az akkumulátorokra, az elemekre és ezek hulladékaira vonatkozó 2006/66/EK európai irányelv, valamint ezen irányelvek nemzeti törvényekkel összhangban lévő alkalmazása figyelembevételével az élettartamuk végét elérő elektromos eszközöket és akkumulátorokat külön kell gyűjteni, és környezetvédelmi szempontból megfelelő újrahasznosító létesítménybe kell visszaküldeni.

HASZNÁLAT ELŐTT MINDENKÉPPEN OLVASSA EL A KEZELŐI KÉZIKÖNYVET TARTSA MEG, KÉSŐBB MÉG SZÜKSÉGE LEHET RÁ



A gép használata előtt mindenképpen olvassa el a használatra vonatkozó útmutatást. Tartsa be az összes utasítást, és a gép üzembe helyezését a leírtak szerint végezze el.

A gép rendeltetésszerű használata

- A kerti hulladékprító a következők aprítására alkalmas:
 - A gép kapacitásának megfelelő átmérőjű ágak (a fa fajtájától és állapotától függően)
 - Kerti hulladék, pl. napok óta száradó hervadt virágok vagy nedves gaz (a különféle állagú hulladékat változtatva adagolja a gépbe)
- A kerti hulladékprító kizárólag otthoni használatra szolgál, ipari célú felhasználásra nem alkalmas. A gép nyilvános helyen nem használható.

A 220 V és 250 V közötti feszültséggel rendelkező nyilvános kifeszültségű áramelosztó rendszerben való használatra.

Az elektromos berendezések bekapcsolásakor feszültségadózások léphetnek fel. Ezen készülék üzemeltetése kedvezőtlen áramellátási körülmények között ellentétes hatással lehet más berendezések működésére. A 0,45 Ohmmal egyenlő vagy annál kisebb értékű hálózati impedancia esetén feltételezhetően nem lesznek negatív jelenségek. Az ehhez az eszközhöz használt hálózati csatlakozót biztosítókkal vagy lassú kioldási jellemzőkkel rendelkező megszakítóval kell védeni.

Általános utasítások

- A kezelői kézikönyvet elolvassa ismerkedjen meg a gép működtetési módjával. A nem megfelelően tájékozott kezelők az esetleges helytelen működtetés miatt saját maguk és mások testi épségét kockáztatják.
- A gépet csak olyan személynek adja kölcsön, akinek szaktudásában megbízik.
- Ha a gépet kölcsönadja, mindig adja oda vele együtt a kezelői kézikönyvet is.
- Az elektromos kerti hulladékprítót nem kezelhetik fizikailag vagy szellemileg sérült, érzékszervi problémákkal rendelkező, tapasztalatlan, illetve a gép működését nem ismerő személyek. A kisgyermekekre ügyeljen, hogy ne játsszanak a géppel. A gép kezelése gyermekek számára tilos.
- A gépet csak akkor használja, ha arra fizikailag alkalmasnak érzi magát. Minden műveletet nyugodtan és körültekintően végezzen. A gép körüli területen lévő személyek és tárgyak épségéért a kezelő felel.
- A gépet alkoholos befolyásoltság, fáradtság vagy rosszullet esetén használni tilos.
- A gépet a használati utasításoknak megfelelően, az alkalmazási területet és a helyi viszonyokat figyelembe véve üzemeltesse. A gép véletlen elindulása veszélyhelyzetet okozhat.
- A gép egyetlen alkatrészét sem szabad módosítani, ideértve a biztonsági berendezéseket is (például a reteszelőt). Ellenkező esetben a kezelőt veszély fenyegeti.

- A gép üzemeltetését helyi vagy országos szabályok korlátozhatják.
- Mindig legyen figyelmes. Körültekintően dolgozzon. Használja józan esztét. Fáradtan ne üzemeltesse a gépet.

Személyi védőfelszerelés

- Öltözzön fel a munkához megfelelően. Ruházata legyen praktikus és kényelmes; legyen szoros, de mozgását ne akadályozza. Ne viseljen ékszereket vagy olyan ruhadarabot, amely a gépbe akadhat. A hosszú hajat fedje le.
- A halláskárosodás ellen mindig védekezzen fülvédővel.
- Az adagolótorokból kirepülő törmelék ellen mindig viseljen védőszemüveget.
- Ujjait mindig védje megfelelő kesztyűvel.
- Ha sok porra számít, például száraz ágak vagy bokrok aprításakor, viseljen arcvédő maszkot.
- A gép üzemeltetésekor strapabíró, nem csúszós talpú cipőt viseljen. Az ilyen lábbeli véd a sérülések ellen, és stabil állást biztosít.

A munkaterület biztonsága

- Gondoskodjon arról, hogy amíg a gépet üzemelteti, a nézelődők és a gyerekek messzebb álljanak.
- A gépet szabad téren, vízszintes és szilárd felületen üzemeltesse. A gépet fal, illetve egyéb tárgy közelében működtetni nem szabad.
- A gépet robbanékony környezetben, például gyúlékony folyadékok, gázok, illetve por közelében működtetni nem szabad. A gép a port vagy a gázokat begyűjtő szikrákat hozhat létre.
- Ne működtesse a gépet olyan kavicsos vagy köves felületen, ahol a gépből távozó anyagok sérülést okozhatnak.
- Tartsa tisztán és kellően megvilágítva a munkakörnyezetet. A rendezetlen vagy nem kellően bevilágított környezet szinte vonzza a baleseteket.
- A gépet ne érje víz vagy nedvesség. A gépbe jutó víz megnöveli az áramütés kockázatát.

A gép indítása

- Mielőtt a kábelt csatlakoztatná vagy a gépet bekapcsolná:
 - Ellenőrizze, hogy valamennyi csavar, anya és egyéb kötőelem meg van-e húzva.
 - Ellenőrizze, hogy a védő- és terelőlemezek, illetve -hálók a helyükön vannak-e, és állapotuk megfelelő.
 - Az olvashatatlan vagy sérült címkéket cserélje ki.
 - Az adagolótorok legyen üres.
 - Az adagoló- és a kiadónylás legyen megfelelően védett.
 - Valamennyi gépalkatrészt ellenőrizve bizonyosodjon meg arról, hogy az alkatrészek rendeltetésszerűen és helyesen működnek. Ha a kapcsoló hibásan működik, a gépet üzemeltetni tilos.
- A sérült tápkábelt a Makita hivatalos szervizközpontjában, eredeti alkatrészekkel javíttassa meg.

Az elektromossággal kapcsolatos tudnivalók

⚠ VIGYÁZATI

- A gép I. osztályú besorolással rendelkezik. A gépet földeléssel ellátott aljzathoz csatlakoztassa. A nem megfelelő földelés áramütést vagy halált okozhat. Kizárólag háromeres, földelt, háromvillás dugaszokat és a gép dugaszát befogadni képes, háromlyukas aljzatokat használjon.
- Üzem közben testével ne érjen a földelt felületekhez (pl. csövekhez, radiátorokhoz).
- Csak az IEC60245 (H07RN-F) szabványnak megfelelő, kültéri használatra alkalmas, a rácsapódó víznek ellenálló hosszabbító kábelt használjon. A 25 méternél rövidebb kábel keresztmetszete legalább 1,5 mm² legyen, a 25 méternél hosszabb kábél pedig 2,5 mm².
- Hosszú és vékony kábel használata esetén feszültségcsökkenés léphet fel. A feszültségcsökkenés a géphez jutó táp csökkenését eredményezheti.
- A hosszabbító kábel ne akadjon bele semmibe, ne törjön meg, és ne érje víz sem.
- Kábeldob használatakor teljesen tekerje le a kábelt a dobrol.
- Ügyeljen a kábel épségére. A gépet ne húzza a kábelnél fogva, és a csatlakozót ne a kábelnél fogva húzza ki a az aljzathól. A kábelt tartsa távol hőforrásoktól, olajtól, éles peremektől és mozgó alkatrészekről. A sérült vagy összegabalyodott kábel használata megnöveli az áramütés kockázatát.
- Rendszeresen ellenőrizze a hosszabbító kábel szigetelésének épségét. Ha sérült, cserélje ki.
- Ha a tápkábel megsérül, azonnal húzza ki a dugaszt az aljzathól. Az áram alatt lévő részekhez érő, sérült kábel áramütést okozhat.
- Sérült kábelek használata tilos.
- A gépet csak olyan tápaljzathoz csatlakoztassa, amelyet előzőleg már kipróbált. Ellenőrizze, hogy a rendszer feszültsége megegyezik-e az adattáblán szereplő értékekkel.
- A védőelemeket kiiktatni, illetve megkerülni tilos.
- A gép szabadban való használatakor mindig maradékárammal működő, legfeljebb 30 mA-es megszakítót (RCD) használjon.

Működtetés

- Arcát és egyéb testrészeit tartsa távol a bemeneti nyílástól.
- Végtagjait és más testrészeit ne engedje az adagolónylás, a kiadónylás, illetve mozgó alkatrészek közelébe. Ellenkező esetben súlyos sérülést szenvedhet.
- A gép üzemeltetése közben kerülje az egyensúly elvesztésével járó testhelyzetet. Mindig álljon stabilan, egyensúlyát őrizze meg. Így váratlan helyzetben is megőrzi a gép feletti uralmat. Adagolás közben ne álljon magasabban, mint a gép.
- Üzem közben mindig tartson biztonságos távolságot a kiadónylástól.
- Tartsa be a helyi zajvédelmi előírásokat.
- A gépbe ne töltsön követ, fémadarabokat, üveget, illetve más idegen anyagot sem. Ügyeljen rá, hogy a beadagolt anyagban ne legyenek ilyen tárgyak.

- Ha a penge idegen tárgyat ér, a gép rázkódni kezd, vagy rendellenes zajt hall, haladéktalanul kapcsolja ki a motort, és húzza ki a gép tápkábelét. Ellenőrizze a kerti hulladékaprító épségét, majd húzza meg az esetlegesen kilazult alkatrészeket. A gép javítását bizza hivatalos márkaszervizre.
- Ne hagyja, hogy a felaprított anyag felgyűljön a kiadónyílásban. Ellenkező esetben az anyagot a gép az adagolónyílásban visszalökheti.
- A következők előtt állítsa le a gépet, és húzza ki a tápkábelét:
 - Ha a gépet felügyelet nélkül hagyja
 - Elakadás vagy meghibásodása elhárítása
 - A gép ellenőrzése, tisztítása, illetve üzemeltetése
 - Beállítás, tartozékok cseréje, vagy a gép tárolásra való felkészítése
 - Ha a gép rázkódni kezd, vagy rendellenes zajt hall
 - Az adagoló-, illetve a kiadónyílás tisztítása
 - A gyűjtőkosár fel-, illetve leszerelése
 - A gép szállítása
- Üzem közben a gépet ne döntse meg.
- Hosszú anyagok beadagolásakor tartson megfelelő távolságot. Az anyag visszarugóva személyi sérülést okozhat.
- Az adagolótorok nélkül ne használja a gépet.
- A gépet erőltetni nem szabad. A tervezett sebességgel biztonságosan és jó hatékonysággal üzemeltethető. A gép gyakori túlterhelése a motor károsodását vagy tüzet okozhat.
- A megfelelő eszközöket használja. Az eszközöket mindig rendeltetésszerűen használja. A gépbe fém, üveg, követ, kerámiát, műanyagot, vastagabb ágakat, kemény fát vagy vastag fatáblákat stb. adagolni tilos.

Karbantartási tudnivalók

- A gépet hivatalos márkaszervizünkben, kizárólag eredeti cserealkatrészek felhasználásával javíttassa. A hibás javítás, illetve az elégtelen karbantartás lerövidítheti a gép élettartamát, és növeli a baleset bekövetkezésének kockázatát.
- A gép szervizelése, vizsgálata, beállítása, tárolása, illetve tartozék cseréje előtt végezze el a következőket:
 - Kapcsolja ki a gép tápellátását
 - Válassza le a gépet a hálózatról
 - Ellenőrizze, hogy leállt-e az összes mozgó alkatrész
 - Hagyja a gépet lehűlni.
- Ellenőrizze, hogy épek-e a gép alkatrészei:
 - A biztonsági elemek rendeltetésszerűen működnek
 - Valamennyi mozgó alkatrész akadálymentesen és hibamentesen mozog
 - Valamennyi alkatrész ép, felszerelésük helyes
 - A sérült alkatrészeket a hivatalos márkaszervizzel cseréltesse ki vagy javíttassa meg.
- A vágóval nagyon óvatosan bánjon. A vágó a védőelemek reteszelő funkciójának ellenére kézzel elforgatható.
- A gépet vízzel tisztítani nem szabad. Ellenkező esetben áramütést szenvedhet.
- Ujjai épségének megőrzése érdekében a gép szerelése, illetve karbantartása során használjon védőkesztyűt.

ÖSSZESZERELÉS

⚠ FIGYELEM:

- Mielőtt a gépen bármilyen munkát végezze, ellenőrizze, hogy a gép ki van-e kapcsolva, és a tápkábel ki van-e húzva.
1. Helyezze a felső burkolatot felfordítva vízszintes felületre. Helyezze rá a főkeretet. Ügyeljen az alkatrészek helyzetére. **(2. ábra)**
 2. A csavarokat meghúzva rögzítse az alkatrészeket. Ellenőrizze, hogy a tökéletesen rögzítve legyenek. **(3. ábra)**
 3. Rögzítse csavarral az ütközőket. Ellenőrizze, hogy a rögzítés megfelelő-e. **(4. ábra)**
 4. A kerekek felszerelése: **(5. ábra)**
 - Szerelje fel az egyik kerék tengelyét.
 - Tolja át a tengelyt a láb furatain.
 - A csapot a tengelyfuraon áttolva szerelje fel a másik kereket is. A csapot elhajlítva rögzítse a kereket a tengelyen.
 - Szerelje fel a kerekek burkolatát.
 5. Szerelje fel a gyűjtőkosarat. Emelje meg a zárókart. **(6. ábra)**

A MŰKÖDÉS LEÍRÁSA

⚠ VIGYÁZAT!

Mielőtt a tápkábel a hálózati aljzatba helyezi, mindig ellenőrizze, hogy a gép ki van-e kapcsolva. Ha a gépet bekapcsolva csatlakoztatja a hálózathoz, a váratlan elindulás súlyos személyi sérülést okozhat.

Tápkapcsoló (7. ábra)

⚠ FIGYELEM:

Ha a gép a kapcsolóval nem kapcsolható be és ki, ne használja a gépet. A hibás kapcsolót a Makita hivatalos szervizében javíttassa meg.

A gép bekapcsolásához nyomja meg a zöld gombot. A gép kikapcsolásához nyomja meg a piros gombot.

LED-jelzőfény

A LED-jelzőfény a következő színekkel jelzi a gép állapotát:

VÖRÖS szín: A gép tápellátáshoz csatlakozik, és ki van kapcsolva.

ZÖLD szín: A gép be van kapcsolva.

Folyamatosan **villogó ZÖLD**: A gép üzemét elakadás korlátozza.

Villogó VÖRÖS: A gép automatikusan nem tudja megoldani a hibát. A problémát a kezelőnek kell megoldania.

Véletlen újraindítás elleni védelem

A tápellátás megszűnésekor a gép automatikusan kikapcsol. Az újraindításhoz nyomja meg ismét a zöld gombot.

Túlterhelés elleni védelem

A gép motorja túlterhelés elleni védelemmel rendelkezik. Túlterhelés esetén a gép a következőképpen működik:

- A penge két-három másodpercig a felaprított anyag kitolásához hátramenetben forog.
- A penge ismét előre forog.
- Ha az anyag három kísérlet ellenére még mindig el van akadva, a gép leáll, a LED pedig vörösen villog.

Ilyenkor a következőképpen járjon el:

- Kapcsolja ki a gépet.
- Várja meg, amíg a pengék teljesen leállnak.
- Távolítsa el az elakadt anyagot.
- 5 perc után kapcsolja be ismét a kerti hulladékaprítót, majd tegyen bele könnyebben aprítható anyagot.
- Ha a várakozási idő után a gépet nem tudja bekapcsolni, kövesse a „Hibaelhárítás” részben írottakat.

Előremeneti / hátrameneti irányváltó

⚠ FIGYELEM:

Az előremeneti / hátrameneti irányváltó használata előtt kapcsolja ki a kerti hulladékaprítót.

⇓ helyzet

A pengék előre forognak.

⇑ helyzet

Az elakadt anyag kiszabadításához a pengék hátrafelé forognak.

A ⇕ (hátramenet) irányba való váltáskor a pengék forgatásához tartsa nyomva a tápkapcsoló zöld gombját. A tápkapcsoló elengedésekor a kerti hulladékaprító automatikusan leáll.

MEGJEGYZÉS:

- Nagyméretű tárgy kiszabadításához több előre-hátra mozgatás is szükséges lehet.

⚠ FIGYELEM:

- A balesetek elkerülése érdekében az elakadt tárgyakat mindig bottal vagy kampóval húzza ki.
- Újraindítás előtt mindig várja meg, amíg a kerti hulladékaprító teljesen leáll.

Gyűjtőkosár

⚠ FIGYELEM:

- A gyűjtőkosár fel-, illetve leszerelése előtt kapcsolja ki a gépet, a tápkábelt pedig húzza ki a fali aljzatból.
- Üzembiztonsági szempontból a reteszelő funkció működését két üzemmódrájként ellenőrizni kell.
- A védelem reteszelő funkcióját kiiktatni tilos.

Reteszelő kar:

Felső helyzet → Gyűjtőkosár reteszelve.

Alsó helyzet → Gyűjtőkosár kioldva.

A gép a biztonsági funkció miatt nem kapcsol be.

A reteszelő kar kioldott helyzetében a gép nem kapcsolható be. Ha a gyűjtőkosár üzem közben kioldódik, a gép automatikusan leáll.

Penge fedőlemeze

⚠ FIGYELEM:

- A penge fedőlemezeének eltávolítása előtt győződjön meg arról, hogy a gép ki van kapcsolva, a tápkábel pedig ki van húzva.
- A penge fedőlemezeének felnyitása előtt vegyen fel védőkesztyűt.
- A vágó a kikapcsolást követően nem áll le azonnal. Várja meg, amíg az összes alkatrész leáll.

A felső burkolatban macacsul elakadt anyagok eltávolításához nyissa fel a penge fedőlemezeit.

MŰKÖDTETÉS

A gépet a következő helyen állítsa fel:

- Vízszintes, sima felület. Ne helyezze a gépet köves vagy kavicsos felületre.
- A gép legalább 2 méterre legyen a faltól vagy egyéb tárgytól.

Indítás előtti teendők:

- Ellenőrizze a csatlakozókábelek épségét. Ha a kábeleken vágás vagy szakadás látható, állítsa le a gépet, és haladéktalanul cserélje ki a kábelt.
- Ellenőrizze a gép épségét, valamint azt, hogy az összes csavar meg van-e húzva.
- Ellenőrizze, hogy a gép az előírásoknak megfelelően van-e összeszerelve.

Ellenőrizze a hálózati csatlakoztatást:

- A hálózati tápfeszültség egyezzen meg az adattáblán szereplő névleges értékkel, a gép pedig legyen megfelelően földelve.
- Megfelelő keresztmetszetű hosszabbító kábeleket használjon.

A kerti hulladékaprítóval feldolgozható anyagok A kerti hulladékaprító a következő anyagok aprítására alkalmas:

- A gép kapacitásának megfelelő átmérőjű ágak, a fa fajtájától és állapotától függően
- Kerti hulladék, pl. napok óta száradó hervadt virágok vagy nedves gaz (Fával váltogatva adagolja a gépbe).

A kerti hulladékaprító a következő anyagok aprítására NEM alkalmas:

- Üveg, fém, műanyag, kő, kerámia, vastag ágak, kemény fa, vastag fatáblák, ruhaanyag, műanyag zsák, földrögökkel szennyezett gyökerek.
- Folyékony halmazállapothoz közeli hulladék, pl. háztartási hulladék.

Működtetés: (8. ábra)

- Az anyagot a jobb oldalról kell az adagolótorokba helyezni.
- A faágakat, gallyakat egyéb fás növényeket rögtön vágás után aprítsa fel. Szárazon ugyanis nagyon megkeményednek.
- Ha az ágakat nehéz beadagolni, vágja le az elágazó kisebb ágakat.
- A kiadónyílás tisztítása előtt állítsa le a motort, és húzza ki a gép tápcsatlakozóját a hálózati aljzatból.
- Ne hagyja, hogy a felaprított anyag felgyűljön a kiadónyílásban. A felgyülemllett anyag akadályozhatja az aprólék kibocsátását. A gyűjtőkosarat rendszeresen üríteni kell.

- Ne töltsön a gépbe olyan ágakat, amelyek átmérője meghaladja a műszaki adatok között megadott értéket. Az aprítható ágak maximális vastagsága a faágak frissességétől és állapotától függően változik.
- A nedves kerti hulladék aprítása elakadást okoz. Az elakadás megelőzése érdekében az ilyen hulladékot faanyaggal felváltva adagolja a gépbe.
- A lágy anyagokat, illetve nedves faágakat a gép aprítás helyett szétszaggathatja. A kopott ellenpenge is ilyen problémát okozhat.
- Ha a gép a bemeneti nyílásnál vagy a kifúvócsőnél eltömődik, akkor állítsa le a motort, és húzza ki a hálózati csatlakozódugót, mielőtt megtisztítaná a bemeneti nyílást vagy a kifúvócsövet a belekerült szennyeződéstől. Tartsa tisztán az áramforrást a szennyeződésektől és egyéb lerakódásoktól, nehogy az áramforrás megsérüljön, esetleg tűz üssön ki.

A pengehézag beállítása (9. ábra)

A hatékony működéshez állítsa be az ellenpenge és a vágókerék közötti hézagot.

A hézag beállítása:

- Kapcsolja be a gépet.
- A rögzítógombot az óramutató járásával ellentétes irányba csavarva lazítsa meg a beállítógombot.
- A beállítógombot az óramutató járásával egyező irányba lassan csavarva vigye közelebb az ellenpengét a vágókerékhez. Addig csavarja, amíg a kiadónyílásban alumíniumforgács jelenik meg.
- A rögzítógombot az óramutató járásával egyező irányba csavarva szorítsa meg a beállítógombot.

KARBANTARTÁS

FIGYELEM:

- A gép karbantartása és átvizsgálása előtt mindig ellenőrizze, hogy a gép ki van-e kapcsolva és ki van-e húzva.
- A gép karbantartását és átvizsgálását megfelelő védőkesztyűben végezze.
- A vágó a kikapcsolást követően nem áll le azonnal. Karbantartási munkálatok előtt mindig várja meg, hogy az összes mozgó alkatrész leálljon.
- Karbantartás után az összes szerszámot távolítsa el a gépből.
- Ne használjon benzint, gázolajat, hígítót, alkoholt vagy egyéb hasonló anyagot. Ha mégis ilyet használ, a szerszám elszíneződhet vagy megrepedhet. A gépet csak nedves ruhával és puha kefével tisztítsa.
- A gépet ne tisztítsa slauggal vagy nagynyomású vízzel.

A következő karbantartási lépéseket minden használat után el kell végezni:

- Ellenőrizze, hogy az összes rögzítőcsavar megfelelően meg van-e húzva (ha nem, húzza meg őket).
- A korrózió elleni védelem érdekében a fém alkatrészeket kenje meg.
- A szellőzőnyílásokat tartsa tisztán és pormentesen.

A vágókerék és az ellenpenge idővel elhasználódik. Ha eljön a csere ideje, kérje a legközelebbi hivatalos márkaszerviz segítségét.

HIBAELHÁRÍTÁS

VIGYÁZAT! Hibaelhárítás előtt kapcsolja ki a gépet, húzza ki a tápkábelt a hálózati aljzattól, majd várja meg, amíg a gép teljesen leáll.

Hiba	Lehetséges ok	Megoldás
A motor nem indul	Nincs tápellátás	Ellenőrizze az elektromos tápellátást.
	Hibás a tápkábel	Az ellenőrzéssel kapcsolatban kérje hivatalos szerviz segítségét.
	Működésbe lépett a túlterhelés elleni védelem	Várja meg, amíg a gép lehül, majd nyomja meg a zöld gombot.
	A gyűjtőkosár biztonsági reteszelő funkciója (kioldódott a gyűjtőkosár)	Ellenőrizze és rögzítse a gyűjtőkosarat.
A motornak hangja van, de nem indul	Elakadt a vágókerék	Kapcsolja ki a gépet. Az irányváltó kapcsolót állítsa hátrameneti helyzetbe. Az elakadás elhárításához kapcsolja be a gépet. Kapcsolja ki ismét a gépet. Állítsa hátrameneti állásba a gépet.
	Meghibásodott a kondenzátor	Vigye el a gépet javításra hivatalos márkaszervizbe.
Az aprítandó anyagot a gép nem húzza be	A pengék az ellenkező irányba forognak.	Állítsa le a gépet, majd állítsa át a forgásirány váltókapcsolóját.
	Az adagolótorokban elakadt az aprított anyag	Állítsa le a gépet. Az irányváltó kapcsolót állítsa hátrameneti helyzetbe. Az aprítani kívánt anyag kiszabadításához kapcsolja be a gépet, távolítsa el az idegen anyagokat. Kapcsolja ismét ki a gépet. Állítsa hátrameneti állásba a gépet.
	Az aprítandó anyag túl lágy vagy túl nedves	Nyomja le egy ággal
	Kopott vágókerék	„A pengehézag beállítása” című részben leírtak szerint állítsa be a fix ellenpengét. Ha a vágókerék nagyon kopott, cserélje ki.
Az aprítás élei szakadozottak	A rögzített ellenpenge beállítása hibás	Állítsa be az ellenpengét.
A gép elindul ugyan, de már kis terhelés hatására is eldugul, majd a gépet a motor túlterhelés elleni védelme rövidesen leállítja.	A hosszabbító kábel túl hosszú, vagy kicsi a keresztmetszete.	A 25 méternél rövidebb kábel keresztmetszete legalább 1,5 mm ² legyen. Ennél hosszabb kábelnél a minimális keresztmetszet 2,5 mm ²
	Az aljzat túl messze van a hálózattól, vagy a tápkábel keresztmetszete túl kicsi	

EK-MEGFELELŐSÉGI NYILATKOZAT

Csak európai országokra vonatkozóan

Az EK-megfelelőségi nyilatkozat a jelen használati útmutató A. függelékében található meg.

VÝSTRAHA: Toto zariadenie smú používať deti vo veku 8 rokov a viac a osoby so zníženými fyzickými, zmyslovými alebo duševnými schopnosťami alebo s nedostatkom skúseností a znalostí, pokiaľ je pre ne zabezpečený dozor alebo zabezpečené zaškolenie týkajúce sa bezpečného používania tohto zariadenia a porozumenia hroziacim nebezpečenstvám. Deti sa nesmú hrať so zariadením. Čistenie a používateľskú údržbu nesmú vykonávať deti bez dozoru.

OZNAČENIE JEDNOTLIVÝCH ČASTÍ

1	Násypka	7	Horná zostava	14	Skrutka
2	Vypínač	8	Zachytávací kôš	15	Protičepeľ
3	Rukoväť	9	Základný rám	16	Rezací valec
4	Napájacia zástrčka	10	Nastavovací gombík		
5	Poistný prvok	11	Upevňovací gombík		
6	Prepínač otáčania dopredu / dozadu	12	Kryt čepele		
		13	Podávacia strana		

TECHNICKÉ ÚDAJE

Model	UD2500
Názov	Elektrický drvič
Motor	Striedavý motor 230-240 V ~ 50 Hz
Menovitý výkon motora P40	2 500 W
Menovitý výkon motora P1 S1	2 000 W
Rýchlosť otáčok rezacieho valca	40 min ⁻¹
Vypínač s	ochranou proti preťaženiu; rezacia funkcia a funkcia spätného chodu, bezdotykový spínač s nulovým napätím
Hmotnosť	27,6 kg
Max. priemer konárov (len čerstvo narezané drevo)	Max. 45 mm
Trieda bezpečnosti	I
Trieda ochrany	IP X4

ÚDAJE O HLUKU

Hladina akustického tlaku	74,88 dB (A), K= 2,50 dB (A)
Hladina akustického tlaku pri uchu operátora	84,4 dB (A), K= 3 dB (A)
Nameraná hladina akustického výkonu	93,49 dB (A), K= 3,97 dB (A)
Zaručená hladina akustického výkonu	97 dB (A)

Úroveň intenzity zvuku pre operátora môže prekročiť 80 dB (A). Používajte ochranu sluchu.

SYMBOLY

V nasledujúcej časti sú uvedené symboly používané pre stroj. Pred použitím stroja sa uistite, že rozumiete ich významu.



- Prečítajte si návod na obsluhu.



- Venujte osobitnú starostlivosť a pozornosť.



- Pred vykonávaním servisných prác, čistením, údržbou alebo opravou vypnite motor a odpojte stroj od elektrickej zásuvky.



- Predmety môžu byť vymršťované veľkou rýchlosťou.



- Dbajte na to, aby sa k nebezpečnej oblasti nepribližovali okolostojace osoby a zvieratá.



- Nebezpečenstvo — Otáčajúce sa čepele. Počas činnosti stroja sa nepribližujte rukami a nohami k otvorom.



- Nebezpečenstvo — Otáčajúce sa čepele. Počas činnosti stroja sa nepribližujte rukami a nohami k otvorom.



- Používajte ochranu zraku a sluchu.



- Používajte ochranné rukavice.



- Stroj nevystavujte pôsobeniu dažďa ani vlhkosti.



- Menšiu vzdialenosť nastavte otočením gombíka v smere hodinových ručičiek / Väčšiu vzdialenosť nastavte otočením gombíka proti smeru hodinových ručičiek.



- Otvorte kryt čepele, aby ste mohli vymeniť čepeľ alebo vykonať údržbu.



- Počkajte, kým sa úplne nezastavia všetky časti stroja.



- Nepoužívajte stroj ako schod.



- Len pre krajiny EÚ Elektrické zariadenia ani bloky batérií nelikvidujte spolu s komunálnym odpadom! V súlade s európskou smernicou 2002/96/ES o zbere a recyklácii elektrického a elektronického odpadu, 2006/66/ES o batériách a akumulátoroch a opotrebovaných batériách a akumulátoroch a ich zavedením do štátnej legislatívy, sa musia elektrické zariadenia a bloky batérií, ktoré dosiahli koniec svojej životnosti, zbierať osobitne a odovzdávať inštitúcii vykonávajúcej ekologickú recykláciu odpadov.

BEZPEČNOSTNÉ UPOZORNENIA

PRED POUŽITÍM STROJA SI POZORNE PREČÍTAJTE NASLEDUJÚCE INFORMÁCIE NÁVOD NA POUŽITIE UCHOVAJTE PRE POUŽITIE V BUDÚCNOSTI



Nezačínajte obsluhovať tento stroj, pokiaľ si neprečítate tento návod na obsluhu. Dodržiavajte uvedené pokyny a stroj nainštalujte podľa popisu.

Určenie použitia tohto zariadenia

- Záhradný drvič je určený na drvenie nasledujúcich predmetov:
 - Všetky typy konárov až do maximálneho priemeru kapacity stroja (v závislosti od typu a stavu dreva)
 - Záhradný odpad ako sú vysušené rastliny alebo vlhká burina, ktoré boli niekoľko dní uložené (vkladajte ich striedavo s konármi.)
- Tento záhradný drvič je určený len na súkromné použitie a nie na komerčné použitie. Nepoužívajte ho ani na verejných miestach.

Pre verejné nízkonapäťové rozvodné systémy s napätím 220 V až 250 V.

Prepínania elektrického prístroja spôsobujú kolísanie napätia. Prevádzka toho zariadenia za nepriaznivých podmienok v sieti môže mať škodlivý účinok na prevádzku iných zariadení. Pri impedancii siete rovnej 0,45 ohmov alebo nižšej možno predpokladať, že nenastanú žiadne negatívne účinky. Sieťová zástrčka použitá pre toto zariadenie musí byť chránená poistkou alebo ochranným ističom s pomalými charakteristikami vypínania.

Všeobecné pokyny

- Prečítajte si tento návod na obsluhu, aby ste sa oboznámili so zaobchádzaním s týmto strojom. Nedostatočne informovaní používatelia vystavujú seba a ostatných nebezpečenstvu kvôli nesprávnemu zaobchádzaniu.
- Nepožičiavajte tento stroj osobám, ktoré sú zjavne neskúsené.
- Keď požičiavate tento stroj, vždy priložte aj tento návod na obsluhu.
- Tento elektrický drvič nie je určený na to, aby ho používali osoby so zníženými fyzickými, zmyslovými alebo duševnými schopnosťami, alebo nedostatkom skúseností a znalostí. Nad malými deťmi je nutné zabezpečiť dozor, aby sa zaistilo, že sa nebudú so strojom hrať. Nedovoľte deťom, aby obsluhovali toto zariadenie.
- Stroj používajte len vtedy, keď ste v dobrej fyzickej kondícii. Akúkoľvek prácu vykonávajte pokojne a opatrne. Používateľ je zodpovedný za bezpečnosť osôb a škody v okolí pracoviska.
- Nikdy nepoužívajte tento stroj po požití alkoholu alebo drog a ani v prípade, že sa cítite unavení alebo ste chorí.
- Stroj používajte v súlade s týmto návodom, pričom vezmite do úvahy pracovné podmienky a danú aplikáciu. Iné ako určené použitie stroja by mohlo viesť k vzniku nebezpečnej situácie.
- Nikdy nevykonávajte zmeny na stroji, vrátane bezpečnostných prvkov, ako je blokovacie zariadenie. Tým by sa ohrozila vaša bezpečnosť.

- Celoštátne alebo miestne predpisy môžu obmedzovať narábanie s týmto strojom.
- Zostaňte ostražití. Sústreďte sa na svoju prácu. Používajte zdravý rozum. Neobsluhujte stroj, keď ste unavení.

Osobné ochranné prostriedky

- Používajte vhodný odev. Odev musí byť funkčný a primeraný, t.j. musí byť priliehavý, ale nesmie spôsobovať obmedzenie pohybu. Nenoste šperky ani oblečenie, ktoré by sa mohli zaplietať do stroja. Používajte ochrannú pokrývku hlavy na dlhé vlasy.
- Vždy používajte ochranu sluchu, aby nedošlo k strate sluchu.
- Používajte ochranné okuliare na ochranu zraku pred úlomkami vyvrstovanými z náspyky.
- Používajte ochranné rukavice, aby nedošlo k poraneniu prstov.
- Používajte ochrannú masku pri nadmernej tvorbe prachu, napr. pri drvení suchých konárov, živých plotov s listami.
- Pri používaní stroja vždy noste pevnú obuv s protišmykovou podrážkou. Zabezpečuje ochranu proti zraneniam a stabilitu.

Bezpečnosť pracoviska

- Počas obsluhy stroja zabezpečte, aby sa k pracovnej oblasti nepribližovali deti a okolostojace osoby.
- Stroj obsluhujte na otvorenom priestranstve a na pevnom, vodorovnom povrchu. Stroj neobsluhujte blízko steny ani iných objektov.
- Stroj neobsluhujte vo výbušnom prostredí, v ktorom sa vyskytujú horľavé kvapaliny, plyny alebo prach. Stroj vytvára iskry, ktoré by mohli zapáliť prach alebo výpary.
- Stroj neobsluhujte na dláždenom ani štrkovom povrchu, kde by uvoľnený materiál mohol spôsobiť zranenie.
- Pracovisko udržiavajte v čistote a dostatočne osvetlené. Neupratané alebo tmavé miesta predstavujú potenciálne riziko nehôd.
- Stroj nevystavujte pôsobeniu dažďa ani vlhkosti. Voda môže po vniknutí do stroja zvýšiť riziko zasiahnutia elektrickým prúdom.

Spustenie stroja

- Pred pripojením zástrčky stroja do elektrickej zásuvky alebo zapnutím stroja:
 - Skontrolujte všetky skrutky, matice a ostatné upevňovacie prvky, či sú správne zaistené.
 - Skontrolujte kryty, vodiace plechy a sitá, či sú na mieste a v dobrom prevádzkovom stave.
 - Vymeňte poškodené alebo nečitateľné štítky.
 - Uistite sa, že je náspyka prázdna.
 - Uistite sa, že sú vstupný a výstupný otvor správnym spôsobom chránené.
 - Dôkladne skontrolujte všetky časti stroja, aby ste určili, či funguje správne a vykonáva svoju zamýšľanú funkciu. Predovšetkým nikdy nepoužívajte stroj, ak vypínač nefunguje normálne.
- Ak je napájací kábel poškodený, požiadajte autorizované servisné stredisko spoločnosti Makita, ktoré vždy používa originálne náhradné diely, aby ho vymenilo.

Elektrická bezpečnosť

⚠ VÝSTRAHA:

- Toto zariadenie je zariadenie triedy I. Pripojenie vykonajte k napájacej elektrickej zásuvke s uzemňovacou svorkou. Nesprávne uzemnenie môže spôsobiť zasiahnutie elektrickým prúdom a usmrtenie. Používajte len trojžilové predlžovacie káble, ktoré majú trojpólové zástrčky s uzemnením a trojpólové zásuvky, do ktorých je možné pripojiť zástrčku stroja.
- Počas činnosti sa vyhýbajte kontaktu s ukostenými alebo uzemnenými povrchmi (napr. potrubím, radiátormi).
- Používajte len predlžovací kábel IEC60245 (H07RN-F) určený na použitie vo vonkajšom prostredí so spojovacími prvkami odolnými proti špliechajúcej vode. Jeho prierez musí byť aspoň 1,5 mm² pri dĺžke kábla do 25 m a 2,5 mm² pri dĺžke kábla viac ako 25 m.
- Pri použití dlhého tenkého kábla môže dôjsť k poklesu napätia. Ak k tomu dôjde, výkon stroja sa môže znížiť.
- Pri použití predlžovacieho kábla zabezpečte, aby nedochádzalo k jeho zasahovaniu do činnosti stroja, stláčaniu či ohýbaniu a aby nedošlo k navlihnutiu zástrčky.
- Keď sa použije cievka s káblom, odviňte celý kábel z cievky.
- S káblom nezaobchádzajte nešetrne. Nikdy nepoužívajte kábel na prenášanie, ťahanie ani odpájanie stroja. Kábel uchovávajte mimo pôsobenia tepla, oleja, ostrých hrán a pohyblivých častí. Poškodené alebo zamotané káble zvyšujú riziko zasiahnutia elektrickým prúdom.
- Pravidelne kontrolujte predlžovací kábel, či nedošlo k poškodeniu jeho izolácie. Ak je poškodený, vymeňte ho.
- Ak je spojovací kábel poškodený, okamžite odpojte sieťovú napájaciu zástrčku. Poškodený kábel môže spôsobiť kontakt s časťami pod napätím a následné zasiahnutie elektrickým prúdom.
- Nikdy nepoužívajte poškodené káble.
- Stroj pripájajte len k elektrickým zásuvkám v preskúšaných elektrických obvodoch. Skontrolujte, či napätie elektrickej sústavy zodpovedá napätiu uvedenému na štítku s menovitými údajmi stroja.
- Nikdy nevyradzujte z činnosti ani nepremosťujte ochranné prvky.
- Pri použití stroja vo vonkajšom prostredí vždy používajte prúdový chránič (RCD) s prevádzkovým prúdom maximálne 30 mA.

Obsluha stroja

- Nepribližujte sa tvárou ani inými časťami tela k vstupnému otvoru.
- Nikdy neumiestňujte ruky ani iné časti tela či odev dovnútra vstupného a výstupného otvoru ani blízko pohyblivých častí. Mohlo by dôjsť k vážnemu zraneniu.
- Nikdy nesiahajte na príliš vzdialené predmety. Vždy udržiavajte pevnú pôdu pod nohami a rovnováhu. Tým sa zaisťujú lepšia kontrola nad strojom v nečakaných situáciách. Pri vkladaní materiálu do stroja nestojte vyššie ako je základňa stroja.
- Počas činnosti stroja vždy udržiavajte dostatočnú vzdialenosť od výstupného otvoru.
- Dodržiavajte regionálne predpisy týkajúce sa ochrany pred hlukom.

- Nevkladajte do stroja kamene, kusy kovu, fľaše ani iné nevhodné materiály. Pri vkladani materiálu do stroja dávajte pozor, aby sa doň nedostali tieto nevhodné materiály.
 - V prípade, že čepeľ narazí na nevhodný predmet alebo stroj začne vibrovať či vydávať nezvyčajný hluk, okamžite vypnite motor a odpojte stroj od elektrickej zásuvky. Skontrolujte, či nedošlo k poškodeniu drviča a pritiahnite akékoľvek povolené časti. Požiadajte autorizované servisné stredisko o opravu stroja.
 - Dbajte na to, aby nedošlo k nahromadeniu materiálu vo vstupnom otvore. V opačnom prípade by mohlo dôjsť k spätnému vymršteniu materiálu cez vstupný otvor.
 - Vypnite motor a odpojte stroj od elektrickej zásuvky v nasledujúcich prípadoch:
 - Vždy, keď sa stroj ponechá bez dozoru
 - Pred odstraňovaním upchatia alebo akejkoľvek poruchy
 - Pred kontrolou, čistením stroja alebo prácou na stroji
 - Pred vykonávaním akýchkoľvek nastavení, zmenou príslušenstva či uskladnením
 - Vždy, keď stroj začne vibrovať alebo vydávať nezvyčajný hluk
 - Pred čistením vstupného alebo výstupného otvoru
 - Pred pripevnením alebo odstránením zachytávacieho koša
 - Pred prepravou.
 - Počas činnosti nenakláňajte stroj.
 - Pri vkladani dlhého materiálu udržiavajte dostatočnú vzdialenosť. Môže sa odraziť späť a spôsobiť zranenie osôb.
 - Stroj neobsluhujte bez násypky.
 - Pri vkladani materiálu do stroja nepoužívajte násilie. Stroj vykonáva svoju činnosť lepšie a bezpečnejšie pri rýchlosti a množstve vkladaneho materiálu, pre ktoré bol skonštruovaný. Časté preťažovanie môže spôsobiť poškodenie motora alebo vznik požiaru.
 - Použite správne nástroje. Nepoužívajte nástroje na účel, pre ktorý nie sú určené. Nikdy sa nesnažte do stroja vkladať kovové časti, sklo, kamene, keramiky, plasty, hrubšie konáre, tvrdé drevo ani hrubé drevené dosky atď.
- Zabezpečte výmenu alebo opravu v našom autorizovanom servisnom stredisku, ak došlo k poškodeniu akýchkoľvek častí stroja.
- Dbajte na mimoriadnu opatrnosť pri údržbe rezacej zostavy. Rezacia zostava sa dokáže uviesť do pohybu manuálne napriek blokovacej funkcii ochranných prvkov.
 - Zariadenie nečistite vodou. Mohlo by dôjsť k zasiahnutiu elektrickým prúdom.
 - Počas údržby alebo montáže používajte ochranné rukavice, aby nedošlo k poraneniu prstov.
 - Nevykonávajte údržbu ani opravu inú ako je popísaná v tomto návode na obsluhu. Akékoľvek iné práce na stroji smie vykonávať len autorizované servisné stredisko spoločnosti Makita.
 - Používajte len originálne náhradné diely a príslušenstvo značky Makita určené pre váš stroj. V opačnom prípade by mohlo dôjsť k zraneniu osôb alebo poškodeniu stroja.
 - Stroj skladujte v suchej miestnosti. Stroj uchovávajte mimo dosahu detí. Stroj nikdy neskladujte vo vonkajšom prostredí.

ZOSTAVA

⚠ POZOR:

- Vždy pred vykonávaním akýchkoľvek prác na stroji nezabudnite vypnúť stroj a odpojiť ho od elektrickej zásuvky.

1. Hornú zostavu umiestnite hore nohami na vodorovnú podlahu. A potom na ňu položte základný rám. Dávajte pozor na orientáciu tejto časti. **(Obr. 2)**
2. Každú časť pritiahnite skrutkami. Zabezpečte, aby boli dokonale stabilné. **(Obr. 3)**
3. Pripevnite zarážky pomocou skrutky. Uistite sa, že sú pevne pritiahnuté. **(Obr. 4)**
4. Koleska pripevnite nasledovne: **(Obr. 5)**
 - Pripevnite os na jedno z kolesok.
 - Prestrčte os cez otvory na nôžke.
 - Pripevnite druhé kolesko k osi prestrčením závlačky cez otvor na osi. Kolesko upevnite ohnutím závlačky.
 - Pripevnite kryty na koleska.
5. Pripevnite zachytávaci koš. A potom nadvihnite poistný prvok. **(Obr. 6)**

POPIS FUNKCIE

⚠ VÝSTRAHA:

Pred každým pripojením stroja k elektrickej zásuvke sa uistite, že je stroj vypnutý. Pripojenie stroja k elektrickej zásuvke s vypínačom v zapnutej polohe by mohlo spôsobiť nečakanému spusteniu stroja, ktoré by mohlo viesť k vážnemu zraneniu osôb.

Vypínač (Obr. 7)

⚠ POZOR:

Stroj nepoužívajte, ak sa pomocou vypínača nedá stroj zapnúť a vypnúť. Chybné vypínače dajte vymeniť v autorizovanom servisnom stredisku spoločnosti Makita. Ak chcete zapnúť stroj, stlačte zelené tlačidlo. Ak chcete vypnúť stroj, stlačte červené tlačidlo.

Návod na údržbu

- Servis stroja nechajte vykonať naším autorizovaným servisným strediskom, ktoré vždy používa originálne náhradné diely. Nesprávna oprava a nedostatočná údržba môžu skrátiť životnosť stroja a zvýšiť riziko nehôd.
- Pred servisom, kontrolou, nastavovaním, uskladnením alebo výmenou príslušenstva vykonajte nasledujúce kroky:
 - Vypnite zdroj napájania
 - Odpojte stroj od prívodu napájania
 - Uistite sa, že sa všetky pohyblivé časti stroja úplne zastavili
 - Nechajte stroj vychladnúť.
- Skontrolujte možné poškodenie týchto častí stroja:
 - Či bezpečnostné prvky pracujú správne podľa ich určenej funkcie
 - Či všetky pohyblivé časti pracujú hladko a zodpovedajúcim spôsobom
 - Či nie sú žiadne časti poškodené a či sú správne namontované

LED indikátor

LED indikátor naznačuje stav stroja nasledovne:

ČERVENÁ farba: Keď je stroj pripojený k napájaniu a je vypnutý.

ZELENÁ farba: Keď je stroj zapnutý.

Nepretržite **blíkajúca ZELENÁ** farba: Keď sa stroj počas činnosti zablokuje.

Blíkajúca ČERVENÁ farba: Keď stroj nedokáže automaticky obnoviť svoju činnosť. Problém odstráňte manuálne, keď sa vyskytne.

Ochrana pred nežiaducim reštartom

Pri výpadku prúdu sa stroj automaticky vypne. Ak chcete stroj opätovne naštartovať, znova stlačte zelené tlačidlo.

Ochrana proti preťaženiu

Motor je vybavený ochranou proti preťaženiu. Pri preťažení stroj vykoná nasledujúce úkony:

- Čepel' bude dve alebo tri sekundy bežať opačným smerom, aby sa späť vytlačil drvený materiál.
- Potom sa čepel' znova spustí dopredu.
- Ak zostane materiál zaseknutý aj po trojnásobnom vykonaní vyššie uvedeného postupu, stroj sa zastaví a LED indikátor začne blikať červenou farbou.

Keď k tomu dôjde, vykonajte nasledujúce kroky:

- Vypnite stroj.
- Počkajte, kým sa čepel' úplne nezastaví.
- Odstráňte zaseknutý materiál.
- Po uplynutí približne 5 minút znova zapnite drvič a vložte doň menej náročný materiál.
- Ak sa stroj po uplynutí tejto doby čakania nedá zapnúť, pozrite si časť „Riešenie problémov“.

Prepínač otáčania dopredu / dozadu

⚠ POZOR:

Pred prepnutím prepínača otáčania dopredu / dozadu vypnite drvič.

Poloha ↓

Čepele sa otáčajú v smere dopredu.

Poloha ↑

Čepele sa otáčajú v opačnom smere, aby sa uvoľnil zaseknutý materiál.

Keď zmeníte smer na ↑ (opačný), čepele sa budú otáčať pri podržaní stlačeného zeleného tlačidla vypínača. Po uvoľnení vypínača sa drvič automaticky zastaví.

POZNÁMKA:

- Na rozdrvenie veľkého predmetu sa môže vyžadovať niekoľkonásobné opakovanie otáčania smerom dozadu a dopredu.

⚠ POZOR:

- Aby nedošlo k nehodám, na odstránenie zaseknutých predmetov vždy použijete hák alebo paličku.
- Pred opätovným štartom vždy počkajte, kým sa drvič úplne nezastaví.

Zachytávací kôš

⚠ POZOR:

- Pred pripieňovaním alebo odstraňovaním zachytávacieho koša vypnite a odpojte stroj od elektrickej zásuvky.
- Kvôli bezpečnej prevádzke každé dve hodiny skontrolujte funkčnosť blokovacej funkcie.
- Nikdy sa nepokúšajte vyradiť z činnosti ochrannú blokovaciu funkciu.

Poistný prvok:

Horná poloha → Zachytávací kôš je zaistený.

Dolná poloha → Zachytávací kôš je odistený.

Zariadenie sa nezapne kvôli bezpečnostnej funkcii.

Stroj sa nedá zapnúť, pokiaľ je poistný prvok v odistenej polohe. Stroj sa automaticky zastaví, ak sa zachytávací kôš počas činnosti stroja odistí.

Kryt čepelí

⚠ POZOR:

- Pred otvorením krytu čepelí sa uistite, že je stroj vypnutý a odpojený od elektrickej zásuvky.
- Pred otvorením krytu čepelí si nasadte ochranné rukavice.
- Po vypnutí stroja sa rezacia zostava nezastaví okamžite. Počkajte, kým sa nezastavia všetky časti.

V prípade, že sa materiál silno zasekne v hornej zostave, odstráňte ho po otvorení krytu čepelí.

OBSLUHA

Nastavenie stroja:

- Na vodorovnom povrchu. Neumiestňujte stroj na dláždenom ani štrkovom povrchu.
- V bezpečnej vzdialenosti (aspoň 2 m) od stien alebo iných objektov.

Pred spustením stroja sa uistite, že:

- Spojovacie káble nie sú poškodené. Ak sa na nich vyskytujú zárezy alebo opotrebovanie, zastavte činnosť a okamžite ich vymeňte.
- Stroj nie je poškodený a všetky skrutky sú pritiažené.
- Stroj je zmontovaný úplne a správne.

Kontrola pripojenia k sieťovému napájaniu:

- Uistite sa, že sieťové napätie zodpovedá menovitému napätiu uvedenému na typovom štítku a že je stroj správne uzemnený.
- Používajte len predlžovacie káble s dostatočným prierezom jadra.

Materiál, ktorý drvič dokáže spracovať

Tento drvič dokáže spracovať nasledujúce typy materiálov:

- Všetky typy konárov až do maximálneho priemeru kapacity stroja, v závislosti od typu a stavu dreva
- Záhradný odpad ako sú vysušené rastliny alebo vlhká burina, ktoré boli niekoľko dní uložené (vkladajte ich striedavo s konármi.)

Tento drvič NEDOKÁŽE spracovať nasledujúce typy materiálov:

- Sklo, kov, plasty, kamene, keramika, hrubšie konáre, tvrdé drevo, hrubé drevené dosky, textil, plastové tašky, korene so zeminou.
- Odpad, ktorý je takmer v tekutom stave, napr. kuchynský odpad.

Obsluha stroja: (Obr. 8)

- Materiál vkladajte do násypky z pravej strany.
- V prípade konárov, haluzí a dreva, ich drvenie vykonajte bezprostredne po ich porezaní. Po vysušení by mohli veľmi stvrdnúť.
- Odstráňte akékoľvek bočné výhonky z vetiev, ak sa ťažko vkladajú.
- Pred čistením vytlačacieho otvoru vypnite motor a odpojte stroj od sieťového napájania.

⚠ POZOR:

- Dbajte na to, aby nedošlo k nahromadeniu drveného materiálu vo vytlačacom otvore. V opačnom prípade by tento drvený materiál mohol zablokovať vytlačací otvor. Pravidelne vyprázdňujte zachytávací kôš.
- Nevkladajte do stroja materiál, ktorý je hrubší ako maximálny priemer konárov uvedený v technických údajoch. V závislosti od čerstvosti a stavu dreva môže byť maximálny prípustný priemer vetiev menší.
- Drvenie vlhkého záhradného odpadu povedie k upchatiu stroja. Aby nedošlo k upchatiu stroja, odpad sriedajte s materiálom, ktorý obsahuje drevo.
- Mäkký materiál alebo vlhké vetvy môžu byť potrhane namiesto porezania. Tento problém môže spôsobovať aj opotrebovaná protičepeľ.
- Ak dôjde k upchatiu zariadenia na vstupnom otvore alebo výstupnom žľabe, vypnite motor a odpojte zariadenie od elektrickej zásuvky pred odstránením úlomkov zo vstupného otvoru alebo výstupného žľabu. Dbajte na to, aby sa na zdroji napájania nenachádzali žiadne úlomky ani iná nahromadená nečistota, aby nedošlo k poškodeniu zdroja napájania či možnému vzniku požiaru.

Nastavenie medzery čepeľí (Obr. 9)

Aby sa dosiahla efektívna činnosť, nastavte medzeru medzi protičepeľou a rezacím valcom.

Nastavenie medzery:

- Zapnite zariadenie.
- Otočením upevňovacieho gombíka proti smeru hodinových ručičiek uvoľnite nastavovací gombík.
- Pomalým otáčaním nastavovacieho gombíka v smere hodinových ručičiek umiestnite protičepeľ bližšie k rezaciemu valcu. Otáčajte ho dovtedy, kým z vytlačacieho otvoru nezačnú vypadávať hliníkové úlomky.
- Otočením upevňovacieho gombíka v smere hodinových ručičiek zaistíte nastavovací gombík.

- Pred vykonávaním kontroly alebo údržby sa vždy uistite, že je stroj vypnutý a odpojený od elektrickej zásuvky.
- Pred vykonávaním kontroly a údržby si nasadte ochranné rukavice.
- Po vypnutí stroja sa rezacia zostava nezastaví okamžite. Pred vykonávaním akejkoľvek údržby počkajte, kým sa nezastavia všetky časti.
- Po údržbe sa uistite, že sú zo stroja vybraté všetky nástroje.
- Nikdy nepoužívajte benzín, benzén, riedidlo, alkohol ani žiadne podobné látky. Mohlo by dôjsť k odfarbeniu, deformácii alebo prasklinám. Na čistenie stroja používajte len navlhčenú handričku a mäkkú kefku.
- Nikdy nečistite stroj prúdom vody pod vysokým tlakom.

Po každej činnosti stroja vykonajte nasledujúcu údržbu:

- Skontrolujte, či sú všetky poistné skrutky pevne pritiahnuté (pritiahnite ich, ak je to potrebné).
- Namažte kovové časti, aby sa chránili proti korózii.
- Vetracie otvory udržiavajte v čistote a bez prítomnosti prachu.

Rezací valec a protičepeľ sa v priebehu času opotrebúvajú. Požiadajte svoje najbližšie autorizované servisné stredisko o výmenu, ak je to potrebné.

RIEŠENIE PROBLÉMOV

VÝSTRAHA: Pred riešením problémov vypnite stroj, odpojte sieťovú zástrčku a počkajte, kým sa stroj úplne nezastaví.

Problém	Možná príčina	Riešenie
Motor sa nenašartuje	Nie je prívod napájania	Skontrolujte sieťové napájanie.
	Chybný sieťový napájací kábel	Požiadajte autorizované servisné stredisko o kontrolu.
	Aktivovala sa ochrana proti preťaženiu	Počkajte, kým stroj nevychladne a stlačte zelené tlačidlo.
	Bezpečnostné odpájacie zariadenie zachytávacieho koša (zachytávací kôš je odistený)	Skontrolujte a zaistite zachytávací kôš.
Motor vydáva zvuk, ale sa nenašartuje	Rezací valec je zablokovaný	Vypnite zariadenie. Prepínač otáčania dopredu/dozadu prepnite do spätného chodu. Stroj ponechajte zapnutý dovtedy, kým sa zaseknutie úplne neodstráni. Stroj znova vypnite. Znova prepnite smer otáčania dopredu.
	Chyba kondenzátora	Odstene stroj do autorizovaného servisného strediska na opravu.
Drevený materiál sa nevŕtahuje do drviča	Opačné otáčanie.	Vypnite zariadenie a prepnite smer prepínača smeru otáčania.
	Drevený materiál sa zachytil v násypke	Vypnite zariadenie. Prepínač otáčania dopredu/dozadu prepnite do spätného chodu. Zapnite zariadenie, aby sa uvoľnil materiál, ktorý sa má rozdrviť, odstráňte akúkoľvek cudziu látku. Znova vypnite zariadenie. Znova prepnite smer otáčania dopredu.
	Drevený materiál je príliš mäkký alebo vlhký	Potlačte materiál nadol pomocou konára
	Opotrebovaný rezací valec	Nastavte pevnú protičepeľ tak, ako je to popísané v časti „Nastavenie medzery čepeľ“. Ak je rezací valec nadmerne opotrebovaný, vymeňte ho.
Drevený materiál nie je čisto porezaný	Pevná protičepeľ nie je primerane nastavená	Nastavte protičepeľ.
Zariadenie sa našartuje, ale sa zablokuje aj po minimálnej záťaži a potom ho čoskoro vypne ochranný vypínač motora.	Predlžovací kábel je príliš dlhý alebo je jeho prierez príliš malý. Zásuvka je príliš ďaleko od sieťového napájania alebo je prierez sieťového napájacieho kábla príliš malý.	Skontrolujte, či má predlžovací kábel prierez aspoň 1,5 mm ² a dĺžku maximálne 25 m. Ak sa používa dlhší kábel, minimálny prierez musí byť 2,5 mm ² .

VYHLÁSENIE O ZHODE V RÁMCI ES

Len pre krajiny Európy

Vyhľadanie o zhode v rámci ES je do tohto návodu na používanie zahrnuté ako Príloha A.

VAROVÁNÍ: Toto zařízení mohou používat děti starší 8 let a osoby s omezenými fyzickými, smyslovými nebo mentálními schopnostmi nebo osoby bez zkušeností a znalostí, pokud jsou pod dohledem nebo pokud dostaly instrukce pro bezpečné používání zařízení a jsou si vědomy možných rizik. Se zařízením si děti nesmí hrát. Čištění a uživatelskou údržbu by neměly provádět děti bez dozoru.

OZNAČENÍ DÍLŮ

1 Plnicí násypka	7 Horní kryt	13 Podávací strana
2 Síťový vypínač	8 Zachytávací koš	14 Šroub
3 Rukojeť	9 Základní rám	15 Protinůž
4 Vidlice síťového napájení	10 Seřizovací knoflík	16 Řezací válec
5 Pojistná páka	11 Upevňovací knoflík	
6 Přepínač vpřed/vzad	12 Kryt nože	

TECHNICKÉ ÚDAJE

Model	UD2500
Název	Elektrická drtička
Motor	Střídavý motor 230-240 V~50 Hz
Jmenovitý výkon motoru P40	2 500 W
Jmenovitý výkon motoru P1 S1	2 000 W
Rychlost otáčení řezacího válce	40 min ⁻¹
Síťový vypínač vybavený:	ochranou proti přetížení; funkcí řezání a zpětného chodu, indikátorem nulového napětí
Hmotnost	27,6 kg
Maximální průměr větve (pouze čerstvě uříznuté dřevo)	Max. 45 mm
Bezpečnostní třída	I
Třída ochrany	IP X4

HLUKOVÉ PARAMETRY

Hladina akustického tlaku	74,88 dB (A), K= 2,50 dB (A)
Hladina akustického tlaku v uších obsluhy	84,4 dB (A), K= 3 dB (A)
Naměřená hladina akustického výkonu	93,49 dB (A), K= 3,97 dB (A)
Zaručená hladina akustického výkonu	97 dB (A)

Hladina intenzity hluku pro obsluhu může překročit 80 dB (A). Používejte chrániče sluchu.

SYMBOLY

Na stroji se používají následující symboly. Než začnete stroj používat, přesvědčte se, že symbolům rozumíte.



- Přečtěte si návod k obsluze.



- Dávejte velký pozor.



- Vypněte motor a před prováděním servisu, čištění, údržbou nebo opravou odpojte stroj od sítě.



- Předměty mohou vyletovat velkou rychlostí.



- Okolo stojící osoby a zvířata udržujte mimo nebezpečný prostor.



- Nebezpečí – Rotující nože. Pokud je stroj v chodu, nepřibližujte ruce a nohy k otvorům.



- Nebezpečí – Rotující nože. Pokud je stroj v chodu, nepřibližujte ruce a nohy k otvorům.



- Používejte chrániče zraku a sluchu.



- Používejte ochranné rukavice.



- Nevystavujte dešti nebo vlhku.



- Otočte knoflíkem ve směru hodinových ručiček pro menší vzdálenost / proti směru hodinových ručiček pro větší vzdálenost



- Chcete-li nůž vyměnit nebo provést údržbu, otevřete kryt nože.



- Počkejte, až se díly stroje zcela zastaví.



- Stroj nepoužívejte jako stupeň.



- Pouze pro země EU
Nevyhazujte elektrické zařízení nebo baterie společně s domovním odpadem! Podle Evropské směrnice 2002/96/EC o elektrických odpadech a elektronickém zařízení, 2006/66/EC o bateriích a akumulátorech a jejich použití v souladu s národními zákony, elektrické zařízení a baterie, u kterých uplynula jejich životnost, musí být shromažďovány odděleně a předány k likvidaci do zařízení provádějící recyklaci.

BEZPEČNOSTNÍ VÝSTRAHY

PEČLIVĚ PŘEČÍST PŘED POUŽÍVÁNÍM NÁVOD K POUŽITÍ SI ULOŽTE K POZDĚJŠÍMU NAHLÉDNUTÍ



Nespouštějte stroj, dokud si nepřečtete tento návod k použití. Dodržujte všechny pokyny a stroj nainstalujte podle popisu.

Určené použití stroje

- Zahradní drtička je určena k drcení následujících předmětů:
 - Všechny typy větví do maximálního průměru podle mezního rozměru stroje (v závislosti na typu a stavu dřeva)
 - Zahradní odpad, například uschlé rostliny nebo mokřý plevel, který ležel několik dní (dávejte je do stroje střídavě s větvemi).
- Zahradní drtička je určena pouze k soukromému a ne ke komerčnímu využití. Nepoužívejte ji na veřejných místech.

Veřejné nízkonapěťové rozvodné systémy s napětím mezi 220 V a 250 V.

Při spínání elektrických přístrojů může dojít ke kolísání napětí. Provozování tohoto zařízení za nepříznivého stavu elektrické sítě může mít negativní vliv na provoz ostatních zařízení. Je-li impedance sítě menší nebo rovna 0,45 Ohm, lze předpokládat, že nevzniknou žádné negativní účinky. Síťová zásuvka použitá pro toto zařízení musí být chráněna pojistkou nebo ochranným jističem s pomalou vypínací charakteristikou.

Všeobecné pokyny

- Přečtěte si tento návod a seznamte se s obsluhou stroje. Nedostatečně informovaný uživatel se v důsledku nesprávné manipulace vystavuje nebezpečí zranění sebe a ostatních osob.
- Nepůjčujte stroj osobám, které s ním nemají zkušenosti.
- Když budete stroj půjčovat, vždy k němu předejte tento návod k obsluze.
- Elektrická drtička není určena k použití osobami se sníženými fyzickými, smyslovými nebo psychickými schopnostmi nebo s nedostatečnými zkušenostmi a znalostmi. Malé děti musí být pod dohledem, aby bylo zaručeno, že si se strojem nebudou hrát. Nedovolte, aby stroj obsluhovaly děti.
- Se strojem pracujte pouze tehdy, když budete v dobré fyzické kondici. Práci provádějte v klidu a opatrně. Uživatel je zodpovědný za bezpečnost osob a škody v okolí pracovního prostoru.
- Nikdy nepoužívejte tento stroj po požití alkoholu nebo omamných látek nebo když se budete cítit unavení nebo nemocní.
- Stroj používejte v souladu s těmito pokyny s ohledem na pracovní podmínky a použití. Nezáměrné použití stroje může mít za následek nebezpečnou situaci.
- Nikdy neprovádějte změny na stroji, včetně bezpečnostních prvků, jako je např. blokovací zařízení. Ohrozíte tím svou bezpečnost.
- Manipulaci se strojem mohou omezovat národní nebo místní předpisy.
- Buďte ostražití. Sledujte, co děláte. Používejte zdravý rozum. Nepracujte se strojem, pokud budete unaveni.

Osobní ochranné pomůcky

- Řádně se oblékněte. Oděv musí být funkční a přiměřený, tj. musí být přiléhavý, ale nesmí bránit v pohybu. Nenoste šperky nebo oblečení, který by se mohlo zachytit do stroje. Používejte ochrannou pokrývku hlavy, která zakryje dlouhé vlasy.
- Vždy noste chrániče sluchu, abyste předešli jeho poškození.
- Používejte ochranné brýle, aby nedošlo k poranění očí úlomky odletujícími z plnicí náস্যpky.
- Používejte ochranné rukavice, aby nedošlo ke zranění prstů.
- Když budete drtit suché větve, živé ploty s listím a bude se stmívat, používejte obličejovou masku.
- Když budete používat stroj, vždy noste pevnou obuv s protiskluzovou podrážkou. Tím předejdete zranění a zajistíte si dobrou oporu při chůzi.

Bezpečnost pracovního prostoru

- Při provozu stroje dohlédněte, aby byly děti a okolostojící osoby z jeho dosahu.
- Stroj provozujte na otevřeném prostranství, na pevném a rovném povrchu. Stroj neprovozujte v blízkosti zdi nebo jiných objektů.
- Stroj neprovozujte ve výbušném prostředí, například v blízkosti hořlavých kapalin, plynů nebo prachu. Stroj vytváří jiskry, které mohou zapálit prach nebo výpary.
- Stroj neprovozujte na dráždřeném nebo šterkovém povrchu, kde by vymrštěný materiál mohl způsobit zranění.
- Pracovní prostor udržujte v čistotě a zajistíte dobré osvětlení. Přeplněné a tmavé prostory si říkají o nehody.
- Nevystavujte stroj působení deště nebo vlhka. Voda, která se dostane do stroje, může zvýšit nebezpečí úrazu elektrickým proudem.

Spuštění stroje

- Než připojíte vidlici nebo zapnete stroj:
 - Přesvědčte se, že všechny šrouby, matky a ostatní spojovací prvky jsou dobře zajištěné.
 - Přesvědčte se, že zábrany, odražeče a clony jsou nasazené a v dobrém provozním stavu.
 - Vyměňte poškozené nebo nečitelné štítky.
 - Přesvědčte se, že plnicí náস্যpka je prázdná.
 - Přesvědčte se, že vstupní a výstupní otvory jsou řádně chráněny.
 - Pečlivě zkontrolujte všechny části stroje a přesvědčte se, že pracují správně a vykonávají očekávanou činnost. Zejména nikdy nepoužívejte stroj, pokud vypínač nebude fungovat správně.
- Pokud bude síťový kabel poškozen, požádejte autorizované servisní středisko Makita o výměnu (vždy za originální náhradní díl).

Elektrická bezpečnost

⚠ VAROVÁNÍ:

- Tento spotřebič je zařazen do třídy I. Připojujte ho do zásuvky se zemnicí svorkou. Nesprávné uzemnění může způsobit úraz elektrickým proudem a usmrcení. Používejte pouze tří vodičové prodlužovací kabely, které mají třípólovou zásuvku s uzemněním, a třípólovou zásuvku, do níž lze zapojit vidlici stroje.
- Dávejte pozor, aby během provozu nedošlo k dotyku těla s uzemněným povrchem (např. potrubí, radiátory).

- Používejte pouze prodlužovací kabel IEC60245 (H07RN-F) pro venkovní použití s konektorem chráněným proti stříkající vodě. Jeho průřez musí být minimálně 1,5 mm² pro kabely s délkou do 25 m a 2,5 mm² pro kabely delší než 25 m.
- Při použití delšího tenčího kabelu může dojít k poklesu napětí. Pokud by k tomu došlo, výkon stroje se může snížit.
- Když budete používat prodlužovací kabel, přesvědčte se, že nepfekází, není uskrípnutý nebo ohnutý a vidlice není mokrá.
- Když budete používat kabelový buben, kabel z bubnu úplně odvíňte.
- S kabelem nezacházejte hrubě. Kabel nikdy nepoužívejte k přenášení, tahání nebo odpojení stroje ze zásuvky. Kabel udržujte mimo dosah tepla, oleje, ostrých hran nebo pohyblivých dílů. Poškozené nebo zamotané kabely zvyšují nebezpečí úrazu elektrickým proudem.
- Prodlužovací kabel pravidelně kontrolujte, jestli nemá poškozenou izolaci. V případě poškození ho vyměňte.
- Pokud je propojovací kabel poškozený, okamžitě odpojte síťovou vidlici. Poškozený kabel může způsobit dotyk s živými částmi a úraz elektrickým proudem.
- Nikdy nepoužívejte poškozené kabely.
- Stroj připojujte pouze do zásuvek s elektricky odzkoušenými obvody. Přesvědčte se, že napěťový systém souhlasí s napětím na štítku přístroje.
- Ochranná zařízení nikdy nevyfázujte z provozu ani nezkratujte.
- Když budete stroj používat ve venkovním prostředí, vždy používejte jistič spouštěný zbytkovým proudem (RCD) se spouštěcím proudem 30 mA nebo menším.

Provoz

- Nepřibližujte se rukama a tělem ke vstupnímu otvoru.
- Nikdy nenechávejte ruce nebo jinou část těla nebo oděvu uvnitř vstupního a výstupního otvoru nebo v blízkosti pohyblivých částí. Může dojít k vážnému zranění.
- Nezakopněte. Vždy chodte správně a udržujte rovnováhu. Umožní vám to lepší kontrolu stroje v neočekávaných situacích. Při vkládání materiálu do stroje nestůjte výš, než je jeho základna.
- Během provozu vždy udržujte odstup od výstupního otvoru.
- Dodržujte místní předpisy na ochranu proti hluku.
- Do stroje nevkládejte kameny, kusy kovu, láhve nebo jiné cizí látky. Dávejte pozor, aby se při vkládání dovnitř nedostaly tyto cizí předměty.
- Pokud už narazí na cizí předmět nebo se stroj začne chvět nebo vydávat neobvyklý hluk, okamžitě motor vypněte a odpojte od sítě. Zkontrolujte, zda není drtička poškozená, a volné části utáhněte. Požádejte autorizované středisko o opravu stroje.
- Nedovolte, aby se zpracovávaný materiál hromadil na výstupním otvoru. Jinak může dojít ke zpětnému rázu materiálu skrz vstupní otvor.
- Vypněte motor a odpojte od sítě:
 - Kdykoliv stroj ponecháte bez dozoru
 - Před odstraňováním překážek nebo závdady
 - Před kontrolou, čištěním nebo prací na stroji
 - Před seřizováním, výměnou příslušenství nebo uskladněním
 - Kdykoliv stroj začne vibrovat nebo vydávat neobvyklý hluk

- Před čištěním vstupního nebo výstupního otvoru
 - Před připevňováním nebo sundáváním zachytávacího koše
 - Před přepravou.
- Stroj během provozu nenakláníjte.
 - Když budete vkládat dlouhý materiál, udržujte dostatečnou vzdálenost. Může se vymrštit zpátky a způsobit zranění.
 - Stroj neprovozujte bez plnicí náspyky.
 - Stroj nezrychlujte. Odvede práci lépe a bezpečněji rychlostí, na kterou byl navržen. Časté přetěžování může způsobit poruchu motoru nebo požár.
 - Používejte správné zařízení. Zařízení nepoužívejte k účelům, pro které nejsou určeny. Nikdy do stroje nestrekejte kovové díly, sklo, kameny, keramiku, plasty, silnější větve, tvrdé dřevo nebo silné dřevěné desky, atd.

Pokyny pro údržbu

- Servis stroje si nechte provádět od autorizovaného servisního střediska a vždy používejte pouze originální náhradní díly. Nesprávná oprava a nedostatečná údržba může zkrátit životnost stroje a zvýšit nebezpečí úrazu.
- Před servisem, kontrolou, seřizováním, uskladněním nebo výměnou příslušenství proveďte následující kroky:
 - Vypněte zdroj napájení
 - Odpojte stroj od síťového napájení
 - Přesvědčte se, že pohyblivé díly jsou zcela v klidu
 - Nechejte stroj vychladnout.
- Zkontrolujte případné závady stroje:
 - Zda bezpečnostní zařízení pracují správně v souladu se zamýšlenou funkcí
 - Zda se všechny pohyblivé díly pohybují lehce a odpovídajícím způsobem
 - Zda jsou všechny pohyblivé díly nepoškozené a správně nasazené
 - Pokud zjistíte nějaké vadné díly, jejich výměnu nebo opravu svěťte autorizovanému servisnímu středisku.
- Extrémní pozornost věnujte provádění servisu řezného nástroje. Řezný nástroj může ručně pohybovat tuhým blokovacím článkem ochranných funkcí.
- Zařízení nečistěte vodou. Může dojít k úrazu elektrickým proudem.
- Během údržby nebo seřizování používejte ochranné rukavice, aby nedošlo k poranění prstů.
- Neprovádějte jinou údržbu nebo opravy, než které jsou popsány v tomto návodu k obsluze. Jakékoliv jiné práce musí provádět autorizované středisko Makita.
- Používejte pouze originální náhradní díly a příslušenství Makita určené pro váš stroj. Jinak může dojít ke zranění osob nebo k poškození stroje.
- Stroj ukládejte do suché místnosti. Nenechávejte ho v dosahu dětí. Stroj nikdy neskladujte venku.

SESTAVENÍ

⚠ UPOZORNĚNÍ:

- Než budete na stroj provádět nějaké práce, vždy se přesvědčte, že je vypnutý a odpojený od sítě.
1. Horní kryt dejte dnem vzhůru a položte na plochou podlahu. Pak na něj položte rám základu. Dávejte pozor na směr dílu. **(Obr. 2)**

2. Každý díl utáhněte utahovacími šrouby. Ujistěte se, že díly jsou dokonale stabilní. **(Obr. 3)**
3. Připevňte zarážky pomocí šroubů. Přesvědčte se, že jsou pevně utažené. **(Obr. 4)**
4. Následujícím způsobem připevňte kola: **(Obr. 5)**
 - Připevňte osu na jedno kolo.
 - Protáhněte osu skrz díry na nose.
 - Protazením čepu skrz díru v ose připevňte k ose další kolo. Utáhněte kolo ohnutím čepu.
 - Připevňte kryty na kola.
5. Připevňte zachytávací koš. Pak zdvihněte pojistnou páku. **(Obr. 6)**

POPIS FUNKCE

⚠ VAROVÁNÍ:

Než zapojíte stroj do sítě, vždy se přesvědčte, že je vypnutý. Zapojení stroje do sítě při zapnutém vypínači může způsobit neočekávané spuštění, které může způsobit zranění osob.

Síťový vypínač (Obr. 7)

⚠ UPOZORNĚNÍ:

Stroj nepoužívejte, pokud vypínač nelze zapnout a vypnout. Vadný vypínač si nechejte opravit u autorizovaného servisního střediska Makita. Chcete-li stroj zapnout, stiskněte zelené tlačítko. Chcete-li stroj vypnout, stiskněte červené tlačítko.

LED indikátor

LED indikátor znázorňuje stav stroje takto:

ČERVENÁ barva: Když je stroj připojený k síti a je vypnutý.

ZELENÁ barva: Když je stroj zapnutý.

Trvale **blíkající ZELENÁ** barva: Během provozu dojde k zablokování stroje.

Blíkající ČERVENÁ barva: Stroj není schopný se automaticky vrátit do původního stavu. Pokud k tomu dojde, problém odstraňte ručně.

Pojistka proti neúmyslnému spuštění

Když dojde k výpadku napájení, stroj se automaticky vypne. Chcete-li ho spustit znovu, stiskněte opět zelené tlačítko.

Ochrana proti přetížení

Motor je vybaven ochranou proti přetížení. Když dojde k přetížení, stroj se bude chovat takto:

- Nože se dvě nebo tři sekundy budou pohybovat obráceně a budou se snažit drcený materiál vytlačit zpátky ven.
- Pak se znovu rozeběhnou dopředu.
- Pokud bude po třech těchto pokusech materiál stále zablokovaný, stroj se zastaví a LED kontrolka bude blíkat červeně.

Když k tomu dojde, proveďte následující kroky:

- Vypněte stroj.
- Počkejte, až budou nože zcela v klidu.
- Odstraňte blokující materiál.
- Po 5 minutách drtíčku znovu zapněte a dejte do ní méně náročný materiál.
- Pokud po této době čekání stále nebudete schopni stroj zapnout, postupujte podle kapitoly „Řešení závad“.

Přepínač vpřed/vzad

⚠ UPOZORNĚNÍ:

Než budete přepínat směr vpřed/vzad, drtičku vypněte.

Poloha ↕

Nože se budou otáčet dopředu.

Poloha ↕

Nože se budou otáčet opačným směrem a uvolní bloku-
jící materiál.

Když budete měnit směr na ↕ (vzad), držte stisknuté zelené tlačítko vypínače napájení, aby se nože otáčely. Až vypínač napájení uvolníte, drtička se automaticky zastaví.

POZNÁMKA:

- K rozdrčení velkých předmětů může být zapotřebí několikrát zopakovat chod vzad a vpřed.

⚠ UPOZORNĚNÍ:

- K odstranění zablokovaných předmětů vždy používejte hák nebo tyč, aby nedošlo k nehodě.
- Vždy počkejte, až se drtička úplně zastaví, a pak proveďte opětovné spuštění.

Zachytávací koš

⚠ UPOZORNĚNÍ:

- Než budete připevňovat zachytávací koš, vypněte stroj a odpojte ho od sítě.
- Činnost blokovacího zařízení kontrolujte každé dvě hodiny z důvodu bezpečnosti.
- Nikdy se nesnažte blokovací zařízení obejít.

Pojistná páka:

Horní poloha → Zachytávací koš je zajištěn.

Dolní poloha → Zachytávací koš je uvolněn.

Zařízení se nezapne kvůli bezpečnostní funkci.

Pokud páka bude v odjistěné poloze, stroj se nezapne. Pokud se během činnosti zachytávací koš odjistí, stroj se automaticky zastaví.

Kryt nože

⚠ UPOZORNĚNÍ:

- Než otevřete kryt nože, přesvědčte se, že stroj je vypnutý a odpojený ze zásuvky.
- Před otevřením krytu nože si navlékněte ochranné rukavice.
- Řezný nástroj se po vypnutí nezastaví okamžitě. Počkejte, až se všechny díly zastaví.

V případě velkého ucpání materiálem v horním krytu odstraňte tento materiál otevřením krytu nože.

PROVOZ

Seřízení stroje:

- Seřízení provádějte na plochem, vodorovném povrchu. Stroj nedávejte na dlážděné nebo šterkované podloží.
- Stroj umístěte v bezpečné vzdálenosti (aspoň 2 m) od zdi nebo jiných objektů.

Před spuštěním se přesvědčte, že:

- Připojovací kabely nejsou poškozené. Pokud na nich zjistíte pořezání nebo potrhání, stroj ihned zastavte a kabel vyměňte.
- Stroj není poškozený a všechny šrouby jsou utažené.
- Stroj je úplně a správně sestavený.

Zkontrolujte připojení k síti:

- Přesvědčte se, že síťové napětí souhlasí se jmenovitým napětím na štítku a že stroj je dobře uzemněn.
- Používejte pouze prodlužovací kabely s dostatečným průřezem.

Materiál, který může drtička zpracovávat

Drtička může zpracovávat následující typy materiálů:

- Všechny typy větví do maximálního průměru podle mezního rozměru stroje v závislosti na typu a stavu dřeva
- Zahradní odpady, například uschlé rostliny nebo mokré plevel, který ležel několik dní (dávejte je do stroje střídavě s větvemi).

Drtička NEMŮŽE zpracovávat následující typy materiálů:

- Sklo, kov, plasty, kamení, keramiku, silné větve, tvrdé dřevo, silné dřevěné desky, hadry, plastové sáčky, kořeny se zeminou.
- Odpad, který je téměř v tekutém stavu, například kuchyňský odpad.

Provoz: (Obr. 8)

- Materiál do plnicí náspyky podávejte z pravé strany.
- Větve, proutky a dřevo rozdrťte hned po jejich uříznutí. Po uschnutí by mohly být velmi tvrdé.
- Pokud by větve bylo obtížné zasunovat z důvodu bočních výhonků, tak tyto výhonky odstraňte.
- Před čištěním vyhazovacího zařízení vypněte motor a odpojte stroj od síťového napájení.
- Nenechte drčený materiál hromadit ve vyhazovací otvor. Jinak tento drčený materiál může vyhazovací otvor zablokovat. Zachytávací koš pravidelně vyprazdňujte.
- Nestrkejte do stroje materiál, který je silnější, než maximální průměr větví uvedený v technických specifikacích. V závislosti na čerstvosti a stavu dřeva může být maximální průměr větví menší.
- Drčení mokrého zahradního odpadu může způsobit ucpání. Aby k ucpání stroje nedocházelo, střídejte odpad s materiálem obsahujícím dřevo.
- Měkký materiál nebo mokré větve se místo rozřezání mohou trhat. Tento problém může také způsobovat opotřebovaný protinůž.
- Pokud bude vstupní otvor nebo vyhazovací kanál stroje zanešen, před odstraněním nečistot z těchto míst vypněte motor a stroj odpojte od sítě. Zdroj napájení udržujte v čistotě bez nashromážděných usazenin, aby nedošlo k jeho poškození nebo možnému vzniku požáru.

Seřízení vůle nože (Obr. 9)

Aby byl provoz stroje efektivní, seřídte vůli mezi protinůžem a řezacím válcem.

Nastavení vůle:

- Zapněte zařízení.
- Seřizovací knoflík otáčejte proti směru hodinových ručiček, aby se knoflík uvolnil.
- Pomalu otáčejte seřizovací knoflíkem ve směru hodinových ručiček a protinůž posouvajte blíže k řezacímu válci. Otáčejte jím, dokud z vyhazovacího otvoru nebudou padat jemné hliníkové třísky.
- Seřizovací knoflík otočte ve směru hodinových ručiček, aby se zajistil.

ÚDRŽBA

⚠ UPOZORNĚNÍ:

- Než budete provádět kontrolu nebo údržbu, vždy se přesvědčte, že stroj je vypnutý a odpojený ze sítě.
- Než budete provádět kontrolu nebo údržbu, navlékněte si ochranné rukavice.
- Řezný nástroj se po vypnutí nezastaví okamžitě. Než budete provádět údržbu, počkejte, až se všechny díly zastaví.
- Po provedení údržby se přesvědčte, že všechny nástroje byly odstraněny.
- Nikdy nepoužívejte automobilový benzín, technický benzín, ředidlo, alkohol nebo podobně. Jinak může dojít ke změně zbarvení, deformacím nebo prasknutí. Chcete-li stroj očistit, používejte pouze vlhký hadr a měkký štětec.

- Na stroj nestříkejte hadicí ani ho nečistěte tlakovou vodou.

Po každém použití vykonajte následujúci údržbu:

- Přesvědčte se, že jsou všechny pojistné šrouby utažené (v případě potřeby je utáhněte).
- Namažte kovové části, aby byly chráněny proti korozi.
- Ventilační otvory udržujte v čistotě a bez prachu.

Řezací válec a protinůž se po určité době opotřebí. V případě potřeby požádejte své nejbližší autorizované servisní středisko o výměnu.

ŘEŠENÍ ZÁVAD

VAROVÁNÍ: Než budete řešit problémy, vypněte stroj, vytáhněte vidlici ze sítě a počkejte, až se stroj úplně zastaví.

Závada	Možná příčina	Náprava
Motor se nespustí	Chybí napájení	Zkontrolujte síťový přívod.
	Vadný síťový kabel	Požádejte autorizovaný servis o kontrolu.
	Aktivovala se ochrana proti přetížení	Počkejte, až stroj vychladne, a stiskněte zelené tlačítko.
	Bezpečnostní odpojovací zařízení zachytávacího koše (zachytávací koš je odjištěný)	Zkontrolujte a zajistěte zachytávací koš.
Motor je slyšet, ale nespustí se	Řezací válec je blokováný	Vypněte zařízení. Přepínač chodu vpřed/vzad nastavte do směru vzad. Zapněte stroj, dokud se ucpání neodstraní. Stroj znovu vypněte. Směr otáčení přepněte zpátky na směr dopředu.
	Závada kondenzátoru	Stroj dopravte do autorizovaného servisu na opravu.
	Drcený materiál se nevtahuje do drtičky	Vypněte zařízení a přepněte přepínač směru otáčení.
Drcený materiál se zachycený v plnici násypce	Drcený materiál zachycený v plnici násypce	Vypněte zařízení. Přepínač chodu vpřed/vzad nastavte do směru vzad. Zapněte zařízení, aby se uvolnil drcený materiál, a odstraňte všechny cizí látky. Zařízení znovu zapněte. Směr otáčení přepněte zpátky na směr dopředu.
	Drcený materiál je příliš měkký nebo mokrý	Zatlačte ho dolů větví.
	Řezací válec je opotřebený	Provedte seřízení pevného protinože způsobem popsaným v odstavci „Seřízení vále nože“. Pokud bude řezací válec značně opotřebený, vyměňte ho.
	Drcený materiál není řezaný čistě	Pevný protinůž není správně seřízený
Zařízení se spustí, ale zablokuje se i při lehkém zatížení, a brzy se vypne ochranným spínačem motoru.	Prodlužovací kabel je příliš dlouhý nebo je jeho průřez příliš malý. Zásuvka je příliš daleko od síťového napájení nebo je průřez síťového kabelu příliš malý	Zkontrolujte, zda je průřez prodlužovacího kabelu alespoň 1,5 mm ² a délka maximálně 25 m. Pokud používáte delší kabel, minimální průřez musí být 2,5 mm ² .

ES PROHLÁŠENÍ O SHODĚ

Pouze pro evropské země

Prohlášení o shodě pro ES je k tomuto návodu k použití připojeno jako Příloha A.

AVERTISMENT: Acest aparat poate fi utilizat de către copiii de peste 8 ani și persoanele cu capacități fizice, senzoriale sau mentale reduse sau care nu au experiență sau nu dețin cunoștințele necesare, cu condiția să fie supravegheate și instruite cu privire la utilizarea în siguranță a aparatului și să conștientizeze pericolele pe care le implică utilizarea. Li se va interzice copiilor să se joace cu aparatul. Este interzisă efectuarea lucrărilor de curățare și de întreținere de către copiii nesupravegheați.

IDENTIFICAREA COMPONENTELOR

1	Pâlnie de alimentare	7	Carcasă superioară	14	Șurub
2	Buton de pornire/oprire	8	Coș de colectare	15	Contracățit
3	Mâner	9	Cadru suport	16	Disc de tăiere
4	Priză de alimentare	10	Buton de reglare		
5	Buton de blocare	11	Buton de fixare		
6	Buton de schimbare a direcției de rotire înainte/înapoi	12	Apărătoarea cuțitului		
		13	Gură de alimentare		

DATE TEHNICE

Model	UD2500
Denumire	Tocător electric
Motor	Motor c.a. 230-240 V ~ 50 Hz
Putere motor P40	2.500 W
Putere motor P1 S1	2.000 W
Viteză de rotație a discului de tăiere	40 min ⁻¹
Buton de pornire/oprire cu	protecție la suprasarcină; funcție de tăiere și readucere, protecție la căderi de tensiune
Greutate	27,6 kg
Diametru maxim al crengilor (numai pentru materiale lemnoase proaspăt tăiate)	Max. 45 mm
Clasă de siguranță	I
Clasă de protecție	IP X4

DATE DESPRE NIVELUL DE ZGOMOT

Nivel de presiune acustică	74,88 dB (A), K= 2,50 dB (A)
Nivel de presiune acustică perceput de operator	84,4 dB (A), K= 3 dB (A)
Nivel de putere acustică măsurat	93,49 dB (A), K= 3,97 dB (A)
Nivel de putere acustică garantat	97 dB (A)

Nivelul de intensitate acustică perceput de operator poate depăși 80 dB (A). Purtați antifoane.

SIMBOLURI

Mai jos sunt prezentate simbolurile utilizate pentru mașină. Asigurați-vă că înțelegeți semnificația acestora înainte de utilizare.



- Citiți manualul de instrucțiuni.



- Acordați o atenție deosebită.



- Opriti motorul și scoateți cablul de alimentare din priză înainte de a efectua lucrări de reparație, curățare sau întreținere.



- Atenție la obiectele aruncate la viteză mare!



- Interziceți accesul persoanelor străine și animalelor în zona periculoasă.



- Pericol – cuțit în mișcare. Nu țineți mâinile și picioarele în apropierea orificiilor în timpul funcționării mașinii.



- Pericol – cuțit în mișcare. Nu țineți mâinile și picioarele în apropierea orificiilor în timpul funcționării mașinii.



- Purtați echipament de protecție oculară și auditivă.



- Purtați mănuși de protecție.



- Nu expuneți la ploaie sau umezeală.



- Rotiți în sensul acelor de ceasornic pentru o distanță mai mică / rotiți în sens invers acelor de ceasornic pentru o distanță mai mare



- Deschideți apărătoarea cuțitului pentru a înlocui cuțitul sau pentru a efectua operațiuni de întreținere sau reparație asupra cuțitului.



- Așteptați până când toate piesele se opresc complet.



- Nu folosiți mașina pe post de scară.



- Numai pentru țările din UE
Nu aruncați echipamentul electric sau acumulatorii împreună cu deșeurile menajere obișnuite! În concordanță cu Directiva Europeană 2002/96/CE privind deșeurile de echipamente electrice și electronice, 2006/66/CE privind bateriile și acumulatorii și deșeurile de baterii și acumulatorii și implementarea acestora în conformitate cu legislația națională, echipamentele electrice și acumulatorii care urmează să fie scoase/scoși din uz trebuie să fie colectate/colectați separat și predate/predați unui centru de reciclare care respectă siguranța mediului înconjurător.

AVERTISMENTE CU PRIVIRE LA SIGURANȚĂ

CITIȚI CU ATENȚIE ÎNAINTE DE UTILIZARE PĂSTRAȚI MANUALUL DE INSTRUCȚIUNI PENTRU A-L CONSULTA ULTERIOR



Nu puneți în funcțiune mașina înainte de a citi instrucțiunile de utilizare. Respectați toate instrucțiunile din manual și asamblați mașina conform descrierii.

Domeniu de utilizare

- Tocătorul de grădină este destinat tocării următoarelor obiecte:
 - Toate tipurile de crengi cu diametru maxim egal cu valoarea specificată (în funcție de tipul și starea produsului lemnos)
 - Resturi vegetale de grădină, ca de exemplu plante uscate sau buruieni umede strânse de câteva zile (introduceți-le alternativ cu crengile).
- Tocătorul de grădină este destinat exclusiv utilizării personale și nu utilizării comerciale. Nu îl utilizați nici în locuri publice.

Pentru sisteme publice de distribuție a energiei electrice de joasă tensiune între 220 V și 250 V.

Operațiile de comutare ale aparatului electric generează fluctuații ale tensiunii. Funcționarea acestui dispozitiv în condiții de alimentare electrică nefavorabile poate afecta funcționarea altor echipamente. Cu o impedanță a rețelei electrice mai mică de 0,45 Ohmi, se poate presupune că nu vor exista efecte negative. Priza de alimentare folosită pentru acest dispozitiv trebuie să fie protejată cu o siguranță fuzibilă sau un întrerupător de protecție cu caracteristică de declanșare lentă.

Instrucțiuni generale

- Citiți acest manual pentru a vă familiariza cu manevrarea mașinii. Utilizatorii insuficient informați riscă să se pună în pericol și să pună și alte persoane în pericol, din cauza manipulării necorespunzătoare.
- Nu împrumutați mașina persoanelor fără experiență în utilizarea acestui tip de echipament.
- Atunci când împrumutați mașina, anexați și manualul de instrucțiuni.
- Tocătorul electric nu este destinat utilizării de către persoane cu capacități fizice, senzoriale sau mentale reduse sau de către persoanele care nu au experiență sau nu dețin cunoștințele necesare. Copiii mici vor fi supravegheați pentru a se asigura că nu se joacă cu tocătorul. Nu lăsați copiii să pună în funcțiune mașina.
- Utilizați tocătorul numai dacă starea dumneavoastră de sănătate fizică este bună. Efectuați toate lucrările cu calm și atenție. Utilizatorul răspunde de siguranța tuturor persoanelor aflate în apropierea zonei de utilizare, precum și de eventualele daune produse.
- Nu utilizați niciodată mașina după ce ați consumat alcool sau medicamente sau dacă vă simțiți obosit ori sunteți bolnav.
- Respectați aceste instrucțiuni și țineți cont de condițiile de lucru și de materialul folosit atunci când utilizați mașina. Utilizarea în alte scopuri decât cele prevăzute poate duce la situații periculoase.
- Nu modificați mașina și dispozitivele de siguranță, cum ar fi dispozitivul de blocare. Astfel de acțiuni vă periclitează siguranța.

- Legislația națională sau locală poate restricționa manevrarea mașinii.
- Fiți vigilenți. Concentrați-vă asupra lucrării pe care o efectuați. Fiți rațional și logic. Nu utilizați mașina atunci când sunteți obosit.

Echipamentul de protecție personală

- Purtați îmbrăcăminte adecvată. Aceasta trebuie să fie practică și adecvată, cu alte cuvinte să fie strânsă pe corp, dar să ofere libertate de mișcare. Nu purtați bijuterii sau îmbrăcăminte care s-ar putea agăța în piesele mașinii. Persoanele cu părul lung trebuie să poarte articole de protecție a părului.
- Purtați în permanență antifoaane, pentru a vă proteja auzul.
- Purtați ochelari de protecție pentru a vă proteja ochii de resturile aruncate din pâlnia de alimentare.
- Purtați mănuși de protecție pentru a evita rănirea degetelor.
- Purtați mască facială atunci când se degajă cantități mari de praf, de exemplu în timpul tocării crengilor uscate și a gardurilor vii cu frunze.
- Atunci când utilizați mașina, purtați încălțăminte rezistentă cu talpă antiderapantă. Astfel, veți fi protejați împotriva leziunilor și vă veți asigura un bun echilibru.

Siguranța zonei de lucru

- Nu lăsați copiii și persoanele străine să stea în apropierea zonei de utilizare a mașinii.
- Utilizați mașina în spații deschise și pe suprafețe drepte și fără denivelări. Nu utilizați mașina în apropierea zidurilor sau altor obiecte.
- Nu utilizați mașina în atmosfere explozive, de exemplu în prezența lichidelor, gazelor sau pulberilor inflamabile. Mașina generează scântei, care pot provoca aprinderea pulberilor sau vaporilor.
- Nu utilizați mașina pe suprafețe pavate sau pietruite, pe care materialul evacuat poate ricoșa, provocând leziuni.
- Păstrați curățenia la locul de muncă și asigurați iluminarea corespunzătoare. Dezordinea sau locurile neluminate favorizează producerea accidentelor.
- Nu expuneți mașina la ploaie sau umezeală. Apa care pătrunde în mașină poate mări pericolul de electrocutare.

Pornirea mașinii

- Înainte de conectarea cablului de alimentare sau de pornirea mașinii:
 - Verificați dacă toate șuruburile, piulițele și elementele de fixare sunt bine strânse.
 - Verificați dacă apărătorii, deflectorii și sitele sunt în locurile corespunzătoare și în bună stare de funcționare.
 - Înlocuiți etichetele deteriorate sau ilizibile.
 - Verificați dacă pâlnia de alimentare este goală.
 - Verificați dacă orificiile de alimentare și de evacuare sunt corect protejate.
 - Verificați cu atenție toate piesele mașinii pentru a stabili dacă funcționează corect și îndeplinesc funcțiile preconizate. Verificați mai ales butonul de pornire/oprire; dacă acesta nu funcționează corect, nu utilizați mașina.
- În cazul în care cablul de alimentare este deteriorat, solicitați înlocuirea sa cu un cablu original la un centru de service autorizat Makita.

Siguranța electrică

⚠️ AVERTISMENT:

- Acesta este un aparat de clasă I. Conectați-l la o priză de alimentare cu împământare. Lipsa firului de împământare poate duce la electrocutare și deces. Utilizați numai cabluri prelungitoare cu trei fire prevăzute cu fișe cu împământare și prize cu împământare, care să se potrivească cu priza mașinii.
- În timpul funcționării mașinii, evitați contactul fizic cu obiecte supraterane sau subterane (de exemplu țevi sau conducte de încălzire).
- Pentru utilizarea în aer liber, utilizați numai un cablu prelungitor IEC60245 (H07RN-F) prevăzut cu conector cu protecție împotriva stropilor de apă. Secțiunea transversală a conductorului trebuie să fie de cel puțin 1,5 mm² pentru cabluri de până la 25 m lungime și de 2,5 mm² pentru cabluri de peste 25 m lungime.
- Dacă se utilizează un cablu lung și subțire, pot apărea scăderi de tensiune. În acest caz, puterea mașinii poate scădea.
- Atunci când utilizați cablul prelungitor, aveți grijă ca acesta să nu se încurce, îndoiască sau răsucească, iar fișa să nu se ude.
- Atunci când utilizați un tambur de cablu, desfășurați tot cablul de pe tambur.
- Nu utilizați cablul în alte scopuri, de exemplu pentru a transporta, trage sau scoate din priză mașina. Feriți cablul de sursele de căldură, de ulei, de marginile ascuțite sau de piesele mobile. Un cablu deteriorat sau incurcat poate crește riscul de electrocutare.
- Verificați regulat izolația cablului prelungitor, pentru a identifica eventuale semne de deteriorare. Dacă izolația este deteriorată, înlocuiți cablul.
- Dacă este defect cablul de conectare, scoateți-l imediat din priză. Un cablu defect poate intra în contact cu piesele aflate sub tensiune și poate provoca șocuri electrice.
- Nu utilizați niciodată cabluri defecte.
- Nu alimentați mașina decât de la prize cu circuite electrice verificate. Verificați dacă tensiunea rețelei corespunde cu tensiunea specificată pe eticheta mașinii.
- Nu dezactivați și nu suntați dispozitivele de protecție.
- Atunci când folosiți mașina în aer liber, utilizați un întrerupător de curent rezidual (RCD) cu un curent de funcționare de 30 mA sau mai puțin.

Utilizarea propriu-zisă

- Nu țineți mâinile și corpul în apropierea orificiului de alimentare.
- Nu introduceți mâinile sau alte părți ale corpului ori îmbrăcăminte în orificiile de alimentare și de evacuare sau în spațiile din jurul pieselor aflate în mișcare. Se pot produce vătămări corporale grave.
- Mențineți o poziție normală a corpului. Adoptați o poziție stabilă și păstrați-vă echilibrul în permanență. Astfel, veți putea controla mai bine mașina în situații neașteptate. Nu stați la o înălțime mai mare față de cadrul mașinii atunci când introduceți materialul de tocat.
- Nu stați aproape de orificiul de evacuare în timpul funcționării mașinii.
- Respectați legislația privind protecția împotriva zgomotului.
- Nu introduceți pietre, bucăți de metal, sticle sau alte obiecte străine. Aveți grijă ca astfel de obiecte să nu fie introduse odată cu materialul de tocat.

- Oprii imediat motorul și scoateți cablul din priză dacă cuțitul a atins un obiect străin sau dacă mașina începe să vibreze sau să emită zgomote neobișnuite. Verificați dacă tocătorul este în bună stare de funcționare și strângeți piesele desfăcute. Solicitați repararea mașinii la un centru de service autorizat.
- Nu lăsați materialul prelucrat să se adune în orificiul de evacuare. În caz contrar, materialul poate fi aruncat prin orificiul de alimentare.
- Oprii motorul și scoateți cablul din priză înainte de a:
 - Lăsa mașina nesupravegheată
 - Îndepărta un obiect blocat sau remedia o defecțiune
 - Verifica și efectua lucrări de curățare sau reparație
 - Efectua reglaje, schimba accesorii sau depozita mașina
 - Dacă mașina începe să vibreze sau auziți zgomote neobișnuite
 - Curăța orificiul de alimentare sau evacuare
 - Fixa sau scoate coșul de colectare
 - Transporta mașina.
- Nu înclinați mașina în timpul funcționării.
- Stați la mare distanță față de mașină atunci când introduceți materiale lungi. Acestea pot sări înapoi și pot provoca vătămări corporale.
- Nu utilizați mașina fără pâlnia de alimentare.
- Nu suprasolicitați mașina. Aceasta va funcționa mai bine și în condiții de siguranță la sarcina pentru care a fost concepută. Supraîncărcarea frecventă poate provoca defectarea motorului sau incendii.
- Utilizați aparatul corect. Nu utilizați aparatele pentru a executa lucrări pentru care nu au fost concepute. Nu introduceți piese metalice, sticlă, pietre, obiecte ceramice sau din plastic, crengi groase, lemn tare sau plăci din lemn groase etc.

Instrucțiuni de întreținere

- Solicitați repararea mașinii la centrul nostru de service autorizat, cu mențiunea ca piesele înlocuite să fie originale. Lucrările de reparație incorecte și lipsa întreținerii pot scurta durata de viață a mașinii și pot crește pericolul producerii de accidente.
- Înainte de a executa lucrări de reparație, verificare, reglare, depozitare sau schimbare a accesoriilor, urmați pașii de mai jos:
 - Oprii sursa de alimentare cu curent
 - Scoateți cablul de alimentare din priză
 - Verificați dacă toate piesele mobile s-au oprit complet
 - Lăsați mașina să se răcească.
- Verificați mașina pentru a identifica eventualele defecte:
 - Verificați dacă dispozitivele de siguranță funcționează corespunzător
 - Verificați dacă toate piesele mobile funcționează ușor și corect
 - Verificați dacă toate piesele sunt în bună stare și corect montate
 - Dacă există piese defecte, înlocuiți-le sau reparați-le la centrul nostru de service autorizat.
- Aveți mare grijă atunci când reparați cuțitul. Acesta poate fi mișcat cu mâna prin elementul de blocare al apărătorii.

- Nu curățați dispozitivul cu apă. Se pot produce șocuri electrice.
- Purtați mănuși de protecție în timpul lucrărilor de întreținere sau de montare, pentru a nu vă răni degetele.
- Nu efectuați alte lucrări de întreținere sau reparație în afara celor descrise în acest manual. Orice altă lucrare trebuie executată la centrul de service autorizat Makita.
- Folosiți numai piese de schimb și accesorii originale Makita special concepute pentru mașina dumneavoastră. În caz contrar, puteți suferi vătămări corporale sau mașina se poate defecta.
- Păstrați mașina într-o încăpere uscată. Nu lăsați mașina la îndemâna copiilor. Nu depozitați mașina în aer liber.

ASAMBLAREA

⚠ ATENȚIE:

- Asigurați-vă întotdeauna că mașina este oprită și scoasă din priză înainte de a efectua lucrări asupra sa.

1. Așezați carcasa superioară cu fața în jos pe o suprafață dreaptă. Așezați cadrul suport al mașinii pe carcasă. Atenție la sensul corect al cadrului! (Fig. 2)
2. Fixați cu șuruburi ambele părți. Verificați ca acestea să fie perfect stabile. (Fig. 3)
3. Fixați cu șuruburi elementele stabilizatoare. Asigurați-vă că sunt bine strânse. (Fig. 4)
4. Fixați roțile după cum urmează: (Fig. 5)
 - Fixați axul pe una dintre roți.
 - Introduceți axul prin găurile de pe picior.
 - Fixați cealaltă roată pe ax trecând știftul prin gaura de pe ax. Strângeți roata prin îndoirea știftului.
 - Fixați capacele pe roți.
5. Fixați coșul de colectare. După aceea, ridicați butonul de blocare. (Fig. 6)

DESCRIEREA FUNCȚIILOR

⚠ AVERTISMENT:

Înainte de a introduce cablul de alimentare în priză, asigurați-vă că mașina este oprită. Dacă butonul de pornire este acționat înainte de a introduce cablul în priză, mașina poate porni brusc, ceea ce poate cauza vătămări corporale grave.

Butonul de pornire/oprire (Fig. 7)

⚠ ATENȚIE:

Nu utilizați mașina dacă butonul de pornire/oprire nu funcționează. Solicitați înlocuirea butoanelor defecte la un centru de service autorizat Makita. Pentru a porni mașina, apăsați butonul verde. Pentru a opri mașina, apăsați butonul roșu.

Indicatorul cu led

Indicatorul cu led arată starea mașinii după cum urmează:

Culoarea **ROȘIE**: Mașina este conectată la sursa de alimentare cu energie, iar motorul este oprit.

Culoarea **VERDE**: Mașina este pornită.

Culoarea **VERDE intermitent** în mod constant:

Mașina s-a blocat în timpul funcționării.

Culoarea **ROȘIE intermitent**: Mașina nu poate reporni automat. În astfel de situații, remediați problema manual.

Protecția împotriva repornirii accidentale

Mașina se oprește automat în momentul în care alimentarea cu energie electrică se întrerupe. Pentru a reporni mașina, apăsați din nou butonul verde.

Protecția la suprasarcină

Motorul este echipat cu dispozitiv de protecție la suprasarcină. Atunci când este supraîncărcată, mașina se comportă astfel:

- Cuțitul se rotește înapoi timp de două sau trei secunde, încercând să împingă în afară materialul tocat.
- Cuțitul se rotește înainte din nou.
- Dacă, după trei asemenea încercări, materialul blocat nu este eliminat, mașina se oprește, iar ledul indicatorului se aprinde intermitent în culoarea roșie.

În astfel de situații, executați pașii următori:

- Opriți mașina.
- Așteptați până când cuțitul se oprește complet.
- Îndepărtați materialul blocat.
- Porniți tocătorul după circa 5 minute și introduceți material mai ușor.
- Dacă nu puteți porni mașina după acest interval de așteptare, consultați paragraful „Remediarea problemelor”.

Butonul de schimbare a direcției de rotire înainte/înapoi

⚠️ ATENȚIE:

Opriți tocătorul înainte de a schimba direcția de rotire (înainte/înapoi).

Poziția ↓

Discul se rotește spre înainte.

Poziția ↑

Discul se rotește în sens invers, pentru a elimina materialul blocat.

Atunci când schimbați direcția în ↑ (înapoi), apăsați butonul verde al butonului de pornire/oprire pentru a roti discul. Tocătorul se oprește automat în momentul în care eliberați butonul de pornire/oprire.

OBSERVAȚIE:

- Pentru tocarea unui obiect de mari dimensiuni, s-ar putea să fie nevoie de mai multe operațiuni de schimbare a direcției de rotire.

⚠️ ATENȚIE:

- Pentru a evita producerea accidentelor, îndepărtați obiectele blocate cu ajutorul unui cârlig sau al unui băț.
- Așteptați întotdeauna ca tocătorul să se oprească complet înainte de a-l reporni.

Coșul de colectare

⚠️ ATENȚIE:

- Opriți mașina și scoateți cablul din priză înainte de a fixa sau scoate coșul de colectare.
- Pentru o utilizare în condiții de siguranță, verificați o dată la două ore dacă dispozitivul de blocare funcționează.
- Nu încercați să demontați dispozitivul de blocare de siguranță.

Butonul de blocare:

Poziția de sus → Coșul de colectare este blocat.

Poziția de jos → Coșul de colectare este deblocat.

Dispozitivul nu este acționat, datorită funcției de siguranță.

Mașina nu pornește dacă butonul de blocare este în poziția de deblocare. Mașina se oprește automat dacă coșul de colectare se deblochează în timpul funcționării.

Apărătoarea cuțitului

⚠️ ATENȚIE:

- Asigurați-vă că mașina este oprită și cablul de alimentare scos din priză înainte de a deschide apărătoarea cuțitului.
- Purtați mănuși de protecție atunci când deschideți apărătoarea cuțitului.
- Cuțitul nu se oprește imediat după oprirea mașinii. Așteptați până când toate piesele se opresc.

Dacă în carcasa superioară există o cantitate mare de obiecte blocate, îndepărtați-le deschizând apărătoarea cuțitului.

FUNCȚIONAREA

Amplasați mașina:

- Pe o suprafață orizontală, dreaptă. Nu așezați mașina pe suprafețe pavate sau pietruite.
- La o distanță de siguranță (de cel puțin 2 m) față de ziduri sau alte obiecte.

Înainte de a începe lucrarea, asigurați-vă că:

- Nu sunt deteriorate cablurile de alimentare. Dacă acestea sunt tăiate sau rupte, opriți mașina și înlocuiți-le imediat.
- Mașina nu prezintă urme de deteriorare și toate șuruburile sunt strânse.
- Toate componentele sunt corect asamblate.

Verificați priza de rețea:

- Asigurați-vă că tensiunea prizei de curent corespunde cu tensiunea nominală de pe eticheta mașinii și că mașina este împământată corespunzător.
- Utilizați numai cabluri prelungitoare cu conductoare cu secțiune transversală suficientă.

Materialele care pot fi prelucrate cu tocătorul

Tocătorul poate prelucra următoarele tipuri de materiale:

- Toate tipurile de crengi cu diametru maxim egal cu valoarea specificată, în funcție de tipul și starea produsului lemnos
- Resturi vegetale de grădină, ca de exemplu plante uscate sau buruieni umede strânse de câteva zile (introduceți-le alternativ cu crengile).

Tocătorul NU poate prelucra următoarele tipuri de materiale:

- Sticlă, metal, plastic, piatră, ceramică, crengi mai groase, lemn dur, plăci din lemn groase, textile, pungii din plastic, rădăcini cu pământ.
- Deșeuri în stare aproape lichidă, de exemplu deșeuri menajere.

Utilizarea propriu-zisă: (Fig. 8)

- Introduceți materialul în pâlnia de alimentare, din partea dreaptă.

- Tocați crengile, ramurile subțiri și bucățile de lemn imediat după ce le tăiați. Acestea se pot întări foarte mult pe măsură ce se usucă.
- Îndepărtați ramificațiile de pe crengi dacă nu le puteți introduce ușor.
- Oprii motorul și scoateți cablul de alimentare din priză înainte de a curăța orificiul de evacuare.
- Nu lăsați materialul tocat să se adune în orificiul de evacuare. În caz contrar, materialul tocat poate bloca orificiul de evacuare. Goliți coșul de colectare în mod regulat.
- Nu introduceți materiale mai mari decât diametrul maxim specificat în tabelul Date tehnice. În funcție de prospețimea și starea materialului lemnos, este posibil ca diametrul maxim să fie mai mic.
- În urma tocării resturilor vegetale umede provenite din grădină, se formează blocaje. Pentru a evita blocarea mașinii, tocați resturile vegetale alternativ cu materiale lemnoase.
- Materialele moi sau crengile umede pot fi rupte în loc să fie tăiate. Contracuțitul uzat poate cauza, de asemenea, această problemă.
- Dacă orificiul de alimentare sau deflectorul se blochează, oprii motorul și scoateți din priză cablul de alimentare înainte de a îndepărta resturile blocate din orificiul de alimentare sau din deflector. Îndepărtați în permanență resturile și alte depuneri de pe sursa de alimentare, pentru a evita defectarea sursei sau producerea unui incendiu.

Reglarea distanței dintre cuțit și discul de tăiere (Fig. 9)

Pentru o bună funcționare, reglați distanța dintre contracuțitul și discul de tăiere.

Stabilirea distanței optime:

- Porniți dispozitivul.
- Rotiți butonul de fixare în sens invers acelor de ceasornic pentru a debloca butonul de reglare.
- Rotiți încet butonul de reglare în sensul acelor de ceasornic pentru a așeza contracuțitul aproape de discul de tăiere. Rotiți până când prin orificiul de evacuare încep să cadă așchii mici de aluminiu.
- Rotiți butonul de fixare în sensul acelor de ceasornic pentru a bloca butonul de reglare.

ÎNTREȚINEREA

⚠️ ATENȚIE:

- Asigurați-vă că mașina este oprită și cablul de alimentare scos din priză înainte de a efectua lucrări de verificare sau întreținere.
- Purtați mănuși de protecție atunci când efectuați lucrări de verificare sau întreținere.
- Cuțitul nu se oprește imediat după oprirea mașinii. Așteptați ca toate piesele să se oprească înainte de a efectua lucrări de întreținere.
- Nu uitați să scoateți toate uneltele după ce ați efectuat lucrările de întreținere.
- Nu folosiți niciodată benzină, neofalină, diluant, alcool sau substanțe asemănătoare. Se pot produce decolorări, deformări sau fisuri. Pentru a curăța mașina, utilizați doar o lavetă umedă și o perie moale.
- Nu spălați mașina cu furtunul sau cu aparate de spălat cu înaltă presiune.

După fiecare utilizare, efectuați următoarele lucrări de întreținere:

- Verificați dacă toate șuruburile de blocare sunt strânse (dacă este nevoie, strângeți-le).
- Lubrifiați piesele metalice pentru a le proteja împotriva coroziunii.
- Curățați fantele de aerisire și îndepărtați praful de pe acestea.

Discul de tăiere și contracuțitul se uzează în timp. Solicitați înlocuirea acestora la un centru de service autorizat atunci când este cazul.

REMEDIEREA PROBLEMELOR

AVERTISMENT: Înainte de a începe să remediați problemele, opriți mașina, scoateți cablul de alimentare din priză și așteptați ca mașina să se oprească complet.

Problemă	Cauză posibilă	Soluție
Motorul nu pornește	Lipsă alimentare	Verificați priza de alimentare.
	Cablul de alimentare defect	Solicitați verificarea la un centru de service autorizat.
	Protecția la suprasarcină este activată	Așteptați ca mașina să se răcească și apăsați butonul verde.
	Dispozitivul de oprire de siguranță a coșului de colectare a fost declanșat (coșul este deblocat)	Verificați și blocați coșul de colectare.
Motorul se aude, dar mașina nu pornește	Discul de tăiere este blocat	Opriti mașina. Puneți butonul de schimbare a direcției de rotire în poziția înapoi. Porniți mașina și lăsați-o să funcționeze până la eliminarea blocajului. Opriti din nou mașina. Puneți butonul de schimbare a direcției de rotire în poziția înainte.
	Condensator defect	Duceți mașina la un centru de service autorizat, în vederea reparării.
	Materialul tocat nu este introdus automat	Opriti mașina și schimbați direcția de rotire cu ajutorul butonului.
Materialul tocat nu este introdus automat	Cuțitul se rotește înapoi.	Opriti mașina. Puneți butonul de schimbare a direcției de rotire în poziția înapoi. Porniți mașina pentru a elibera materialul de tocat și îndepărtați obiectele străine. Opriti din nou mașina. Puneți butonul de schimbare a direcției de rotire în poziția înainte.
	Materialul tocat s-a prins în pâlnia de alimentare	Împingeți-l cu o creangă
	Materialul de tocat este prea moale sau ud	Reglați contracuțitul fix urmând instrucțiunile din paragraful „Reglarea distanței dintre cuțit și discul de tăiere”. Dacă discul de tăiere este foarte uzat, înlocuiți-l.
	Disc de tăiere uzat	Reglați contracuțitul.
Materialul nu este tocat corespunzător	Contrațuțitul fix nu este reglat corect	Reglați contracuțitul.
Mașina pornește, dar se blochează la sarcină mică și este oprită de întrerupătorul de protecție a motorului.	Cablul prelungitor este prea lung sau secțiunea conductorului este prea mică. Priza este prea departe de rețea sau secțiunea conductorului cablului de alimentare este prea mică	Cablul prelungitor trebuie să aibă secțiunea de cel puțin 1,5 mm ² și lungimea de cel mult 25 m. Dacă utilizați un cablu mai lung, secțiunea minimă trebuie să fie de 2,5 mm ² .

DECLARAȚIE DE CONFORMITATE CE

Doar pentru țările europene

Declarația de conformitate CE este inclusă ca Anexa A la prezentul manual de instrucțiuni.

ПРЕДОСТЕРЕЖЕНИЕ: Данное устройство можно использовать детям старше 8 лет и лицам с ограниченными физическими, чувственными или психическими способностями, а также неопытными или некомпетентными лицами, если они находятся под наблюдением или получают указания по безопасному использованию устройства и понимают связанные с этим опасности. Дети не должны играть с устройством. Чистка и техническое обслуживание пользователем не должны выполняться детьми без наблюдения.

НАЗНАЧЕНИЕ ЧАСТЕЙ

1	Загрузочная воронка	7	Верхний кожух	14	Винт
2	Переключатель питания	8	Наполнительная корзина	15	Обратное лезвие
3	Рукоятка	9	Основная рама	16	Режущий роллер
4	Сетевой штепсель	10	Регулирующая рукоятка		
5	Рычаг блокировки	11	Фиксирующая рукоятка		
6	Переключатель вперед / назад	12	Крышка лезвия		
		13	Сторона подачи		

ТЕХНИЧЕСКИЕ ДАННЫЕ

Модель	UD2500
Название	Электрический Садовый Измельчитель
Мотор	Мотор переменного тока 230-240 В ~ 50 Гц
Мощность мотора P40	2500 Вт
Мощность мотора P1 S1	2000 Вт
Скорость вращения режущего роллера	40 мин ⁻¹
Переключатель питания с	защитой от перегрузки; функцией резки и обратной резки, инициатором нулевого напряжения
Вес	27,6 кг
Макс. диаметр веток (только для свежесрезанной древесины)	Макс. 45 мм
Класс безопасности	I
Класс защиты	IP X4

ДАННЫЕ О ШУМЕ

Уровень звукового давления	74,88 дБ (А), K= 2,50 дБ (А)
Уровень звукового давления близи ушей оператора	84,4 дБ (А), K= 3 дБ (А)
Измеренный уровень звуковой мощности	93,49 дБ (А), K= 3,97 дБ (А)
Гарантированный уровень звуковой мощности	97 дБ (А)

Уровень интенсивности звука для оператора может превышать 80 дБ (А). Используйте защиту для органов слуха.

СИМВОЛЫ

Ниже приведены символы, используемые для машины. Перед использованием убедитесь в том, что Вы понимаете их значение.



• Прочитайте руководство по эксплуатации.



• Будьте особенно осторожны и внимательны.



• Выключите мотор и отсоедините от сети перед обслуживанием, очисткой, техническим обслуживанием или ремонтом.



• Предметы могут выбрасываться с большой скоростью.



• Не допускайте окружающих и животных в опасную зону.



• Опасно — Вращающиеся лезвия. Держите руки и ноги на расстоянии от отверстий во время работы машины.



• Опасно — Вращающиеся лезвия. Держите руки и ноги на расстоянии от отверстий во время работы машины.



• Используйте защиту для глаз и ушей.



• Надевайте защитные перчатки.



• Не подвергайте воздействию дождя или влаги.



• Поворачивайте рукоятку по часовой стрелки для уменьшения зазора / поворачивайте рукоятку против часовой стрелки для увеличения зазора



• Откройте крышку лезвия для замены лезвия или для обслуживания.



• Подождите, пока все части машины не остановятся.



• Не используйте машину в качестве подставки.



- Только для стран ЕС
Не утилизируйте электрическое оборудование или батарейный блок вместе с бытовым мусором! Согласно Европейской Директиве 2002/96/ЕС об утилизации электрического и электронного оборудования, 2006/66/ЕС для батарей и аккумуляторов и разрядившихся батарей и аккумуляторов в соответствии с национальным законодательством и для ее выполнения в соответствии с государственными законами, электрическое оборудование и батарейный блок, срок службы которого истек, должны быть отдельно собрано и возвращено в пункт утилизации вторично используемого сырья с соблюдением требований охраны окружающей среды.

МЕРЫ ПРЕДОСТОРОЖНОСТИ ПО БЕЗОПАСНОСТИ

**ВНИМАТЕЛЬНО ПРОЧИТАЙТЕ ПЕРЕД ИСПОЛЬЗОВАНИЕМ
СОХРАНИТЕ ИНСТРУКЦИЮ ПО ЭКСПЛУАТАЦИИ
ДЛЯ ДАЛЬНЕЙШИХ СПРАВОК**



Не начинайте работу машины до тех пор, пока Вы не прочтаете данную инструкцию по эксплуатации. Соблюдайте все приведенные инструкции и установите машину согласно описанию.

Предполагаемое использование машины

- Садовый измельчитель предназначен для измельчения следующих предметов:
 - Все типы веток до максимального диаметра, возможного для машины (зависит от типа и состояния древесины)
 - Садовый мусор, например, увядшие растения или влажные сорняки, пролежавшие несколько дней (Загружайте их поочередно с ветками)
- Садовый измельчитель предназначен только для личного использования и не предназначен для промышленного использования. Не используйте его в общественных местах.

Для низковольтных систем общего пользования напряжением от 220 В до 250 В.

Включение электрического устройства приводит к колебаниям напряжения. Использование данного устройства в неблагоприятных условиях электроснабжения может оказывать негативное влияние на работу другого оборудования. Если полное сопротивление в сети питания равно или менее, 0,45 Ом, можно предполагать, что данный инструмент не будет оказывать негативного влияния. Сетевая розетка, используемая для данного инструмента, должна быть защищена предохранителем или прерывателем цепи с медленным размыканием.

Общие инструкции

- Прочитайте данную инструкцию по эксплуатации, чтобы узнать, как обращаться с этой машиной. Недостаточно информированные пользователи подвергают опасности себя, а также окружающих, из-за неправильного обращения.
- Не давайте пользоваться машиной людям, не имеющим соответствующего опыта.
- Если Вы даете машину другим людям, обязательно передайте эту инструкцию по эксплуатации.
- Электрический садовый измельчитель не предназначен для использования лицами, имеющими физические, сенсорные или психические недостатки, а также недостаточно опытными или неквалифицированными лицами. Маленькие дети должны быть под наблюдением, чтобы не допустить игр с машиной. Не позволяйте детям управлять этим устройством.
- Управляйте только в случае хорошего физического состояния. Выполняйте все работы спокойно и внимательно. Пользователь отвечает за безопасность окружающих лиц и повреждения в рабочей зоне.
- Никогда не используйте эту машину после употребления алкоголя или лекарств, а также в случае усталости или недомогания.
- Используйте машину в соответствии с данной инструкцией по эксплуатации, принимая во внимание условия работы и применение. Использование машины для непредназначенных целей может привести к опасной ситуации.
- Ни в коем случае не вносите изменения в машину, включая предохранительные устройства, например, блокировочное устройство. Это подвергает Вас опасности.
- Национальные или местные правила могут ограничивать обращение с машиной.
- Будьте внимательны. Смотрите, что Вы делаете. Используйте здравый смысл. Не используйте машину, если Вы устали.

Средства индивидуальной защиты

- Используйте подходящую одежду. Одежда должна быть функциональной и подходящей, то есть облегающей, но не стесняющей. Не надевайте ювелирные украшения или одежду, которая может попасть в машину. Используйте головной убор для защиты длинных волос.
- Обязательно используйте защиту для органов слуха для предотвращения потери слуха.
- Используйте защитные очки для защиты глаз от осколков, вылетающих из загрузочной воронки.
- Используйте защитные перчатки для предотвращения травм пальцев.
- Используйте маску для лица в сумерках, например, при измельчении сухих веток, живых изгородей с листьями.
- При использовании машины обязательно надевайте крепкую обувь с нескользящей подошвой. Это защитит Вас от травм и обеспечит хорошую устойчивость.

Безопасность рабочей зоны

- При работе с машиной держитесь на удалении от детей и окружающих.

- Работайте с машиной на открытом месте с прочной ровной поверхностью. Не используйте машину вблизи стен или других объектов.
- Не используйте машину во взрывоопасной атмосфере, например, при наличии огнеопасных жидкостей, газов или пыли. При работе машины возникают искры, которые могут воспалить пыль или испарения.
- Не используйте машину на мощеной или посыпанной гравием поверхности, где выбрасываемый материал может привести к травме.
- Поддерживайте рабочую зону чистой и хорошо освещенной. В захламленных или темных местах более вероятны несчастные случаи.
- Не подвергайте машину воздействию дождя или влажных условий. Попадание воды в машину может увеличить опасность поражения электрическим током.

Запуск машины

- Перед подсоединением к электрической сети или включением машины:
 - Проверьте надежность фиксации всех винтов, гаек и других креплений.
 - Проверьте наличие и хорошее рабочее состояние щитков, отражателей и экранов.
 - Замените поврежденные или плохо читаемые наклейки.
 - Убедитесь, что загрузочная воронка пустая.
 - Убедитесь, что входное и выходное отверстия закрыты надлежащим образом.
 - Внимательно проверьте все части машины для уверенности, что они работают надлежащим образом и выполняют предназначенные функции. Особенно важно ни в коем случае не использовать машину, если переключатель работает неправильно.
- Если поврежден шнур питания, обратитесь для его замены в авторизованный сервисный центр Makita, в котором всегда используются оригинальные запасные части.

Электробезопасность

ПРЕДОСТЕРЕЖЕНИЕ:

- Это устройство является устройством Класса I. Подсоединяйте к сетевой розетке с разъемом заземления. Ненадлежащее заземление может привести к поражению электрическим током и смерти. Используйте только трехжильные удлинняющие шнуры, имеющие трехштырьковые заземленные вилки и трехполюсные розетки, подходящие к вилке устройства.
- Не допускайте контакта тела с заземленными или замкнутыми на землю поверхностями (например, трубами, радиаторами) во время работы.
- Используйте только удлинительный кабель IEC60245 (H07RN-F) для наружного использования с брызгозащитным соединителем. Поперечное сечение должно быть не менее 1,5 мм² для кабеля длиной до 25 м, и 2,5 мм² для кабеля длиннее 25 м.
- При использовании длинного тонкого кабеля может произойти падение напряжения. В этом случае может уменьшиться мощность машины.

- При использовании удлинительного кабеля убедитесь, что он не перекрещивается, не сдавливается и не сгибается, а также что вилка не становится влажной.
- При использовании кабельного барабана полностью размотайте кабель из барабана.
- Аккуратно обращайтесь со шнуром. Ни в коем случае не используйте шнур для переноски, вытягивания или отключения машины от сети. Держите шнур вдали от источников тепла, масла, острых углов и движущихся частей. Поврежденные или запутанные шнуры увеличивают опасность поражения электрическим током.
- Регулярно проверяйте удлинительный кабель для обнаружения повреждения изоляции. В случае повреждения замените его.
- Если соединительный кабель поврежден, немедленно отсоедините вилку от сети. Поврежденный кабель может вызвать контакт с находящимися под напряжением частями и поражение электрическим током.
- Ни в коем случае не используйте поврежденные кабели.
- Подключайте механизм только к розеткам в проверенных электрических цепях. Проверьте, что напряжение системы совпадает с указанным на табличке номиналов.
- Ни в коем случае не отключайте и не шунтируйте защитные устройства.
- При использовании машины вне помещения обязательно используйте прерыватель цепи остаточной токовой схемы (RCD) с рабочим током не более 30 мА.
- Не давайте обработанному материалу накапливаться в выходном отверстии. Иначе это может привести к выбросу материала через входное отверстие.
- Выключите мотор и отключите от сети перед тем, как:
 - Оставить механизм без надзора
 - Перед очисткой закупорки или при других неисправностях
 - Перед проверкой, очисткой или ремонтом машины
 - Перед выполнением любых настроек, замене принадлежностей или помещением на хранение
 - Каждый раз, когда машина начинает вибрировать или издавать необычный шум
 - Очистка входного или выпускного отверстий
 - Прикрепление или удаление накопительной корзины
 - Транспортировка.
- Не наклоняйте машину во время работы.
- Сохраняйте дистанцию с запасом при помещении длинных материалов. Они могут отскочить назад, что может вызвать травму.
- Не работайте без грузочной воронки.
- Не применяйте силу к машине. Это не позволит сделать работу лучше и безопаснее, чем это было предусмотрено. Частая перегрузка может привести к повреждению мотора или возгоранию.
- Используйте надлежащие принадлежности. Не используйте инструменты для целей, для которых они не предназначены. Не пытайтесь загружать металлические предметы, стекло, камни, керамику, пластик, толстые ветки, твердую древесину или толстые бревна и т.п.

Эксплуатация

- Держите лицо и тело на удалении от входного отверстия.
- Не допускайте попадания рук, любых частей тела или одежды внутрь входного и выпускного отверстий, а также не держите их вблизи движущихся частей. Это может привести к серьезной травме.
- Не допускайте перенапряжения. Все время сохраняйте устойчивость и равновесие. Это позволяет лучше контролировать машину в неожиданных ситуациях. При загрузке материалов в машину не стойте выше, чем основание машины.
- Всегда соблюдайте дистанцию от выпускного отверстия во время работы.
- Соблюдайте местные правила для защиты от шума.
- Не загружайте камни, куски металла, бутылки или другие посторонние предметы. При загрузке обращайте внимание на то, чтобы не было таких посторонних предметов.
- Немедленно выключите мотор и отключите от сети, если лезвие ударяется о посторонний предмет или машина начинает вибрировать или издавать необычный шум. Проверьте, не поврежден ли измельчитель, и зафиксируйте все недостаточно закрепленные детали. Обратитесь в авторизованный сервисный центр для ремонта машины.

Инструкции по техническому обслуживанию

- Выполняйте техническое обслуживание Вашей машины в нашем авторизованном сервисном центре, обязательно используя только оригинальные запасные части. Неправильный ремонт и ненадлежащее техническое обслуживание может сократить срок службы Вашей машины и увеличить вероятность несчастных случаев.
- Перед выполнением обслуживания, проверки, настройки, перед помещением на хранение или для замены принадлежностей выполните следующие действия:
 - Отключите источник питания
 - Отсоедините машину от источника питания
 - Убедитесь, что все движущиеся части полностью остановились
 - Дайте машине охладиться.
- Проверьте машину на наличие возможных повреждений:
 - Выполняют ли предохранительные устройства свои надлежащим образом свои предназначенные функции
 - Работают ли все движущиеся части плавно и правильно
 - Не повреждены ли никакие части и правильно ли они установлены
 - При наличии каких-либо поврежденных частей замените их или отремонтируйте в авторизованном сервисном центре.

- Особое внимание следует уделять обслуживанию резака. Резак можно перемещать вручную против функции блокировки защитных функций.
- Не очищайте устройство водой. Это может привести к поражению электрическим током.
- Используйте защитные перчатки при выполнении технического обслуживания или сборочных работ для предотвращения травм пальцев.
- Не выполняйте никакие виды технического обслуживания или ремонтных работ, отличающихся от описанных в данной инструкции по эксплуатации. Все остальные виды работ должны выполняться в авторизованном сервисном центре Makita.
- Используйте только оригинальные запасные части и принадлежности Makita, предназначенные для Вашей машины. В противном случае это может привести к травмам или повреждению машины.
- Храните машину в сухом помещении. Держите вне доступа детей. Никогда не храните машину вне помещения.

СБОРКА

⚠ ПРЕДУПРЕЖДЕНИЕ:

- Обязательно убедитесь, что машина выключена и отключена от сети, перед выполнением любых работ на инструменте.
1. Поместите верхний кожух верх ногами на ровную поверхность. А затем поместите на него основную раму. Внимательно соблюдайте направление частей. (Рис. 2)
 2. Зафиксируйте каждую деталь, закручивая винты. Убедитесь, что они стали полностью устойчивыми. (Рис. 3)
 3. Прикрепите ограничители с помощью винта. Убедитесь, что они надежно зафиксированы. (Рис. 4)
 4. Прикрепите колесики следующим образом: (Рис. 5)
 - Прикрепите ось на одно из колесиков.
 - Пропустите ось сквозь отверстия в ножке.
 - Прикрепите другое колесико к оси, пропустив штырек через отверстие на оси. Закрепите колесико, согнув штырек.
 - Прикрепите колпаки на колесики.
 5. Прикрепите накопительную корзину. А затем поднимите рычаг блокировки. (Рис. 6)

ОПИСАНИЕ ФУНКЦИЙ

⚠ ПРЕДОСТЕРЕЖЕНИЕ:

Перед подключением машины к сети обязательно убедитесь, что машина выключена. Подключение к сети машины во включенном состоянии может привести к неожиданному запуску, приводящему к серьезным травмам.

Переключатель питания (Рис. 7)

⚠ ПРЕДУПРЕЖДЕНИЕ:

Не используйте машину, если переключатель не включает и не выключает ее. Неисправные переключатели необходимо заменять в авторизованном сервисном центре Makita.

Для включения машины нажмите зеленую кнопку.
Для выключения машины нажмите красную кнопку.

ЖК-индикатор

ЖК-индикатор указывает состояние машины следующим образом:

КРАСНЫЙ цвет: Когда машины подключена к источнику питания и машина выключена.

ЗЕЛЕНЫЙ цвет: Когда машина включена.

Постоянно мигающий **ЗЕЛЕНЫЙ** цвет: Когда машина заблокирована во время работы.

Мигающий КРАСНЫЙ цвет: Когда машина не может возобновить работу автоматически. Решите проблему вручную, если это произошло.

Проверка неожиданного перезапуска

Машина автоматически выключается при сбое питания. Для перезапуска нажмите зеленую кнопку еще раз.

Защите от перегрузки

Мотор оснащен защитой от перегрузки. При перегрузке машина действует следующим образом:

- Лезвие идет в обратном направлении две или три секунды, чтобы вытолкнуть измельчаемый материал.
- Лезвие опять идет вперед.
- Если после выполнения трех попыток все еще остается застрявший материал, машина останавливается с мигающим красным ЖК-индикатором.

В этом случае выполните следующие действия:

- Выключите машину.
- Подождите, пока лезвия полностью не остановятся.
- Удалите застрявший материал.
- Включите измельчитель еще раз примерно через 5 минут и загрузите более простой материал.
- Если Вы не можете включить машину после истечения этого времени ожидания, обратитесь к разделу "Поиск и устранение неисправностей".

Переключатель вперед / назад

⚠ ПРЕДУПРЕЖДЕНИЕ:

Выключите измельчитель перед изменением положения переключателя вперед / назад.

Положение ↓

Лезвия вращаются в прямом направлении.

Положение ↑

Лезвия вращаются в обратном направлении для удаления застрявшего материала.

При изменении направления на ↑ (назад) продолжайте нажимать зеленую кнопку на переключателе питания для вращения лезвий. Измельчитель автоматически останавливается, когда Вы отпускаете переключатель питания.

ПРИМЕЧАНИЕ:

- Для разрезания большого предмета может потребоваться несколько повторений операций резки вперед и назад.

⚠ ПРЕДУПРЕЖДЕНИЕ:

- Во избежание несчастных случаев всегда используйте крюк или палку для удаления застрявших предметов.
- Перед перезапуском всегда ждите, пока измельчитель полностью не остановится.

Накопительная корзина

⚠ ПРЕДУПРЕЖДЕНИЕ:

- Выключите и отсоедините машину от сети питания перед прикреплением или удалением накопительной корзины.
- Для обеспечения безопасного функционирования проверяйте работоспособность функции блокировки каждые два часа.
- Ни в коем случае не пытайтесь отключить предохранительную функцию блокировки.

Рычаг блокировки:

Верхнее положение → Накопительная корзина заблокирована.

Нижнее положение → Накопительная корзина разблокирована.
Устройство не включается из-за функции безопасности.

Машина не включается, если рычаг блокировки находится в разблокированном положении. Машина автоматически останавливается, если накопительная корзина разблокируется во время работы.

Крышка лезвия

⚠ ПРЕДУПРЕЖДЕНИЕ:

- Убедитесь, машина выключена и отсоединена от сети питания перед открыванием крышки лезвия.
- Перед открыванием крышки лезвия наденьте защитные перчатки.
- Резак останавливается не сразу после выключения. Подождите, пока все части не остановятся.

Когда материал сильно застревает в верхнем кожухе, удалите его, открыв крышку лезвия.

ЭКСПЛУАТАЦИЯ

Настройка машины:

- На ровной горизонтальной поверхности. Не располагайте машину на мощеной или покрытой гравием земле.
- Соблюдайте безопасную дистанцию (не менее 2 м) от стен или других предметов.

Перед запуском убедитесь в том, что:

- Соединительные кабели не повреждены. Если они обрезаны или разорваны, немедленно прекратите работу и замените его.
- Нет повреждений в машине, а все винты закручены.
- Машина собрана полностью и правильно.

Проверьте соединение с электрической сетью:

- Убедитесь, что напряжение электрической сети совпадает с номинальным напряжением на табличке номиналов, а машина заземлена надлежащим образом.
- Используйте только удлинительные шнуры с достаточным поперечным сечением сердцевин.

Материалы, которые могут обрабатываться измельчителем

Измельчитель может обрабатывать следующие типы материалов:

- Все типы веток до максимального диаметра, возможного для механизма в зависимости от типа и состояния древесины
- Садовый мусор, например, увядшие растения или влажные сорняки, пролежавшие несколько дней (Загружайте их попеременно с ветками.)

Измельчитель НЕ может обрабатывать следующие типы материалов:

- Стекло, металл, пластик, камни, керамика, очень толстые ветки, твердая древесина, толстые бревна, одежда, пластиковые пакеты, корни с почвой.
- Мусор, находящийся практически в жидком состоянии, например, кухонные отходы.

Эксплуатация: (Рис. 8)

- Загружайте материалы в загрузочную воронку с правой стороны.
- В случае веток, прутьев и древесины измельчайте их сразу после срезания. Они могут стать очень твердыми после высыхания.
- Удалите с веток все боковые побеги, если их трудно загрузить.
- Выключите мотор и отсоедините машину от электрической сети перед очисткой выходного отверстия.
- Не давайте обработанному материалу накапливаться в выходном отверстии. В противном случае измельченные материалы могут заблокировать выходное отверстие. Регулярно опорожняйте накопительную корзину.
- Не загружайте материалы с диаметром, превышающим максимальный диаметр веток, указанный в технических данных. В зависимости от свежести и состояния древесины максимальный диаметр веток может уменьшиться.
- Измельчение влажных садовых отходов приведет к засору. Для предотвращения засора машины чередуйте отходы с содержащими древесину материалами.
- Мягкие материалы или влажные ветки могут разрываться, а не разрезаться. Эта проблема может вызывать также и износ обратного лезвия.
- Если инструмент засорился во входном отверстии или разгрузочном желобе, выключите двигатель и отсоедините от сети перед тем, как очистить обрезки во входном отверстии или разгрузочном желобе. Для предотвращения повреждения источника питания или вероятного возгорания не допускайте накопления обрезков и прочих предметов на источнике питания.

Регулировка зазора лезвия (Рис. 9)

Для эффективной работы отрегулируйте зазор между обратным лезвием и режущим роллером.

Установка зазора:

- Включите устройство.
- Поверните фиксирующую ручку против часовой стрелки для высвобождения регулирующей ручки.

- Медленно поворачивайте регулирующую ручку по часовой стрелке, чтобы расположить обратное лезвие ближе к режущему роллеру. Поворачивайте ее, пока мелкие алюминиевые обломки не начнут выпадать из выпускного отверстия.
- Поверните фиксирующую ручку по часовой стрелке, чтобы заблокировать регулирующую ручку.

ТЕХНИЧЕСКОЕ ОБСЛУЖИВАНИЕ

ПРЕДУПРЕЖДЕНИЕ:

- Обязательно убедитесь, что машина выключена и отсоединена от электрической сети перед выполнением проверок и технического обслуживания.
- Перед выполнением проверок и технического обслуживания надевайте защитные перчатки.
- Резак останавливается не сразу после выключения. Перед выполнением любых работ по техническому обслуживанию подождите, пока все части не остановятся.
- Убедитесь, что все инструменты удалены, после работы по техническому обслуживанию.
- Ни в коем случае не используйте бензин, бензолин, растворители, спирт и подобные вещества. Это может привести к обесцвечиванию, деформации или появлению трещин. Для очистки машины используйте только влажную ткань и мягкую щетку.
- Не поливайте машину из шланга, а также не очищайте ее водой под высоким давлением.

После каждой операции выполните следующие действия по техническому обслуживанию:

- Проверьте, чтобы все фиксирующие винты были затянуты (затяните при необходимости).
- Смажьте металлические детали для защиты от коррозии.
- Держите вентиляционные отверстия чистыми и свободными от пыли.

Режущий роллер и обратное лезвие изнашиваются с течением времени. В случае необходимости обратитесь в ближайший авторизованный сервисный центр для их замены.

ПОИСК И УСТРАНЕНИЕ НЕИСПРАВНОСТЕЙ

ПРЕДОСТЕРЕЖЕНИЕ: Перед решением проблем выключите машину, отсоедините сетевую вилку и подождите, пока машина полностью не остановится.

Неисправность	Возможная причина	Меры по устранению
Не запускается мотор	Нет питания	Проверьте источник питания.
	Поврежден сетевой кабель	Обратитесь в авторизованный сервисный центр для проверки.
	Активирована защита от перегрузки	Подождите, пока машина не охладится, и нажмите зеленую кнопку.
	Безопасный выключатель наполнительной корзины (Наполнительная корзина разблокирована)	Проверьте и заблокируйте наполнительную корзину.
Мотор издает звук, но не запускается	Заблокирован режущий роллер	Выключите устройство. Переключите переключатель вперед/назад в направлении назад. Включите машину, пока засор не будет очищен. Снова выключите машину. Поверните назад в направлении прямого вращения.
	Сбой конденсатора	Отвезите машину в авторизованный сервисный центр для ремонта.
	Измельчаемые материалы не загружаются в измельчитель	Обратное вращение. Выключите устройство и переключите направление направление переключателя выбора вращения.
Измельчаемые материалы не загружаются в измельчитель	Измельчаемые материалы зацепляются за загрузочную воронку	Выключите устройство. Переключите переключатель вперед/назад в направлении назад. Включите устройство, чтобы высвободить материалы для измельчения, извлеките все повторение предметы. Снова выключите устройство. Поверните назад в направлении прямого вращения.
	Измельчаемые материалы слишком мягкие или влажные	Нажмите веткой
	Износился режущий роллер	Отрегулируйте фиксированное обратное лезвие как описано в разделе "Регулировка зазора лезвия". Если режущий роллер сильно изношен, замените его.
Измельчаемые материалы режутся не аккуратно	Фиксированное обратное лезвие настроено не правильно	Отрегулируйте обратное лезвие.
Устройство запускается, но блокируется для при низкой нагрузке, и вскоре отключается с помощью защитного переключателя мотора.	Удлинительный кабель слишком длинный или у него тонкое поперечное сечение.	Проверьте, чтобы удлинительный кабель был не менее 1,5 мм ² , максимум 25 м длиной. При использовании более длинного кабеля минимальное поперечное сечение должно быть 2,5 мм ² .
	Розетка находится слишком далеко от источника питания или слишком тонкое поперечное сечение сетевого кабеля.	

СЕРТИФИКАТ СООТВЕТСТВИЯ ЕС

Только для европейских стран

Сертификат соответствия ЕС внесен как Приложение А к данной инструкции по эксплуатации.

ПОПЕРЕДЖЕННЯ: Цей пристрій можуть використовувати діти віком від 8 років та особи з обмеженими фізичними, сенсорними або розумовими здібностями, а також ті, хто не має відповідного досвіду та знань, якщо за ними наглядає відповідальна за їхню безпеку особа, або ж вони отримали вказівки від такої особи стосовно безпечного використання інструмента й усвідомлюють можливу небезпеку. Діти не повинні бавитися цим пристроєм. Чищення та обслуговування не повинні виконувати діти без нагляду.

НАЙМЕНУВАННЯ ЧАСТИН

1 Бункер для завантаження	7 Верхній корпус	14 Гвинт
2 Перемикач живлення	8 Контейнер для збору	15 Контрніж
3 Ручка	9 Опорна рама	16 Ріжучий ролик
4 Роз'єм для подачі живлення	10 Регулятор	
5 Важіль фіксації	11 Фіксатор	
6 Перемикач напрямку обертання вперед/назад	12 Кришка відсіку для ножів	
	13 Сторона подачі	

ТЕХНІЧНІ ДАНІ

Модель	UD2500
Назва	Електричний подрібнювач
Двигун	Двигун змінного струму, 230-240 В ~ 50 Гц
Характеристики двигуна P40	2 500 Вт
Характеристики двигуна P1 S1	2 000 Вт
Частота обертання ріжучого ролика	40 хв ⁻¹
Перемикач живлення із	захистом від перенавантаження; функцією різання і зворотного ходу, розчіплювачем нульової напруги
Маса	27,6 кг
Макс. діаметр гілок (лише для свіжозрубаного дерева)	Макс. 45 мм
Клас безпеки	I
Клас захисту	IP X4

ДАНІ ЩОДО ШУМУ

Рівень тиску звуку	74,88 дБ (А), К= 2,50 дБ (А)
Рівень тиску звуку на вуха оператора	84,4 дБ (А), К= 3 дБ (А)
Виміряний рівень потужності звуку	93,49 дБ (А), К= 3,97 дБ (А)
Гарантований рівень потужності звуку	97 дБ (А)

Рівень потужності звуку для оператора може перевищувати 80 дБ (А). Одягайте захист на вуха.

СИМВОЛИ

Нижче описані символи, які використовуються на пристрої. Перш ніж використовувати пристрій, вам слід зрозуміти значення цих символів.



- Читайте посібник користувача.



- Будьте особливо обережні та уважні.



- Перед обслуговуванням, чищенням, оглядом чи ремонтом вимкніть двигун і від'єднайте пристрій від мережі.



- За високої швидкості матеріал може вилітати з пристрою.



- Слідкуйте, щоб перехожі і тварини трималися подалі від небезпечної зони.



- Небезпека — ножі обертаються. Тримайте руки і ноги подалі від отворів, поки пристрій працює.



- Небезпека — ножі обертаються. Тримайте руки і ноги подалі від отворів, поки пристрій працює.



- Одягайте захист на очі та вуха.



- Одягайте захисні рукавиці.



- Не надавайте пристрій впливу дощу і вологи.



- Щоб зменшити зазор, повертайте регулятор за годинниковою стрілкою, а щоб збільшити – проти годинникової стрілки.



- Відкрийте кришку відсіку для ножів, щоб замінити ніж або провести техобслуговування.



- Зачекайте, поки зупиняться усі частини пристрою.



- Не використовуйте пристрій як сходинок.



- Лише для країн ЄС
Не викидайте електричне обладнання чи батарею разом із побутовими відходами! Відповідно до Європейської Директиви 2002/96/ЄС щодо використаного електричного та електронного обладнання, 2006/66/ЄС щодо батарей та акумуляторів, а також використаних батарей та акумуляторів і їхнього використання відповідно до національних норм, електричне обладнання та батареї, які досягли кінця терміну служби, слід збирати окремо і повертати у відповідні організації збору таких відходів.

ПОПЕРЕДЖЕННЯ ЩОДО БЕЗПЕКИ

УВАЖНО ПРОЧИТАЙТЕ ПЕРЕД ВИКОРИСТАННЯМ ЗБЕРІГАЙТЕ ПОСІБНИК З ЕКСПЛУАТАЦІЇ ДЛЯ ДОВІДКИ У МАЙБУТЬОМУ



Не вмикайте пристрій, поки не прочитаєте ці вказівки. Дотримуйтеся наведених вказівок і встановлюйте пристрій, як описано у цьому посібнику.

Використання пристрою за призначенням

- Садовий подрібнювач призначено для подрібнення описаного нижче:
 - Усіх типів гілок відповідно до максимального діаметру, який здатен опрацювати цей пристрій (залежно від типу і стану деревини);
 - Садового сміття, на кшталт сухих рослин чи мокрих бур'янів, які пролежали перед тим кілька днів (завантажуйте таке сміття, чергуючи з гіллям).
- Садовий подрібнювач призначений виключно для приватного використання, а не для комерційних потреб. Не використовуйте пристрій у громадських місцях.

Для використання від низьковольтної мережі від 220 В до 250 В.

Увімкнення та вимкнення електричного приладу спричиняє до коливання напруги. Експлуатація цього пристрою за несприятливих умов сіті може погано вплинути на роботу іншого обладнання. Можна припустити, що при опорі мережі 0,45 Ом або нижче, ніякого негативного впливу не буде. Мережна розетка, до якої буде підключатися пристрій, повинна бути захищена запобіжником або захисним автоматичним вимикачем плавного розчіплювання.

Загальні інструкції

- Прочитайте цей посібник з експлуатації, щоб ознайомитися з роботою пристрою. Недостатньо поінформовані користувачі становлять загрозу як для себе, так і для інших, оскільки не вмітуть належним чином користуватися цим пристроєм.
- Не давайте пристрій особам, які не мають досвіду роботи з ним.
- Передаючи пристрій іншій особі, завжди додавайте цей посібник з експлуатації.
- Електричний подрібнювач не призначений для використання особами з обмеженими фізичними, сенсорними чи розумовими здібностями або особами, яким бракує досвіду чи знань. Наглядайте за малими дітьми, щоб вони не гралися з пристроєм. Не дозволяйте дітям вмикати пристрій.
- Використовуйте пристрій лише, якщо ви у доброму фізичному стані. Виконуйте роботу спокійно та обережно. Користувач несе відповідальність за безпеку осіб, які знаходяться поруч, і пошкодження навколо ділянки роботи.
- Не використовуйте пристрій після споживання алкоголю чи наркотиків або якщо ви втомлені чи хворі.
- Використовуйте пристрій відповідно до цих вказівок, зважаючи на умови роботи і застосування. Використання пристрою не за призначенням може призвести до небезпечних ситуацій.

- Ніколи не виводьте пристрій, зокрема захисні засоби, на кшталт засобу блокування пристрою. Нехтування цією вимогою становить загрозу вашій безпеці.
- Використання пристрою може бути обмеженим державними чи місцевими нормами.
- Будьте уважні. Слідкуйте за тим, що робите. Покладайтеся на здоровий глузд. Не використовуйте пристрій, коли ви втомлені.

Особисте захисне обладнання

- Одягніться належним чином. Одяг має бути функціональним і доречним, тобто щільно облягати, але не перешкоджати рухові. Не одягайте прикраси чи такий одяг, який може заплутатися у пристрої. Якщо у вас довге волосся, одягайте шапочку.
- Щоб не втратити слух, завжди одягайте захист на вуха.
- Одягайте захисні окуляри, щоб захистити очі від сміття, яке вилітає з бункера для завантаження.
- Одягайте захисні рукавиці, щоб уникнути травмування пальців.
- У разі значного виділення пилу одягайте на обличчя маску, наприклад подрібнюючи сухі гілки, живопліт із листям.
- Використовуючи пристрій, завжди одягайте стійке взуття із нековзкою підшоєю. Таке взуття захистить від травм і забезпечить стійкість.

Безпека робочого місця

- Попросіть дітей чи інших осіб не підходити до пристрою, коли ви працюєте.
- Використовуйте пристрій на відкритій місцевості на міцній рівній поверхні. Не використовуйте пристрій поблизу стін чи інших об'єктів.
- Не використовуйте пристрій у вибухонебезпечному середовищі, наприклад за наявності займих рідин, газів чи пилу. Пристрій генерує іскри, які можуть призвести до займання пилу чи випарів.
- Не використовуйте пристрій на вимощеному покритті чи ґравію, оскільки таке покриття може призвести до травмування.
- Робоче місце має бути чистим і добре освітленим. Безлад і темрява призводять до нещасних випадків.
- Уникайте контакту пристрою з дощем чи вологою. Вода, яка потрапила всередину пристрою, може підвищити ризик ураження електричним струмом.

Запуск пристрою

- Перш ніж підключати штепсель чи вмикати пристрій:
 - перевірте, чи надійно зафіксовано усі гвинти, гайки та інше кріплення;
 - перевірте, чи на місці і в хорошому робочому стані знаходяться захисні засоби, дефлектори та екрани;
 - замініть пошкоджені чи нечитабельні наліпки;
 - упевніться, що бункер для завантаження порожній;
 - упевніться, що вхідний і вихідний отвори належним чином захищені;
 - уважно перевірте усі частини пристрою, щоб упевнитися, що пристрій працює належним чином і виконує потрібні функції. Ніколи не використовуйте пристрій, якщо перемикач не працює належним чином.

- Якщо кабель подачі живлення пошкоджено, зверніться до авторизованого центру обслуговування Makita щодо заміни – використовуйте лише справжні деталі.

Електрична безпека

⚠ ПОПЕРЕДЖЕННЯ:

- Це пристрій класу I. Підключайте до розетки із заземленням. Неналежне заземлення може призвести до ураження електричним струмом і смерті. Використовуйте лише трипроводові кабелі подовження, обладнані триконтактною вилкою із заземленням і триполюсні розетки для таких штепселів.
- Уникайте контакту із заземленими поверхнями (наприклад, трубами чи радіаторами) під час роботи.
- Використовуйте лише кабель подовження IEC60245 (H07RN-F) для зовнішніх робіт із роз'ємом із захистом від бризок. Перетин кабелю має становити близько 1,5 мм² для кабелів довжиною до 25 м, і 2,5 мм² для кабелів довжиною понад 25 м.
- У разі використання довгих кабелів може мати місце спад напруги. Якщо таке станеться, потужність пристрою може знизитися.
- У разі використання кабелю подовження упевніться, що він не перешкоджає роботі, що кабель не притиснуто і не зігнуто, а також що штепсель не є мокрим.
- У разі використання котушки для кабелю повністю розмотайте кабель.
- Використовуйте кабель відповідно до правил. Не використовуйте кабель для перенесення чи перетягування пристрою, а також не тягніть за кабель, від'єднуючи пристрій від мережі. Тримайте кабель подалі від джерел тепла, мастила, гострих країв чи рухомих частин. Пошкоджені чи заплутані кабелі можуть підвищити ризик ураження електричним струмом.
- Регулярно перевіряйте кабель подовження на наявність пошкоджень ізоляції. Замініть кабель, якщо він пошкоджений.
- Якщо кабель пошкоджено, негайно від'єднайте штепсель від мережі. Пошкоджений кабель може контактувати зі струмопровідними частинами і спричинити ураження електричним струмом.
- Ніколи не використовуйте пошкоджені кабелі.
- Під'єднуйте пристрій до розеток із перевіреним електричним контуром. Перевірте, чи напруга системи відповідає тій, що на табличці.
- Ніколи не відключайте і не обходьте захисні пристрої.
- У разі використання пристрою надворі завжди використовуйте автоматичний вимикач залишкового струму (RCD) із робочим струмом 30 мА чи менше.

Експлуатація

- Тримайте обличчя і тіло подалі від вхідного отвору.
- Не встромляйте руки чи інші частини тіла або одяг у вхідний чи вихідний отвори, а також уникайте контакту з рухомими частинами пристрою. Нехтування цією вимогою може призвести до серйозної травми.

- Не перехилийтеся над пристроєм. Увесь час міцно стійте на ногах і зберігайте рівновагу. Це забезпечує кращий контроль над пристроєм у неочікуваних ситуаціях. Завантажуючи матеріал у пристрій, не стійте вище за основу пристрою.
- Під час роботи пристрою зберігайте достатню відстань від вихідного отвору.
- Дотримуйтесь регіональних вимог щодо захисту від шуму.
- Не завантажуйте каміння, шматки металу, пляшки та інші сторонні речовини у пристрій. Будьте уважні, щоб такі сторонні предмети не потрапили у пристрій під час завантаження.
- негайно вимкніть двигун і від'єднайте пристрій від мережі, якщо ніж вдариться об сторонній предмет чи пристрій почне вібрувати або видавати незвичний шум. Перевірте подрібнювач на наявність пошкоджень і затягніть частини, які розхитались. Зверніться до авторизованого центру обслуговування щодо ремонту пристрою.
- Уникайте накопичення опрацьованого матеріалу у вихідному отворі. В іншому випадку це може призвести до віддачі матеріалу через вхідний отвір.
- Вимикайте двигун і від'єднайте пристрій від мережі у таких випадках:
 - якщо пристрій залишено без уваги;
 - перед тим як усувати блокування або несправність;
 - перш ніж перевіряти, чистити чи працювати на пристрої;
 - перш ніж виконувати налаштування, змінювати аксесуари чи відкласти пристрій на зберігання;
 - коли пристрій починає вібрувати або видавати незвичний шум;
 - коли чистите вхідний або вихідний отвори;
 - коли прикріплюєте чи від'єднуєте контейнер для збору;
 - під час транспортування.
- Не нахилийте пристрій під час роботи.
- Завантажуючи довгий матеріал, дотримуйтесь належної відстані до пристрою. Такий матеріал може відскочити назад і призвести до травмування користувача.
- Не вмикайте пристрій без бункера для завантаження.
- Не пришвидшуйте роботу пристрою. Робота виконується краще і безпечніше зі встановленою швидкістю. Часте перенавантаження може спричинити пошкодження двигуна чи займання.
- Використовуйте правильне приладдя. Не використовуйте приладдя, призначене для інших цілей. Не завантажуйте металеві частини, скло, каміння, кераміку, пластик, товсті гілки, тверду деревину чи товсті дерев'яні плити тощо.
- Перед обслуговуванням, перевіркою, налаштуванням, зберіганням чи зміною аксесуарів виконайте описані нижче дії:
 - вимкніть живлення;
 - від'єднайте пристрій від джерела живлення;
 - упевніться, що усі рухомі частини зупинилися;
 - дайте пристрою охолонути.
- Перевіряйте пристрій на наявність можливих пошкоджень:
 - чи належним чином і за призначенням працюють засоби захисту;
 - чи усі рухомі частини працюють безперебійно і належним чином;
 - чи не пошкоджено якісь частини і чи належним чином встановлено ці частини;
 - якщо якісь частини пошкоджені, для заміни чи ремонту звертайтеся до авторизованого центру обслуговування.
- Під час обслуговування ріжучого блока будьте особливо уважні. Ріжучий блок здатен вручну змістити функцію блокування засобів захисту.
- Не чистьте пристрій водою. Це може спричинити ураження електричним струмом.
- Під час обслуговування чи збору одягайте захисні рукавиці, щоб уникнути травмування пальців.
- Не виконуйте інші завдання з обслуговування чи ремонтні роботи, аніж описані у цьому посібнику з експлуатації. Будь-які інші роботи мають виконувати спеціалісти авторизованого центру обслуговування Makita.
- Використовуйте оригінальні запасні частини і аксесуари Makita, призначені для пристрою. Нехтування цією вимогою може призвести до травмування користувача чи пошкодження пристрою.
- Зберігайте пристрій у сухому приміщенні. Зберігайте пристрій подалі від дітей. Ніколи не зберігайте пристрій надворі.

МОНТАЖ

⚠ УВАГА:

- Перш ніж здійснювати потрібні роботи зі знаряддям, обов'язково вимикайте пристрій і від'єднайте його від мережі.

1. Поставте верхній корпус догори дном на пласку поверхню. А тоді встановіть опорну раму. Звертайте увагу на спрямування частини. **(Мал. 2)**
2. Закріпіть усі частини, закрутивши гвинти. Упевніться, що вони надійно закріплені. **(Мал. 3)**
3. Прикріпіть фіксатори гвинтами. Упевніться, що вони надійно закріплені. **(Мал. 4)**
4. Прикріпіть колеса описаним нижче чином: **(Мал. 5)**
 - прикріпіть вісь на одне з коліс;
 - просуньте вісь крізь отвори на ніжці;
 - прикріпіть інше колесо на вісь, просунувши штифт крізь отвір на вісі; закріпіть колесо, зігнувши штифт;
 - прикріпіть кришки на колеса.
5. Прикріпіть контейнер для збору. Тоді підійміть важіль фіксації. **(Мал. 6)**

Вказівки щодо обслуговування

- Віддавайте пристрій на обслуговування в авторизований центр обслуговування і завжди використовуйте лише справжні запасні частини. Неправильний ремонт чи погане обслуговування можуть призвести до скорочення терміну служби пристрою і підвищити ризик нещасного випадку.

ОПИС ФУНКЦІЙ

⚠ ПОПЕРЕДЖЕННЯ:

Перш ніж підключати пристрій до мережі, перевірте, чи пристрій вимкнено. Якщо під'єднати пристрій до мережі з увімкненим перемикачем, це може призвести до неочікуваного запуску, а відтак до серйозного травмування користувача.

Перемикач живлення (Мал. 7)

⚠ УВАГА:

Ніколи не використовуйте пристрій, якщо перемикач не вмикається і не вимикається. Щодо заміни перемикачів із дефектами звертайтеся до авторизованого центру обслуговування Makita.

Для увімкнення пристрою натискайте зелену кнопку.
Для вимкнення пристрою натискайте червону кнопку.

Світлодіодний індикатор

Світлодіодний індикатор вказує на стан пристрою:

червоний колір: пристрій підключено до джерела живлення і вимкнено;

зелений колір: пристрій увімкнено;

зелений колір, що постійно миготить: пристрій заблоковано під час роботи;

червоний колір, що миготить: пристрій не може автоматично відновити роботу. Усуньте проблему вручну, коли вона матиме місце.

Захист від ненавмисного запуску

Коли стається збій живлення, пристрій вимикається автоматично. Щоб перезапустити пристрій, знову натисніть зелену кнопку.

Захист від перенавантаження

Двигун обладнано функцією захисту від перенавантаження. У разі перенавантаження пристрій діятиме, як описано нижче:

- дві-три секунди ніж обертається у зворотному напрямку, щоб проштовхнути подрібнений матеріал назад;
- потім ніж знову обертається уперед;
- якщо після трьох спроб блокування усунути не вдається, пристрій зупиниться, і світлодіодний індикатор блиматиме червоним світлом.

Коли таке станеться, виконайте описані нижче дії:

- вимкніть пристрій;
- зачекайте, поки ніж повністю зупиниться;
- усуньте блокування;
- знову увімкніть подрібнювач за 5 хвилин і завантажте легший матеріал;
- якщо після визначеного часу очікування не вдається увімкнути пристрій, дивіться розділ «Усунення несправностей».

Перемикач напрямку обертання вперед/назад

⚠ УВАГА:

Вимикайте пристрій перед зміною напрямку обертання вперед / назад.

Положення ↓

Ножі обертаються у напрямку вперед.

Положення ↑

Ножі обертаються у зворотному напрямку для усунення блокування.

Для зміни напрямку обертання на ↑ (зворотній) тримайте натиснутою зелену кнопку перемикача живлення. Подрібнювач зупиниться автоматично, коли ви відпустите перемикач живлення.

ПРИМІТКА.

- Для подрібнення великих предметів може бути необхідним змінити напрямком декілька разів назад і вперед.

⚠ УВАГА:

- З метою уникнення нещасних випадків завжди використовуйте гак або палицю для усунення блокування предметами.
- Перш ніж перезапустити пристрій, завжди чекайте, поки подрібнювач повністю зупиниться.

Контейнер для збору

⚠ УВАГА:

- Вимкніть і відключіть пристрій від мережі, перш ніж прикріпляти чи знімати контейнер для збору.
- Задля безпечної роботи кожні дві години перевіряйте функціональність системи блокування.
- Не хутуйте функцію блокування.

Важіль фіксації:

Верхнє положення → контейнер для збору заблоковано.

Нижнє положення → контейнер для збору розблоковано.

Пристрій не вмикається через функцію безпеки.

Пристрій не вмикається, якщо важіль фіксації знаходиться у положенні розблокування. Пристрій зупиниться автоматично, якщо під час роботи розблокувати контейнер для збору.

Кришка відсіку для ножів

⚠ УВАГА:

- Перш ніж відкривати кришку відсіку для ножів, обов'язково вимкніть пристрій і від'єднайте його від мережі.
- Перш ніж відкривати кришку відсіку для ножів, одягніть захисні рукавиці.
- Ріжучий блок не відразу зупиняється після вимкнення. Зачекайте, поки зупиняться усі частини.

Якщо у верхньому корпусі утворилося блокування, усуньте його, відкривши кришку відсіку для ножів.

ВИКОРИСТАННЯ

Встановіть пристрій:

- На пласкій горизонтальній поверхні. Не ставте пристрій на вимощену поверхню чи ґравій.
- На безпечній відстані (принаймні 2 м) від стін чи інших об'єктів.

Перед запуском упевніться у викладеному нижче.

- Перевірте, чи кабелі не пошкоджено. Якщо на кабелях є порізи чи розриви, негайно припиніть роботу і замініть кабелі.
- Перевірте, чи пристрій не пошкоджено і усі гвинти закручено.
- Перевірте, чи пристрій зібрано повністю і правильно.

Перевірте під'єднання живлення:

- Упевніться, що напруга відповідає номінальній напрузі на таблиці, і пристрій належним чином заземлено.
- Використовуйте кабелі подовження із достатнім перетином.

Матеріали, які здатен опрацювати подрібнювач

Подрібнювач здатен опрацювати описані нижче матеріали:

- Усі типи гілок аж до максимального діаметру, який здатен опрацювати цей пристрій залежно від типу і стану деревини;
- Садове сміття, на кшталт сухих рослин чи мокрих бур'янів, які пролежали перед тим кілька днів (завантажуйте таке сміття, чергуючи з гіллям).

Подрібнювач НЕ здатен опрацювати описані нижче матеріали:

- скло, метал, пластик, каміння, кераміку, товсті гілки, тверду деревину, товсті дерев'яні плити, одяг, пластикові пакети, коріння із ґрунтом;
- сміття у майже рідкому стані, тобто кухонне сміття.

Експлуатація (Мал. 8)

- Завантажте матеріал у бункер для завантаження справа.
- Гілля, галузки і деревину перед подрібненням слід порізати. Коли вони висохнуть, то можуть стати дуже твердим.
- Видаліть бічні пагони з гілок, якщо вони не проходять.
- Вимкніть двигун і від'єднайте пристрій від джерела живлення, перш ніж очистити вихідний отвір.
- Уникайте накопичення подрібненого матеріалу у вихідному отворі. Інакше подрібнений матеріал може заблокувати вихідний отвір. Регулярно спорожняйте контейнер для збору.
- Не завантажуйте матеріал, що перевищує максимальний діаметр, вказаний у розділі «Технічні дані». Залежно від свіжості і стану деревини максимальний діаметр гілок може бути меншим.
- Подрібнення вологого садового сміття призводить до блокування. Щоб уникнути блокування пристрою, чергуйте сміття з деревиною.
- М'який матеріал чи вологі гілки можуть бути розірвані, а не розрізані. Зношений контрніж теж може спричинити цю проблему.
- Якщо вхідний отвір або жолоб викиду інструменту засмітиться, перш ніж очистити його, вимкніть двигун та відключіть інструмент від розетки. Тримайте джерело живлення чистим від сміття та бруду, щоб запобігти пошкодженню джерела живлення або можливій пожежі.

Регулювання зазору до ножа (Мал. 9)

Задля ефективної роботи відрегулюйте відстань між контрножем і ріжучим роликом.

Регулювання зазору:

- Увімкніть пристрій.
- Поверніть фіксатор проти годинникової стрілки, щоб вивільнити регулятор.

- Повільно повертайте регулятор за годинниковою стрілкою, щоб встановити контрніж ближче до ріжучого ролика. Повертайте його, поки з вихідного отвору не почне вилітати тонка алюмінієва стружка.
- Поверніть фіксатор за годинниковою стрілкою, щоб заблокувати регулятор.

ДОГЛЯД

⚠ УВАГА:

- Перш ніж виконувати перевірку чи обслуговування, обов'язково вимкніть пристрій і від'єднайте його від мережі.
- Перш ніж виконувати перевірку або обслуговування, одягніть захисні рукавиці.
- Ріжучий блок не відразу зупиняється після вимкнення. Перш ніж виконувати роботи з обслуговування, зачекайте, поки зупиняться усі частини.
- Упевніться, що після обслуговування усі знаряддя прибрано.
- Не використовуйте бензин, розчинник, спирт тощо. Нехтування цією вимогою може призвести до знебарвлення, деформації чи тріщин. Для чищення пристрою використовуйте лише вологу ганчірку і м'яку щіточку.
- Не чистьте пристрій водою під високим тиском.

Після кожної операції виконуйте описані нижче дії:

- Перевіряйте, чи надійно затягнуто усі стопорні гвинти (затягніть у разі потреби).
- Змащуйте металеві частини, щоб захистити їх від корозії.
- Підтримуйте вентиляційні отвори чистими і без пилу.

Ріжучий ролик і контрніж із часом зношуються. Щодо заміни у разі потреби звертайтеся до найближчого авторизованого центру обслуговування.

УСУНЕННЯ НЕСПРАВНОСТЕЙ

ПОПЕРЕДЖЕННЯ: Перш ніж усунути проблему, вимкніть пристрій, вийміть штепсель живлення і зачекайте, поки пристрій повністю не зупиниться.

Проблема	Можлива причина	Вирішення
Двигун не запускається	Відсутнє живлення	Перевірте подачу живлення.
	Несправний кабель живлення	Зверніться до авторизованого центру обслуговування щодо перевірки.
	Увімкнено захист від перенавантаження	Зачекайте, поки пристрій охолоне, і натисніть зелену кнопку.
	Захисний вимикач на контейнері для збору (контейнер для збору розблоковано)	Перевірте і заблокуйте контейнер для збору.
Двигун гуде, але не запускається	Ріжучий ролик заблоковано	Вимкніть пристрій. Увімкніть перемикач зміни напрямку обертання вперед/назад у зворотному напрямку. Запустіть пристрій і не вимикайте, поки не буде усунуто застрягання. Вимкніть пристрій. Змініть напрям обертання вперед.
	Несправний конденсатор	Зверніться до авторизованого центру обслуговування щодо ремонту.
Матеріал не подається у подрібнювач	Зворотне обертання.	Вимкніть пристрій і змініть напрям обертання за допомогою перемикача.
	Матеріал застряг у бункері для завантаження	Вимкніть пристрій. Увімкніть перемикач зміни напрямку обертання вперед/назад у зворотному напрямку. Увімкніть пристрій, щоб вивільнити матеріал, який слід подрібнити, і усуньте сторонній матеріал. Знову вимкніть пристрій. Змініть напрям обертання вперед.
	Матеріал для подрібнення надто м'який чи мокрий	Проштовхніть його гіллякою
	Ріжучий ролик зносився	Відрегулюйте фіксований контрніж, як описано у розділі «Регулювання зазору до ножа». Якщо ріжучий ролик сильно зносився, замініть його.
Матеріал не подрібнюється належним чином	Фіксований контрніж не відрегульовано належним чином	Відрегулюйте контрніж.
Пристрій запускається, але блокується навіть за найменшого навантаження, і скоро вимикається захисним вимикачем двигуна.	Кабель подовження надто довгий чи перетин надто тонкий.	Кабель подовження повинен мати перетин щонайменше 1,5 мм ² , і максимальна довжина кабелю становить 25 м. Якщо кабель довший, мінімальний перетин має становити 2,5 мм ² .
	Розетка надто далеко від кабелю живлення чи перетин кабелю живлення надто тонкий.	

ДЕКЛАРАЦІЯ ПРО ВІДПОВІДНІСТЬ СТАНДАРТАМ ЄС

Тільки для країн Європи

Декларація про відповідність стандартам ЄС включена до додатку А цієї інструкції з експлуатації.

Makita Europe N.V. Jan-Baptist Vinkstraat 2,
3070 Kortenberg, Belgium

Makita Corporation 3-11-8, Sumiyoshi-cho,
Anjo, Aichi 446-8502 Japan