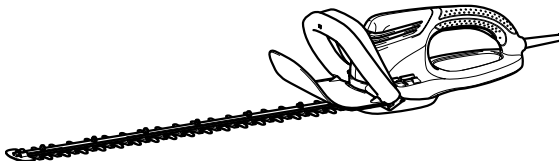
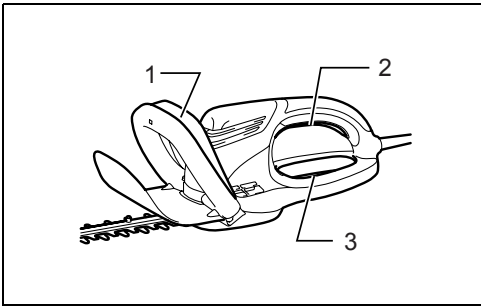




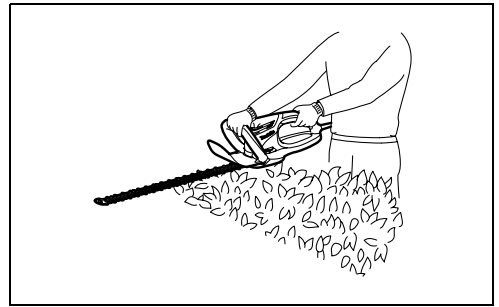
GB Hedge Trimmer	Instruction manual
F Taille-haie	Manuel d'instructions
D Heckenschere	Betriebsanleitung
I Tagliasiepi	Istruzioni per l'uso
NL Heggenschaar	Gebruiksaanwijzing
E Cortasetos	Manual de instrucciones
P Aparador de sebes	Manual de instruções
DK Hækkeklipper	Brugsanvisning
GR Ψαλίδι Μπορντούρας	Οδηγίες χρήσης

UH4570
UH5570
UH6570

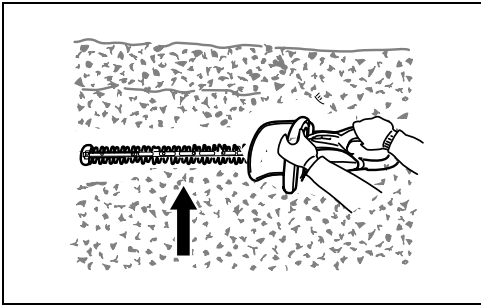




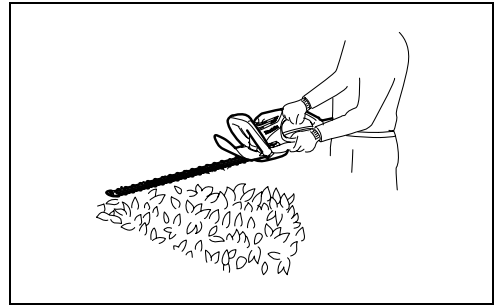
1



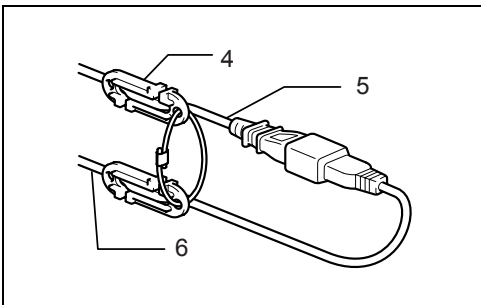
2



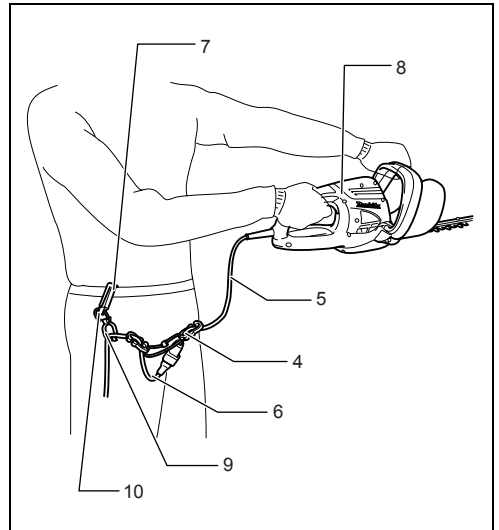
3



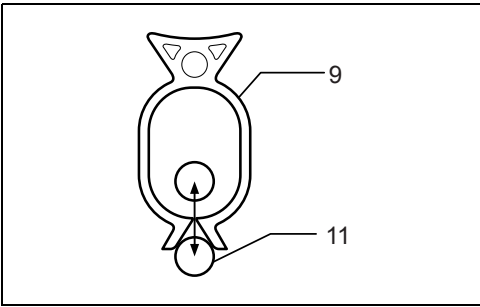
4



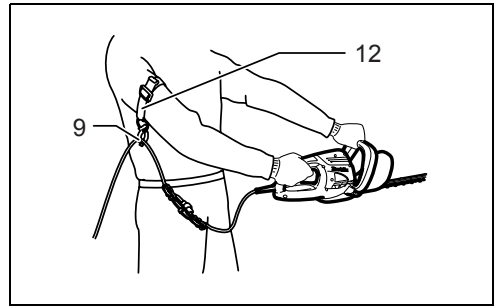
5



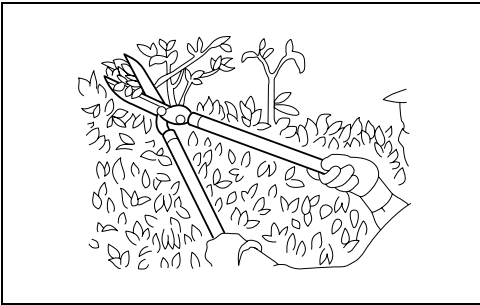
6



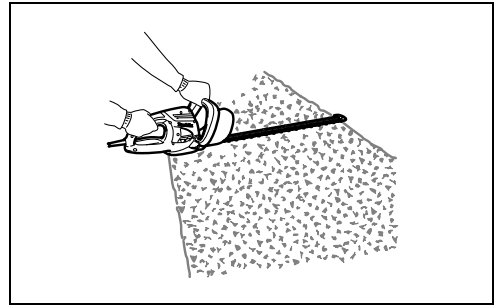
7



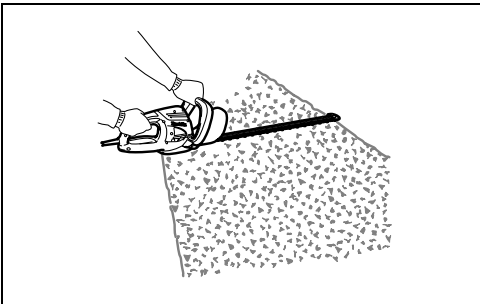
8



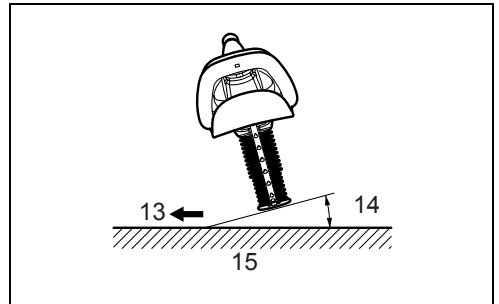
9



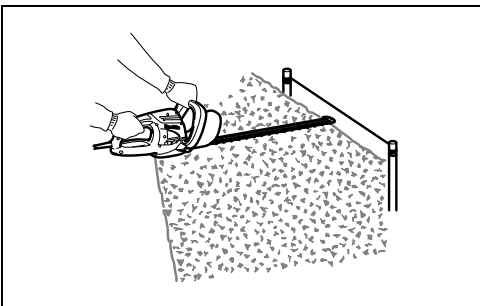
10



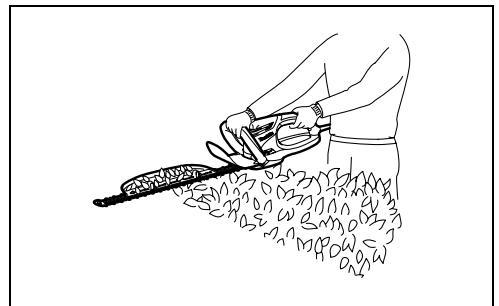
11



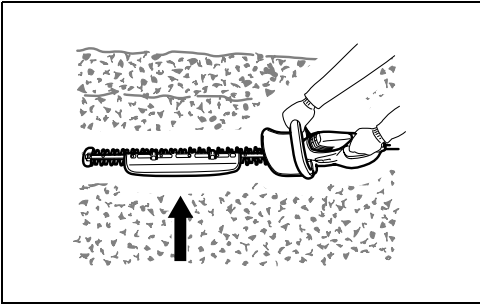
12



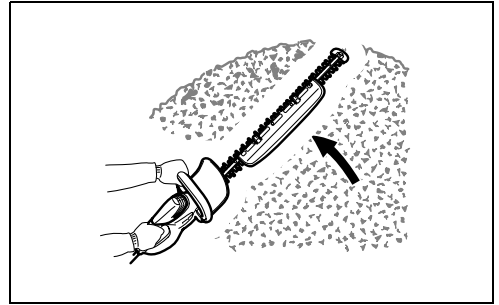
13



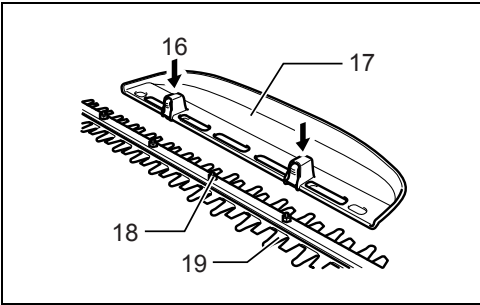
14



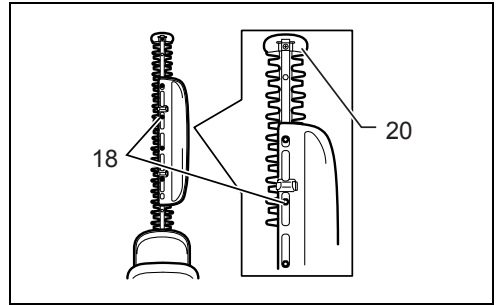
15



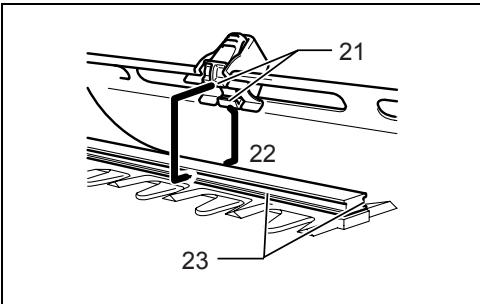
16



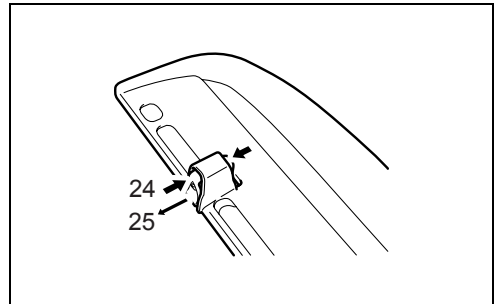
17



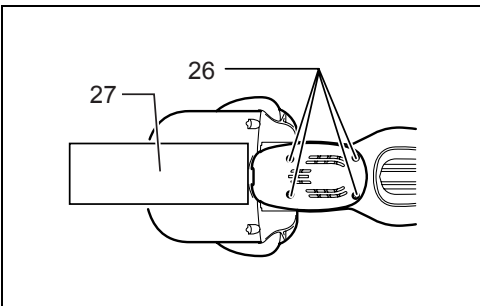
18



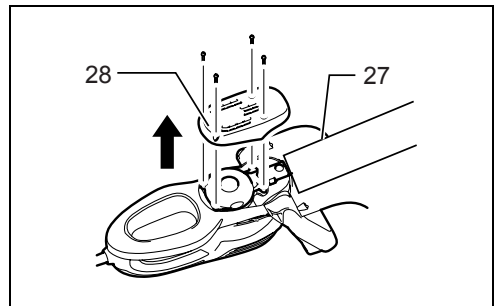
19



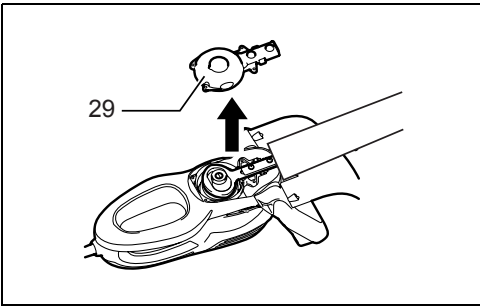
20



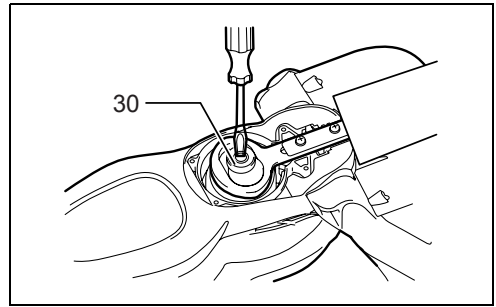
21



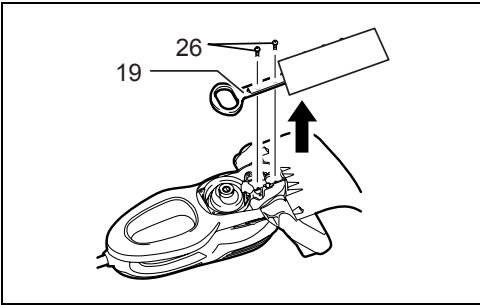
22



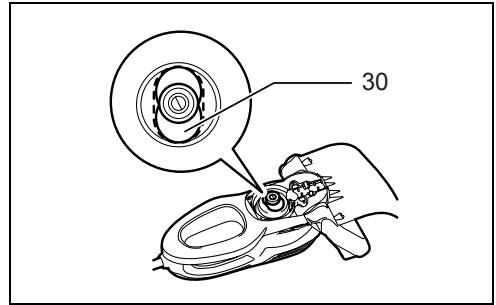
23



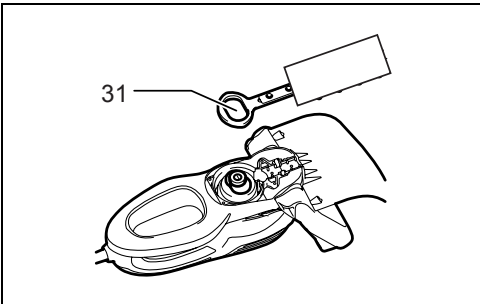
24



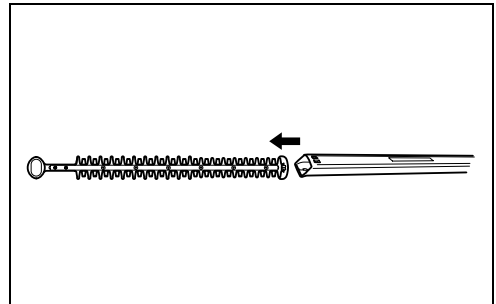
25



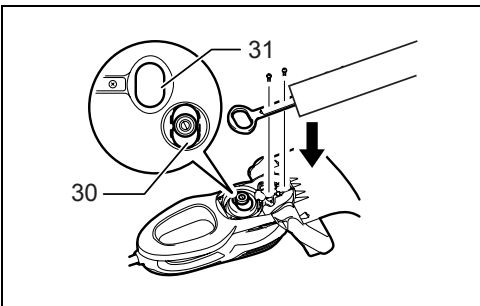
26



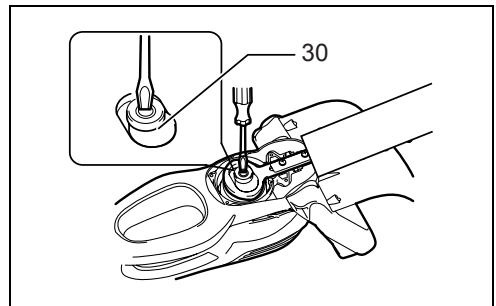
27



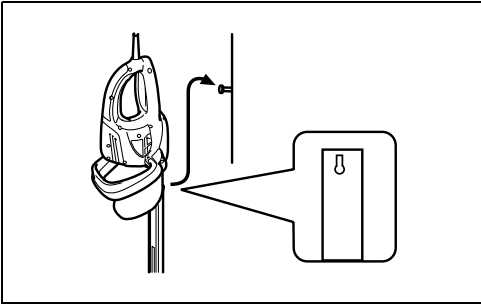
28



29



30



31

ENGLISH

Explanation of general view

- | | | |
|---------------------|---------------------------------|-----------------------------------|
| 1. Switch trigger B | 12. Arm cord hook | 23. Grooves |
| 2. Switch trigger A | 13. Trimming direction | 24. Press the hooks on both sides |
| 3. Switch trigger C | 14. Tilt the blades | 25. Unlock the hooks |
| 4. Hook complete | 15. Hedge surface to be trimmed | 26. Screws |
| 5. Tool's cord | 16. Press | 27. Blade cover |
| 6. Extension cord | 17. Chip receiver | 28. Under cover |
| 7. Hook | 18. Nut | 29. Gear housing cover |
| 8. Tool | 19. Shear blade | 30. Crank |
| 9. Holder | 20. Branch catcher | 31. Ellipse of shear blade |
| 10. Waist cord hook | 21. Hooks | |
| 11. Cord | 22. Fit the hooks into groove | |

SPECIFICATIONS

Model	UH4570	UH5570	UH6570
Blade length	450 mm	550 mm	650 mm
Strokes per minute (min ⁻¹)	1,600	1,600	1,600
Overall length	862 mm	970 mm	1,042 mm
Net weight	3.5 kg	3.6 kg	3.7 kg
Safety class	II/II		

- Due to our continuing programme of research and development, the specifications herein are subject to change without notice.
- Note: Specifications may differ from country to country.

Symbols

END220-1

The following show the symbols used for the equipment. Be sure that you understand their meaning before use.



CE marking



..... Prohibited!



Read instruction manual and follow the warnings and safety instructions.



Wear eye protection.



Wear ear protection.



DOUBLE INSULATION



Caution: particular care and attention required!



Caution: withdraw the mains plug immediately if the cable is damaged!



Protect against rain and damp!



Wear safety gloves!



Withdraw the mains plug!



First aid



Recycling

Intended use

ENE014-1

The tool is intended for trimming hedges.

General Power Tool Safety Warnings

GEA005-2

WARNING Read all safety warnings and all instructions. Failure to follow the warnings and instructions may result in electric shock, fire and/or serious injury.

Save all warnings and instructions for future reference.

The term "power tool" in the warnings refers to your mains-operated (corded) power tool or battery-operated (cordless) power tool.

Work area safety

1. **Keep work area clean and well lit.** Cluttered or dark areas invite accidents.
2. **Do not operate power tools in explosive atmospheres, such as in the presence of flammable liquids, gases or dust.** Power tools create sparks which may ignite the dust or fumes.
3. **Keep children and bystanders away while operating a power tool.** Distractions can cause you to lose control.

Electrical Safety

- Power tool plugs must match the outlet. Never modify the plug in any way. Do not use any adapter plugs with earthed (grounded) power tools.** Unmodified plugs and matching outlets will reduce risk of electric shock.
- Avoid body contact with earthed or grounded surfaces such as pipes, radiators, ranges and refrigerators.** There is an increased risk of electric shock if your body is earthed or grounded.
- Do not expose power tools to rain or wet conditions.** Water entering a power tool will increase the risk of electric shock.
- Do not abuse the cord. Never use the cord for carrying, pulling or unplugging the power tool. Keep cord away from heat, oil, sharp edges or moving parts.** Damaged or entangled cords increase the risk of electric shock.
- When operating a power tool outdoors, use an extension cord suitable for outdoor use.** Use of a cord suitable for outdoor use reduces the risk of electric shock.
- If operating a power tool in a damp location is unavoidable, use a ground fault circuit interrupter (GFCI) protected supply.** Use of an GFCI reduces the risk of electric shock.

Personal Safety

- Stay alert, watch what you are doing and use common sense when operating a power tool. Do not use a power tool while you are tired or under the influence of drugs, alcohol or medication.** A moment of inattention while operating power tools may result in serious personal injury.
- Use personal protective equipment. Always wear eye protection.** Protective equipment such as dust mask, non-skid safety shoes, hard hat, or hearing protection used for appropriate conditions will reduce personal injuries.
- Prevent unintentional starting. Ensure the switch is in the off-position before connecting to power source and/or battery pack, picking up or carrying the tool.** Carrying power tools with your finger on the switch or energising power tools that have the switch on invites accidents.
- Remove any adjusting key or wrench before turning the power tool on.** A wrench or a key left attached to a rotating part of the power tool may result in personal injury.
- Do not overreach. Keep proper footing and balance at all times.** This enables better control of the power tool in unexpected situations.
- Dress properly. Do not wear loose clothing or jewellery. Keep your hair, clothing, and gloves away from moving parts.** Loose clothes, jewellery or long hair can be caught in moving parts.
- If devices are provided for the connection of dust extraction and collection facilities, ensure these are connected and properly used.** Use of dust collection can reduce dust-related hazards.

Power tool use and care

- Do not force the power tool. Use the correct power tool for your application.** The correct power tool will

do the job better and safer at the rate for which it was designed.

- Do not use the power tool if the switch does not turn it on and off.** Any power tool that cannot be controlled with the switch is dangerous and must be repaired.
- Disconnect the plug from the power source and/or the battery pack from the power tool before making any adjustments, changing accessories, or storing power tools.** Such preventive safety measures reduce the risk of starting the power tool accidentally.
- Store idle power tools out of the reach of children and do not allow persons unfamiliar with the power tool or these instructions to operate the power tool.** Power tools are dangerous in the hands of untrained users.
- Maintain power tools. Check for misalignment or binding of moving parts, breakage of parts and any other condition that may affect the power tool's operation. If damaged, have the power tool repaired before use.** Many accidents are caused by poorly maintained power tools.
- Keep cutting tools sharp and clean.** Properly maintained cutting tools with sharp cutting edges are less likely to bind and are easier to control.
- Use the power tool, accessories and tool bits etc. in accordance with these instructions, taking into account the working conditions and the work to be performed.** Use of the power tool for operations different from those intended could result in a hazardous situation.

SERVICE

- Have your power tool serviced by a qualified repair person using only identical replacement parts.** This will ensure that the safety of the power tool is maintained.
- Follow instruction for lubricating and changing accessories.**
- Keep handles dry, clean and free from oil and grease.**

SPECIFIC SAFETY RULES

GEB041-1

- DO NOT let comfort or familiarity with product (gained from repeated use) replace strict adherence to grinder safety rules. If you use this tool unsafely or incorrectly, you can suffer serious personal injury.**
- Keep all parts of the body away from the cutter blade. Do not remove cut material or hold material to be cut when blades are moving. Make sure the switch is off when clearing jammed material.** A moment of inattention while operating the hedge trimmer may result in serious personal injury.
- Carry the hedge trimmer by the handle with the cutter blade stopped. When transporting or storing the hedge trimmer always fit the cutting device cover.** Proper handling of the hedge trimmer will reduce possible personal injury from the cutter blades.
- Keep cable away from cutting area.** During operation the cable may be hidden in shrubs and can be accidentally cut by the blade.

5. Do not use the hedge trimmer in the rain or in wet or very damp conditions. The electric motor is not waterproof.
6. First-time users should have an experienced hedge trimmer user show them how to use the trimmer.
7. The hedge trimmer must not be used by children or young persons under 18 years of age. Young persons over 16 years of age may be exempted from this restriction if they are undergoing training under the supervision of an expert.
8. Use the hedge trimmer only if you are in good physical condition. If you are tired, your attention will be reduced. Be especially careful at the end of a working day. Perform all work calmly and carefully. The user is responsible for all damages to third parties.
9. Never use the trimmer when under the influence of alcohol, drugs or medication.
10. Check to make sure that the voltage and frequency of the power supply correspond to the specifications given on the identification plate. We recommend the use of a residual-current-operated circuit breaker (ground-fault circuit interrupter) with a tripping current of 30 mA or less, or an earth leakage current protector.
11. Work gloves of stout leather are part of the basic equipment of the hedge trimmer and must always be worn when working with it. Also wear sturdy shoes with anti-skid soles.
12. Before starting work check to make sure that the trimmer is in good and safe working order. Ensure guards are fitted properly. Check cable for damage before starting work and replace if necessary. The hedge trimmer must not be used unless fully assembled.
13. Keep cable away from the cutting area. Always work in such a way that the extension power cord is behind you.
14. Remove plug from the mains immediately if cable is damaged or cut.
15. Make sure you have a secure footing before starting operation.
16. Hold the tool firmly when using the tool.
17. Immediately switch off the motor and unplug the mains plug if the cutter should come into contact with a fence or other hard object. Check the cutter for damage, and if damaged repair immediately.
18. Before checking the cutter, taking care of faults, or removing material caught in the cutter, always switch off the trimmer and unplug the mains plug.
19. Switch off the trimmer and disconnect and secure the mains plug before doing any maintenance work.
20. When moving the hedge trimmer to another location, including during work, always unplug the mains plug. Never carry or transport the trimmer with the cutter running. Never grasp the cutter with your hands.
21. Clean the hedge trimmer and especially the cutter after use, and before putting the trimmer into storage for extended periods. Lightly oil the cutter and put on the cover. The cover supplied with the unit can be hung on the wall, providing a safe and practical way to store the hedge trimmer.
22. Store the hedge trimmer with the cover on, in a dry room. Keep it out of reach of children. Never store the trimmer outdoors.

SAVE THESE INSTRUCTIONS.

WARNING:

MISUSE or failure to follow the safety rules stated in this instruction manual may cause serious personal injury.

FUNCTIONAL DESCRIPTION

CAUTION:

- Always be sure that the tool is switched off and unplugged before adjusting or checking function on the tool.

Switch action (Fig. 1)

For your safety, this tool is equipped with a triple switching system. To turn on the tool, press two out of three triggers A, B and C. Release either one of the two pressed triggers to turn off. The sequence of switching is unimportant as the tool only starts when both switches are activated.

Straight cut (Fig. 2)

To trim the hedge straight, pull triggers A and B.

Vertical cut (Fig. 3)

Cut upwards with both hands pull the switch triggers B and C and move it in front of your body.

Far area cut (Fig. 4)

To trim the hedge in far area with both hands pull the switch triggers A and C.

ASSEMBLY

CAUTION:

- Always be sure that the tool is switched off and unplugged before carrying out any work on the tool.

Engage the extension cord

CAUTION:

- Make sure that the extension cord is unplugged to the mains outlet. (Fig. 5)

When engaging the extension cord, secure it to the tool's cord with the hook complete. Attach the hook about 100 - 200 mm from the extension cord connector. This will help prevent unintentional disconnection.

Waist cord hook

CAUTION:

- Do not attach the holder of waist cord hook to other than the extension cord. Do not attach it in a position closer to the tool beyond the hook complete. Failure to do so may cause an accident or personal injury.
- When using the waist cord hook, use the extension cord as a standard equipment. Using an extension cord available in the market may cause an accident or injury.
- Attach firmly one hook of the hook complete to the tool's cord and the other hook of hook complete to the extension cord. Working with the tool with a sole hook only attached may cause an accident and injury.

Using the waist cord hook helps to minimizing a risk of cutting off the extension cord unexpectedly caused by the loose extension cord. (Fig. 6)
Press in or pull out the cord through the opening of the holder. (Fig. 7)

CAUTION:

- Do not force the opening of the holder. Failure to do so may cause deflection and damage to it.

Arm cord hook (Accessory)

CAUTION:

- Do not attach the holder of arm cord hook to other than the extension cord. Do not attach it in a position closer to the tool beyond the hook complete hooks. Failure to do so may cause an accident or personal injury.
- When using the arm cord hook, use the extension cord as a standard equipment. Using an extension cord available in the market may cause an accident or injury.
- Attach firmly one hook of the hook complete to the tool's cord and the other hook of hook complete to the extension cord. Working with the tool with a sole hook only attached may cause an accident and injury.

Using the arm cord hook helps to minimize a risk of cutting off the extension cord unexpectedly caused by the loose extension cord. (Fig. 8)

Attach firmly the arm cord hook placing around your arm and pass the extension cord through the holder. The length of the arm cord hook band is adjustable.

NOTE:

- Do not pass the extension cord through the band.
- Do not force the opening of the holder. Failure to do so may cause deflection and damage to it.
- Using the arm cord hook together with the waist cord hook is more helpful.

OPERATION

CAUTION:

- Be careful not to accidentally contact a metal fence or other hard objects while trimming. The blade will break and may cause serious injury.
- Overreaching with a hedge trimmer, particularly from a ladder, is extremely dangerous. Do not work from anything wobbly or infirm.

Do not attempt to cut branches thicker than 10 mm diameter with this trimmer. These should first be cut with shears down to the hedge trimming level. (Fig. 9)

CAUTION:

- Do not cut off dead trees or similar hard objects. Failure to do so may damage the tool.
- Hold the trimmer with both hands pull the switch trigger A or B and move it in front of your body. (Fig. 10)
As a basic operation, tilt the blades towards the trimming direction and move it calmly and slowly at the speed rate of 3 - 4 seconds per meter. (Fig. 11 & 12)

To cut a hedge top evenly, it helps to tie a string at the desired hedge height and to trim along it, using it as a reference line. (Fig. 13)

Attaching the chip receiver (accessory) on the tool when trimming the hedge straight can avoid cut off leaves' being thrown away. (Fig. 14)

To cut a hedge side evenly, it helps to cut from the bottom upwards. (Fig. 15)

Trim boxwood or rhododendron from the base toward the top for a nice appearance and good job. (Fig. 16)

Installing or removing chip receiver (accessory)

CAUTION:

- Always be sure that the tool is switched off and unplugged before installing or removing chip receiver.

NOTE:

- When replacing the chip receiver, always wear gloves so that hands and face does not directly contact the blade. Failure to do so may cause personal injury.
- Always be sure to remove the blade cover before installing the chip receiver.
- The chip receiver receives cut-off leaves and alleviates collecting thrown-away leaves. This can be installed on either side of the tool. (Fig. 17)

Press the chip receiver on the shear blades so that its slots overlap with the nuts on the shear blades. At this time, make sure that the chip receiver does not contact branch catcher at the top of the shear blades. (Fig. 18)

At this time, the chip receiver needs to be installed so that its hooks fit into grooves in the shear blade unit. (Fig. 19)
To remove the chip receiver, press its lever on both sides so that the hooks are unlocked. (Fig. 20)

CAUTION:

- The blade cover (standard equipment) cannot be installed on the tool with the chip receiver being installed. Before carrying or storing, uninstall the chip receiver and then install the blade cover to avoid blade exposure.

NOTE:

- Check the chip receiver for secure installment before use.
- Never try to uninstall the chip receiver by an excessive force with its hooks locked in the blade unit grooves. Using the excessive force may damage it.

MAINTENANCE

CAUTION:

- Always be sure that the tool is switched off and unplugged before attempting to perform inspection or maintenance.

Cleaning the tool

Clean out the tool by wiping off dust with a dry or soap-dipped rag.

CAUTION:

- Do not use gasoline, thinner, benzene or heating oil etc.

Blade maintenance

Smear the blade before and once per hour during operation using machine oil or similars.
After operation, remove dust from both sides of the blade with wired brush, wipe off it with a rag and then apply enough low-viscosity oil, such as machine oil etc. and spray-type lubricating oil.

CAUTION:

- Do not wash the blades in water. Failure to do so may cause rust or damage on the tool.

Removing or installing shear blade**CAUTION:**

- Before removing or installing shear blade, always be sure that the tool is switched off and unplugged.
- When replacing the shear blade, always wear gloves without removing blade cover so that hands and face does not directly contact the blade. Failure to do so may cause personal injury.

NOTE:

- Do not wipe off grease from the gear and crank. Failure to do so may cause damage to the tool.
- For specific way of removing and installing shear blades refer to the reverse of a package for accessory shear blades.

Removing the shear blades

Reverse the tool and loosen four screws. (Fig. 21)

NOTE:

- Be careful not to get your hands dirty as grease is applied in the shear blade driving area.

Remove the under cover. (Fig. 22)

Remove the gear housing cover. (Fig. 23)

Set the crank at the angle as shown in the figure with a slotted bit screwdriver. (Fig. 24)

Remove two screws from the shear blades and the shear blade unit will be taken out. (Fig. 25)

CAUTION:

- Return the gear to the original position in such a manner as it was installed if it should be taken away by mistake.

Installing the shear blade

Prepare 4 removed screws (For under cover), 2 screws (For shear blade), gear housing cover, under cover, and new shear blades.

Adjust the crank position as shown in the figure. At this time, apply some grease provided with new shear blades to the periphery of the crank. (Fig. 26)

Overlap the oval hole in the upper blade with that in the lower one. (Fig. 27)

Take out the blade cover from the old shear blades and fit it onto the new ones for easy handling during the replacement of blades. (Fig. 28)

Place the new shear blades on the tool so that the oval holes in the shear blades fit onto the crank. Overlap the holes in the shear blades with the screw holes in the tool and then secure them with two screws. (Fig. 29)

Check the crank for smooth turn with a slotted bit screwdriver. (Fig. 30)

Install the gear housing, under cover on the tool. Tighten the screw firmly.

Remove the blade cover and then turn on the tool to check it for proper movement.

NOTE:

- When the shear blades does not operate properly, there is a poor fit between the blades and crank. Redo from the beginning.

Storage

The hook hole in the bottom of the blade cover is convenient for hanging the tool from a nail or screw on the wall. (Fig. 31)

Put the blade cover on the shear blades so that the blades are not exposed. Store the tool out of the reach of children carefully.

Store the tool in the place not exposed to water and rain. To maintain product SAFETY and RELIABILITY, repairs, carbon brush inspection and replacement, any other maintenance or adjustment should be performed by Makita Authorized Service Centers, always using Makita replacement parts.

ACCESSORIES**CAUTION:**

- These accessories or attachments are recommended for use with your Makita tool specified in this manual. The use of any other accessories or attachments might present a risk of injury to persons. Only use accessory or attachment for its stated purpose.

If you need any assistance for more details regarding these accessories, ask your local Makita Service Center.

- Extension cord
- Blade cover
- Hook complete
- Shear blade assembly
- Waist cord hook
- Arm cord hook

EC-DECLARATION OF CONFORMITY

ENH020-1

The undersigned, Kato, as authorized by, declare that the MAKITA machines,

TYPE:

UH4570, UH5570, UH6570

complies with the standard safety and health requirements of the pertinent EU guidelines:

EU machinery guideline 98/37/EC, Noise emission 2000/14/EG, EU EMC guideline 2004/108/EC.

The requirements of the above EU guidelines were implemented chiefly on the basis of the following standards: EN60745-2-15, EN 55014, EN61000. The conformity assessment procedure 2000/14/EG was performed per Annex V. The measured sound pressure level (L_{pA}): is 89.9 dB (A). The measured sound power level (L_{wa}) is 97.9 dB (A). The guaranteed sound power level (L_d) is 100 dB (A). Uncertainty (K) is 1.5 dB (A).

Vibration

The vibration total value (tri-axial vector sum) determined according to EN60745-2-15:

Vibration emission ($a_{h, D}$): 6.7 m/s^2

Uncertainty (K): 1.5 m/s^2

CE 2008



Tomoyasu Kato
Director

Responsible Manufacturer:

Makita Corporation

3-11-8, Sumiyoshi-cho, Anjo, Aichi, JAPAN

Authorized Representative in Europe:

Makita International Europe Ltd.

Michigan Drive, Tongwell, Milton Keynes, Bucks MK15
8JD, ENGLAND

Descriptif

- | | | |
|-------------------------------------|--|--|
| 1. Gâchette B | 13. Sens de la taille | 24. Appuyer des deux côtés des fermoirs |
| 2. Gâchette A | 14. Inclinez les lames | 25. Déverrouiller les fermoirs |
| 3. Gâchette C | 15. Surface de la haie à tailler | 26. Vis |
| 4. Crochet | 16. Appuyez | 27. Couvreclerc de protection de la lame |
| 5. Cordon d'alimentation de l'outil | 17. Récepteur de copeaux | 28. Couvreclerc secondaire |
| 6. Rallonge électrique | 18. Écrou | 29. Couvreclerc du carter d'engrenage |
| 7. Fermeoir | 19. Lame de cisailles | 30. Bielle |
| 8. Outil | 20. Récepteur de branches | 31. Ellipse de la lame de cisailles |
| 9. Porte-outil | 21. Fermoirs | |
| 10. Crochet de cordon ventral | 22. Installez les fermoirs dans la rainure | |
| 11. Cordon | 23. Rainures | |
| 12. Crochet de cordon de bras | | |

SPÉCIFICATIONS

Modèle	UH4570	UH5570	UH6570
Longueur de la lame	450 mm	550 mm	650 mm
Passes par minute (min ⁻¹)	1 600	1 600	1 600
Longueur totale	862 mm	970 mm	1 042 mm
Poids net	3,5 kg	3,6 kg	3,7 kg
Niveau de sécurité	II		

- Étant donné l'évolution constante de notre programme de recherche et de développement, les spécifications contenues dans ce manuel sont sujettes à des modifications sans préavis.
- Remarque : les spécifications peuvent varier d'un pays à l'autre.

Symboles

Les symboles utilisés pour l'outil sont indiqués ci-dessous. Assurez-vous d'avoir bien compris leur signification avant d'utiliser l'outil.

END220-1



Premiers soins



Recyclage



Symbole CE



Interdit !



Veillez lire le mode d'emploi et respecter les mises en garde et consignes de sécurité.



Portez des lunettes de protection.



Portez des protections auditives.



DOUBLE ISOLATION



Attention: la prudence et une attention particulière sont exigées !



Attention: débranchez immédiatement l'outil si son cordon est endommagé !



Protégez l'outil contre la pluie et l'humidité !



Portez des gants de travail !



Débranchez l'outil !

Utilisations

ENE014-1

Cet outil est conçu pour le taillage des haies.

Consignes de sécurité générales des outils électriques

GEA005-2

AVERTISSEMENT Veuillez lire toutes les consignes de sécurité et les instructions. Il y a un risque de choc électrique, d'incendie et/ou de blessure grave si les consignes et les instructions ne sont pas toutes respectées.

Conservez toutes les consignes et instructions pour référence ultérieure.

Le terme « outil électrique », dans toutes les mises en garde, désigne un outil électrique alimenté sur le secteur (avec un cordon d'alimentation) ou par pile (sans cordon d'alimentation).

Sécurité de l'aire de travail

1. **Gardez le lieu de travail propre et bien éclairé.** Des zones sombres ou encombrées peuvent entraîner des accidents.
2. **N'utilisez pas les outils électriques dans les atmosphères explosives, par exemple en présence de liquides, gaz ou poussières inflammables.** Les outils électriques produisent des étincelles au contact desquelles la poussière ou les vapeurs peuvent s'enflammer.
3. **Assurez-vous qu'aucun enfant ou passant ne s'approche pendant que vous utilisez un outil électrique.** Il y a risque de perte de maîtrise de l'outil si votre attention est détournée.

Sécurité en matière d'électricité

4. **La fiche des outils électriques doit être conçue pour la prise de courant utilisée. Ne modifiez jamais la fiche de quelque façon que ce soit. N'utilisez aucun adaptateur de fiche sur les outils électriques avec mise à la terre.** L'utilisation de fiches non modifiées avec les prises de courant pour lesquelles elles ont été prévues réduira les risques de choc électrique.
5. **Évitez tout contact corporel avec les surfaces mises à la terre, telles que les tuyaux, radiateurs, cuisinières et réfrigérateurs.** Le risque de choc électrique augmente si votre corps est mis à la terre.
6. **N'exposez pas les outils électriques à la pluie ou à des conditions d'humidité.** Le risque de choc électrique augmente lorsque de l'eau pénètre dans un outil électrique.
7. **Ne maltraitez pas le cordon. N'utilisez jamais le cordon pour transporter, tirer sur ou débrancher un outil électrique. Maintenez le cordon à l'écart de la chaleur, de l'huile, d'objets à bords tranchants ou de pièces mobiles.** Le risque de choc électrique augmente lorsque les cordons sont endommagés ou enchevêtrés.
8. **Lorsque vous utilisez un outil électrique à l'extérieur, utilisez un cordon prolongateur conçu à cette fin.** Le risque de choc électrique diminue lorsqu'un cordon conçu pour l'extérieur est utilisé.
9. **Si l'utilisation d'un outil électrique dans un endroit humide est inévitable, utilisez une alimentation protégée par un circuit à disjoncteur de fuite à la terre (GFCI).** L'utilisation d'un GFCI réduit le risque d'électrocution.

Sécurité personnelle

10. **Restez alerte, attentif à vos gestes, et faites preuve de bon sens lorsque vous utilisez un outil électrique. Évitez d'utiliser un outil électrique lorsque vous êtes fatigué ou avez pris une drogue, de l'alcool ou un médicament.** Tout moment d'inattention pendant l'utilisation d'un outil électrique comporte un risque de blessure corporel grave.
11. **Utilisez l'équipement de protection personnel. Portez toujours des lunettes de protection.** L'équipement de protection tels que les masques anti-poussières, les chaussures à semelles antidérapantes, les casques durs ou les protections d'oreilles utilisés dans des conditions appropriées réduiront les blessures personnelles.

12. **Prévenez tout démarrage accidentel. Assurez-vous que l'interrupteur se trouve en position d'arrêt avant de brancher l'outil à la source d'alimentation et/ou au bloc-batterie ou bien de ramasser ou porter l'outil.** Vous ouvrez la porte aux accidents si vous transportez les outils électriques avec votre doigt sur la gâchette ou si vous les branchez tandis que l'interrupteur est en position de marche.
13. **Retirez toute clé de réglage ou autre clé avant de mettre l'outil sous tension.** Toute clé laissée en place sur une pièce rotative de l'outil électrique peut causer une blessure.
14. **Maintenez une bonne position. Assurez-vous d'une bonne prise au sol et d'une bonne position d'équilibre en tout temps.** Cela vous permettra d'avoir une meilleure maîtrise de l'outil dans les situations imprévues.
15. **Portez des vêtements adéquats. Évitez de porter des vêtements amples et des bijoux. Assurez-vous que vos cheveux, vêtements et gants demeurent à l'écart des pièces en mouvement.** Les vêtements amples, bijoux et cheveux longs peuvent être happés par les pièces en mouvement.
16. **Si des accessoires sont fournis pour le raccordement d'un appareil d'aspiration et de collecte de la poussière, assurez-vous de les raccorder et de les utiliser correctement.** L'utilisation d'un appareil de collecte des poussières peut réduire les dangers causés par la poussière.

Utilisation et entretien des outils électriques

17. **Ne forcez pas l'outil électrique. Utilisez l'outil électrique qui convient au travail à effectuer.** Si vous utilisez le bon outil électrique et respectez le régime pour lequel il a été conçu, il effectuera un travail de meilleure qualité, et ce de façon plus sûre.
18. **N'utilisez pas l'outil électrique si sa gâchette ne peut pas être activée et désactivée.** Tout outil électrique dont l'interrupteur ne fonctionne pas est dangereux et doit être réparé.
19. **Débranchez la fiche de la source d'alimentation et/ou retirez le bloc-pile de l'outil électrique avant d'effectuer tout réglage, de changer un accessoire ou de ranger l'outil électrique.** De telles mesures préventives réduisent les risques de démarrage accidentel de l'outil électrique.
20. **Après avoir utilisé un outil électrique, rangez-le hors de portée des enfants et ne laissez aucune personne l'utiliser si elle n'est pas familiarisée avec l'outil électrique ou n'a pas pris connaissance des présentes instructions.** Les outils électriques représentent un danger entre les mains de personnes qui n'en connaissent pas le mode d'utilisation.
21. **Veillez à l'entretien des outils électriques. Assurez-vous que les pièces mobiles ne sont pas désalignées ou coincées, qu'aucune pièce n'est cassée et que l'outil électrique n'a subi aucun dommage affectant son bon fonctionnement. S'il est endommagé, faites réparer l'outil électrique avant de l'utiliser.** De nombreux accidents sont causés par des outils électriques mal entretenus.
22. **Maintenez les outils tranchants bien aiguisés et propres.** Un outil tranchant dont l'entretien est

effectué correctement et dont les bords sont bien aiguisés risquent moins de se coincer et est plus facile à maîtriser.

23. Utilisez les outils, accessoires, les mèches d'outils, etc., conformément aux présentes instructions, en prenant en compte les conditions de fonctionnement et le travail à effectuer.

L'utilisation d'un outil électrique à des fins autres que celles prévues comporte un risque de situation dangereuse.

ENTRETIEN

- 24. Faites réparer votre outil électrique par un réparateur qualifié qui utilise des pièces de rechange identiques aux pièces d'origine.** Cela permettra d'assurer le maintien de la sûreté de l'outil électrique.
- 25. Suivez les instructions de lubrification et de changement des accessoires.**
- 26. Maintenez les poignées de l'outil sèches, propres et exemptes d'huile ou de graisse.**

CONSIGNES DE SÉCURITÉ SPÉCIFIQUES

GEB041-1

- 1. NE vous laissez PAS tromper (au fil d'une utilisation répétée) par un sentiment d'aisance et de familiarité avec le produit, en négligeant le respect rigoureux des consignes de sécurité qui accompagnent l'outil. En utilisant cet outil dans des conditions dangereuses ou incorrectes, vous vous exposez à un risque de blessure grave.**
- 2. Maintenez toutes les parties du corps éloignées du sécateur. Ne retirez pas et ne retenez pas le matériau à couper lorsque les lames sont en mouvement. Assurez-vous que l'outil est éteint lors du dégagement des matériaux enchevêtrés.** Tout moment d'inattention pendant l'utilisation du taille-haie comporte un risque de blessure corporelle grave.
- 3. Portez le taille-haie par la poignée après avoir éteint le sécateur. Lors du transport ou du stockage du taille-haie, fermez toujours le couvercle du dispositif de coupe.** Une utilisation correcte du taille-haie permettra de réduire les risques éventuels de blessures corporelles par le sécateur.
- 4. Éloignez le câble de la zone de coupe.** Pendant le fonctionnement, il est possible que le câble soit masqué par les arbustes et coupé accidentellement par la lame.
- N'utilisez pas le taille-haie sous la pluie ou dans des conditions d'humidité importante. Le moteur électrique n'est pas étanche.
- Les personnes utilisant le taille-haie pour la première fois doivent demander à un utilisateur expérimenté de leur indiquer la procédure d'utilisation du taille-haie.
- Le taille-haie ne doit pas être utilisé par les enfants ni les jeunes âgées de moins de 18 ans. Cette restriction ne s'applique pas aux jeunes de 16 ans ou plus ayant reçu une formation sous la supervision d'un spécialiste.
- Utilisez le taille-haie uniquement si vous êtes en bonne condition physique. Si vous êtes fatigué(e), votre attention sera réduite. Soyez particulièrement prudent(e) à la fin d'une journée de travail. Effectuez

tout le travail de manière calme et prudente.

L'utilisateur est responsable de tous les dommages causés aux tiers.

- N'utilisez jamais le taille-haie après avoir consommé de l'alcool, de la drogue ou des médicaments.
- Assurez-vous que la tension et la fréquence de l'alimentation correspondent aux spécifications indiquées sur la plaque d'identification. Nous vous recommandons d'utiliser un disjoncteur de courant résiduel (interrupteur différentiel) avec un courant de déclenchement de 30 mA au maximum, ou un protecteur de courant de fuite à la terre.
- Les gants de travail en cuir épais font partie de l'équipement de base du taille-haie et vous devez toujours les porter lorsque vous travaillez avec l'outil. Portez également des chaussures solides munies de semelles anti-dérapantes.
- Avant de commencer à travailler, assurez-vous que le taille-haie est en état de fonctionnement correct et sûr. Assurez-vous que les garde-corps sont correctement installés. Vérifiez que le câble n'est pas endommagé avant de commencer le travail et remplacez-le au besoin. Vous pouvez utiliser le taille-haie uniquement s'il est entièrement monté.
- Éloignez le câble de la zone de coupe. Travaillez toujours de manière à vous trouver devant la rallonge électrique.
- Débranchez immédiatement la fiche du secteur si le câble est endommagé ou coupé.
- Assurez-vous d'avoir une bonne prise au sol avant de commencer à travailler.
- Maintenez l'outil fermement lors de son utilisation.
- Coupez immédiatement le moteur et débranchez la fiche du secteur si la lame entre en contact avec une clôture ou un autre objet dur. Vérifiez que la lame n'est pas endommagée ; dans le cas contraire, réparez-la immédiatement.
- Avant de vérifier la lame, de corriger les problèmes ou de retirer les matériaux happés par la lame, éteignez toujours le taille-haie et débranchez la fiche du secteur.
- Éteignez le taille-haie, puis débranchez et sécurisez la fiche secteur avant de procéder aux travaux de maintenance.
- Lorsque vous déplacez le taille-haie dans un autre lieu, notamment pendant le travail, débranchez toujours la fiche secteur. Ne déplacez et ne transportez jamais le taille-haie alors que la lame est en mouvement. Ne saisissez jamais la lame dans les mains.
- Nettoyez le taille-haie et en particulier la lame après utilisation et avant de ranger le taille-haie pendant une période prolongée. Lubrifiez légèrement la lame et mettez l'étui de protection. Vous pouvez suspendre l'étui fourni avec l'appareil au mur, ce qui vous permet de ranger le taille-haie de manière sûre et pratique.
- Placez le taille-haie dans son étui avant de le ranger et mettez-le dans une pièce sèche. Conservez-le hors de portée des enfants. Ne rangez jamais le taille-haie à l'extérieur.

CONSERVEZ CES INSTRUCTIONS.

AVERTISSEMENT :

Une **UTILISATION INCORRECTE** de l'outil ou un **non-respect des consignes de sécurité indiquées dans ce manuel d'instructions peuvent causer des blessures graves.**

DESCRIPTION DU FONCTIONNEMENT

ATTENTION :

- Assurez-vous toujours que l'outil est éteint et débranché avant de le régler ou de vérifier son fonctionnement.

Interrupteur (Fig. 1)

Pour votre sécurité, cet outil est équipé d'un triple système d'allumage. Pour mettre l'outil sous tension, appuyez sur deux des trois gâchettes A, B et C. Pour mettre l'outil hors tension, relâchez une ou les deux gâchettes enfoncées. La séquence d'allumage importe peu car l'outil démarre uniquement lorsque les deux interrupteurs sont activés.

Coupe droite (Fig. 2)

Pour tailler la haie de manière droite, appuyez sur les gâchettes A et B.

Coupe verticale (Fig. 3)

Pour couper vers le haut avec les deux mains, appuyez sur les gâchettes B et C et déplacez l'outil devant votre corps.

Coupe éloignée (Fig. 4)

Pour tailler la haie dans une zone éloignée à l'aide des deux mains, appuyez sur les gâchettes A et C.

ASSEMBLAGE

ATTENTION :

- Avant d'effectuer toute intervention sur l'outil, assurez-vous toujours qu'il est éteint et débranché.

Installez la rallonge électrique

ATTENTION :

- Assurez-vous que la rallonge est débranchée de la prise secteur. (Fig. 5)
- Lors de l'installation de la rallonge électrique, fixez-la au cordon de l'outil à l'aide du crochet. Fixez le fermoir à une distance de 100 - 200 mm environ du connecteur de la rallonge électrique. Vous éviterez ainsi tout débranchement accidentel.

Crochet de cordon ventral

ATTENTION :

- Fixez le porte-outil du crochet de cordon ventral uniquement à la rallonge électrique. Ne le fixez pas à un emplacement plus proche de l'outil, au-delà du crochet. Le non-respect de cette instruction risque de provoquer un accident ou des blessures corporelles.

- Lors de l'utilisation du crochet du cordon ventral, utilisez la rallonge électrique en équipement standard. L'utilisation d'une rallonge électrique vendue dans le commerce risque de provoquer un accident ou des blessures.
- Attachez fermement un fermoir du crochet au cordon de l'outil et l'autre fermoir du crochet à la rallonge électrique. Si vous faites fonctionner l'outil en utilisant un seul fermoir, vous risquez de provoquer un accident et des blessures.

L'utilisation du crochet du cordon ventral permet de réduire les risques de coupure accidentelle de la rallonge électrique lorsque celle-ci est lâche. (Fig. 6)

Appuyez ou tirez sur le cordon à travers l'ouverture du porte-outil. (Fig. 7)

ATTENTION :

- Ne forcez pas l'ouverture du porte-outil. Le non-respect de cette instruction risque d'entraîner la déviation du porte-outil et de l'endommager.

Crochet de cordon de bras (accessoire)

ATTENTION :

- Fixez le porte-outil du crochet de cordon de bras uniquement à la rallonge électrique. Ne le fixez pas à un emplacement plus proche de l'outil, au-delà des fermoirs du crochet. Le non-respect de cette instruction risque de provoquer un accident ou des blessures corporelles.
- Lors de l'utilisation du crochet du cordon de bras, utilisez la rallonge électrique en équipement standard. L'utilisation d'une rallonge électrique vendue dans le commerce risque de provoquer un accident ou des blessures.
- Attachez fermement un fermoir du crochet au cordon de l'outil et l'autre fermoir du crochet à la rallonge électrique. Si vous faites fonctionner l'outil en utilisant un seul fermoir, vous risquez de provoquer un accident et des blessures.

L'utilisation du crochet du cordon de bras permet de réduire les risques de coupure accidentelle de la rallonge électrique lorsque celle-ci est lâche. (Fig. 8)

Attachez fermement le crochet du cordon de bras autour de votre bras et passez la rallonge électrique à travers le porte-outil. La longueur de la bande du crochet du cordon de bras est réglable.

REMARQUE :

- Ne passez pas la rallonge électrique à travers la bande.
- Ne forcez pas l'ouverture du porte-outil. Le non-respect de cette instruction risque d'entraîner la déviation du porte-outil et de l'endommager.
- L'utilisation conjointe du crochet du cordon de bras et du crochet du cordon ventral facilite l'opération.

UTILISATION

ATTENTION :

- Veillez à ne pas entrer en contact accidentellement avec une clôture métallique ou d'autres objets durs lors de la taille. La lame pourrait se briser et provoquer de graves blessures.
- Il est extrêmement dangereux de tendre le bras trop loin avec un taille-haie, en particulier depuis une

échelle. Ne travaillez pas sur une surface bancale ou instable.

N'essayez pas de couper des branches dont l'épaisseur est supérieure à 10 mm de diamètre avec ce taille-haie. Vous devez d'abord les couper avec des cisailles jusqu'au niveau du taillage de haie. (Fig. 9)

ATTENTION :

- Ne coupez pas les arbres morts ou objets durs similaires. Vous risqueriez d'endommager l'outil.

Tenez la taille-haie avec les deux mains, appuyez sur la gâchette A ou B et déplacez l'outil devant votre corps. (Fig. 10)

Le fonctionnement de base consiste à incliner les lames dans le sens du taillage et à les déplacer calmement et lentement à une vitesse nominale de 3 à 4 secondes par mètre. (Fig. 11 et 12)

Pour couper le haut d'une haie de manière régulière, vous pouvez attacher une corde au niveau de la hauteur souhaitée de la haie et tailler le long de celle-ci, en l'utilisant comme une ligne de référence. (Fig. 13)

La fixation du récepteur de copeaux (accessoire) sur l'outil lors du taillage de la haie de manière droite peut éviter que les feuilles coupées soient éparpillées. (Fig. 14)

Pour couper le côté d'une haie de manière régulière, coupez-la de bas en haut. (Fig. 15)

Taillez le buis ou les rhododendrons de la base vers le haut afin d'obtenir une jolie haie et un travail bien fait. (Fig. 16)

Installation ou dépose du récepteur de copeaux (accessoire)

ATTENTION :

- Assurez-vous toujours que l'outil est hors tension et débranché avant d'installer ou de retirer le récepteur de copeaux.

REMARQUE :

- Lorsque vous remplacez le récepteur de copeaux, portez toujours des gants, de sorte que vos mains et votre visage ne soient pas en contact direct avec la lame. Le non-respect de cette instruction peut provoquer des blessures corporelles.
- Veillez toujours à retirer le couvercle de protection de la lame avant d'installer le récepteur de copeaux.
- Le récepteur de copeaux reçoit les feuilles coupées et facilite le recueil des feuilles éparpillées. Il s'installe d'un côté comme de l'autre de l'outil. (Fig. 17)

Appuyez sur le récepteur de copeaux situé sur les lames de cisailles de sorte que ses fentes chevauchent les écrous situés sur les lames de cisailles. À ce stade, assurez-vous que le récepteur de copeaux n'entre pas en contact avec le récepteur de branches dans la partie supérieure des lames de cisailles. (Fig. 18)

À ce stade, vous devez installer le récepteur de copeaux, de sorte que ses crochets s'insèrent dans les rainures de l'unité des lames de cisailles. (Fig. 19)

Pour déposer le récepteur de copeaux, appuyez de chaque côté de son levier de manière à déverrouiller les crochets. (Fig. 20)

ATTENTION :

- Le couvercle de protection de la lame (équipement standard) ne peut pas être installé sur l'outil lorsque le

récepteur de copeaux s'y trouve déjà. Avant de transporter ou de ranger l'outil, désinstallez le récepteur de copeaux, puis installez le couvercle de protection de la lame afin d'éviter que celle-ci soit exposée.

REMARQUE :

- Vérifiez que le récepteur de copeaux est installé de manière sécurisée avant de l'utiliser.
- N'essayez jamais de désinstaller le récepteur de copeaux en forçant de manière démesurée lorsque ses crochets sont verrouillés dans les rainures de l'unité de la lame. L'application d'une force excessive risque de l'endommager.

MAINTENANCE

ATTENTION :

- Assurez-vous toujours que l'outil est éteint et débranché avant d'effectuer tout travail d'inspection ou de maintenance.

Nettoyage de l'outil

Pour nettoyer l'outil, essuyez la poussière à l'aide d'un chiffon sec ou imbibé d'eau savonneuse.

ATTENTION :

- N'utilisez pas d'essence, de solvant, de benzine, de mazout, etc..

Maintenance de la lame

Lubrifiez la lame à l'aide d'huile pour machines ou de produits similaires avant d'utiliser l'outil et toutes les heures pendant son fonctionnement.

Après le fonctionnement de l'outil, retirez la poussière des deux côtés de la lame à l'aide d'une brosse métallique, essuyez-la à l'aide d'un chiffon, puis appliquez suffisamment d'huile à basse viscosité, telle que de l'huile pour machines, de l'huile de graissage à pulvérisation, etc.

ATTENTION :

- Ne lavez pas les lames dans l'eau. Vous risqueriez de provoquer l'apparition de rouille ou d'endommager l'outil.

Retrait ou installation de la lame de cisailles

ATTENTION :

- Avant de déposer ou d'installer la lame de cisailles, assurez-vous toujours que l'outil est éteint et débranché.
- Lorsque vous remplacez la lame de cisailles, portez toujours des gants sans retirer le couvercle de protection de la lame, de sorte que vos mains et votre visage ne soient pas en contact direct avec la lame. Le non-respect de cette instruction peut provoquer des blessures corporelles.

REMARQUE :

- N'essayez pas la graisse de l'engrenage et de la bielle. Vous risqueriez d'endommager l'outil.
- Pour connaître les procédures spécifiques de dépose et d'installation des lames de cisailles, reportez-vous

au dos de l'emballage des lames de cisailles fournies en accessoires.

Dépose des lames de cisailles

Mettez l'outil à l'envers et dévissez quatre vis. (Fig. 21)

REMARQUE :

- Veillez à ne pas vous salir les mains car la graisse se diffuse sur la zone de déplacement de la lame de cisailles.

Retirez le couvercle secondaire. (Fig. 22)

Déposez le couvercle du carter d'engrenage. (Fig. 23)

Régalez la bielle dans l'angle à l'aide d'un tournevis à extrémité fendue, comme illustré sur la figure. (Fig. 24)

Déposez deux vis des lames de cisailles afin d'extraire l'unité des lames de cisailles. (Fig. 25)

ATTENTION :

- Remettez l'engrenage en position d'origine, comme il était installé, afin qu'il ne soit pas retiré par erreur.

Installation de la lame de cisailles

Préparez les 4 vis que vous avez retirées (pour le couvercle secondaire), les 2 vis (pour la lame de cisailles), le couvercle du carter d'engrenage, le couvercle secondaire et des lames de cisailles neuves.

Régalez la position de l'engrenage, comme illustré sur la figure. À ce stade, appliquez de la graisse fournie avec les lames de cisailles neuves à la périphérie de l'engrenage. (Fig. 26)

Faites en sorte que l'orifice ovale de la lame supérieure chevauche celui de la lame inférieure. (Fig. 27)

Retirez le couvercle de protection des anciennes lames de cisailles et installez-le sur les lames neuves afin de faciliter la manipulation lors du remplacement des lames. (Fig. 28)

Placez les lames de cisailles neuves sur l'outil, de sorte que les orifices ovales situés sur les lames de cisailles s'adaptent sur l'engrenage. Faites en sorte que les orifices des lames de cisailles chevauchent ceux des vis dans l'outil, puis fixez-les à l'aide de deux vis. (Fig. 29)

Vérifiez que l'engrenage aisément à l'aide d'un tournevis à extrémité fendue. (Fig. 30)

Installez le carter d'engrenage et le couvercle secondaire sur l'outil. Serrez fermement la vis.

Déposez le couvercle de protection de la lame, puis mettez l'outil sous tension pour vérifier que le mouvement est correct.

REMARQUE :

- Si les lames de cisailles ne fonctionnent pas correctement, le contact entre les lames et l'engrenage est mauvais. Recommencez l'opération depuis le début.

Stockage

L'orifice du crochet situé dans la partie inférieure du couvercle de protection de la lame est pratique pour suspendre l'outil à un clou ou une vis au mur. (Fig. 31)

Placez le couvercle de protection de la lame sur les lames de cisailles afin qu'elles ne soient pas exposées. Veillez à ranger l'outil hors de portée des enfants.

Ranger l'outil à l'abri de la pluie et de l'eau.

Pour assurer la SÉCURITÉ et la FIABILITÉ du produit, toute réparation, inspection et remplacement des charbons, ainsi que toute autre tâche de maintenance ou

de réglage, doivent être effectués par un Centre de service agréé Makita, toujours avec des pièces de rechange Makita.

ACCESSOIRES

ATTENTION :

- Ces accessoires ou pièces complémentaires sont recommandés pour l'utilisation avec l'outil Makita spécifié dans ce manuel. L'utilisation de tout autre accessoire ou pièce complémentaire comporte un risque de blessures. Utilisez uniquement l'accessoire ou la pièce complémentaire dans le but spécifié.

Pour obtenir plus de détails sur ces accessoires, contactez un Centre de service après-vente local Makita.

- Rallonge électrique
- Couvercle de protection de la lame
- Crochet
- Lame de cisailles
- Crochet de cordon ventral
- Crochet de cordon de bras

DÉCLARATION DE CONFORMITÉ CE

ENH020-1

Le soussigné, Kato, tel qu'autorisé, déclare que les outils MAKITA,

TYPE :

UH4570, UH5570, UH6570

sont conformes aux normes et exigences en matière de sécurité des directives concernées de l'U.E. :

Directive de l'U.E. relative aux machines 98/37/CE,

Émission de bruit 2000/14/CE, Directive de l'U.E. relative à la compatibilité électromagnétique 2004/108/CE.

Les exigences des directives de l'U.E. indiquées

ci-dessus ont été remplies principalement sur la base des normes suivantes : EN60745-2-15, EN 55014, EN61000.

La procédure d'évaluation de la conformité 2000/14/CE a été réalisée conformément à l'Annexe V. Le niveau de

pression sonore mesuré (L_{pA}) est 89,9 dB (A). Le niveau de puissance sonore (L_{wa}) mesuré est 97,9 dB (A). Le

niveau de puissance sonore (L_d) garanti est 100 dB (A). L'incertitude (K) est de 1,5 dB (A).

Vibration

La valeur totale de vibration (somme du vecteur triaxial) déterminée selon EN60745-2-15 :

Émission des vibrations ($a_{h, D}$) : 6,7 m/s²

Incertitude (K) : 1,5 m/s²

CE 2008



Tomoyasu Kato
Directeur

Fabricant responsable :

Makita Corporation

3-11-8, Sumiyoshi-cho, Anjo, Aichi, JAPON

Représentant agréé en Europe :

Makita International Europe Ltd.

Michigan Drive, Tongwell, Milton Keynes, Bucks MK15 8JD, ANGLETERRE

DEUTSCH

Erklärung der Gesamtdarstellung

- | | | |
|----------------------------|--------------------------------------|--|
| 1. Ein/Aus-Schalter B | 13. Schneidrichtung | 24. Drücken der Haken an beiden Seiten |
| 2. Ein/Aus-Schalter A | 14. Neigung der Blätter | 25. Lösen der Haken |
| 3. Ein/Aus-Schalter C | 15. zu schneidende Heckenfläche | 26. Schrauben |
| 4. Kompletthaken | 16. Drücken | 27. Schneidblattabdeckung |
| 5. Werkzeugkabel | 17. Spanaufnehmer | 28. Untere Abdeckung |
| 6. Verlängerungskabel | 18. Mutter | 29. Getriebegehäuseabdeckung |
| 7. Einhängclip | 19. Schneidblatt | 30. Kurbelwelle |
| 8. Werkzeug | 20. Astfänger | 31. Ellipse des Scherblattes |
| 9. Halter | 21. Haken | |
| 10. Kabelhalter für Gürtel | 22. Einpassen der Haken in die Kerbe | |
| 11. Kabel | 23. Kerben | |
| 12. Kabelhalter für Arm | | |

TECHNISCHE DATEN

Modell	UH4570	UH5570	UH6570
Schneidblattlänge	450 mm	550 mm	650 mm
Schläge pro Minute (min ⁻¹)	1.600	1.600	1.600
Gesamtlänge	862 mm	970 mm	1.042 mm
Nettogewicht	3,5 kg	3,6 kg	3,7 kg
Sicherheitsklasse	II		

- Aufgrund unserer weiterführenden Forschungen und Entwicklungen sind Änderungen an den hier angegebenen Technischen Daten ohne Vorankündigung vorbehalten.
- Hinweis: Die Technischen Daten können in einzelnen Ländern voneinander abweichen.

Symbole

END220-1

Im Folgenden sind die im Zusammenhang mit diesem Werkzeug verwendeten Symbole dargestellt. Machen Sie sich vor der Benutzung des Werkzeugs unbedingt mit diesen Symbolen vertraut.



Erste Hilfe



Recycling



CE-Kennzeichnung



Verboten!



Bitte lesen Sie die Betriebsanleitung und befolgen Sie die Warnungen und Sicherheitshinweise.



Tragen Sie während der Arbeit stets eine Schutzbrille.



Tragen Sie Gehörschutz.



DOPPELT SCHUTZISOLIERT



Achtung: Besondere Vorsicht und Aufmerksamkeit sind erforderlich!



Achtung: Bei beschädigtem Kabel sofort Netzstecker ziehen!



Vor Regen und Nässe schützen!



Schutzhandschuhe tragen!



Netzstecker ziehen!

Verwendungszweck

ENE014-1

Das Werkzeug wurde für das Schneiden von Hecken entwickelt.

Allgemeine Sicherheitshinweise für Elektrowerkzeuge

GEA005-2

WARNUNG Lesen Sie alle Sicherheitswarnungen und -anweisungen sorgfältig durch. Wenn die aufgeführten Warnhinweise und Anweisungen nicht beachtet werden, besteht die Gefahr eines Stromschlags, Brands und/oder das Risiko schwerer Verletzungen.

Bewahren Sie alle Warnhinweise und Anweisungen zum späteren Nachschlagen gut auf.

Der Begriff „Elektrowerkzeug“ bezieht sich in den Warnhinweisen auf Ihr netzbetriebenes Elektrowerkzeug (mit Kabel) oder Ihr aku- bzw. batteriebetriebenes Elektrowerkzeug (ohne Kabel).

Sicherheit am Arbeitsplatz

1. **Achten Sie auf ein sauberes und gut beleuchtetes Arbeitsumfeld.** In unordentlichen oder dunklen Bereichen können schnell Unfälle passieren.
2. **Betreiben Sie Elektrowerkzeuge niemals in explosionsgefährdeten Umgebungen, wie etwa in der Nähe von brennbaren Flüssigkeiten, Gasen oder Staub.** Bei Elektrowerkzeugen treten Funken aus, die Staub und Dämpfe entzünden können.
3. **Halten Sie Kinder und Zuschauer auf Abstand, wenn Sie ein Elektrowerkzeug bedienen.** Ablenkung kann zu Kontrollverlust führen.

Elektrische Sicherheit

4. **Die Stecker des Elektrowerkzeugs müssen in die Steckdose passen. Nehmen Sie niemals Änderungen am Stecker vor. Verwenden Sie keine Adapterstecker bei geerdeten Elektrowerkzeugen.** Originalstecker und dazu passende Steckdosen verringern die Gefahr eines elektrischen Schlags.
5. **Vermeiden Sie Körperkontakt mit geerdeten Flächen, wie Rohren, Kühlern, Heiz- und Kühlelementen.** Wenn Ihr Körper geerdet ist, besteht ein erhöhtes Risiko eines elektrischen Schlags.
6. **Elektrowerkzeuge dürfen weder Regen noch Feuchtigkeit ausgesetzt werden.** Wenn Wasser in ein Elektrowerkzeug eindringt, erhöht dies das Risiko eines elektrischen Schlags.
7. **Gehen Sie richtig mit dem Stromkabel um. Tragen Sie das Werkzeug niemals am Kabel, und ziehen Sie niemals am Kabel, um das Werkzeug zu sich zu ziehen oder um den Stecker aus der Steckdose zu ziehen. Halten Sie das Kabel von Hitze, Öl, scharfen Kanten und beweglichen Teilen fern.** Beschädigte oder verwickelte Kabel erhöhen die Gefahr eines elektrischen Schlags.
8. **Schließen Sie ausschließlich ein für die Verwendung im Freien zugelassenes Verlängerungskabel an, wenn Sie das Elektrowerkzeug im Freien betreiben.** Die Verwendung eines für den Gebrauch im Freien vorgesehenen Verlängerungskabels vermindert das Risiko eines elektrischen Schlags.
9. **Wenn sich der Einsatz des Elektrowerkzeugs an einem feuchten Ort nicht vermeiden lässt, verwenden Sie für die Stromversorgung einen FI-Schutzschalter (GFCI).** Durch die Verwendung eines FI-Schutzschalters (GFCI) verringert sich die Gefahr eines Stromschlags.

Sicherheit für Personen

10. **Bleiben Sie wachsam, achten Sie auf das, was Sie tun, und gebrauchen Sie Ihren gesunden Menschenverstand, wenn Sie ein Elektrowerkzeug benutzen. Betreiben Sie Elektrowerkzeuge nicht, wenn Sie müde sind oder unter dem Einfluss von Drogen, Alkohol oder Medikamenten stehen.** Ein Moment der Unachtsamkeit kann beim Umgang mit Elektrowerkzeugen zu schweren Personenschäden führen.
11. **Verwenden Sie zu Ihrem Schutz eine geeignete Sicherheitsausrüstung. Tragen Sie immer eine Schutzbrille.** Den Umständen angepasste Sicherheitsausrüstungen, wie Staubmasken, rutschfreie Sicherheitsschuhe, Helme und

Gehörschutz, vermindern das Risiko von Personenschäden.

12. **Vermeiden Sie ein versehentliches Einschalten des Werkzeugs. Vergewissern Sie sich, dass das Werkzeug ausgeschaltet ist, bevor Sie es an eine Stromquelle und/oder den Akku anschließen, hochheben oder transportieren.** Der Transport des Werkzeugs mit dem Finger auf dem Schalter und das Anschließen eingeschalteter Elektrowerkzeuge an die Stromversorgung können zu Unfällen führen.
13. **Entfernen Sie alle Einstell- und sonstigen Schlüssel, bevor Sie das Elektrowerkzeug einschalten.** Auf den rotierenden Teilen eines Elektrowerkzeugs belassene Schlüssel können zu Verletzungen führen.
14. **Bleiben Sie innerhalb Ihres Standbereichs. Achten Sie jederzeit auf sicheren Stand und Balance.** Dadurch ist in unerwarteten Situationen eine bessere Kontrolle des Elektrowerkzeugs möglich.
15. **Tragen Sie geeignete Kleidung. Tragen Sie keine weite Kleidung und keinen Schmuck. Halten Sie Haar, Kleidung und Handschuhe fern von beweglichen Teilen.** Weite Kleidung, Schmuck und langes Haar können sich in den beweglichen Teilen verfangen.
16. **Falls Geräte zum Absaugen und Sammeln von Staub vorhanden sind, schließen Sie diese an und verwenden Sie sie ordnungsgemäß.** Die Verwendung einer Vorrichtung zum Sammeln von Staub kann Gefahren verringern, die mit Staub in Zusammenhang stehen.

Verwendung und Pflege von Elektrowerkzeugen

17. **Überlasten Sie das Elektrowerkzeug nicht. Benutzen Sie das für die jeweilige Anwendung geeignete Elektrowerkzeug.** Das richtige Werkzeug erfüllt seinen Zweck am besten und sichersten in dem Leistungsbereich, für den es hergestellt wurde.
18. **Verwenden Sie ein Elektrowerkzeug nicht, wenn es sich nicht mit dem Schalter ein- und ausschalten lässt.** Jedes Elektrowerkzeug, dessen Schalter nicht funktioniert, stellt eine Gefahr dar und muss repariert werden.
19. **Ziehen Sie den Stecker aus der Steckdose bzw. den Akku aus dem Gerät, bevor Sie Einstellungen am Elektrowerkzeug vornehmen, Zubehör wechseln oder das Gerät lagern.** Diese präventiven Sicherheitsmaßnahmen reduzieren das Risiko eines versehentlichen Starts.
20. **Lagern Sie Elektrowerkzeuge, die nicht in Gebrauch sind, außerhalb der Reichweite von Kindern, und gestatten Sie die Benutzung von Elektrowerkzeugen ausschließlich solchen Personen, die mit dem Betrieb und der Bedienungsanleitung des entsprechenden Elektrowerkzeugs vertraut sind.** In den Händen ungeübter Benutzer sind Elektrowerkzeuge gefährlich.
21. **Pflegen Sie Elektrowerkzeuge. Achten Sie auf fehlerhafte Verbindungen, festsitzende bewegliche Teile, Defekte und alle anderen Bedingungen, die die Funktionsweise des Geräts beeinträchtigen können. Lassen Sie bei einer Beschädigung das Elektrowerkzeug vor dem Gebrauch reparieren.** Durch nachlässig gewartete Elektrowerkzeuge werden viele Unfälle verursacht.

22. **Halten Sie Schneidwerkzeuge scharf und sauber.** Ordentlich gewartete Schneidwerkzeuge mit scharfen Schneidkanten verhaken nicht so schnell und sind einfacher in der Handhabung.
23. **Befolgen Sie die Anweisungen für den Gebrauch des Elektrowerkzeugs, Zubehörs und der Werkzeugeinsätze usw. Berücksichtigen Sie dabei immer auch die Arbeitsbedingungen und die Art der auszuführenden Arbeiten.** Die Verwendung eines Elektrowerkzeugs für Arbeitsgänge, für die es nicht konzipiert wurde, kann zu Gefahrensituationen führen.

SERVICE

24. **Lassen Sie das Elektrowerkzeug ausschließlich von Fachpersonal unter Verwendung von Originalersatzteilen warten und reparieren.** Auf diese Weise ist die Sicherheit des Elektrowerkzeugs gewährleistet.
25. **Befolgen Sie die Anweisungen hinsichtlich Schmierung und Wechsel von Zubehör.**
26. **Achten Sie darauf, dass die Griffe trocken, sauber und frei von Öl und Schmiermittel sind.**

BESONDERE SICHERHEITSREGELN

GE041-1

1. **Lassen Sie sich NIE durch Bequemlichkeit oder (aus fortwährendem Gebrauch gewonnener) Vertrautheit mit dem Gerät dazu verleiten, die Sicherheitsregeln für den Schleifer zu missachten. Wenn dieses Werkzeug fehlerföhrig oder nicht ordnungsgemäß verwendet wird, kann es zu schweren Verletzungen kommen.**
2. **Halten Sie mit allen Körperteilen Abstand zum Schneidblatt. Entfernen Sie kein geschnittenes Material oder halten Sie kein zu schneidendes Material, wenn sich die Blätter bewegen. Überprüfen Sie, dass der Schalter aus ist, wenn Sie verklemmtes Material entfernen.** Ein Moment der Unachtsamkeit kann beim Umgang mit der Heckenschere zu schweren Personenschäden führen.
3. **Tragen Sie die Heckenschere mit angehaltenem Schneidblatt am Griff. Transportieren und lagern Sie die Heckenschere immer mit aufgesetztem Schutz über dem Schneidblatt.** Durch einen sachgemäßen Umgang mit der Heckenschere können Sie mögliche Personenschäden durch die Schneidblätter vermindern.
4. **Halten Sie das Kabel in einem Abstand zum Schneidbereich.** Während des Betriebs kann sich das Kabel im Gestrüpp verbergen und versehentlich durch das Blatt zerschnitten werden.
5. Verwenden Sie die Heckenschere nicht, während es regnet, oder bei nassen oder sehr feuchten Bedingungen. Der Elektromotor ist nicht wasserdicht.
6. Erstmalige Anwender sollten sich von erfahrenen Anwendern die Verwendung der Heckenschere zeigen lassen.
7. Kinder und Jugendliche unter 18 Jahren dürfen die Heckenschere nicht bedienen. Jugendliche über 16 Jahren sind von diesem Verbot ausgenommen, wenn sie zum Zweck der Ausbildung unter Aufsicht eines Fachkundigen stehen.
8. Betreiben Sie die Heckenschere nur, wenn Sie in guter physischer Verfassung sind. Falls Sie müde sind, lässt Ihre Aufmerksamkeit nach. Seien Sie am Ende eines Arbeitstages besonders aufmerksam. Führen Sie alle Arbeiten ruhig und sorgfältig durch. Der Anwender ist für alle Schäden an Dritten verantwortlich.
9. Verwenden Sie die Heckenschere niemals unter Einfluss von Alkohol, Drogen oder Medikamenten.
10. Prüfen Sie, dass die Spannung und Frequenz der Stromversorgung den auf dem Typenschild angegebenen Technischen Daten entspricht. Wir empfehlen die Verwendung eines Fehlerstrom-Schutzschalters (FI-Schutzschalter) mit einem Auslösestrom von max. 30 mA oder eines Erdschlussstrom-Schutzes.
11. Arbeitshandschuhe aus festem Leder sind Teil der Grundausrüstung der Heckenschere und müssen stets bei Arbeiten mit der Heckenschere getragen werden. Tragen Sie außerdem feste Schuhe mit rutschfesten Sohlen.
12. Überprüfen Sie vor Beginn der Arbeiten, dass die Heckenschere ordnungsgemäß und sicher arbeitet. Stellen Sie sicher, dass die Sicherheitsabdeckungen ordnungsgemäße angebracht sind. Überprüfen Sie das Kabel vor Beginn der Arbeiten auf Beschädigungen und ersetzen Sie es bei Bedarf. Die Heckenschere darf nur vollständig montiert verwendet werden.
13. Halten Sie das Kabel in einem Abstand zum Schneidbereich. Arbeiten Sie immer so, dass sich das Verlängerungskabel hinter Ihnen befindet.
14. Ziehen Sie bei einem beschädigten oder angeschnittenen Kabel sofort den Netzstecker!
15. Überprüfen Sie vor Beginn der Arbeiten, dass Sie einen sicheren Stand haben.
16. Halten Sie das Werkzeug bei Verwendung sicher fest.
17. Schalten Sie den Motor sofort aus und ziehen Sie den Netzstecker, wenn die Schere mit einem Anschlag oder einem anderen harten Gegenstand in Kontakt kam. Überprüfen Sie die Schere auf Beschädigungen, und reparieren Sie sie bei Bedarf.
18. Schalten Sie die Heckenschere stets aus und ziehen Sie den Hauptstecker, bevor Sie die Schere überprüfen, sich um Fehler kümmern oder in der Schere verklemmtes Material entfernen.
19. Schalten Sie den Trimmer aus, ziehen und sichern Sie den Hauptstecker, bevor Sie Wartungsarbeiten durchführen.
20. Ziehen Sie stets den Hauptstecker, wenn Sie die Heckenschere an einen anderen Ort bewegen, auch während der Arbeiten. Tragen oder transportieren Sie die Heckenschere niemals mit laufendem Schneidblatt. Fassen Sie das Schneidblatt niemals mit den Händen an.
21. Reinigen Sie die Heckenschere und besonders das Schneidblatt nach der Verwendung und vor der Lagerung der Heckenschere über einen längeren Zeitraum. Ölen Sie das Schneidblatt leicht und bringen Sie die Abdeckung an. Die mit dem Gerät gelieferte Abdeckung kann an die Wand gehängt werden und bietet so eine sichere und praktische Möglichkeit zur Lagerung der Heckenschere.

22. Lagern Sie die Heckenschere mit angebrachter Abdeckung in einem trockenem Raum. Lagern Sie die Heckenschere außerhalb der Reichweite von Kindern. Lagern Sie die Heckenschere niemals im Freien.

BEWAHREN SIE DIESE ANWEISUNGEN SORGFÄLTIG AUF.

WARNUNG:

Eine **MISSBRÄUCLICHE Verwendung des Werkzeugs und die Missachtung der in diesem Handbuch enthaltenen Sicherheitshinweise können zu schweren Personenschäden führen.**

FUNKTIONSBESCHREIBUNG

ACHTUNG:

- Schalten Sie das Werkzeug stets aus und ziehen Sie den Stecker, bevor Sie Einstellungen oder eine Funktionsprüfung des Werkzeugs vornehmen.

Bedienung des Schalters (Abb. 1)

Zu Ihrer Sicherheit ist das Werkzeug mit einem Dreifach-Schaltersystem ausgestattet. Zum Einschalten des Werkzeugs drücken Sie zwei der drei Schalter A, B und C. Lassen Sie zum Ausschalten einen der zwei gedrückten Schalter los. Die Reihenfolge der Schalterbetätigung ist unwichtig, da das Werkzeug nur startet, wenn beide Schalter betätigt werden.

Gerader Schnitt (Abb. 2)

Zum geraden Schneiden der Hecke betätigen Sie die Schalter A und B.

Vertikaler Schnitt (Abb. 3)

Betätigen Sie zum Schneiden nach oben mit beiden Händen die Schalter B und C und bewegen Sie die Heckenschere vor Ihrem Körper.

Schnitt eines entfernten Bereichs (Abb. 4)

Zum Schneiden der Hecke in einem entfernten Bereich betätigen Sie mit beiden Händen die Schalter A und C.

MONTAGE

ACHTUNG:

- Schalten Sie das Werkzeug stets aus und ziehen Sie den Stecker, bevor Sie irgendwelche Arbeiten am Werkzeug durchführen.

Anbringen des Verlängerungskabels

ACHTUNG:

- Vergewissern Sie sich, dass das Verlängerungskabel nicht an die Hauptsteckdose angeschlossen ist. (Abb. 5)

Sichern Sie beim Anschließen des Verlängerungskabels dieses am Werkzeugkabel mit dem Kompletthaken. Bringen Sie den Haken im Abstand von 100 bis 200 mm vom Stecker des Verlängerungskabels an. Dadurch wird ein versehentliches Abtrennen verhindert.

Kabelhalter für Gürtel

ACHTUNG:

- Bringen Sie den Kabelhalter für den Gürtel nur am Verlängerungskabel an. Befestigen Sie diesen nicht in einer Position zu nahe am Werkzeug, hinter dem Kompletthaken. Anderenfalls kann es zu einem Unfall oder Verletzungen kommen.
- Verwenden Sie bei Nutzung des Kabelhalters für den Gürtel das Verlängerungskabel als Standard. Die Verwendung eines handelsüblichen Verlängerungskabels kann zu einem Unfall oder Verletzungen führen.
- Befestigen Sie einen Haken des Kompletthakens am Werkzeugkabel und den anderen Haken am Verlängerungskabel. Das Arbeiten mit dem Werkzeug mit nur einem befestigten Haken kann zu einem Unfall oder Verletzungen führen.

Die Verwendung des Kabelhalters für den Gürtel unterstützt die Risikominimierung des versehentlichen Abschneidens des losen Verlängerungskabels. (Abb. 6) Drücken oder ziehen Sie das Kabel durch die Öffnung in der Halterung. (Abb. 7)

ACHTUNG:

- Überlasten Sie die Öffnung der Halterung nicht. Anderenfalls kann es zu einer Durchbiegung oder Beschädigung kommen.

Kabelhalter für Arm (Zubehör)

ACHTUNG:

- Bringen Sie den Kabelhalter für den Arm nur am Verlängerungskabel an. Befestigen Sie diesen nicht in einer Position zu nahe am Werkzeug, hinter dem Kompletthaken. Anderenfalls kann es zu einem Unfall oder Verletzungen kommen.
- Verwenden Sie bei Nutzung des Kabelhalters für den Arm das Verlängerungskabel als Standard. Die Verwendung eines handelsüblichen Verlängerungskabels kann zu einem Unfall oder Verletzungen führen.
- Befestigen Sie einen Haken des Kompletthakens am Werkzeugkabel und den anderen Haken am Verlängerungskabel. Das Arbeiten mit dem Werkzeug mit nur einem befestigten Haken kann zu einem Unfall oder Verletzungen führen.

Die Verwendung des Kabelhalters für den Arm unterstützt die Risikominimierung des versehentlichen Abschneidens des losen Verlängerungskabels. (Abb. 8)

Befestigen Sie den Kabelhalter für den Arm fest an Ihrem Arm und führen Sie das Verlängerungskabel durch die Halterung. Die Länge des Bandes für die Armhalterung kann angepasst werden.

HINWEIS:

- Führen Sie das Verlängerungskabel nicht durch das Band.
- Überlasten Sie die Öffnung der Halterung nicht. Anderenfalls kann es zu einer Durchbiegung oder Beschädigung kommen.
- Die Verwendung des Kabelhalters für den Arm zusammen mit dem Kabelhalter für den Gürtel ist nützlicher.

BETRIEB

ACHTUNG:

- Achten Sie darauf, dass Sie während des Schneidens nicht versehentlich mit einem metallischen Anschlag oder anderen harten Gegenständen in Berührung kommen. Das Schneidblatt kann brechen und schwere Verletzungen verursachen.
- Das weite Hinauslehnen mit einer Heckenschere, vor allem von einer Leiter aus, ist äußerst gefährlich. Arbeiten Sie niemals von einem wackligen oder unsicheren Standort aus.

Schneiden Sie mit dieser Heckenschere keine Äste mit einer Dicke von mehr als 10 mm Durchmesser. Solche Äste sollten zuerst mit einer Schere auf das Niveau der Heckenschere geschnitten werden. **(Abb. 9)**

ACHTUNG:

- Schneiden Sie keine toten Äste oder ähnliche harte Gegenstände ab. Zuwiderhandlungen können das Werkzeug beschädigen.

Halten Sie die Heckenschere mit beiden Händen, betätigen Sie die Schalter A und B und bewegen Sie die Heckenschere vor Ihrem Körper. **(Abb. 10)**

Neigen Sie im Grundbetrieb die Schneidblätter in Richtung der Trimmrichtung und bewegen Sie die Heckenschere ruhig und langsam mit einer Geschwindigkeit von 3 bis 4 Sekunden pro Meter. **(Abb. 11 und 12)**

Zum geraden Schneiden einer Heckenoberkante können Sie eine Schnur in der gewünschten Heckenhöhe spannen und diese beim Schneiden als Referenzlinie verwenden. **(Abb. 13)**

Befestigen Sie beim Schneiden der Heckengerade die Spannaufnahme (Zubehör) am Werkzeug, um ein Umherfliegen der Blätter zu vermeiden. **(Abb. 14)**

Zum gleichmäßigen Schneiden der Heckenseite schneiden Sie diese von unten nach oben. **(Abb. 15)**
Schneiden Sie Buchsbaum oder Rhododendron für ein hübsches Aussehen und einen guten Schnitt von der Basis zur Spitze. **(Abb. 16)**

Montage und Demontage der Spannaufnahme (Zubehör)

ACHTUNG:

- Schalten Sie das Werkzeug aus und ziehen Sie den Stecker, bevor Sie die Spannaufnahme einsetzen oder entfernen.

HINWEIS:

- Tragen Sie beim Austauschen der Spannaufnahme immer Arbeitshandschuhe, sodass Sie das Schneidblatt nicht direkt mit den Händen berühren. Anderenfalls kann es zu Verletzungen kommen.
- Achten Sie vor dem Einsetzen der Spannaufnahme darauf, dass Sie die Schneidblattabdeckung entfernt haben.
- Die Spannaufnahme fängt die abgeschnittenen Blätter auf und erleichtert das Aufsammeln der abgefallenen Blätter. Die Spannaufnahme kann an jeder Seite des Werkzeugs befestigt werden. **(Abb. 17)**

Drücken Sie die Spannaufnahme auf die Schneidblätter, sodass die Schlitze die Muttern auf den Schneidblättern überdecken. Überprüfen Sie in diesem Moment, dass die

Spannaufnahme den Astfänger am oberen Ende der Schneidblätter nicht berührt. **(Abb. 18)**

Zu diesem Zeitpunkt muss die Spannaufnahme angebracht werden, damit die Haken in die Kerben im Schneidblatt passen. **(Abb. 19)**

Zum Entfernen der Spannaufnahme drücken Sie den Hebel an beiden Seiten, sodass die Haken freigegeben werden. **(Abb. 20)**

ACHTUNG:

- Die Schneidblattabdeckung (Standardausrüstung) kann bei angebrachter Spannaufnahme nicht montiert werden. Entfernen Sie vor dem Transport oder der Lagerung die Spannaufnahme und bringen Sie die Schneidblattabdeckung an, um ein Freiliegen des Blattes zu vermeiden.

HINWEIS:

- Prüfen Sie vor der Verwendung die sichere Installation der Spannaufnahme.
- Wenden Sie beim Entfernen der Spannaufnahme keine übermäßigen Kräfte an, wenn die Haken in den Blattkerben eingerastet sind. Die Anwendung übermäßiger Kräfte kann zu Beschädigungen führen.

WARTUNG

ACHTUNG:

- Schalten Sie das Werkzeug stets aus und ziehen Sie den Stecker, bevor Sie Prüfungen oder Wartungsarbeiten am Werkzeug durchführen.

Reinigen des Werkzeugs

Reinigen Sie das Werkzeug, indem Sie den Staub mit einem trockenen oder in Seifenlösung getunkten Lappen abwischen.

ACHTUNG:

- Verwenden Sie zum Reinigen weder Kraftstoffe, Verdünnung, Benzin noch Heizöl.

Wartung des Sägeblatts

Schmieren Sie das Blatt vor dem Betrieb und nach jeder Betriebsstunde mit Maschinenöl oder ähnlichem.

Entfernen Sie nach dem Betrieb den Staub von beiden Seiten des Blattes mit einer Drahtbürste, wischen Sie den Staub mit einem Lappen ab und tragen Sie anschließend dünnflüssiges Öl, z.B. Maschinenöl usw., oder Sprühschmieröl auf.

ACHTUNG:

- Waschen Sie die Blätter nicht mit Wasser ab. Zuwiderhandlungen können zum Rosten führen oder das Werkzeug beschädigen.

Montage und Demontage des Schneidblatts

ACHTUNG:

- Schalten Sie das Werkzeug stets aus und ziehen Sie den Stecker, bevor Sie das Schneidblatt einsetzen oder entfernen.
- Tragen Sie beim Austauschen des Schneidblattes immer Arbeitshandschuhe und entfernen Sie die Blattabdeckung nicht, sodass Sie das Schneidblatt

nicht direkt mit den Händen berühren. Anderenfalls kann es zu Verletzungen kommen.

HINWEIS:

- Wischen Sie aus dem Getriebe und von der Kurbelwelle keine Schmiere ab. Zuwiderhandlungen können das Werkzeug beschädigen.
- Besondere Vorgehensweisen zum Entfernen und Anbringen der Schneidblätter finden Sie auf der Rückseite der Verpackung der Zubehörschneidblätter.

Ausbauen der Schneidblätter

Drehen Sie das Werkzeug um und lösen Sie die vier Schrauben. **(Abb. 21)**

HINWEIS:

- Achten Sie darauf, dass Sie sich Ihre Hände nicht beschmieren, denn im Antriebsbereich des Schneidblattes wurde Schmiermittel aufgetragen. Entfernen Sie die untere Abdeckung. **(Abb. 22)**
- Entfernen Sie die Abdeckung des Getriebegehäuses. **(Abb. 23)**

Stellen Sie die Kurbelwelle mit einem Schlitzschraubendreher auf den in der Abbildung dargestellten Winkel ein. **(Abb. 24)**

Entfernen Sie die zwei Schrauben von den Schneidblättern und Sie können das Schneidblatt herausnehmen. **(Abb. 25)**

ACHTUNG:

- Setzen Sie das Getriebe wieder in der Ursprungsposition ein, falls Sie es versehentlich herausgenommen haben.

Einbauen des Schneidblattes

Bereiten Sie die 4 entfernten Schrauben (für die untere Abdeckung), die 2 Schrauben (für das Schneidblatt), die Abdeckung des Getriebegehäuses, die untere Abdeckung und die neuen Schneidblätter so auf dem Werkzeug.

Passen Sie die Kurbelwellenposition wie in der Abbildung dargestellt an. Tragen Sie jetzt etwas Schmiermittel mit den neuen Schneidblättern am Rand der Kurbelwelle auf. **(Abb. 26)**

Bringen Sie das ovale Loch im oberen Blatt mit dem im unteren Blatt in Übereinstimmung. **(Abb. 27)**

Nehmen Sie die Blattabdeckung von den alten Schneidblättern ab und passen Sie diese auf die neuen an, um eine einfachere Handhabung während des Austauschs der Blätter zu ermöglichen. **(Abb. 28)**

Platzieren Sie die neuen Schneidblätter so auf dem Werkzeug, dass die ovalen Löcher in den Schneidblättern auf die Kurbelwelle passen. Bringen Sie die Löcher in den Schneidblättern mit den Schraubenlöchern im Werkzeug in Übereinstimmung und sichern Sie diese mit zwei Schrauben. **(Abb. 29)**

Prüfen Sie die Kurbelwelle mit einem Schlitzschraubendreher auf eine weiche Drehung. **(Abb. 30)**

Bringen Sie die untere Abdeckung und die des Getriebegehäuses wieder an. Ziehen Sie die Schrauben fest an.

Entfernen Sie die Blattabdeckung und schalten Sie das Werkzeug an, um die ordnungsgemäße Bewegung zu überprüfen.

HINWEIS:

- Wenn sich die Schneidblätter nicht ordnungsgemäß bewegen, liegt zwischen Blättern und Kurbelwelle eine schlechte Passform vor. Führen Sie den Vorgang erneut von Beginn an durch.

Aufbewahren

Zum Aufhängen des Werkzeugs an einem Nagel oder einer Schraube in der Wand ist der Hakendurchbruch im unteren Bereich der Blattabdeckung praktisch. **(Abb. 31)**

Bringen Sie die Blattabdeckung auf den Schneidblättern an, damit die Blätter nicht frei liegen. Bewahren Sie das Werkzeug außerhalb der Reichweite von Kindern auf. Bewahren Sie das Werkzeug an einem Platz auf, wo es weder Wasser noch Regen ausgesetzt ist.

Um die SICHERHEIT und ZUVERLÄSSIGKEIT des Produkts zu gewährleisten, dürfen Reparaturen, Kohlebürsteninspektion und -ersatz sowie alle anderen Wartungsarbeiten und Einstellungen nur durch von Makita autorisierte Servicecenter durchgeführt und ausschließlich Makita-Ersatzteile verwendet werden.

ZUBEHÖR

ACHTUNG:

- Für das in diesem Handbuch beschriebene Makita-Werkzeug werden die folgenden Zubehör- und Zusatzteile empfohlen. Die Verwendung anderer Zubehör- und Zusatzteile kann zu Personenschäden führen. Verwenden Sie Zubehör- und Zusatzteile nur für den vorgesehenen Zweck.

Informationen zu diesem Zubehör erhalten Sie bei einem Makita-Servicecenter in Ihrer Nähe.

- Verlängerungskabel
- Schneidblattabdeckung
- Kompletthaken
- Schneidblatt-Baugruppe
- Kabelhalter für Gürtel
- Kabelhalter für Arm

EG-KONFORMITÄTSERKLÄRUNG

ENH020-1

Der Unterzeichnende, Kato, bevollmächtigt durch MAKITA, erklärt, dass die Geräte der Marke MAKITA,

TYP:

UH4570, UH5570, UH6570

den grundlegenden Sicherheits- und Gesundheitsanforderungen der einschlägigen EU-Richtlinien entsprechen:

EU-Maschinenrichtlinie 98/37/EG, Geräuschemission 2000/14/EG, EU-EMV-Richtlinie 2004/108/EG.

Zur sachgerechten Umsetzung der Anforderungen dieser

EU-Richtlinien wurden maßgeblich folgende Normen herangezogen: EN 60745-2-15, EN 55014, EN 61000.

Das Verfahren zur Konformitätsbewertung 2000/14/EG erfolgte nach Anhang V. Der gemessene

Schalldruckpegel (L_{pA}) beträgt 89,9 dB (A). Der gemessene Schalleistungspegel (L_{wA}) beträgt 97,9 dB (A). Der garantierte Schalleistungspegel (Ld) beträgt

100 dB (A). Die Abweichung (K) beträgt 1,5 dB (A).

Vibration

Schwingungsgesamtwerte (Vektorsumme dreier Achsen)

nach EN60745-2-15:

Schwingungsbelastung ($a_{h,D}$): $6,7 \text{ m/s}^2$

Abweichung (K): $1,5 \text{ m/s}^2$

CE 2008



Tomoyasu Kato
Direktor

Verantwortlicher Hersteller:

Makita Corporation

3-11-8, Sumiyoshi-cho, Anjo, Aichi, JAPAN

Autorisierte Vertretung in Europa:

Makita International Europe Ltd.

Michigan Drive, Tongwell, Milton Keynes, Bucks MK15

8JD, ENGLAND

Spiegazione della vista generale

1. Interruttore B	12. Gancio da braccio	23. Fessure
2. Interruttore A	13. Direzione di taglio	24. Premere i ganci su entrambi i lati
3. Interruttore C	14. Inclinare le lame	25. Sbloccare i ganci
4. Set di ganci di sicurezza	15. Superficie della siepe da tagliare	26. Viti
5. Cavo di alimentazione	16. Premere	27. Coprilama
6. Prolunga	17. Raccogliitore di residui	28. Coperchio inferiore
7. Gancio	18. Dado	29. Coperchio ingranaggi
8. Utensile	19. Lama	30. Eccentrico
9. Supporto	20. Aggancio ramo	31. Ellisse della lama
10. Gancio per cintura	21. Ganci	
11. Cavo	22. Inserire i ganci nelle fessure	

CARATTERISTICHE TECNICHE

Modello	UH4570	UH5570	UH6570
Lunghezza lama	450 mm	550 mm	650 mm
Colpi al minuto (min ⁻¹)	1.600	1.600	1.600
Lunghezza totale	862 mm	970 mm	1.042 mm
Peso netto	3,5 kg	3,6 kg	3,7 kg
Classe di sicurezza	II/II		

- Le caratteristiche tecniche riportate di seguito sono soggette a modifiche senza preavviso in virtù del nostro programma continuo di ricerca e sviluppo.
- Nota: le caratteristiche tecniche possono differire da paese a paese.

Simboli

END220-1

Il seguente elenco riporta i simboli utilizzati per questo utensile. È importante comprenderne il significato prima di utilizzare l'utensile.



Riciclaggio



Marchio CE



Vietato!



Leggere il manuale di istruzioni attenendosi alle avvertenze e alle prescrizioni di sicurezza.



Indossare una protezione visiva.



Indossare una protezione acustica.



ISOLAMENTO DOPPIO



Attenzione: si richiede un'attenzione speciale!



Attenzione: nell'eventualità che il cavo venga danneggiato, scollegare immediatamente l'alimentazione!



Proteggere da pioggia e da umidità!



Indossare guanti protettivi!



Scollegare la spina!



Pronto soccorso

Uso previsto

ENE014-1

L'utensile è progettato per il taglio delle siepi.

Avvertenze generali di sicurezza per l'uso dell'utensile

GEA005-2

AVVERTENZA Leggere attentamente tutte le avvertenze di sicurezza e le istruzioni. La mancata osservanza delle istruzioni e delle avvertenze potrebbe provocare scosse elettriche, incendi e/o lesioni gravi.

Conservare le avvertenze e le istruzioni per riferimenti futuri.

Il termine "utensile elettrico" utilizzato nelle avvertenze indica l'utensile ad alimentazione elettrica (con cavo) o a batteria (senza cavo).

Sicurezza nell'area di lavoro

1. **Mantenere l'area di lavoro pulita e ben illuminata.** In ambienti disordinati o con scarsa illuminazione è più probabile che si verifichino incidenti.
2. **Non azionare utensili elettrici in ambienti esplosivi, ad esempio in presenza di liquidi infiammabili, gas o polvere.** Gli utensili elettrici

producono scintille che possono incendiare polvere a fumi presenti nell'ambiente.

3. **Tenere bambini e presenti lontano dall'area di lavoro mentre si utilizza l'utensile.** Le distrazioni possono far perdere il controllo dell'utensile.

Sicurezza elettrica

4. **La spina dell'utensile deve essere compatibile con la presa di corrente. Non modificare la spina in alcun modo. Non utilizzare adattatori con utensili elettrici provvisti di messa a terra.** L'uso di spine intatte e di prese compatibili riduce il rischio di scosse elettriche.
5. **Evitare il contatto con superfici aventi un collegamento a terra, come tubi, radiatori, frigoriferi e altri elementi conduttori.** Il rischio di scossa elettrica aumenta se il corpo dell'operatore ha un collegamento a terra.
6. **Non esporre gli utensili elettrici alla pioggia o al bagnato.** L'infiltrazione di acqua nell'utensile aumenta il rischio di scosse elettriche.
7. **Non usare il cavo in modo improprio. Non usare mai il cavo per trasportare, tirare o scollegare l'utensile. Mantenere il cavo dell'alimentazione lontano da calore, olio, bordi taglienti o elementi rotanti.** La presenza di cavi danneggiati o impigliati aumenta il rischio di scosse elettriche.
8. **Se l'utensile viene utilizzato all'aperto, usare una prolunga adatta per esterni.** L'utilizzo di un cavo di alimentazione per esterni riduce il rischio di scosse elettriche.
9. **Se l'utensile viene utilizzato in un luogo umido, usare un'alimentazione dotata di interruttore automatico con scarica a terra (GFCI).** L'uso di un interruttore GFCI riduce il rischio di scosse elettriche.

Sicurezza personale

10. **Quando si utilizza un utensile elettrico è necessario rimanere vigili, prestare attenzione a quello che si sta facendo e ricorrere al buonsenso. Non utilizzare l'utensile elettrico quando si è stanchi o sotto l'effetto di droghe, alcol o farmaci.** Un momento di disattenzione durante l'utilizzo di utensili elettrici può provocare gravi lesioni personali.
11. **Indossare indumenti protettivi. Indossare sempre una protezione per gli occhi.** I dispositivi di protezione, come maschere antipolvere, calzature antinfortunistiche e antiscivolo, elmetti o protezioni acustiche, ridurranno il rischio di lesioni personali se usati nelle adeguate circostanze.
12. **Evitare l'avvio accidentale dell'utensile. Verificare che l'interruttore si trovi nella posizione OFF prima di collegare l'utensile all'alimentazione, inserire la batteria, raccogliere o trasportare l'utensile.** Se gli utensili elettrici vengono trasportati con il dito sull'interruttore o se vengono collegati all'alimentazione con l'interruttore nella posizione ON, possono verificarsi incidenti.
13. **Prima di avviare l'utensile rimuovere qualsiasi strumento di regolazione o chiave.** Una chiave o un utensile fissati a un elemento rotante possono causare lesioni personali.
14. **Non sporgersi. Mantenere sempre l'equilibrio e un punto d'appoggio adeguati.** Questo consente di controllare meglio l'utensile in situazioni impreviste.

15. **Indossare un abbigliamento adeguato. Non indossare abiti o oggetti che potrebbero rimanere impigliati. Mantenere capelli, vestiti e guanti lontano dalle parti mobili.** Abiti svolazzanti, oggetti o capelli lunghi possono rimanere impigliati nelle parti mobili.
16. **Se vengono forniti dispositivi per il collegamento di sistemi di estrazione e raccolta della polvere, verificare che vengano collegati e utilizzati correttamente.** L'uso di tali dispositivi riduce i rischi causati dalla polvere.

Uso e cura degli utensili elettrici

17. **Non forzare l'utensile. Utilizzare l'utensile adatto all'attività da svolgere.** L'uso corretto dell'utensile consentirà di lavorare meglio, in modo più sicuro e alla velocità per cui questo è stato progettato.
18. **Non utilizzare l'utensile se l'interruttore non funziona.** Se un utensile non può essere controllato con l'interruttore, è pericoloso e deve essere riparato.
19. **Prima di effettuare qualsiasi regolazione, sostituire gli accessori o riporre l'utensile dopo l'uso, disinserire la spina dall'alimentazione e/o la batteria.** Queste misure di sicurezza preventive riducono il rischio di avvio accidentale dell'utensile.
20. **Quando gli utensili non vengono utilizzati, conservarli fuori dalla portata dei bambini e non consentire l'utilizzo a persone che non conoscono le presenti istruzioni.** Gli utensili elettrici sono pericolosi se impiegati da operatori non preparati.
21. **Sottoporre regolarmente gli utensili elettrici a manutenzione. Controllare eventuali disallineamenti o blocchi delle parti mobili, la rottura di parti e qualsiasi altra circostanza che possa influenzare il funzionamento dell'utensile. Se danneggiato, fare riparare l'utensile prima dell'uso.** Molti incidenti vengono causati da utensili non sottoposti a regolare manutenzione.
22. **Mantenere gli utensili per il taglio affilati e puliti.** Gli utensili per il taglio si inceppano di meno e sono più facili da controllare se sottoposti ad adeguata manutenzione e mantenuti con i bordi della lama sempre taglienti.
23. **Utilizzare l'utensile, gli accessori, le punte ecc., conformemente a queste istruzioni, tenendo conto delle condizioni di lavoro e dell'operazione da effettuare.** L'uso dell'utensile per operazioni diverse da quelle previste potrebbe indurre a situazioni pericolose.

ASSISTENZA

24. **L'utensile deve essere riparato da un tecnico qualificato e si devono utilizzare solo ricambi equivalenti.** Questo permetterà di continuare a garantire la sicurezza dell'utensile.
25. **Osservare le istruzioni di lubrificazione e sostituzione degli accessori.**
26. **Tenere le maniglie asciutte, pulite e prive di olio e grasso.**

REGOLE DI SICUREZZA SPECIFICHE

GEB041-1

1. **NON lasciare che la familiarità acquisita con il prodotto (dovuta all'uso ripetuto) provochi l'insosservanza delle regole di sicurezza. Se questo utensile viene utilizzato in modo improprio o errato, è possibile subire lesioni personali gravi.**
2. **Tenere il corpo lontano dalla lama. Non rimuovere il materiale tagliato né tenere il materiale da tagliare mentre le lame sono in movimento. Assicurarsi che l'interruttore sia spento prima di liberare il materiale incastrato.** Un momento di disattenzione durante l'uso di un utensile elettrico può provocare gravi lesioni personali.
3. **Quando la lama è ferma, trasportare il taglia siepi tenendolo dalla maniglia. Quando si trasporta o si ripone il taglia siepi, inserire sempre il coprilama.** La corretta manipolazione del taglia siepi ridurrà la possibilità di lesioni personali da parte della lama.
4. **Tenere il cavo lontano dall'area di taglio.** Durante l'uso, il cavo potrebbe essere nascosto dalla siepe e potrebbe essere accidentalmente tagliato dalla lama.
5. Non usare il taglia siepi sotto la pioggia o in condizioni di grande umidità. Il motore elettrico non è impermeabile.
6. Gli utenti inesperti dovrebbero fare affidamento su una persona esperta per imparare a usare l'utensile.
7. L'uso del taglia siepi non è consentito ai minori di 18 anni. Le persone con più di 16 anni possono essere esentate da questa restrizione se stanno imparando l'uso dell'utensile sotto la supervisione di un esperto.
8. Usare il taglia siepi solo se si è in buone condizioni fisiche. In caso di stanchezza, l'attenzione risulta ridotta. Prestare particolare attenzione al termine di una giornata di lavoro. Eseguire il lavoro con calma e attenzione. L'utilizzatore è responsabile per tutti i danni a terzi.
9. Non utilizzare l'utensile quando si è sotto l'influenza di alcool, droghe o farmaci.
10. Assicurarsi che la tensione e la frequenza dell'alimentazione corrispondano alle specifiche riportate sulla targhetta di identificazione. Si consiglia l'uso di un interruttore differenziale (salvavita) con una corrente di apertura di 30 mA o inferiore o di una protezione a dispersione di terra.
11. Guanti di lavoro in cuoio robusto fanno parte dell'equipaggiamento di base del taglia siepi e devono sempre essere indossati durante il lavoro. Indossare anche scarpe da lavoro con suola antiscivolo.
12. Prima di cominciare il lavoro assicurarsi che il taglia siepi sia perfetto stato. Verificare che le protezioni siano installate correttamente. Prima di iniziare il lavoro controllare lo stato del cavo, sostituendolo se necessario. Il taglia siepi deve essere usato solo se completamente montato.
13. Tenere il cavo lontano dall'area di taglio. Lavorare sempre in modo che la prolunga del cavo sia dietro di sé.
14. Staccare immediatamente la spina dalla presa se il cavo risulta danneggiato o tagliato.
15. Assicurarsi di avere una buona presa a terra prima di iniziare il lavoro.
16. Sorreggere saldamente l'utensile durante l'uso.

17. Spegnerne immediatamente il motore e staccare la spina dalla presa se la lama dovesse entrare in contatto con una palizzata o un altro oggetto duro. Verificare i danni alla lama, e ripararla immediatamente se risulta danneggiata.
18. Spegnerne l'utensile e staccare la spina dalla presa prima di verificare la lama, riparare i guasti o rimuovere materiale rimasto incastrato.
19. Spegnerne l'utensile e staccare la spina dalla presa prima di effettuare qualunque intervento di manutenzione.
20. Staccare sempre la spina dalla presa prima di spostare l'utensile, anche durante l'uso. Non trasportare o spostare l'utensile mentre è in funzione. Non afferrare la lama con le mani.
21. Pulire il taglia siepi, specialmente la lama, dopo l'uso e prima di riporre l'utensile per periodi prolungati. Oliare leggermente la lama e sistemare il coperchio. Il coperchio in dotazione con l'unità può essere appeso al muro, garantendo un modo facile e pratico per riporre l'utensile.
22. Riporre il taglia siepi con il coperchio installato, in un luogo asciutto. Tenere fuori dalla portata dei bambini. Non riporre mai l'utensile all'aperto.

CONSERVARE QUESTE ISTRUZIONI.

AVVERTENZA:

L'USO IMPROPRIO o la mancata osservanza delle norme di sicurezza contenute in questo manuale può provocare lesioni personali gravi.

DESCRIZIONE FUNZIONALE

ATTENZIONE:

- Prima di regolare o controllare le funzioni dell'utensile, verificare sempre di averlo spento e scollegato dall'alimentazione.

Azionamento dell'interruttore (Fig. 1)

Per maggiore sicurezza, questo utensile è dotato di un triplo sistema di interruttori. Per accendere l'utensile, premere due degli interruttori A, B e C. Per spegnere, rilasciare uno dei due interruttori. La sequenza con cui si premono gli interruttori non è significativa, in quanto l'utensile si accende solo quando due interruttori sono attivati.

Taglio orizzontale (Fig. 2)

Per tagliare la siepe orizzontalmente, tirare gli interruttori A e B.

Taglio verticale (Fig. 3)

Tagliare verso l'alto, tirando con entrambe le mani gli interruttori B e C, muovendo l'utensile di fronte al proprio corpo.

Taglio lontano (Fig. 4)

Per tagliare la siepe da lontano, tirare con entrambe le mani gli interruttori A e C.

MONTAGGIO

ATTENZIONE:

- Accertarsi sempre che l'utensile sia spento e scollegato dall'alimentazione prima di svolgere qualsiasi operazione su di esso.

Uso della prolunga

ATTENZIONE:

- Verificare che la prolunga non sia collegata alla presa elettrica. (Fig. 5)

Utilizzando la prolunga, collegarla al cavo di alimentazione dell'utensile mediante il set di ganci di sicurezza. Collegare il gancio a circa 100-200 mm dalla spina della prolunga. Questo impedirà che la prolunga si scolleghi accidentalmente.

Gancio per cintura

ATTENZIONE:

- Collegare il supporto del gancio per cintura solo alla prolunga. Collegarlo in posizione più lontana dall'utensile rispetto al gancio di sicurezza. In caso contrario può sussistere il rischio di incidenti o lesioni personali.
- Usando il gancio per cintura, usare la prolunga come dispositivo standard. Utilizzare una prolunga disponibile commercialmente può essere causa di incidenti o lesioni personali.
- Collegare saldamente uno dei ganci del set al cavo dell'utensile e l'altro alla prolunga. Usare l'utensile con un solo gancio collegato può essere causa di incidenti o lesioni personali.

L'uso del gancio per cintura riduce il rischio di tagliare inavvertitamente la prolunga quando questa non sia ben fissata. (Fig. 6)

Inserire o estrarre in cavo attraverso l'apertura del supporto. (Fig. 7)

ATTENZIONE:

- Non forzare l'apertura del supporto. Il supporto si potrebbe piegare e danneggiare.

Gancio da braccio (accessorio)

ATTENZIONE:

- Collegare il supporto del gancio da braccio solo alla prolunga. Collegarlo in posizione più lontana dall'utensile rispetto ai ganci di sicurezza. In caso contrario può sussistere il rischio di incidenti o lesioni personali.
- Usando il gancio da braccio, usare la prolunga come dispositivo standard. Utilizzare una prolunga disponibile commercialmente può essere causa di incidenti o lesioni personali.
- Collegare saldamente uno dei ganci del set al cavo dell'utensile e l'altro alla prolunga. Usare l'utensile con un solo gancio collegato può essere causa di incidenti o lesioni personali.

L'uso del gancio da braccio riduce il rischio di tagliare inavvertitamente la prolunga quando questa non sia ben fissata. (Fig. 8)

Fissare il gancio attorno al braccio e passare la prolunga attraverso il supporto. La lunghezza della fascia del gancio è regolabile.

NOTA:

- Non passare la prolunga attraverso la fascia.
- Non forzare l'apertura del supporto. Il supporto si potrebbe piegare e danneggiare.
- Usare insieme il gancio da braccio e quello per la cintura risulta maggiormente utile.

USO

ATTENZIONE:

- Fare attenzione a non entrare in contatto con una palizzata metallica o altri oggetti duri durante il taglio. La lama si romperebbe e potrebbero verificarsi gravi lesioni personali.
- Sporgersi con il taglia siepi, soprattutto da una scala, è estremamente pericoloso. Non lavorare in posizioni barcollanti o instabili.

Non tentare di tagliare rami con diametro superiore ai 10 mm. Questi dovrebbero essere tagliati prima con delle cesoie e portati al livello del taglio della siepe. (Fig. 9)

ATTENZIONE:

- Non tagliare alberi secchi o altri simili oggetti duri. In questo modo si potrebbe danneggiare l'utensile. Sorreggere il taglia siepi con entrambe le mani e tirare gli interruttori A e B, muovendo l'utensile di fronte al proprio corpo. (Fig. 10)

Per l'uso più semplice, inclinare la lama in direzione del taglio e spostarla lentamente, con calma, ad una velocità di circa 3-4 secondi per metro. (Fig. 11 e 12)

Per tagliare in modo uniforme la sommità di una siepe può essere d'aiuto tirare uno spago all'altezza desiderata e usarlo come linea di riferimento. (Fig. 13)

L'uso di un raccoglitore i residui (accessorio) durante il taglio può evitare che le foglie tagliate possano essere scagliate in giro. (Fig. 14)

Per tagliare in modo uniforme il lato di una siepe può essere d'aiuto tagliare dal basso verso l'alto. (Fig. 15) Per ottenere buoni risultati, il bosso e il rododendro vanno tagliati dalla base verso l'alto. (Fig. 16)

Installazione e rimozione del raccoglitore di residui (accessorio)

ATTENZIONE:

- Prima di installare o rimuovere il raccoglitore di residui accertarsi sempre che l'utensile sia spento e scollegato dall'alimentazione.

NOTA:

- Sostituendo il raccoglitore di residui indossare sempre i guanti, in modo che la mani non tocchino direttamente la lama. In caso contrario si potrebbero rischiare lesioni personali.
- Accertarsi sempre di rimuovere il coprilama prima di installare il raccoglitore di residui.
- Il raccoglitore di residui raccoglie le foglie tagliate, impedendo che vengano disperse. Può essere installato su entrambi i lati dell'utensile. (Fig. 17)

Premere il raccoglitore di residui sulla lama, in modo che le sue feritoie si sovrappongano ai dadi sulla lama. A questo punto assicurarsi che il raccoglitore non tocchi l'aggancio rami sulla sommità della lama. (Fig. 18) Installare il raccoglitore di residui in modo che i suoi ganci entrino nelle fessure nell'unità della lama. (Fig. 19)

Per rimuovere il raccoglitore di residui, premere la leva su entrambi i lati, in modo da sbloccare i ganci. (Fig. 20)

ATTENZIONE:

- Il coprilama (dispositivo standard) non può più essere installato se è stato installato il raccoglitore. Prima di trasportare o riporre l'utensile, smontare il raccoglitore e rimontare il coprilama, per evitare che la lama sia esposta.

NOTA:

- Prima dell'uso, verificare che il raccoglitore di residui sia installato correttamente.
- Non tentare di smontare il raccoglitore esercitando una forza eccessiva sui ganci bloccati nelle fessure. Questo potrebbe danneggiare l'accessorio.

MANUTENZIONE

ATTENZIONE:

- Prima di effettuare controlli e operazioni di manutenzione, verificare sempre che l'utensile sia spento e scollegato dall'alimentazione.

Pulizia dell'utensile

Pulire l'utensile eliminando la polvere mediante un panno asciutto o saponato.

ATTENZIONE:

- Non usare benzina, diluenti, solventi, olio combustibile, ecc.

Manutenzione della lama

Oliare la lama prima dell'uso e dopo ogni ora di utilizzo con olio per macchine, o simili.

Dopo l'uso eliminare la polvere da entrambi i lati della lama con una spazzola, eliminarla con un panno e quindi applicare olio a bassa viscosità, come olio per macchine oppure olio lubrificante spray.

ATTENZIONE:

- Non lavare la lama con acqua. Questo potrebbe causare ruggine o danneggiare l'utensile.

Installazione o rimozione della lama

ATTENZIONE:

- Prima di rimuovere o installare la lama, verificare che l'utensile sia spento e scollegato dall'alimentazione.
- Sostituendo la lama indossare sempre i guanti e non rimuovere il coprilama, in modo che la mani non tocchino direttamente la lama. In caso contrario si potrebbero rischiare lesioni personali.

NOTA:

- Non eliminare il grasso da alberi e ingranaggi. In questo modo si potrebbe danneggiare l'utensile.
- Per il modo esatto di rimuovere e installare la lama, fare riferimento al retro della confezione di una lama sostitutiva.

Rimozione della lama

Capovolgere l'utensile e allentare le quattro viti. (Fig. 21)

NOTA:

- Fare attenzione a non sporcarsi le mani con il grasso applicato nella zona di guida della lama.

Rimuovere il coperchio inferiore. (Fig. 22)

Rimuovere il coperchio degli ingranaggi. (Fig. 23)

Con un cacciavite a taglio impostare l'eccentrico

all'angolo illustrato in figura. (Fig. 24)

Rimuovere due viti dalla lama: ora sarà possibile estrarre la lama. (Fig. 25)

ATTENZIONE:

- Riportate l'ingranaggio nella posizione originale come se fosse installato per poi essere tolto per errore.

Installazione della lama

Preparare le 4 viti rimosse (per il coperchio inferiore), le 2 viti (per la lama), il coperchio degli ingranaggi, il coperchio inferiore e la nuova lama.

Regolare la posizione dell'eccentrico come mostrato in figura. A questo punto applicare un po' del grasso in dotazione con la nuova lama sulla periferia dell'eccentrico. (Fig. 26)

Sovrapporre il foro ovale della lama superiore con quello della lama inferiore. (Fig. 27)

Estrarre il coprilama dalla vecchia lama e collegarlo a quella nuova, in modo da facilitare la manipolazione durante la sostituzione. (Fig. 28)

Inserire la nuova lama nell'utensile, in modo che i fori ovali della lama vengano a corrispondere all'eccentrico.

Sovrapporre i fori della lama con i fori per le viti sull'utensile e fissarli con due viti. (Fig. 29)

Con un cacciavite a taglio, assicurarsi che l'eccentrico ruoti in modo liscio. (Fig. 30)

Montare il coperchio degli ingranaggi e il coperchio inferiore sull'utensile. Serrare saldamente la vite.

Rimuovere il coprilama e accendere l'utensile per controllare che funzioni correttamente.

NOTA:

- Se la lama non funziona correttamente, questo significa che il collegamento della lama con l'eccentrico non è corretto. Rifare tutta la procedura dall'inizio.

Conservazione

Il foro sul fondo del coprilama è utile per appendere l'utensile a un chiodo o a una vite sul muro. (Fig. 31)

Inserire il coprilama, in modo che la lama non sia accessibile. Riporre l'utensile lontano dalla portata dei bambini.

Riporre l'utensile in un luogo non esposto ad acqua e pioggia.

Per mantenere la SICUREZZA e l'AFFIDABILITÀ del prodotto, le riparazioni, il controllo della spazzola di carbone, le sostituzioni e qualsiasi altra operazione di manutenzione o regolazione devono essere eseguite da un centro di assistenza Makita autorizzato usando sempre ricambi Makita.

ACCESSORI

ATTENZIONE:

- Si raccomanda di usare questi accessori per l'utensile Makita descritto in questo manuale. L'uso di qualsiasi altro accessorio potrebbe provocare lesioni personali. Utilizzare gli accessori esclusivamente per l'uso dichiarato.

Per l'assistenza e ulteriori informazioni su tali accessori, rivolgersi al centro di assistenza Makita più vicino.

- Prolunga

- Coprilama
- Set ganci di sicurezza
- Unità lama
- Gancio per cintura
- Gancio da braccio

DICHIARAZIONE DI CONFORMITÀ CE ENH020-1

Il sottoscritto Kato, debitamente autorizzato, dichiara che gli utensili MAKITA,

TIPO:

UH4570, UH5570, UH6570

sono conformi ai requisiti standard di sicurezza e salvaguardia della salute delle pertinenti direttive europee:

Direttiva macchine UE 98/37/EC, emissione di rumore 2000/14/EG, direttiva UE EMC 2004/108/EC.

I requisiti delle sopraindicate direttive europee sono stati implementati particolarmente in base ai seguenti standard: EN60745-2-15, EN 55014, EN61000. La procedura di valutazione di conformità 2000/14/EG è stata effettuata secondo l'Allegato V. Il livello di pressione sonora misurato (L_{pA}): è 89,9 dB (A). Il livello di potenza sonora misurato (L_{wa}) è 97,9 dB (A). Il livello di potenza sonora garantito (L_d) è 100 dB (A). Variazione (K) è 1,5 dB (A)

Vibrazione

Il valore totale della vibrazione (somma vettoriale triassiale) è determinato in conformità con la norma EN60745-2-15:

Emissione delle vibrazioni ($a_{h, D}$): 6,7 m/s^2

Variazione (K): 1,5 m/s^2

CE 2008



Tomoyasu Kato
Direttore

Produttore responsabile:

Makita Corporation

3-11-8, Sumiyoshi-cho, Anjo, Aichi, GIAPPONE

Rappresentanti autorizzati in Europa:

Makita International Europe Ltd.

Michigan Drive, Tongwell, Milton Keynes, Bucks MK15 8JD, INGHILTERRA

NEDERLANDS

Verklaring van algemene gegevens

1. Aan/uit-schakelaar B	12. Armbandhaak	23. Groeven
2. Aan/uit-schakelaar A	13. Snoeirichting	24. Duw de vergrendeling aan beide zijden in
3. Aan/uit-schakelaar C	14. Kantel het zwaard	25. Trek de vergrendeling uit de groeven
4. Hakenset	15. Hegoppervlak dat u wilt snoeien	26. Schroeven
5. Netsnoer van gereedschap	16. Drukken	27. Schede
6. Verlengsnoer	17. Snoeiafvalgeleider	28. Deksel op onderkant
7. Haak	18. Moer	29. Afdekking tandwielhuis
8. Gereedschap	19. Messenblad	30. Kruk
9. Snoerring	20. Takkenvanger	31. Ovale gat van messenblad
10. Heupgordelhaak	21. Haken	
11. Netsnoer	22. Plaats de haken in de groeven	

TECHNISCHE GEGEVENS

Model	UH4570	UH5570	UH6570
Lengte messenblad	450 mm	550 mm	650 mm
Aantal snoeibewegingen per minuut (min ⁻¹)	1.600	1.600	1.600
Totale lengte	862 mm	970 mm	1.042 mm
Netto gewicht	3,5 kg	3,6 kg	3,7 kg
Veiligheidsklasse	II/III		

- Als gevolg van ons doorlopende onderzoeks- en ontwikkelingsprogramma, zijn de technische gegevens van dit gereedschap onderhevig aan veranderingen zonder voorafgaande kennisgeving.
- Opmerking: De technische gegevens kunnen van land tot land verschillen.

Symbolen

Hieronder staan de symbolen die voor dit gereedschap worden gebruikt. Zorg ervoor dat u weet wat ze betekenen alvorens het gereedschap te gebruiken.

END220-1



Recyclen



CE-symbool



Verboden!



Lees de gebruiksaanwijzing en volg de waarschuwingen en veiligheidsinstructies op.



Draag oogbescherming.



Draag gehoorbescherming.



DUBBEL GEÏSOLEERD



Let op: bijzondere voorzichtigheid en aandacht vereist!



Let op: trek de stekker onmiddellijk uit het stopcontact als het netsnoer beschadigd is!



Bescherm tegen regen en vocht!



Draag veiligheidshandschoenen!



Trek de stekker uit het stopcontact!



EHBO

Gebruiksdoeleinden

ENE014-1

Het gereedschap is bedoeld om heggen te snoeien.

Algemene veiligheidswaarschuwingen voor elektrisch gereedschap

GEA005-2

WAARSCHUWING Lees alle

veiligheidswaarschuwingen en alle instructies. Het niet volgen van de waarschuwingen en instructies kan leiden tot elektrische schokken, brand en/of ernstig letsel.

Bewaar alle waarschuwingen en instructies om in de toekomst te kunnen raadplegen.

De term "elektrisch gereedschap" in de waarschuwingen verwijst naar elektrisch gereedschap (bekabeld) dat werkt op netstroom en elektrisch gereedschap (draadloos) dat werkt op een accu.

Veiligheid op de werkplek

1. **Houd uw werkplek schoon en zorg voor goede verlichting.** Op een rommelige of donkere werkplek gebeuren vaker ongelukken.

2. **Werk niet met elektrische gereedschappen in een omgeving met ontploffingsgevaar, zoals een omgeving met brandbare vloeistoffen, gassen of stof.** Elektrische gereedschap produceert vonken die de dampen of het stof kunnen ontsteken.
3. **Houd kinderen en omstanders uit de buurt tijdens het gebruik van elektrisch gereedschap.** Door afleiding kunt u de controle over het gereedschap verliezen.

Elektrische veiligheid

4. **De stekker van een elektrisch gereedschap moet overeenkomen met het stopcontact. Verander de stekker nooit op geen enkele manier. Gebruik geen omzetstekkers voor geaard elektrisch gereedschap.** Met de standaardstekker in een overeenkomstig stopcontact verkleint u de kans op een elektrische schok.
5. **Voorkom lichamelijke contact met geaarde oppervlakken, zoals pijpen, radiatoren, fornuizen en koelkasten.** De kans op een elektrische schok is groter wanneer uw lichaam is geaard.
6. **Stel elektrisch gereedschap niet bloot aan regen of natte omstandigheden.** Als water binnendringt in het elektrisch gereedschap, wordt de kans op een elektrische schok groter.
7. **Behandel het netsnoer voorzichtig. Gebruik het netsnoer nooit om het elektrisch gereedschap aan te dragen, eraan te trekken, of de stekker ervan uit het stopcontact te trekken. Houd het netsnoer uit de buurt van hitte, olie, scherpe randen en bewegende delen.** Beschadigde en in de war geraakte netsnoeren verhogen de kans op een elektrische schok.
8. **Bij gebruik van elektrisch gereedschap buitenshuis, gebruikt u een verlengsnoer dat geschikt is voor gebruik buitenshuis.** Door een verlengsnoer te gebruiken dat geschikt is voor gebruik buitenshuis, verkleint u de kans op een elektrische schok.
9. **Als het onvermijdbaar is een elektrisch gereedschap te gebruiken in een vochtige omgeving, gebruikt u een voeding uitgerust met een aardsluiting-stroomonderbreker.** Hierdoor wordt de kans op een elektrische schok verkleind.

Persoonlijke veiligheid

10. **Let altijd goed op, kijk naar wat u aan het doen bent, en gebruik uw gezond verstand tijdens het gebruik van een elektrisch gereedschap. Gebruik een elektrisch gereedschap niet wanneer u moe bent, of onder invloed staat van drugs, alcohol of medicijnen.** Een ogenblik van onoplettendheid kan tijdens het gebruik van een elektrisch gereedschap leiden tot ernstig persoonlijk letsel.
11. **Gebruik persoonlijke-veiligheidsmiddelen. Draag altijd oogbescherming.** Persoonlijke-veiligheidsmiddelen, zoals stofmaskers, slipvast veiligheidschoenen, veiligheidshelm en oorbescherming, gebruikt in toepasselijke situaties, dragen bij tot een verlaging van persoonlijk letsel.
12. **Voorkom onbedoeld starten. Controleer dat de schakelaar in de uit-stand staat alvorens het gereedschap aan te sluiten op de voeding en/of accu, op te pakken of te dragen.** Door elektrisch

- gereedschap te dragen met uw vinger op de schakelaar, of door het gereedschap op een voeding aan te sluiten terwijl de schakelaar aan staat, neemt de kans op ongelukken sterk toe.
13. **Verwijder afstelsleutels en tangen voordat u het elektrisch gereedschap inschakelt.** Een sleutel of tang die nog aan een draaiend deel van het elektrisch gereedschap vastzit, kan persoonlijk letsel veroorzaken.
 14. **Reik niet te ver. Zorg altijd voor een stevige stand en goede lichaamsbalans.** Hierdoor heeft u een betere controle over het elektrisch gereedschap in onverwachte situaties.
 15. **Draag geschikte kleding. Draag geen losse kleding of sieraden. Houd uw haar, kleding en handschoenen uit de buurt van bewegende delen.** Loshangende kleding, sieraden en lang haar kunnen verstrikt raken in bewegende delen.
 16. **Als het elektrisch gereedschap is uitgerust met een aansluiting voor stofafzuig- en stofopvangvoorzieningen, zorgt u ervoor dat deze zijn aangesloten en correct worden gebruikt.** Het gebruik van een stofvanger kan gevaar door stof verminderen.

Elektrisch gereedschap en onderhoud

17. **Overbelast het elektrisch gereedschap niet. Gebruik het juiste elektrisch gereedschap voor het werk.** Het juiste elektrisch gereedschap werkt beter en veiliger binnen het aangegeven capaciteitsbereik.
18. **Gebruik het elektrisch gereedschap niet als het niet kan worden in- en uitgeschakeld met de schakelaar.** Ieder elektrisch gereedschap dat niet met de schakelaar kan worden bediend is gevaarlijk en moet eerst worden gerepareerd.
19. **Koppel de stekker los van de netstroom en/of haal de accu uit het elektrisch gereedschap voordat u afstellingen maakt, hulpstukken vervangt, of het elektrisch gereedschap opbergt.** Dergelijke preventieve veiligheidsmaatregelen verkleinen de kans dat het elektrisch gereedschap per ongeluk wordt ingeschakeld.
20. **Bewaar elektrische gereedschappen die niet worden gebruikt buiten het bereik van kinderen en voorkom dat personen die onbekend zijn met het gebruik ervan of met deze instructies het elektrisch gereedschap gebruiken.** Elektrische gereedschappen zijn gevaarlijk in de handen van onervaren gebruikers.
21. **Onderhoud het elektrisch gereedschap goed. Controleer op een slechte uitlijning of het aanlopen van draaiende delen, het afbreken van onderdelen en alle andere situaties die van invloed kunnen zijn op de werking van het elektrisch gereedschap. Als het elektrisch gereedschap beschadigd is, laat u het eerst repareren voordat u het gebruikt.** Veel ongelukken worden veroorzaakt doordat het elektrisch gereedschap slecht wordt onderhouden.
22. **Houd snij- en zaaggereedschappen scherp en schoon.** Goed onderhouden snij- en zaaggereedschappen met scherpe snij- en zaagranden lopen minder vaak vast en zijn gemakkelijker te gebruiken.

23. **Gebruik het elektrisch gereedschap, de accessoires, boortjes, bits, enz., in overeenstemming met deze instructies, met inachtneming van de werkomstandigheden en het werk dat wordt uitgevoerd.** Het gebruik van het elektrisch gereedschap bij andere werkzaamheden dan waarvoor het is bedoeld, kan leiden tot gevaarlijke situaties.

REPARATIE EN ONDERHOUD

24. **Laat uw elektrisch gereedschap repareren door een vakbekwame reparateur die gebruik maakt van uitsluitend identieke vervangsonderdelen.** Hiermee bent u ervan verzekerd dat de veiligheid van het elektrisch gereedschap behouden blijft.
25. **Volg de instructies voor het smeren en verwisselen van accessoires.**
26. **Houd de handgrepen droog, schoon en vrij van olie en vetten.**

SPECIFIEKE VEILIGHEIDSVORSCHRIFTEN

GEB041-1

1. **Laat u NIET misleiden door een vals gevoel van comfort en bekendheid met het gereedschap (na veelvuldig gebruik) en neem alle veiligheidsvoorschriften van de heggenschaar altijd strikt in acht. Bij onveilig of verkeerd gebruik van het gereedschap, bestaat de kans op ernstig persoonlijk letsel.**
2. **Houd alle lichaamsdelen uit de buurt van de messenbladen. Verwijder geen snoeiafval en houd geen materiaal om te snoeien vast terwijl de messenbladen bewegen. Zorg ervoor dat de aan/uit-schakelaar in de uit-stand staat voordat u vastgeklemd materiaal vanaf de messenbladen verwijdert.** Een ogenblik van onoplettendheid kan tijdens het gebruik van de heggenschaar leiden tot ernstig persoonlijk letsel.
3. **Draag de heggenschaar aan het handvat met stilstaande messenbladen. Bij het transporteren of opbergen van de heggenschaar moet altijd de schede om de messenbladen worden gedaan.** Door op de juiste manier met de heggenschaar om te gaan, verkleint u de kans op mogelijk letsel door de messenbladen.
4. **Houd het netsnoer uit de buurt van het snoeigebied.** Tijdens het gebruik kan het netsnoer uit het zicht raken door de begroeiing en kan het per ongeluk worden doorgesneden door de messenbladen.
5. Gebruik de heggenschaar niet in de regen of onder natte of zeer vochtige omstandigheden. De elektromotor is niet waterdicht.
6. Onervaren gebruikers dienen door een ervaren gebruiker van heggenscharen te worden voorgedaan hoe de heggenschaar moet worden gebruikt.
7. De heggenschaar mag niet worden gebruikt door kinderen of jeugd jonger dan 18 jaar. Jongeren ouder dan 16 jaar kunnen uitgezonderd worden van deze regel mits zijn les krijgen onder toezicht van een expert.
8. Gebruik de heggenschaar alleen als u in goede lichamelijke toestand verkeerd. Als u vermoeid bent,

kunt u zich minder goed concentreren. Wees met name voorzichtig aan het einde van de werkdag. Werk altijd rustig en voorzichtig. De gebruiker is aansprakelijk voor alle schade toegebracht aan derden.

9. Gebruik de heggenschaar nooit onder invloed van alcohol, drugs of medicijnen.
10. Controleer of de spanning en frequentie van de voeding overeenkomen met de specificaties vermeld op het typeplaatje. Wij adviseren u een op reststroom werkende stroomonderbreker (aardsluiting-stroomonderbreker) met een uitschakelstroomsterkte van 30 mA of minder, of een aardlekstroombeveiliging te gebruiken.
11. Werkhandschoenen van stevig leer maken deel uit van de standaardwerkuitrusting van de heggenschaar en moeten tijdens het werken ermee altijd worden gedragen. Draag tevens stevige schoenen met slipvaste zolen.
12. Alvorens met de werkzaamheden te beginnen, moet u controleren of de heggenschaar in goede en veilige staat verkeert. Controleer dat de beschermkappen stevig gemonteerd zijn. Controleer alvorens met de werkzaamheden te beginnen het netsnoer op beschadigingen en vervang het indien nodig. De heggenschaar mag niet worden gebruikt voordat deze geheel compleet en afgemonteerd is.
13. Houd het netsnoer uit de buurt van het snoeigebied. Werk altijd zodanig dat het verlengsnoer zich achter u bevindt.
14. Trek onmiddellijk de stekker uit het stopcontact als het netsnoer beschadigd of doorgesneden is.
15. Zorg alvorens met de werkzaamheden te beginnen ervoor dat u stevig staat.
16. Houd tijdens het gebruik het gereedschap stevig vast.
17. Schakel het gereedschap onmiddellijk uit en trek de stekker uit het stopcontact als de messenbladen van de heggenschaar in aanraking komen met een afrastering of ander hard voorwerp. Controleer de messenbladen op beschadigingen en repareer deze onmiddellijk.
18. Alvorens de messenbladen te controleren, stingen te verhelpen of vastgelopen materiaal te verwijderen, schakelt u de heggenschaar altijd uit en trekt u de stekker uit het stopcontact.
19. Schakel de heggenschaar altijd uit en trek de stekker uit het stopcontact alvorens enige onderhoudswerkzaamheden uit te voeren.
20. Wanneer u de heggenschaar naar een andere plaats overbrengt, ook tijdens het werk, trekt u altijd eerst de stekker uit het stopcontact. Draag of vervoer de heggenschaar nooit met ingeschakelde messenbladen. Pak de messenbladen nooit met uw handen beet.
21. Reinig de heggenschaar, en met name de messenbladen, na ieder gebruik en voordat de heggenschaar langdurig wordt opgeborgen. Smeer de messenbladen met een beetje olie en breng de schede aan. De schede die bij het gereedschap is geleverd kan aan een muur worden gehangen zodat de heggenschaar praktisch en veilig opgeborgen kan worden.
22. Berg de heggenschaar op met aangebrachte schede in een droog vertrek. Houd het gereedschap buiten

bereik van kinderen. Laat de heggenschaar nooit buiten liggen.

BEWAAR DEZE INSTRUCTIES

WAARSCHUWING:

VERKEERD GEBRUIK of het niet volgen van de veiligheidsinstructies in deze gebruiksaanwijzing kan leiden tot ernstig persoonlijk letsel.

BESCHRIJVING VAN DE FUNCTIES

LET OP:

- Controleer altijd of het gereedschap is uitgeschakeld en de stekker uit het stopcontact is getrokken alvorens de functies van het gereedschap te controleren of af te stellen.

Aan/uit-schakelaar (zie afb. 1)

Voor uw veiligheid is dit gereedschap uitgerust met een drievoudig in-/uitschakelsysteem. Om het gereedschap in te schakelen, moet u twee van de drie aan/uit-schakelaars indrukken. Laat één van de twee ingedrukte aan/uit-schakelaars los om het gereedschap uit te schakelen. De volgorde waarin de aan/uit-schakelaars worden ingedrukt is niet van belang omdat het gereedschap pas start nadat de tweede schakelaar is ingedrukt.

Horizontaal snoeien (zie afb. 2)

Om de bovenkant van de heg horizontaal te snoeien, drukt u de aan/uit-schakelaars A en B in.

Verticaal snoeien (zie afb. 3)

Druk met beide handen de aan/uit-schakelaars B en C in, houdt de heggenschaar vóór uw lichaam en snoei van beneden naar boven.

Op afstand snoeien (zie afb. 4)

Om een ver weg gelegen plaats van de heg te snoeien, drukt u met beide handen de aan/uit-schakelaars A en C in.

ONDERDELEN AANBRENGEN/ VERWIJDEREN

LET OP:

- Controleer altijd of het gereedschap is uitgeschakeld en de stekker uit het stopcontact is getrokken alvorens enige werk aan het gereedschap uit te voeren.

Een verlengsnoer aansluiten

LET OP:

- Zorg ervoor dat de stekker van het verlengsnoer niet in het stopcontact is gestoken. **(Zie afb. 5)**
- Om het verlengsnoer aan te sluiten, maakt u het met behulp van de hakenset vast aan het netsnoer van het gereedschap. Maak de haak vast aan het verlengsnoer op ongeveer 100 - 200 mm vanaf de contrastekker. Hierdoor wordt per ongeluk loskoppelen voorkomen.

Heupgordelhaak

LET OP:

- Bevestig de snoerring van de de heupgordelhaak niet aan iets anders dan het verlengsnoer. Maak hem niet vast op een plaats dicht bij het gereedschap voorbij de hakenset. Als u dat toch doet, kan dit leiden tot een ongeluk of persoonlijk letsel.
- Als u de heupgordelhaak gebruikt, gebruikt u standaard het verlengsnoer. Het gebruik van een in de winkel verkrijgbaar verlengsnoer kan leiden tot een ongeluk of persoonlijk letsel.
- Bevestig één haak van de hakenset aan het netsnoer van het gereedschap en de andere haak van de hakenset aan het verlengsnoer. Het gebruik van het gereedschap met slechts één haak van de hakenset bevestigd, kan leiden tot een ongeluk of persoonlijk letsel.

Het gebruik van de heupgordelhaak draagt bij aan het verkleinen van de kans op het per ongeluk doorsnijden van het verlengsnoer als gevolg van een loshangend verlengsnoer **(zie afb. 6)**.

Duw het verlengsnoer door de opening in de snoerring of trek deze eruit **(zie afb. 7)**.

LET OP:

- Forceer de opening van de snoerring niet. Als u dit toch doet, kan deze worden vervormd en beschadigd.

Armbandhaak (los verkrijgbaar)

LET OP:

- Bevestig de snoerring van de de armbandhaak niet aan iets anders dan het verlengsnoer. Maak hem niet vast op een plaats dicht bij het gereedschap voorbij de hakenset. Als u dat toch doet, kan dit leiden tot een ongeluk of persoonlijk letsel.
- Als u de armbandhaak gebruikt, gebruikt u standaard het verlengsnoer. Het gebruik van een in de winkel verkrijgbaar verlengsnoer kan leiden tot een ongeluk of persoonlijk letsel.
- Bevestig één haak van de hakenset aan het netsnoer van het gereedschap en de andere haak van de hakenset aan het verlengsnoer. Het gebruik van het gereedschap met slechts één haak van de hakenset bevestigd, kan leiden tot een ongeluk of persoonlijk letsel.

Het gebruik van de armbandhaak draagt bij aan het verkleinen van de kans op het per ongeluk doorsnijden van het verlengsnoer als gevolg van een loshangend verlengsnoer **(zie afb. 8)**.

Bevestig de armbandhaak stevig aan uw arm en duw het verlengsnoer in de snoerring. De lengte van de armbandhaak kan worden afgesteld.

OPMERKING:

- Het verlengsnoer mag niet onder de armband zitten.
- Forceer de opening van de snoerring niet. Als u dit toch doet, kan deze worden vervormd en beschadigd.
- De armbandhaak kan tegelijk met de heupgordelhaak worden gebruikt.

BEDIENING

LET OP:

- Wees voorzichtig niet per ongeluk een metalen afrastering of andere harde voorwerpen te raken tijdens het snoeien. De messenbladen zullen breken en kunnen ernstig letsel veroorzaken.
- Het is bijzonder gevaarlijk met de heggenschaar te ver te reiken, met name op een ladder. Werk niet vanuit een wankele of instabiele positie.

Probeer geen takken dikker dan 10 mm diameter te snoeien met deze heggenschaar. Deze dienen eerst met een snoeischaar te worden teruggesnoeid tot de juiste snoeihoogte (**zie afb. 9**).

LET OP:

- Snoei niet in dode bomen of andere harde voorwerpen. Als u zich hier niet aan houdt, kan het gereedschap worden beschadigd.

Druk met beide handen de aan/uit-schakelaars A en B in, houdt de heggenschaar vóór uw lichaam en snoei van beneden naar boven (**zie afb. 10**).

Als standaardmethode houdt u de messenbladen gekanteld in de snoeirichting en beweegt u ze rustig en langzaam met een snelheid van 3 of 4 seconden per meter (**zie afb. 11 en 12**).

Om de bovenkant van een heg gelijkmatig te snoeien, is het handig een touwtje op de gewenste hoogte te spannen en er langs te snoeien (**zie afb. 13**).

Door een snoeiafvalgeleider (los verkrijgbaar) op het gereedschap aan te brengen bij het recht snoeien van een heg, wordt voorkomen dat het snoeiafval wordt weggeworpen (**zie afb. 14**).

Om de zijkant van een heg gelijkmatig te snoeien, is het handig van onder naar boven te snoeien (**zie afb. 15**). Snoei buxus en rododendron van onder naar boven voor een mooie, gladde afwerking (**zie afb. 16**).

De snoeiafvalgeleider (los verkrijgbaar) aanbrengen en verwijderen

LET OP:

- Controleer altijd of het gereedschap is uitgeschakeld en de stekker uit het stopcontact is getrokken alvorens de snoeiafvalgeleider aan te brengen of te verwijderen.

OPMERKING:

- Draag bij het aanbrengen of verwijderen van de snoeiafvalgeleider altijd handschoenen zodat uw handen en gezicht niet rechtstreeks in aanraking komen met de messenbladen. Als u dat niet doet, kan dit leiden tot persoonlijk letsel.
- Haal altijd eerst de schede van de messenbladen af voordat u de snoeiafvalgeleider aanbrengt.
- De snoeiafvalgeleider vangt de gesnoeide blaadjes af en vergemakkelijkt het verzamelen van de vallende blaadjes. Deze kan aan beide kanten van het gereedschap worden bevestigd (**zie afb. 17**).

Duw de snoeiafvalgeleider op de messenbladen zodat de sleuven over de moeren op de messenbladen vallen. Let erop dat de snoeiafvalgeleider de takkenvanger aan de voorkant van de messenbladen niet raakt (**zie afb. 18**). De snoeiafvalgeleider moet zodanig worden aangebracht dat de vergrendelingen ervan aangrijpen in de groeven in de messenbladen (**zie afb. 19**).

Om de snoeiafvalgeleider te verwijderen, drukt u aan beide zijden op de vergrendeling zodat deze loslaat (**zie afb. 20**).

LET OP:

- De schede (standaarduitrusting) kan niet om de messenbladen worden geschoven terwijl de snoeiafvalgeleider is aangebracht. Alvorens de heggenschaar mee te nemen of op te bergen, verwijdert u de snoeiafvalgeleider en schuift u de schede om de messenbladen om te voorkomen dat deze bloot liggen.

OPMERKING:

- Controleer de snoeiafvalgeleider op correcte montage alvorens deze te gebruiken.
- Probeer de snoeiafvalgeleider nooit met grote kracht te verwijderen terwijl de vergrendelingen aangrijpen in de gleuven van de messenbladen. Bij gebruik van grote kracht kan de snoeiafvalgeleider worden beschadigd.

ONDERHOUD

LET OP:

- Zorg er altijd voor dat het gereedschap is uitgeschakeld en de stekker uit het stopcontact is getrokken, voordat u een inspectie of onderhoud uitvoert.

Het gereedschap schoonmaken

Maak het gereedschap schoon door het stof eraf te vegen met een droge of met zeepwater bevochtigde doek.

LET OP:

- Gebruik geen benzine, thinner, benzeen, verwarmingsolie, enz.

Onderhoud van messenbladen

Smeer de messenbladen voor aanvang van de werkzaamheden en na ieder werkuur met machineolie of gelijkwaardig.

Verwijder na de werkzaamheden het vuil van beide zijden van de messenbladen met behulp van een staalborstel, veeg de messenbladen schoon met een doek, en breng voldoende olie met een lage viscositeit aan, zoals bijvoorbeeld machineolie, smeerolie uit een spuitbus, enz.

LET OP:

- Was de messenbladen niet met water. Als u dit toch doet, kunnen de messenbladen gaan roesten of het gereedschap worden beschadigd.

De messenbladen aanbrengen en verwijderen

LET OP:

- Controleer altijd of het gereedschap is uitgeschakeld en de stekker uit het stopcontact is getrokken voordat u de messenbladen verwijdert of aanbrengt.
- Draag bij het aanbrengen of verwijderen van de messenbladen altijd handschoenen zonder de schede eraf te halen zodat uw handen en gezicht niet rechtstreeks in aanraking komen met de messenbladen. Als u dat niet doet, kan dit leiden tot persoonlijk letsel.

OPMERKING:

- Veeg het vet op het tandwiel en de kruk niet af. Als u dit toch doet, kan het gereedschap worden beschadigd.
- Voor de specifieke methode van het verwijderen en aanbrengen van messenbladen, leest u de achterkant van de verpakking van de los verkrijgbare messenbladen.

De messenbladen verwijderen

Draai het gereedschap ondersteboven en draai de vier schroeven los (zie afb. 21).

OPMERKING:

- Wees voorzichtig uw handen niet vuil te maken aan het vet in het tandwielhuis van de messenbladen.

Verwijder het deksel op de onderkant (zie afb. 22).

Verwijder de afdekking van het tandwielhuis (zie afb. 23).

Draai de kruk met behulp van een platkopschroevendraaier naar de hoek aangegeven in de afbeelding (zie afb. 24).

Verwijder de twee schroeven uit de messenbladen zodat de messenbladen uit het gereedschap verwijderd kunnen worden (zie afb. 25).

LET OP:

- Draai het tandwiel terug naar de oorspronkelijke stand waarin het werd aangebracht voor het geval het per ongeluk wordt afgenomen.

De messenbladen aanbrengen

Bereid de 4 schroeven (voor het deksel op de onderkant), de 2 schroeven (voor de messenbladen), het deksel van het tandwielhuis, het deksel op de onderkant en de nieuwe messenbladen voor.

Draai de kruk naar de stand zoals aangegeven in de afbeelding. Breng vet aan, dat bij de nieuwe messenbladen werd geleverd, rondom de kruk (zie afb. 26).

Leg het ovale gat in het bovenste messenblad over het gat in het onderste messenblad (zie afb. 27).

Haal de schede van de oude messenbladen af en schuif het op de nieuwe messenbladen om veiliger te werken tijdens het vervangen van de messenbladen (zie afb. 28).

Plaats de nieuwe messenbladen in het gereedschap zodat de ovale gaten in de messenbladen over de kruk passen. Laat de gaten in de messenbladen samenvallen met de schroefgaten in het gereedschap en zet ze daarna vast met de twee schroeven (zie afb. 29).

Controleer met een platkopschroevendraaier of de kruk soepel draait (zie afb. 30).

Monteer de afdekking van het tandwielhuis en het deksel op de onderkant van het gereedschap. Draai de schroeven stevig aan.

Haal de schede van de messenbladen af en schakel daarna het gereedschap in om te controleren of het goed werkt.

OPMERKING:

- Als de messenbladen niet goed werken, zijn ze niet goed op de kruk bevestigd. Voer de procedure vanaf het begin opnieuw uit.

Bewaren

Het gaatje in het deksel op de onderkant is handig om het gereedschap aan een spijker in de muur op te hangen (zie afb. 31).

Schuif de schede over de messenbladen zodat deze niet bloot liggen. Bewaar het gereedschap buiten bereik van kinderen.

Bewaar het gereedschap op een plaats die niet is blootgesteld aan water of regen.

Om de VEILIGHEID en BETROUWBAARHEID van het gereedschap te handhaven, dienen alle reparaties, controle en vervanging van de koolborstels, onderhoud en afstellingen te worden uitgevoerd door een erkend Makita-servicecentrum, en altijd met gebruikmaking van originele Makita-vervangingsonderdelen.

ACCESSOIRES

LET OP:

- Deze accessoires of hulpstukken worden aanbevolen voor gebruik met het Makita-gereedschap dat in deze gebruiksaanwijzing wordt beschreven. Het gebruik van andere accessoires of hulpstukken kan gevaar voor persoonlijk letsel opleveren. Gebruik de accessoires of hulpstukken uitsluitend voor de aangegeven gebruiksdoeleinden.

Mocht u meer informatie willen hebben over deze accessoires, dan kunt u contact opnemen met uw plaatselijke Makita-servicecentrum.

- Verlengsnoer
- Schede
- Hakenset
- Messenbladen
- Heupgordelhaak
- Armbandhaak

EU-VERKLARING VAN CONFORMITEIT ENH020-1

Ondergetekende, Kato, als wettelijk vertegenwoordiger, verklaart dat de MAKITA-machines:

MODELLEN:

UH4570, UH5570, UH6570

voldoet aan de standaard veiligheids- en gezondheidsvereisten van de toepasselijke EU-richtlijnen:

Europese machinerichtlijn 98/37/EC, geluidsemissie 2000/14/EG, Europese EMC-richtlijn 2004/108/EC.

De vereisten van de bovenvermelde EU-richtlijnen werden hoofdzakelijk geïmplementeerd op grond van de volgende normen: EN60745-2-15, EN 55014 en EN61000. De conformiteit-beoordelingsprocedure 2000/14/EG werd uitgevoerd volgens Annex V. Het gemeten geluidsrukniveau (L_{pA}) is 89,9 dB (A). Het gemeten geluidsvermogeniveau (L_{wa}) is 97,9 dB (A). Het gegarandeerde geluidsvermogeniveau (L_d) is 100 dB (A). De onzekerheid (K) is 1,5 dB (A).

Trillingen

De totale trillingswaarde (triaxiale vectorsom) zoals

vastgesteld volgens EN60745-2-15:

Trillingsemissie ($a_{h,D}$): $6,7 \text{ m/s}^2$

Onzekerheid (K): $1,5 \text{ m/s}^2$

CE 2008



Tomoyasu Kato

Directeur

Verantwoordelijke fabrikant:

Makita Corporation

3-11-8, Sumiyoshi-cho, Anjo, Aichi, JAPAN

Erkende vertegenwoordiger voor Europa:

Makita International Europe Ltd.

Michigan Drive, Tongwell, Milton Keynes, Bucks MK15

8JD, ENGELAND

Descripción y visión general

- | | | |
|-------------------------------------|---|---|
| 1. Interruptor disparador B | 13. Dirección de corte | 24. Ejerza presión sobre los ganchos en ambos lados |
| 2. Interruptor disparador A | 14. Incline las cuchillas | 25. Desbloquee los ganchos |
| 3. Interruptor disparador C | 15. Superficie del seto que se desea cortar | 26. Tornillos |
| 4. Gancho completo | 16. Presione | 27. Cubierta de la cuchilla |
| 5. Cable de la herramienta | 17. Receptor de virutas | 28. Cubierta inferior |
| 6. Cable de extensión | 18. Tuerca | 29. Cubierta del alojamiento del engranaje |
| 7. Gancho | 19. Cuchilla | 30. Cigüeñal |
| 8. Herramienta | 20. Recogedor de ramas | 31. Elipse de la cuchilla |
| 9. Soporte | 21. Ganchos | |
| 10. Gancho de cintura para el cable | 22. Encaje los ganchos en la ranura | |
| 11. Cable | 23. Ranuras | |
| 12. Gancho de brazo para el cable | | |

ESPECIFICACIONES

Modelo	UH4570	UH5570	UH6570
Longitud de la cuchilla	450 mm	550 mm	650 mm
Carreras por minuto (min ⁻¹)	1.600	1.600	1.600
Longitud total	862 mm	970 mm	1.042 mm
Peso neto	3,5 kg	3,6 kg	3,7 kg
Clase de seguridad	II		

- Debido a nuestro programa continuo de investigación y desarrollo, las especificaciones aquí descritas están sujetas a cambios sin previo aviso.
- Nota: Las especificaciones pueden ser diferentes de un país a otro.

Símbolos

END220-1

Se utilizan los siguientes símbolos para el equipo. Asegúrese de que comprende su significado antes del uso.



Primeros auxilios



Reciclaje



Marca CE



Prohibido.



Lea el manual de instrucciones y siga las advertencias y las instrucciones de seguridad.



Utilice protección para los ojos.



Utilice protección para los oídos.



DOBLE AISLAMIENTO



Precaución: extreme la precaución y el cuidado.



Precaución: desenchufe la herramienta de la toma de corriente si el cable está dañado.



Proteja de la lluvia y la humedad.



Póngase guantes de seguridad.



Desenchufe la herramienta de la toma de corriente.

Uso previsto

ENE014-1

La herramienta está diseñada para cortar setos.

Advertencias de seguridad generales para herramientas eléctricas

GEA005-2

ADVERTENCIA Lea todas las advertencias de seguridad y todas las instrucciones. La no observancia de las advertencias y las instrucciones puede provocar descargas eléctricas, incendios y/o lesiones graves.

Guarde todas las advertencias e instrucciones para futuras consultas.

El término "herramienta eléctrica" usado en las advertencias de seguridad se refiere tanto a una herramienta que funciona con alimentación eléctrica (con cable) como a una herramienta que funciona con batería (sin cable).

Seguridad del área de trabajo

1. **Mantenga el área de trabajo limpia y bien iluminada.** Las áreas oscuras o desordenadas favorecen los accidentes.
2. **No maneje herramientas eléctricas en atmósferas explosivas, tales como aquellas en las que haya presencia de polvo, gases o líquidos inflamables.** Las herramientas eléctricas producen chispas que pueden encender el polvo o los gases.
3. **Mantenga alejados a los niños y a las personas circundantes durante el manejo de una herramienta eléctrica.** Si se distrae, puede perder el control de la herramienta.

Seguridad en materia de electricidad

4. **El enchufe de la herramienta eléctrica debe coincidir con el tomacorriente. No modifique el enchufe de ningún modo. No utilice enchufes adaptadores con herramientas eléctricas con conexión a tierra (a masa).** El uso de enchufes sin modificar y de tomacorrientes coincidentes reduce el riesgo de descarga eléctrica.
5. **Evite el contacto corporal con superficies puestas a tierra (a masa), tales como tuberías, radiadores, fogones de cocina y frigoríficos.** Se corre más riesgo de sufrir una descarga eléctrica si el cuerpo está puesto a tierra (a masa).
6. **No exponga las herramientas eléctricas a la lluvia o a la humedad.** Si entra agua en una herramienta eléctrica, aumenta el riesgo de sufrir una descarga eléctrica.
7. **No maltrate el cable. Nunca utilice el cable para transportar la herramienta eléctrica, tirar de ella o desenchufarla. Mantenga el cable alejado del calor, aceite, objetos cortantes o piezas móviles.** Los cables dañados o enredados aumentan el riesgo de sufrir una descarga eléctrica.
8. **A la hora de manejar una herramienta eléctrica en el exterior, utilice un cable de extensión apropiado para uso en exteriores.** Si lo utiliza, se reduce el riesgo de sufrir una descarga eléctrica.
9. **Si el uso de una herramienta eléctrica en un lugar húmedo es inevitable, utilice una fuente de alimentación protegida por un disyuntor diferencial (GFCI).** El uso de un disyuntor diferencial (GFCI) reduce el riesgo de descargas eléctricas.

Seguridad personal

10. **Esté atento, preste atención a lo que está haciendo y utilice su sentido común al manejar una herramienta eléctrica. No utilice la herramienta eléctrica cuando esté cansado o bajo la influencia de drogas, alcohol o medicamentos.** Un momento de distracción mientras maneja una herramienta eléctrica puede dar como resultado daños corporales graves.
11. **Utilice equipo de protección personal. Utilice siempre protección para los ojos.** El uso de equipos de protección en las condiciones adecuadas, como mascarillas antipolvo, calzado de seguridad antideslizante, cascos o protección para los oídos, reduce el riesgo de sufrir daños corporales.
12. **Evite el encendido accidental de la herramienta. Asegúrese de que el interruptor esté en la posición de apagado antes de conectar la herramienta a la fuente de alimentación y/o la**

batería, recoger la herramienta o transportarla. Si transporta la herramienta eléctrica con su dedo en el interruptor o si enchufa la herramienta estando ésta encendida, se favorecen los accidentes.

13. **Retire cualquier tipo de llave de ajuste antes de encender la herramienta eléctrica.** Si se deja alguna llave puesta en una pieza giratoria de la herramienta eléctrica, puede sufrir daños corporales.
14. **No haga demasiadas cosas al mismo tiempo. Mantenga el equilibrio y una postura adecuada en todo momento.** De esta manera tendrá un mejor control de la herramienta eléctrica en situaciones inesperadas.
15. **Use la indumentaria apropiada. No lleve ropas sueltas ni joyas. Mantenga el cabello, la ropa y los guantes alejados de las piezas móviles.** Las ropas sueltas, las joyas o el cabello largo pueden quedar atrapados en ellas.
16. **Si se proveen dispositivos para la conexión de equipos de extracción y recolección de polvo, asegúrese de que estén conectados y de que se utilicen adecuadamente.** La recolección del polvo puede reducir los peligros relacionados con el polvo.

Uso y mantenimiento de la herramienta eléctrica

17. **No fuerce la herramienta eléctrica. Utilice la herramienta eléctrica correcta para su aplicación.** La herramienta eléctrica adecuada hará un trabajo mejor y más seguro a la velocidad para la que ha sido fabricada.
18. **No utilice la herramienta eléctrica si el interruptor no se enciende y apaga.** Toda herramienta eléctrica que no pueda controlarse con el interruptor es peligrosa y debe repararse.
19. **Desconecte la herramienta eléctrica de la fuente de suministro eléctrico y/o batería antes de realizar algún ajuste, cambiar accesorios o almacenar la herramienta.** Dichas medidas de seguridad preventivas reducen el riesgo de poner en marcha la herramienta eléctrica de forma accidental.
20. **Si no usa la herramienta eléctrica, guárdela fuera del alcance de los niños, y no permita que las personas que no están familiarizadas con ella o con estas instrucciones la manejen.** Las herramientas eléctricas son peligrosas en manos de personas que no están debidamente capacitadas.
21. **Realice el mantenimiento de la herramienta eléctrica. Compruebe si las piezas móviles están desalineadas o agarrotadas, si hay piezas rotas o si existe algún otro estado que pueda afectar al funcionamiento de la herramienta eléctrica. Si la herramienta eléctrica estuviera dañada, repárela antes de utilizarla.** Muchos accidentes se producen porque la herramienta eléctrica no tiene un buen mantenimiento.
22. **Mantenga las herramientas de corte limpias y afiladas.** Si reciben un mantenimiento adecuado y tienen los bordes afilados, es menos probable que las herramientas se agarroten y, a la vez, son más fáciles de controlar.
23. **Utilice los accesorios y las brocas, etc. de la herramienta de acuerdo con estas instrucciones, teniendo en cuenta las condiciones de trabajo y el trabajo que se va a realizar.** Si utiliza la herramienta

eléctrica para realizar operaciones distintas de las previstas, puede presentarse una situación peligrosa.

REPARACIÓN

24. **Haga que su herramienta eléctrica sea reparada por una persona cualificada que utilice solamente repuestos idénticos a los que tiene la unidad.** De esta manera se asegurará de que se mantenga la seguridad de la herramienta eléctrica.
25. **Siga las instrucciones para lubricar y cambiar accesorios.**
26. **Mantenga las empuñaduras secas, limpias y libres de aceite y grasa.**

NORMAS DE SEGURIDAD ESPECÍFICAS

GEB041-1

1. **No deje que la comodidad o la familiaridad con el producto (a base de utilizarlo repetidamente) sustituya la estricta observancia de las normas de seguridad de la amoladora. Si utiliza esta herramienta de forma no segura o incorrecta, puede sufrir graves daños corporales.**
2. **Mantenga todas las partes del cuerpo alejadas de la cuchilla. No retire material cortado ni sujete el material que desea cortar cuando las cuchillas estén en movimiento. Asegúrese de que el interruptor esté apagado cuando despeje material atascado.** Un momento de distracción mientras maneja el cortasetos puede dar como resultado daños corporales graves.
3. **Transporte el cortasetos por el asa con la cuchilla detenida. Cuando transporte o almacene el cortasetos, siempre debe colocar la cubierta del dispositivo de corte.** Un manejo correcto del cortasetos reducirá la posibilidad de lesiones personales causadas por las cuchillas.
4. **Mantenga el cable alejado del área de corte.** Durante el uso el cable puede quedar oculto en los arbustos y la cuchilla lo puede cortar accidentalmente.
5. No utilice el cortasetos bajo la lluvia, donde haya agua o en condiciones de mucha humedad. El motor eléctrico no es a prueba de agua.
6. Un usuario con experiencia en el uso del cortasetos debe mostrar a los usuarios noveles cómo utilizarlo.
7. El cortasetos no debe ser utilizado por niños ni jóvenes menores de 18 años. Los jóvenes mayores de 16 años pueden quedar excluidos de esta restricción si reciben formación bajo la supervisión de un experto.
8. Utilice el cortasetos solamente si se encuentra en buen estado físico. Si está cansado, su atención se verá reducida. Tenga especial cuidado al final de un día de trabajo. Realice todo el trabajo con calma y con cuidado. El usuario es responsable de todos los daños a terceros.
9. No utilice nunca el cortasetos bajo la influencia de alcohol, drogas o medicamentos.
10. Asegúrese de que el voltaje y la frecuencia de la fuente de alimentación coincidan con las especificaciones proporcionadas en la placa de identificación. Recomendamos el uso de un disyuntor de corriente residual (interruptor de circuito con pérdida a tierra) con una corriente de desconexión de

30 mA o menos, o un protector de corriente de pérdida a tierra.

11. Los guantes de trabajo de piel gruesa son parte del equipo básico del cortasetos y siempre deben utilizarse cuando se trabaje con él. Utilice también calzado robusto con suelas antideslizamiento.
12. Antes de empezar a trabajar, asegúrese de que el cortasetos esté en un estado de trabajo correcto y seguro. Asegúrese de que las protecciones se monten correctamente. Compruebe si el cable está dañado antes de iniciar el trabajo y reemplácelo si es necesario. No debe utilizarse el cortasetos si no está completamente ensamblado.
13. Mantenga el cable alejado del área de corte. Trabaje siempre de forma que el cable de extensión de alimentación esté detrás de usted.
14. Desconecte el enchufe de la toma eléctrica si el cable está dañado o cortado.
15. Asegúrese de que mantiene una posición bien equilibrada antes de iniciar la operación.
16. Sujete la herramienta firmemente cuando la utilice.
17. Apague inmediatamente el motor y desenchufe la herramienta de la toma de corriente si la cuchilla entra en contacto con una valla u otro objeto duro. Compruebe si hay daños en la cuchilla y, si está dañada, repárela inmediatamente.
18. Antes de comprobar la cuchilla, arreglar desperfectos o retirar material atrapado en la cuchilla, siempre debe apagar el cortasetos y desenchufarlo de la toma de corriente.
19. Apague el cortasetos, desconecte y asegure el enchufe de alimentación eléctrica antes de realizar cualquier trabajo de mantenimiento.
20. Cuando transporte el cortasetos a otra ubicación, incluso durante el trabajo, desenchufe siempre la herramienta de la red eléctrica. Nunca transporte el cortasetos con la cuchilla en funcionamiento. Nunca sujete la cuchilla con sus manos.
21. Limpie el cortasetos y especialmente la cuchilla tras su uso y antes de almacenar el cortasetos durante largos períodos de tiempo. Engrase ligeramente la cuchilla y coloque la cubierta. La cubierta proporcionada con la unidad se puede colgar en la pared, lo que resulta una forma práctica y segura de almacenar el cortasetos.
22. Guarde el cortasetos con la cubierta puesta, en una habitación seca. Manténgalo fuera del alcance de los niños. Nunca guarde el cortasetos a la intemperie.

GUARDE ESTAS INSTRUCCIONES.

ADVERTENCIA:

El MAL USO o la no observancia de las normas de seguridad expuestas en este manual de instrucciones pueden ocasionar graves daños corporales.

DESCRIPCIÓN DEL FUNCIONAMIENTO

PRECAUCIÓN:

- Asegúrese siempre de que la herramienta esté apagada y desenchufada antes de intentar realizar cualquier tipo de ajuste o comprobación en ella.

Funcionamiento del interruptor (Fig. 1)

Por su seguridad, esta herramienta está equipada con un sistema triple de interruptores. Para poner en marcha la herramienta, pulse dos de los tres disparadores A, B y C. Suelte cualquiera de los dos disparadores pulsados para apagarla. La secuencia de pulsación de los interruptores no es importante, ya que la herramienta solamente se pone en marcha cuando se activan dos interruptores.

Corte recto (Fig. 2)

Para cortar el seto de forma recta, tire de los disparadores A y B.

Corte vertical (Fig. 3)

Corte hacia arriba, con ambas manos tire de los disparadores B y C y muévelo por delante de su cuerpo.

Corte de áreas alejadas (Fig. 4)

Para cortar las áreas alejadas del seto, con ambas manos tire de los disparadores A y C.

MONTAJE

PRECAUCIÓN:

- Asegúrese siempre de que la herramienta esté apagada y desenchufada antes de intentar realizar cualquier trabajo en ella.

Conexión del cable de extensión

PRECAUCIÓN:

- Asegúrese de que el cable de extensión esté desenchufado del enchufe de pared. (Fig. 5)

Cuando conecte el cable de extensión, fíjelo al cable de la herramienta con el gancho completo. Acople el gancho a unos 100 - 200 mm del conector del cable de extensión. Esto ayudará a evitar la desconexión accidental.

Gancho de cintura para el cable

PRECAUCIÓN:

- El soporte del gancho de cintura para el cable solamente se debe acoplar al cable de extensión. No lo conecte en una posición cercana a la herramienta más allá del gancho completo. De lo contrario, pueden producirse heridas o un accidente.
- Cuando utilice el gancho de cintura para el cable, utilice el cable de extensión como un equipo estándar. El uso de un cable de extensión disponible en el mercado puede provocar un accidente o lesiones.
- Acople firmemente un gancho del gancho completo al cable de la herramienta y el otro gancho del gancho completo al cable de extensión. Trabajar con la herramienta con un solo gancho acoplado puede provocar un accidente y lesiones.

El uso de un gancho de cintura para el cable ayuda a minimizar el riesgo de cortar el cable de extensión accidentalmente porque el cable de extensión esté flojo. (Fig. 6)

Empuje o tire del cable a través de la abertura del soporte. (Fig. 7)

PRECAUCIÓN:

- No fuerce la abertura del soporte. En caso contrario puede provocar desviaciones y daños.

Gancho de brazo para el cable (accesorio)

PRECAUCIÓN:

- El soporte del gancho de brazo para el cable solamente se debe acoplar al cable de extensión. No lo conecte en una posición cercana a la herramienta más allá de los ganchos del gancho completo. De lo contrario, pueden producirse heridas o un accidente.
- Cuando utilice el gancho de brazo para el cable, utilice el cable de extensión como un equipo estándar. El uso de un cable de extensión disponible en el mercado puede provocar un accidente o lesiones.
- Acople firmemente un gancho del gancho completo al cable de la herramienta y el otro gancho del gancho completo al cable de extensión. Trabajar con la herramienta con un solo gancho acoplado puede provocar un accidente y lesiones.

El uso de un gancho de brazo para el cable ayuda a minimizar el riesgo de cortar el cable de extensión accidentalmente porque el cable de extensión esté flojo. (Fig. 8)

Acople firmemente el gancho de brazo para el cable alrededor de su brazo y pase el cable de extensión alrededor del soporte. La longitud de la banda del gancho de brazo para el cable es ajustable.

NOTA:

- No pase el cable de extensión a través de la banda.
- No fuerce la abertura del soporte. En caso contrario puede provocar desviaciones y daños.
- Resulta más útil usar el gancho de brazo para el cable con el gancho de cintura para el cable.

MANEJO

PRECAUCIÓN:

- Tenga cuidado de no entrar en contacto accidentalmente con una valla metálica u otros objetos duros mientras corta. La cuchilla puede romperse y causar lesiones graves.
- Intentar llegar demasiado lejos con un cortasetos, especialmente desde una escalera, es extremadamente peligroso. No trabaje desde ninguna superficie que se tambalee o no sea firme.

No intente cortar ramas de un grosor superior a 10 mm de diámetro con este cortasetos. Primero deben cortarse con cizallas hasta el nivel de corte de setos. (Fig. 9)

PRECAUCIÓN:

- No corte árboles muertos u objetos duros similares. De lo contrario, podría dañar la herramienta.

Sujete el cortasetos con ambas manos, tire de los disparadores A y B y muévelo por delante de su cuerpo. (Fig. 10)

Como operación de manejo básica, incline las cuchillas en la dirección de corte y mueva el cortasetos tranquilamente y suavemente a una velocidad de 3 - 4 segundos por metro. (Fig. 11 y 12)

Para cortar de forma uniforme la parte superior de un seto, resulta de ayuda atar un cordón a la altura deseada del seto y cortar a lo largo de él, usándolo como referencia. (Fig. 13)

Si se acopla el receptor de virutas (accesorio) en la herramienta cuando se corta el seto de forma recta, se

puede evitar que las cuchillas salgan despedidas.

(Fig. 14)

Para cortar el lateral de un seto de forma uniforme, resulta útil cortar desde la parte inferior hacia arriba.

(Fig. 15)

Corte madera de boj o rododendro desde la base hacia la parte superior para lograr un aspecto atractivo y un buen trabajo. (Fig. 16)

Instalación o extracción del receptor de virutas (accesorio)

PRECAUCIÓN:

- Asegúrese siempre de que la herramienta esté apagada y desenchufada antes de instalar o extraer el receptor de virutas

NOTA:

- Siempre que reemplace el receptor de virutas, utilice guantes para que las manos y la cara no entren en contacto con la cuchilla. De lo contrario, puede sufrir lesiones personales.
- Asegúrese siempre de que se haya retirado la cubierta de la cuchilla antes de instalar el receptor de virutas.
- El receptor de virutas recibe hojas cortadas y ayuda a recoger las hojas que salen despedidas. Puede instalarse en cualquier lado de la herramienta.

(Fig. 17)

Ejercer presión sobre el receptor de virutas en las cuchillas de forma que sus hendiduras se solapen con las tuercas de las cuchillas. A continuación, asegúrese de que el receptor de virutas no entre en contacto con el recogedor de ramas en la parte superior de las cuchillas. (Fig. 18)

A continuación, el receptor de virutas debe instalarse de forma que sus ganchos encajen en las ranuras de la unidad de la cuchilla. (Fig. 19)

Para extraer el receptor de virutas, pulse su palanca en ambos lados de forma que los ganchos estén desbloqueados. (Fig. 20)

PRECAUCIÓN:

- La cuchilla (equipo estándar) no se puede instalar en la herramienta con el receptor de virutas instalado. Antes de transportar o almacenar la herramienta, desinstale el receptor de virutas e instale la cubierta de la cuchilla para evitar la exposición de la cuchilla.

NOTA:

- Compruebe si el receptor de virutas está correctamente instalado antes de su uso.
- Nunca intente desinstalar el receptor de virutas aplicando una fuerza excesiva sobre sus ganchos bloqueados en las ranuras de la unidad de la cuchilla. El uso de una fuerza excesiva puede dañarlo.

MANTENIMIENTO

PRECAUCIÓN:

- Asegúrese siempre de que la herramienta esté apagada y desenchufada antes de intentar realizar cualquier trabajo de inspección o mantenimiento en ella.

Limpieza de la herramienta

Limpie la herramienta eliminando la suciedad con un trapo húmedo o empapado en jabón.

PRECAUCIÓN:

- No utilice gasolina, disolvente, bencina o aceite de calefacción, etc.

Mantenimiento de la cuchilla

Engrase la cuchilla antes de su uso, y una vez por hora durante su uso, con aceite para máquina o un producto similar.

Tras su uso, elimine la suciedad de ambos lados de la cuchilla con un cepillo de alambre, límpiela con un trapo y después aplique suficiente aceite de baja viscosidad, como aceite para máquina, etc. y aceite lubricante en aerosol.

PRECAUCIÓN:

- No limpie las cuchillas con agua. En caso contrario se pueden provocar daños o herrumbre en la herramienta.

Extracción o instalación de la cuchilla

PRECAUCIÓN:

- Antes de extraer o instalar la cuchilla, asegúrese siempre de que la herramienta esté apagada y desenchufada.
- Siempre que reemplace la cuchilla, póngase guantes antes de extraer la cubierta de la cuchilla para que las manos y la cara no entren en contacto con la cuchilla. De lo contrario, puede sufrir lesiones personales.

NOTA:

- No limpie la grasa de los engranajes o del cigüeñal. De lo contrario, podría dañar la herramienta.
- Para obtener instrucciones para extraer e instalar las cuchillas consulte la parte posterior de un paquete de accesorios de cuchillas.

Extracción de las cuchillas

Dé la vuelta a la herramienta y afloje cuatro tornillos. (Fig. 21)

NOTA:

- Tenga cuidado de no ensuciarse las manos cuando aplique grasa en el área de empuje de la cuchilla.

Extraiga la cubierta inferior. (Fig. 22)

Extraiga la cubierta del alojamiento del engranaje.

(Fig. 23)

Ajuste el cigüeñal en el ángulo que se muestra en la figura con un destornillador de punta ranurada. (Fig. 24)

Extraiga dos tornillos de las cuchillas y podrá extraer la unidad de la cuchilla. (Fig. 25)

PRECAUCIÓN:

- Devuelva el engranaje a la posición original, de la misma forma en que estaba instalado, si se ha extraído por error.

Instalación de la cuchilla

Prepare los 4 tornillos extraídos (para la cubierta inferior), 2 tornillos (para la cuchilla), la cubierta del alojamiento de engranajes, la cubierta inferior y nuevas cuchillas.

Ajuste la posición del engranaje como se muestra en la figura. A continuación, aplique parte de la grasa

proporcionada con las nuevas cuchillas a la periferia del cigüeñal. (Fig. 26)

Solape el orificio oval de la cuchilla superior con el de la inferior. (Fig. 27)

Retire la cubierta de la cuchilla de las cuchillas antiguas y encaje la en las nuevas para facilitar la sustitución de las cuchillas. (Fig. 28)

Coloque las nuevas cuchillas en la herramienta de forma que los orificios ovales de las cuchillas encajen en el cigüeñal. Solape los orificios de las cuchillas con los orificios para tornillos de la herramienta y, a continuación, fíjelos con dos tornillos. (Fig. 29)

Compruebe si el cigüeñal gira suavemente con un destornillador ranurado. (Fig. 30)

Instale el alojamiento de los engranajes y la cubierta inferior en la herramienta. Apriete firmemente el tornillo.

Extraiga la cubierta de la cuchilla y, a continuación, encienda la herramienta para comprobar si se mueve correctamente.

NOTA:

- Si las cuchillas no funcionan correctamente, el contacto entre las cuchillas y el cigüeñal es incorrecto. Vuelva a empezar desde el principio.

Almacenamiento

El orificio para el gancho de la parte inferior de la cubierta de la cuchilla es útil para colgar la herramienta de un clavo o un tornillo en la pared. (Fig. 31)

Coloque la cubierta de la cuchilla en las cuchillas para que no queden expuestas. Guarde la herramienta con cuidado fuera del alcance de los niños.

Guarde la herramienta en un lugar que no esté expuesto al agua y la lluvia.

Para conservar la SEGURIDAD y la FIABILIDAD del producto, los trabajos de reparación, la inspección y la sustitución de las escobillas de carbón, así como otros trabajos de mantenimiento y ajuste, deberán ser realizados en centros de servicio autorizados de Makita, utilizando siempre piezas de repuesto de Makita.

ACCESORIOS

PRECAUCIÓN:

- Se recomienda el uso de estos accesorios o complementos con la herramienta Makita especificada en este manual. El uso de otros accesorios o complementos puede conllevar el riesgo de ocasionar daños corporales. Utilice los accesorios o complementos solamente para su fin establecido.

Si necesita cualquier ayuda para obtener más información relativa a estos accesorios, pregunte al centro de servicio Makita local.

- Cable de extensión
- Cubierta de la cuchilla
- Gancho completo
- Ensamblado de cuchilla
- Gancho de cintura para el cable
- Gancho de brazo para el cable

DECLARACIÓN DE CONFORMIDAD DE LA CE

ENH020-1

El abajo firmante, Kato, debidamente autorizado, declara que las máquinas MAKITA,

TIPO:

UH4570, UH5570, UH6570

cumplen con los requisitos estándar de seguridad e higiene de las directivas de la UE pertinentes:

Directrices para maquinaria de la UE 98/37/EC, Emisión de ruidos 2000/14/EG, Directriz EMC de la UE 2004/108/EC.

Los requisitos de las directivas de la UE anteriores se implementaron principalmente según los siguientes estándares: EN60745-2-15, EN 55014, EN61000. El procedimiento de evaluación de conformidad 2000/14/EG se realizó de acuerdo con el Anexo V. El nivel de presión sonora medido (L_{pA}) es de 89,9 dB (A). El nivel de potencia sonora medido (L_{wa}) es de 97,9 dB (A). El nivel de potencia sonora garantizado (L_d) es de 100 dB (A). La Incertidumbre (K) es de 1,5 dB (A)

Vibración

Valor total de la vibración (suma de vectores triaxiales) determinada según el estándar EN60745-2-15:

Emisión de vibraciones ($a_{h,D}$): 6,7 m/s²

Incertidumbre (K): 1,5 m/s²

CE 2008



Tomoyasu Kato
Director

Fabricante responsable:

Makita Corporation

3-11-8, Sumiyoshi-cho, Anjo, Aichi, JAPÓN

Representante autorizado en Europa:

Makita International Europe Ltd.

Michigan Drive, Tongwell, Milton Keynes, Bucks MK15 8JD, ENGLAND

Descrição geral

- | | | |
|-------------------------------|-----------------------------------|--|
| 1. Gatilho B | 12. Gancho do cabo do braço | 23. Ranhuras |
| 2. Gatilho A | 13. Direcção da aparagem | 24. Pressione os ganchos em ambos os lados |
| 3. Gatilho C | 14. Incline as lâminas | 25. Desbloqueie os ganchos |
| 4. Gancho completo | 15. Superfície da sebe a aparar | 26. Parafusos |
| 5. Cabo da ferramenta | 16. Prensa | 27. Cobertura da lâmina |
| 6. Cabo de extensão | 17. Receptor do chip | 28. Sob a cobertura |
| 7. Gancho | 18. Porca | 29. Tampa da caixa de engrenagens |
| 8. Ferramenta | 19. Lâmina da tesoura | 30. Manivela |
| 9. Suporte | 20. Dispositivo receptor de ramos | 31. Elipse da lâmina de corte |
| 10. Gancho do cabo da cintura | 21. Ganchos | |
| 11. Cabo | 22. Instale os ganchos na ranhura | |

ESPECIFICAÇÕES

Modelo	UH4570	UH5570	UH6570
Comprimento da lâmina	450 mm	550 mm	650 mm
Cortes por minuto (min ⁻¹)	1.600	1.600	1.600
Comprimento total	862 mm	970 mm	1.042 mm
Peso líquido	3,5 kg	3,6 kg	3,7 kg
Classe de segurança	II/II		

- Devido à pesquisa e desenvolvimento constantes, estas especificações estão sujeitas a alteração sem aviso prévio.
- Nota: estas especificações podem diferir de país para país.

Símbolos

END220-1

Descrição dos símbolos utilizados no equipamento.

Certifique-se de que compreende o seu significado, antes da utilização.



Marca CE



Proibido!



Leia o manual de instruções e siga os avisos e instruções de segurança.



Utilize protecção para os olhos.



Use protecção para os ouvidos.



BLINDAGEM DUPLA



Precaução: é necessário um cuidado e atenção especiais!



Precaução: retire imediatamente a ficha da tomada se o cabo estiver danificado!



Proteger contra chuva e humidade!



Usar luvas de segurança!



Retirar a ficha da corrente!



Primeiros-socorros



Reciclagem

Utilização prevista

ENE014-1

A ferramenta destina-se a aparar sebes.

Avisos gerais de segurança para ferramentas eléctricas

GEA005-2

AVISO Leia todos os avisos de segurança e todas as instruções. O não cumprimento dos avisos e instruções pode resultar na ocorrência de choques eléctricos, incêndios e/ou ferimentos graves.

Guarde todos os avisos e instruções para referência futura.

O termo "ferramenta eléctrica" nos avisos refere-se à ferramenta de ligação à rede eléctrica (com fio) ou à ferramenta de bateria (sem fio).

Segurança na área de trabalho

1. **Mantenha a área de trabalho limpa e bem iluminada.** As áreas desorganizadas ou escuras convidam os acidentes.
2. **Não utilize ferramentas eléctricas em atmosferas explosivas, tais como na presença de líquidos inflamáveis, gases ou pó.** As ferramentas eléctricas criam faíscas que poderão pegar fogo ao pó ou gases.
3. **Mantenha afastadas as crianças e pessoas enquanto utilizar uma ferramenta eléctrica.** As distrações podem fazer com que perca o controlo.

Segurança eléctrica

- As fichas da ferramenta eléctrica devem corresponder à tomada. Nunca modifique a ficha. Não utilize fichas adaptadoras com ferramentas de ligação à terra (massa).** A utilização de fichas não modificadas e tomadas compatíveis reduzirá o risco de choques eléctricos.
- Evite contacto corporal com superfícies ligadas à terra, tais como tubos, radiadores, aquecedores e frigoríficos.** Existe um risco acrescido de choques eléctricos caso o seu corpo esteja ligado à terra.
- Não exponha ferramentas eléctricas à chuva ou humidade.** A entrada de água numa ferramenta eléctrica aumentará o risco de choques eléctricos.
- Não abuse do cabo de alimentação. Nunca utilize o cabo para transportar, puxar ou desligar a ferramenta eléctrica. Mantenha o cabo afastado do calor, óleo, margens afiadas ou peças móveis.** Os cabos emaranhados ou danificados aumentam o risco de choques eléctricos.
- Quando utilizar uma ferramenta eléctrica no exterior, utilize uma extensão adequada para utilização no exterior.** A utilização de um cabo adequado para o exterior reduz o risco de choques eléctricos.
- Se não for possível evitar a utilização da ferramenta eléctrica num local com humidade, utilize uma fonte de alimentação protegida com um corta-circuito em caso de falha na terra (GFCI).** A utilização de um GFCI reduz o risco de choques eléctricos.

Segurança pessoal

- Mantenha-se alerta, esteja atento ao que está a fazer e utilize o senso comum quando utilizar uma ferramenta eléctrica. Não utilize uma ferramenta eléctrica quando estiver cansado ou sob a influência de drogas, álcool ou medicamentos.** Um momento de desatenção enquanto utilizar ferramentas eléctricas poderá resultar em ferimentos pessoais graves.
- Utilize equipamento de protecção pessoal. Use sempre protecção para os olhos.** A utilização de equipamento de protecção, tais como máscaras contra o pó, sapatos anti-derrapantes, capacete ou protecções para os ouvidos em situações adequadas reduz o perigo de ferimentos.
- Evite o funcionamento imprevisto. Certifique-se de que o interruptor se encontra na posição de desligado antes de ligar a ferramenta à fonte de alimentação e/ou à bateria, assim como antes de pegar ou transportar a mesma.** O transporte de ferramentas eléctricas com o dedo no interruptor ou a ligação à corrente de ferramentas com o interruptor na posição de ligado pode resultar em acidentes.
- Retire qualquer chave de ajuste antes de ligar a ferramenta eléctrica.** Uma chave que fique ligada a uma peça rotativa da ferramenta eléctrica poderá resultar em ferimentos pessoais.
- Não coloque os dedos no interior. Mantenha-se sempre bem equilibrado e apoiado.** Isto permite um melhor controlo da ferramenta em situações inesperadas.
- Vista-se de forma adequada. Não use roupas largas ou jóias. Mantenha o cabelo, roupas e luvas**

afastados de peças móveis. As roupas soltas, jóias ou cabelo comprido podem fixar presos nas peças móveis.

- Caso existam dispositivos para a ligação de equipamento de extracção e recolha do pó, certifique-se de que estes são ligados e utilizados correctamente.** A utilização de dispositivos de recolha de pó pode reduzir os perigos relacionados com o pó.

Utilização e manutenção da ferramenta eléctrica

- Não force a ferramenta eléctrica. Utilize a ferramenta eléctrica adequada para a respectiva aplicação.** A ferramenta eléctrica correcta fará o trabalho de forma melhor e mais segura e à velocidade para a qual foi concebida.
 - Não utilize a ferramenta eléctrica se o interruptor não se ligar e desligar.** Qualquer ferramenta eléctrica que não possa ser controlada com o interruptor é perigosa e deve ser reparada.
 - Desligue a ficha da fonte de alimentação e/ou conjunto da bateria da ferramenta eléctrica antes de efectuar quaisquer ajustes, mudar acessórios ou guardar ferramentas eléctricas.** Tais medidas de segurança preventivas reduzem o risco de iniciar acidentalmente a ferramenta eléctrica.
 - Guarde as ferramentas eléctricas paradas fora do alcance das crianças e não permita que pessoas não familiarizadas com a ferramenta eléctrica ou estas instruções utilizem a ferramenta eléctrica.** As ferramentas eléctricas são perigosas nas mãos de utilizadores sem formação técnica.
 - Manutenção das ferramentas eléctricas. Verifique o desalinhamento ou empeno de peças móveis, quebra de peças e qualquer outra condição que possa afectar o funcionamento da ferramenta eléctrica. Se danificada, mande reparar a ferramenta eléctrica antes de utilizar.** Muitos acidentes são causados por ferramentas eléctricas sem a manutenção adequada.
 - Mantenha as ferramentas de corte afiadas e limpas.** As ferramentas de corte com uma manutenção correcta e margens de corte correctas empenarão com menos facilidade e são mais fáceis de controlar.
 - Utilize a ferramenta eléctrica, acessórios e pontas da ferramenta, etc., em conformidade com estas instruções tendo em consideração as condições de trabalho e o trabalho a ser efectuado.** A utilização da ferramenta eléctrica para operações diferentes das previstas poderia resultar numa situação perigosa.
- ## ASSISTÊNCIA
- Mande reparar a sua ferramenta eléctrica por um técnico qualificado e utilizando apenas peças de substituição idênticas.** Isto garantirá que a segurança da ferramenta eléctrica é mantida.
 - Siga as instruções para lubrificar e mudar acessórios.**
 - Mantenha as pegas secas, limpas e sem óleo ou gordura.**

REGRAS DE SEGURANÇA ESPECÍFICAS

GEB014-1

1. **NÃO** deixe que o progressivo à vontade com o produto (resultante de uma utilização frequente) o faça esquecer o estrito cumprimento das regras de segurança de utilização da afiadora. Se utilizar a ferramenta incorrectamente ou não respeitar as regras de segurança, poderá ferir-se gravemente.
2. Mantenha todas as partes do corpo longe da lâmina cortante. Não retire material de corte nem pegue no material a cortar quando as lâminas estiverem em funcionamento. Certifique-se de que o interruptor está desligado quando retirar o material encravado. Um momento de desatenção enquanto utilizar o aparador de sebes poderá resultar em ferimentos pessoais graves.
3. Transporte o aparador de sebes pela pega com a lâmina cortante parada. Ao transportar ou armazenar o aparador de sebes, instale sempre a tampa do dispositivo de corte. Um manuseamento adequado do aparador de sebes reduzirá possíveis ferimentos pessoais provocados pelas lâminas cortantes.
4. Mantenha o cabo afastado da área de corte. Durante a operação, o cabo pode estar escondido em arbustos e pode ser acidentalmente cortado pela lâmina.
5. Não utilize o aparador de sebes na chuva ou em condições molhadas ou muito húmidas. O motor eléctrico não é à prova de água.
6. As pessoas que estejam a utilizar este aparelho pela primeira vez devem pedir a um aparador de sebes com experiência para lhes mostrar como usar o aparador.
7. O aparador de sebes não deve ser utilizado por crianças ou jovens com menos de 18 anos. Os jovens com mais de 16 anos podem estar isentos desta restrição se estiverem a receber formação sob a supervisão de um perito.
8. Use o aparador de sebes apenas se estiver em boas condições físicas. Se estiver cansado, a sua atenção será reduzida. Tenha especial atenção no fim de um dia de trabalho. Efectue todos os trabalhos com calma e cuidado. O utilizador é responsável por todos os danos a terceiros.
9. Nunca use o aparador sob a influência do álcool, drogas ou medicamentos.
10. Certifique-se de que a tensão e frequência da alimentação correspondem às especificações fornecidas na placa de identificação. Recomendamos que utilize um disjuntor alimentado a corrente residual (corta-circuito em caso de falha na terra) com uma corrente de desligar de 30 mA ou menos, ou um protector de corrente de fuga à terra.
11. Luvas de trabalho de pele fazem parte do equipamento básico do aparador de sebes e devem ser sempre usadas quando o operar. Use também sapatos resistentes com solas anti-derrapantes.
12. Antes de começar a trabalhar, certifique-se de que o aparador está em condições de funcionamento boas e seguras. Certifique-se de que as guardas estão devidamente instaladas. Verifique se o cabo está danificado antes de começar a trabalhar e substitua-o

- se necessário. O aparador de sebes não deve ser usado a menos que esteja devidamente montado.
13. Mantenha o cabo afastado da área de corte. Trabalhe sempre numa área em que o cabo eléctrico de extensão esteja atrás de si.
 14. Retire a ficha da corrente imediatamente se o cabo estiver danificado ou cortado.
 15. Certifique-se de que está bem equilibrado antes de iniciar a operação.
 16. Mantenha a ferramenta segura quando usar a ferramenta.
 17. Desligue imediatamente o motor e desligue a ficha da corrente se o cortador entrar em contacto com uma vedação ou outros objectos duros. Verifique a lâmina cortante e, se estiver danificada, repare-a imediatamente.
 18. Antes de verificar a lâmina cortante, reparar avarias ou retirar material preso na lâmina, desligue sempre o aparador e desligue a ficha da corrente.
 19. Desligue o aparador e desligue e segure a ficha antes de proceder a algum trabalho de manutenção.
 20. Ao mover o aparador de sebes para outro local, incluindo durante o trabalho, desligue sempre a ficha da corrente. Nunca transporte o aparador com a lâmina de corte em funcionamento. Nunca agarre a lâmina cortante com as suas mãos.
 21. Limpe o aparador de sebes e especialmente a lâmina cortante após a utilização, e antes de colocar o aparador em armazenamento durante períodos alargados. Lubrifique ligeiramente a lâmina de corte e coloque a cobertura. A cobertura fornecida com a unidade pode ser pendurada na parede, fornecendo uma forma prática de guardar o aparador de sebes.
 22. Guarde o aparador de sebes com a cobertura colocada, num local seco. Mantenha-o fora do alcance de crianças. Nunca guarde o aparador no exterior.

GUARDE ESTAS INSTRUÇÕES.

AVISO:

A UTILIZAÇÃO INCORRECTA ou o não cumprimento das regras de segurança fornecidas neste manual de instruções podem provocar ferimentos graves.

DESCRIÇÃO DO FUNCIONAMENTO

PRECAUÇÃO:

- Certifique-se sempre de que a ferramenta está desligada no interruptor e da tomada antes de proceder a ajustes ou testes à mesma.

O gatilho/interruptor (Fig. 1)

Para sua segurança, esta ferramenta está equipada com um sistema de ligação tripla. Para ligar a ferramenta, pressione dois de três gatilhos A, B e C. Solte um dos dois gatilhos pressionados para desligar. A sequência da ligação não é importante porque a ferramenta arranca apenas quando ambos os interruptores estiverem activados.

Corte a direito (Fig. 2)

Para aparar a sebe a direito, pressione os gatilhos A e B.

Corte vertical (Fig. 3)

Corte para cima com ambas as mãos, pressione os gatilhos B e C e mova-a para a frente do seu corpo.

Corte área longínqua (Fig. 4)

Para aparar a sebe numa área longínqua com ambas as mãos pressione os gatilhos A e C.

MONTAGEM

PRECAUÇÃO:

- Certifique-se sempre de que a ferramenta está desligada no interruptor e da tomada antes de efectuar qualquer trabalho na mesma.

Engate o cabo de extensão

PRECAUÇÃO:

- Certifique-se de que o cabo da extensão está desligado da corrente. (Fig. 5)

Ao engatar o cabo de extensão, prenda-o ao cabo da ferramenta com o gancho completo. Prenda o gancho a cerca de 100 - 200 mm do conector do cabo de extensão. Isto ajudará a evitar a desconexão não intencional.

Gancho do cabo da cintura

PRECAUÇÃO:

- Não fixe o suporte do gancho do cabo da cintura a mais nada que não o cabo de extensão. Não o fixe numa posição mais perto da ferramenta para além do gancho completo. Caso contrário, poderá causar um acidente e ferimentos.
- Ao usar o gancho do cabo da cintura, use o cabo de extensão como equipamento standard. Usar um cabo de extensão disponível no mercado pode provocar um acidente ou ferimentos.
- Prenda com força um gancho do gancho completo ao cabo da ferramenta e o outro gancho do gancho completo ao cabo de extensão. Trabalhar com a ferramenta com um único gancho preso poderá causar um acidente e ferimentos.

Usar o gancho do cabo de cintura ajuda a minimizar o risco de corte do cabo de extensão inesperadamente provocado pelo cabo de extensão solto. (Fig. 6) Introduza ou retire o cabo através da abertura do suporte. (Fig. 7)

PRECAUÇÃO:

- Não force a abertura do suporte. Caso contrário, poderá provocar uma deflexão e danos.

Gancho do cabo do braço (Acessório)

PRECAUÇÃO:

- Não fixe o suporte do gancho do cabo do braço a mais nada que não o cabo de extensão. Não o fixe numa posição mais perto da ferramenta para além do gancho completo. Caso contrário, poderá causar um acidente e ferimentos.
- Ao usar o gancho do cabo do braço, use o cabo de extensão como equipamento standard. Usar um cabo de extensão disponível no mercado pode provocar um acidente ou ferimentos.

- Prenda com força um gancho do gancho completo ao cabo da ferramenta e o outro gancho do gancho completo ao cabo de extensão. Trabalhar com a ferramenta com um único gancho preso poderá causar um acidente e ferimentos.

Usar o gancho do cabo de braço ajuda a minimizar o risco de corte do cabo de extensão inesperadamente provocado pelo cabo de extensão solto. (Fig. 8)

Fixe com força o gancho do cabo de braço colocando à volta do seu braço e passe o cabo de extensão pelo suporte. O comprimento da banda gancho do cabo do braço é ajustável.

NOTA:

- Não passe o cabo de extensão pela banda.
- Não force a abertura do suporte. Caso contrário, poderá provocar uma deflexão e danos.
- Usar o gancho do cabo do braço juntamente com o gancho do cabo da cintura é mais útil.

FUNCIONAMENTO

PRECAUÇÃO:

- Tenha cuidado para não entrar em contacto, acidentalmente, com uma vedação de metal ou outros objectos duros ao aparar. A lâmina quebrará e poderá causar ferimentos graves.
- Estender-se com um aparador de sebes, especialmente de uma escada, é muito perigoso. Não trabalhe em cima de superfícies instáveis ou desequilibradas.

Não tente cortar ramos com um diâmetro superior a 10 mm com este aparador. Estas devem ser cortadas primeiro com tesouras para o nível de aparagem da sebe. (Fig. 9)

PRECAUÇÃO:

- Não corte árvores mortas ou objectos duros semelhantes. Caso contrário poderá danificar a ferramenta.

Segure o aparador com ambas as mãos, pressione o gatilho A ou B e mova-o para a frente do seu corpo. (Fig. 10)

Como operação básica, incline as lâminas para a direcção da aparagem e mova-as calma e lentamente a uma velocidade de 3 - 4 segundos por metro. (Fig. 11 e 12)

Para cortar o topo de uma sebe de igual forma, ajuda se atar um fio à altura da sebe desejada e se aparar ao longo dele, usando-o como linha de referência. (Fig. 13) Prender o receptor do chip (acessório) na ferramenta quando aparar a sebe a direito pode evitar que folhas cortadas sejam deitadas fora. (Fig. 14)

Para cortar um lado da sebe de forma igual, ajuda cortar do fundo para o topo. (Fig. 15)

Apare o buxo e rododendro da base para o topo para um aspecto agradável e um bom trabalho. (Fig. 16)

Instalar ou remover o receptor de chip (acessório)

PRECAUÇÃO:

- Certifique-se sempre de que a ferramenta está desligada no interruptor e da tomada antes de instalar ou remover o receptor de chip.

NOTA:

- Ao substituir o receptor do chip, use sempre luvas para que as mãos e face não entrem em contacto directo com a lâmina. Caso contrário, poderá causar ferimentos.
- Certifique-se de que retira a cobertura da lâmina antes de instalar o coletor de aparas.
- O receptor do chip recebe as folhas cortadas e alivia a recolha das folhas deitadas fora. Pode ser instalado de qualquer dos lados. (Fig. 17)

Pressione o receptor do chip para as lâminas da tesoura para que as suas fendas se sobreponham às porcas nas lâminas da tesoura. A esta altura, certifique-se de que o receptor do chip não entra em contacto com o dispositivo receptor de ramos no topo das lâminas da tesoura. (Fig. 18)

A esta altura, o receptor do chip precisa de ser instalado para que os seus ganchos encaixem nas ranhuras na unidade da lâmina da tesoura. (Fig. 19)

Para remover o receptor do chip, pressione a sua alavanca em ambos os lados para que os ganchos sejam desbloqueados. (Fig. 20)

PRECAUÇÃO:

- A cobertura da lâmina (equipamento standard) não pode ser instalada na ferramenta com o receptor do chip a ser instalado. Antes de transportar ou armazenar, desinstale o receptor do chip e instale a cobertura da lâmina para evitar a exposição da lâmina.

NOTA:

- Verifique o receptor do chip para uma instalação segura antes da utilização.
- Nunca tente desinstalar o receptor do chip através de força excessiva com os seus ganchos bloqueados nas ranhuras da unidade da lâmina. Se usar força excessiva poderá danificá-lo.

MANUTENÇÃO

PRECAUÇÃO:

- Certifique-se sempre de que a ferramenta está desligada no interruptor e da tomada antes de inspeccionar ou fazer a manutenção da ferramenta.

Limpar a ferramenta

Limpe a ferramenta retirando o pó com um pano seco ou embebido em sabão.

PRECAUÇÃO:

- Não use gasolina, diluente, benzina ou óleo de aquecimento, etc.

Manutenção da lâmina

Unte a lâmina antes e uma vez por hora durante a operação usando óleo da máquina ou semelhantes. Depois do funcionamento, retire o pó de ambos os lados com uma escova de arame, limpe-a com um pano e depois aplique óleo de viscosidade baixa como óleo da máquina etc e óleo lubrificante do tipo spray.

PRECAUÇÃO:

- Não lave as lâminas com água. Se o fizer, a ferramenta poderá ficar enferrujada ou danificada.

Remover ou instalar a lâmina da tesoura

PRECAUÇÃO:

- Antes de remover ou instalar a lâmina da tesoura, certifique-se sempre de que a ferramenta está desligada no interruptor e da tomada.
- Ao substituir a lâmina da tesoura, use sempre luvas sem remover a tampa da lâmina para que as mãos e face não entrem em contacto directo com a lâmina. Caso contrário, poderá causar ferimentos.

NOTA:

- Não limpe a gordura da engrenagem e da manivela. Caso contrário poderá danificar a ferramenta.
- Para uma forma específica de remover e instalar lâminas da tesoura, consulte o inverso de uma embalagem para lâminas da tesoura de acessório.

Remover as lâminas da tesoura

Inverta a ferramenta e desaperte quatro parafusos.

(Fig. 21)

NOTA:

- Tenha cuidado para não sujar as suas mãos porque é aplicada gordura na área de condução da lâmina da tesoura.

Retire a cobertura de baixo. (Fig. 22)

Retire a tampa da caixa de engrenagens. (Fig. 23)

Defina a manivela no ângulo conforme ilustrado na figura com uma chave de fendas com ponta ranhurada.

(Fig. 24)

Retire dois parafusos das lâminas da tesoura e a unidade da lâmina da tesoura será retirada. (Fig. 25)

PRECAUÇÃO:

- Reponha a engrenagem na posição inicial, tal como estava instalada, caso seja retirada por engano.

Instalar a lâmina da tesoura

Prepare 4 parafusos removidos (Para a tampa de baio), 2 parafusos (Para a lâmina da tesoura), tampa da caixa de engrenagens, cobertura de baixo e novas lâminas da tesoura.

Ajuste a posição da manivela conforme ilustrado na figura. Neste ponto, aplique alguma gordura fornecida com novas lâminas da tesoura para a periferia da manivela. (Fig. 26)

Sobreponha o orifício oval na lâmina superior ao da inferior. (Fig. 27)

Retire a cobertura da lâmina das lâminas da tesoura antigas e instale-a nas novas para um fácil manuseamento durante a substituição das lâminas. (Fig. 28)

Coloque as novas lâminas da tesoura na ferramenta para que os orifícios ovais nas lâminas da tesoura se instalem na manivela. Sobreponha os orifícios nas lâminas da tesoura com as roscas interiores na ferramenta e depois fixe-os com dois parafusos. (Fig. 29)

Verifique se a manivela roda bem com uma chave de fendas com ponta ranhurada. (Fig. 30)

Instale a caixa da engrenagem, por baixo da cobertura na ferramenta. Aperte o parafuso com força.

Retire a tampa da lâmina e depois ligue a ferramenta para verificar se funciona devidamente.

NOTA:

- Quando as lâminas da tesoura não funcionam devidamente, a instalação entre as lâminas e a manivela é fraca. Volte a fazer do início.

Armazenamento

O orifício do gancho no fundo da cobertura da lâmina é conveniente para pendurar a ferramenta num prego ou parafuso na parede. (Fig. 31)
Coloque a cobertura da lâmina nas lâminas de corte para que as lâminas não fiquem expostas. Mantenha a ferramenta fora do alcance das crianças, com cuidado. Guarde a ferramenta num local que não esteja exposto a água e chuva.

Para manter os níveis de SEGURANÇA e FIABILIDADE, as reparações, inspecção e substituição das escovas de carvão e outras operações de manutenção ou ajuste devem ser executadas por centros de assistência Makita autorizados e, no caso de substituição de peças, estas devem ser igualmente peças originais Makita.

ACESSÓRIOS**PRECAUÇÃO:**

- Os seguintes acessórios ou extensões são os recomendados para utilizar com a ferramenta Makita especificada neste manual. A utilização de outros acessórios ou extensões pode provocar ferimentos. Utilize cada acessório ou extensão apenas para o fim indicado.

Se precisar de informações adicionais relativas aos acessórios, contacte o centro local de assistência Makita.

- Cabo de extensão
- Cobertura da lâmina
- Gancho completo
- Montagem da lâmina da tesoura
- Gancho do cabo da cintura
- Gancho do cabo do braço

EC-DECLARAÇÃO DE CONFORMIDADE ENH020-1

O abaixo-assinado, Kato, assim autorizado, declara que as máquinas MAKITA,

TIPO:

UH4570, UH5570, UH6570

está em conformidade com os requisitos de segurança e saúde das linhas orientadoras pertinentes da UE:

Directriz de maquinaria UE 98/37/EC, Emissão de ruído 2000/14/EG, directriz UE EMC 2004/108/EC.

Os requisitos das directrizes da UE acima mencionadas foram implementados essencialmente com base nas seguintes normas: EN60745-2-15, EN 55014, EN61000.

O procedimento de avaliação de conformidade

2000/14/EG foi efectuado de acordo com o Anexo V. O nível de pressão do som medido (L_{pA}) é 89,9 dB (A). O nível de potência do som medido (L_{WA}) é 97,9 dB (A). O nível de potência do som garantido (L_d) é 100 dB (A).

Imprecisão (K) é 1,5 dB (A).

Vibração

O valor total da vibração (soma triaxial de vectores) foi determinado segundo a EN60745-2-15:

Emissão de vibração ($a_{h, D}$): 6,7 m/s²

Imprecisão (K): 1,5 m/s²

CE 2008



Tomoyasu Kato
Administrador

Fabricante responsável:

Makita Corporation

3-11-8, Sumiyoshi-cho, Anjo, Aichi, JAPÃO

Representante autorizado na Europa:

Makita International Europe Ltd.

Michigan Drive, Tongwell, Milton Keynes, Bucks MK15
8JD, INGLATERRA

Forklaring til generel oversigt

1. Kontaktgreb B	12. Ledningskrog til arm	22. Placer krogene i rillerne
2. Kontaktgreb A	13. Klipperetning	23. Riller
3. Kontaktgreb C	14. Hold knivene på skrå	24. Tryk på krogene på begge sider
4. Krogsamling	15. Den hækkeoverflade der skal klippes	25. Frigør krogene
5. Værktøjets ledning	16. Tryk	26. Skruer
6. Forlængerledning	17. Bladafskærmning	27. Knivhylster
7. Krog	18. Møtrik	28. Underdæksel
8. Værktøj	19. Kniv	29. Gearhusdæksel
9. Holder	20. Grenfanger	30. Krumtap
10. Ledningskrog til bælte	21. Kroege	31. Ellipse på kniven
11. Ledning		

SPECIFIKATIONER

Model	UH4570	UH5570	UH6570
Knivlængde	450 mm	550 mm	650 mm
Klip pr. minut (min ⁻¹)	1.600	1.600	1.600
Længde i alt	862 mm	970 mm	1.042 mm
Nettovægt	3,5 kg	3,6 kg	3,7 kg
Sikkerhedsklasse	II/II		

- På grund af vores løbende forsknings- og udviklingsprogram kan specifikationerne heri ændres uden forudgående varsel.
- Bemærk: Specifikationerne kan variere fra land til land.

Symboler

END220-1

Følgende viser de symboler, der benyttes til udstyret. Vær sikker på, at du forstår deres betydning, før du bruger værktøjet.



Genbrug



CE-mærkning



Forbudt!

Tilsløst anvendelse

ENE014-1

Værktøjet er beregnet til klipping af hække.

Generelle sikkerhedsadvarsler for el-værktøj

GEA005-2

ADVARSEL Læs alle sikkerhedsadvarslerne og alle instruktionerne. Det kan medføre elektrisk stød, brand og/eller alvorlig personskade, hvis du ikke overholder advarslerne og følger instruktionerne.

Gem alle advarsler og instruktioner så du har dem til fremtidig brug.

Ordet "el-værktøj" i advarslerne henviser til et el-værktøj, der er sluttet til en stikkontakt (med ledning) eller et batteridrevet el-værktøj (uden ledning).

Sikkerhedsregler for arbejdsområdet

1. **Hold arbejdsområdet rent og ordentligt belyst.**
Rodede eller mørke arbejdsområder medfører uheld.
2. **Betjen ikke el-værktøj i eksplosive atmosfærer, for eksempel ved tilstedeværelse af brændbare væsker, gasser eller støv.** El-værktøjer fremkalder gnister, der kan antænde støv eller dampe.



Læs brugsanvisningen, og følg advarslerne og sikkerhedsinstruktionerne.



Brug beskyttelsesbriller.



Bær høreværn.



DOBBELT ISOLERET



Forsigtig: Vær ekstra forsigtig og opmærksom!



Forsigtig: Tag med det samme stikket ud af stikkontakten, hvis ledningen er beskadiget!



Beskyt mod regn og fugt!



Bær arbejdshandsker!



Tag stikket ud af stikkontakten!



Førstehjælp

3. **Hold børn og andre i nærheden på afstand under betjeningen af et el-værktøj.** Distractioner kan medføre, at du mister kontrollen med el-værktøjet.

El-sikkerhedsregler

4. **Stikkene på el-værktøjet skal svare til stikkontakten. Du må aldrig ændre på stikket. Brug ikke stikadaptere sammen med jordforbundne el-værktøjer.** Uændrede stik og tilsvarende stikkontakter mindsker risikoen for elektrisk stød.
5. **Undgå kropskontakt med jordforbundne overflader som rør, radiatorer, overflader og køleskabe.** Hvis kroppen er jordforbundet, forøges risikoen for elektrisk stød.
6. **Udsæt ikke el-værktøjer for regn eller våde omgivelser.** Risikoen for elektrisk stød forøges, hvis der kommer vand i el-værktøjet.
7. **Belast ikke ledningen. Anvend aldrig ledningen til bære eller trække i el-værktøjet med, eller når du tager stikket ud af stikkontakten. Udsæt ikke ledningen for varme, olie, skarpe kanter eller bevægelige dele.** Beskadigede eller sammenviklede ledninger øger risikoen for elektrisk stød.
8. **Brug en forlængerledning, der er beregnet til udendørs brug, når el-værktøjet anvendes udendørs.** Brug af en ledning, der er beregnet til udendørs brug, reducerer risikoen for elektrisk stød.
9. **Hvis du er nødt til at anvende et el-værktøj i fugtige omgivelser, skal du anvende en strømforsyning, der er beskyttet med en fejlstromsafbryder (GFCI).** Brug af en GFCI reducerer risikoen for elektrisk stød.

Personlig sikkerhed

10. **Vær opmærksom, fokusér på det, du arbejder med, og brug din sunde fornuft ved betjening af el-værktøjet. Brug ikke et el-værktøj når du er træt eller indflydelse af narkotika, alkohol eller medicin.** Ved brug af el-værktøjer kan et enkelt øjeblik uopmærksomhed medføre alvorlig personskade.
11. **Benyt personligt sikkerhedsudstyr. Bær altid beskyttelsesbriller.** Sikkerhedsudstyr som f.eks. støvmaske, skridsikre sko, hjelm eller høreværn, der benyttes under de tilsvarende forhold, forebygger personskader.
12. **Forhind utilsigtet start. Sørg for, at kontakten er slået fra, inden du tilslutter værktøjet til en strømkilde og/eller et batteri, tager værktøjet op eller bærer rundt på det.** Det medfører uheld, hvis du bærer på el-værktøjer med fingeren på kontakten, eller tilslutter strøm til el-værktøjer, hvor kontakten er slået til.
13. **Fjern alle justeringsnøgler eller skruenøgler, før du tænder for el-værktøjet.** En skruenøgle eller nøgle, der sidder på en roterende værktøjsdel, kan forårsage personskade.
14. **Stræk dig ikke for langt frem. Bevar fodfæstet og balancen til enhver tid.** Dette giver dig bedre kontrol over el-værktøjet i uventede situationer.
15. **Bær korrekt påklædning. Bær ikke løst tøj eller smykker. Hold hår, tøj og handsker væk fra bevægelige dele.** Løst tøj, smykker eller langt hår kan sidde fast i bevægelige dele.

16. **Hvis der medfølger udstyr til filtrering og opsamling af støv, skal du sørge for, at udstyret er monteret, og at det anvendes korrekt.** Brug af støvopsamling kan reducere støvrelaterede risici.

Brug og behandling af el-værktøj

17. **Brug ikke magt på el-værktøjet. Brug det korrekte el-værktøj til formålet.** Det korrekte el-værktøj gør hurtigst og bedst det arbejde, som det er beregnet til.
18. **Brug ikke el-værktøjet, hvis der ikke kan tændes og slukkes på kontakten.** Et el-værktøj, der ikke kan styres med kontakten, er farligt og skal til reparation.
19. **Tag stikket ud af stikkontakten, og/eller tag batteriet ud af el-værktøjet, før du foretager ændringer, skifter tilbehør eller gemmer el-værktøjer af vejen.** Disse forebyggende foranstaltninger mindsker risikoen for, at el-værktøjet starter ved et uheld.
20. **Opbevar el-værktøjer, der ikke benyttes, utilgængeligt for børn, og lad ikke personer, som ikke er bekendt med el-værktøjer eller disse instruktioner, bruge el-værktøjer er farlige i hænderne på uøvede brugere.**
21. **Vedligehold el-værktøjer. Kontroller for skævheder eller bevægelige dele der binder, brud på dele eller andre forhold, der eventuelt kan påvirke el-værktøjets funktion. Få el-værktøjet repareret før brug, hvis det er i stykker.** Mange uheld skyldes dårlig vedligeholdelse af el-værktøjer.
22. **Hold skæreværktøjer skarpe og rene.** Der er mindre sandsynlighed for, at korrekt vedligeholdte skæreværktøjer med skarpe skærende kanter binder, og de er lettere at kontrollere.
23. **Brug el-værktøj, tilbehør og værktøjsdele osv. i overensstemmelse med denne vejledning, og i henhold til arbejdsforholdene og det arbejde der skal udføres.** Brug af el-værktøjet til formål, det ikke er beregnet til, kan medføre farlige situationer.

SERVICE

24. **Få udført service på el-værktøjet hos en autoriseret mekaniker, og brug kun tilsvarende reservedele.** Derved vedligeholdes el-værktøjets sikkerhed.
25. **Følg instruktionerne for smøring og udskiftning af tilbehør.**
26. **Hold håndtagene tørre, rene og fri for olie og fedtstoffer.**

SPECIFIKKE SIKKERHEDSREGLER

GEB041-1

1. **LAD IKKE tryghed eller kendskab til produktet (på grund af gentagen brug) betyde, at du ikke strengt overholder sikkerhedsreglerne for værktøjet. Hvis værktøjet anvendes på usikker eller forkert vis, kan du komme alvorligt til skade.**
2. **Hold alle kropsdele på afstand af kniven. Fjern ikke afskåret materiale og hold ikke på materiale, der skal skæres af, mens knivene arbejder. Sørg for, at kontakten er slukket, når du fjerner materiale, der har sat sig fast.** Ved brug af en hækkeklipper kan et enkelt øjeblik uopmærksomhed medføre alvorlige personskader.

3. **Bær hækkeklipperen i håndtaget med stoppet kniv. Sæt altid knivhylsteret på, når du transporterer eller opbevarer hækkeklipperen.** Korrekt håndtering af hækkeklipperen reducerer risikoen for personskader pga. kontakt med knivene.
4. **Hold kablet væk fra klippeområdet.** Under arbejdet kan kablet muligvis skjules af buskene og skæres over ved et uheld af knivene.
5. Benyt ikke hækkeklipperen i regnvejlr eller under våde eller meget fugtige forhold. Den elektriske motor er ikke vandtæt.
6. Førstegangsbrugere bør få vist hvordan hækkeklipperen skal bruges af en erfaren person.
7. Hækkeklipperen må ikke anvendes af børn eller unge under 18 år . Unge over 16 år er muligvis undtaget fra denne regel, hvis de er under oplæring under opsyn af en ekspert.
8. Brug kun hækkeklipperen hvis du er i god fysisk form. Hvis du er træet, reduceres din koncentrationsevne. Vær især opmærksom sidst på arbejdsdagen. Udfør alt arbejde roligt og forsigtigt. Brugeren er ansvarlig for alle skader på tredjejerter.
9. Du må aldrig anvende hækkeklipperen under påvirkning af alkohol, narkotika eller medicin.
10. Kontroller, at spændingen og frekvensen på strømforsyningen svarer til de specifikationer, der er angivet på identifikationspladen. Vi anbefaler brug af en fejlstrømsafbryder (RCCB) (fejlstrømsafbryder (GFCI)) med en udløsningsstrøm på 30 mA eller mindre, eller en fejlstrømsafbryder (ELCB).
11. Arbejdshandsker af stærkt læder er en del af basisudstyret til hækkeklipperen og skal altid anvendes, når du arbejder med den. Brug også solide sko med skridsikre såler.
12. Inden du starter, skal du kontrollere, at hækkeklipperen er i god stand og sikker at arbejde med. Sikr dig, at afskærmningerne er ordentligt monterede. Kontroller kablet for skader inden du starter arbejdet, og udskift det om nødvendigt. Hækkeklipperen må ikke anvendes medmindre den er helt samlet.
13. Hold kablet væk fra klippeområdet. Udfør altid arbejdet sådan at forlængerledningen befinder sig bag ved dig.
14. Tag straks stikket ud fra stikkontakten, hvis kablet er beskadiget eller skåret over.
15. Sørg for, at du har et sikkert fodfæste, inden du starter på arbejdet.
16. Hold ordentligt fast på værktøjet under brug.
17. Sluk straks for motoren og træk stikket ud fra stikkontakten, hvis hækkeklipperen skulle komme i kontakt med et hegn eller en anden hård genstand. Efterse hækkeklipperen for skader og få den straks repareret, hvis den er beskadiget.
18. Inden du kontrollerer knivene, udbedrer problemer eller fjerner materiale der sidder fast i knivene, skal du altid først slukke for hækkeklipperen og tage stikket ud af stikkontakten.
19. Sluk for hækkeklipperen og sikr dig, at stikket er taget ud af stikkontakten, inden du udfører vedligeholdelsesarbejde.
20. Du skal altid tage stikket ud af stikkontakten, når du flytter hækkeklipperen et andet sted hen, inklusive under arbejdet. Du må aldrig bære eller transportere

hækkeklipperen med knivene kørende. Grib aldrig om knivene med hænderne.

21. Rengør hækkeklipperen og især knivene efter brug, samt inden hækkeklipperen lægges væk for en længere periode. Put lidt olie på knivene og sæt skeden på. Den skede, der følger med enheden, kan hænges op på væggen og giver derfor mulighed for på sikker og praktisk vis at opbevare hækkeklipperen.
22. Opbevar hækkeklipperen med skeden på i et tørt rum. Sørg for, at den er uden for børns rækkevidde. Opbevar aldrig hækkeklipperen udendørs.

GEM DISSE INSTRUKTIONER.

ADVARSEL:

MISBRUG eller manglende overholdelse af sikkerhedsreglerne i denne brugsanvisning kan medføre alvorlig personskade.

FUNKTIONSBESKRIVELSE

FORSIGTIG:

- Sørg altid for, at værktøjet er slukket, og at stikket er taget ud af stikkontakten, før du justerer værktøjet eller kontrollerer dets funktion.

Betjening af kontakt (Fig. 1)

Dette værktøj er af sikkerhedsårsager udstyret med et tredobbelt kontaktsystem. Du tænder for værktøjet ved at trykke på to ud af de tre kontaktagreb A, B eller C. Slip et af de to aktiverede kontaktagreb for at slukke for værktøjet. Rækkefølgen for aktivering af kontaktagrebene er uden betydning, eftersom værktøjet kun starter, når begge kontaktagreb er trykket ind.

Vandret klipning (Fig. 2)

Tryk ind på kontaktagreb A og B for at klippe hækken på vandret led.

Lodret klipning (Fig. 3)

Klip opad, mens du bruger begge hænder til at trykke ind på kontaktagreb B og C og flytter hækkeklipperen foran krogen.

Klipning af yderområder (Fig. 4)

Brug begge hænder til at trykke ind på kontaktagreb A og C for at klippe yderområdet af hækken.

MONTERING

FORSIGTIG:

- Sørg altid for, at værktøjet er slukket og taget ud af stikkontakten, før du udfører nogen form for arbejde på værktøjet.

Tilslut forlængerledningen

FORSIGTIG:

- Sikr dig, at forlængerledningens stik ikke sidder i stikkontakten. (Fig. 5)

Når du tilslutter forlængerledningen skal du fastgøre den til værktøjets ledning med krogensamlingen. Fastgør krogen cirka 100 - 200 mm fra forlængerledningens stik. Dette forhindrer utilsigtet ledningsfrakobling.

Ledningskrog til bælte

FORSIGTIG:

- Fastgør ikke holderen på bælteledningskrogen til andet end forlængerledningen. Fastgør den ikke tættere på værktøjet end krogensamlingen. Hvis du gør det, kan det medføre en ulykke eller personskade.
- Når du benytter bælteledningskrogen, skal du bruge den forlængerledning, som er standardudstyr. Hvis du bruger en forlængerledning, som forhandles i forretningerne, kan det medføre en ulykke eller personskade.
- Fastgør den ene af krogensamlingens kroge til værktøjets ledning og den anden af krogensamlingens kroge til forlængerledningen. Det kan medføre en ulykke eller personskade, hvis du arbejder med værktøjet med kun én fastgjort krog.

Brug af bælteledningskrogen er med til at minimere risikoen for uventet afskæring af forlængerledningen pga. den løse forlængerledning. (Fig. 6)

Tryk ledningen ind eller træk den ud gennem åbningen i holderen. (Fig. 7)

FORSIGTIG:

- Anvend ikke kraft til åbning af holderen. Det kan eventuelt medføre at holderen bøjes og beskadiges.

Ledningskrog til armen (tilbehør)

FORSIGTIG:

- Fastgør ikke holderen på ledningskrogen til armen til andet end forlængerledningen. Fastgør den ikke tættere på værktøjet end krogensamlingens kroge. Hvis du gør det, kan det medføre en ulykke eller personskade.
- Når du benytter ledningskrogen til armen, skal du bruge den forlængerledning, som er standardudstyr. Hvis du bruger en forlængerledning, som forhandles i forretningerne, kan det medføre en ulykke eller personskade.
- Fastgør den ene af krogensamlingens kroge til værktøjets ledning og den anden af krogensamlingens kroge til forlængerledningen. Det kan medføre en ulykke eller personskade, hvis du arbejder med værktøjet med kun én fastgjort krog.

Brug af ledningskrogen til armen er med til at minimere risikoen for uventet afskæring af forlængerledningen pga. den løse forlængerledning. (Fig. 8)

Fastgør ledningskrogen til armen ved at placere den omkring din arm og føre forlængerledningen igennem holderen. Længden på ledningskrogen til armen kan justeres.

BEMÆRK:

- Du skal ikke føre forlængerledningen gennem båndet.
- Anvend ikke kraft til åbning af holderen. Det kan eventuelt medføre at holderen bøjes og beskadiges.
- Det er mere praktisk at anvende ledningskrogen til armen sammen med bælteledningskrogen.

BETJENING

FORSIGTIG:

- Sørg for, at du ikke utilsigtet kommer i kontakt med metalhegn eller andre hårde genstande under klipning.

Kniven kan muligvis brække og forårsage alvorlig personskade.

- Det er meget farligt at strække sig meget langt frem med en hækkeklipper, især fra en stige. Udfør ikke arbejde stående på noget der rokker eller ikke står ordentligt fast.

Forsøg ikke at klippe grene der er tykkere end 10 mm i diameter med denne hækkeklipper. Disse bør først klippes ned til hækkeklippingsniveau med en grensaks. (Fig. 9)

FORSIGTIG:

- Klip ikke i døde træer eller lignende hårde genstande. Hvis du gør det, kan det muligvis beskadige værktøjet. Hold hækkeklipperen med begge hænder, tryk ind på kontaktagreb A eller B og før hækkeklipperen foran kroppen. (Fig. 10)

Grundlæggende bør du holde knivene på skrå, vendt mod klipperetningen og stille og roligt føre hækkeklipperen frem med en hastighed på 3 - 4 sekunder pr. meter.

(Fig. 11 og 12)

Når du skal klippe toppen på hækken lige, hjælper det at spænde en snor ud i den ønskede højde og klippe langs med den, ved at bruge den som en referencelinje.

(Fig. 13)

Hvis du monterer bladafskærmningen (tilbehør) på værktøjet, når du klipper hækken lige, kan du undgå, at afskårne blade bliver kastet væk. (Fig. 14)

For at klippe hækken side lige hjælper det at klippe fra bunden af og op. (Fig. 15)

Når buksbom eller rhododendron klippes nedefra og op mod toppen, får du det bedste resultat. (Fig. 16)

Montering og afmontering af bladafskærmningen (tilbehør)

FORSIGTIG:

- Sørg altid for, at værktøjet er slukket, og at stikket er taget ud af stikkontakten, før du monterer eller afmonterer bladafskærmningen.

BEMÆRK:

- Når du monterer/afmonterer bladafskærmningen, skal du altid bære handsker, sådan at hænder og ansigt ikke kommer i direkte kontakt med knivene. Ellers kan det medføre personskader.
- Sørg altid for at fjerne knivhyliet inden montering af bladafskærmningen.
- Bladafskærmningen modtager de afskårne blade, og gør det lettere at opsamle bortkastede blade. Den kan monteres på begge sider af værktøjet. (Fig. 17)

Tryk bladafskærmningen ned på knivene sådan at dens sprækker overlapper med møtrikkerne på knivene. Du skal her kontrollere, at bladafskærmningen ikke rører ved grenfangeren, der er placeret yderst på knivene. (Fig. 18) Bladafskærmningen skal herefter monteres sådan, at dens kroge passer ind i rillerne på knivheden. (Fig. 19) For at afmontere bladafskærmningen skal du trykke på udløsningsmekanismen på begge sider, sådan at krogene låses op. (Fig. 20)

FORSIGTIG:

- Knivhyliet (standardudstyr) kan ikke monteres på værktøjet, mens bladafskærmningen er monteret. Inden du bærer på eller opbevarer hækkeklipperen,

skal du afmontere bladafskærmningen og sætte knivhylsteret på for at beskytte knivene.

BEMÆRK:

- Efterse bladafskærmningen inden brug for at sikre ordentlig fastgørelse.
- Forsøg aldrig at afmontere bladafskærmningen ved brug af kraft, mens krogene er låst ind i knivenhedens riller. Brug af overdreven kraft kan beskadige værktøjet.

VEDLIGEHODELSE

FORSIGTIG:

- Sørg altid for, at værktøjet er slukket, og at stikket er taget ud, før du udfører inspektion eller vedligeholdelse.

Rengøring af værktøjet

Rengør værktøjet ved at tørre det af med en tør klud, eller en der er dyppet i sæbevand.

FORSIGTIG:

- Brug ikke benzin, fortynder, benzen eller fyringsolie osv.

Vedligeholdelse af kniven

Smør kniven inden brug, samt én gang i timen under brug med maskinolie eller lignende.

Efter udført arbejde skal du fjerne støv fra begge sider af kniven med en stålborste, tørre det af med en klud og derefter påføre rigeligt olie med lav viskositet, som fx maskinolie osv., eller smørelie på spraydåse.

FORSIGTIG:

- Vask ikke kniven i vand. Det muligvis forårsage rust eller beskadige værktøjet.

Afmontering eller montering af kniv

FORSIGTIG:

- Inden du afmonterer eller monterer kniven, skal du altid sørge for, at værktøjet er slukket, og at stikket er taget ud af stikkontakten.
- Når du udskifter kniven, skal du altid bære handsker og undgå at fjerne knivhylsteret, sådan at hænder og ansigt ikke kommer i direkte kontakt med knivene. Ellers kan det medføre personskader.

BEMÆRK:

- Tør ikke fedtet af gearret eller krumtappen. Hvis du gør det, kan det muligvis beskadige værktøjet.
- Se bagsiden på indpakningen af ekstraknive angående en særlig metode til afmontering og montering af knivene.

Afmontering af knivene

Vend værktøjet på hovedet og løs de fire skruer. (Fig. 21)

BEMÆRK:

- Pas på dine hænder ikke snaves til eftersom der er smurt med fedt i knivenes bevægelsesområde.

Fjern underdækslet. (Fig. 22)

Fjern gearhusdækslet. (Fig. 23)

Indstil krumtappen på den vinkel som er vist på figuren med en skruetrækker med lige kær. (Fig. 24)

Fjern to skruer fra knivene hvorefter knivenheden kan tages ud. (Fig. 25)

FORSIGTIG:

- Sæt gearret tilbage på dets oprindelige position, på samme måde som det var monteret, hvis det ved en fejltagelse skulle tages af.

Montering af kniven

Hav de 4 aftagne skruer (til underdækslet), 2 skruer (til kniven), gearhusdækslet, underdækslet og de nye knive parat.

Juster positionen af krumtappen som vist på figuren. Put herefter noget af det fedtstof, der følger med de nye knive, rundt i kanten på krumtappen. (Fig. 26)

Overlap det ovale hul i den øverste kniv med det i den nederste kniv. (Fig. 27)

Tag knivhylsteret fra de gamle knive frem og placer det på de nye, så du nemt kan håndtere knivene under udskiftningen. (Fig. 28)

Placer de nye knive på værktøjet sådan at de ovale huller i knivene passer på krumtappen. Overlap huller i knivene med skruehullerne i værktøjet og fastgør dem derefter med to skruer. (Fig. 29)

Kontroller, at krumtappen nemt kan dreje med en skruetrækker med lige kær. (Fig. 30)

Monter gearhuset og underdækslet på værktøjet. Stram skruen ordentligt til.

Tag knivhylsteret af og tænd derefter for værktøjet for at kontrollere om knivene bevæger sig korrekt.

BEMÆRK:

- Hvis knivene ikke kører ordentligt, er det fordi, at knivene og krumtappen ikke er tilpasset ordentligt. Gør monteringen om igen.

Opbevaring

Hullet i bunden af knivhylsteret er praktisk, når værktøjet hænges på på et søm eller en skrue på væggen. (Fig. 31) Placer knivhylsteret over knivene sådan at knivene ikke er udækkede. Sørg for at opbevare værktøjet uden for børns rækkevidde.

Opbevar værktøjet på et sted hvor det ikke udsættes for vand og regn.

For at holde produktet SIKKERT og PÅLIDELIGT skal reparationer, kontrol og udskiftning af kulbørsterne samt al anden vedligeholdelse eller justering udføres af autoriserede Makita-servicecentre, der altid benytter Makita-reservedele.

TILBEHØR

FORSIGTIG:

- Dette tilbehør eller ekstraudstyr anbefales til brug med det Makita-værktøj, som er beskrevet i denne brugsanvisning. Brug af andet tilbehør eller ekstraudstyr kan forårsage personskade. Brug kun tilbehør eller ekstraudstyr til det formål, det er beregnet til.

Henvend Dem til Deres lokale Makita-servicecenter, hvis De har brug for hjælp eller yderligere oplysninger vedrørende tilbehøret.

- Forlængerledning
- Knivhylster
- Krogsamling
- Knivmontering

- Ledningskrog til bælte
- Ledningskrog til arm

EC-ERKLÆRING VEDRØRENDE OVERHOLDELSE AF STANDARDER

ENH020-1

Undertegnede, Kato, som autoriseret heraf, erklærer, at MAKITA-maskiner af

TYPE:

UH4570, UH5570, UH6570

overholder standardkravene til sikkerhed og sundhed i de gældende EU-retningslinjer:

EU-maskindirektivet 98/37/EC, Støjemission

2000/14/EG, EU EMC-direktivet 2004/108/EC.

Kravene i ovenstående EU-direktiver er hovedsageligt implementeret på basis af følgende standarder:

EN60745-2-15, EN 55014, EN61000.

Vurderingsproceduren for overholdelse af 2000/14/EG

blev udført i henhold til Annex V. Det målte

lydeffektniveau (L_{pA}): er 89,9 dB (A). Det målte

lydeffektniveau (L_{wa}) er 97,9 dB (A). Det garanterede

lydeffektniveau (L_d) er 100 dB (A). Usikkerheden (K) er

1,5 dB (A).

Vibration

Den samlede vibrationsværdi (treaksiel vektorsum)

bestemt i overensstemmelse med EN60745-2-15:

Vibrationsemission ($a_{h,D}$): 6,7 m/s^2

Usikkerhed (K): 1,5 m/s^2

CE 2008



Tomoyasu Kato
Direktør

Ansvarlig producent:

Makita Corporation

3-11-8, Sumiyoshi-cho, Anjo, Aichi, JAPAN

Autoriseret repræsentant i Europa:

Makita International Europe Ltd.

Michigan Drive, Tongwell, Milton Keynes, Bucks MK15
8JD, ENGLAND

Γενική περιγραφή

- | | | |
|-------------------------------|---|---|
| 1. Σκανδάλη-διακόπτης Β | 13. Διεύθυνση κλαδέματος | 23. Αυλακώσεις |
| 2. Σκανδάλη-διακόπτης Α | 14. Δώστε κλίση στις λάμες | 24. Πιέστε τα άγκιστρα και στις δυο πλευρές |
| 3. Σκανδάλη-διακόπτης C | 15. Επιφάνεια του φράκτη που πρόκειται να κλαδευτεί | 25. Απασφαλίστε τα άγκιστρα |
| 4. Πλήρης γάντζος | 16. Πιέστε | 26. Βίδες |
| 5. Καλώδιο εργαλείου | 17. Συλλέκτης θραυσμάτων | 27. Κάλυμμα λεπίδων |
| 6. Καλώδιο προέκτασης | 18. Παξιμάδι | 28. Κάτω κάλυμμα |
| 7. Γάντζος | 19. Λεπίδα κοπής | 29. Κάλυμμα κελύφους γραναζιών |
| 8. Εργαλείο | 20. Συλλέκτης κλαδιών | 30. Στρόφαλος |
| 9. Στήριγμα | 21. Άγκιστρα | 31. Έλλειψη της λεπίδας κοπής |
| 10. Γάντζος καλωδίου μέσης | 22. Προσαρμόστε τα άγκιστρα στην αυλάκωση | |
| 11. Καλώδιο | | |
| 12. Γάντζος καλωδίου μπράτσου | | |

ΠΡΟΔΙΑΓΡΑΦΕΣ

Μοντέλο	UH4570	UH5570	UH6570
Μήκος λεπίδας	450 χιλ	550 χιλ	650 χιλ
Διαδρομές το λεπτό (min ⁻¹)	1.600	1.600	1.600
Ολικό μήκος	862 χιλ	970 χιλ	1.042 χιλ
Καθαρό βάρος	3,5 κιλά	3,6 κιλά	3,7 κιλά
Τάξη ασφάλειας	II/II		

- Λόγω του συνεχόμενου προγράμματος που εφαρμόζουμε για έρευνα και ανάπτυξη, τα τεχνικά χαρακτηριστικά στο παρόν έντυπο υπόκεινται σε αλλαγή χωρίς προειδοποίηση.
- Σημείωση: Τα τεχνικά χαρακτηριστικά ενδέχεται να διαφέρουν ανάλογα με τη χώρα.

Σύμβολα

Παρακάτω παρουσιάζονται τα σύμβολα που χρησιμοποιούνται για τον εξοπλισμό. Βεβαιωθείτε ότι κατανοείτε τη σημασία τους πριν από τη χρήση.

END220-1



Βγάλτε το φισ του ηλεκτρικού καλωδίου από την πρίζα της κεντρικής ηλεκτρικής παροχής!



Διαβάστε το εγχειρίδιο οδηγιών και ακολουθήστε τις προειδοποιήσεις και τις οδηγίες ασφάλειας.



Πρώτες βοήθειες



Να φοράτε προστατευτικά ματιών.



Ανακύκλωση



Να φοράτε ωτοασπίδες.



Επισήμανση CE



ΔΙΠΛΗ ΜΟΝΩΣΗ



Απαγορεύεται!



Προσοχή: Απαιτείται ιδιαίτερη φροντίδα και προσοχή!



Προσοχή: Αν το ηλεκτρικό καλώδιο είναι φθαρμένο, βγάλτε το φισ του ηλεκτρικού καλωδίου από την πρίζα της κεντρικής ηλεκτρικής παροχής!



Να προστατεύετε από βροχή και υγρασία!



Να φοράτε προστατευτικά γάντια!

Προοριζόμενη χρήση

ENE014-1

Το εργαλείο προορίζεται για το κλάδεμα φρακτών από θάμνους.

Γενικές Προειδοποιήσεις Ασφαλείας Του Ηλεκτροκίνητου Εργαλείου

GEA005-2

ΠΡΟΕΙΔΟΠΟΙΗΣΗ Διαβάστε όλες τις προειδοποιήσεις ασφαλείας και όλες τις οδηγίες. Αν δεν ακολουθήσετε όλες τις προειδοποιήσεις και τις οδηγίες, μπορεί να προκληθεί ηλεκτροπληξία, πτυρκαγιά ή/και σοβαρός τραυματισμός.

Φυλάξτε όλες τις προειδοποιήσεις και τις οδηγίες για μελλοντική αναφορά.

Ο όρος "ηλεκτρικό εργαλείο" στις προειδοποιήσεις αναφέρεται στο ηλεκτρικό εργαλείο που λειτουργεί συνδεδεμένο στην κεντρική παροχή ηλεκτρικού ρεύματος (με καλώδιο) ή στο ηλεκτρικό εργαλείο που λειτουργεί με μπαταρία (χωρίς καλώδιο).

Ασφάλεια στο χώρο εργασίας

1. **Να διατηρείτε το χώρο εργασίας καθαρό και καλά φωτισμένο.** Σε ακατάστατους ή σκοτεινούς χώρους προκαλούνται ατυχήματα.
2. **Μη θέτετε τα ηλεκτρικά εργαλεία σε λειτουργία σε κρηκτικές ατμόσφαιρες, όπως παρουσία εύφλεκτων υγρών, αερίων ή σκόνης.** Τα ηλεκτρικά εργαλεία δημιουργούν σπινθήρες που μπορεί να προκαλέσουν ανάφλεξη της σκόνης ή των ατμών.
3. **Να απομακρύνετε τα παιδιά και τους μη έχοντες εργασία όταν χειρίζεστε ένα ηλεκτρικό εργαλείο.** Αν αποσπαστεί η προσοχή σας, μπορεί να χάσετε τον έλεγχο.

Ασφάλεια έναντι του ηλεκτρισμού

4. **Τα φως του ηλεκτρικού εργαλείου πρέπει να ταιριάζουν στην πρίζα.** Μην τροποποιείτε ποτέ το φως με οποιοδήποτε τρόπο. Μην χρησιμοποιείτε προσαρμογείς σε γειωμένα ηλεκτρικά εργαλεία. Τα φως που δεν έχουν τροποποιηθεί και οι πρίζες που ταιριάζουν στα φως μειώνουν το κίνδυνο πρόκλησης ηλεκτροπληξίας.
5. **Αποφεύγετε την επαφή του σώματος με γειωμένες επιφάνειες, όπως σωλήνες, καλοριφέρ, φούρνους και ψυγεία.** Υπάρχει αυξημένος κίνδυνος για πρόκληση ηλεκτροπληξίας εάν το σώμα σας είναι γειωμένο.
6. **Μην εκθέτετε τα ηλεκτρικά εργαλεία στη βροχή ή σε υγρές συνθήκες.** Αν εισέλθει νερό σε κάποιο ηλεκτρικό εργαλείο, αυξάνεται ο κίνδυνος για πρόκληση ηλεκτροπληξίας.
7. **Μην ασκείτε βία πάνω στο ηλεκτρικό καλώδιο.** Μην χρησιμοποιείτε ποτέ το ηλεκτρικό καλώδιο για να μεταφέρετε ή να τραβήξετε το ηλεκτρικό εργαλείο, αλλά ούτε και για να βγάλετε το φως του ηλεκτρικού εργαλείου από την πρίζα. Να διατηρείτε το ηλεκτρικό καλώδιο μακριά από τη θερμότητα, τα λάδια, τα αιχμηρά αντικείμενα και τα κινούμενα μέρη. Τα ηλεκτρικά καλώδια που έχουν υποστεί βλάβες και τα μπλεγμένα ηλεκτρικά καλώδια αυξάνουν τον κίνδυνο πρόκλησης ηλεκτροπληξίας.
8. **Όταν χειρίζεστε κάποιο ηλεκτρικό εργαλείο σε εξωτερικούς χώρους, να χρησιμοποιείτε προέκταση ηλεκτρικού καλωδίου (μπαλαντέζα) κατάλληλη για εξωτερική χρήση.** Αν χρησιμοποιείτε ηλεκτρικό καλώδιο κατάλληλο για εξωτερική χρήση, μειώνεται ο κίνδυνος για πρόκληση ηλεκτροπληξίας.
9. **Εάν η λειτουργία του ηλεκτρικού εργαλείου σε μια υγρή περιοχή δεν μπορεί να αποφευχθεί, χρησιμοποιήστε ένα διακόπτη κυκλώματος βλάβης γείωσης (GFCI) για την παροχή προστασίας.** Η χρήση του GFCI ελαττώνει τον κίνδυνο ηλεκτροπληξίας.

Προσωπική Ασφάλεια

10. **Όταν χειρίζεστε κάποιο ηλεκτρικό εργαλείο, να είσαστε σε ετοιμότητα, να προσέχετε τι κάνετε και να χρησιμοποιείτε κοινή λογική. Μην χειρίζεστε κάποιο ηλεκτρικό εργαλείο όταν είσαστε κουρασμένοι ούτε όταν βρίσκεστε κάτω από την επίδραση ναρκωτικών ουσιών, αλκοόλ ή φαρμάκων.** Μια στιγμή απροσεξίας κατά τη διάρκεια του χειρισμού των ηλεκτρικών εργαλείων μπορεί να προκαλέσει σοβαρό προσωπικό τραυματισμό.
 11. **Χρησιμοποιήστε προσωπικό εξοπλισμό προστασίας. Να φοράτε πάντοτε προστατευτικά ματιών.** Ο προστατευτικός εξοπλισμός όπως η προσωπίδα κατά της σκόνης, τα αντιολισθητικά παπούτσια ασφαλείας, το κράνος, ή τα προστατευτικά ακοής, που χρησιμοποιείται ανάλογα με τις συνθήκες θα ελαττώσει τους προσωπικούς τραυματισμούς.
 12. **Αποτρέψτε την τυχαία ενεργοποίηση. Διασφαλίστε ότι ο διακόπτης βρίσκεται στην ανενεργή θέση πριν από τη σύνδεση στην πηγή ρεύματος και/ή στην μπαταρία, το πιάσιμο ή την μεταφορά του εργαλείου.** Υπάρχει κίνδυνος για πρόκληση ατυχημάτων αν μεταφέρετε τα ηλεκτρικά εργαλεία με το δάκτυλό σας στο διακόπτη ή αν βάξετε ηλεκτρικά εργαλεία στην πρίζα με το διακόπτη στην ενεργή θέση.
 13. **Να απομακρύνετε το οποιοδήποτε ρυθμιζόμενο κλειδί ή γαλλικό κλειδί πριν θέτετε το ηλεκτρικό εργαλείο σε λειτουργία.** Αν κάποιο κλειδί μείνει προσκολλημένο πάνω σε περιστρεφόμενο μέρος του ηλεκτρικού εργαλείου, μπορεί να προκληθεί προσωπικός τραυματισμός.
 14. **Μην τεντώνετε υπερβολικά. Να στέκεστε πάντοτε σταθερά και ισορροπημένα.** Έτσι, θα έχετε καλύτερο έλεγχο του ηλεκτρικού εργαλείου σε απρόσμενες καταστάσεις.
 15. **Να ντύνεστε κατάλληλα. Μην φοράτε φαρδιά ρούχα ή κοσμήματα. Να κρατάτε τα μαλλιά, τα ρούχα και τα γάντια σας μακριά από κινούμενα μέρη.** Υπάρχει κίνδυνος να εμπλακούν τα φαρδιά ρούχα, τα κοσμήματα ή τα μακριά μαλλιά στα κινούμενα μέρη.
 16. **Αν παρέχονται συσκευές για τη σύνδεση διατάξεων εξαγωγής και συλλογής σκόνης, να βεβαιωνέστε ότι αυτές είναι συνδεδεμένες και χρησιμοποιούνται σωστά.** Η χρήση συλλογέα σκόνης μπορεί να προκαλέσει την ελάττωση των κινδύνων που οφείλονται στην σκόνη.
- ### Χρήση και φροντίδα ηλεκτρικού εργαλείου
17. **Μην ασκείτε πίεση στο ηλεκτρικό εργαλείο. Να χρησιμοποιείτε το σωστό ηλεκτρικό εργαλείο για την εργασία σας.** Με το σωστό ηλεκτρικό εργαλείο θα πραγματοποιήσετε την εργασία καλύτερα και ασφαλέστερα, στο βαθμό για τον οποίο έχει σχεδιαστεί.
 18. **Μην χρησιμοποιείτε το ηλεκτρικό εργαλείο αν ο διακόπτης δεν το ενεργοποιεί και δεν το απενεργοποιεί.** Κάθε ηλεκτρικό εργαλείο που δεν μπορείτε να ελέγξετε με το διακόπτη είναι επικίνδυνο και πρέπει να επισκευαστεί.
 19. **Να αποσυνδέετε το φως από την πηγή τροφοδοσίας ή/και να βγάτε την μπαταρία από το ηλεκτρικό εργαλείο πριν κάνετε οποιοδήποτε ρυθμίσεις ή αλλαγές εξαρτημάτων και πριν αποθηκεύετε τα ηλεκτρικά εργαλεία.** Τέτοια

προληπτικά μέτρα ασφάλειας μειώνουν τον κίνδυνο τυχαίας ενεργοποίησης του ηλεκτρικού εργαλείου.

20. **Να αποθηκεύετε τα αδρανή ηλεκτρικά εργαλεία μακριά από τα παιδιά και να μην αφήνετε τα άτομα που δεν γνωρίζουν το ηλεκτρικό εργαλείο και αυτές τις οδηγίες να χειρίζονται το ηλεκτρικό εργαλείο.** Τα ηλεκτρικά εργαλεία αποτελούν κίνδυνο στα χέρια ανειδίκευτων χειριστών.
21. **Να συντηρείτε τα ηλεκτρικά εργαλεία. Ελέγξτε για έλλειψη ευθυγράμμισης ή εμπλοκής των κινούμενων μερών, το σπάσιμο των εξαρτημάτων ή την οποιαδήποτε άλλη συνθήκη που μπορεί να επηρεάσει την λειτουργία του ηλεκτρικού εργαλείου. Αν το ηλεκτρικό εργαλείο υποστεί βλάβη, να φροντίζετε να επισκευαστεί πριν το χρησιμοποιήσετε.** Πολλά ατυχήματα προκαλούνται από ηλεκτρικά εργαλεία που δεν έχουν συντηρηθεί σωστά.
22. **Να διατηρείτε τα κοπτικά εργαλεία αιχμηρά και καθαρά.** Τα κοπτικά εργαλεία που έχουν συντηρηθεί σωστά είναι λιγότερο πιθανό να εμπλακούν και πιο εύκολο να ελεγχθούν.
23. **Χρησιμοποιήστε τα ηλεκτρικά εργαλεία, τα αξεσουάρ και τις μύτες του εργαλείου κτλ σύμφωνα με αυτές τις οδηγίες, λαμβάνοντας υπόψη τις συνθήκες εργασίας και την εργασία που εκτελείται.** Αν χρησιμοποιείτε το ηλεκτρικό εργαλείο για λειτουργίες διαφορετικές από αυτές για τις οποίες προορίζεται, μπορεί να προκληθεί κάποια επικίνδυνη κατάσταση.

ΣΕΡΒΙΣ

24. **Να φροντίζετε το σέρβις του ηλεκτρικού εργαλείου σας να γίνεται από αρμόδιο επαγγελματία χρησιμοποιώντας μόνο γνήσια ανταλλακτικά.** Έτσι θα είστε σίγουροι για τη διατήρηση της ασφάλειας του ηλεκτρικού εργαλείου.
25. **Να ακολουθείτε τις οδηγίες για τη λίπανση και την αλλαγή των αξεσουάρ.**
26. **Να διατηρείτε τις λαβές στεγνές, καθαρές, χωρίς λάδι και γράσο.**

ΕΙΔΙΚΟΙ ΚΑΝΟΝΕΣ ΑΣΦΑΛΕΙΑΣ

GEB041-1

1. **ΜΗΝ επιτρέψετε στη βολικότητα ή στην εξοικειωσή σας με το προϊόν (που αποκτήθηκε από επανειλημμένη χρήση) να αντικαταστήσει την αυστηρή προσήλωση στους κανόνες ασφάλειας του τροχού. Εάν χρησιμοποιήσετε αυτό το εργαλείο με ανασφαλές ή λανθασμένο τρόπο, ενδέχεται να υποστείτε σοβαρό τραυματισμό.**
2. **Κρατήστε όλα τα μέρη του σώματός σας μακριά από τη λεπίδα κοπής. Μην αφαιρείτε το υλικό κοπής ή κρατήστε το υλικό που πρόκειται να κοπεί όταν κινούνται οι λεπίδες. Σιγουρευτείτε ότι ο διακόπτης είναι κλειστός κατά τον καθαρισμό του υλικού που έχει μπλοκάρει. Μια στιγμή απροσεξίας κατά τη διάρκεια χειρισμού του ψαλιδιού μορνοτούρας μπορεί να προκαλέσει σοβαρό προσωπικό τραυματισμό.**
3. **Να μεταφέρετε το ψαλίδι μορνοτούρας από τη λαβή με σταματημένη την λεπίδα κοπής. Κατά την μεταφορά ή την αποθήκευση του ψαλιδιού μορνοτούρας πάντοτε να τοποθετείτε το κάλυμμα**

του μηχανισμού κοπής. Ο κατάλληλος χειρισμός του ψαλιδιού μορνοτούρας θα ελαττώσει την πιθανότητα προσωπικού τραυματισμού από τις λεπίδες κοπής.

4. **Κρατήστε το καλώδιο μακριά από την περιοχή κοπής.** Κατά την χρήση το καλώδιο μπορεί να κρυφτεί μέσα στους θάμνους και να κοπεί κατά λάθος από τη λεπίδα.
5. Να μην χρησιμοποιήσετε το ψαλίδι μορνοτούρας μέσα στην βροχή ή κάτω από υγρές ή πολύ υγρές συνθήκες. Το ηλεκτρικό μοτέρ δεν είναι αδιάβροχο.
6. Οι χρήστες που χρησιμοποιούν το ψαλίδι μορνοτούρας για πρώτη φορά θα πρέπει να λάβουν οδηγίες για τη χρήση του από ένα έμπειρο χρήστη.
7. Το ψαλίδι μορνοτούρας δεν πρέπει να χρησιμοποιείται από παιδιά και νέους κάτω των 18 ετών. Εξαιρούνται από αυτήν την απαγόρευση οι νέοι άνω των 16 ετών που εκπαιδεύονται υπό την επίβλεψη ειδικού.
8. Να χρησιμοποιείτε το ψαλίδι μορνοτούρας μόνο όταν βρίσκεστε σε καλή φυσική κατάσταση. Εάν είσατε κουρασμένοι να ελαττωθεί η προσοχή σας. Να είσατε ιδιαίτερα προσεκτικοί κατά το τέλος της ημέρας εργασίας. Να διεξάγετε όλες τις εργασίες με ηρεμία και προσοχή. Ο χρήστης είναι υπεύθυνος για όλες τις ζημιές σε τρίτους.
9. Μην χρησιμοποιείτε ποτέ το ψαλίδι υπό την επίρροια αλκοόλ, ναρκωτικών ουσιών ή φαρμάκων.
10. Ελέγξτε για να βεβαιωθείτε ότι η τάση και η συχνότητα του παρεχόμενου ρεύματος αντιστοιχούν στις προδιαγραφές που δίνονται στην πινακίδα αναγνώρισης. Σας συνιστάμε να χρησιμοποιήσετε ένα διακόπτη προστασίας ρεύματος διαρροής (διακόπτης κυκλώματος βλάβης γείωσης) με ρεύμα διαρροής ίσο ή μικρότερο από 30 mA, ή μια προστατευτική διάταξη διαρροής γείωσης.
11. Τα γάντια εργασίας από ανθεκτικό δέρμα αποτελούν μέρος του βασικού εξοπλισμού του ψαλιδιού μορνοτούρας και θα πρέπει πάντοτε να φοριούνται κατά την εργασία με αυτό. Επίσης να φοράτε ανθεκτικά παπούτσια με αντιολισθητικές σόλες.
12. Πριν από την έναρξη της εργασίας βεβαιωθείτε ότι το ψαλίδι βρίσκεται σε καλή και ασφαλή κατάσταση λειτουργίας. Διασφαλίστε ότι τα προστατευτικά έχουν τοποθετηθεί σωστά. Ελέγξτε το καλώδιο για την περίπτωση ζημιάς πριν την έναρξη της εργασίας και αντικαταστήστε το εάν είναι απαραίτητο. Εάν δεν είναι πλήρως συναρμολογημένο το ψαλίδι μορνοτούρας δεν θα πρέπει να χρησιμοποιείται.
13. Κρατήστε το καλώδιο μακριά από την περιοχή κοπής. Πάντοτε να εργάζεστε με τέτοιο τρόπο έτσι ώστε το καλώδιο προέκτασης να βρίσκεται πίσω σας.
14. Αφαιρέστε το φως από την παροχή ρεύματος αμέσως εάν το καλώδιο έχει υποστεί φθορά ή κοπεί.
15. Πριν ξεκινήσετε την εργασία διασφαλίστε ότι έχετε ένα σταθερό πάτημα.
16. Να κρατάτε το εργαλείο γερά όταν το χρησιμοποιείτε.
17. Σταματήστε αμέσως το μοτέρ και αποσυνδέστε το φως από την πρίζα εάν ο κόφτης έρθει σε επαφή με το φράκτη ή με κάποιο άλλο σκληρό αντικείμενο. Ελέγξτε το κόφτη προσεκτικά για φθορά, και αν έχει πάθει ζημιά επισκευάστε τον αμέσως.
18. Πριν από τον έλεγχο του κόφτη, την επιδιόρθωση σφαλμάτων ή την αφαίρεση του υλικού που πιάστηκε μέσα στον κόφτη πάντοτε να διακόπτετε τη λειτουργία του ψαλιδιού και να βγάζετε το φως από την πρίζα.

19. Διακόψτε τη λειτουργία του ψαλιδιού και αποσυνδέστε και ασφαλίστε το φως παροχής ρεύματος πριν εκτελέσετε την οποιαδήποτε εργασία συντήρησης.
20. Κατά την μετακίνηση του ψαλιδιού μπροντούρας σε μια άλλη θέση, ακόμη και κατά την διάρκεια της εργασίας, πάντοτε να βγάζετε το φως από την πρίζα. Ποτέ μη μεταφέρετε ή μετακινείτε το ψαλίδι με το κόφτη σε λειτουργία. Ποτέ να μην πιάνετε τον κόφτη με τα χέρια σας.
21. Καθαρίστε το ψαλίδι μπροντούρας και ιδιαίτερα τον κόφτη μετά από την χρήση και πριν αποθηκεύσετε το ψαλίδι για παρατεταμένες περιόδους. Λαδώστε ελαφρά τον κόφτη και τοποθετήστε το κάλυμμα. Το κάλυμμα που παρέχετε με τη συσκευή μπορεί να κρεμαστεί στον τοίχο, παρέχοντας ένα ασφαλή και πρακτικό τρόπο για την αποθήκευση του ψαλιδιού μπροντούρας.
22. Αποθηκεύστε το ψαλίδι μπροντούρας με το κάλυμμα πάνω του σε ένα ξηρό δωμάτιο. Κρατήστε το μακριά από την πρόσβαση των παιδιών. Ποτέ να μην αποθηκεύσετε το ψαλίδι σε εξωτερικό χώρο.

ΦΥΛΑΞΤΕ ΑΥΤΕΣ ΤΙΣ ΟΔΗΓΙΕΣ.

ΠΡΟΕΙΔΟΠΟΙΗΣΗ:

Η ΛΑΝΘΑΣΜΕΝΗ ΧΡΗΣΗ ή η μη τήρηση των κανόνων ασφαλείας που διατυπώνονται στο παρόν εγχειρίδιο οδηγιών μπορεί να προκαλέσει σοβαρό τραυματισμό.

ΠΕΡΙΓΡΑΦΗ ΛΕΙΤΟΥΡΓΙΑΣ

ΠΡΟΣΟΧΗ:

- Να βεβαιώνετε πάντοτε ότι το εργαλείο είναι σβηστό και αποσυνδεδεμένο από το ηλεκτρικό ρεύμα πριν ρυθμίζετε ή ελέγχετε κάποια λειτουργία του.

Δράση διακόπτη (Εικ. 1)

Για την ασφάλειά σας αυτό το εργαλείο είναι εφοδιασμένο με ένα σύστημα με τρεις διακόπτες. Για να ενεργοποιήσετε το εργαλείο, πατήστε τις δυο από τις τρεις σκανδάλες Α, Β και C. Ελευθερώστε την μια από τις δυο σκανδάλες για την απενεργοποίηση του εργαλείου. Δεν έχει σημασία η σειρά με την οποία θα ενεργοποιηθούν οι σκανδάλες επειδή το εργαλείο ξεκινά μόνο όταν ενεργοποιηθούν και οι δυο σκανδάλες.

Ευθύ κόψιμο (Εικ. 2)

Για το ευθύ κλάδεμα του φράκτη, τραβήξτε τις σκανδάλες Α και Β.

Κάθετο κόψιμο (Εικ. 3)

Κόψτε προς τα πάνω με τα δυο χέρια, τραβήξτε τις σκανδάλες Β και C και μετακινήστε το μπροστά από το σώμα σας.

Κόψιμο μακράς περιοχής (Εικ. 4)

Για το κλάδεμα του φράκτη σε μια μακρά περιοχή με τα δυο σας χέρια τραβήξτε τις σκανδάλες διακόπτες Α και C.

ΣΥΝΑΡΜΟΛΟΓΗΣΗ

ΠΡΟΣΟΧΗ:

- Να βεβαιώνετε πάντοτε ότι το εργαλείο είναι σβηστό και αποσυνδεδεμένο από το ηλεκτρικό ρεύμα πριν εκτελέσετε οποιαδήποτε εργασία σε αυτό.

Σύνδεση του καλωδίου προέκτασης

ΠΡΟΣΟΧΗ:

- Να βεβαιώνετε ότι το καλώδιο προέκτασης είναι αποσυνδεδεμένο από την ηλεκτρική παροχή. **(Εικ. 5)** Κατά την σύνδεση του καλωδίου προέκτασης, στερεώστε το στο καλώδιο του εργαλείου με τον πλήρη γάντζο. Στερεώστε το γάντζο περίπου 100 - 200 χιλ από το σύνδεσμο του καλωδίου προέκτασης. Έτσι, θα προληφθεί η τυχαία αποσύνδεση.

Γάντζος καλωδίου μέσης

ΠΡΟΣΟΧΗ:

- Μην συνδέσετε αλλού το στήριγμα του γάντζου του καλωδίου μέσης εκτός από το καλώδιο προέκτασης. Μην το συνδέσετε σε μια θέση κοννύτερα στο εργαλείο πέρα από τον πλήρη γάντζο. Αν δεν το τηρείτε αυτό μπορεί να προκληθεί ατύχημα ή προσωπικός τραυματισμός.
- Κατά την χρήση του γάντζου του καλωδίου της μέσης, χρησιμοποιήστε το καλώδιο προέκτασης ως βασικό εξοπλισμό. Η χρήση ενός καλωδίου προέκτασης διαθέσιμο από την αγορά μπορεί να προκαλέσει ατύχημα ή τραυματισμό.
- Συνδέστε καλά το ένα άγκιστρο του πλήρη γάντζου στο καλώδιο του εργαλείου και το άλλο άγκιστρο του πλήρη γάντζου στο καλώδιο προέκτασης. Η εργασία με μόνο το ένα άγκιστρο συνδεδεμένο μπορεί να προκαλέσει ατύχημα και τραυματισμό.

Η χρήση του γάντζου του καλωδίου της μέσης βοηθά στην ελαχιστοποίηση του κινδύνου της απρόσμενης αποκοπής του καλωδίου προέκτασης λόγω της χαλαρότητας του καλωδίου προέκτασης. **(Εικ. 6)**

Πίστετε προς τα μέσα ή τραβήξτε προς τα έξω το καλώδιο διαμέσου του ανοίγματος του στηρίγματος. **(Εικ. 7)**

ΠΡΟΣΟΧΗ:

- Μην πιέζετε το άνοιγμα του στηρίγματος. Αν δεν το τηρήσετε αυτό μπορεί να προκαλέσετε την παραμόρφωση και την φθορά του.

Γάντζος καλωδίου μπράτσου (Αξεσουάρ)

ΠΡΟΣΟΧΗ:

- Μην συνδέσετε αλλού το στήριγμα του γάντζου του καλωδίου του μπράτσου εκτός από το καλώδιο προέκτασης. Μην το συνδέσετε σε μια θέση κοννύτερα στο εργαλείο πέρα από τα άγκιστρα του πλήρους γάντζου. Αν δεν το τηρείτε αυτό μπορεί να προκληθεί ατύχημα ή προσωπικός τραυματισμός.
- Κατά την χρήση του γάντζου του καλωδίου του μπράτσου, χρησιμοποιήστε το καλώδιο προέκτασης ως βασικό εξοπλισμό. Η χρήση ενός καλωδίου προέκτασης διαθέσιμο από την αγορά μπορεί να προκαλέσει ατύχημα ή τραυματισμό.
- Συνδέστε καλά το ένα άγκιστρο του πλήρους γάντζου στο καλώδιο του εργαλείου και το άλλο άγκιστρο του πλήρους γάντζου στο καλώδιο προέκτασης. Η εργασία

Τοποθέτηση ή αφαίρεση του συλλέκτη θραυσμάτων (αξεσουάρ)

ΠΡΟΣΟΧΗ:

- Να βεβαιώνετε πάντοτε ότι το εργαλείο είναι σβηστό και αποσυνδεδεμένο από το ηλεκτρικό ρεύμα πριν τοποθετήσετε ή αφαιρέσετε το συλλέκτη θραυσμάτων.

ΣΗΜΕΙΩΣΗ:

- Κατά την αντικατάσταση του συλλέκτη θραυσμάτων, πάντοτε να φοράτε γάντια έτσι ώστε τα χέρια σας και το πρόσωπό σας να μην έρχονται σε άμεση επαφή με τη λεπίδα. Αν δεν τηρήσετε αυτή την οδηγία, μπορεί να προκληθεί προσωπικός τραυματισμός.
- Πάντοτε να φροντίζετε να αφαιρέτε το κάλυμμα των λεπίδων πριν την εγκατάσταση του συλλέκτη θραυσμάτων.
- Ο συλλέκτης θραυσμάτων δέχεται κομμένα φύλλα και μετράζει το πέταγμα των φύλλων. Μπορείτε να τον τοποθετήσετε σε οποιαδήποτε πλευρά του εργαλείου. **(Εικ. 17)**

Πιέστε τον συλλέκτη θραυσμάτων στις λεπίδες κοπής έτσι ώστε οι σχισμές του να επικαλύπτουν τα ξαζιμάδια των λεπίδων κοπής. Τη στιγμή αυτή, φροντίστε ώστε ο συλλέκτης θραυσμάτων να μην έρχεται σε επαφή με το συλλέκτη κλαδιών στην κορυφή των λεπίδων κοπής. **(Εικ. 18)**

Τη στιγμή αυτή, ο συλλέκτης θραυσμάτων χρειάζεται να τοποθετηθεί με τέτοιο τρόπο ώστε τα άγκιστρά του να ταιριάζουν μέσα στις αυλακώσεις της μονάδας των λεπίδων κοπής. **(Εικ. 19)**

Για να βγάλετε τον συλλέκτη θραυσμάτων, πιέστε το μοχλό και στις δύο πλευρές έτσι ώστε να απασφαλίσουν τα άγκιστρα. **(Εικ. 20)**

ΠΡΟΣΟΧΗ:

- Το κάλυμμα των λεπίδων (βασικός εξοπλισμός) δεν μπορεί να τοποθετηθεί πάνω στο εργαλείο με εγκαταστημένο το συλλέκτη θραυσμάτων. Πριν από την μεταφορά ή την αποθήκευση, αφαιρέστε τον συλλέκτη θραυσμάτων και μετά τοποθετήστε το κάλυμμα των λεπίδων για να αποφυγείτε την έκθεση των λεπίδων.

ΣΗΜΕΙΩΣΗ:

- Ελέγξτε ότι ο συλλέκτης θραυσμάτων έχει τοποθετηθεί σταθερά πριν από την χρήση.
- Ποτέ να μην προσπαθήσετε να αφαιρέσετε τον συλλέκτη θραυσμάτων με τη χρήση υπερβολικής βίας καθώς τα άγκιστρά του είναι ασφαλισμένα στις αυλακώσεις στη μονάδα των λεπίδων. Η χρήση υπερβολικής δύναμης μπορεί να τον καταστρέψει.

ΣΥΝΤΗΡΗΣΗ

ΠΡΟΣΟΧΗ:

- Να βεβαιώνετε πάντοτε ότι το εργαλείο είναι σβηστό και αποσυνδεδεμένο από το ηλεκτρικό ρεύμα πριν εκτελέσετε οποιαδήποτε εργασία ελέγχου ή συντήρησης σε αυτό.

Καθαρισμός του εργαλείου

Καθαρίστε το εργαλείο σκουπίζοντας την σκόνη με ένα στεγνό πανί ή με ένα πανί βουτηγμένο σε σαπουνόνερο.

με μόνο το ένα άγκιστρο συνδεδεμένο μπορεί να προκαλέσει ατύχημα και τραυματισμό.

Η χρήση του γάντζου του καλωδίου του μπράτσου βοηθά στην ελαχιστοποίηση του κινδύνου της απρόσμενης αποκοπής του καλωδίου προέκτασης λόγω της χαλαρότητας του καλωδίου προέκτασης. **(Εικ. 8)**
Στερεώστε καλά τον γάντζο του καλωδίου του μπράτσου τοποθετώντας τον γύρω από το μπράτσο σας και περάστε το καλώδιο προέκτασης μέσω από το στήριγμα. Το μήκος της ζώνης του γάντζου του καλωδίου του μπράτσου μπορεί να προσαρμοστεί.

ΣΗΜΕΙΩΣΗ:

- Μην περάσετε το καλώδιο προέκτασης μέσα από τη ζώνη.
- Μην πιέζετε το άνοιγμα του στήριγματος. Αν δεν το τηρήσετε αυτό μπορεί να προκαλέσετε την παραμόρφωση και την φθορά του.
- Είναι πιο εξυπηρετική η ταυτόχρονη χρήση του γάντζου του καλωδίου του μπράτσου μαζί με τον γάντζο του καλωδίου της μέσης.

ΛΕΙΤΟΥΡΓΙΑ

ΠΡΟΣΟΧΗ:

- Να προσέξετε να μην έρθετε σε επαφή κατά τύχη με ένα μεταλλικό φράκτη ή με άλλα σκληρά αντικείμενα κατά το κλάδεμα. Η λεπίδα θα σπάσει και μπορεί να προκαλέσει σοβαρό τραυματισμό.
- Το υπερβολικό τέντωμα με το ψαλίδι μπροντούρας, ιδιαίτερα από μια σκάλα είναι υπερβολικά επικίνδυνο. Να μην εργάζεστε από μια κινούμενη ή ασταθή θέση.

Να μην προσπαθήσετε να κόψετε κλαδιά με διάμετρο πάχους μεγαλύτερη από 10 mm με αυτό το ψαλίδι. Αυτά θα πρέπει να κοπούν πρώτα με ψαλίδα μέχρι το επίπεδο του κλαδέματος του φράκτη. **(Εικ. 9)**

ΠΡΟΣΟΧΗ:

- Μην κόβετε ξερά δένδρα ή παρόμοια σκληρά αντικείμενα. Αν δεν τηρήσετε αυτή την οδηγία, μπορεί να προκληθεί ζημιά στο εργαλείο.

Κρατήστε το ψαλίδι με τα δύο σας χέρια, τραβήξτε το διακόπτη Α ή Β και μετακινήστε το μπροστά από το σώμα σας. **(Εικ. 10)**

Για τη βασική λειτουργία, στρέψτε τις λεπίδες προς την διεύθυνση κλαδέματος και κινήστε το ήρεμα και αργά με μια ταχύτητα 3 - 4 δευτερολέπτων το μέτρο. **(Εικ. 11 και 12)**

Η ομοίμορφη κοπή της κορυφής ενός φράκτη, γίνεται ευκολότερη με το δέσιμο μιας κλωστής στο επιθυμητό ύψος και το κλάδεμα κατά μήκος της, χρησιμοποιώντας την ως γραμμή αναφοράς. **(Εικ. 13)**

Η τοποθέτηση του συλλέκτη θραυσμάτων (αξεσουάρ) στο εργαλείο κατά το κλάδεμα του φράκτη σε ευθεία μπορεί να βοηθήσει στην αποφυγή του πετάγματος των κομμένων φύλλων. **(Εικ. 14)**

Για την ίσια κοπή των πλαϊνών του φράκτη, θα βοηθηθείτε εάν κόβετε από κάτω προς τα πάνω. **(Εικ. 15)**

Να κλαδεύετε ένα πυξί ή ένα ροδόδεντρο από τη βάση προς τα επάνω ώστε να γίνει μια καλή δουλειά και να δημιουργηθεί μια ωραία εμφάνιση. **(Εικ. 16)**

ΠΡΟΣΟΧΗ:

- Μην χρησιμοποιήσετε βενζίνη, διαλυτικό, βενζόλη ή πετρέλαιο θέρμανσης κτλ.

Συντήρηση λεπίδας

Επαλείψτε την λεπίδα πριν και μια φορά κάθε μια ώρα κατά τη διάρκεια της λειτουργίας, χρησιμοποιώντας μηχανικό λάδι ή κάτι παρόμοιο.

Μετά τη λειτουργία, αφαιρέστε την σκόνη από τις δυο πλευρές της λεπίδας με μια συμπαγέυμενη σκουπίστρα, σκουπίστε με ένα πανί και μετά βάλτε αρκετό λάδι χαμηλού ιξώδους, όπως μηχανικό λάδι, κτλ. και λιπαντικό ψεκασμού.

ΠΡΟΣΟΧΗ:

- Μην λύνετε τις λάμες με νερό. Αν δεν τηρήσετε αυτή την οδηγία, μπορεί να προκληθεί σκουριά ή φθορά στο εργαλείο.

Αφαίρεση ή τοποθέτηση της λεπίδας κοπής

ΠΡΟΣΟΧΗ:

- Πριν την αφαίρεση ή την εγκατάσταση της λεπίδας κοπής, πάντοτε να βεβαιώνετε ότι το εργαλείο είναι σβηστό και βαλμένο από την πρίζα.
- Κατά την αντικατάσταση της λεπίδας κοπής, πάντοτε να φοράτε γάντια χωρίς να αφαιρέσετε το κάλυμμα των λεπίδων έτσι ώστε τα χέρια σας και το πρόσωπό σας να μην έρχονται σε άμεση επαφή με τη λεπίδα. Αν δεν τηρήσετε αυτή την οδηγία, μπορεί να προκληθεί προσωπικός τραυματισμός.

ΣΗΜΕΙΩΣΗ:

- Μην σκουπίσετε το γράσο από το γρανάζι και το στρόφαλο. Αν δεν τηρήσετε αυτή την οδηγία, μπορεί να προκληθεί ζημιά στο εργαλείο.
- Για τον ειδικό τρόπο αφαίρεσης και τοποθέτησης των λεπίδων κοπής ανατρέξτε στο πίσω μέρος της συσκευασίας για τις βοηθητικές λεπίδες κοπής.

Αφαίρεση των λεπίδων κοπής

Αναστρέψτε το εργαλείο και ξεσφίξτε τις τέσσερις βίδες. **(Εικ. 21)**

ΣΗΜΕΙΩΣΗ:

- Προσέξτε να μην λερώσετε τα χέρια σας επειδή υπάρχει γράσο στην επιφάνεια κίνησης της λεπίδας κοπής.

Αφαιρέστε το κάτω κάλυμμα. **(Εικ. 22)**

Αφαιρέστε το κάλυμμα του κελύφους των γραναζιών. **(Εικ. 23)**

Τοποθετήστε τον στρόφαλο υπό γωνία όπως δείχνεται στην εικόνα με ένα σταυροκατσάβιδο. **(Εικ. 24)**

Αφαιρέστε τις δυο βίδες από τις λεπίδες κοπής και θα βγει έξω το συγκρότημα των λεπίδων κοπής. **(Εικ. 25)**

ΠΡΟΣΟΧΗ:

- Επιστρέψτε το γρανάζι στην αρχική του θέση όπως ήταν τοποθετημένο, εάν βγει έξω κατά λάθος.

Τοποθέτηση της λεπίδας κοπής

Ετοιμάστε τις 4 βίδες που έχουν αφαιρεθεί (Για το κάτω κάλυμμα, 2 βίδες (Για τη λεπίδα κοπής), κάλυμμα του κελύφους των γραναζιών, κάτω κάλυμμα, και νέες λεπίδες κοπής.

Προσαρμόστε τη θέση του στρόφαλου όπως απεικονίζεται στην εικόνα. Τη στιγμή αυτή, βάλτε λίγο γράσο που

παρέχεται με τις νέες λεπίδες κοπής στην περιφέρεια του στρόφαλου. **(Εικ. 26)**

Αλληλεπικάλυψτε την ωσειδή τρύπα στην πάνω λεπίδα με αυτή στην κάτω. **(Εικ. 27)**

Αφαιρέστε το κάλυμμα των λεπίδων από τις παλιές λεπίδες κοπής και ταιριάστε το πάνω στις νέες για τον εύκολο χειρισμό κατά την αντικατάσταση των λεπίδων. **(Εικ. 28)**

Τοποθετήστε τις καινούργιες λεπίδες κοπής πάνω στο εργαλείο έτσι ώστε οι ωσειδείς τρύπες των λεπίδων κοπής να ταιριάζουν πάνω στο στρόφαλο. Αλληλεπικάλυψτε τις τρύπες των λεπίδων κοπής με τις τρύπες των βιδών του εργαλείου και μετά στερεώστε τις με τις δυο βίδες. **(Εικ. 29)**

Ελέγξτε εάν ο στρόφαλος περιστρέφεται ομαλά με ένα σταυροκατσάβιδο. **(Εικ. 30)**

Τοποθετήστε το κέλυφος των γραναζιών και το κάτω κάλυμμα στο εργαλείο. Σφίξτε την βίδα γερά.

Αφαιρέστε το κάλυμμα των λεπίδων και περιστρέψτε το εργαλείο για να ελέγξετε εάν κινείται κατάλληλα.

ΣΗΜΕΙΩΣΗ:

- Εάν οι λεπίδες κοπής δεν λειτουργούν ομαλά τότε δεν είναι κατάλληλο το ταιρίασμα μεταξύ των λεπίδων και του στρόφαλου. Εκτελέστε ξανά από την αρχή.

Αποθήκευση

Η τρύπα του γάντζου στη βάση του καλύμματος των λεπίδων είναι βολική για το κρέμασμα του εργαλείου από ένα καρφί ή μια βίδα στον τοίχο. **(Εικ. 31)**

Τοποθετήστε το κάλυμμα των λεπίδων πάνω στις λεπίδες κοπής έτσι ώστε οι λεπίδες να μην είναι εκτεθειμένες.

Αποθηκεύστε προσεκτικά το εργαλείο σε χώρο όπου βρίσκεται μακριά από την πρόσβαση των παιδιών. Αποθηκεύστε το εργαλείο σε ένα χώρο που δεν είναι εκτεθειμένος στο νερό ή στη βροχή.

Για να διατηρείται η ΑΣΦΑΛΕΙΑ και η ΑΞΙΟΠΙΣΤΙΑ του προϊόντος, οι εργασίες επισκευής, ο έλεγχος και η αλλαγή των καρβουνακίων, καθώς και οποιαδήποτε άλλη εργασία συντήρησης και ρύθμισης, θα πρέπει να εκτελούνται σε εξουσιοδοτημένα κέντρα εξυπηρέτησης της Makita, και πάντοτε με τη χρήση ανταλλακτικών της Makita.

ΑΞΕΣΟΥΑΡ

ΠΡΟΣΟΧΗ:

- Συνιστάται η χρήση αυτών των αξεσουάρ ή εξαρτημάτων με το εργαλείο της Makita, όπως περιγράφεται στο παρόν εγχειρίδιο. Αν χρησιμοποιήσετε άλλα αξεσουάρ ή εξαρτήματα μπορεί να παρουσιαστεί κίνδυνος πρόκλησης τραυματισμού. Να χρησιμοποιείτε τα αξεσουάρ ή τα εξαρτήματα μόνο για το σκοπό για τον οποίο προορίζονται.

Αν χρειάζεστε κάποια βοήθεια ή περισσότερες πληροφορίες σχετικά με τα αξεσουάρ αυτά, απευθυνθείτε στο πλησιέστερο κέντρο τεχνικής υποστήριξης της Makita.

- Καλώδιο προέκτασης
- Κάλυμμα λεπίδων
- Πλήρης γάντζος
- Συγκρότημα λεπίδων κοπής
- Γάντζος καλωδίου μέσης
- Γάντζος καλωδίου μπράτσου

ΕΚ – ΔΗΛΩΣΗ ΣΥΜΜΟΡΦΩΣΗΣ

ENH020-1

Ο υπογεγραμμένος, Kato, όπως έλαβε εξουσιοδότηση, δηλώνει ότι τα μηχανήματα της ΜΑΚΙΤΑ,

ΤΥΠΟΣ:

UH4570, UH5570, UH6570

συμμορφώνονται με τις τυπικές απαιτήσεις ασφάλειας και υγείας των σχετικών κατευθυντήριων οδηγιών της ΕΕ:

EU οδηγίες μηχανημάτων 98/37/EC, Εκπομπή θορύβου 2000/14/EG, EU EMC οδηγία 2004/108/EC.

Οι απαιτήσεις των παραπάνω κατευθυντήριων οδηγιών της ΕΕ εφαρμόστηκαν κυρίως με βάση τα ακόλουθα πρότυπα: EN60745-2-15, EN 55014, EN61000. Η διαδικασία εκτίμησης συμμόρφωσης 2000/14/EG εκτελέστηκε σύμφωνα με το Παράρτημα V. Το μετρημένο επίπεδο ηχητικής πίεσης (L_{pA}): είναι 89,9 dB (A). Το μετρημένο επίπεδο ισχύος του ήχου (L_{wa}) είναι 97,9 dB (A). Το εγγυημένο επίπεδο ηχητικής ισχύος (L_d) είναι 100 dB (A). Η αβεβαιότητα (K) είναι 1,5 dB (A).

Δόνηση

Η συνολική τιμή δόνησης (διανυσματικό άθροισμα τριών αξόνων) που έχει καθοριστεί σύμφωνα με την EN60745-2-15:

Εκπομπή δόνησης ($a_{h, D}$): 6,7 m/s^2

Αβεβαιότητα (K): 1,5 m/s^2

CE 2008

Tomoyasu Kato
Διευθυντής

Υπεύθυνος κατασκευαστής:

Makita Corporation

3-11-8, Sumiyoshi-cho, Anjo, Aichi, JAPAN

Εξουσιοδοτημένος Αντιπρόσωπος στην Ευρώπη:

Makita International Europe Ltd.

Michigan Drive, Tongwell, Milton Keynes, Bucks MK15 8JD, ENGLAND

Makita Corporation
Anjo, Aichi, Japan

884840A999