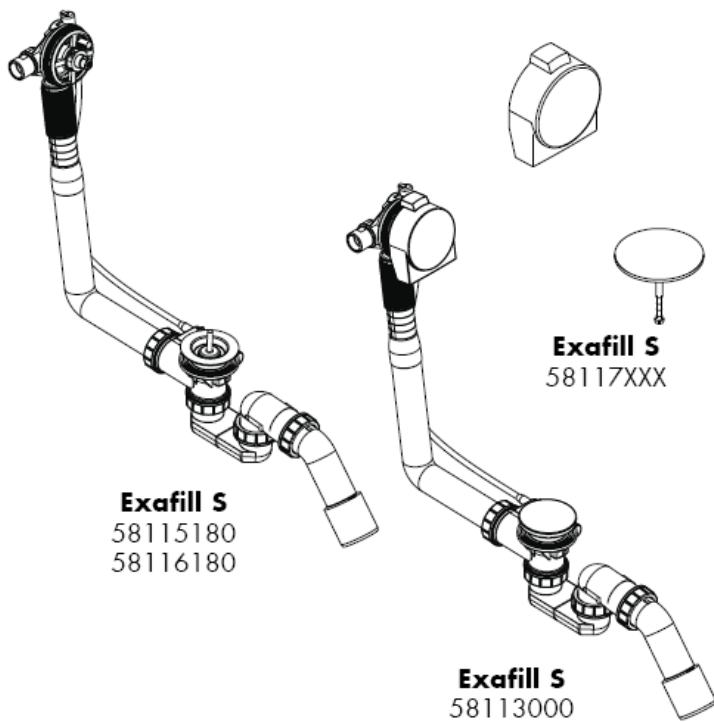


Montageanleitung



hangrohe

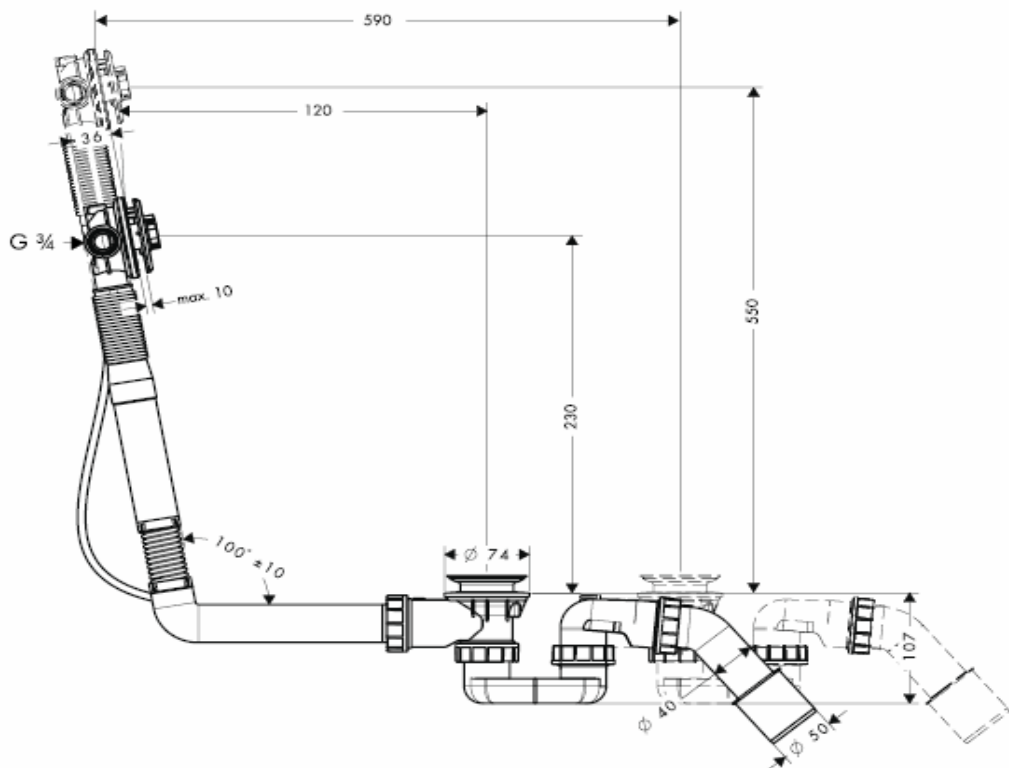
58113000



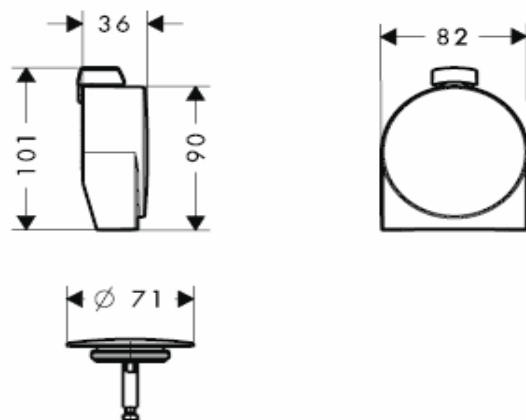
58115180

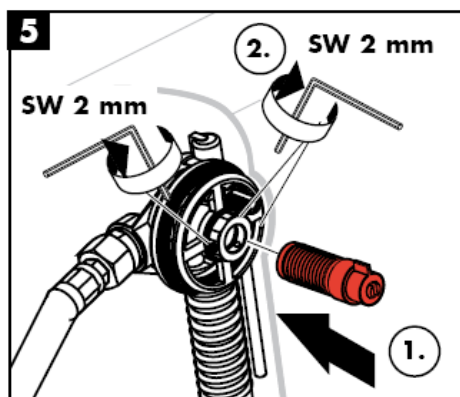
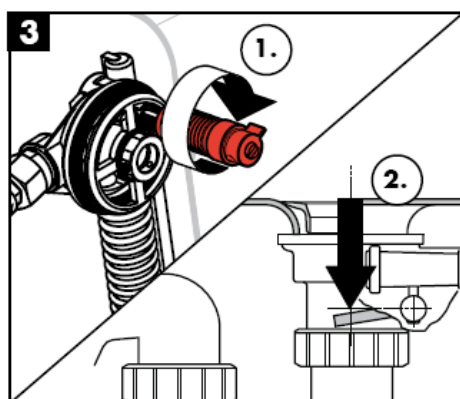
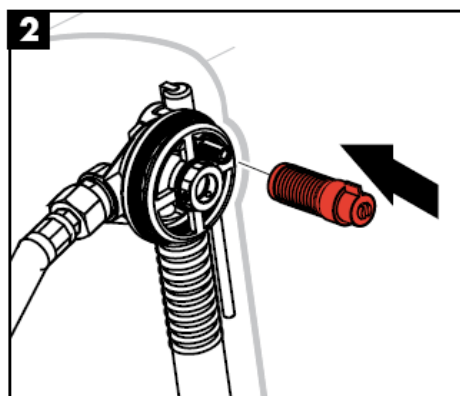


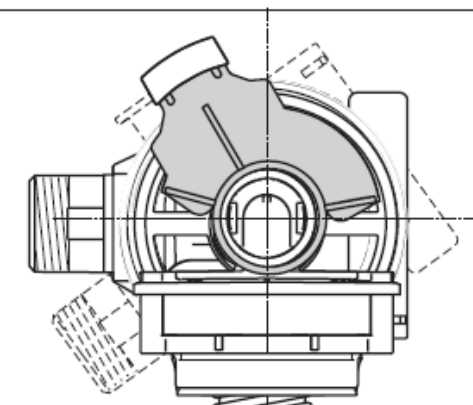
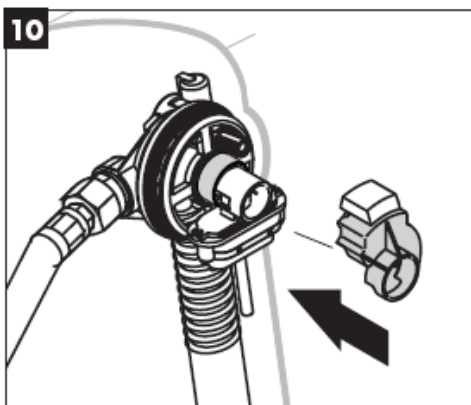
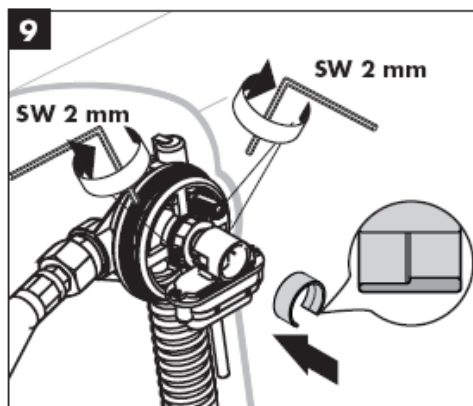
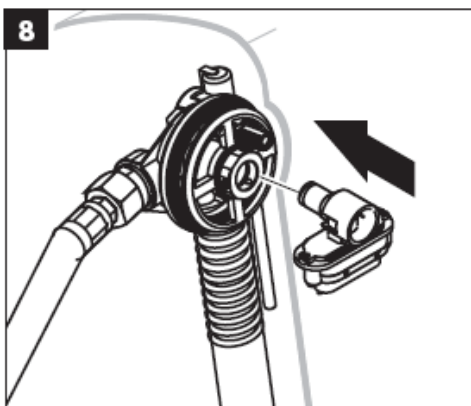
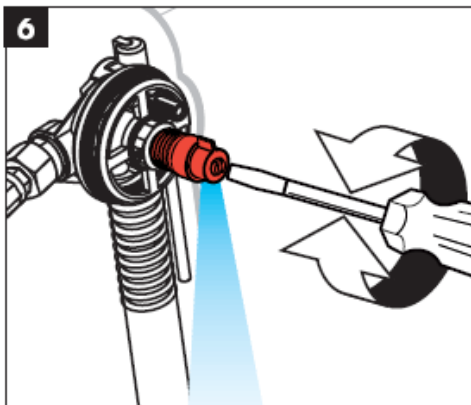
58116180

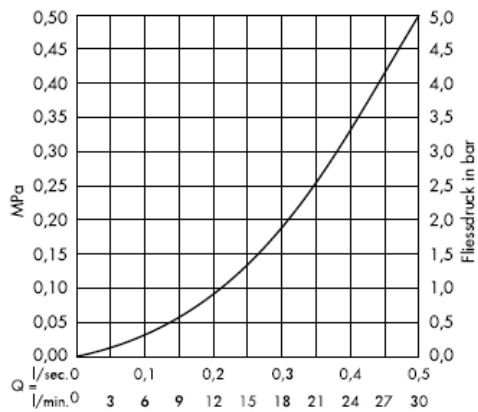
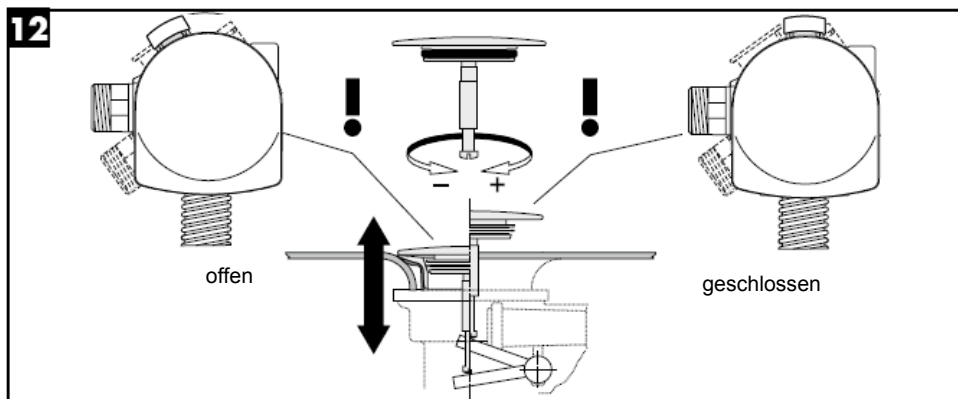
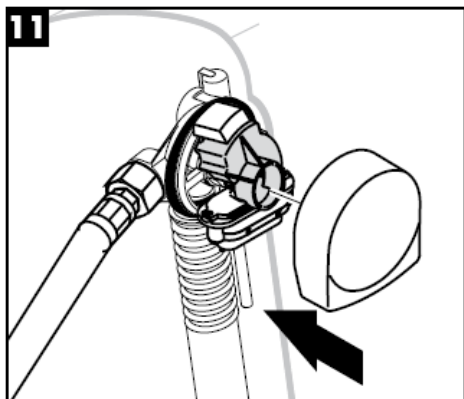


58117XXX





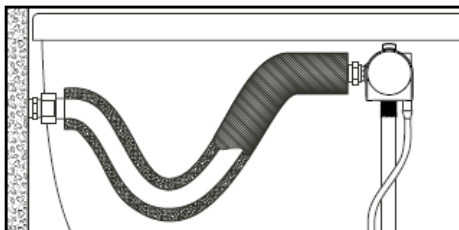




(1 MPa = 10 bar = 147 PSI)

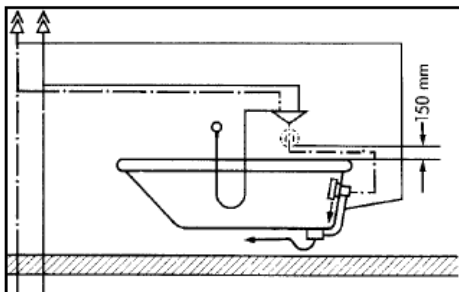
Anschluss mit flexiblem Schlauch.
Art. Nr. 58191000

Nach Montage der Garnitur muss die Anlage
nach DIN 1988 gespült werden.



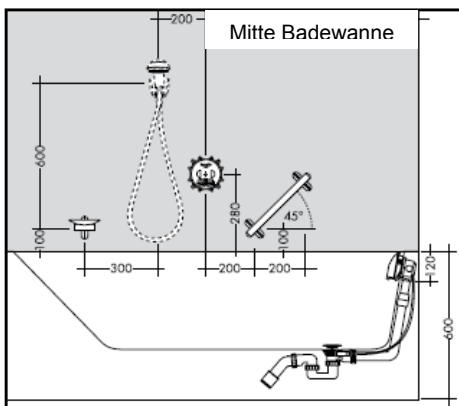
Installation nach DIN 1988

Bei der Montage der Unterputzarmatur ist darauf
zu achten, daß der Rohrunterbrecher (DB) min.
150 mm über dem Wannenrand liegt.
(siehe nebenstehende Skizze)



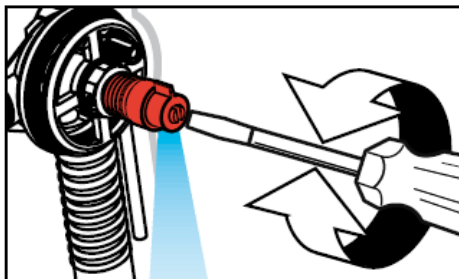
Installation nach EN 1717

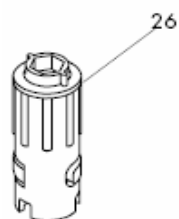
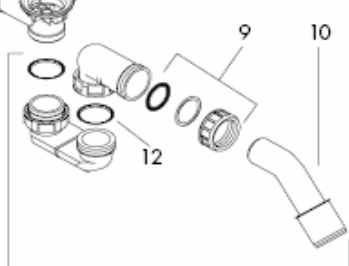
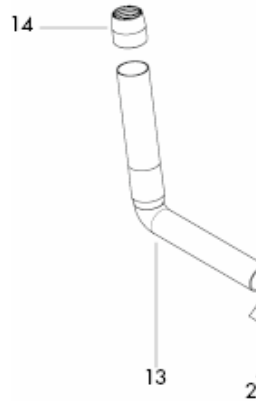
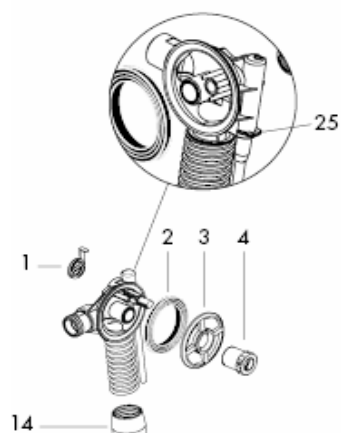
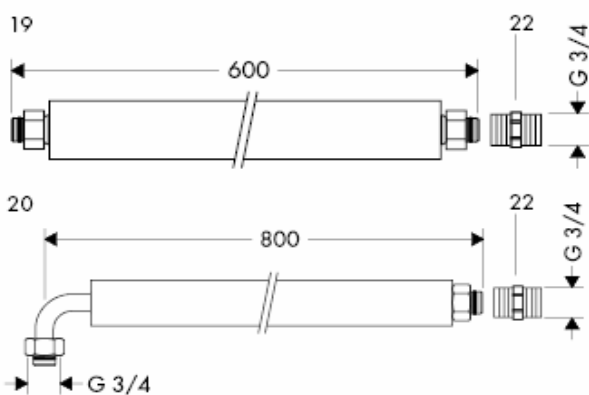
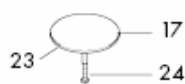
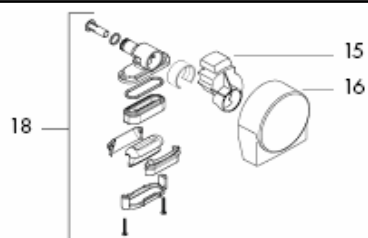
Bei der Montage der iBox universal mit
integrierter Sicherungskombination (HD) ist
darauf zu achten, daß die Mitte der Armatur min.
280 mm über dem Wannenrand liegt.



Verwenden des Probeinlaufs

- 1 Probefüllen der Wanne.
- 2 Spülen der Leitungen
- 3 Druckprüfung der Leitung zwischen Mischer
und Probeinlauf





Serviceteile siehe Seite 8

| | | | |
|----|----------------------------|----------|----------------------------|
| 1 | Abdeckung | 97580000 | XXX = Farbcodierung |
| 2 | Formring | 96331000 | |
| 3 | Befestigungsring | 97579000 | 000 chrom |
| 4 | Spannschraube | 97573000 | 090 chrom/gold-optik |
| 5 | Stopfen | 97577000 | 450 weiß |
| 6 | Hohlschraube | 94301000 | 800 edelstahl-optik |
| 7 | Ventilteller | 97581000 | 810 satinox |
| 8 | Dreifachdichtung | 96093000 | 820 brushed nickel |
| 9 | Überwurfmutter | 96332000 | 830 polished nickel |
| 10 | Abgangsbogen | 96221000 | 880 edelmatt |
| 11 | Sifon komplett | 56373000 | |
| 12 | Flachdichtung | 98075000 | |
| 13 | Rohrbogen | 64173000 | |
| 14 | Maschette | 97578000 | |
| 15 | Schieber kpl. | 97574XXX | |
| 16 | Abdeckung für Exafill Plus | 97575XXX | |
| 17 | Stopfen groß | 96153XXX | |
| 18 | Auslaufkörper komplett | 97576000 | |
| 19 | Anschlussschlauch | 58191000 | |
| 20 | Anschlussschlauch | 58192000 | |
| 21 | Überwurfmutter | 95094000 | |
| 22 | Anschlussnippel | 96143000 | |
| 23 | O-Ring | 98066000 | |
| 24 | Zylinderschraube | 97658000 | |
| 25 | Klammer | 97749000 | |
| 26 | Montageschlüssel Set | 58085000 | |

Prüfzeichen

| | DVGW | P-IX | SVGW | ACS | NF | WRAS | KIWA |
|----------|------|------|------|-----|----|------|------|
| 58113000 | X | | X | | X | X | X |
| 58115180 | X | | X | | X | X | X |
| 58116180 | X | | X | | X | X | X |
| 58117XXX | X | | X | | X | X | X |

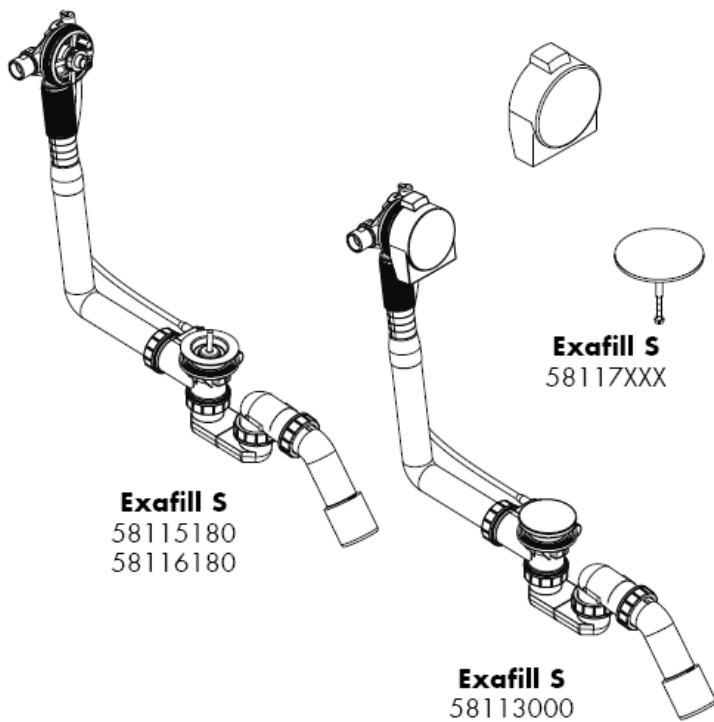


hansgrohe

Hansgrohe · Postfach 1145 · D-77761 Schiltach · Telefon +49 (0) 78 36/51-1282 · Telefax +49 (0) 7836/511440
E-Mail: info@hansgrohe.com · Internet: www.hansgrohe.com

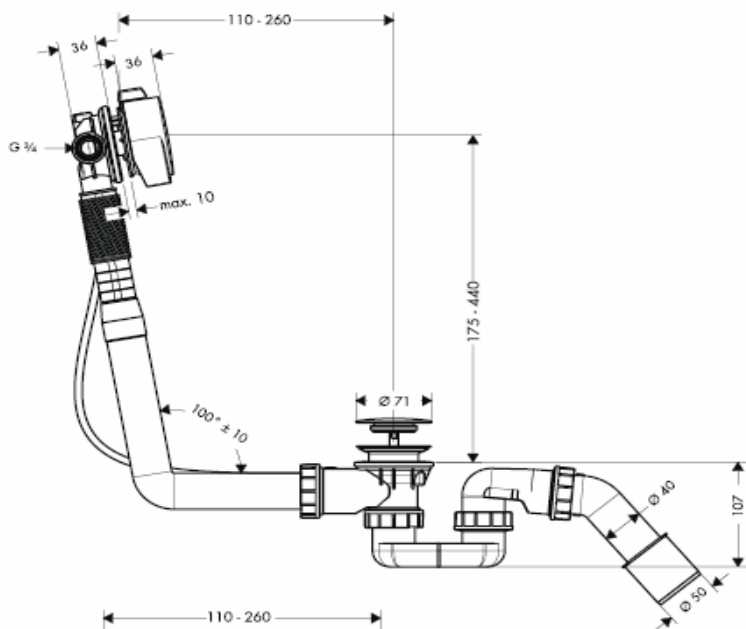
04/2010
9 09699 03
Deutsch

Instructions de montage

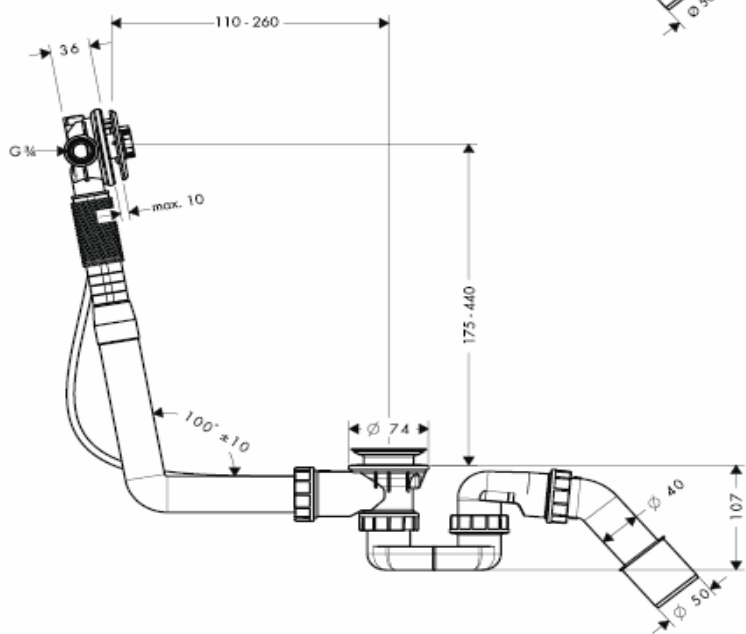


hansgrohe

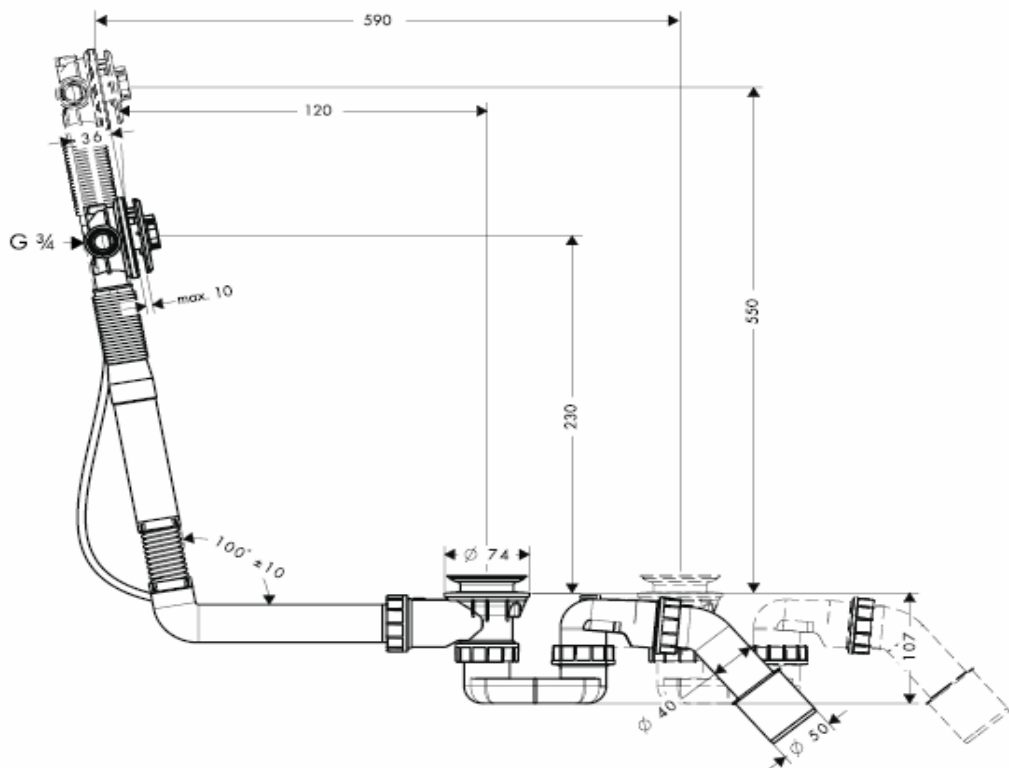
58113000



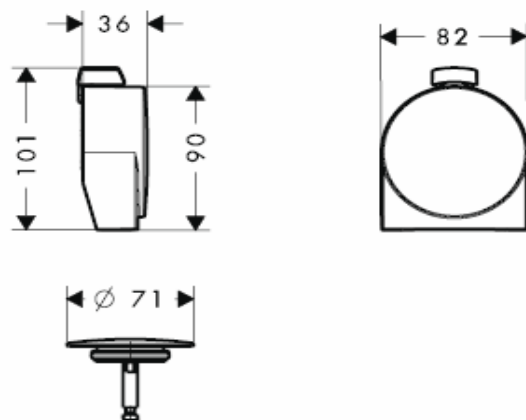
58115180

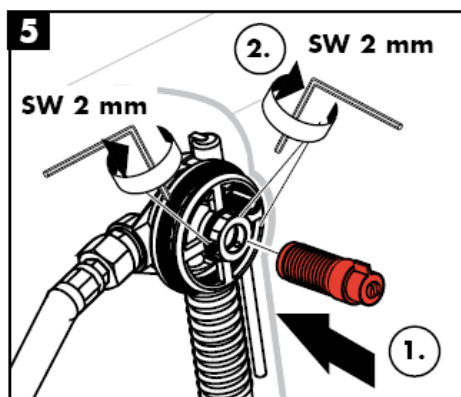
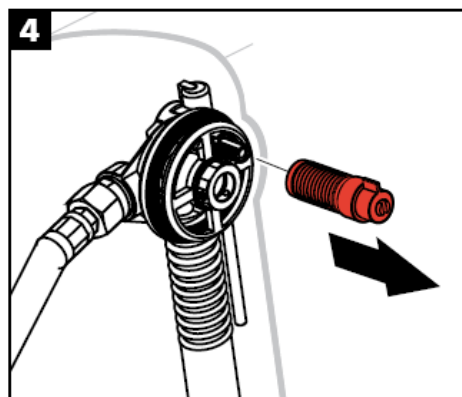
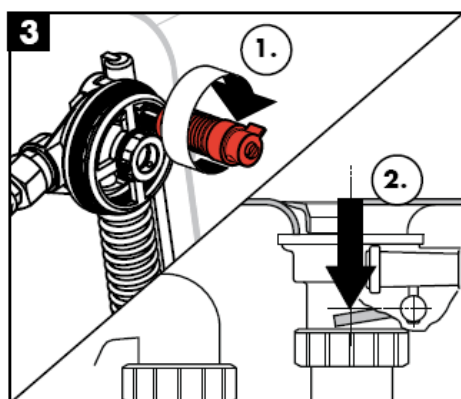
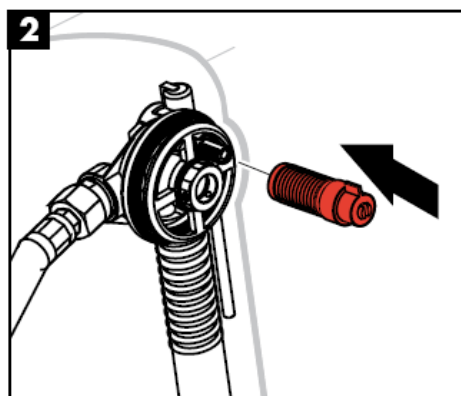


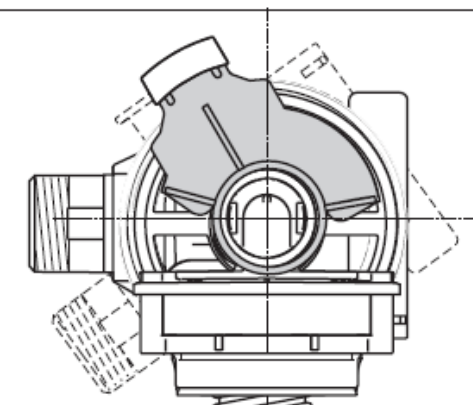
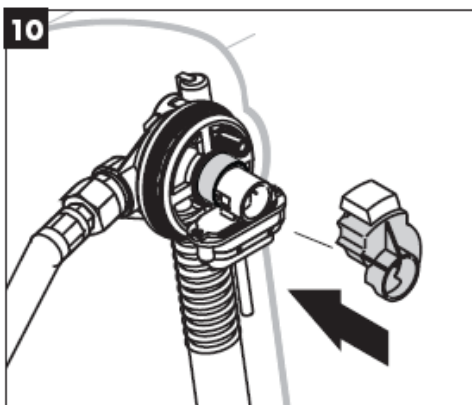
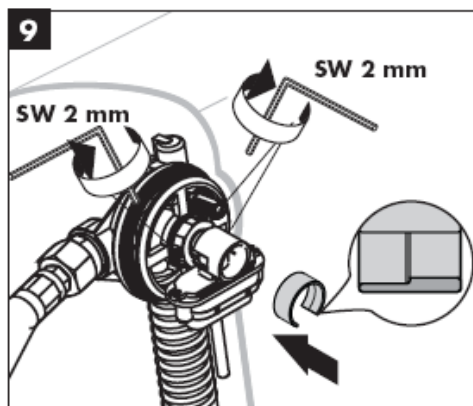
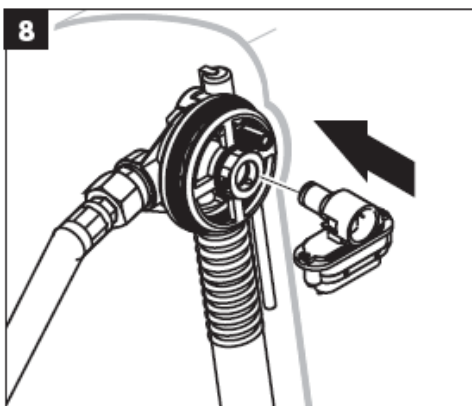
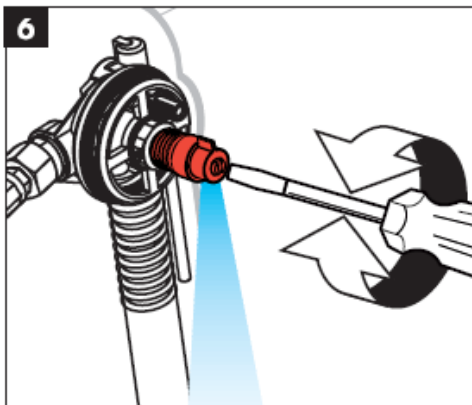
58116180

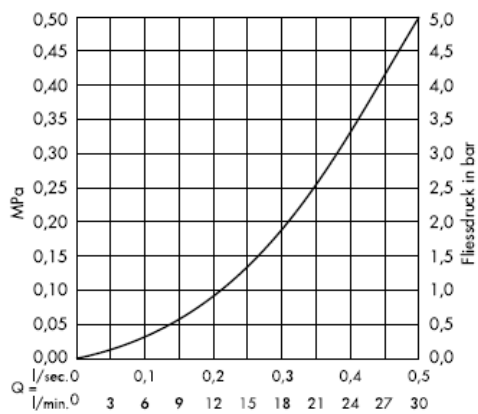
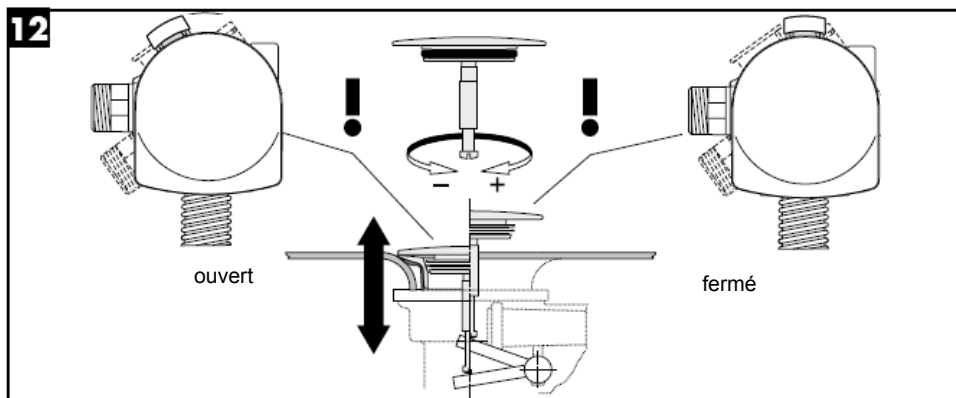
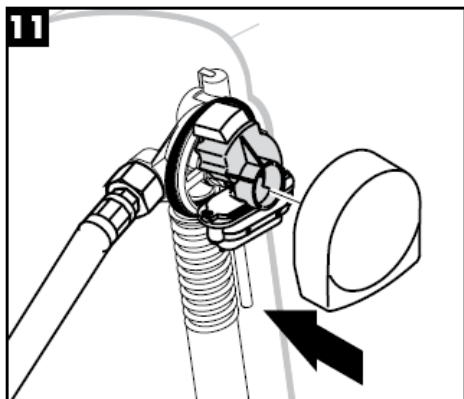


58117XXX





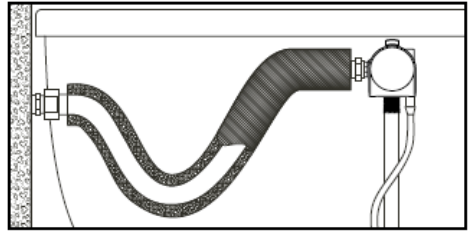




(1 MPa = 10 bar = 147 PSI)

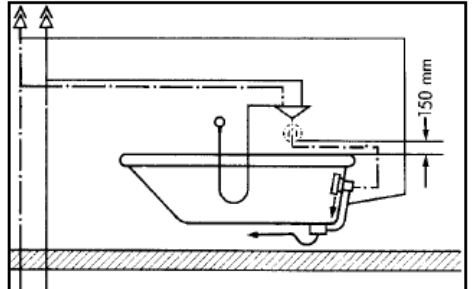
Raccord avec flexible réf. 58191000

Il faut rincer l'installation à la fin du montage (encastré) de la robinetterie.



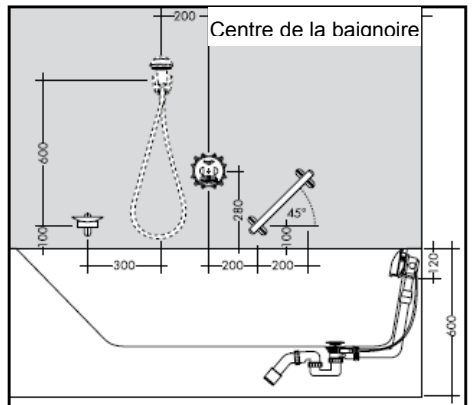
Installation selon DIN 1988

Lors du montage de la robinetterie, veiller à ce que la vanne antireflus (DB) se trouve au moins à 150 mm au-dessus du bord de la baignoire. (Voir le schéma ci-contre)



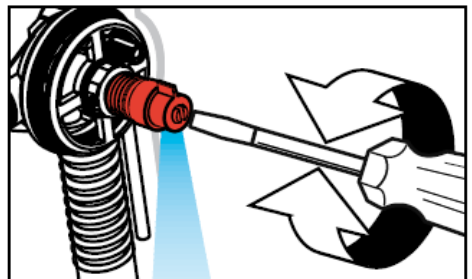
Installation selon EN 1717

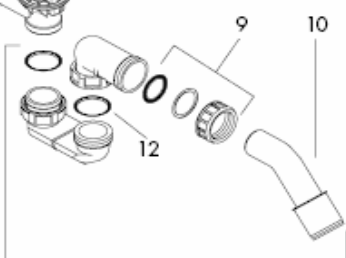
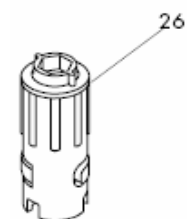
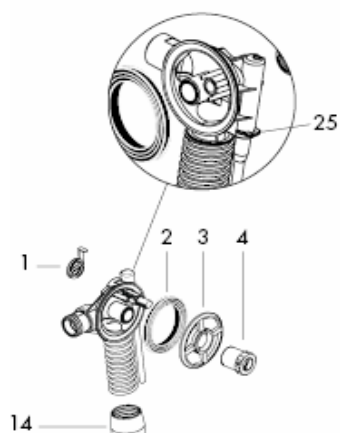
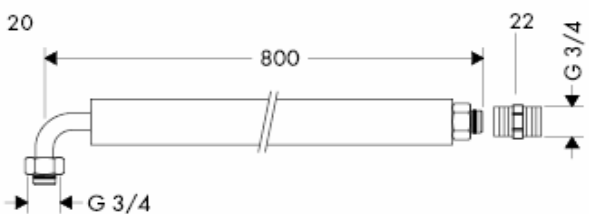
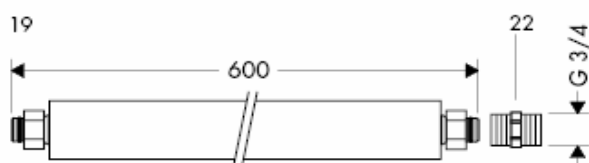
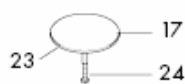
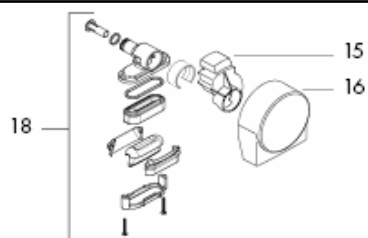
Lors du montage de iBox universal avec combinaison de sécurité (HP), veiller à ce que l'axe de la robinetterie se trouve au moins à 280 mm au-dessus du bord de la baignoire



Utiliser l'entrée d'essai

- 1 Tester la baignoire en la remplissant
- 2 Rincer les conduites
- 3 Contrôle de la pression de conduite entre mélangeur et entrée





Pièces détachées voir pages 8

| | | | |
|----|-----------------------------|----------|-------------------------|
| 1 | cache | 97580000 | XXX = Couleurs |
| 2 | Bague profilée | 96331000 | |
| 3 | Bague de fixation | 97579000 | 000 chromé |
| 4 | vis | 97573000 | 090 chromé/or l'optique |
| 5 | bouchon | 97577000 | 450 white |
| 6 | Vis creuse | 94301000 | 800 aspect acier inox |
| 7 | Coupelle | 97581000 | 810 satinox |
| 8 | Joint triple | 96093000 | 820 brushed nickel |
| 9 | écrou | 96332000 | 830 polished nickel |
| 10 | Coude de sortie | 96221000 | 880 chromé mat |
| 11 | Syphon complet | 56373000 | |
| 12 | Joint plat | 98075000 | |
| 13 | Coude | 64173000 | |
| 14 | Manchette | 97578000 | |
| 15 | curseur complet | 97574XXX | |
| 16 | couvercle pour Exafill Plus | 97575XXX | |
| 17 | Bouchon gros | 96153XXX | |
| 18 | Outlet body assy. | 97576000 | |
| 19 | flexible de raccordements | 58191000 | |
| 20 | flexible de raccordements | 58192000 | |
| 21 | écrou | 95094000 | |
| 22 | mamelon | 96143000 | |
| 23 | joint torique | 98066000 | |
| 24 | vis à tête cylindrique | 97658000 | |
| 25 | crampe | 97749000 | |
| 26 | clé de montage | 58085000 | |

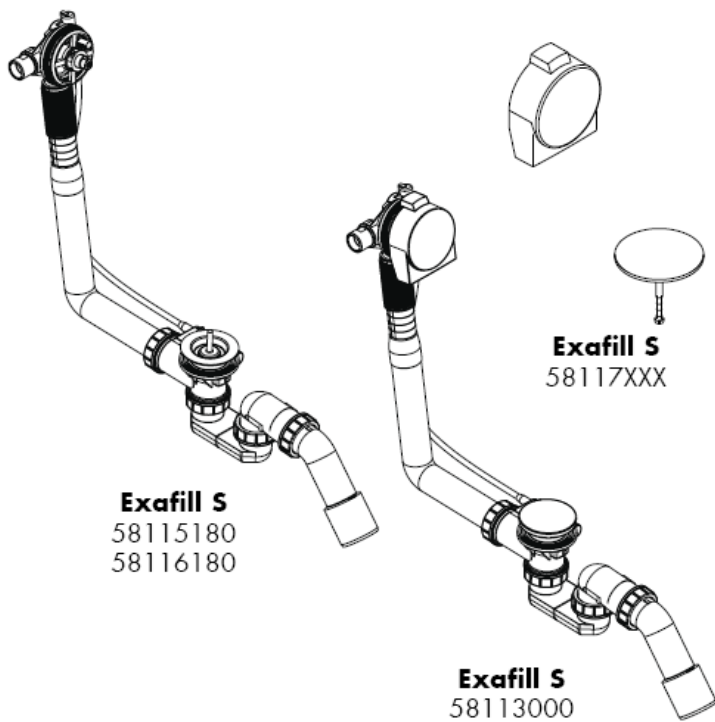
Classification acoustique et débit

| | DVGW | P-IX | SVGW | ACS | NF | WRAS | KIWA |
|----------|------|------|------|-----|----|------|------|
| 58113000 | X | | X | | X | X | X |
| 58115180 | X | | X | | X | X | X |
| 58116180 | X | | X | | X | X | X |
| 58117XXX | X | | X | | X | X | X |



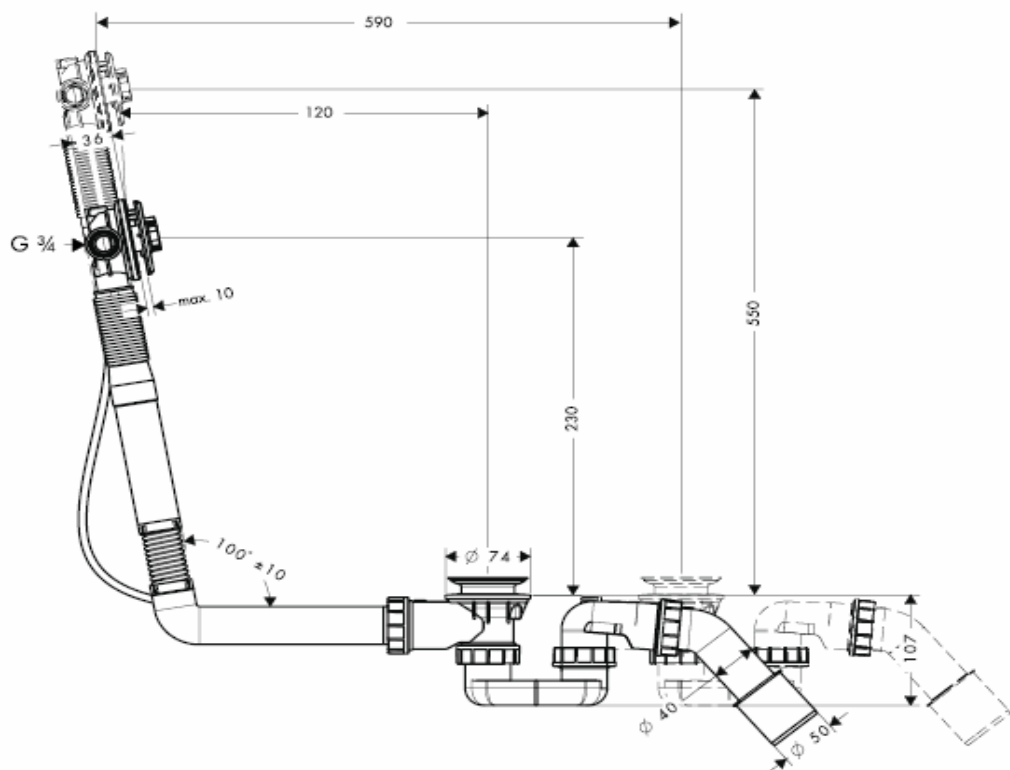
hansgrohe

assembly instructions

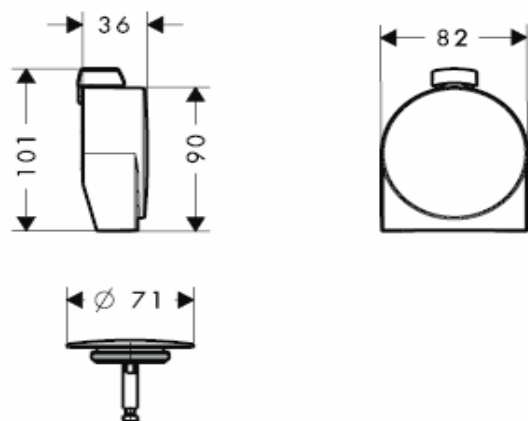


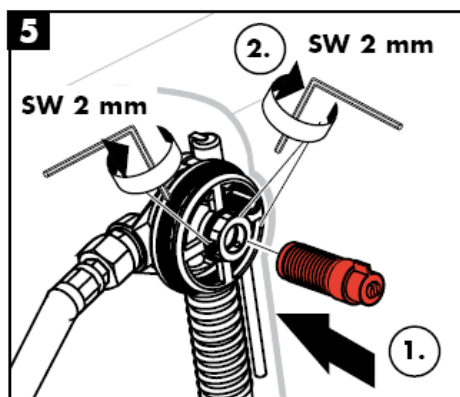
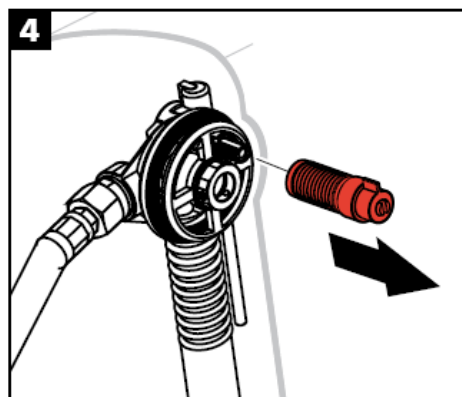
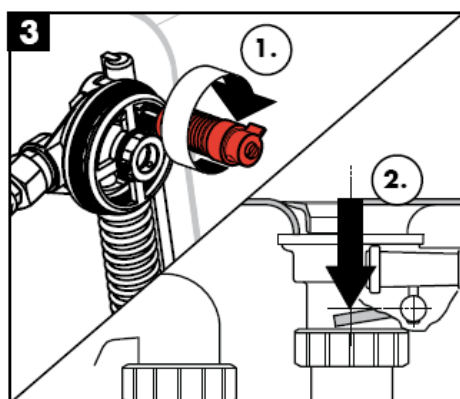
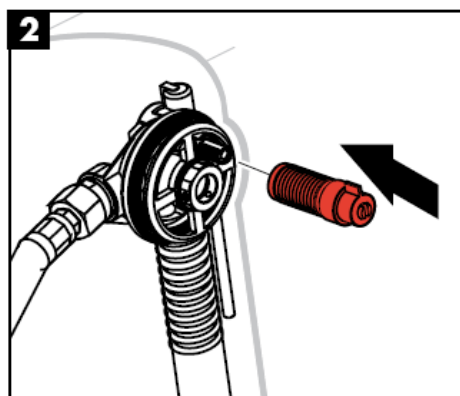
hangrohe

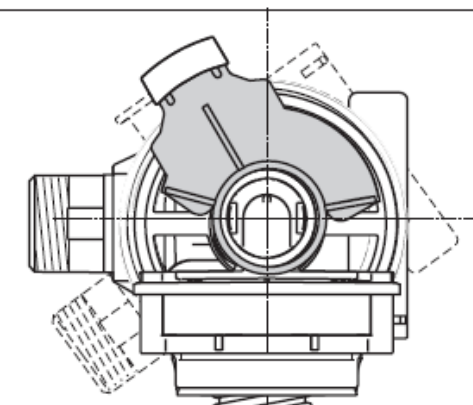
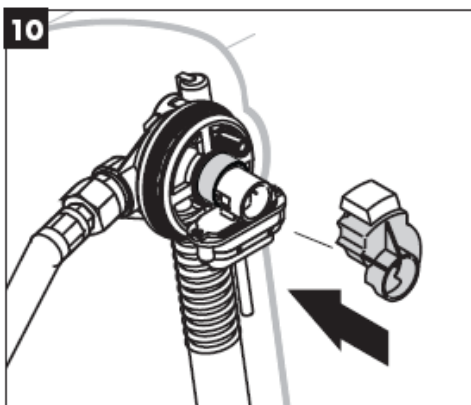
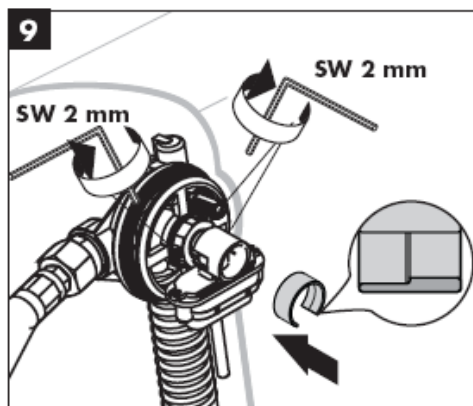
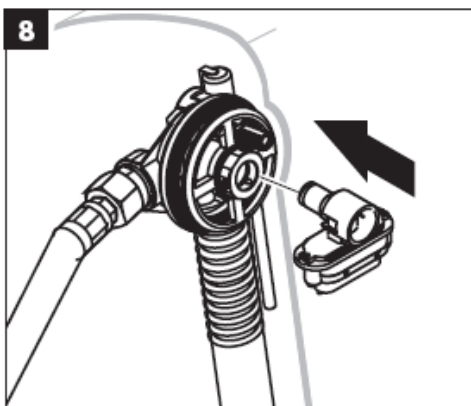
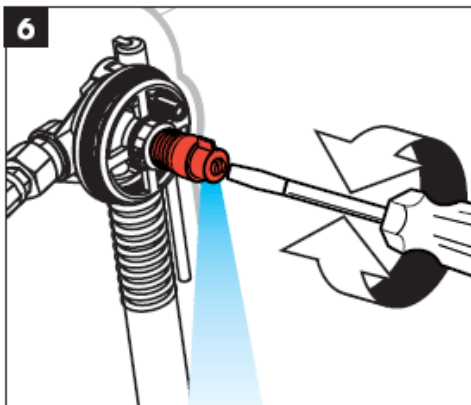
58116180

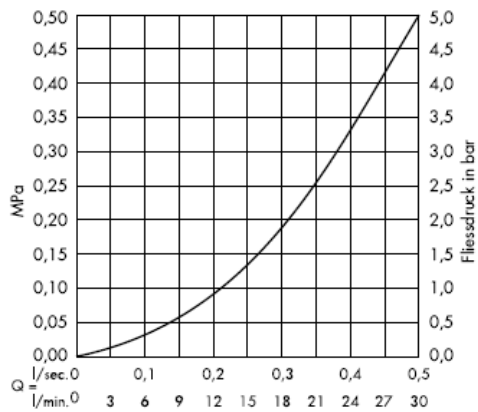
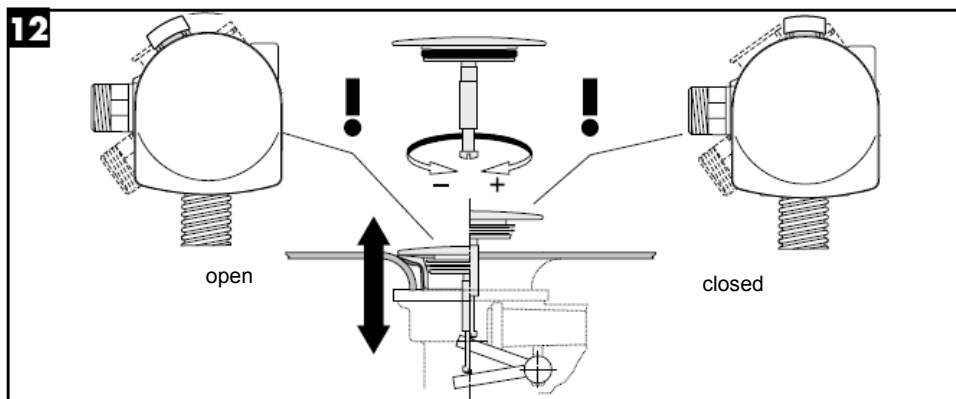
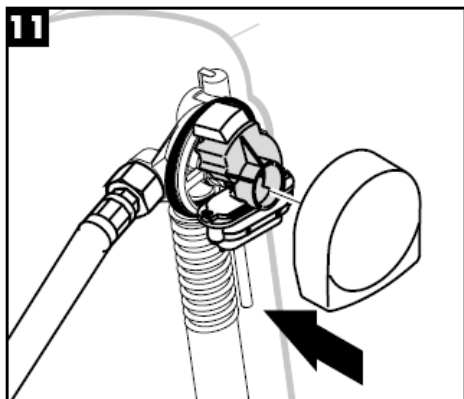


58117XXX





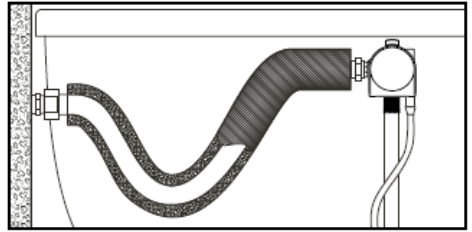




(1 MPa = 10 bar = 147 PSI)

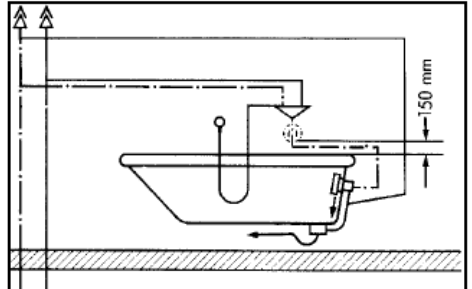
Connection with flexible hose code nr. 58191000.

The system must be flushed to DIN 1988 after the fitting has been installed.



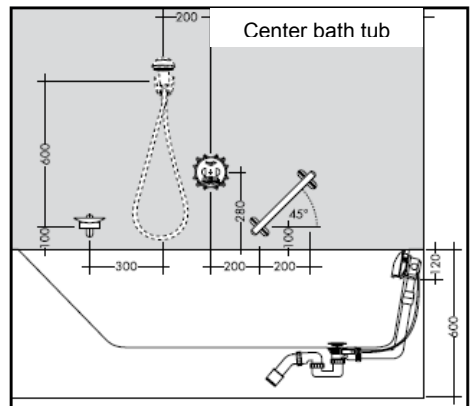
Installation to DIN 1988

While installation of the bath mixer is made watch that the air gap fitting (DB) is min. 150 mm above the upper edge of the bath tub.



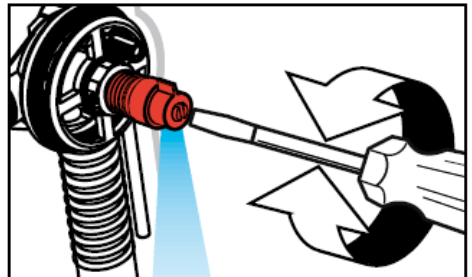
Installation to EN 1717

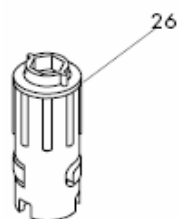
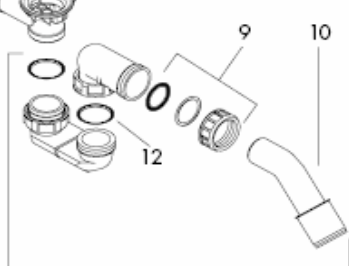
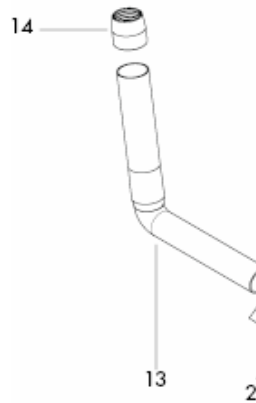
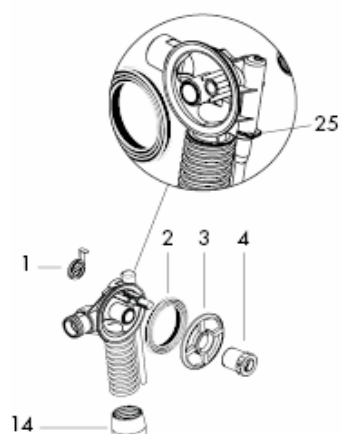
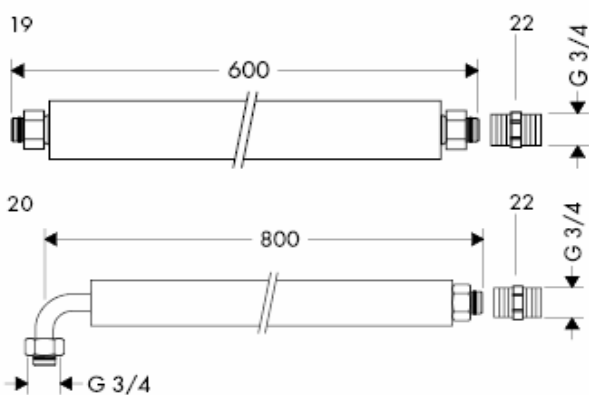
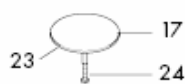
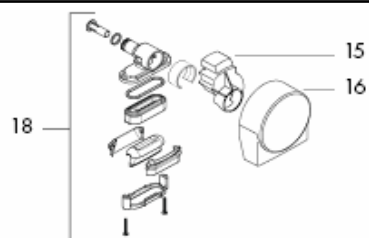
When assembling the iBox universal with integrated safety combination (HD) pay attention that the middle of the mixer is min. 280 mm above the upper edge of the bath tub.



Use of the flush plug

- 1 Testfilling of the bath tub.
- 2 Flushing of the pipes.
- 3 Pressure test of the pipes between mixer and flush plug





Spare parts see page 8

| | | | |
|----|------------------------|----------|-------------------------------|
| 1 | cover | 97580000 | XXX = Colors |
| 2 | Form ring | 96331000 | |
| 3 | Fastening ring | 97579000 | 000 chrome plated |
| 4 | locking screw | 97573000 | 090 chrome plated/gold plated |
| 5 | plug | 97577000 | 450 white |
| 6 | Banjo bolt | 94301000 | 800 stainless steel optic |
| 7 | Valve disk | 97581000 | 810 satinox |
| 8 | Triple seal | 96093000 | 820 brushed nickel |
| 9 | sleeve nut | 96332000 | 830 polished nickel |
| 10 | Outlet bend | 96221000 | 880 satin chrome |
| 11 | Siphon trap assy. | 56373000 | |
| 12 | Flat seal | 98075000 | |
| 13 | Pipe bend | 64173000 | |
| 14 | Sleeve | 97578000 | |
| 15 | support, assy | 97574XXX | |
| 16 | cover for Exafill Plus | 97575XXX | |
| 17 | Plug, large | 96153XXX | |
| 18 | Outlet body assy. | 97576000 | |
| 19 | connection hose | 58191000 | |
| 20 | connection hose | 58192000 | |
| 21 | sleeve nut | 95094000 | |
| 22 | connecting thread | 96143000 | |
| 23 | O-ring | 98066000 | |
| 24 | hexagon socket screw | 97658000 | |
| 25 | cramp | 97749000 | |
| 26 | special tool set | 58085000 | |

Test certificate

| | DVGW | P-IX | SVGW | ACS | NF | WRAS | KIWA |
|----------|-------------|-------------|-------------|------------|-----------|-------------|-------------|
| 58113000 | X | | X | | X | X | X |
| 58115180 | X | | X | | X | X | X |
| 58116180 | X | | X | | X | X | X |
| 58117XXX | X | | X | | X | X | X |

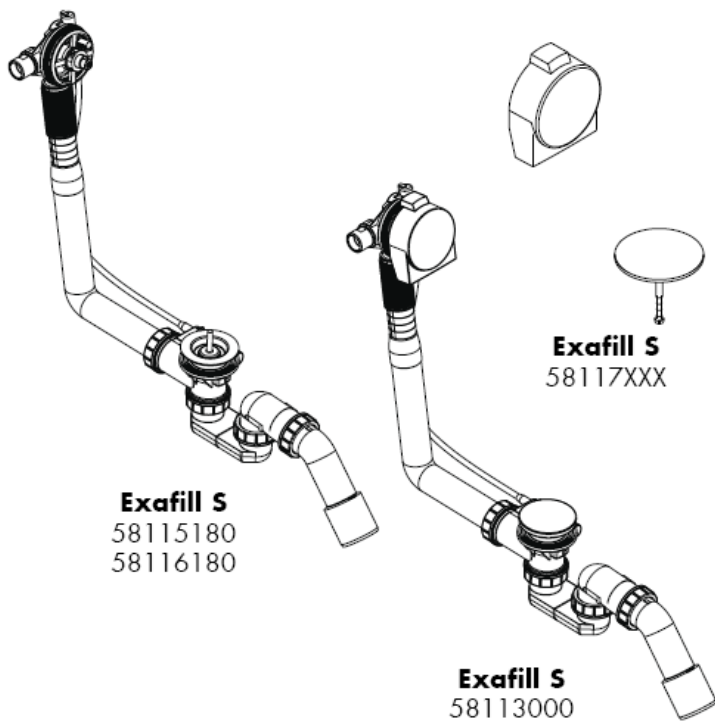


hansgrohe

Hansgrohe · Postfach 1145 · D-77761 Schiltach · Telefon +49 (0) 78 36/51-1282 · Telefax +49 (0) 7836/511440
E-Mail: info@hansgrohe.com · Internet: www.hansgrohe.com

04/2010
9 09689 03
English

Istruzioni per Installazione



hansgrohe

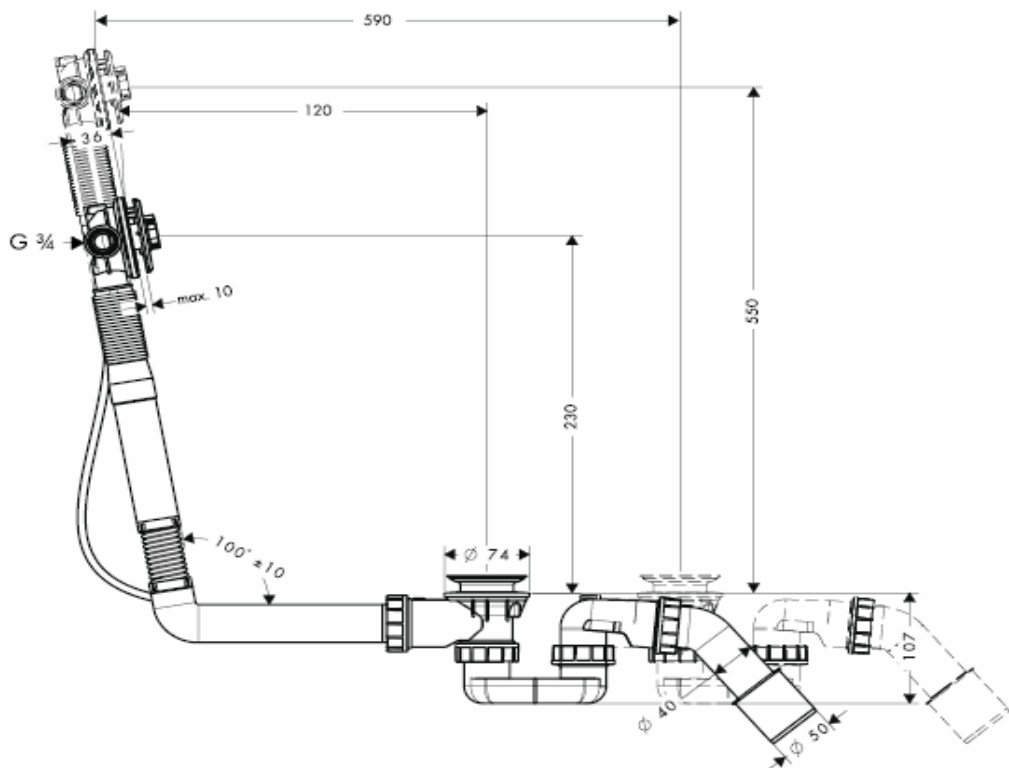
58113000



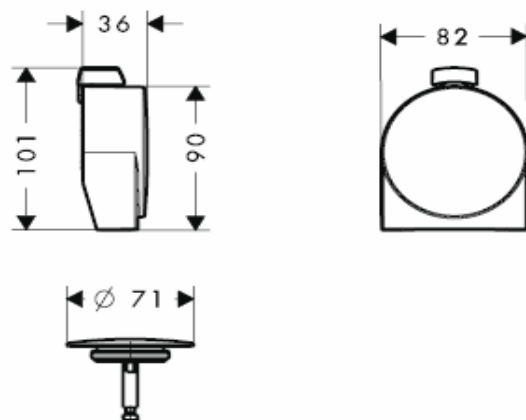
58115180

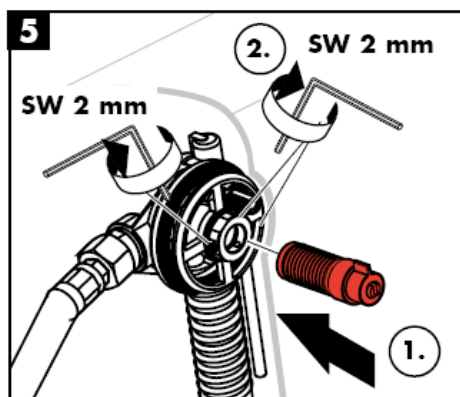
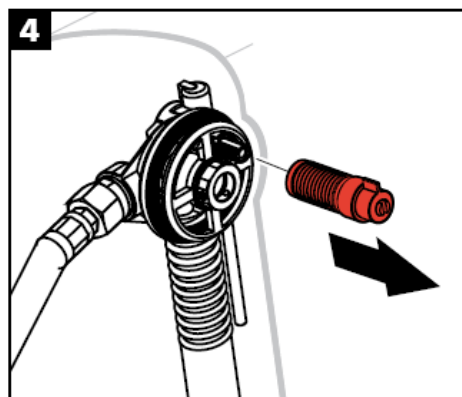
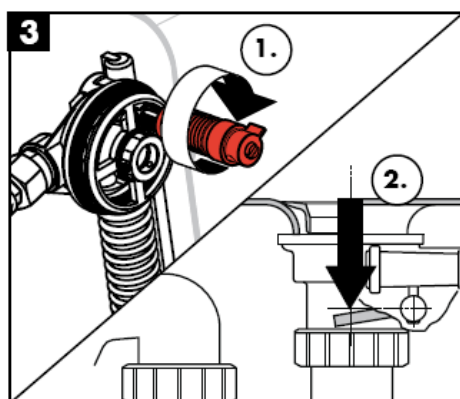
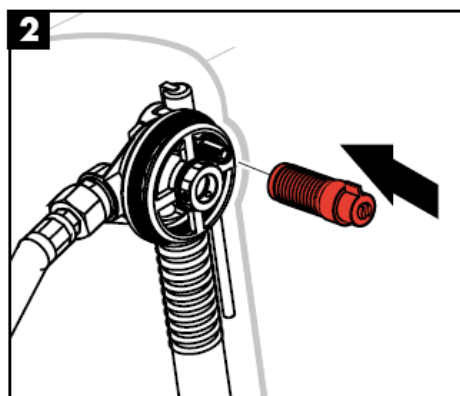


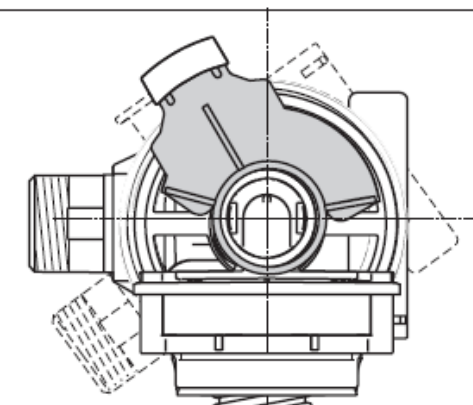
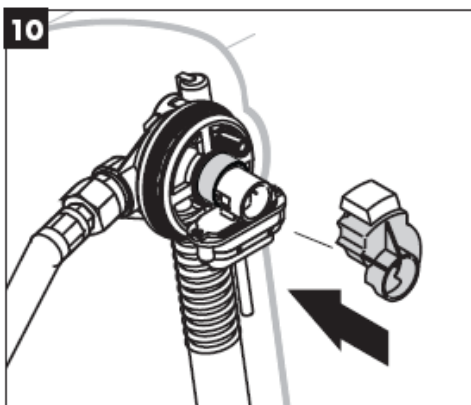
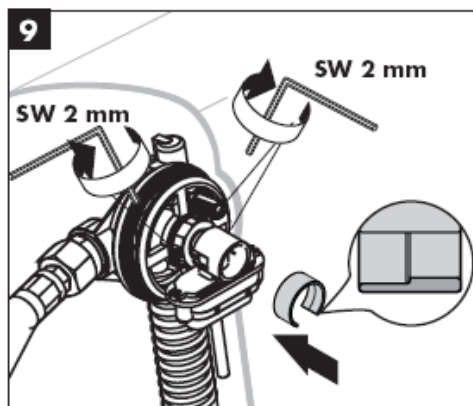
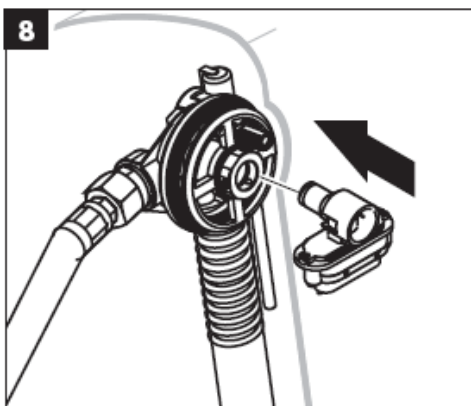
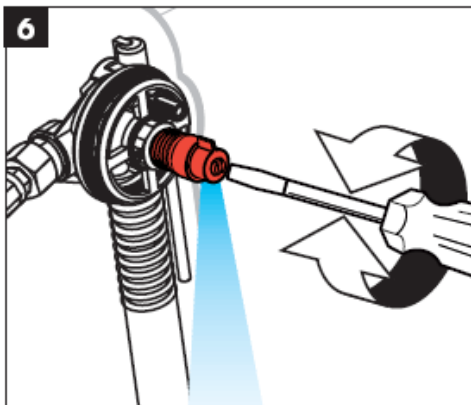
58116180

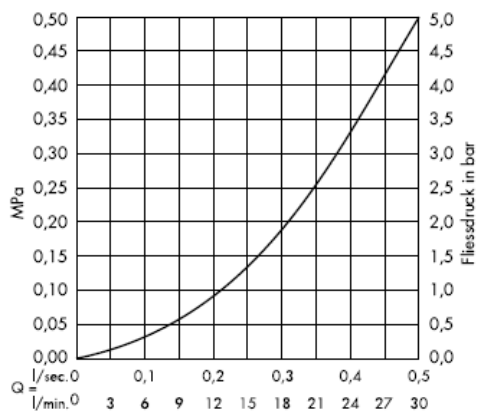
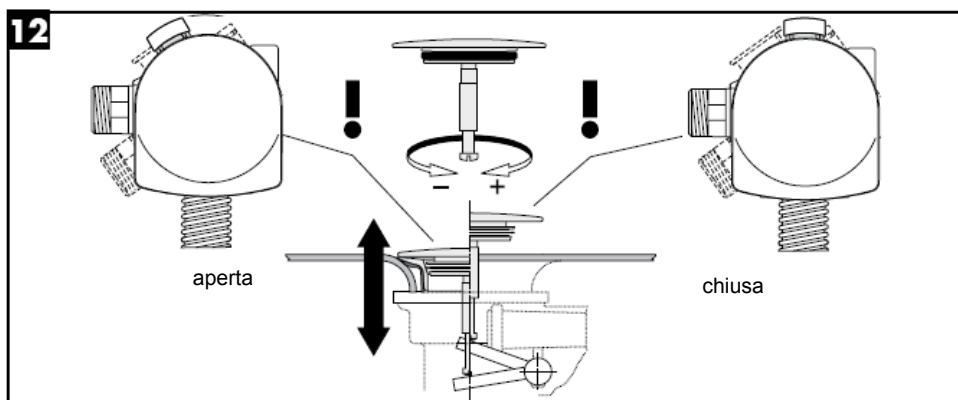
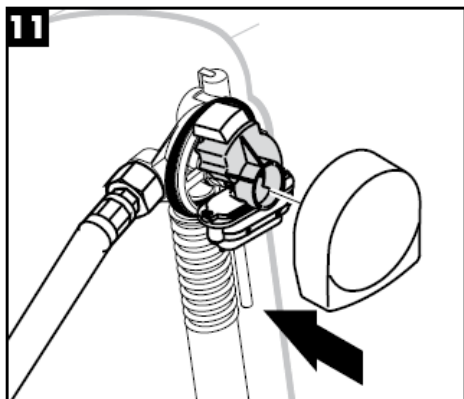


58117XXX





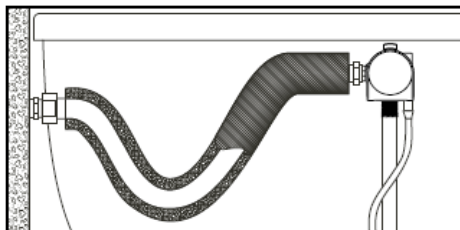




(1 MPa = 10 bar = 147 PSI)

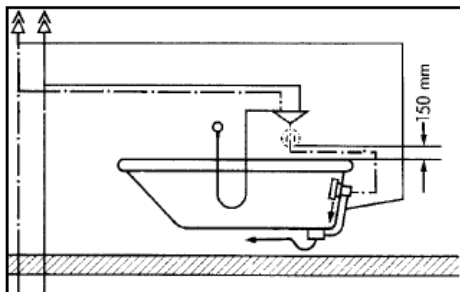
Collegamento con raccordo flessibile cod. 58191000.

Dopo il montaggio della garnitura l'impianto va spurgato secondo DIN 1988.



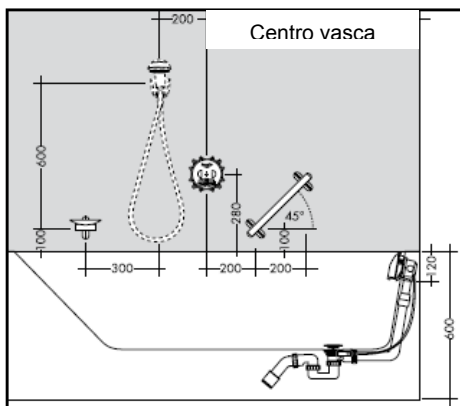
Installazione secondo norma DIN 1988

Durante l'installazione della vasca occorre che la valvola anti-riflusso sia posizionata minimo 150 mm sopra il bordo della vasca (come da immagine)



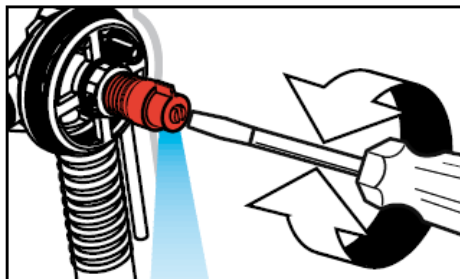
Installazione secondo la norma EN 1717

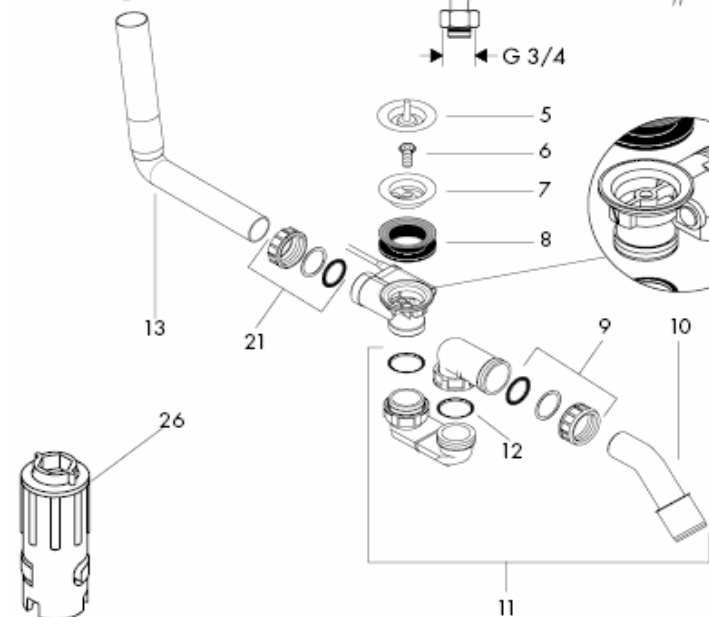
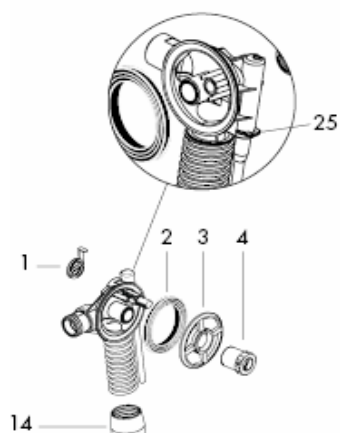
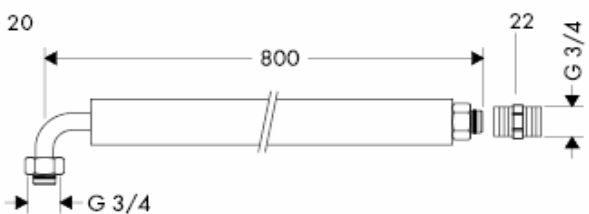
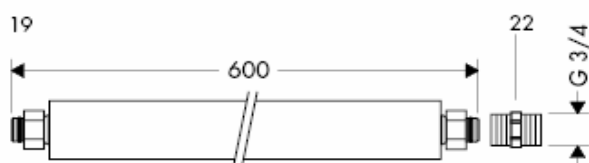
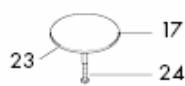
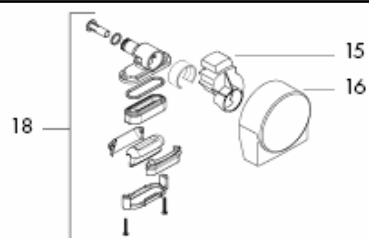
Quando si installa l'Ibox Universal con gli arresti di sicurezza (HD) integrati, occorre fare attenzione che il centro del valvolame sia almeno 280 mm circa sopra il bordo della vasca.



Uso colonna di scarico

- 1 Riempire la vasca
- 2 Far scorrere l'acqua nel tubo
- 3 Testare la pressione del troppopieno tra il gruppo vasca incasso e la colonna di scarico





Parti di ricambio vedi pagg. 8

| | | | |
|----|----------------------------|----------|--------------------------|
| 1 | copertura | 97580000 | XXX = Trattamento |
| 2 | Anello forma | 96331000 | |
| 3 | Anello di fissaggio | 97579000 | 000 cromato |
| 4 | Vite di serraggio | 97573000 | 090 cromo/dorato ottica |
| 5 | tappino | 97577000 | 450 bianco |
| 6 | Vite a incasso | 94301000 | 800 acciaio inox acciaio |
| 7 | Piatto valvola | 97581000 | 810 satinox |
| 8 | Guarnizione tripla | 96093000 | 820 brushed nickel |
| 9 | ghiera di fissaggio | 96332000 | 830 polished nickel |
| 10 | Curva d'uscita | 96221000 | 880 satinato |
| 11 | Sifone completo | 56373000 | |
| 12 | Guarnizione piatta | 98075000 | |
| 13 | Tubo curvo | 64173000 | |
| 14 | Manicotto | 97578000 | |
| 15 | cursore completa | 97574XXX | |
| 16 | copertura per Exafill Plus | 97575XXX | |
| 17 | Tappo grande | 96153XXX | |
| 18 | Corpo d'uscita completo | 97576000 | |
| 19 | raccordo flessibile | 58191000 | |
| 20 | raccordo flessibile | 58192000 | |
| 21 | ghiera di fissaggio | 95094000 | |
| 22 | raccordo a vite | 96143000 | |
| 23 | o-ring | 98066000 | |
| 24 | vite a testa cilindrica | 97658000 | |
| 25 | crampo | 97749000 | |
| 26 | chiave per montaggio | 58085000 | |

Segno di verifica

| | DVGW | P-IX | SVGW | ACS | NF | WRAS | KIWA |
|----------|------|------|------|-----|----|------|------|
| 58113000 | X | | X | | X | X | X |
| 58115180 | X | | X | | X | X | X |
| 58116180 | X | | X | | X | X | X |
| 58117XXX | X | | X | | X | X | X |

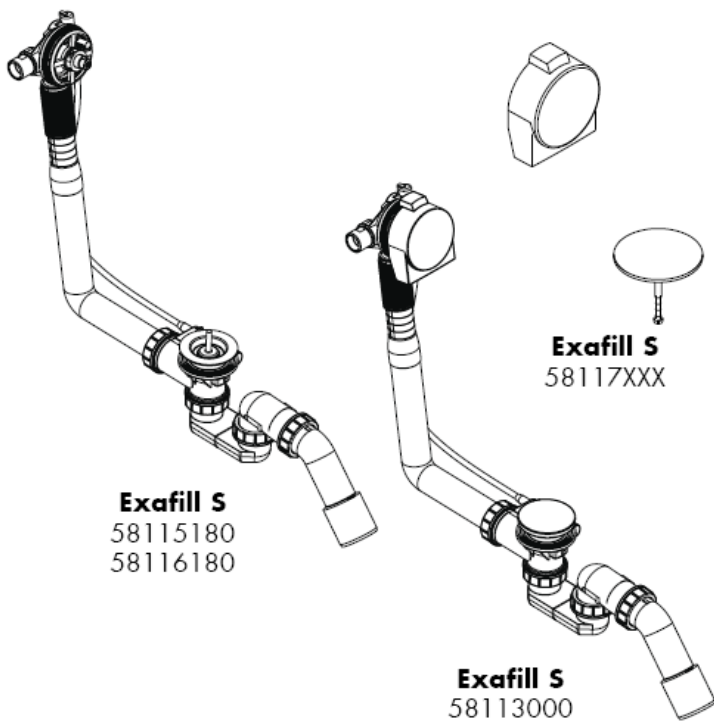


hansgrohe

Hansgrohe · Postfach 1145 · D-77761 Schiltach · Telefon +49 (0) 78 36/51-1282 · Telefax +49 (0) 7836/511440
E-Mail: info@hansgrohe.com · Internet: www.hansgrohe.com

04/2010
9 09699 03
Italiano

Instrucciones de montaje



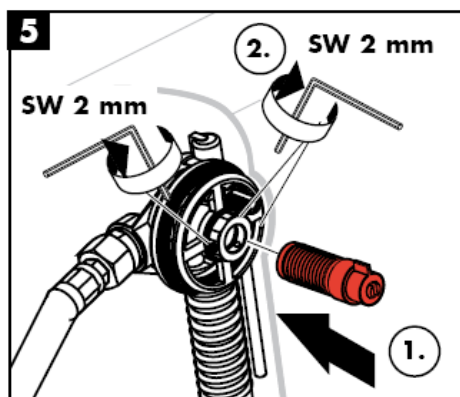
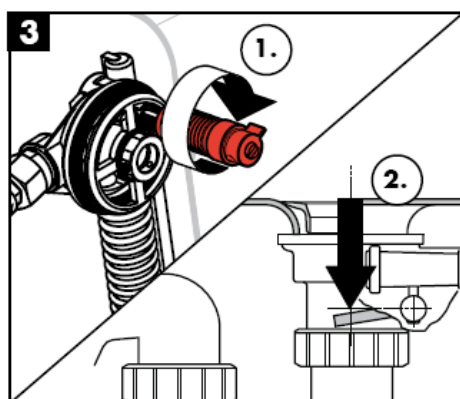
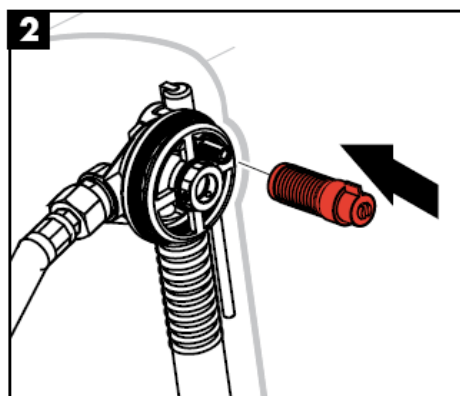
hansgrohe

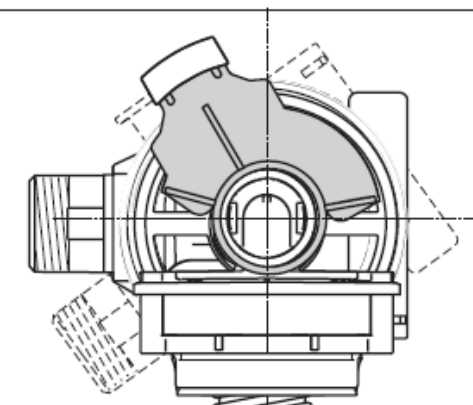
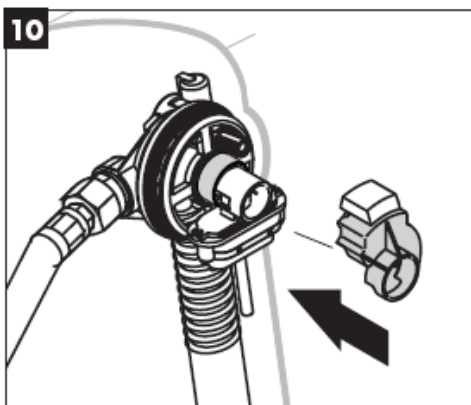
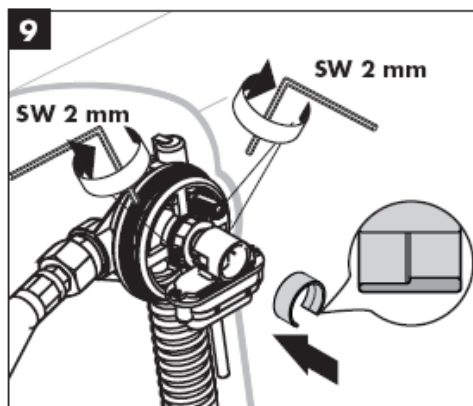
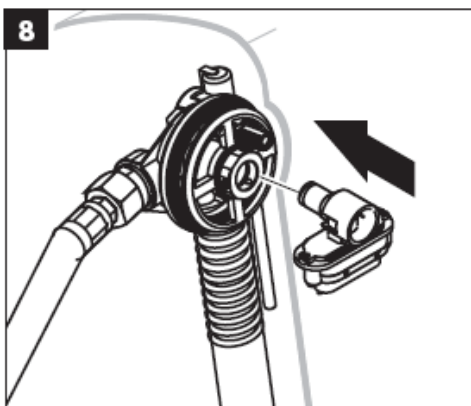
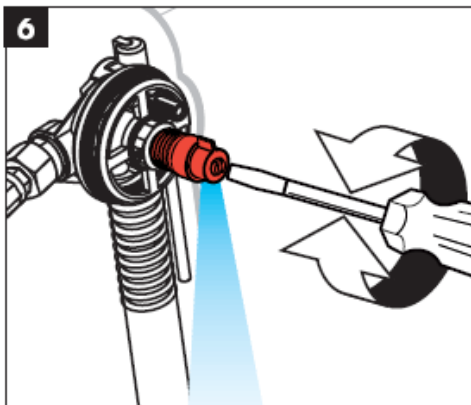
58113000

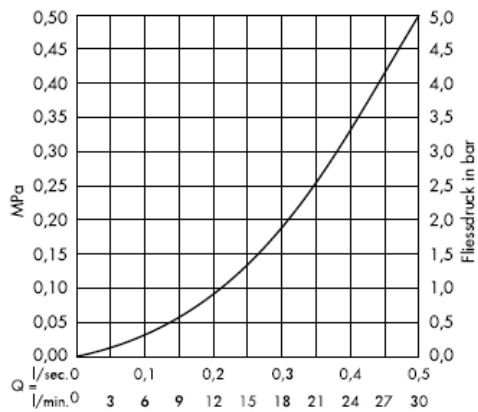
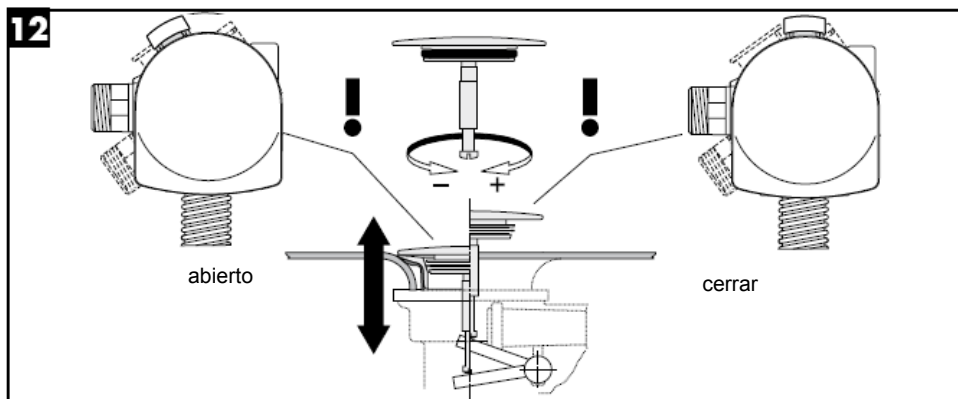
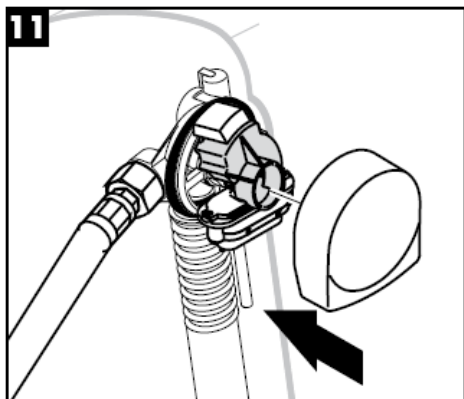


58115180





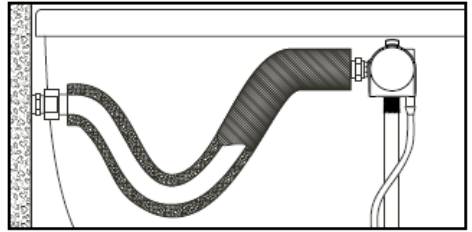




(1 MPa = 10 bar = 147 PSI)

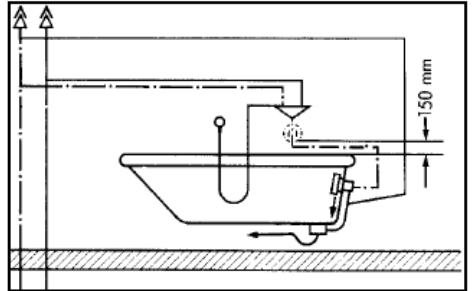
Conexión con manguera ref. 58191000

Una vez montada la instalación debe lavarse el lugar según DIN 1988.



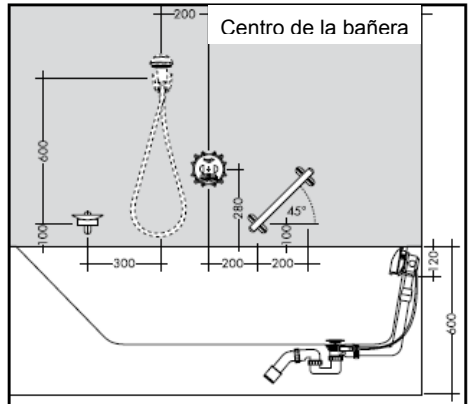
Instalación según DIN 1988

Montando la grifería enlucida, procure que el interruptor de tubería (DB) se encuentre al menos 150 mm encima del borde de la bañera (ver croquis).



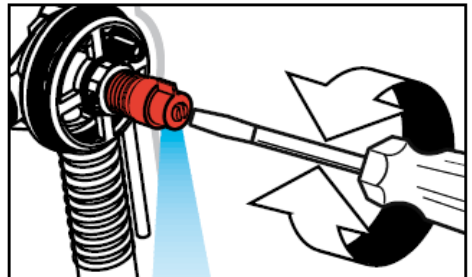
Instalación según DIN 1717

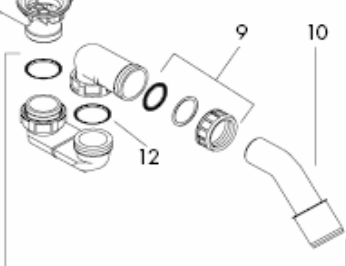
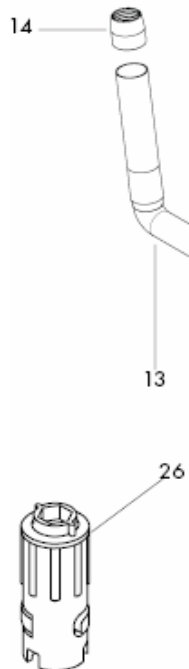
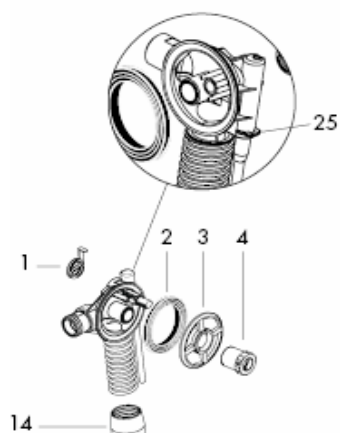
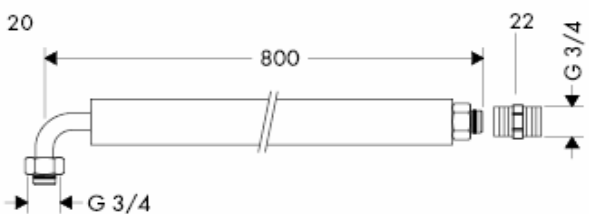
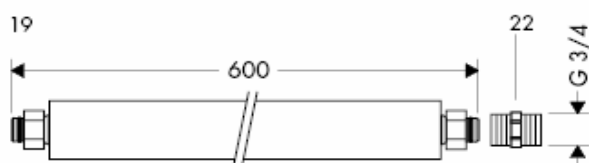
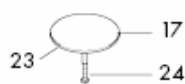
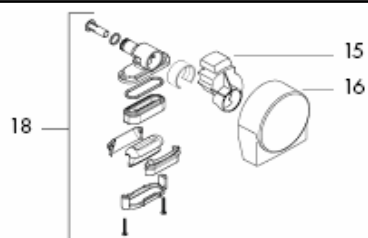
Montando la iBox universal con combinación de seguridad integrada (HD), procure que el centro de la grifería se encuentre al menos 280 mm encima del borde de la bañera.



Utilizar la válvula de prueba

- 1 Llenar la bañera de prueba
- 2 Limpiar lavando los conductos
- 3 Prueba de presión en conducto entre el mezclador y la válvula de prueba





Repuestos ver página 8

| | | | |
|----|-------------------------------|----------|-----------------------|
| 1 | Embellecedor | 97580000 | XXX = Acabados |
| 2 | Anillo perfilado | 96331000 | |
| 3 | Anillo de fijación | 97579000 | 000 cromado |
| 4 | Tornillo | 97573000 | 090 cromo/oro óptica |
| 5 | Tapón | 97577000 | 450 blanco |
| 6 | Tornillo hueco | 94301000 | 800 acero especial |
| 7 | Disco de válvula | 97581000 | 810 satinox |
| 8 | Junta triple | 96093000 | 820 brushed nickel |
| 9 | Tuerca | 96332000 | 830 polished nickel |
| 10 | Codo de salida | 96221000 | 880 satinado |
| 11 | Sifón completo | 56373000 | |
| 12 | Junta plana | 98075000 | |
| 13 | Codo de tubo | 64173000 | |
| 14 | Manguito | 97578000 | |
| 15 | Cursor completo | 97574XXX | |
| 16 | Tapa Exafill Plus | 97575XXX | |
| 17 | Tapón grande | 96153XXX | |
| 18 | Cuerpo de salida completo | 97576000 | |
| 19 | Conexión flexible | 58191000 | |
| 20 | Conexión flexible | 58192000 | |
| 21 | Tuerca | 95094000 | |
| 22 | Racor conexión flexo | 96143000 | |
| 23 | Junta toroidal | 98066000 | |
| 24 | Tornillo de cabeza cilíndrica | 97658000 | |
| 25 | Calambre | 97749000 | |
| 26 | Llave de montaje | 58085000 | |

Marca de verificación

| | DVGW | P-IX | SVGW | ACS | NF | WRAS | KIWA |
|----------|------|------|------|-----|----|------|------|
| 58113000 | X | | X | | X | X | X |
| 58115180 | X | | X | | X | X | X |
| 58116180 | X | | X | | X | X | X |
| 58117XXX | X | | X | | X | X | X |

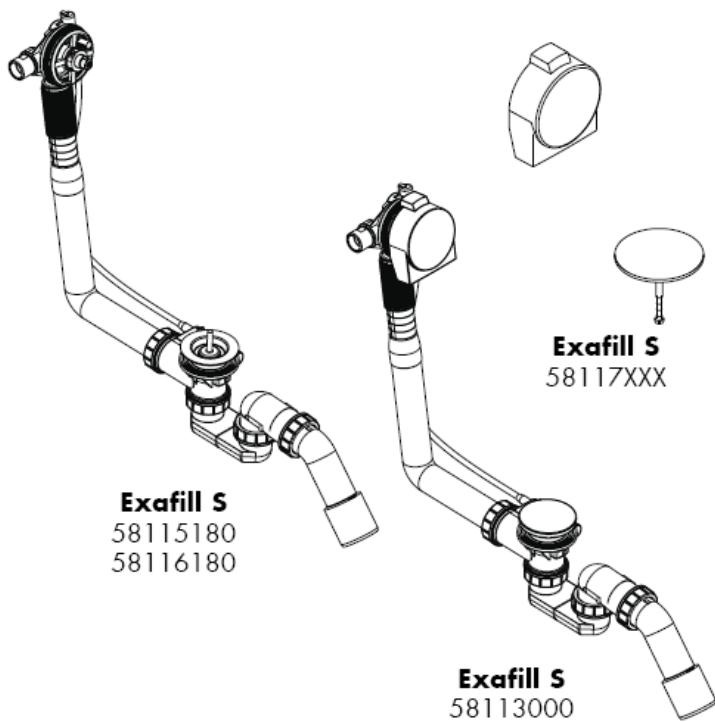


hansgrohe

Hansgrohe · Postfach 1145 · D-77761 Schiltach · Telefon +49 (0) 78 36/51-1282 · Telefax +49 (0) 7836/511440
E-Mail: info@hansgrohe.com · Internet: www.hansgrohe.com

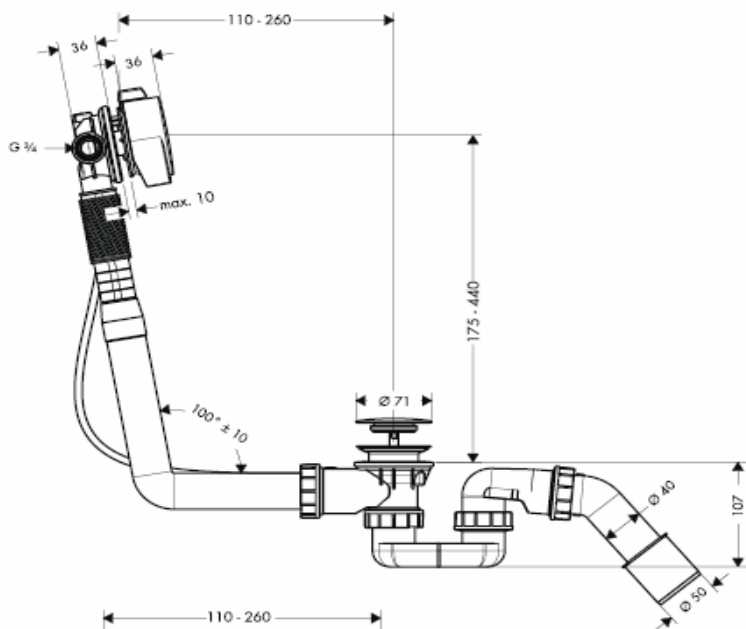
04/2010
9 09699 03
Español

Handleiding

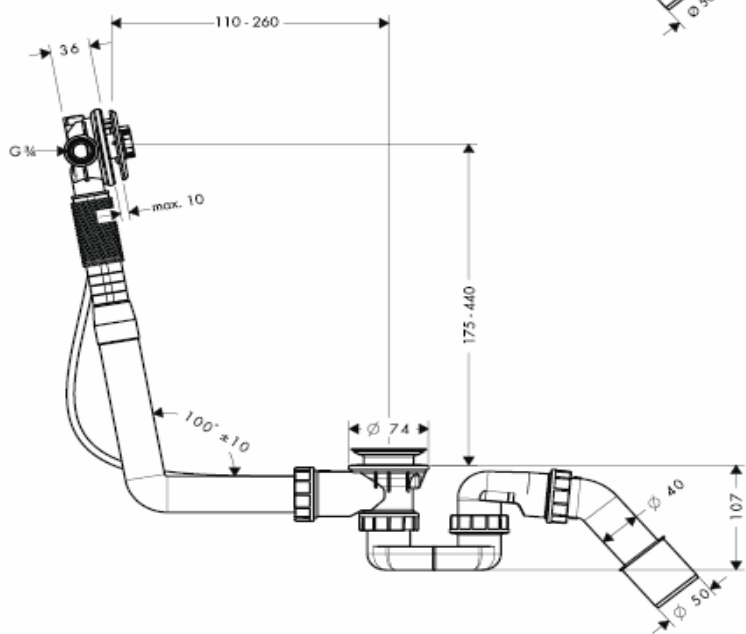


hansgrohe

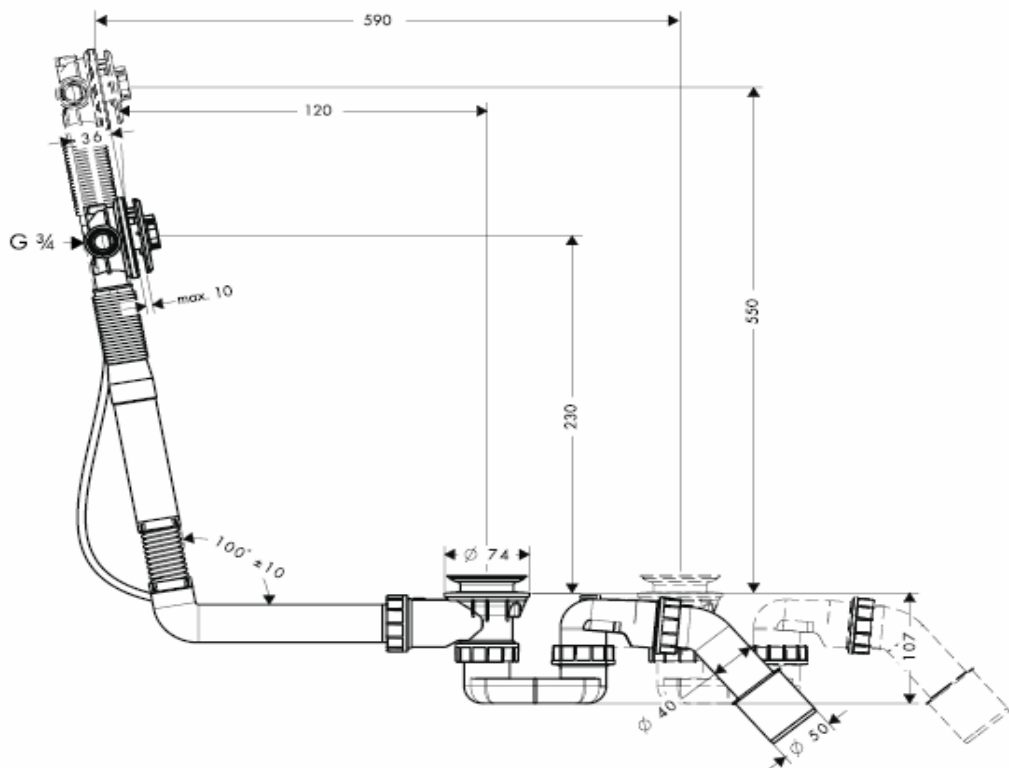
58113000



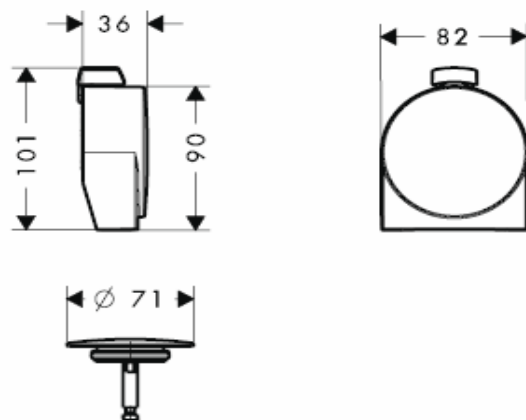
58115180

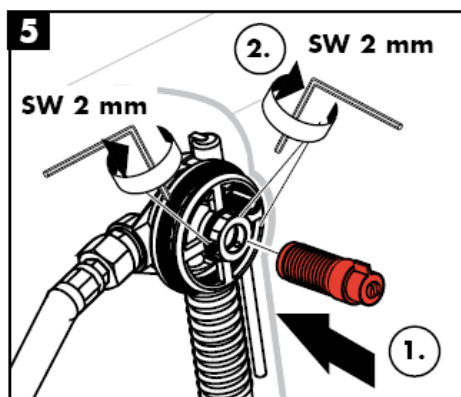
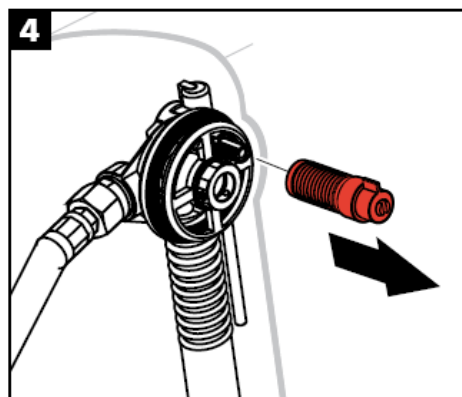
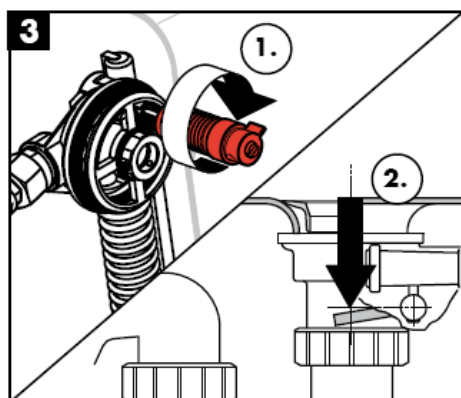
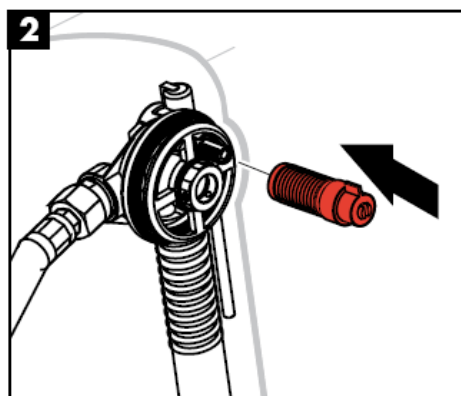


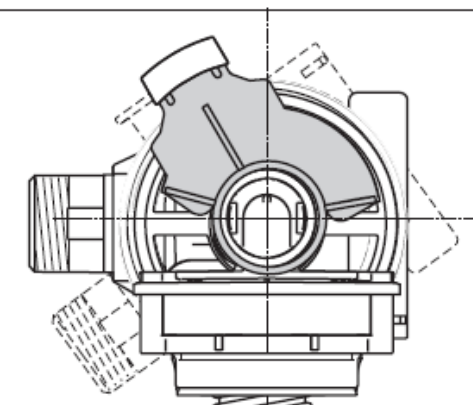
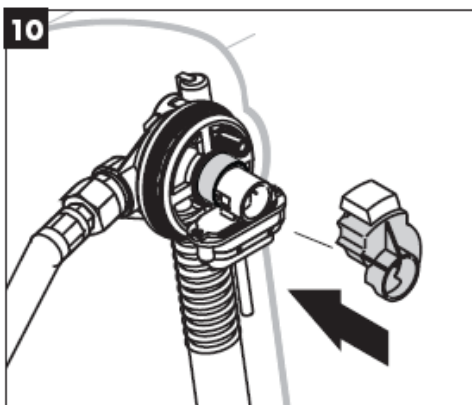
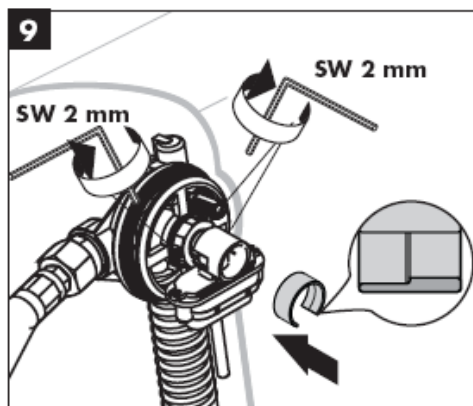
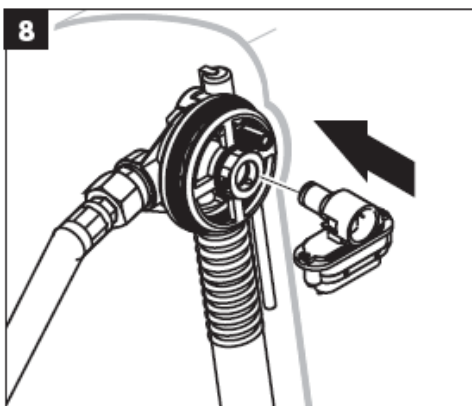
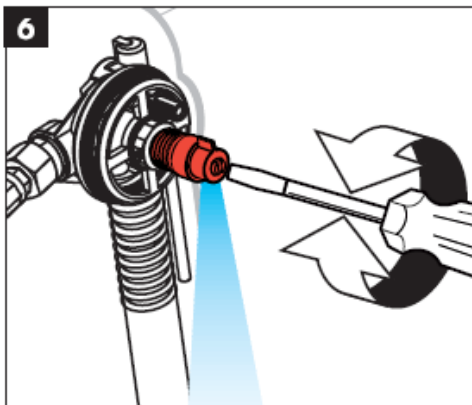
58116180

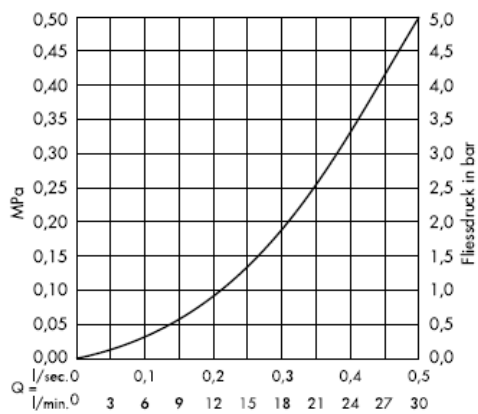
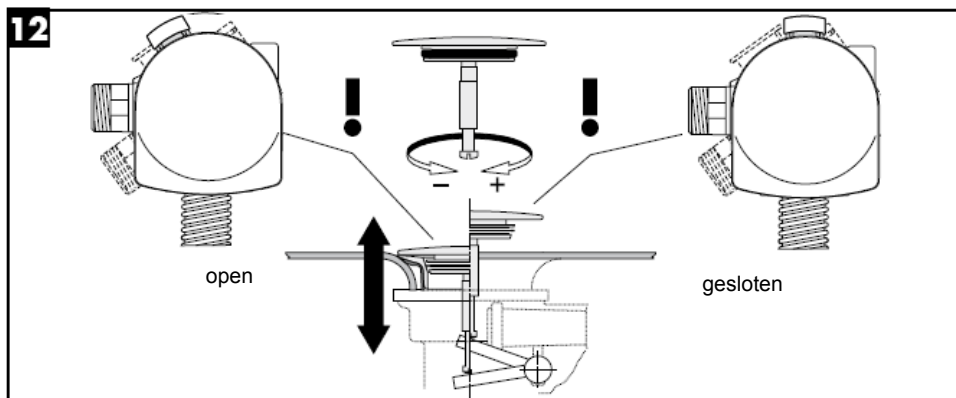
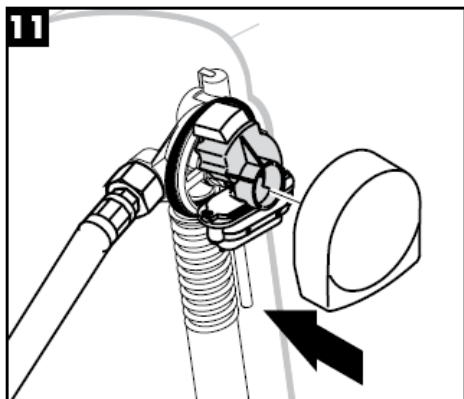


58117XXX









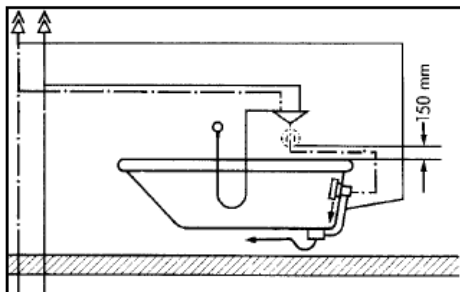
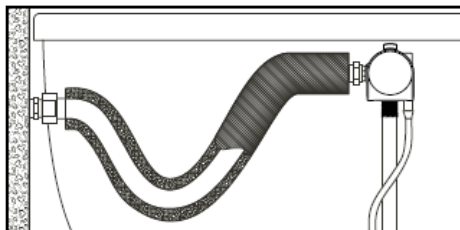
(1 MPa = 10 bar = 147 PSI)

Na montage van het basisgarnituur moet de installatie volgens de geldende normen doorgespoeld worden.

Na de montage moet de installatie conform DIN 1988 gespoeld worden.

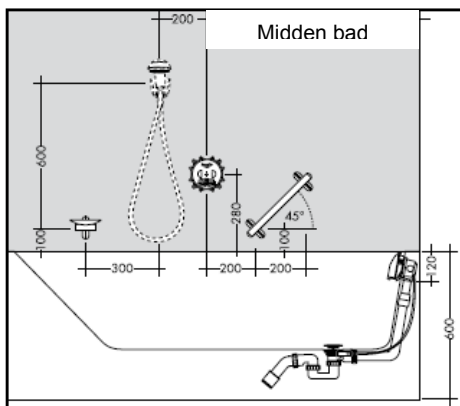
Installatie naar DIN 1988

Bij de montage van de inbouwkraan moet men er op letten dat de beluchter (DB) min. 150 mm boven de badrand geplaatst wordt. (zie nevenstaande schets)



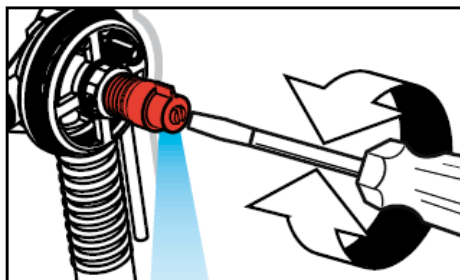
Installatie naar EN 1717

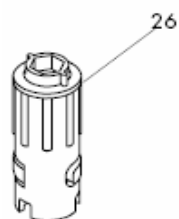
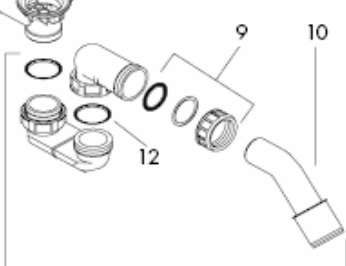
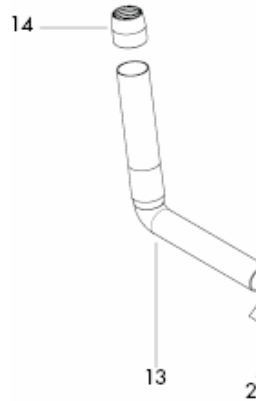
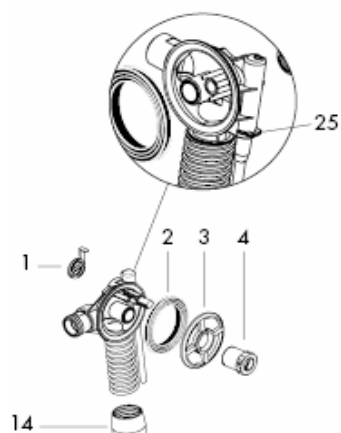
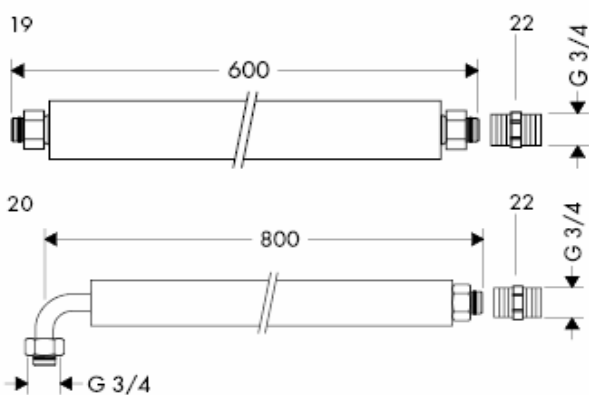
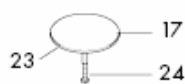
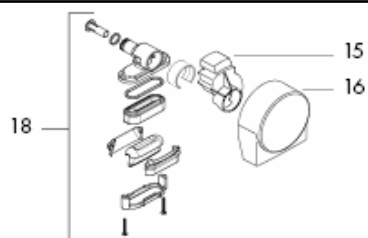
Bij de montage van de iBox universal met geïntegreerde zekerheidscombinatie moet men erop letten, dat de kraan minimaal 280mm boven de badrand wordt geplaatst.



Gebruik van de testuitloop

- 1 Testvullen van de badkuip
- 2 Doorspoelen van de leidingen
- 3 Testen van de leidingdruk tussen de kraan en de testuitloop





Service onderdelen zie blz. 8

| | | | |
|----|-----------------------------|----------|-------------------------|
| 1 | afdekking | 97580000 | XXX = Kleuren |
| 2 | Vormring | 96331000 | |
| 3 | Bevestigingsring | 97579000 | 000 verchroomd |
| 4 | spanschroef | 97573000 | 090 chroom/verguld-look |
| 5 | stop | 97577000 | 450 wit |
| 6 | Holle schroef | 94301000 | 800 RVS-look |
| 7 | Klepschotel | 97581000 | 810 satinox |
| 8 | Drievoudige afdichting | 96093000 | 820 brushed nickel |
| 9 | wartel | 96332000 | 830 polished nickel |
| 10 | Bocht | 96221000 | 880 mat |
| 11 | Sifon volledig | 56373000 | |
| 12 | Pakking | 98075000 | |
| 13 | Elleboog | 64173000 | |
| 14 | Manchet | 97578000 | |
| 15 | schuifstuk kompl. | 97574XXX | |
| 16 | afdekking voor Exafill Plus | 97575XXX | |
| 17 | Stop groot | 96153XXX | |
| 18 | Overloop volledig | 97576000 | |
| 19 | aansluitslang | 58191000 | |
| 20 | aansluitslang | 58192000 | |
| 21 | wartel | 95094000 | |
| 22 | aansluitsnippel | 96143000 | |
| 23 | o-ring | 98066000 | |
| 24 | cilinderkopschroef | 97658000 | |
| 25 | klemhaak | 97749000 | |
| 26 | afvoer montagesleutel | 58085000 | |

Keurmerk

| | DVGW | P-IX | SVGW | ACS | NF | WRAS | KIWA |
|----------|------|------|------|-----|----|------|------|
| 58113000 | X | | X | | X | X | X |
| 58115180 | X | | X | | X | X | X |
| 58116180 | X | | X | | X | X | X |
| 58117XXX | X | | X | | X | X | X |

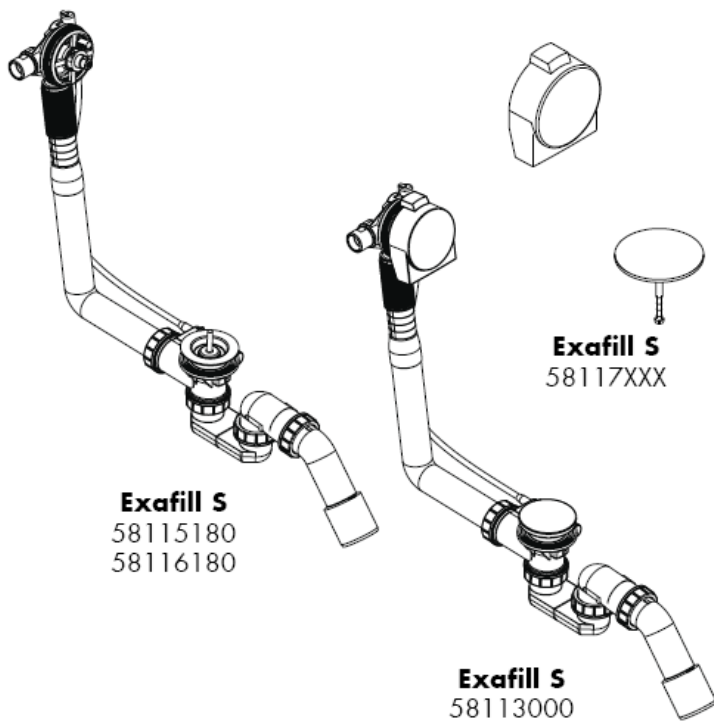


hansgrohe

Hansgrohe · Postfach 1145 · D-77761 Schiltach · Telefon +49 (0) 78 36/51-1282 · Telefax +49 (0) 7836/511440
E-Mail: info@hansgrohe.com · Internet: www.hansgrohe.com

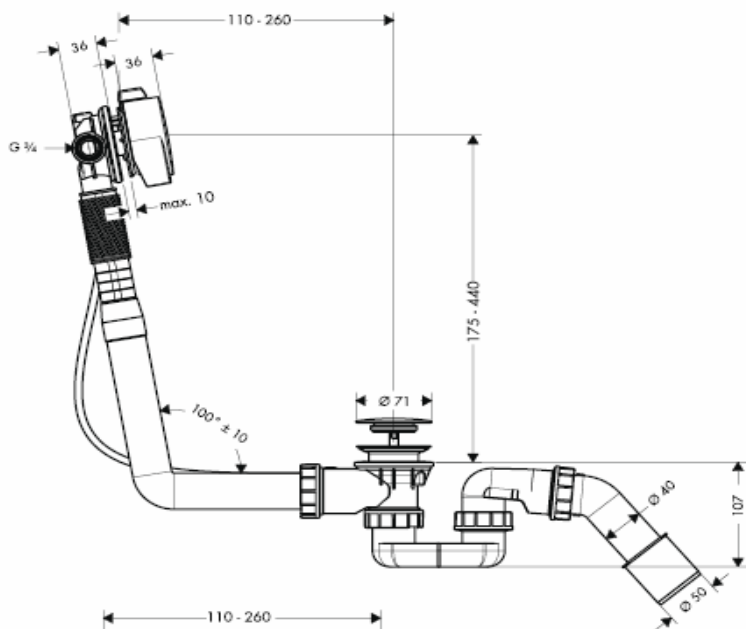
04/2010
9 09699 03
Nederlands

Monteringsvejledning

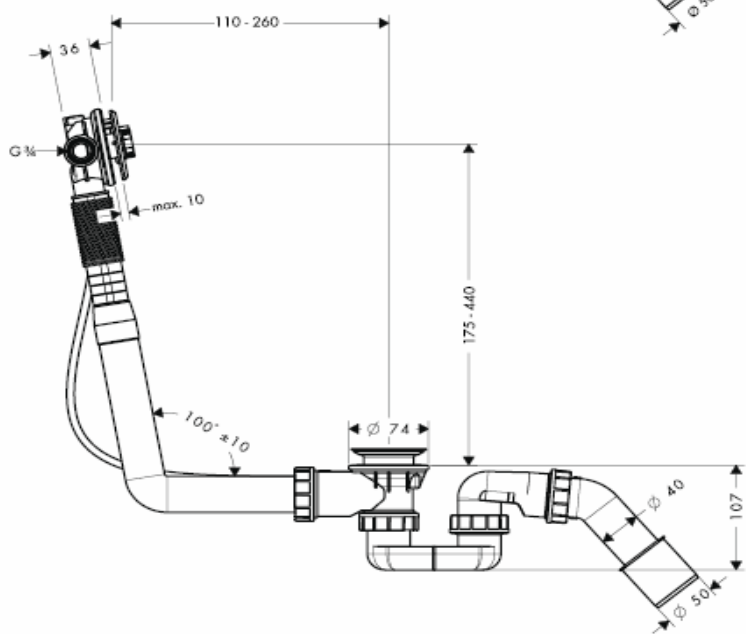


hansgrohe

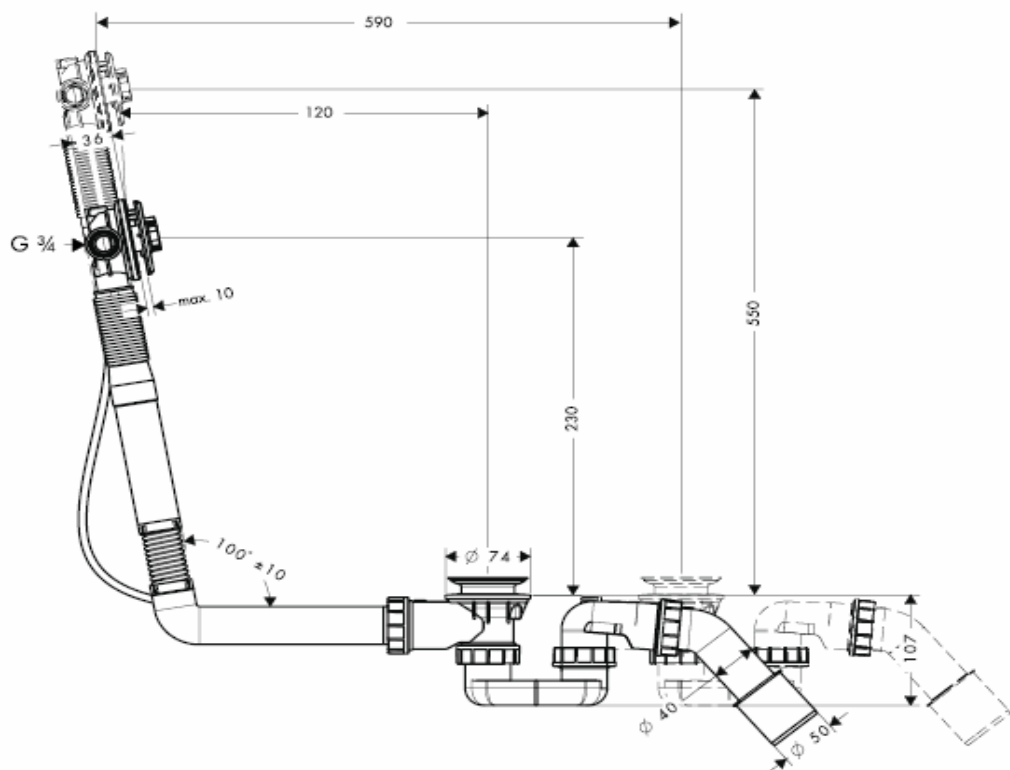
58113000



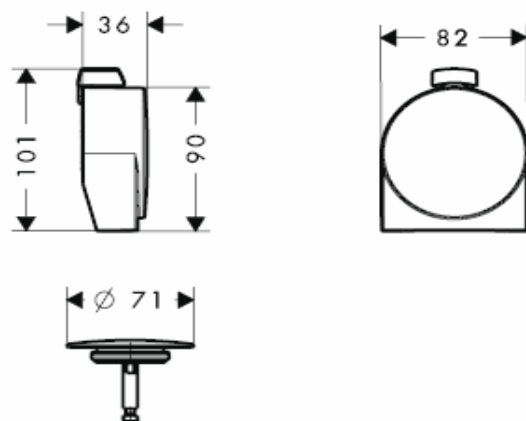
58115180

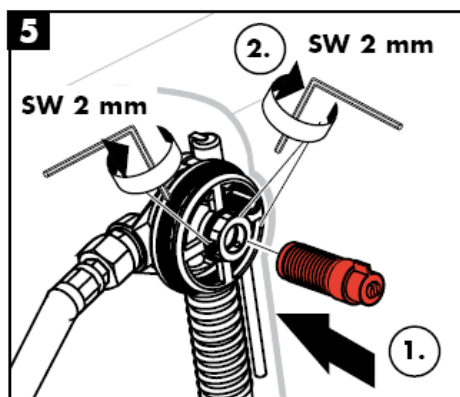
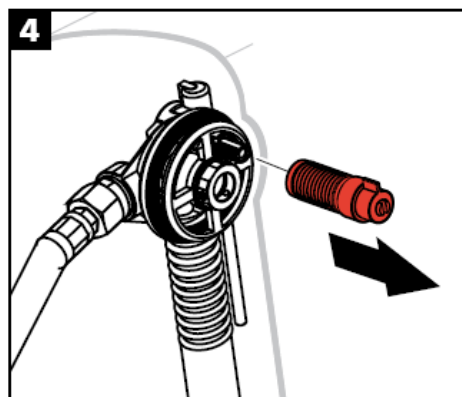
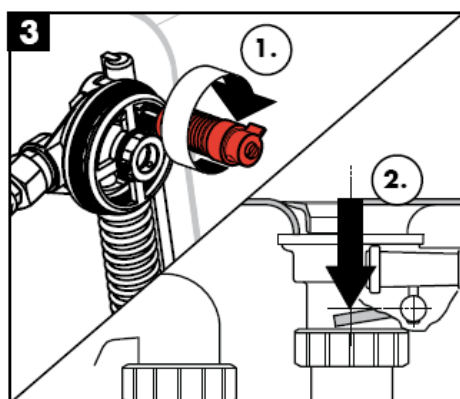
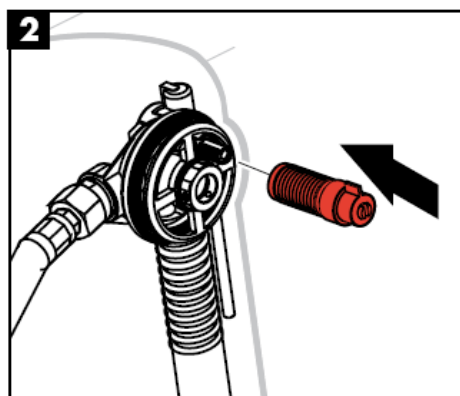


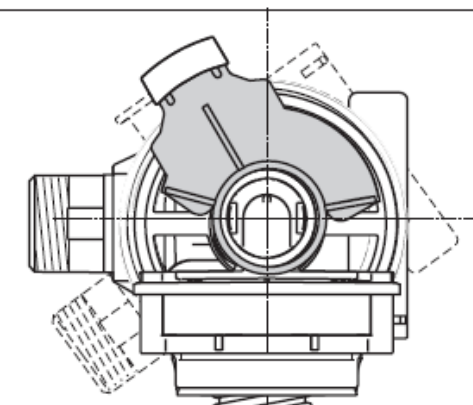
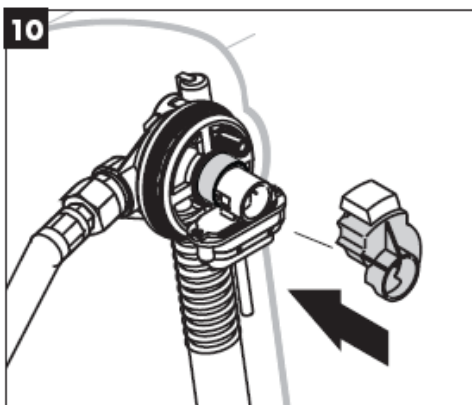
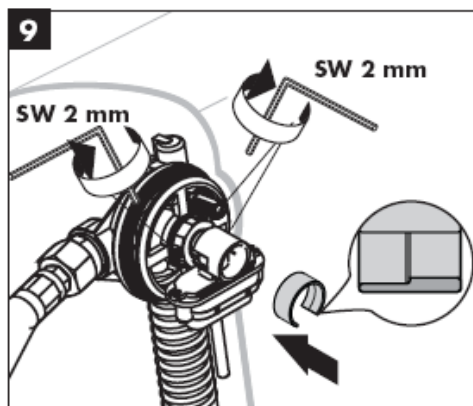
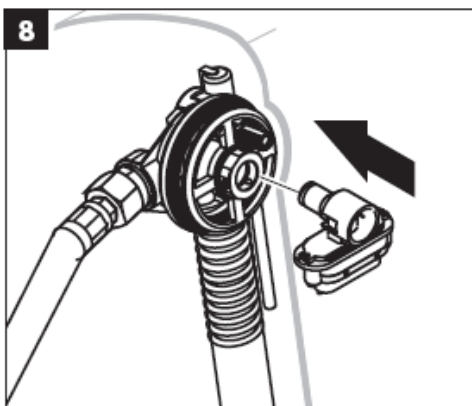
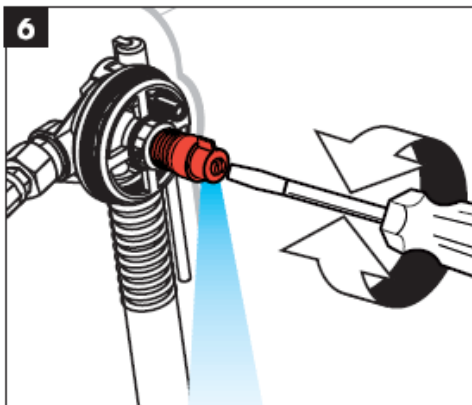
58116180

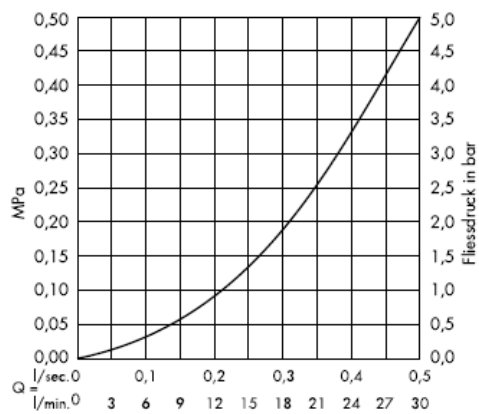
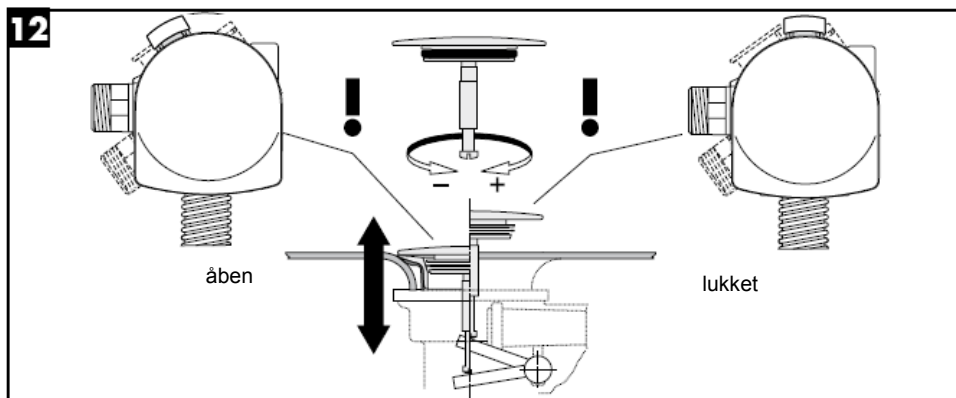
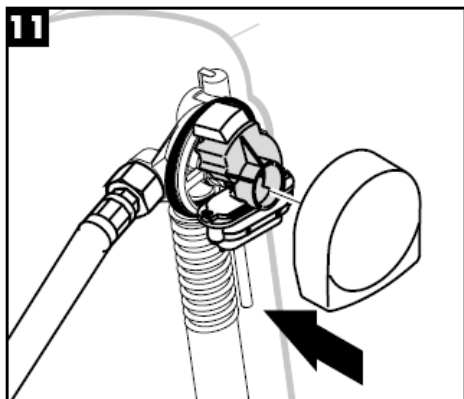


58117XXX





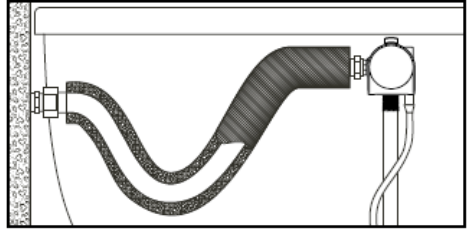




(1 MPa = 10 bar = 147 PSI)

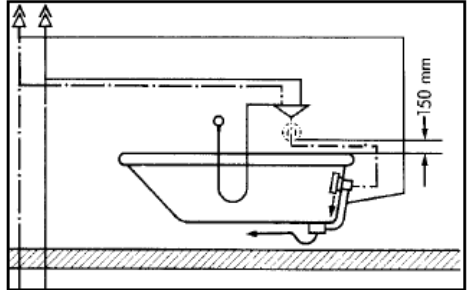
Tilslutning med fleksibel slange, art. Nr. 58191000

Efter montering af armaturet skal anlægget spules iht. DIN 1988.



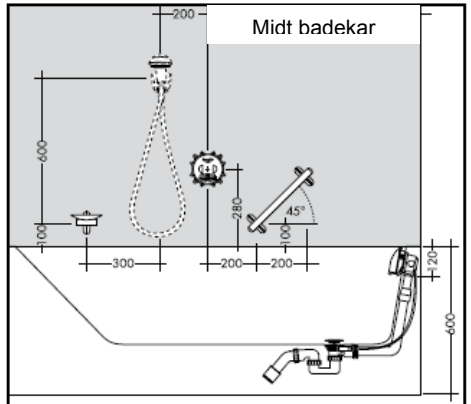
Installation efter DIN 1988

Ved montering af det indbyggede armatur skal der gives agt på, at rørfbryderen (DB) ligger min. 150 mm over karets kant. (Se skitse ved siden).



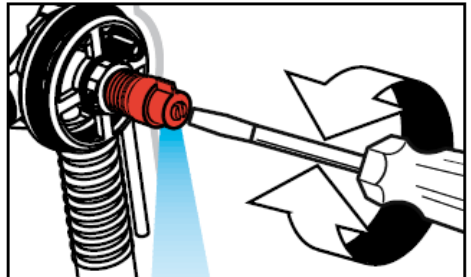
Installation efter EN 1717

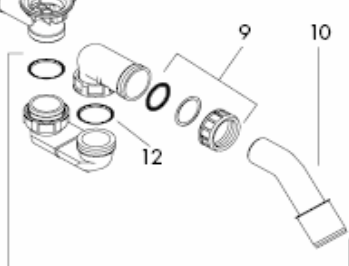
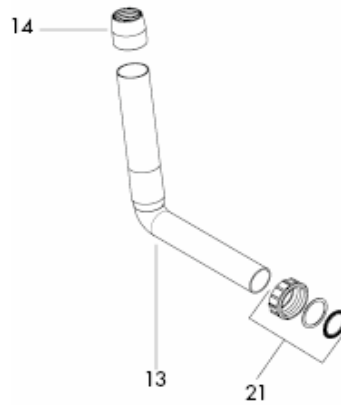
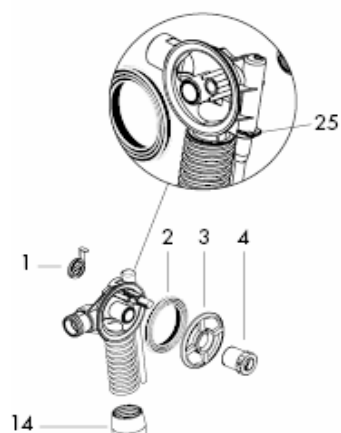
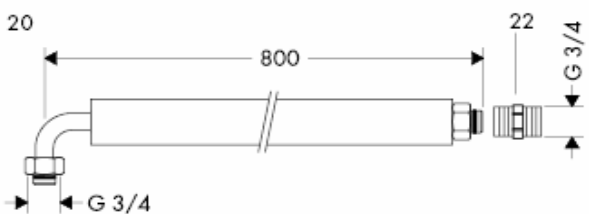
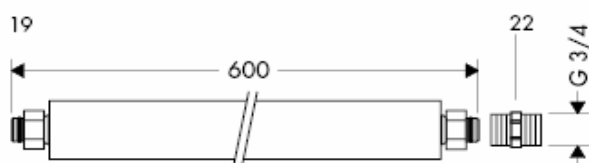
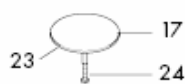
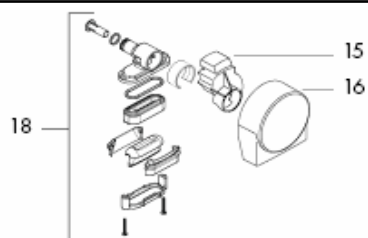
Ved montering af iBox universal med integreret sikringskombination (HD) skal der tages hensyn til, at armaturens midte ligger min. 280 mm over karets kant.



Brug af testindløbet

- 1 Opfyldning (test) af karret.
- 2 Skylning af ledninger
- 3 Trykkontrol af ledning mellem blander og prøveindtag





Reserve dele se s. 8

| | | | |
|----|----------------------------|----------|---------------------------|
| 1 | Dækplade | 97580000 | XXX = Overflade |
| 2 | Forring | 96331000 | |
| 3 | Fastgørelsesring | 97579000 | 000 Krom |
| 4 | Spændeskruer | 97573000 | 090 Krom/guld optic |
| 5 | Plug | 97577000 | 450 Hvid |
| 6 | Hulskruer | 94301000 | 800 Stainless steel optic |
| 7 | Ventiltallerken | 97581000 | 810 Satinox |
| 8 | Tredobbelt tætning | 96093000 | 820 Brushed nickel |
| 9 | Møtrik | 96332000 | 830 Polished nickel |
| 10 | Afgangsbue | 96221000 | 880 Matkrom |
| 11 | Vandløs komplet | 56373000 | |
| 12 | Fladtætning | 98075000 | |
| 13 | Rørbue | 64173000 | |
| 14 | Manchet | 97578000 | |
| 15 | Håndbruserholder kpl. | 97574XXX | |
| 16 | Afdækning til Exafill plus | 97575XXX | |
| 17 | Stor prop | 96153XXX | |
| 18 | Udløbslegeme komplet | 97576000 | |
| 19 | Tilslutningsslange | 58191000 | |
| 20 | Tilslutningsslange | 58192000 | |
| 21 | Møtrik | 95094000 | |
| 22 | Tilslutningsnippel | 96143000 | |
| 23 | o-ring | 98066000 | |
| 24 | Cylinderskruer | 97658000 | |
| 25 | Klemme | 97749000 | |
| 26 | Monteringsnøgle-sæt | 58085000 | |

Godkendelse

| | DVGW | P-IX | SVGW | ACS | NF | WRAS | KIWA |
|----------|------|------|------|-----|----|------|------|
| 58113000 | X | | X | | X | X | X |
| 58115180 | X | | X | | X | X | X |
| 58116180 | X | | X | | X | X | X |
| 58117XXX | X | | X | | X | X | X |

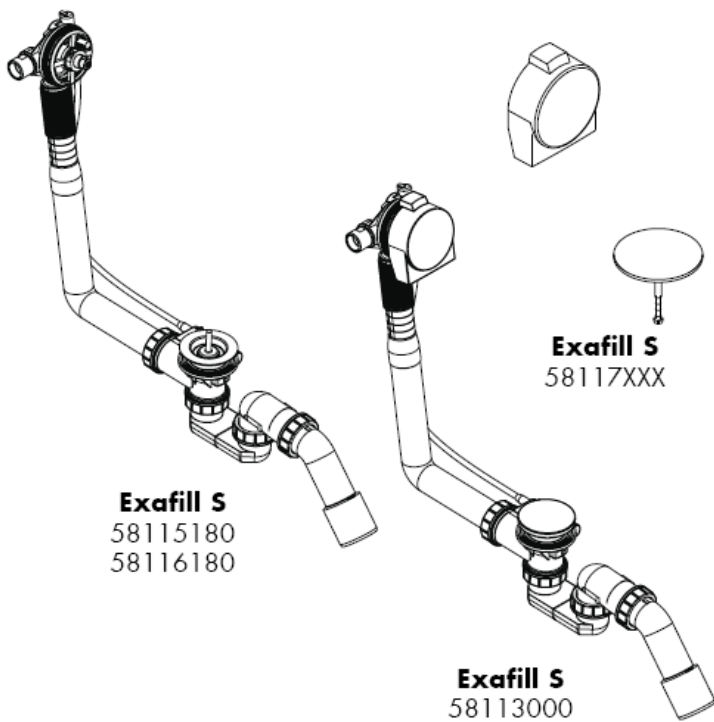


hansgrohe

Hansgrohe · Postfach 1145 · D-77761 Schiltach · Telefon +49 (0) 78 36/51-1282 · Telefax +49 (0) 7836/511440
E-Mail: info@hansgrohe.com · Internet: www.hansgrohe.com

04/2010
9 09699 03
Dansk

Manual de Instalación



hansgrohe

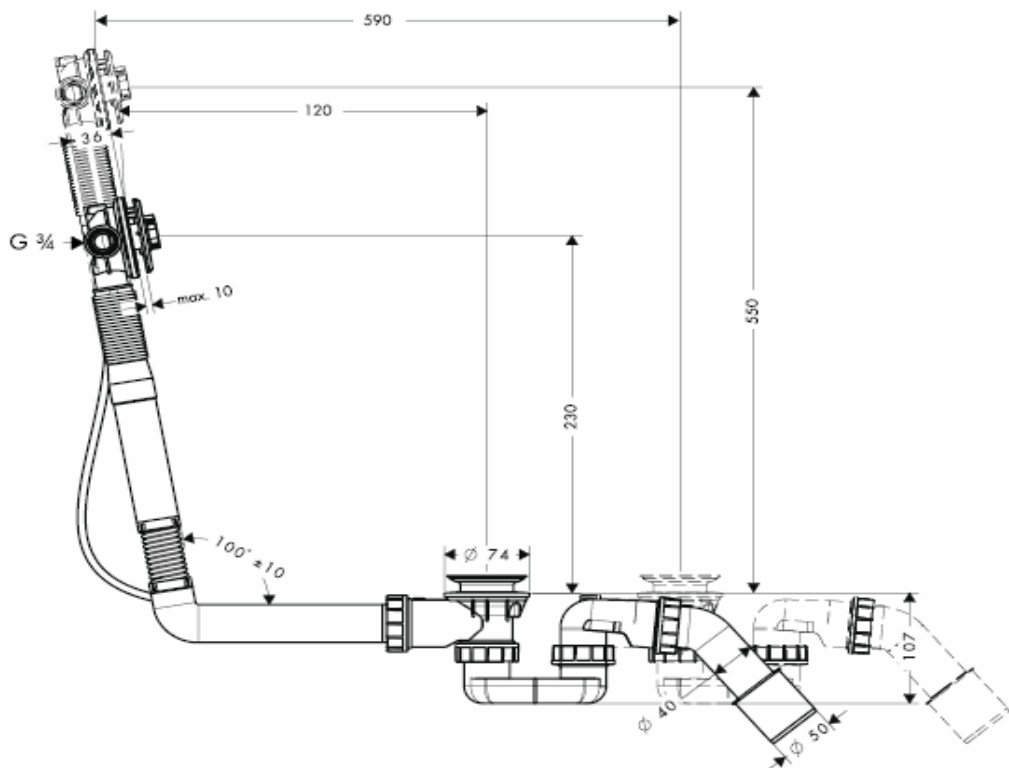
58113000



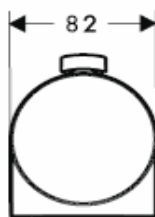
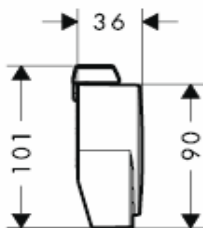
58115180

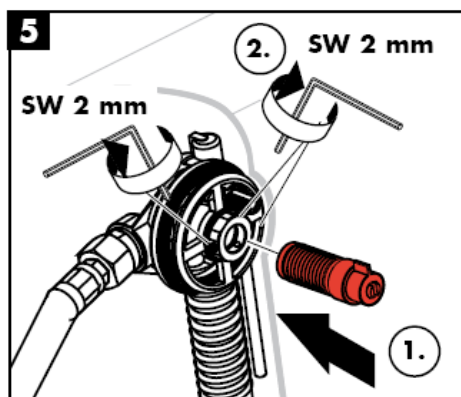
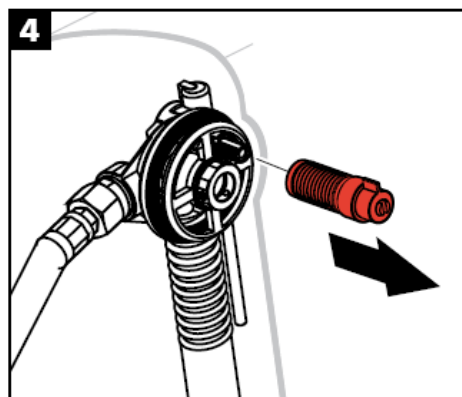
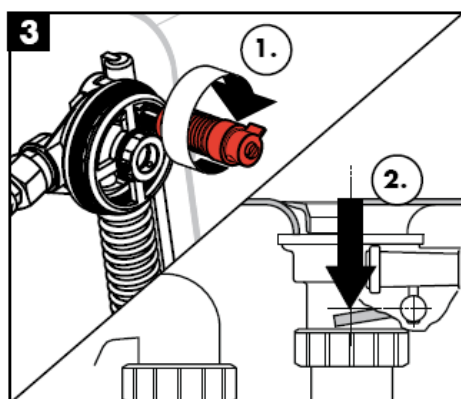
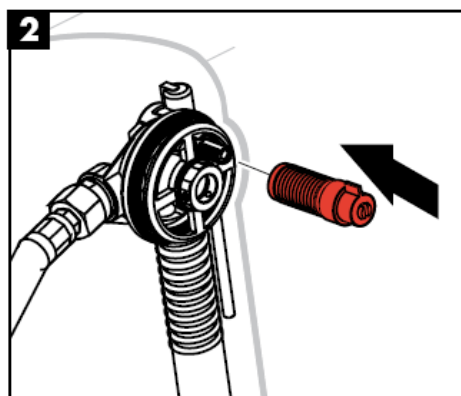


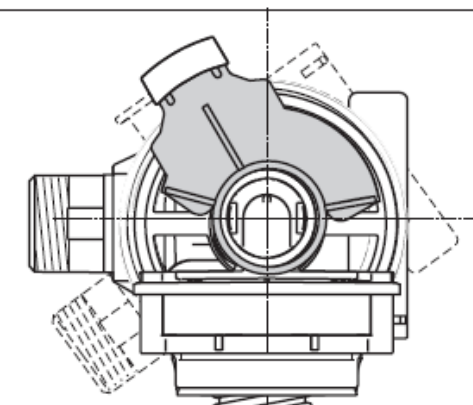
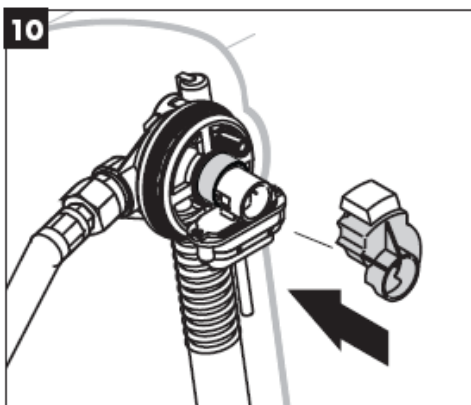
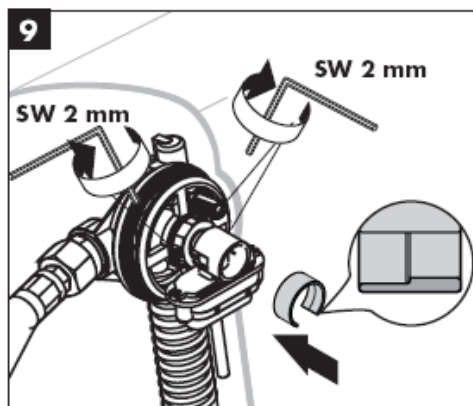
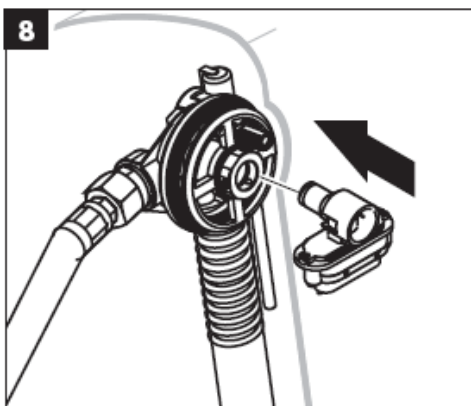
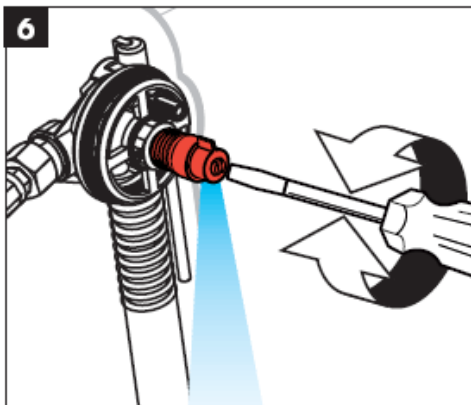
58116180

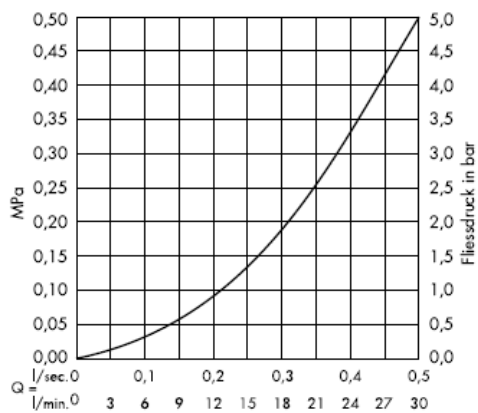
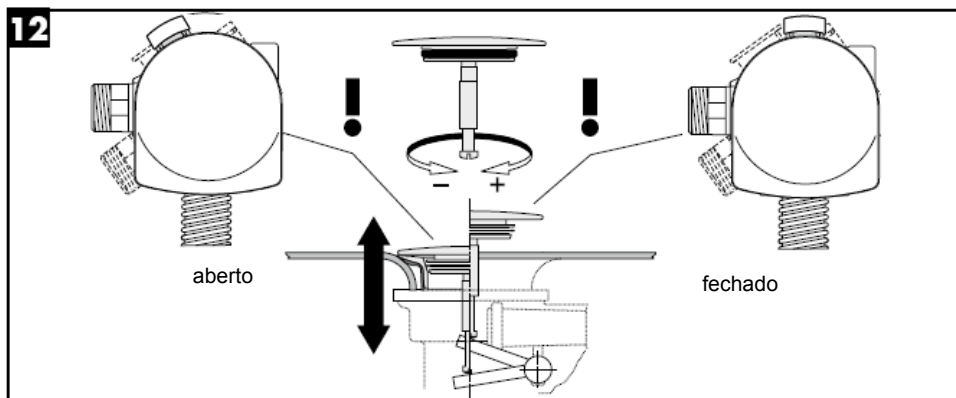
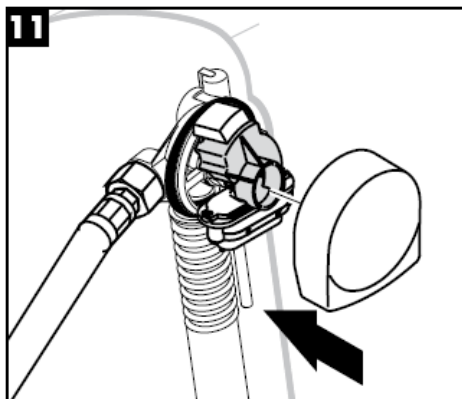


58117XXX





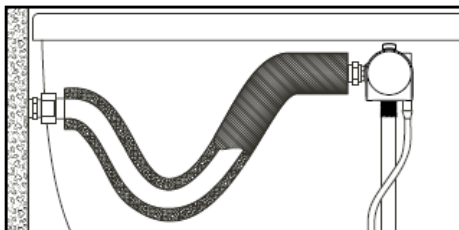




(1 MPa = 10 bar = 147 PSI)

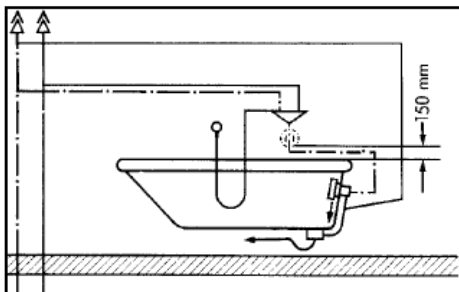
Conexão com tubo flexível.
Referência 58191000

Após a montagem do revestimento a instalação tem que ser lavada segundo DIN 1988.



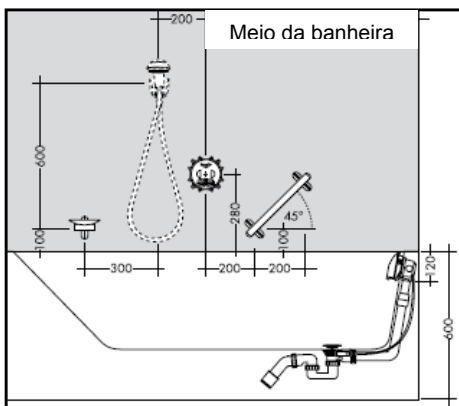
Instalação segundo DIN 1988

Durante a montagem de torneira de passagem deve ter-se em atenção que a válvula anti-retorno (DB) se situe pelo menos 150 mm acima do topo da banheira. (ver desenho ao lado)



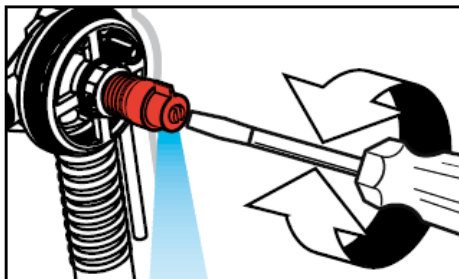
Instalação segundo EN 1717

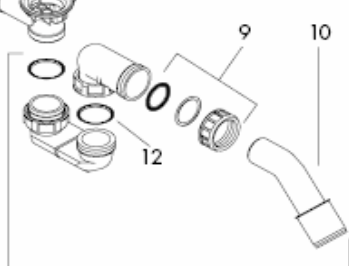
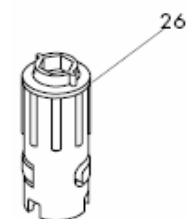
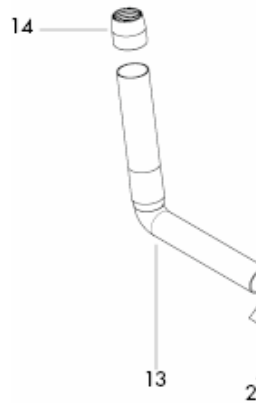
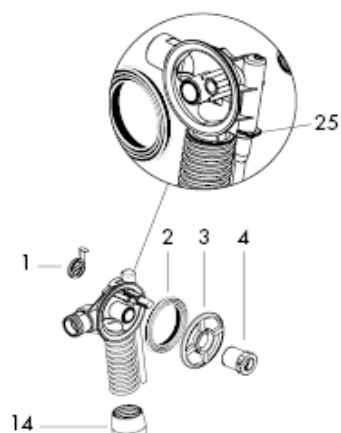
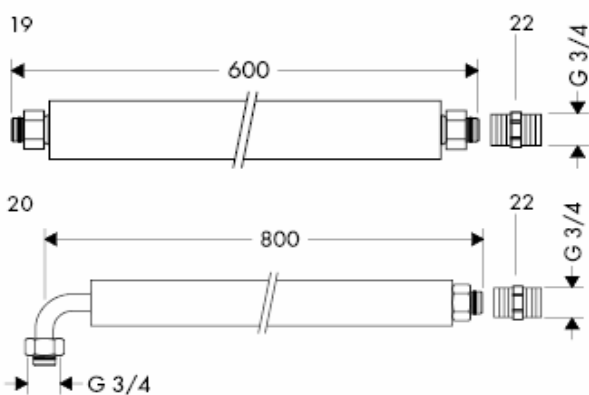
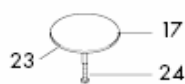
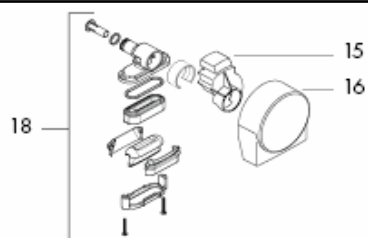
Durante a montagem da iBox universal com combinação de segurança integrada (HD) deve ter-se em atenção que o centro da misturadora se situe pelo menos 280 mm acima do topo da banheira.



Utilização de uma entrada de ensaio

- 1 Enchimento de teste da banheira.
- 2 Lavagem das tubagens
- 3 Controlo de pressão da tubagem entre a misturadora e a entrada de teste





Peças de substituição ver página 8

| | | | |
|----|-----------------------------|----------|--------------------------|
| 1 | Cobertura | 97580000 | XXX = Acabamentos |
| 2 | Anel | 96331000 | |
| 3 | Anel de fixação | 97579000 | 000 cromado |
| 4 | parafuso de fixação | 97573000 | 090 cromado/ouro ótica |
| 5 | Tampa | 97577000 | 450 branco |
| 6 | Parafuso fêmea | 94301000 | 800 aço imaculado ótica |
| 7 | Disco de válvula | 97581000 | 810 satinox |
| 8 | Vedante triplo | 96093000 | 820 brushed nickel |
| 9 | Porca | 96332000 | 830 polished nickel |
| 10 | Curva de saída | 96221000 | 880 cromado mate |
| 11 | Sifão completo | 56373000 | |
| 12 | Vedante chato | 98075000 | |
| 13 | Tubo curvo | 64173000 | |
| 14 | Vedante | 97578000 | |
| 15 | Suporte de chuveiro compl. | 97574XXX | |
| 16 | Cobertura para Exafill Plus | 97575XXX | |
| 17 | Tampão grande | 96153XXX | |
| 18 | Corpo de saída completo | 97576000 | |
| 19 | Tubo flexível | 58191000 | |
| 20 | Tubo flexível | 58192000 | |
| 21 | Porca | 95094000 | |
| 22 | União roscada | 96143000 | |
| 23 | O-ring | 98066000 | |
| 24 | Parafuso hexagonal | 97658000 | |
| 25 | klamra | 97749000 | |
| 26 | chave especial | 58085000 | |

Marca de controlo

| | DVGW | P-IX | SVGW | ACS | NF | WRAS | KIWA |
|----------|------|------|------|-----|----|------|------|
| 58113000 | X | | X | | X | X | X |
| 58115180 | X | | X | | X | X | X |
| 58116180 | X | | X | | X | X | X |
| 58117XXX | X | | X | | X | X | X |

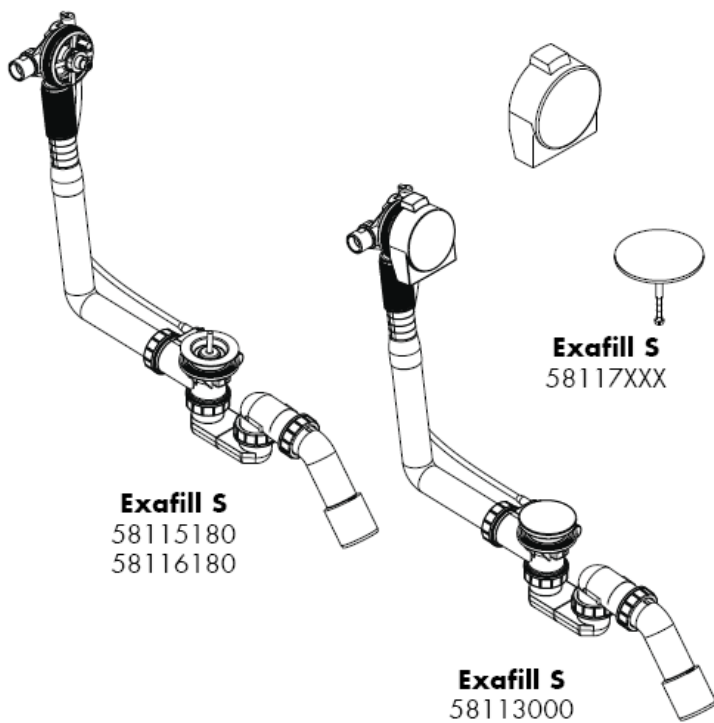


hansgrohe

Hansgrohe · Postfach 1145 · D-77761 Schiltach · Telefon +49 (0) 78 36/51-1282 · Telefax +49 (0) 7836/511440
E-Mail: info@hansgrohe.com · Internet: www.hansgrohe.com

04/2010
9 09699 03
Portugués

Instrukcja montażu



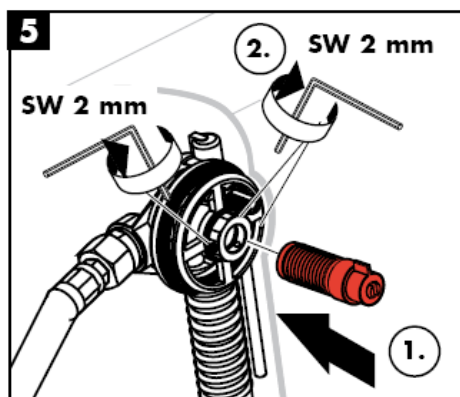
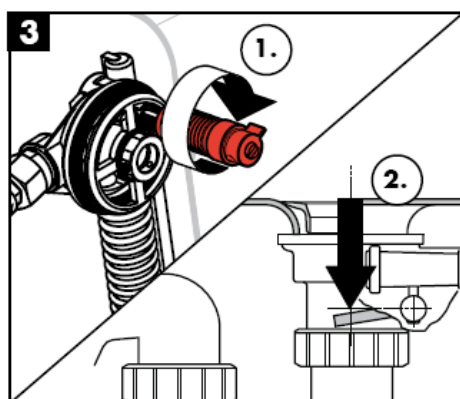
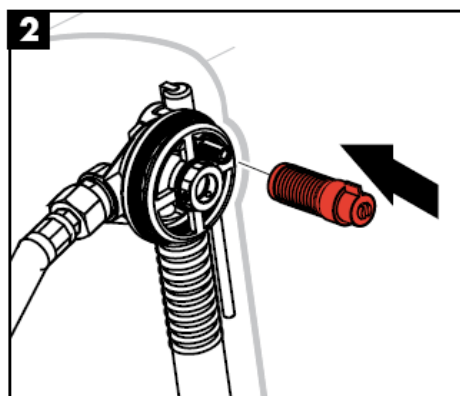
hansgrohe

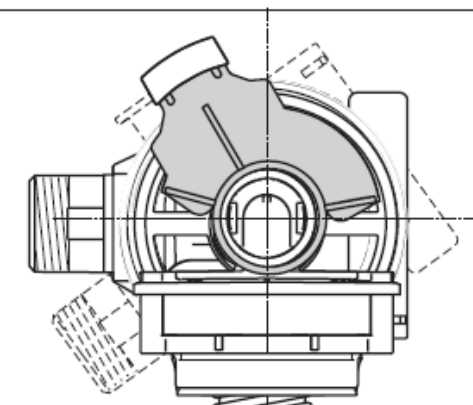
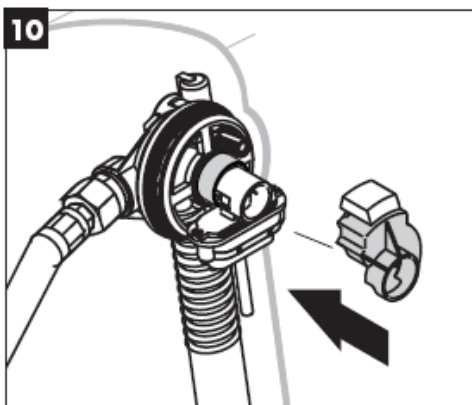
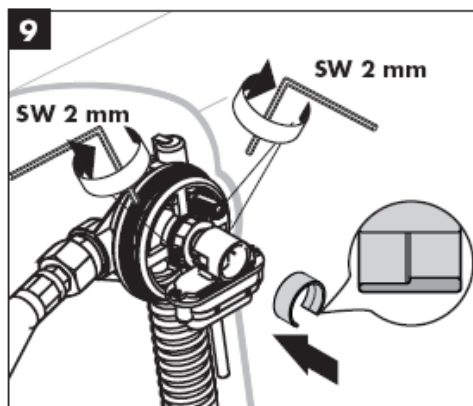
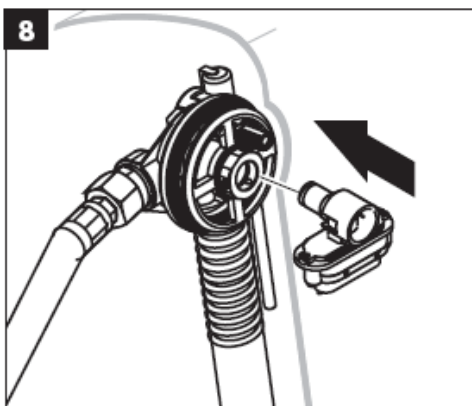
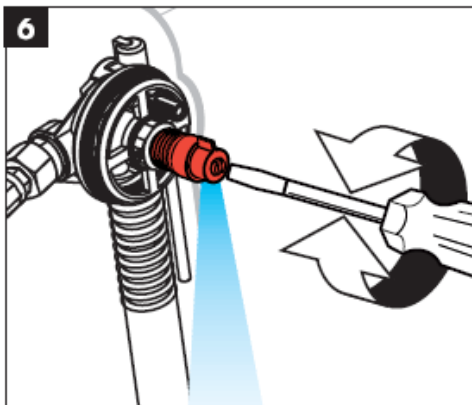
58113000

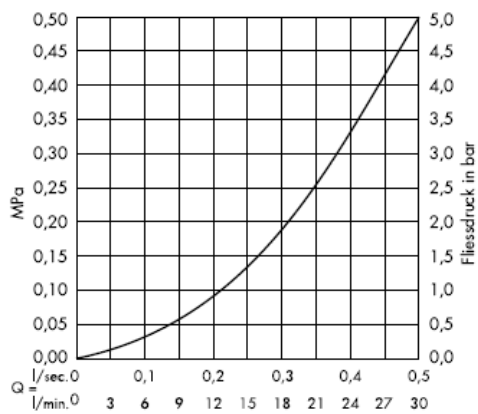
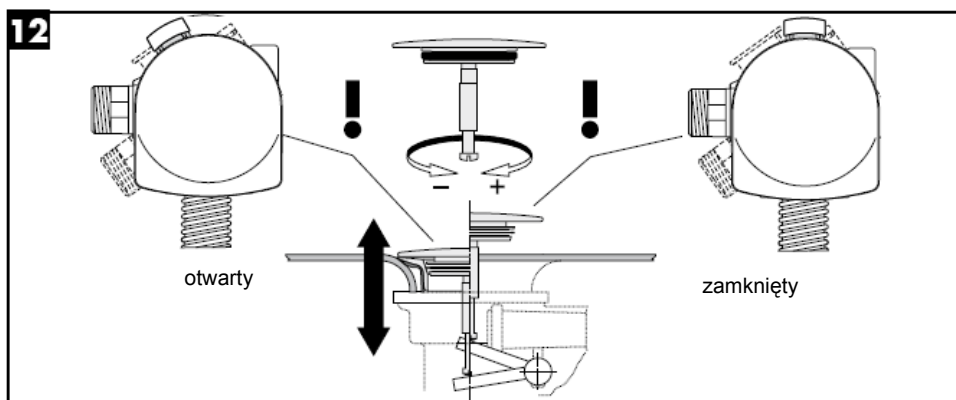
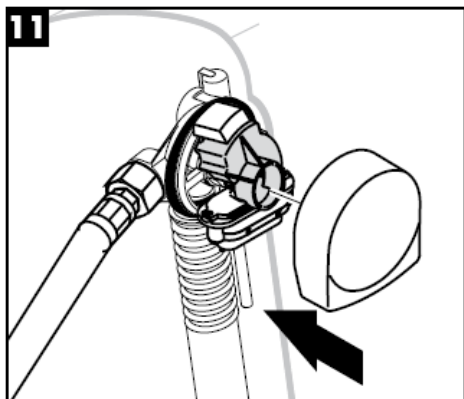


58115180





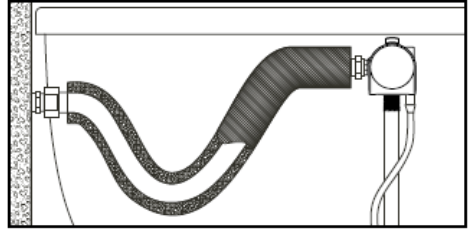




(1 MPa = 10 bary = 147 PSI)

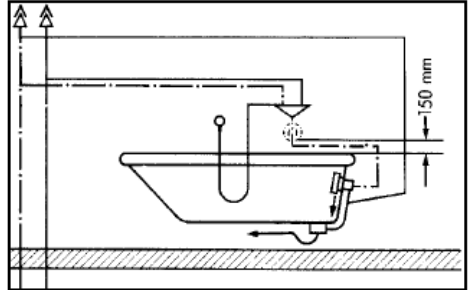
Przyłącze z elastycznym węzłem.
Nr art. 58191000

Zgodnie z DIN 1988 po montażu garniture należy przepłukać urządzenie.



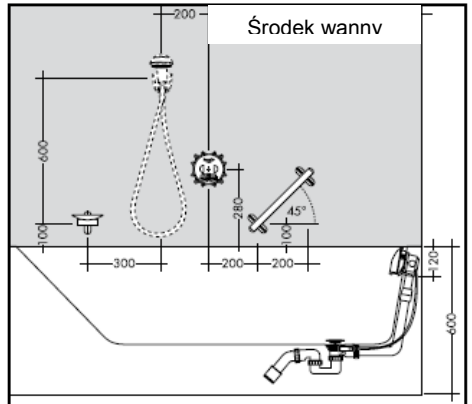
Instalacja zgodnie z DIN 1988

Przy montażu armatury podtynkowej należy zwrócić uwagę na to, by przerywacz rurowy (DB) znajdował się 150 mm ponad krawędzią wanny. (patrz szkic obok)



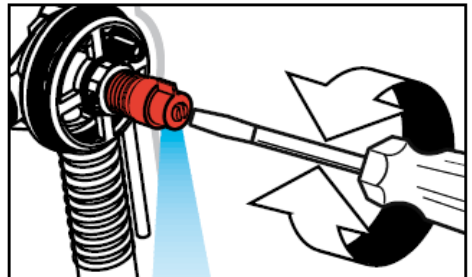
Instalacja zgodnie z EN 1717

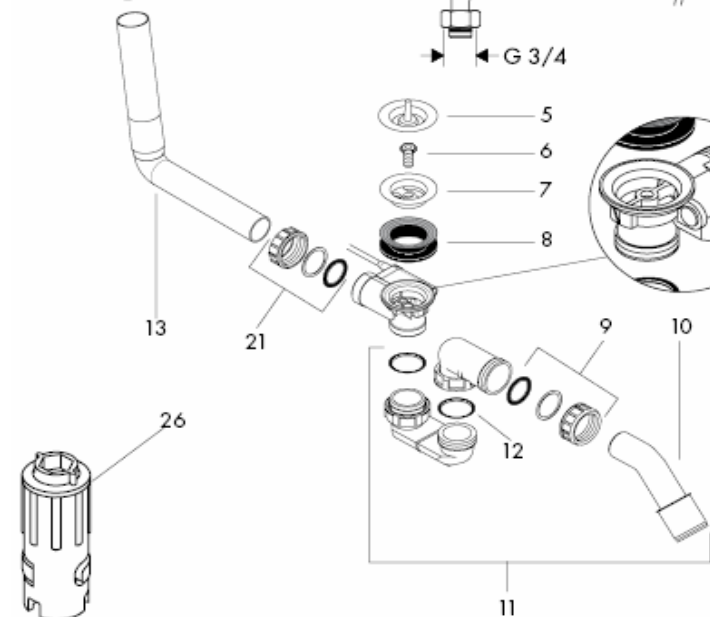
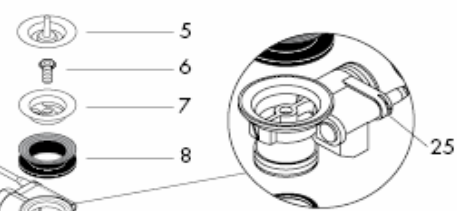
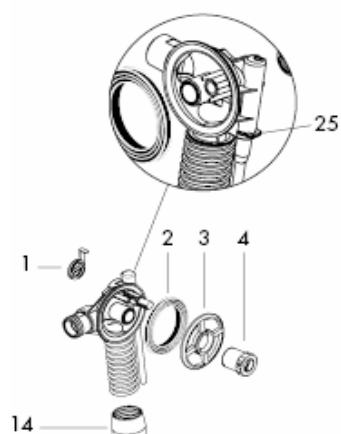
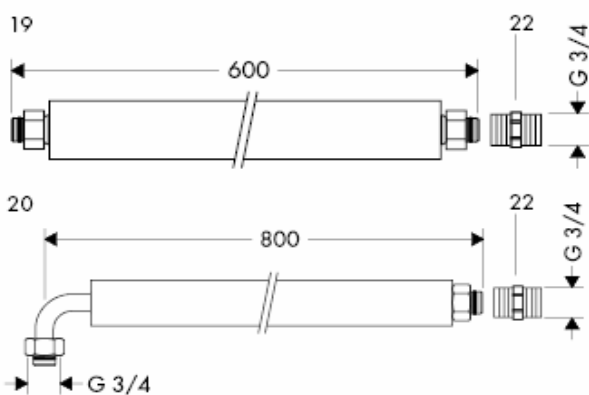
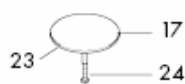
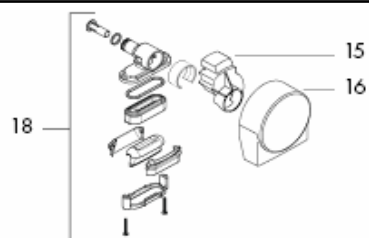
Przy montażu iBox universal z wbudowaną kombinacją zabezpieczającą (HD) należy zwrócić uwagę na to, by środek armatury znajdował się min. 280 mm ponad krawędzią wanny.



Używanie wlotu próbnego

- 1 Próbne napełnienie wanny.
- 2 Płukanie przewodów
- 3 Kontrola ciśnienia w przewodzie między mieszaczem a wlotem próbnym





Części serwisowe patrz strona 8

| | | | |
|----|---------------------------|----------|------------------------------------|
| 1 | Przykrycie | 97580000 | XXX = kody wykończenia powierzchni |
| 2 | Pierścień kształtowy | 96331000 | |
| 3 | Pierścień mocujący | 97579000 | 000 chrom |
| 4 | Śruba | 97573000 | 090 chrom/złoty szlachetna |
| 5 | Korek | 97577000 | 450 biały |
| 6 | Śruba z przepustem | 94301000 | 800 stal szlachetna |
| 7 | Talerz zaworu | 97581000 | 810 satinox |
| 8 | Uszczelka trójfunkcyjna | 96093000 | 820 nikiel szorowany |
| 9 | Nakrętka kołpakowa | 96332000 | 830 nikiel polerowany |
| 10 | Kolanko odpływu | 96221000 | 880 chrom mat |
| 11 | Komplet syfonu | 56373000 | |
| 12 | Uszczelka płaska | 98075000 | |
| 13 | Kolanko rurowe | 64173000 | |
| 14 | Pierścień uszczelniający | 97578000 | |
| 15 | Suwak kpl. | 97574XXX | |
| 16 | Obudowa na Exafill Plus | 97575XXX | |
| 17 | Duży korek | 96153XXX | |
| 18 | Korpus przelewowy komplet | 97576000 | |
| 19 | Wąż przyłączeniowy | 58191000 | |
| 20 | Wąż przyłączeniowy | 58192000 | |
| 21 | Nakrętka kołpakowa | 95094000 | |
| 22 | Złączka przyłączeniowa | 96143000 | |
| 23 | O-ring | 98066000 | |
| 24 | Śruba cylindryczna | 97658000 | |
| 25 | Zacisk | 97749000 | |
| 26 | Zestaw kluczy montażowych | 58085000 | |

Znak jakości

| | DVGW | P-IX | SVGW | ACS | NF | WRAS | KIWA |
|----------|------|------|------|-----|----|------|------|
| 58113000 | X | | X | | X | X | X |
| 58115180 | X | | X | | X | X | X |
| 58116180 | X | | X | | X | X | X |
| 58117XXX | X | | X | | X | X | X |

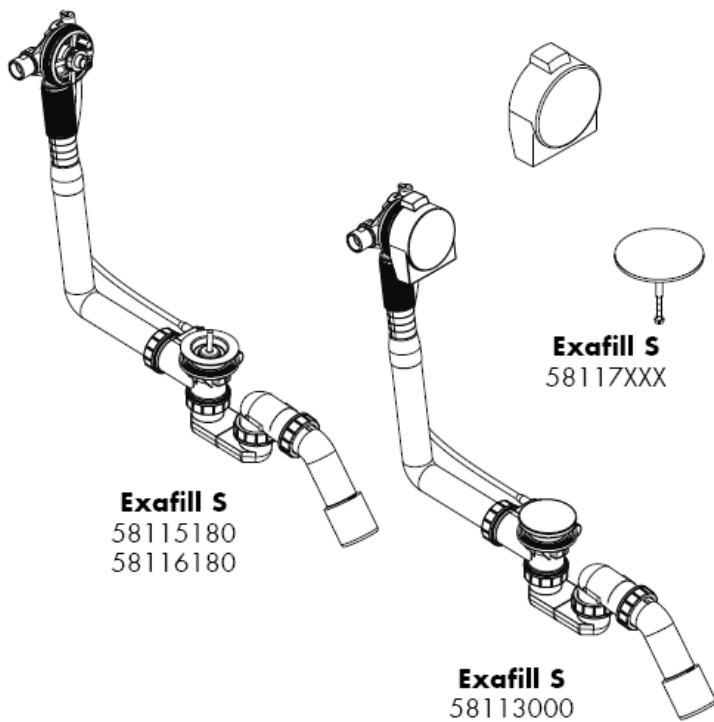


hansgrohe

Hansgrohe · Postfach 1145 · D-77761 Schiltach · Telefon +49 (0) 78 36/51-1282 · Telefax +49 (0) 7836/511440
E-Mail: info@hansgrohe.com · Internet: www.hansgrohe.com

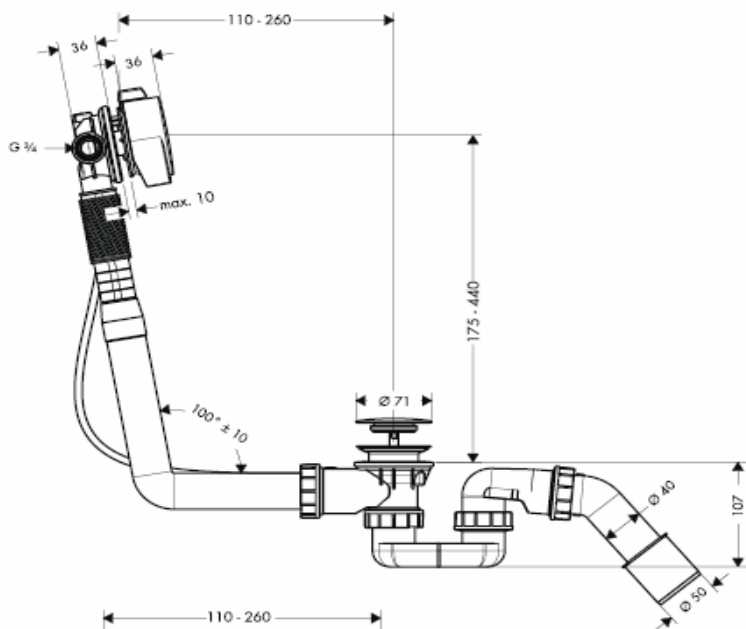
04/2010
9 09699 03
Polski

Montážní návod

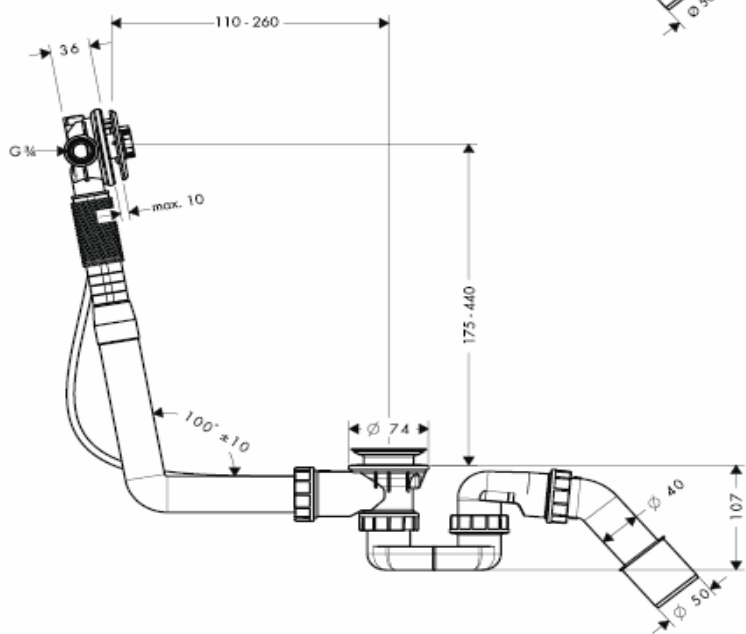


hansgrohe

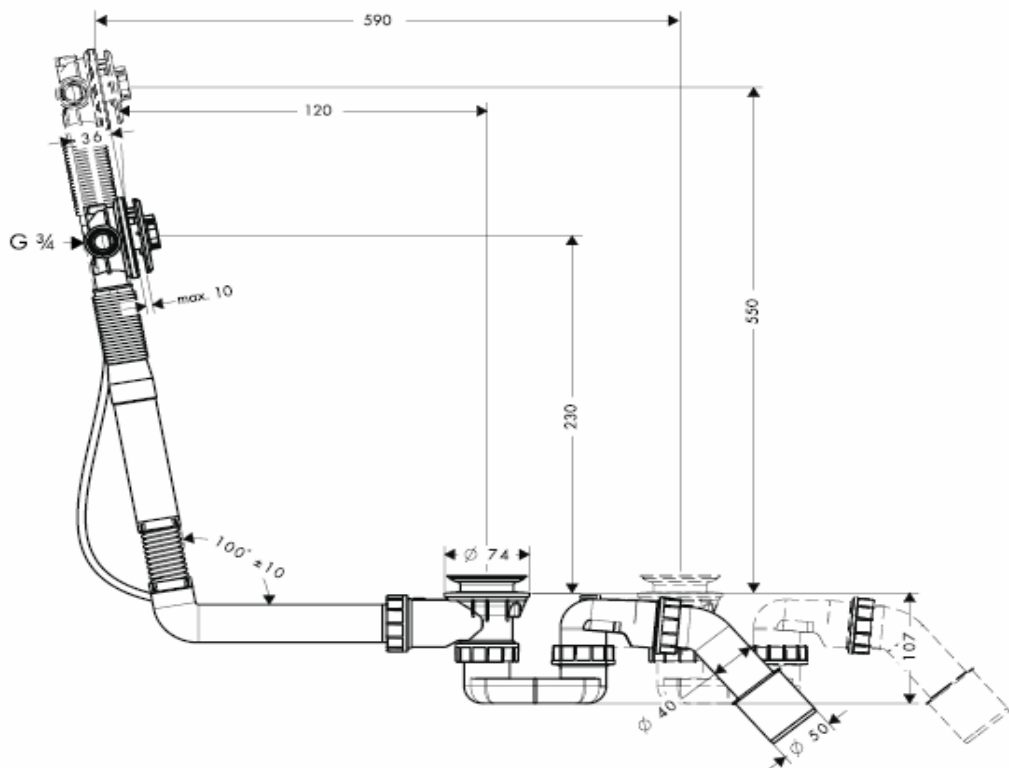
58113000



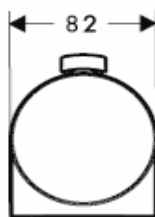
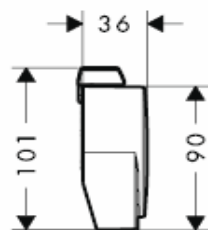
58115180

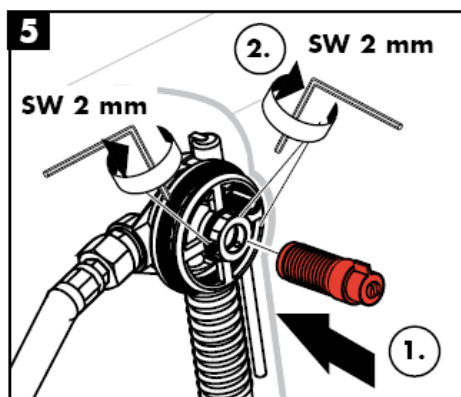
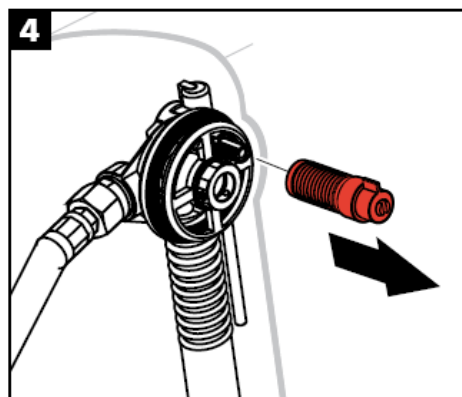
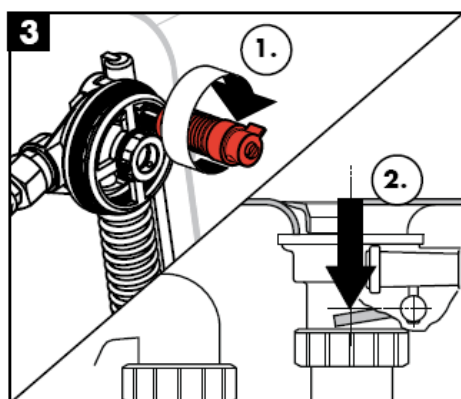
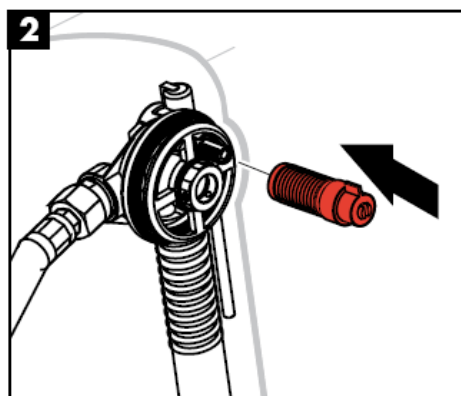


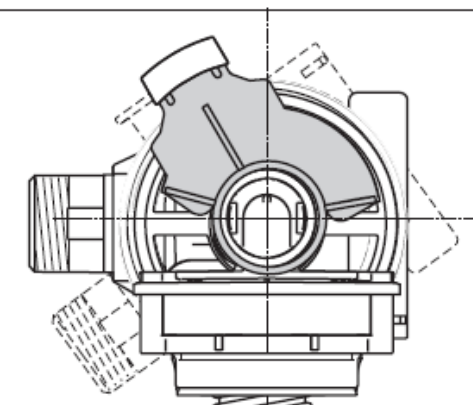
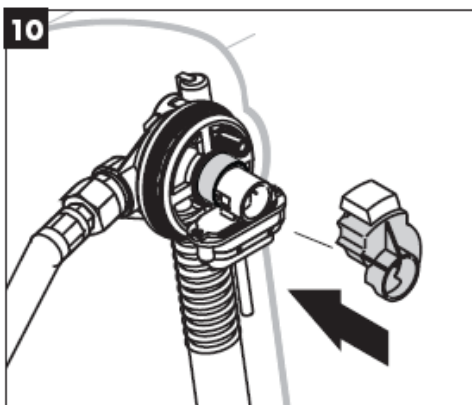
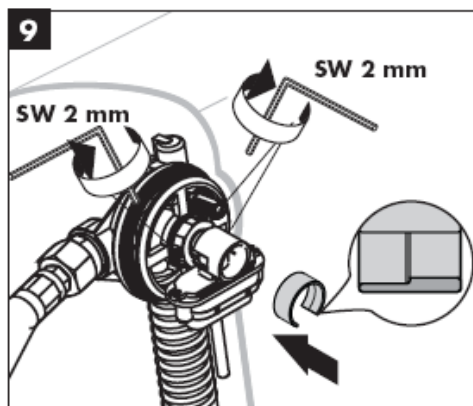
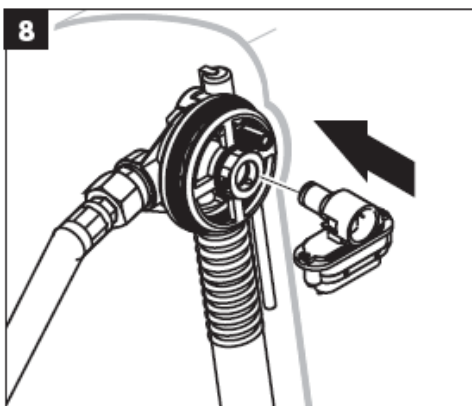
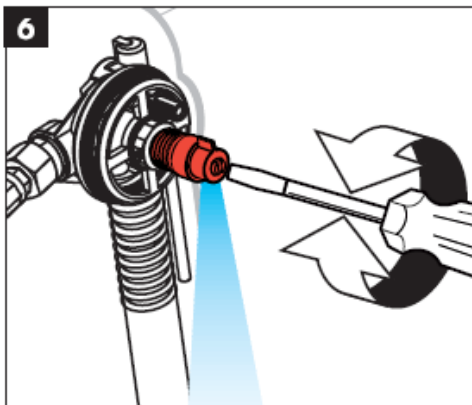
58116180

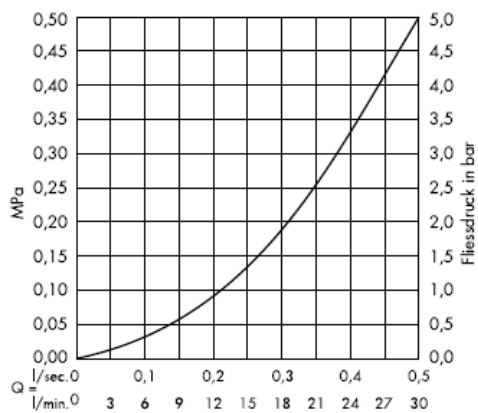
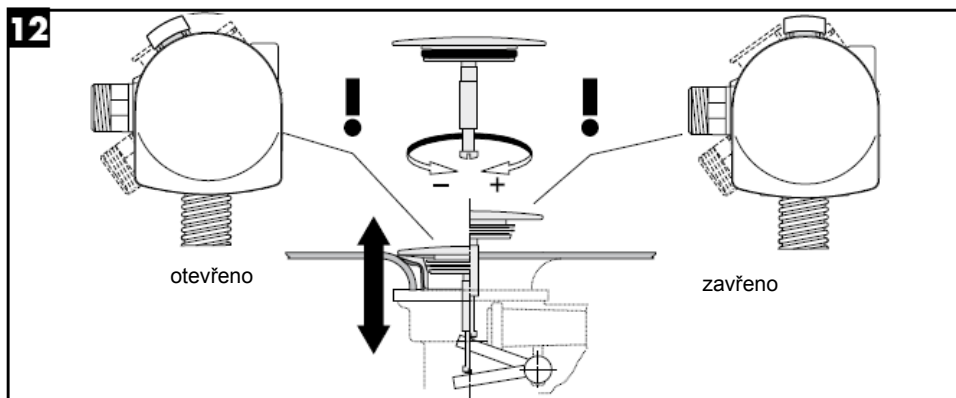
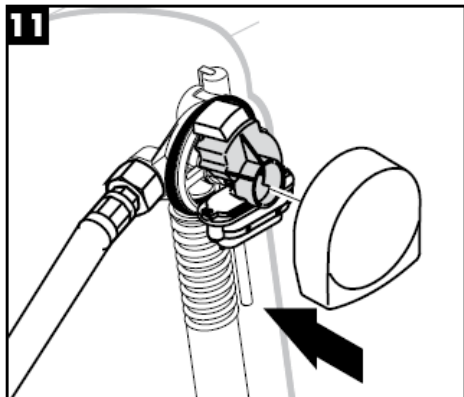


58117XXX





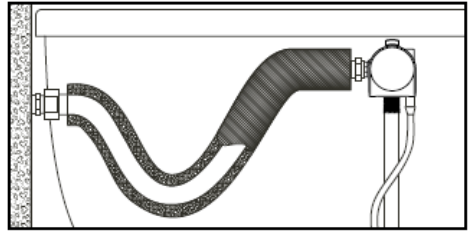




(1 MPa = 10 bar = 147 PSI)

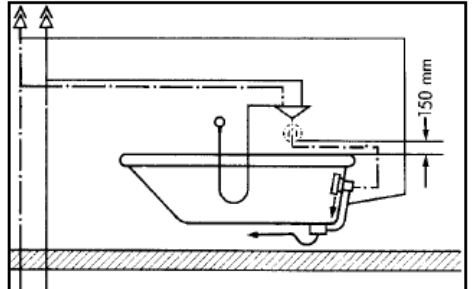
Připojení pružnou hadicí kat. č. 58191000

Po montáži soupravy musíte zařízení propláchnout podle DIN 1988.



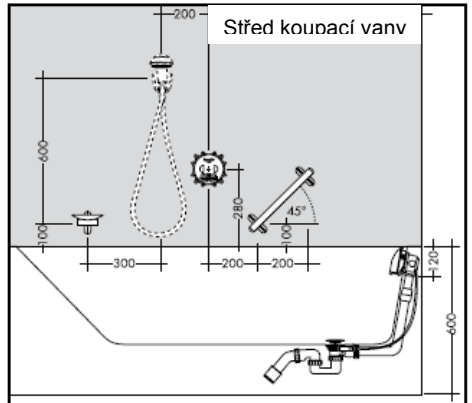
Instalace podle normy DIN 1988

Při montáži armatury pod omítku je nutno dbát na to, aby rozdělovač trubky (DB) ležel min. 150 mm nad okrajem vany (viz náčrtek vedle).



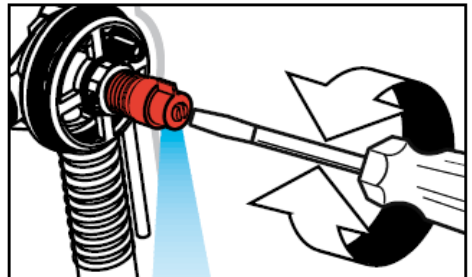
Instalace podle normy EN 1717

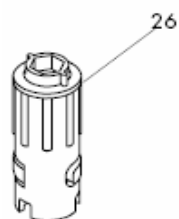
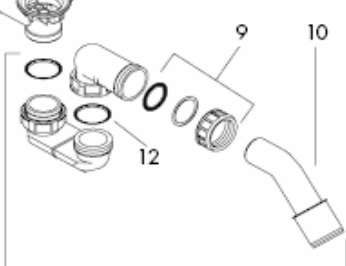
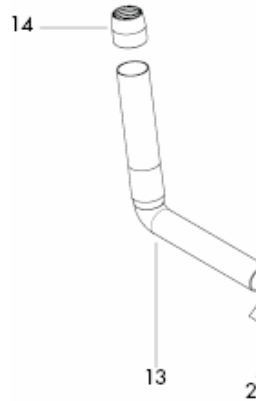
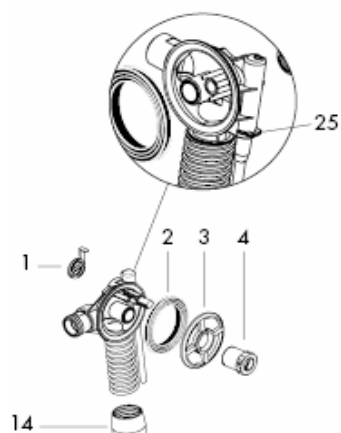
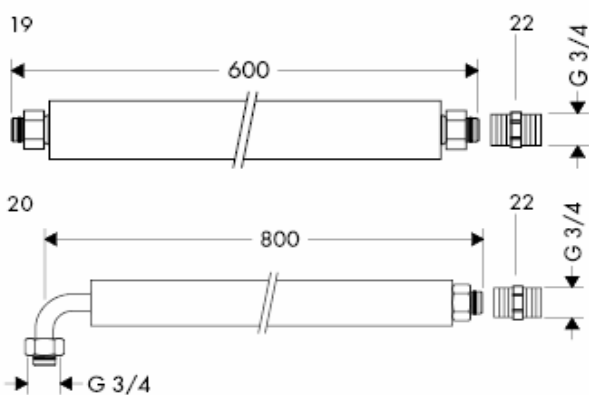
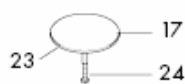
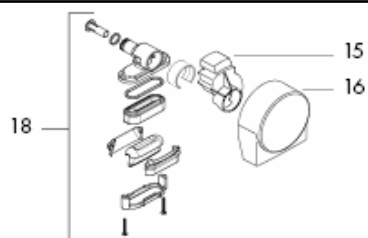
Při montáži "iBox universal" s integrovanou bezpečnostní kombinací (HD) je nutno dbát na to, aby byl střed armatury min. 280 mm na okrajem vany.



Použití zkušebního vtoku

- 1 Zkušební naplnění vany.
- 2 vypláchnout vedení
- 3 Tlaková zkouška potrubí mezi baterií a zkušebním vtokem





Servisní díly viz strana 8

| | | | |
|----|-------------------------|----------|----------------------------|
| 1 | kryt | 97580000 | XXX = kód povrchové úpravy |
| 2 | tvárovaný kroužek | 96331000 | |
| 3 | upevňovací kroužek | 97579000 | 000 chrom |
| 4 | Stahovací šroub | 97573000 | 090 chrom/zlato ocel |
| 5 | zátka | 97577000 | 450 bílá |
| 6 | dutý šroub | 94301000 | 800 nerezová ocel |
| 7 | talíř ventilu | 97581000 | 810 satinox |
| 8 | třífunkční těsnění | 96093000 | 820 brushed nickel |
| 9 | převlečná matice | 96332000 | 830 polished nickel |
| 10 | koleno odtoku | 96221000 | 880 matný chrom |
| 11 | kompletní sifon | 56373000 | |
| 12 | ploché těsnění | 98075000 | |
| 13 | koleno trubky | 64173000 | |
| 14 | manžeta? | 97578000 | |
| 15 | jezdec kompl. | 97574XXX | |
| 16 | kryt pro Exafill Plus | 97575XXX | |
| 17 | velká zátka | 96153XXX | |
| 18 | těleso výtoku kompl. | 97576000 | |
| 19 | Připojovací hadička | 58191000 | |
| 20 | Připojovací hadička | 58192000 | |
| 21 | převlečná matice | 95094000 | |
| 22 | připojovací nátrubek | 96143000 | |
| 23 | O-kroužek | 98066000 | |
| 24 | šroub s válcovou hlavou | 97658000 | |
| 25 | svěrka | 97749000 | |
| 26 | sada montážních klíčů | 58085000 | |

zkušební značka

| | DVGW | P-IX | SVGW | ACS | NF | WRAS | KIWA |
|----------|------|------|------|-----|----|------|------|
| 58113000 | X | | X | | X | X | X |
| 58115180 | X | | X | | X | X | X |
| 58116180 | X | | X | | X | X | X |
| 58117XXX | X | | X | | X | X | X |

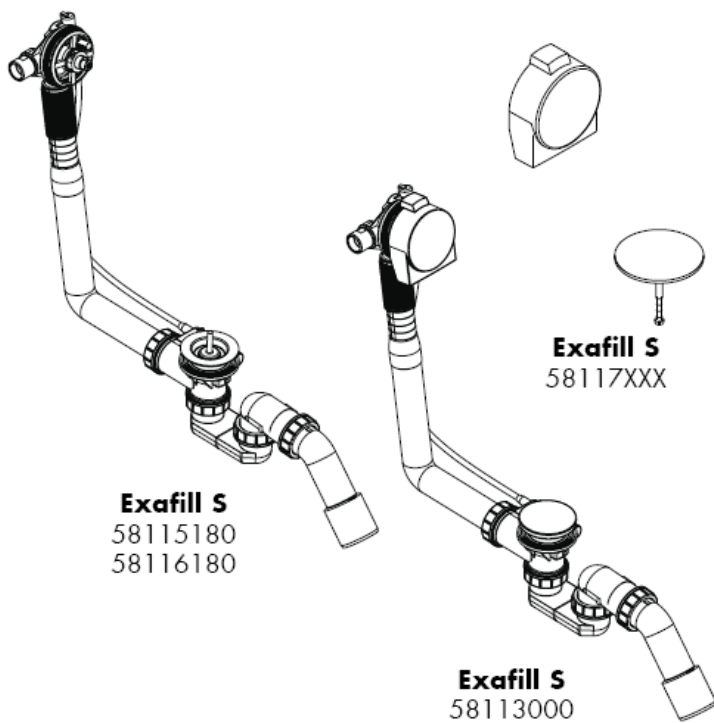


hansgrohe

Hansgrohe · Postfach 1145 · D-77761 Schiltach · Telefon +49 (0) 78 36/51-1282 · Telefax +49 (0) 7836/511440
E-Mail: info@hansgrohe.com · Internet: www.hansgrohe.com

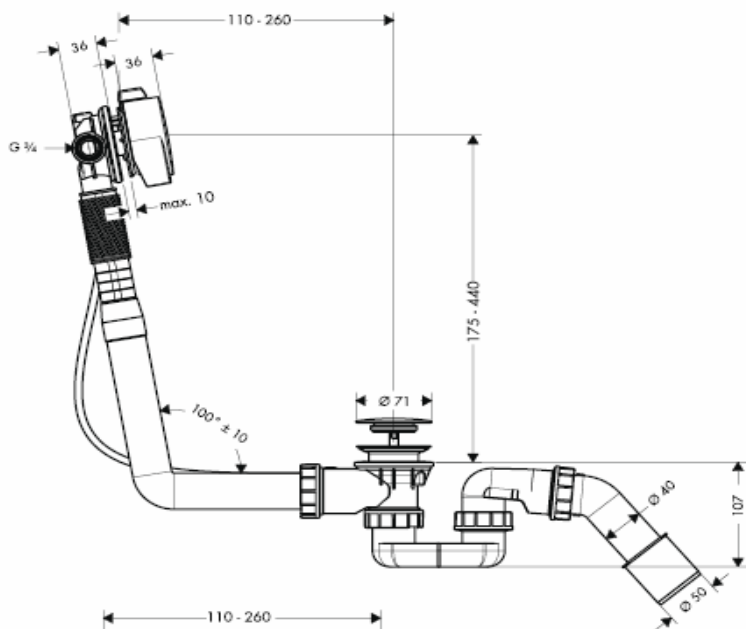
04/2010
9 09699 03
Česky

Montážny návod

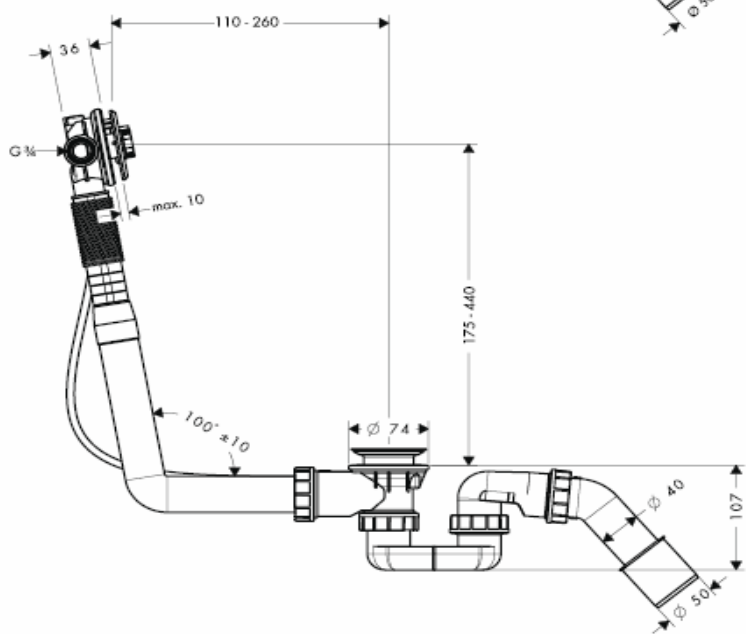


hansgrohe

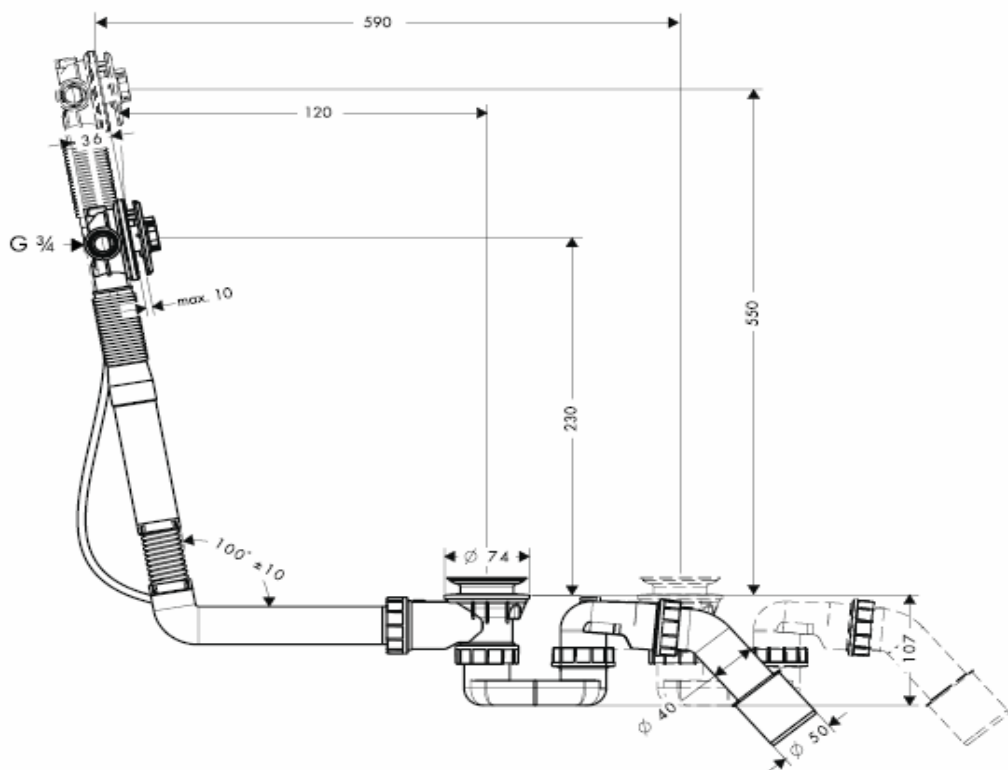
58113000



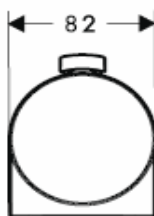
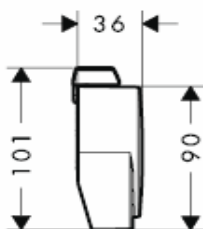
58115180

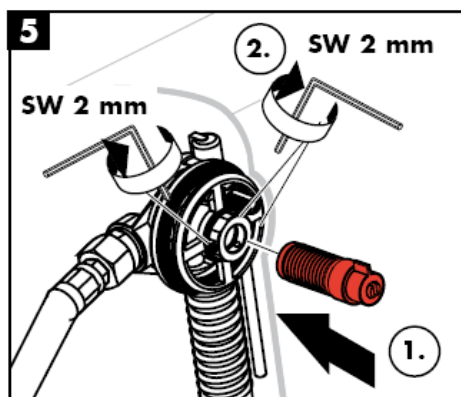
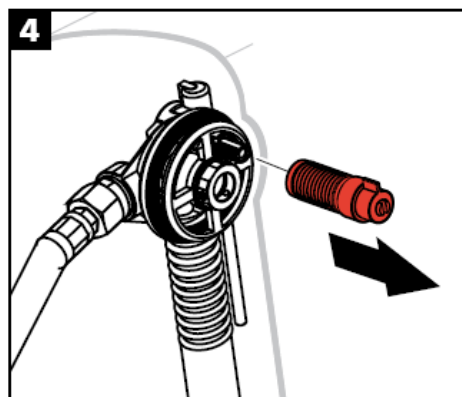
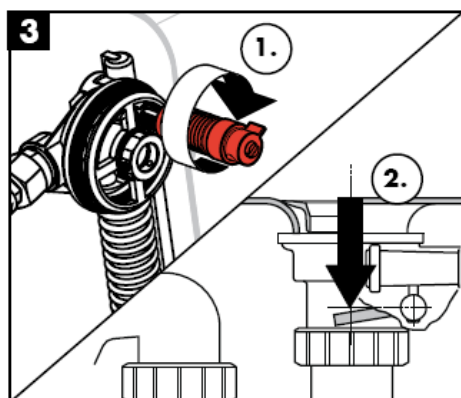
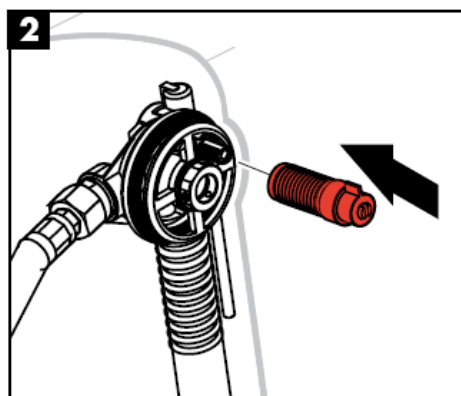


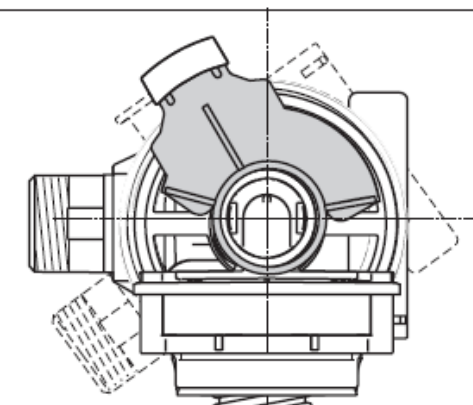
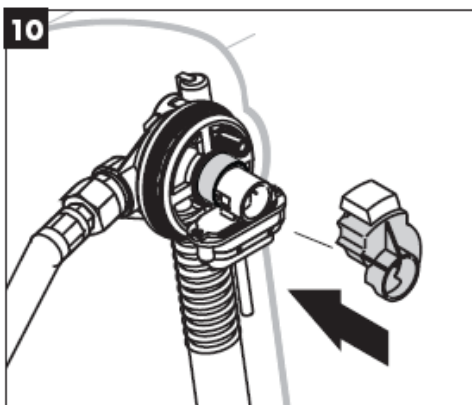
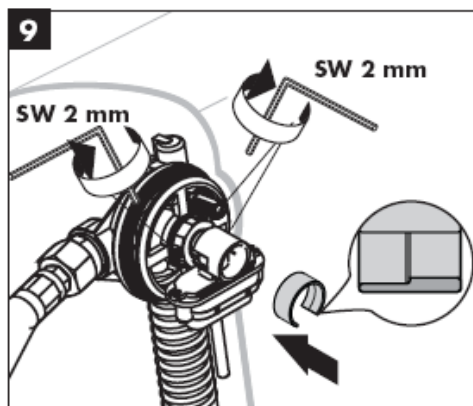
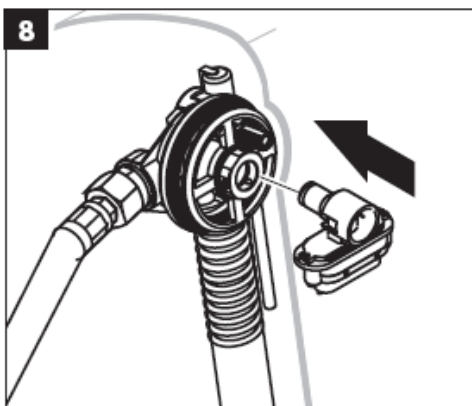
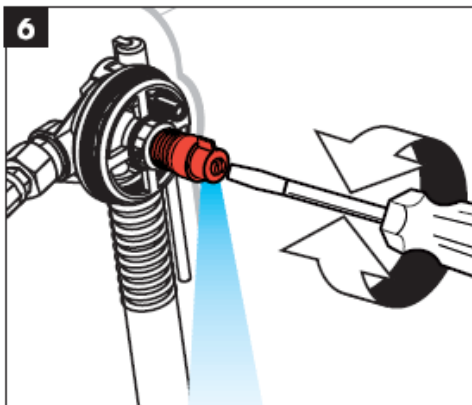
58116180

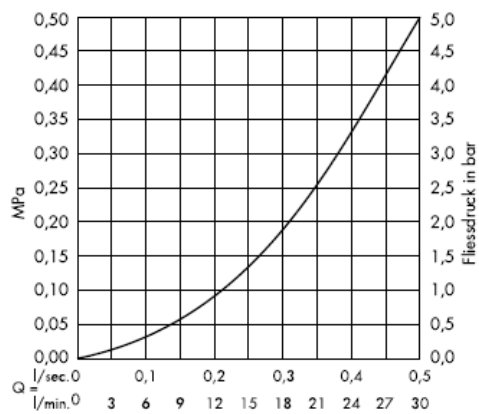
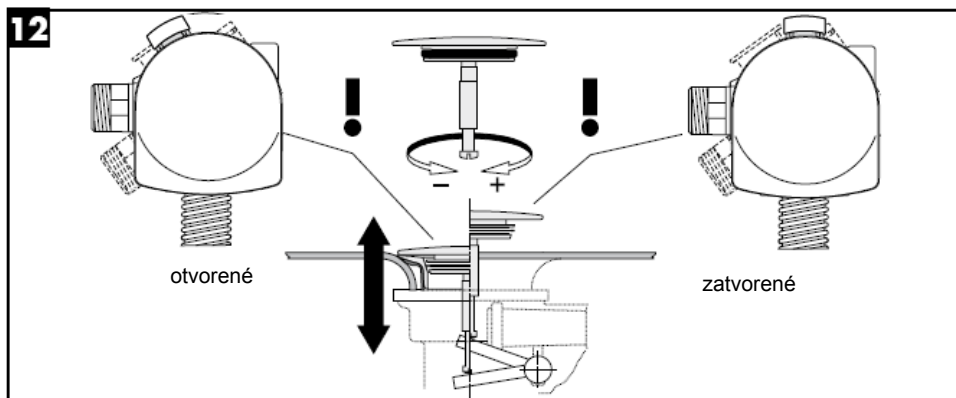
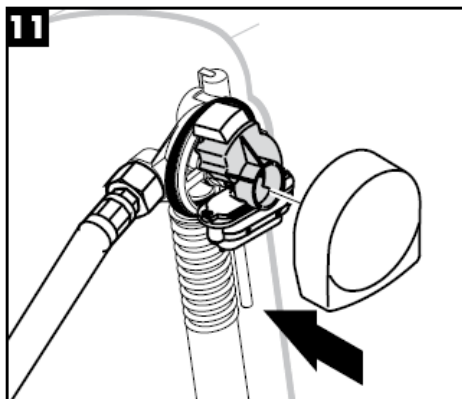


58117XXX





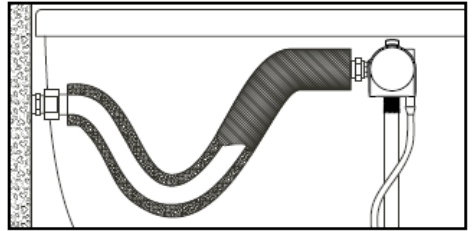




(1 MPa = 10 bar = 147 PSI)

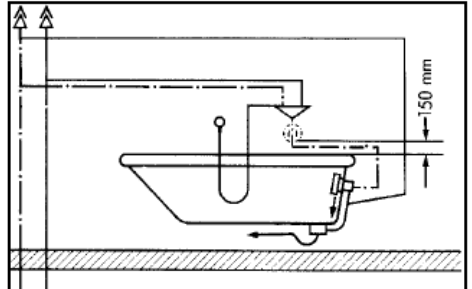
pripojenie pomocou pružnej hadice vyr. č. 58191000

Po montáži armatúr sa musí zariadenie vypláchnuť podľa DIN 1988.



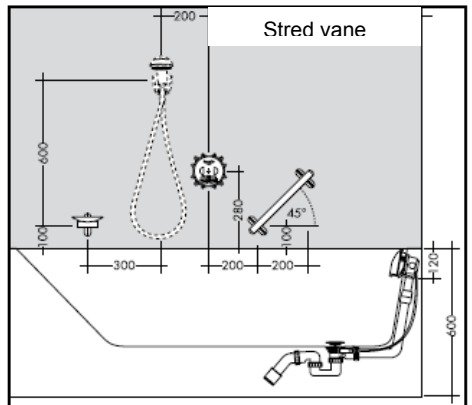
Inštalácia podľa DIN 1988

Pri inštalácii batérie je nutné dbať na to, aby prípojka vetraceho otvoru (DB) bola minimálne 150 mm nad horným okrajom vane (viď náčrt vedľa)



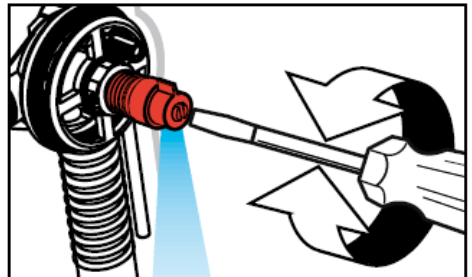
Inštalácia podľa DIN 1717

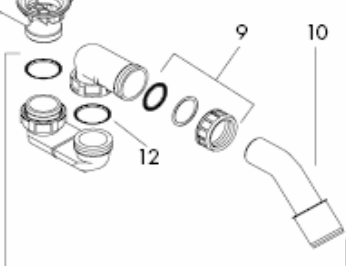
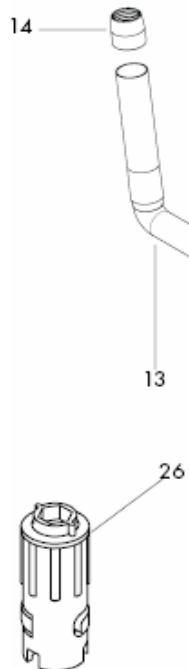
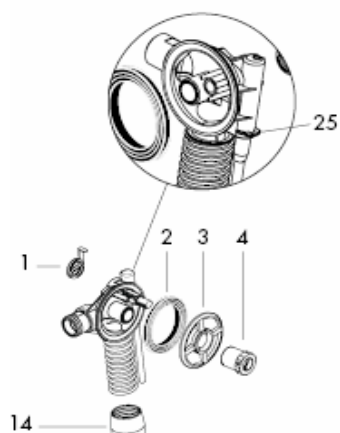
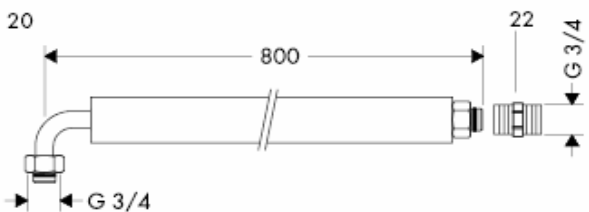
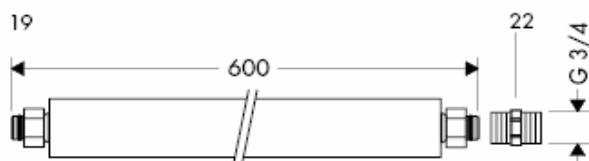
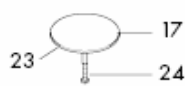
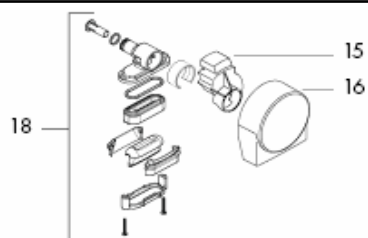
Pri montáži iBox universal s integrovanou kombináciou istenia (HD) dbať na to, aby bol stred batérie min. 280 mm nad horným okrajom vane.



Použiť zátku

- 1 Skúšobné naplnenie vane.
- 2 Vypláchnutie vedení.
- 3 Tlaková skúška potrubia medzi batériou a snímačom





Servisné diely viď strana 8

| | | | |
|----|-----------------------------|----------|-----------------------------|
| 1 | kryt | 97580000 | XXX = kód povrchovej úpravy |
| 2 | tvarový krúžok | 96331000 | |
| 3 | upínací krúžok | 97579000 | 000 chróm |
| 4 | Napínacia skrutka | 97573000 | 090 chróm/zlato ocel |
| 5 | zátka | 97577000 | 450 biela |
| 6 | dutá skrutka | 94301000 | 800 nerezova ocel |
| 7 | tanier ventilu | 97581000 | 810 satinox |
| 8 | trojnásobné tesnenie | 96093000 | 820 brushed nickel |
| 9 | nástrčná matica | 96332000 | 830 polished nickel |
| 10 | vypúšťacie koleno | 96221000 | 880 matný chróm |
| 11 | kompletný sifón | 56373000 | |
| 12 | ploché tesnenie | 98075000 | |
| 13 | koleno potrubia | 64173000 | |
| 14 | manžeta | 97578000 | |
| 15 | jazdec kompl. | 97574XXX | |
| 16 | veko pre Exafil Plus | 97575XXX | |
| 17 | veľká zátka | 96153XXX | |
| 18 | kompletné vypúšťacie teleso | 97576000 | |
| 19 | pripájacia hadička | 58191000 | |
| 20 | pripájacia hadička | 58192000 | |
| 21 | nástrčná matica | 95094000 | |
| 22 | pripájací nátrubok | 96143000 | |
| 23 | O-krúžok | 98066000 | |
| 24 | skrutka s valcovou hlavou | 97658000 | |
| 25 | Svorka | 97749000 | |
| 26 | sada montážnych kľúčov | 58085000 | |

Osvedčenie o skúške

| | DVGW | P-IX | SVGW | ACS | NF | WRAS | KIWA |
|----------|------|------|------|-----|----|------|------|
| 58113000 | X | | X | | X | X | X |
| 58115180 | X | | X | | X | X | X |
| 58116180 | X | | X | | X | X | X |
| 58117XXX | X | | X | | X | X | X |

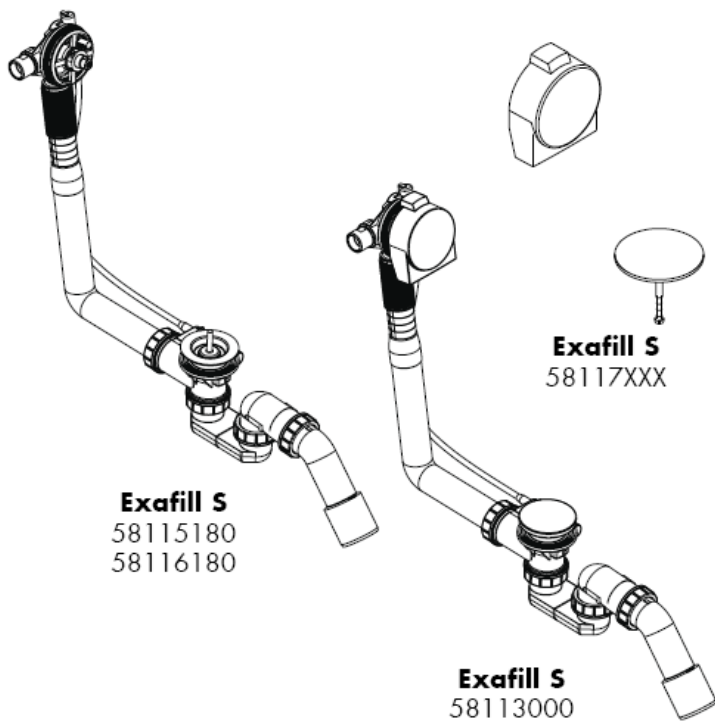


hansgrohe

Hansgrohe · Postfach 1145 · D-77761 Schiltach · Telefon +49 (0) 78 36/51-1282 · Telefax +49 (0) 7836/511440
E-Mail: info@hansgrohe.com · Internet: www.hansgrohe.com

04/2010
9 09699 03
Slovenský

组装说明



hansgrohe

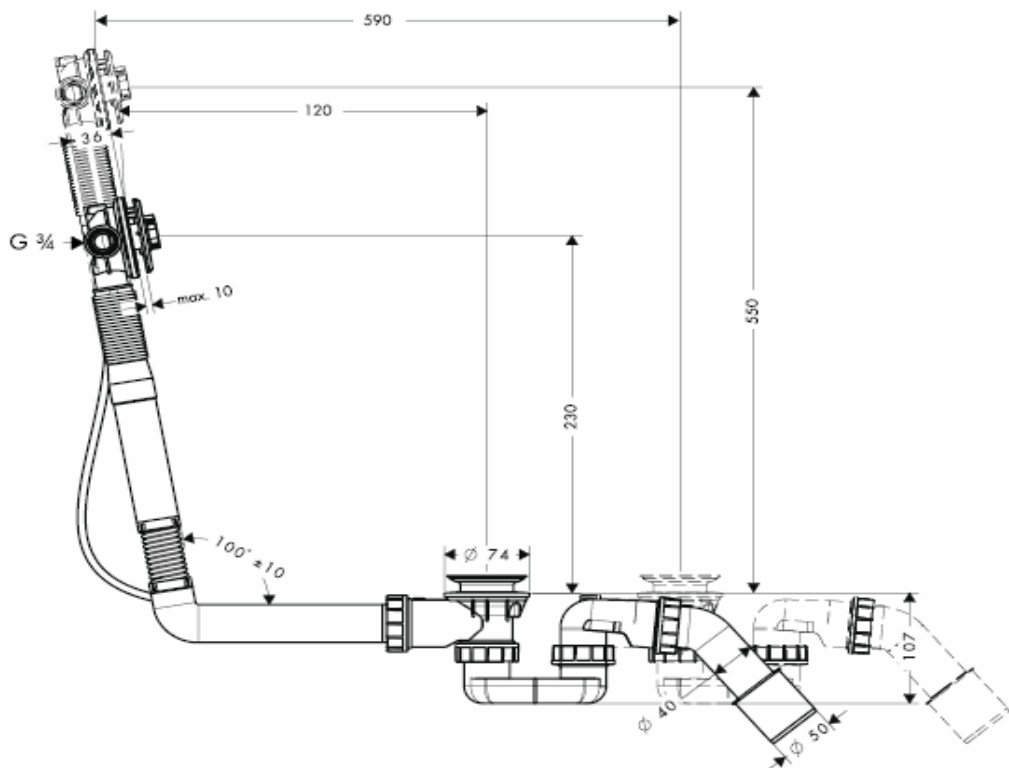
58113000



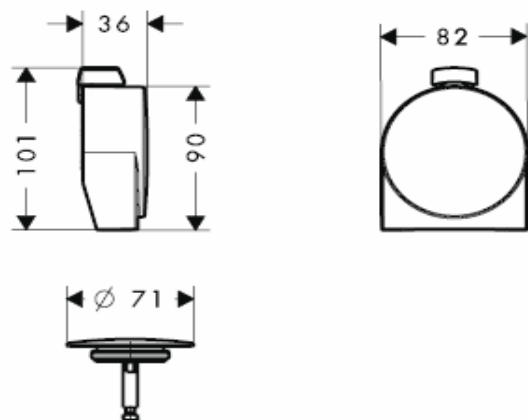
58115180

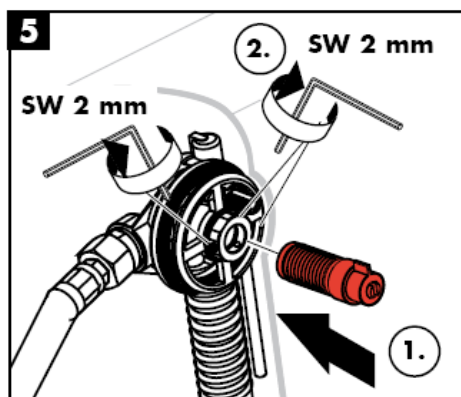
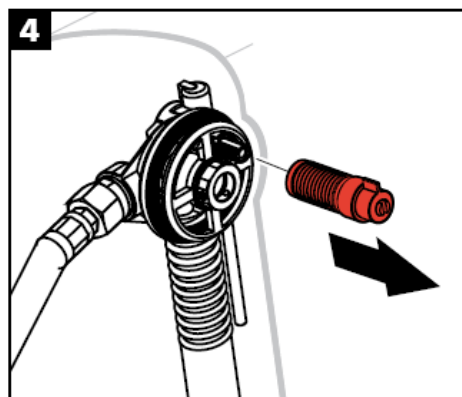
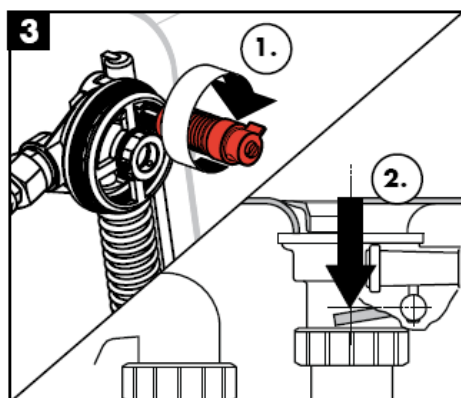
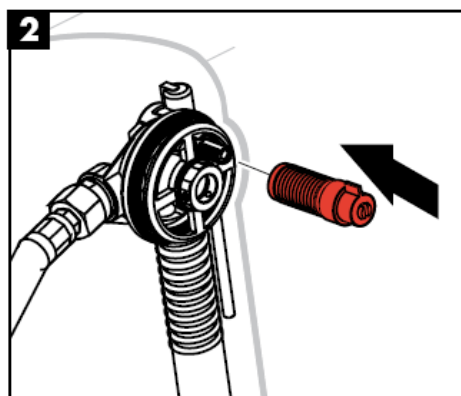


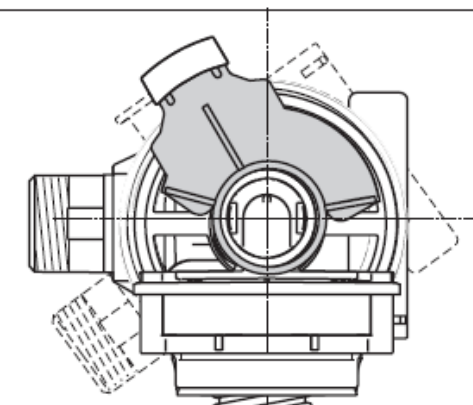
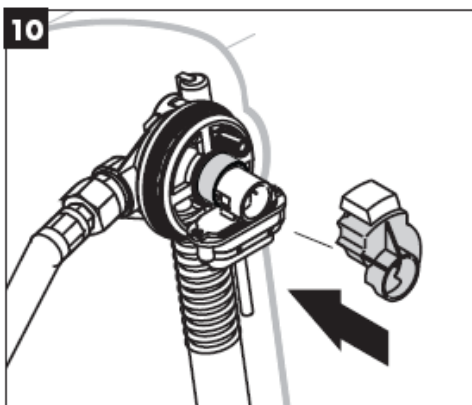
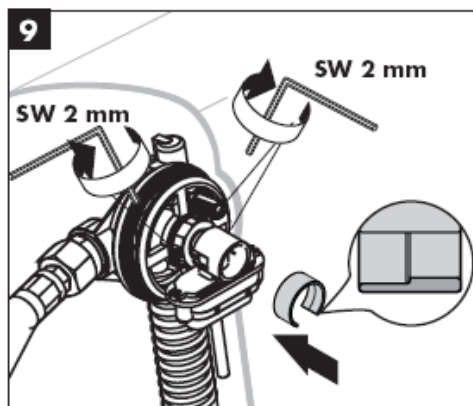
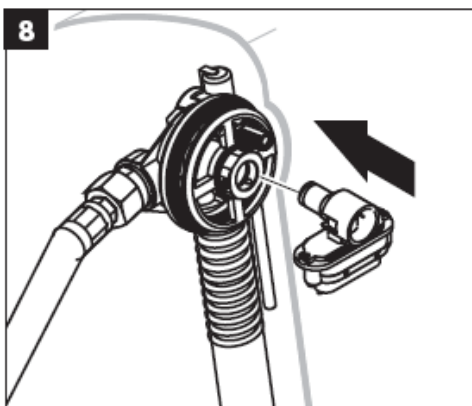
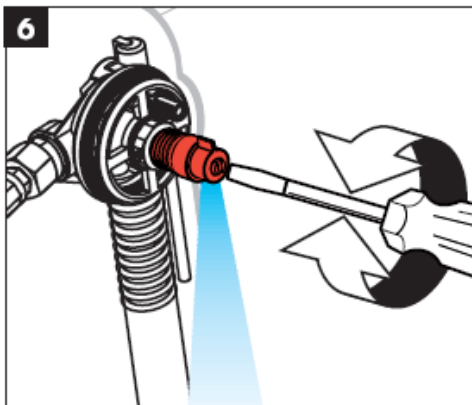
58116180

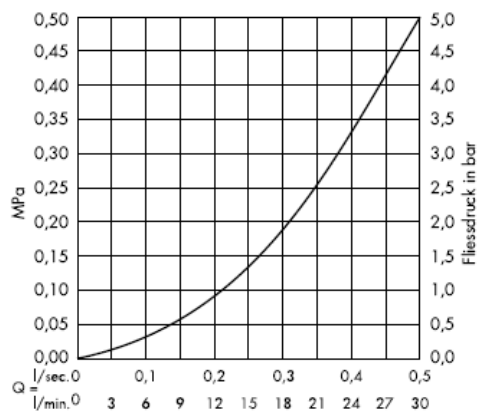
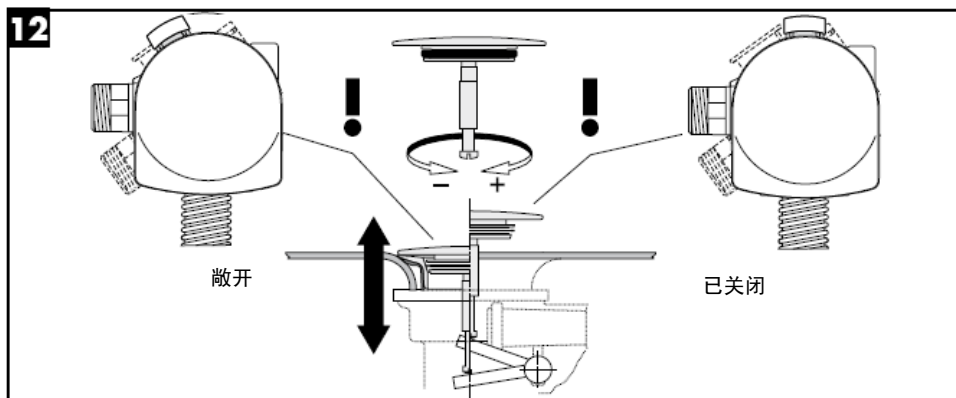
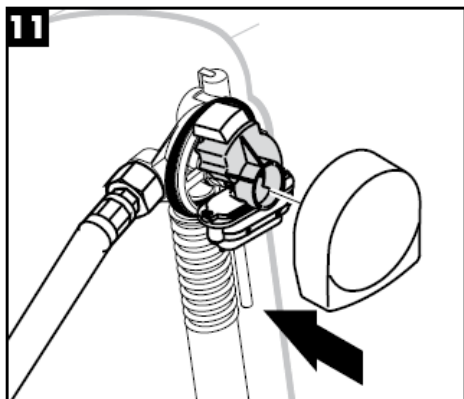


58117XXX





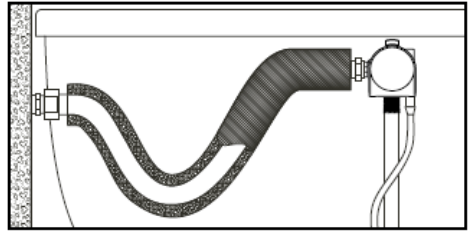




(1 MPa = 10 bar = 147 PSI)

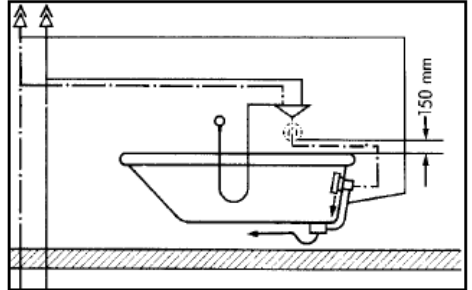
与挠性软管连接。物品编号：58191000

安装配件后，必须按照德国工业标准1988清洁该设备。



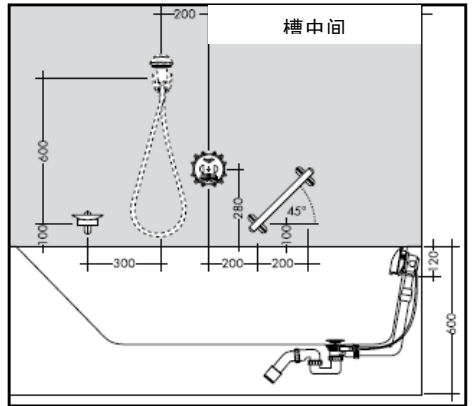
按照DIN 1988进行安装

安装浴缸龙头时，注意气隙接头（DB）在浴盆上沿上方至少150 mm。



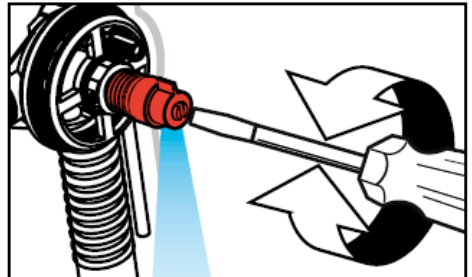
按照EN 1717进行安装

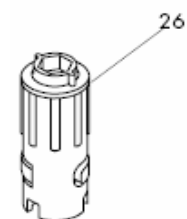
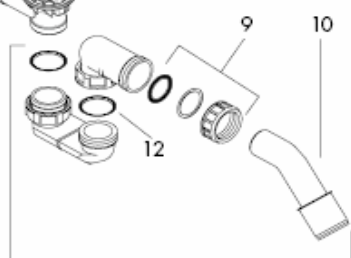
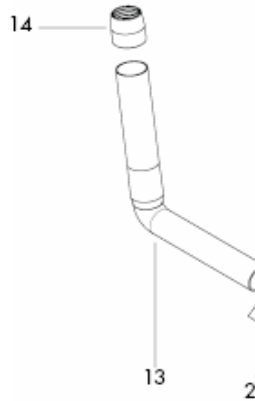
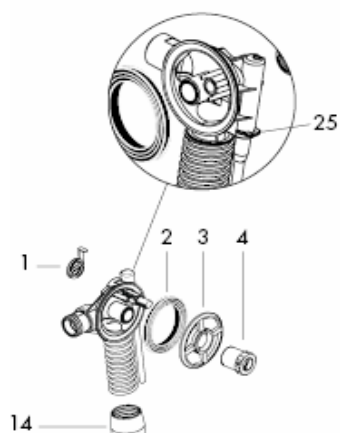
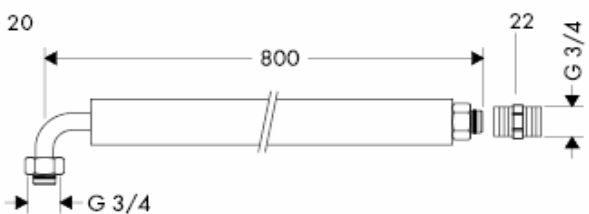
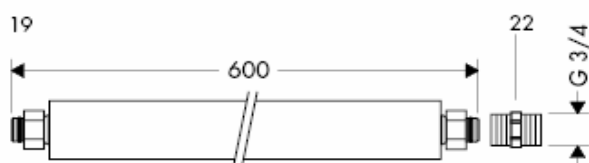
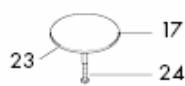
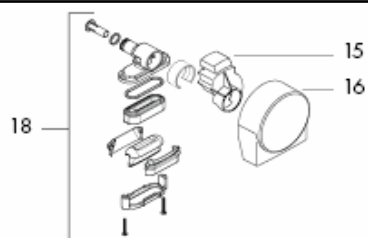
组装iBox universal及整体式安全组合（HD）时请注意，龙头的中间至少在浴盆上沿上方280 mm。



冲洗塞的使用

- 1 浴盆试装满
- 2 冲洗管道。
- 3 龙头和嵌入式插头之间管道的压力测试





备用零件 参见第页 8

| | | | |
|----|------------|----------|------------|
| 1 | 盖 | 97580000 | XXX = 颜色代码 |
| 2 | 活塞环 | 96331000 | |
| 3 | 加固环 | 97579000 | 000 镀铬 |
| 4 | 夹紧螺栓 | 97573000 | 090 镀铬/黑色 |
| 5 | 塞子 | 97577000 | 450 白色 |
| 6 | 空心螺丝 | 94301000 | 800 不锈钢表面 |
| 7 | 阀盘 | 97581000 | 810 压光 |
| 8 | 三倍垫圈 | 96093000 | 820 镍拉丝 |
| 9 | 套筒螺母 | | 830 镍抛光 |
| 10 | | 96332000 | 880 铬压光 |
| 11 | 弧形出口 | 96221000 | |
| 12 | 全套Sifon | 56373000 | |
| 13 | 垫圈 | 98075000 | |
| 14 | 肘管 | 64173000 | |
| 15 | Maschette | 97578000 | |
| 16 | 支架组件 | 97574XXX | |
| 17 | Exafill 加盖 | 97575XXX | |
| 18 | 大软木塞 | 96153XXX | |
| 19 | 全套出水口部件 | 97576000 | |
| 20 | 连接软管 | 58191000 | |
| 21 | 连接软管 | 58192000 | |
| 22 | 套筒螺母 | | |
| 23 | | 95094000 | |
| 24 | 连接螺纹管 | 96143000 | |
| 25 | “O”型密封圈 | 98066000 | |
| 26 | 六角形凹头螺钉 | 97658000 | |
| 27 | 夹子 | 97749000 | |
| 28 | 专用工具套件 | 58085000 | |

检验标记

| | DVGW | P-IX | SVGW | ACS | NF | WRAS | KIWA |
|----------|------|------|------|-----|----|------|------|
| 58113000 | X | | X | | X | X | X |
| 58115180 | X | | X | | X | X | X |
| 58116180 | X | | X | | X | X | X |
| 58117XXX | X | | X | | X | X | X |



kiwa
gecertificeerd



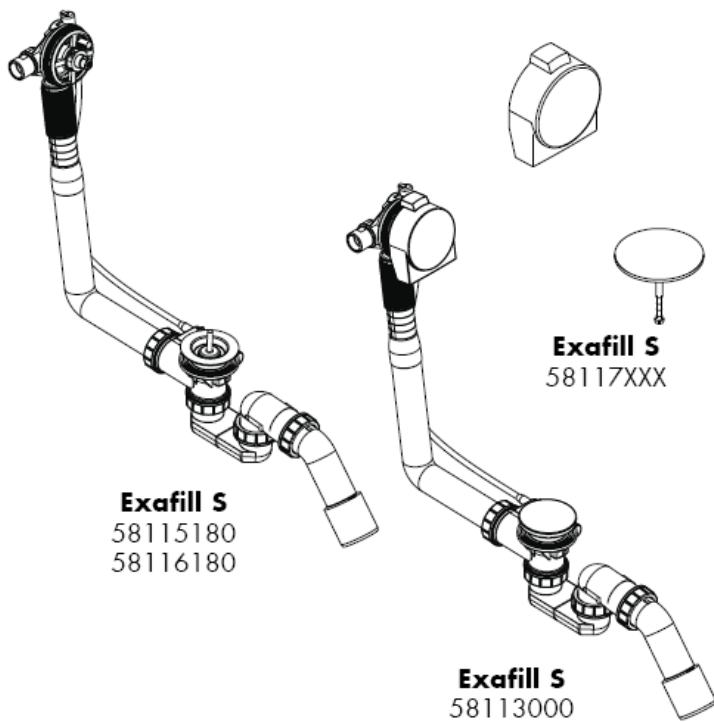
WATERLEIDING-
TECHNISCH VELLIS

hansgrohe

Hansgrohe · Postfach 1145 · D-77761 Schiltach · Telefon +49 (0) 78 36/51-1282 · Telefax +49 (0) 7836/511440
E-Mail: info@hansgrohe.com · Internet: www.hansgrohe.com

04/2010
9.09/699.03
中文

Инструкция по монтажу



hansgrohe

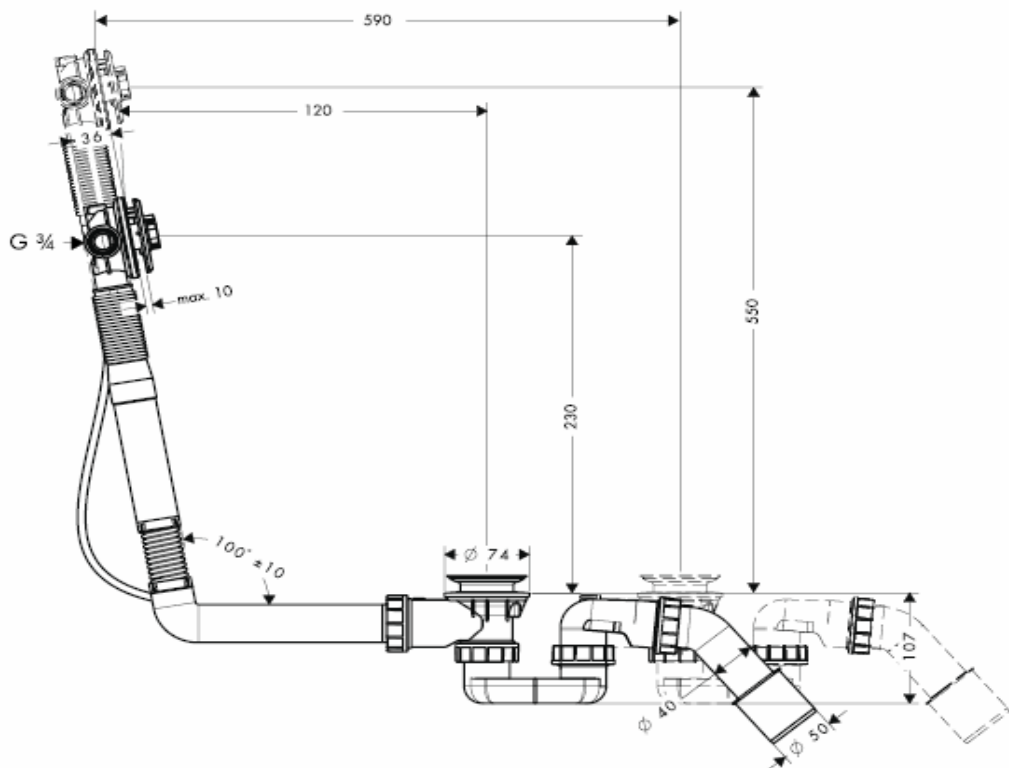
58113000



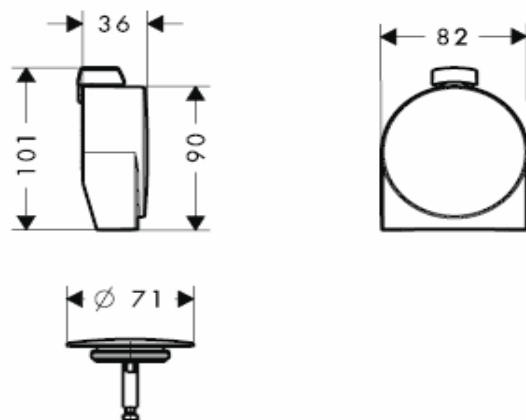
58115180

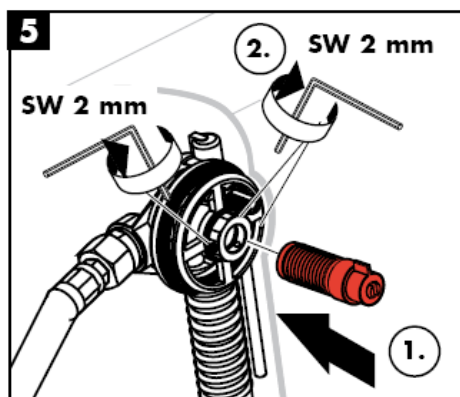
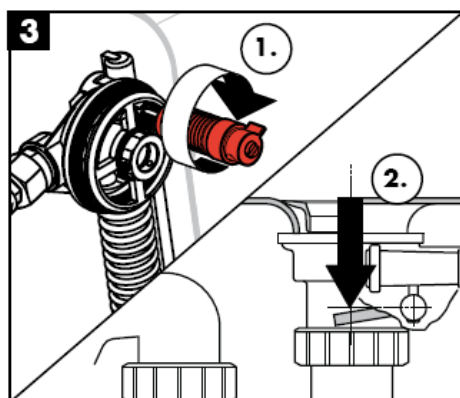
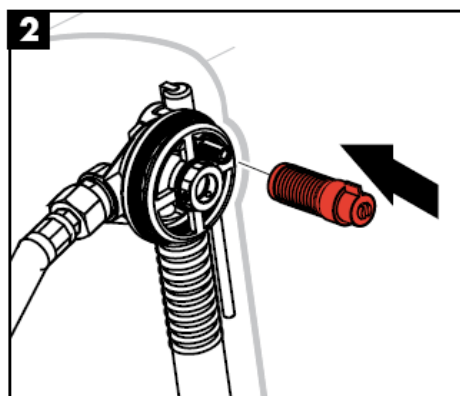


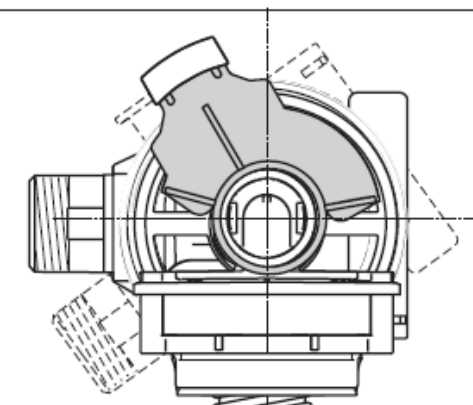
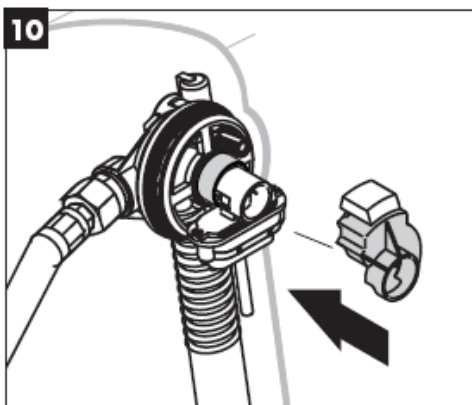
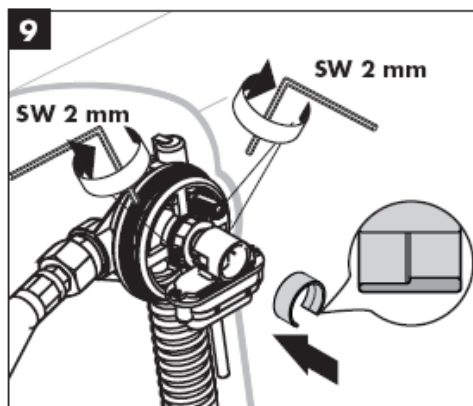
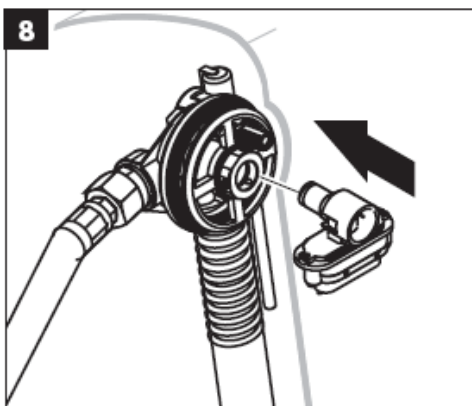
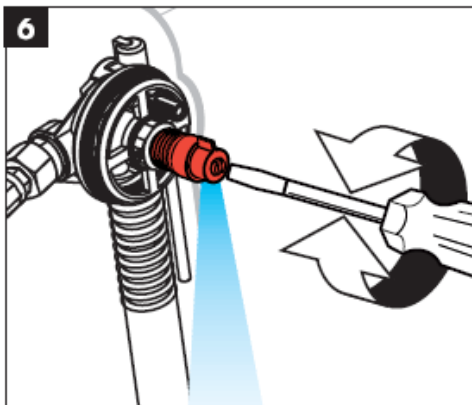
58116180

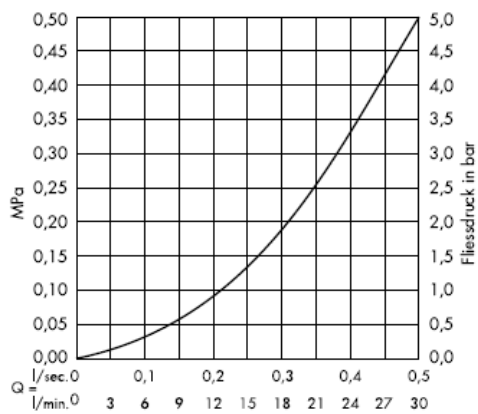
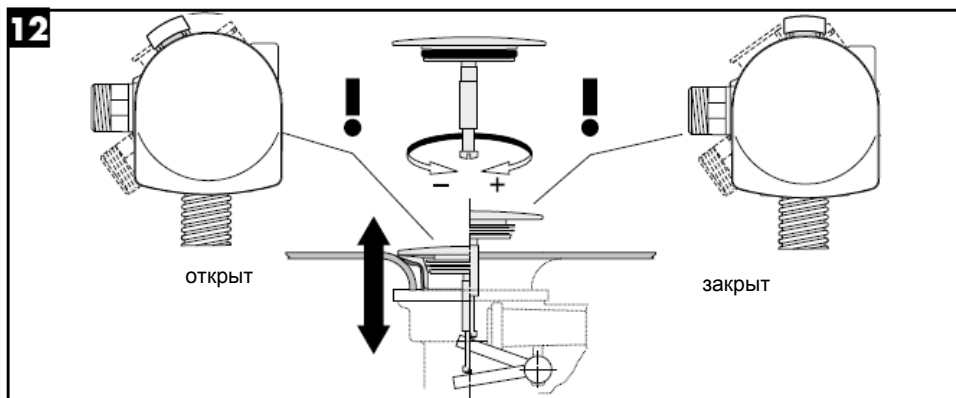
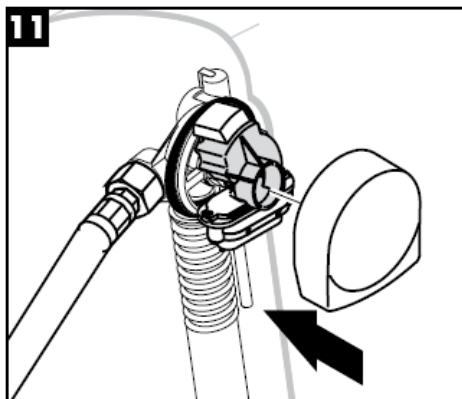


58117XXX





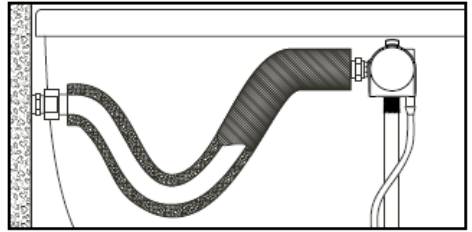




(1 МПа = 10 bar = 147 PSI)

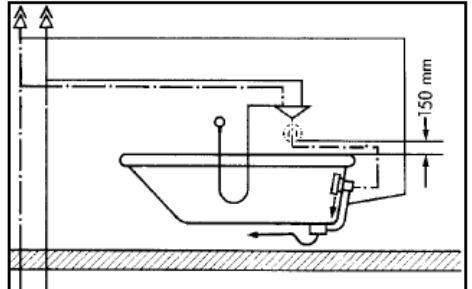
Подключение с гибким шлангом. Арт № 58191000

После монтажа гарнитуры систему необходимо промыть, согласно DIN 1988.



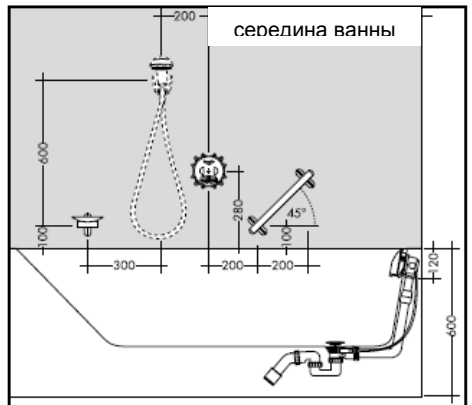
Установка, согласно DIN 1988

При монтаже арматуры для скрытого монтажа необходимо следить за тем, чтобы прерыватель трубы (DB) находился на высоте мин. на 150 мм выше края ванны. (см. эскиз рядом).



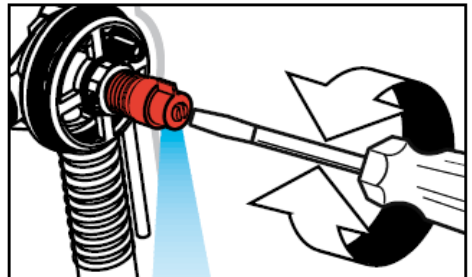
Установка, согласно EN 1717

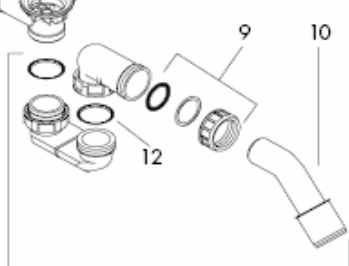
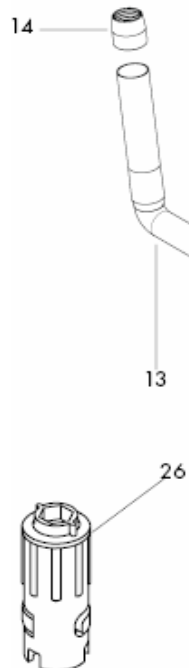
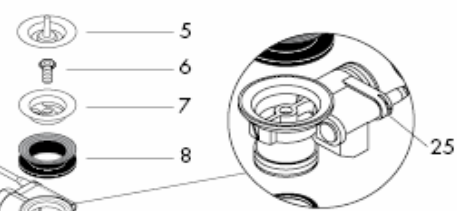
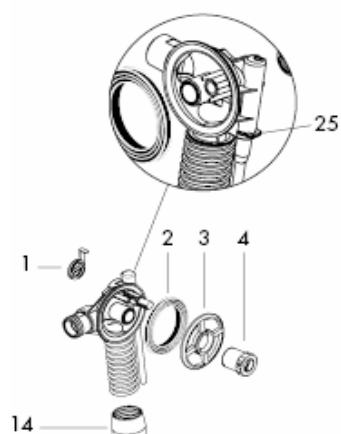
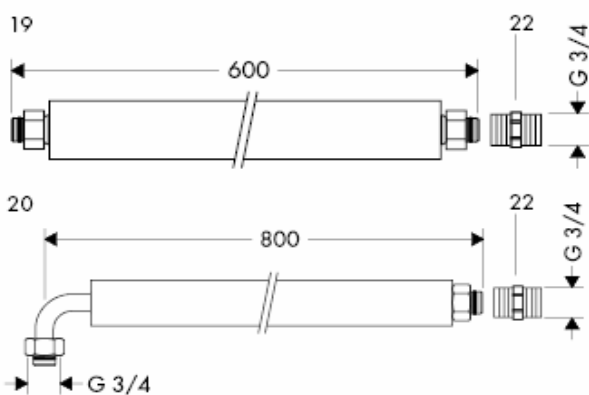
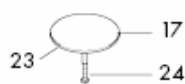
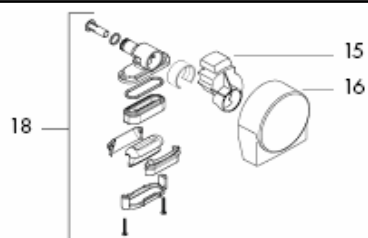
При монтаже iBox universal с встроенной предохраняющей комбинацией (HD) необходимо следить за тем, чтобы середина арматуры находилась на высоте мин. на 280 мм выше края ванны.



Использование пробного входа

- 1 Пробное наполнение ванны
- 2 Промывка трубопроводов
- 3 Проверка давления трубопровода между смесителем и пробным впуском





Комплект см. стр. 8

| | | | |
|----|--|----------|-----------------------------|
| 1 | накладка | 97580000 | XXX = Код цвета поверхности |
| 2 | Формное кольцо | 96331000 | |
| 3 | Крепежное кольцо | 97579000 | 000 хром |
| 4 | Натяжной винт | 97573000 | 090 хром/глянцевое золото |
| 5 | Пробка | 97577000 | 450 белый |
| 6 | Полый винт | 94301000 | 800 сталь |
| 7 | Тарелка клапана | 97581000 | 810 сатинокс |
| 8 | Тройное уплотнение | 96093000 | 820 brushed nickel |
| 9 | Накидная гайка | 96332000 | 830 polished nickel |
| 10 | Колено слива | 96221000 | 880 матовый |
| 11 | Сифон в сборе | 56373000 | |
| 12 | Плоское уплотнение | 98075000 | |
| 13 | Колено | 64173000 | |
| 14 | Манжета | 97578000 | |
| 15 | Заслонка кпл. | 97574XXX | |
| 16 | Крышка для Exafill Plus | 97575XXX | |
| 17 | Пробка большая | 96153XXX | |
| 18 | Корпус выхода полностью | 97576000 | |
| 19 | Подводка | 58191000 | |
| 20 | Подводка | 58192000 | |
| 21 | Накидная гайка | 95094000 | |
| 22 | нипель подводки | 96143000 | |
| 23 | Уплотнительное кольцо круглого сечения | 98066000 | |
| 24 | Винт с цилиндрической головкой | 97658000 | |
| 25 | скоба | 97749000 | |
| 26 | Набор монтажных ключей | 58085000 | |

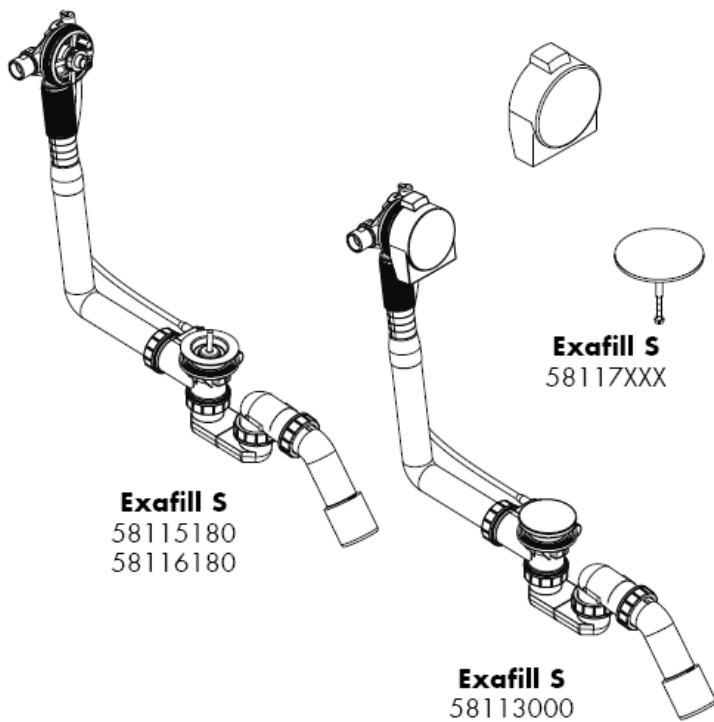
Знак технического контроля

| | DVGW | P-IX | SVGW | ACS | NF | WRAS | KIWA |
|----------|------|------|------|-----|----|------|------|
| 58113000 | X | | X | | X | X | X |
| 58115180 | X | | X | | X | X | X |
| 58116180 | X | | X | | X | X | X |
| 58117XXX | X | | X | | X | X | X |



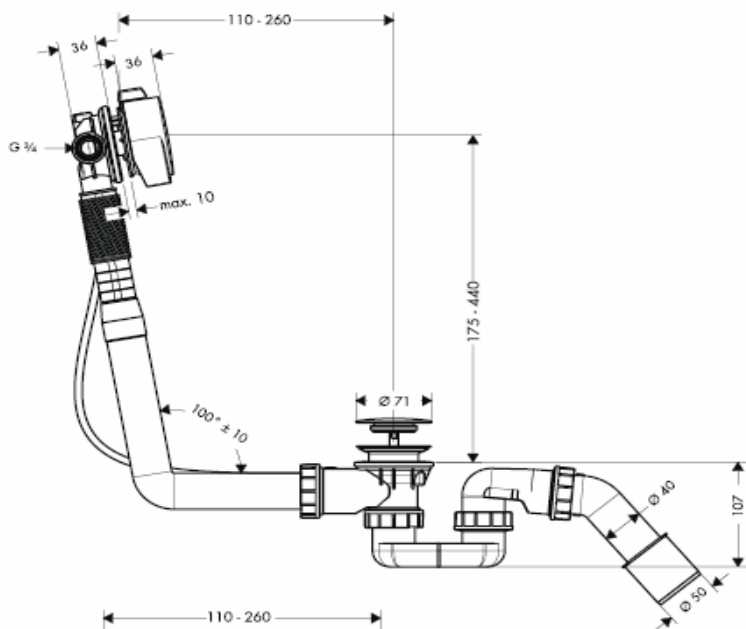
hansgrohe

Szerelési útmutató

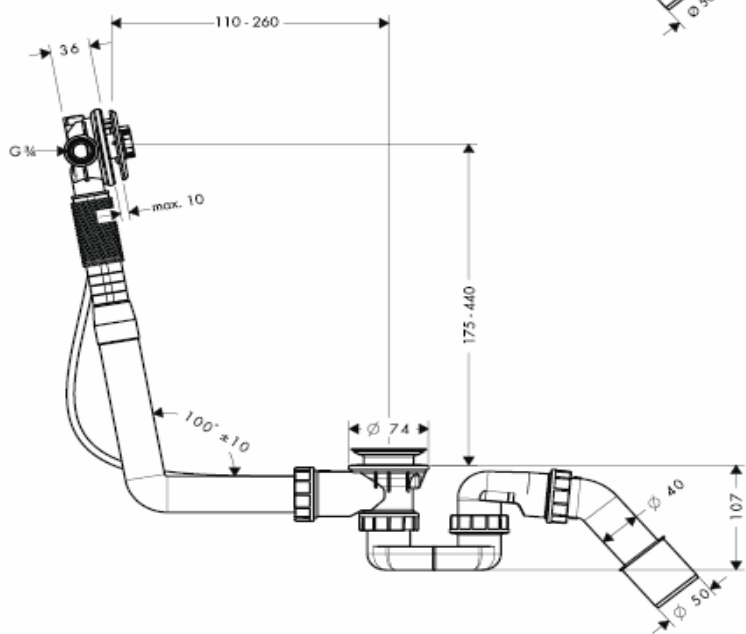


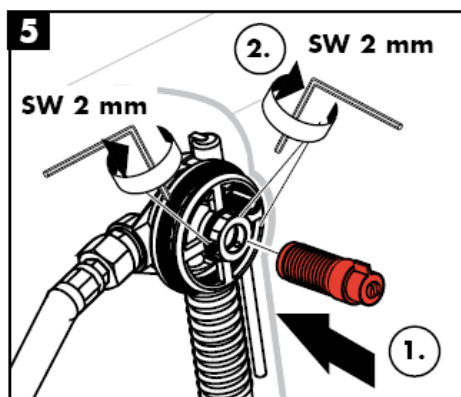
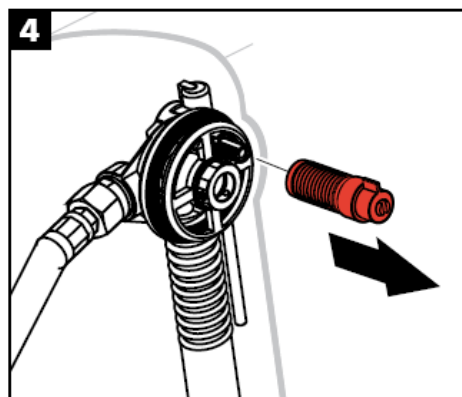
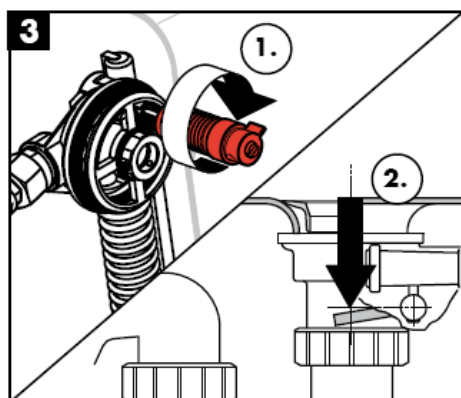
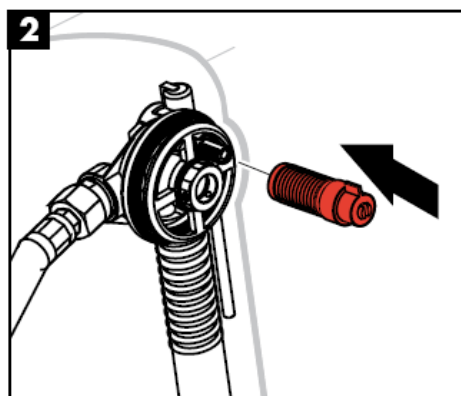
hansgrohe

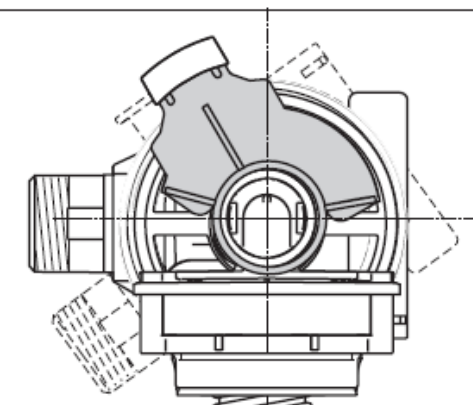
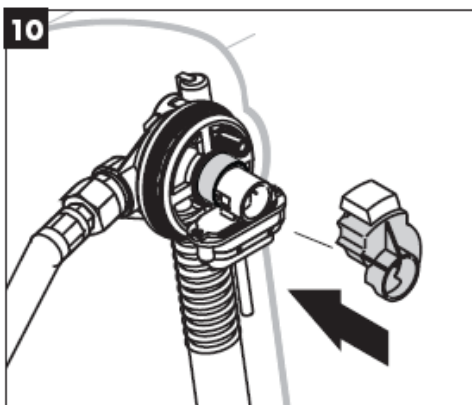
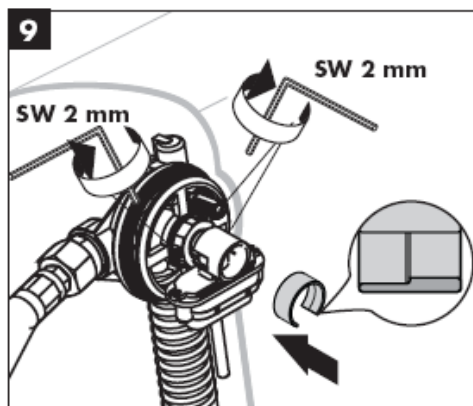
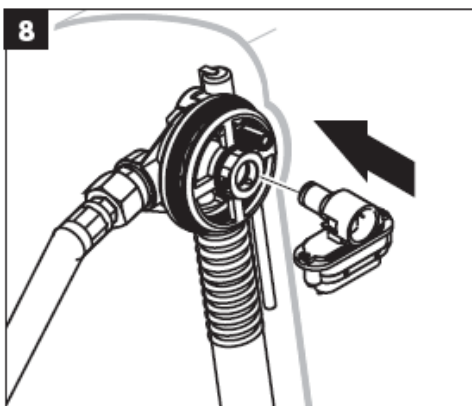
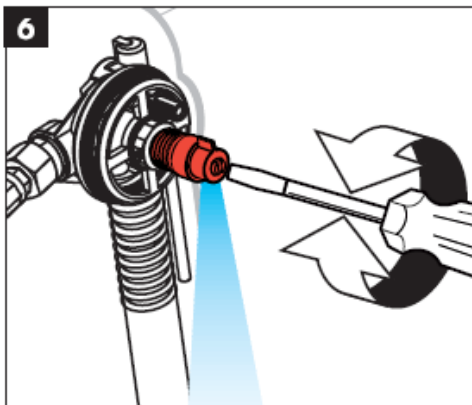
58113000

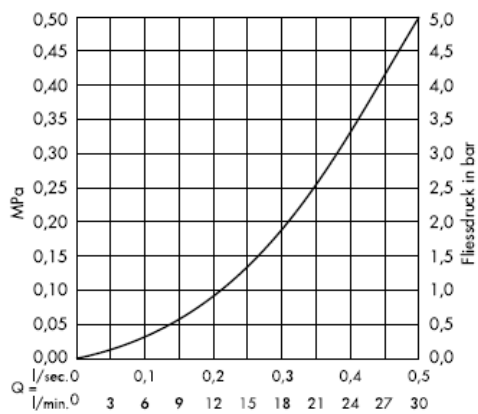
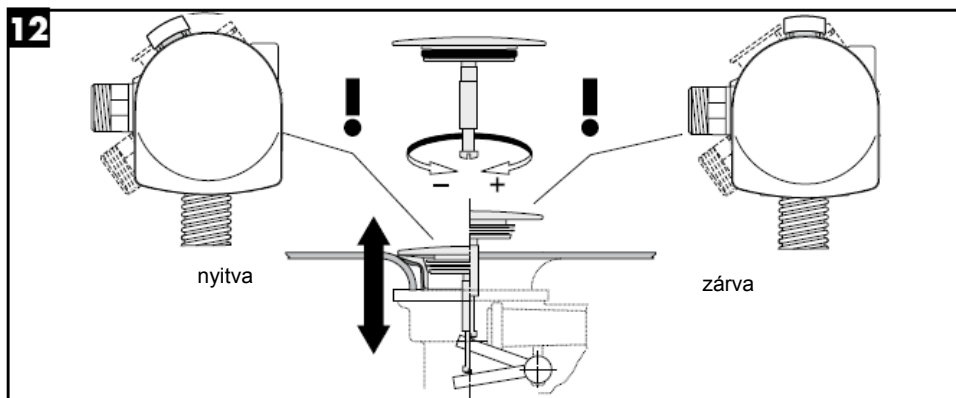
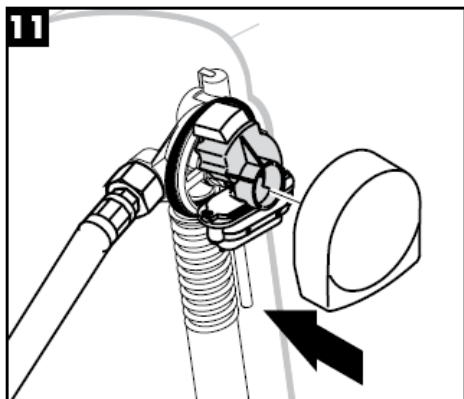


58115180





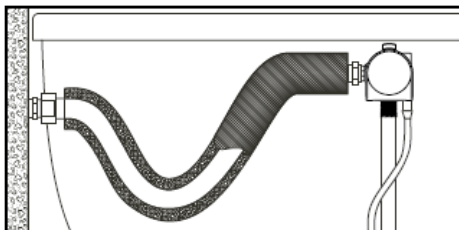




(1 MPa = 10 bar = 147 PSI)

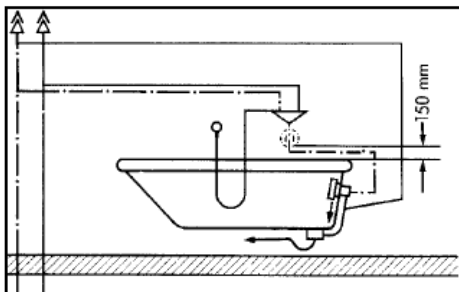
Csatlakozó flexibilis tömlővel, Cikkszám:
58191000

A garnitúra felszerelése után a berendezést a
DIN 1988 szabvány szerint el kell öblíteni.



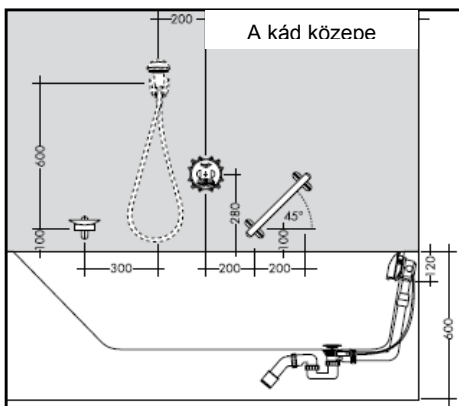
Szerelés DIN 1988 szerint

A vakolat alatti csaptelep szerelésekor arra kell
ügyelni, hogy a csőmegszakító (DB) legalább
150 mm-rel a kád pereme felett fekdjön. (lásd a
mellékelt vázlatot)



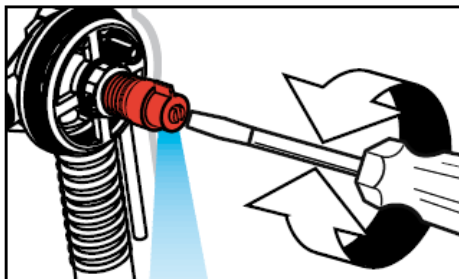
Szerelés EN 1717 szerint

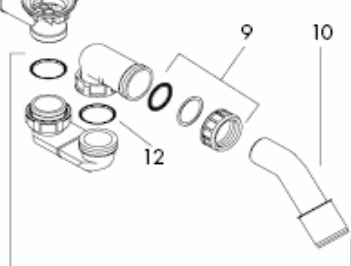
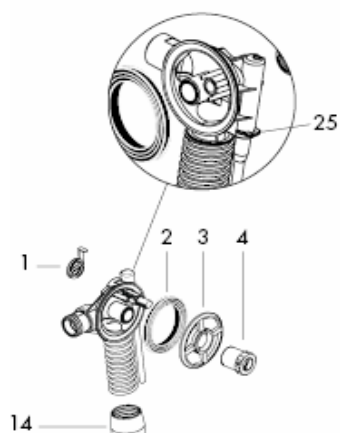
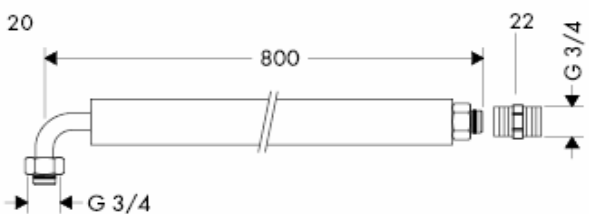
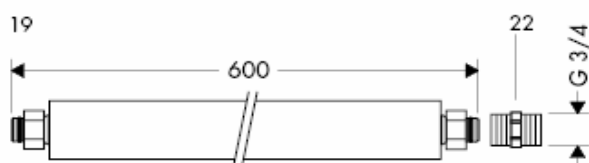
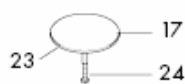
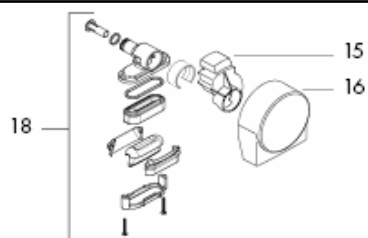
A beépített biztonsági kombinációval (HD) ellátott
iBox universal szerelések arra kell ügyelni,
hogy a csaptelep közepe legalább 280 mm-rel a
kád pereme felett fekdjön.



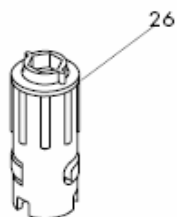
Próbabeömlő alkalmazása

- 1 A kád próbatöltése.
- 2 A vezetékek öblítése
- 3 A vezeték nyomásellenőrzése a keverő és a
próba-beömlés között





11



Tartozékok lásd a oldalon 8

| | | | |
|----|------------------------------|----------|-----------------------|
| 1 | Fedél | 97580000 | XXX = Szinkódok |
| 2 | Alakító gyűrű | 96331000 | |
| 3 | Rögzítőgyűrű | 97579000 | 000 króm |
| 4 | Feszítőcsavar | 97573000 | 090 króm/arany-hatású |
| 5 | Dugó | 97577000 | 450 fehér |
| 6 | Üreges csavar | 94301000 | 800 acéloptika |
| 7 | Szeleptányér | 97581000 | 810 satinox |
| 8 | Hármas tömítés | 96093000 | 820 brushed nickel |
| 9 | Hollander | 96332000 | 830 polished nickel |
| 10 | Kilépőív | 96221000 | 880 mattkróm |
| 11 | Komplett szifon | 56373000 | |
| 12 | Lapos tömítés | 98075000 | |
| 13 | Csőív | 64173000 | |
| 14 | Karima | 97578000 | |
| 15 | Komplett tolóka | 97574XXX | |
| 16 | Burkolat az Exafill Plus-hoz | 97575XXX | |
| 17 | Dugó, nagy | 96153XXX | |
| 18 | Komplett kifolyótest | 97576000 | |
| 19 | Bekötőcső | 58191000 | |
| 20 | Bekötőcső | 58192000 | |
| 21 | Hollander | 95094000 | |
| 22 | Csatlakozó kiállítás | 96143000 | |
| 23 | Tömítőgyűrű | 98066000 | |
| 24 | Hengercsavar | 97658000 | |
| 25 | Kapocs | 97749000 | |
| 26 | Szerelőkulcs-készlet | 58085000 | |

Vizsgajel

| | DVGW | P-IX | SVGW | ACS | NF | WRAS | KIWA |
|----------|------|------|------|-----|----|------|------|
| 58113000 | X | | X | | X | X | X |
| 58115180 | X | | X | | X | X | X |
| 58116180 | X | | X | | X | X | X |
| 58117XXX | X | | X | | X | X | X |

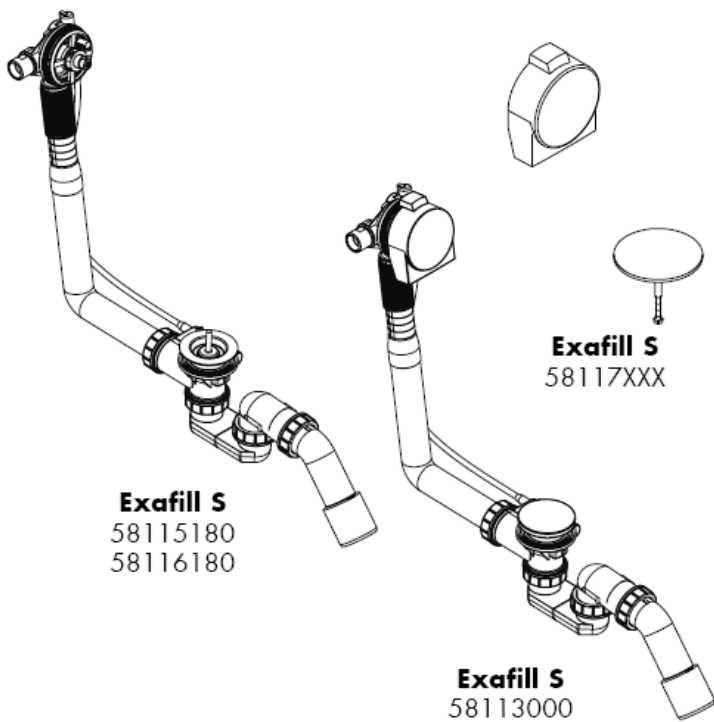


hansgrohe

Hansgrohe · Postfach 1145 · D-77761 Schiltach · Telefon +49 (0) 78 36/51-1282 · Telefax +49 (0) 7836/511440
E-Mail: info@hansgrohe.com · Internet: www.hansgrohe.com

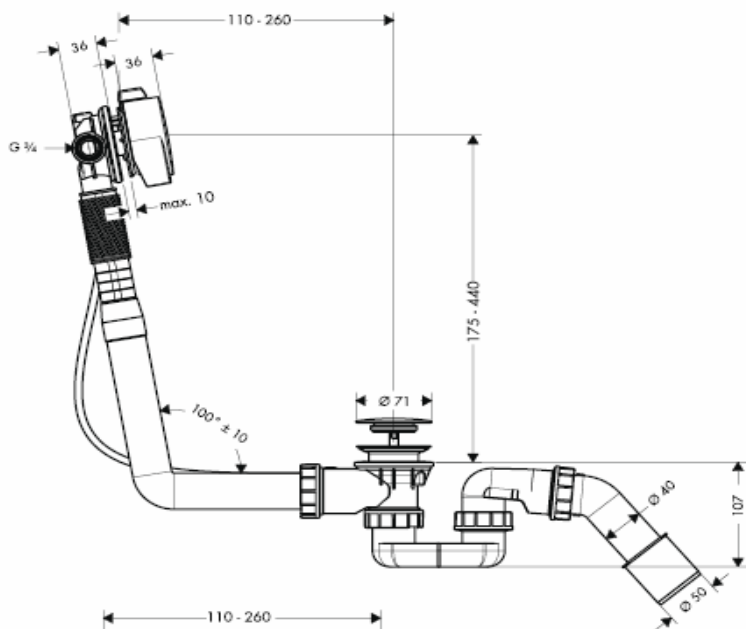
04/2010
9 09699 03
Magyar

Asennusohje

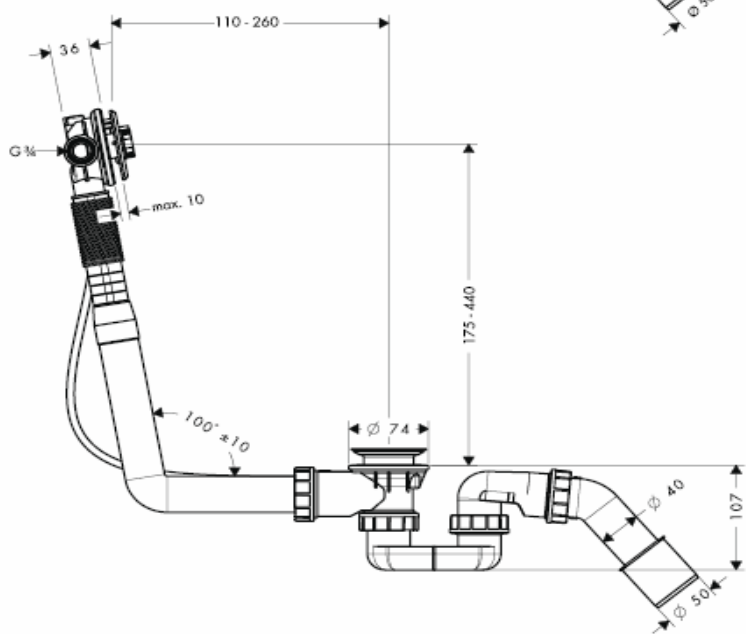


hansgrohe

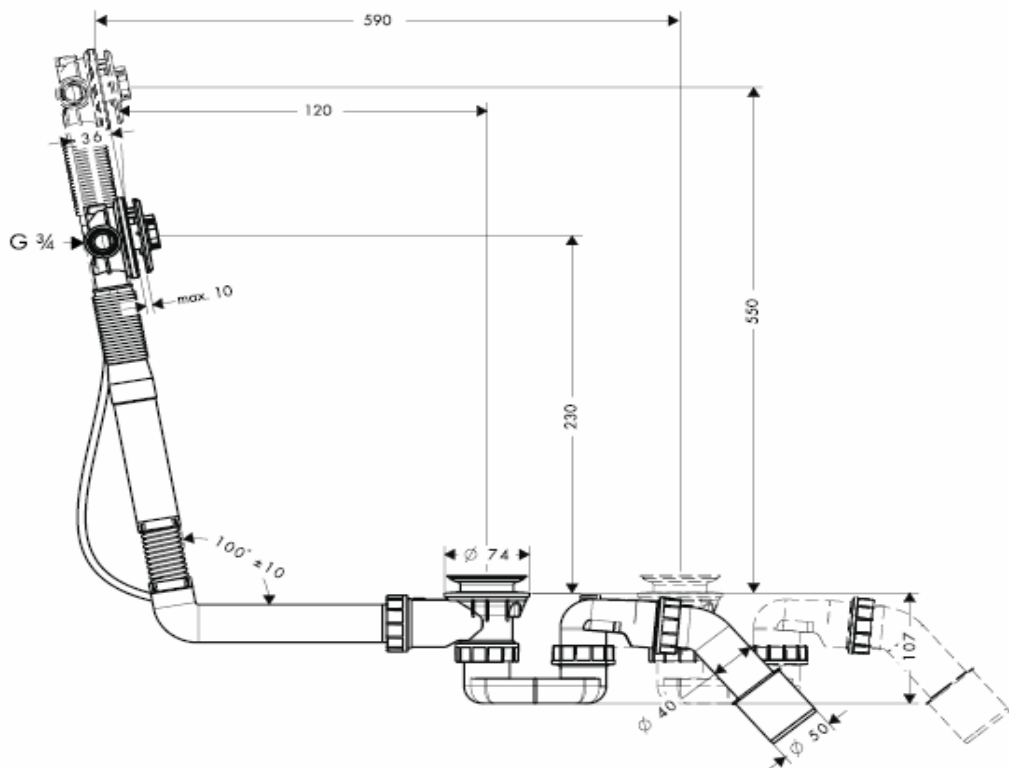
58113000



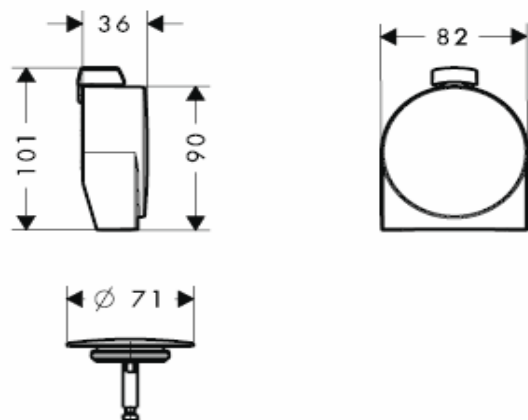
58115180

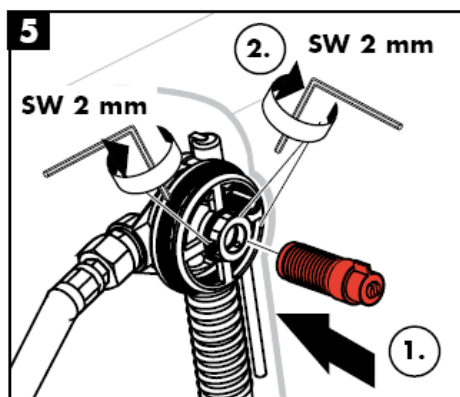
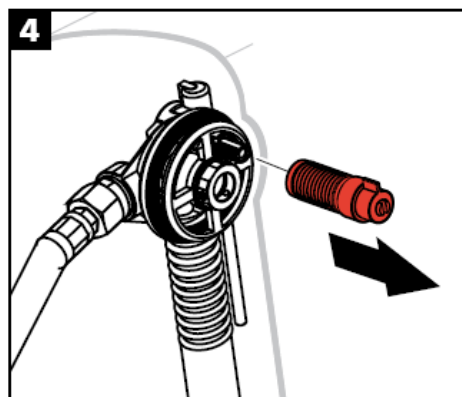
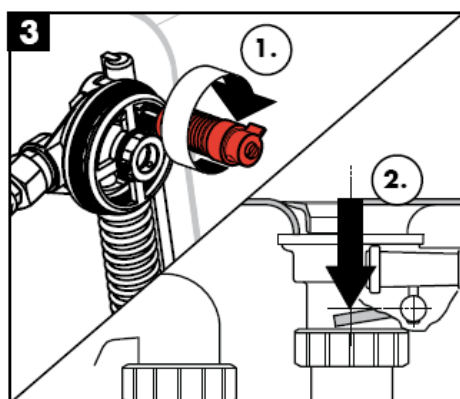
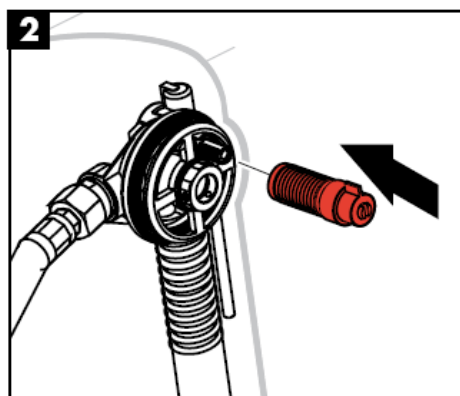


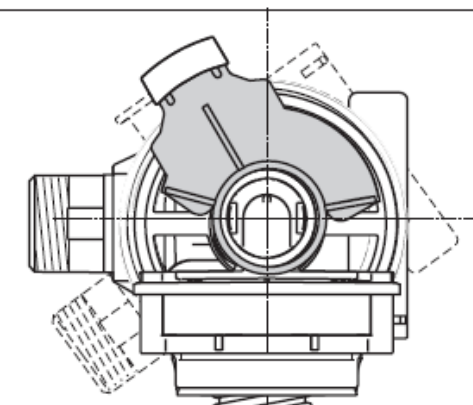
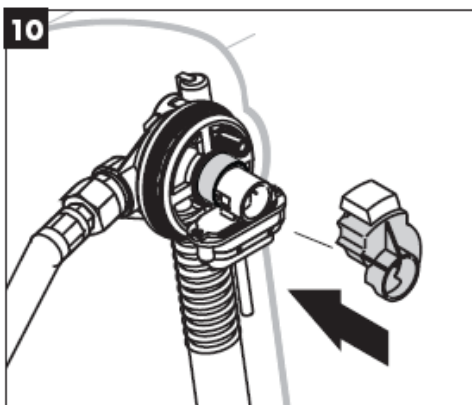
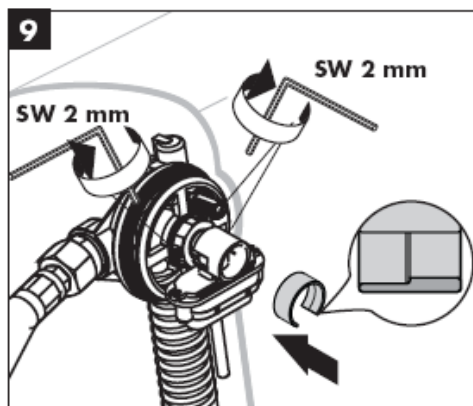
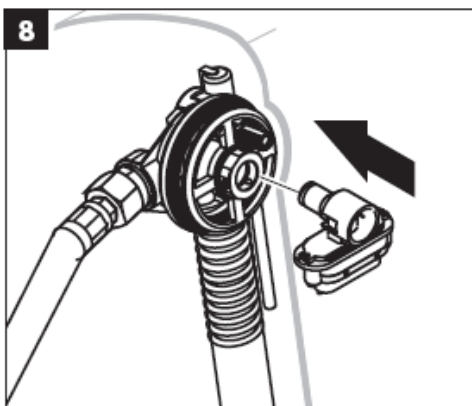
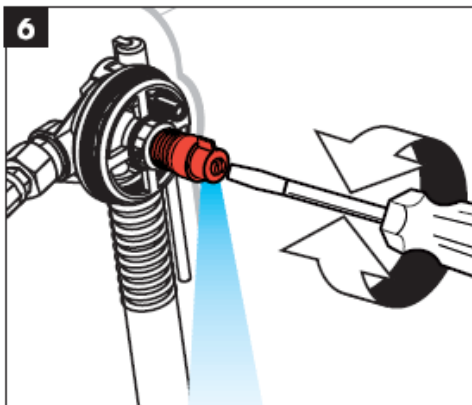
58116180

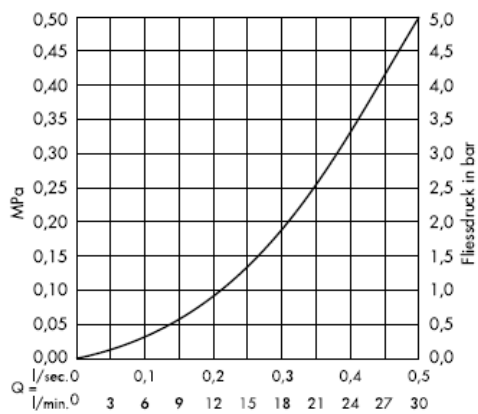
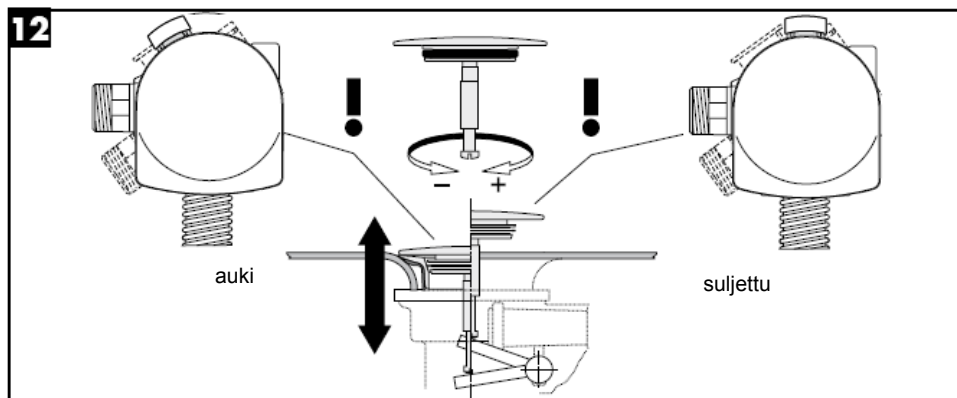
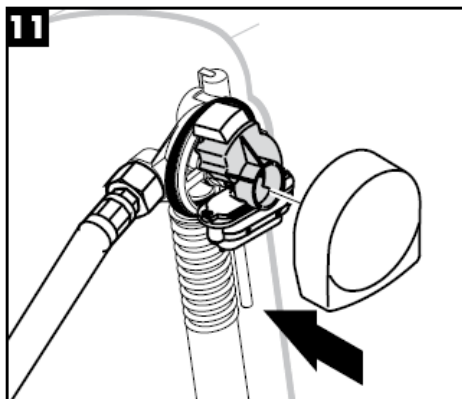


58117XXX

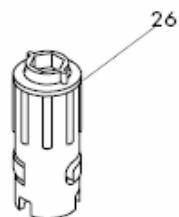
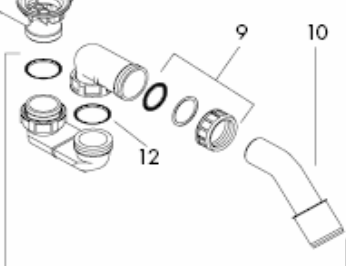
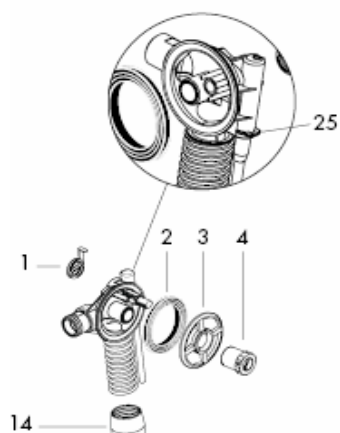
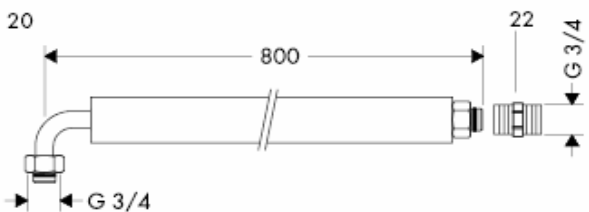
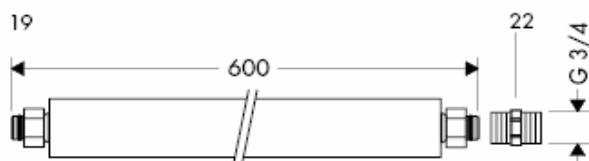
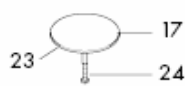
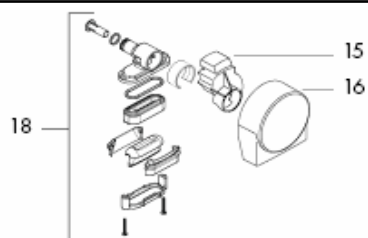








(1 MPa = 10 bar = 147 PSI)



Varaosat katso sivu 8

| | | | |
|----|------------------------------|----------|-------------------------|
| 1 | Peite | 97580000 | XXX = Värikoodi |
| 2 | Muotorengas | 96331000 | |
| 3 | Kiinnitysrengas | 97579000 | 000 kromi |
| 4 | Kiristysruuvi | 97573000 | 090 kromi/kultaoptiikka |
| 5 | Tulppa | 97577000 | 450 valkoinen |
| 6 | Ontto ruuvi | 94301000 | 800 inox-optinen |
| 7 | Venttiililautanen | 97581000 | 810 satinox |
| 8 | Kolmitietiviste | 96093000 | 820 harjattu nikkeli |
| 9 | Hattumutteri | 96332000 | 830 kiillotettu nikkeli |
| 10 | Lähtökaari | 96221000 | 880 jalomatta kromi |
| 11 | Vesilukko täydellinen | 56373000 | |
| 12 | Tasotiviste | 98075000 | |
| 13 | Putkikaari | 64173000 | |
| 14 | Mansetti | 97578000 | |
| 15 | Työnnin täydellinen | 97574XXX | |
| 16 | Exafill Plus peitelevy | 97575XXX | |
| 17 | Tulppa iso | 96153XXX | |
| 18 | Ylivalumakappale täydellinen | 97576000 | |
| 19 | Liitinletku | 58191000 | |
| 20 | Liitinletku | 58192000 | |
| 21 | Hattumutteri | 95094000 | |
| 22 | Liitinnippa | 96143000 | |
| 23 | O-rengas | 98066000 | |
| 24 | Lieriökantaruuvi | 97658000 | |
| 25 | Klemmari | 97749000 | |
| 26 | Asennusavainsarja | 58085000 | |

Koestusmerkki

| | DVGW | P-IX | SVGW | ACS | NF | WRAS | KIWA |
|----------|------|------|------|-----|----|------|------|
| 58113000 | X | | X | | X | X | X |
| 58115180 | X | | X | | X | X | X |
| 58116180 | X | | X | | X | X | X |
| 58117XXX | X | | X | | X | X | X |

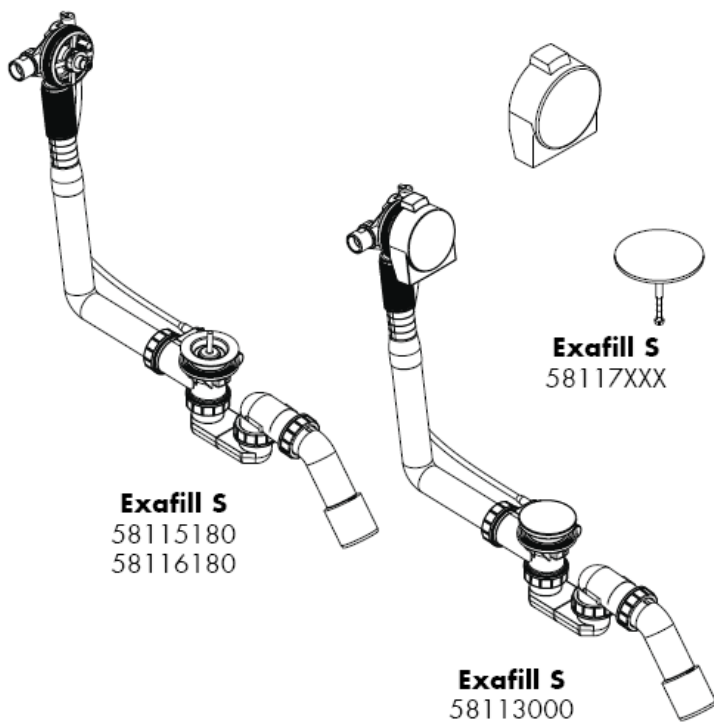


hansgrohe

Hansgrohe · Postfach 1145 · D-77761 Schiltach · Telefon +49 (0) 78 36/51-1282 · Telefax +49 (0) 7836/511440
E-Mail: info@hansgrohe.com · Internet: www.hansgrohe.com

04/2010
9 09699 03
Suomi

Monteringsanvisning



hangrohe

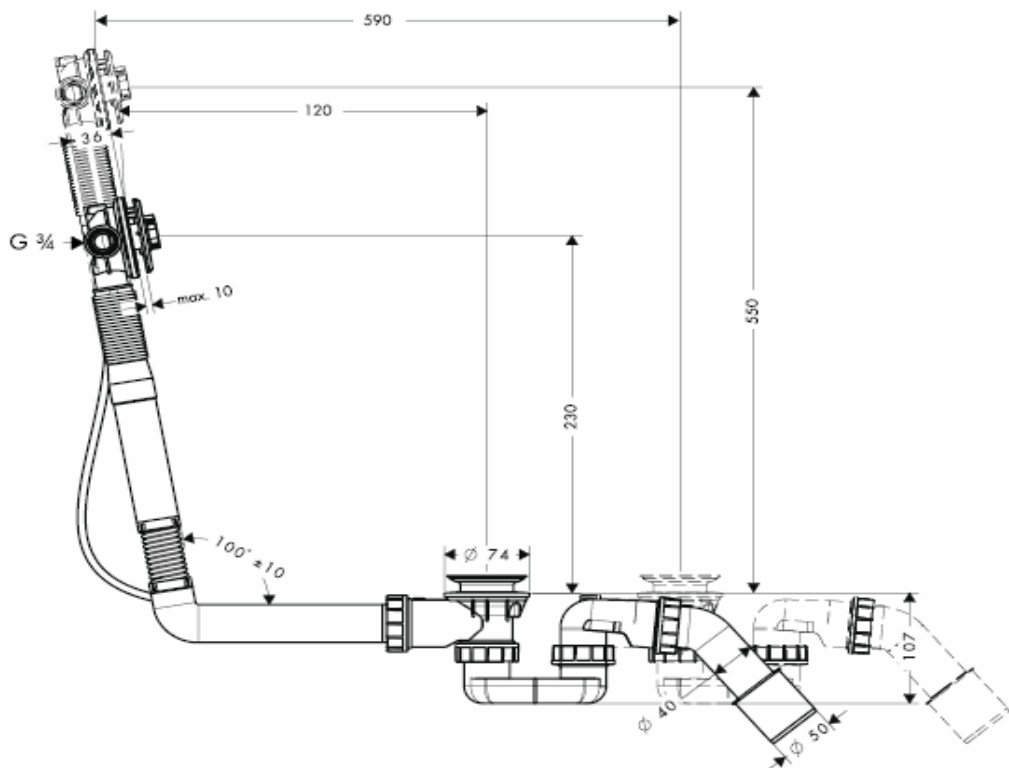
58113000



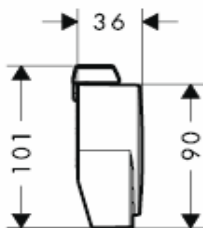
58115180

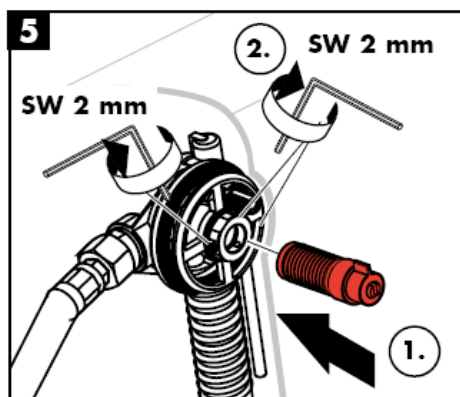
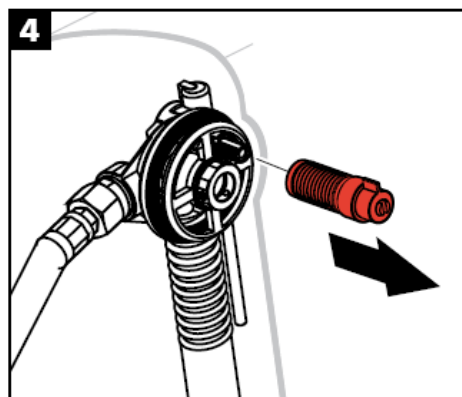
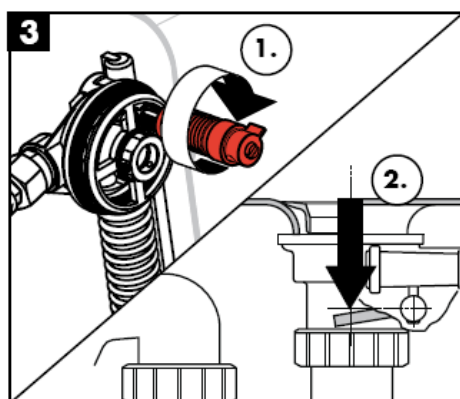
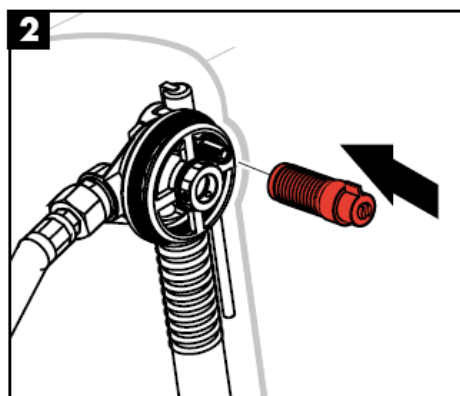


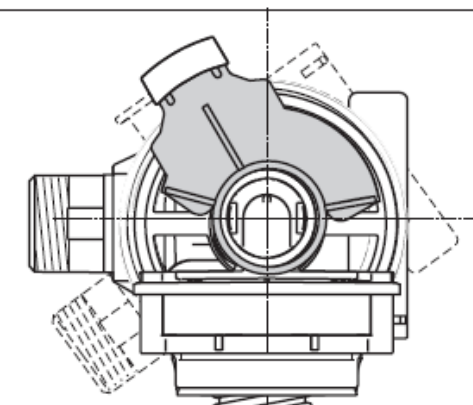
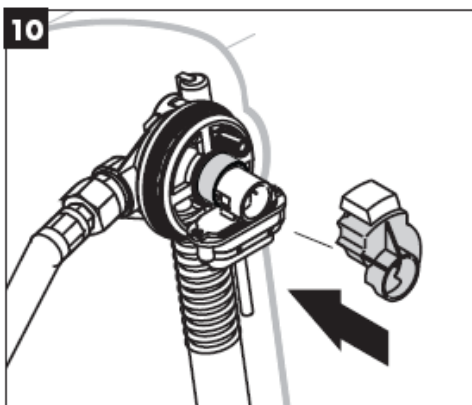
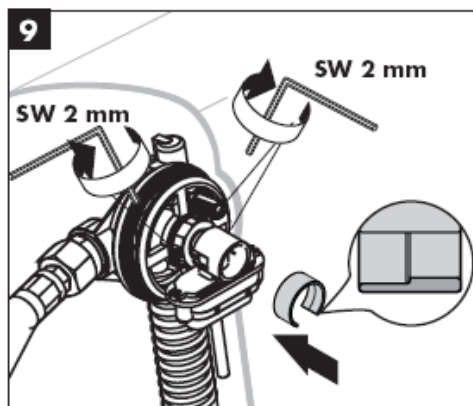
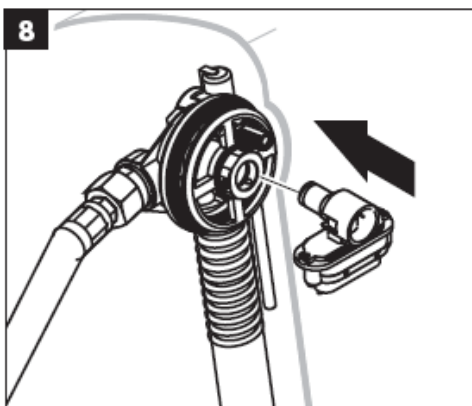
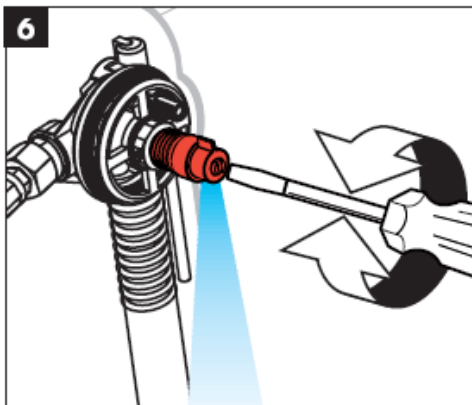
58116180

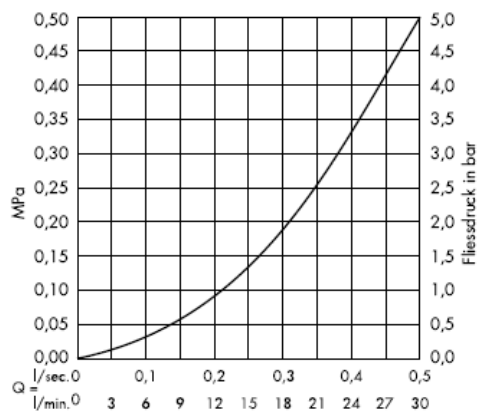
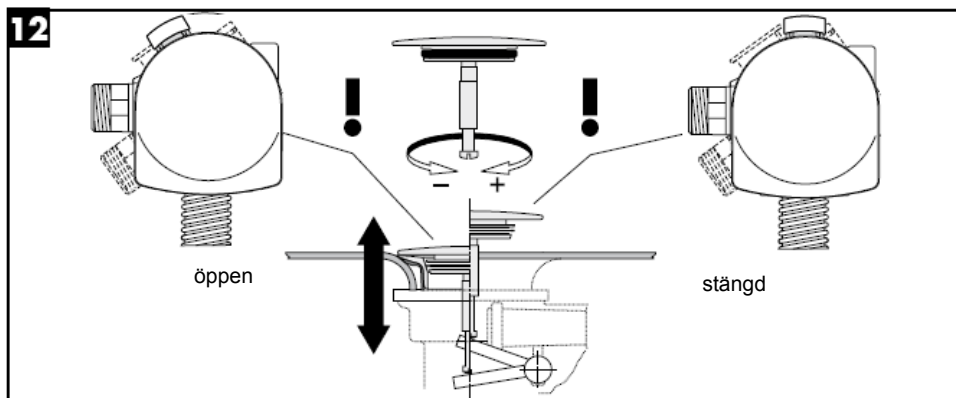
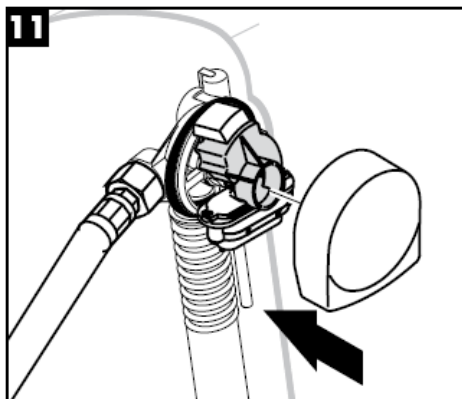


58117XXX







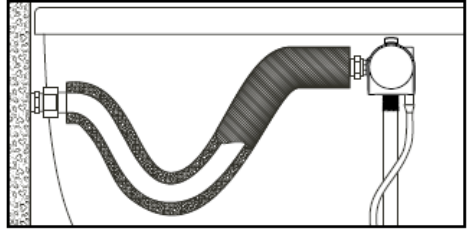


(1 MPa = 10 bar = 147 PSI)

Anslutning med flexibel slang.
58191000

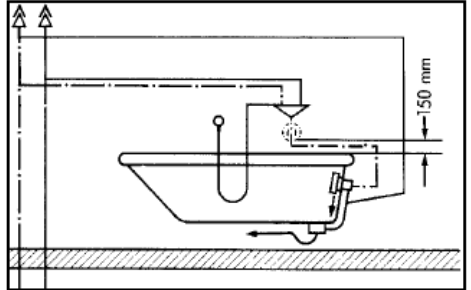
Art.nr.

När armaturen har monterats måste anläggningen spolas enligt DIN 1988.



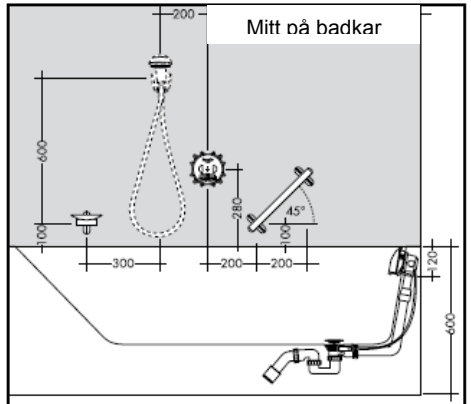
Installation enligt DIN 1988

När underliggande blandare monteras är det viktigt att rörventilen (DB) ligger min. 150 mm över karkanten. (se vidstående bild).



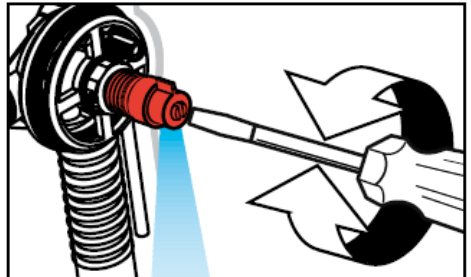
Installation enligt EN 1717

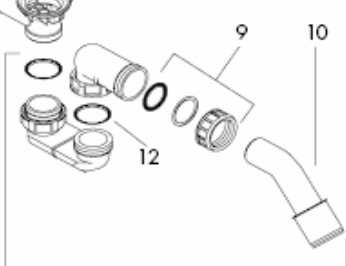
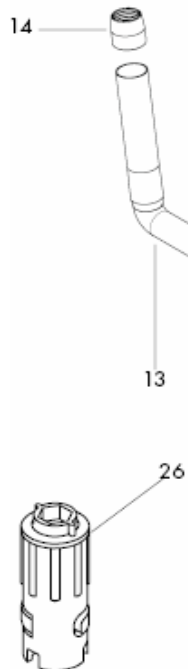
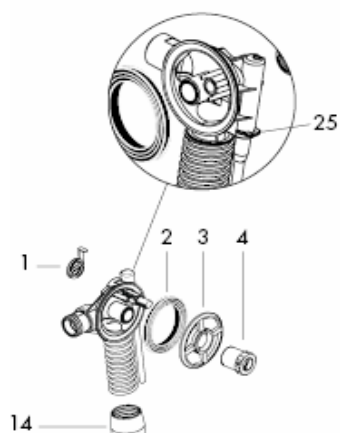
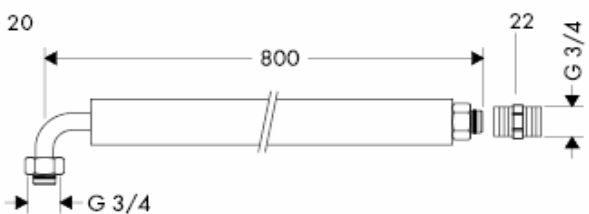
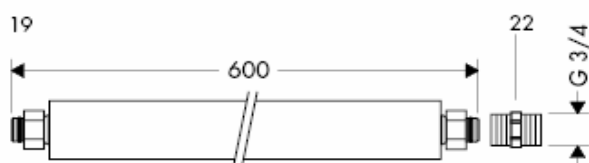
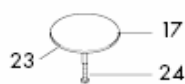
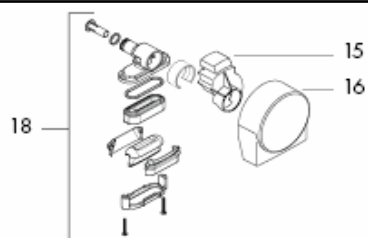
När iBox universal med integrerad säkerhetskombination (HD) monteras är det viktigt att blandarens mitt på blandaren befinner sig min. 280 mm över karkanten.



Använda testinlopp

- 1 Testfyll karet.
- 2 Spola ledningarna
- 3 Tryckkontroll i ledningen mellan blandare och testinlopp.





Reservdelar se sidan 8

| | | | |
|----|------------------------|----------|---------------------|
| 1 | Skydd | 97580000 | XXX = Färgkodning |
| 2 | Formring | 96331000 | |
| 3 | Fästring | 97579000 | 000 #NAME? |
| 4 | Spännskruv | 97573000 | 090 krom/guld-optik |
| 5 | Proppar | 97577000 | 450 vit |
| 6 | Ihålig skruv | 94301000 | 800 rostfri-optik |
| 7 | Ventiltallrik | 97581000 | 810 satinox |
| 8 | Tredubbel packning | 96093000 | 820 borstad nickel |
| 9 | Mantelmutter | 96332000 | 830 polerad nickel |
| 10 | Utloppskrök | 96221000 | 880 ädelmatt |
| 11 | Sifon komplett | 56373000 | |
| 12 | Flänspackning | 98075000 | |
| 13 | Rörkrök | 64173000 | |
| 14 | Manschett | 97578000 | |
| 15 | Skjutreglage kompl. | 97574XXX | |
| 16 | Skydd för Exafill Plus | 97575XXX | |
| 17 | Propp stor | 96153XXX | |
| 18 | Utfloresenhet komplett | 97576000 | |
| 19 | Anslutningsslang | 58191000 | |
| 20 | Anslutningsslang | 58192000 | |
| 21 | Mantelmutter | 95094000 | |
| 22 | Anslutningsnippel | 96143000 | |
| 23 | O-ring | 98066000 | |
| 24 | Cylinderskruv | 97658000 | |
| 25 | Klämma | 97749000 | |
| 26 | Monteringsnyckel set | 58085000 | |

Testsigill

| | DVGW | P-IX | SVGW | ACS | NF | WRAS | KIWA |
|----------|------|------|------|-----|----|------|------|
| 58113000 | X | | X | | X | X | X |
| 58115180 | X | | X | | X | X | X |
| 58116180 | X | | X | | X | X | X |
| 58117XXX | X | | X | | X | X | X |

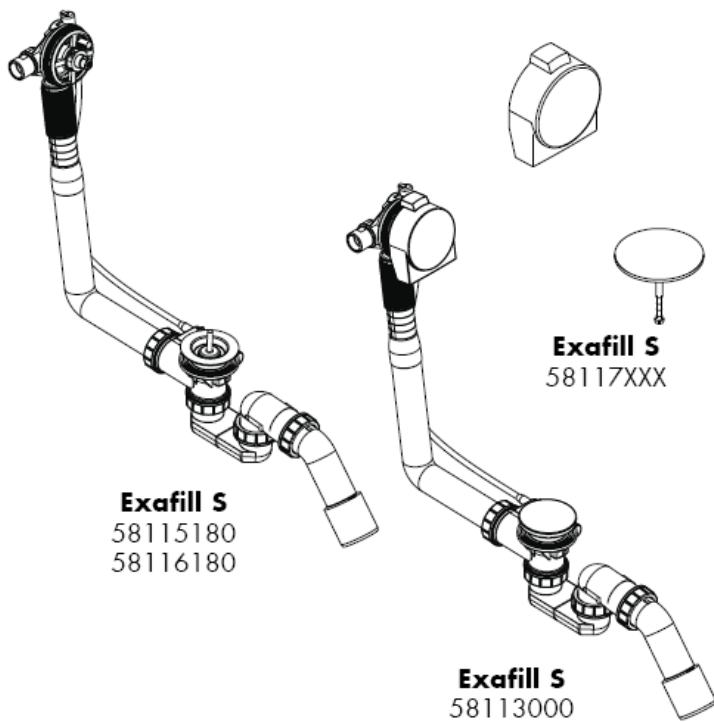


hansgrohe

Hansgrohe · Postfach 1145 · D-77761 Schiltach · Telefon +49 (0) 78 36/51-1282 · Telefax +49 (0) 7836/511440
E-Mail: info@hansgrohe.com · Internet: www.hansgrohe.com

04/2010
9 09689_03
Svenska

Montavimo instrukcijos



hansgrohe

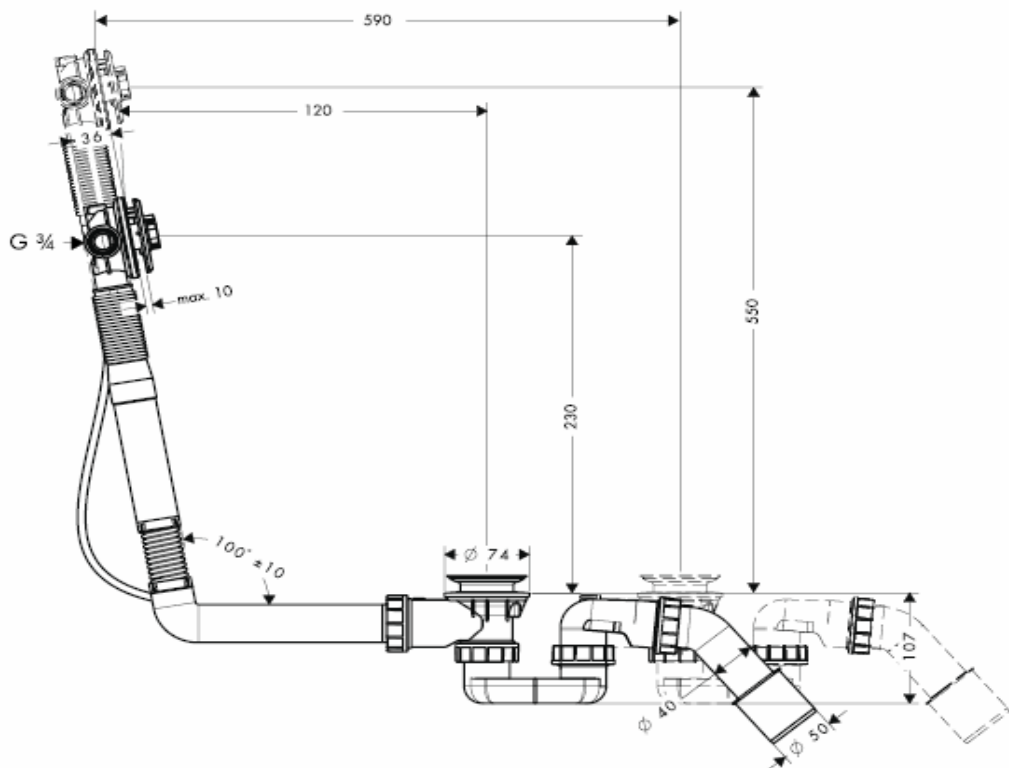
58113000



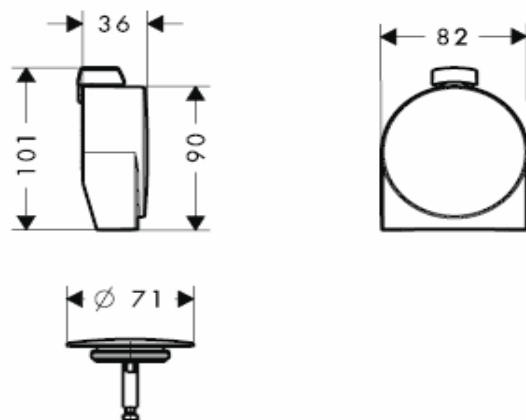
58115180

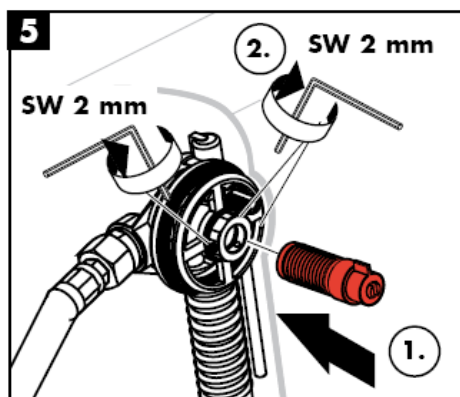
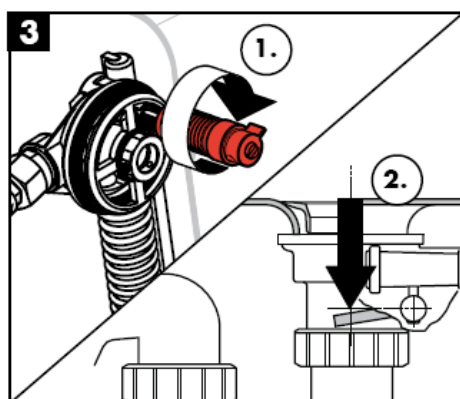
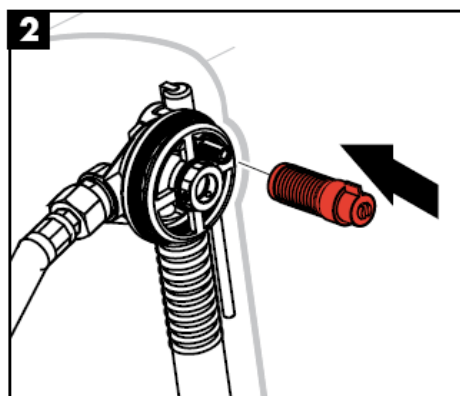


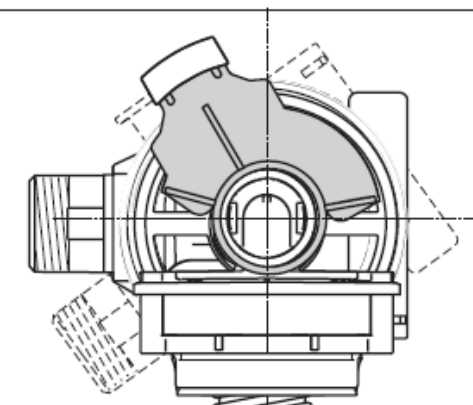
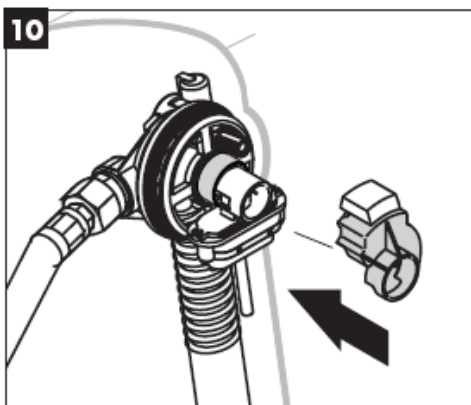
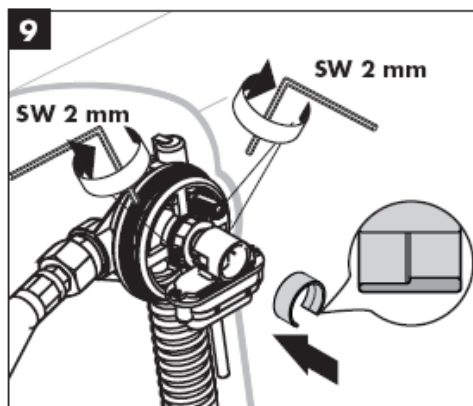
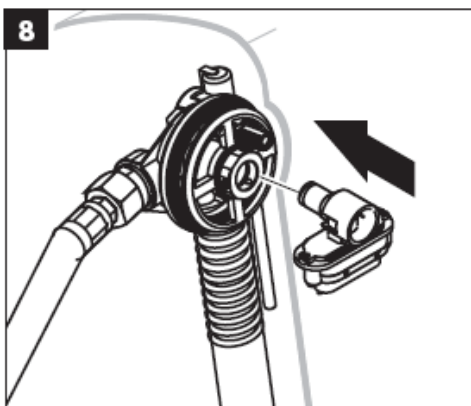
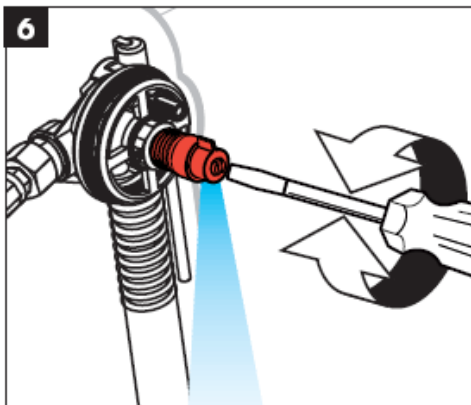
58116180

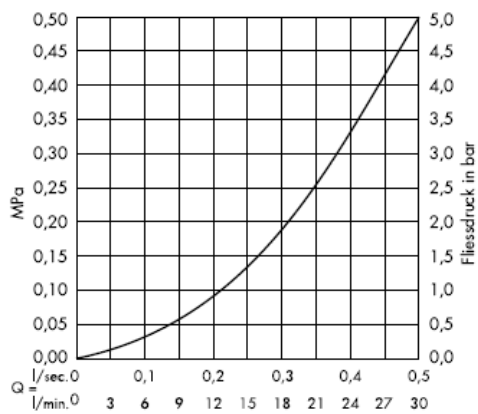
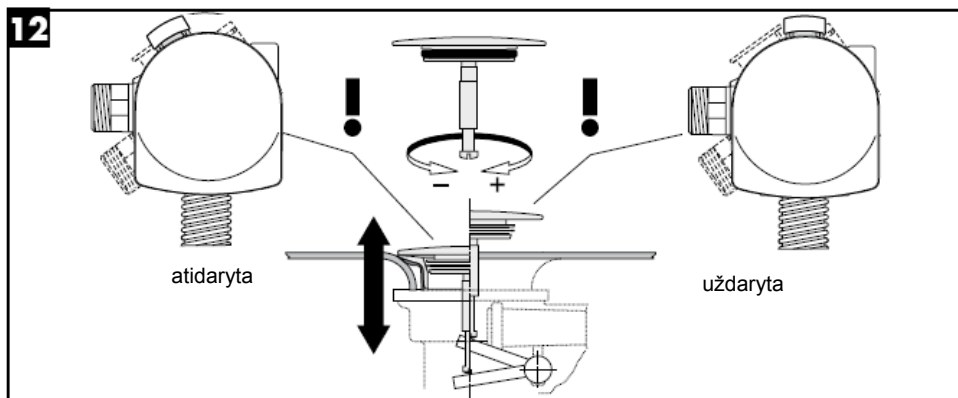
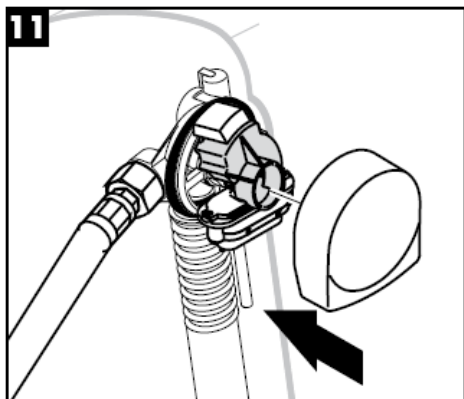


58117XXX





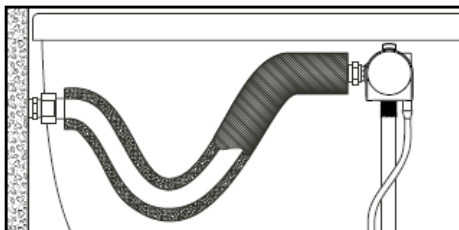




(1 MPa = 10 bar = 147 PSI)

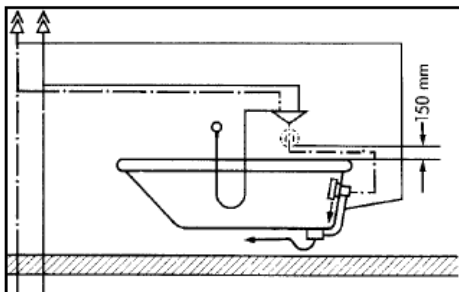
Jungtis su lanksčiomis žarnomis. Art. Nr. 58191000

Sumontavę rinkinį, išplaukite įrangą pagal DIN 1988.



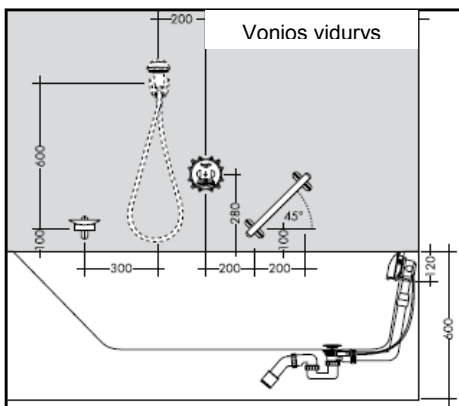
Montavimas pagal DIN 1988

Montuojant potinkinį maišytuvą, atkreipkite dėmesį, kad vamzdžių jungtis (DB) turi būti ne žemiau kaip 150 mm virš viršutinio vonios krašto.



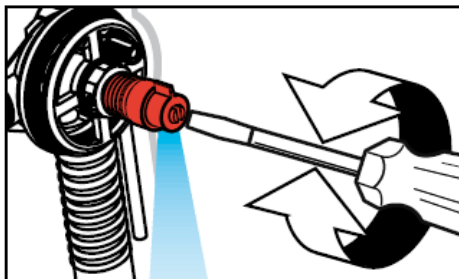
Montavimas pagal EN 1717

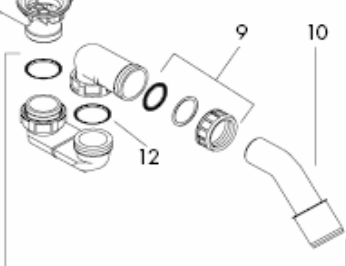
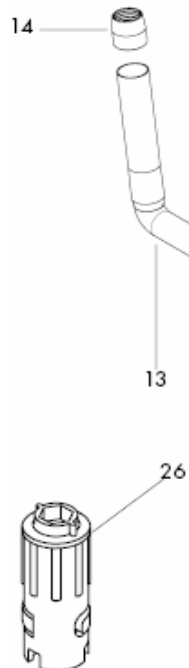
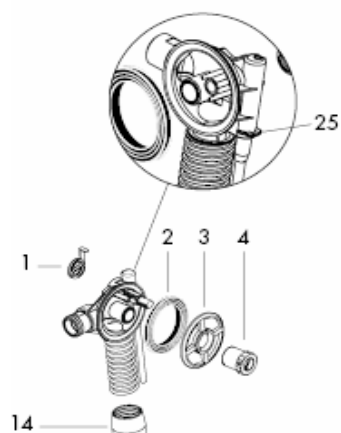
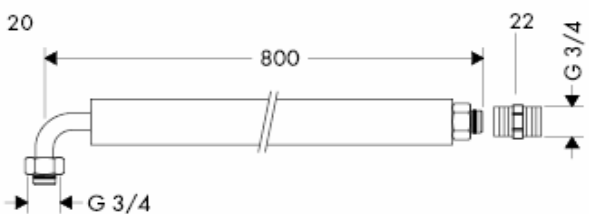
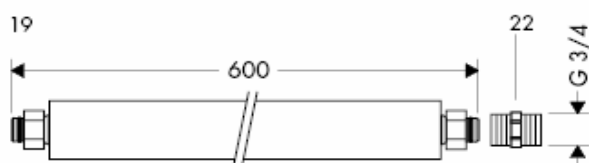
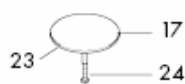
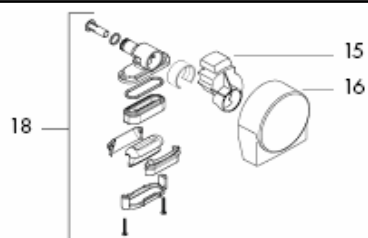
Montuojant "Ibox universal" su integruota apsaugos sistema (HD), atkreipkite dėmesį, kad maišytuvo vidurys turi būti ne žemiau kaip 280 mm virš viršutinio vonios krašto.



Naudokite bandomąjį paleidimą

- 1 Bandomasis vonios pripildymas.
- 2 Išplauti vamzdžius
- 3 Slėgio tikrinimas tarp maišytuvo ir jungties.





Atsarginės dalys žr. psl. 8

| | | | |
|----|----------------------------|----------|-----------------------------|
| 1 | Dangtis | 97580000 | XXX = Spalva |
| 2 | formos žiedas | 96331000 | |
| 3 | tvirtinimo žiedas | 97579000 | 000 chrom |
| 4 | Fiksavimo varžtas | 97573000 | 090 chrominė (aukso optika) |
| 5 | Aklė | 97577000 | 450 balta |
| 6 | tuščiaaviduris varžtas | 94301000 | 800 plienas |
| 7 | vožtuvo plokštė | 97581000 | 810 satinox |
| 8 | trigubas sandariklis | 96093000 | 820 brushed nickel |
| 9 | Vežlė | 96332000 | 830 polished nickel |
| 10 | ištekėjimo alkūnė | 96221000 | 880 chrominė matinė |
| 11 | sifonas užbaigtas | 56373000 | |
| 12 | paviršiaus sandariklis | 98075000 | |
| 13 | vamzdžio alkūnė | 64173000 | |
| 14 | manžetas | 97578000 | |
| 15 | dušo laikiklis | 97574XXX | |
| 16 | ""Exafill" Plus" dangtis | 97575XXX | |
| 17 | didelis kamštis | 96153XXX | |
| 18 | Čiaupo korpusas surinktas | 97576000 | |
| 19 | Prijungimo žarna | 58191000 | |
| 20 | Prijungimo žarna | 58192000 | |
| 21 | Vežlė | 95094000 | |
| 22 | Prijungimo dalis | 96143000 | |
| 23 | sandarinio žiedas | 98066000 | |
| 24 | Cilindrinis varžtas | 97658000 | |
| 25 | Sąvaržas | 97749000 | |
| 26 | Montavimo įrankių rinkinys | 58085000 | |

Bandyimo pažyma

| | DVGW | P-IX | SVGW | ACS | NF | WRAS | KIWA |
|----------|------|------|------|-----|----|------|------|
| 58113000 | X | | X | | X | X | X |
| 58115180 | X | | X | | X | X | X |
| 58116180 | X | | X | | X | X | X |
| 58117XXX | X | | X | | X | X | X |

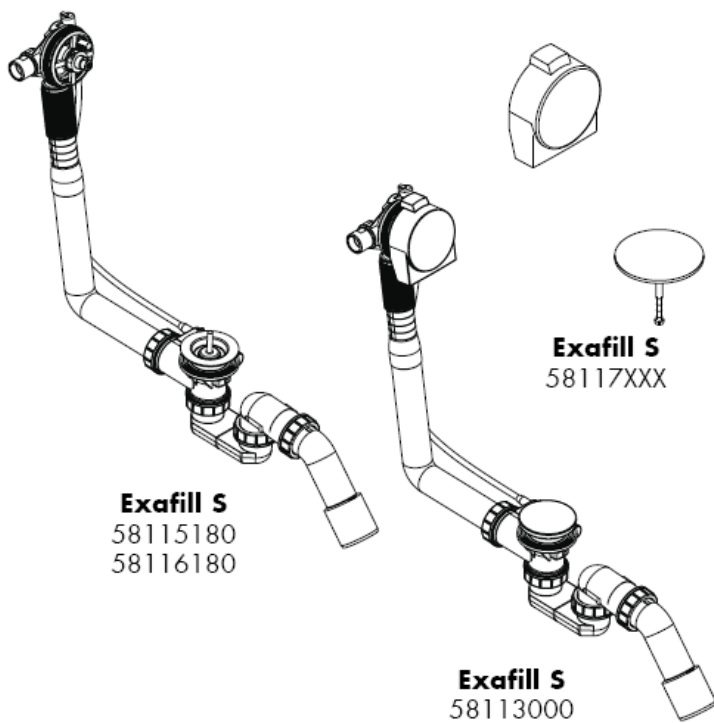


hansgrohe

Hansgrohe · Postfach 1145 · D-77761 Schiltach · Telefon +49 (0) 78 36/51-1282 · Telefax +49 (0) 7836/511440
E-Mail: info@hansgrohe.com · Internet: www.hansgrohe.com

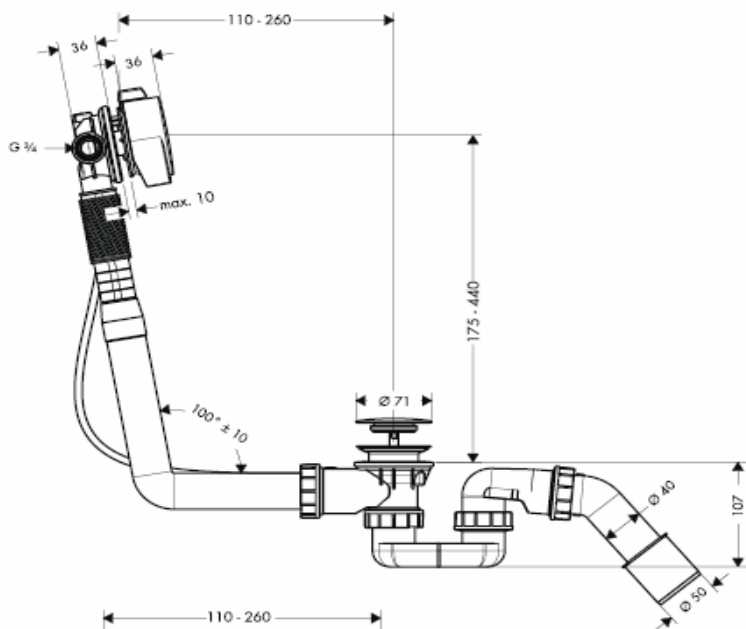
04/2010
9 09699 03
Lietuviškai

Uputstva za instalaciju

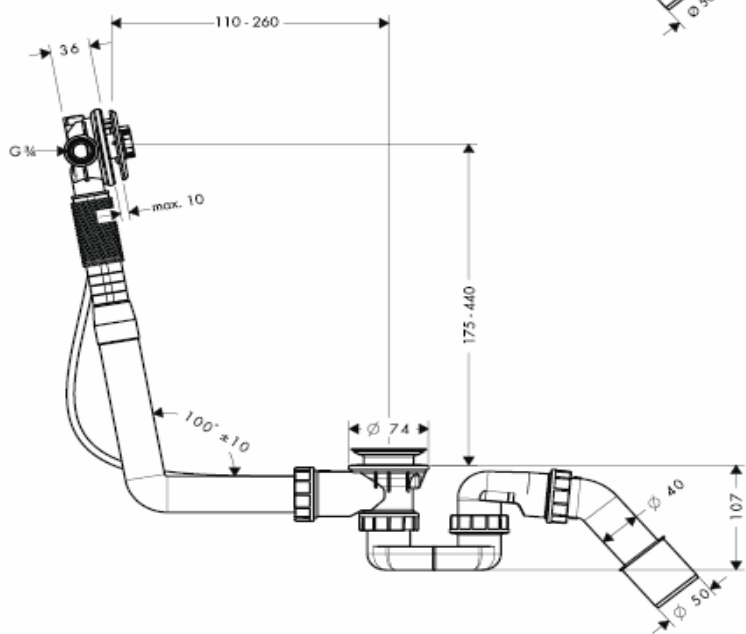


hansgrohe

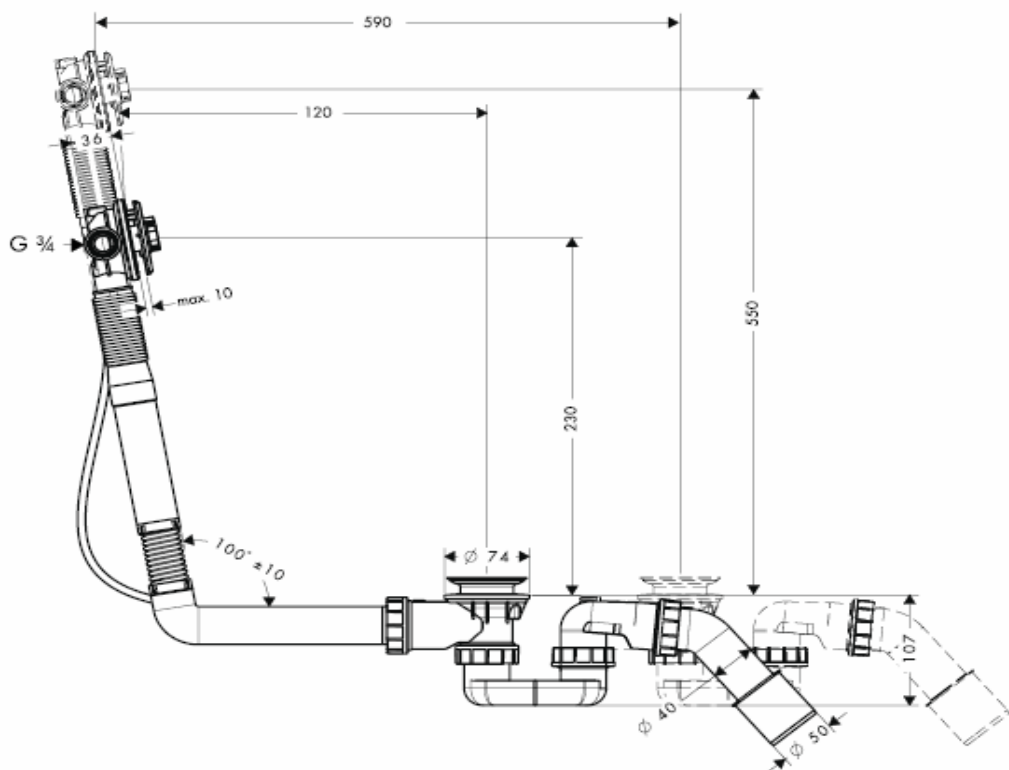
58113000



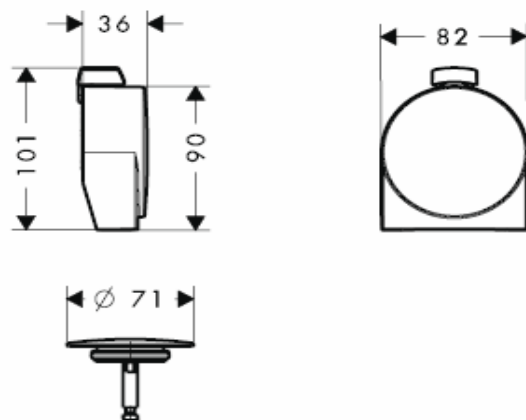
58115180

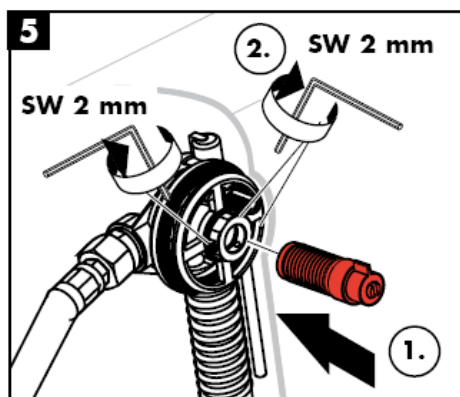
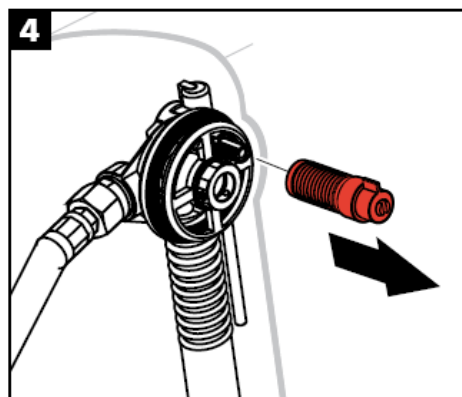
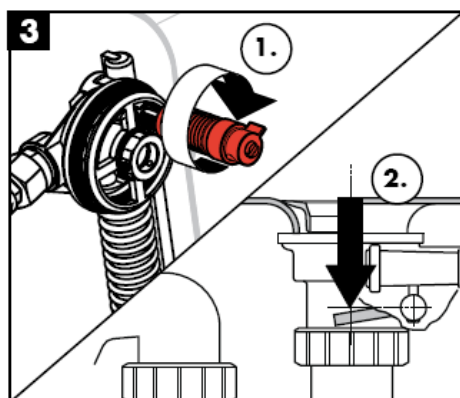
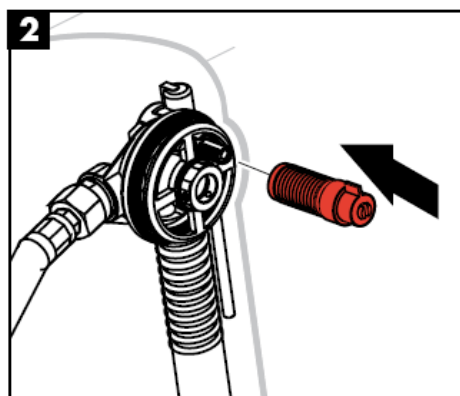


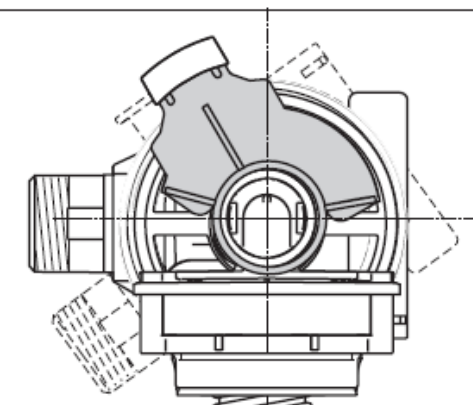
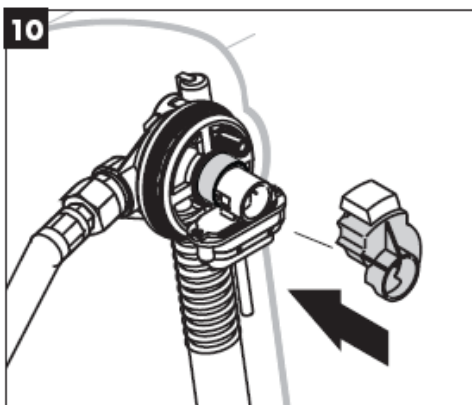
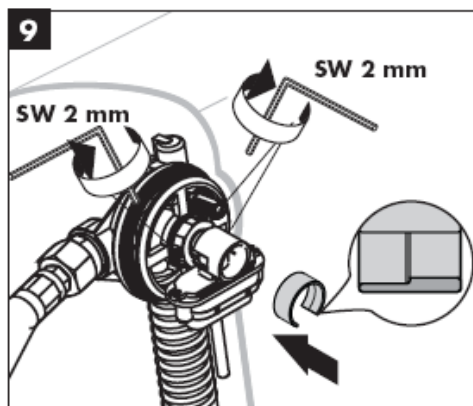
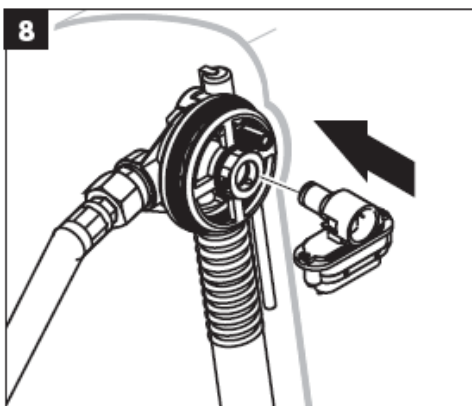
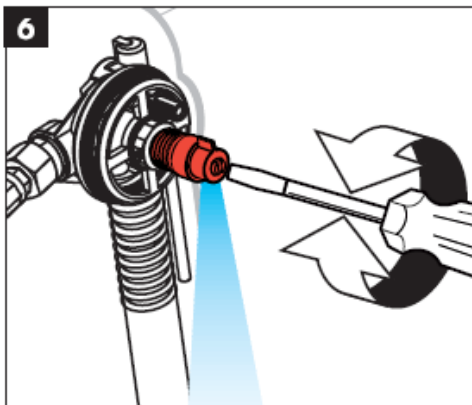
58116180

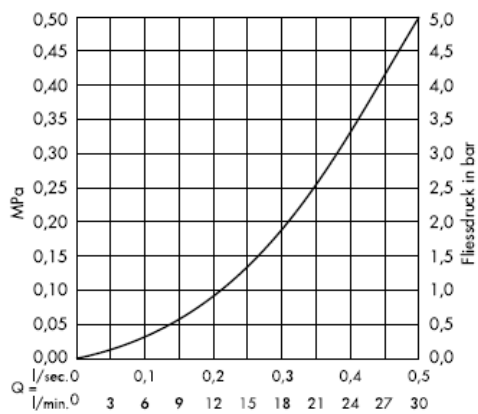
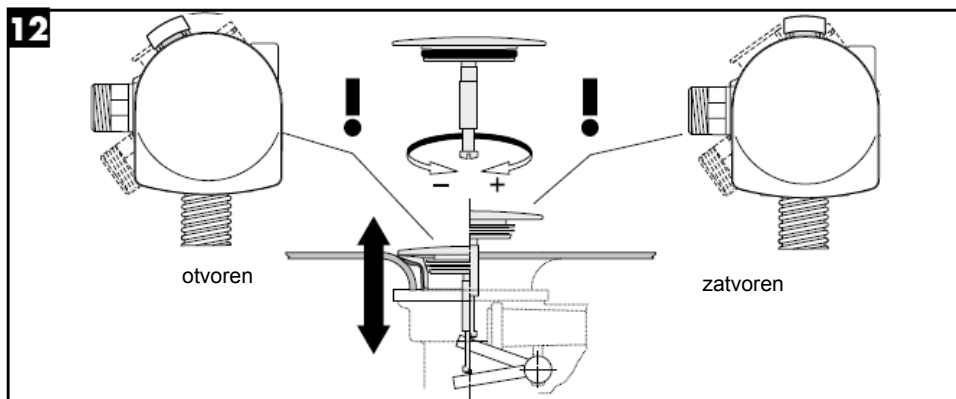
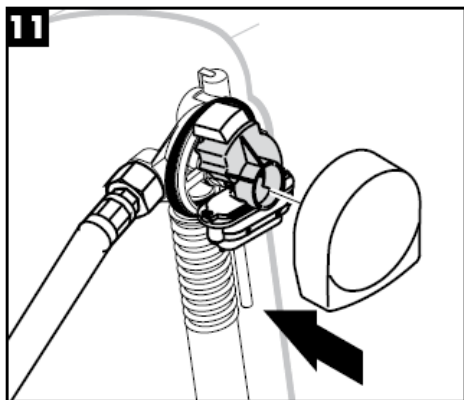


58117XXX





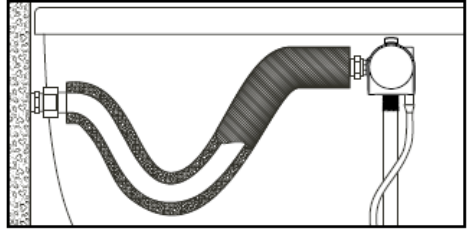




(1 MPa = 10 bar = 147 PSI)

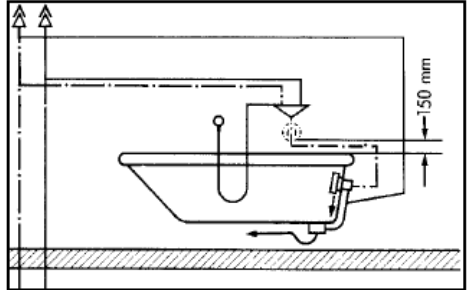
Spoj sa pomičnim crijevom, proizvod broj 58191000

Nakon montiranja garniture sustav se sukladno normi DIN 1988 mora isprati.



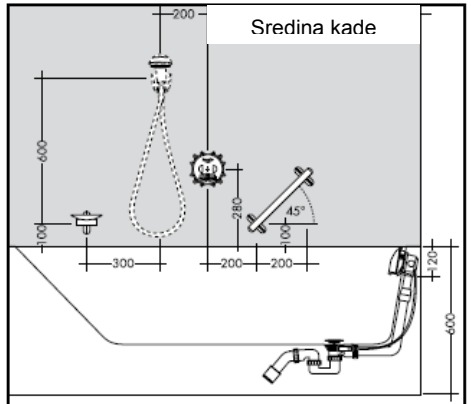
Instalacija prema standardu DIN 1988

Kod podžbuknih instalacija pripremite da se ventili cijevi (DB) nalazi minimalno 150 mm iznad ruba kade (vidi skicu)



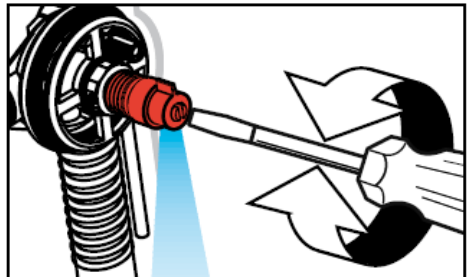
Instalacija prema standardu EN 1717

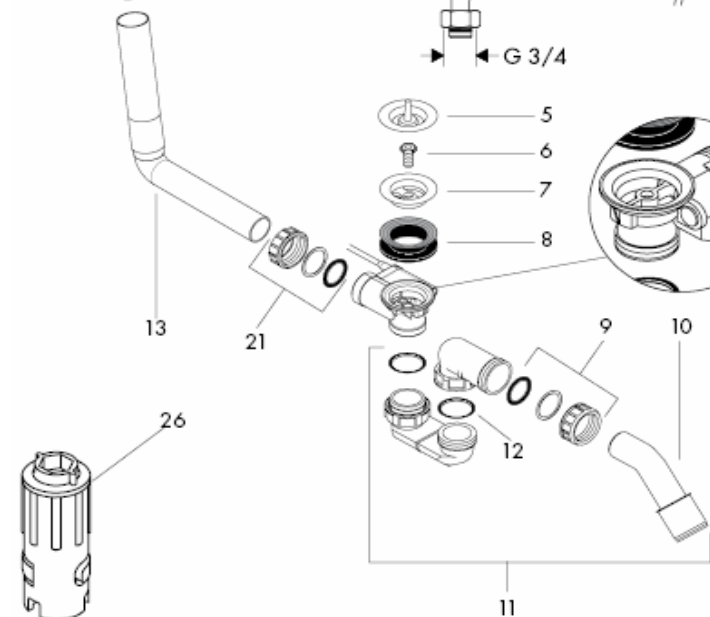
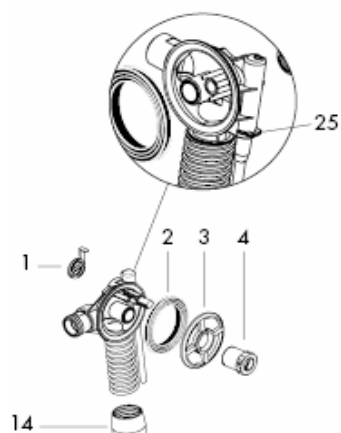
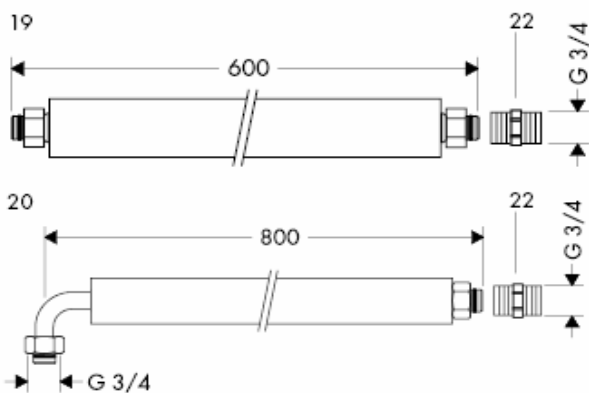
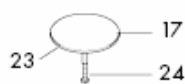
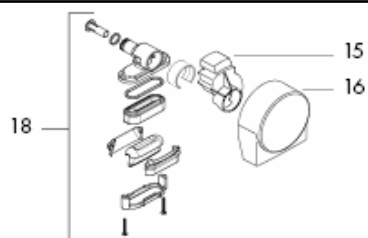
Kod instalacije iBox universal-a sa ugrađenom sigurnosnom kombinacijom (HD) pripremite da se sredina armature nalazi minimalno 280 mm iznad ruba kade



Koristite probni zatvarač

- 1 Probno punjenje kade
- 2 Ispiranje slavina
- 3 Ispitati tlak u cijevi između mješalice i zatvarača





Rezervni djelovi pogledaj stranicu 8

| | | | |
|----|-----------------------------|----------|-----------------------|
| 1 | Zaštitni poklopac | 97580000 | XXX = Boje |
| 2 | profilni prsten | 96331000 | |
| 3 | pričvrсни prsten | 97579000 | 000 krom |
| 4 | Pritezni vijak | 97573000 | 090 optika krom/zlato |
| 5 | čep | 97577000 | 450 bijela |
| 6 | šuplji vijak | 94301000 | 800 plemeniti čelik |
| 7 | ventilski tanjur | 97581000 | 810 satinox |
| 8 | trostruko brtvilo | 96093000 | 820 brushed nickel |
| 9 | natična matica | 96332000 | 830 polished nickel |
| 10 | izlazno koljeno | 96221000 | 880 matirani krom |
| 11 | kompletni sifon | 56373000 | |
| 12 | plosnato brtvilo | 98075000 | |
| 13 | cijevno koljeno | 64173000 | |
| 14 | manšeta | 97578000 | |
| 15 | Zasun kompletni | 97574XXX | |
| 16 | poklopac za Exafill Plus | 97575XXX | |
| 17 | veliki čep | 96153XXX | |
| 18 | kompletni izlaz | 97576000 | |
| 19 | Dovodna cijev | 58191000 | |
| 20 | Dovodna cijev | 58192000 | |
| 21 | natična matica | 95094000 | |
| 22 | Dovodna spojnica | 96143000 | |
| 23 | O prsten | 98066000 | |
| 24 | valjkasti vijak | 97658000 | |
| 25 | kopča | 97749000 | |
| 26 | Set ključeva za instalaciju | 58085000 | |

Oznaka testiranja

| | DVGW | P-IX | SVGW | ACS | NF | WRAS | KIWA |
|----------|------|------|------|-----|----|------|------|
| 58113000 | X | | X | | X | X | X |
| 58115180 | X | | X | | X | X | X |
| 58116180 | X | | X | | X | X | X |
| 58117XXX | X | | X | | X | X | X |

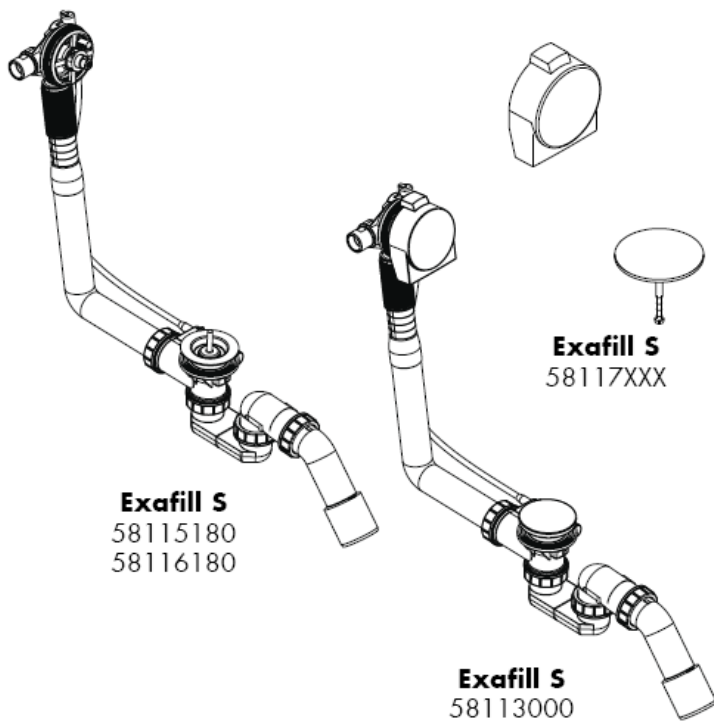


hansgrohe

Hansgrohe · Postfach 1145 · D-77761 Schiltach · Telefon +49 (0) 78 36/51-1282 · Telefax +49 (0) 7836/511440
E-Mail: info@hansgrohe.com · Internet: www.hansgrohe.com

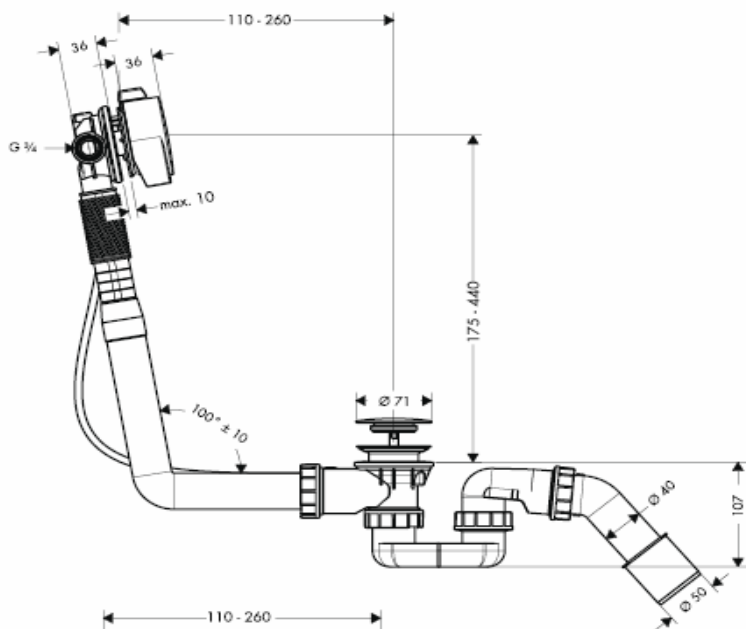
04/2010
9 09699 03
Hrvatski

Montaj kılavuzu

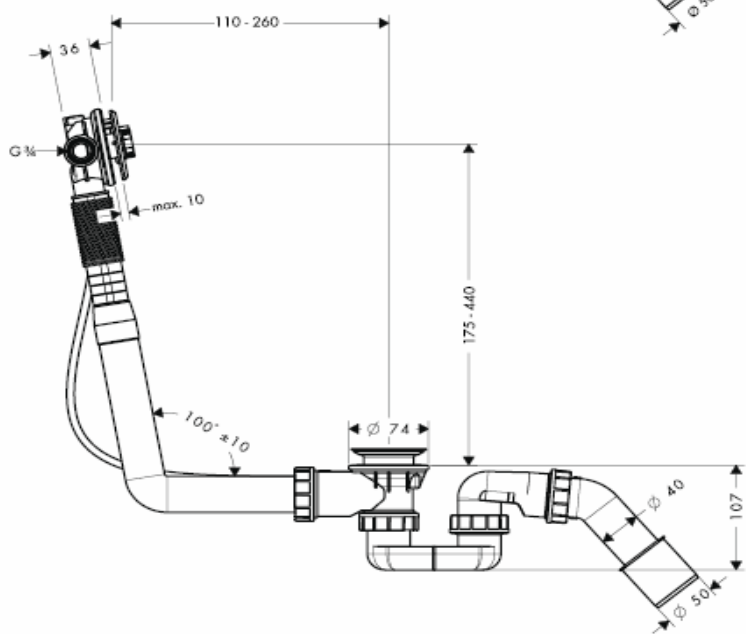


hansgrohe

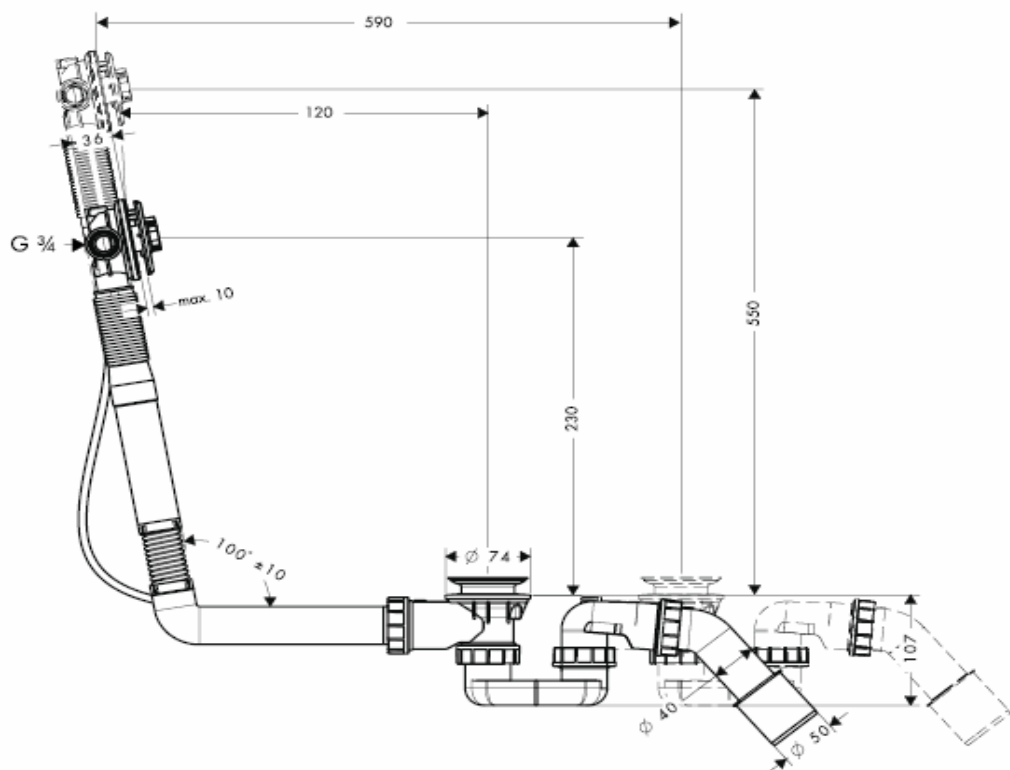
58113000



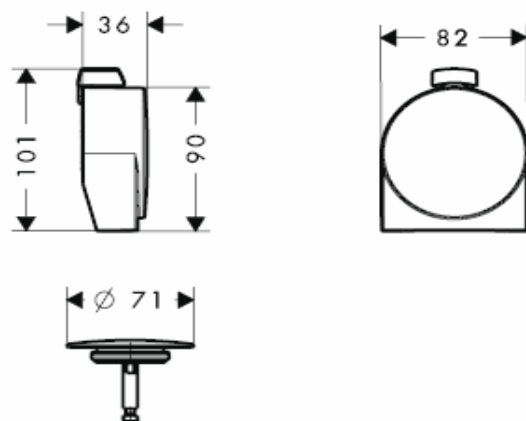
58115180

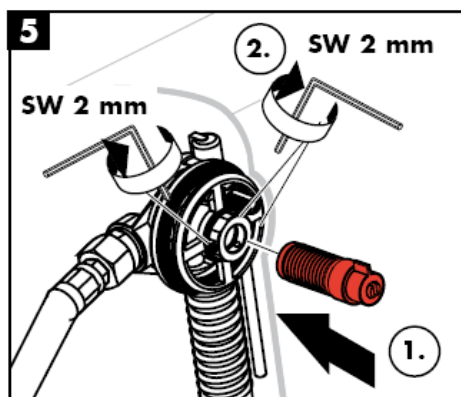
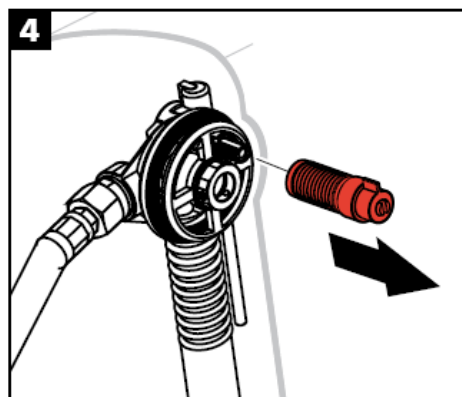
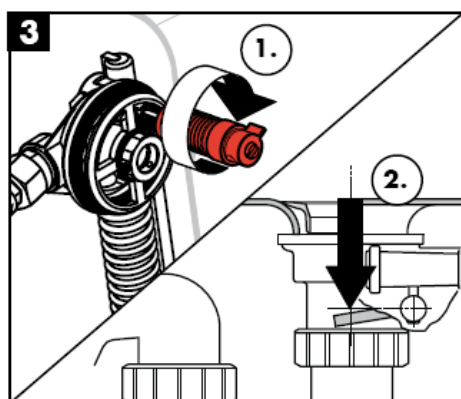
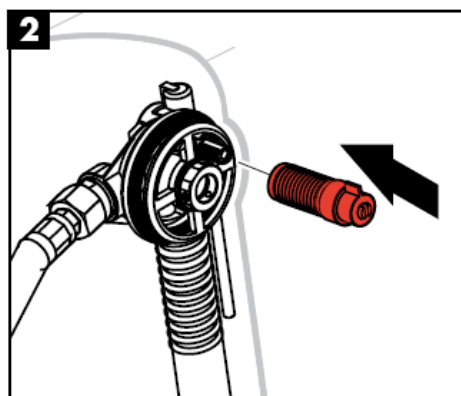


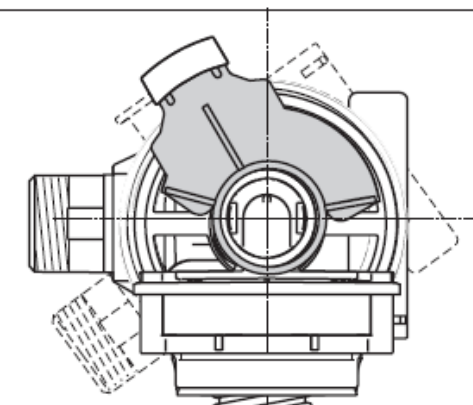
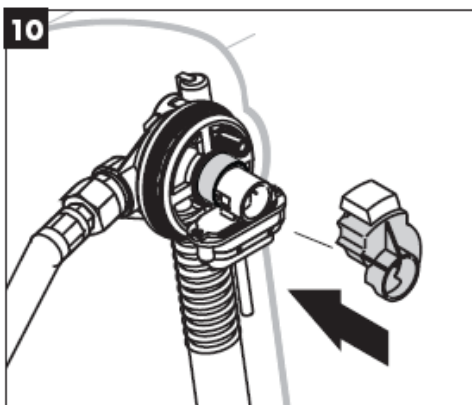
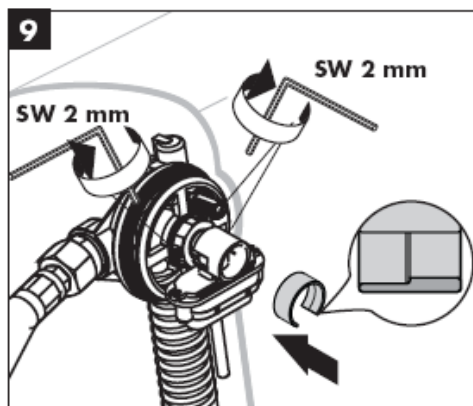
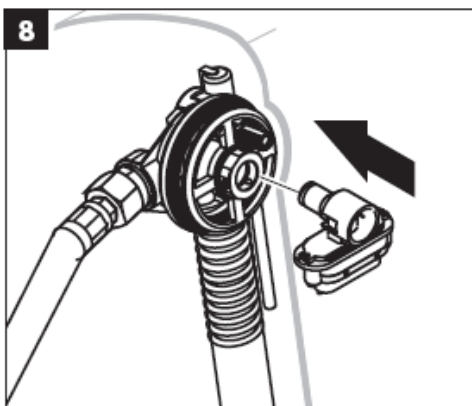
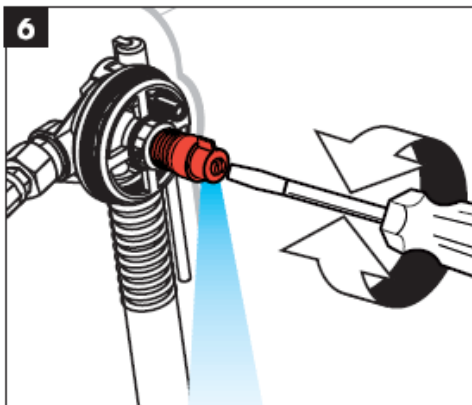
58116180

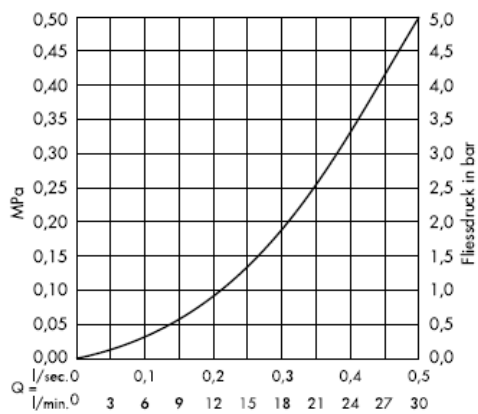
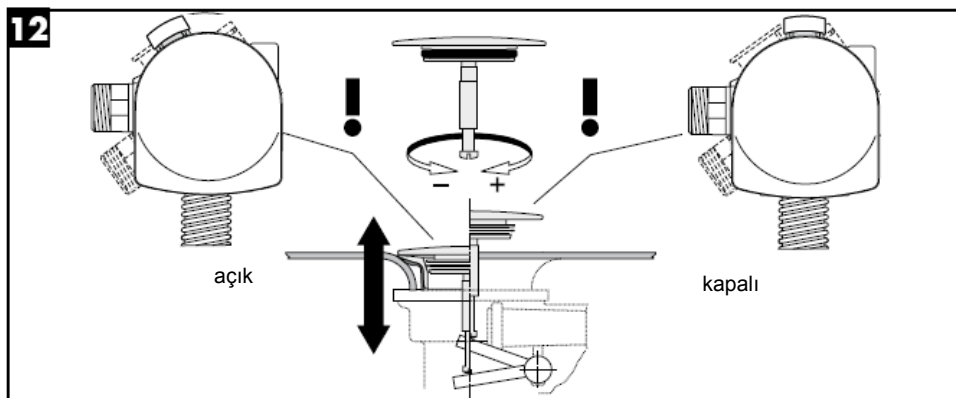
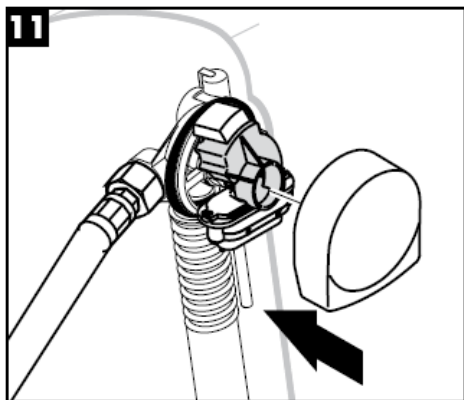


58117XXX





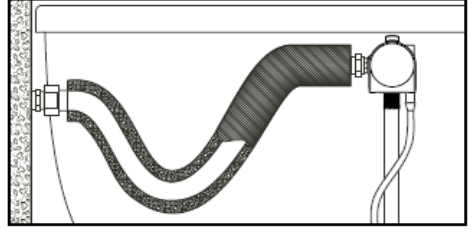




(1 MPa = 10 bar = 147 PSI)

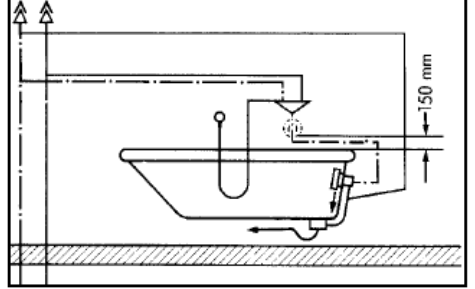
Esnek hortumlu bağlantı
Ürün kodu: 58191000

Aksesuarların montajından sonra sistem DIN 1988'ye göre yıkanmalıdır.



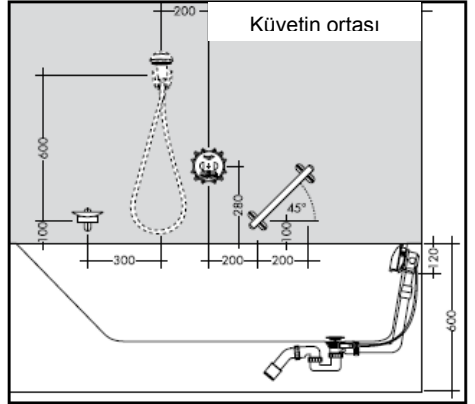
DIN 1988'e göre montaj

Sıva altı bataryanın takılması sırasında, boru kesicinin (DB) küvet kenarından en az 150 mm yukarıda durmasına dikkat edilmelidir (Bkz. Yandaki çizim)



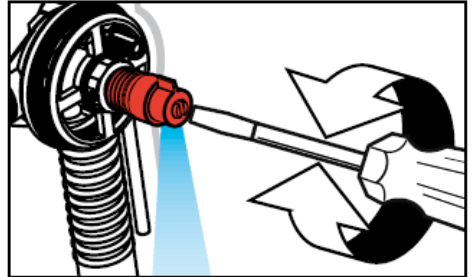
DIN 1717'ye göre montaj

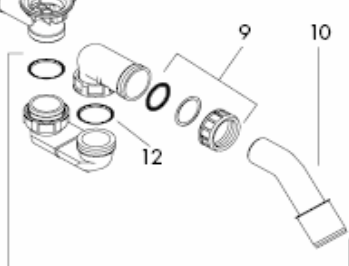
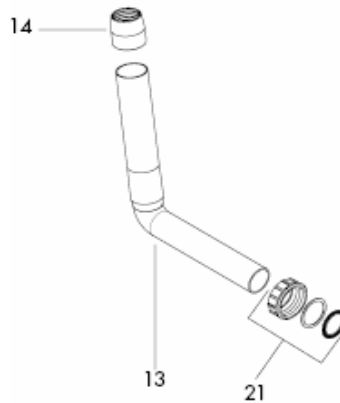
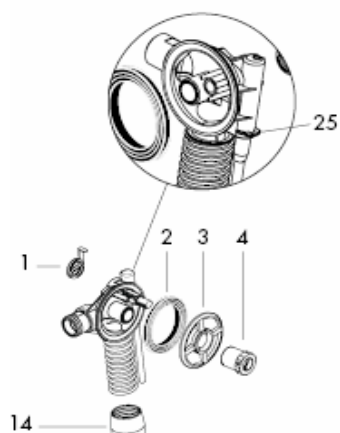
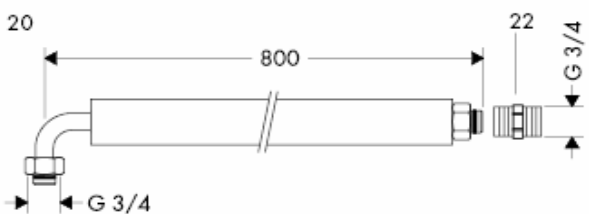
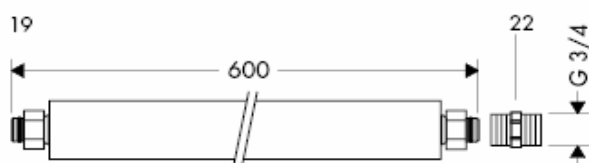
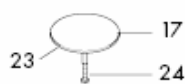
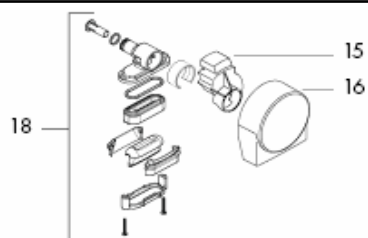
Entegre emniyet kombinasyonlu (HD) iBox universal'in montajı sırasında, batarya merkezinin küvet kenarından en az 280 mm yukarıda durmasına dikkat edilmelidir.



Deneme girişini kullanın

- 1 Küveti deneme amaçlı doldurun.
- 2 Hatların yıkanması
- 3 Miks batarya ve deneme girişi arasındaki hattın basınç kontrolü





Yedek Parçalar Bakınız sayfa 8

| | | | |
|----|-----------------------|----------|-----------------------------|
| 1 | Kapak | 97580000 | XXX = Renkler |
| 2 | Kalıp halkası | 96331000 | |
| 3 | Sabitleme halkası | 97579000 | 000 krom |
| 4 | Gergi civatası | 97573000 | 090 krom/altın-optik |
| 5 | Tapa | 97577000 | 450 beyaz |
| 6 | Oyuk vida | 94301000 | 800 paslanmaz çelik - optik |
| 7 | Valf tablası | 97581000 | 810 satinox |
| 8 | Üç kat conta | 96093000 | 820 brushed nickel |
| 9 | Üst somun | 96332000 | 830 polished nickel |
| 10 | Çıkış kavisi | 96221000 | 880 Mat/Krom |
| 11 | Komple sifon | 56373000 | |
| 12 | Yassı conta | 98075000 | |
| 13 | Boru kavisi | 64173000 | |
| 14 | Manşet | 97578000 | |
| 15 | Sürgü, komple | 97574XXX | |
| 16 | Exafill Plus kapağı | 97575XXX | |
| 17 | Büyük tapa | 96153XXX | |
| 18 | Çıkış gövdesi, komple | 97576000 | |
| 19 | Bağlantı hortumu | 58191000 | |
| 20 | Bağlantı hortumu | 58192000 | |
| 21 | Üst somun | 95094000 | |
| 22 | Bağlantı nipel | 96143000 | |
| 23 | O-ring | 98066000 | |
| 24 | Silindirik vida | 97658000 | |
| 25 | Mandal | 97749000 | |
| 26 | Montaj anahtarı seti | 58085000 | |

Kontrol işareti

| | DVGW | P-IX | SVGW | ACS | NF | WRAS | KIWA |
|----------|------|------|------|-----|----|------|------|
| 58113000 | X | | X | | X | X | X |
| 58115180 | X | | X | | X | X | X |
| 58116180 | X | | X | | X | X | X |
| 58117XXX | X | | X | | X | X | X |

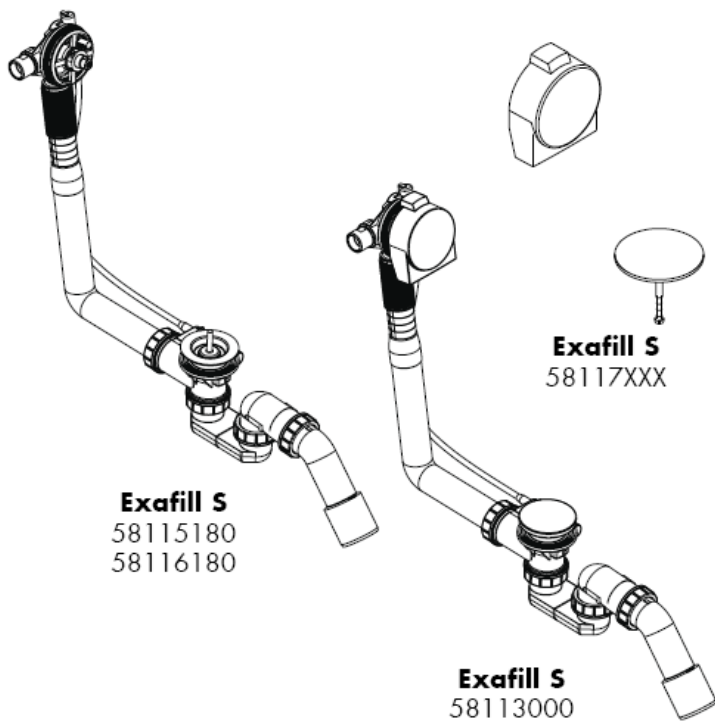


hansgrohe

Hansgrohe · Postfach 1145 · D-77761 Schiltach · Telefon +49 (0) 78 36/51-1282 · Telefax +49 (0) 7836/511440
E-Mail: info@hansgrohe.com · Internet: www.hansgrohe.com

04/2010
9 09699 03
Türkiye

Instrucțiuni de montare



hansgrohe

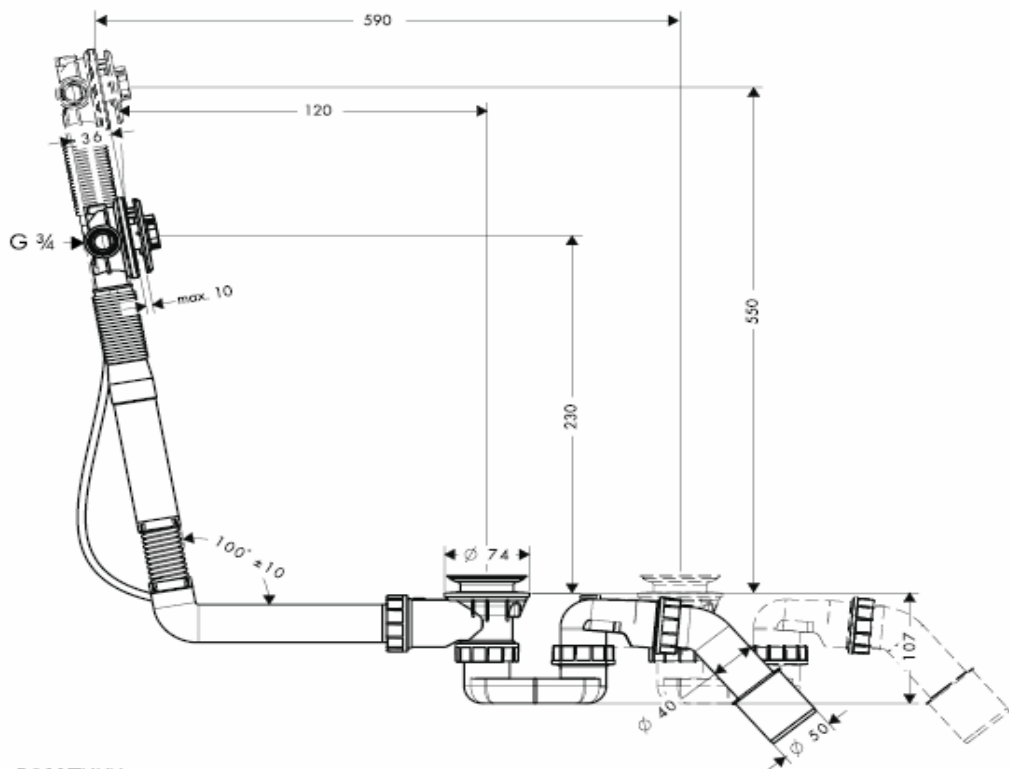
58113000



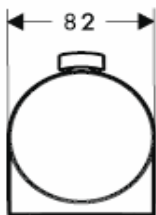
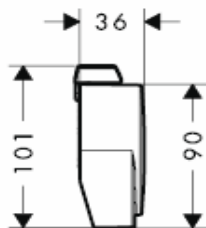
58115180

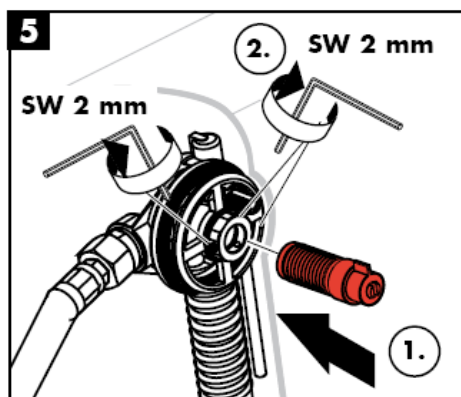
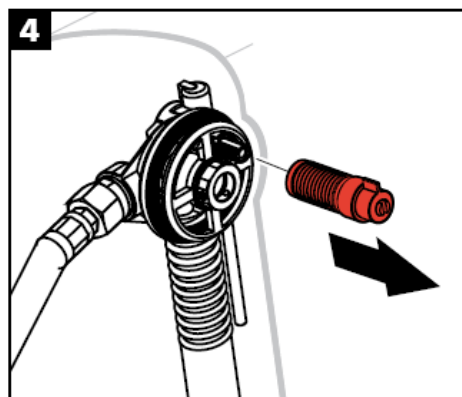
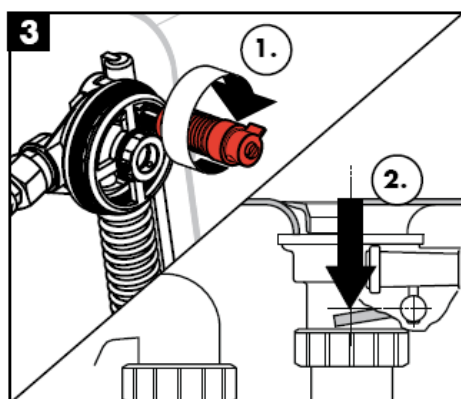
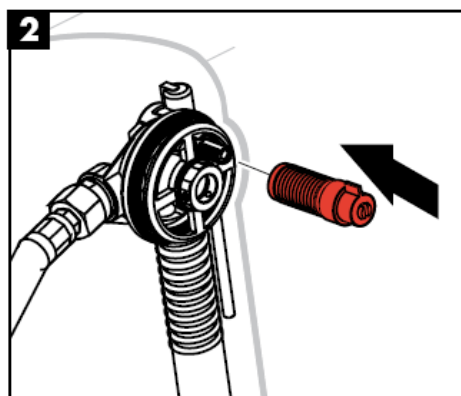


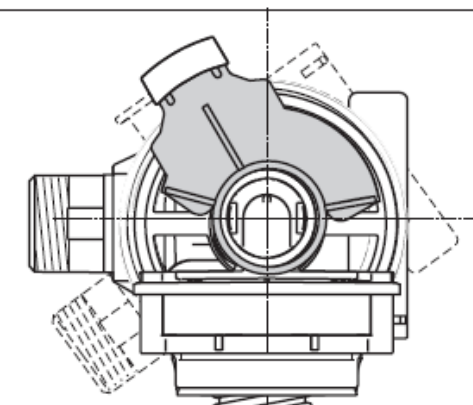
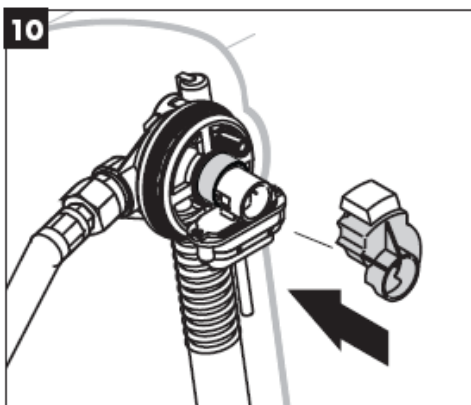
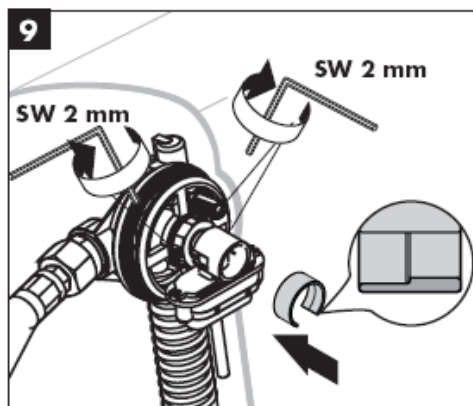
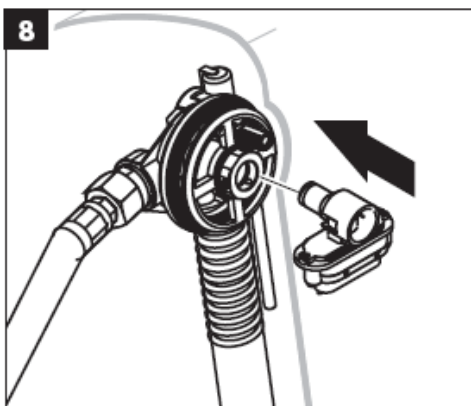
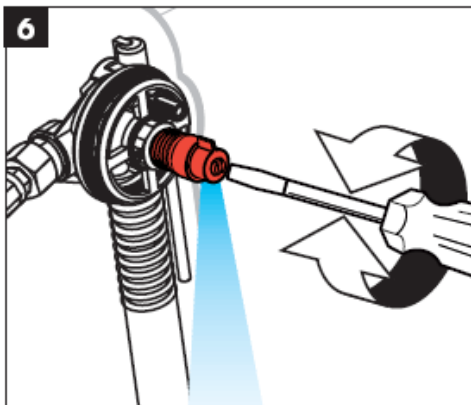
58116180

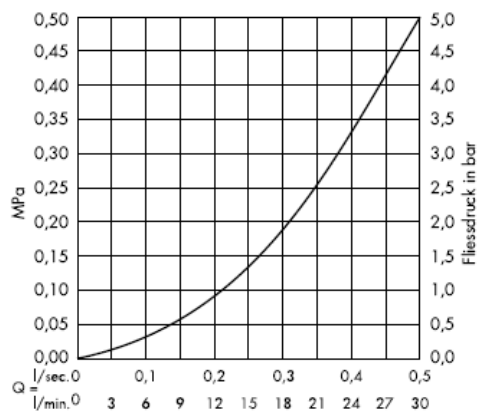
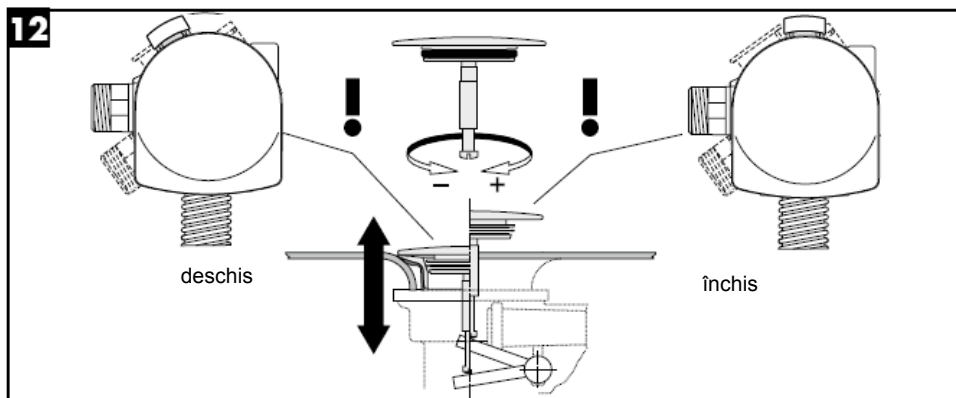
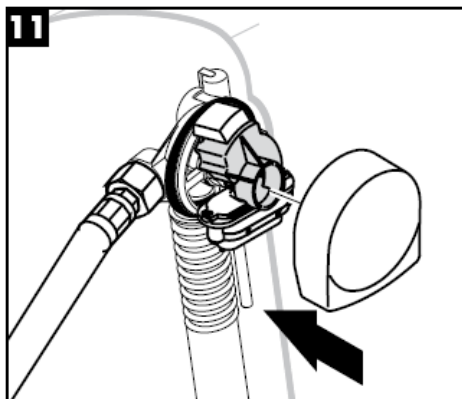


58117XXX





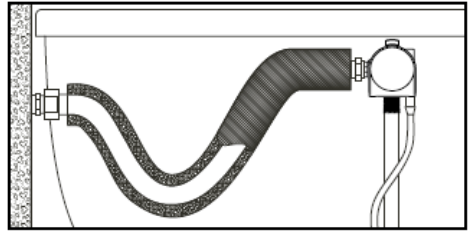




(1 MPa = 10 bar = 147 PSI)

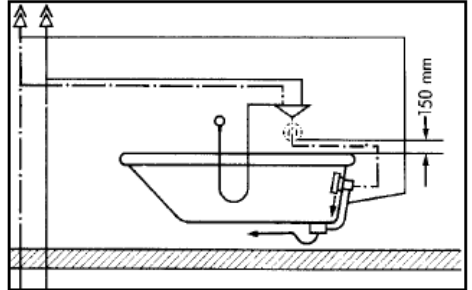
Conectare cu furtun flexibil. Cod produs:
58191000

După montarea ansamblului, instalația trebuie
spălată în conformitate cu DIN 1988.



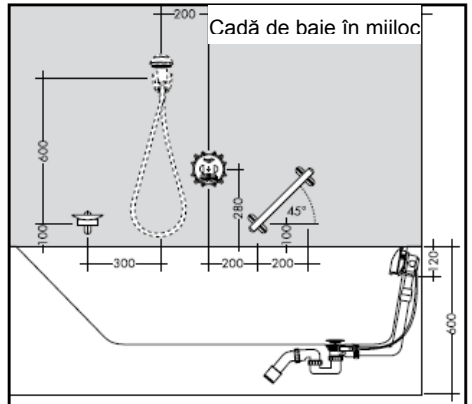
Instalare conform DIN 1988

La montarea bateriilor încorporate aveți grijă ca
ventilul de siguranță (DB) să fie la min. 150 mm
deasupra marginii căzii (vezi schița alăturată).



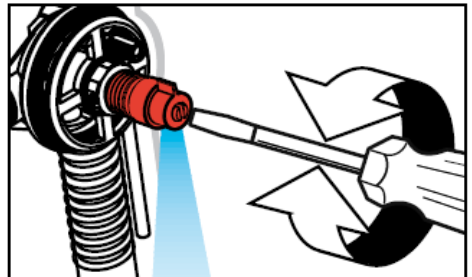
Instalare conform EN 1717

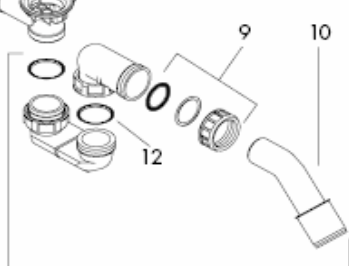
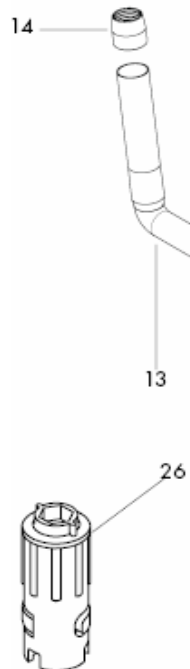
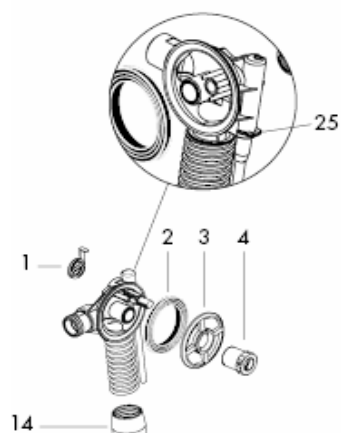
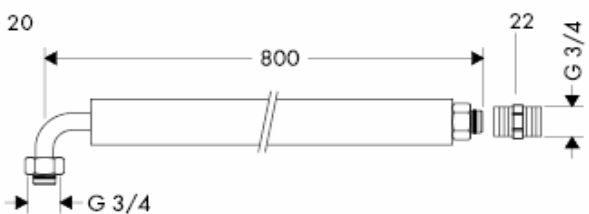
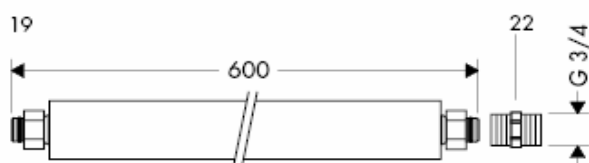
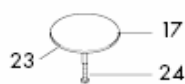
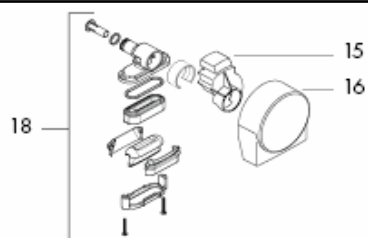
La montarea aparatului iBox universal cu
combinație de securitate integrată (HD) aveți
grijă ca mijlocul baterie să se afle cu min. 280
mm deasupra marginii căzii.



Utilizarea dopului pentru cada de baie

- 1 Test de umplere a căzii de baie.
- 2 Spălarea conductelor
- 3 Verificarea presiunii în conducta dintre
baterie și racordul de testare.





Piese de schimb vezi pag. 8

| | | | |
|----|-------------------------------|----------|----------------------|
| 1 | Capac | 97580000 | XXX = cod de culori |
| 2 | Inel de formare | 96331000 | |
| 3 | Inel de fixare | 97579000 | 000 crom |
| 4 | Șurub de strângere | 97573000 | 090 crom/auriu optic |
| 5 | Dopuri | 97577000 | 450 alb |
| 6 | Șurub perforat | 94301000 | 800 otel inox |
| 7 | Șaibă ventil | 97581000 | 810 satinox |
| 8 | Garnitură cu trei straturi | 96093000 | 820 nichel mat |
| 9 | Piuliță olandeză | 96332000 | 830 nichel lucios |
| 10 | Deversor arcuit | 96221000 | 880 crom mat |
| 11 | Sifon complet | 56373000 | |
| 12 | Garnitură plată | 98075000 | |
| 13 | Țeavă arcuită | 64173000 | |
| 14 | Manșetă | 97578000 | |
| 15 | Cursor cpl. | 97574XXX | |
| 16 | Acoperire pentru Exafill Plus | 97575XXX | |
| 17 | Dop mare | 96153XXX | |
| 18 | Piesă de scurgere cpl. | 97576000 | |
| 19 | Furtun de racordare | 58191000 | |
| 20 | Furtun de racordare | 58192000 | |
| 21 | Piuliță olandeză | 95094000 | |
| 22 | Niplu de racordare | 96143000 | |
| 23 | Inel O | 98066000 | |
| 24 | Șurub cilindric | 97658000 | |
| 25 | Cleme | 97749000 | |
| 26 | Set de chei pentru montare | 58085000 | |

Certificat de testare

| | DVGW | P-IX | SVGW | ACS | NF | WRAS | KIWA |
|----------|------|------|------|-----|----|------|------|
| 58113000 | X | | X | | X | X | X |
| 58115180 | X | | X | | X | X | X |
| 58116180 | X | | X | | X | X | X |
| 58117XXX | X | | X | | X | X | X |

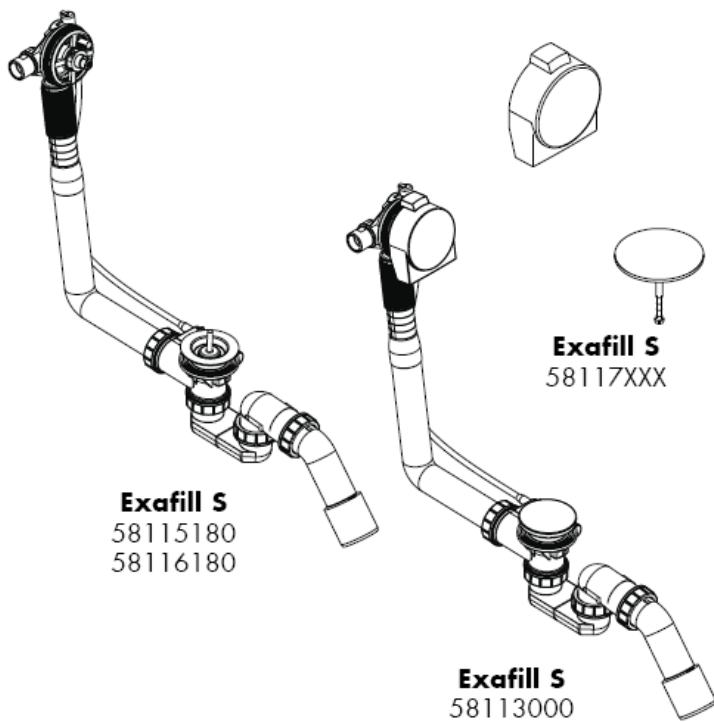


hansgrohe

Hansgrohe · Postfach 1145 · D-77761 Schiltach · Telefon +49 (0) 78 36/51-1282 · Telefax +49 (0) 7836/511440
E-Mail: info@hansgrohe.com · Internet: www.hansgrohe.com

04/2010
9 09699 03
România

Οδηγία συναρμολόγησης



hansgrohe

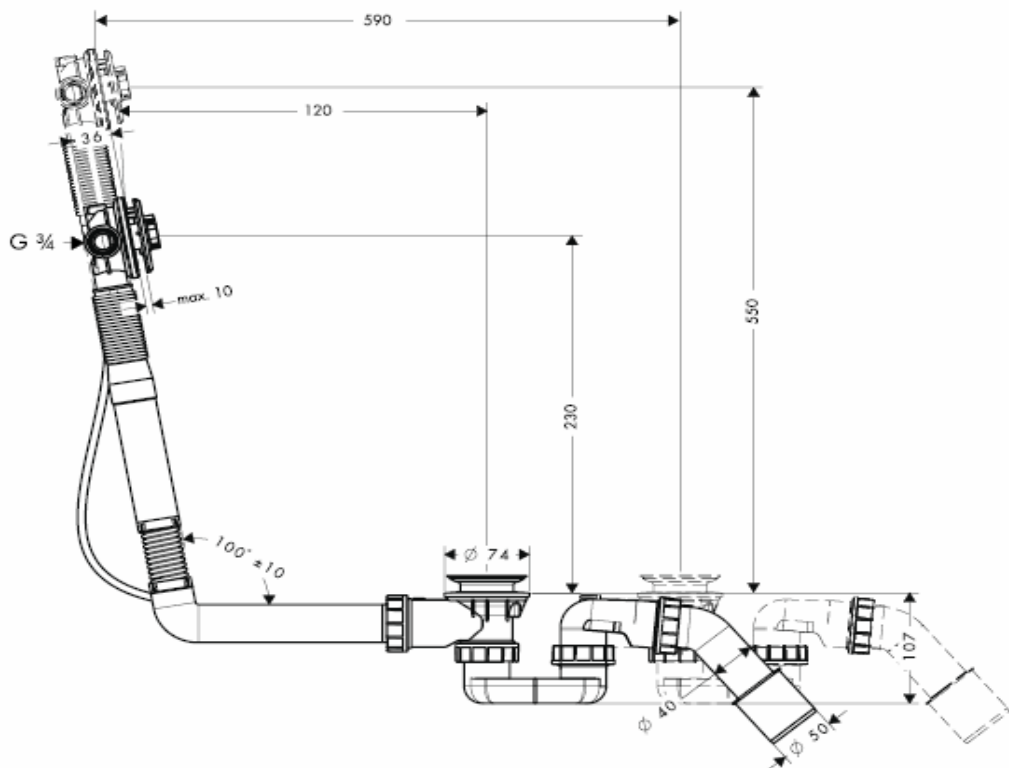
58113000



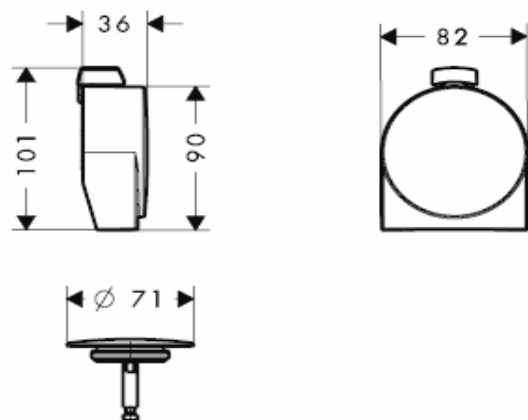
58115180

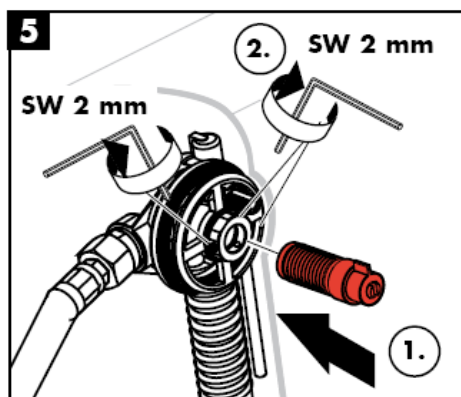
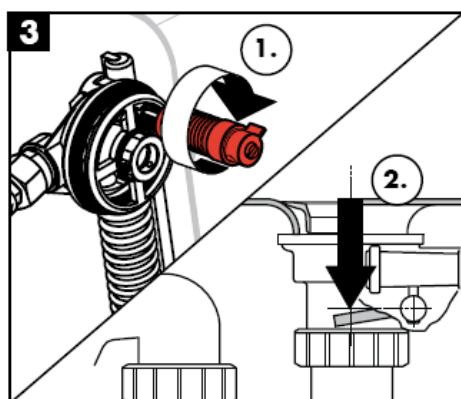
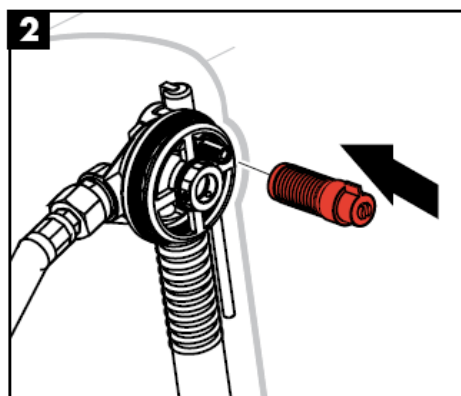


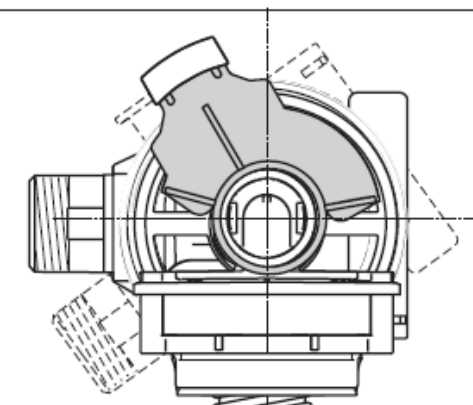
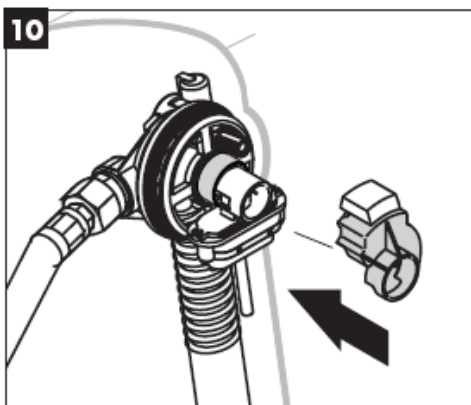
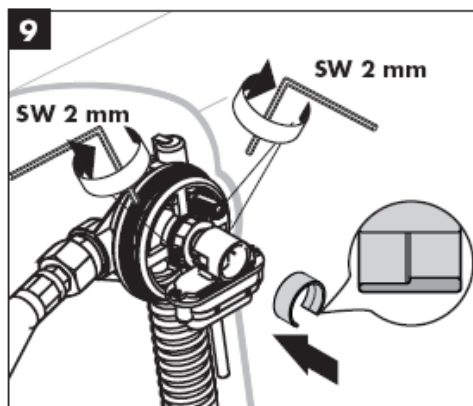
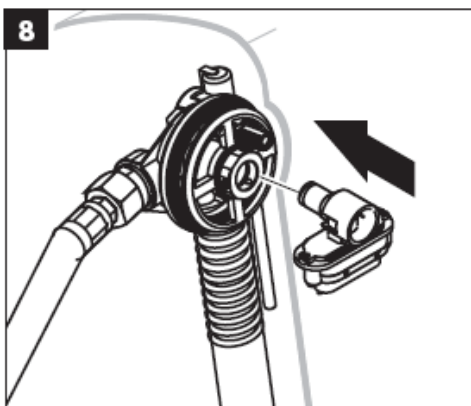
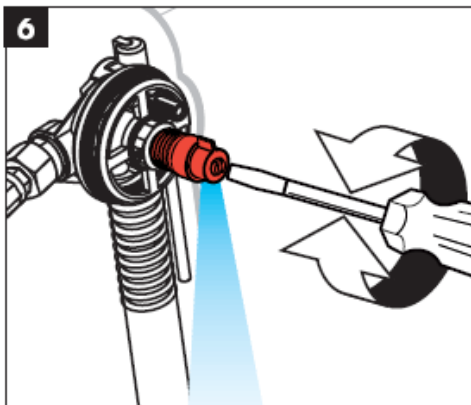
58116180

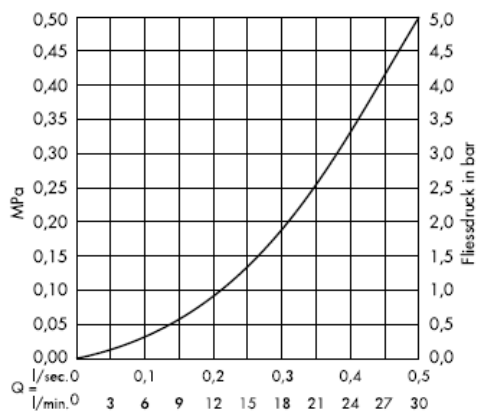
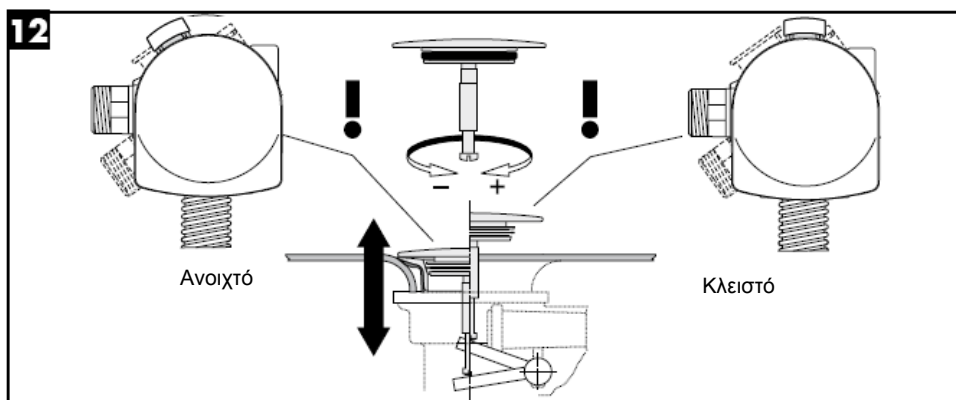
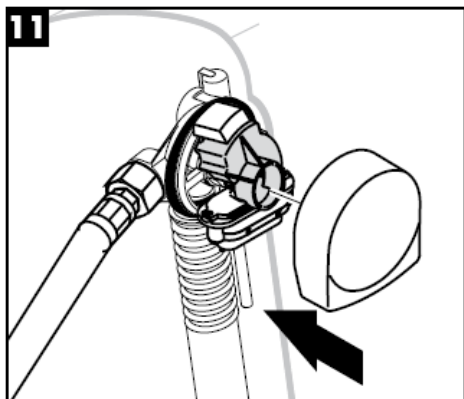


58117XXX









(1 MPa = 10 bar = 147 PSI)

Σύνδεση με εύκαμπτο σωλήνα. Αρ. είδους
58191000

μπαταρίας (μείκτη) και δοκιμαστικής
εισόδου νερού.

Μετά τη συναρμολόγηση του εξοπλισμού, η
εγκατάσταση πρέπει να ξεπλυθεί σύμφωνα με το
DIN 1988.

Εγκατάσταση σύμφωνα με το πρότυπο DIN 1988

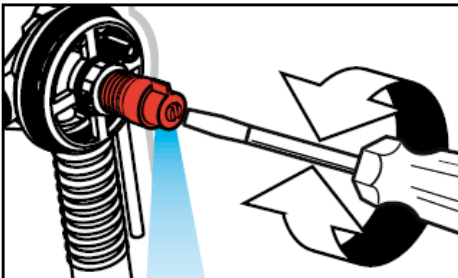
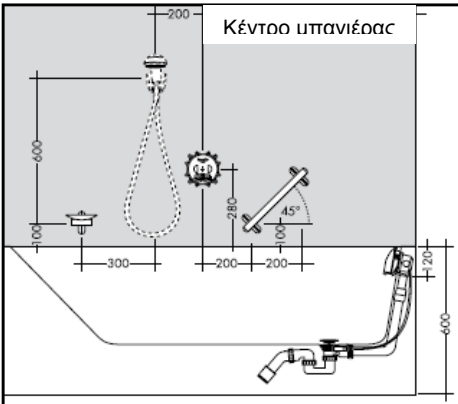
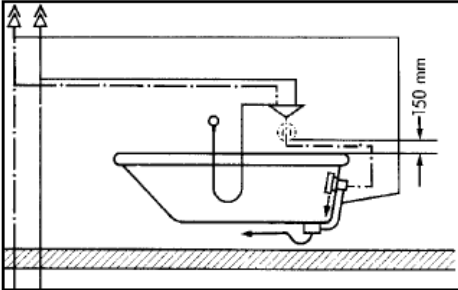
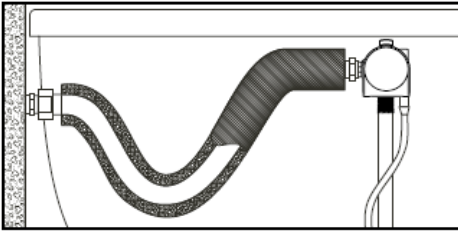
Κατά τη συναρμολόγηση της χωνευτής βάνας, θα
πρέπει να δώσετε προσοχή, ώστε ο σωλήνας
διακοπής (DB) να προεξέχει του χείλους της
μπανιέρας κατά ελάχ. απόσταση 150 mm (βλ.
απέναντι σχήμα).

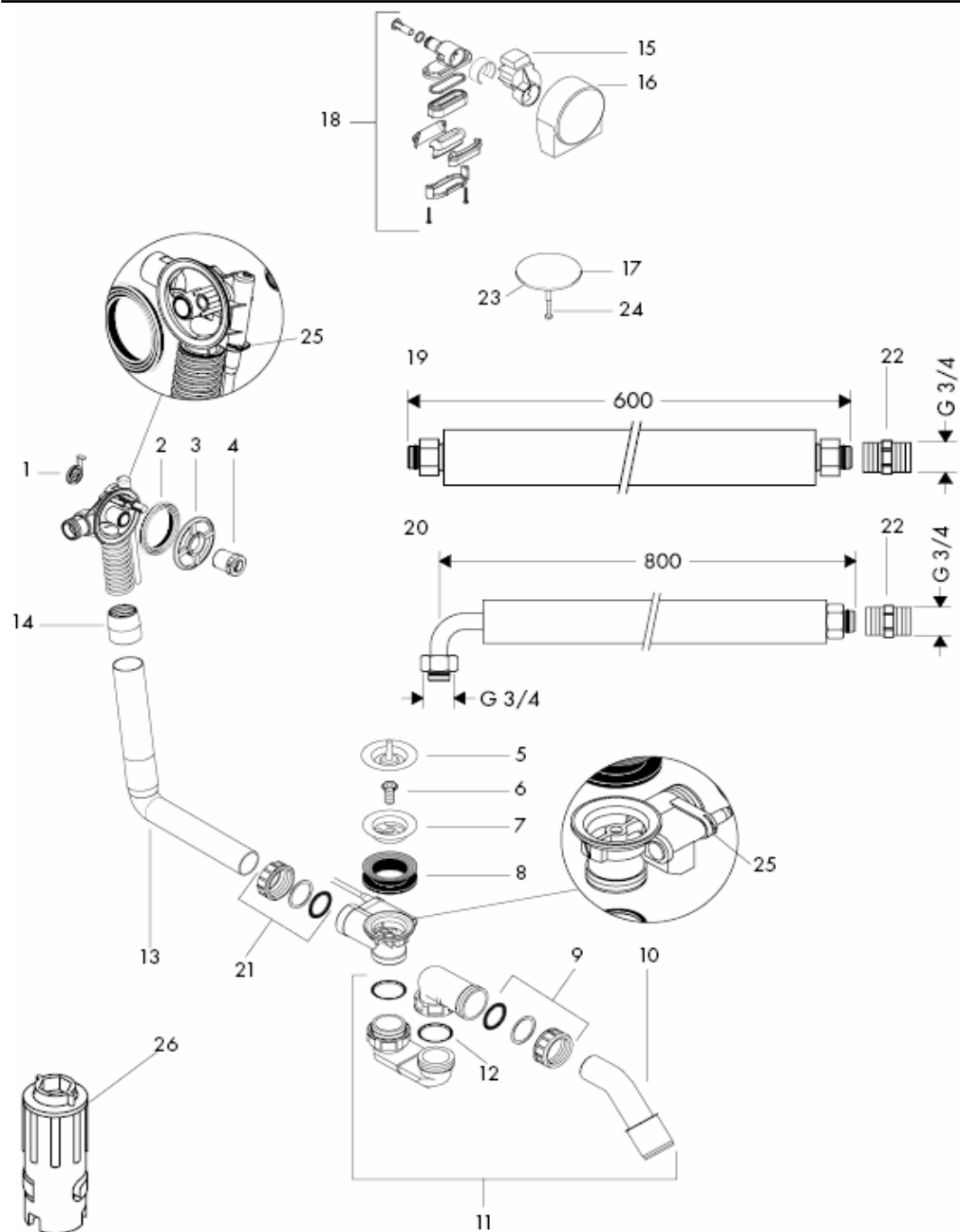
Εγκατάσταση σύμφωνα με το πρότυπο EN 1717

Κατά τη συναρμολόγηση του iBox universal με
ενσωματωμένο συνδυασμό ασφαλείας (HD), θα
πρέπει να δώσετε προσοχή, ώστε το μέσον της
βάνας να προεξέχει από το χείλος της μπανιέρας
κατά ελάχιστη απόσταση 280 mm.

Χρήση της δοκιμαστικής πλήρωσης με νερό

- 1 Δοκιμαστική πλήρωση της μπανιέρας.
- 2 Καθαρισμός των αγωγών





Ανταλλακτικά βλ. Σελίδα 8

| | | | |
|----|-----------------------------|----------|---------------------------------|
| 1 | Κάλυμμα | 97580000 | XXX = Χρώματα |
| 2 | Δακτύλιος διαμόρφωσης | 96331000 | 000 Επιχρωμιωμένο |
| 3 | Δακτύλιος στερέωσης | 97579000 | 090 Επιχρωμιωμένο/οπτική χρυσού |
| 4 | Βίδα σύσφιγξης | 97573000 | 450 λευκό |
| 5 | Πώμα(τα) | 97577000 | 800 οπτική ανοξείδωτου χάλυβα |
| 6 | Κοίλη βίδα | 94301000 | 810 Satinox |
| 7 | Δίσκος βαλβίδας | 97581000 | 820 νίκελ ματ |
| 8 | Τριπλή στεγανοποίηση | 96093000 | 830 νίκελ γυαλιστερό |
| 9 | Παξιμάδι-ρακόρ | 96332000 | 880 ματ |
| 10 | Τόξο εξόδου | 96221000 | |
| 11 | Σιφόνι, πλήρες | 56373000 | |
| 12 | Επίπεδη στεγανοποίηση | 98075000 | |
| 13 | Τόξο σωλήνα | 64173000 | |
| 14 | Παρέμβυσμα (μανσόν) | 97578000 | |
| 15 | Ολισθητήρας, πλήρης | 97574XXX | |
| 16 | Κάλυμμα για Exafill Plus | 97575XXX | |
| 17 | Πώμα μεγάλο | 96153XXX | |
| 18 | Κορμός αποχέτευσης, πλήρης | 97576000 | |
| 19 | Εύκαμπτος σωλήνας παροχής | 58191000 | |
| 20 | Εύκαμπτος σωλήνας παροχής | 58192000 | |
| 21 | Παξιμάδι-ρακόρ | 95094000 | |
| 22 | Ενδέτης σύνδεσης | 96143000 | |
| 23 | Στρογγυλός δακτύλιος | 98066000 | |
| 24 | Κυλινδρική βίδα | 97658000 | |
| 25 | Συνδετήρας | 97749000 | |
| 26 | Σετ κλειδιών συναρμολόγησης | 58085000 | |

Σήμα ελέγχου

| | DVGW | P-IX | SVGW | ACS | NF | WRAS | KIWA |
|----------|------|------|------|-----|----|------|------|
| 58113000 | X | | X | | X | X | X |
| 58115180 | X | | X | | X | X | X |
| 58116180 | X | | X | | X | X | X |
| 58117XXX | X | | X | | X | X | X |

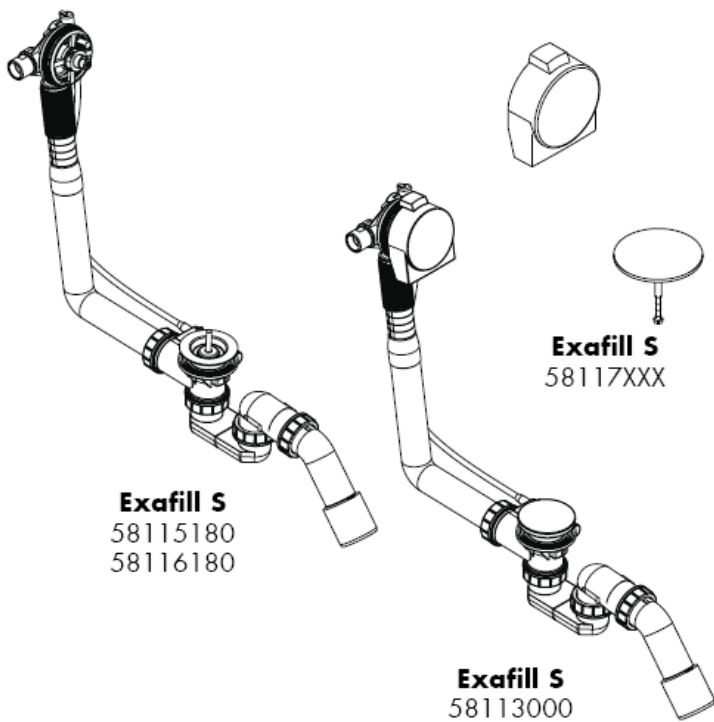


hansgrohe

Hansgrohe · Postfach 1145 · D-77761 Schiltach · Telefon +49 (0) 78 36/51-1282 · Telefax +49 (0) 7836/511440
E-Mail: info@hansgrohe.com · Internet: www.hansgrohe.com

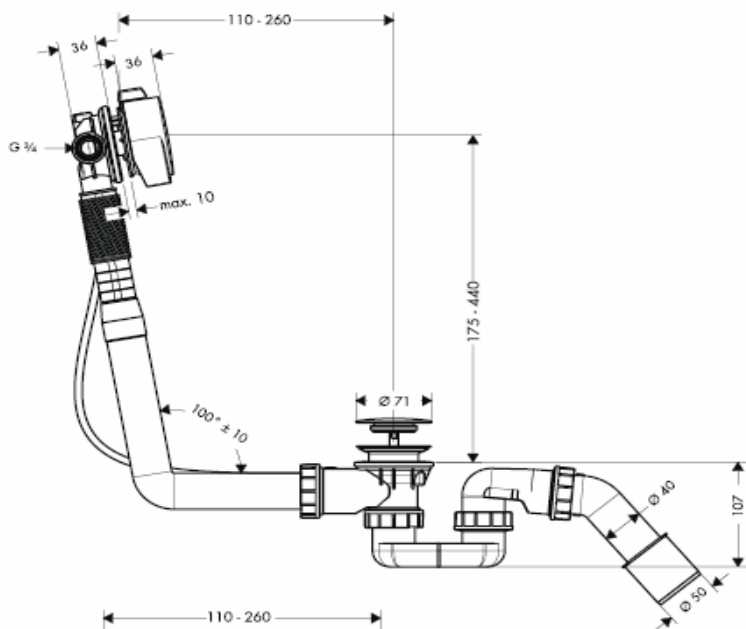
04/2010
9 09699 03
Ελληνικά

تعليمات التجميع

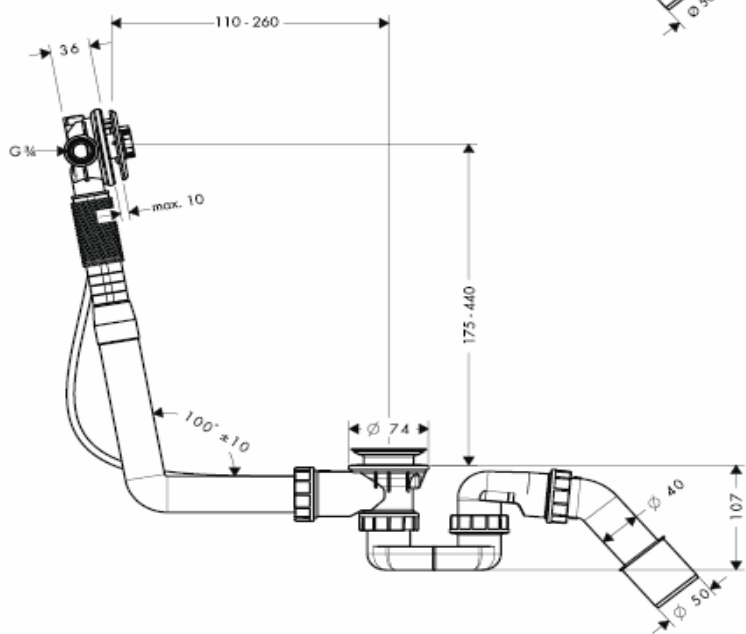


hansgrohe

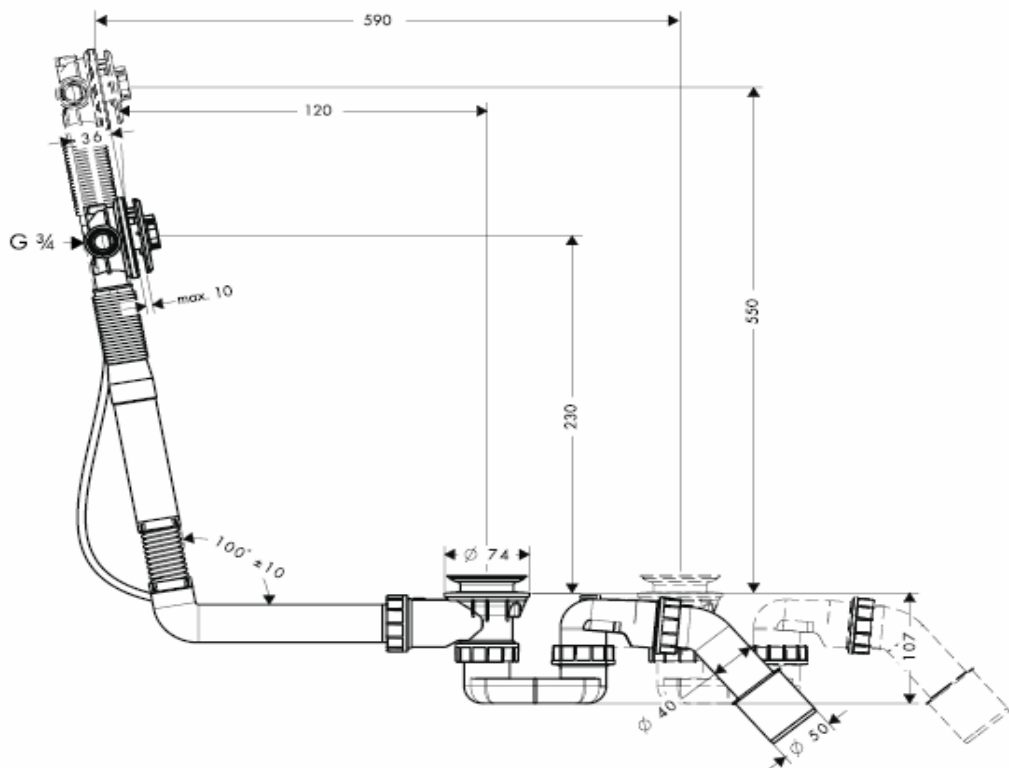
58113000



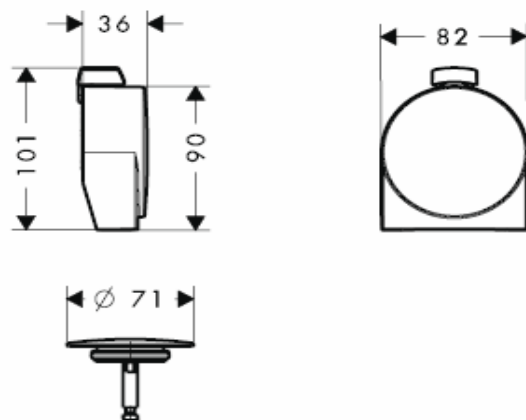
58115180

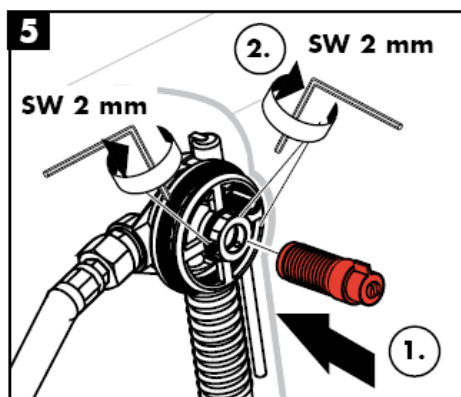
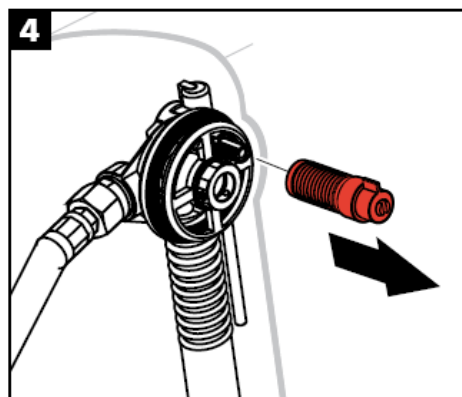
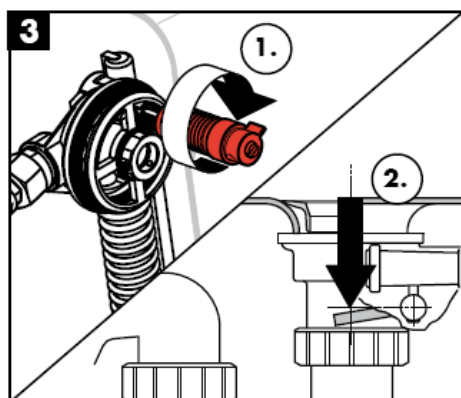
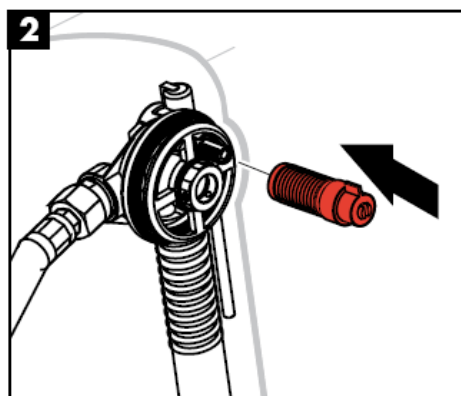


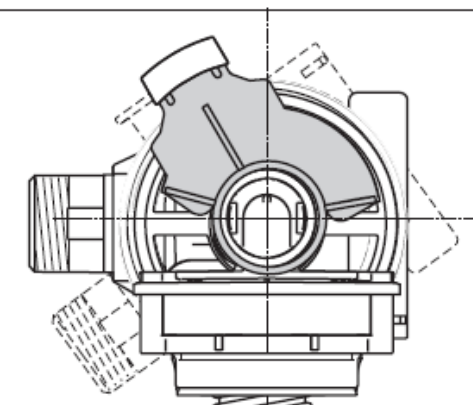
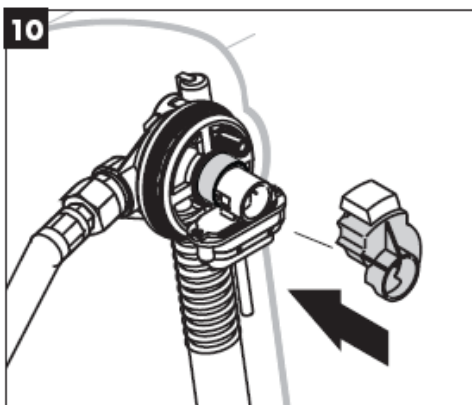
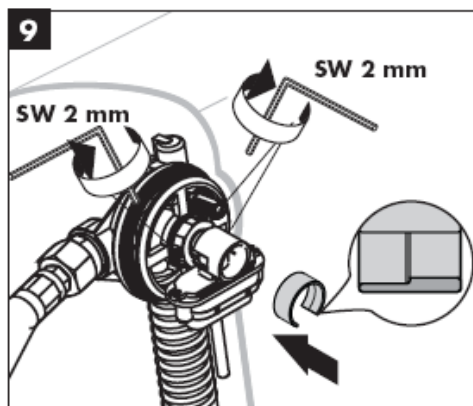
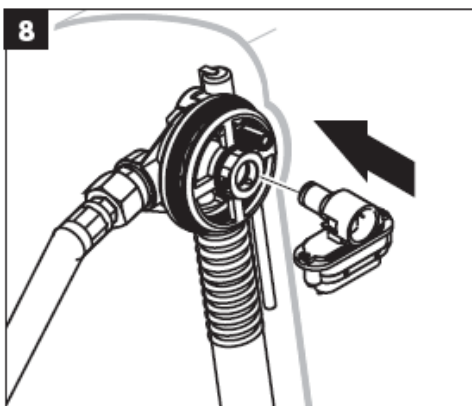
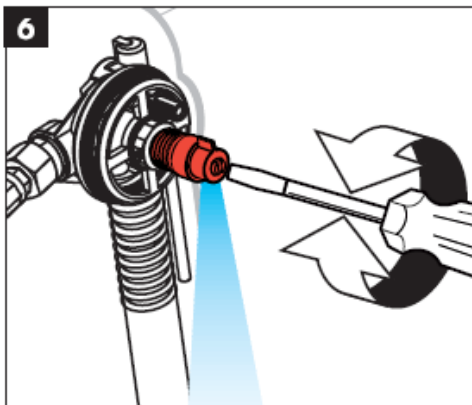
58116180

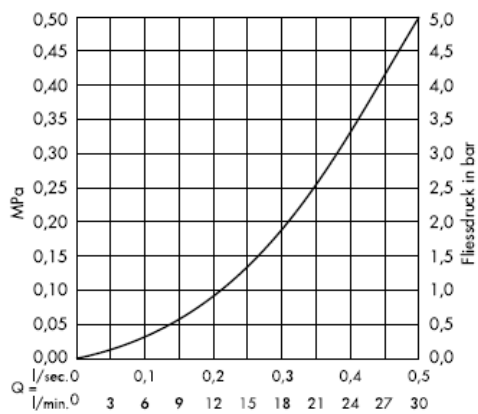
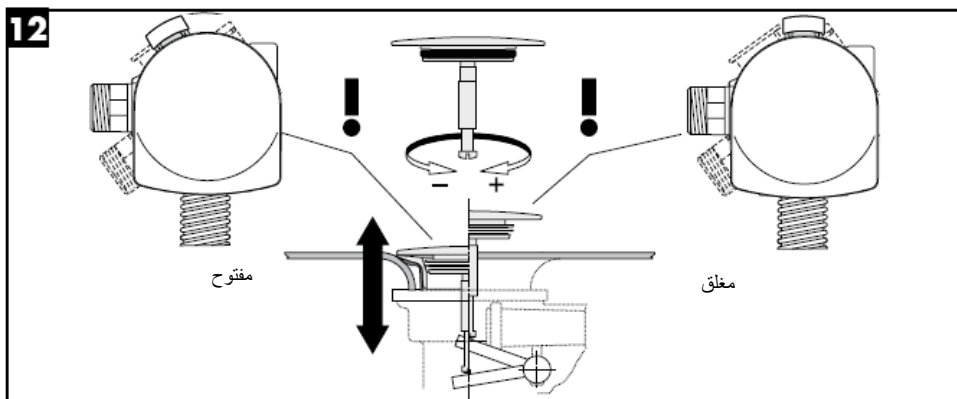
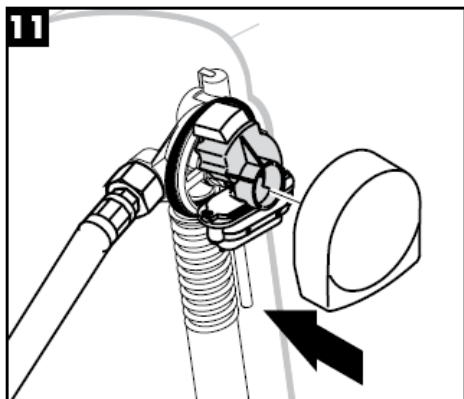


58117XXX





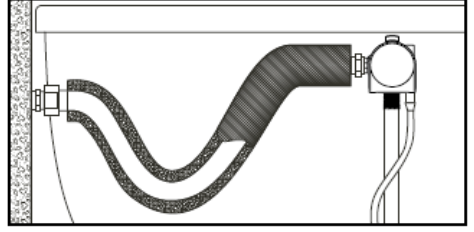




(1 میجاباسکال = 10 بار = PSI 147)

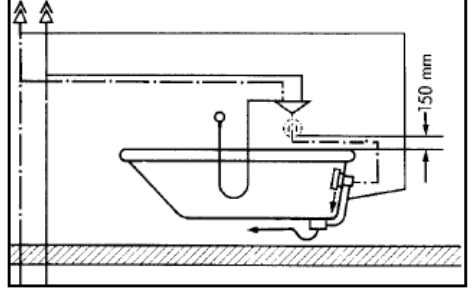
التوصيل مع خرطوم مرن.
رقم الطلب 58191000.

بعد تركيب اللوازم، يجب غسل الجهاز وفقاً للمعيار DIN 1988.



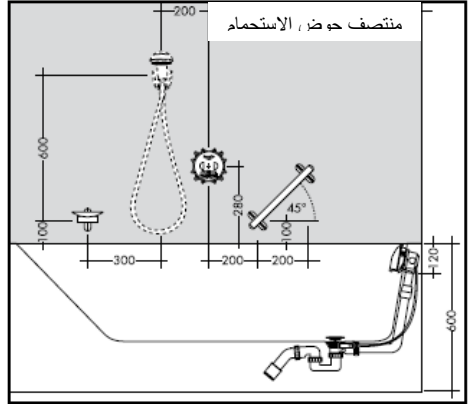
التركيب وفقاً للمواصفة DIN 1988

أثناء تركيب خلاط الحمام احرص على أن تبعد وصلة التفرغ الهوائية (DB) مسافة لا تقل عن 150 مم فوق الحافة العليا لحوض الاستحمام.



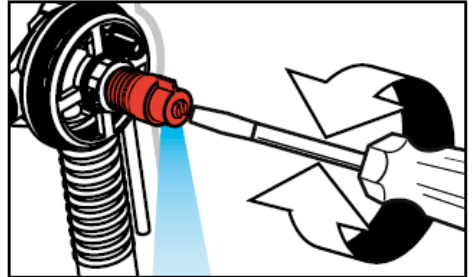
التركيب وفقاً للمواصفة EN 1717

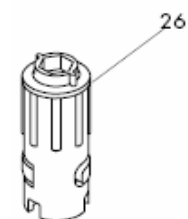
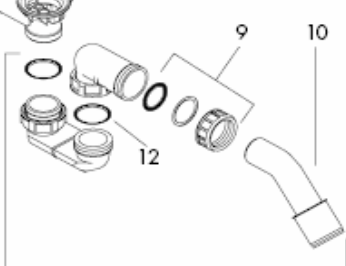
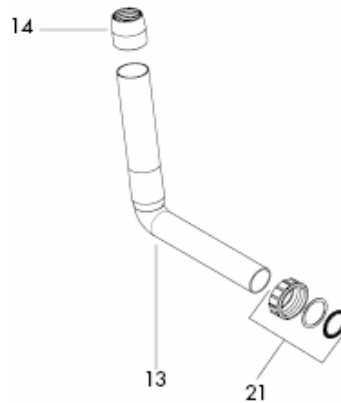
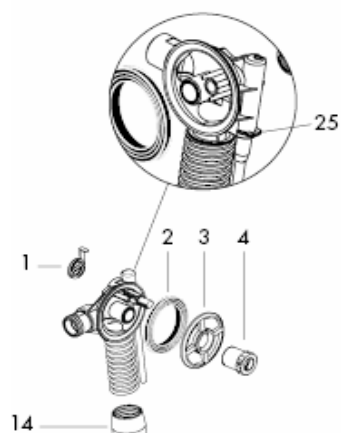
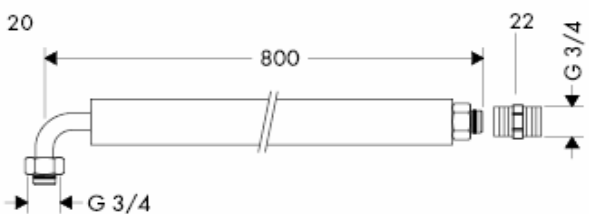
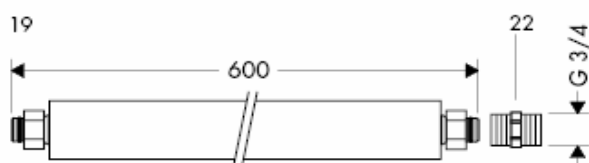
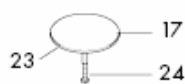
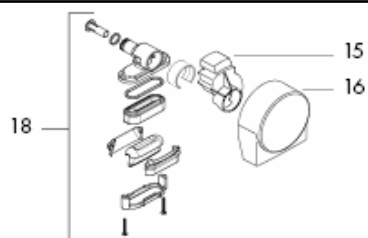
عند تجميع iBox universal مع مجموعة الأمان المتكاملة (HD) يرجى الانتباه إلى أن ارتفاع منتصف منتصف الخلاط عن الحافة العليا لحوض الاستحمام يجب ألا يقل عن 280 مم.



استخدام سداد التدفق

- 1 اختبار البانيو عند الامتلاء.
- 2 غسل المواسير.
- 3 اختبار ضغط المواسير بين الخلاط وسدادة الطرد.





قطع الغيار راجع صفحة 8

| | | | |
|----------|----------------------|----|---------------------------|
| 97580000 | الغطاء | 1 | XXX الألوان = |
| 96331000 | حلقة تشكيل | 2 | 000كروم |
| 97579000 | حلقة تثبيت | 3 | 090كروم/لون ذهبي |
| 97573000 | مسمار | 4 | 450أبيض |
| 97577000 | سدادة | 5 | 800مظهر الإستانليس ستيل |
| 94301000 | مسمار ملولب مجوف | 6 | 810ساتينوكس (علامة مسجلة) |
| 97581000 | قاعدة الصمام | 7 | 820نيكل مُفَرَّتَش |
| 96093000 | حلقة إحكام ثلاثية | 8 | 830نيكل مصقول |
| 96332000 | صمولة معدنية | 9 | 880كروم أملس |
| 96221000 | انحناء ماسورة الخروج | 10 | |
| 56373000 | جهاز الطرد كامل | 11 | |
| 98075000 | حلقة إحكام | 12 | |
| 64173000 | انحناء الماسورة | 13 | |
| 97578000 | ماشيت | 14 | |
| 97574XXX | مجموعة الدعم | 15 | |
| 97575XXX | غطاء Exafill Plus | 16 | |
| 96153XXX | سدادة سميكة | 17 | |
| 97576000 | جسم الخروج كامل | 18 | |
| 58191000 | خرطوم التوصيل | 19 | |
| 58192000 | خرطوم التوصيل | 20 | |
| 95094000 | صمولة معدنية | 21 | |
| 96143000 | نبيل التوصيل | 22 | |
| 98066000 | حلقة دائرية | 23 | |
| 97658000 | مسمار الفتحة المسددة | 24 | |
| 97749000 | مشبك | 25 | |
| 58085000 | طقم عدد خاصة | 26 | |

شهادة اختبار

| | DVGW | P-IX | SVGW | ACS | NF | WRAS | KIWA |
|----------|------|------|------|-----|----|------|------|
| 58113000 | X | | X | | X | X | X |
| 58115180 | X | | X | | X | X | X |
| 58116180 | X | | X | | X | X | X |
| 58117XXX | X | | X | | X | X | X |

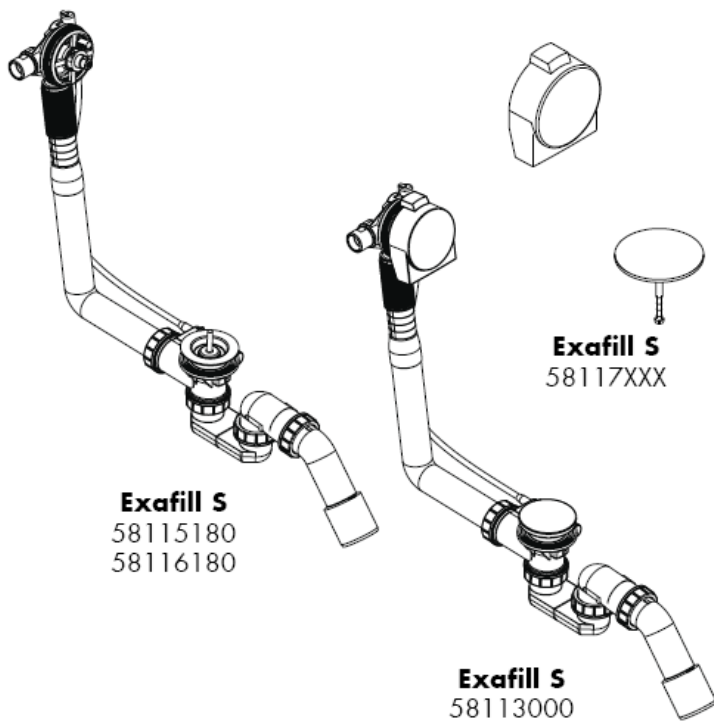


hansgrohe

Hansgrohe · Postfach 1145 · D-77761 Schiltach · Telefon +49 (0) 78 36/51-1282 · Telefax +49 (0) 7836/511440
E-Mail: info@hansgrohe.com · Internet: www.hansgrohe.com

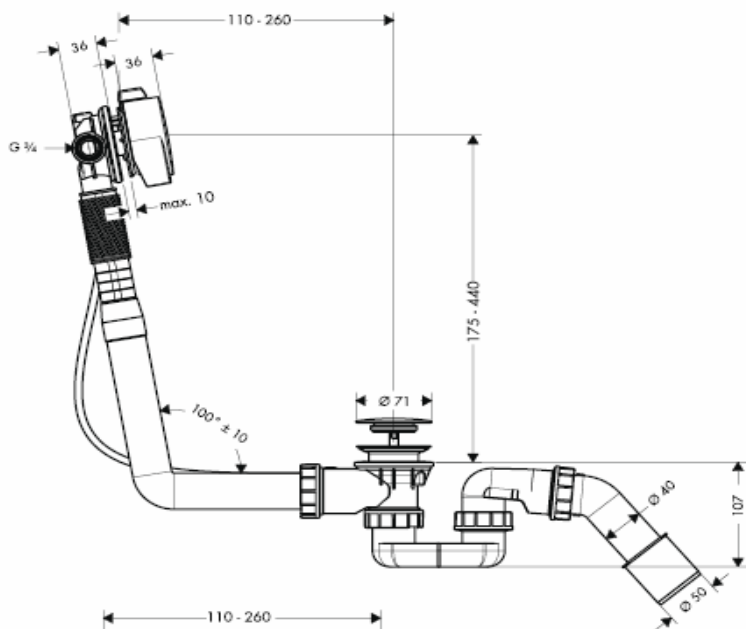
04/2010
9.09699.03
عربي

Navodila za montažo

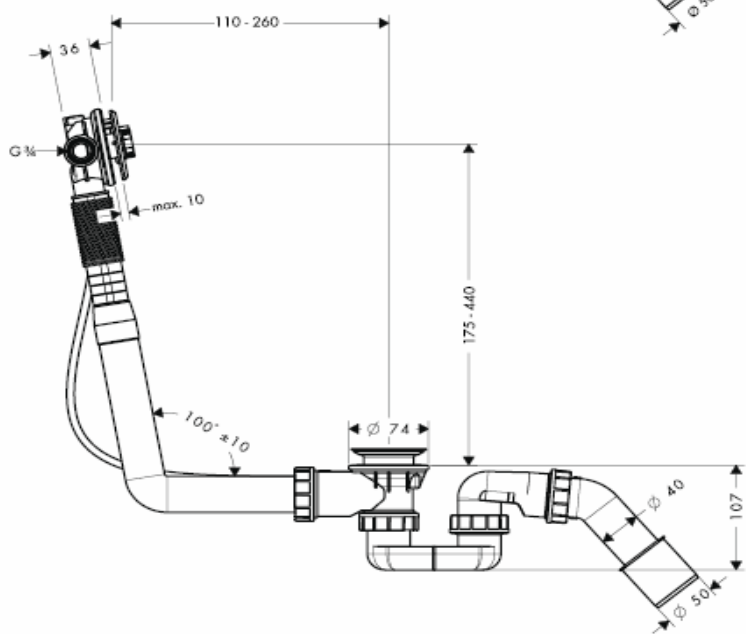


hansgrohe

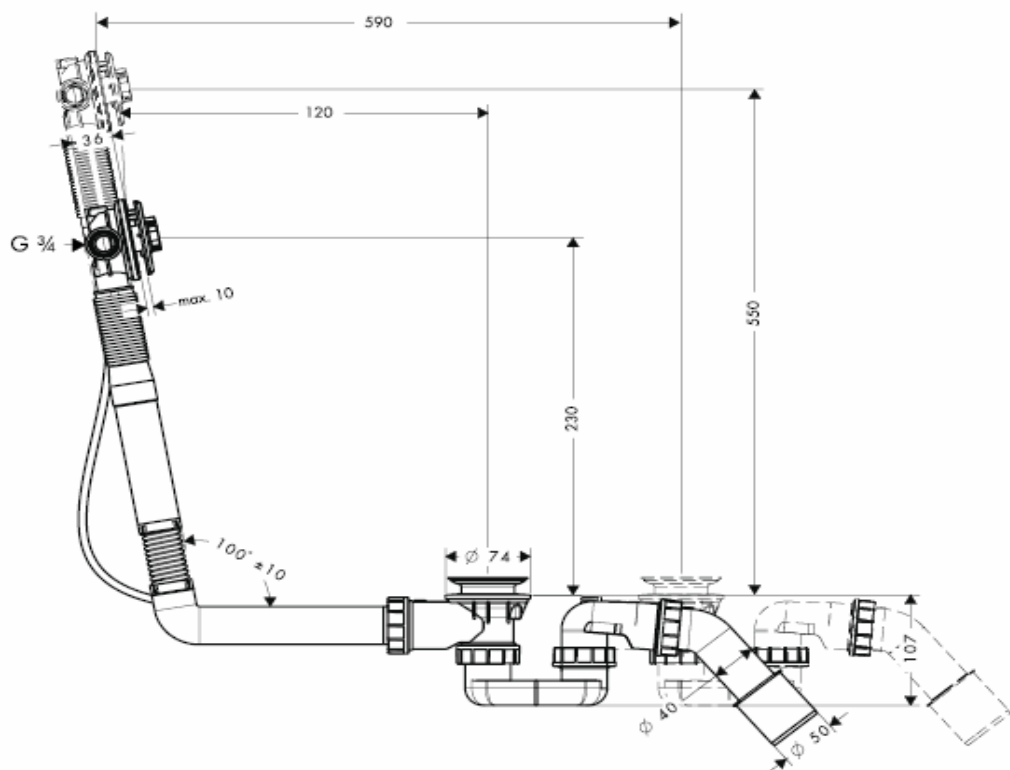
58113000



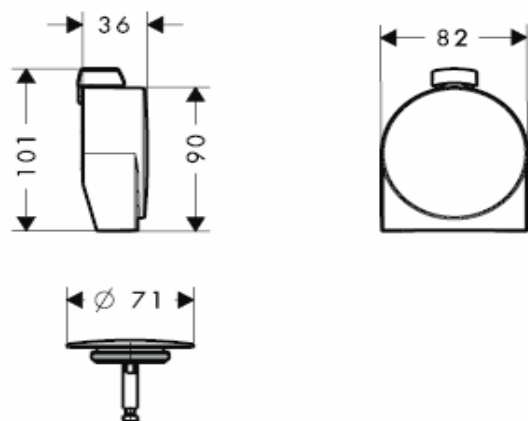
58115180

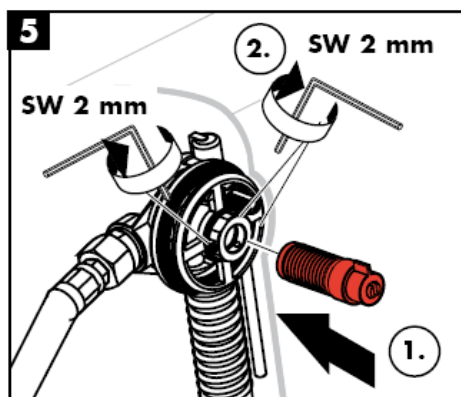
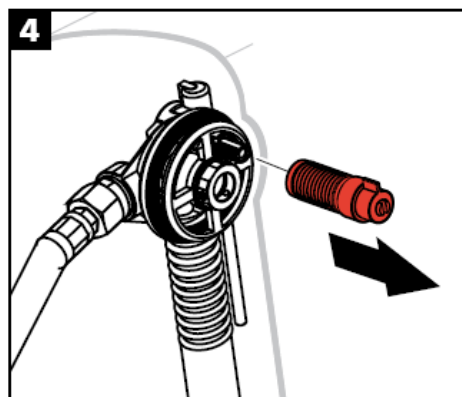
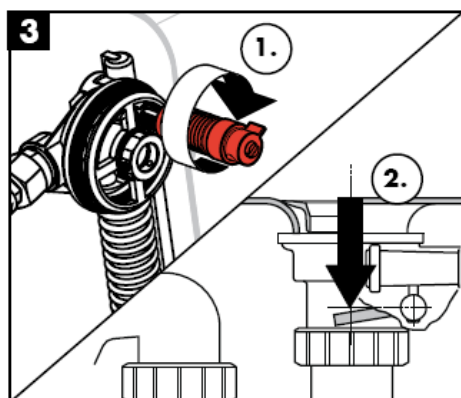
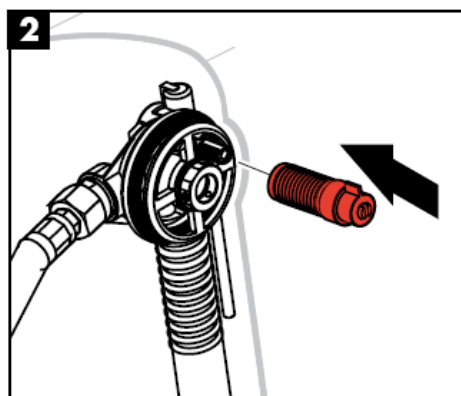


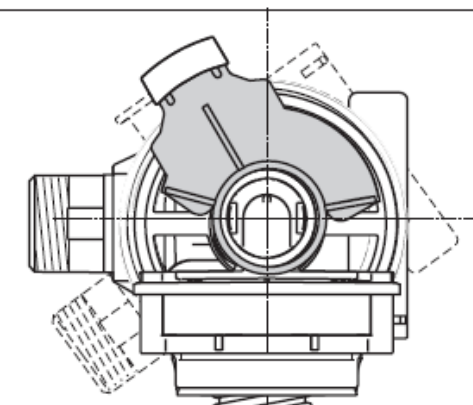
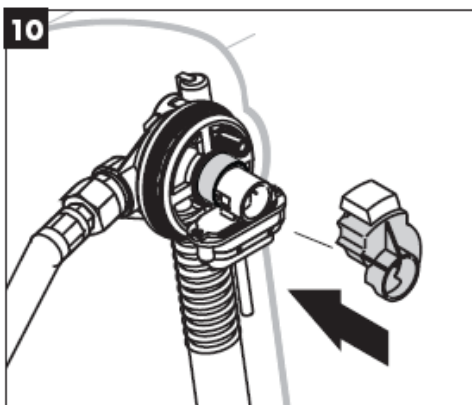
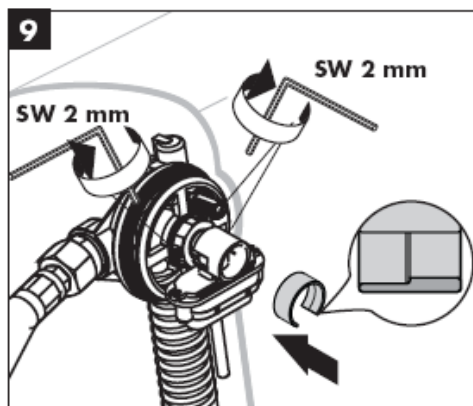
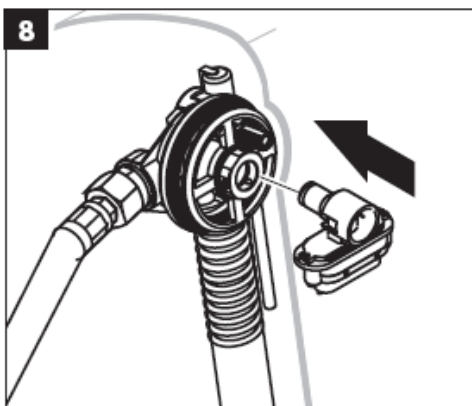
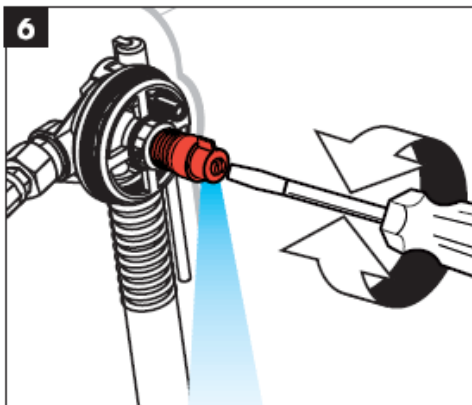
58116180

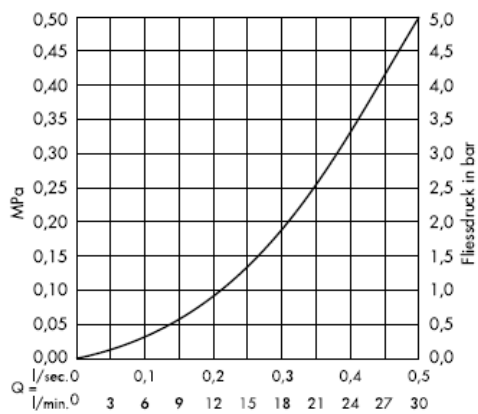
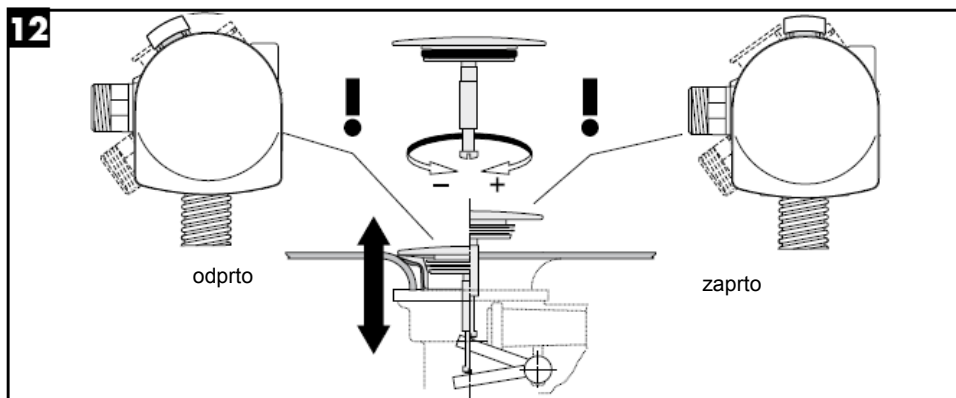
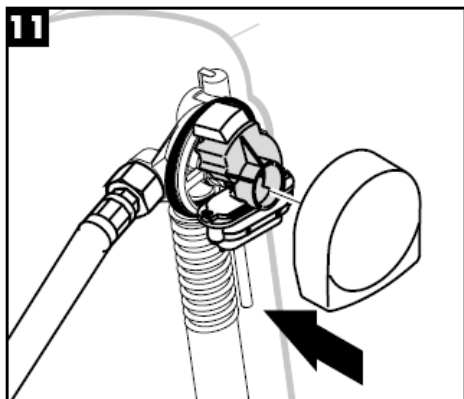


58117XXX





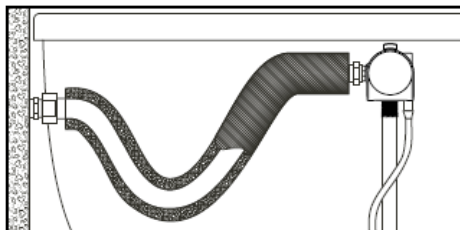




(1 MPa = 10 bar = 147 PSI)

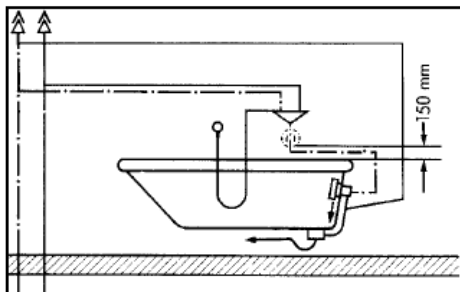
Priključek z upogljivo cevjo Št. art. 58191000

Po montaži garniture se mora naprava po DIN 1988 splakniti.



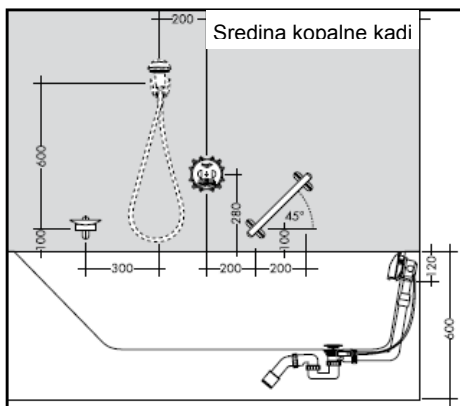
Installation selon DIN 1988

Pri montaži podometne armature je potrebno paziti, da leži prekinjalo (DB) min. 150 mm čez rob kadi. (Glejte skice)



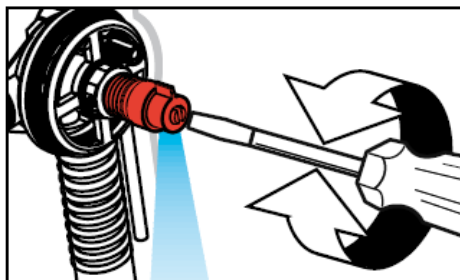
Montaža po EN 1717

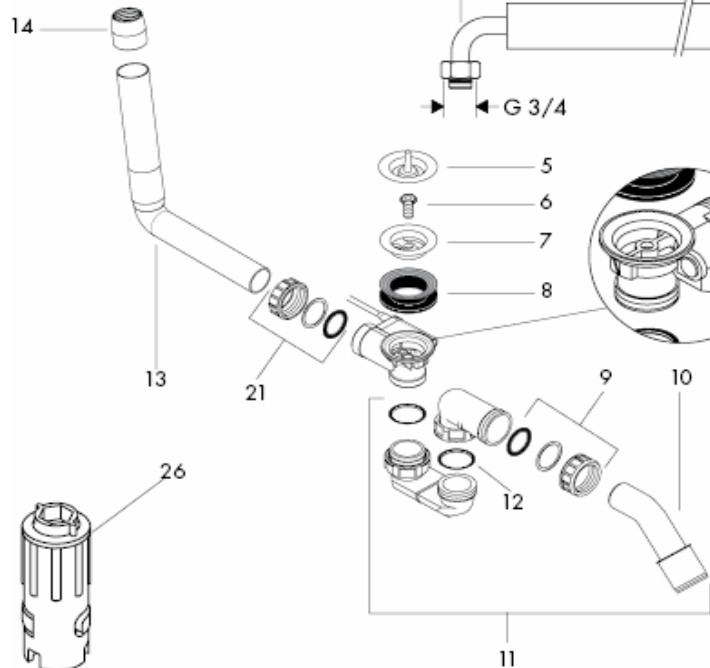
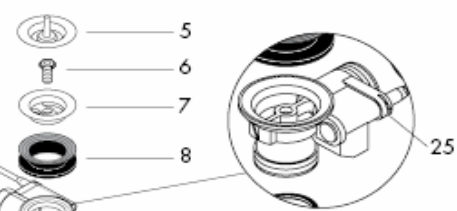
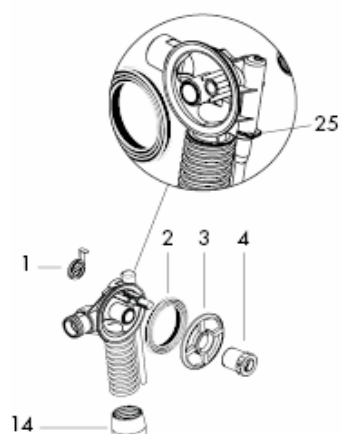
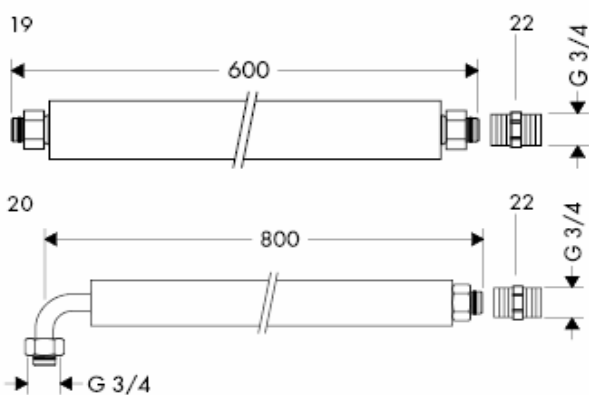
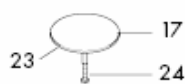
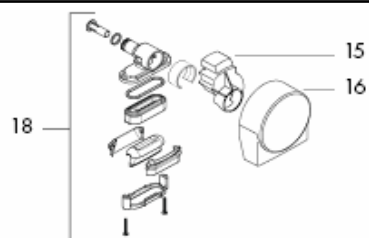
Pri montaži iBox universalisa z vgrajeno varnostno kombinacijo (HD) je potrebno paziti, da leži sredina armature min. 280 mm čez rob kadi.



Uporaba preskusnega dotoka

- 1 Testno polnjenje kadi
- 2 Izpiranje cevi
- 3 Testiranje tlaka v napeljavi med mešalno baterijo in poskusnim dotokom.





Rezervni deli glejte stran 8

| | | | |
|----|----------------------------|----------|----------------------------|
| 1 | Pokrov | 97580000 | XXX = Barve |
| 2 | Oblikovni obroč | 96331000 | |
| 3 | Pritrditveni obroč | 97579000 | 000 krom |
| 4 | Natezni vijak | 97573000 | 090 krom/pozlačena |
| 5 | Čep | 97577000 | 450 bela |
| 6 | Votel vijak | 94301000 | 800 videz legiranega jekla |
| 7 | Ventilni disk | 97581000 | 810 satinox |
| 8 | Trojno tesnilo | 96093000 | 820 brushed nickel |
| 9 | Prekrovnna matica | 96332000 | 830 polished nickel |
| 10 | Ovodni lok | 96221000 | 880 krom mat |
| 11 | Kompleten sifon | 56373000 | |
| 12 | Ploščato tesnilo | 98075000 | |
| 13 | Cevni lok | 64173000 | |
| 14 | Mašeta | 97578000 | |
| 15 | Drsnik kpl. | 97574XXX | |
| 16 | Prekritje za Exafill Plus | 97575XXX | |
| 17 | Velik čep | 96153XXX | |
| 18 | Kompleten iztok | 97576000 | |
| 19 | Priključna gibka cev | 58191000 | |
| 20 | Priključna gibka cev | 58192000 | |
| 21 | Prekrovnna matica | 95094000 | |
| 22 | Priključna mazalka | 96143000 | |
| 23 | Obročno tesnilo | 98066000 | |
| 24 | Cilindrični vijak | 97658000 | |
| 25 | Sponke | 97749000 | |
| 26 | Komplet ključev za montažo | 58085000 | |

Preskusni znak

| | DVGW | P-IX | SVGW | ACS | NF | WRAS | KIWA |
|----------|------|------|------|-----|----|------|------|
| 58113000 | X | | X | | X | X | X |
| 58115180 | X | | X | | X | X | X |
| 58116180 | X | | X | | X | X | X |
| 58117XXX | X | | X | | X | X | X |

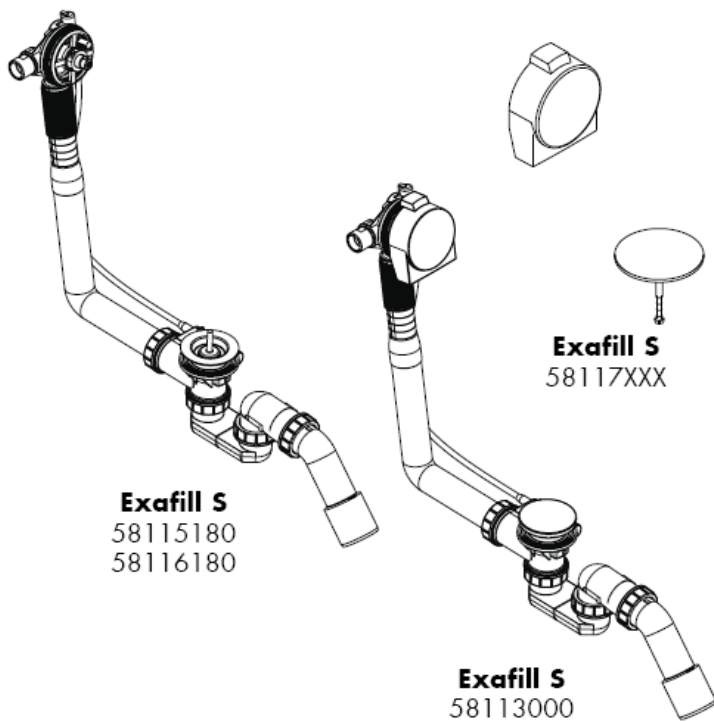


hansgrohe

Hansgrohe · Postfach 1145 · D-77761 Schiltach · Telefon +49 (0) 78 36/51-1282 · Telefax +49 (0) 7836/511440
E-Mail: info@hansgrohe.com · Internet: www.hansgrohe.com

04/2010
9 09699 03
Slovenski

Paigaldusjuhend



hansgrohe

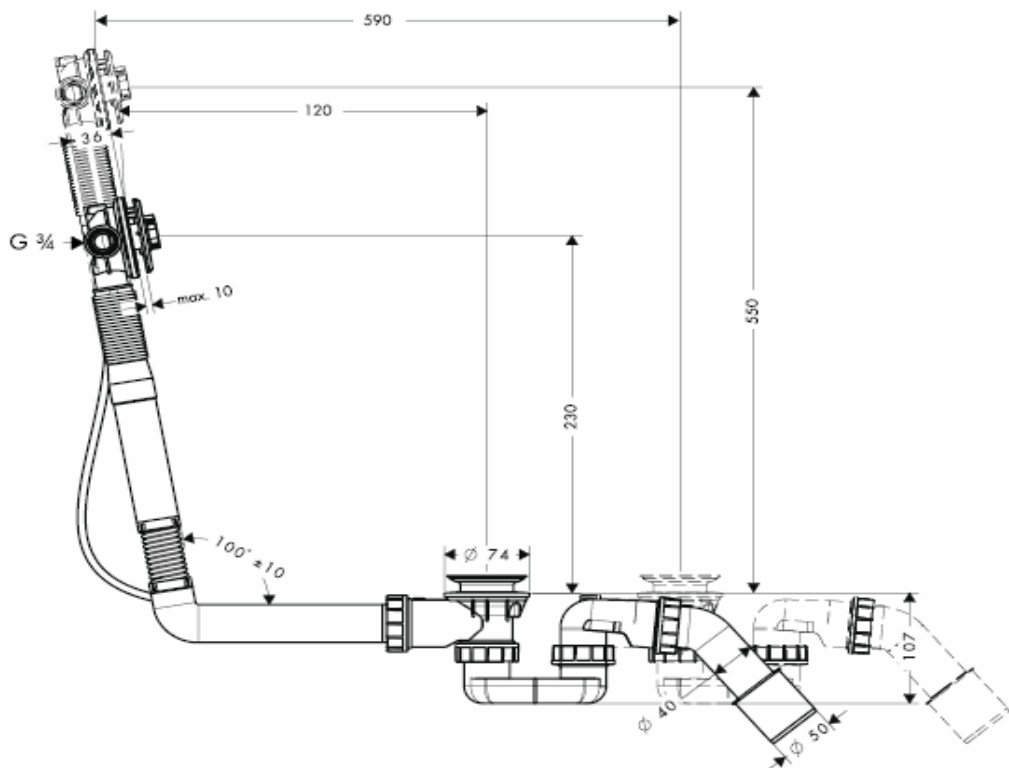
58113000



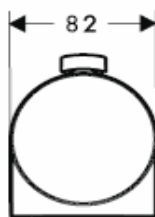
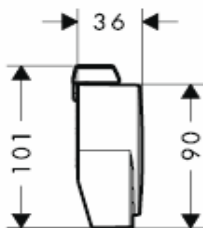
58115180

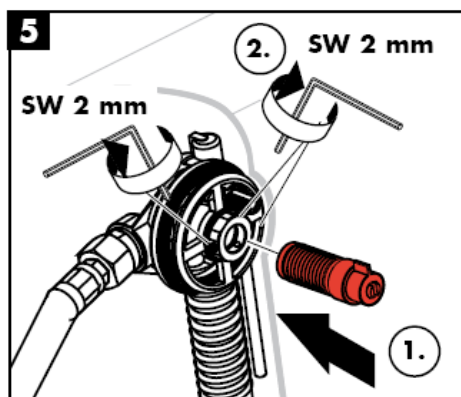
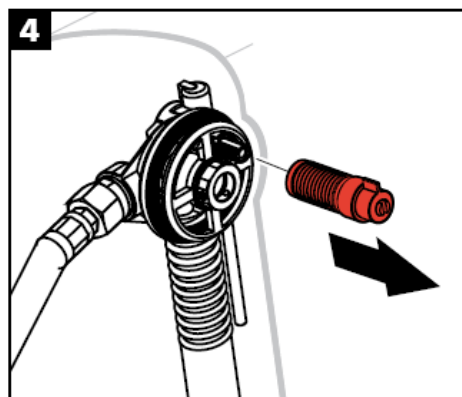
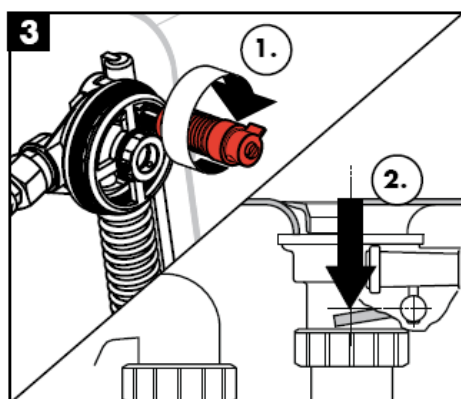
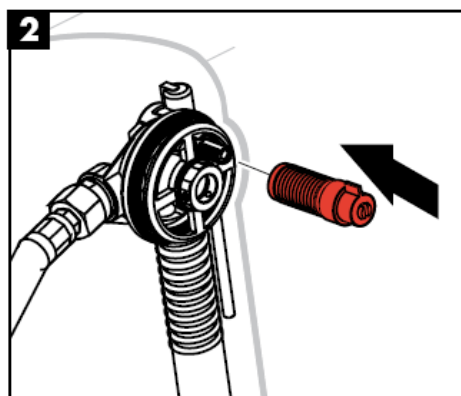


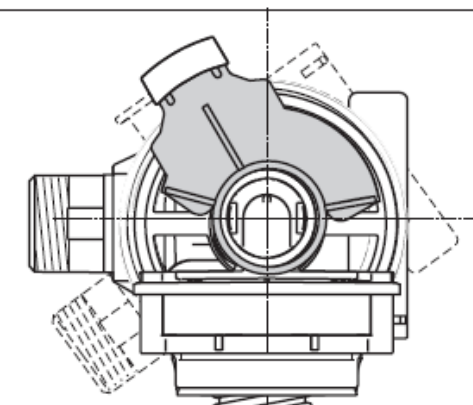
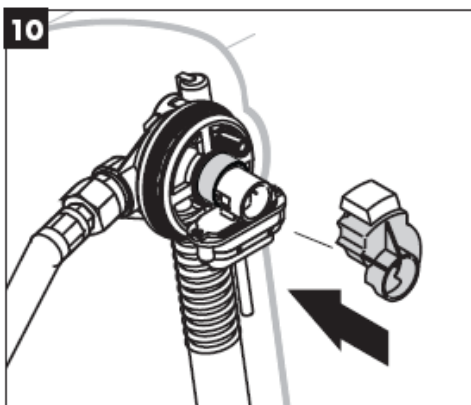
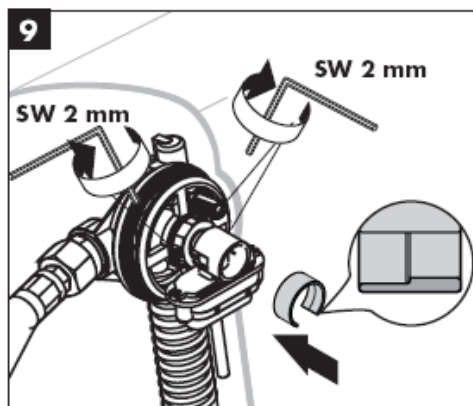
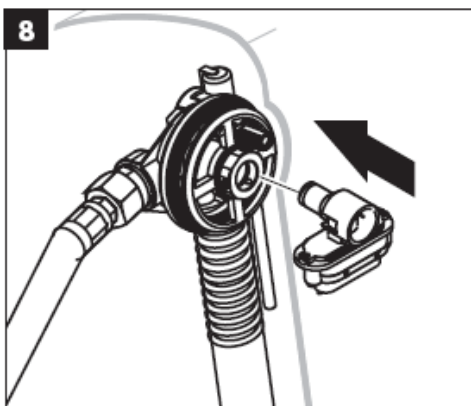
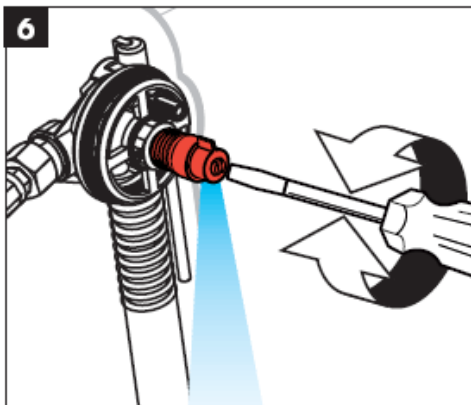
58116180

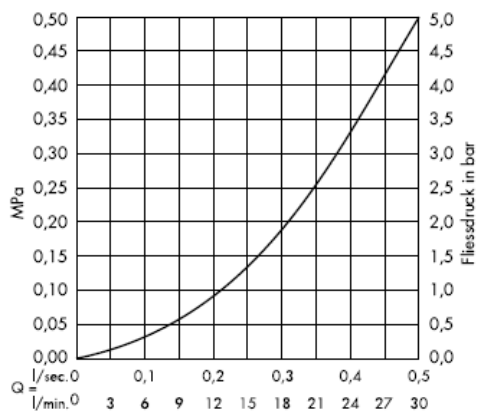
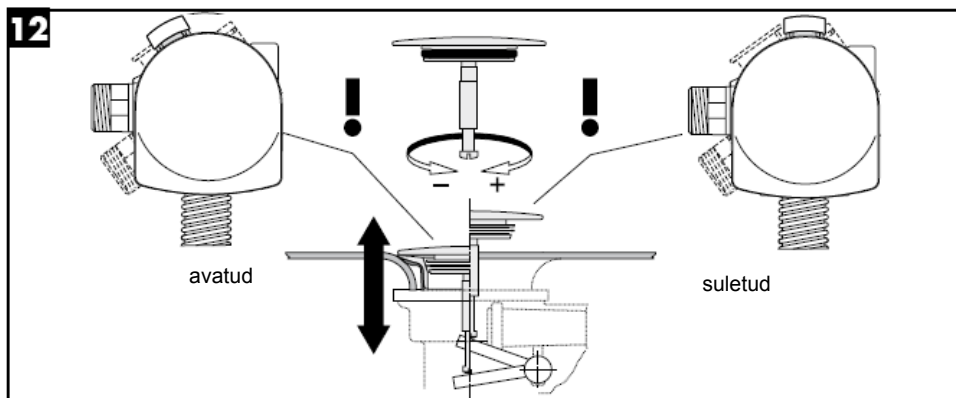
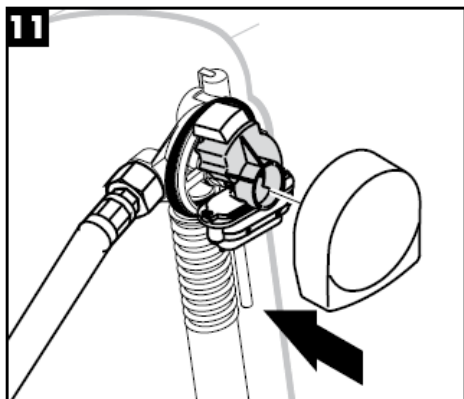


58117XXX





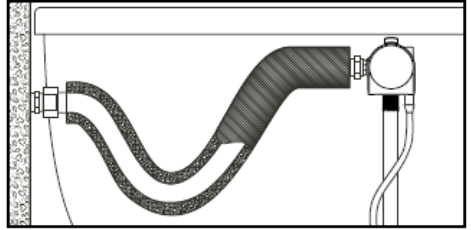




(1 MPa = 10 baari = 147 PSI)

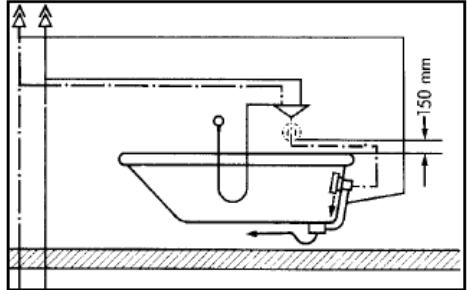
painduva voolikuga ühendus art nr 58191000

Pärast komplekti paigaldamist tuleb seade vastavalt standardile DIN 1988 läbi pesta



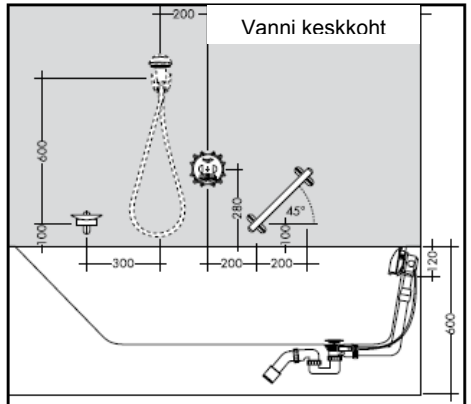
Paigaldamine vastavalt standardile DIN 1988

Süvistatud segisti paigaldamisel jälgige, et torukatkestus asuks vähemalt 150 mm üle vanni serva (vt kõrvalolevat joonist).



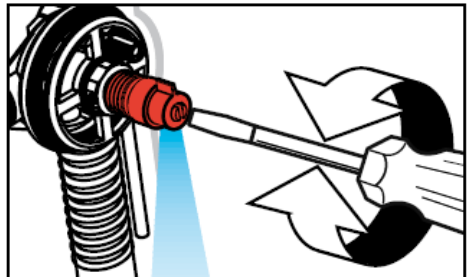
Paigaldamine vastavalt standardile EN 1717

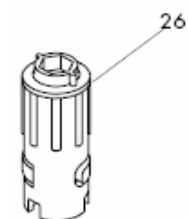
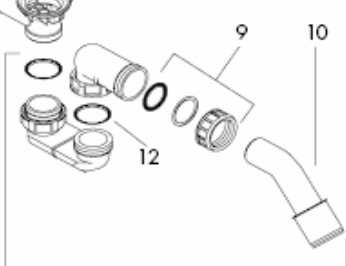
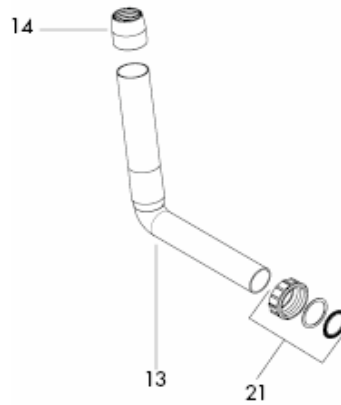
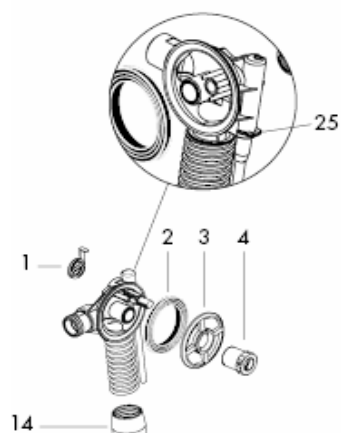
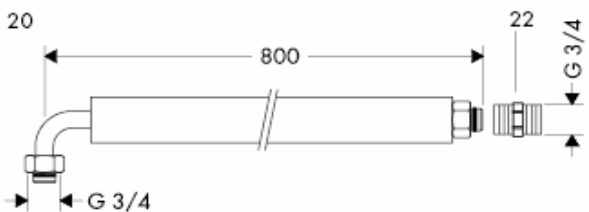
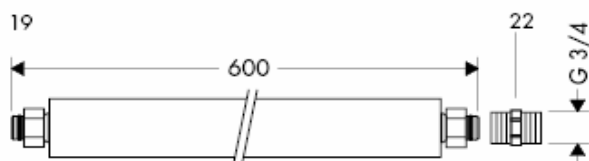
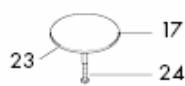
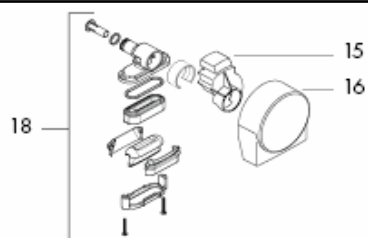
Ibox universal'i ühendamisel integreeritud ohutus kombinatsiooniga (HD) jälgige, et segisti kese oleks vähemalt 280 mm üle vanni serva (vt kõrvalolevat joonist).



Proovisissevoolu kasutamine

- 1 Vanni proovitamine.
- 2 Torude loputamine
- 3 Segisti ja uhtekorgi vaheliste torude survetest.





Varuosad vt lk 8

| | | | |
|----|------------------------------|----------|----------------------|
| 1 | kaas | 97580000 | XXX = Värvikood |
| 2 | Vorm | 96331000 | |
| 3 | Kinnitusrõngas | 97579000 | 000 kroom |
| 4 | Pingutuskruvi | 97573000 | 090 kroom/kuld optik |
| 5 | otsik | 97577000 | 450 valge |
| 6 | Õõneskruvi | 94301000 | 800 roostevaba optik |
| 7 | Ventiiļipea | 97581000 | 810 satinox |
| 8 | Kolmekordne tihend | 96093000 | 820 brushed nickel |
| 9 | kattemutter | 96332000 | 830 polished nickel |
| 10 | Väljavoolupõlv | 96221000 | 880 vääris matt |
| 11 | Sifoon komplektne | 56373000 | |
| 12 | Lametihend | 98075000 | |
| 13 | Torupõlv | 64173000 | |
| 14 | Seadevõru | 97578000 | |
| 15 | lūkanddetail kompl. | 97574XXX | |
| 16 | Exafill Plus kate | 97575XXX | |
| 17 | Suur kork | 96153XXX | |
| 18 | Jooksutoru korpus komplektne | 97576000 | |
| 19 | ühendusvoolik | 58191000 | |
| 20 | ühendusvoolik | 58192000 | |
| 21 | kattemutter | 95094000 | |
| 22 | ühendusnippel | 96143000 | |
| 23 | O-tihend | 98066000 | |
| 24 | kuusnurkne kruvi | 97658000 | |
| 25 | Klamber | 97749000 | |
| 26 | paigaldusvõtmete komplekt | 58085000 | |

Kontrollsertifikaat

| | DVGW | P-IX | SVGW | ACS | NF | WRAS | KIWA |
|----------|------|------|------|-----|----|------|------|
| 58113000 | X | | X | | X | X | X |
| 58115180 | X | | X | | X | X | X |
| 58116180 | X | | X | | X | X | X |
| 58117XXX | X | | X | | X | X | X |

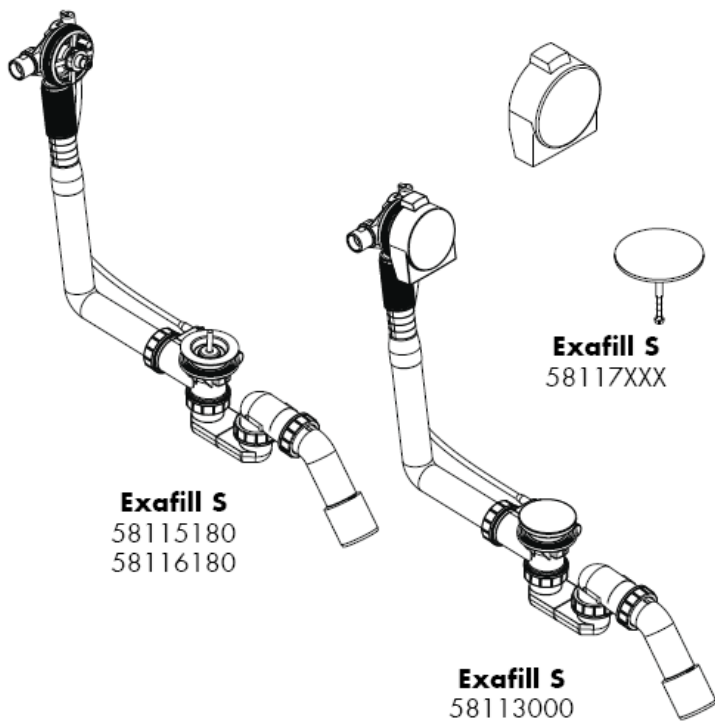


hansgrohe

Hansgrohe · Postfach 1145 · D-77761 Schiltach · Telefon +49 (0) 78 36/51-1282 · Telefax +49 (0) 7836/511440
E-Mail: info@hansgrohe.com · Internet: www.hansgrohe.com

04/2010
9 09689 03
Estonia

Montāžas instrukcija



hansgrohe

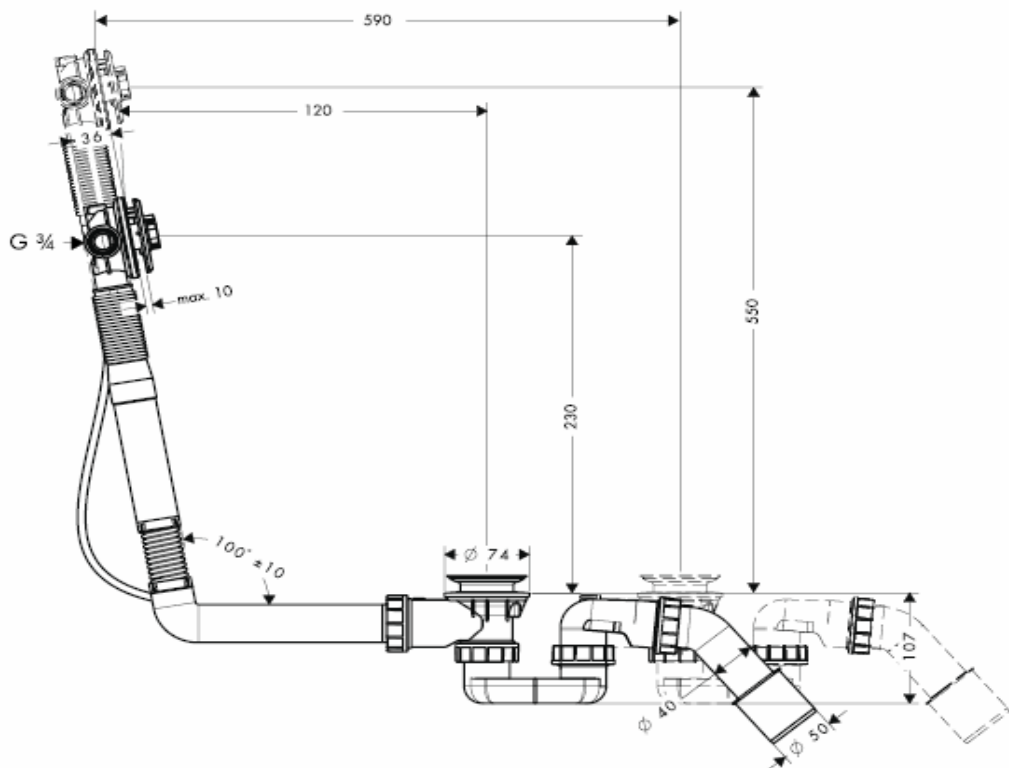
58113000



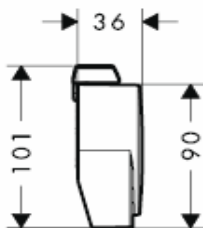
58115180

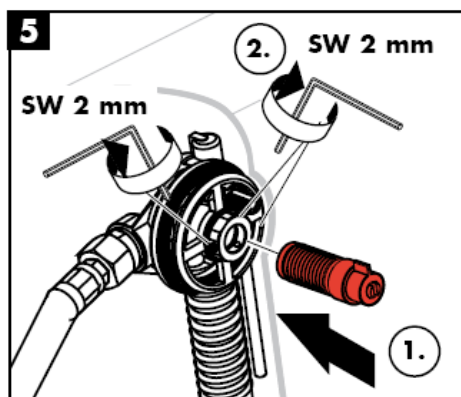
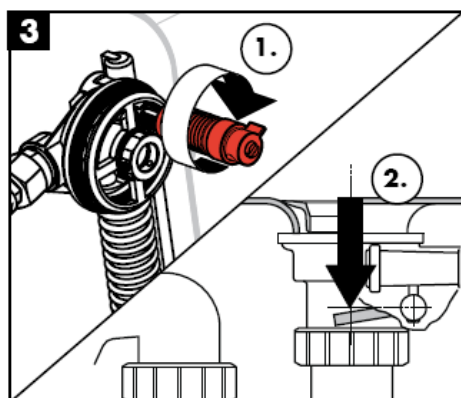
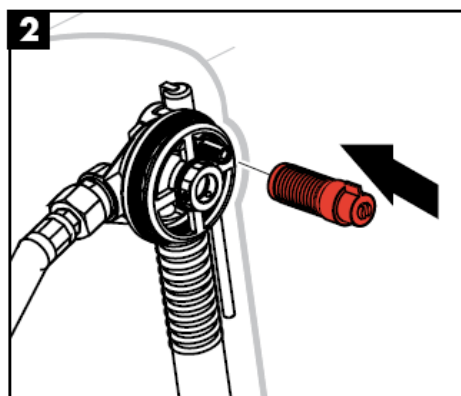


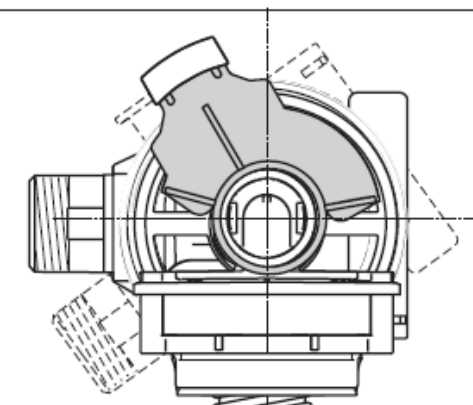
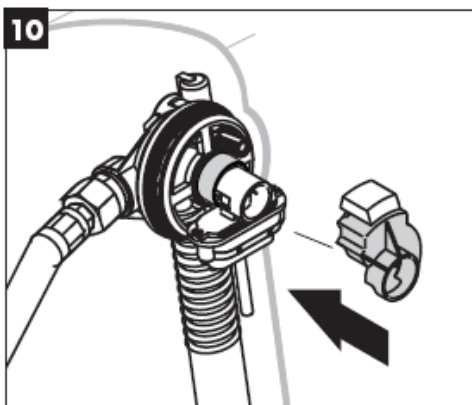
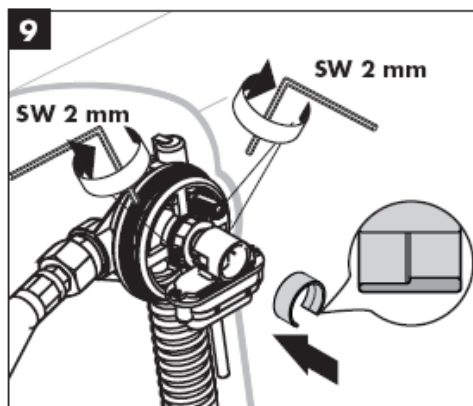
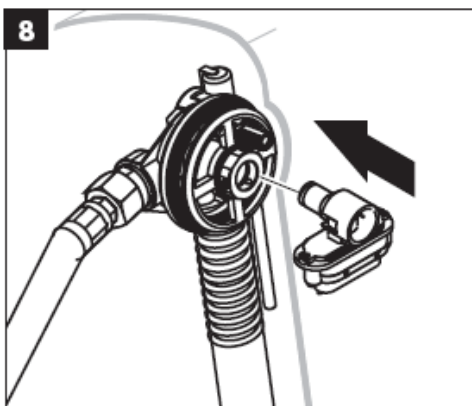
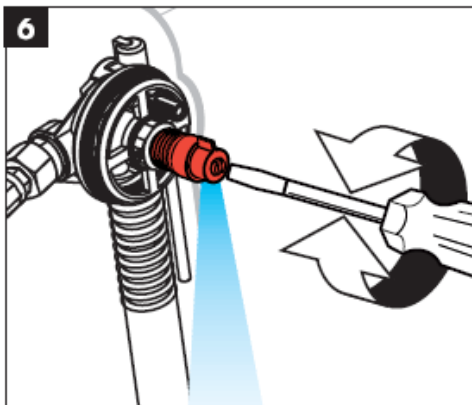
58116180

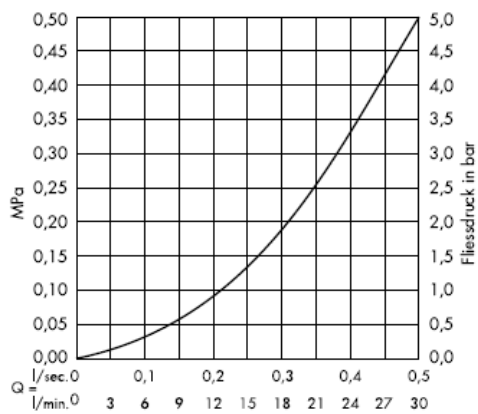
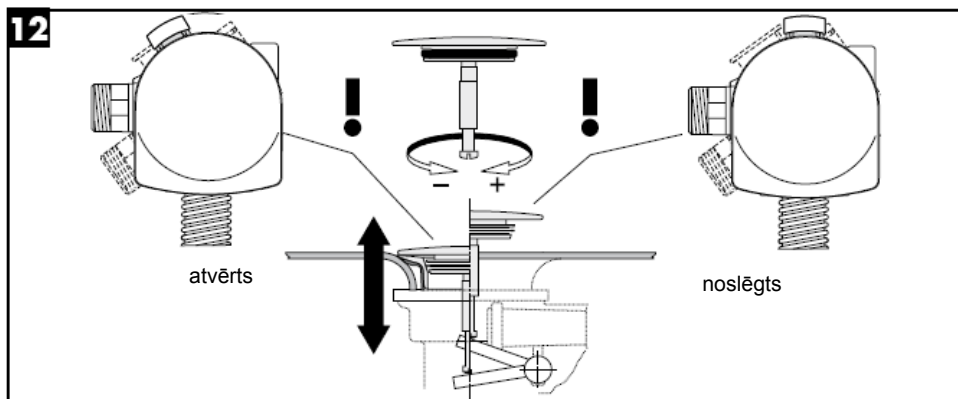
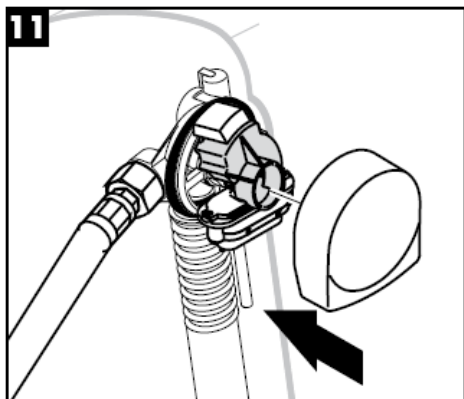


58117XXX





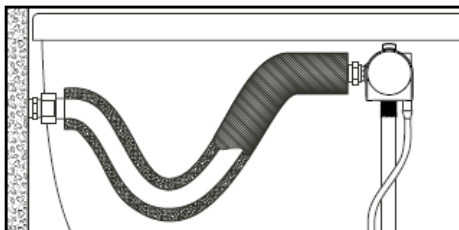




(1 MPa = 10 bar = 147 PSI)

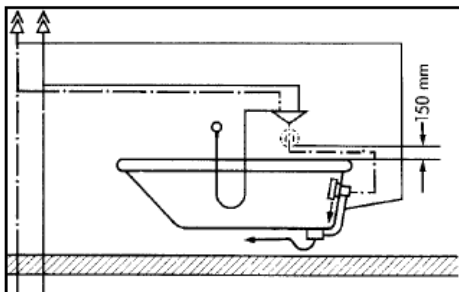
Pieslēgums ar elastīgu šļūteni. Art. Nr. 58191000

Pēc garnitūras montāžas iekārta jāizskalo atbilstoši DIN 1988.



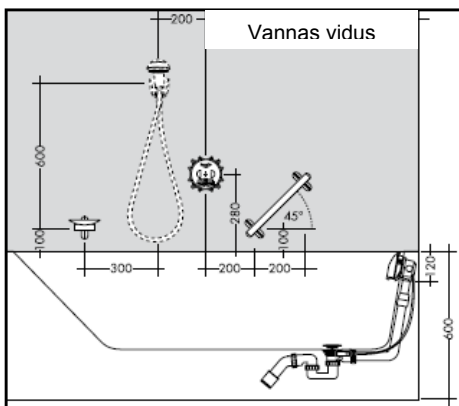
Instalācija saskaņā ar DIN 1988

Montējot zemapmetuma jaucējkrānu ir jāievēro, lai caurules gals (DB) atrastos vismaz 150 mm virs vannas malas. (skatīt blakus esošo skici)



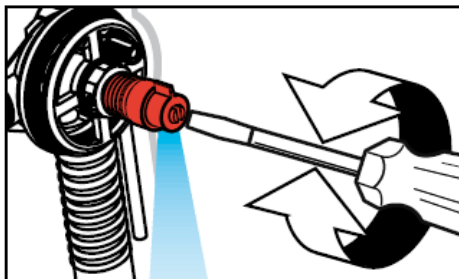
Instalācija saskaņā ar EN 1717

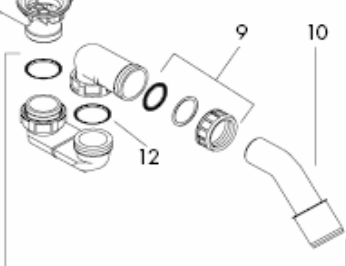
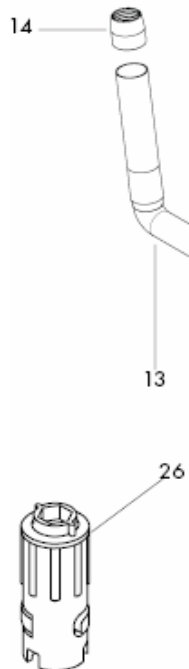
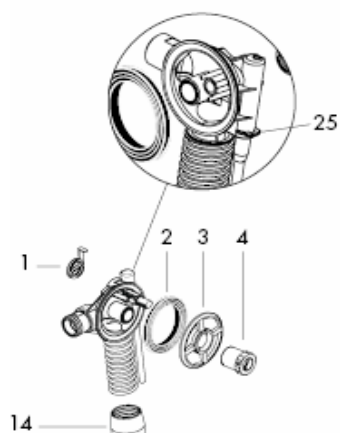
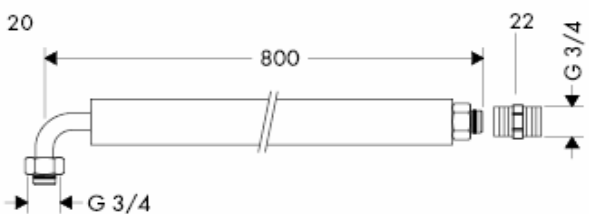
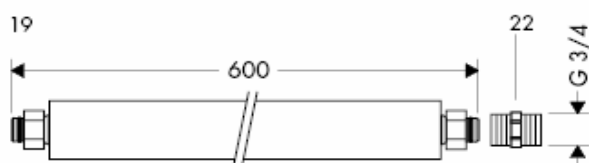
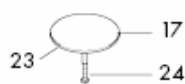
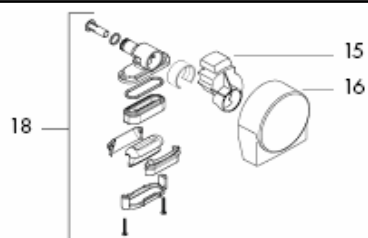
Montējot iBox universal ar integrēto drošības kombināciju (HD) ir jāievēro, lai jaucējkrāna vidus atrastos min. 280 cm virs vannas malas.



Kontrolietekas izmantošana

- 1 Dušas paliktņa kontrole, iepildot ūdeni.
- 2 Ūdens vada skalošana
- 3 Spiediena pārbaude ūdens vadā starp jaucējkrānu un kontrolieeju





Rezerves daļas skat. lpp. 8

| | | | |
|----|-----------------------------|----------|---------------------|
| 1 | Pārsegums | 97580000 | XXX = Krāsas |
| 2 | Formas gredzens | 96331000 | |
| 3 | Stiprinājuma gredzens | 97579000 | 000 hroma |
| 4 | Pievilkšanas skrūves | 97573000 | 090 hroma/zelta |
| 5 | Aizbāznis | 97577000 | 450 balta |
| 6 | Dobskrūve | 94301000 | 800 tērauda |
| 7 | Vārsta plāksne | 97581000 | 810 satinox |
| 8 | Trīskārša blīve | 96093000 | 820 brushed nickel |
| 9 | Uzmavuzgrieznis | 96332000 | 830 polished nickel |
| 10 | Iztekas līkums | 96221000 | 880 hromēts matēts |
| 11 | Sifonu komplekts | 56373000 | |
| 12 | Plakana blīve | 98075000 | |
| 13 | Caurules līkums | 64173000 | |
| 14 | Uzmava | 97578000 | |
| 15 | Vārstuļu kompl. | 97574XXX | |
| 16 | Exafill Plus panelis | 97575XXX | |
| 17 | Liels aizbāznis | 96153XXX | |
| 18 | Izplūdes elementu komplekts | 97576000 | |
| 19 | Pieslēguma šļūtene | 58191000 | |
| 20 | Pieslēguma šļūtene | 58192000 | |
| 21 | Uzmavuzgrieznis | 95094000 | |
| 22 | Pieslēguma nipelis | 96143000 | |
| 23 | O-gredzens | 98066000 | |
| 24 | Cilindriskā skrūve | 97658000 | |
| 25 | Skava | 97749000 | |
| 26 | Montāžas atslēgu komplekts | 58085000 | |

Pārbaudes zīme

| | DVGW | P-IX | SVGW | ACS | NF | WRAS | KIWA |
|----------|------|------|------|-----|----|------|------|
| 58113000 | X | | X | | X | X | X |
| 58115180 | X | | X | | X | X | X |
| 58116180 | X | | X | | X | X | X |
| 58117XXX | X | | X | | X | X | X |

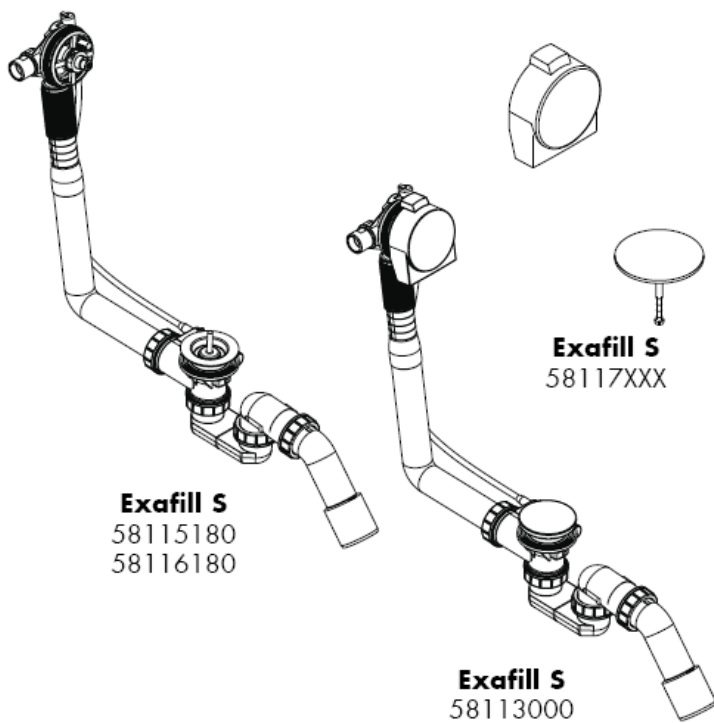


hansgrohe

Hansgrohe · Postfach 1145 · D-77761 Schiltach · Telefon +49 (0) 78 36/51-1282 · Telefax +49 (0) 7836/511440
E-Mail: info@hansgrohe.com · Internet: www.hansgrohe.com

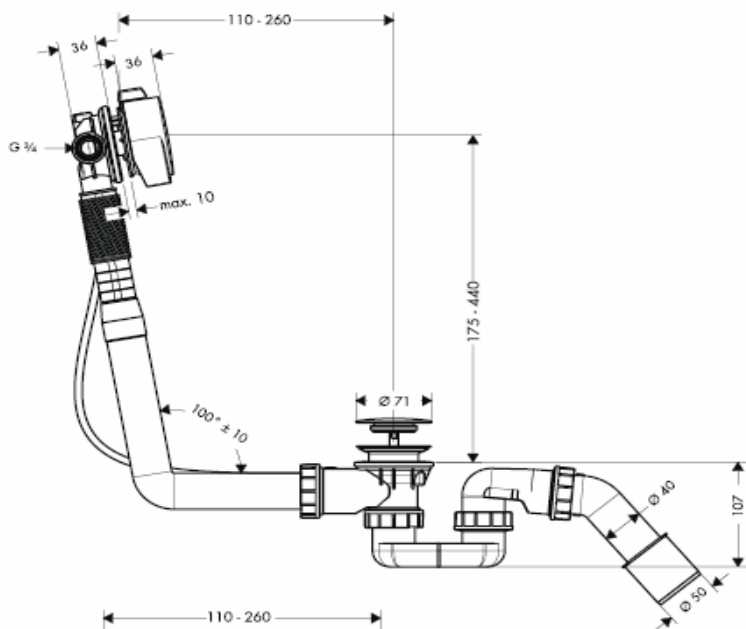
04/2010
9 09699 03
Latviski

Uputstvo za montažu

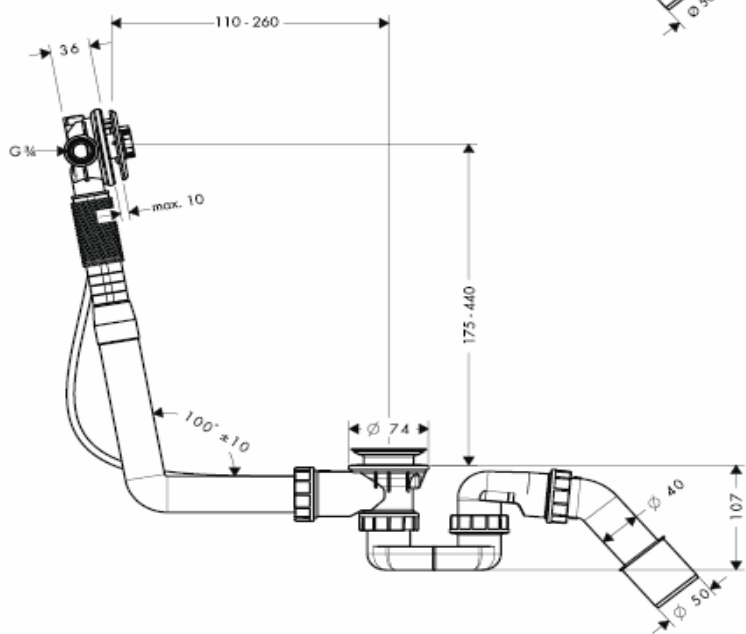


hansgrohe

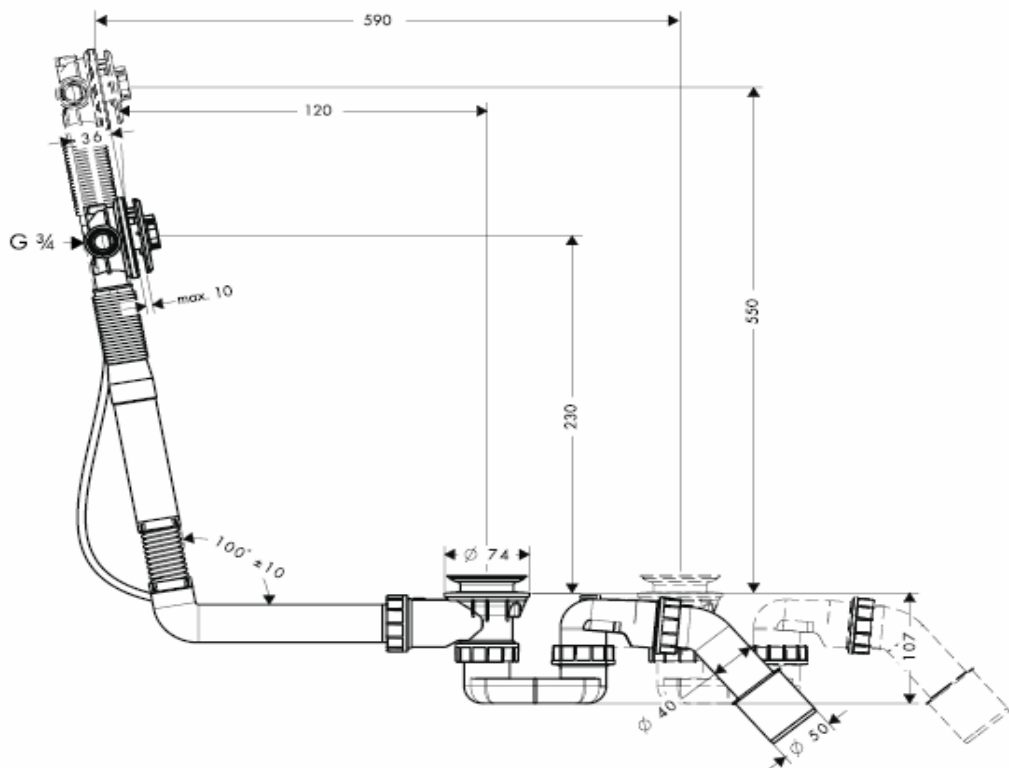
58113000



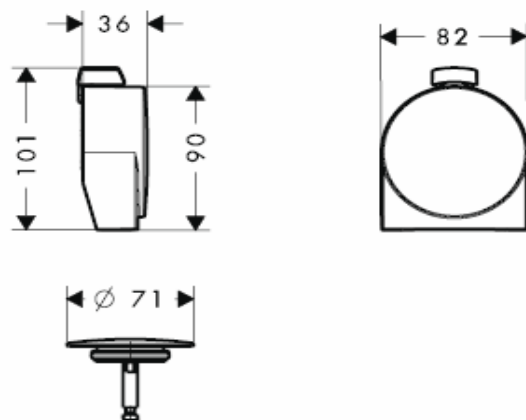
58115180

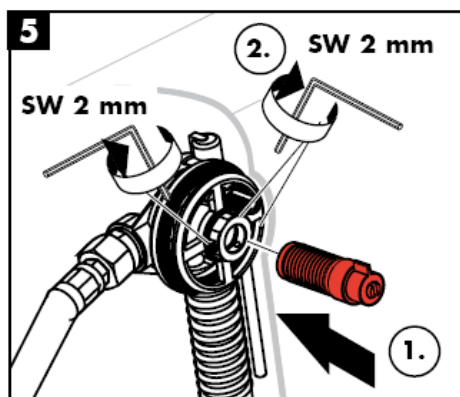
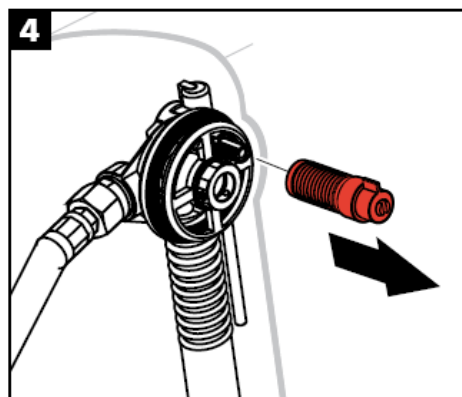
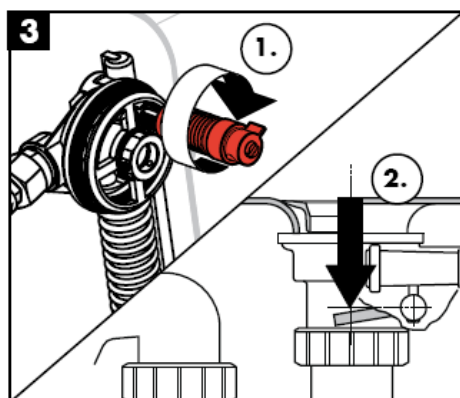
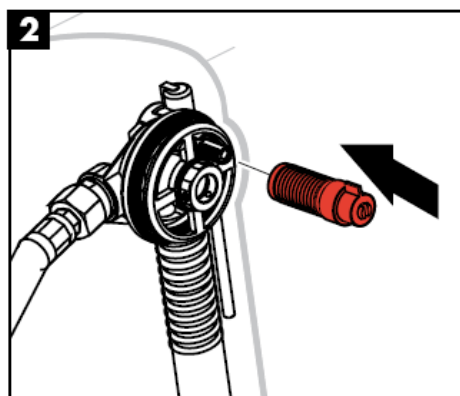


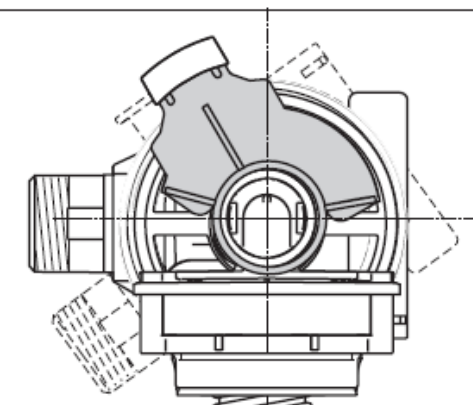
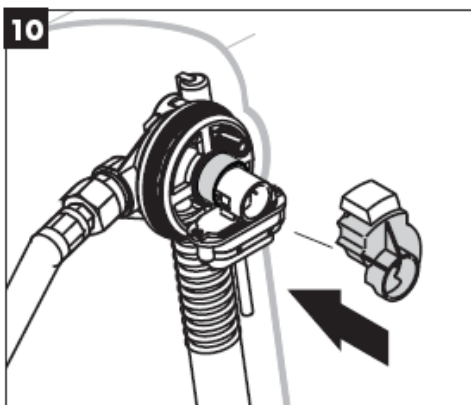
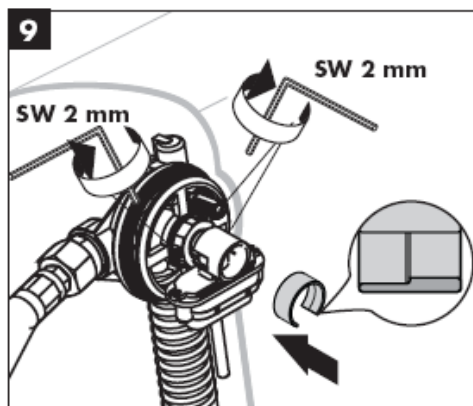
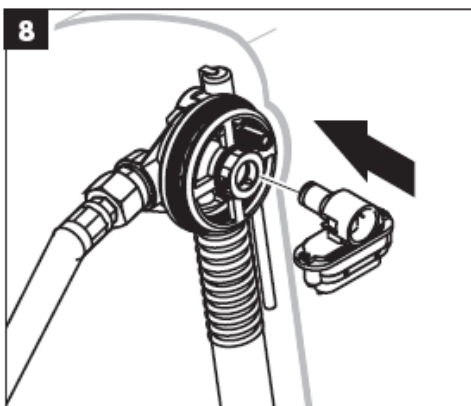
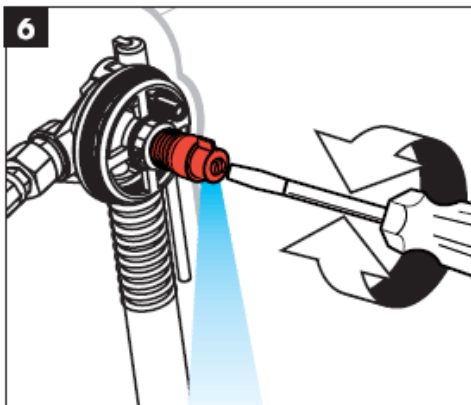
58116180

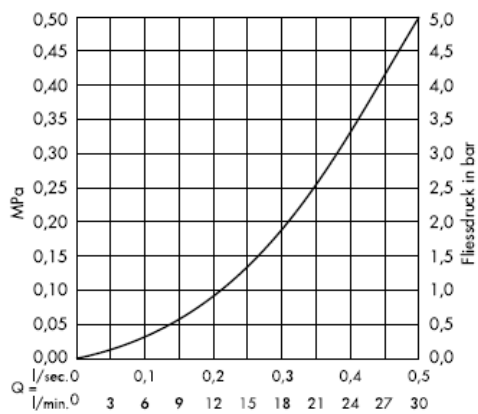
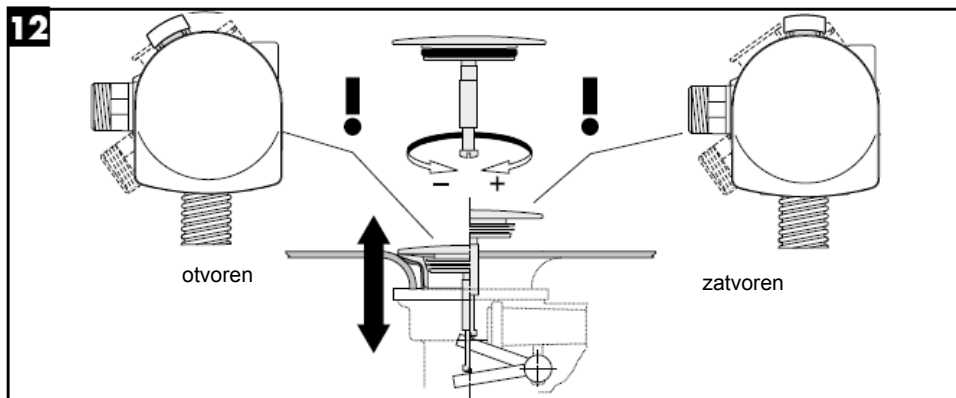
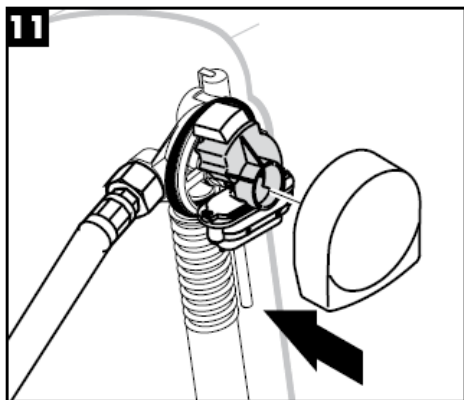


58117XXX





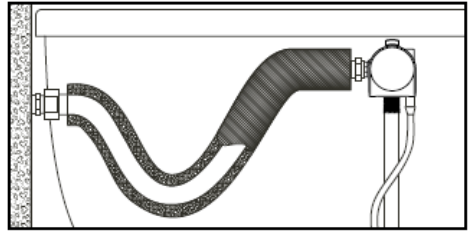




(1 MPa = 10 bar = 147 PSI)

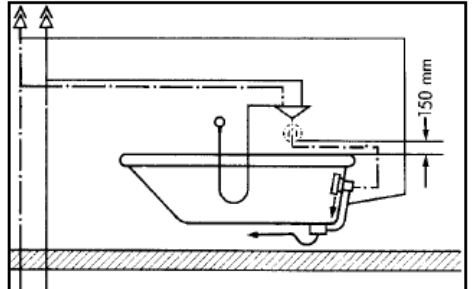
Priključak s fleksibilnim crevom.
Br. proizvoda 58191000

Nakon montiranja garniture sistem se u skladu sa normom DIN 1988 mora isprati.



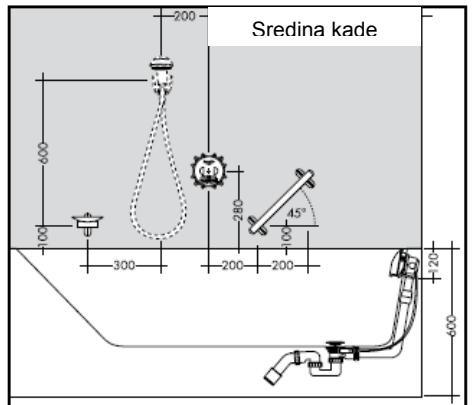
Instalacija prema standardu DIN 1988

Kod montaže armature u zid, pripazite da se element za regulaciju pritiska u cevi vazduhom (DB) nalazi minimalno 150 mm iznad ivice kade. (vidi skicu)



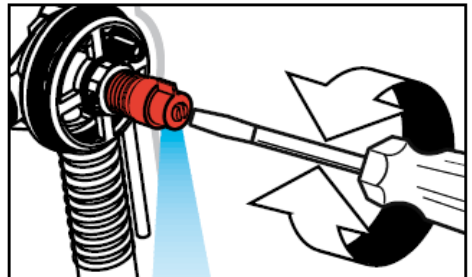
Instalacija prema standardu EN 1717

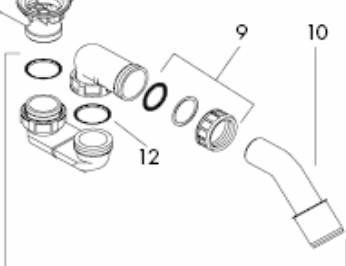
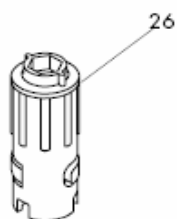
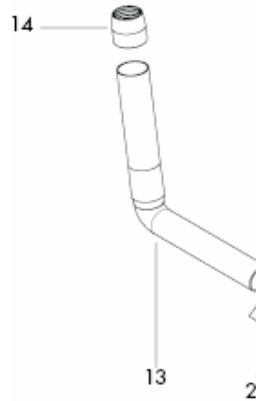
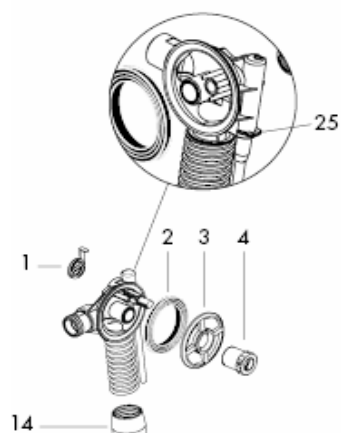
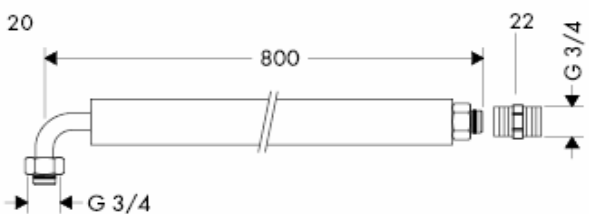
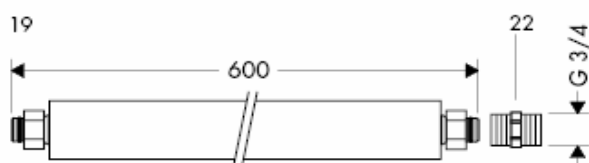
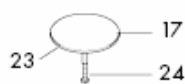
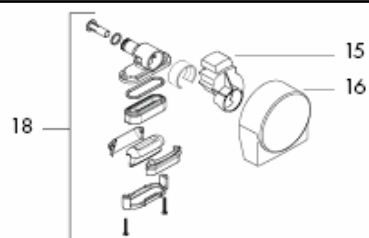
Kada instalirate iBox universal s ugrađenom sigurnosnom kombinacijom (HD), pripazite da se sredina armature nalazi minimalno 280 mm iznad ivice kade.



Korišćenje probnog dotoka

- 1 Probno punjenje kade
- 2 Ispiranje cevi
- 3 Ispitati pritisak u cevi između mešača i probnog dotoka





Rezervni delovi vidi stranu 8

| | | | |
|----|--------------------------|----------|---------------------------|
| 1 | Zaštitni poklopac | 97580000 | XXX = Oznake boja |
| 2 | profilni prsten | 96331000 | |
| 3 | pričvrсни prsten | 97579000 | 000 hrom |
| 4 | Stezni zavrtanj | 97573000 | 090 dezen hrom/zlatna |
| 5 | čep | 97577000 | 450 bela |
| 6 | šuplji zavrtanj | 94301000 | 800 dezen plemeniti čelik |
| 7 | tanjir ventila | 97581000 | 810 satinox |
| 8 | trostruka zaptivka | 96093000 | 820 brushed nickel |
| 9 | natična navrtka | 96332000 | 830 polished nickel |
| 10 | izlazno koleno | 96221000 | 880 zagasita |
| 11 | sifon kompletan | 56373000 | |
| 12 | pljosnata zaptivka | 98075000 | |
| 13 | koleno cevi | 64173000 | |
| 14 | manžetna | 97578000 | |
| 15 | Klizni držač kompl. | 97574XXX | |
| 16 | poklopac za Exafill Plus | 97575XXX | |
| 17 | veliki čep | 96153XXX | |
| 18 | kompletni odvod | 97576000 | |
| 19 | Priključno crevo | 58191000 | |
| 20 | Priključno crevo | 58192000 | |
| 21 | natična navrtka | 95094000 | |
| 22 | Priključni nazuvak | 96143000 | |
| 23 | O prsten | 98066000 | |
| 24 | Cilindrični zavrtanj | 97658000 | |
| 25 | kopča | 97749000 | |
| 26 | Set ključeva za montažu | 58085000 | |

Ispitati pritisak u cevi između mešača i probnog dotoka

| | DVGW | P-IX | SVGW | ACS | NF | WRAS | KIWA |
|----------|------|------|------|-----|----|------|------|
| 58113000 | X | | X | | X | X | X |
| 58115180 | X | | X | | X | X | X |
| 58116180 | X | | X | | X | X | X |
| 58117XXX | X | | X | | X | X | X |

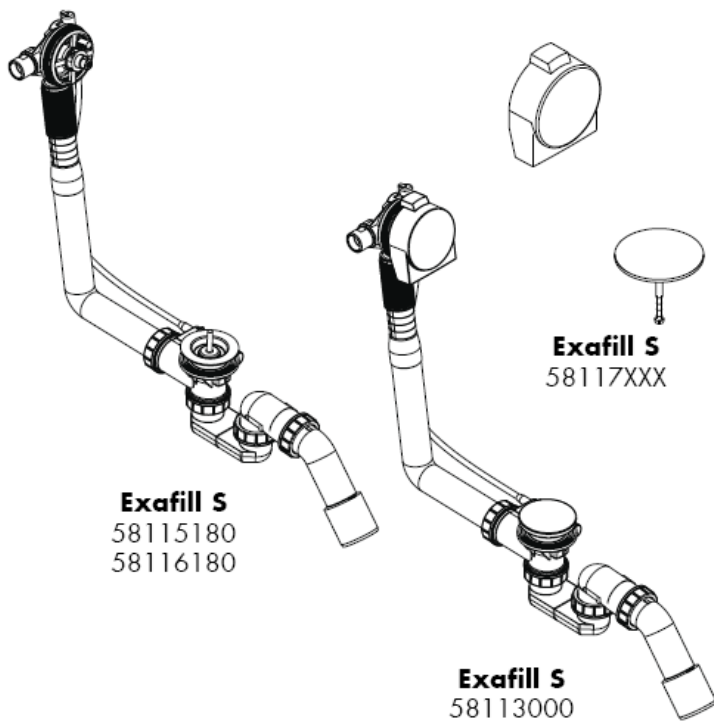


hansgrohe

Hansgrohe · Postfach 1145 · D-77761 Schiltach · Telefon +49 (0) 78 36/51-1282 · Telefax +49 (0) 7836/511440
E-Mail: info@hansgrohe.com · Internet: www.hansgrohe.com

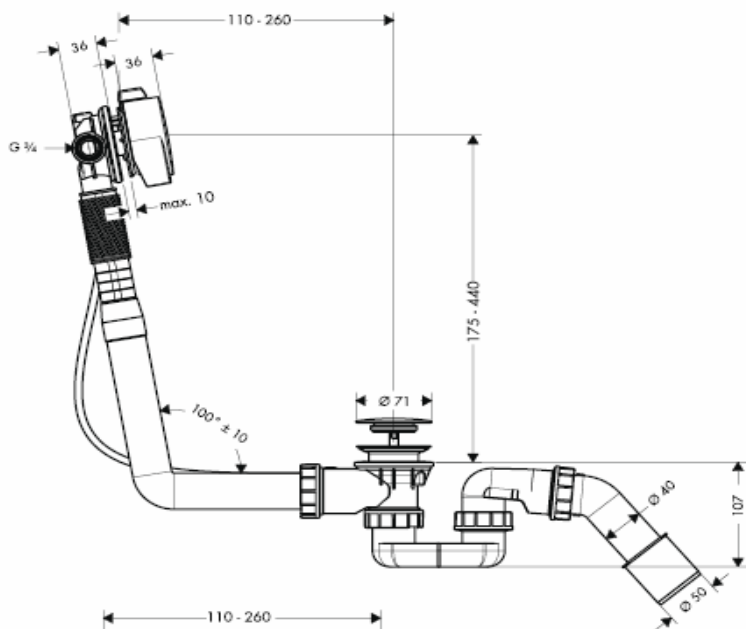
04/2010
9 09699 03
Spnski

Montasjeveiledning

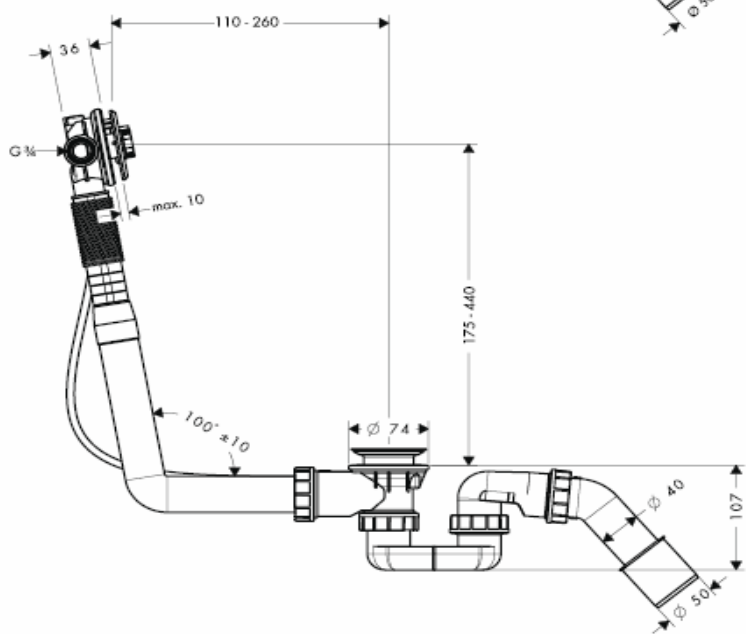


hansgrohe

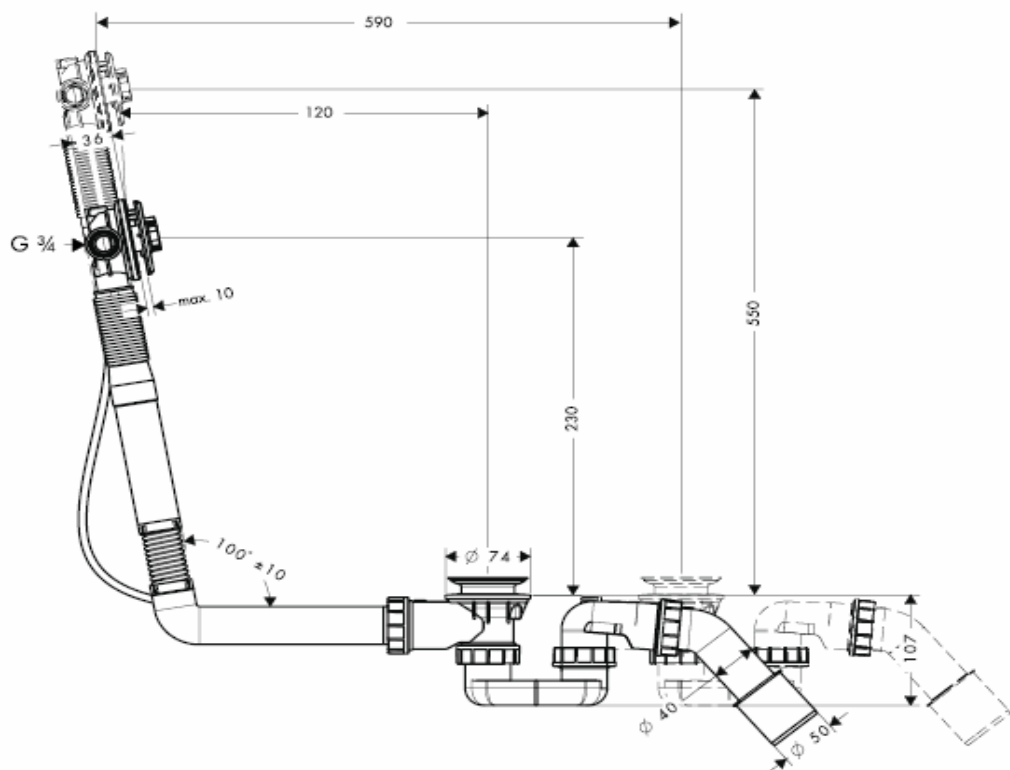
58113000



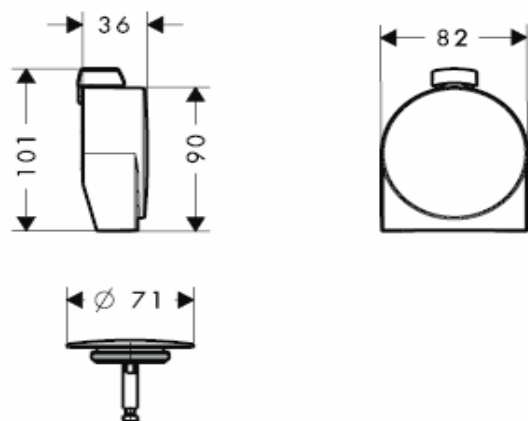
58115180

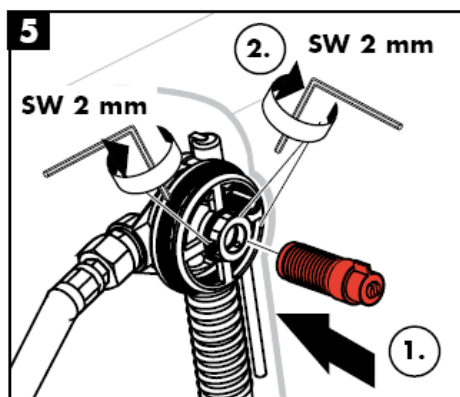
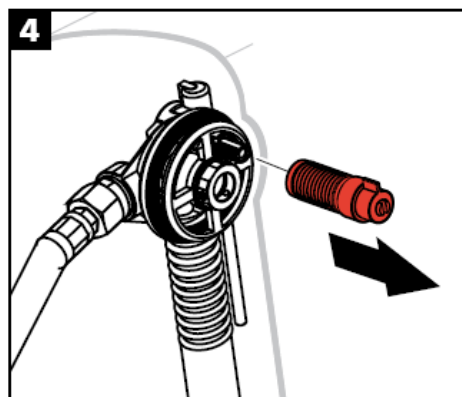
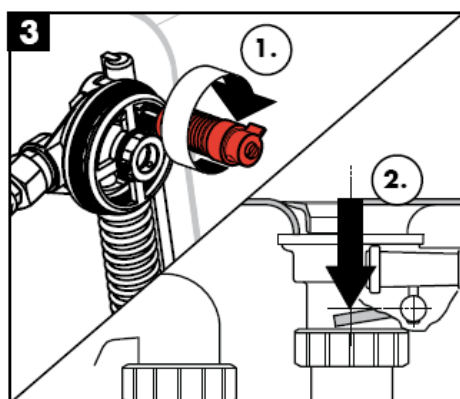
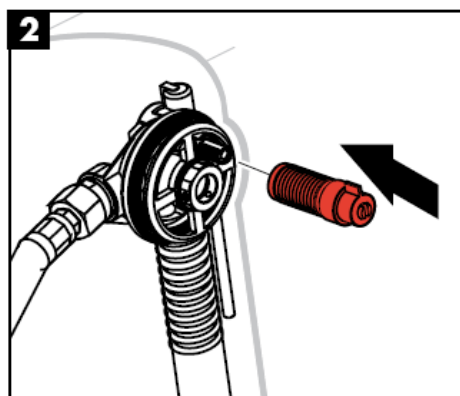


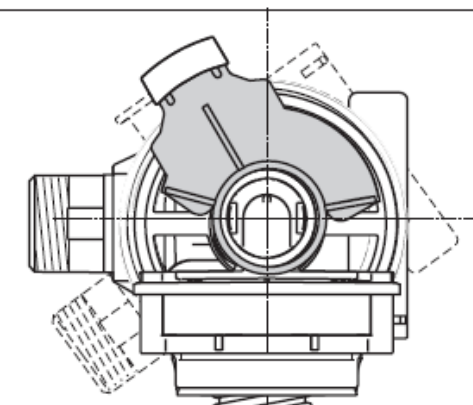
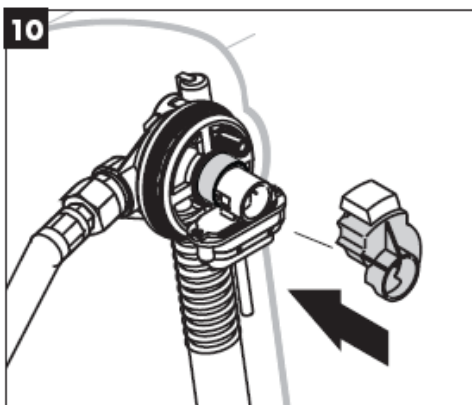
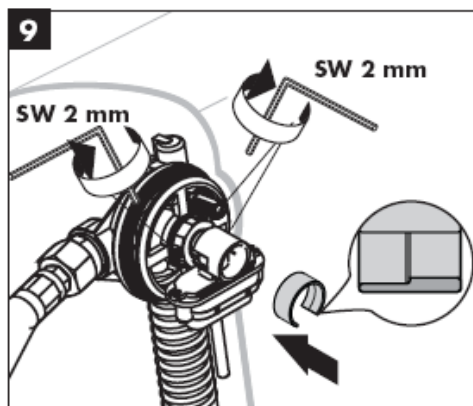
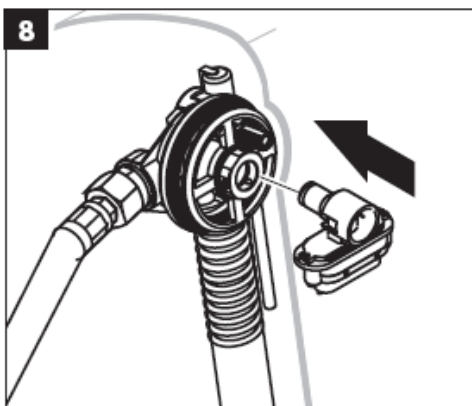
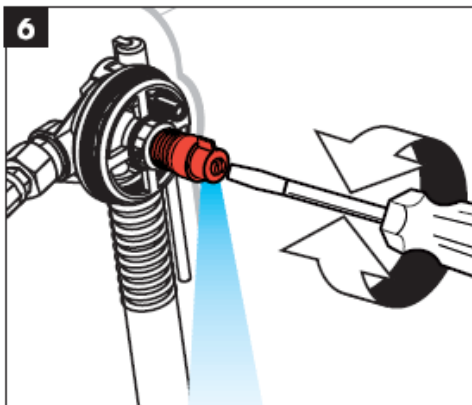
58116180

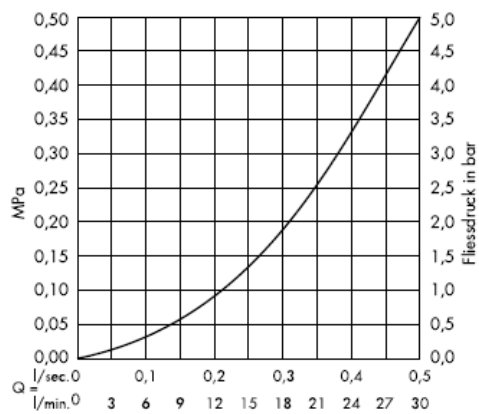
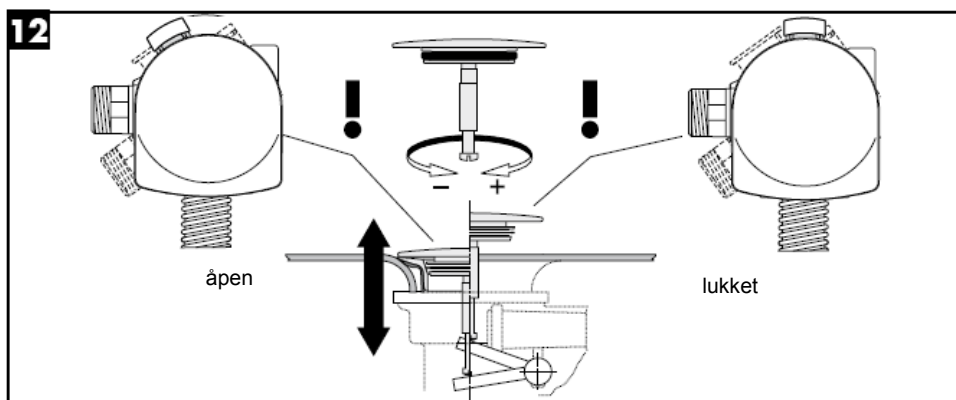
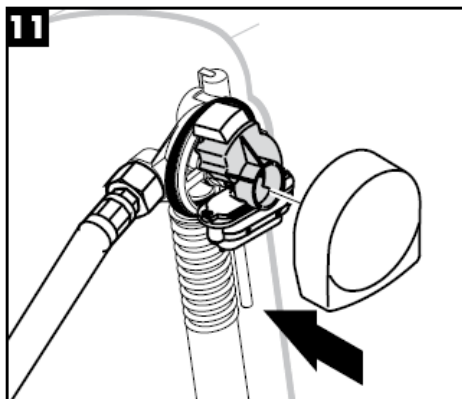


58117XXX





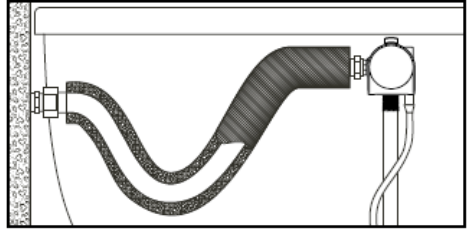




(1 MPa = 10 bar = 147 PSI)

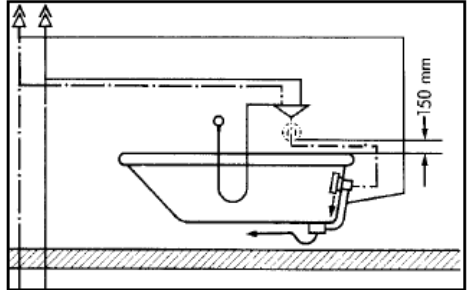
Tilkobling med fleksibel slange artikkel-nr.
58191000

Etter montasje av garnityren skal anlegget spyles iht. DIN 1988



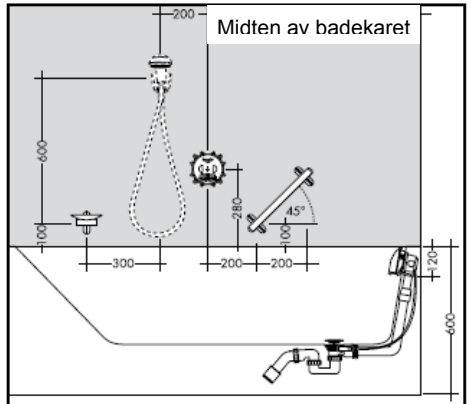
Installasjon iht. DIN 1988

Ved montering av innfelt armatur, skal man påse at rørvybryteren (DB) er minst 150 mm over badekarkanten. (se tegning ved siden av)



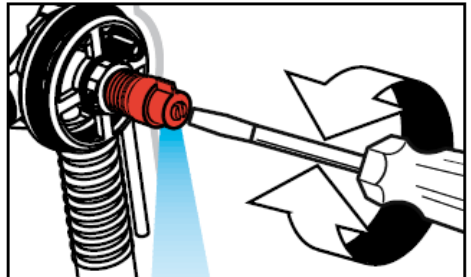
Installasjon iht. EN 1717

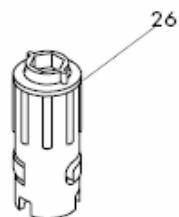
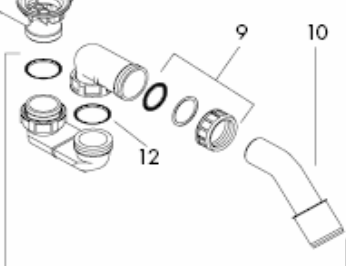
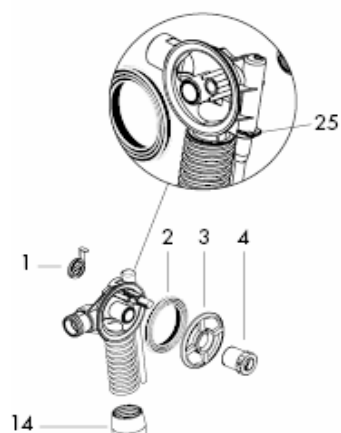
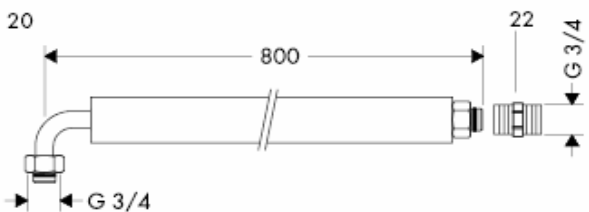
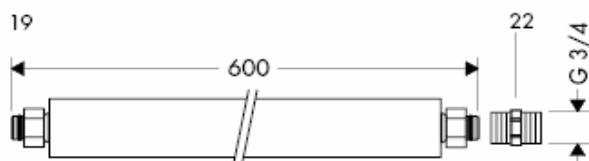
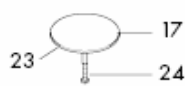
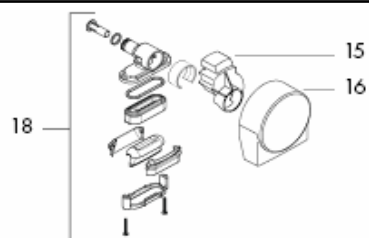
Ved montering av iBox universal med integrert sikkerhetskombinasjon (HD) skal man påse at midten på armaturen er minst 280 mm over badekarkanten.



Bruk av prøveinnløp

- 1 Prøvefylling av badekar.
- 2 Spyling av ledninger
- 3 Trykkontroll av ledningen mellom blandebatteri og prøveinnløp





Serviceledler se side 8

| | | | |
|----|--------------------------|----------|---------------------------|
| 1 | Beskyttelse | 97580000 | XXX = Oznake boja |
| 2 | Formring | 96331000 | |
| 3 | Festing | 97579000 | 000 hrom |
| 4 | Spennskruue | 97573000 | 090 dezen hrom/zlatna |
| 5 | Plugg | 97577000 | 450 bela |
| 6 | Banjoskruue | 94301000 | 800 dezen plemeniti čelik |
| 7 | Ventiltallerken | 97581000 | 810 satinox |
| 8 | Tredobbel pakning | 96093000 | 820 brushed nickel |
| 9 | Overfalsmutter | 96332000 | 830 polished nickel |
| 10 | Utgangsbue | 96221000 | 880 zagasita |
| 11 | Sifong komplett | 56373000 | |
| 12 | Planpakning | 98075000 | |
| 13 | Rørbue | 64173000 | |
| 14 | Mansjett | 97578000 | |
| 15 | Skyver kpl. | 97574XXX | |
| 16 | Beskyttelse Exafill Plus | 97575XXX | |
| 17 | Plugg stor | 96153XXX | |
| 18 | Utløpselement komplett | 97576000 | |
| 19 | Tilkoblingsslange | 58191000 | |
| 20 | Tilkoblingslange | 58192000 | |
| 21 | Overfalsmutter | 95094000 | |
| 22 | Tilkoblingsnipler | 96143000 | |
| 23 | O-ring | 98066000 | |
| 24 | Sylinderskruue | 97658000 | |
| 25 | Klammer | 97749000 | |
| 26 | Sett med montasjenøkler | 58085000 | |

Prøveemerke

| | DVGW | P-IX | SVGW | ACS | NF | WRAS | KIWA |
|----------|------|------|------|-----|----|------|------|
| 58113000 | X | | X | | X | X | X |
| 58115180 | X | | X | | X | X | X |
| 58116180 | X | | X | | X | X | X |
| 58117XXX | X | | X | | X | X | X |

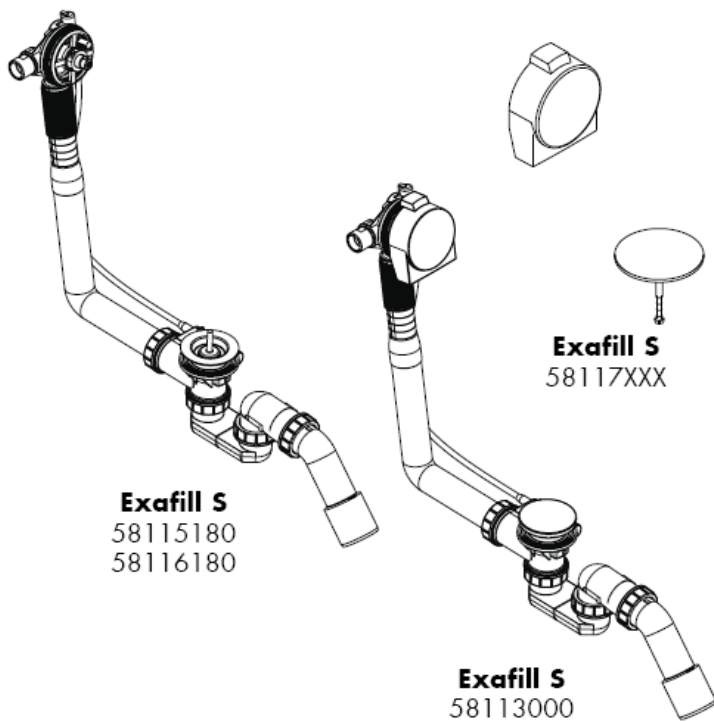


hansgrohe

Hansgrohe · Postfach 1145 · D-77761 Schiltach · Telefon +49 (0) 78 36/51-1282 · Telefax +49 (0) 7836/511440
E-Mail: info@hansgrohe.com · Internet: www.hansgrohe.com

04/2010
9.09699.03
Norsk

РЪКОВОДСТВО ЗА МОНТАЖ



hansgrohe

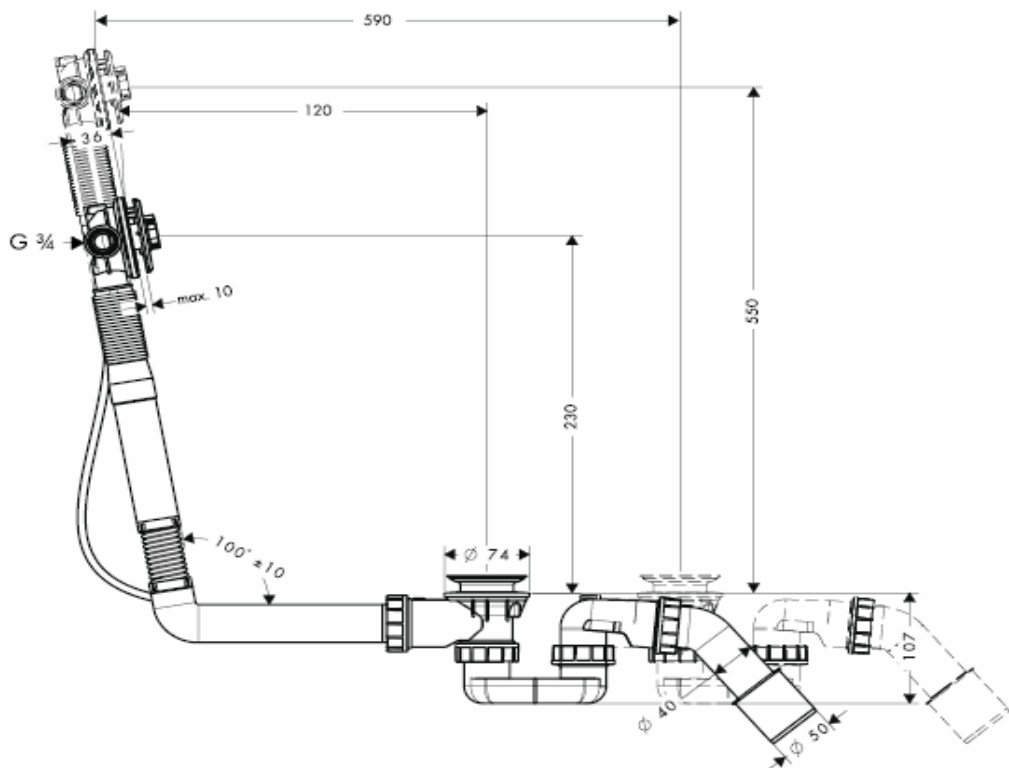
58113000



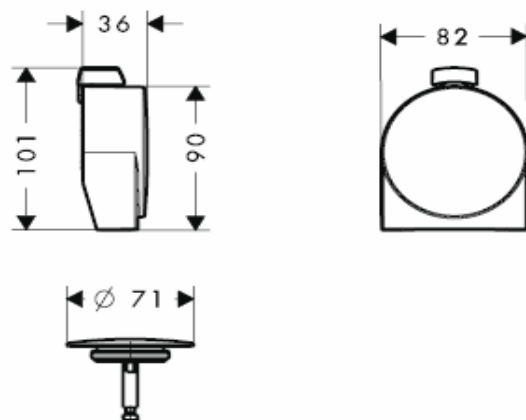
58115180

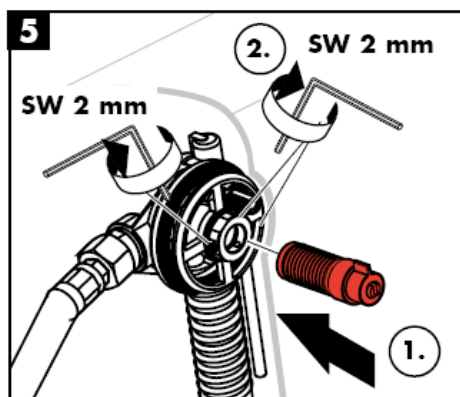
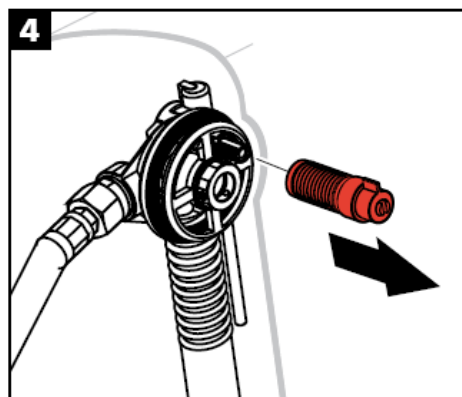
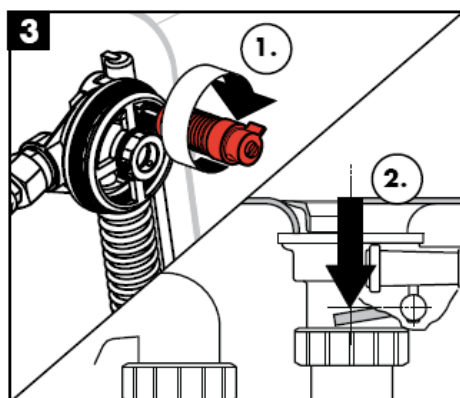
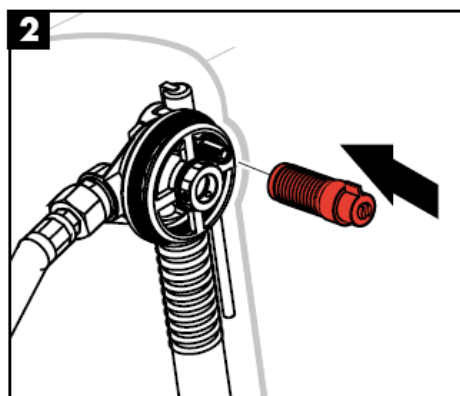


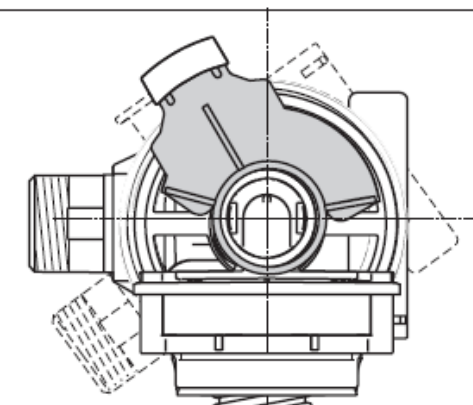
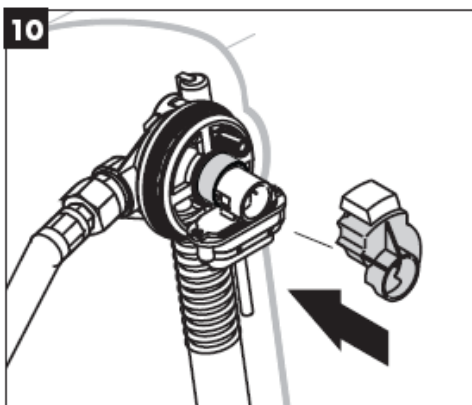
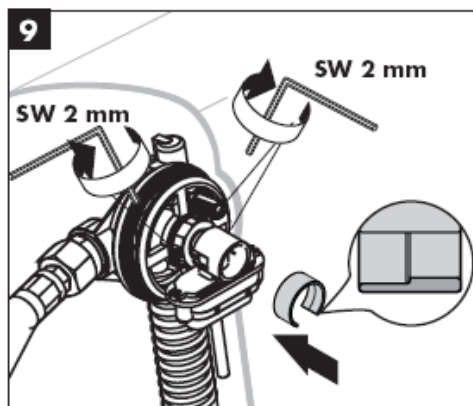
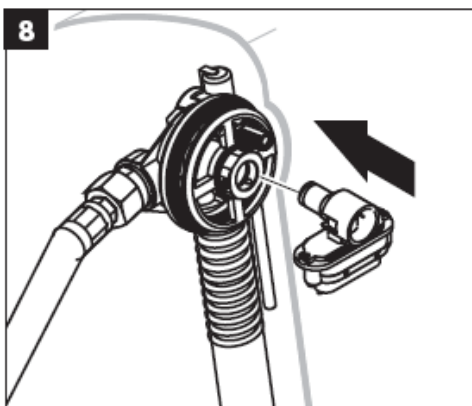
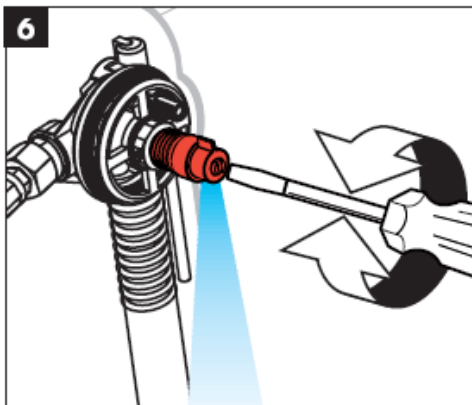
58116180

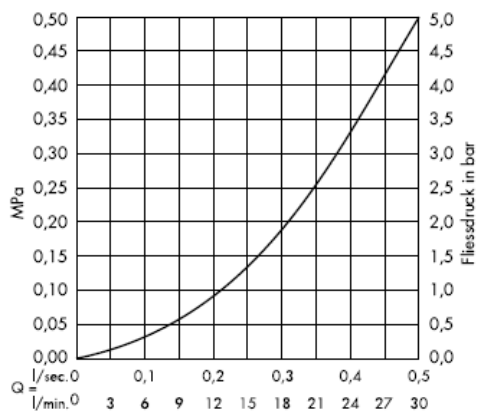
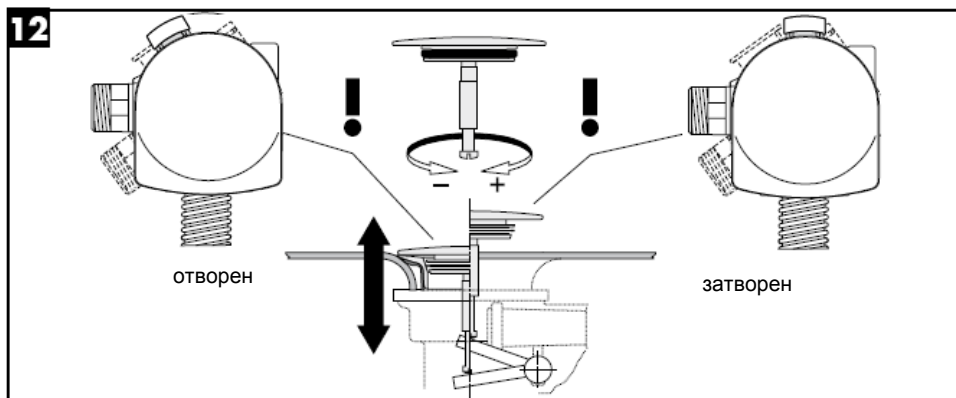
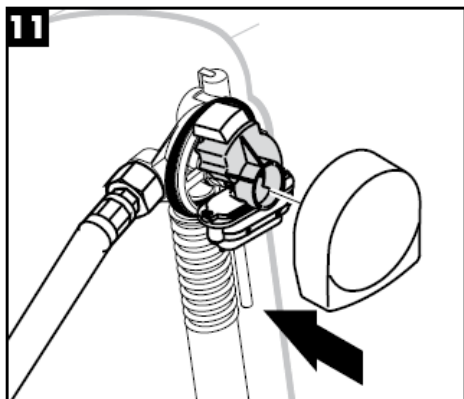


58117XXX





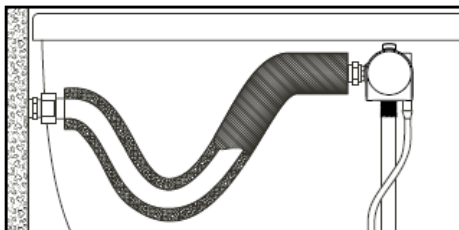




(1 МПа = 10 bar = 147 PSI)

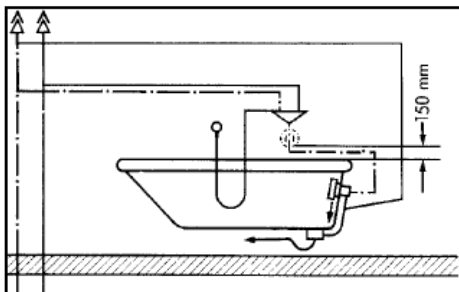
Свързване с гъвкав маркуч. Ном. № 58191000

След монтажа на гарнитурата инсталацията трябва да се промие съгласно DIN 1988.



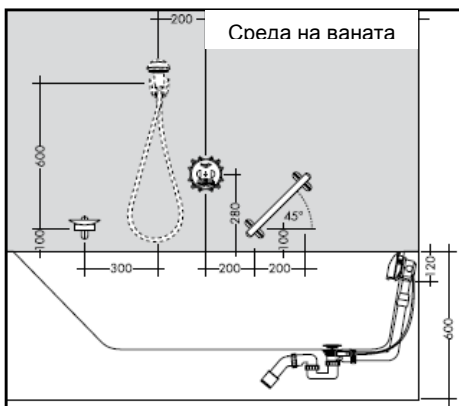
Инсталация по DIN 1988

При монтажа на арматурата със скрита инсталация обърнете внимание на това, тръбният прекъсвач (DB) да се намира мин. 150 мм над ръба на стената. (вижте съседната скица)



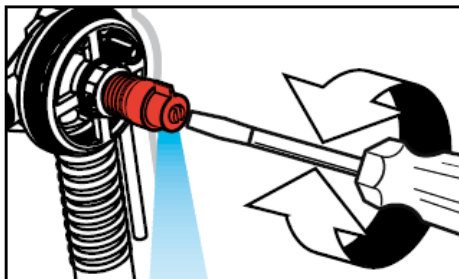
Инсталация по EN 1717

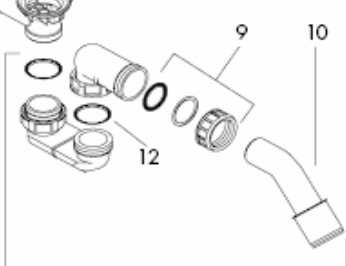
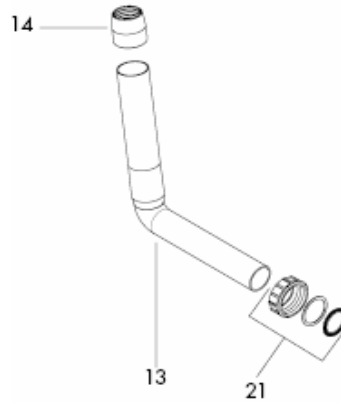
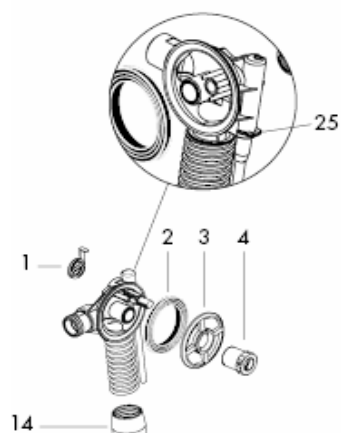
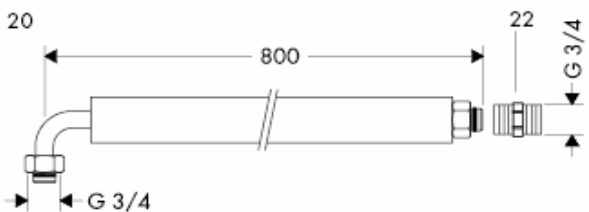
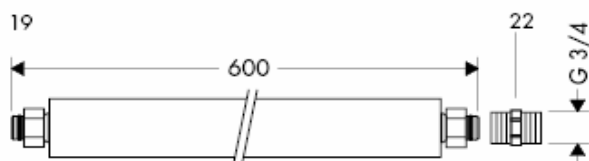
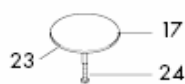
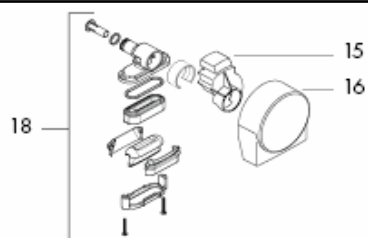
При монтажа на iBox universal с интегриран комплект предпазители (HD) обърнете внимание на това, средата на арматурата да се намира мин. 280 мм над ръба на стената.



Използвайте пробния входящ накрайник

- 1 Пробно пълнене на ваната.
- 2 Промиване на тръбопроводите
- 3 Проверка на налягането на водопровода между смесителя и пробното захранване





Сервизни части вижте стр. 8

| | | | |
|----|--------------------------|----------|---------------------------|
| 1 | Покритие | 97580000 | XXX = Oznake boja |
| 2 | Формовъчен пръстен | 96331000 | |
| 3 | Закрепващ пръстен | 97579000 | 000 hrom |
| 4 | Затегателен болт | 97573000 | 090 dezen hrom/zlatna |
| 5 | Пробка | 97577000 | 450 bela |
| 6 | Кух болт | 94301000 | 800 dezen plemeniti čelik |
| 7 | Тарелка на клапана | 97581000 | 810 satinox |
| 8 | Тройно уплътнение | 96093000 | 820 brushed nickel |
| 9 | Холендрова гайка | 96332000 | 830 polished nickel |
| 10 | Изходящо колело | 96221000 | 880 zagasita |
| 11 | Сифон комплект | 56373000 | |
| 12 | Плоско уплътнение | 98075000 | |
| 13 | Тръбно коляно | 64173000 | |
| 14 | Маншет | 97578000 | |
| 15 | Шибри компл. | 97574XXX | |
| 16 | Покритие за Exafill Plus | 97575XXX | |
| 17 | Пробка голяма | 96153XXX | |
| 18 | Изводно тяло комплект | 97576000 | |
| 19 | Свързващ маркуч | 58191000 | |
| 20 | Свързващ маркуч | 58192000 | |
| 21 | Холендрова гайка | 95094000 | |
| 22 | Свързващ нипел | 96143000 | |
| 23 | О-образен пръстен | 98066000 | |
| 24 | Болт с цилиндрична глава | 97658000 | |
| 25 | Скоба | 97749000 | |
| 26 | Монтажни ключове компл. | 58085000 | |

Контролен знак

| | DVGW | P-IX | SVGW | ACS | NF | WRAS | KIWA |
|----------|------|------|------|-----|----|------|------|
| 58113000 | X | | X | | X | X | X |
| 58115180 | X | | X | | X | X | X |
| 58116180 | X | | X | | X | X | X |
| 58117XXX | X | | X | | X | X | X |

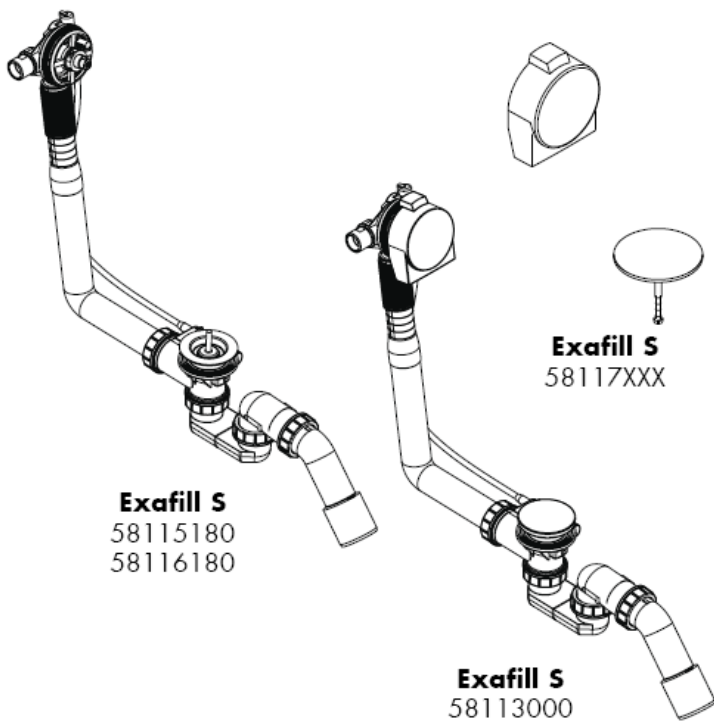


hansgrohe

Hansgrohe · Postfach 1145 · D-77761 Schiltach · Telefon +49 (0) 78 36/51-1282 · Telefax +49 (0) 7836/511440
E-Mail: info@hansgrohe.com · Internet: www.hansgrohe.com

04/2010
9 09689 03
БЪЛГАРСКИ

Udhëzime rreth montimit



hansgrohe

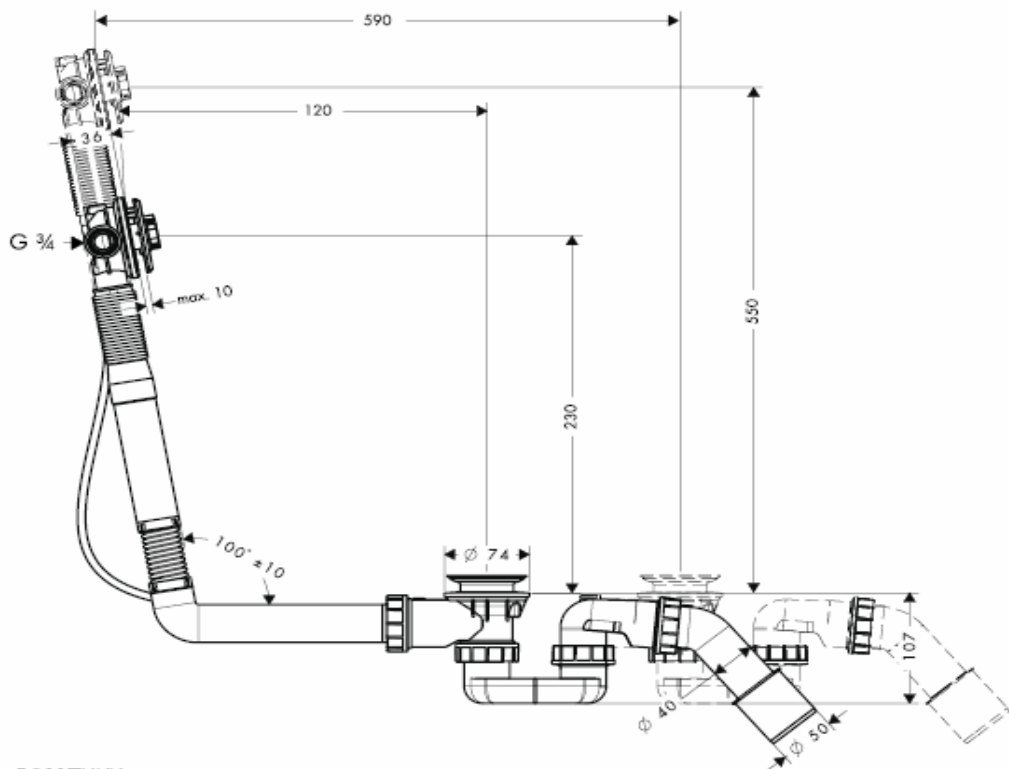
58113000



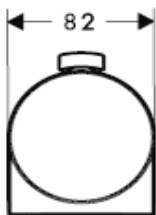
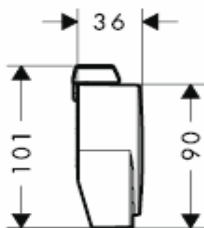
58115180

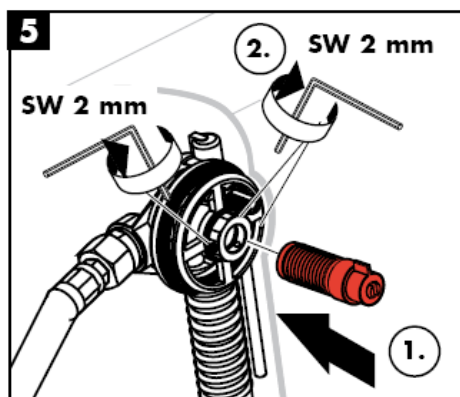
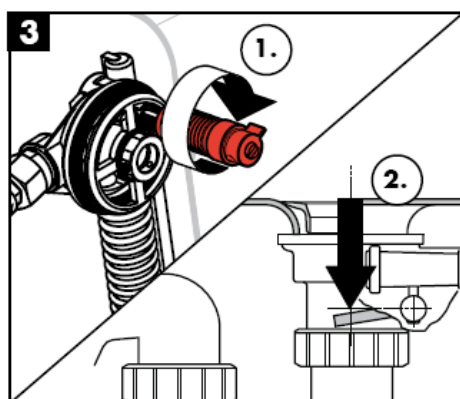
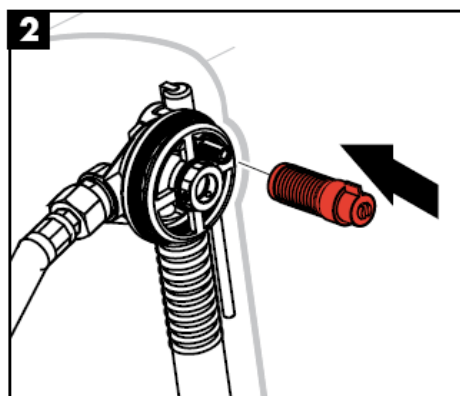


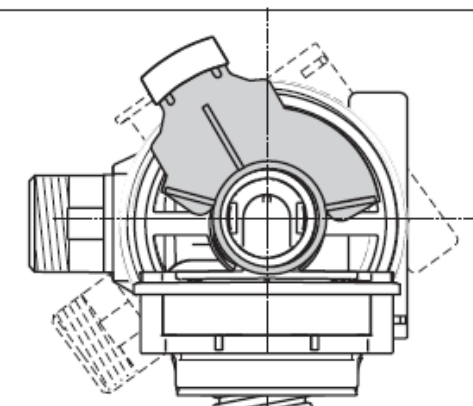
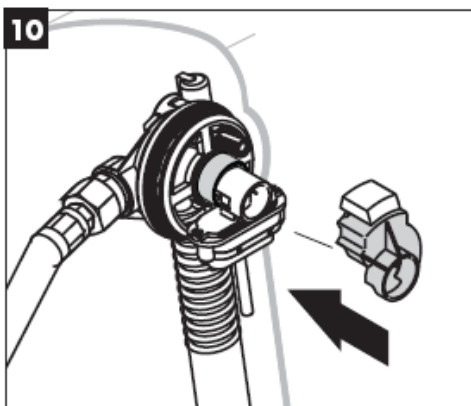
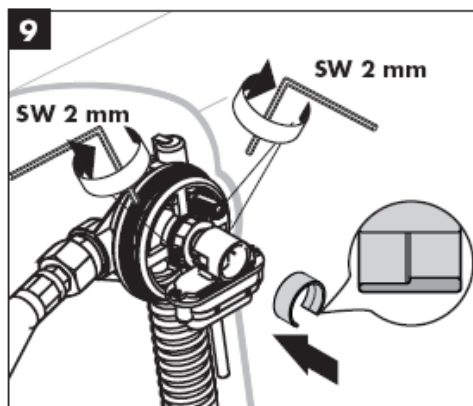
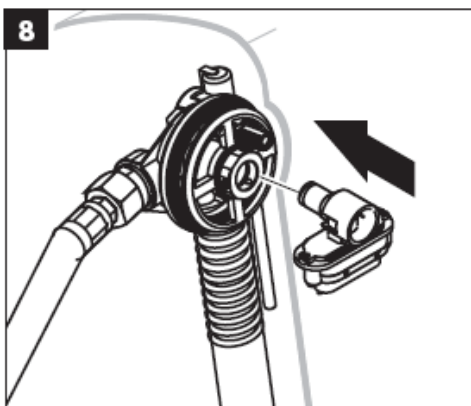
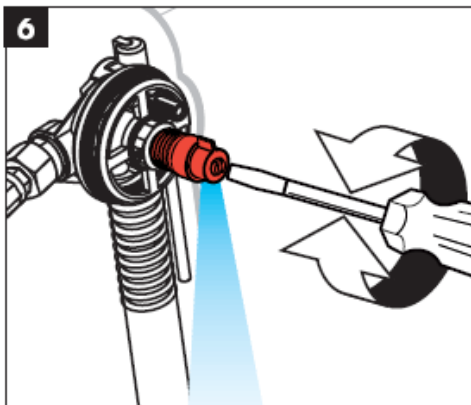
58116180

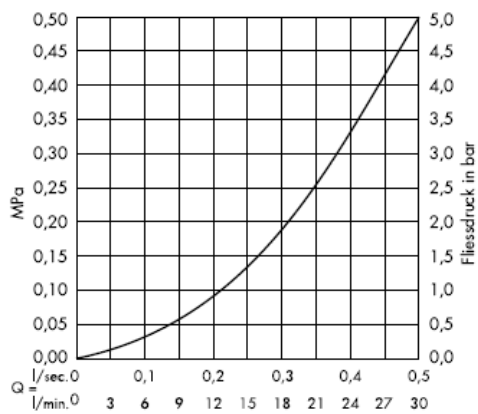
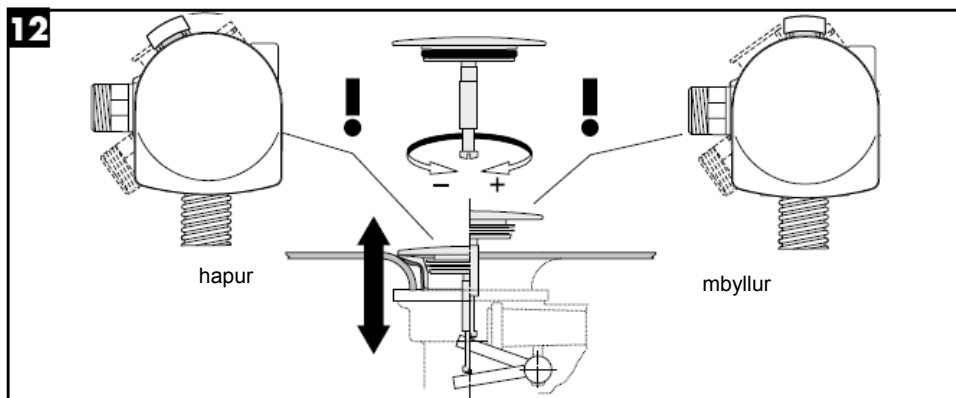
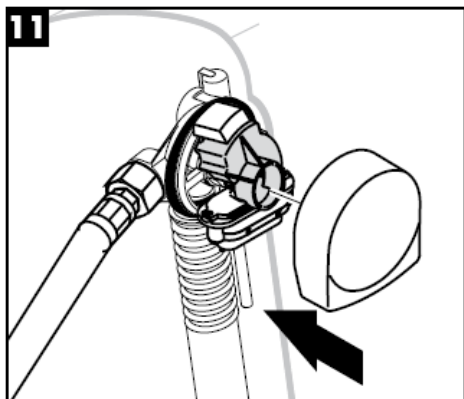


58117XXX





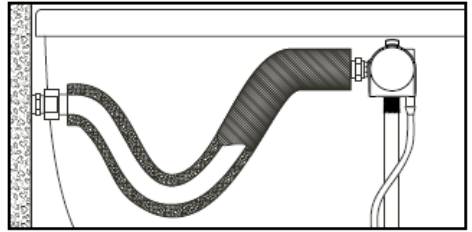




(1 MPa = 10 bar = 147 PSI)

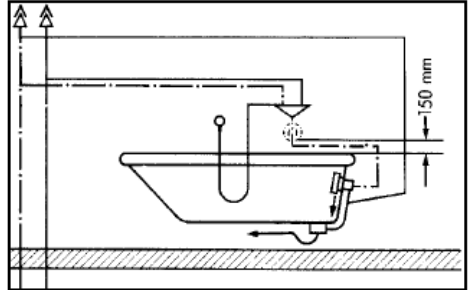
Lidhje me tuba të lakueshëm. Art. Nr. 58191000

Pas montimit të garniturës duhet shpëlarë e gjithë pajisja në bazë të DIN 1988.



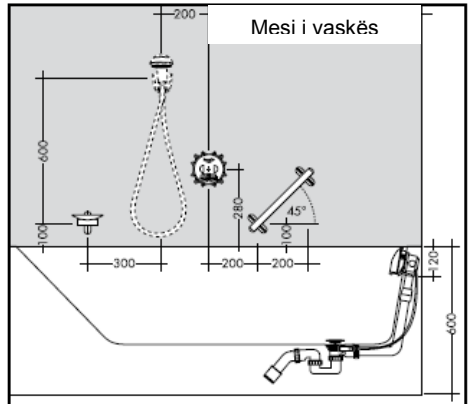
Instalimi sipas normave DIN 1988

Gjatë montimit të armaturës në shtresën e poshtme të suvajës duhet pasur parasysh që ndërprerësi i tubit (DB) të qëndrojë min. 150 mm mbi buzën e vaskës. (shih skicën e bashkëngjitur).



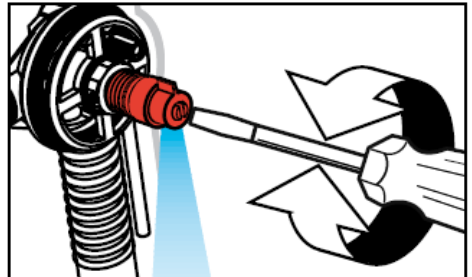
Instalimi sipas normave EN 1717

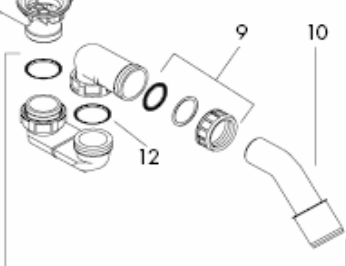
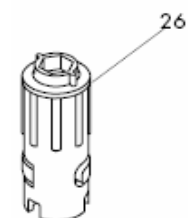
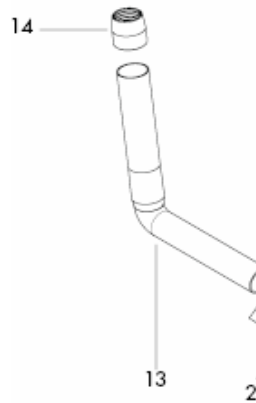
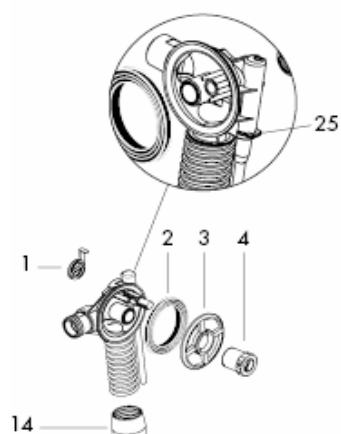
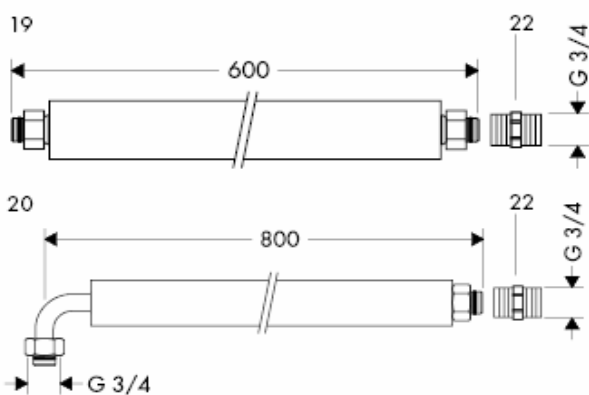
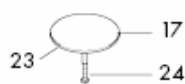
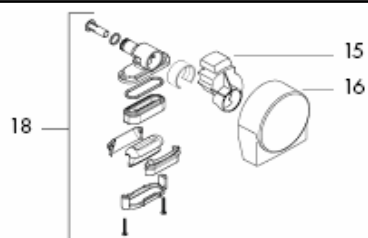
Gjatë montimit të iBox universale me kombinim të masave të integruara të sigurisë (HD) duhet pasur parasysh që mesi i armaturës të qëndrojë min. 280 mm mbi buzën e vaskës.



Përdorimi i hyrjes së ujit për provë

- 1 Mbushje për provë e vaskës.
- 2 Shpëlarja e lidhjeve
- 3 Kontrolli i presionit të lidhjes mes rubinetit me ujë të përzier dhe hyrjes së ujit për provë





Pjesët e servisit shih faqen 8

| | | | |
|----|---------------------------------|----------|---------------------------|
| 1 | Mbulesa | 97580000 | XXX = Oznake boja |
| 2 | Unaza formuese | 96331000 | |
| 3 | Unaza mbërthyesë | 97579000 | 000 hrom |
| 4 | Vida tendosëse | 97573000 | 090 dezen hrom/zlatna |
| 5 | Tapë | 97577000 | 450 bela |
| 6 | Vidha e zgavruar | 94301000 | 800 dezen plemeniti çelik |
| 7 | Pjata ventiluese | 97581000 | 810 satinox |
| 8 | Shtupa trefishore | 96093000 | 820 brushed nickel |
| 9 | Dadoja e madhe | 96332000 | 830 polished nickel |
| 10 | Harku i daljes | 96221000 | 880 zagasita |
| 11 | Sifoni komplet | 56373000 | |
| 12 | Shtupa e rrafshët | 98075000 | |
| 13 | Harku i gypit | 64173000 | |
| 14 | Mansheta | 97578000 | |
| 15 | Llozi komplet | 97574XXX | |
| 16 | Mbulesa për Exafill Plus | 97575XXX | |
| 17 | Tapa e madhe | 96153XXX | |
| 18 | Trupi i daljes, komplet | 97576000 | |
| 19 | Zorra e lidhjes | 58191000 | |
| 20 | Zorra e lidhjes | 58192000 | |
| 21 | Dadoja e madhe | 95094000 | |
| 22 | Tubi bashkues i lidhjes | 96143000 | |
| 23 | Unazë O | 98066000 | |
| 24 | Vidha e cilindrit | 97658000 | |
| 25 | Kllapë | 97749000 | |
| 26 | Kompleti i çelësave të montimit | 58085000 | |

Shenja e kontrollit

| | DVGW | P-IX | SVGW | ACS | NF | WRAS | KIWA |
|----------|------|------|------|-----|----|------|------|
| 58113000 | X | | X | | X | X | X |
| 58115180 | X | | X | | X | X | X |
| 58116180 | X | | X | | X | X | X |
| 58117XXX | X | | X | | X | X | X |



hansgrohe

Hansgrohe · Postfach 1145 · D-77761 Schiltach · Telefon +49 (0) 78 36/51-1282 · Telefax +49 (0) 7836/511440
E-Mail: info@hansgrohe.com · Internet: www.hansgrohe.com

04/2010
9 09699 03
Shqipëri